



# PARTS CATALOGUE

**YFM7FGPY** (43P2) CANADA

**YFM7FGPY** (43P3) EUROPE

**YFM7FGPY** (43P4) OCEANIA

**YFM700G** (43P1) JAPAN



2009/5/20

1H43P-100E1

( )

NEWS NO.	DATE	COMMENT
PE0-MC-090023	Apr.,28,2009	FIG.16 TRANSMISSION LIST/ILLUST. REVISION

YFM7FGPY/YFM700G  
PARTS CATALOGUE  
©2008 by Yamaha Motor Co., Ltd.  
1st edition, June 2008  
All rights reserved.  
Any reprinting or unauthorized use  
without the written permission of  
Yamaha Motor Co., Ltd.  
is expressly prohibited.  
Printed in Japan.

# FOREWORD

This Parts Catalogue is related to the parts for the model(s) on the cover page. When you are ordering replacement parts, please refer to this Parts Catalogue and quote both part numbers and part names correctly.

1. Modifications or additions which have been made after the issue of the Parts Catalogue will be announced in the Parts News.

It is advisable that you make the necessary corrections to the Parts Catalogue according to the Parts News.

2. Abbreviations

The following abbreviations are used in this Parts Catalogue.

“UR” Use specified parts number.

“UN” Use as many as needed.

“AP” Alternate Parts

“LM” Locally Made (Parts need to be ordered locally)

“F#” Frame No. (Applicable machine No.)

“O/S” Over Size

3. The number of components for assembly

- Parts, which are to be supplied in an assembly, are listed with a dot (.) in front of the part name as shown below.
- The numeral appearing to the right of each component part indicates the quantity of parts for each assembly unit.

PART NO.	DESCRIPTION	Q'TY	REMARKS
2F5-83310-60	FRONT FLASHER LIGHT ASSY	2	
115-83311-60	.BULB (6V-18W)	1	

4. Applicable colours of graphics are represented in the “REMARKS” as shown below.

PART NO.	DESCRIPTION	Q'TY	REMARKS
2N4-24110-00-X5	FUEL TANK COMP.	2	MXR
3J1-24240-10	.GRAPHIC, FUEL TANK	1	FOR MXR

5. Note that the illustrations for reference in finding parts numbers are not to be used for assembling. When assembling, please use the applicable service manual.

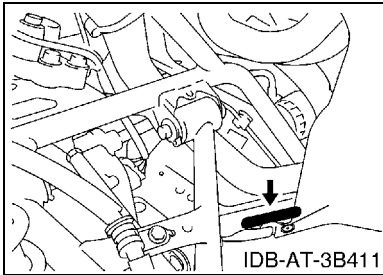
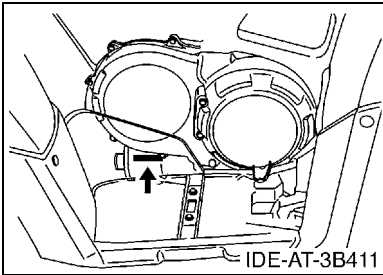
6. The asterisk (\*) before a reference number indicates modified items after the first edition.

# FOREWORD

7. Applicable Serial No.

Engine Serial No.

Frame Serial No.



8. Applicable Colour Code (The (\*) mark shows Model colour.)

Abbreviation	Colour Name	Colour Code
DPBSN(*)	DARK PURPLISH BLUE SOLID N	0891
PDG(*)	PASTEL DEEP GREEN	00K0
RTR(*)	ROMANTIQUE ROUGE	00TR
SMJ(*)	BLACK METALLIC J	0906

9. Quantity Column Information

Column No.	Name Of Q'ty Column	Destination
1	CAN	CANADA
2	EUR	EUROPE
3	OCE	OCEANIA
4	JPN	JAPAN



# CONTENTS

## ENGINE

CYLINDER HEAD .....	1
CYLINDER .....	2
CRANKSHAFT & PISTON .....	3
VALVE .....	5
CAMSHAFT & CHAIN .....	6
WATER PUMP .....	7
RADIATOR & HOSE .....	8
OIL PUMP .....	9
INTAKE .....	10
THROTTLE BODY ASSY 1 .....	11
EXHAUST .....	12
CRANKCASE .....	14
CRANKCASE COVER 1 .....	15
STARTER CLUTCH .....	17
CLUTCH .....	18
TRANSMISSION .....	20
MIDDLE DRIVE GEAR .....	22
SHIFT CAM & FORK .....	24
SHIFT SHAFT .....	26

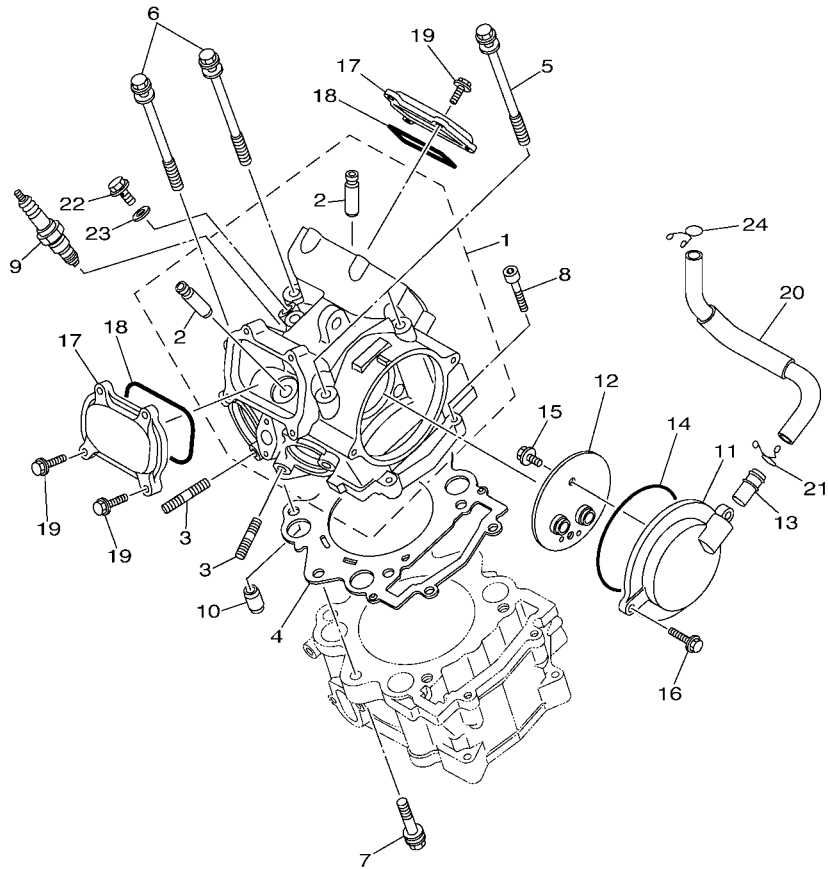
## CHASSIS

FRAME .....	28
FRONT FENDER .....	30
REAR FENDER .....	34
SIDE COVER .....	35
REAR ARM .....	37
REAR SUSPENSION .....	39
DRIVE SHAFT .....	40
FRONT DIFFERENTIAL .....	43
STEERING .....	45
FRONT SUSPENSION & WHEEL .....	47
FUEL TANK .....	49
SEAT .....	51
FRONT WHEEL .....	52
FRONT WHEEL 2 .....	54
FRONT BRAKE CALIPER .....	56
REAR WHEEL .....	58
REAR WHEEL 2 .....	60
REAR BRAKE CALIPER .....	62
STEERING HANDLE & CABLE .....	64
FRONT MASTER CYLINDER .....	66

REAR MASTER CYLINDER .....	67
STAND & FOOTREST .....	69
GUARD .....	70
GENERATOR .....	71
STARTING MOTOR .....	72
METER .....	73
HEADLIGHT .....	74
TAILLIGHT .....	75
TAILLIGHT 2 .....	76
ELECTRICAL 1 .....	77
ELECTRICAL 2 .....	80
GRAPHICS .....	81
EMBLEM & LABEL 1 .....	82
EMBLEM & LABEL 2 .....	84
EMBLEM & LABEL 3 .....	85
EMBLEM & LABEL 4 .....	86

## INDEX

NUMERICAL INDEX .....	87
-----------------------	----



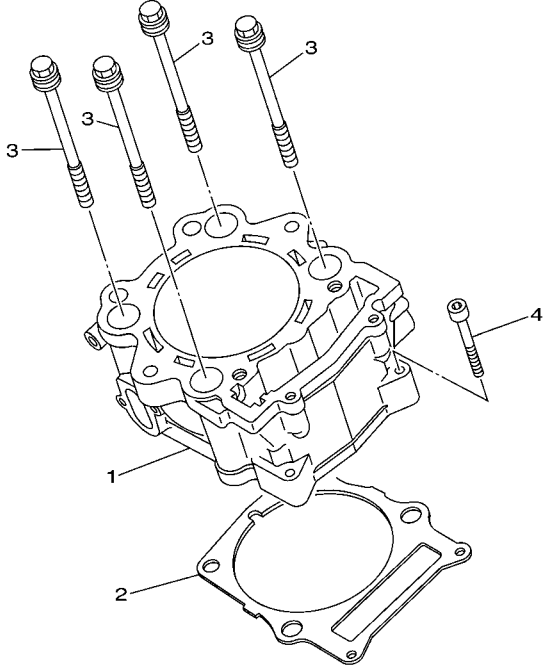
  
 3B49100-G010

**FIG. 1 CYLINDER HEAD**

REF. NO.	PART NO.	DESCRIPTION	CAN	EUR	OC	JPN	REMARKS
1	16B-11102-00	CYLINDER HEAD ASSY	1	1	1	1	
2	4G0-11133-11	.GUIDE, VALVE 1	4	4	4	4	
3	95612-08625	BOLT, STUD	4	4	4	4	
4	3B4-11181-00	GASKET, CYLINDER HEAD 1	1	1	1	1	
5	90109-09003	BOLT	2	2	2	2	
6	90109-09002	BOLT	2	2	2	2	
7	90109-09005	BOLT	2	2	2	2	
8	91312-06030	BOLT	2	2	2	2	
9	94701-00423	PLUG, SPARK (NGK LMAR6A-9)	1	1	1		
	94703-00423	PLUG, SPARK (NGK LMAR6A-9)				1	
10	93612-16254	PIN, DOWEL	2	2	2	2	
11	3B4-11185-00	COVER, CYLINDER HEAD SIDE 1	1	1	1	1	
12	3B4-11165-00	PLATE, BREATHER	1	1	1	1	
13	371-11167-01	PIPE, BREATHER 2	1	1	1	1	
14	93210-96601	O-RING	1	1	1	1	
15	95022-06012	BOLT, FLANGE	2	2	2	2	
16	95022-06020	BOLT, FLANGE	2	2	2	2	
17	1S3-11186-00	COVER, CYLINDER HEAD SIDE 2	2	2	2	2	
18	93210-78544	O-RING	2	2	2	2	
19	95022-06020	BOLT, FLANGE	8	8	8	8	
20	3B4-11166-01	PIPE, BREATHER 1	1	1	1	1	
21	90467-140A4	CLIP	1	1	1	1	
22	90401-08004	BOLT, UNION	1	1	1	1	
23	90430-08119	GASKET	1	1	1	1	
24	90467-150A2	CLIP	1	1	1	1	

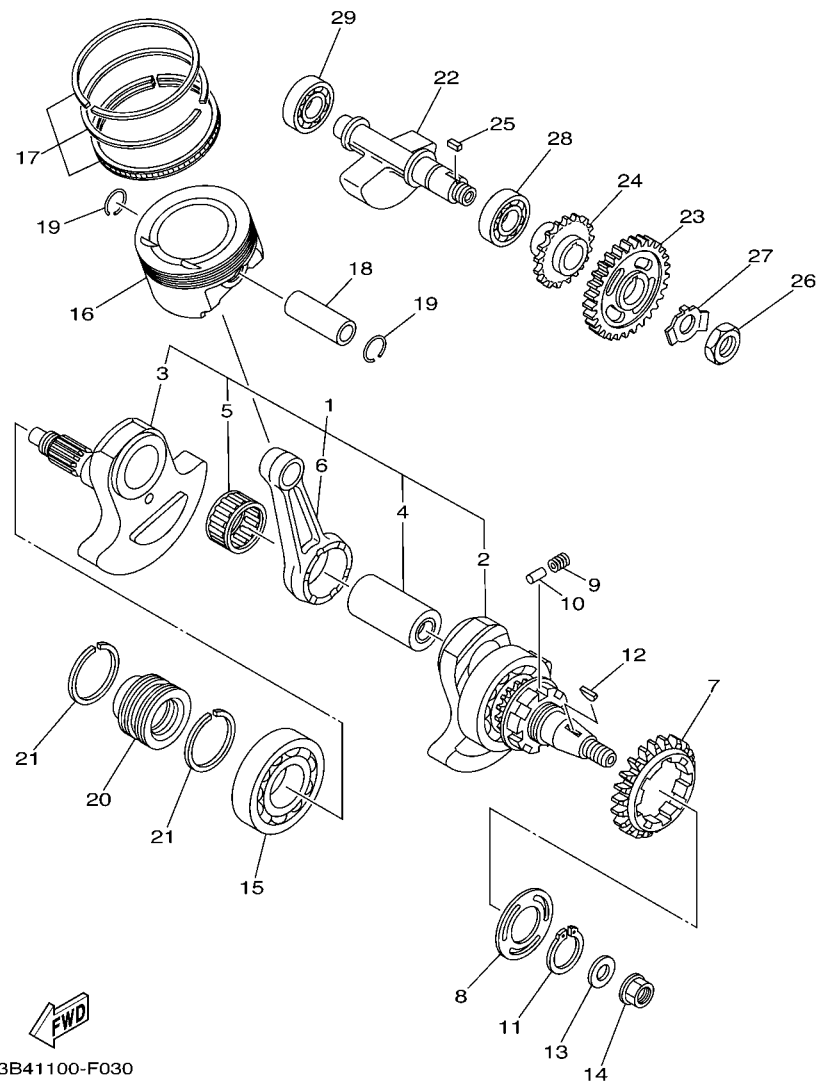
FIG. 2 CYLINDER

REF. NO.	PART NO.	DESCRIPTION	CAN	EUR	OCE	JPN	REMARKS
1	3B4-11311-10	CYLINDER 1	1	1	1	1	
2	1S3-11351-00	GASKET, CYLINDER	1	1	1	1	
3	90119-10023	BOLT, WITH WASHER	4	4	4	4	
4	91312-06040	BOLT	2	2	2	2	
-----							
-----							
-----							
-----							
-----							
-----							
-----							
-----							
-----							
-----							



  
 3B41100-F020



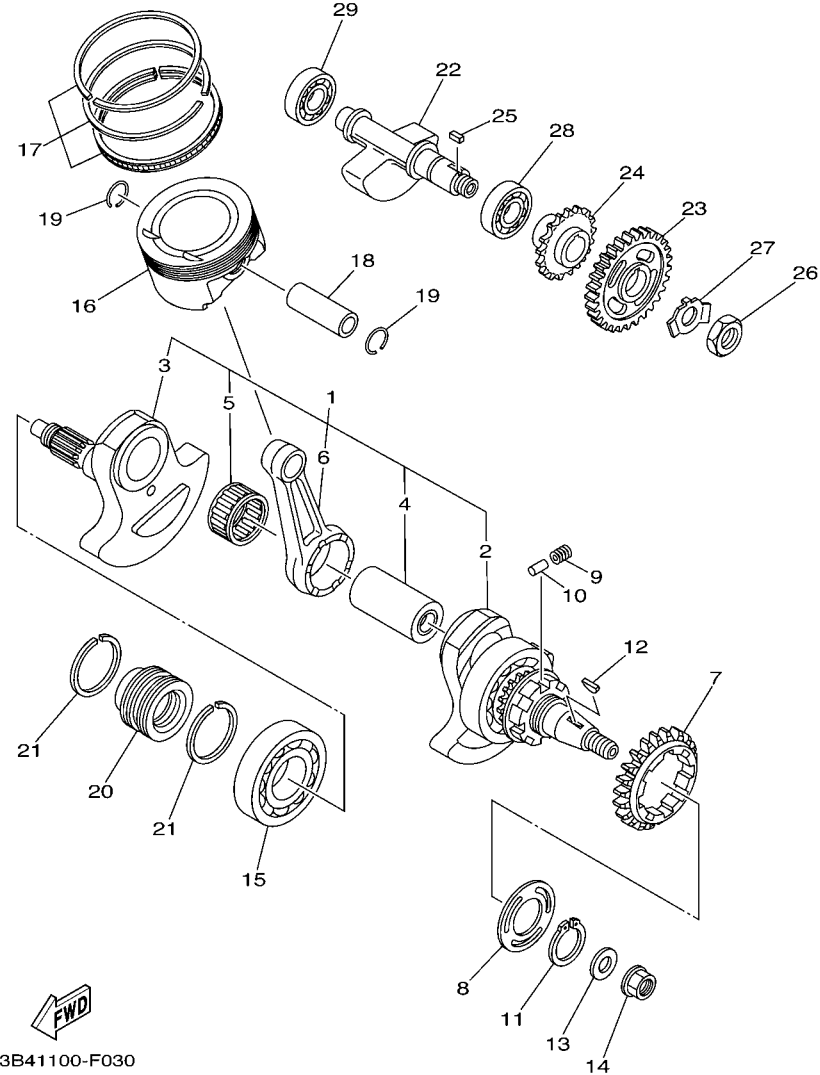


3B41100-F030

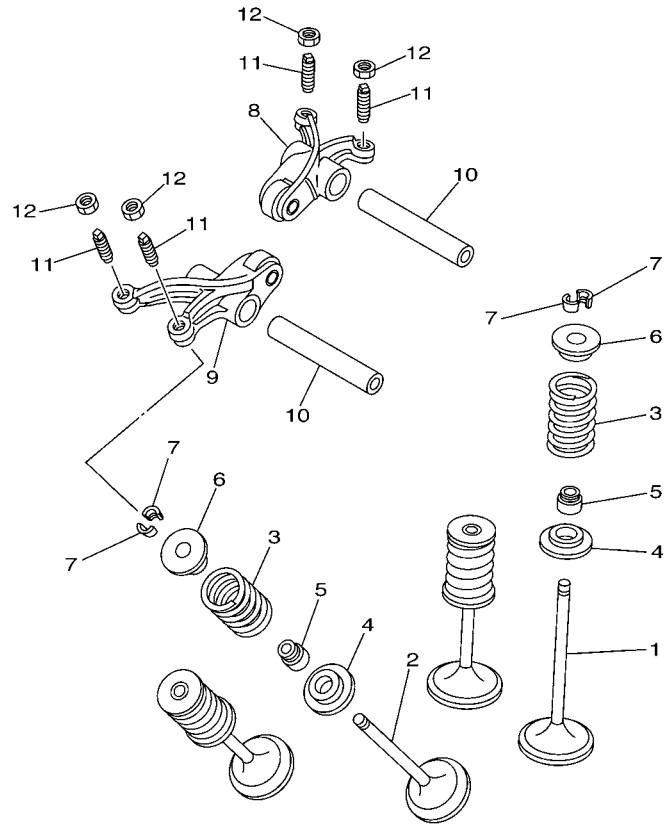
FIG. 3 CRANKSHAFT & PISTON

REF. NO.	PART NO.	DESCRIPTION	CAN	EUR	OC	JPN	REMARKS
1	3B4-11400-00	CRANKSHAFT ASSY	1	1	1	1	
2	3B4-11401-09	.CRANK SUB ASSY 1	1	1	1	1	
3	3B4-11402-09	.CRANK SUB ASSY 2	1	1	1	1	
4	1S3-11681-00	.PIN, CRANK 1	1	1	1	1	
5	93310-84017	.BEARING	1	1	1	1	
6	1S3-11651-00	.ROD, CONNECTING	1	1	1	1	
7	5KM-11536-10	GEAR, DRIVE (46T)	1	1	1	1	
8	5KM-11565-00	WASHER, BEARING COVER	1	1	1	1	
9	90501-220A1	SPRING, COMPRESSION	8	8	8	8	
10	93606-09002	PIN, DOWEL	4	4	4	4	
11	99009-35400	CIRCLIP	1	1	1	1	
12	90280-05001	KEY, WOODRUFF	1	1	1	1	
13	90201-16013	WASHER, PLATE	1	1	1	1	
14	90179-16004	NUT	1	1	1	1	
15	93306-30810	BEARING	1	1	1	1	
16	1S3-11631-10	PISTON (STD)	1	1	1	1	
17	1S3-11603-10	PISTON RING SET (STD)	1	1	1	1	
18	5VK-11633-00	PIN, PISTON	1	1	1	1	
19	93450-24154	CIRCLIP	2	2	2	2	
20	3B4-16181-00	SPACER 1	1	1	1	1	
21	3B4-11447-00	SEAL, CRANK	2	2	2	2	
22	3B4-11454-00	WEIGHT 1	1	1	1	1	
23	3B4-11531-00	GEAR, BALANCE WEIGHT	1	1	1	1	
24	3B4-13354-00	SPROCKET, DRIVE	1	1	1	1	
25	90282-05007	KEY, STRAIGHT	1	1	1	1	
26	90170-18003	NUT	1	1	1	1	
27	90215-18001	WASHER, LOCK	1	1	1	1	

**FIG. 3 CRANKSHAFT & PISTON**



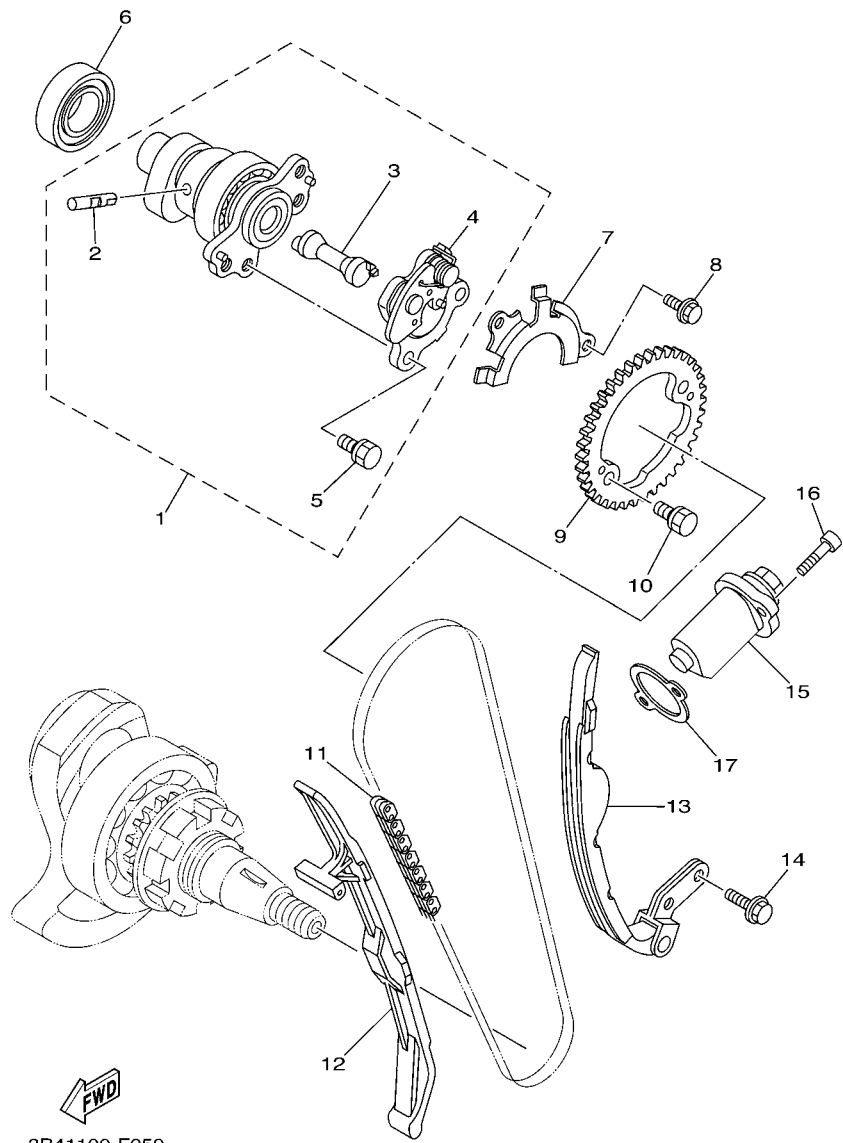
REF. NO.	PART NO.	DESCRIPTION	CAN	EUR	OCE	JPN	REMARKS
28	93306-30534	BEARING	1	1	1	1	
29	93306-30438	BEARING	1	1	1	1	
-----							
-----							
-----							
-----							
-----							
-----							
-----							
-----							



**FIG. 4 VALVE**

REF. NO.	PART NO.	DESCRIPTION	CAN	EUR	OCE	JPN	REMARKS
1	5VK-12111-00	VALVE, INTAKE	2	2	2	2	
2	5VK-12121-00	VALVE, EXHAUST	2	2	2	2	
3	5VK-12113-00	SPRING, VALVE INNER	4	4	4	4	
4	3YF-12116-00	SEAT, VALVE SPRING	4	4	4	4	
5	5H0-12119-00	SEAL, VALVE STEM	4	4	4	4	
6	3YF-12117-01	RETAINER, VALVE SPRING	4	4	4	4	
7	4G0-12118-00	COTTER, VALVE	8	8	8	8	
8	5VK-12151-00	ARM, VALVE ROCKER	1	1	1	1	
9	5VK-12161-00	ARM, VALVE ROCKER 2	1	1	1	1	
10	5VK-12146-00	SHAFT, ROCKER	2	2	2	2	
11	5XT-12159-00	SCREW, VALVE ADJUSTING	4	4	4	4	
12	90170-06128	NUT	4	4	4	4	

  
1S31100-E040



**FIG. 5 CAMSHAFT & CHAIN**

REF. NO.	PART NO.	DESCRIPTION	CAN	EUR	OCE	JPN	REMARKS
1	3B4-12170-01	CAMSHAFT ASSY 1	1	1	1	1	
2	5VK-12284-00	.PIN, DECOMPRESSION LEVER	1	1	1	1	
3	1S3-12290-00	.LEVER, DECOMPRESSION SPRING	1	1	1	1	
4	1S3-12280-01	.DECOMPRESSION ASSY	1	1	1	1	
5	90105-07004	.BOLT, FLANGE	2	2	2	2	
6	93306-07209	BEARING	1	1	1	1	
7	5VK-1111F-00	PLATE	1	1	1	1	
8	90105-06078	BOLT, FLANGE	2	2	2	2	
9	1S3-12176-00	SPROCKET, CAM CHAIN	1	1	1	1	
10	90105-07004	BOLT, FLANGE	2	2	2	2	
11	94591-57126	CHAIN (98XRH2010-126M)	1	1	1	1	
12	3B4-12231-01	GUIDE, STOPPER 1	1	1	1	1	
13	3B4-12241-00	GUIDE, STOPPER 2	1	1	1	1	
14	90105-06082	BOLT, FLANGE	2	2	2	2	
15	3TB-12210-00	TENSIONER ASSY, CAM CHAIN	1	1	1	1	
16	91312-06025	BOLT	2	2	2	2	
17	4DW-12213-00	GASKET, TENSIONER CASE	1	1	1	1	

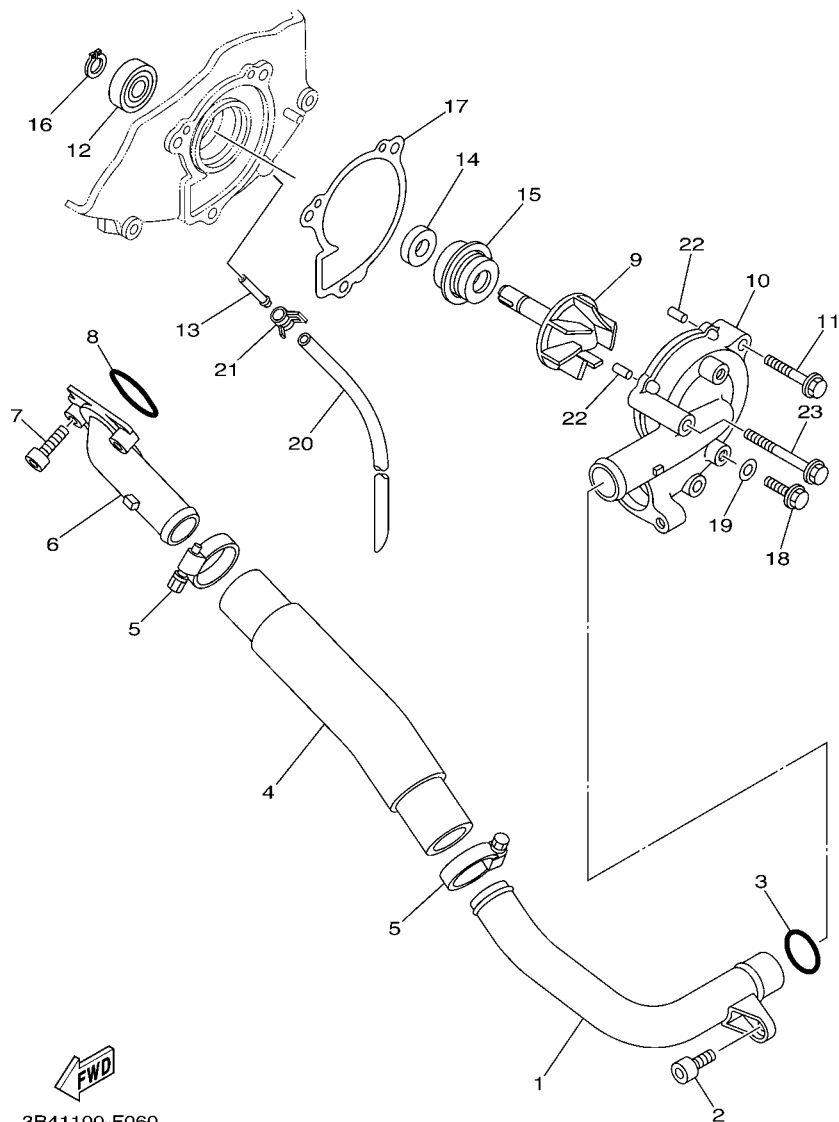
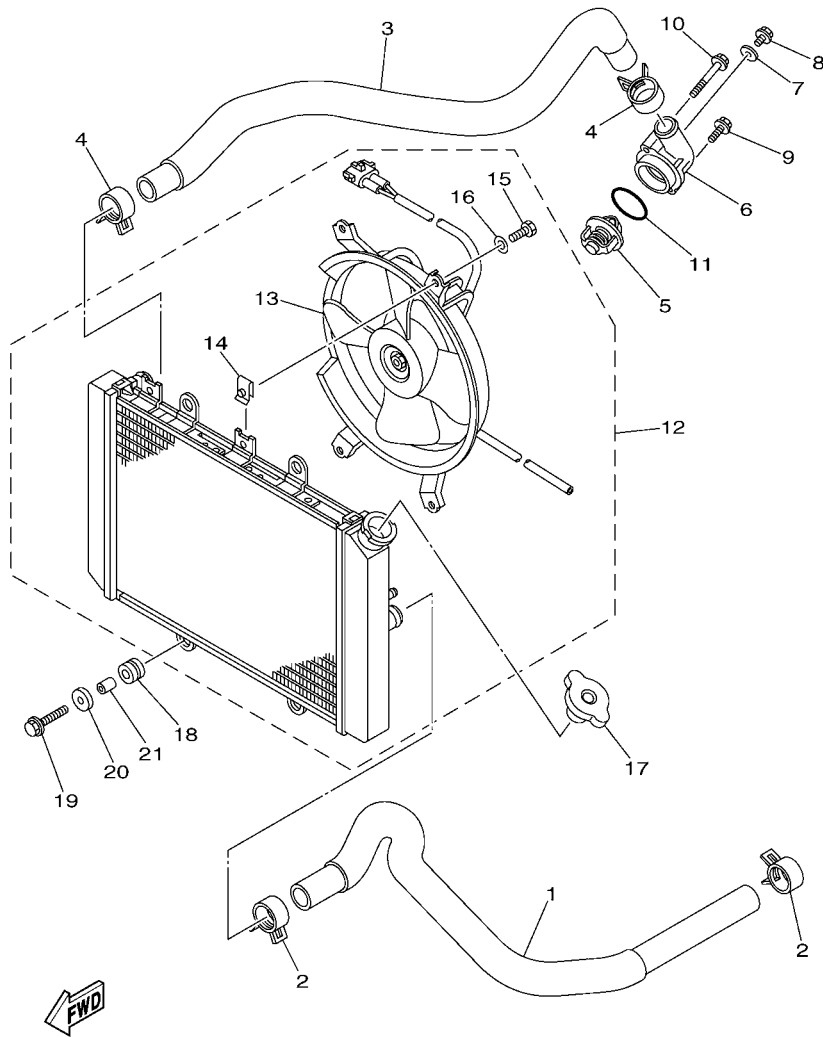


FIG. 6 WATER PUMP

REF. NO.	PART NO.	DESCRIPTION	CAN	EUR	OC	JPN	REMARKS
1	3B4-12481-00	PIPE 1	1	1	1	1	
2	91312-06012	BOLT	1	1	1	1	
3	93210-21190	O-RING	1	1	1	1	
4	3B4-12577-00	HOSE 2	1	1	1	1	
5	90450-32015	HOSE CLAMP ASSY	2	2	2	2	
6	5KM-12469-00	JOINT 1	1	1	1	1	
7	91312-06020	BOLT	2	2	2	2	
8	93210-33786	O-RING	1	1	1	1	
9	3B4-12450-00	IMPELLER SHAFT ASSY	1	1	1	1	
10	3B4-12422-00	COVER, HOUSING	1	1	1	1	
11	95022-06030	BOLT, FLANGE	1	1	1	1	
12	93306-00006	BEARING	1	1	1	1	
13	5D3-1243K-00	PIPE, DRAIN	1	1	1	1	
14	93101-10090	OIL SEAL	1	1	1	1	
15	11H-12438-10	SEAL, MECHANICAL	1	1	1	1	
16	99009-10400	CIRCLIP	1	1	1	1	
17	3B4-12428-00	GASKET, HOUSING COVER 2	1	1	1	1	
18	95022-06010	BOLT, FLANGE	2	2	2	2	
19	90430-06014	GASKET	2	2	2	2	
20	90445-07340	HOSE (L310)	1	1	1	1	
21	90467-07093	CLIP	1	1	1	1	
22	93604-10011	PIN, DOWEL	2	2	2	2	
23	95022-06050	BOLT, FLANGE	1	1	1	1	



28P1100-H070

FIG. 7 RADIATOR & HOSE

REF. NO.	PART NO.	DESCRIPTION	CAN	EUR	OC	JPN	REMARKS
1	3B4-12576-00	HOSE 1	1	1	1	1	
2	90467-26189	CLIP	2	2	2	2	
3	3B4-12578-00	HOSE 3	1	1	1	1	
4	90467-26189	CLIP	2	2	2	2	
5	3B4-12411-00	THERMOSTAT	1	1	1	1	
6	1S3-12413-00	COVER, THERMOSTAT	1	1	1	1	
7	90430-06014	GASKET	1	1	1	1	
8	95022-06010	BOLT, FLANGE	1	1	1	1	
9	95022-06020	BOLT, FLANGE	1	1	1	1	
10	95022-06045	BOLT, FLANGE	1	1	1	1	
11	93210-41042	O-RING	1	1	1	1	
12	28P-1240A-00	RADIATOR ASSY	1	1	1	1	
13	28P-12405-00	.BLOWER ASSY	1	1	1	1	
14	1AA-12535-00	.PLATE	4	4	4	4	
15	97017-06010	.BOLT	4	4	4	4	
16	92907-06600	.WASHER, PLATE	4	4	4	4	
17	22W-12462-00	CAP, RADIATOR	1	1	1	1	
18	90480-15235	GROMMET	4	4	4	4	
19	95802-06020	BOLT, FLANGE	2	2	2	2	
20	90209-06012	WASHER	2	2	2	2	
21	90387-06113	COLLAR	2	2	2	2	

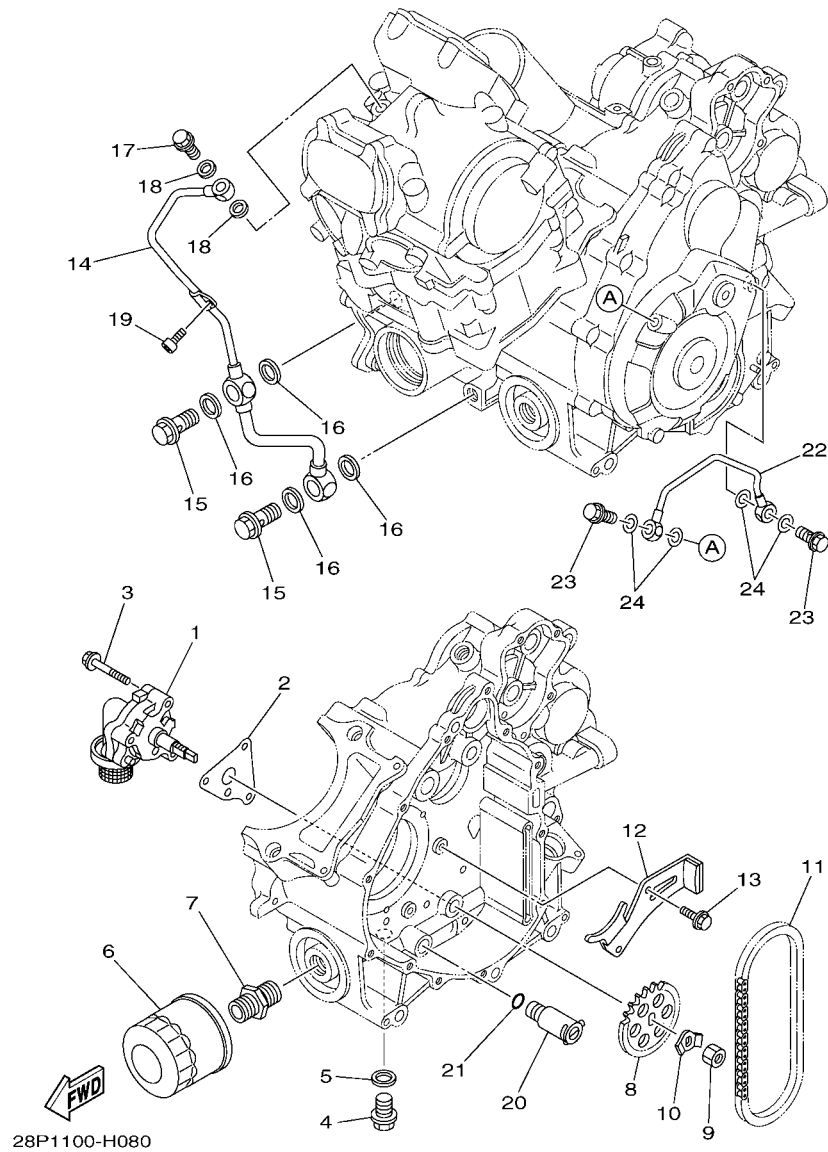
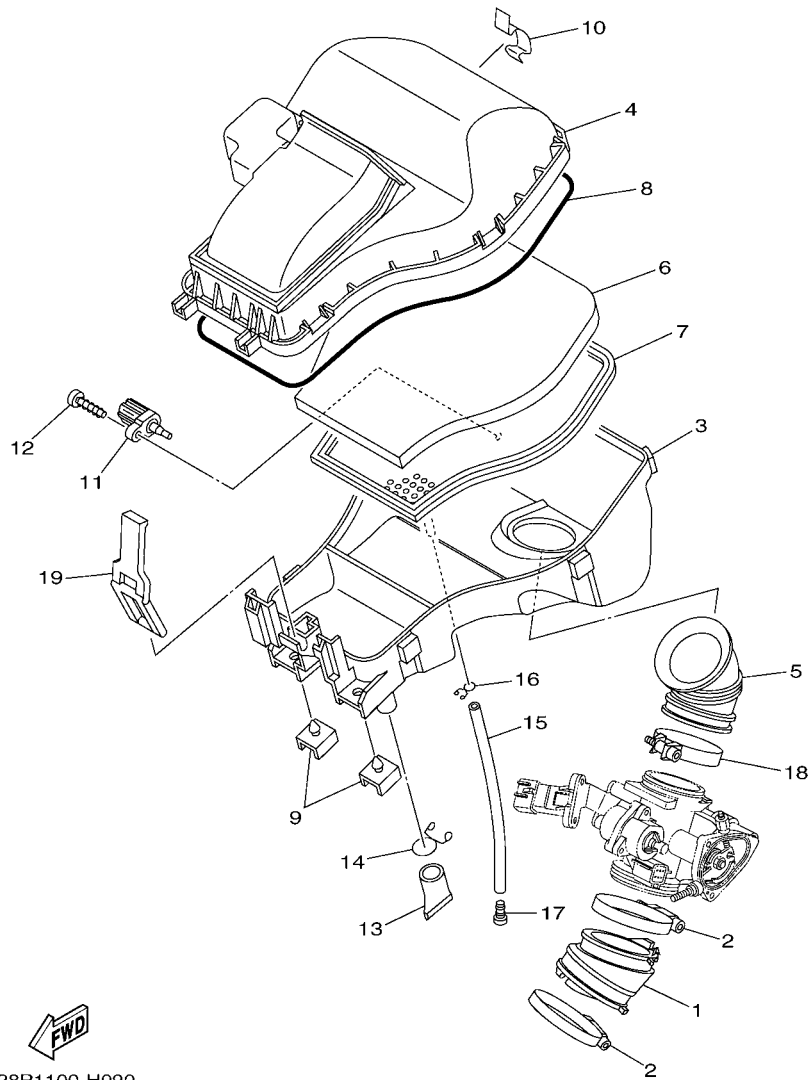


FIG. 8 OIL PUMP

REF. NO.	PART NO.	DESCRIPTION	CAN	EUR	OCE	JPN	REMARKS
1	3B4-13300-00	OIL PUMP ASSY	1	1	1	1	
2	3B4-13329-00	GASKET, PUMP COVER	1	1	1	1	
3	95022-06040	BOLT, FLANGE	3	3	3	3	
4	90340-14132	PLUG, STRAIGHT SCREW	1	1	1	1	
5	214-11198-01	GASKET	1	1	1	1	
6	5GH-13440-20	ELEMENT ASSY, OIL CLEANER	1	1	1	1	
7	90401-20003	BOLT, UNION	1	1	1	1	
8	3B4-13355-00	SPROCKET, DRIVEN	1	1	1	1	
9	95312-10600	NUT	1	1	1	1	
10	90215-10008	WASHER, LOCK	1	1	1	1	
11	94580-31074	CHAIN (DID 25HT)	1	1	1	1	
12	3B4-12221-00	GUIDE, STOPPER 3	1	1	1	1	
13	90105-06082	BOLT, FLANGE	2	2	2	2	
14	3B4-13171-00	PIPE, DELIVERY 2	1	1	1	1	
15	90401-14118	BOLT, UNION	2	2	2	2	
16	90430-14043	GASKET	4	4	4	4	
17	90401-10024	BOLT, UNION	1	1	1	1	
18	90430-10188	GASKET	2	2	2	2	
19	91312-06012	BOLT	1	1	1	1	
20	25G-13490-00	RELIEF VALVE ASSY	1	1	1	1	
21	93210-10096	O-RING	1	1	1	1	
22	28P-13161-00	PIPE, DELIVERY 1	1	1	1	1	
23	90401-08006	BOLT, UNION	2	2	2	2	
24	90430-08119	GASKET	4	4	4	4	



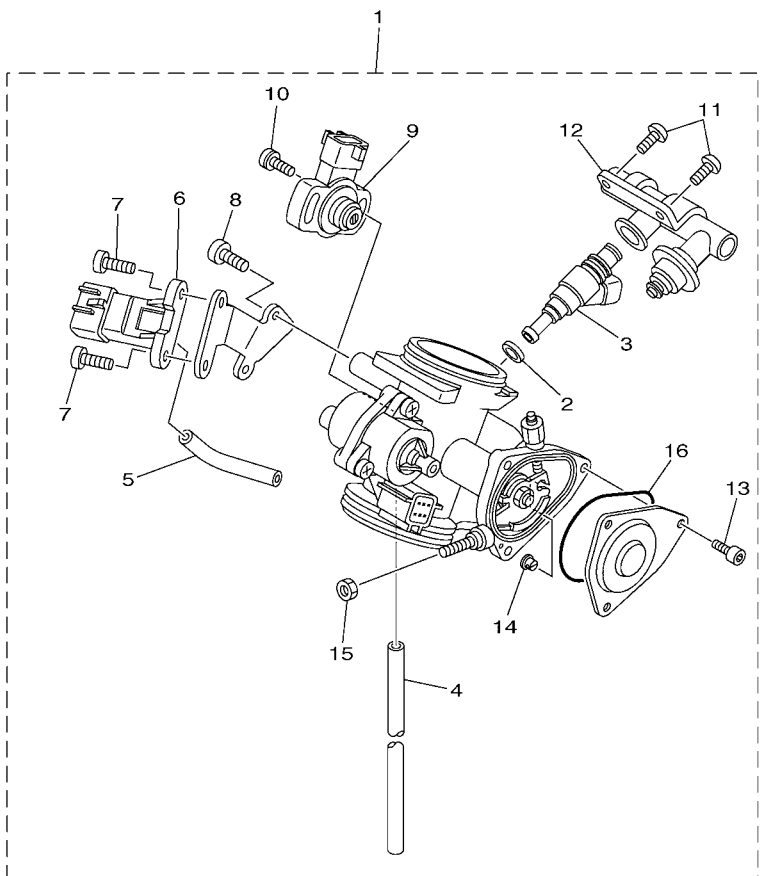
28P1100-H090

FIG. 9 INTAKE

REF. NO.	PART NO.	DESCRIPTION	CAN	EUR	OC	JPN	REMARKS
1	3B4-13586-00	JOINT, CARBURETOR 1	1	1	1	1	
2	90450-72004	HOSE CLAMP ASSY	2	2	2	2	
3	3B4-14411-20	CASE, AIR CLEANER 1	1	1	1	1	
4	3B4-14402-02	CAP ASSY, AIR CLEANER	1	1	1	1	
5	3B4-14453-00	JOINT, AIR CLEANER 1	1	1	1	1	
6	3B4-14451-00	ELEMENT, AIR CLEANER	1	1	1	1	
7	3B4-14472-00	PLATE, ELEMENT	1	1	1	1	
8	3B4-14457-00	SEAL	1	1	1	1	
9	3B4-14409-00	DAMPER	2	2	2	2	
10	3B4-14424-00	CLIP, CAP FITTING	6	6	6	6	
11	8FP-85886-00	SENSOR, AIR TEMPERATURE	1	1	1	1	
12	97702-50520	SCREW, TAPPING	1	1	1	1	
13	59V-14457-00	SEAL	1	1	1	1	
14	90467-220A1	CLIP	1	1	1	1	
15	91A20-07020	TUBE, FLEXIBLE VINYL (L200)	1	1	1	1	
16	90467-10041	CLIP	1	1	1	1	
17	90338-08174	PLUG	1	1	1	1	
18	90450-59006	HOSE CLAMP ASSY	1	1	1	1	
19	3B4-14455-00	BAND	1	1	1	1	



FIG. 10 THROTTLE BODY ASSY 1



REF. NO.	PART NO.	DESCRIPTION	CAN	EUR	OCE	JPN	REMARKS
1	43P-13750-00	THROTTLE BODY ASSY	1	1	1	1	
2	8FP-13556-00	.GASKET, MANIFOLD	1	1	1	1	
3	3B4-13761-00	.INJECTOR	1	1	1	1	
4	28P-13543-00	.HOSE, AIR	1	1	1	1	
5	5JW-14348-00	.PIPE 1	1	1	1	1	
6	1C7-82380-00	.SENSOR, PRESSURE	1	1	1	1	
7	92507-06010	.SCREW, PAN HEAD	2	2	2	2	
8	98507-05010	.SCREW, PAN HEAD	2	2	2	2	
9	3B4-85885-00	.THROTTLE SENSOR ASSY	1	1	1	1	
10	8CC-14216-10	.SCREW	2	2	2	2	
11	98507-06012	.SCREW, PAN HEAD	2	2	2	2	
12	3B4-13160-00	.DELIVERY PIPE ASSY 1	1	1	1	1	
13	91312-04006	.BOLT	3	3	3	3	
14	1UY-14155-00	.GUIDE, CABLE	1	1	1	1	
15	1S3-14161-00	.NUT, CABLE ADJUSTING	1	1	1	1	
16	5LP-14147-00	.O-RING	1	1	1	1	

  
43P1100-H100

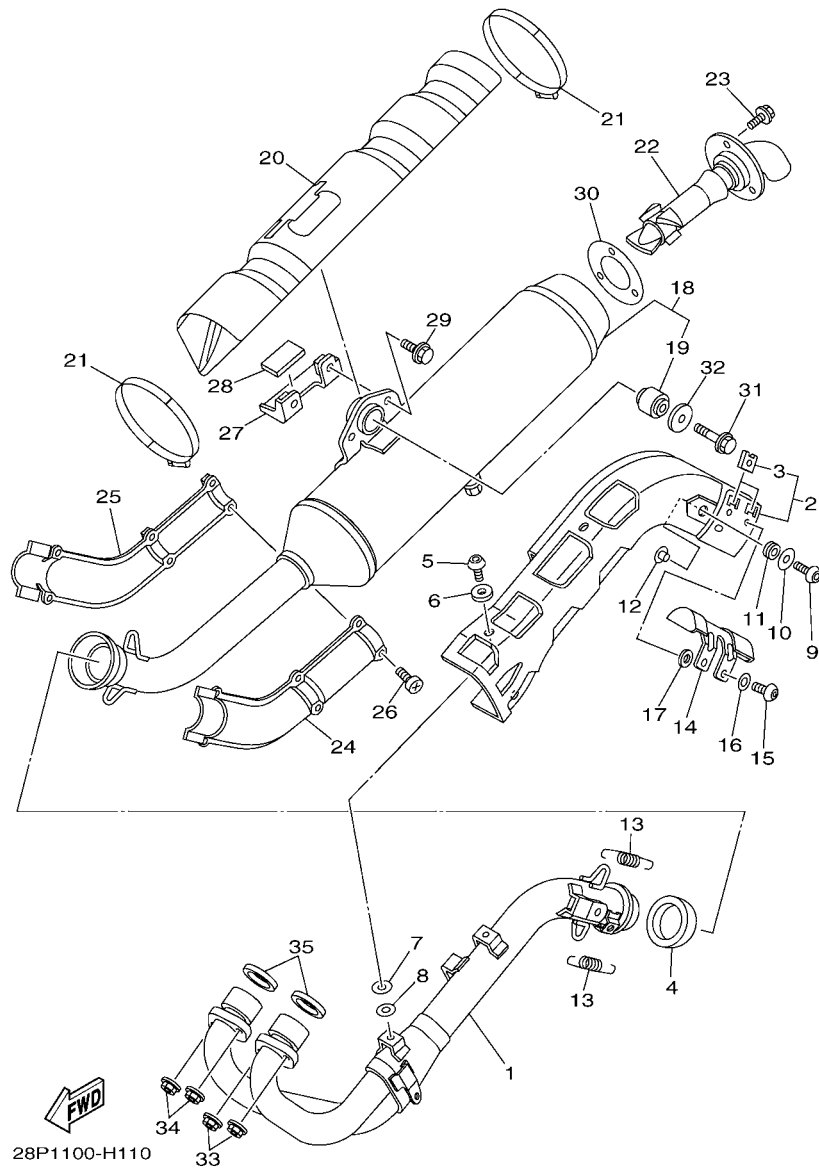


FIG. 11 EXHAUST

REF. NO.	PART NO.	DESCRIPTION	CAN	EUR	OCE	JPN	REMARKS
1	3B4-14611-10	PIPE, EXHAUST 1	1	1	1	1	
2	3B4-14627-10	COVER, EXHAUST	1	1	1	1	
3	90183-060A2	.NUT, SPRING	2	2	2	2	
4	3B4-14714-20	GASKET, MUFFLER	1	1	1	1	
5	92012-06014	BOLT, BUTTON HEAD	5	5	5	5	
6	90201-06076	WASHER, PLATE	5	5	5	5	
7	90201-06019	WASHER, PLATE	5	5	5	5	
8	90201-05019	WASHER, PLATE	5	5	5	5	
9	92012-06016	BOLT, BUTTON HEAD	1	1	1	1	
10	90201-06081	WASHER, PLATE	1	1	1	1	
11	90480-17001	GROMMET	1	1	1	1	
12	90387-08083	COLLAR	1	1	1	1	
13	90506-30006	SPRING, TENSION	2	2	2	2	
14	3B4-14758-01	PROTECTOR, SILENCER	1	1	1	1	
15	92012-06012	BOLT, BUTTON HEAD	2	2	2	2	
16	92902-06200	WASHER	2	2	2	2	
17	90201-05015	WASHER, PLATE	2	2	2	2	
18	3B4-W1471-10	MUFFLER COMP. 1	1	1	1	1	
19	5KM-27414-01	.DAMPER	1	1	1	1	
20	3B4-14718-10	PROTECTOR, MUFFLER 1	1	1	1	1	
21	90450-99010	HOSE CLAMP ASSY	3	3	3	3	
22	3B4-14752-00	PIPE, OUTLET	1	1	1	1	
23	95022-06008	BOLT, FLANGE	3	3	3	3	
24	3B4-1471C-00	PROTECTOR ASSY 1	1	1	1	1	
25	3B4-1472C-00	PROTECTOR ASSY., 2	1	1	1	1	
26	98502-06016	SCREW, PAN HEAD	6	6	6	6	
27	3B4-1477U-00	STOPPER 1	1	1	1	1	

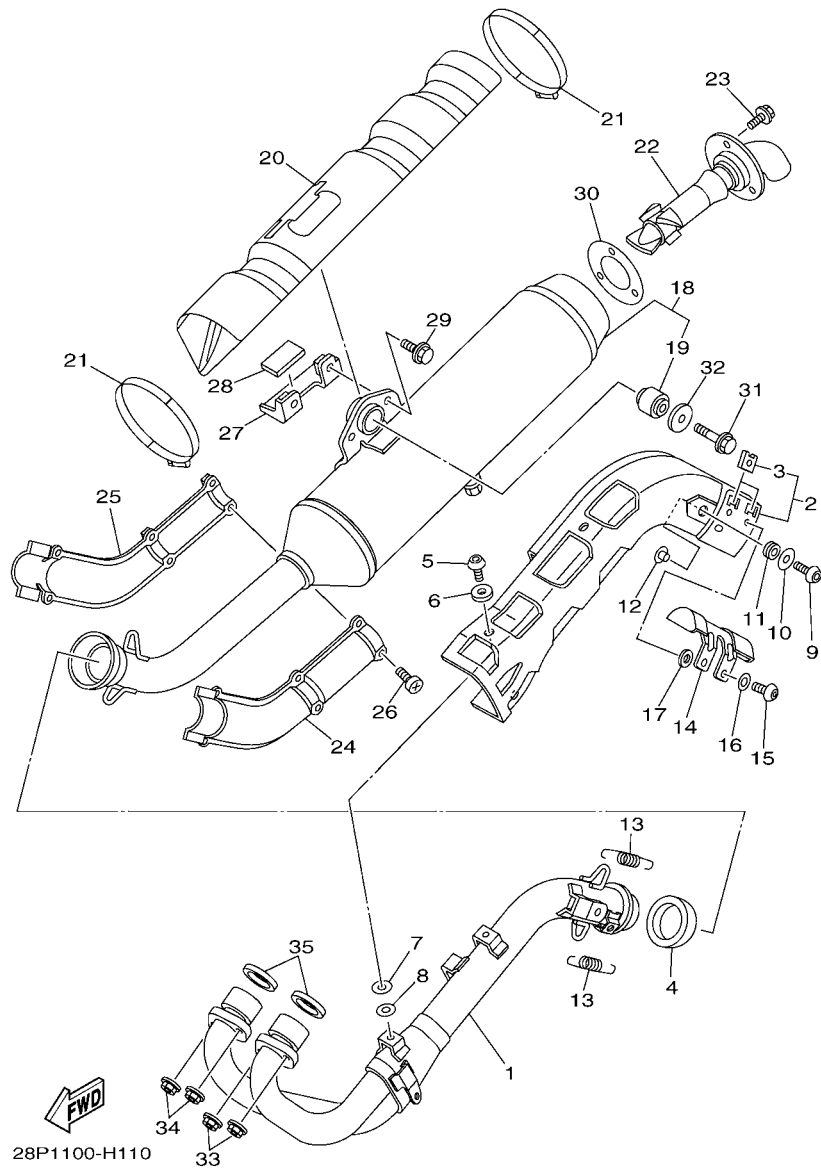
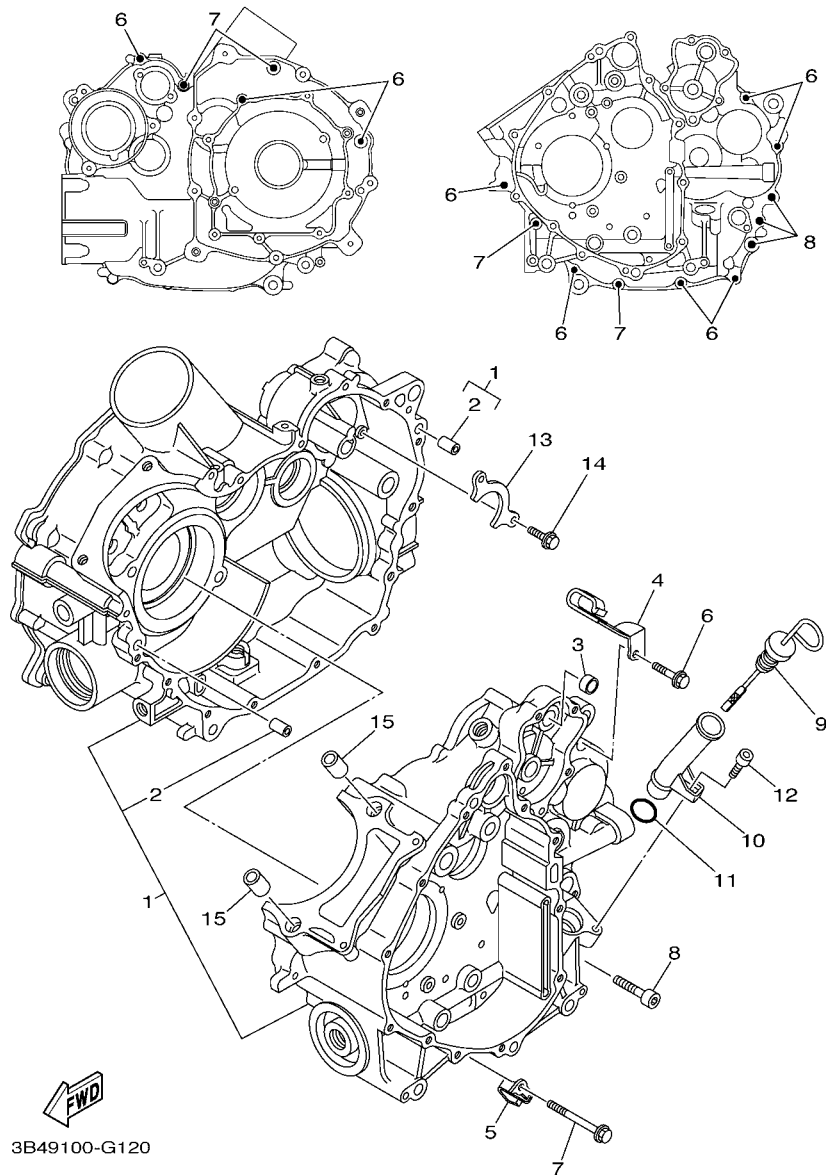


FIG. 11 EXHAUST

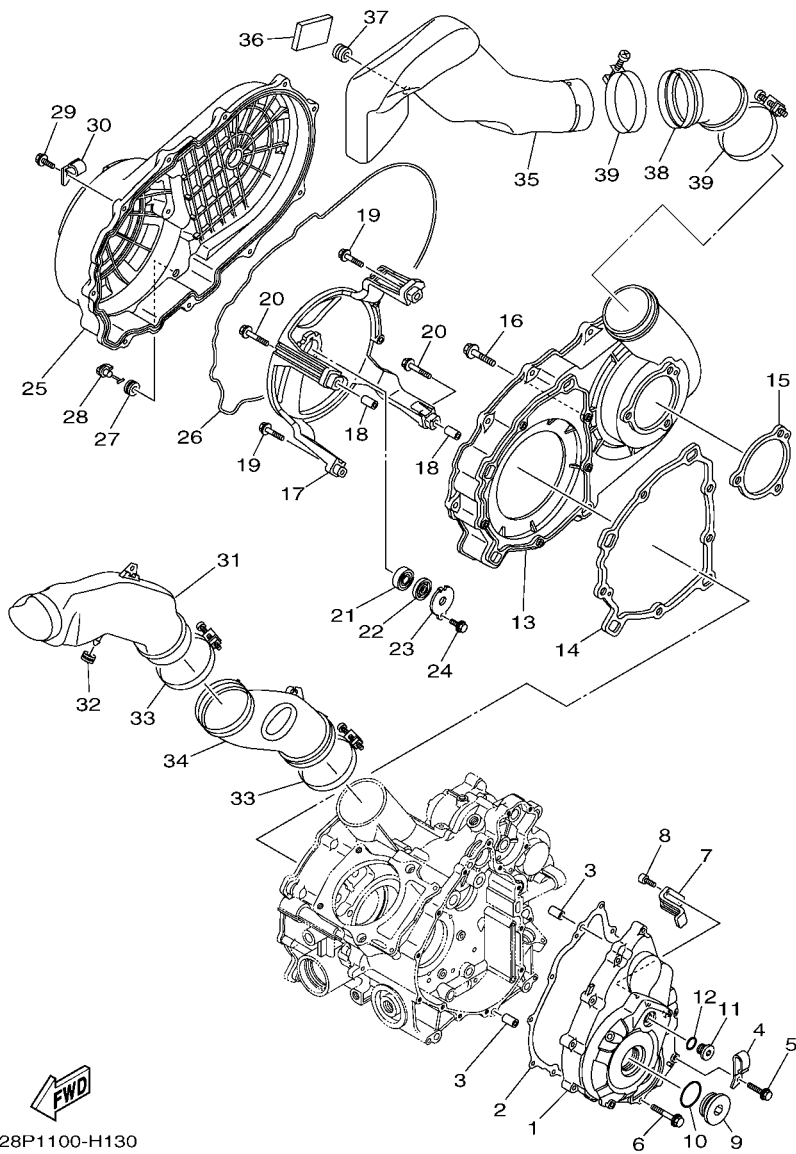
REF. NO.	PART NO.	DESCRIPTION	CAN	EUR	OCE	JPN	REMARKS
28	3B4-14733-00	MAT 1	1	1	1	1	
29	95822-08012	BOLT, FLANGE	2	2	2	2	
30	3B4-14755-00	GASKET, SILENCER	1	1	1	1	
31	95812-08040	BOLT, FLANGE	1	1	1	1	
32	3B4-14759-00	WASHER	1	1	1	1	
33	90179-08029	NUT	2	2	2	2	
34	95702-08500	NUT, WITH WASHER	2	2	2	2	
35	3YF-14613-01	GASKET, EXHAUST PIPE	2	2	2	2	



3B49100-G120

FIG. 12 CRANKCASE

REF. NO.	PART NO.	DESCRIPTION	CAN	EUR	OCE	JPN	REMARKS
1	3B4-15100-24	CRANKCASE ASSY	1	1	1	1	
2	99530-10116	.PIN, DOWEL	2	2	2	2	
3	3B4-18581-00	SPACER, CAM SHAFT	1	1	1	1	
4	90462-16003	CLAMP	1	1	1	1	
5	90462-08049	CLAMP	1	1	1	1	
6	95022-06030	BOLT, FLANGE	9	9	9	9	
7	95022-06060	BOLT, FLANGE	4	4	4	4	
8	91312-08040	BOLT	3	3	3	3	
9	3B4-15362-00	PLUG, OIL LEVEL	1	1	1	1	
10	3B4-15112-01	PIPE, OIL	1	1	1	1	
11	93210-21631	O-RING	1	1	1	1	
12	91312-06012	BOLT	1	1	1	1	
13	3B4-15388-00	PLATE, BEARING COVER	1	1	1	1	
14	90105-06082	BOLT, FLANGE	2	2	2	2	
15	99530-14016	PIN, DOWEL	2	2	2	2	
-----							
-----							
-----							
-----							
-----							



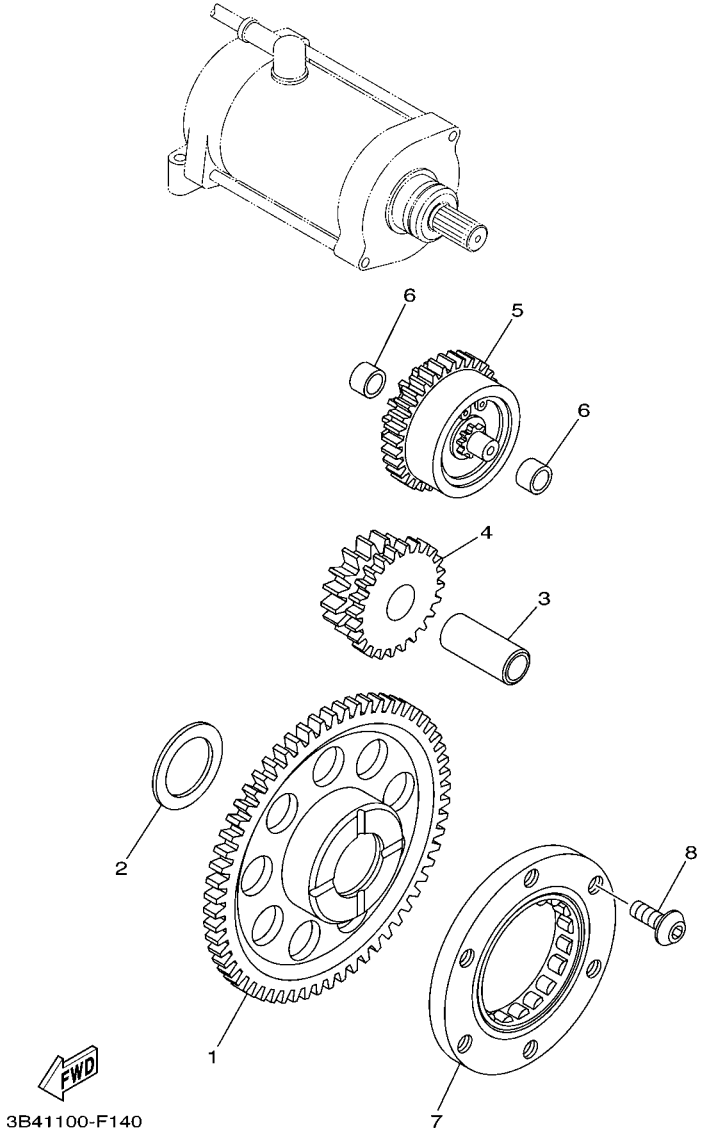
28P1100-H130

FIG. 13 CRANKCASE COVER 1

REF. NO.	PART NO.	DESCRIPTION	CAN	EUR	OC	JPN	REMARKS
1	3B4-15411-10	COVER, CRANKCASE 1	1	1	1	1	
2	3B4-15451-00	GASKET, CRANKCASE COVER 1	1	1	1	1	
3	99530-10116	PIN, DOWEL	2	2	2	2	
4	90461-08004	CLAMP	1	1	1	1	
5	95022-06030	BOLT, FLANGE	11	11	11	11	
6	95022-06050	BOLT, FLANGE	1	1	1	1	
7	3B4-15113-00	PLATE	1	1	1	1	
8	90110-05031	BOLT, HEXAGON SOCKET HEAD	2	2	2	2	
9	90340-36002	PLUG, STRAIGHT SCREW	1	1	1	1	
10	93210-357A3	O-RING	1	1	1	1	
11	90340-14011	PLUG, STRAIGHT SCREW	1	1	1	1	
12	93210-14369	O-RING	1	1	1	1	
13	3B4-15421-00	COVER, CRANKCASE 2	1	1	1	1	
14	3B4-15453-00	GASKET	1	1	1	1	
15	3B4-15315-00	SEAL, CRANKCASE	1	1	1	1	
16	95822-06030	BOLT, FLANGE	8	8	8	8	
17	3B4-15442-00	HOUSING, BEARING	1	1	1	1	
18	99530-10116	PIN, DOWEL	2	2	2	2	
19	95822-06030	BOLT, FLANGE	2	2	2	2	
20	95822-06040	BOLT, FLANGE	2	2	2	2	
21	93306-20120	BEARING	1	1	1	1	
22	93101-12168	OIL SEAL	1	1	1	1	
23	4WV-15381-00	PLATE, BEARING COVER	1	1	1	1	
24	95022-06016	BOLT, FLANGE	1	1	1	1	
25	3B4-15431-00	COVER, CRANKCASE 3	1	1	1	1	
26	3B4-15379-00	SEAL, CRANKCASE	1	1	1	1	
27	90480-13018	GROMMET	1	1	1	1	



**FIG. 14 STARTER CLUTCH**



REF. NO.	PART NO.	DESCRIPTION	CAN	EUR	OCE	JPN	REMARKS
1	3B4-15515-00	GEAR 3 (49T)	1	1	1	1	
2	90201-286K9	WASHER, PLATE (T1.0)	1	1	1	1	
3	3B4-15522-00	SHAFT 2	1	1	1	1	
4	3B4-15517-00	GEAR, IDLER 2 (25T/15T)	1	1	1	1	
5	1S3-15560-00	DAMPER ASSY	1	1	1	1	
6	90380-10002	BUSH, SOLID	2	2	2	2	
7	5KM-15590-00	STARTER ONE-WAY ASSY	1	1	1	1	
8	90149-08018	SCREW	3	3	3	3	

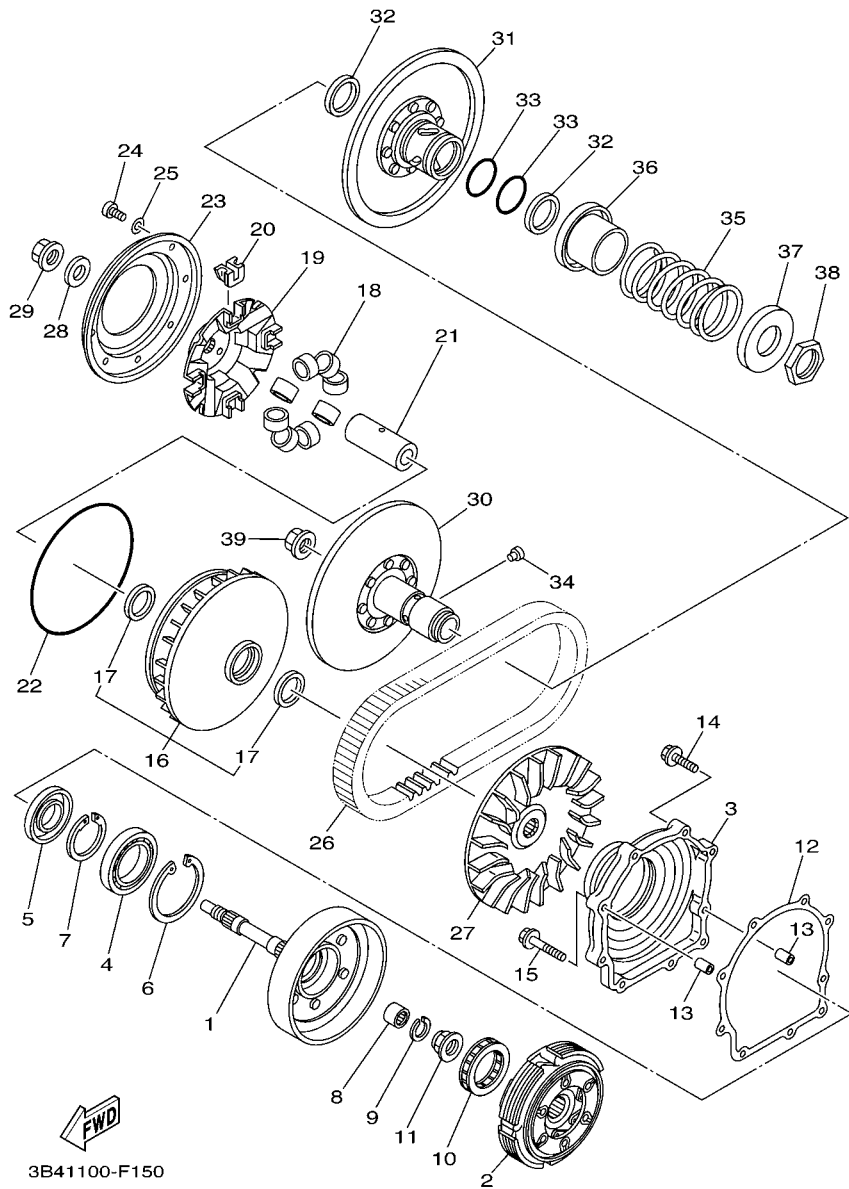


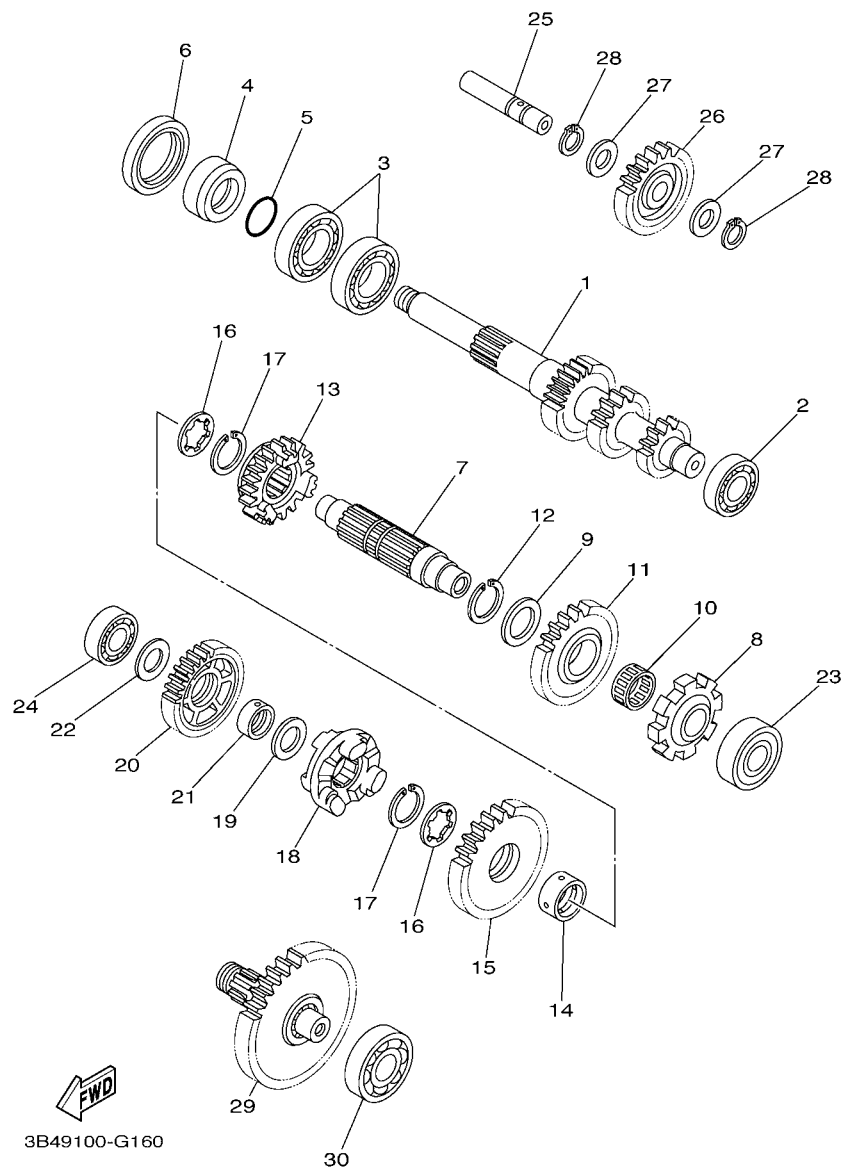
FIG. 15 CLUTCH

REF. NO.	PART NO.	DESCRIPTION	CAN	EUR	OC	JPN	REMARKS
1	3B4-16611-00	CLUTCH HOUSING COMP.	1	1	1	1	
2	3B4-16620-00	CLUTCH CARRIER ASSY	1	1	1	1	
3	3B4-15163-00	HOUSING, BEARING 1	1	1	1	1	
4	93316-01003	BEARING	1	1	1	1	
5	93102-35004	OIL SEAL	1	1	1	1	
6	99009-80500	CIRCLIP	1	1	1	1	
7	93410-46079	CIRCLIP	1	1	1	1	
8	93315-21813	BEARING	1	1	1	1	
9	93450-24062	CIRCLIP	1	1	1	1	
10	4SH-16664-00	BEARING, ONE WAY	1	1	1	1	
11	90179-22021	NUT	1	1	1	1	
12	3B4-15463-00	GASKET, COVER PINION 2	1	1	1	1	
13	99530-10116	PIN, DOWEL	2	2	2	2	
14	95022-06030	BOLT, FLANGE	7	7	7	7	
15	95022-06040	BOLT, FLANGE	2	2	2	2	
16	3B4-17606-00	PRIMARY SLIDING SHEAVE COMP.	1	1	1	1	
17	93101-35001	OIL SEAL	2	2	2	2	
18	3B4-17632-00	WEIGHT	8	8	8	8	
19	3B4-17623-00	CAM	1	1	1	1	
20	3B4-17653-00	SLIDER	4	4	4	4	
21	3B4-17645-00	COLLAR	1	1	1	1	
22	93211-594A4	O-RING	1	1	1	1	
23	4WV-17639-10	STOPPER	1	1	1	1	
24	90157-04006	SCREW, PAN HEAD	8	8	8	8	
25	90201-047R9	WASHER, PLATE	8	8	8	8	
26	3B4-17641-00	V-BELT	1	1	1	1	
27	3B4-17611-00	SHEAVE, PRIMARY FIXED	1	1	1	1	



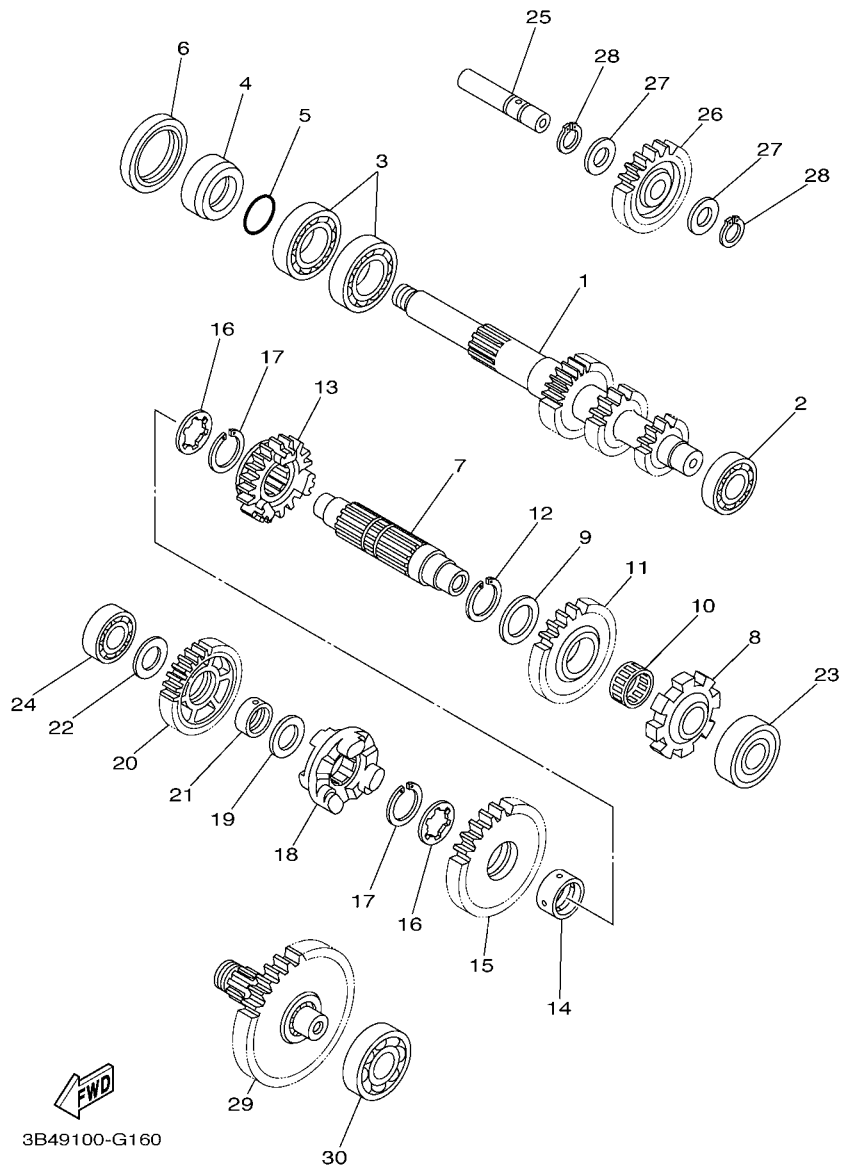


FIG. 16 TRANSMISSION



REF. NO.	PART NO.	DESCRIPTION	CAN	EUR	OCE	JPN	REMARKS
1	3B4-17681-10	SHAFT, SECONDARY	1	1	1	1	
2	93306-00426	BEARING	1	1	1	1	
3	93306-07801	BEARING	2	2	2	2	
4	90387-26001	COLLAR	1	1	1	1	
5	93210-26001	O-RING	1	1	1	1	
6	93102-42004	OIL SEAL	1	1	1	1	
7	3B4-17421-00	AXLE, DRIVE	1	1	1	1	
8	3B4-17473-00	STOPPER	1	1	1	1	
9	90201-25290	WASHER, PLATE	1	1	1	1	
10	93310-32590	BEARING	1	1	1	1	
11	3B4-17253-00	GEAR, REVERSE WHEEL 2 (28T)	1	1	1	1	
12	93440-25084	CIRCLIP	1	1	1	1	
13	3B4-17582-00	GEAR, MIDDLE DRIVE (21T)	1	1	1	1	
14	90387-250R3	COLLAR	1	1	1	1	
15	3B4-17233-00	GEAR, LOW WHEEL (31T)	1	1	1	1	
16	90214-22007	WASHER, CLAW	2	2	2	2	
17	93440-25084	CIRCLIP	2	2	2	2	
18	3B4-17285-00	CLUTCH, DOG	1	1	1	1	
19	90201-20028	WASHER, PLATE	1	1	1	1	
20	3B4-17223-10	GEAR, HIGH WHEEL (29T)	1	1	1	1	
21	90387-20021	COLLAR	1	1	1	1	
22	90201-170U8	WASHER, PLATE	1	1	1	1	
23	93306-20464	BEARING	1	1	1	1	
24	93306-20309	BEARING	1	1	1	1	
25	3B4-17432-00	AXLE, IDLE	1	1	1	1	
26	3B4-17243-00	GEAR, REVERSE WHEEL 1 (23T)	1	1	1	1	Go to P/N : PE0-MC-090023
27	90201-150U6	WASHER, PLATE	2	2	2	2	

FIG. 16 TRANSMISSION



REF. NO.	PART NO.	DESCRIPTION	CAN	EUR	OCE	JPN	REMARKS
28	93440-15012	CIRCLIP	2	2	2	2	
29	3B4-17520-00	DRIVE PINION ASSY (41T)	1	1	1	1	Go to P/N : PE0-MC-090023
30	93306-30438	BEARING	1	1	1	1	
-----							
-----							
-----							
-----							
-----							
-----							
-----							
-----							
-----							

# PARTS NEWS

Date: Apr./28/2009

Signature: M.Saito

News No. PE0-MC-090023 1/2

 Cause  Revision Notice  Correction  Sales Unit Change  Others

Model	See the "List of Models and CATALOGUE No's below."	
Subject	PARTS CATALOGUE CORRECTIONS	
CATALOGUE NO.	See the "List of Models and CATALOGUE No's below."	
Time of YPEC Revision	Text, Illustration --> May./20/2009	PDF Replace --> May./20/2009
(YPEC = Yamaha Parts Electrical Catalogue = Website parts catalogue)		

## FIG.16 TRANSMISSION SECTION

### 1. LIST CORRECTION

Ref.No.	OLD PART No.	NEW PART No.	PART NAME	Q'TY	INTERCHANGE ABILITY	REMARKS
25	3B4-17432-00	<b>3B4-17432-01</b>	AXLE, IDLE	1	○	
26	3B4-17243-00	<b>16B-17243-00</b>	GEAR, REVERSE WHEEL	1	○	<b>Note-1</b>
27	90201-150U6	<b>90201-15029</b>	WASHER, PLATE	2-->1	○	
28	90344-15012	-----	CIRCLIP	2	○	<b>Delete</b>
31	-----	<b>93310-31576</b>	BEARING	1	○	<b>Add.</b>
32	-----	<b>90387-15017</b>	COLLAR	1	○	<b>Add.</b>

\* These changes are applied from initial production.

\* The parts marked with ○ indicates interchangeability with a set.

Note-1; As for 3B4-17243-00, parts supply is discontinued.

Old Gear reverse wheel is not interchangeable with new Gear reverse wheel.

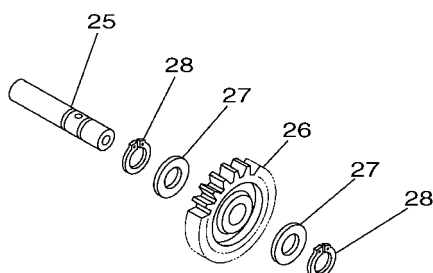
When you exchange old Gear reverse wheel, please exchange in Gear reverse wheel set (99999-03870).

\*\*Components parts of Gear reverse wheel set : 99999-03870

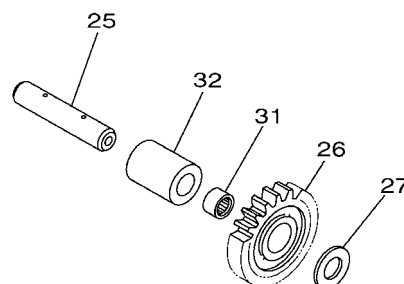
Part No.	Part Name	Q'ty
3B4-17432-01	AXLE, IDEL	1
16B-17243-00	GEAR, REVERSE WHEEL	1
90201-15029	WASHER, PLATE	1
93310-31576	BEARING	1
90387-15017	COLLOR	1

### 2. ILLUSTRATION CORRECTION

#### OLD type



#### NEW type



Thank you very much for your cooperation.

 Parts  
 Manager  
 Check

 Service  
 Manager  
 Check

 Parts  
 Manager  
 File

 YAMAHA MOTOR CO.,LTD  
 2500 Shingai Iwata Shizuoka 438-8501.Japan  
 Technical Publication Dept.

# PARTS NEWS



Date: Apr./28/2009

Signature: M.Saito

News No. PE0-MC-090023 2/2

Cause  Revision Notice  Correction  Sales Unit Change  Others

Model	See the"List of Models and CATALOGUE No's below."		
Subject	PARTS CATALOGUE CORRECTIONS		
CATALOGUE NO.	See the"List of Models and CATALOGUE No's below."		
Time of YPEC Revision	Text, Illustration --> May./20/2009	PDF Replace --> May./20/2009	
(YPEC = Yamaha Parts Electrical Catalogue = Website parts catalogue)			

### 3. LIST of Models and CATALOG No's

MODEL YEAR	MODEL NAME	MODEL CODE	CATALOG No.
2007	YFM7FGPW	3B41 / 3B42	1F3B4-100E1
2007	YFM7FGPW	3B43 / 3B44	1F3B4-300E1
2007	YFM7FGPW	3B45 / 3B46 / 3B47	1F3B4-100EA
2007	YFM7FGPW	3B48	1F3B4-110E1
2007	YFM7FGPW	3B4A / 3B4B / 3B4C / 3B4D	1F3B4-100EK
2008	YFM7FGPX	3B49 / 3B4E / 3B4F / 3B4G	1G3B4-100E1
2008	YFM7FGPX	3B4H / 3B4J / 3B4K	1G3B4-100EA
2008	YFM7FGPX	3B4L	1G3B4-110E1
2008	YFM7FGPX	3B4M / 3B4N / 3B4P / 3B4R	1G3B4-100EK
2008	YFM7FGPX	3B4S	1G3B4-171E1
2008	YFM7FGPX	3B4T	1G3B4-171EA
2008	YFM7FGX	5C01 / 5C02 / 5C04	1G5C0-100E1
2008	YFM7FGX	5C05 / 5C06	1G5C0-100EA
2009	YFM7FGPY	43P1	1H43P-110E1
2009	YFM7FGPY	43P2 / 43P3 / 43P4	1H43P-100E1
2009	YFM7FGPY	43P5	1H43P-110EA
2009	YFM7FGPY	43P6 / 43P7	1H43P-100EA
2009	YFM7FGPY	43P8	1H43P-110EK
2009	YFM7FGPY	43P9	1H43P-171E1
2009	YFM7FGPY	43PA	1H43P-110EY
2009	YFM7FGPY	43PB / 43PC / 43PD	1H43P-100EK
2009	YFM7FGPY	43PE / 43PF	1H43P-100EY
2009	YFM7FGY	5C0A	1H5C0-110E1
2009	YFM7FGY	5C0B	1H5C0-171E1
2009	YFM7FGY	5C0C	1H5C0-110EA
2009	YFM7FGY	5C0D	1H5C0-171EA
2009	YFM5FGY	28P1	1H28P-110E1
2009	YFM5FGY	28P2 / 28P3 / 28P4	1H28P-100E1
2009	YFM5FGY	28P5	1H28P-110EA
2009	YFM5FGY	28P6	1H28P-171E1
2009	YFM5FGY	34D1	1H34D-110E1
2009	YFM5FGPY	34D2 / 34D3 / 34D4	1H34D-100E1
2009	YFM5FGPY	34D5	1H34D-110E1
2009	YFM5FGPY	34D6 / 34D7	1H34D-100EA
2009	YFM5FGPSEY	34D8	1H34D-110EK
2009	YFM5FGPSEY	34D9 / 34DA / 34DB	1H34D-100EK

Thank you very much for your cooperation.

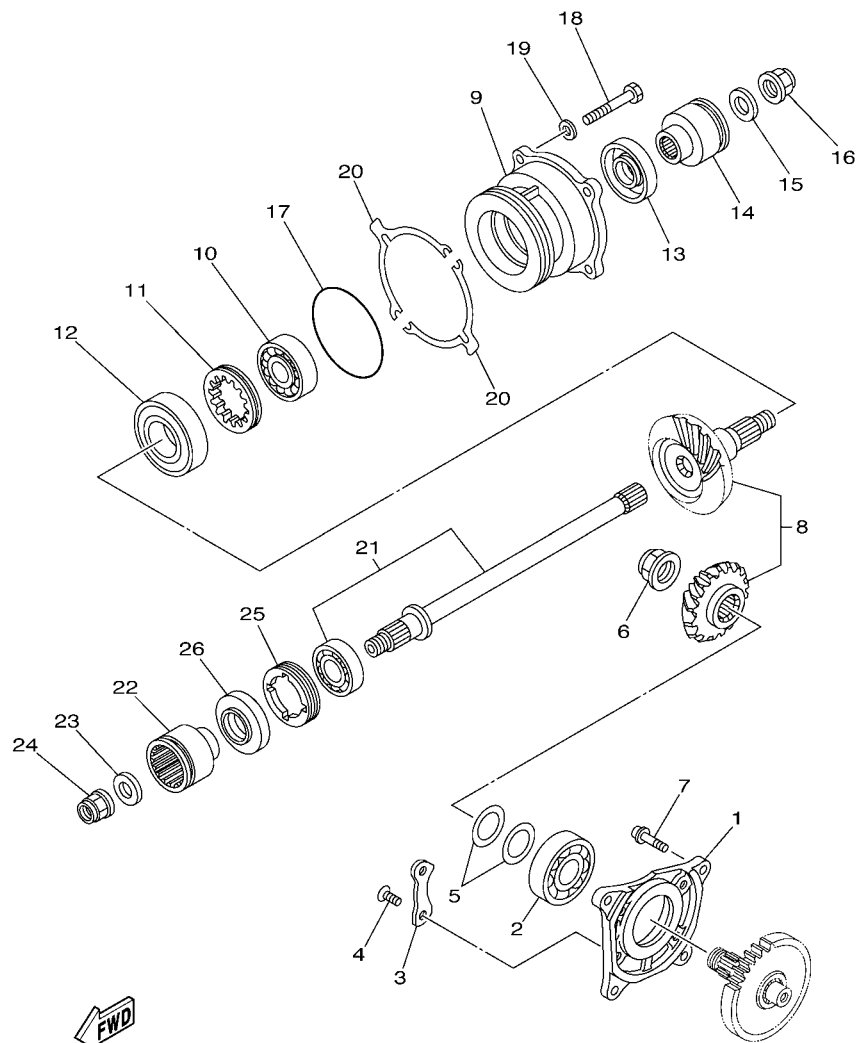
Parts  
Manager  
Check

Service  
Manager  
Check

Parts  
Manager  
File

YAMAHA MOTOR CO.,LTD  
2500 Shingai Iwata Shizuoka 438-8501.Japan  
Technical Publication Dept.



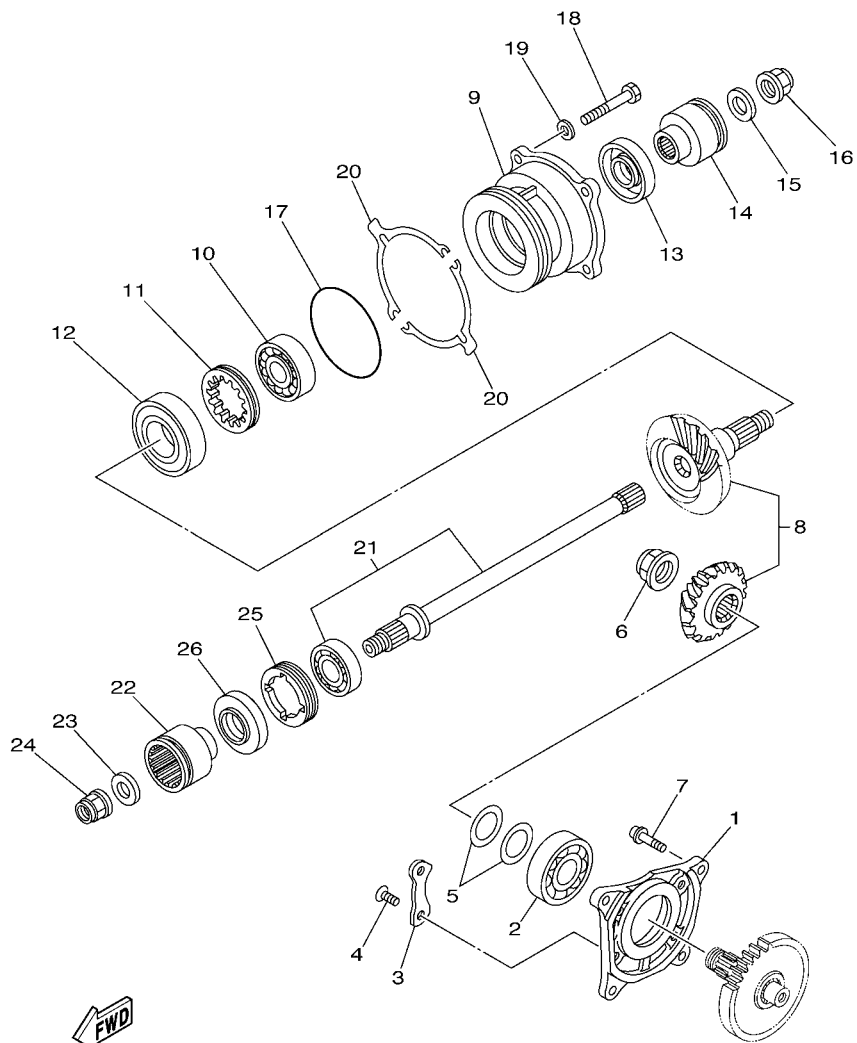


3B49100-G170

FIG. 17 MIDDLE DRIVE GEAR

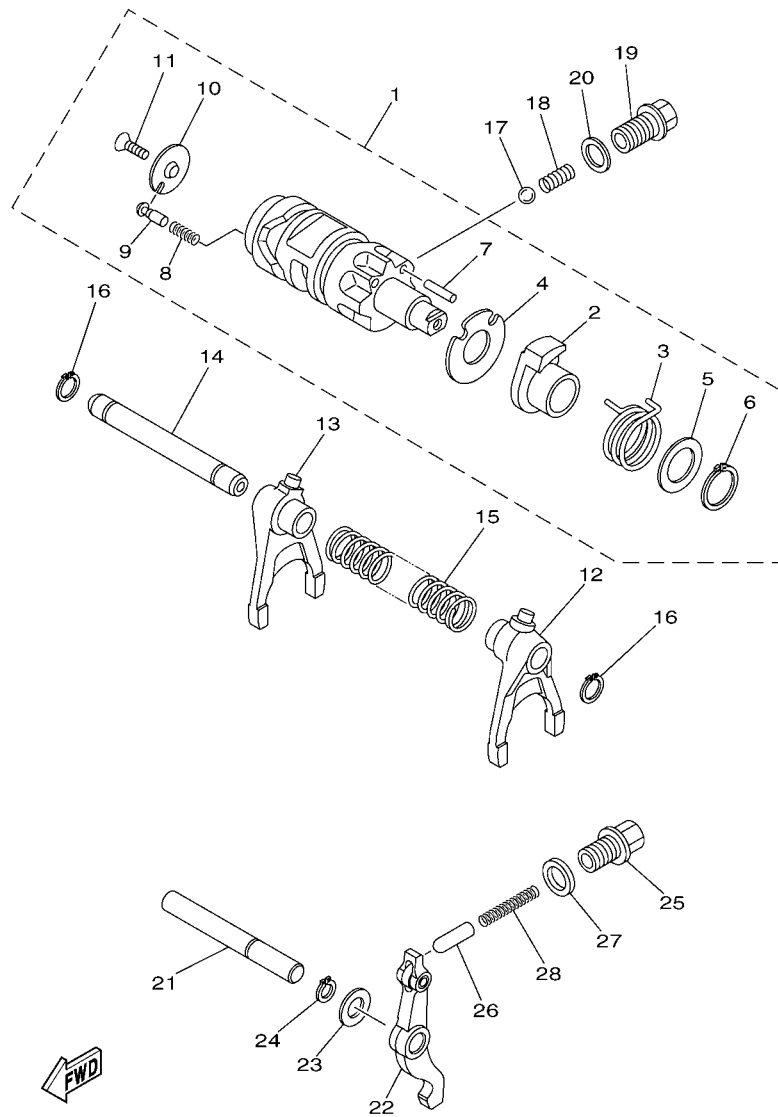
REF. NO.	PART NO.	DESCRIPTION	CAN	EUR	OC	JPN	REMARKS
1	3B4-17521-00	HOUSING, BEARING	1	1	1	1	
2	93306-30537	BEARING	1	1	1	1	
3	11H-15383-02	PLATE, BEARING COVER	2	2	2	2	
4	90149-08013	SCREW	4	4	4	4	
5	5KM-17531-50	SHIM, PINION (0.5T)	2	2	2	2	UR
5KM-17531-60	SHIM, PINION (0.55T)	2	2	2	2	UR	
5KM-17531-70	SHIM, PINION (0.6T)	2	2	2	2	UR	
5KM-17531-80	SHIM, PINION (0.7T)	2	2	2	2	UR	
5KM-17531-90	SHIM, PINION (0.8T)	2	2	2	2	UR	
5KM-17531-A0	SHIM, PINION (0.9T)	2	2	2	2	UR	
5KM-17531-B0	SHIM, PINION (1.0T)	2	2	2	2	UR	
6	90179-22013	NUT	1	1	1	1	
7	90110-08091	BOLT, HEXAGON SOCKET HEAD	4	4	4	4	
8	3B4-17530-00	PINION SET	1	1	1	1	
9	3B4-17551-00	HOUSING, BEARING	1	1	1	1	
10	93306-37206	BEARING	1	1	1	1	
11	90179-60001	NUT	1	1	1	1	
12	93306-20654	BEARING	1	1	1	1	
13	93102-30010	OIL SEAL	1	1	1	1	
14	3B4-17832-10	COUPLING	1	1	1	1	
15	90201-16021	WASHER, PLATE	1	1	1	1	
16	90179-16006	NUT	1	1	1	1	
17	93210-78544	O-RING	1	1	1	1	
18	97022-08030	BOLT	4	4	4	4	
19	92902-08600	WASHER, PLATE	4	4	4	4	
20	3B4-17531-00	SHIM, PINION (0.1T)	2	2	2	2	UR
3B4-17531-10	SHIM, PINION (0.15T)	2	2	2	2	UR	

**FIG. 17 MIDDLE DRIVE GEAR**



3B49100-G170

REF. NO.	PART NO.	DESCRIPTION	CAN	EUR	OCE	JPN	REMARKS
20	3B4-17531-20	SHIM, PINION (0.2T)	2	2	2	2	UR
	3B4-17531-30	SHIM, PINION (0.3T)	2	2	2	2	UR
	3B4-17531-40	SHIM, PINION (0.4T)	2	2	2	2	UR
	3B4-17531-50	SHIM, PINION (0.5T)	2	2	2	2	UR
	3B4-17531-60	SHIM, PINION (0.6T)	2	2	2	2	UR
21	3B4-1755A-00	MIDDLE DRIVEN SHAFT ASSY	1	1	1	1	
22	3B4-17832-10	COUPLING	1	1	1	1	
23	90201-16021	WASHER, PLATE	1	1	1	1	
24	90179-16006	NUT	1	1	1	1	
25	90179-55660	NUT	1	1	1	1	
26	93102-30010	OIL SEAL	1	1	1	1	



28P1100-H180

FIG. 18 SHIFT CAM & FORK

REF. NO.	PART NO.	DESCRIPTION	CAN	EUR	OC	JPN	REMARKS
1	3B4-18540-20	SHIFT CAM ASSY	1	1	1	1	
2	5KM-18171-00	.CAM, LEVER	1	1	1	1	
3	90508-32132	.SPRING, TORSION	1	1	1	1	
4	3B4-18331-00	.PLATE, SHIFT CAM	1	1	1	1	
5	90201-20792	.WASHER, PLATE	1	1	1	1	
6	93410-20038	.CIRCLIP	1	1	1	1	
7	93604-18100	.PIN, DOWEL	1	1	1	1	
8	90501-06022	.SPRING, COMPRESSION	1	1	1	1	
9	5KM-18542-00	.POINT, NEUTRAL	1	1	1	1	
10	4UN-18566-00	.PLATE, SIDE 2	1	1	1	1	
11	90149-05016	.SCREW	1	1	1	1	
12	3B4-18511-10	FORK, SHIFT 1	1	1	1	1	
13	3B4-18512-10	FORK, SHIFT 2	1	1	1	1	
14	3B4-18531-00	BAR, SHIFT FORK GUIDE 1	1	1	1	1	
15	90501-140A2	SPRING, COMPRESSION	1	1	1	1	
16	99009-12400	CIRCLIP	2	2	2	2	
17	93503-08007	BALL	1	1	1	1	
18	90501-10353	SPRING, COMPRESSION	1	1	1	1	
19	90105-14003	BOLT, FLANGE	1	1	1	1	
20	90430-14194	GASKET	1	1	1	1	
21	3B4-18318-00	SHAFT, SHIFTER	1	1	1	1	
22	28P-18140-00	STOPPER LEVER ASSY	1	1	1	1	
23	90201-127J6	WASHER, PLATE	1	1	1	1	
24	99009-12400	CIRCLIP	1	1	1	1	
25	90109-14002	BOLT	1	1	1	1	
26	1J7-18547-00	STOPPER, CAM	1	1	1	1	
27	90430-14043	GASKET	1	1	1	1	





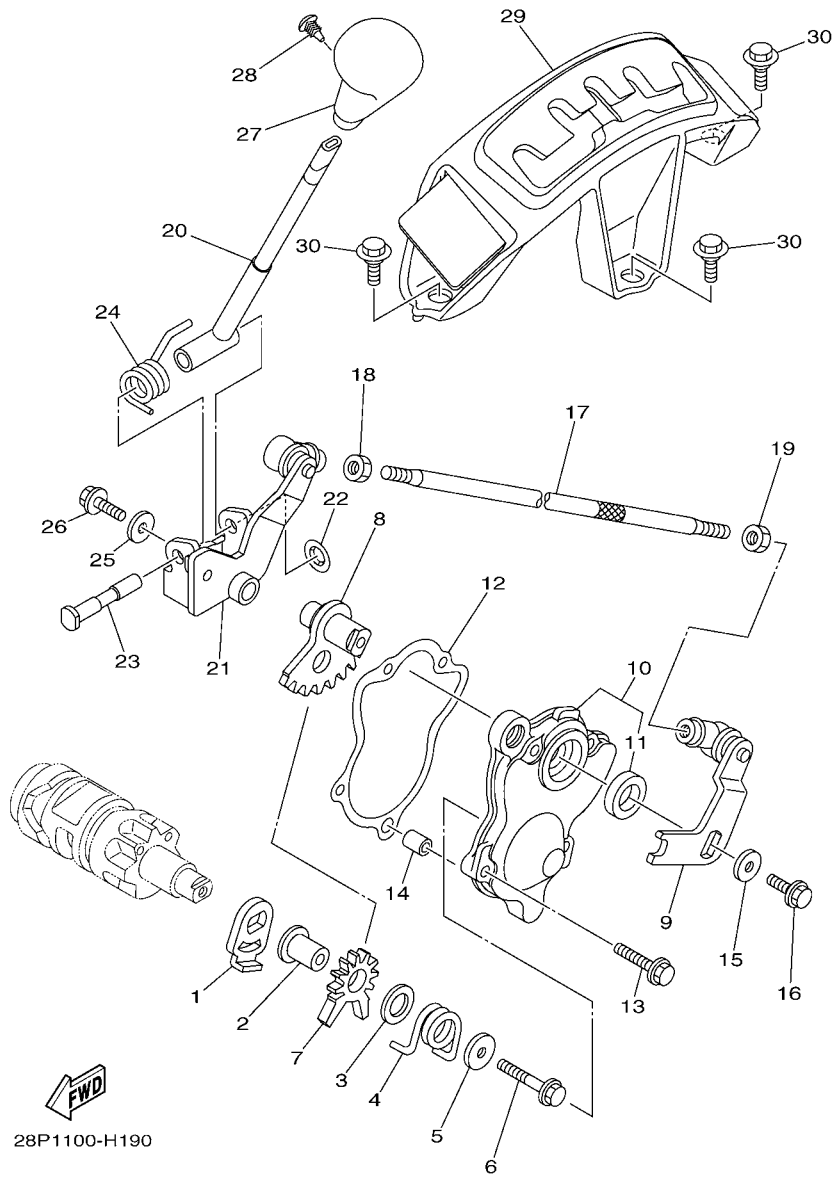


FIG. 19 SHIFT SHAFT

REF. NO.	PART NO.	DESCRIPTION	CAN	EUR	OCE	JPN	REMARKS
1	4SH-18198-00	LEVER	1	1	1	1	
2	90387-0613B	COLLAR	1	1	1	1	
3	90201-132G5	WASHER, PLATE	1	1	1	1	
4	90508-32117	SPRING, TORSION	1	1	1	1	
5	90201-06036	WASHER, PLATE	1	1	1	1	
6	95812-06035	BOLT, FLANGE	1	1	1	1	
7	5KM-18191-00	LEVER	1	1	1	1	
8	3B4-18103-10	SHIFT SHAFT COMP.	1	1	1	1	
9	28P-18104-00	SHIFT GUIDE COMP.	1	1	1	1	
10	3B4-18380-00	SHIFTER BRKT. ASSY	1	1	1	1	
11	93102-15212	.OIL SEAL	1	1	1	1	
12	3B4-18146-00	GASKET	1	1	1	1	
13	95022-06020	BOLT, FLANGE	4	4	4	4	
14	99530-08012	PIN, DOWEL	1	1	1	1	
15	90201-06036	WASHER, PLATE	1	1	1	1	
16	90105-06176	BOLT, FLANGE	1	1	1	1	
17	28P-18115-00	ROD, SHIFT	1	1	1	1	
18	90170-06228	NUT(COUNTER CLOCKWISE)	1	1	1	1	
19	95304-06700	NUT	1	1	1	1	
20	3B4-18190-20	LEVER COMP. 1	1	1	1	1	
21	3B4-18169-20	ARM, SHIFT 2	1	1	1	1	
22	90183-080A1	NUT, SPRING	1	1	1	1	
23	3B4-18125-00	SHAFT, SHIFT	1	1	1	1	
24	3B4-18196-00	SPRING, RETURN	1	1	1	1	
25	90201-06036	WASHER, PLATE	1	1	1	1	
26	95812-06016	BOLT, FLANGE	1	1	1	1	
27	28P-18174-00	KNOB, SHIFT LEVER	1	1	1	1	

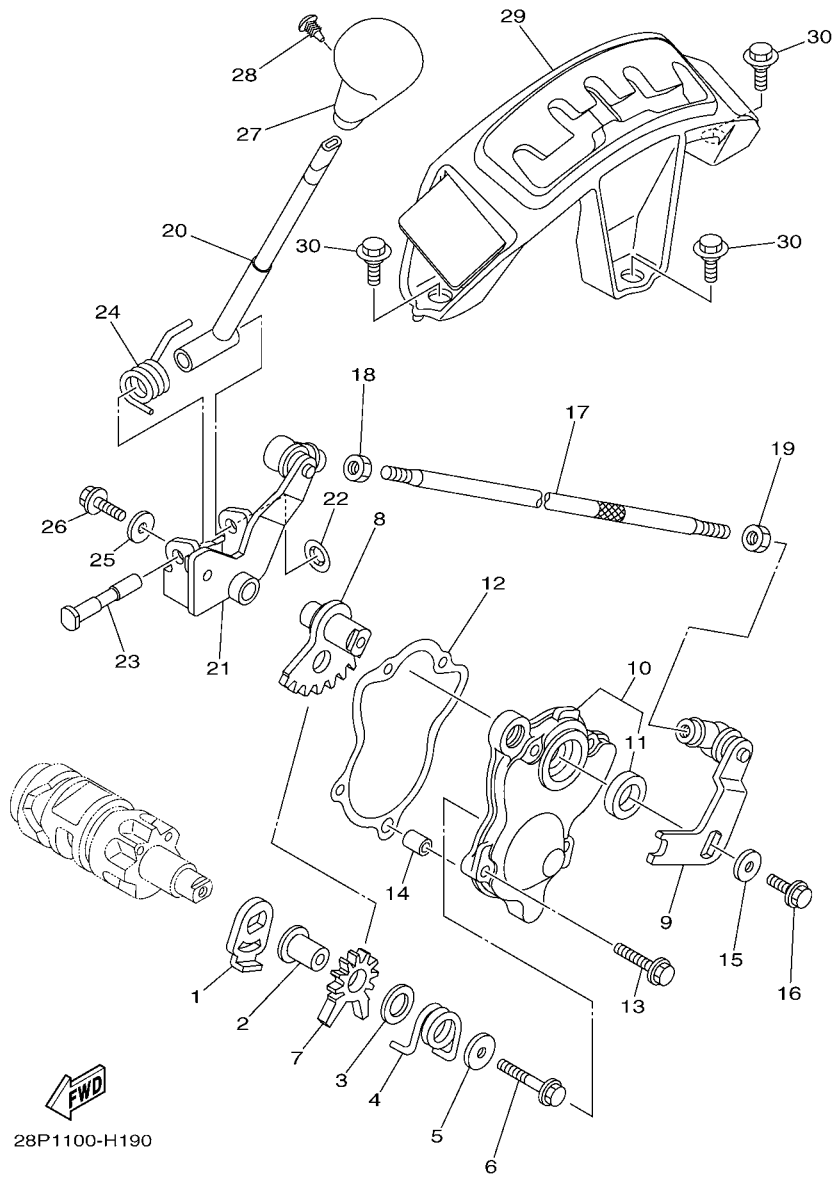
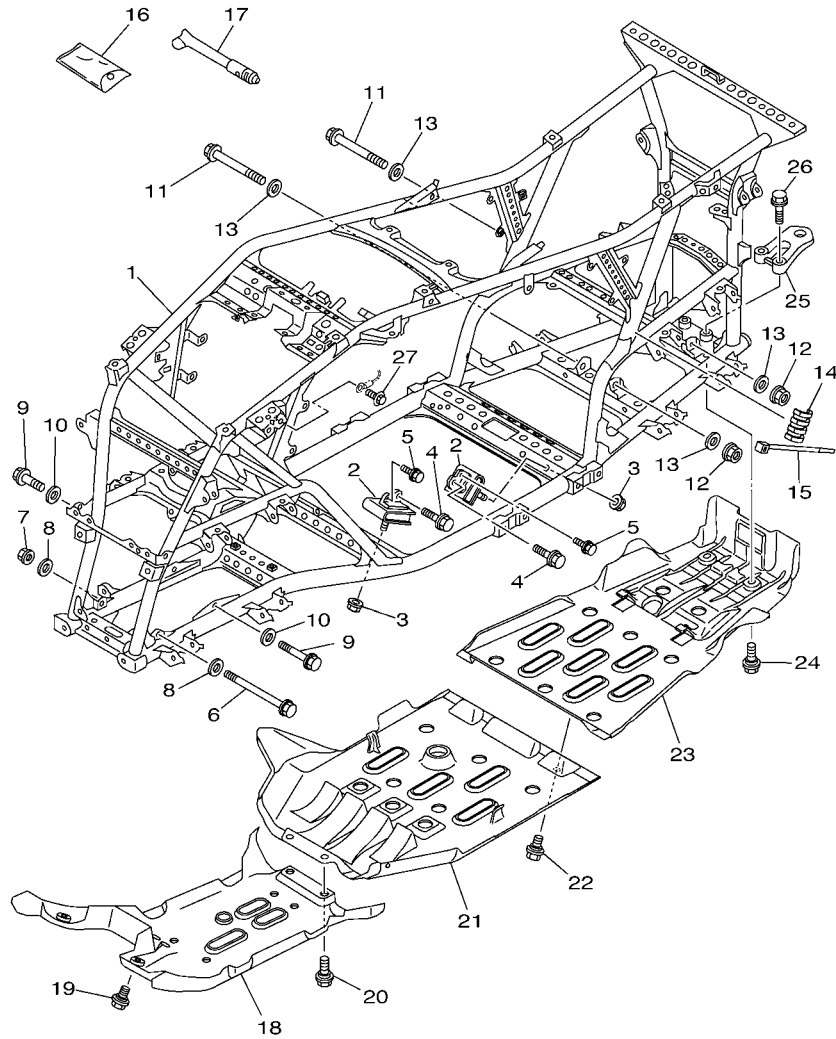


FIG. 19 SHIFT SHAFT

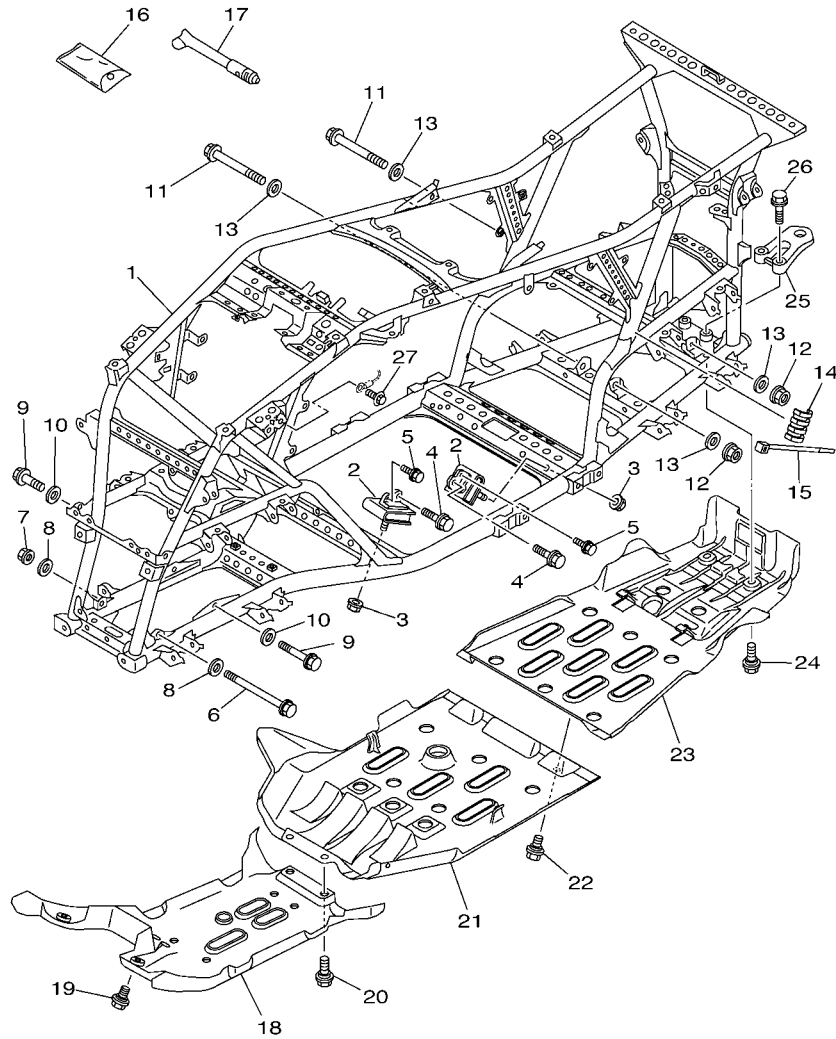
REF. NO.	PART NO.	DESCRIPTION	CAN	EUR	OCE	JPN	REMARKS
28	90269-05055	RIVET	1	1	1	1	
29	3B4-18160-00	SHIFT GUIDE ASSY	1	1	1	1	
30	90109-06172	BOLT	3	3	3	3	
-----							
-----							
-----							
-----							
-----							
-----							
-----							
-----							
-----							
-----							



3B49100-G200

FIG. 20 FRAME

REF. NO.	PART NO.	DESCRIPTION	CAN	EUR	OC	JPN	REMARKS
1	3B4-21110-20	FRAME COMP.	1				
	3B4-21110-30	FRAME COMP.		1	1	1	
2	3B4-21485-00	DAMPER, RUBBER 1	4	4	4	4	
3	95602-10200	NUT, U FLANGE	4	4	4	4	
4	95812-10035	BOLT, FLANGE	4	4	4	4	
5	90105-06639	BOLT, FLANGE	4	4	4	4	
6	90105-10219	BOLT, FLANGE	1	1	1	1	
7	90185-10011	NUT, SELF-LOCKING	1	1	1	1	
8	90201-10035	WASHER, PLATE	2	2	2	2	
9	90105-10237	BOLT, FLANGE	2	2	2	2	
10	90201-10035	WASHER, PLATE	2	2	2	2	
11	90105-10238	BOLT, FLANGE	2	2	2	2	
12	90185-10011	NUT, SELF-LOCKING	2	2	2	2	
13	90201-10035	WASHER, PLATE	4	4	4	4	
14	3B4-2113B-01	DAMPER	1	1	1	1	
15	90464-35132	CLAMP	1	1	1	1	
16	28P-28100-00	TOOL KIT	1	1	1	1	
17	1NV-2811A-01	GAUGE, AIR	1	1	1	1	
18	3B4-2147A-00	GUARD, ENGINE 1	1	1	1	1	
19	90109-06202	BOLT	2	2	2	2	
20	90109-06214	BOLT	2	2	2	2	
21	3B4-2147E-00	GUARD, ENGINE 2	1	1	1	1	
22	90109-06214	BOLT	2	2	2	2	
23	3B4-2147F-00	GUARD, ENGINE 3	1	1	1	1	
24	90109-06202	BOLT	2	2	2	2	
25	3B4-28488-00	HOOK	1	1		1	
	3B4-28488-10	HOOK				1	



3B49100-G200

FIG. 20 FRAME

REF. NO.	PART NO.	DESCRIPTION	CAN	EUR	OCE	JPN	REMARKS
26	95812-10035	BOLT, FLANGE	2	2	2	2	
27	95802-06012	BOLT, FLANGE	1	1	1	1	
-----							
-----							
-----							
-----							
-----							
-----							
-----							
-----							
-----							
-----							

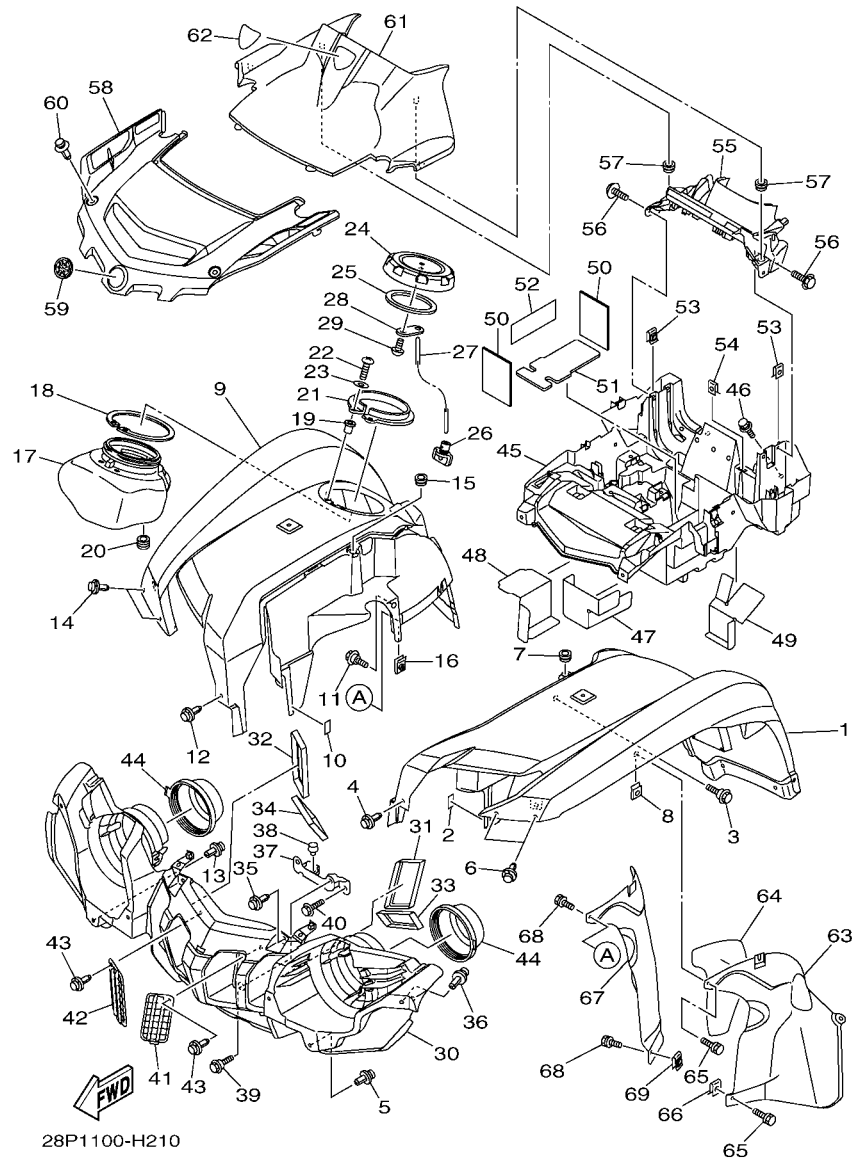


FIG. 21 FRONT FENDER

REF. NO.	PART NO.	DESCRIPTION	CAN	EUR	OCE	JPN	REMARKS
1	3B4-W215C-01	FRONT FENDER COMP.2	1				UR FOR PDG
	3B4-W215C-40	FRONT FENDER COMP.2	1				UR FOR SMJ
	3B4-W215C-11	FRONT FENDER COMP.2	1				UR FOR RTR
	3B4-W215C-21	FRONT FENDER COMP.2	1				UR FOR DPBSN
	3B4-W215B-00	FRONT FENDER COMP. 2		1			UR FOR PDG
	3B4-W215B-40	FRONT FENDER COMP. 2		1			UR FOR SMJ
	3B4-W215B-10	FRONT FENDER COMP. 2		1			UR FOR RTR
	3B4-W215B-20	FRONT FENDER COMP. 2		1			UR FOR DPBSN
	3B4-W215E-20	FRONT FENDER COMP.			1		FOR DPBSN
	3B4-W215E-01	FRONT FENDER COMP.				1	FOR PDG
2	3B4-21541-00	DAMPER 1	1	1	1	1	
3	90109-06172	BOLT	1	1	1	1	
4	90269-07012	RIVET	1	1	1	1	
5	90269-07012	RIVET	1	1	1	1	
6	90269-07012	RIVET	2	2	2	2	
7	90480-13398	GROMMET	1	1	1	1	
8	90183-06053	NUT, SPRING	1	1	1	1	
9	3B4-W215D-01	FRONT FENDER COMP. 2	1				UR FOR PDG
	3B4-W215D-40	FRONT FENDER COMP. 2	1				UR FOR SMJ
	3B4-W215D-11	FRONT FENDER COMP. 2	1				UR FOR RTR
	3B4-W215D-21	FRONT FENDER COMP. 2	1				UR FOR DPBSN
	3B4-21556-00	FENDER, FRONT 2		1		1	UR FOR PDG
3B4-21556-40	FENDER, FRONT 2		1			UR FOR SMJ	
3B4-21556-10	FENDER, FRONT 2		1			UR FOR RTR	
3B4-21556-20	FENDER, FRONT 2		1	1		UR FOR DPBSN	
10	3B4-21541-00	DAMPER 1	1	1	1	1	
11	90109-06172	BOLT	1	1	1	1	

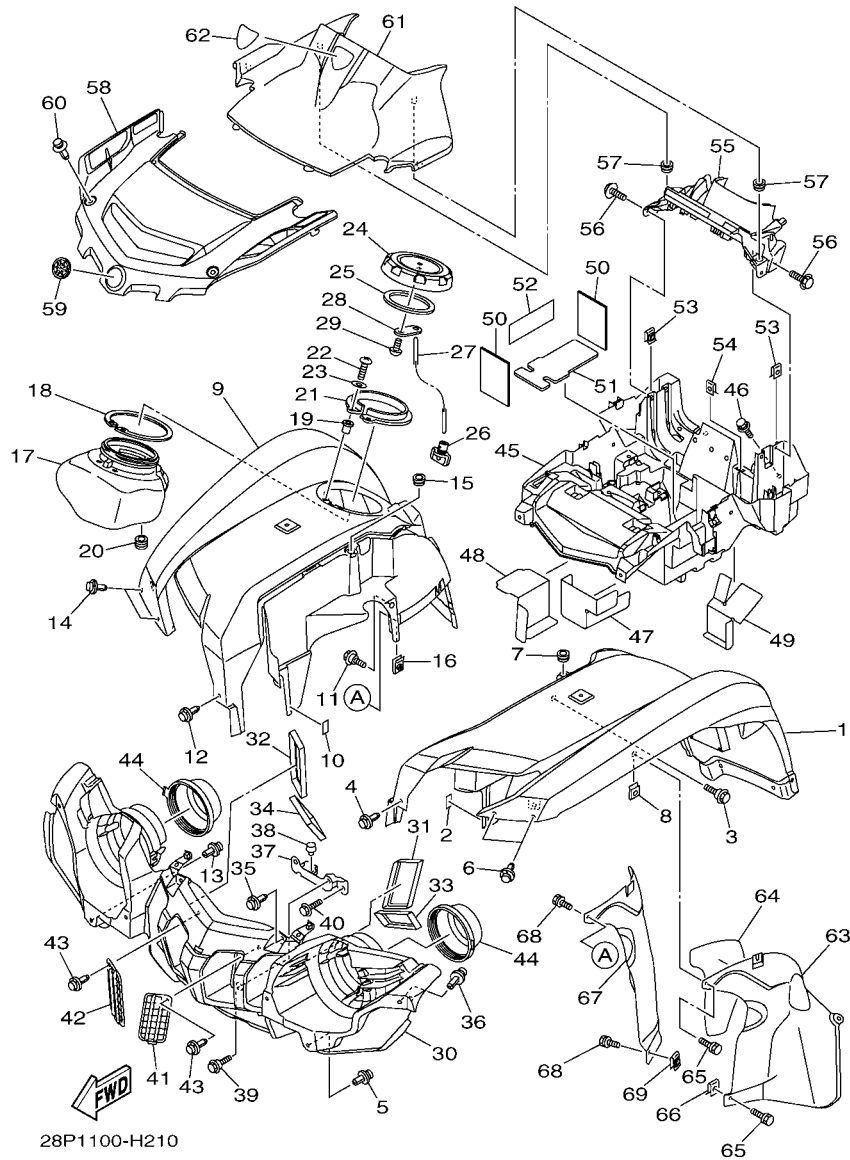


FIG. 21 FRONT FENDER

REF. NO.	PART NO.	DESCRIPTION	CAN	EUR	OCE	JPN	REMARKS
12	90269-07012	RIVET	1	1	1	1	
13	90269-07012	RIVET	1	1	1	1	
14	90269-07012	RIVET	2	2	2	2	
15	90480-13398	GROMMET	1	1	1	1	
16	90183-06053	NUT, SPRING	1	1	1	1	
17	3B4-2838K-00	BOX 1	1	1	1	1	
18	3B4-2838M-00	SEAL, BOX 1	1	1	1	1	
19	90179-05523	NUT	2	2	2	2	
20	90480-13004	GROMMET	1	1	1	1	
21	3B4-2839N-00	HOLDER	1	1	1	1	
22	98502-05016	SCREW, PAN HEAD	2	2	2	2	
23	92902-05600	WASHER, PLATE	2	2	2	2	
24	3B4-2151B-00	CAP	1	1	1	1	
25	3B4-28307-00	SEAL	1	1	1	1	
26	3B4-215A1-00	PLUG, DRAIN	1	1	1	1	
27	3B4-2845L-00	STOPPER, OPEN	1	1	1	1	
28	3B4-28487-00	PLATE 2	1	1	1	1	
29	97702-50512	SCREW, TAPPING	1	1	1	1	
30	3B4-28309-00	GRILLE, FRONT	1	1	1	1	
31	3B4-28217-00	DAMPER 1	1	1	1	1	
32	3B4-28227-00	DAMPER 2	1	1	1	1	
33	3B4-28237-00	DAMPER 3	1	1	1	1	
34	3B4-28247-00	DAMPER 4	1	1	1	1	
35	90269-07010	RIVET	2	2	2	2	
36	90269-07012	RIVET	2	2	2	2	
37	3B4-28332-00	STAY, LEG SHIELD	1	1	1	1	
38	5RU-24768-00	STOPPER	2	2	2	2	

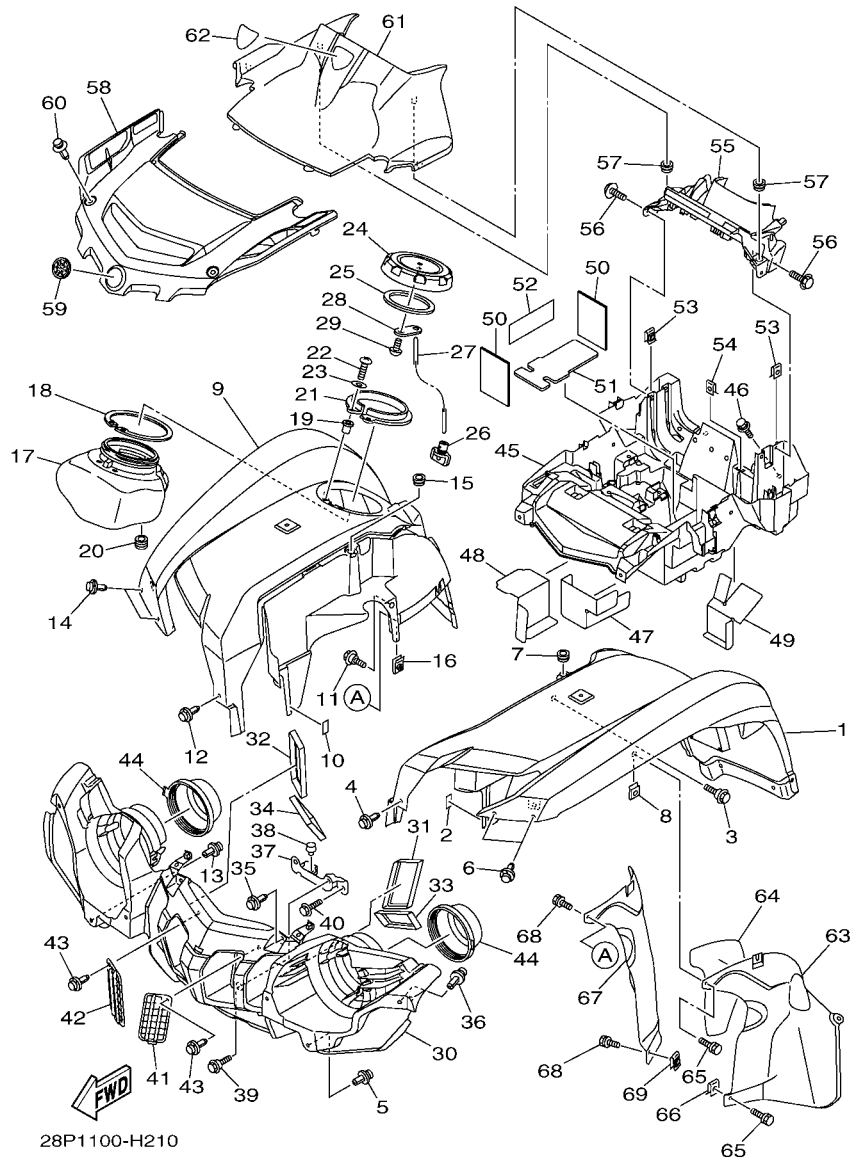


FIG. 21 FRONT FENDER

REF. NO.	PART NO.	DESCRIPTION	CAN	EUR	OC	JPN	REMARKS
39	90109-06172	BOLT	2	2	2	2	
40	95802-06012	BOLT, FLANGE	2	2	2	2	
41	3B4-2837N-00	GRILL, AIR INTAKE 1	1	1	1	1	
42	3B4-2837R-00	GRILL, AIR INTAKE 2	1	1	1	1	
43	90269-07077	RIVET	2	2	2	2	
44	3B4-28349-00	CAP	2	2	2	2	
45	28P-8212B-00	BOX, BATTERY 1	1	1	1	1	
46	90119-06152	BOLT, WITH WASHER	3	3	3	3	
47	28P-8253E-00	INSULATOR 1	1	1	1	1	
48	28P-8253F-00	INSULATOR 2	1	1	1	1	
49	28P-8254E-00	INSULATOR	1	1	1	1	
50	3B4-8233W-10	INSU.	2	2	2	2	
51	3B4-82122-00	SEAT, BATTERY	1	1	1	1	
52	34D-82176-00	DAMPER	1	1	1	1	
53	90183-06053	NUT, SPRING	7	7	7	7	
54	90183-05008	NUT, SPRING	2	2	2	2	
55	3B4-2837L-00	PANEL, CONSOLE 1	1	1	1	1	
56	90119-06152	BOLT, WITH WASHER	4	4	4	4	
57	90480-13567	GROMMET	2	2	2	2	
58	3B4-23391-00	PANEL, FRONT	1	1	1	1	
59	5KM-2175B-00	TUNING FORK MARK	1	1	1	1	
60	90269-07010	RIVET	2	2	2	2	
61	3B4-28313-00	LID	1	1	1	1	
62	3B4-26232-01	EMBLEM 3D	1	1	1	1	
63	3B4-21552-00	FENDER, INNER	1	1	1	1	
64	3B4-21575-10	SEAL 1	1	1	1	1	
65	90119-06152	BOLT, WITH WASHER	2	2	2	2	



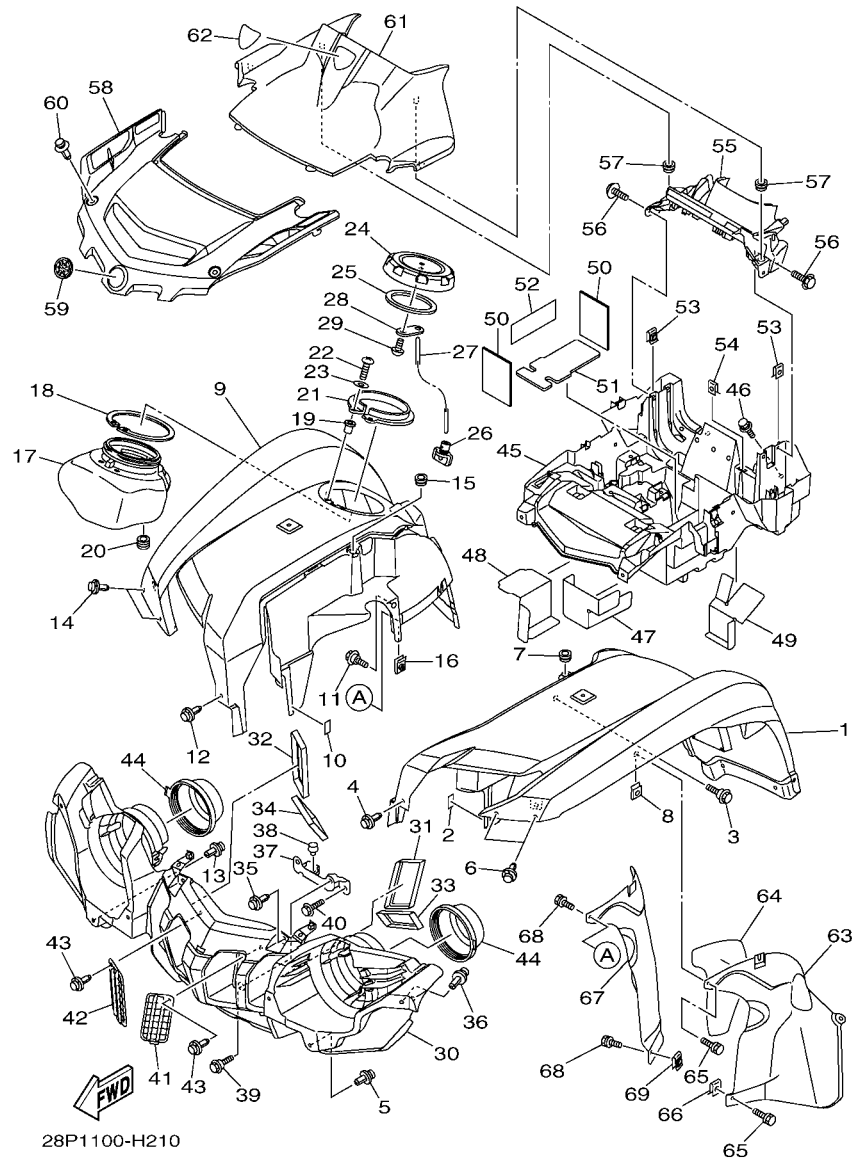
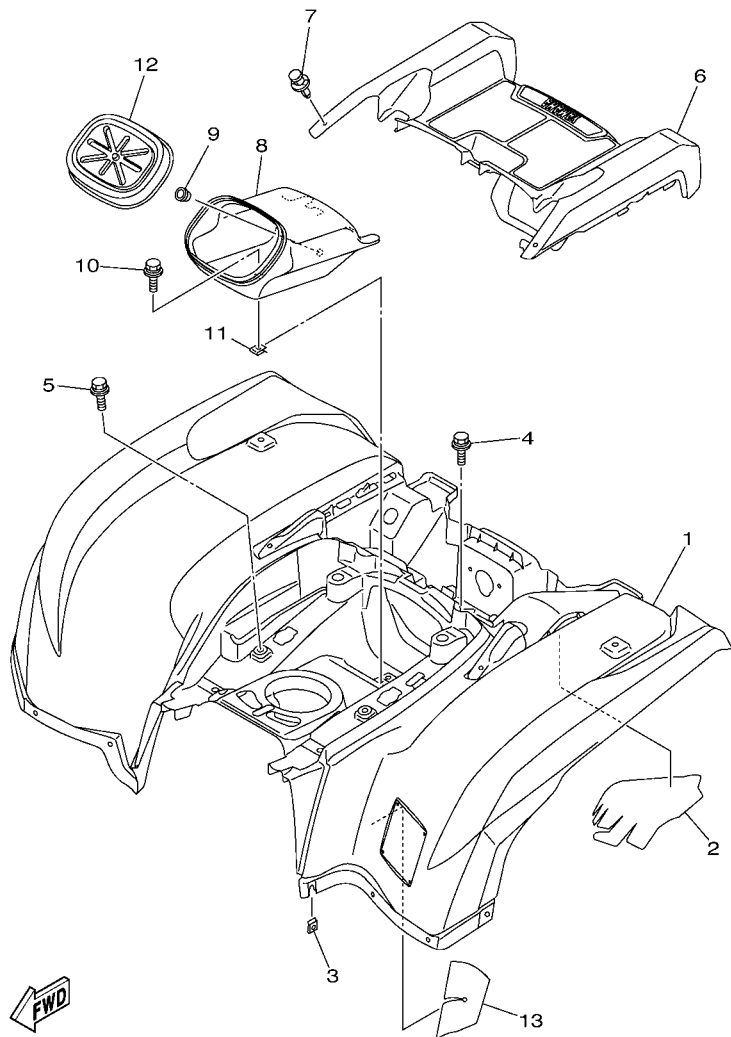


FIG. 21 FRONT FENDER

REF. NO.	PART NO.	DESCRIPTION	CAN	EUR	OCE	JPN	REMARKS
66	90183-06053	NUT, SPRING	1	1	1	1	
67	3B4-21553-00	FENDER, INNER 2	1	1	1	1	
68	90119-06152	BOLT, WITH WASHER	3	3	3	3	
69	90183-06053	NUT, SPRING	2	2	2	2	



3B49100-G220

FIG. 22 REAR FENDER

REF. NO.	PART NO.	DESCRIPTION	CAN	EUR	OC	JPN	REMARKS
1	3B4-W216C-01	REAR FENDER COMP.2	1				UR FOR PDG
	3B4-W216C-40	REAR FENDER COMP.2	1				UR FOR SMJ
	3B4-W216C-11	REAR FENDER COMP.2	1				UR FOR RTR
	3B4-W216C-21	REAR FENDER COMP.2	1				UR FOR DPBSN
	3B4-W216B-00	REAR FENDER COMP.2		1			UR FOR PDG
	3B4-W216B-40	REAR FENDER COMP.2		1			UR FOR SMJ
	3B4-W216B-10	REAR FENDER COMP.2		1			UR FOR RTR
	3B4-W216B-20	REAR FENDER COMP.2		1			UR FOR DPBSN
	3B4-W216E-20	REAR FENDER COMP.			1		FOR DPBSN
	3B4-W216E-01	REAR FENDER COMP.				1	FOR PDG
2	3B4-21652-00	PROTECTOR	1	1	1	1	
3	90183-06053	NUT, SPRING	1	1	1	1	
4	90119-06152	BOLT, WITH WASHER	2	2	2	2	
5	90119-06152	BOLT, WITH WASHER	2	2	2	2	
6	3B4-21651-00	COVER, REAR FENDER	1	1	1	1	
7	90269-07010	RIVET	2	2	2	2	
8	3B4-2160E-00	BOX	1	1	1	1	
9	90338-09130	PLUG	1	1	1	1	
10	90119-06152	BOLT, WITH WASHER	1	1	1	1	
11	90183-06053	NUT, SPRING	1	1	1	1	
12	3B4-2160F-00	LID	1	1	1	1	
13	3B4-21669-00	SEAL	1	1	1	1	

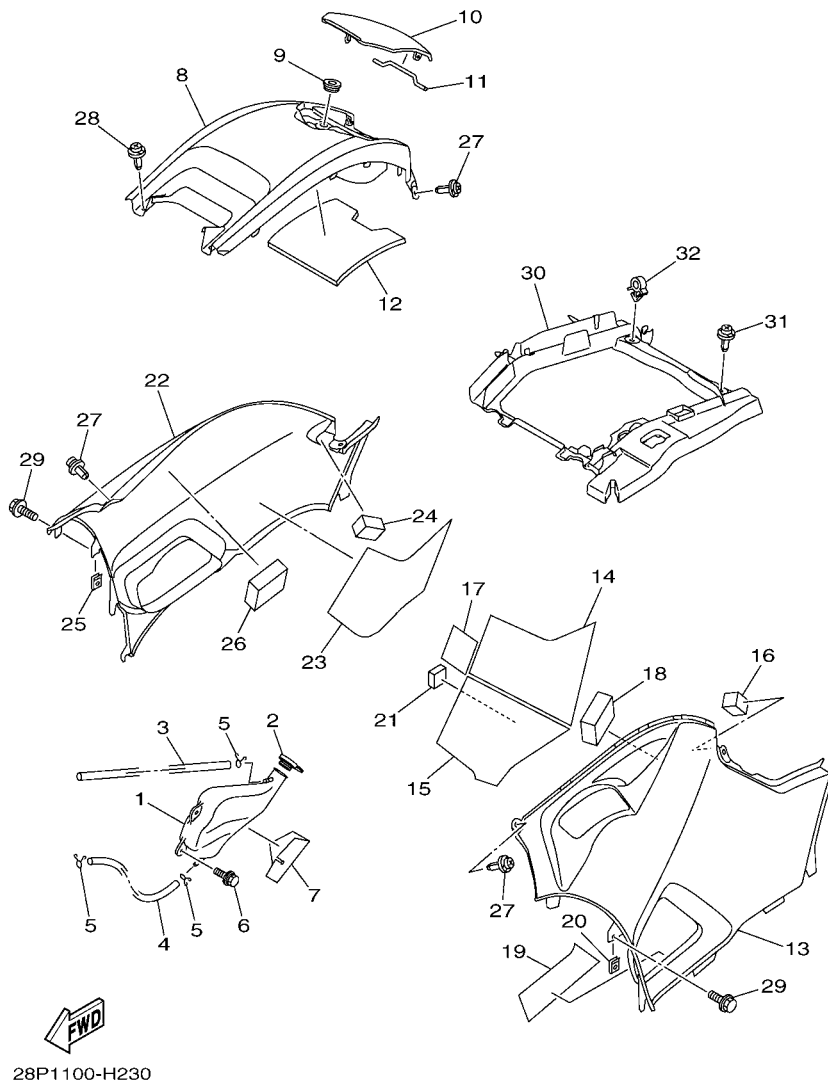
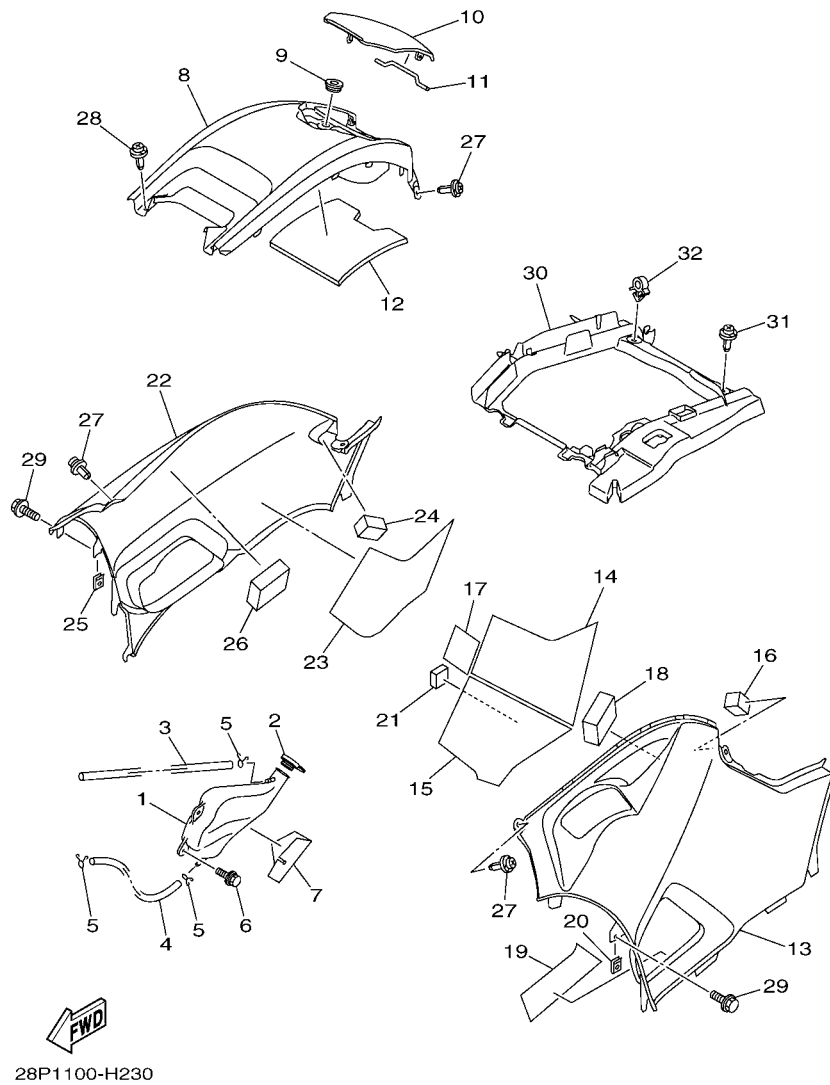


FIG. 23 SIDE COVER

REF. NO.	PART NO.	DESCRIPTION	CAN	EUR	OC	JPN	REMARKS
1	3B4-21871-00	TANK, RECOVERY	1	1	1	1	
2	1S3-21875-00	CAP	1	1	1	1	
3	90445-09117	HOSE (L540)	1	1	1	1	
4	90445-09110	HOSE (L420)	1	1	1	1	
5	90467-08003	CLIP	3	3	3	3	
6	90119-06152	BOLT, WITH WASHER	2	2	2	2	
7	3B4-2176E-00	PLATE	1	1	1	1	
8	3B4-2171A-00	COVER, TOP	1	1	1	1	
9	90480-01558	GROMMET	1	1	1	1	
10	3B4-2177B-00	LID, COVER	1	1	1	1	
11	3B4-2177K-00	PIN, HINGE	1	1	1	1	
12	3B4-21747-00	DAMPER	1	1	1	1	
13	3B4-21711-00	COVER, SIDE 1	1	1		1	UR FOR PDG
	3B4-21711-40	COVER, SIDE 1	1	1			UR FOR SMJ
	3B4-21711-10	COVER, SIDE 1	1	1			UR FOR RTR
	3B4-21711-20	COVER, SIDE 1	1	1	1		UR FOR DPBSN
14	3B4-2174A-00	INSULATOR, SIDE COVER	1	1	1	1	
15	3B4-2173N-00	SEAL 4	1	1	1	1	
16	3B4-21717-00	DAMPER	1	1	1	1	
17	1S3-82123-00	SEAT, BATTERY	1	1	1	1	
18	3B4-2174Y-00	DAMPER	1	1	1	1	
19	3B4-2173M-00	SEAL 3	1	1	1	1	
20	90183-06053	NUT, SPRING	1	1	1	1	
21	3B4-2177N-00	DAMPER, LOCATING 4	1	1	1	1	
22	3B4-21721-00	COVER, SIDE 2	1	1		1	UR FOR PDG
	3B4-21721-40	COVER, SIDE 2	1	1			UR FOR SMJ
	3B4-21721-10	COVER, SIDE 2	1	1			UR FOR RTR



**FIG. 23 SIDE COVER**

REF. NO.	PART NO.	DESCRIPTION	CAN	EUR	OCE	JPN	REMARKS
22	3B4-21721-20	COVER, SIDE 2	1	1	1		UR FOR DPBSN
23	3B4-2174T-00	INSULATOR, SIDE COVER 2	1	1	1	1	
24	3B4-21717-00	DAMPER	1	1	1	1	
25	90183-06053	NUT, SPRING	1	1	1	1	
26	3B4-2174Y-00	DAMPER	1	1	1	1	
27	90269-07012	RIVET	4	4	4	4	
28	90269-06081	RIVET	2	2	2	2	
29	90119-06152	BOLT, WITH WASHER	2	2	2	2	
30	3B4-2414H-00	DAMPER, PLATE 1	1	1	1	1	
31	90269-07010	RIVET	1	1	1	1	
32	90464-16012	CLAMP	1	1	1	1	
<hr/>							
<hr/>							
<hr/>							
<hr/>							
<hr/>							
<hr/>							
<hr/>							

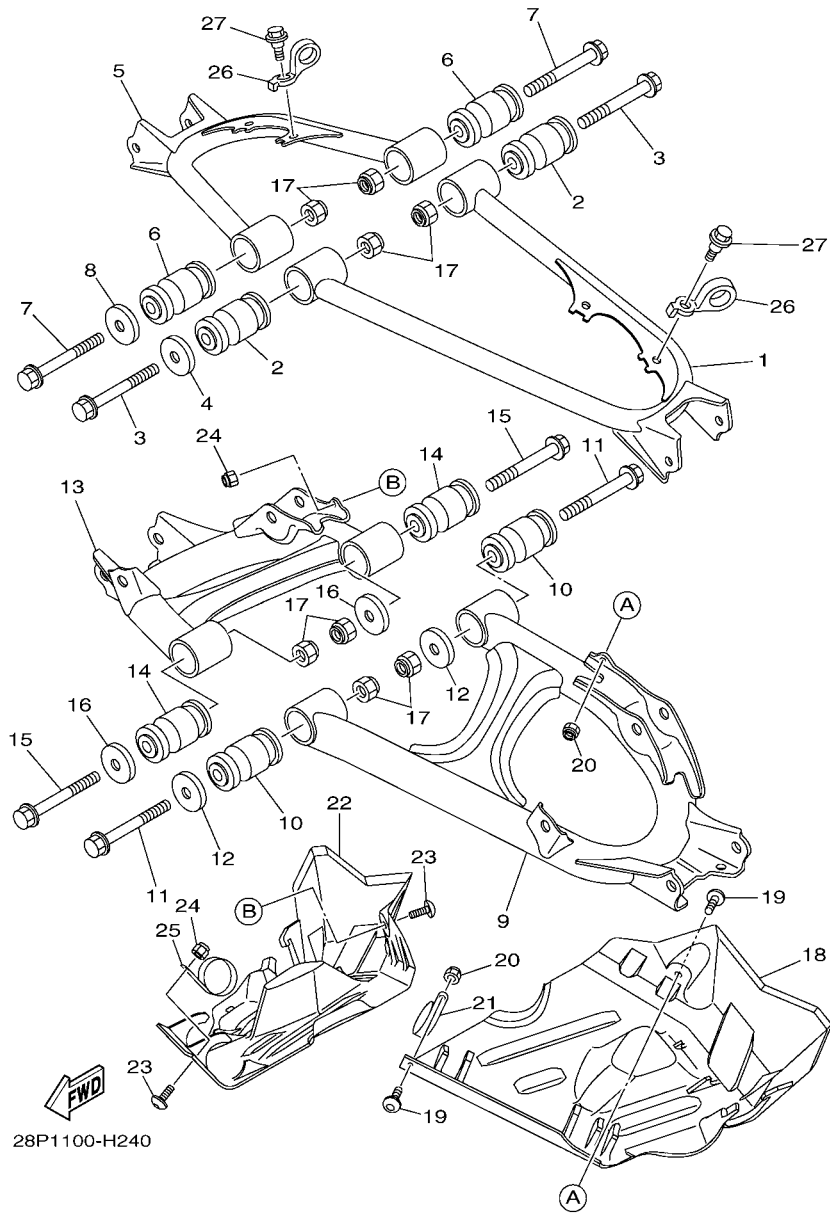


FIG. 24 REAR ARM

REF. NO.	PART NO.	DESCRIPTION	CAN	EUR	OCE	JPN	REMARKS
1	3B4-22171-00	ARM, REAR 1	1				
	3B4-22171-11	ARM, REAR 1		1	1	1	
2	5KM-23526-10	BUSH	2	2	2	2	
3	90105-10222	BOLT, FLANGE	2	2	2	2	
4	5KM-22149-10	WASHER	1	1	1	1	
5	3B4-22172-00	ARM, REAR 2	1				
	3B4-22172-11	ARM, REAR 2		1	1	1	
6	5KM-23526-10	BUSH	2	2	2	2	
7	90105-10222	BOLT, FLANGE	2	2	2	2	
8	5KM-22149-10	WASHER	1	1	1	1	
9	3B4-2217M-00	ARM 1	1				
	3B4-2217M-11	ARM 1		1	1	1	
10	5KM-23526-10	BUSH	2	2	2	2	
11	90105-10222	BOLT, FLANGE	2	2	2	2	
12	5KM-22149-10	WASHER	2	2	2	2	
13	3B4-2217N-00	ARM 2	1				
	3B4-2217N-11	ARM 2		1	1	1	
14	5KM-23526-10	BUSH	2	2	2	2	
15	90105-10222	BOLT, FLANGE	2	2	2	2	
16	5KM-22149-10	WASHER	2	2	2	2	
17	90185-10012	NUT, SELF-LOCKING	8	8	8	8	
18	28P-22128-00	COVER, THRUST 1	1	1	1	1	
19	90110-06200	BOLT, HEXAGON SOCKET HEAD	2	2	2	2	
20	95702-06300	NUT, NYLON	2	2	2	2	
21	34D-22465-00	HOLDER	1	1	1	1	
22	28P-22129-00	COVER, THRUST 2	1	1	1	1	
23	90110-06200	BOLT, HEXAGON SOCKET HEAD	2	2	2	2	

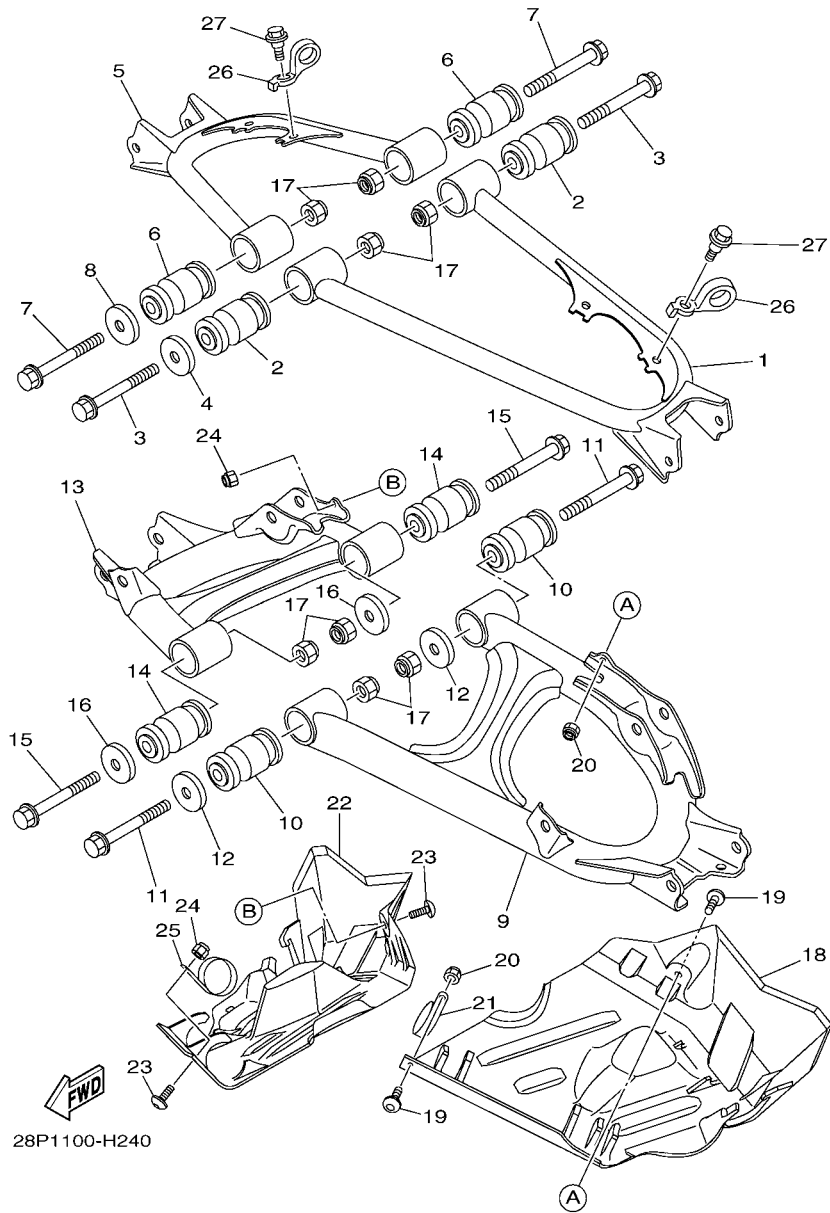
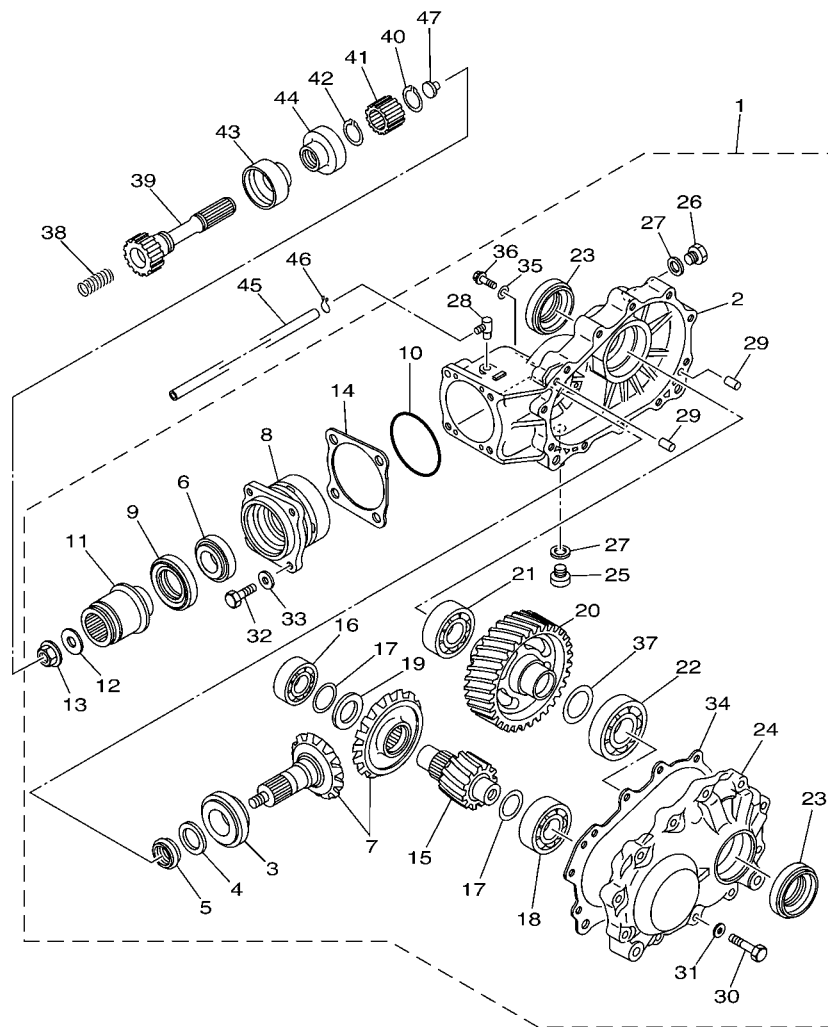


FIG. 24 REAR ARM

REF. NO.	PART NO.	DESCRIPTION	CAN	EUR	OCE	JPN	REMARKS
24	95702-06300	NUT, NYLON	2	2	2	2	
25	34D-22465-00	HOLDER	1	1	1	1	
26	3B4-25875-00	HOLDER, BRAKE HOSE 1	4	4	4	4	
27	90109-06172	BOLT	4	4	4	4	
-----							
-----							
-----							
-----							
-----							
-----							
-----							
-----							
-----							
-----							



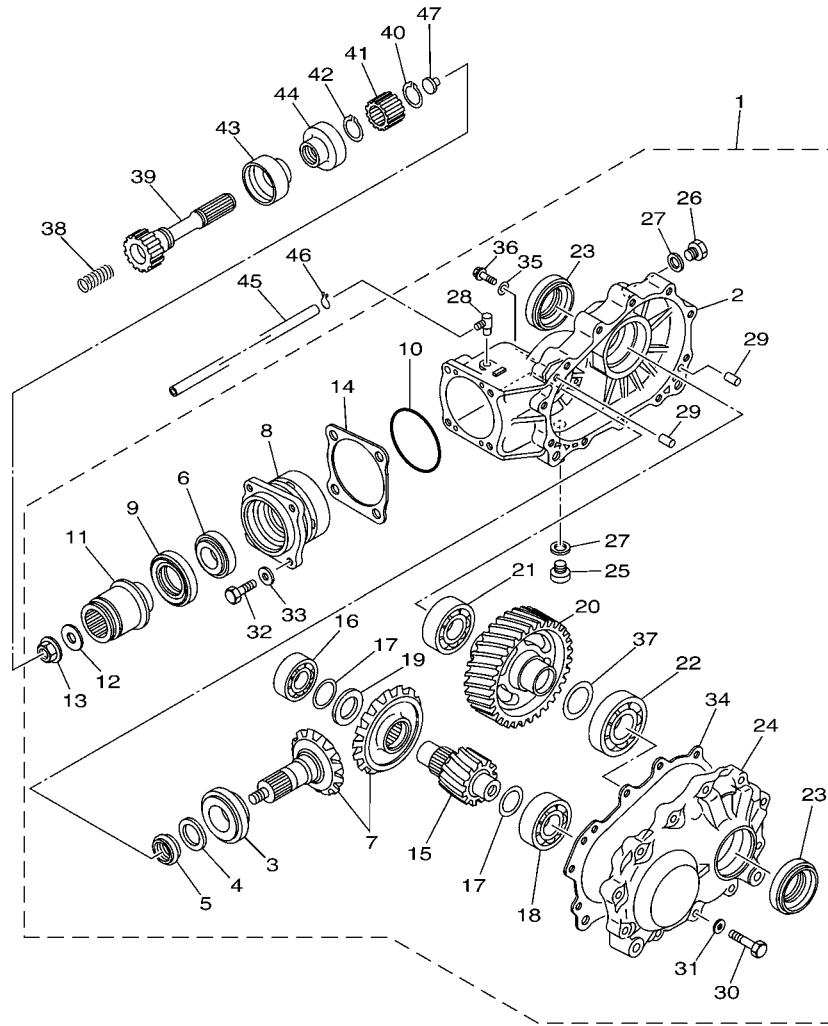


**FWD**  
3B41100-F260

**FIG. 26 DRIVE SHAFT**

REF. NO.	PART NO.	DESCRIPTION	CAN	EUR	OCE	JPN	REMARKS
1	3B4-46101-10	REAR AXLE GEAR CASE ASSY	1	1	1	1	
2	3B4-46151-00	.HOUSING, DRIVE SHAFT	1	1	1	1	
3	93332-00046	.BEARING	1	1	1	1	
4	90201-25634	.WASHER, PLATE	1	1	1	1	
5	3B4-46129-00	.SPACER, EXPANSION	1	1	1	1	
6	93332-00053	.BEARING	1	1	1	1	
7	3B4-461A0-00	.RING GEAR SET	1	1	1	1	
8	3B4-46144-00	.HOUSING, PINION BEARING	1	1	1	1	
9	93102-35009	.OIL SEAL	1	1	1	1	
10	93210-626A7	.O-RING	1	1	1	1	
11	3B4-46126-10	.COUPLING	1	1	1	1	
12	90201-12029	.WASHER, PLATE	1	1	1	1	
13	90179-12005	.NUT	1	1	1	1	
14	2HR-46127-00-25	.SHIM, DRIVE PISTON (0.25T)	1	1	1	1	UR
	2HR-46127-00-30	.SHIM, DRIVE PISTON (0.30T)	1	1	1	1	UR
	2HR-46127-00-35	.SHIM, DRIVE PISTON (0.35T)	1	1	1	1	UR
	2HR-46127-00-40	.SHIM, DRIVE PISTON (0.40T)	1	1	1	1	UR
	2HR-46127-00-45	.SHIM, DRIVE PISTON (0.45T)	1	1	1	1	UR
	2HR-46127-00-50	.SHIM, DRIVE PISTON (0.50T)	1	1	1	1	UR
15	3B4-46316-00	.GEAR, PINION 1	1	1	1	1	
16	93306-205U0	.BEARING	1	1	1	1	
17	3B4-46119-00	.SHIM, THRUST (0.25T)	2	2	2	2	UR
	3B4-46119-10	.SHIM, THRUST (0.30T)	2	2	2	2	UR
	3B4-46119-20	.SHIM, THRUST (0.35T)	2	2	2	2	UR
	3B4-46119-30	.SHIM, THRUST (0.40T)	2	2	2	2	UR
	3B4-46119-40	.SHIM, THRUST (0.45T)	2	2	2	2	UR
	3B4-46119-50	.SHIM, THRUST (0.50T)	2	2	2	2	UR

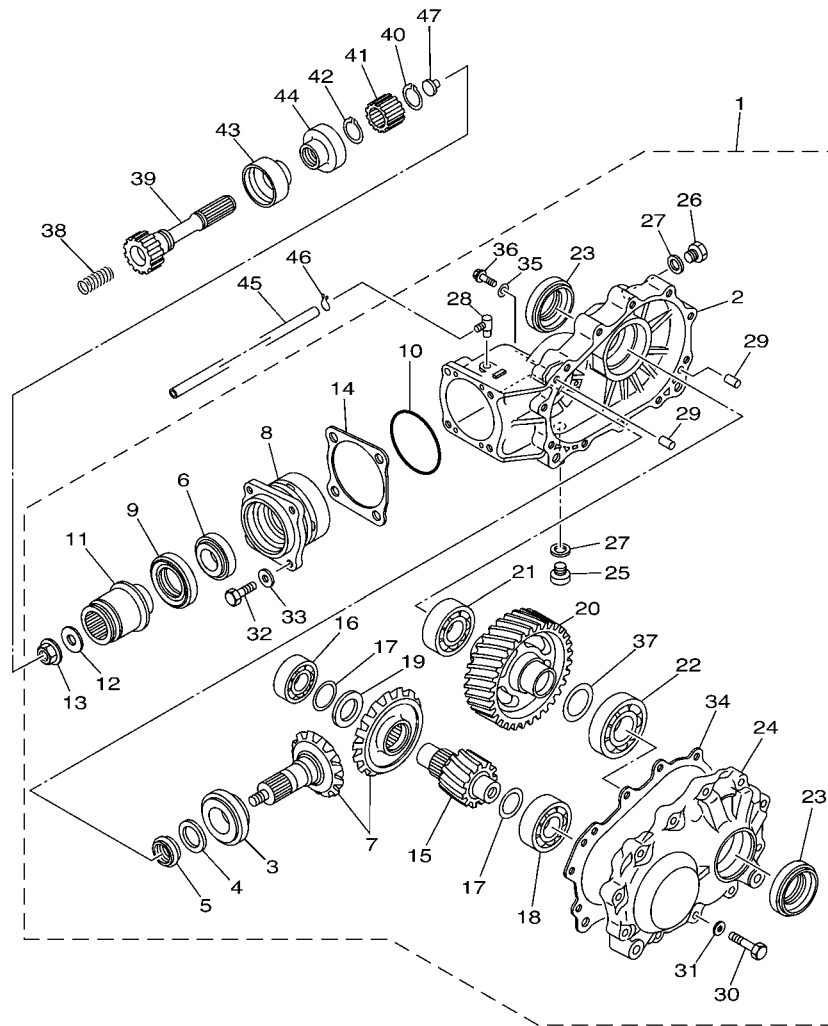




  
 3B41100-F260

**FIG. 26 DRIVE SHAFT**

REF. NO.	PART NO.	DESCRIPTION	CAN	EUR	OCE	JPN	REMARKS
18	93306-30523	.BEARING	1	1	1	1	
19	3B4-4621F-00	.SHIM, THRUST (4.5T)	1	1	1	1	UR
	3B4-4621F-10	.SHIM, THRUST (4.8T)	1	1	1	1	UR
	3B4-4621F-20	.SHIM, THRUST (5.1T)	1	1	1	1	UR
	3B4-4621F-30	.SHIM, THRUST (5.4T)	1	1	1	1	UR
20	3B4-46326-00	.GEAR, WHEEL 1	1	1	1	1	
21	93306-00704	.BEARING	1	1	1	1	
22	93306-207U0	.BEARING	1	1	1	1	
23	93102-35009	.OIL SEAL	2	2	2	2	
24	3B4-46152-00	.HOUSING, BEARING	1	1	1	1	
25	90340-14002	.PLUG, STRAIGHT SCREW	1	1	1	1	
26	90340-14029	.PLUG, STRAIGHT SCREW	1	1	1	1	
27	214-11198-01	.GASKET	2	2	2	2	
28	5UG-15371-00	.BREATHER	1	1	1	1	
29	99530-10014	.PIN, DOWEL	2	2	2	2	
30	97022-08035	.BOLT	11	11	11	11	
31	92902-08600	.WASHER, PLATE	11	11	11	11	
32	97022-08025	.BOLT	4	4	4	4	
33	92902-08600	.WASHER, PLATE	4	4	4	4	
34	3B4-4631A-01	.GSKT., CASE	1	1	1	1	
35	90201-08087	.WASHER, PLATE	1	1	1	1	
36	95022-08012	.BOLT, FLANGE	1	1	1	1	
37	3B4-46344-00	.SHIM (0.25T)	1	1	1	1	UR
	3B4-46344-10	.SHIM (0.30T)	1	1	1	1	UR
	3B4-46344-20	.SHIM (0.35T)	1	1	1	1	UR
	3B4-46344-30	.SHIM (0.40T)	1	1	1	1	UR
	3B4-46344-40	.SHIM (0.45T)	1	1	1	1	UR

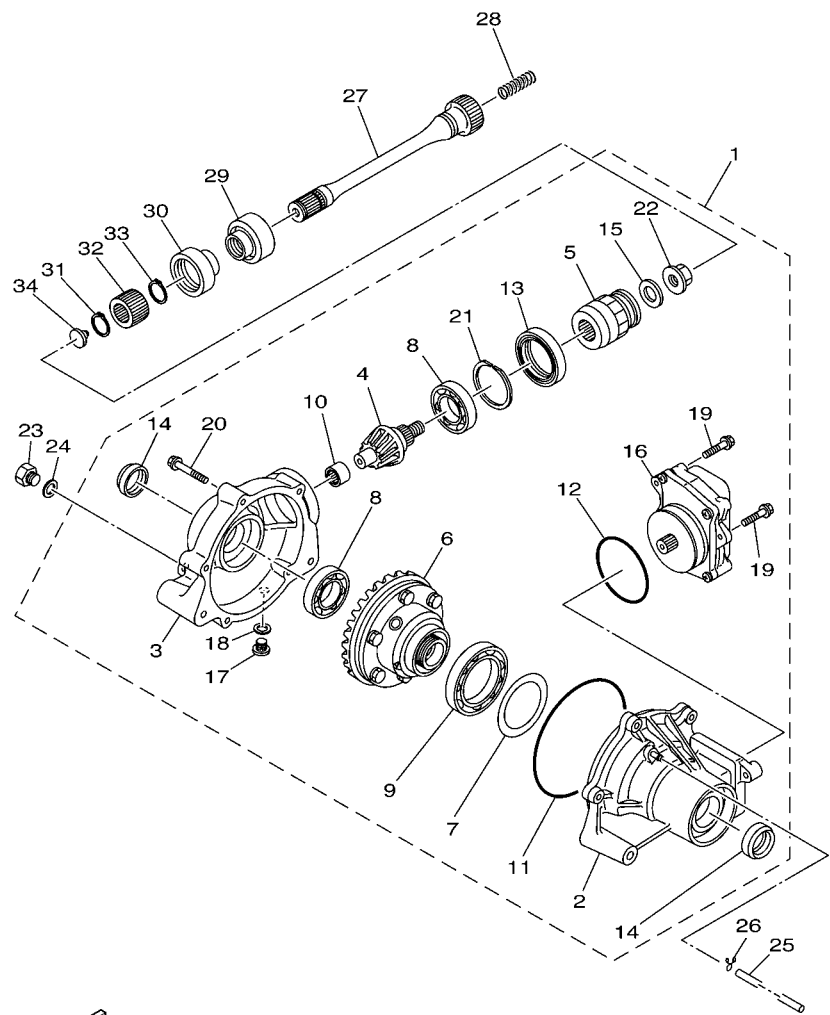


3B41100-F260

FIG. 26 DRIVE SHAFT

REF. NO.	PART NO.	DESCRIPTION	CAN	EUR	OCE	JPN	REMARKS
37	3B4-46344-50	.SHIM (0.50T)	1	1	1	1	UR
38	90501-18002	SPRING, COMPRESSION	1	1	1	1	
39	3B4-46172-10	SHAFT, DRIVE	1	1	1	1	
40	99009-19400	CIRCLIP	1	1	1	1	
41	5KM-46126-00	COUPLING	1	1	1	1	
42	93410-22039	CIRCLIP	1	1	1	1	
43	5KM-46137-00	SEAL 2	1	1	1	1	
44	5KM-46136-00	SEAL 1	1	1	1	1	
45	90445-074F6	HOSE (L1300)	1	1	1	1	
46	90467-07029	CLIP	1	1	1	1	
47	5KM-46559-00	DAMPER	1	1	1	1	

FIG. 27 FRONT DIFFERENTIAL



3B41100-F270

REF. NO.	PART NO.	DESCRIPTION	CAN	EUR	OC	JPN	REMARKS
1	3B4-46160-10	FRONT AXLE GEAR CASE COMP.	1	1	1	1	
2	3B4-46162-00	.HOUSING, BEARING 2	1	1	1	1	
3	3B4-46161-00	.HOUSING, SHAFT DRIVE 2	1	1	1	1	
4	3B4-46141-00	.PINION, DRIVE 2	1	1	1	1	
5	3B4-67839-10	.CUPLING	1	1	1	1	
6	3B4-46470-01	.LIMITED SLIP DIFF. ASSY	1	1	1	1	
7	3B4-46117-00	.SHIM, RING GEAR (0.1T)	1	1	1	1	UR
	3B4-46117-10	.SHIM, RING GEAR (0.2T)	1	1	1	1	UR
	3B4-46117-20	.SHIM, RING GEAR (0.3T)	1	1	1	1	UR
	3B4-46117-30	.SHIM, RING GEAR (0.4T)	1	1	1	1	UR
8	93306-00613	.BEARING	2	2	2	2	
9	3B4-46164-00	.BEARING 1	1	1	1	1	
10	3B4-46166-00	.BEARING 3	1	1	1	1	
11	3B4-46134-00	.O-RING 1	1	1	1	1	
12	3B4-46135-00	.O-RING 2	1	1	1	1	
13	93105-46001	.OIL SEAL	1	1	1	1	
14	3B4-46163-00	.SEAL, OIL 1	2	2	2	2	
15	3B4-47359-00	.WASHER	1	1	1	1	
16	3B4-4616A-00	.SERVO MOTOR COMP	1	1	1	1	
17	90340-10001	.PLUG, STRAIGHT SCREW	1	1	1	1	
18	90430-10003	.GASKET	1	1	1	1	
19	95812-06014	.BOLT, FLANGE	3	3	3	3	
20	95812-08040	.BOLT, FLANGE	5	5	5	5	
21	3B4-46142-00	.RING,HOLE SNAP 1	1	1	1	1	
22	4WV-46145-10	.NUT 1	1	1	1	1	
23	90340-14029	PLUG, STRAIGHT SCREW	1	1	1	1	
24	214-11198-01	GASKET	1	1	1	1	



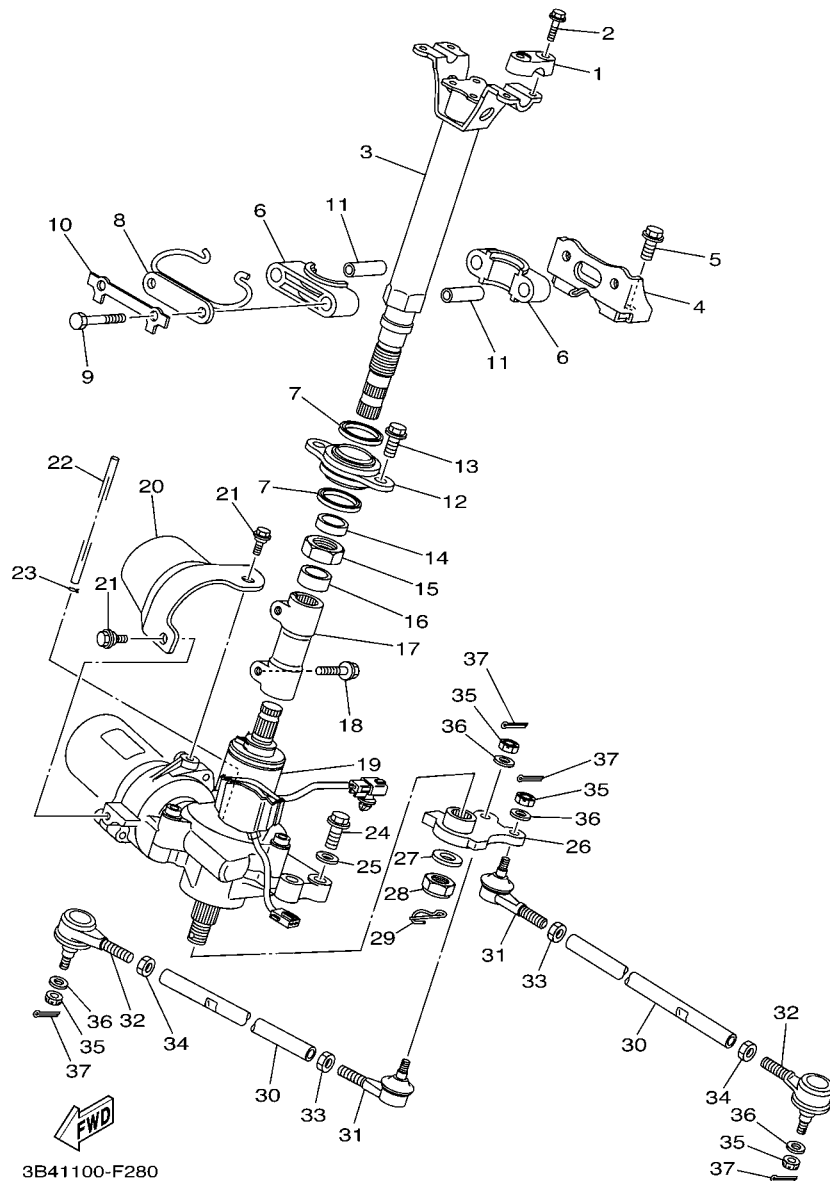
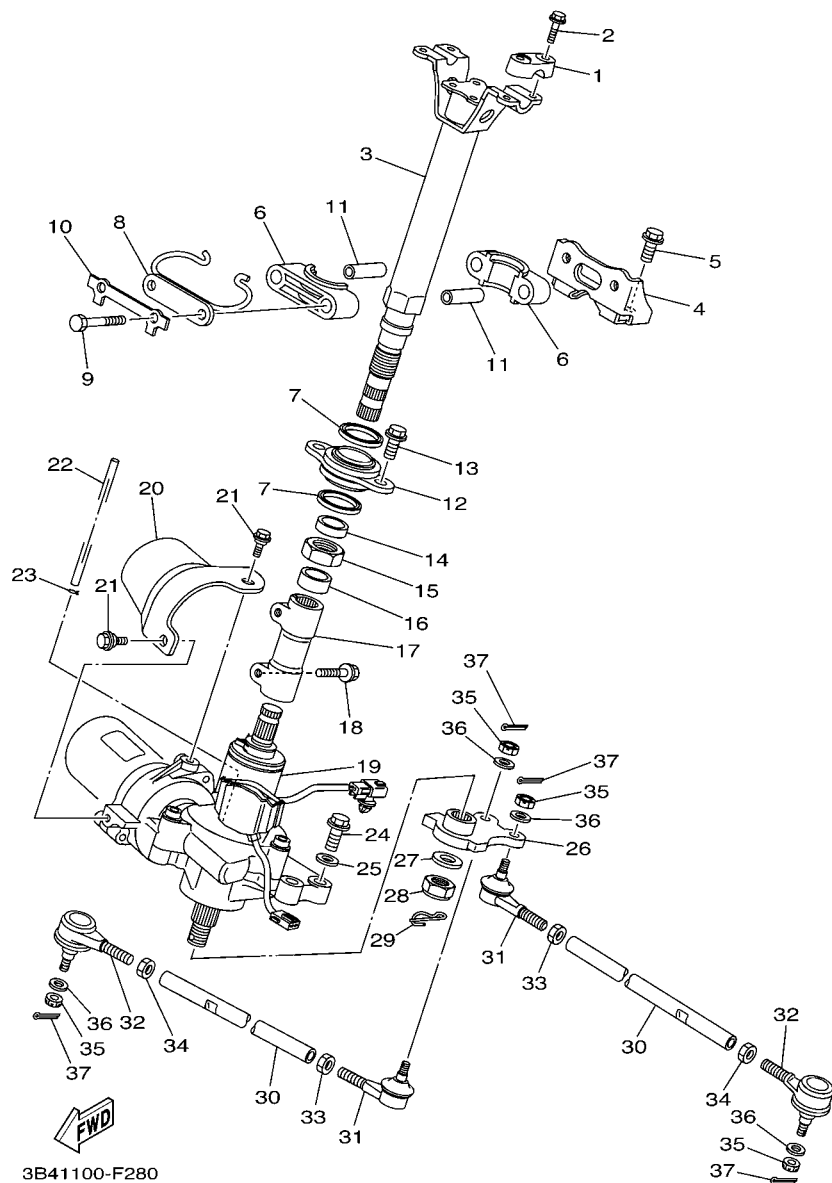


FIG. 28 STEERING

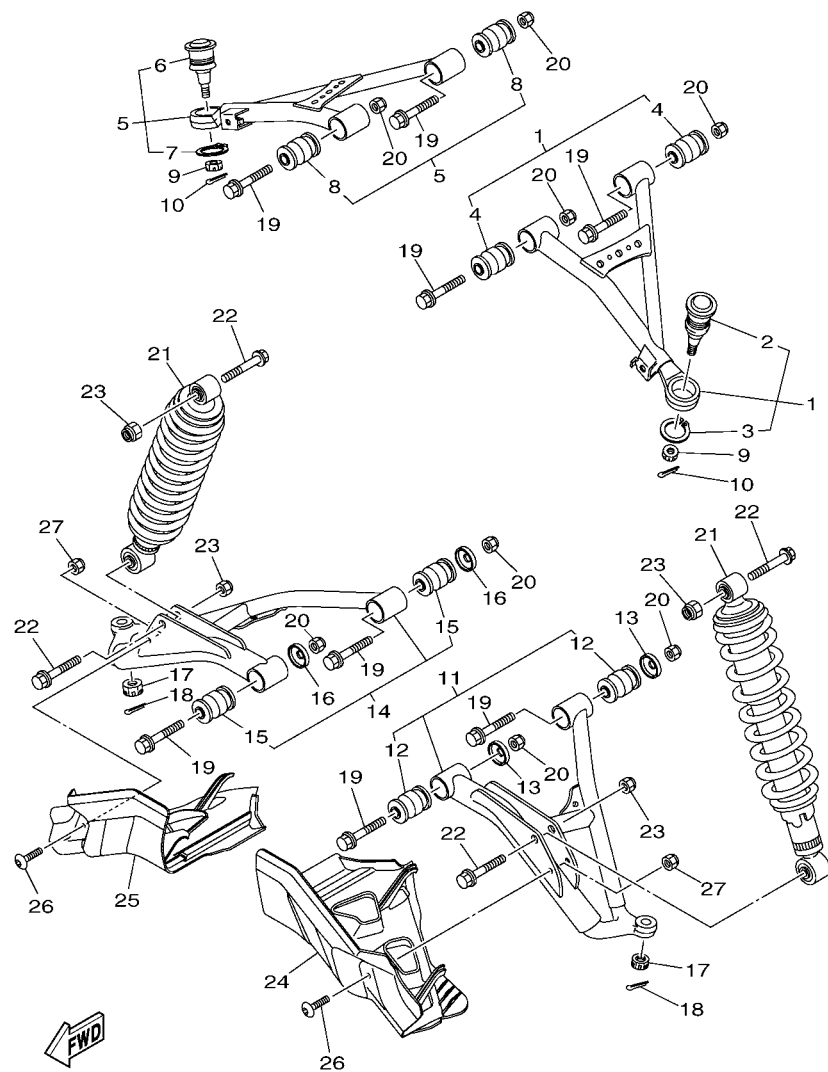
REF. NO.	PART NO.	DESCRIPTION	CAN	EUR	OC	JPN	REMARKS
1	8K1-23814-00	HOLDER, HANDLE	2	2	2	2	
2	95822-08030	BOLT, FLANGE	4	4	4	4	
3	3B4-23813-00	COLUMN, STEERING 2	1	1	1	1	
4	3B4-22517-00	SUPT., STRG. COLUMN	1	1	1	1	
5	90105-10204	BOLT, FLANGE	2	2	2	2	
6	1UY-23812-00	PLANE BEARING, STEERING	2	2	2	2	
7	93112-31011	OIL SEAL	2	2	2	2	
8	5GH-23868-00	BRACKET, STEERING LOWER	1	1	1	1	
9	97022-08060	BOLT	2	2	2	2	
10	1UY-23894-01	WASHER, LOCK 1	1	1	1	1	
11	90387-090R0	COLLAR	2	2	2	2	
12	3B4-23875-10	BEARING, STEERING LOWER	1	1	1	1	
13	90105-10204	BOLT, FLANGE	2	2	2	2	
14	90387-22014	COLLAR	1	1	1	1	
15	90185-22008	NUT, SELF-LOCKING	1	1	1	1	
16	90387-22591	COLLAR	1	1	1	1	
17	3B4-2381B-00	JOINT	1	1	1	1	
18	90119-08106	BOLT, WITH WASHER	2	2	2	2	
19	3B4-238B0-10	POWER STRG. ACTUATOR ASSY	1	1	1	1	
20	3B4-238B6-00	COVER, MOTOR	1	1	1	1	
21	90109-06172	BOLT	2	2	2	2	
22	90445-07018	HOSE (L1400)	1	1	1	1	
23	90467-07029	CLIP	1	1	1	1	
24	90105-08153	BOLT, FLANGE	4	4	4	4	
25	90201-08048	WASHER, PLATE	4	4	4	4	
26	3B4-23816-00	ARM, PITMAN	1	1	1	1	
27	90201-16021	WASHER, PLATE	1	1	1	1	

FIG. 28 STEERING



REF. NO.	PART NO.	DESCRIPTION	CAN	EUR	OCE	JPN	REMARKS
28	95612-16100	NUT, U	1	1	1	1	
29	91402-20025	PIN, COTTER	1	1	1	1	
30	5KM-23831-00	ROD, TIE	2	2	2	2	
31	1UY-23841-01	JOINT, UNIVERSAL 1	2	2	2	2	
32	1UY-23845-01	JOINT, UNIVERSAL 2	2	2	2	2	
33	95302-10700	NUT	2	2	2	2	
34	90170-10010	NUT	2	2	2	2	(L.H. THREAD)
35	90171-10001	NUT, CASTLE	4	4	4	4	
36	90209-10229	WASHER	4	4	4	4	
37	91401-20020	PIN, COTTER	4	4	4	4	
-----							
-----							
-----							
-----							
-----							
-----							
-----							
-----							

**FIG. 29 FRONT SUSPENSION & WHEEL**



28P1100-H290

REF. NO.	PART NO.	DESCRIPTION	CAN	EUR	OC	JPN	REMARKS
1	3B4-23540-00	FRONT UPPER ARM COMP. (LEFT)	1				
	3B4-23540-11	FRONT UPPER ARM COMP. (LEFT)		1	1	1	
2	5LP-23579-00	.BALL JOINT 2	1	1	1	1	
3	99009-30400	.CIRCLIP	1	1	1	1	
4	5KM-23526-10	.BUSH	2	2	2	2	
5	3B4-23550-00	FRONT UPPER ARM COMP. (RIGHT)	1				
	3B4-23550-11	FRONT UPPER ARM COMP. (RIGHT)		1	1	1	
6	5LP-23579-00	.BALL JOINT 2	1	1	1	1	
7	99009-30400	.CIRCLIP	1	1	1	1	
8	5KM-23526-10	.BUSH	2	2	2	2	
9	90171-10001	NUT, CASTLE	2	2	2	2	
10	91401-20020	PIN, COTTER	2	2	2	2	
11	3B4-23570-00	FRONT LOWER ARM COMP. (LEFT)	1				
	3B4-23570-11	FRONT LOWER ARM COMP. (LEFT)		1	1	1	
12	5KM-23526-10	.BUSH	2	2	2	2	
13	5KM-22149-10	WASHER	2	2	2	2	
14	3B4-23580-00	FRONT LOWER ARM COMP. (RIGHT)	1				
	3B4-23580-11	FRONT LOWER ARM COMP. (RIGHT)		1	1	1	
15	5KM-23526-10	.BUSH	2	2	2	2	
16	5KM-22149-10	WASHER	2	2	2	2	
17	90171-12001	NUT, CASTLE	2	2	2	2	
18	91490-25020	PIN, COTTER	2	2	2	2	
19	90105-10222	BOLT, FLANGE	8	8	8	8	
20	90185-10012	NUT, SELF-LOCKING	8	8	8	8	
21	3B4-23350-01	SHOCK ABSORBER ASSY	2	2	2	2	
22	90105-10131	BOLT, FLANGE	4	4	4	4	
23	90185-10012	NUT, SELF-LOCKING	4	4	4	4	





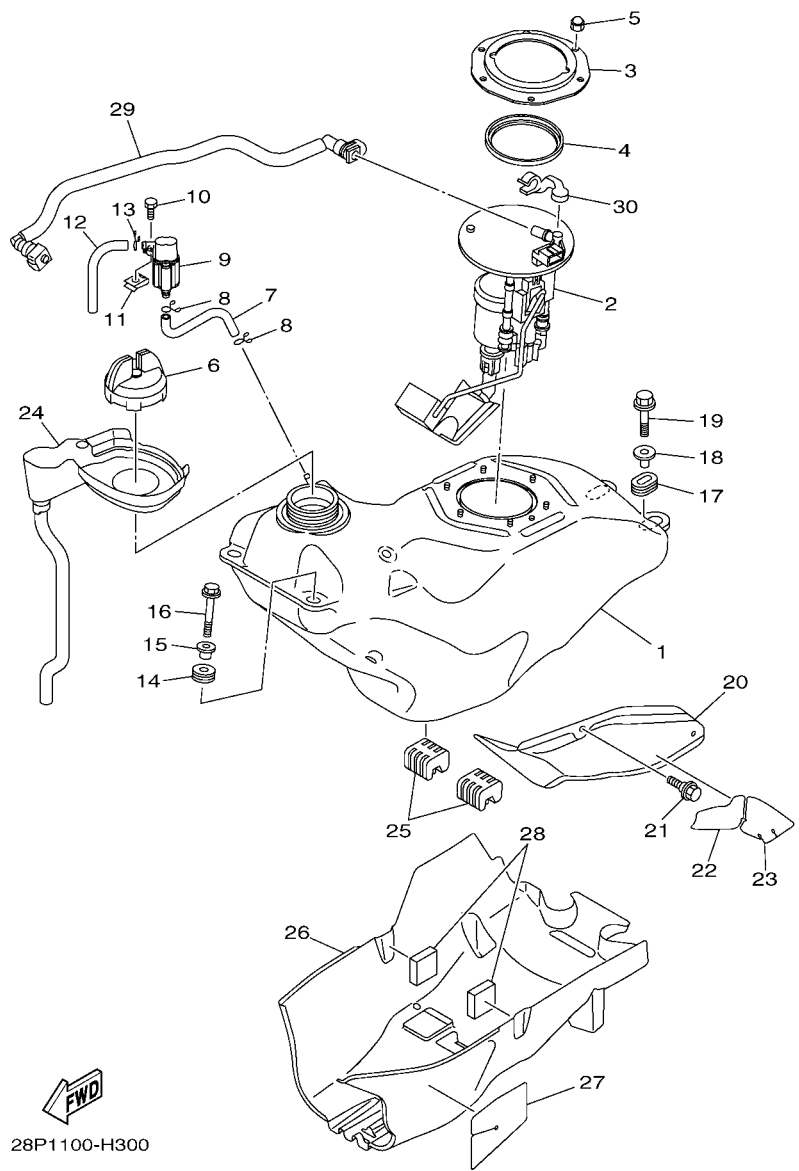
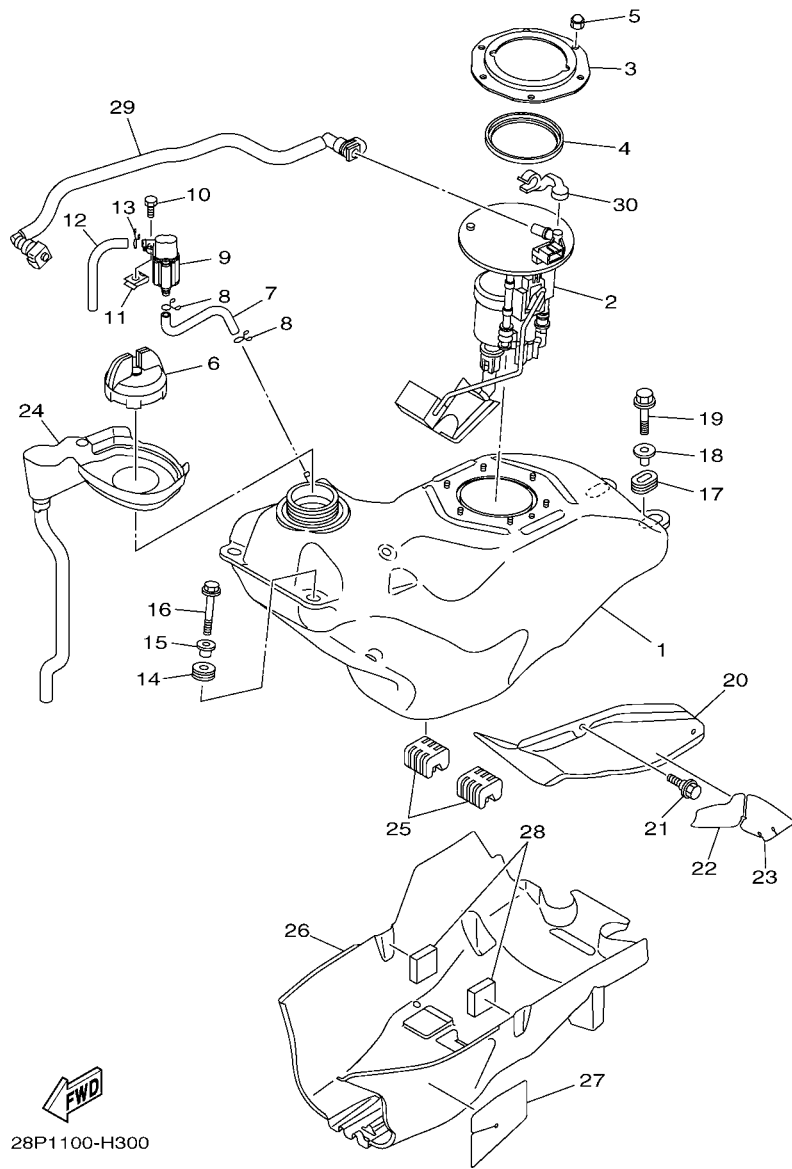


FIG. 30 FUEL TANK

REF. NO.	PART NO.	DESCRIPTION	CAN	EUR	OC	JPN	REMARKS
1	3B4-24110-10	FUEL TANK COMP.	1				
	3B4-24110-00	FUEL TANK COMP.		1	1	1	
2	3B4-13907-10	FUEL PUMP COMP.	1	1	1	1	
3	3B4-24491-00	BRACKET, FUEL PUMP	1	1	1	1	
4	1S3-24486-00	O-RING	1	1	1	1	
5	95302-06800	NUT, CROWN	6	6	6	6	
6	3B4-24610-00	CAP ASSY	1	1	1	1	
7	3B4-24312-00	PIPE 2	1	1	1	1	
8	90467-09006	CLIP	2	2	2	2	
9	28P-24380-00	PIPE JOINT ASSY	1	1	1	1	
10	97002-06016	BOLT	1	1	1	1	
11	90183-06053	NUT, SPRING	1	1	1	1	
12	90445-09068	HOSE (L110)	1	1	1	1	
13	90467-09006	CLIP	1	1	1	1	
14	90480-18290	GROMMET	2	2	2	2	
15	90387-066J1	COLLAR	2	2	2	2	
16	95802-06030	BOLT, FLANGE	2	2	2	2	
17	90480-01400	GROMMET	2	2	2	2	
18	90387-07021	COLLAR	2	2	2	2	
19	95802-06030	BOLT, FLANGE	2	2	2	2	
20	3B4-24129-00	COVER, SIDE 1	1	1	1	1	
21	90109-06172	BOLT	2	2	2	2	
22	3B4-2414J-00	DAMPER, PLATE 2	1	1	1	1	
23	3B4-2414K-00	DAMPER, PLATE 3	1	1	1	1	
24	3B4-2414F-00	COVER, FILLER COMP.	1	1	1	1	
25	3B4-24181-00	DAMPER, LOCATING 1	2	2	2	2	
26	3B4-24141-00	PROTECTOR, FUEL TANK	1	1	1	1	



**FIG. 30 FUEL TANK**

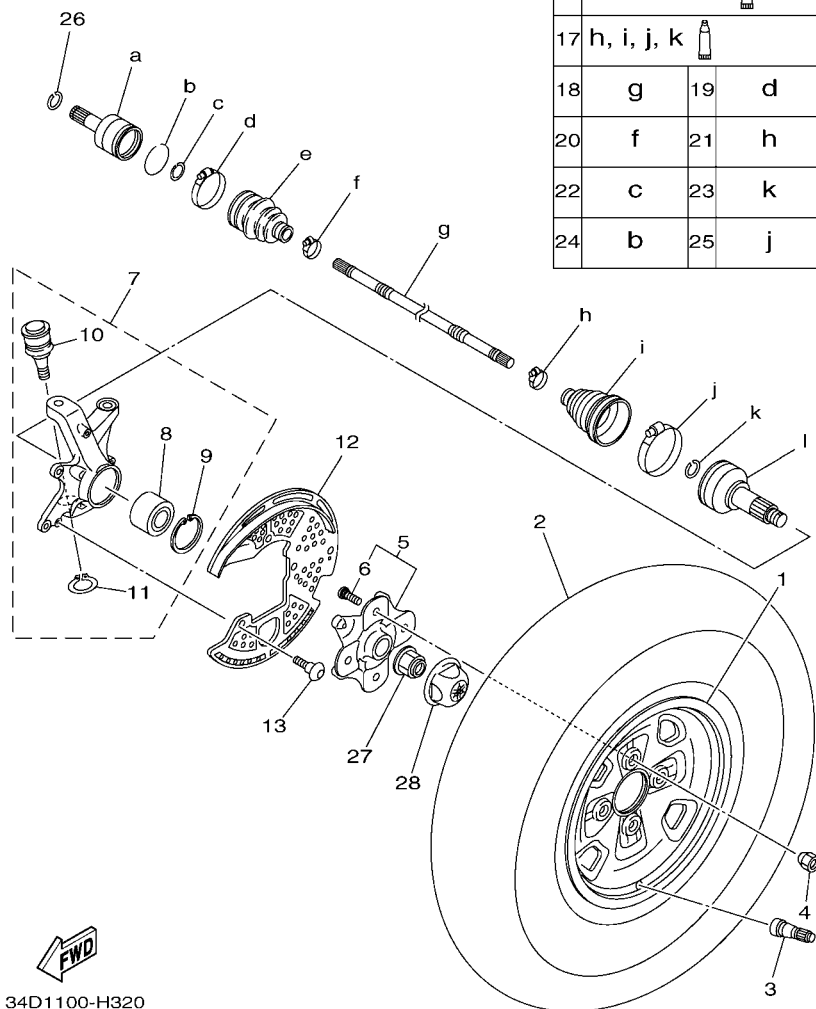
REF. NO.	PART NO.	DESCRIPTION	CAN	EUR	OCE	JPN	REMARKS
27	3B4-2416G-00	INSULATOR, FUEL TANK 2	1	1	1	1	
28	3B4-24182-00	DAMPER, LOCATING 2	2			2	
29	3B4-13971-10	PIPE, FUEL 1	1	1	1	1	
30	90464-14004	CLAMP	1	1	1	1	
-----							
-----							
-----							
-----							
-----							
-----							
-----							
-----							
-----							
-----							



**FIG. 32 FRONT WHEEL**

**LEFT HAND SIDE**

14	a, b, c, d, e, f		
15	h, i, j, k, l		
16	b, c, d, e, f		
17	h, i, j, k		
18	g	19	d
20	f	21	h
22	c	23	k
24	b	25	j

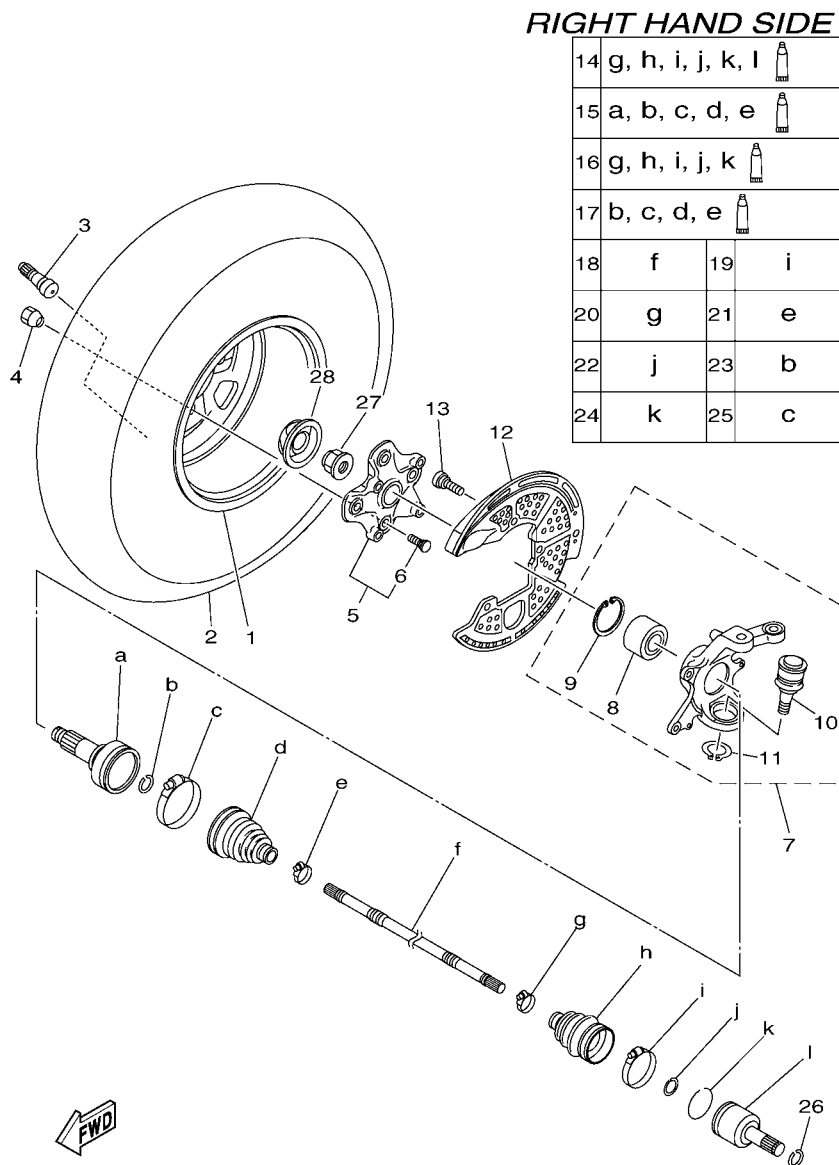


34D1100-H320

REF. NO.	PART NO.	DESCRIPTION	CAN	EUR	OC	JPN	REMARKS
1	3B4-25180-00	WHEEL COMP.	1	1	1	1	UR PDG,RTR,DPBSN
	3B4-25180-10	WHEEL COMP.	1	1			UR SMJ
2	94108-12012	TIRE (AT25X8-12** KT421 T/L N)	1	1		1	DUNLOP
	94108-12008	TIRE(AT25X8-12,C828 4P/TL)				1	CHENG SHIN
3	93900-00030	VALVE, RIM (TR412)	1	1	1	1	TAIHEIYO
4	90179-10020	NUT	4	4	4	4	
5	3B4-25111-10	HUB, FRONT	1	1	1	1	
6	90114-10014	.BOLT, SERRATION	4	4	4	4	
7	3B4-23501-01	STEERING KNUCKLE ASSY (LEFT)	1	1	1	1	
8	93305-00602	.BEARING	1	1	1	1	
9	99009-55500	.CIRCLIP	1	1	1	1	
10	3B4-23579-01	.BALL JOINT 2	1	1	1	1	
11	99009-30400	.CIRCLIP	1	1	1	1	
12	3B4-2514A-00	RING, WHEEL 1	1	1	1	1	
13	90154-06014	SCREW, BINDING	3	3	3	3	
14	28P-2510J-00	DOUBLE OFF SET JOINT	1	1	1	1	
15	28P-2510F-00	BALL JOINT SET	1	1	1	1	
16	28P-2510H-00	BOOT SET(DOUBLE OFFSET JOINT)	1	1	1	1	
17	28P-2510G-00	BOOT SET (BALL JOINT)	1	1	1	1	
18	28P-2518E-00	SHAFT	1	1	1	1	
19	3B4-2511H-00	BOOT BAND(DOUBLE OFFSET JOINT)	1	1	1	1	
20	3B4-2512G-00	BOOT BAND (SMALL)	1	1	1	1	
21	28P-2512G-00	BOOT BAND (SMALL)	1	1	1	1	
22	3B4-2512J-00	SNAP RING	1	1	1	1	
23	3B4-2512H-00	CIRCLIP	1	1	1	1	
24	3B4-25182-00	CIRCLIP	1	1	1	1	
25	28P-2511H-00	BOOT BAND(DOUBLE OFFSET JOINT)	1	1	1	1	



FIG. 33 FRONT WHEEL 2

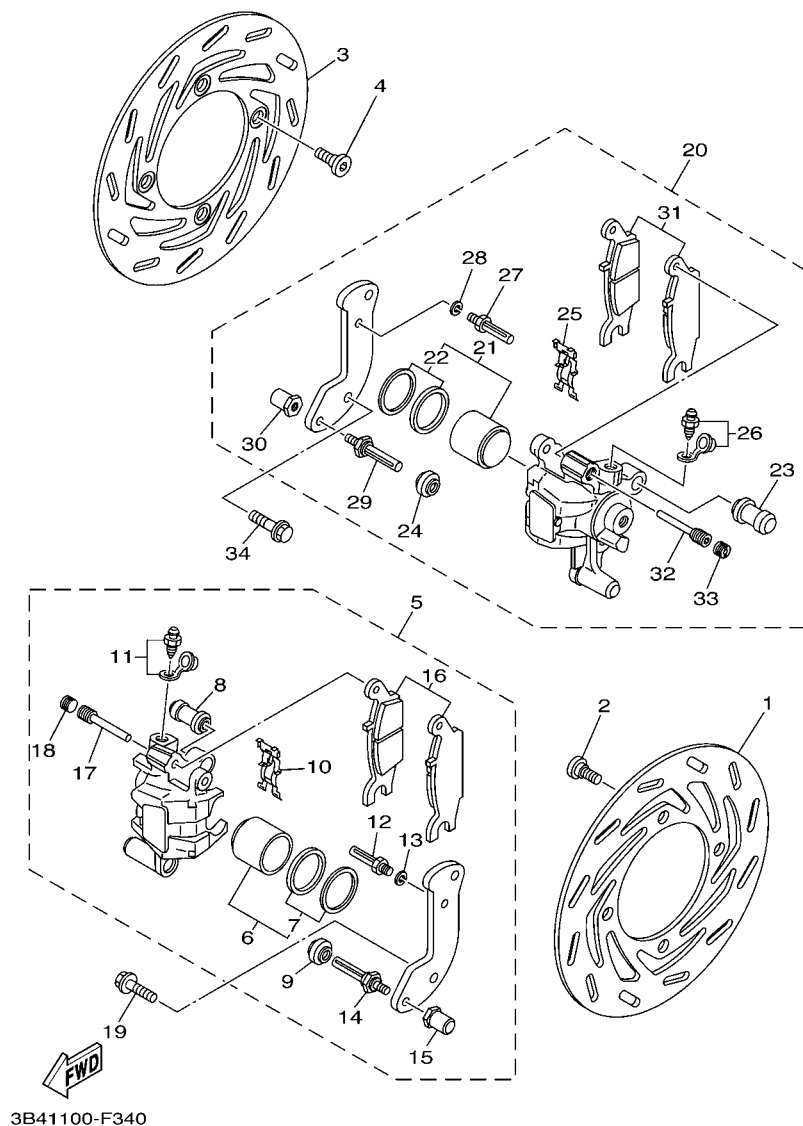


34D1100-H330

REF. NO.	PART NO.	DESCRIPTION	CAN	EUR	OC	JPN	REMARKS
1	3B4-25180-00	WHEEL COMP.	1	1	1	1	UR PDG,RTR,DPBSN
	3B4-25180-10	WHEEL COMP.	1	1			UR SMJ
2	94108-12012	TIRE (AT25X8-12** KT421 T/L N)	1	1		1	DUNLOP
	94108-12008	TIRE(AT25X8-12,C828 4P/TL)				1	CHENG SHIN
3	93900-00030	VALVE, RIM (TR412)	1	1	1	1	TAIHEIYO
4	90179-10020	NUT	4	4	4	4	
5	3B4-25111-10	HUB, FRONT	1	1	1	1	
6	90114-10014	.BOLT, SERRATION	4	4	4	4	
7	3B4-23502-01	STEERING KNUCKLE ASSY (RIGHT)	1	1	1	1	
8	93305-00602	.BEARING	1	1	1	1	
9	99009-55500	.CIRCLIP	1	1	1	1	
10	3B4-23579-01	.BALL JOINT 2	1	1	1	1	
11	99009-30400	.CIRCLIP	1	1	1	1	
12	3B4-2515A-00	RING, WHEEL 2	1	1	1	1	
13	90154-06014	SCREW, BINDING	3	3	3	3	
14	28P-2510J-00	DOUBLE OFF SET JOINT	1	1	1	1	
15	28P-2510F-00	BALL JOINT SET	1	1	1	1	
16	28P-2510H-00	BOOT SET(DOUBLE OFFSET JOINT)	1	1	1	1	
17	28P-2510G-00	BOOT SET (BALL JOINT)	1	1	1	1	
18	28P-2518E-00	SHAFT	1	1	1	1	
19	3B4-2511H-00	BOOT BAND(DOUBLE OFFSET JOINT)	1	1	1	1	
20	3B4-2512G-00	BOOT BAND (SMALL)	1	1	1	1	
21	28P-2512G-00	BOOT BAND (SMALL)	1	1	1	1	
22	3B4-2512J-00	SNAP RING	1	1	1	1	
23	3B4-2512H-00	CIRCLIP	1	1	1	1	
24	3B4-25182-00	CIRCLIP	1	1	1	1	
25	28P-2511H-00	BOOT BAND(DOUBLE OFFSET JOINT)	1	1	1	1	



FIG. 34 FRONT BRAKE CALIPER



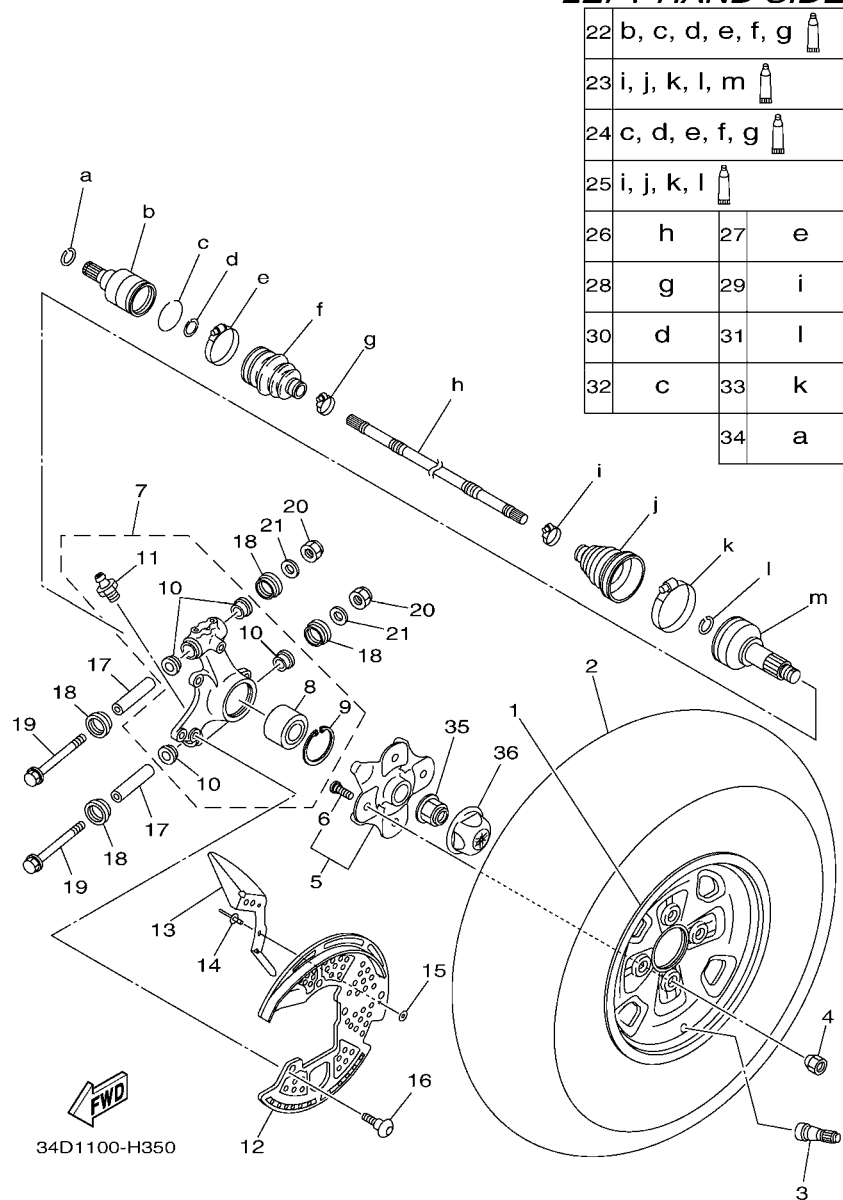
REF. NO.	PART NO.	DESCRIPTION	CAN	EUR	OC	JPN	REMARKS
1	3B4-2582T-01	DISC, BRAKE (LEFT)	1	1	1	1	
2	90109-08101	BOLT	4	4	4	4	
3	3B4-2582T-01	DISC, BRAKE (LEFT)	1	1	1	1	
4	90109-08101	BOLT	4	4	4	4	
5	3B4-2580T-01	CALIPER ASSY (LEFT)	1	1	1	1	
6	3B4-W0057-00	.PISTON ASSY, CALIPER	1	1	1	1	
7	3B4-W0047-00	..CALIPER SEAL KIT	1	1	1	1	
8	1UY-25937-51	.BOOT 2	1	1	1	1	
9	3JD-25917-00	.BOOT, CALIPER	1	1	1	1	
10	5DH-25919-00	.SUPPORT, PAD	1	1	1	1	
11	1UY-W0048-50	.BLEED SCREW KIT	1	1	1	1	
12	1UY-25926-51	.BOLT	1	1	1	1	
13	1UY-25938-51	.WASHER, SPRING	1	1	1	1	
14	3JD-25926-00	.BOLT	1	1	1	1	
15	3JD-25961-00	.NUT	1	1	1	1	
16	3B4-W0045-00	.BRAKE PAD KIT	1	1	1	1	
17	5DH-25933-00	.PIN, PAD	1	1	1	1	
18	8CR-25926-00	.BOLT	1	1	1	1	
19	90105-08161	BOLT, FLANGE	2	2	2	2	
20	3B4-2580U-01	CALIPER ASSY (RIGHT)	1	1	1	1	
21	3B4-W0057-00	.PISTON ASSY, CALIPER	1	1	1	1	
22	3B4-W0047-00	..CALIPER SEAL KIT	1	1	1	1	
23	1UY-25937-51	.BOOT 2	1	1	1	1	
24	3JD-25917-00	.BOOT, CALIPER	1	1	1	1	
25	5DH-25919-00	.SUPPORT, PAD	1	1	1	1	
26	1UY-W0048-50	.BLEED SCREW KIT	1	1	1	1	
27	1UY-25926-51	.BOLT	1	1	1	1	





FIG. 35 REAR WHEEL

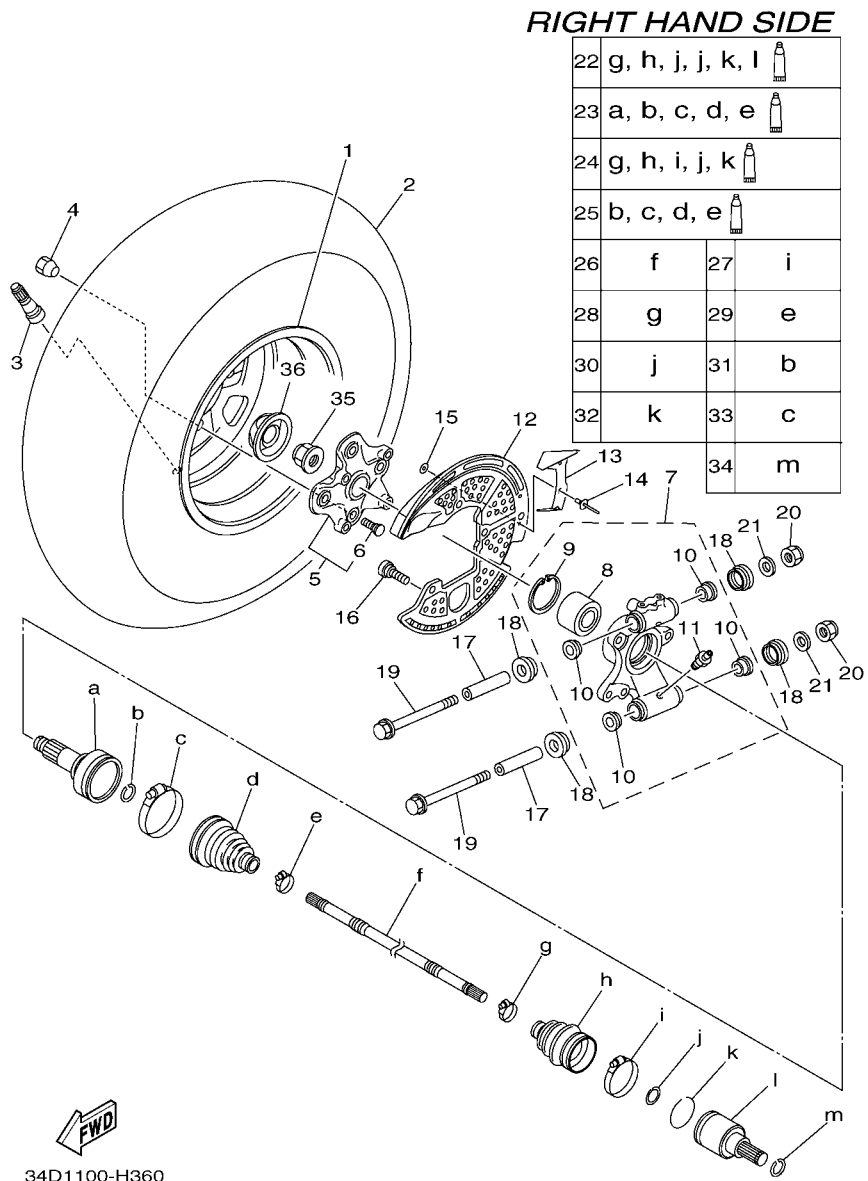
LEFT HAND SIDE



REF. NO.	PART NO.	DESCRIPTION	CAN	EUR	OCE	JPN	REMARKS
1	3B4-25390-00	REAR WHEEL COMP.	1	1	1	1	UR PDG,RTR,DPBSN
	3B4-25390-10	REAR WHEEL COMP.	1	1			UR SMJ
2	94110-12012	TIRE (AT25X10-12** KT425T/L N)	1	1		1	DUNLOP
	94110-12008	TIRE(AT25X10-12,C828 4P/TL)			1		CHENG SHIN
3	93900-00030	VALVE, RIM (TR412)	1	1	1	1	TAIHEIYO
4	90179-10020	NUT	4	4	4	4	
5	3B4-25111-10	HUB, FRONT	1	1	1	1	
6	90114-10014	.BOLT, SERRATION	4	4	4	4	
7	3B4-2530F-00	REAR KNUCKLE ASSY	1	1	1	1	
8	93305-00602	.BEARING	1	1	1	1	
9	99009-55500	.CIRCLIP	1	1	1	1	
10	90381-17067	.BUSH, SOLID	4	4	4	4	
11	93700-06004	.NIPPLE, GREASE	2	2	2	2	
12	3B4-2514A-00	RING, WHEEL 1	1	1	1	1	
13	3B4-2539F-00	PLATE 1	1	1	1	1	
14	90267-47187	RIVET, BLIND (4.7X16.4 BLACK)	2	2	2	2	
15	90201-04027	WASHER, PLATE	2	2	2	2	
16	90154-06014	SCREW, BINDING	3	3	3	3	
17	5KM-23448-00	SPACER	2	2	2	2	
18	2NL-23517-00	COVER, THRUST 1	4	4	4	4	
19	90105-10185	BOLT, FLANGE	2	2	2	2	
20	90185-10012	NUT, SELF-LOCKING	2	2	2	2	
21	90201-10035	WASHER, PLATE	2	2	2	2	
22	28P-2530V-00	DOUBLE OFF SET JOINT	1	1	1	1	
23	28P-2510F-00	BALL JOINT SET	1	1	1	1	
24	28P-2510H-00	BOOT SET(DOUBLE OFFSET JOINT)	1	1	1	1	
25	28P-2510G-00	BOOT SET (BALL JOINT)	1	1	1	1	



FIG. 36 REAR WHEEL 2



REF. NO.	PART NO.	DESCRIPTION	CAN	EUR	OC	JPN	REMARKS
1	3B4-25390-00	REAR WHEEL COMP.	1	1	1	1	UR PDG,RTR,DPBSN
	3B4-25390-10	REAR WHEEL COMP.	1	1			UR SMJ
2	94110-12012	TIRE (AT25X10-12** KT425T/L N)	1	1		1	DUNLOP
	94110-12008	TIRE(AT25X10-12,C828 4P/TL)				1	CHENG SHIN
3	93900-00030	VALVE, RIM (TR412)	1	1	1	1	TAIHEIYO
<hr/>							
4	90179-10020	NUT	4	4	4	4	
5	3B4-25111-10	HUB, FRONT	1	1	1	1	
6	90114-10014	.BOLT, SERRATION	4	4	4	4	
7	3B4-2532F-00	REAR KNUCKLE ASSY.,2	1	1	1	1	
8	93305-00602	.BEARING	1	1	1	1	
<hr/>							
9	99009-55500	.CIRCLIP	1	1	1	1	
10	90381-17067	.BUSH, SOLID	4	4	4	4	
11	93700-06004	.NIPPLE, GREASE	2	2	2	2	
12	3B4-2515A-00	RING, WHEEL 2	1	1	1	1	
13	3B4-2539G-00	PLATE 2	1	1	1	1	
<hr/>							
14	90267-47187	RIVET, BLIND (4.7X16.4 BLACK)	2	2	2	2	
15	90201-04027	WASHER, PLATE	2	2	2	2	
16	90154-06014	SCREW, BINDING	3	3	3	3	
17	5KM-23448-00	SPACER	2	2	2	2	
18	2NL-23517-00	COVER, THRUST 1	4	4	4	4	
<hr/>							
19	90105-10185	BOLT, FLANGE	2	2	2	2	
20	90185-10012	NUT, SELF-LOCKING	2	2	2	2	
21	90201-10035	WASHER, PLATE	2	2	2	2	
22	28P-2530V-00	DOUBLE OFF SET JOINT	1	1	1	1	
23	28P-2510F-00	BALL JOINT SET	1	1	1	1	
<hr/>							
24	28P-2510H-00	BOOT SET(DOUBLE OFFSET JOINT)	1	1	1	1	
25	28P-2510G-00	BOOT SET (BALL JOINT)	1	1	1	1	



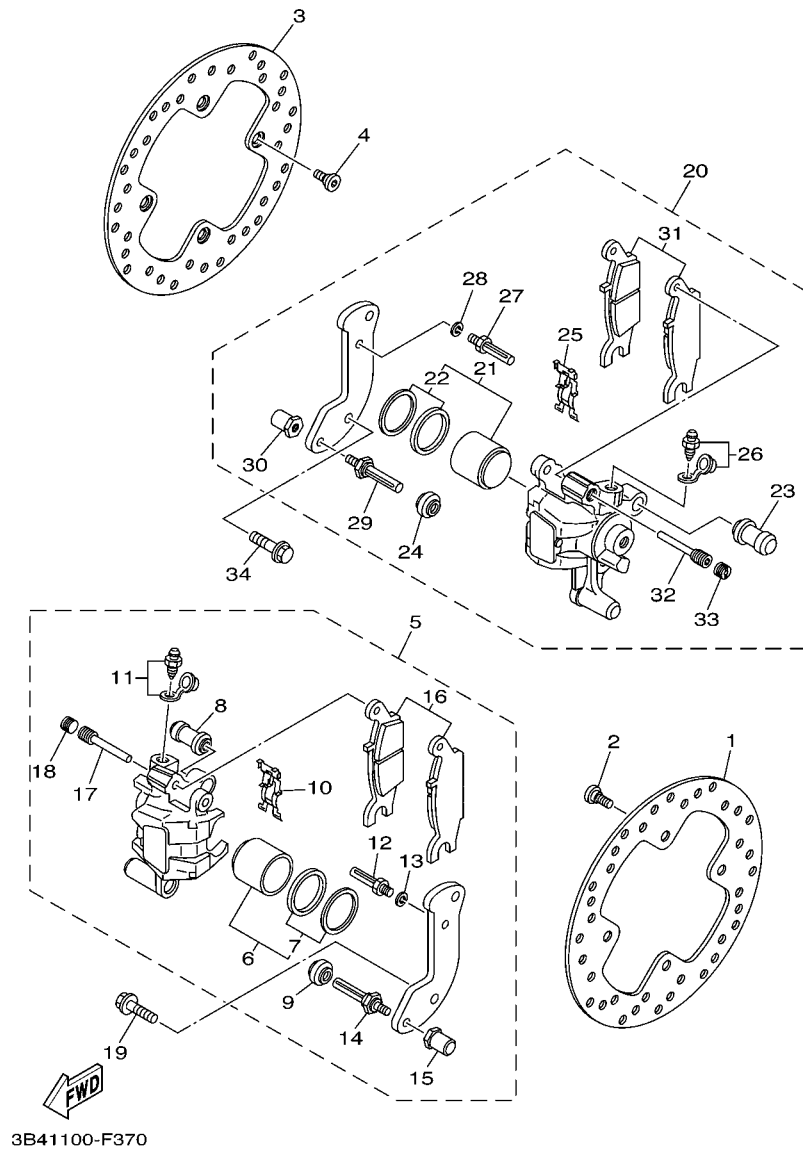
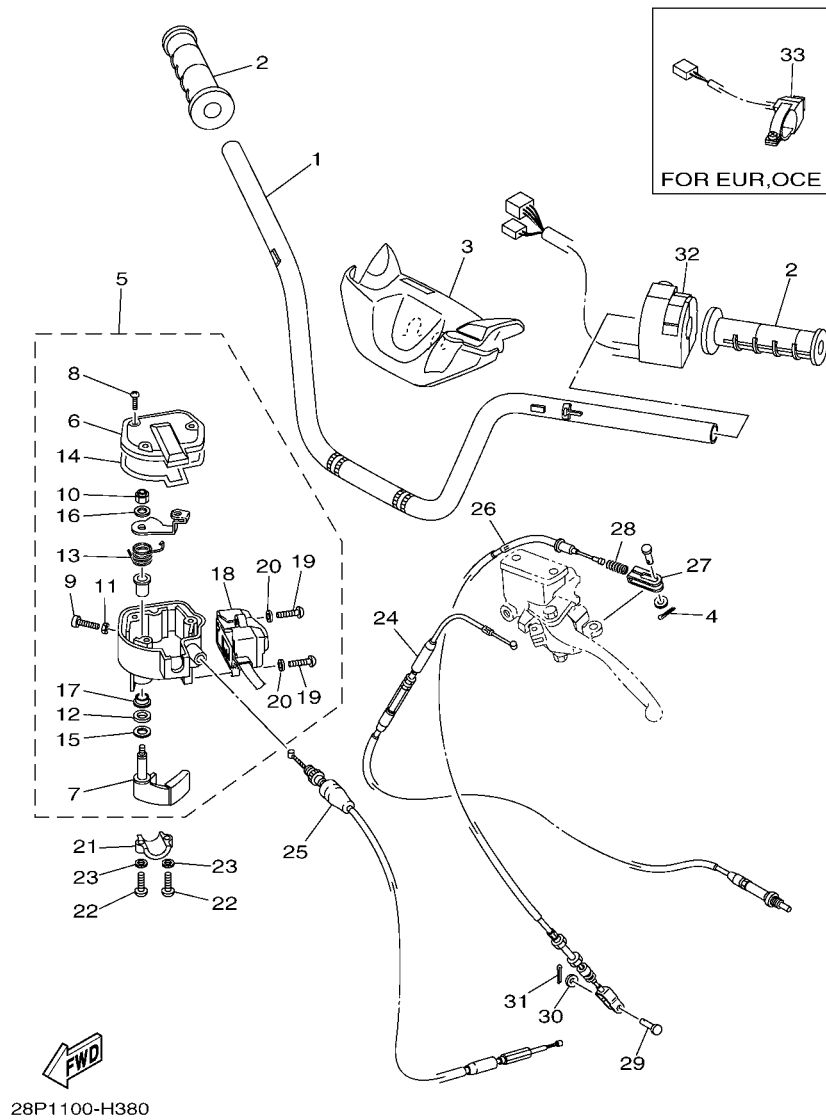


FIG. 37 REAR BRAKE CALIPER

REF. NO.	PART NO.	DESCRIPTION	CAN	EUR	OC	JPN	REMARKS
1	3B4-2582V-00	DISC, REAR BRAKE 1	1	1	1	1	
2	90109-08101	BOLT	4	4	4	4	
3	3B4-2582V-00	DISC, REAR BRAKE 1	1	1	1	1	
4	90109-08101	BOLT	4	4	4	4	
5	3B4-2580V-10	CALIPER ASSY, REAR 1	1	1	1	1	
6	3B4-W0057-20	.PISTON ASSY, CALIPER	1	1	1	1	
7	3B4-W0047-00	..CALIPER SEAL KIT	1	1	1	1	
8	1UY-25937-51	.BOOT 2	1	1	1	1	
9	3JD-25917-00	.BOOT, CALIPER	1	1	1	1	
10	5DH-25919-50	.SUPPORT, PAD	1	1	1	1	
11	1UY-W0048-50	.BLEED SCREW KIT	1	1	1	1	
12	1UY-25926-51	.BOLT	1	1	1	1	
13	1UY-25938-51	.WASHER, SPRING	1	1	1	1	
14	3JD-25926-00	.BOLT	1	1	1	1	
15	3JD-25961-00	.NUT	1	1	1	1	
16	3B4-W0046-00	.BRAKE PAD KIT 2	1	1	1	1	
17	3GD-25933-00	.PIN, PAD	1	1	1	1	
18	8CR-25926-00	.BOLT	1	1	1	1	
19	90105-08161	BOLT, FLANGE	2	2	2	2	
20	3B4-2580W-10	CALIPER ASSY, REAR 2	1	1	1	1	
21	3B4-W0057-20	.PISTON ASSY, CALIPER	1	1	1	1	
22	3B4-W0047-00	..CALIPER SEAL KIT	1	1	1	1	
23	1UY-25937-51	.BOOT 2	1	1	1	1	
24	3JD-25917-00	.BOOT, CALIPER	1	1	1	1	
25	5DH-25919-50	.SUPPORT, PAD	1	1	1	1	
26	1UY-W0048-50	.BLEED SCREW KIT	1	1	1	1	
27	1UY-25926-51	.BOLT	1	1	1	1	



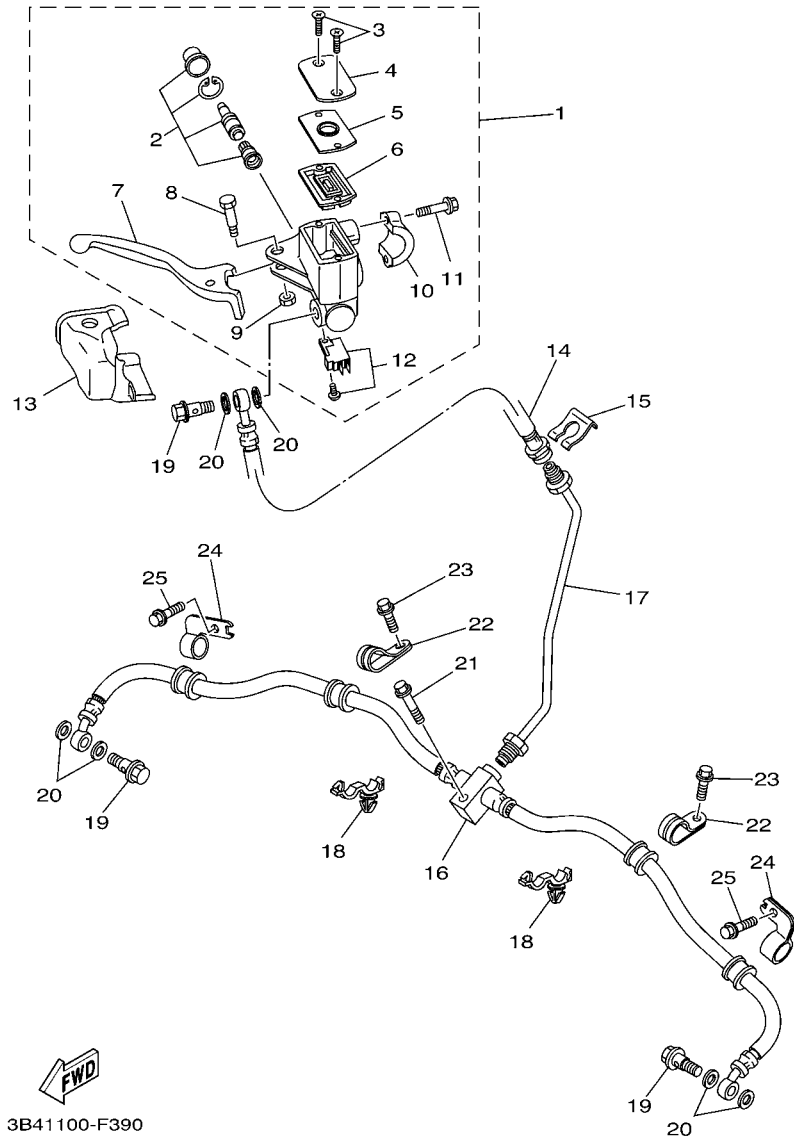


**FIG. 38 STEERING HANDLE & CABLE**

REF. NO.	PART NO.	DESCRIPTION	CAN	EUR	OCE	JPN	REMARKS
1	3B4-26111-20	HANDLEBAR	1	1	1	1	
2	5LP-26241-00	GRIP	2	2	2	2	
3	3B4-26124-00	PROTECTOR, HANDLEBAR	1	1	1	1	
4	91401-16012	PIN, COTTER	1	1	1	1	
5	28P-26250-00	THROTTLE LEVER ASSY	1	1	1	1	
6	28P-2628F-00	.CAP, GEAR	1	1	1	1	
7	28P-2625G-00	.LEVER, THROTTLE	1	1	1	1	
8	90149-04278	.SCREW	3	3	3	3	
9	98507-05020	.SCREW, PAN HEAD	1	1	1	1	
10	95607-05100	.NUT, U	1	1	1	1	
11	95307-05700	.NUT	1	1	1	1	
12	93104-09025	.OIL SEAL	1	1	1	1	
13	1NV-26304-00	.SPRING	1	1	1	1	
14	28P-2628G-00	.GASKET	1	1	1	1	
15	1NV-26129-00	.WASHER	1	1	1	1	
16	1NV-26398-00	.WASHER	1	1	1	1	
17	1NV-2625K-00	.COLLAR	1	1	1	1	
18	5KM-83976-20	.SWITCH, HANDLE 1	1	1	1	1	
19	98507-04016	.SCREW, PAN HEAD	2	2	2	2	
20	92907-04600	.WASHER	2	2	2	2	
21	4V4-82913-00	HOLDER, LEVER LOWER 1	1	1	1	1	
22	98502-05020	SCREW, PAN HEAD	2	2	2	2	
23	92902-05600	WASHER, PLATE	2	2	2	2	
24	3B4-2637F-10	CABLE, CONTROL 2	1	1	1	1	
25	3B4-26311-20	CABLE, THROTTLE 1	1	1	1	1	
26	3B4-26341-00	WIRE, BRAKE 1	1	1	1	1	
27	3B4-26347-00	JOINT, CABLE	1	1	1	1	







3B41100-F390

FIG. 39 FRONT MASTER CYLINDER

REF. NO.	PART NO.	DESCRIPTION	CAN	EUR	OCE	JPN	REMARKS
1	3B4-2583T-00	MASTER CYLINDER ASSY	1	1	1	1	
2	5D3-W0041-00	.CYLINDER KIT, MASTER	1	1	1	1	
3	98706-04012	.SCREW, FLAT HEAD	2	2	2	2	
4	3GM-25852-22	.CAP, RESERVOIR	1	1	1	1	
5	3B4-2585B-00	.PLATE, DIAPHRAGM	1	1	1	1	
6	4TT-25854-00	.GASKET, DIAPHRAGM	1	1	1	1	
7	3B4-83922-00	.LEVER 2	1	1	1	1	
8	3B4-2589F-00	.BOLT, LEVER	1	1	1	1	
9	95604-06100	.NUT, U	1	1	1	1	
10	56A-25867-00	.HOLDER	1	1	1	1	
11	5EB-26332-00	.BOLT	2	2	2	2	
12	4HM-83980-00	.FRONT STOP SWITCH ASSY	1	1	1	1	
13	3B4-2637A-01	COVER, HANDLE LEVER 2	1	1	1	1	
14	3B4-25872-10	HOSE, BRAKE 1	1	1	1	1	
15	2GU-25866-00	CIRCLIP	1	1	1	1	
16	3B4-25873-10	HOSE, BRAKE 2	1	1	1	1	
17	3B4-25871-10	PIPE, BRAKE	1	1	1	1	
18	90464-20010	CLAMP	2	2	2	2	
19	90401-10015	BOLT, UNION	3	3	3	3	
20	90201-10118	WASHER, PLATE	6	6	6	6	
21	95822-06025	BOLT, FLANGE	1	1	1	1	
22	3B4-25886-00	HOLDER, BRAKE HOSE	2	2	2	2	
23	95802-06012	BOLT, FLANGE	2	2	2	2	
24	3B4-25876-10	HOLDER, BRAKE HOSE 2	2	2	2	2	
25	95802-06012	BOLT, FLANGE	2	2	2	2	

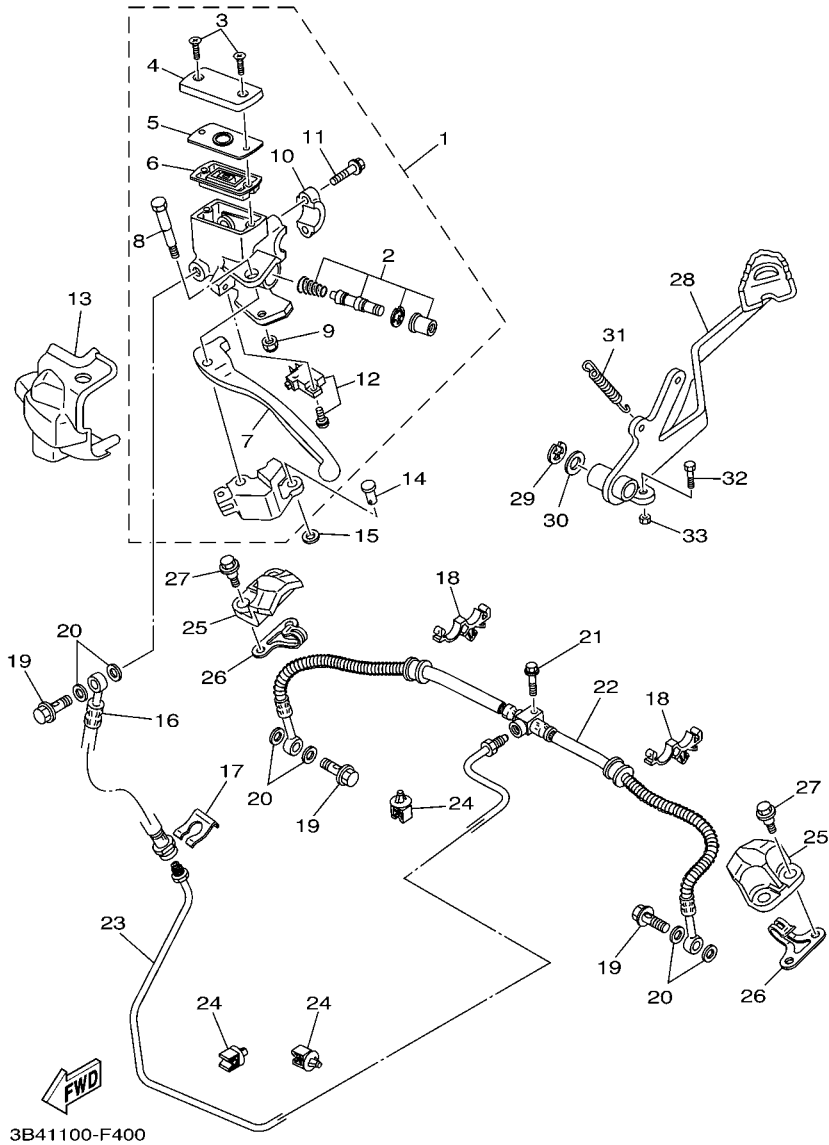
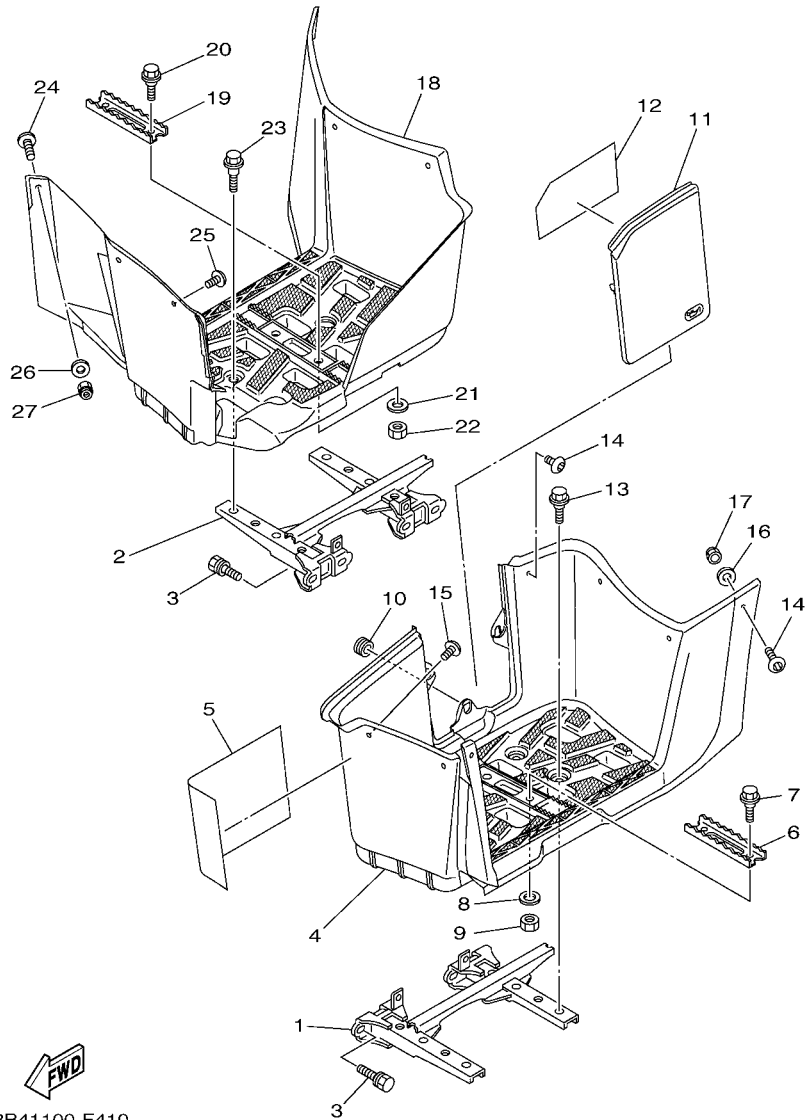


FIG. 40 REAR MASTER CYLINDER

REF. NO.	PART NO.	DESCRIPTION	CAN	EUR	OC	JPN	REMARKS
1	3B4-2583V-00	RR. MASTER CYLINDER ASSY.	1	1	1	1	
2	5LP-W0041-00	.CYLINDER KIT, MASTER	1	1	1	1	
3	98706-04012	.SCREW, FLAT HEAD	2	2	2	2	
4	3GM-25852-22	.CAP, RESERVOIR	1	1	1	1	
5	3B4-2585B-00	.PLATE, DIAPHRAGM	1	1	1	1	
6	4TT-25854-00	.GASKET, DIAPHRAGM	1	1	1	1	
7	3B4-83912-00	.LEVER 1	1	1	1	1	
8	3B4-2589F-10	.BOLT, LEVER	1	1	1	1	
9	3B4-26294-00	.NUT 1	1	1	1	1	
10	56A-25867-00	.HOLDER	1	1	1	1	
11	5EB-26332-00	.BOLT	2	2	2	2	
12	3B4-83980-00	.FRONT STOP SWITCH ASSY	1	1	1	1	
13	3B4-26372-00	COVER, HANDLE LEVER 1	1	1	1	1	
14	90240-08013	PIN, CLEVIS	1	1	1	1	
15	92902-08600	WASHER, PLATE	1	1	1	1	
16	3B4-25872-10	HOSE, BRAKE 1	1	1	1	1	
17	2GU-25866-00	CIRCLIP	1	1	1	1	
18	90464-16006	CLAMP	2	2	2	2	
19	90401-10015	BOLT, UNION	3	3	3	3	
20	90201-10118	WASHER, PLATE	6	6	6	6	
21	95822-06025	BOLT, FLANGE	1	1	1	1	
22	3B4-25874-10	HOSE, BRAKE	1	1	1	1	
23	3B4-25882-10	PIPE, BRAKE 2	1	1	1	1	
24	5KM-81677-00	CLAMP 1	4	4	4	4	
25	3B4-25715-00	COVER 1	2	2	2	2	
26	3B4-2588F-00	HOLDER, BRAKE HOSE 5	2	2	2	2	
27	90109-06172	BOLT	4	4	4	4	

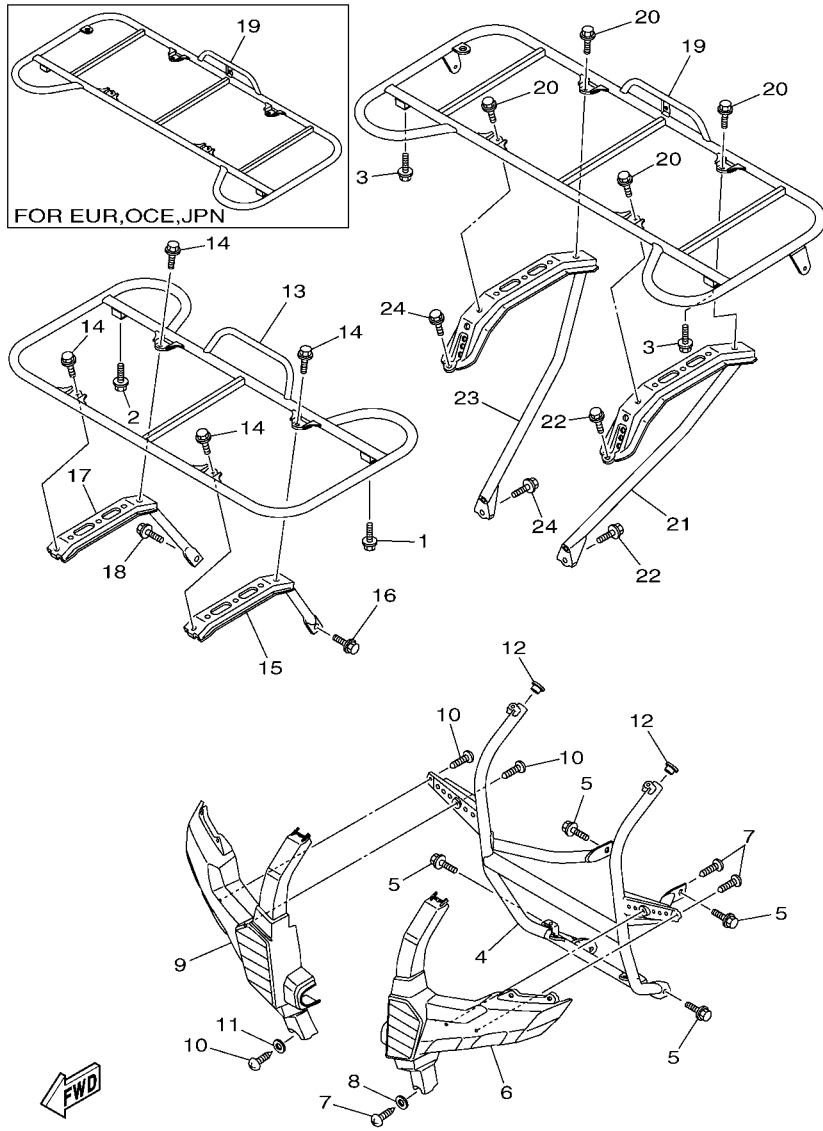




3B41100-F410

FIG. 41 STAND & FOOTREST

REF. NO.	PART NO.	DESCRIPTION	CAN	EUR	OCE	JPN	REMARKS
1	3B4-27452-00	BRACKET, FOOTREST 1	1	1	1	1	
2	3B4-27462-00	BRACKET, FOOTREST 2	1	1	1	1	
3	90119-10044	BOLT, WITH WASHER	8	8	8	8	
4	3B4-27453-01	COVER 1	1	1	1	1	
5	3B4-21732-00	SEAL 1	1	1	1	1	
6	5GH-2741A-10	ARM 1	1	1	1	1	
7	90109-06214	BOLT	2	2	2	2	
8	90201-06033	WASHER, PLATE	2	2	2	2	
9	95312-06600	NUT	2	2	2	2	
10	90480-14532	GROMMET	1	1	1	1	
11	3B4-28239-00	COVER 3	1	1	1	1	
12	3B4-21735-00	SEAL 2	1	1	1	1	
13	90109-06172	BOLT	4	4	4	4	
14	90110-06200	BOLT, HEXAGON SOCKET HEAD	6	6	6	6	
15	90111-06086	BOLT, HEX. SOCKET BUTTON	1	1	1	1	
16	90201-06078	WASHER, PLATE	6	6	6	6	
17	95702-06300	NUT, NYLON	6	6	6	6	
18	3B4-27463-01	COVER 2	1	1	1	1	
19	5GH-2741A-10	ARM 1	1	1	1	1	
20	90109-06214	BOLT	2	2	2	2	
21	90201-06033	WASHER, PLATE	2	2	2	2	
22	95312-06600	NUT	2	2	2	2	
23	90109-06172	BOLT	4	4	4	4	
24	90110-06200	BOLT, HEXAGON SOCKET HEAD	5	5	5	5	
25	90111-06086	BOLT, HEX. SOCKET BUTTON	1	1	1	1	
26	90201-06078	WASHER, PLATE	6	6	6	6	
27	95702-06300	NUT, NYLON	6	6	6	6	

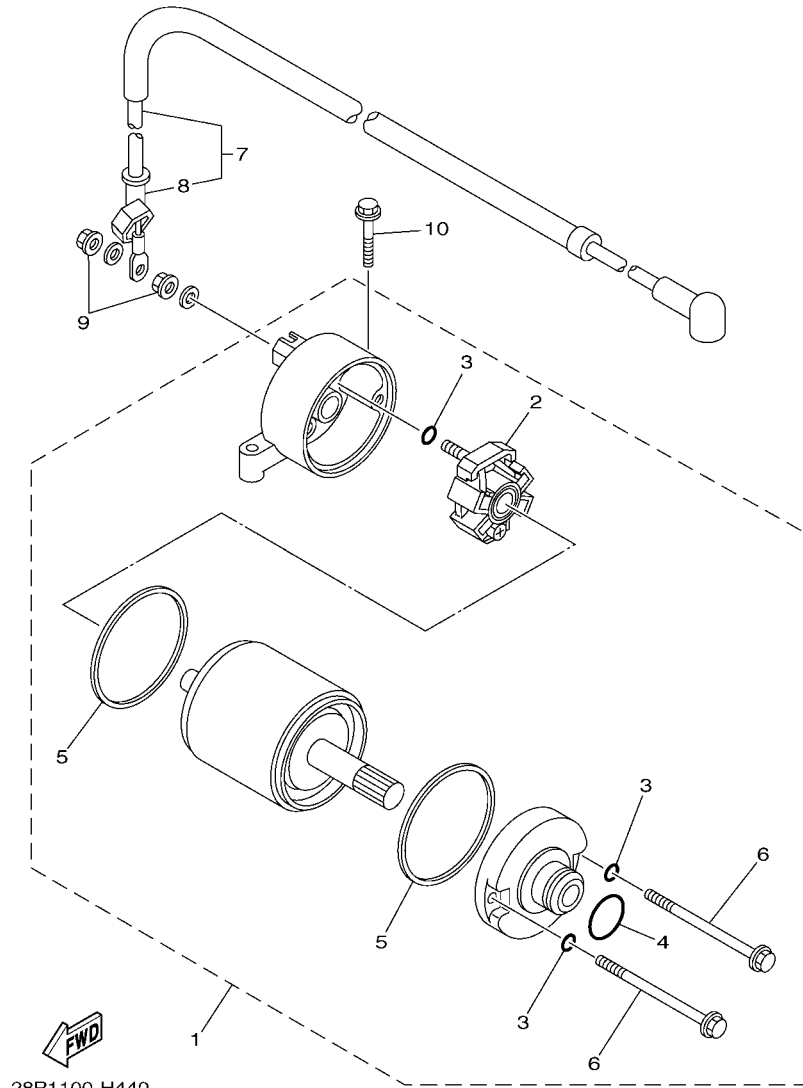


28P1100-H420

FIG. 42 GUARD

REF. NO.	PART NO.	DESCRIPTION	CAN	EUR	OCE	JPN	REMARKS
1	90119-06152	BOLT, WITH WASHER	1	1	1	1	
2	90119-06152	BOLT, WITH WASHER	1	1	1	1	
3	90119-06152	BOLT, WITH WASHER	2	2	2	2	
4	3B4-2845N-00	BAR, CARRY FRONT	1	1	1	1	
5	95812-08014	BOLT, FLANGE	4	4	4	4	
6	3B4-2842M-10	COVER 1	1				
	3B4-2842M-00	COVER 1		1	1	1	
7	97702-50516	SCREW, TAPPING	3	3	3	3	
8	92902-05200	WASHER	1	1	1	1	
9	3B4-2842N-10	COVER 2	1				
	3B4-2842N-00	COVER 2		1	1	1	
10	97702-50516	SCREW, TAPPING	3	3	3	3	
11	92902-05200	WASHER	1	1	1	1	
12	90338-18122	PLUG	2	2	2	2	
13	3B4-24841-01	CARRIER, FRONT	1	1	1	1	
14	95812-08014	BOLT, FLANGE	4	4	4	4	
15	3B4-24821-00	STAY, FRONT CARRIER 1	1	1	1	1	
16	90119-08118	BOLT, WITH WASHER	1	1	1	1	
17	3B4-24822-00	STAY, FRONT CARRIER 2	1	1	1	1	
18	90119-08118	BOLT, WITH WASHER	1	1	1	1	
19	3B4-24842-11	CARRIER, REAR	1				
	3B4-24842-01	CARRIER, REAR		1	1	1	
20	95812-08014	BOLT, FLANGE	4	4	4	4	
21	3B4-2482J-10	FRAME, CARRIER 1	1	1	1	1	
22	90119-10044	BOLT, WITH WASHER	2	2	2	2	
23	3B4-2482K-10	FRAME, CARRIER 2	1	1	1	1	
24	90119-10044	BOLT, WITH WASHER	2	2	2	2	





28P1100-H440

FIG. 44 STARTING MOTOR

REF. NO.	PART NO.	DESCRIPTION	CAN	EUR	OCE	JPN	REMARKS
1	28P-81890-00	MOTOR ASSY	1	1	1	1	
2	4B5-81840-00	.BRUSH HOLDER ASSY	1	1	1	1	
3	3TB-81847-00	.O-RING	3	3	3	3	
4	1FK-81847-00	.O-RING	1	1	1	1	
5	11H-81844-00	.GASKET	2	2	2	2	
6	28P-81826-00	.BOLT	2	2	2	2	
7	28P-81815-00	CORD, STARTER MOTOR	1	1	1	1	
8	4B5-81871-00	.CAP	1	1	1	1	
9	4XV-8182A-00	NUT	2	2	2	2	
10	95022-06030	BOLT, FLANGE	2	2	2	2	

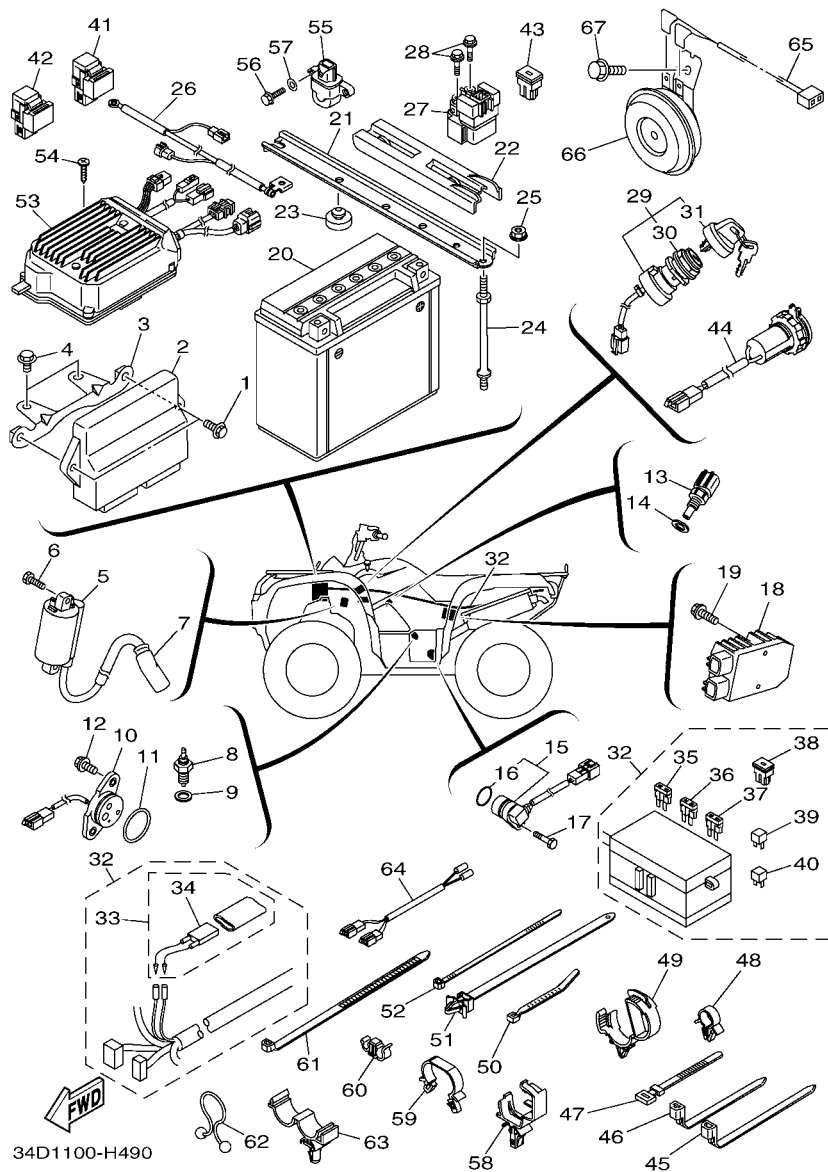












34D1100-H490

FIG. 49 ELECTRICAL 1

REF. NO.	PART NO.	DESCRIPTION	CAN	EUR	OCE	JPN	REMARKS
1	3B4-8591A-20	ENGINE CONTROL UNIT ASSY	1	1	1	1	
2	95802-06016	BOLT, FLANGE	2	2	2	2	
3	28P-2830X-00	BRKT., CONTROL UNIT	1	1	1	1	
4	95802-06012	BOLT, FLANGE	2	2	2	2	
5	1D7-82310-01	IGNITION COIL ASSY	1	1	1	1	
6	97002-06016	BOLT	2	2	2	2	
7	28P-82370-00	PLUG CAP ASSY	1	1	1	1	
8	3GB-82540-01	NEUTRAL SWITCH ASSY	1	1	1	1	
9	90430-10148	GASKET	1	1	1	1	
10	3B4-82540-01	NEUTRAL SWITCH ASSY	1	1	1	1	
11	93210-29196	O-RING	1	1	1	1	
12	90119-06137	BOLT, WITH WASHER	2	2	2	2	
13	8CC-85790-01	THERMOSENSOR ASSY	1	1	1	1	
14	90430-12202	GASKET	1	1	1	1	
15	3B4-83755-00	SENSOR, SPEED	1	1	1	1	
16	4D9-81168-00	O-RING	1	1	1	1	
17	91312-06020	BOLT	1	1	1	1	
18	1D7-81960-00	RECTIFIER & REGULATOR ASSY	1	1	1	1	
19	95802-06020	BOLT, FLANGE	2	2	2	2	
20	4SH-82100-22	BATTERY ASSY (YUASA YTX20L-BS)	1	1	1		
	4SH-82100-12	BATTERY ASSY (YUASA YTX20L-BS)				1	
21	3B4-82128-00	BRACKET, BATTERY	1	1	1	1	
22	3B4-82129-00	COVER, BATTERY	1	1	1	1	
23	22W-24741-00	PAD, SEAT	2	2	2	2	
24	3B4-82133-10	SCREW, FITTING	2	2	2	2	
25	95702-06500	NUT, FLANGE	2	2	2	2	
26	34D-82116-00	WIRE, MINUS LEAD	1	1	1	1	

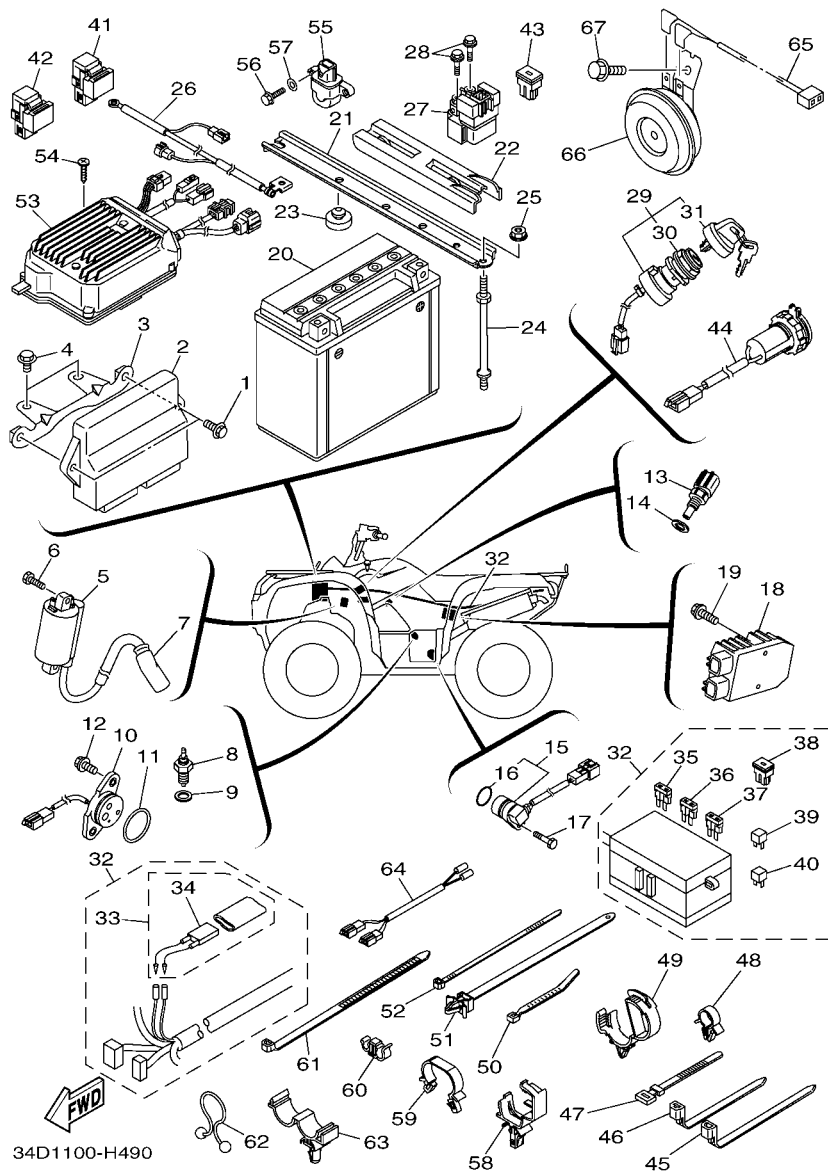


FIG. 49 ELECTRICAL 1

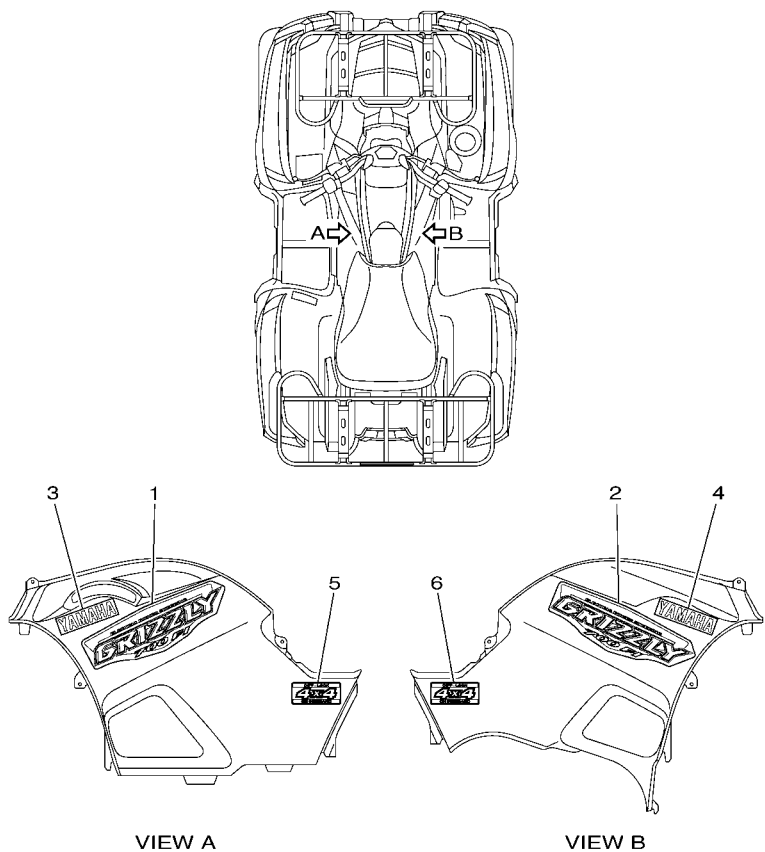
REF. NO.	PART NO.	DESCRIPTION	CAN	EUR	OCE	JPN	REMARKS
27	3B4-81940-00	STARTER RELAY ASSY	1	1	1	1	
28	95022-06008	BOLT, FLANGE	2	2	2	2	
29	28P-82510-00	MAIN SWITCH ASSY	1	1	1	1	
30	3HN-82569-00	.NUT, MAIN SWITCH	1	1	1	1	
31	3HN-82579-00	.CAP, KEY	1	1	1	1	
32	34D-82590-00	WIRE HARNESS ASSY	1			1	
	34D-82590-10	WIRE HARNESS ASSY		1	1		
33	4GB-82180-00	.CIRCUIT BREAKER ASSY	1	1	1	1	
34	4GB-82560-00	..THERMO SWITCH ASSY	1	1	1	1	
35	5JJ-82151-10	.FUSE (15A-BL)	5	5	5	5	
36	5JJ-82151-20	.FUSE (20A-BL)	2	2	2	2	
37	5JJ-82151-90	.FUSE (5A-BL)	2	2	2	2	
38	5PS-82151-00	.FUSE (40A)	2	2	2	2	
39	4WA-81980-00	.DIODE ASSY	2	2	2	2	
40	5VG-81980-00	.DIODE ASSY	1	1	1	1	
41	5DM-81950-00	RELAY ASSY (G8HN-1C4T-DJ-Y52)	3	3	3	3	
42	8FP-81950-01	RELAY ASSY	3	3	3	3	
43	5PS-82151-00	FUSE (40A)	1	1	1	1	
44	3B4-8254B-00	TERMINAL COMP.	1	1	1	1	
45	90464-15195	CLAMP	2	2	2	2	
46	90464-13073	CLAMP	4	4	4	4	
47	437-83936-01	BAND, SWITCH CORD	4	4	4	4	
48	90464-15157	CLAMP	6	6	6	6	
49	90464-20181	CLAMP	2	2	2	2	
50	90465-10098	CLAMP	1	1	1	1	
51	90464-10112	CLAMP	1	1	1	1	
52	5Y9-12491-00	CLAMP 1	2	2	2	2	





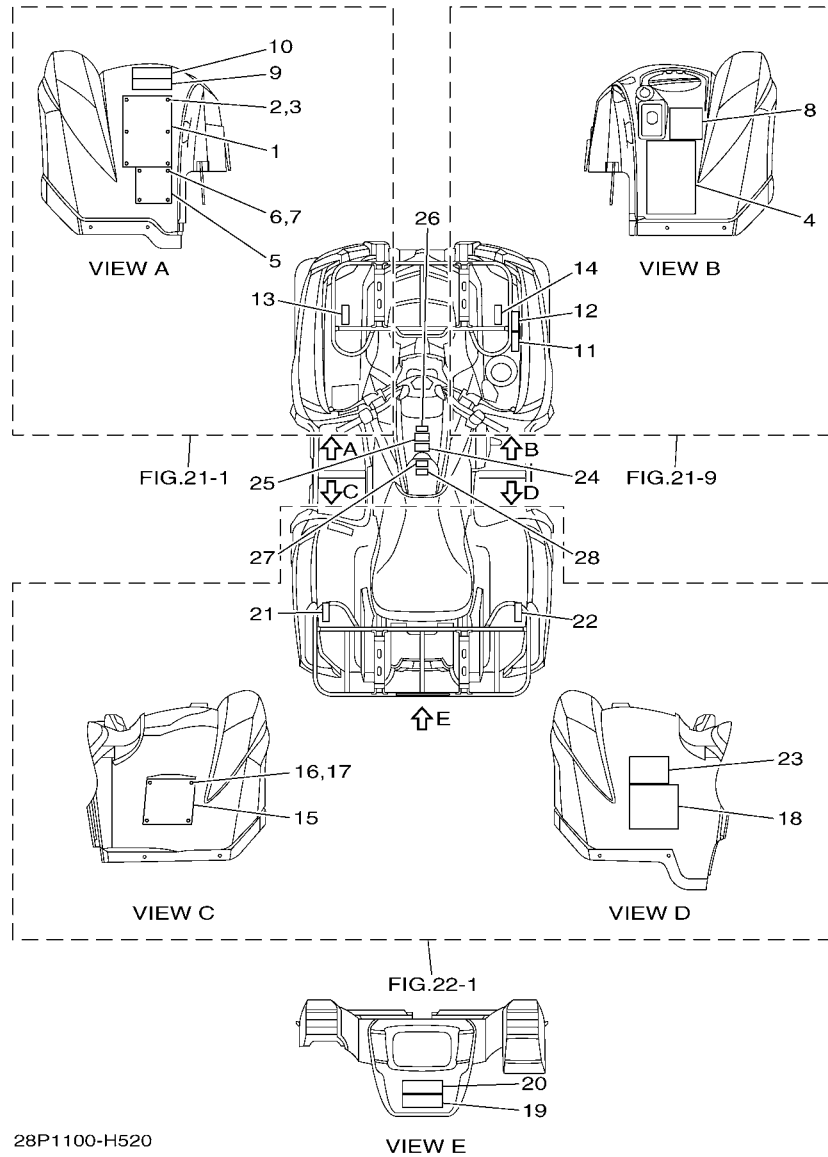


FIG. 51 GRAPHICS



REF. NO.	PART NO.	DESCRIPTION	CAN	EUR	OCE	JPN	REMARKS
1	43P-2173E-00	GRAPHIC 1	1	1	1	1	
2	43P-2173E-00	GRAPHIC 1	1	1	1	1	
3	5KM-2173B-00	EMBLEM 3D	1	1	1	1	
4	5KM-2173B-00	EMBLEM 3D	1	1	1	1	
5	3B4-2163G-80	EMBLEM 1	1	1		1	UR FOR PDG
	3B4-2163G-90	EMBLEM 1	1	1			UR FOR SMJ
	3B4-2163G-A0	EMBLEM 1	1	1			UR FOR RTR
	3B4-2163G-B0	EMBLEM 1	1	1	1		UR FOR DPBSN
6	3B4-2163G-80	EMBLEM 1	1	1		1	UR FOR PDG
	3B4-2163G-90	EMBLEM 1	1	1			UR FOR SMJ
	3B4-2163G-A0	EMBLEM 1	1	1			UR FOR RTR
	3B4-2163G-B0	EMBLEM 1	1	1	1		UR FOR DPBSN

43P1100-H510



28P1100-H520

FIG. 52 EMBLEM & LABEL 1

REF. NO.	PART NO.	DESCRIPTION	CAN	EUR	OCE	JPN	REMARKS
1	5FE-21568-01	LABEL, WARNING	1				ENGLISH
2	90267-32004	RIVET, BLIND	6				
3	90201-03008	WASHER, PLATE	6				
4	4WU-21568-10	LABEL, WARNING	1				FRENCH
5	4D3-2816L-00	LABEL, WARNING AGE	1				ENGLISH
6	90267-32004	RIVET, BLIND	4				
7	90201-03008	WASHER, PLATE	4				
8	4D3-2816L-10	LABEL, WARNING AGE	1				FRENCH
9	5GH-2151E-00	LABEL 2	1				ENGLISH
10	5GH-2151E-10	LABEL 2	1				FRENCH
11	3B4-2151F-00	LABEL 3	1				ENGLISH
12	3B4-2151F-11	LABEL 3	1				
13	3B4-24875-00	LABEL 1	1				ENGLISH
14	3B4-24875-11	LABEL 1	1				
15	28P-2816M-00	LABEL, WARNING TIRE & LOAD	1				ENGLISH
16	90267-32004	RIVET, BLIND	4				
17	90201-03008	WASHER, PLATE	4				
18	28P-2816M-10	LABEL, WARNING TIRE & LOAD	1				
19	43P-2151K-00	LABEL 7	1				
20	43P-2151K-10	LABEL 7	1				
21	3B4-24875-20	LABEL 1	1				ENGLISH
22	3B4-24875-31	LABEL 1	1				
23	4WU-2151H-10	LABEL 5	1				FRENCH
24	5KM-21558-00	LABEL, WARNING 2	1				ENGLISH
25	5KM-21558-10	LABEL, WARNING 2	1				FRENCH
26	4SH-2416E-00	LABEL, CAUTION CANADA	1				ENGLISH
27	4D3-2817J-00	PLATE, ANSI SVIA	1				ENGLISH



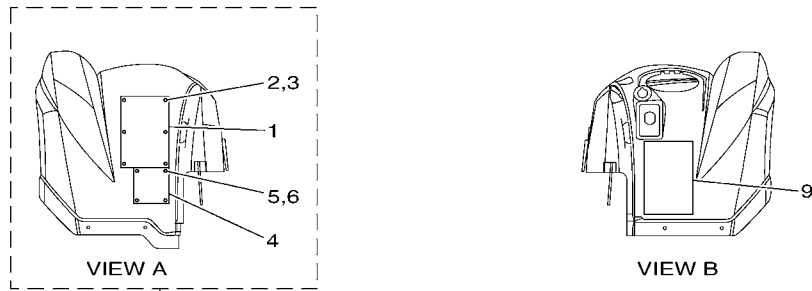


FIG.21-1

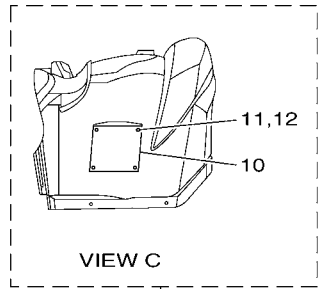
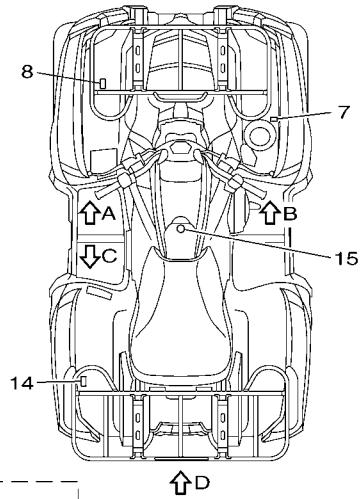
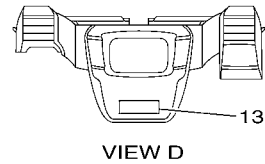


FIG.22-1



28P1100-H530

FIG. 53 EMBLEM & LABEL 2

REF. NO.	PART NO.	DESCRIPTION	CAN	EUR	OCE	JPN	REMARKS
1	5FK-21568-00	LABEL, WARNING		1			
2	90267-32004	RIVET, BLIND		6			
3	90201-03008	WASHER, PLATE		6			
4	5FK-21697-00	LABEL, CAUTION 2		1			
5	90267-32004	RIVET, BLIND		4			
6	90201-03008	WASHER, PLATE		4			
7	3B4-24877-A0	LABEL, CAUTION		1			ENGLISH
8	3GC-24877-A0	LABEL, CAUTION		1			ENGLISH
9	5KM-21558-20	LABEL, WARNING 2		1			
10	5KM-21696-M0	LABEL, CAUTION		1			
11	90267-32004	RIVET, BLIND		4			
12	90201-03008	WASHER, PLATE		4			
13	43P-2151K-00	LABEL 7		1			
14	4WV-24877-A0	LABEL, CAUTION		1			ENGLISH
15	3ME-2415E-01	LABEL, CAUTION		1			



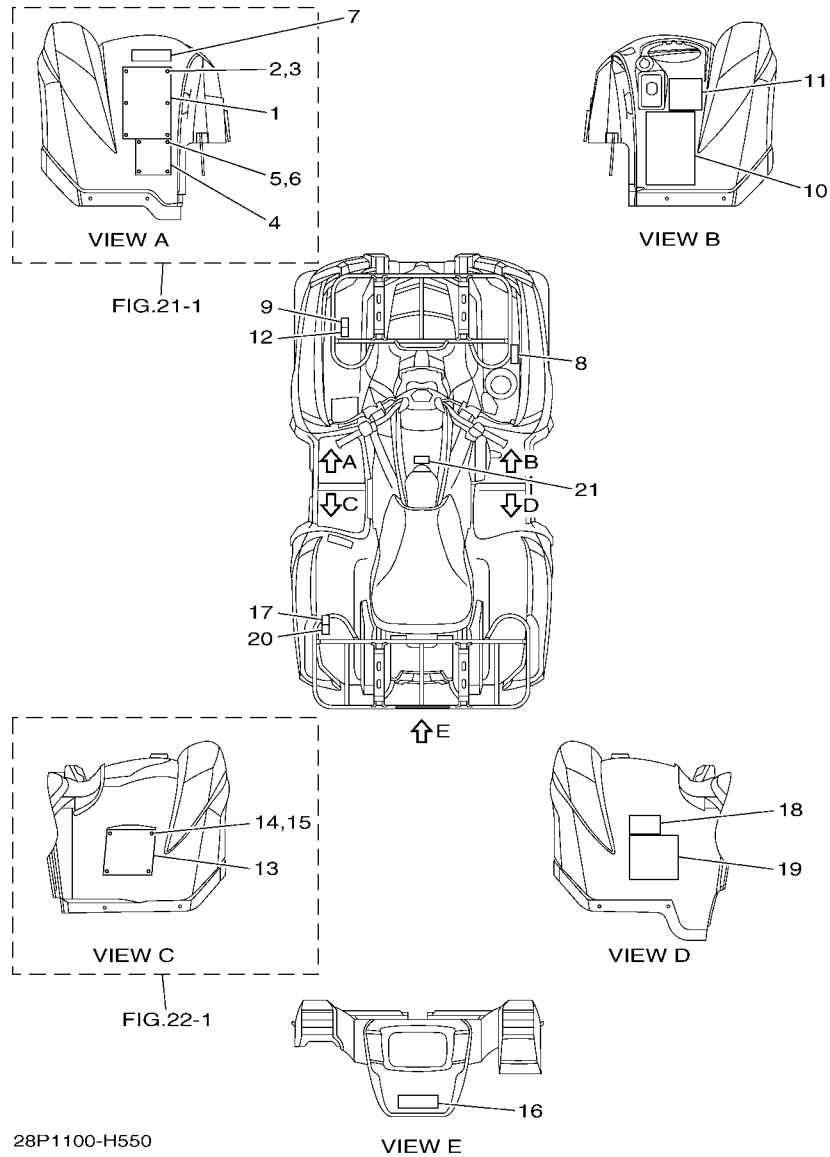


FIG. 55 EMBLEM & LABEL 4

REF. NO.	PART NO.	DESCRIPTION	CAN	EUR	OCE	JPN	REMARKS
1	5FE-21568-11	LABEL, WARNING				1	ENGLISH
2	90267-32004	RIVET, BLIND				6	
3	90201-03008	WASHER, PLATE				6	
4	4D3-2816L-00	LABEL, WARNING AGE				1	ENGLISH
5	90267-32004	RIVET, BLIND				4	
6	90201-03008	WASHER, PLATE				4	
7	5GH-2151E-20	LABEL 2				1	JAPANESE
8	3B4-2151F-20	LABEL 3				1	JAPANESE
9	28P-2816K-20	LABEL, WARNING CARRIER 2				1	JAPANESE
10	4SH-21568-00	LABEL, WARNING				1	JAPANESE
11	4SH-21697-00	LABEL, CAUTION 2				1	JAPANESE
12	4KD-24877-C0	LABEL, CAUTION				1	JAPANESE
13	28P-2816M-00	LABEL, WARNING TIRE & LOAD				1	ENGLISH
14	90267-32004	RIVET, BLIND				4	
15	90201-03008	WASHER, PLATE				4	
16	43P-2151K-00	LABEL 7				1	
17	28P-2816K-20	LABEL, WARNING CARRIER 2				1	JAPANESE
18	4LB-2151H-02	LABEL 5				1	JAPANESE
19	28P-2816M-20	LABEL, WARNING TIRE & LOAD				1	JAPANESE
20	4WV-24877-C0	LABEL, CAUTION				1	JAPANESE
21	5KM-21558-30	LABEL, WARNING 2				1	JAPANESE

NUMERICAL INDEX

PART NO.	REF. NO.	PART NO.	REF. NO.	PART NO.	REF. NO.	PART NO.	REF. NO.	PART NO.	REF. NO.	PART NO.	REF. NO.
16B-11102-00	1 - 1	28P-12405-00	7 - 13	3B4-14611-10	11 - 1	3B4-17253-00	16 - 11	3B4-18169-20	19 - 21	5KM-21558-00	52 - 24
5VK-1111F-00	5 - 7	28P-1240A-00	7 - 12	3YF-14613-01	11 - 35	3B4-17285-00	16 - 18	5KM-18171-00	18 - 2		54 - 14
4G0-11133-11	1 - 2	3B4-12411-00	7 - 5	3B4-14627-10	11 - 2	3B4-17421-00	16 - 7	28P-18174-00	19 - 27	5KM-21558-10	52 - 25
3B4-11165-00	1 - 12	1S3-12413-00	7 - 6	3B4-14714-20	11 - 4	3B4-17432-00	16 - 25	3B4-18190-20	19 - 20	5KM-21558-20	53 - 9
3B4-11166-01	1 - 20	3B4-12422-00	6 - 10	3B4-14718-10	11 - 20	3B4-17473-00	16 - 8	5KM-18191-00	19 - 7	5KM-21558-30	55 - 21
371-11167-01	1 - 13	3B4-12428-00	6 - 17	3B4-1471C-00	11 - 24	3B4-17520-00	16 - 29	3B4-18196-00	19 - 24	4SH-21568-00	55 - 10
3B4-11181-00	1 - 4	11H-12438-10	6 - 15	3B4-1472C-00	11 - 25	3B4-17521-00	17 - 1	4SH-18198-00	19 - 1	5FK-21568-00	53 - 1
3B4-11185-00	1 - 11	5D3-1243K-00	6 - 13	3B4-14733-00	11 - 28	3B4-17530-00	17 - 8	3B4-18318-00	18 - 21	5FE-21568-01	52 - 1
1S3-11186-00	1 - 17	3B4-12450-00	6 - 9	3B4-14752-00	11 - 22	3B4-17531-00	17 - 20	3B4-18331-00	18 - 4	4WU-21568-10	52 - 4
214-11198-01	8 - 5	22W-12462-00	7 - 17	3B4-14755-00	11 - 30	3B4-17531-10	17 - 20	3B4-18380-00	19 - 10	5FE-21568-11	54 - 1
	26 - 27	5KM-12469-00	6 - 6	3B4-14758-01	11 - 14	3B4-17531-20	17 - 20	3B4-18511-10	18 - 12		55 - 1
	27 - 24	3B4-12481-00	6 - 1	3B4-14759-00	11 - 32	3B4-17531-30	17 - 20	3B4-18512-10	18 - 13	3B4-21575-10	21 - 64
3B4-11311-10	2 - 1	5Y9-12491-00	49 - 52	3B4-1477U-00	11 - 27	3B4-17531-40	17 - 20	3B4-18531-00	18 - 14	3B4-215A1-00	21 - 26
1S3-11351-00	2 - 2	1AA-12535-00	7 - 14	3B4-15100-24	12 - 1	3B4-17531-50	17 - 20	3B4-18540-20	18 - 1	3B4-2160E-00	22 - 8
3B4-11400-00	3 - 1	3B4-12576-00	7 - 1	3B4-15112-01	12 - 10	5KM-17531-50	17 - 5	5KM-18542-00	18 - 9	3B4-2160F-00	22 - 12
3B4-11401-09	3 - 2	3B4-12577-00	6 - 4	3B4-15113-00	13 - 7	3B4-17531-60	17 - 20	1J7-18547-00	18 - 26	3B4-2163G-80	51 - 5
3B4-11402-09	3 - 3	3B4-12578-00	7 - 3	3B4-15163-00	15 - 3	5KM-17531-60	17 - 5	4UN-18566-00	18 - 10		51 - 6
3B4-11447-00	3 - 21	3B4-13160-00	10 - 12	3B4-15315-00	13 - 15	5KM-17531-70	17 - 5	3B4-18581-00	12 - 3	3B4-2163G-90	51 - 5
3B4-11454-00	3 - 22	28P-13161-00	8 - 22	5KM-15351-00	13 - 28	5KM-17531-80	17 - 5	3B4-21110-20	20 - 1		51 - 6
3B4-11531-00	3 - 23	3B4-13171-00	8 - 14	3B4-15362-00	12 - 9	5KM-17531-90	17 - 5	3B4-21110-30	20 - 1	3B4-2163G-A0	51 - 5
5KM-11536-10	3 - 7	3B4-13300-00	8 - 1	5UG-15371-00	26 - 28	5KM-17531-A0	17 - 5	3B4-2113B-01	20 - 14		51 - 6
5KM-11565-00	3 - 8	3B4-13329-00	8 - 2	3B4-15379-00	13 - 26	5KM-17531-B0	17 - 5	3B4-2147A-00	20 - 18	3B4-2163G-B0	51 - 5
1S3-11603-10	3 - 17	3B4-13354-00	3 - 24	4WV-15381-00	13 - 23	3B4-17551-00	17 - 9	3B4-2147E-00	20 - 21		51 - 6
1S3-11631-10	3 - 16	3B4-13355-00	8 - 8	11H-15383-02	17 - 3	3B4-1755A-00	17 - 21	3B4-2147F-00	20 - 23	3B4-21651-00	22 - 6
5VK-11633-00	3 - 18	5GH-13440-20	8 - 6	3B4-15388-00	12 - 13	3B4-17582-00	16 - 13	3B4-21485-00	20 - 2	3B4-21652-00	22 - 2
1S3-11651-00	3 - 6	25G-13490-00	8 - 20	3B4-15411-10	13 - 1	3B4-17606-00	15 - 16	3B4-21485-00	21 - 24	3B4-21669-00	22 - 13
1S3-11681-00	3 - 4	28P-13543-00	10 - 4	3B4-15421-00	13 - 13	3B4-17611-00	15 - 27	5GH-2151E-00	52 - 9	5KM-21696-M0	53 - 10
5VK-12111-00	4 - 1	8FP-13556-00	10 - 2	3B4-15431-00	13 - 25	3B4-17623-00	15 - 19	5GH-2151E-10	52 - 10	4SH-21697-00	55 - 11
5VK-12113-00	4 - 3	3B4-13586-00	9 - 1	3B4-15442-00	13 - 17	3B4-17632-00	15 - 18	5GH-2151E-20	55 - 7	5FK-21697-00	53 - 4
3YF-12116-00	4 - 4	43P-13750-00	10 - 1	3B4-15451-00	13 - 2	4WV-17639-10	15 - 23	3B4-2151F-00	52 - 11	3B4-21711-00	23 - 13
3YF-12117-01	4 - 6	3B4-13761-00	10 - 3	3B4-15453-00	13 - 14	3B4-17641-00	15 - 26		54 - 7	3B4-21711-10	23 - 13
4G0-12118-00	4 - 7	3B4-13907-10	30 - 2	3B4-15463-00	15 - 12	4WV-17644-00	15 - 37	3B4-2151F-11	52 - 12	3B4-21711-20	23 - 13
5H0-12119-00	4 - 5	3B4-13971-10	30 - 29	3B4-15471-00	13 - 31	3B4-17645-00	15 - 21	3B4-2151F-20	55 - 8	3B4-21711-40	23 - 13
5VK-12121-00	4 - 2	5LP-14147-00	10 - 16	3B4-15472-00	13 - 34	3B4-17653-00	15 - 20	4LB-2151H-02	55 - 18	3B4-21717-00	23 - 16
5VK-12146-00	4 - 10	1UY-14155-00	10 - 14	3B4-15473-00	13 - 35	3B4-17660-00	15 - 30	4WU-2151H-10	52 - 23		23 - 24
5VK-12151-00	4 - 8	1S3-14161-00	10 - 15	3B4-15474-00	13 - 38	4CW-17664-00	15 - 34	43P-2151K-00	52 - 19	3B4-2171A-00	23 - 8
5XT-12159-00	4 - 11	8CC-14216-10	10 - 10	3B4-15515-00	14 - 1	3B4-17670-00	15 - 31		53 - 13	3B4-21721-00	23 - 22
5VK-12161-00	4 - 9	5JW-14348-00	10 - 5	3B4-15517-00	14 - 4	3B4-17681-10	16 - 1		54 - 12	3B4-21721-10	23 - 22
3B4-12170-01	5 - 1	3B4-14402-02	9 - 4	3B4-15522-00	14 - 3	4WV-17684-00	15 - 36		55 - 16	3B4-21721-20	23 - 22
1S3-12176-00	5 - 9	3B4-14409-00	9 - 9	1S3-15560-00	14 - 5	3B4-17832-10	17 - 14	43P-2151K-10	52 - 20	3B4-21721-40	23 - 22
3TB-12210-00	5 - 15	3B4-14411-20	9 - 3	5KM-15590-00	14 - 7		17 - 22	3B4-21541-00	21 - 2	3B4-21732-00	41 - 5
4DW-12213-00	5 - 17	3B4-14424-00	9 - 10	3B4-16181-00	3 - 20	3B4-18103-10	19 - 8		21 - 10	3B4-21735-00	41 - 12
3B4-12221-00	8 - 12	3B4-14451-00	9 - 6	3B4-16611-00	15 - 1	28P-18104-00	19 - 9	3B4-21552-00	21 - 63	5KM-2173B-00	51 - 3
3B4-12231-01	5 - 12	3B4-14453-00	9 - 5	3B4-16620-00	15 - 2	28P-18115-00	19 - 17	3B4-21553-00	21 - 67		51 - 4
3B4-12241-00	5 - 13	3B4-14455-00	9 - 19	4SH-16664-00	15 - 10	3B4-18125-00	19 - 23	3B4-21556-00	21 - 9	43P-2173E-00	51 - 1
1S3-12280-01	5 - 4	3B4-14457-00	9 - 8	3B4-17223-10	16 - 20	28P-18140-00	18 - 22	3B4-21556-10	21 - 9		51 - 2
5VK-12284-00	5 - 2	59V-14457-00	9 - 13	3B4-17233-00	16 - 15	3B4-18146-00	19 - 12	3B4-21556-20	21 - 9	3B4-2173M-00	23 - 19
1S3-12290-00	5 - 3	3B4-14472-00	9 - 7	3B4-17243-00	16 - 26	3B4-18160-00	19 - 29	3B4-21556-40	21 - 9	3B4-2173N-00	23 - 15

NUMERICAL INDEX

PART NO.	REF. NO.	PART NO.	REF. NO.	PART NO.	REF. NO.	PART NO.	REF. NO.	PART NO.	REF. NO.	PART NO.	REF. NO.
3B4-21747-00	23 - 12	5KM-23526-10	29 - 12	3B4-24610-00	30 - 6	28P-2511H-00	36 - 33	3B4-25390-00	36 - 1	3JD-25926-00	37 - 14
3B4-2174A-00	23 - 14		29 - 15	3B4-2470F-00	31 - 2	3B4-2511H-00	32 - 19	3B4-25390-10	35 - 1		37 - 29
3B4-2174T-00	23 - 23	3B4-23540-00	29 - 1	3B4-2470F-30	31 - 2		33 - 19		36 - 1	8CR-25926-00	34 - 18
3B4-2174Y-00	23 - 18	3B4-23540-11	29 - 1	3B4-24710-01	31 - 1		35 - 27	3B4-2539F-00	35 - 13		34 - 33
	23 - 26	3B4-23550-00	29 - 5	3B4-24710-31	31 - 1		36 - 27	3B4-2539G-00	36 - 13		37 - 18
5KM-2175B-00	21 - 59	3B4-23550-11	29 - 5	3B4-24725-00	31 - 4	3B4-2512A-00	32 - 28	3B4-25715-00	40 - 25		37 - 33
3B4-2176E-00	23 - 7	3B4-23570-00	29 - 11	22W-24741-00	31 - 3		33 - 28	3B4-2580T-01	34 - 5	1UY-25926-51	34 - 12
3B4-2177B-00	23 - 10	3B4-23570-11	29 - 11		49 - 23		35 - 36	3B4-2580U-01	34 - 20		34 - 27
3B4-2177K-00	23 - 11	5LP-23579-00	29 - 2	5RU-24768-00	21 - 38		36 - 36	3B4-2580V-10	37 - 5		37 - 12
3B4-2177N-00	23 - 21		29 - 6	3B4-24821-00	42 - 15	28P-2512G-00	32 - 21	3B4-2580W-10	37 - 20		37 - 27
3B4-21871-00	23 - 1	3B4-23579-01	32 - 10	3B4-24822-00	42 - 17		33 - 21	3B4-2582T-01	34 - 1	3GD-25933-00	37 - 17
1S3-21875-00	23 - 2		33 - 10	3B4-2482J-10	42 - 21		35 - 29		34 - 3		37 - 32
28P-22128-00	24 - 18	3B4-23580-00	29 - 14	3B4-2482K-10	42 - 23		36 - 29	3B4-2582V-00	37 - 1	5DH-25933-00	34 - 17
28P-22129-00	24 - 22	3B4-23580-11	29 - 14	3B4-24841-01	42 - 13	3B4-2512G-00	32 - 20		37 - 3		34 - 32
5KM-22149-10	24 - 4	1UY-23812-00	28 - 6	3B4-24842-01	42 - 19		33 - 20	3B4-2583T-00	39 - 1	1UY-25937-51	34 - 8
	24 - 8	3B4-23813-00	28 - 3	3B4-24842-11	42 - 19		35 - 28	3B4-2583V-00	40 - 1		34 - 23
	24 - 12	8K1-23814-00	28 - 1	3B4-24875-00	52 - 13		36 - 28	3GM-25852-22	39 - 4		37 - 8
	24 - 16	3B4-23816-00	28 - 26	3B4-24875-11	52 - 14	3B4-2512H-00	32 - 23		40 - 4		37 - 23
	29 - 13	3B4-2381B-00	28 - 17	3B4-24875-20	52 - 21		33 - 23	4TT-25854-00	39 - 6	1UY-25938-51	34 - 13
	29 - 16	5KM-23831-00	28 - 30	3B4-24875-31	52 - 22		35 - 31		40 - 6		34 - 28
3B4-22171-00	24 - 1	1UY-23841-01	28 - 31	3B4-24877-A0	53 - 7		36 - 31	3B4-2585B-00	39 - 5		37 - 13
3B4-22171-11	24 - 1	1UY-23845-01	28 - 32	3GC-24877-A0	53 - 8	3B4-2512J-00	32 - 22		40 - 5		37 - 28
3B4-22172-00	24 - 5	5KM-2385L-01	25 - 6		54 - 8		33 - 22	2GU-25866-00	39 - 15	3JD-25961-00	34 - 15
3B4-22172-11	24 - 5	5KM-2385M-01	25 - 7	4WV-24877-A0	53 - 14		35 - 30		40 - 17		34 - 30
3B4-2217M-00	24 - 9	5GH-23868-00	28 - 8		54 - 13		36 - 30	56A-25867-00	39 - 10		37 - 15
3B4-2217M-11	24 - 9	3B4-2386G-00	25 - 10	4KD-24877-C0	55 - 12	3B4-2514A-00	32 - 12		40 - 10		37 - 30
3B4-2217N-00	24 - 13	3B4-2386H-00	25 - 11	4WV-24877-C0	55 - 20		35 - 12	3B4-25871-10	39 - 17	3B4-26111-20	38 - 1
3B4-2217N-11	24 - 13	3B4-23875-10	28 - 12	28P-2510F-00	32 - 15	3B4-2515A-00	33 - 12	3B4-25872-10	39 - 14	3B4-26124-00	38 - 3
3B4-22210-01	25 - 1	1UY-23894-01	28 - 10		33 - 15		36 - 12		40 - 16	1NV-26129-00	38 - 15
34D-22465-00	24 - 21	3B4-238B0-10	28 - 19		35 - 23	3B4-25180-00	32 - 1	3B4-25873-10	39 - 16	3B4-26232-01	21 - 62
	24 - 25	3B4-238B6-00	28 - 20		36 - 23		33 - 1	3B4-25874-10	40 - 22	5LP-26241-00	38 - 2
3B4-22517-00	28 - 4	3B4-24110-00	30 - 1	28P-2510G-00	32 - 17	3B4-25180-10	32 - 1	3B4-25875-00	24 - 26	28P-26250-00	38 - 5
28P-23123-00	29 - 24	3B4-24110-10	30 - 1		33 - 17		33 - 1	3B4-25876-10	39 - 24	28P-2625G-00	38 - 7
28P-23133-00	29 - 25	3B4-24129-00	30 - 20		35 - 25	3B4-25182-00	32 - 24	3B4-25882-10	40 - 23	1NV-2625K-00	38 - 17
3B4-23350-01	29 - 21	3B4-24141-00	30 - 26		36 - 25		33 - 24	3B4-25886-00	39 - 22	28P-2628F-00	38 - 6
3B4-23391-00	21 - 58	3B4-2414F-00	30 - 24	28P-2510H-00	32 - 16		35 - 32	3B4-2588F-00	40 - 26	28P-2628G-00	38 - 14
5KM-23448-00	35 - 17	3B4-2414H-00	23 - 30		33 - 16		36 - 32	3B4-2589F-00	39 - 8	3B4-26294-00	40 - 9
	36 - 17	3B4-2414J-00	30 - 22		35 - 24	28P-2518E-00	32 - 18	3B4-2589F-10	40 - 8	1NV-26304-00	38 - 13
3B4-23501-01	32 - 7	3B4-2414K-00	30 - 23		36 - 24		33 - 18	3JD-25917-00	34 - 9	3B4-26311-20	38 - 25
3B4-23502-01	33 - 7	3ME-2415E-01	53 - 15	28P-2510J-00	32 - 14	28P-2518E-10	35 - 26		34 - 24	5EB-26332-00	39 - 11
2NL-23517-00	35 - 18	4SH-2416E-00	52 - 26		33 - 14		36 - 26		37 - 9		40 - 11
	36 - 18	3B4-2416G-00	30 - 27	3B4-25111-10	32 - 5	3B4-2530F-00	35 - 7		37 - 24	3B4-26341-00	38 - 26
5KM-23526-10	24 - 2	3B4-24181-00	30 - 25		33 - 5	28P-2530V-00	35 - 22	5DH-25919-00	34 - 10	3B4-26347-00	38 - 27
	24 - 6	3B4-24182-00	30 - 28		35 - 5		36 - 22		34 - 25	3B4-26372-00	40 - 13
	24 - 10	3B4-24312-00	30 - 7		36 - 5	3B4-2532F-00	36 - 7	5DH-25919-50	37 - 10	3B4-2637A-01	39 - 13
	24 - 14	28P-24380-00	30 - 9	28P-2511H-00	32 - 25	3B4-2536E-00	35 - 34		37 - 25	3B4-2637F-10	38 - 24
	29 - 4	1S3-24486-00	30 - 4		33 - 25		36 - 34	3JD-25926-00	34 - 14	1NV-26398-00	38 - 16
	29 - 8	3B4-24491-00	30 - 3		35 - 33	3B4-25390-00	35 - 1		34 - 29	3B4-27211-00	40 - 28



NUMERICAL INDEX

PART NO.	REF. NO.	PART NO.	REF. NO.	PART NO.	REF. NO.	PART NO.	REF. NO.	PART NO.	REF. NO.	PART NO.	REF. NO.
5KM-27414-01	11 - 19	3B4-46101-10	26 - 1	3B4-4631A-01	26 - 34	34D-82176-00	21 - 52	3B4-8591A-20	49 - 1	90105-06082	8 - 13
5GH-2741A-10	41 - 6	3B4-46117-00	27 - 7	3B4-46326-00	26 - 20	4GB-82180-00	49 - 33	3B4-859A0-10	49 - 53		12 - 14
	41 - 19	3B4-46117-10	27 - 7	3B4-46344-00	26 - 37	3B4-82309-00	49 - 65	5KM-86171-00	49 - 64	90105-06176	19 - 16
3B4-27452-00	41 - 1	3B4-46117-20	27 - 7	3B4-46344-10	26 - 37	1D7-82310-01	49 - 5	5D3-W0041-00	39 - 2	90105-06639	20 - 5
3B4-27453-01	41 - 4	3B4-46117-30	27 - 7	3B4-46344-20	26 - 37	3B4-8233W-10	21 - 50	5LP-W0041-00	40 - 2	90105-07004	5 - 5
3B4-27462-00	41 - 2	3B4-46119-00	26 - 17	3B4-46344-30	26 - 37	28P-82370-00	49 - 7	3B4-W0045-00	34 - 16		5 - 10
3B4-27463-01	41 - 18	3B4-46119-10	26 - 17	3B4-46344-40	26 - 37	1C7-82380-00	10 - 6	3B4-W0045-10	34 - 31	90105-08153	28 - 24
28P-28100-00	20 - 16	3B4-46119-20	26 - 17	3B4-46344-50	26 - 37	28P-82510-00	49 - 29	3B4-W0046-00	37 - 16	90105-08161	34 - 19
1NV-2811A-01	20 - 17	3B4-46119-30	26 - 17	3B4-46470-01	27 - 6	28P-8253E-00	21 - 47	3B4-W0046-10	37 - 31		34 - 34
28P-2816K-20	55 - 9	3B4-46119-40	26 - 17	5KM-46559-00	26 - 47	28P-8253F-00	21 - 48	3B4-W0047-00	34 - 7		37 - 19
	55 - 17	3B4-46119-50	26 - 17		27 - 34	3B4-82540-01	49 - 10		34 - 22		37 - 34
4D3-2816L-00	52 - 5	5KM-46126-00	26 - 41	3B4-47359-00	27 - 15	3GB-82540-01	49 - 8		37 - 7	90105-10131	25 - 2
	54 - 4		27 - 32	3B4-47491-00	25 - 5	3B4-8254B-00	49 - 44		37 - 22		29 - 22
	55 - 4	3B4-46126-10	26 - 11	3B4-67839-10	27 - 5	28P-8254E-00	21 - 49	1UY-W0048-50	34 - 11	90105-10185	35 - 19
4D3-2816L-10	52 - 8	2HR-46127-00-25	26 - 14	4D9-81168-00	49 - 16	4GB-82560-00	49 - 34		34 - 26		36 - 19
28P-2816M-00	52 - 15	2HR-46127-00-30	26 - 14	28P-81410-00	43 - 1	3HN-82569-00	49 - 30		37 - 11	90105-10204	28 - 5
	54 - 9	2HR-46127-00-35	26 - 14	28P-81450-00	43 - 2	3B4-82576-00	49 - 55		37 - 26		28 - 13
	55 - 13	2HR-46127-00-40	26 - 14	5KM-81677-00	40 - 24	3HN-82579-00	49 - 31	3B4-W0057-00	34 - 6	90105-10219	20 - 6
28P-2816M-10	52 - 18	2HR-46127-00-45	26 - 14	28P-81815-00	44 - 7	34D-82590-00	49 - 32		34 - 21	90105-10222	24 - 3
28P-2816M-20	55 - 19	2HR-46127-00-50	26 - 14	28P-81826-00	44 - 6	34D-82590-10	49 - 32	3B4-W0057-20	37 - 6		24 - 7
4D3-2817J-00	52 - 27	3B4-46129-00	26 - 5	4XV-8182A-00	44 - 9	4V4-82913-00	38 - 21		37 - 21		24 - 11
4D3-2817J-10	52 - 28	3B4-46134-00	27 - 11	4B5-81840-00	44 - 2	3B4-83371-00	49 - 66	3B4-W1471-10	11 - 18		24 - 15
3B4-28217-00	21 - 31	3B4-46135-00	27 - 12	11H-81844-00	44 - 5	34D-83500-10	45 - 1	3B4-W215B-00	21 - 1		29 - 19
3B4-28227-00	21 - 32	5KM-46136-00	26 - 44	1FK-81847-00	44 - 4	3B4-83755-00	49 - 15	3B4-W215B-10	21 - 1	90105-10237	20 - 9
3B4-28237-00	21 - 33		27 - 30	3TB-81847-00	44 - 3	3B4-83912-00	40 - 7	3B4-W215B-20	21 - 1	90105-10238	20 - 11
3B4-28239-00	41 - 11	5KM-46137-00	26 - 43	4B5-81871-00	44 - 8	3B4-83922-00	39 - 7	3B4-W215B-40	21 - 1	90105-14003	18 - 19
3B4-28247-00	21 - 34		27 - 29	28P-81890-00	44 - 1	437-83936-01	49 - 47	3B4-W215C-01	21 - 1	90109-06172	19 - 30
3B4-28307-00	21 - 25	3B4-46141-00	27 - 4	3B4-81940-00	49 - 27	28P-83972-00	38 - 32	3B4-W215C-11	21 - 1		21 - 3
3B4-28309-00	21 - 30	3B4-46142-00	27 - 21	5DM-81950-00	49 - 41	3B4-83976-00	38 - 33	3B4-W215C-21	21 - 1		21 - 11
28P-2830X-00	49 - 3	3B4-46144-00	26 - 8	8FP-81950-01	49 - 42	5KM-83976-20	38 - 18	3B4-W215C-40	21 - 1		21 - 39
3B4-28313-00	21 - 61	4WV-46145-10	27 - 22	1D7-81960-00	49 - 18	3B4-83980-00	40 - 12	3B4-W215D-01	21 - 9		24 - 27
3B4-28332-00	21 - 37	3B4-46151-00	26 - 2	4WA-81980-00	49 - 39	4HM-83980-00	39 - 12	3B4-W215D-11	21 - 9		28 - 21
3B4-28349-00	21 - 44	3B4-46152-00	26 - 24	5VG-81980-00	49 - 40	28P-84300-00	46 - 1	3B4-W215D-21	21 - 9		30 - 21
3B4-2837L-00	21 - 55	3B4-46160-10	27 - 1	4SH-82100-12	49 - 20	3B4-84314-00	46 - 2	3B4-W215D-40	21 - 9		40 - 27
3B4-2837N-00	21 - 41	3B4-46161-00	27 - 3	4SH-82100-22	49 - 20	2GU-84334-00	46 - 6	3B4-W215E-01	21 - 1		41 - 13
3B4-2837R-00	21 - 42	3B4-46162-00	27 - 2	34D-82116-00	49 - 26	3B4-84340-00	46 - 3	3B4-W215E-20	21 - 1		41 - 23
3B4-2838K-00	21 - 17	3B4-46163-00	27 - 14	3B4-82122-00	21 - 51	5GH-84703-10	46 - 7	3B4-W216B-00	22 - 1	90109-06202	20 - 19
3B4-2838M-00	21 - 18	3B4-46164-00	27 - 9	1S3-82123-00	13 - 36	3FA-84710-00	47 - 1	3B4-W216B-10	22 - 1		20 - 24
3B4-2839N-00	21 - 21	3B4-46166-00	27 - 10		23 - 17		48 - 1	3B4-W216B-20	22 - 1	90109-06214	20 - 20
3B4-2842M-00	42 - 6	3B4-4616A-00	27 - 16	3B4-82128-00	49 - 21	1A2-84714-41	47 - 2	3B4-W216B-40	22 - 1		20 - 22
3B4-2842M-10	42 - 6	3B4-46172-10	26 - 39	3B4-82129-00	49 - 22		48 - 2	3B4-W216C-01	22 - 1		41 - 7
3B4-2842N-00	42 - 9	3B4-46173-10	27 - 27	28P-8212B-00	21 - 45	3B4-84751-00	47 - 6	3B4-W216C-11	22 - 1		41 - 20
3B4-2842N-10	42 - 9	3B4-461A0-00	26 - 7	3B4-82133-10	49 - 24	2EK-85111-00	50 - 1	3B4-W216C-21	22 - 1	90109-08101	34 - 2
3B4-2845L-00	21 - 27	3B4-4621F-00	26 - 19	5PS-82151-00	49 - 38	3Y6-85130-02	50 - 6	3B4-W216C-40	22 - 1		34 - 4
3B4-2845N-00	42 - 4	3B4-4621F-10	26 - 19		49 - 43	449-85131-02	50 - 4	3B4-W216E-01	22 - 1		37 - 2
3B4-28487-00	21 - 28	3B4-4621F-20	26 - 19	5JJ-82151-10	49 - 35	8CC-85790-01	49 - 13	3B4-W216E-20	22 - 1		37 - 4
3B4-28488-00	20 - 25	3B4-4621F-30	26 - 19	5JJ-82151-20	49 - 36	3B4-85885-00	10 - 9	90105-06078	5 - 8	90109-09002	1 - 6
3B4-28488-10	20 - 25	3B4-46316-00	26 - 15	5JJ-82151-90	49 - 37	8FP-85886-00	9 - 11	90105-06082	5 - 14	90109-09003	1 - 5

NUMERICAL INDEX

PART NO.	REF. NO.	PART NO.	REF. NO.	PART NO.	REF. NO.	PART NO.	REF. NO.	PART NO.	REF. NO.	PART NO.	REF. NO.
90109-09005	1 - 7	90170-06228	19 - 18	90185-10012	35 - 20	90201-150U6	16 - 27	90280-05001	3 - 12	90445-074F6	26 - 45
90109-14002	18 - 25	90170-10010	28 - 34		36 - 20	90201-16013	3 - 13	90282-05007	3 - 25	90445-09068	30 - 12
90110-05031	13 - 8	90170-18003	3 - 26	90185-22008	28 - 15	90201-16021	17 - 15	90338-08174	9 - 17	90445-09110	23 - 4
	43 - 4	90170-36279	15 - 38	90201-03008	52 - 3		17 - 23	90338-09130	22 - 9	90445-09117	23 - 3
90110-06200	24 - 19	90171-10001	28 - 35		52 - 7		28 - 27	90338-18122	42 - 12	90445-09220	47 - 5
	24 - 23		29 - 9		52 - 17	90201-170U8	16 - 22	90340-10001	27 - 17		48 - 5
	29 - 26	90171-12001	29 - 17		53 - 3	90201-190T7	15 - 28	90340-14002	26 - 25	90450-32015	6 - 5
	41 - 14	90179-05523	21 - 19		53 - 6	90201-20028	16 - 19	90340-14011	13 - 11	90450-59006	9 - 18
	41 - 24	90179-08029	11 - 33		53 - 12	90201-20792	18 - 5	90340-14029	26 - 26	90450-72004	9 - 2
90110-08091	17 - 7	90179-10020	32 - 4		54 - 3	90201-25290	16 - 9		27 - 23	90450-99010	11 - 21
90111-06086	41 - 15		33 - 4		54 - 6	90201-25634	26 - 4	90340-14132	8 - 4	90460-85135	13 - 33
	41 - 25		35 - 4		54 - 11	90201-286K9	14 - 2	90340-36002	13 - 9		13 - 39
90114-10014	32 - 6		36 - 4		55 - 3	90209-06012	7 - 20	90380-10002	14 - 6	90461-08004	13 - 4
	33 - 6	90179-12005	26 - 13		55 - 6	90209-10229	28 - 36	90381-17067	35 - 10	90462-08049	12 - 5
	35 - 6	90179-16004	3 - 14		55 - 15	90214-22007	16 - 16		36 - 10	90462-08055	13 - 30
	36 - 6	90179-16005	15 - 29	90201-04027	35 - 15	90215-10008	8 - 10	90387-06113	7 - 21	90462-16003	12 - 4
90119-06137	49 - 12		15 - 39		36 - 15	90215-18001	3 - 27	90387-0613B	19 - 2	90464-09013	49 - 60
90119-06152	21 - 46	90179-16006	17 - 16	90201-047R9	15 - 25	90240-06076	38 - 29	90387-065G1	47 - 8	90464-10112	49 - 51
	21 - 56		17 - 24	90201-05015	11 - 17	90240-08013	40 - 14	90387-066J1	30 - 15	90464-12045	49 - 61
	21 - 65	90179-20016	32 - 27	90201-05019	11 - 8	90267-32004	52 - 2	90387-07021	30 - 18	90464-13073	49 - 46
	21 - 68		33 - 27	90201-05039	45 - 3		52 - 6	90387-08083	11 - 12	90464-14004	30 - 30
	22 - 4		35 - 35	90201-06019	11 - 7		52 - 16	90387-090R0	28 - 11	90464-15157	49 - 48
	22 - 5		36 - 35	90201-06033	41 - 8		53 - 2	90387-20021	16 - 21	90464-15195	49 - 45
	22 - 10	90179-22013	17 - 6		41 - 21		53 - 5	90387-22014	28 - 14	90464-16006	40 - 18
	23 - 6	90179-22021	15 - 11	90201-06036	19 - 5		53 - 11	90387-22591	28 - 16	90464-16012	23 - 32
	23 - 29	90179-55660	17 - 25		19 - 15		54 - 2	90387-250R3	16 - 14		49 - 63
	42 - 1	90179-60001	17 - 11		19 - 25		54 - 5	90387-26001	16 - 4	90464-16039	49 - 62
	42 - 2	90183-05008	21 - 54	90201-06076	11 - 6		54 - 10	90401-08004	1 - 22	90464-20010	39 - 18
	42 - 3		46 - 9	90201-06078	41 - 16		55 - 2	90401-08006	8 - 23	90464-20181	49 - 49
90119-08106	28 - 18	90183-051A0	50 - 3		41 - 26		55 - 5	90401-10015	39 - 19	90464-20237	49 - 58
90119-08118	42 - 16	90183-06053	21 - 8	90201-06081	11 - 10		55 - 14		40 - 19	90464-24230	49 - 59
	42 - 18		21 - 16	90201-06097	47 - 3	90267-47187	35 - 14	90401-10024	8 - 17	90464-35132	20 - 15
90119-10023	2 - 3		21 - 53		48 - 3		36 - 14	90401-14118	8 - 15	90465-10098	49 - 50
90119-10044	41 - 3		21 - 66	90201-08048	28 - 25	90269-05055	19 - 28	90401-20003	8 - 7	90467-07029	26 - 46
	42 - 22		21 - 69	90201-08087	26 - 35	90269-06081	23 - 28	90430-06014	6 - 19		27 - 26
	42 - 24		22 - 3	90201-10035	20 - 8	90269-07010	21 - 35		7 - 7		28 - 23
90149-04278	38 - 8		22 - 11		20 - 10		21 - 60	90430-08119	1 - 23	90467-07093	6 - 21
90149-05016	18 - 11		23 - 20		20 - 13		22 - 7		8 - 24	90467-08003	23 - 5
90149-08013	17 - 4		23 - 25		25 - 4		23 - 31	90430-10003	27 - 18	90467-09006	30 - 8
90149-08018	14 - 8		30 - 11		25 - 9	90269-07012	21 - 4	90430-10148	49 - 9		30 - 13
90154-05021	46 - 10	90183-060A2	11 - 3		35 - 21		21 - 5	90430-10188	8 - 18	90467-10041	9 - 16
90154-06014	32 - 13	90183-080A1	19 - 22		36 - 21		21 - 6	90430-12202	49 - 14	90467-140A4	1 - 21
	33 - 13	90185-10011	20 - 7	90201-10118	39 - 20		21 - 12	90430-14043	8 - 16	90467-150A2	1 - 24
	35 - 16		20 - 12		40 - 20		21 - 13		18 - 27	90467-220A1	9 - 14
	36 - 16	90185-10012	24 - 17	90201-12029	26 - 12		21 - 14	90430-14194	18 - 20	90467-26189	7 - 2
90157-04006	15 - 24		25 - 3	90201-127J6	18 - 23		21 - 36	90445-07018	28 - 22		7 - 4
90159-05044	46 - 8		29 - 20	90201-132G5	19 - 3		23 - 27	90445-070F1	27 - 25	90480-01400	30 - 17
90170-06128	4 - 12		29 - 23	90201-14023	40 - 30	90269-07077	21 - 43	90445-07340	6 - 20	90480-01558	23 - 9

NUMERICAL INDEX

PART NO.	REF. NO.	PART NO.	REF. NO.	PART NO.	REF. NO.	PART NO.	REF. NO.	PART NO.	REF. NO.	PART NO.	REF. NO.
90480-13004	21 - 20	92902-05200	42 - 8	93305-00602	35 - 8	93900-00030	36 - 3	95604-06100	39 - 9	97022-08025	26 - 32
90480-13018	13 - 27		42 - 11		36 - 8	94108-12008	32 - 2	95607-05100	38 - 10	97022-08030	17 - 18
90480-13398	13 - 37		50 - 2	93306-00006	6 - 12		33 - 2	95612-08625	1 - 3	97022-08035	26 - 30
	21 - 7		50 - 5	93306-00426	16 - 2	94108-12012	32 - 2	95612-16100	28 - 28	97022-08060	28 - 9
	21 - 15		50 - 7	93306-00613	27 - 8		33 - 2	95702-06300	24 - 20	97702-50512	21 - 29
90480-13567	13 - 32	92902-05600	21 - 23	93306-00704	26 - 21	94110-12008	35 - 2		24 - 24	97702-50516	42 - 7
	21 - 57		38 - 23	93306-07209	5 - 6		36 - 2		29 - 27		42 - 10
90480-14532	41 - 10		49 - 57	93306-07801	16 - 3	94110-12012	35 - 2		41 - 17	97702-50520	9 - 12
90480-15235	7 - 18	92902-06200	11 - 16	93306-20120	13 - 21		36 - 2		41 - 27	98502-03530	46 - 4
90480-17001	11 - 11	92902-06600	47 - 9	93306-20309	16 - 24	94580-31074	8 - 11		47 - 4	98502-05016	21 - 22
90480-18290	30 - 14	92902-08600	17 - 19	93306-20464	16 - 23	94591-57126	5 - 11		48 - 4	98502-05020	38 - 22
90501-05764	46 - 5		26 - 31	93306-205U0	26 - 16	94701-00423	1 - 9	95702-06500	49 - 25	98502-06016	11 - 26
90501-06022	18 - 8		26 - 33	93306-20654	17 - 12	94703-00423	1 - 9	95702-08500	11 - 34	98507-04016	38 - 19
90501-08665	38 - 28		40 - 15	93306-207U0	26 - 22	95022-06008	11 - 23	95802-06012	20 - 27	98507-05010	10 - 8
90501-090A1	18 - 28	92907-04600	38 - 20	93306-30438	3 - 29		49 - 28		21 - 40	98507-05020	38 - 9
90501-10353	18 - 18	92907-06200	38 - 30		16 - 30	95022-06010	6 - 18		39 - 23	98507-06012	10 - 11
90501-140A2	18 - 15	92907-06600	7 - 16	93306-30523	26 - 18		7 - 8		39 - 25	98706-04012	39 - 3
90501-18002	26 - 38	93101-10090	6 - 14	93306-30534	3 - 28	95022-06012	1 - 15		49 - 4		40 - 3
	27 - 28	93101-12168	13 - 22	93306-30537	17 - 2	95022-06016	13 - 24	95802-06016	49 - 2	98902-06020	49 - 54
90501-220A1	3 - 9	93101-35001	15 - 17	93306-30810	3 - 15	95022-06020	1 - 16	95802-06020	7 - 19	99001-10600	40 - 29
90501-650A0	15 - 35	93102-15212	19 - 11	93306-37206	17 - 10		1 - 19		49 - 19	99009-10400	6 - 16
90506-20014	40 - 31	93102-30010	17 - 13	93310-32590	16 - 10		7 - 9	95802-06030	30 - 16	99009-12400	18 - 16
90506-30006	11 - 13		17 - 26	93310-84017	3 - 5		19 - 13		30 - 19		18 - 24
90508-32117	19 - 4	93102-35004	15 - 5	93315-21813	15 - 8	95022-06030	6 - 11	95812-06012	49 - 67	99009-19400	26 - 40
90508-32132	18 - 3	93102-35009	26 - 9	93316-01003	15 - 4		12 - 6	95812-06014	27 - 19		27 - 31
91312-04006	10 - 13		26 - 23	93332-00046	26 - 3		13 - 5	95812-06016	19 - 26	99009-30400	29 - 3
91312-06012	6 - 2	93102-42004	16 - 6	93332-00053	26 - 6		15 - 14	95812-06035	19 - 6		29 - 7
	8 - 19	93104-09025	38 - 12	93410-20038	18 - 6		44 - 10	95812-08014	25 - 12		32 - 11
	12 - 12	93104-41119	15 - 32	93410-22039	26 - 42	95022-06040	8 - 3		42 - 5		33 - 11
91312-06020	6 - 7	93105-46001	27 - 13		27 - 33		15 - 15		42 - 14	99009-35400	3 - 11
	49 - 17	93112-31011	28 - 7	93410-46079	15 - 7	95022-06045	7 - 10		42 - 20	99009-55500	32 - 9
91312-06025	5 - 16	93210-10096	8 - 21	93440-15012	16 - 28	95022-06050	6 - 23	95812-08040	11 - 31		33 - 9
91312-06030	1 - 8	93210-14369	13 - 12	93440-25084	16 - 12		13 - 6		27 - 20		35 - 9
91312-06040	2 - 4	93210-21190	6 - 3		16 - 17	95022-06060	12 - 7	95812-10035	20 - 4		36 - 9
91312-08040	12 - 8	93210-21631	12 - 11	93450-22119	32 - 26	95022-08012	26 - 36		20 - 26	99009-80500	15 - 6
91401-16012	38 - 4	93210-26001	16 - 5		33 - 26	95302-05600	50 - 8	95822-06020	13 - 29	99530-08012	19 - 14
91401-20012	38 - 31	93210-29196	49 - 11	93450-24062	15 - 9	95302-05800	45 - 2	95822-06025	39 - 21	99530-10014	26 - 29
91401-20020	28 - 37	93210-33786	6 - 8	93450-24154	3 - 19	95302-06800	30 - 5		40 - 21	99530-10116	12 - 2
	29 - 10	93210-357A3	13 - 10	93503-08007	18 - 17		47 - 10	95822-06030	13 - 16		13 - 3
91402-20025	28 - 29	93210-41042	7 - 11	93604-10011	6 - 22	95302-10700	28 - 33		13 - 19		13 - 18
91490-25020	29 - 18	93210-44545	15 - 33	93604-18100	18 - 7	95304-06700	19 - 19	95822-06040	13 - 20		15 - 13
91A20-07020	9 - 15	93210-626A7	26 - 10	93606-09002	3 - 10	95307-05700	38 - 11	95822-08012	11 - 29	99530-14016	12 - 15
92012-06012	11 - 15	93210-78544	1 - 18	93612-16254	1 - 10	95312-06600	40 - 33	95822-08030	28 - 2		
92012-06014	11 - 5		17 - 17	93700-06004	35 - 11		41 - 9	97002-05016	49 - 56		
92012-06016	11 - 9	93210-96601	1 - 14		36 - 11		41 - 22	97002-06016	30 - 10		
92012-06030	43 - 3	93211-594A4	15 - 22	93900-00030	32 - 3	95312-10600	8 - 9		49 - 6		
	47 - 7	93305-00602	32 - 8		33 - 3	95602-10200	20 - 3	97017-06010	7 - 15		
92507-06010	10 - 7		33 - 8		35 - 3		25 - 8	97022-06014	40 - 32		