



PARTS CATALOGUE

YFM70RX (1S3H) U.S.A.

YFM70RX (1S3J) CANADA

YFM70RX (1S3K) EUROPE

YFM70RX (1S3H) OCEANIA

1G1S3-100E1

(2G1S3-100E1)



2009/7/30

NEWS NO.	DATE	COMMENT
PE0-MC080035	Jul.,30,2008	FIG.25:FRONT SUSPENSION & WHEEL ILLUSTRATION CORRECTION
PE0-MC-090052	Jul.,30,2009	FIG.16:TRANSMISSION LIST CORRECTION

YFM70RX
PARTS CATALOGUE
©2007 by Yamaha Motor Co., Ltd.
1st edition, April 2007
All rights reserved.
Any reprinting or unauthorized use
without the written permission of
Yamaha Motor Co., Ltd.
is expressly prohibited.

A3

FOREWORD

This Parts Catalogue is related to the parts for the model(s) on the cover page. When you are ordering replacement parts, please refer to this Parts Catalogue and quote both part numbers and part names correctly.

1. Modifications or additions which have been made after the issue of the Parts Catalogue will be announced in the Parts News.

It is advisable that you make the necessary corrections to the Parts Catalogue according to the Parts News.

2. Abbreviations

The following abbreviations are used in this Parts Catalogue.

“UR” Use specified parts number.

“UN” Use as many as needed.

“AP” Alternate Parts

“LM” Locally Made (Parts need to be ordered locally)

“F#” Frame No. (Applicable machine No.)

“O/S” Over Size

3. The number of components for assembly

- Parts, which are to be supplied in an assembly, are listed with a dot (.) in front of the part name as shown below.
- The numeral appearing to the right of each component part indicates the quantity of parts for each assembly unit.

PART NO.	DESCRIPTION	Q'TY	REMARKS
2F5-83310-60	FRONT FLASHER LIGHT ASSY	2	
115-83311-60	.BULB (6V-18W)	1	

4. Applicable colours of graphics are represented in the “REMARKS” as shown below.

PART NO.	DESCRIPTION	Q'TY	REMARKS
2N4-24110-00-X5	FUEL TANK COMP.	2	MXR
3J1-24240-10	.GRAPHIC, FUEL TANK	1	FOR MXR

5. Note that the illustrations for reference in finding parts numbers are not to be used for assembling. When assembling, please use the applicable service manual.

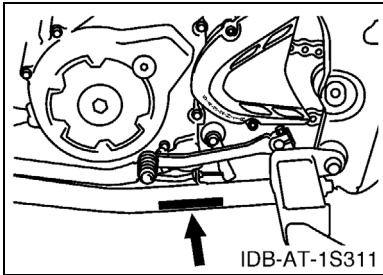
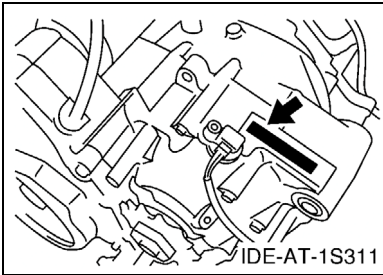
6. The asterisk (*) before a reference number indicates modified items after the first edition.

FOREWORD

7. Applicable Serial No.

Engine Serial No.

Frame Serial No.



8. Applicable Colour Code (The (*) mark shows Model colour.)

Abbreviation	Colour Name	Colour Code
DPBSE(*)	DEEP PURPLISH BLUE SOLID E	0583
PGD(*)	PASTEL DARK GRAY	003E

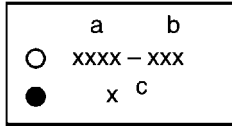
9. Quantity Column Information

Column No.	Name Of Q'ty Column	Destination
1	USA	U.S.A.
2	CAN	CANADA
3	EUR	EUROPE
4	OCE	OCEANIA

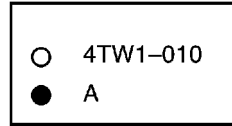
MODEL LABEL

(1) A label called "Model Label" is affixed in the location as indicated in (3) below.
When using this parts catalogue, please be sure to cross-reference the "model code – production code No." in the catalogue with the "model code – production code No." indicated on the Model Label affixed onto the product concerned.

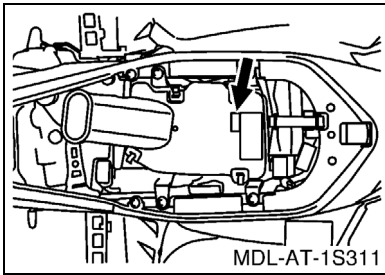
(2) "Model Label" Indication



a: Model Type Code
b: Production Code No.
c: Colouring Type



(3) Model Label Affixing Location



(4) Colouring Information

Model Code	Colouring Type Code	Colour Code	Colour Name	Abbreviation
1S3H	A	0583	DEEP PURPLISH BLUE SOLID E	DPBSE
	B	003E	PASTEL DARK GRAY	PGD
1S3J	A	0583	DEEP PURPLISH BLUE SOLID E	DPBSE
	B	003E	PASTEL DARK GRAY	PGD
1S3K	A	0583	DEEP PURPLISH BLUE SOLID E	DPBSE
	B	003E	PASTEL DARK GRAY	PGD

(5) Model Code – Production Code Number of Model Listed in This Parts Catalogue

Model Code	Production Code No.	Country (destination)	Model Code	Production Code No.	Country (destination)
1S3H	010	U.S.A.			
	020	AUSTRALIA			
		NEW ZEALAND			
1S3J	010	CANADA			
1S3K	010	EUROPE			

CONTENTS

ENGINE

CYLINDER HEAD	B2
CYLINDER	B3
CRANKSHAFT & PISTON	B4
VALVE	B5
CAMSHAFT & CHAIN	B6
WATER PUMP	B7
RADIATOR & HOSE	B8
OIL PUMP	B9
INTAKE	B11
THROTTLE BODY ASSY 1	B13
EXHAUST	B14
CRANKCASE	B15
CRANKCASE COVER 1	C2
STARTER	C3
CLUTCH	C4
TRANSMISSION	C6
SHIFT CAM & FORK	C8

CHASSIS

FRAME	C10
FRONT FENDER	C12
REAR FENDER	C14
OIL TANK	D2
REAR ARM	D3
REAR SUSPENSION	D6
STEERING	D7
FRONT SUSPENSION & WHEEL	D8
FUEL TANK	D10
SEAT	D12
FRONT WHEEL	D13
FRONT BRAKE CALIPER	D14
REAR WHEEL	E2
REAR BRAKE CALIPER	E3
STEERING HANDLE & CABLE	E5
FRONT MASTER CYLINDER	E7
STAND & FOOTREST	E8
REAR MASTER CYLINDER	E9
GUARD	E11
GENERATOR	E12
STARTING MOTOR	E13
HEADLIGHT	E14

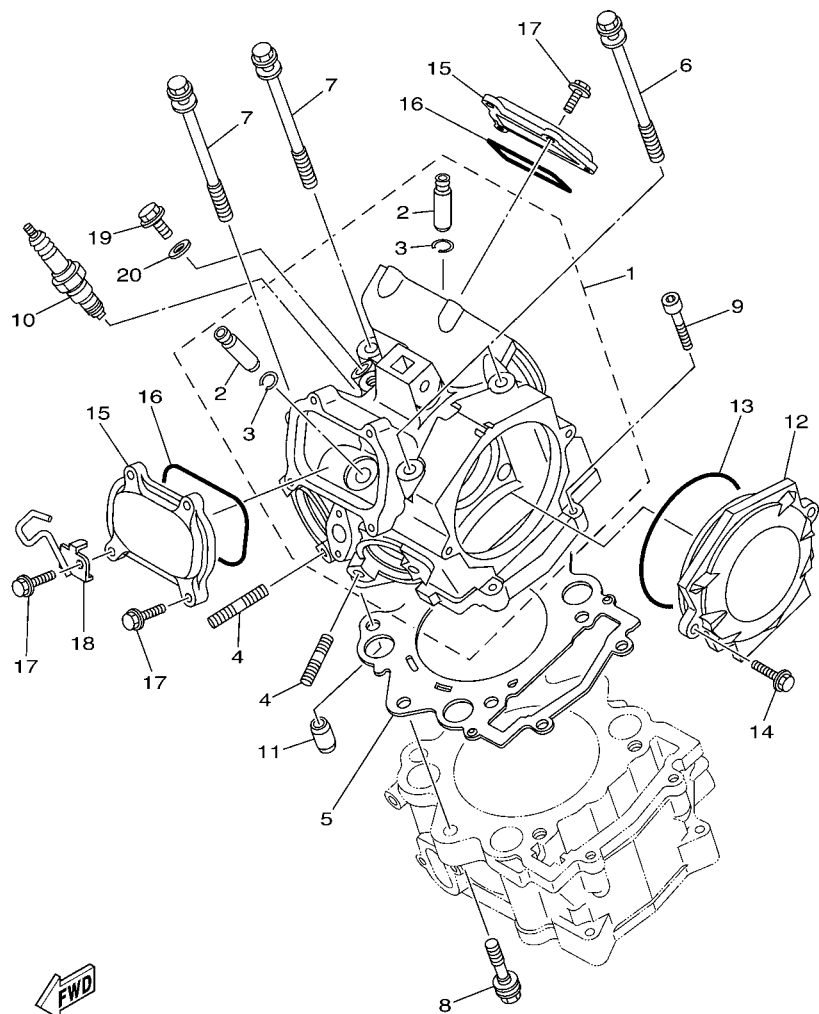
TAILLIGHT	E15
TAILLIGHT 2	F2
HANDLE SWITCH & LEVER	F3
ELECTRICAL 1	F4
ELECTRICAL 2	F7
EMBLEM & LABEL 1	F8
EMBLEM & LABEL 2	F9
EMBLEM & LABEL 3	F10
EMBLEM & LABEL 4	F11

ALTERNATE PARTS

ALTERNATE FOR METER	F12
---------------------------	-----

INDEX

NUMERICAL INDEX	M1
-----------------------	----



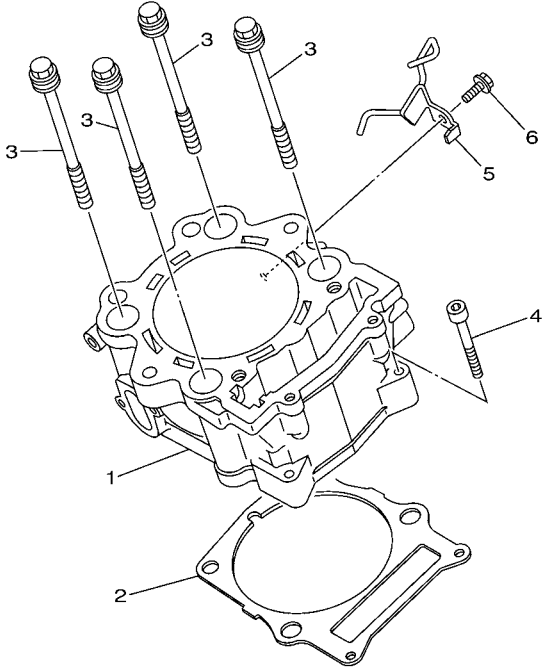
1S31100-E010

FIG. 1 CYLINDER HEAD

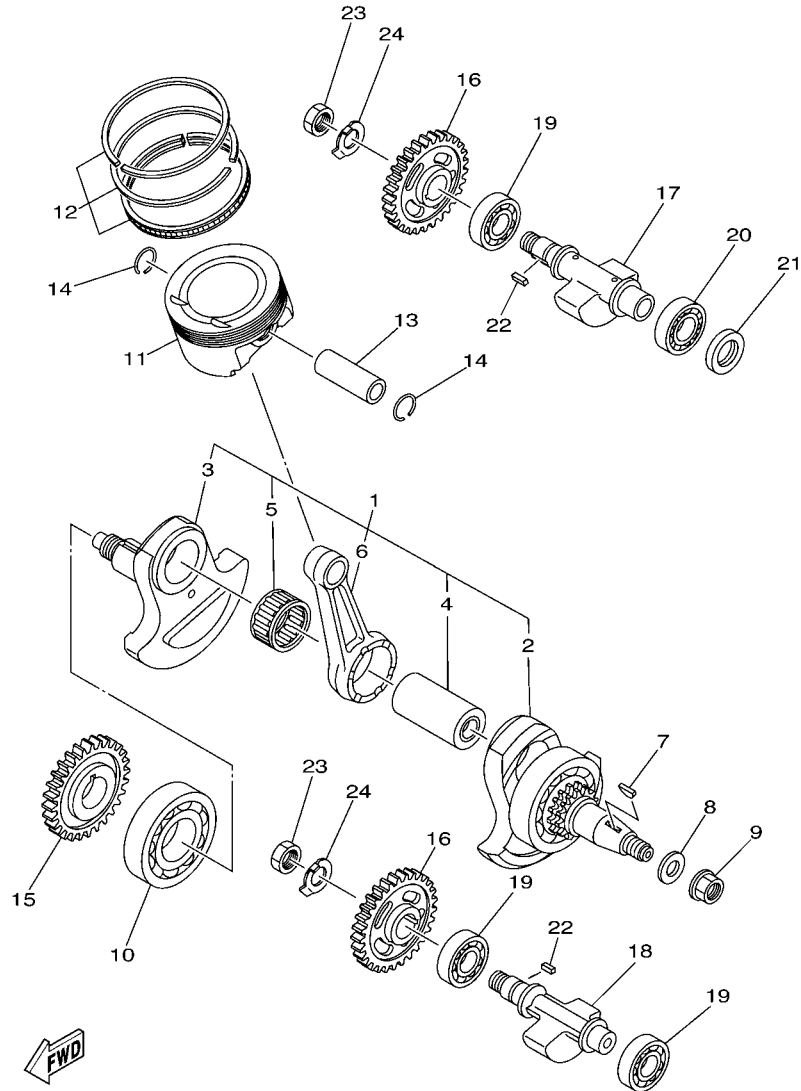
REF. NO.	PART NO.	DESCRIPTION	USA	CAN	EUR	OCE	REMARKS
1	1S3-11101-00	CYLINDER HEAD ASSY	1	1	1	1	
2	4G0-11133-11	.GUIDE, VALVE 1	4	4	4	4	
3	93440-10085	.CIRCLIP	4	4	4	4	
4	95612-08625	BOLT, STUD	4	4	4	4	
5	3B4-11181-00	GASKET, CYLINDER HEAD 1	1	1	1	1	
6	90109-09003	BOLT	2	2	2	2	
7	90109-09002	BOLT	2	2	2	2	
8	90109-09005	BOLT	2	2	2	2	
9	91312-06030	BOLT	2	2	2	2	
10	94701-00330	PLUG, SPARK (NGK CR8E)	1	1	1	1	
11	93612-16254	PIN, DOWEL	2	2	2	2	
12	1S3-11185-00	COVER, CYLINDER HEAD SIDE 1	1	1	1	1	
13	93210-96601	O-RING	1	1	1	1	
14	95022-06020	BOLT, FLANGE	2	2	2	2	
15	1S3-11186-00	COVER, CYLINDER HEAD SIDE 2	2	2	2	2	
16	93210-78544	O-RING	2	2	2	2	
17	95022-06020	BOLT, FLANGE	8	8	8	8	
18	1S3-1131E-00	HOLDER 1	1	1	1	1	
19	90401-08004	BOLT, UNION	1	1	1	1	
20	90430-08119	GASKET	1	1	1	1	

FIG. 2 CYLINDER

REF. NO.	PART NO.	DESCRIPTION	USA	CAN	EUR	OCE	REMARKS
1	1S3-11310-00	CYLINDER	1	1	1	1	
2	1S3-11351-00	GASKET, CYLINDER	1	1	1	1	
3	90119-10023	BOLT, WITH WASHER	4	4	4	4	
4	91312-06040	BOLT	2	2	2	2	
5	1S3-11395-00	HOLDER	1	1	1	1	
6	95822-06012	BOLT, FLANGE	1	1	1	1	




1S31100-E020



1S31100-E030

FIG. 3 CRANKSHAFT & PISTON

REF. NO.	PART NO.	DESCRIPTION	USA	CAN	EUR	OCE	REMARKS
1	1S3-11400-00	CRANKSHAFT ASSY	1	1	1	1	
2	1S3-11401-09	.CRANK SUB ASSY 1	1	1	1	1	
3	1S3-11422-00	.CRANK 2	1	1	1	1	
4	1S3-11681-00	.PIN, CRANK 1	1	1	1	1	
5	93310-84017	.BEARING	1	1	1	1	
6	1S3-11651-00	.ROD, CONNECTING	1	1	1	1	
7	90280-05001	KEY, WOODRUFF	1	1	1	1	
8	90201-16013	WASHER, PLATE	1	1	1	1	
9	90179-16004	NUT	1	1	1	1	
10	93306-30810	BEARING	1	1	1	1	
11	1S3-11631-10	PISTON (STD)	1	1	1	1	
12	1S3-11603-10	PISTON RING SET (STD)	1	1	1	1	
13	5VK-11633-00	PIN, PISTON	1	1	1	1	
14	93450-24154	CIRCLIP	2	2	2	2	
15	1S3-11536-00	GEAR, DRIVE	1	1	1	1	
16	1S3-11531-00	GEAR, BALANCE WEIGHT	2	2	2	2	
17	1S3-11454-00	WEIGHT 1	1	1	1	1	
18	1S3-11464-00	WEIGHT 2	1	1	1	1	
19	93306-20481	BEARING	3	3	3	3	
20	93306-00502	BEARING	1	1	1	1	
21	93101-25106	OIL SEAL	1	1	1	1	
22	90282-05005	KEY, STRAIGHT	2	2	2	2	
23	90170-16326	NUT	2	2	2	2	
24	90215-16221	WASHER, LOCK	2	2	2	2	

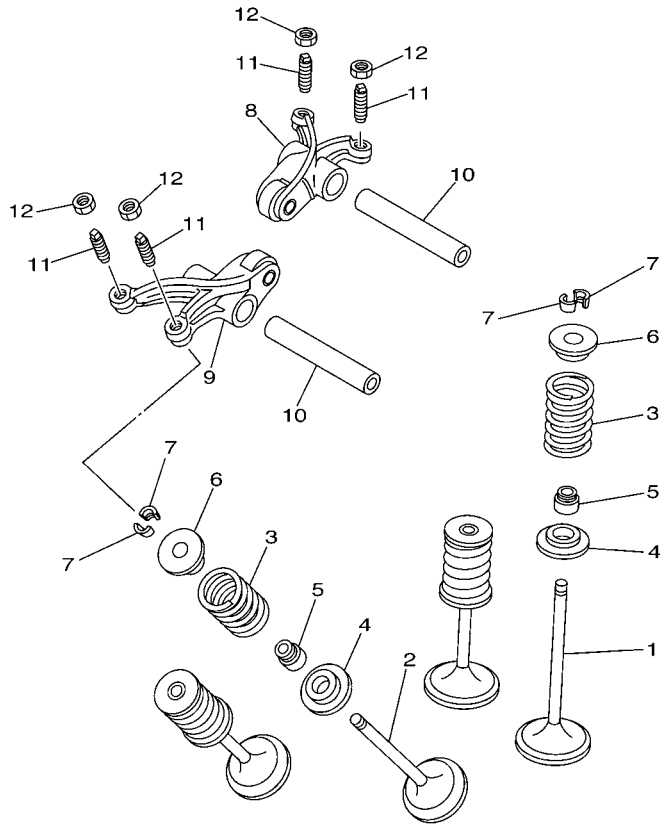
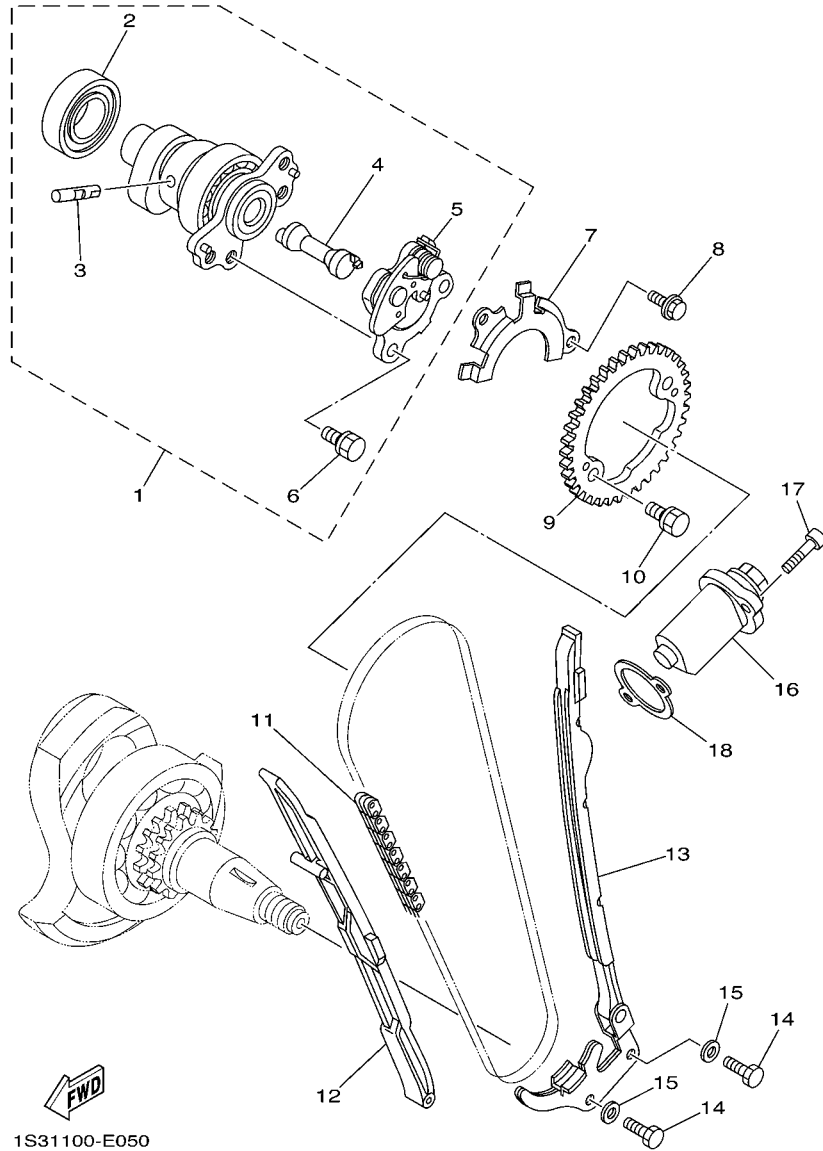


FIG. 4 VALVE

REF. NO.	PART NO.	DESCRIPTION	USA	CAN	EUR	OCE	REMARKS
1	5VK-12111-00	VALVE, INTAKE	2	2	2	2	
2	5VK-12121-00	VALVE, EXHAUST	2	2	2	2	
3	1S3-12113-00	SPRING, VALVE INNER	4	4	4	4	
4	3YF-12116-00	SEAT, VALVE SPRING	4	4	4	4	
5	5H0-12119-00	SEAL, VALVE STEM	4	4	4	4	
6	3YF-12117-01	RETAINER, VALVE SPRING	4	4	4	4	
7	4G0-12118-00	COTTER, VALVE	8	8	8	8	
8	5VK-12151-00	ARM, VALVE ROCKER	1	1	1	1	
9	5VK-12161-00	ARM, VALVE ROCKER 2	1	1	1	1	
10	5VK-12146-00	SHAFT, ROCKER	2	2	2	2	
11	5XT-12159-00	SCREW, VALVE ADJUSTING	4	4	4	4	
12	90170-06128	NUT	4	4	4	4	

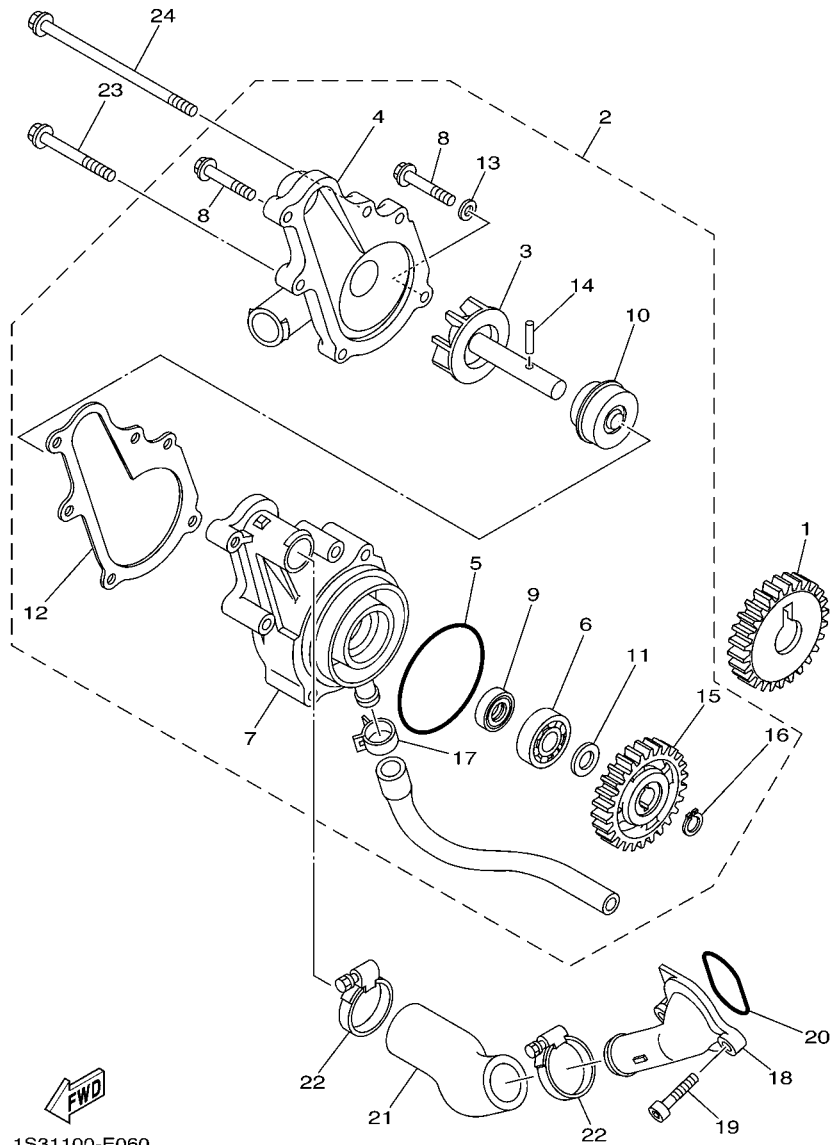

1S31100-E040



1S31100-E050

FIG. 5 CAMSHAFT & CHAIN

REF. NO.	PART NO.	DESCRIPTION	USA	CAN	EUR	OCE	REMARKS
1	1S3-12170-01	CAMSHAFT ASSY 1	1	1	1	1	
2	93306-07209	.BEARING	1	1	1	1	
3	5VK-12284-00	.PIN, DECOMPRESSION LEVER	1	1	1	1	
4	1S3-12290-00	.LEVER, DECOMPRESSION SPRING	1	1	1	1	
5	1S3-12280-01	.DECOMPRESSION ASSY	1	1	1	1	
6	90105-07004	.BOLT, FLANGE	2	2	2	2	
7	5VK-1111F-00	PLATE	1	1	1	1	
8	90105-06078	BOLT, FLANGE	2	2	2	2	
9	1S3-12176-00	SPROCKET, CAM CHAIN	1	1	1	1	
10	90105-07004	BOLT, FLANGE	2	2	2	2	
11	94591-57126	CHAIN (98XRH2010-126M)	1	1	1	1	
12	5VK-12231-00	GUIDE, STOPPER 1	1	1	1	1	
13	1S3-12241-00	GUIDE, STOPPER 2	1	1	1	1	
14	97022-06016	BOLT	2	2	2	2	
15	92902-06600	WASHER, PLATE	2	2	2	2	
16	3TB-12210-00	TENSIONER ASSY, CAM CHAIN	1	1	1	1	
17	91312-06025	BOLT	2	2	2	2	
18	4DW-12213-00	GASKET, TENSIONER CASE	1	1	1	1	

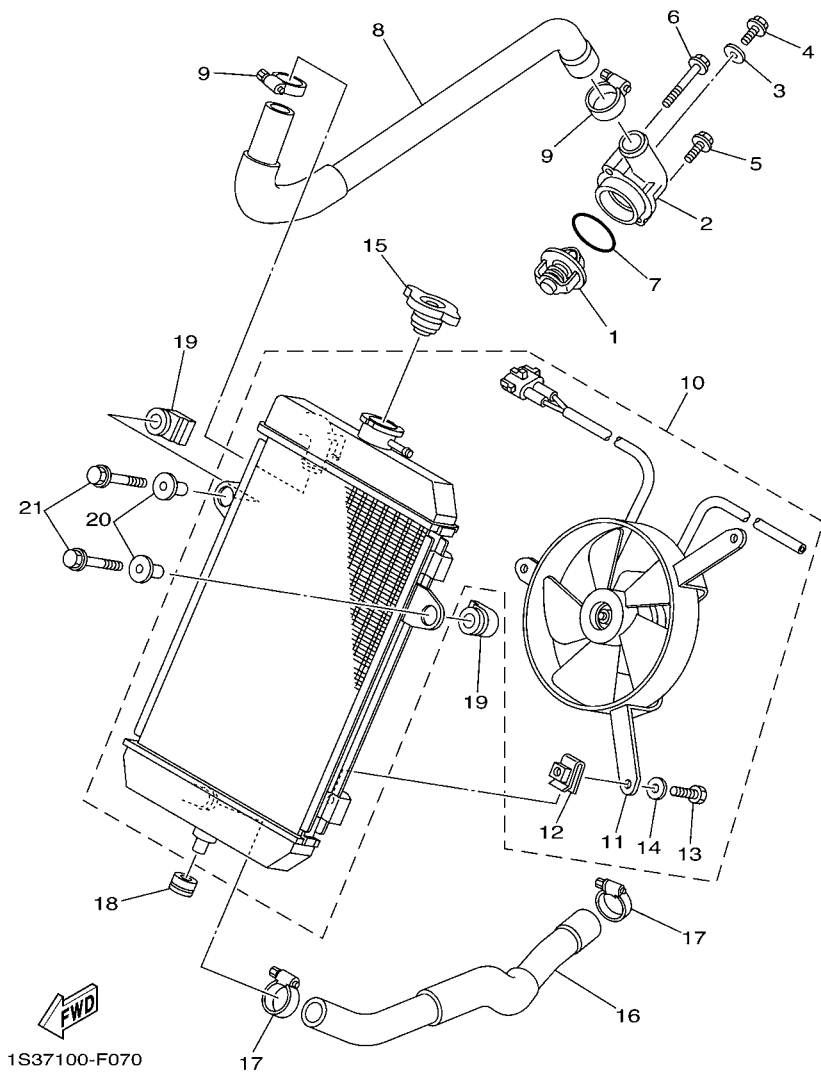


1S31100-E060

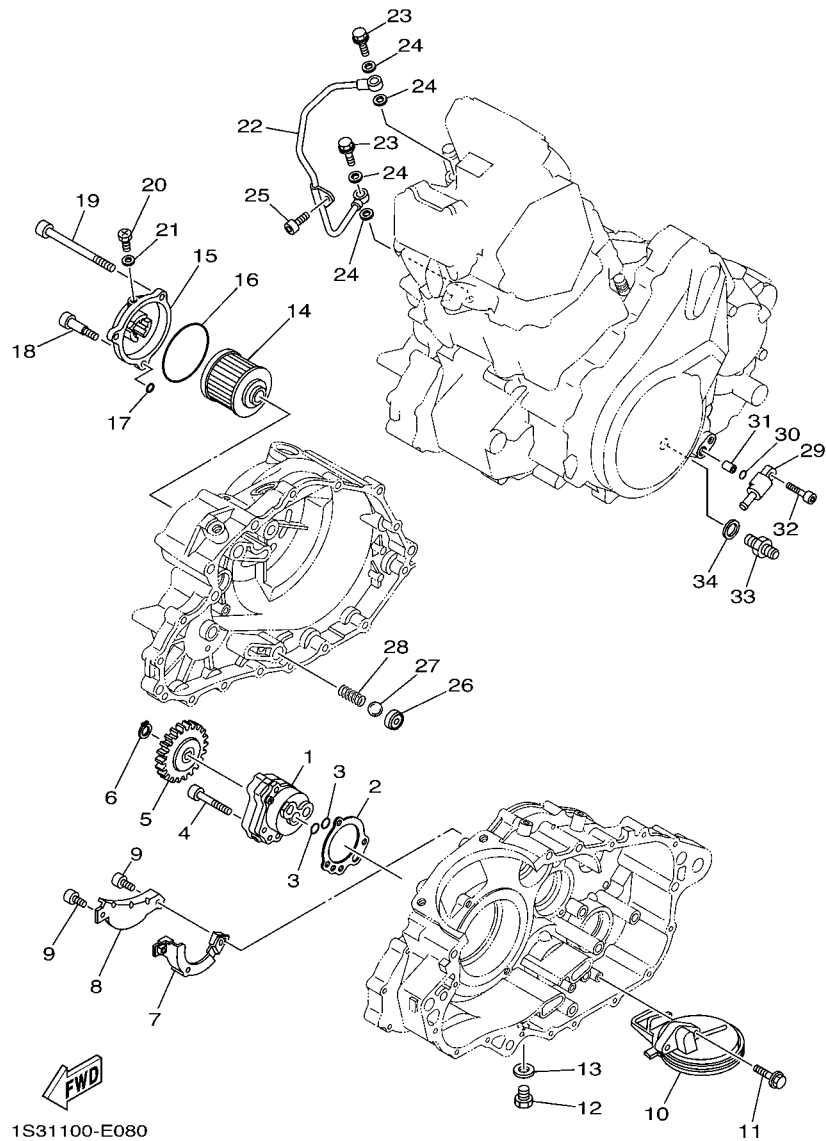
FIG. 6 WATER PUMP

REF. NO.	PART NO.	DESCRIPTION	USA	CAN	EUR	OCE	REMARKS
1	1S3-12436-00	GEAR, DRIVE	1	1	1	1	
2	1S3-12420-00	WATER PUMP ASSY	1	1	1	1	
3	1S3-12450-00	.IMPELLER SHAFT ASSY	1	1	1	1	
4	1S3-12422-00	.COVER, HOUSING	1	1	1	1	
5	93210-61750	.O-RING	1	1	1	1	
6	93306-00106	.BEARING	1	1	1	1	
7	1S3-12421-00	.HOUSING, WATER PUMP	1	1	1	1	
8	95022-06025	.BOLT, FLANGE	3	3	3	3	
9	93101-12173	.OIL SEAL	1	1	1	1	
10	11H-12438-10	.SEAL, MECHANICAL	1	1	1	1	
11	90201-12541	.WASHER, PLATE	1	1	1	1	
12	1S3-12428-00	.GASKET, HOUSING COVER 2	1	1	1	1	
13	90430-06014	.GASKET	1	1	1	1	
14	93603-16219	.PIN, DOWEL	1	1	1	1	
15	5VK-12459-00	.GEAR, IMPELLER SHAFT	1	1	1	1	
16	99009-12400	.CIRCLIP	1	1	1	1	
17	90467-13062	.CLIP	1	1	1	1	
18	1S3-12469-00	JOINT 1	1	1	1	1	
19	91312-06020	BOLT	2	2	2	2	
20	93210-33786	O-RING	1	1	1	1	
21	1S3-12577-00	HOSE 2	1	1	1	1	
22	90450-32015	HOSE CLAMP ASSY	2	2	2	2	
23	95022-06050	BOLT, FLANGE	2	2	2	2	
24	95022-06110	BOLT, FLANGE	1	1	1	1	

FIG. 7 RADIATOR & HOSE



REF. NO.	PART NO.	DESCRIPTION	USA	CAN	EUR	OCE	REMARKS
1	5VK-12410-00	THERMOSTAT ASSY	1	1	1	1	
2	1S3-12413-00	COVER, THERMOSTAT	1	1	1	1	
3	90430-06014	GASKET	1	1	1	1	
4	95022-06010	BOLT, FLANGE	1	1	1	1	
5	95022-06020	BOLT, FLANGE	1	1	1	1	
6	95022-06045	BOLT, FLANGE	1	1	1	1	
7	93210-41042	O-RING	1	1	1	1	
8	1S3-12578-00	HOSE 3	1	1	1	1	
9	90450-32015	HOSE CLAMP ASSY	2	2	2	2	
10	1S3-1240A-00	RADIATOR ASSY	1	1	1	1	
11	1S3-12405-00	.BLOWER ASSY	1	1	1	1	
12	1AA-12535-00	.PLATE	3	3	3	3	
13	97017-06010	.BOLT	3	3	3	3	
14	92907-06600	.WASHER, PLATE	3	3	3	3	
15	22W-12462-00	CAP, RADIATOR	1	1	1	1	
16	1S3-12579-00	HOSE 4	1	1	1	1	
17	90450-32015	HOSE CLAMP ASSY	2	2	2	2	
18	90480-18330	GROMMET	1	1	1	1	
19	1S3-12465-00	DAMPER, RADIATOR	2	2	2	2	
20	90387-06166	COLLAR	2	2	2	2	
21	95802-06030	BOLT, FLANGE	2	2	2	2	



1S31100-E080

FIG. 8 OIL PUMP

REF. NO.	PART NO.	DESCRIPTION	USA	CAN	EUR	OCE	REMARKS
1	5LP-13300-00	OIL PUMP ASSY	1	1	1	1	
2	5LP-13329-00	GASKET, PUMP COVER	1	1	1	1	
3	93210-13361	O-RING	2	2	2	2	
4	91312-06035	BOLT	3	3	3	3	
5	3AJ-13325-00	GEAR, PUMP DRIVEN	1	1	1	1	
6	99009-11400	CIRCLIP	1	1	1	1	
7	1S3-13356-00	COVER, PUMP 2	1	1	1	1	
8	1S3-13327-00	COVER, PUMP GEAR	1	1	1	1	
9	90110-05030	BOLT, HEXAGON SOCKET HEAD	2	2	2	2	
10	1S3-13410-00	STRAINER HOUSING ASSY	1	1	1	1	
11	90105-06082	BOLT, FLANGE	2	2	2	2	
12	90340-14029	PLUG, STRAIGHT SCREW	1	1	1	1	
13	214-11198-01	GASKET	1	1	1	1	
14	4X7-13440-01	ELEMENT ASSY, OIL CLEANER	1	1	1	1	
15	1S3-13447-00	COVER, OIL ELEMENT	1	1	1	1	
16	93210-64297	O-RING	1	1	1	1	
17	93210-07135	O-RING	1	1	1	1	
18	90109-06169	BOLT	1	1	1	1	
19	91312-06095	BOLT	2	2	2	2	
20	90149-05018	SCREW	1	1	1	1	
21	90430-05126	GASKET	1	1	1	1	
22	1S3-13171-00	PIPE, DELIVERY 2	1	1	1	1	
23	90401-10024	BOLT, UNION	2	2	2	2	
24	90430-10188	GASKET	4	4	4	4	
25	91312-06012	BOLT	1	1	1	1	
26	583-13113-00	SEAT, CHECK BALL	1	1	1	1	
27	93503-08007	BALL	1	1	1	1	

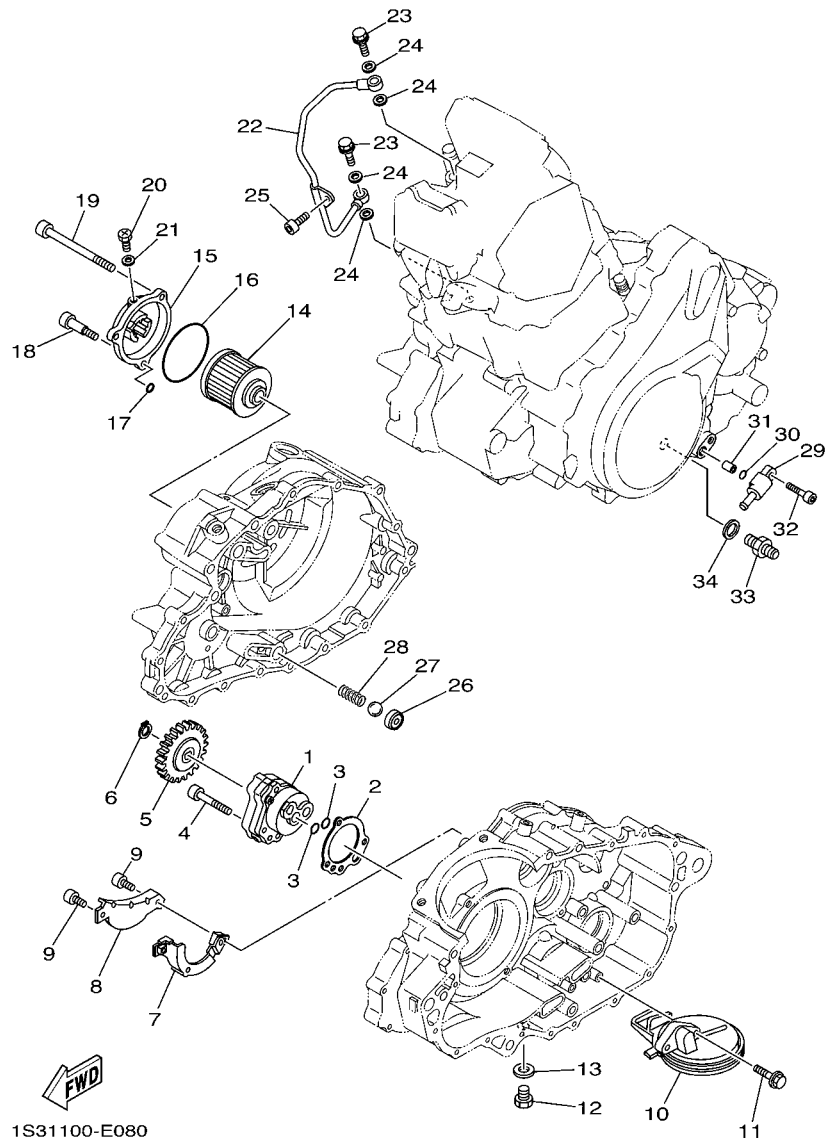
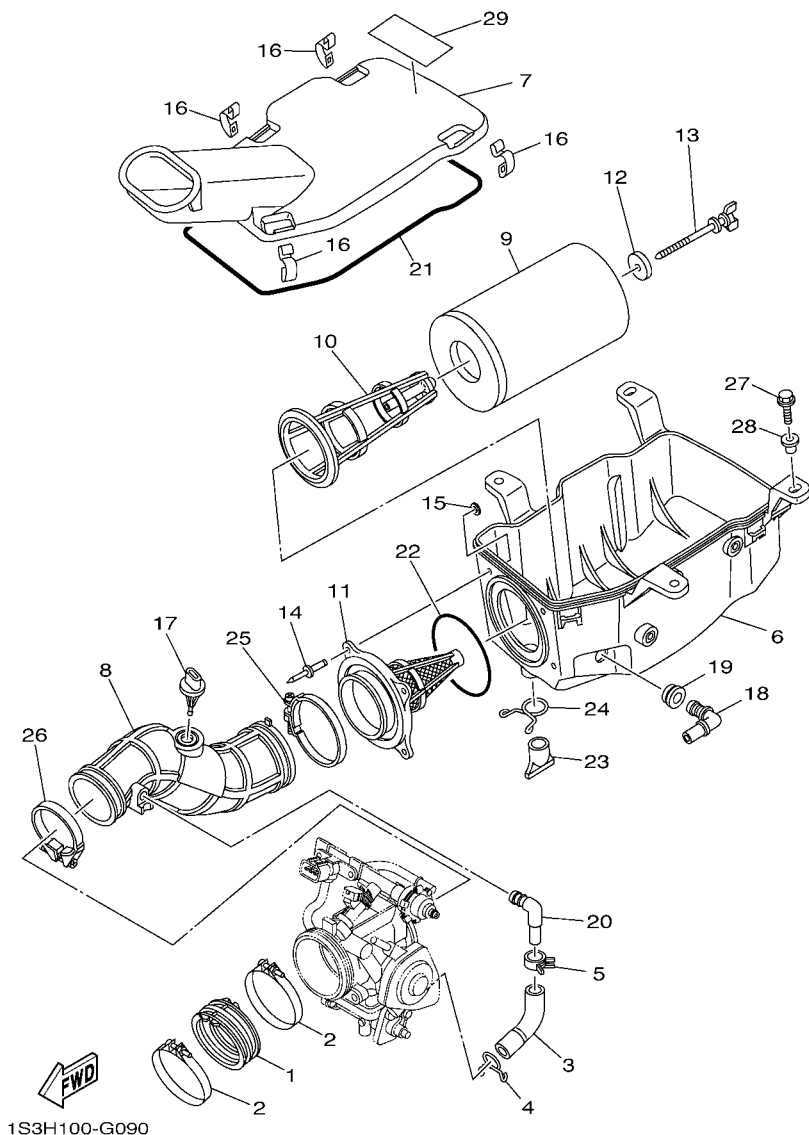


FIG. 8 OIL PUMP

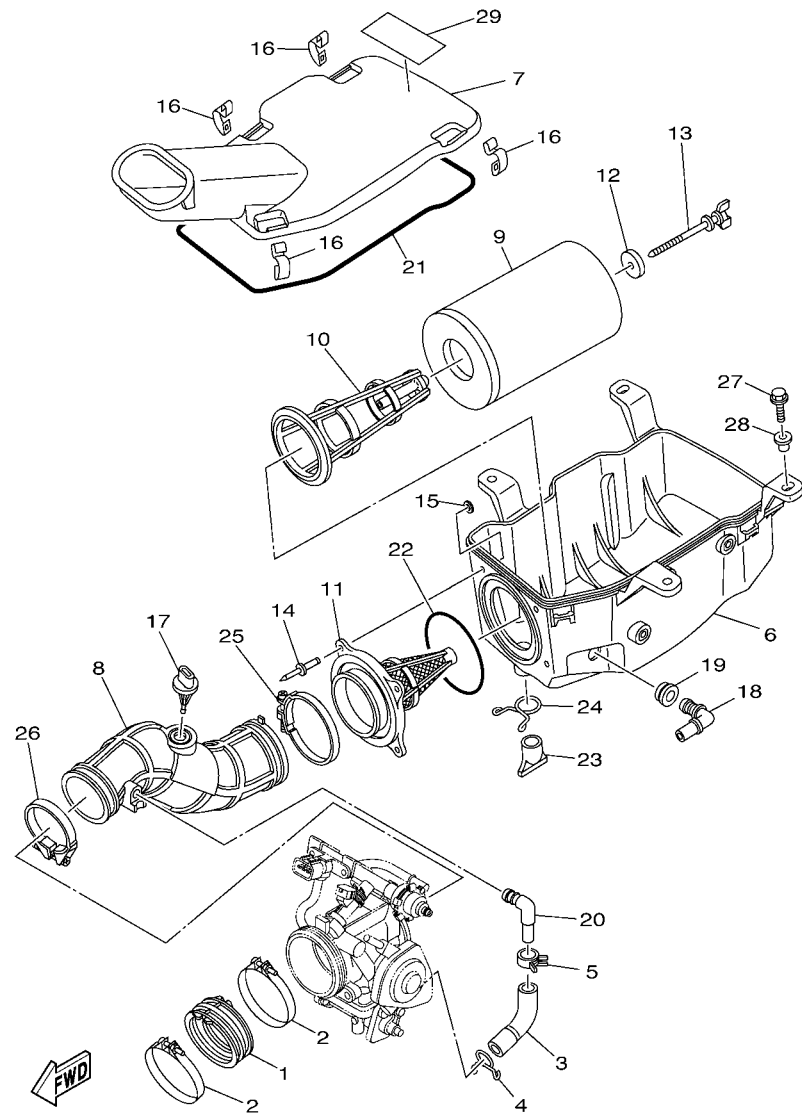
REF. NO.	PART NO.	DESCRIPTION	USA	CAN	EUR	OCE	REMARKS
28	90501-043E0	SPRING, COMPRESSION	1	1	1	1	
29	1S3-13416-00	PIPE, OIL 1	1	1	1	1	
30	93210-10197	O-RING	1	1	1	1	
31	99530-10114	PIN, DOWEL	1	1	1	1	
32	95022-06025	BOLT, FLANGE	1	1	1	1	
33	1S3-13132-00	JOINT	1	1	1	1	
34	90430-14043	GASKET	1	1	1	1	



1S3H100-G090

FIG. 9 INTAKE

REF. NO.	PART NO.	DESCRIPTION	USA	CAN	EUR	OCE	REMARKS
1	5VK-13586-00	JOINT, CARBURETOR 1	1	1	1	1	
2	90450-72003	HOSE CLAMP ASSY	2	2	2	2	
3	1S3-13545-00	HOSE 1	1	1	1	1	
4	90467-160A4	CLIP	1	1	1	1	
5	90467-15012	CLIP	1	1	1	1	
6	1S3-14411-00	CASE, AIR CLEANER 1	1	1	1	1	
7	1S3-14412-01	CAP, CLEANER CASE 1	1	1	1	1	
8	1S3-14453-00	JOINT, AIR CLEANER 1	1	1	1	1	
9	1S3-14451-00	ELEMENT, AIR CLEANER	1	1	1	1	
10	1S3-14458-00	GUIDE	1	1	1	1	
11	1S3-14459-01	HOLDER, GUIDE	1	1	1	1	
12	90209-06014	WASHER	1	1	1	1	
13	90122-06010	BOLT, WING	1	1	1	1	
14	90267-48138	RIVET, BLIND	4	4	4	4	
15	90201-04028	WASHER, PLATE	4	4	4	4	
16	5GH-14436-00	HOOK	4	4	4	4	
17	5VU-85886-00	SENSOR, AIR TEMPRATURE	1	1	1	1	
18	5KM-14419-00	PIPE	1	1	1	1	
19	31A-14435-00	GROMMET	1	1	1	1	
20	31A-14419-00	PIPE	1	1	1	1	
21	10M-14457-00	SEAL	1	1	1	1	
22	1S3-14457-00	SEAL	1	1	1	1	
23	59V-14457-00	SEAL	1	1	1	1	
24	90467-220A1	CLIP	1	1	1	1	
25	90460-75020	CLAMP, HOSE	1	1	1	1	
26	90450-59006	HOSE CLAMP ASSY	1	1	1	1	
27	90105-06084	BOLT, FLANGE	4	4	4	4	



1S3H100-G090

FIG. 9 INTAKE

REF. NO.	PART NO.	DESCRIPTION	USA	CAN	EUR	OCE	REMARKS
28	90387-08073	COLLAR	4	4	4	4	
29	1S3-2177C-20	PLATE, EPA OFFROAD ATV 1	1				

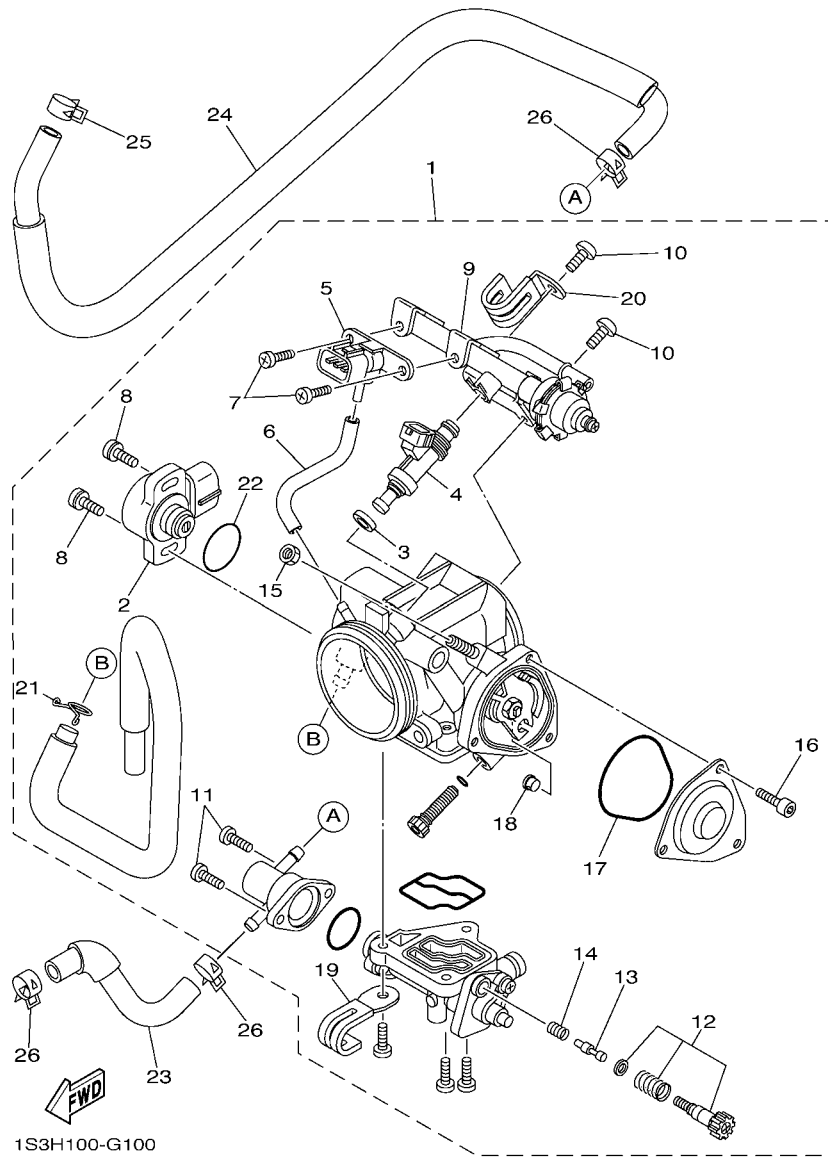
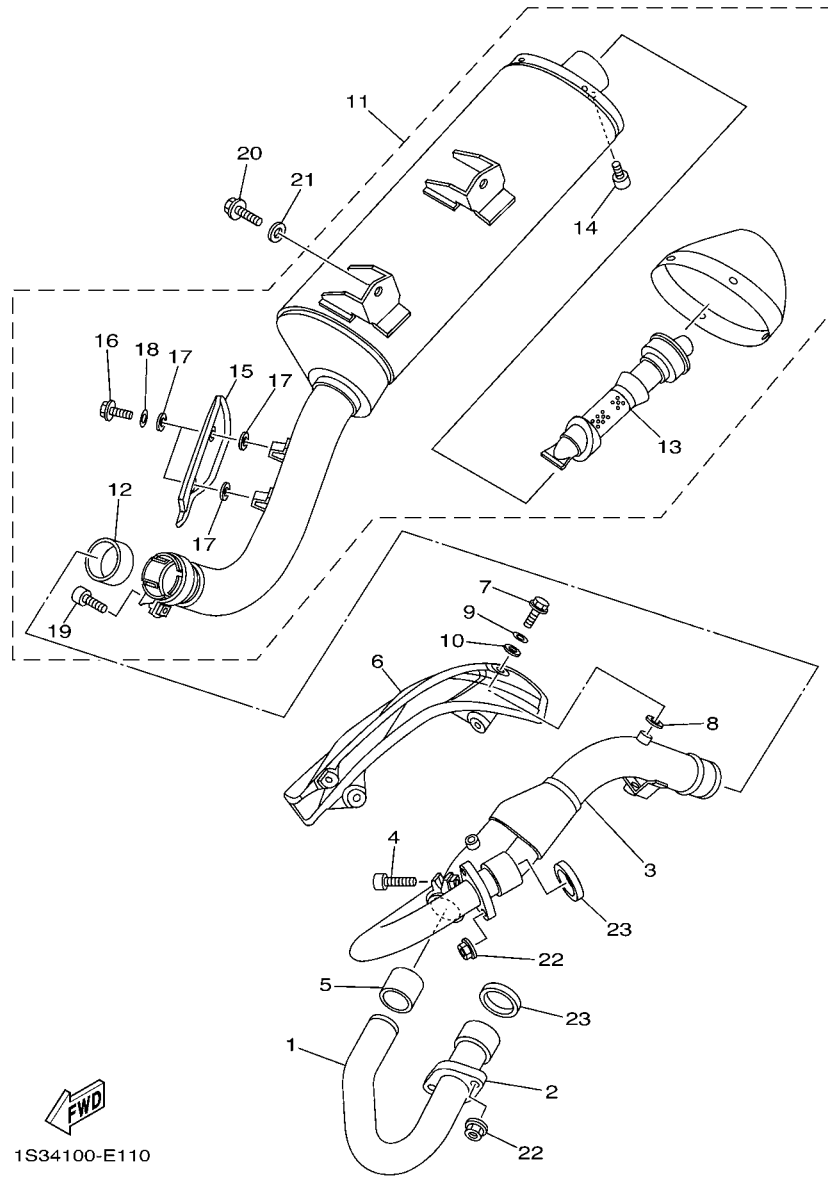


FIG. 10 THROTTLE BODY ASSY 1

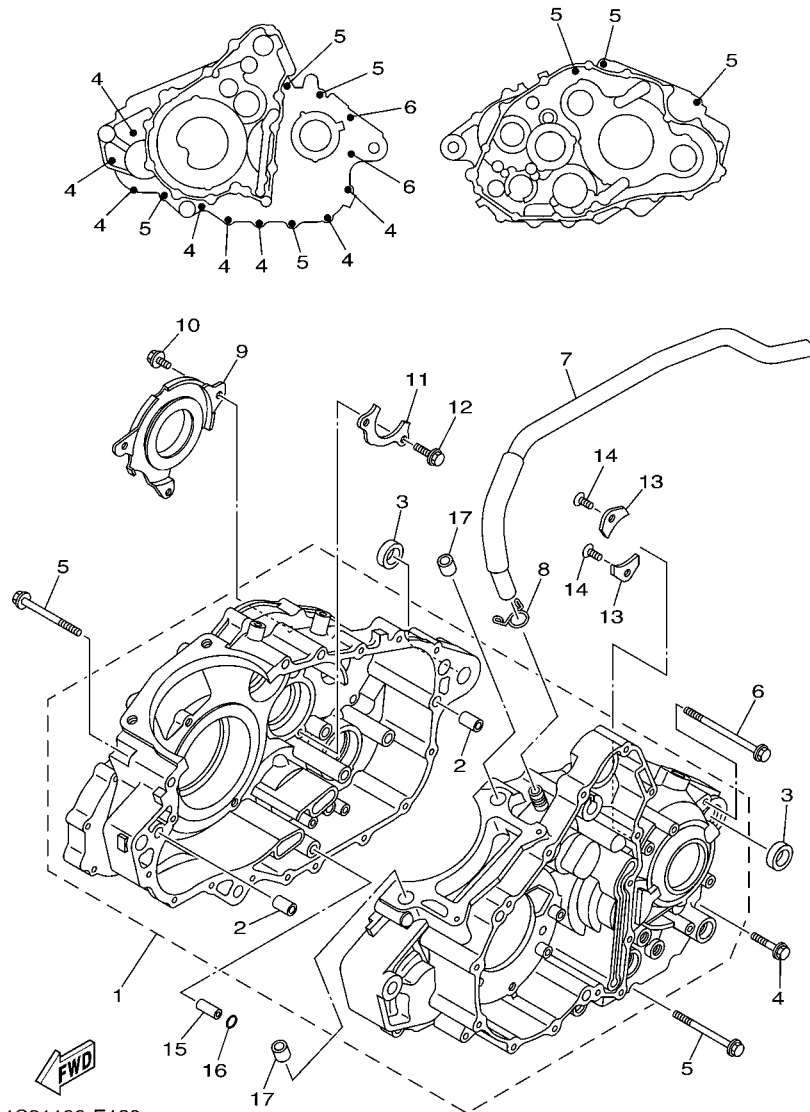
REF. NO.	PART NO.	DESCRIPTION	USA	CAN	EUR	OCE	REMARKS
1	1S3-13750-10	THROTTLE BODY ASSY	1	1	1	1	
2	8GL-85885-00	.THROTTLE SENSOR ASSY	1	1	1	1	
3	8FP-13556-00	.GASKET, MANIFOLD	1	1	1	1	
4	5VK-13761-00	.INJECTOR	1	1	1	1	
5	1C7-82380-00	.SENSOR, PRESSURE	1	1	1	1	
6	5JW-14348-00	.PIPE 1	1	1	1	1	
7	98507-06010	.SCREW, PAN HEAD	2	2	2	2	
8	8CC-14216-10	.SCREW	2	2	2	2	
9	1S3-13160-00	.DELIVERY PIPE ASSY 1	1	1	1	1	
10	98507-06012	.SCREW, PAN HEAD	2	2	2	2	
11	98507-05012	.SCREW, PAN HEAD	2	2	2	2	
12	5VX-14503-00	.ADJUST SCREW SET	1	1	1	1	
13	1S3-13493-00	.PLUNGER	1	1	1	1	
14	4BH-14134-00	.SPRING, AIR ADJUSTING	1	1	1	1	
15	1S3-14161-00	.NUT, CABLE ADJUSTING	1	1	1	1	
16	91312-04006	.BOLT	3	3	3	3	
17	4WV-14147-10	.O-RING	1	1	1	1	
18	1UY-14155-00	.GUIDE, CABLE	1	1	1	1	
19	3JC-14146-00	.PLATE	1	1	1	1	
20	5JW-14945-00	.PLATE	1	1	1	1	
21	90467-09006	.CLIP	1	1	1	1	
22	5YP-14562-00	.O-RING	1	1	1	1	
23	1S3-1243A-00	HOSE 1	1	1	1	1	
24	1S3-1243E-00	HOSE 2	1	1	1	1	
25	90467-11090	CLIP	1	1	1	1	
26	90467-11090	CLIP	3	3	3	3	



1S34100-E110

FIG. 11 EXHAUST

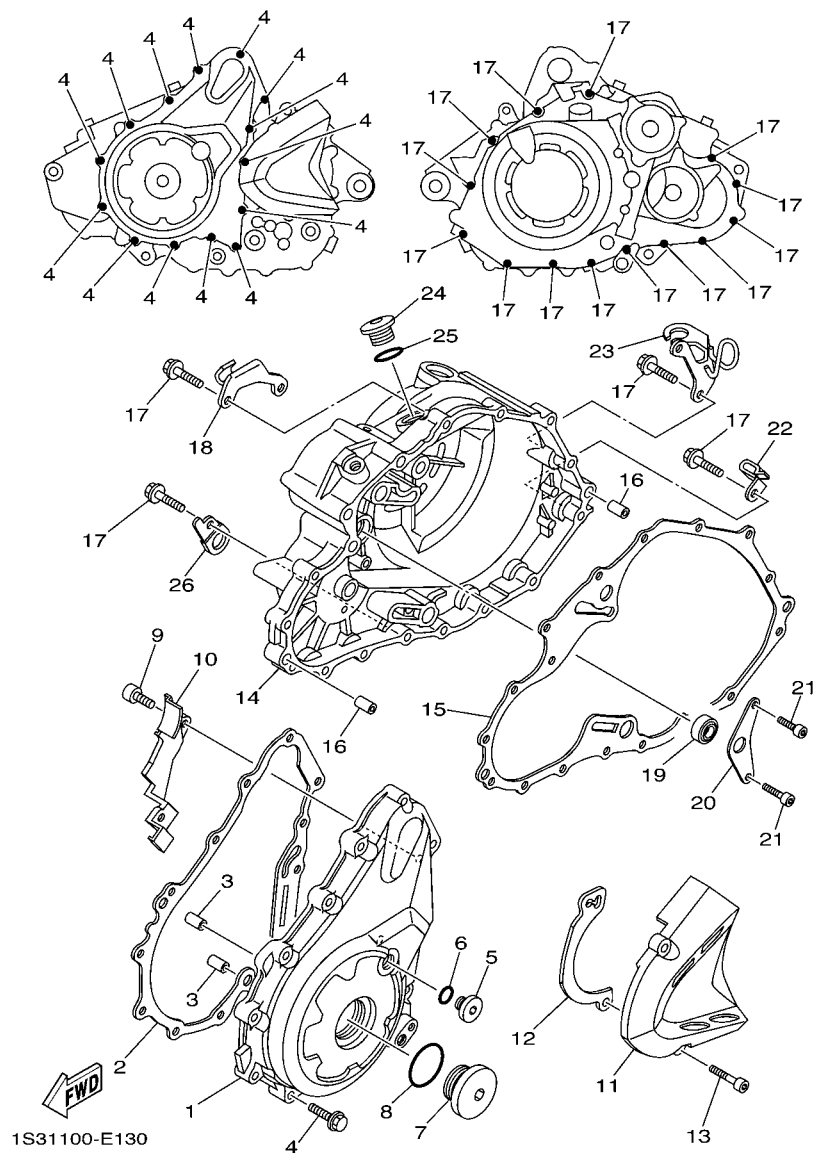
REF. NO.	PART NO.	DESCRIPTION	USA	CAN	EUR	OCE	REMARKS
1	1S3-14611-00	PIPE, EXHAUST 1	1	1	1	1	
2	1S3-14612-00	NUT, RING	1	1	1	1	
3	1S3-14621-01	PIPE, EXHAUST 2	1	1	1	1	
4	91314-08035	BOLT	1	1	1	1	
5	3YF-14714-00	GASKET, MUFFLER	1	1	1	1	
6	1S3-14628-00	PROTECTOR, EXHAUST PIPE	1	1	1	1	
7	95022-06012	BOLT, FLANGE	4	4	4	4	
8	90201-05015	WASHER, PLATE	4	4	4	4	
9	90201-06035	WASHER, PLATE	4	4	4	4	
10	90201-05019	WASHER, PLATE	4	4	4	4	
11	1S3-14710-10	MUFFLER ASSY 1	1	1	1	1	
12	5LP-14714-00	.GASKET, MUFFLER	1	1	1	1	
13	1S3-14752-00	.PIPE, OUTLET	1	1	1	1	
14	91312-06010	.BOLT	1	1	1	1	
15	1S3-14728-00	.PROTECTOR, MUFFLER 2	1	1	1	1	
16	98902-06010	.SCREW, BIND	2	2	2	2	
17	90201-05015	.WASHER, PLATE	4	4	4	4	
18	92902-06200	.WASHER	2	2	2	2	
19	91314-08035	.BOLT	1	1	1	1	
20	90105-08142	BOLT, FLANGE	2	2	2	2	
21	90201-08048	WASHER, PLATE	2	2	2	2	
22	95702-08500	NUT, WITH WASHER	4	4	4	4	
23	3YF-14613-01	GASKET, EXHAUST PIPE	2	2	2	2	



1S31100-E120

FIG. 12 CRANKCASE

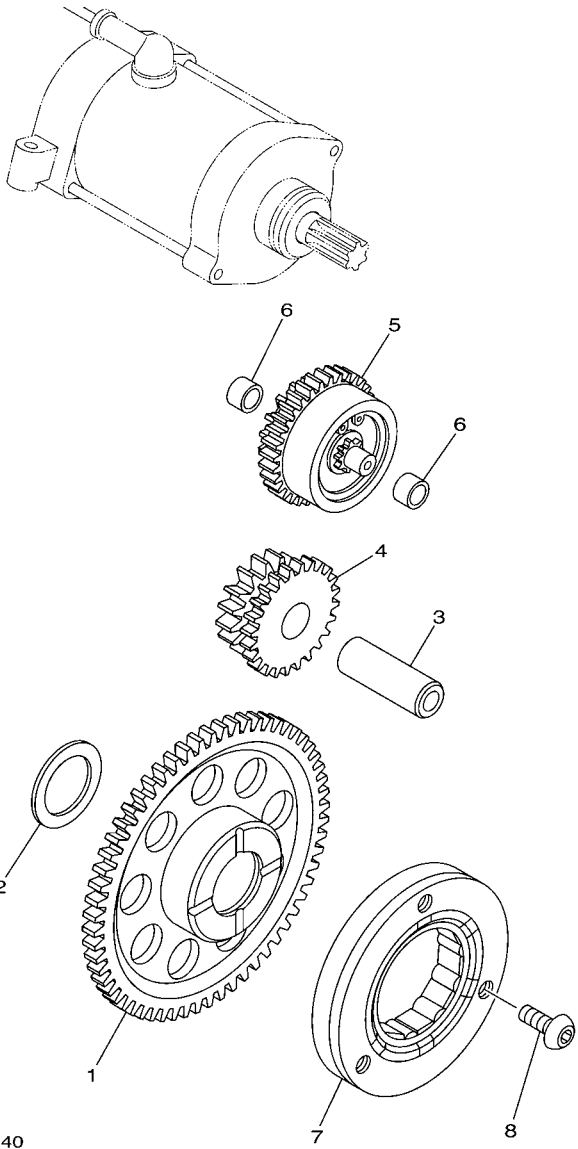
REF. NO.	PART NO.	DESCRIPTION	USA	CAN	EUR	OCE	REMARKS
1	1S3-15100-01	CRANKCASE ASSY	1	1	1	1	
2	99530-10114	.PIN, DOWEL	2	2	2	2	
3	90387-17009	COLLAR	2	2	2	2	
4	95022-06030	BOLT, FLANGE	8	8	8	8	
5	95022-06070	BOLT, FLANGE	7	7	7	7	
6	95022-06090	BOLT, FLANGE	2	2	2	2	
7	1S3-11166-00	PIPE, BREATHER 1	1	1	1	1	
8	90467-140A4	CLIP	1	1	1	1	
9	1S3-11165-00	PLATE, BREATHER	1	1	1	1	
10	90105-06081	BOLT, FLANGE	3	3	3	3	
11	1S3-15383-00	PLATE, BEARING COVER	1	1	1	1	
12	90105-06082	BOLT, FLANGE	2	2	2	2	
13	4JT-15381-01	PLATE, BEARING COVER	2	2	2	2	
14	90149-06074	SCREW	2	2	2	2	
15	99530-08016	PIN, DOWEL	1	1	1	1	
16	93210-07135	O-RING	1	1	1	1	
17	99530-14016	PIN, DOWEL	2	2	2	2	



1S31100-E130

FIG. 13 CRANKCASE COVER 1

REF. NO.	PART NO.	DESCRIPTION	USA	CAN	EUR	OCE	REMARKS
1	1S3-15411-00	COVER, CRANKCASE 1	1	1	1	1	
2	1S3-15451-00	GASKET, CRANKCASE COVER 1	1	1	1	1	
3	99530-10114	PIN, DOWEL	2	2	2	2	
4	95022-06030	BOLT, FLANGE	14	14	14	14	
5	90340-14003	PLUG, STRAIGHT SCREW	1	1	1	1	
6	93210-14369	O-RING	1	1	1	1	
7	90340-36001	PLUG, STRAIGHT SCREW	1	1	1	1	
8	93210-357A3	O-RING	1	1	1	1	
9	90110-05031	BOLT, HEXAGON SOCKET HEAD	1	1	1	1	
10	1S3-15113-00	PLATE	1	1	1	1	
11	1S3-15421-00	COVER, CRANKCASE 2	1	1	1	1	
12	1S3-17466-00	GUIDE, CHAIN	1	1	1	1	
13	91312-06025	BOLT	2	2	2	2	
14	1S3-15431-00	COVER, CRANKCASE 3	1	1	1	1	
15	1S3-15462-00	GASKET, CRANKCASE COVER 3	1	1	1	1	
16	99530-10120	PIN, DOWEL	2	2	2	2	
17	95022-06030	BOLT, FLANGE	14	14	14	14	
18	1S3-15441-00	HOLDER, CLUTCH CABLE	1	1	1	1	
19	93101-14164	OIL SEAL	1	1	1	1	
20	1S3-15118-00	HOLDER	1	1	1	1	
21	90110-06182	BOLT, HEXAGON SOCKET HEAD	2	2	2	2	
22	90461-10011	CLAMP	1	1	1	1	
23	1S3-1546C-00	HOLDER	1	1	1	1	
24	1S3-15189-00	PLUG	1	1	1	1	
25	93210-207A0	O-RING	1	1	1	1	
26	90462-08046	CLAMP	1	1	1	1	



1S31100-E140

FIG. 14 STARTER

REF. NO.	PART NO.	DESCRIPTION	USA	CAN	EUR	OCE	REMARKS
1	1S3-15515-00	GEAR 3	1	1	1	1	
2	90201-286K9	WASHER, PLATE (T1.0)	1	1	1	1	
3	1VJ-15522-00	SHAFT 2	1	1	1	1	
4	1S3-15517-00	GEAR, IDLER 2	1	1	1	1	
5	1S3-15560-00	DAMPER ASSY	1	1	1	1	
6	90380-10002	BUSH, SOLID	2	2	2	2	
7	5VK-15590-00	STARTER ONE-WAY ASSY	1	1	1	1	
8	90149-08018	SCREW	3	3	3	3	

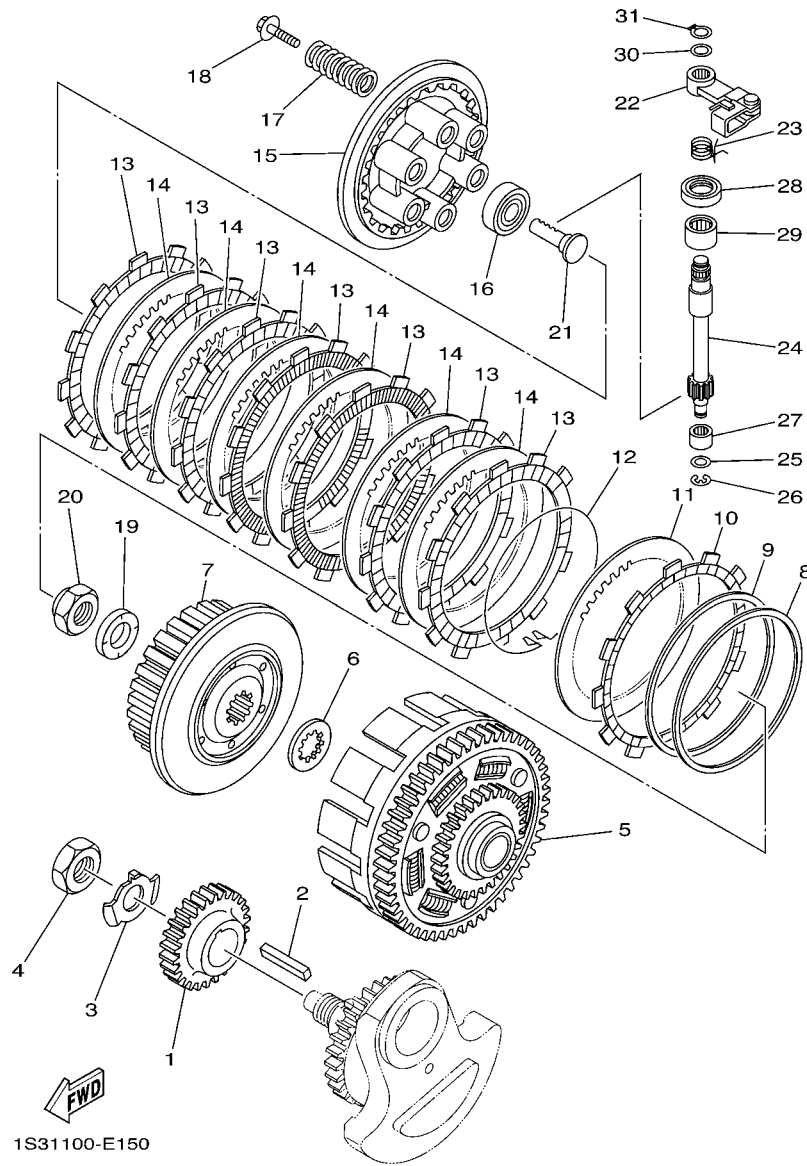


FIG. 15 CLUTCH

REF. NO.	PART NO.	DESCRIPTION	USA	CAN	EUR	OCE	REMARKS
1	1S3-16111-00	GEAR, PRIMARY DRIVE	1	1	1	1	
2	90282-07003	KEY, STRAIGHT	1	1	1	1	
3	90215-20006	WASHER, LOCK	1	1	1	1	
4	90170-20274	NUT	1	1	1	1	
5	1S3-16150-00	PRIMARY DRIVEN GEAR COMP.	1	1	1	1	
6	2JN-16154-00	PLATE, THRUST 1	1	1	1	1	
7	1S3-16371-00	BOSS, CLUTCH	1	1	1	1	
8	5JG-16384-00	PLATE, SEAT	1	1	1	1	
9	5JG-16383-00	SPRING, CLUTCH BOSS	1	1	1	1	
10	5TG-16331-00	PLATE, FRICTION 2	1	1	1	1	
11	4X7-16325-00	PLATE, CLUTCH 2	1	1	1	1	
12	4X7-16385-00	RING, CLUTCH BOSS	1	1	1	1	
13	5TA-16321-00	PLATE, FRICTION	7	7	7	7	
14	4X7-16325-00	PLATE, CLUTCH 2	6	6	6	6	
15	1S3-16351-00	PLATE, PRESSURE 1	1	1	1	1	
16	93306-00304	BEARING	1	1	1	1	
17	90501-230E4	SPRING, COMPRESSION	6	6	6	6	
18	90159-06029	SCREW, WITH WASHER	6	6	6	6	
19	90208-20001	WASHER, CONICAL SPRING	1	1	1	1	
20	90179-20007	NUT	1	1	1	1	
21	4XV-16356-01	ROD, PUSH 1	1	1	1	1	
22	3LD-16340-01	PUSH LEVER ASSY	1	1	1	1	
23	90508-18018	SPRING, TORSION	1	1	1	1	
24	5EB-16382-00	AXLE, PUSH LEVER	1	1	1	1	
25	92902-08600	WASHER, PLATE	1	1	1	1	
26	99001-07600	CIRCLIP	1	1	1	1	
27	93317-11020	BEARING	1	1	1	1	

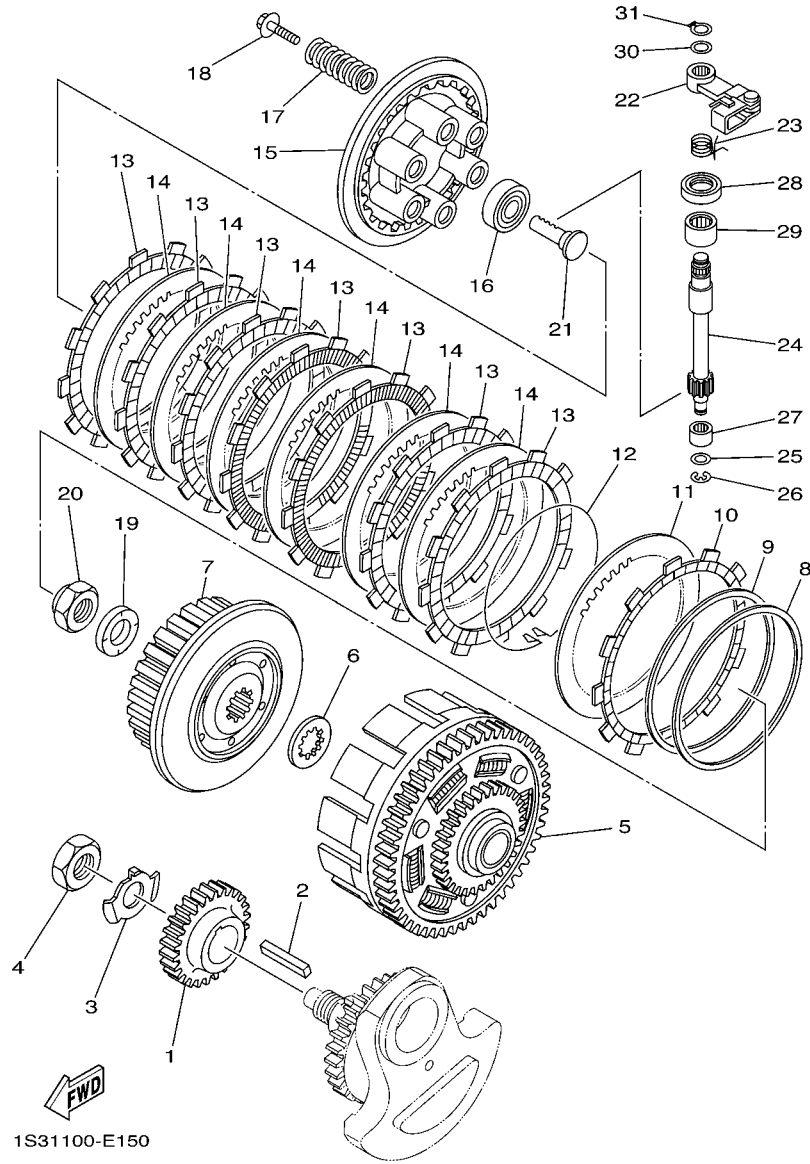


FIG. 15 CLUTCH

REF. NO.	PART NO.	DESCRIPTION	USA	CAN	EUR	OCE	REMARKS
28	93102-15212	OIL SEAL	1	1	1	1	
29	93315-31502	BEARING	1	1	1	1	
30	90201-10614	WASHER, PLATE	1	1	1	1	
31	99009-10400	CIRCLIP	1	1	1	1	

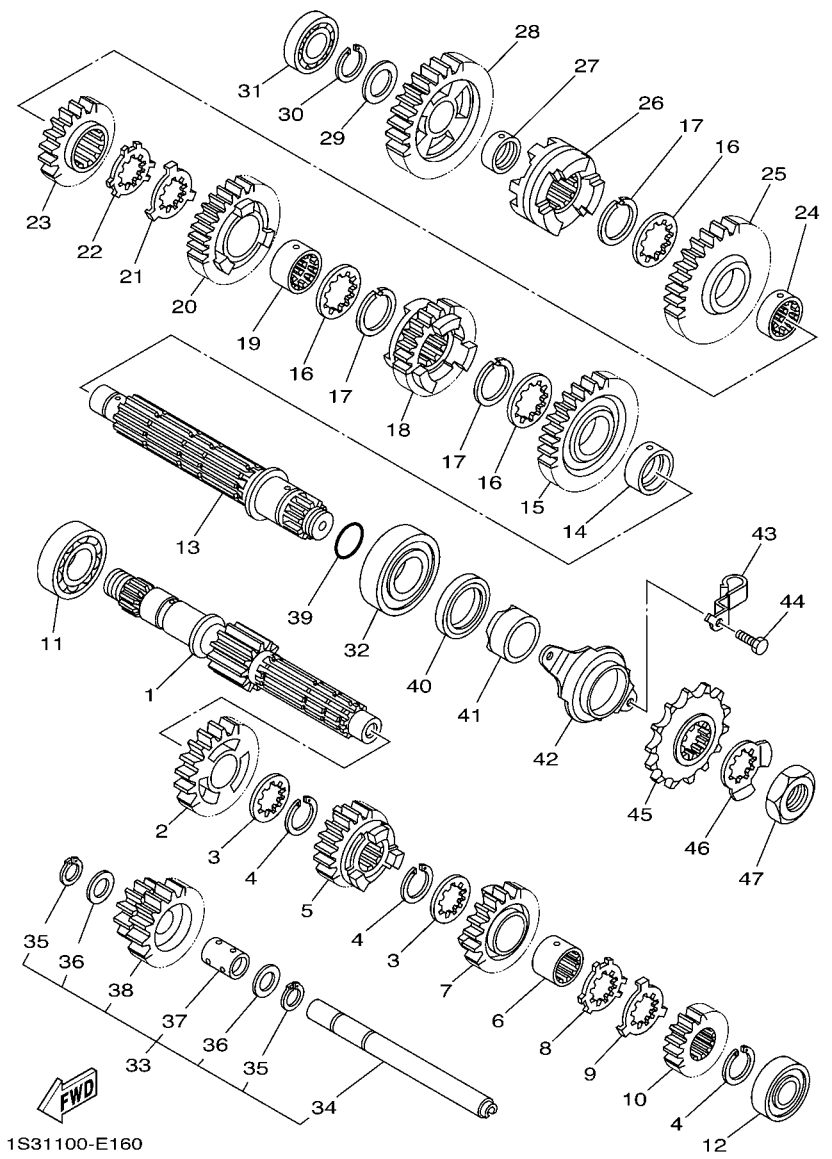
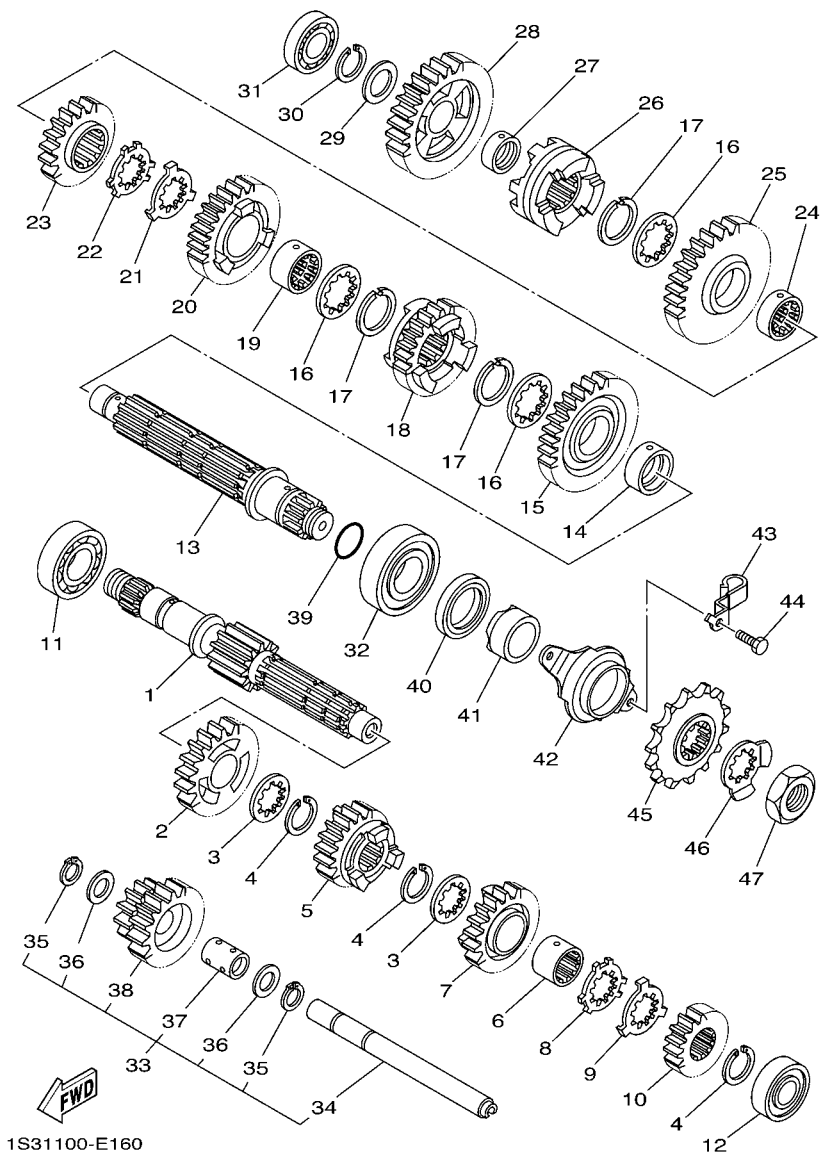


FIG. 16 TRANSMISSION

REF. NO.	PART NO.	DESCRIPTION	USA	CAN	EUR	OCE	REMARKS
1	1S3-17401-00	MAIN AXLE ASSY	1	1	1	1	
2	1S3-17151-00	GEAR, 5TH PINION (24T)	1	1	1	1	
3	90209-22008	WASHER	2	2	2	2	
4	93440-25084	CIRCLIP	3	3	3	3	
5	1S3-17131-00	GEAR, 3RD PINION (17T)	1	1	1	1	
6	90387-22006	COLLAR	1	1	1	1	
7	1S3-17141-00	GEAR, 4TH PINION (22T)	1	1	1	1	
8	90214-22003	WASHER, CLAW	1	1	1	1	
9	90214-22002	WASHER, CLAW	1	1	1	1	
10	1S3-17121-00	GEAR, 2ND PINION (14T)	1	1	1	1	
11	93306-20501	BEARING	1	1	1	1	
12	93306-00431	BEARING	1	1	1	1	
13	1S3-17402-00	DRIVE AXLE ASSY	1	1	1	1	
14	90387-28008	COLLAR	1	1	1	1	
15	1S3-17221-00	GEAR, 2ND WHEEL (28T)	1	1	1	1	
16	90209-26008	WASHER	3	3	3	3	
17	93440-28062	CIRCLIP	3	3	3	3	
18	1S3-17241-00	GEAR, 4TH WHEEL (25T)	1	1	1	1	
19	90387-26005	COLLAR	1	1	1	1	
20	1S3-17231-00	GEAR, 3RD WHEEL (25T)	1	1	1	1	
21	90214-26002	WASHER, CLAW	1	1	1	1	
22	90214-26003	WASHER, CLAW	1	1	1	1	
23	1S3-17251-00	GEAR, 5TH WHEEL (22T)	1	1	1	1	
24	90387-26004	COLLAR	1	1	1	1	
25	1S3-17211-00	GEAR, 1ST WHEEL (38T)	1	1	1	1	
26	1S3-17285-00	CLUTCH, DOG	1	1	1	1	
27	90387-20021	COLLAR	1	1	1	1	

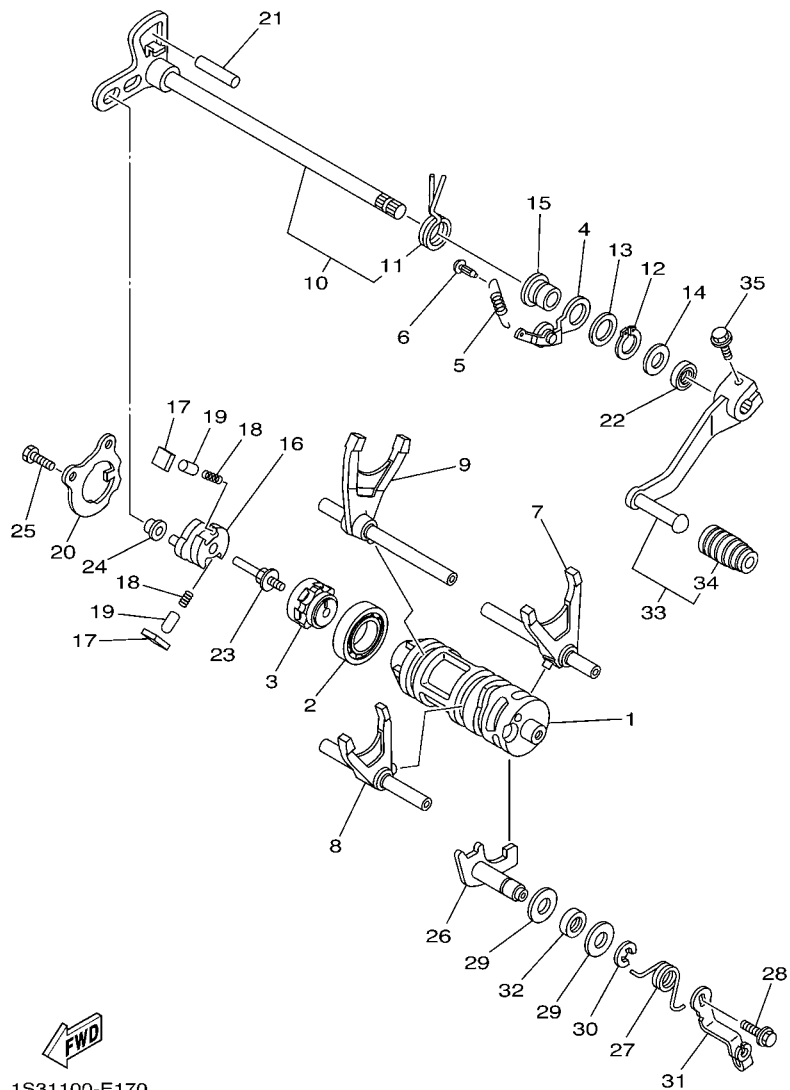


1S31100-E160

FIG. 16 TRANSMISSION

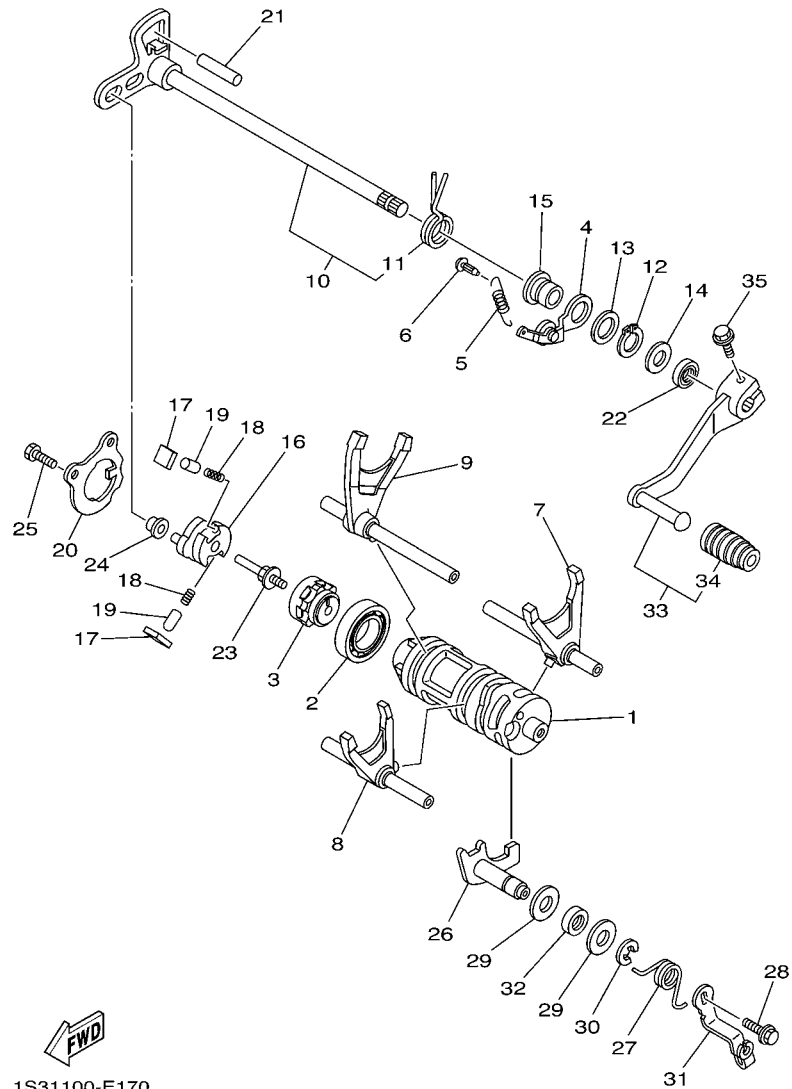
REF. NO.	PART NO.	DESCRIPTION	USA	CAN	EUR	OCE	REMARKS
28	1S3-17253-00	GEAR, REVERSE WHEEL 2 (29T)	1	1	1	1	
29	90201-20276	WASHER, PLATE (T=1.0)	1	1	1	1	
30	99009-20400	CIRCLIP	1	1	1	1	
31	93306-00415	BEARING	1	1	1	1	
32	93306-27803	BEARING	1	1	1	1	
<hr/>							
33	1S3-17430-00	COUNTER AXLE ASSY	1	1	1	1	
34	1S3-17432-00	.AXLE, IDLE	1	1	1	1	
35	93440-15012	.CIRCLIP	2	2	2	2	
36	90201-152P4	.WASHER, PLATE	2	2	2	2	
37	90387-1504G	.COLLAR	1	1	1	1	
<hr/>							
38	1S3-17243-00	.GEAR, REVERSE WHEEL1(12T/24T)	1	1	1	1	
39	93210-25001	O-RING	1	1	1	1	
40	93102-35393	OIL SEAL	1	1	1	1	
41	90387-28009	COLLAR	1	1	1	1	
42	1S3-17471-00	PLATE, COVER	1	1	1	1	
<hr/>							
43	90461-10011	CLAMP	1	1	1	1	
44	97022-06014	BOLT	2	2	2	2	
45	9383G-14231	SPROCKET, DRIVE (14T)	1	1	1	1	
46	90215-25003	WASHER, LOCK	1	1	1	1	
47	90179-22003	NUT	1	1	1	1	
<hr/>							
<hr/>							

FIG. 17 SHIFT CAM & FORK



1S31100-E170

REF. NO.	PART NO.	DESCRIPTION	USA	CAN	EUR	OCE	REMARKS
1	1S3-18541-00	CAM, SHIFT	1	1	1	1	
2	93306-90509	BEARING	1	1	1	1	
3	4EW-18185-00	SEGMENT	1	1	1	1	
4	1S3-18140-00	STOPPER LEVER ASSY	1	1	1	1	
5	5JW-18144-00	HANGER, SPRING	1	1	1	1	
6	132-16346-00	HOOK, SPRING	1	1	1	1	
7	1S3-18501-00	FORK, SHIFT 1	1	1	1	1	
8	1S3-18502-00	FORK, SHIFT 2	1	1	1	1	
9	1S3-18503-00	FORK, SHIFT 3	1	1	1	1	
10	1S3-18101-00	SHIFT SHAFT ASSY	1	1	1	1	
11	90508-35007	.SPRING, TORSION	1	1	1	1	
12	99009-17400	CIRCLIP	1	1	1	1	
13	90201-177G4	WASHER, PLATE	1	1	1	1	
14	90201-12040	WASHER, PLATE	1	1	1	1	
15	5VK-18699-00	BOSS 1	1	1	1	1	
16	1S3-18122-00	LEVER, SHIFT 2	1	1	1	1	
17	3XJ-18182-00	PAWL, SHIFTER	2	2	2	2	
18	90501-052G5	SPRING, COMPRESSION	2	2	2	2	
19	3XJ-18184-00	PIN, PAWL	2	2	2	2	
20	1S3-18172-00	GUIDE, SHIFT	1	1	1	1	
21	93608-30002	PIN, DOWEL	1	1	1	1	
22	93102-12224	OIL SEAL	1	1	1	1	
23	3XJ-18173-10	PIN, SHIFT	1	1	1	1	
24	3XJ-18178-00	ROLLER, SHIFT LEVER	1	1	1	1	
25	90101-06664	BOLT	2	2	2	2	
26	1S3-18380-00	SHIFTER BRKT. ASSY	1	1	1	1	
27	5LP-18337-01	SPRING	1	1	1	1	

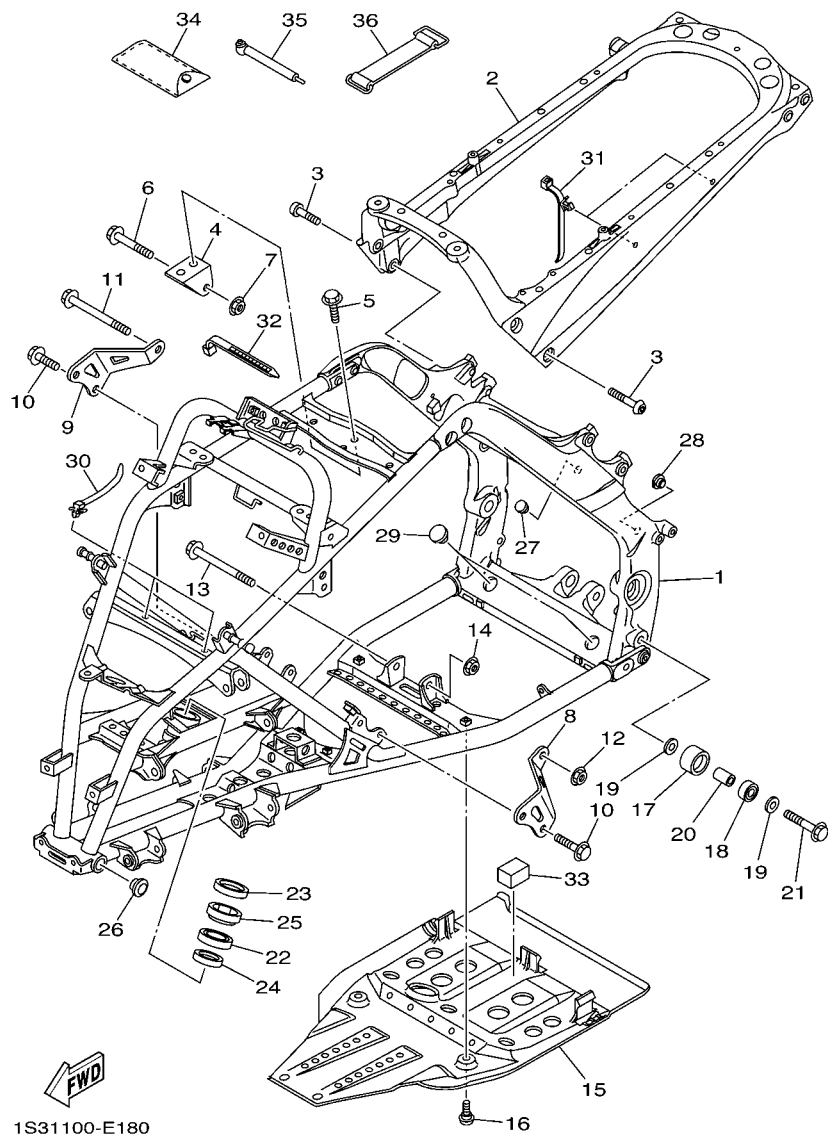


1S31100-E170

FIG. 17 SHIFT CAM & FORK

REF. NO.	PART NO.	DESCRIPTION	USA	CAN	EUR	OCE	REMARKS
28	95812-06012	BOLT, FLANGE	1	1	1	1	
29	90201-12575	WASHER, PLATE	2	2	2	2	
30	99001-10600	CIRCLIP	1	1	1	1	
31	5LP-18431-00	BRACKET, SHIFTER	1	1	1	1	
32	93102-12106	OIL SEAL (SD 12-22-5 HS)	1	1	1	1	
33	1S3-18110-10	SHIFT PEDAL ASSY	1	1	1	1	
34	5YT-18113-00	.COVER, SHIFT PEDAL	1	1	1	1	
35	90105-06142	BOLT, FLANGE	1	1	1	1	

FIG. 18 FRAME



REF. NO.	PART NO.	DESCRIPTION	USA	CAN	EUR	OCE	REMARKS
1	1S3-21101-08	FRONT FRAME COMP.	1	1	1	1	UR FOR DPBSE
	1S3-21101-18	FRONT FRAME COMP.	1	1	1	1	UR FOR PGD
2	1S3-21190-09	REAR FRAME COMP.	1	1	1	1	UR FOR DPBSE
	1S3-21190-19	REAR FRAME COMP.	1	1	1	1	UR FOR PGD
3	90149-10034	SCREW	4	4	4	4	
4	1S3-21315-10	STAY, ENGINE 2	1	1	1	1	
5	95812-08014	BOLT, FLANGE	2	2	2	2	
6	95812-10055	BOLT, FLANGE	1	1	1	1	
7	95602-10200	NUT, U FLANGE	1	1	1	1	
8	1S3-21316-10	STAY, ENGINE 3	1	1	1	1	
9	1S3-21317-10	STAY, ENGINE 3	1	1	1	1	
10	90105-08142	BOLT, FLANGE	4	4	4	4	
11	95812-10110	BOLT, FLANGE	1	1	1	1	
12	90185-10011	NUT, SELF-LOCKING	1	1	1	1	
13	95812-10090	BOLT, FLANGE	1	1	1	1	
14	90185-10011	NUT, SELF-LOCKING	1	1	1	1	
15	1S3-21471-00	PROTECTOR, ENGINE	1	1	1	1	
16	90109-06198	BOLT	4	4	4	4	
17	5TG-22178-00	TENSIONER	1	1	1	1	
18	93300-60804	BEARING	1	1	1	1	
19	90201-08043	WASHER, PLATE	2	2	2	2	
20	90387-08064	COLLAR	1	1	1	1	
21	95812-08045	BOLT, FLANGE	1	1	1	1	
22	93306-20352	BEARING	1	1	1	1	
23	93102-25081	OIL SEAL	1	1	1	1	
24	93102-25099	OIL SEAL	1	1	1	1	
25	5GT-23872-00	HOLDER, BEARING	1	1	1	1	

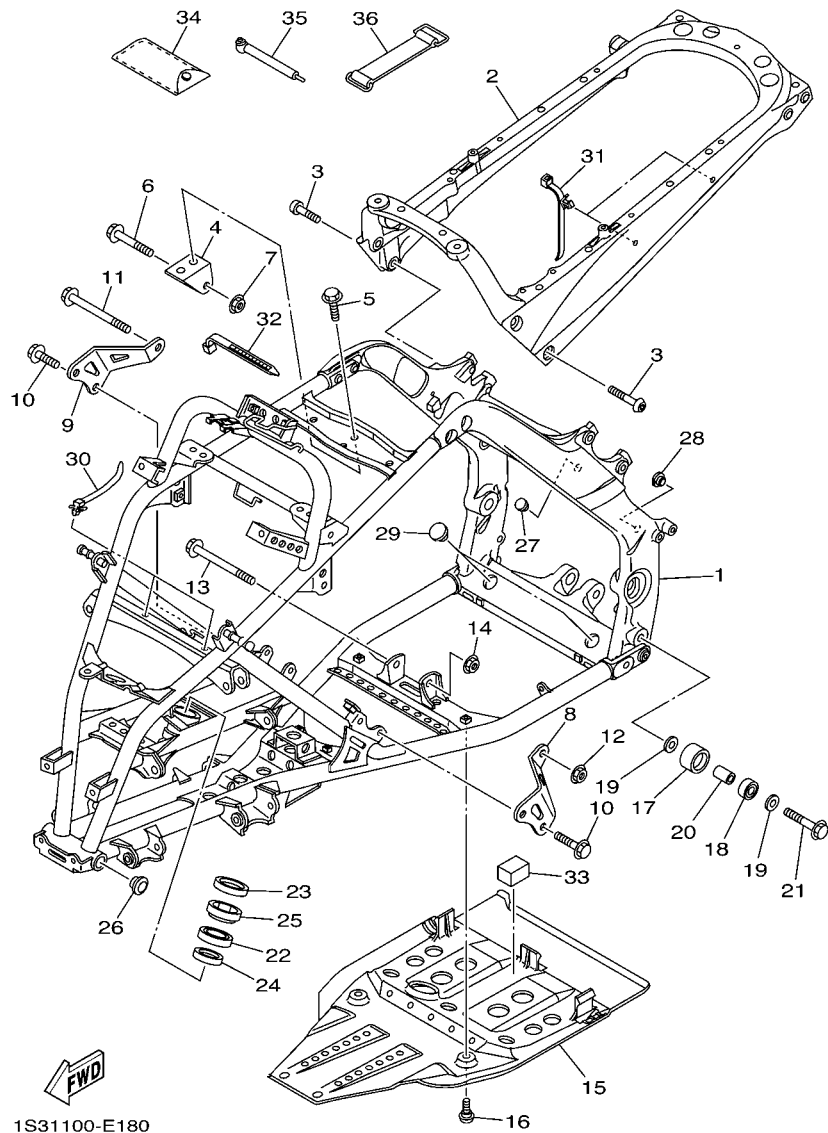


FIG. 18 FRAME

REF. NO.	PART NO.	DESCRIPTION	USA	CAN	EUR	OCE	REMARKS
26	90338-26004	PLUG	2	2	2	2	
27	90338-24260	PLUG	2	2	2	2	
28	90338-20183	PLUG	2	2	2	2	
29	90338-23004	PLUG	2	2	2	2	
30	90464-12036	CLAMP	2	2	2	2	
31	90464-20213	CLAMP	3	3	3	3	
32	90464-12045	CLAMP	1	1	1	1	
33	1S3-2140A-00	DAMPER, STOPPER	1	1	1	1	
34	5TG-28100-10	TOOL KIT	1	1	1	1	
35	1NV-2811A-01	GAUGE, AIR	1	1	1	1	
36	116-82131-00	BAND, BATTERY	1	1	1	1	

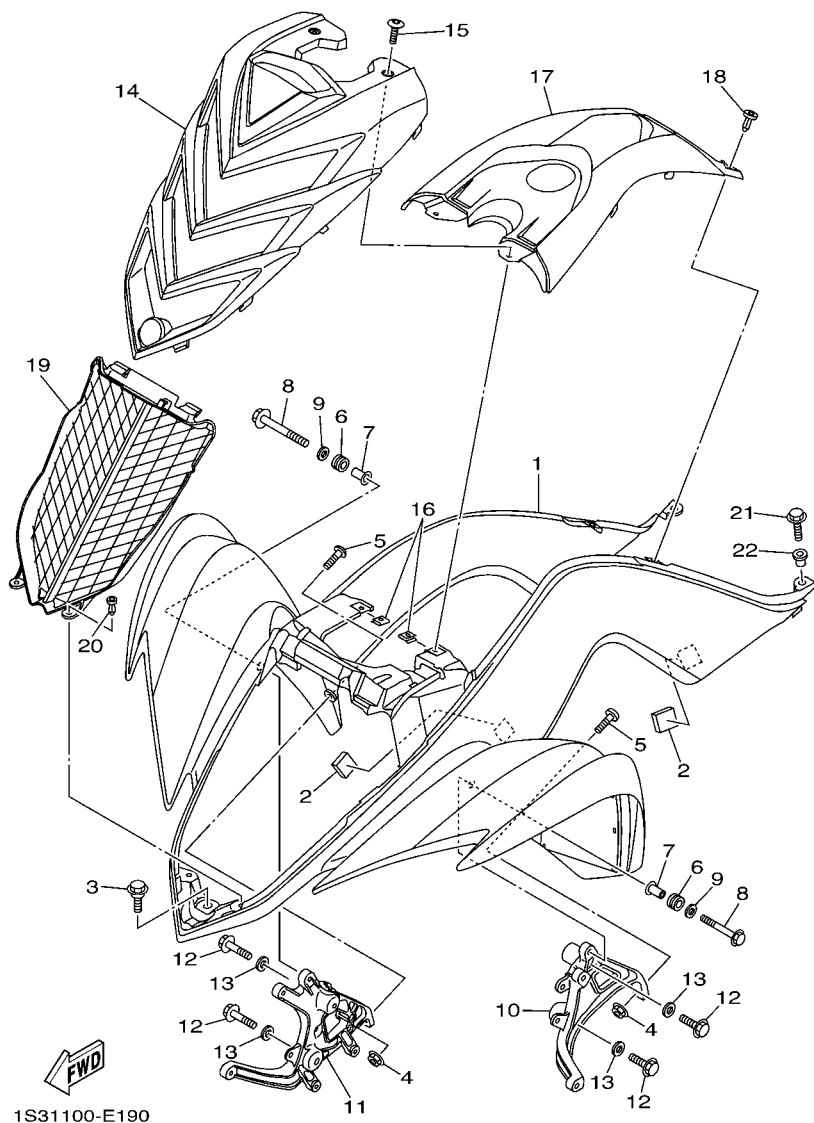
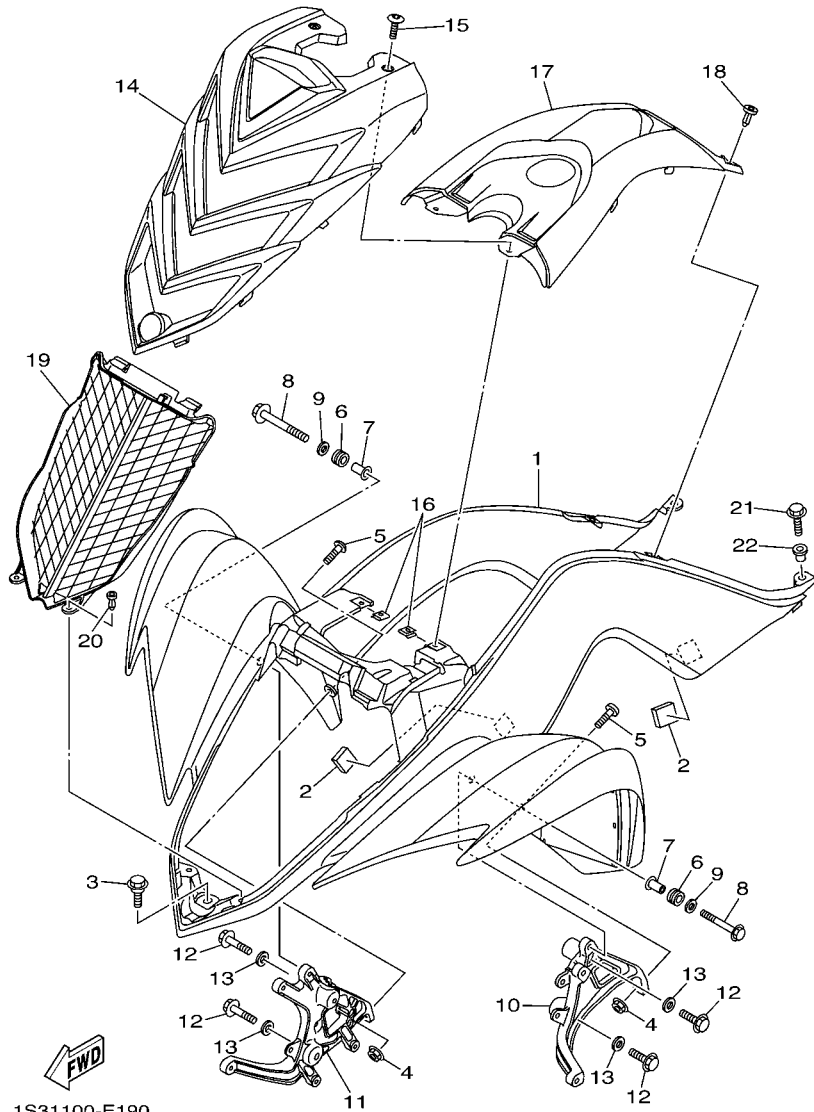


FIG. 19 FRONT FENDER

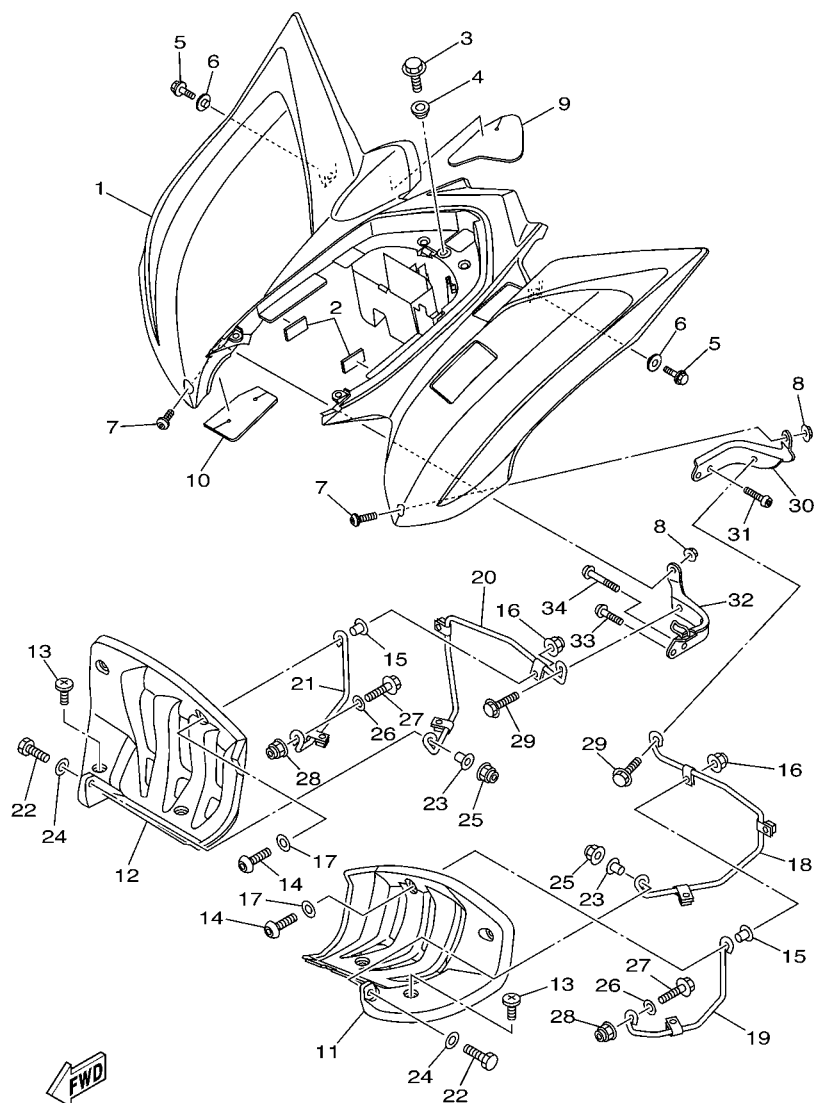
REF. NO.	PART NO.	DESCRIPTION	USA	CAN	EUR	OCE	REMARKS
1	1S3-W2151-00	FRONT FENDER COMP.	1				UR FOR DPBSE
	1S3-W2151-30	FRONT FENDER COMP.	1				UR FOR PGD
	1S3-W215C-00	FRONT FENDER COMP.2		1			UR FOR DPBSE
	1S3-W215C-30	FRONT FENDER COMP.2		1			UR FOR PGD
	1S3-W215B-00	FRONT FENDER COMP. 2			1		UR FOR DPBSE
	1S3-W215B-30	FRONT FENDER COMP. 2			1		UR FOR PGD
	1S3-W215E-00	FRONT FENDER COMP.				1	UR FOR DPBSE
	1S3-W215E-30	FRONT FENDER COMP.				1	UR FOR PGD
2	1S3-21541-00	DAMPER 1	4	4	4	4	
3	90109-06172	BOLT	1	1	1	1	
4	95602-06200	NUT, SELF-LOCKING	2	2	2	2	
5	90110-06202	BOLT, HEXAGON SOCKET HEAD	2	2	2	2	
6	90480-14102	GROMMET	2	2	2	2	
7	90387-06136	COLLAR	2	2	2	2	
8	95812-06030	BOLT, FLANGE	2	2	2	2	
9	90201-06078	WASHER, PLATE	2	2	2	2	
10	1S3-21513-00	STAY, FENDER 1	1	1	1	1	
11	1S3-21514-00	STAY, FENDER 2	1	1	1	1	
12	95812-06014	BOLT, FLANGE	4	4	4	4	
13	90201-06089	WASHER, PLATE	4	4	4	4	
14	1S3-21556-10	FENDER, FRONT 2	1	1	1	1	UR FOR DPBSE
	1S3-21556-30	FENDER, FRONT 2	1	1	1	1	UR FOR PGD
15	90149-05299	SCREW	2	2	2	2	
16	90183-05008	NUT, SPRING	2	2	2	2	
17	1S3-2171A-00	COVER, TOP	1	1	1	1	UR FOR DPBSE
	1S3-2171A-20	COVER, TOP	1	1	1	1	UR FOR PGD
18	90269-06002	RIVET	2	2	2	2	

FIG. 19 FRONT FENDER



REF. NO.	PART NO.	DESCRIPTION	USA	CAN	EUR	OCE	REMARKS
19	1S3-12467-00	COVER, RADIATOR	1	1	1	1	
20	90269-06002	RIVET	2	2	2	2	
21	90105-06084	BOLT, FLANGE	2	2	2	2	
22	90387-06146	COLLAR	2	2	2	2	

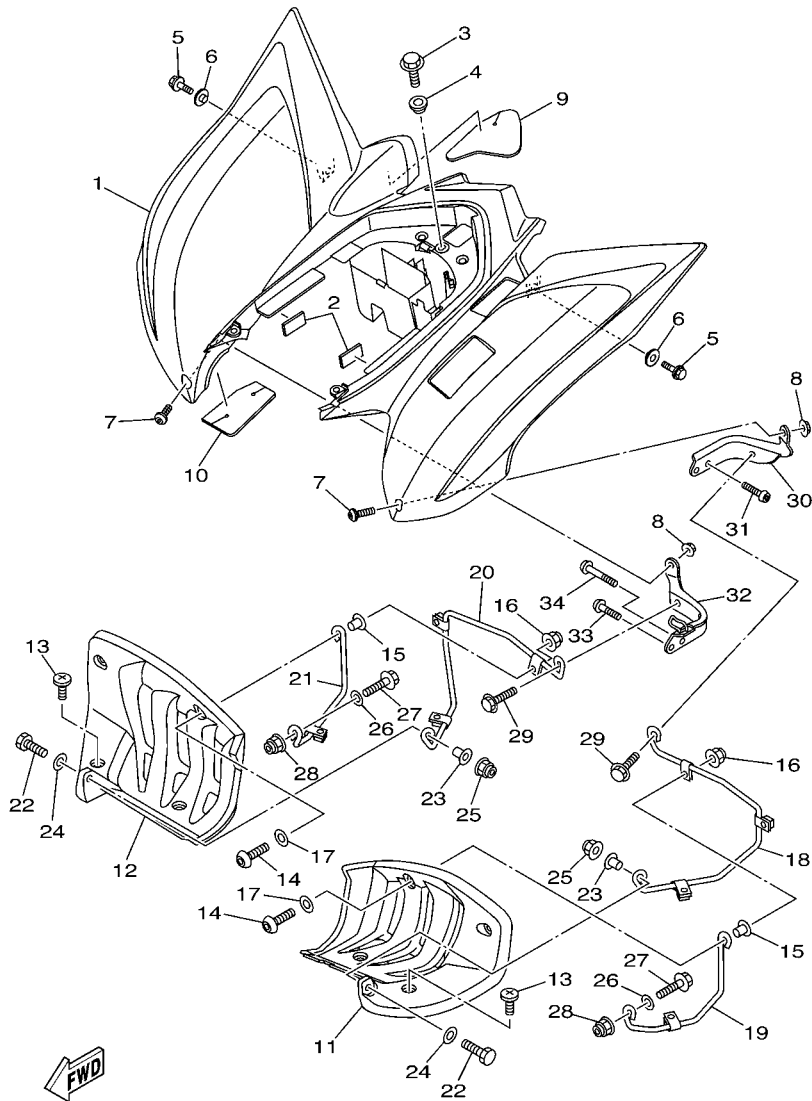
FIG. 20 REAR FENDER



1S31100-E200

REF. NO.	PART NO.	DESCRIPTION	USA	CAN	EUR	OCE	REMARKS
1	1S3-W2161-00	REAR FENDER COMP.	1			1	UR FOR DPBSE
	1S3-W2161-30	REAR FENDER COMP.	1			1	UR FOR PGD
	1S3-W216C-00	REAR FENDER COMP.2		1			UR FOR DPBSE
	1S3-W216C-30	REAR FENDER COMP.2		1			UR FOR PGD
	1S3-W216B-00	REAR FENDER COMP.2			1		UR FOR DPBSE
	1S3-W216B-30	REAR FENDER COMP.2			1		UR FOR PGD
2	1S3-2140A-00	DAMPER, STOPPER	2	2	2	2	
3	90105-06084	BOLT, FLANGE	1	1	1	1	
4	90387-06153	COLLAR	1	1	1	1	
5	95812-06014	BOLT, FLANGE	2	2	2	2	
6	90387-06153	COLLAR	2	2	2	2	
7	90111-06038	BOLT,HEX. SOCKET BUTTON	2	2	2	2	
8	95602-06200	NUT, SELF-LOCKING	2	2	2	2	
9	1S3-2163A-00	COVER, REAR FENDER 1	1	1	1	1	
10	1S3-2163E-00	COVER, REAR FENDER 2	1	1	1	1	
11	5TG-21621-00	FLAP	1	1	1	1	
12	5TG-21691-00	FLAP	1	1	1	1	
13	90154-05013	SCREW, BINDING	6	6	6	6	
14	92012-06025	BOLT, BUTTON HEAD	2	2	2	2	
15	90560-06201	SPACER	2	2	2	2	
16	95602-06200	NUT, SELF-LOCKING	2	2	2	2	
17	90201-06076	WASHER, PLATE	2	2	2	2	
18	1S3-2164F-10	STAY 1	1	1	1	1	
19	1S3-2164H-10	STAY 3	1	1	1	1	
20	5TG-2164G-20	STAY 2	1	1	1	1	
21	1S3-2164J-10	STAY 4	1	1	1	1	
22	97022-06025	BOLT	2	2	2	2	

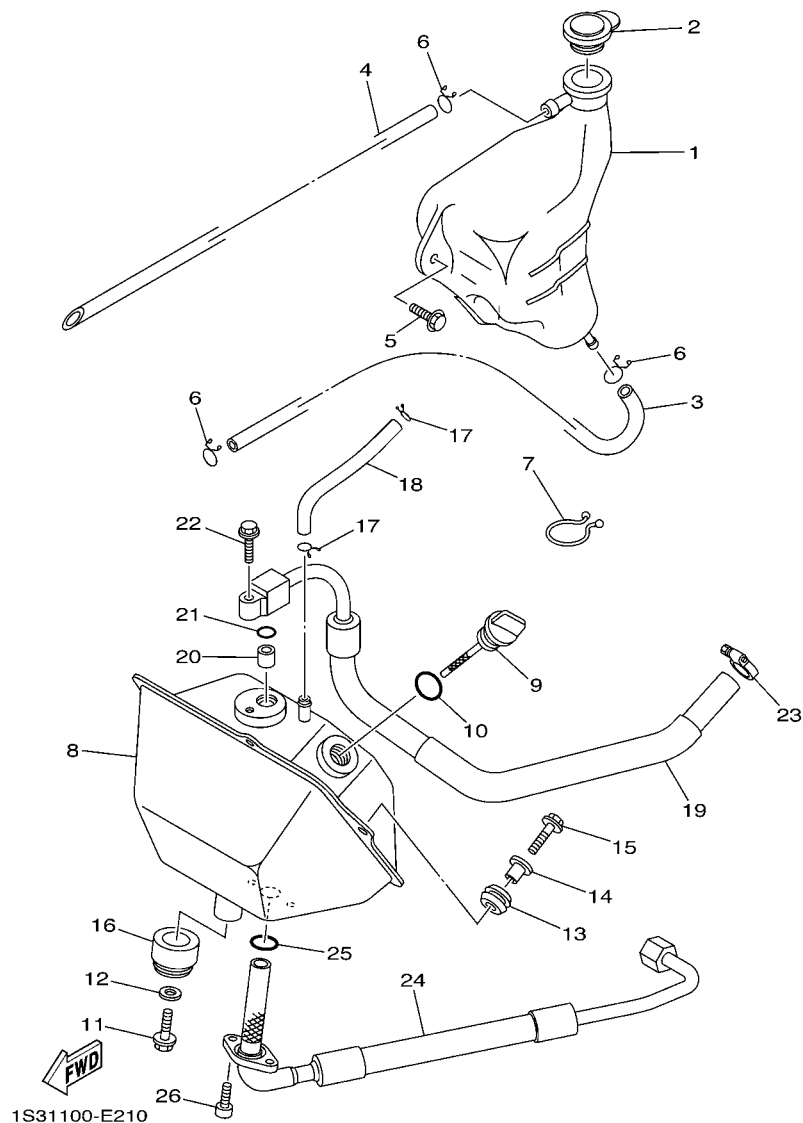
FIG. 20 REAR FENDER



1S31100-E200

REF. NO.	PART NO.	DESCRIPTION	USA	CAN	EUR	OCE	REMARKS
23	90387-06204	COLLAR	2	2	2	2	
24	90201-06093	WASHER, PLATE	2	2	2	2	
25	95602-06200	NUT, SELF-LOCKING	2	2	2	2	
26	90201-08053	WASHER, PLATE	2	2	2	2	
27	95822-08020	BOLT, FLANGE	2	2	2	2	
28	95602-08200	NUT, SELF-LOCKING	2	2	2	2	
29	95822-08016	BOLT, FLANGE	2	2	2	2	
30	1S3-21643-10	STAY, REAR	1	1	1	1	
31	92012-08020	BOLT, BUTTON HEAD	2	2	2	2	
32	1S3-21644-10	STAY, REAR	1	1	1	1	
33	92012-08016	BOLT, BUTTON HEAD	1	1	1	1	
34	92012-08035	BOLT, BUTTON HEAD	1	1	1	1	

FIG. 21 OIL TANK



REF. NO.	PART NO.	DESCRIPTION	USA	CAN	EUR	OCE	REMARKS
1	5KM-21871-00	TANK, RECOVERY	1	1	1	1	
2	1S3-21875-00	CAP	1	1	1	1	
3	90445-09M30	HOSE (L630)	1	1	1	1	
4	90445-09777	HOSE (L300)	1	1	1	1	
5	90119-06152	BOLT, WITH WASHER	2	2	2	2	
6	90467-08003	CLIP	3	3	3	3	
7	90464-23041	CLAMP	2	2	2	2	
8	1S3-21750-00	OIL TANK ASSY	1	1	1	1	
9	5LP-21761-01	GAUGE, LEVEL	1	1	1	1	
10	93210-21190	O-RING	1	1	1	1	
11	95802-08016	BOLT, FLANGE	1	1	1	1	
12	90201-082A6	WASHER, PLATE	1	1	1	1	
13	90480-13459	GROMMET	2	2	2	2	
14	90387-06205	COLLAR	2	2	2	2	
15	95822-06020	BOLT, FLANGE	2	2	2	2	
16	90480-24004	GROMMET	1	1	1	1	
17	90467-10008	CLIP	2	2	2	2	
18	90445-11034	HOSE (L147)	1	1	1	1	
19	1S3-13465-00	HOSE, OIL 2	1	1	1	1	
20	99530-10114	PIN, DOWEL	1	1	1	1	
21	93210-10197	O-RING	1	1	1	1	
22	95022-06025	BOLT, FLANGE	1	1	1	1	
23	90450-22017	HOSE CLAMP ASSY	1	1	1	1	
24	1S3-13464-10	HOSE, OIL 1	1	1	1	1	
25	93210-16629	O-RING	1	1	1	1	
26	91312-06016	BOLT	2	2	2	2	

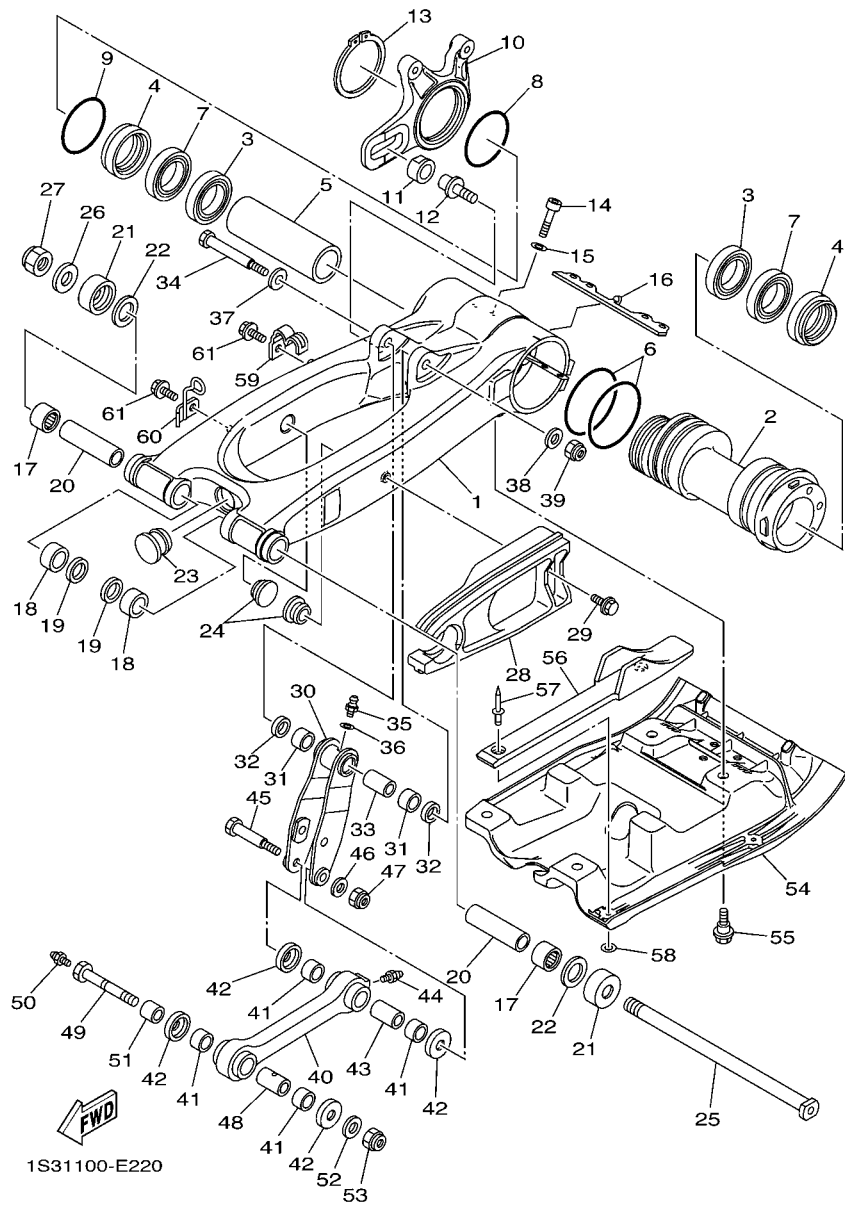


FIG. 22 REAR ARM

REF. NO.	PART NO.	DESCRIPTION	USA	CAN	EUR	OCE	REMARKS
1	1S3-22110-00	REAR ARM COMP.	1	1	1	1	
2	1S3-25311-00	HUB, REAR	1	1	1	1	
3	93306-90804	BEARING	2	2	2	2	
4	93106-46003	OIL SEAL	2	2	2	2	
5	1S3-25317-00	SPACER, BEARING	1	1	1	1	
6	1S3-23147-01	O-RING	2	2	2	2	
7	93306-90805	BEARING	2	2	2	2	
8	93210-66001	O-RING	1	1	1	1	
9	93210-71001	O-RING	1	1	1	1	
10	1S3-25721-00	BRACKET, CALIPER	1	1	1	1	
11	90387-16014	COLLAR	1	1	1	1	
12	90110-12001	BOLT, HEXAGON SOCKET HEAD	1	1	1	1	
13	93410-67085	CIRCLIP	1	1	1	1	
14	91314-08040	BOLT	4	4	4	4	
15	92903-08600	WASHER, PLATE	4	4	4	4	
16	1S3-22475-00	SEAL, DUST	1	1	1	1	
17	93317-22237	BEARING	2	2	2	2	
18	90380-22111	BUSH, SOLID	2	2	2	2	
19	93106-22019	OIL SEAL (DC 22-28-8)	2	2	2	2	
20	1S3-22184-00	BUSH	2	2	2	2	
21	4X7-22129-00	COVER, THRUST 2	2	2	2	2	
22	3YF-22149-00	WASHER	2	2	2	2	
23	1S3-22417-00	PLUG	1	1	1	1	
24	90338-23004	PLUG	2	2	2	2	
25	1S3-22141-00	SHAFT, PIVOT	1	1	1	1	
26	90201-16018	WASHER, PLATE	1	1	1	1	
27	90185-16002	NUT, SELF-LOCKING	1	1	1	1	

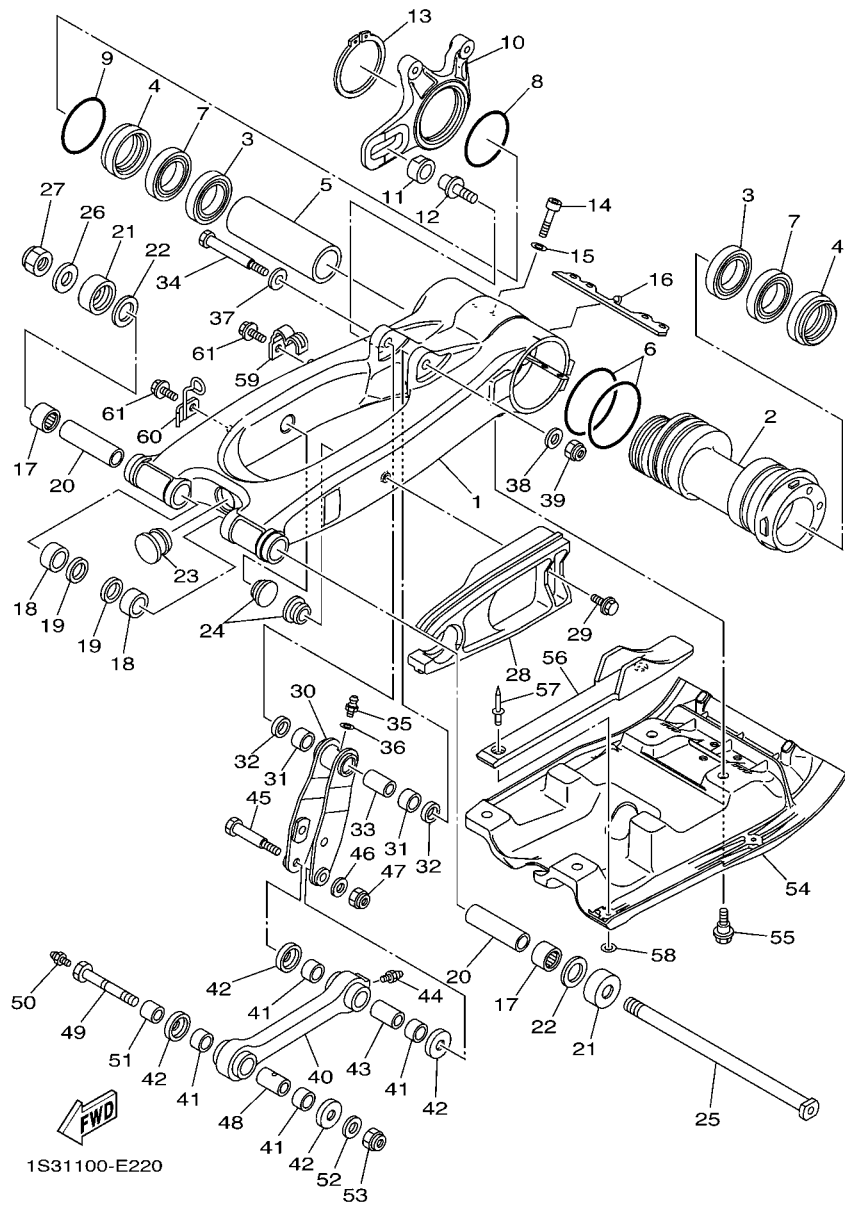
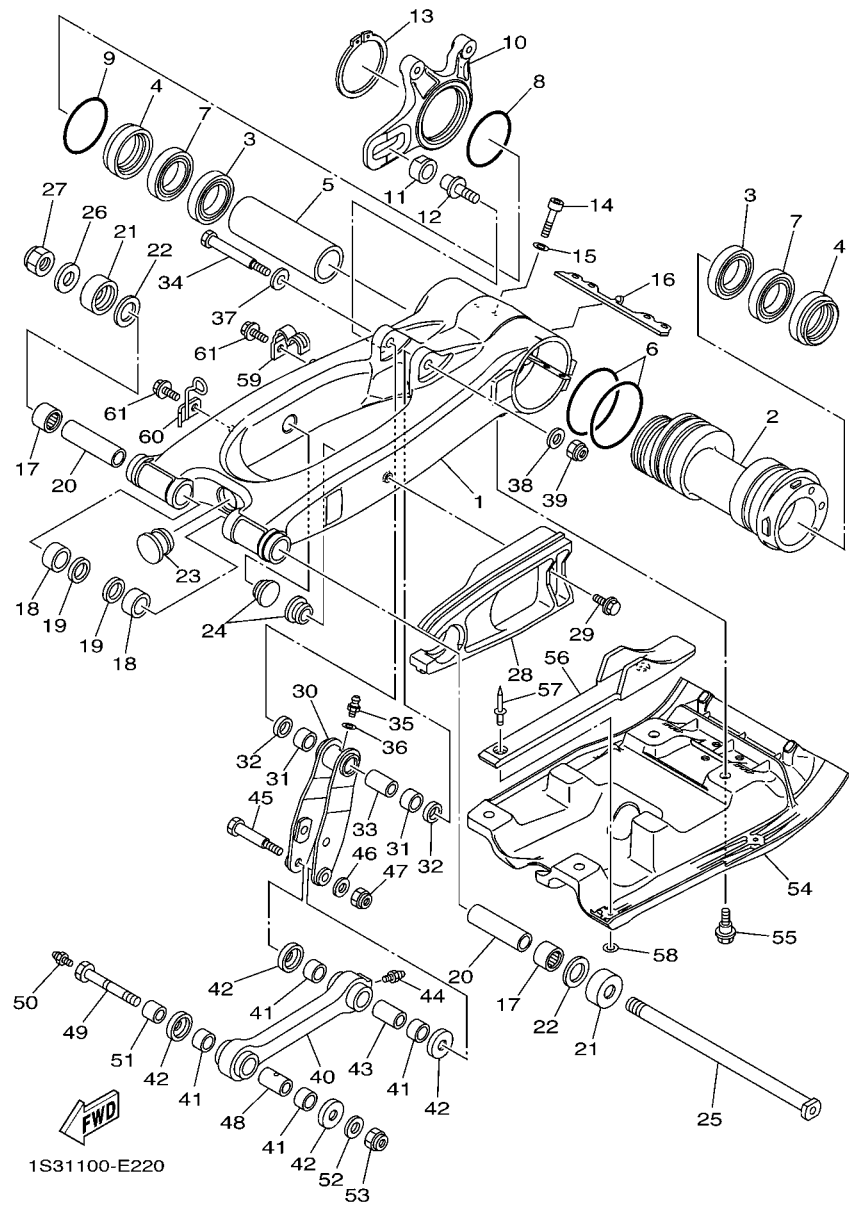


FIG. 22 REAR ARM

REF. NO.	PART NO.	DESCRIPTION	USA	CAN	EUR	OCE	REMARKS
28	1S3-22151-00	SEAL, GUARD	1	1	1	1	
29	90109-06172	BOLT	1	1	1	1	
30	1S3-2217A-00	ARM, RELAY	1	1	1	1	
31	90383-20033	BUSH, FORMED	2	2	2	2	
32	93109-20076	OIL SEAL	2	2	2	2	
33	90387-12021	COLLAR	1	1	1	1	
34	90109-10018	BOLT	1	1	1	1	
35	93700-06004	NIPPLE, GREASE	1	1	1	1	
36	90201-063F3	WASHER, PLATE	1	1	1	1	
37	90201-12030	WASHER, PLATE	1	1	1	1	
38	90201-10034	WASHER, PLATE	1	1	1	1	
39	90185-10012	NUT, SELF-LOCKING	1	1	1	1	
40	1S3-2217F-00	ROD, CONNECTING 1	1	1	1	1	
41	90383-20032	BUSH, FORMED	4	4	4	4	
42	5YT-22129-00	COVER, THRUST 2	4	4	4	4	
43	90387-125K2	COLLAR	1	1	1	1	
44	93700-06004	NIPPLE, GREASE	1	1	1	1	
45	90109-10020	BOLT	1	1	1	1	
46	90201-10035	WASHER, PLATE	1	1	1	1	
47	90185-10012	NUT, SELF-LOCKING	1	1	1	1	
48	90387-12010	COLLAR	1	1	1	1	
49	90109-12009	BOLT	1	1	1	1	
50	93700-06004	NIPPLE, GREASE	1	1	1	1	
51	90387-12028	COLLAR	1	1	1	1	
52	90201-12032	WASHER, PLATE	1	1	1	1	
53	90185-12007	NUT, SELF-LOCKING	1	1	1	1	
54	1S3-2219X-00	COVER	1	1	1	1	

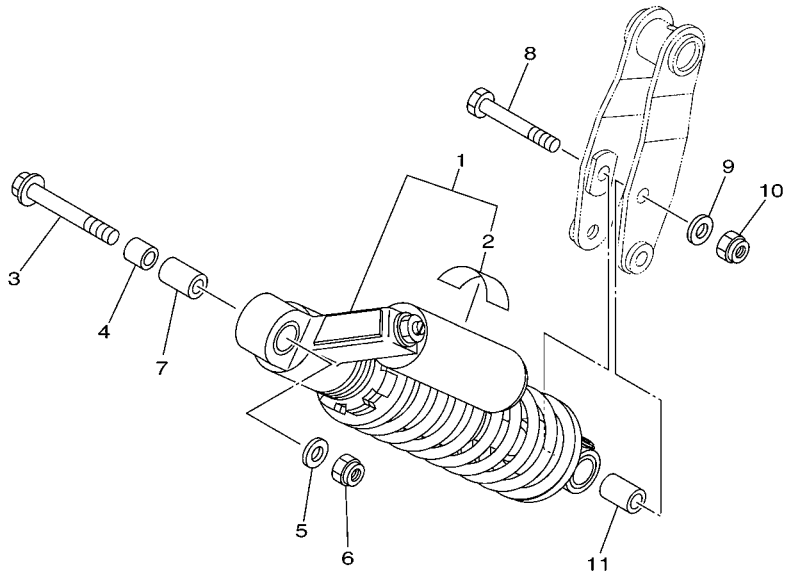
FIG. 22 REAR ARM



1S31100-E220

REF. NO.	PART NO.	DESCRIPTION	USA	CAN	EUR	OCE	REMARKS
55	90109-06199	BOLT	4	4	4	4	
56	1S3-22153-00	GUARD, CHAIN	1	1	1	1	
57	90267-47187	RIVET, BLIND	2	2	2	2	
58	90201-04027	WASHER, PLATE	2	2	2	2	
59	1S3-25886-00	HOLDER, BRAKE HOSE	1	1	1	1	
60	1S3-23317-00	HOLDER, CABLE	1	1	1	1	
61	95022-06012	BOLT, FLANGE	2	2	2	2	

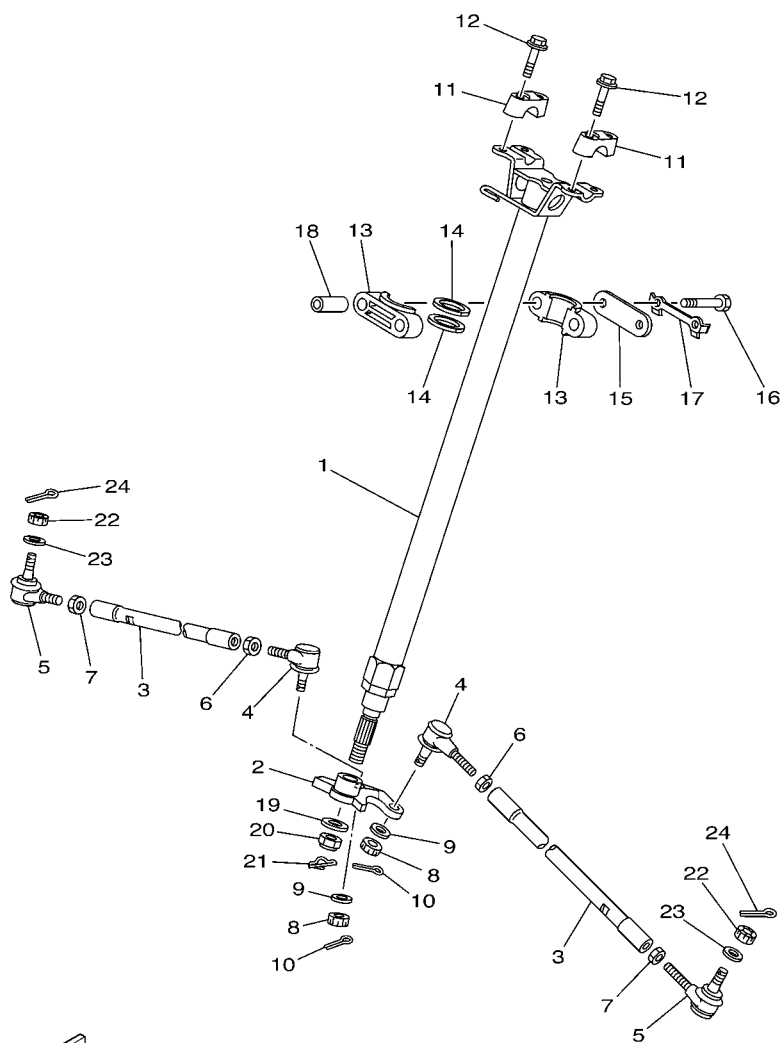
FIG. 23 REAR SUSPENSION



REF. NO.	PART NO.	DESCRIPTION	USA	CAN	EUR	OCE	REMARKS
1	1S3-22210-60	SHOCK ABSORBER ASSY, REAR	1				UR FOR DPBSE
	1S3-22210-90	SHOCK ABSORBER ASSY, REAR	1				UR FOR PGD
	1S3-22210-70	SHOCK ABSORBER ASSY, REAR		1			UR FOR DPBSE
	1S3-22210-A0	SHOCK ABSORBER ASSY, REAR		1			UR FOR PGD
	1S3-22210-80	SHOCK ABSORBER ASSY, REAR			1	1	UR FOR DPBSE
	1S3-22210-B0	SHOCK ABSORBER ASSY, REAR			1	1	UR FOR PGD
2	4AA-22259-80	.LABEL, WARNING	1				
	4AA-22259-70	.LABEL, WARNING		1			
	4AA-22259-40	.LABEL, WARNING			1	1	
3	90105-12038	BOLT, FLANGE	1	1	1	1	
4	90387-12028	COLLAR	1	1	1	1	
5	90201-12032	WASHER, PLATE	1	1	1	1	
6	90185-12007	NUT, SELF-LOCKING	1	1	1	1	
7	90387-12020	COLLAR	1	1	1	1	
8	90109-10019	BOLT	1	1	1	1	
9	90201-10036	WASHER, PLATE	1	1	1	1	
10	90185-10012	NUT, SELF-LOCKING	1	1	1	1	
11	90387-127W0	COLLAR	1	1	1	1	

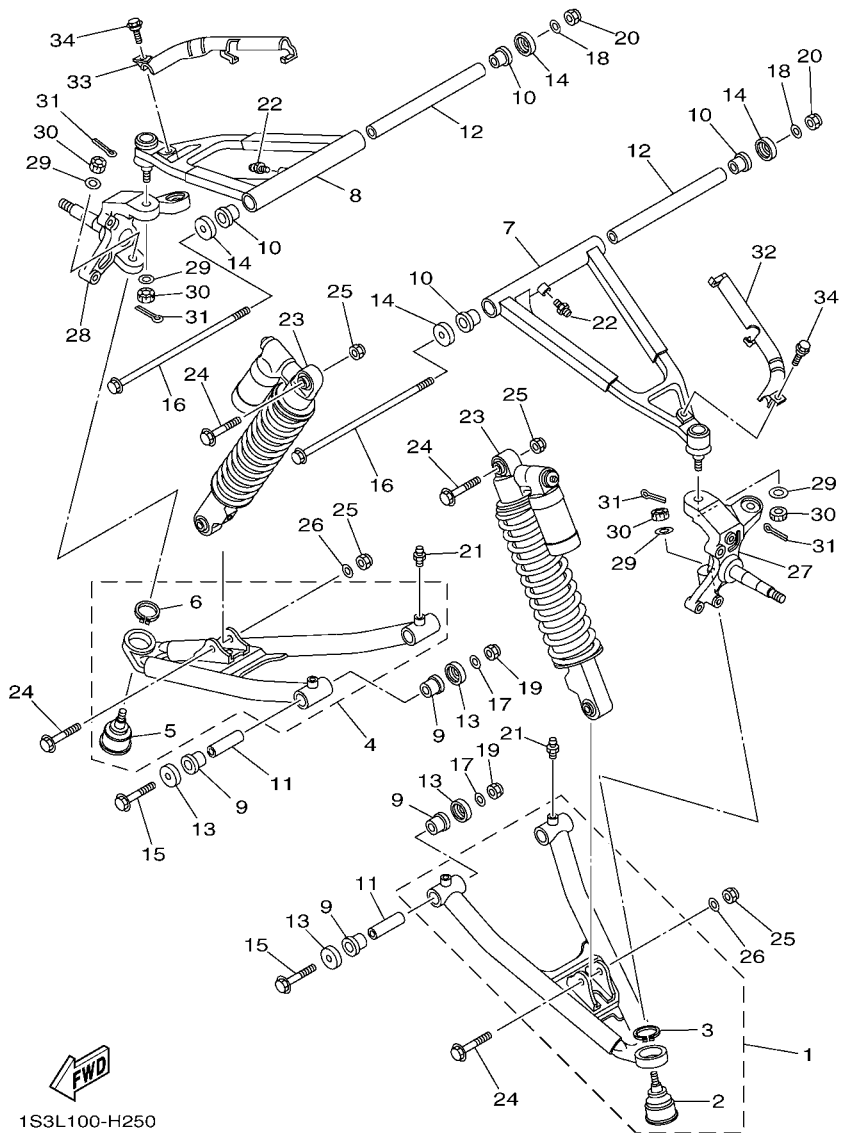

1S31100-E230

FIG. 24 STEERING



1S31100-E240

REF. NO.	PART NO.	DESCRIPTION	USA	CAN	EUR	OCE	REMARKS
1	1S3-23813-10	COLUMN, STEERING 2	1	1	1	1	
2	5TG-23816-10	ARM, PITMAN	1	1	1	1	
3	1S3-23831-20	ROD, TIE	2	2	2	2	
4	1S3-23841-20	JOINT, UNIVERSAL 1	2	2	2	2	
5	1S3-23845-20	JOINT, UNIVERSAL 2	2	2	2	2	
6	90170-12055	NUT	2	2	2	2	
7	90170-12054	NUT	2	2	2	2	(RH. THREAD)
8	90171-10001	NUT, CASTLE	2	2	2	2	
9	90209-10229	WASHER	2	2	2	2	
10	91402-20020	PIN, COTTER	2	2	2	2	
11	8K1-23814-00	HOLDER, HANDLE	2	2	2	2	
12	95822-08030	BOLT, FLANGE	4	4	4	4	
13	1UY-23812-00	PLANE BEARING, STEERING	2	2	2	2	
14	93112-31011	OIL SEAL	2	2	2	2	
15	1UY-23868-01	BRACKET, STEERING LOWER	1	1	1	1	
16	97022-08060	BOLT	2	2	2	2	
17	1UY-23894-01	WASHER, LOCK 1	1	1	1	1	
18	90387-090R0	COLLAR	2	2	2	2	
19	90201-14021	WASHER, PLATE	1	1	1	1	
20	90185-14009	NUT, SELF-LOCKING	1	1	1	1	
21	90468-16191	CLIP	1	1	1	1	
22	90171-10001	NUT, CASTLE	2	2	2	2	
23	90209-10229	WASHER	2	2	2	2	
24	91402-20020	PIN, COTTER	2	2	2	2	



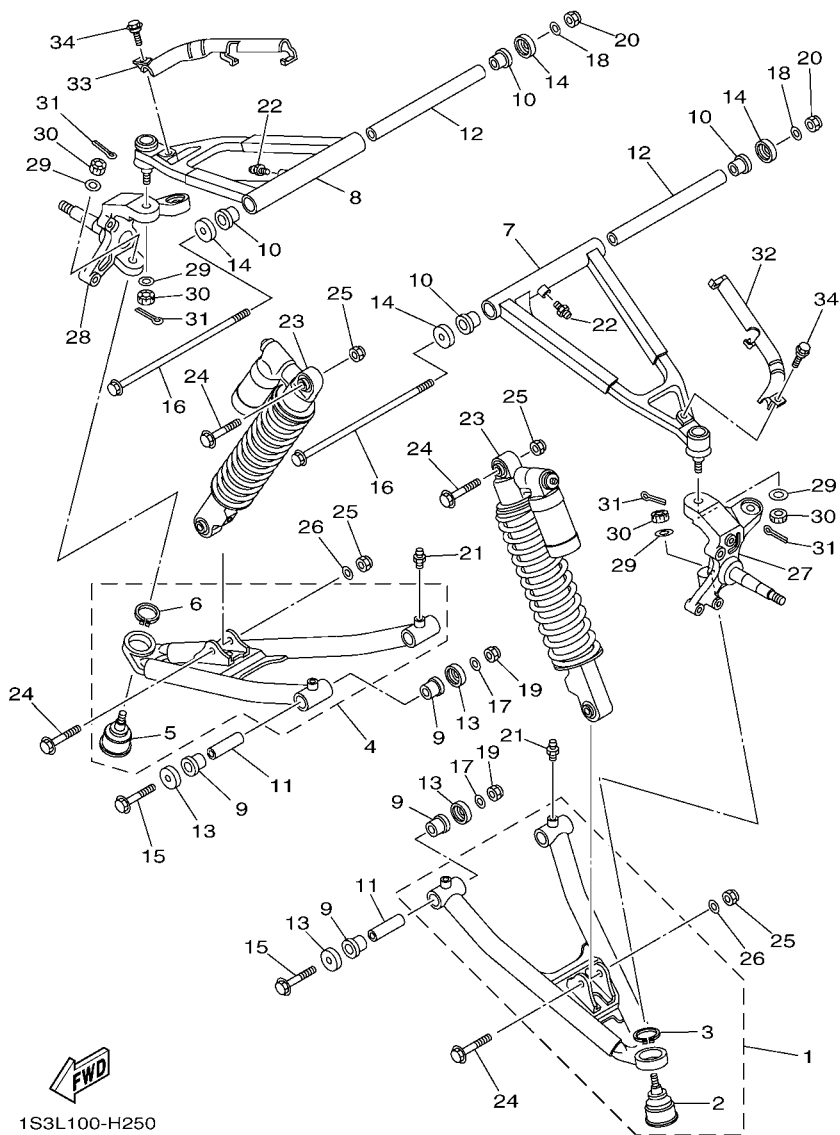
1S3L100-H250

FIG. 25 FRONT SUSPENSION & WHEEL

REF. NO.	PART NO.	DESCRIPTION	USA	CAN	EUR	OCE	REMARKS
1	5TG-23570-20	FRONT LOWER ARM COMP. (LEFT)	1	1	1	1	UR FOR DPBSE
	5TG-23570-00	FRONT LOWER ARM COMP. (LEFT)	1	1	1	1	UR FOR PGD
2	5LP-23579-00	.BALL JOINT 2	1	1	1	1	
3	99009-30400	.CIRCLIP	1	1	1	1	
4	5TG-23580-20	FRONT LOWER ARM COMP. (RIGHT)	1	1	1	1	UR FOR DPBSE
	5TG-23580-00	FRONT LOWER ARM COMP. (RIGHT)	1	1	1	1	UR FOR PGD
5	5LP-23579-00	.BALL JOINT 2	1	1	1	1	
6	99009-30400	.CIRCLIP	1	1	1	1	
7	5TG-23540-20	FRONT UPPER ARM COMP. (LEFT)	1	1	1	1	UR FOR DPBSE
	5TG-23540-00	FRONT UPPER ARM COMP. (LEFT)	1	1	1	1	UR FOR PGD
8	5TG-23550-20	FRONT UPPER ARM COMP. (RIGHT)	1	1	1	1	UR FOR DPBSE
	5TG-23550-00	FRONT UPPER ARM COMP. (RIGHT)	1	1	1	1	UR FOR PGD
9	90381-15088	BUSH, SOLID	8	8	8	8	
10	90381-15088	BUSH, SOLID	4	4	4	4	
11	90387-101R3	COLLAR	4	4	4	4	
12	90387-100Y6	COLLAR	2	2	2	2	
13	5YT-23517-00	COVER, THRUST 1	8	8	8	8	
14	5YT-23517-00	COVER, THRUST 1	4	4	4	4	
15	90105-10135	BOLT, FLANGE	4	4	4	4	
16	90105-10132	BOLT, FLANGE	2	2	2	2	
17	90201-10037	WASHER, PLATE	4	4	4	4	
18	90201-10037	WASHER, PLATE	2	2	2	2	
19	90185-10012	NUT, SELF-LOCKING	4	4	4	4	
20	90185-10012	NUT, SELF-LOCKING	2	2	2	2	
21	93700-06004	NIPPLE, GREASE	4	4	4	4	
22	93700-06004	NIPPLE, GREASE	2	2	2	2	
23	1S3-23350-40	SHOCK ABSORBER ASSY	2				UR FOR DPBSE

D8

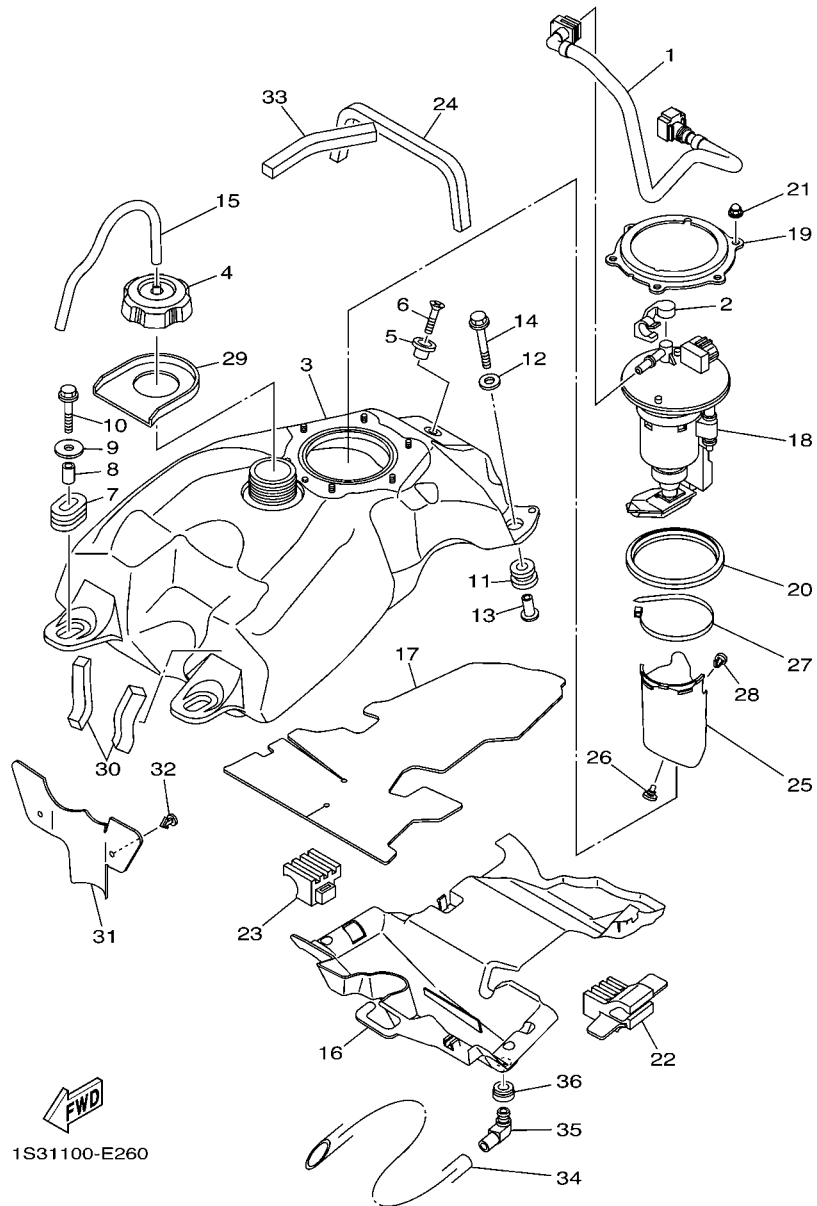
FIG. 25 FRONT SUSPENSION & WHEEL



1S3L100-H250

REF. NO.	PART NO.	DESCRIPTION	USA	CAN	EUR	OCE	REMARKS
23	1S3-23350-70	SHOCK ABSORBER ASSY	2				UR FOR PGD
	1S3-23350-50	SHOCK ABSORBER ASSY		2			UR FOR DPBSE
	1S3-23350-80	SHOCK ABSORBER ASSY		2			UR FOR PGD
	1S3-23350-60	SHOCK ABSORBER ASSY			2	2	UR FOR DPBSE
	1S3-23350-90	SHOCK ABSORBER ASSY			2	2	UR FOR PGD
24	90105-10131	BOLT, FLANGE	4	4	4	4	
25	90185-10012	NUT, SELF-LOCKING	4	4	4	4	
26	90201-10035	WASHER, PLATE	2	2	2	2	
27	1S3-23501-00	STEERING KNUCKLE ASSY (LEFT)	1	1	1	1	
28	1S3-23502-00	STEERING KNUCKLE ASSY (RIGHT)	1	1	1	1	
29	90209-10229	WASHER	4	4	4	4	
30	90171-10001	NUT, CASTLE	4	4	4	4	
31	91402-20020	PIN, COTTER	4	4	4	4	
32	5TG-25875-00	HOLDER, BRAKE HOSE 1	1	1	1	1	
33	5TG-25876-00	HOLDER, BRAKE HOSE 2	1	1	1	1	
34	90109-067F4	BOLT	2	2	2	2	

FIG. 26 FUEL TANK



REF. NO.	PART NO.	DESCRIPTION	USA	CAN	EUR	OCE	REMARKS
1	1S3-13971-10	PIPE, FUEL 1	1	1			
	1S3-13971-00	PIPE, FUEL 1			1	1	
2	90464-14004	CLAMP	1	1	1	1	
3	1S3-24110-20	FUEL TANK COMP.	1	1			
	1S3-24110-00	FUEL TANK COMP.			1	1	
4	2FJ-24610-00	CAP ASSY	1	1	1	1	
5	4EW-2412F-00	BRACKET, SEAT	1	1	1	1	
6	98702-06025	SCREW, FLAT HEAD	1	1	1	1	
7	90480-01017	GROMMET	2	2	2	2	
8	90387-06M17	COLLAR	2	2	2	2	
9	90201-06090	WASHER, PLATE	2	2	2	2	
10	95802-06035	BOLT, FLANGE	2	2	2	2	
11	90480-18005	GROMMET	2	2	2	2	
12	90201-06033	WASHER, PLATE	2	2	2	2	
13	90387-06098	COLLAR	2	2	2	2	
14	95802-06035	BOLT, FLANGE	2	2	2	2	
15	90445-083J4	HOSE (L340)	1	1	1	1	
16	1S3-2414H-00	DAMPER, PLATE 1	1	1	1	1	
17	1S3-2416F-00	INSULATOR, FUEL TANK 1	1	1	1	1	
18	1S3-13907-02	FUEL PUMP COMP.	1	1	1	1	
19	1S3-24491-10	BRACKET, FUEL PUMP	1	1	1	1	
20	1S3-24486-00	O-RING	1	1	1	1	
21	95302-06800	NUT, CROWN	6	6	6	6	
22	1S3-24278-00	STOPPER 1	1	1	1	1	
23	1S3-24279-00	STOPPER 2	1	1	1	1	
24	1S3-24181-00	DAMPER, LOCATING 1	1	1	1	1	
25	1S3-24452-00	COVER	1	1	1	1	

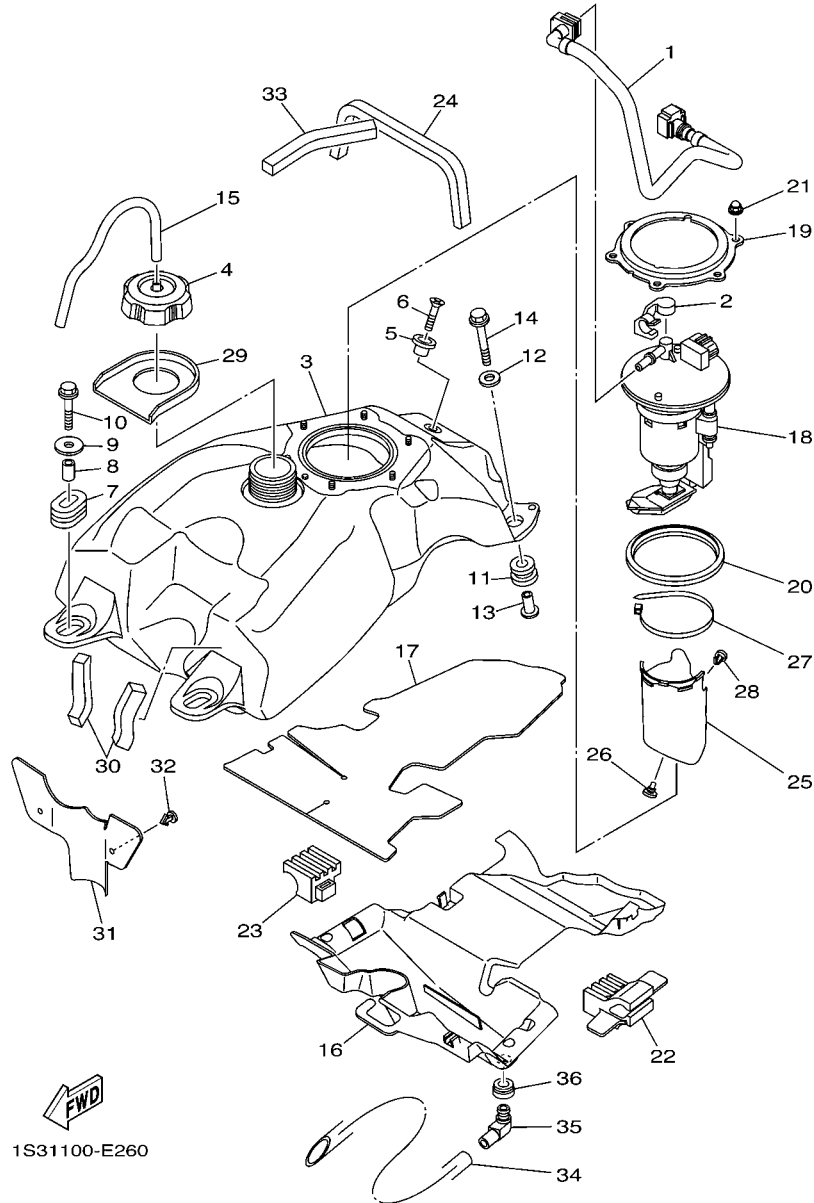
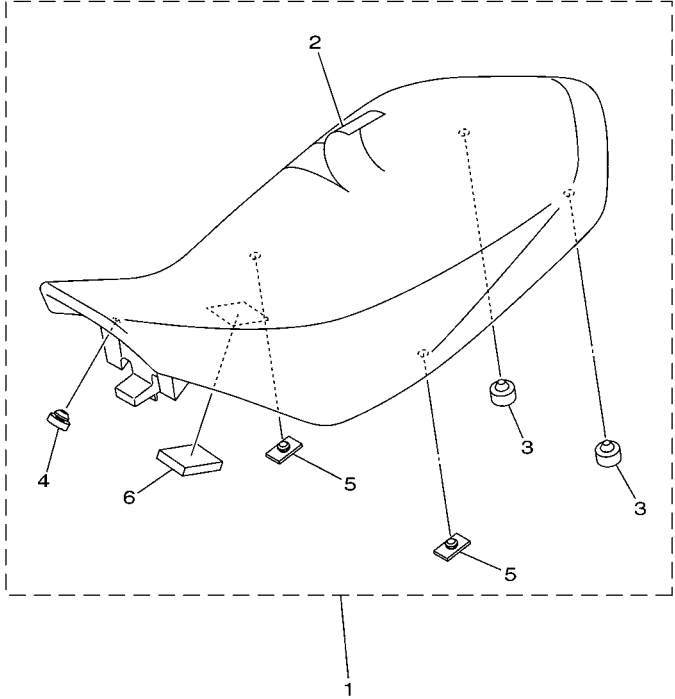


FIG. 26 FUEL TANK

REF. NO.	PART NO.	DESCRIPTION	USA	CAN	EUR	OCE	REMARKS
26	90338-05008	PLUG	2	2	2	2	
27	90464-66001	CLAMP	1	1	1	1	
28	90269-07011	RIVET	1	1	1	1	
29	1S3-2414J-00	DAMPER, PLATE 2	1	1	1	1	
30	1S3-24182-00	DAMPER, LOCATING 2	2	2	2	2	
31	1S3-2413X-00	PLATE	1	1	1	1	
32	90269-05055	RIVET	2	2	2	2	
33	1S3-24183-00	DAMPER, LOCATING 3	1	1	1	1	
34	90445-16007	HOSE (L400)	1	1	1	1	
35	31A-14419-00	PIPE	1	1	1	1	
36	31A-14435-00	GROMMET	1	1	1	1	

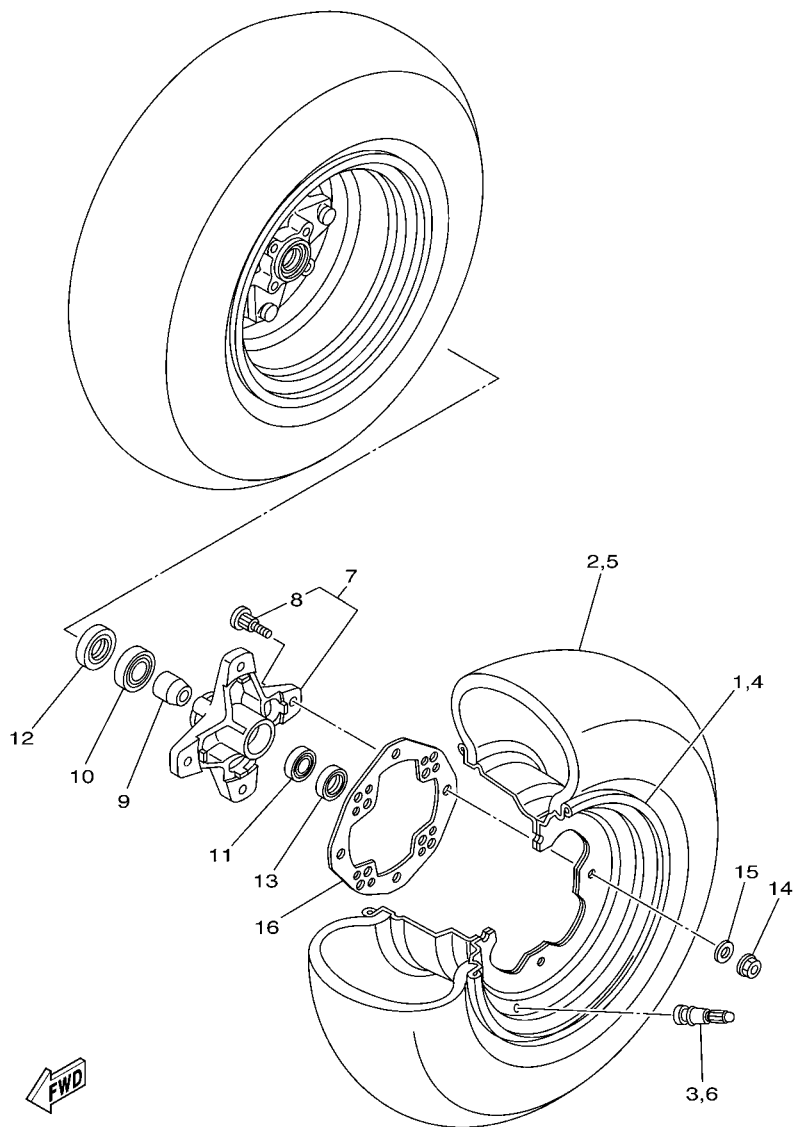
FIG. 27 SEAT



REF. NO.	PART NO.	DESCRIPTION	USA	CAN	EUR	OC	REMARKS
1	1S3-24710-20	SINGLE SEAT ASSY	1	1	1	1	
2	1S3-24731-20	.COVER, SEAT	1	1	1	1	
3	371-27114-00	.STOPPER, MAIN STAND	2	2	2	2	
4	22W-24741-00	.PAD, SEAT	1	1	1	1	
5	509-24724-00	.DAMPER, SEAT	2	2	2	2	
6	1S3-24723-00	.DAMPER, SEAT	1	1	1	1	

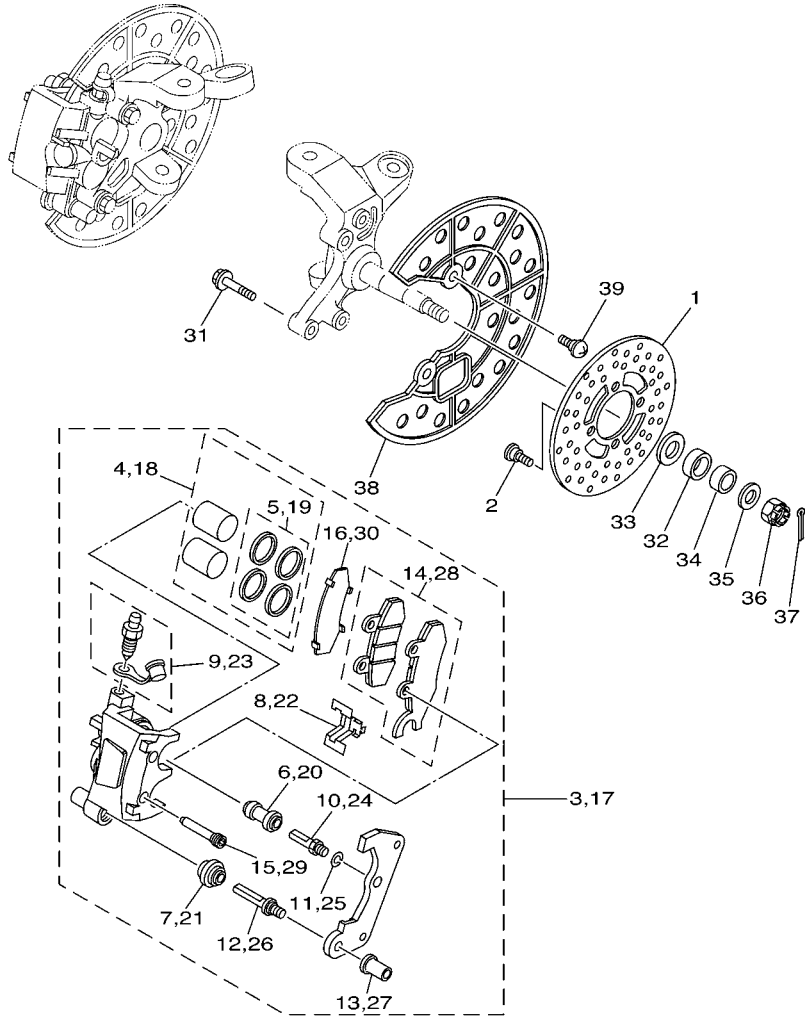
1S31100-E270

FIG. 28 FRONT WHEEL



5LP1100-1280

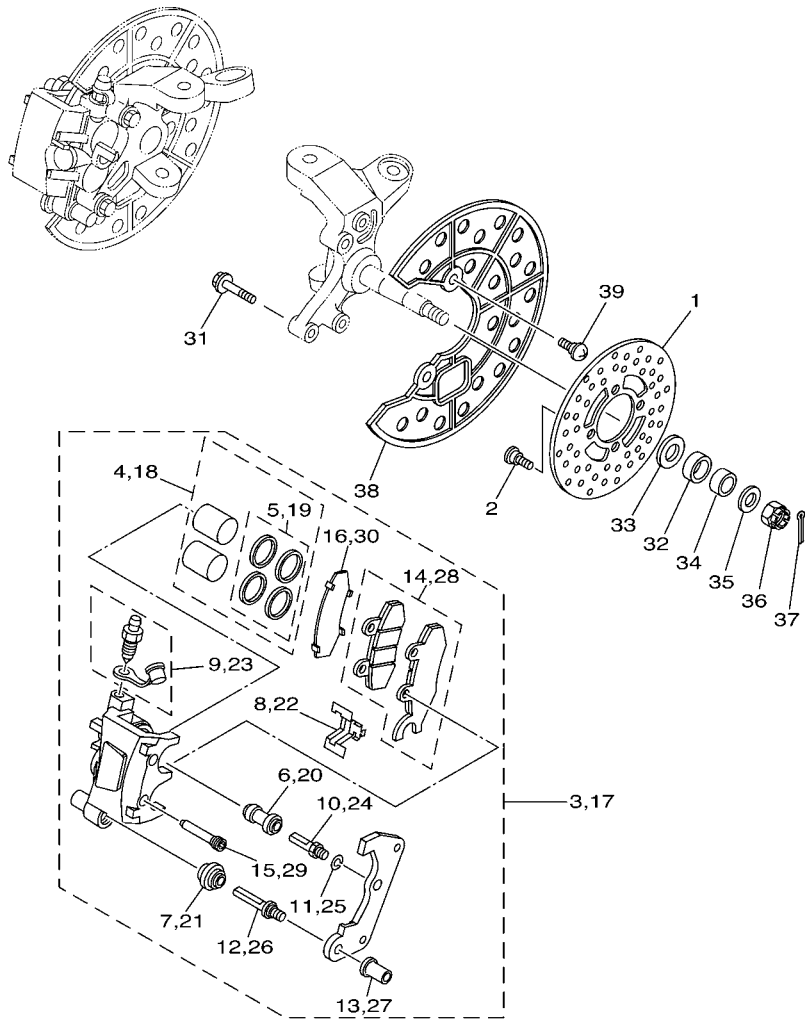
REF. NO.	PART NO.	DESCRIPTION	USA	CAN	EUR	OCE	REMARKS
1	5LP-25180-20	WHEEL COMP.	1	1	1	1	
2	94107-10015	TIRE (AT21X7R10 KT341 T/L N)	1	1	1	1	DUNLOP
3	93900-00030	VALVE, RIM (TR412)	1	1	1	1	TAIHEIYO
4	5LP-25180-20	WHEEL COMP.	1	1	1	1	
5	94107-10015	TIRE (AT21X7R10 KT341 T/L N)	1	1	1	1	DUNLOP
6	93900-00030	VALVE, RIM (TR412)	1	1	1	1	TAIHEIYO
7	1S3-25111-00	HUB, FRONT	2	2	2	2	
8	90114-10006	.BOLT, SERRATION	4	4	4	4	
9	5LP-25117-00	SPACER, BEARING	2	2	2	2	
10	93306-00446	BEARING	2	2	2	2	
11	93306-20231	BEARING	2	2	2	2	
12	93105-26026	OIL SEAL	2	2	2	2	
13	93102-22216	OIL SEAL	2	2	2	2	
14	95702-10500	NUT, WITH WASHER	8	8	8	8	
15	92902-10200	WASHER	8	8	8	8	
16	1S3-25127-00	COVER, PLATE	2	2	2	2	



1S31100-E290

FIG. 29 FRONT BRAKE CALIPER

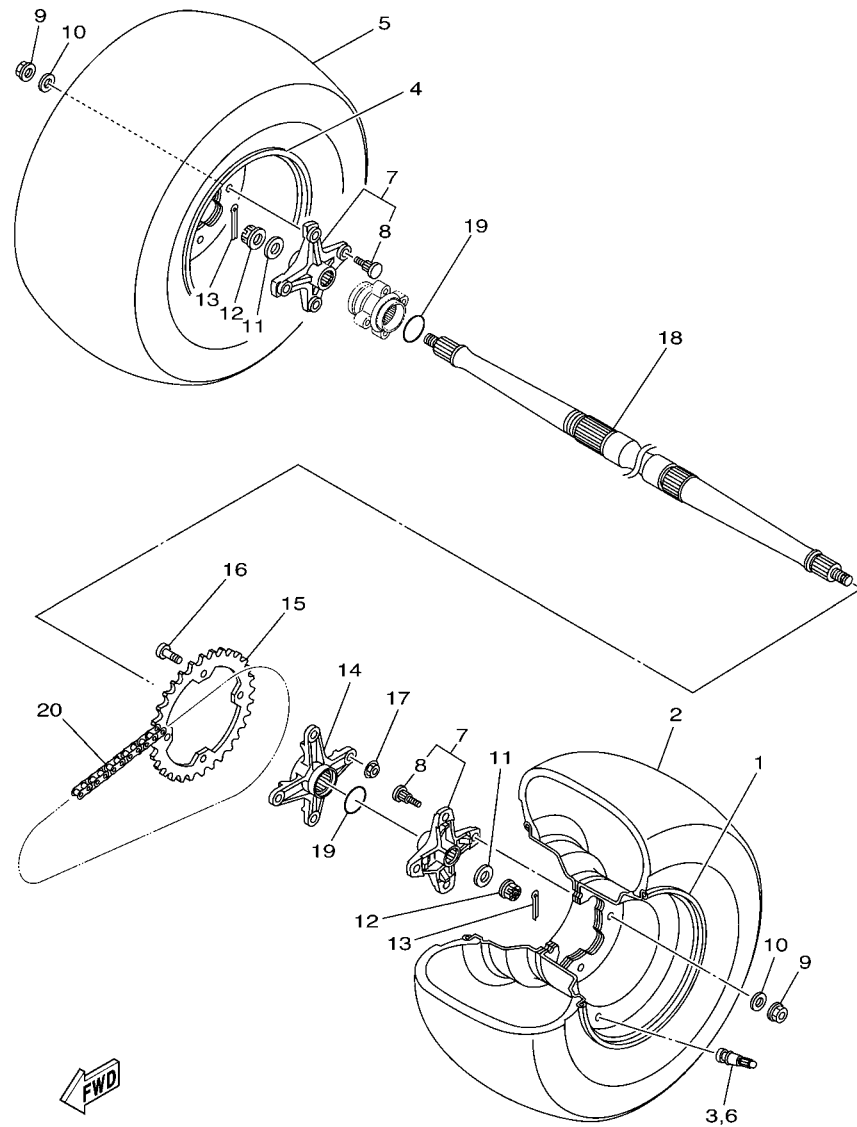
REF. NO.	PART NO.	DESCRIPTION	USA	CAN	EUR	OCE	REMARKS
1	3GD-2582T-10	DISC, BRAKE (LEFT)	2	2	2	2	
2	90109-08082	BOLT	8	8	8	8	
3	1S3-2580T-01	CALIPER ASSY (LEFT)	1	1	1	1	
4	5TG-W0057-00	.PISTON ASSY, CALIPER	1	1	1	1	
5	3LC-W0047-50	..CALIPER SEAL KIT	1	1	1	1	
6	1UY-25937-51	.BOOT 2	1	1	1	1	
7	3JD-25917-00	.BOOT, CALIPER	1	1	1	1	
8	3JD-25919-00	.SUPPORT, PAD	1	1	1	1	
9	1UY-W0048-50	.BLEED SCREW KIT	1	1	1	1	
10	1UY-25926-51	.BOLT	1	1	1	1	
11	1UY-25938-51	.WASHER, SPRING	1	1	1	1	
12	3JD-25926-00	.BOLT	1	1	1	1	
13	3JD-25961-00	.NUT	1	1	1	1	
14	1S3-W0045-00	.BRAKE PAD KIT	1	1	1	1	LH
15	5TG-25924-00	.PIN, PAD	2	2	2	2	
16	1S3-25828-00	.SHIM, CALIPER	1	1	1	1	
17	1S3-2580U-01	CALIPER ASSY (RIGHT)	1	1	1	1	
18	5TG-W0057-00	.PISTON ASSY, CALIPER	1	1	1	1	
19	3LC-W0047-50	..CALIPER SEAL KIT	1	1	1	1	
20	1UY-25937-51	.BOOT 2	1	1	1	1	
21	3JD-25917-00	.BOOT, CALIPER	1	1	1	1	
22	3JD-25919-00	.SUPPORT, PAD	1	1	1	1	
23	1UY-W0048-50	.BLEED SCREW KIT	1	1	1	1	
24	1UY-25926-51	.BOLT	1	1	1	1	
25	1UY-25938-51	.WASHER, SPRING	1	1	1	1	
26	3JD-25926-00	.BOLT	1	1	1	1	
27	3JD-25961-00	.NUT	1	1	1	1	



1S31100-E290

FIG. 29 FRONT BRAKE CALIPER

REF. NO.	PART NO.	DESCRIPTION	USA	CAN	EUR	OCE	REMARKS
28	1S3-W0045-10	.BRAKE PAD KIT	1	1	1	1	RH
29	5TG-25924-00	.PIN, PAD	2	2	2	2	
30	1S3-25828-00	.SHIM, CALIPER	1	1	1	1	
31	90105-08184	BOLT, FLANGE	4	4	4	4	
32	90387-20005	COLLAR	2	2	2	2	
33	90201-20022	WASHER, PLATE	2	2	2	2	
34	90387-150R1	COLLAR	2	2	2	2	
35	90201-14586	WASHER, PLATE	2	2	2	2	
36	90171-14002	NUT, CASTLE	2	2	2	2	
37	91402-30025	PIN, COTTER	2	2	2	2	
38	5TG-2514A-00	RING, WHEEL 1 (LEFT)	2	2	2	2	
39	90154-06014	SCREW, BINDING	4	4	4	4	

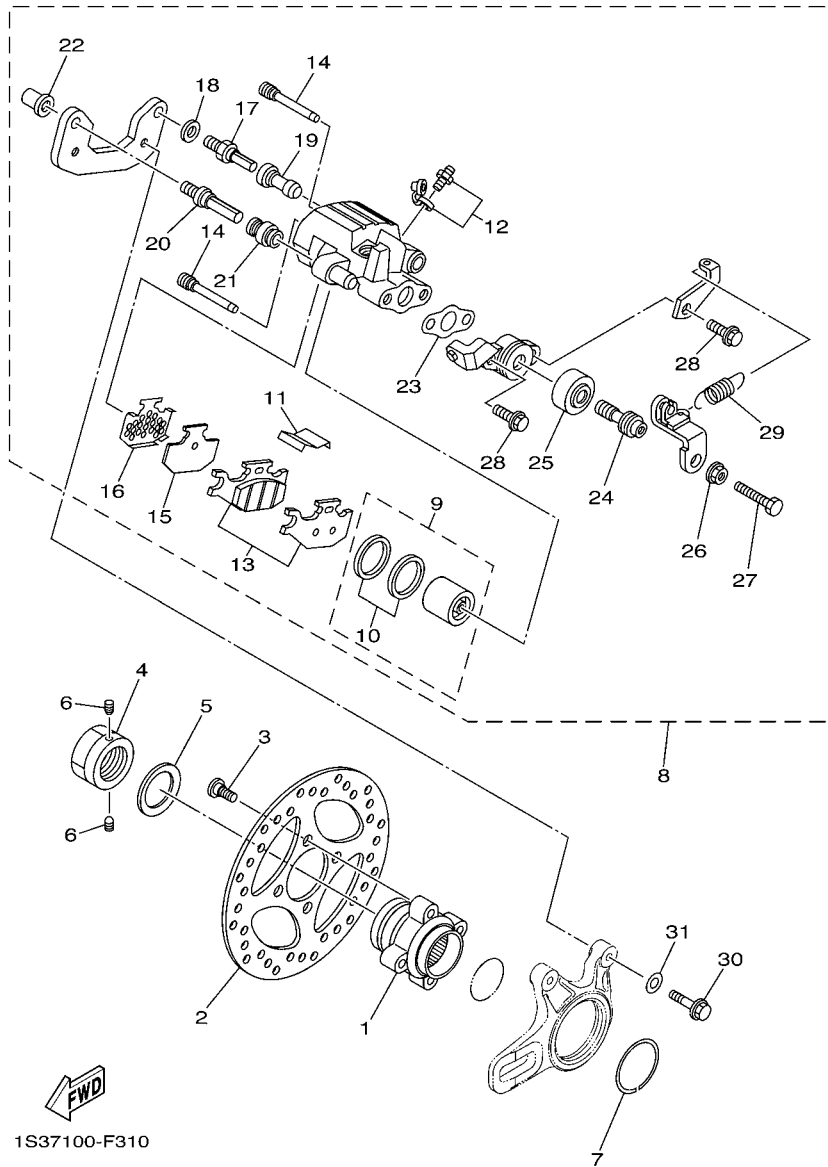


1S31100-E300

FIG. 30 REAR WHEEL

REF. NO.	PART NO.	DESCRIPTION	USA	CAN	EUR	OCF	REMARKS
1	5LP-25390-20	REAR WHEEL COMP.	1	1	1	1	
2	94110-09012	TIRE(AT20X10-R9 KT345 T/L N)	1	1	1	1	DUNLOP
3	93900-00022	VALVE, RIM (TR413)	1	1	1	1	TAIHEIYO
4	5LP-25390-20	REAR WHEEL COMP.	1	1	1	1	
5	94110-09012	TIRE(AT20X10-R9 KT345 T/L N)	1	1	1	1	DUNLOP
6	93900-00022	VALVE, RIM (TR413)	1	1	1	1	TAIHEIYO
7	1S3-25383-20	COLLAR, WHEEL	2	2	2	2	
8	90114-10013	.BOLT, SERRATION	4	4	4	4	
9	95702-10500	NUT, WITH WASHER	8	8	8	8	
10	92902-10200	WASHER	8	8	8	8	
11	90201-16023	WASHER, PLATE	2	2	2	2	
12	90171-16002	NUT, CASTLE	2	2	2	2	
13	90252-03001	PIN, COTTER	2	2	2	2	
14	1S3-25386-00	COLLAR, SPROCKET AXLE	1	1	1	1	
15	5TG-25438-10	SPROCKET, DRIVEN (38T)	1	1	1	1	
16	90109-10013	BOLT	4	4	4	4	
17	90185-10011	NUT, SELF-LOCKING	4	4	4	4	
18	1S3-25381-10	AXLE, WHEEL	1	1	1	1	
19	93210-36769	O-RING	2	2	2	2	
20	94582-13098	CHAIN (DID520MXV 98LE)	1	1	1	1	

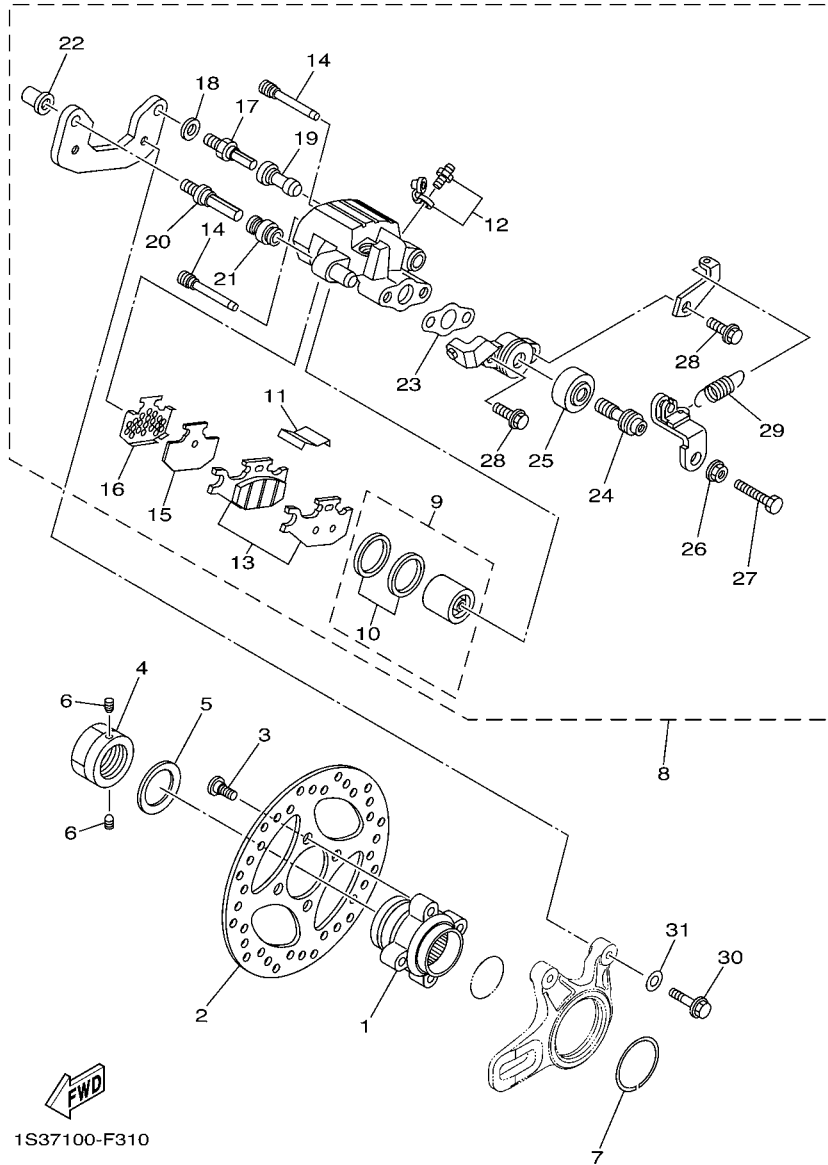
FIG. 31 REAR BRAKE CALIPER



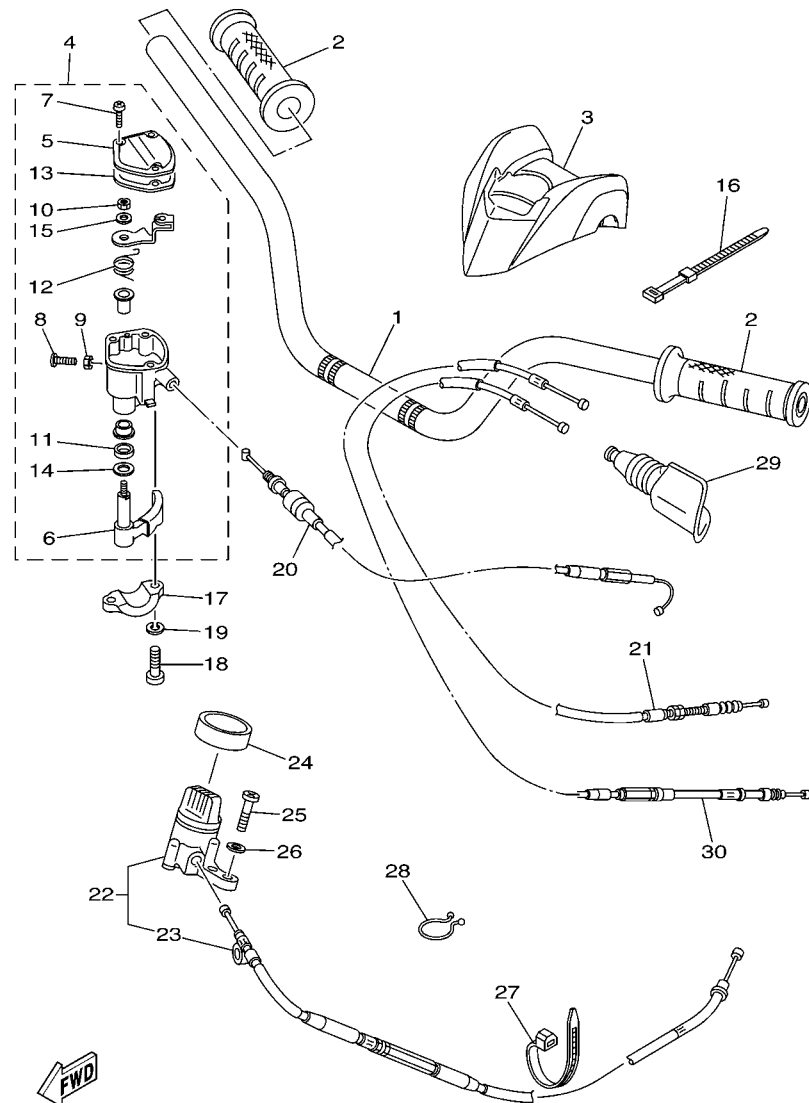
1S37100-F310

REF. NO.	PART NO.	DESCRIPTION	USA	CAN	EUR	OCE	REMARKS
1	1S3-25712-00	BRACKET, DISC	1	1	1	1	
2	1S3-2582W-10	DISK, REAR BRAKE 2	1	1	1	1	
3	90109-08076	BOLT	4	4	4	4	
4	90179-36003	NUT	1	1	1	1	
5	90208-37001	WASHER, CONICAL SPRING	1	1	1	1	
6	90113-06055	BOLT, SET	2	2	2	2	
7	1S3-25415-00	CIRCLIP	1	1	1	1	
8	1S3-2580V-11	CALIPER ASSY, REAR 1	1	1	1	1	
9	5UG-W0057-00	.PISTON ASSY, CALIPER	1	1	1	1	
10	3GD-W0047-00	..CALIPER SEAL KIT	1	1	1	1	
11	4GY-25919-50	.SUPPORT, PAD	1	1	1	1	
12	1UY-W0048-50	.BLEED SCREW KIT	1	1	1	1	
13	1S3-W0046-01	.BRAKE PAD KIT 2	1	1	1	1	
14	5GH-25924-00	.PIN, PAD	2	2	2	2	
15	5UG-25827-00	.SHIM, CALIPER	1	1	1	1	
16	5GH-25828-00	.SHIM, CALIPER	1	1	1	1	
17	1UY-25926-51	.BOLT	1	1	1	1	
18	1UY-25938-51	.WASHER, SPRING	1	1	1	1	
19	1UY-25937-51	.BOOT 2	1	1	1	1	
20	3JD-25926-00	.BOLT	1	1	1	1	
21	3JD-25917-00	.BOOT, CALIPER	1	1	1	1	
22	3JD-25961-00	.NUT	1	1	1	1	
23	5UG-25898-00	.GASKET	1	1	1	1	
24	1S3-25978-00	.SHAFT L	1	1	1	1	
25	1UY-25974-51	.BOOT	1	1	1	1	
26	1S3-25973-00	.NUT	1	1	1	1	
27	1S3-25972-00	.ADJUSTBOLT	1	1	1	1	

FIG. 31 REAR BRAKE CALIPER



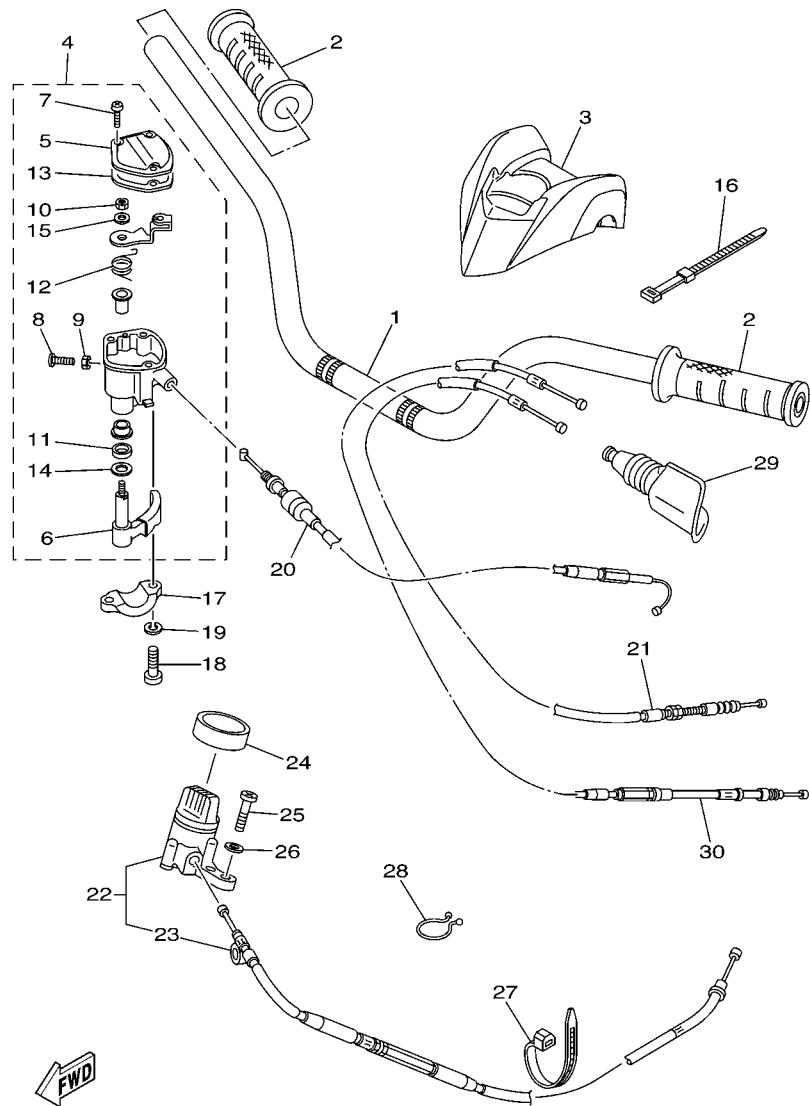
REF. NO.	PART NO.	DESCRIPTION	USA	CAN	EUR	OCE	REMARKS
28	5UG-25833-00	.BOLT, FITTING	2	2	2	2	
29	5TG-25977-50	.SPRING, RETURN	1	1	1	1	
30	90105-08104	BOLT, FLANGE	2	2	2	2	
31	90201-08060	WASHER, PLATE	2	2	2	2	



1S31100-E320

FIG. 32 STEERING HANDLE & CABLE

REF. NO.	PART NO.	DESCRIPTION	USA	CAN	EUR	OCE	REMARKS
1	1S3-26111-10	HANDLEBAR	1	1	1	1	
2	5LP-26241-00	GRIP	2	2	2	2	
3	1S3-26124-00	PROTECTOR, HANDLEBAR	1	1	1	1	
4	4KB-26250-20	THROTTLE LEVER ASSY	1	1	1	1	
5	4KB-2628F-20	.CAP, GEAR	1	1	1	1	
6	1NV-2625G-01	.LEVER, THROTTLE	1	1	1	1	
7	4KB-2632G-00	.SCREW	3	3	3	3	
8	4KB-26256-00	.SCREW, GRIP END	1	1	1	1	
9	95607-05100	.NUT, U	1	1	1	1	
10	4KB-26258-00	.NUT, LOCK	1	1	1	1	
11	93104-09025	.OIL SEAL	1	1	1	1	
12	1NV-26304-00	.SPRING	1	1	1	1	
13	4KB-2628G-00	.GASKET	1	1	1	1	
14	1NV-26129-00	.WASHER	1	1	1	1	
15	1NV-26398-00	.WASHER	1	1	1	1	
16	437-83936-01	BAND, SWITCH CORD	4	4	4	4	
17	4V4-82913-00	HOLDER, LEVER LOWER 1	1	1	1	1	
18	98502-05020	SCREW, PAN HEAD	2	2	2	2	
19	92902-05100	WASHER, SPRING	2	2	2	2	
20	1S3-26311-10	CABLE, THROTTLE 1	1	1	1	1	
21	1S3-26335-00	CABLE, CLUTCH	1	1	1	1	
22	1S3-26150-10	REV. LEVER ASSY.	1	1	1	1	
23	1S3-2637E-10	.CABLE, CONTROL 1	1	1	1	1	
24	1S3-26113-00	DAMPER	1	1	1	1	
25	98502-05018	SCREW, PAN HEAD	2	2	2	2	
26	92902-05600	WASHER, PLATE	2	2	2	2	
27	90464-13073	CLAMP	1	1	1	1	



1S31100-E320

FIG. 32 STEERING HANDLE & CABLE

REF. NO.	PART NO.	DESCRIPTION	USA	CAN	EUR	OCE	REMARKS
28	90464-23041	CLAMP	1	1	1	1	
29	31A-26372-00	COVER, HANDLE LEVER 1	1	1	1	1	
30	1S3-26341-00	WIRE, BRAKE 1	1	1	1	1	

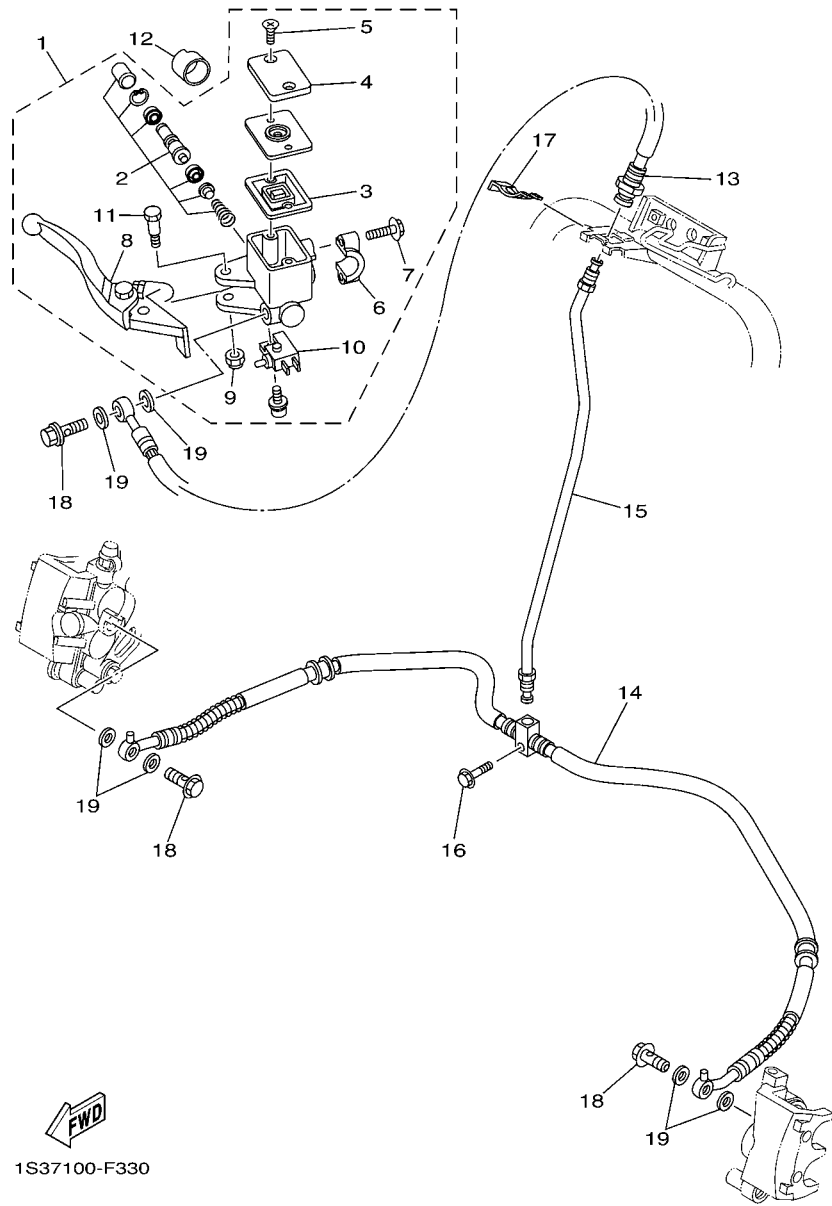
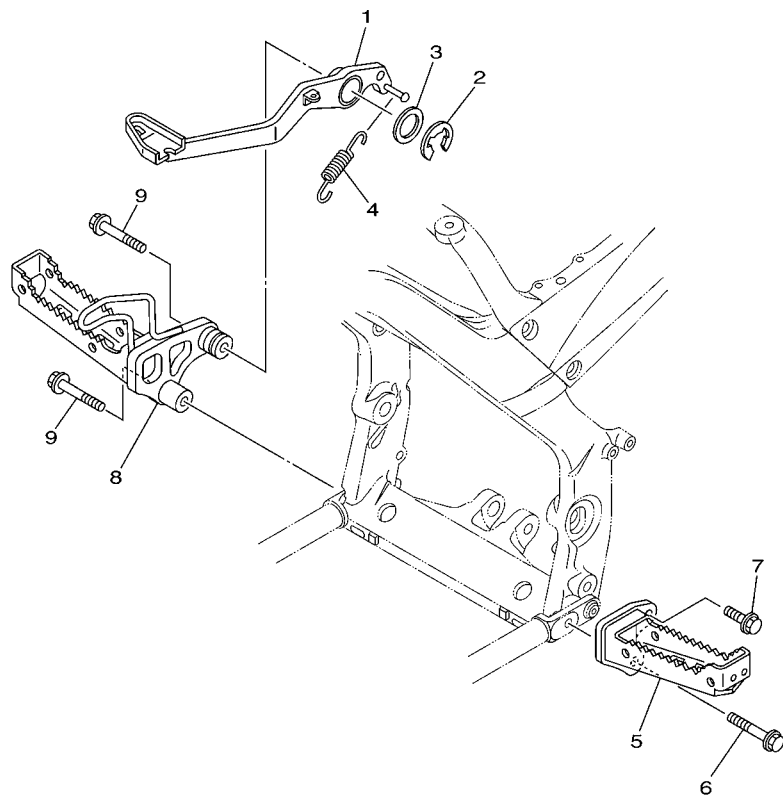


FIG. 33 FRONT MASTER CYLINDER

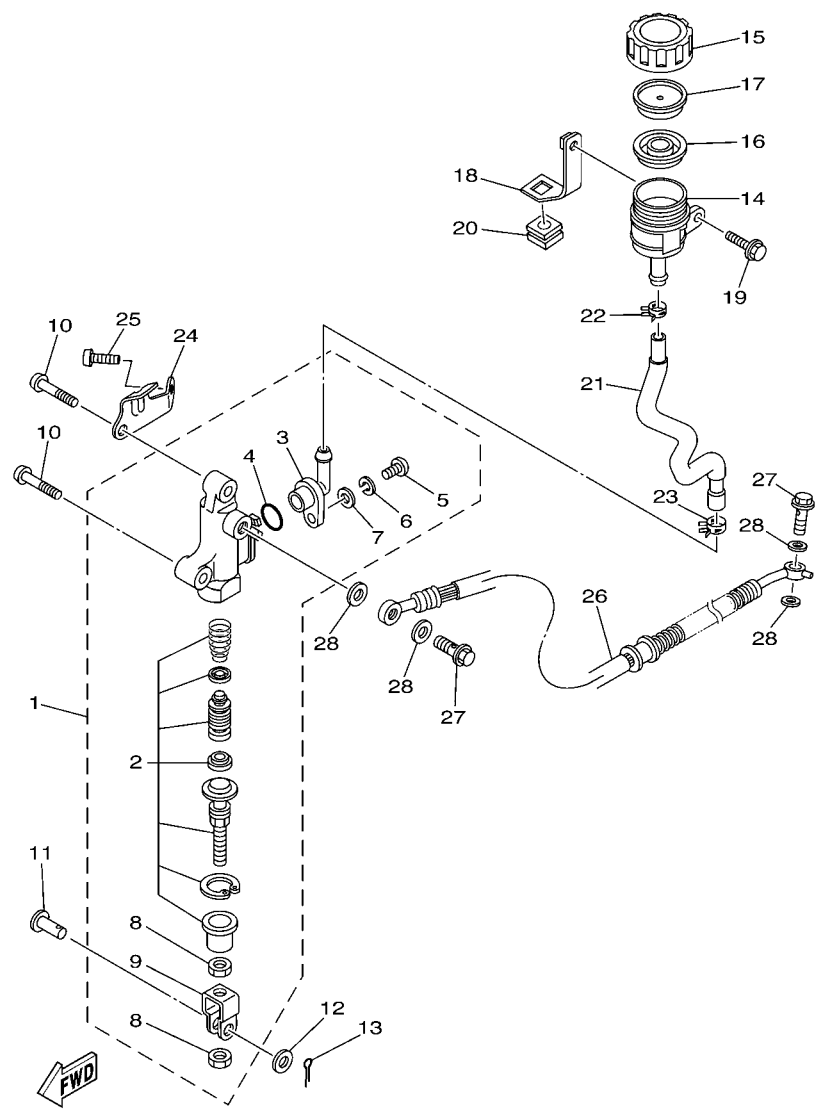
REF. NO.	PART NO.	DESCRIPTION	USA	CAN	EUR	OCE	REMARKS
1	5D3-2583T-00	MASTER CYLINDER ASSY	1	1	1	1	
2	5D3-W0041-00	.CYLINDER KIT, MASTER	1	1	1	1	
3	4TT-25854-00	.DIAPHRAGM, RESERVOIR	1	1	1	1	
4	5D3-25852-00	.CAP, RESERVOIR	1	1	1	1	
5	4NK-2589H-00	.SCREW	2	2	2	2	
6	5LP-25867-00	.BRACKET, MASTER CYLINDER	1	1	1	1	
7	5MV-25833-00	.BOLT, FITTING	2	2	2	2	
8	5D3-83922-00	.LEVER 2	1	1	1	1	
9	95604-06100	.NUT, U	1	1	1	1	
10	5D3-83980-00	.FRONT STOP SWITCH ASSY	1	1	1	1	
11	5MV-2589F-00	.BOLT, LEVER	1	1	1	1	
12	1UY-26259-00	COLLAR	1	1	1	1	
13	1S3-25872-10	HOSE, BRAKE 1	1	1	1	1	
14	5TG-25873-10	HOSE, BRAKE 2	1	1	1	1	
15	1S3-25871-10	PIPE, BRAKE	1	1	1	1	
16	95822-06025	BOLT, FLANGE	1	1	1	1	
17	2GU-25866-00	CIRCLIP	1	1	1	1	
18	90401-10015	BOLT, UNION	3	3	3	3	
19	90201-10118	WASHER, PLATE	6	6	6	6	

FIG. 34 STAND & FOOTREST

REF. NO.	PART NO.	DESCRIPTION	USA	CAN	EUR	OCE	REMARKS
1	1S3-27211-10	PEDAL, BRAKE	1	1	1	1	
2	93430-23054	CIRCLIP	1	1	1	1	
3	90201-266F6	WASHER, PLATE	1	1	1	1	
4	90506-20380	SPRING, TENSION	1	1	1	1	
5	1S3-27411-10	FOOTREST 1	1	1	1	1	
6	90105-10294	BOLT, FLANGE	1	1	1	1	
7	95812-10030	BOLT, FLANGE	1	1	1	1	
8	1S3-27421-10	FOOTREST 2	1	1	1	1	
9	90105-10294	BOLT, FLANGE	2	2	2	2	



FWD
1S31100-E340



1S31100-E350

FIG. 35 REAR MASTER CYLINDER

REF. NO.	PART NO.	DESCRIPTION	USA	CAN	EUR	OCE	REMARKS
1	1S3-2580E-00	REAR MASTER CYLINDER ASSY	1	1	1	1	
2	1S3-W0042-50	.CYLINDER KIT, MASTER	1	1	1	1	
3	1AE-2582A-00	.JOINT	1	1	1	1	
4	93210-15620	.O-RING	1	1	1	1	
5	98506-04012	.SCREW, PAN HEAD	1	1	1	1	
6	92906-04100	.WASHER, SPRING	1	1	1	1	
7	92906-04600	.WASHER, PLATE	1	1	1	1	
8	4SS-27218-00	.NUT	2	2	2	2	
9	2YK-27222-00	.JOINT	1	1	1	1	
10	92012-08035	BOLT, BUTTON HEAD	2	2	2	2	
11	90240-08124	PIN, CLEVIS	1	1	1	1	
12	90201-08083	WASHER, PLATE	1	1	1	1	
13	91401-16012	PIN, COTTER	1	1	1	1	
14	5JJ-25894-00	TANK, RESERVOIR	1	1	1	1	
15	3XP-25852-50	CAP, RESERVOIR	1	1	1	1	
16	2VN-25854-00	DIAPHRAGM, RESERVOIR	1	1	1	1	
17	2VN-25855-00	BUSH, DIAPHRAGM	1	1	1	1	
18	1S3-26292-00	STAY	1	1	1	1	
19	90119-06137	BOLT, WITH WASHER	1	1	1	1	
20	90480-15009	GROMMET	1	1	1	1	
21	1S3-25895-00	HOSE, RESERVOIR	1	1	1	1	
22	90467-11044	CLIP	1	1	1	1	
23	90467-14057	CLIP	1	1	1	1	
24	1S3-27453-00	COVER 1	1	1	1	1	
25	92012-08016	BOLT, BUTTON HEAD	1	1	1	1	
26	1S3-25874-10	HOSE, BRAKE	1	1	1	1	
27	90401-10015	BOLT, UNION	2	2	2	2	

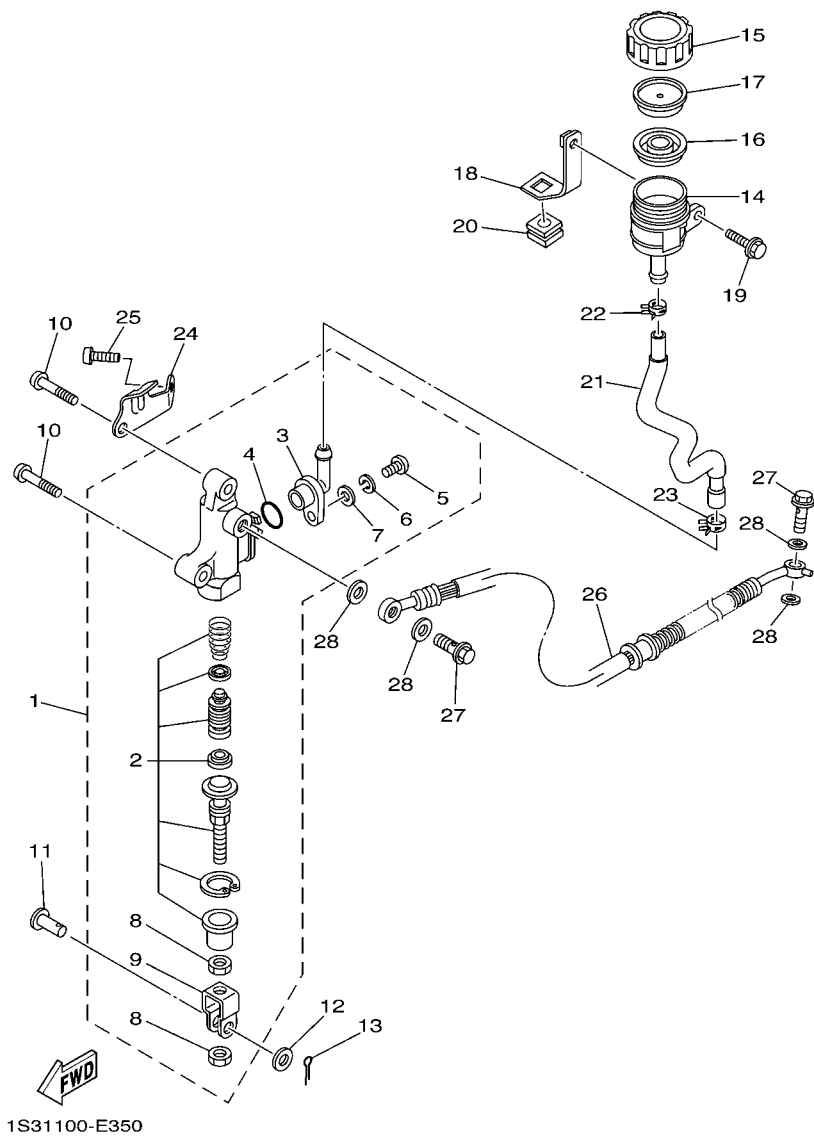


FIG. 35 REAR MASTER CYLINDER

REF. NO.	PART NO.	DESCRIPTION	USA	CAN	EUR	OCE	REMARKS
28	90201-10118	WASHER, PLATE	4	4	4	4	

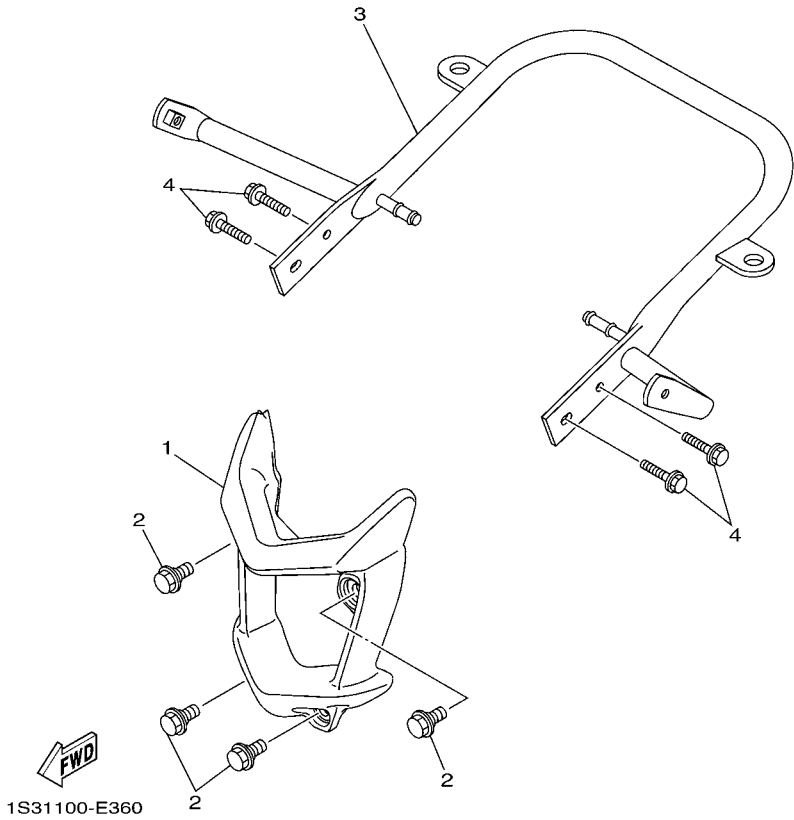
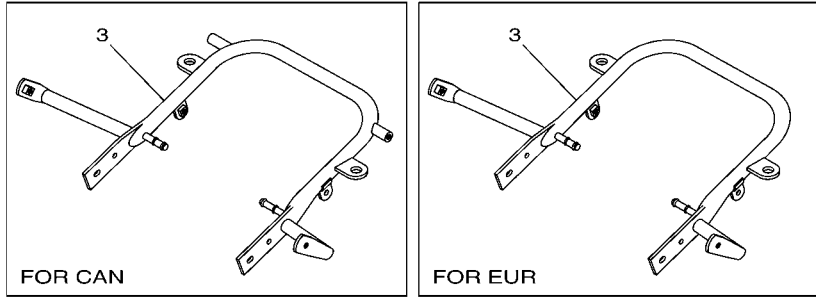
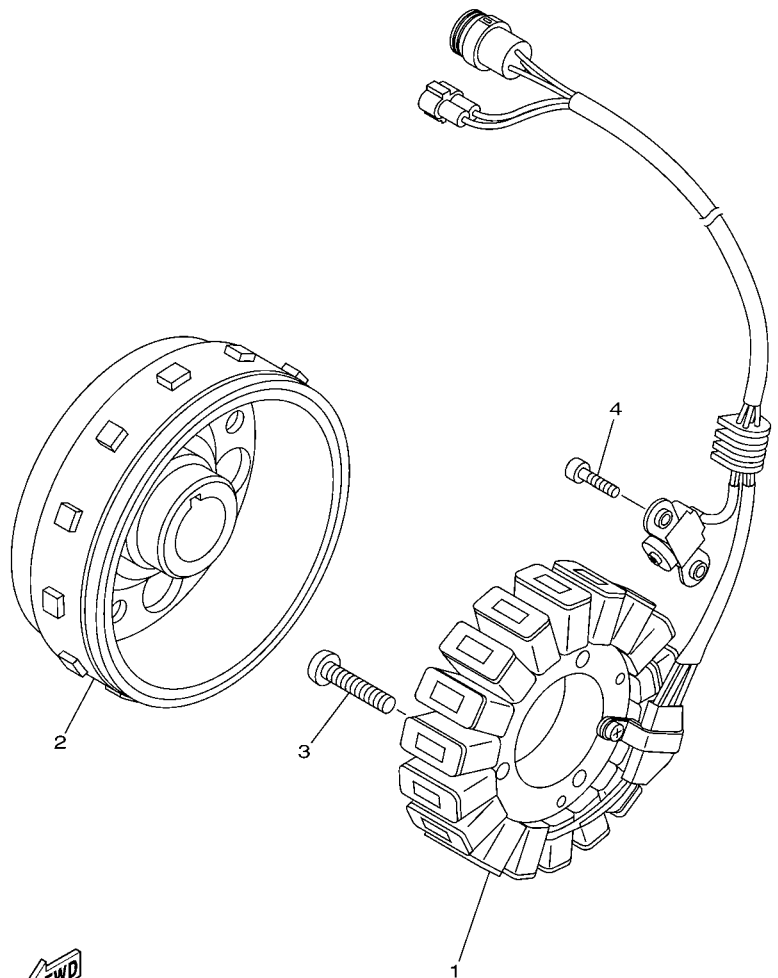


FIG. 36 GUARD

REF. NO.	PART NO.	DESCRIPTION	USA	CAN	EUR	OCE	REMARKS
1	1S3-2845N-00	BAR, CARRY FRONT	1	1	1	1	
2	90109-08100	BOLT	4	4	4	4	
3	1S3-2845R-30	BAR, CARRY REAR	1			1	
	1S3-2845R-40	BAR, CARRY REAR		1			
	1S3-2845R-50	BAR, CARRY REAR			1		
4	90105-08142	BOLT, FLANGE	4	4	4	4	

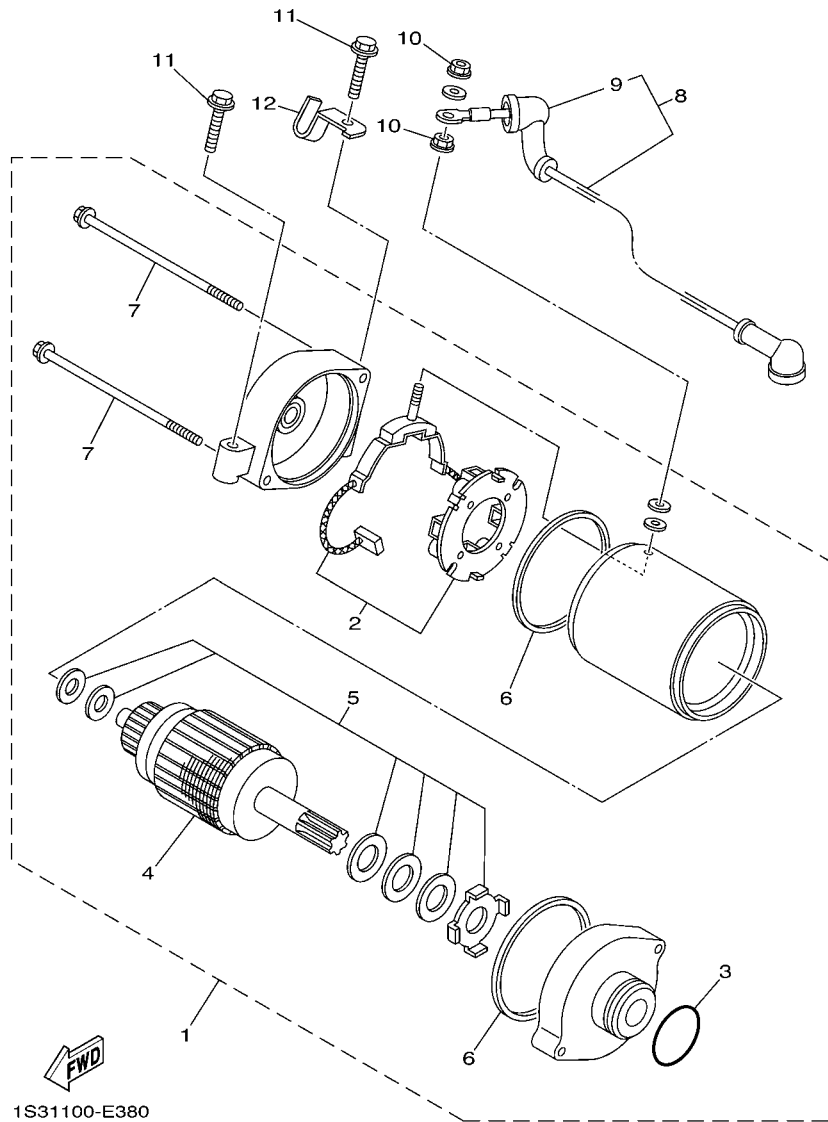
FIG. 37 GENERATOR



REF. NO.	PART NO.	DESCRIPTION	USA	CAN	EUR	OCE	REMARKS
1	1S3-81410-00	STATOR ASSY	1	1	1	1	
2	1S3-81450-00	ROTOR ASSY	1	1	1	1	
3	92012-06030	BOLT, BUTTON HEAD	3	3	3	3	
4	90110-05031	BOLT, HEXAGON SOCKET HEAD	2	2	2	2	

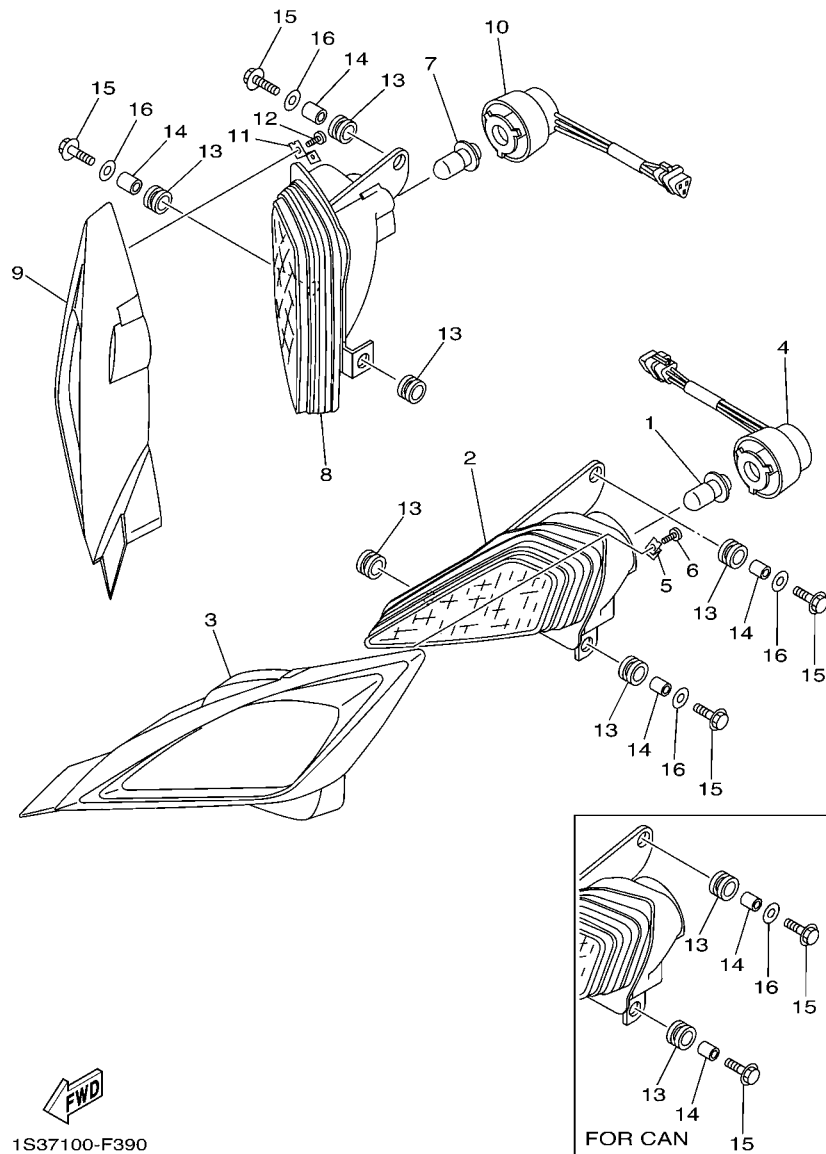
← FWD
1S31100-E370

FIG. 38 STARTING MOTOR



1S31100-E380

REF. NO.	PART NO.	DESCRIPTION	USA	CAN	EUR	OCE	REMARKS
1	1S3-81890-00	MOTOR ASSY	1	1	1	1	
2	3AJ-81801-00	.BRUSH SET	1	1	1	1	
3	1FK-81847-00	.O-RING	1	1	1	1	
4	4NK-81850-00	.ARMATURE ASSY	1	1	1	1	
5	3KS-81809-00	.WASHER KIT	1	1	1	1	
6	11H-81844-00	.GASKET	2	2	2	2	
7	3AJ-81826-00	.BOLT	2	2	2	2	
8	1S3-81815-00	CORD, STARTER MOTOR	1	1	1	1	
9	4G0-81871-00	.CAP	1	1	1	1	
10	4XV-8182A-00	NUT	2	2	2	2	
11	95812-06030	BOLT, FLANGE	2	2	2	2	
12	1S3-15484-00	CLAMP 2	1	1	1	1	

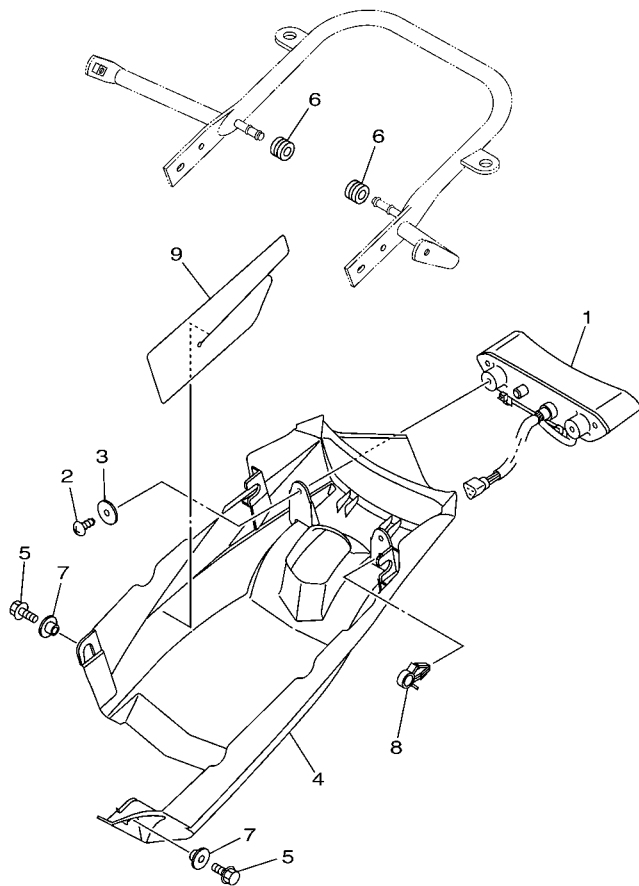


FWD
1S37100-F390

FIG. 39 HEADLIGHT

REF. NO.	PART NO.	DESCRIPTION	USA	CAN	EUR	OCE	REMARKS
1	4KB-84314-01	BULB (12V-30/30W)	1	1	1	1	
2	5TG-84110-03	HEADLIGHT UNIT ASSY	1	1	1	1	
3	1S3-84165-00	RIM, HEADLIGHT COVER 1	1	1	1	1	
4	5TG-84140-01	SOCKET CORD ASSY	1	1	1	1	
5	1S3-8413J-00	PLATE, FITTING	1	1	1	1	
6	97707-30510	SCREW, TAPPING	1	1	1	1	
7	4KB-84314-01	BULB (12V-30/30W)	1	1	1	1	
8	5TG-84310-03	HEADLIGHT UNIT ASSY	1	1	1	1	
9	1S3-84166-00	RIM, HEADLIGHT COVER 2	1	1	1	1	
10	5TG-84340-01	SOCKET CORD ASSY 1	1	1	1	1	
11	1S3-8413J-00	PLATE, FITTING	1	1	1	1	
12	97707-30510	SCREW, TAPPING	1	1	1	1	
13	90480-14102	GROMMET	6	6	6	6	
14	90387-07598	COLLAR	4	4	4	4	
15	95812-06030	BOLT, FLANGE	4	4	4	4	
16	90201-06078	WASHER, PLATE	4	2	4	4	

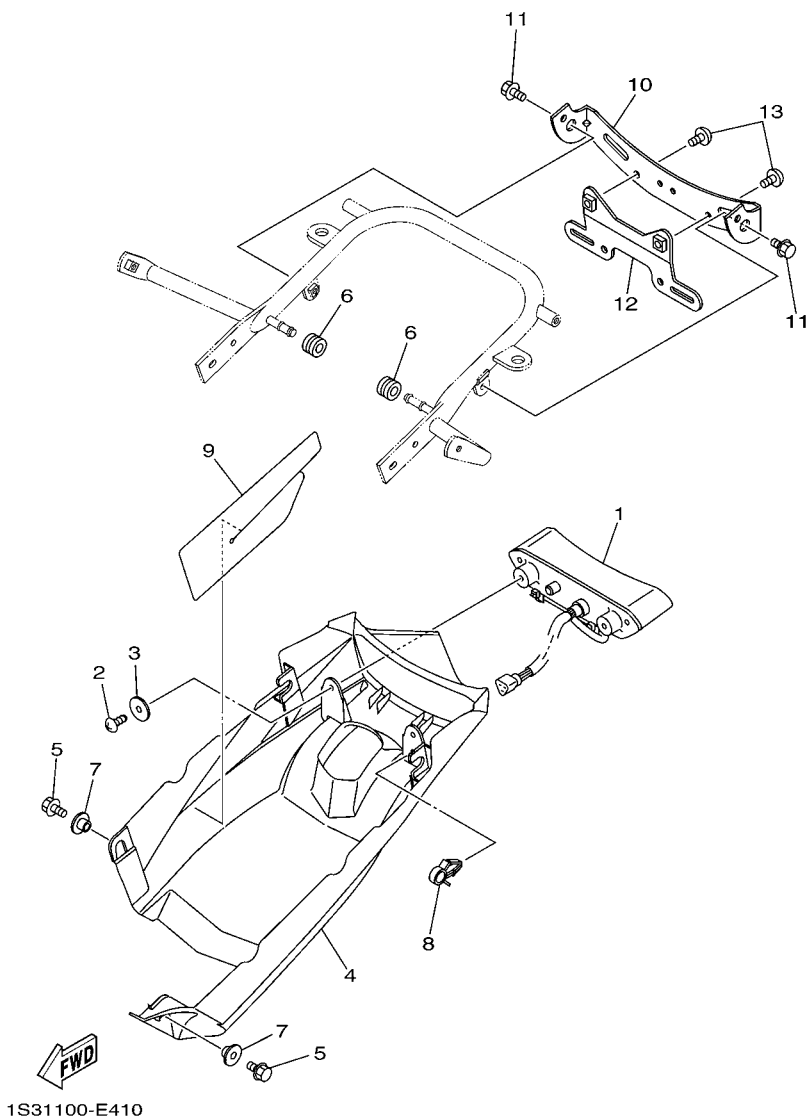
FIG. 40 TAILLIGHT



1S31100-E400

REF. NO.	PART NO.	DESCRIPTION	USA	CAN	EUR	OCE	REMARKS
1	1S3-84710-00	TAILLIGHT UNIT ASSY	1			1	
2	97702-50016	SCREW, TAPPING	2			2	
3	90201-05025	WASHER, PLATE	2			2	
4	1S3-84716-00	COVER, TAILLIGHT	1			1	UR FOR DPBSE
	1S3-84716-30	COVER, TAILLIGHT	1			1	UR FOR PGD
5	95802-06010	BOLT, FLANGE	2			2	
6	90480-14101	GROMMET	2			2	
7	90387-06153	COLLAR	2			2	
8	90464-15157	CLAMP	1			1	
9	1S3-84736-00	DAMPER, TAIL 1	1			1	

FIG. 41 TAILLIGHT 2



REF. NO.	PART NO.	DESCRIPTION	USA	CAN	EUR	OCE	REMARKS
1	1S3-84710-00	TAILLIGHT UNIT ASSY		1	1		
2	97702-50016	SCREW, TAPPING		2	2		
3	90201-05025	WASHER, PLATE		2	2		
4	1S3-84716-00	COVER, TAILLIGHT		1	1		UR FOR DPBSE
	1S3-84716-30	COVER, TAILLIGHT		1	1		UR FOR PGD
5	95802-06010	BOLT, FLANGE		2	2		
6	90480-14101	GROMMET		2	2		
7	90387-06153	COLLAR		2	2		
8	90464-15157	CLAMP		1	1		
9	1S3-84736-00	DAMPER, TAIL 1		1	1		
10	1S3-84703-10	BRACKET		1	1		
11	95802-06010	BOLT, FLANGE		2	2		
12	1S3-84751-10	BRACKET, LICENSE		1			
13	92012-06010	BOLT, BUTTON HEAD		2			

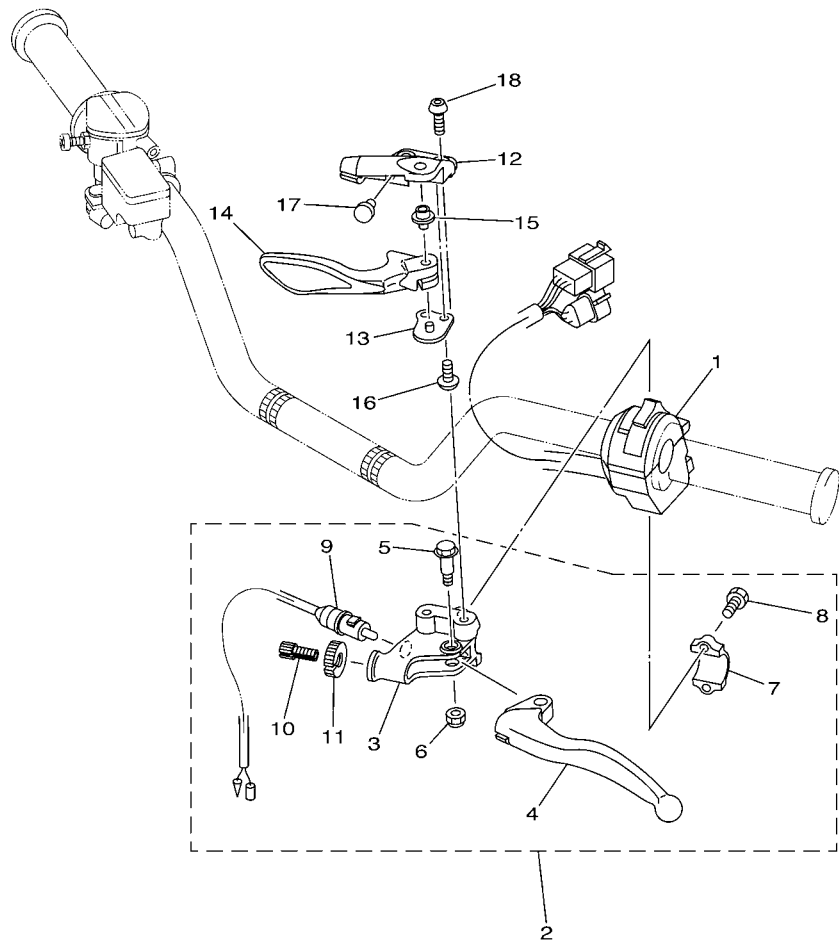
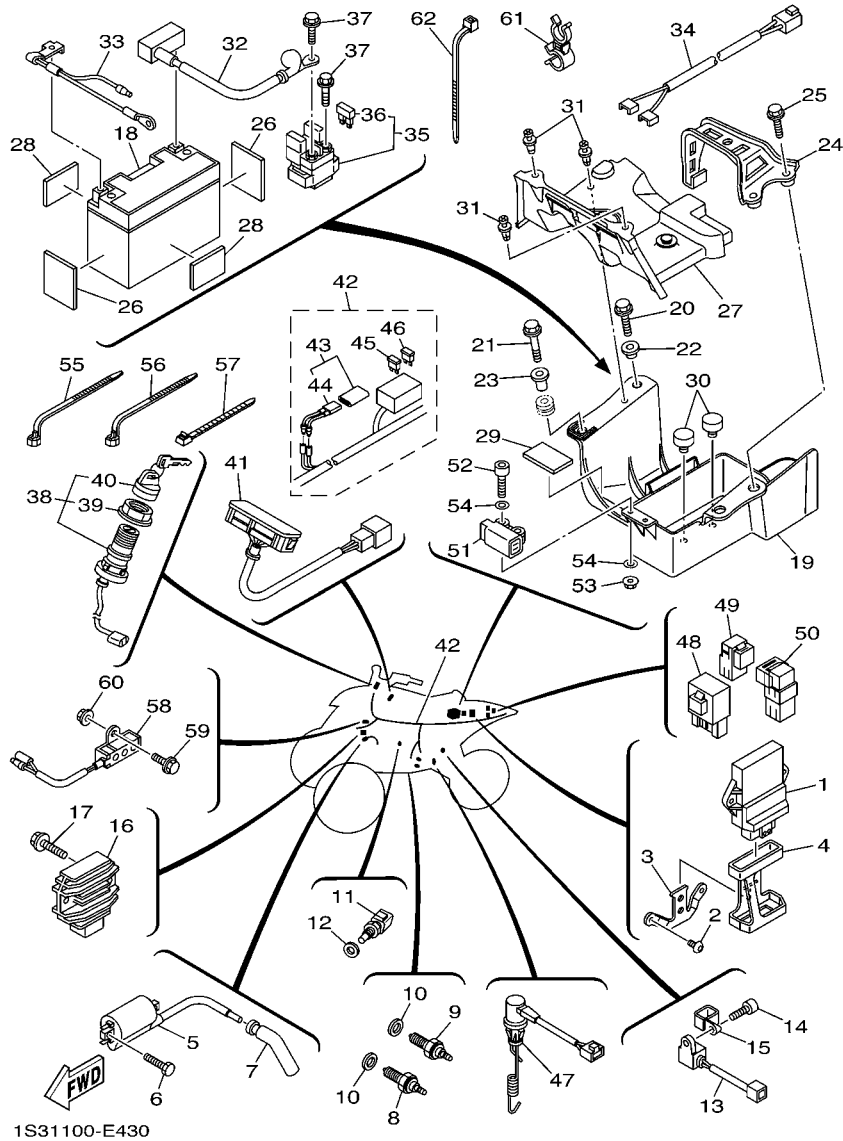


FIG. 42 HANDLE SWITCH & LEVER

REF. NO.	PART NO.	DESCRIPTION	USA	CAN	EUR	OCE	REMARKS
1	1S3-83973-00	SWITCH, HANDLE 3	1	1	1	1	
2	5YT-82910-10	LEVER HOLDER ASSY (LEFT)	1	1	1	1	
3	5YT-82911-10	.HOLDER, LEVER 1	1	1	1	1	
4	2HT-83912-00	.LEVER 1	1	1	1	1	
5	90109-06798	.BOLT	1	1	1	1	
6	95602-06100	.NUT, U	1	1	1	1	
7	5TG-82913-00	.HOLDER, LEVER LOWER 1	1	1	1	1	
8	97002-05016	.BOLT	2	2	2	2	
9	5KM-82917-00	.SWITCH	1	1	1	1	
10	90123-08046	.BOLT	1	1	1	1	
11	90179-08148	.NUT	1	1	1	1	
12	1S3-25727-00	BRACKET, LEVER	1	1	1	1	
13	5D3-25689-00	PLATE, GUIDE	1	1	1	1	
14	1S3-25726-00	LEVER, BRAKE	1	1	1	1	
15	5TG-83923-00	COLLAR, LEVER 2	1	1	1	1	
16	92012-06012	BOLT, BUTTON HEAD	2	2	2	2	
17	90338-07007	PLUG	1	1	1	1	
18	92014-06016	BOLT, BUTTON HEAD	2	2	2	2	



1S31100-E420



1S31100-E430

FIG. 43 ELECTRICAL 1

REF. NO.	PART NO.	DESCRIPTION	USA	CAN	EUR	OCE	REMARKS
1	1S3-8591A-00	ENGINE CONTROL UNIT ASSY	1	1	1	1	
2	92012-06010	BOLT, BUTTON HEAD	2	2	2	2	
3	1S3-21274-00	BRACKET, C.D.I. UNIT	1	1	1	1	
4	1S3-85546-00	BAND	1	1	1	1	
5	3TB-82310-00	IGNITION COIL ASSY	1	1	1	1	
6	97002-05020	BOLT	2	2	2	2	
7	5VK-82370-00	PLUG CAP ASSY	1	1	1	1	
8	5LP-82540-01	NEUTRAL SWITCH ASSY	1	1	1	1	
9	3GB-82540-01	NEUTRAL SWITCH ASSY	1	1	1	1	
10	90430-10148	GASKET	2	2	2	2	
11	5PS-85790-00	THERMOSENSOR ASSY	1	1	1	1	
12	90430-12202	GASKET	1	1	1	1	
13	1S3-83755-00	SENSOR, SPEED	1	1	1	1	
14	91312-06016	BOLT	1	1	1	1	
15	90461-10004	CLAMP	1	1	1	1	
16	5BN-81960-00	RECTIFIER & REGULATOR ASSY	1	1	1	1	
17	95802-06025	BOLT, FLANGE	2	2	2	2	
18	5GJ-82100-01	BATTERY ASSY (GS GT9B-4)	1	1	1	1	
19	1S3-8212B-00	BOX, BATTERY 1	1	1	1	1	
20	90105-06084	BOLT, FLANGE	1	1	1	1	
21	95802-06030	BOLT, FLANGE	1	1	1	1	
22	90387-06153	COLLAR	1	1	1	1	
23	90387-06168	COLLAR	1	1	1	1	
24	1S3-82128-00	BRACKET, BATTERY	1	1	1	1	
25	95802-06020	BOLT, FLANGE	2	2	2	2	
26	1S3-82123-00	SEAT, BATTERY	2	2	2	2	
27	1S3-82129-00	COVER, BATTERY	1	1	1	1	

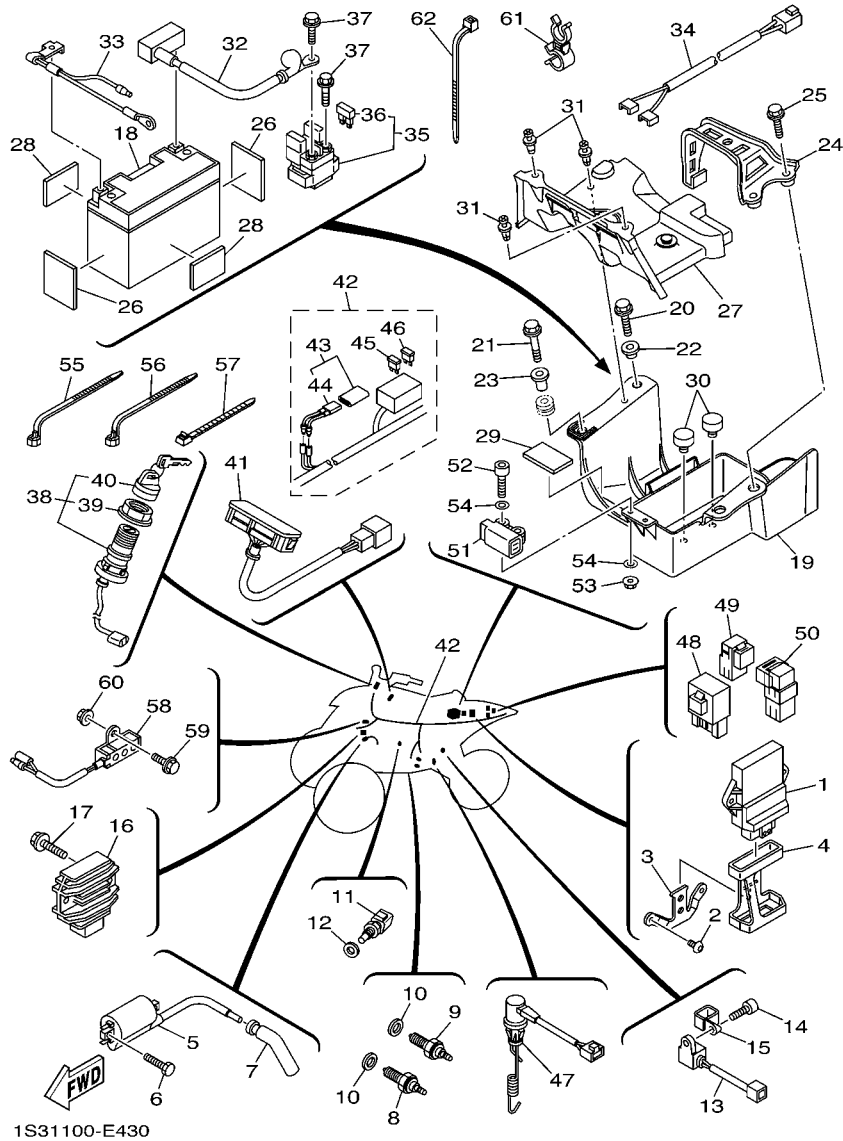


FIG. 43 ELECTRICAL 1

REF. NO.	PART NO.	DESCRIPTION	USA	CAN	EUR	OCE	REMARKS
28	1S3-82122-00	SEAT, BATTERY	2	2	2	2	
29	22F-2139X-00	DAMPER	1	1	1	1	
30	5TG-82121-10	PAD, BATTERY	2	2	2	2	
31	90269-06002	RIVET	3	3	3	3	
32	1S3-82115-00	WIRE, PLUS LEAD	1	1	1	1	
33	1S3-82116-10	WIRE, MINUS LEAD	1	1	1	1	
34	1S3-82541-00	WIRE, LEAD	1	1	1	1	
35	1S3-81940-00	STARTER RELAY ASSY	1	1	1	1	
36	2GH-82151-00	.FUSE (20A-BL)	2	2	2	2	
37	95022-06008	BOLT, FLANGE	2	2	2	2	
38	5LP-82510-00	MAIN SWITCH ASSY	1	1	1	1	
39	3HN-82569-00	.NUT, MAIN SWITCH	1	1	1	1	
40	3HN-82579-00	.CAP, KEY	1	1	1	1	
41	1S3-83530-00	PILOT LIGHT ASSY	1	1	1	1	
42	1S3-82590-10	WIRE HARNESS ASSY	1	1	1	1	
43	5GT-82180-00	.CIRCUIT BREAKER ASSY	1	1	1	1	
44	5GT-82560-00	..THERMO SWITCH ASSY	1	1	1	1	
45	5JJ-82151-10	.FUSE (15A-BL)	2	2	2	2	
46	5JJ-82151-30	.FUSE (10A-BL)	4	4	4	4	
47	1S3-82530-10	STOP SWITCH ASSY	1	1	1	1	
48	5VK-81950-30	RELAY ASSY	1	1	1	1	
49	5EA-81950-20	RELAY ASSY	1	1	1	1	
50	5DM-81950-00	RELAY ASSY(G8HN-1C4T-DJ-Y52)	1	1	1	1	
51	5PS-82576-01	LEAN ANGLE SENSOR	1	1	1	1	
52	91312-04025	BOLT	2	2	2	2	
53	95702-04500	NUT, WITH WASHER	2	2	2	2	
54	90201-04030	WASHER, PLATE	4	4	4	4	

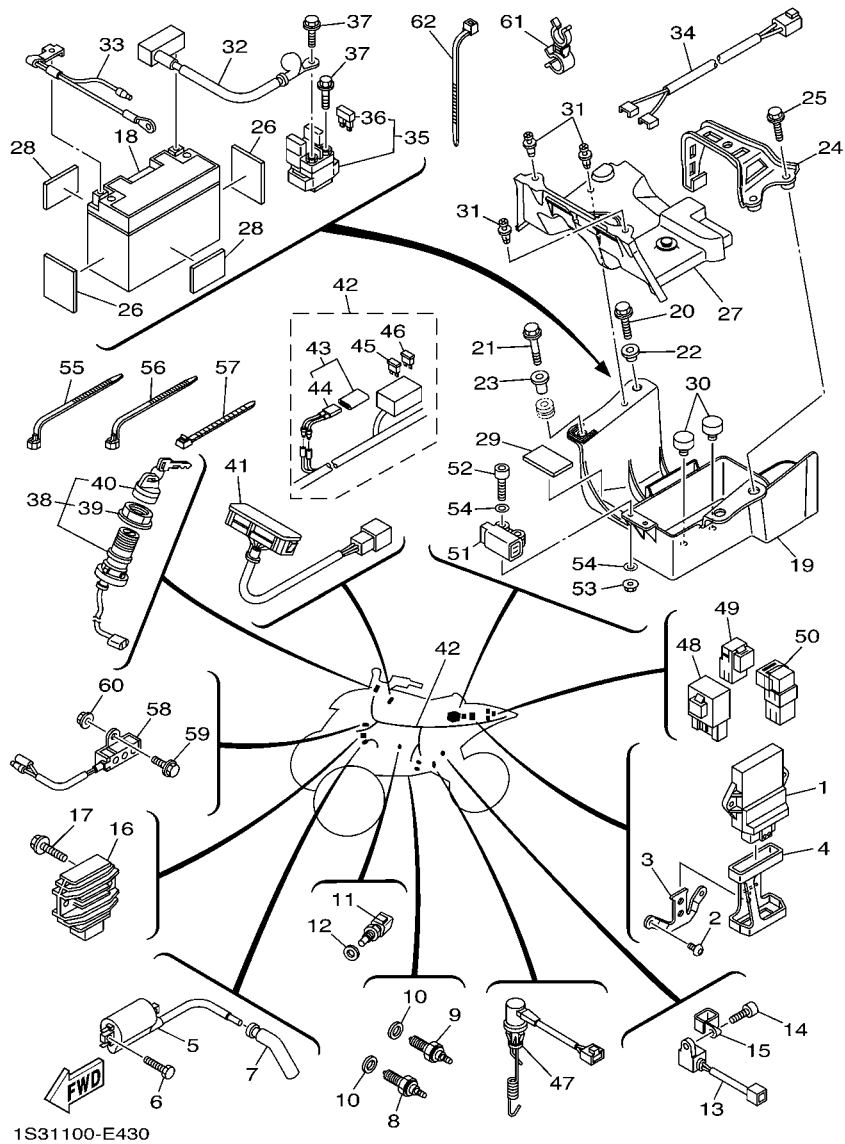
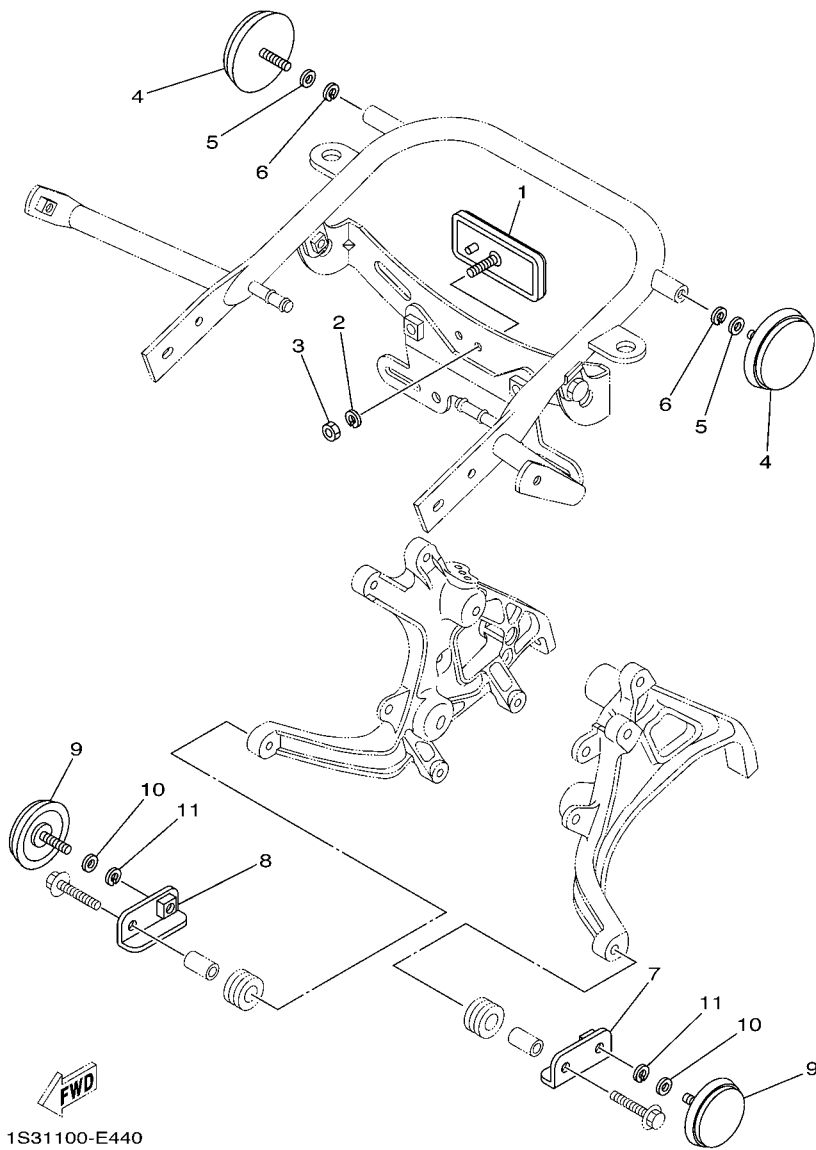


FIG. 43 ELECTRICAL 1

REF. NO.	PART NO.	DESCRIPTION	USA	CAN	EUR	OCE	REMARKS
55	90464-13077	CLAMP	1	1	1	1	
56	90464-15195	CLAMP	1	1	1	1	
57	90465-13M11	CLAMP	2	2	2	2	
58	1S3-85370-00	RESISTOR ASSY	1	1	1	1	
59	95802-06016	BOLT, FLANGE	1	1	1	1	
60	95702-06500	NUT, WITH WASHER	1	1	1	1	
61	90464-16013	CLAMP	1	1	1	1	
62	90465-10098	CLAMP	1	1	1	1	



1S31100-E440

FIG. 44 ELECTRICAL 2

REF. NO.	PART NO.	DESCRIPTION	USA	CAN	EUR	OCE	REMARKS
1	3Y6-85130-02	REAR REFLECTOR ASSY		1	1		
2	92902-05100	WASHER, SPRING		1	1		
3	95302-05600	NUT		1	1		
4	449-85131-02	REFLECTOR, REAR 1		2			
5	92902-05200	WASHER		2			
6	92902-05100	WASHER, SPRING		2			
7	1S3-85112-10	BRACKET, REFLECTOR 1		1			
8	1S3-85122-10	BRACKET, REFLECTOR 2		1			
9	2EK-85111-00	REFLECTOR, FRONT 1		2			
10	92902-05200	WASHER		2			
11	92902-05100	WASHER, SPRING		2			

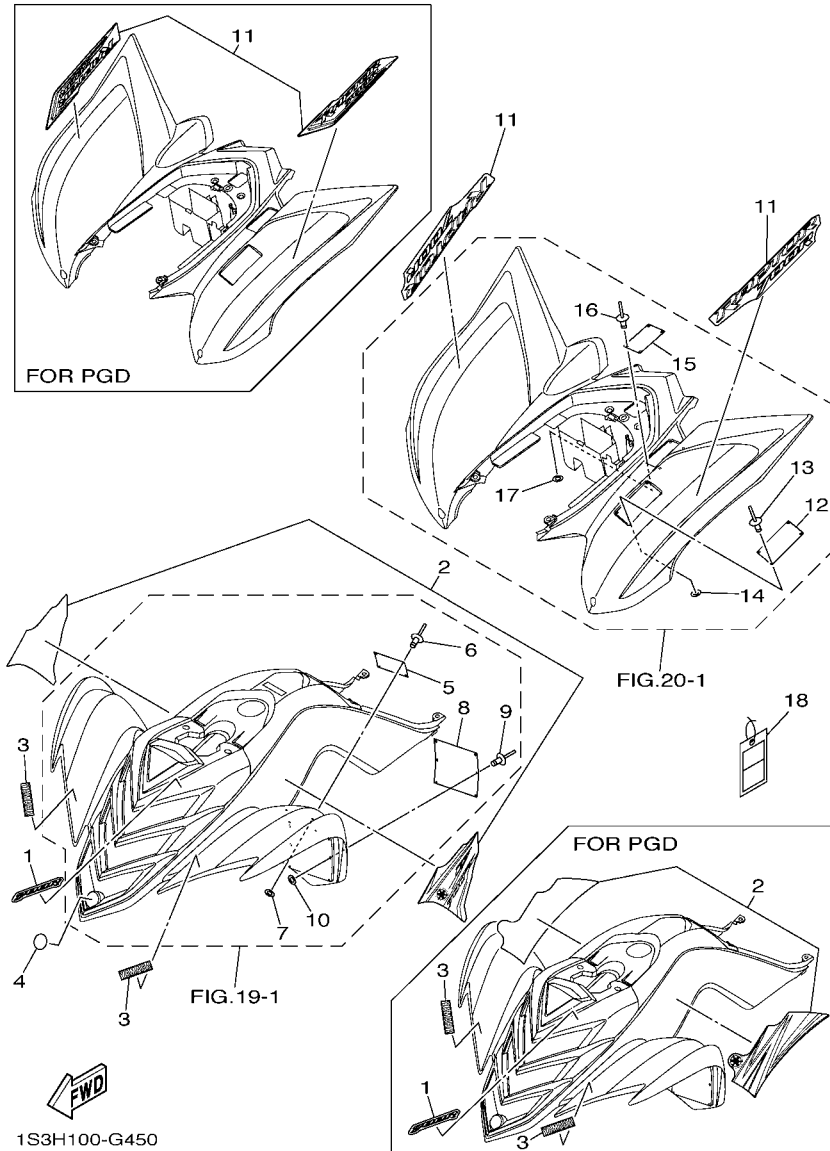


FIG. 45 EMBLEM & LABEL 1

REF. NO.	PART NO.	DESCRIPTION	USA	CAN	EUR	OCE	REMARKS
1	1S3-21565-50	EMBLEM, 2	1				UR FOR DPBSE
	1S3-21565-60	EMBLEM, 2	1				UR FOR PGD
2	1S3-21570-50	GRAPHIC SET, FRONT FENDER	1				UR FOR DPBSE
	1S3-21570-60	GRAPHIC SET, FRONT FENDER	1				UR FOR PGD
3	3GD-2153E-00	EMBLEM, YAMAHA	2				UR FOR DPBSE
	3GD-2153E-20	EMBLEM, YAMAHA	2				UR FOR PGD
4	5KM-2175B-00	TUNING FORK MARK	1				
5	5FE-21697-01	LABEL, CAUTION 2	1				ENGLISH
6	90267-32004	RIVET, BLIND	4				
7	90201-03008	WASHER, PLATE	4				
8	5FE-21568-01	LABEL, WARNING	1				ENGLISH
9	90267-32004	RIVET, BLIND	6				
10	90201-03008	WASHER, PLATE	6				
11	1S3-21609-10	EMBLEM	2				UR FOR DPBSE
	1S3-2165A-70	GRAPHIC SET, REAR FENDER	1				UR FOR PGD
12	5LP-21696-00	LABEL, CAUTION	1				ENGLISH
13	90267-32004	RIVET, BLIND	4				
14	90201-03008	WASHER, PLATE	4				
15	5FE-2151H-01	LABEL 5	1				ENGLISH
16	90267-32004	RIVET, BLIND	4				
17	90201-03008	WASHER, PLATE	4				
18	5LP-2819R-00	TAG, WARNING	1				

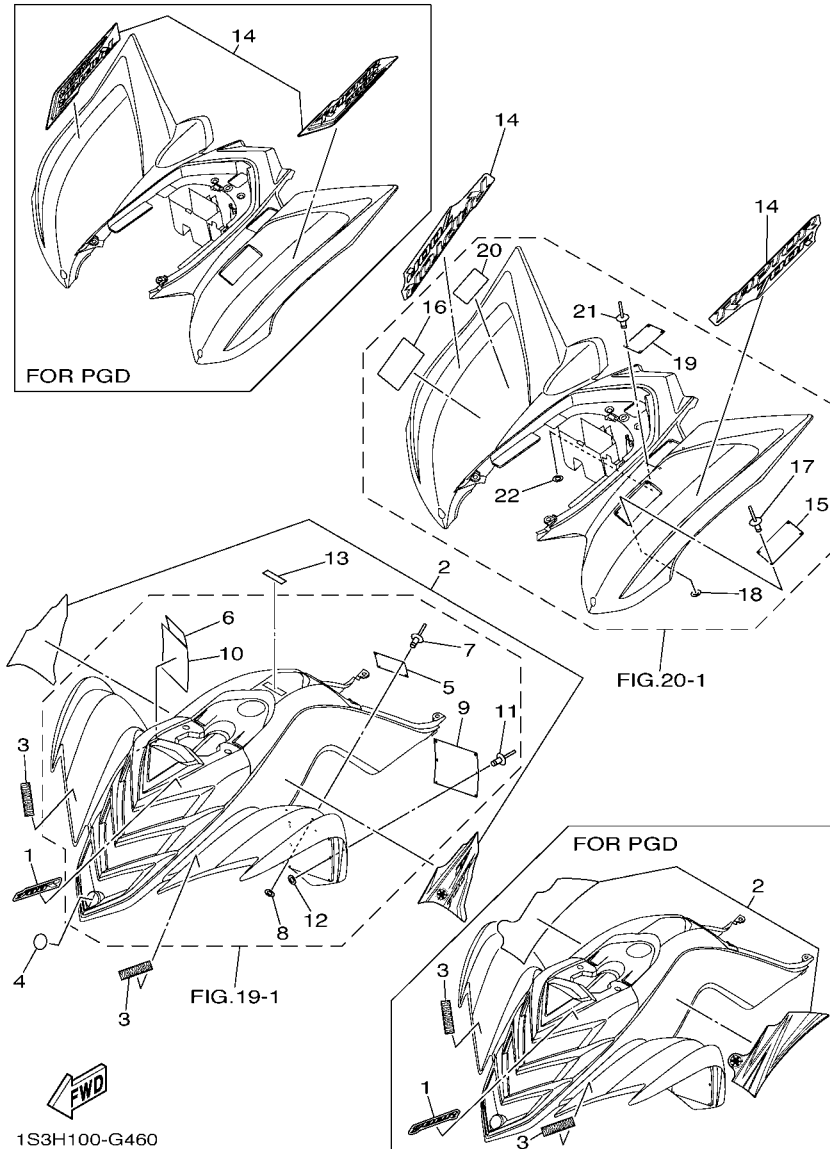


FIG. 46 EMBLEM & LABEL 2

REF. NO.	PART NO.	DESCRIPTION	USA	CAN	EUR	OCE	REMARKS
1	1S3-21565-50	EMBLEM, 2		1			UR FOR DPBSE
	1S3-21565-60	EMBLEM, 2		1			UR FOR PGD
2	1S3-21570-50	GRAPHIC SET, FRONT FENDER		1			UR FOR DPBSE
	1S3-21570-60	GRAPHIC SET, FRONT FENDER		1			UR FOR PGD
3	3GD-2153E-00	EMBLEM, YAMAHA			2		UR FOR DPBSE
	3GD-2153E-20	EMBLEM, YAMAHA			2		UR FOR PGD
4	5KM-2175B-00	TUNING FORK MARK		1			
5	5FE-21697-01	LABEL, CAUTION 2		1			ENGLISH
6	3JM-21697-10	LABEL, CAUTION 2		1			FRENCH
7	90267-32004	RIVET, BLIND			4		
8	90201-03008	WASHER, PLATE			4		
9	5FE-21568-01	LABEL, WARNING		1			ENGLISH
10	4WU-21568-10	LABEL, WARNING		1			FRENCH
11	90267-32004	RIVET, BLIND			6		
12	90201-03008	WASHER, PLATE			6		
13	4SH-2416E-00	LABEL, CAUTION CANADA		1			ENGLISH
14	1S3-21609-10	EMBLEM		2			UR FOR DPBSE
	1S3-2165A-70	GRAPHIC SET, REAR FENDER		1			UR FOR PGD
15	5LP-21696-00	LABEL, CAUTION		1			ENGLISH
16	5LP-21696-B0	LABEL, CAUTION		1			FRENCH
17	90267-32004	RIVET, BLIND			4		
18	90201-03008	WASHER, PLATE			4		
19	5FE-2151H-01	LABEL 5		1			ENGLISH
20	4WU-2151H-10	LABEL 5		1			FRENCH
21	90267-32004	RIVET, BLIND			4		
22	90201-03008	WASHER, PLATE			4		

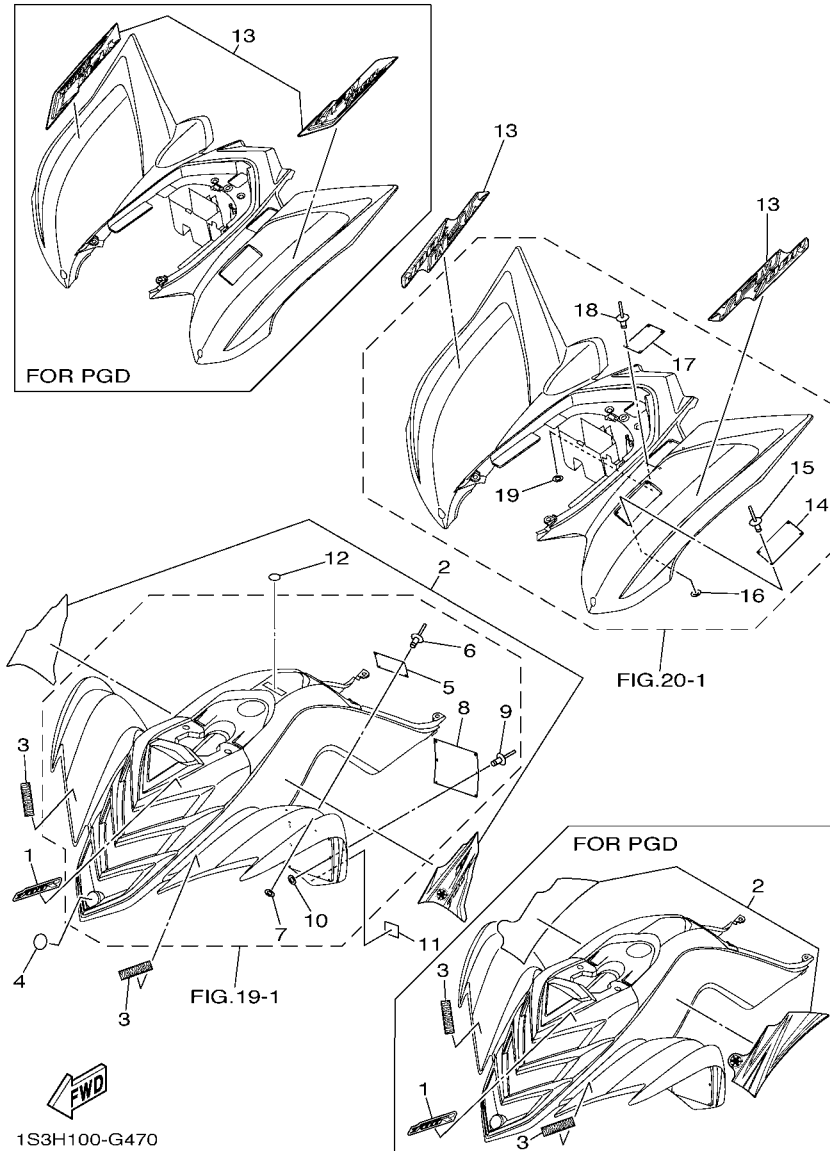


FIG. 47 EMBLEM & LABEL 3

REF. NO.	PART NO.	DESCRIPTION	USA	CAN	EUR	OCE	REMARKS
1	1S3-21565-50	EMBLEM, 2			1		UR FOR DPBSE
	1S3-21565-60	EMBLEM, 2			1		UR FOR PGD
2	1S3-21570-50	GRAPHIC SET, FRONT FENDER			1		UR FOR DPBSE
	1S3-21570-60	GRAPHIC SET, FRONT FENDER			1		UR FOR PGD
3	3GD-2153E-00	EMBLEM, YAMAHA			2		UR FOR DPBSE
	3GD-2153E-20	EMBLEM, YAMAHA			2		UR FOR PGD
4	5KM-2175B-00	TUNING FORK MARK			1		
5	5FK-21697-00	LABEL, CAUTION 2			1		
6	90267-32004	RIVET, BLIND			4		
7	90201-03008	WASHER, PLATE			4		
8	5FK-21568-00	LABEL, WARNING			1		
9	90267-32004	RIVET, BLIND			6		
10	90201-03008	WASHER, PLATE			6		
11	4GB-2155A-00	MARK, EC			1		
12	3ME-2415E-01	LABEL, CAUTION			1		
13	1S3-21609-20	EMBLEM			2		UR FOR DPBSE
	1S3-2165A-80	GRAPHIC SET, REAR FENDER			1		UR FOR PGD
14	5LP-21696-M0	LABEL, CAUTION			1		
15	90267-32004	RIVET, BLIND			4		
16	90201-03008	WASHER, PLATE			4		
17	5FK-2151H-00	LABEL 5			1		
18	90267-32004	RIVET, BLIND			4		
19	90201-03008	WASHER, PLATE			4		

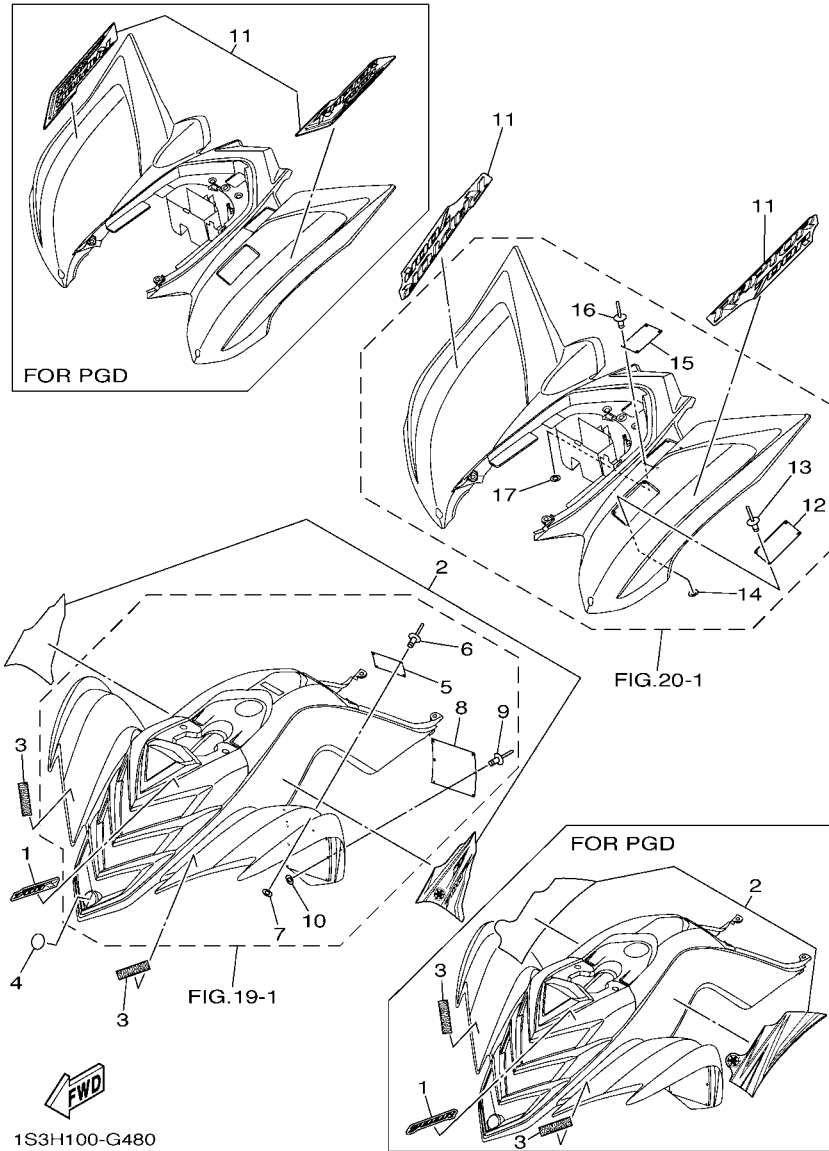


FIG. 48 EMBLEM & LABEL 4

REF. NO.	PART NO.	DESCRIPTION	USA	CAN	EUR	OCE	REMARKS
1	1S3-21565-50	EMBLEM, 2				1	UR FOR DPBSE
	1S3-21565-60	EMBLEM, 2				1	UR FOR PGD
2	1S3-21570-50	GRAPHIC SET, FRONT FENDER				1	UR FOR DPBSE
	1S3-21570-60	GRAPHIC SET, FRONT FENDER				1	UR FOR PGD
3	3GD-2153E-00	EMBLEM, YAMAHA				2	UR FOR DPBSE
	3GD-2153E-20	EMBLEM, YAMAHA				2	UR FOR PGD
4	5KM-2175B-00	TUNING FORK MARK				1	
5	5FE-21697-01	LABEL, CAUTION 2				1	ENGLISH
6	90267-32004	RIVET, BLIND				4	
7	90201-03008	WASHER, PLATE				4	
8	5FE-21568-11	LABEL, WARNING				1	ENGLISH
9	90267-32004	RIVET, BLIND				6	
10	90201-03008	WASHER, PLATE				6	
11	1S3-21609-10	EMBLEM				2	UR FOR DPBSE
	1S3-2165A-70	GRAPHIC SET, REAR FENDER				1	UR FOR PGD
12	5LP-21696-00	LABEL, CAUTION				1	ENGLISH
13	90267-32004	RIVET, BLIND				4	
14	90201-03008	WASHER, PLATE				4	
15	5FE-2151H-01	LABEL 5				1	ENGLISH
16	90267-32004	RIVET, BLIND				4	
17	90201-03008	WASHER, PLATE				4	

NUMERICAL INDEX

PART NO.	GRID NO.	PART NO.	GRID NO.	PART NO.	GRID NO.	PART NO.	GRID NO.	PART NO.	GRID NO.	PART NO.	GRID NO.
1S3-11101-00	B - 2	1S3-12413-00	B - 8	8CC-14216-10	B - 13	5VK-15590-00	C - 3	5LP-18431-00	C - 9	4WU-21568-10	F - 9
5VK-1111F-00	B - 6	1S3-12420-00	B - 7	5JW-14348-00	B - 13	1S3-16111-00	C - 4	1S3-18501-00	C - 8	5FE-21568-11	F - 11
4G0-11133-11	B - 2	1S3-12421-00	B - 7	1S3-14411-00	B - 11	1S3-16150-00	C - 4	1S3-18502-00	C - 8	1S3-21570-50	F - 8
1S3-11165-00	B - 15	1S3-12422-00	B - 7	1S3-14412-01	B - 11	2JN-16154-00	C - 4	1S3-18503-00	C - 8		F - 9
1S3-11166-00	B - 15	1S3-12428-00	B - 7	31A-14419-00	B - 11	5TA-16321-00	C - 4	1S3-18541-00	C - 8		F - 10
3B4-11181-00	B - 2	1S3-12436-00	B - 7		D - 11	4X7-16325-00	C - 4	5VK-18699-00	C - 8		F - 11
1S3-11185-00	B - 2	11H-12438-10	B - 7	5KM-14419-00	B - 11	5TG-16331-00	C - 4	1S3-21101-08	C - 10	1S3-21570-60	F - 8
1S3-11186-00	B - 2	1S3-1243A-00	B - 13	31A-14435-00	B - 11	3LD-16340-01	C - 4	1S3-21101-18	C - 10		F - 9
214-11198-01	B - 9	1S3-1243E-00	B - 13		D - 11	132-16346-00	C - 8	1S3-21190-09	C - 10		F - 10
1S3-11310-00	B - 3	1S3-12450-00	B - 7	5GH-14436-00	B - 11	1S3-16351-00	C - 4	1S3-21190-19	C - 10		F - 11
1S3-1131E-00	B - 2	5VK-12459-00	B - 7	1S3-14451-00	B - 11	4XV-16356-01	C - 4	1S3-21274-00	F - 4	1S3-21609-10	F - 8
1S3-11351-00	B - 3	22W-12462-00	B - 8	1S3-14453-00	B - 11	1S3-16371-00	C - 4	1S3-21315-10	C - 10		F - 9
1S3-11395-00	B - 3	1S3-12465-00	B - 8	10M-14457-00	B - 11	5EB-16382-00	C - 4	1S3-21316-10	C - 10		F - 11
1S3-11400-00	B - 4	1S3-12467-00	C - 13	1S3-14457-00	B - 11	5JG-16383-00	C - 4	1S3-21317-10	C - 10	1S3-21609-20	F - 10
1S3-11401-09	B - 4	1S3-12469-00	B - 7	59V-14457-00	B - 11	5JG-16384-00	C - 4	22F-2139X-00	F - 5	5TG-21621-00	C - 14
1S3-11422-00	B - 4	1AA-12535-00	B - 8	1S3-14458-00	B - 11	4X7-16385-00	C - 4	1S3-2140A-00	C - 11	1S3-2163A-00	C - 14
1S3-11454-00	B - 4	1S3-12577-00	B - 7	1S3-14459-01	B - 11	1S3-17121-00	C - 6		C - 14	1S3-2163E-00	C - 14
1S3-11464-00	B - 4	1S3-12578-00	B - 8	5VX-14503-00	B - 13	1S3-17131-00	C - 6	1S3-21471-00	C - 10	1S3-21643-10	C - 15
1S3-11531-00	B - 4	1S3-12579-00	B - 8	5YP-14562-00	B - 13	1S3-17141-00	C - 6	1S3-21513-00	C - 12	1S3-21644-10	C - 15
1S3-11536-00	B - 4	583-13113-00	B - 9	1S3-14611-00	B - 14	1S3-17151-00	C - 6	1S3-21514-00	C - 12	1S3-2164F-10	C - 14
1S3-11603-10	B - 4	1S3-13132-00	B - 10	1S3-14612-00	B - 14	1S3-17211-00	C - 6	5FK-2151H-00	F - 10	5TG-2164G-20	C - 14
1S3-11631-10	B - 4	1S3-13160-00	B - 13	3YF-14613-01	B - 14	1S3-17221-00	C - 6	5FE-2151H-01	F - 8	1S3-2164H-10	C - 14
5VK-11633-00	B - 4	1S3-13171-00	B - 9	1S3-14621-01	B - 14	1S3-17231-00	C - 6		F - 9	1S3-2164J-10	C - 14
1S3-11651-00	B - 4	5LP-13300-00	B - 9	1S3-14628-00	B - 14	1S3-17241-00	C - 6		F - 11	1S3-2165A-70	F - 8
1S3-11681-00	B - 4	3AJ-13325-00	B - 9	1S3-14710-10	B - 14	1S3-17243-00	C - 7	4WU-2151H-10	F - 9		F - 9
5VK-12111-00	B - 5	1S3-13327-00	B - 9	3YF-14714-00	B - 14	1S3-17251-00	C - 6	3GD-2153E-00	F - 8		F - 11
1S3-12113-00	B - 5	5LP-13329-00	B - 9	5LP-14714-00	B - 14	1S3-17253-00	C - 7		F - 9	1S3-2165A-80	F - 10
3YF-12116-00	B - 5	1S3-13356-00	B - 9	1S3-14728-00	B - 14	1S3-17285-00	C - 6		F - 10	5TG-21691-00	C - 14
3YF-12117-01	B - 5	1S3-13410-00	B - 9	1S3-14752-00	B - 14	1S3-17401-00	C - 6		F - 11	5LP-21696-00	F - 8
4G0-12118-00	B - 5	1S3-13416-00	B - 10	5JW-14945-00	B - 13	1S3-17402-00	C - 6	3GD-2153E-20	F - 8		F - 9
5H0-12119-00	B - 5	4X7-13440-01	B - 9	1S3-15100-01	B - 15	1S3-17430-00	C - 7		F - 9		F - 11
5VK-12121-00	B - 5	1S3-13447-00	B - 9	1S3-15113-00	C - 2	1S3-17432-00	C - 7		F - 10	5LP-21696-B0	F - 9
5VK-12146-00	B - 5	1S3-13464-10	D - 2	1S3-15118-00	C - 2	1S3-17466-00	C - 2		F - 11	5LP-21696-M0	F - 10
5VK-12151-00	B - 5	1S3-13465-00	D - 2	1S3-15189-00	C - 2	1S3-17471-00	C - 7	1S3-21541-00	C - 12	5FK-21697-00	F - 10
5XT-12159-00	B - 5	1S3-13493-00	B - 13	4JT-15381-01	B - 15	1S3-18101-00	C - 8	1S3-21556-10	C - 12	5FE-21697-01	F - 8
5VK-12161-00	B - 5	1S3-13545-00	B - 11	1S3-15383-00	B - 15	1S3-18110-10	C - 9	1S3-21556-30	C - 12		F - 9
1S3-12170-01	B - 6	8FP-13556-00	B - 13	1S3-15411-00	C - 2	5YT-18113-00	C - 9	4GB-2155A-00	F - 10		F - 11
1S3-12176-00	B - 6	5VK-13586-00	B - 11	1S3-15421-00	C - 2	1S3-18122-00	C - 8	1S3-21565-50	F - 8	3JM-21697-10	F - 9
3TB-12210-00	B - 6	1S3-13750-10	B - 13	1S3-15431-00	C - 2	1S3-18140-00	C - 8		F - 9	1S3-2171A-00	C - 12
4DW-12213-00	B - 6	5VK-13761-00	B - 13	1S3-15441-00	C - 2	5JW-18144-00	C - 8		F - 10	1S3-2171A-20	C - 12
5VK-12231-00	B - 6	1S3-13907-02	D - 10	1S3-15451-00	C - 2	1S3-18172-00	C - 8		F - 11	1S3-21750-00	D - 2
1S3-12241-00	B - 6	1S3-13971-00	D - 10	1S3-15462-00	C - 2	3XJ-18173-10	C - 8	1S3-21565-60	F - 8	5KM-2175B-00	F - 8
1S3-12280-01	B - 6	1S3-13971-10	D - 10	1S3-1546C-00	C - 2	3XJ-18178-00	C - 8		F - 9		F - 9
5VK-12284-00	B - 6	4BH-14134-00	B - 13	1S3-15484-00	E - 13	3XJ-18182-00	C - 8		F - 10		F - 10
1S3-12290-00	B - 6	3JC-14146-00	B - 13	1S3-15515-00	C - 3	3XJ-18184-00	C - 8		F - 11		F - 11
1S3-12405-00	B - 8	4WV-14147-10	B - 13	1S3-15517-00	C - 3	4EW-18185-00	C - 8	5FK-21568-00	F - 10	5LP-21761-01	D - 2
1S3-1240A-00	B - 8	1UY-14155-00	B - 13	1VJ-15522-00	C - 3	5LP-18337-01	C - 8	5FE-21568-01	F - 8	1S3-2177C-20	B - 12
5VK-12410-00	B - 8	1S3-14161-00	B - 13	1S3-15560-00	C - 3	1S3-18380-00	C - 8		F - 9	5KM-21871-00	D - 2

NUMERICAL INDEX

PART NO.	GRID NO.	PART NO.	GRID NO.	PART NO.	GRID NO.	PART NO.	GRID NO.	PART NO.	GRID NO.	PART NO.	GRID NO.
1S3-21875-00	D - 2	1S3-23831-20	D - 7	1S3-2580T-01	D - 14	1S3-25973-00	E - 3	1FK-81847-00	E - 13	1S3-83755-00	F - 4
1S3-22110-00	D - 3	1S3-23841-20	D - 7	1S3-2580U-01	D - 14	1UY-25974-51	E - 3	4NK-81850-00	E - 13	2HT-83912-00	F - 3
4X7-22129-00	D - 3	1S3-23845-20	D - 7	1S3-2580V-11	E - 3	5TG-25977-50	E - 4	4G0-81871-00	E - 13	5D3-83922-00	E - 7
5YT-22129-00	D - 4	1UY-23868-01	D - 7	5UG-25827-00	E - 3	1S3-25978-00	E - 3	1S3-81890-00	E - 13	5TG-83923-00	F - 3
1S3-22141-00	D - 3	5GT-23872-00	C - 10	1S3-25828-00	D - 14	1S3-26111-10	E - 5	1S3-81940-00	F - 5	437-83936-01	E - 5
3YF-22149-00	D - 3	1UY-23894-01	D - 7	5GH-25828-00	E - 3	1S3-26113-00	E - 5	5DM-81950-00	F - 5	1S3-83973-00	F - 3
1S3-22151-00	D - 4	1S3-24110-00	D - 10	1AE-2582A-00	E - 9	1S3-26124-00	E - 5	5EA-81950-20	F - 5	5D3-83980-00	E - 7
1S3-22153-00	D - 5	1S3-24110-20	D - 10	3GD-2582T-10	D - 14	1NV-26129-00	E - 5	5VK-81950-30	F - 5	5TG-84110-03	E - 14
5TG-22178-00	C - 10	4EW-2412F-00	D - 10	1S3-2582W-10	E - 3	1S3-26150-10	E - 5	5BN-81960-00	F - 4	1S3-8413J-00	E - 14
1S3-2217A-00	D - 4	1S3-2413X-00	D - 11	5MV-25833-00	E - 7	5LP-26241-00	E - 5	5GJ-82100-01	F - 4	5TG-84140-01	E - 14
1S3-2217F-00	D - 4	1S3-2414H-00	D - 10	5UG-25833-00	E - 4	4KB-26250-20	E - 5	1S3-82115-00	F - 5	1S3-84165-00	E - 14
1S3-22184-00	D - 3	1S3-2414J-00	D - 11	5D3-2583T-00	E - 7	4KB-26256-00	E - 5	1S3-82116-10	F - 5	1S3-84166-00	E - 14
1S3-2219X-00	D - 4	3ME-2415E-01	F - 10	5D3-25852-00	E - 7	4KB-26258-00	E - 5	5TG-82121-10	F - 5	5TG-84310-03	E - 14
1S3-22210-60	D - 6	4SH-2416E-00	F - 9	3XP-25852-50	E - 9	1UY-26259-00	E - 7	1S3-82122-00	F - 5	4KB-84314-01	E - 14
1S3-22210-70	D - 6	1S3-2416F-00	D - 10	2VN-25854-00	E - 9	1NV-2625G-01	E - 5	1S3-82123-00	F - 4	5TG-84340-01	E - 14
1S3-22210-80	D - 6	1S3-24181-00	D - 10	4TT-25854-00	E - 7	4KB-2628F-20	E - 5	1S3-82128-00	F - 4	1S3-84703-10	F - 2
1S3-22210-90	D - 6	1S3-24182-00	D - 11	2VN-25855-00	E - 9	4KB-2628G-00	E - 5	1S3-82129-00	F - 4	1S3-84710-00	E - 15
1S3-22210-A0	D - 6	1S3-24183-00	D - 11	2GU-25866-00	E - 7	1S3-26292-00	E - 9	1S3-8212B-00	F - 4		F - 2
1S3-22210-B0	D - 6	1S3-24278-00	D - 10	5LP-25867-00	E - 7	1NV-26304-00	E - 5	116-82131-00	C - 11	1S3-84716-00	E - 15
4AA-22259-40	D - 6	1S3-24279-00	D - 10	1S3-25871-10	E - 7	1S3-26311-10	E - 5	2GH-82151-00	F - 5		F - 2
4AA-22259-70	D - 6	1S3-24452-00	D - 10	1S3-25872-10	E - 7	4KB-2632G-00	E - 5	5JJ-82151-10	F - 5	1S3-84716-30	E - 15
4AA-22259-80	D - 6	1S3-24486-00	D - 10	5TG-25873-10	E - 7	1S3-26335-00	E - 5	5JJ-82151-30	F - 5		F - 2
1S3-22417-00	D - 3	1S3-24491-10	D - 10	1S3-25874-10	E - 9	1S3-26341-00	E - 6	5GT-82180-00	F - 5	1S3-84736-00	E - 15
1S3-22475-00	D - 3	2FJ-24610-00	D - 10	5TG-25875-00	D - 9	31A-26372-00	E - 6	3TB-82310-00	F - 4		F - 2
1S3-23147-01	D - 3	1S3-24710-20	D - 12	5TG-25876-00	D - 9	1S3-2637E-10	E - 5	5VK-82370-00	F - 4	1S3-84751-10	F - 2
1S3-23317-00	D - 5	1S3-24723-00	D - 12	1S3-25886-00	D - 5	1NV-26398-00	E - 5	1C7-82380-00	B - 13	2EK-85111-00	F - 7
1S3-23350-40	D - 8	509-24724-00	D - 12	5JJ-25894-00	E - 9	371-27114-00	D - 12	1S3-82509-00	F - 12	1S3-85112-10	F - 7
1S3-23350-50	D - 9	1S3-24731-20	D - 12	1S3-25895-00	E - 9	1S3-27211-10	E - 8	5LP-82510-00	F - 5	1S3-85122-10	F - 7
1S3-23350-60	D - 9	22W-24741-00	D - 12	5UG-25898-00	E - 3	4SS-27218-00	E - 9	1S3-82530-10	F - 5	3Y6-85130-02	F - 7
1S3-23350-70	D - 9	1S3-25111-00	D - 13	5MV-2589F-00	E - 7	2YK-27222-00	E - 9	3GB-82540-01	F - 4	449-85131-02	F - 7
1S3-23350-80	D - 9	5LP-25117-00	D - 13	4NK-2589H-00	E - 7	1S3-27411-10	E - 8	5LP-82540-01	F - 4	1S3-85370-00	F - 6
1S3-23350-90	D - 9	1S3-25127-00	D - 13	3JD-25917-00	D - 14	1S3-27421-10	E - 8	1S3-82541-00	F - 5	1S3-85546-00	F - 4
1S3-23501-00	D - 9	5TG-2514A-00	D - 15		E - 3	1S3-27453-00	E - 9	5GT-82560-00	F - 5	5PS-85790-00	F - 4
1S3-23502-00	D - 9	5LP-25180-20	D - 13	3JD-25919-00	D - 14	5TG-28100-10	C - 11	3HN-82569-00	F - 5	8GL-85885-00	B - 13
5YT-23517-00	D - 8	1S3-25311-00	D - 3	4GY-25919-50	E - 3	1NV-2811A-01	C - 11	5PS-82576-01	F - 5	5VU-85886-00	B - 11
5TG-23540-00	D - 8	1S3-25317-00	D - 3	5GH-25924-00	E - 3	5LP-2819R-00	F - 8	3HN-82579-00	F - 5	1S3-8591A-00	F - 4
5TG-23540-20	D - 8	1S3-25381-10	E - 2	5TG-25924-00	D - 14	1S3-2845N-00	E - 11	1S3-82590-10	F - 5	5D3-W0041-00	E - 7
5TG-23550-00	D - 8	1S3-25383-20	E - 2	3JD-25926-00	D - 14	1S3-2845R-30	E - 11	5YT-82910-10	F - 3	1S3-W0042-50	E - 9
5TG-23550-20	D - 8	1S3-25386-00	E - 2		E - 3	1S3-2845R-40	E - 11	5YT-82911-10	F - 3	1S3-W0045-00	D - 14
5TG-23570-00	D - 8	5LP-25390-20	E - 2	1UY-25926-51	D - 14	1S3-2845R-50	E - 11	4V4-82913-00	E - 5	1S3-W0045-10	D - 15
5TG-23570-20	D - 8	1S3-25415-00	E - 3		E - 3	1S3-81410-00	E - 12	5TG-82913-00	F - 3	1S3-W0046-01	E - 3
5LP-23579-00	D - 8	5TG-25438-10	E - 2	1UY-25937-51	D - 14	1S3-81450-00	E - 12	5KM-82917-00	F - 3	3GD-W0047-00	E - 3
5TG-23580-00	D - 8	5D3-25689-00	F - 3		E - 3	3AJ-81801-00	E - 13	5LP-83509-00	F - 12	3LC-W0047-50	D - 14
5TG-23580-20	D - 8	1S3-25712-00	E - 3	1UY-25938-51	D - 14	3KS-81809-00	E - 13	4R0-83517-00	F - 12	1UY-W0048-50	D - 14
1UY-23812-00	D - 7	1S3-25721-00	D - 3		E - 3	1S3-81815-00	E - 13	1S3-83530-00	F - 5		E - 3
1S3-23813-10	D - 7	1S3-25726-00	F - 3	3JD-25961-00	D - 14	3AJ-81826-00	E - 13	5LP-8354B-00	F - 12	5TG-W0057-00	D - 14
8K1-23814-00	D - 7	1S3-25727-00	F - 3		E - 3	4XV-8182A-00	E - 13	5LP-8354C-00	F - 12	5UG-W0057-00	E - 3
5TG-23816-10	D - 7	1S3-2580E-00	E - 9	1S3-25972-00	E - 3	11H-81844-00	E - 13	1S3-83580-00	F - 12	1S3-W0081-00	F - 12

NUMERICAL INDEX

PART NO.	GRID NO.	PART NO.	GRID NO.	PART NO.	GRID NO.	PART NO.	GRID NO.	PART NO.	GRID NO.	PART NO.	GRID NO.
1S3-W2151-00	C - 12	90109-10013	E - 2	90185-10012	D - 6	90201-14586	D - 15	90340-36001	C - 2	90430-06014	B - 7
1S3-W2151-30	C - 12	90109-10018	D - 4		D - 8	90201-152P4	C - 7	90380-10002	C - 3		B - 8
1S3-W215B-00	C - 12	90109-10019	D - 6	90185-12007	D - 4	90201-16013	B - 4	90380-22111	D - 3	90430-08119	B - 2
1S3-W215B-30	C - 12	90109-10020	D - 4		D - 6	90201-16018	D - 3	90381-15088	D - 8	90430-10148	F - 4
1S3-W215C-00	C - 12	90109-12009	D - 4	90185-14009	D - 7	90201-16023	E - 2	90383-20032	D - 4	90430-10188	B - 9
1S3-W215C-30	C - 12	90110-05030	B - 9	90185-16002	D - 3	90201-177G4	C - 8	90383-20033	D - 4	90430-12202	F - 4
1S3-W215E-00	C - 12	90110-05031	C - 2	90201-03008	F - 8	90201-20022	D - 15	90387-06098	D - 10	90430-14043	B - 10
1S3-W215E-30	C - 12		E - 12		F - 9	90201-20276	C - 7	90387-06136	C - 12	90445-083J4	D - 10
1S3-W2161-00	C - 14	90110-06182	C - 2		F - 10	90201-266F6	E - 8	90387-06146	C - 13	90445-09777	D - 2
1S3-W2161-30	C - 14	90110-06202	C - 12		F - 11	90201-286K9	C - 3	90387-06153	C - 14	90445-09M30	D - 2
1S3-W216B-00	C - 14	90110-12001	D - 3	90201-04027	D - 5	90208-20001	C - 4		E - 15	90445-11034	D - 2
1S3-W216B-30	C - 14	90111-06038	C - 14	90201-04028	B - 11	90208-37001	E - 3		F - 2	90445-16007	D - 11
1S3-W216C-00	C - 14	90113-06055	E - 3	90201-04030	F - 5	90209-06014	B - 11		F - 4	90450-22017	D - 2
1S3-W216C-30	C - 14	90114-10006	E - 13	90201-05015	B - 14	90209-10229	D - 7	90387-06166	B - 8	90450-32015	B - 7
90101-06664	C - 8	90114-10013	E - 2	90201-05019	B - 14		D - 9	90387-06168	F - 4		B - 8
90105-06078	B - 6	90119-06137	E - 9	90201-05025	E - 15	90209-22008	C - 6	90387-06204	C - 15	90450-59006	B - 11
90105-06081	B - 15	90119-06152	D - 2		F - 2	90209-26008	C - 6	90387-06205	D - 2	90450-72003	B - 11
90105-06082	B - 9	90119-10023	B - 3	90201-052E8	F - 12	90214-22002	C - 6	90387-06697	F - 12	90460-75020	B - 11
	B - 15	90122-06010	B - 11	90201-06033	D - 10	90214-22003	C - 6	90387-06M17	D - 10	90461-10004	F - 4
90105-06084	B - 11	90123-08046	F - 3	90201-06035	B - 14	90214-26002	C - 6	90387-07598	E - 14	90461-10011	C - 2
	C - 13	90149-05018	B - 9	90201-06076	C - 14	90214-26003	C - 6	90387-08064	C - 10		C - 7
	C - 14	90149-05299	C - 12	90201-06078	C - 12	90215-16221	B - 4	90387-08073	B - 12	90462-08046	C - 2
	F - 4	90149-06074	B - 15		E - 14	90215-20006	C - 4	90387-090R0	D - 7	90464-12036	C - 11
90105-06142	C - 9	90149-08018	C - 3	90201-06089	C - 12	90215-25003	C - 7	90387-100Y6	D - 8	90464-12045	C - 11
90105-07004	B - 6	90149-10034	C - 10	90201-06090	D - 10	90240-08124	E - 9	90387-101R3	D - 8	90464-13073	E - 5
90105-08104	E - 4	90154-05013	C - 14	90201-06093	C - 15	90252-03001	E - 2	90387-12010	D - 4	90464-13077	F - 6
90105-08142	B - 14	90154-06014	D - 15	90201-063F3	D - 4	90267-32004	F - 8	90387-12020	D - 6	90464-14004	D - 10
	C - 10	90159-06029	C - 4	90201-08043	C - 10		F - 9	90387-12021	D - 4	90464-15157	E - 15
	E - 11	90170-06128	B - 5	90201-08048	B - 14		F - 10	90387-12028	D - 4		F - 2
90105-08184	D - 15	90170-12054	D - 7	90201-08053	C - 15		F - 11		D - 6	90464-15195	F - 6
90105-10131	D - 9	90170-12055	D - 7	90201-08060	E - 4	90267-47187	D - 5	90387-125K2	D - 4	90464-16013	F - 6
90105-10132	D - 8	90170-16326	B - 4	90201-08083	E - 9	90267-48138	B - 11	90387-127W0	D - 6	90464-20213	C - 11
90105-10135	D - 8	90170-20274	C - 4	90201-082A6	D - 2	90269-05055	D - 11	90387-1504G	C - 7	90464-23041	D - 2
90105-10294	E - 8	90171-10001	D - 7	90201-10034	D - 4	90269-06002	C - 12	90387-150R1	D - 15		E - 6
90105-12038	D - 6		D - 9	90201-10035	D - 4		F - 5	90387-16014	D - 3	90464-66001	D - 11
90109-06169	B - 9	90171-14002	D - 15		D - 9	90269-07011	D - 11	90387-17009	B - 15	90465-10098	F - 6
90109-06172	C - 12	90171-16002	E - 2	90201-10036	D - 6	90280-05001	B - 4	90387-20005	D - 15	90465-13M11	F - 6
	D - 4	90176-05054	F - 12	90201-10037	D - 8	90282-05005	B - 4	90387-20021	C - 6	90467-08003	D - 2
90109-06198	C - 10	90176-06055	F - 12	90201-10118	E - 7	90282-07003	C - 4	90387-22006	C - 6	90467-09006	B - 13
90109-06199	D - 5	90179-08148	F - 3		E - 10	90338-05008	D - 11	90387-26004	C - 6	90467-10008	D - 2
90109-06798	F - 3	90179-16004	B - 4	90201-10614	C - 5	90338-07007	F - 3	90387-26005	C - 6	90467-11044	E - 9
90109-067F4	D - 9	90179-20007	C - 4	90201-12030	D - 4	90338-20183	C - 11	90387-28008	C - 6	90467-11090	B - 13
90109-08076	E - 3	90179-22003	C - 7	90201-12032	D - 4	90338-23004	C - 11	90387-28009	C - 7	90467-13062	B - 7
90109-08082	D - 14	90179-36003	E - 3		D - 6		D - 3	90401-08004	B - 2	90467-14057	E - 9
90109-08100	E - 11	90183-05008	C - 12	90201-12040	C - 8	90338-24260	C - 11	90401-10015	E - 7	90467-140A4	B - 15
90109-09002	B - 2	90185-10011	C - 10	90201-12541	B - 7	90338-26004	C - 11		E - 9	90467-15012	B - 11
90109-09003	B - 2		E - 2	90201-12575	C - 9	90340-14003	C - 2	90401-10024	B - 9	90467-160A4	B - 11
90109-09005	B - 2	90185-10012	D - 4	90201-14021	D - 7	90340-14029	B - 9	90430-05126	B - 9	90467-220A1	B - 11

NUMERICAL INDEX

PART NO.	GRID NO.	PART NO.	GRID NO.	PART NO.	GRID NO.	PART NO.	GRID NO.	PART NO.	GRID NO.	PART NO.	GRID NO.
90468-16191	D - 7	92012-08035	E - 9	93210-66001	D - 3	95022-06012	B - 14	95812-10090	C - 10		
90480-01017	D - 10	92014-06016	F - 3	93210-71001	D - 3		D - 5	95812-10110	C - 10		
90480-13459	D - 2	92902-05100	E - 5	93210-78544	B - 2	95022-06020	B - 2	95817-06030	F - 12		
90480-13567	F - 12		F - 7	93210-96601	B - 2		B - 8	95822-06012	B - 3		
90480-14101	E - 15	92902-05200	F - 7	93300-60804	C - 10	95022-06025	F - 7	95822-06020	D - 2		
	F - 2	92902-05600	E - 5	93306-00106	B - 7		B - 10	95822-06025	E - 7		
90480-14102	C - 12	92902-06200	B - 14	93306-00304	C - 4		D - 2	95822-08016	C - 15		
	E - 14	92902-06600	B - 6	93306-00415	C - 7	95022-06030	B - 15	95822-08020	C - 15		
90480-14182	F - 12	92902-08600	C - 4	93306-00431	C - 6		C - 2	95822-08030	D - 7		
90480-15009	E - 9	92902-10200	D - 13	93306-00446	D - 13	95022-06045	B - 8	97002-05016	F - 3		
90480-18005	D - 10		E - 2	93306-00502	B - 4	95022-06050	B - 7	97002-05020	F - 4		
90480-18330	B - 8	92903-08600	D - 3	93306-07209	B - 6	95022-06070	B - 15	97017-06010	B - 8		
90480-24004	D - 2	92906-04100	E - 9	93306-20231	D - 13	95022-06090	B - 15	97022-06014	C - 7		
90501-043E0	B - 10	92906-04600	E - 9	93306-20352	C - 10	95022-06110	B - 7	97022-06016	B - 6		
90501-052G5	C - 8	92907-06600	B - 8	93306-20481	B - 4	95302-05600	F - 7	97022-06025	C - 14		
90501-230E4	C - 4	93101-12173	B - 7	93306-20501	C - 6	95302-06800	D - 10	97022-08060	D - 7		
90506-20380	E - 8	93101-14164	C - 2	93306-27803	C - 7	95602-06100	F - 3	97702-50016	E - 15		
90508-18018	C - 4	93101-25106	B - 4	93306-30810	B - 4	95602-06200	C - 12		F - 2		
90508-35007	C - 8	93102-12106	C - 9	93306-90509	C - 8		C - 14	97707-30510	E - 14		
90560-06201	C - 14	93102-12224	C - 8	93306-90804	D - 3	95602-08200	C - 15	98502-05018	E - 5		
91312-04006	B - 13	93102-15212	C - 5	93306-90805	D - 3	95602-10200	C - 10	98502-05020	E - 5		
91312-04025	F - 5	93102-22216	D - 13	93310-84017	B - 4	95604-06100	E - 7	98506-04012	E - 9		
91312-06010	B - 14	93102-25081	C - 10	93315-31502	C - 5	95607-05100	E - 5	98507-05012	B - 13		
91312-06012	B - 9	93102-25099	C - 10	93317-11020	C - 4	95612-08625	B - 2	98507-06010	B - 13		
91312-06016	D - 2	93102-35393	C - 7	93317-22237	D - 3	95702-04500	F - 5	98507-06012	B - 13		
	F - 4	93104-09025	E - 5	93410-67085	D - 3	95702-06500	F - 6	98702-06025	D - 10		
91312-06020	B - 7	93105-26026	D - 13	93430-23054	E - 8	95702-08500	B - 14	98902-06010	B - 14		
91312-06025	B - 6	93106-22019	D - 3	93440-10085	B - 2	95702-10500	D - 13	99001-07600	C - 4		
	C - 2	93106-46003	D - 3	93440-15012	C - 7		E - 2	99001-10600	C - 9		
91312-06030	B - 2	93109-20076	D - 4	93440-25084	C - 6	95802-06010	E - 15	99009-10400	C - 5		
91312-06035	B - 9	93112-31011	D - 7	93440-28062	C - 6		F - 2	99009-11400	B - 9		
91312-06040	B - 3	93210-07135	B - 9	93450-24154	B - 4	95802-06016	F - 6	99009-12400	B - 7		
91312-06095	B - 9		B - 15	93503-08007	B - 9	95802-06020	F - 4	99009-17400	C - 8		
91314-08035	B - 14	93210-10197	B - 10	93603-16219	B - 7	95802-06025	F - 4	99009-20400	C - 7		
91314-08040	D - 3		D - 2	93608-30002	C - 8	95802-06030	B - 8	99009-30400	D - 8		
91401-16012	E - 9	93210-13361	B - 9	93612-16254	B - 2		F - 4	99530-08016	B - 15		
91402-20020	D - 7	93210-14369	C - 2	93700-06004	D - 4	95802-06035	D - 10	99530-10114	B - 10		
	D - 9	93210-15620	E - 9		D - 8	95802-08016	D - 2		B - 15		
91402-30025	D - 15	93210-16629	D - 2	9383G-14231	C - 7	95812-06012	C - 9		C - 2		
92012-06010	F - 2	93210-207A0	C - 2	93900-00022	E - 2	95812-06014	C - 12		D - 2		
	F - 4	93210-21190	D - 2	93900-00030	D - 13		C - 14	99530-10120	C - 2		
92012-06012	F - 3	93210-25001	C - 7	94107-10015	D - 13	95812-06030	C - 12	99530-14016	B - 15		
92012-06025	C - 14	93210-33786	B - 7	94110-09012	E - 2		E - 13				
92012-06030	E - 12	93210-357A3	C - 2	94582-13098	E - 2		E - 14				
92012-08016	C - 15	93210-36769	E - 2	94591-57126	B - 6	95812-08014	C - 10				
	E - 9	93210-41042	B - 8	94701-00330	B - 2	95812-08045	C - 10				
92012-08020	C - 15	93210-61750	B - 7	95022-06008	F - 5	95812-10030	E - 8				
92012-08035	C - 15	93210-64297	B - 9	95022-06010	B - 8	95812-10055	C - 10				