

# **PARTS CATALOGUE**

**(S)200FETO'02(64E1)**  
**L200FETO '02(64H1)**

---

**YAMAHA**  
**GENUINE**  
Parts & Accessories

2A64E-700E1

2005/11/21

NEWS NO.	DATE	COMMENT
PE0-OM-050025	Septembe.,30,2005	COR:FIG.20 FLUSHING KIT LIST/ILLUSTRATION CORRECTION

# FOREWORD

This Parts Catalogue is related to the parts for the model(s) in the below frame. When you are ordering replacement parts, please refer to this Parts Catalogue and quote both part numbers and part names correctly.

(S)200FETO'02(64E1), L200FETO'02(64H1)

1. Modifications or additions which have been made after issue of the Parts Catalogue will be announced in the Yamaha Parts News.  
It is advisable that you make necessary corrections to the Parts Catalogue according to the Yamaha Parts News.

2. Abbreviations

The Following abbreviations are used in this Parts Catalogue.

“UR” Use specified parts number.

“UN” Use as many as needed.

“AP” Alternate Parts

“LM” Local Made

(Parts need to be ordered locally)

“O/S” Over Size

“SWS” Salt Water Series

3. Parts, which are to be supplied in an assembly, are listed with a dot(.) in front of the part name as shown below.

EXAMPLE

CARBURETOR ASSY

.JET, PILOT

.NOZZLE, MAIN

4. Number of component for assembly

The numeral appearing to the right of each component part indicates the quantity of parts for each assembly unit.

EXAMPLE

PART NO.	DESCRIPTION	□	▣	▤	▥	REMARKS
6E0-85500-70	C.D.I. MAGNETO ASSY	1				
6E0-85550-70	.ROTOR ASSY	1				
6E0-15723-00-94.	PULLY, STARTER	1				

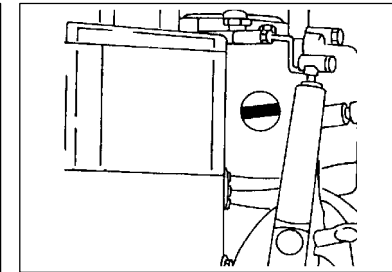
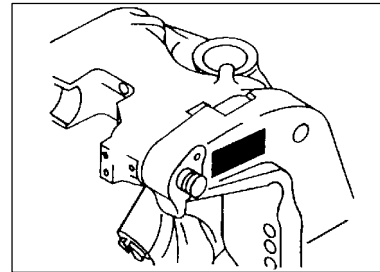
5. Quantity Column Information

NAME for Q'TY COLUMN	APPLICABLE MODEL
200	200FETO
S200	S200FETO
L200	L200FETO

6. Applicable Starting Serial No. and Color Code

1) Engine Starting Serial No.

200FETO 6G6 L : 351664 S200FETO 6G6 X : 509092	L200FETO 6K1 X : 502516
---	-------------------------



2) Color Code

Color Code	Color Name	Abbreviation
004D	DARK BLUISH GRAY METALLIC 2	DBNM2

7. Note that the illustrations for reference in finding parts numbers, not to be used for assembling. When assembling, please use the applicable service manual.

8. The asterisk (\*) before a reference number indicates modification items after the first edition.

# CONTENTS

SHEET 1/2

TOP COWLING .....	A4
CYLINDER. CRANKCASE 1 .....	A5
CYLINDER. CRANKCASE 2 .....	A6
CRANKSHAFT. PISTON .....	B1
CYLINDER. CRANKCASE 3 .....	B3
INTAKE 1 .....	B4
INTAKE 2 .....	B6
CARBURETOR .....	C1
OIL PUMP 1 .....	C3
OIL PUMP 2 .....	C5
OIL TANK .....	C7
FUEL 1 .....	D2
FUEL 2 .....	D4
FUEL 3 .....	D6
FUEL 4 .....	D7
GENERATOR .....	E1
ELECTRICAL 1 .....	E2
ELECTRICAL 2 .....	E4
STARTING MOTOR .....	E6
BOTTOM COWLING .....	E7
CONTROL .....	F2
BRACKET 1 .....	F5
BRACKET 2 .....	F7

INDEX

NUMERICAL INDEX .....	G1
-----------------------	----

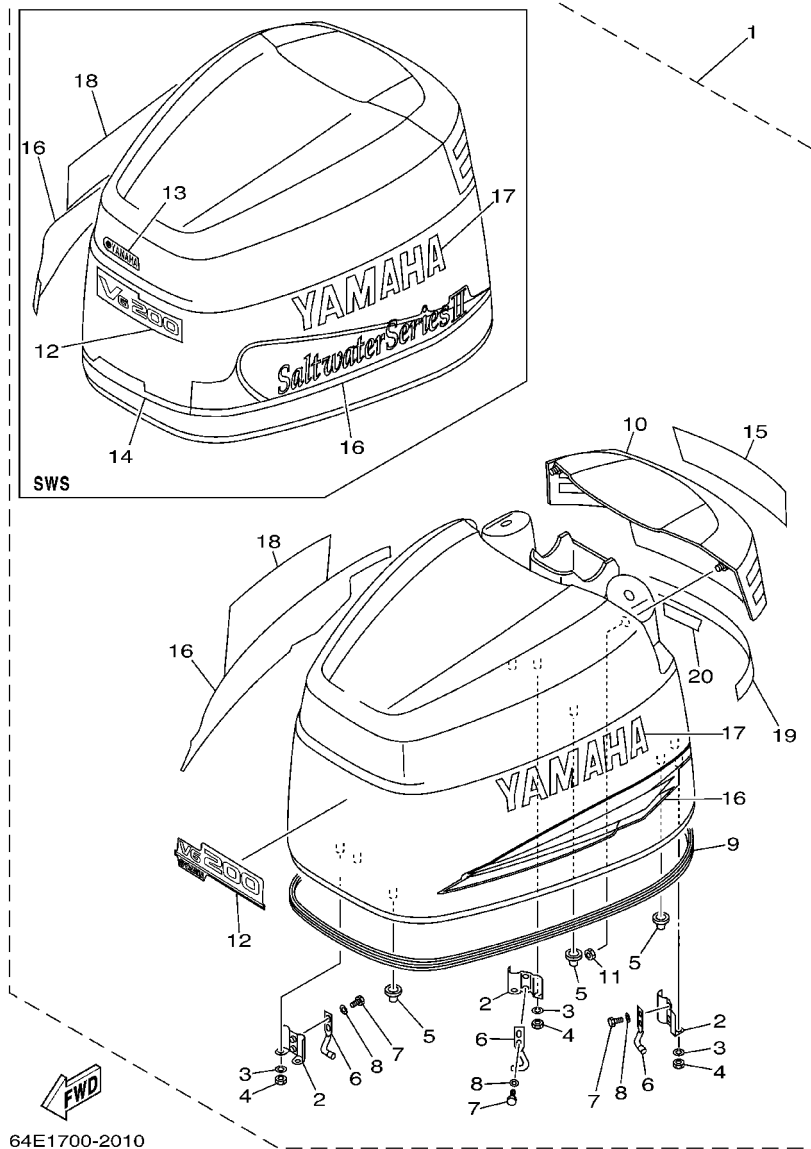
SHEET 2/2

BRACKET 2 .....	A4*
POWER TRIM & TILT ASSY 1 .....	A5*
POWER TRIM & TILT ASSY 2 .....	A7*
UPPER CASING .....	B2*
LOWER CASING. DRIVE 1 .....	B4*
LOWER CASING. DRIVE 2 .....	C1*
LOWER CASING. DRIVE 3 .....	C3*
LOWER CASING. DRIVE 4 .....	C7*
FUEL TANK .....	D1*
STEERING GUIDE ATTACHMENT 1 .....	D2*
STEERING GUIDE ATTACHMENT 2 .....	D3*
REMOTE CONTROL BOX .....	D4*
REMOTE CONTROL ASSY 1 .....	D5*
REMOTE CONTROL ASSY 2 .....	E1*
METER .....	E4*
SWITCH. PANEL .....	E6*
REPAIR KIT 1 .....	E7*
REPAIR KIT 2 .....	F2*
REPAIR KIT 3 .....	F4*

INDEX

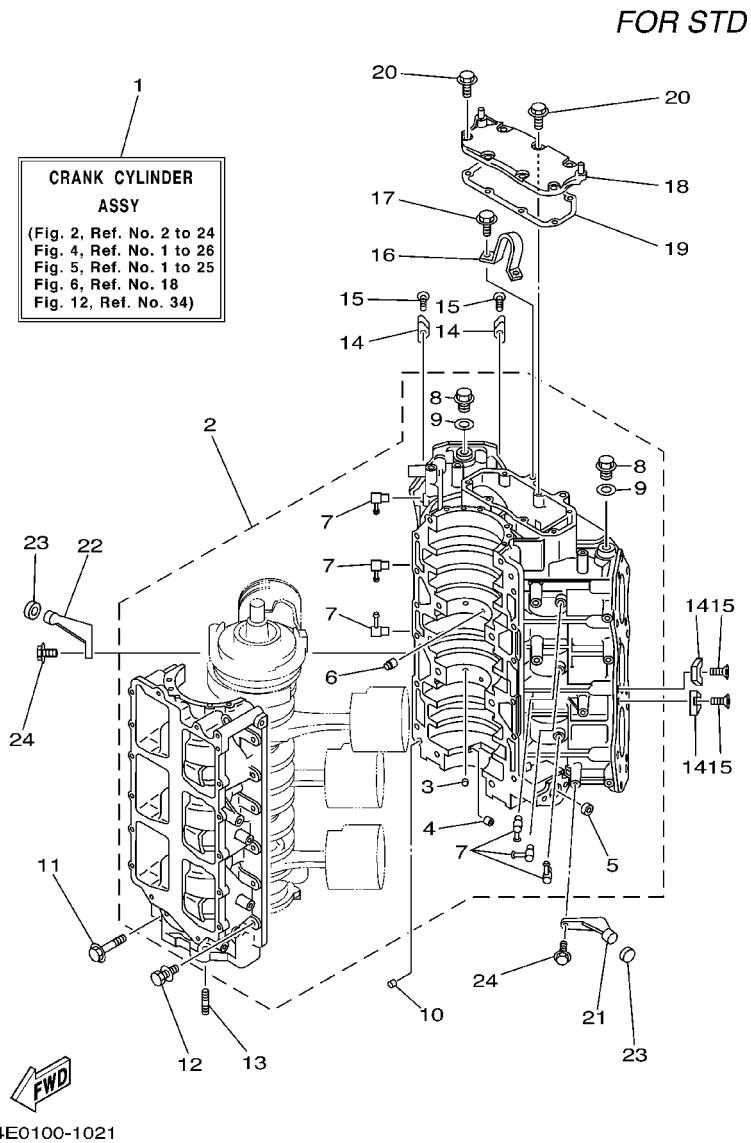
NUMERICAL INDEX .....	G1*
-----------------------	-----

FIG. 1 TOP COWLING



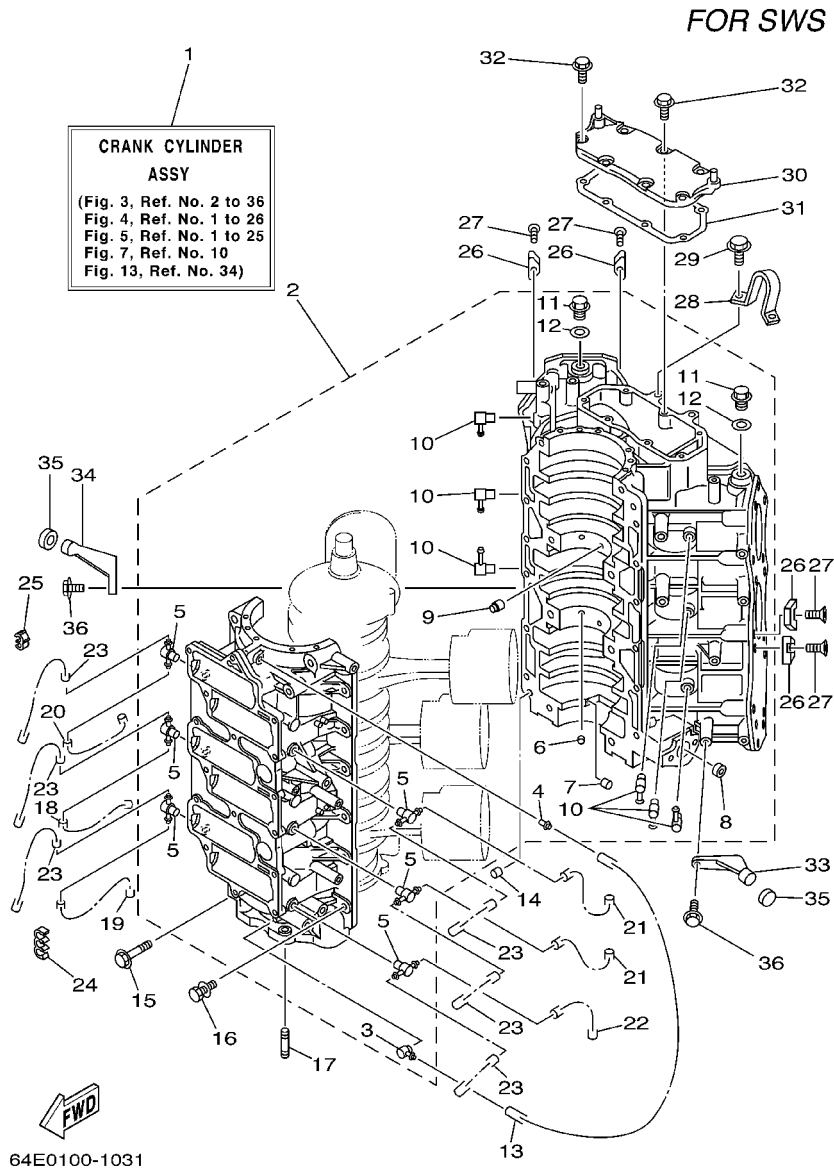
REF. NO.	PART NO.	DESCRIPTION	200	S200	L200	REMARKS
1	64E-42610-50-4D	TOP COWLING ASSY	1			FOR STD
	64E-42610-T0-4D	TOP COWLING ASSY		1	1	FOR SWS
2	6R3-42647-00	.HOLDER, CLAMP BAND	3	3	3	
3	92990-06100	.WASHER, SPRING	6	6	6	
4	95380-06600	.NUT, HEXAGON	6	6	6	
5	64D-42662-00	.DAMPER	3	3	3	
6	64D-42814-00	.HOOK, CLAMP	3	3	3	
7	97095-06012	.BOLT	6	6	6	
8	92995-06600	.WASHER	6	6	6	
9	64D-42615-00	.SEAL	1	1	1	
10	64D-42613-00-4D	.MOLDING, AIR DUCT	1	1	1	
11	90179-06M24	.NUT	4	4	4	
12	64E-42677-50	.GRAPHIC, FRONT	1			FOR STD
	64E-42677-40	.GRAPHIC, FRONT		1	1	FOR SWS
13	64D-42677-B0	.GRAPHIC, FRONT		1	1	FOR SWS
14	64D-42677-S0	.GRAPHIC, FRONT		1	1	FOR SWS
15	64E-42687-30	.EMBLEM, REAR	1			FOR STD
	64E-42687-00	.EMBLEM, REAR		1	1	FOR SWS
16	64D-W0070-30	.GRAPHIC SET	1			FOR STD
	64D-W0070-S0	.GRAPHIC SET		1	1	FOR SWS
17	64C-42681-30	.MARK, COWLING	1			FOR STD
	64D-42681-40	.MARK, COWLING		1	1	FOR SWS
18	64C-42682-30	.MARK, COWLING	1			FOR STD
	64D-42682-40	.MARK, COWLING		1	1	FOR SWS
19	64D-4267A-30	.GRAPHIC, REAR 2	1			FOR STD
	64D-4267A-S0	.GRAPHIC, REAR 2		1	1	FOR SWS
20	64D-42678-30	.GRAPHIC, REAR	1			FOR STD

**FIG. 2 CYLINDER. CRANKCASE 1**



REF. NO.	PART NO.	DESCRIPTION	200	S200	L200	REMARKS
1	64E-W0090-13-1S	CRANK CYLINDER ASSY	1			
2	64E-15100-01-1S	CRANKCASE ASSY	1			
3	624-11379-00	.VALVE, CHECK	2			
4	90384-06M07	.BUSH, BIMETAL FORMED	1			
5	90384-14M09	.BUSH, BIMETAL FORMED	1			
6	663-11518-01	.LOCK, BEARING	2			
7	646-11370-00	.CHECK VALVE ASSY	6			
8	90340-14M00	.PLUG, STRAIGHT SCREW	2			
9	90430-14115	.GASKET	2			
10	93608-12063	PIN, DOWEL	2			
11	90105-10M20	BOLT, FLANGE	8			
12	90119-08M94	BOLT, WITH WASHER	12			
13	90116-08M45	BOLT, STUD	2			
14	6E5-11325-00	ANODE	8			
15	98780-04015	SCREW, FLAT HEAD	8			
16	67H-11119-01	HANGER, ENGINE	1			
17	90119-08MA3	BOLT, WITH WASHER	2			
18	6K7-11371-01-1S	COVER	1			
19	6E5-11381-A2	GASKET 1	1			
20	90119-06MA2	BOLT, WITH WASHER	7			
21	6E5-42761-00-1S	STOPPER	1			
22	6E5-42762-00-1S	STOPPER	1			
23	68F-44533-00	DAMPER, UPPER MOUNT RUBBER	2			
24	90119-06MA2	BOLT, WITH WASHER	4			

FIG. 3 CYLINDER. CRANKCASE 2



REF. NO.	PART NO.	DESCRIPTION	200	S200	L200	REMARKS
1	64E-W0090-S3-1S	CRANK CYLINDER ASSY		1	1	
2	64E-15100-S1-1S	CRANKCASE ASSY		1	1	
3	6E5-11372-00	.NIPPLE, HOSE		1	1	
4	624-14485-00	.PIPE, JOINT		1	1	
5	6F6-11372-00	.NIPPLE, HOSE		6	6	
6	624-11379-00	.VALVE, CHECK		2	2	
7	90384-06M07	.BUSH, BIMETAL FORMED		1	1	
8	90384-14M09	.BUSH, BIMETAL FORMED		1	1	
9	663-11518-01	.LOCK, BEARING		2	2	
10	646-11370-00	.CHECK VALVE ASSY		6	6	
11	90340-14M00	.PLUG, STRAIGHT SCREW		2	2	
12	90430-14115	.GASKET		2	2	
13	90445-07M10	HOSE (L510)		1	1	
14	93608-12063	PIN, DOWEL		2	2	
15	90105-10M20	BOLT, FLANGE		8	8	
16	90119-08M94	BOLT, WITH WASHER		12	12	
17	90116-08M45	BOLT, STUD		2	2	
18	90445-07M11	HOSE (L610)		1	1	
19	90445-07M09	HOSE (L380)		1	1	
20	90445-07M12	HOSE (L300)		1	1	
21	90445-07M08	HOSE (L220)		2	2	
22	90445-07M90	HOSE (L390)		1	1	
23	90445-07M34	HOSE (L260)		6	6	
24	90464-07M05	CLAMP		1	1	
25	90464-07M20	CLAMP		1	1	
26	6E5-11325-00	.ANODE		8	8	
27	98780-04015	SCREW, FLAT HEAD		8	8	

FOR SWS

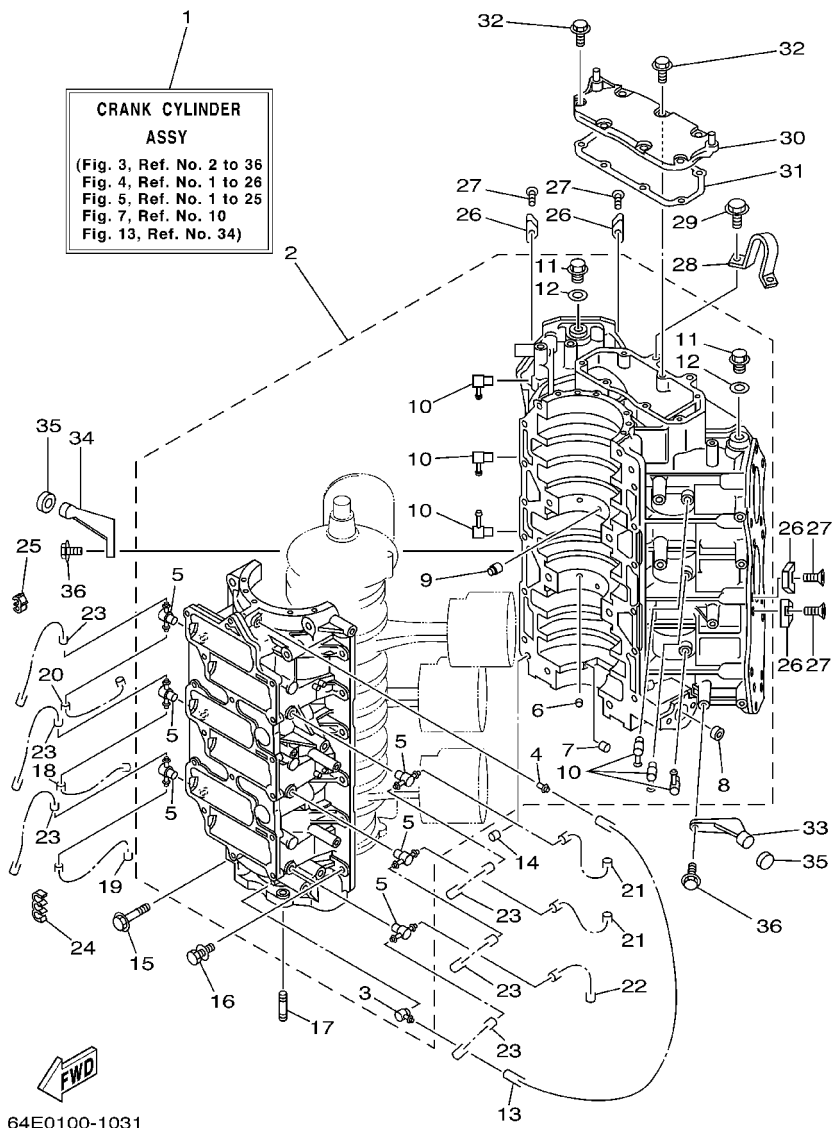
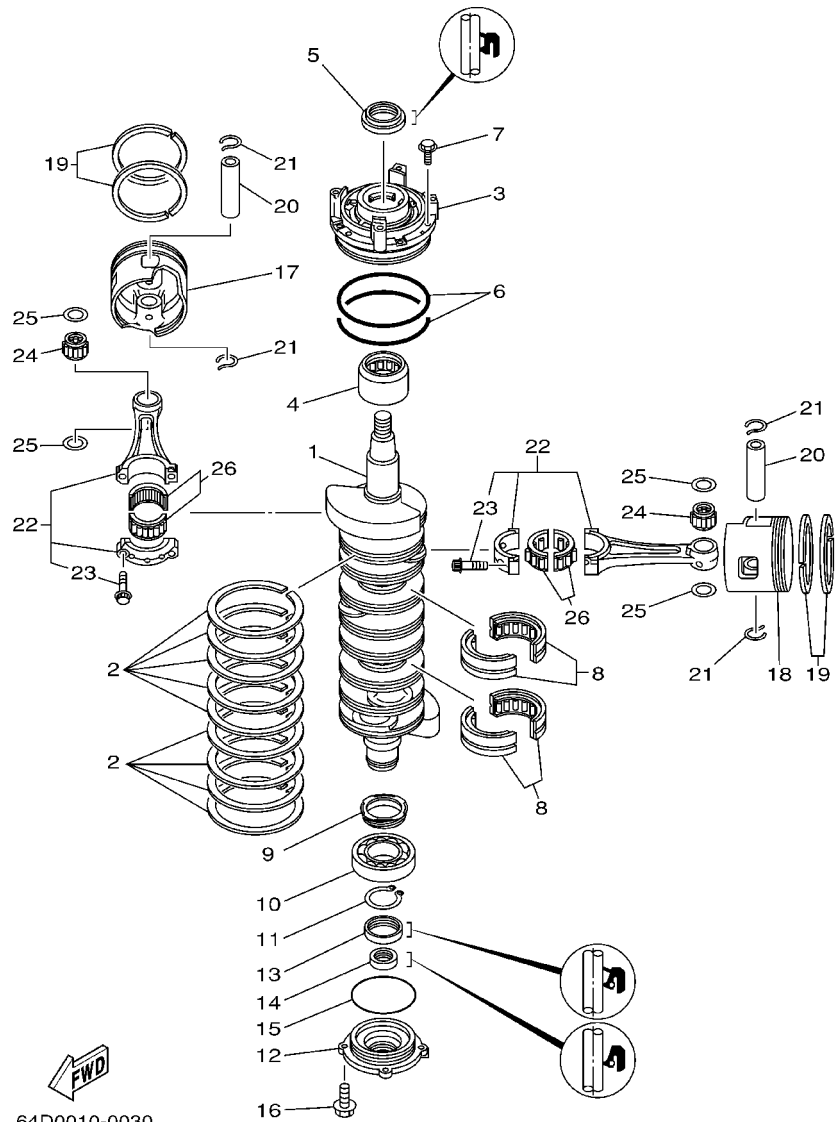


FIG. 3 CYLINDER. CRANKCASE 2

REF. NO.	PART NO.	DESCRIPTION	200	S200	L200	REMARKS
28	67H-11119-01	HANGER, ENGINE		1	1	
29	90119-08MA3	BOLT, WITH WASHER		2	2	
30	6K7-11371-01-1S	COVER		1	1	
31	6E5-11381-A2	GASKET 1		1	1	
32	90119-06MA2	BOLT, WITH WASHER		7	7	
33	6E5-42761-00-1S	STOPPER		1	1	
34	6E5-42762-00-1S	STOPPER		1	1	
35	68F-44533-00	DAMPER, UPPER MOUNT RUBBER		2	2	
36	90119-06MA2	BOLT, WITH WASHER		4	4	

**FIG. 4 CRANKSHAFT. PISTON**



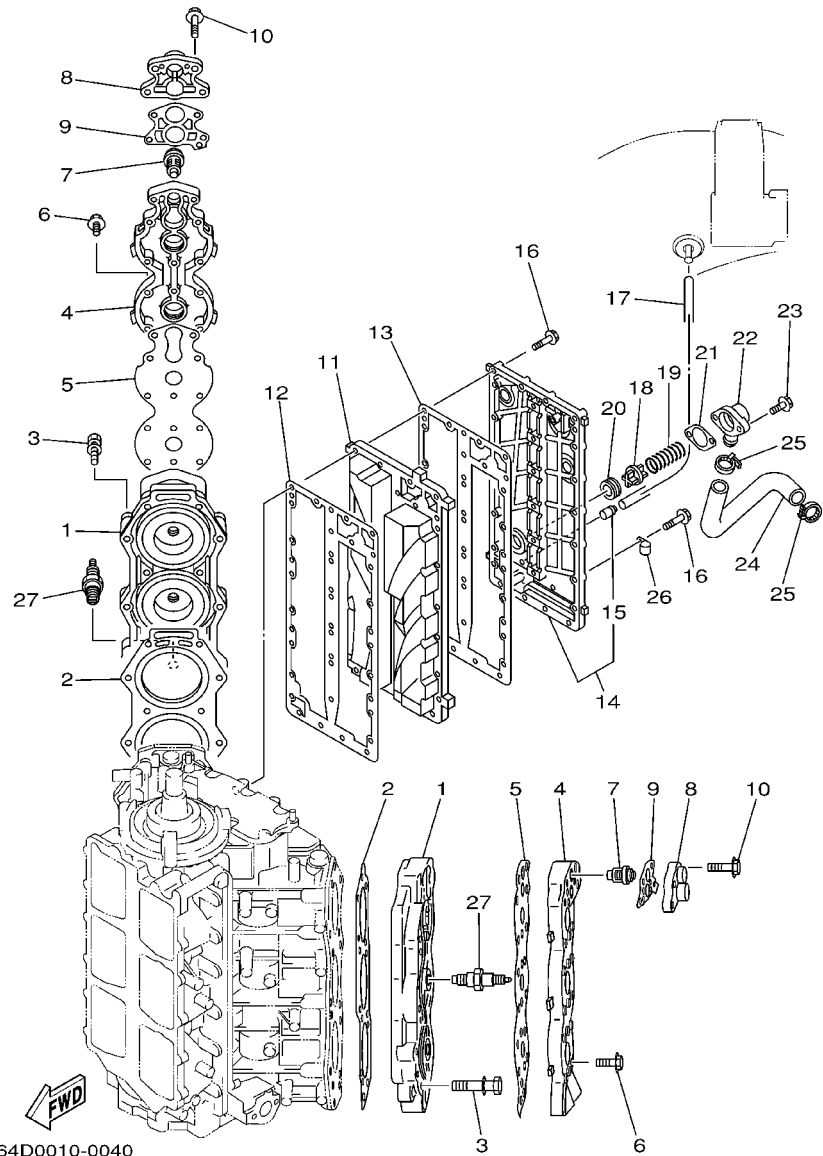
64D0010-0030

REF. NO.	PART NO.	DESCRIPTION	200	S200	L200	REMARKS
1	6G5-11411-02	CRANKSHAFT	1	1	1	
2	6E5-11447-00	SEAL, CRANK	9	9	9	
3	6R3-15163-00-1S	HOUSING, BEARING 1	1	1	1	
4	93311-940U3	BEARING	1	1	1	
5	93102-40M14	OIL SEAL	1	1	1	
6	93211-04001	O-RING	2	2	2	
7	90119-06MA2	BOLT, WITH WASHER	3	3	3	
8	93310-954U1	BEARING	2	2	2	
9	6R3-11536-00	GEAR, DRIVE	1	1	1	
10	93306-208U0	BEARING	1	1	1	
11	93410-40M03	CIRCLIP	1	1	1	
12	6G5-15359-00-94	HOUSING, OIL SEAL	1	1	1	
13	93102-35M13	OIL SEAL	1	1	1	
14	93101-22M15	OIL SEAL	1	1	1	
15	93210-74M35	O-RING	1	1	1	
16	90119-06MA2	BOLT, WITH WASHER	4	4	4	
17	64D-11631-02-90	PISTON (STD)	3	3	3	
	64D-11635-02	PISTON (0.25MM O/S)	3	3	3	AP
	64D-11636-02	PISTON (0.50MM O/S)	3	3	3	AP
18	64D-11642-02-90	PISTON 2 (STD)	3	3	3	
	64D-11645-02	PISTON 2 (0.25MM O/S)	3	3	3	AP
	64D-11646-02	PISTON 2 (0.50MM O/S)	3	3	3	AP
19	64D-11603-01	PISTON RING SET (STD)	6	6	6	
	64D-11604-01	PISTON RING SET (0.25MM O/S)	6	6	6	AP
	64D-11605-01	PISTON RING SET (0.50MM O/S)	6	6	6	AP
20	6R5-11633-10	PIN, PISTON	6	6	6	
21	6R5-11634-10	CLIP, PISTON PIN	12	12	12	





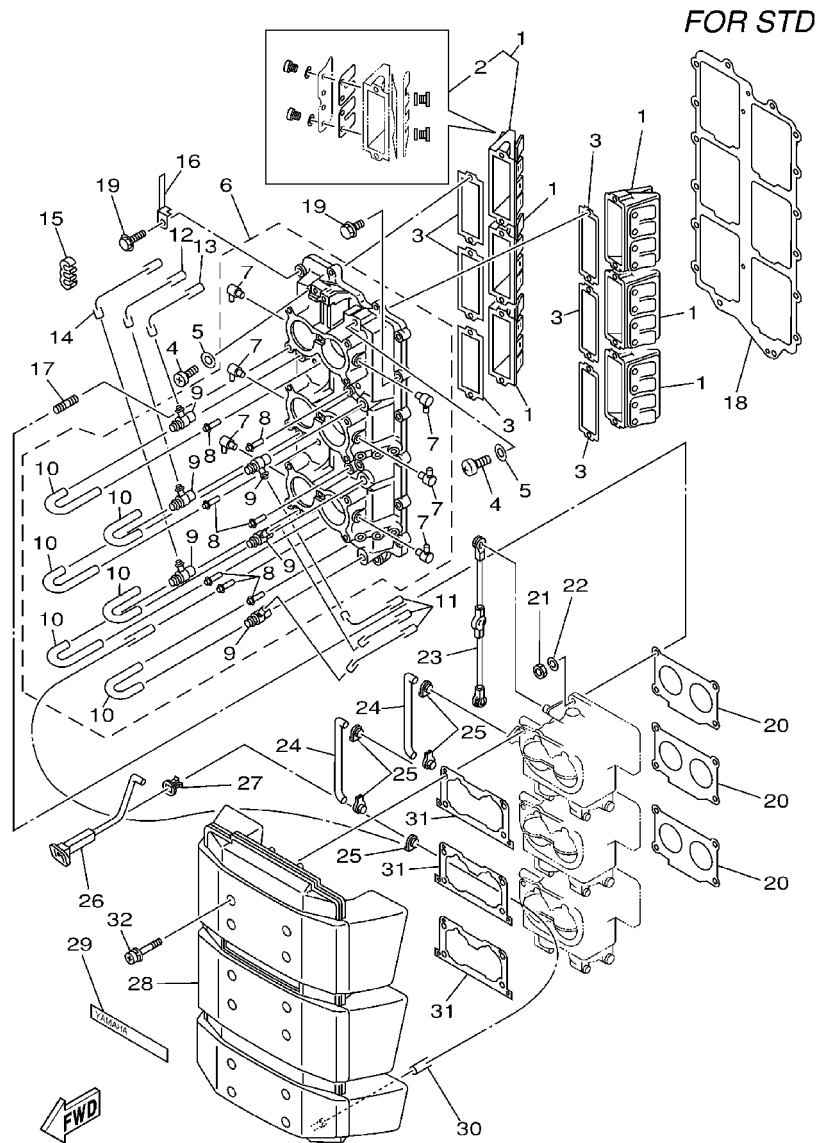
FIG. 5 CYLINDER. CRANKCASE 3



64D0010-0040

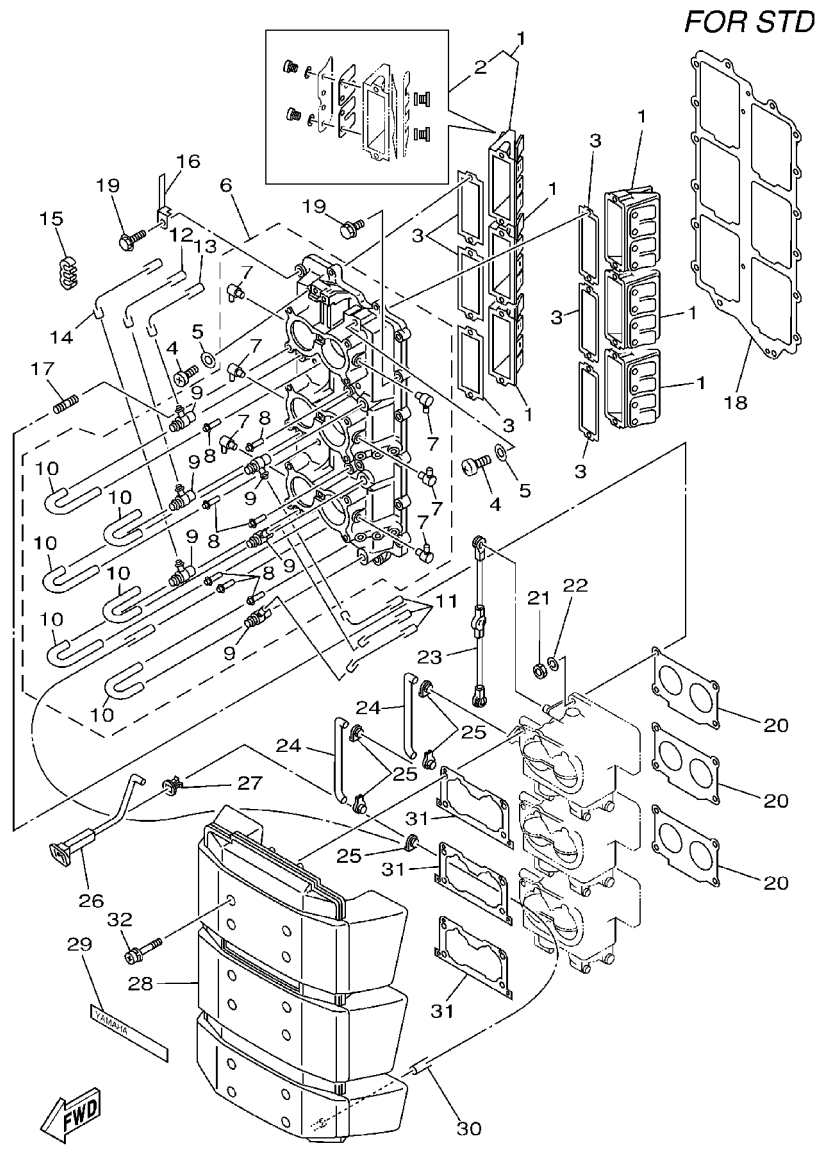
REF. NO.	PART NO.	DESCRIPTION	200	S200	L200	REMARKS
1	64E-11111-00-1S	HEAD, CYLINDER 1	2	2	2	
2	6G5-11181-A1	GASKET, CYLINDER HEAD 1	2	2	2	
3	90119-08MA8	BOLT, WITH WASHER	28	28	28	
4	6G5-11191-00-1S	COVER, CYLINDER HEAD 1	2	2	2	
5	6G5-11193-A0	GASKET, HEAD COVER 1	2	2	2	
6	90119-06MA4	BOLT, WITH WASHER	36	36	36	
7	6E5-12411-20	THERMOSTAT	2	2	2	
8	688-12413-00-1S	COVER, THERMOSTAT	2	2	2	
9	688-12414-A1	GASKET, COVER	2	2	2	
10	90119-06MA6	BOLT, WITH WASHER	8	8	8	
11	64D-41111-00-1S	INNER COVER, EXHAUST	1	1	1	
12	6G5-41112-A1	GASKET, EXHAUST INNER COVER	1	1	1	
13	6G5-41112-A1	GASKET, EXHAUST INNER COVER	1	1	1	
14	6R3-41113-00-1S	OUTER COVER, EXHAUST	1	1	1	
15	650-24378-00	.PIPE, JOINT 4	1	1	1	
16	90119-06MA5	BOLT, WITH WASHER	29	29	29	
17	90445-09097	HOSE	1	1	1	
18	6G5-12416-00	VALVE, PRESSURE CONTROL	1	1	1	
19	90501-16M11	SPRING, COMPRESSION	1	1	1	
20	90480-20M05	GROMMET	1	1	1	
21	6G5-11382-A1	GASKET 2	1	1	1	
22	6G5-11372-00-1S	COVER, BYPASS 2	1	1	1	
23	90119-06MA2	BOLT, WITH WASHER	2	2	2	
24	6G5-12576-00	HOSE 1	1	1	1	
25	90465-13M18	CLAMP	2	2	2	
26	90465-06M86	CLAMP	2	2	2	
27	94702-00247	PLUG, SPARK (NGK BR8HS-10)	6	6	6	

FIG. 6 INTAKE 1



64E0100-1060

REF. NO.	PART NO.	DESCRIPTION	200	S200	L200	REMARKS
1	6E5-13610-00	REED VALVE ASSY	6			
2	6E5-W0004-00	.REED SET	1			
3	6E5-13621-A1	GASKET, VALVE SEAT	6			
4	97880-05016	SCREW, PAN HEAD	12			
5	92990-05600	WASHER, PLATE	12			
6	6G5-13641-11-1S	MANIFOLD 1	1			
7	6E5-13552-00	.NOZZLE	6			
8	624-14485-00	.PIPE, JOINT	7			
9	6E5-11370-00	.CHECK VALVE ASSY	6			
10	90445-07M28	.HOSE (L70)	6			
11	90445-07M45	HOSE (L340)	3			
12	90445-07M46	HOSE (L360)	1			
13	90445-07M09	HOSE (L380)	1			
14	90445-07M59	HOSE (L1160)	1			
15	90464-07M05	CLAMP	2			
16	90465-10M91	CLAMP	2			
17	90116-06M30	BOLT, STUD	12			
18	6G5-13645-A1	GASKET, MANIFOLD 1	1			
19	90119-06MA3	BOLT, WITH WASHER	16			
20	6E5-14198-A2	GASKET	3			
21	95380-06600	NUT, HEXAGON	12			
22	92995-06100	WASHER, SPRING	12			
23	6G5-41217-01	ROD, ACCEL. LEVER	1			
24	6E5-41256-01	ROD, CHOKE 1	2			
25	661-41262-02	JOINT, CHOKE LEVER	5			
26	6R3-41271-00	KNOB, CHOKE	1			
27	689-41273-00	GROMMET	1			

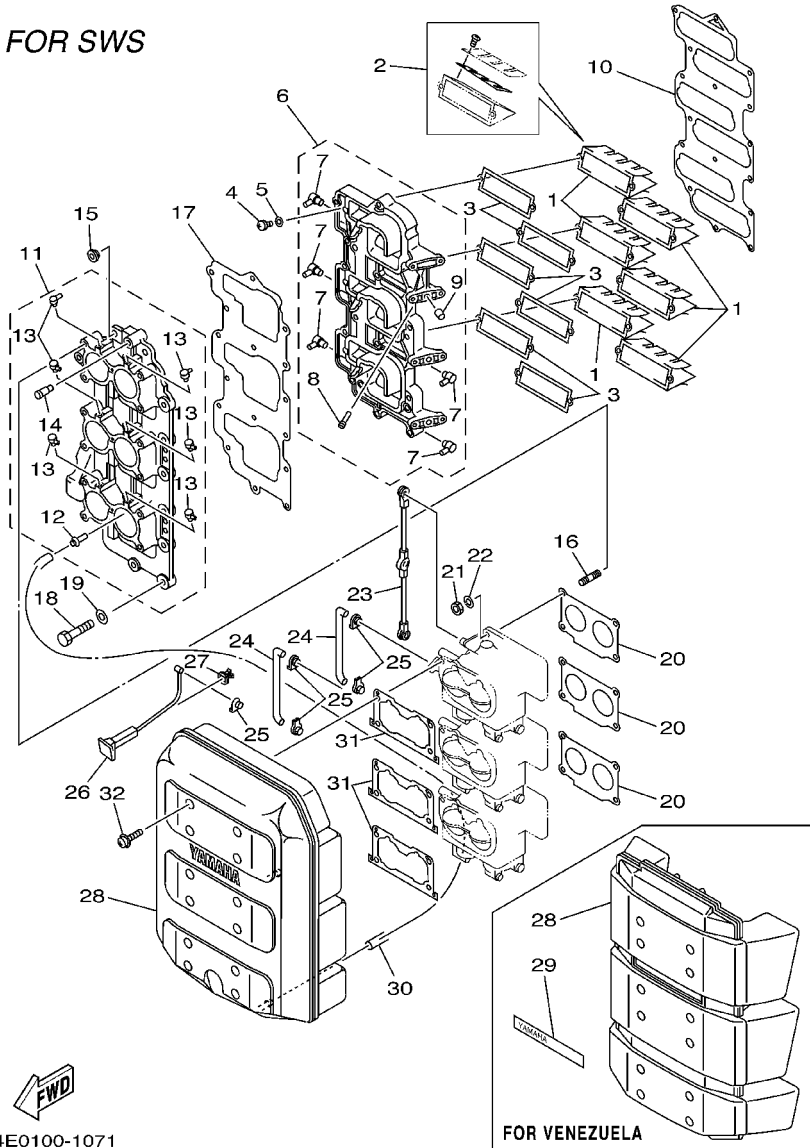


64E0100-1060

FIG. 6 INTAKE 1

REF. NO.	PART NO.	DESCRIPTION	200	S200	L200	REMARKS
28	6R3-14440-01	SILENCER ASSY, INTAKE	1			
29	6G5-1441K-00	EMBLEM	1			
30	90445-07MA3	HOSE (L200)	1			
31	6K7-14483-00	GASKET	3			
32	90159-06M14	SCREW, WITH WASHER	12			
<hr/>						
<hr/>						
<hr/>						
<hr/>						
<hr/>						
<hr/>						
<hr/>						
<hr/>						
<hr/>						

FOR SWS

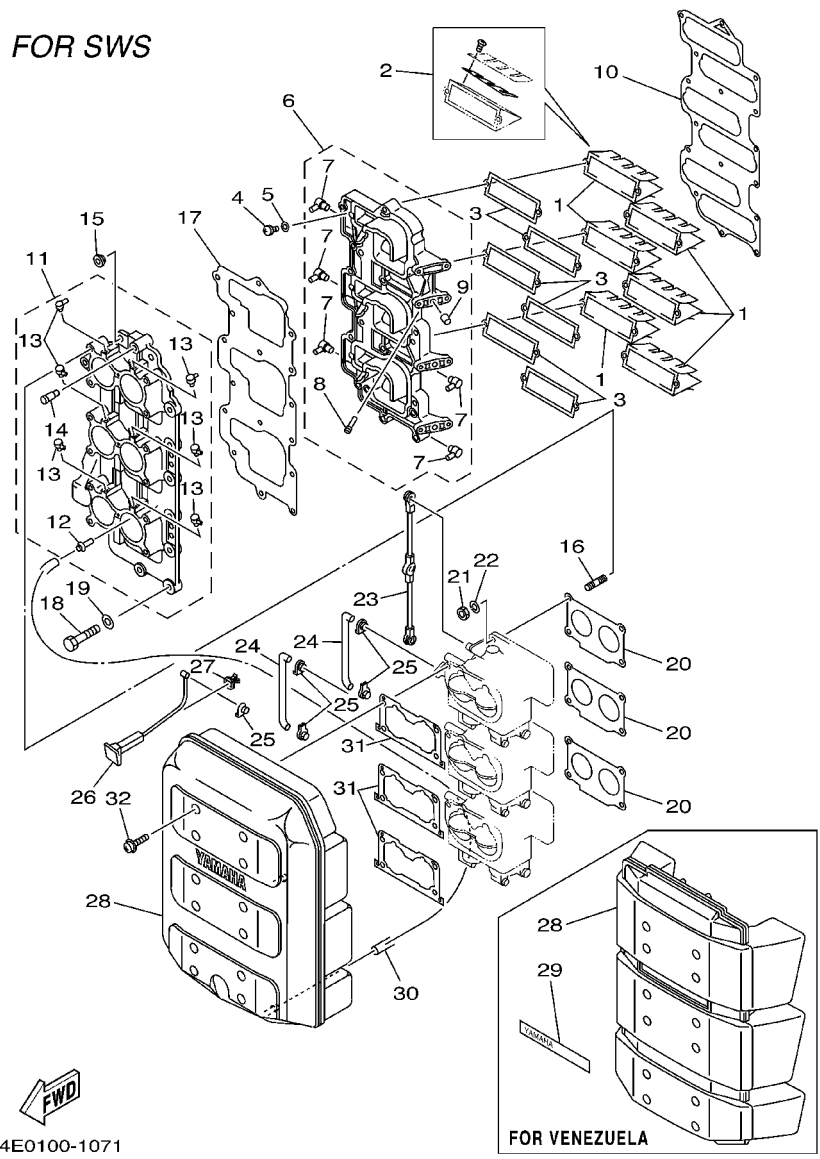


64E0100-1071

FIG. 7 INTAKE 2

REF. NO.	PART NO.	DESCRIPTION	200	S200	L200	REMARKS
1	6K7-13610-00	REED VALVE ASSY		6	6	
2	6E5-W0004-00	.REED SET		1	1	
3	6K7-13621-A1	GASKET, VALVE SEAT		6	6	
	6E5-13621-A1	GASKET, VALVE SEAT		6		FOR VENEZUELA
4	97880-05016	SCREW, PAN HEAD		12	12	
5	92990-05600	WASHER, PLATE		12	12	
6	64E-13624-00-1S	PLATE, REED VALVE		1	1	
7	688-11372-00	.NIPPLE, HOSE		5	5	
8	6R5-14485-00	.PIPE, JOINT		1	1	
9	90336-08M06	.PLUG, TAPER		1	1	
10	6K7-13646-A2	GASKET, MANIFOLD 2		1	1	
11	64E-13641-00-1S	MANIFOLD 1		1	1	
12	624-14485-00	.PIPE, JOINT		1	1	
13	6E5-13552-00	.NOZZLE		6	6	
14	6K7-81338-01	.CLAMP, LEAD		1	1	
15	90480-10M28	GROMMET		6	6	
16	90116-06M30	BOLT, STUD		12	12	
17	64E-13645-A0	GASKET, MANIFOLD 1		1	1	
	6G5-13645-A1	GASKET, MANIFOLD 1		1		FOR VENEZUELA
18	97013-06050	BOLT		16	16	
19	92903-06600	WASHER, PLATE		16	16	
20	6E5-14198-A2	GASKET		3	3	
21	95380-06600	NUT, HEXAGON		12	12	
22	92995-06100	WASHER, SPRING		12	12	
23	6G5-41217-01	ROD, ACCEL. LEVER		1	1	
24	6E5-41256-01	ROD, CHOKE 1		2	2	
25	661-41262-02	JOINT, CHOKE LEVER		5	5	

FOR SWS

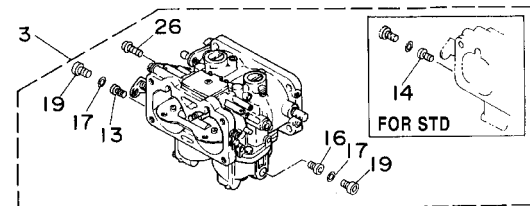
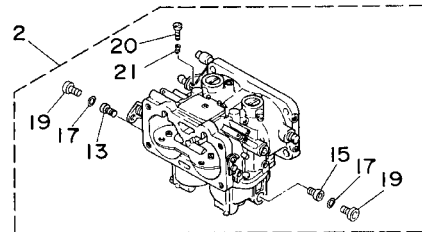
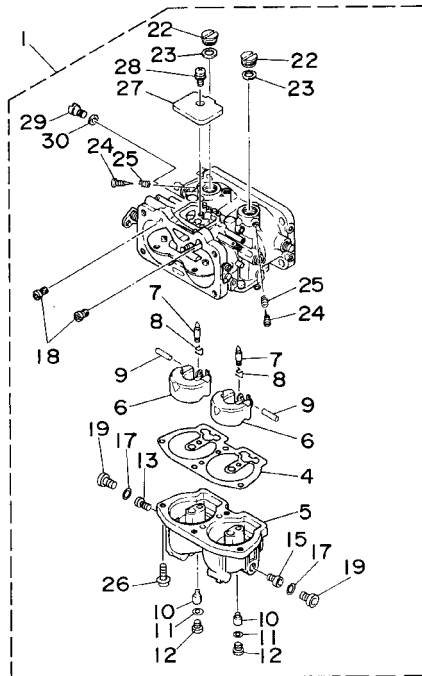


64E0100-1071

FIG. 7 INTAKE 2

REF. NO.	PART NO.	DESCRIPTION	200	S200	L200	REMARKS
26	61H-41271-10	KNOB, CHOKE		1	1	
27	689-41273-00	GROMMET		1	1	
28	64D-14440-00	SILENCER ASSY, INTAKE		1	1	
	6R3-14440-01	SILENCER ASSY, INTAKE		1		FOR VENEZUELA
29	6G5-1441K-00	EMBLEM		1		FOR VENEZUELA
30	90445-07MA3	HOSE (L200)		1	1	
31	6K7-14483-00	GASKET		3	3	
32	90159-06M08	SCREW, WITH WASHER		12	12	
	90159-06M14	SCREW, WITH WASHER		12		FOR VENEZUELA

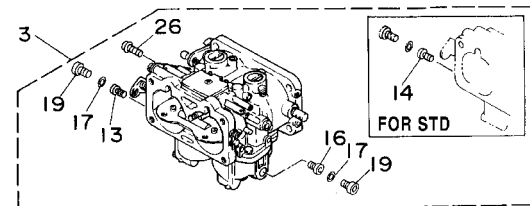
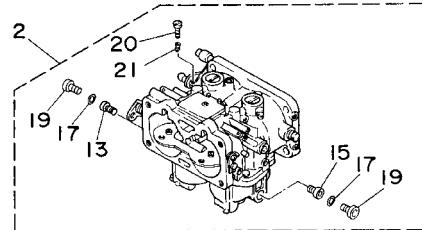
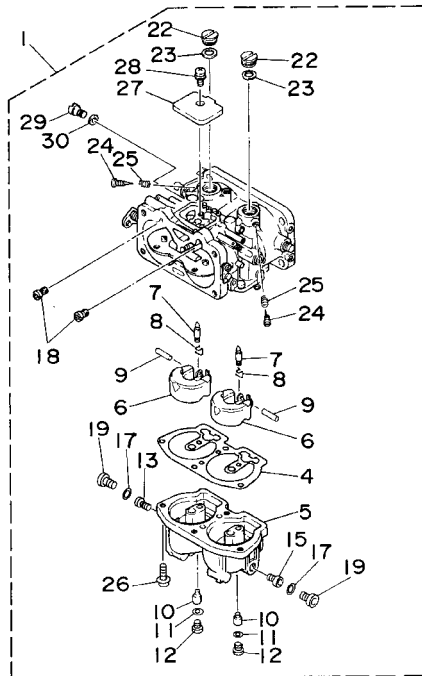
FIG. 8 CARBURETOR



64E0100-6080

REF. NO.	PART NO.	DESCRIPTION	200	S200	L200	REMARKS
1	64E-14301-01	CARBURETOR ASSY 1	1			FOR STD
	64E-14301-S1	CARBURETOR ASSY 1		1	1	FOR SWS
2	64E-14302-01	CARBURETOR ASSY 2	1			FOR STD
	64E-14302-S1	CARBURETOR ASSY 2		1	1	FOR SWS
3	64E-14303-01	CARBURETOR ASSY 3	1			FOR STD
	64E-14303-S1	CARBURETOR ASSY 3		1	1	FOR SWS
4	64D-14384-01	.GASKET, FLOAT CHAMBER	3	3	3	
5	64D-14381-00	.BODY, FLOAT CHAMBER	3			FOR STD
	64D-14381-10	.BODY, FLOAT CHAMBER		3	3	FOR SWS
6	6E5-14385-02	.FLOAT	6	6	6	
7	6E5-14546-00	.VALVE, NEEDLE	6	6	6	
8	6E5-14159-00	.CLIP	6	6	6	
9	6E5-14386-02	.PIN, FLOAT	6	6	6	
10	64D-1492F-42	.JET, AIR SLOW (#84)	6	6	6	
11	61U-14959-00	.GASKET	6	6	6	
12	64D-14394-00	.VALVE, DRAIN	6	6	6	
13	64D-1492E-75	.JET, MAIN (#150)	2			FOR STD
	64D-1492E-73	.JET, MAIN (#146)		3	3	FOR SWS
14	64D-1492E-76	.JET, MAIN (#152)	1			FOR STD
15	64D-1492E-77	.JET, MAIN (#154)	2			FOR STD
	64D-1492E-73	.JET, MAIN (#146)		2	2	FOR SWS
16	64D-1492E-79	.JET, MAIN (#158)	1			FOR STD
	64D-1492E-73	.JET, MAIN (#146)		1	1	FOR SWS
17	6E5-14398-01	.GASKET	6	6	6	
18	61A-1492H-12	.JET, SLOW AIR BLEED (#60)	6	6	6	
19	61A-14383-01	.SCREW, DRAIN	6	6	6	
20	6E5-14321-00	.SCREW, THROTTLE	1	1	1	#2

FIG. 8 CARBURETOR



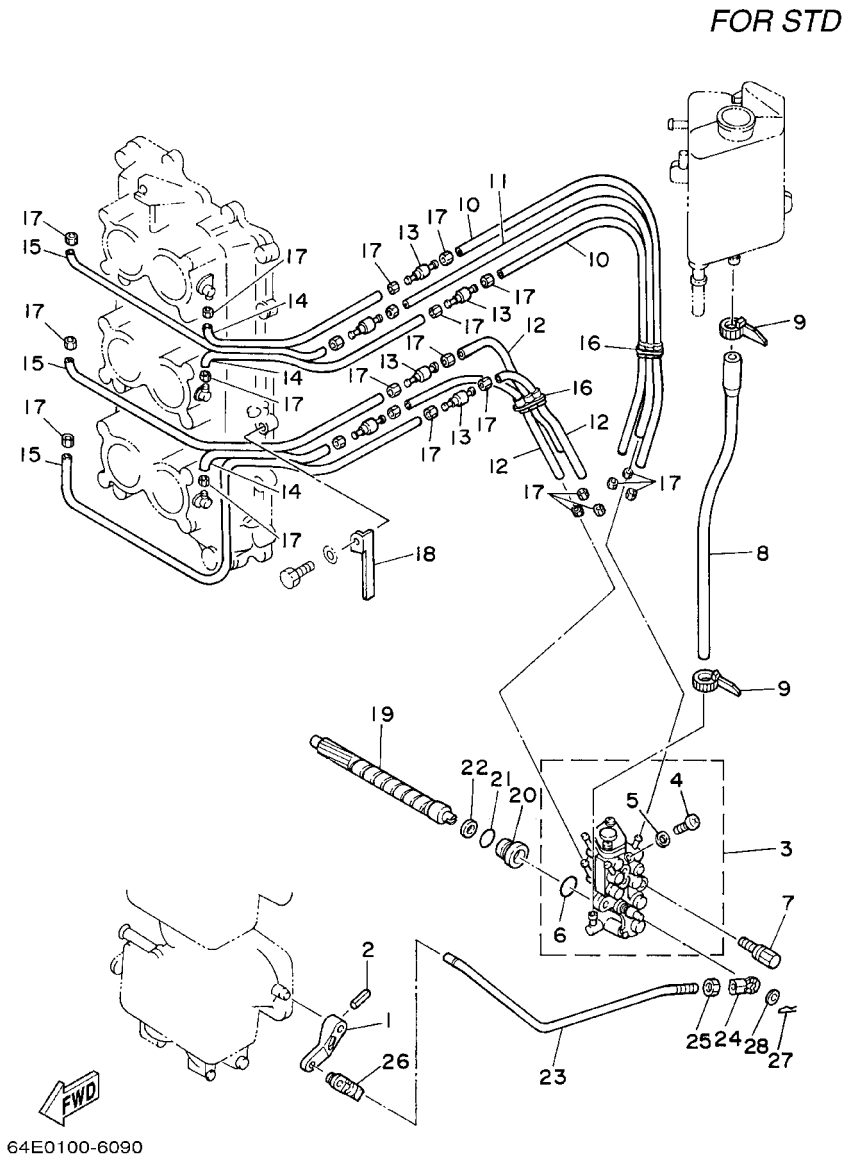
REF. NO.	PART NO.	DESCRIPTION	200	S200	L200	REMARKS
21	6J8-14334-00	.SPRING, THROTTLE	1	1	1	#2
22	6E5-14328-01	.PLUG	6	6	6	
23	6E5-14979-00	.GASKET	6	6	6	
24	6E5-14323-03	.SCREW, AIR ADJUSTING	6	6	6	
25	6E5-14223-00	.SPRING, AIR ADJUSTING	6	6	6	
26	97980-05116	.SCREW, WITH WASHER	12	12	12	
27	6E5-14527-01	.PLATE	3	3	3	
28	97980-05108	.SCREW, WITH WASHER	3	3	3	
29	6E5-14324-00	.SCREW, FLAT HEAD	3	3	3	
30	6J8-14959-00	.GASKET	3	3	3	



64E0100-6080



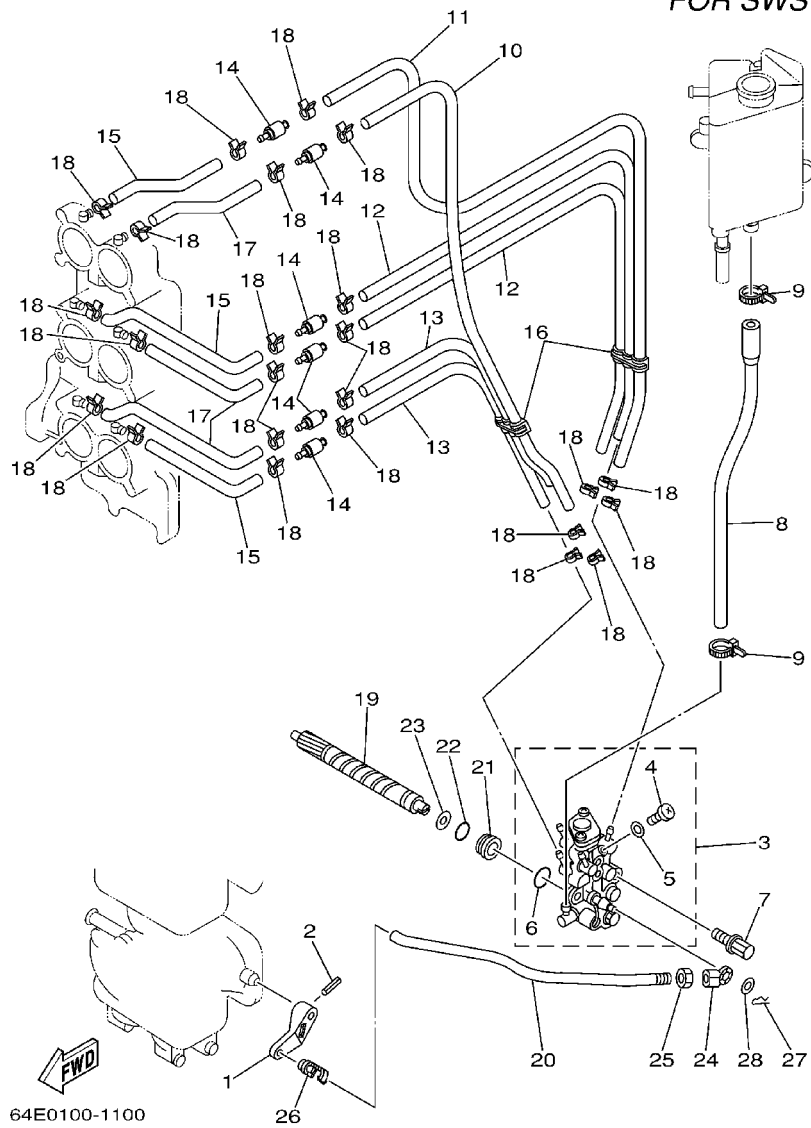
FIG. 9 OIL PUMP 1



REF. NO.	PART NO.	DESCRIPTION	200	S200	L200	REMARKS
1	6E5-14276-01	LEVER	1			
2	91690-30016	PIN, SPRING	1			
3	6R5-13200-10	OIL INJECTION PUMP ASSY	1			
4	6R3-13471-00	.PLUG, DRAIN	1			
5	6L2-13475-00	.GASKET	1			
6	93210-19MA7	.O-RING	1			
7	90109-06M40	BOLT	2			
8	6R3-13416-00	PIPE, OIL 1	1			
9	90465-11M10	CLAMP	2			
10	90445-07M72	HOSE (L250)	2			
11	90445-07M89	HOSE (L310)	1			
12	90445-07M83	HOSE (L150)	3			
13	6R3-13183-10	VALVE, CHECK	6			
14	90445-07M87	HOSE (L110)	3			
15	90445-07M96	HOSE (L310)	3			
16	90464-07M05	CLAMP	2			
17	90468-07M02	CLIP	24			
18	90465-10M91	CLAMP	2			
19	6R3-11537-00	GEAR, DRIVEN	1			
20	6R3-13117-00	COLLAR, DISTANCE	1			
21	93210-13M04	O-RING	1			
22	90202-08M44	WASHER, PLATE	1			
23	6R3-41241-00	ROD, LINK	1			
24	6H1-41237-00	JOINT, LINK	1			
25	95380-05600	NUT	1			
26	6R5-41237-00	JOINT, LINK	1			
27	90468-05M03	CLIP	1			

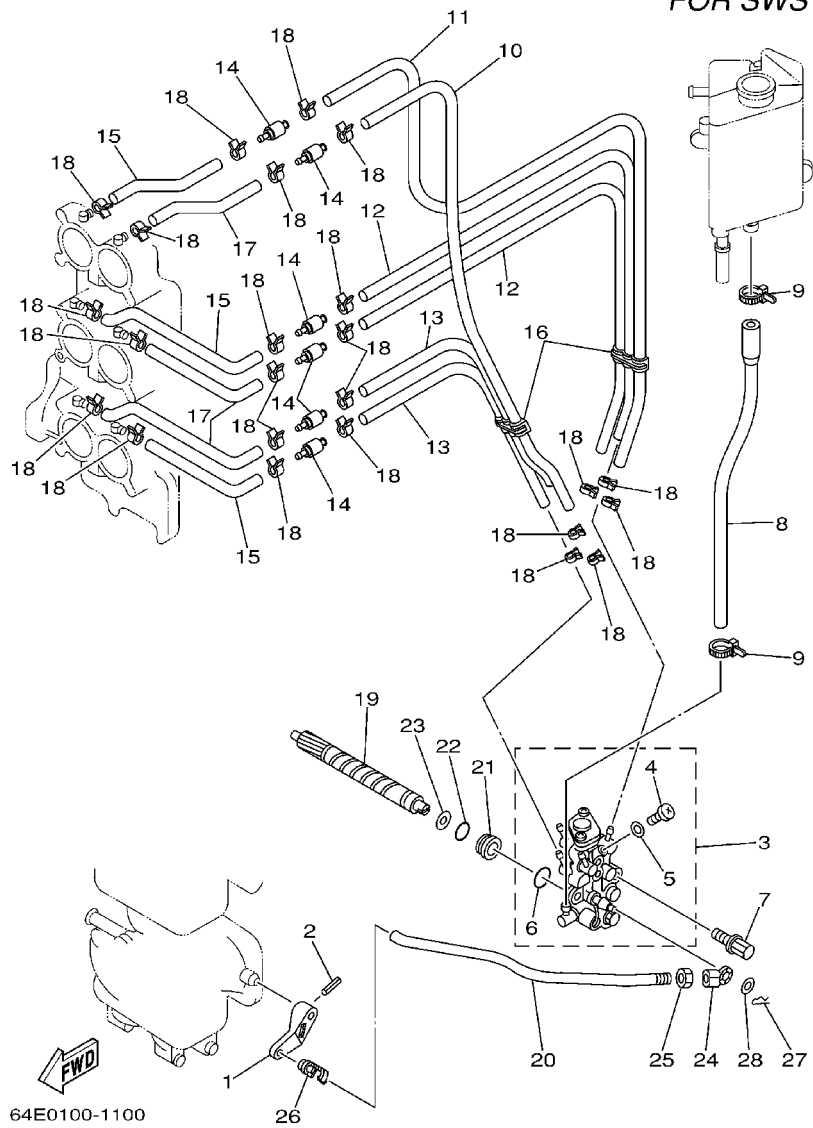


**FIG. 10 OIL PUMP 2**



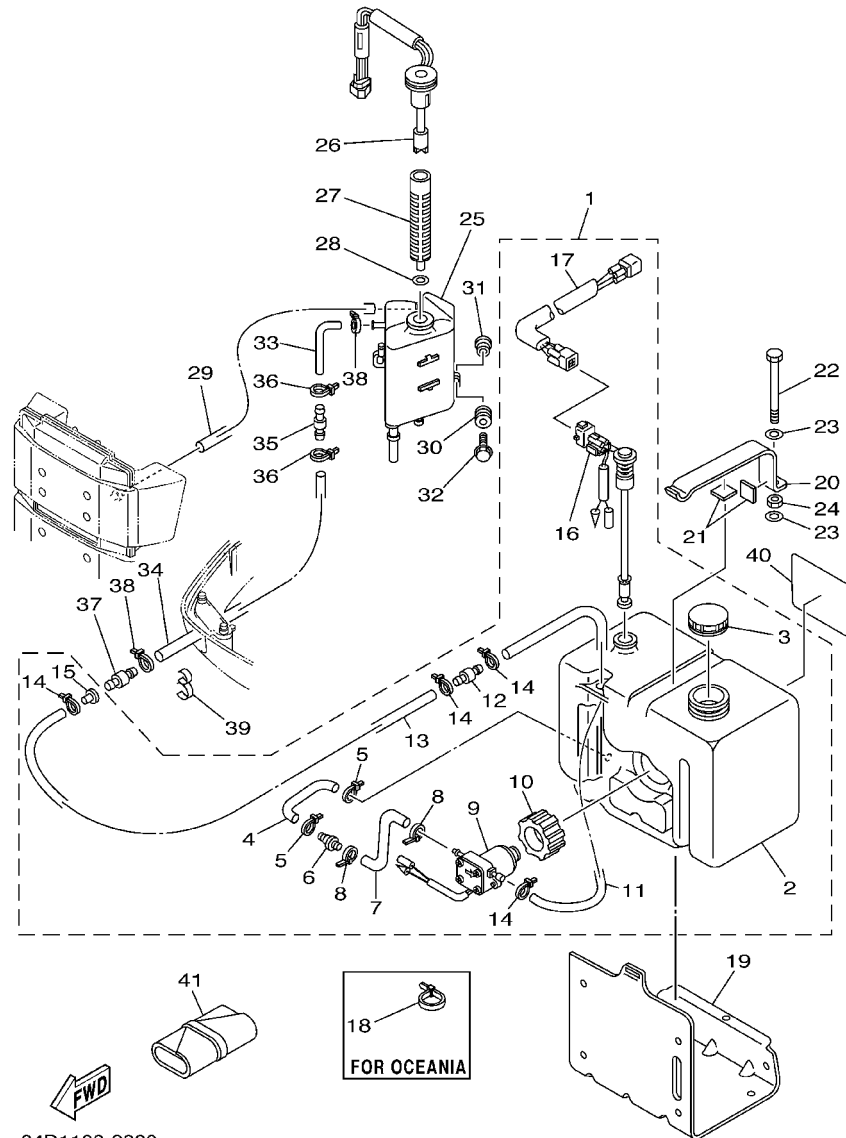
REF. NO.	PART NO.	DESCRIPTION	200	S200	L200	REMARKS
1	6E5-14276-01	LEVER		1	1	
2	91690-30016	PIN, SPRING		1	1	
3	6R5-13200-10	OIL INJECTION PUMP ASSY		1	1	
4	6R3-13471-00	.PLUG, DRAIN		1	1	
5	6L2-13475-00	.GASKET		1	1	
6	93210-19MA7	.O-RING		1	1	
7	90109-06M40	BOLT		2	2	
8	6R3-13416-00	PIPE, OIL 1		1	1	
9	90465-11M10	CLAMP		2	2	
10	90445-07M77	HOSE (L350)		1	1	
11	90445-07M85	HOSE (L330)		1	1	
12	90445-07M72	HOSE (L250)		2	2	
13	90445-07196	HOSE (L160)		2	2	
14	6R3-13183-10	VALVE, CHECK		6	6	
15	90445-07M87	HOSE (L110)		3	3	
16	90464-07M05	CLAMP		2	2	
17	90445-07M07	HOSE (L180)		3	3	
18	90468-07M02	CLIP		24	24	
19	6R3-11537-00	GEAR, DRIVEN		1	1	
20	6R5-41241-00	ROD, LINK		1	1	
21	6R3-13117-00	COLLAR, DISTANCE		1	1	
22	93210-13M04	O-RING		1	1	
23	90202-08M44	WASHER, PLATE		1	1	
24	6H1-41237-00	JOINT, LINK		1	1	
25	95380-05600	NUT		1	1	
26	6R5-41237-00	JOINT, LINK		1	1	
27	90468-05M03	CLIP		1	1	

FIG. 10 OIL PUMP 2



REF. NO.	PART NO.	DESCRIPTION	200	S200	L200	REMARKS
28	90202-05088	WASHER, PLATE		1	1	

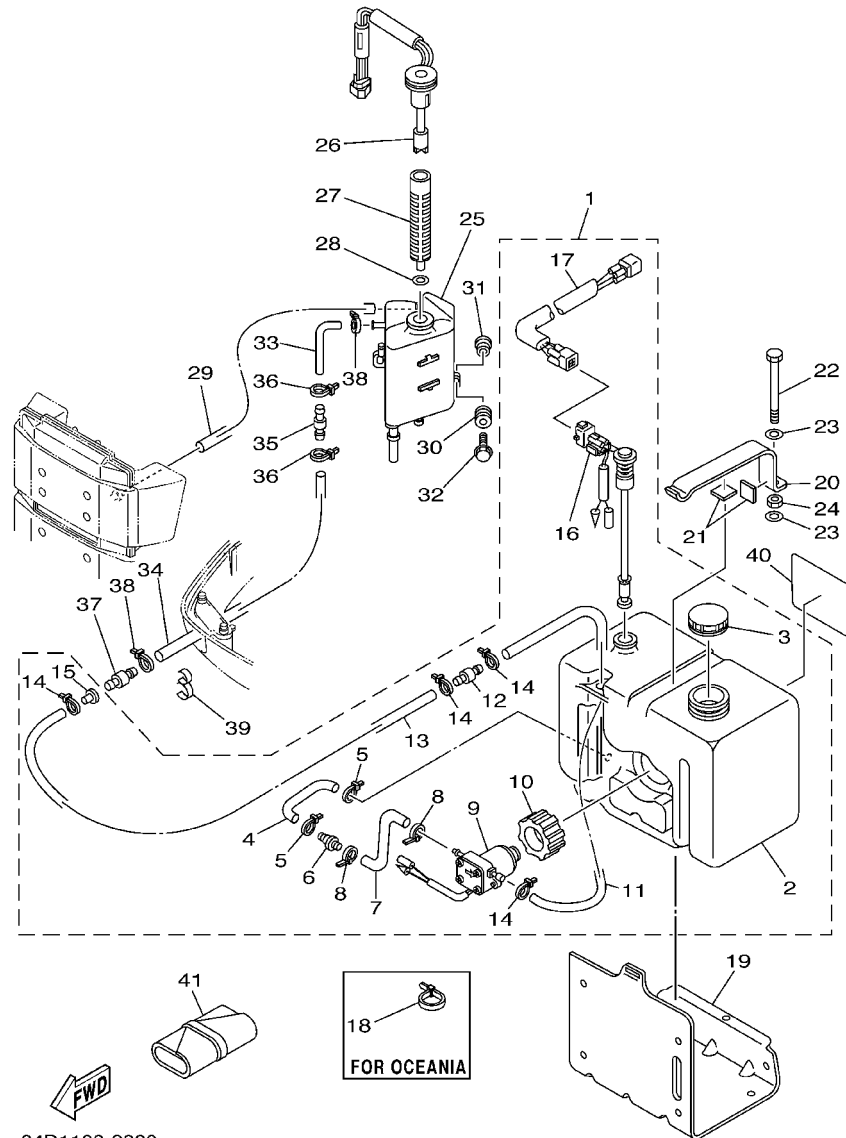
**FIG. 11 OIL TANK**



64D1100-2080

REF. NO.	PART NO.	DESCRIPTION	200	S200	L200	REMARKS
1	6E5-21708-08	OIL TANK SUB-ASSY	1	1		
	6K1-21708-04	OIL TANK SUB-ASSY			1	
	61A-21708-03	OIL TANK SUB-ASSY		1	1	FOR OCEANIA
2	6E5-21733-02	.SUB TANK, OIL (10.5L)	1	1	1	
3	6E5-21770-03	.OIL TANK CAP ASSY	1	1	1	
4	6E5-24322-00	.PIPE 11	1	1	1	
5	90465-11M10	.CLAMP	2	2	2	
6	646-24251-02	.STRAINER 1	1	1	1	
7	6E5-24319-01	.PIPE, OIL	1	1	1	
8	90465-11M10	.CLAMP	2	2	2	
9	6E5-81900-01	.OIL FEED PUMP ASSY	1	1	1	
10	6E5-81922-00	.GROMMET	1	1	1	
11	6E5-24321-01	.PIPE 10	1	1	1	
12	6E5-24379-00	.PIPE, JOINT 4	1	1	1	
13	90445-11M81	.HOSE (L3000)	1	1		FOR 6E5-21708-08
	90445-11M00	.HOSE (L8000)			1	FOR 6K1-21708-04
	90445-11M26	.HOSE (L8000)		1	1	FOR 61A-21708-03
14	90465-11M10	.CLAMP	4	4	4	
15	90480-06M19	.GROMMET	1	1	1	
16	6E5-85720-04	.OIL LEVEL GAUGE ASSY	1	1	1	
17	6R3-85721-30	.WIRE, LEAD (3M)	1	1		FOR 6E5-21708-08
	6R3-85721-80	.WIRE, LEAD		1	1	
18	90465-13M11	CLAMP	1	1	1	FOR OCEANIA
19	6E5-21734-01-33	HOLDER, OIL SUB TANK	1	1	1	
20	6E5-21798-01-33	BRACKET, DAMPER	1	1	1	
21	6E5-21746-00	DAMPÉR	2	2	2	
22	97080-06100	BOLT	1	1	1	

FIG. 11 OIL TANK



64D1100-2080

REF. NO.	PART NO.	DESCRIPTION	200	S200	L200	REMARKS
23	92990-06600	WASHER, PLATE	2	2	2	
24	95380-06600	NUT, HEXAGON	1	1	1	
25	6E5-21750-05	OIL TANK ASSY	1	1	1	
26	6R3-85730-03	OIL LEVEL GAUGE ASSY	1	1	1	
27	6E5-13411-00	STRAINER, OIL	1	1	1	
28	6E5-13414-00	GASKET, STRAINER COVER	1	1	1	
29	90445-05M02	HOSE (L380)	1	1	1	
30	6A0-82317-00	DAMPER, IGNITION COIL	3	3	3	
31	624-42542-00	PIPE	3	3	3	
32	90119-06M65	BOLT, WITH WASHER	3	3	3	
33	64E-24323-00	PIPE 12	1	1	1	
34	90445-12M13	HOSE (L880)	1	1	1	
	90445-12207	HOSE (L2400)		1	1	FOR OCEANIA
35	6E5-24379-00	PIPE, JOINT 4	1	1	1	
36	90465-11M10	CLAMP	2	2	2	
37	6E5-24379-00	PIPE, JOINT 4	1	1	1	
38	90465-11M10	CLAMP	2	2	2	
39	90464-13M34	CLAMP	1	1	1	
40	6E5-13437-62	MARK, CAUTION	1	1	1	
	6E5-13437-43	MARK, CAUTION		1	1	FOR OCEANIA
41	656-W2810-02	TOOL KIT	1	1	1	

FIG. 12 FUEL 1

REF. NO.	PART NO.	DESCRIPTION	200	S200	L200	REMARKS
1	6R3-24313-01	PIPE 3	1			
2	6R3-24377-00	PIPE, JOINT 3	1			
3	90465-11M10	CLAMP	2			
4	90465-11M10	CLAMP	1			
5	6R3-24560-00	FILTER ASSY	1			
<hr/>						
6	61N-24563-00	.ELEMENT, FILTER	1			
7	61N-24521-00	.CUP, FILTER	1			
8	93210-32738	.O-RING	1			
9	648-24566-02	BRACKET, FILTER	1			
10	97013-06014	BOLT	1			
11	92903-06100	WASHER, SPRING	1			
12	95380-08600	NUT	1			
13	6G5-24314-00	PIPE 4	1			
14	90465-11M10	CLAMP	1			
15	90465-11M10	CLAMP	1			
<hr/>						
16	6E5-24378-00	PIPE, JOINT 3	1			
17	6G5-24315-00	PIPE 5	1			
18	6E5-24315-00	PIPE 5	1			
19	90465-11M10	CLAMP	4			
20	6E5-24410-03	FUEL PUMP ASSY	2			
<hr/>						
21	98503-05035	.SCREW, PAN HEAD	3			
22	92903-05600	.WASHER, PLATE	3			
23	6E5-24413-00	.BODY 2	1			
24	6E5-24471-00	.DIAPHRAGM	1			
25	6E5-24435-00	.GASKET, BODY 2	1			
<hr/>						
26	6E5-24411-00	.DIAPHRAGM	1			
27	648-24424-00	.SEAT, SPRING	1			

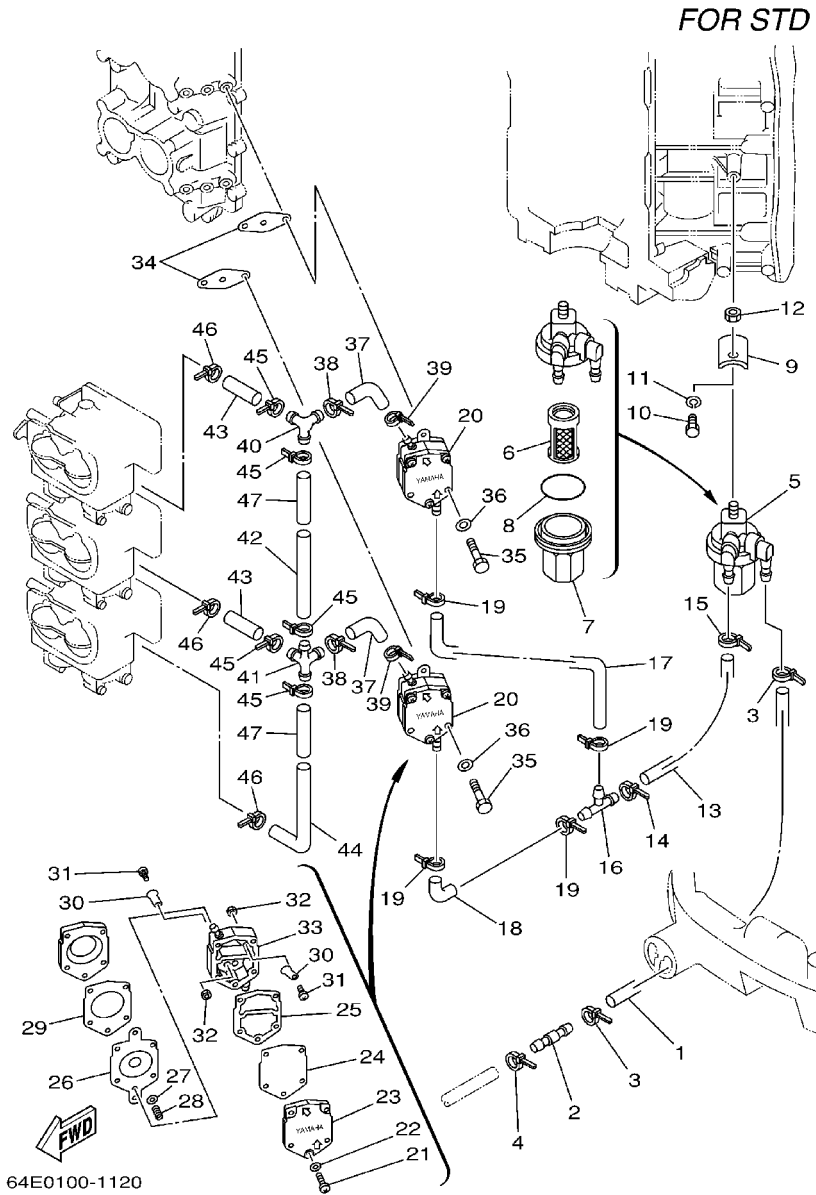
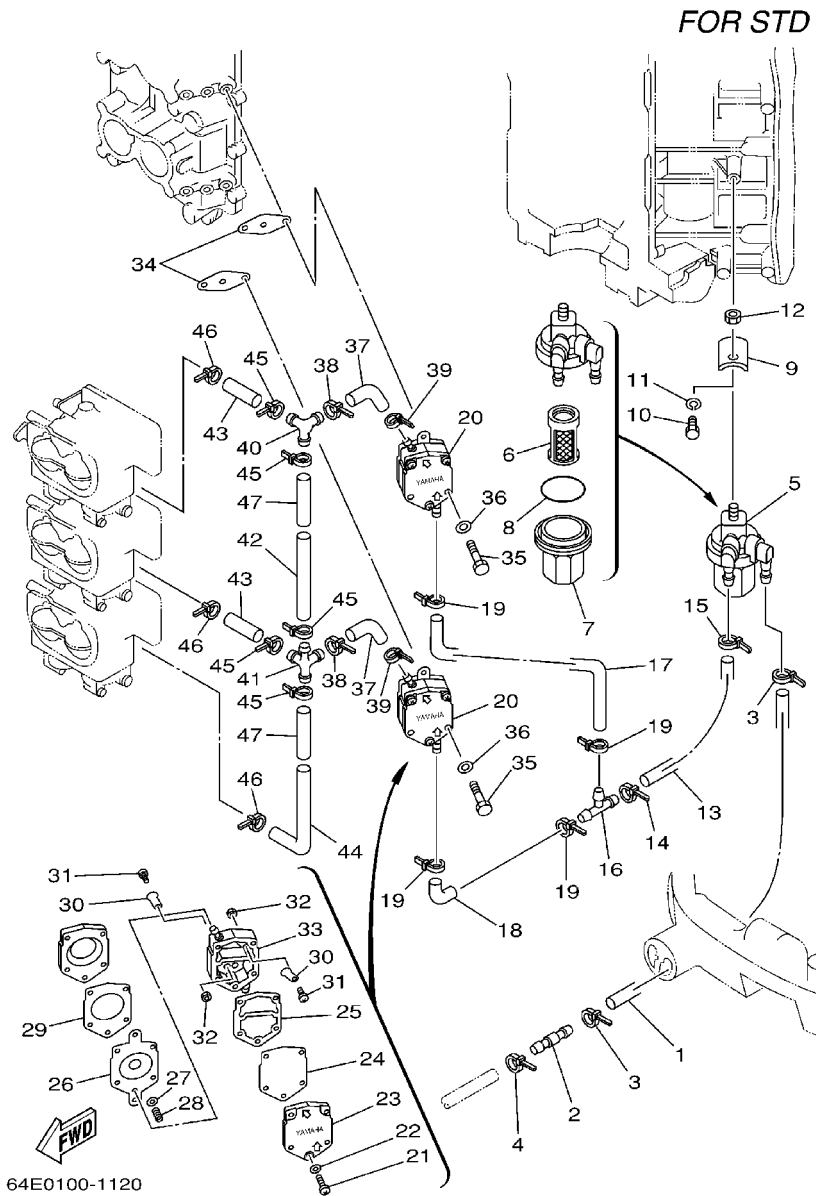


FIG. 12 FUEL 1



REF. NO.	PART NO.	DESCRIPTION	200	S200	L200	REMARKS
28	6E5-24423-00	.SPRING, DIAPHRAGM	1			
29	6E5-24434-02	.GASKET, BODY	1			
30	6A0-24421-01	.VALVE, CHECK	4			
31	6A0-14325-00	.SCREW, PAN HEAD	4			
32	95380-03600	.NUT	4			
33	6E5-24412-10	.BODY 1	1			
34	650-24431-A0	GASKET, FUEL PUMP 1	2			
35	97095-06050	BOLT	4			
36	92995-06600	WASHER	4			
37	6G5-24316-10	PIPE 6	2			
38	90465-11M10	CLAMP	2			
39	90465-11M10	CLAMP	2			
40	6G5-24376-00	PIPE, JOINT 1	1			
41	6G5-24377-00	PIPE, JOINT 3	1			
42	6G5-24317-01	PIPE 7	1			
43	6G5-24318-10	PIPE, OVERFLOW	2			
44	6G5-24319-10	PIPE, OIL	1			
45	90465-11M10	CLAMP	5			
46	90465-11M10	CLAMP	3			
47	90446-15M07	HOSE	2			



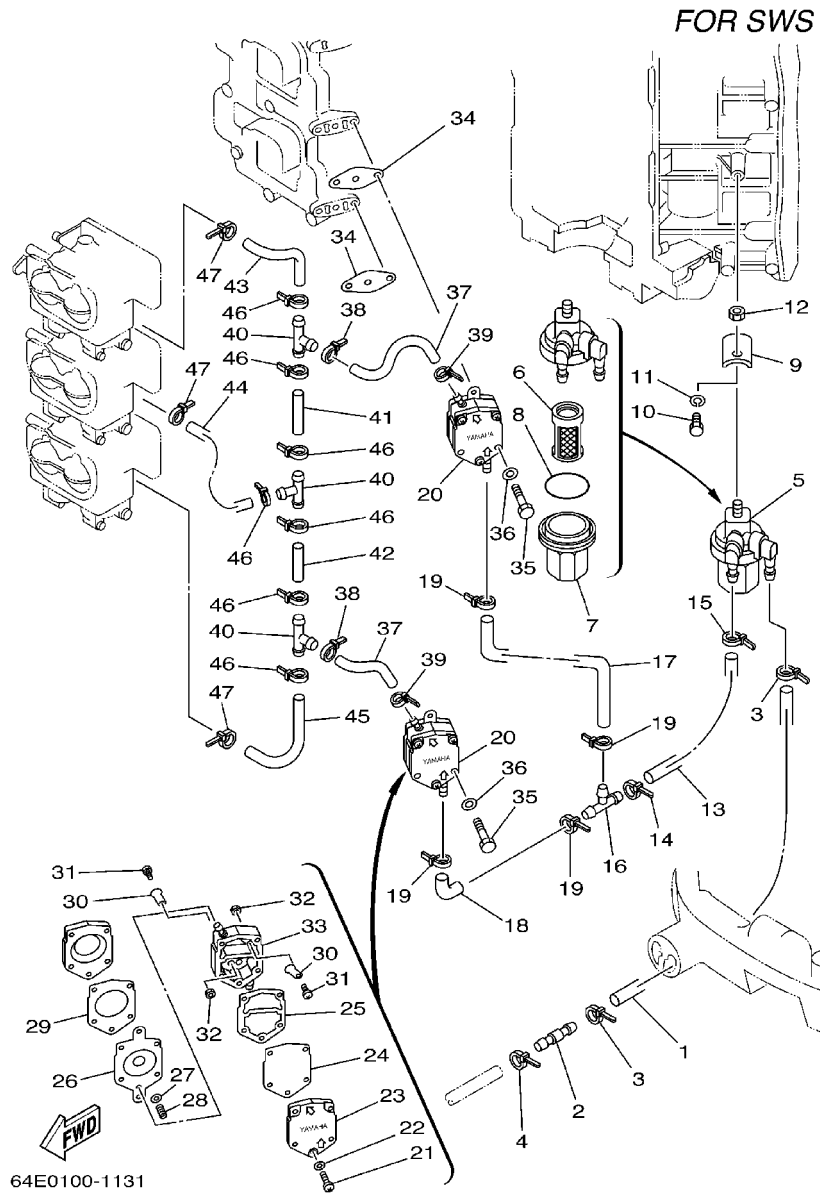
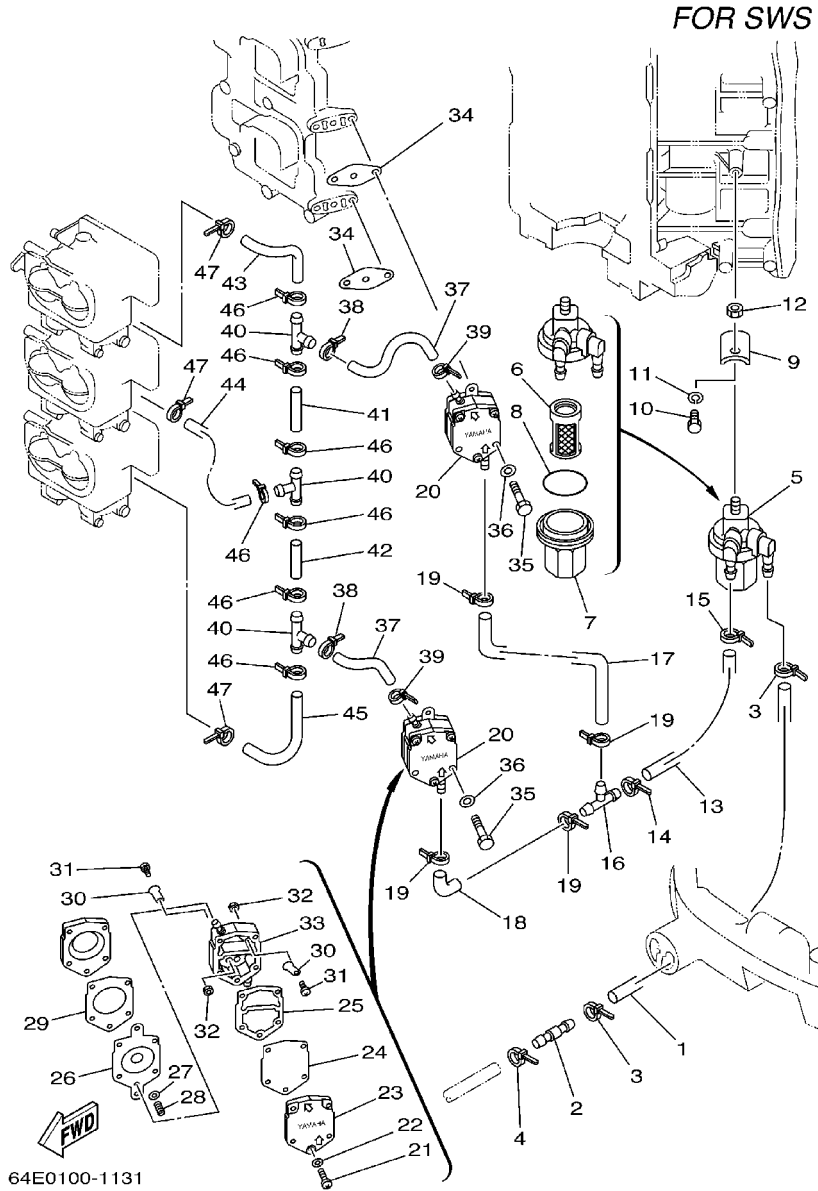


FIG. 13 FUEL 2

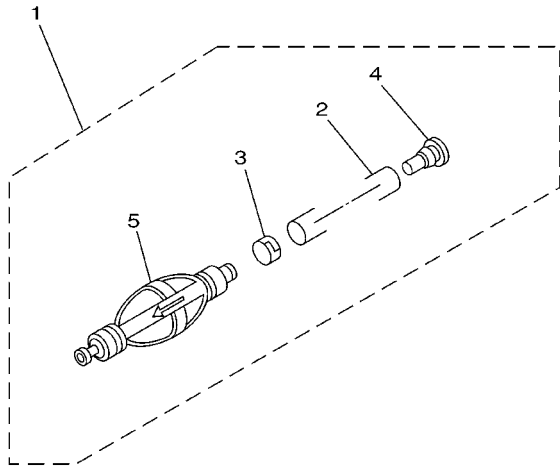
REF. NO.	PART NO.	DESCRIPTION	200	S200	L200	REMARKS
1	6R3-24313-01	PIPE 3		1	1	
	6R3-24313-20	PIPE 3 (L:2820)		1	1	FOR OCEANIA
2	6R3-24377-00	PIPE, JOINT 3		1	1	
3	90465-11M10	CLAMP		2	2	
4	90465-11M10	CLAMP		1	1	
5	6R3-24560-00	FILTER ASSY		1	1	
6	61N-24563-00	.ELEMENT, FILTER		1	1	
7	61N-24521-00	.CUP, FILTER		1	1	
8	93210-32738	.O-RING		1	1	
9	648-24566-02	BRACKET, FILTER		1	1	
10	97013-06014	BOLT		1	1	
11	92903-06100	WASHER, SPRING		1	1	
12	95380-08600	NUT		1	1	
13	6G5-24314-00	PIPE 4		1	1	
14	90465-11M10	CLAMP		1	1	
15	90465-11M10	CLAMP		1	1	
16	6E5-24378-00	PIPE, JOINT 3		1	1	
17	6K7-24315-00	PIPE 5		1	1	
18	6E5-24315-00	PIPE 5		1	1	
19	90465-11M10	CLAMP		4	4	
20	6E5-24410-03	FUEL PUMP ASSY		2	2	
21	98503-05035	.SCREW, PAN HEAD		3	3	
22	92903-05600	.WASHER, PLATE		3	3	
23	6E5-24413-00	.BODY 2		1	1	
24	6E5-24471-00	.DIAPHRAGM		1	1	
25	6E5-24435-00	.GASKET, BODY 2		1	1	
26	6E5-24411-00	.DIAPHRAGM		1	1	

FIG. 13 FUEL 2



REF. NO.	PART NO.	DESCRIPTION	200	S200	L200	REMARKS
27	648-24424-00	.SEAT, SPRING			1 1	
28	6E5-24423-00	.SPRING, DIAPHRAGM			1 1	
29	6E5-24434-02	.GASKET, BODY			1 1	
30	6A0-24421-01	.VALVE, CHECK			4 4	
31	6A0-14325-00	.SCREW, PAN HEAD			4 4	
32	95380-03600	.NUT			4 4	
33	6E5-24412-10	.BODY 1			1 1	
34	650-24431-A0	GASKET, FUEL PUMP 1			2 2	
35	97095-06050	BOLT			4 4	
36	92995-06600	WASHER			4 4	
37	6G5-24316-10	PIPE 6			2 2	
38	90465-11M10	CLAMP			2 2	
39	90465-11M10	CLAMP			2 2	
40	6E5-24378-00	PIPE, JOINT 3			3 3	
41	90445-13M03	HOSE (L50)			1 1	
42	90445-13M02	HOSE (L40)			1 1	
43	6K7-24317-00	PIPE 7			1 1	
44	6K7-24318-00	PIPE, OVERFLOW			1 1	
45	6K7-24319-00	PIPE, OIL			1 1	
46	90465-11M10	CLAMP			7 7	
47	90465-11M10	CLAMP			3 3	

**FIG. 14 FUEL 3**

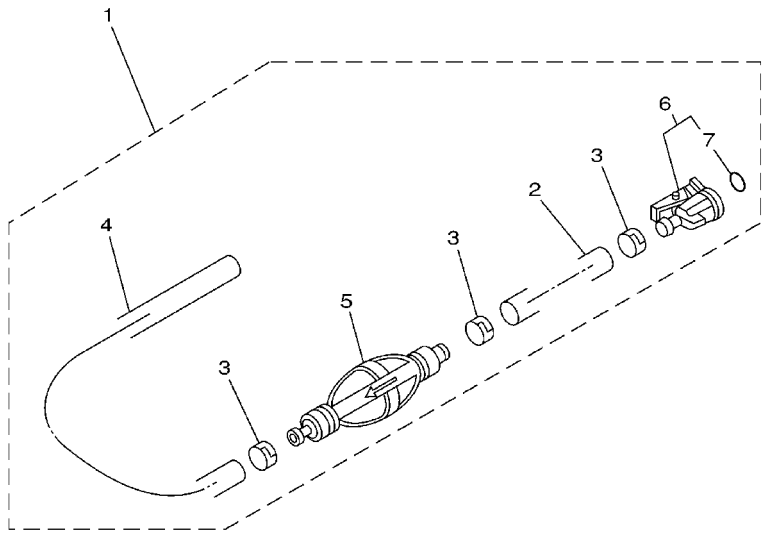


REF. NO.	PART NO.	DESCRIPTION	200	S200	L200	REMARKS
1	6Y2-24307-41	FUEL PIPE COMP. 2		1	1	AP FOR OCEANIA
2	90445-13M01	.HOSE (L:2050)		1	1	
3	6E5-24351-51	.BAND 1		1	1	
4	90480-06M19	.GROMMET		1	1	
5	6Y2-24360-52	.PRIMER PUMP ASSY		1	1	

  
68V0100-0110

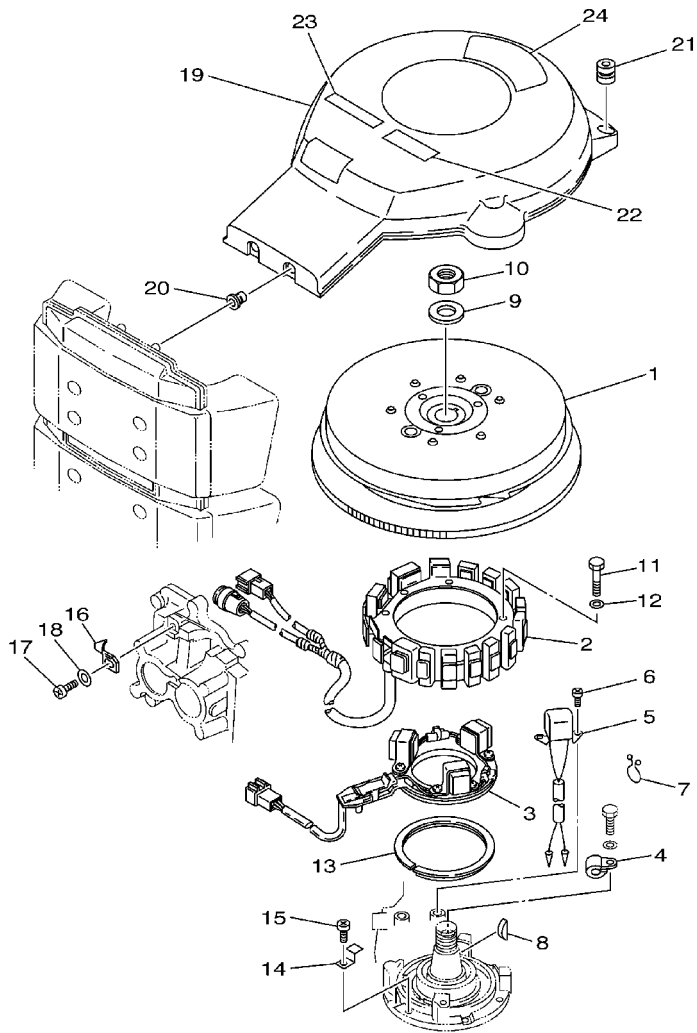
**FIG. 15 FUEL 4**

REF. NO.	PART NO.	DESCRIPTION	200	S200	L200	REMARKS
1	6Y2-24306-42	FUEL PIPE COMP. 1			1	AP FOR CARIB, VENEZUELA
2	90445-13M01	.HOSE (L:2050)			1	
3	6E5-24351-51	.BAND 1			3	
4	90445-13M35	.HOSE (L:250)			1	
5	6Y2-24360-52	.PRIMER PUMP ASSY			1	
6	6Y2-24305-04	.FUEL PIPE JOINT COMP. 2			1	
7	93210-08287	..O-RING			1	



64L0100-1100

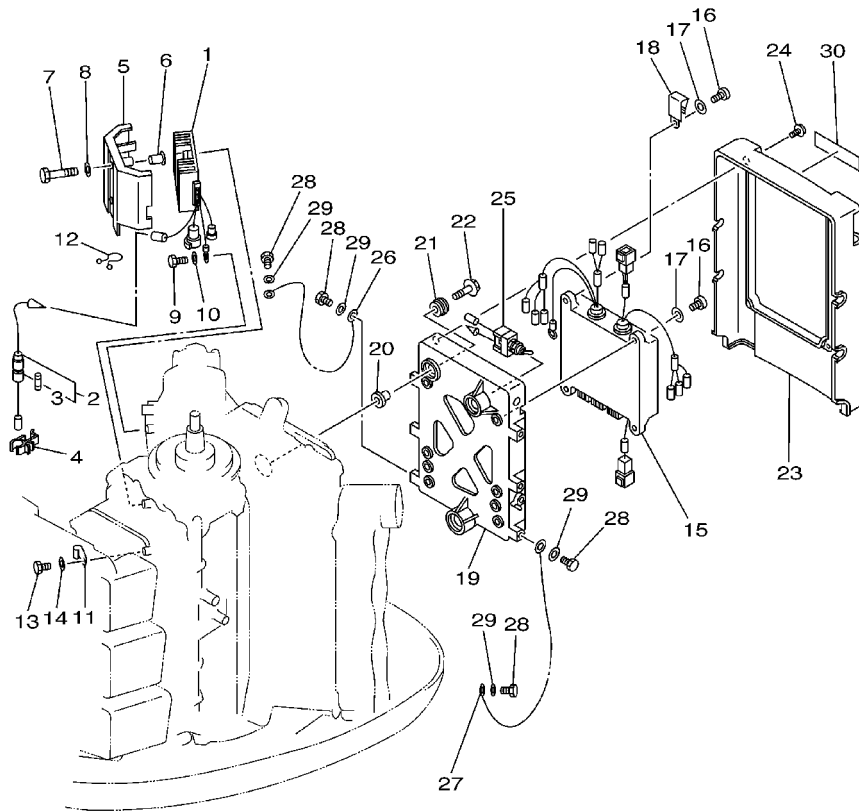
FIG. 16 GENERATOR



64E1700-2160

REF. NO.	PART NO.	DESCRIPTION	200	S200	L200	REMARKS
1	64D-85550-02	ROTOR ASSY	1	1	1	
2	6R3-85510-00	STATOR ASSY	1	1	1	
3	64D-85580-00	COIL, PULSER	1	1	1	
4	90465-06M86	CLAMP	1	1	1	
5	6R5-85895-01	CRANK POSITION SENDER	1	1	1	
6	97885-05012	SCREW, PAN HEAD	2	2	2	
7	90464-15M11	CLAMP	1	1	1	
8	90280-05015	KEY, WOODRUFF	1	1	1	
9	90201-21M18	WASHER, PLATE	1	1	1	
10	90170-20137	NUT	1	1	1	
11	97013-06070	BOLT	4	4	4	
12	92903-06600	WASHER, PLATE	4	4	4	
13	688-41611-00	RETAINER, MAGNETO BASE	1	1	1	
14	688-41612-00	RETAINER, MAGNETO BASE	4	4	4	
15	97880-06018	SCREW, PAN HEAD	4	4	4	
16	6E5-81332-00	PLATE, TIMING	1	1	1	
17	97885-06010	SCREW, PAN HEAD	1	1	1	
18	92995-06600	WASHER	1	1	1	
19	64D-81337-10	COVER, FLYWHEEL	1			FOR STD
	64D-81337-01	COVER, FLYWHEEL		1	1	FOR SWS
20	6G5-82317-00	DAMPER, IGNITION COIL	2			FOR STD
	90480-13M24	GROMMET		1	1	FOR SWS
21	663-82317-01	DAMPER, IGNITION COIL	2	2	2	
22	6A1-83625-41	MARK 5	1	1	1	
23	6K1-83623-41	MARK 3			1	
24	6G5-14488-02	LABEL, CAUTION	1			FOR STD
	64E-14488-00	LABEL, CAUTION		1	1	FOR SWS

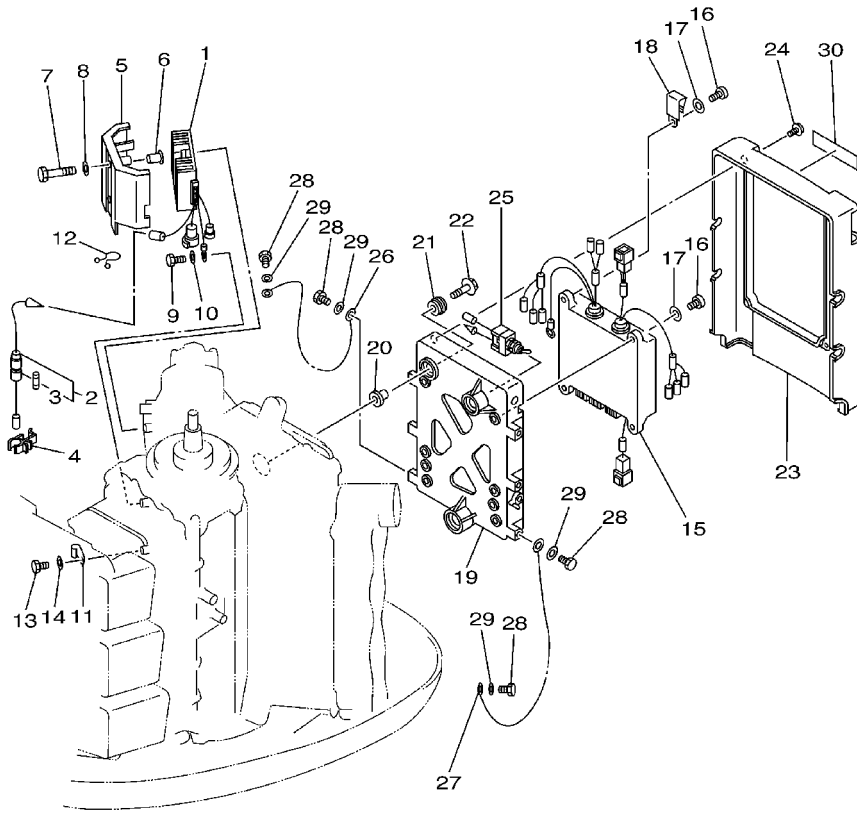
FIG. 17 ELECTRICAL 1



64L1100-2120

REF. NO.	PART NO.	DESCRIPTION	200	S200	L200	REMARKS
1	6R3-81960-10	RECTIFIER & REGULATOR ASSY	1	1	1	
2	6R3-82150-00	FUSE HOLDER ASSY	1	1	1	
3	705-82151-00	.FUSE (30A)	1	1	1	
4	6G5-82152-00	HOLDER, FUSE	1	1	1	
5	64D-81942-00	COVER	1	1	1	
6	90387-06M66	COLLAR	2	2	2	
7	97013-06055	BOLT	2	2	2	
8	92903-06600	WASHER, PLATE	2	2	2	
9	97095-06012	BOLT	1	1	1	
10	92995-06600	WASHER	1	1	1	
11	90465-06M88	CLAMP	1	1	1	
12	90464-15M11	CLAMP	1	1	1	
13	97095-06012	BOLT	1	1	1	
14	92995-06600	WASHER	1	1	1	
15	64D-85540-01	C.D.I. UNIT ASSY	1			FOR STD
	64E-85540-01	C.D.I. UNIT ASSY		1	1	FOR SWS
16	97880-06020	SCREW, PAN HEAD	4	4	4	
17	92990-06600	WASHER, PLATE	4	4	4	
18	90465-05M87	CLAMP	1	1	1	
19	6R3-85542-03-1S	BRACKET	1	1	1	
20	90387-06M03	COLLAR	3	3	3	
21	90480-09M12	GROMMET	3	3	3	
22	90119-06M61	BOLT, WITH WASHER	3	3	3	
23	64D-85537-00	COVER	1	1	1	
24	90159-06M11	SCREW, WITH WASHER	4	4	4	
25	6R3-8259E-00	SWITCH ASSY	1	1	1	
26	662-82519-00	WIRE, EARTH LEAD	1	1	1	

FIG. 17 ELECTRICAL 1

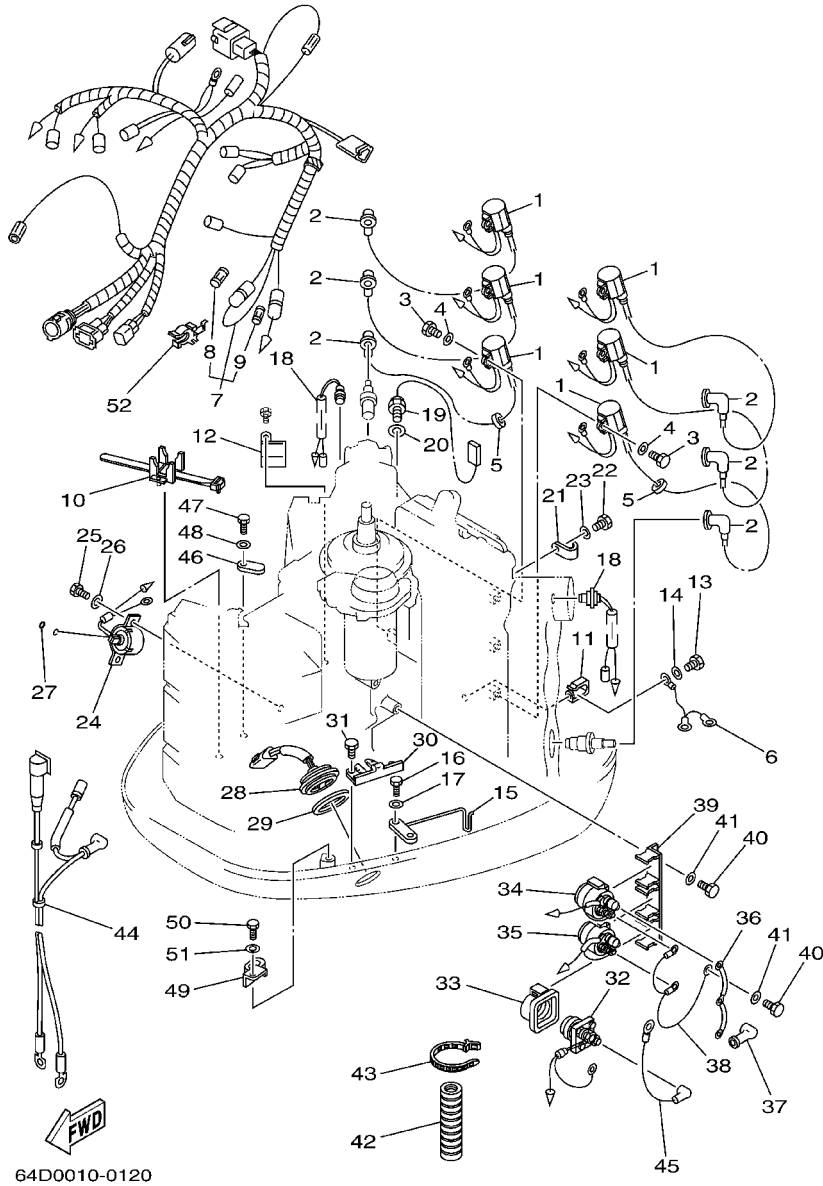


REF. NO.	PART NO.	DESCRIPTION	200	S200	L200	REMARKS
27	6R3-82519-00	WIRE, EARTH LEAD	1	1	1	
28	97095-06012	BOLT	5	5	5	
29	92995-06600	WASHER	5	5	5	
30	6E5-85711-40	MARK, CAUTION	1	1	1	



64L1100-2120

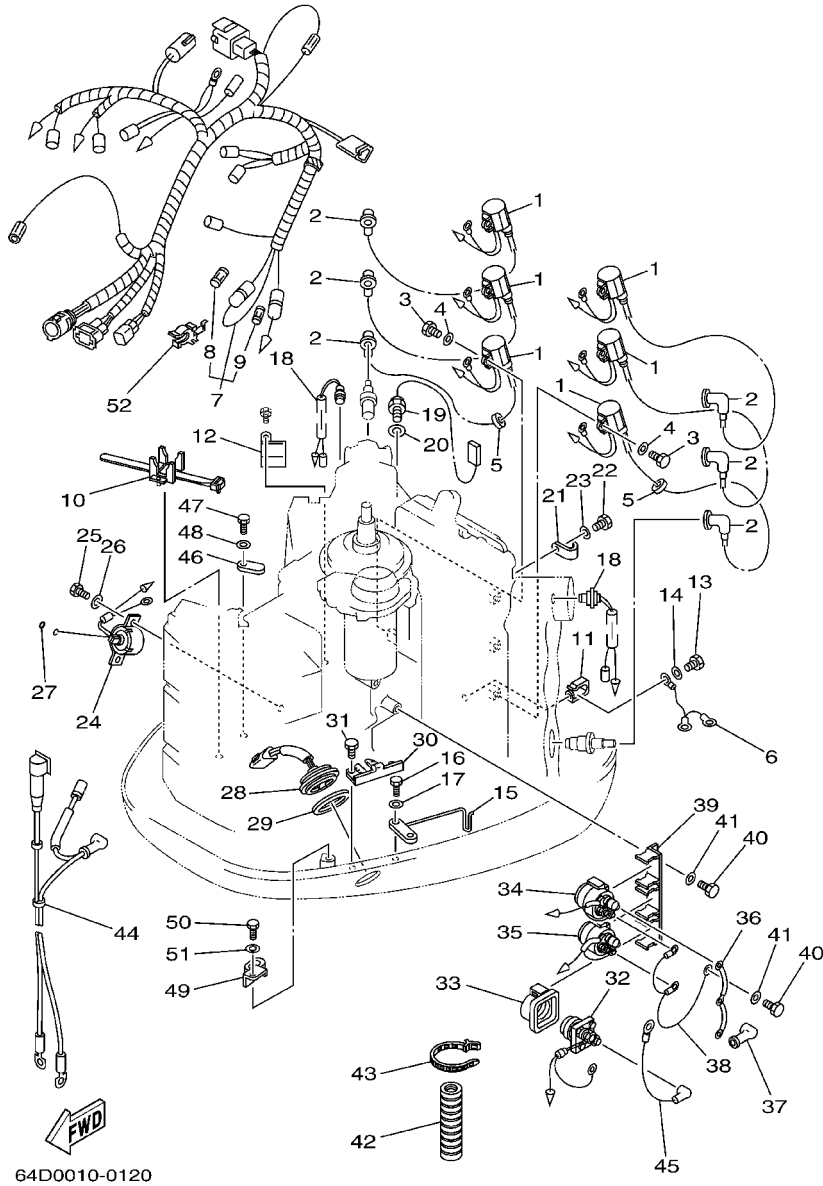
FIG. 18 ELECTRICAL 2



REF. NO.	PART NO.	DESCRIPTION	200	S200	L200	REMARKS
1	6R3-85570-01	IGNITION COIL ASSY	6	6	6	
2	6E3-82370-21	PLUG CAP ASSY	6	6	6	
3	97095-06020	BOLT	6	6	6	
4	92995-06600	WASHER	6	6	6	
5	90480-25161	GROMMET	2	2	2	
6	6E5-82531-10	WIRE, LEAD	1	1	1	
7	64D-82590-00	WIRE HARNESS ASSY	1	1	1	
8	663-82151-00	.FUSE (12V-20A)	1	1	1	
9	705-82151-00	.FUSE (30A)	1	1	1	
10	688-82594-00	CLAMP	1	1	1	
11	90465-05M87	CLAMP	1	1	1	
12	90465-08M89	CLAMP	1	1	1	
13	97095-06012	BOLT	1	1	1	
14	92995-06600	WASHER	1	1	1	
15	6K7-82588-00	PLATE	1	1	1	
16	97095-06020	BOLT	1	1	1	
17	92995-06600	WASHER	1	1	1	
18	688-82560-10	THERMO SWITCH ASSY	2	2	2	
19	61A-85790-00	THERMOSENSOR ASSY	1	1	1	
20	92990-10600	WASHER, PLATE	1	1	1	
21	90465-06M86	CLAMP	1	1	1	
22	97095-06012	BOLT	1	1	1	
23	92995-06600	WASHER	1	1	1	
24	64D-86110-00	SOLENOID	1			FOR STD
	64E-86110-00	SOLENOID		1	1	FOR SWS
25	97095-06016	BOLT	2	2	2	
26	92995-06600	WASHER	2	2	2	



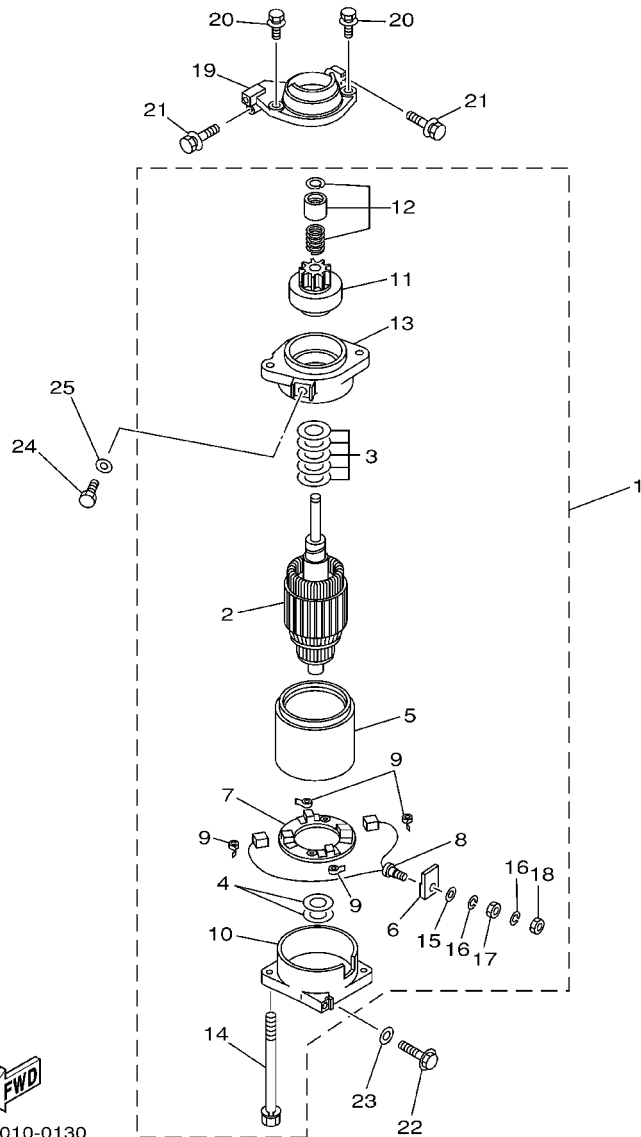
FIG. 18 ELECTRICAL 2



64D0010-0120

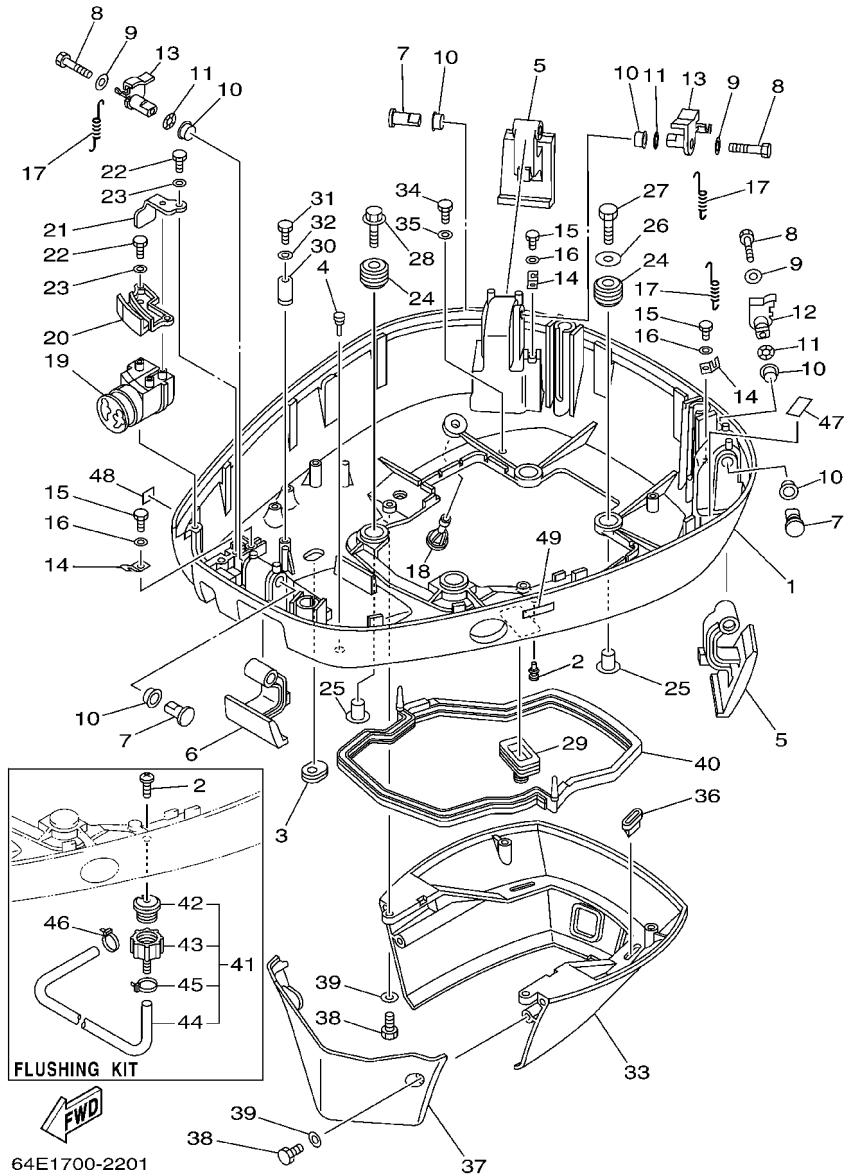
REF. NO.	PART NO.	DESCRIPTION	200	S200	L200	REMARKS
27	93210-03261	O-RING	1	1	1	
28	6R3-82563-00	TRIM & TILT SWITCH ASSY	1	1	1	
29	6E5-82587-00	GASKET	1	1	1	
30	6R3-83614-00	BRACKET	1	1	1	
31	97095-06012	BOLT	2	2	2	
32	61A-81941-00	STARTER RELAY ASSY	1	1	1	
33	689-81952-10	HOLDER, RELAY	1	1	1	
34	6E5-81950-00	RELAY ASSY	1	1	1	
35	6E5-8195A-00	RELAY ASSY	1	1	1	
36	6G5-87149-10	CONNECTOR	1	1	1	
37	6G5-82119-00	COVER, LEAD WIRE	2	2	2	
38	6E5-82116-00	WIRE, MINUS LEAD	1	1	1	
39	6G5-81948-11	BRACKET	1	1	1	
40	97095-06016	BOLT	2	2	2	
41	92995-06600	WASHER	2	2	2	
42	6E9-83557-70	TUBE	1	1	1	
43	90465-13M18	CLAMP	1	1	1	
44	6R3-82105-02	WIRE HARNESS	1	1	1	
45	6E5-82117-01	WIRE, LEAD	1	1	1	
46	6E5-82588-00	PLATE	1	1	1	
47	97095-06020	BOLT	1	1	1	
48	92995-06600	WASHER	1	1	1	
49	90465-12M25	CLAMP	1	1	1	
50	97095-06012	BOLT	1	1	1	
51	92995-06600	WASHER	1	1	1	
52	6G5-82152-00	HOLDER, FUSE	2	2	2	

**FIG. 19 STARTING MOTOR**



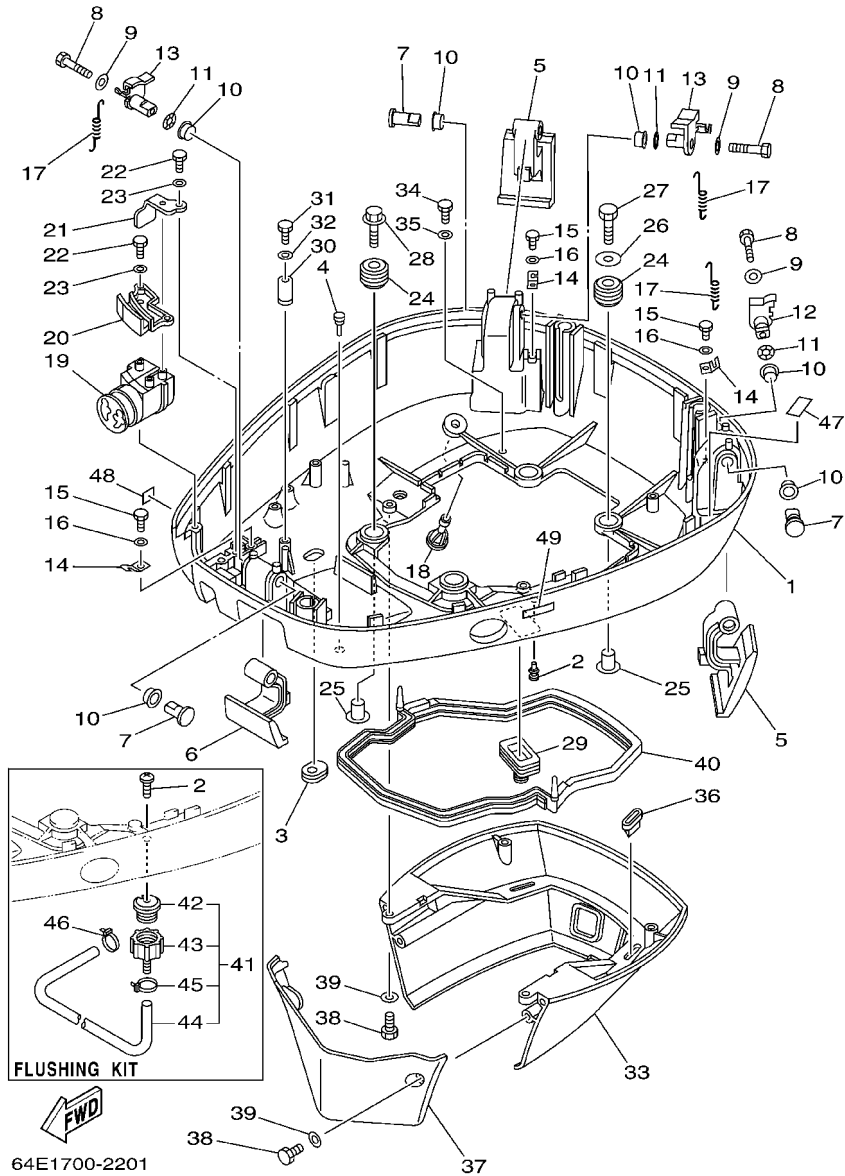
REF. NO.	PART NO.	DESCRIPTION	200	S200	L200	REMARKS
1	6N7-81800-10	STARTING MOTOR ASSY	1	1	1	
2	6N7-81850-10	.ARMATURE ASSY	1	1	1	
3	61A-81809-00	.WASHER KIT	1	1	1	
4	61A-81824-00	.WASHER 2	2	2	2	
5	6N7-81810-00	.STATOR ASSY	1	1	1	
6	6K7-8182G-10	.BUSH, TERMINAL	1	1	1	
7	6N7-81840-00	.BRUSH HOLDER ASSY	1	1	1	
8	6N7-81801-00	.BRUSH SET	1	1	1	
9	6N7-81813-00	.SPRING, BRUSH	4	4	4	
10	6N7-81820-10	.REAR BRACKET ASSY	1	1	1	
11	6N7-81807-00	.GEAR ASSY, STARTING MOTOR	1	1	1	
12	6N7-81857-00	.RETAINER	1	1	1	
13	6N7-81830-00	.FRONT BRACKET ASSY	1	1	1	
14	6K7-81826-10	.BOLT	2	2	2	
15	6E5-8182E-10	.WASHER	1	1	1	
16	6E5-8182F-10	.WASHER	2	2	2	
17	6E5-8182A-10	.NUT	1	1	1	
18	6E5-8182K-10	.NUT	1	1	1	
19	6R3-81822-00-94	BRACKET, STARTING MOTOR	1			FOR STD
	6K7-81822-00-94	BRACKET, STARTING MOTOR		1	1	FOR SWS
20	90119-08M76	BOLT, WITH WASHER	2	2	2	
21	90119-08M77	BOLT, WITH WASHER	2	2	2	
22	90119-08M57	BOLT, WITH WASHER	1	1	1	
23	92990-08600	WASHER, PLATE	1	1	1	
24	97095-08016	BOLT	1	1	1	
25	92995-08600	WASHER	1	1	1	

**FIG. 20 BOTTOM COWLING**



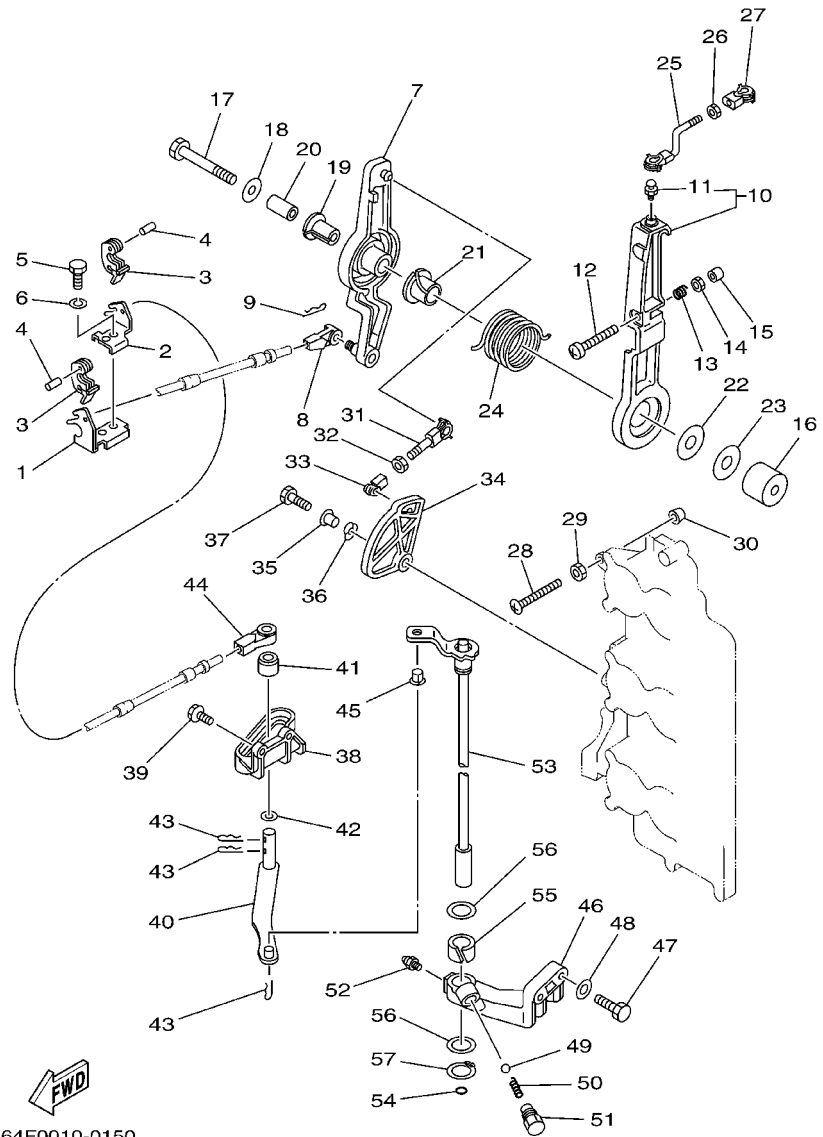
REF. NO.	PART NO.	DESCRIPTION	200	S200	L200	REMARKS
1	64D-42711-01-8D	COWLING, BOTTOM	1	1	1	
2	90480-06M19	GROMMET	1			FOR STD
	90169-05M00	SCREW, TRUSS HEAD TAPPING		1	1	
3	61A-42727-00	GROMMET	1	1	1	
4	6H4-42748-00	GROMMET	1	1	1	
5	64D-42815-00-4D	LEVER, CLAMP	2	2	2	
6	64D-42816-00-4D	LEVER, CLAMP	1	1	1	
7	64D-42835-00	PIN, SET 1	3	3	3	
8	97095-06040	BOLT	3	3	3	
9	90201-06068	WASHER, PLATE	3	3	3	
10	90386-15M73	BUSH	6	6	6	
11	90206-15M18	WASHER, WAVE	3	3	3	
12	64D-42818-20	LEVER, CLAMP	1	1	1	
13	64D-42818-30	LEVER, CLAMP	2	2	2	
14	64D-43144-00	HOOK, SPRING	3	3	3	
15	97090-06012	BOLT	3	3	3	
16	92990-06600	WASHER, PLATE	3	3	3	
17	90506-16M34	SPRING, TENSION	3	3	3	
18	6E5-44391-00	NIPPLE, HOSE	1	1	1	
19	64D-42725-20	GROMMET	1	1	1	
20	64D-42738-00-5B	PLATE, FITTING	1	1	1	
21	64D-42738-10-5B	PLATE, FITTING	1	1	1	
22	97095-06016	BOLT	3	3	3	
23	92995-06600	WASHER	3	3	3	
24	90480-22M15	GROMMET	4	4	4	
25	90387-08M37	COLLAR	4	4	4	
26	90201-08M54	WASHER, PLATE	1	1	1	

**FIG. 20 BOTTOM COWLING**



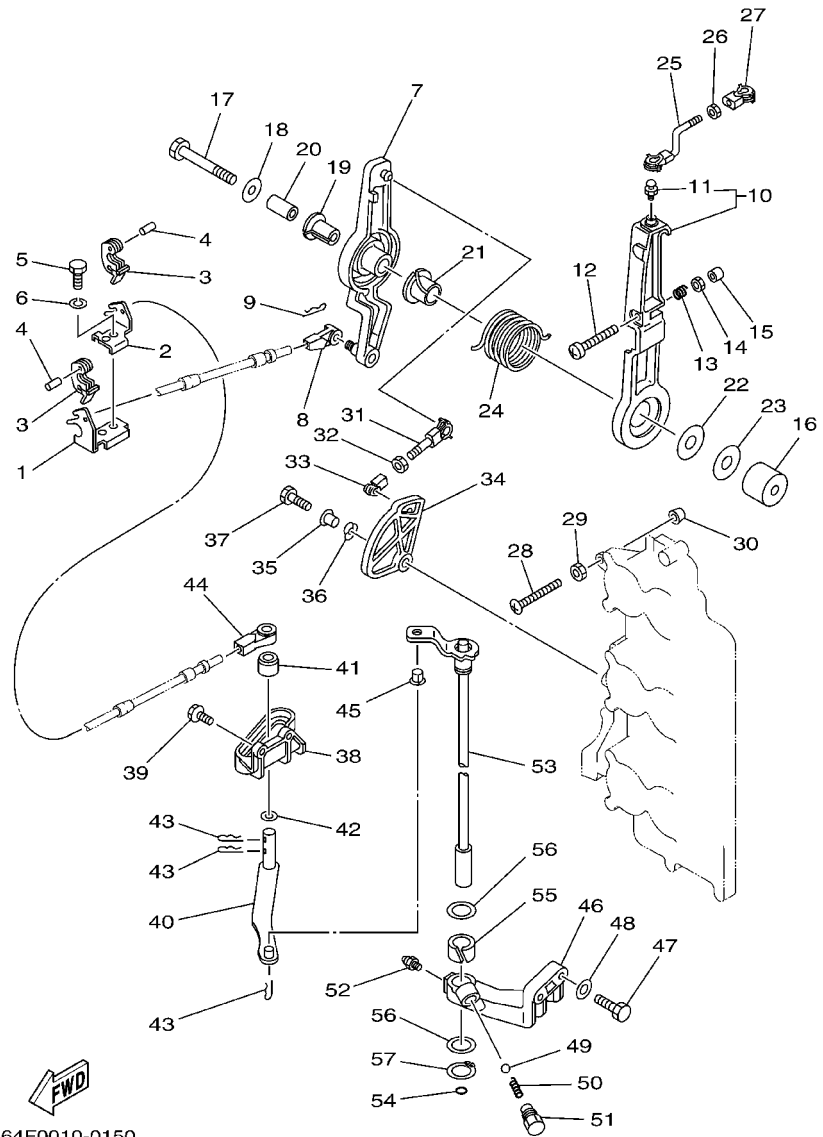
REF. NO.	PART NO.	DESCRIPTION	200	S200	L200	REMARKS
27	97075-08035	BOLT	1	1	1	
28	90119-08M22	BOLT, WITH WASHER	3	3	3	
29	688-42726-10	GROMMET	1	1	1	
30	6E5-82588-00	PLATE	1	1	1	
31	97095-06020	BOLT	1	1	1	
32	92995-06600	WASHER	1	1	1	
33	6R3-42741-02-8D	APRON	1	1	1	
34	97095-06020	BOLT	2	2	2	
35	92995-06600	WASHER	2	2	2	
36	64D-42717-00	RUBBER, SEAL 2	2	2	2	
37	6R3-42771-01-8D	APRON	1	1	1	
38	97095-06020	BOLT	4	4	4	
39	92995-06600	WASHER	4	4	4	
40	6E5-42716-10	RUBBER, SEAL 1	1	1	1	
41	6R3-Y125J-70	FLUSHING KIT	1	1		
42	6R3-12572-00	.ADAPTER	1	1		
43	6R3-12580-00	.JOINT ASSY	1	1		
44	90445-11M35	.HOSE (L540)	1	1		
45	90465-11M10	.CLAMP	1	1		
46	90465-11M10	CLAMP	1	1		
47	6G5-42791-10	MARK 1	1	1	1	
48	6A1-28176-00	LABEL, CAUTION	1	1		FOR CARIB
49	6E3-8257H-00	PLATE, MARK	1	1		FOR CARIB

**FIG. 21 CONTROL**



64F0010-0150

REF. NO.	PART NO.	DESCRIPTION	200	S200	L200	REMARKS
1	64D-48531-00	BRACKET, REMOTE CONTROL 1	1	1	1	
2	64D-48532-00	BRACKET, REMOTE CONTROL 2	1	1	1	
3	6E5-48538-00	CLAMP, CABLE 1	2	2	2	
4	91690-30012	PIN, SPRING	2	2	2	
5	97095-08020	BOLT	1	1	1	
6	92995-08100	WASHER	1	1	1	
7	61H-41632-02-1S	LEVER, MAGNETO CONTROL	1	1	1	
8	6E5-48344-00	CABLE END, REMOTE CONTROL	1	1	1	
9	90468-18008	CLIP	1	1	1	
10	6G5-41631-01-1S	LEVER, MAGNETO CONTROL	1	1	1	
11	663-85518-00	JOINT, BALL	1	1	1	
12	90157-06013	SCREW, PAN HEAD	1	1	1	
13	90501-16M12	SPRING, COMPRESSION	1	1	1	
14	95303-06600	NUT	1	1	1	
15	688-44194-00	CAP	1	1	1	
16	90387-08M17	COLLAR	1	1		FOR SWS
17	97013-08045	BOLT	1			FOR STD
	90101-08M14	BOLT		1	1	FOR SWS
18	90201-08M23	WASHER, PLATE	1	1	1	
19	90386-12089	BUSH	1	1	1	
20	90387-08M16	COLLAR	1	1	1	
21	90386-22M13	BUSH	1	1	1	
22	90202-12092	WASHER, PLATE	1	1	1	
23	90201-08M13	WASHER, PLATE	1	1	1	
24	90508-29M12	SPRING, TORSION	1	1	1	
25	6G5-41636-01	ROD, MAGNETO CONTROL	1	1	1	
26	95380-05600	NUT	1	1	1	

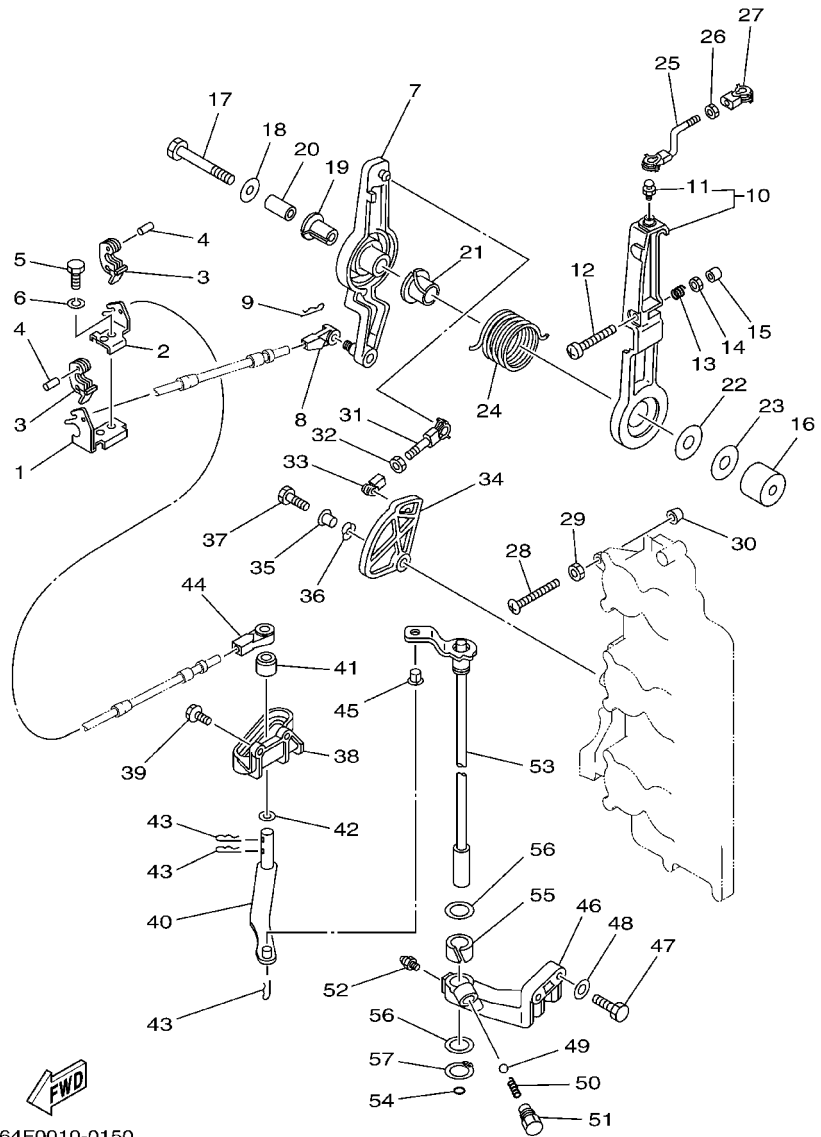


64F0010-0150

FIG. 21 CONTROL

REF. NO.	PART NO.	DESCRIPTION	200	S200	L200	REMARKS
27	662-41237-01	JOINT, LINK	1	1	1	
28	90157-06M00	SCREW, PAN HEAD	1			FOR STD
	90157-06M07	SCREW, PAN HEAD		1	1	FOR SWS
29	95303-06600	NUT	1	1	1	
30	688-44194-00	CAP	1	1	1	
31	6G5-41211-01	LINK, ACCEL.	1			FOR STD
	682-41237-50	JOINT, LINK		1	1	FOR SWS
32	95380-05600	NUT	1	1	1	
33	662-41237-01	JOINT, LINK	1	1	1	
34	6G5-41213-00	CAM, ACCEL.	1			FOR STD
	61H-41213-00	CAM, ACCEL.		1	1	FOR SWS
35	90387-06M29	COLLAR	1	1	1	
36	90206-10M04	WASHER, WAVE	1	1	1	
37	97095-06025	BOLT	1	1	1	
38	6E5-44117-00-1S	BRACKET	1	1	1	
39	90119-06MA2	BOLT, WITH WASHER	2	2	2	
40	68F-44121-00	LEVER, SHIFT ROD	1	1	1	
41	6E5-44122-00	BUSHING, SHIFT ROD LEVER	1	1	1	
42	90202-08M20	WASHER, PLATE	1	1	1	
43	90468-18008	CLIP	3	3	3	
44	6E5-48344-00	CABLE END, REMOTE CONTROL	1	1	1	
45	90386-06M12	BUSH	1	1	1	
46	6E5-44118-01-94	BRACKET	1	1	1	
47	97013-08030	BOLT	2	2	2	
48	92903-08600	WASHER, PLATE	2	2	2	
49	93501-04M02	BALL	1	1	1	
50	90501-12082	SPRING, COMPRESSION	1	1	1	

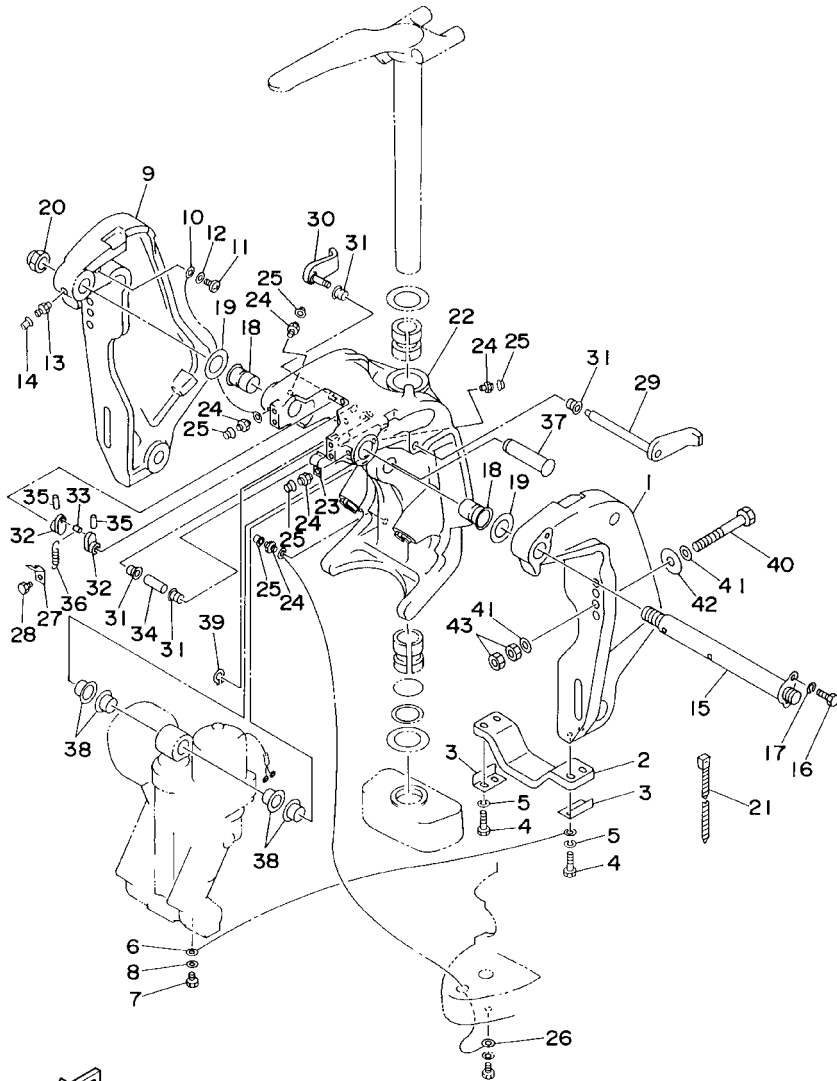
**FIG. 21 CONTROL**



64F0010-0150

REF. NO.	PART NO.	DESCRIPTION	200	S200	L200	REMARKS
51	648-42715-00	BUSHING	1	1	1	
52	93700-06M03	NIPPLE, GREASE	1	1	1	
53	6E5-44120-03	HANDLE GEAR SHIFT ASSY	1			L
	6E5-44120-23	HANDLE GEAR SHIFT ASSY		1	1	X
54	93210-09165	O-RING	1	1	1	
55	90386-16M66	BUSH	1	1	1	
56	90202-16061	WASHER, PLATE	2	2	2	
57	93410-16006	CIRCLIP	1	1	1	

FIG. 22 BRACKET 1

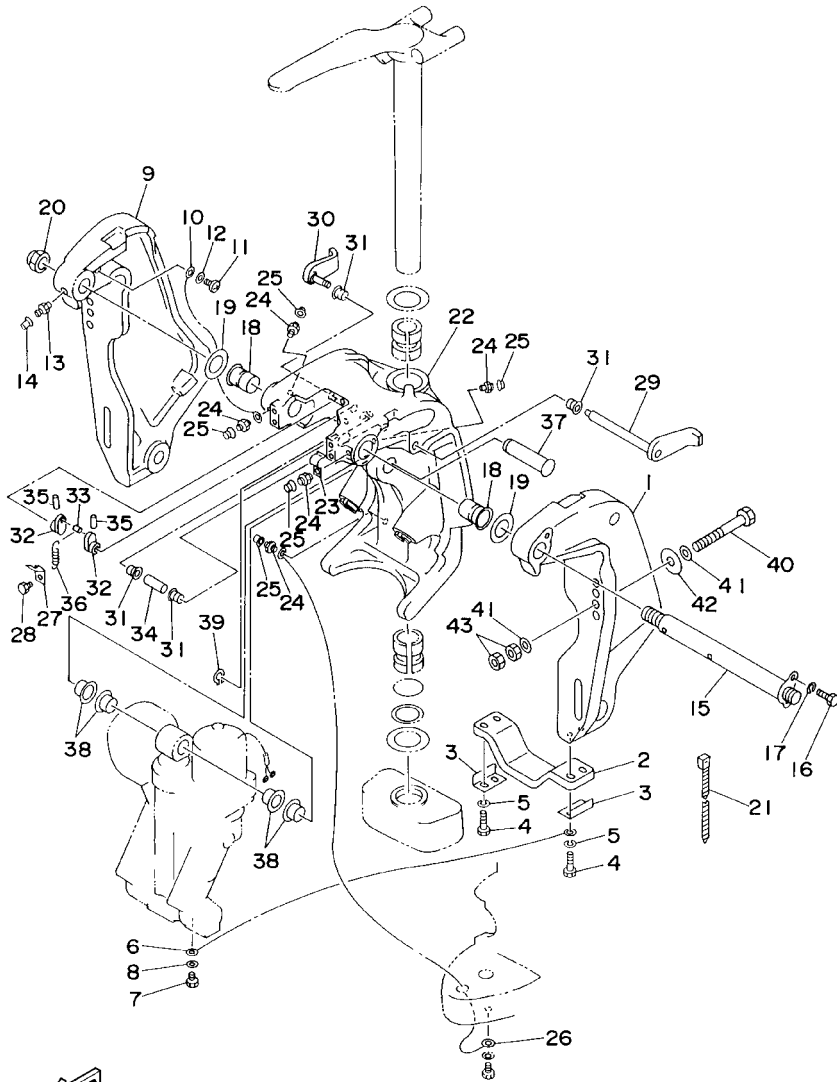


6N60010-7160

REF. NO.	PART NO.	DESCRIPTION	200	S200	L200	REMARKS
1	64E-43111-02-8D	BRACKET, CLAMP	1	1	1	
2	6G5-45251-02	ANODE	1	1	1	
3	6G5-44526-00	PLATE	2	2	2	
4	97095-06030	BOLT	4	4	4	
5	92995-06100	WASHER, SPRING	4	4	4	
6	6E5-82148-00	WIRE, LEAD 4	1	1	1	
7	97095-06010	BOLT	1	1	1	
8	92995-06600	WASHER	1	1	1	
9	64E-43112-02-8D	BRACKET, CLAMP	1	1	1	
10	6E5-82148-00	WIRE, LEAD 4	1	1	1	
11	97880-06012	SCREW, PAN HEAD	1	1	1	
12	92990-06600	WASHER, PLATE	1	1	1	
13	93700-06M03	NIPPLE, GREASE	1	1	1	
14	663-45119-00	CAP, GREASE NIPPLE	1	1	1	AP
15	64E-43131-01	BOLT, CLAMP BRACKET	1	1	1	
16	97095-08020	BOLT	1	1	1	
17	92995-08100	WASHER	1	1	1	
18	90386-25M31	BUSH	2	2	2	
19	90201-26M59	WASHER, PLATE	2	2	2	
20	90185-22M11	NUT, SELF-LOCKING	1	1	1	
21	90465-11M10	CLAMP	1	1	1	
22	64E-43311-10-8D	BRACKET, SWIVEL 1	1			L
	64E-43311-20-8D	BRACKET, SWIVEL 1		1	1	X
23	90465-08M63	CLAMP	1	1	1	
24	93700-06M03	NIPPLE, GREASE	5	5	5	
25	663-45119-00	CAP, GREASE NIPPLE	5	5	5	AP
26	6E5-82147-00	WIRE, LEAD 4	1			L



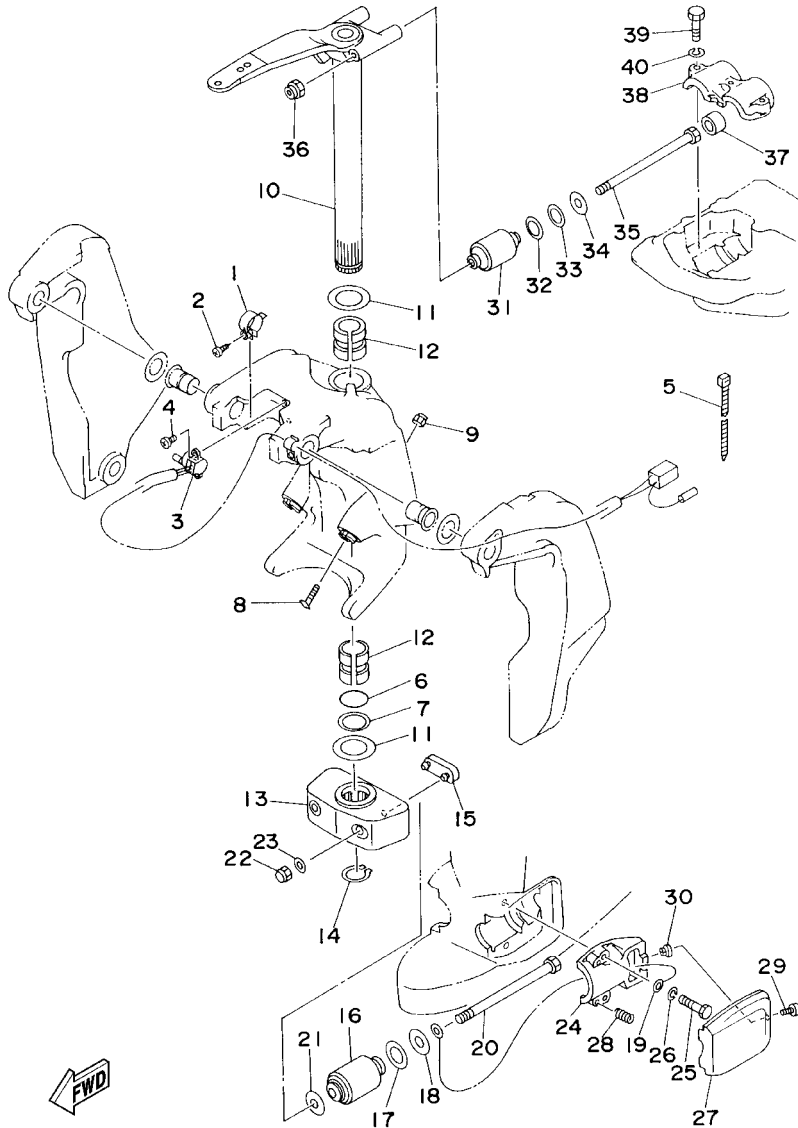
**FIG. 22 BRACKET 1**



**FWD**  
6N60010-7160

REF. NO.	PART NO.	DESCRIPTION	200	S200	L200	REMARKS
26	6E5-82147-20	WIRE, LEAD 4		1	1	X
27	6G5-43144-00	HOOK, SPRING	1	1	1	
28	97095-06010	BOLT	1	1	1	
29	6G5-43181-02	LEVER, TILT STOP	1	1	1	
30	6G5-43185-02	LEVER, TILT STOP	1	1	1	
31	90386-10M16	BUSH	4	4	4	
32	6G5-43148-00	COLLAR, DISTANCE	2	2	2	
33	90249-06M19	PIN	1	1	1	
34	90387-10M05	COLLAR	1	1	1	
35	91690-30020	PIN, SPRING	2	2	2	
36	90506-14M24	SPRING, TENSION	1	1	1	
37	64E-43126-00	PIN, UPPER SHOCK MOUNT	1	1	1	
38	90386-22M98	BUSH	4	4	4	
39	93410-22M11	CIRCLIP	1	1	1	
40	90101-12M03	BOLT (L:115MM)	4	4	4	
41	90201-13M01	WASHER, PLATE	8	8	8	
42	90201-12M05	WASHER, PLATE	4	4	4	
43	95380-12600	NUT	8	8	8	

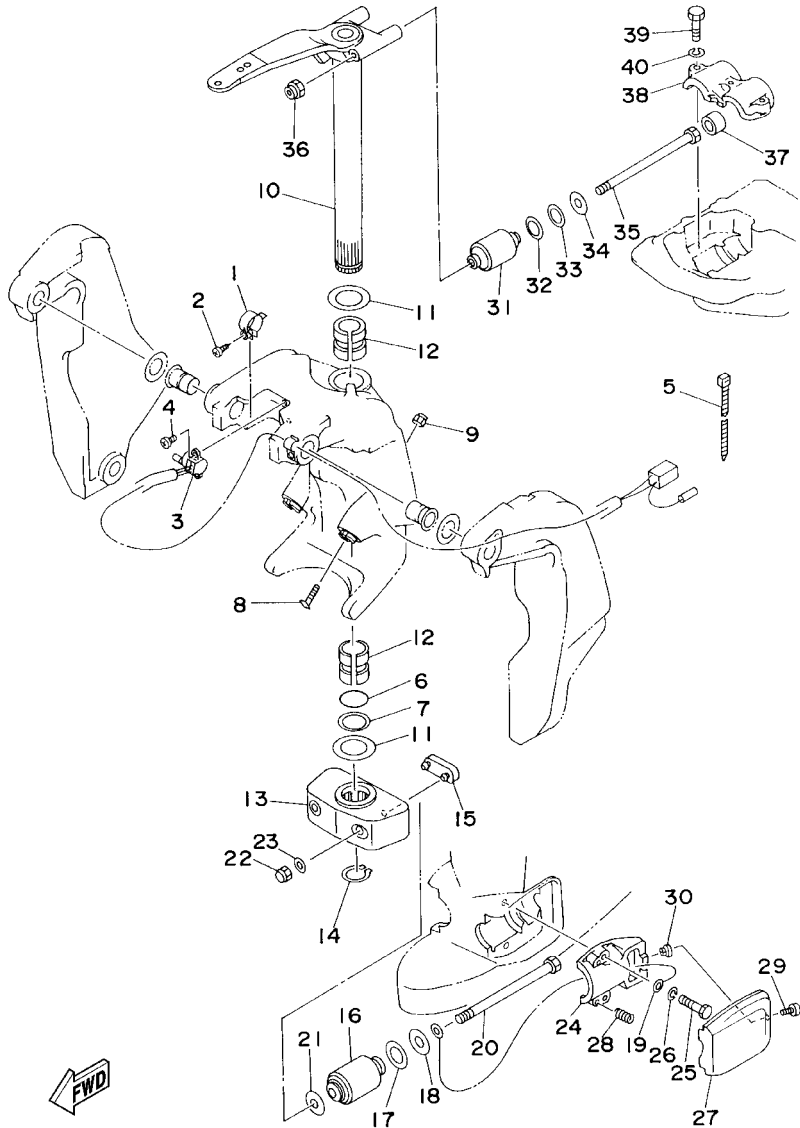
FIG. 23 BRACKET 2



64D0010-7170

REF. NO.	PART NO.	DESCRIPTION	200	S200	L200	REMARKS
1	64E-43139-02	CAM, TRIM SENDER	1	1	1	
2	97780-60525	SCREW, TAPPING	1	1	1	
3	64E-83672-02	TRIM SENDER	1	1	1	
4	97885-06016	SCREW, PAN HEAD	2	2	2	
5	90465-11M10	CLAMP	3	3	3	
6	93210-37MH7	O-RING	1	1	1	
7	90202-40M47	WASHER, PLATE	1	1	1	
8	61A-43376-00	BOLT, THRUST RECEIVER	2	2	2	
9	95780-10300	NUT, FLANGE	2	2	2	
10	6E5-42510-A1-8D	STEERING BRACKET ASSY	1			L
	6E5-42510-B1-8D	STEERING BRACKET ASSY		1	1	X
11	90201-38M60	WASHER, PLATE	2	2	2	
12	90386-38M32	BUSH	2	2	2	
13	6G5-44551-01-8D	HOUSING, LOWER MOUNT RUBBER	1	1	1	
14	93410-37M04	CIRCLIP	1	1	1	
15	6E5-44575-00	DAMPER, LOWER MOUNT RUBBER	1	1	1	
16	6G5-44555-00-94	MOUNT DAMPER, LOWER SIDE	2	2	2	
17	90202-32M19	WASHER, PLATE	2	2	2	
18	90201-16M55	WASHER, PLATE	2	2	2	
19	6E5-82149-00	WIRE, LEAD 3	1	1	1	
20	90109-14M34	BOLT	2	2	2	
21	90201-15M58	WASHER, PLATE	2	2	2	
22	95380-14800	NUT	2	2	2	
23	92995-14600	WASHER	2	2	2	
24	6E5-44552-01-94	HOUSING, LOWER MOUNT RUBBER	2	2	2	
25	97095-10045	BOLT	4	4	4	
26	92995-10100	WASHER	4	4	4	

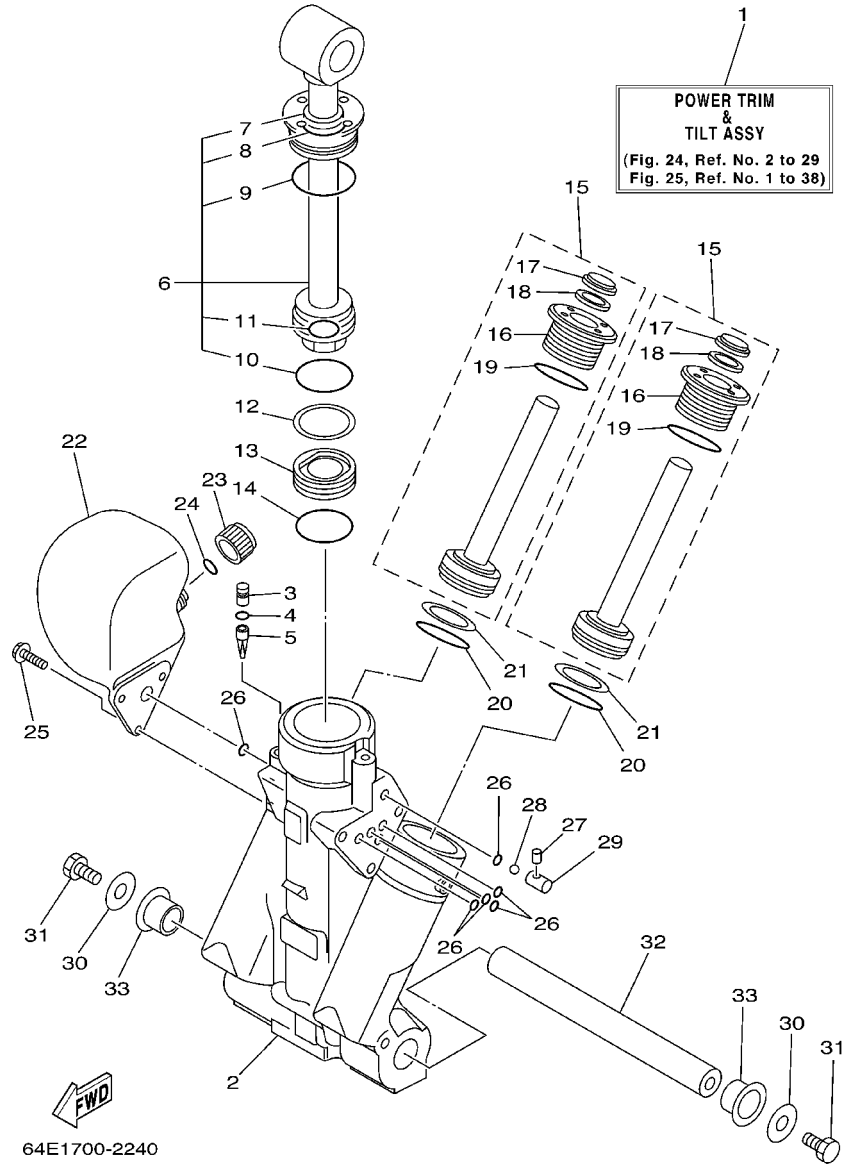
FIG. 23 BRACKET 2



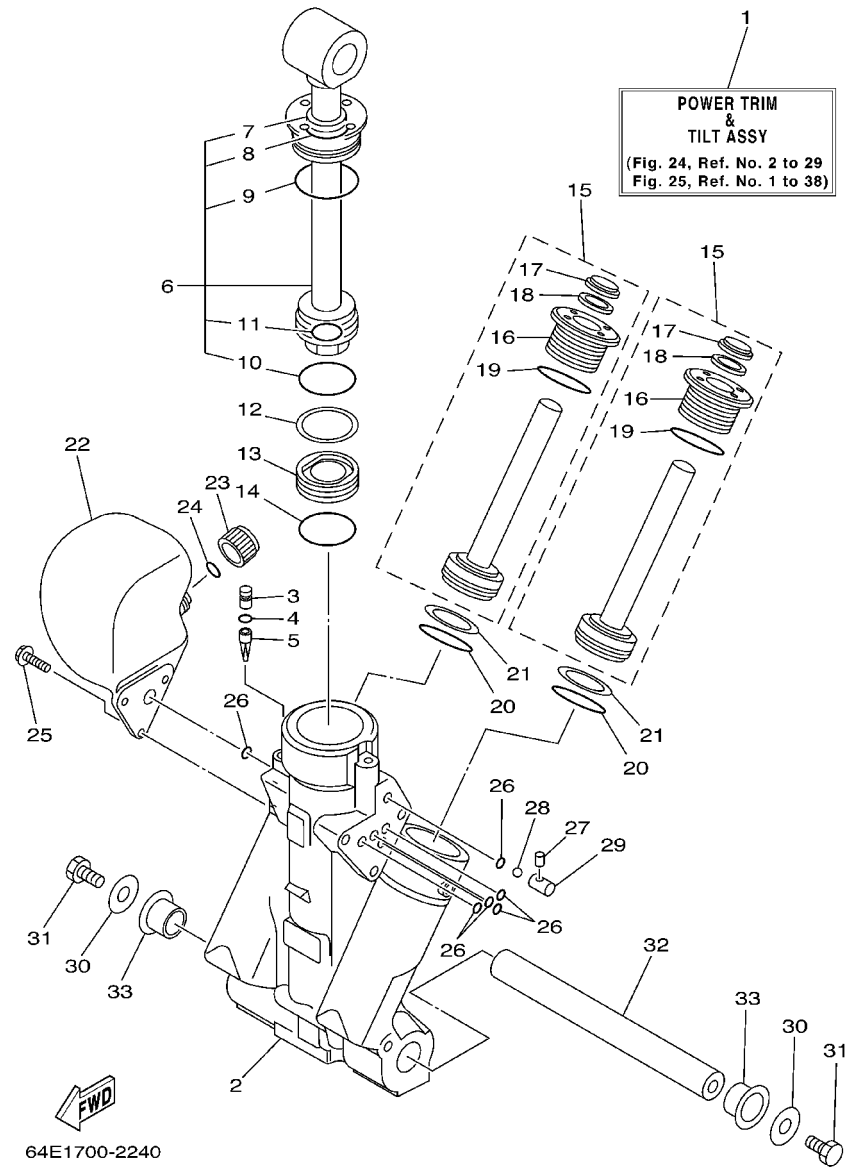
64D0010-7170

REF. NO.	PART NO.	DESCRIPTION	200	S200	L200	REMARKS
27	6E5-44553-01-8D	COVER, LOWER MOUNT	2	2	2	
28	90501-16M28	SPRING, COMPRESSION	4	4	4	
29	97885-06016	SCREW, PAN HEAD	2	2	2	
30	90179-06066	NUT	2	2	2	
31	6G5-44514-00-94	MOUNT DAMPER, UPPER SIDE	2	2	2	
32	90201-26M57	WASHER, PLATE	2	2	2	
33	90202-26M18	WASHER, PLATE	2	2	2	
34	90201-14M56	WASHER, PLATE	2	2	2	
35	90109-12M37	BOLT	2	2	2	
36	90185-12M12	NUT, SELF-LOCKING	2	2	2	
37	663-44575-00	DAMPER, LOWER MOUNT RUBBER	2	2	2	
38	6E5-44511-00-5B	COVER, UPPER MOUNT	1	1	1	
39	97095-10045	BOLT	3	3	3	
40	92995-10100	WASHER	3	3	3	

**FIG. 24 POWER TRIM & TILT ASSY 1**



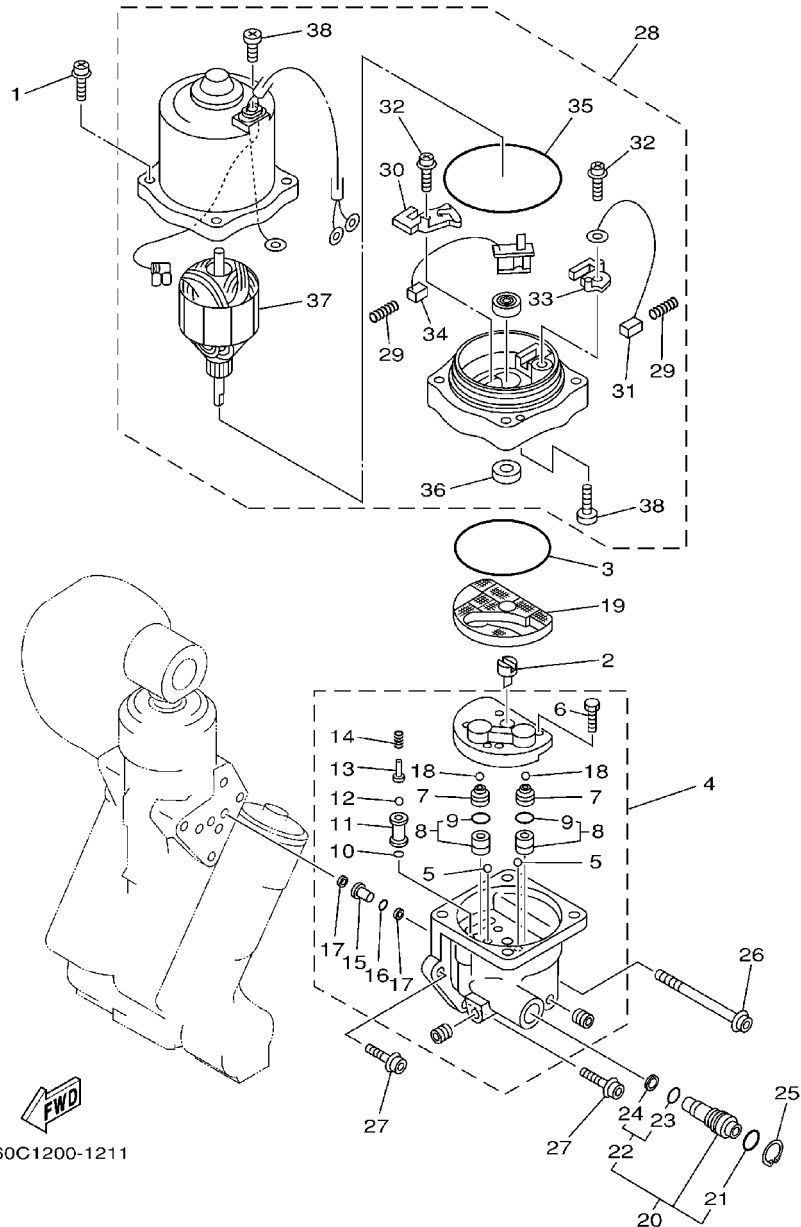
REF. NO.	PART NO.	DESCRIPTION	200	S200	L200	REMARKS
1	64E-43800-02-4D	POWER TRIM & TILT ASSY	1	1	1	
2	64E-43825-01	HOUSING, TRIM & TILT	1	1	1	
3	64E-4388J-00	PLUG 2	1	1	1	
4	93210-10M74	O-RING	1	1	1	
5	64E-43817-00	FILTER 2	1	1	1	
6	64E-43810-00	TILT PISTON SUB ASSY	1	1	1	
7	64E-43898-00	.SEAL ,DUST 2	1	1	1	
8	64E-43867-00	.O-RING	1	1	1	
9	64E-43866-00	.O-RING	1	1	1	
10	6E5-43862-00	.O-RING	1	1	1	
11	64E-43883-00	.O-RING	1	1	1	
12	6E5-43872-00	RING, BACK UP	1	1	1	
13	6E5-43814-02	PISTON, FREE	1	1	1	
14	6E5-43862-00	O-RING	1	1	1	
15	64E-43820-00	TRIM PISTON SUB ASSY	2	2	2	
16	64E-43821-00	.SCREW, TRIM CYLINDER END	1	1	1	
17	64E-43822-00	.SEAL, TRIM DUST	1	1	1	
18	64E-4384J-00	.SEAL, TRIM DOWN	1	1	1	
19	6G5-43864-00	.O-RING	1	1	1	
20	6E5-43864-00	O-RING	2	2	2	
21	6E5-43874-01	RING, BACK UP	2	2	2	
22	64E-43828-00	BODY, RESERVOIR	1	1	1	
23	64E-43829-00	PLUG, RESERVOIR	1	1	1	
24	64E-43897-00	O-RING	1	1	1	
25	64E-4388E-00	BOLT ,SCREW (L:14MM)	3	3	3	
26	64E-43869-00	O-RING	6	6	6	
27	64E-4381G-00	PIN	1	1	1	



**FIG. 24 POWER TRIM & TILT ASSY 1**

REF. NO.	PART NO.	DESCRIPTION	200	S200	L200	REMARKS
28	6E5-43858-00	BALL	1	1	1	
29	64E-4382G-00	VALVE, SEAT	1	1	1	
30	90201-08M14	WASHER, PLATE	2	2	2	
31	97080-08016	BOLT	2	2	2	
32	64E-43818-01	PIN, LOWER SHOCK MOUNT	1	1	1	
33	90386-22M98	BUSH	2	2	2	

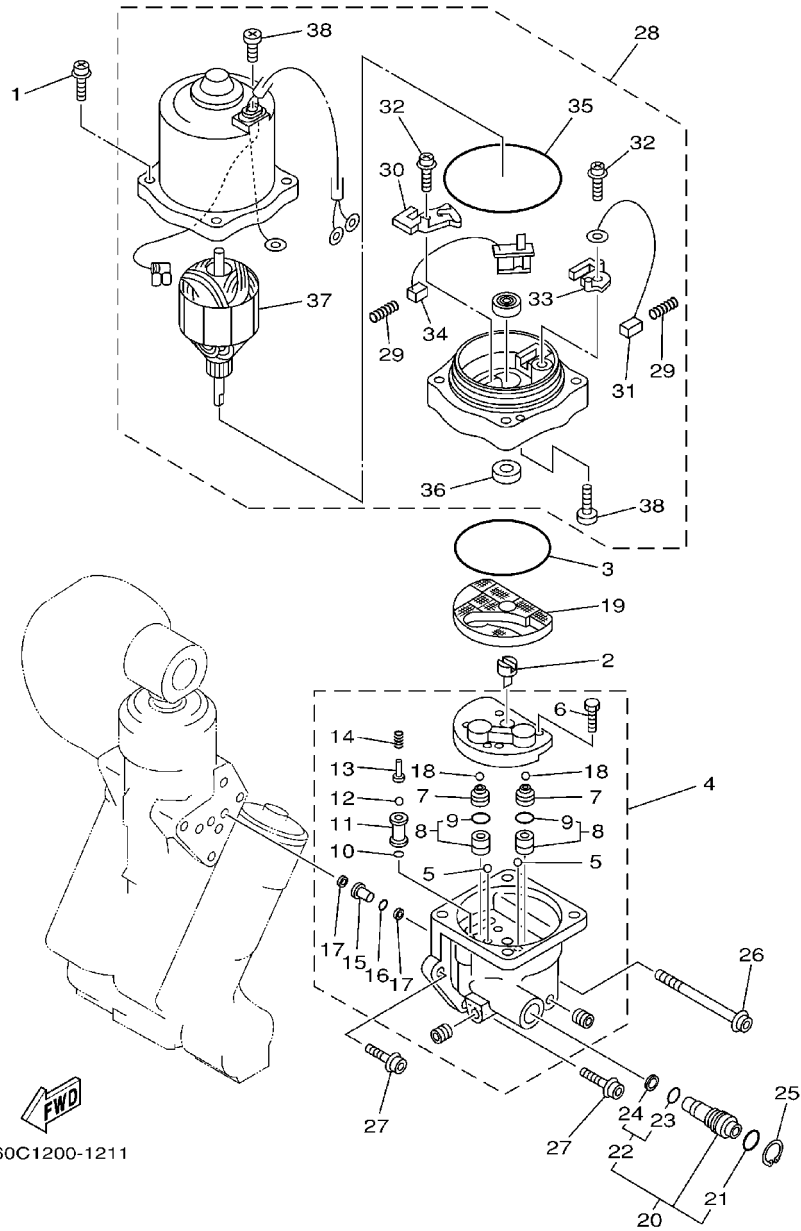
FIG. 25 POWER TRIM & TILT ASSY 2



60C1200-1211

REF. NO.	PART NO.	DESCRIPTION	200	S200	L200	REMARKS
1	64E-4388E-10	BOLT ,SCREW (L:34.7MM)	4	4	4	
2	64E-43831-00	CONNECTOR, SHAFT	1	1	1	
3	64E-43868-00	O-RING	1	1	1	
4	64E-43830-00	GEAR PUMP ASSY	1	1	1	
5	72X-43858-00	.BALL	2	2	2	
6	64E-43843-00	.SCREW, VALVE LOCK	4	4	4	
7	64E-43841-00	.PISTON, SHUTTLE	2	2	2	
8	64E-43802-00	.VALVE SUB ASSY	2	2	2	
9	6E5-43896-00	..O-RING	1	1	1	
10	6G5-43863-00	.O-RING	1	1	1	
11	64E-43851-00	.SEAT, RELIEF VALVE	1	1	1	
12	64E-43858-00	.BALL	1	1	1	
13	64E-43859-00	.PIN, VALVE SUPPORT	1	1	1	
14	64E-43855-00	.SPRING, UP RELIEF	1	1	1	
15	64E-43850-00	.VALVE SUB ASSY	1	1	1	
16	64E-43865-00	.O-RING	1	1	1	
17	64E-43816-00	.FILTER 1	2	2	2	
18	64E-43858-00	.BALL	2	2	2	
19	64E-43817-10	FILTER 2	1	1	1	
20	64E-43860-00	MANUAL VALVE SUB-ASSY	1	1	1	
21	72X-85075-L0	.O-RING	1	1	1	
22	64E-43827-00	.RING SET	1	1	1	
23	64E-4387A-00	..O-RING	1	1	1	
24	64E-43873-00	..RING, BACK UP	1	1	1	
25	64E-43875-00	RING, SNAP	1	1	1	
26	64E-43879-10	SCREW, WITH WASHER	1	1	1	
27	64E-43879-00	SCREW, WITH WASHER	2	2	2	

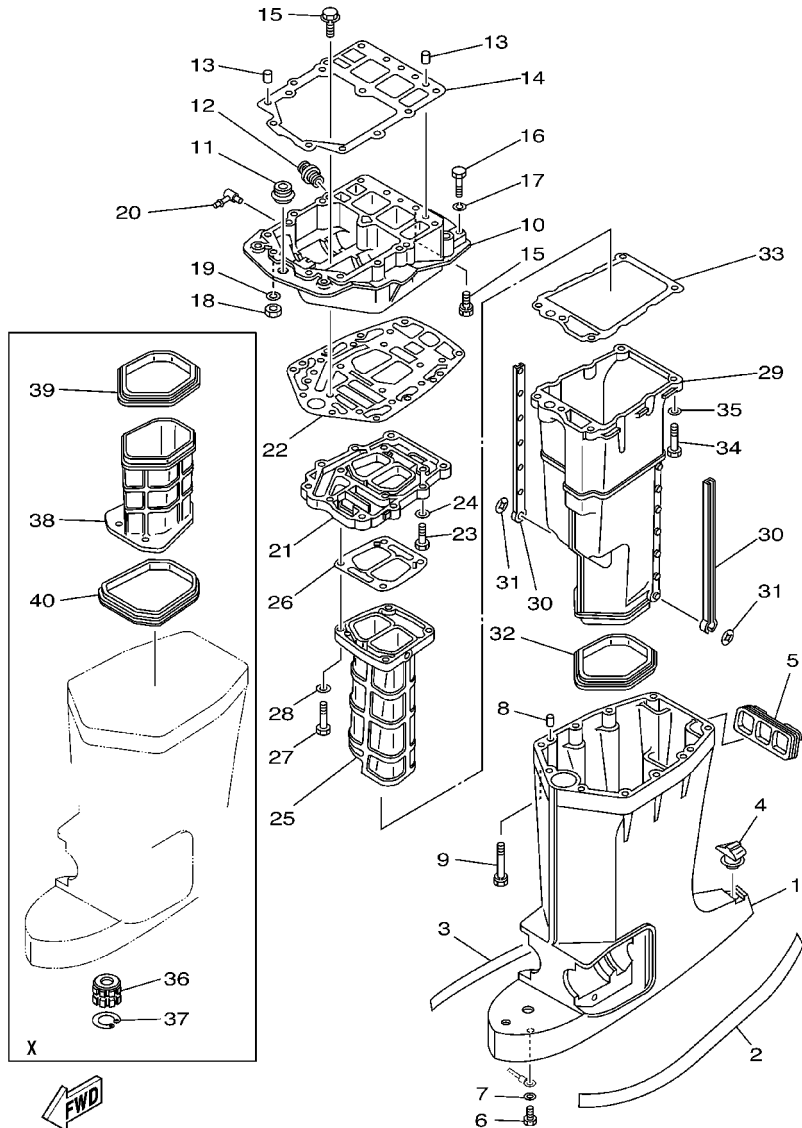
FIG. 25 POWER TRIM & TILT ASSY 2



60C1200-1211

REF. NO.	PART NO.	DESCRIPTION	200	S200	L200	REMARKS
28	64E-43880-01	MOTOR ASSY	1	1	1	
29	6H1-4386K-10	.SPRING, BRUSH	2	2	2	
30	64E-4380J-00	.HOLDER, BRUSH	1	1	1	
31	64E-43891-00	.BRUSH 1	1	1	1	
32	97607-04310	.SCREW, PAN HEAD WITH WASHER	2	2	2	
33	64E-4380F-00	.HOLDER, BRUSH 2	1	1	1	
34	64E-43892-00	.BRUSH 2	1	1	1	
35	6G5-43865-00	.O-RING	1	1	1	
36	93102-08M43	.OIL SEAL	1	1	1	
37	64E-43805-00	.ARMATURE ASSY	1	1	1	
38	64E-43843-10	.SCREW, VALVE LOCK	3	3	3	

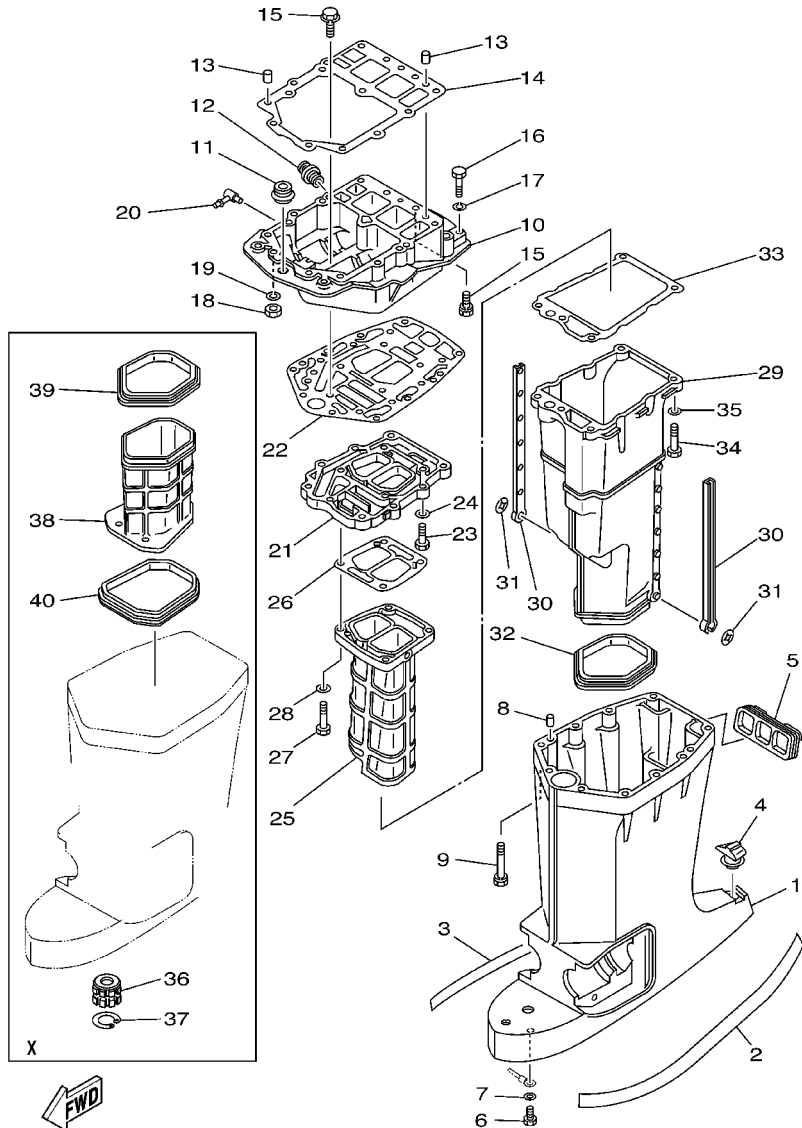
**FIG. 26 UPPER CASING**



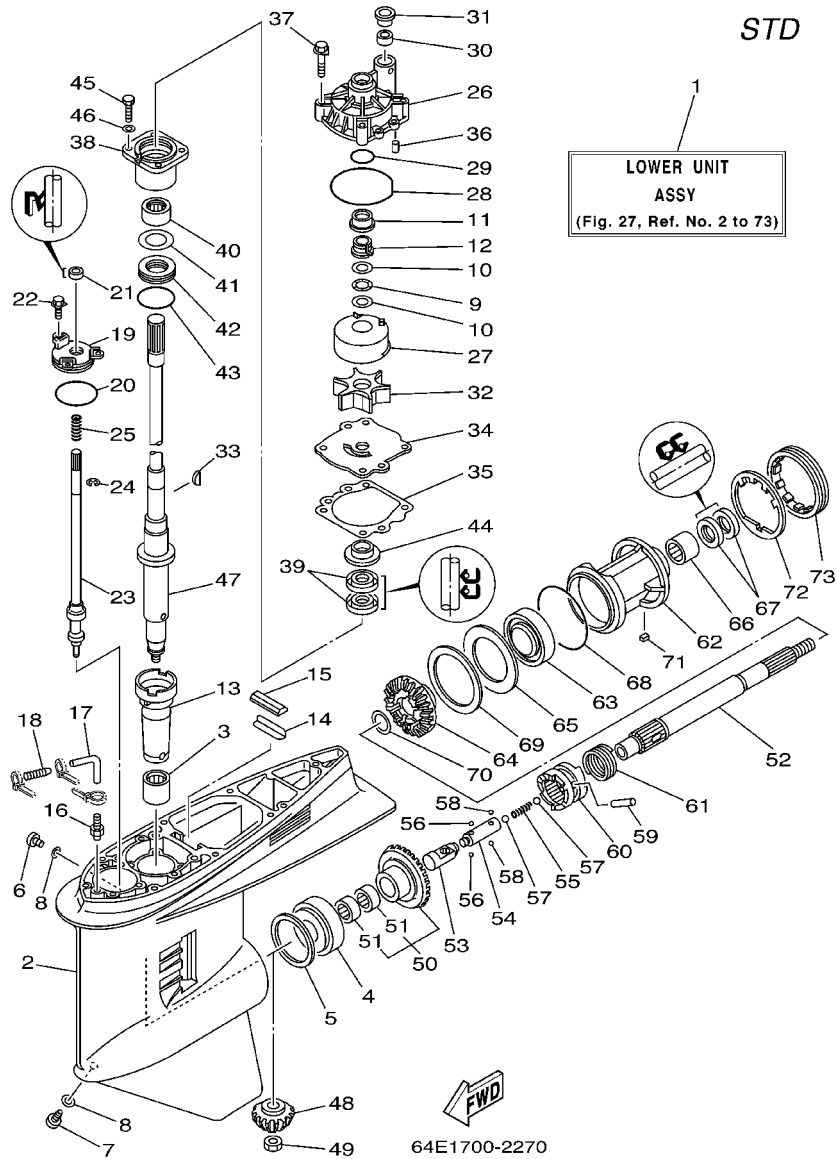
REF. NO.	PART NO.	DESCRIPTION	200	S200	L200	REMARKS
1	6E5-45111-02-8D	CASING, UPPER	1			L
	6E5-45111-23-8D	CASING, UPPER		1	1	X
2	6R3-42791-41	MARK 1	1	1	1	
3	6R3-42792-41	MARK	1	1	1	
4	6E5-45155-00	CAP	1	1	1	
5	6E5-42769-00	SEAL, RUBBER	1	1	1	
6	97095-06010	BOLT	1	1	1	
7	92995-06600	WASHER	1	1	1	
8	93608-12M05	PIN, DOWEL	2	2	2	
9	90119-08027	BOLT, WITH WASHER	6	6	6	
10	6G5-41137-02-94	GUIDE, EXHAUST	1			FOR STD
	6G5-41137-11-94	GUIDE, EXHAUST		1	1	FLUSHING KIT
11	6E5-42724-00	GROMMET	1	1	1	
12	6G5-12581-00	JOINT, HOSE 1	1	1	1	
13	93608-12M05	PIN, DOWEL	2	2	2	
14	6G5-45113-A1	GASKET, UPPER CASING	1	1	1	
15	90119-08M79	BOLT, WITH WASHER	6	6	6	
16	97095-08045	BOLT	2	2	2	
17	92995-08100	WASHER	2	2	2	
18	95380-08700	NUT	2	2	2	
19	92995-08100	WASHER	2	2	2	
20	6H1-11372-00	NIPPLE, HOSE		1	1	FLUSHING KIT
21	6G5-41131-01-5B	MANIFOLD, EXT. 1	1	1	1	
22	6G5-45114-A0	GASKET, UPPER CASING	1	1	1	
23	97095-08030	BOLT	4	4	4	
24	92995-08600	WASHER	4	4	4	
25	64D-41132-00-5B	MANIFOLD, EXHAUST	1	1	1	



**FIG. 26 UPPER CASING**



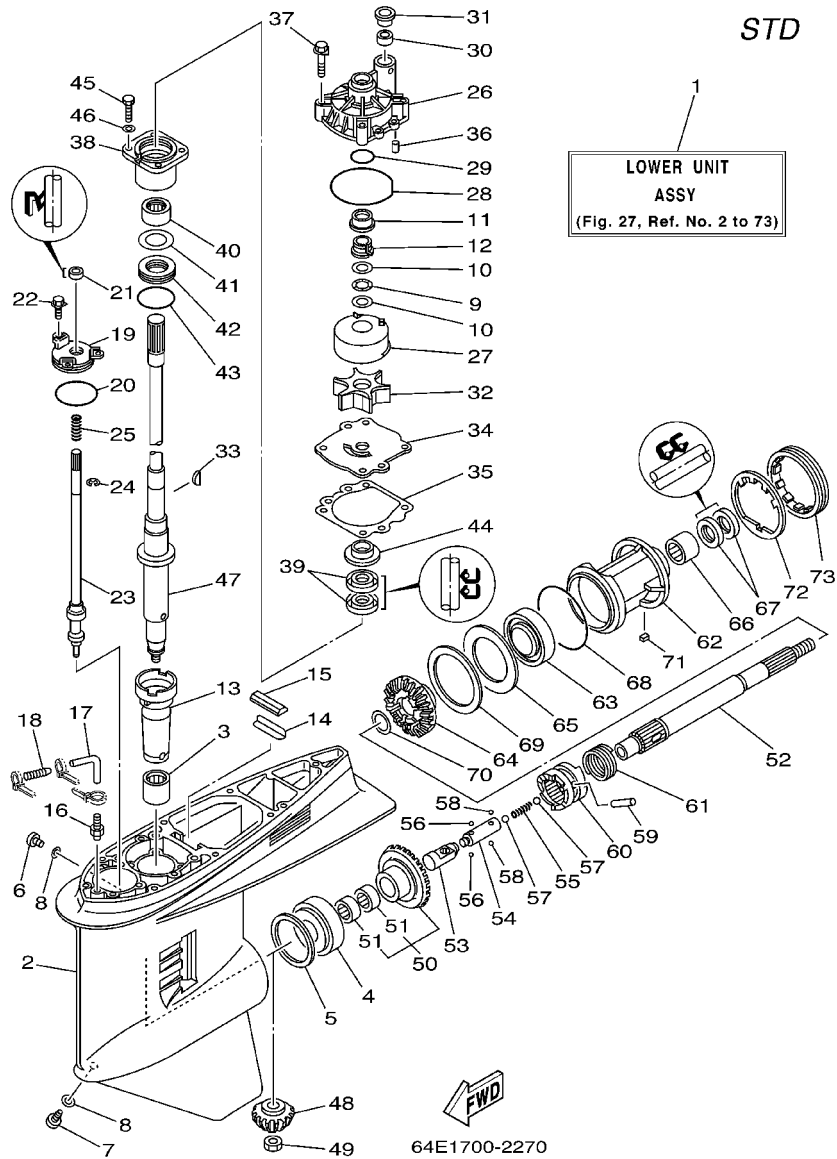
REF. NO.	PART NO.	DESCRIPTION	200	S200	L200	REMARKS
26	6G5-41134-A0	GASKET, EXHAUST MANIFOLD	1	1	1	
27	97095-08045	BOLT	4	4	4	
28	92995-08600	WASHER	4	4	4	
29	6E5-14711-01-5B	MUFFLER 1	1	1	1	
30	6E5-14737-00	DAMPER, MUFFLER	2	2	2	
31	90183-05M02	NUT, SPRING	2	2	2	
32	6E5-45123-00	GASKET, MUFFLER	1	1	1	
33	6E5-41135-A0	GASKET, EXHAUST MANIFOLD	1	1	1	
34	97095-08045	BOLT	5	5	5	
35	92995-08600	WASHER	5	5	5	
36	6E5-45318-00	BUSHING, DRIVE SHAFT	1	1		X
37	93420-36M01	CIRCLIP	1	1		X
38	64D-14721-20-5B	MUFFLER 2	1	1		X
39	64D-45123-00	GASKET, MUFFLER	1	1		X
40	64D-45375-00	DAMPER, SEAL	1	1		X



**FIG. 27 LOWER CASING. DRIVE 1**

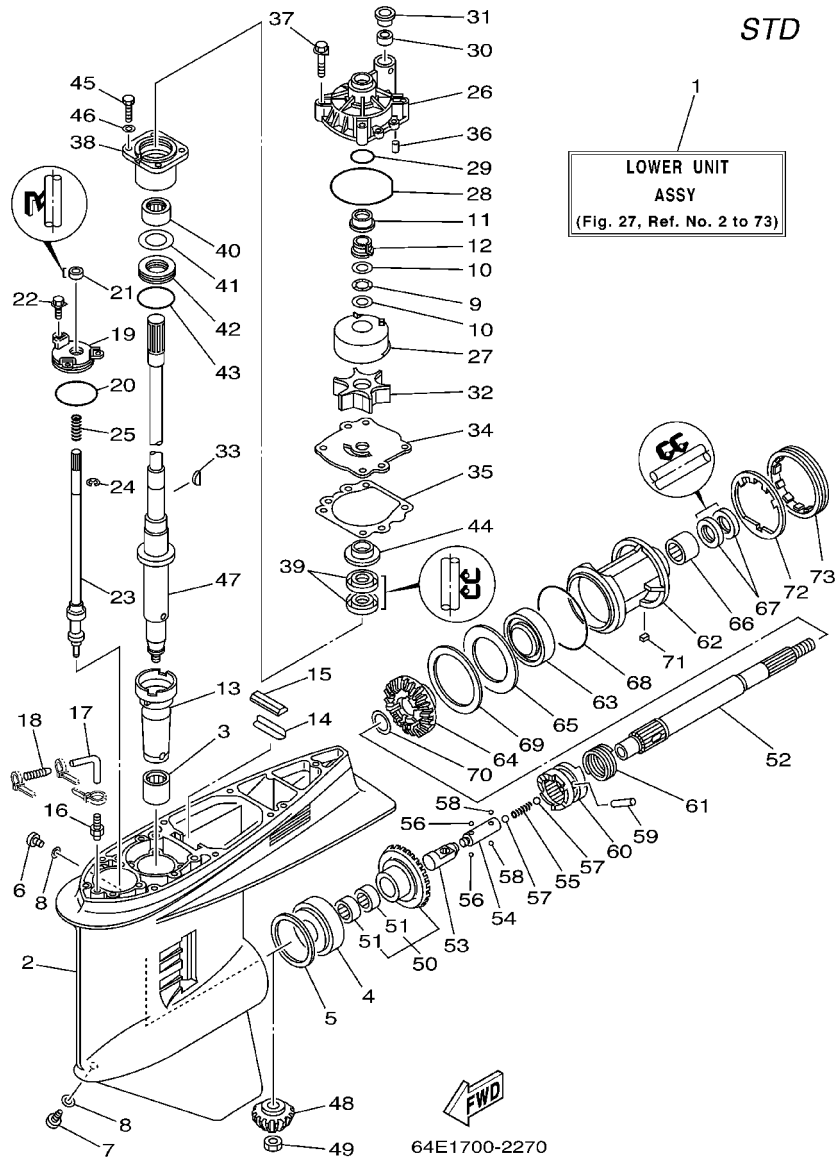
REF. NO.	PART NO.	DESCRIPTION	200	S200	L200	REMARKS
1	64E-45300-01-8D	LOWER UNIT ASSY	1			L
	64E-45300-21-8D	LOWER UNIT ASSY		1		X
2	6J9-45301-04-8D	CASING, LOWER	1	1		
3	93311-928U5	BEARING	1	1		
4	93332-000V3	BEARING	1	1		
5	6G5-45567-01-10	SHIM (T:0.10MM)	1	1		UR
	6G5-45567-01-12	SHIM (T:0.12MM)	1	1		UR
	6G5-45567-01-15	SHIM (T:0.15MM)	1	1		UR
	6G5-45567-01-18	SHIM (T:0.18MM)	1	1		UR
	6G5-45567-01-30	SHIM (T:0.30MM)	1	1		UR
	6G5-45567-01-40	SHIM (T:0.40MM)	1	1		UR
	6G5-45567-01-50	SHIM (T:0.50MM)	1	1		UR
6	90340-08002	PLUG, STRAIGHT SCREW	1	1		
7	688-45341-10	PLUG, DRAIN	1	1		
8	90430-08020	GASKET	2	2		
9	90206-22M19	WASHER, WAVE	1	1		
10	90201-22M01	WASHER, PLATE	2	2		
11	61A-45527-00	COLLAR, DRIVE SHAFT	1	1		
12	61A-45538-00	SPACER 1	1	1		
13	6G5-45536-01	SLEEVE, DRIVE SHAFT	1	1		
14	663-45376-00-94	GUIDE, SEAL DAMPER	1			L
	64D-45376-00-94	GUIDE, SEAL DAMPER		1		X
15	688-45375-00	DAMPER, SEAL	1	1		
16	6E5-45378-00	NIPPLE, HOSE	1	1		
17	90445-07ME8	HOSE (L80)	1			L
	90445-07ME9	HOSE (L120)		1		X
18	6E5-83558-10	END, NIPPLE	1	1		

**FIG. 27 LOWER CASING. DRIVE 1**



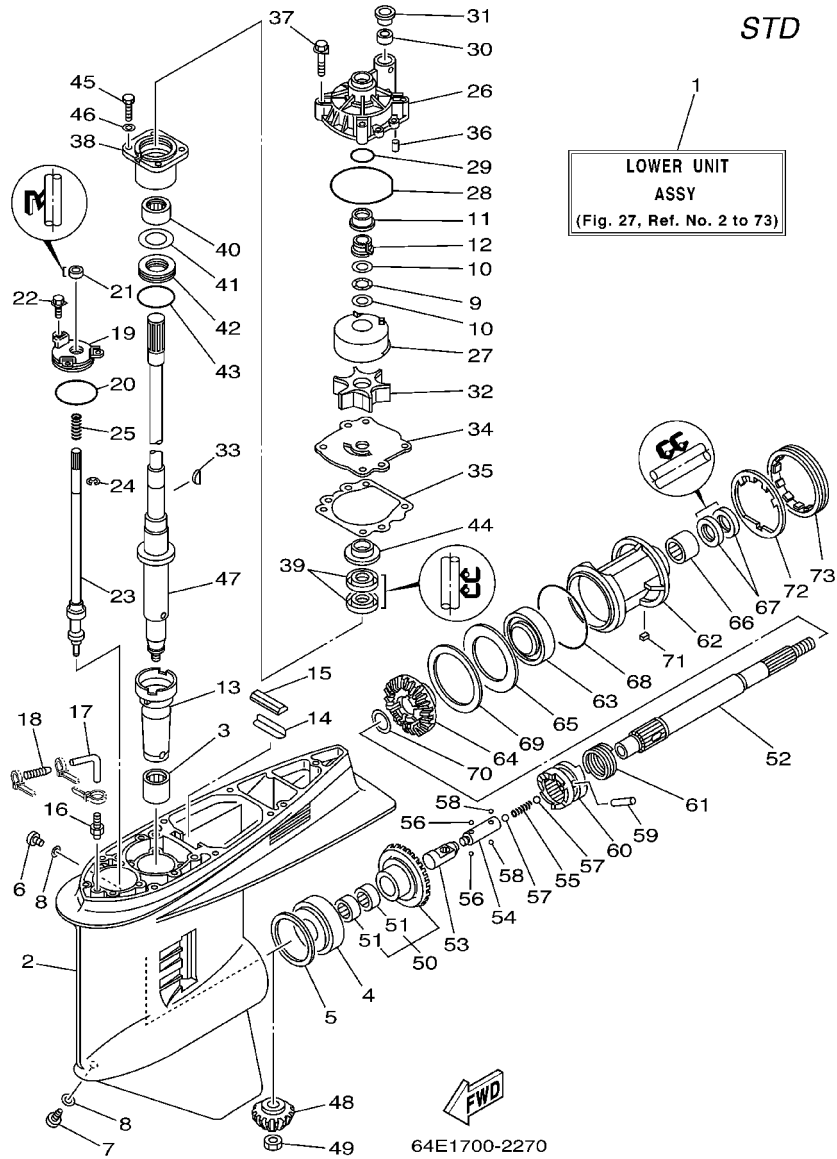
REF. NO.	PART NO.	DESCRIPTION	200	S200	L200	REMARKS
19	6E5-45321-00	PLATE	1	1		
20	93210-58144	O-RING	1	1		
21	93106-09014	OIL SEAL	1	1		
22	90119-06M10	BOLT, WITH WASHER	3	3		
23	6G5-44150-02	SHIFT CAM ASSY	1	1		
24	99001-08600	CIRCLIP	1	1		
25	90501-11M10	SPRING, COMPRESSION	1	1		
26	61A-44311-01	HOUSING, WATER PUMP	1	1		
27	61A-44322-02	INSERT, CARTRIDGE	1	1		
28	93210-86M38	O-RING	1	1		
29	93210-37160	O-RING	1	1		
30	6E5-44365-00	DAMPER, WATER SEAL	1	1		
31	6E5-44312-00	COVER, WATER PUMP HOUSING	1	1		
32	6E5-44352-01	IMPELLER	1	1		
33	90280-04M05	KEY, WOODRUFF	1	1		
34	6G5-44323-00	OUTER PLATE, CARTRIDGE	1	1		
35	6E5-44315-A0	GASKET, WATER PUMP	1	1		
36	93606-12019	PIN, DOWEL	2	2		
37	90119-08M14	BOLT, WITH WASHER	4	4		
38	6E5-45331-00-94	HOUSING, BEARING	1	1		
39	93101-28M16	OIL SEAL	2	2		
40	93317-330U2	BEARING	1	1		
41	6E5-45587-01-10	SHIM (T:0.10MM)	1	1		UR
	6E5-45587-01-12	SHIM (T:0.12MM)	1	1		UR
	6E5-45587-01-15	SHIM (T:0.15MM)	1	1		UR
	6E5-45587-01-18	SHIM (T:0.18MM)	1	1		UR
	6E5-45587-01-30	SHIM (T:0.30MM)	1	1		UR

**FIG. 27 LOWER CASING. DRIVE 1**



REF. NO.	PART NO.	DESCRIPTION	200	S200	L200	REMARKS
41	6E5-45587-01-40	SHIM (T:0.40MM)	1	1		UR
	6E5-45587-01-50	SHIM (T:0.50MM)	1	1		UR
42	93341-930V2	BEARING	1	1		
43	93210-55M14	O-RING	1	1		
44	6E5-45344-00	COVER, OIL SEAL	1	1		
45	97095-08025	BOLT	4	4		
46	92995-08600	WASHER	4	4		
47	6G5-45501-01	DRIVE SHAFT COMP.	1			L
	6G5-45501-21	DRIVE SHAFT COMP.		1		X
48	6G5-45551-10	PINION	1	1		
49	90170-16M01	NUT	1	1		
50	6G5-45560-10	GEAR	1	1		
51	93315-425V3	BEARING	2	2		
52	6J9-45611-01	SHAFT, PROPELLER	1	1		
53	6E5-45641-02	SHIFTER	1	1		
54	6E5-45634-01	SLIDE, SHIFT	1	1		
55	90501-16M37	SPRING, COMPRESSION	1	1		
56	93507-32009	BALL	2	2		
57	93511-32017	BALL	2	2		
58	93503-16003	BALL	2	2		
59	90250-08M07	PIN, STRAIGHT	1	1		
60	6G5-45631-10	CLUTCH, DOG	1	1		
61	6E5-45633-01	RING, CROSS PIN	1	1		
62	6J9-45332-00-94	HOUSING, BEARING	1	1		
63	93306-209U0	BEARING	1	1		
64	6G5-45571-02	GEAR	1	1		
65	6G5-45576-00	WASHER, THRUST	1	1		

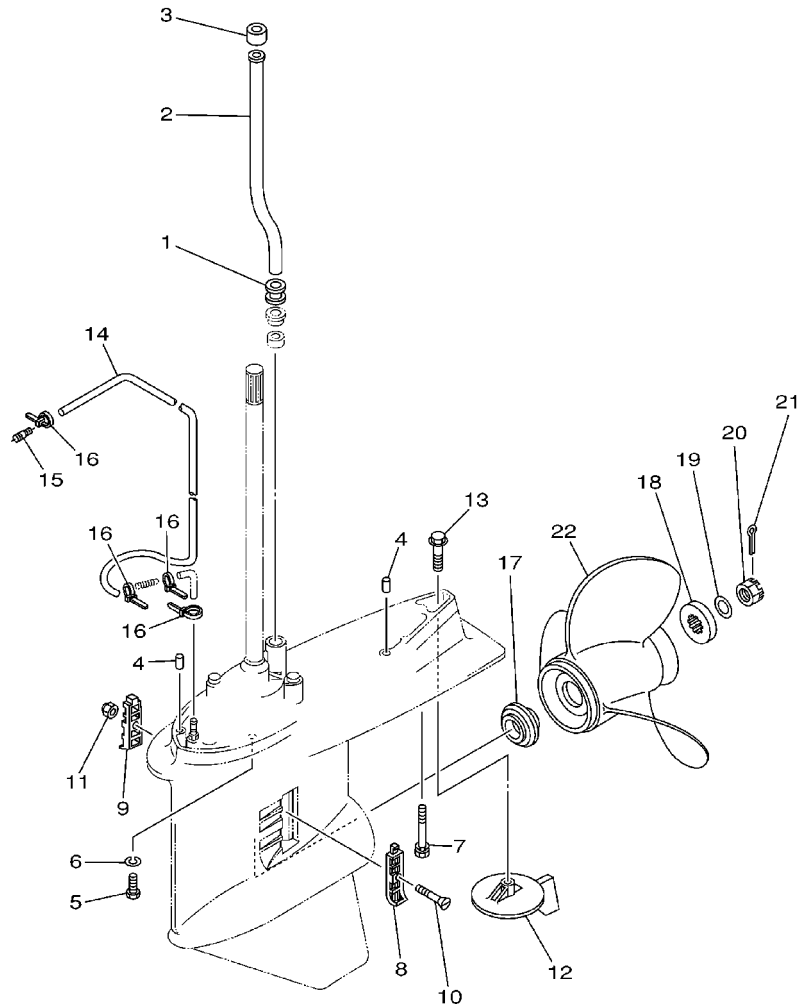
FIG. 27 LOWER CASING. DRIVE 1



REF. NO.	PART NO.	DESCRIPTION	200	S200	L200	REMARKS
66	93315-430U8	BEARING	1	1		
67	93101-30M17	OIL SEAL	2	2		
68	93210-97M55	O-RING	1	1		
69	6G5-45577-02-10	SHIM (T:0.10MM)	1	1		UR
	6G5-45577-02-12	SHIM (T:0.12MM)	1	1		UR
	6G5-45577-02-15	SHIM (T:0.15MM)	1	1		UR
	6G5-45577-02-18	SHIM (T:0.18MM)	1	1		UR
	6G5-45577-02-30	SHIM (T:0.30MM)	1	1		UR
	6G5-45577-02-40	SHIM (T:0.40MM)	1	1		UR
	6G5-45577-02-50	SHIM (T:0.50MM)	1	1		UR
70	90201-30M92	WASHER, PLATE	1	1		
71	90282-04M00	KEY, STRAIGHT	1	1		
72	6G5-45383-01	WASHER, CLAW	1	1		
73	6G5-45384-00	NUT	1	1		

FIG. 28 LOWER CASING. DRIVE 2

STD



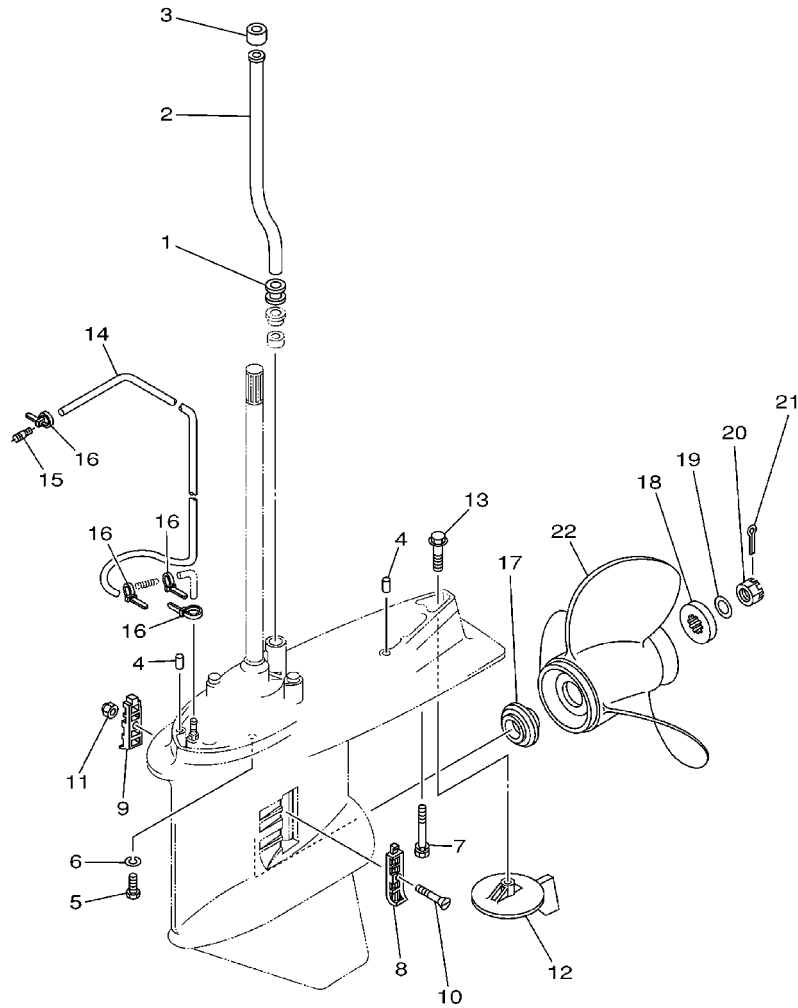
67H0100-1260

REF. NO.	PART NO.	DESCRIPTION	200	S200	L200	REMARKS
1	6E5-44366-00	DAMPER, WATER SEAL	1	1		
2	6E5-44361-00	TUBE, WATER	1			L
	6E5-44361-20	TUBE, WATER		1		X
3	6E5-44365-00	DAMPER, WATER SEAL	1	1		
4	93608-12M05	PIN, DOWEL	2	2		
5	97075-10045	BOLT	6	6		
6	92995-10100	WASHER	6	6		
7	90119-10M89	BOLT, WITH WASHER	1	1		
8	6J9-45214-00	COVER, WATER INLET	1	1		
9	6J9-45215-00	COVER, WATER INLET	1	1		
10	90152-05M08	SCREW, COUNTERSUNK	1	1		
11	90185-05002	NUT, SELF-LOCKING	1	1		
12	6J9-45371-01	TAB-TRIM	1	1		
13	90105-10M00	BOLT, FLANGE	1	1		
14	90445-07M33	HOSE (L1080)	1	1		
15	6E5-83558-00	END, NIPPLE	1	1		
16	90465-11M10	CLAMP	4	4		
17	6E5-45987-01	SPACER	1	1		
18	688-45997-01	SPACER	1	1		
19	92990-18200	WASHER	1	1		
20	90171-18M04	NUT, CASTLE	1	1		
21	91490-40030	PIN, COTTER	1	1		
22	6G5-45941-00-98	PROPELLER (3X15-1/4"X15"-M)	1	1		UR
	6G5-45943-01-98	PROPELLER (3X13-3/4"X21"-M)	1	1		UR
	6G5-45945-01-98	PROPELLER (3X14"X19"-M)	1	1		UR
	6G5-45947-01-98	PROPELLER (3X14-1/2"X17"-M)	1	1		UR
	6G5-45949-00-98	PROPELLER (3X13-1/2"X23"-M)	1	1		UR

C1

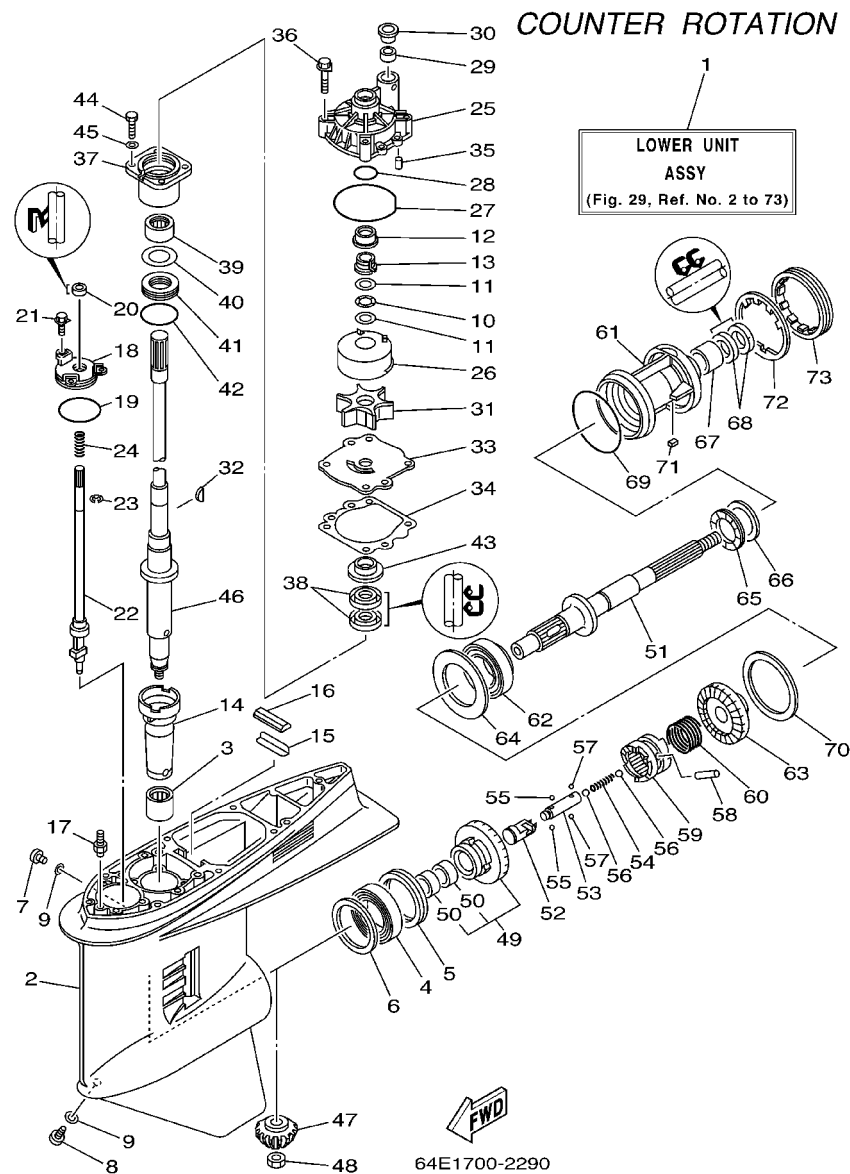
FIG. 28 LOWER CASING. DRIVE 2

STD



67H0100-1260

REF. NO.	PART NO.	DESCRIPTION	200	S200	L200	REMARKS
22	6G5-45952-00-98	PROPELLER (3X14-5/8"X16"-M)	1	1		UR
<b>STAINLESS STEEL PROPELLER</b>						
	6G5-45930-00-98	PROPELLER (3X13-3/8"X25"-M)	1	1		UR
	6G5-45932-00-98	PROPELLER (3X15-3/4"X13"-M)	1	1		UR
	6G5-45970-02-98	PROPELLER (3X15-1/4"X15"-M)	1	1		UR
	6G5-45972-02-98	PROPELLER (3X13-3/4"X21"-M)	1	1		UR
	6G5-45974-03-98	PROPELLER (3X13-3/4"X19"-M2)	1	1		UR
	6G5-45976-01-98	PROPELLER (3X13-3/8"X23"-M)	1	1		UR
	6G5-45978-03-98	PROPELLER (3X13-3/4"X17"-M2)	1	1		UR
	6R4-45970-A0	PROPELLER (3X15-1/4"X19"-M)	1	1		UR
	6R4-45972-A0	PROPELLER (3X14-7/8"X21"-M)	1	1		UR
	6R4-45974-A0	PROPELLER (3X14-1/2"X23"-M)	1	1		UR
	6R4-45976-A0	PROPELLER (3X14-1/2"X15"-M)	1	1		UR
	6R4-45978-A0	PROPELLER (3X15-1/4"X17"-M)	1	1		UR



**FIG. 29 LOWER CASING. DRIVE 3**

REF. NO.	PART NO.	DESCRIPTION	200	S200	L200	REMARKS
1	64H-45300-21-8D	LOWER UNIT ASSY			1	X
2	6J9-45301-04-8D	CASING, LOWER			1	
3	93311-928U5	BEARING			1	
4	93390-000U2	BEARING			1	
5	93341-465U4	BEARING			1	
6	6G5-45567-01-10	SHIM (T:0.10MM)			1	UR
	6G5-45567-01-12	SHIM (T:0.12MM)			1	UR
	6G5-45567-01-15	SHIM (T:0.15MM)			1	UR
	6G5-45567-01-18	SHIM (T:0.18MM)			1	UR
	6G5-45567-01-30	SHIM (T:0.30MM)			1	UR
	6G5-45567-01-40	SHIM (T:0.40MM)			1	UR
	6G5-45567-01-50	SHIM (T:0.50MM)			1	UR
7	90340-08002	PLUG, STRAIGHT SCREW			1	
8	688-45341-10	PLUG, DRAIN			1	
9	90430-08020	GASKET			2	
10	90206-22M19	WASHER, WAVE			1	
11	90201-22M01	WASHER, PLATE			2	
12	61A-45527-00	COLLAR, DRIVE SHAFT			1	
13	61A-45538-00	SPACER 1			1	
14	6G5-45536-01	SLEEVE, DRIVE SHAFT			1	
15	64D-45376-00-94	GUIDE, SEAL DAMPER			1	X
16	688-45375-00	DAMPER, SEAL			1	
17	6J8-45378-00	NIPPLE, HOSE			1	
18	6E5-45321-00	PLATE			1	
19	93210-58144	O-RING			1	
20	93106-09014	OIL SEAL			1	
21	90119-06M10	BOLT, WITH WASHER			3	



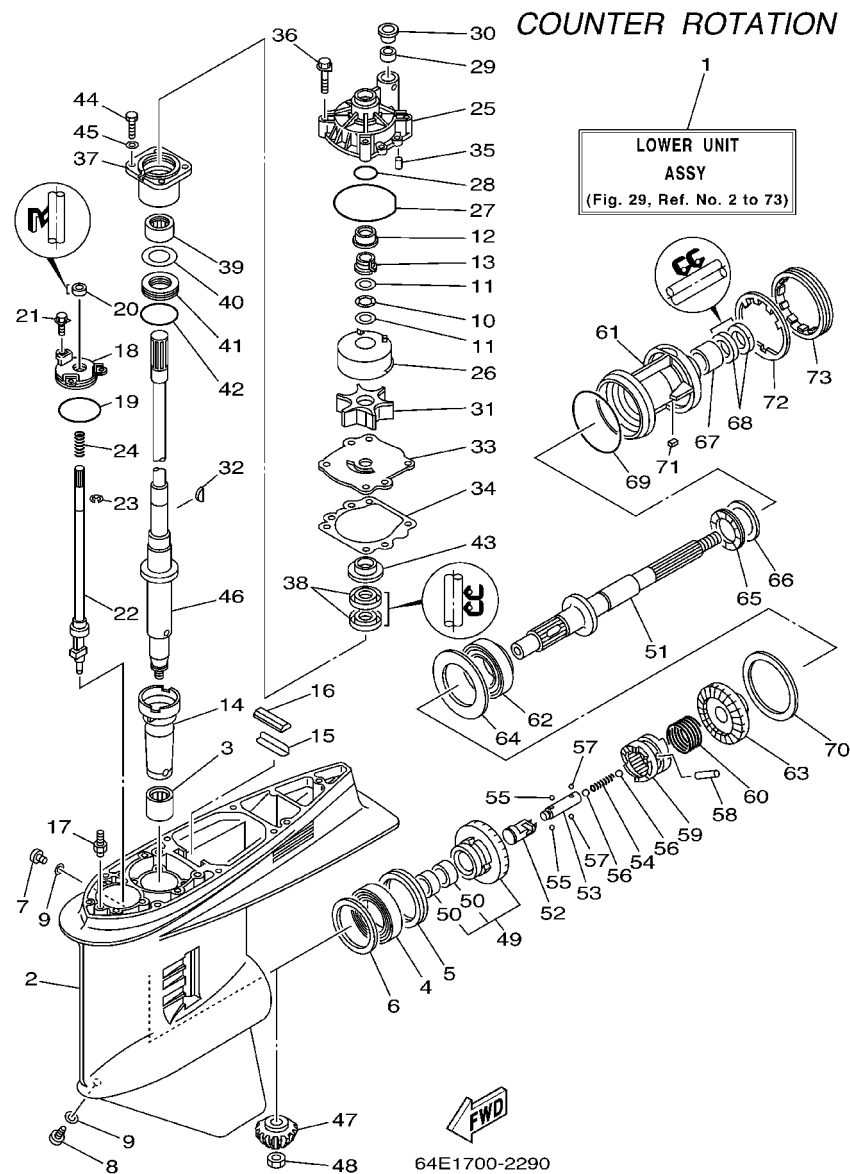
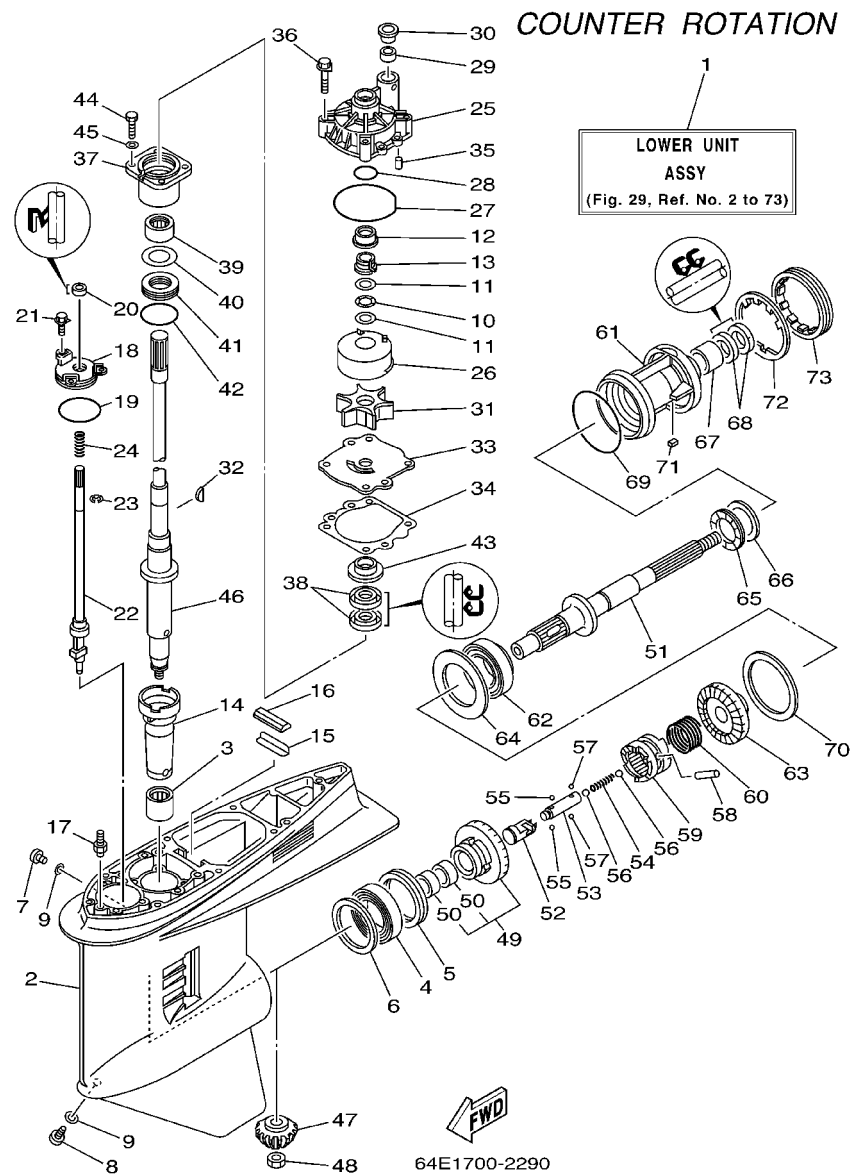


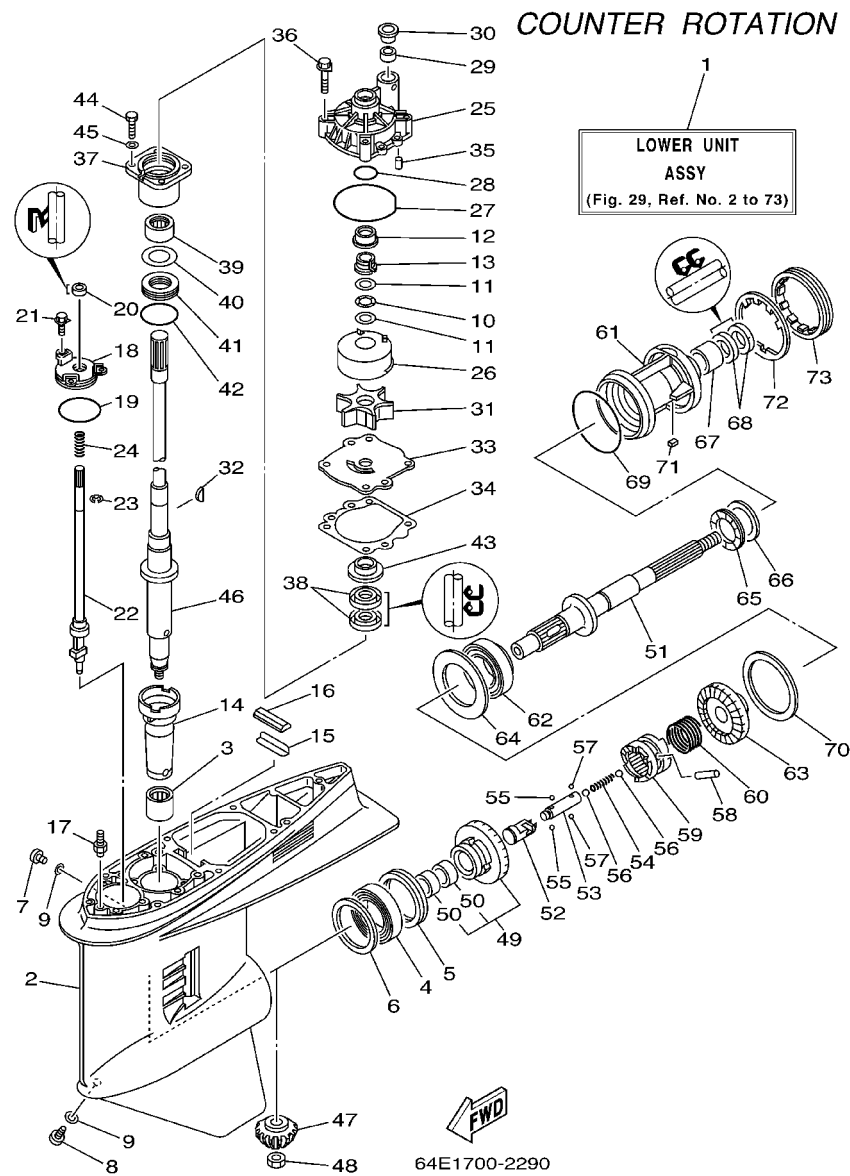
FIG. 29 LOWER CASING. DRIVE 3

REF. NO.	PART NO.	DESCRIPTION	200	S200	L200	REMARKS
22	6K1-44150-01	SHIFT CAM ASSY			1	
23	99001-08600	CIRCLIP			1	
24	90501-11M10	SPRING, COMPRESSION			1	
25	61A-44311-01	HOUSING, WATER PUMP			1	
26	61A-44322-02	INSERT, CARTRIDGE			1	
<hr/>						
27	93210-86M38	O-RING			1	
28	93210-37160	O-RING			1	
29	6E5-44365-00	DAMPER, WATER SEAL			1	
30	6E5-44312-00	COVER, WATER PUMP HOUSING			1	
31	6E5-44352-01	IMPELLER			1	
<hr/>						
32	90280-04M05	KEY, WOODRUFF			1	
33	6G5-44323-00	OUTER PLATE, CARTRIDGE			1	
34	6E5-44315-A0	GASKET, WATER PUMP			1	
35	93606-12019	PIN, DOWEL			2	
36	90119-08M14	BOLT, WITH WASHER			4	
<hr/>						
37	6E5-45331-00-94	HOUSING, BEARING			1	
38	93101-28M16	OIL SEAL			2	
39	93317-330U2	BEARING			1	
40	6E5-45587-01-10	SHIM (T:0.10MM)			1	UR
	6E5-45587-01-12	SHIM (T:0.12MM)			1	UR
<hr/>						
	6E5-45587-01-15	SHIM (T:0.15MM)			1	UR
	6E5-45587-01-18	SHIM (T:0.18MM)			1	UR
	6E5-45587-01-30	SHIM (T:0.30MM)			1	UR
	6E5-45587-01-40	SHIM (T:0.40MM)			1	UR
	6E5-45587-01-50	SHIM (T:0.50MM)			1	UR
<hr/>						
41	93341-930V2	BEARING			1	
<hr/>						
42	93210-55M14	O-RING			1	



**FIG. 29 LOWER CASING. DRIVE 3**

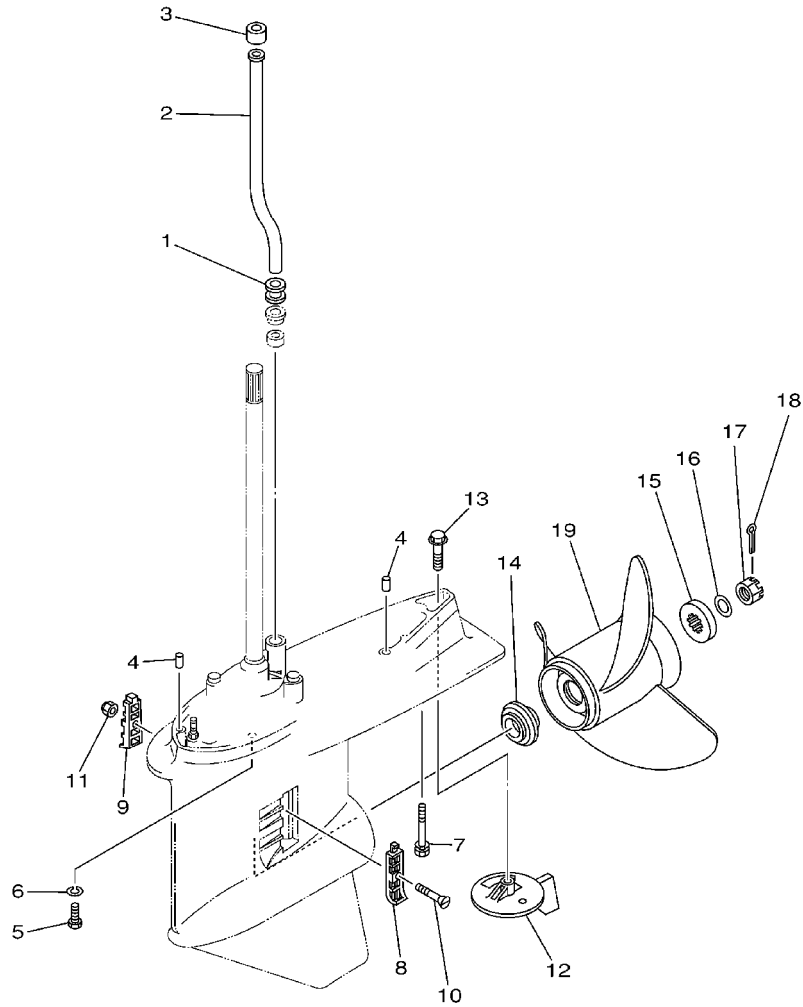
REF. NO.	PART NO.	DESCRIPTION	200	S200	L200	REMARKS
43	6E5-45344-00	COVER, OIL SEAL			1	
44	97095-08025	BOLT			4	
45	92995-08600	WASHER			4	
46	6G5-45501-21	DRIVE SHAFT COMP.			1	X
47	6G5-45551-10	PINION			1	
48	90170-16M01	NUT			1	
49	6K1-45560-01	GEAR			1	
50	93315-425V3	.BEARING			2	
51	6K1-45611-10	SHAFT, PROPELLER			1	
52	6K1-45641-01	SHIFTER			1	
53	6E5-45634-01	SLIDE, SHIFT			1	
54	90501-16M37	SPRING, COMPRESSION			1	
55	93507-32009	BALL			2	
56	93511-32017	BALL			2	
57	93503-16003	BALL			2	
58	90250-08M07	PIN, STRAIGHT			1	
59	6G5-45631-10	CLUTCH, DOG			1	
60	6E5-45633-01	RING, CROSS PIN			1	
61	6K1-45332-01-94	HOUSING, BEARING			1	
62	93332-00048	BEARING			1	
63	6K1-45570-20	GEAR			1	
64	6K1-45576-00	WASHER, THRUST			1	
65	93341-440U5	BEARING			1	
66	6K1-45578-01-10	SHIM (T:0.10MM)			1	UR
	6K1-45578-01-12	SHIM (T:0.12MM)			1	UR
	6K1-45578-01-15	SHIM (T:0.15MM)			1	UR
	6K1-45578-01-18	SHIM (T:0.18MM)			1	UR



**FIG. 29 LOWER CASING. DRIVE 3**

REF. NO.	PART NO.	DESCRIPTION	200	S200	L200	REMARKS
66	6K1-45578-01-30	SHIM (T:0.30MM)			1	UR
	6K1-45578-01-40	SHIM (T:0.40MM)			1	UR
	6K1-45578-01-50	SHIM (T:0.50MM)			1	UR
67	93315-430U8	BEARING			1	
68	93101-30M17	OIL SEAL			2	
69	93210-97M55	O-RING			1	
70	6G5-45577-02-10	SHIM (T:0.10MM)			1	UR
	6G5-45577-02-12	SHIM (T:0.12MM)			1	UR
	6G5-45577-02-15	SHIM (T:0.15MM)			1	UR
	6G5-45577-02-18	SHIM (T:0.18MM)			1	UR
	6G5-45577-02-30	SHIM (T:0.30MM)			1	UR
	6G5-45577-02-40	SHIM (T:0.40MM)			1	UR
	6G5-45577-02-50	SHIM (T:0.50MM)			1	UR
71	90282-04M00	KEY, STRAIGHT			1	
72	6G5-45383-01	WASHER, CLAW			1	
73	6G5-45384-00	NUT			1	

COUNTER ROTATION

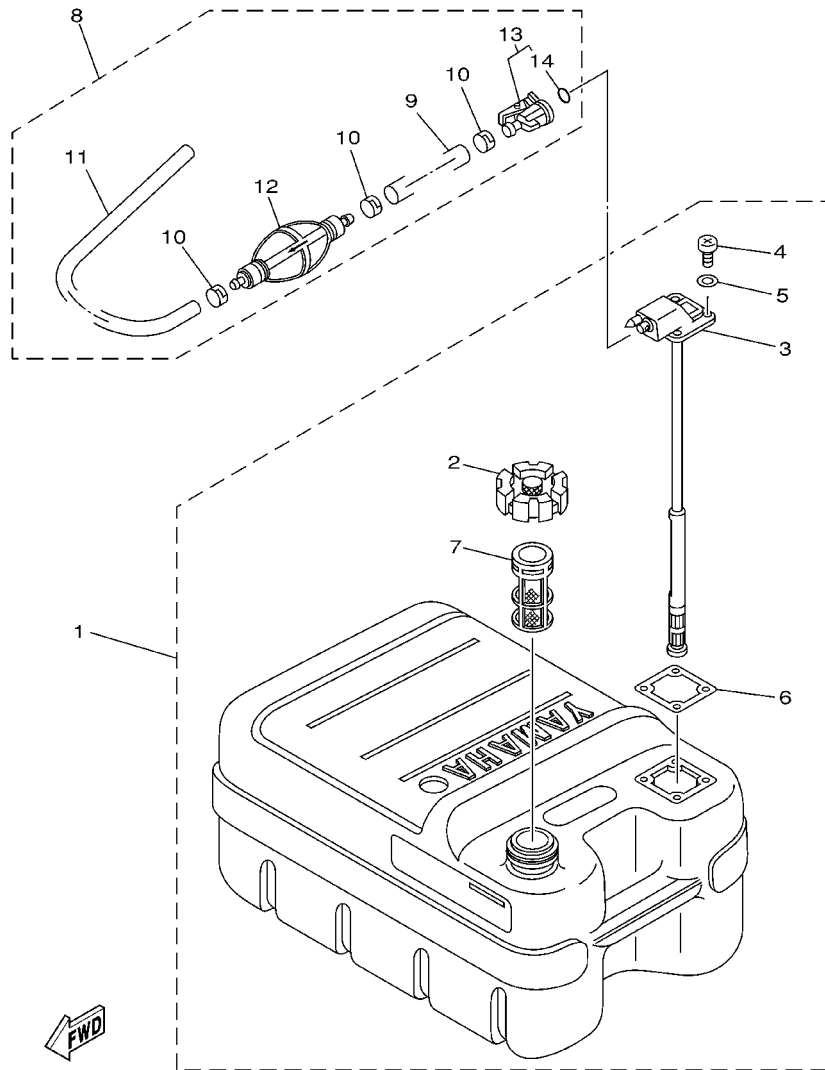


64G0100-1250

FIG. 30 LOWER CASING. DRIVE 4

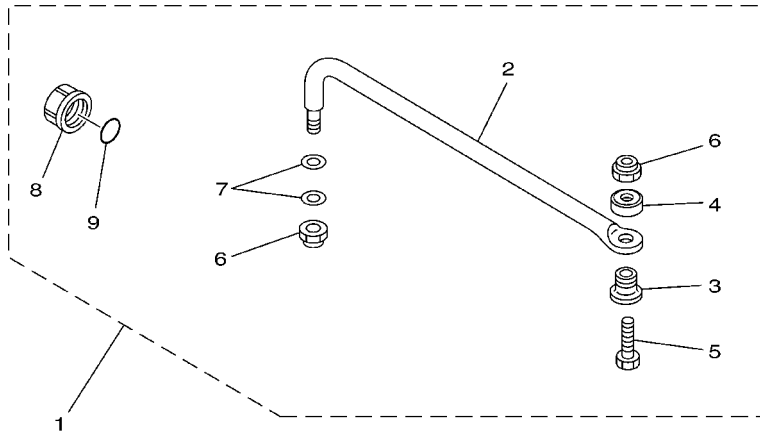
REF. NO.	PART NO.	DESCRIPTION	200	S200	L200	REMARKS
1	6E5-44366-00	DAMPER, WATER SEAL			1	
2	6E5-44361-20	TUBE, WATER			1	X
3	6E5-44365-00	DAMPER, WATER SEAL			1	
4	93608-12M05	PIN, DOWEL			2	
5	97075-10045	BOLT			6	
6	92995-10100	WASHER			6	
7	90119-10M89	BOLT, WITH WASHER			1	
8	6J9-45214-00	COVER, WATER INLET			1	
9	6J9-45215-00	COVER, WATER INLET			1	
10	90152-05M08	SCREW, COUNTERSUNK			1	
11	90185-05002	NUT, SELF-LOCKING			1	
12	6K1-45371-02	TAB-TRIM			1	
13	90105-10M00	BOLT, FLANGE			1	
14	6E5-45987-01	SPACER			1	
15	688-45997-01	SPACER			1	
16	92990-18200	WASHER			1	
17	90171-18M04	NUT, CASTLE			1	
18	91490-40030	PIN, COTTER			1	
19	6K1-45970-01-98	PROPELLER (3X15-1/4"X15"-ML)			1	UR
	6K1-45972-01-98	PROPELLER (3X13-3/4"X21"-ML)			1	UR
	6K1-45974-02-98	PROPELLER (3X13-3/4"X19"-ML1)			1	UR
	6K1-45978-02-98	PROPELLER (3X13-3/4"X17"-ML1)			1	UR
	6R1-45970-A0	PROPELLER (3X15-1/4"X19"-ML)			1	UR
	6R1-45972-A0	PROPELLER (3X14-7/8"X21"-ML)			1	UR
	6R1-45974-A0	PROPELLER (3X14-1/2"X23"-ML)			1	UR
	6R1-45976-A0	PROPELLER (3X15-1/4"X15"-ML)			1	UR
	6R1-45978-A0	PROPELLER (3X15-1/4"X17"-ML)			1	UR

**FIG. 31 FUEL TANK**



REF. NO.	PART NO.	DESCRIPTION	200	S200	L200	REMARKS
1	6YJ-24201-10	FUEL TANK ASSY (24L)	1	1		AP FOR CARIB, VENEZUELA
2	6YJ-24610-01	.CAP ASSY	1	1		
3	6Y1-24260-12	.FUEL METER ASSY	1	1		WITH INDICATOR
4	98586-05016	.SCREW, PAN HEAD	4	4		
5	6Y1-24329-00	.SEAL	4	4		
6	6Y1-24268-00	.GASKET, FUEL METER	1	1		
7	6YJ-24167-00	.STRAINER	1	1		
8	6Y2-24306-42	FUEL PIPE COMP. 1	1	1		AP FOR CARIB, VENEZUELA
9	90445-13M01	.HOSE (L:2050)	1	1		
10	6E5-24351-51	.BAND 1	3	3		
11	90445-13M35	.HOSE (L:250)	1	1		
12	6Y2-24360-52	.PRIMER PUMP ASSY	1	1		
13	6Y2-24305-04	.FUEL PIPE JOINT COMP. 2	1	1		
14	93210-08287	.O-RING	1	1		

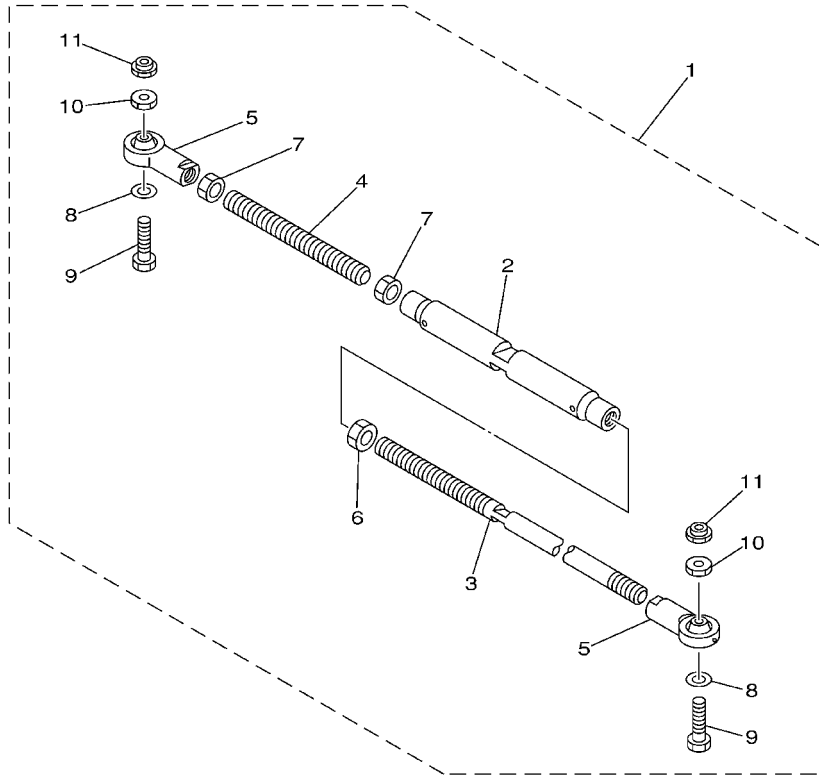
**FIG. 32 STEERING GUIDE ATTACHMENT 1**



REF. NO.	PART NO.	DESCRIPTION	200	S200	L200	REMARKS
1	6E5-61350-02	STEERING GUIDE ATTACHMENT KIT	1	1	1	AP "L200F"- FOR OCEANIA
2	6E5-61351-01	.ROD, STEERING LINK	1	1	1	
3	90387-10M61	.COLLAR	1	1	1	
4	90560-12M01	.SPACER	1	1	1	
5	6E5-61355-00	.BOLT	1	1	1	
6	90185-09M01	.NUT, SELF-LOCKING	2	2	2	
7	90201-10M20	.WASHER, PLATE	2	2	2	
8	6E5-43145-01	.CAP, CLAMP BRACKET	1	1	1	
9	93210-16275	.O-RING	1	1	1	

67H0100-9290

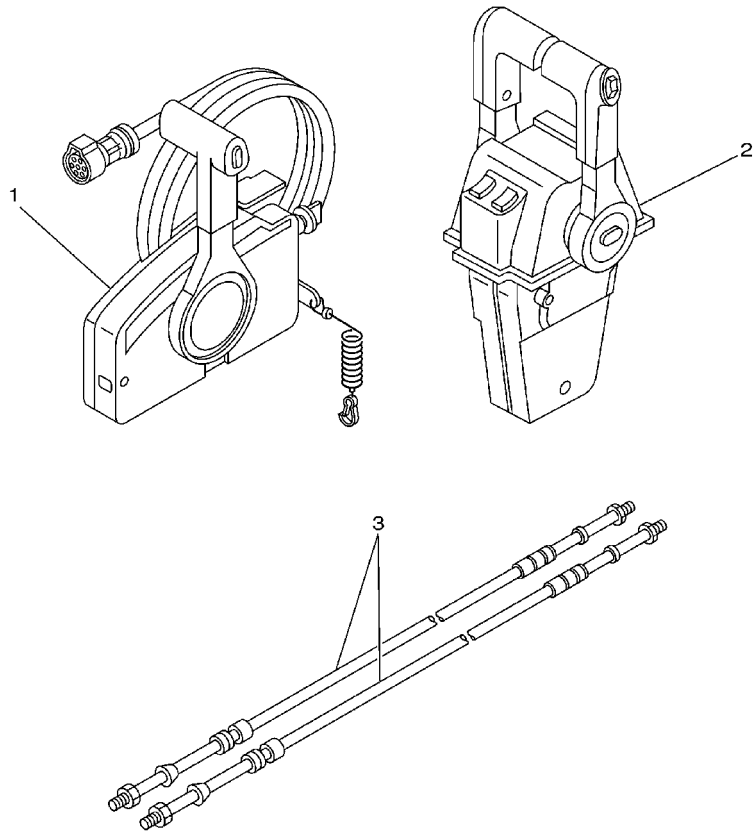
**FIG. 33 STEERING GUIDE ATTACHMENT 2**



REF. NO.	PART NO.	DESCRIPTION	200	S200	L200	REMARKS
1	6E5-61301-01	TWIN KIT (L:600-800MM)			1	AP
2	6E5-61313-00	.ADJUSTER			1	
3	6E5-61311-11	.TIE BAR			1	
4	6E5-61315-00	.TIE BAR			1	
5	6E5-61303-00	.STEERING EYE COMP.			2	
6	90170-14M06	.NUT			1	
7	95380-14700	.NUT			2	
8	90201-10M76	.WASHER, PLATE			2	
9	90101-09M70	.BOLT			2	
10	90170-09M05	.NUT			2	
11	90185-09M01	.NUT, SELF-LOCKING			2	

67H0100-0300

**FIG. 34 REMOTE CONTROL BOX**



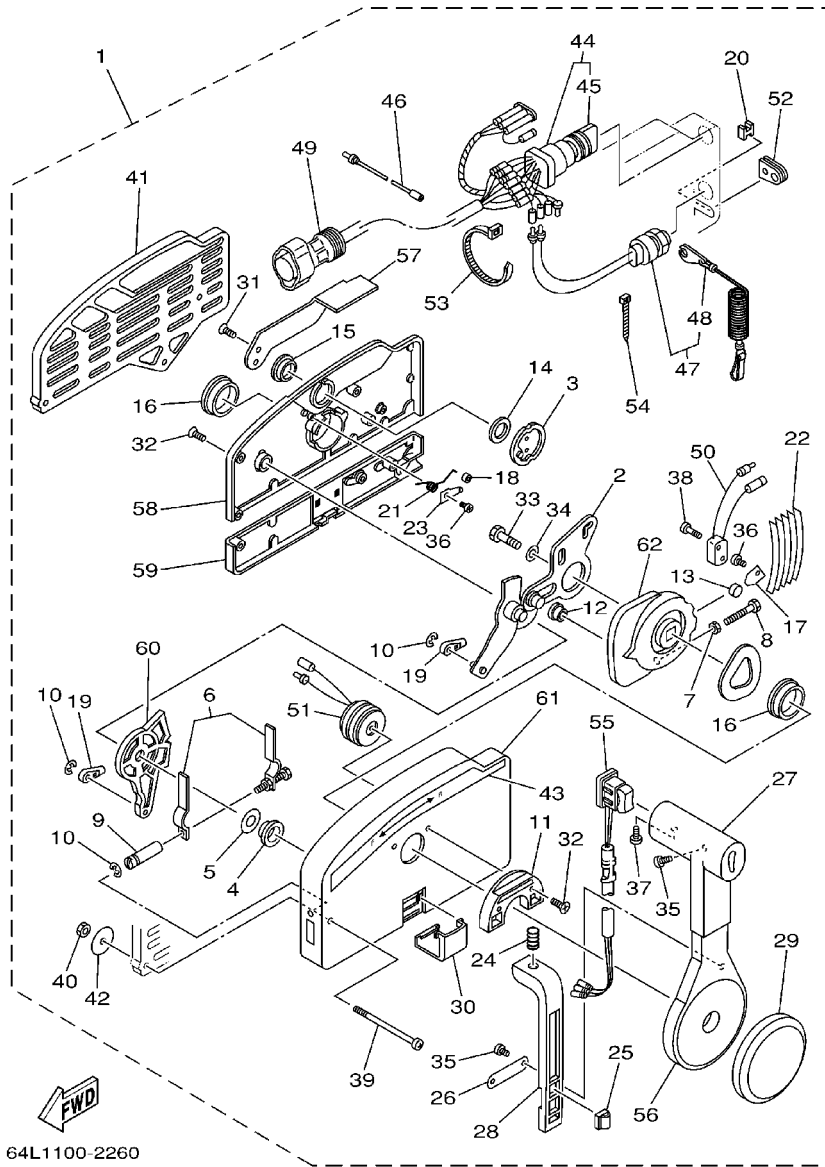
REF. NO.	PART NO.	DESCRIPTION	200	S200	L200	REMARKS
1	703-48205-17	REMOTE CONTROL ASSY	1	1		AP WITH PT/T SW.
2	704-48207-23	REMOTE CONTROL ASSY			1	AP WITH PT/T SW.
3	701-48320-50	CABLE, REMOTE CONTROL L=15F	2	2	2	UR
	701-48320-60	CABLE, REMOTE CONTROL L=16F	2	2	2	UR
	701-48320-80	CABLE, REMOTE CONTROL L=17F	2	2	2	UR
	701-48320-40	CABLE, REMOTE CONTROL L=19F	2	2	2	UR
	701-48350-00	CABLE, REMOTE CONTROL L=21F	2	2	2	UR
	701-48350-20	CABLE, REMOTE CONTROL L=23F	2	2	2	UR



67H0100-9310



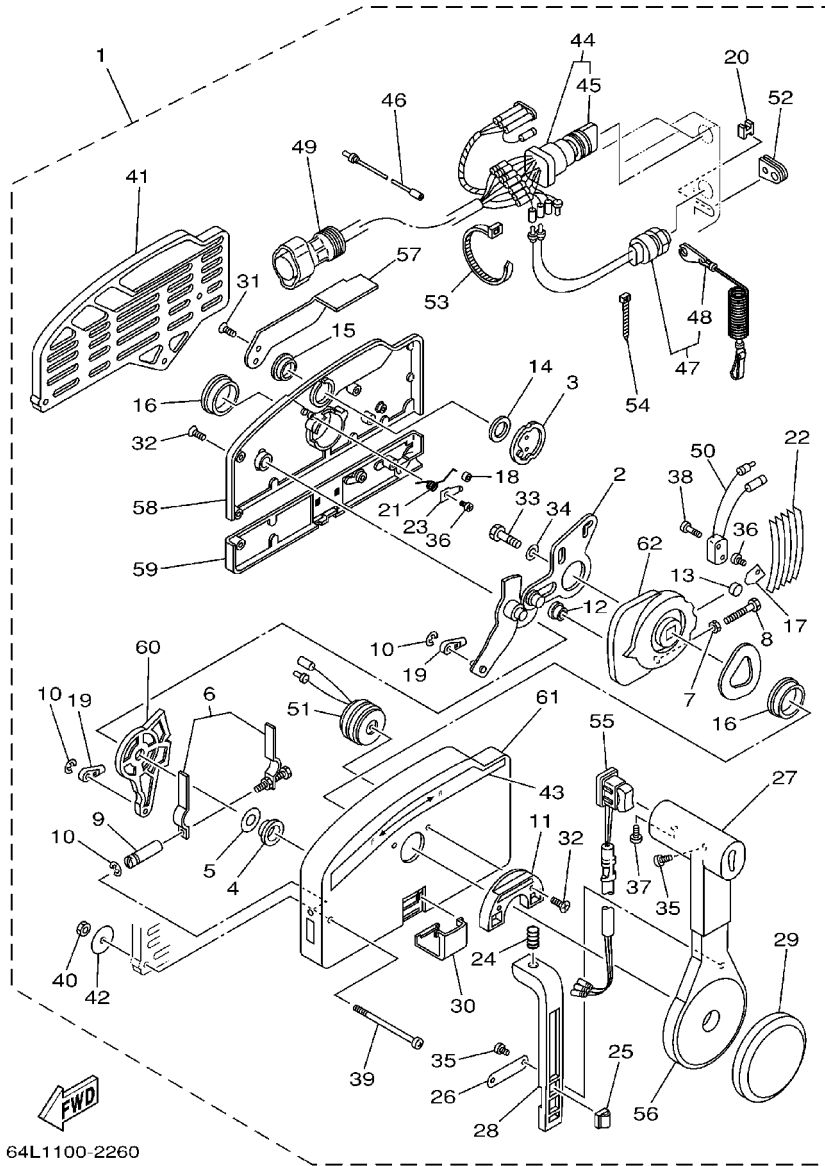
FIG. 35 REMOTE CONTROL ASSY 1



64L1100-2260

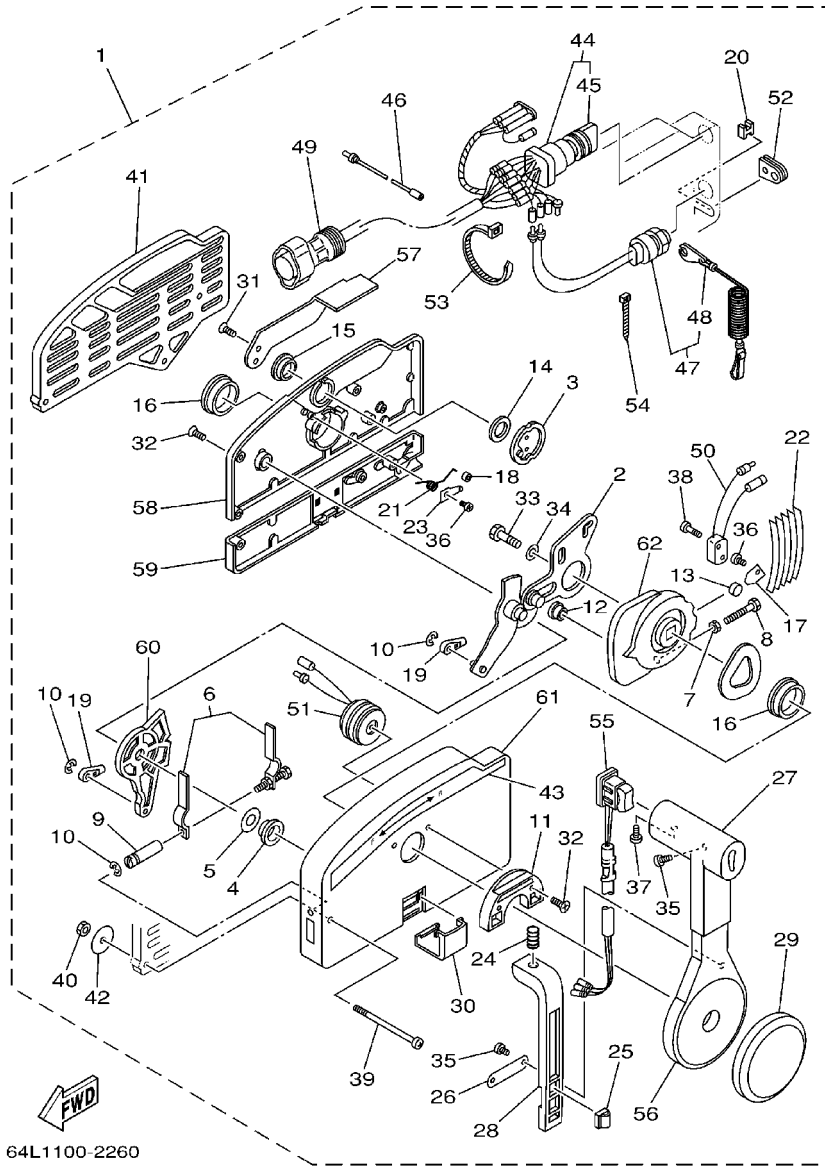
REF. NO.	PART NO.	DESCRIPTION	200	S200	L200	REMARKS
1	703-48205-17	REMOTE CONTROL ASSY	1	1		AP WITH PT/T SW.
2	703-48261-01	.ARM, THROTTLE	1	1		
3	703-48153-00	.SHAFT, FREE ACCEL.	1	1		
4	703-48235-00	.BUSHING	1	1		
5	703-48268-00	.SPACER	1	1		
6	703-48264-00	.THROTTLE, FRICTION	1	1		
7	95380-05600	.NUT	1	1		
8	97380-05025	.BOLT	1	1		
9	703-48265-00	.SHAFT, FRICTION	1	1		
10	93430-06024	.CIRCLIP	3	3		
11	703-48245-00	.PLATE, LOCK	1	1		
12	703-48252-00	.ROLLER, CAM	1	1		
13	701-48248-00	.ROLLER, FREE ACCEL.	1	1		
14	703-48198-00	.WASHER, WAVE	1	1		
15	703-48243-00	.BUSHING	1	1		
16	703-48236-00	.BUSHING 1	2	2		
17	703-48189-00	.RETAINER	1	1		
18	703-48234-00	.ROLLER, DETENT	1	1		
19	703-48345-01	.CABLE END,REMOTE CONTROL 2	2	2		
20	703-48358-00	.ANCHOR, CABLE	1	1		
21	703-48244-00	.SPRING, FREE ACCEL.	1	1		
22	703-48238-00	.SPRING, DETENT	5	5		
23	703-48246-00	.SPACER	1	1		
24	703-48227-00	.SPRING, NEUTRAL LOCK	1	1		
25	703-82594-00	.CLAMP	1	1		WITH PT/T SW.
26	703-48226-00	.PLATE, STOPPER	1	1		
27	703-48222-00	.GRIP, CONTROL LEVER	1	1		SINGLE

FIG. 35 REMOTE CONTROL ASSY 1



REF. NO.	PART NO.	DESCRIPTION	200	S200	L200	REMARKS
28	703-48223-00	.LOCK, NEUTRAL	1	1		
29	703-48225-00	.COVER	1	1		
30	703-48219-00	.COVER, LEAD	1	1		
31	703-48281-00	.SCREW	2	2		
32	703-48282-00	.SCREW	7	7		
33	97380-08030	.BOLT	1	1		
34	92990-08600	.WASHER, PLATE	1	1		
35	98580-04010	.SCREW, PAN HEAD	3	3		
36	98580-04006	.SCREW, PAN HEAD	2	2		
37	98580-05010	.SCREW, PAN HEAD	1	1		
38	98580-03015	.SCREW, PAN HEAD	2	2		
39	703-48291-10	.SCREW (M6)	3	3		
40	95380-06600	.NUT, HEXAGON	3	3		
41	703-48293-10	.SPACER, REMOTE CONTROL	1	1		SINGLE
42	701-48287-00	.WASHER	3	3		
43	703-48215-00	.GRAPHIC	1	1		
44	703-82510-43	.MAIN SWITCH ASSY	1	1		
45	703-82577-00	..CAP, KEY	1	1		
46	703-82531-00	.WIRE, LEAD	1	1		
47	688-82575-01	.ENGINE STOP SWITCH ASSY	1	1		
48	682-82556-00	..STOPPER	1	1		
49	688-8258A-20	.EXTENSION, WIRE HARNESS	1	1		L:5M (10P)
50	703-82540-00	.NEUTRAL SWITCH ASSY	1	1		
51	703-83383-02	.BUZZER	1	1		
52	703-48284-00	.GROMMET	1	1		
53	703-82591-00	.BAND	1	1		
54	703-82592-00	.BAND	1	1		

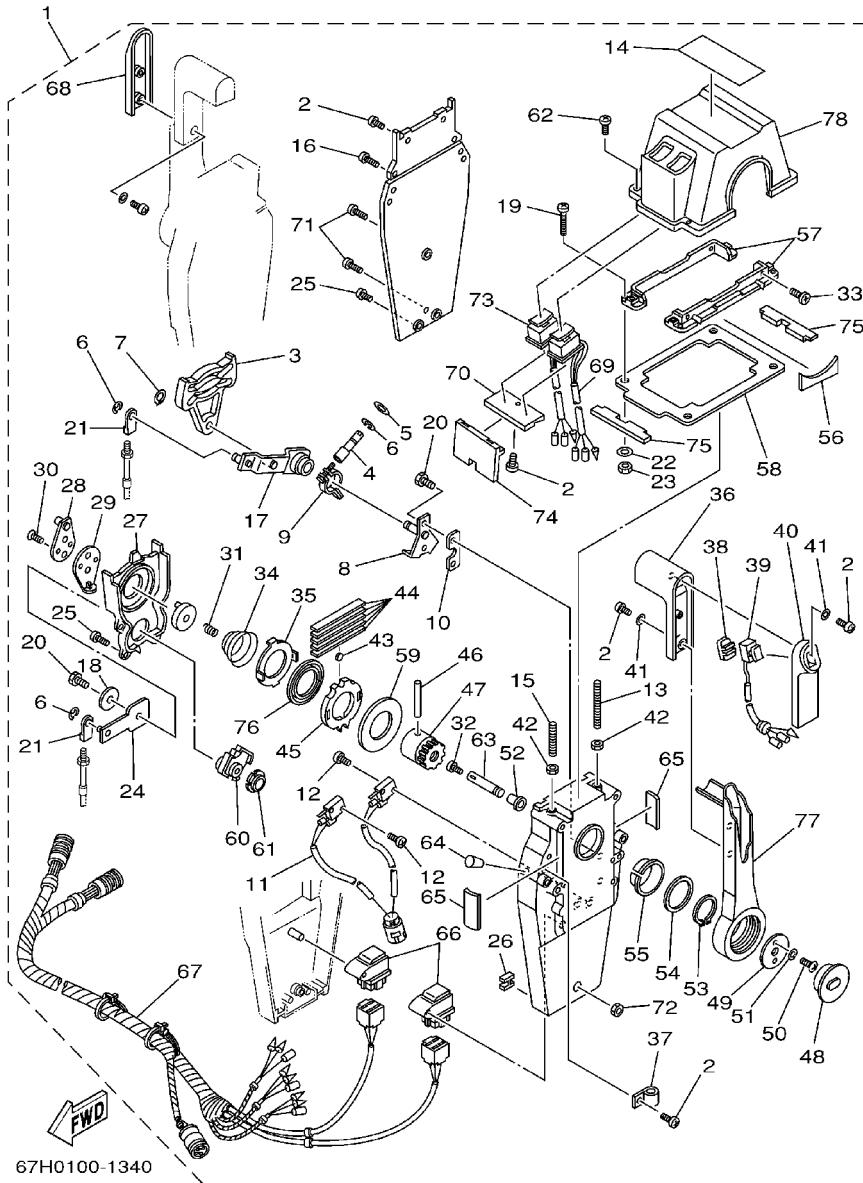
FIG. 35 REMOTE CONTROL ASSY 1



64L1100-2260

REF. NO.	PART NO.	DESCRIPTION	200	S200	L200	REMARKS
55	703-82563-02	.TRIM & TILT SWITCH ASSY	1	1		
56	703-48221-00	.LEVER, CONTROL	1	1		
57	703-48152-00	.KNOB, FREE ACCEL.	1	1		
58	703-48212-00	.BACK PLATE 1	1	1		
59	703-48213-00	.BACK PLATE 2	1	1		
60	703-48271-00	.ARM, SHIFT	1	1		
61	703-48211-01	.HOUSING,1	1	1		
62	703-48232-00	.GEAR	1	1		

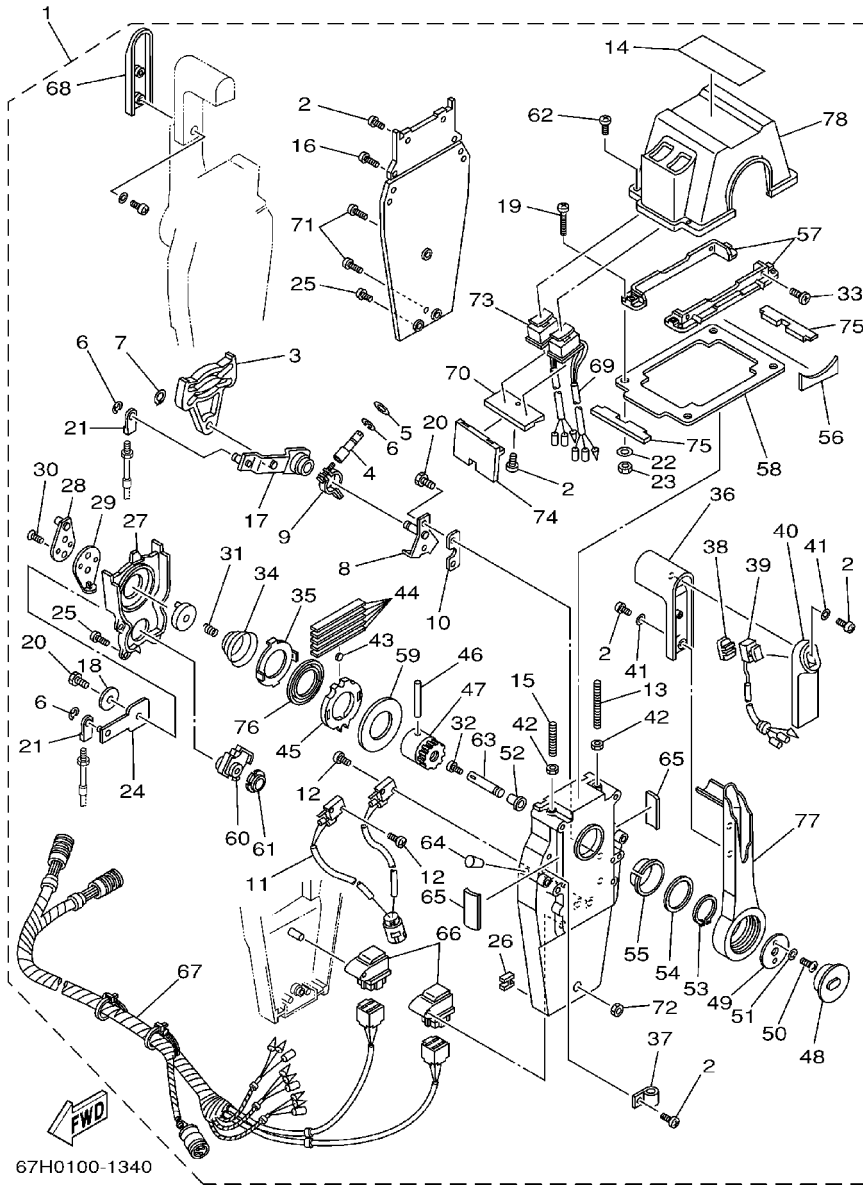
FIG. 36 REMOTE CONTROL ASSY 2



67H0100-1340

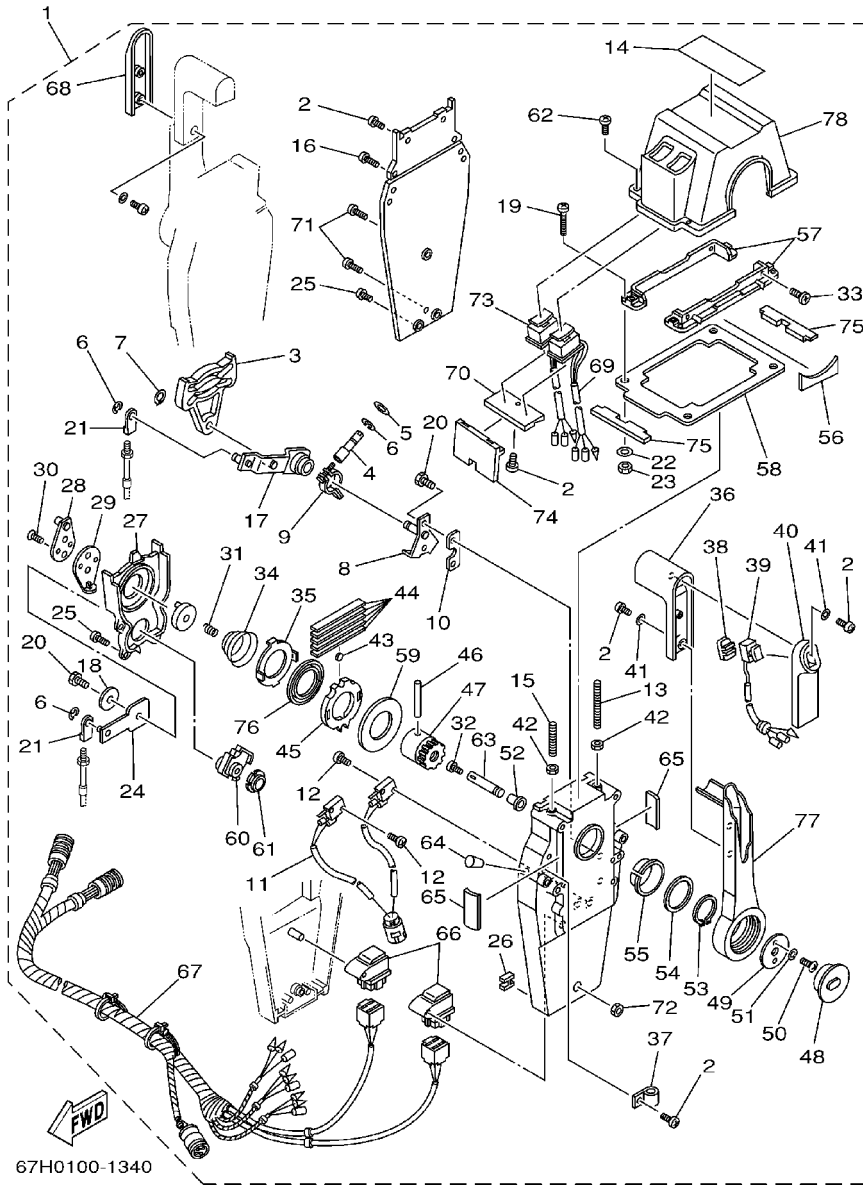
REF. NO.	PART NO.	DESCRIPTION	200	S200	L200	REMARKS
1	704-48207-23	REMOTE CONTROL ASSY			1	AP WITH PT/T SW.
2	97890-05016	.SCREW, PAN HEAD			12	
3	EL8-48251-00	.PLATE, CAM			2	
4	704-48265-00	.SHAFT, FRICTION			2	
5	701-48246-00	.SPACER			2	
6	93430-06024	.CIRCLIP			8	
7	EL8-48259-00	.CIRCLIP 1			2	
8	704-48262-00	.SHAFT, THROTTLE			2	
9	704-48264-00	.THROTTLE, FRICTION			2	
10	704-48266-00	.SPACER			2	
11	704-82540-10	.NEUTRAL SWITCH ASSY			1	
12	6A5-48129-10	.SCREW 3			4	
13	EL8-48281-00	.SCREW			2	
14	704-48215-10	.GRAPHIC			1	
15	704-48281-00	.SCREW			2	
16	97890-05025	.SCREW, PAN HEAD			4	
17	704-48261-00	.ARM, THROTTLE			2	
18	EL8-48191-00	.WASHER 1			2	
19	704-48283-00	.SCREW			4	
20	97380-06018	.BOLT			6	
21	703-48345-01	.CABLE END,REMOTE CONTROL 2			4	
22	704-48287-00	.WASHER			4	
23	95380-05600	.NUT			4	
24	EL8-48271-00	.ARM, SHIFT			2	
25	EL8-48127-00	.SCREW 1			16	
26	703-48358-00	.ANCHOR, CABLE			2	
27	EL8-48231-00	.HOUSING, GEAR			2	

FIG. 36 REMOTE CONTROL ASSY 2



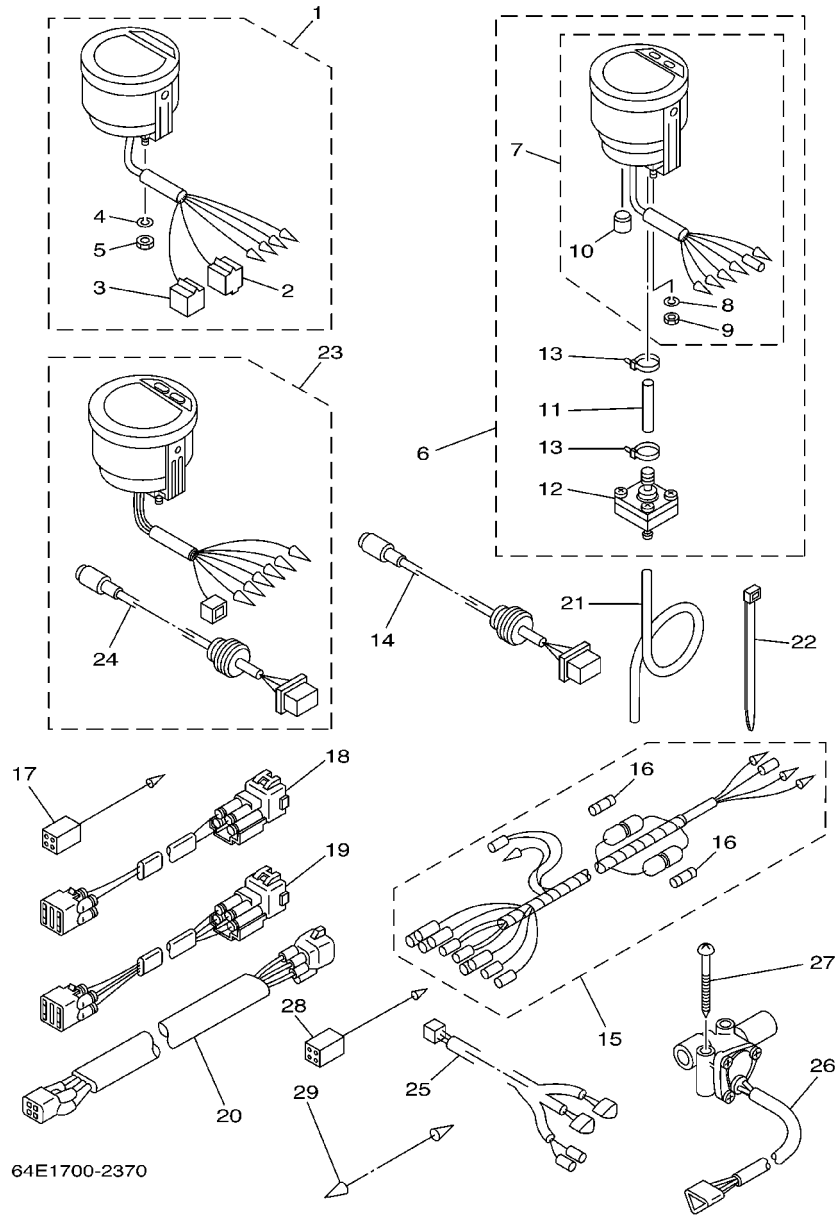
REF. NO.	PART NO.	DESCRIPTION	200	S200	L200	REMARKS
28	EL8-48241-00	.ARM, DRIVE			2	
29	EL8-48254-00	.STOPPER, THROTTLE ADJUSTING			2	
30	92780-06020	.SCREW, FLAT HEAD			4	
31	EL8-48158-00	.SPRING 1			2	
32	98580-04006	.SCREW, PAN HEAD			2	
33	98780-05018	.SCREW, FLAT HEAD			4	
34	EL8-48244-00	.SPRING, FREE ACCEL.			2	
35	EL8-48245-00	.PLATE, LOCK			2	
36	704-48222-00	.GRIP, CONTROL LEVER			2	
37	704-82594-00	.CLAMP			1	
38	704-48228-00	.HOLDER, SWITCH			1	
39	704-82563-31	.TRIM & TILT SWITCH ASSY			1	
40	704-48229-00	.GRIP, CONTROL LEVER			1	
41	92990-05300	.WASHER, INTERNAL TOOTH			6	
42	95380-06600	.NUT, HEXAGON			4	
43	701-48248-00	.ROLLER, FREE ACCEL.			2	
44	703-48238-00	.SPRING, DETENT			10	
45	EL8-48232-00	.GEAR 1			2	
46	EL8-48164-00	.PIN 2			2	
47	704-48242-00	.SHAFT, DRIVE			2	
48	704-48225-00	.COVER			2	
49	704-48192-00	.WASHER 2			2	
50	97890-06018	.SCREW, PAN HEAD			4	
51	92990-06300	.WASHER, INTERNAL TOOTH			4	
52	702-48263-00	.BUSHING			2	
53	EL8-48279-00	.CIRCLIP 2			2	
54	704-48193-00	.WASHER 3			2	

FIG. 36 REMOTE CONTROL ASSY 2



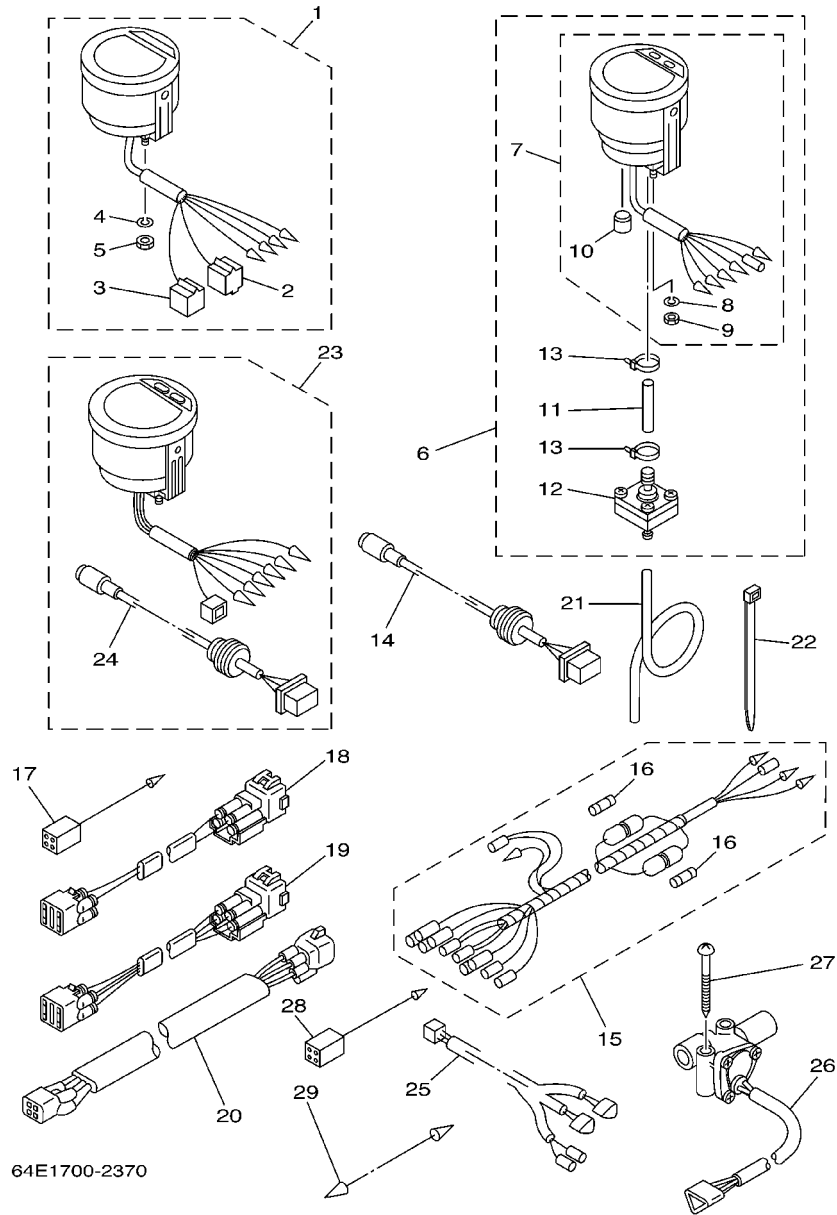
REF. NO.	PART NO.	DESCRIPTION	200	S200	L200	REMARKS
55	EL8-48234-00	.BUSHING 1			2	
56	704-48219-00	.COVER, LEAD			2	
57	704-48144-00	.PLATE, STOPPER 2			2	
58	704-48176-10	.GROMMET			1	
59	703-48192-00	.WASHER 2			2	
60	EL8-48233-00	.GEAR 2			2	
61	703-48235-00	.BUSHING			2	
62	704-48282-00	.SCREW			4	
63	EL8-48153-10	.SHAFT, FREE ACCEL.			2	
64	704-48166-00	.PLUG			2	
65	704-48284-00	.GROMMET			4	
66	704-81950-00	.RELAY ASSY			2	
67	704-82590-10	.WIRE HARNESS ASSY			1	
68	704-48229-10	.GRIP, CONTROL LEVER			1	
69	704-82563-E0	.TRIM & TILT SWITCH ASSY			1	
70	704-48228-10	.HOLDER, SWITCH			1	
71	704-48128-00	.SCREW 2			3	
72	704-48156-00	.NUT 1			1	
73	704-82563-F0	.TRIM & TILT SWITCH ASSY			1	
74	704-48285-00	.GROMMET 2			1	
75	704-48286-00	.GROMMET 3			2	
76	704-48178-00	.PLATE, SHIFT			2	
77	704-48221-00	.LEVER, CONTROL			2	
78	704-48119-20	.COVER			1	

FIG. 37 METER



REF. NO.	PART NO.	DESCRIPTION	200	S200	L200	REMARKS
1	6Y5-8350T-01	DIGITAL TACHOMETER ASSY	1	1	1	AP
2	9E450-04433	.CONNECTOR	1	1	1	M-4-W
3	9E450-04533	.CONNECTOR	1	1	1	F-4-W
4	92990-04100	.WASHER, SPRING	2	2	2	
5	95380-04600	.NUT	2	2	2	
6	6Y5-83500-S5	DIGITAL SPEEDOMETER ASSY	1	1		AP
7	6Y5-83570-S5	.SPEEDOMETER ASSY	1	1		
8	92990-04100	..WASHER, SPRING	2	2		
9	95380-04600	..NUT	2	2		
10	6Y5-83533-T2	..GROMMET	1	1		
11	6Y5-83557-31	.TUBE	1	1		
12	6Y5-83728-00	.CONNECTOR ASSY	1	1		
13	90465-11M10	.CLAMP	2	2		
14	6Y5-87122-S0	CORD ASSY 1	1	1		AP
15	6Y5-83553-M0	WIRE, LEAD	1	1		AP
	6Y5-83553-00	WIRE, LEAD			1	AP
16	1E6-82151-00	.FUSE (10A)	2	2		FOR 6Y5-83553-M0
	1E6-82151-00	.FUSE (10A)			1	FOR 6Y5-83553-00
17	6Y5-82117-00	WIRE, LEAD (BLACK)	1	1		AP
18	6R3-82521-70	WIRE, LEAD	1	1		AP FOR CARIB, VENEZUELA
	6R3-82521-80	WIRE, LEAD			1	AP FOR CARIB, VENEZUELA 8M
19	6R3-82553-70	EXTENSION, WIRE LEAD	1	1		AP FOR CARIB, VENEZUELA
	6R3-82553-80	EXTENSION, WIRE LEAD			1	AP FOR CARIB, VENEZUELA 4P,8M
	68F-82553-80	EXTENSION, WIRE LEAD			1	AP FOR OCEANIA
	68F-82553-90	EXTENSION, WIRE LEAD			1	AP FOR OCEANIA
20	6R3-82553-30	EXTENSION, WIRE LEAD L=3000			2	AP FOR CARIB, VENEZUELA
21	6Y5-83557-00	TUBE (6M)	1	1		AP FOR CARIB, VENEZUELA

FIG. 37 METER

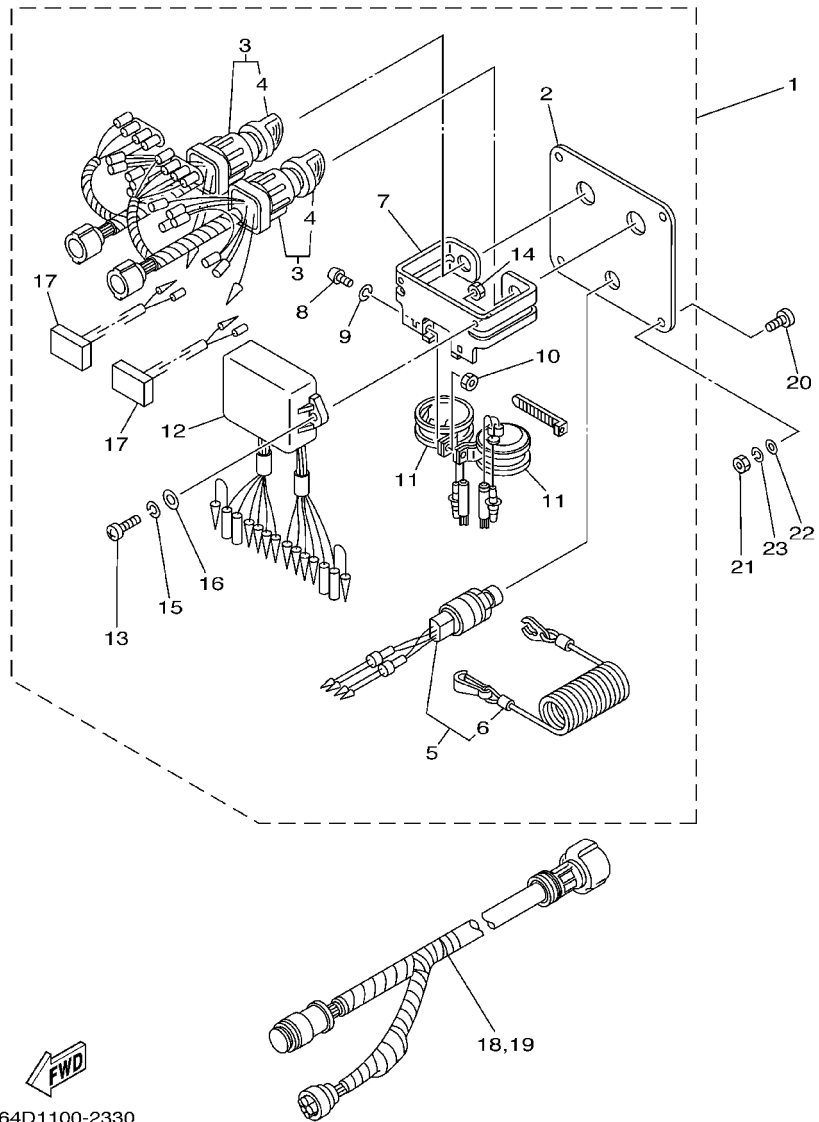


64E1700-2370

REF. NO.	PART NO.	DESCRIPTION	200	S200	L200	REMARKS
21	6Y5-83557-10	TUBE (8M)		1		AP FOR OCEANIA
22	90465-11M10	CLAMP	2	2		
23	6Y5-8350F-00	FUEL MANAGEMENT METER			1	AP FOR OCEANIA
24	6Y5-87122-S0	.CORD ASSY 1			1	
25	6Y5-83553-F1	WIRE, LEAD			1	AP FOR OCEANIA
26	6Y5-85752-01	SENDER UNIT ASSY, FUEL METER			2	AP FOR OCEANIA
27	90158-06002	SCREW, WOOD			4	AP FOR OCEANIA
28	6Y5-82117-00	WIRE, LEAD (BLACK)			1	AP FOR OCEANIA
29	703-82531-00	WIRE, LEAD			1	AP FOR OCEANIA



FIG. 38 SWITCH. PANEL

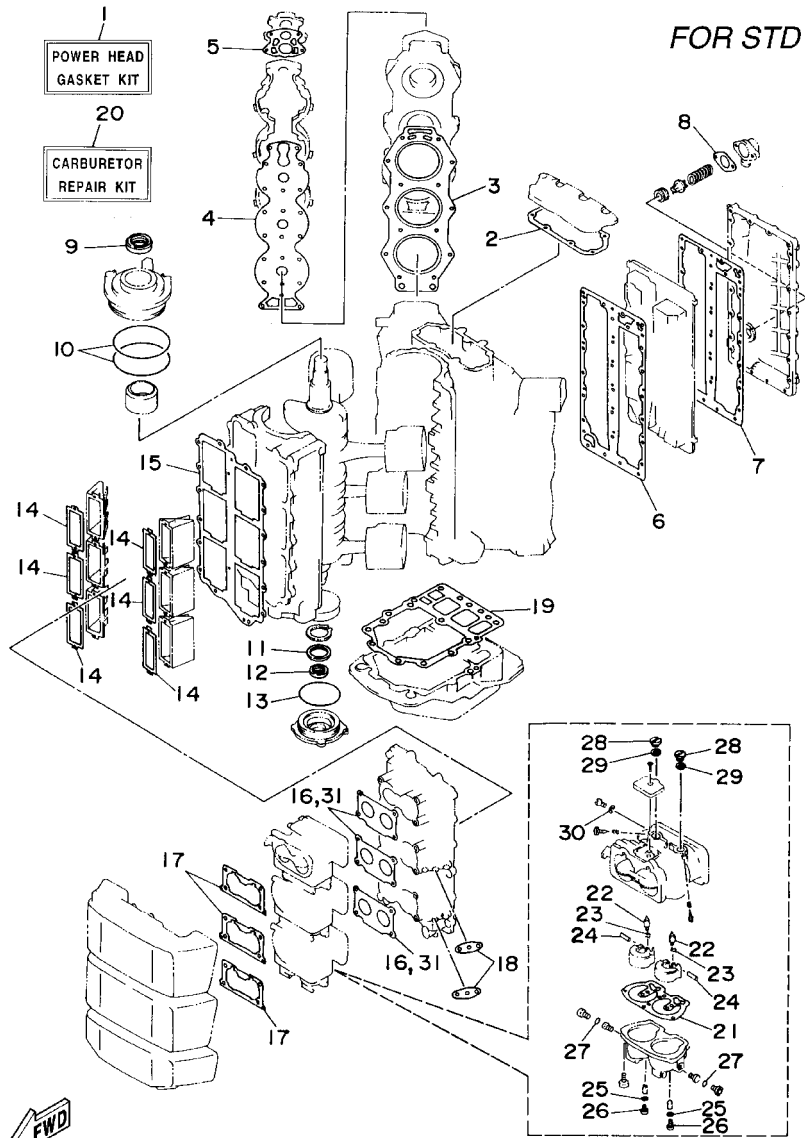


64D1100-2330

REF. NO.	PART NO.	DESCRIPTION	200	S200	L200	REMARKS
1	6K1-82570-07	PANEL SWITCH ASSY			1	AP
2	6K1-82571-01	.PANEL, SWITCH			1	
3	6K1-82510-06	.MAIN SWITCH ASSY			2	
4	703-82577-00	..CAP, KEY			1	
5	6K1-82575-00	.ENGINE STOP SWITCH ASSY			1	
6	682-82556-00	..STOPPER			1	
7	6K1-83614-01	.BRACKET			1	
8	98980-05010	.SCREW, BIND			2	
9	92990-05100	.WASHER, SPRING			2	
10	95380-05600	.NUT			2	
11	688-83383-11	.BUZZER			2	
12	6K1-85830-01	.CONTROL UNIT ASSY			1	
13	98980-06020	.SCREW, BIND			2	
14	95380-06600	.NUT, HEXAGON			2	
15	92990-06100	.WASHER, SPRING			2	
16	92990-06600	.WASHER, PLATE			2	
17	6K1-81980-00	.DIODE ASSY			2	
18	6K1-8258A-40	EXTENSION, WIRE HARNESS			1	AP FOR OCEANIA
	6K1-8258A-40	EXTENSION, WIRE HARNESS			2	AP FOR CARIB, VENEZUELA
19	61B-8258A-01	EXTENSION, WIRE HARNESS			1	AP FOR OCEANIA
20	90149-05M05	SCREW			4	AP
21	95380-05600	NUT			4	AP
22	92990-05600	WASHER, PLATE			4	AP
23	92990-05100	WASHER, SPRING			4	AP

FIG. 39 REPAIR KIT 1

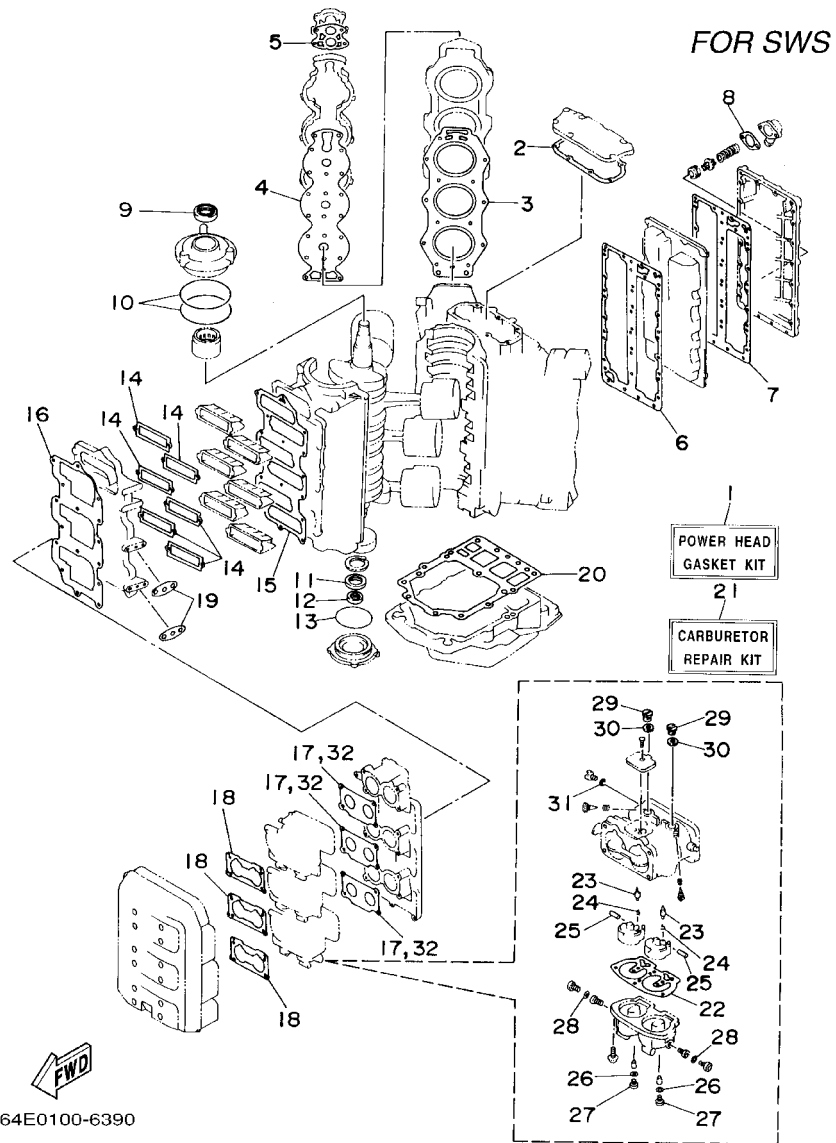
REF. NO.	PART NO.	DESCRIPTION	200	S200	L200	REMARKS
1	64D-W0001-00	POWER HEAD GASKET KIT	1			
2	6E5-11381-A2	.GASKET 1	1			
3	6G5-11181-A1	.GASKET, CYLINDER HEAD 1	2			
4	6G5-11193-A0	.GASKET, HEAD COVER 1	2			
5	688-12414-A1	.GASKET, COVER	2			
6	6G5-41112-A1	.GASKET, EXHAUST INNER COVER	1			
7	6G5-41112-A1	.GASKET, EXHAUST INNER COVER	1			
8	6G5-11382-A1	.GASKET 2	1			
9	93102-40M14	.OIL SEAL	1			
10	93211-04001	.O-RING	2			
11	93102-35M13	.OIL SEAL	1			
12	93101-22M15	.OIL SEAL	1			
13	93210-74M35	.O-RING	1			
14	6E5-13621-A1	.GASKET, VALVE SEAT	6			
15	6G5-13645-A1	.GASKET, MANIFOLD 1	1			
16	6E5-14198-A2	.GASKET	3			
17	6K7-14483-00	.GASKET	3			
18	650-24431-A0	.GASKET, FUEL PUMP 1	2			
19	6G5-45113-A1	.GASKET, UPPER CASING	1			
20	64D-W0093-01	CARBURETOR REPAIR KIT	1			
21	64D-14384-01	.GASKET, FLOAT CHAMBER	1			
22	6E5-14546-00	.VALVE, NEEDLE	2			
23	6E5-14159-00	.CLIP	2			
24	6E5-14386-02	.PIN, FLOAT	2			
25	61U-14959-00	.GASKET	2			
26	64D-14394-00	.VALVE, DRAIN	2			
27	6E5-14398-01	.GASKET	2			



64E0100-6380



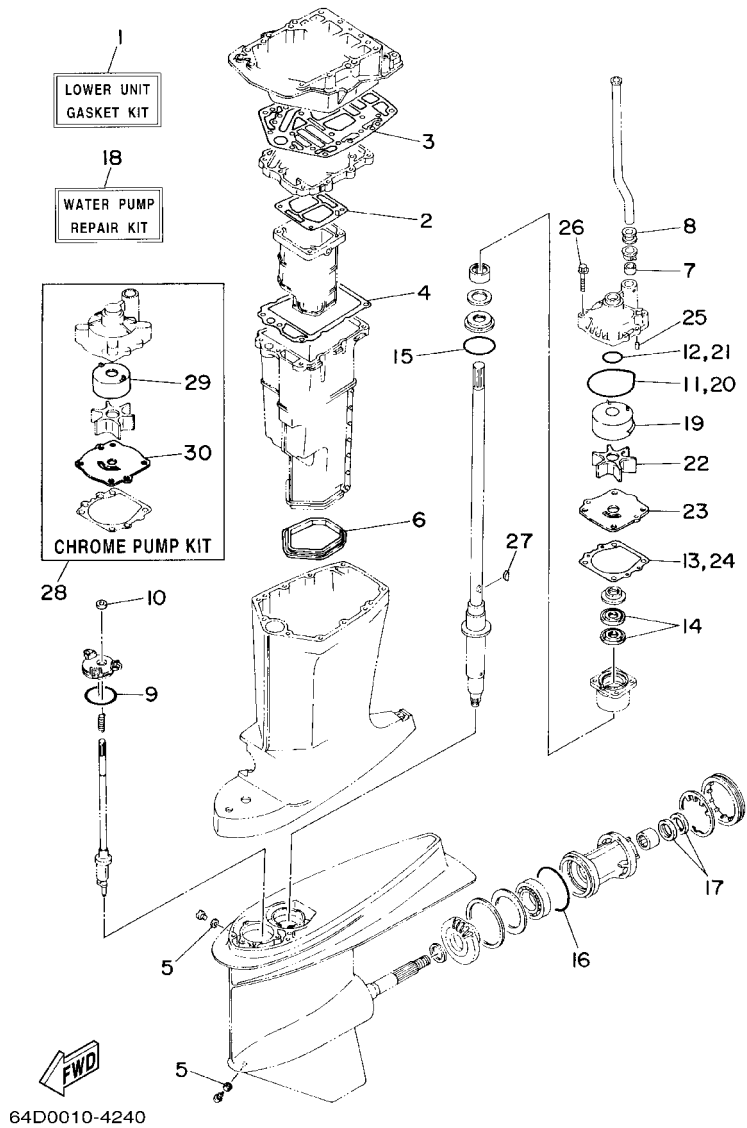
FIG. 40 REPAIR KIT 2



REF. NO.	PART NO.	DESCRIPTION	200	S200	L200	REMARKS
1	64H-W0001-00	POWER HEAD GASKET KIT			1 1	
2	6E5-11381-A2	.GASKET 1			1 1	
3	6G5-11181-A1	.GASKET, CYLINDER HEAD 1			2 2	
4	6G5-11193-A0	.GASKET, HEAD COVER 1			2 2	
5	688-12414-A1	.GASKET, COVER			2 2	
6	6G5-41112-A1	.GASKET, EXHAUST INNER COVER			1 1	
7	6G5-41112-A1	.GASKET, EXHAUST INNER COVER			1 1	
8	6G5-11382-A1	.GASKET 2			1 1	
9	93102-40M14	.OIL SEAL			1 1	
10	93211-04001	.O-RING			2 2	
11	93102-35M13	.OIL SEAL			1 1	
12	93101-22M15	.OIL SEAL			1 1	
13	93210-74M35	.O-RING			1 1	
14	6K7-13621-A1	.GASKET, VALVE SEAT			6 6	
15	6K7-13646-A2	.GASKET, MANIFOLD 2			1 1	
16	64E-13645-A0	.GASKET, MANIFOLD 1			1 1	
17	6E5-14198-A2	.GASKET			3 3	
18	6K7-14483-00	.GASKET			3 3	
19	650-24431-A0	.GASKET, FUEL PUMP 1			2 2	
20	6G5-45113-A1	.GASKET, UPPER CASING			1 1	
21	64D-W0093-01	CARBURETOR REPAIR KIT			1 1	
22	64D-14384-01	.GASKET, FLOAT CHAMBER			1 1	
23	6E5-14546-00	.VALVE, NEEDLE			2 2	
24	6E5-14159-00	.CLIP			2 2	
25	6E5-14386-02	.PIN, FLOAT			2 2	
26	61U-14959-00	.GASKET			2 2	
27	64D-14394-00	.VALVE, DRAIN			2 2	



FIG. 41 REPAIR KIT 3



REF. NO.	PART NO.	DESCRIPTION	200	S200	L200	REMARKS
1	6G5-W0001-C1	LOWER UNIT GASKET KIT	1	1	1	
2	6G5-41134-A0	.GASKET, EXHAUST MANIFOLD	1	1	1	
3	6G5-45114-A0	.GASKET, UPPER CASING	1	1	1	
4	6E5-41135-A0	.GASKET, EXHAUST MANIFOLD	1	1	1	
5	90430-08020	.GASKET	2	2	2	
6	6E5-45123-00	.GASKET, MUFFLER	1	1	1	
7	6E5-44365-00	.DAMPER, WATER SEAL	1	1	1	
8	6E5-44366-00	.DAMPER, WATER SEAL	1	1	1	
9	93210-58144	.O-RING	1	1	1	
10	93106-09014	.OIL SEAL	1	1	1	
11	93210-86M38	.O-RING	1	1	1	
12	93210-37160	.O-RING	1	1	1	
13	6E5-44315-A0	.GASKET, WATER PUMP	1	1	1	
14	93101-28M16	.OIL SEAL	2	2	2	
15	93210-55M14	.O-RING	1	1	1	
16	93210-97M55	.O-RING	1	1	1	
17	93101-30M17	.OIL SEAL	2	2	2	
18	61A-W0078-A3	WATER PUMP REPAIR KIT	1	1	1	
19	61A-44322-02	.INSERT, CARTRIDGE	1	1	1	
20	93210-86M38	.O-RING	1	1	1	
21	93210-37160	.O-RING	1	1	1	
22	6E5-44352-01	.IMPELLER	1	1	1	
23	6G5-44323-00	.OUTER PLATE, CARTRIDGE	1	1	1	
24	6E5-44315-A0	.GASKET, WATER PUMP	1	1	1	
25	93606-12019	.PIN, DOWEL	2	2	2	
26	90119-08M14	.BOLT, WITH WASHER	4	4	4	
27	90280-04M05	.KEY, WOODRUFF	1	1	1	



NUMERICAL INDEX

PART NO.	REF. NO.	PART NO.	REF. NO.	PART NO.	REF. NO.	PART NO.	REF. NO.	PART NO.	REF. NO.	PART NO.	REF. NO.
6G5-W0001-C1	41 - 1	663-11518-01	3 - 9	6E5-13621-A1	39 - 14	6E5-14386-02	39 - 24	64E-15100-S1-1S	3 - 2	6Y2-24360-52	14 - 5
64D-W0001-00	39 - 1	6R3-11536-00	4 - 9	6K7-13621-A1	7 - 3		40 - 25	64E-15100-01-1S	2 - 2		15 - 5
64H-W0001-00	40 - 1	6R3-11537-00	9 - 19		40 - 14	64D-14394-00	8 - 12	6R3-15163-00-1S	4 - 3		31 - 12
6E5-W0004-00	6 - 2		10 - 19	64E-13624-00-1S	7 - 6		39 - 26	6G5-15359-00-94	4 - 12	6G5-24376-00	12 - 40
	7 - 2	64D-11603-01	4 - 19	6G5-13641-11-1S	6 - 6		40 - 27	6E5-21708-08	11 - 1	6G5-24377-00	12 - 41
64D-W0070-S0	1 - 16	64D-11604-01	4 - 19	64E-13641-00-1S	7 - 11	6E5-14398-01	8 - 17	6K1-21708-04	11 - 1	6R3-24377-00	12 - 2
64D-W0070-30	1 - 16	64D-11605-01	4 - 19	6G5-13645-A1	6 - 18		39 - 27	61A-21708-03	11 - 1		13 - 2
61A-W0078-A3	41 - 18	64D-11631-02-90	4 - 17		7 - 17		40 - 28	6E5-21733-02	11 - 2	6E5-24378-00	12 - 16
61A-W0078-1A	41 - 28	6R5-11633-10	4 - 20		39 - 15	6G5-1441K-00	6 - 29	6E5-21734-01-33	11 - 19		13 - 16
64E-W0090-S3-1S	3 - 1	6R5-11634-10	4 - 21	64E-13645-A0	7 - 17		7 - 29	6E5-21746-00	11 - 21		13 - 40
64E-W0090-13-1S	2 - 1	64D-11635-02	4 - 17		40 - 16	6R3-14440-01	6 - 28	6E5-21750-05	11 - 25	650-24378-00	5 - 15
64D-W0093-01	39 - 20	64D-11636-02	4 - 17	6K7-13646-A2	7 - 10		7 - 28	6E5-21770-03	11 - 3	6E5-24379-00	11 - 12
	40 - 21	64D-11642-02-90	4 - 18		40 - 15	64D-14440-00	7 - 28	6E5-21798-01-33	11 - 20		11 - 35
656-W2810-02	11 - 41	64D-11645-02	4 - 18	6E5-14159-00	8 - 8	6K7-14483-00	6 - 31	6YJ-24167-00	31 - 7		11 - 37
64E-11111-00-1S	5 - 1	64D-11646-02	4 - 18		39 - 23		7 - 31	6YJ-24201-10	31 - 1	6E5-24410-03	12 - 20
67H-11119-01	2 - 16	6R5-11650-10	4 - 22	6E5-14198-A2	6 - 20		39 - 17	646-24251-02	11 - 6		13 - 20
	3 - 28	6E5-12411-20	5 - 7		7 - 20		40 - 18	6Y1-24260-12	31 - 3	6E5-24411-00	12 - 26
6G5-11181-A1	5 - 2	688-12413-00-1S	5 - 8		39 - 16	6R5-14485-00	7 - 8	6Y1-24268-00	31 - 6		13 - 26
	39 - 3	688-12414-A1	5 - 9		39 - 31	624-14485-00	3 - 4	6Y2-24305-04	15 - 6	6E5-24412-10	12 - 33
	40 - 3		39 - 5		40 - 17		6 - 8		31 - 13		13 - 33
6G5-11191-00-1S	5 - 4		40 - 5		40 - 32	6G5-14488-02	16 - 24	6Y2-24306-42	15 - 1	6E5-24413-00	12 - 23
6G5-11193-A0	5 - 5	6G5-12416-00	5 - 18		8 - 25	64E-14488-00	16 - 24		31 - 8		13 - 23
	39 - 4	6R3-12572-00	20 - 41	6E5-14223-00	8 - 25	64E-14488-00	16 - 24	6Y2-24307-41	14 - 1	6A0-24421-01	12 - 30
	40 - 4	6G5-12576-00	5 - 24	6E5-14276-01	9 - 1	6E5-14527-01	8 - 27	6R3-24313-01	12 - 1		13 - 30
6E5-11325-00	2 - 14	6R3-12580-00	20 - 42		10 - 1	6E5-14546-00	8 - 7		13 - 1	6E5-24423-00	12 - 28
	3 - 26	6G5-12581-00	26 - 12	64E-14301-S1	8 - 1		39 - 22	6R3-24313-20	13 - 1		13 - 28
6E5-11370-00	6 - 9	6R3-13117-00	9 - 20	64E-14301-01	8 - 1		40 - 23	6G5-24314-00	12 - 13	648-24424-00	12 - 27
646-11370-00	2 - 7		10 - 21	64E-14302-S1	8 - 2	6E5-14711-01-5B	26 - 29		13 - 13		13 - 27
	3 - 10	6R3-13183-10	9 - 13	64E-14302-01	8 - 2	64D-14721-20-5B	26 - 38	6E5-24315-00	12 - 18	650-24431-A0	12 - 34
6K7-11371-01-1S	2 - 18		10 - 14	64E-14303-S1	8 - 3	6E5-14737-00	26 - 30		13 - 18		13 - 34
	3 - 30	6R5-13200-10	9 - 3	64E-14303-01	8 - 3	64D-1492E-73	8 - 13	6G5-24315-00	12 - 17		39 - 18
6E5-11372-00	3 - 3		10 - 3	6E5-14321-00	8 - 20		8 - 15	6K7-24315-00	13 - 17		40 - 19
6F6-11372-00	3 - 5	6E5-13411-00	11 - 27	6E5-14323-03	8 - 24		8 - 16	6G5-24316-10	12 - 37	6E5-24434-02	12 - 29
6G5-11372-00-1S	5 - 22	6E5-13414-00	11 - 28	6E5-14324-00	8 - 29	64D-1492E-75	8 - 13		13 - 37		13 - 29
6H1-11372-00	26 - 20	6R3-13416-00	9 - 8	6A0-14325-00	12 - 31	64D-1492E-76	8 - 14	6G5-24317-01	12 - 42	6E5-24435-00	12 - 25
688-11372-00	7 - 7		10 - 8		13 - 31	64D-1492E-77	8 - 15	6K7-24317-00	13 - 43		13 - 25
624-11379-00	2 - 3	6E5-13437-43	11 - 40	6E5-14328-01	8 - 22	64D-1492E-79	8 - 16	6G5-24318-10	12 - 43	6E5-24471-00	12 - 24
	3 - 6	6E5-13437-62	11 - 40		39 - 28	64D-1492F-42	8 - 10	6K7-24318-00	13 - 44		13 - 24
6E5-11381-A2	2 - 19	6R3-13471-00	9 - 4		40 - 29	61A-1492H-12	8 - 18	6E5-24319-01	11 - 7	61N-24521-00	12 - 7
	3 - 31		10 - 4	6J8-14334-00	8 - 21	6J8-14959-00	8 - 30	6G5-24319-10	12 - 44		13 - 7
	39 - 2	6L2-13475-00	9 - 5	64D-14381-00	8 - 5		39 - 30	6K7-24319-00	13 - 45	6R3-24560-00	12 - 5
	40 - 2		10 - 5	64D-14381-10	8 - 5		40 - 31	6E5-24321-01	11 - 11		13 - 5
6G5-11382-A1	5 - 21	6E5-13552-00	6 - 7	61A-14383-01	8 - 19	61U-14959-00	8 - 11	6E5-24322-00	11 - 4	61N-24563-00	12 - 6
	39 - 8		7 - 13	64D-14384-01	8 - 4		39 - 25	64E-24323-00	11 - 33		13 - 6
	40 - 8	6E5-13610-00	6 - 1		39 - 21		40 - 26	6Y1-24329-00	31 - 5	648-24566-02	12 - 9
6G5-11411-02	4 - 1	6K7-13610-00	7 - 1		40 - 22	6E5-14979-00	8 - 23	6E5-24351-51	14 - 3		13 - 9
6E5-11447-00	4 - 2	6E5-13621-A1	6 - 3	6E5-14385-02	8 - 6		39 - 29		15 - 3	6YJ-24610-01	31 - 2
663-11518-01	2 - 6		7 - 3	6E5-14386-02	8 - 9		40 - 30		31 - 10	6A1-28176-00	20 - 46



NUMERICAL INDEX

PART NO.	REF. NO.	PART NO.	REF. NO.	PART NO.	REF. NO.	PART NO.	REF. NO.	PART NO.	REF. NO.	PART NO.	REF. NO.
64D-41111-00-1S	5 - 11	64D-42613-00-4D	1 - 10	64E-43139-02	23 - 1	6G5-43863-00	25 - 10	6G5-44323-00	27 - 34	64E-45300-01-8D	27 - 1
6G5-41112-A1	5 - 12	64D-42615-00	1 - 9	6G5-43144-00	22 - 27	6E5-43864-00	24 - 20		29 - 33	64E-45300-21-8D	27 - 1
	5 - 13	6R3-42647-00	1 - 2	64D-43144-00	20 - 14	6G5-43864-00	24 - 19		41 - 23	64H-45300-21-8D	29 - 1
	39 - 6	64D-42662-00	1 - 5	6E5-43145-01	32 - 8	6G5-43865-00	25 - 35	6G5-44323-40	41 - 30	6J9-45301-04-8D	27 - 2
	39 - 7	64D-4267A-S0	1 - 19	6G5-43148-00	22 - 32	64E-43865-00	25 - 16	6E5-44352-01	27 - 32		29 - 2
	40 - 6	64D-4267A-30	1 - 19	6G5-43181-02	22 - 29	64E-43866-00	24 - 9		29 - 31	6E5-45318-00	26 - 36
	40 - 7	64D-42677-B0	1 - 13	6G5-43185-02	22 - 30	64E-43867-00	24 - 8		41 - 22	6E5-45321-00	27 - 19
6R3-41113-00-1S	5 - 14	64D-42677-S0	1 - 14	64E-43311-10-8D	22 - 22	64E-43868-00	25 - 3	6E5-44361-00	28 - 2		29 - 18
6G5-41131-01-5B	26 - 21	64E-42677-40	1 - 12	64E-43311-20-8D	22 - 22	64E-43869-00	24 - 26	6E5-44361-20	28 - 2	6E5-45331-00-94	27 - 38
64D-41132-00-5B	26 - 25	64E-42677-50	1 - 12	61A-43376-00	23 - 8	64E-4387A-00	25 - 23		30 - 2		29 - 37
6G5-41134-A0	26 - 26	64D-42678-30	1 - 20	64E-4380F-00	25 - 33	6E5-43872-00	24 - 12	6E5-44365-00	27 - 30	6J9-45332-00-94	27 - 62
	41 - 2	64C-42681-30	1 - 17	64E-4380J-00	25 - 30	64E-43873-00	25 - 24		28 - 3	6K1-45332-01-94	29 - 61
6E5-41135-A0	26 - 33	64D-42681-40	1 - 17	64E-43800-02-4D	24 - 1	6E5-43874-01	24 - 21		29 - 29	688-45341-10	27 - 7
	41 - 4	64C-42682-30	1 - 18	64E-43802-00	25 - 8	64E-43875-00	25 - 25		30 - 3		29 - 8
6G5-41137-02-94	26 - 10	64D-42682-40	1 - 18	64E-43805-00	25 - 37	64E-43879-00	25 - 27		41 - 7	6E5-45344-00	27 - 44
6G5-41137-11-94	26 - 10	64E-42687-00	1 - 15	64E-4381G-00	24 - 27	64E-43879-10	25 - 26	6E5-44366-00	28 - 1		29 - 43
6G5-41211-01	21 - 31	64E-42687-30	1 - 15	64E-43810-00	24 - 6	64E-4388E-00	24 - 25		30 - 1	6J9-45371-01	28 - 12
6G5-41213-00	21 - 34	64D-42711-01-8D	20 - 1	6E5-43814-02	24 - 13	64E-4388E-10	25 - 1		41 - 8	6K1-45371-02	30 - 12
61H-41213-00	21 - 34	648-42715-00	21 - 51	64E-43816-00	25 - 17	64E-4388J-00	24 - 3	6E5-44391-00	20 - 18	64D-45375-00	26 - 40
6G5-41217-01	6 - 23	6E5-42716-10	20 - 40	64E-43817-00	24 - 5	64E-43880-01	25 - 28	6E5-44511-00-5B	23 - 38	688-45375-00	27 - 15
	7 - 23	64D-42717-00	20 - 36	64E-43817-10	25 - 19	64E-43883-00	24 - 11	6G5-44514-00-94	23 - 31		29 - 16
6H1-41237-00	9 - 24	6E5-42724-00	26 - 11	64E-43818-01	24 - 32	64E-43891-00	25 - 31	6G5-44526-00	22 - 3	64D-45376-00-94	27 - 14
	10 - 24	64D-42725-20	20 - 19	64E-4382G-00	24 - 29	64E-43892-00	25 - 34	68F-44533-00	2 - 23		29 - 15
6R5-41237-00	9 - 26	688-42726-10	20 - 29	64E-43820-00	24 - 15	6E5-43896-00	25 - 9		3 - 35	663-45376-00-94	27 - 14
	10 - 26	61A-42727-00	20 - 3	64E-43821-00	24 - 16	64E-43897-00	24 - 24	6G5-44551-01-8D	23 - 13	6E5-45378-00	27 - 16
662-41237-01	21 - 27	64D-42738-00-5B	20 - 20	64E-43822-00	24 - 17	64E-43898-00	24 - 7	6E5-44552-01-94	23 - 24	6J8-45378-00	29 - 17
	21 - 33	64D-42738-10-5B	20 - 21	64E-43825-01	24 - 2	6E5-44117-00-1S	21 - 38	6E5-44553-01-8D	23 - 27	6G5-45383-01	27 - 72
682-41237-50	21 - 31	6R3-42741-02-8D	20 - 33	64E-43827-00	25 - 22	6E5-44118-01-94	21 - 46	6G5-44555-00-94	23 - 16		29 - 72
6R3-41241-00	9 - 23	6H4-42748-00	20 - 4	64E-43828-00	24 - 22	6E5-44120-03	21 - 53	6E5-44575-00	23 - 15	6G5-45384-00	27 - 73
6R5-41241-00	10 - 20	6E5-42761-00-1S	2 - 21	64E-43829-00	24 - 23	6E5-44120-23	21 - 53	663-44575-00	23 - 37		29 - 73
6E5-41256-01	6 - 24		3 - 33	64E-43830-00	25 - 4	68F-44121-00	21 - 40	6E5-45111-02-8D	26 - 1	6G5-45501-01	27 - 47
	7 - 24	6E5-42762-00-1S	2 - 22	64E-43831-00	25 - 2	6E5-44122-00	21 - 41	6E5-45111-23-8D	26 - 1	6G5-45501-21	27 - 47
661-41262-02	6 - 25		3 - 34	64E-4384J-00	24 - 18	6G5-44150-02	27 - 23	6G5-45113-A1	26 - 14		29 - 46
	7 - 25	6E5-42769-00	26 - 5	64E-43841-00	25 - 7	6K1-44150-01	29 - 22		39 - 19	61A-45527-00	27 - 11
6R3-41271-00	6 - 26	6R3-42771-01-8D	20 - 37	64E-43843-00	25 - 6	688-44194-00	21 - 15		40 - 20		29 - 12
61H-41271-10	7 - 26	6G5-42791-10	20 - 45	64E-43843-10	25 - 38		21 - 30	6G5-45114-A0	26 - 22	6G5-45536-01	27 - 13
689-41273-00	6 - 27	6R3-42791-41	26 - 2	64E-43850-00	25 - 15		27 - 26		41 - 3		29 - 14
	7 - 27	6R3-42792-41	26 - 3	64E-43851-00	25 - 11	61A-44311-01	29 - 25	663-45119-00	22 - 14	61A-45538-00	27 - 12
688-41611-00	16 - 13	64D-42814-00	1 - 6	64E-43855-00	25 - 14	6E5-44312-00	27 - 31		22 - 25		29 - 13
688-41612-00	16 - 14	64D-42815-00-4D	20 - 5	6E5-43858-00	24 - 28		29 - 30	6E5-45123-00	26 - 32	6G5-45551-10	27 - 48
6G5-41631-01-1S	21 - 10	64D-42816-00-4D	20 - 6	64E-43858-00	25 - 12	6E5-44315-A0	27 - 35		41 - 6		29 - 47
61H-41632-02-1S	21 - 7	64D-42818-20	20 - 12		25 - 18		29 - 34	64D-45123-00	26 - 39	6G5-45560-10	27 - 50
6G5-41636-01	21 - 25	64D-42818-30	20 - 13	72X-43858-00	25 - 5		41 - 13	6E5-45155-00	26 - 4	6K1-45560-01	29 - 49
6E5-42510-A1-8D	23 - 10	64D-42835-00	20 - 7	64E-43859-00	25 - 13		41 - 24	6J9-45214-00	28 - 8	6G5-45567-01-10	27 - 5
6E5-42510-B1-8D	23 - 10	64E-43111-02-8D	22 - 1	6H1-4386K-10	25 - 29	6R3-44322-41	41 - 29		30 - 8		29 - 6
624-42542-00	11 - 31	64E-43112-02-8D	22 - 9	64E-43860-00	25 - 20	61A-44322-02	27 - 27	6J9-45215-00	28 - 9	6G5-45567-01-12	27 - 5
64E-42610-T0-4D	1 - 1	64E-43126-00	22 - 37	6E5-43862-00	24 - 10		29 - 26		30 - 9		29 - 6
64E-42610-50-4D	1 - 1	64E-43131-01	22 - 15		24 - 14		41 - 19	6G5-45251-02	22 - 2	6G5-45567-01-15	27 - 5

NUMERICAL INDEX

PART NO.	REF. NO.	PART NO.	REF. NO.	PART NO.	REF. NO.	PART NO.	REF. NO.	PART NO.	REF. NO.	PART NO.	REF. NO.
6G5-45567-01-15	29 - 6	6J9-45611-01	27 - 52	703-48153-00	35 - 3	EL8-48241-00	36 - 28	703-48345-01	35 - 19	704-81950-00	36 - 66
6G5-45567-01-18	27 - 5	6K1-45611-10	29 - 51	704-48156-00	36 - 72	704-48242-00	36 - 47		36 - 21	689-81952-10	18 - 33
	29 - 6	6G5-45631-10	27 - 60	EL8-48158-00	36 - 31	703-48243-00	35 - 15	701-48350-00	34 - 3	6R3-81960-10	17 - 1
6G5-45567-01-30	27 - 5		29 - 59	EL8-48164-00	36 - 46	EL8-48244-00	36 - 34	701-48350-20	34 - 3	6K1-81980-00	38 - 17
	29 - 5	6E5-45633-01	27 - 61	704-48166-00	36 - 64	703-48244-00	35 - 21	703-48358-00	35 - 20	6R3-82105-02	18 - 44
6G5-45567-01-40	27 - 5		29 - 60	704-48176-10	36 - 58	EL8-48245-00	36 - 35		36 - 26	6E5-82116-00	18 - 38
	29 - 6	6E5-45634-01	27 - 54	704-48178-00	36 - 76	703-48245-00	35 - 11	64D-48531-00	21 - 1	6E5-82117-01	18 - 45
6G5-45567-01-50	27 - 5		29 - 53	703-48189-00	35 - 17	701-48246-00	36 - 5	64D-48532-00	21 - 2	6Y5-82117-00	37 - 17
	29 - 6	6E5-45641-02	27 - 53	EL8-48191-00	36 - 18	703-48246-00	35 - 23	6E5-48538-00	21 - 3		37 - 28
6K1-45570-20	29 - 63	6K1-45641-01	29 - 52	703-48192-00	36 - 59	701-48248-00	35 - 13	6E5-61301-01	33 - 1	6G5-82119-00	18 - 37
6G5-45571-02	27 - 64	6G5-45930-00-98	28 - 22	704-48192-00	36 - 49		36 - 43	6E5-61303-00	33 - 5	6E5-82147-00	22 - 26
6G5-45576-00	27 - 65	6G5-45932-00-98	28 - 22	704-48193-00	36 - 54	EL8-48251-00	36 - 3	6E5-61311-11	33 - 3	6E5-82147-20	22 - 26
6K1-45576-00	29 - 64	6G5-45941-00-98	28 - 22	703-48198-00	35 - 14	703-48252-00	35 - 12	6E5-61313-00	33 - 2	6E5-82148-00	22 - 6
6G5-45577-02-10	27 - 69	6G5-45943-01-98	28 - 22	703-48205-17	34 - 1	EL8-48254-00	36 - 29	6E5-61315-00	33 - 4		22 - 10
	29 - 70	6G5-45945-01-98	28 - 22		35 - 1	EL8-48259-00	36 - 7	6E5-61350-02	32 - 1	6E5-82149-00	23 - 19
6G5-45577-02-12	27 - 69	6G5-45947-01-98	28 - 22	704-48207-23	34 - 2	703-48261-01	35 - 2	6E5-61351-01	32 - 2	6R3-82150-00	17 - 2
	29 - 70	6G5-45949-00-98	28 - 22		36 - 1	704-48261-00	36 - 17	6E5-61355-00	32 - 5	1E6-82151-00	37 - 16
6G5-45577-02-15	27 - 69	6G5-45952-00-98	28 - 22	703-48211-01	35 - 61	704-48262-00	36 - 8	6E5-81332-00	16 - 16	663-82151-00	18 - 8
	29 - 70	6G5-45970-02-98	28 - 22	703-48212-00	35 - 58	702-48263-00	36 - 52	64D-81337-01	16 - 19	705-82151-00	17 - 3
6G5-45577-02-18	27 - 69	6K1-45970-01-98	30 - 19	703-48213-00	35 - 59	703-48264-00	35 - 6	64D-81337-10	16 - 19		18 - 9
	29 - 70	6R1-45970-A0	30 - 19	703-48215-00	35 - 43	704-48264-00	36 - 9	6K7-81338-01	7 - 14	6G5-82152-00	17 - 4
6G5-45577-02-30	27 - 69	6R4-45970-A0	28 - 22	704-48215-10	36 - 14	703-48265-00	35 - 9	6N7-81800-10	19 - 1		18 - 52
	29 - 70	6G5-45972-02-98	28 - 22	703-48219-00	35 - 30	704-48265-00	36 - 4	6N7-81801-00	19 - 8	6A0-82317-00	11 - 30
6G5-45577-02-40	27 - 69	6K1-45972-01-98	30 - 19	704-48219-00	36 - 56	704-48266-00	36 - 10	6G5-82317-00	19 - 11	6G5-82317-00	16 - 20
	29 - 70	6R1-45972-A0	30 - 19	703-48221-00	35 - 56	703-48268-00	35 - 5	61A-81809-00	19 - 3	663-82317-01	16 - 21
6G5-45577-02-50	27 - 69	6R4-45972-A0	28 - 22	704-48221-00	36 - 77	EL8-48271-00	36 - 24	6N7-81810-00	19 - 5	6E3-82370-21	18 - 2
	29 - 70	6G5-45974-03-98	28 - 22	703-48222-00	35 - 27	703-48271-00	35 - 60	6N7-81813-00	19 - 9	6K1-82510-06	38 - 3
6K1-45578-01-10	29 - 66	6K1-45974-02-98	30 - 19	704-48222-00	36 - 36	EL8-48279-00	36 - 53	6E5-8182A-10	19 - 17	703-82510-43	35 - 44
6K1-45578-01-12	29 - 66	6R1-45974-A0	30 - 19	703-48223-00	35 - 28	EL8-48281-00	36 - 13	6E5-8182E-10	19 - 15	6R3-82519-00	17 - 27
6K1-45578-01-15	29 - 66	6R4-45974-A0	28 - 22	703-48225-00	35 - 29	703-48281-00	35 - 31	6E5-8182F-10	19 - 16	662-82519-00	17 - 26
6K1-45578-01-18	29 - 66	6G5-45976-01-98	28 - 22	704-48225-00	36 - 48	704-48281-00	36 - 15	6K7-8182G-10	19 - 6	6R3-82521-70	37 - 18
6K1-45578-01-30	29 - 66	6R1-45976-A0	30 - 19	703-48226-00	35 - 26	703-48282-00	35 - 32	6E5-8182K-10	19 - 18	6R3-82521-80	37 - 18
6K1-45578-01-40	29 - 66	6R4-45976-A0	28 - 22	703-48227-00	35 - 24	704-48282-00	36 - 62	6N7-81820-10	19 - 10	6E5-82531-10	18 - 6
6K1-45578-01-50	29 - 66	6G5-45978-03-98	28 - 22	704-48228-00	36 - 38	704-48283-00	36 - 19	6K7-81822-00-94	19 - 19	703-82531-00	35 - 46
6E5-45587-01-10	27 - 41	6K1-45978-02-98	30 - 19	704-48228-10	36 - 70	703-48284-00	35 - 52	6R3-81822-00-94	19 - 19		37 - 29
	29 - 40	6R1-45978-A0	30 - 19	704-48229-00	36 - 40	704-48284-00	36 - 65	61A-81824-00	19 - 4	703-82540-00	35 - 50
6E5-45587-01-12	27 - 41	6R4-45978-A0	28 - 22	704-48229-10	36 - 68	704-48285-00	36 - 74	6K7-81826-10	19 - 14	704-82540-10	36 - 11
	29 - 40	6E5-45987-01	28 - 17	EL8-48231-00	36 - 27	704-48286-00	36 - 75	6N7-81830-00	19 - 13	6R3-82553-30	37 - 20
6E5-45587-01-15	27 - 41		30 - 14	EL8-48232-00	36 - 45	701-48287-00	35 - 42	6N7-81840-00	19 - 7	6R3-82553-70	37 - 19
	29 - 40	688-45997-01	28 - 18	703-48232-00	35 - 62	704-48287-00	36 - 22	6N7-81850-10	19 - 2	6R3-82553-80	37 - 19
6E5-45587-01-18	27 - 41		30 - 15	EL8-48233-00	36 - 60	703-48291-10	35 - 39	6N7-81857-00	19 - 12	68F-82553-80	37 - 19
	29 - 40	704-48119-20	36 - 78	EL8-48234-00	36 - 55	703-48293-10	35 - 41	6E5-81900-01	11 - 9	68F-82553-90	37 - 19
6E5-45587-01-30	27 - 41	EL8-48127-00	36 - 25	703-48234-00	35 - 18	701-48320-40	34 - 3	6E5-81922-00	11 - 10	682-82556-00	35 - 48
	29 - 40	704-48128-00	36 - 71	703-48235-00	35 - 4	701-48320-50	34 - 3	61A-81941-00	18 - 32		38 - 6
6E5-45587-01-40	27 - 41	6A5-48129-10	36 - 12		36 - 61	701-48320-60	34 - 3	64D-81942-00	17 - 5	688-82560-10	18 - 18
	29 - 40	704-48144-00	36 - 57	703-48236-00	35 - 16	701-48320-80	34 - 3	6G5-81948-11	18 - 39	6R3-82563-00	18 - 28
6E5-45587-01-50	27 - 41	703-48152-00	35 - 57	703-48238-00	35 - 22	6E5-48344-00	21 - 8	6E5-8195A-00	18 - 35	703-82563-02	35 - 55
	29 - 40	EL8-48153-10	36 - 63		36 - 44		21 - 44	6E5-81950-00	18 - 34	704-82563-E0	36 - 69

NUMERICAL INDEX

PART NO.	REF. NO.	PART NO.	REF. NO.	PART NO.	REF. NO.	PART NO.	REF. NO.	PART NO.	REF. NO.	PART NO.	REF. NO.
704-82563-F0	36 - 73	663-85518-00	21 - 11	90119-06MA3	6 - 19	90185-09M01	32 - 6	90340-08002	27 - 6	90445-07M59	6 - 14
704-82563-31	36 - 39	64D-85537-00	17 - 23	90119-06MA4	5 - 6		33 - 11		29 - 7	90445-07M72	9 - 10
6E3-8257H-00	20 - 47	64D-85540-01	17 - 15	90119-06MA5	5 - 16	90185-12M12	23 - 36	90340-14M00	2 - 8		10 - 12
6K1-82570-07	38 - 1	64E-85540-01	17 - 15	90119-06MA6	5 - 10	90185-22M11	22 - 20		3 - 11	90445-07M77	10 - 10
6K1-82571-01	38 - 2	6R3-85542-03-1S	17 - 19	90119-06M10	27 - 22	90201-06068	20 - 9	90384-06M07	2 - 4	90445-07M83	9 - 12
6K1-82575-00	38 - 5	64D-85550-02	16 - 1		29 - 21	90201-08M13	21 - 23		3 - 7	90445-07M85	10 - 11
688-82575-01	35 - 47	6R3-85570-01	18 - 1	90119-06M61	17 - 22	90201-08M14	24 - 30	90384-14M09	2 - 5	90445-07M87	9 - 14
703-82577-00	35 - 45	64D-85580-00	16 - 3	90119-06M65	11 - 32	90201-08M23	21 - 18		3 - 8		10 - 15
	38 - 4	6E5-85711-40	17 - 30	90119-08MA3	2 - 17	90201-08M54	20 - 26	90386-06M12	21 - 45	90445-07M89	9 - 11
6K1-8258A-40	38 - 18	6E5-85720-04	11 - 16		3 - 29	90201-10M20	32 - 7	90386-10M16	22 - 31	90445-07M90	3 - 22
61B-8258A-01	38 - 19	6R3-85721-30	11 - 17	90119-08MA8	5 - 3	90201-10M76	33 - 8	90386-12089	21 - 19	90445-07M96	9 - 15
688-8258A-20	35 - 49	6R3-85721-80	11 - 17	90119-08M14	27 - 37	90201-12M05	22 - 42	90386-15M73	20 - 10	90445-07196	10 - 13
6E5-82587-00	18 - 29	6R3-85730-03	11 - 26		29 - 36	90201-13M01	22 - 41	90386-16M66	21 - 55	90445-09097	5 - 17
6E5-82588-00	18 - 46	6Y5-85752-01	37 - 26		41 - 26	90201-14M56	23 - 34	90386-22M13	21 - 21	90445-11M00	11 - 13
	20 - 30	61A-85790-00	18 - 19	90119-08M22	20 - 28	90201-15M58	23 - 21	90386-22M98	22 - 38	90445-12M26	11 - 13
6K7-82588-00	18 - 15	6K1-85830-01	38 - 12	90119-08M57	19 - 22	90201-16M55	23 - 18		24 - 33	90445-11M35	20 - 43
6R3-8259E-00	17 - 25	6R5-85895-01	16 - 5	90119-08M76	19 - 20	90201-21M18	16 - 9	90386-25M31	22 - 18	90445-11M81	11 - 13
64D-82590-00	18 - 7	64D-86110-00	18 - 24	90119-08M77	19 - 21	90201-22M01	27 - 10	90386-38M32	23 - 12	90445-12M13	11 - 34
704-82590-10	36 - 67	64E-86110-00	18 - 24	90119-08M79	26 - 15		29 - 11	90387-06M03	17 - 20	90445-12207	11 - 34
703-82591-00	35 - 53	6Y5-87122-S0	37 - 14	90119-08M94	2 - 12	90201-23M01	4 - 25	90387-06M29	21 - 35	90445-13M01	14 - 2
703-82592-00	35 - 54		37 - 24		3 - 16	90201-26M57	23 - 32	90387-06M66	17 - 6		15 - 2
688-82594-00	18 - 10	6G5-87149-10	18 - 36	90119-08027	26 - 9	90201-26M59	22 - 19	90387-08M16	21 - 20		31 - 9
703-82594-00	35 - 25	9E450-04433	37 - 2	90119-10M89	28 - 7	90201-30M92	27 - 70	90387-08M17	21 - 16	90445-13M02	13 - 42
704-82594-00	36 - 37	9E450-04533	37 - 3		30 - 7	90201-38M60	23 - 11	90387-08M37	20 - 25	90445-13M03	13 - 41
688-83383-11	38 - 11	90101-08M14	21 - 17	90149-05M05	38 - 20	90202-05088	9 - 28	90387-10M05	22 - 34	90445-13M35	15 - 4
703-83383-02	35 - 51	90101-09M70	33 - 9	90152-05M08	28 - 10		10 - 28	90387-10M61	32 - 3		31 - 11
6Y5-8350F-00	37 - 23	90101-12M03	22 - 40		30 - 10	90202-08M20	21 - 42	90430-08020	27 - 8	90446-15M07	12 - 47
6Y5-8350T-01	37 - 1	90105-10M00	28 - 13	90157-06M00	21 - 28	90202-08M44	9 - 22		29 - 9	90464-07M05	3 - 24
6Y5-83500-S5	37 - 6		30 - 13	90157-06M07	21 - 28		10 - 23		41 - 5		6 - 15
6Y5-83533-T2	37 - 10	90105-10M20	2 - 11	90157-06013	21 - 12	90202-12092	21 - 22	90430-14115	2 - 9		9 - 16
6Y5-83553-F1	37 - 25		3 - 15	90158-06002	37 - 27	90202-16061	21 - 56		3 - 12		10 - 16
6Y5-83553-M0	37 - 15	90109-06M40	9 - 7	90159-06M08	7 - 32	90202-26M18	23 - 33	90445-05M02	11 - 29	90464-07M20	3 - 25
6Y5-83553-00	37 - 15		10 - 7	90159-06M11	17 - 24	90202-32M19	23 - 17	90445-07MA3	6 - 30	90464-13M34	11 - 39
6E9-83557-70	18 - 42	90109-08022	4 - 23	90159-06M14	6 - 32	90202-40M47	23 - 7		7 - 30	90464-15M11	16 - 7
6Y5-83557-00	37 - 21	90109-12M37	23 - 35		7 - 32	90206-10M04	21 - 36	90445-07ME8	27 - 17		17 - 12
6Y5-83557-10	37 - 21	90109-14M34	23 - 20	90169-05M00	20 - 2	90206-15M18	20 - 11	90445-07ME9	27 - 17	90465-05M87	17 - 18
6Y5-83557-31	37 - 11	90116-06M30	6 - 17	90170-09M05	33 - 10	90206-22M19	27 - 9	90445-07M07	10 - 17		18 - 11
6E5-83558-00	28 - 15		7 - 16	90170-14M06	33 - 6		29 - 10	90445-07M08	3 - 21	90465-06M86	5 - 26
6E5-83558-10	27 - 18	90116-08M45	2 - 13	90170-16M01	27 - 49	90249-06M19	22 - 33	90445-07M09	3 - 19		16 - 4
6Y5-83570-S5	37 - 7		3 - 17		29 - 48	90250-08M07	27 - 59		6 - 13		18 - 21
6K1-83614-01	38 - 7	90119-06MA2	2 - 20	90170-20137	16 - 10		29 - 58	90445-07M10	3 - 13	90465-06M88	17 - 11
6R3-83614-00	18 - 30		2 - 24	90171-18M04	28 - 20	90280-04M05	27 - 33	90445-07M11	3 - 18	90465-08M63	22 - 23
6K1-83623-41	16 - 23		3 - 32		30 - 17		29 - 32	90445-07M12	3 - 20	90465-08M89	18 - 12
6A1-83625-41	16 - 22		3 - 36	90179-06M24	1 - 11		41 - 27	90445-07M28	6 - 10	90465-10M91	6 - 16
64E-83672-02	23 - 3		4 - 7	90179-06066	23 - 30	90280-05015	16 - 8	90445-07M33	28 - 14		9 - 18
6Y5-83728-00	37 - 12		4 - 16	90183-05M02	26 - 31	90282-04M00	27 - 71	90445-07M34	3 - 23	90465-11M10	9 - 9
72X-85075-L0	25 - 21		5 - 23	90185-05002	28 - 11		29 - 71	90445-07M45	6 - 11		10 - 9
6R3-85510-00	16 - 2		21 - 39		30 - 11	90336-08M06	7 - 9	90445-07M46	6 - 12		11 - 5

NUMERICAL INDEX

PART NO.	REF. NO.	PART NO.	REF. NO.	PART NO.	REF. NO.	PART NO.	REF. NO.	PART NO.	REF. NO.	PART NO.	REF. NO.
90465-11M10	11 - 8	90501-11M10	29 - 24	92995-06100	7 - 22	93102-35M13	4 - 13	93310-836V2	4 - 26	95380-03600	13 - 32
	11 - 14	90501-12082	21 - 50		22 - 5		39 - 11	93310-954U1	4 - 8	95380-04600	37 - 5
	11 - 36	90501-16M11	5 - 19	92995-06600	1 - 8		40 - 11	93311-928U5	27 - 3		37 - 9
	11 - 38	90501-16M12	21 - 13		12 - 36	93102-40M14	4 - 5		29 - 3	95380-05600	9 - 25
	12 - 3	90501-16M28	23 - 28		13 - 36		39 - 9	93311-940U3	4 - 4		10 - 25
	12 - 4	90501-16M37	27 - 55		16 - 18		40 - 9	93315-425V3	27 - 51		21 - 26
	12 - 14		29 - 54		17 - 10	93106-09014	27 - 21		29 - 50		21 - 32
	12 - 15	90506-14M24	22 - 36		17 - 14		29 - 20	93315-430U8	27 - 66		35 - 7
	12 - 19	90506-16M34	20 - 17		17 - 29		41 - 10		29 - 67		36 - 23
	12 - 38	90508-29M12	21 - 24		18 - 4	93210-03261	18 - 27	93317-330U2	27 - 40		38 - 10
	12 - 39	90560-12M01	32 - 4		18 - 14	93210-08287	15 - 7		29 - 39		38 - 21
	12 - 45	91490-40030	28 - 21		18 - 17		31 - 14	93332-000V3	27 - 4	95380-06600	1 - 4
	12 - 46		30 - 18		18 - 23	93210-09165	21 - 54	93332-00048	29 - 62		6 - 21
	13 - 3	91690-30012	21 - 4		18 - 26	93210-10M74	24 - 4	93341-440U5	29 - 65		7 - 21
	13 - 4	91690-30016	9 - 2		18 - 41	93210-13M04	9 - 21	93341-465U4	29 - 5		11 - 24
	13 - 14		10 - 2		18 - 48		10 - 22	93341-930V2	27 - 42		35 - 40
	13 - 15	91690-30020	22 - 35		18 - 51	93210-16275	32 - 9		29 - 41		36 - 42
	13 - 19	92780-06020	36 - 30		20 - 23	93210-19MA7	9 - 6	93390-000U2	29 - 4		38 - 14
	13 - 38	92903-05600	12 - 22		20 - 32		10 - 6	93410-16006	21 - 57	95380-08600	12 - 12
	13 - 39		13 - 22		20 - 35	93210-32738	12 - 8	93410-22M11	22 - 39		13 - 12
	13 - 46	92903-06100	12 - 11		20 - 39		13 - 8	93410-37M04	23 - 14	95380-08700	26 - 18
	13 - 47		13 - 11		22 - 8	93210-37MH7	23 - 6	93410-40M03	4 - 11	95380-12600	22 - 43
	20 - 44	92903-06600	7 - 19		26 - 7	93210-37160	27 - 29	93420-36M01	26 - 37	95380-14700	33 - 7
	22 - 21		16 - 12	92995-08100	21 - 6		29 - 28	93430-06024	35 - 10	95380-14800	23 - 22
	23 - 5		17 - 8		22 - 17		41 - 12		36 - 6	95780-10300	23 - 9
	28 - 16	92903-08600	21 - 48		26 - 17		41 - 21	93501-04M02	21 - 49	97013-06014	12 - 10
	37 - 13	92990-04100	37 - 4		26 - 19	93210-55M14	27 - 43	93503-16003	27 - 58		13 - 10
	37 - 22		37 - 8	92995-08600	19 - 25		29 - 42		29 - 57	97013-06050	7 - 18
90465-12M25	18 - 49	92990-05100	38 - 9		26 - 24		41 - 15	93507-32009	27 - 56	97013-06055	17 - 7
90465-13M11	11 - 18		38 - 23		26 - 28	93210-58144	27 - 20		29 - 55	97013-06070	16 - 11
90465-13M18	5 - 25	92990-05300	36 - 41		26 - 35		29 - 19	93511-32017	27 - 57	97013-08030	21 - 47
	18 - 43	92990-05600	6 - 5		27 - 46		41 - 9		29 - 56	97013-08045	21 - 17
90468-05M03	9 - 27		7 - 5		29 - 45	93210-74M35	4 - 15	93606-12019	27 - 36	97075-08035	20 - 27
	10 - 27		38 - 22	92995-10100	23 - 26		39 - 13		29 - 35	97075-10045	28 - 5
90468-07M02	9 - 17	92990-06100	1 - 3		23 - 40		40 - 13		41 - 25		30 - 5
	10 - 18		38 - 15		28 - 6	93210-86M38	27 - 28	93608-12M05	26 - 8	97080-06100	11 - 22
90468-18008	21 - 9	92990-06300	36 - 51		30 - 6		29 - 27		26 - 13	97080-08016	24 - 31
	21 - 43	92990-06600	11 - 23	92995-14600	23 - 23		41 - 11		28 - 4	97090-06012	20 - 15
90480-06M19	11 - 15		17 - 17	93101-22M15	4 - 14		41 - 20		30 - 4	97095-06010	22 - 7
	14 - 4		20 - 16		39 - 12	93210-97M55	27 - 68	93608-12063	2 - 10		22 - 28
	20 - 2		22 - 12		40 - 12		29 - 69		3 - 14		26 - 6
90480-09M12	17 - 21		38 - 16	93101-28M16	27 - 39		41 - 16	93700-06M03	21 - 52	97095-06012	1 - 7
90480-10M28	7 - 15	92990-08600	19 - 23		29 - 38	93211-04001	4 - 6		22 - 13		17 - 9
90480-13M24	16 - 20		35 - 34		41 - 14		39 - 10		22 - 24		17 - 13
90480-20M05	5 - 20	92990-10600	18 - 20	93101-30M17	27 - 67		40 - 10	94702-00247	5 - 27		17 - 28
90480-22M15	20 - 24	92990-18200	28 - 19		29 - 68		4 - 10	95303-06600	21 - 14		18 - 13
90480-25161	18 - 5		30 - 16		41 - 17	93306-208U0	27 - 63		21 - 29		18 - 22
90501-11M10	27 - 25	92995-06100	6 - 22	93102-08M43	25 - 36	93306-209U0	4 - 24	95380-03600	12 - 32		18 - 31
						93310-323V6					

NUMERICAL INDEX

PART NO.	REF. NO.	PART NO.	REF. NO.	PART NO.	REF. NO.	PART NO.	REF. NO.	PART NO.	REF. NO.	PART NO.	REF. NO.
97095-06012	18 - 50	98580-04006	35 - 36								
97095-06016	18 - 25		36 - 32								
	18 - 40	98580-04010	35 - 35								
	20 - 22	98580-05010	35 - 37								
97095-06020	18 - 3	98586-05016	31 - 4								
	18 - 16	98780-04015	2 - 15								
	18 - 47		3 - 27								
	20 - 31	98780-05018	36 - 33								
	20 - 34	98980-05010	38 - 8								
	20 - 38	98980-06020	38 - 13								
97095-06025	21 - 37	99001-08600	27 - 24								
97095-06030	22 - 4		29 - 23								
97095-06040	20 - 8										
97095-06050	12 - 35										
	13 - 35										
97095-08016	19 - 24										
97095-08020	21 - 5										
	22 - 16										
97095-08025	27 - 45										
	29 - 44										
97095-08030	26 - 23										
97095-08045	26 - 16										
	26 - 27										
	26 - 34										
97095-10045	23 - 25										
	23 - 39										
97380-05025	35 - 8										
97380-06018	36 - 20										
97380-08030	35 - 33										
97607-04310	25 - 32										
97780-60525	23 - 2										
97880-05016	6 - 4										
	7 - 4										
97880-06012	22 - 11										
97880-06018	16 - 15										
97880-06020	17 - 16										
97885-05012	16 - 6										
97885-06010	16 - 17										
97885-06016	23 - 4										
	23 - 29										
97890-05016	36 - 2										
97890-05025	36 - 16										
97890-06018	36 - 50										
97980-05108	8 - 28										
97980-05116	8 - 26										
98503-05035	12 - 21										
	13 - 21										
98580-03015	35 - 38										

(S)200FETO/L200FETO  
PARTS CATALOGUE  
E2001 by Yamaha Motor Co., Ltd.  
1st Edition, Oct. 2001  
All rights reserved.  
Any reprinting or unauthorized use  
without the written permission of  
Yamaha Motor Co., Ltd.  
is expressly prohibited.

**G7**