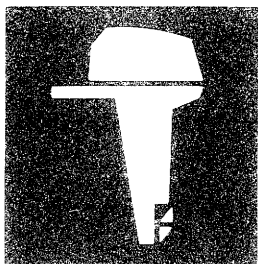


YAMAHA

parts list '81/'82

FOR 1 : 100



outboard
motor

serial no.

4AC S : 000101 and up

L : 300101 and up

4AS S : 200101 and up

L : 500101 and up

4A S : 000101 and up


L : 300101 and up

4A

INTERCHANGEABILITY MARK

Whether or not there is interchangeability between the parts having the previous and new parts numbers is indicated by interchangeability marks.

Ref.No.	Parts No.	Description	Q'ty
▶ 1 *	6E0-15710-01-94	STARTER ASS'Y	1
◀ *	6E0-15710-00-94	STARTER ASS'Y	1
▶ 2 *	6E0-15711-01-94	. CASE, starter	1
◀ *	6E0-15711-00-94	. CASE, starter	1

Interchangeability Mark 

* Indicates new parts number

▶ } This mark is indicated serial number of marginal notes.
◀ }

Mark A : The both new and previous parts are able to use for either previous or new engines.

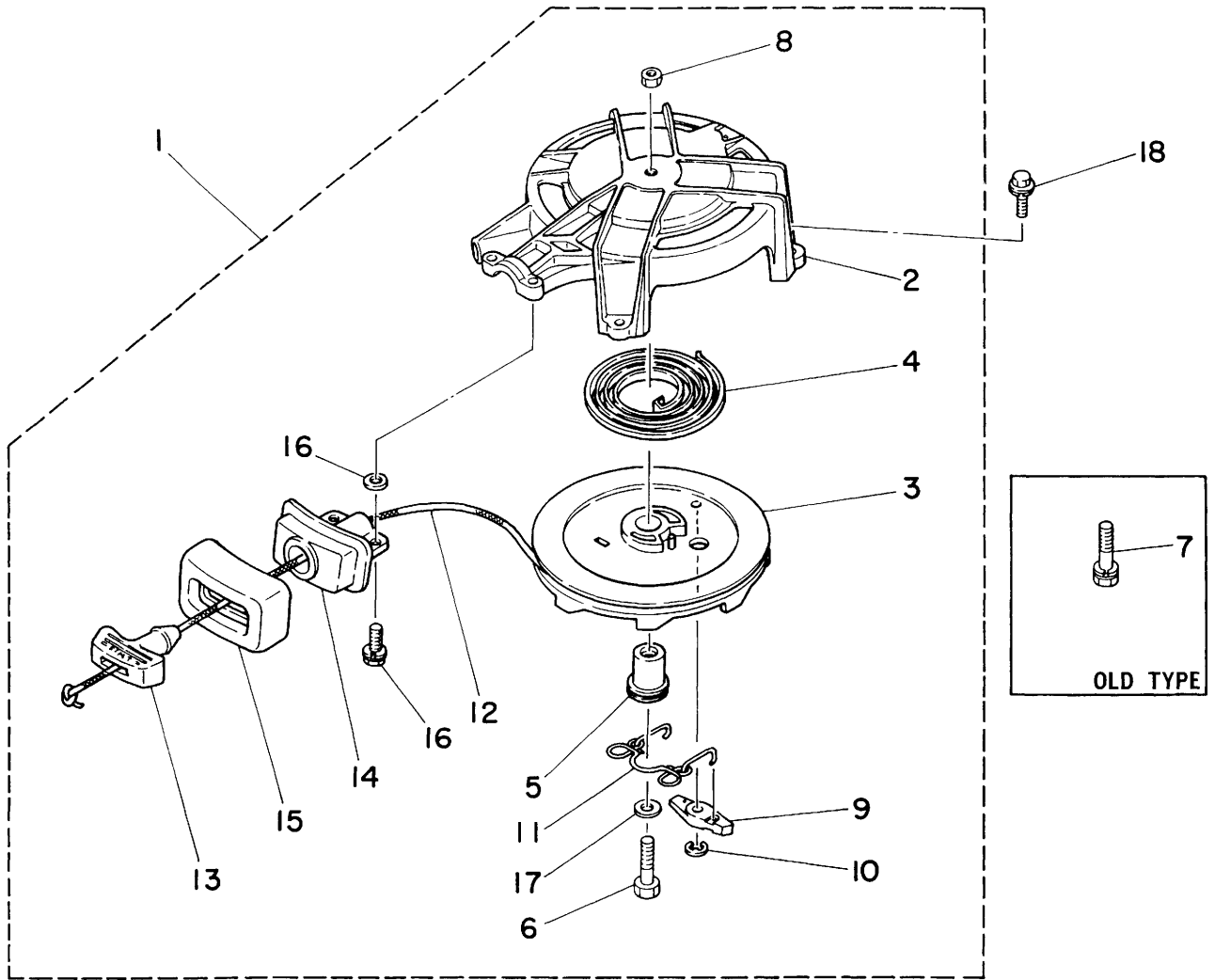
Mark B : Not interchangeable, refer to serial number of marginal notes for ordering or using of parts.

Mark C : Interchangeable, but the previous parts are not able to use for new engines.

REPAIR KIT

POWER HEAD GASKET KIT	6E0-W0001-01
LOWER UNIT GASKET KIT	6E0-W0001-20
REED SET	6E0-W0004-00
WATER PUMP REPAIR SET	6E0-W0078-00
CHROME PUMP KIT	6E0-W0078-0A
CRANK CYLINDER ASS'Y	6E0-W0090-01
CARBURETOR REPAIR SET	6E0-W0093-00
LOWER UNIT ASS'Y (Short)-4AC/4AS Model	6E0-45300-00-F6
LOWER UNIT ASS'Y (Long)-4AC/4AS Model	6E0-45300-10-F6
LOWER UNIT ASS'Y (Short)-4A Model	6E2-45300-00-F6
LOWER UNIT ASS'Y (Long)-4A Model	6E2-45300-10-F6

Fig. I STARTER



Ref.No.	Parts No.	Description	Q'ty	Ref.No.	Parts No.	Description	Q'ty
▶ 1 *	6E0-15710-01-94	STARTER ASS'Y	1	9	677-15741-01	. PAWL, drive	1
◀ *	6E0-15710-00-94	STARTER ASS'Y	1	10	93430-06M02	. CIRCLIP	1
▶ 2 *	6E0-15711-01-94	. CASE, starter	1	11	6E0-15705-00	. SPRING, drive pawl	1
◀ *	6E0-15711-00-94	. CASE, starter	1	12	✦	. WIRE (1850mm)	1
▶ 3 *	6E0-15714-01	. DRUM, sheave	1	13	6E0-15755-00	. HANDLE, starter	1
◀ *	6E0-15714-00	. DRUM, sheave	1	14	6E0-15758-00	. GUIDE, wire	1
▶ 4 *	90510-08M02	. SPRING, spiral	1	15	6E0-15761-00	. SEAL 1	1
◀ *	90510-08M01	. SPRING, spiral	1	16	90105-06M14	. BOLT	2
▶ 5	6E0-15717-00-94	. SHAFT	1	▶ 17 *	90201-06M30	. WASHER	1
▶ 6 *	97313-06035	. BOLT	1	18	90105-06M15	BOLT	3
◀ 7	90105-06M16	. BOLT	1				
▶ 8	95303-06600	. NUT	1				

◀ { 4AC S: 013400 and below
L: 306025 and below

4AS S: 203355 and below
L: 502160 and below

4A S: 001385 and below
L: 300635 and below

▶ { 4AC S: 013401 and up
L: 306026 and up

4AS S: 203356 and up
L: 502161 and up

4A S: 001386 and up
L: 300636 and up

* New Parts Number

※ Not shown

✦ Cut from 50m rolls, Parts No. 90890-44372, cutting length 1.85m.

COWLING & FUEL SECTION

Ref.No.	Parts No.	Description	Q'ty	Ref.No.	Parts No.	Description	Q'ty
1	6E0-42610-80-F6	TOP COWLING ASS'Y	1	20	6E0-24610-00	CAP ASS'Y	1
2	6E0-W0070-00	. GRAPHIC SIDE SET	1s	21	6E0-24181-00	DAMPER, locating 1	2
3	6E0-42677-80	. GRAPHIC, front	1	22	6E0-24182-00	DAMPER, locating 2	2
4	6E0-42678-80	. GRAPHIC, rear	1	23	95895-06025	BOLT	2
5	6E0-42651-00	. HOOK 1	1	> 24 *	6E0-42542-00	PIPE 1	2
6 *	6E0-42647-01	. HOLDER, clamp band	1	< *	624-42542-00	PIPE 1	2
* 6E0-42647-00	. HOLDER, clamp band	1] A				
7	90266-04M00	. RIVET 2	4	25	6E0-24500-00	FUEL COCK ASS'Y	1
8	6E0-42615-00	. SEAL	1	26	90445-09M37	HOSE (5ø-9ø240mm)	1
9	6E0-42711-00-F6	COWLING, bottom	1	27	90467-08004	CLIP, pipe 1	2
10	661-42791-80	MARK 1	1	28	6E0-24572-00	SHAFT, fuel change	1
11	624-42783-80	GRAPHIC, side	2	29	6E0-24571-00	BUSHING	1
12	6E0-42815-00-F6	LEVER, clamp 1	1	30	6E0-24591-00	GRAPHIC, change lever	1
13	90386-12069	BUSHING	2	31	90202-12M17	WASHER (12ø-18.5ø-4mm)	2
14	6E0-42816-00	LEVER, clamp 2	1	32	6E0-24575-00	LEVER, fuel change	1
15	90206-12052	WASHER, wave (12.5ø-19ø-0.5mm)	1	33	90105-06M15	BOLT	1
16	97890-06030	SCREW, panhead	1	34	90480-14M14	GROMMET	2
17	95303-06700	NUT	1	35	6E0-82550-00	STOP SWITCH ASS'Y	1
18	6E0-24110-00-F6	FUEL TANK COMP.	1	36	606-42591-00	HOLDER, share pin	1
19	6E0-24641-00	GASKET, cap	1	37	670-28100-60	TOOL ASS'Y	1

< { 4AC S: 002500 and below
L: 300755 and below

4AS S: 300435 and below
L: 500290 and below

4A S: 000190 and below
4A L: 300160 and below

> { 4AC S: 002501 and up
L: 300756 and up

4AS S: 200436 and up
L: 500291 and up

4A S: 000191 and up
L: 300161 and up

* New parts number

* Not shown

Fig. 3 C·D·I· MAGNETO

Ref.No.	Parts No.	Description	Q'ty
1	6E0-85500-70	C.D.I. MAGNETO ASS'Y	1
2	6E0-85550-70	. ROTOR ASS'Y	1
3	6E0-15723-00-94	. PULLY, starter	1
4	90105-06M14	. BOLT	3
5	6E0-85560-70	. BASE ASS'Y	1
6	6E0-15359-00-94	. . HOUSING, oil seal 1	1
7	6E0-85520-70	. . CHARGE COIL ASS'Y	1
8	90159-05038	. . SCREW, with washer	2
9	6E0-85595-70	. . PULSER COIL ASS'Y 1	1
10	90159-04036	. . SCREW, with washer	2
11	6E0-85592-70	. . PULSER COIL ASS'Y 2	1
12	90159-05037	. . SCREW, with washer	2
13	6E0-81336-70	. . GROMMET	1
14	6E0-81328-70	. . CLAMP	1
15	90159-04035	. . SCREW, with washer	1
■ 16	93210-42159	O-RING (2.4φ-42.4φ)	1
■ 17	93102-20M15	OIL SEAL (SD-20φ-36φ-7mm)	1
18	90105-06M14	BOLT	2
19	6E0-24183-00	DAMPER, locating 3	2
20	90170-10113	NUT	1
21	90201-10126	WASHER (10.2φ-20φ-2.6mm)	1
22	90280-04006	KEY, woodruff	1
23	6E0-81303-80	LIGHTING COIL ASS'Y (60W)	1
24	90159-05040	. SCREW, with washer	2

■ Contents of power head gasket kit
(Parts No. 6E0-W0001-01)

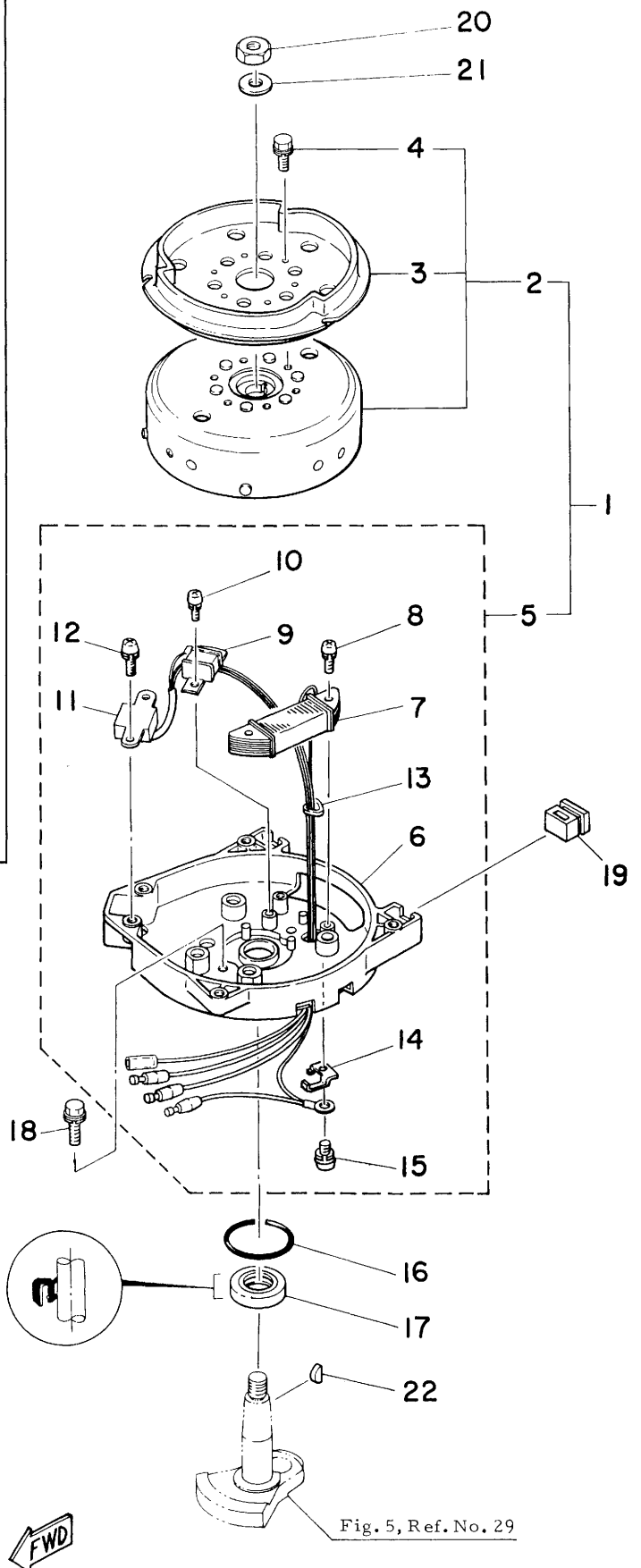
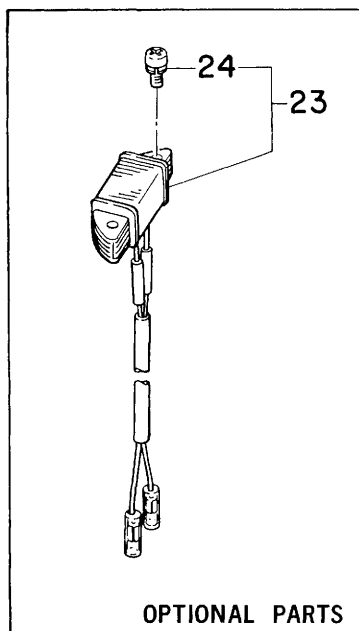
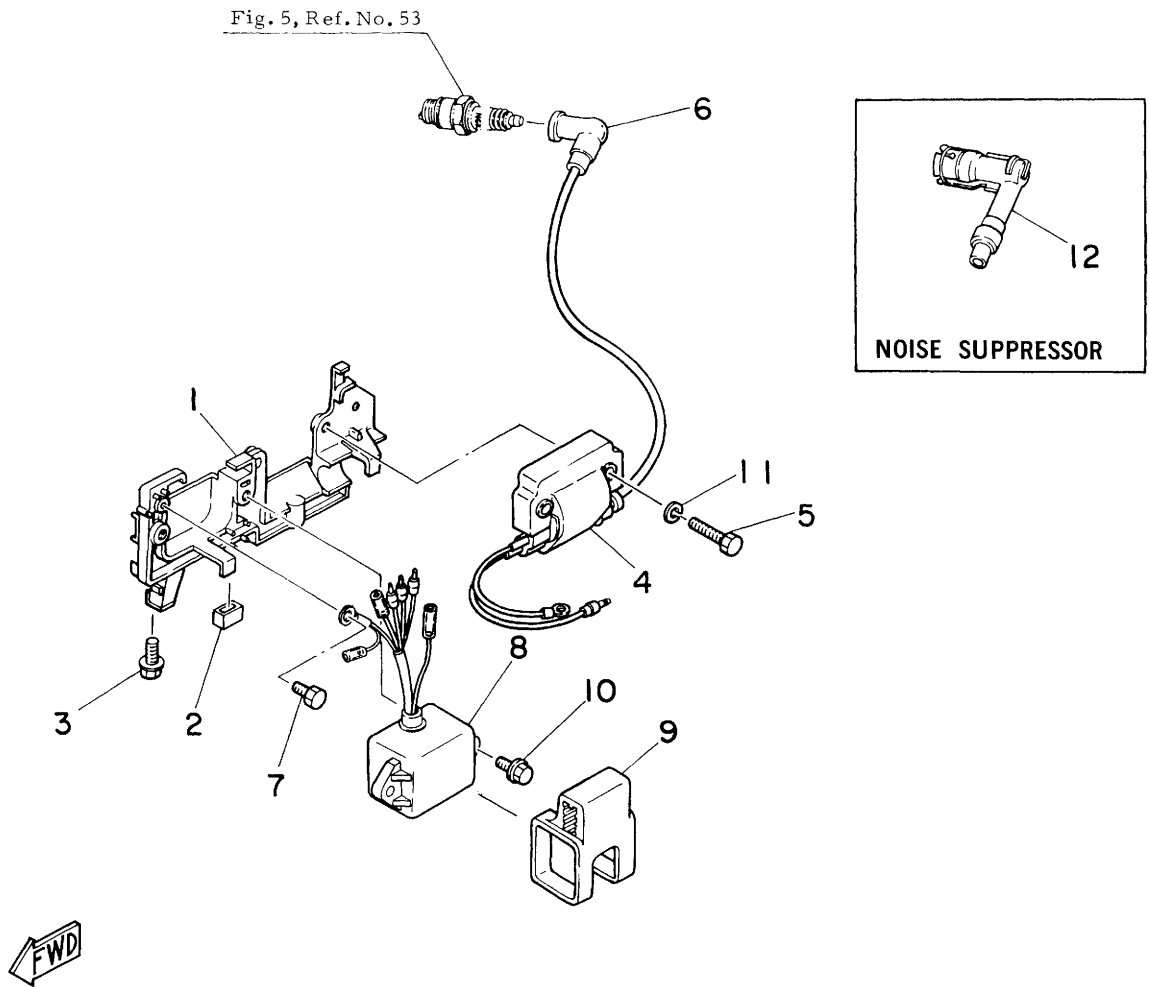


Fig. 4 ELECTRIC PARTS



Ref.No.	Parts No.	Description	Q'ty	Ref.No.	Parts No.	Description	Q'ty
1	6E0-82316-00-94	BRACKET, ignition coil	1	8	6E0-85540-70	C.D.I. UNIT ASS'Y	1
2	6E0-82317-00	DAMPER	2	9	6E0-85548-00	HOLDER, wire harness	1
3	95895-06016	BOLT	2	10	90105-06M15	BOLT	2
4	6E0-85570-10	IGNITION COIL ASS'Y	1	11	92903-06100	WASHER	2
5	97313-06030	BOLT	2				
6	663-82370-01	PLUG CAP ASS'Y	1				
7	97313-06010	BOLT	1				
						OPTIONAL PARTS	
				12	677-82370-00	PLUG CAP ASS'Y (Noise Suppressor)	1

Fig. 5 CRANKCASE, CYLINDER & PISTON

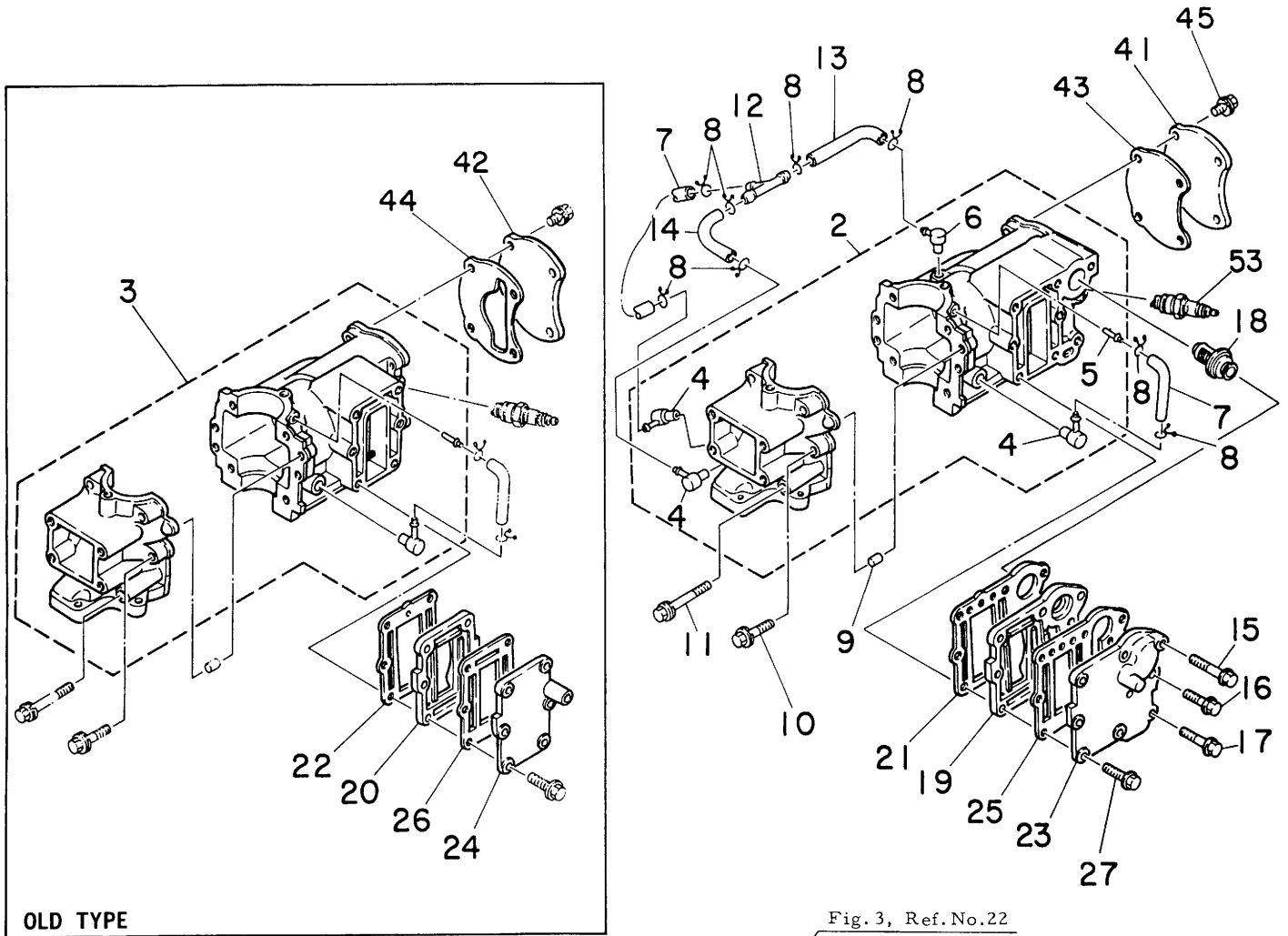
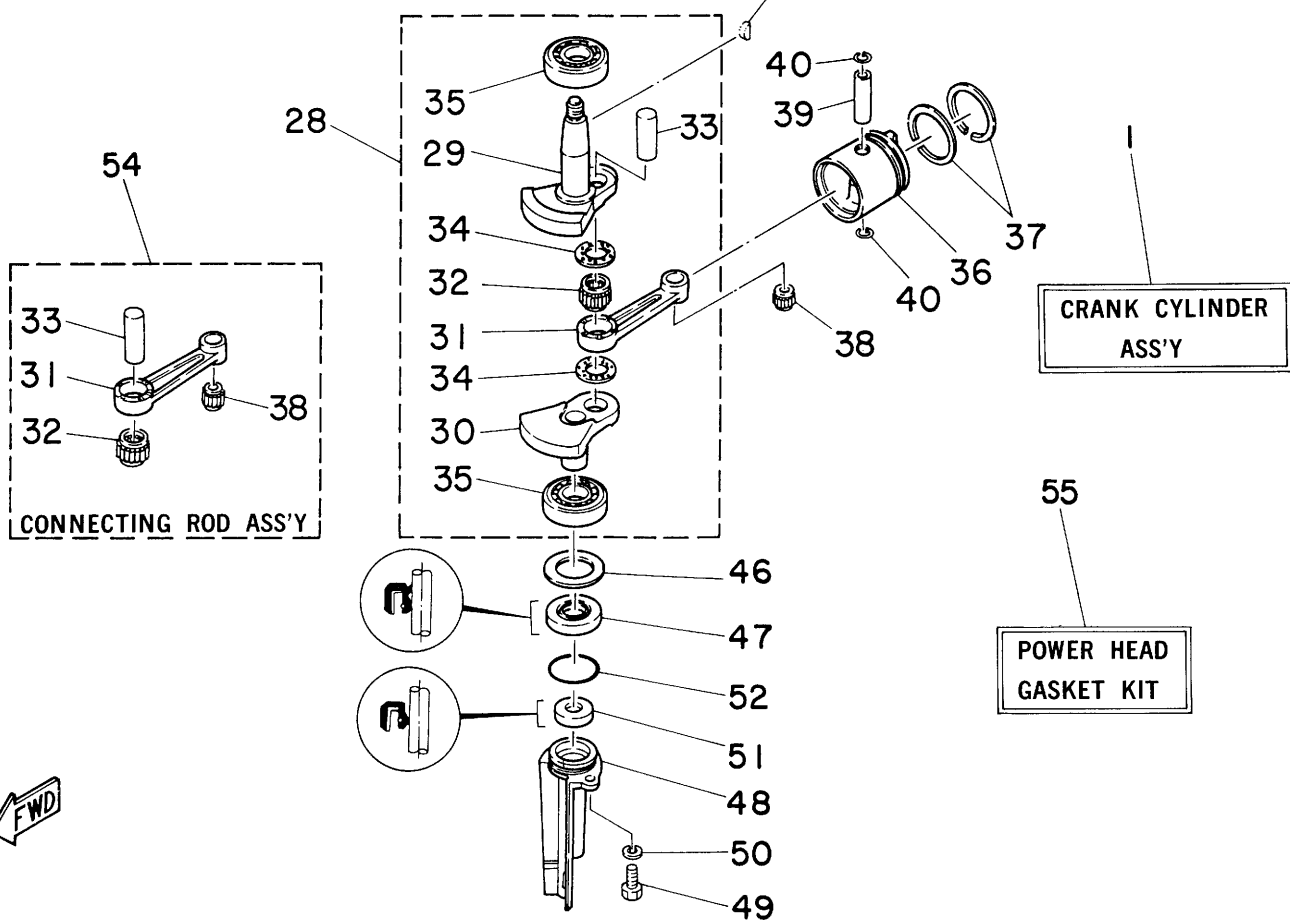


Fig. 3, Ref. No. 22



CRANKCASE, CYLINDER & PISTON

Ref.No.	Parts No.	Description	Q'ty	Ref.No.	Parts No.	Description	Q'ty
▶ 1 *	6E0-W0090-01	CRANK CYLINDER ASS'Y (Ref. No. 2 to 53)	1	27 *	95895-06025	BOLT	6
◀ *	6E0-W0090-00	CRANK CYLINDER ASS'Y (Ref. No. 2 to 53)	1	※	90105-06M13	BOLT	6
▶ 2 *	6E0-15100-01-94	CRANKCASE ASS'Y 1	1	28	6E0-11400-00	CRANK ASS'Y	1
◀ 3	6E0-15100-00-94	CRANKCASE ASS'Y	1	29	6E0-11412-00	. CRANK 1	1
▶ 4	650-11370-00	. CHECK VALVE ASS'Y	3	30	6E0-11422-00	. CRANK 2	1
◀ *	650-11370-00	. CHECK VALVE ASS'Y	1	31	6E0-11651-00	. ROD, connecting	1
5	624-14485-00	. PIPE, joint	1	32	93310-418V1	. BEARING, con-rod big end	1
▶ 6 *	6E5-11372-00	. NIPPLE, hose 2	1	33	677-11681-00	. PIN, crank	1
▶ 7	90445-07M28	HOSE	2	34	90209-18112	. WASHER	2
◀ *	90445-07M28	HOSE	1	35	93306-20411	. BEARING (B6204)	2
▶ 8	90467-06016	CLIP	8	36	6E0-11631-00-98	PISTON (Standard)	1
◀ *	90467-06016	CLIP	2	37	6E0-11610-00	PISTON RING SET (Standard)	1s
9	93606-12019	PIN, dowel B (6φ-12mm)	2	38	93310-112V0	BEARING, con-rod small end	1
10	90105-06M16	BOLT	4	39	677-11633-00	PIN, piston	1
11	90105-06M17	BOLT	2	40	93450-13022	CIRCLIP	2
▶ 12 *	6E0-24378-00	PIPE, joint	1	▶ 41 *	6E0-11191-01-9M	COVER, cylinder head	1
▶ 13 *	90445-07M51	HOSE	1	◀ 42	6E0-11191-00-9M	COVER, cylinder head	1
▶ 14 *	90445-07M00	HOSE	1	▶ 43 *	6E0-11193-01	GASKET, head cover	1
▶ 15 *	95895-06025	BOLT	1	◀ 44	6E0-11193-00	GASKET, head cover	1
▶ 16 *	90105-06M16	BOLT	1	45	90105-06M14	BOLT	4
▶ 17 *	90105-06M14	BOLT	1	46	90201-32M48	WASHER	1
▶ 18 *	677-12411-00	THERMOSTAT	1	■ 47	93102-20M06	OIL SEAL (SD-20φ-36φ-7mm)	1
▶ 19 *	6E0-41111-01-9M	INNER COVER, exhaust	1	48	6E0-15396-00-9M	HOUSING, oil seal 2	1
◀ 20	6E0-41111-00-9M	INNER COVER, exhaust	1	49	97395-06016	BOLT	1
▶ 21 *	6E0-41112-01	GASKET, exhaust inner cover	1	50	92990-06600	WASHER	1
◀ 22	6E0-41112-00	GASKET, exhaust inner cover	1	■ 51	93101-11M14	OIL SEAL (S-10.8φ-21φ-7mm)	1
▶ 23 *	6E0-41113-01-9M	OUTER COVER, exhaust	1	■ 52	93210-31114	O-RING (2.4φ-31φ)	1
◀ 24	6E0-41113-00-9M	OUTER COVER, exhaust	1	53	94701-00040	PLUG, spark (B-7HS) NGK	1
▶ 25 *	6E0-41114-01	GASKET, exhaust outer cover	1	54	6E0-11650-00	CONNECTING ROD ASS'Y	1
◀ 26	6E0-41114-00	GASKET, exhaust outer cover	1	▶ 55 *	6E0-W0001-01	POWER HEAD GASKET KIT	1s
				◀ *	6E0-W0001-00	POWER HEAD GASKET KIT	1s

◀ { 4AC S: 013400 and below
L: 306025 and below

4AS S: 203355 and below
L: 502160 and below

4A S: 001385 and below
L: 300635 and below

▶ { 4AC S: 013401 and up
L: 306026 and up

4AS S: 203356 and up
L: 502161 and up

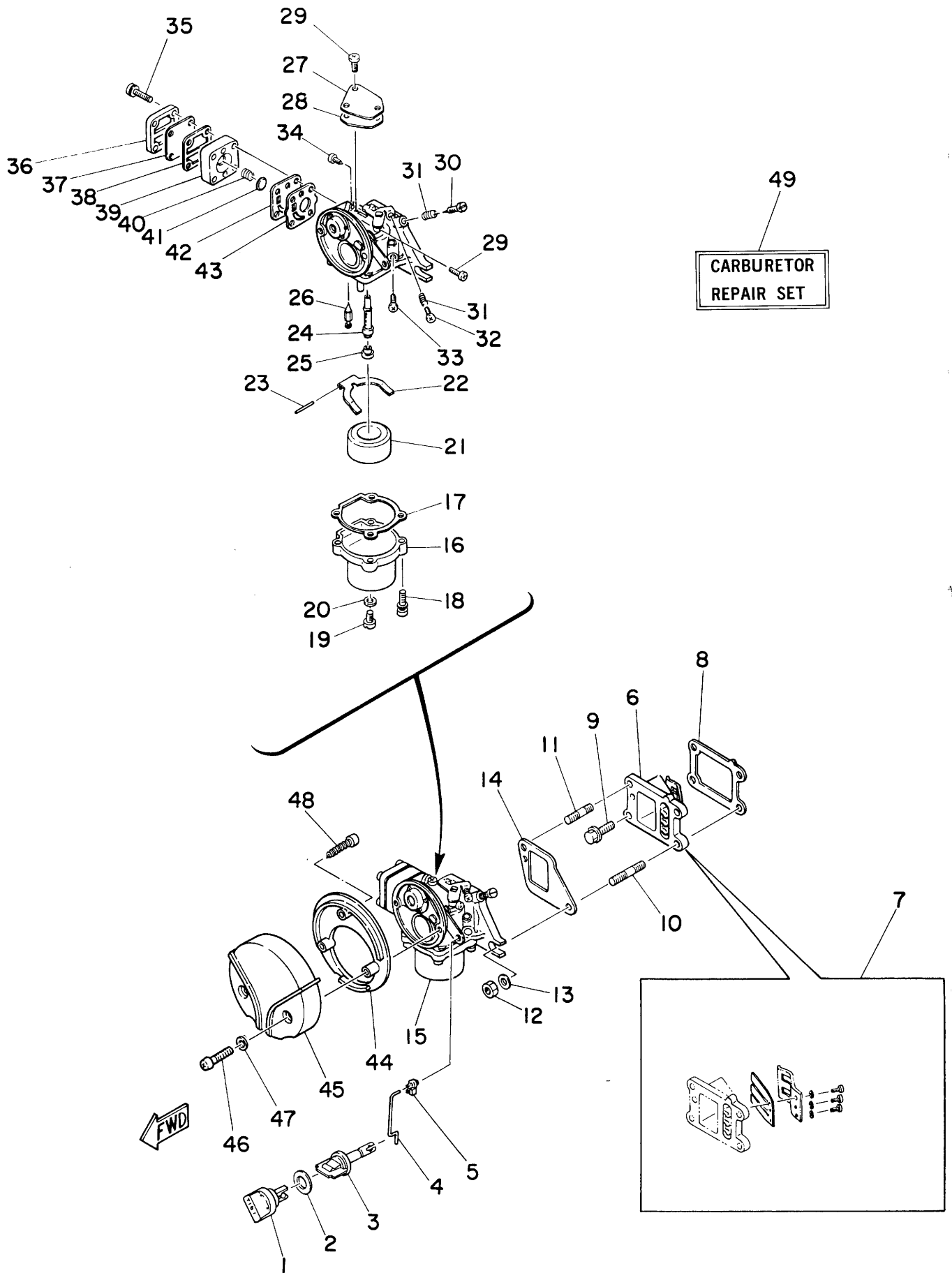
4A S: 001386 and up
L: 300636 and up

* New parts number

※ Not shown

■ Contents of power head gasket kit

Fig. 6 INTAKE

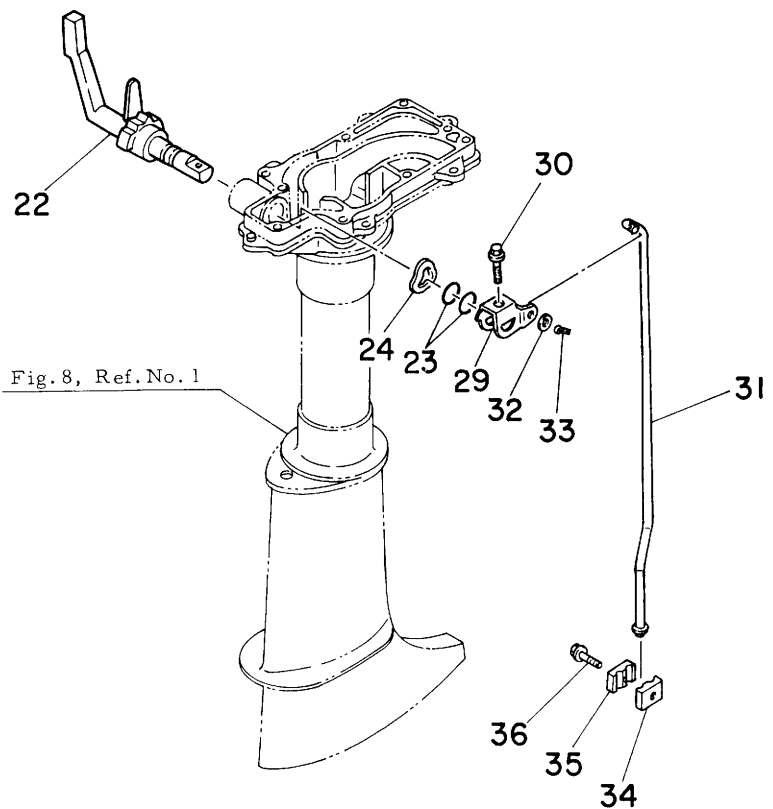
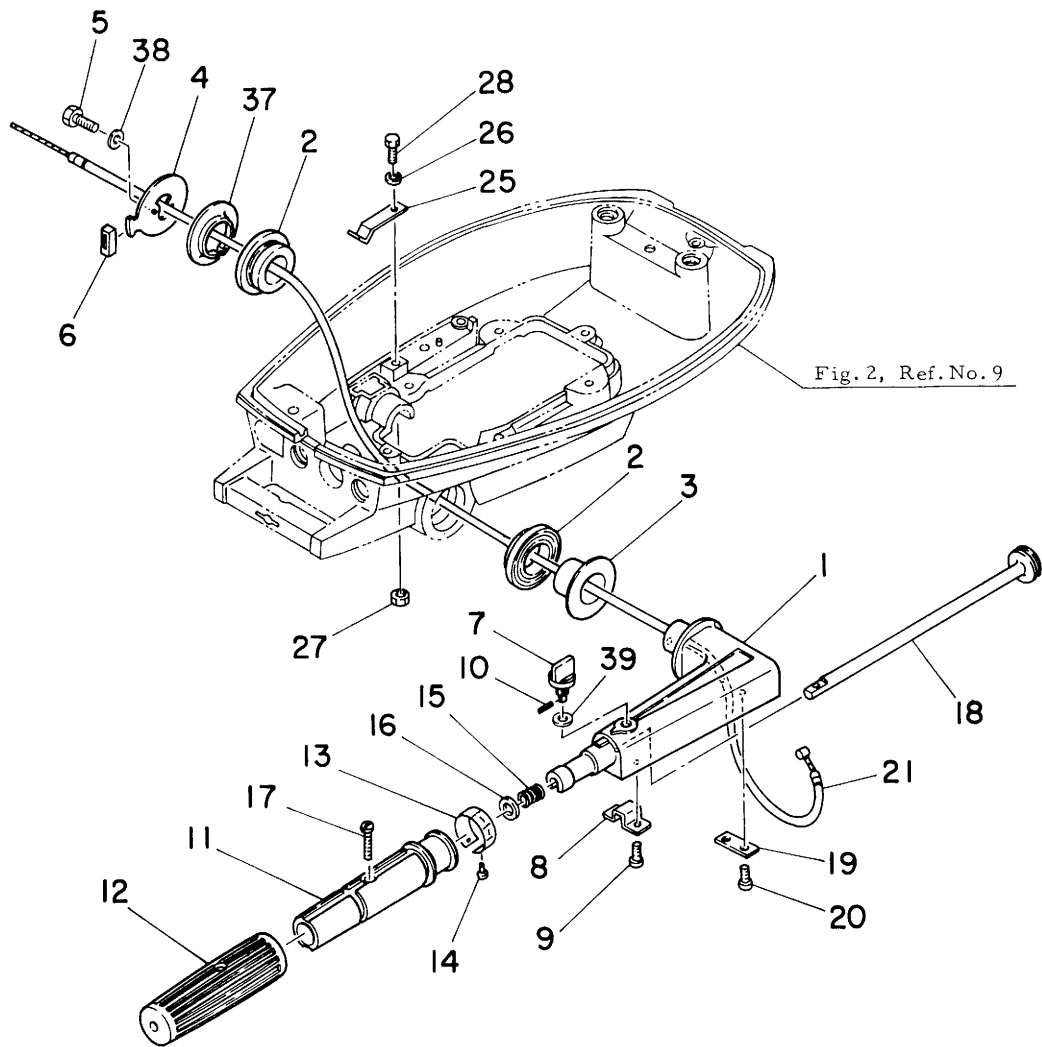


Ref.No.	Parts No.	Description	Q'ty	Ref.No.	Parts No.	Description	Q'ty
1	6E0-41271-00	KNOB, choke 1	1	24	6E0-14341-00	. NOZZLE, main	1
2	90202-12M16	WASHER	1	▶ 25	648-14343-40	. JET, main (#80)	1
3	6E0-41272-00	KNOB, choke 2	1	◀ ※	648-14343-43	. JET, main (#86)	1
4	6E0-41256-00	ROD, choke link	1	♣ 26	6E0-14392-00	. VALVE, needle	1
5	661-41262-02	JOINT, choke lever	1	27	6E0-14157-00	. COVER, plate	1
6	6E0-13610-00	REED VALVE ASS'Y	1	♣ 28	6E0-14227-00	. PACKING	1
7	6E0-W0004-00	. REED SET	1s	29	97803-04007	. SCREW	4
■ 8	6E0-13621-00	PACKING, valve seat	1	♣ 30	647-14323-00	. SCREW, air adjusting	1
9	90105-06M14	BOLT	2	31	646-14212-01	. SPRING, pilot adjusting	2
10	95621-06325	BOLT, stud	1	32	648-14321-00	. SCREW, throttle	1
11	90116-06M08	BOLT, stud	1	33	648-14342-23	. JET, pilot (#46)	1
12	95303-06700	NUT	2	34	647-14326-00	. SCREW, guide	1
13	92903-06600	WASHER	2	35	98503-04020	. SCREW	1
♣ ■ 14	6E0-14198-00	GASKET	1	36	6E0-24413-00	. COVER, pump	1
▶ 15 *	6E0-14301-01	CARBURETOR ASS'Y	1	♣ 37	6E0-24471-00	. DIAPHRAGM	1
◀ ※	6E0-14301-00	CARBURETOR ASS'Y	1	38	6E0-24435-00	. GASKET, pump cover	1
16	6E0-14381-00	. BODY, float chamber	1	39	6E0-24412-00	. BODY, pump	1
♣ ■ 17	654-14384-00	. GASKET, float chamber	1	40	6E0-24423-00	. SPRING	1
♣ 18	97803-04016	. SCREW	4	41	6E0-14346-00	. PLATE	1
19	677-14383-00	. SCREW, drain	1	♣ 42	6E0-24411-00	. DIAPHRAGM	1
♣ ■ 20	6A1-14398-00	. GASKET	1	43	6E0-24434-00	. GASKET, pump body	1
♣ 21	647-14385-00	. FLOAT	1	44	6E0-14417-00	COVER 1	1
♣ 22	6E0-14387-00	. ARM	1	45	6E0-14418-00	COVER 2	1
♣ 23	647-14386-00	. PIN, float	1	46	97803-05025	SCREW, panhead	2
				47	92903-05600	WASHER	2
				48	97780-40720	SCREW, ovalhead tapping	1
				♣ 49	6E0-W0093-00	CARBURETOR REPAIR SET	1s

◀ { 4AC S: 013400 and below 4AS S: 203355 and below 4A S: 001385 and below ▶ { 4AC S: 013401 and up 4AS S: 203356 and up 4A S: 001386 and up
 L: 306025 and below L: 502160 and below L: 300635 and below L: 306026 and up L: 502161 and up L: 300636 and up

- * New Parts Number
- ※ Not shown
- Contents of power head gasket kit (Parts No. 6E0-W0001-01)
- ♣ Contents of carburetor repair set

Fig. 7 CONTROL



Ref.No.	Parts No.	Description	Q'ty		Ref.No.	Parts No.	Description	Q'ty
1	6E0-42111-00-F6	HANDLE, steering	1		22	6E0-44111-00-F6	HANDLE, gear shift	1
2	6E0-42129-00	BUSHING 1	2		23	93210-12327	O-RING (2.4φ-11.8φ)	2
3	90386-26M30	BUSHING	1		24	90206-16M06	WASHER, wave (16.5φ-24φ-0.4mm)	1
4	6E0-42131-00-F6	COVER, handle steering	1		25	6E0-44116-00	SPRING	1
▶ 5 *	97313-05016	BOLT	2	}	26	92903-06600	WASHER	1
◀ *	97313-05012	BOLT	2		27	95380-06700	NUT	1
6	6E0-42136-00	BUSHING 2	1		28	97395-06012	BOLT	1
7	6E0-42125-00	BOLT, friction adjust	1		29	6E0-44121-00	LEVER, shift rod 1	1
8	6E0-42134-00	COVER	1		30	95895-06025	BOLT	1
9	97890-05012	SCREW, panhead	2		31	6E0-44143-00	ROD, shift 1 (Short)	1
10	91490-12008	PIN, cotter	1		※	6E0-44143-10	ROD, shift 1 (Long)	1
11	6E0-42119-00	GRIP, steering handle	1		32	92990-05600	WASHER	1
12	6E0-42117-00	HANDLE	1		33	91490-16010	PIN, cotter	1
▶ 13 *	6E0-42137-01	INDICATOR, throttle	1	}	▶ 34 *	6E0-44145-00	CONNECTOR, shift rod 1	1
◀ *	6E0-42137-00	INDICATOR, throttle	1		◀ *	616-44145-01	CONNECTOR, shift rod 1	1
14	90269-02001	RIVET	1		▶ 35 *	6E0-44146-00	CONNECTOR, shift rod 2	1
15	90501-23215	SPRING, compression	1		◀ *	616-44146-01	CONNECTOR, shift rod 2	1
16	90201-10119	WASHER (10φ-16φ-1mm)	1		36	95895-06020	BOLT	1
17	98180-05025	SCREW	1		37	90386-26M33	BUSHING	1
18	6E0-42138-00	LEVER, throttle	1		38 *	92903-05600	WASHER	2 A
19	6E0-42159-00	STAY	1		▶ 39 *	90202-07M22	WASHER (7φ-19φ-1.5mm)	1 A
20	97890-05012	SCREW, panhead	2					
21	6E0-26301-00	THROTTLE WIRE ASS'Y	1					

◀ { 4AC S: 013400 and below
L: 306025 and below

4AS S: 203355 and below
L: 502160 and below

4A S: 001385 and below
L: 300635 and below

▶ { 4AC S: 013401 and up
L: 306026 and up

4AS S: 203356 and up
L: 502161 and up

4A S: 001386 and up
L: 300636 and up

◀ { 4AC S: 004020 and below
L: 302045 and below

4AS S: 201230 and below
L: 500750 and below

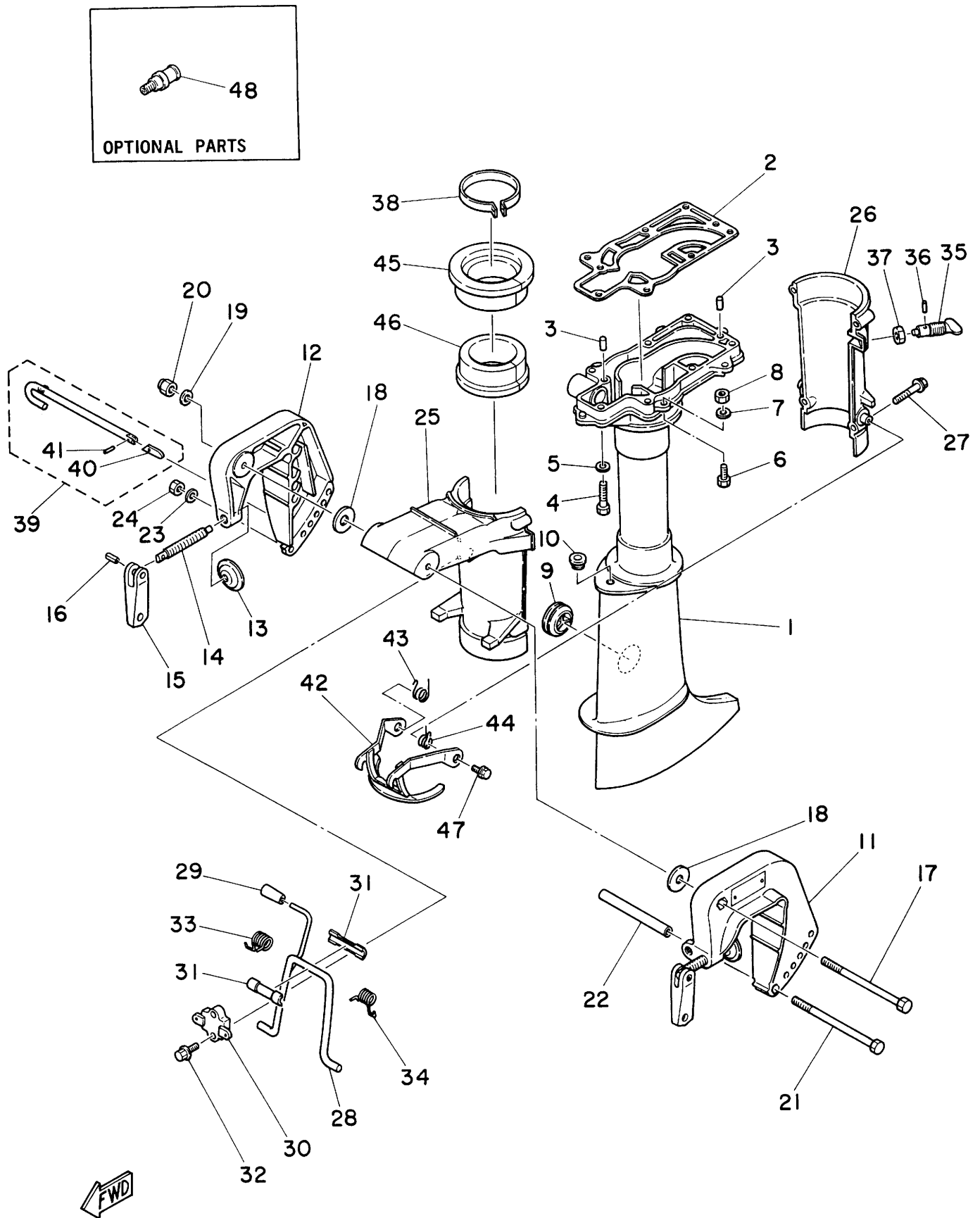
▶ { 4AC S: 004021 and up
L: 302046 and up

4AS S: 201231 and up
L: 500751 and up

* New Parts Number

※ Not shown

Fig. 8 UPPER CASING & BRACKET



UPPER CASING & BRACKET

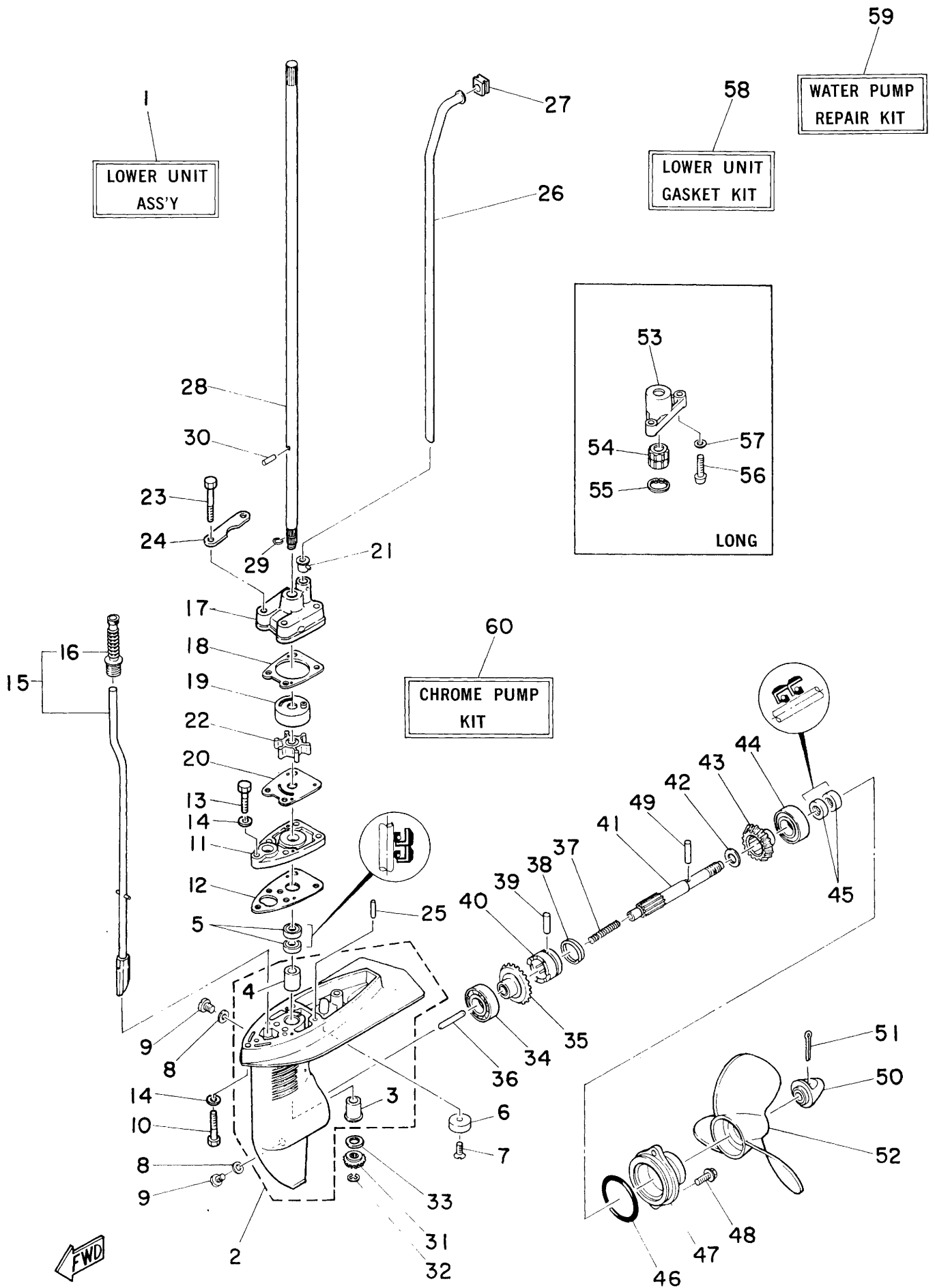
Ref.No.	Parts No.	Description	Q'ty	Ref.No.	Parts No.	Description	Q'ty	
1	6E0-45111-00-F6	CASING, upper (Short)	1	28	6E0-43181-00-F6	LEVER, tilt stop	1	
*	6E0-45111-10-F6	CASING, upper (Long)	1	29	6E0-43632-00	KNOB, tilt	1	
■	2	6E0-45113-00	GASKET, upper casing	1	30	6E0-43313-00-F6	BRACKET, swivel 3	1
3	93606-12019	PIN, dowel B (6φ-12mm)	2	31	620-43189-00	BUSHING 2	2	
4	97395-06030	BOLT	7	32	95895-06020	BOLT	2	
5	92990-06600	WASHER	7	33	90508-16020	SPRING, torsion 1	1	
6	97395-06016	BOLT	4	34	90508-16021	SPRING, torsion 2	1	
7	92990-06600	WASHER	4	35	* 6E0-42529-01	SCREW, friction piece	1	
8	95380-06700	NUT	4	*	6E0-42529-00	SCREW, friction piece	1	
9	647-45151-01	COVER, upper casing	1	36	91690-20010	PIN, spring	1	
10	90480-10M13	GROMMET	1	37	95380-08600	NUT	1	
11	6E0-43111-00-F6	BRACKET, clamp 1	1	38	* 6E0-42528-01	PIECE, friction	1	
12	6E0-43112-00-F6	BRACKET, clamp 2	1	*	6E0-42528-00	PIECE, friction	1	
13	648-43114-01	PAD, transom clamp	2	39	6E0-43160-00	TILT ROD ASS'Y	1	
14	6E0-43116-00	SCREW, transom clamp	2	40	656-43165-01	. STOPPER PLATE	1	
15	6E0-43118-00	HANDLE, transom clamp	2	41	91690-30008	. PIN, spring	1	
16	* 90254-04M00	PIN	2	42	6E0-43614-00-F6	PLATE, tilt lock 1	1	
*	91690-40020	PIN, spring	2	43	90508-14M10	SPRING, torsion	1	
17	* 90101-08M68	BOLT	1	44	90508-14M11	SPRING, torsion	1	
*	90101-08M61	BOLT	1	45	6E0-42537-00	BUSHING, pivot shaft 1	1	
18	90201-08M47	WASHER (8.5φ-30φ-1mm)	2	46	6E0-42538-00	BUSHING, pivot shaft 2	1	
19	92990-08600	WASHER	1	47	95895-06010	BOLT	2	
20	90185-08M00	NUT, self-locking	1	OPTIONAL PARTS				
21	90101-06335	BOLT	1	48	626-28193-01-94	PLUG, water check 1	1	
22	90560-06088	SPACER	1					
23	92990-06600	WASHER	1					
24	95380-06600	NUT	1					
25	6E0-43311-00-F6	BRACKET, swivel 1	1					
26	6E0-43312-00-F6	BRACKET, swivel 2	1					
27	95895-06035	BOLT	4					

* New Parts Number

* Not shown

■ Contents of power head hasket kit (Parts No. 6E0-W0001-01)

Fig. 9 LOWER & DRIVE



LOWER & DRIVE

Ref.No.	Parts No.	Description	Q'ty	Ref.No.	Parts No.	Description	Q'ty
1	6E0-45300-00-F6	LOWER UNIT ASS'Y (Short) (Ref. No. 2 to 25, 28 to 48)	1	29	90467-08M01	CLIP	1
*	6E0-45300-10-F6	LOWER UNIT ASS'Y (Long) (Ref. No. 2 to 25, 28 to 48)	1	★30	93604-09066	PIN, dowel B	1
2	6E0-45311-00-F6	CASING, lower	1	31	6E0-45551-00	PINION	1
3	6E0-45316-09	. BUSHING, solid	1	32	93430-06005	CIRCLIP (E-6φ)	1
4	6E0-45317-09	. BUSHING, solid	1	33	90201-11M49	WASHER (11φ-18φ-1.9mm)	1
▲5	93101-11M14	OIL SEAL (S-10.8φ-21φ-7mm)	2	34	93306-00401	BEARING (B6004)	1
6	616-45251-30	ANODE	1	35	6E0-45560-00	GEAR 1 ASS'Y	1
7	90142-06M01	SCREW, sloted	1	36	654-45635-00	PLUNGER, shift	1
▲8	90430-08020	GASKET	3	37	90501-10064	SPRING, compression	1
9	90340-08014	PLUG, straight screw	3	38	654-45633-00	RING, cross pin	1
10	97395-06035	BOLT	2	39	90250-05046	PIN, cross	1
11	6E0-45321-00	PLATE	1	40	6E0-45631-00	CLUTCH, dog	1
▲12	6E0-45315-00	PACKING, lower casing	1	41	6E0-45611-00	SHAFT, propeller	1
13	97395-06025	BOLT	1	42	90201-13M50	WASHER (13.2φ-17.8φ-1.4mm)	1
14	92990-06600	WASHER	3	43	6E0-45570-00	GEAR 2 ASS'Y	1
15	6E0-44150-00	SHIFT CAM ASS'Y (Short)	1	44	93306-00401	BEARING (B6004)	1
*	6E0-44150-10	SHIFT CAM ASS'Y (Long)	1	▲45	93101-13M12	OIL SEAL (S-13φ-22φ-7mm)	2
16	655-44147-00	. BOOT, shift rod	1	▲46	93210-48214	O-RING (3.5φ-47.7φ)	1
★17	6E0-44311-00	HOUSING, water pump	1	47	6E0-45361-00-F6	CAP, lower casing	1
★▲18	6E0-44315-00	GASKET, water pump	1	48	95895-06016	BOLT	2
★19	6E0-44322-00	INSERT, cartridge	1	49	90250-05009	PIN, straight	1
☆*	6E0-44322-40	INSERT, cartridge (Chromate)	1	50	647-45616-02	NUT, propeller	1
★20	6E0-44323-00	OUTER PLATE, cartridge	1	51	91490-30030	PIN, cotter	1
☆*	6E0-44323-40	OUTER PLATE, cartridge (Chromate)	1	52	6E0-45941-00-36	PROPELLER ASS'Y 1(3x7¼"x8"-B)	} U.R. 1
★21	646-44366-01	RUBBER, water seal 2	1	644-45941-01-36	PROPELLER ASS'Y 1(3x7¼"x5"-B)		
★22	6E0-44352-00	IMPELLER	1	655-45941-01-36	PROPELLER ASS'Y 1(3x7¼"x6½"-B)		
★23	97395-06045	BOLT	4	6E0-45943-00-36	PROPELLER ASS'Y 2(3x7¼"x7"-B)		
★24	6E0-44328-00	PLATE	2	654-45943-01-36	PROPELLER ASS'Y 2(3x7¼"x7¼"-B)		
25	93604-18080	PIN, dowel B (4φ-18.4mm)	2	6E0-45945-00-36	PROPELLER ASS'Y 3(3x7¼"x7¼"-B)		
26	6E0-44361-00	TUBE, water (Short)	1	6E0-45947-00-36	PROPELLER ASS'Y 4(3x7¼"x8¼"-B)		
*	6E0-44361-10	TUBE, water (Long)	1	53	6E0-45331-00-9M	HOUSING, bearing (Long)	1
■27	646-44365-00	RUBBER, water seal 1	1	54	6E0-45318-00	BUSHING, drive shaft 3 (Long)	1
28	6E0-45511-00	SHAFT, drive (Short)	1	55	93420-22M03	CIRCLIP (Long)	1
*	6E0-45511-10	SHAFT, drive (Long)	1	56	97890-05025	SCREW, panhead (Long)	2
				57	92990-05600	WASHER (Long)	2
				▲58	6E0-W0001-20	LOWER UNIT GASKET KIT	1
				★59	6E0-W0078-00	WATER PUMP REPAIR KIT	1
				☆60	6E0-W0078-0A	CHROME PUMP KIT	1

* Not shown

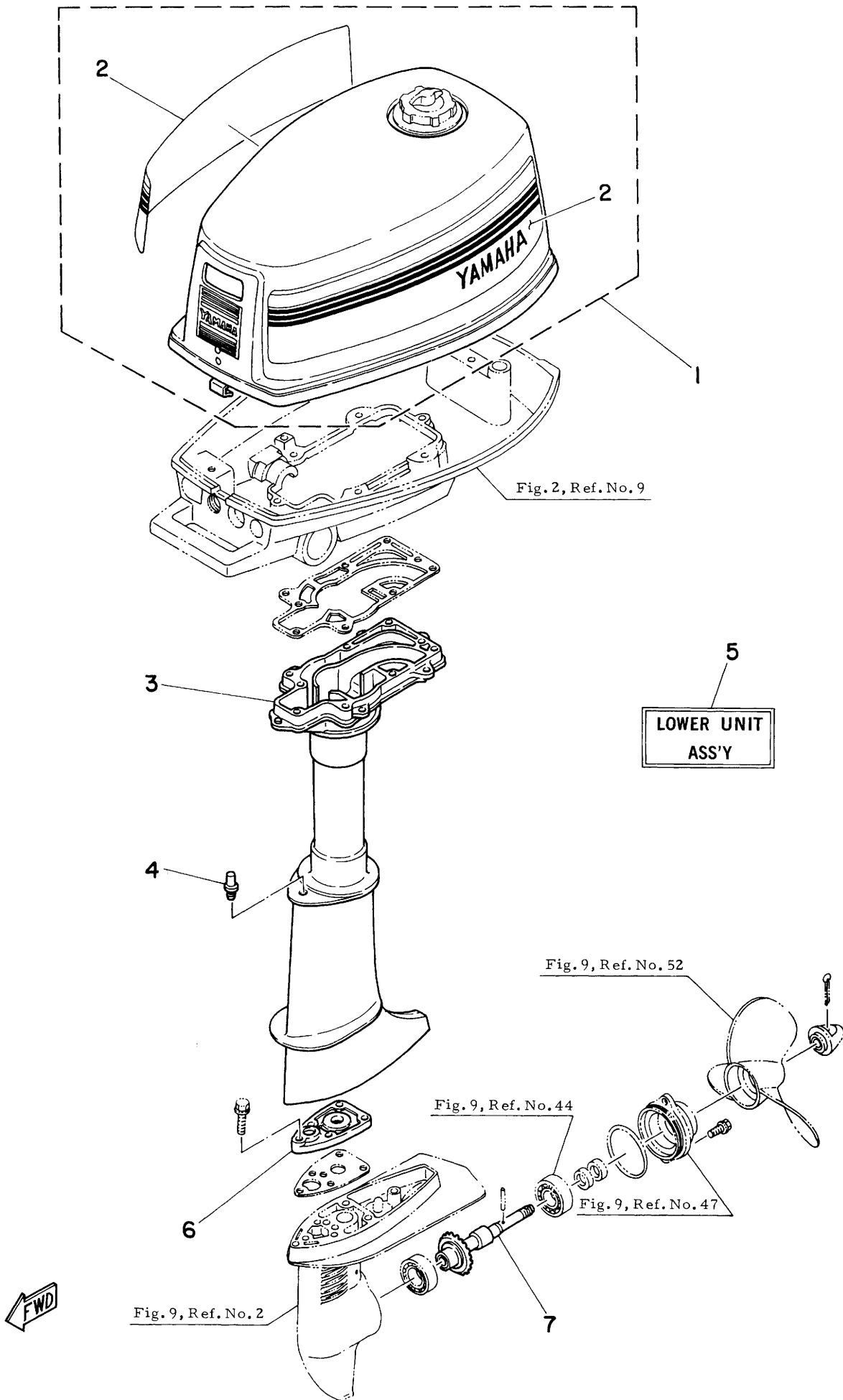
■ Contents of power head gasket kit (Parts No. 6E0-W0001-01)

▲ Contents of lower unit gasket kit

★ Contents of water pump repair kit

☆ Contents of chrome pump kit

Fig. 10 4A MODEL (WITHOUT CLUTCH TYPE)



4A MODEL (WITHOUT CLUTCH TYPE)

Ref.No.	Parts No.	Description	Q'ty	Ref.No.	Parts No.	Description	Q'ty
1	6E2-42610-80-F6	TOP COWLING ASS'Y	1	◆ 5	6E2-45300-00-F6	LOWER UNIT ASS'Y (Short)	1
2	6E2-W0070-00	. GRAPHIC SIDE SET	1s	◆ *	6E2-45300-10-F6	LOWER UNIT ASS'Y (Long)	1
3	6E2-45111-00-F6	CASING, upper (Short)	1	◆ 6	6E2-45321-00	PLATE	1
*	6E2-45111-10-F6	CASING, upper (Long)	1	◆ 7	6E2-45560-00	GEAR 1 ASS'Y	1
4	6E2-45151-00	COVER, upper casing	1				

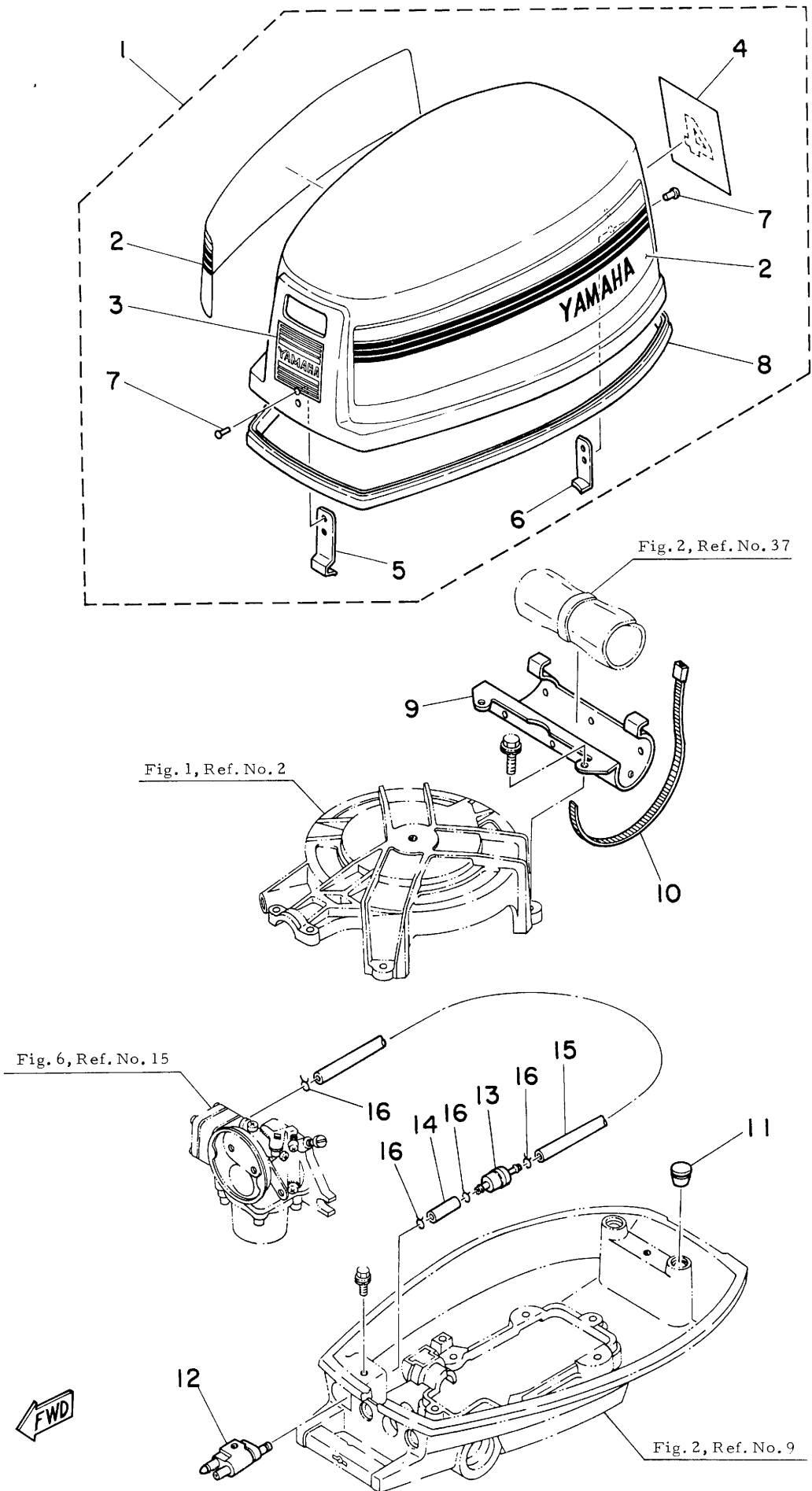
The following parts are not used when using the 4A model.

2- 1	6E0-42610-80-F6	TOP COWLING ASS'Y	1	8- 1	6E0-45111-00-F6	CASING, upper (Short)	1
2- 2	6E0-W0070-00	. GRAPHIC SIDE SET	1s	*	6E0-45111-10-F6	CASING, upper (Long)	1
7-22	6E0-44111-00-F6	HANDLE, gear shift	1	8-10	90480-10M13	GROMMET	1
7-23	93210-12327	O-RING (2.4 ϕ -11.8 ϕ)	2	9-11	6E0-45321-00	PLATE	1
7-24	90206-16M06	WASHER, wave (16.5 ϕ -24 ϕ -0.4mm)	1	9-15	6E0-44150-00	SHIFT CAM ASS'Y (Short)	1
7-25	6E0-44116-00	SPRING	1	*	6E0-44150-10	SHIFT CAM ASS'Y (Long)	1
7-26	92903-06600	WASHER	1	9-16	655-44147-00	. BOOT, shift rod	1
7-27	95380-06700	NUT	1	9-35	6E0-45560-00	GEAR 1 ASS'Y	1
7-28	97395-06012	BOLT	1	9-36	654-45635-00	PLUNGER, shift	1
7-29	6E0-44121-00	LEVER, shift rod 1	1	9-37	90501-10064	SPRING, compression	1
7-30	95895-06025	BOLT	1	9-38	654-45633-00	RING, cross pin	1
7-31	6E0-44143-00	ROD, shift 1 (Short)	1	9-39	90250-05046	PIN, cross	1
*	6E0-44143-10	ROD, shift 1 (Long)	1	9-40	6E0-45631-00	CLUTCH, dog	1
7-32	92990-05600	WASHER	1	9-41	6E0-45611-00	SHAFT, propeller	1
7-33	91490-16010	PIN, cotter	1	9-42	90201-13M50	WASHER (13.2 ϕ -17.8 ϕ -1.4mm)	1
7-34	6E0-44145-00	CONNECTOR, shift rod 1	1	9-43	6E0-45570-00	GEAR 2 ASS'Y	1
7-35	6E0-44146-00	CONNECTOR, shift rod 2	1				
7-36	95895-06020	BOLT	1				

* Not shown

◆ Contents of lower unit ass'y

Fig. 11 4AS MODEL (SEPARATE FUEL TANK TYPE)



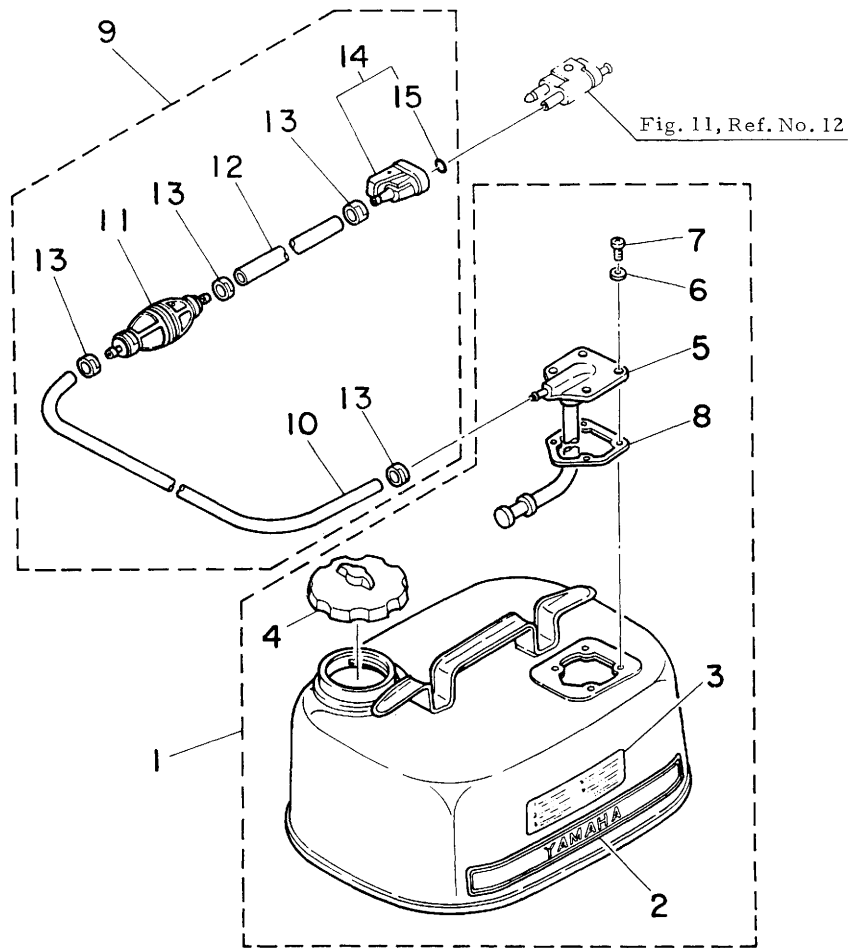
4AS MODEL (SEPARATE FUEL TANK TYPE)

Ref.No.	Parts No.	Description	Q'ty	Ref.No.	Parts No.	Description	Q'ty
1	6E1-42610-80-F6	TOP COWLING ASS'Y	1	9	6E1-42643-00	PLATE, clamp	1
2	6E0-W0070-00	. GRAPHIC SIDE SET	1s	10	6E1-42694-00	BAND 1	1
3	6E0-42677-80	. GRAPHIC, front	1	11	6E1-24182-00	DAMPER, locating	2
4	6E0-42678-80	. GRAPHIC, rear	1	12	655-24304-01	FUEL PIPE JOINT COMP.	1
5	6E0-42651-00	. HOOK 1	1	13	646-24251-01	STRAINER	1
6	6E0-42647-00	. HOLDER, clamp band	1	14	90445-09057	HOSE (5 ϕ -9 ϕ -43mm)	1
7	90266-04M00	. RIVET	4	15	90445-09068	HOSE (5 ϕ -9 ϕ -110mm)	1
8	6E0-42615-00	. SEAL	1	16	90467-08004	CLIP	4

The following parts are not used when using the 4AS model.

2- 1	6E0-42610-80-F6	TOP COWLING ASS'Y	1	2-25	6E0-24500-00	FUEL COOK ASS'Y	1
2-18	6E0-24110-00-F6	FUEL TANK COMP.	1	2-26	90445-09M37	HOSE (5 ϕ -9 ϕ -240mm)	1
2-19	6E0-24641-00	GASKET, cap	1	2-27	90467-08004	CLIP, pipe 1	2
2-20	6E0-24610-00	CAP ASS'Y	1	2-28	6E0-24572-00	SHAFT, fuel change	1
2-21	6E0-24181-00	DAMPER, locating 1	2	2-29	6E0-24571-00	BUSHING	1
2-22	6E0-24182-00	DAMPER, locating 2	2	2-30	6E0-24591-00	GRAPHIC, change lever	1
2-23	95895-06025	BOLT	2	2-31	90202-12M17	WASHER (12 ϕ -18.5 ϕ -4mm)	2
2-24	6E0-42542-00	PIPE 1	2	2-32	6E0-24575-00	LEVER, fuel change	1

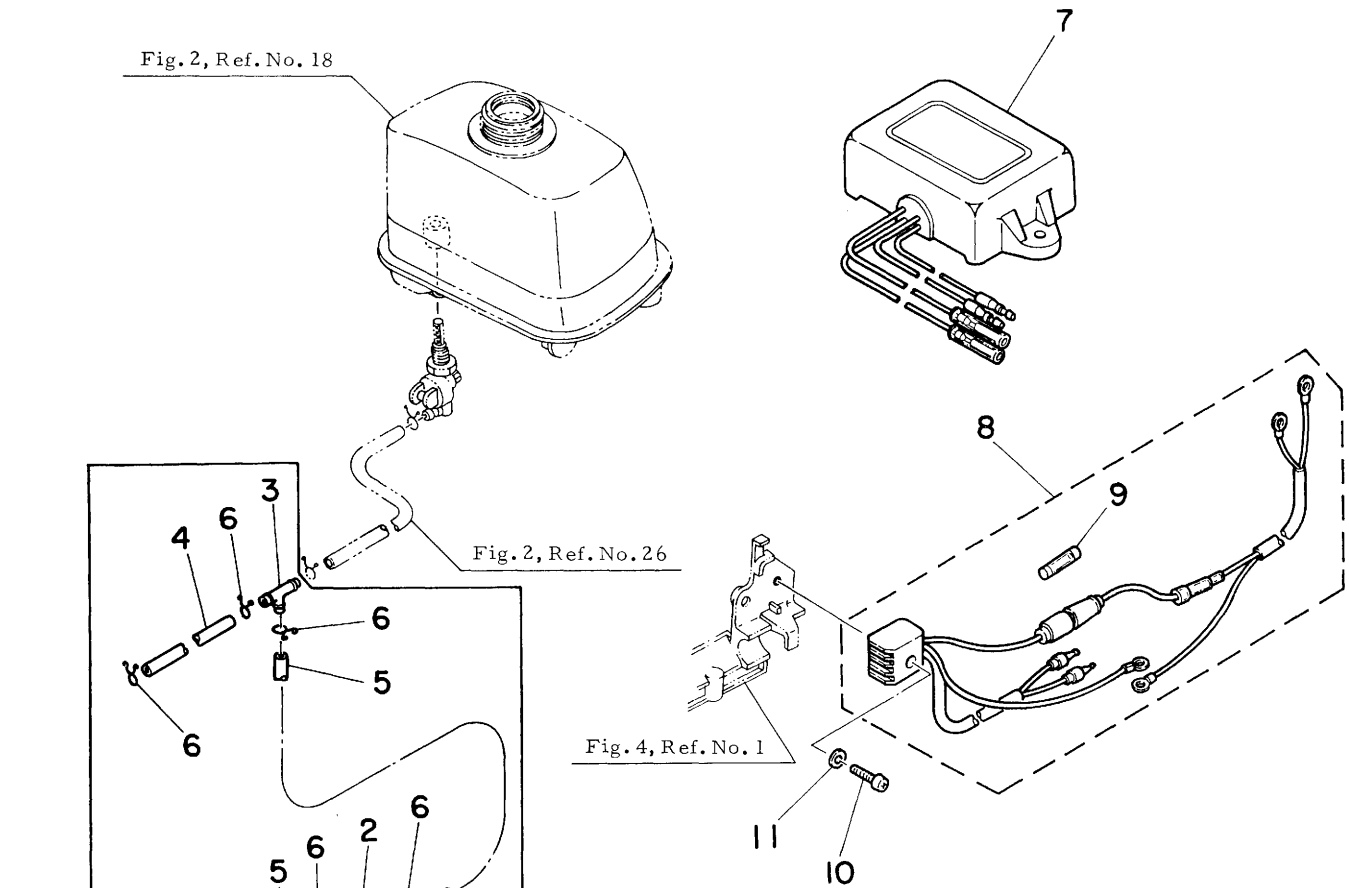
Fig. 12 4AS MODEL
(SEPARATE FUEL TANK TYPE)



Ref.No.	Parts No.	Description	Q'ty	Ref.No.	Parts No.	Description	Q'ty
1	655-24202-82-24	FUEL TANK ASS'Y	1	9	655-24310-00	FUEL PIPE ASS'Y	1
2	655-24244-80	. GRAPHIC, side	2	✦ 10	90445-12156	. HOSE (6φ-11.5φ-1500mm)	1
3	655-24245-82	. GRAPHIC	1	11	650-24360-01	. PRIMARY PUMP ASS'Y	1
4	647-24610-02	. CAP ASS'Y	1	✦ 12	90445-12155	. HOSE (6φ-11.5φ-1000mm)	1
5	655-24275-60	. FUEL METER COMP.	1	13	650-24351-00	. BAND, fuel pipe 1	4
6	630-24329-00	. SEAL	4	14	655-24305-01	. FUEL PIPE JOINT COMP. 2	1
7	98580-05015	. SCREW, panhead	4	15	93210-08287	. . O-RING (3.0φ-8.0φ)	1
8	663-24268-00	. GASKET, fuel meter housing	1				

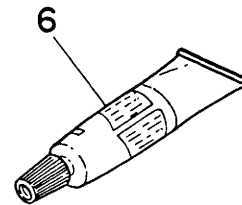
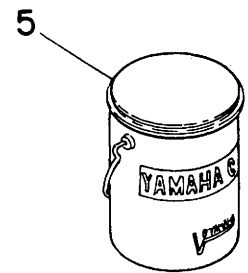
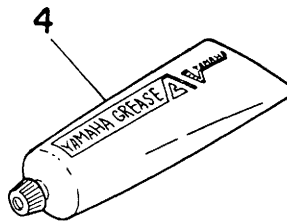
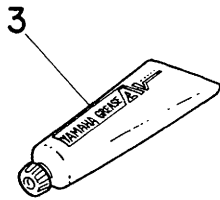
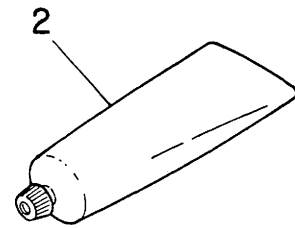
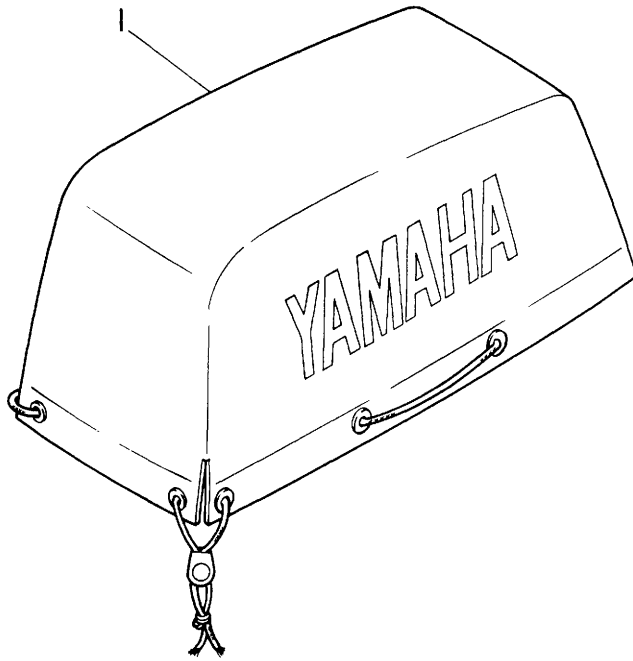
✦ Also available in 30m rolls (Parts No. 90890-56878)

Fig. 13 ACCESSORY PARTS I



Ref.No.	Parts No.	Description	Q'ty
FUEL PIPE JOINT (4A/4AC Model)			
1	655-24304-01	FUEL PIPE JOINT COMP.	1
2	646-24251-01	STRAINER	1
3	688-24378-00	PIPE, joint	1
4	90445-09068	HOSE (5φ-9φ-110mm)	1
5	90445-09220	HOSE (5φ-9φ-30mm)	2
6	90467-08004	CLIP	6
The following parts are not used when using the separation tank 12ℓ type. (Parts No. 655-24202-82-24)			
2-34	90480-14M14	GROMMET	1
VOLTAGE REGULATOR			
7	663-81910-00	VOLTAGE REGULATOR ASS'Y	1
RECTIFIER			
8	676-81970-00	RECTIFIER ASS'Y	1
9	663-82151-00	FUSE (12V-20A)	1
10	97803-05025	SCREW, panhead	1
11	92903-05600	WASHER	1
VERTICAL STARTER			
12	6E0-15758-80-F6	GUIDE, wire	1
LEAD WIRE			
13	6E0-83553-20	WIRE, lead	1

Fig. 14 ACCESSORY PARTS 2



Ref.No.	Parts No.	Description	Q'ty
1	90890-56874	ENGINE COVER	1
2	90890-69908	YAMAHA GREASE C	U.R.
YAMAHA GREASE			
3	90890-69910	YAMAHA GREASE A (50g)	} U.R.
4	90890-69911	YAMAHA GREASE A (250g)	
5	90890-69912	YAMAHA GREASE A (4kg)	
YAMAHA BOND			
6	90890-05143	YAMAHA BOND (200g)	U.R.

NUMERICAL INDEX

Parts No.	Ref. No.	Parts No.	Ref. No.	Parts No.	Ref. No.	Parts No.	Ref. No.	Parts No.	Ref. No.
6A1-14398-00	6-20	6E0-15761-00	1-15	6E0-42615-00	11- 8	6E0-45321-00	9-11	630-24329-00	12- 6
6E0-W0001-00	5-55	6E0-24110-00-F6	2-18	6E0-42647-00	2- 6	6E0-45331-00-9M	9-53	644-45941-01-36	9-52
6E0-W0001-01	5-55	6E0-24181-00	2-21		11- 6	6E0-45361-00-F6	9-47	646-14212-01	6-31
6E0-W0001-20	9-58	6E0-24182-00	2-22	6E0-42647-01	2- 6	6E0-45511-00	9-28	646-24251-01	11-13
6E0-W0004-00	6- 7	6E0-24183-00	3-19	6E0-42651-00	2- 5	6E0-45511-10	9-28		13- 2
6E0-W0070-00	2- 2	6E0-24378-00	5-12		11- 5	6E0-45551-00	9-31	646-44365-00	9-27
	11- 2	6E0-24411-00	6-42	6E0-42677-80	2- 3	6E0-45560-00	9-35	646-44366-01	9-21
6E0-W0078-0A	9-60	6E0-24412-00	6-39		11- 3	6E0-45570-00	9-43	647-14323-00	6-30
6E0-W0078-00	9-59	6E0-24413-00	6-36	6E0-42678-80	2- 4	6E0-45611-00	9-41	647-14326-00	6-34
6E0-W0090-00	5- 1	6E0-24423-00	6-40		11- 4	6E0-45631-00	9-40	647-14385-00	6-21
6E0-W0090-01	5- 1	6E0-24434-00	6-43	6E0-42711-00-F6	2- 9	6E0-45941-00-36	9-52	647-14386-00	6-23
6E0-W0093-00	6-49	6E0-24435-00	6-38	6E0-42815-00-F6	2-12	6E0-45943-00-36	9-52	647-24610-02	12- 4
6E0-11191-00-9M	5-42	6E0-24471-00	6-37	6E0-42816-00	2-14	6E0-45947-00-36	9-52	647-45151-01	8- 9
6E0-11191-01-9M	5-41	6E0-24500-00	2-25	6E0-43111-00-F6	8-11	6E0-45954-00-36	9-52	647-45616-02	9-50
6E0-11193-00	5-44	6E0-24571-00	2-29	6E0-43112-00-F6	8-12	6E0-81303-80	3-23	648-14321-00	6-32
6E0-11193-01	5-43	6E0-24572-00	2-28	6E0-43116-00	8-14	6E0-81328-70	3-14	648-14342-23	6-33
6E0-11400-00	5-28	6E0-24575-00	2-32	6E0-43118-00	8-15	6E0-82316-00-94	4- 1	648-14343-40	6-25
6E0-11412-00	5-29	6E0-24591-00	2-30	6E0-43160-00	8-39	6E0-82317-00	4- 2	648-14343-43	6-25
6E0-11422-00	5-30	6E0-24610-00	2-20	6E0-43181-00-F6	8-28	6E0-82336-70	3-13	648-43114-01	8-13
6E0-11610-00	5-37	6E0-24641-00	2-19	6E0-43311-00-F6	8-25	6E0-82550-00	2-35	650-11370-00	5- 4
6E0-11631-00-98	5-36	6E0-26301-00	7-21	6E0-43312-00-F6	8-26	6E0-83553-20	13-13		5- 4
6E0-11650-00	5-54	6E0-41111-00-9M	5-20	6E0-43313-00-F6	8-30	6E0-85500-70	3- 1	650-24351-00	12-13
6E0-11651-00	5-31	6E0-41111-01-9M	5-19	6E0-43614-00-F6	8-42	6E0-85520-70	3- 7	650-24360-01	12-11
6E0-13610-00	6- 6	6E0-41112-00	5-22	6E0-43632-00	8-29	6E0-85540-70	4- 8	654-14384-00	6-17
6E0-13621-00	6- 8	6E0-41112-01	5-21	6E0-44111-00-F6	7-22	6E0-85548-00	4- 9	654-45633-00	9-38
6E0-14157-00	6-27	6E0-41113-00-9M	5-24	6E0-44116-00	7-25	6E0-85550-70	3- 2	654-45635-00	9-36
6E0-14198-00	6-14	6E0-41113-01-9M	5-23	6E0-44121-00	7-29	6E0-85560-70	3- 5	654-45941-01-36	9-52
6E0-14227-00	6-28	6E0-41114-00	5-26	6E0-44143-00	7-31	6E0-85570-10	4- 4	654-45943-01-36	9-52
6E0-14301-00	6-15	6E0-41114-01	5-25	6E0-44143-10	7-31	6E0-85592-70	3-11	655-24202-82-24	12- 1
6E0-14301-01	6-15	6E0-41256-00	6- 4	6E0-44145-00	7-34	6E0-85595-70	3- 9	655-24244-80	12- 2
6E0-14341-00	6-24	6E0-41271-00	6- 1	6E0-44146-00	7-35	6E1-24182-00	11-11	655-24245-82	12- 3
6E0-14346-00	6-41	6E0-41272-00	6- 3	6E0-44150-00	9-15	6E1-42610-80-F6	11- 1	655-24275-60	12- 5
6E0-14381-00	6-16	6E0-42111-00-F6	7- 1	6E0-44150-10	9-15	6E1-42643-00	11- 9	655-24304-01	11-12
6E0-14387-00	6-22	6E0-42117-00	7-12	6E0-44311-00	9-17	6E1-42694-00	11-10		13- 1
6E0-14392-00	6-26	6E0-42119-00	7-11	6E0-44315-00	9-18	6E2-W0070-00	10- 2	655-24305-01	12-14
6E0-14417-00	6-44	6E0-42125-00	7- 7	6E0-44322-00	9-19	6E2-42610-80-F6	10- 1	655-24310-00	12- 9
6E0-14418-00	6-45	6E0-42129-00	7- 2	6E0-44322-40	9-19	6E2-45111-00-F6	10- 3	655-44147-00	9-16
6E0-15100-00-94	5- 3	6E0-42131-00-F6	7- 4	6E0-44323-00	9-20	6E2-45111-10-F6	10- 3	656-43165-01	8-40
6E0-15100-01-94	5- 2	6E0-42134-00	7- 8	6E0-44323-40	9-20	6E2-45151-00	10- 4	661-41262-02	6- 5
6E0-15359-00-94	3- 6	6E0-42136-00	7- 6	6E0-44328-00	9-24	6E2-45300-00-F6	10- 5	661-42791-80	2-10
6E0-15396-00-9M	5-48	6E0-42137-00	7-13	6E0-44352-00	9-22	6E2-45300-10-F6	10- 5	663-24268-00	12- 8
6E0-15705-00	1-11	6E0-42137-01	7-13	6E0-44361-00	9-26	6E2-45321-00	10- 6	663-81910-00	13- 7
6E0-15710-00-94	1- 1	6E0-42138-00	7-18	6E0-44361-10	9-26	6E2-45560-00	10- 7	663-82151-00	13- 9
6E0-15710-01-94	1- 1	6E0-42159-00	7-19	6E0-45111-00-F6	8- 1	6E5-11372-00	5- 6	663-82370-01	4- 6
6E0-15711-00-94	1- 2	6E0-42528-00	8-38	6E0-45111-10-F6	8- 1	606-42591-00	2-36	670-28100-60	2-37
6E0-15711-01-94	1- 2	6E0-42528-01	8-38	6E0-45113-00	8- 2	616-44145-01	7-34	676-81970-00	13- 8
6E0-15714-00	1- 3	6E0-42529-00	8-35	6E0-45300-00-F6	9- 1	616-44146-01	7-35	677-11633-00	5-39
6E0-15714-01	1- 3	6E0-42529-01	8-35	6E0-45300-10-F6	9- 1	616-45251-30	9- 6	677-11681-00	5-33
6E0-15717-00-94	1- 5	6E0-42537-00	8-45	6E0-45311-00-F6	9- 2	620-43189-00	8-31	677-12411-00	5-18
6E0-15723-00-94	3- 3	6E0-42538-00	8-46	6E0-45315-00	9-12	624-14485-00	5- 5	677-14383-00	6-19
6E0-15755-00	1-13	6E0-42542-00	2-24	6E0-45316-09	9- 3	624-42542-00	2-24	677-15741-01	1- 9
6E0-15758-00	1-14	6E0-42610-80-F6	2- 1	6E0-45317-09	9- 4	624-42783-80	2-11	677-82370-00	4-12
6E0-15758-80-F6	13-12	6E0-42615-00	2- 8	6E0-45318-00	9-54	626-28193-01-94	8-48	688-24378-00	13- 3

NUMERICAL INDEX

Parts No.	Ref. No.	Parts No.	Ref. No.	Parts No.	Ref. No.	Parts No.	Ref. No.	Parts No.	Ref. No.
90101-06335	8-21	90445-07M28	5- 7	93101-11M14	5-51	97395-06045	9-23		
90101-08M61	8-17	90445-07M51	5-13		9- 5	97780-40720	6-48		
90101-08M68	8-17	90445-09M37	2-26	93101-13M12	9-45	97803-04007	6-29		
90105-06M13	5-27	90445-09057	11-14	93102-20M06	5-47	97803-04016	6-18		
90105-06M14	1-16	90445-09068	11-15	93102-20M15	3-17	97803-05025	6-46		
	3- 4		13- 4	93210-08287	12-15		13-10		
	3-18	90445-09220	13- 5	93210-12327	7-23	97890-05012	7- 9		
	5-17	90445-12155	12-12	93210-31114	5-52		7-20		
	5-45	90445-12156	12-10	93210-42159	3-16	97890-05025	9-56		
	6- 9	90467-06016	5- 8	93210-48214	9-46	97890-06030	2-16		
90105-06M15	1-18		5- 8	93306-00401	9-34	98180-05025	7-17		
	2-33	90467-08M01	9-29		9-44	98503-04020	6-35		
	4-10	90467-08004	2-27	93306-20411	5-35	98580-05015	12- 7		
90105-06M16	1- 7		11-16	93310-112V0	5-38				
	5-10		13- 6	93310-418V1	5-32				
	5-16	90480-10M13	8-10	93420-22M03	9-55				
90105-06M17	5-11	90480-14M14	2-34	93430-06M02	1-10				
90116-06M08	6-11	90501-10064	9-37	93430-06005	9-32				
90142-06M01	9- 7	90501-23215	7-15	93450-13022	5-40				
90159-04035	3-15	90508-14M10	8-43	93604-09066	9-30				
90159-04036	3-10	90508-14M11	8-44	93604-18080	9-25				
90159-05037	3-12	90508-16020	8-33	93606-12019	5- 9				
90159-05038	3- 8	90508-16021	8-34		8- 3				
90159-05040	3-24	90510-08M01	1- 4	94701-00040	5-53				
90170-10113	3-20	90510-08M02	1- 4	95303-06600	1- 8				
90185-08M00	8-20	90560-06088	8-22	95303-06700	2-17				
90201-06M30	1-17	90890-05143	14- 6		6-12				
90201-08M47	8-18	90890-44372	1-12	95380-06600	8-24				
90201-10119	7-16	90890-56874	14- 1	95380-06700	7-27				
90201-10126	3-21	90890-69908	14- 2		8- 8				
90201-11M49	9-33	90890-69910	14- 3	95380-08600	8-37				
90201-13M50	9-42	90890-69911	14- 4	95621-06325	6-10				
90201-32M48	5-46	90890-69912	14- 5	95895-06010	8-47				
90202-07M22	7-39	91490-12008	7-10	95895-06016	4- 3				
90202-12M16	6- 2	91490-16010	7-33		9-48				
90202-12M17	2-31	91490-30030	9-51	95895-06020	7-36				
90206-12052	2-15	91690-20010	8-36		8-32				
90206-16M06	7-24	91690-30008	8-41	95895-06025	2-23				
90209-18112	5-34	91690-40020	8-16		5-15				
90250-05009	9-49	92903-05600	6-47		5-27				
90250-05046	9-39		7-38		7-30				
90254-04M00	8-16		13-11	95895-06035	8-27				
90266-04M00	2- 7	92903-06100	4-11	97313-05012	7- 5				
	11- 7	92903-06600	6-13	97313-05016	7- 5				
90269-02001	7-14		7-26	97313-06010	4- 7				
90280-04006	3-22	92990-05600	7-32	97313-06030	4- 5				
90340-08014	9- 9		9-57	97313-06035	1- 6				
90386-12069	2-13	92990-06600	5-50	97395-06012	7-28				
90386-26M30	7- 3		8- 5	97395-06016	5-49				
90386-26M33	7-37		8- 7		8- 6				
90430-08020	9- 8		8-23	97395-06025	9-13				
90445-07M00	5-14		9-14	97395-06030	8- 4				
90445-07M28	5- 7	92990-08600	8-19	97395-06035	9-10				



YAMAHA MOTOR CO., LTD.
2500 SHINGAI IWATA-SHI SHIZUOKA-KEN JAPAN

Copyright
All rights reserved.
No part of this publication may be
reproduced without permission.