

**PARTS  
CATALOGUE  
CATALOGO  
DE REPUESTOS**

**(E)40XMH '03<sub>(66T4)</sub>**

**(E)40XWH '03<sub>(66T5)</sub>**

**(E)40XW '03<sub>(66T5)</sub>**

**40XWT '03<sub>(66T5)</sub>**

# FOREWORD

This Parts Catalogue is related to the parts for the model(s) in the below frame. When you are ordering replacement parts, please refer to this Parts Catalogue and quote both part numbers and part names correctly.

(E)40XMH'03(66T4), (E)40XWH'03(66T5),  
(E)40XW'03(66T5), 40XWT'03(66T5)

1. Modifications or additions which have been made after issue of the Parts Catalogue will be announced in the Yamaha Parts News.  
It is advisable that you make necessary corrections to the Parts Catalogue according to the Yamaha Parts News.

2. Abbreviations

The Following abbreviations are used in this Parts Catalogue.

“UR” Use specified parts number.

“UN” Use as many as needed.

“AP” Alternate Parts

“LM” Local Made  
(Parts need to be ordered locally)

“O/S” Over Size

3. Parts, which are to be supplied in an assembly, are listed with a dot(.) in front of the part name as shown below.

EXAMPLE

CARBURETOR ASSY  
.JET, PILOT  
.NOZZLE, MAIN

4. Number of component for assembly

The numeral appearing to the right of each component part indicates the quantity of parts for each assembly unit.

EXAMPLE

| PART NO.          | DESCRIPTION         | u | u | u | u | REMARKS |
|-------------------|---------------------|---|---|---|---|---------|
| 6E0-85500-70      | C.D.I. MAGNETO ASSY | 1 |   |   |   |         |
| 6E0-85550-70      | .ROTOR ASSY         | 1 |   |   |   |         |
| 6E0-15723-00-94.. | PULLY, STARTER      | 1 |   |   |   |         |

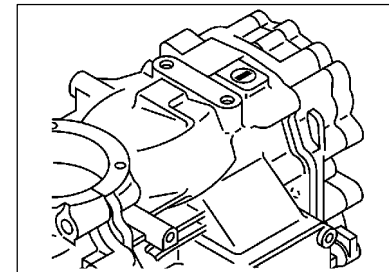
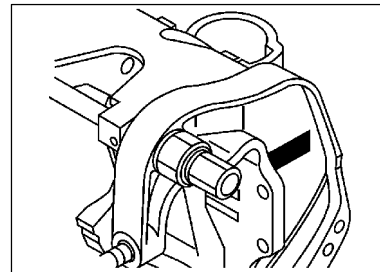
5. Quantity Column Information

| NAME for Q'TY COLUMN | APPLICABLE MODEL |
|----------------------|------------------|
| MH                   | 40XMH, E40XMH    |
| WH                   | 40XWH, E40XWH    |
| W                    | 40XW, E40XW      |
| WT                   | 40XWT            |

6. Applicable Starting Serial No. and Color Code

1) Engine Starting Sserial No.

|          |                |              |                |
|----------|----------------|--------------|----------------|
| 40XMH S  | 66TK : 1000001 | E40XMH S/L/X | 66TK : 1000001 |
| 40XW S/L | 66TK : 1000001 | E40XWH L     | 66TK : 1000001 |
| 40XWH L  | 66TK : 1000001 | E40XW S/L    | 66TK : 1000001 |
| 40XWT L  | 66TK : 1000001 |              |                |



2) Color Code

| Color Code | Color Name                  | Abbreviation |
|------------|-----------------------------|--------------|
| 004D       | DARK BLUISH GRAY METALLIC 2 | DBNM2        |

7. Note that the illustrations for reference in finding parts numbers, not to be used for assembling. When assembling, please use the applicable service manual.

8. The asterisk (\*) before a reference number indicates modification items after the first edition.

# PROLOGO

Este Catálogo de Repuestos corresponde a las piezas para el(los) modelo(s) del recuadro siguiente. Al formular el pedido de repuestos, se ruega citar este Catálogo de Repuestos y especificar correctamente los números de parte y los nombres de parte.

(E)40XMH'03(66T4), (E)40XWH'03(66T5),  
(E)40XW'03(66T5), 40XWT'03(66T5)

1. Las modificaciones y agregados que se hayan realizado después de la edición de este Catálogo de Repuestos, serán anunciados en las Informaciones de Recambios Yamaha.
2. Abreviaciones  
En este Catálogo de Repuestos se emplean las siguientes abreviaciones.  
 "UR" Usar el número de partes especificado  
 "UN" Usar la cantidad necesaria  
 "AP" Piezas sustitutivas  
 "LM" Fabricación local (Partes necesarias que se pedirán localmente)  
 "F#" No. de bastidor aplicable
3. Las piezas suministradas como conjunto se describen con un punto (.) que precede al nombre de la pieza como se indica a continuación.

**EJEMPLO**

CONJUNTO CARBURADOR

.INYECTOR, piloto

.BOQUILLA, principal

4. Cantidad de componentes de un conjunto  
La numeración que aparece a la derecha de cada descripción, indica la cantidad de piezas por cada unidad de conjunto.

**EJEMPLO**

| PIEZAS NO.      | DESCRIPTION         | u | u | u | OBSERVACION |
|-----------------|---------------------|---|---|---|-------------|
| 6E0-85500-70    | C.D.I. MAGNETO ASSY | 1 |   |   |             |
| 6E0-85550-70    | .ROTOR ASSY         | 1 |   |   |             |
| 6E0-15723-00-94 | ..PULLY, STARTER    | 1 |   |   |             |

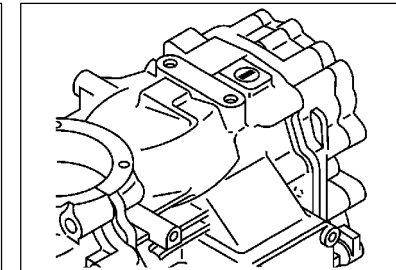
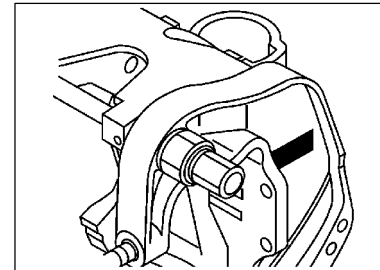
5. Información para columna de Cantidad

| NAME for Q'TY COLUMN | APPLICABLE MODEL |
|----------------------|------------------|
| MH                   | 40XMH, E40XMH    |
| WH                   | 40XWH, E40XWH    |
| W                    | 40XW, E40XW      |
| WT                   | 40XWT            |

6. Números de Serie y Códigos de color aplicables

1) No. de Serie del motor.

|          |                |              |                |
|----------|----------------|--------------|----------------|
| 40XMH S  | 66TK : 1000001 | E40XMH S/L/X | 66TK : 1000001 |
| 40XW S/L | 66TK : 1000001 | E40XWH L     | 66TK : 1000001 |
| 40XWH L  | 66TK : 1000001 | E40XW S/L    | 66TK : 1000001 |
| 40XWT L  | 66TK : 1000001 |              |                |



2) Código de color

| Código de color | Nombre de color             | Abreviación |
|-----------------|-----------------------------|-------------|
| 004D            | DARK BLUISH GRAY METALLIC 2 | DBNM2       |

7. Debe tenerse en cuenta que las ilustraciones sirven como guía para la búsqueda de las referencias y no deben usarse para el montaje. Durante el montaje, se recomienda usar el manual de Taller correspondiente.
8. EL asterisco (\*) antes del número de referencia indica los elementos modificados después de la primera edición.

# CONTENTS

## SHEET 1/2

|                                 |    |
|---------------------------------|----|
| TOP COWLING .....               | A4 |
| CYLINDER, CRANKCASE .....       | A5 |
| CRANKSHAFT, PISTON .....        | A7 |
| INTAKE .....                    | B1 |
| CARBURETOR .....                | B2 |
| FUEL .....                      | B4 |
| STARTER .....                   | B6 |
| GENERATOR .....                 | C1 |
| ELECTRICAL 1 .....              | C3 |
| ELECTRICAL 2 .....              | C4 |
| ELECTRICAL 3 .....              | C6 |
| STARTING MOTOR .....            | C7 |
| BOTTOM COWLING .....            | D1 |
| STEERING .....                  | D3 |
| STEERING FRICTION .....         | D5 |
| CONTROL .....                   | D6 |
| REMOTE CONTROL ATTACHMENT ..... | E1 |
| BRACKET 1 .....                 | E2 |
| BRACKET 2 .....                 | E5 |
| BRACKET 3 .....                 | E7 |
| POWER TRIM & TILT ASSY .....    | F2 |
| UPPER CASING .....              | F5 |
| LOWER CASING, DRIVE 1 .....     | F6 |

## INDEX

|                       |    |
|-----------------------|----|
| NUMERICAL INDEX ..... | G1 |
|-----------------------|----|

## SHEET 2/2

|                             |     |
|-----------------------------|-----|
| LOWER CASING, DRIVE 1 ..... | A4* |
| LOWER CASING, DRIVE 2 ..... | A6* |
| FUEL TANK .....             | B1* |
| STEERING GUIDE .....        | B2* |
| REMOTE CONTROL BOX .....    | B3* |
| REMOTE CONTROL ASSY 1 ..... | B4* |
| REMOTE CONTROL ASSY 2 ..... | B7* |
| SWITCH, PANEL .....         | C2* |
| REPAIR KIT 1 .....          | C3* |
| REPAIR KIT 2 .....          | C5* |
| REPAIR KIT 3 .....          | C6* |

## INDEX

|                       |     |
|-----------------------|-----|
| NUMERICAL INDEX ..... | G1* |
|-----------------------|-----|

# CONTENIDO

## PAGINA 1/2

|                                |    |
|--------------------------------|----|
| SOPORTE SUPERIOR .....         | A4 |
| CYLINDRO. CARTER .....         | A5 |
| CIGUENAL. PISTON .....         | A7 |
| ADMISION .....                 | B1 |
| CARBURADOR .....               | B2 |
| COMBUSTIBLE .....              | B4 |
| ARRANQUE .....                 | B6 |
| GENERADOR .....                | C1 |
| EQUIPO ELECTRICO 1 .....       | C3 |
| EQUIPO ELECTRICO 2 .....       | C4 |
| EQUIPO ELECTRICO 3 .....       | C6 |
| MOTOR DE ARRANQUE .....        | C7 |
| CUBIERTA INFERIOR .....        | D1 |
| DIRECCION .....                | D3 |
| FRICCION DE DIRECCION .....    | D5 |
| CONTROL .....                  | D6 |
| CONJUNTO ADITAMENTO .....      | E1 |
| SOPORTE 1 .....                | E2 |
| SOPORTE 2 .....                | E5 |
| SOPORTE 3 .....                | E7 |
| COMPONER Y PODER VARILLA ..... | F2 |
| FUNDA SUPERIOR .....           | F5 |
| IMPULSOR E INFERIOR 1 .....    | F6 |

## INDICE

|                       |    |
|-----------------------|----|
| INDICE NUMERICO ..... | G1 |
|-----------------------|----|

## PAGINA 2/2

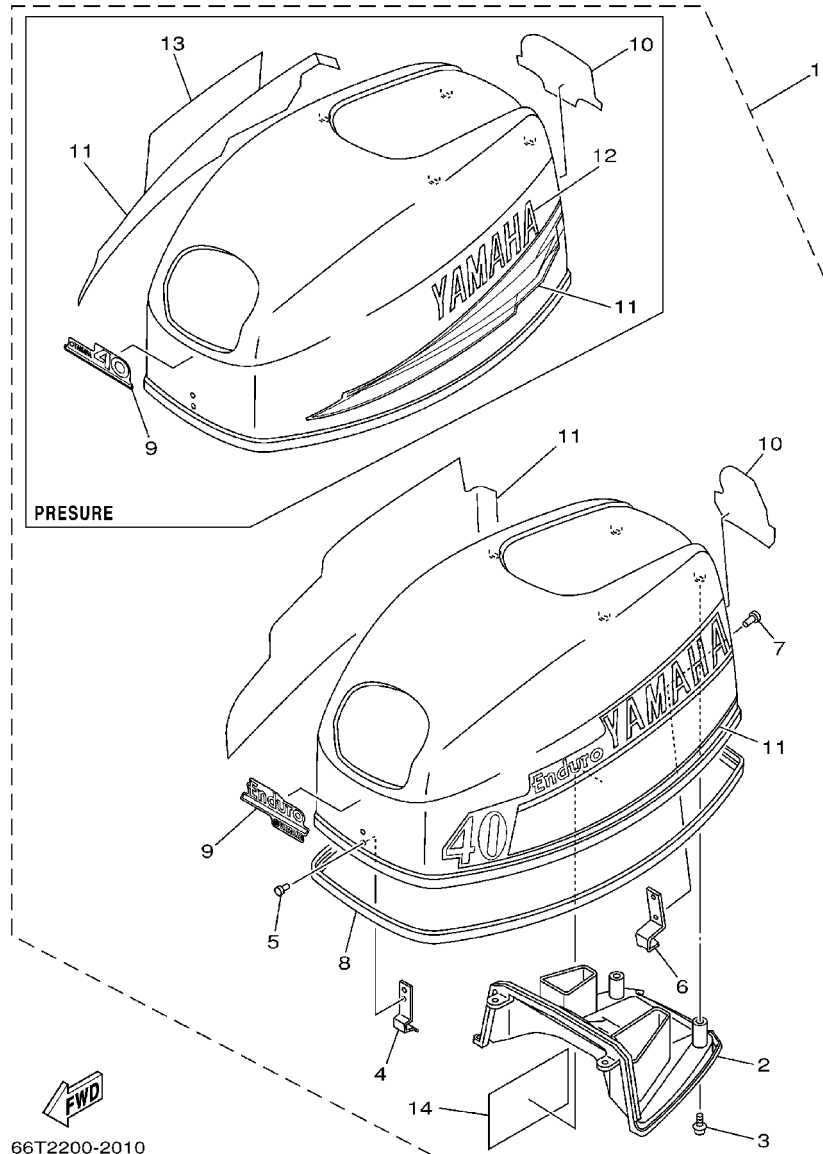
|                               |     |
|-------------------------------|-----|
| IMPULSOR E INFERIOR 1 .....   | A4* |
| IMPULSOR E INFERIOR 2 .....   | A6* |
| DEPOSITO DE COMBUSTIBLE ..... | B1* |
| DIRECCIONGUIAR .....          | B2* |
| CONTROL REMOTO COMPL. .....   | B3* |
| CONTROL REMOTO COMPL. 1 ..... | B4* |
| CONTROL REMOTO COMPL. 2 ..... | B7* |
| PANEL DE INTERRUPTOR .....    | C2* |
| ESTUCHE REPARATION 1 .....    | C3* |
| ESTUCHE REPARATION 2 .....    | C5* |
| ESTUCHE REPARATION 3 .....    | C6* |

## INDICE

|                       |     |
|-----------------------|-----|
| INDICE NUMERICO ..... | G1* |
|-----------------------|-----|

FIG. 1 TOP COWLING

SOPORTE SUPERIOR



66T2200-2010

| REF. NO. | PART NO. CODIGO NO. | DESCRIPTION DESCRIPTION                           | MH | WH | W | WT | REMARKS OBSERVACION |
|----------|---------------------|---------------------------------------------------|----|----|---|----|---------------------|
| 1        | 66T-42610-K0-4D     | TOP COWLING ASSY<br>SOPORTE SUPERIOR COMPL.       | 1  | 1  | 1 | 1  | ENDURO              |
|          | 66T-42610-20-4D     | TOP COWLING ASSY<br>SOPORTE SUPERIOR COMPL.       | 1  |    | 1 | 1  | PRESURE             |
| 2        | 66T-42613-01        | .MOLDING, AIR DUCT<br>.MOLDURA CONDUCTO AIRE      | 1  | 1  | 1 | 1  |                     |
| 3        | 97780-50616         | .SCREW, TAPPING<br>.TORNILLO DE CABEZA DE CONO AC | 4  | 4  | 4 | 4  |                     |
| 4        | 6E0-42651-02        | .HOOK<br>.GANCHO                                  | 1  | 1  | 1 | 1  |                     |
| 5        | 90266-04M04         | .RIVET<br>.REMACHE                                | 2  | 2  | 2 | 2  |                     |
| 6        | 6F5-42652-01        | .HOOK<br>.GANCHO                                  | 1  | 1  | 1 | 1  |                     |
| 7        | 90266-04M01         | .RIVET<br>.REMACHE                                | 2  | 2  | 2 | 2  |                     |
| 8        | 66T-42615-02        | .SEAL<br>.SELLO                                   | 1  | 1  | 1 | 1  |                     |
| 9        | 69P-42677-H0        | .GRAPHIC, FRONT<br>.CALCAMONIA, FRONTAL           | 1  | 1  | 1 | 1  | ENDURO              |
|          | 63D-42677-20        | .GRAPHIC, FRONT<br>.CALCAMONIA FRONTAL            | 1  |    | 1 | 1  | PRESURE             |
| 10       | 6J4-42678-H0        | .GRAPHIC, REAR<br>.CALCAMONIA TRASERA             | 1  | 1  | 1 | 1  | ENDURO              |
|          | 63D-42678-11        | .GRAPHIC, REAR<br>.CALCAMONIA TRASERA             | 1  |    | 1 | 1  | PRESURE             |
| 11       | 66T-W0070-H0        | .GRAPHIC SET<br>.JUEGO DE EMBLEMA                 | 1  | 1  | 1 | 1  | ENDURO              |
|          | 63D-W0070-10        | .GRAPHIC SET<br>.JUEGO DE EMBLEMA                 | 1  |    | 1 | 1  | PRESURE             |
| 12       | 63D-42681-10        | .MARK, COWLING<br>.MARCA DE CUBIERTA              | 1  |    | 1 | 1  | PRESURE             |
| 13       | 63D-42682-10        | .MARK, COWLING<br>.MARCA DE CUBIERTA              | 1  |    | 1 | 1  | PRESURE             |
| 14       | 677-13437-08        | .MARK, CAUTION<br>.MARKER                         | 1  | 1  | 1 | 1  | ENDURO              |

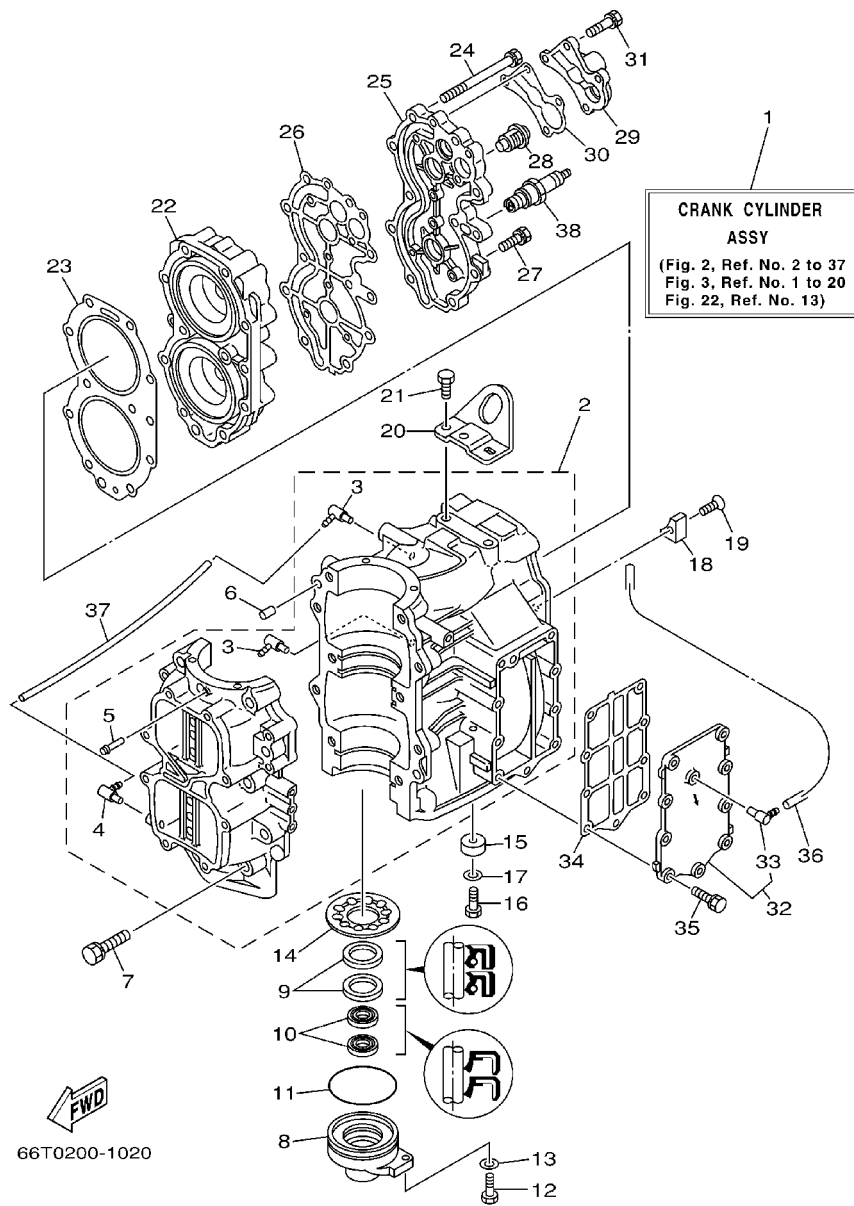


FIG. 2 CYLINDER. CRANKCASE CYLINDRO. CARTER

| REF. NO. | PART NO. CODIGO NO. | DESCRIPTION DESCRIPTION                                | MH | WH | W  | WT | REMARKS OBSERVACION |
|----------|---------------------|--------------------------------------------------------|----|----|----|----|---------------------|
| 1        | 66T-W0090-02-1S     | CRANK CYLINDER ASSY<br>BLOQUE MOTOR COMPLETO           | 1  | 1  | 1  | 1  |                     |
| 2        | 66T-15100-02-1S     | CRANKCASE ASSY<br>CARTER COMPLETO                      | 1  | 1  | 1  | 1  |                     |
| 3        | 6E5-13552-01        | .NOZZLE<br>.BOQUILLA                                   | 2  | 2  | 2  | 2  |                     |
| 4        | 6E5-13552-01        | .NOZZLE<br>.BOQUILLA                                   | 1  | 1  | 1  | 1  |                     |
| 5        | 624-14485-00        | .PIPE, JOINT<br>.TUBO_DE_UNION                         | 1  | 1  | 1  | 1  |                     |
| 6        | 93608-12063         | PIN, DOWEL<br>PASADOR DE CLAVIJA                       | 2  | 2  | 2  | 2  |                     |
| 7        | 90119-10005         | BOLT, WITH WASHER<br>TORNILLO CON ARANDELA             | 10 | 10 | 10 | 10 |                     |
| 8        | 66T-15396-01-94     | HOUSING, OIL SEAL<br>CAJA DE SELLO DE ACEITE           | 1  | 1  | 1  | 1  |                     |
| 9        | 93102-30M56         | OIL SEAL<br>RETEN DE ACEITE                            | 2  | 2  | 2  | 2  |                     |
| 10       | 93101-16001         | OIL SEAL<br>RETEN DE ACEITE                            | 2  | 2  | 2  | 2  |                     |
| 11       | 93210-65M50         | O-RING<br>JUNTA TORICA                                 | 1  | 1  | 1  | 1  |                     |
| 12       | 97095-06020         | BOLT<br>PERNO                                          | 1  | 1  | 1  | 1  |                     |
| 13       | 92995-06600         | WASHER<br>ARANDELA                                     | 1  | 1  | 1  | 1  |                     |
| 14       | 66T-11565-00        | WASHER, BEARING COVER<br>ARANDELA CUBIERTA DE COJINETE | 1  | 1  | 1  | 1  |                     |
| 15       | 676-45251-00        | ANODE<br>CATODE                                        | 1  | 1  | 1  | 1  |                     |
| 16       | 97095-06020         | BOLT<br>PERNO                                          | 1  | 1  | 1  | 1  |                     |
| 17       | 92995-06600         | WASHER<br>ARANDELA                                     | 1  | 1  | 1  | 1  |                     |
| 18       | 676-11325-00        | ANODE<br>ANODO                                         | 1  | 1  | 1  | 1  |                     |
| 19       | 90141-06M00         | SCREW, COUNTERSUNK<br>TORNILLO RANURADO                | 1  | 1  | 1  | 1  |                     |
| 20       | 66T-11119-00        | HANGER, ENGINE<br>SOPORTE DEL MOTOR                    | 1  | 1  | 1  | 1  |                     |
| 21       | 90101-08002         | BOLT<br>TORNILLO                                       | 2  | 2  | 2  | 2  |                     |
| 22       | 66T-11111-01-1S     | HEAD, CYLINDER 1<br>CULATA CILINDRO 1                  | 1  | 1  | 1  | 1  |                     |
| 23       | 66T-11181-A2        | GASKET, CYLINDER HEAD 1<br>JUNTA, DE CULATA 1          | 1  | 1  | 1  | 1  |                     |
| 24       | 90119-08MA5         | BOLT, WITH WASHER<br>TORNILLO CON ARANDELA             | 11 | 11 | 11 | 11 |                     |
| 25       | 66T-11191-00-1S     | COVER, CYLINDER HEAD 1<br>TAPA CULATA DE CILINDRO 1    | 1  | 1  | 1  | 1  |                     |
| 26       | 66T-11193-A2        | GASKET, HEAD COVER 1<br>EMPAQUE                        | 1  | 1  | 1  | 1  |                     |
| 27       | 90119-06MA3         | BOLT, WITH WASHER<br>TORNILLO CON ARANDELA             | 4  | 4  | 4  | 4  |                     |





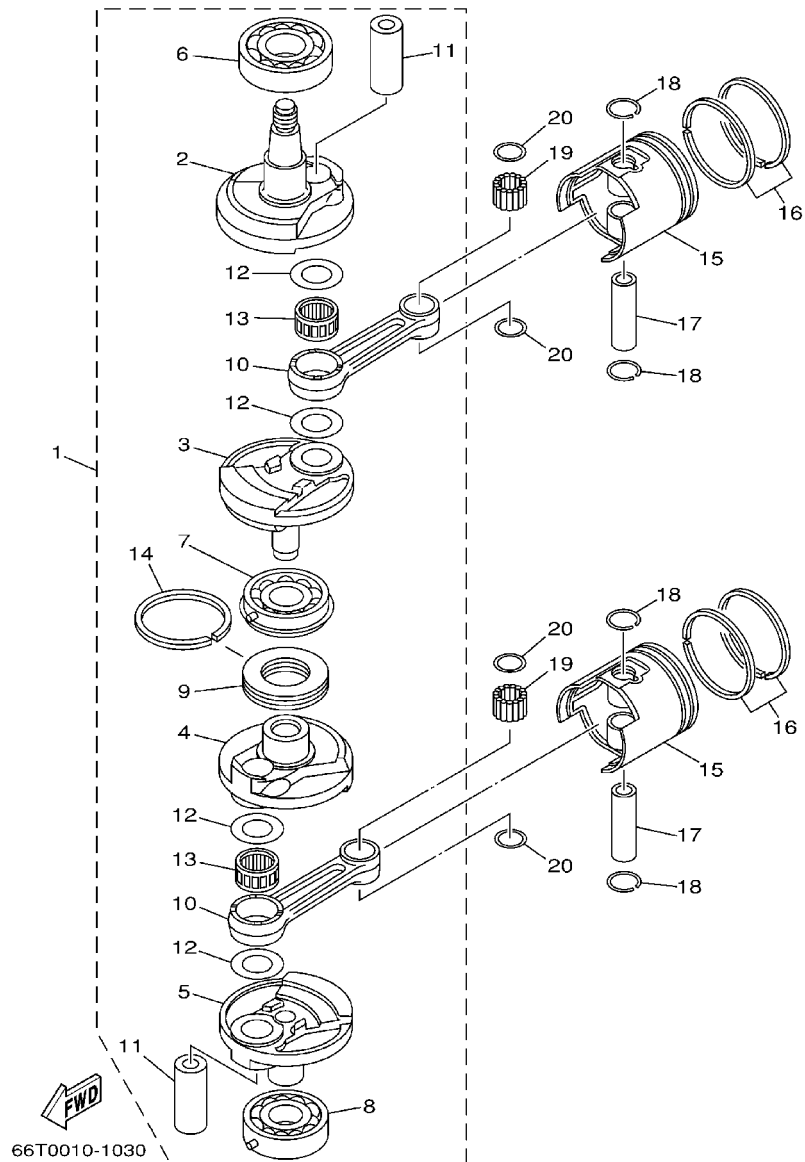


FIG. 3 CRANKSHAFT. PISTON

CIGUENAL. PISTON

| REF. NO. | PART NO. CODIGO NO. | DESCRIPTION DESCRIPTION                                       | MH | WH | W  | WT | REMARKS OBSERVACION |
|----------|---------------------|---------------------------------------------------------------|----|----|----|----|---------------------|
| 1        | 66T-11400-01        | CRANKSHAFT ASSY<br>CIGUENAL COMPLETO                          | 1  | 1  | 1  | 1  |                     |
| 2        | 66T-11412-00        | .CRANK 1<br>.MANIVELA 1                                       | 1  | 1  | 1  | 1  |                     |
| 3        | 66T-11422-00        | .CRANK 2<br>.MANIVELA 2                                       | 1  | 1  | 1  | 1  |                     |
| 4        | 66T-11432-00        | .CRANK 3<br>.MANIVELA 3                                       | 1  | 1  | 1  | 1  |                     |
| 5        | 66T-11442-00        | .CRANK 4<br>.MANIVELA 4                                       | 1  | 1  | 1  | 1  |                     |
| 6        | 93306-307U0         | .BEARING<br>.COJINETE                                         | 1  | 1  | 1  | 1  |                     |
| 7        | 93332-000UE         | .BEARING<br>.COJINETE DE RODILLOS AHUSADO                     | 1  | 1  | 1  | 1  |                     |
| 8        | 93306-306V5         | .BEARING<br>.COJINETE                                         | 1  | 1  | 1  | 1  |                     |
| 9        | 6F5-11515-00        | .SEAL, LABYRINTH 1<br>.SELLO LABERINTO 1                      | 1  | 1  | 1  | 1  |                     |
| 10       | 6F5-11651-00        | .ROD, CONNECTING<br>.BIELA                                    | 2  | 2  | 2  | 2  |                     |
| 11       | 66T-11681-00        | .PIN, CRANK 1<br>.PASADOR MANIVELA 1                          | 2  | 2  | 2  | 2  |                     |
| 12       | 90209-27M07         | .WASHER<br>.ARANDELA DE SEPARACION                            | 4  | 4  | 4  | 4  |                     |
| 13       | 93310-727U0         | .BEARING<br>.COJINETE DE RODILLOS                             | 2  | 2  | 2  | 2  |                     |
| 14       | 93440-68M03         | .CIRCLIP<br>.SEGURO                                           | 1  | 1  | 1  | 1  |                     |
| 15       | 66T-11631-01-93     | PISTON (STD)<br>PISTON (NORMA)                                | 2  | 2  | 2  | 2  |                     |
|          | 66T-11635-01        | PISTON (0.25MM O/S)                                           | 2  | 2  | 2  | 2  | AP                  |
|          | 66T-11636-01        | PISTON (0.50MM O/S)                                           | 2  | 2  | 2  | 2  | AP                  |
| 16       | 66T-11603-00        | PISTON RING SET (STD)<br>JUEGO DE ANILLOS (NORMA)             | 2  | 2  | 2  | 2  |                     |
|          | 66T-11604-00        | PISTON RING SET (0.25MM O/S)<br>JUEGO DE ANILLOS (0.25MM O/S) | 2  | 2  | 2  | 2  | AP                  |
|          | 66T-11605-00        | PISTON RING SET (0.50MM O/S)<br>JUEGO DE ANILLOS (0.50MM O/S) | 2  | 2  | 2  | 2  | AP                  |
| 17       | 6F5-11633-00        | PIN, PISTON<br>PASADOR, PISTON                                | 2  | 2  | 2  | 2  |                     |
| 18       | 663-11634-00        | CLIP, PISTON PIN<br>PRESILLA, BULON DE PISTON                 | 4  | 4  | 4  | 4  |                     |
| 19       | 93603-21111         | PIN, DOWEL<br>PASADOR DE CLAVIJA                              | 56 | 56 | 56 | 56 |                     |
| 20       | 90201-20417         | WASHER, PLATE<br>ARANDELA PLANA                               | 4  | 4  | 4  | 4  |                     |

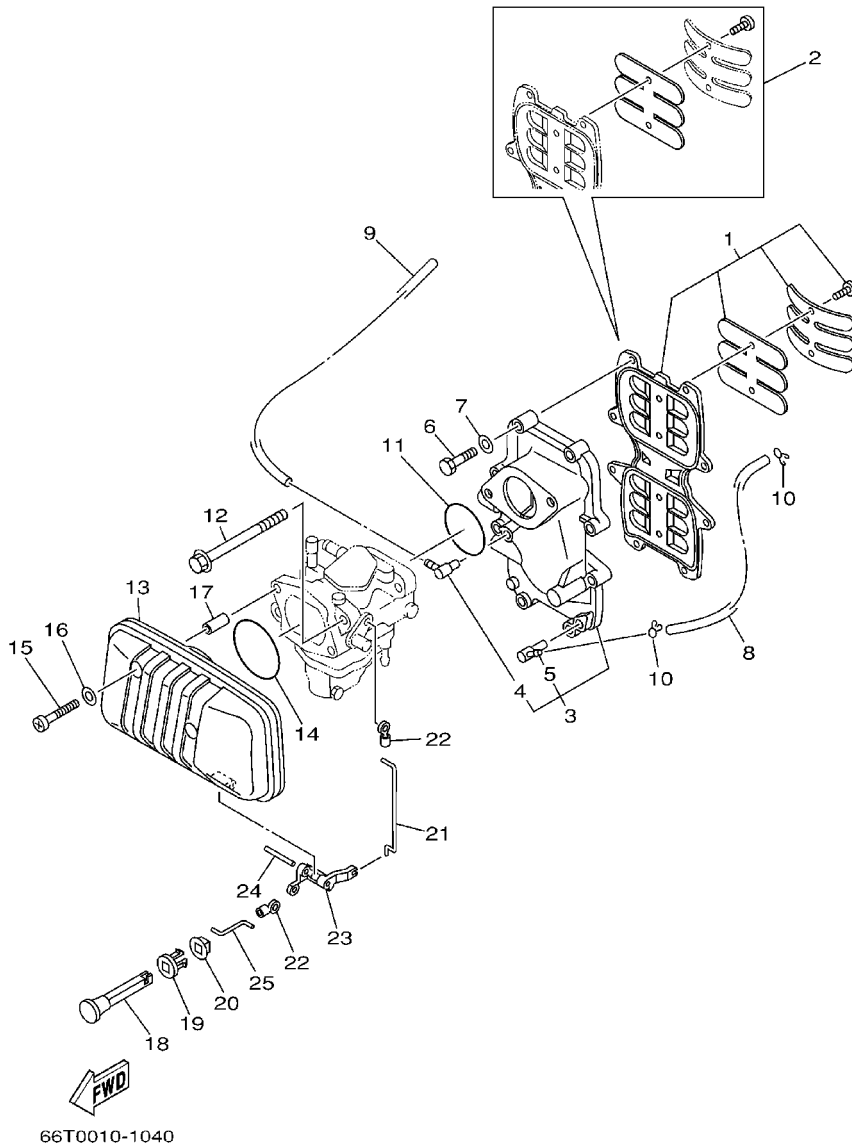


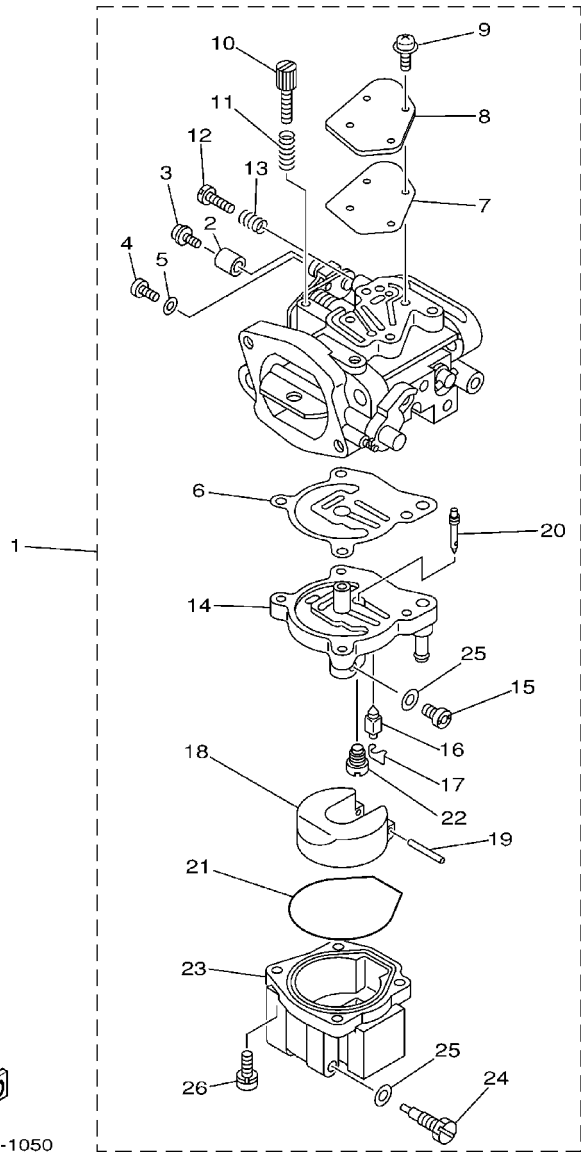
FIG. 4 INTAKE

ADMISION

| REF. NO. | PART NO. CODIGO NO. | DESCRIPTION DESCRIPTION                                | MH | WH | W | WT | REMARKS OBSERVACION |
|----------|---------------------|--------------------------------------------------------|----|----|---|----|---------------------|
| 1        | 66T-13610-00        | REED VALVE ASSY<br>VALVULA DE LAMINAS COMPLETA         | 1  | 1  | 1 | 1  |                     |
| 2        | 66T-W0004-00        | .REED SET<br>.JUEGO DE VALVULAS DE LENGUETA            | 1  | 1  | 1 | 1  |                     |
| 3        | 66T-13641-02-1S     | MANIFOLD 1<br>MULTIPLE 1                               | 1  | 1  | 1 | 1  |                     |
| 4        | 6E5-13552-01        | .NOZZLE<br>.BOQUILLA                                   | 1  | 1  | 1 | 1  |                     |
| 5        | 650-11372-01        | .NIPPLE, HOSE<br>.NIPLE DE MANGUERA                    | 1  | 1  | 1 | 1  |                     |
| 6        | 97013-06035         | BOLT<br>PERNO                                          | 8  | 8  | 8 | 8  |                     |
| 7        | 92903-06600         | WASHER, PLATE<br>RONDANA SENCILLA                      | 8  | 8  | 8 | 8  |                     |
| 8        | 90445-07M24         | HOSE (L240)<br>TUBO (L240)                             | 1  | 1  | 1 | 1  |                     |
| 9        | 90445-07MA4         | HOSE (L280)<br>TUBO (L280)                             | 1  | 1  | 1 | 1  |                     |
| 10       | 90467-06016         | CLIP<br>PRESILLA                                       | 2  | 2  | 2 | 2  |                     |
| 11       | 93210-46M16         | O-RING<br>JUNTA TORICA                                 | 1  | 1  | 1 | 1  |                     |
| 12       | 90119-08M03         | BOLT, WITH WASHER<br>TORNILLO CON ARANDELA             | 2  | 2  | 2 | 2  |                     |
| 13       | 66T-14440-00        | SILENCER ASSY, INTAKE<br>SILENCIADOR COMPL DE ADMISION | 1  | 1  | 1 | 1  |                     |
| 14       | 93210-54M54         | O-RING<br>JUNTA TORICA                                 | 1  | 1  | 1 | 1  |                     |
| 15       | 97885-06040         | SCREW, PAN HEAD<br>TORNILLO A MUESCA                   | 2  | 2  | 2 | 2  |                     |
| 16       | 92995-06600         | WASHER<br>ARANDELA                                     | 2  | 2  | 2 | 2  |                     |
| 17       | 90387-06M80         | COLLAR<br>COLLAR                                       | 2  | 2  | 2 | 2  |                     |
| 18       | 6H4-41271-01        | KNOB, CHOKE<br>PERILLA AHOGADOR                        | 1  | 1  | 1 | 1  |                     |
| 19       | 689-41273-00        | GROMMET<br>TAPON PROTECTOR                             | 1  | 1  | 1 | 1  |                     |
| 20       | 6J8-41274-00        | GROMMET 2<br>TAPON 2                                   | 1  | 1  | 1 | 1  |                     |
| 21       | 66T-41256-00        | ROD, CHOKE 1<br>VARILLA DE AHOGADOR                    | 1  | 1  | 1 | 1  |                     |
| 22       | 661-41262-02        | JOINT, CHOKE LEVER<br>CONECTOR DE AHOGADOR             | 2  | 2  | 2 | 2  |                     |
| 23       | 66T-41252-00        | LEVER, CHOKE 1<br>PALANCA AHOGADOR 1                   | 1  | 1  | 1 | 1  |                     |
| 24       | 91690-40032         | PIN, SPRING<br>PASADOR DE RESORTE                      | 1  | 1  | 1 | 1  |                     |
| 25       | 66T-41257-00        | ROD, CHOKE 2<br>VARILLA DE AHOGADOR                    | 1  | 1  | 1 | 1  |                     |

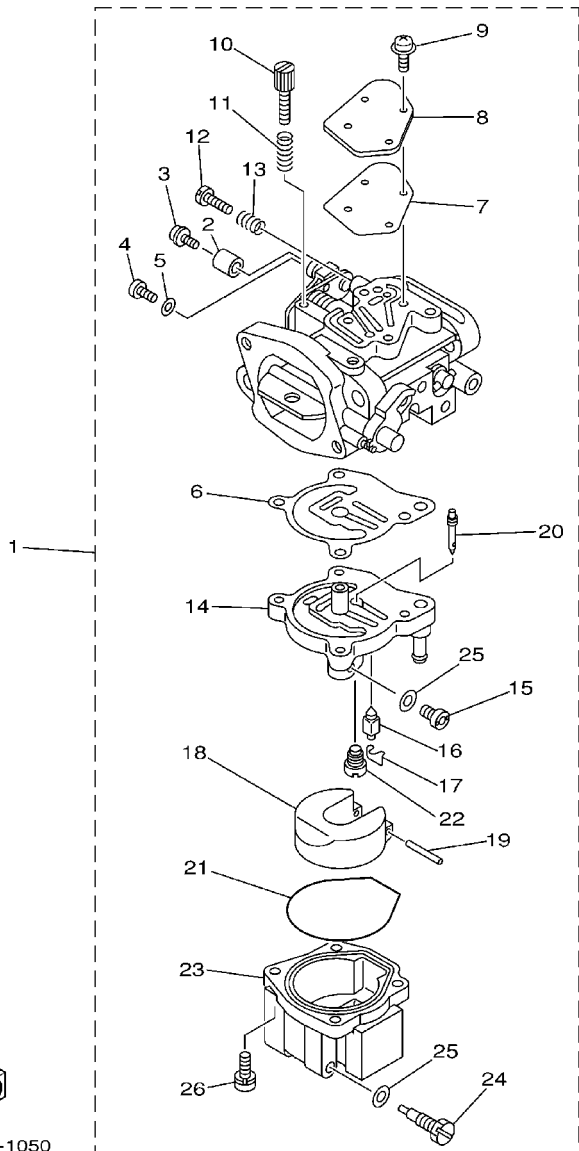
FIG. 5 CARBURETOR

CARBURADOR



66T0010-1050

| REF. NO. | PART NO. CODIGO NO. | DESCRIPTION DESCRIPTION                              | MH | WH | W | WT | REMARKS OBSERVACION |
|----------|---------------------|------------------------------------------------------|----|----|---|----|---------------------|
| 1        | 66T-14301-02        | CARBURETOR ASSY 1<br>CARBURADOR COMPLETO 1           | 1  | 1  |   |    |                     |
|          | 66T-14301-12        | CARBURETOR ASSY 1<br>CARBURADOR COMPLETO 1           |    |    | 1 | 1  |                     |
|          | 66T-14301-22        | CARBURETOR ASSY 1<br>CARBURADOR COMPLETO 1           | 1  |    |   |    | FOR BRAZIL          |
|          | 66T-14301-32        | CARBURETOR ASSY 1<br>CARBURADOR COMPLETO 1           |    |    | 1 |    | FOR BRAZIL          |
| 2        | 66T-14578-00        | .COLLAR<br>.COLLAR                                   | 1  | 1  | 1 | 1  |                     |
| 3        | 66T-14584-00        | .STOPPER<br>.RETENER                                 | 1  | 1  | 1 | 1  |                     |
| 4        | 6J8-14592-01        | .SCREW<br>.TORNILLO                                  | 1  | 1  | 1 | 1  |                     |
| 5        | 92990-05600         | .WASHER, PLATE<br>.ARANDELA PLANA                    | 1  | 1  | 1 | 1  |                     |
| 6        | 66T-14384-01        | .GASKET, FLOAT CHAMBER<br>.EMPAQUE DE CAMARA DE BOIA | 1  | 1  | 1 | 1  |                     |
| 7        | 66T-14536-00        | .GASKET<br>.EMPAQUE                                  | 1  | 1  | 1 | 1  |                     |
| 8        | 66T-14527-00        | .PLATE<br>.PLACA                                     | 1  | 1  | 1 | 1  |                     |
| 9        | 97980-04112         | .SCREW, WITH WASHER<br>.TORNILLO, CON ARANDELA       | 4  | 4  | 4 | 4  |                     |
| 10       | 66T-14523-00        | .SCREW, STOP<br>.TORNILLO DE TOPE                    | 1  | 1  | 1 | 1  |                     |
| 11       | 6J8-14334-00        | .SPRING, THROTTLE<br>.RESORTE DE AJUSTADOR DE AIRE   | 1  | 1  | 1 | 1  |                     |
| 12       | 6E5-14323-03        | .SCREW, AIR ADJUSTING<br>.TORNILLO DE AJUSTE DE AIRE | 1  | 1  | 1 | 1  |                     |
| 13       | 6E5-14223-00        | .SPRING, AIR ADJUSTING<br>.RESORTE, AJUSTE DE AIRE   | 1  | 1  | 1 | 1  |                     |
| 14       | 66T-14945-02        | .SPACER ASSY (#38)<br>.BRIDA DE ESPACIADOR 1 (#38)   | 1  | 1  | 1 | 1  |                     |
| 15       | 61A-1492E-85        | .JET, MAIN (#170)<br>.INJECTOR, PRINCIPAL (#170)     | 1  | 1  | 1 | 1  |                     |
|          | 61A-1492E-88        | .JET, MAIN (#176)<br>.INJECTOR, PRINCIPAL (#176)     | 1  | 1  |   |    | FOR BRAZIL          |
| 16       | 6E5-14546-00        | .VALVE, NEEDLE<br>.VALVULA DE AGUJA                  | 1  | 1  | 1 | 1  |                     |
| 17       | 6E5-14159-00        | .CLIP<br>.PRESILLA                                   | 1  | 1  | 1 | 1  |                     |
| 18       | 6E5-14385-02        | .FLOAT<br>.BOIA                                      | 1  | 1  | 1 | 1  |                     |
| 19       | 6E5-14386-02        | .PIN, FLOAT<br>.PASADOR DE BOIA                      | 1  | 1  | 1 | 1  |                     |
| 20       | 66T-1492F-35        | .JET, AIR SLOW (#70)<br>.ESPREA (#70)                | 1  | 1  | 1 | 1  |                     |
|          | 66T-1492F-37        | .JET, AIR SLOW (#74)<br>.ESPREA (#74)                | 1  |    |   |    | FOR BRAZIL          |
|          | 66T-1492F-37        | .JET, AIR SLOW (#74)<br>.ESPREA (#74)                |    |    | 1 |    | FOR BRAZIL          |
| 21       | 66T-14984-00        | .GASKET, FLOAT CHAMBER<br>.EMPAQUE CAMARA DE BOIA    | 1  | 1  | 1 | 1  |                     |



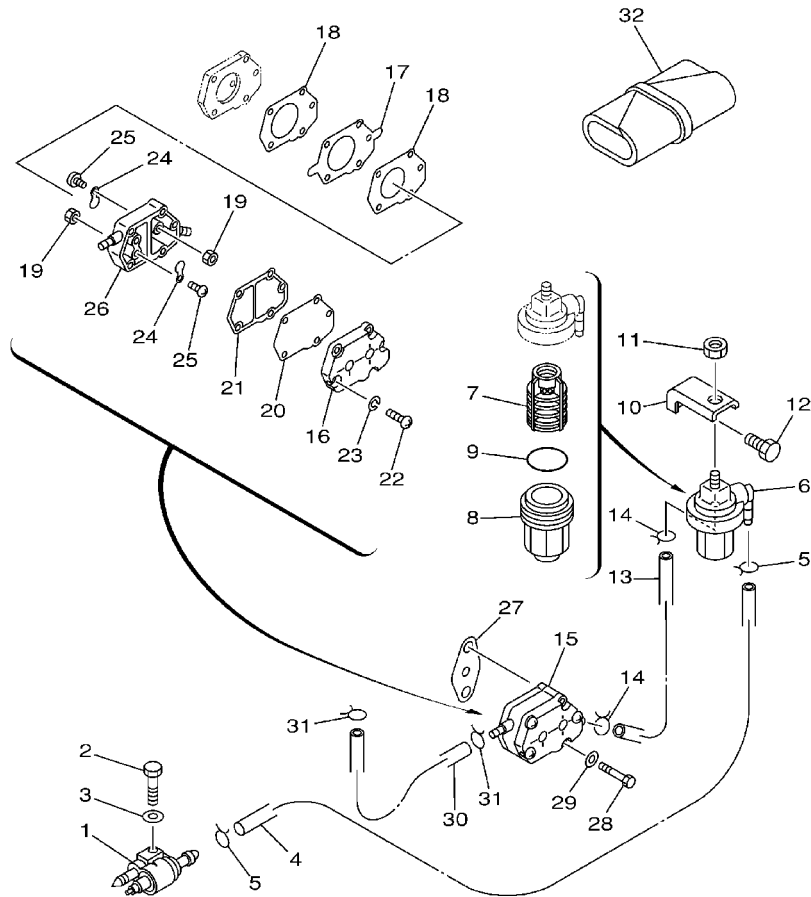
**FIG. 5 CARBURETOR**

**CARBURADOR**

| REF. NO. | PART NO. CODIGO NO. | DESCRIPTION DESCRIPTION                        | MH | WH | W | WT | REMARKS OBSERVACION |
|----------|---------------------|------------------------------------------------|----|----|---|----|---------------------|
| 22       | 66T-14992-00        | .PLUG<br>.TAPON                                | 1  | 1  | 1 | 1  |                     |
| 23       | 66T-14981-00        | .BODY, FLOAT CHAMBER<br>.CUERPO CAMARA DE BOIA | 1  | 1  | 1 | 1  |                     |
| 24       | 66T-14991-00        | .PLUG, DRAIN<br>.TAPON, DREN                   | 1  | 1  | 1 | 1  |                     |
| 25       | 66T-14959-00        | .GASKET<br>.EMPAQUE                            | 2  | 2  | 2 | 2  |                     |
| 26       | 97980-05125         | .SCREW, WITH WASHER<br>.TORNILLO, CON ARANDELA | 4  | 4  | 4 | 4  |                     |
|          |                     |                                                |    |    |   |    |                     |
|          |                     |                                                |    |    |   |    |                     |
|          |                     |                                                |    |    |   |    |                     |
|          |                     |                                                |    |    |   |    |                     |
|          |                     |                                                |    |    |   |    |                     |
|          |                     |                                                |    |    |   |    |                     |
|          |                     |                                                |    |    |   |    |                     |
|          |                     |                                                |    |    |   |    |                     |
|          |                     |                                                |    |    |   |    |                     |
|          |                     |                                                |    |    |   |    |                     |
|          |                     |                                                |    |    |   |    |                     |
|          |                     |                                                |    |    |   |    |                     |

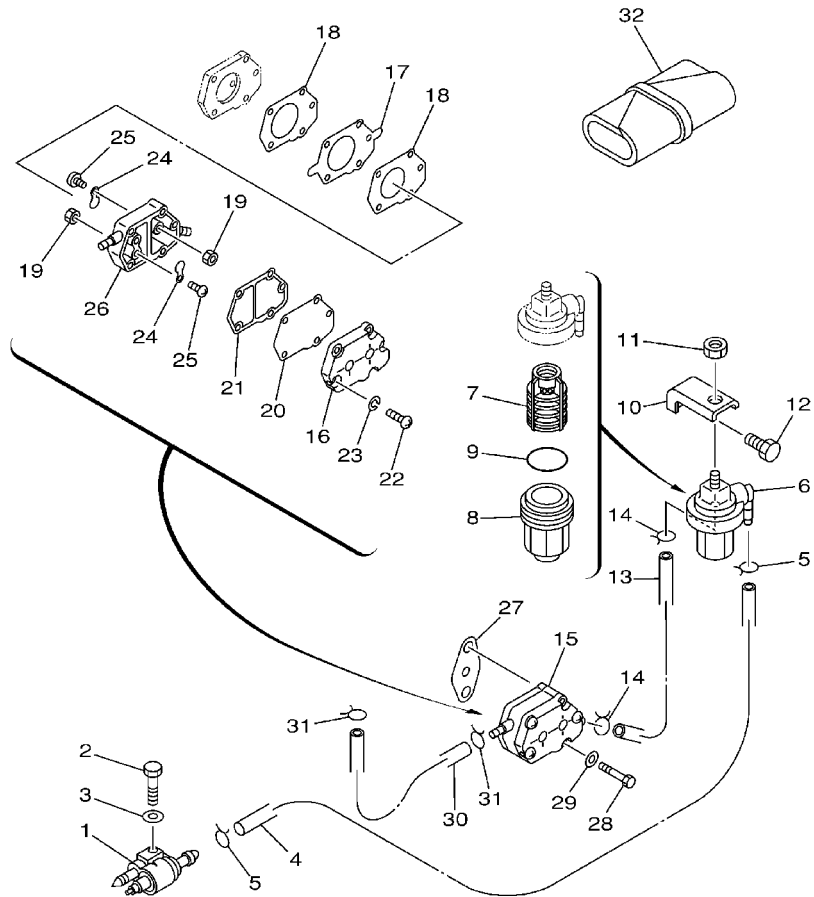
FIG. 6 FUEL

COMBUSTIBLE



66T0010-1060

| REF. NO. | PART NO. CODIGO NO. | DESCRIPTION DESCRIPTION                                | MH | WH | W | WT | REMARKS OBSERVACION |
|----------|---------------------|--------------------------------------------------------|----|----|---|----|---------------------|
| 1        | 6G1-24304-02        | FUEL PIPE JOINT COMP. 1<br>CONECTOR MANGUERA COMBUST.1 | 1  | 1  | 1 | 1  |                     |
| 2        | 97095-06030         | BOLT<br>PERNO                                          | 1  | 1  | 1 | 1  |                     |
| 3        | 92995-06600         | WASHER<br>ARANDELA                                     | 1  | 1  | 1 | 1  |                     |
| 4        | 90445-09M08         | HOSE (L550)<br>TUBO (L550)                             | 1  | 1  | 1 | 1  |                     |
| 5        | 90467-08004         | CLIP<br>PRESILLA                                       | 2  | 2  | 2 | 2  |                     |
| 6        | 61N-24560-00        | FILTER ASSY<br>FILTRO COMPLETO                         | 1  | 1  | 1 | 1  |                     |
| 7        | 61N-24563-00        | .ELEMENT, FILTER<br>.ELEMENTO DEL FILTRO               | 1  | 1  | 1 | 1  |                     |
| 8        | 61N-24521-00        | .CUP, FILTER<br>.COPA DE FILTRO                        | 1  | 1  | 1 | 1  |                     |
| 9        | 93210-32738         | .O-RING<br>.JUNTA TORICA                               | 1  | 1  | 1 | 1  |                     |
| 10       | 648-24566-02        | BRACKET, FILTER<br>SOPORTE DEL FILTRO                  | 1  | 1  | 1 | 1  |                     |
| 11       | 95380-08600         | NUT<br>TUERCA                                          | 1  | 1  | 1 | 1  |                     |
| 12       | 97013-06014         | BOLT<br>PERNO                                          | 1  | 1  | 1 | 1  |                     |
| 13       | 90445-09086         | HOSE (L170)<br>TUBO (L170)                             | 1  | 1  | 1 | 1  |                     |
| 14       | 90467-08004         | CLIP<br>PRESILLA                                       | 2  | 2  | 2 | 2  |                     |
| 15       | 692-24410-00        | FUEL PUMP ASSY<br>BOMBA DE COMBUSTIBLE COMPLETA        | 1  | 1  | 1 | 1  |                     |
| 16       | 6A0-24413-00        | .BODY 2<br>.CUERPO 2                                   | 1  | 1  | 1 | 1  |                     |
| 17       | 692-24411-00        | .DIAPHRAGM<br>.DIAFRAGMA                               | 1  | 1  | 1 | 1  |                     |
| 18       | 648-24434-01        | .GASKET, BODY<br>.EMPAQUE                              | 2  | 2  | 2 | 2  |                     |
| 19       | 95380-03600         | .NUT<br>.TUERCA                                        | 2  | 2  | 2 | 2  |                     |
| 20       | 663-24411-00        | .DIAPHRAGM<br>.DIAFRAGMA                               | 1  | 1  | 1 | 1  |                     |
| 21       | 648-24435-02        | .GASKET, BODY 2<br>.EMPAQUE                            | 1  | 1  | 1 | 1  |                     |
| 22       | 98503-05028         | .SCREW, PAN HEAD<br>.TORNILLO DE CABEZA DE CONO AC     | 3  | 3  | 3 | 3  |                     |
| 23       | 92990-05100         | .WASHER, SPRING<br>.ARANDELA GROWER                    | 3  | 3  | 3 | 3  |                     |
| 24       | 6A0-24421-01        | .VALVE, CHECK<br>.VALVULA DE RETENCION                 | 2  | 2  | 2 | 2  |                     |
| 25       | 6A0-14325-00        | .SCREW, PAN HEAD<br>.TORNILLO CABEZA REDONDA           | 2  | 2  | 2 | 2  |                     |
| 26       | 6A0-24412-02        | .BODY 1<br>.CUERPO 1                                   | 1  | 1  | 1 | 1  |                     |
| 27       | 650-24431-A0        | GASKET, FUEL PUMP 1<br>EMPAQUE BOMBA COMBUST 1         | 1  | 1  | 1 | 1  |                     |



**FWD**  
66T0010-1060

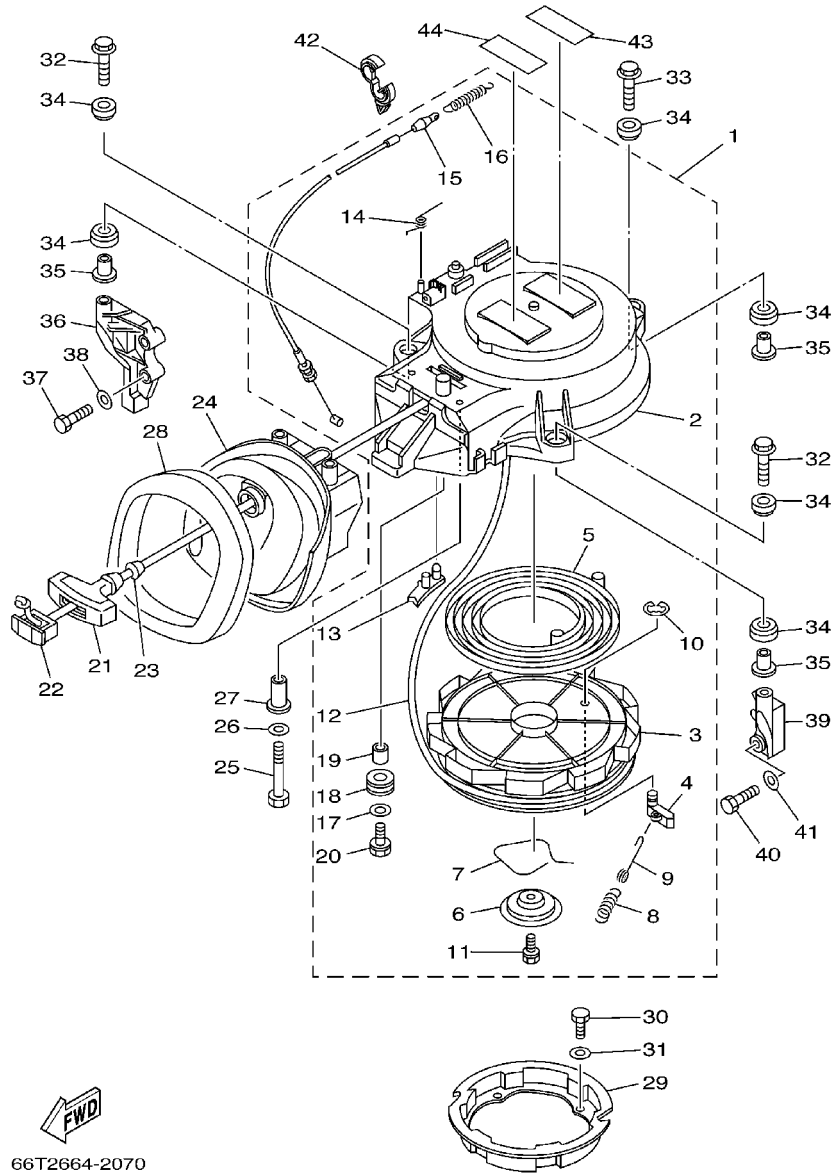
**FIG. 6 FUEL**

**COMBUSTIBLE**

| REF. NO. | PART NO. CODIGO NO. | DESCRIPTION DESCRIPTION           | MH | WH | W | WT | REMARKS OBSERVACION |
|----------|---------------------|-----------------------------------|----|----|---|----|---------------------|
| 28       | 97095-06040         | BOLT<br>PERNO                     | 2  | 2  | 2 | 2  |                     |
| 29       | 92995-06600         | WASHER<br>ARANDELA                | 2  | 2  | 2 | 2  |                     |
| 30       | 90445-09086         | HOSE (L170)<br>TUBO (L170)        | 1  | 1  | 1 | 1  |                     |
| 31       | 90467-08004         | CLIP<br>PRESILLA                  | 2  | 2  | 2 | 2  |                     |
| 32       | 676-W2810-01        | TOOL KIT<br>JUEGO DE HERRAMIENTAS | 1  | 1  | 1 | 1  |                     |

FIG. 7 STARTER

ARRANQUE



66T2664-2070

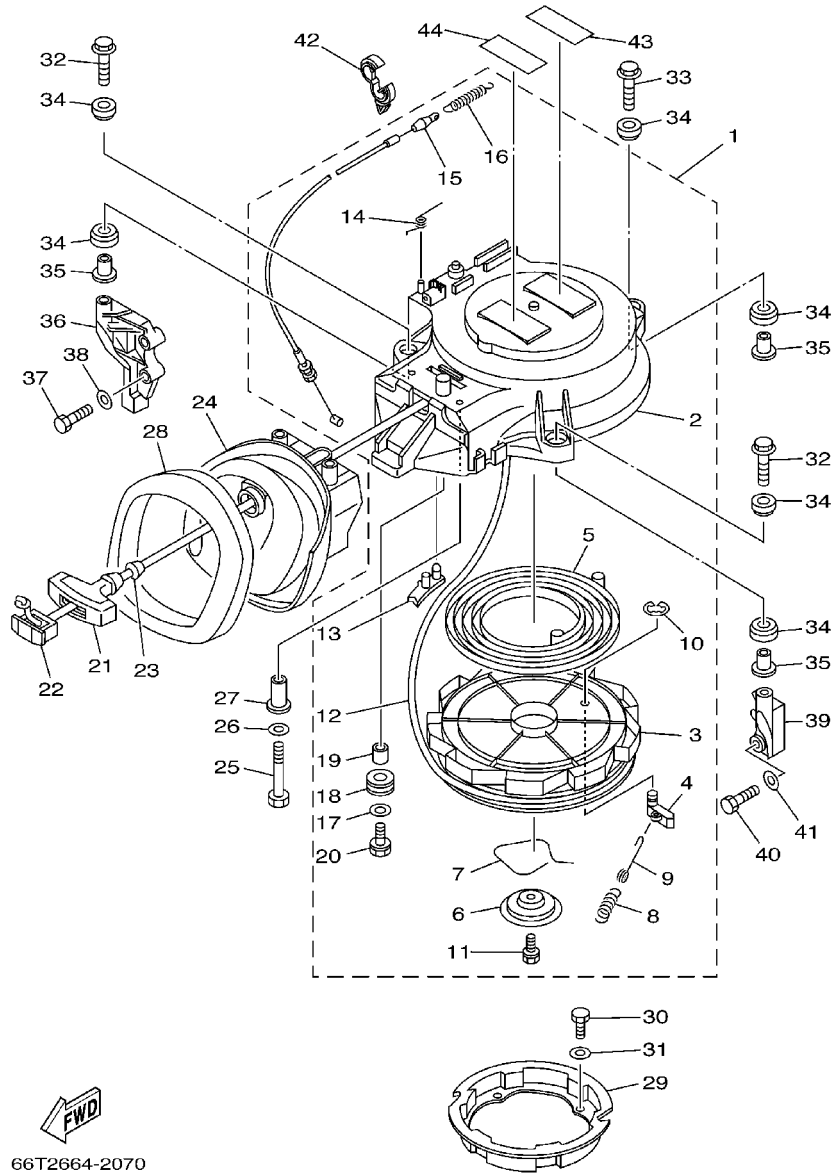
| REF. NO. | PART NO. CODIGO NO. | DESCRIPTION DESCRIPTION                                      | MH | WH | W | WT | REMARKS OBSERVACION |
|----------|---------------------|--------------------------------------------------------------|----|----|---|----|---------------------|
| 1        | 66T-15710-00        | STARTER ASSY<br>ARRANQUE COMPLETO                            | 1  | 1  | 1 | 1  |                     |
| 2        | 66T-15711-00        | .CASE, STARTER<br>.CAJA DE ARRANQUE                          | 1  | 1  | 1 | 1  |                     |
| 3        | 66T-15714-00        | .DRUM, SHEAVE<br>.TAMBOR ROLDANA                             | 1  | 1  | 1 | 1  |                     |
| 4        | 63V-15741-00        | .PAWL, DRIVE<br>.TRINQUETE DE TRACCION                       | 1  | 1  | 1 | 1  |                     |
| 5        | 66T-15713-00        | .SPRING, STARTER<br>.RESORTE DE ARRANQUE                     | 1  | 1  | 1 | 1  |                     |
| 6        | 66T-15716-00        | .PLATE, DRIVE<br>.PLACA DE TRACCION                          | 1  | 1  | 1 | 1  |                     |
| 7        | 66T-15705-00        | .SPRING, DRIVE PAWL<br>.RESORTE                              | 1  | 1  | 1 | 1  |                     |
| 8        | 66T-15767-00        | .SPRING<br>.RESORTE                                          | 1  | 1  | 1 | 1  |                     |
| 9        | 66T-15784-00        | .SPRING, RETURN<br>.RESORTE DE RETORNO                       | 1  | 1  | 1 | 1  |                     |
| 10       | 63V-15744-00        | .CIRCLIP<br>.SEGURO                                          | 1  | 1  | 1 | 1  |                     |
| 11       | 63V-15768-00        | .BOLT<br>.TORNILLO                                           | 1  | 1  | 1 | 1  |                     |
| 12       | *                   | .WIRE, STARTER (L:1800MM)<br>.CUERDA DE ARRANQUE (L:1800MM)  | 1  | 1  | 1 | 1  |                     |
| 13       | 66T-15794-00        | .STOPPER<br>.TOPE                                            | 1  | 1  | 1 | 1  |                     |
| 14       | 66T-15734-00        | .SPRING, RETURN<br>.RESORTE DE RETORNO                       | 1  | 1  | 1 | 1  |                     |
| 15       | 66T-15770-00        | .CABLE COMP., STARTER STOP<br>.CABLECOMPL DE SEGURO ARRANQUE | 1  | 1  | 1 | 1  |                     |
| 16       | 66T-15731-00        | .SPRING, RETURN<br>.RESORTE DE RETORNO                       | 1  | 1  | 1 | 1  |                     |
| 17       | 6F5-15791-00        | .WASHER, LOCK<br>.EMBLEMA                                    | 1  | 1  | 1 | 1  |                     |
| 18       | 6F5-15752-00        | .ROLLER, WIRE<br>.RODILLO DE CUERDA                          | 1  | 1  | 1 | 1  |                     |
| 19       | 6F5-15753-00        | .BUSH<br>.BUJE                                               | 1  | 1  | 1 | 1  |                     |
| 20       | 6F5-15768-00        | .BOLT<br>.TORNILLO                                           | 1  | 1  | 1 | 1  |                     |
| 21       | 689-15755-01        | HANDLE, STARTER<br>MANIJA DE ARRANQUE                        | 1  | 1  | 1 | 1  |                     |
| 22       | 6F5-15779-02        | COVER<br>CUBIERTA                                            | 1  | 1  | 1 | 1  |                     |
| 23       | 697-15789-00        | DAMPER<br>AMORTIGUADOR                                       | 1  | 1  | 1 | 1  |                     |
| 24       | 66T-15758-01        | GUIDE, ROPE<br>GUIA DE CUERDA                                | 1  | 1  | 1 | 1  |                     |
| 25       | 97095-06035         | BOLT<br>PERNO                                                | 2  | 2  | 2 | 2  |                     |

\* CUT FROM 50M ROLLS, PART NO. 90890-44374,  
CUTTING LENGTH 1.8M

\* CORTE DE UN RODILLO DE 50M , PARTS NUMERO  
90890-44374, LARGO DEL CORTE 1.8M

FIG. 7 STARTER

ARRANQUE



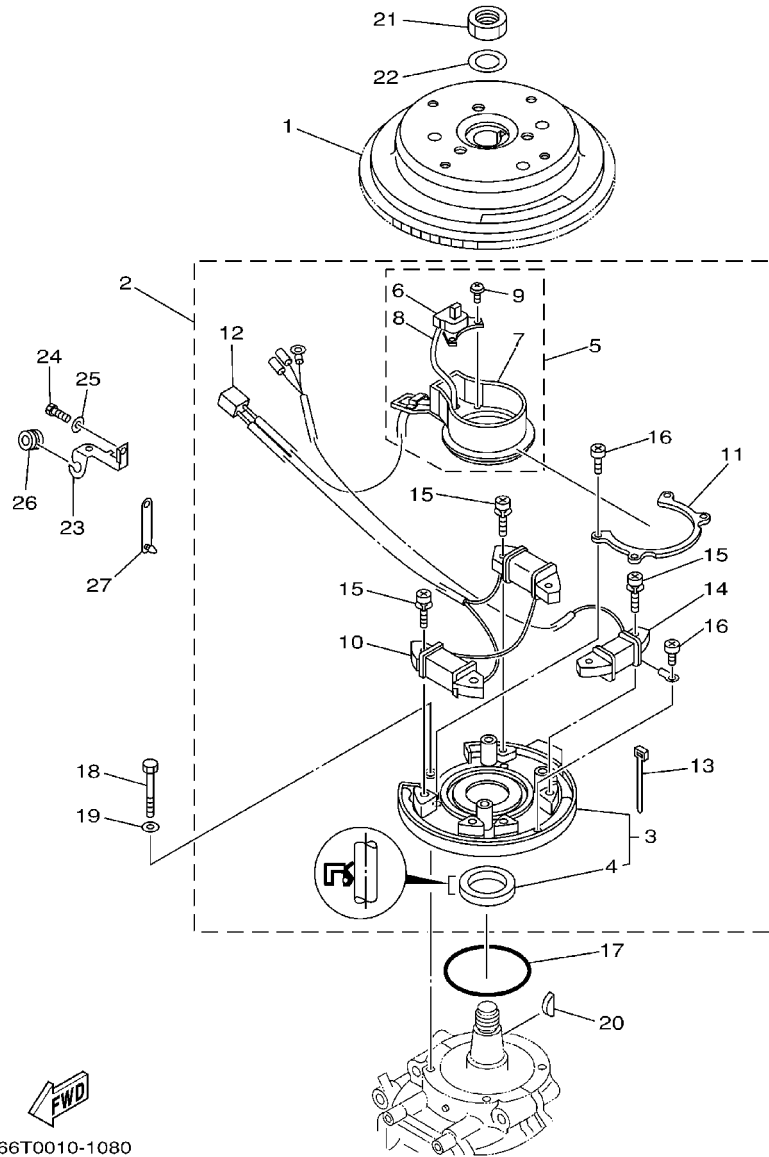
66T2664-2070

| REF. NO. | PART NO. CODIGO NO. | DESCRIPTION DESCRIPTION                 | MH | WH | W | WT | REMARKS OBSERVACION |
|----------|---------------------|-----------------------------------------|----|----|---|----|---------------------|
| 26       | 92995-06600         | WASHER ARANDELA                         | 2  | 2  | 2 | 2  |                     |
| 27       | 90387-06M66         | COLLAR COLLAR                           | 2  | 2  | 2 | 2  |                     |
| 28       | 66T-15762-01        | SEAL, RUBBER 2 SELLO DE GOMA 2          | 1  | 1  | 1 | 1  |                     |
| 29       | 66T-15723-00        | PULLEY, STARTER POLEA DE ARRANQUE       | 1  | 1  | 1 | 1  |                     |
| 30       | 97095-06010         | BOLT PERNO                              | 4  | 4  | 4 | 4  |                     |
| 31       | 92995-06600         | WASHER ARANDELA                         | 4  | 4  | 4 | 4  |                     |
| 32       | 90119-08M10         | BOLT, WITH WASHER TORNILLO CON ARANDELA | 2  | 2  | 2 | 2  |                     |
| 33       | 90119-08M51         | BOLT, WITH WASHER TORNILLO CON ARANDELA | 1  | 1  | 1 | 1  |                     |
| 34       | 90385-12M04         | BUSH BUJE                               | 6  | 6  | 6 | 6  |                     |
| 35       | 90387-08M05         | COLLAR COLLAR                           | 3  | 3  | 3 | 3  |                     |
| 36       | 66T-15771-00-94     | STAY 1 SOPORTE 1                        | 1  | 1  | 1 | 1  |                     |
| 37       | 97013-06030         | BOLT PERNO                              | 2  | 2  | 2 | 2  |                     |
| 38       | 92903-06600         | WASHER, PLATE RONDANA SENCILLA          | 2  | 2  | 2 | 2  |                     |
| 39       | 66T-15772-00-94     | STAY 2 SOPORTE 2                        | 1  | 1  | 1 | 1  |                     |
| 40       | 97013-06030         | BOLT PERNO                              | 2  | 2  | 2 | 2  |                     |
| 41       | 92903-06600         | WASHER, PLATE RONDANA SENCILLA          | 2  | 2  | 2 | 2  |                     |
| 42       | 90464-13249         | CLAMP BRIDA                             |    | 1  | 1 | 1  |                     |
| 43       | 6A1-83625-41        | MARK 5 MARCA 5                          | 1  |    | 1 |    | FOR VOLGA           |
| 44       | 61T-83625-80        | MARK 5 MARCA 5                          | 1  |    | 1 |    | FOR VOLGA           |



FIG. 8 GENERATOR

GENERADOR



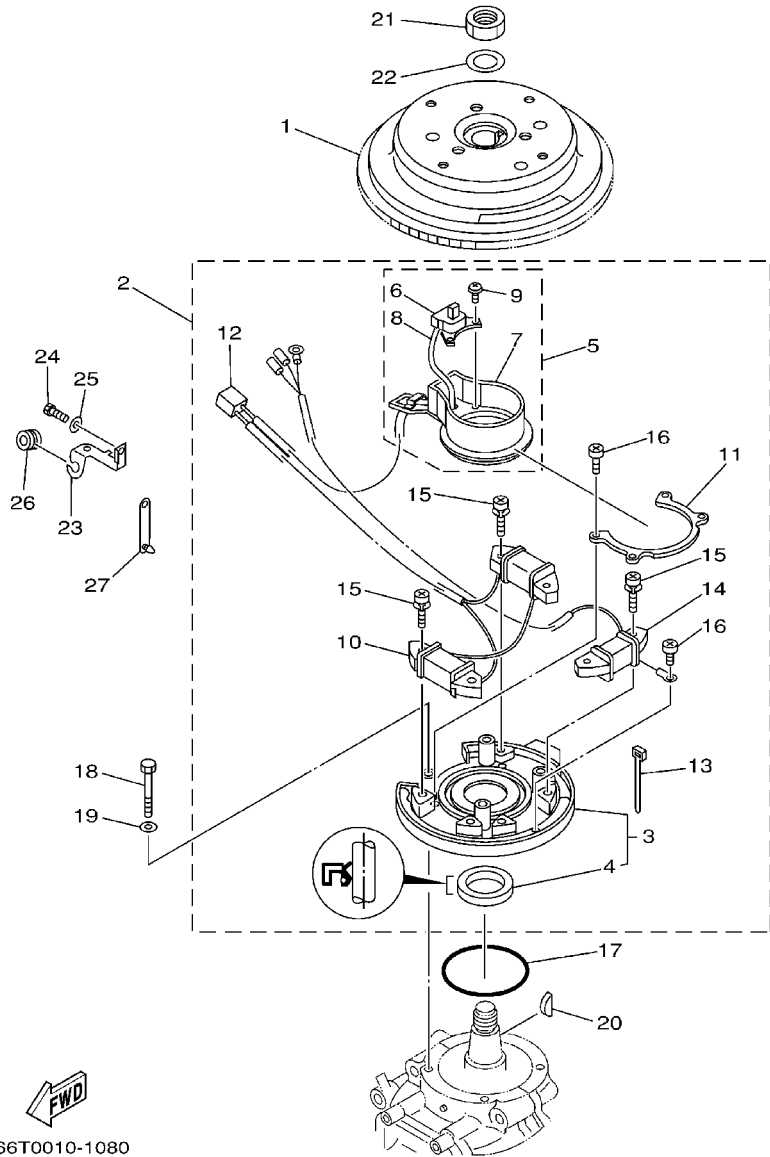
66T0010-1080

| REF. NO. | PART NO. CODIGO NO. | DESCRIPTION DESCRIPTION                            | MH | WH | W | WT | REMARKS OBSERVACION |
|----------|---------------------|----------------------------------------------------|----|----|---|----|---------------------|
| 1        | 66T-85550-00        | ROTOR ASSY<br>ROTOR COMPLETO                       |    | 1  | 1 | 1  |                     |
|          | 66T-85550-10        | ROTOR ASSY<br>ROTOR COMPLETO                       |    | 1  |   |    |                     |
| 2        | 66T-85560-01        | BASE ASSY<br>CONJUNTO BASE                         | 1  | 1  | 1 | 1  |                     |
|          | 66T-85560-11        | BASE ASSY<br>CONJUNTO BASE                         |    | 1  |   |    |                     |
| 3        | 66T-85561-00        | .BASE, MAGNETO<br>.BASE_DE MAGNETO                 | 1  | 1  | 1 | 1  |                     |
| 4        | 93102-35008         | ..OIL SEAL<br>..RETEN DE ACEITE                    | 1  | 1  | 1 | 1  |                     |
| 5        | 66T-85580-00        | .PULSER COIL ASSY<br>.BOBINA DE PULSACION COMPLETA | 1  | 1  | 1 | 1  |                     |
| 6        | 66T-85596-00        | ..COIL, PULSER 1<br>..BOBINA DE PULSACION 1        | 1  | 1  | 1 | 1  |                     |
| 7        | 66T-85582-00        | ..ATTACHMENT, PULSER<br>..IMPLEMENTO DE PULSACION  | 1  | 1  | 1 | 1  |                     |
| 8        | 66T-85515-00        | ..LEAD WIRE ASSY<br>..CABLE CONDUCTOR COMPLETO     | 1  | 1  | 1 | 1  |                     |
| 9        | 97902-04108         | ..SCREW, WITH WASHER<br>..TORNILLO, CON ARANDELA   | 2  | 2  | 2 | 2  |                     |
| 10       | 66T-85520-00        | ..COIL, CHARGE<br>..BOBINA DE CARGA                | 1  | 1  | 1 | 1  |                     |
| 11       | 66T-41611-00        | .RETAINER, MAGNETO BASE<br>.RETENEDOR BASE MAGNETO | 1  | 1  | 1 | 1  |                     |
| 12       | 9E471-04305         | .CONNECTOR<br>.CONECTOR                            | 1  | 1  | 1 | 1  |                     |
| 13       | 66T-81328-00        | .CLAMP<br>GRAMPA                                   | 1  | 1  | 1 | 1  |                     |
| 14       | 66T-85533-00        | ..COIL, LIGHTING<br>..BOBINA DE LUZ                | 1  | 1  | 1 | 1  | FOR 66T-85560-01    |
| 15       | 97902-06125         | .SCREW, WITH WASHER<br>..TORNILLO, CON ARANDELA    | 6  | 6  | 6 | 6  | FOR 66T-85560-01    |
|          | 97902-06125         | .SCREW, WITH WASHER<br>..TORNILLO, CON ARANDELA    | 4  |    |   |    | FOR 66T-85560-11    |
| 16       | 97802-04006         | .SCREW, PAN HEAD<br>..TORNILLO                     | 5  | 5  | 5 | 5  | FOR 66T-85560-01    |
|          | 97802-04006         | .SCREW, PAN HEAD<br>..TORNILLO                     | 4  |    |   |    | FOR 66T-85560-11    |
| 17       | 93210-75M51         | O-RING<br>JUNTA TORICA                             | 1  | 1  | 1 | 1  |                     |
| 18       | 97095-06040         | BOLT<br>PERNO                                      | 4  | 4  | 4 | 4  |                     |
| 19       | 92995-06600         | WASHER<br>ARANDELA                                 | 4  | 4  | 4 | 4  |                     |
| 20       | 90280-05015         | KEY, WOODRUFF<br>CUNA WOODRUFF                     | 1  | 1  | 1 | 1  |                     |
| 21       | 90170-20137         | NUT<br>TUERCA                                      | 1  | 1  | 1 | 1  |                     |
| 22       | 90201-21M18         | WASHER, PLATE<br>ARANDELA PLANA                    | 1  | 1  | 1 | 1  |                     |
| 23       | 90465-15M74         | CLAMP<br>BRIDA                                     | 1  | 1  | 1 | 1  |                     |

FIG. 8 GENERATOR

GENERADOR

| REF. NO. | PART NO. CODIGO NO. | DESCRIPTION DESCRIPTION | MH | WH | W | WT | REMARKS OBSERVACION |
|----------|---------------------|-------------------------|----|----|---|----|---------------------|
| 24       | 97095-06016         | BOLT PERNO              | 1  | 1  | 1 | 1  |                     |
| 25       | 92995-06600         | WASHER ARANDELA         | 1  | 1  | 1 | 1  |                     |
| 26       | 90480-10M71         | GROMMET TAPON           | 1  | 1  | 1 | 1  |                     |
| 27       | 90464-12M00         | CLAMP BRIDA             | 1  | 1  | 1 | 1  |                     |
|          |                     |                         |    |    |   |    |                     |
|          |                     |                         |    |    |   |    |                     |
|          |                     |                         |    |    |   |    |                     |
|          |                     |                         |    |    |   |    |                     |
|          |                     |                         |    |    |   |    |                     |
|          |                     |                         |    |    |   |    |                     |
|          |                     |                         |    |    |   |    |                     |
|          |                     |                         |    |    |   |    |                     |
|          |                     |                         |    |    |   |    |                     |
|          |                     |                         |    |    |   |    |                     |
|          |                     |                         |    |    |   |    |                     |
|          |                     |                         |    |    |   |    |                     |



66T0010-1080

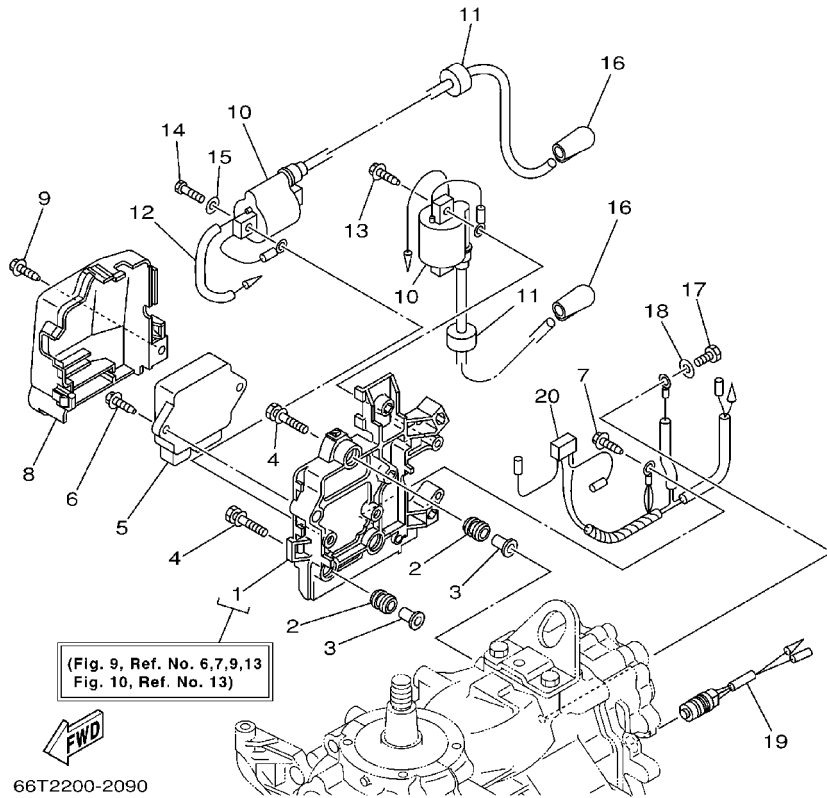
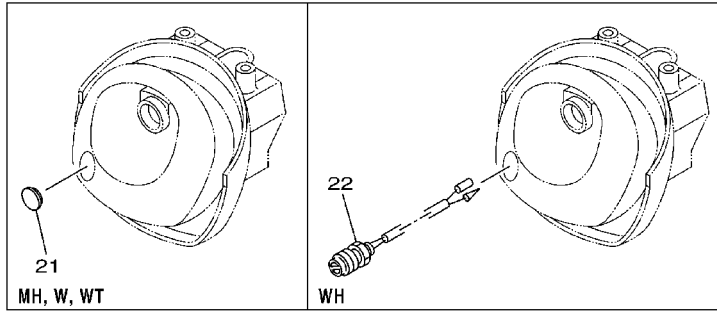


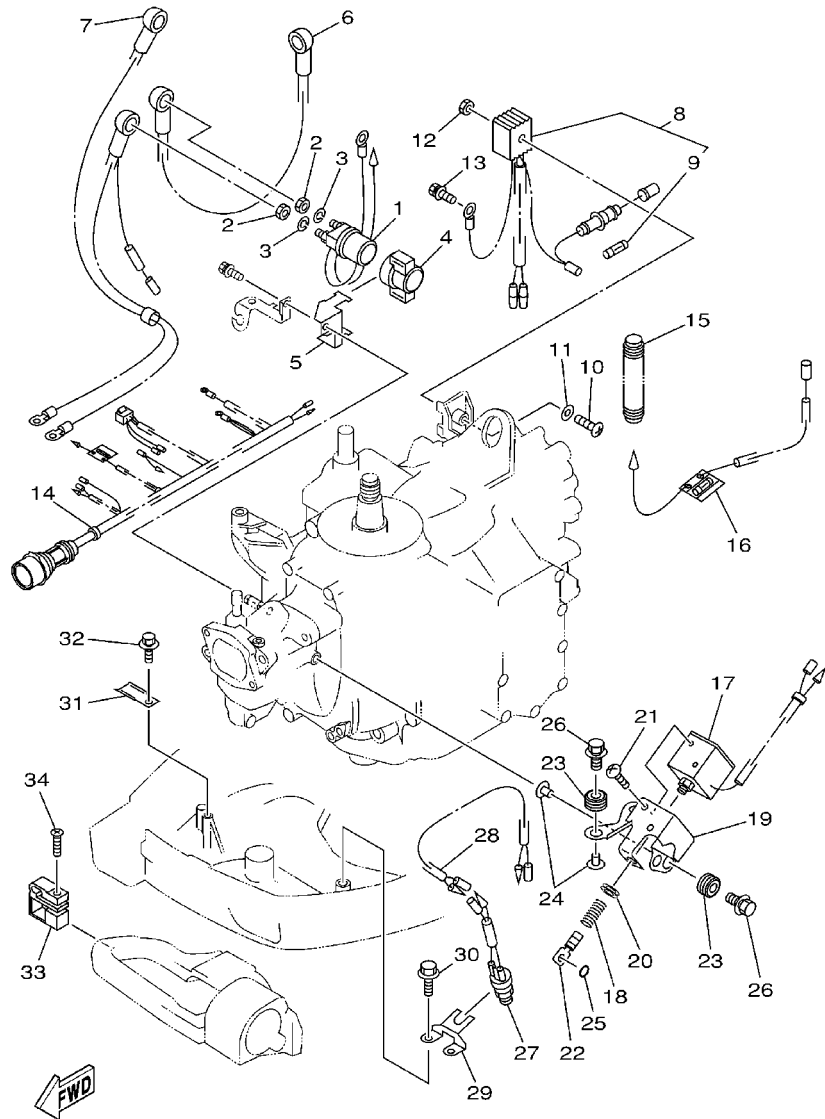
FIG. 9 ELECTRICAL 1

EQUIPO ELECTRICO 1

| REF. NO. | PART NO. CODIGO NO. | DESCRIPTION DESCRIPTION                             | MH | WH | W | WT | REMARKS OBSERVACION |
|----------|---------------------|-----------------------------------------------------|----|----|---|----|---------------------|
| 1        | 66T-8554B-01-94     | BRACKET SOPORTE                                     | 1  | 1  | 1 | 1  |                     |
| 2        | 6A0-82317-00        | DAMPER, IGNITION COIL AMORTIGUADOR BOBINA ENCENDIDO | 3  | 3  | 3 | 3  |                     |
| 3        | 624-42542-00        | PIPE TUBO                                           | 3  | 3  | 3 | 3  |                     |
| 4        | 90119-06M65         | BOLT, WITH WASHER TORNILLO CON ARANDELA             | 3  | 3  | 3 | 3  |                     |
| 5        | 66T-85540-00        | C.D.I. UNIT ASSY UNIDAD C.D.I. COMPLETA             | 1  | 1  | 1 | 1  |                     |
| 6        | 90109-06M81         | BOLT PERNO                                          | 2  | 2  | 2 | 2  |                     |
| 7        | 90109-06M80         | BOLT PERNO                                          | 1  | 1  | 1 | 1  |                     |
| 8        | 66T-81916-01        | COVER, TERMINAL CUBIERTA DE TERMINAL                | 1  | 1  | 1 | 1  |                     |
| 9        | 90109-06M81         | BOLT PERNO                                          | 1  | 1  | 1 | 1  |                     |
| 10       | 66T-85570-00        | IGNITION COIL ASSY BOBINA DE IGNICION COMPLETO      | 2  | 2  | 2 | 2  |                     |
| 11       | 90480-25161         | GROMMET TAPON                                       | 2  | 2  | 2 | 2  |                     |
| 12       | 90446-03MA3         | HOSE TUBO RESEIRADERO                               | 1  | 1  | 1 | 1  |                     |
| 13       | 90109-06M81         | BOLT PERNO                                          | 2  | 2  | 2 | 2  |                     |
| 14       | 97095-06025         | BOLT PERNO                                          | 2  | 2  | 2 | 2  |                     |
| 15       | 92995-06600         | WASHER ARANDELA                                     | 2  | 2  | 2 | 2  |                     |
| 16       | 66T-82370-00        | PLUG CAP ASSY TAPON DE BUJIA COMPLT                 | 2  | 2  | 2 | 2  |                     |
|          | 6E3-82370-21        | PLUG CAP ASSY TAPON DE BUJIA COMPLT                 | 2  | 2  | 2 | 2  | FOR CARIB           |
| 17       | 97095-06012         | BOLT PERNO                                          | 1  | 1  | 1 | 1  |                     |
| 18       | 92995-06600         | WASHER ARANDELA                                     | 1  | 1  | 1 | 1  |                     |
| 19       | 688-82560-10        | THERMO SWITCH ASSY INTER. DE TERMO                  | 1  | 1  | 1 | 1  |                     |
| 20       | 66T-82519-00        | WIRE, EARTH LEAD CABLE CONDUCTOR A TIERRA           | 1  | 1  |   |    |                     |
| 21       | 6G1-42725-00        | GROMMET TAPON                                       | 1  |    | 1 | 1  |                     |
| 22       | 689-81870-00        | STARTING SWITCH ASSY INTERRUPTOR DE ARRANQUE COMPL. |    | 1  |   |    |                     |

FIG. 10 ELECTRICAL 2

EQUIPO ELECTRICO 2

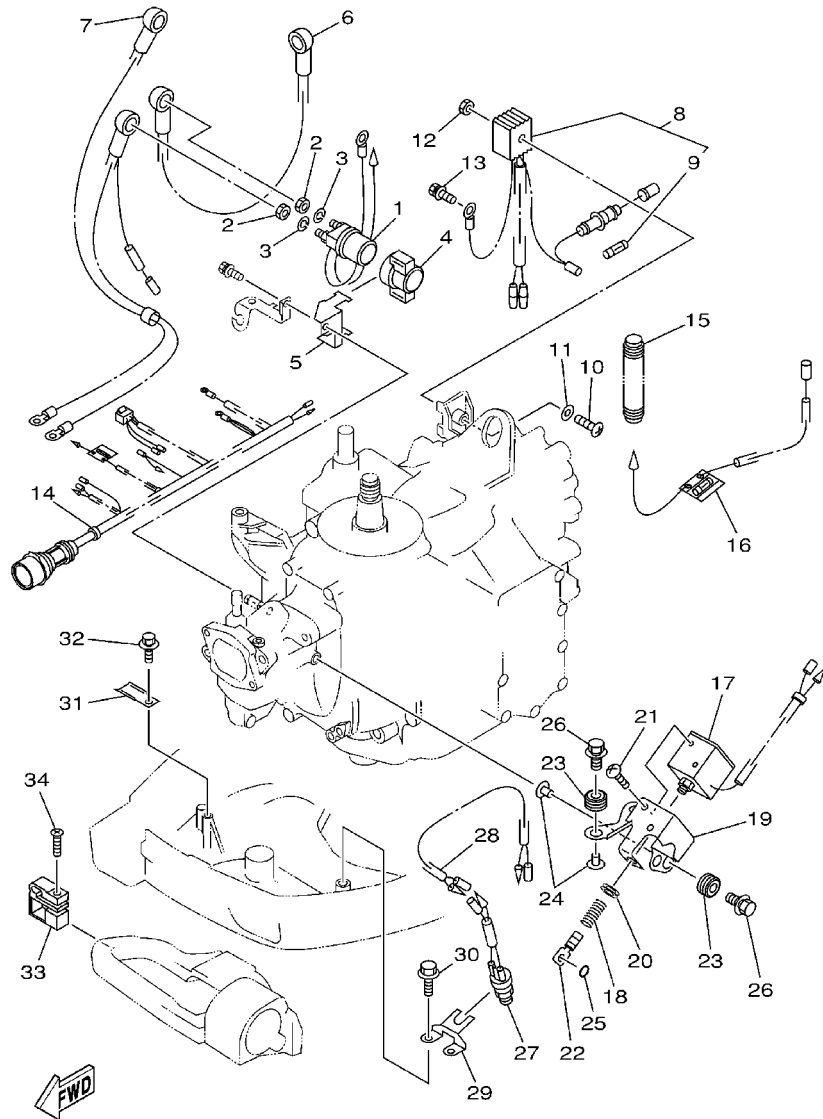


66T0200-1100

| REF. NO. | PART NO. CODIGO NO. | DESCRIPTION DESCRIPTION                                 | MH | WH | W | WT | REMARKS OBSERVACION |
|----------|---------------------|---------------------------------------------------------|----|----|---|----|---------------------|
| 1        | 6G1-8194A-10        | RELAY<br>RELE                                           |    | 1  | 1 | 1  |                     |
| 2        | 90170-06M30         | NUT<br>TUERCA                                           |    | 2  | 2 | 2  |                     |
| 3        | 90204-06M00         | WASHER, SPRING<br>ARANDELA DE RESORTE                   |    | 2  | 2 | 2  |                     |
| 4        | 6G1-81952-00        | HOLDER, RELAY<br>SOSTEN DE RELE                         |    | 1  | 1 | 1  |                     |
| 5        | 6L2-81945-00        | PLATE, SWITCH FITTING<br>PLACA ACCESORIA DE INTERRUPTOR |    | 1  | 1 |    |                     |
| 6        | 6E5-82117-01        | WIRE, LEAD<br>CABLE CONDUCTOR                           |    | 1  | 1 | 1  |                     |
| 7        | 66T-82105-00        | WIRE HARNESS<br>ARNES DE CABLES                         |    | 1  | 1 | 1  |                     |
| 8        | 6G1-81970-61        | RECTIFIER ASSY<br>RECTIFICADOR COMPLETO                 |    | 1  | 1 | 1  |                     |
| 9        | 6G1-82151-00        | .FUSE (10A)<br>.FUSIBLE (10A)                           |    | 1  | 1 | 1  |                     |
| 10       | 97880-05030         | SCREW, PAN HEAD<br>TORNILLO DE CABEZA CON PLANA         |    | 1  | 1 | 1  |                     |
| 11       | 92990-05600         | WASHER, PLATE<br>ARANDELA PLANA                         |    | 1  | 1 | 1  |                     |
| 12       | 95380-05600         | NUT<br>TUERCA                                           |    | 1  | 1 | 1  |                     |
| 13       | 90109-06M80         | BOLT<br>PERNO                                           |    | 1  | 1 | 1  |                     |
| 14       | 66T-82590-00        | WIRE HARNESS ASSY<br>CONJUNTO DE CABLES                 |    |    | 1 |    |                     |
| 15       | 66T-83557-00        | TUBE (I.DIA.: 13MM)<br>ENCHUFE DE ACEITE (I.DIA.: 13MM) |    | 1  | 1 |    |                     |
|          | 6N7-83557-00        | TUBE (I.DIA.: 22MM)<br>ENCHUFE DE ACEITE (I.DIA.: 22MM) |    |    | 1 | 1  | "W"-FOR VOLGA       |
| 16       | 66T-82115-00        | WIRE, PLUS LEAD<br>CABLE CONDUCTOR POSITIVO             |    | 1  |   |    |                     |
| 17       | 6J4-86111-00        | COIL, SOLENOID<br>CONJUNTO BOBINA SOLENOIDE             |    |    | 1 | 1  |                     |
| 18       | 6J4-86116-00        | WIRE, PULL<br>ALAMBRE-JALADOR                           |    |    | 1 | 1  |                     |
| 19       | 66T-86112-00        | STAY, SOLENOID<br>SOPORTE SOLENOIDE                     |    |    | 1 | 1  |                     |
| 20       | 90480-10155         | GROMMET<br>TAPON                                        |    |    | 1 | 1  |                     |
| 21       | 97880-05008         | SCREW, PAN HEAD<br>TORNILLO DE CABEZA CON PLANA         |    | 4  |   | 4  |                     |
| 22       | 682-86117-00        | HOOK, WIRE PULL<br>GANCHO JALADOR DE ALAMBRE            |    |    | 1 | 1  |                     |
| 23       | 90480-10M23         | GROMMET<br>TAPON                                        |    |    | 3 | 3  |                     |
| 24       | 90387-06M60         | COLLAR<br>COLLAR                                        |    |    | 3 | 3  |                     |
| 25       | 93210-03261         | O-RING<br>JUNTA TORICA                                  |    |    | 1 | 1  |                     |
| 26       | 90119-06M88         | BOLT, WITH WASHER<br>TORNILLO CON ARANDELA              |    |    | 3 | 3  |                     |

FIG. 10 ELECTRICAL 2

EQUIPO ELECTRICO 2

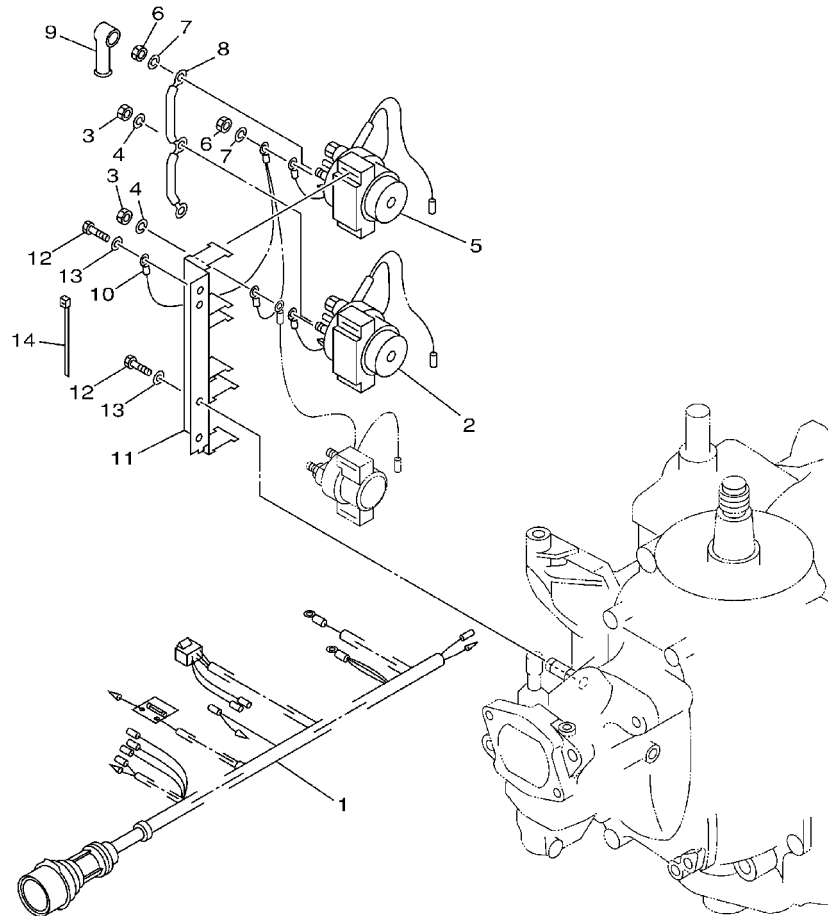


66T0200-1100

| REF. NO. | PART NO. CODIGO NO. | DESCRIPTION DESCRIPTION                             | MH | WH | W | WT | REMARKS OBSERVACION |
|----------|---------------------|-----------------------------------------------------|----|----|---|----|---------------------|
| 27       | 6F5-82540-00        | NEUTRAL SWITCH ASSY INTERRUPTOR NEUTRAL COMPL       |    | 1  | 1 |    | "W"-FOR VOLGA       |
| 28       | 66T-82553-00        | EXTENSION, WIRE LEAD CABLE                          |    | 1  | 1 |    | "W"-FOR VOLGA       |
| 29       | 66T-82554-00        | STAY, NEUTRAL SWITCH SOPORTE INTERRUPTOR DE NEUTRAL |    | 1  | 1 |    | "W"-FOR VOLGA       |
| 30       | 90109-06M86         | BOLT PERNO                                          |    | 2  | 2 |    | "W"-FOR VOLGA       |
| 31       | 90465-20M31         | CLAMP BRIDA                                         |    | 1  | 1 | 1  |                     |
| 32       | 90109-06M86         | BOLT PERNO                                          |    | 1  | 1 | 1  |                     |
| 33       | 65W-82594-00        | CLAMP GRAMPA                                        |    | 1  |   |    |                     |
| 34       | 90161-06M00         | SCREW, TAPPING TORNILLO DE CABEZA PLANA             |    | 1  |   |    |                     |
|          |                     |                                                     |    |    |   |    |                     |
|          |                     |                                                     |    |    |   |    |                     |
|          |                     |                                                     |    |    |   |    |                     |
|          |                     |                                                     |    |    |   |    |                     |
|          |                     |                                                     |    |    |   |    |                     |
|          |                     |                                                     |    |    |   |    |                     |
|          |                     |                                                     |    |    |   |    |                     |

FIG. 11 ELECTRICAL 3

EQUIPO ELECTRICO 3



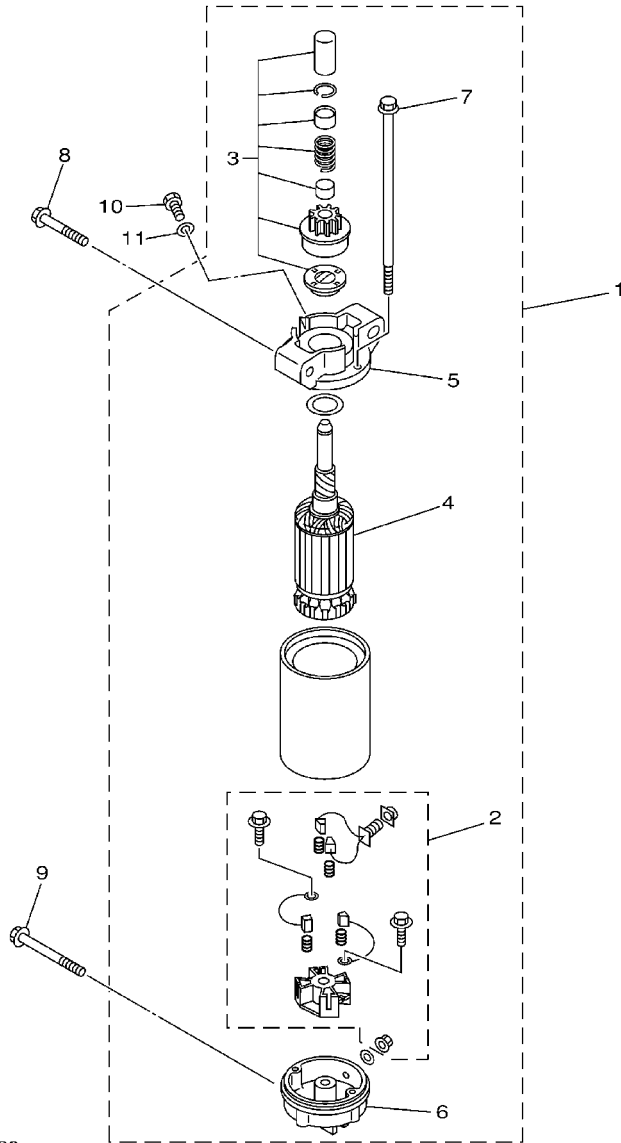
| REF. NO. | PART NO. CODIGO NO. | DESCRIPTION DESCRIPTION                         | MH | WH | W | WT | REMARKS OBSERVACION |
|----------|---------------------|-------------------------------------------------|----|----|---|----|---------------------|
| 1        | 66T-82590-20        | WIRE HARNESS ASSY<br>CONJUNTO DE CABLES         |    |    |   | 1  |                     |
| 2        | 6E5-8195B-01        | RELAY ASSY<br>RELE COMPLETO                     |    |    |   | 1  |                     |
| 3        | 90170-06M30         | NUT<br>TUERCA                                   |    |    |   | 3  |                     |
| 4        | 90204-06M00         | WASHER, SPRING<br>ARANDELA DE RESORTE           |    |    |   | 3  |                     |
| 5        | 6E5-8195C-01        | RELAY ASSY<br>RELE COMPLETO                     |    |    |   | 1  |                     |
| 6        | 90170-06M30         | NUT<br>TUERCA                                   |    |    |   | 3  |                     |
| 7        | 90204-06M00         | WASHER, SPRING<br>ARANDELA DE RESORTE           |    |    |   | 3  |                     |
| 8        | 66T-87149-00        | CONNECTOR<br>CONECTOR                           |    |    |   | 1  |                     |
| 9        | 6G5-82119-00        | COVER, LEAD WIRE<br>CUBIERTA DE CABLE CONDUCTOR |    |    |   | 4  |                     |
| 10       | 6E5-82116-00        | WIRE, MINUS LEAD<br>CABLE CONDUCTOR NEGATIVO    |    |    |   | 1  |                     |
| 11       | 66T-81948-00        | BRACKET<br>SOPORTE                              |    |    |   | 1  |                     |
| 12       | 97095-06016         | BOLT<br>PERNO                                   |    |    |   | 2  |                     |
| 13       | 92995-06600         | WASHER<br>ARANDELA                              |    |    |   | 2  |                     |
| 14       | 90465-11M10         | CLAMP<br>BRIDA                                  |    |    |   | 1  |                     |



66T0010-1110

FIG. 12 STARTING MOTOR

MOTOR DE ARRANQUE



66T0010-1120

| REF. NO. | PART NO. CODIGO NO. | DESCRIPTION DESCRIPTION                             | MH | WH | W | WT | REMARKS OBSERVACION |
|----------|---------------------|-----------------------------------------------------|----|----|---|----|---------------------|
| 1        | 66T-81800-01        | STARTING MOTOR ASSY<br>MOTOR DE ARRANQUE COMPLETO   |    | 1  | 1 | 1  |                     |
| 2        | 66T-81840-00        | .BRUSH HOLDER ASSY<br>.SOSTEN DE ESCOBILLA COMPLETO |    | 1  | 1 | 1  |                     |
| 3        | 66T-81857-00        | .PINION STOPPER SET<br>.JUEGO TAPON PINON           |    | 1  | 1 | 1  |                     |
| 4        | 66T-81850-01        | .ARMATURE ASSY<br>.INDUCIDO COMPLETO                |    | 1  | 1 | 1  |                     |
| 5        | 66T-81830-00        | .FRONT BRACKET ASSY<br>.SOPORTE DELANTERO COMPLETO  |    | 1  | 1 | 1  |                     |
| 6        | 66T-81820-00        | .REAR BRACKET ASSY<br>.CUBIERTA TRASERA COMPL       |    | 1  | 1 | 1  |                     |
| 7        | 66T-81826-00        | .BOLT<br>.PERNO                                     |    | 1  | 1 | 1  |                     |
| 8        | 90119-08M39         | BOLT, WITH WASHER<br>TORNILLO CON ARANDELA          |    | 2  | 2 | 2  |                     |
| 9        | 90119-08M52         | BOLT, WITH WASHER<br>TORNILLO CON ARANDELA          |    | 1  | 1 | 1  |                     |
| 10       | 97095-08016         | BOLT<br>PERNO                                       |    | 1  | 1 | 1  |                     |
| 11       | 92995-08600         | WASHER<br>ARANDELA                                  |    | 1  | 1 | 1  |                     |

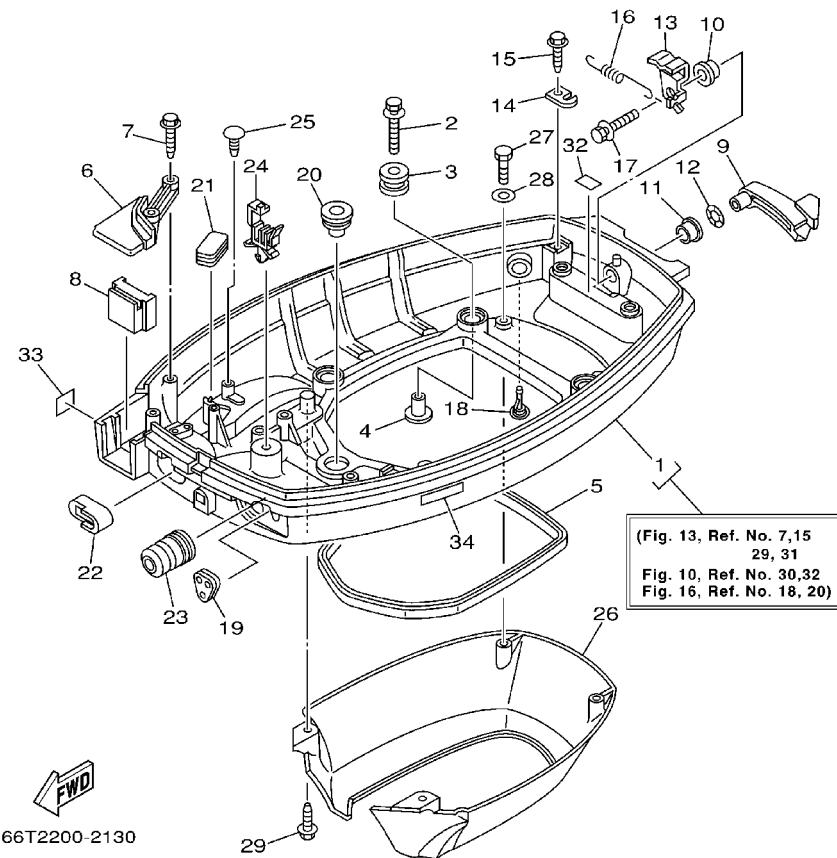
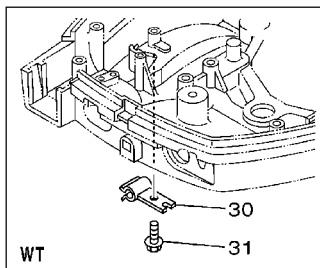
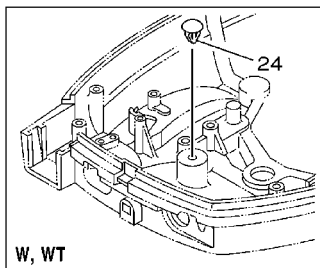


FIG. 13 BOTTOM COWLING

CUBIERTA INFERIOR

| REF. NO. | PART NO. CODIGO NO. | DESCRIPTION DESCRIPTION                         | MH | WH | W | WT | REMARKS OBSERVACION |
|----------|---------------------|-------------------------------------------------|----|----|---|----|---------------------|
| 1        | 66T-42710-01-4D     | BOTTOM COWLING ASSY<br>CUBIERTA INFERIOR COMPL. | 1  | 1  | 1 | 1  |                     |
| 2        | 90119-06M61         | BOLT, WITH WASHER<br>TORNILLO CON ARANDELA      | 4  | 4  | 4 | 4  |                     |
| 3        | 90480-09M21         | GROMMET<br>TAPON                                | 4  | 4  | 4 | 4  |                     |
| 4        | 90387-06035         | COLLAR<br>COLLAR                                | 4  | 4  | 4 | 4  |                     |
| 5        | 66T-42716-00        | RUBBER, SEAL 1<br>SELLO DE GOMA 1               | 1  | 1  | 1 | 1  |                     |
| 6        | 66T-42738-00-5B     | PLATE, FITTING<br>PLACA DE AJUSTE               | 1  | 1  | 1 | 1  |                     |
| 7        | 90109-06M81         | BOLT<br>PERNO                                   | 2  | 2  | 2 | 2  |                     |
| 8        | 66T-42725-00        | GROMMET<br>TAPON                                | 1  |    |   |    |                     |
|          | 66T-42725-10        | GROMMET<br>TAPON                                |    | 1  |   |    |                     |
|          | 66T-42725-20        | GROMMET<br>TAPON                                |    |    | 1 | 1  |                     |
| 9        | 66T-42815-01-4D     | LEVER, CLAMP<br>PALANCA ABRAZADERA              | 1  | 1  | 1 | 1  |                     |
| 10       | 90386-12M37         | BUSH<br>BUJE                                    | 1  | 1  | 1 | 1  |                     |
| 11       | 90386-12MA2         | BUSH<br>BUJE                                    | 1  | 1  | 1 | 1  |                     |
| 12       | 90206-12052         | WASHER, WAVE<br>ARANDELA ONDULADA               | 1  | 1  | 1 | 1  |                     |
| 13       | 66T-42816-00        | LEVER, CLAMP<br>PALANCA ABRAZADERA              | 1  | 1  | 1 | 1  |                     |
| 14       | 66T-43144-00        | HOOK, SPRING<br>GANCHO                          | 1  | 1  | 1 | 1  |                     |
| 15       | 90109-06M86         | BOLT<br>PERNO                                   | 1  | 1  | 1 | 1  |                     |
| 16       | 90506-16M34         | SPRING, TENSION<br>RESORTE DE TENSION           | 1  | 1  | 1 | 1  |                     |
| 17       | 90119-06M73         | BOLT, WITH WASHER<br>TORNILLO CON ARANDELA      | 1  | 1  | 1 | 1  |                     |
| 18       | 6E5-44391-00        | NIPPLE, HOSE<br>NIPLE MANGUERA                  | 1  | 1  | 1 | 1  |                     |
| 19       | 65W-26326-00        | GROMMET<br>TAPON PROTECTOR                      | 1  | 1  |   |    |                     |
|          | 65W-26326-10        | GROMMET<br>TAPON PROTECTOR                      |    |    | 1 | 1  |                     |
| 20       | 676-42727-00        | GROMMET<br>TAPON                                | 1  | 1  | 1 | 1  |                     |
| 21       | 6H4-42726-00        | GROMMET<br>TAPON                                | 1  | 1  | 1 |    |                     |
|          | 6H1-42726-10        | GROMMET<br>TAPON                                |    |    |   | 1  |                     |
| 22       | 66T-24329-00        | SEAL<br>SELLO                                   | 1  | 1  | 1 | 1  |                     |
| 23       | 65W-42726-00        | GROMMET<br>TAPON                                | 1  | 1  |   |    |                     |



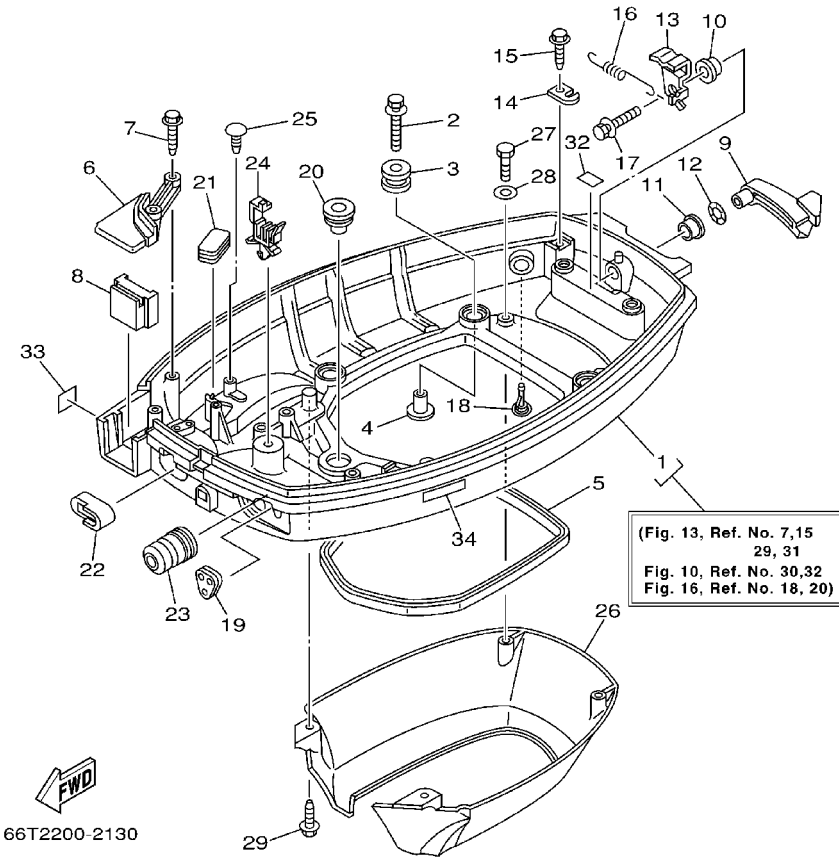
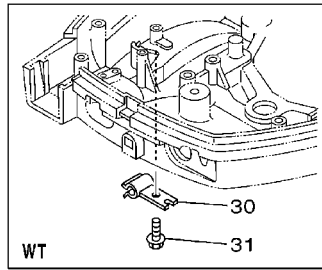
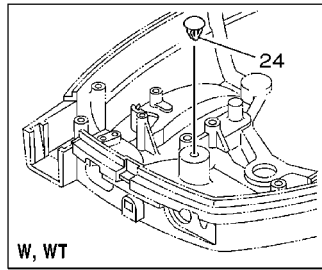


FIG. 13 BOTTOM COWLING

CUBIERTA INFERIOR

| REF. NO. | PART NO. CODIGO NO. | DESCRIPTION DESCRIPTION                  | MH | WH | W | WT  | REMARKS OBSERVACION |
|----------|---------------------|------------------------------------------|----|----|---|-----|---------------------|
| 23       | 65W-42726-10        | GROMMET<br>TAPON                         |    |    |   | 1 1 |                     |
| 24       | 90465-25M57         | CLAMP<br>BRIDA                           | 1  | 1  |   |     |                     |
|          | 90338-07M00         | PLUG<br>TAPON                            |    |    | 1 | 1   |                     |
| 25       | 90338-05M03         | PLUG<br>TAPON                            | 1  | 1  | 1 |     |                     |
| 26       | 66T-42741-00        | APRON<br>MANDIL                          | 1  | 1  | 1 | 1   |                     |
| 27       | 97095-06016         | BOLT<br>PERNO                            | 2  | 2  | 2 | 2   |                     |
| 28       | 92995-06600         | WASHER<br>ARANDELA                       | 2  | 2  | 2 | 2   |                     |
| 29       | 90109-06M80         | BOLT<br>PERNO                            | 2  | 2  | 2 | 2   |                     |
| 30       | 90464-09M49         | CLAMP<br>BRIDA                           |    |    |   | 1   |                     |
| 31       | 90109-06M80         | BOLT<br>PERNO                            |    |    |   | 1   |                     |
| 32       | 664-42791-00        | MARK 1<br>MARCA 1                        | 1  | 1  | 1 | 1   |                     |
|          | 664-42791-10        | MARK 1<br>MARCA 1                        | 1  | 1  | 1 | 1   | FOR CARIB, CHINA    |
| 33       | 6A1-28176-00        | LABEL, CAUTION<br>ETIQUETA DE PRECAUCION | 1  | 1  | 1 | 1   | FOR CARIB           |
| 34       | 6E3-8257H-00        | PLATE, MARK<br>PLACA DE MARCA            | 1  | 1  | 1 | 1   | FOR CARIB           |

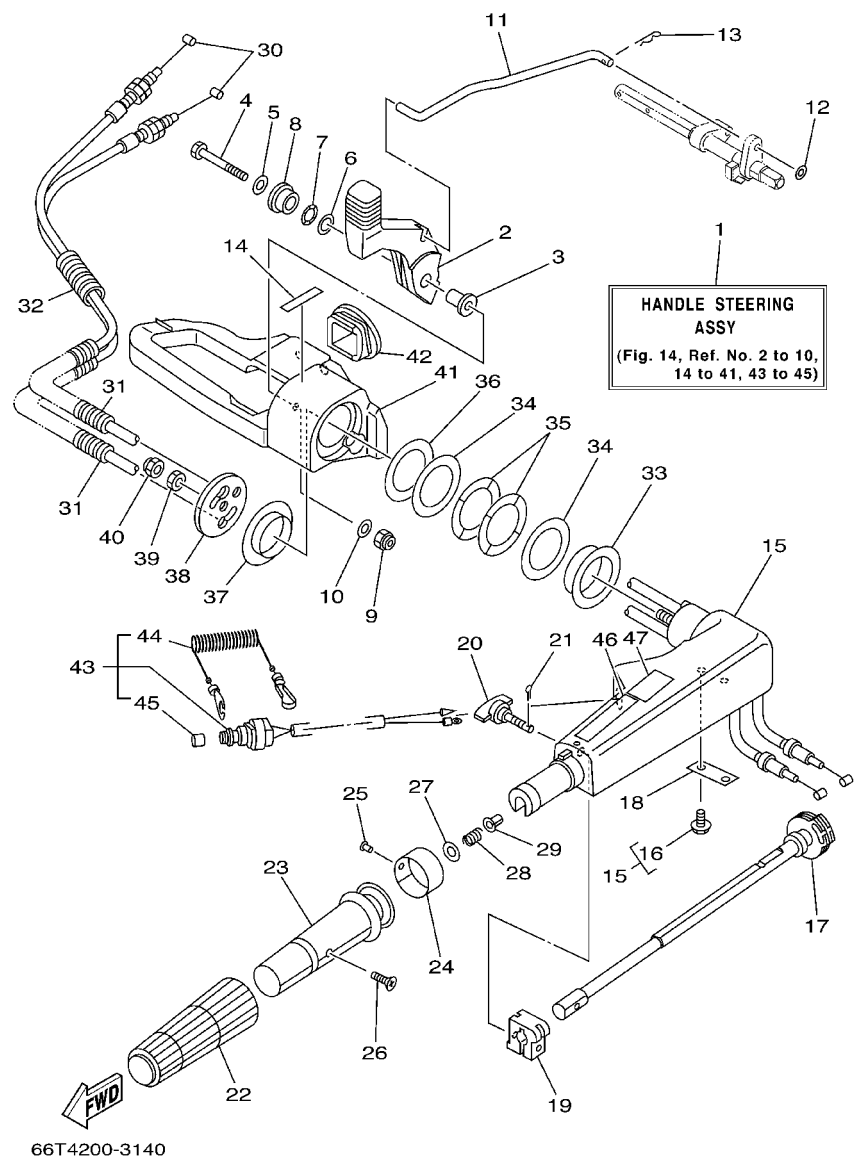


FIG. 14 STEERING

DIRECCION

| REF. NO. | PART NO. CODIGO NO. | DESCRIPTION DESCRIPTION                                       | MH | WH | W | WT | REMARKS OBSERVACION |
|----------|---------------------|---------------------------------------------------------------|----|----|---|----|---------------------|
| 1        | 66T-W0084-02-4D     | HANDLE STEERING ASSY<br>CONJUNTO DE MANIJA                    | 1  | 1  |   |    |                     |
| 2        | 66T-44111-02        | HANDLE, GEAR SHIFT<br>MANIJA DE CAMBIO DE MARCHAS             | 1  | 1  |   |    |                     |
| 3        | 90387-06M86         | COLLAR<br>COLLAR                                              | 1  | 1  |   |    |                     |
| 4        | 97095-06050         | BOLT<br>PERNO                                                 | 1  | 1  |   |    |                     |
| 5        | 92995-06600         | WASHER<br>ARANDELA                                            | 1  | 1  |   |    |                     |
| 6        | 90201-12M07         | WASHER, PLATE<br>ARANDELA PLANA                               | 1  | 1  |   |    |                     |
| 7        | 90206-12052         | WASHER, WAVE<br>ARANDELA ONDULADA                             | 1  | 1  |   |    |                     |
| 8        | 66T-42123-00        | BOLT, HANDLE JOINT<br>TORNILLO CONEXION DE LA MANIJA          | 1  | 1  |   |    |                     |
| 9        | 95780-06300         | NUT, FLANGE<br>TUERCA                                         | 1  | 1  |   |    |                     |
| 10       | 92995-06200         | WASHER<br>ARANDELA                                            | 1  | 1  |   |    |                     |
| 11       | 66T-44124-00        | LINK, SHIFT ROD<br>ESLABON                                    | 1  | 1  |   |    |                     |
| 12       | 92990-06200         | WASHER, PLAIN<br>ARANDELA PLANA                               | 1  | 1  |   |    |                     |
| 13       | 90468-18008         | CLIP<br>PRESILLA                                              | 1  | 1  |   |    |                     |
| 14       | 6E0-44191-11        | INDICATOR, SHIFT<br>INDICADOR DE CAMBIOS                      | 1  | 1  |   |    |                     |
| 15       | 65W-42101-01-4D     | HANDLE, STEERING<br>MANIJA DE DIRECCION                       | 1  | 1  |   |    |                     |
| 16       | 90109-06M86         | BOLT<br>PERNO                                                 | 2  | 2  |   |    |                     |
| 17       | 65W-42138-00        | LEVER, THROTTLE<br>PLANCA DE ACELERACION                      | 1  | 1  |   |    |                     |
| 18       | 65W-42159-00        | STAY<br>SOPORTE                                               | 1  | 1  |   |    |                     |
| 19       | 6G1-42126-00        | FRICTION, STEERING HANDLE GRIP<br>FRICCION DE MANGO DIRECCION | 1  | 1  |   |    |                     |
| 20       | 65W-42125-00        | BOLT, FRICTION ADJUSTING<br>TORNILLO FRICCION ADJUSTA         | 1  | 1  |   |    |                     |
| 21       | 91490-20010         | PIN, COTTER<br>CHAVETA                                        | 1  | 1  |   |    |                     |
| 22       | 6F6-42177-A0        | RUBBER, HANDLE<br>HULE DE MANIJA                              | 1  | 1  |   |    |                     |
| 23       | 664-42119-00        | GRIP, STEERING HANDLE<br>MANGO, MANIJA DE DIRRECCION          | 1  | 1  |   |    |                     |
| 24       | 6G1-42137-10        | INDICATOR, THROTTLE<br>INDICADOR ACELERADOR                   | 1  | 1  |   |    |                     |
| 25       | 90269-02M09         | RIVET<br>REMACHE                                              | 1  | 1  |   |    |                     |
| 26       | 90149-05M13         | SCREW<br>TORNILLO DE REGLAJE                                  | 1  | 1  |   |    |                     |
| 27       | 92903-10600         | WASHER, PLATE<br>RONDANA SENCILLA                             | 1  | 1  |   |    |                     |

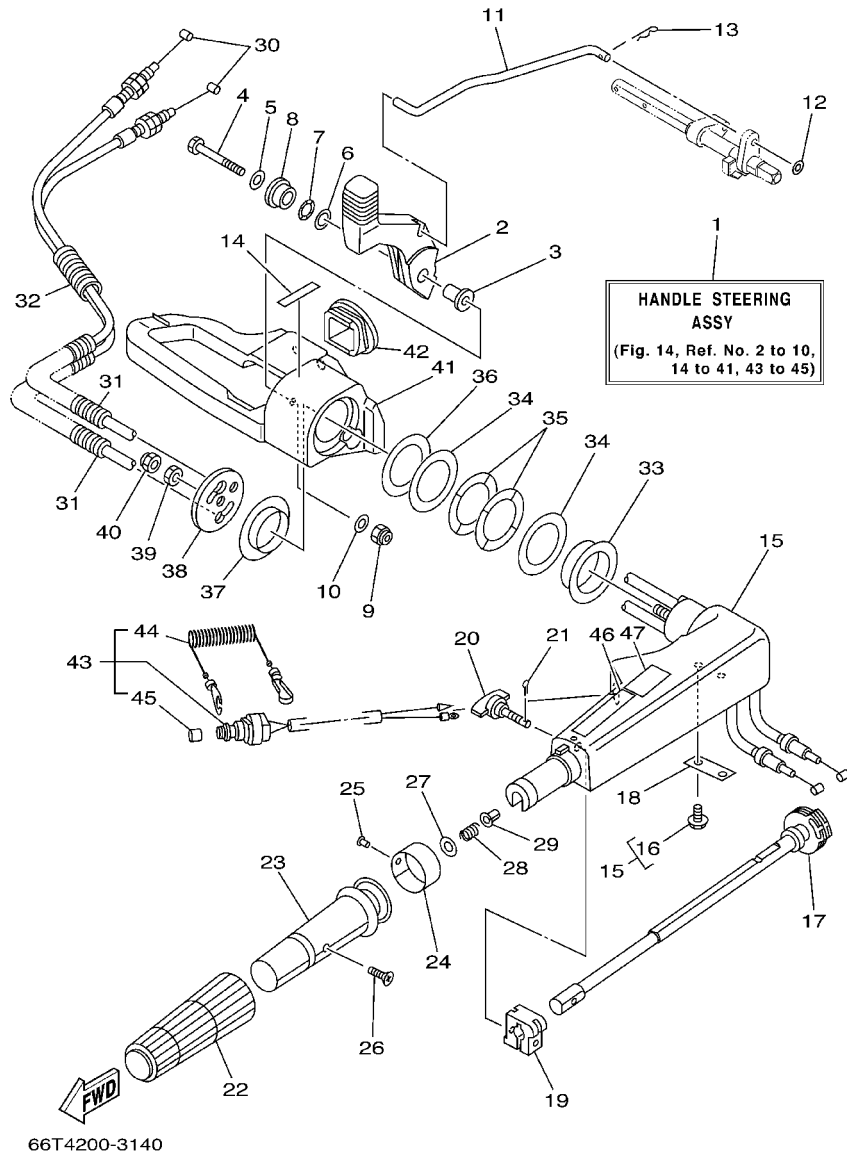


FIG. 14 STEERING

DIRECCION

| REF. NO. | PART NO. CODIGO NO. | DESCRIPTION DESCRIPTION                                | MH | WH | W | WT | REMARKS OBSERVACION |
|----------|---------------------|--------------------------------------------------------|----|----|---|----|---------------------|
| 28       | 90501-23215         | SPRING, COMPRESSION<br>RESORTE DE COMPRESION           | 1  | 1  |   |    |                     |
| 29       | 90386-08032         | BUSH<br>BUJE                                           | 1  | 1  |   |    |                     |
| 30       | 66T-26301-00        | THROTTLE CABLE ASSY<br>CABLE DE ACELERADOR COMPLETO    | 2  | 2  |   |    |                     |
| 31       | 90446-10M87         | HOSE<br>TUBO RESEIRADERO                               | 2  | 2  |   |    |                     |
| 32       | 90446-10M86         | HOSE<br>TUBO RESEIRADERO                               | 2  | 2  |   |    |                     |
| 33       | 90386-40MA0         | BUSH<br>BUJE                                           | 1  | 1  |   |    |                     |
| 34       | 90201-43M00         | WASHER, PLATE<br>ARANDELA PLANA                        | 2  | 2  |   |    |                     |
| 35       | 90206-43M22         | WASHER, WAVE<br>ARANDELA ONDULADA                      | 2  | 2  |   |    |                     |
| 36       | 90202-43M57         | WASHER, PLATE<br>ARANDELA DE PLANA                     | 1  | 1  |   |    |                     |
| 37       | 90386-40M99         | BUSH<br>BUJE                                           | 1  | 1  |   |    |                     |
| 38       | 65W-42131-01        | COVER, HANDLE STEERING<br>CUBIERTA MANIJA DIRRECCION   | 1  | 1  |   |    |                     |
| 39       | 95380-10700         | NUT<br>TUERCA                                          | 1  | 1  |   |    |                     |
| 40       | 95780-10300         | NUT, FLANGE<br>TUERCA                                  | 1  | 1  |   |    |                     |
| 41       | 65W-42121-01-4D     | BRACKET<br>SOPORTE                                     | 1  | 1  |   |    |                     |
| 42       | 66T-41273-00        | GROMMET<br>TAPON PROTECTOR                             | 1  | 1  |   |    |                     |
| 43       | 66T-82575-01        | ENGINE STOP SWITCH ASSY<br>INTERRUPTOR DE PARADA COMPL | 1  | 1  |   |    |                     |
| 44       | 682-82556-00        | .STOPPER<br>.RETENER                                   | 1  | 1  |   |    |                     |
| 45       | 689-8257Y-00        | .CAP<br>.CASQUILLO                                     | 1  | 1  |   |    |                     |
| 46       | 6E0-83627-41        | LABEL, CAUTION 7<br>ETIQUETA DE PRECAUCION 7           | 1  |    |   |    | FOR VOLGA           |
| 47       | 61T-83627-80        | LABEL, CAUTION 7<br>ETIQUETA DE PRECAUCION 7           | 1  |    |   |    | FOR VOLGA           |

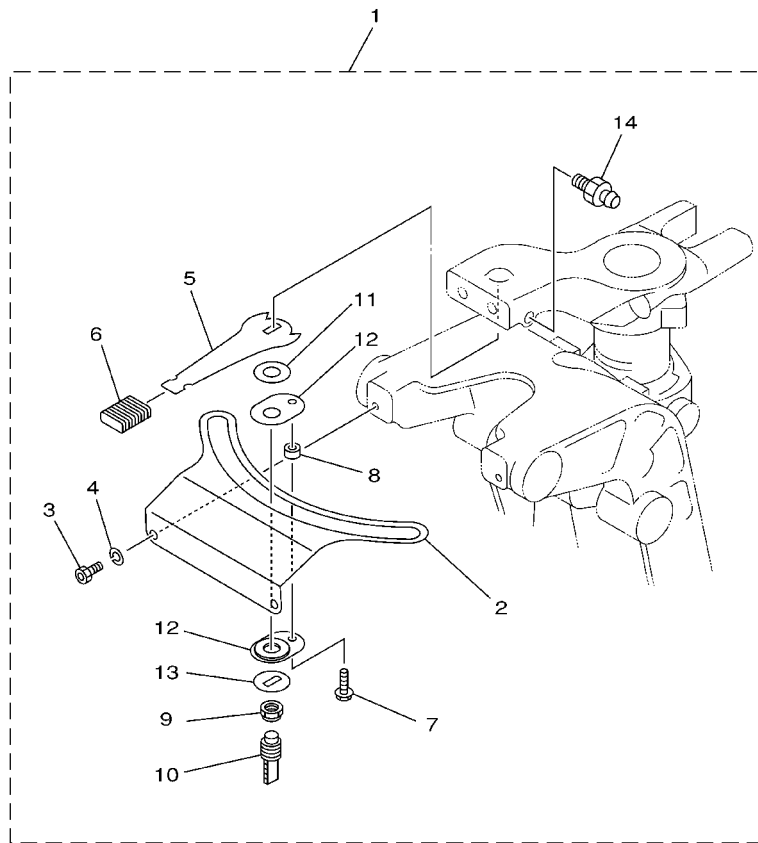


FIG. 15 STEERING FRICTION

FRICCION DE DIRECCION

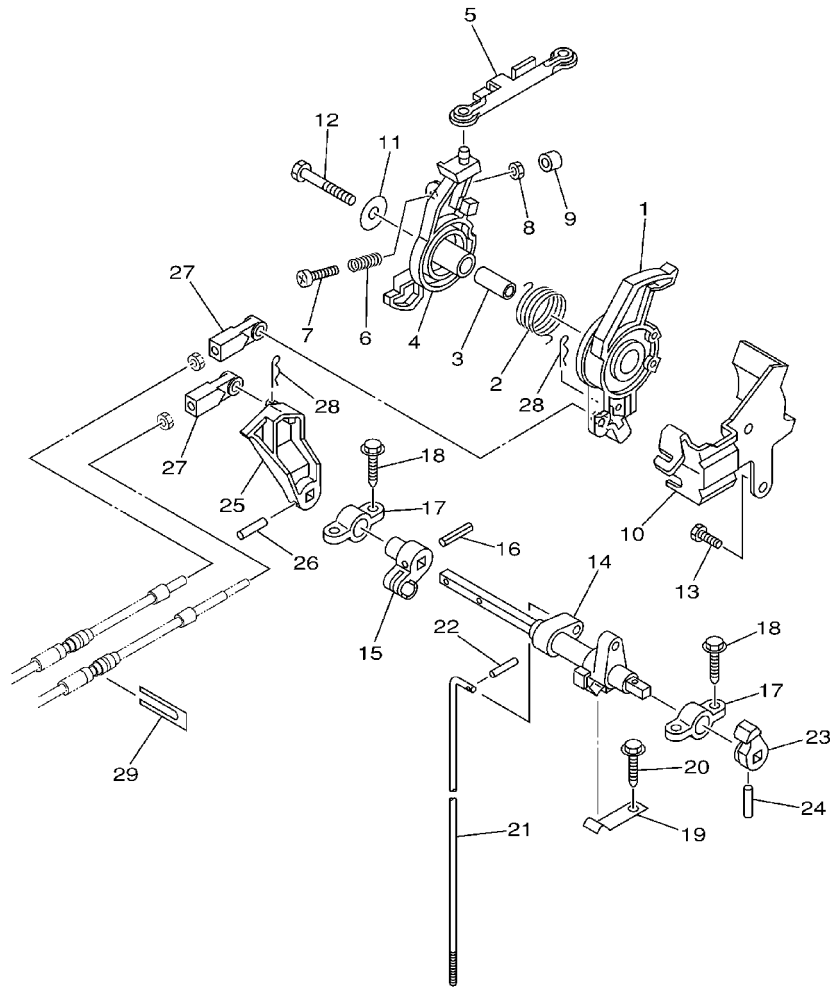
| REF. NO. | PART NO. CODIGO NO. | DESCRIPTION DESCRIPTION                               | MH | WH | W | WT | REMARKS OBSERVACION |
|----------|---------------------|-------------------------------------------------------|----|----|---|----|---------------------|
| 1        | 65W-42508-00        | STEERING FRICTION ASSY<br>DIRECCION FRICCION COMP.    | 1  |    |   |    |                     |
| 2        | 65W-42527-00        | .PLATE, FRICTION<br>.PLACA DE FRICCION                | 1  |    |   |    |                     |
| 3        | 90109-06M50         | .BOLT<br>.PERNO                                       | 2  |    |   |    |                     |
| 4        | 92990-06100         | .WASHER, SPRING<br>.ARANDELA GROWER                   | 2  |    |   |    |                     |
| 5        | 65W-42561-00        | .KNOB, STEERING LOCK<br>.PERILLA                      | 1  |    |   |    |                     |
| 6        | 689-43633-00        | .COVER, TILT LEVER<br>.CUBIERTA PALANCA DE INCLINAC   | 1  |    |   |    |                     |
| 7        | 97595-05516         | .BOLT, WITH WASHER<br>.PERNO CON ARANDELA RONDELLE    | 1  |    |   |    |                     |
| 8        | 90387-05M11         | .COLLAR<br>.COLLAR                                    | 1  |    |   |    |                     |
| 9        | 90185-10M14         | .NUT, SELF-LOCKING<br>.TUERCA AUTOBLOCANTE            | 1  |    |   |    |                     |
| 10       | 65W-42562-00        | .SHAFT, STEERING LOCK<br>.EJE, CERRADURA DE DIRECCION | 1  |    |   |    |                     |
| 11       | 90202-10M56         | .WASHER, PLATE<br>.ARANDELA DE PLANA                  | 1  |    |   |    |                     |
| 12       | 65W-42528-00        | .PLATE, FRICTION<br>.PIEZA DE FRICCION                | 2  |    |   |    |                     |
| 13       | 90209-10M26         | .WASHER<br>.ARANDELA DE SEPARACION                    | 1  |    |   |    |                     |
| 14       | 93700-06M03         | .NIPPLE, GREASE<br>.BOQUILLA DE ENGRASAR              | 1  |    |   |    |                     |



65W0010-8180

FIG. 16 CONTROL

CONTROL



| REF. NO. | PART NO. CODIGO NO. | DESCRIPTION DESCRIPTION                                 | MH | WH | W | WT | REMARKS OBSERVACION |
|----------|---------------------|---------------------------------------------------------|----|----|---|----|---------------------|
| 1        | 66T-41638-00        | PULLEY POLEA                                            | 1  | 1  | 1 | 1  |                     |
| 2        | 66T-42167-00        | SPRING 1 RESORTE 1                                      | 1  | 1  | 1 | 1  |                     |
| 3        | 90387-08M16         | COLLAR COLLAR                                           | 1  | 1  | 1 | 1  |                     |
| 4        | 66T-41631-01        | LEVER, MAGNETO CONTROL PALANCA DE CONTROL DE MAGNETO    | 1  | 1  | 1 | 1  |                     |
| 5        | 66T-41237-00        | JOINT, LINK CONECTOR                                    | 1  | 1  | 1 | 1  |                     |
| 6        | 90501-10M84         | SPRING, COMPRESSION RESORTE DE COMPRESION               | 1  | 1  | 1 | 1  |                     |
| 7        | 97880-06035         | SCREW, PAN HEAD TORNILLO DE CABEZA CON PLANA            | 1  | 1  | 1 | 1  |                     |
| 8        | 95380-06700         | NUT TUERCA                                              | 1  | 1  | 1 | 1  |                     |
| 9        | 688-44194-00        | CAP TAPA                                                | 1  | 1  | 1 | 1  |                     |
| 10       | 66T-14497-00        | STAY, THROTTLE WIRE SOPORTE VALVULA DE OBTURACION       | 1  | 1  | 1 | 1  |                     |
| 11       | 90201-08M54         | WASHER, PLATE ARANDELA PLANA                            | 1  | 1  | 1 | 1  |                     |
| 12       | 97095-08045         | BOLT PERNO                                              | 1  | 1  | 1 | 1  |                     |
| 13       | 97095-06014         | BOLT PERNO                                              | 1  | 1  | 1 | 1  |                     |
| 14       | 66T-44121-00        | LEVER, SHIFT ROD PALANCA VARILLA CAMBIOS                | 1  | 1  | 1 | 1  |                     |
| 15       | 66M-44122-00        | BUSHING, SHIFT ROD LEVER BUJE PALANCA VARILLA DE CAMBIO | 1  | 1  | 1 | 1  |                     |
| 16       | 90254-03M05         | PIN, SPRING PASADOR DE TIPO A RESORTE                   | 1  | 1  | 1 | 1  |                     |
| 17       | 6F5-41662-00        | BRACKET SOPORTE                                         | 2  | 2  | 2 | 2  |                     |
| 18       | 90109-06M81         | BOLT PERNO                                              | 4  | 4  | 4 | 4  |                     |
| 19       | 682-44116-01        | SPRING RESORTE                                          | 1  | 1  | 1 | 1  |                     |
| 20       | 90109-06M86         | BOLT PERNO                                              | 1  | 1  | 1 | 1  |                     |
| 21       | 66T-44143-00        | ROD, SHIFT VARILLA DE CAMBIO                            | 1  |    | 1 |    | S                   |
|          | 66T-44143-10        | ROD, SHIFT VARILLA DE CAMBIO                            | 1  | 1  | 1 | 1  | L/X                 |
| 22       | 91490-16012         | PIN, COTTER CHAVETA                                     | 1  | 1  | 1 | 1  |                     |
| 23       | 65W-44173-00        | LEVER, SHIFT CONTROL PALANCA CONTROL CAMBIOS            |    | 1  | 1 |    |                     |
| 24       | 90254-03M04         | PIN, SPRING PASADOR DE TIPO A RESORTE                   |    | 1  | 1 |    |                     |
| 25       | 66T-44125-01        | LEVER, SHIFT ROD PALANCA VARILLA CAMBIOS                | 1  | 1  | 1 | 1  |                     |
| 26       | 90254-03M04         | PIN, SPRING PASADOR DE TIPO A RESORTE                   | 1  | 1  | 1 | 1  |                     |



66T0010-1160

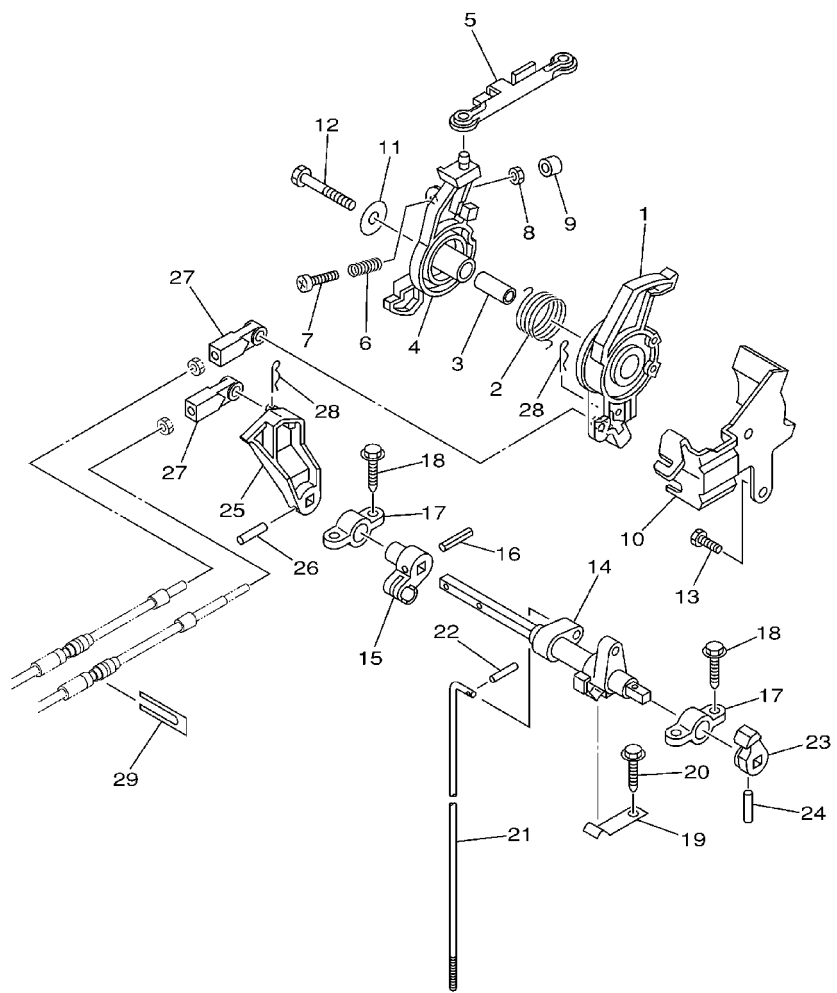


FIG. 16 CONTROL

CONTROL

| REF. NO. | PART NO. CODIGO NO. | DESCRIPTION DESCRIPTION                | MH | WH | W | WT | REMARKS OBSERVACION |
|----------|---------------------|----------------------------------------|----|----|---|----|---------------------|
| 27       | 663-48344-00        | CABLE END, REMOTE CONTROL BASE CONTROL |    |    | 2 | 2  |                     |
| 28       | 90468-18008         | CLIP PRESILLA                          |    |    | 2 | 2  |                     |
| 29       | 6H3-48538-00        | CLAMP, CABLE 1 GRAMPA DE CABLE         |    |    | 1 | 1  |                     |
|          |                     |                                        |    |    |   |    |                     |
|          |                     |                                        |    |    |   |    |                     |
|          |                     |                                        |    |    |   |    |                     |
|          |                     |                                        |    |    |   |    |                     |
|          |                     |                                        |    |    |   |    |                     |

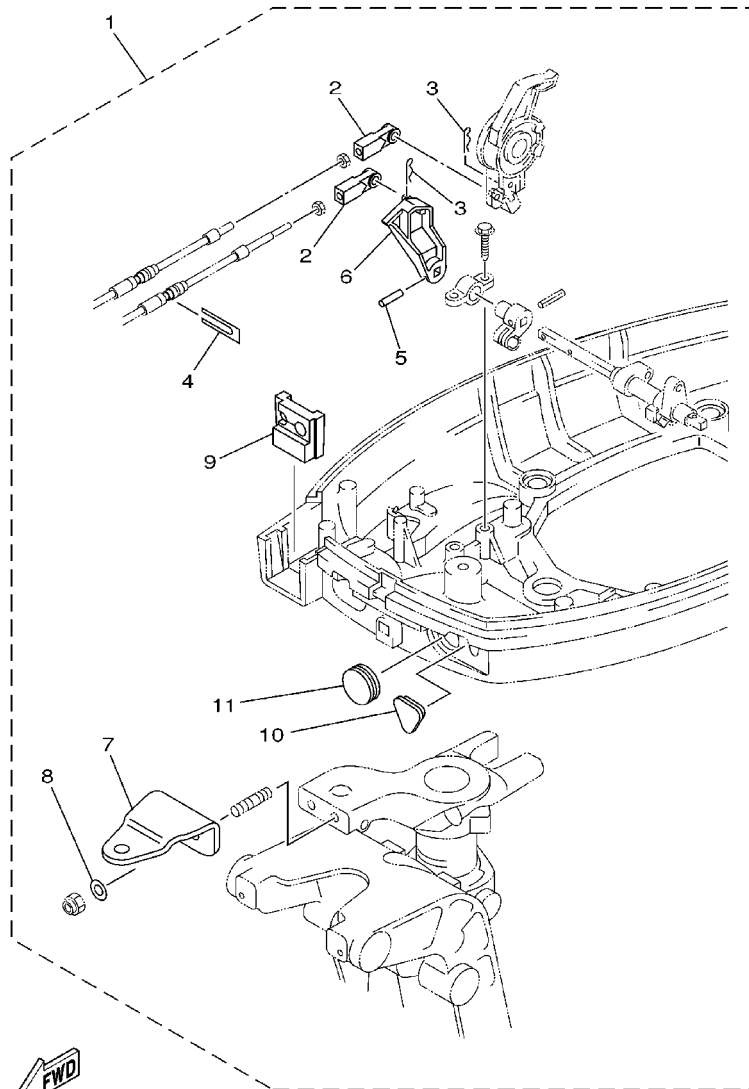


66T0010-1160

D7

FIG. 17 REMOTE CONTROL ATTACHMENT

CONJUNTO ADITAMENTO

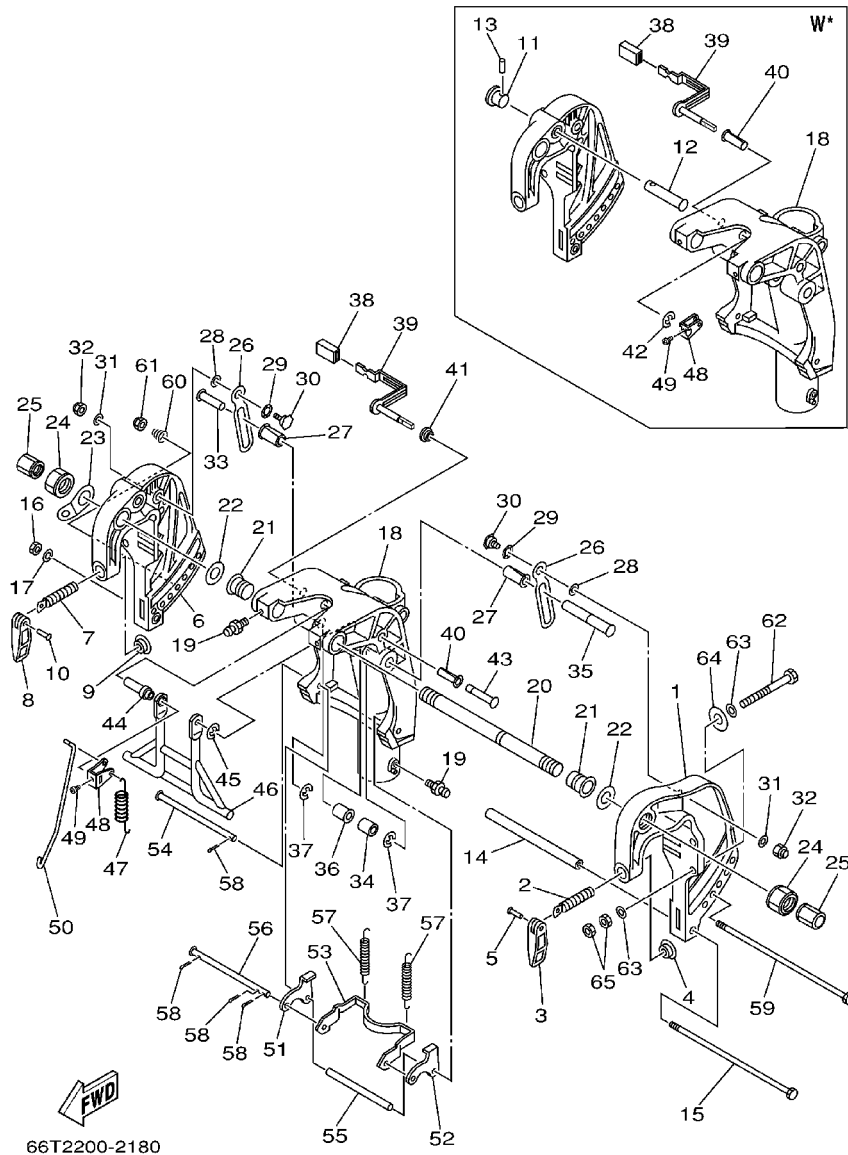


66T0010-1170

| REF. NO. | PART NO. CODIGO NO. | DESCRIPTION DESCRIPTION                              | MH | WH | W | WT | REMARKS OBSERVACION |
|----------|---------------------|------------------------------------------------------|----|----|---|----|---------------------|
| 1        | 66T-48501-01        | REMOTE CONT. ATTACHMENT ASSY.<br>CONJUNTO ADITAMENTO | 1  | 1  | 1 | 1  | AP                  |
| 2        | 663-48344-00        | .CABLE END, REMOTE CONTROL<br>.BASE CONTROL          | 2  | 2  | 2 | 2  |                     |
| 3        | 90468-18008         | .CLIP<br>.PRESILLA                                   | 2  | 2  | 2 | 2  |                     |
| 4        | 6H3-48538-00        | .CLAMP, CABLE 1<br>.GRAMPA DE CABLE                  | 1  | 1  | 1 | 1  |                     |
| 5        | 90254-03M04         | .PIN, SPRING<br>.PASADOR DE TIPO A RESORTE           | 1  | 1  | 1 | 1  |                     |
| 6        | 66T-44125-01        | .LEVER, SHIFT ROD<br>.PALANCA VARILLA CAMBIOS        | 1  | 1  | 1 | 1  |                     |
| 7        | 65W-48511-00        | .HOOK, STEERING<br>.GANCHO DIRECCION                 | 1  | 1  | 1 | 1  |                     |
| 8        | 90201-10120         | .WASHER, PLATE<br>.ARANDELA PLANA                    | 2  | 2  | 2 | 2  |                     |
| 9        | 66T-42725-30        | .GROMMET<br>.TAPON                                   | 1  | 1  | 1 | 1  |                     |
| 10       | 65W-26326-10        | .GROMMET<br>.TAPON PROTECTOR                         | 1  | 1  | 1 | 1  |                     |
| 11       | 65W-42726-10        | .GROMMET<br>.TAPON                                   | 1  | 1  | 1 | 1  |                     |

FIG. 18 BRACKET 1

SOPORTE 1



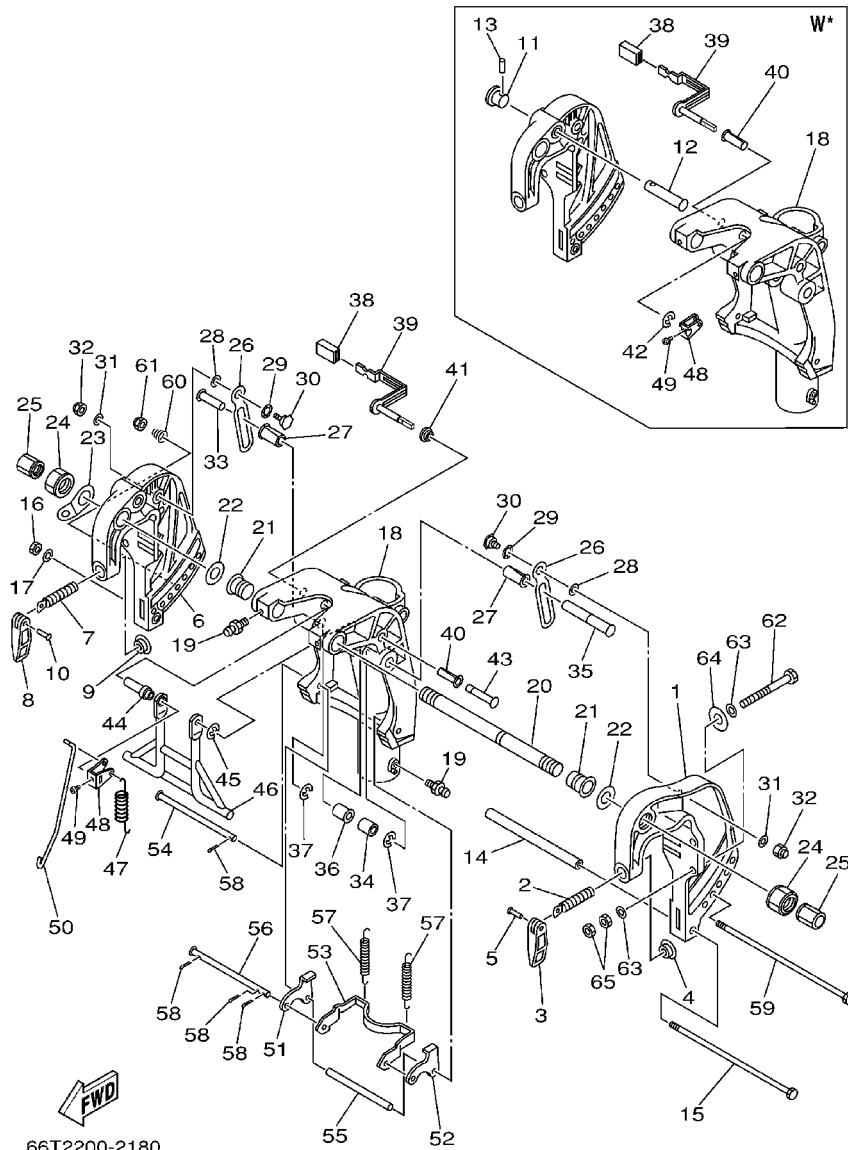
| REF. NO. | PART NO. CODIGO NO. | DESCRIPTION DESCRIPTION                                 | MH | WH | W | WT | REMARKS OBSERVACION    |
|----------|---------------------|---------------------------------------------------------|----|----|---|----|------------------------|
| 1        | 66T-43111-01-4D     | BRACKET, CLAMP<br>SOPORTE DE LA ABRAZADERA              | 1  | 1  | 1 |    |                        |
| 2        | 90149-14M12         | SCREW<br>TORNILLO DE REGLAJE                            | 1  | 1  | 1 |    |                        |
| 3        | 663-43118-01-4D     | HANDLE, TRANSOM CLAMP<br>MANIJA DE LA ABRAZADERA DEL ES | 1  | 1  | 1 |    |                        |
| 4        | 648-43114-01        | PAD, TRANSOM CLAMP<br>ARANDELA DE ABRAZADERA            | 1  | 1  | 1 |    |                        |
| 5        | 90243-04007         | PIN<br>PASADOR                                          | 1  | 1  | 1 |    |                        |
| 6        | 66T-43112-01-4D     | BRACKET, CLAMP<br>SOPORTE DE LA ABRAZADERA              | 1  | 1  | 1 |    |                        |
| 7        | 90149-14M12         | SCREW<br>TORNILLO DE REGLAJE                            | 1  | 1  | 1 |    |                        |
| 8        | 663-43118-01-4D     | HANDLE, TRANSOM CLAMP<br>MANIJA DE LA ABRAZADERA DEL ES | 1  | 1  | 1 |    |                        |
| 9        | 648-43114-01        | PAD, TRANSOM CLAMP<br>ARANDELA DE ABRAZADERA            | 1  | 1  | 1 |    |                        |
| 10       | 90243-04007         | PIN<br>PASADOR                                          | 1  | 1  | 1 |    |                        |
| 11       | 65W-43192-00        | KNOB, STOPPER<br>PERILLA DE TOPE                        | 1  | 1  | 1 |    | W*                     |
| 12       | 65W-43191-00        | SHAFT, STOPPER<br>EJE DE TOPE                           | 1  | 1  | 1 |    | W*                     |
| 13       | 91690-30018         | PIN, SPRING<br>PASADOR DE RESORTE                       | 1  | 1  | 1 |    | W*                     |
| 14       | 90387-08M29         | COLLAR<br>COLLAR                                        | 1  | 1  | 1 |    |                        |
| 15       | 90101-08M76         | BOLT<br>TORNILLO                                        | 1  | 1  | 1 |    |                        |
| 16       | 95380-08600         | NUT<br>TUERCA                                           | 1  | 1  | 1 |    |                        |
| 17       | 92990-08100         | WASHER, SPRING<br>ARANDELA GROWER                       | 1  | 1  | 1 |    |                        |
| 18       | 65W-43311-00-4D     | BRACKET, SWIVEL 1<br>SOPORTE GIRATORIO 1                | 1  |    | 1 |    | S                      |
|          | 65W-43311-10-4D     | BRACKET, SWIVEL 1<br>SOPORTE GIRATORIO 1                | 1  | 1  | 1 |    | L/X                    |
| 19       | 93700-06M03         | NIPPLE, GREASE<br>BOQUILLA DE ENGRASAR                  | 1  |    |   |    | WITH STEERING FRICTION |
|          | 93700-06M03         | NIPPLE, GREASE<br>BOQUILLA DE ENGRASAR                  | 3  | 3  | 3 |    |                        |
| 20       | 63D-43131-01        | BOLT, CLAMP BRACKET<br>TORNILLO DE ABRAZADERA DEL SOP   | 1  | 1  | 1 |    |                        |
| 21       | 90386-22M15         | BUSH<br>BUJE                                            | 2  | 2  | 2 |    |                        |
| 22       | 90201-22M03         | WASHER, PLATE<br>ARANDELA PLANA                         | 2  | 2  | 2 |    |                        |
| 23       | 6J8-43113-01        | PLATE, CLAMP BRACKET<br>PLACA ABRAZADERA SOPORTE        | 1  | 1  | 1 |    |                        |

W\* : WITHOUT SHALLOW WATER DRIVE  
W\* : SIN NAVEGACION EN AGUAS POCO PROFUNDAS



FIG. 18 BRACKET 1

SOPORTE 1



66T2200-2180

| REF. NO. | PART NO. CODIGO NO. | DESCRIPTION DESCRIPTION                        | MH | WH | W | WT | REMARKS OBSERVACION |
|----------|---------------------|------------------------------------------------|----|----|---|----|---------------------|
| 24       | 90185-22043         | NUT, SELF-LOCKING<br>TUERCA AUTOBLOCANTE       | 2  | 2  | 2 |    |                     |
| 25       | 6G5-43145-01        | CAP. CLAMP BRACKET<br>TAPA                     | 2  | 2  | 2 |    |                     |
| 26       | 66T-43627-00        | STOPPER<br>RETEN                               | 2  | 2  | 2 |    |                     |
| 27       | 90386-12M98         | BUSH<br>BUJE                                   | 2  | 2  | 2 |    |                     |
| 28       | 90202-12031         | WASHER, PLATE<br>ARANDELA DE PLANA             | 2  | 2  | 2 |    |                     |
| 29       | 90206-12M00         | WASHER, WAVE<br>ARANDELA ONDULADA              | 2  | 2  | 2 |    |                     |
| 30       | 90109-08M90         | BOLT<br>PERNO                                  | 2  | 2  | 2 |    |                     |
| 31       | 90201-08M07         | WASHER, PLATE<br>ARANDELA PLANA                | 2  | 2  | 2 |    |                     |
| 32       | 90185-08057         | NUT, SELF-LOCKING<br>TUERCA AUTOBLOCANTE       | 2  | 2  | 2 |    |                     |
| 33       | 90249-12M34         | PIN                                            | 1  | 1  | 1 |    | D*                  |
|          | 90249-12M34         | PASADOR                                        | 2  | 2  | 2 |    | W*                  |
| 34       | 90387-12M04         | COLLAR<br>COLLAR                               | 1  | 1  | 1 |    | D*                  |
| 35       | 90249-12M39         | PIN<br>PASADOR                                 | 1  | 1  | 1 |    | D*                  |
| 36       | 90386-12MA0         | BUSH<br>BUJE                                   | 1  | 1  | 1 |    | D*                  |
| 37       | 93430-10M00         | CIRCLIP<br>SEGURO                              | 2  | 2  | 2 |    |                     |
| 38       | 682-43318-01        | COVER<br>CUBIERTA                              | 1  | 1  | 1 |    |                     |
| 39       | 65W-43630-11        | TILT LEVER ASSY<br>PLANCA DE INCLINACION COMPL | 1  | 1  | 1 |    | D*                  |
|          | 65W-43630-02        | TILT LEVER ASSY<br>PLANCA DE INCLINACION COMPL | 1  | 1  | 1 |    | W*                  |
| 40       | 90386-10M99         | BUSH<br>BUJE                                   | 1  | 1  | 1 |    |                     |
| 41       | 90386-07MA2         | BUSH<br>BUJE                                   | 1  | 1  | 1 |    | D*                  |
| 42       | 99080-08600         | CIRCLIP<br>PRESILLA REDONDA                    | 1  | 1  | 1 |    | W*                  |
| 43       | 90249-10M31         | PIN<br>PASADOR                                 | 1  | 1  | 1 |    | D*                  |
| 44       | 90387-07M05         | COLLAR<br>COLLAR                               | 1  | 1  | 1 |    | D*                  |

D\* : FOR SHALLOW WATER DRIVE

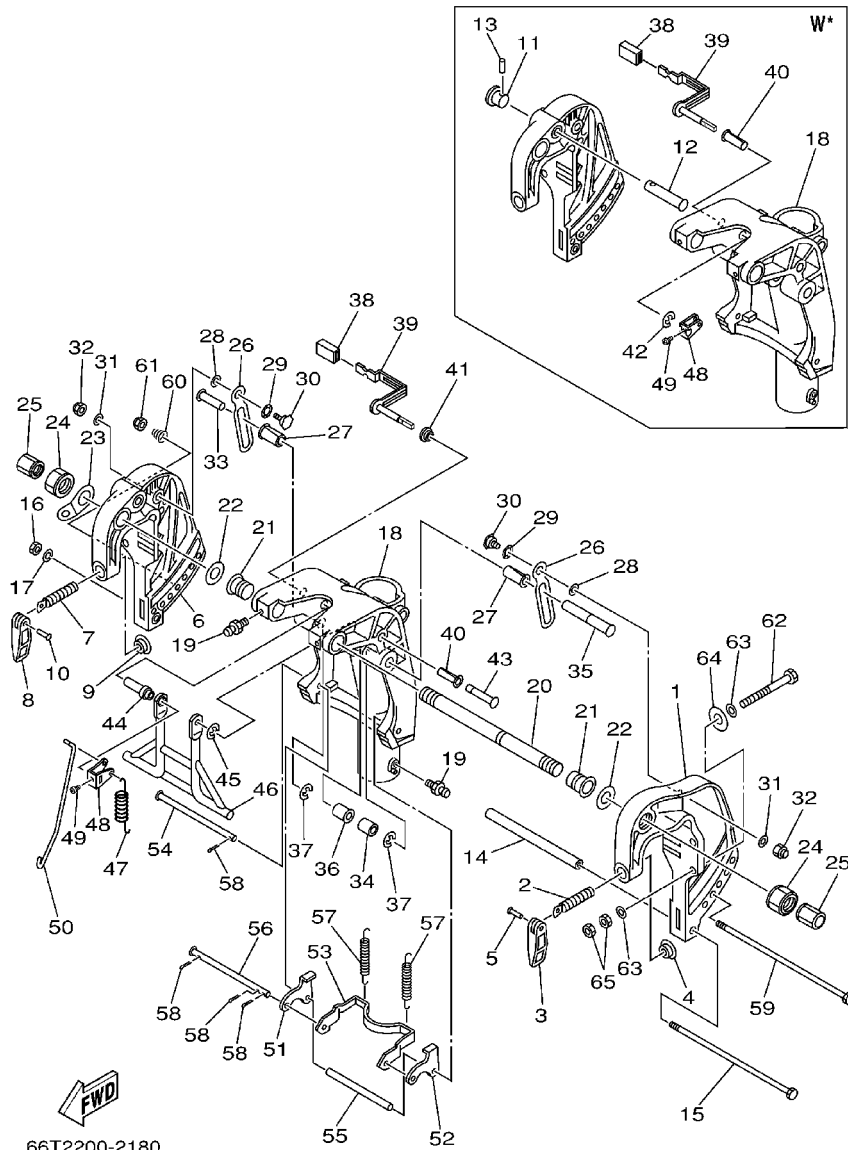
D\* : PARA NAVEGACION EN AGUAS POCO PROFUNDAS

W\* : WITHOUT SHALLOW WATER DRIVE

W\* : SIN NAVEGACION EN AGUAS POCO PROFUNDAS

FIG. 18 BRACKET 1

SOPORTE 1



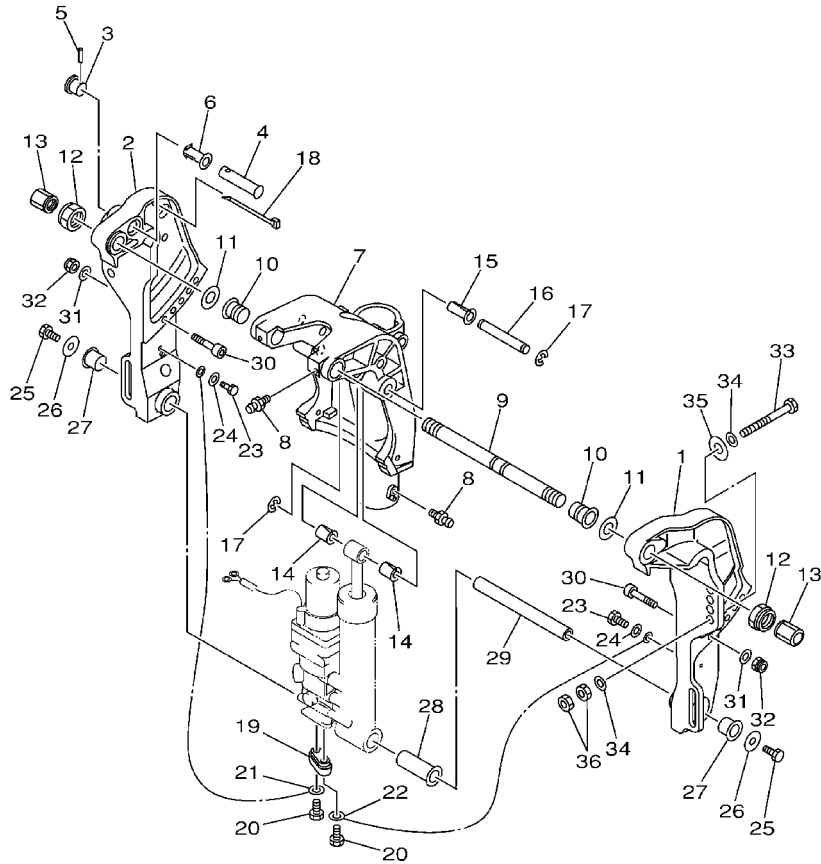
| REF. NO. | PART NO. CODIGO NO. | DESCRIPTION DESCRIPTION                            | MH | WH | W | WT | REMARKS OBSERVACION |
|----------|---------------------|----------------------------------------------------|----|----|---|----|---------------------|
| 45       | 99080-08600         | CIRCLIP<br>PRESILLA REDONDA                        | 1  | 1  | 1 |    | D*                  |
| 46       | 66T-43350-02        | RECEIVER ASSY<br>RECIBIDOR COMPL                   | 1  | 1  | 1 |    | D*                  |
| 47       | 90506-20M37         | SPRING, TENSION<br>RESORTE DE TENSION              | 1  | 1  | 1 |    | D*                  |
| 48       | 66T-43631-11        | LEVER, TILT<br>PALANCA DE INCLINACION              | 1  | 1  | 1 |    | D*                  |
|          | 66T-43631-01        | LEVER, TILT<br>PALANCA DE INCLINACION              | 1  | 1  | 1 |    | W*                  |
| 49       | 90157-05014         | SCREW, PAN HEAD<br>TORNILLO CABEZA CONICA PLANA    | 1  | 1  | 1 |    |                     |
| 50       | 65W-43616-00        | ROD, TILT LOCK<br>VARILLA SEGURO DE INCLINACION    | 1  | 1  | 1 |    |                     |
| 51       | 65W-43614-01        | PLATE, TILT LOCK<br>PLACA DE SEGURO DE INCLINACION | 1  | 1  | 1 |    |                     |
| 52       | 65W-43615-01        | PLATE, TILT LOCK<br>PLACA DE SEGURO DE INCLINACION | 1  | 1  | 1 |    |                     |
| 53       | 65W-43613-00        | ARM, TILT LOCK<br>BRAZO DE SEGURO DE INCLINACION   | 1  | 1  | 1 |    |                     |
| 54       | 90249-07M32         | PIN<br>PASADOR                                     | 1  | 1  | 1 |    |                     |
| 55       | 90387-07M29         | COLLAR<br>COLLAR                                   | 1  | 1  | 1 |    |                     |
| 56       | 90249-07M33         | PIN<br>PASADOR                                     | 1  | 1  | 1 |    |                     |
| 57       | 90506-30M00         | SPRING, TENSION<br>RESORTE DE TENSION              | 2  | 2  | 2 |    |                     |
| 58       | 91490-20012         | PIN, COTTER<br>CHAVETA                             | 4  | 4  | 4 |    |                     |
| 59       | 90101-08M28         | BOLT<br>TORNILLO                                   | 1  | 1  | 1 |    |                     |
| 60       | 90502-10M06         | SPRING, CONICAL<br>RESORTE CONICO                  | 1  | 1  | 1 |    |                     |
| 61       | 90185-08057         | NUT, SELF-LOCKING<br>TUERCA AUTOBLOCANTE           | 1  | 1  | 1 |    |                     |
| 62       | 90101-10M58         | BOLT<br>TORNILLO                                   | 4  | 4  | 4 |    |                     |
| 63       | 92995-10600         | WASHER<br>ARANDELA                                 | 8  | 8  | 8 |    |                     |
| 64       | 90201-12426         | WASHER, PLATE<br>ARANDELA PLANA                    | 4  | 4  | 4 |    |                     |
| 65       | 95380-10600         | NUT<br>TUERCA                                      | 8  | 8  | 8 |    |                     |

D\* : FOR SHALLOW WATER DRIVE  
 D\* : PARA NAVEGACION EN AGUAS POCO PROFUNDAS

W\* : WITHOUT SHALLOW WATER DRIVE  
 W\* : SIN NAVEGACION EN AGUAS POCO PROFUNDAS

FIG. 19 BRACKET 2

SOPORTE 2



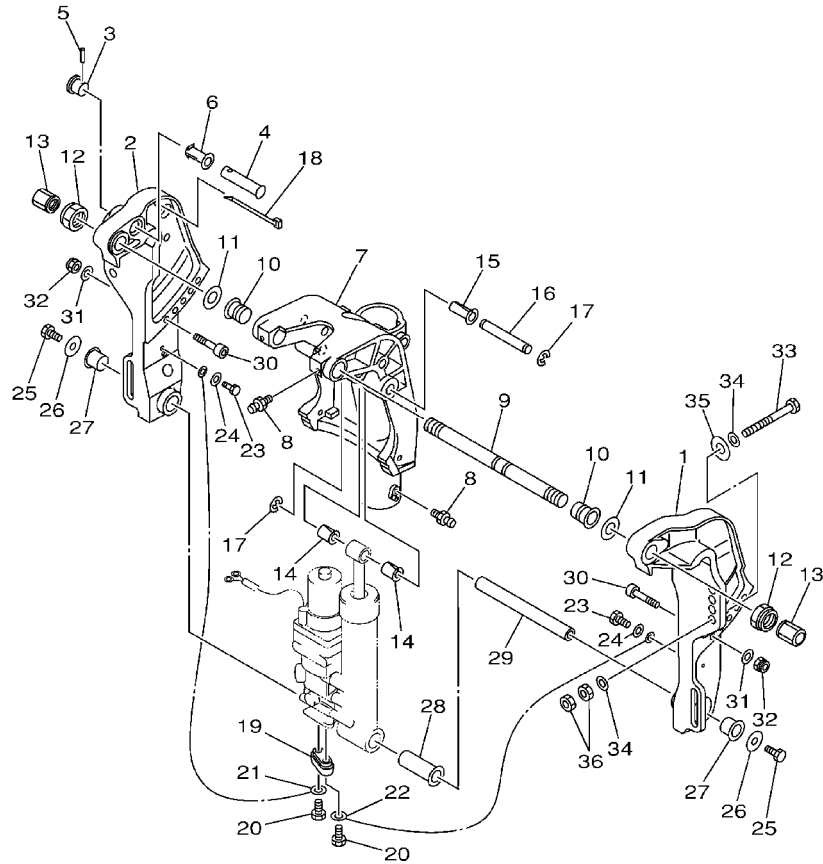
| REF. NO. | PART NO. CODIGO NO. | DESCRIPTION DESCRIPTION                               | MH | WH | W | WT | REMARKS OBSERVACION |
|----------|---------------------|-------------------------------------------------------|----|----|---|----|---------------------|
| 1        | 65W-43111-10-4D     | BRACKET, CLAMP<br>SOPORTE DE LA ABRAZADERA            |    |    |   | 1  |                     |
| 2        | 65W-43112-10-4D     | BRACKET, CLAMP<br>SOPORTE DE LA ABRAZADERA            |    |    |   | 1  |                     |
| 3        | 65W-43192-00        | KNOB, STOPPER<br>PERILLA DE TOPE                      |    |    |   | 1  |                     |
| 4        | 65W-43191-00        | SHAFT, STOPPER<br>EJE DE TOPE                         |    |    |   | 1  |                     |
| 5        | 91690-30018         | PIN, SPRING<br>PASADOR DE RESORTE                     |    |    |   | 1  |                     |
| 6        | 90386-14MA1         | BUSH<br>BUJE                                          |    |    |   | 1  |                     |
| 7        | 65W-43311-10-4D     | BRACKET, SWIVEL 1<br>SOPORTE GIRATORIO 1              |    |    |   | 1  | L                   |
| 8        | 93700-06M03         | NIPPLE, GREASE<br>BOQUILLA DE ENGRASAR                |    |    |   | 3  |                     |
| 9        | 63D-43131-01        | BOLT, CLAMP BRACKET<br>TORNILLO DE ABRAZADERA DEL SOP |    |    |   | 1  |                     |
| 10       | 90386-22M15         | BUSH<br>BUJE                                          |    |    |   | 2  |                     |
| 11       | 90201-22M03         | WASHER, PLATE<br>ARANDELA PLANA                       |    |    |   | 2  |                     |
| 12       | 90185-22M11         | NUT, SELF-LOCKING<br>TUERCA AUTOBLOCANTE              |    |    |   | 2  |                     |
| 13       | 6G5-43145-01        | CAP, CLAMP BRACKET<br>TAPA                            |    |    |   | 2  |                     |
| 14       | 90386-12MA0         | BUSH<br>BUJE                                          |    |    |   | 2  |                     |
| 15       | 90386-12M98         | BUSH<br>BUJE                                          |    |    |   | 1  |                     |
| 16       | 90249-12M38         | PIN<br>PASADOR                                        |    |    |   | 1  |                     |
| 17       | 93430-10M00         | CIRCLIP<br>SEGURO                                     |    |    |   | 2  |                     |
| 18       | 90465-13M11         | CLAMP<br>BRIDA                                        |    |    |   | 2  |                     |
| 19       | 65W-45251-00        | ANODE<br>CATODE                                       |    |    |   | 1  |                     |
| 20       | 90101-06020         | BOLT<br>TORNILLO                                      |    |    |   | 2  |                     |
| 21       | 6H1-82148-00        | WIRE, LEAD 4<br>CABLE CONDUCTOR 4                     |    |    |   | 1  |                     |
| 22       | 6U0-82127-00        | WIRE, LEAD 2<br>CABLE CONDUCTOR 2                     |    |    |   | 1  |                     |
| 23       | 97095-06014         | BOLT<br>PERNO                                         |    |    |   | 2  |                     |
| 24       | 92995-06600         | WASHER<br>ARANDELA                                    |    |    |   | 2  |                     |
| 25       | 97080-08016         | BOLT<br>PERNO                                         |    |    |   | 2  |                     |
| 26       | 90201-08M00         | WASHER, PLATE<br>ARANDELA PLANA                       |    |    |   | 2  |                     |
| 27       | 90386-18M44         | BUSH<br>BUJE                                          |    |    |   | 2  |                     |



65W0010-1230

FIG. 19 BRACKET 2

SOPORTE 2



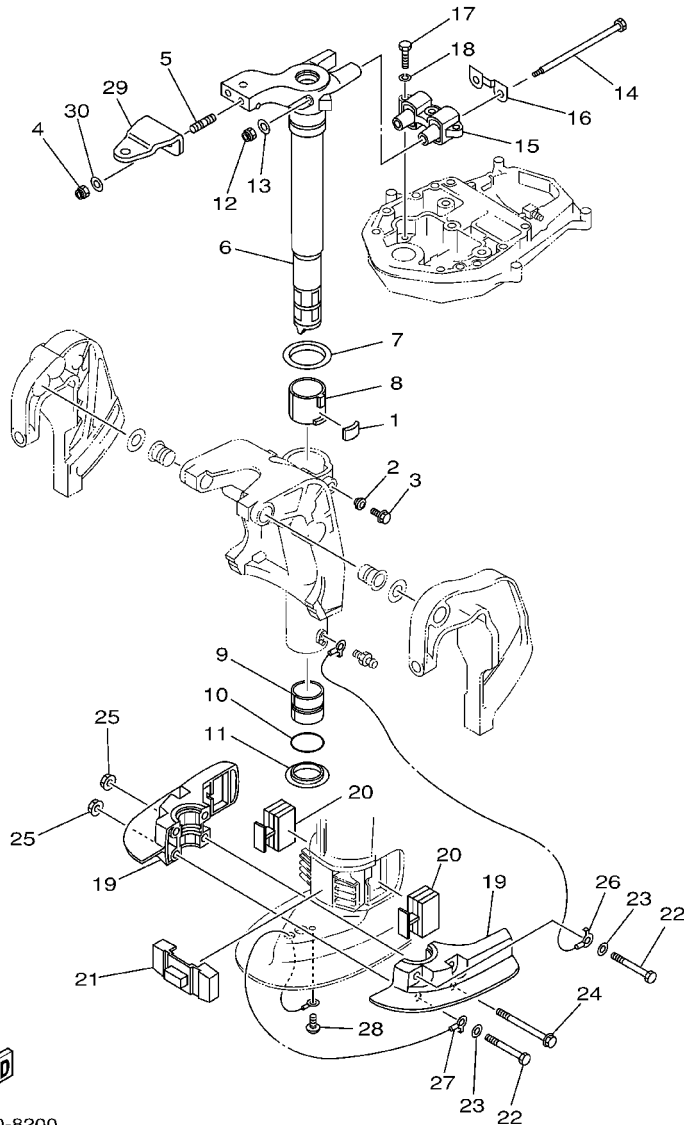
| REF. NO. | PART NO. CODIGO NO. | DESCRIPTION DESCRIPTION                  | MH | WH | W | WT | REMARKS OBSERVACION |
|----------|---------------------|------------------------------------------|----|----|---|----|---------------------|
| 28       | 90386-18MA0         | BUSH BUJE                                |    |    |   | 1  |                     |
| 29       | 90249-18M35         | PIN PASADOR                              |    |    |   | 1  |                     |
| 30       | 90110-10M02         | BOLT, HEXAGON SOCKET HEAD TORNILLO ALLEN |    |    |   | 2  |                     |
| 31       | 92995-10600         | WASHER ARANDELA                          |    |    |   | 2  |                     |
| 32       | 90185-10M13         | NUT, SELF-LOCKING TUERCA AUTOBLOCANTE    |    |    |   | 2  |                     |
| 33       | 90101-12M65         | BOLT TORNILLO                            |    |    |   | 4  |                     |
| 34       | 92995-12200         | WASHER ARANDELA                          |    |    |   | 8  |                     |
| 35       | 90201-12426         | WASHER, PLATE ARANDELA PLANA             |    |    |   | 4  |                     |
| 36       | 95380-12600         | NUT TUERCA                               |    |    |   | 8  |                     |
|          |                     |                                          |    |    |   |    |                     |
|          |                     |                                          |    |    |   |    |                     |
|          |                     |                                          |    |    |   |    |                     |
|          |                     |                                          |    |    |   |    |                     |
|          |                     |                                          |    |    |   |    |                     |
|          |                     |                                          |    |    |   |    |                     |



65W0010-1230

FIG. 20 BRACKET 3

SOPORTE 3

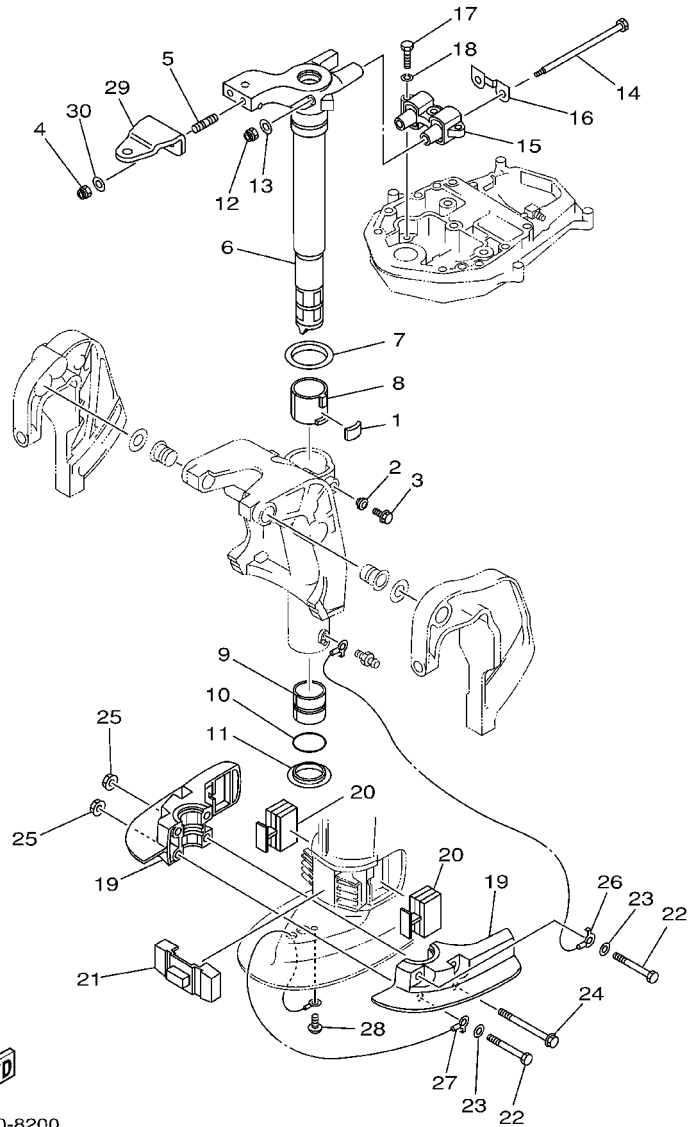


66T0010-8200

| REF. NO. | PART NO. CODIGO NO. | DESCRIPTION DESCRIPTION                                      | MH | WH | W | WT | REMARKS OBSERVACION |
|----------|---------------------|--------------------------------------------------------------|----|----|---|----|---------------------|
| 1        | 648-42528-00        | PLATE, FRICTION<br>PIEZA DE FRICCION                         | 1  | 1  | 1 | 1  |                     |
| 2        | 65W-43373-00        | SEAL, DAMPER<br>SELLO DE GOMA                                | 1  | 1  | 1 | 1  |                     |
| 3        | 90105-08M76         | BOLT, FLANGE<br>TORNILLO                                     | 1  | 1  | 1 | 1  |                     |
| 4        | 90185-10051         | NUT, SELF-LOCKING<br>TUERCA AUTOBLOCANTE                     | 2  | 2  | 2 | 2  |                     |
| 5        | 90116-10M28         | BOLT, STUD<br>ESPARRAGO                                      | 2  | 2  | 2 | 2  |                     |
| 6        | 65W-42511-00-4D     | BRACKET, STEERING<br>SOPORTE DE DIRECCION                    | 1  |    | 1 |    | S                   |
|          | 65W-42511-10-4D     | BRACKET, STEERING<br>SOPORTE DE DIRECCION                    | 1  | 1  | 1 | 1  | L/X                 |
| 7        | 90209-52M00         | WASHER<br>ARANDELA DE SEPARACION                             | 1  | 1  | 1 | 1  |                     |
| 8        | 90386-52M02         | BUSH<br>BUJE                                                 | 1  | 1  | 1 | 1  |                     |
| 9        | 90386-44M03         | BUSH<br>BUJE                                                 | 1  | 1  | 1 | 1  |                     |
| 10       | 93210-43MJ0         | O-RING<br>JUNTA TORICA                                       | 1  | 1  | 1 | 1  |                     |
| 11       | 90386-44M99         | BUSH<br>BUJE                                                 | 1  | 1  | 1 | 1  |                     |
| 12       | 90185-08045         | NUT, SELF-LOCKING<br>TUERCA AUTOBLOCANTE                     | 2  | 2  | 2 | 2  |                     |
| 13       | 92995-08200         | WASHER<br>ARANDELA                                           | 2  | 2  | 2 | 2  |                     |
| 14       | 90101-08M86         | BOLT<br>TORNILLO                                             | 2  | 2  | 2 | 2  |                     |
| 15       | 66T-44514-00-4D     | MOUNT DAMPER, UPPER SIDE<br>AMORTIGUADOR LADO SUPERIOR       | 1  | 1  | 1 | 1  | S/L                 |
|          | 66T-44514-30-4D     | MOUNT DAMPER, UPPER SIDE<br>AMORTIGUADOR LADO SUPERIOR       | 1  |    |   |    | X                   |
| 16       | 66T-44526-00        | PLATE<br>PLACA 1                                             | 1  | 1  | 1 | 1  | S/L                 |
|          | 66T-44526-30        | PLATE<br>PLACA 1                                             | 1  |    |   |    | X                   |
| 17       | 97075-08030         | BOLT<br>PERNO                                                | 3  | 3  | 3 | 3  |                     |
| 18       | 92995-08100         | WASHER<br>ARANDELA                                           | 3  | 3  | 3 | 3  |                     |
| 19       | 65W-44551-00-4D     | HOUSING, LOWER MOUNT RUBBER<br>CAJA AMORTIGUADOR INFERIOR HU | 2  | 2  | 2 | 2  |                     |
| 20       | 65W-44555-10        | MOUNT DAMPER, LOWER SIDE<br>AMORTIGUADOR DE HULE LADO INFE   | 2  | 2  | 2 | 2  |                     |
| 21       | 66T-44575-00        | DAMPER, LOWER MOUNT RUBBER<br>AMORTIGUADOR INFERIOR          | 1  | 1  | 1 | 1  |                     |
| 22       | 97075-10070         | BOLT<br>PERNO                                                | 2  | 2  | 2 | 2  |                     |
| 23       | 92995-10600         | WASHER<br>ARANDELA                                           | 2  | 2  | 2 | 2  |                     |
| 24       | 90119-10M04         | BOLT, WITH WASHER<br>TORNILLO CON ARANDELA                   | 2  | 2  | 2 | 2  |                     |

FIG. 20 BRACKET 3

SOPORTE 3

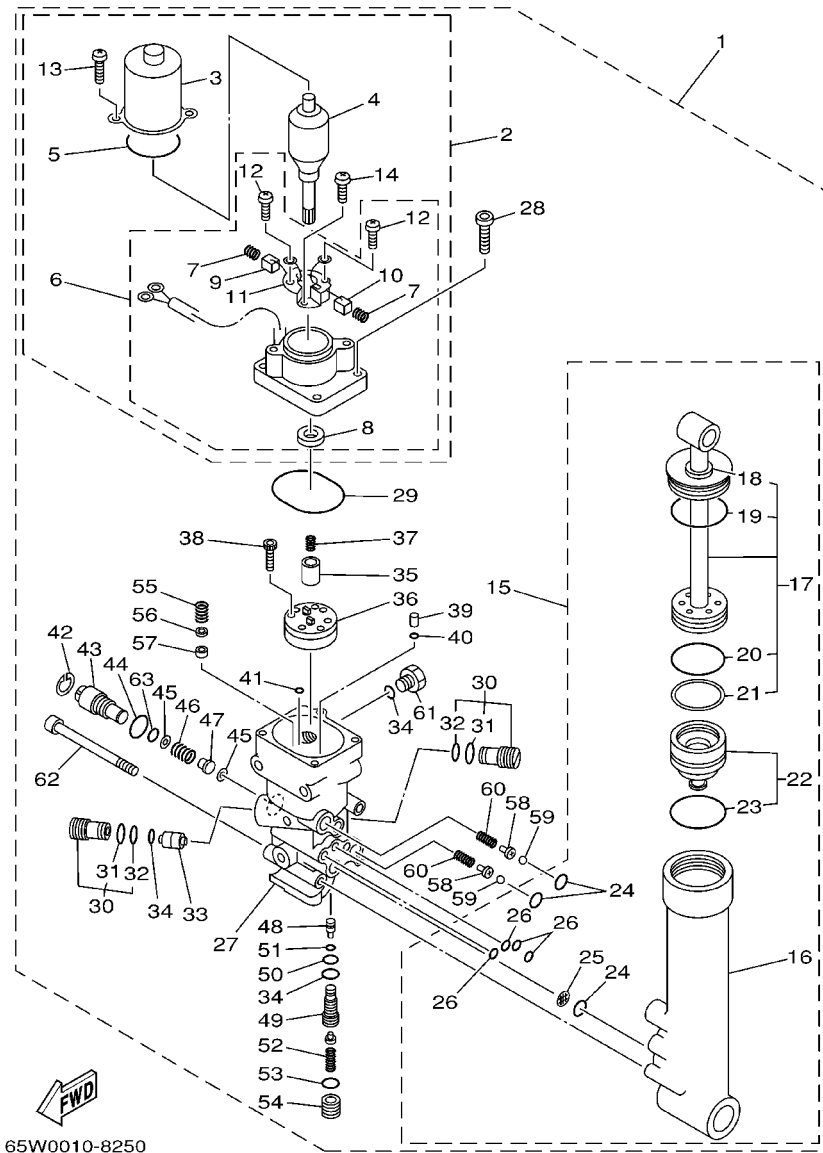


66T0010-8200

| REF. NO. | PART NO. CODIGO NO. | DESCRIPTION DESCRIPTION              | MH | WH | W | WT | REMARKS OBSERVACION |
|----------|---------------------|--------------------------------------|----|----|---|----|---------------------|
| 25       | 90179-10M33         | NUT<br>TUERCA                        | 4  | 4  | 4 | 4  |                     |
| 26       | 66T-82127-00        | WIRE, LEAD 2<br>CABLE CONDUCTOR 2    |    |    |   | 1  |                     |
| 27       | 66T-82127-10        | WIRE, LEAD 2<br>CABLE CONDUCTOR 2    |    |    |   | 1  |                     |
| 28       | 97885-06008         | SCREW, PAN HEAD<br>TORNILLO A MUESCA |    |    |   | 1  |                     |
| 29       | 65W-48511-00        | HOOK, STEERING<br>GANCHO DIRECCION   |    |    | 1 | 1  |                     |
|          | 670-48511-00-4D     | HOOK, STEERING<br>GANCHO DIRECCION   |    |    | 1 |    | FOR VOLGA           |
| 30       | 90201-10120         | WASHER, PLATE<br>ARANDELA PLANA      |    |    | 2 | 2  |                     |

FIG. 21 POWER TRIM & TILT ASSY

COMPONER Y PODER VARILLA

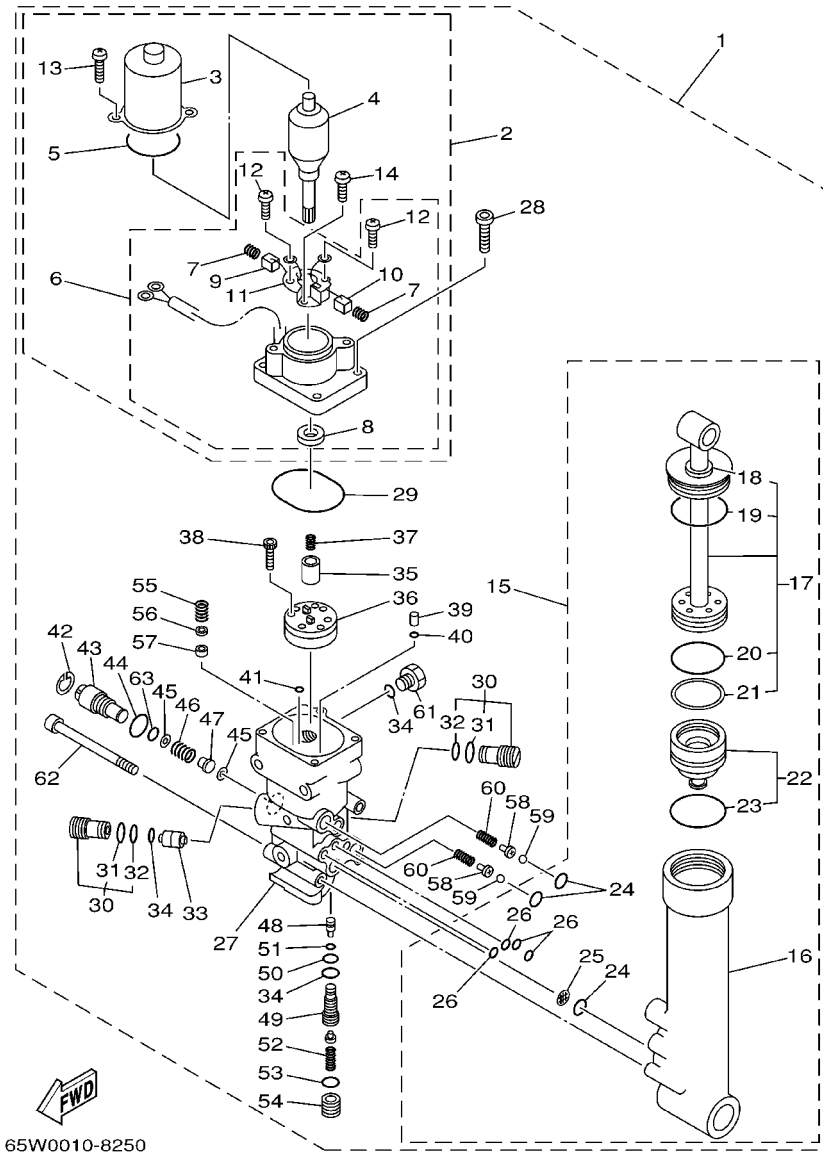


65W0010-8250

| REF. NO. | PART NO. CODIGO NO. | DESCRIPTION DESCRIPTION                                        | MH | WH | W | WT | REMARKS OBSERVACION |
|----------|---------------------|----------------------------------------------------------------|----|----|---|----|---------------------|
| 1        | 65W-43800-02-4D     | POWER TRIM & TILT ASSY<br>ELEVADOR HIDRAULICO COMPL.           |    |    |   | 1  |                     |
| 2        | 65W-43880-00        | .MOTOR ASSY<br>.MOTOR COMPL.                                   |    |    |   | 1  |                     |
| 3        | 65W-43804-00        | ..STATOR ASSY<br>..ESTATOR COMPL                               |    |    |   | 1  |                     |
| 4        | 65W-43805-00        | ..ARMATURE ASSY<br>..INDUCIDO COMPL.                           |    |    |   | 1  |                     |
| 5        | 65W-43869-00        | ..O-RING<br>..ANILLO_EN_O_9                                    |    |    |   | 1  |                     |
| 6        | 65W-43881-00        | ..FRAME, END<br>..CUADRO EXTERMO                               |    |    |   | 1  |                     |
| 7        | 65W-4386K-00        | ...SPRING, BRUSH<br>...RESORTE, ESCOBILLA                      |    |    |   | 2  |                     |
| 8        | 65W-43882-00        | ...OIL SEAL<br>...SELLO ACEITE                                 |    |    |   | 1  |                     |
| 9        | 65W-43892-00        | ...BRUSH 2<br>...ESCOBILLA 2                                   |    |    |   | 1  |                     |
| 10       | 65W-43891-00        | ...BRUSH 1<br>...ESCOBILLA 1                                   |    |    |   | 1  |                     |
| 11       | 65W-4380F-00        | ...PLATE, BRUSH HOLDER<br>...PLACA                             |    |    |   | 1  |                     |
| 12       | 65W-43879-00        | ...SCREW, WITH WASHER<br>...TORNILLO CON RONDANA               |    |    |   | 2  |                     |
| 13       | 65W-43887-00        | ..BOLT, THROUGH<br>..TORNILLO                                  |    |    |   | 2  |                     |
| 14       | 65W-4388E-00        | ..BOLT<br>..PERNO                                              |    |    |   | 1  |                     |
| 15       | 65W-43840-00        | .POWER TILT ASSY<br>CONJUNTO COMPONER                          |    |    |   | 1  |                     |
| 16       | 65W-4380K-00        | ..CYLINDER, TILT SUB ASSY<br>..CILINDRO, INCLINACION           |    |    |   | 1  |                     |
| 17       | 65W-43810-00        | ..TILT PISTON SUB ASSY<br>..ELEVADOR SUB-PISTON COMPL.         |    |    |   | 1  |                     |
| 18       | 65W-43812-00        | ...SEAL, DUST<br>...SELLO DE POLVO                             |    |    |   | 1  |                     |
| 19       | 65W-43865-00        | ...O-RING<br>...ANILLO EN O 5                                  |    |    |   | 1  |                     |
| 20       | 6H1-43861-10        | ...O-RING<br>...ANILLO EN O 1                                  |    |    |   | 1  |                     |
| 21       | 65W-43871-00        | ...RING, BACK UP<br>...ANILLO                                  |    |    |   | 1  |                     |
| 22       | 65W-4381B-00        | ..FREE PISTON SUB ASSY<br>..SUB-PISTON COMPL                   |    |    |   | 1  |                     |
| 23       | 6H1-43861-10        | ...O-RING<br>...ANILLO EN O 1                                  |    |    |   | 1  |                     |
| 24       | 93210-11368         | ..O-RING<br>..JUNTA TORICA                                     |    |    |   | 3  |                     |
| 25       | 6H1-43816-00        | ..FILTER 1<br>..FIELTRO 1                                      |    |    |   | 1  |                     |
| 26       | 93210-064A5         | ..O-RING<br>..JUNTA TORICA                                     |    |    |   | 4  |                     |
| 27       | 65W-4380L-00        | ..HOUSING, TRIM & TILT SUB ASSY<br>..CAJA, INCLINACION Y ADRNO |    |    |   | 1  |                     |

FIG. 21 POWER TRIM & TILT ASSY

COMPONER Y PODER VARILLA

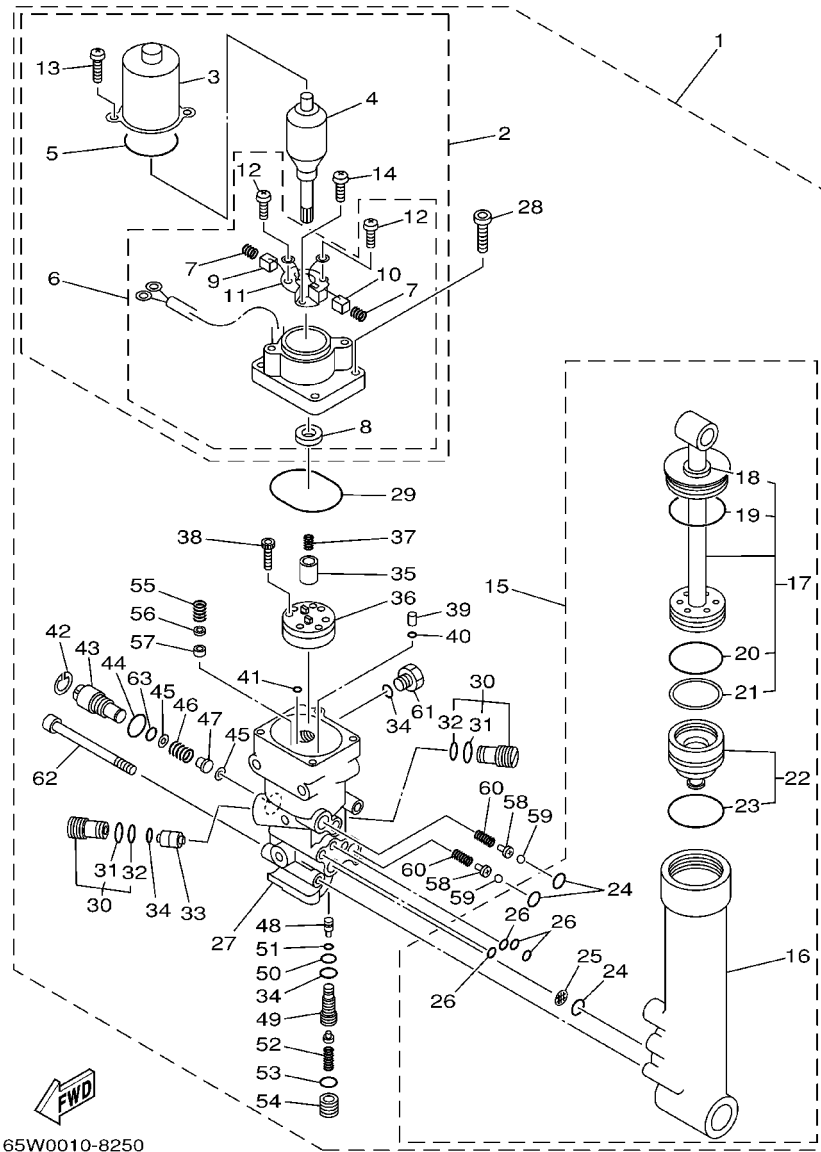


65W0010-8250

| REF. NO. | PART NO. CODIGO NO. | DESCRIPTION DESCRIPTION                              | MH | WH | W | WT | REMARKS OBSERVACION |
|----------|---------------------|------------------------------------------------------|----|----|---|----|---------------------|
| 28       | 65W-43888-00        | .BOLT, SOCKET<br>.TORNILLO ENCASTRE                  |    |    |   | 4  |                     |
| 29       | 93210-50768         | .O-RING<br>.JUNTA TORICA                             |    |    |   | 1  |                     |
| 30       | 6T4-43802-03        | .VALVE SUB ASSY<br>.VALVULA PRINCIPAL COMPL.         |    |    |   | 2  |                     |
| 31       | 6H1-43866-00        | ..O-RING<br>..ANILLO EN O 6                          |    |    |   | 1  |                     |
| 32       | 6H1-43867-00        | ..O-RING<br>..ANILLO EN O 7                          |    |    |   | 1  |                     |
| 33       | 62X-43841-00        | .PISTON, SHUTTLE<br>.PISTON                          |    |    |   | 1  |                     |
| 34       | 93210-09165         | .O-RING<br>.JUNTA TORICA                             |    |    |   | 3  |                     |
| 35       | 65W-43831-00        | .CONNECTOR, SHAFT<br>.CONEXION EJE                   |    |    |   | 1  |                     |
| 36       | 65W-43830-00        | .GEAR PUMP ASSY<br>.ENGRANAJE BOMBA COMPL.           |    |    |   | 1  |                     |
| 37       | 6T4-43853-00        | .SPRING, MAIN VALVE<br>.RESORTE                      |    |    |   | 1  |                     |
| 38       | 91318-04025         | .BOLT<br>.TORNILLO                                   |    |    |   | 4  |                     |
| 39       | 65W-43817-00        | .FILTER 2<br>.FILTRO 2                               |    |    |   | 2  |                     |
| 40       | 65W-43861-00        | .O-RING<br>.ANILLO EN O 1                            |    |    |   | 2  |                     |
| 41       | 65W-43862-00        | .O-RING<br>.ANILLO EN O 2                            |    |    |   | 2  |                     |
| 42       | 6H1-43875-00        | .RING, SNAP<br>.ANILLO                               |    |    |   | 1  |                     |
| 43       | 6H1-43845-00        | .SCREW, MANUAL RELEASE<br>.TORNILLO DESCOPLIO MANUAL |    |    |   | 1  |                     |
| 44       | 93210-18397         | .O-RING<br>.JUNTA TORICA                             |    |    |   | 1  |                     |
| 45       | 6H1-43847-00        | .SEAT, MANUAL VALVE<br>.ASIENTO VALVULA MANUAL       |    |    |   | 2  |                     |
| 46       | 65W-43854-00        | .SPRING, MANUAL RELEASE<br>.RESORTE DESCOPLIO MANUAL |    |    |   | 1  |                     |
| 47       | 65W-4382A-00        | .ADAPTOR 1<br>.ADAPTADOR 1                           |    |    |   | 1  |                     |
| 48       | 65W-43844-00        | .PIN, VALVE SUPPORT<br>.PASADOR VALVULA SOPORTE      |    |    |   | 1  |                     |
| 49       | 65W-43851-00        | .SEAT, RELIEF VALVE<br>.ASIENTO VALVULA DE DESCARGA  |    |    |   | 1  |                     |
| 50       | 93210-08006         | .O-RING<br>.JUNTA TORICA                             |    |    |   | 1  |                     |
| 51       | 93210-03478         | .O-RING<br>.JUNTA TORICA                             |    |    |   | 1  |                     |
| 52       | 65W-43855-00        | .SPRING, UP RELIEF<br>.RESORTE SEGURIDAD SUPERIOR    |    |    |   | 1  |                     |
| 53       | 93210-11073         | .O-RING<br>.JUNTA TORICA                             |    |    |   | 1  |                     |
| 54       | 65W-43843-00        | .SCREW, VALVE LOCK<br>.TORNILLO                      |    |    |   | 1  |                     |



FIG. 21 POWER TRIM & TILT ASSY COMPONER Y PODER VARILLA

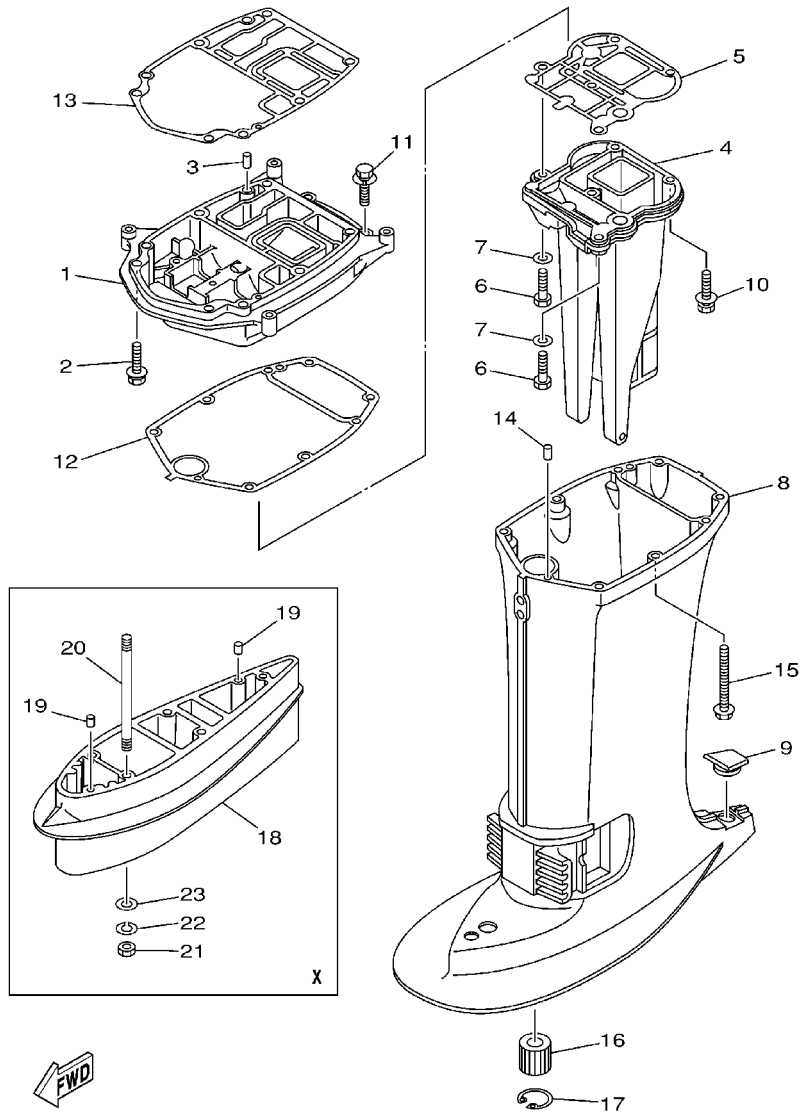


65W0010-8250

| REF. NO. | PART NO. CODIGO NO. | DESCRIPTION DESCRIPTION                           | MH | WH | W | WT | REMARKS OBSERVACION |
|----------|---------------------|---------------------------------------------------|----|----|---|----|---------------------|
| 55       | 6H1-43856-10        | .SPRING, DOWN RELIEF<br>.RESORTE SEGURIDAD        |    |    |   | 1  |                     |
| 56       | 6H1-43844-10        | .PIN, VALVE SUPPORT<br>.PASADOR VALVULA SOPORTE   |    |    |   | 1  |                     |
| 57       | 6H1-4384F-10        | .SEAL, MAIN VALVE<br>.ASIENTO                     |    |    |   | 1  |                     |
| 58       | 65W-4386A-00        | .PIN, ABSORBER VALVE<br>.PASADOR VALVULA ABSORBER |    |    |   | 2  |                     |
| 59       | 93501-08001         | .BALL<br>.ESFERA                                  |    |    |   | 2  |                     |
| 60       | 65W-43853-00        | .SPRING, MAIN VALVE<br>.RESORTE                   |    |    |   | 2  |                     |
| 61       | 6H1-43829-00        | .PLUG, RESERVOIR<br>.TAPON DEPOSITO               |    |    |   | 1  |                     |
| 62       | 62X-43878-00        | .BOLT, SOCKET<br>.TORNILLO ENCASTRE               |    |    |   | 3  |                     |
| 63       | 93210-10M74         | .O-RING<br>.JUNTA TORICA                          |    |    |   | 1  |                     |

FIG. 22 UPPER CASING

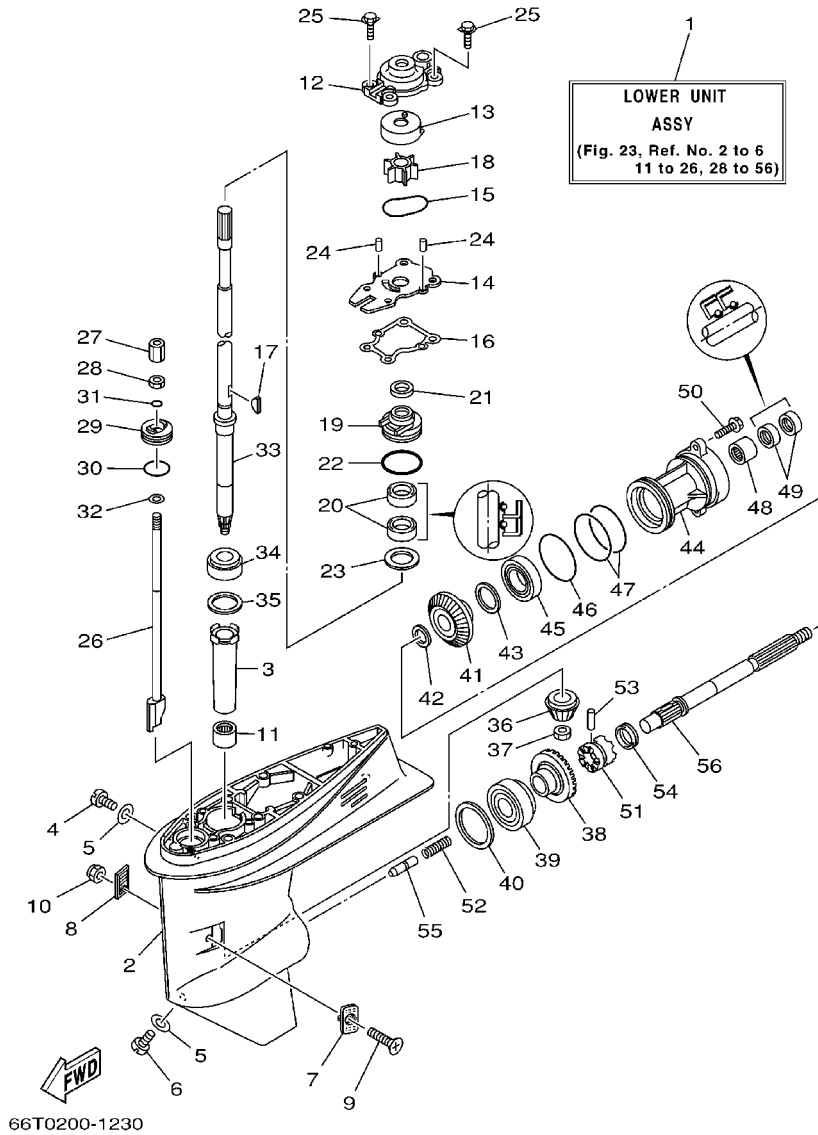
FUNDA SUPERIOR



66T2200-2220

| REF. NO. | PART NO. CODIGO NO. | DESCRIPTION DESCRIPTION                               | MH | WH | W | WT | REMARKS OBSERVACION |
|----------|---------------------|-------------------------------------------------------|----|----|---|----|---------------------|
| 1        | 66T-41137-00-94     | GUIDE, EXHAUST<br>GUIA DE ESCAPE                      | 1  | 1  | 1 | 1  |                     |
| 2        | 90119-08M79         | BOLT, WITH WASHER<br>TORNILLO CON ARANDELA            | 2  | 2  | 2 | 2  |                     |
| 3        | 93606-12019         | PIN, DOWEL<br>PASADOR DE CLAVIJA                      | 2  | 2  | 2 | 2  |                     |
| 4        | 66T-41131-00-5B     | MANIFOLD, EXT. 1<br>TUBO MULTIPLE DE ESCAPE           | 1  | 1  |   |    | S                   |
|          | 66T-41131-10-5B     | MANIFOLD, EXT. 1<br>TUBO MULTIPLE DE ESCAPE           | 1  | 1  | 1 | 1  | L/X                 |
| 5        | 66T-41133-A0        | GASKET, EXHAUST MANIFOLD 1<br>EMPAQUE ESCAPE MULTIPLE | 1  | 1  | 1 | 1  |                     |
| 6        | 97075-08030         | BOLT<br>PERNO                                         | 2  | 2  | 2 | 2  |                     |
| 7        | 92995-08600         | WASHER<br>ARANDELA                                    | 2  | 2  | 2 | 2  |                     |
| 8        | 66T-45111-00-4D     | CASING, UPPER<br>CAJA SUPERIOR                        | 1  | 1  |   |    | S                   |
|          | 66T-45111-10-4D     | CASING, UPPER<br>CAJA SUPERIOR                        | 1  | 1  | 1 | 1  | L/X                 |
| 9        | 63D-45155-00        | CAP<br>TAPA                                           | 1  | 1  | 1 | 1  |                     |
| 10       | 97575-08545         | BOLT, WITH WASHER<br>PERNO CON ARANDELA RONDELLE      | 3  | 3  | 3 | 3  |                     |
| 11       | 90119-08M79         | BOLT, WITH WASHER<br>TORNILLO CON ARANDELA            | 2  | 2  | 2 | 2  |                     |
| 12       | 66T-45114-A0        | GASKET, UPPER CASING<br>EMPAQUE                       | 1  | 1  | 1 | 1  |                     |
| 13       | 66T-45113-A0        | GASKET, UPPER CASING<br>EMPAQUE                       | 1  | 1  | 1 | 1  |                     |
| 14       | 93606-12019         | PIN, DOWEL<br>PASADOR DE CLAVIJA                      | 2  | 2  | 2 | 2  |                     |
| 15       | 90119-08M42         | BOLT, WITH WASHER<br>TORNILLO CON ARANDELA            | 6  | 6  | 6 | 6  |                     |
| 16       | 679-45318-00        | BUSHING, DRIVE SHAFT<br>BUJE, EJE DE MANDO            | 1  | 1  | 1 | 1  | L/X                 |
| 17       | 93420-30042         | CIRCLIP<br>BOLA                                       | 1  | 1  | 1 | 1  | L/X                 |
| 18       | 66T-45211-00-4D     | EXTENSION<br>EXTENSION                                | 1  |    |   |    | X                   |
| 19       | 93606-12019         | PIN, DOWEL<br>PASADOR DE CLAVIJA                      | 2  |    |   |    | X                   |
| 20       | 90116-10M23         | BOLT, STUD<br>ESPARRAGO                               | 4  |    |   |    | X                   |
| 21       | 95380-10600         | NUT<br>TUERCA                                         | 4  |    |   |    | X                   |
| 22       | 92990-10100         | WASHER, SPRING<br>ARANDELA PLANA                      | 4  |    |   |    | X                   |
| 23       | 92990-10600         | WASHER, PLATE<br>ARANDELA PLANA                       | 4  |    |   |    | X                   |

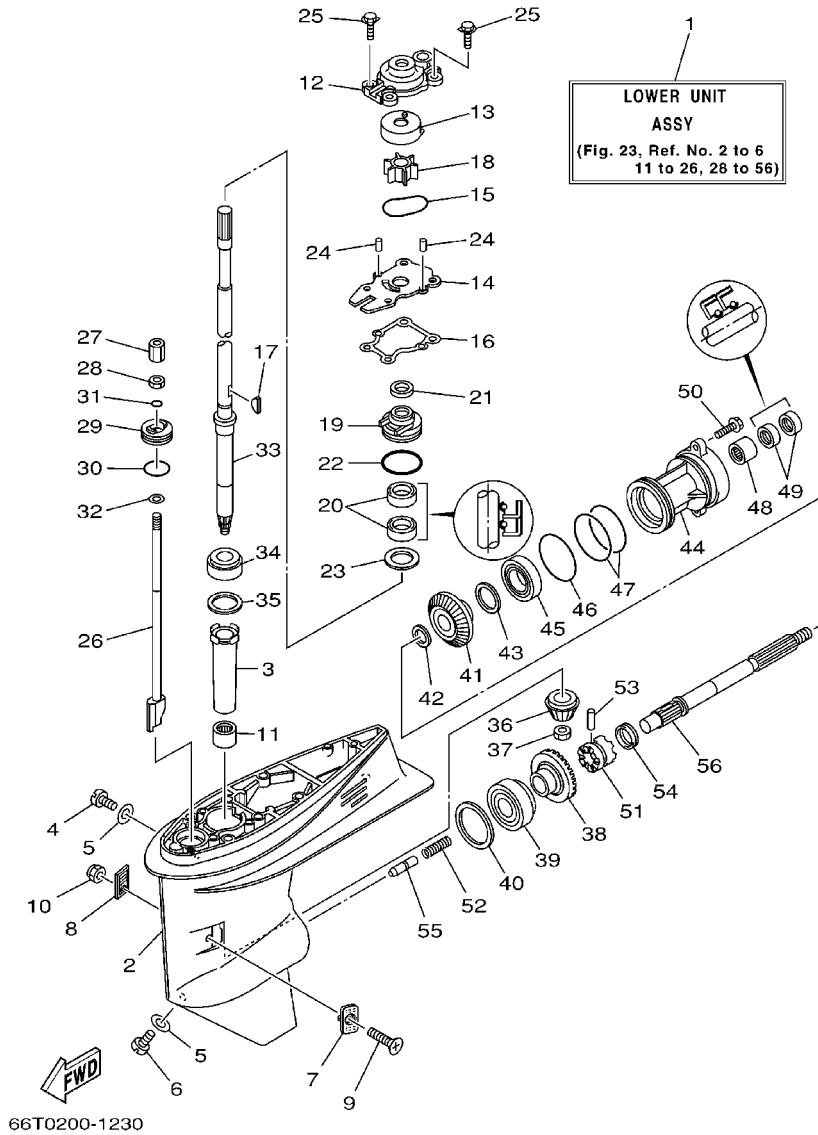
FIG. 23 LOWER CASING. DRIVE 1 IMPULSOR E INFERIOR 1



| REF. NO. | PART NO. CODIGO NO. | DESCRIPTION DESCRIPTION                               | MH | WH | W | WT | REMARKS OBSERVACION |
|----------|---------------------|-------------------------------------------------------|----|----|---|----|---------------------|
| 1        | 66T-45300-01-4D     | LOWER UNIT ASSY<br>CONJUNTO UNIDAD INFERIOR           | 1  |    | 1 |    | S                   |
|          | 66T-45300-11-4D     | LOWER UNIT ASSY<br>CONJUNTO UNIDAD INFERIOR           | 1  | 1  | 1 | 1  | L                   |
|          | 66T-45300-31-4D     | LOWER UNIT ASSY<br>CONJUNTO UNIDAD INFERIOR           | 1  |    |   |    | X                   |
| 2        | 66T-45311-01-4D     | CASING, LOWER<br>FUNDA INFERIOR                       | 1  | 1  | 1 | 1  |                     |
| 3        | 6H4-45536-00        | SLEEVE, DRIVE SHAFT<br>CAMISA EJE DE MANDO            | 1  | 1  | 1 | 1  |                     |
| 4        | 90340-08002         | PLUG, STRAIGHT SCREW<br>TORNILLO, DE DRENAJE          | 1  | 1  | 1 | 1  |                     |
| 5        | 90430-08020         | GASKET<br>JUNTA                                       | 2  | 2  | 2 | 2  |                     |
| 6        | 688-45341-10        | PLUG, DRAIN<br>TAPON, DREN                            | 1  | 1  | 1 | 1  |                     |
| 7        | 63D-45214-00        | COVER, WATER INLET<br>CUBIERTA ENTRADA AGUA           | 1  | 1  | 1 | 1  |                     |
| 8        | 63D-45215-00        | COVER, WATER INLET<br>CUBIERTA ENTRADA AGUA           | 1  | 1  | 1 | 1  |                     |
| 9        | 90142-05M06         | SCREW, COUNTERSUNK<br>TORNILLO EMBUTIDO               | 1  | 1  | 1 | 1  |                     |
| 10       | 95380-05600         | NUT<br>TUERCA                                         | 1  | 1  | 1 | 1  |                     |
| 11       | 93315-32224         | BEARING<br>COJINETE DE RODILLOS                       | 1  | 1  | 1 | 1  |                     |
| 12       | 66T-44311-00        | HOUSING, WATER PUMP<br>CAJA BOMBA DE AGUA             | 1  | 1  | 1 | 1  |                     |
| 13       | 63D-44322-00        | INSERT, CARTRIDGE<br>CARTUCHO                         |    |    |   | 1  | FOR STD             |
|          | 63D-44322-40        | INSERT, CARTRIDGE<br>CARTUCHO                         | 1  | 1  | 1 | 1  | FOR CHROMATE        |
| 14       | 66T-44323-00        | OUTER PLATE, CARTRIDGE<br>PLACA EXTERIOR DEL CARTUCHO |    |    |   | 1  | FOR STD             |
|          | 66T-44323-40        | OUTER PLATE, CARTRIDGE<br>PLACA EXTERIOR DEL CARTUCHO | 1  | 1  | 1 | 1  | FOR CHROMATE        |
| 15       | 93210-59MG7         | O-RING<br>JUNTA TORICA                                | 1  | 1  | 1 | 1  |                     |
| 16       | 63D-44316-00        | GASKET, WATER PUMP<br>EMPAQUE                         | 1  | 1  | 1 | 1  |                     |
| 17       | 90280-03M03         | KEY, WOODRUFF<br>CUNA WOODRUFF                        | 1  | 1  | 1 | 1  |                     |
| 18       | 6H4-44352-02        | IMPELLER<br>IMPULSOR                                  | 1  | 1  | 1 | 1  |                     |
| 19       | 63D-44341-00        | HOUSING, WATER PUMP<br>CAJA BOMBA DE AGUA             | 1  | 1  | 1 | 1  |                     |
| 20       | 93101-22M60         | OIL SEAL<br>RETEN DE ACEITE                           | 2  | 2  | 2 | 2  |                     |
| 21       | 66T-45344-01        | COVER, OIL SEAL<br>CUBIERTA SELLO ACEITE              | 1  | 1  | 1 | 1  |                     |
| 22       | 93210-48MG8         | O-RING<br>JUNTA TORICA                                | 1  | 1  | 1 | 1  |                     |
| 23       | 90201-27M00         | WASHER, PLATE<br>ARANDELA PLANA                       | 1  | 1  | 1 | 1  |                     |

FIG. 23 LOWER CASING. DRIVE 1

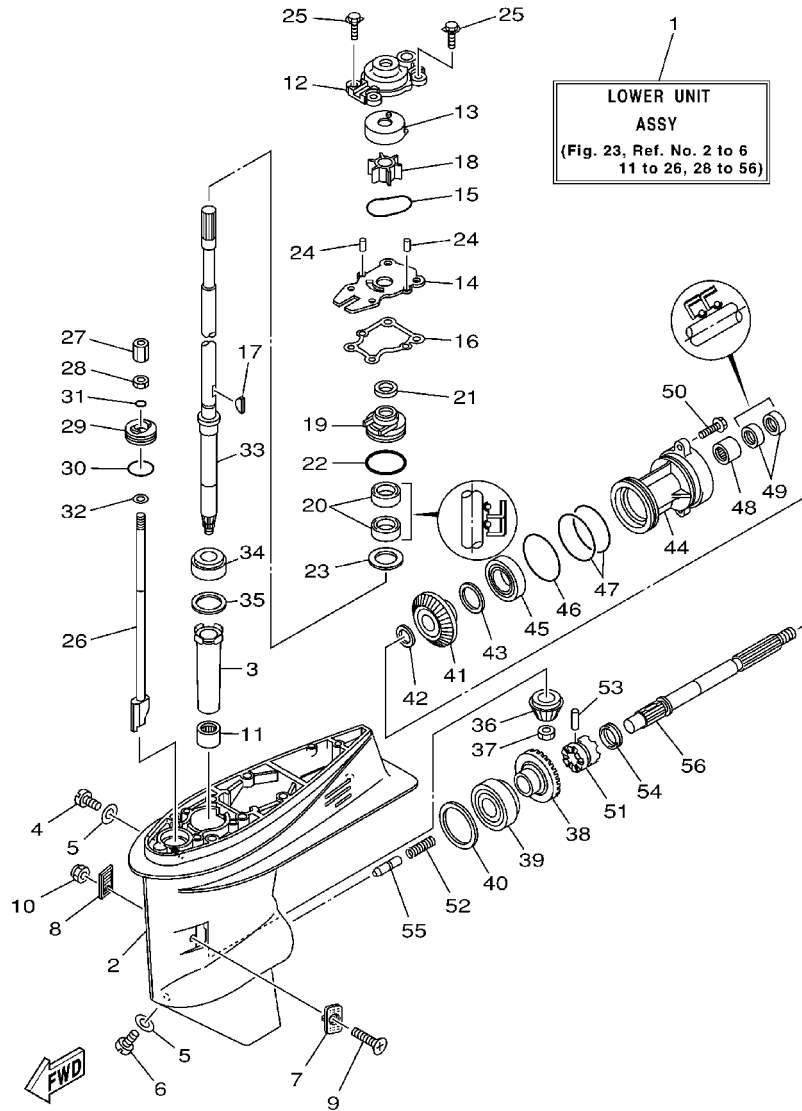
IMPULSOR E INFERIOR 1



| REF. NO. | PART NO. CODIGO NO. | DESCRIPTION DESCRIPTION                            | MH | WH | W | WT | REMARKS OBSERVACION |
|----------|---------------------|----------------------------------------------------|----|----|---|----|---------------------|
| 24       | 93604-08062         | PIN, DOWEL<br>PASADOR DE CLAVIJA                   | 2  | 2  | 2 | 2  |                     |
| 25       | 90119-08M15         | BOLT, WITH WASHER<br>TORNILLO CON ARANDELA         | 4  | 4  | 4 | 4  |                     |
| 26       | 66T-44150-01        | SHIFT CAM ASSY<br>CONJUNTO EJE LEVA COMPL.         | 1  |    | 1 |    | S                   |
|          | 66T-44150-11        | SHIFT CAM ASSY<br>CONJUNTO EJE LEVA COMPL.         | 1  | 1  | 1 | 1  | L                   |
|          | 66T-44150-21        | SHIFT CAM ASSY<br>CONJUNTO EJE LEVA COMPL.         | 1  |    |   |    | X                   |
| 27       | 61N-44146-00        | CONNECTOR, SHIFT ROD<br>CONECTOR VARILLA DE CAMBIO | 1  | 1  | 1 | 1  |                     |
| 28       | 95380-06700         | NUT<br>TUERCA                                      | 1  | 1  | 1 | 1  |                     |
| 29       | 66T-45321-00        | PLATE<br>PLACA                                     | 1  | 1  | 1 | 1  |                     |
| 30       | 93210-33MG4         | O-RING<br>JUNTA TORICA                             | 1  | 1  | 1 | 1  |                     |
| 31       | 93210-06ME6         | O-RING<br>JUNTA TORICA                             | 1  | 1  | 1 | 1  |                     |
| 32       | 92990-06600         | WASHER, PLATE<br>ARANDELA PLANA                    | 1  | 1  | 1 | 1  |                     |
| 33       | 66T-45501-01        | DRIVE SHAFT COMP.<br>EJE DE MANDO COMPL.           | 1  |    | 1 |    | S                   |
|          | 66T-45501-11        | DRIVE SHAFT COMP.<br>EJE DE MANDO COMPL.           | 1  | 1  | 1 | 1  | L                   |
|          | 66T-45501-21        | DRIVE SHAFT COMP.<br>EJE DE MANDO COMPL.           | 1  |    |   |    | X                   |
| 34       | 93332-00001         | BEARING<br>COJINETE DE RODILLOS AHUSADO            | 1  | 1  | 1 | 1  |                     |
| 35       | 663-45587-01-10     | SHIM (T:0.10MM)<br>LAINA (T:0.10MM)                | 1  | 1  | 1 | 1  | UR                  |
|          | 663-45587-01-12     | SHIM (T:0.12MM)<br>LAINA (T:0.12MM)                | 1  | 1  | 1 | 1  | UR                  |
|          | 663-45587-01-15     | SHIM (T:0.15MM)<br>LAINA (T:0.15MM)                | 1  | 1  | 1 | 1  | UR                  |
|          | 663-45587-01-18     | SHIM (T:0.18MM)<br>LAINA (T:0.18MM)                | 1  | 1  | 1 | 1  | UR                  |
|          | 663-45587-01-30     | SHIM (T:0.30MM)<br>LAINA (T:0.30MM)                | 1  | 1  | 1 | 1  | UR                  |
|          | 663-45587-01-40     | SHIM (T:0.40MM)<br>LAINA (T:0.40MM)                | 1  | 1  | 1 | 1  | UR                  |
|          | 663-45587-01-50     | SHIM (T:0.50MM)<br>LAINA (T:0.50MM)                | 1  | 1  | 1 | 1  | UR                  |
| 36       | 66T-45551-00        | PINION<br>PINON                                    | 1  | 1  | 1 | 1  |                     |
| 37       | 90170-12138         | NUT<br>TUERCA                                      | 1  | 1  | 1 | 1  |                     |
| 38       | 66T-45560-01        | GEAR<br>ENGRANE COMPLE 1                           | 1  | 1  | 1 | 1  |                     |
| 39       | 93332-00003         | BEARING<br>COJINETE DE RODILLOS AHUSADO            | 1  | 1  | 1 | 1  |                     |
| 40       | 663-45567-01-10     | SHIM (T:0.10MM)<br>LAINA (T:0.10MM)                | 1  | 1  | 1 | 1  | UR                  |

FIG. 23 LOWER CASING. DRIVE 1

IMPULSOR E INFERIOR 1

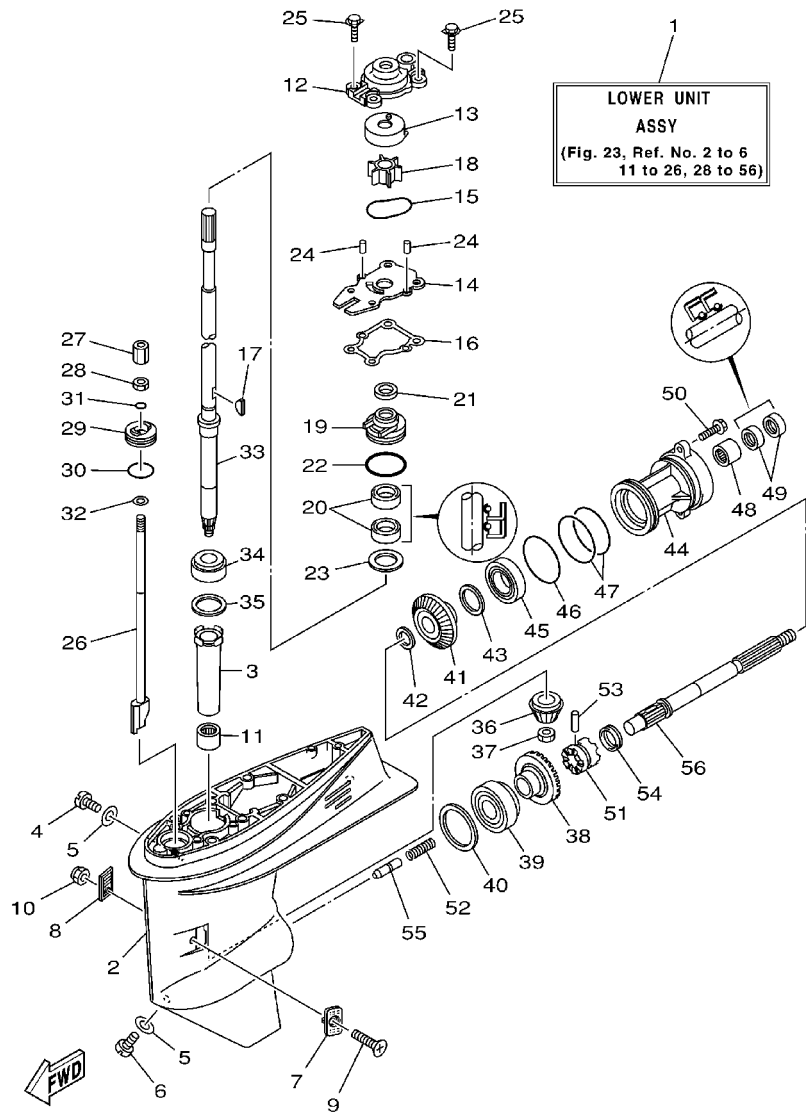


66T0200-1230

| REF. NO. | PART NO. CODIGO NO. | DESCRIPTION DESCRIPTION                      | MH | WH | W | WT | REMARKS OBSERVACION |
|----------|---------------------|----------------------------------------------|----|----|---|----|---------------------|
| 40       | 663-45567-01-12     | SHIM (T:0.12MM)<br>LAINA (T:0.12MM)          | 1  | 1  | 1 | 1  | UR                  |
|          | 663-45567-01-15     | SHIM (T:0.15MM)<br>LAINA (T:0.15MM)          | 1  | 1  | 1 | 1  | UR                  |
|          | 663-45567-01-18     | SHIM (T:0.18MM)<br>LAINA (T:0.18MM)          | 1  | 1  | 1 | 1  | UR                  |
|          | 663-45567-01-30     | SHIM (T:0.30MM)<br>LAINA (T:0.30MM)          | 1  | 1  | 1 | 1  | UR                  |
|          | 663-45567-01-40     | SHIM (T:0.40MM)<br>LAINA (T:0.40MM)          | 1  | 1  | 1 | 1  | UR                  |
|          | 663-45567-01-50     | SHIM (T:0.50MM)<br>LAINA (T:0.50MM)          | 1  | 1  | 1 | 1  | UR                  |
| 41       | 66T-45571-00        | GEAR<br>ENGRANAJE                            | 1  | 1  | 1 | 1  |                     |
| 42       | 90201-22429         | WASHER, PLATE<br>ARANDELA PLANA              | 1  | 1  | 1 | 1  |                     |
| 43       | 63D-45577-00-10     | SHIM (T:0.10MM)<br>LAINA (T:0.10MM)          | 1  | 1  | 1 | 1  | UR                  |
|          | 63D-45577-00-12     | SHIM (T:0.12MM)<br>LAINA (T:0.12MM)          | 1  | 1  | 1 | 1  | UR                  |
|          | 63D-45577-00-15     | SHIM (T:0.15MM)<br>LAINA (T:0.15MM)          | 1  | 1  | 1 | 1  | UR                  |
|          | 63D-45577-00-18     | SHIM (T:0.18MM)<br>LAINA (T:0.18MM)          | 1  | 1  | 1 | 1  | UR                  |
|          | 63D-45577-00-30     | SHIM (T:0.30MM)<br>LAINA (T:0.30MM)          | 1  | 1  | 1 | 1  | UR                  |
|          | 63D-45577-00-40     | SHIM (T:0.40MM)<br>LAINA (T:0.40MM)          | 1  | 1  | 1 | 1  | UR                  |
|          | 63D-45577-00-50     | SHIM (T:0.50MM)<br>LAINA (T:0.50MM)          | 1  | 1  | 1 | 1  | UR                  |
| 44       | 63D-45361-02-4D     | CAP, LOWER CASING<br>FUNDA INFERIOR          | 1  | 1  | 1 | 1  |                     |
| 45       | 93306-001U1         | BEARING<br>COJINETE                          | 1  | 1  | 1 | 1  |                     |
| 46       | 93210-69MG6         | O-RING<br>JUNTA TORICA                       | 1  | 1  | 1 | 1  |                     |
| 47       | 93210-74MG5         | O-RING<br>JUNTA TORICA                       | 2  | 2  | 2 | 2  |                     |
| 48       | 93317-22204         | BEARING<br>COJINETE DE RODILLOS              | 1  | 1  | 1 | 1  |                     |
| 49       | 93101-22M00         | OIL SEAL<br>RETEN DE ACEITE                  | 2  | 2  | 2 | 2  |                     |
| 50       | 90105-08M61         | BOLT, FLANGE<br>TORNILLO                     | 2  | 2  | 2 | 2  |                     |
| 51       | 66T-45631-00        | CLUTCH, DOG<br>EMBRAGUE DE GARRA             | 1  | 1  | 1 | 1  |                     |
| 52       | 90501-15M01         | SPRING, COMPRESSION<br>RESORTE DE COMPRESION | 1  | 1  | 1 | 1  |                     |
| 53       | 90250-06023         | PIN, STRAIGHT<br>PASADOR CILINDRICO          | 1  | 1  | 1 | 1  |                     |
| 54       | 663-45633-00        | RING, CROSS PIN<br>ANILLO DE PASADOR         | 1  | 1  | 1 | 1  |                     |
| 55       | 66T-45635-00        | PLUNGER, SHIFT<br>EMBOLO DE CAMBIO           | 1  | 1  | 1 | 1  |                     |

FIG. 23 LOWER CASING. DRIVE 1

IMPULSOR E INFERIOR 1

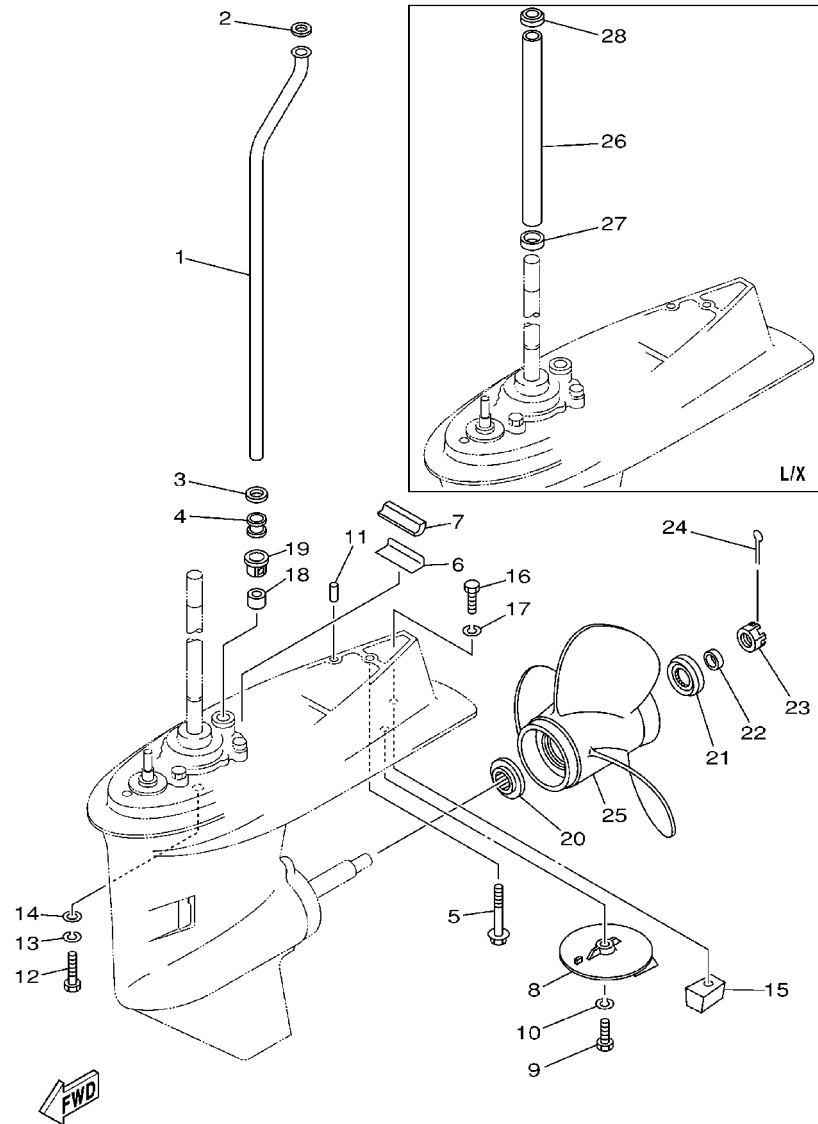


66T0200-1230

| REF. NO. | PART NO. CODIGO NO. | DESCRIPTION DESCRIPTION          | MH | WH | W | WT | REMARKS OBSERVACION |
|----------|---------------------|----------------------------------|----|----|---|----|---------------------|
| 56       | 66T-45611-00        | SHAFT, PROPELLER<br>EJE PROPUSOR | 1  | 1  | 1 | 1  |                     |
|          |                     |                                  |    |    |   |    |                     |
|          |                     |                                  |    |    |   |    |                     |
|          |                     |                                  |    |    |   |    |                     |
|          |                     |                                  |    |    |   |    |                     |
|          |                     |                                  |    |    |   |    |                     |
|          |                     |                                  |    |    |   |    |                     |
|          |                     |                                  |    |    |   |    |                     |
|          |                     |                                  |    |    |   |    |                     |
|          |                     |                                  |    |    |   |    |                     |

FIG. 24 LOWER CASING. DRIVE 2

IMPULSOR E INFERIOR 2

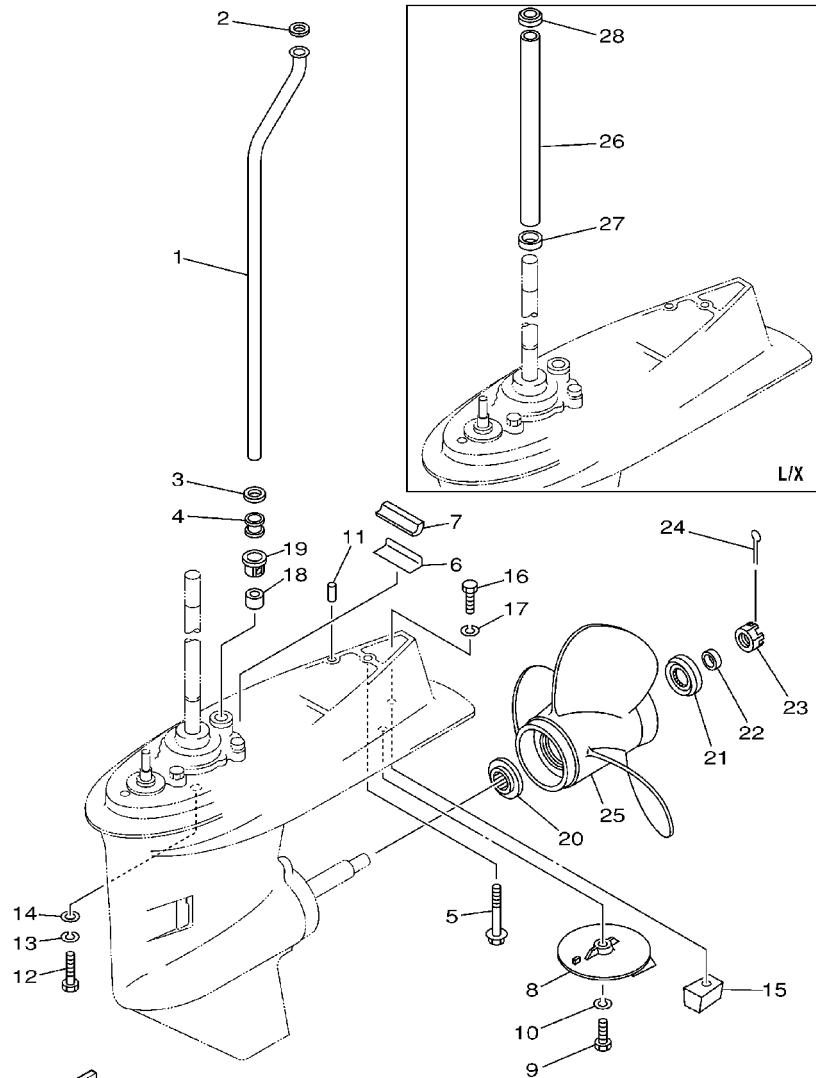


66T2200-2240

| REF. NO. | PART NO. CODIGO NO. | DESCRIPTION DESCRIPTION                               | MH | WH | W | WT | REMARKS OBSERVACION |
|----------|---------------------|-------------------------------------------------------|----|----|---|----|---------------------|
| 1        | 66T-44361-00        | TUBE, WATER TUBO DE AGUA                              | 1  |    | 1 |    | S                   |
|          | 66T-44361-10        | TUBE, WATER TUBO DE AGUA                              | 1  | 1  | 1 | 1  | L                   |
|          | 66T-44361-20        | TUBE, WATER TUBO DE AGUA                              | 1  |    |   |    | X                   |
| 2        | 90202-12060         | WASHER, PLATE ARANDELA DE PLANA                       | 1  | 1  | 1 | 1  |                     |
| 3        | 90430-12072         | GASKET JUNTA                                          | 1  | 1  | 1 | 1  |                     |
| 4        | 663-44367-00        | DAMPER, WATER SEAL GOMA DEL SELLO DE AGUA             | 1  | 1  | 1 | 1  |                     |
| 5        | 90119-08M44         | BOLT, WITH WASHER TORNILLO CON ARANDELA               | 1  | 1  | 1 | 1  | S/L                 |
|          | 90119-08M43         | BOLT, WITH WASHER TORNILLO CON ARANDELA               | 1  |    |   |    | X                   |
| 6        | 663-45376-00-94     | GUIDE, SEAL DAMPER GUIA DE SELLO GOMA                 | 1  | 1  | 1 | 1  |                     |
| 7        | 63D-45375-00        | DAMPER, SEAL GOMA DE SELLO                            | 1  | 1  | 1 | 1  |                     |
| 8        | 664-45371-01        | TAB-TRIM QUILLA ESTABILIZADOR                         | 1  | 1  | 1 | 1  |                     |
| 9        | 97095-08025         | BOLT PERNO                                            | 1  | 1  | 1 | 1  |                     |
| 10       | 92995-08100         | WASHER ARANDELA                                       | 1  | 1  | 1 | 1  |                     |
| 11       | 93606-12019         | PIN, DOWEL PASADOR DE CLAVIJA                         | 2  | 2  | 2 | 2  |                     |
| 12       | 97075-10040         | BOLT PERNO                                            | 4  | 4  | 4 | 4  | S/L                 |
| 13       | 92995-10100         | WASHER ARANDELA                                       | 4  | 4  | 4 | 4  | S/L                 |
| 14       | 92995-10600         | WASHER ARANDELA                                       | 4  | 4  | 4 | 4  | S/L                 |
| 15       | 67C-45251-00        | ANODE CATODE                                          | 1  | 1  | 1 | 1  |                     |
| 16       | 97095-08035         | BOLT PERNO                                            | 1  | 1  | 1 | 1  |                     |
| 17       | 92995-08100         | WASHER ARANDELA                                       | 1  | 1  | 1 | 1  |                     |
| 18       | 663-44366-00        | DAMPÉR, WATER SEAL GOMA DEL SELLO DE AGUA             | 1  | 1  | 1 | 1  |                     |
| 19       | 63D-44312-00        | COVER, WATER PUMP HOUSING CUBIERTA CAJA BOMBA DE AGUA | 1  | 1  | 1 | 1  |                     |
| 20       | 663-45987-02        | SPACER ESPACIADOR                                     | 1  | 1  | 1 | 1  |                     |
| 21       | 66T-45997-00        | SPACER ESPACIADOR                                     | 1  | 1  | 1 | 1  |                     |
| 22       | 90389-22M01         | BUSH BUJE                                             | 1  | 1  | 1 | 1  |                     |
| 23       | 90171-16011         | NUT, CASTLE TUERCA ENTALLADA                          | 1  | 1  | 1 | 1  |                     |
| 24       | 91490-30025         | PIN, COTTER CHAVETA                                   | 1  | 1  | 1 | 1  |                     |

FIG. 24 LOWER CASING. DRIVE 2

IMPULSOR E INFERIOR 2



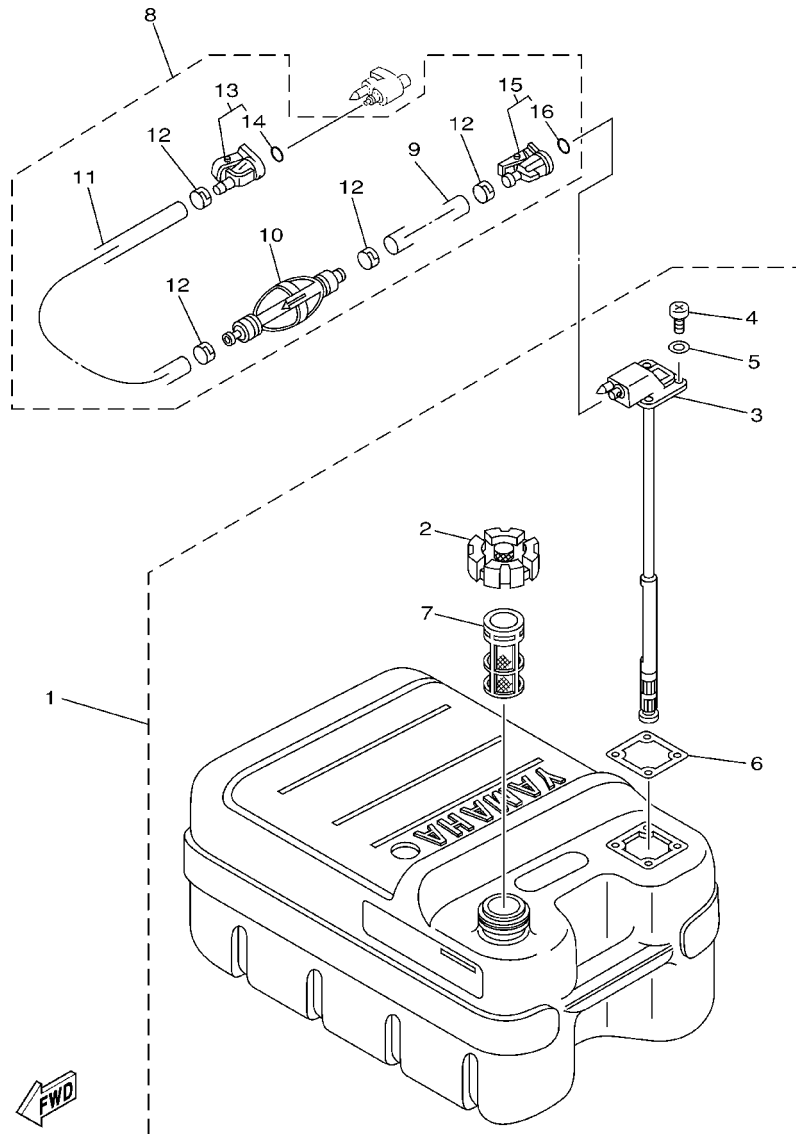
**FWD**  
66T2200-2240

| REF. NO. | PART NO. CODIGO NO. | DESCRIPTION DESCRIPTION                                  | MH | WH | W | WT | REMARKS OBSERVACION |
|----------|---------------------|----------------------------------------------------------|----|----|---|----|---------------------|
| 25       | 69W-45943-00-EL     | PROPELLER (3X11"X15"-G)<br>PROPELA (3X11"X15"-G)         | 1  | 1  | 1 | 1  | UR                  |
|          | 69W-45945-00-EL     | PROPELLER (3X11-1/8"X13"-G)<br>PROPELA (3X11-1/8"X13"-G) | 1  | 1  | 1 | 1  | UR                  |
|          | 69W-45947-00-EL     | PROPELLER (3X11-5/8"X11"-G)<br>PROPELA (3X11-5/8"X11"-G) | 1  | 1  | 1 | 1  | UR                  |
|          | 63D-45941-00-EL     | PROPELLER (3X12-1/4"X8"-G)<br>PROPELA (3X12-1/4"X8"-G)   | 1  | 1  | 1 | 1  | UR                  |
|          | 663-45941-01-EL     | PROPELLER (3X10-3/4"X17"-G)<br>PROPELA (3X10-3/4"X17"-G) | 1  | 1  | 1 | 1  | UR                  |
|          | 663-45949-01-EL     | PROPELLER (3X10-3/4"X16"-G)<br>PROPELA (3X10-3/4"X16"-G) | 1  | 1  | 1 | 1  | UR                  |
|          | 663-45952-02-EL     | PROPELLER (3X11-3/8"X12"-G)<br>PROPELA (3X11-3/8"X12"-G) | 1  | 1  | 1 | 1  | UR                  |
|          | 663-45954-01-EL     | PROPELLER (3X11-3/4"X10"-G)<br>PROPELA (3X11-3/4"X10"-G) | 1  | 1  | 1 | 1  | UR                  |
|          | 663-45956-01-EL     | PROPELLER (3X12-1/4"X9"-G)<br>PROPELA (3X12-1/4"X9"-G)   | 1  | 1  | 1 | 1  | UR                  |
|          | 663-45958-01-EL     | PROPELLER (3X11-1/4"X14"-G)<br>PROPELA (3X11-1/4"X14"-G) | 1  | 1  | 1 | 1  | UR                  |
|          | 663-45930-00-98     | PROPELLER (3X10-1/4"X14"-G)<br>PROPELA (3X10-1/4"X14"-G) | 1  | 1  | 1 | 1  | UR                  |
|          | 663-45976-00-98     | PROPELLER (3X10-1/4"X15"-G)<br>PROPELA (3X10-1/4"X15"-G) | 1  | 1  | 1 | 1  | UR                  |
|          | 663-45978-00-98     | PROPELLER (3X10-1/4"X16"-G)<br>PROPELA (3X10-1/4"X16"-G) | 1  | 1  | 1 | 1  | UR                  |
|          | 663-45970-60-98     | PROPELLER (3X11-3/4"X12"-G)<br>PROPELA (3X11-3/4"X12"-G) | 1  | 1  | 1 | 1  | UR                  |
|          | 663-45972-60-98     | PROPELLER (3X12"X11"-G)<br>PROPELA (3X12"X11"-G)         | 1  | 1  | 1 | 1  | UR                  |
|          | 663-45974-60-98     | PROPELLER (3X11-1/2"X13"-G)<br>PROPELA (3X11-1/2"X13"-G) | 1  | 1  | 1 | 1  | UR                  |
| 26       | 66T-44362-10        | TUBE, WATER<br>TUBO DE AGUA                              | 1  | 1  | 1 | 1  | L                   |
|          | 66T-44362-20        | TUBE, WATER<br>TUBO DE AGUA                              | 1  |    |   |    | X                   |
| 27       | 90480-25M70         | GROMMET<br>TAPON                                         | 1  | 1  | 1 | 1  | L/X                 |
| 28       | 90480-30M71         | GROMMET<br>TAPON                                         | 1  | 1  | 1 | 1  | L/X                 |



FIG. 25 FUEL TANK

DEPOSITO DE COMBUSTIBLE

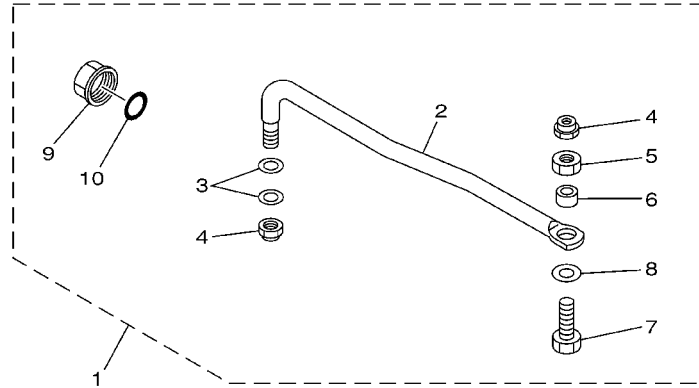


66T0100-9240

| REF. NO. | PART NO. CODIGO NO. | DESCRIPTION DESCRIPTION        | MH | WH | W | WT | REMARKS OBSERVACION |
|----------|---------------------|--------------------------------|----|----|---|----|---------------------|
| 1        | 6YJ-24201-00        | FUEL TANK ASSY (24L)           | 1  | 1  | 1 | 1  | AP                  |
|          | 6YJ-24201-10        | TANQUE DEL COMBUSTIBLE (24L)   |    |    |   |    |                     |
|          | 6YJ-24201-10        | FUEL TANK ASSY (24L)           | 1  | 1  | 1 | 1  | AP FOR CHINA,VOLGA  |
|          | 6YJ-24201-10        | TANQUE DEL COMBUSTIBLE (24L)   |    |    |   |    |                     |
| 2        | 6YJ-24610-00        | .CAP ASSY                      | 1  | 1  | 1 | 1  |                     |
|          | 6YJ-24610-00        | .TAPA COMPLETA                 |    |    |   |    |                     |
| 3        | 6YJ-24260-00        | .FUEL METER ASSY               | 1  | 1  | 1 | 1  |                     |
|          | 6YJ-24260-00        | .MEDIDOR DE COMBUSTIBLE COMPL. |    |    |   |    |                     |
|          | 6Y1-24260-12        | .FUEL METER ASSY               | 1  | 1  | 1 | 1  | FOR CHINA,VOLGA     |
|          | 6Y1-24260-12        | .MEDIDOR DE COMBUSTIBLE COMPL. |    |    |   |    |                     |
| 4        | 98586-05016         | .SCREW, PAN HEAD               | 4  | 4  | 4 | 4  |                     |
|          | 98586-05016         | .TORNILLO DE CABEZA CON PLANA  |    |    |   |    |                     |
| 5        | 6Y1-24329-00        | .SEAL                          | 4  | 4  | 4 | 4  |                     |
|          | 6Y1-24329-00        | .SELLO                         |    |    |   |    |                     |
| 6        | 6Y1-24268-00        | .GASKET, FUEL METER            | 1  | 1  | 1 | 1  |                     |
|          | 6Y1-24268-00        | .EMPAQ MEDIDOR DE COMBUSTIBLE  |    |    |   |    |                     |
| 7        | 6YJ-24167-00        | .STRAINER                      | 1  | 1  | 1 | 1  |                     |
|          | 6YJ-24167-00        | .COLADOR                       |    |    |   |    |                     |
| 8        | 61J-24306-02        | FUEL PIPE COMP. 1              | 1  | 1  | 1 | 1  | AP                  |
|          | 61J-24306-02        | TUBO COMBUST. COMPL 1          |    |    |   |    |                     |
| 9        | 90445-11M06         | .HOSE (L2050)                  | 1  | 1  | 1 | 1  |                     |
|          | 90445-11M06         | .MANGUERA (L2050)              |    |    |   |    |                     |
| 10       | 61J-24360-00        | .PRIMER PUMP ASSY              | 1  | 1  | 1 | 1  |                     |
|          | 61J-24360-00        | .SOPORTE BOMBA                 |    |    |   |    |                     |
| 11       | 90445-11M05         | .HOSE (L850)                   | 1  | 1  | 1 | 1  |                     |
|          | 90445-11M05         | .MANGUERA (L850)               |    |    |   |    |                     |
| 12       | 650-24351-51        | .BAND 1                        | 4  | 4  | 4 | 4  |                     |
|          | 650-24351-51        | .ABRAZADERA 1                  |    |    |   |    |                     |
| 13       | 6G1-24305-03        | .FUEL PIPE JOINT COMP. 2       | 1  | 1  | 1 | 1  |                     |
|          | 6G1-24305-03        | .CONECTOR MANGUERA COMBUST. 2  |    |    |   |    |                     |
| 14       | 93210-08287         | ..O-RING                       | 1  | 1  | 1 | 1  |                     |
|          | 93210-08287         | ..JUNTA TORICA                 |    |    |   |    |                     |
| 15       | 6Y1-24305-04        | .FUEL PIPE JOINT COMP. 2       | 1  | 1  | 1 | 1  |                     |
|          | 6Y1-24305-04        | .CONECTOR MANGUERA COMBUST. 2  |    |    |   |    |                     |
| 16       | 93210-08287         | ..O-RING                       | 1  | 1  | 1 | 1  |                     |
|          | 93210-08287         | ..JUNTA TORICA                 |    |    |   |    |                     |

FIG. 26 STEERING GUIDE

DIRECCIONGUIAR

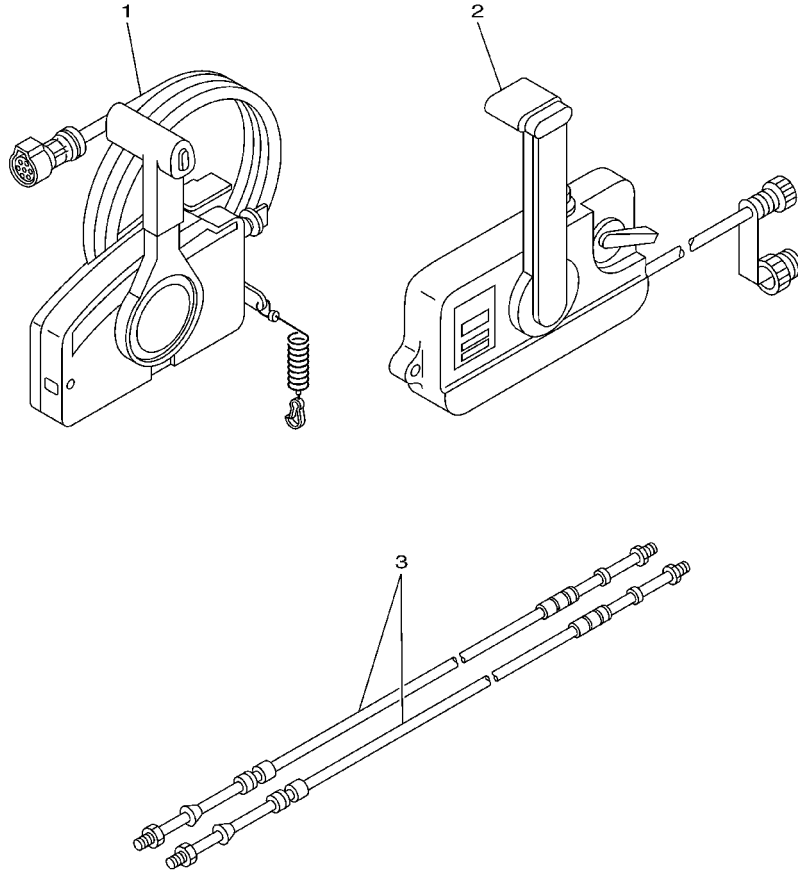


| REF. NO. | PART NO. CODIGO NO. | DESCRIPTION DESCRIPTION                                         | MH | WH | W | WT | REMARKS OBSERVACION |
|----------|---------------------|-----------------------------------------------------------------|----|----|---|----|---------------------|
| 1        | 65W-61350-00        | STEERING GUIDE ATTACHMENT KIT<br>ESTUCHE ADITAMENTO GUIA DE TIM |    |    | 1 | 1  | AP FOR CARIB,CHINA  |
| 2        | 65W-61351-00        | .ROD, STEERING LINK<br>.VARILLA ESLABON DIRECCION               |    |    | 1 | 1  |                     |
| 3        | 90201-10M20         | .WASHER, PLATE<br>.ARANDELA PLANA                               |    |    | 2 | 2  |                     |
| 4        | 90185-09M01         | .NUT, SELF-LOCKING<br>.TUERCA AUTOBLOCANTE                      |    |    | 2 | 2  |                     |
| 5        | 90170-09M03         | .NUT<br>.TUERCA                                                 |    |    | 1 | 1  |                     |
| 6        | 90387-10M42         | .COLLAR<br>.COLLAR                                              |    |    | 1 | 1  |                     |
| 7        | 90101-09M01         | .BOLT<br>.TORNILLO                                              |    |    | 1 | 1  |                     |
| 8        | 90201-10M63         | .WASHER, PLATE<br>.ARANDELA PLANA                               |    |    | 1 | 1  |                     |
| 9        | 6E5-43145-01        | .CAP, CLAMP BRACKET<br>.TAPA                                    |    |    | 1 | 1  |                     |
| 10       | 93210-16275         | .O-RING<br>.JUNTA TORICA                                        |    |    | 1 | 1  |                     |
|          |                     |                                                                 |    |    |   |    |                     |
|          |                     |                                                                 |    |    |   |    |                     |
|          |                     |                                                                 |    |    |   |    |                     |
|          |                     |                                                                 |    |    |   |    |                     |
|          |                     |                                                                 |    |    |   |    |                     |

65W0010-8210

FIG. 27 REMOTE CONTROL BOX

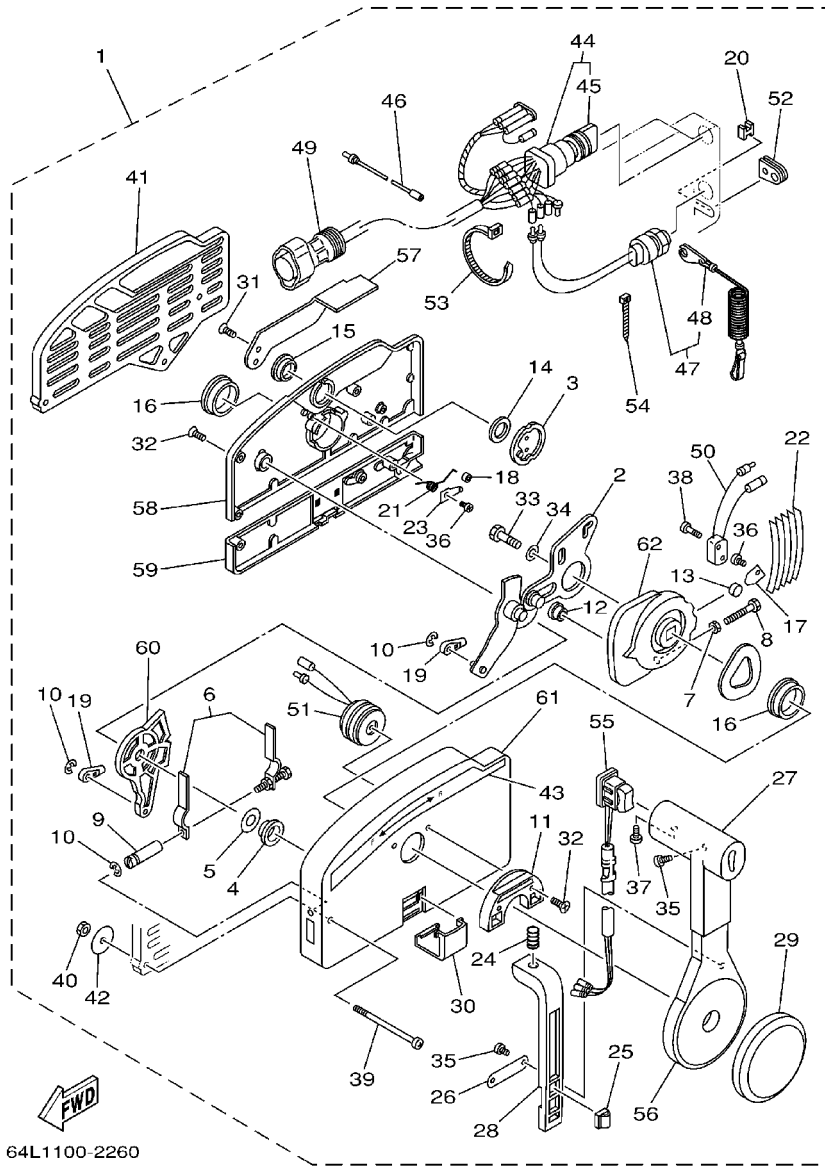
CONTROL REMOTO COMPL.



| REF. NO. | PART NO. CODIGO NO. | DESCRIPTION DESCRIPTION                                    | MH | WH | W | WT | REMARKS OBSERVACION               |
|----------|---------------------|------------------------------------------------------------|----|----|---|----|-----------------------------------|
| 1        | 703-48205-17        | REMOTE CONTROL ASSY<br>REMOTO CONTROL COMPL.               |    |    |   | 1  | AP WITH PT/T SW.                  |
|          | 703-48203-15        | REMOTE CONTROL ASSY<br>REMOTO CONTROL COMPL.               |    |    |   | 1  | AP                                |
| 2        | 701-48140-E0        | REMOTE CONTROL ASSY (LEFT)<br>REMOTO CONTROL COMPL (ZURDO) |    |    |   | 1  | AP FOR VOLGA<br>WITH NEUTRAL LOCK |
| 3        | 701-48320-00        | CABLE, REMOTE CONTROL L=12F<br>CABLE CONTROL REMOTO L=12F  |    |    |   | 2  | UR                                |
|          | 701-48320-20        | CABLE, REMOTE CONTROL L=13F<br>CABLE CONTROL REMOTO L=13F  |    |    |   | 2  | UR                                |
|          | 701-48320-50        | CABLE, REMOTE CONTROL L=15F<br>CABLE CONTROL REMOTO L=15F  |    |    |   | 2  | UR                                |



69R3200-3260

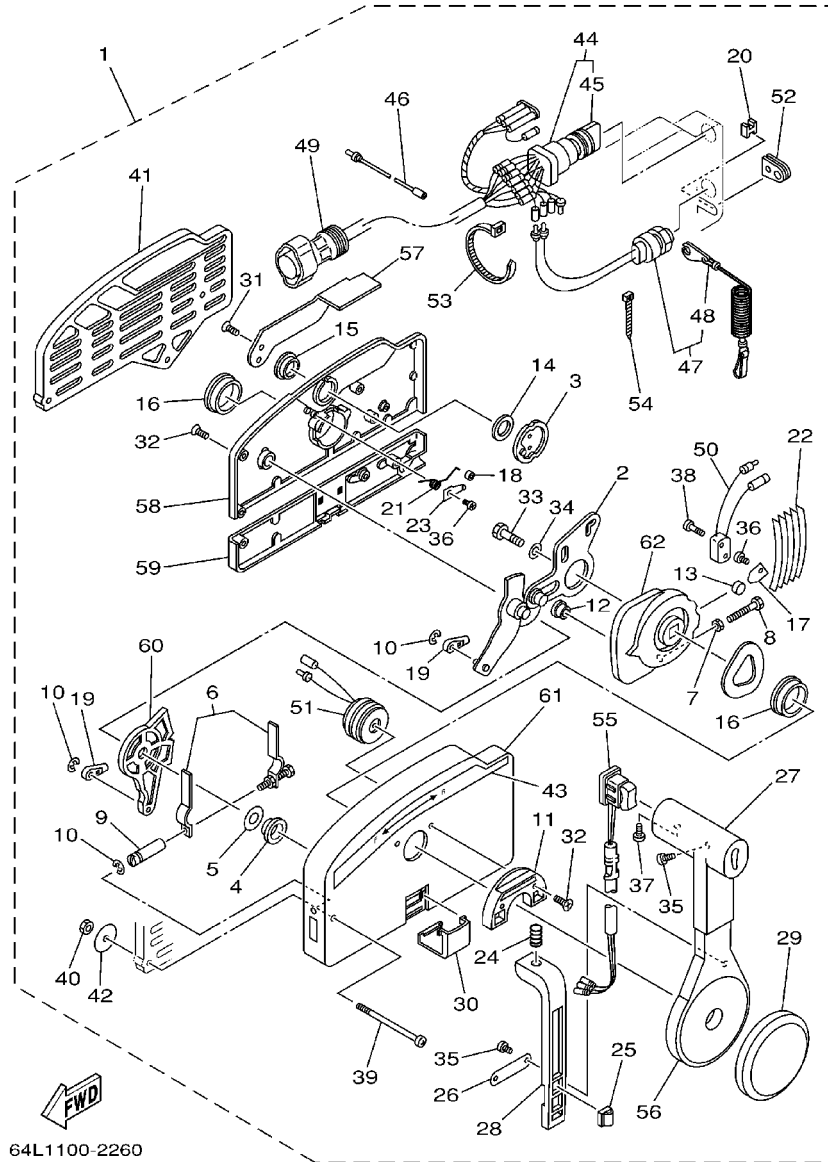


64L1100-2260

FIG. 28 REMOTE CONTROL ASSY 1 CONTROL REMOTO COMPL. 1

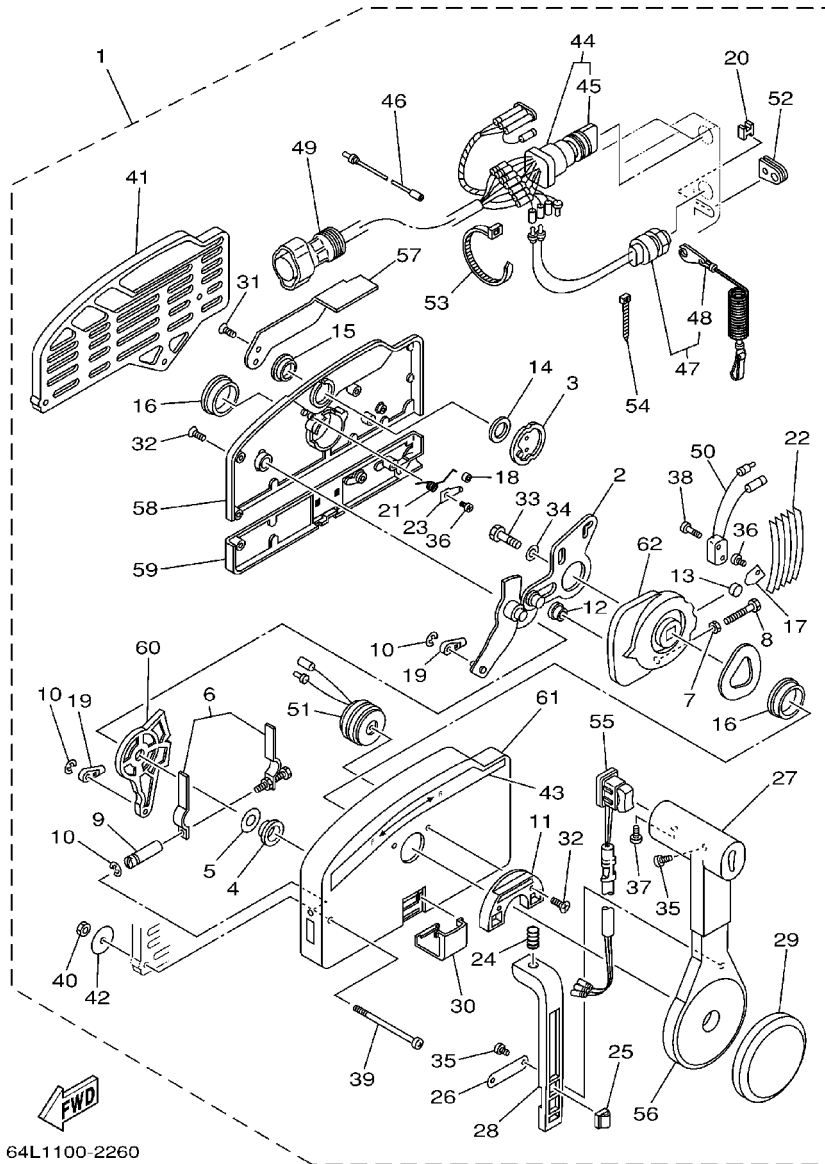
| REF. NO. | PART NO. CODIGO NO. | DESCRIPTION DESCRIPTION                                        | MH | WH | W | WT | REMARKS OBSERVACION |
|----------|---------------------|----------------------------------------------------------------|----|----|---|----|---------------------|
| 1        | 703-48205-17        | REMOTE CONTROL ASSY<br>REMOTO CONTROL COMPL.                   |    |    |   | 1  | AP WITH PT/T SW.    |
|          | 703-48203-15        | REMOTE CONTROL ASSY<br>REMOTO CONTROL COMPL.                   |    |    | 1 |    | AP                  |
| 2        | 703-48261-01        | .ARM, THROTTLE<br>.BRAZO ACELERADOR                            |    |    | 1 | 1  |                     |
| 3        | 703-48153-00        | .SHAFT, FREE ACCEL.<br>.EJE                                    |    |    | 1 | 1  |                     |
| 4        | 703-48235-00        | .BUSHING<br>.BUJE                                              |    |    | 1 | 1  |                     |
| 5        | 703-48268-00        | .SPACER<br>.ESPACIADOR 3                                       |    |    | 1 | 1  |                     |
| 6        | 703-48264-00        | .THROTTLE, FRICTION<br>.FRICCION ACELERADOR                    |    |    | 1 | 1  |                     |
| 7        | 95380-05600         | .NUT<br>.TUERCA                                                |    |    | 1 | 1  |                     |
| 8        | 97380-05025         | .BOLT<br>.TORNILLO HEXAGONAL                                   |    |    | 1 | 1  |                     |
| 9        | 703-48265-00        | .SHAFT, FRICTION<br>.EJE FRICCION                              |    |    | 1 | 1  |                     |
| 10       | 93430-06024         | .CIRCLIP<br>.SEGURO                                            |    |    | 3 | 3  |                     |
| 11       | 703-48245-00        | .PLATE, LOCK<br>.PLACA CERRADURA                               |    |    | 1 | 1  |                     |
| 12       | 703-48252-00        | .ROLLER, CAM<br>.RODILLO LEVA                                  |    |    | 1 | 1  |                     |
| 13       | 701-48248-00        | .ROLLER, FREE ACCEL.<br>.RODILLO ACELERADOR LIBRE              |    |    | 1 | 1  |                     |
| 14       | 703-48198-00        | .WASHER, WAVE<br>.RONDANA ONDULADA 3                           |    |    | 1 | 1  |                     |
| 15       | 703-48243-00        | .BUSHING<br>.BUJE 3                                            |    |    | 1 | 1  |                     |
| 16       | 703-48236-00        | .BUSHING 1<br>.BUJE                                            |    |    | 2 | 2  |                     |
| 17       | 703-48189-00        | .RETAINER<br>.RETENEDOR                                        |    |    | 1 | 1  |                     |
| 18       | 703-48234-00        | .ROLLER, DETENT<br>.RODILLO                                    |    |    | 1 | 1  |                     |
| 19       | 703-48345-01        | .CABLE END, REMOTE CONTROL 2<br>.TERMINAL CABLE DE CONTROL REM |    |    | 2 | 2  |                     |
| 20       | 703-48358-00        | .ANCHOR, CABLE<br>.ABRAZADERA CABLE                            |    |    | 1 | 1  |                     |
| 21       | 703-48244-00        | .SPRING, FREE ACCEL.<br>.RESORTE ACELERADOR LIBRE              |    |    | 1 | 1  |                     |
| 22       | 703-48238-00        | .SPRING, DETENT<br>.RESORTE                                    |    |    | 5 | 5  |                     |
| 23       | 703-48246-00        | .SPACER<br>.ESPACIADOR                                         |    |    | 1 | 1  |                     |
| 24       | 703-48227-00        | .SPRING, NEUTRAL LOCK<br>.RESORTE DE SEGURO                    |    |    | 1 | 1  |                     |
| 25       | 703-82594-00        | .CLAMP<br>.GRAMPA                                              |    |    | 1 | 1  | WITH PT/T SW.       |
| 26       | 703-48226-00        | .PLATE, STOPPER<br>.PLACA RETEN                                |    |    | 1 | 1  |                     |

FIG. 28 REMOTE CONTROL ASSY 1 CONTROL REMOTO COMPL. 1



64L1100-2260

| REF. NO. | PART NO. CODIGO NO. | DESCRIPTION DESCRIPTION                                  | MH | WH | W | WT | REMARKS OBSERVACION |
|----------|---------------------|----------------------------------------------------------|----|----|---|----|---------------------|
| 27       | 703-48222-00        | .GRIP, CONTROL LEVER<br>.MANGO DE PALANCA CONTROL        |    |    | 1 | 1  | SINGLE              |
| 28       | 703-48223-00        | .LOCK, NEUTRAL<br>.CERRADURA NEUTRO                      |    |    | 1 | 1  |                     |
| 29       | 703-48225-00        | .COVER<br>.CUBIERTA                                      |    |    | 1 | 1  |                     |
| 30       | 703-48219-00        | .COVER, LEAD<br>.CUBIERTA                                |    |    | 1 | 1  |                     |
| 31       | 703-48281-00        | .SCREW<br>.TORNILLO 1                                    |    |    | 2 | 2  |                     |
| 32       | 703-48282-00        | .SCREW<br>.TORNILLO 2                                    |    |    | 7 | 7  |                     |
| 33       | 97380-08030         | .BOLT<br>.TORNILLO HEXAGONAL                             |    |    | 1 | 1  |                     |
| 34       | 92990-08600         | .WASHER, PLATE<br>.ARANDELA PLANA                        |    |    | 1 | 1  |                     |
| 35       | 98580-04010         | .SCREW, PAN HEAD<br>.TORNILLO DE CABEZA CRUZADA          |    |    | 3 | 3  |                     |
| 36       | 98580-04006         | .SCREW, PAN HEAD<br>.TORNILLO DE CABEZA CRUZADA          |    |    | 2 | 2  |                     |
| 37       | 98580-05010         | .SCREW, PAN HEAD<br>.TORNILLO DE CABEZA CRUZADA          |    |    | 1 | 1  |                     |
| 38       | 98580-03015         | .SCREW, PAN HEAD<br>.TORNILLO DE CABEZA CRUZADA          |    |    | 2 | 2  |                     |
| 39       | 703-48291-10        | .SCREW (M6)<br>.TORNILLO (M6)                            |    |    | 3 | 3  |                     |
| 40       | 95380-06600         | .NUT, HEXAGON<br>.TUERCA                                 |    |    | 3 | 3  |                     |
| 41       | 703-48293-10        | .SPACER, REMOTE CONTROL<br>.ESPACIADOR                   |    |    | 1 | 1  | SINGLE              |
| 42       | 701-48287-00        | .WASHER<br>.ARANDELA                                     |    |    | 3 | 3  |                     |
| 43       | 703-48215-00        | .GRAPHIC<br>.CALCOMANIA 1                                |    |    | 1 | 1  |                     |
| 44       | 703-82510-43        | .MAIN SWITCH ASSY<br>.CONJUNTO DE LLAVE IGNICION         |    |    | 1 | 1  | FOR 703-48205-17    |
|          | 703-82510-33        | .MAIN SWITCH ASSY<br>.CONJUNTO DE LLAVE IGNICION         |    |    | 1 | 1  | FOR 703-48203-15    |
| 45       | 703-82577-00        | .CAP, KEY<br>.TAPA                                       |    |    | 1 | 1  |                     |
| 46       | 703-82531-00        | .WIRE, LEAD<br>.CABLE CONDUCTOR                          |    |    | 1 | 1  |                     |
| 47       | 688-82575-01        | .ENGINE STOP SWITCH ASSY<br>.INTERRUPTOR DE PARADA COMPL |    |    | 1 | 1  |                     |
| 48       | 682-82556-00        | .STOPPER<br>.RETENER                                     |    |    | 1 | 1  |                     |
| 49       | 688-8258A-20        | .EXTENSION, WIRE HARNESS<br>.EXTENSION, ARNES DE CABLES  |    |    | 1 | 1  | L:5M (10P)          |
|          | 688-82586-21        | .EXTENSION, WIRE HARNESS<br>.EXTENSION, CONJ. DE CABLES  |    |    | 1 | 1  | L:5M (7P)           |
| 50       | 703-82540-00        | .NEUTRAL SWITCH ASSY<br>.INTERRUPTOR NEUTRAL COMPL       |    |    | 1 | 1  |                     |
| 51       | 703-83383-02        | .BUZZER<br>.ZUMBADOR                                     |    |    | 1 | 1  |                     |

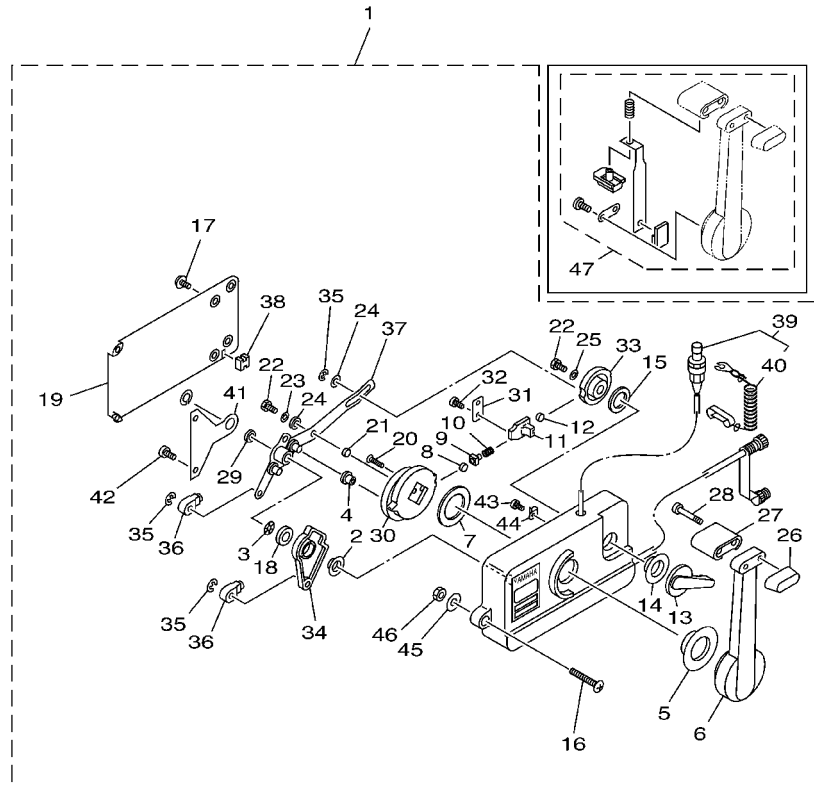


64L1100-2260

FIG. 28 REMOTE CONTROL ASSY 1 CONTROL REMOTO COMPL. 1

| REF. NO. | PART NO. CODIGO NO. | DESCRIPTION DESCRIPTION                                 | MH | WH | W | WT  | REMARKS OBSERVACION |
|----------|---------------------|---------------------------------------------------------|----|----|---|-----|---------------------|
| 52       | 703-48284-00        | .GROMMET<br>.TAPON 1                                    |    |    |   | 1 1 |                     |
| 53       | 703-82591-00        | .BAND<br>.BANDA                                         |    |    |   | 1 1 |                     |
| 54       | 703-82592-00        | .BAND<br>.BANDA                                         |    |    |   | 1 1 |                     |
| 55       | 703-82563-02        | .TRIM & TILT SWITCH ASSY<br>.INTERRUPTOR DE INCLINACION |    |    |   | 1   | WITH PT/T SW.       |
|          | 703-48224-00        | .COVER, CONTROL LEVER<br>.CUBIERTA DE PALANCA CONTROL   |    |    |   | 1   | WITHOUT PT/T SW.    |
| 56       | 703-48221-00        | .LEVER, CONTROL<br>.PALANCA CONTROL                     |    |    |   | 1 1 |                     |
| 57       | 703-48152-00        | .KNOB, FREE ACCEL.<br>.PERILLA                          |    |    |   | 1 1 |                     |
| 58       | 703-48212-00        | .BACK PLATE 1<br>.PLACA TRASERA 1                       |    |    |   | 1 1 |                     |
| 59       | 703-48213-00        | .BACK PLATE 2<br>.PLACA TRASERA 2                       |    |    |   | 1 1 |                     |
| 60       | 703-48271-00        | .ARM, SHIFT<br>.BRAZO CAMBIADOR                         |    |    |   | 1 1 |                     |
| 61       | 703-48211-01        | .HOUSING,1<br>.CAJA                                     |    |    |   | 1 1 |                     |
| 62       | 703-48232-00        | .GEAR<br>.ENGRANAJE 1                                   |    |    |   | 1 1 |                     |

FIG. 29 REMOTE CONTROL ASSY 2 CONTROL REMOTO COMPL. 2

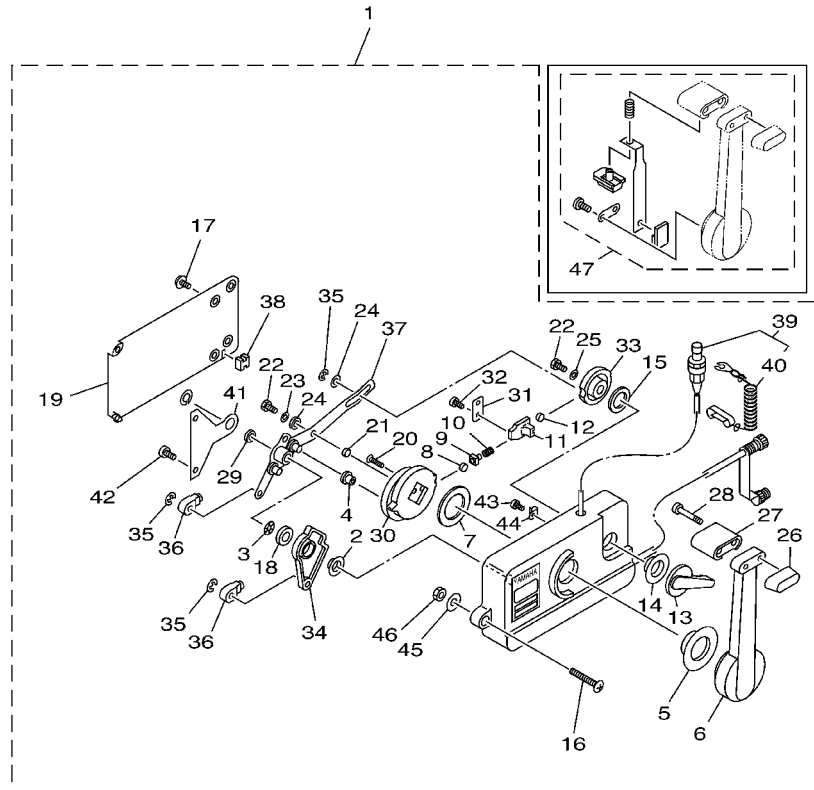


| REF. NO. | PART NO. CODIGO NO. | DESCRIPTION DESCRIPTION                                    | MH | WH | W | WT | REMARKS OBSERVACION               |
|----------|---------------------|------------------------------------------------------------|----|----|---|----|-----------------------------------|
| 1        | 701-48140-E0        | REMOTE CONTROL ASSY (LEFT)<br>REMOTO CONTROL COMPL (ZURDO) |    |    | 1 |    | AP FOR VOLGA<br>WITH NEUTRAL LOCK |
| 2        | 701-48235-00        | .BUSHING<br>.BUJE                                          |    |    | 1 |    |                                   |
| 3        | 701-48197-10        | .WASHER, WAVE<br>.RONDANA ONDULADA 2                       |    |    | 1 |    |                                   |
| 4        | 701-48252-00        | .ROLLER, CAM<br>.RODILLO LEVA                              |    |    | 1 |    |                                   |
| 5        | 701-48234-00        | .BUSHING 1<br>.BUJE                                        |    |    | 1 |    |                                   |
| 6        | 701-48221-00        | .LEVER, CONTROL<br>.PALANCA CONTROL                        |    |    | 1 |    |                                   |
| 7        | 701-48196-11        | .WASHER, WAVE<br>.ARANDELA ONDULADA                        |    |    | 1 |    |                                   |
| 8        | 701-48236-00        | .ROLLER, DETENT<br>.RODILLO                                |    |    | 1 |    |                                   |
| 9        | 702-48237-00        | .ADAPTOR<br>.ADAPTADOR                                     |    |    | 1 |    |                                   |
| 10       | 702-48238-00        | .SPRING, DETENT<br>.RESORTE                                |    |    | 1 |    |                                   |
| 11       | 701-48249-00        | .ADAPTOR, SPRING<br>.RESORTE ADAPTADOR                     |    |    | 1 |    |                                   |
| 12       | 701-48248-00        | .ROLLER, FREE ACCEL.<br>.RODILLO ACELERADOR LIBRE          |    |    | 1 |    |                                   |
| 13       | 701-48152-20        | KNOB, FREE ACCEL.<br>.PERILLA                              |    |    | 1 |    | LEFT                              |
| 14       | 701-48243-00        | .BUSHING<br>.BUJE 3                                        |    |    | 1 |    |                                   |
| 15       | 701-48198-10        | .WASHER, WAVE<br>.RONDANA ONDULADA 3                       |    |    | 1 |    |                                   |
| 16       | 701-48281-10        | .SCREW<br>.TORNILLO 1                                      |    |    | 3 |    |                                   |
| 17       | 701-48289-00        | .SCREW<br>.TORNILLO 4                                      |    |    | 4 |    |                                   |
| 18       | 701-48268-00        | .SPACER<br>ESPACIADOR 3                                    |    |    | 1 |    |                                   |
| 19       | 701-48213-00        | .BACK PLATE 2<br>PLACA TRASERA 2                           |    |    | 1 |    |                                   |
| 20       | 92780-06025         | .SCREW, FLAT HEAD<br>.TORNILLO CABEZA PLANA                |    |    | 2 |    |                                   |
| 21       | 701-48255-00        | .COLLAR<br>.COLLAR 1                                       |    |    | 1 |    |                                   |
| 22       | 97390-06018         | .BOLT<br>.TORNILLO                                         |    |    | 2 |    |                                   |
| 23       | 702-48288-00        | .WASHER, PLAIN<br>.ARANDELA                                |    |    | 1 |    |                                   |
| 24       | 701-48246-00        | .SPACER<br>.ESPACIADOR                                     |    |    | 2 |    |                                   |
| 25       | 92990-06300         | .WASHER, INTERNAL TOOTH<br>.ARANDELA PLANA                 |    |    | 1 |    |                                   |
| 26       | 701-48229-00        | .GRIP, CONTROL LEVER<br>.MANGO DE PALANCA CONTROL 2        |    |    | 1 |    |                                   |
| 27       | 701-48222-00        | .GRIP, CONTROL LEVER<br>.MANGO DE PALANCA CONTROL          |    |    | 1 |    |                                   |



66T4200-3290

FIG. 29 REMOTE CONTROL ASSY 2 CONTROL REMOTO COMPL. 2



| REF. NO. | PART NO. CODIGO NO. | DESCRIPTION DESCRIPTION                                        | MH | WH | W | WT | REMARKS OBSERVACION |
|----------|---------------------|----------------------------------------------------------------|----|----|---|----|---------------------|
| 28       | 701-48282-00        | .SCREW<br>.TORNILLO 2                                          |    |    |   | 2  |                     |
| 29       | 701-48266-00        | .SPACER<br>.ESPACIADOR 2                                       |    |    |   | 1  |                     |
| 30       | 701-48232-00        | .GEAR<br>ENGRANAJE 1                                           |    |    |   | 1  |                     |
| 31       | 701-48189-11        | .RETAINER<br>.RETENEDOR                                        |    |    |   | 1  |                     |
| 32       | 98580-05010         | .SCREW, PAN HEAD<br>.TORNILLO DE CABEZA CRUZADA                |    |    |   | 2  |                     |
| 33       | 701-48153-12        | .SHAFT, FREE ACCEL.<br>.EJE                                    |    |    |   | 1  |                     |
| 34       | 701-48271-10        | .ARM, SHIFT<br>.BRAZO CAMBIADOR                                |    |    |   | 1  | LEFT                |
| 35       | 93430-06024         | .CIRCLIP<br>.SEGURO                                            |    |    |   | 3  |                     |
| 36       | 703-48345-01        | .CABLE END, REMOTE CONTROL 2<br>.TERMINAL CABLE DE CONTROL REM |    |    |   | 2  |                     |
| 37       | 701-48261-20        | .ARM, THROTTLE<br>.BRAZO ACELERADOR                            |    |    |   | 1  |                     |
| 38       | 701-48358-00        | .ANCHOR, CABLE<br>.ABRAZADERA CABLE                            |    |    |   | 1  |                     |
| 39       | 701-82575-53        | ENGINE STOP SWITCH ASSY<br>.INTERRUPTOR DE PARADA COMPL        |    |    |   | 1  |                     |
| 40       | 682-82556-00        | .STOPPER<br>.RETENER                                           |    |    |   | 1  |                     |
| 41       | 701-48133-00        | .PLATE, LINK<br>.PLACA DE ESLABON                              |    |    |   | 1  |                     |
| 42       | 98580-05020         | .SCREW, PAN HEAD<br>.TORNILLO DE CABEZA CRUZADA                |    |    |   | 2  |                     |
| 43       | 701-48283-00        | .SCREW<br>.TORNILLO 3                                          |    |    |   | 1  |                     |
| 44       | 701-82594-00        | .CLAMP<br>.GRAMPA                                              |    |    |   | 1  |                     |
| 45       | 701-48287-00        | .WASHER<br>.ARANDELA                                           |    |    |   | 3  |                     |
| 46       | 95380-06600         | .NUT, HEXAGON<br>.TUERCA                                       |    |    |   | 3  |                     |
| 47       | 701-48280-00        | NEUTRAL LOCK KIT<br>TORNILLO                                   |    |    |   | 1  |                     |

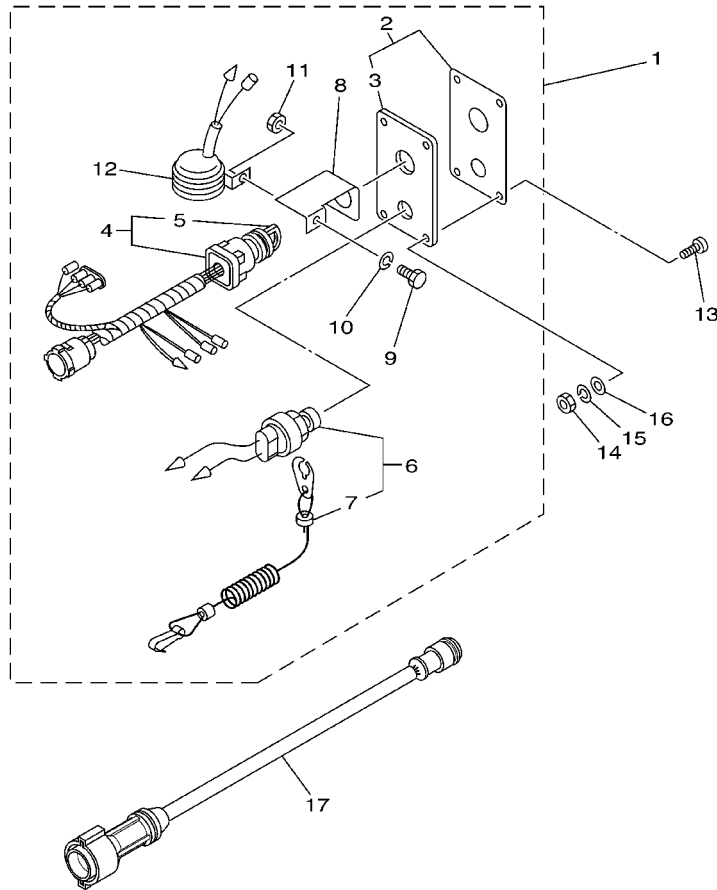


66T4200-3290



FIG. 30 SWITCH. PANEL

PANEL DE INTERRUPTOR



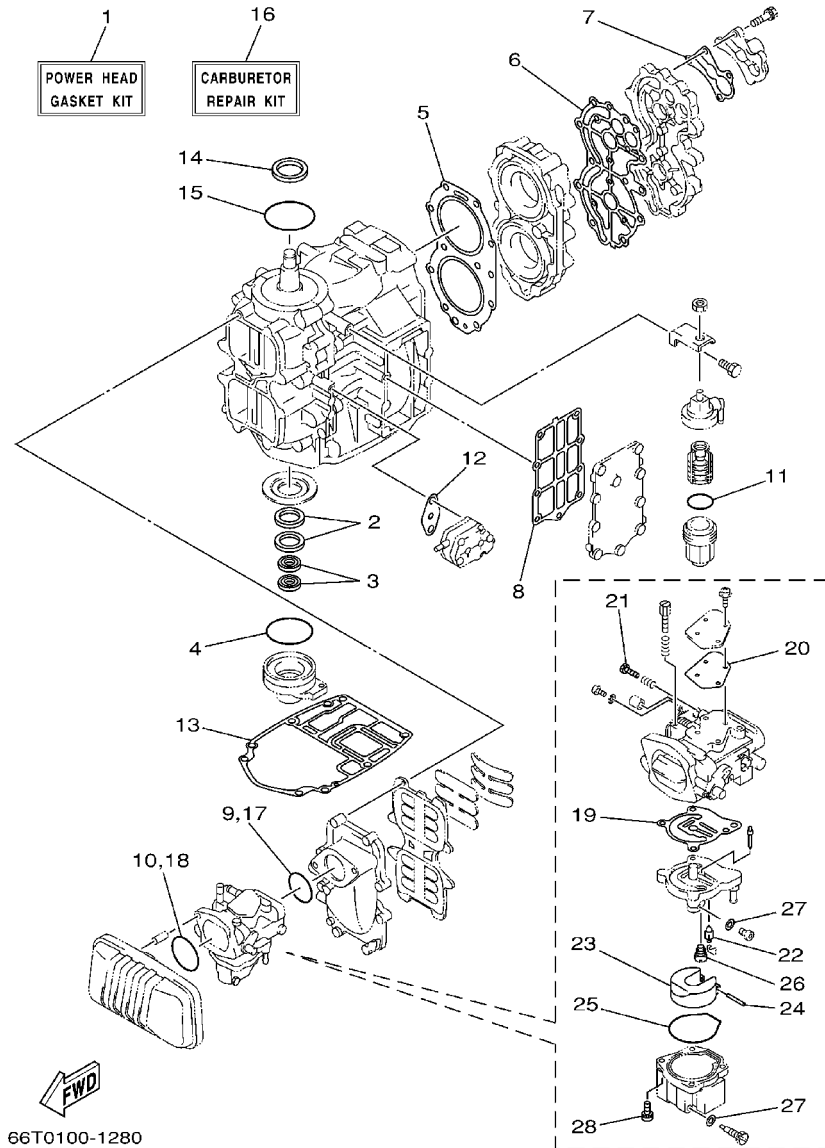
| REF. NO. | PART NO. CODIGO NO. | DESCRIPTION DESCRIPTION                                                   | MH | WH | W | WT | REMARKS OBSERVACION |
|----------|---------------------|---------------------------------------------------------------------------|----|----|---|----|---------------------|
| 1        | 704-82570-07        | PANEL SWITCH ASSY<br>INTERRUPTOR DE PANEL COMPL.                          |    |    | 1 |    | AP FOR VOLGA        |
| 2        | 704-82571-01        | .PANEL, SWITCH<br>.PANEL DE INTERRUPTOR                                   |    |    | 1 |    |                     |
| 3        | 6R5-82588-01        | ..PLATE<br>..PLACA                                                        |    |    | 1 |    |                     |
| 4        | 704-82510-07        | .MAIN SWITCH ASSY<br>.CONJUNTO DE LLAVE IGNICION                          |    |    | 1 |    |                     |
| 5        | 703-82577-00        | ..CAP, KEY<br>..TAPA                                                      |    |    | 1 |    |                     |
| 6        | 688-82575-01        | .ENGINE STOP SWITCH ASSY<br>.INTERRUPTOR DE PARADA COMPL                  |    |    | 1 |    |                     |
| 7        | 682-82556-00        | ..STOPPER<br>..RETENER                                                    |    |    | 1 |    |                     |
| 8        | 64D-82581-00        | .STAY, CORD CLAMP<br>.SOPORTE DE GRAMPA DE CABLE                          |    |    | 1 |    |                     |
| 9        | 97303-05012         | .BOLT<br>.TORNILLO                                                        |    |    | 1 |    |                     |
| 10       | 92903-05100         | .WASHER, SPRING<br>.RONDANA SENCILLA                                      |    |    | 1 |    |                     |
| 11       | 95303-05700         | .NUT<br>.TUERCA                                                           |    |    | 1 |    |                     |
| 12       | 688-83383-11        | .BUZZER<br>.ZUMBADOR                                                      |    |    | 1 |    |                     |
| 13       | 90149-05M05         | SCREW<br>TORNILLO DE REGLAJE                                              |    |    | 4 |    | AP FOR VOLGA        |
| 14       | 95380-05600         | NUT<br>TUERCA                                                             |    |    | 4 |    | AP FOR VOLGA        |
| 15       | 92990-05100         | WASHER, SPRING<br>ARANDELA GROWER                                         |    |    | 4 |    | AP FOR VOLGA        |
| 16       | 92990-05600         | WASHER, PLATE<br>ARANDELA PLANA                                           |    |    | 4 |    | AP FOR VOLGA        |
| 17       | 688-82586-50        | EXTENSION, WIRE HARNESS (L:5M-7P)<br>EXTENSION, CONJ. DE CABLES (L:5M-7P) |    |    | 1 |    | AP FOR VOLGA        |



66T4200-3300

FIG. 31 REPAIR KIT 1

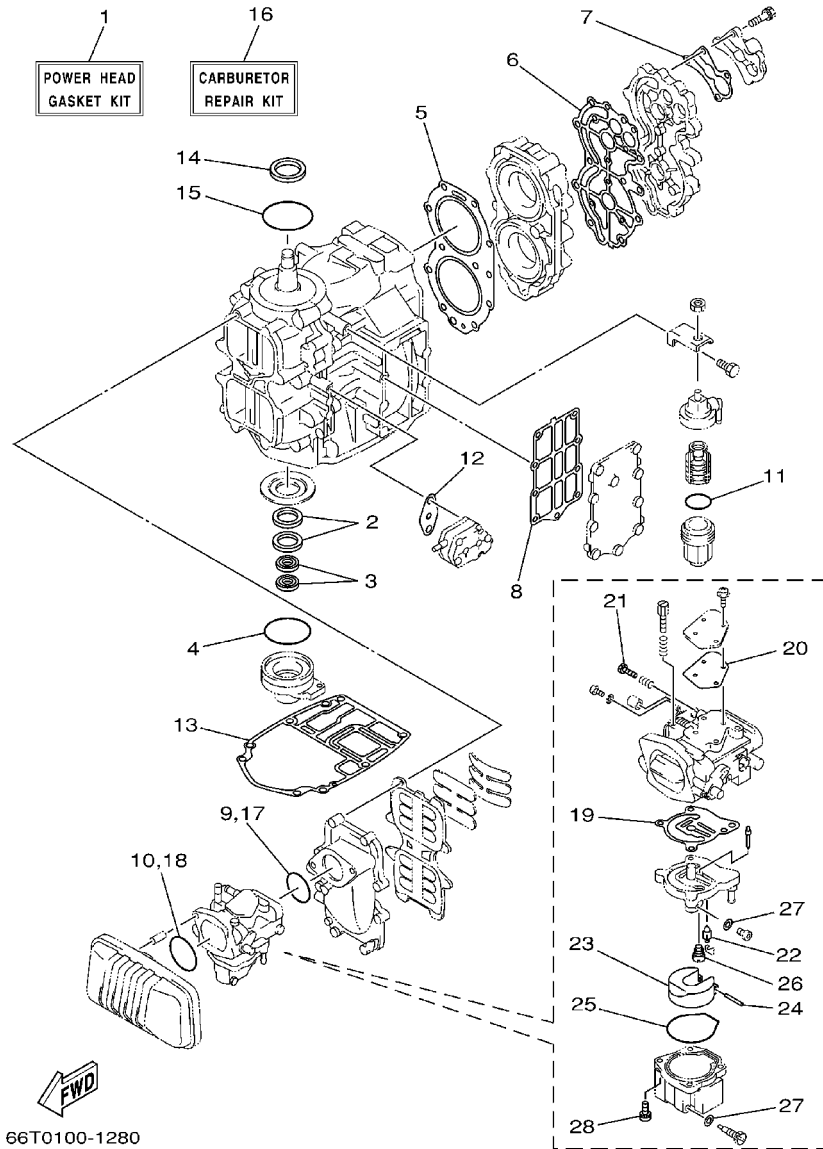
ESTUCHE REPARATION 1



| REF. NO. | PART NO. CODIGO NO. | DESCRIPTION DESCRIPTION                              | MH | WH | W | WT | REMARKS OBSERVACION |
|----------|---------------------|------------------------------------------------------|----|----|---|----|---------------------|
| 1        | 66T-W0001-01        | POWER HEAD GASKET KIT<br>JUEGO DE EMPAQUE MOTOR      | 1  | 1  | 1 | 1  |                     |
| 2        | 93102-30M56         | .OIL SEAL<br>.RETEN DE ACEITE                        | 2  | 2  | 2 | 2  |                     |
| 3        | 93101-16001         | .OIL SEAL<br>.RETEN DE ACEITE                        | 2  | 2  | 2 | 2  |                     |
| 4        | 93210-65M50         | .O-RING<br>.JUNTA TORICA                             | 1  | 1  | 1 | 1  |                     |
| 5        | 66T-11181-A2        | .GASKET, CYLINDER HEAD 1<br>.JUNTA, DE CULATA 1      | 1  | 1  | 1 | 1  |                     |
| 6        | 66T-11193-A2        | .GASKET, HEAD COVER 1<br>.EMPAQUE                    | 1  | 1  | 1 | 1  |                     |
| 7        | 676-12414-A1        | .GASKET, COVER<br>.EMPAQUE                           | 1  | 1  | 1 | 1  |                     |
| 8        | 66T-41114-A0        | .GASKET, EXHAUST OUTER COVER<br>.EMPAQUE             | 1  | 1  | 1 | 1  |                     |
| 9        | 93210-46M16         | .O-RING<br>.JUNTA TORICA                             | 1  | 1  | 1 | 1  |                     |
| 10       | 93210-54M54         | .O-RING<br>.JUNTA TORICA                             | 1  | 1  | 1 | 1  |                     |
| 11       | 93210-32738         | .O-RING<br>.JUNTA TORICA                             | 1  | 1  | 1 | 1  |                     |
| 12       | 650-24431-A0        | .GASKET, FUEL PUMP 1<br>.EMPAQUE BOMBA COMBUST 1     | 1  | 1  | 1 | 1  |                     |
| 13       | 66T-45113-A0        | .GASKET, UPPER CASING<br>.EMPAQUE                    | 1  | 1  | 1 | 1  |                     |
| 14       | 93102-35008         | .OIL SEAL<br>.RETEN DE ACEITE                        | 1  | 1  | 1 | 1  |                     |
| 15       | 93210-75M51         | .O-RING<br>.JUNTA TORICA                             | 1  | 1  | 1 | 1  |                     |
| 16       | 66T-W0093-01        | CARBURETOR REPAIR KIT<br>KIT REPARACION CARBURADOR   | 1  | 1  | 1 | 1  |                     |
| 17       | 93210-46M16         | .O-RING<br>.JUNTA TORICA                             | 1  | 1  | 1 | 1  |                     |
| 18       | 93210-54M54         | .O-RING<br>.JUNTA TORICA                             | 1  | 1  | 1 | 1  |                     |
| 19       | 66T-14384-01        | .GASKET, FLOAT CHAMBER<br>.EMPAQUE DE CAMARA DE BOIA | 1  | 1  | 1 | 1  |                     |
| 20       | 66T-14536-00        | .GASKET<br>.EMPAQUE                                  | 1  | 1  | 1 | 1  |                     |
| 21       | 6E5-14323-03        | .SCREW, AIR ADJUSTING<br>.TORNILLO DE AJUSTE DE AIRE | 1  | 1  | 1 | 1  |                     |
| 22       | 6E5-14546-00        | .VALVE, NEEDLE<br>.VALVULA DE AGUJA                  | 1  | 1  | 1 | 1  |                     |
| 23       | 6E5-14385-02        | .FLOAT<br>.BOIA                                      | 1  | 1  | 1 | 1  |                     |
| 24       | 6E5-14386-02        | .PIN, FLOAT<br>.PASADOR DE BOIA                      | 1  | 1  | 1 | 1  |                     |
| 25       | 66T-14984-00        | .GASKET, FLOAT CHAMBER<br>.EMPAQUE CAMARA DE BOIA    | 1  | 1  | 1 | 1  |                     |
| 26       | 66T-14992-00        | .PLUG<br>.TAPON                                      | 1  | 1  | 1 | 1  |                     |
| 27       | 66T-14959-00        | .GASKET<br>.EMPAQUE                                  | 2  | 2  | 2 | 2  |                     |

FIG. 31 REPAIR KIT 1

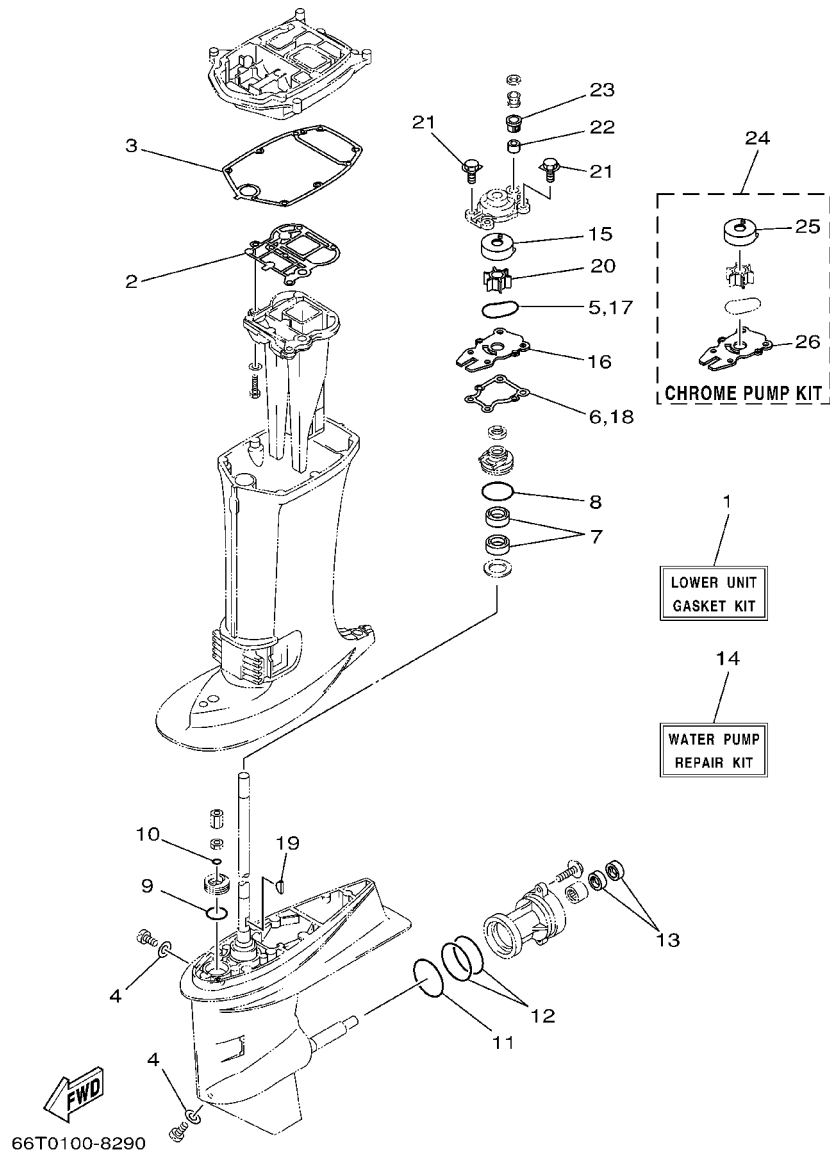
ESTUCHE REPARATION 1



| REF. NO. | PART NO. CODIGO NO. | DESCRIPTION DESCRIPTION                        | MH | WH | W | WT | REMARKS OBSERVACION |
|----------|---------------------|------------------------------------------------|----|----|---|----|---------------------|
| 28       | 97980-05125         | .SCREW, WITH WASHER<br>.TORNILLO, CON ARANDELA | 4  | 4  | 4 | 4  |                     |
|          |                     |                                                |    |    |   |    |                     |
|          |                     |                                                |    |    |   |    |                     |
|          |                     |                                                |    |    |   |    |                     |
|          |                     |                                                |    |    |   |    |                     |
|          |                     |                                                |    |    |   |    |                     |
|          |                     |                                                |    |    |   |    |                     |
|          |                     |                                                |    |    |   |    |                     |
|          |                     |                                                |    |    |   |    |                     |
|          |                     |                                                |    |    |   |    |                     |

FIG. 32 REPAIR KIT 2

ESTUCHE REPARATION 2

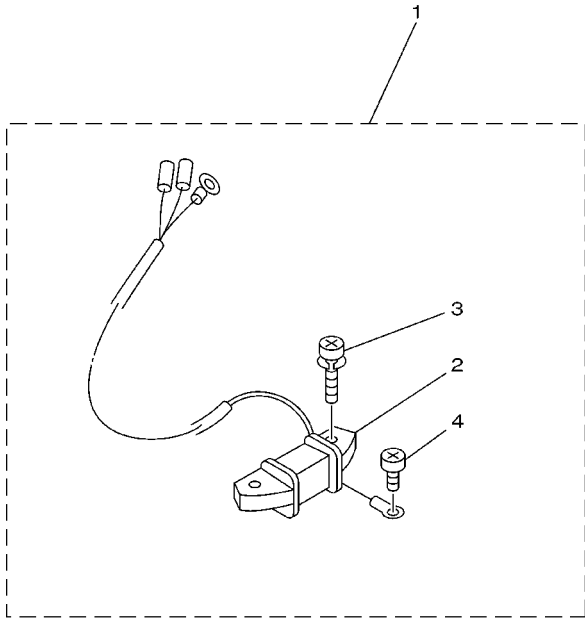


| REF. NO. | PART NO. CODIGO NO. | DESCRIPTION DESCRIPTION                                    | MH | WH | W | WT | REMARKS OBSERVACION |
|----------|---------------------|------------------------------------------------------------|----|----|---|----|---------------------|
| 1        | 66T-W0001-20        | LOWER UNIT GASKET KIT<br>JUEGO DE EMPAQUE UNIDAD INFER     | 1  | 1  | 1 | 1  |                     |
| 2        | 66T-41133-A0        | .GASKET, EXHAUST MANIFOLD 1<br>.EMPAQUE ESCAPE MULTIPLE    | 1  | 1  | 1 | 1  |                     |
| 3        | 66T-45114-A0        | .GASKET, UPPER CASING<br>EMPAQUE                           | 1  | 1  | 1 | 1  |                     |
| 4        | 90430-08020         | .GASKET<br>.JUNTA                                          | 2  | 2  | 2 | 2  |                     |
| 5        | 93210-59MG7         | .O-RING<br>.JUNTA TORICA                                   | 1  | 1  | 1 | 1  |                     |
| 6        | 63D-44316-00        | .GASKET, WATER PUMP<br>.EMPAQUE                            | 1  | 1  | 1 | 1  |                     |
| 7        | 93101-22M60         | .OIL SEAL<br>.RETEN DE ACEITE                              | 2  | 2  | 2 | 2  |                     |
| 8        | 93210-48MG8         | .O-RING<br>.JUNTA TORICA                                   | 1  | 1  | 1 | 1  |                     |
| 9        | 93210-33MG4         | .O-RING<br>.JUNTA TORICA                                   | 1  | 1  | 1 | 1  |                     |
| 10       | 93210-06ME6         | .O-RING<br>.JUNTA TORICA                                   | 1  | 1  | 1 | 1  |                     |
| 11       | 93210-69MG6         | .O-RING<br>.JUNTA TORICA                                   | 1  | 1  | 1 | 1  |                     |
| 12       | 93210-74MG5         | .O-RING<br>.JUNTA TORICA                                   | 2  | 2  | 2 | 2  |                     |
| 13       | 93101-22M00         | .OIL SEAL<br>.RETEN DE ACEITE                              | 2  | 2  | 2 | 2  |                     |
| 14       | 66T-W0078-00        | WATER PUMP REPAIR KIT<br>ESTUCHE REPARACION BOMBA AGUA     | 1  | 1  | 1 | 1  |                     |
| 15       | 63D-44322-00        | .INSERT, CARTRIDGE<br>.CARTUCHO                            | 1  | 1  | 1 | 1  |                     |
| 16       | 66T-44323-00        | .OUTER PLATE, CARTRIDGE<br>.PLACA EXTERIOR DEL CARTUCHO    | 1  | 1  | 1 | 1  |                     |
| 17       | 93210-59MG7         | .O-RING<br>.JUNTA TORICA                                   | 1  | 1  | 1 | 1  |                     |
| 18       | 63D-44316-00        | .GASKET, WATER PUMP<br>EMPAQUE                             | 1  | 1  | 1 | 1  |                     |
| 19       | 90280-03M03         | .KEY, WOODRUFF<br>.CUNA WOODRUFF                           | 1  | 1  | 1 | 1  |                     |
| 20       | 6H4-44352-02        | .IMPELLER<br>.IMPULSOR                                     | 1  | 1  | 1 | 1  |                     |
| 21       | 90119-08M15         | .BOLT, WITH WASHER<br>.TORNILLO CON ARANDELA               | 4  | 4  | 4 | 4  |                     |
| 22       | 663-44366-00        | .DAMPER, WATER SEAL<br>.GOMA DEL SELLO DE AGUA             | 1  | 1  | 1 | 1  |                     |
| 23       | 63D-44312-00        | .COVER, WATER PUMP HOUSING<br>.CUBIERTA CAJA BOMBA DE AGUA | 1  | 1  | 1 | 1  |                     |
| 24       | 66T-W0078-0A        | CHROME PUMP KIT<br>ESTUCHE REPARACION BOMBA AGUA           | 1  | 1  | 1 | 1  |                     |
| 25       | 63D-44322-40        | .INSERT, CARTRIDGE<br>.CARTUCHO                            | 1  | 1  | 1 | 1  |                     |
| 26       | 66T-44323-40        | .OUTER PLATE, CARTRIDGE<br>.PLACA EXTERIOR DEL CARTUCHO    | 1  | 1  | 1 | 1  |                     |

FIG. 33 REPAIR KIT 3

ESTUCHE REPARATION 3

| REF. NO. | PART NO. CODIGO NO. | DESCRIPTION DESCRIPTION                            | MH | WH | W | WT | REMARKS OBSERVACION |
|----------|---------------------|----------------------------------------------------|----|----|---|----|---------------------|
| 1        | 66T-81303-00        | LIGHTING COIL ASSY<br>BOBINA DE ILUMINACION COMPL. | 1  | 1  | 1 | 1  | AP                  |
| 2        | 66T-85533-00        | .COIL, LIGHTING<br>.BOBINA DE LUZ                  | 1  | 1  | 1 | 1  |                     |
| 3        | 97902-06125         | .SCREW, WITH WASHER<br>.TORNILLO, CON ARANDELA     | 2  | 2  | 2 | 2  |                     |
| 4        | 97802-04006         | .SCREW, PAN HEAD<br>.TORNILLO                      | 1  | 1  | 1 | 1  |                     |
|          |                     |                                                    |    |    |   |    |                     |
|          |                     |                                                    |    |    |   |    |                     |
|          |                     |                                                    |    |    |   |    |                     |
|          |                     |                                                    |    |    |   |    |                     |
|          |                     |                                                    |    |    |   |    |                     |
|          |                     |                                                    |    |    |   |    |                     |
|          |                     |                                                    |    |    |   |    |                     |
|          |                     |                                                    |    |    |   |    |                     |
|          |                     |                                                    |    |    |   |    |                     |
|          |                     |                                                    |    |    |   |    |                     |
|          |                     |                                                    |    |    |   |    |                     |



66T0010-9270

NUMERICAL INDEX  
INDICE NUMERICO

| PART NO.<br>CODIGO NO. | REF.<br>NO. | PART NO.<br>CODIGO NO. | REF.<br>NO. | PART NO.<br>CODIGO NO. | REF.<br>NO. | PART NO.<br>CODIGO NO. | REF.<br>NO. | PART NO.<br>CODIGO NO. | REF.<br>NO. | PART NO.<br>CODIGO NO. | REF.<br>NO. |
|------------------------|-------------|------------------------|-------------|------------------------|-------------|------------------------|-------------|------------------------|-------------|------------------------|-------------|
| 66T-W0001-01           | 31 - 1      | 6E5-14159-00           | 5 - 17      | 66T-15714-00           | 7 - 3       | 61N-24560-00           | 6 - 6       | 624-42542-00           | 9 - 3       | 6G5-43145-01           | 19 - 13     |
| 66T-W0001-20           | 32 - 1      | 6E5-14223-00           | 5 - 13      | 66T-15716-00           | 7 - 6       | 61N-24563-00           | 6 - 7       | 65W-42561-00           | 15 - 5      | 65W-43191-00           | 18 - 12     |
| 66T-W0004-00           | 4 - 2       | 66T-14301-02           | 5 - 1       | 66T-15723-00           | 7 - 29      | 648-24566-02           | 6 - 10      | 65W-42562-00           | 15 - 10     |                        | 19 - 4      |
| 63D-W0070-10           | 1 - 11      | 66T-14301-12           | 5 - 1       | 66T-15731-00           | 7 - 16      | 6YJ-24610-00           | 25 - 2      | 66T-42610-K0-4D        | 1 - 1       | 65W-43192-00           | 18 - 11     |
| 66T-W0070-H0           | 1 - 11      | 66T-14301-22           | 5 - 1       | 66T-15734-00           | 7 - 14      | 66T-26301-00           | 14 - 30     | 66T-42610-20-4D        | 1 - 1       |                        | 19 - 3      |
| 66T-W0078-0A           | 32 - 24     | 66T-14301-32           | 5 - 1       | 63V-15741-00           | 7 - 4       | 65W-26326-00           | 13 - 19     | 66T-42613-01           | 1 - 2       | 65W-43311-00-4D        | 18 - 18     |
| 66T-W0078-00           | 32 - 14     | 6E5-14323-03           | 5 - 12      | 63V-15744-00           | 7 - 10      | 65W-26326-10           | 13 - 19     | 66T-42615-02           | 1 - 8       | 65W-43311-10-4D        | 18 - 18     |
| 66T-W0084-02-4D        | 14 - 1      |                        | 31 - 21     | 6F5-15752-00           | 7 - 18      |                        | 17 - 10     | 6E0-42651-02           | 1 - 4       |                        | 19 - 7      |
| 66T-W0090-02-1S        | 2 - 1       | 6A0-14325-00           | 6 - 25      | 6F5-15753-00           | 7 - 19      | 6A1-28176-00           | 13 - 33     | 6F5-42652-01           | 1 - 6       | 682-43318-01           | 18 - 38     |
| 66T-W0093-01           | 31 - 16     | 6J8-14334-00           | 5 - 11      | 689-15755-01           | 7 - 21      | 66T-41113-00-1S        | 2 - 32      | 63D-42677-20           | 1 - 9       | 66T-43350-02           | 18 - 46     |
| 676-W2810-01           | 6 - 32      | 66T-14384-01           | 5 - 6       | 66T-15758-01           | 7 - 24      | 66T-41114-A0           | 2 - 34      | 69P-42677-H0           | 1 - 9       | 65W-43373-00           | 20 - 2      |
| 66T-11111-01-1S        | 2 - 22      |                        | 31 - 19     | 66T-15762-01           | 7 - 28      |                        | 31 - 8      | 6J4-42678-H0           | 1 - 10      | 65W-43613-00           | 18 - 53     |
| 66T-11119-00           | 2 - 20      | 6E5-14385-02           | 5 - 18      | 66T-15767-00           | 7 - 8       | 66T-41131-00-5B        | 22 - 4      | 63D-42678-11           | 1 - 10      | 65W-43614-01           | 18 - 51     |
| 66T-11181-A2           | 2 - 23      |                        | 31 - 23     | 6F5-15768-00           | 7 - 20      | 66T-41131-10-5B        | 22 - 4      | 63D-42681-10           | 1 - 12      | 65W-43615-01           | 18 - 52     |
|                        | 31 - 5      | 6E5-14386-02           | 5 - 19      | 63V-15768-00           | 7 - 11      | 66T-41133-A0           | 22 - 5      | 63D-42682-10           | 1 - 13      | 65W-43616-00           | 18 - 50     |
| 66T-11191-00-1S        | 2 - 25      |                        | 31 - 24     | 66T-15770-00           | 7 - 15      |                        | 32 - 2      | 66T-42710-01-4D        | 13 - 1      | 66T-43627-00           | 18 - 26     |
| 66T-11193-A2           | 2 - 26      | 66T-14440-00           | 4 - 13      | 66T-15771-00-94        | 7 - 36      | 66T-41137-00-94        | 22 - 1      | 66T-42716-00           | 13 - 5      | 65W-43630-02           | 18 - 39     |
|                        | 31 - 6      | 624-14485-00           | 2 - 5       | 66T-15772-00-94        | 7 - 39      | 66T-41237-00           | 16 - 5      | 6G1-42725-00           | 9 - 21      | 65W-43630-11           | 18 - 39     |
| 676-11325-00           | 2 - 18      | 66T-14497-00           | 16 - 10     | 6F5-15779-02           | 7 - 22      | 66T-41252-00           | 4 - 23      | 66T-42725-00           | 13 - 8      | 66T-43631-01           | 18 - 48     |
| 650-11372-01           | 4 - 5       | 66T-14523-00           | 5 - 10      | 66T-15784-00           | 7 - 9       | 66T-41256-00           | 4 - 21      | 66T-42725-10           | 13 - 8      | 66T-43631-11           | 18 - 48     |
| 676-11372-00           | 2 - 33      | 66T-14527-00           | 5 - 8       | 697-15789-00           | 7 - 23      | 66T-41257-00           | 4 - 25      | 66T-42725-20           | 13 - 8      | 689-43633-00           | 15 - 6      |
| 66T-11400-01           | 3 - 1       | 66T-14536-00           | 5 - 7       | 6F5-15791-00           | 7 - 17      | 661-41262-02           | 4 - 22      | 66T-42725-30           | 17 - 9      | 65W-4380F-00           | 21 - 11     |
| 66T-11412-00           | 3 - 2       |                        | 31 - 20     | 66T-15794-00           | 7 - 13      | 6H4-41271-01           | 4 - 18      | 6H1-42726-10           | 13 - 21     | 65W-4380K-00           | 21 - 16     |
| 66T-11422-00           | 3 - 3       | 6E5-14546-00           | 5 - 16      | 6YJ-24167-00           | 25 - 7      | 66T-41273-00           | 14 - 42     | 6H4-42726-00           | 13 - 21     | 65W-4380L-00           | 21 - 27     |
| 66T-11432-00           | 3 - 4       |                        | 31 - 22     | 6YJ-24201-00           | 25 - 1      | 689-41273-00           | 4 - 19      | 65W-42726-00           | 13 - 23     | 65W-43800-02-4D        | 21 - 1      |
| 66T-11442-00           | 3 - 5       | 66T-14578-00           | 5 - 2       | 6YJ-24201-10           | 25 - 1      | 6J8-41274-00           | 4 - 20      | 65W-42726-10           | 13 - 23     | 6T4-43802-03           | 21 - 30     |
| 6F5-11515-00           | 3 - 9       | 66T-14584-00           | 5 - 3       | 6YJ-24260-00           | 25 - 3      | 66T-41611-00           | 8 - 11      |                        | 17 - 11     | 65W-43804-00           | 21 - 3      |
| 66T-11565-00           | 2 - 14      | 6J8-14592-01           | 5 - 4       | 6Y1-24260-12           | 25 - 3      | 66T-41631-01           | 16 - 4      | 676-42727-00           | 13 - 20     | 65W-43805-00           | 21 - 4      |
| 66T-11603-00           | 3 - 16      | 61A-1492E-85           | 5 - 15      | 6Y1-24268-00           | 25 - 6      | 66T-41638-00           | 16 - 1      | 66T-42738-00-5B        | 13 - 6      | 65W-4381B-00           | 21 - 22     |
| 66T-11604-00           | 3 - 16      | 61A-1492E-88           | 5 - 15      | 6G1-24304-02           | 6 - 1       | 6F5-41662-00           | 16 - 17     | 66T-42741-00           | 13 - 26     | 65W-43810-00           | 21 - 17     |
| 66T-11605-00           | 3 - 16      | 66T-1492F-35           | 5 - 20      | 6G1-24305-03           | 25 - 13     | 65W-42101-01-4D        | 14 - 15     | 664-42791-00           | 13 - 32     | 65W-43812-00           | 21 - 18     |
| 66T-11631-01-93        | 3 - 15      | 66T-1492F-37           | 5 - 20      | 6Y1-24305-04           | 25 - 15     | 664-42119-00           | 14 - 23     | 664-42791-10           | 13 - 32     | 6H1-43816-00           | 21 - 25     |
| 6F5-11633-00           | 3 - 17      | 661-1492F-37           | 5 - 20      | 61J-24306-02           | 25 - 8      | 65W-42121-01-4D        | 14 - 41     | 66T-42815-01-4D        | 13 - 9      | 65W-43817-00           | 21 - 39     |
| 663-11634-00           | 3 - 18      | 66T-14945-02           | 5 - 14      | 6Y1-24329-00           | 25 - 5      | 66T-42123-00           | 14 - 8      | 66T-42816-00           | 13 - 13     | 65W-4382A-00           | 21 - 47     |
| 66T-11635-01           | 3 - 15      | 66T-14959-00           | 5 - 25      | 66T-24329-00           | 13 - 22     | 65W-42125-00           | 14 - 20     | 65W-43111-10-4D        | 19 - 1      | 6H1-43829-00           | 21 - 61     |
| 66T-11636-01           | 3 - 15      |                        | 31 - 27     | 650-24351-51           | 25 - 12     | 6G1-42126-00           | 14 - 19     | 66T-43111-01-4D        | 18 - 1      | 65W-43830-00           | 21 - 36     |
| 6F5-11651-00           | 3 - 10      | 66T-14981-00           | 5 - 23      | 61J-24360-00           | 25 - 10     | 65W-42131-01           | 14 - 38     | 65W-43112-10-4D        | 19 - 2      | 65W-43831-00           | 21 - 35     |
| 66T-11681-00           | 3 - 11      | 66T-14984-00           | 5 - 21      | 692-24410-00           | 6 - 15      | 6G1-42137-10           | 14 - 24     | 66T-43112-01-4D        | 18 - 6      | 6H1-4384F-10           | 21 - 57     |
| 6E5-12411-01           | 2 - 28      |                        | 31 - 25     | 663-24411-00           | 6 - 20      | 65W-42138-00           | 14 - 17     | 6J8-43113-01           | 18 - 23     | 65W-43840-00           | 21 - 15     |
| 676-12413-00-1S        | 2 - 29      | 66T-14991-00           | 5 - 24      | 692-24411-00           | 6 - 17      | 65W-42159-00           | 14 - 18     | 648-43114-01           | 18 - 4      | 62X-43841-00           | 21 - 33     |
| 676-12414-A1           | 2 - 30      | 66T-14992-00           | 5 - 22      | 6A0-24412-02           | 6 - 26      | 66T-42167-00           | 16 - 2      |                        | 18 - 9      | 65W-43843-00           | 21 - 54     |
|                        | 31 - 7      |                        | 31 - 26     | 6A0-24413-00           | 6 - 16      | 6F6-42177-A0           | 14 - 22     | 663-43118-01-4D        | 18 - 3      | 6H1-43844-10           | 21 - 56     |
| 677-13437-08           | 1 - 14      | 66T-15100-02-1S        | 2 - 2       | 6A0-24421-01           | 6 - 24      | 65W-42508-00           | 15 - 1      |                        | 18 - 8      | 65W-43844-00           | 21 - 48     |
| 6E5-13552-01           | 2 - 3       | 66T-15396-01-94        | 2 - 8       | 650-24431-A0           | 6 - 27      | 65W-42511-00-4D        | 20 - 6      | 63D-43131-01           | 18 - 20     | 6H1-43845-00           | 21 - 43     |
|                        | 2 - 4       | 66T-15705-00           | 7 - 7       |                        | 31 - 12     | 65W-42511-10-4D        | 20 - 6      |                        | 19 - 9      | 6H1-43847-00           | 21 - 45     |
|                        | 4 - 4       | 66T-15710-00           | 7 - 1       | 648-24434-01           | 6 - 18      | 65W-42527-00           | 15 - 2      | 66T-43144-00           | 13 - 14     | 65W-43851-00           | 21 - 49     |
| 66T-13610-00           | 4 - 1       | 66T-15711-00           | 7 - 2       | 648-24435-02           | 6 - 21      | 648-42528-00           | 20 - 1      | 6E5-43145-01           | 26 - 9      | 6T4-43853-00           | 21 - 37     |
| 66T-13641-02-1S        | 4 - 3       | 66T-15713-00           | 7 - 5       | 61N-24521-00           | 6 - 8       | 65W-42528-00           | 15 - 12     | 6G5-43145-01           | 18 - 25     | 65W-43853-00           | 21 - 60     |

NUMERICAL INDEX  
INDICE NUMERICO

| PART NO.<br>CODIGO NO. | REF.<br>NO. | PART NO.<br>CODIGO NO. | REF.<br>NO. | PART NO.<br>CODIGO NO. | REF.<br>NO. | PART NO.<br>CODIGO NO. | REF.<br>NO. | PART NO.<br>CODIGO NO. | REF.<br>NO. | PART NO.<br>CODIGO NO. | REF.<br>NO. |
|------------------------|-------------|------------------------|-------------|------------------------|-------------|------------------------|-------------|------------------------|-------------|------------------------|-------------|
| 65W-43854-00           | 21-46       | 63D-44322-00           | 32-15       | 664-45371-01           | 24-8        | 663-45974-60-98        | 24-25       | 703-48238-00           | 28-22       | 6H3-48538-00           | 16-29       |
| 65W-43855-00           | 21-52       | 63D-44322-40           | 23-13       | 63D-45375-00           | 24-7        | 663-45976-00-98        | 24-25       | 701-48243-00           | 29-14       |                        | 17-4        |
| 6H1-43856-10           | 21-55       |                        | 32-25       | 663-45376-00-94        | 24-6        | 663-45978-00-98        | 24-25       | 703-48243-00           | 28-15       | 65W-61350-00           | 26-1        |
| 65W-4386A-00           | 21-58       | 66T-44323-00           | 23-14       | 66T-45501-01           | 23-33       | 663-45987-02           | 24-20       | 703-48244-00           | 28-21       | 65W-61351-00           | 26-2        |
| 65W-4386K-00           | 21-7        |                        | 32-16       | 66T-45501-11           | 23-33       | 66T-45997-00           | 24-21       | 703-48245-00           | 28-11       | 66T-81303-00           | 33-1        |
| 6H1-43861-10           | 21-20       | 66T-44323-40           | 23-14       | 66T-45501-21           | 23-33       | 701-48133-00           | 29-41       | 701-48246-00           | 29-24       | 66T-81328-00           | 8-13        |
|                        | 21-23       |                        | 32-26       | 6H4-45536-00           | 23-3        | 701-48140-E0           | 27-2        | 703-48246-00           | 28-23       | 66T-81800-01           | 12-1        |
| 65W-43861-00           | 21-40       | 63D-44341-00           | 23-19       | 66T-45551-00           | 23-36       |                        | 29-1        | 701-48248-00           | 28-13       | 66T-81820-00           | 12-6        |
| 65W-43862-00           | 21-41       | 6H4-44352-02           | 23-18       | 66T-45560-01           | 23-38       | 701-48152-20           | 29-13       |                        | 29-12       | 66T-81826-00           | 12-7        |
| 65W-43865-00           | 21-19       |                        | 32-20       | 663-45567-01-10        | 23-40       | 703-48152-00           | 28-57       | 701-48249-00           | 29-11       | 66T-81830-00           | 12-5        |
| 6H1-43866-00           | 21-31       | 66T-44361-00           | 24-1        | 663-45567-01-12        | 23-40       | 701-48153-12           | 29-33       | 701-48252-00           | 29-4        | 66T-81840-00           | 12-2        |
| 6H1-43867-00           | 21-32       | 66T-44361-10           | 24-1        | 663-45567-01-15        | 23-40       | 703-48153-00           | 28-3        | 703-48252-00           | 28-12       | 66T-81850-01           | 12-4        |
| 65W-43869-00           | 21-5        | 66T-44361-20           | 24-1        | 663-45567-01-18        | 23-40       | 701-48189-11           | 29-31       | 701-48255-00           | 29-21       | 66T-81857-00           | 12-3        |
| 65W-43871-00           | 21-21       | 66T-44362-10           | 24-26       | 663-45567-01-30        | 23-40       | 703-48189-00           | 28-17       | 701-48261-20           | 29-37       | 689-81870-00           | 9-22        |
| 6H1-43875-00           | 21-42       | 66T-44362-20           | 24-26       | 663-45567-01-40        | 23-40       | 701-48196-11           | 29-7        | 703-48261-01           | 28-2        | 66T-81916-01           | 9-8         |
| 62X-43878-00           | 21-62       | 663-44366-00           | 24-18       | 663-45567-01-50        | 23-40       | 701-48197-10           | 29-3        | 703-48264-00           | 28-6        | 6G1-8194A-10           | 10-1        |
| 65W-43879-00           | 21-12       |                        | 32-22       | 66T-45571-00           | 23-41       | 701-48198-10           | 29-15       | 703-48265-00           | 28-9        | 6L2-81945-00           | 10-5        |
| 65W-4388E-00           | 21-14       | 663-44367-00           | 24-4        | 63D-45577-00-10        | 23-43       | 703-48198-00           | 28-14       | 701-48266-00           | 29-29       | 66T-81948-00           | 11-11       |
| 65W-43880-00           | 21-2        | 6E5-44391-00           | 13-18       | 63D-45577-00-12        | 23-43       | 703-48203-15           | 27-1        | 701-48268-00           | 29-18       | 6E5-8195B-01           | 11-2        |
| 65W-43881-00           | 21-6        | 66T-44514-00-4D        | 20-15       | 63D-45577-00-15        | 23-43       |                        | 28-1        | 703-48268-00           | 28-5        | 6E5-8195C-01           | 11-5        |
| 65W-43882-00           | 21-8        | 66T-44514-30-4D        | 20-15       | 63D-45577-00-18        | 23-43       | 703-48205-17           | 27-1        | 701-48271-10           | 29-34       | 6G1-81952-00           | 10-4        |
| 65W-43887-00           | 21-13       | 66T-44526-00           | 20-16       | 63D-45577-00-30        | 23-43       |                        | 28-1        | 703-48271-00           | 28-60       | 6G1-81970-61           | 10-8        |
| 65W-43888-00           | 21-28       | 66T-44526-30           | 20-16       | 63D-45577-00-40        | 23-43       | 703-48211-01           | 28-61       | 701-48280-00           | 29-47       | 66T-82105-00           | 10-7        |
| 65W-43891-00           | 21-10       | 65W-44551-00-4D        | 20-19       | 63D-45577-00-50        | 23-43       | 703-48212-00           | 28-58       | 701-48281-10           | 29-16       | 66T-82115-00           | 10-16       |
| 65W-43892-00           | 21-9        | 65W-44555-10           | 20-20       | 663-45587-01-10        | 23-35       | 701-48213-00           | 29-19       | 703-48281-00           | 28-31       | 6E5-82116-00           | 11-10       |
| 66T-44111-02           | 14-2        | 66T-44575-00           | 20-21       | 663-45587-01-12        | 23-35       | 703-48213-00           | 28-59       | 701-48282-00           | 29-28       | 6E5-82117-01           | 10-6        |
| 682-44116-01           | 16-19       | 66T-45111-00-4D        | 22-8        | 663-45587-01-15        | 23-35       | 703-48215-00           | 28-43       | 703-48282-00           | 28-32       | 6G5-82119-00           | 11-9        |
| 66T-44121-00           | 16-14       | 66T-45111-10-4D        | 22-8        | 663-45587-01-18        | 23-35       | 703-48219-00           | 28-30       | 701-48283-00           | 29-43       | 6U0-82127-00           | 19-22       |
| 66M-44122-00           | 16-15       | 66T-45113-A0           | 22-13       | 663-45587-01-30        | 23-35       | 701-48221-00           | 29-6        | 703-48284-00           | 28-52       | 66T-82127-00           | 20-26       |
| 66T-44124-00           | 14-11       |                        | 31-13       | 663-45587-01-40        | 23-35       | 703-48221-00           | 28-56       | 701-48287-00           | 28-42       | 66T-82127-10           | 20-27       |
| 66T-44125-01           | 16-25       | 66T-45114-A0           | 22-12       | 663-45587-01-50        | 23-35       | 701-48222-00           | 29-27       |                        | 29-45       | 6H1-82148-00           | 19-21       |
|                        | 17-6        |                        | 32-3        | 66T-45611-00           | 23-56       | 703-48222-00           | 28-27       | 702-48288-00           | 29-23       | 6G1-82151-00           | 10-9        |
| 66T-44143-00           | 16-21       | 63D-45155-00           | 22-9        | 66T-45631-00           | 23-51       | 703-48223-00           | 28-28       | 701-48289-00           | 29-17       | 6A0-82317-00           | 9-2         |
| 66T-44143-10           | 16-21       | 66T-45211-00-4D        | 22-18       | 663-45633-00           | 23-54       | 703-48224-00           | 28-55       | 703-48291-10           | 28-39       | 6E3-82370-21           | 9-16        |
| 61N-44146-00           | 23-27       | 63D-45214-00           | 23-7        | 66T-45635-00           | 23-55       | 703-48225-00           | 28-29       | 703-48293-10           | 28-41       | 66T-82370-00           | 9-16        |
| 66T-44150-01           | 23-26       | 63D-45215-00           | 23-8        | 663-45930-00-98        | 24-25       | 703-48226-00           | 28-26       | 701-48320-00           | 27-3        | 703-82510-33           | 28-44       |
| 66T-44150-11           | 23-26       | 65W-45251-00           | 19-19       | 63D-45941-00-EL        | 24-25       | 703-48227-00           | 28-24       | 701-48320-20           | 27-3        | 703-82510-43           | 28-44       |
| 66T-44150-21           | 23-26       | 67C-45251-00           | 24-15       | 663-45941-01-EL        | 24-25       | 701-48229-00           | 29-26       | 701-48320-50           | 27-3        | 704-82510-07           | 30-4        |
| 65W-44173-00           | 16-23       | 676-45251-00           | 2-15        | 69W-45943-00-EL        | 24-25       | 701-48232-00           | 29-30       | 663-48344-00           | 16-27       | 66T-82519-00           | 9-20        |
| 6E0-44191-11           | 14-14       | 66T-45300-01-4D        | 23-1        | 69W-45945-00-EL        | 24-25       | 703-48232-00           | 28-62       |                        | 17-2        | 703-82531-00           | 28-46       |
| 688-44194-00           | 16-9        | 66T-45300-11-4D        | 23-1        | 69W-45947-00-EL        | 24-25       | 701-48234-00           | 29-5        | 703-48345-01           | 28-19       | 6F5-82540-00           | 10-27       |
| 66T-44311-00           | 23-12       | 66T-45300-31-4D        | 23-1        | 663-45949-01-EL        | 24-25       | 703-48234-00           | 28-18       |                        | 29-36       | 703-82540-00           | 28-50       |
| 63D-44312-00           | 24-19       | 66T-45311-01-4D        | 23-2        | 663-45952-02-EL        | 24-25       | 701-48235-00           | 29-2        | 701-48358-00           | 29-38       | 66T-82553-00           | 10-28       |
|                        | 32-23       | 679-45318-00           | 22-16       | 663-45954-01-EL        | 24-25       | 703-48235-00           | 28-4        | 703-48358-00           | 28-20       | 66T-82554-00           | 10-29       |
| 63D-44316-00           | 23-16       | 66T-45321-00           | 23-29       | 663-45956-01-EL        | 24-25       | 701-48236-00           | 29-8        | 66T-48501-01           | 17-1        | 682-82556-00           | 14-44       |
|                        | 32-6        | 688-45341-10           | 23-6        | 663-45958-01-EL        | 24-25       | 703-48236-00           | 28-16       | 65W-48511-00           | 17-7        |                        | 28-48       |
|                        | 32-18       | 66T-45344-01           | 23-21       | 663-45970-60-98        | 24-25       | 702-48237-00           | 29-9        |                        | 20-29       |                        | 29-40       |
| 63D-44322-00           | 23-13       | 63D-45361-02-4D        | 23-44       | 663-45972-60-98        | 24-25       | 702-48238-00           | 29-10       | 670-48511-00-4D        | 20-29       |                        | 30-7        |

NUMERICAL INDEX  
INDICE NUMERICO

| PART NO.<br>CODIGO NO. | REF.<br>NO. | PART NO.<br>CODIGO NO. | REF.<br>NO. | PART NO.<br>CODIGO NO. | REF.<br>NO. | PART NO.<br>CODIGO NO. | REF.<br>NO. | PART NO.<br>CODIGO NO. | REF.<br>NO. | PART NO.<br>CODIGO NO. | REF.<br>NO. |
|------------------------|-------------|------------------------|-------------|------------------------|-------------|------------------------|-------------|------------------------|-------------|------------------------|-------------|
| 688-82560-10           | 9 - 19      | 66T-86112-00           | 10 - 19     | 90119-08M43            | 24 - 5      | 90201-27M00            | 23 - 23     | 90386-12M98            | 19 - 15     | 90467-06016            | 4 - 10      |
| 703-82563-02           | 28 - 55     | 6J4-86116-00           | 10 - 18     | 90119-08M44            | 24 - 5      | 90201-43M00            | 14 - 34     | 90386-14MA1            | 19 - 6      | 90467-08004            | 6 - 5       |
| 6E3-8257H-00           | 13 - 34     | 682-86117-00           | 10 - 22     | 90119-08M51            | 7 - 33      | 90202-10M56            | 15 - 11     | 90386-18MA0            | 19 - 28     |                        | 6 - 14      |
| 689-8257Y-00           | 14 - 45     | 66T-87149-00           | 11 - 8      | 90119-08M52            | 12 - 9      | 90202-12031            | 18 - 28     | 90386-18M44            | 19 - 27     |                        | 6 - 31      |
| 704-82570-07           | 30 - 1      | 9E471-04305            | 8 - 12      | 90119-08M79            | 22 - 2      | 90202-12060            | 24 - 2      | 90386-22M15            | 18 - 21     | 90468-18008            | 14 - 13     |
| 704-82571-01           | 30 - 2      | 90101-06020            | 19 - 20     |                        | 22 - 11     | 90202-43M57            | 14 - 36     |                        | 19 - 10     |                        | 16 - 28     |
| 66T-82575-01           | 14 - 43     | 90101-08M28            | 18 - 59     | 90119-10M04            | 20 - 24     | 90204-06M00            | 10 - 3      | 90386-40MA0            | 14 - 33     |                        | 17 - 3      |
| 688-82575-01           | 28 - 47     | 90101-08M76            | 18 - 15     | 90119-10005            | 2 - 7       |                        | 11 - 4      | 90386-40M99            | 14 - 37     | 90480-09M21            | 13 - 3      |
|                        | 30 - 6      | 90101-08M86            | 20 - 14     | 90141-06M00            | 2 - 19      |                        | 11 - 7      | 90386-44M03            | 20 - 9      | 90480-10M23            | 10 - 23     |
|                        |             | 90101-08002            | 2 - 21      | 90142-05M06            | 23 - 9      | 90206-12M00            | 18 - 29     | 90386-44M99            | 20 - 11     | 90480-10M71            | 8 - 26      |
| 701-82575-53           | 29 - 39     | 90101-09M01            | 26 - 7      | 90149-05M05            | 30 - 13     | 90206-12052            | 13 - 12     | 90386-52M02            | 20 - 8      | 90480-10155            | 10 - 20     |
| 703-82577-00           | 28 - 45     | 90101-10M58            | 18 - 62     | 90149-05M13            | 14 - 26     |                        | 14 - 7      | 90387-05M11            | 15 - 8      | 90480-25M70            | 24 - 27     |
|                        |             | 90101-12M65            | 19 - 33     | 90149-14M12            | 18 - 2      | 90206-43M22            | 14 - 35     | 90387-06M60            | 10 - 24     | 90480-25161            | 9 - 11      |
| 688-8258A-20           | 28 - 49     | 90105-08M61            | 23 - 50     |                        | 18 - 7      | 90209-10M26            | 15 - 13     | 90387-06M66            | 7 - 27      | 90480-30M71            | 24 - 28     |
| 64D-82581-00           | 30 - 8      | 90105-08M76            | 20 - 3      | 90157-05014            | 18 - 49     | 90209-27M07            | 3 - 12      | 90387-06M80            | 4 - 17      | 90501-10M84            | 16 - 6      |
| 688-82586-21           | 28 - 49     | 90109-06M50            | 15 - 3      | 90161-06M00            | 10 - 34     | 90209-52M00            | 20 - 7      | 90387-06M86            | 14 - 3      | 90501-15M01            | 23 - 52     |
| 688-82586-50           | 30 - 17     | 90109-06M80            | 9 - 7       | 90170-06M30            | 10 - 2      | 90243-04007            | 18 - 5      | 90387-06035            | 13 - 4      | 90501-23215            | 14 - 28     |
| 6R5-82588-01           | 30 - 3      |                        | 10 - 13     |                        | 11 - 3      |                        | 18 - 10     | 90387-07M05            | 18 - 44     | 90502-10M06            | 18 - 60     |
| 66T-82590-00           | 10 - 14     |                        | 13 - 29     |                        | 11 - 6      | 90249-07M32            | 18 - 54     | 90387-07M29            | 18 - 55     | 90506-16M34            | 13 - 16     |
| 66T-82590-20           | 11 - 1      |                        | 13 - 31     | 90170-09M03            | 26 - 5      | 90249-07M33            | 18 - 56     | 90387-08M05            | 7 - 35      | 90506-20M37            | 18 - 47     |
| 703-82591-00           | 28 - 53     |                        | 9 - 6       | 90170-12138            | 23 - 37     | 90249-10M31            | 18 - 43     | 90387-08M16            | 16 - 3      | 90506-30M00            | 18 - 57     |
| 703-82592-00           | 28 - 54     | 90109-06M81            | 9 - 9       | 90170-20137            | 8 - 21      | 90249-12M34            | 18 - 33     | 90387-08M29            | 18 - 14     | 91318-04025            | 21 - 38     |
| 65W-82594-00           | 10 - 33     |                        | 9 - 13      | 90171-16011            | 24 - 23     | 90249-12M38            | 19 - 16     | 90387-10M42            | 26 - 6      | 91490-16012            | 16 - 22     |
| 701-82594-00           | 29 - 44     |                        | 13 - 7      | 90179-10M33            | 20 - 25     | 90249-12M39            | 18 - 35     | 90387-12M04            | 18 - 34     | 91490-20010            | 14 - 21     |
| 703-82594-00           | 28 - 25     |                        | 16 - 18     | 90185-08045            | 20 - 12     | 90249-18M35            | 19 - 29     | 90389-22M01            | 24 - 22     | 91490-20012            | 18 - 58     |
| 688-83383-11           | 30 - 12     |                        | 10 - 30     | 90185-08057            | 18 - 32     | 90250-06023            | 23 - 53     | 90430-08020            | 23 - 5      | 91490-30025            | 24 - 24     |
| 703-83383-02           | 28 - 51     | 90109-06M86            | 10 - 32     |                        | 18 - 61     | 90254-03M04            | 16 - 24     |                        | 32 - 4      | 91690-30018            | 18 - 13     |
| 6N7-83557-00           | 10 - 15     |                        | 13 - 15     | 90185-09M01            | 26 - 4      |                        | 16 - 26     | 90430-12072            | 24 - 3      |                        | 19 - 5      |
| 66T-83557-00           | 10 - 15     |                        | 14 - 16     | 90185-10M13            | 19 - 32     |                        | 17 - 5      | 90445-07MA4            | 4 - 9       | 91690-40032            | 4 - 24      |
| 6A1-83625-41           | 7 - 43      |                        | 16 - 20     | 90185-10M14            | 15 - 9      | 90254-03M05            | 16 - 16     | 90445-07M08            | 2 - 37      | 92780-06025            | 29 - 20     |
| 61T-83625-80           | 7 - 44      |                        | 18 - 30     | 90185-10051            | 20 - 4      | 90266-04M01            | 1 - 7       | 90445-07M24            | 4 - 8       | 92903-05100            | 30 - 10     |
| 6E0-83627-41           | 14 - 46     | 90109-08M90            | 19 - 30     | 90185-22M11            | 19 - 12     | 90266-04M04            | 1 - 5       | 90445-09M08            | 6 - 4       | 92903-06600            | 4 - 7       |
| 61T-83627-80           | 14 - 47     | 90110-10M02            | 22 - 20     | 90185-22043            | 18 - 24     | 90269-02M09            | 14 - 25     | 90445-09M75            | 2 - 36      |                        | 7 - 38      |
| 66T-85515-00           | 8 - 8       | 90116-10M23            | 20 - 5      | 90201-08M00            | 19 - 26     | 90280-03M03            | 23 - 17     | 90445-09086            | 6 - 13      |                        | 7 - 41      |
| 66T-85520-00           | 8 - 10      | 90116-10M28            | 2 - 27      | 90201-08M07            | 18 - 31     |                        | 32 - 19     |                        | 6 - 30      | 92903-10600            | 14 - 27     |
| 66T-85533-00           | 8 - 14      | 90119-06MA3            | 2 - 35      | 90201-08M54            | 16 - 11     | 90280-05015            | 8 - 20      | 90445-11M05            | 25 - 11     | 92990-05100            | 6 - 23      |
|                        | 33 - 2      |                        | 2 - 31      | 90201-10M20            | 26 - 3      | 90338-05M03            | 13 - 25     | 90445-11M06            | 25 - 9      |                        | 30 - 15     |
| 66T-8554B-01-94        | 9 - 1       | 90119-06MA5            | 13 - 2      | 90201-10M63            | 26 - 8      | 90338-07M00            | 13 - 24     | 90446-03MA3            | 9 - 12      |                        | 5 - 5       |
| 66T-85540-00           | 9 - 5       | 90119-06M61            | 9 - 4       | 90201-10120            | 17 - 8      | 90340-08002            | 23 - 4      | 90446-10M86            | 14 - 32     | 92990-05600            | 10 - 11     |
| 66T-85550-00           | 8 - 1       | 90119-06M65            | 13 - 17     |                        | 20 - 30     | 90385-12M04            | 7 - 34      | 90446-10M87            | 14 - 31     |                        | 30 - 16     |
| 66T-85550-10           | 8 - 1       | 90119-06M73            | 10 - 26     | 90201-12M07            | 14 - 6      | 90386-07MA2            | 18 - 41     | 90446-10M87            | 14 - 31     |                        | 30 - 16     |
| 66T-85560-01           | 8 - 2       | 90119-06M88            | 2 - 24      | 90201-12426            | 18 - 64     | 90386-08032            | 14 - 29     | 90464-09M49            | 13 - 30     | 92990-06100            | 15 - 4      |
| 66T-85560-11           | 8 - 2       | 90119-08MA5            | 4 - 12      |                        | 19 - 35     | 90386-10M99            | 18 - 40     | 90464-12M00            | 8 - 27      | 92990-06200            | 14 - 12     |
| 66T-85561-00           | 8 - 3       | 90119-08M03            | 7 - 32      |                        | 3 - 20      | 90386-12MA0            | 18 - 36     | 90464-13249            | 7 - 42      | 92990-06300            | 29 - 25     |
| 66T-85570-00           | 9 - 10      | 90119-08M10            | 23 - 25     | 90201-20417            | 8 - 22      |                        | 19 - 14     | 90465-11M10            | 11 - 14     | 92990-06600            | 23 - 32     |
| 66T-85580-00           | 8 - 5       | 90119-08M15            | 32 - 21     | 90201-21M18            | 8 - 22      |                        | 19 - 14     | 90465-13M11            | 19 - 18     | 92990-08100            | 18 - 17     |
| 66T-85582-00           | 8 - 7       |                        | 19 - 11     | 90201-22M03            | 18 - 22     | 90386-12MA2            | 13 - 11     | 90465-15M74            | 8 - 23      | 92990-08600            | 28 - 34     |
| 66T-85596-00           | 8 - 6       | 90119-08M39            | 12 - 8      |                        | 19 - 11     | 90386-12M37            | 13 - 10     | 90465-20M31            | 10 - 31     | 92990-10100            | 22 - 22     |
| 6J4-86111-00           | 10 - 17     | 90119-08M42            | 22 - 15     | 90201-22429            | 23 - 42     | 90386-12M98            | 18 - 27     | 90465-25M57            | 13 - 24     | 92990-10600            | 22 - 23     |



NUMERICAL INDEX  
INDICE NUMERICO

| PART NO.<br>CODIGO NO. | REF.<br>NO. | PART NO.<br>CODIGO NO. | REF.<br>NO. | PART NO.<br>CODIGO NO. | REF.<br>NO. | PART NO.<br>CODIGO NO. | REF.<br>NO. | PART NO.<br>CODIGO NO. | REF.<br>NO. | PART NO.<br>CODIGO NO. | REF.<br>NO. |
|------------------------|-------------|------------------------|-------------|------------------------|-------------|------------------------|-------------|------------------------|-------------|------------------------|-------------|
| 92995-06200            | 14 - 10     | 93210-11073            | 21 - 53     | 93606-12019            | 22 - 14     | 97095-06040            | 6 - 28      |                        |             |                        |             |
| 92995-06600            | 2 - 13      | 93210-11368            | 21 - 24     |                        | 22 - 19     |                        | 8 - 18      |                        |             |                        |             |
|                        | 2 - 17      | 93210-16275            | 26 - 10     |                        | 24 - 11     | 97095-06050            | 14 - 4      |                        |             |                        |             |
|                        | 4 - 16      | 93210-18397            | 21 - 44     | 93608-12063            | 2 - 6       | 97095-08016            | 12 - 10     |                        |             |                        |             |
|                        | 6 - 3       | 93210-32738            | 6 - 9       | 93700-06M03            | 15 - 14     | 97095-08025            | 24 - 9      |                        |             |                        |             |
|                        | 6 - 29      |                        | 31 - 11     |                        | 18 - 19     | 97095-08035            | 24 - 16     |                        |             |                        |             |
|                        | 7 - 26      | 93210-33MG4            | 23 - 30     |                        | 19 - 8      | 97095-08045            | 16 - 12     |                        |             |                        |             |
|                        | 7 - 31      |                        | 32 - 9      | 94702-00040            | 2 - 38      | 97303-05012            | 30 - 9      |                        |             |                        |             |
|                        | 8 - 19      | 93210-43MJ0            | 20 - 10     | 94702-00272            | 2 - 38      | 97380-05025            | 28 - 8      |                        |             |                        |             |
|                        | 8 - 25      | 93210-46M16            | 4 - 11      | 95303-05700            | 30 - 11     | 97380-08030            | 28 - 33     |                        |             |                        |             |
|                        | 9 - 15      |                        | 31 - 9      | 95380-03600            | 6 - 19      | 97390-06018            | 29 - 22     |                        |             |                        |             |
|                        | 9 - 18      |                        | 31 - 17     | 95380-05600            | 10 - 12     | 97575-08545            | 22 - 10     |                        |             |                        |             |
|                        | 11 - 13     | 93210-48MG8            | 23 - 22     |                        | 23 - 10     | 97595-05516            | 15 - 7      |                        |             |                        |             |
|                        | 13 - 28     |                        | 32 - 8      |                        | 28 - 7      | 97780-50616            | 1 - 3       |                        |             |                        |             |
|                        | 14 - 5      | 93210-50768            | 21 - 29     |                        | 30 - 14     | 97802-04006            | 8 - 16      |                        |             |                        |             |
|                        | 19 - 24     | 93210-54M54            | 4 - 14      | 95380-06600            | 28 - 40     |                        | 33 - 4      |                        |             |                        |             |
| 92995-08100            | 20 - 18     |                        | 31 - 10     |                        | 29 - 46     | 97880-05008            | 10 - 21     |                        |             |                        |             |
|                        | 24 - 10     |                        | 31 - 18     | 95380-06700            | 16 - 8      | 97880-05030            | 10 - 10     |                        |             |                        |             |
|                        | 24 - 17     | 93210-59MG7            | 23 - 15     |                        | 23 - 28     | 97880-06035            | 16 - 7      |                        |             |                        |             |
| 92995-08200            | 20 - 13     |                        | 32 - 5      | 95380-08600            | 6 - 11      | 97885-06008            | 20 - 28     |                        |             |                        |             |
| 92995-08600            | 12 - 11     |                        | 32 - 17     |                        | 18 - 16     | 97885-06040            | 4 - 15      |                        |             |                        |             |
|                        | 22 - 7      | 93210-65M50            | 2 - 11      | 95380-10600            | 18 - 65     | 97902-04108            | 8 - 9       |                        |             |                        |             |
| 92995-10100            | 24 - 13     |                        | 31 - 4      |                        | 22 - 21     | 97902-06125            | 8 - 15      |                        |             |                        |             |
| 92995-10600            | 18 - 63     | 93210-69MG6            | 23 - 46     | 95380-10700            | 14 - 39     |                        | 33 - 3      |                        |             |                        |             |
|                        | 19 - 31     |                        | 32 - 11     | 95380-12600            | 19 - 36     | 97980-04112            | 5 - 9       |                        |             |                        |             |
|                        | 20 - 23     | 93210-74MG5            | 23 - 47     | 95780-06300            | 14 - 9      | 97980-05125            | 5 - 26      |                        |             |                        |             |
|                        | 24 - 14     |                        | 32 - 12     | 95780-10300            | 14 - 40     |                        | 31 - 28     |                        |             |                        |             |
| 92995-12200            | 19 - 34     | 93210-75M51            | 8 - 17      | 97013-06014            | 6 - 12      | 98503-05028            | 6 - 22      |                        |             |                        |             |
| 93101-16001            | 2 - 10      |                        | 31 - 15     | 97013-06030            | 7 - 37      | 98580-03015            | 28 - 38     |                        |             |                        |             |
|                        | 31 - 3      | 93306-001U1            | 23 - 45     |                        | 7 - 40      | 98580-04006            | 28 - 36     |                        |             |                        |             |
| 93101-22M00            | 23 - 49     | 93306-306V5            | 3 - 8       | 97013-06035            | 4 - 6       | 98580-04010            | 28 - 35     |                        |             |                        |             |
|                        | 32 - 13     | 93306-307U0            | 3 - 6       | 97075-08030            | 20 - 17     | 98580-05010            | 28 - 37     |                        |             |                        |             |
| 93101-22M60            | 23 - 20     | 93310-727U0            | 3 - 13      |                        | 22 - 6      |                        | 29 - 32     |                        |             |                        |             |
|                        | 32 - 7      | 93315-32224            | 23 - 11     | 97075-10040            | 24 - 12     | 98580-05020            | 29 - 42     |                        |             |                        |             |
| 93102-30M56            | 2 - 9       | 93317-22204            | 23 - 48     | 97075-10070            | 20 - 22     | 98586-05016            | 25 - 4      |                        |             |                        |             |
|                        | 31 - 2      | 93332-000UE            | 3 - 7       | 97080-08016            | 19 - 25     | 99080-08600            | 18 - 42     |                        |             |                        |             |
| 93102-35008            | 8 - 4       | 93332-00001            | 23 - 34     | 97095-06010            | 7 - 30      |                        | 18 - 45     |                        |             |                        |             |
|                        | 31 - 14     | 93332-00003            | 23 - 39     | 97095-06012            | 9 - 17      |                        |             |                        |             |                        |             |
| 93210-03261            | 10 - 25     | 93420-30042            | 22 - 17     | 97095-06014            | 16 - 13     |                        |             |                        |             |                        |             |
| 93210-03478            | 21 - 51     | 93430-06024            | 28 - 10     |                        | 19 - 23     |                        |             |                        |             |                        |             |
| 93210-06ME6            | 23 - 31     |                        | 29 - 35     | 97095-06016            | 8 - 24      |                        |             |                        |             |                        |             |
|                        | 32 - 10     | 93430-10M00            | 18 - 37     |                        | 11 - 12     |                        |             |                        |             |                        |             |
| 93210-064A5            | 21 - 26     |                        | 19 - 17     |                        | 13 - 27     |                        |             |                        |             |                        |             |
| 93210-08006            | 21 - 50     | 93440-68M03            | 3 - 14      | 97095-06020            | 2 - 12      |                        |             |                        |             |                        |             |
| 93210-08287            | 25 - 14     | 93501-08001            | 21 - 59     |                        | 2 - 16      |                        |             |                        |             |                        |             |
|                        | 25 - 16     | 93603-21111            | 3 - 19      | 97095-06025            | 9 - 14      |                        |             |                        |             |                        |             |
| 93210-09165            | 21 - 34     | 93604-08062            | 23 - 24     | 97095-06030            | 6 - 2       |                        |             |                        |             |                        |             |
| 93210-10M74            | 21 - 63     | 93606-12019            | 22 - 3      | 97095-06035            | 7 - 25      |                        |             |                        |             |                        |             |

(E)40XMH/(E)40XWH/(E)40XW/40XWT  
PARTS CATALOGUE

©2002 by Yamaha Motor Co., Ltd.  
1st Edition, Sep. 2002

All rights reserved.

Any reprinting or unauthorized use  
without the written permission of  
Yamaha Motor Co., Ltd.  
is expressly prohibited.

Printed in Japan

(E)40XMH/(E)40XWH/(E)40XW/40XWT  
CATALOGO DE REPUESTOS

©2002, Yamaha Motor Co., Ltd.  
1ª edición, Sept. 2002

Reservados todos los derechos

Se prohíbe expresamente toda reimpresión  
o utilización no autorizada de este manual  
sin el consentimiento por escrito de

Yamaha Motor Co., Ltd.

Impreso en Japón