

# **YAMAHA**

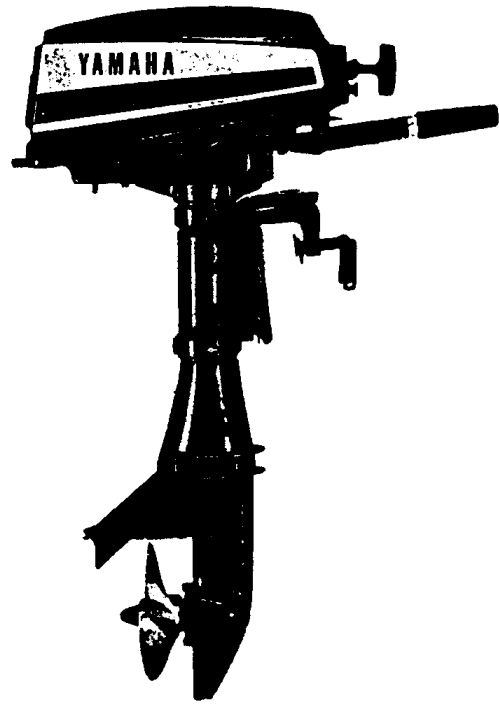
## **PARTS LIST**

### **MODEL 8A**



**YAMAHA MOTOR CO., LTD.**

This parts list is applied to MODEL 8A of engine number  
S-13656, L-45531, UL-60981, SUL-80651 and following.

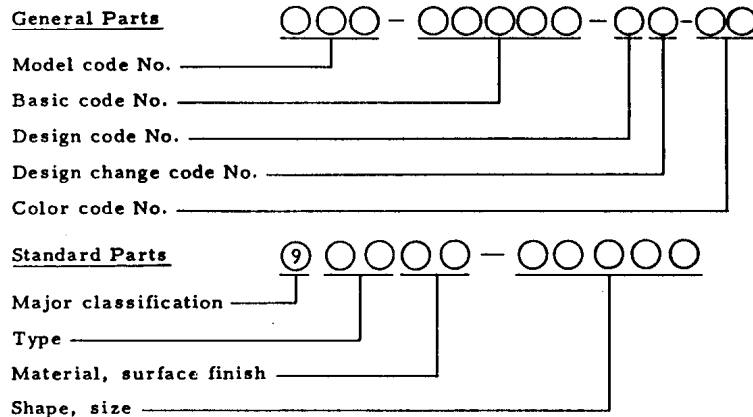


## FOREWORD

This Parts List relates to the parts in use for the Yamaha Outboard motor 8A. When you are ordering replacement parts for the 8A, refer to this Parts List and quote both part number and part names correctly.

### 1. Structure of Part No.

Yamaha parts are divided largely into two categories; general parts and standard parts, and each part No. has the following structure:



Note: Every standard No. begins with 9.

### 2. How to Use this Parts List

(1) Except for steel balls (whose size is indicated in inches), the size of all parts is indicated in millimeters in the following manner.

- Pipe (rubber or vinyl) . . . . Inside diameter - length
- O-ring . . . . . Section area - inside diameter
- Washer, shim, collar . . . . Inside diameter - outside diameter - thickness (length)
- Pin, dowel . . . . . Inside diameter - outside diameter - length

- (2) In the Parts List, every component part of an assembly is so listed that each part name is indented one character from the left margin, and a dot (.) is attached before each. Parts, which are not for sale, may be omitted from the list.

#### Example

Description	Q'ty
CARBURETOR ASS'Y . . . . .	1
. JET, pilot . . . . .	1
. NOZZLE, main . . . . .	1
.	
.	
. LEVER, stater . . . . .	1

### (3) Key to symbols

- U.R . . . . Use size (thickness) and/or number as required
- U.N . . . . Use as many as you need
- S . . . . . S type oil seal or S type circlip
- SD . . . . . SD type oil seal
- SW . . . . . SW type oil seal
- E . . . . . E type circlip
- R . . . . . R type circlip
- T . . . . . Number of teeth in a gear

(4) In this parts list, the right and left with respect to positions of parts are determined viewing the boat hull from the stern.

(5) This Parts List was prepared on Jul., 30, 1974. If any part of the list is changed, it will be published in the Yamaha Parts News. It is requested, therefore, that you will keep this Parts List up-to-dated by making necessary corrections.

## CONTENTS

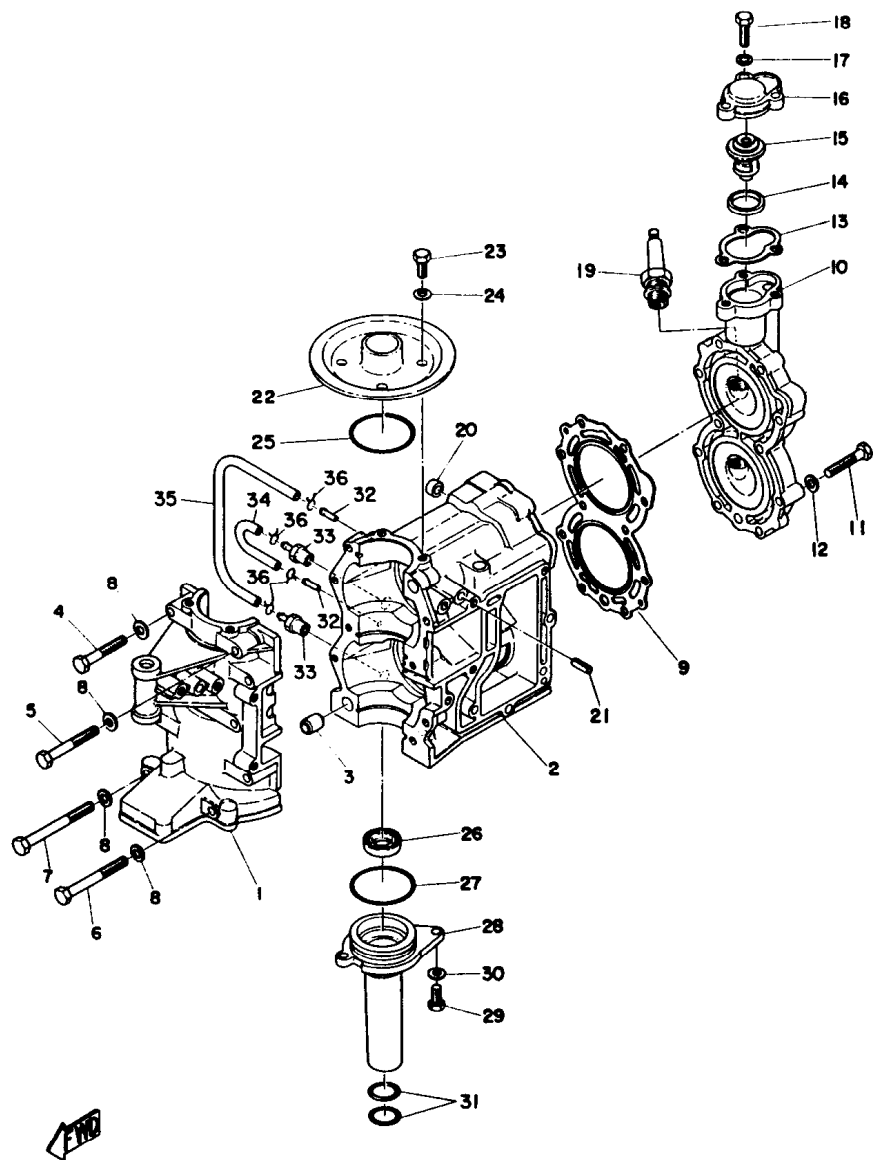
Fig. 1	Crankcase · Cylinder .....	1
Fig. 2	Crank · Piston .....	5
Fig. 3	Intake .....	7
Fig. 4	Carburetor .....	9
Fig. 5	Throttle Link .....	13
Fig. 6	Casing .....	15
Fig. 7	Drive .....	19
Fig. 8	Water Pump .....	23
Fig. 9	Bracket .....	25
Fig. 10	Tilt Lock .....	29
Fig. 11	Steering .....	31
Fig. 12	Gear Shift .....	35
Fig. 13	Flywheel Magneto .....	37
Fig. 14	Starter .....	41
Fig. 15	Cowling .....	45
Fig. 16	Fuel Pump .....	49
Fig. 17	Piping .....	51
Fig. 18	Fuel Tank .....	53

### ALTERNATE PARTS

Fig. 19	Remote Control .....	57
Fig. 20	Fuel Tank .....	61

### NUMERICAL INDEX

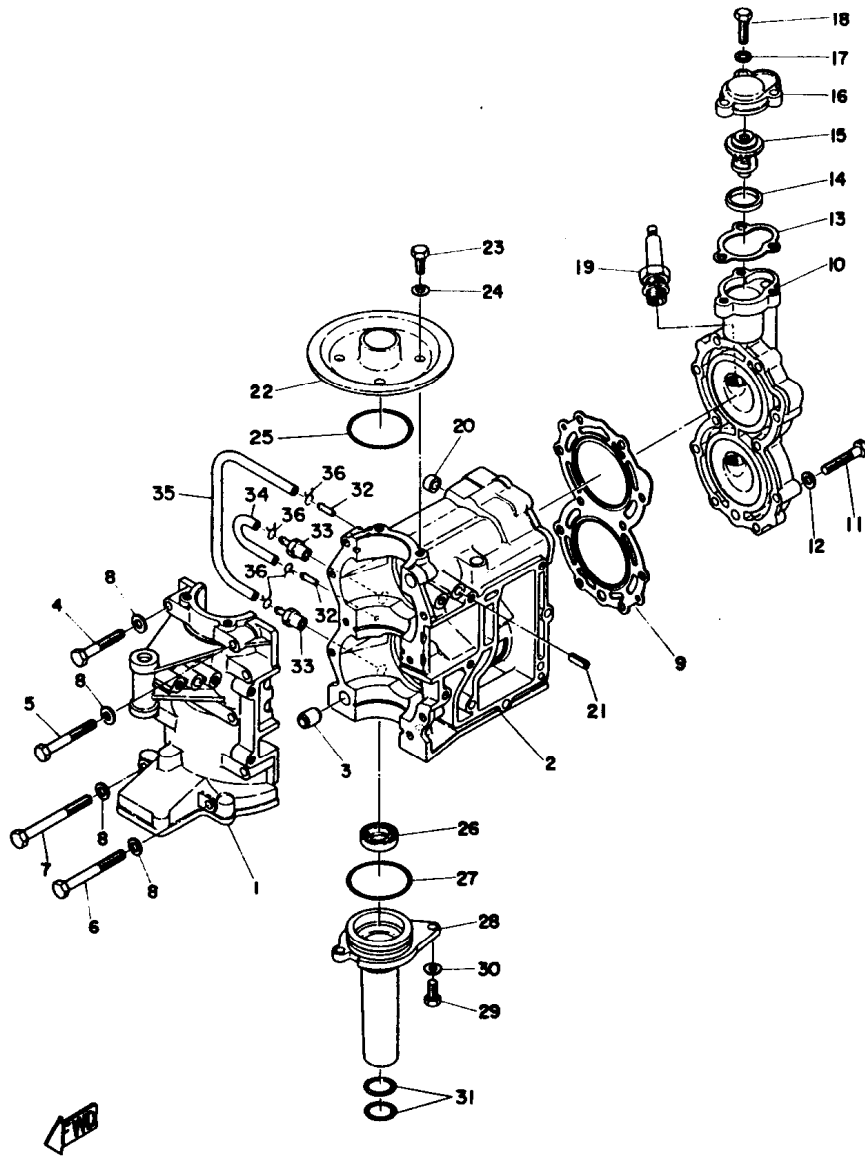
Fig. 1 CRANKCASE · CYLINDER



CRANKCASE · CYLINDER

Ref. No.	Parts No.	Description	Qty	Applicable Machine No.	Remark
1- 0-1	655-15100-61-94	CRANK CASE ASS'Y	1		
1- 1	655-15111-00-94	. CASE, crank 1	1		Not for sale
1- 2	655-11311-61-94	. CYLINDER 1	1		Not for sale
1- 3	91810-02015	. PIN, dowl A (6.4-10-15)	2		
1- 4	97323-06045	BOLT	7		
1- 5	97323-06050	BOLT	1		
1- 6	97323-06065	BOLT	1		
1- 7	97323-06075	BOLT	1		
1- 8	90201-06043	WASHER, holding 2 (626-11176-00)	10		
1- 9	655-11181-00	GASKET, cylinder head	1		
1-10	655-11111-00-94	HEAD, cylinder 1	1		
1-11	91103-06035	BOLT	10		
1-12	90201-06043	WASHER, holding 2 (626-11176-00)	10		
1-13	655-12414-00	GASKET, thermostat	1		
1-14	648-12418-00	RING, thermostat	1		
1-15	655-12411-02	THERMOSTAT	1		
	655-12411-81	THERMOSTAT	1		For EUROPE
1-16	655-12413-00-94	COVER, thermostat	1		
1-17	92903-06100	WASHER, spring	3		
1-18	97323-06020	BOLT	3		
1-19	94701-00039	PLUG, spark (B-6HS)	2		
1-20	647-82317-00	DAMPER, ignition coil	1		
1-21	91690-50014	PIN, spring	1		
1-22	655-15359-00-94	HOUSING, oil seal 1	1		
	655-15359-40-94	HOUSING, oil seal 1	1		Alternate Part
1-23	91103-06015	BOLT	4		
1-24	92903-06200	WASHER, plain	4		
1-25	93210-42159	O-RING (2.4-42.4)	1		
1-26	93101-14056	OIL SEAL (S-14-25-6.0)	1		
1-27	93210-42162	O-RING (2.4-42.4)	1		

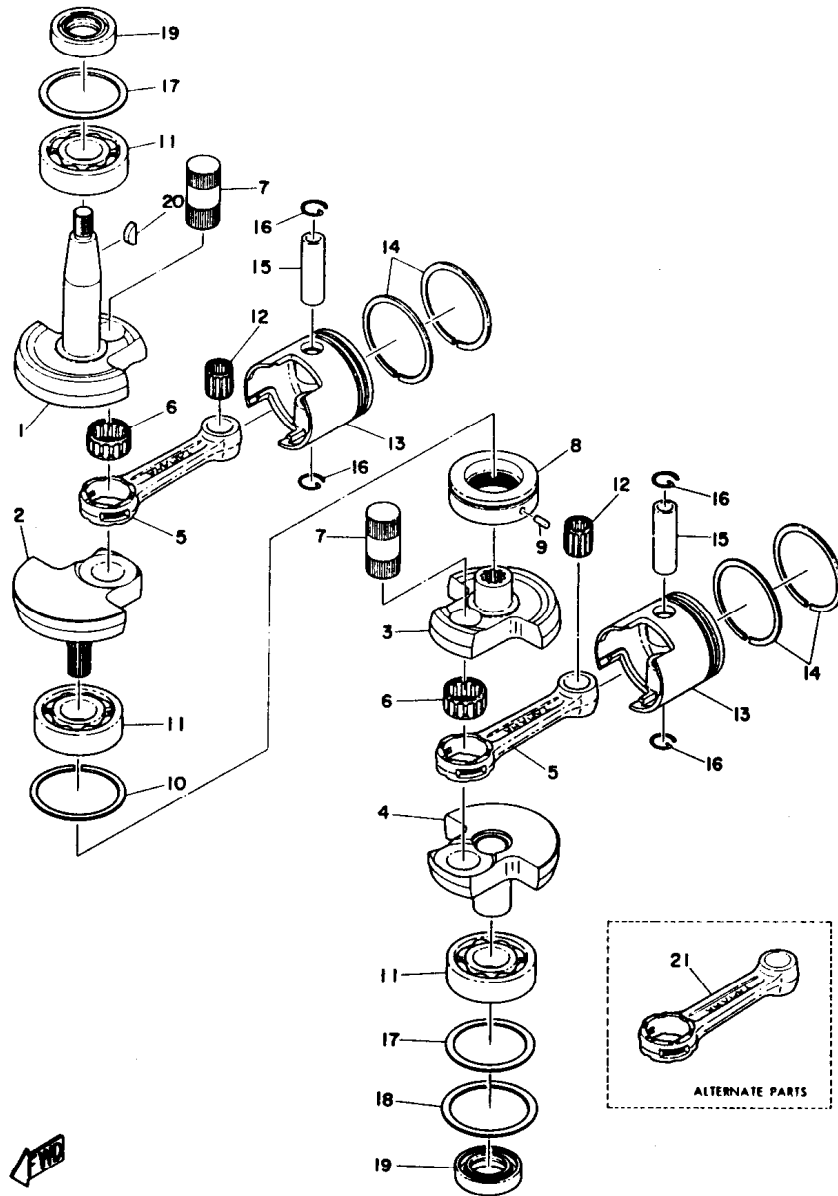
Fig. 1 CRANKCASE · CYLINDER



CRANKCASE · CYLINDER

Ref. No.	Parts No.	Description	Qty	Applicable Machine No.	Remark
1-28	655-15396-00-94	HOUSING, oil seal 2	1		
1-29	91270-06015	BOLT, hexagon	2		
1-30	92990-06200	WASHER, plain	2		
1-31	93210-19216	O-RING (2.2-19.0)	2		
1-32	624-14485-00	PIPE, joint	2		
1-33	624-11370-00	CHECK VALVE ASS'Y	2		
1-34	655-24312-00	PIPE	1		
1-35	90445-07255	HOSE (2.5-160)	1		
1-36	90467-07016	CLIP	4		

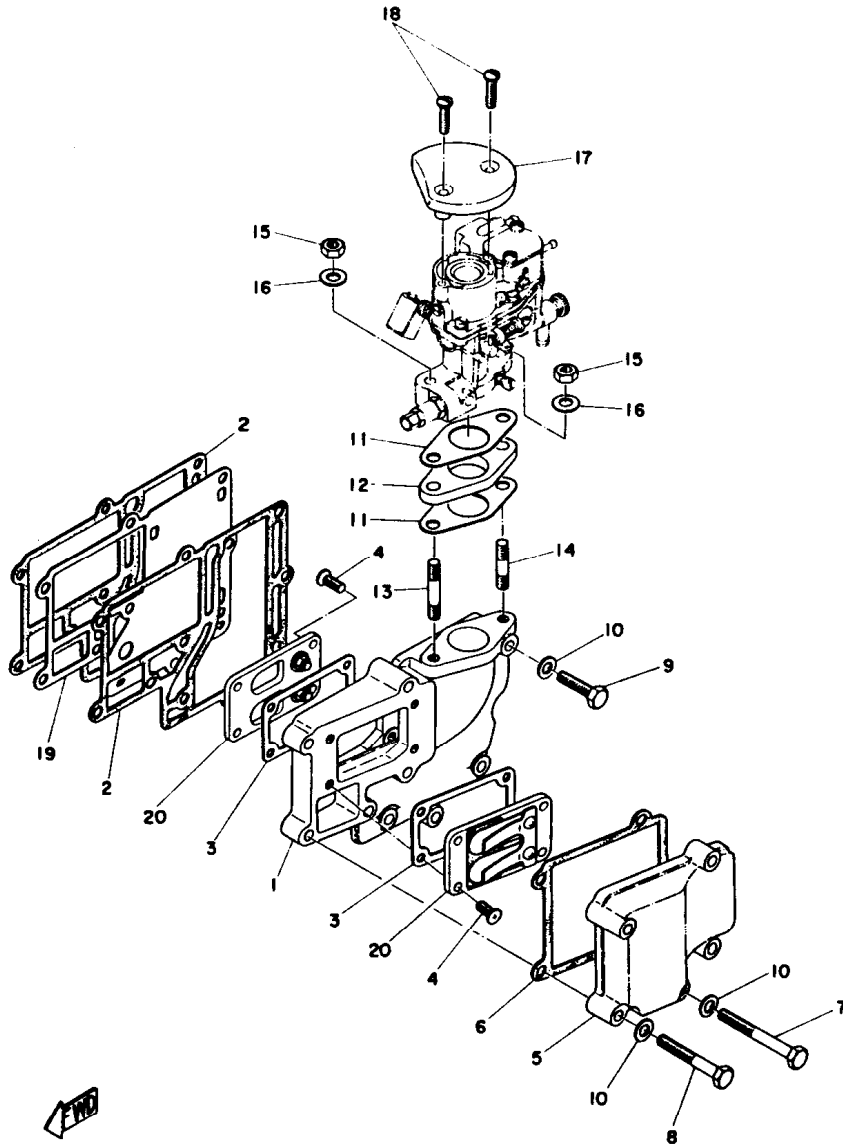
Fig. 2 CRANK · PISTON



CRANK · PISTON

Ref. No.	Parts No.	Description	Q'ty	Applicable Machine No.	Remarks
2- 0-1	655-11400-00	CRANK ASS'Y	1		
2- 1	647-11412-00	. CRANK 1	1		
2- 2	647-11422-00	. CRANK 2	1		
2- 3	647-11432-00	. CRANK 3	1		
2- 4	647-11442-00	. CRANK 4	1		
2- 5	647-11651-00	. ROD, connecting 1	2		
2- 6	93310-41885	. BEARING, big end	2		
2- 7	655-11681-00	. PIN, crank	2		
2- 8	655-11515-00	. SEAL, labyrinth	1		
2- 9	91690-30010	. PIN, spring	1		
2-10	93440-45022	. CIRCLIP (45 special)	1		
2-11	93306-20411	. BEARING (B-6204C3 special)	3		
2-12	93310-11202	BEARING, small end	2		
2-13	647-11631-00-97	PISTON (50.97mm S. T. D.)	U. R		
	647-11631-00-98	PISTON (50.98mm S. T. D.)	2		
	647-11635-00	PISTON (51.25mm 1st O.S.)	2		Alternate Parts
	647-11636-00	PISTON (51.50mm 2nd O.S.)	2		Alternate Parts
2-14	647-11610-00	PISTON RING SET (S. T. D.)	2s		
	647-11610-10	PISTON RING SET (1st O.S.)	2s		Alternate Parts
	647-11610-20	PISTON RING SET (2nd O.S.)	2s		Alternate Parts
2-15	122-11633-00	PIN, piston	2		
2-16	132-11634-00	CLIP, piston pin	4		
2-17	647-11561-00-02	SHIM, crank 1 (40-46.7-0.2)	U. R 2		
	647-11561-00-03	SHIM, crank 1 (49-56.7-0.3)			
	647-11561-00-05	SHIM, crank 1 (40-46.7-0.5)			
2-18	90201-41528	WASHER, plate (41-50-1.5)	1		
2-19	93102-20092	OIL SEAL (SD-20-36-7)	2		
2-20	90280-04006	KET, wood ruff (626-11545-00)	1		
<b>ALTERNATE PARTS</b>					
2-21	655-11651-40	ROD, connecting 1	2		

Fig. 3 INTAKE

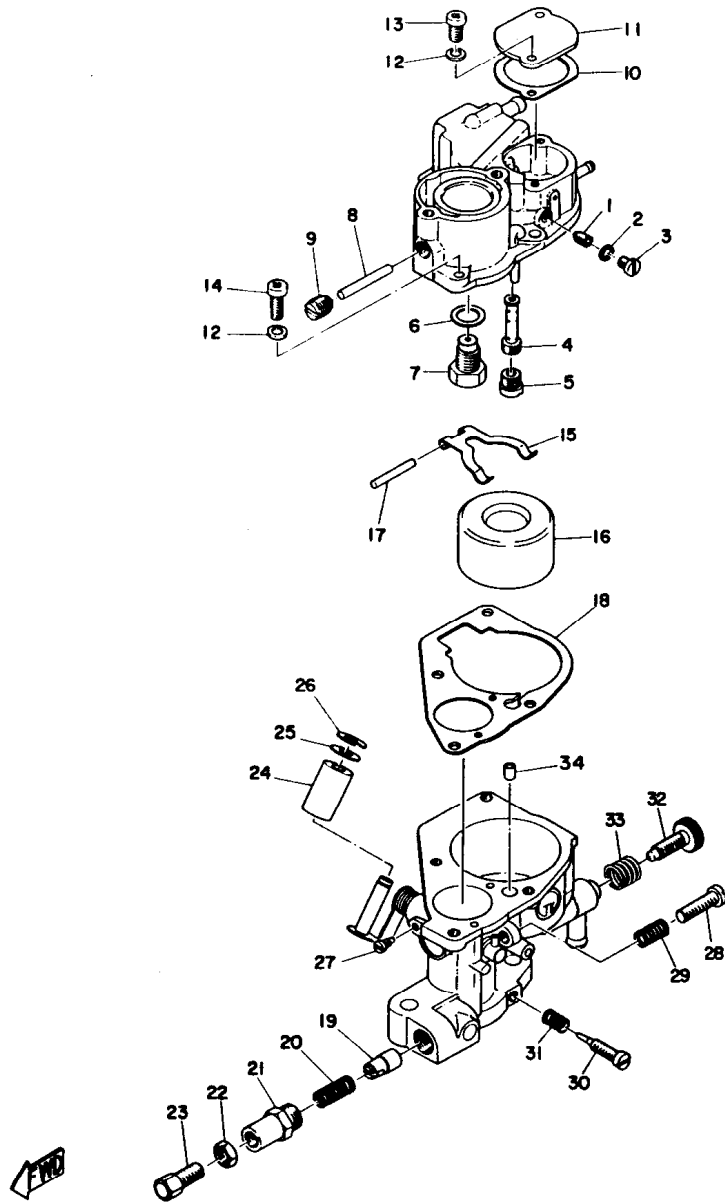


INTAKE

Ref. No.	Parts No.	Description	Q'ty	Applicable Machine No.	Remarks
3- 1	655-13641-00-94	MANIFOLD, intake 1	1		
3- 2	655-13647-00	GASKET, intake manifold 3	2		
3- 3	647-13621-00	PACKING, valve seat	2		
3- 4	98702-05012	SCREW, flathead	8		
3- 5	647-13643-00-94	COVER, intake manifold	1		
3- 6	655-13649-00	GASKET, intake manifold cover	1		
3- 7	97323-06055	BOLT	3		
3- 8	97323-06045	BOLT	3		
3- 9	91103-06025	BOLT	4		
3-10	92903-06200	WASHER, plain	10		
3-11	647-13645-00	GASKET, intake manifold 1	2		
3-12	647-13646-01	GASKET, intake manifold 2	1		
3-13	90116-06131	BOLT, stud	1		
3-14	90116-06130	BOLT, stud	1		
3-15	95303-06700	NUT	2		
3-16	92903-06200	WASHER, plain	2		
3-17	655-14417-00	COVER 1	1		
3-18	98103-04020	SCREW, ovalhead	2		
3-19	655-41116-00	PROTECTOR	1		
3-20	655-13610-01	REED VALVE ASS'Y 1	2		



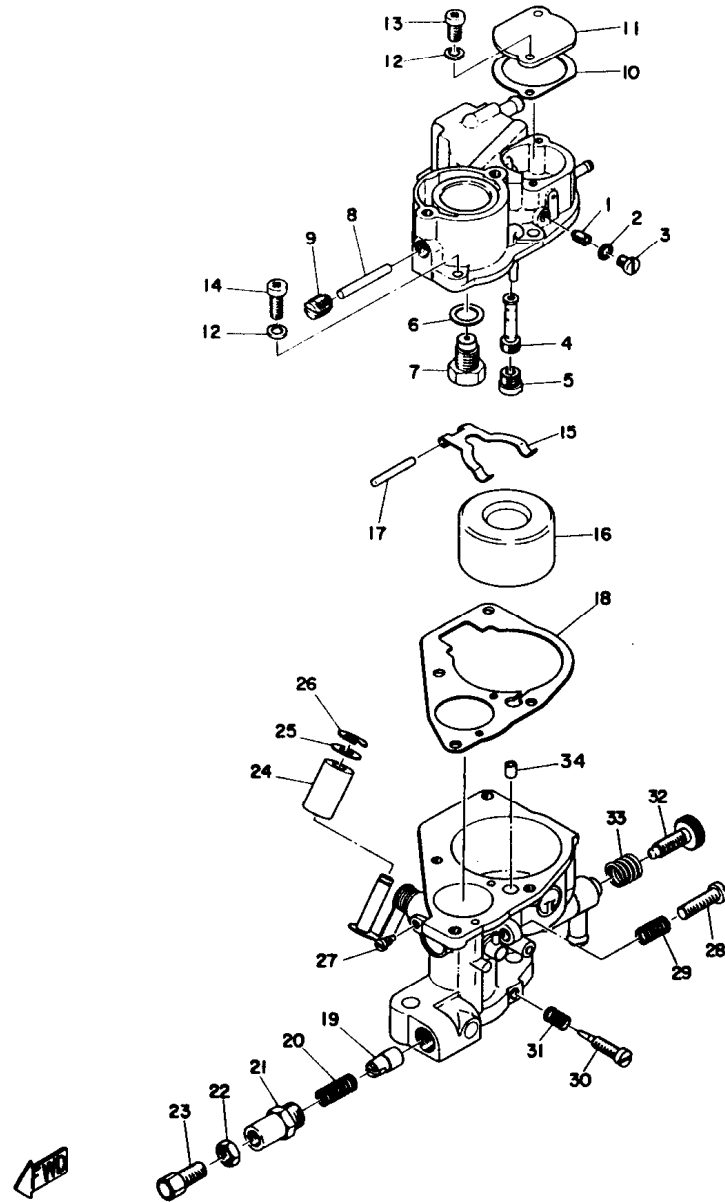
Fig. 4 CARBURETOR



CARBURETOR

Ref. No.	Parts No.	Description	Q'ty	Applicable Machine No.	Remarks
4- 0-1	655-14301-03	CARBURETOR ASS'Y	1		
4- 1	647-14342-25	. JET, Pilot (#50)	1		
4- 2	647-24438-00	. GASKET, body 5	1		
4- 3	647-14328-00	. SCREW, pilot stop	1		
4- 4	647-14351-00	. JET, emulsion	1		
4- 5	647-14343-43	. JET, main (#86)	1		
	647-14343-45	. JET, main (#90)	1		
4- 6	626-14398-00	. GASKET	1		
4- 7	647-14390-12	. VALVE SEAT ASS'Y	1		
4- 8	647-14341-00	. NOZZLE, main	1		
4- 9	647-14345-00	. PLUG, main nozzle	1		
4-10	647-14227-00	. GASKET	1		
4-11	647-14157-00	. COVER	1		
4-12	92990-04100	. WASHER, spring	6		
4-13	98503-04008	. SCREW, panhead	2		
4-14	98503-04012	. SCREW, panhead	4		
4-15	647-14387-00	. ARM, float	1		
4-16	647-14385-00	. FLOAT	1		
4-17	647-14386-00	. PIN, float	1		
4-18	647-14384-00	. GASKET, float chamber	1		
4-19	647-14371-01	. PLUNGER, starter	1		
4-20	647-14335-00	. SPRING, plunger	1		
4-21	647-14374-00	. CAP, plunger	1		
4-22	647-14161-00	. NUT	1		
4-23	647-14124-00	. BOLT	1		
4-24	647-41231-00	. COLLAR, guide pin	1		
4-25	92990-05200	. WASHER, plain	1		
4-26	93430-04002	. CIRCLIP (E-4)	1		
4-27	647-14326-00	. SCREW, guide	1		

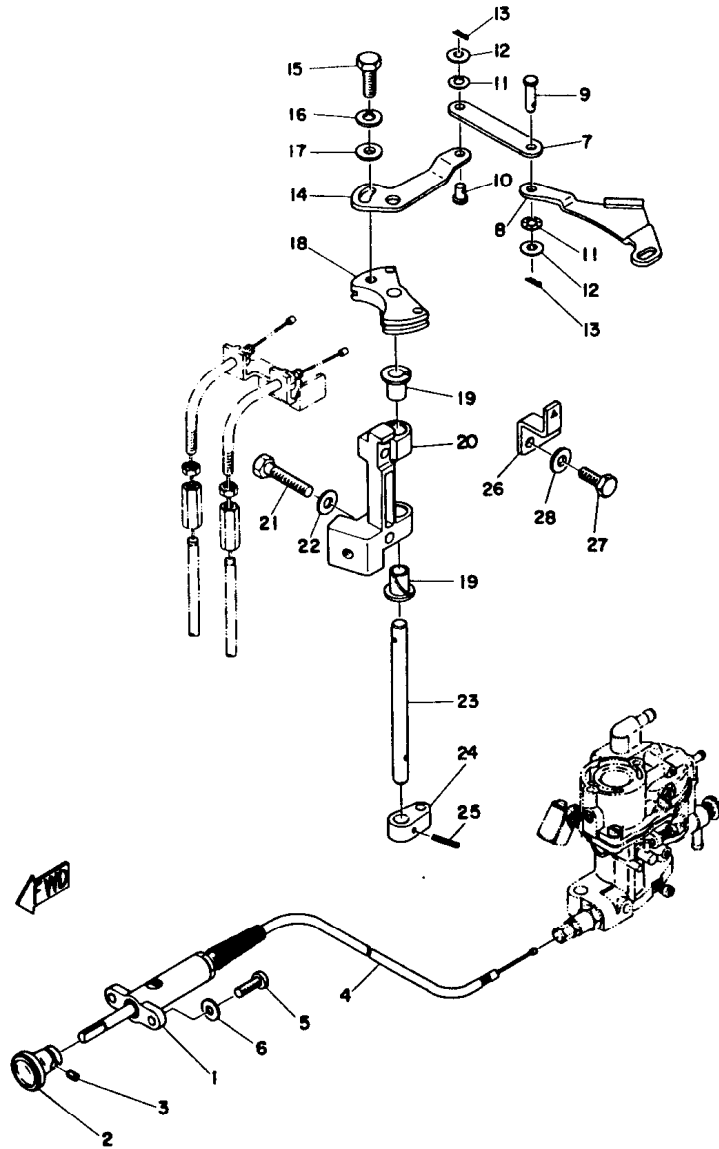
Fig. 4 CARBURETOR



CARBURETOR

Ref. No.	Parts No.	Description	Q'ty	Applicable Machine No.	Remarks
4-28	647-14321-00	. SCREW, throttle	1		
4-29	647-14333-00	. SPRING, throttle stop	1		
4-30	647-14373-00	. SCREW, air adjusting	1		
4-31	647-14334-00	. SPRING, air adjusting	1		
4-32	650-14394-01	. VALVE, drain	1		
4-33	650-14223-00	. SPRING, drain valve	1		
4-34	647-14344-35	. JET, starter (#70)	1		

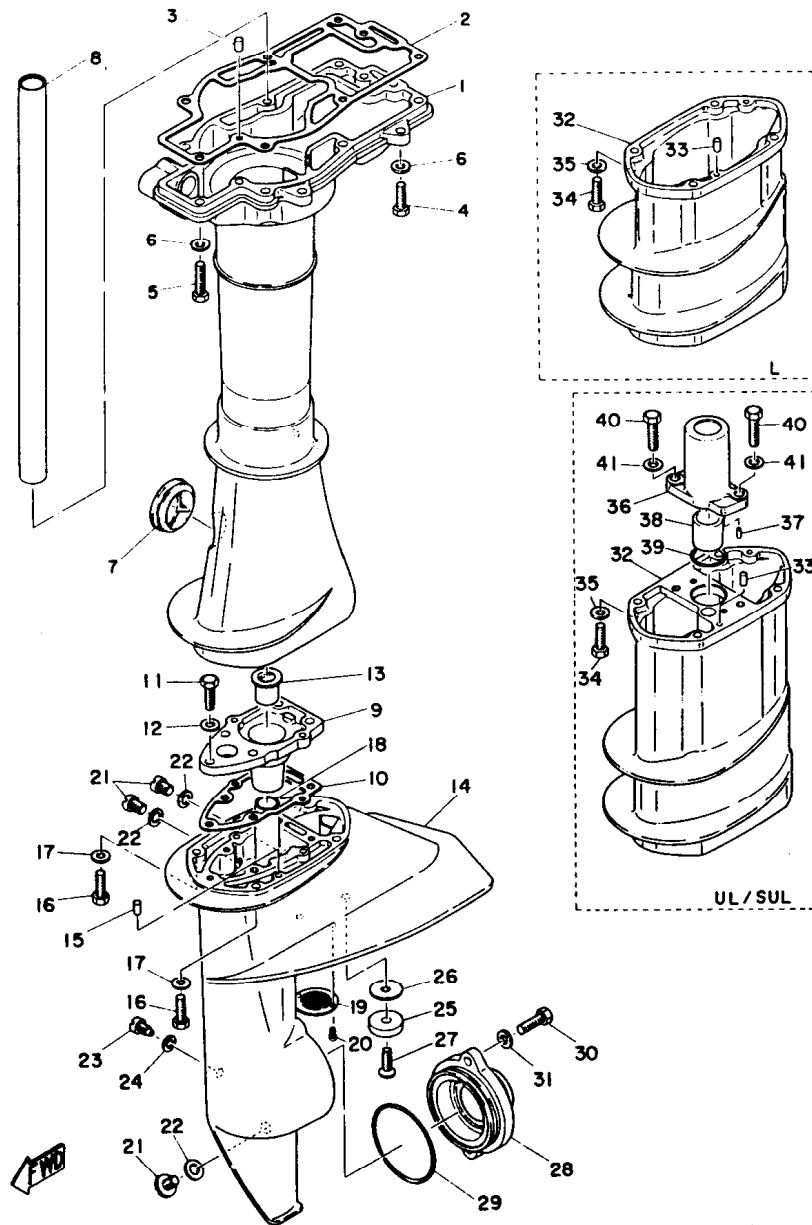
Fig. 5 THROTTLE LINK



THROTTLE LINK

Ref. No.	Parts No.	Description	Qty	Applicable Machine No.	Remarks
5- 1	647-41202-01	CAB STARTER ASS'Y	1		
5- 2	647-41227-00	. KNOB	1		
5- 3	647-41228-00	. SCREW	1		
5- 4	647-26331-00	. WIRE, starter	1		
5- 5	98303-05015	SCREW, cylinderhead	2		
5- 6	92903-05200	WASHER, plain	2		
5- 7	647-41632-00	LEVER, magneto control 2	1		
5- 8	647-41213-01	CAM, acceleration	1		
5- 9	647-41651-00	SET PIN, magneto control 1	1		
5-10	647-41652-00	SET PIN, magneto control 2	1		
5-11	90201-05005	WASHER, wave (626-41671-00)	2		
5-12	92990-05200	WASHER, plain	2		
5-13	90468-10005	PIN, hair 1 (626-41235-00)	2		
5-14	655-41631-00	LEVER, magneto control 1	1		
5-15	91103-06015	BOLT	1		
5-16	92903-06100	WASHER, spring	1		
5-17	92903-06200	WASHER, plain	1		
5-18	655-41638-00-94	PULLEY	1		
5-19	90386-08032	BUSHING	2		
5-20	655-41661-00-F6	BRACKET 1	1		Metallic Ocean Blue
5-21	97323-06030	BOLT	2		
5-22	92903-06200	WASHER, plain	2		
5-23	647-41635-00	SHAFT, link connecting	1		
5-24	655-48541-00-F6	STAY	1		Metallic Ocean Blue
5-25	91690-30016	PIN, spring	2		
5-26	647-41615-00	STOPPER, magneto base 1	1		
5-27	97323-06015	BOLT	1		
5-28	92903-06200	WASHER, plain	1		

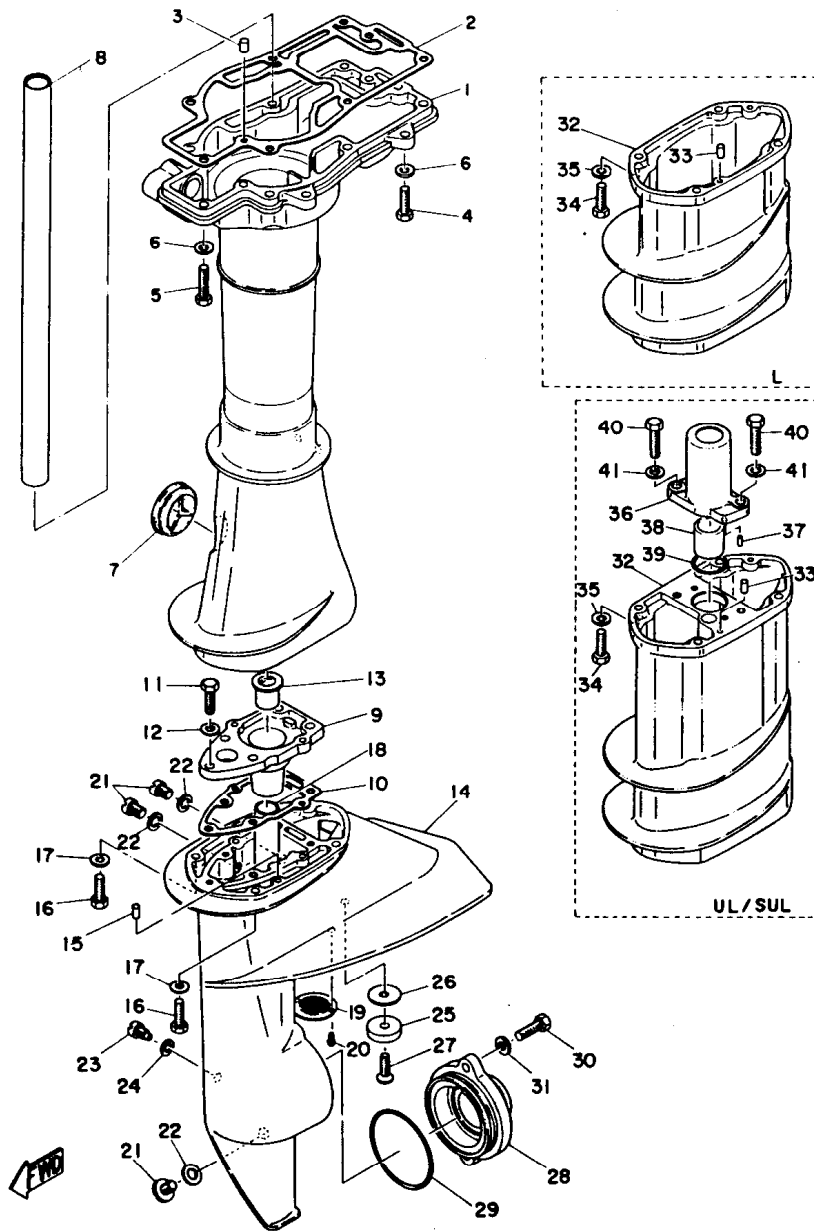
Fig. 6 CASING



CASING

Ref. No.	Parts No.	Description	Q'ty	Applicable Machine No.	Remarks
6- 1	655-45111-00-F6	CASING, upper	1		Metallic Ocean Blue
6- 2	655-45113-00	GASKET, upper casing 1	1		
6- 3	93605-08041	PIN, dowel B (5-8)	2		
6- 4	97370-06020	BOLT	4		
6- 5	97370-06025	BOLT	7		
6- 6	92990-06200	WASHER, plain	11		
6- 7	647-45151-01	COVER, upper casing 1	1		
6- 8	655-45114-01	GASKET, upper casing 2	1		
	655-45114-11	GASKET, upper casing 2	1		L
	647-45114-20	GASKET, upper casing 2	1		UL
	647-45114-30	GASKET, upper casing 2	1		SUL
6- 9	647-45331-00-94	HOUSING, bearing 1	1		
6-10	647-45315-00	PACKING, lower casing	1		
6-11	97370-06020	BOLT	2		
6-12	92990-06200	WASHER, plain	2		
6-13	647-45316-09	BUSHING	1		
6-14	655-45310-00-F6	LOWER CASING ASS'Y	1		Metallic Ocean Blue
6-15	93604-08062	PIN, dowel B (4-8)	2		
6-16	97370-06020	BOLT	4		
6-17	92990-06200	WASHER, plain	4		
6-18	90387-14108	COLLAR (647-45526-00)	1		
6-19	655-45214-00-F6	COVER, water inlet	1		Metallic Ocean Blue
6-20	90269-02002	RIVET (620-43397-00)	2		
6-21	90340-08014	PLUG, drain (647-45341-00)	3		
6-22	90430-08020	GASKET (604-45342-00)	3		
6-23	90149-06003	SCREW, detent (626-44165-00)	1		
6-24	90430-06015	GASKET (626-44166-00)	1		
6-25	616-45251-30	ANODE	1		
6-26	616-45252-30	SEAT	1		

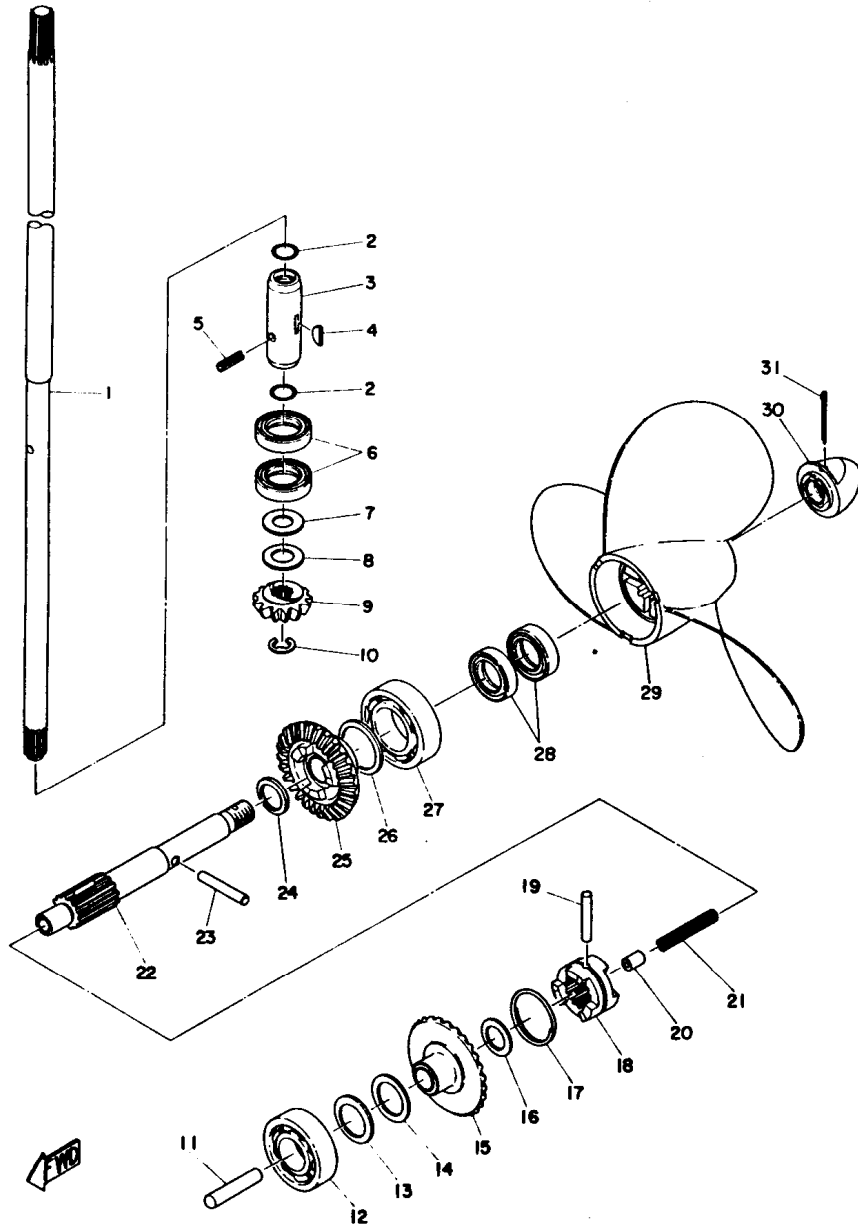
Fig. 6 CASING



CASING

Ref. No.	Parts No.	Description	Q'ty	Applicable Machine No.	Remarks
6-27	92180-06018	SCREW, ovalhead	1		
6-28	655-45361-01-F6	CAP, lower casing	1		Metallic Ocean Blue
6-29	93210-58144	O-RING (3.1-58.4)	1		
6-30	97370-06020	BOLT	2		
6-31	92990-06200	WASHER, plain	2		
6-32	647-45211-10-F6	EXTENSION	1		Metallic Ocean Blue L
	647-45210-20-F6	EXTENSION COMP.	1		Metallic Ocean Blue UL
	647-45210-30-F6	EXTENSION COMP.	1		Metallic Ocean Blue SUL
6-33	93604-08062	PIN, dowel B (4-8)	2		L, UL, SUL
6-34	97370-06020	BOLT	4		L, UL, SUL
6-35	92990-06200	WASHER, plain	4		L, UL, SUL
6-36	655-45233-21-94	HOUSING, bearing	1		UL, SUL
6-37	93604-08062	PIN, dowel B (4-8)	2		UL, SUL
6-38	90380-14015	BUSHING (647-45318-00)	1		UL, SUL
6-39	93210-24108	O-RING (2.5-24)	1		UL, SUL
6-40	91103-06025	BOLT	2		UL, SUL
6-41	92990-06200	WASHER, plain	2		UL, SUL

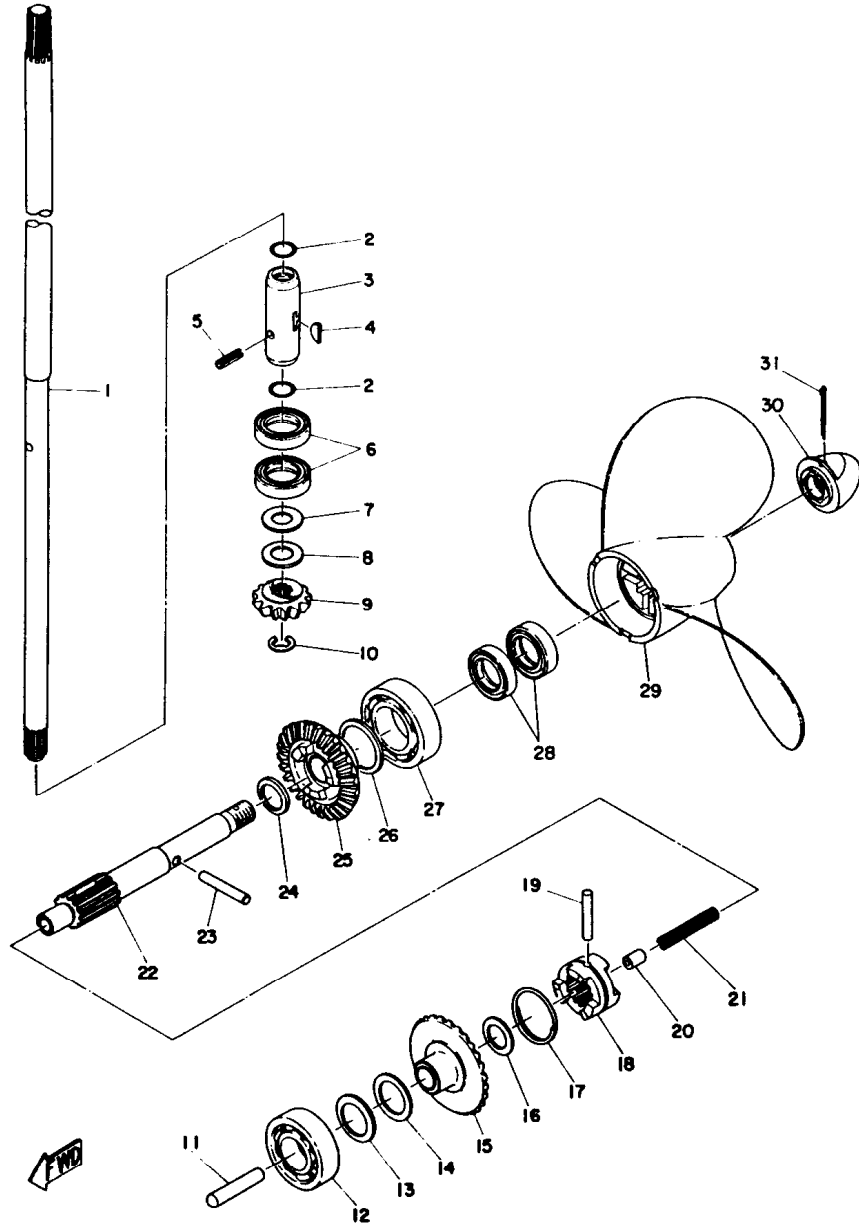
Fig. 7 DRIVE



DRIVE

Ref. No.	Parts No.	Description	Q'ty	Applicable Machine No.	Remarks
7- 1	647-45511-01	SHAFT, drive	1		
	647-45511-11	SHAFT, drive	1		L
	647-45511-21	SHAFT, drive	1		UL
	647-45511-31	SHAFT, drive	1		SUL
7- 2	93210-12158	O-RING (2-11.5)	2		
7- 3	647-45527-01	COLLAR, drive shaft 2	1		
7- 4	90280-03003	KEY, wood ruff (626-44332-00)	1		
7- 5	91690-35016	PIN, spring	1		
7- 6	93101-18050	OIL SEAL (S-18-28-6)	2		
7- 7	90201-12161	THRUST WASHER, drive shaft 2 (647-45534-00)	1		U. R
7- 8	647-45533-00-08	THRUST WASHER, drive shaft 1 (12.1-16.5-0.8)	1		U. R 1
	647-45533-00-10	THRUST WASHER, drive shaft 1 (12.1-16.5-1.0)	1		
	647-45533-00-12	THRUST WASHER, drive shaft 1 (12.1-16.5-1.2)	1		
	647-45533-00-14	THRUST WASHER, drive shaft 1 (12.1-16.5-1.4)	1		
7- 9	647-45551-00	PINION (13 T)	1		
7-10	93430-07012	CIRCLIP (E-7)	1		
7-11	654-45635-00	PLUNGER, shift	1		
7-12	93306-00401	BEARING (B-6004)	1		
7-13	647-45567-00	SHIM, gear adjusting 1 (20.3-28-0.1)	1		U. R
7-14	624-45567-00-03	SHIM, gear adjusting 1 (20.3-28-0.3)	1		U. R
	624-45567-00-05	SHIM, gear adjusting 1 (20.3-28-0.5)	1		
7-15	647-45560-00	GEAR ASS'Y 1 (27 T)	1		
7-16	90201-13198	WASHER, thrust 1 (647-45566-00)	1		
7-17	93440-30040	RING, cross pin (655-45633-00)	1		
7-18	655-45631-00	CLUTCH, dog	1		

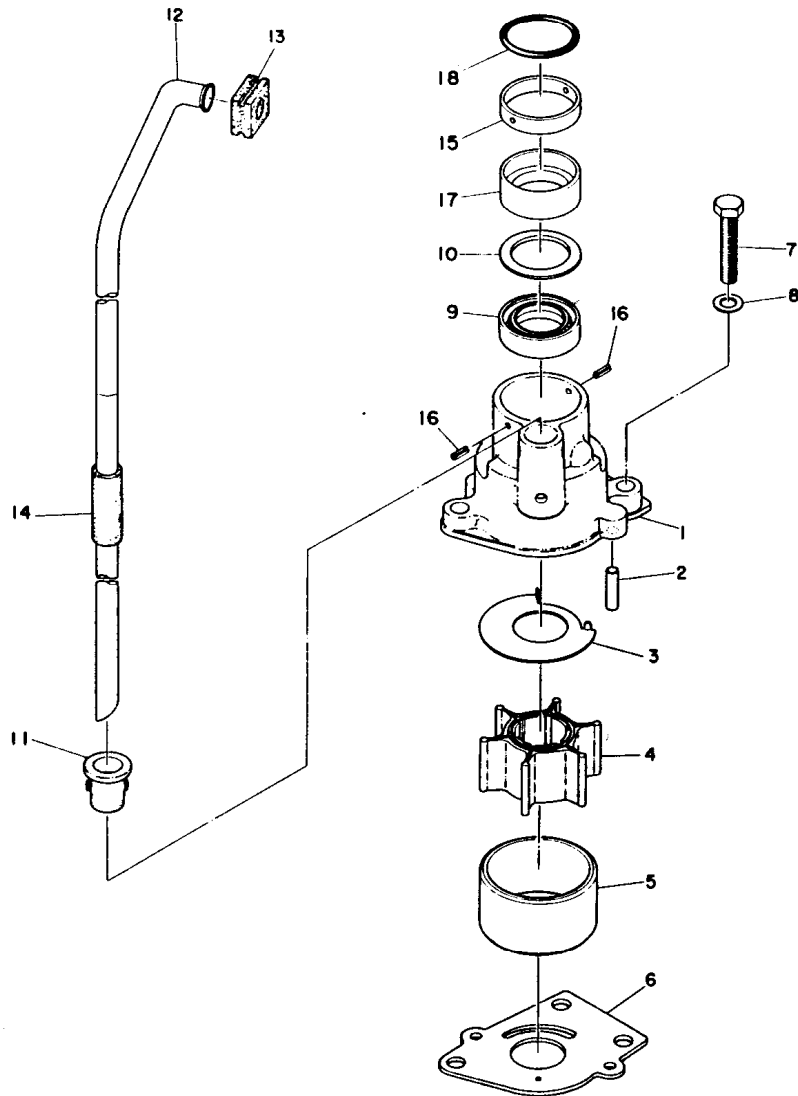
Fig. 7 DRIVE



DRIVE

Ref. No.	Parts No.	Description	Q'ty	Applicable Machine No.	Remarks
7-19	93605-29098	PIN, dowel B (5-29.0)	1		
7-20	648-45634-00	SLIDE, shift	1		
7-21	90501-10064	SPRING (616-45636-00)	1		
7-22	655-45611-00	SHAFT, propeller	1		
7-23	90250-05036	PIN, shear (616-45615-00)	1		
7-24	90201-15229	WASHER, thrust (647-45576-00)	1		
7-25	647-45570-00	GEAR ASS'Y 2 (27 T)	1		
7-26	626-45577-00-01	SHIM, gear adjust 2 (25.3-32-0.1)	1	U. R	
	626-45577-00-02	SHIM, gear adjust 2 (25.3-32-0.2)			
	626-45577-00-03	SHIM, gear adjust 2 (25.3-32-0.3)			
	626-45577-00-04	SHIM, gear adjust 2 (25.3-32-0.4)			
	626-45577-00-05	SHIM, gear adjust 2 (25.3-32-0.5)			
7-27	93306-00501	BEARING (B-6005)	1		
7-28	93101-15074	OIL SEAL (S-15-28-6)	2		
7-29	647-45943-00-36	PROPELLER ASS'Y 2 (9" x 7" -C)	1		STD White
	655-45943-00-36	PROPELLER ASS'Y 2 (9 x 7 1/2 -C)	1		Alternate Parts S.T.D. for EUROPE
	647-45926-00-38	PROPELLER ASS'Y 8 (9 x 7 -C)	1		Alternate Parts Weedless
	647-45941-00-36	PROPELLER ASS'Y 1 (9 1/5 x 9 1/5 -C)	1		Alternate Parts
	647-45947-00-36	PROPELLER ASS'Y 4 (9 x 9 -C)	1		Alternate Parts
	655-45947-01-36	PROPELLER ASS'Y 4 (9 x 5 3/4 -C)	1		Alternate Parts
	655-45945-00-36	PROPELLER ASS'Y 3 (9 x 6 1/4 -C)	1		Alternate Parts
7-30	647-45616-00	NUT, propeller	1		
7-31	91490-30030	PIN, cotter	1		

Fig. 8 WATER PUMP

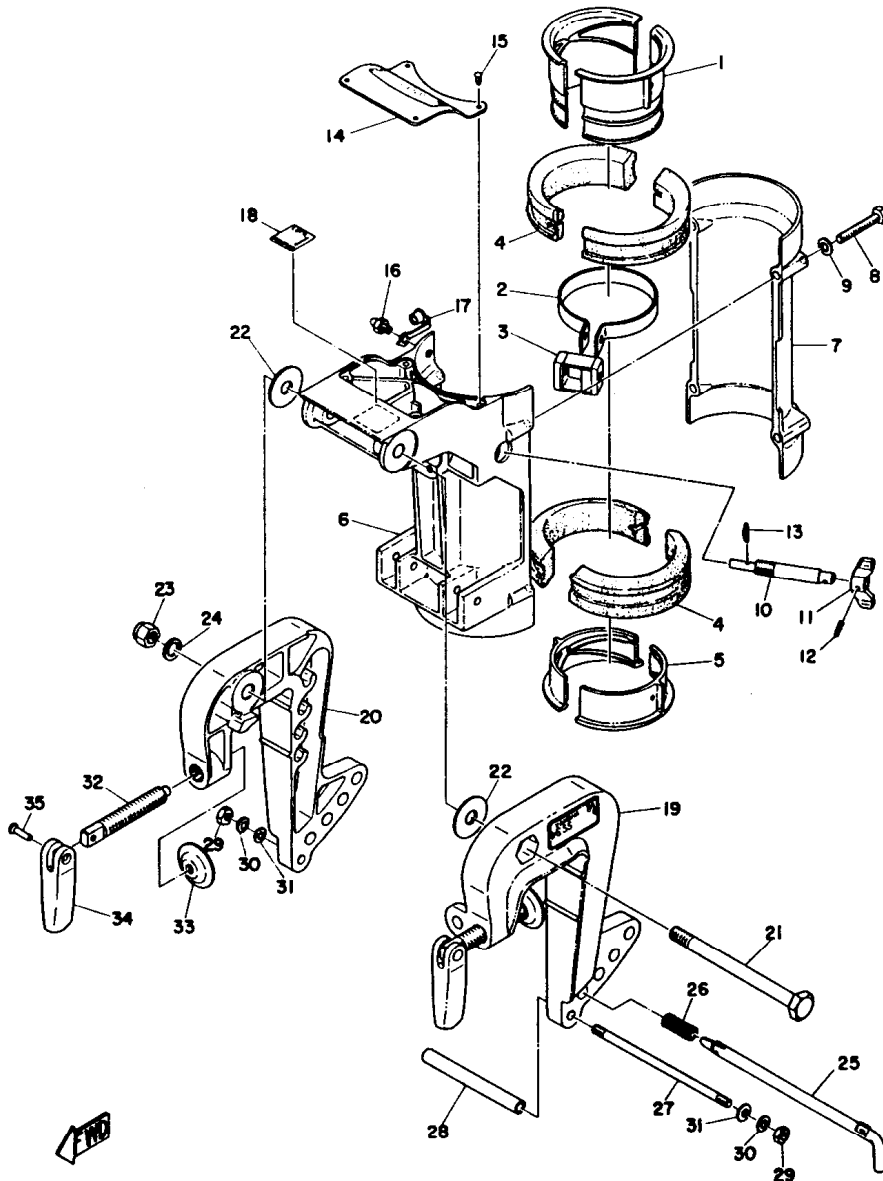


WATER PUMP

Ref. No.	Parts No.	Description	Qty	Applicable Machine No.	Remarks
8-1	655-44310-00	WATER PUMP COMP.	1		
	655-44310-61-94	WATER PUMP COMP.	1		Alternate Parts
8-2	93604-18080	PIN, dowel B (4-18.4)	2		
8-3	655-44321-00	INNER PLATE, cartridge	1		Not for sale
	655-44321-61	INNER PLATE, cartridge	1		Not for sale
8-4	655-44352-00	IMPELLER	1		
8-5	655-44322-01	INSERT, cartridge	1		Not for sale
	655-44322-61	INSERT, cartridge	1		Not for sale
8-6	655-44323-00	OUTER PLATE, cartridge	1		
	655-44323-61	OUTER PLATE, cartridge	1		Alternate Parts
8-7	97370-06030	BOLT	3		
8-8	92990-06200	WASHER, plain	3		
8-9	93101-18050	OIL SEAL (SD-18-28-6)	1		
8-10	647-44328-60	PLATE	1		
8-11	647-44366-00	RUBBER, water seal 2	1		
8-12	647-44361-00	TUBE, water 1	1		
	647-44361-10	TUBE, water	1		L
	647-44361-20	TUBE, water	1		UL
	647-44361-30	TUBE, water	1		SUL
8-13	647-44365-00	RUBBER, water seal 1	1		
8-14	90445-11262	RUBBER BUSHING, water tube (647-44374-00)	1		
8-15	647-44312-00	COVER, water pump housing	1		
8-16	91690-20006	PIN, spring	2		
8-17	647-44314-00	SPACER	1		
8-18	93210-24108	O-RING	1		



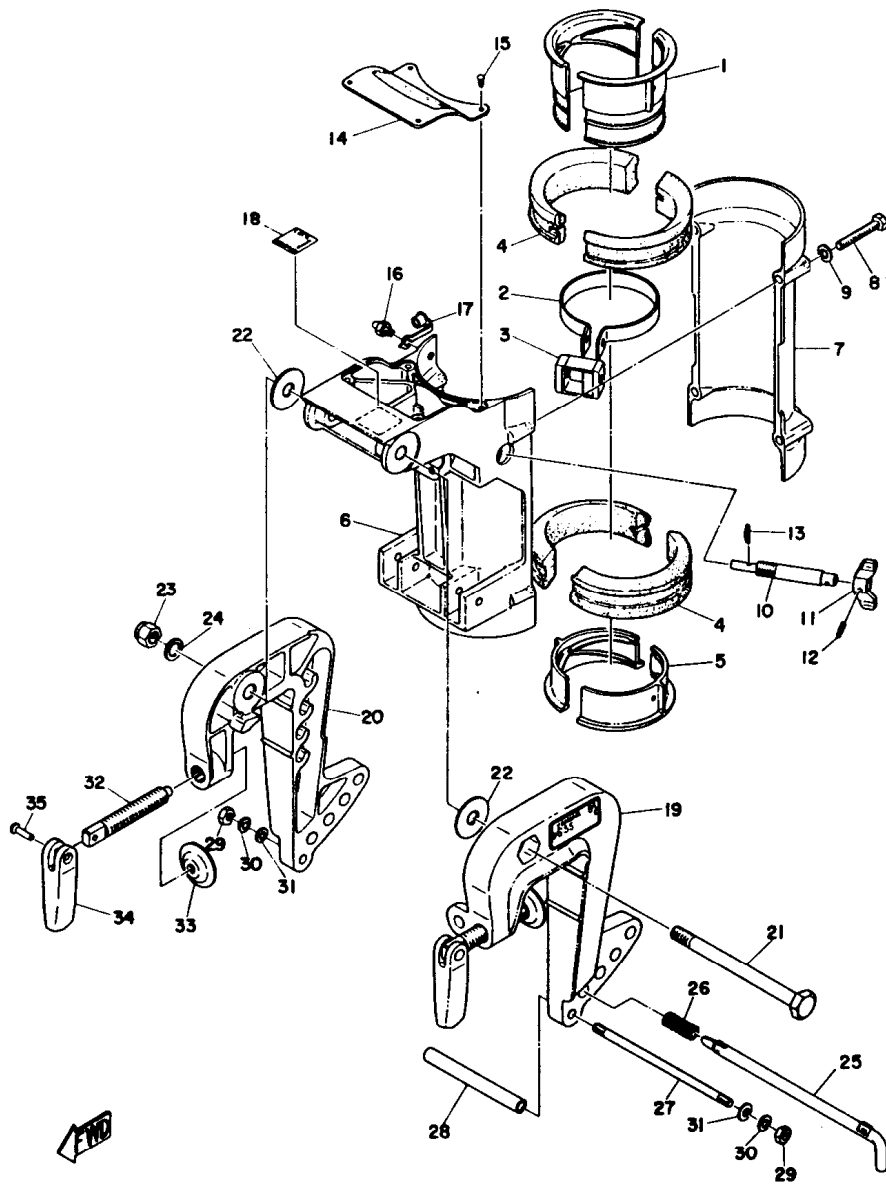
Fig. 9 BRACKET



BRACKET

Ref. No.	Parts No.	Description	Q'ty	Applicable Machine No.	Remarks
9- 1	647-42537-00	BUSHING, pivot shaft 1	2		
9- 2	647-42525-00	PLATE, friction 1	1		
9- 3	647-42526-00	PLATE, friction 2	1		
9- 4	647-42539-00	BUSHING, pivot shaft 3	4		
9- 5	647-42538-00	BUSHING, pivot shaft 2	2		
9- 6	655-43311-00-F6	BRACKET, swivel 1	1		Metallic Ocean Blue
9- 7	647-43312-00-F6	BRACKET, swivel 2	1		Metallic Ocean Blue
9- 8	97370-06040	BOLT	4		
9- 9	92990-06200	WASHER, plain	4		
9-10	90149-10025	SCREW (647-42529-00)	1		
9-11	616-43372-00-F6	NUT, wing	1		Metallic Ocean Blue
9-12	91690-25014	PIN, spring	1		
9-13	90468-10003	PIN, hair 1 (647-41235-00)	1		
9-14	655-43318-00-F6	COVER	1		Metallic Ocean Blue
9-15	90269-02002	RIVET (620-43397-00)	4		
9-16	93700-06004	NIPPLE, grease	2		
9-17	626-45119-00	CAP, grease nipple	2		
9-18	650-43691-01	INDICATOR, tilt	1		
9-19	620-43111-00-F6	BRACKET, clamp 1	1		Metallic Ocean Blue
9-20	620-43112-00-F6	BRACKET, clamp 2	1		Metallic Ocean Blue
9-21	90101-10106	BOLT (647-43131-00)	1		
9-22	90201-10524	WASHER, plate (603-43132-00)	2		
9-23	90185-10016	NUT (615-43132-00)	1		
9-24	90201-10130	WASHER, plate (615-43132-00)	1		
9-25	626-43160-01	TILT ROD ASS'Y	1		
9-26	90502-10014	SPRING, conical (611-43162-00)	1		
9-27	90116-06101	BOLT (647-43143-00)	1		
9-28	90560-06088	SPACER TUBE (626-43131-00)	1		
9-29	95380-06600	NUT	2		

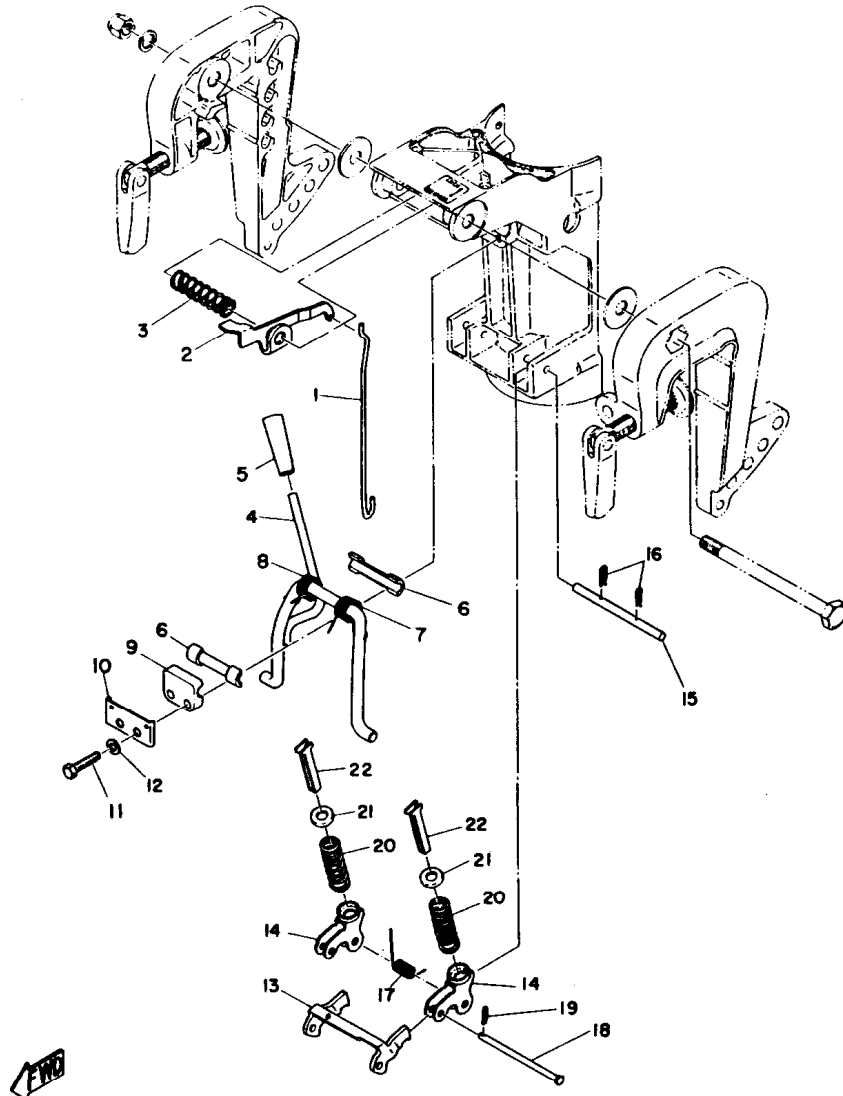
Fig. 9 BRACKET



BRACKET

Ref. No.	Parts No.	Description	Q'ty	Applicable Machine No.	Remarks
9-30	92990-06100	WASHER, spring .....	2		
9-31	92990-06200	WASHER, plain .....	2		
9-32	90149-12029	SCREW (620-43116-00) .....	2		
9-33	648-43114-01	PAD, transom clamp .....	2		
9-34	616-43118-00-F6	HANDLE, transom clamp .....	2		Metallic Ocean Blue
9-35	90243-04001	PIN (620-43117-00) .....	2		

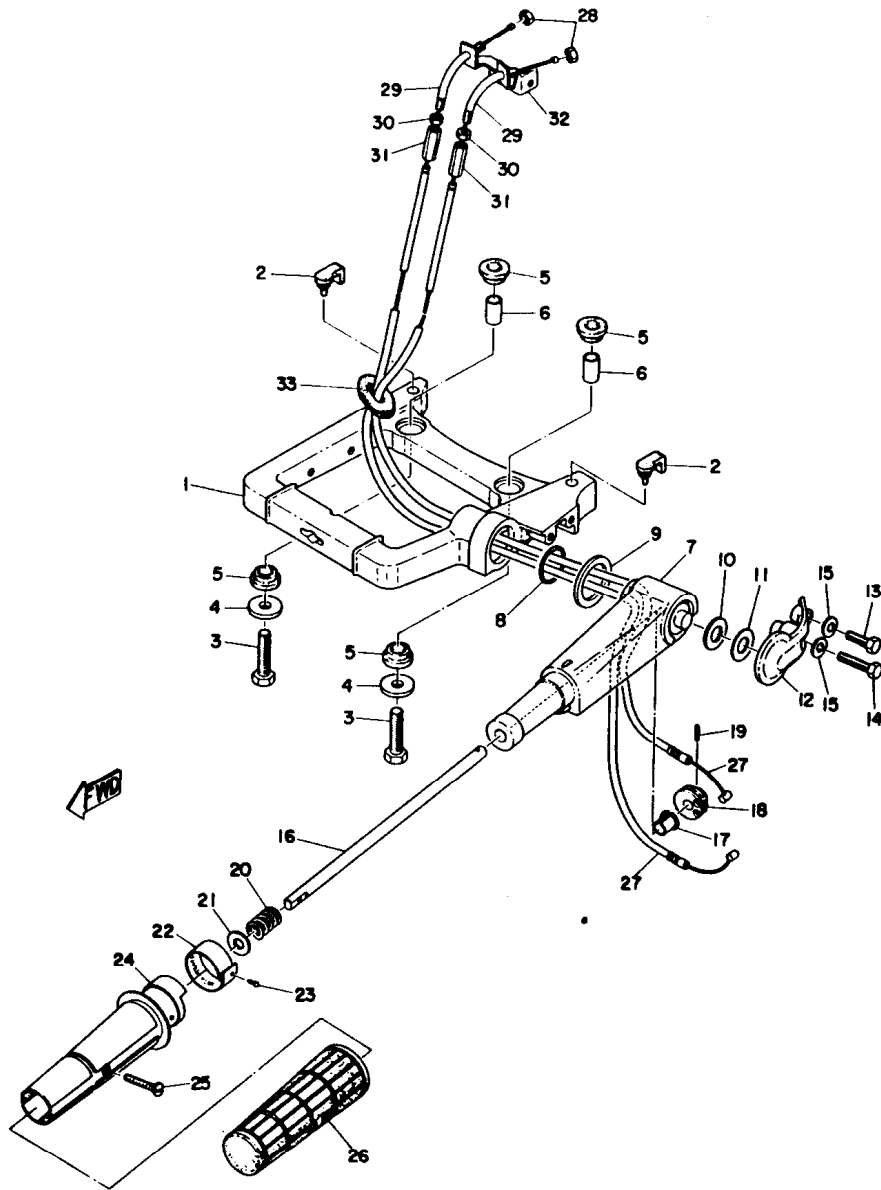
Fig. 10 TILT LOCK



TILT LOCK

Ref. No.	Parts No.	Description	Qty	Applicable Machine No.	Remarks
10- 1	647-43616-00	ROD, tilt lock 1 .....	1		
10- 2	647-43631-00	LEVER, tilt .....	1		
10- 3	90501-16104	SPRING (647-43642-00) .....	1		
10- 4	647-43180-09	TILT STOP LEVER ASS'Y .....	1		
10- 5	620-43632-00	. KNOB, tilt .....	1		
10- 6	620-43189-00	BUSHING .....	2		
10- 7	90508-16021	SPRING 1 (647-43188-00) .....	1		
10- 8	90508-16020	SPRING 2 (647-43198-00) .....	1		
10- 9	626-43313-00-F6	BRACKET, swivel 3 .....	1		Metallic Ocean Blue
10-10	620-43319-00	PLATE .....	1		
10-11	97370-06025	BOLT .....	2		
10-12	92990-06200	WASHER, plain .....	2		
10-13	647-43614-00	PLATE, tilt lock 1 .....	1		
10-14	647-43615-01	PLATE, tilt lock 2 .....	2		
10-15	647-43659-00	SHAFT, reverse lock .....	1		
10-16	90468-10003	PIN, hair (647-41235-00) .....	2		
10-17	90508-18022	SPRING (647-43657-00) .....	1		
10-18	647-43611-00	SHAFT, tilt lock .....	1		
10-19	90468-10005	PIN, hair (626-41235-00) .....	1		
10-20	90501-26147	SPRING (647-43656-00) .....	2		
	90501-26146	SPRING (647-43656-20) .....	2		UL, SUL
10-21	647-43627-01	STOPPER 1 .....	2		
10-22	647-43613-00	* ARM, tilt lock .....	2		

Fig. 11 STEERING

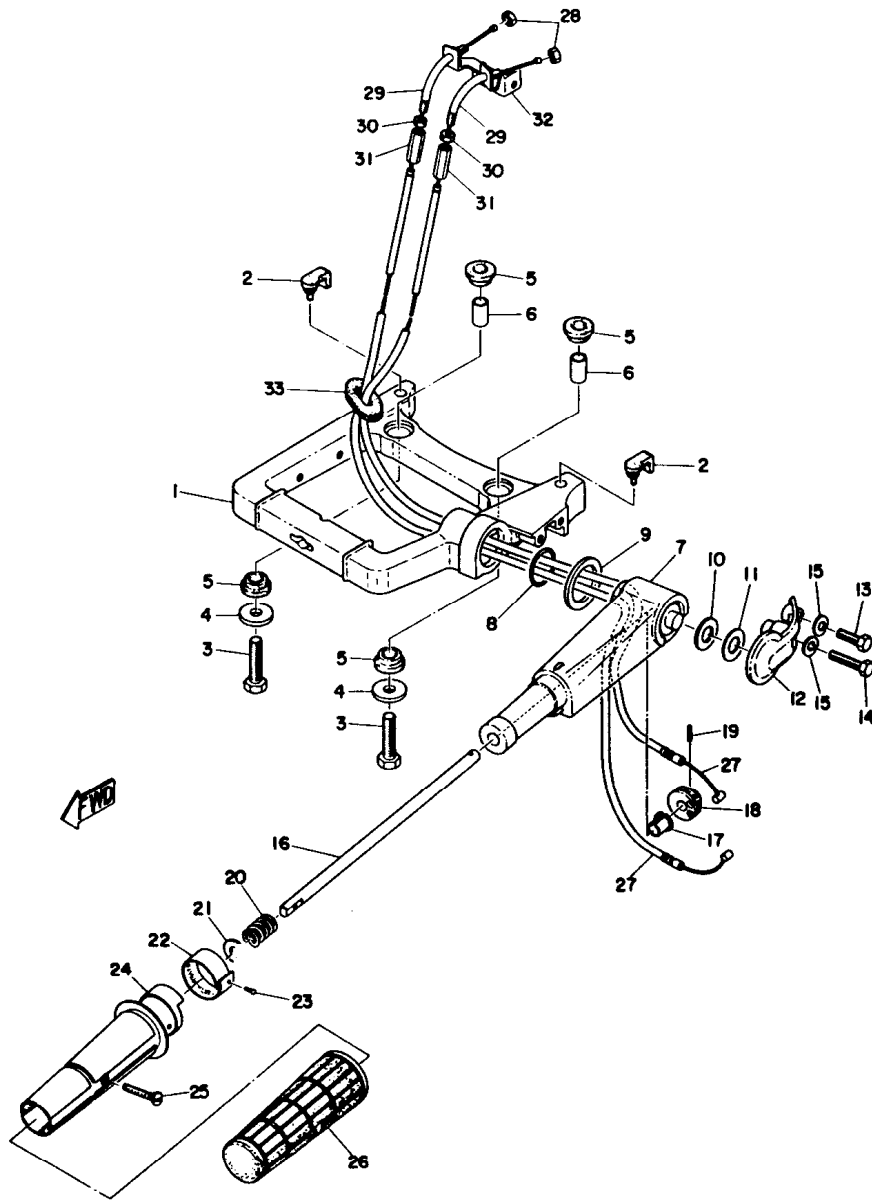


STEERING

Ref. No.	Parts No.	Description	Q'ty	Applicable Machine No.	Remarks
11- 1	655-42511-00-F6	BRACKET, steering	1		Metallic Ocean Blue
11- 2	647-42523-00	SPACER, friction	2		
11- 3	97370-08035	BOLT	2		
11- 4	90201-08309	WASHER, plate (647-42548-00)	2		
11- 5	647-42541-00	RUBBER 1	4		
11- 6	90443-11005	PIPE 1 (647-42542-00 8.1-18)	2		
11- 7	647-42111-00-F6	HANDLE, steering 1	1		Metallic Ocean Blue
11- 8	93210-25032	O-RING (3.0-24.5)	1		
11- 9	90560-30085	SPACER, handle 2 (647-42156-00)	1		
11-10	90560-12075	SPACER, handle 1 (647-42155-00)	1		
11-11	647-42157-00-05	SPACER, handle 3 (12.3-26-0.5)	1	U. R.	
	647-42157-00-06	SPACER, handle 3 (12.3-26-0.6)			
	647-42157-00-07	SPACER, handle 3 (12.3-26-0.7)			
	647-42157-00-08	SPACER, handle 3 (12.3-26-0.8)			
11-12	655-42112-00-F6	HANDLE, steering 2	1		Metallic Ocean Blue
11-13	97370-06020	BOLT	1		
11-14	97370-06035	BOLT	1		
11-15	92990-06100	WASHER, spring	2		
11-16	655-42115-00	SHAFT, steering handle	1		
11-17	90386-08032	BUSHING	2		
11-18	647-42138-00	LEVER, throttle	1		
11-19	91690-30012	PIN, spring	1		
11-20	90501-23215	SPRING, compression	1		
11-21	92990-10200	WASHER, plain	1		
11-22	647-42137-01	INDICATOR, throttle	1		
11-23	90269-02001	RIVET (604-42179-00)	1		
11-24	647-42119-01	GRIP, steering handle	1		
11-25	98180-05025	SCREW, ovalhead	1		
11-26	647-42177-00	RUBBER, handle 1	1		

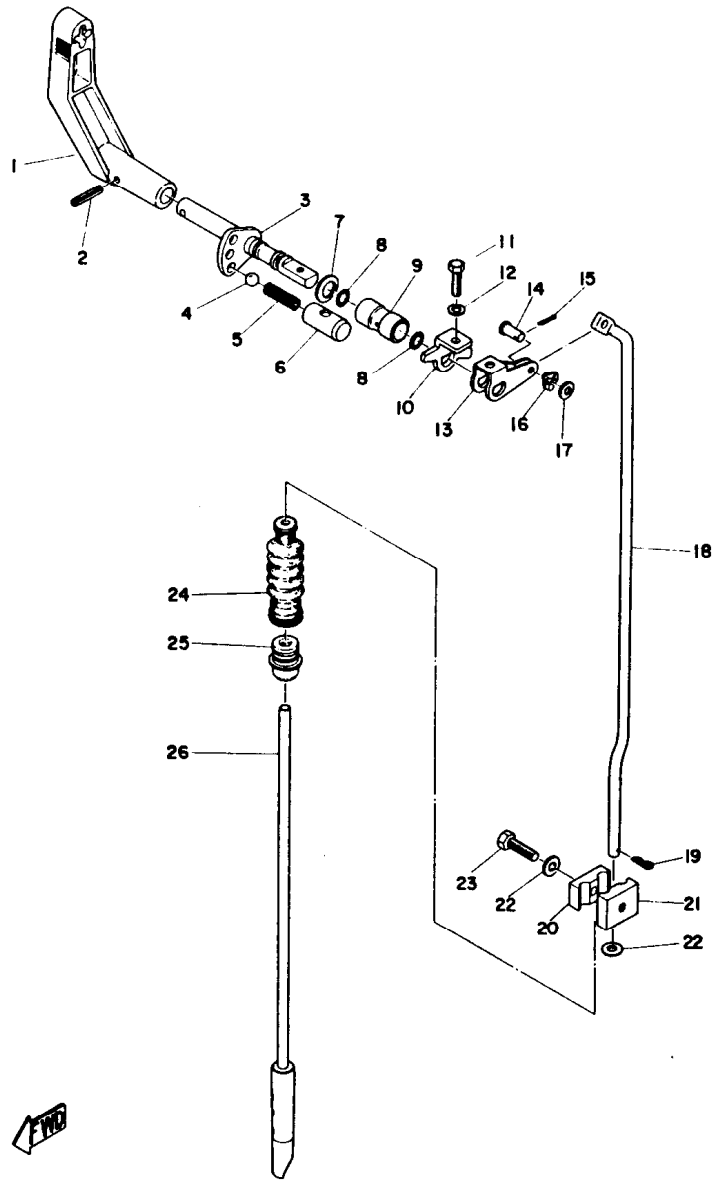
Fig. 11 STEERING

STEERING



Ref. No.	Parts No.	Description	Qty	Applicable Machine No.	Remarks
11-27	655-26301-01	WIRE THROTTLE ASS'Y	2		
11-28	647-26322-00	. NUT, adjusting	2		
11-29	647-26315-00	. GUIDE, wire	1		
11-30	647-26319-00	. NUT, cable guide	1		
11-31	647-26323-00	. NUT, adjusting	1		
11-32	655-14497-01	STAY, throttle wire	1		
11-33	90480-01048	GROMMET (647-26326-00)	1		

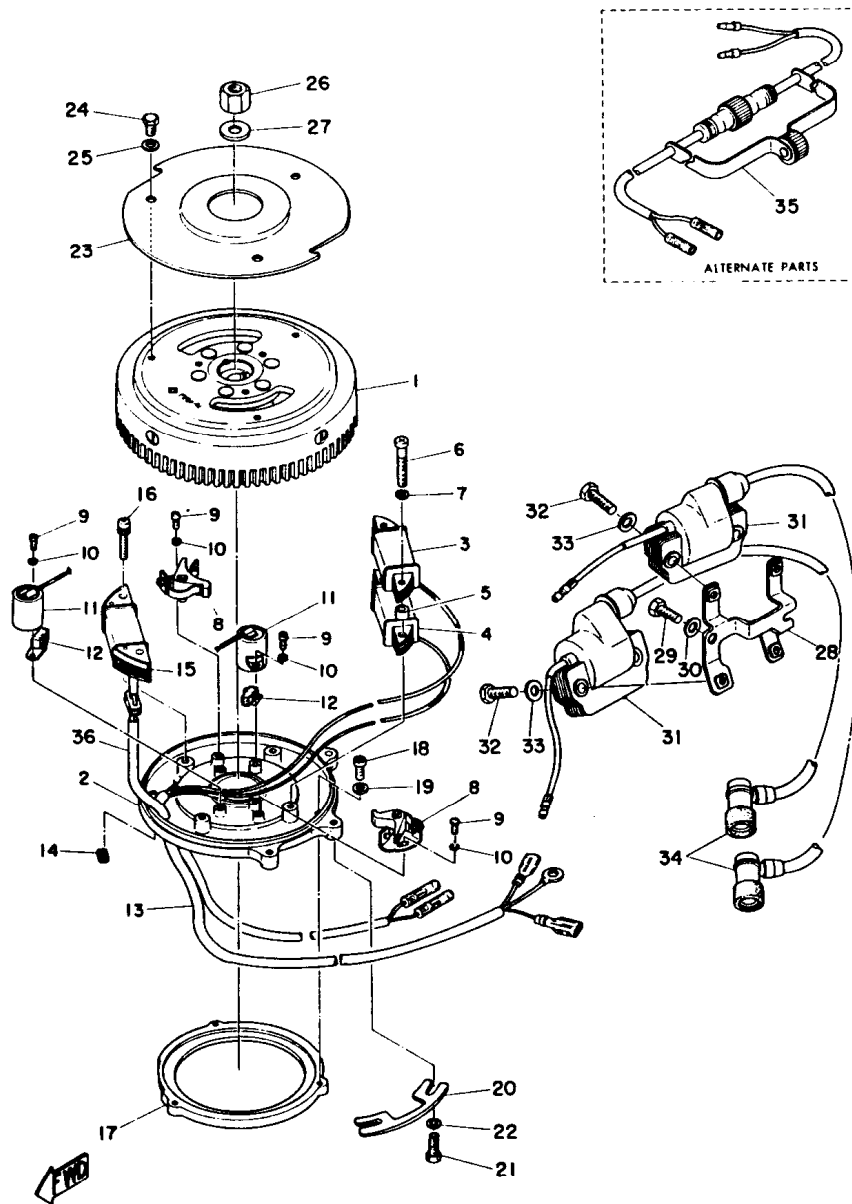
Fig. 12 GEAR SHIFT



GEAR SHIFT

Ref. No.	Parts No.	Description	Q'ty	Applicable Machine No.	Remarks
12- 1	655-44111-02-F6	HANDLE, gear shift	1		Metallic Ocean Blue
	655-44111-80-F6	HANDLE, gear shift	1		Metallic Ocean Blue For EUROPE
12- 2	91690-40016	PIN, spring	1		
12- 3	655-44119-00	SHIFT, change	1		
12- 4	93505-16006	BALL, steel (5/16 inch)	1		
12- 5	90501-12274	SPRING (655-44116-00)	1		
12- 6	655-42715-00	BUSHING 2	1		
12- 7	90202-10044	WASHER, plate (10.3-18-1.0)	1		
12- 8	93210-07003	O-RING (1.9-6.8)	2		
12- 9	655-44122-01	BUSHING, shift rod lever	1		
12-10	655-44113-00	CAM PLATE, handle	1		
12-11	97370-05020	BOLT	1		
12-12	92990-05100	WASHER, spring	1		
12-13	655-44121-00	LEVER, shift rod 1	1		
12-14	90240-05038	JOINT (647-44142-00)	1		
12-15	91490-16010	PIN, cotter	1		
12-16	90206-05005	WASHER, wave (626-41671-00)	1		
12-17	92990-05200	WASHER, plain	1		
12-18	647-44143-00	ROD, shift	1		
12-19	90468-10003	PIN, hair 1 (647-41235-00)	1		
12-20	616-44145-01	CONNECTOR, shift rod 1	1		
12-21	616-44146-01	CONNECTOR, shift rod 2	1		
12-22	92900-06200	WASHER, plain	2		
12-23	97370-06020	BOLT	1		
12-24	647-44147-00	BOOT, shift rod	1		
12-25	647-44152-00	BUSHING, shift cam	1		
12-26	655-44150-00	SHIFT CAM ASS'Y	1		
	655-44150-10	SHIFT CAM ASS'Y	1		L
	655-44150-20	SHIFT CAM ASS'Y	1		UL
	655-44150-30	SHIFT CAM ASS'Y	1		SUL

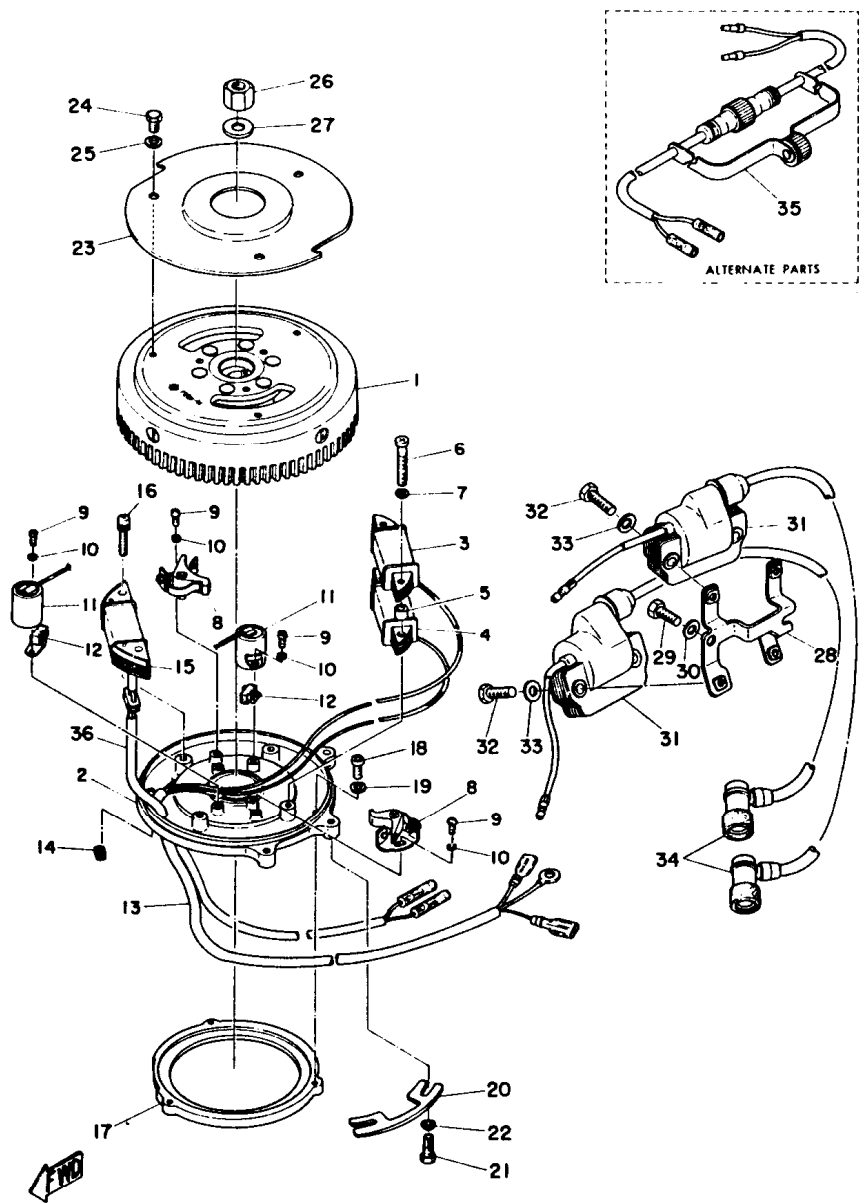
Fig. 13 FLYWHEEL MAGNETO



FLYWHEEL MAGNETO

Ref. No.	Parts No.	Description	Q'ty	Applicable Machine No.	Remarks
13- 0-1	647-81300-60	FLYWHEEL MAGNETO ASS'Y	1		
13- 1	647-81350-10	. ROTOR ASS'Y	1		
13- 2	647-81309-11	. BASE, magneto	1		Not for sale
13- 3	647-81311-10	. COIL, ignition 1	1		
13- 4	647-81312-10	. COIL, ignition 2	1		
13- 5	647-81318-10	. TUBE	2		
13- 6	647-81323-10	. SCREW 1	2		
13- 7	92901-05100	. WASHER, spring	2		
13- 8	650-81321-10	. CONTACT BREAKER ASS'Y	2		
13- 9	165-81145-21	. SCREW, panhead (4-8)	4		
13-10	92901-04100	. WASHER, spring	4		
13-11	647-81325-11	. CONDENSER	2		
13-12	207-81331-10	. LUBRICATOR	2		
13-13	647-81315-11	. LEAD WIRE ASS'Y	1		
13-14	647-81336-10	. GROMMET	1		
13-15	647-81313-41	. COIL, lighting	1		
13-16	647-81324-10	. SCREW 2	2		
13-17	647-41611-00-94	RETAINER, magneto base 1	1		
13-18	98303-05012	SCREW, cylinderhead	3		
13-19	92903-05100	WASHER, spring	3		
13-20	647-41616-00	STOPPER, magneto base 2	1		
13-21	91103-06015	BOLT	2		
13-22	92903-06200	WASHER, plain	2		
13-23	647-81362-00	COVER, hole 1	1		
13-24	97323-06010	BOLT	3		
13-25	92903-06200	WASHER, plain	3		
13-26	90170-10048	NUT, crank shaft (647-11555-00)	1		
13-27	90201-10126	WASHER 1 (647-11557-00)	1		
13-28	655-82316-01	BRACKET, ignition coil	1		

Fig. 13 FLYWHEEL MAGNETO

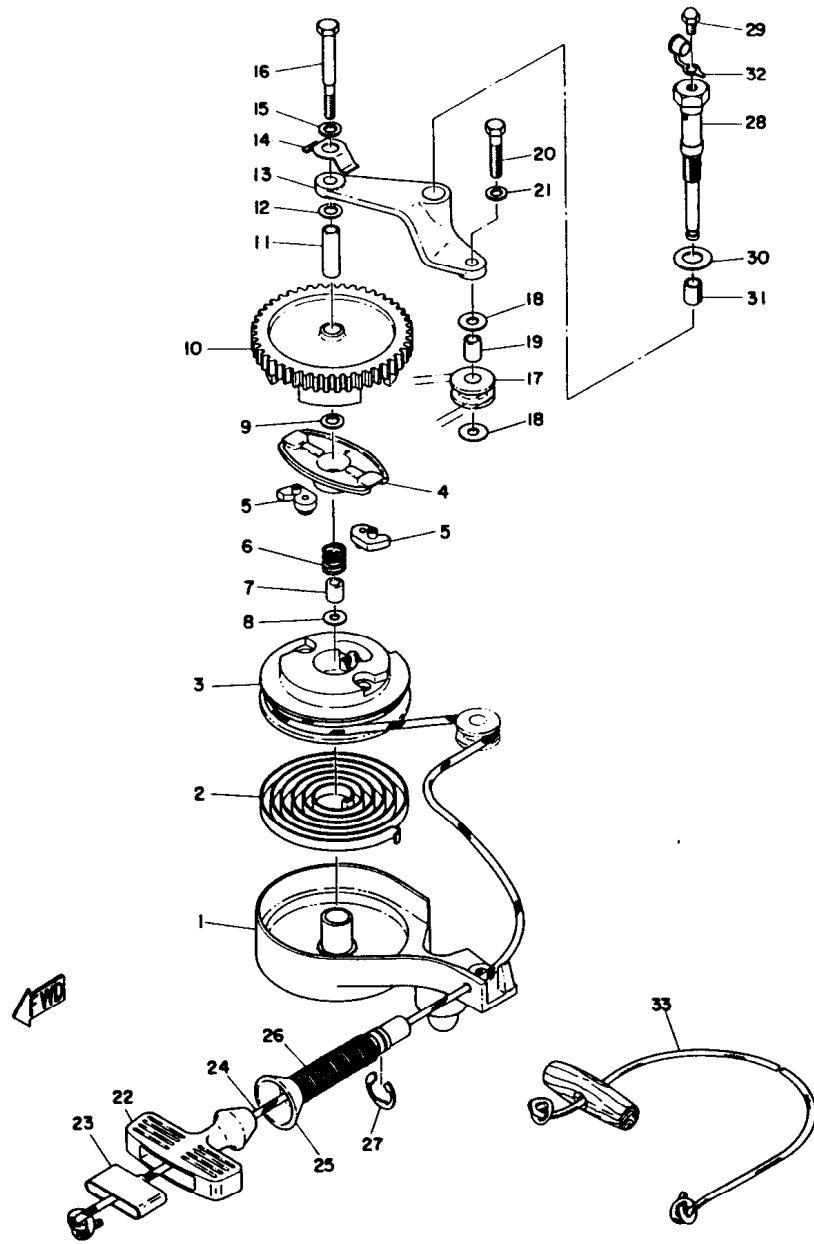


FLYWHEEL MAGNETO

Ref. No.	Parts No.	Description	Qty	Applicable Machine No.	Remarks
13-29	97323-06018	BOLT	1		
13-30	92903-06200	WASHER, plain	1		
13-31	655-82310-10	IGNITION COIL ASS'Y	2		
13-32	91103-06025	BOLT	4		
13-33	92903-06200	WASHER, plain	4		
13-34	624-82370-00	PLUG CAP ASS'Y	2		
	638-82370-00	PLUG CAP ASS'Y	2		Alternate Part
	650-82370-00	PLUG CAP ASS'Y	2		Alternate Part- Noise Suppress
13-35	616-84380-30	CONCENT 2P ASS'Y	1		Alternate Part
13-36	648-81315-00	WIRE, lead 1	1		Alternate Part



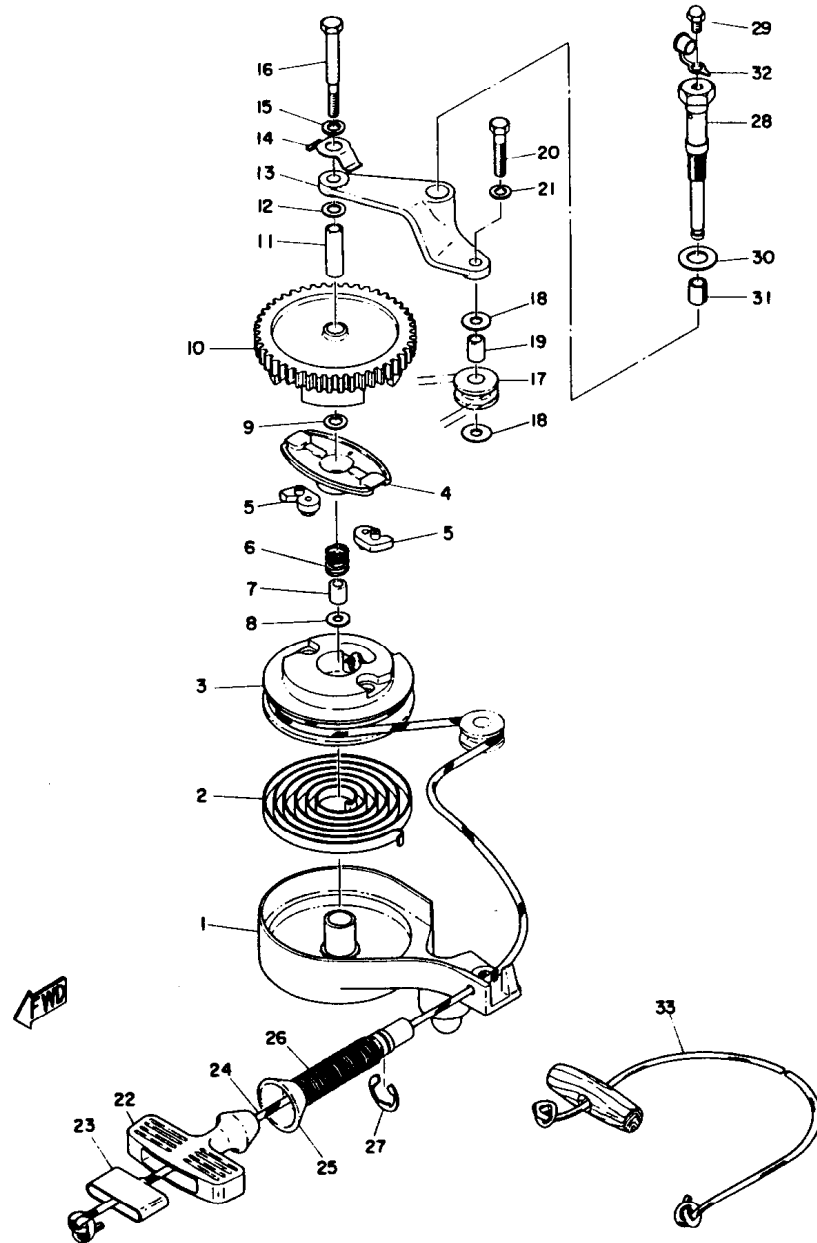
Fig. 14 STARTER



STARTER

Ref. No.	Parts No.	Description	Q'ty	Applicable Machine No.	Remarks
14- 0-1	647-15710-01	STARTER ASS'Y	1		
14- 1	647-15711-00	. CASE, starter	1		
14- 2	647-15713-00	. SPRING, starter	1		
14- 3	647-15714-00	. DRUM, sheave	1		
14- 4	647-15716-00	. DRIVE, plate	1		
14- 5	647-15741-00	. PAWL, drive	2		
14- 6	647-15715-00	. SPRING, drive plate	1		
14- 7	647-15765-00	. COLLAR 2	1		
14- 8	92901-05200	. WASHER, plain	1		
14- 9	647-15726-00	. WASHER, flat 1	1		
14-10	647-15723-01	. PULLEY, starter	1		
14-11	647-15718-00	. COLLAR, distance	1		
14-12	647-15739-00	. WASHER, thrust 2(7.2-12-1.2)	1		
14-13	647-15712-00	. COVER, starter case	1		
14-14	647-15732-00	. WASHER, wave	1		
14-15	92901-08100	. WASHER, spring	1		
14-16	647-15717-00	. SHAFT	1		
14-17	647-15752-00	. ROLLER, wire	1		
14-18	92901-06200	. WASHER, plain	2		
14-19	647-15764-00	. COLLAR 1	1		
14-20	91292-06035	. BOLT	1		
14-21	92901-06100	. WASHER, spring	1		
14-22	619-15755-01	. HANDLE, starter	1		
14-23	619-15756-00	. CONNECTOR 1	1		
14-24	615-15751-00	. WIRE, starter	1		
14-25	647-15758-00	GUIDE, wire	1		
14-26	90501-08045	SPRING (647-15767-00)	1		
14-27	93430-12008	CIRCLIP (E-12)	1		
14-28	647-15768-00	BOLT	1		

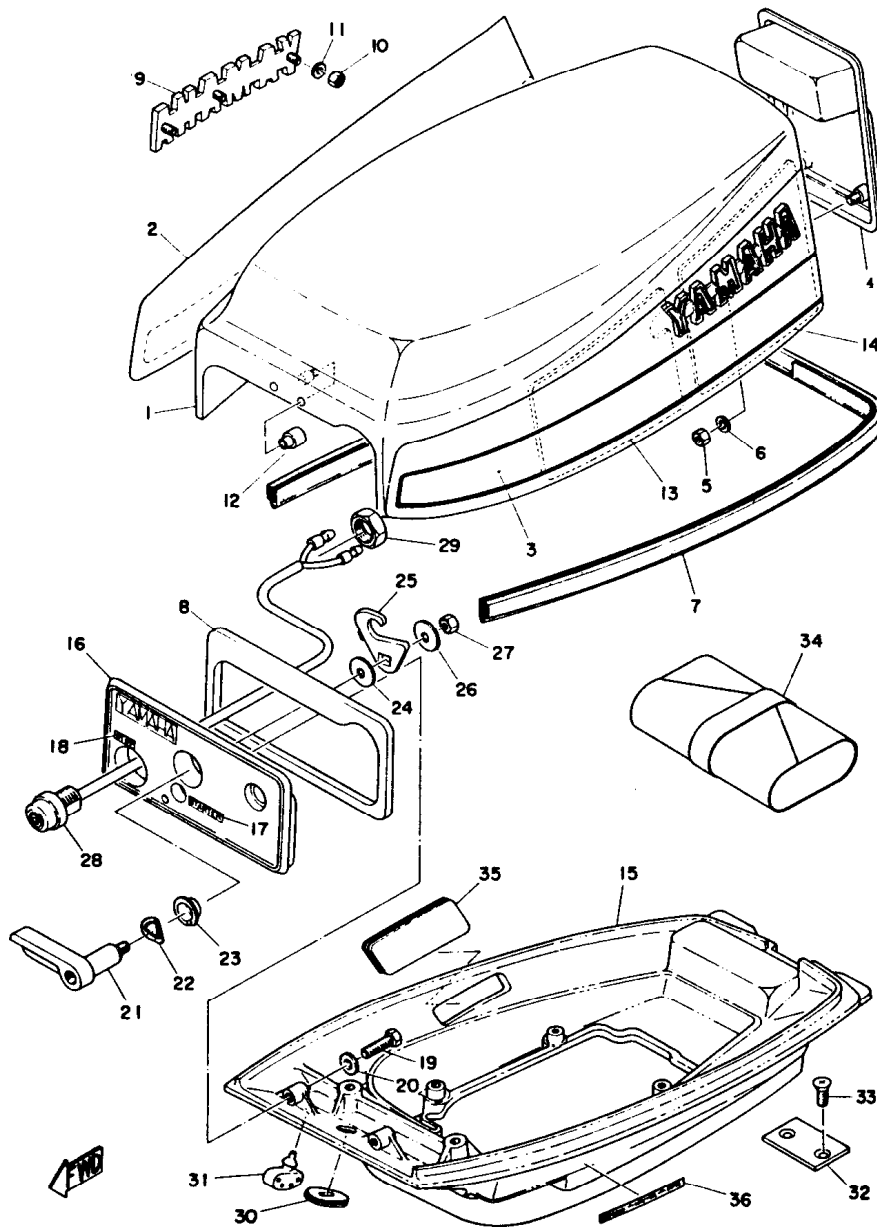
Fig. 14 STARTER



STARTER

Ref. No.	Parts No.	Description	Q'ty	Applicable Machine No.	Remarks
14-29	93700-06004	NIPPLE, grease .....	1		
14-30	647-15719-01-10	WASHER, thrust (10.2-20-1.0)	}		U.R
	647-15719-01-20	WASHER, thrust (10.2-20-2.0)			
14-31	90386-07005	BUSHING 1 (647-15753-00) ....	1		
14-32	626-45119-00	CAP, grease nipple .....	1		
14-33	647-15780-00	EMERGENC. STARTER ASS'Y	1		

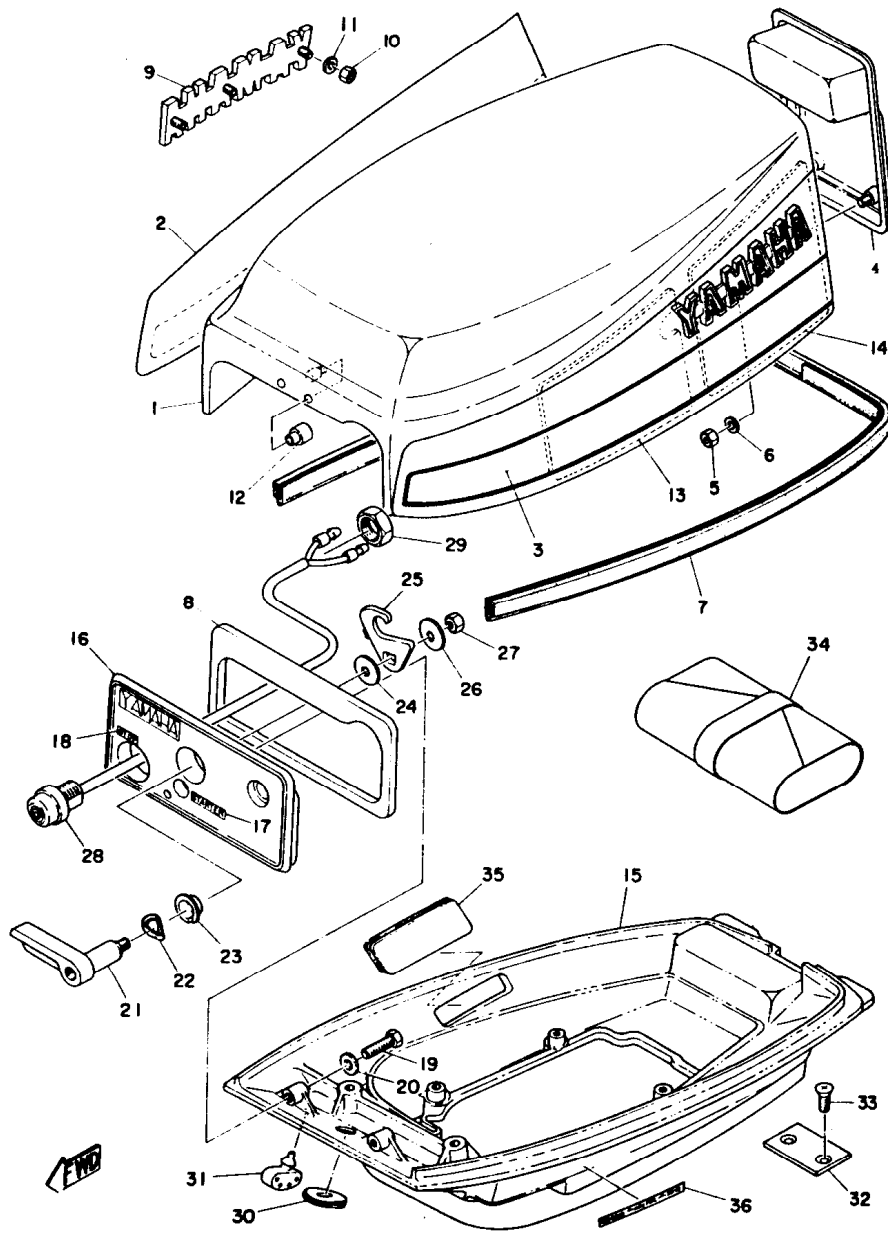
Fig. 15 COWLING



COWLING

Ref. No.	Parts No.	Description	Qty	Applicable Machine No.	Remarks
15- 1	655-42610-63-F6	TOP COWLING ASS'Y	1		Metallic Ocean Blue
	655-42610-80-F6	TOP COWLING ASS'Y	1		Metallic Ocean Blue For EUROPE
15- 2	655-42675-00	GRAPHIC, side 1	1		
15- 3	655-42676-00	GRAPHIC, side 2	1		
15- 4	647-42687-60	EMBLEM, rear	1		
15- 5	95303-05600	NUT, hexagon	4		
15- 6	92903-05200	WASHER	4		
15- 7	655-42716-03	RUBBER, seal	1		
15- 8	647-42717-02	RUBBER, seal 2	1		
15- 9	650-42681-00	MARK, cowling 1	2		
15-10	90183-05003	NUT, speed (650-42691-00)	6		
15-11	650-42693-00	DAMPER, emblem	6		
15-12	626-42658-00	BUSHING	1		
15-13	655-42662-01	DAMPER 1	2		For EUROPE
15-14	655-42663-01	DAMPER 2	2		For EUROPE
15-15	655-42711-02-F6	COWLING, bottom	1		Metallic Ocean Blue
15-16	647-42614-03-33	PANEL, front upper	1		Yamaha Black
15-17	647-24155-00	INDICATOR, choke	1		
15-18	647-82562-00	INDICATOR, stop switch	1		
15-19	97323-06025	BOLT	2		
15-20	92903-06600	WASHER, plain	2		
15-21	647-42815-01-33	LEVER, clamp 1	1		Yamaha Black
15-22	90206-13019	WASHER, wave (626-42832-00)	1		
15-23	90386-13057	BUSHING, lever (647-42831-00)	2		
15-24	90201-13201	WASHER, plain (647-42833-00)	1		
15-25	647-42816-00	LEVER, clamp 2	1		
15-26	90201-06068	WASHER, plain (620-24576-00)	1		
15-27	95303-06700	NUT	1		
15-28	647-82550-01	STOP SWITCH ASS'Y	1		

Fig. 15 COWLING

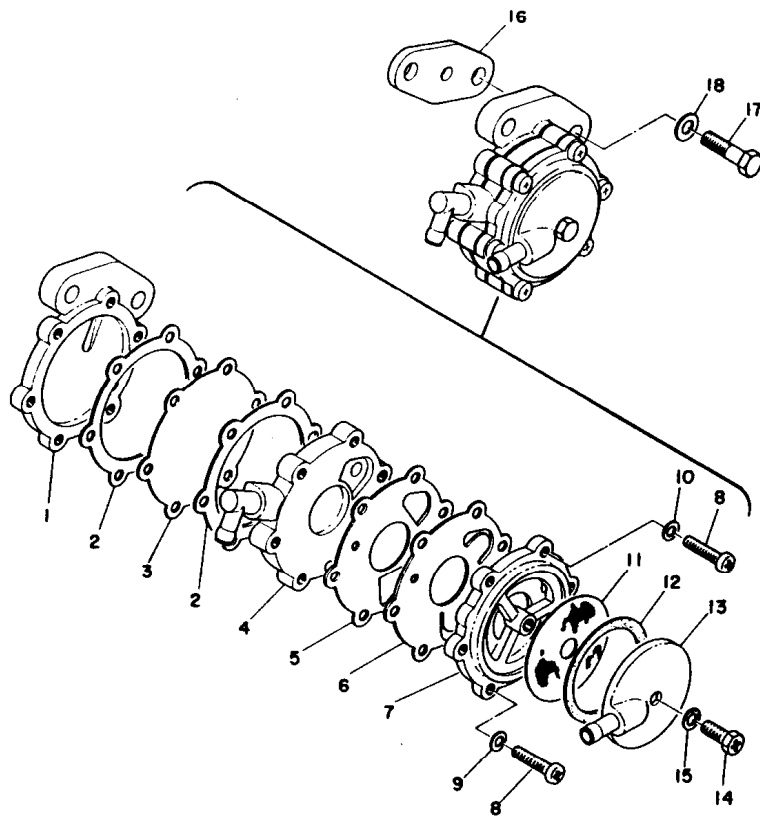


COWLING

Ref. No.	Parts No.	Description	Qty	Applicable Machine No.	Remarks
15-29	90170-16077	NUT (647-82557-00)	1		
15-30	647-42725-00	GROMMET 2	1		
15-31	606-42591-00	HOLDER, shear pin	1		
15-32	655-42723-00	COVER, bottom	1		
15-33	92180-06015	SCREW, ovalhead	2		
15-34	646-28100-61	TOOL ASS'Y	1		
15-35	647-42726-60	GROMMET 3	1		Alternate Parts
15-36	648-44191-01	INDICATOR, shift	1		

Fig. 16 FUEL PUMP

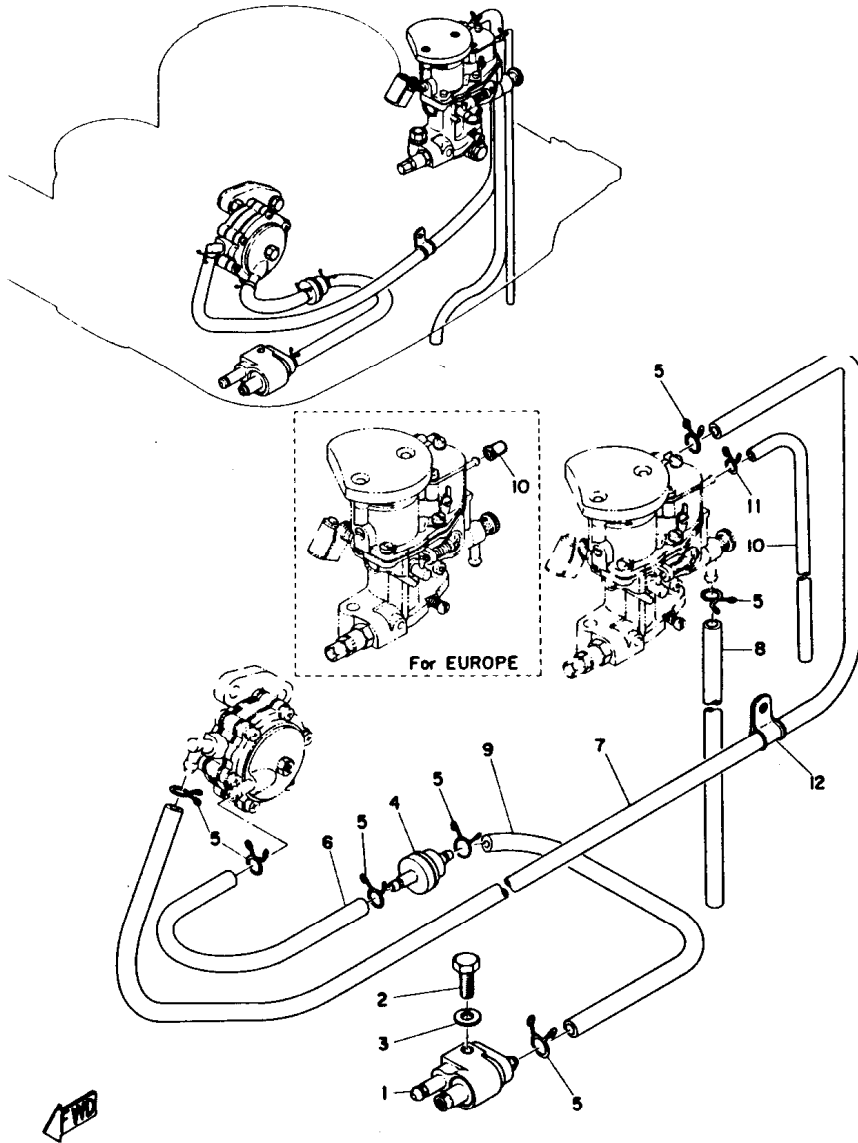
FUEL PUMP



Ref. No.	Parts No.	Description	Q'ty	Applicable Machine No.	Remarks
16- 0-1	647-24410-00	FUEL PUMP ASS'Y	1		
16- 1	647-24412-00	. BODY 1	1		Not for sale
16- 2	801-24434-00	. GASKET, body 1	2		
16- 3	626-24411-00	. DIAPHRAGM	1		
16- 4	801-24413-00	. BODY 2	1		Not for sale
16- 5	626-24421-00	. VALVE, check	1		
16- 6	801-24435-00	. GASKET, body 2	1		
16- 7	802-24414-00	. BODY 3	1		Not for sale
16- 8	98503-04018	. SCREW, panhead	6		
16- 9	92990-04100	. WASHER, spring	5		
16-10	801-24438-00	. GASKET, body 5	1		
16-11	801-24451-00	. NET, filter	1		
16-12	801-24436-00	. GASKET, body 3	1		
16-13	801-24415-00	. BODY 4	1		Not for sale
16-14	802-24444-00	. SCREW	1		
16-15	801-24437-00	. GASKET, body 4	1		
16-16	801-24431-00	GASKET, fuel pump	1		
16-17	97323-06020	BOLT	2		
16-18	92903-06200	WASHER, plain	2		



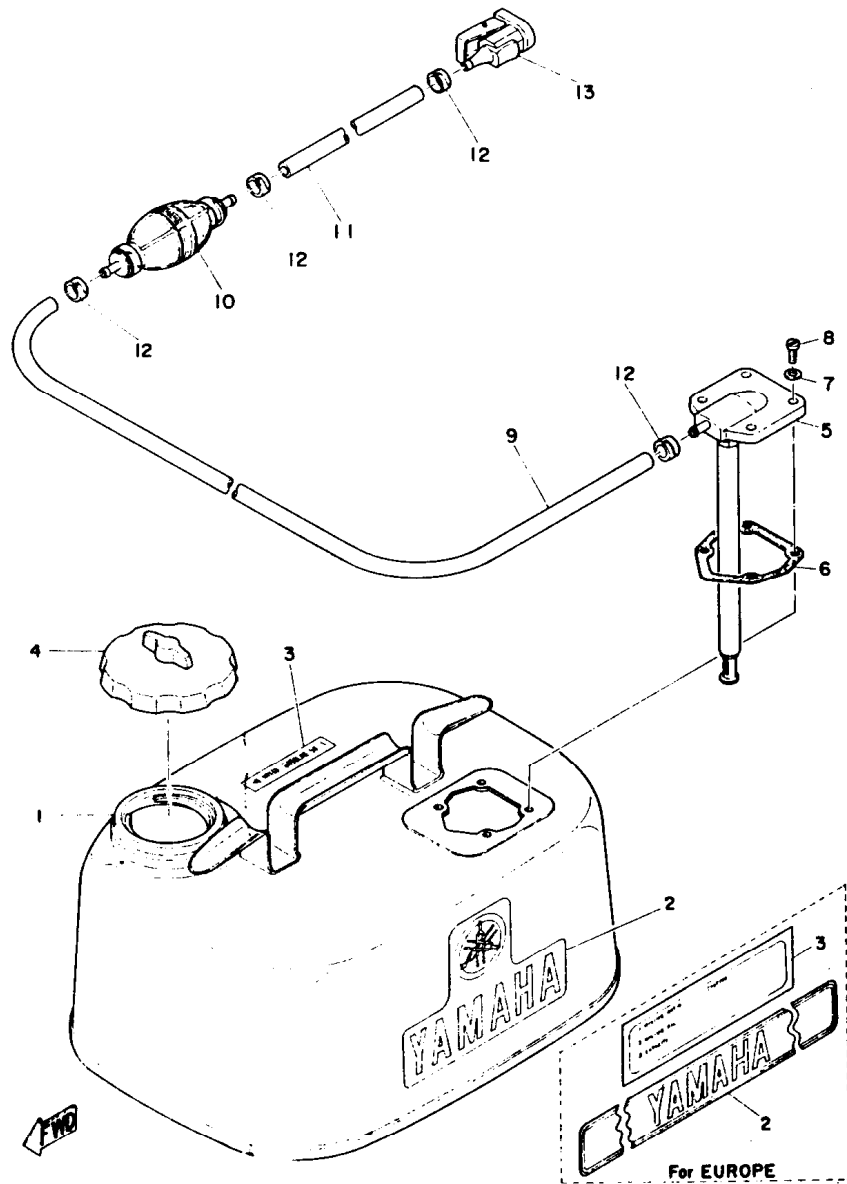
Fig. 17 PIPING



PIPING

Ref. No.	Parts No.	Description	Q'ty	Applicable Machine No.	Remarks
17- 1	655-24304-00	FUEL PIPE JOINT COMP. 1	1		
17- 2	97323-06015	BOLT	1		
17- 3	92903-06200	WASHER, plain	1		
17- 4	646-24251-01	STRAINER	1		
17- 5	90467-08002	CLIP, pipe (647-24356-00)	7		
17- 6	90445-09082	HOSE (647-24313-00 5-150)	1		
17- 7	90445-09114	HOSE (647-24314-00 5-500)	1		
17- 8	90445-09265	HOSE (646-24313-01 5-170)	1		
17- 9	90445-09063	HOSE (630-24313-00 5-80)	1		
17-10	90445-05032	PIPE, over flow pipe (647-14196-00)	1		
	647-14395-60	CAP, over flow pipe	1		For EUROPE
17-11	90467-05001	CLIP (615-14159-00)	1		
17-12	90461-04011	CLAMP, cord (620-82361-00)	1		

Fig. 18 FUEL TANK



FUEL TANK

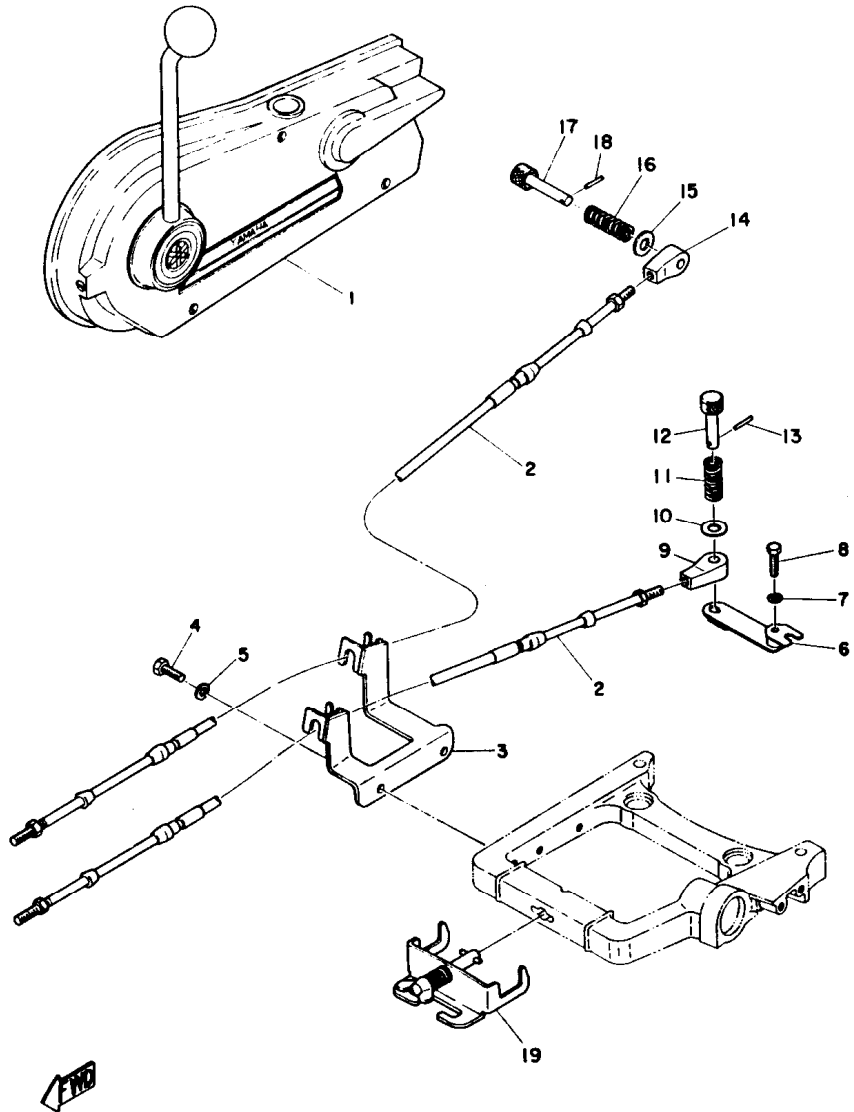
Ref. No.	Parts No.	Description	Qty	Applicable Machine No.	Remarks
18- 1	655-24201-02-24	FUEL TANK COMP. ....	1		Light Vermillion
	655-24201-80-24	FUEL TANK COMP. ....	1		Light Vermillion For EUROPE
18- 2	655-24244-01	. GRAPHIC, side .....	2		
	655-24244-80	. GRAPHIC, side .....	2		For EUROPE
18- 3	656-24245-00	. GRAPHIC .....	1		
	655-24245-80	. GRAPHIC .....	1		For EUROPE
18- 4	647-24610-01	CAP ASS'Y .....	1		
18- 5	655-24275-00	METER FUEL COMP. ....	1		
18- 6	663-24268-00	GASKET, housing fuel meter	1		
18- 7	630-24329-00	SEAL (5.5-10-1) .....	4		
18- 8	98380-05018	SCREW, cylinderhead .....	4		
18- 9	90445-12156	PIPE I (6-1500) .....	1		
18-10	650-24360-00	PRIMARY PUMP ASS'Y .....	1		
18-11	90445-12155	HOSE (6-1000) .....	1		
18-12	650-24351-00	BAND, fuel pipe I .....	4		
18-13	655-24305-00	FUEL PIPE JOINT COMP. 2	1		

# ALTERNATE PARTS





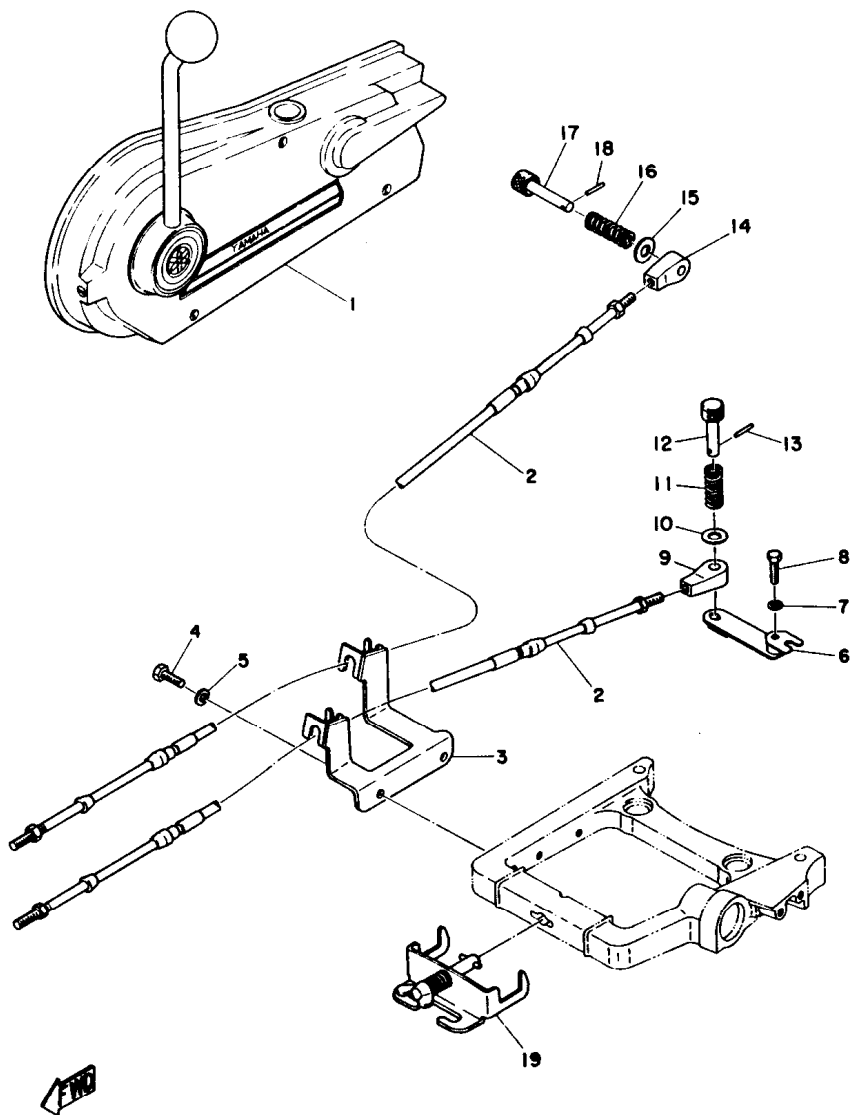
Fig. 19 REMOTE CONTROL



REMOTE CONTROL

Ref. No.	Parts No.	Description	Q'ty	Applicable Machine No.	Remarks
19- 1	701-48110-10	REMOTE CONTROL ASS'Y 1	1		Single
	701-48110-20	REMOTE CONTROL ASS'Y 2	1		Twin
	701-48110-30	REMOTE CONTROL ASS'Y 3	1		Double
	701-48110-80	REMOTE CONTROL ASS'Y 8	1		Twin
19- 2	701-48310-10	CABLE, remote control 6F .....	2		6 feet
	701-48310-20	CABLE, remote control 7F .....	2		7 feet
	701-48310-40	CABLE, remote control 8F .....	2		8 feet
	701-48310-60	CABLE, remote control 9F .....	2		9 feet
	701-48310-90	CABLE, remote control 11F .....	2		11 feet
	701-48320-00	CABLE, remote control 12F .....	2		12 feet
	701-48320-20	CABLE, remote control 13F .....	2		13 feet
	701-48320-30	CABLE, remote control 14F .....	2		14 feet
	701-48320-50	CABLE, remote control 15F .....	2		15 feet
	701-48320-60	CABLE, remote control 16F .....	2		16 feet
	701-48320-80	CABLE, remote control 17F .....	2		17 feet
	701-48320-90	CABLE, remote control 18F .....	2		18 feet
19- 0-1	655-48501-01	ATTACHMENT ASS'Y .....	1		
19- 3	655-48531-51	BRACKET, remote control 1	1		
	647-48531-50	BRACKET, remote control 1	1		Alternate Parts For EUROPE
19- 4	97370-06018	BOLT .....	2		
19- 5	92990-06200	WASHER, plain .....	2		
19- 6	647-48534-50	THROTTLE LEVER CONTROL	1		
19- 7	92990-05200	WASHER, plain .....	1		
19- 8	97370-05020	BOLT .....	1		
19- 9	647-48346-50	CABLE END, remote control	1		Throttle
19-10	92902-08200	WASHER, plain .....	1		
19-11	90501-10071	SPRING, cable hook (604-48332-00)	1		
19-12	617-48361-90	HOOK, cable 2 .....	1		
19-13	91690-30012	PIN, spring .....	1		

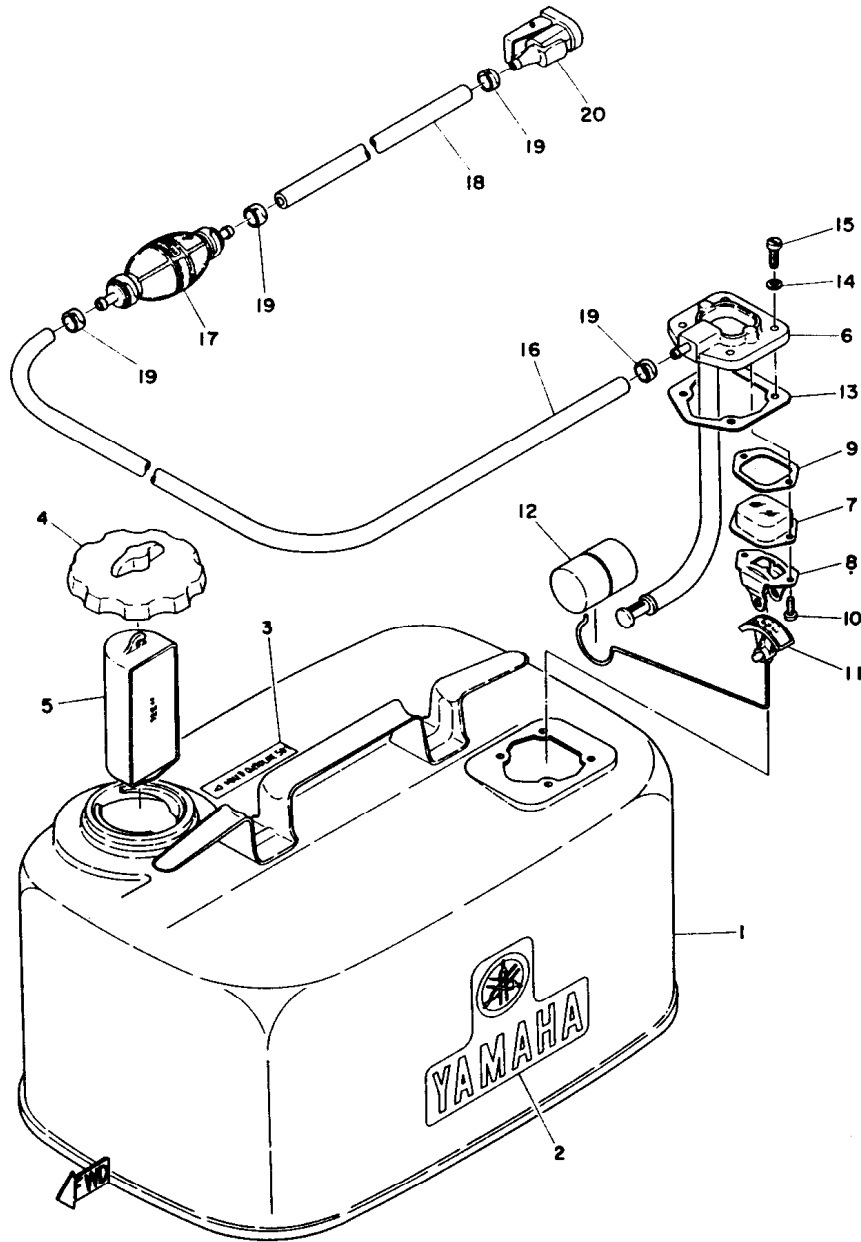
Fig. 19 REMOTE CONTROL



REMOTE CONTROL

Ref. No.	Parts No.	Description	Qty	Applicable Machine No.	Remarks
19-14	617-48346-90	CABLE END, remote control	1		Shift
19-15	92902-08200	WASHER, plain	1		
19-16	90501-10264	SPRING, cable hook (617-48332-90)	1		
19-17	617-48331-90	HOOK, cable	1		
19-18	91690-30012	PIN, spring	1		
19-19	700-48510-11	STEERING HOOK ASS'Y	1		

Fig. 20 FUEL TANK



FUEL TANK

Ref. No.	Parts No.	Description	Q'ty	Applicable Machine No.	Remarks
20- 1	656-24201-01-24	FUEL TANK COMP. ....	1		Light Vermilion
20- 2	656-24244-01	. GRAPHIC, side .....	2		
20- 3	656-24245-00	. GRAPHIC .....	1		
20- 4	647-24610-01	CAP ASS'Y .....	1		
20- 5	652-24277-00	CUP, oil .....	1		
20- 6	656-24275-01	METER FUEL COMP. ....	1		
20- 7	630-24263-01	LENS, indicator .....	1		
20- 8	630-24262-01	SUPPORT, indicator .....	1		
20- 9	630-24269-01	GASKET, support indicator ....	1		
20-10	98303-05010	SCREW, cylinderhead .....	2		
20-11	663-24241-00	INDICATOR .....	1		
20-12	663-24264-00	FLOAT .....	1		
20-13	663-24268-00	GASKET, housing fuel meter ....	1		
20-14	630-24329-00	SEAL (5.5-10-1) .....	4		
20-15	98380-05018	SCREW, cylinderhead .....	4		
20-16	90445-12207	HOSE (6-2400) .....	1		
20-17	650-24360-00	PRIMARY PUMP ASS'Y .....	1		
20-18	90445-12155	HOSE (6-1000) .....	1		
20-19	650-24351-00	BAND, fuel pipe 1 .....	4		
20-20	655-24305-00	FUEL PIPE JOINT COMP. 2 .....	1		

# NUMERICAL INDEX



NUMERICAL INDEX

NUMERICAL INDEX

Ref No.	Parts No.	Ref No.	Parts No.	Ref No.	Parts No.
2-15	122-11633-00	7-26	626-45577-00-04	4- 8	647-14341-00
2-16	132-11634-00	7-26	626-45577-00-05	4- 1	647-14342-25
13- 9	165-81145-21	20- 8	630-24262-01	4- 5	647-14343-43
13-12	207-81331-10	20- 7	630-24263-01	4- 5	647-14343-45
15-29	606-42591-00	20- 9	630-24269-01	4-34	647-14344-35
14-24	615-15751-00	18- 7	630-24329-00	4- 9	647-14345-00
9-34	616-43118-00-F6	20-14	630-24329-00	4- 4	647-14351-00
9-11	616-43372-00-F6	13-34	638-82370-00	4-19	647-14371-01
12-20	616-44145-01	17- 4	646-24251-01	4-30	647-14373-00
12-21	616-44146-01	15-32	646-28100-61	4-21	647-14374-00
6-25	616-45251-30	2- 1	647-11412-00	4-18	647-14384-00
6-26	616-45252-30	2- 2	647-11422-00	4-16	647-14385-00
13-35	616-84380-30	2- 3	647-11432-00	4-17	647-14386-00
19-17	617-48331-90	2- 4	647-11442-00	4-15	647-14387-00
19-14	617-48346-90	2-17	647-11561-00-02	4- 7	647-14395-60
19-12	617-48361-90	2-17	647-11561-00-03	17-10	647-14395-60
14-22	619-15755-01	2-17	647-11561-00-05	14- 0-1	647-15710-01
14-23	619-15756-00	2-14	647-11610-00	14- 1	647-15711-00
9-19	620-43111-00-F6	2-14	647-11610-10	14-13	647-15712-00
9-20	620-43112-00-F6	2-14	647-11610-20	14- 2	647-15713-00
10- 6	620-43189-00	2-13	647-11631-00-97	14- 3	647-15714-00
10-10	620-43319-00	2-13	647-11631-00-98	14- 6	647-15715-00
10- 5	620-43632-00	2-13	647-11635-00	14- 4	647-15716-00
1-33	624-11370-00	2-13	647-11636-00	14-16	647-15717-00
1-32	624-14485-00	2- 5	647-11651-00	14-11	647-15718-00
7-14	624-45567-00-03	3- 3	647-13621-00	14-30	647-15719-01-10
7-14	624-45567-00-05	3- 5	647-13643-00-94	14-30	647-15719-01-20
13-34	624-82370-00	3-11	647-13645-00	14-10	647-15723-01
4- 6	626-14398-00	3-12	647-13646-01	14- 9	647-15726-00
16- 3	626-24411-00	4-23	647-14124-00	14-14	647-15732-00
16- 5	626-24421-00	4-11	647-14157-00	14-12	647-15739-00
15-12	626-42658-00	4-22	647-14161-00	14- 5	647-15741-00
9-25	626-43160-01	4-10	647-14227-00	14-17	647-15752-00
10- 9	626-43313-00-F6	4-28	647-14321-00	14-25	647-15758-00
9-17	626-45119-00	4-27	647-14326-00	14-19	647-15764-00
14-32	626-45119-00	4- 3	647-14328-00	14- 7	647-15765-00
7-26	626-45577-00-01	4-29	647-14333-00	14-28	647-15768-00
7-26	626-45577-00-02	4-31	647-14334-00	14-33	647-15780-00
7-26	626-45577-00-03	4-20	647-14335-00	15-17	647-24155-00

Ref No.	Parts No.	Ref No.	Parts No.	Ref No.	Parts No.
16- 0-1	647-24410-00	15- 4	647-42687-60	7- 1	647-45511-21
16- 1	647-24412-00	15- 8	647-42717-02	7- 1	647-45511-31
4- 2	647-24438-00	15-30	647-42725-00	7- 3	647-45527-01
18- 4	647-24610-01	15-33	647-42726-60	7- 8	647-45533-00-08
20- 4	647-24610-01	15-21	647-42815-01-33	7- 8	647-45533-00-10
11-29	647-26315-00	15-25	647-42816-00	7- 8	647-45533-00-12
11-30	647-26319-00	10- 4	647-43180-09	7- 8	647-45533-00-14
11-28	647-26322-00	9- 7	647-43312-00-F6	7- 9	647-45551-00
11-31	647-26323-00	10-18	647-43611-00	7-15	647-45560-00
5- 4	647-26331-00	10-22	647-43613-00	7-13	647-45567-00
5- 1	647-41202-01	10-13	647-43614-00	7-25	647-45570-00
5- 8	647-41213-01	10-14	647-43615-01	7-30	647-45616-00
5- 2	647-41227-00	10- 1	647-43616-00	7-29	647-45926-00-38
5- 3	647-41228-00	10-21	647-43627-01	7-29	647-45941-00-36
4-24	647-41231-00	10- 2	647-43631-00	7-29	647-45943-00-36
13-17	647-41611-00-94	10-15	647-43659-00	7-29	647-45947-00-36
5-26	647-41615-00	12-18	647-44143-00	19- 9	647-48346-50
13-20	647-41616-00	12-24	647-44147-00	19- 3	647-48531-50
5- 7	647-41632-00	12-25	647-44152-00	19- 6	647-48534-50
5-23	647-41635-00	8-15	647-44312-00	13- 0-1	647-81300-60
5- 9	647-41651-00	8-17	647-44314-00	13- 2	647-81309-11
5-10	647-41652-00	8-10	647-44328-60	13- 3	647-81311-10
11- 7	647-42111-00-F6	8-12	647-44361-00	13- 4	647-81312-10
11-24	647-42119-01	8-12	647-44361-10	13-15	647-81313-41
11-22	647-42137-01	8-12	647-44361-20	13-13	647-81315-11
11-18	647-42138-00	8-12	647-44361-30	13- 5	647-81318-10
11-11	647-42157-00-05	8-13	647-44365-00	13- 6	647-81323-10
11-11	647-42157-00-06	8-11	647-44366-00	13-16	647-81324-10
11-11	647-42157-00-07	6- 8	647-45114-20	13-11	647-81325-11
11-11	647-42157-00-08	6- 8	647-45114-30	13-14	647-81336-10
11-26	647-42177-00	6- 7	647-45151-01	13- 1	647-81350-10
11- 2	647-42523-00	6-32	647-45210-20-F6	13-23	647-81362-00
9- 2	647-42525-00	6-32	647-45210-30-F6	1-20	647-82317-00
9- 3	647-42526-00	6-32	647-45211-10-F6	15-28	647-82550-01
9- 1	647-42537-00	6-10	647-45315-00	15-18	647-82562-00
9- 5	647-42538-00	6-13	647-45316-09	1-14	648-12418-00
9- 4	647-42539-00	6- 9	647-45331-00-94	9-33	648-43114-01
11- 5	647-42541-00	7- 1	647-45511-01	15-34	648-44191-01
15-16	647-42614-03-33	7- 1	647-45511-11	7-20	648-45634-00

## NUMERICAL INDEX

Ref No.	Parts No.	Ref No.	Parts No.	Ref No.	Parts No.
13-36	648-81315-00	18- 2	655-24244-01	8- 1	655-44310-61-94
4-33	650-14223-00	18- 2	655-24244-80	8- 3	655-44321-00
4-32	650-14394-01	18- 3	655-24245-80	8- 3	655-44321-61
18-12	650-24351-00	18- 5	655-24275-00	8- 5	655-44322-01
20-19	650-24351-00	17- 1	655-24304-00	8- 5	655-44322-61
18-10	650-24360-00	18-13	655-24305-00	8- 6	655-44323-00
20-17	650-24360-00	20-20	655-24305-00	8- 6	655-44323-61
15- 9	650-42681-00	1-34	655-24312-00	8- 4	655-44352-00
15-11	650-42693-00	11-27	655-26301-01	6- 1	655-45111-00-F6
9-18	650-43691-01	3-19	655-41116-00	6- 2	655-45113-00
13- 8	650-81321-10	5-14	655-41631-00	6- 8	655-45114-01
13-34	650-82370-00	5-18	655-41638-00-94	6- 8	655-45114-11
20- 5	652-24277-00	5-20	655-41661-00-F6	6-19	655-45214-00-F6
7-11	654-45635-00	11-12	655-42112-00-F6	6-36	655-45233-21-94
1-10	655-11111-00-94	11-16	655-42115-00	6-14	655-45310-00-F6
1- 9	655-11181-00	11- 1	655-42511-00-F6	6-28	655-45361-01-F6
1- 2	655-11311-61-94	15- 1	655-42610-63-F6	7-22	655-45611-00
2- 0-1	655-11400-00	15- 1	655-42610-80-F6	7-18	655-45631-00
2- 8	655-11515-00	15-13	655-42662-01	7-29	655-45943-00-36
2-21	655-11651-40	15-14	655-42663-01	7-29	655-45945-00-36
2- 7	655-11681-00	15- 2	655-42675-00	7-29	655-45947-01-36
1-15	655-12411-02	15- 3	655-42676-00	19- 0-1	655-48501-01
1-15	655-12411-81	15-15	655-42711-02-F6	19- 3	655-48531-51
1-16	655-12413-00-94	12- 6	655-42715-00	5-24	655-48541-00-F6
1-13	655-12414-00	15- 7	655-42716-03	13-31	655-82310-10
3-20	655-13610-01	15-30	655-42723-00	13-28	655-82316-01
3- 1	655-13641-00-94	9- 6	655-43311-00-F6	20- 1	656-24201-01-24
3- 2	655-13647-00	9-14	655-43318-00-F6	20- 2	656-24244-01
3- 6	655-13649-00	12- 1	655-44111-02-F6	18- 3	656-24245-00
4- 0-1	655-14301-03	12- 1	655-44111-80-F6	20- 3	656-24245-00
3-17	655-14417-00	12-10	655-44113-00	20- 6	656-24275-01
11-32	655-14497-01	12- 3	655-44119-00	20-11	663-24241-00
1- 0-1	655-15100-61-94	12-13	655-44121-00	20-12	663-24264-00
1- 1	655-15111-00-94	12- 9	655-44122-01	18- 6	663-24268-00
1-22	655-15359-00-94	12-26	655-44150-00	20-13	663-24268-00
1-22	655-15359-40-94	12-26	655-44150-10	19-19	700-48510-11
1-28	655-15396-00-94	12-26	655-44150-20	19- 1	701-48110-10
18- 1	655-24201-02-24	12-26	655-44150-30	19- 1	701-48110-20
18- 1	655-24201-80-24	8- 1	655-44310-00	19- 1	701-48110-30

## NUMERICAL INDEX

Ref No.	Parts No.	Ref No.	Parts No.	Ref No.	Parts No.
19- 1	701-48110-50	11- 4	90201-08309	18- 9	90445-12156
19- 1	701-48110-80	13-27	90201-10126	20-16	90445-12207
19- 2	701-48310-10	9-24	90201-10130	17-12	90461-04011
19- 2	701-48310-20	9-22	90201-10524	17-11	90467-05001
19- 2	701-48310-40	7- 7	90201-12161	1-36	90467-07016
19- 2	701-48310-60	7-16	90201-13198	17- 5	90467-08002
19- 2	701-48310-90	51-24	90201-13201	9-13	90468-10003
19- 2	701-48320-00	7-24	90201-15229	10-16	90468-10003
19- 2	701-48320-20	2-18	90201-41528	12-19	90468-10003
19- 2	701-48320-30	12- 7	90202-10044	5-13	90468-10005
19- 2	701-48320-60	12-16	90206-05005	10-19	90468-10005
19- 2	701-48320-80	15-22	90206-13019	11-33	90480-01048
19- 2	701-48320-90	12-14	90240-05038	14-26	90501-08045
16- 4	801-24413-00	9-35	90243-04001	7-21	90501-10064
16-13	801-24415-00	7-23	90250-05036	19-11	90501-10071
16-16	801-24431-00	11-23	90269-02001	19-16	90501-10264
16- 2	801-24434-00	6-20	90269-02002	14- 5	90501-12274
16- 6	801-24435-00	9-15	90269-02002	10- 3	90501-16104
16-12	801-24436-00	7- 4	90280-03003	11-20	90501-23215
16-15	801-24437-00	2-20	90280-04006	10-20	90501-26146
16-10	801-24438-00	6-21	90340-08014	10-20	90501-26147
16-11	801-24451-00	6-38	90380-14015	9-26	90502-10014
16- 7	802-24414-00	14-31	90386-07005	10- 8	90508-16020
16-14	802-24444-00	5-19	90386-08032	10- 7	90508-16021
9-21	90101-10106	11-17	90386-08032	10-17	90508-18022
9-27	90116-06101	15-23	90386-13057	9-28	90560-06088
3-14	90116-06130	6-18	90387-14108	11-10	90560-12075
3-13	90116-06131	6-24	90430-06015	11- 9	90560-30085
6-23	90149-06003	6-22	90430-08020	1-23	91103-06015
9-10	90149-10025	11- 6	90443-11005	5-15	91103-06015
9-32	90149-12029	17-10	90445-05032	13-21	91103-06015
16-26	90170-10048	1-35	90445-07255	3- 9	91103-06025
15-29	90170-16077	17- 9	90445-09063	6-40	91103-06025
15-10	90183-05003	17- 6	90445-09082	13-32	91103-06025
9-23	90185-10016	17- 7	90445-09114	1-11	91103-06035
5-11	90201-05005	17- 8	90445-09265	1-29	91270-06015
1- 8	90201-06043	8-14	90445-11262	14-20	91292-06035
1-12	90201-06043	18-11	90445-12155	12-15	91490-16010
15-26	90201-06068	20-18	90445-12155	7-31	91490-30030

NUMERICAL INDEX

Ref No.	Parts No.	Ref No.	Parts No.	Ref No.	Parts No.
8-16	91690-20006	15-20	92903-06600	2-11	93306-20411
9-12	91690-25014	4-12	92990-04100	2-12	93310-11202
2- 9	91690-30010	16- 9	92990-04100	2- 6	93310-41885
11-19	91690-30012	12-12	92990-05100	4-26	93430-04002
19-13	91690-30012	4-25	92990-05200	7-10	93430-07012
19-18	91690-30012	5-12	92990-05200	14-27	93430-12008
5-25	91690-30016	12-17	92990-05200	7-17	93440-30040
7- 5	91690-35016	19- 7	92990-05200	2-10	93440-45022
12- 2	91690-40016	9-30	92990-06100	12- 4	93505-16006
1-21	91690-50014	11-15	92990-06100	6-15	93604-08062
1- 3	91810-02015	1-30	92990-06200	6-33	93604-08062
15-31	92180-06015	6- 6	92990-06200	6-37	93604-08062
6-27	92180-06018	6-12	92990-06200	8- 2	93604-18080
12-22	92900-06200	6-17	92990-06200	6- 3	93605-08041
13-10	92901-04100	6-31	92990-06200	7-19	93605-29098
13- 7	92901-05100	6-35	92990-06200	9-16	93700-06004
14- 8	92901-05200	6-41	92990-06200	14-29	93700-06004
14-21	92901-06100	8- 8	92990-06200	1-19	94701-00039
14-18	92901-06200	9- 9	92990-06200	15- 5	95303-05600
14-15	92901-08100	9-31	92990-06200	3-15	95303-06700
19-10	92902-08200	10-12	92990-06200	15-27	95303-06700
19-15	92902-08200	19- 5	92990-06200	9-29	95380-06600
13-19	92903-05100	11-21	92990-10200	13-24	97323-06010
5- 6	92903-05200	1-26	93101-14056	5-27	97323-06015
15- 6	92903-05200	7-28	93101-15074	17- 2	97323-06015
1-17	92903-06100	7- 6	93101-18050	13-29	97323-06018
5-16	92903-06100	8- 9	93101-18050	1-18	97323-06020
1-24	92903-06200	2-19	93102-20092	16-17	97323-06020
3-10	92903-06200	12- 8	93210-07003	15-19	97323-06025
3-16	92903-06200	7- 2	93210-12158	5-21	97323-06030
5-17	92903-06200	1-31	93210-19216	1- 4	97323-06045
5-22	92903-06200	6-39	93210-24108	3- 8	97323-06045
5-28	92903-06200	8-18	93210-24108	1- 5	97323-06050
13-22	92903-06200	11- 8	93210-25032	3- 7	97323-06055
13-25	92903-06200	1-25	93210-42159	1- 6	97323-06065
13-30	92903-06200	1-27	93210-42162	1- 7	97323-06075
13-33	92903-06200	6-29	93210-58144	12-11	97370-05020
16-18	92903-06200	7-12	93306-00401	19- 8	97370-05020
17- 3	92903-06200	7-27	93306-00501	19- 4	97370-06018

NUMERICAL INDEX

Ref No.	Parts No.	Ref No.	Parts No.	Ref No.	Parts No.
6- 4	97370-06020				
6-11	97370-06020				
6-16	97370-06020				
6-30	97370-06020				
6-34	97370-06020				
11-13	97370-06020				
12-23	97370-06020				
6- 5	97370-06025				
10-11	97370-06025				
8- 7	97370-06030				
11-14	97370-06035				
9- 8	97370-06040				
11- 3	97370-08035				
3-18	98103-04020				
11-25	98180-05025				
20-10	98303-05010				
13-18	98303-05012				
5- 5	98303-05015				
18- 8	98380-05018				
20-15	98380-05018				
4-13	98503-04008				
4-14	98503-04012				
16- 8	98503-04018				
3- 4	98702-05012				



**YAMAHA MOTOR CO., LTD.**

**PRINTED IN JAPAN**

**Second edition Aug., 1974**

**(655-28198-06)**