

# **PARTS CATALOGUE**

**6MHA**(6M81)

**8MHA**(6N01)

**6CMH'02**(6M81)

**8CMH'02**(6N01)

# FOREWORD

This Parts Catalogue is related to the parts for the model(s) in the below frame. When you are ordering replacement parts, please refer to this Parts Catalogue and quote both part numbers and part names correctly.

6MHA(6M81), 8MHA(6N01),  
6CMH'02(6M81), 8CMH'02(6N01)

1. Modifications or additions which have been made after issue of the Parts Catalogue will be announced in the Yamaha Parts News.  
It is advisable that you make necessary corrections to the Parts Catalogue according to the Yamaha Parts News.

2. Abbreviations  
The Following abbreviations are used in this Parts Catalogue.

- “UR” Use specified parts number.
- “UN” Use as many as needed.
- “AP” Alternate Parts
- “LM” Local Made  
(Parts need to be ordered locally)
- “O/S” Over Size

3. Parts, which are to be supplied in an assembly, are listed with a dot(.) in front of the part name as shown below.

EXAMPLE  
CARBURETOR ASSY  
.JET, PILOT  
.NOZZLE, MAIN

4. Number of component for assembly  
The numeral appearing to the right of each component part indicates the quantity of parts for each assembly unit.

EXAMPLE

PART NO.	DESCRIPTION	□	▣	▤	▥	▦	▧	▨	▩	REMARKS
6E0-85500-70	C.D.I. MAGNETO ASSY	1								
6E0-85550-70	.ROTOR ASSY	1								
6E0-15723-00-94	.PULLY, STARTER	1								

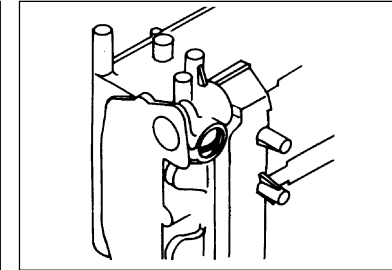
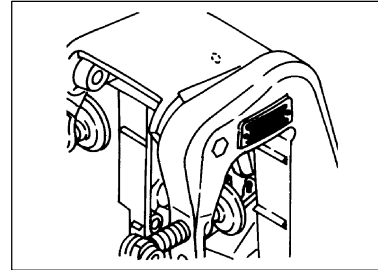
5. Quantity Column Information

NAME for Q'TY COLUMN	APPLICABLE MODEL
6C	6MHA, 6CMH
8C	8MHA, 8CMH

6. Applicable Starting Serial No. and Color Code

1) Engine Starting Serial No.

6MHA    6M8    S : 016924	6CMH    6M8    S : 016924
8MHA    6N0    S : 025866	6M8    L : 310058
	8CMH    6N0    S : 025866
	6N0    L : 315079



2) Color Code

Color Code	Color Name	Abbreviation
004D	DARK BLUISH GRAY METALLIC 2	DBNM2

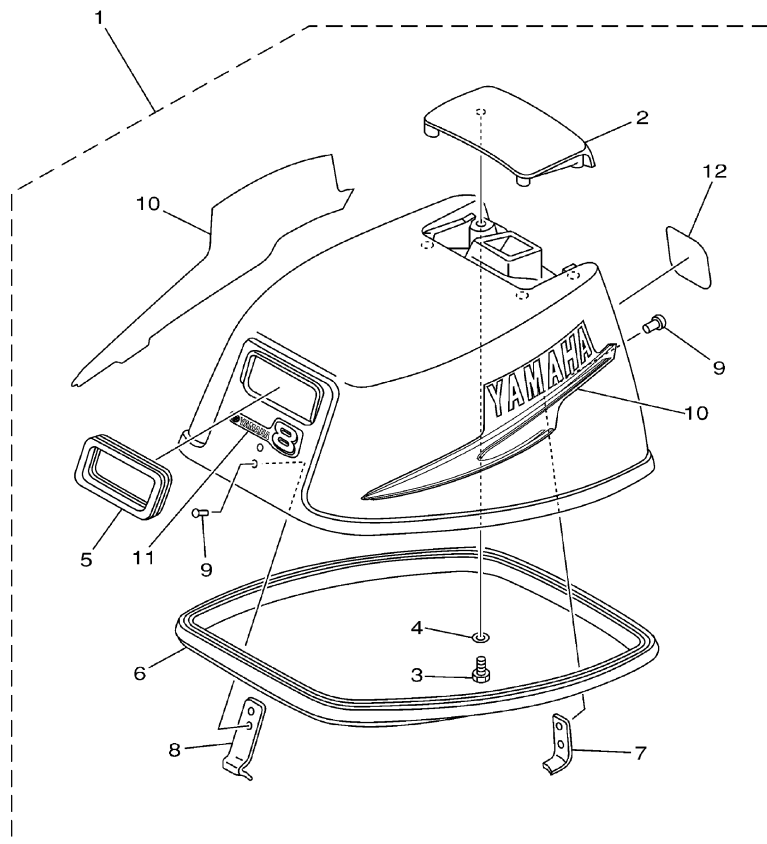
7. Note that the illustrations for reference in finding parts numbers, not to be used for assembling. When assembling, please use the applicable service manual.

8. The asterisk (\*) before a reference number indicates modification items after the first edition.

# CONTENTS

TOP COWLING .....	A4
CYLINDER. CRANKCASE .....	A5
CRANKSHAFT. PISTON .....	A7
INTAKE .....	B1
CARBURETOR .....	B2
FUEL 1 .....	B4
FUEL 2 .....	B5
STARTER .....	B6
GENERATOR .....	C1
ELECTRICAL .....	C2
BOTTOM COWLING .....	C3
STEERING .....	C4
CONTROL .....	C5
BRACKET .....	C7
UPPER CASING .....	D3
LOWER CASING. DRIVE 1 .....	D4
LOWER CASING. DRIVE 2 .....	D7
FUEL TANK 1 .....	E1
FUEL TANK 2 .....	E2
REPAIR KIT .....	E3
<b>INDEX</b>	
NUMERICAL INDEX .....	E5

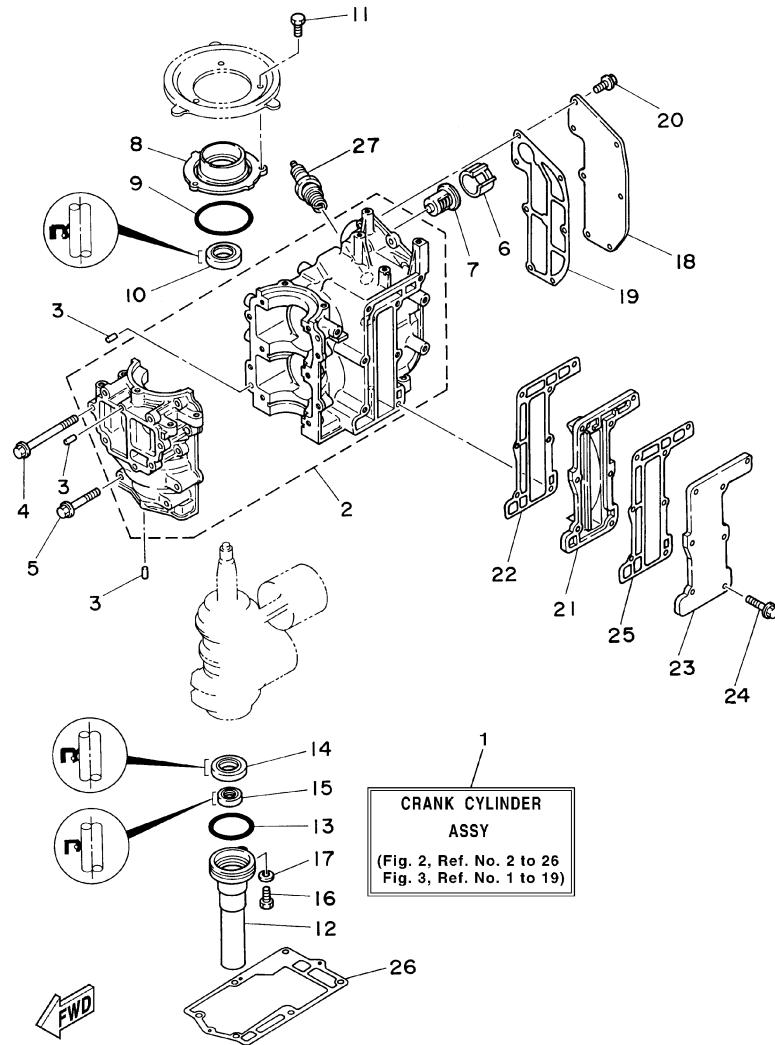
**FIG. 1 TOP COWLING**



**FWD**  
6M81010-2010

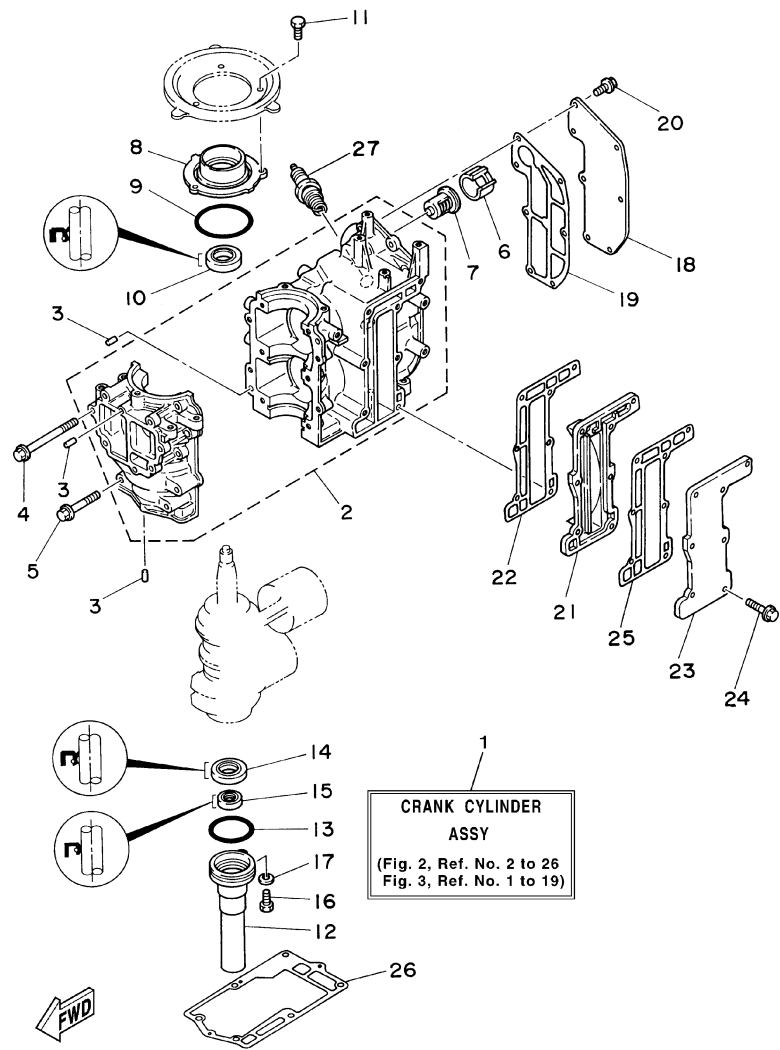
REF. NO.	PART NO.	DESCRIPTION	6C	8C				REMARKS
1	6M8-G2610-40-4D	TOP COWLING ASSY	1					
	6N0-G2610-40-4D	TOP COWLING ASSY		1				
2	6N0-G2613-00-4D	.MOLDING, AIR DUCT	1	1				
3	97095-06016	.BOLT	4	4				
4	92995-06600	.WASHER	4	4				
5	6G1-15761-00	.SEAL, RUBBER 1	1	1				
6	6G1-42615-00	.SEAL	1	1				
7	6G1-42647-00	.HOLDER, CLAMP BAND	1	1				
8	6N0-G2651-00	.HOOK	1	1				
9	90266-04M00	.RIVET	4	4				
10	6N0-WG070-00	.GRAPHIC SET	1	1				
11	6M8-G2677-30	.GRAPHIC, FRONT	1					
	6N0-G2677-30	.GRAPHIC, FRONT		1				
12	6M8-G2678-20	.GRAPHIC, REAR	1					
	6N0-G2678-20	.GRAPHIC, REAR		1				

FIG. 2 CYLINDER. CRANKCASE



6M80100-7020

REF. NO.	PART NO.	DESCRIPTION	6C	8C				REMARKS
1	6N0-W0090-00-4D	CRANK CYLINDER ASSY	1	1				
2	6N0-E5100-00-94	CRANKCASE ASSY	1	1				
3	93604-08062	PIN, DOWEL	4	4				
4	90105-06M26	BOLT, FLANGE	6	6				
5	90105-06M25	BOLT, FLANGE	4	4				
6	90387-22M50	COLLAR	1	1				
7	6E5-12411-01	THERMOSTAT	1	1				
8	6G1-15359-01-94	HOUSING, OIL SEAL	1	1				
9	93210-54M54	O-RING	1	1				
10	93102-20M25	OIL SEAL	1	1				
11	97013-06016	BOLT	3	3				
12	6G1-15396-02-5B	HOUSING, OIL SEAL	1	1				
13	93210-42159	O-RING	1	1				
14	93101-20M34	OIL SEAL	1	1				
15	93101-12M26	OIL SEAL	1	1				
16	97095-06016	BOLT	1	1				
17	92995-06600	WASHER	1	1				
18	6N0-E1191-00-9M	COVER, CYLINDER HEAD 1	1	1				
19	6G1-11193-A1	GASKET, HEAD COVER 1	1	1				
20	90105-06M14	BOLT FLANGE	7	7				
21	6N0-G1111-00-9M	INNER COVER, EXHAUST	1	1				
22	6G1-41112-A1	GASKET, EXHAUST INNER COVER	1	1				
23	6G1-41113-01-9M	OUTER COVER, EXHAUST	1	1				
24	90105-06M24	BOLT, FLANGE	7	7				
25	6G1-41114-A0	GASKET, EXHAUST OUTER COVER	1	1				
26	6G1-45113-A1	GASKET, UPPER CASING	1	1				
27	94702-00271	PLUG, SPARK (NGK BR7HS-10)	2	2				FOR CANADA, OCEANIA

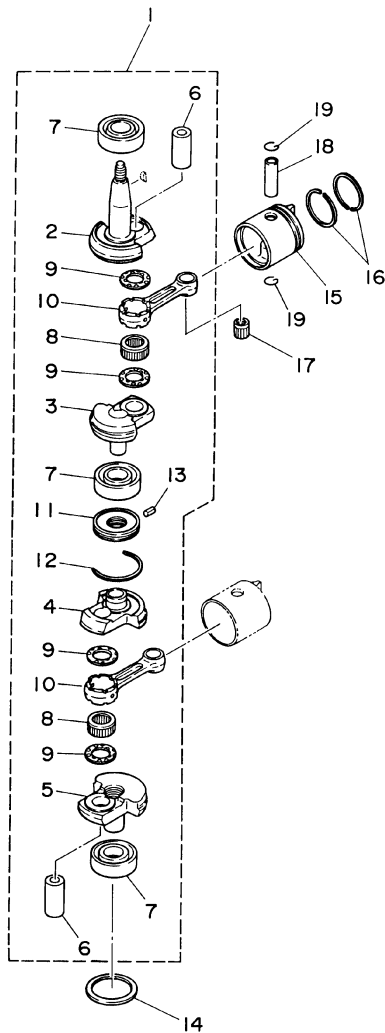


6M80100-7020

FIG. 2 CYLINDER. CRANKCASE

REF. NO.	PART NO.	DESCRIPTION	6C	8C		REMARKS
27	94702-00217	PLUG, SPARK (NGK B7HS-10)		2		FOR USA
<hr/>						
<hr/>						
<hr/>						
<hr/>						
<hr/>						
<hr/>						
<hr/>						
<hr/>						
<hr/>						
<hr/>						

**FIG. 3 CRANKSHAFT. PISTON**

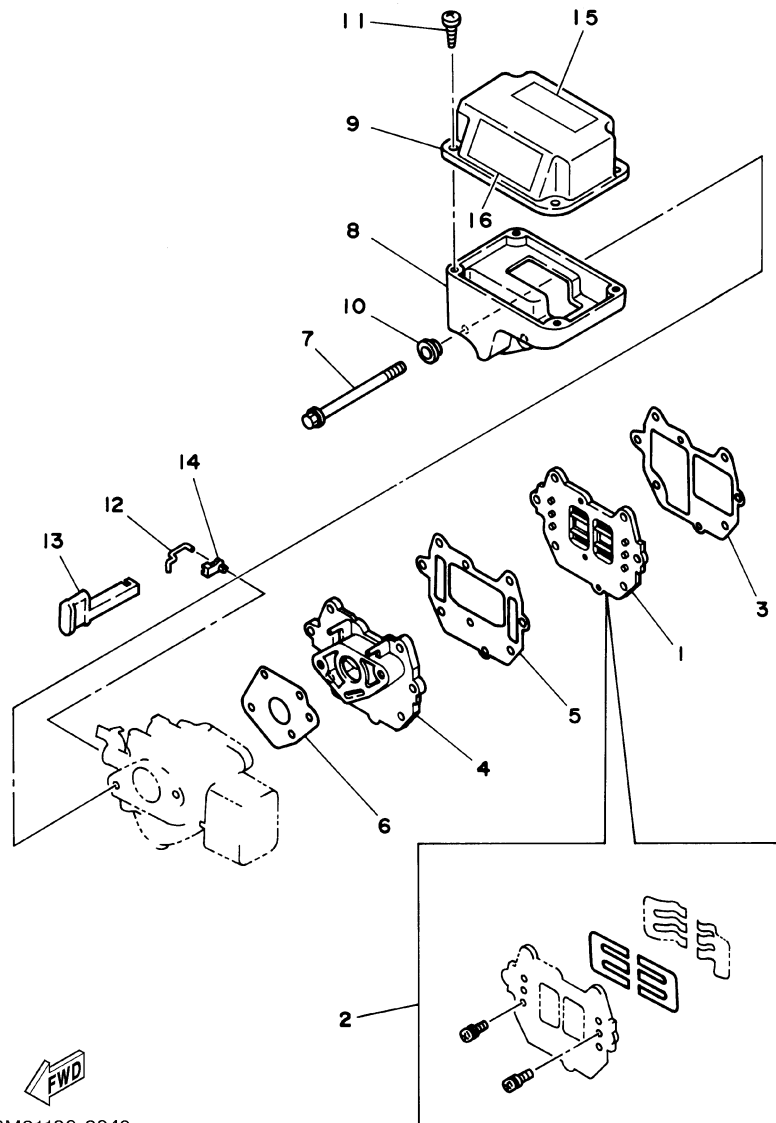


REF. NO.	PART NO.	DESCRIPTION	6C	8C				REMARKS
1	6N0-E1400-00	CRANKSHAFT ASSY	1	1				
2	6N0-E1412-00	.CRANK 1	1	1				
3	6N0-E1422-00	.CRANK 2	1	1				
4	6N0-E1432-00	.CRANK 3	1	1				
5	6N0-E1442-00	.CRANK 4	1	1				
6	6G1-11681-00	.PIN, CRANK 1	2	2				
7	93306-204U0	.BEARING	3	3				
8	93310-418V1	.BEARING	2	2				
9	90209-18112	.WASHER	4	4				
10	6N0-E1651-00	.ROD, CONNECTING	2	2				
11	6N0-E1515-00	.SEAL, LABYRINTH 1	1	1				
12	93440-47055	.CIRCLIP	1	1				
13	91609-20008	.PIN, SPRING	1	1				
14	90201-41303	WASHER, PLATE	1	1				
15	6G1-11631-00-98	PISTON (STD)	2	2				
16	6N0-E1603-00	PISTON RING SET (STD)	2	2				
17	93310-112V0	BEARING	2	2				
18	6G1-11633-00	PIN, PISTON	2	2				
19	93450-13022	CIRCLIP	4	4				



6M80010-4030

**FIG. 4 INTAKE**

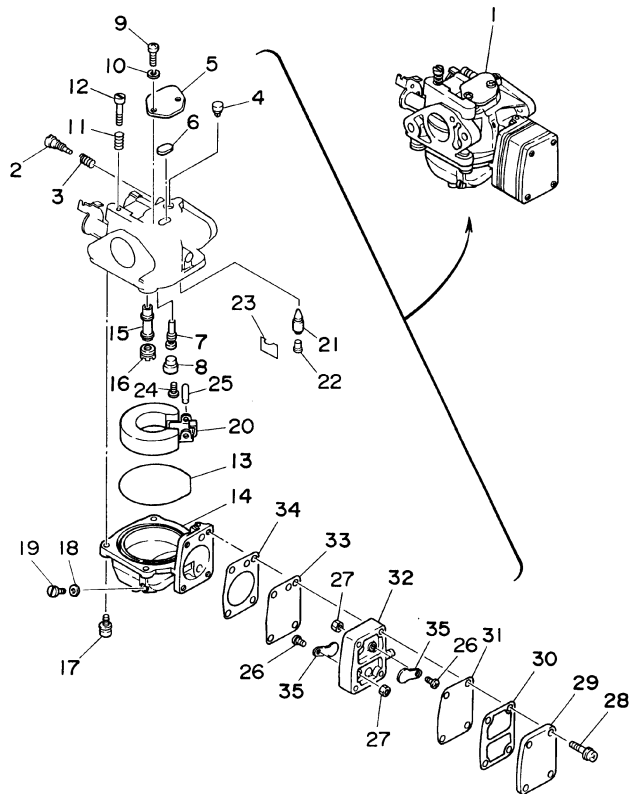


6M81100-2040

REF. NO.	PART NO.	DESCRIPTION	6C	8C	REMARKS
1	6G1-13610-01	REED VALVE ASSY	1	1	
2	6G1-W0004-00	.REED SET	1	1	
3	6G1-13621-A1	GASKET, VALVE SEAT	1	1	
4	6N0-E3641-00-94	MANIFOLD 1	1	1	
5	6G1-13645-A1	GASKET, MANIFOLD 1	1	1	
6	6G1-14198-A1	GASKET	1	1	
7	95895-06085	BOLT, FLANGE	2	2	
8	6M8-E4417-00	COVER 1	1	1	
9	6M8-E4418-00	COVER 2	1	1	
10	90387-06M70	COLLAR	2	2	
11	97780-50514	SCREW, TAPPING	4	4	
12	6G1-41256-00	ROD, CHOKE 1	1	1	
13	6G1-41271-00	KNOB, CHOKE	1	1	
14	661-41262-02	JOINT, CHOKE LEVER	1	1	
15	6A1-83625-41	MARK 5	1	1	
16	6A1-83625-51	MARK 5	1	1	FOR CANADA



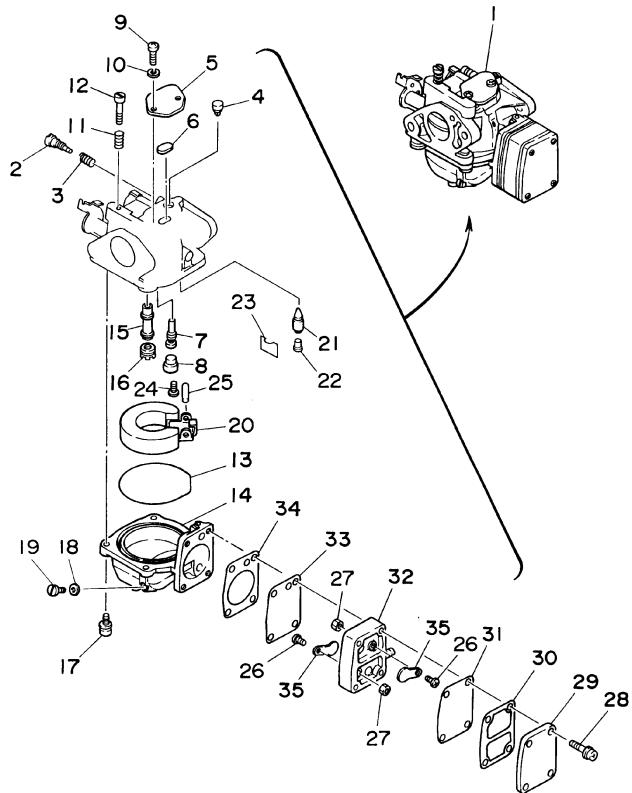
FIG. 5 CARBURETOR



REF. NO.	PART NO.	DESCRIPTION	6C	8C	REMARKS
1	6H6-14301-01	CARBURETOR ASSY 1	1		
	6G1-14301-01	CARBURETOR ASSY 1		1	
2	679-14923-00	.SCREW, PILOT	1	1	
3	679-14555-00	.SPRING	1	1	
4	6G1-14966-00	.CAP	1	1	
5	6G1-14527-00	.PLATE	1	1	
6	6G1-14126-00	.GASKET	1	1	
7	6G1-14948-05	.JET (#45)	1	1	
8	676-14966-00	.CAP	1	1	
9	97880-04010	.SCREW, PAN HEAD	2	2	
10	92990-04100	.WASHER, SPRING	2	2	
11	90501-10326	.SPRING, COMPRESSION	1	1	
12	63V-14523-00	.SCREW, STOP	1	1	
13	6G1-14984-00	.O-RING	1	1	
14	6G1-14980-01	.BODY, FLOAT CHAMBER	1	1	
15	6H6-14947-00	.JET, NEEDLE	1		
	6G1-14947-00	.JET, NEEDLE		1	
16	676-14943-26	.JET, MAIN (#98)	1	1	
17	97980-04114	.SCREW, WITH WASHER	4	4	
18	6G1-14398-00	.WASHER	1	1	
19	6G1-14992-00	.SCREW, DRAIN	1	1	
20	6G1-14985-00	.FLOAT	1	1	
21	6G1-14546-00	.VALVE, NEEDLE	1	1	
22	676-14186-00	.PIN, FLOAT	1	1	
23	663-14159-00	.CLIP	1	1	
24	98580-04008	.SCREW, PAN HEAD	1	1	
25	688-14548-00	.PIN, FLOAT ARM	1	1	



6M80010-4050

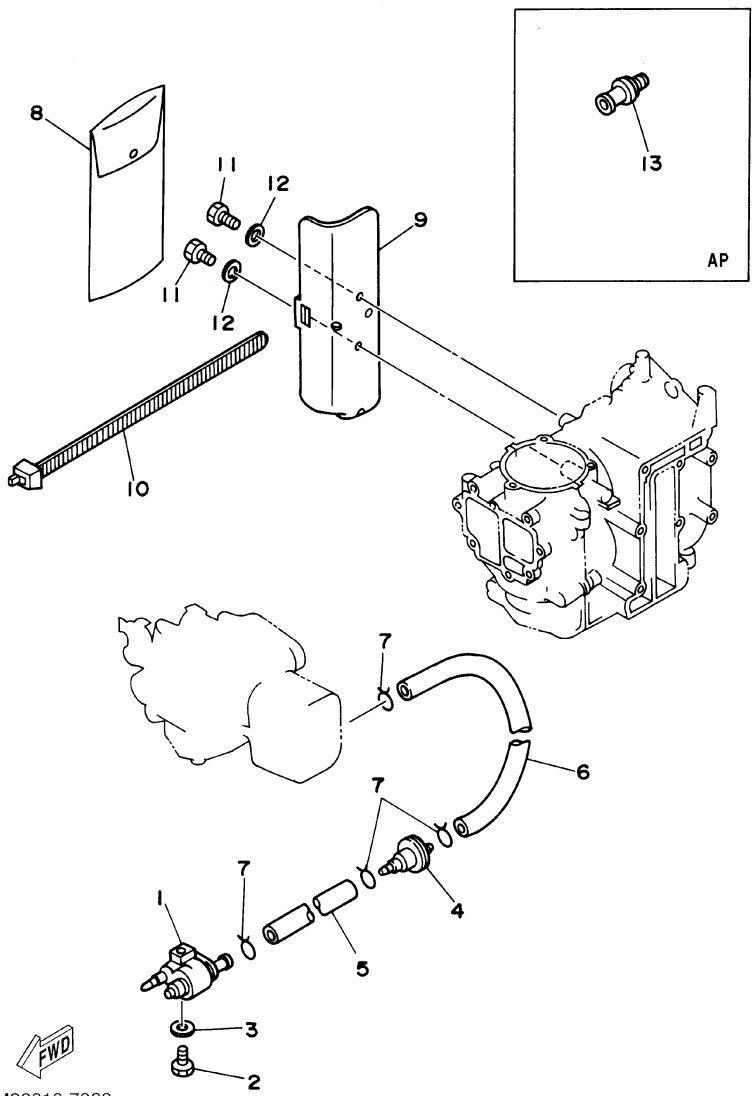


**FIG. 5 CARBURETOR**

REF. NO.	PART NO.	DESCRIPTION	6C	8C					REMARKS
26	98580-03006	.SCREW, PAN HEAD	2	2					
27	95380-03600	.NUT	2	2					
28	97980-04125	.SCREW, WITH WASHER	4	4					
29	6G1-24452-00	.COVER	1	1					
30	6G1-24432-00	.GASKET, FUEL PUMP 2	1	1					
31	6G1-24471-00	.DIAPHRAGM	1	1					
32	6G1-24412-01	.BODY 1	1	1					
33	6G1-24411-00	.DIAPHRAGM	1	1					
34	6G1-24431-01	.GASKET, FUEL PUMP 1	1	1					
35	6G1-24421-00	.VALVE, CHECK	2	2					



6M80010-4050

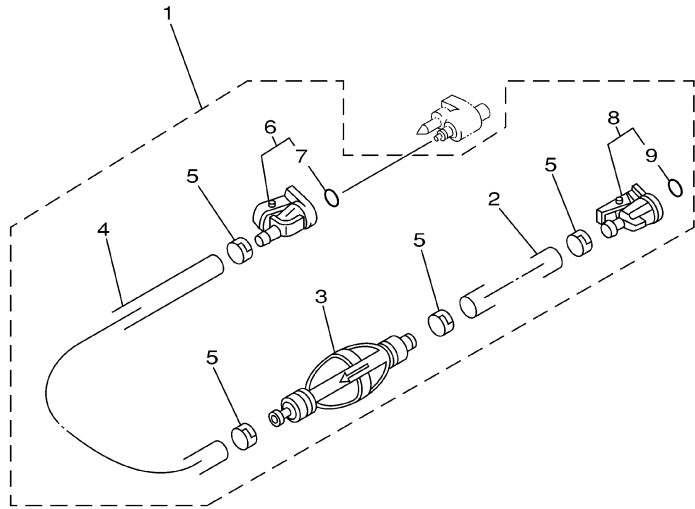


6M80010-7060

FIG. 6 FUEL 1

REF. NO.	PART NO.	DESCRIPTION	6C	8C	REMARKS
1	6G1-24304-02	FUEL PIPE JOINT COMP. 1	1	1	
2	97095-06025	BOLT	1	1	
3	92995-06600	WASHER	1	1	
4	646-24251-02	STRAINER 1	1	1	
5	90445-09221	HOSE (L205)	1	1	
6	90445-09220	HOSE	1	1	
7	90467-08004	CLIP	4	4	
8	6N0-F8100-00	TOOL KIT	1	1	FOR CANADA
9	6N0-F8170-00	TOOL, HOLDER	1	1	FOR CANADA
10	6G1-2811G-00	BAND	1	1	FOR CANADA
11	97095-06012	BOLT	2	2	FOR CANADA
12	92995-06600	WASHER	2	2	FOR CANADA
13	6L8-F8193-00	PLUG, WATER CHECK	1	1	AP

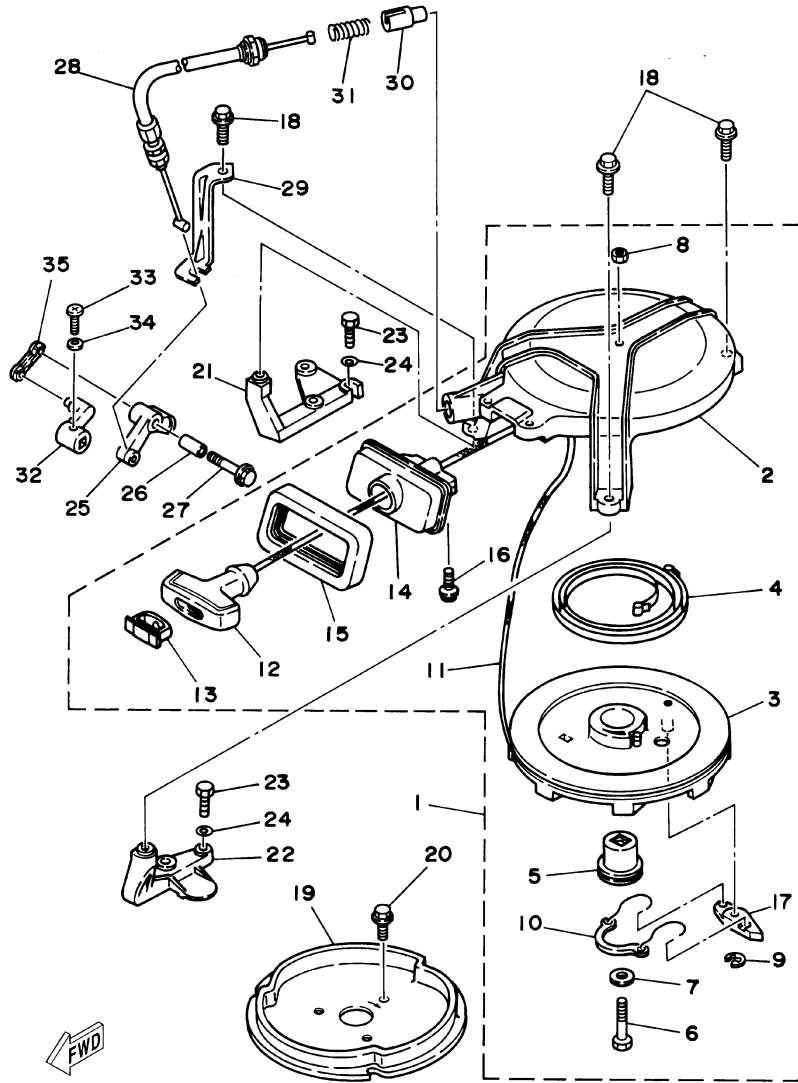
FIG. 7 FUEL 2



REF. NO.	PART NO.	DESCRIPTION	6C	8C	REMARKS
1	6Y1-24306-53	FUEL PIPE COMP. 1		1	AP FOR USA
2	90445-11M06	.HOSE (L2050)		1	
3	6Y1-24360-52	.PRIMER PUMP ASSY		1	
4	90445-11M05	.HOSE (L:850MM)		1	
5	650-24351-51	.BAND 1		4	
6	6G1-24305-03	.FUEL PIPE JOINT COMP. 2		1	
7	93210-08287	..O-RING		1	
8	6Y1-24305-04	.FUEL PIPE JOINT COMP. 2		1	
9	93210-08287	..O-RING		1	

  
67C0100-0100

**FIG. 8 STARTER**

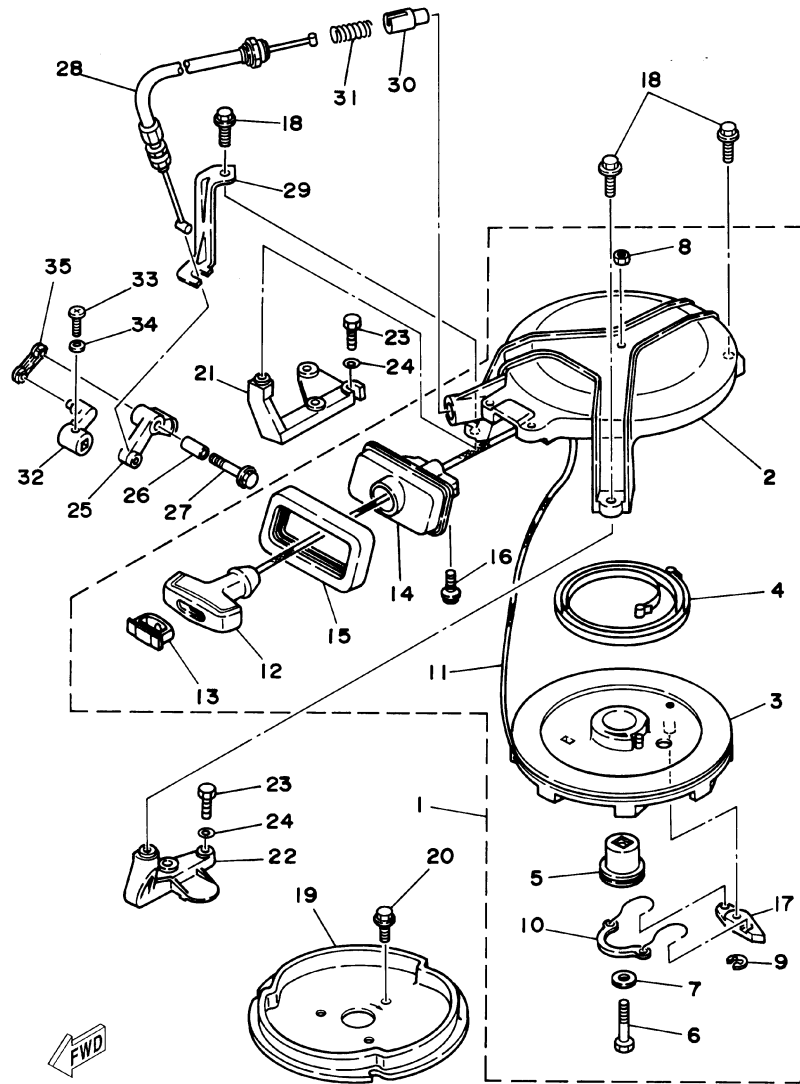


**FWD**  
6M80010-7070

REF. NO.	PART NO.	DESCRIPTION	6C	8C	REMARKS
1	6M8-E5710-03	STARTER ASSY	1	1	
2	6N0-E5711-80-94	.CASE, STARTER	1	1	
3	6M8-E5714-00	.DRUM, SHEAVE	1	1	
4	90510-08M03	.SPRING, SPIRAL	1	1	
5	6G1-15717-00	.SHAFT, STARTER	1	1	
6	97013-06035	.BOLT	1	1	
7	90201-06M30	.WASHER, PLATE	1	1	
8	95303-06600	.NUT	1	1	
9	93430-06M02	.CIRCLIP	1	1	
10	6G1-15705-00	.SPRING, DRIVE PAWL	1	1	
11	*	.WIRE (L1850)	1	1	
12	6G1-15755-00	.HANDLE, STARTER	1	1	
13	6G1-15779-00	.COVER	1	1	
14	6N0-E5758-01	.GUIDE, ROPE	1	1	
15	6G1-15762-00	.SEAL, RUBBER 2	1	1	
16	95895-06016	.BOLT, FLANGE	2	2	
17	677-15741-01	.PAWL, DRIVE	1	1	
18	95895-06020	BOLT, FLANGE	3	3	
19	6N0-E5723-00-94	PULLEY, STARTER	1	1	
20	90105-06M29	BOLT, FLANGE	3	3	
21	6N0-E5771-00-94	STAY 1	1	1	
22	6N0-E5772-00-94	STAY 2	1	1	
23	97075-06020	BOLT	4	4	
24	92995-06600	WASHER	4	4	
25	6G1-15746-10	ARM	1	1	

\* CUT FROM 50M ROLLS, PART NO. 90890-44372,  
CUTTING LENGTH 1.85M

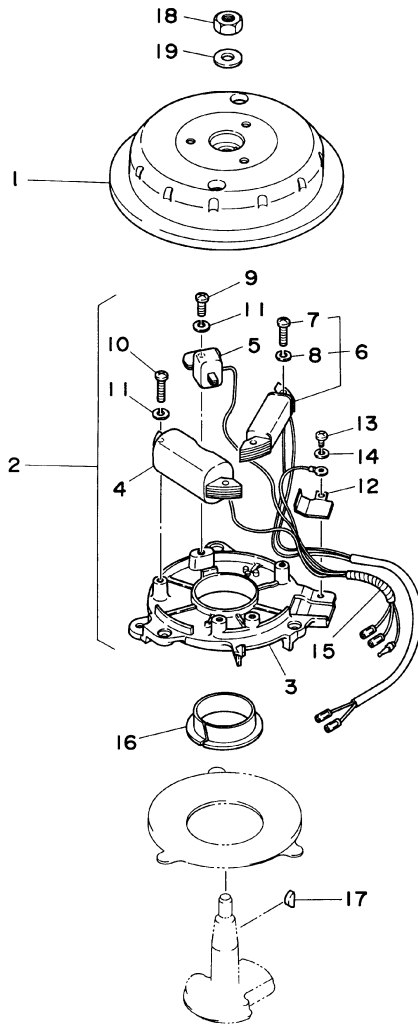
FIG. 8 STARTER



6M80010-7070

REF. NO.	PART NO.	DESCRIPTION	6C	8C	REMARKS
26	6G1-15764-00	COLLAR 1	1	1	
27	95895-06025	BOLT, FLANGE	1	1	
28	6N0-E5770-80	CABLE COMP., STARTER STOP	1	1	
29	6G1-15774-81	STAY 4	1	1	
30	656-15748-00	PLUNGER, STARTER STOP	1	1	
31	90501-10227	SPRING, COMPRESSION	1	1	
32	6G1-44125-80	LEVER, SHIFT ROD	1	1	
33	97880-05016	SCREW, PAN HEAD	1	1	
34	92990-05600	WASHER, PLATE	1	1	
35	6G1-15747-80	LINK	1	1	

**FIG. 9 GENERATOR**

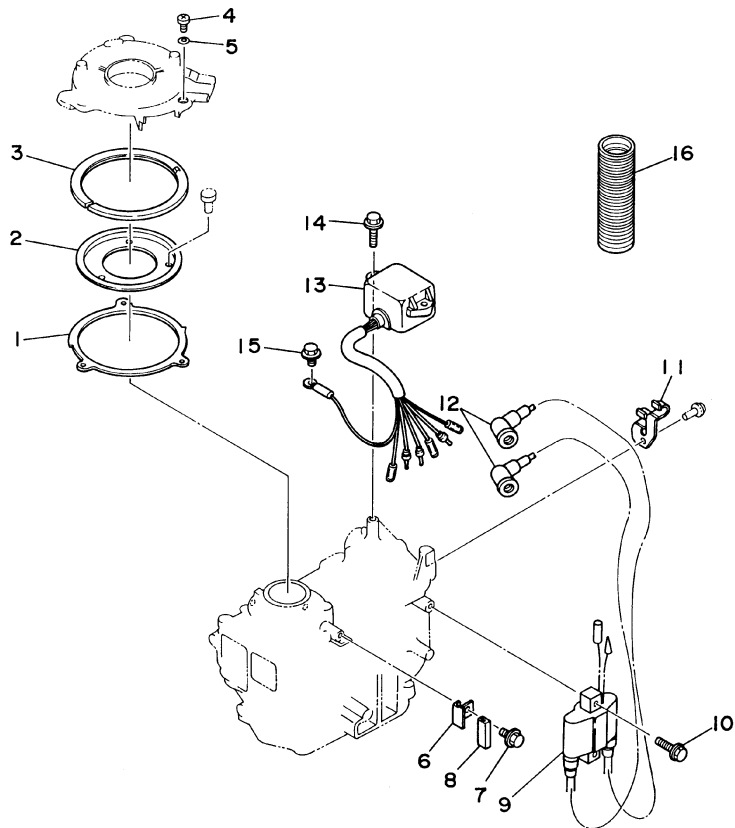


REF. NO.	PART NO.	DESCRIPTION	6C	8C				REMARKS
1	6G1-85550-71	ROTOR ASSY	1	1				FOR CANADA, OCEANIA FOR USA
	6G1-85550-A0	ROTOR ASSY		1				
2	6G1-85560-F0	BASE ASSY	1	1				
3	6G1-85509-70	.BASE, MAGNETO	1	1				
4	6E7-85520-70	.COIL, CHARGE	1	1				
5	6E7-85580-70	.COIL, PULSER	1	1				
6	6E7-81303-A0	.LIGHTING COIL ASSY	1	1				
7	97802-05025	..SCREW, PAN HEAD	2	2				
8	92902-05100	..WASHER, SPRING	2	2				
9	97802-05016	.SCREW, PAN HEAD	1	1				
10	97802-05020	.SCREW, PAN HEAD	2	2				
11	92902-05100	.WASHER, SPRING	3	3				
12	6G1-85548-70	.HOLDER	1	1				
13	97802-04008	.SCREW, PAN HEAD	1	1				
14	92902-04100	.WASHER, SPRING	1	1				
15	6G1-85515-70	.LEAD WIRE ASSY	1	1				
16	90386-44M42	BUSH	1	1				
17	90280-04M06	KEY, WOODRUFF	1	1				
18	90170-10113	NUT	1	1				
19	90201-10126	WASHER, PLATE	1	1				



6M80010-4080

FIG. 10 ELECTRICAL



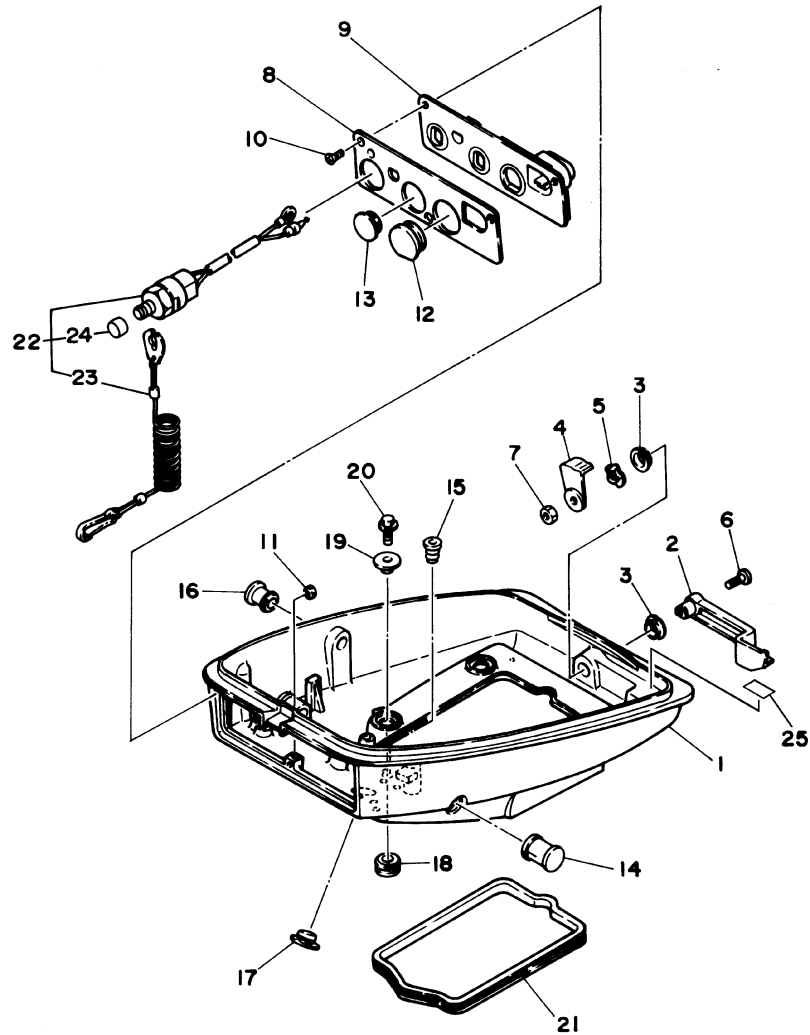
REF. NO.	PART NO.	DESCRIPTION	6C	8C				REMARKS
1	6N0-G1611-00	RETAINER, MAGNETO BASE	1	1				
2	6G1-41612-00	RETAINER, MAGNETO BASE	1	1				
3	6N0-G1613-00	PLATE, BASE FRICTION	1	1				
4	97885-05010	SCREW, PAN HEAD	3	3				
5	92995-05600	WASHER	3	3				
6	6G1-41615-00	STOPPER, MAGNETO BASE	1	1				
7	95895-06010	BOLT, FLANGE	1	1				
8	6G1-44194-00	CAP	1	1				
9	6G1-85570-01	IGNITION COIL ASSY	1	1				
10	95895-06025	BOLT, FLANGE	2	2				
11	90465-08M17	CLAMP	1	1				
12	6G1-82370-21	PLUG CAP ASSY	2	2				FOR CANADA, OCEANIA FOR USA
	663-82370-01	PLUG CAP ASSY		2				
13	696-85540-11	C.D.I. UNIT ASSY	1	1				
14	95895-06020	BOLT, FLANGE	2	2				
15	95895-06010	BOLT, FLANGE	1	1				
16	6G1-83557-00	TUBE	1	1				



6M80010-7090



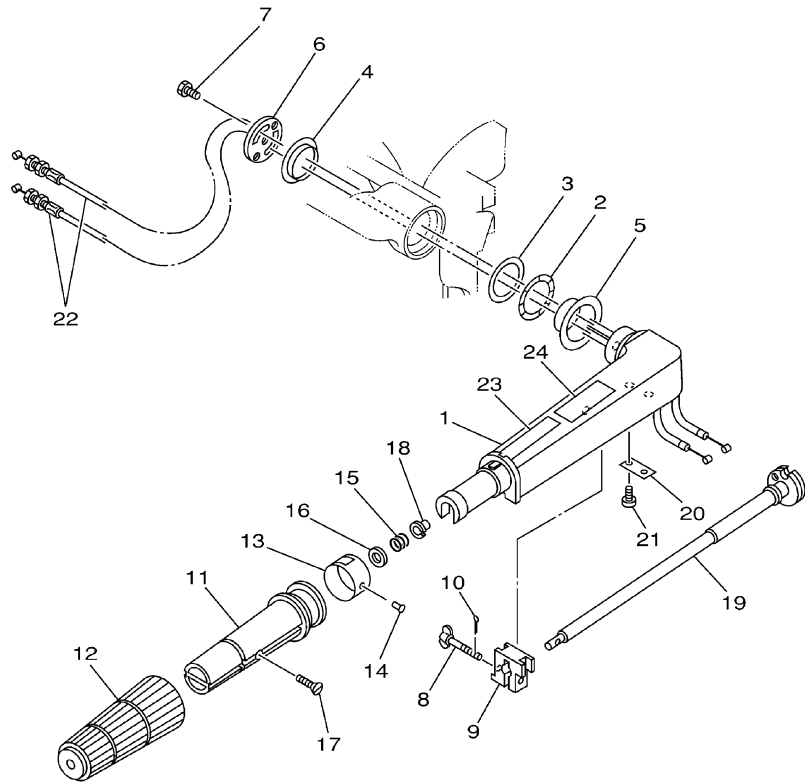
FIG. 11 BOTTOM COWLING



  
6M81100-2110

REF. NO.	PART NO.	DESCRIPTION	6C	8C	REMARKS
1	6N0-G2711-00-4D	COWLING, BOTTOM	1	1	
2	6N0-G2815-00-4D	LEVER, CLAMP	1	1	
3	90386-12M45	BUSH	2	2	
4	6E0-42816-00	LEVER, CLAMP	1	1	
5	90206-12052	WASHER, WAVE	1	1	
6	97885-06030	SCREW, PAN HEAD	1	1	
7	95380-06700	NUT	1	1	
8	6N0-G2719-80	PANEL, FRONT LOWER	1	1	
9	6N0-G2767-00	BRACKET	1	1	
10	90149-05M02	SCREW	3	3	
11	95380-05700	NUT	1	1	
12	6G1-42724-00	GROMMET	1	1	
13	6G1-42725-00	GROMMET	1	1	
14	6G1-42726-00	GROMMET	1	1	
15	6G1-42727-00	GROMMET	1	1	
16	6G1-42748-00	GROMMET	1	1	
17	6G1-26326-00	GROMMET	1	1	
18	90480-15M31	GROMMET	4	4	
19	90387-06M52	COLLAR	4	4	
20	95895-06020	BOLT, FLANGE	4	4	
21	6N0-G2716-00	RUBBER, SEAL 1	1	1	
22	6E9-82575-02	ENGINE STOP SWITCH ASSY	1	1	
23	682-82556-00	.STOPPER	1	1	
24	689-8257Y-00	.CAP	1	1	
25	6E7-42791-10	MARK 1	1	1	
	6E7-42791-00	MARK 1	1	1	FOR CANADA, OCEANIA FOR USA

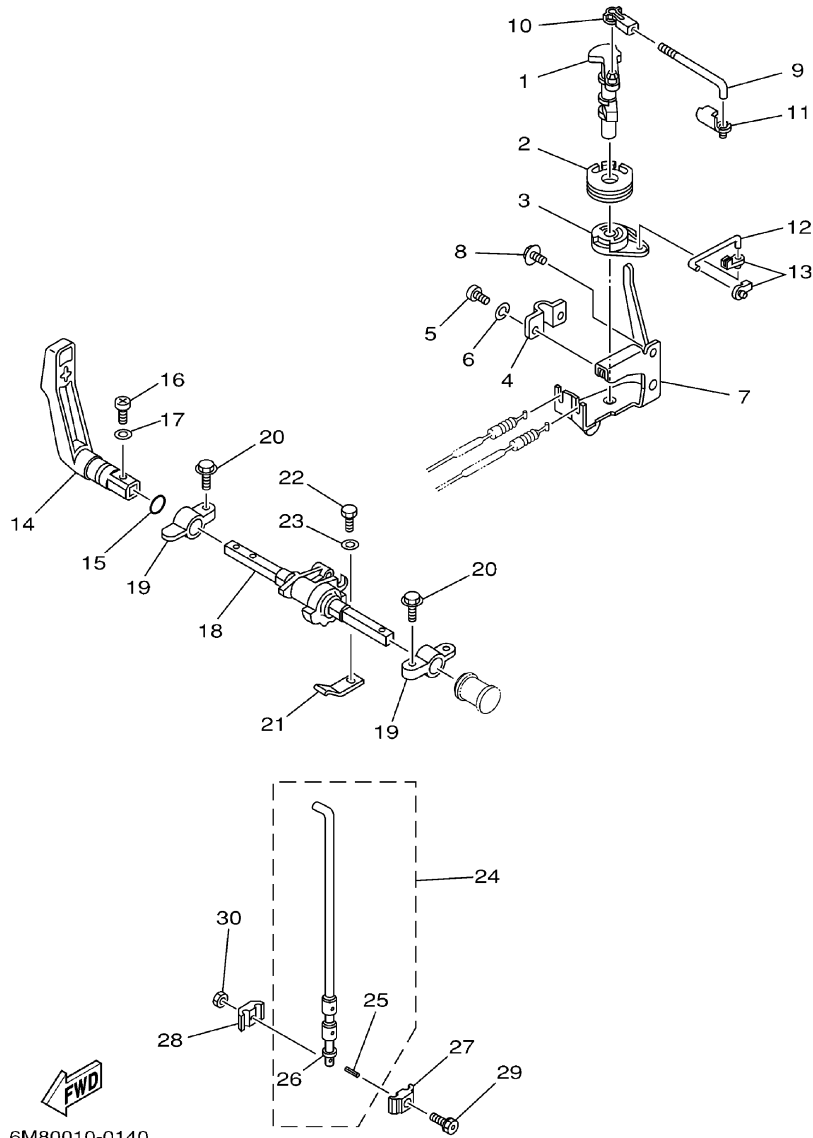
FIG. 12 STEERING



6M81100-2120

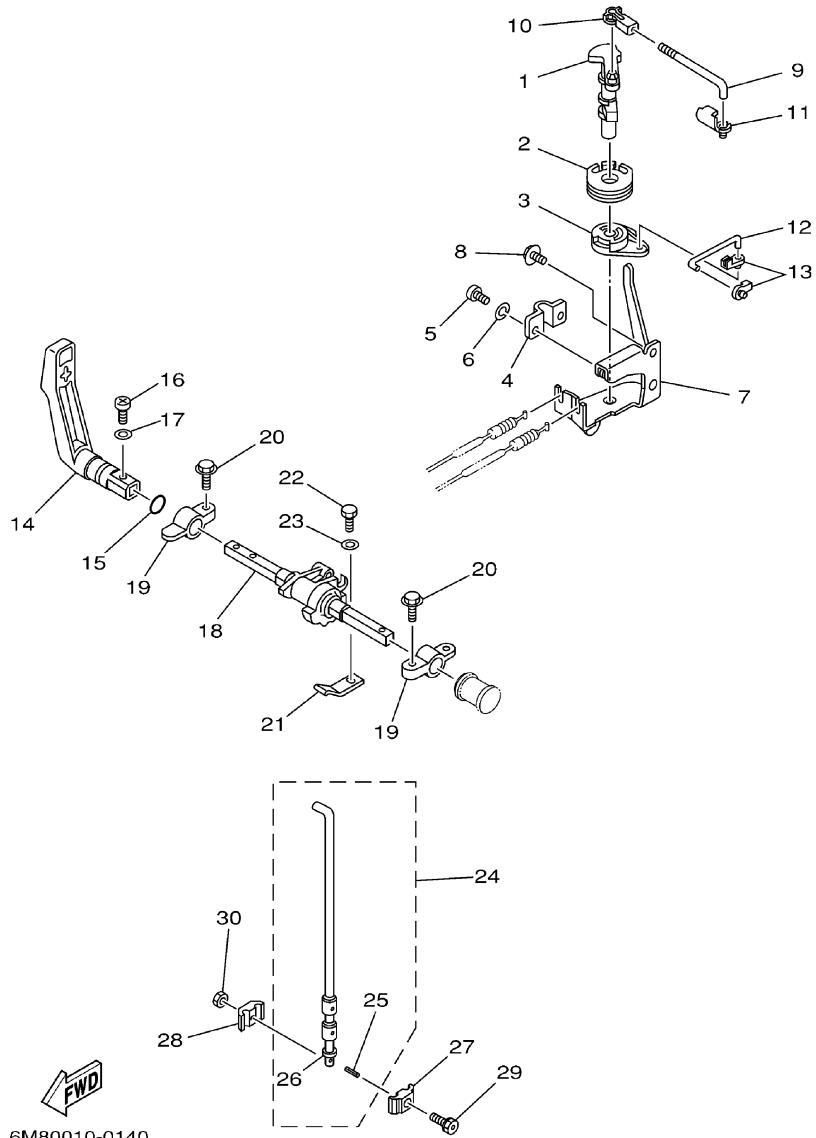
REF. NO.	PART NO.	DESCRIPTION	6C	8C	REMARKS
1	6M8-G2111-10-4D	HANDLE, STEERING	1	1	
2	90206-36M21	WASHER, WAVE	1	1	
3	90202-36M55	WASHER, PLATE	1	1	
4	90386-33M96	BUSH	1	1	
5	90386-34M97	BUSH	1	1	
6	6G1-42131-01	COVER, HANDLE STEERING	1	1	
7	97095-06020	BOLT	1	1	
8	6N0-G2125-00	BOLT, FRICTION ADJUSTING	1	1	
9	6N0-G2126-00	FRICTION, STEERING HANDLE GRIP	1	1	
10	91490-16010	PIN, COTTER	1	1	
11	6M4-G2119-00	GRIP, STEERING HANDLE	1	1	
12	6N0-G2177-00	RUBBER, HANDLE	1	1	
13	6G1-42137-10	INDICATOR, THROTTLE	1	1	
14	90269-02M09	RIVET	1	1	
15	90501-23215	SPRING, COMPRESSION	1	1	
16	92903-10600	WASHER, PLATE	1	1	
17	90149-05M13	SCREW	1	1	
18	90386-08032	BUSH	1	1	
19	6G1-42138-01	LEVER, THROTTLE	1	1	
20	6E0-42159-02	STAY	1	1	
21	97885-05012	SCREW, PAN HEAD	2	2	
22	6N0-F6301-00	THROTTLE CABLE ASSY	2	2	
23	6E0-83627-41	LABEL, CAUTION 7	1	1	
24	6E0-83627-51	LABEL, CAUTION 7	1	1	FOR CANADA

FIG. 13 CONTROL



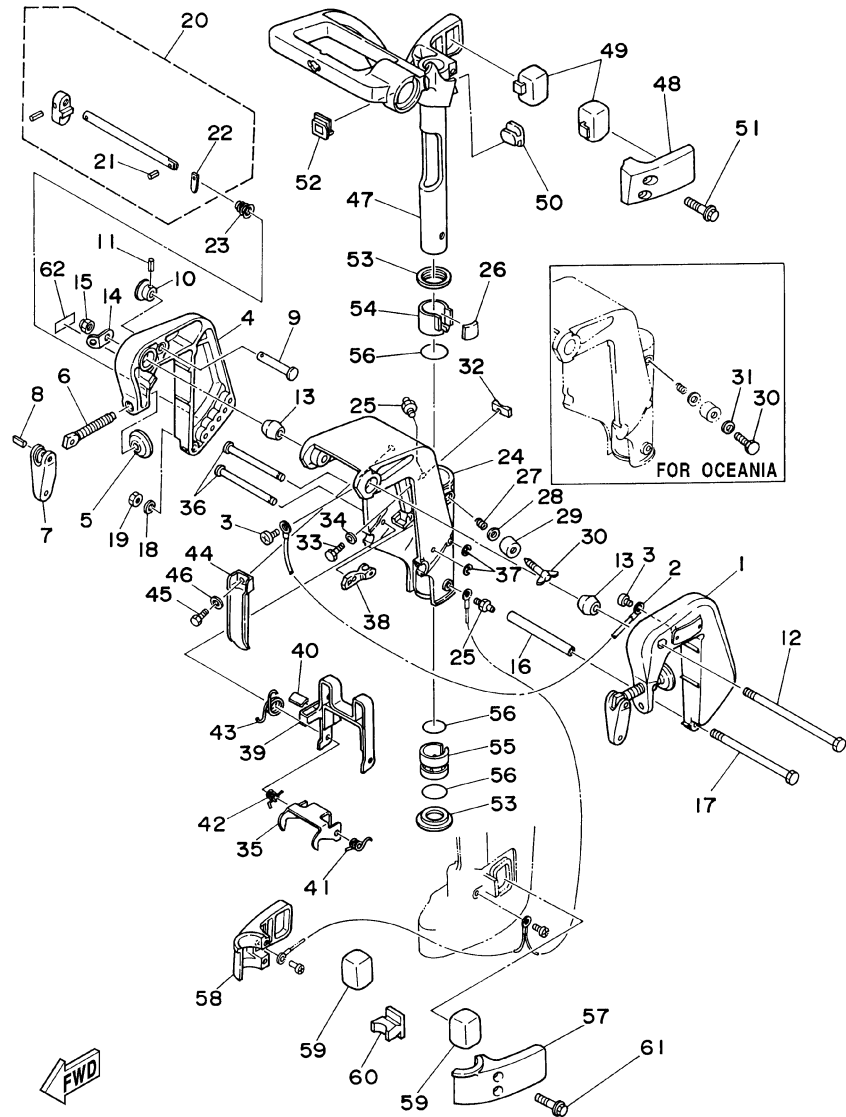
6M80010-0140

REF. NO.	PART NO.	DESCRIPTION	6C	8C				REMARKS
1	6G1-41631-00	LEVER, MAGNETO CONTROL	1	1				
2	6G1-41638-00	PULLEY	1	1				
3	6G1-41283-01	LEVER, FREE ACCEL.	1	1				
4	6G1-41661-00	BRACKET	1	1				
5	97880-05010	SCREW, PAN HEAD	2	2				
6	92990-05100	WASHER, SPRING	2	2				
7	6G1-14497-80	STAY, THROTTLE WIRE	1	1				
8	95895-06010	BOLT, FLANGE	2	2				
9	6G1-41238-00	JOINT, LINK	1	1				
10	662-41237-01	JOINT, LINK	1	1				
11	6E9-41237-00	JOINT, LINK	1	1				
12	6G1-41211-00	LINK, ACCEL.	1	1				
13	661-41262-02	JOINT, CHOKE LEVER	2	2				
14	6N0-G4111-00	HANDLE, GEAR SHIFT	1	1				
15	93210-12327	O-RING	1	1				
16	97880-05016	SCREW, PAN HEAD	1	1				
17	92990-05600	WASHER, PLATE	1	1				
18	6G1-44121-02-94	LEVER, SHIFT ROD	1	1				
19	6G1-41662-01-94	BRACKET	2	2				
20	90105-06M14	BOLT FLANGE	2	2				
21	6G1-44116-01	SPRING	1	1				
22	97095-06012	BOLT	1	1				
23	92995-06600	WASHER	1	1				
24	6N0-G4110-00	SHIFT ROD ASSY	1	1				
25	91690-20010	.PIN, SPRING	3	3				
26	92990-05600	WASHER, PLATE	1	1				
27	6N0-G4145-00	CONNECTOR, SHIFT ROD	1	1				UR



**FIG. 13 CONTROL**

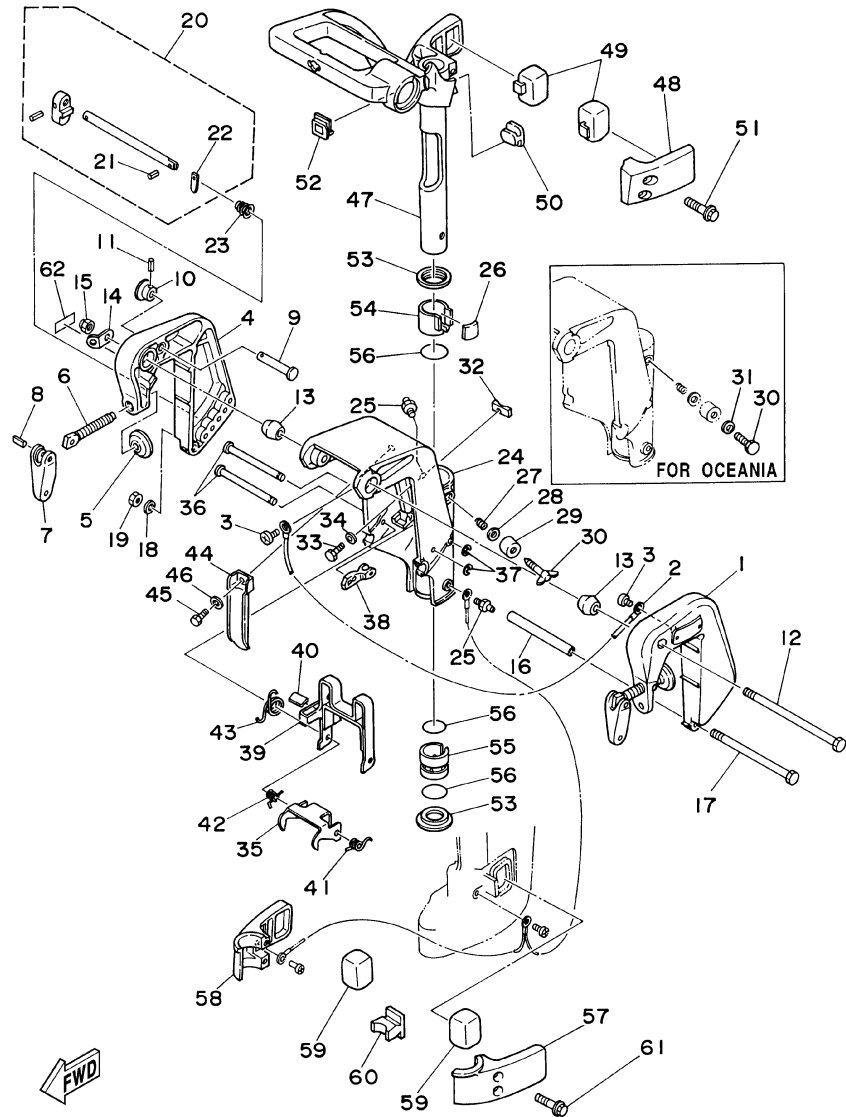
REF. NO.	PART NO.	DESCRIPTION	6C	8C		REMARKS
27	6N0-G4145-10	CONNECTOR, SHIFT ROD	1	1		UR
28	6N0-G4146-00	CONNECTOR, SHIFT ROD	1	1		UR
	6N0-G4146-10	CONNECTOR, SHIFT ROD	1	1		UR
29	90109-06M17	BOLT	1	1		
30	95380-06600	NUT, HEXAGON	1	1		
-----						
-----						
-----						
-----						
-----						
-----						
-----						
-----						
-----						
-----						



6M81100-2140

FIG. 14 BRACKET

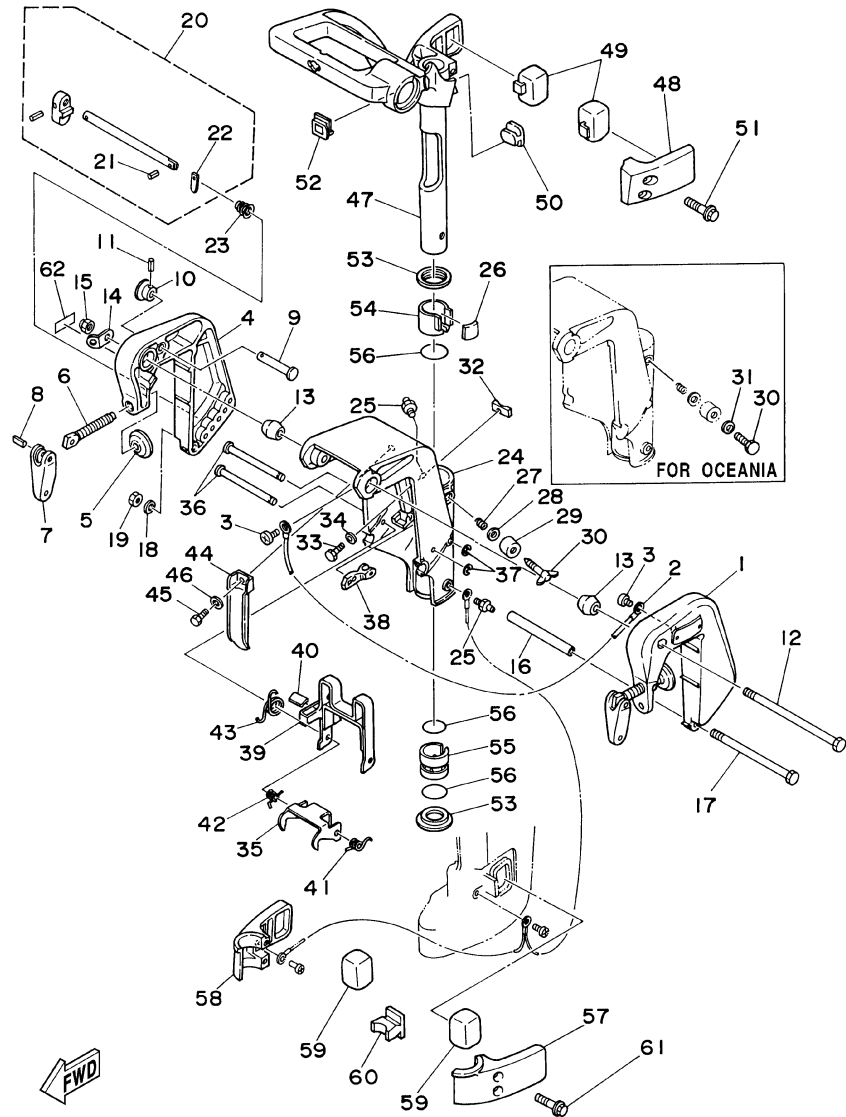
REF. NO.	PART NO.	DESCRIPTION	6C	8C	REMARKS
1	6M8-G3111-02-4D	BRACKET, CLAMP	1	1	
2	6E5-82148-00	WIRE, LEAD 4	1	1	
3	97885-06008	SCREW, PAN HEAD	2	2	
4	6M8-G3112-01-4D	BRACKET, CLAMP	1	1	
5	620-43114-00	PAD, TRANSOM CLAMP	2	2	
6	6N0-G3116-00	SCREW, TRANSOM CLAMP	2	2	
7	6L8-G3118-01	HANDLE, TRANSOM CLAMP	2	2	
8	90243-04M01	PIN	2	2	
9	689-43191-00	SHAFT, STOPPER	1	1	
10	689-43192-01	KNOB, STOPPER	1	1	
11	91690-30016	PIN, SPRING	1	1	
12	90101-08869	BOLT	1	1	
13	6N0-G3136-00	PIECE, FRICTION	2	2	
14	6A1-43113-01	PLATE, CLAMP BRACKET	1	1	
15	90185-08057	NUT, SELF-LOCKING	1	1	
16	90387-06M13	COLLAR	1	1	
17	97095-06135	BOLT	1	1	
18	92990-06600	WASHER, PLATE	1	1	
19	95380-06600	NUT, HEXAGON	1	1	
20	6N0-G3160-00	TILT ROD ASSY	1	1	
21	91690-30008	.PIN, SPRING	1	1	
22	6N0-G3165-00	.PLATE, TILT LOCK	1	1	
23	90502-10M06	SPRING, CONICAL	1	1	
24	6N0-G3311-10-4D	BRACKET, SWIVEL 1	1	1	
25	93700-06M03	NIPPLE, GREASE	2	2	
26	6G1-42528-00	PLATE, FRICTION	1	1	
	6G1-42528-10	PLATE, FRICTION		1	8C-FOR OCEANIA



6M81100-2140

FIG. 14 BRACKET

REF. NO.	PART NO.	DESCRIPTION	6C	8C	REMARKS
27	90501-18M00	SPRING, COMPRESSION	1	1	
28	92990-08600	WASHER, PLATE	1	1	
29	6G1-43373-00	SEAL, DAMPER	1	1	
30	6G1-42529-00	SCREW, FRICTION PIECE	1	1	
	97095-08025	BOLT		1	8C-FOR OCEANIA
31	92995-08600	WASHER		1	8C-FOR OCEANIA
32	6G1-44532-01	STOPPER, UPPER MOUNT	1	1	
33	97095-06010	BOLT	1	1	
34	92995-06600	WASHER	1	1	
35	6N0-G3614-00	PLATE, TILT LOCK	1	1	
36	6G1-43659-00	SHAFT, REVERSE LOCK	2	2	
37	99080-05600	CIRCLIP	2	2	
38	6G1-43615-01	PLATE, TILT LOCK	1	1	
39	6G1-43681-00	LEVER, SHALLOW WATER DRIVE 1	1	1	
40	6G1-43318-01	COVER	1	1	
41	90508-10M15	SPRING, TORSION	1	1	
42	90508-10M16	SPRING, TORSION	1	1	
43	90508-14M17	SPRING, TORSION	1	1	
44	6N0-G2731-00	CARRYING HANDLE	1	1	
45	97095-08016	BOLT	1	1	
46	92995-08600	WASHER	1	1	
47	6M8-G2511-00-4D	BRACKET, STEERING	1	1	
48	6G1-44511-00-4D	COVER, UPPER MOUNT	1	1	
49	6N0-G4514-00	MOUNT DAMPER, UPPER SIDE	2	2	
50	6G1-44516-00	MOUNT DAMPER, UPPER FRONT	1	1	
51	95895-06035	BOLT, FLANGE	2	2	
52	6G1-42551-00	GROMMET	1	1	

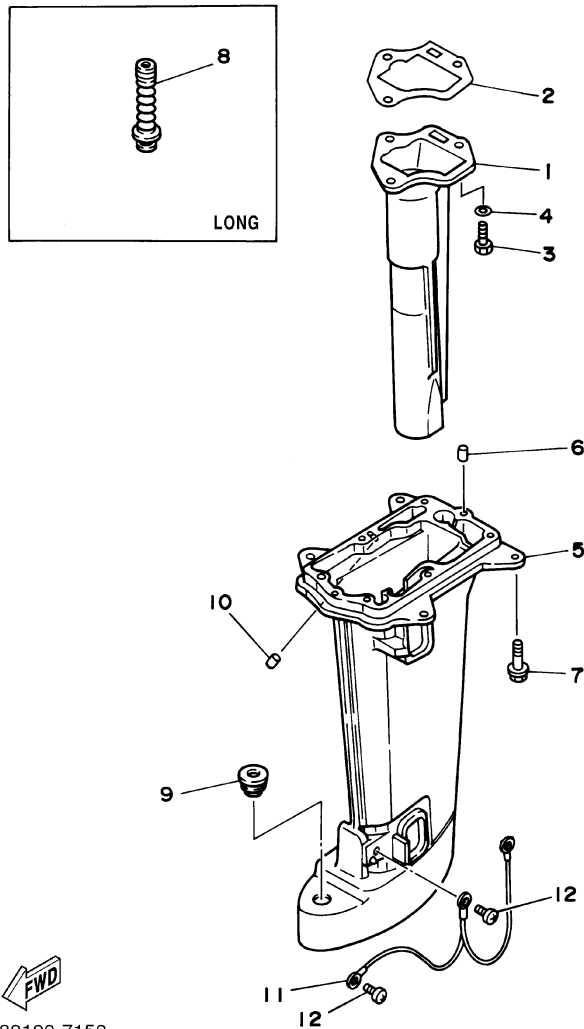


6M81100-2140

FIG. 14 BRACKET

REF. NO.	PART NO.	DESCRIPTION	6C	8C	REMARKS
53	6G1-42535-00	WASHER, THRUST	2	2	
54	6G1-42537-00	BUSHING, PIVOT SHAFT	1	1	
	6G1-42537-10	BUSHING, PIVOT SHAFT		1	8C-FOR OCEANIA
55	6G1-42538-01	BUSHING, PIVOT SHAFT	1	1	
56	93210-30M31	O-RING	3	3	
57	6N0-G4551-00-4D	HOUSING, LOWER MOUNT RUBBER	1	1	
58	6N0-G4552-00-4D	HOUSING, LOWER MOUNT RUBBER	1	1	
59	6N0-G4555-A0	MOUNT DAMPER, LOWER SIDE	2	2	
60	6N0-G4557-A0	MOUNT DAMPER, LOWER FRONT	1	1	
61	95895-06035	BOLT, FLANGE	2	2	
62	63V-82377-50	LABEL (SPARK,IGNITION)	1	1	FOR CANADA

FIG. 15 UPPER CASING

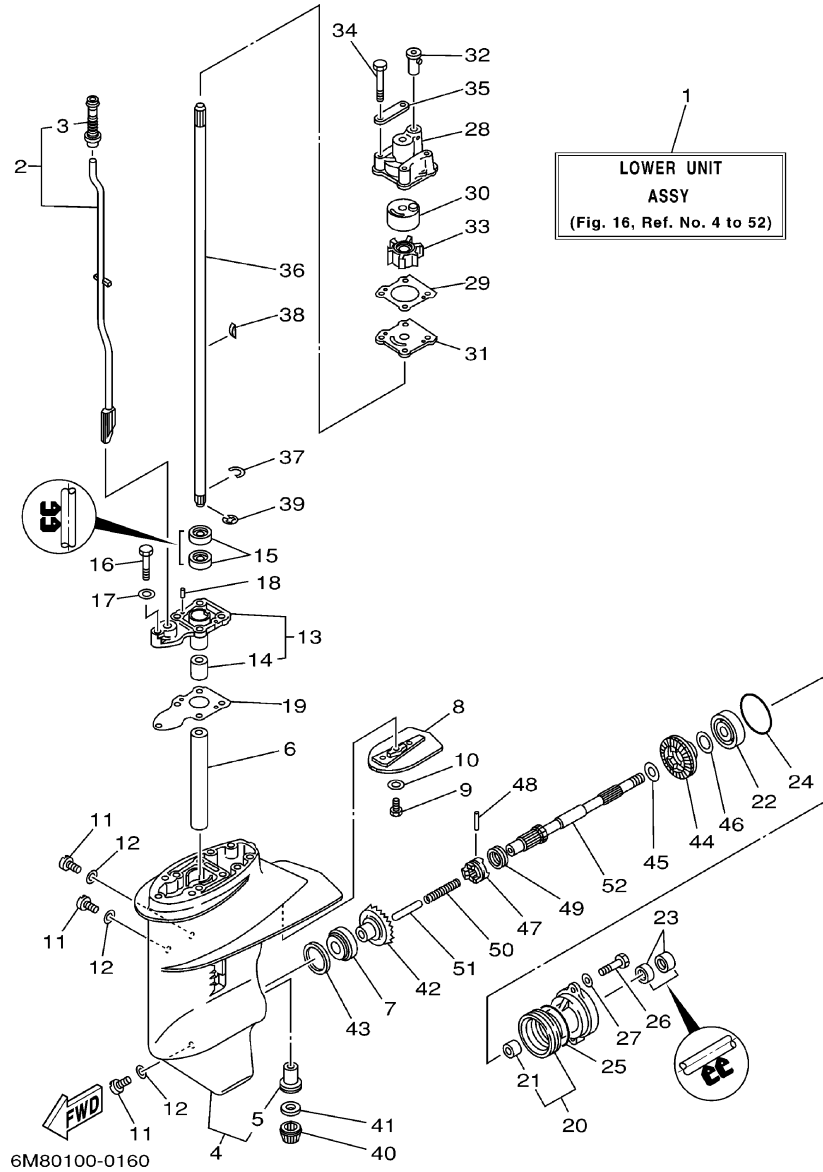


6M80100-7150

REF. NO.	PART NO.	DESCRIPTION	6C	8C			REMARKS
1	6M8-G1131-00-5B	MANIFOLD, EXT. 1	1				
	6N0-G1131-00-5B	MANIFOLD, EXT. 1		1			
2	6G1-41133-A0	GASKET, EXHAUST MANIFOLD 1	1	1			
3	97095-06020	BOLT	3	3			
4	92995-06600	WASHER	3	3			
5	6N0-G5111-00-4D	CASING, UPPER	1	1			S
	6N0-G5111-10-4D	CASING, UPPER	1	1			L
6	93604-08062	PIN, DOWEL	2	2			
7	95895-06030	BOLT, FLANGE	6	6			
8	655-44147-00	BOOT, SHIFT ROD	1	1			L
9	90480-20M29	GROMMET	1	1			
10	6G1-45135-00	PIPE	1	1			
11	6G1-82149-00	WIRE, LEAD 3	1	1			
12	97885-06008	SCREW, PAN HEAD	2	2			

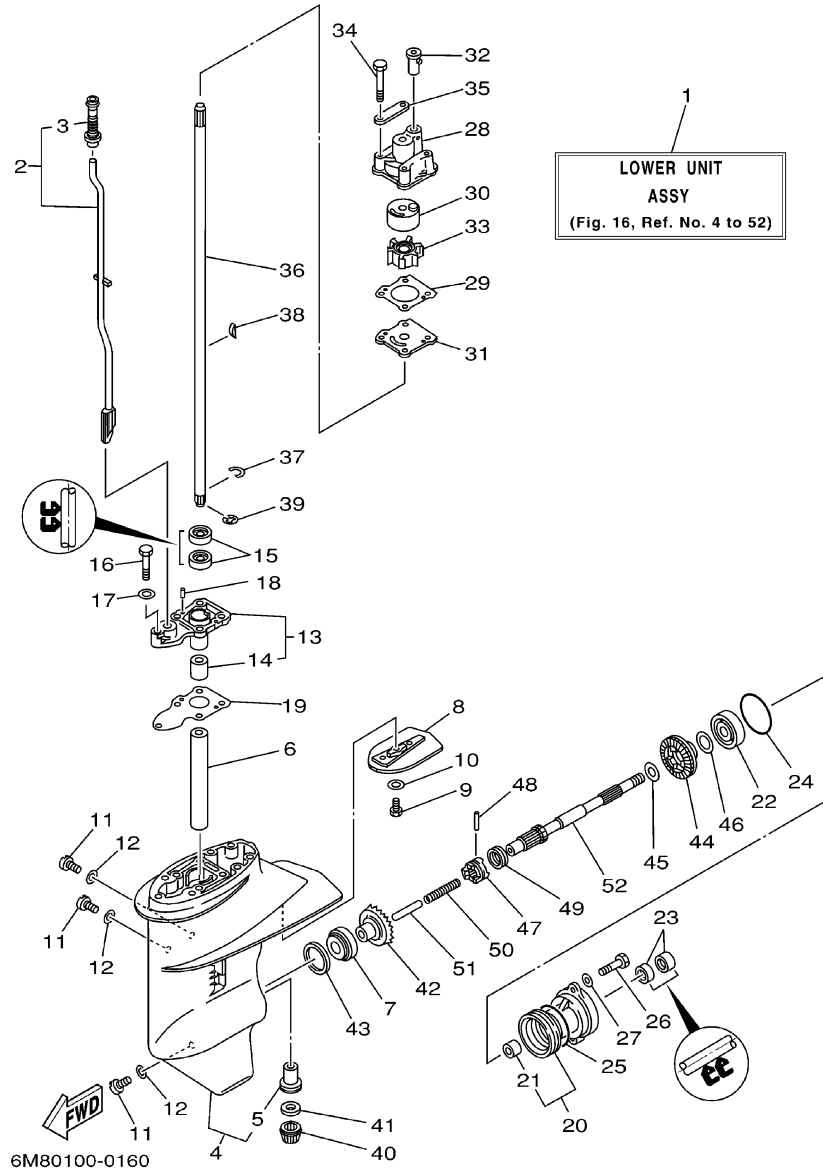


**FIG. 16 LOWER CASING, DRIVE 1**

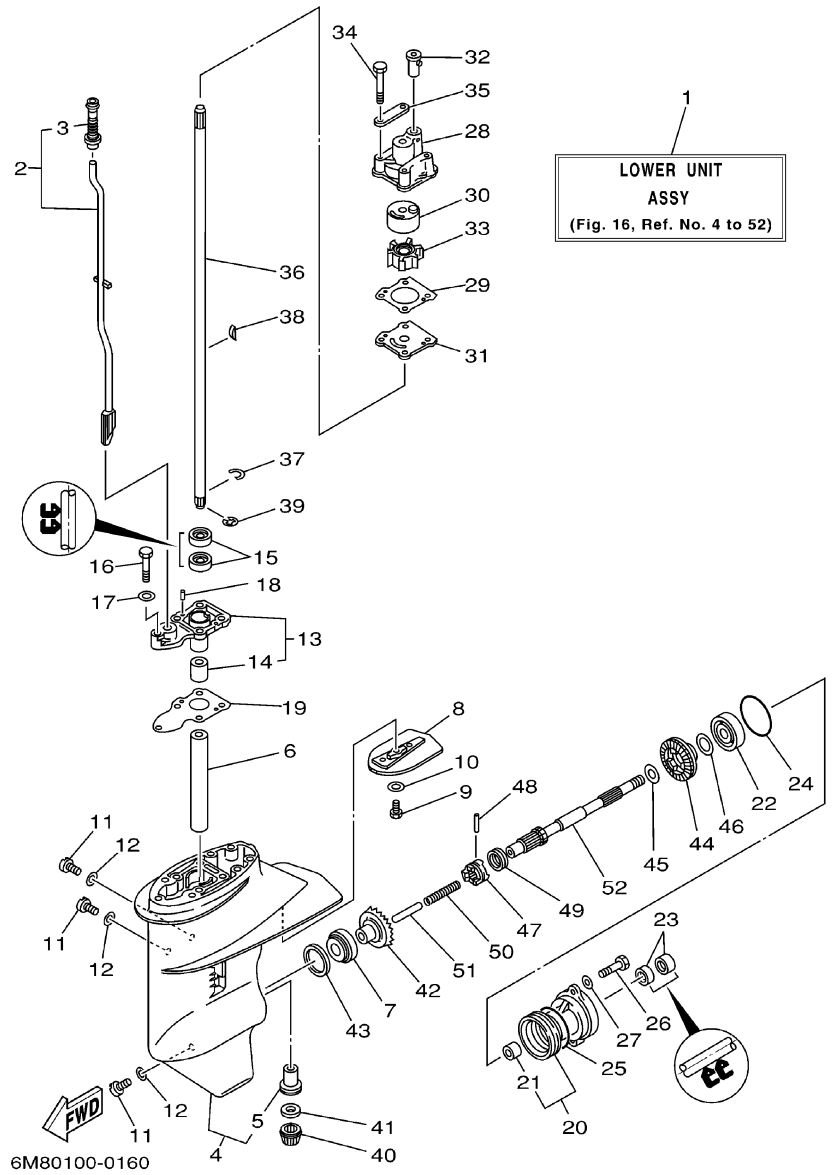


REF. NO.	PART NO.	DESCRIPTION	6C	8C	REMARKS
1	6M8-G5300-00-4D	LOWER UNIT ASSY	1	1	S
	6M8-G5300-10-4D	LOWER UNIT ASSY	1	1	L
2	6N0-G4150-00	SHIFT CAM ASSY	1	1	S
	6N0-G4150-10	SHIFT CAM ASSY	1	1	L
3	6G1-44147-00	.BOOT, SHIFT ROD	1	1	
4	6N0-G5311-00-4D	CASING, LOWER	1	1	
5	6G1-45317-09	.BUSHING, DRIVE SHAFT	1	1	
6	90387-14M49	COLLAR	1	1	
7	93332-000U4	BEARING	1	1	
8	6N0-G5251-00	ANODE	1	1	
9	97095-06016	BOLT	1	1	
10	92990-06300	WASHER, INTERNAL TOOTH	1	1	
11	90340-08M04	PLUG, STRAIGHT SCREW	3	3	
12	90430-08020	GASKET	3	3	
13	6G1-45331-01-5B	HOUSING, BEARING	1	1	
14	6G1-45316-09	.BUSHING, DRIVE SHAFT	1	1	
15	93101-11M23	OIL SEAL	2	2	
16	97095-06030	BOLT	1	1	
17	92995-06600	WASHER	1	1	
18	93604-08062	PIN, DOWEL	2	2	
19	6G1-45315-A0	PACKING, LOWER CASING	1	1	
20	6N0-G5361-00-4D	CAP, LOWER CASING	1	1	
21	6G1-45362-09	.BUSHING	1	1	
22	93306-004U0	BEARING	1	1	
23	93101-15074	OIL SEAL	2	2	
24	93210-49046	O-RING	1	1	
25	93210-53M08	O-RING	1	1	

**FIG. 16 LOWER CASING. DRIVE 1**



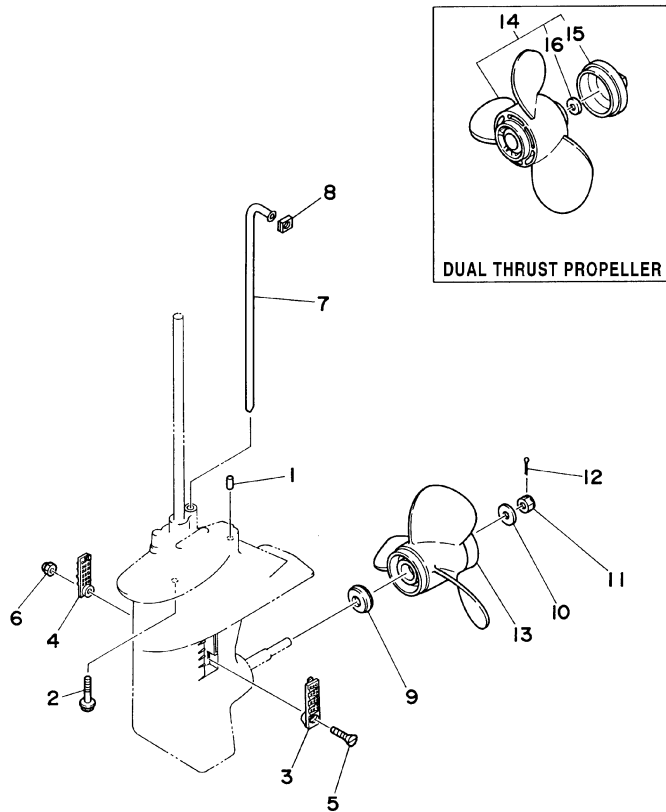
REF. NO.	PART NO.	DESCRIPTION	6C	8C		REMARKS
26	97095-06016	BOLT	2	2		
27	92995-06600	WASHER	2	2		
28	6N0-G4311-00	HOUSING, WATER PUMP	1	1		
29	6G1-44315-A0	GASKET, WATER PUMP	1	1		
30	6G1-44322-00	INSERT, CARTRIDGE	1	1		
31	6G1-44323-00	OUTER PLATE, CARTRIDGE	1	1		
32	647-44366-00	DAMPER, WATER SEAL	1	1		
33	6G1-44352-00	IMPELLER	1	1		
34	97095-06045	BOLT	4	4		
35	6G1-44328-00	PLATE	2	2		
36	6N0-G5511-00	SHAFT, DRIVE	1	1		S
	6N0-G5511-10	SHAFT, DRIVE	1	1		L
37	90467-09M05	CLIP	1	1		
38	90280-03024	KEY, WOODRUFF	1	1		
39	93430-06005	CIRCLIP	1	1		
40	6N0-G5551-00	PINION	1	1		
41	6G1-45533-00-19	SHIM (T:1.9MM)	1	1		UR
	6G1-45533-00-20	SHIM (T:2.0MM)	1	1		UR
	6G1-45533-00-21	SHIM (T:2.1MM)	1	1		UR
	6G1-45533-00-22	SHIM (T:2.2MM)	1	1		UR
42	6N0-G5560-00	GEAR	1	1		
43	664-45587-01-10	SHIM (T:0.10MM)	1	1		UR
	664-45587-01-12	SHIM (T:0.12MM)	1	1		UR
	664-45587-01-15	SHIM (T:0.15MM)	1	1		UR
	664-45587-01-18	SHIM (T:0.18MM)	1	1		UR
	664-45587-01-30	SHIM (T:0.30MM)	1	1		UR
	664-45587-01-40	SHIM (T:0.40MM)	1	1		UR



**FIG. 16 LOWER CASING. DRIVE 1**

REF. NO.	PART NO.	DESCRIPTION	6C	8C	REMARKS
43	664-45587-01-50	SHIM (T:0.50MM)	1	1	UR
44	6N0-G5571-00	GEAR	1	1	
45	90201-15M89	WASHER, PLATE	1	1	
46	647-45567-00	SHIM (T:0.10MM)	1	1	UN
47	6G1-45631-00	CLUTCH, DOG	1	1	
48	6G1-45632-00	PIN, CROSS	1	1	
49	654-45633-00	RING, CROSS PIN	1	1	
50	90501-12M38	SPRING, COMPRESSION	1	1	
51	6G1-45635-00	PLUNGER, SHIFT	1	1	
52	6G1-45611-01	SHAFT, PROPELLER	1	1	

FIG. 17 LOWER CASING. DRIVE 2



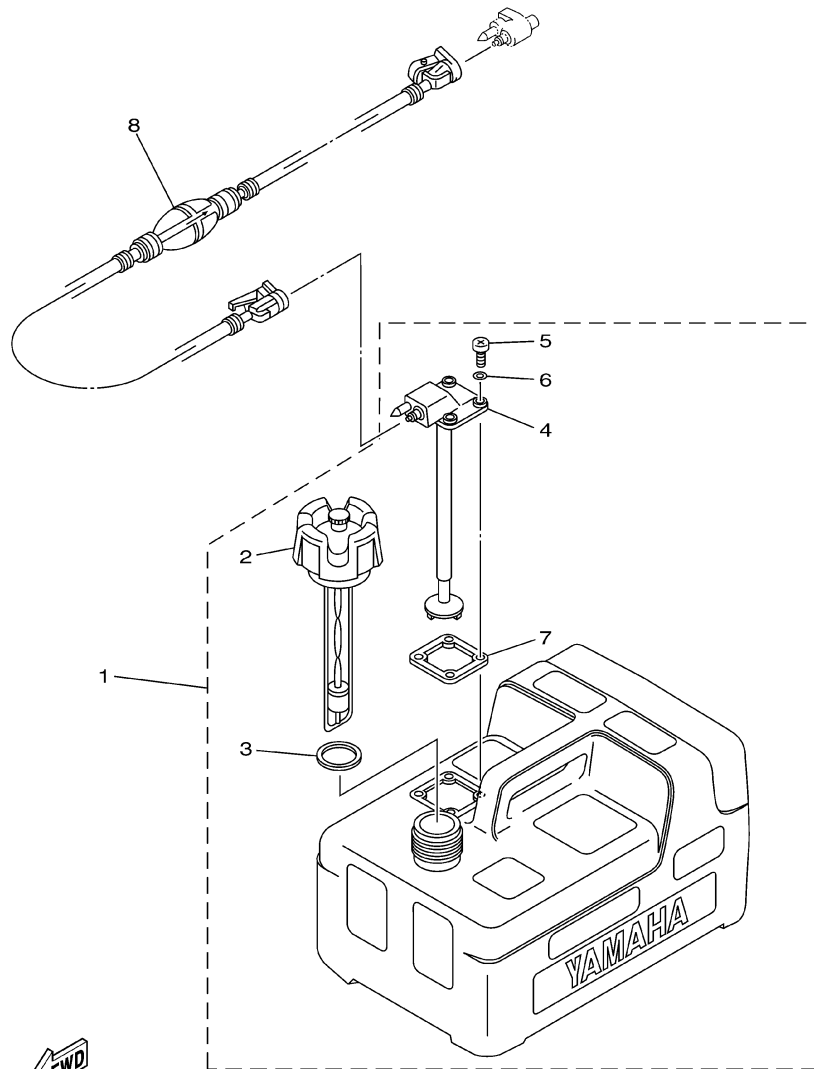
REF. NO.	PART NO.	DESCRIPTION	6C	8C				REMARKS
1	93604-08062	PIN, DOWEL	2	2				
2	95895-06030	BOLT, FLANGE	4	4				
3	6G1-45214-00	COVER, WATER INLET	1	1				
4	6G1-45215-00	COVER, WATER INLET	1	1				
5	90152-05M03	SCREW, COUNTERSUNK	1	1				
6	90185-05002	NUT, SELF-LOCKING	1	1				
7	6N0-G4361-00	TUBE, WATER	1	1				S
	6N0-G4361-10	TUBE, WATER	1	1				L
8	6G1-44365-00	DAMPER, WATER SEAL	1	1				
9	6N0-G5987-00	SPACER	1	1				UR
	6N0-G5987-10	SPACER	1	1				UR
10	90201-10M01	WASHER, PLATE	1	1				
11	90171-10M01	NUT, CASTLE	1	1				
12	91490-30020	PIN, COTTER	1	1				
13	6G1-45941-00-EL	PROPELLER (3X8-1/2"X8-1/2"-N)	1	1				UR
	6G1-45943-00-EL	PROPELLER (3X8-1/2"X7-1/2"-N)	1	1				UR
	6G1-45947-00-EL	PROPELLER (3X8-1/2"X6-1/2"-N)	1	1				UR
14	6G1-W4591-01-EL	PROPELLER (3X9"X7"-N)	1	1				UR
	6G1-W4592-00-EL	PROPELLER (3X9"X5"-N)	1	1				UR
15	6G1-45616-01	.NUT, PROPELLER	1	1				
16	90201-10M02	.WASHER, PLATE	1	1				



6M80010-7180

**FIG. 18 FUEL TANK 1**

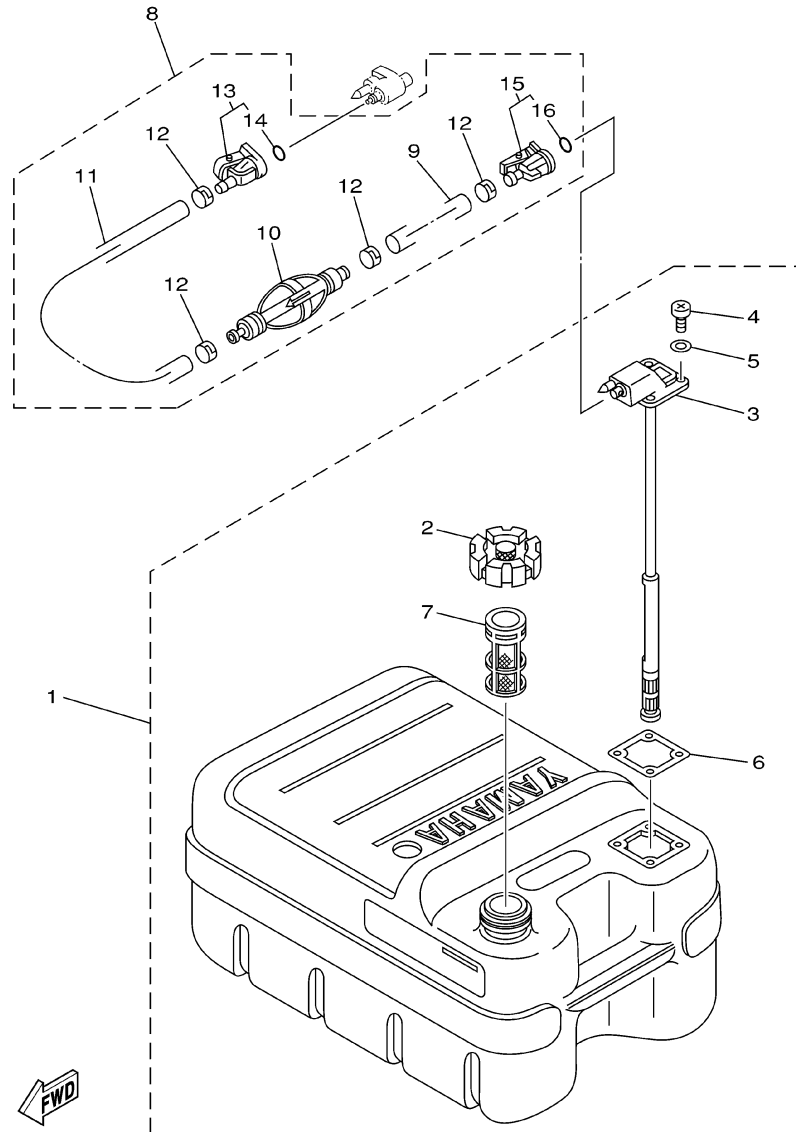
REF. NO.	PART NO.	DESCRIPTION	6C	8C			REMARKS
1	6YL-F4201-02	FUEL TANK ASSY	1	1			AP FOR CANADA
2	6YL-F4610-00	.CAP ASSY	1	1			
3	6YL-F4641-00	.GASKET, CAP 1	1	1			
4	6YL-F4260-01	.FUEL METER ASSY	1	1			
5	90157-05M16	.SCREW, PAN HEAD	4	4			
6	6YL-F4329-00	.SEAL	4	4			
7	6YL-F4268-01	.GASKET, FUEL METER	1	1			
8	6YL-24306-52	FUEL PIPE COMP. 1	1	1			AP FOR CANADA



66R0700-9260

**E1**

FIG. 19 FUEL TANK 2



67C0100-9300

REF. NO.	PART NO.	DESCRIPTION	6C	8C	REMARKS
1	6YJ-24201-10	FUEL TANK ASSY (24L)	1	1	AP FOR OCEANIA WITH INDICATOR
2	6YJ-24610-01	.CAP ASSY	1	1	
3	6Y1-24260-12	.FUEL METER ASSY	1	1	WITH INDICATOR
4	98586-05016	.SCREW, PAN HEAD	4	4	
5	6Y1-24329-00	.SEAL	4	4	
6	6Y1-24268-00	.GASKET, FUEL METER	1	1	
7	6YJ-24167-00	.STRAINER	1	1	
8	61J-24306-02	FUEL PIPE COMP. 1	1	1	AP FOR OCEANIA
9	90445-11M06	.HOSE (L2050)	1	1	
10	61J-24360-00	.PRIMER PUMP ASSY	1	1	
11	90445-11M05	.HOSE (L:850MM)	1	1	
12	650-24351-51	.BAND 1	4	4	
13	6G1-24305-03	.FUEL PIPE JOINT COMP. 2	1	1	
14	93210-08287	..O-RING	1	1	
15	6Y1-24305-04	.FUEL PIPE JOINT COMP. 2	1	1	
16	93210-08287	..O-RING	1	1	

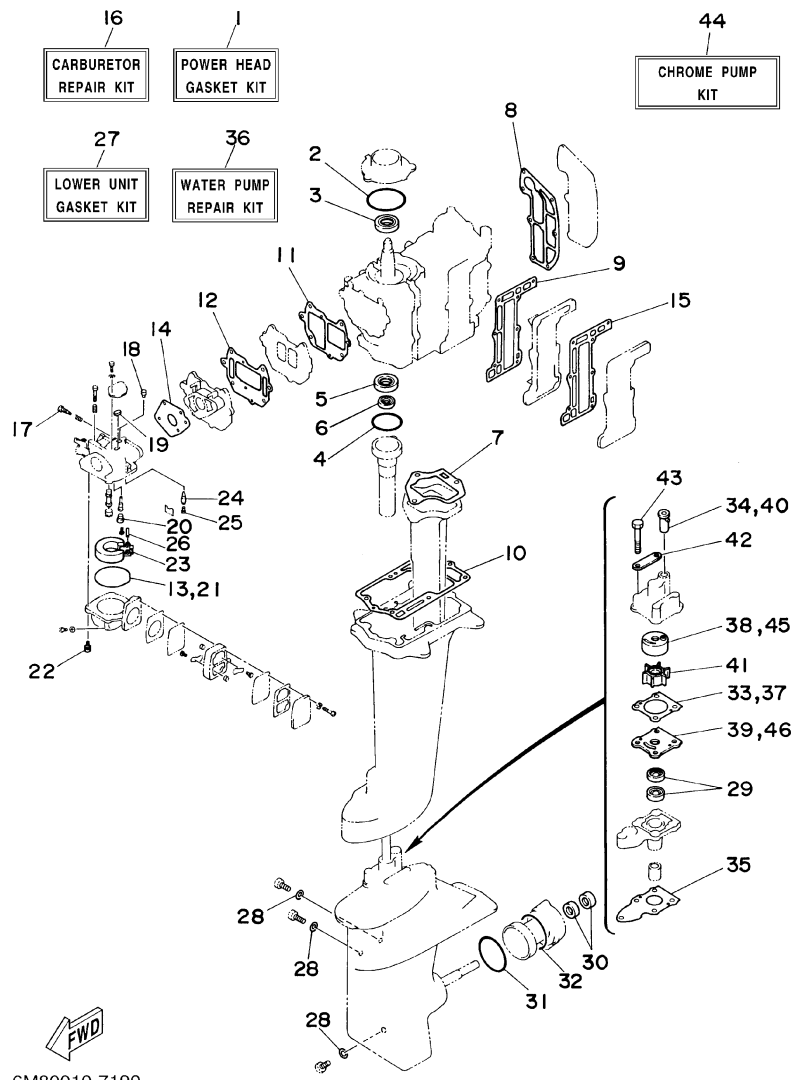
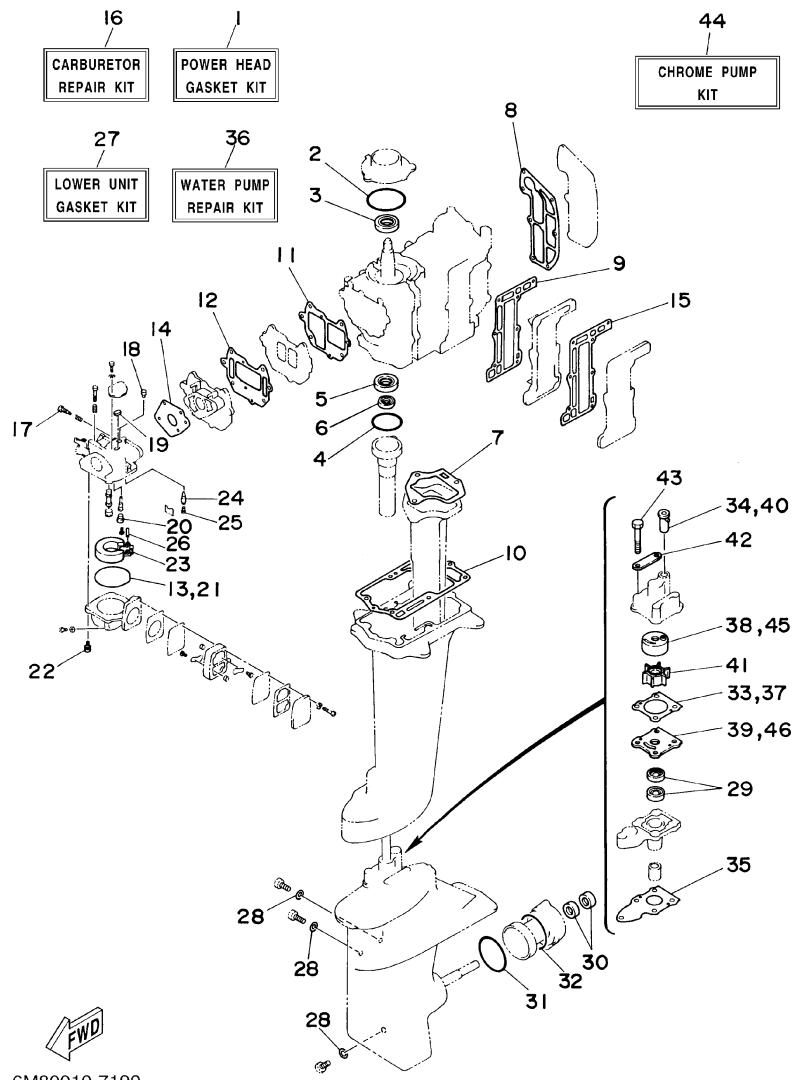


FIG. 20 REPAIR KIT

REF. NO.	PART NO.	DESCRIPTION	6C	8C	REMARKS
1	6N0-W0001-A0	POWER HEAD GASKET KIT	1	1	
2	93210-54M54	.O-RING	1	1	
3	93102-20M25	.OIL SEAL	1	1	
4	93210-42159	.O-RING	1	1	
5	93101-20M29	.OIL SEAL	1	1	
6	93101-12M26	.OIL SEAL	1	1	
7	6G1-41133-A0	.GASKET, EXHAUST MANIFOLD 1	1	1	
8	6G1-11193-A1	.GASKET, HEAD COVER 1	1	1	
9	6G1-41112-A1	.GASKET, EXHAUST INNER COVER	1	1	
10	6G1-45113-A1	.GASKET, UPPER CASING	1	1	
11	6G1-13621-A1	.GASKET, VALVE SEAT	1	1	
12	6G1-13645-A1	.GASKET, MANIFOLD 1	1	1	
13	6G1-14984-00	.O-RING	1	1	
14	6G1-14198-A1	.GASKET	1	1	
15	6G1-41114-A0	.GASKET, EXHAUST OUTER COVER	1	1	
16	6N0-W0093-00	CARBURETOR REPAIR KIT	1	1	
17	679-14923-00	.SCREW, PILOT	1	1	
18	6G1-14966-00	.CAP	1	1	
19	6G1-14126-00	.GASKET	1	1	
20	676-14966-00	.CAP	1	1	
21	6G1-14984-00	.O-RING	1	1	
22	97980-04114	.SCREW, WITH WASHER	4	4	
23	6G1-14985-00	.FLOAT	1	1	
24	6G1-14546-00	.VALVE, NEEDLE	1	1	
25	676-14186-00	.PIN, FLOAT	1	1	
26	688-14548-00	.PIN, FLOAT ARM	1	1	
27	6N0-W0001-C0	LOWER UNIT GASKET KIT	1	1	



6M80010-7190

FIG. 20 REPAIR KIT

REF. NO.	PART NO.	DESCRIPTION	6C	8C	REMARKS
28	90430-08020	.GASKET	3	3	
29	93101-11M23	.OIL SEAL	2	2	
30	93101-15074	.OIL SEAL	2	2	
31	93210-49046	.O-RING	1	1	
32	93210-53M08	.O-RING	1	1	
33	6G1-44315-A0	.GASKET, WATER PUMP	1	1	
34	647-44366-00	.DAMPER, WATER SEAL	1	1	
35	6G1-45315-A0	.PACKING, LOWER CASING	1	1	
36	6N0-W0078-A0	WATER PUMP REPAIR KIT	1	1	
37	6G1-44315-A0	.GASKET, WATER PUMP	1	1	
38	6G1-44322-00	.INSERT, CARTRIDGE	1	1	
39	6G1-44323-00	.OUTER PLATE, CARTRIDGE	1	1	
40	647-44366-00	.DAMPER, WATER SEAL	1	1	
41	6G1-44352-00	.IMPELLER	1	1	
42	6G1-44328-00	.PLATE	2	2	
43	97095-06045	.BOLT	4	4	
44	6N0-W0078-0A	CHROME PUMP KIT	1	1	
45	6G1-44322-40	.INSERT, CARTRIDGE	1	1	CHROMATE
46	6G1-44323-40	.OUTER PLATE, CARTRIDGE	1	1	CHROMATE



NUMERICAL INDEX

PARTNO.	REF. NO.	PARTNO.	REF. NO.	PARTNO.	REF. NO.	PARTNO.	REF. NO.	PARTNO.	REF. NO.	PARTNO.	REF. NO.
6N0-E1191-00-9M	2 - 18	6M8-G2678-20	1 - 12	6N0-W0001-A0	20 - 1	6G1-14980-01	5 - 14	6G1-2811G-00	6 - 10	689-43192-01	14 - 10
6N0-E1400-00	3 - 1	6N0-G2678-20	1 - 12	6N0-W0001-C0	20 - 27	6G1-14984-00	5 - 13	6G1-41112-A1	2 - 22	6G1-43318-01	14 - 40
6N0-E1412-00	3 - 2	6N0-G2711-00-4D	11 - 1	6G1-W0004-00	4 - 2		20 - 13		20 - 9	6G1-43373-00	14 - 29
6N0-E1422-00	3 - 3	6N0-G2716-00	11 - 21	6N0-W0078-A0	20 - 36		20 - 21	6G1-41113-01-9M	2 - 23	6G1-43615-01	14 - 38
6N0-E1432-00	3 - 4	6N0-G2719-80	11 - 8	6N0-W0078-0A	20 - 44	6G1-14985-00	5 - 20	6G1-41114-A0	2 - 25	6G1-43659-00	14 - 36
6N0-E1442-00	3 - 5	6N0-G2731-00	14 - 44	6N0-W0090-00-4D	2 - 1		20 - 23		20 - 15	6G1-43681-00	14 - 39
6N0-E1515-00	3 - 11	6N0-G2767-00	11 - 9	6N0-W0093-00	20 - 16	6G1-14992-00	5 - 19	6G1-41133-A0	15 - 2	6G1-44116-01	13 - 21
6N0-E1603-00	3 - 16	6N0-G2815-00-4D	11 - 2	6G1-W4591-01-EL	17 - 14	6G1-15359-01-94	2 - 8		20 - 7	6G1-44121-02-94	13 - 18
6N0-E1651-00	3 - 10	6M8-G3111-02-4D	14 - 1	6G1-W4592-00-EL	17 - 14	6G1-15396-02-5B	2 - 12	6G1-41211-00	13 - 12	6G1-44125-80	8 - 32
6N0-E3641-00-94	4 - 4	6M8-G3112-01-4D	14 - 4	6G1-11193-A1	2 - 19	6G1-15705-00	8 - 10	6E9-41237-00	13 - 11	6G1-44147-00	16 - 3
6M8-E4417-00	4 - 8	6N0-G3116-00	14 - 6		20 - 8	6G1-15717-00	8 - 5	662-41237-01	13 - 10	655-44147-00	15 - 8
6M8-E4418-00	4 - 9	6L8-G3118-01	14 - 7	6G1-11631-00-98	3 - 15	677-15741-01	8 - 17	6G1-41238-00	13 - 9	6G1-44194-00	10 - 8
6N0-E5100-00-94	2 - 2	6N0-G3136-00	14 - 13	6G1-11633-00	3 - 18	6G1-15746-10	8 - 25	6G1-41256-00	4 - 12	6G1-44315-A0	16 - 29
6M8-E5710-03	8 - 1	6N0-G3160-00	14 - 20	6G1-11681-00	3 - 6	6G1-15747-80	8 - 35	661-41262-02	4 - 14		20 - 33
6N0-E5711-80-94	8 - 2	6N0-G3165-00	14 - 22	6E5-12411-01	2 - 7	656-15748-00	8 - 30		13 - 13		20 - 37
6M8-E5714-00	8 - 3	6N0-G3311-10-4D	14 - 24	6G1-13610-01	4 - 1	6G1-15755-00	8 - 12	6G1-41271-00	4 - 13	6G1-44322-00	16 - 30
6N0-E5723-00-94	8 - 19	6N0-G3614-00	14 - 35	6G1-13621-A1	4 - 3	6G1-15761-00	1 - 5	6G1-41283-01	13 - 3		20 - 38
6N0-E5758-01	8 - 14	6N0-G4110-00	13 - 24		20 - 11	6G1-15762-00	8 - 15	6G1-41612-00	10 - 2	6G1-44322-40	20 - 45
6N0-E5770-80	8 - 28	6N0-G4111-00	13 - 14	6G1-13645-A1	4 - 5	6G1-15764-00	8 - 26	6G1-41615-00	10 - 6	6G1-44323-00	16 - 31
6N0-E5771-00-94	8 - 21	6N0-G4145-00	13 - 27		20 - 12	6G1-15774-81	8 - 29	6G1-41631-00	13 - 1		20 - 39
6N0-E5772-00-94	8 - 22	6N0-G4145-10	13 - 27	6G1-14126-00	5 - 6	6G1-15779-00	8 - 13	6G1-41638-00	13 - 2	6G1-44323-40	20 - 46
6YL-F4201-02	18 - 1	6N0-G4146-00	13 - 28		20 - 19	6YJ-24167-00	19 - 7	6G1-41661-00	13 - 4	6G1-44328-00	16 - 35
6YL-F4260-01	18 - 4	6N0-G4146-10	13 - 28	663-14159-00	5 - 23	6YJ-24201-10	19 - 1	6G1-41662-01-94	13 - 19		20 - 42
6YL-F4268-01	18 - 7	6N0-G4150-00	16 - 2	676-14186-00	5 - 22	646-24251-02	6 - 4	6G1-412131-01	12 - 6	6G1-44352-00	16 - 33
6YL-F4329-00	18 - 6	6N0-G4150-10	16 - 2		20 - 25	6Y1-24260-12	19 - 3	6G1-42137-10	12 - 13		20 - 41
6YL-F4610-00	18 - 2	6N0-G4311-00	16 - 28	6G1-14198-A1	4 - 6	6Y1-24268-00	19 - 6	6G1-42138-01	12 - 19	6G1-44365-00	17 - 8
6YL-F4641-00	18 - 3	6N0-G4361-00	17 - 7		20 - 14	6G1-24304-02	6 - 1	6E0-42159-02	12 - 20	647-44366-00	16 - 32
6N0-F6301-00	12 - 22	6N0-G4361-10	17 - 7	6G1-14301-01	5 - 1	6G1-24305-03	7 - 6	6G1-42528-00	14 - 26		20 - 34
6N0-F8100-00	6 - 8	6N0-G4514-00	14 - 49	6H6-14301-01	5 - 1		19 - 13	6G1-42528-10	14 - 26		20 - 40
6N0-F8170-00	6 - 9	6N0-G4551-00-4D	14 - 57	6G1-14398-00	5 - 18	6Y1-24305-04	7 - 8	6G1-42529-00	14 - 30	6G1-44511-00-4D	14 - 48
6L8-F8193-00	6 - 13	6N0-G4552-00-4D	14 - 58	6G1-14497-80	13 - 7		19 - 15	6G1-42535-00	14 - 53	6G1-44516-00	14 - 50
6N0-G1111-00-9M	2 - 21	6N0-G4555-A0	14 - 59	63V-14523-00	5 - 12	6YL-24306-52	18 - 8	6G1-42537-00	14 - 54	6G1-44532-01	14 - 32
6M8-G1131-00-5B	15 - 1	6N0-G4557-A0	14 - 60	6G1-14527-00	5 - 5	6Y1-24306-53	7 - 1	6G1-42537-10	14 - 54	6G1-45113-A1	2 - 26
6N0-G1131-00-5B	15 - 1	6N0-G5111-00-4D	15 - 5	6G1-14546-00	5 - 21	61J-24306-02	19 - 8	6G1-42538-01	14 - 55		20 - 10
6N0-G1611-00	10 - 1	6N0-G5111-10-4D	15 - 5		20 - 24	6Y1-24329-00	19 - 5	6G1-42551-00	14 - 52	6G1-45135-00	15 - 10
6N0-G1613-00	10 - 3	6N0-G5251-00	16 - 8	688-14548-00	5 - 25	650-24351-51	7 - 5	6G1-42615-00	1 - 6	6G1-45214-00	17 - 3
6M8-G2111-10-4D	12 - 1	6M8-G5300-00-4D	16 - 1		20 - 26		19 - 12	6G1-42647-00	1 - 7	6G1-45215-00	17 - 4
6M4-G2119-00	12 - 11	6M8-G5300-10-4D	16 - 1	679-14555-00	5 - 3	6Y1-24360-52	7 - 3	6G1-42724-00	11 - 12	6G1-45315-A0	16 - 19
6N0-G2125-00	12 - 8	6N0-G5311-00-4D	16 - 4	679-14923-00	5 - 2	61J-24360-00	19 - 10	6G1-42725-00	11 - 13		20 - 35
6N0-G2126-00	12 - 9	6N0-G5361-00-4D	16 - 20		20 - 17	6G1-24411-00	5 - 33	6G1-42726-00	11 - 14	6G1-45316-09	16 - 14
6N0-G2177-00	12 - 12	6N0-G5511-00	16 - 36	676-14943-26	5 - 16	6G1-24412-01	5 - 32	6G1-42727-00	11 - 15	6G1-45317-09	16 - 5
6M8-G2511-00-4D	14 - 47	6N0-G5511-10	16 - 36	6G1-14947-00	5 - 15	6G1-24421-00	5 - 35	6G1-42748-00	11 - 16	6G1-45331-01-5B	16 - 13
6M8-G2610-40-4D	1 - 1	6N0-G5551-00	16 - 40	6H6-14947-00	5 - 15	6G1-24431-01	5 - 34	6E7-42791-00	11 - 25	6G1-45362-09	16 - 21
6N0-G2610-40-4D	1 - 1	6N0-G5560-00	16 - 42	6G1-14948-05	5 - 7	6G1-24432-00	5 - 30	6E7-42791-10	11 - 25	6G1-45533-00-19	16 - 41
6N0-G2613-00-4D	1 - 2	6N0-G5571-00	16 - 44	6G1-14966-00	5 - 4	6G1-24452-00	5 - 29	6E0-42816-00	11 - 4	6G1-45533-00-20	16 - 41
6N0-G2651-00	1 - 8	6N0-G5987-00	17 - 9		20 - 18	6G1-24471-00	5 - 31	6A1-43113-01	14 - 14	6G1-45533-00-21	16 - 41
6M8-G2677-30	1 - 11	6N0-G5987-10	17 - 9	676-14966-00	5 - 8	6YJ-24610-01	19 - 2	620-43114-00	14 - 5	6G1-45533-00-22	16 - 41
6N0-G2677-30	1 - 11	6N0-WG070-00	1 - 10		20 - 20	6G1-26326-00	11 - 17	689-43191-00	14 - 9	647-45567-00	16 - 46

NUMERICAL INDEX

PARTNO.	REF. NO.	PARTNO.	REF. NO.	PARTNO.	REF. NO.	PARTNO.	REF. NO.	PARTNO.	REF. NO.	PARTNO.	REF. NO.
664-45587-01-10	16 - 43	90149-05M02	11 - 10	90501-10326	5 - 11	93102-20M25	2 - 10	95895-06030	17 - 2		
664-45587-01-12	16 - 43	90149-05M13	12 - 17	90501-12M38	16 - 50		20 - 3	95895-06035	14 - 51		
664-45587-01-15	16 - 43	90152-05M03	17 - 5	90501-18M00	14 - 27	93210-08287	7 - 7		14 - 61		
664-45587-01-18	16 - 43	90157-05M16	18 - 5	90501-23215	12 - 15		7 - 9	95895-06085	4 - 7		
664-45587-01-30	16 - 43	90170-10113	9 - 18	90502-10M06	14 - 23		19 - 14	97013-06016	2 - 11		
664-45587-01-40	16 - 43	90171-10M01	17 - 11	90508-10M15	14 - 41		19 - 16	97013-06035	8 - 6		
664-45587-01-50	16 - 43	90185-05002	17 - 6	90508-10M16	14 - 42	93210-12327	13 - 15	97075-06020	8 - 23		
6G1-45611-01	16 - 52	90185-08057	14 - 15	90508-14M17	14 - 43	93210-30M31	14 - 56	97095-06010	14 - 33		
6G1-45616-01	17 - 15	90201-06M30	8 - 7	90510-08M03	8 - 4	93210-42159	2 - 13	97095-06012	6 - 11		
6G1-45631-00	16 - 47	90201-10M01	17 - 10	91490-16010	12 - 10		20 - 4		13 - 22		
6G1-45632-00	16 - 48	90201-10M02	17 - 16	91490-30020	17 - 12	93210-49046	16 - 24	97095-06016	1 - 3		
654-45633-00	16 - 49	90201-10126	9 - 19	91609-20008	3 - 13		20 - 31		2 - 16		
6G1-45635-00	16 - 51	90201-15M89	16 - 45	91690-20010	13 - 25	93210-53M08	16 - 25		16 - 9		
6G1-45941-00-EL	17 - 13	90201-41303	3 - 14	91690-30008	14 - 21		20 - 32		16 - 26		
6G1-45943-00-EL	17 - 13	90202-36M55	12 - 3	91690-30016	14 - 11	93210-54M54	2 - 9	97095-06020	12 - 7		
6G1-45947-00-EL	17 - 13	90206-12052	11 - 5	92902-04100	9 - 14		20 - 2		15 - 3		
6E7-81303-A0	9 - 6	90206-36M21	12 - 2	92902-05100	9 - 8	93306-004U0	16 - 22	97095-06025	6 - 2		
6E5-82148-00	14 - 2	90209-18112	3 - 9		9 - 11	93306-204U0	3 - 7	97095-06030	16 - 16		
6G1-82149-00	15 - 11	90243-04M01	14 - 8	92903-10600	12 - 16	93310-112V0	3 - 17	97095-06045	16 - 34		
6G1-82370-21	10 - 12	90266-04M00	1 - 9	92990-04100	5 - 10	93310-418V1	3 - 8		20 - 43		
663-82370-01	10 - 12	90269-02M09	12 - 14	92990-05100	13 - 6	93332-000U4	16 - 7	97095-06135	14 - 17		
63V-82377-50	14 - 62	90280-03024	16 - 38	92990-05600	8 - 34	93430-06M02	8 - 9	97095-08016	14 - 45		
682-82556-00	11 - 23	90280-04M06	9 - 17		13 - 17	93430-06005	16 - 39	97095-08025	14 - 30		
689-8257Y-00	11 - 24	90340-08M04	16 - 11		13 - 26	93440-47055	3 - 12	97780-50514	4 - 11		
6E9-82575-02	11 - 22	90386-08032	12 - 18	92990-06300	16 - 10	93450-13022	3 - 19	97802-04008	9 - 13		
6G1-83557-00	10 - 16	90386-12M45	11 - 3	92990-06600	14 - 18	93604-08062	2 - 3	97802-05016	9 - 9		
6A1-83625-41	4 - 15	90386-33M96	12 - 4	92990-08600	14 - 28		15 - 6	97802-05020	9 - 10		
6A1-83625-51	4 - 16	90386-34M97	12 - 5	92995-05600	10 - 5		16 - 18	97802-05025	9 - 7		
6E0-83627-41	12 - 23	90386-44M42	9 - 16	92995-06600	1 - 4		17 - 1	97880-04010	5 - 9		
6E0-83627-51	12 - 24	90387-06M13	14 - 16		2 - 17	93700-06M03	14 - 25	97880-05010	13 - 5		
6G1-85509-70	9 - 3	90387-06M52	11 - 19		6 - 3	94702-00217	2 - 27	97880-05016	8 - 33		
6G1-85515-70	9 - 15	90387-06M70	4 - 10		6 - 12	94702-00271	2 - 27		13 - 16		
6E7-85520-70	9 - 4	90387-14M49	16 - 6		8 - 24	95303-06600	8 - 8	97885-05010	10 - 4		
696-85540-11	10 - 13	90387-22M50	2 - 6		13 - 23	95380-03600	5 - 27	97885-05012	12 - 21		
6G1-85548-70	9 - 12	90430-08020	16 - 12		14 - 34	95380-05700	11 - 11	97885-06008	14 - 3		
6G1-85550-A0	9 - 1		20 - 28		15 - 4	95380-06600	13 - 30		15 - 12		
6G1-85550-71	9 - 1	90445-09220	6 - 6		16 - 17		14 - 19	97885-06030	11 - 6		
6G1-85560-F0	9 - 2	90445-09221	6 - 5		16 - 27	95380-06700	11 - 7	97980-04114	5 - 17		
6G1-85570-01	10 - 9	90445-11M05	7 - 4	92995-08600	14 - 31	95895-06010	10 - 7		20 - 22		
6E7-85580-70	9 - 5		19 - 11		14 - 46		10 - 15	97980-04125	5 - 28		
90101-08869	14 - 12	90445-11M06	7 - 2	93101-11M23	16 - 15		13 - 8	98580-03006	5 - 26		
90105-06M14	2 - 20		19 - 9		20 - 29	95895-06016	8 - 16	98580-04008	5 - 24		
	13 - 20	90465-08M17	10 - 11	93101-12M26	2 - 15	95895-06020	8 - 18	98586-05016	19 - 4		
90105-06M24	2 - 24	90467-08004	6 - 7		20 - 6		10 - 14	99080-05600	14 - 37		
90105-06M25	2 - 5	90467-09M05	16 - 37	93101-15074	16 - 23		11 - 20				
90105-06M26	2 - 4	90480-15M31	11 - 18		20 - 30	95895-06025	8 - 27				
90105-06M29	8 - 20	90480-20M29	15 - 9	93101-20M29	20 - 5		10 - 10				
90109-06M17	13 - 29	90501-10227	8 - 31	93101-20M34	2 - 14	95895-06030	15 - 7				

6MHA/8MHA/6CMH/8CMH  
PARTS CATALOGUE

©2001 by Yamaha Motor Co., Ltd.

1st Edition, May 2001

All rights reserved.

Any reprinting or unauthorized use  
without the written permission of  
Yamaha Motor Co., Ltd.  
is expressly prohibited.

**G7**