



PARTS CATALOGUE

F115TR'06 (68V5)

LF115TR'06 (68W5)

F115AET'06 (68V5)

FL115AET'06 (68W5)

FOREWORD

This Parts Catalogue is related to the parts for the model(s) on the cover page. When you are ordering replacement parts, please refer to this Parts Catalogue and quote both part numbers and part names correctly.

1. Modifications or additions which have been made after the issue of the Parts Catalogue will be announced in the Parts News.
It is advisable that you make the necessary corrections to the Parts Catalogue according to the Parts News.

2. Abbreviations

The following abbreviations are used in this Parts Catalogue.

“UR” Use specified parts number.

“UN” Use as many as needed.

“AP” Alternate Parts

“LM” Locally Made (Parts need to be ordered locally)

“F#” Frame No. (Applicable machine No.)

“O/S” Over Size

3. The number of components for assembly

- Parts, which are to be supplied in an assembly, are listed with a dot (.) in front of the part name as shown below.
- The numeral appearing to the right of each component part indicates the quantity of parts for each assembly unit.

PART NO.	DESCRIPTION	Q'TY	REMARKS
2F5-83310-60	FRONT FLASHER LIGHT ASSY	2	
115-83311-60	.BULB (6V-18W)	1	

4. Applicable colours of graphics are represented in the “REMARKS” as shown below.

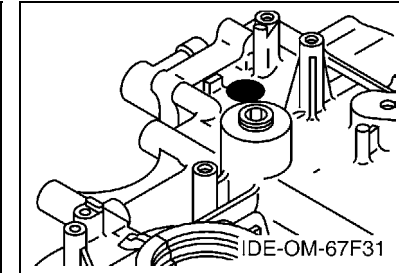
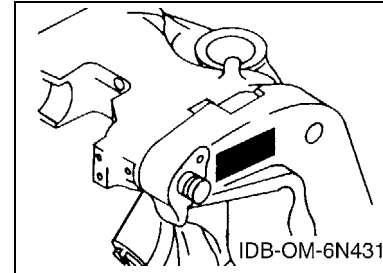
PART NO.	DESCRIPTION	Q'TY	REMARKS
2N4-24110-00-X5	FUEL TANK COMP.	2	MXR
3J1-24240-10	.GRAPHIC, FUEL TANK	1	FOR MXR

5. Note that the illustrations for reference in finding parts numbers are not to be used for assembling. When assembling, please use the applicable service manual.

6. The asterisk (*) before a reference number indicates modified items after the first edition.

7. Applicable Serial No.

Engine Serial No.



8. Applicable Engine Starting Serial No.

Model	Serial No.	Model	Serial No.
F115	68V-1047289	F115A	68V-1047289
LF115	68W-1002053	FL115A	68W-1002053

9. Applicable Colour Code

Abbreviation	Colour Name	Colour Code
DBN1	DARK BLUISH GRAY 1	008D

10. Quantity Column Information

Column No.	Name Of Q'ty Column	Applicable Model
1	68V5	F115TR,F115AET
2	68W5	LF115TR,FL115AET

CONTENTS

SHEET1/2

TOP COWLING	A4
CYLINDER & CRANKCASE 1	A6
CRANKSHAFT & PISTON	B1
CYLINDER & CRANKCASE 2	B2
VALVE	B4
INTAKE 1	B7
INTAKE 2	C1
FUEL INJECTION NOZZLE	C3
FUEL INJECTION PUMP	C5
FUEL 1	C7
FUEL 2	D2
GENERATOR	D3
ELECTRICAL 1	D5
ELECTRICAL 2	D6
ELECTRICAL 3	E2
STARTING MOTOR	E4
BOTTOM COWLING	E6
CONTROL	F1
BRACKET 1	F3
BRACKET 2	F5
POWER TRIM & TILT ASSY 1	F7

INDEX

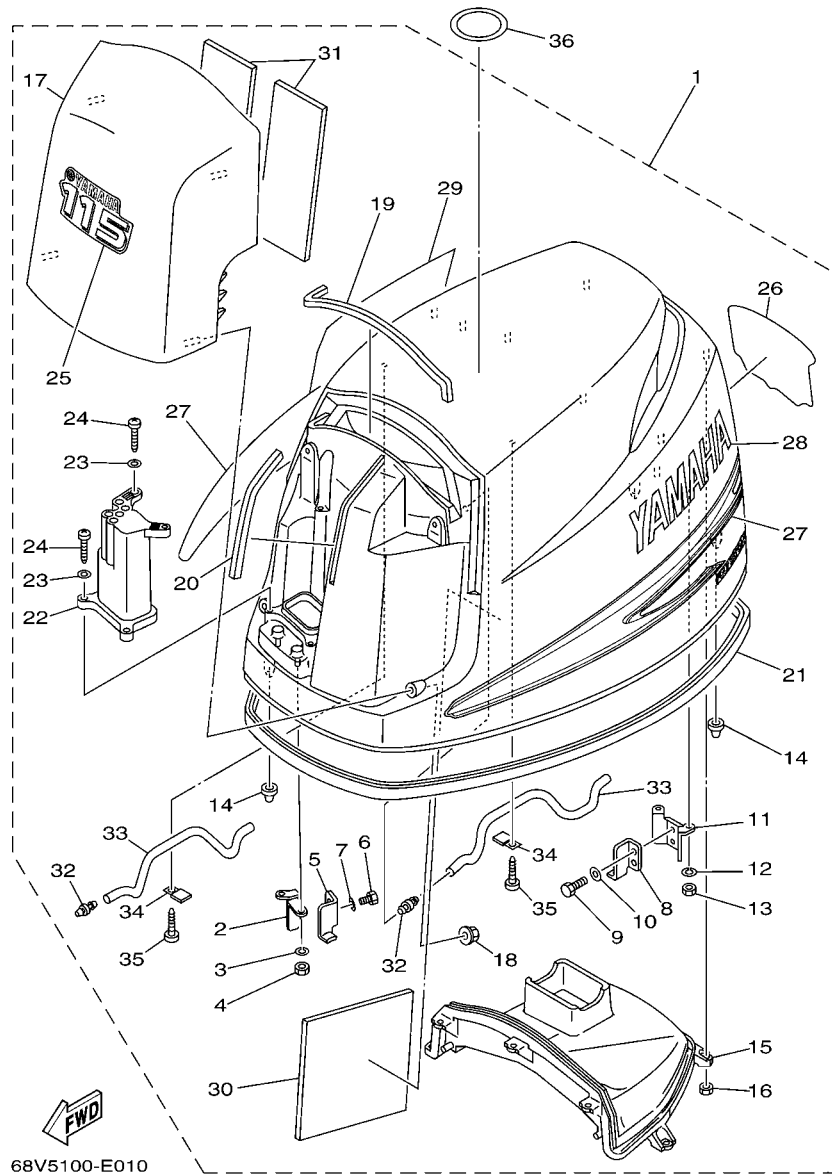
NUMERICAL INDEX	G1
-----------------------	----

SHEET2/2

POWER TRIM & TILT ASSY 1	A4*
POWER TRIM & TILT ASSY 2	A5*
UPPER CASING	A7*
OIL PAN	B2*
LOWER CASING & DRIVE 1	B4*
LOWER CASING & DRIVE 2	C1*
LOWER CASING & DRIVE 3	C3*
LOWER CASING & DRIVE 4	C7*
FUEL TANK 1	D2*
FUEL TANK 2	D3*
STEERING GUIDE	D4*
REMOTE CONTROL BOX	D5*
REMOTE CONTROL ASSY 1	D6*
REMOTE CONTROL ASSY 2	E2*
METER	E5*
SWITCH & PANEL 1	E7*
SWITCH & PANEL 2	F1*
REPAIR KIT 1	F2*
REPAIR KIT 2	F3*

INDEX

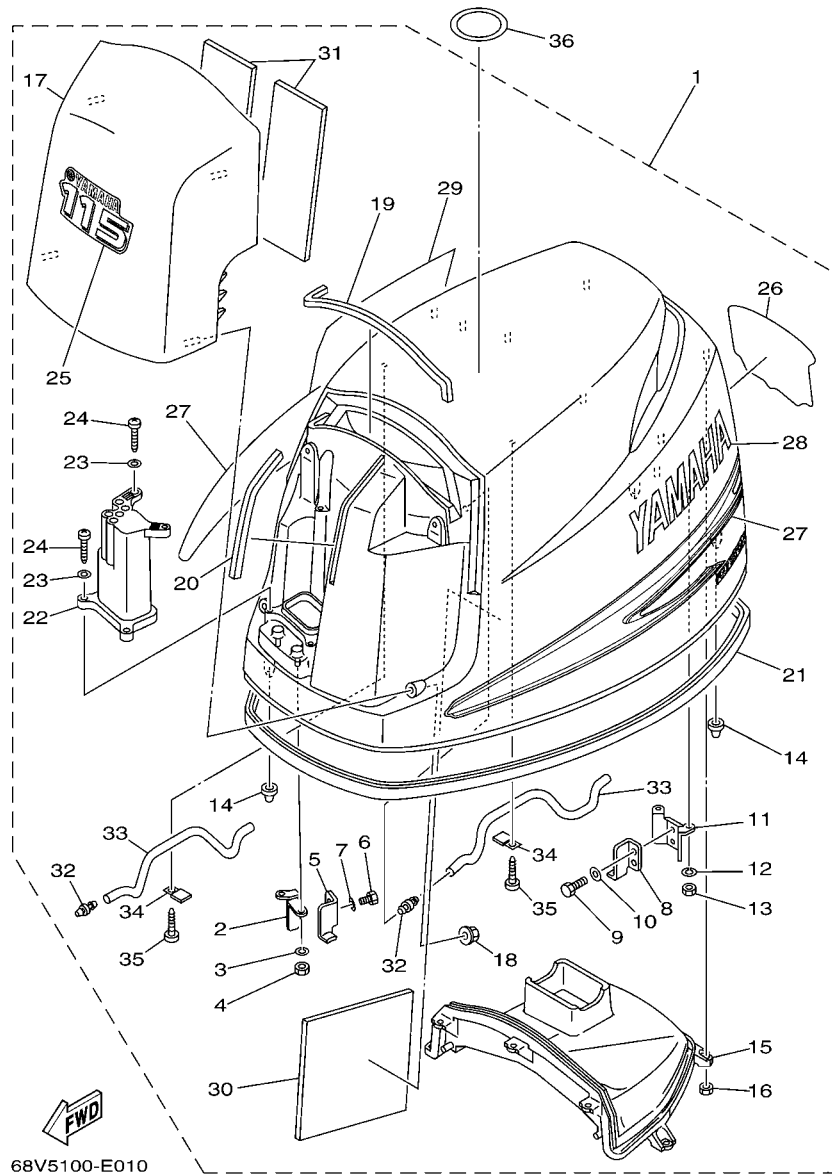
NUMERICAL INDEX	G1*
-----------------------	-----



68V5100-E010

FIG. 1 TOP COWLING

REF. NO.	PART NO.	DESCRIPTION	68V5	68W5	REMARKS
1	68V-42610-12-8D	TOP COWLING ASSY	1	1	
	68V-42610-B2-8D	TOP COWLING ASSY	1		F115TJR
2	68V-42647-00	.HOLDER, CLAMP BAND	1	1	
3	92990-06100	.WASHER, SPRING	2	2	
4	95380-06600	.NUT, HEXAGON	2	2	
5	68V-42651-00	.HOOK	1	1	
6	97095-06012	.BOLT	2	2	
7	92995-06600	.WASHER	2	2	
8	68V-42652-00	.HOOK	1	1	
9	97095-06012	.BOLT	2	2	
10	92995-06600	.WASHER	2	2	
11	67F-42649-00	.HOLDER, CLAMP BAND	1	1	
12	92990-06100	.WASHER, SPRING	2	2	
13	95380-06600	.NUT, HEXAGON	2	2	
14	67F-42662-00	.DAMPER	3	3	
15	68V-42613-00	.MOLDING, AIR DUCT	1	1	
16	95380-06600	.NUT, HEXAGON	7	7	
17	68V-42612-00-8D	.AIR DUCT, TOP COWLING	1	1	
18	90179-06M28	.NUT	4	4	
19	68V-42628-00	.SEAL	1	1	
20	68V-42718-00	.RUBBER, SEAL 3	1	1	
21	68V-42615-00	.SEAL	1	1	
22	68V-42632-00	.WINDOW	1	1	
23	92990-05200	.WASHER, PLAIN	4	4	
24	97780-50625	.SCREW, TAPPING	4	4	
25	68V-42677-10	.GRAPHIC, FRONT	1	1	
	68V-42677-A0	.GRAPHIC, FRONT	1		F115TJR



68V5100-E010

FIG. 1 TOP COWLING

REF. NO.	PART NO.	DESCRIPTION	68V5	68W5			REMARKS
			1	1			
26	68V-42678-10	.GRAPHIC, REAR	1	1			
	68V-42678-B0	.GRAPHIC, REAR	1				F115TJR
27	68V-W0070-10	.GRAPHIC SET	1	1			
28	68V-42681-10	.MARK, COWLING	1	1			
29	68V-42682-10	.MARK, COWLING	1	1			
30	68V-42617-00	.DAMPER, FORM	1	1			
31	68V-42619-00	.DAMPER, FORM	2	2			
32	6H3-44391-01	.NIPPLE, HOSE	2	2			
33	90445-10M18	.HOSE (L295)	2	2			
34	90462-08018	.CLAMP	2	2			
35	97780-50620	.SCREW, TAPPING	2	2			
36	67F-13434-03	LABEL, CAUTION	1	1			

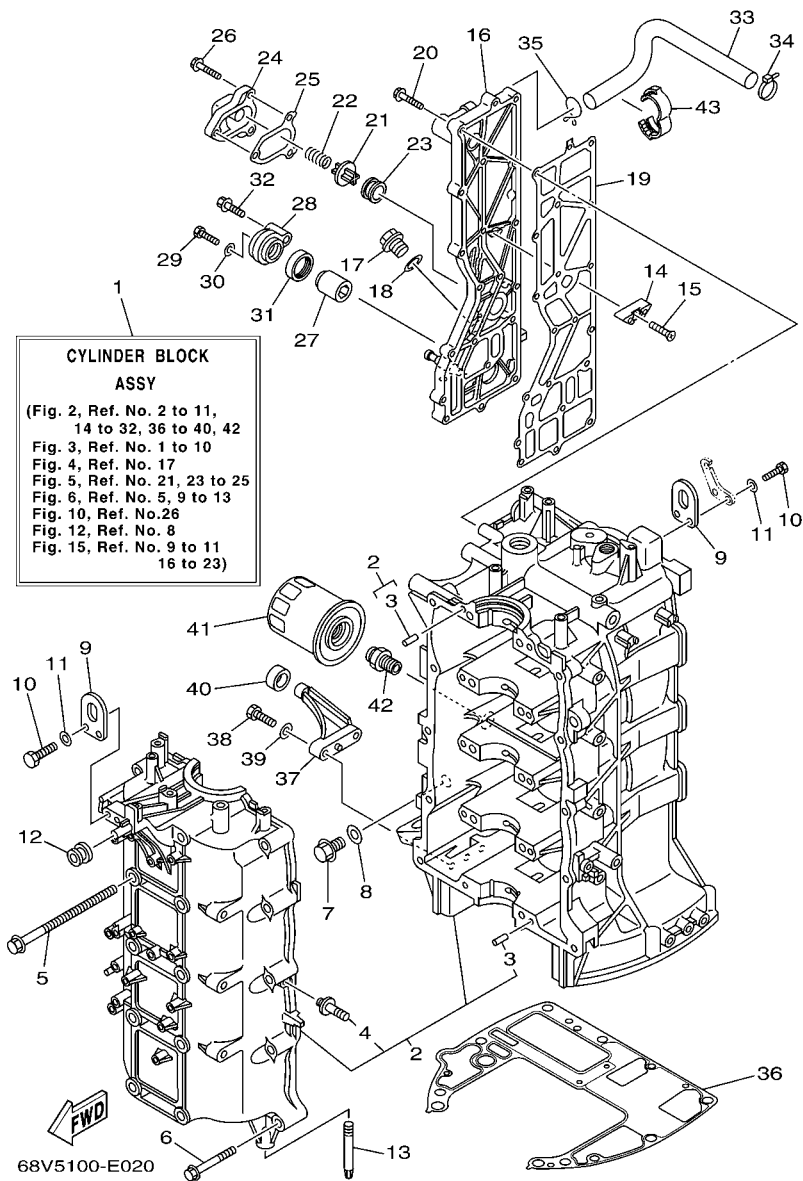


FIG. 2 CYLINDER & CRANKCASE 1

REF. NO.	PART NO.	DESCRIPTION	68V5	68W5	REMARKS
1	68V-W009B-06-1S	CYLINDER BLOCK ASSY	1	1	
2	68V-15100-02-1S	CRANKCASE ASSY	1	1	
3	93606-12019	.PIN, DOWEL	10	10	
4	68V-44581-01	.BOLT	1	1	
5	90119-10M88	BOLT, WITH WASHER	10	10	
6	90119-08M66	BOLT, WITH WASHER	10	10	
7	90340-14M06	PLUG, STRAIGHT SCREW	1	1	
8	90430-14115	GASKET	1	1	
9	62Y-11119-00	HANGER, ENGINE	2	2	
10	97095-06020	BOLT	4	4	
11	92995-06600	WASHER	4	4	
12	90480-12072	GROMMET	1	1	
13	67F-15142-00	GUIDE 1	2	2	
14	6E5-11325-00	ANODE	3	3	
15	98780-04016	SCREW, FLAT HEAD	3	3	
16	6D8-41113-00-1S	OUTER COVER, EXHAUST	1	1	
17	90340-18M09	PLUG, STRAIGHT SCREW	1	1	
18	90430-18130	GASKET	1	1	
19	6D8-41114-A0	GASKET, EXHAUST OUTER COVER	1	1	
20	90119-06MA4	BOLT, WITH WASHER	18	18	
21	6G5-12416-00	VALVE, PRESSURE CONTROL	1	1	
22	90501-16M11	SPRING, COMPRESSION	1	1	
23	90480-20M05	GROMMET	1	1	
24	67F-1246A-01-1S	COVER 1	1	1	
25	67F-12435-A0	GASKET	1	1	
26	90119-06MA2	BOLT, WITH WASHER	3	3	
27	68V-11325-01	ANODE	1	1	

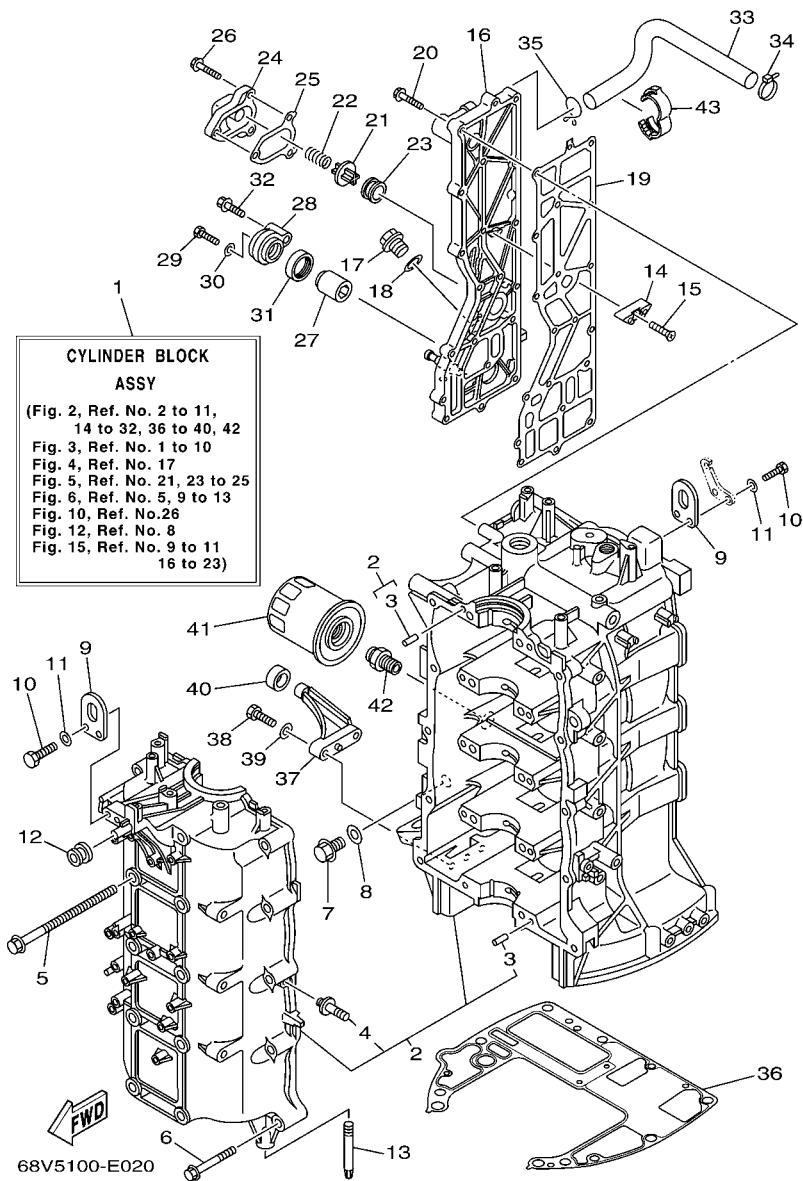
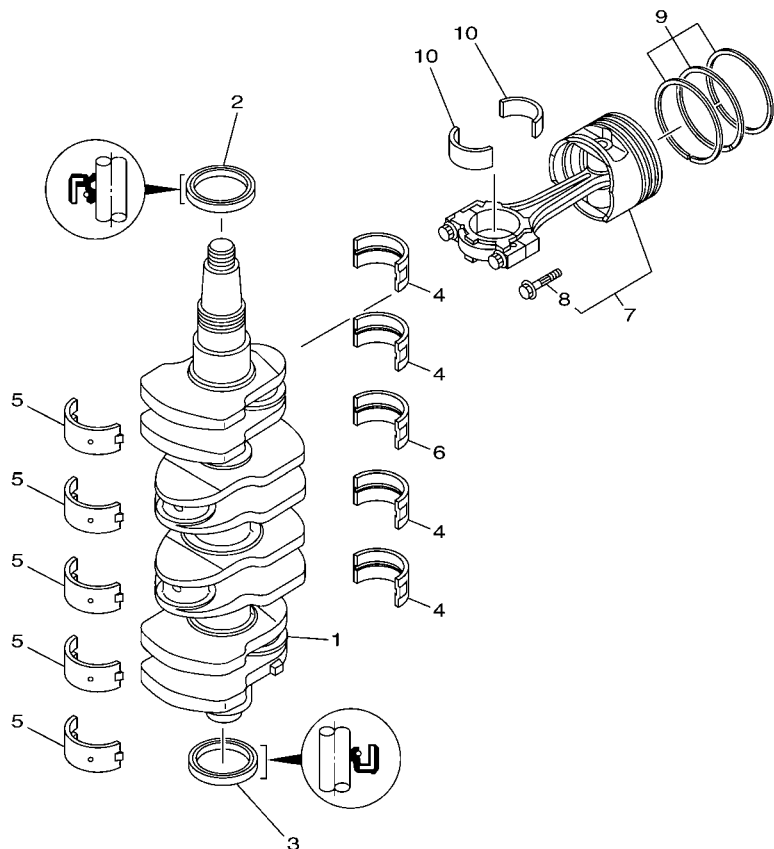


FIG. 2 CYLINDER & CRANKCASE 1

REF. NO.	PART NO.	DESCRIPTION	68V5	68W5	REMARKS
28	69J-11327-00-94	COVER, ANODE	1	1	
29	97075-06020	BOLT	1	1	
30	92995-06600	WASHER	1	1	
31	67F-11328-00	GROMMET, ANODE	1	1	
32	97575-08540	BOLT, WITH WASHER	1	1	
33	67F-1243A-00	HOSE 1	1	1	
34	90465-11M10	CLAMP	1	1	
35	90467-20M15	CLIP	1	1	
36	68V-11351-00	GASKET, CYLINDER	1	1	
37	67F-42761-00-94	STOPPER	2	2	
38	97095-06025	BOLT	4	4	
39	92995-06600	WASHER	4	4	
40	68F-44533-00	DAMPER, UPPER MOUNT RUBBER	2	2	
41	5GH-13440-00	ELEMENT ASSY, OIL CLEANER	1	1	
42	90401-20145	BOLT, UNION	1	1	
43	90464-16001	CLAMP	1	1	FOR USA,CAN

FIG. 3 CRANKSHAFT & PISTON



68V0010-0031

REF. NO.	PART NO.	DESCRIPTION	68V5	68W5	REMARKS
1	68V-11411-00	CRANKSHAFT	1	1	
2	93102-48009	OIL SEAL	1	1	
3	93101-48002	OIL SEAL	1	1	
4	67F-11416-00	PLANE BEARING, CRANKSHAFT 1	4	4	UR GREEN
	67F-11416-10	PLANE BEARING, CRANKSHAFT 1	4	4	UR BLUE
	67F-11416-20	PLANE BEARING, CRANKSHAFT 1	4	4	UR RED
5	67F-11417-00	PLANE BEARING, CRANKSHAFT 2	5	5	UR YELLOW
	67F-11417-10	PLANE BEARING, CRANKSHAFT 2	5	5	UR GREEN
	67F-11417-20	PLANE BEARING, CRANKSHAFT 2	5	5	UR BLUE
	67F-11417-30	PLANE BEARING, CRANKSHAFT 2	5	5	UR RED
6	67F-11418-00	PLANE BEARING, CRANKSHAFT 3	1	1	UR GREEN
	67F-11418-10	PLANE BEARING, CRANKSHAFT 3	1	1	UR BLUE
	67F-11418-20	PLANE BEARING, CRANKSHAFT 3	1	1	UR RED
7	68V-W1164-01	PISTON/CON-ROD ASSY(STD)	4	4	
	68V-W1164-11	PISTON/CON-ROD ASSY(0.25MM OS)	4	4	AP
8	K1C-A3275-00	.BOLT, CONNECTING ROD	2	2	
9	6D8-11603-01	PISTON RING SET (STD)	4	4	
	6D8-11604-01	PISTON RING SET (0.25MM O/S)	4	4	AP
10	68V-11656-00	PLANE BEARING, CONNECTING ROD	8	8	UR YELLOW
	68V-11656-10	PLANE BEARING, CONNECTING ROD	8	8	UR GREEN
	68V-11656-20	PLANE BEARING, CONNECTING ROD	8	8	UR BLUE
	68V-11656-30	PLANE BEARING, CONNECTING ROD	8	8	UR RED

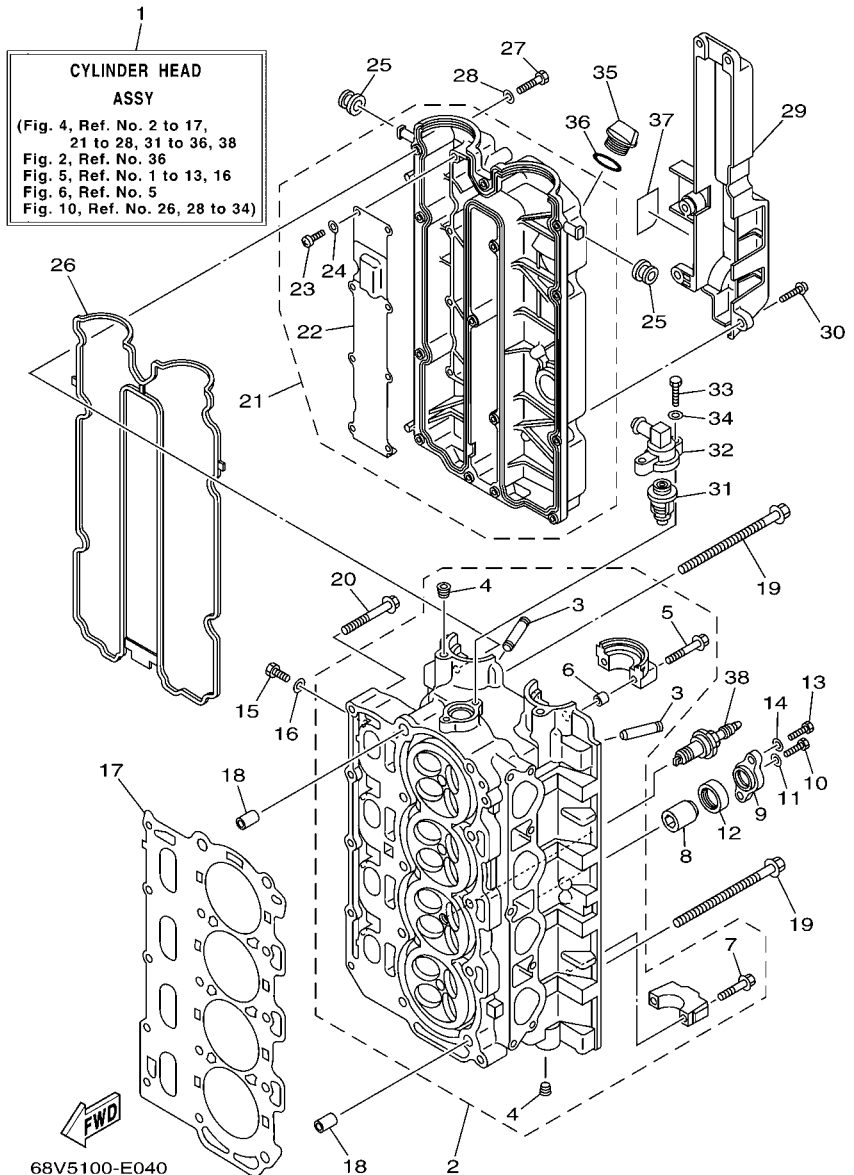


FIG. 4 CYLINDER & CRANKCASE 2

REF. NO.	PART NO.	DESCRIPTION	68V5	68W5	REMARKS
1	68V-W009A-04-1S	CYLINDER HEAD ASSY	1	1	
2	68V-11110-03-94	CYLINDER HEAD ASSY	1	1	
3	67F-11133-10	.GUIDE, VALVE 1	16	16	
4	90344-51019	.PLUG, TAPER SCREW	4	4	
5	90119-07235	.BOLT/WASHER-CAM CAPS	4	4	
6	91809-08006	.SLEEVE GUIDE-DOWEL	4	4	
7	90119-07234	.BOLT, WITH WASHER	16	16	
8	68V-11325-01	ANODE	2	2	
9	67F-11327-00-94	COVER, ANODE	2	2	
10	97075-06020	BOLT	2	2	
11	92995-06600	WASHER	2	2	
12	67F-11328-00	GROMMET, ANODE	2	2	
13	97075-08025	BOLT	4	4	
14	92995-08600	WASHER	4	4	
15	97095-08014	BOLT	4	4	
16	90430-08143	GASKET	4	4	
17	67F-11181-02	GASKET, CYLINDER HEAD 1	1	1	
18	90387-10M08	COLLAR	2	2	
19	90105-10M89	BOLT, FLANGE	10	10	
20	90119-08M91	BOLT, WITH WASHER	5	5	
21	68V-11191-00-1S	COVER, CYLINDER HEAD 1	1	1	
22	67F-11168-00	.COVER, BREATHER	1	1	
23	98507-04008	.SCREW, PAN HEAD	8	8	
24	92907-04600	.WASHER	8	8	
25	90480-12072	GROMMET	2	2	
26	6D8-11356-01	SEAL, CYLINDER 2	1	1	
27	97095-06030	BOLT	14	14	

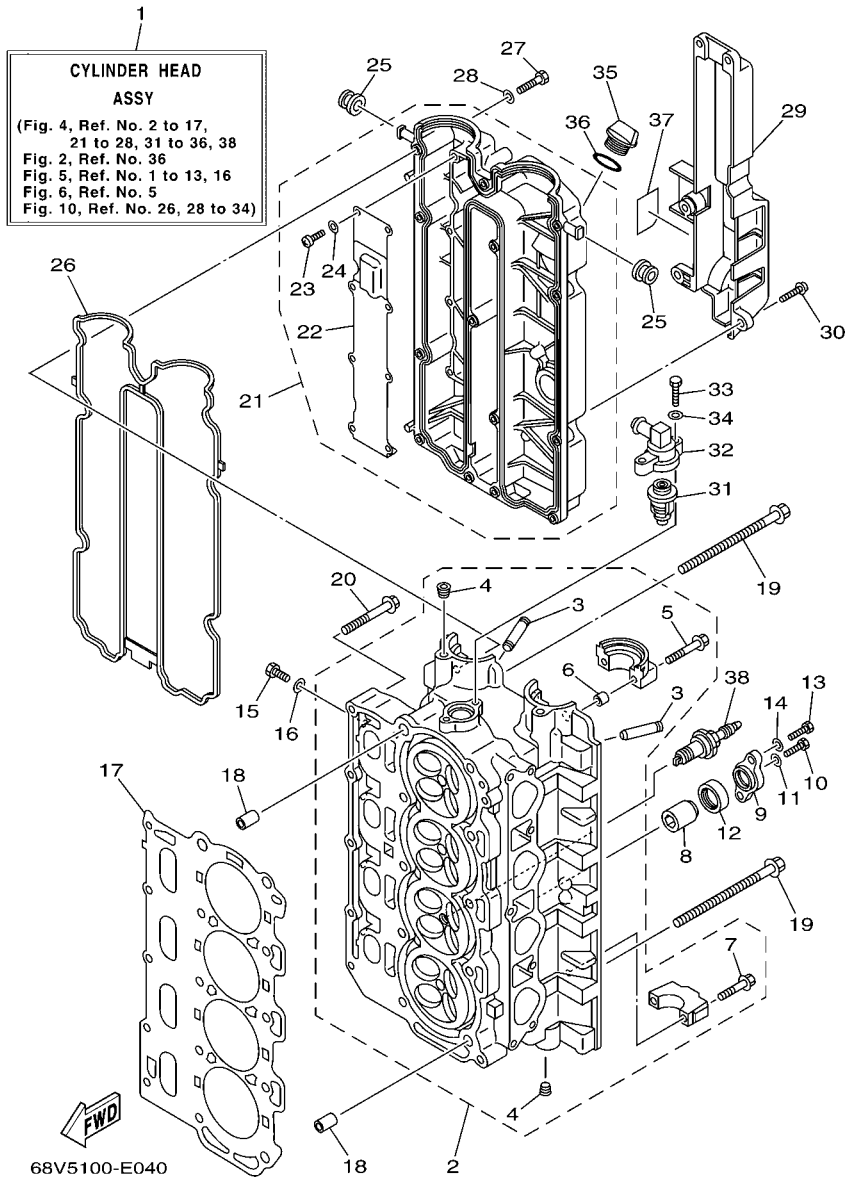
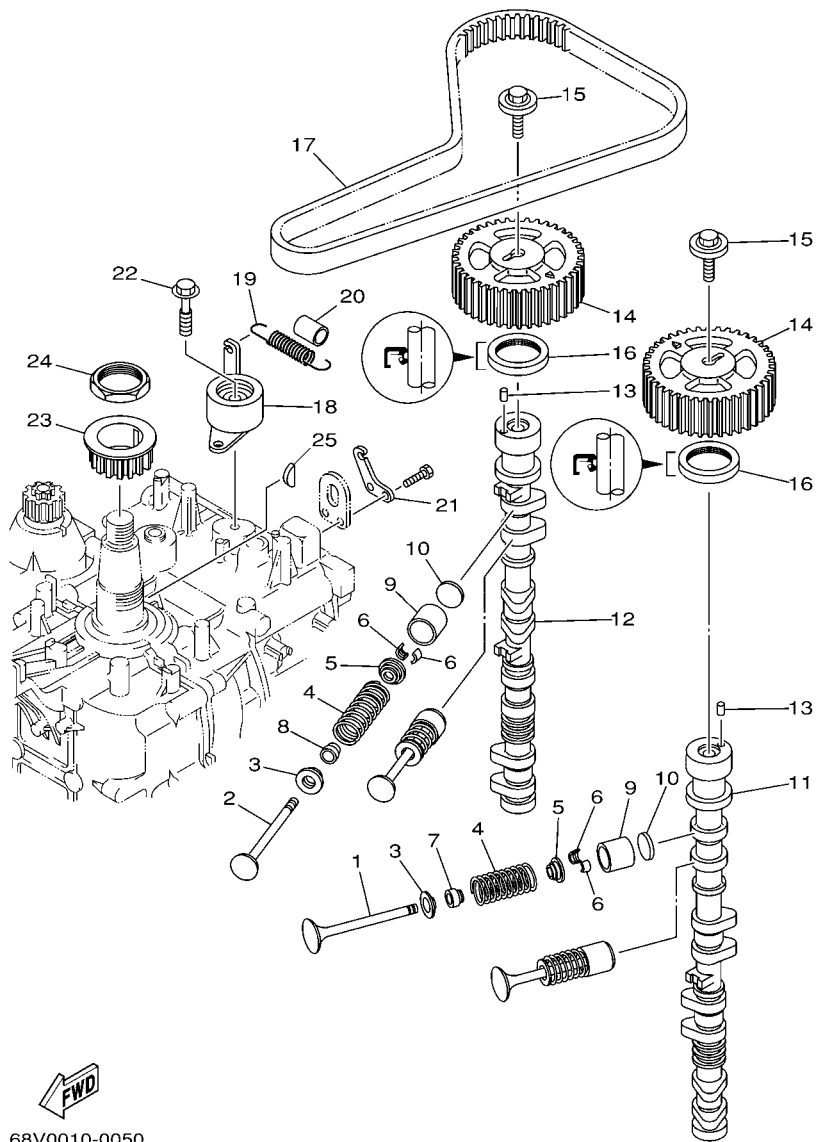


FIG. 4 CYLINDER & CRANKCASE 2

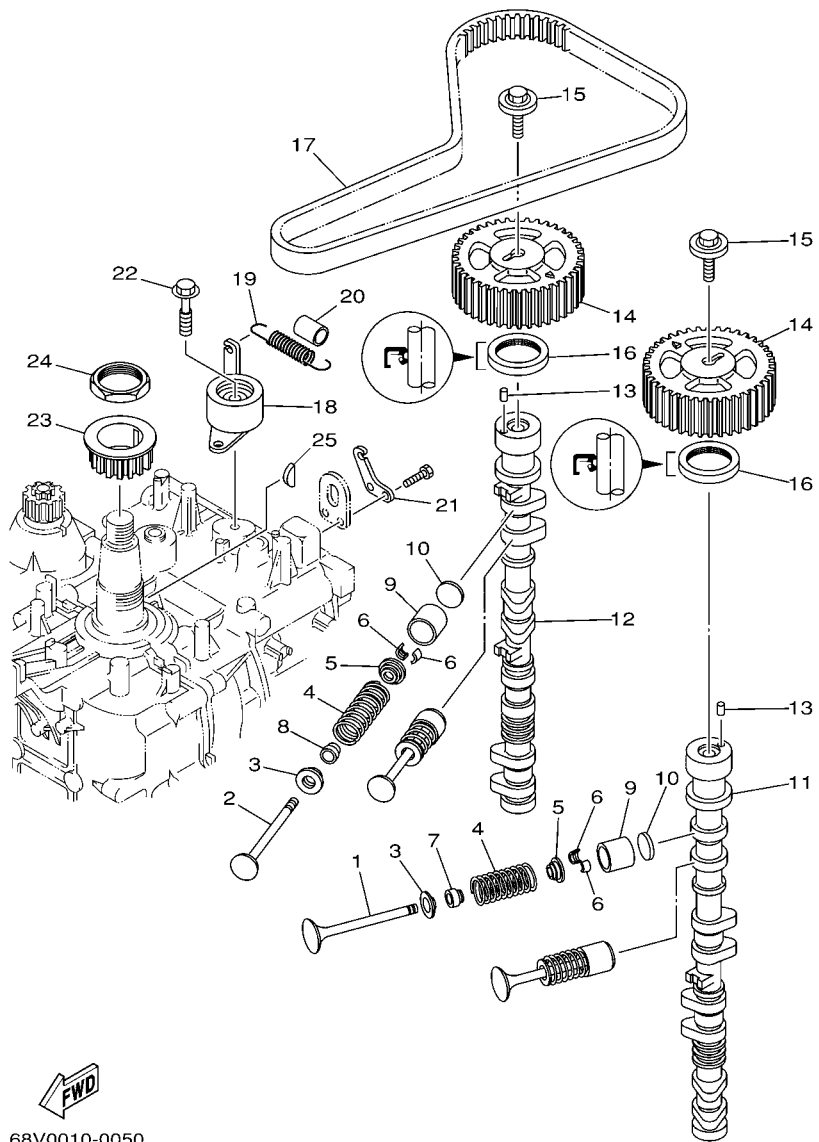
REF. NO.	PART NO.	DESCRIPTION	68V5	68W5	REMARKS
28	92995-06600	WASHER	14	14	
29	67F-11192-01	COVER, CYLINDER HEAD 2	1	1	
30	90159-06M29	SCREW, WITH WASHER	5	5	
31	60V-12411-00	THERMOSTAT	1	1	
32	68V-12413-00-1S	COVER, THERMOSTAT	1	1	
33	97095-06025	BOLT	2	2	
34	92995-06600	WASHER	2	2	
35	6G8-15363-00	PLUG, OIL	1	1	
36	93210-24M79	O-RING	1	1	
37	68V-83626-00	MARK 6	1	1	
38	94702-00400	PLUG, SPARK (NGK LFR6A-11)	4	4	



68V0010-0050

FIG. 5 VALVE

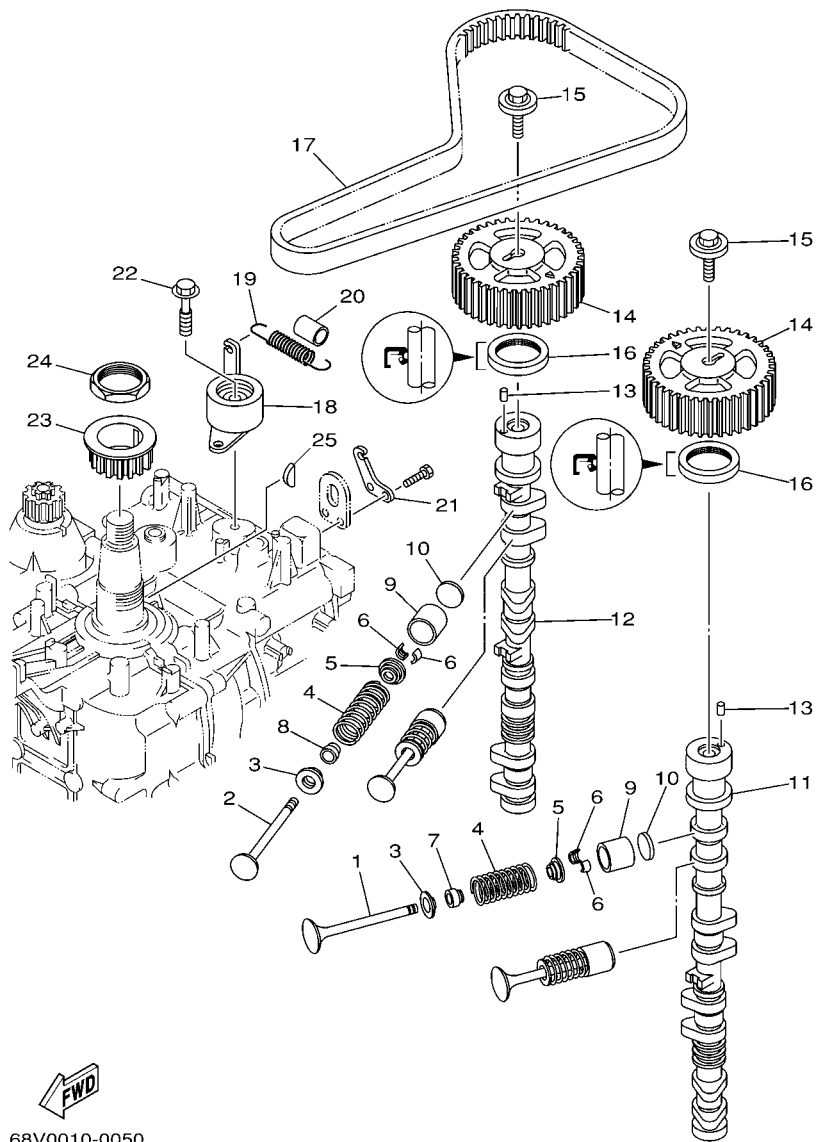
REF. NO.	PART NO.	DESCRIPTION	68V5	68W5	REMARKS
1	68V-12111-00	VALVE, INTAKE	8	8	
2	68V-12121-00	VALVE, EXHAUST	8	8	
3	67F-12116-00	SEAT, VALVE SPRING	16	16	
4	67F-12114-00	SPRING, VALVE OUTER	16	16	
5	67F-12117-00	RETAINER, VALVE SPRING	16	16	
6	67F-12118-00	COTTER, VALVE	32	32	
7	K0A-A3721-00	SEAL, VALVE STEM	8	8	
8	K0A-A3722-00	SEAL, VALVE STEM 2	8	8	
9	67F-12153-00	LIFTER, VALVE	16	16	
10	67F-12168-00	PAD, ADJUSTING (2.000)	16	16	UR
	67F-12168-10	PAD, ADJUSTING (2.025)	16	16	UR
	67F-12168-20	PAD, ADJUSTING (2.050)	16	16	UR
	67F-12168-30	PAD, ADJUSTING (2.075)	16	16	UR
	67F-12168-40	PAD, ADJUSTING (2.100)	16	16	UR
	67F-12168-50	PAD, ADJUSTING (2.125)	16	16	UR
	67F-12168-60	PAD, ADJUSTING (2.150)	16	16	UR
	67F-12168-70	PAD, ADJUSTING (2.175)	16	16	UR
	67F-12168-80	PAD, ADJUSTING (2.200)	16	16	UR
	67F-12168-A0	PAD, ADJUSTING (2.225)	16	16	UR
	67F-12168-B0	PAD, ADJUSTING (2.250)	16	16	UR
	67F-12168-C0	PAD, ADJUSTING (2.275)	16	16	UR
	67F-12168-D0	PAD, ADJUSTING (2.300)	16	16	UR
	67F-12168-E0	PAD, ADJUSTING (2.325)	16	16	UR
	67F-12168-F0	PAD, ADJUSTING (2.350)	16	16	UR
	67F-12168-G0	PAD, ADJUSTING (2.375)	16	16	UR
	67F-12168-H0	PAD, ADJUSTING (2.400)	16	16	UR
	67F-12168-J0	PAD, ADJUSTING (2.425)	16	16	UR



68V0010-0050

FIG. 5 VALVE

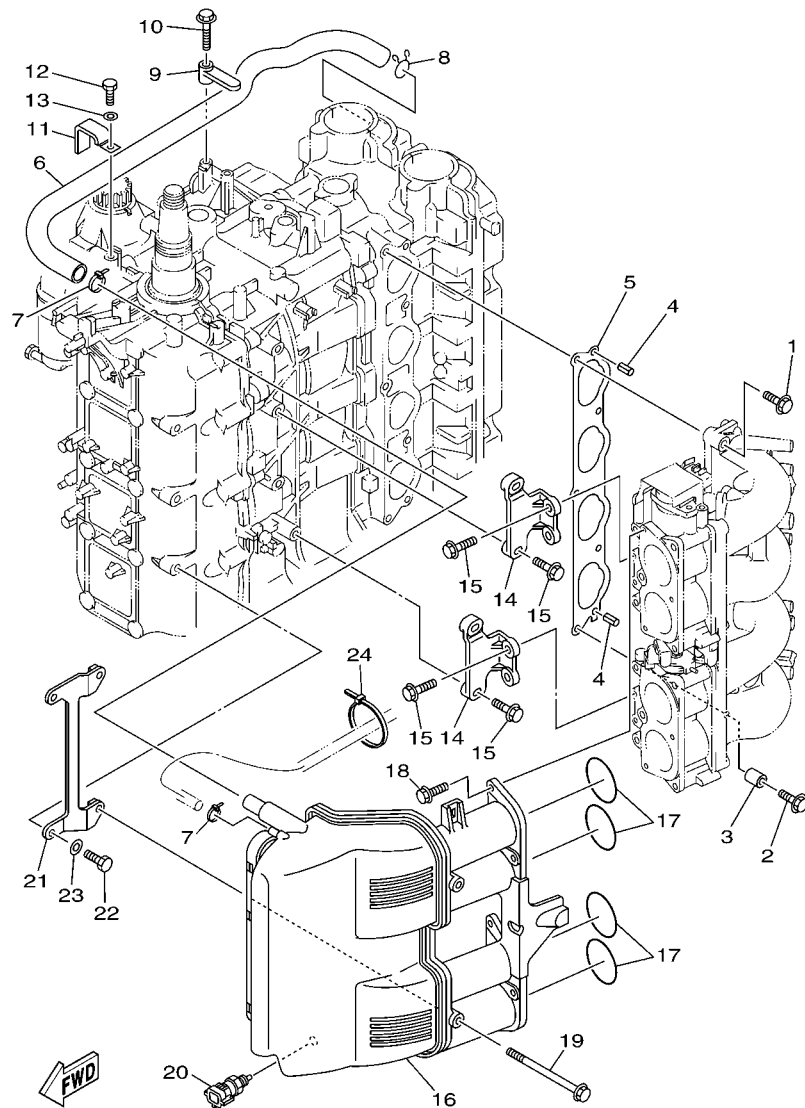
REF. NO.	PART NO.	DESCRIPTION	68V5	68W5	REMARKS
10	67F-12168-K0	PAD, ADJUSTING (2.450)	16	16	UR
	67F-12168-L0	PAD, ADJUSTING (2.475)	16	16	UR
	67F-12168-M0	PAD, ADJUSTING (2.500)	16	16	UR
	67F-12168-N0	PAD, ADJUSTING (2.525)	16	16	UR
	67F-12168-P0	PAD, ADJUSTING (2.550)	16	16	UR
	67F-12168-R0	PAD, ADJUSTING (2.575)	16	16	UR
	67F-12168-S0	PAD, ADJUSTING (2.600)	16	16	UR
	67F-12168-T0	PAD, ADJUSTING (2.625)	16	16	UR
	67F-12168-U0	PAD, ADJUSTING (2.650)	16	16	UR
	67F-12168-V0	PAD, ADJUSTING (2.675)	16	16	UR
	67F-12168-W0	PAD, ADJUSTING (2.700)	16	16	UR
	67F-12168-X0	PAD, ADJUSTING (2.725)	16	16	UR
	67F-12168-Y0	PAD, ADJUSTING (2.750)	16	16	UR
	67F-12169-00	PAD, ADJUSTING (2.775)	16	16	UR
	67F-12169-10	PAD, ADJUSTING (2.800)	16	16	UR
	67F-12169-20	PAD, ADJUSTING (2.825)	16	16	UR
	67F-12169-30	PAD, ADJUSTING (2.850)	16	16	UR
	67F-12169-40	PAD, ADJUSTING (2.875)	16	16	UR
	67F-12169-50	PAD, ADJUSTING (2.900)	16	16	UR
	67F-12169-60	PAD, ADJUSTING (2.925)	16	16	UR
	67F-12169-70	PAD, ADJUSTING (2.950)	16	16	UR
	67F-12169-80	PAD, ADJUSTING (2.975)	16	16	UR
	67F-12169-A0	PAD, ADJUSTING (3.000)	16	16	UR
	67F-12169-B0	PAD, ADJUSTING (3.025)	16	16	UR
	67F-12169-C0	PAD, ADJUSTING (3.050)	16	16	UR
	67F-12169-D0	PAD, ADJUSTING (3.075)	16	16	UR
	67F-12169-E0	PAD, ADJUSTING (3.100)	16	16	UR



68V0010-0050

FIG. 5 VALVE

REF. NO.	PART NO.	DESCRIPTION	68V5	68W5	REMARKS
10	67F-12169-F0	PAD, ADJUSTING (3.125)	16	16	UR
	67F-12169-G0	PAD, ADJUSTING (3.150)	16	16	UR
	67F-12169-H0	PAD, ADJUSTING (3.175)	16	16	UR
	67F-12169-J0	PAD, ADJUSTING (3.200)	16	16	UR
	67F-12169-K0	PAD, ADJUSTING (3.225)	16	16	UR
	67F-12169-L0	PAD, ADJUSTING (3.250)	16	16	UR
	67F-12169-M0	PAD, ADJUSTING (3.275)	16	16	UR
	67F-12169-N0	PAD, ADJUSTING (3.300)	16	16	UR
11	67F-12171-00	CAMSHAFT 1	1	1	
12	67F-12181-00	CAMSHAFT 2	1	1	
13	93605-10108	PIN, DOWEL	2	2	
14	67F-11537-00	GEAR, DRIVEN	2	2	
15	90119-10M06	BOLT, WITH WASHER	2	2	
16	93102-38M59	OIL SEAL	2	2	
17	67F-46241-00	BELT	1	1	
18	67F-11590-00	TENSIONER ASSY	1	1	
19	90506-16M39	SPRING, TENSION	1	1	
20	90445-15M03	HOSE (L23)	1	1	
21	67F-11595-00	PLATE, VALVE	1	1	
22	90119-10M72	BOLT, WITH WASHER	1	1	
23	6D8-11536-00	GEAR, DRIVE	1	1	
24	90170-40003	NUT	1	1	
25	90280-04008	KEY, WOODRUFF	1	1	



68V5100-E060

FIG. 6 INTAKE 1

REF. NO.	PART NO.	DESCRIPTION	68V5	68W5			REMARKS
1	97575-08540	BOLT, WITH WASHER	4	4			
2	90119-08M68	BOLT, WITH WASHER	1	1			
3	90387-08M32	COLLAR	1	1			
4	91690-50014	PIN, SPRING	2	2			
5	68V-13645-00	GASKET, MANIFOLD 1	1	1			
6	67F-15373-00	PIPE, BREATHER	1	1			
7	90465-11M10	CLAMP	2	2			
8	90467-20M15	CLIP	1	1			
9	6D8-82544-00	CLAMP	1	1			
10	95895-06025	BOLT, FLANGE	1	1			
11	90465-12M03	CLAMP	1	1			
12	97095-06012	BOLT	1	1			
13	92995-06600	WASHER	1	1			
14	68V-14291-00-94	BRACKET 1	2	2			
15	90119-06M49	BOLT, WITH WASHER	8	8			
16	68V-14440-00	SILENCER ASSY, INTAKE	1	1			
17	93210-48MJ9	O-RING	4	4			
18	90119-06M82	BOLT, WITH WASHER	6	6			
19	90119-06ME1	BOLT, WITH WASHER	2	2			
20	65L-85886-00	THERMOSENSOR	1	1			
21	68V-14292-00	BRACKET 2	1	1			
22	97095-08020	BOLT	2	2			
23	92995-08600	WASHER	2	2			
24	90465-13M18	CLAMP	1	1			

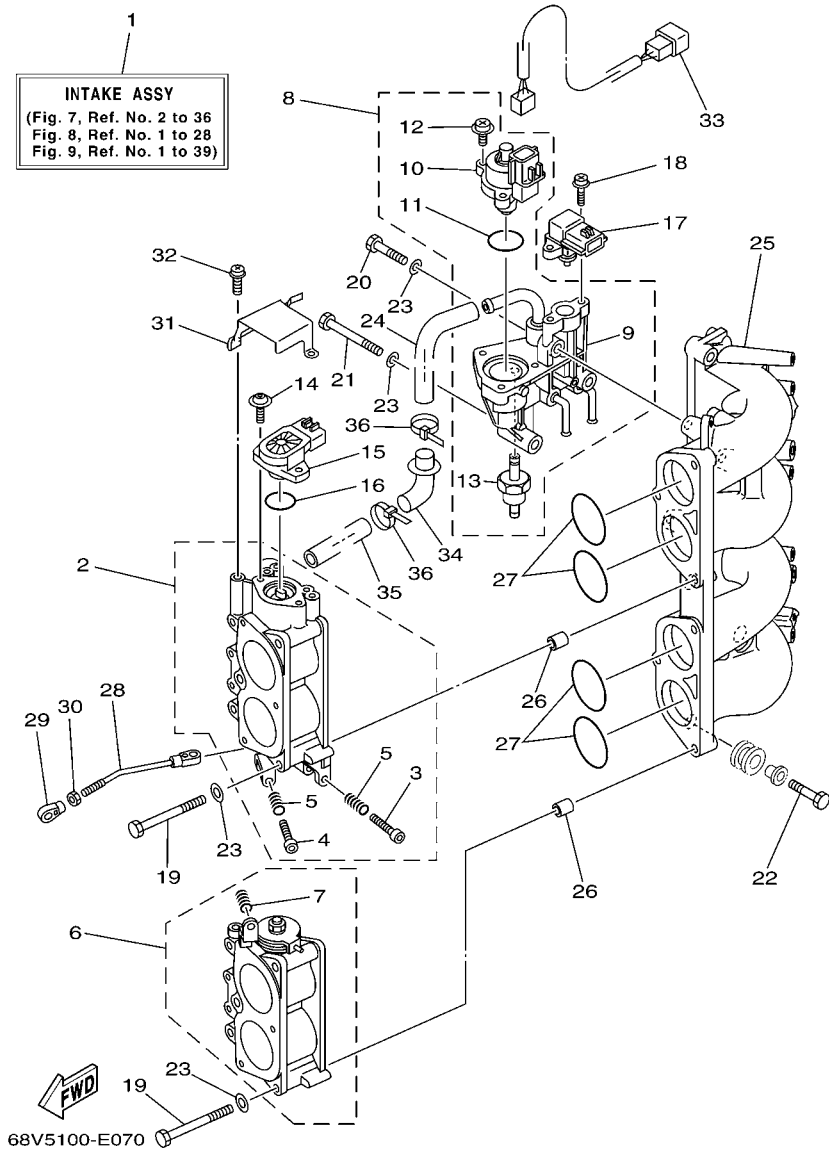


FIG. 7 INTAKE 2

REF. NO.	PART NO.	DESCRIPTION	68V5	68W5	REMARKS
1	68V-14200-04	INTAKE ASSY	1	1	EXCEPT FOR BRA
	68V-14200-11	INTAKE ASSY	1		FOR BRA
2	68V-13751-01	BODY, THROTTLE 1	1	1	EXCEPT FOR BRA
	68V-13751-10	BODY, THROTTLE 1	1		FOR BRA
3	68V-14323-00	.SCREW, AIR ADJUSTING	1	1	
4	68V-14321-00	.SCREW, THROTTLE	1	1	
5	68V-14331-00	.SPRING, THROTTLE VALVE	2	2	
6	68V-13752-01	BODY, THROTTLE 2	1	1	EXCEPT FOR BRA
	68V-13752-10	BODY, THROTTLE 2	1		FOR BRA
7	68V-14331-00	.SPRING, THROTTLE VALVE	1	1	
8	68V-13105-00	CONTROL VALVE ASSY	1	1	
9	68V-14960-00	.BODY ASSY	1	1	
10	68V-1312A-00	.VALVE, CONTROL	1	1	
11	68V-13473-00	.O-RING	1	1	
12	68V-81146-01	.SCREW 2	3	3	
13	68V-14511-00	.FILTER ASSY	1	1	
14	68V-81145-01	SCREW 1	2	2	
15	68V-85885-00	THROTTLE SENSOR ASSY	1	1	
16	68V-8182L-00	O-RING 1	1	1	
17	68V-82380-00	SENSOR, PRESSURE	1	1	
18	68V-81147-00	SCREW 3	2	2	
19	68V-14496-00	BOLT	6	6	
20	68V-13574-00	BOLT 2	1	1	
21	68V-13573-00	BOLT 1	2	2	
22	68V-14777-00	BOLT	3	3	
23	68V-14475-00	WASHER	9	9	
24	68V-14419-10	PIPE	1	1	

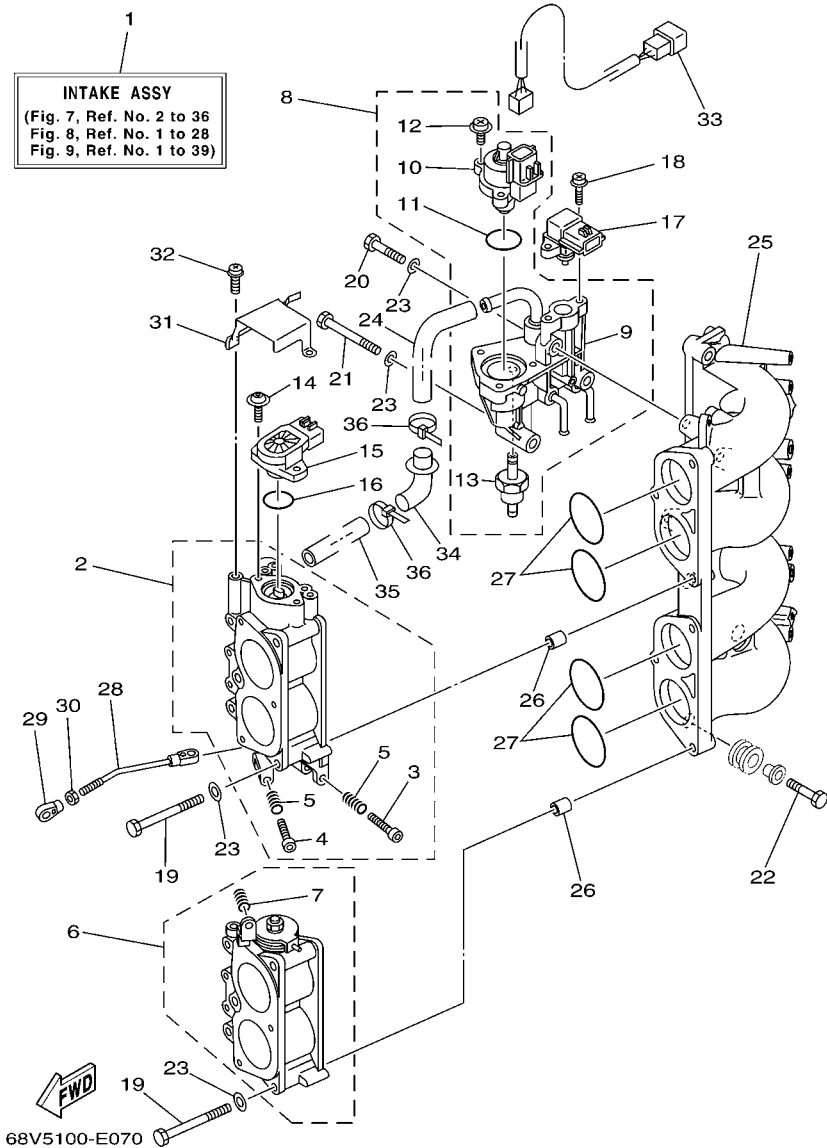
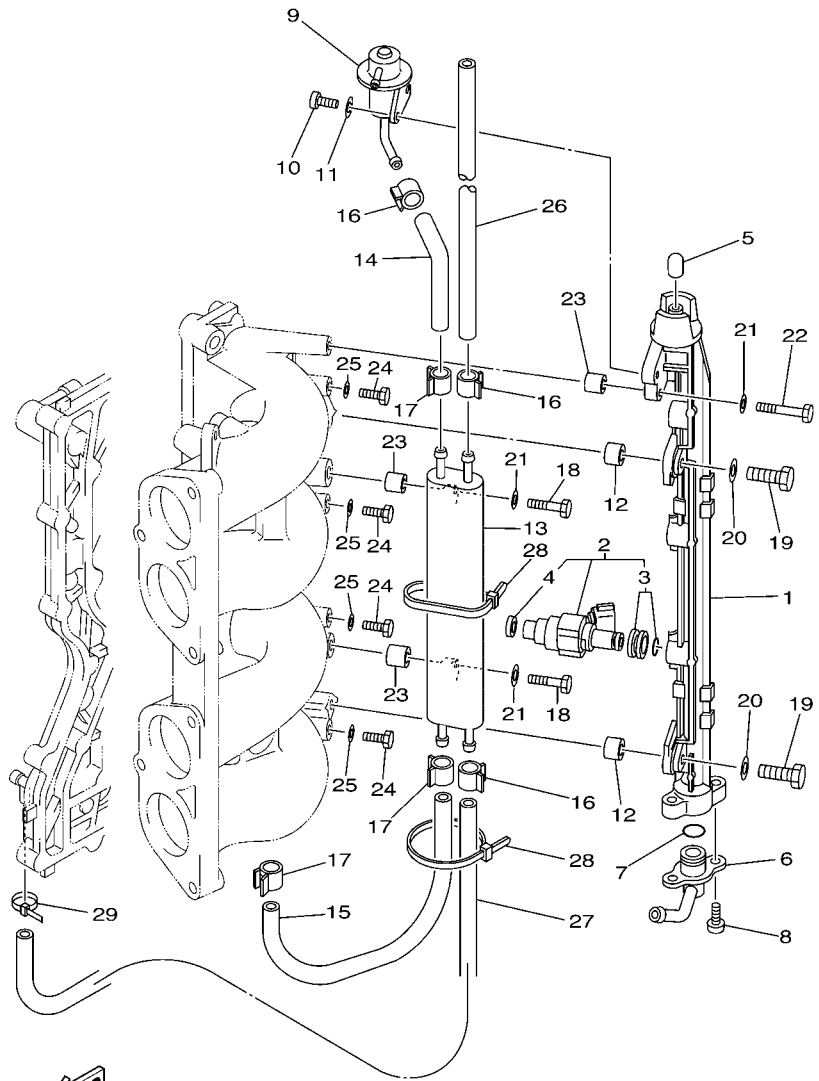


FIG. 7 INTAKE 2

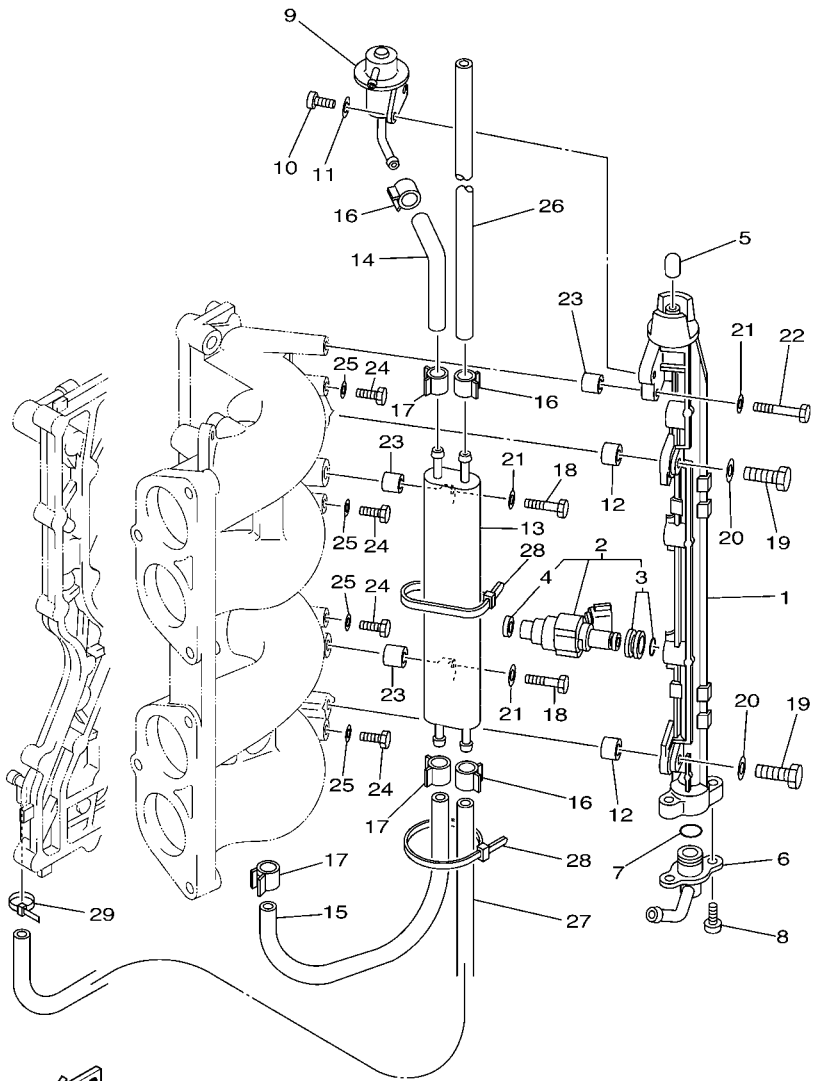
REF. NO.	PART NO.	DESCRIPTION	68V5	68W5	REMARKS
25	68V-13641-00-94	MANIFOLD 1	1	1	
26	99530-10114	PIN, DOWEL	4	4	
27	93210-48MG8	O-RING	4	4	
28	68V-41237-00	JOINT, LINK	1	1	
29	6H4-41237-00	JOINT, LINK	1	1	
30	95380-05700	NUT	1	1	
31	68V-1441L-00	BRACKET 1	1	1	
32	68V-81145-01	SCREW 1	3	3	
33	68V-8259N-00	WIRE HARNESS ASSY 3	1	1	
34	68V-14453-00	JOINT, AIR CLEANER 1	1	1	
35	68V-1441J-00	PIPE, SILENCER	1	1	
36	68V-2417H-00	CLAMP 1	2	2	




 68V1010-2080

FIG. 8 FUEL INJECTION NOZZLE

REF. NO.	PART NO.	DESCRIPTION	68V5	68W5	REMARKS
1	68V-13160-00	DELIVERY PIPE ASSY 1	1	1	EXCEPT FOR BRA
	68V-13160-10	DELIVERY PIPE ASSY 1	1		FOR BRA
2	68V-8A360-00	INJECTOR UNIT	4	4	EXCEPT FOR BRA
	68V-8A360-10	INJECTOR UNIT	4		FOR BRA
3	68V-1410B-00	.PACKING KIT	1	1	
4	68V-13766-00	.RUBBER, INJECTOR	1	1	EXCEPT FOR BRA
	68V-13766-10	.RUBBER, INJECTOR	1		FOR BRA
5	68V-14225-00	CAP	1	1	
6	68V-13435-00	NIPPLE	1	1	
7	68V-14397-00	O-RING	1	1	EXCEPT FOR BRA
	68V-14397-10	O-RING	1		FOR BRA
8	68V-81147-00	SCREW 3	2	2	
9	68V-13906-01	REGULATOR, PRESSURE	1	1	
10	68V-14565-00	SCREW	2	2	
11	68V-14356-00	WASHER, SPRING	2	2	
12	68V-14264-00	COLLAR	2	2	
13	68V-21841-00	COOLER	1	1	
14	68V-13971-00	PIPE, FUEL 1	1	1	EXCEPT FOR BRA
	68V-13971-10	PIPE, FUEL 1	1		FOR BRA
15	68V-13972-00	PIPE, FUEL 2	1	1	EXCEPT FOR BRA
	68V-13972-10	PIPE, FUEL 2	1		FOR BRA
16	68V-24519-00	CLIP	3	3	
17	68V-2411M-00	CLIP	3	3	
18	68V-14777-00	BOLT	2	2	
19	68V-14428-00	BOLT	2	2	
20	68V-14475-00	WASHER	2	2	
21	68V-14357-00	WASHER, PLAIN	3	3	



68V1010-2080

FIG. 8 FUEL INJECTION NOZZLE

REF. NO.	PART NO.	DESCRIPTION	68V5	68W5			REMARKS
			1	1			
22	68V-14446-00	BOLT	1	1			
23	68V-14265-00	COLLAR	3	3			
24	97095-06010	BOLT	4	4			
25	90430-06014	GASKET	4	4			
26	68V-2447A-00	HOSE 1	1	1			
27	68V-2247B-00	HOSE 2	1	1			
28	68V-2481H-00	CLAMP	2	2			
29	90465-11M10	CLAMP	1	1			

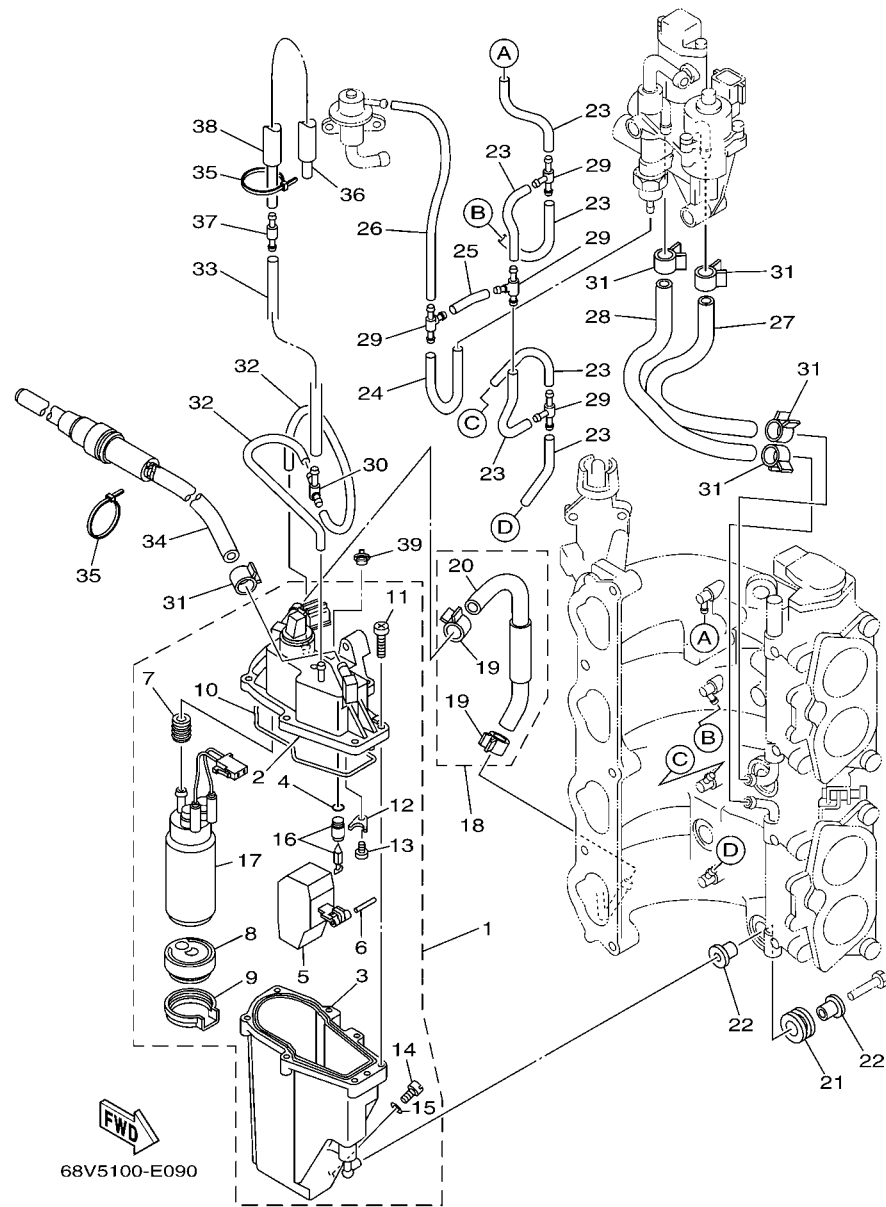


FIG. 9 FUEL INJECTION PUMP

REF. NO.	PART NO.	DESCRIPTION	68V5	68W5			REMARKS
1	68V-14180-02	FLOAT CHAMBER ASSY	1	1			EXCEPT FOR BRA
	68V-14180-10	FLOAT CHAMBER ASSY	1				FOR BRA
2	68V-14182-01	.COVER, FLOAT CHAMBER	1	1			EXCEPT FOR BRA
	68V-14182-10	.COVER, FLOAT CHAMBER	1				FOR BRA
3	68V-14181-00	.BODY, FLOAT CHAMBER 1	1	1			EXCEPT FOR BRA
	68V-14181-10	.BODY, FLOAT CHAMBER 1	1				FOR BRA
4	68V-13769-00	.O-RING	1	1			EXCEPT FOR BRA
	68V-13769-10	.O-RING	1				FOR BRA
5	68V-14985-00	.FLOAT	1	1			
6	68V-14386-00	.PIN, FLOAT	1	1			
7	68V-13781-10	.DAMPER, PUMP	1	1			
8	68V-13915-00	.FILTER	1	1			EXCEPT FOR BRA
	68V-13915-10	.FILTER	1				FOR BRA
9	68V-13784-00	.COVER, PUMP	1	1			
10	68V-14984-00	.GASKET, FLOAT CHAMBER	1	1			EXCEPT FOR BRA
	68V-14984-10	.GASKET, FLOAT CHAMBER	1				FOR BRA
11	68V-14567-00	.SCREW	7	7			
12	68V-14255-00	.PLATE	1	1			EXCEPT FOR BRA
	68V-14255-10	.PLATE	1				FOR BRA
13	68V-14592-00	.SCREW	1	1			EXCEPT FOR BRA
	68V-14592-10	.SCREW	1				FOR BRA
14	68V-14191-00	.PLUG, DRAIN	1	1			
15	68V-14126-00	.GASKET	1	1			
16	68V-14546-00	.VALVE, NEEDLE	1	1			EXCEPT FOR BRA
	68V-14546-10	.VALVE, NEEDLE	1				FOR BRA
17	68V-13907-02	.FUEL PUMP COMP.	1	1			EXCEPT FOR BRA
	68V-13907-10	.FUEL PUMP COMP.	1				FOR BRA

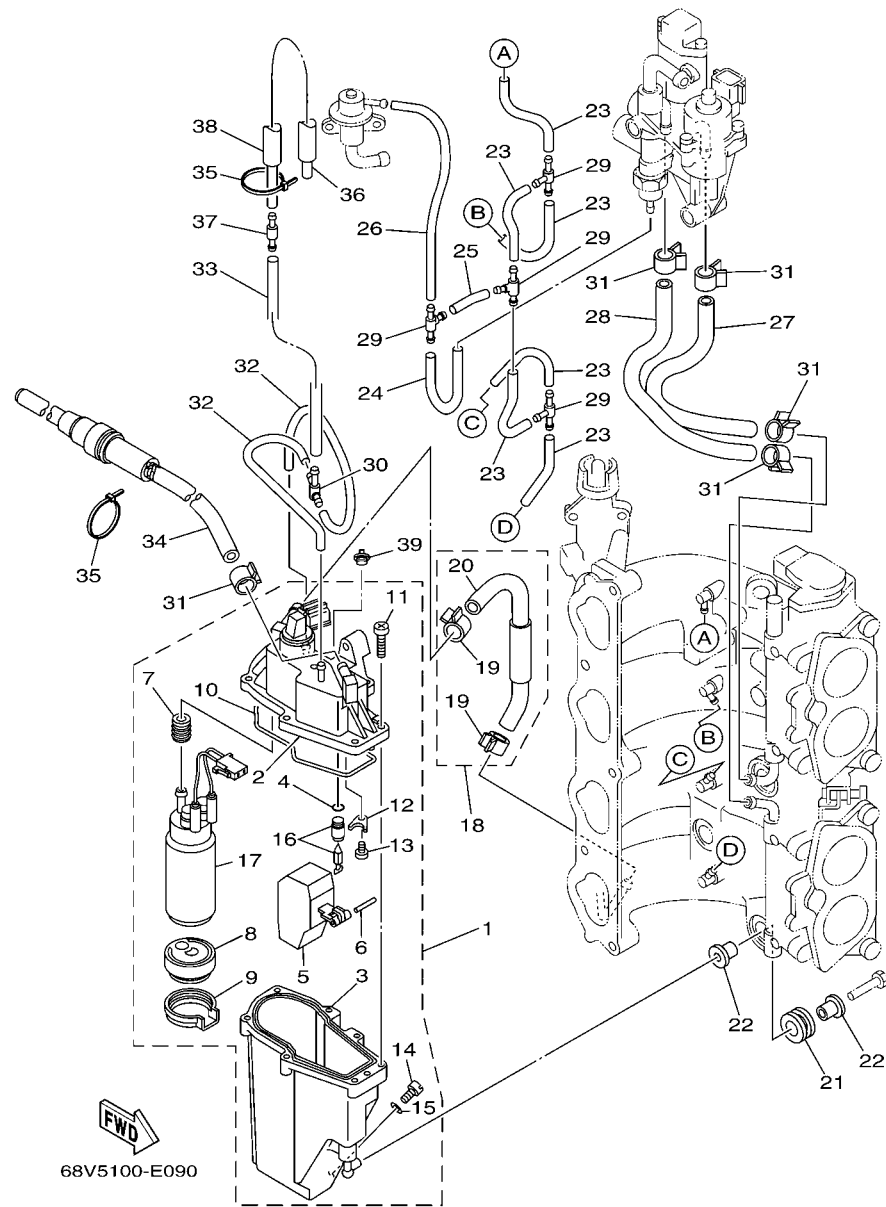
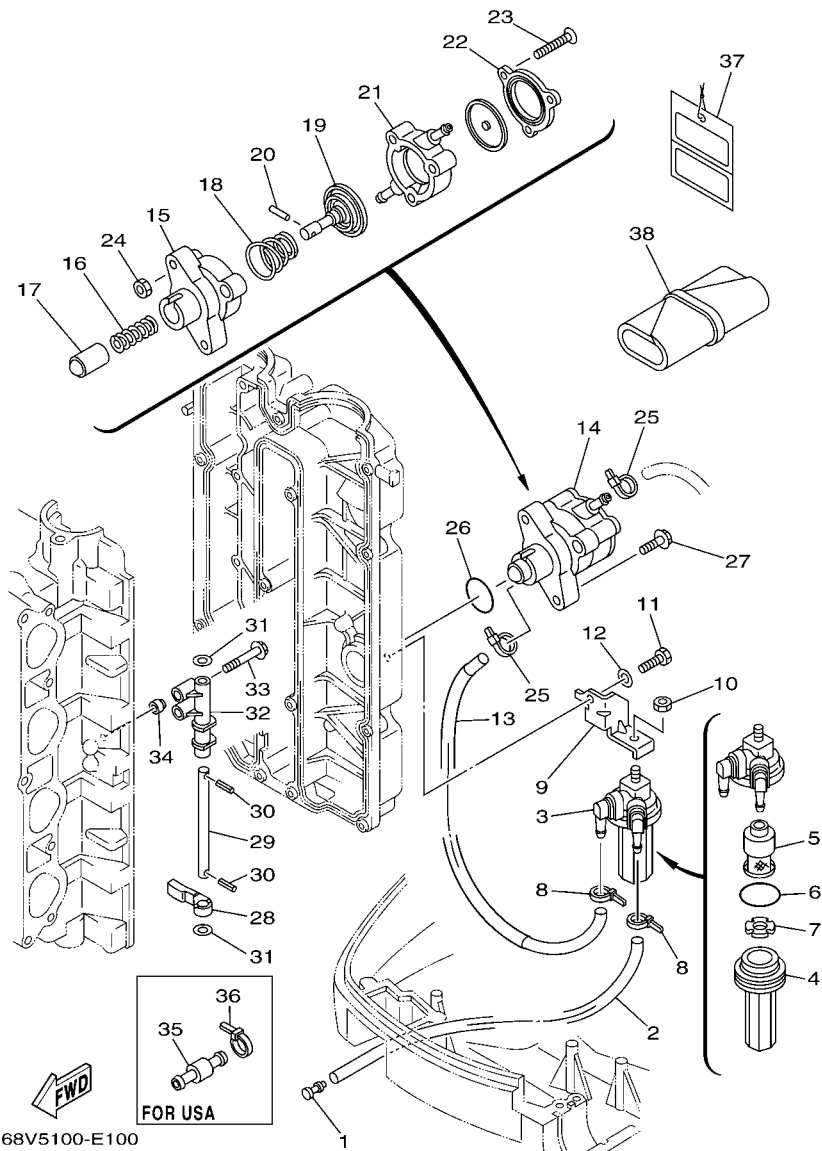


FIG. 9 FUEL INJECTION PUMP

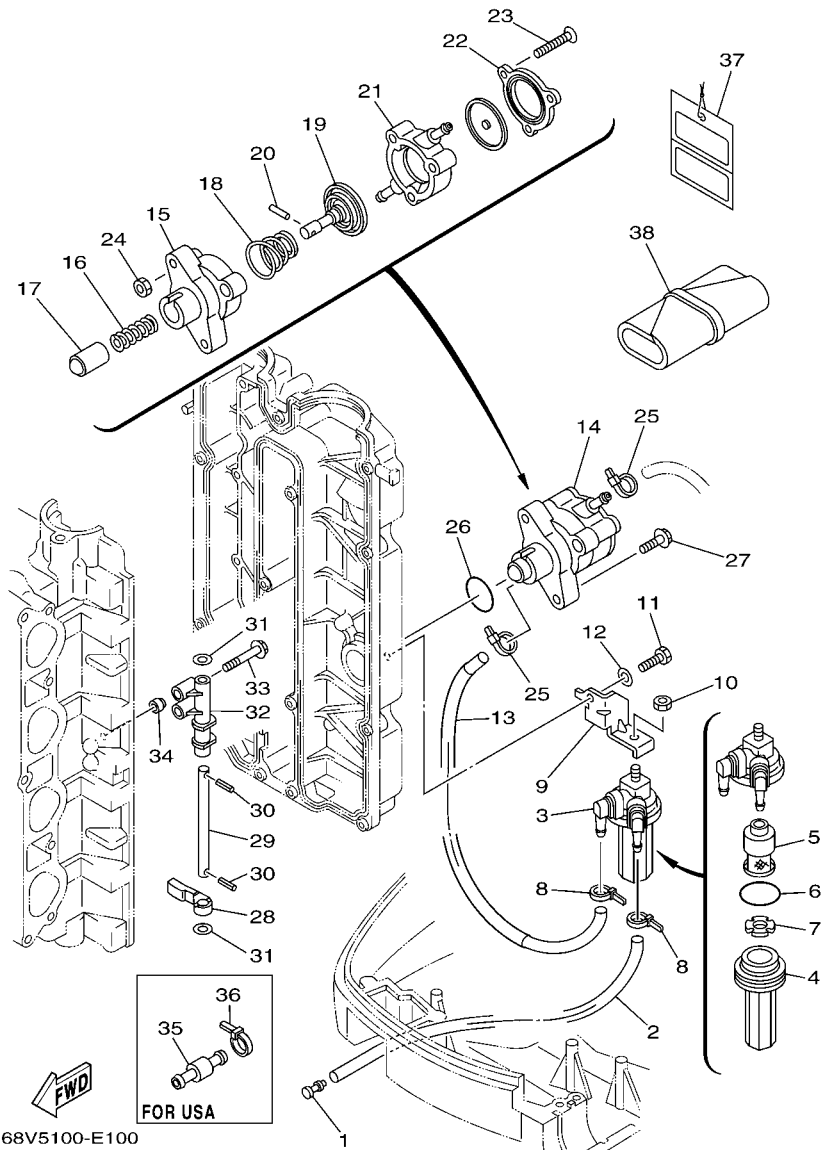
REF. NO.	PART NO.	DESCRIPTION	68V5	68W5			REMARKS
18	68V-14807-00	HOSE COMP.	1	1			EXCEPT FOR BRA
	68V-14807-10	HOSE COMP.	1				FOR BRA
19	68V-24387-00	.CLIP	2	2			
20	68V-13973-10	.PIPE, FUEL 3	1				FOR BRA
21	68V-13593-00	DAMPER	3	3			
22	68V-13716-00	COLLAR	6	6			
23	68V-13542-00	HOSE, VACUUM SENSING 1	6	6			
24	68V-13533-00	HOSE, VACUUM SENSING 4	1	1			
25	68V-13544-00	HOSE, VACUUM SENSING 2	1	1			
26	68V-13532-00	HOSE, VACUUM SENSING 3	1	1			
27	68V-13545-00	HOSE 1	1	1			
28	68V-13546-00	HOSE 2	1	1			
29	68V-24377-00	PIPE, JOINT 3	4	4			
30	68V-24379-00	PIPE, JOINT 4	1	1			
31	68V-13577-00	CLIP	5	5			
32	68V-13534-00	HOSE, VACUUM SENSING 5	2	2			
33	68V-13547-01	HOSE 3	1	1			
34	68V-24502-01	FILTER, FUEL	1	1			EXCEPT FOR BRA
	68V-24502-11	FILTER, FUEL	1				FOR BRA
35	68V-2481H-00	CLAMP	2	2			
36	68V-13535-00	HOSE, VACUUM SENSING 5	1	1			
37	68V-13490-01	RELIEF VALVE ASSY	1	1			EXCEPT FOR BRA
	68V-13490-10	RELIEF VALVE ASSY	1				FOR BRA
38	68V-13543-01	HOSE, AIR	1	1			
39	69J-14225-00	CAP	1	1			



68V5100-E100

FIG. 10 FUEL 1

REF. NO.	PART NO.	DESCRIPTION	68V5	68W5	REMARKS
1	689-85547-00	DAMPER	1	1	
2	90445-13M37	HOSE (L2300)	1	1	
3	68V-24560-01	FILTER ASSY	1	1	
4	68V-24521-01	.CUP, FILTER	1	1	
5	68V-24563-00	.ELEMENT, FILTER	1	1	
6	93210-32738	.O-RING	1	1	
7	68V-24469-01	.FLOAT, WATER LEVEL	1	1	
8	90465-11M10	CLAMP	2	2	
9	68V-24566-00	BRACKET, FILTER	1	1	
10	95380-08600	NUT	1	1	
11	97095-06016	BOLT	1	1	
12	92995-06600	WASHER	1	1	
13	68V-24311-00	PIPE, FUEL 1	1	1	
14	68V-24410-00	FUEL PUMP ASSY	1	1	
15	68V-24412-00	.BODY 1	1	1	
16	68V-24454-00	.SPRING	1	1	
17	68V-13131-00	.PLUNGER	1	1	
18	68V-24423-00	.SPRING, DIAPHRAGM	1	1	
19	68V-24411-00	.DIAPHRAGM	1	1	
20	68V-24374-00	.PIN	1	1	
21	68V-24413-00	.BODY 2	1	1	
22	68V-24414-00	.BODY 3	1	1	
23	68V-24444-00	.SCREW	3	3	
24	68V-24149-00	.NUT	3	3	
25	90465-11M10	CLAMP	2	2	
26	93210-30682	O-RING	1	1	
27	90119-06M83	BOLT, WITH WASHER	2	2	



68V5100-E100

FIG. 10 FUEL 1

REF. NO.	PART NO.	DESCRIPTION	68V5	68W5	REMARKS
28	67F-24575-00	LEVER, FUEL CHANGE	1	1	
29	68V-24495-00	SHAFT	1	1	
30	91609-25014	PIN, SPRING	2	2	
31	90201-08M12	WASHER, PLATE	2	2	
32	67F-24491-00	BRACKET, FUEL PUMP	1	1	
33	90119-07235	BOLT/WASHER-CAM CAPS	2	2	
34	91809-08006	SLEEVE GUIDE-DOWEL	2	2	
35	6R3-24377-10	PIPE, JOINT 3	1	1	FOR USA
36	90465-11M10	CLAMP	1	1	FOR USA
37	61H-2819R-31	TAG, WARNING	1	1	EXCEPT FOR BRA
38	67F-28100-01	TOOL KIT	1	1	AP

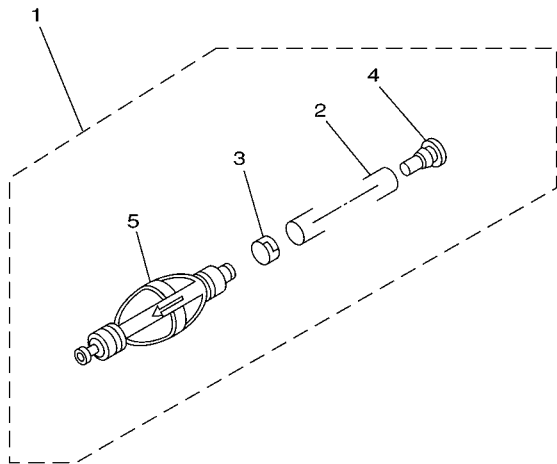


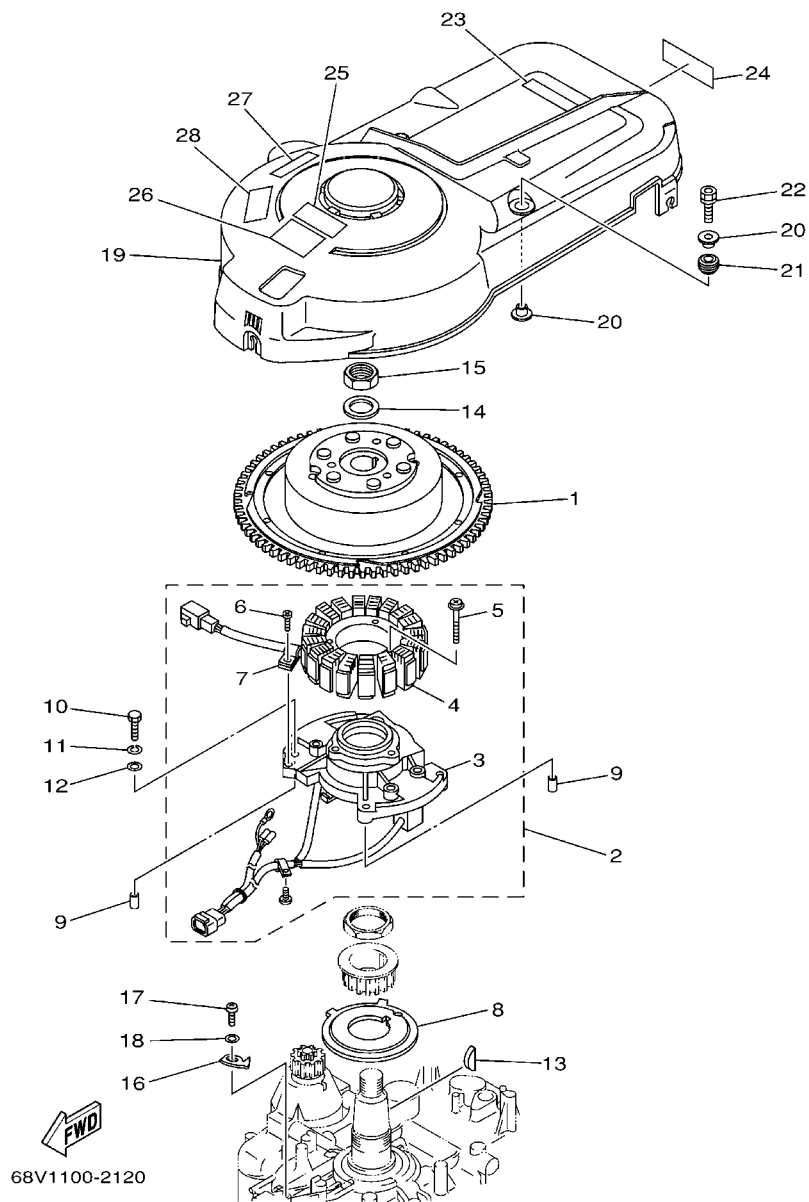
FIG. 11 FUEL 2

REF. NO.	PART NO.	DESCRIPTION	68V5	68W5				REMARKS
1	6Y2-24307-50	FUEL PIPE COMP. 2	1	1				AP EXCEPT CAR
2	90445-13M01	.HOSE (L2050)	1	1				
3	6E5-24351-51	.BAND 1	1	1				
4	90480-06M19	.GROMMET	1	1				
5	6Y2-24360-60	.PRIMER PUMP ASSY	1	1				



68V0100-0110

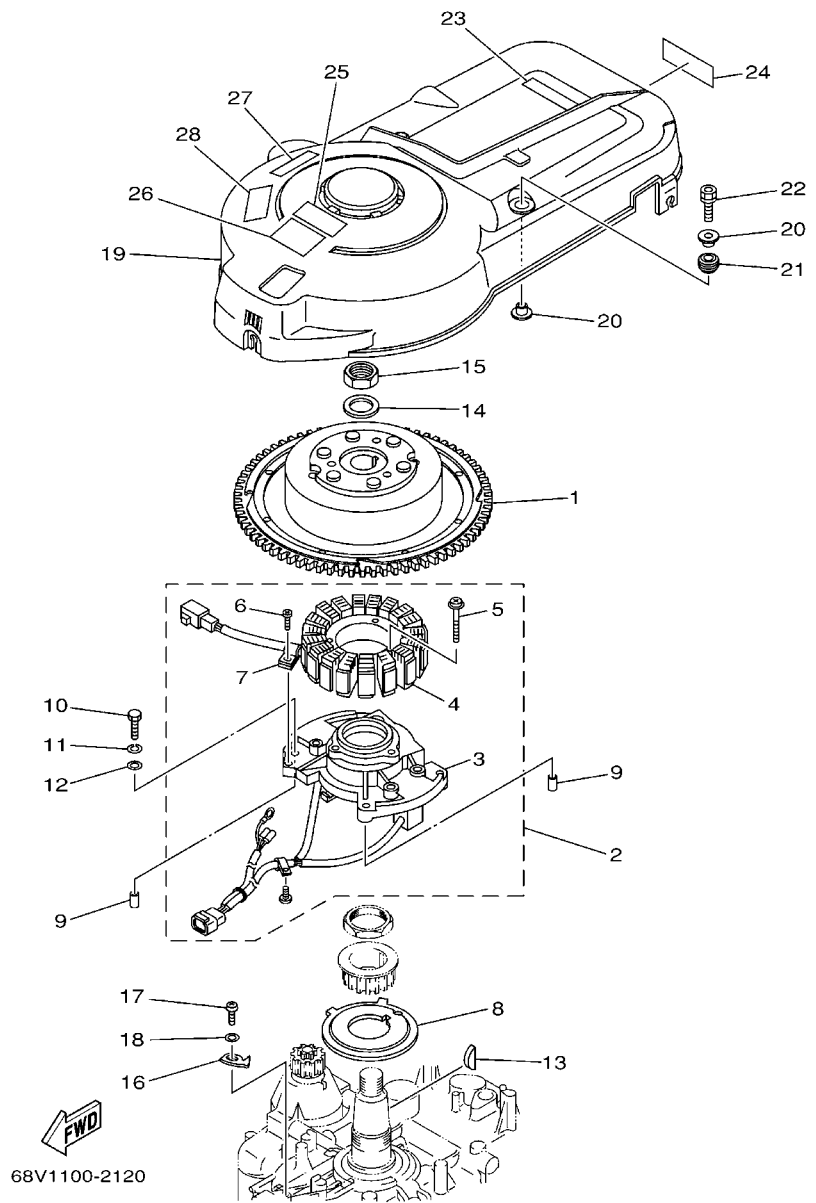
FIG. 12 GENERATOR



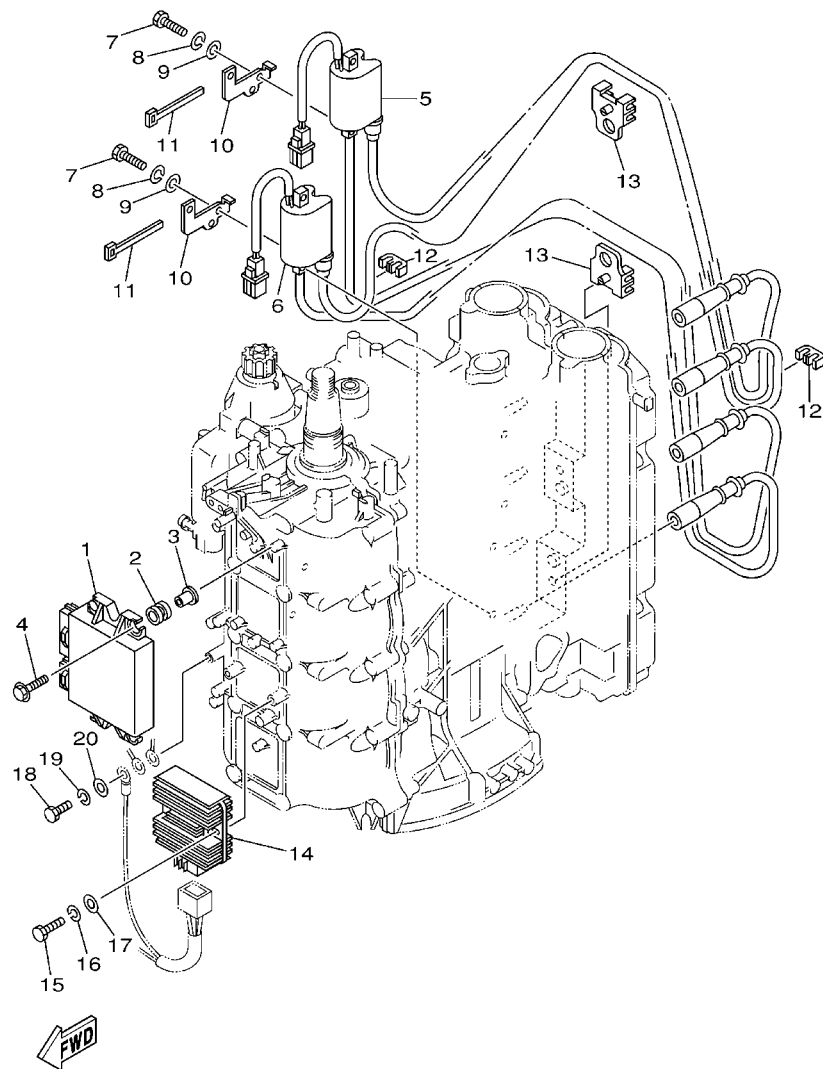
68V1100-2120

REF. NO.	PART NO.	DESCRIPTION	68V5	68W5	REMARKS
1	68V-81450-00	ROTOR ASSY	1	1	
2	68V-81460-00	BASE ASSY	1	1	
3	68V-85580-00	.COIL, PULSER	1	1	
4	68V-81410-00	.STATOR ASSY	1	1	
5	63D-81345-20	.SCREW, WITH WASHER (M6X30)	3	3	
6	97607-04110	.SCREW, WITH WASHER	1	1	
7	445-81328-20	.CLAMP	1	1	
8	68V-81673-00	ROTOR	1	1	
9	99530-08012	PIN, DOWEL	2	2	
10	97095-06030	BOLT	4	4	
11	92995-06100	WASHER, SPRING	4	4	
12	92995-06600	WASHER	4	4	
13	90280-04M08	KEY, WOODRUFF	1	1	
14	90201-24014	WASHER, PLATE	1	1	
15	90179-24002	NUT	1	1	
16	6D8-81332-00	PLATE, TIMING	1	1	
17	97885-06010	SCREW, PAN HEAD	1	1	
18	92995-06600	WASHER	1	1	
19	67F-81337-01	COVER, FLYWHEEL	1	1	
20	90387-06M71	COLLAR	4	4	
21	90480-15M31	GROMMET	2	2	
22	90119-06M92	BOLT, WITH WASHER	2	2	
23	67F-12138-40	MARK, CAUTION	1	1	FOR USA,OCE
	67F-12138-50	MARK, CAUTION	1	1	FOR CAN
	67F-12138-60	MARK, CAUTION	1	1	FOR CAR.BRA
24	68V-13437-41	MARK, CAUTION	1	1	FOR USA,OCE
	68V-13437-51	MARK, CAUTION	1	1	FOR CAN

FIG. 12 GENERATOR



REF. NO.	PART NO.	DESCRIPTION			REMARKS
			68V5	68W5	
24	68V-13437-61	MARK, CAUTION	1	1	FOR CAR,BRA
25	6A1-83625-41	MARK 5	1	1	
26	6A1-83625-51	MARK 5	1	1	FOR CAN,CAR,BRA
27	6K1-83623-41	MARK 3		1	
28	6K1-83623-50	MARK 3		1	FOR CAN,CAR



68V0010-1120

FIG. 13 ELECTRICAL 1

REF. NO.	PART NO.	DESCRIPTION	68V5	68W5			REMARKS
1	68V-8591A-40	ENGINE CONTROL UNIT ASSY	1	1			FOR USA,CAN
	68V-8591A-22	ENGINE CONTROL UNIT ASSY	1	1			FOR OCE,CAR(EPA)
	68V-8591A-14	ENGINE CONTROL UNIT ASSY	1	1			FOR CAR(CE)
	68V-8591A-30	ENGINE CONTROL UNIT ASSY	1				FOR BRA
2	68V-82317-00	DAMPER, IGNITION COIL	4	4			
3	90387-06119	COLLAR	4	4			
4	90119-06M59	BOLT, WITH WASHER	4	4			
5	68V-82310-00	IGNITION COIL ASSY	1	1			
6	68V-82310-10	IGNITION COIL ASSY	1	1			
7	97095-06025	BOLT	4	4			
8	92995-06100	WASHER, SPRING	4	4			
9	92995-06600	WASHER	4	4			
10	68V-82388-00	PLATE	2	2			
11	90464-06001	CLAMP	2	2			
12	67F-82361-00	CLAMP, CORD	2	2			
13	67F-82362-00	CLAMP, CORD 2	2	2			
14	68V-81960-00	RECTIFIER & REGULATOR ASSY	1	1			
15	97095-06025	BOLT	2	2			
16	92995-06100	WASHER, SPRING	2	2			
17	92995-06600	WASHER	2	2			
18	97095-06020	BOLT	1	1			
19	92995-06100	WASHER, SPRING	1	1			
20	92995-06600	WASHER	1	1			

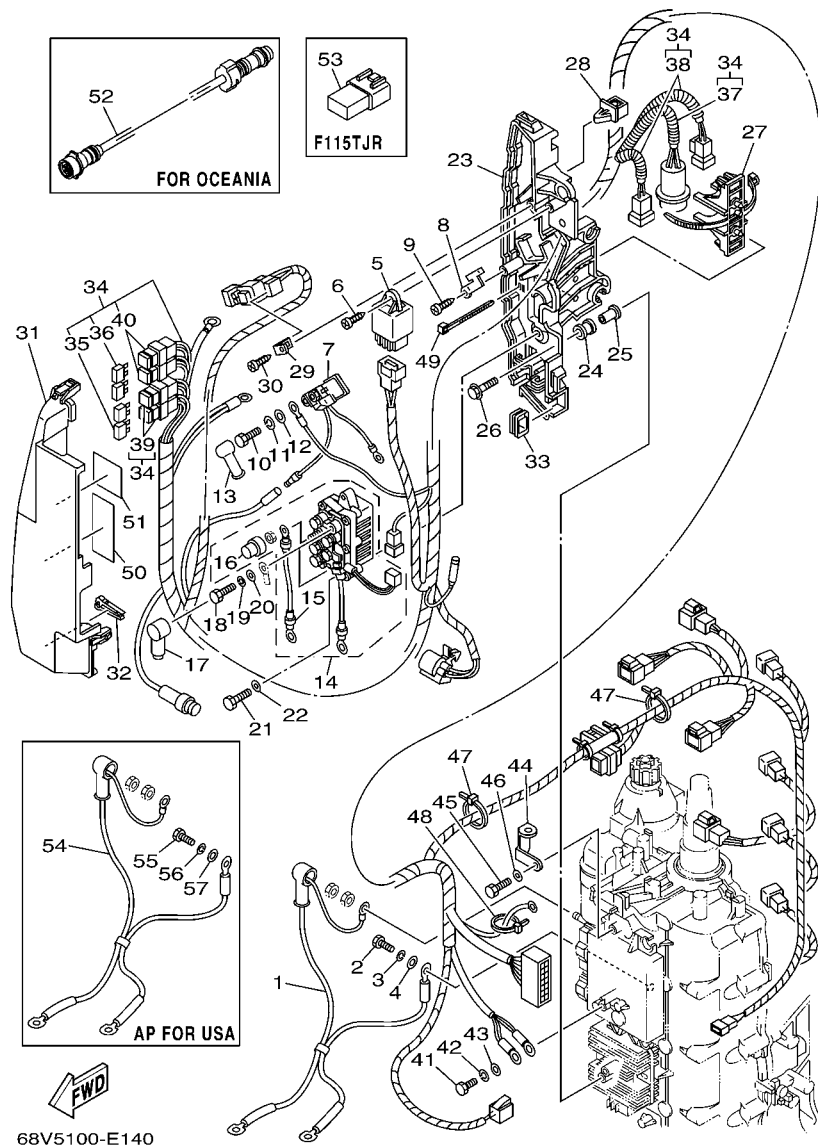


FIG. 14 ELECTRICAL 2

REF. NO.	PART NO.	DESCRIPTION	68V5	68W5	REMARKS
1	68V-82105-00	WIRE HARNESS	1	1	EXCEPT FOR USA
2	97013-06020	BOLT	1	1	EXCEPT FOR USA
3	92903-06100	WASHER, SPRING	1	1	EXCEPT FOR USA
4	92903-06600	WASHER, PLATE	1	1	EXCEPT FOR USA
5	68V-81950-00	RELAY ASSY	1	1	
6	97780-60625	SCREW, TAPPING	1	1	
7	68V-8194A-00	RELAY	1	1	
8	68V-81953-00	STAY, RELAY	1	1	
9	97780-60620	SCREW, TAPPING	1	1	
10	97095-06010	BOLT	2	2	
11	92995-06100	WASHER, SPRING	2	2	
12	92995-06600	WASHER	2	2	
13	6G5-82119-00	COVER, LEAD WIRE	2	2	
14	68V-8195B-01	RELAY ASSY	1	1	
15	68V-81949-00	.WIRE, LEAD	1	1	
16	68V-82532-00	.CAP	1	1	
17	682-82119-01	COVER, LEAD WIRE	2	2	
18	97095-06010	BOLT	2	2	
19	92995-06100	WASHER, SPRING	2	2	
20	92995-06600	WASHER	2	2	
21	97013-06020	BOLT	2	2	
22	92903-06600	WASHER, PLATE	2	2	
23	68V-81948-02	BRACKET	1	1	
24	6A0-82317-00	DAMPER, IGNITION COIL	5	5	
25	90387-06119	COLLAR	5	5	
26	90119-06M59	BOLT, WITH WASHER	5	5	
27	68V-82594-00	CLAMP	1	1	

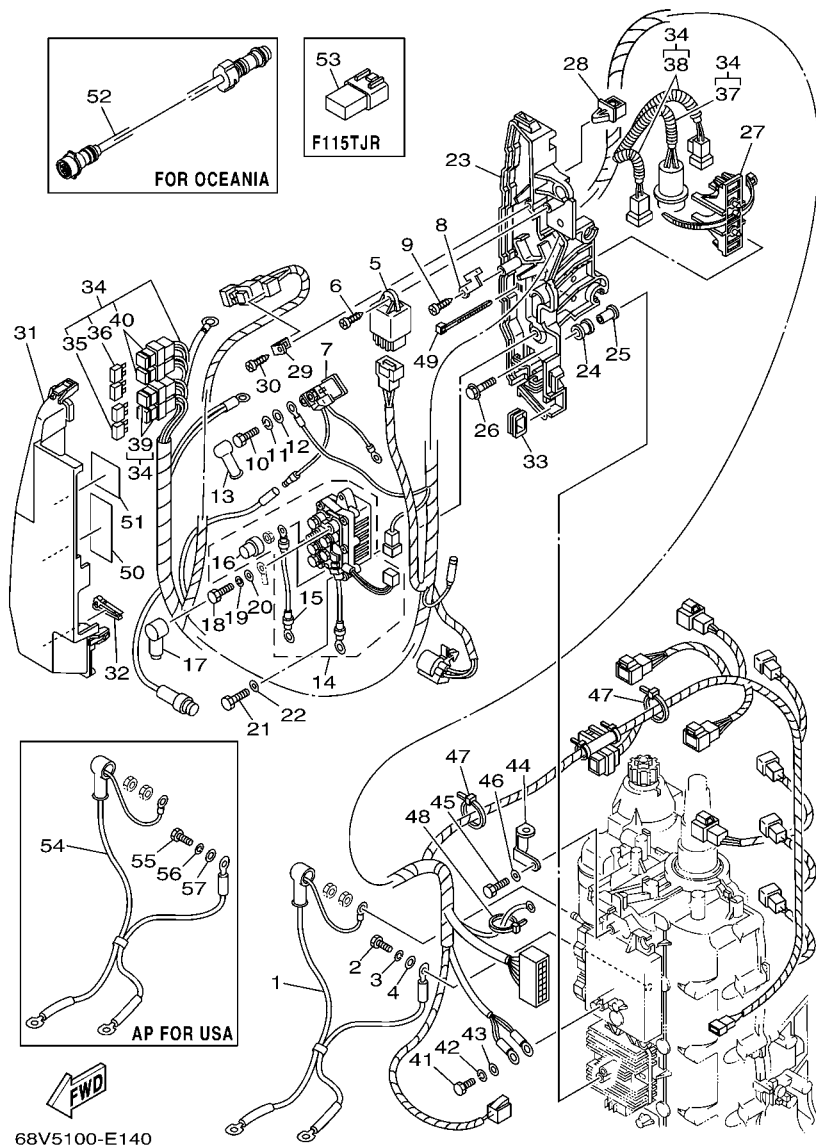


FIG. 14 ELECTRICAL 2

REF. NO.	PART NO.	DESCRIPTION	68V5	68W5	REMARKS
28	90464-12M58	CLAMP	1	1	
29	68V-85548-00	HOLDER	1	1	
30	97780-60620	SCREW, TAPPING	1	1	
31	68V-81942-03	COVER	1	1	
32	67F-2812A-00	PULLER, FUSE	1	1	
33	6D8-81518-00	GROMMET	1	1	
34	68V-82590-41	WIRE HARNESS ASSY	1	1	FOR USA,CAN
	68V-82590-11	WIRE HARNESS ASSY	1	1	FOR OCE,CAR,BRA
35	67F-82151-00	.FUSE (20A)	4	4	
36	67F-82151-10	.FUSE (30A)	4	4	
37	90447-10003	.HOSE, WITH SPRING	1	1	
38	90447-07007	.HOSE, WITH SPRING	2	2	FOR 68V-82590-41
	90447-07007	.HOSE, WITH SPRING	1	1	FOR 68V-82590-11
39	67F-8215B-10	.CAP (YELLOW)	2	2	
40	67F-8215B-20	.CAP (GREEN)	2	2	
41	97095-06020	BOLT	1	1	
42	92995-06100	WASHER, SPRING	1	1	
43	92995-06600	WASHER	1	1	
44	6D8-82581-00	STAY, CORD CLAMP	1	1	FOR USA,CAN
45	97095-06014	BOLT	1	1	FOR USA,CAN
46	92995-06600	WASHER	1	1	FOR USA,CAN
47	90465-11M52	CLAMP	2	2	
48	90465-13M18	CLAMP	1	1	FOR USA,CAN
49	90465-13M18	CLAMP	2	2	
50	68V-81919-00	GRAPHIC, REGULATOR	1	1	
51	68V-81919-10	GRAPHIC, REGULATOR	1	1	
52	688-8258A-10	EXTENSION, WIRE HARNESS	1		AP FOR OCE (10P)

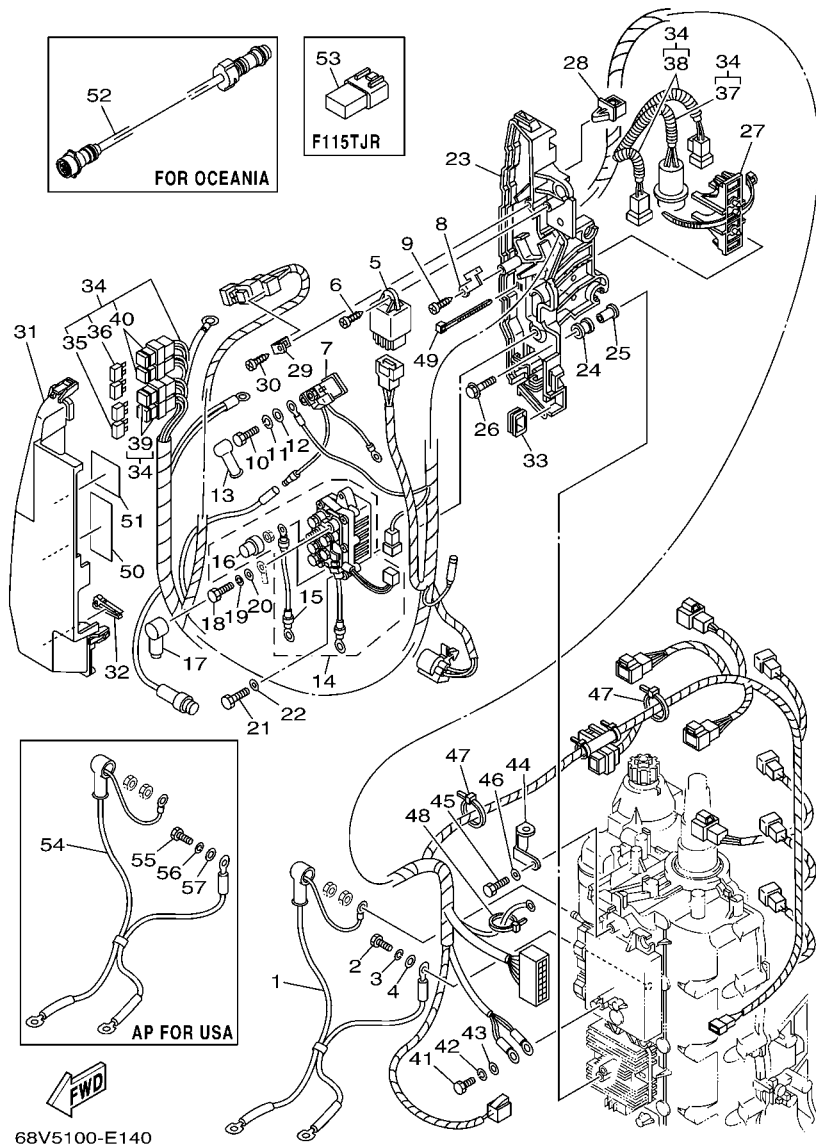
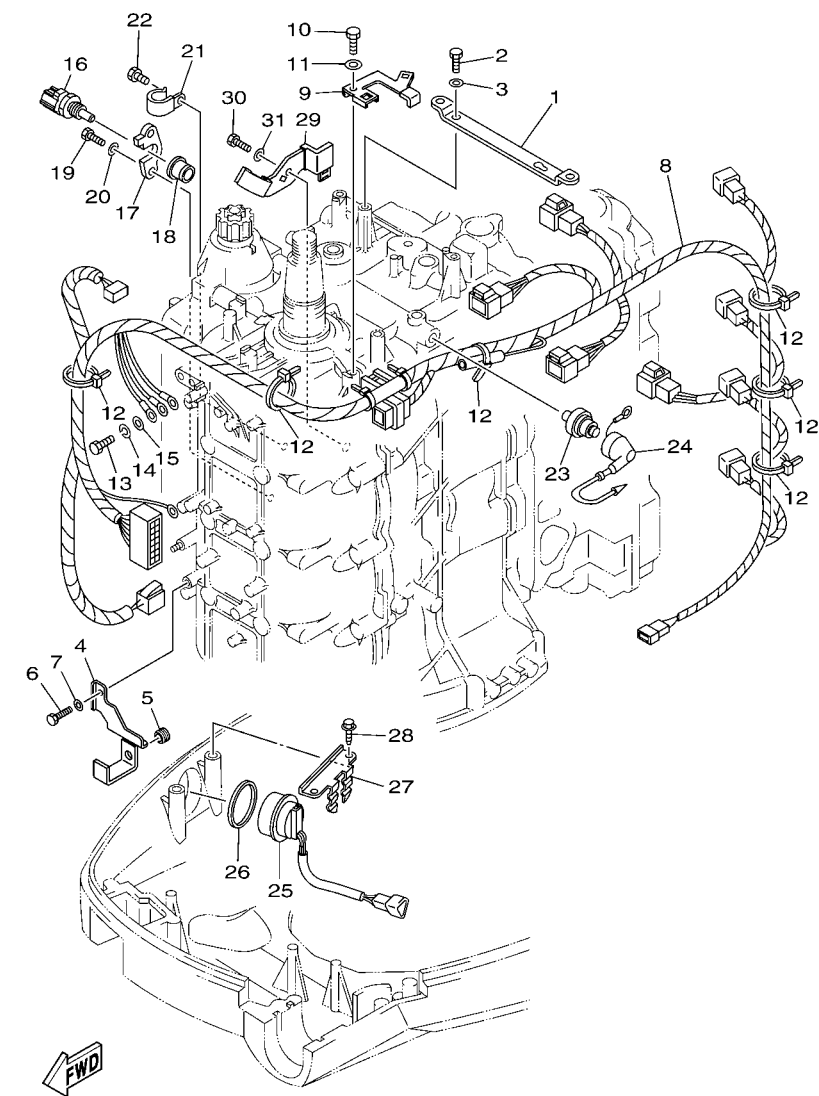


FIG. 14 ELECTRICAL 2

REF. NO.	PART NO.	DESCRIPTION	68V5	68W5			REMARKS
53	68V-82582-10	COVER, WIRE HARNESS	1				F115TJR
54	68V-82105-00	WIRE HARNESS	1	1			AP FOR USA
55	97013-06020	BOLT	1	1			AP FOR USA
56	92903-06100	WASHER, SPRING	1	1			AP FOR USA
57	92903-06600	WASHER, PLATE	1	1			AP FOR USA
<hr style="border-top: 1px dashed black;"/>							
<hr style="border-top: 1px dashed black;"/>							
<hr style="border-top: 1px dashed black;"/>							
<hr style="border-top: 1px dashed black;"/>							
<hr style="border-top: 1px dashed black;"/>							
<hr style="border-top: 1px dashed black;"/>							
<hr style="border-top: 1px dashed black;"/>							
<hr style="border-top: 1px dashed black;"/>							

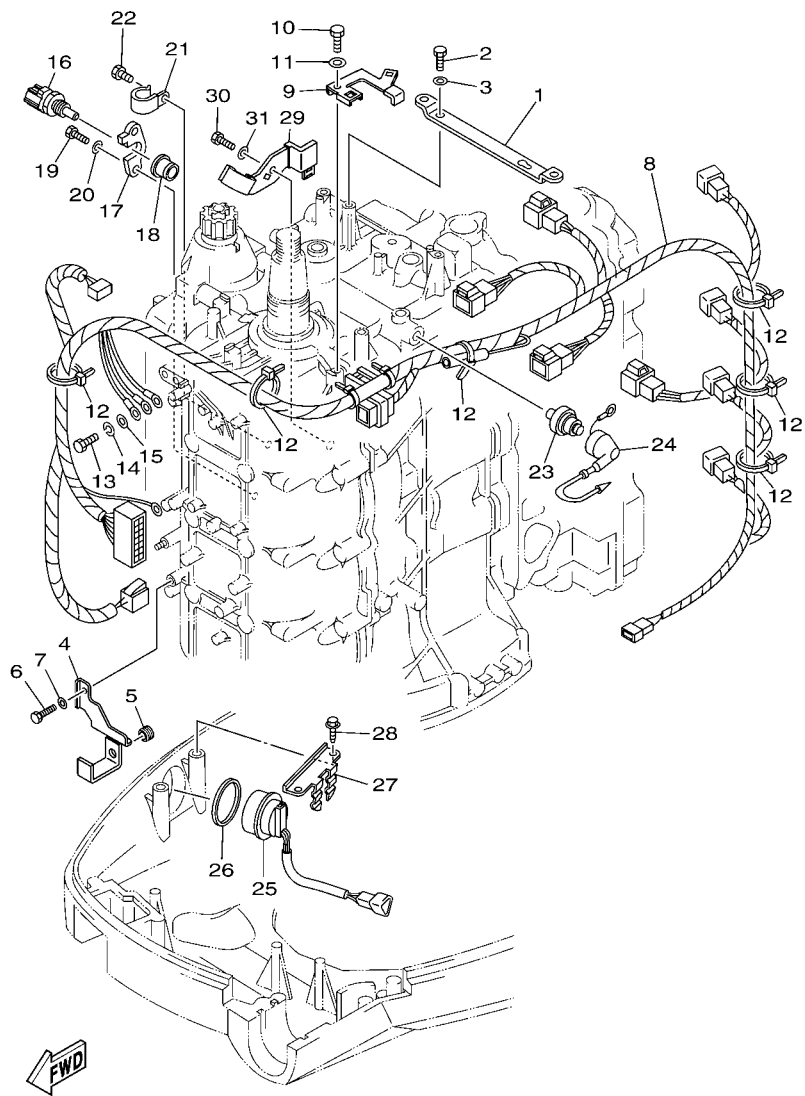
FIG. 15 ELECTRICAL 3



68V5100-E150

REF. NO.	PART NO.	DESCRIPTION	68V5	68W5	REMARKS
1	67F-8132G-01	PLATE	1	1	
2	97095-06016	BOLT	2	2	
3	92995-06600	WASHER	2	2	
4	6D8-81528-00	CLAMP 1	1	1	
5	90480-13M24	GROMMET	1	1	
6	97095-06014	BOLT	1	1	
7	92995-06600	WASHER	1	1	
8	68V-8259M-01	WIRE HARNESS ASSY 2	1	1	FOR OCE,CAR,BRA
9	68V-82588-10	PLATE	1	1	
10	97095-06012	BOLT	1	1	
11	92995-06600	WASHER	1	1	
12	90465-13M18	CLAMP	8	8	
13	97095-06020	BOLT	1	1	
14	92995-06100	WASHER, SPRING	1	1	
15	92995-06600	WASHER	1	1	
16	67F-85790-00	THERMOSENSOR ASSY	1	1	
17	67F-85757-00	RETAINER	1	1	
18	68V-85753-00	GASKET, SENDER UNIT	1	1	
19	97095-06016	BOLT	2	2	
20	92995-06600	WASHER	2	2	
21	90465-06M86	CLAMP	1	1	
22	97095-06010	BOLT	1	1	
23	68V-82504-00	OIL PRESSURE SWITCH ASSY	1	1	
24	68V-81315-00	LEAD WIRE ASSY	1	1	
25	63D-82563-10	TRIM & TILT SWITCH ASSY	1	1	
26	6E5-82587-00	GASKET	1	1	
27	67F-83614-00	BRACKET	1	1	

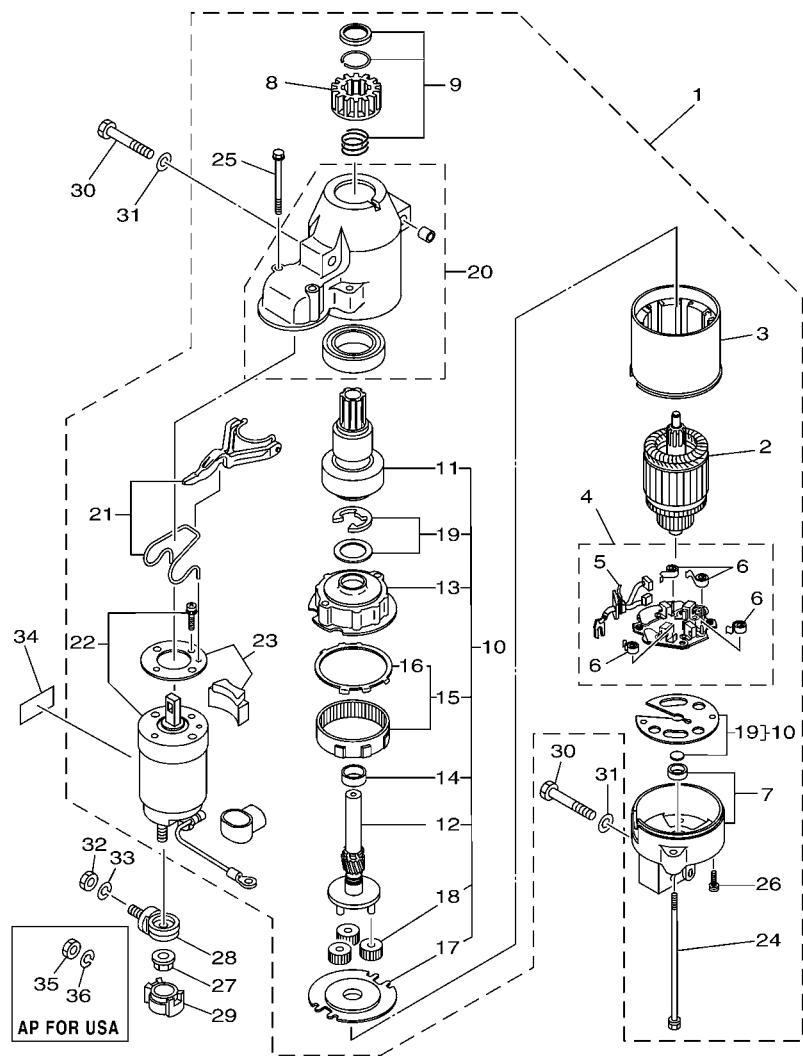
FIG. 15 ELECTRICAL 3



68V5100-E150

REF. NO.	PART NO.	DESCRIPTION	68V5	68W5		REMARKS
28	90109-06M86	BOLT	2	2		
29	6D8-8252H-00	PLATE, HOLDER	1	1		FOR USA,CAN
30	97095-06012	BOLT	1	1		FOR USA,CAN
31	92995-06600	WASHER	1	1		FOR USA,CAN

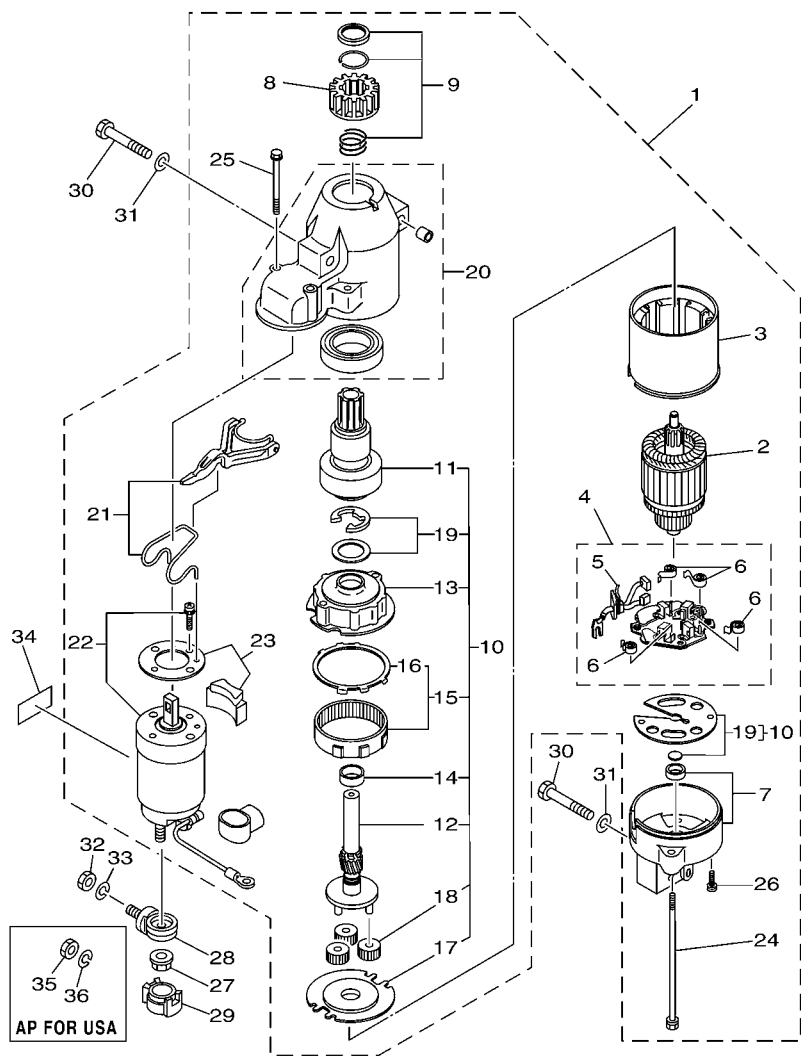
FIG. 16 STARTING MOTOR



68V5100-E160

REF. NO.	PART NO.	DESCRIPTION	68V5	68W5	REMARKS
1	68V-81800-01	STARTING MOTOR ASSY	1	1	
2	67F-81850-00	.ARMATURE ASSY	1	1	
3	67F-81810-00	.STATOR ASSY	1	1	
4	68F-81840-00	.BRUSH HOLDER ASSY	1	1	
5	67F-81801-00	..BRUSH SET	1	1	
6	67F-81813-00	..SPRING, BRUSH	4	4	
7	68F-81820-00	.REAR BRACKET ASSY	1	1	
8	67F-81808-00	.PINION ASSY	1	1	
9	67F-81857-00	.PINION STOPPER SET	1	1	
10	67F-81807-00	.GEAR ASSY, STARTING MOTOR	1	1	
11	67F-81832-00	..CLUTCH, OVER RUN	1	1	
12	67F-81836-00	..SHAFT, PINION	1	1	
13	67F-81821-00	..BRACKET, CENTER 1	1	1	
14	67F-81841-00	..BEARING	1	1	
15	67F-81891-00	..GEAR, RING	1	1	
16	67F-8183R-00	...GASKET	1	1	
17	67F-81830-00	..BRACKET, CENTER 2	1	1	
18	60V-8183T-00	..GEAR, IDLER	3	3	
19	67F-81809-00	..WASHER KIT	1	1	
20	67F-81842-00	.COVER	1	1	
21	67F-81839-00	.LEVER ASSY	1	1	
22	68V-81941-01	.STARTER RELAY ASSY	1	1	
23	67F-81869-00	.COVER, DUST	1	1	
24	6K7-81826-10	.BOLT	2	2	
25	67F-81828-00	.BOLT 2	2	2	
26	67F-81846-00	.SCREW	2	2	
27	90179-08003	NUT	1	1	

FIG. 16 STARTING MOTOR



35
36
AP FOR USA



68V5100-E160

REF. NO.	PART NO.	DESCRIPTION	68V5	68W5			REMARKS
			1	1			
28	60V-81925-00	TERMINAL	1	1			
29	68F-82582-00	COVER, WIRE HARNESS	1	1			
30	97013-08045	BOLT	3	3			
31	92903-08600	WASHER, PLATE	3	3			
32	95333-08600	NUT	1	1			EXCEPT FOR USA
33	92903-08100	WASHER, SPRING	1	1			EXCEPT FOR USA
34	67F-83627-01	LABEL, CAUTION 7	1	1			FOR USA
35	95333-08600	NUT	1	1			AP FOR USA
36	92903-08100	WASHER, SPRING	1	1			AP FOR USA

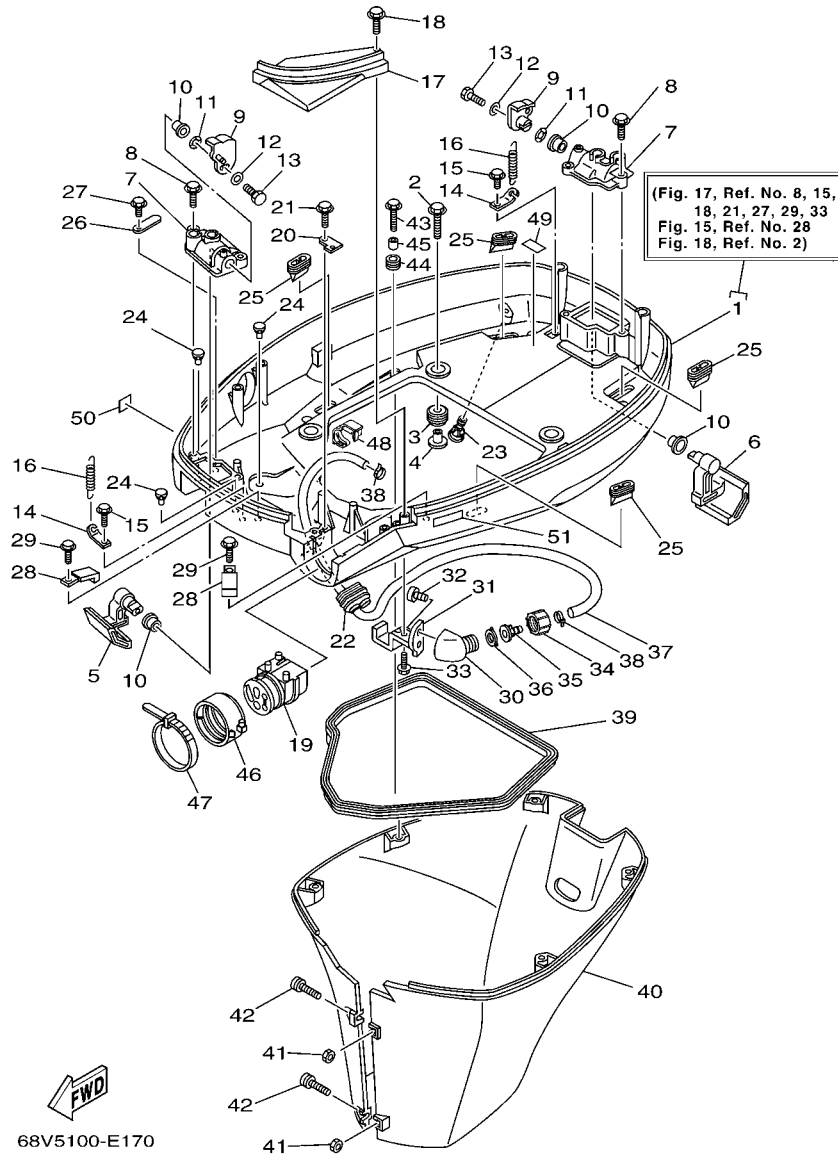


FIG. 17 BOTTOM COWLING

REF. NO.	PART NO.	DESCRIPTION	68V5	68W5	REMARKS
1	68V-42710-01-8D	BOTTOM COWLING ASSY	1	1	
2	90119-08M22	BOLT, WITH WASHER	4	4	
3	90480-22M15	GROMMET	4	4	
4	90387-08M37	COLLAR	4	4	
5	67F-42815-00-8D	LEVER, CLAMP	1	1	
6	67F-42816-00-8D	LEVER, CLAMP	1	1	
7	67F-42828-00-5B	PLATE, CLAMP	2	2	
8	90109-06M82	BOLT	4	4	
9	68V-42818-01	LEVER, CLAMP	2	2	
10	90386-15M73	BUSH	4	4	
11	90206-15M18	WASHER, WAVE	2	2	
12	90201-06068	WASHER, PLATE	2	2	
13	97095-06016	BOLT	2	2	
14	64D-43144-00	HOOK, SPRING	2	2	
15	90109-06M80	BOLT	2	2	
16	90506-16M34	SPRING, TENSION	2	2	
17	68V-42738-00-5B	PLATE, FITTING	1	1	
18	90109-06M82	BOLT	2	2	
19	68V-42725-00	GROMMET	1	1	EXCEPT FOR CAR
	68V-42725-10	GROMMET	1	1	FOR CAR
20	67F-42756-00	STAY, CLAMP	1	1	
21	90109-06M86	BOLT	1	1	
22	6H1-42726-21	GROMMET	1	1	FLUSHING KIT
23	6H3-44391-01	NIPPLE, HOSE	1	1	
24	6H4-42748-00	GROMMET	3	3	
25	67F-42717-00	RUBBER, SEAL 2	4	4	
26	6E5-82588-00	PLATE	1	1	

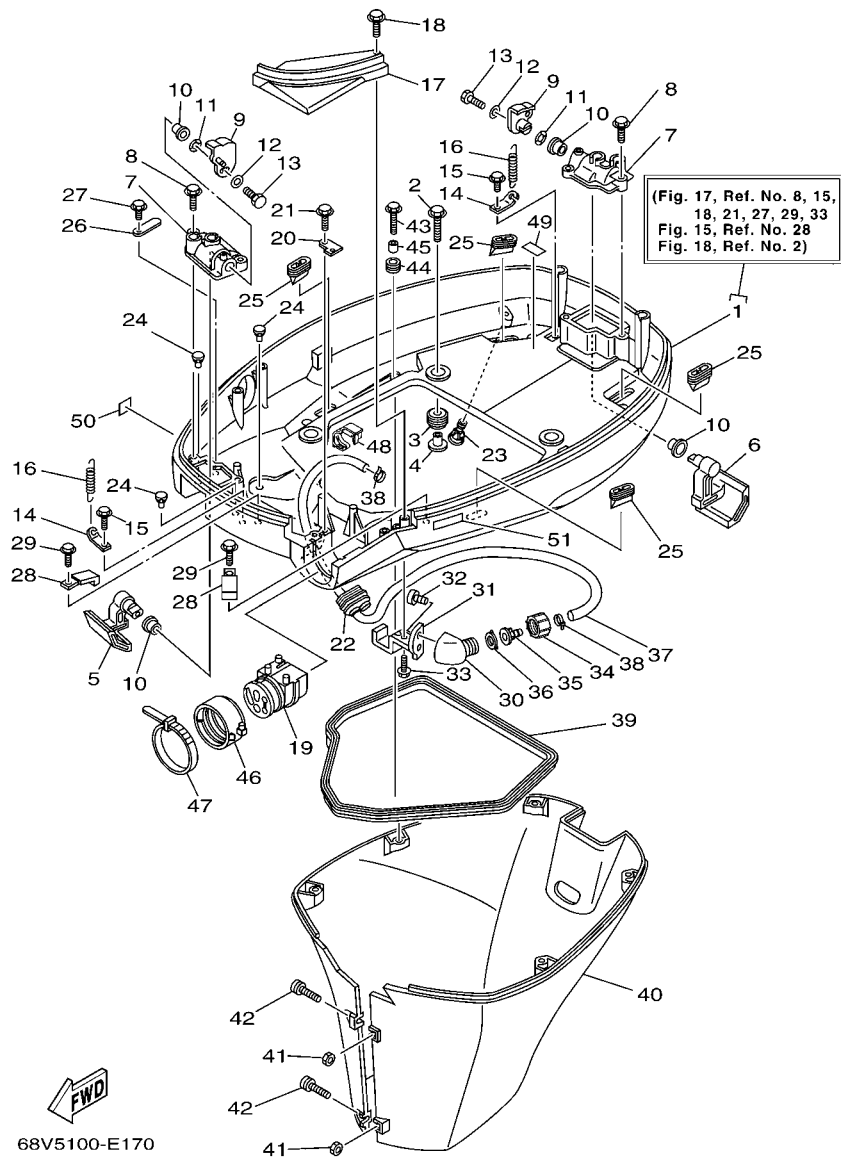
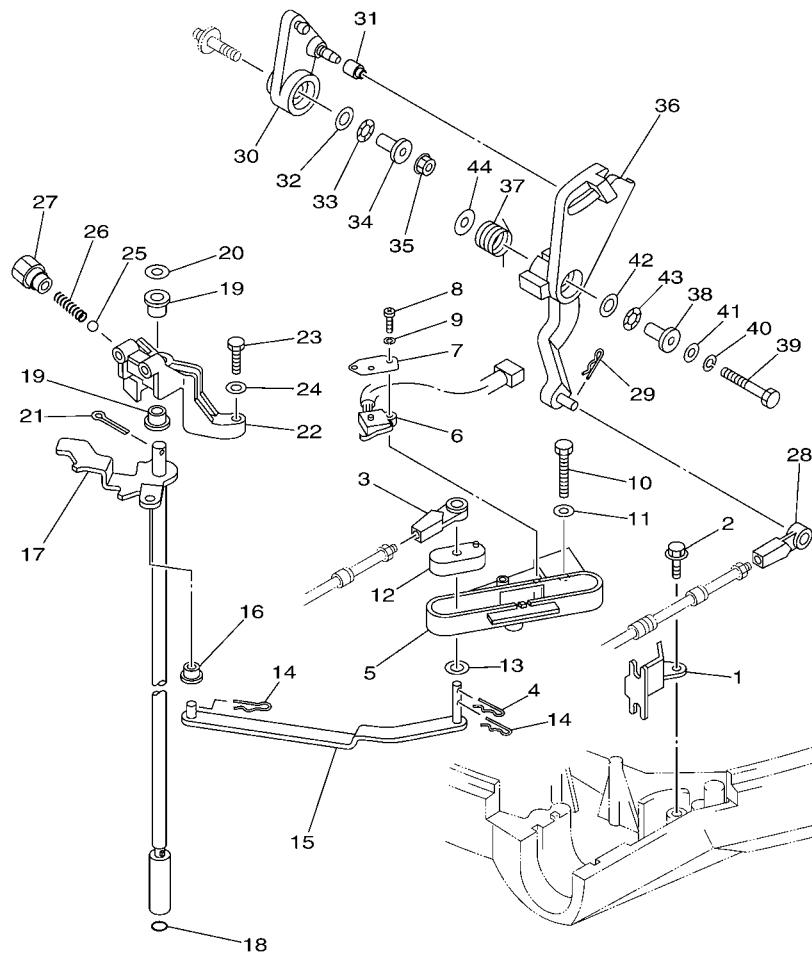


FIG. 17 BOTTOM COWLING

REF. NO.	PART NO.	DESCRIPTION	68V5	68W5	REMARKS
27	90109-06M81	BOLT	1	1	
28	90465-08M23	CLAMP	2	2	
29	90109-06M80	BOLT	2	2	
30	68T-12572-00	ADAPTER	1	1	FLUSHING KIT
31	67F-12535-00	PLATE	1	1	FLUSHING KIT
32	90167-06002	SCREW, TAPPING	2	2	FLUSHING KIT
33	90109-06M86	BOLT	1	1	FLUSHING KIT
34	6R3-12581-00	JOINT, HOSE 1	1	1	FLUSHING KIT
35	6R3-12582-00	JOINT, HOSE 2	1	1	FLUSHING KIT
36	6R3-12583-00	GASKET, HOSE JOINT	1	1	FLUSHING KIT
37	68V-24312-00	PIPE 2	1	1	FLUSHING KIT
38	90465-11M10	CLAMP	2	2	FLUSHING KIT
39	61A-42716-00	RUBBER, SEAL 1	1	1	
40	67F-42741-01-8D	APRON	1	1	
41	95380-06600	NUT, HEXAGON	2	2	
42	90159-06M28	SCREW, WITH WASHER	2	2	
43	90109-06M80	BOLT	5	5	
44	90480-13M24	GROMMET	5	5	
45	90387-06M43	COLLAR	5	5	
46	68F-42753-00	FASTNER	1	1	AP USA,OCE,BRA
47	90464-20258	CLAMP	1	1	AP USA,OCE,BRA
48	90464-18004	CLAMP	1	1	FOR USA,CAN
49	68V-82377-00	LABEL	1	1	
50	6A1-28176-00	LABEL, CAUTION	1	1	FOR CAR(CE)
51	6E3-8257H-00	PLATE, MARK	1	1	FOR CAR(CE)

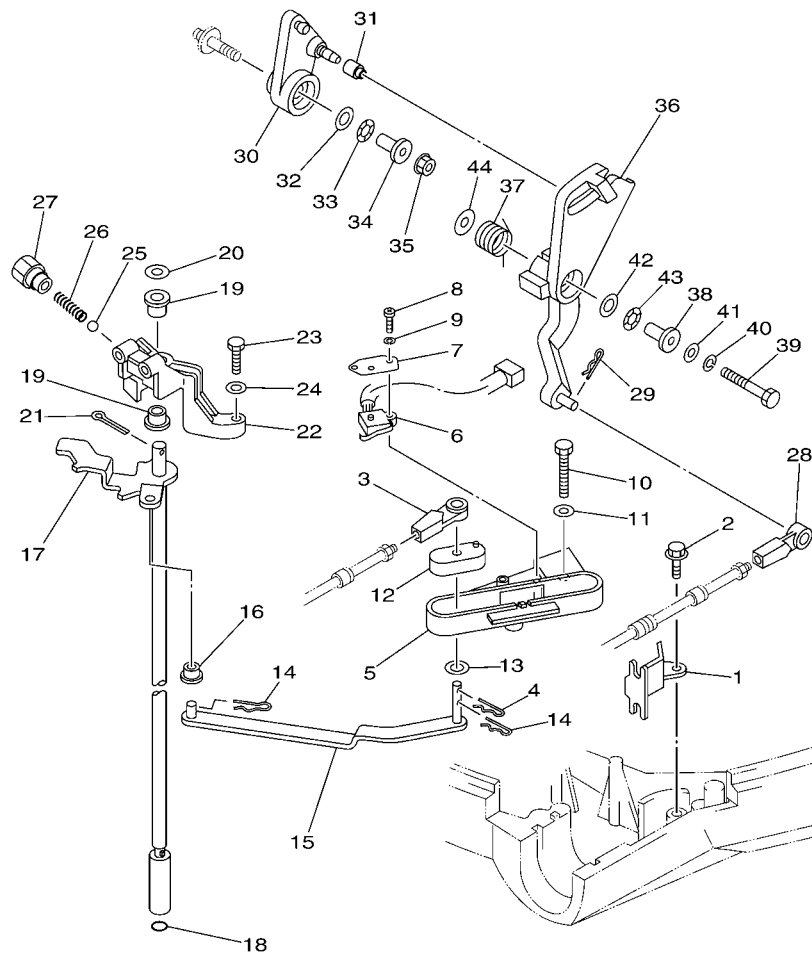


68V3100-C210

FIG. 18 CONTROL

REF. NO.	PART NO.	DESCRIPTION	68V5	68W5	REMARKS
1	67F-48538-00	CLAMP, CABLE 1	1	1	
2	90109-06M86	BOLT	1	1	
3	663-48344-00	CABLE END, REMOTE CONTROL	1	1	
4	90468-18008	CLIP	1	1	
5	68V-44117-00	BRACKET	1	1	
6	60V-8259F-00	SWITCH ASSY	1	1	EXCEPT F115TJR
7	61A-82588-01	PLATE	1	1	EXCEPT F115TJR
8	97885-04016	SCREW, PAN HEAD	2	2	EXCEPT F115TJR
9	92995-04100	WASHER	2	2	EXCEPT F115TJR
10	97095-06040	BOLT	2	2	
11	92995-06600	WASHER	2	2	
12	68V-44122-01	BUSHING, SHIFT ROD LEVER	1	1	
13	90202-07M07	WASHER, PLATE	1	1	
14	90468-18008	CLIP	2	2	
15	68V-44121-00	LEVER, SHIFT ROD	1	1	
16	90386-06M12	BUSH	1	1	
17	68V-44120-10	HANDLE GEAR SHIFT ASSY	1		L (20.3")
	68V-44120-30	HANDLE GEAR SHIFT ASSY	1	1	X (25.3")
18	93210-09165	O-RING	1	1	
19	90386-90M90	BUSH	2	2	
20	90201-09M02	WASHER, PLATE	1	1	
21	91490-20015	PIN, COTTER	1	1	
22	68V-44118-00	BRACKET	1	1	
23	97075-06025	BOLT	2	2	
24	92995-06600	WASHER	2	2	
25	93501-04M02	BALL	1	1	
26	90501-12082	SPRING, COMPRESSION	1	1	

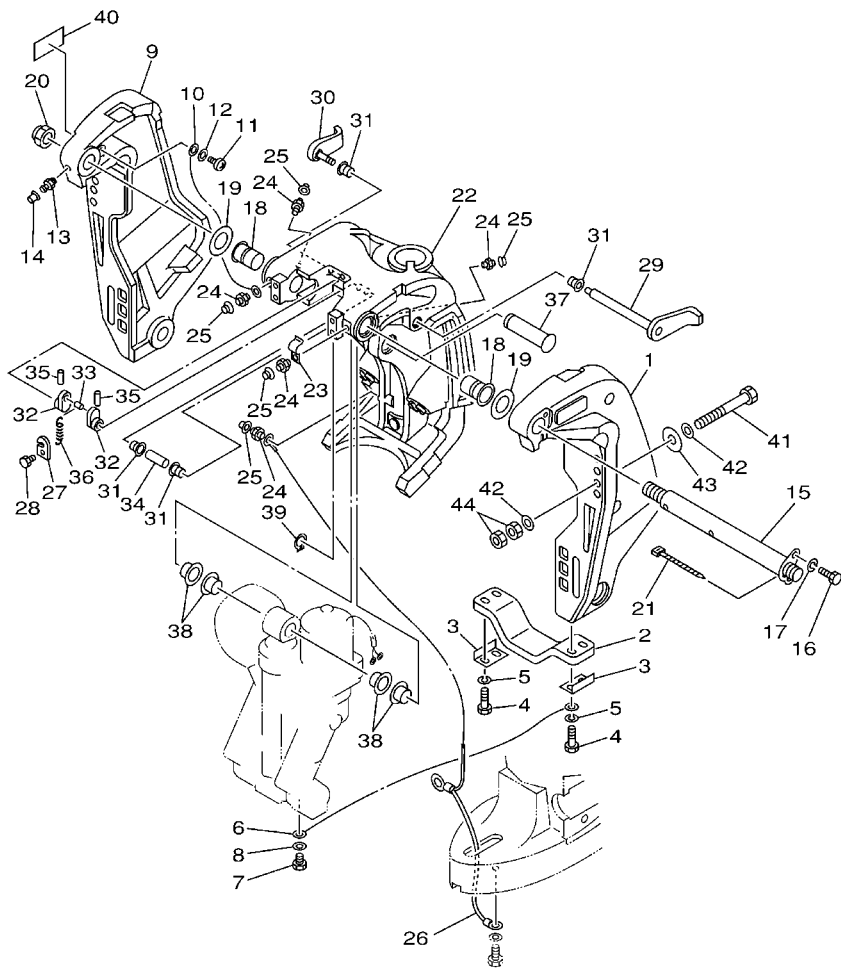
F1



FWD
68V3100-C210

FIG. 18 CONTROL

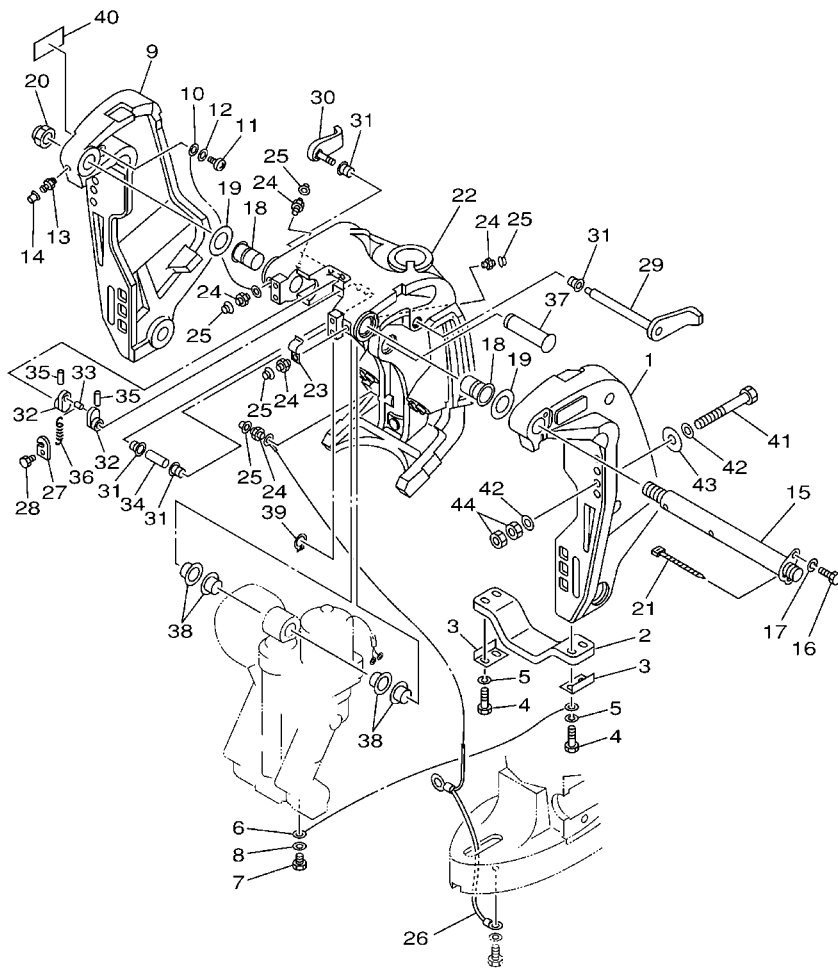
REF. NO.	PART NO.	DESCRIPTION	68V5	68W5	REMARKS
27	648-42715-00	BUSHING	1	1	
28	663-48344-00	CABLE END, REMOTE CONTROL	1	1	
29	90468-18008	CLIP	1	1	
30	68V-42157-00	LEVER, THROTTLE	1	1	
31	68V-42171-00	BUSHING	1	1	
32	90201-10M02	WASHER, PLATE	1	1	
33	90206-10M04	WASHER, WAVE	1	1	
34	90387-06M21	COLLAR	1	1	
35	90179-06M28	NUT	1	1	
36	68V-42154-00	LEVER, THROTTLE CONTROL	1	1	
37	67F-44135-00	SPRING	1	1	
38	90387-06M21	COLLAR	1	1	
39	97095-06035	BOLT	1	1	
40	92995-06100	WASHER, SPRING	1	1	
41	92995-06600	WASHER	1	1	
42	90201-10M02	WASHER, PLATE	1	1	
43	90206-10M04	WASHER, WAVE	1	1	
44	90201-06M31	WASHER, PLATE	1	1	



FWD
68V1100-2220

FIG. 19 BRACKET 1

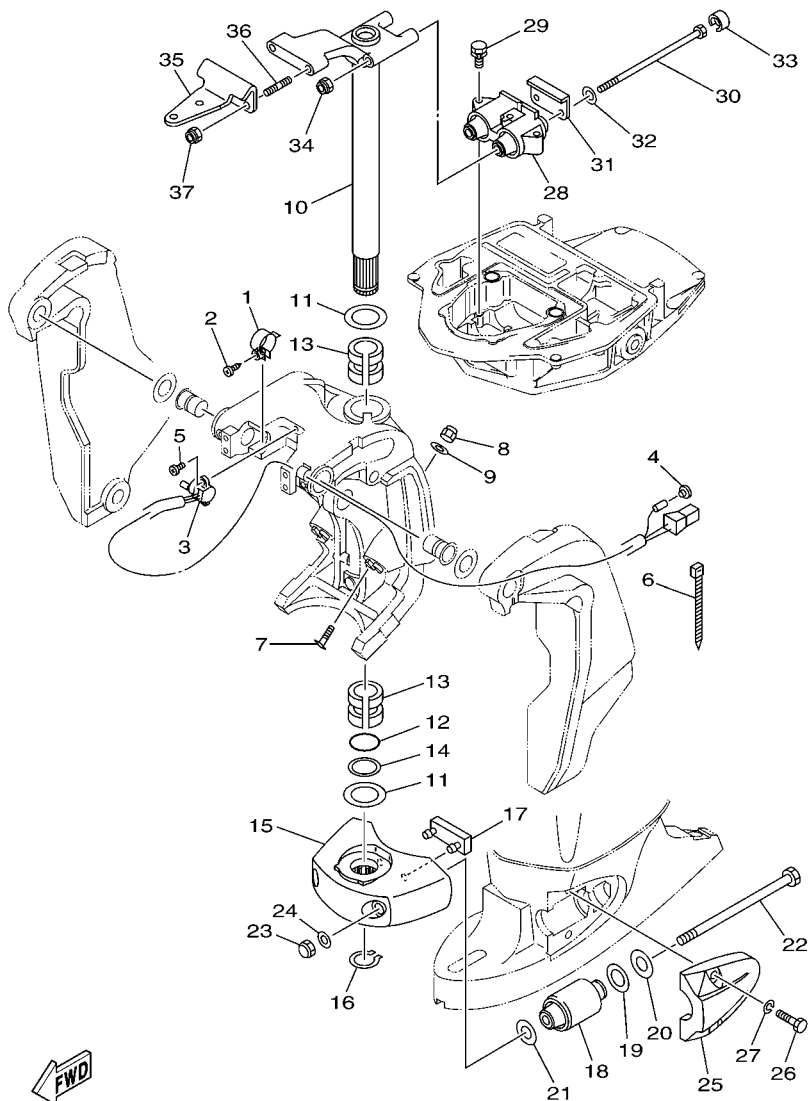
REF. NO.	PART NO.	DESCRIPTION	68V5	68W5			REMARKS
1	68V-43111-01-8D	BRACKET, CLAMP 1	1	1			
2	6G5-45251-02	ANODE	1	1			
3	6G5-44526-00	PLATE	2	2			
4	97095-06030	BOLT	4	4			
5	92995-06100	WASHER, SPRING	4	4			
6	6E5-82148-00	WIRE, LEAD 4	1	1			
7	97095-06010	BOLT	1	1			
8	92995-06600	WASHER	1	1			
9	68V-43112-01-8D	BRACKET, CLAMP 2	1	1			
10	6E5-82148-00	WIRE, LEAD 4	1	1			
11	97880-06012	SCREW, PAN HEAD	1	1			
12	92990-06600	WASHER, PLATE	1	1			
13	93700-06M03	NIPPLE, GREASE	1	1			
14	663-45119-00	CAP, GREASE NIPPLE	1	1			AP
15	64E-43131-01	BOLT, CLAMP BRACKET	1	1			
16	97095-08020	BOLT	1	1			
17	92995-08100	WASHER	1	1			
18	90386-25M31	BUSH	2	2			
19	90201-26M59	WASHER, PLATE	2	2			
20	90185-22M11	NUT, SELF-LOCKING	1	1			
21	90465-11M10	CLAMP	1	1			
22	64E-43311-10-8D	BRACKET, SWIVEL 1	1				L (20.3")
	64E-43311-20-8D	BRACKET, SWIVEL 1	1	1			X (25.3")
23	90465-08M63	CLAMP	1	1			
24	93700-06M03	NIPPLE, GREASE	5	5			
25	663-45119-00	CAP, GREASE NIPPLE	5	5			AP
26	66K-82149-00	WIRE, LEAD 3	1				L (20.3")



FWD
68V1100-2220

FIG. 19 BRACKET 1

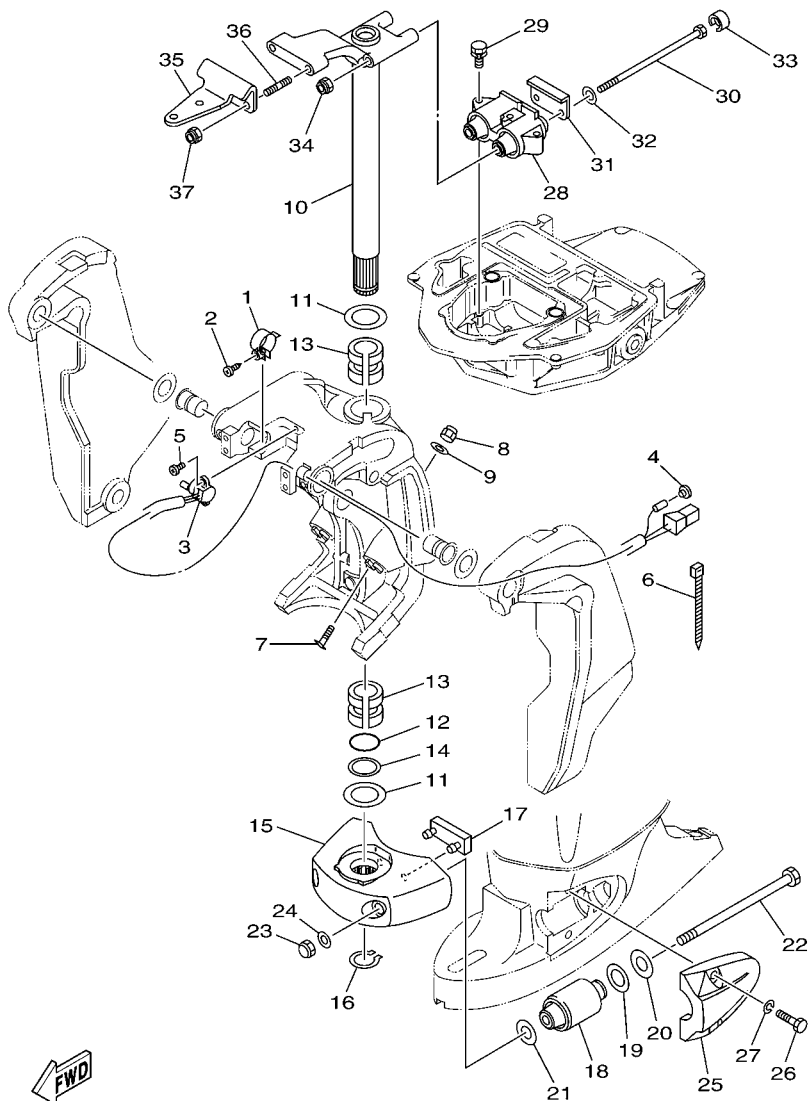
REF. NO.	PART NO.	DESCRIPTION	68V5	68W5	REMARKS
26	68V-82149-30	WIRE, LEAD 3	1	1	X (25.3")
27	66T-43144-00	HOOK, SPRING	1	1	
28	97095-06010	BOLT	1	1	
29	6G5-43181-02	LEVER, TILT STOP	1	1	
30	6G5-43185-02	LEVER, TILT STOP	1	1	
31	90386-10M16	BUSH	4	4	
32	6G5-43148-00	COLLAR, DISTANCE	2	2	
33	90249-06M19	PIN	1	1	
34	90387-10M05	COLLAR	1	1	
35	91690-30020	PIN, SPRING	2	2	
36	90506-14M24	SPRING, TENSION	1	1	
37	64E-43126-00	PIN, UPPER SHOCK MOUNT	1	1	
38	90386-22M98	BUSH	4	4	
39	93410-22M11	CIRCLIP	1	1	
40	63V-82377-50	LABEL (SPARK,IGNITION)	1	1	FOR CAN
41	90101-12M05	BOLT (L:130MM)	4	4	EXCEPT FOR CAR
	90101-12M77	BOLT (L:150MM)	2	2	EXCEPT FOR CAR
	90101-12M03	BOLT (L:115MM)	4	4	FOR CAR
42	90201-13M01	WASHER, PLATE	8	8	
43	90201-12M05	WASHER, PLATE	4	4	
44	95380-12600	NUT	8	8	



FWD
68V3010-C220

FIG. 20 BRACKET 2

REF. NO.	PART NO.	DESCRIPTION	68V5	68W5	REMARKS
1	64E-43139-02	CAM, TRIM SENDER	1	1	
2	97780-60525	SCREW, TAPPING	1	1	
3	67H-83672-00	TRIM SENDER	1	1	FOR USA,CAN
	64E-83672-02	TRIM SENDER	1	1	FOR OCE,CAR,BRA
4	703-82119-00	COVER, LEAD WIRE	1	1	FOR OCE,CAR,BRA
5	97885-06016	SCREW, PAN HEAD	2	2	
6	90465-11M10	CLAMP	3	3	
7	63P-43376-00	BOLT, THRUST RECEIVER	2	2	
8	95780-10300	NUT, FLANGE	2	2	
9	92995-10600	WASHER	2	2	
10	68V-42510-10-8D	STEERING BRACKET ASSY	1		L (20.3")
	68V-42510-30-8D	STEERING BRACKET ASSY	1	1	X (25.3")
11	90201-38M60	WASHER, PLATE	2	2	
12	93210-37MH7	O-RING	1	1	
13	90386-38M32	BUSH	2	2	
14	90202-40M47	WASHER, PLATE	1	1	
15	68V-44551-00-8D	HOUSING, LOWER MOUNT RUBBER	1	1	
16	93410-37M04	CIRCLIP	1	1	
17	61A-44575-00	DAMPER, LOWER MOUNT RUBBER	1	1	
18	61A-44555-01-94	MOUNT DAMPER, LOWER SIDE	2	2	
19	90202-32M19	WASHER, PLATE	2	2	
20	90201-16M55	WASHER, PLATE	2	2	
21	90201-15M58	WASHER, PLATE	2	2	
22	90109-14007	BOLT	2	2	
23	95380-14600	NUT	2	2	
24	92995-14600	WASHER	2	2	
25	68V-44553-00-8D	COVER, LOWER MOUNT	2	2	



68V3010-C220

FIG. 20 BRACKET 2

REF. NO.	PART NO.	DESCRIPTION	68V5	68W5			REMARKS
26	97075-10040	BOLT	4	4			
27	92995-10100	WASHER	4	4			
28	67F-44514-00-94	MOUNT DAMPER, UPPER SIDE	1	1			
29	97575-08445	BOLT, WITH WASHER	3	3			
30	90109-12007	BOLT	2	2			
31	67F-44526-00	PLATE	1	1			
32	90201-12M09	WASHER, PLATE	2	2			
33	67F-44533-00	DAMPER, UPPER MOUNT RUBBER	2	2			
34	90185-12M12	NUT, SELF-LOCKING	2	2			
35	68V-48511-00-8D	HOOK, STEERING	1	1			
36	90116-10175	BOLT, STUD	2	2			
37	90185-10051	NUT, SELF-LOCKING	2	2			

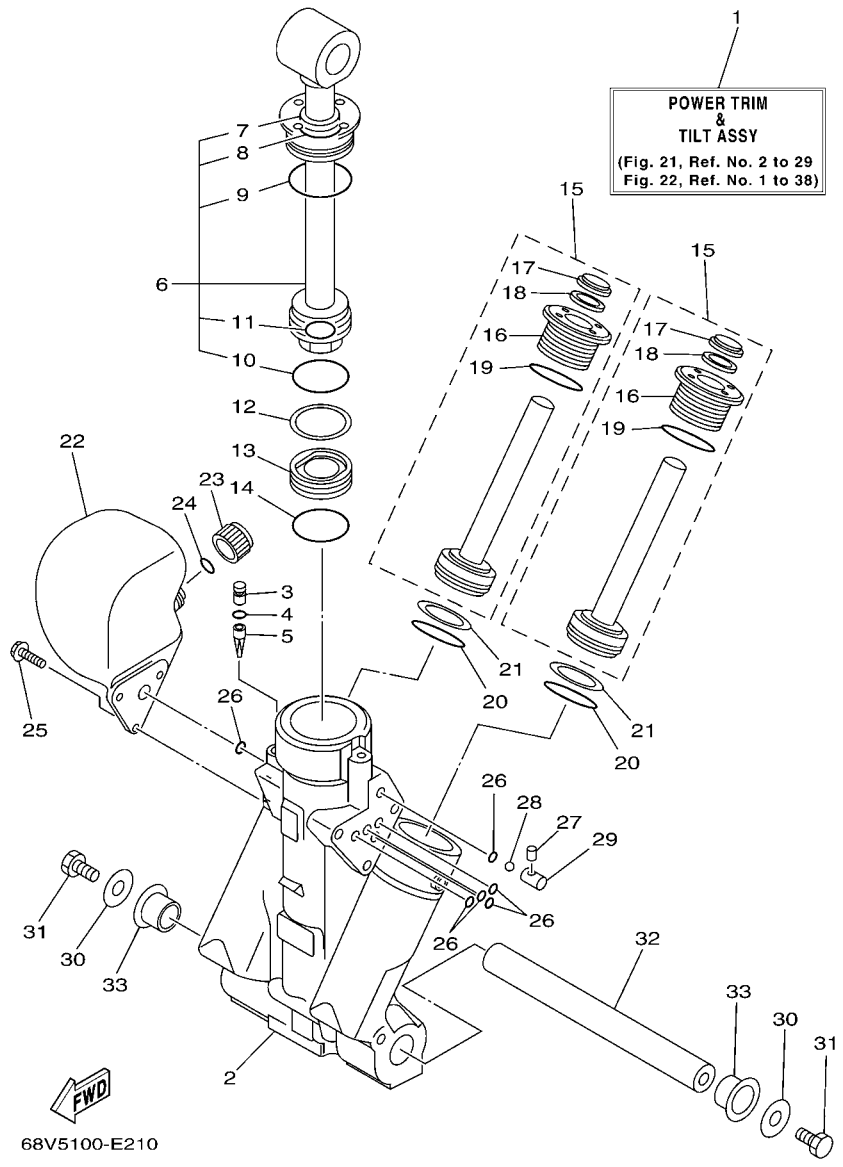
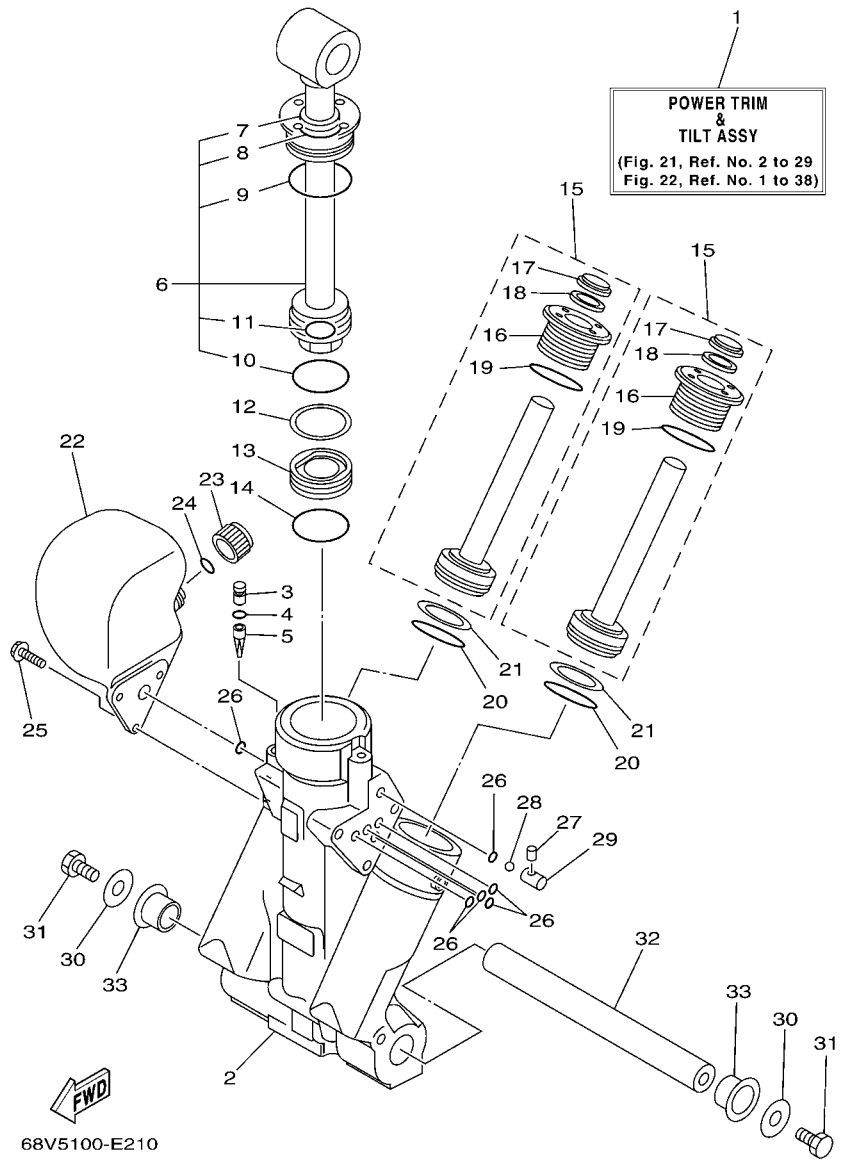


FIG. 21 POWER TRIM & TILT ASSY 1

REF. NO.	PART NO.	DESCRIPTION	68V5	68W5	REMARKS
1	68V-43800-01-4D	POWER TRIM & TILT ASSY	1	1	
2	64E-43825-01	HOUSING, TRIM & TILT	1	1	
3	64E-4388J-00	PLUG 2	1	1	
4	93210-10M74	O-RING	1	1	
5	64E-43817-00	FILTER 2	1	1	
6	64E-43810-00	TILT PISTON SUB ASSY	1	1	
7	64E-43898-00	.SEAL ,DUST 2	1	1	
8	64E-43867-00	.O-RING	1	1	
9	64E-43866-00	.O-RING	1	1	
10	6E5-43862-00	.O-RING	1	1	
11	64E-43883-00	.O-RING	1	1	
12	6E5-43872-00	RING, BACK UP	1	1	
13	6E5-43814-02	PISTON, FREE	1	1	
14	6E5-43862-00	O-RING	1	1	
15	64E-43820-00	TRIM PISTON SUB ASSY	2	2	
16	64E-43821-00	.SCREW, TRIM CYLINDER END	1	1	
17	64E-43822-00	.SEAL, TRIM DUST	1	1	
18	64E-4384J-00	.SEAL, TRIM DOWN	1	1	
19	6G5-43864-00	.O-RING	1	1	
20	6E5-43864-00	O-RING	2	2	
21	6E5-43874-01	RING, BACK UP	2	2	
22	64E-43828-00	BODY, RESERVOIR	1	1	
23	64E-43829-00	PLUG, RESERVOIR	1	1	
24	64E-43897-00	O-RING	1	1	
25	64E-4388E-00	BOLT ,SCREW (L:14MM)	3	3	
26	64E-43869-00	O-RING	6	6	
27	64E-4381G-00	PIN	1	1	

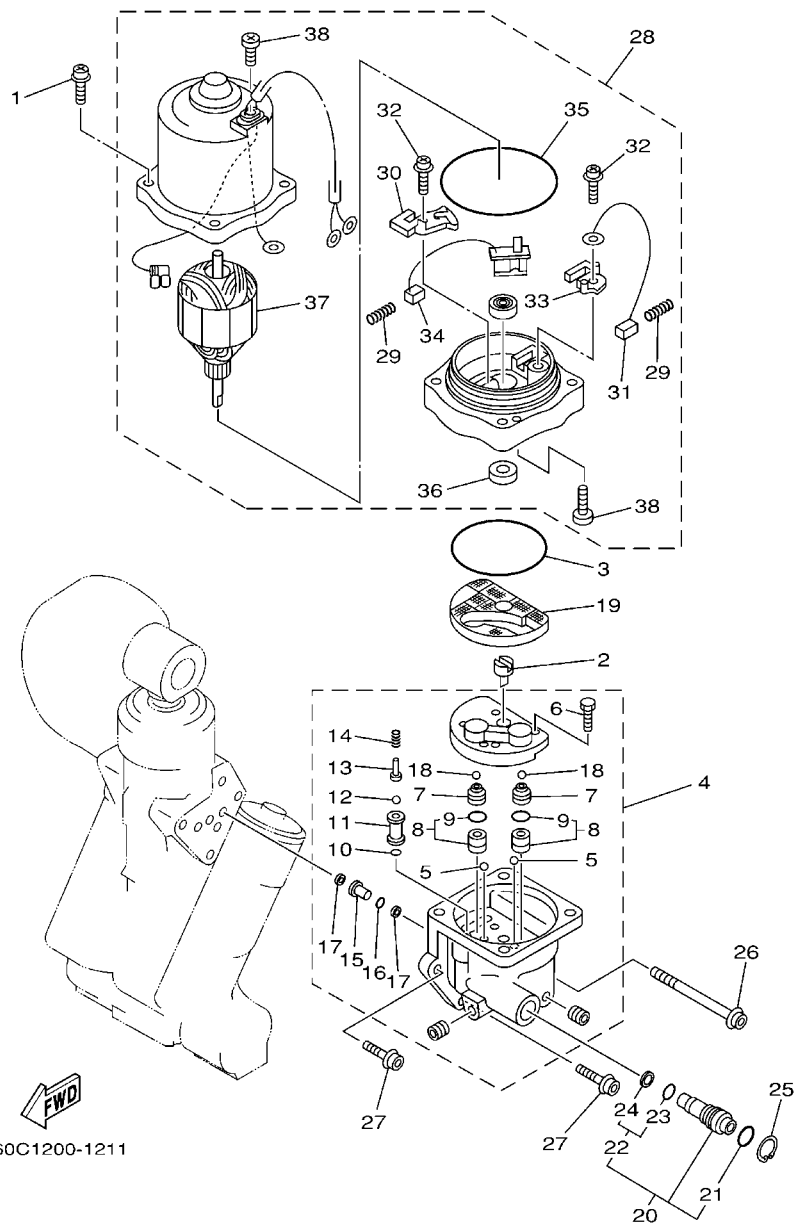


68V5100-E210

FIG. 21 POWER TRIM & TILT ASSY 1

REF. NO.	PART NO.	DESCRIPTION	68V5	68W5			REMARKS
			1	1			
28	6E5-43858-00	BALL	1	1			
29	64E-4382G-00	VALVE, SEAT	1	1			
30	90201-08M14	WASHER, PLATE	2	2			
31	97080-08016	BOLT	2	2			
32	64E-43818-01	PIN, LOWER SHOCK MOUNT	1	1			
33	90386-22M98	BUSH	2	2			

FIG. 22 POWER TRIM & TILT ASSY 2



REF. NO.	PART NO.	DESCRIPTION	68V5	68W5	REMARKS
1	64E-4388E-10	BOLT ,SCREW (L:34.7MM)	4	4	
2	64E-43831-00	CONNECTOR, SHAFT	1	1	
3	64E-43868-00	O-RING	1	1	
4	68V-43830-00	GEAR PUMP ASSY	1	1	
5	72X-43858-00	.BALL	2	2	
6	64E-43843-00	.SCREW, VALVE LOCK	4	4	
7	64E-43841-00	.PISTON, SHUTTLE	2	2	
8	64E-43802-00	.VALVE SUB ASSY	2	2	
9	6E5-43896-00	..O-RING	1	1	
10	6G5-43863-00	.O-RING	1	1	
11	66Y-43851-00	.SEAT, RELIEF VALVE	1	1	
12	64E-43858-00	.BALL	1	1	
13	64E-43859-00	.PIN, VALVE SUPPORT	1	1	
14	68V-43855-00	.SPRING, UP RELIEF	1	1	
15	64E-43850-00	.VALVE SUB ASSY	1	1	
16	64E-43865-00	.O-RING	1	1	
17	64E-43816-00	.FILTER 1	2	2	
18	64E-43858-00	.BALL	2	2	
19	64E-43817-10	FILTER 2	1	1	
20	64E-43860-00	MANUAL VALVE SUB-ASSY	1	1	
21	72X-85075-L0	.O-RING	1	1	
22	64E-43827-00	.RING SET	1	1	
23	64E-4387A-00	..O-RING	1	1	
24	64E-43873-00	..RING, BACK UP	1	1	
25	64E-43875-00	RING, SNAP	1	1	
26	64E-43879-10	SCREW, WITH WASHER	1	1	
27	64E-43879-00	SCREW, WITH WASHER	2	2	

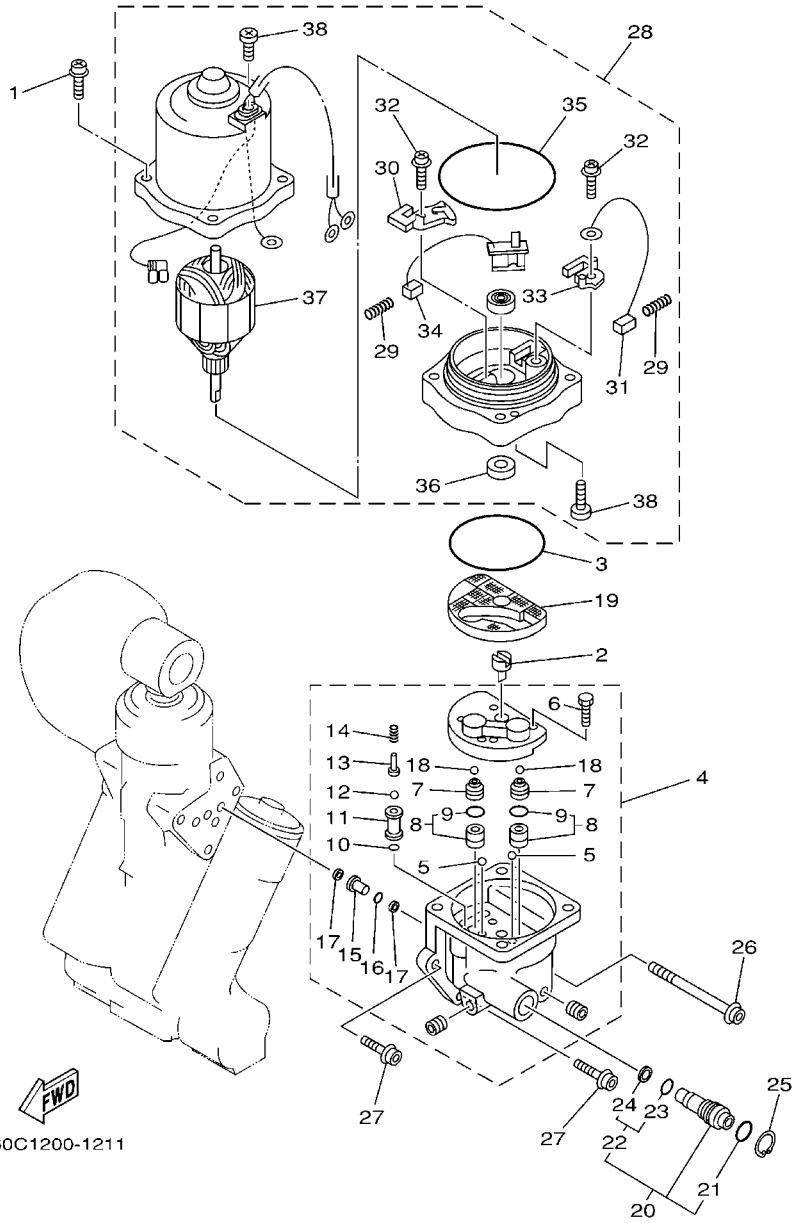
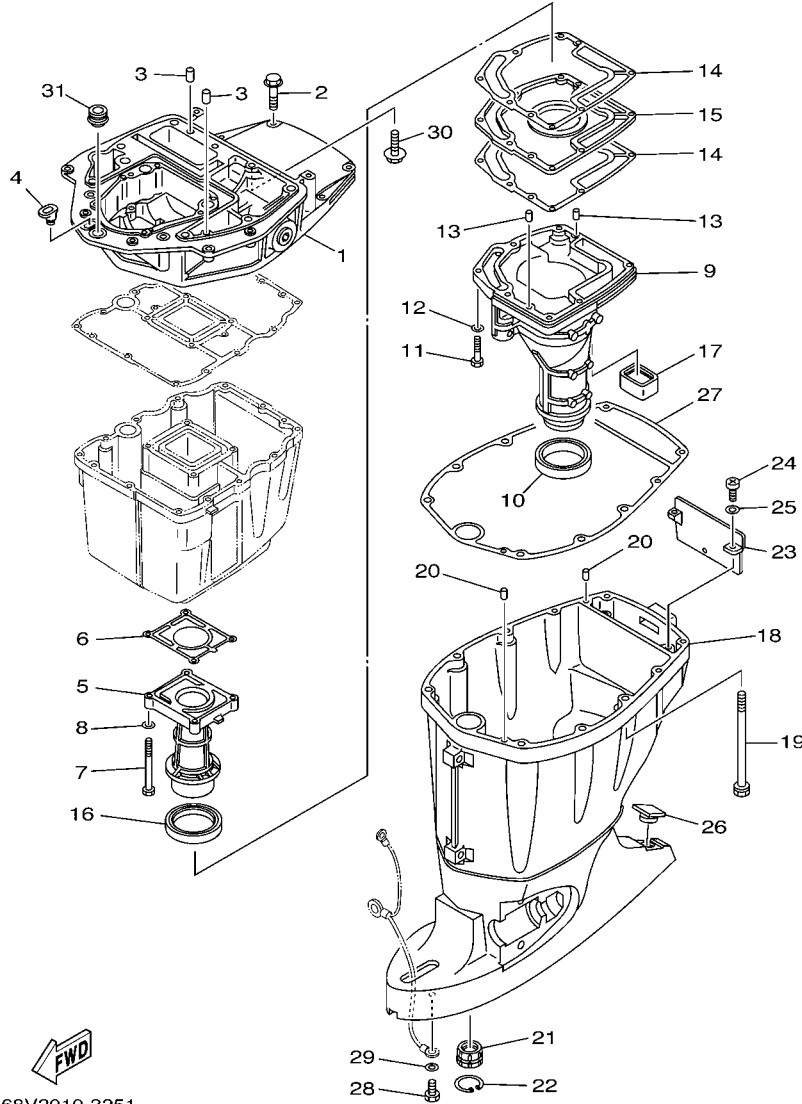


FIG. 22 POWER TRIM & TILT ASSY 2

REF. NO.	PART NO.	DESCRIPTION	68V5	68W5			REMARKS
			1	1			
28	68V-43880-01	MOTOR ASSY	1	1			
29	6H1-4386K-10	.SPRING, BRUSH	2	2			
30	64E-4380J-00	.HOLDER, BRUSH	1	1			
31	64E-43891-00	.BRUSH 1	1	1			
32	97607-04310	.SCREW,WITH WASHER	2	2			
33	64E-4380F-00	.HOLDER, BRUSH 2	1	1			
34	64E-43892-00	.BRUSH 2	1	1			
35	6G5-43865-00	.O-RING	1	1			
36	93102-08M43	.OIL SEAL	1	1			
37	64E-43805-00	.ARMATURE ASSY	1	1			
38	64E-43843-10	.SCREW, VALVE LOCK	3	3			



68V2010-3251

FIG. 23 UPPER CASING

REF. NO.	PART NO.	DESCRIPTION	68V5	68W5	REMARKS
1	67F-41137-02-94	GUIDE, EXHAUST	1	1	
2	97575-08540	BOLT, WITH WASHER	4	4	
3	93608-16M16	PIN, DOWEL	2	2	
4	6G1-42727-00	GROMMET	1	1	
5	67F-41131-01-5B	MANIFOLD, EXT. 1	1	1	
6	67F-41133-A1	GASKET, EXHAUST MANIFOLD 1	1	1	
7	97075-06070	BOLT	4	4	
8	92995-06600	WASHER	4	4	
9	68V-14711-10-5B	MUFFLER 1	1		L (20.3")
	68V-14711-30-5B	MUFFLER 1	1	1	X (25.3")
10	68V-45123-00	GASKET, MUFFLER	1	1	
11	97075-06030	BOLT	7	7	
12	92995-06600	WASHER	7	7	
13	93606-19M23	PIN, DOWEL	2	2	
14	67F-41134-A0	GASKET, EXHAUST MANIFOLD	2	2	
15	67F-45181-00-5B	PLATE	1	1	
16	67F-41138-00	SEAL, EXT. 1	1	1	
17	67F-45127-00	SEAL	1	1	
18	68V-45111-11-8D	CASING, UPPER	1		L (20.3")
	68V-45111-31-8D	CASING, UPPER	1	1	X (25.3")
19	90119-10M08	BOLT, WITH WASHER	6	6	
20	93608-16M16	PIN, DOWEL	2	2	
21	6E5-45318-00	BUSHING, DRIVE SHAFT	1	1	
22	93420-36M01	CIRCLIP	1	1	
23	67F-45151-00	COVER, UPPER CASING	1	1	
24	97880-06016	SCREW, PAN HEAD	2	2	
25	92990-06600	WASHER, PLATE	2	2	

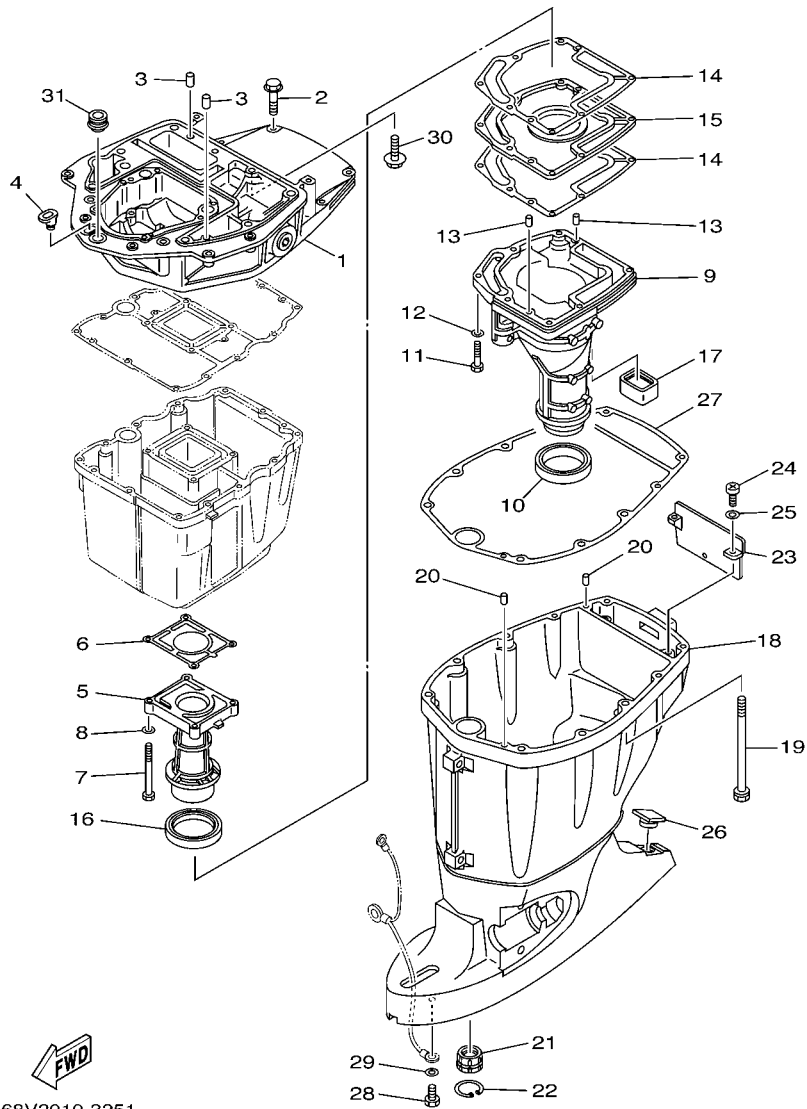
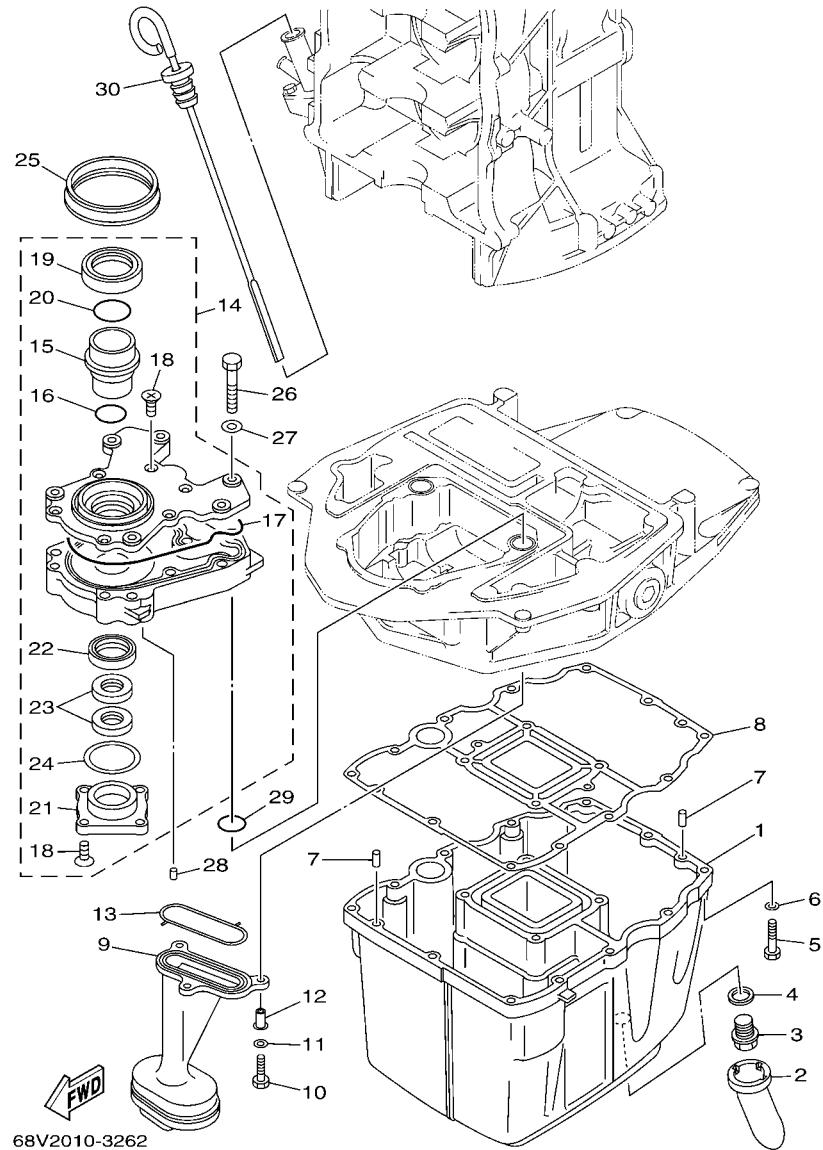


FIG. 23 UPPER CASING

REF. NO.	PART NO.	DESCRIPTION	68V5	68W5		REMARKS
26	6H3-45155-00	CAP	1	1		
27	67F-45113-00	GASKET, UPPER CASING	1	1		
28	97095-06010	BOLT	1	1		
29	92995-06600	WASHER	1	1		
30	90119-08M58	BOLT, WITH WASHER	2	2		
31	67F-42724-00	GROMMET	1	1		
<hr style="border-top: 1px dashed black;"/>						
<hr style="border-top: 1px dashed black;"/>						
<hr style="border-top: 1px dashed black;"/>						
<hr style="border-top: 1px dashed black;"/>						
<hr style="border-top: 1px dashed black;"/>						
<hr style="border-top: 1px dashed black;"/>						



68V2010-3262

FIG. 24 OIL PAN

REF. NO.	PART NO.	DESCRIPTION	68V5	68W5	REMARKS
1	68V-15311-00-5B	OIL PAN	1	1	
2	63P-15316-00	DAMPER, ENGINE MOUNT 1	1	1	
3	90340-14M06	PLUG, STRAIGHT SCREW	1	1	
4	90430-14M09	GASKET	1	1	
5	97075-06025	BOLT	12	12	
6	92995-06600	WASHER	12	12	
7	93606-12019	PIN, DOWEL	2	2	
8	68V-15312-00	GASKET, OIL PAN	1	1	
9	67F-13411-00	STRAINER, OIL	1	1	
10	97027-06025	BOLT	3	3	
11	92907-06600	WASHER, PLATE	3	3	
12	90387-06M64	COLLAR	3	3	
13	67F-13415-00	SEAL, OIL STRAINER	1	1	
14	67F-13300-10	OIL PUMP ASSY	1	1	
15	67F-13314-02	.SHAFT, PUMP	1	1	
16	67F-13473-01	.O-RING	1	1	
17	67F-13329-00	.GASKET, PUMP COVER	1	1	
18	67F-13495-00	.SCREW	10	10	
19	67F-13119-01	.OIL SEAL	1	1	
20	67F-13769-00	.O-RING	1	1	
21	67F-13914-00	.HOUSING, PUMP	1	1	
22	67F-13631-03	.OIL SEAL	1	1	
23	67F-13149-00	.OIL SEAL	2	2	
24	67F-13339-00	.GASKET, PUMP COVER	1	1	
25	67F-13338-00	SEAL	1	1	
26	97095-06045	BOLT	6	6	
27	92995-06600	WASHER	6	6	

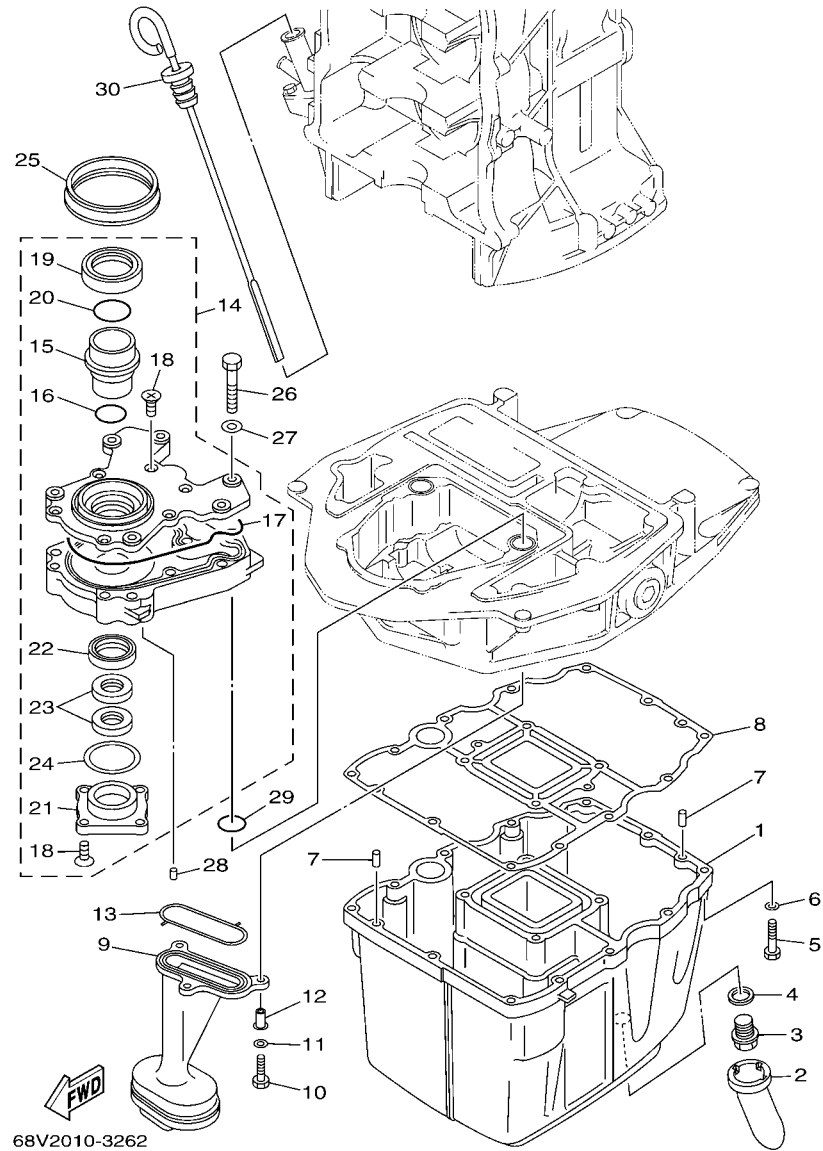


FIG. 24 OIL PAN

REF. NO.	PART NO.	DESCRIPTION	68V5	68W5			REMARKS
28	93604-12M07	PIN, DOWEL	2	2			
29	93210-19MJ1	O-RING	2	2			
30	6D8-15362-00	PLUG, OIL LEVEL	1	1			

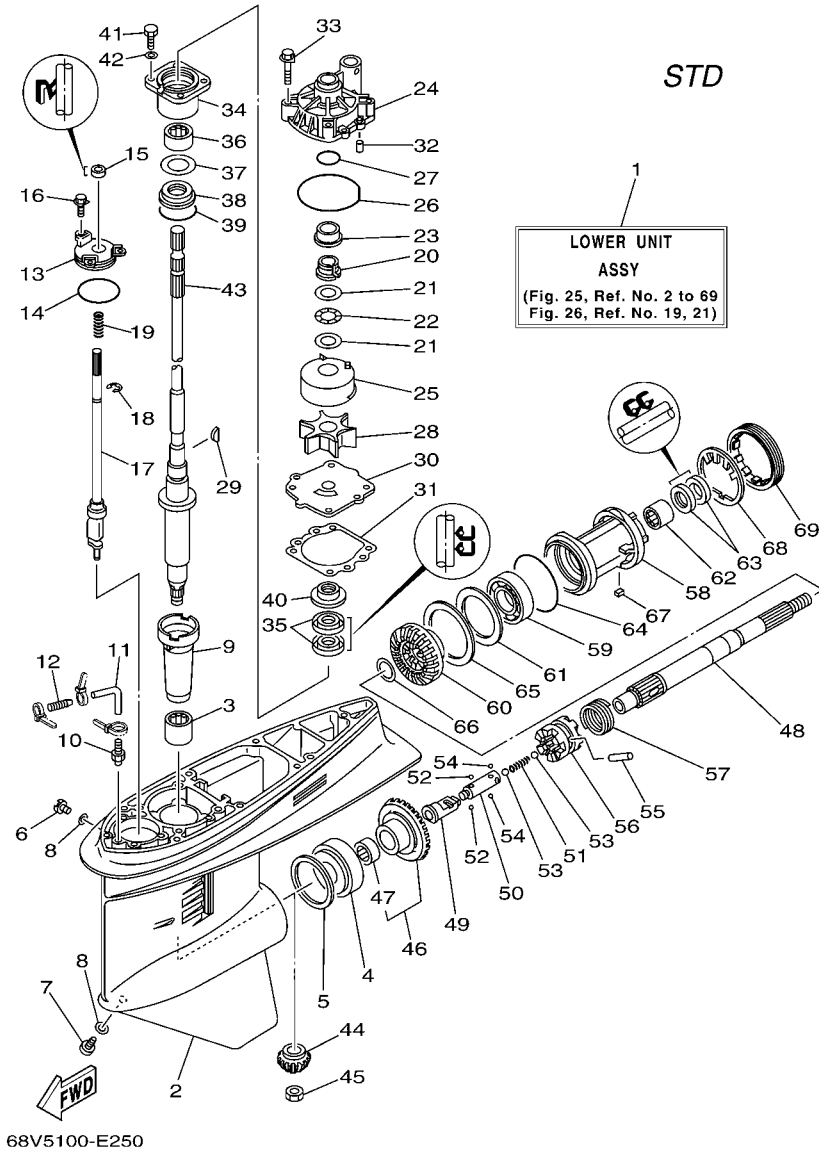
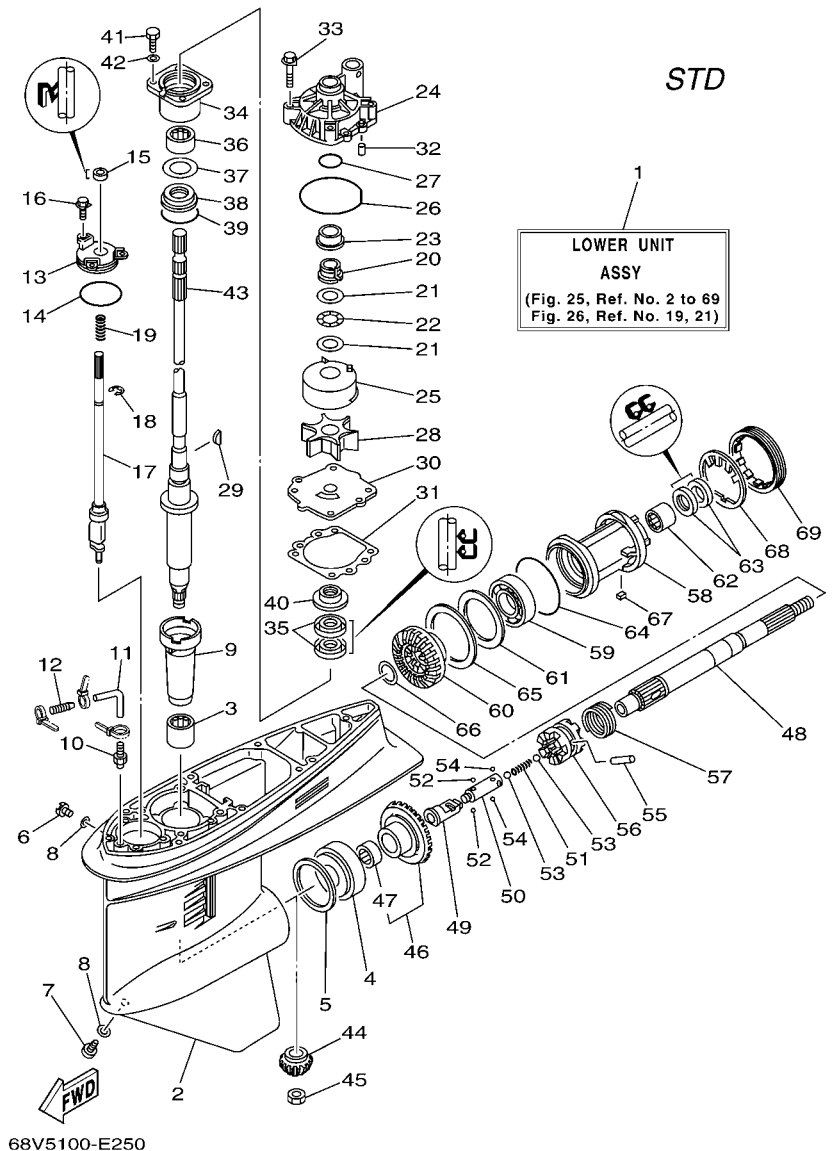


FIG. 25 LOWER CASING & DRIVE 1

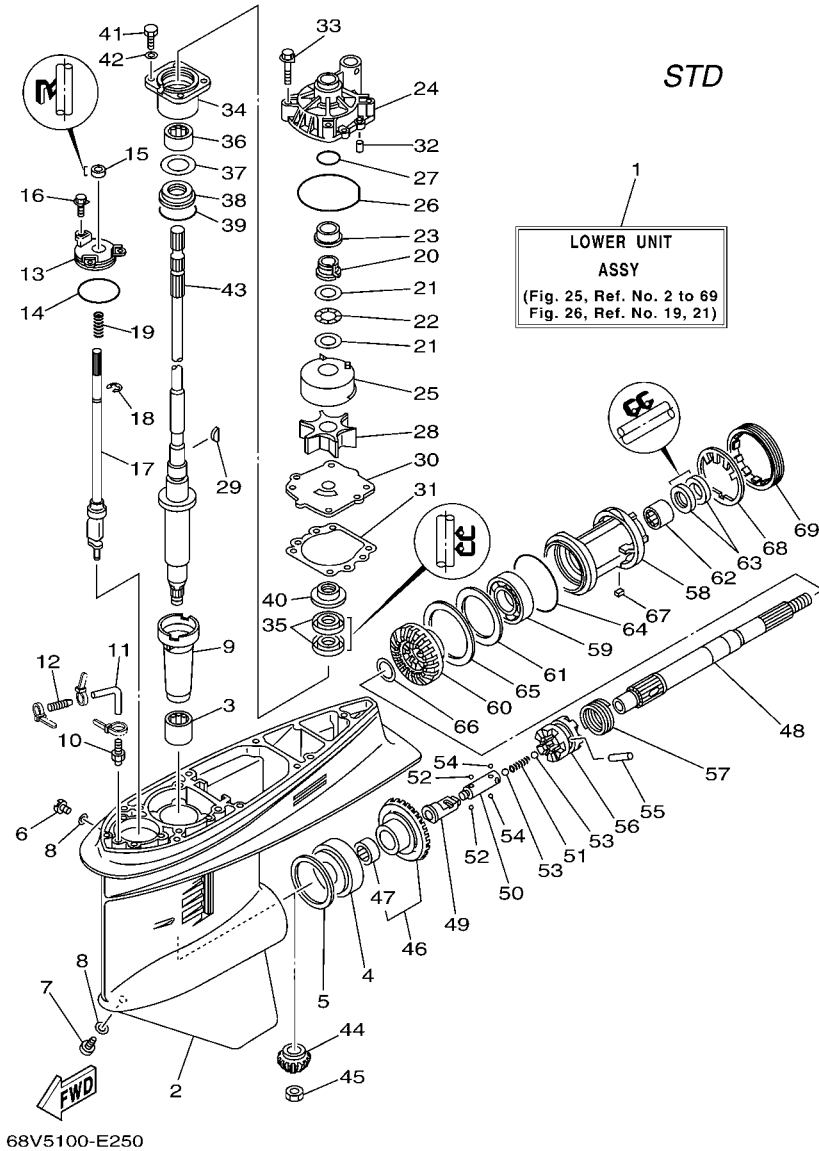
REF. NO.	PART NO.	DESCRIPTION	68V5	68W5	REMARKS
1	68V-45300-12-8D	LOWER UNIT ASSY	1		L (20.3"),RH
	68V-45300-32-8D	LOWER UNIT ASSY	1		X (25.3"),RH
2	6E5-45301-05-8D	CASING, LOWER	1		
3	93315-628U9	BEARING	1		
4	93332-000U7	BEARING	1		
5	6E5-45567-01	SHIM (T:0.10MM)	1		UR
	6E5-45567-10	SHIM (T:0.12MM)	1		UR
	6E5-45567-20	SHIM (T:0.15MM)	1		UR
	6E5-45567-30	SHIM (T:0.18MM)	1		UR
	6E5-45567-40	SHIM (T:0.30MM)	1		UR
	6E5-45567-50	SHIM (T:0.40MM)	1		UR
	6E5-45567-60	SHIM (T:0.50MM)	1		UR
6	90340-08002	PLUG, STRAIGHT SCREW	1		
7	688-45341-10	PLUG, DRAIN	1		
8	90430-08020	GASKET	2		
9	6E5-45536-00	SLEEVE, DRIVE SHAFT	1		
10	6E5-45378-00	NIPPLE, HOSE	1		
11	90445-07ME8	HOSE (L80)	1		L (20.3")
	90445-07ME9	HOSE (L120)	1		X (25.3")
12	6E5-83558-10	END, NIPPLE	1		
13	6E5-45321-00	PLATE	1		
14	93210-58144	O-RING	1		
15	93106-09014	OIL SEAL	1		
16	90119-06M10	BOLT, WITH WASHER	3		
17	6L6-44150-01	SHIFT CAM ASSY	1		
18	99001-08600	CIRCLIP	1		
19	90501-11M10	SPRING, COMPRESSION	1		



68V5100-E250

FIG. 25 LOWER CASING & DRIVE 1

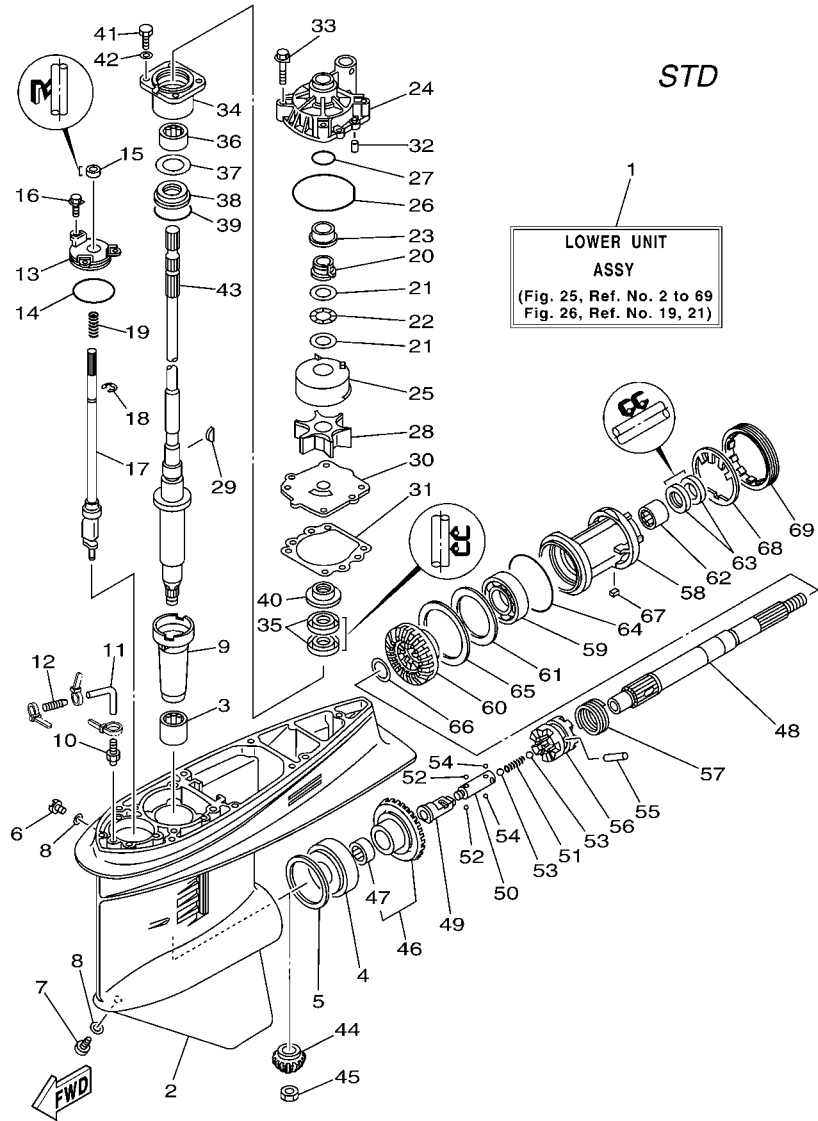
REF. NO.	PART NO.	DESCRIPTION	68V5	68W5	REMARKS
20	61A-45538-00	SPACER 1	1		
21	90201-22M01	WASHER, PLATE	2		
22	90206-22M19	WASHER, WAVE	1		
23	61A-45527-00	COLLAR, DRIVE SHAFT	1		
24	61A-44311-01	HOUSING, WATER PUMP	1		
25	61A-44322-02	INSERT, CARTRIDGE	1		
26	93210-86M38	O-RING	1		
27	93210-37160	O-RING	1		
28	6E5-44352-01	IMPELLER	1		
29	90280-04M05	KEY, WOODRUFF	1		
30	68V-44323-00	OUTER PLATE, CARTRIDGE	1		
31	6E5-44315-A0	GASKET, WATER PUMP	1		
32	93606-12019	PIN, DOWEL	2		
33	90119-08M14	BOLT, WITH WASHER	4		
34	6E5-45331-00-94	HOUSING, BEARING	1		
35	93101-28M16	OIL SEAL	2		
36	93317-330U2	BEARING	1		
37	6E5-45587-01	SHIM (T:0.10MM)	1		UR
	6E5-45587-10	SHIM (T:0.12MM)	1		UR
	6E5-45587-20	SHIM (T:0.15MM)	1		UR
	6E5-45587-30	SHIM (T:0.18MM)	1		UR
	6E5-45587-40	SHIM (T:0.30MM)	1		UR
	6E5-45587-50	SHIM (T:0.40MM)	1		UR
	6E5-45587-60	SHIM (T:0.50MM)	1		UR
38	93341-930V2	BEARING	1		
39	93210-55M14	O-RING	1		
40	6E5-45344-00	COVER, OIL SEAL	1		



68V5100-E250

FIG. 25 LOWER CASING & DRIVE 1

REF. NO.	PART NO.	DESCRIPTION	68V5	68W5	REMARKS
41	97095-08025	BOLT	4		
42	92995-08600	WASHER	4		
43	68V-45501-10	DRIVE SHAFT COMP.	1		L (20.3")
	68V-45501-30	DRIVE SHAFT COMP.	1		X (25.3")
44	68V-45551-00	PINION (13T)	1		
45	90170-16M01	NUT	1		
46	68V-45560-00	GEAR 1 (28T)	1		
47	93315-425U7	.BEARING	1		
48	6E5-45611-01	SHAFT, PROPELLER	1		
49	6K1-45641-01	SHIFTER	1		
50	6E5-45634-01	SLIDE, SHIFT	1		
51	90501-16M37	SPRING, COMPRESSION	1		
52	93507-32009	BALL	2		
53	93511-32017	BALL	2		
54	93503-16003	BALL	2		
55	90250-08M07	PIN, STRAIGHT	1		
56	68V-45631-01	CLUTCH, DOG	1		
57	6E5-45633-01	RING, CROSS PIN	1		
58	6E5-45332-00-94	HOUSING, BEARING	1		
59	93306-208U0	BEARING	1		
60	68V-45571-00	GEAR 2 (28T)	1		
61	6E5-45576-00	WASHER, THRUST	1		
62	93315-430U8	BEARING	1		
63	93101-30M17	OIL SEAL	2		
64	93210-86M39	O-RING	1		
65	6L6-45577-00	SHIM (T:0.10MM)	1		UR
	6L6-45577-10	SHIM (T:0.12MM)	1		UR

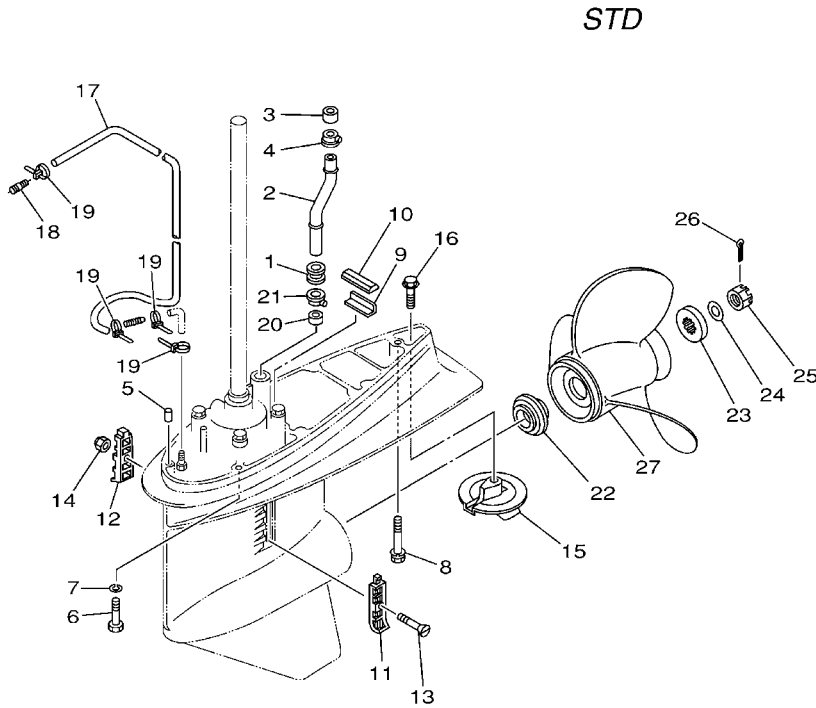


68V5100-E250

FIG. 25 LOWER CASING & DRIVE 1

REF. NO.	PART NO.	DESCRIPTION	68V5	68W5	REMARKS
65	6L6-45577-20	SHIM (T:0.15MM)	1		UR
	6L6-45577-30	SHIM (T:0.18MM)	1		UR
	6L6-45577-40	SHIM (T:0.30MM)	1		UR
	6L6-45577-50	SHIM (T:0.40MM)	1		UR
	6L6-45577-60	SHIM (T:0.50MM)	1		UR
66	90201-30M92	WASHER, PLATE	2		
67	90282-04010	KEY, STRAIGHT	1		
68	688-45383-02	WASHER, CLAW	1		
69	688-45384-00	NUT	1		

FIG. 26 LOWER CASING & DRIVE 2

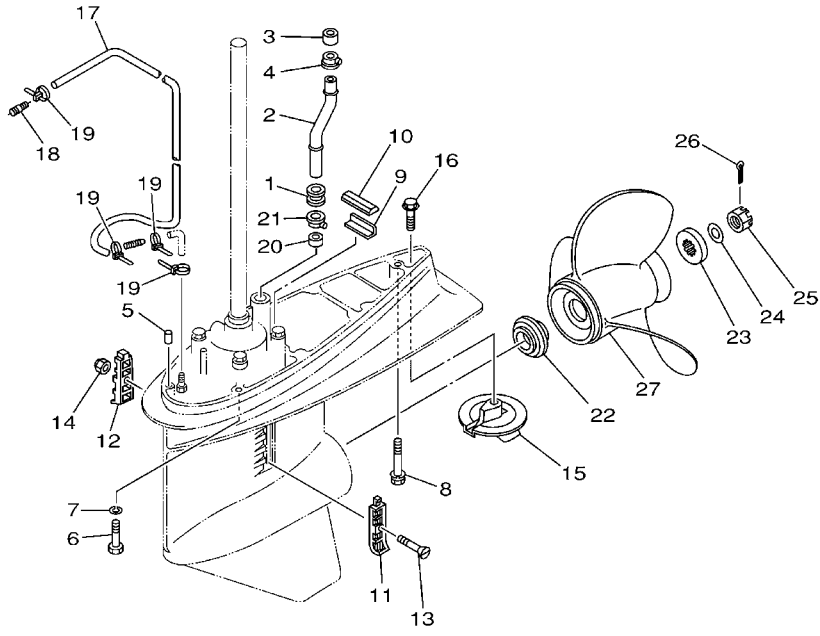


STD



68V0100-1290

REF. NO.	PART NO.	DESCRIPTION	68V5	68W5		REMARKS
1	6E5-44366-00	DAMPER, WATER SEAL	1			
2	68V-44361-11	TUBE, WATER	1			L (20.3")
	68V-44361-30	TUBE, WATER	1			X (25.3")
3	6E5-44365-00	DAMPER, WATER SEAL	1			
4	6E5-44312-00	COVER, WATER PUMP HOUSING	1			
5	93608-12M05	PIN, DOWEL	2			
6	97075-10045	BOLT	6			
7	92995-10100	WASHER	6			
8	90119-10M89	BOLT, WITH WASHER	1			
9	663-45376-00-94	GUIDE, SEAL DAMPER	1			
10	688-45375-00	DAMPER, SEAL	1			
11	688-45214-02	COVER, WATER INLET 1	1			
12	688-45215-02	COVER, WATER INLET 2	1			
13	90152-05M07	SCREW, COUNTERSUNK	1			
14	90185-05002	NUT, SELF-LOCKING	1			
15	6E5-45371-01	TAB-TRIM	1			
16	90105-10M00	BOLT, FLANGE	1			
17	90445-076K2	HOSE (L1550)	1			
18	6E5-83558-00	END, NIPPLE	1			
19	90465-11M10	CLAMP	4			
20	6E5-44365-00	DAMPER, WATER SEAL	1			
21	6E5-44312-00	COVER, WATER PUMP HOUSING	1			
22	63P-45987-00	SPACER	1			
23	688-45997-01	SPACER	1			
24	92990-18200	WASHER	1			
25	90171-18M04	NUT, CASTLE	1			
26	91490-40030	PIN, COTTER	1			



FWD
68V0100-1290

FIG. 26 LOWER CASING & DRIVE 2

REF. NO.	PART NO.	DESCRIPTION	68V5	68W5		REMARKS
27	6E5-45941-00-EL	PROPELLER (3X13"X19"-K)	1			UR
	6E5-45943-00-EL	PROPELLER (3X12-5/8"X21"-K)	1			UR
	6E5-45945-01-EL	PROPELLER (3X13-1/4"X17"-K)	1			UR
	6E5-45947-00-EL	PROPELLER (3X13-1/2"X15"-K)	1			UR
	6E5-45949-00-EL	PROPELLER (3X13-5/8"X13"-K)	1			UR
	6E5-45952-00-EL	PROPELLER (3X13"X23"-K)	1			UR
	6E5-45954-00-EL	PROPELLER (3X14"X11"-K)	1			UR
	6E5-45956-00-EL	PROPELLER (3X13"X25"-K)	1			UR
	688-45930-02-98	PROPELLER (3X13"X17"-K)	1			UR
	688-45932-60-98	PROPELLER (3X13-1/2"X14"-K)	1			UR
	688-45970-03-98	PROPELLER (3X13"X19"-K)	1			UR
	688-45972-02-98	PROPELLER (3X13"X21"-K)	1			UR
	688-45974-02-98	PROPELLER (3X13"X23"-K)	1			UR
	688-45976-01-98	PROPELLER (3X13"X25"-K)	1			UR
	688-45978-60-98	PROPELLER (3X13-1/2"X16"-K)	1			UR
	62A-45970-10	PROPELLER (3X13-1/2"X21"-K)	1			UR
	62A-45972-10	PROPELLER (3X13-1/2"X23"-K)	1			UR
	62A-45974-10	PROPELLER (3X13-1/2"X19"-K)	1			UR

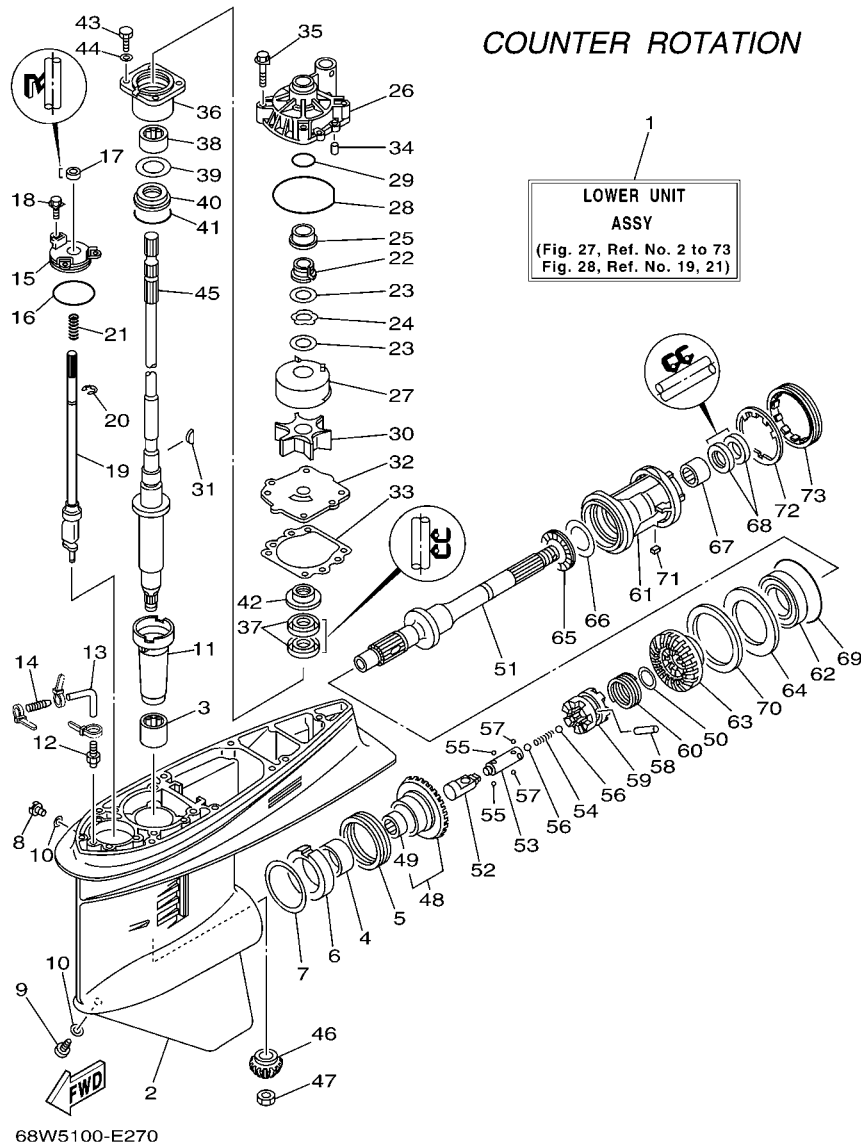


FIG. 27 LOWER CASING & DRIVE 3

REF. NO.	PART NO.	DESCRIPTION	68V5	68W5	REMARKS
1	68W-45300-32-8D	LOWER UNIT ASSY		1	X (25.3"),LH
2	6E5-45301-05-8D	CASING, LOWER		1	
3	93315-628U9	BEARING		1	
4	93315-345W0	BEARING		1	
5	93341-360U8	BEARING		1	
6	6L6-45538-00	SPACER 1		1	
7	6E5-45567-01	SHIM (T:0.10MM)		1	UR
	6E5-45567-10	SHIM (T:0.12MM)		1	UR
	6E5-45567-20	SHIM (T:0.15MM)		1	UR
	6E5-45567-30	SHIM (T:0.18MM)		1	UR
	6E5-45567-40	SHIM (T:0.30MM)		1	UR
	6E5-45567-50	SHIM (T:0.40MM)		1	UR
	6E5-45567-60	SHIM (T:0.50MM)		1	UR
8	90340-08002	PLUG, STRAIGHT SCREW		1	
9	688-45341-10	PLUG, DRAIN		1	
10	90430-08020	GASKET		2	
11	6E5-45536-00	SLEEVE, DRIVE SHAFT		1	
12	6E5-45378-00	NIPPLE, HOSE		1	
13	90445-07ME9	HOSE (L120)		1	X (25.3")
14	6E5-83558-10	END, NIPPLE		1	
15	6E5-45321-00	PLATE		1	
16	93210-58144	O-RING		1	
17	93106-09014	OIL SEAL		1	
18	90119-06M10	BOLT, WITH WASHER		3	
19	6E5-44150-02	SHIFT CAM ASSY		1	
20	99001-08600	CIRCLIP		1	
21	90501-11M10	SPRING, COMPRESSION		1	

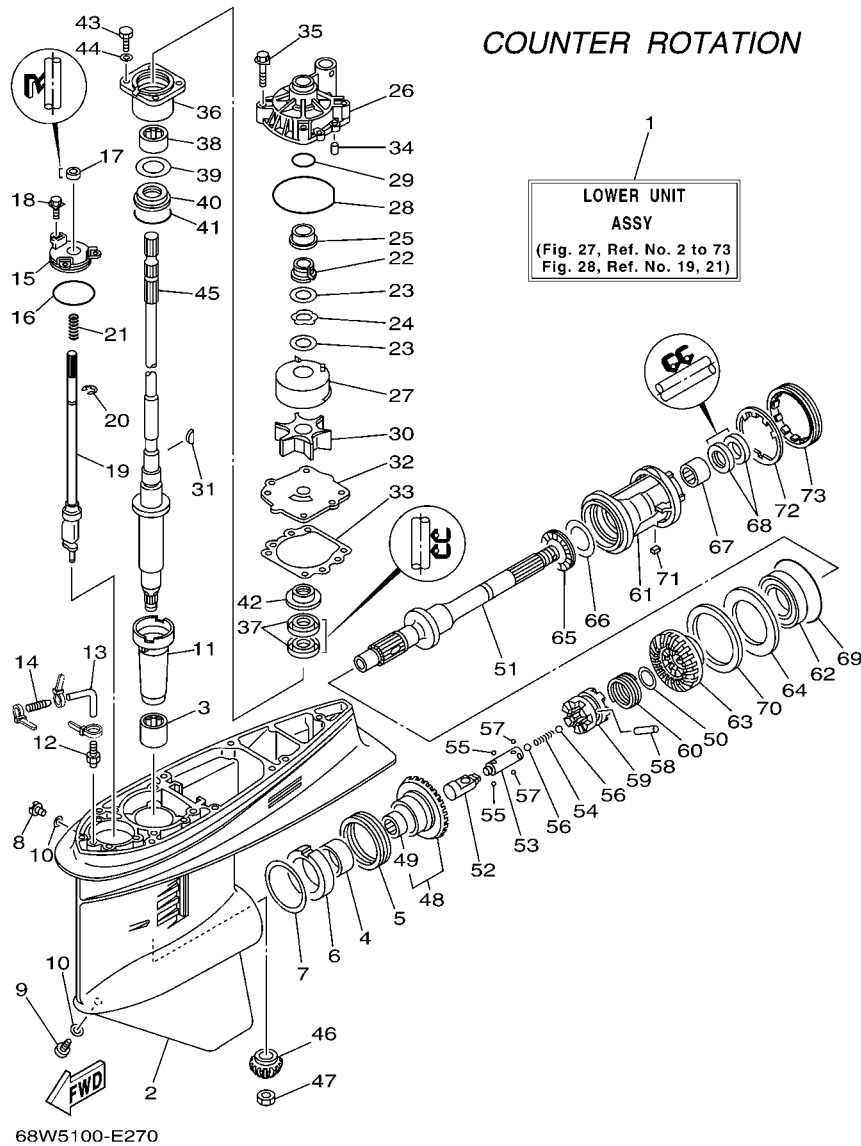
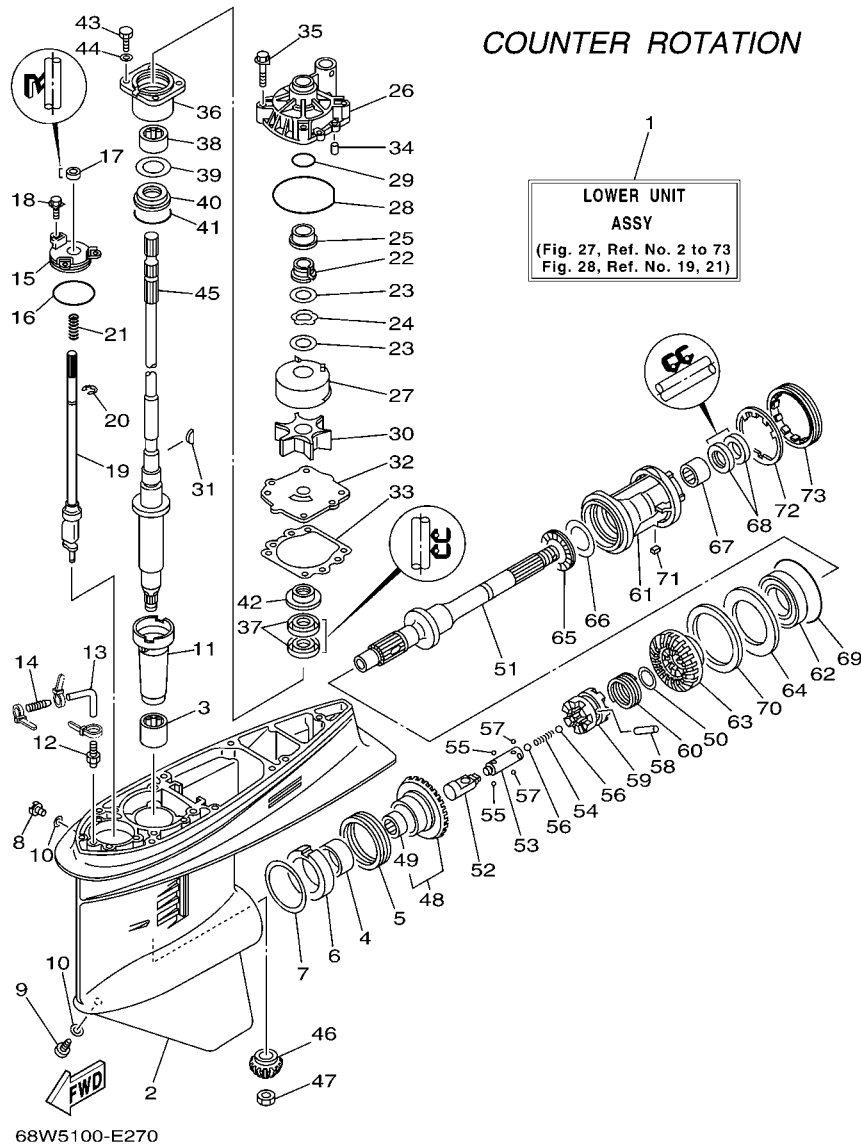


FIG. 27 LOWER CASING & DRIVE 3

REF. NO.	PART NO.	DESCRIPTION	68V5	68W5	REMARKS
22	61A-45538-00	SPACER 1		1	
23	90201-22M01	WASHER, PLATE		2	
24	90206-22M19	WASHER, WAVE		1	
25	61A-45527-00	COLLAR, DRIVE SHAFT		1	
26	61A-44311-01	HOUSING, WATER PUMP		1	
27	61A-44322-02	INSERT, CARTRIDGE		1	
28	93210-86M38	O-RING		1	
29	93210-37160	O-RING		1	
30	6E5-44352-01	IMPELLER		1	
31	90280-04M05	KEY, WOODRUFF		1	
32	68V-44323-00	OUTER PLATE, CARTRIDGE		1	
33	6E5-44315-A0	GASKET, WATER PUMP		1	
34	93606-12019	PIN, DOWEL		2	
35	90119-08M14	BOLT, WITH WASHER		4	
36	6E5-45331-00-94	HOUSING, BEARING		1	
37	93101-28M16	OIL SEAL		2	
38	93317-330U2	BEARING		1	
39	6E5-45587-01	SHIM (T:0.10MM)		1	UR
	6E5-45587-10	SHIM (T:0.12MM)		1	UR
	6E5-45587-20	SHIM (T:0.15MM)		1	UR
	6E5-45587-30	SHIM (T:0.18MM)		1	UR
	6E5-45587-40	SHIM (T:0.30MM)		1	UR
	6E5-45587-50	SHIM (T:0.40MM)		1	UR
	6E5-45587-60	SHIM (T:0.50MM)		1	UR
40	93341-930V2	BEARING		1	
41	93210-55M14	O-RING		1	
42	6E5-45344-00	COVER, OIL SEAL		1	



COUNTER ROTATION

LOWER UNIT
ASSY
(Fig. 27, Ref. No. 2 to 73
Fig. 28, Ref. No. 19, 21)

68W5100-E270

FIG. 27 LOWER CASING & DRIVE 3

REF. NO.	PART NO.	DESCRIPTION	68V5	68W5	REMARKS
43	97095-08025	BOLT		4	
44	92995-08600	WASHER		4	
45	68V-45501-30	DRIVE SHAFT COMP.		1	X (25.3")
46	68V-45551-00	PINION (13T)		1	
47	90170-16M01	NUT		1	
48	68W-45560-00	GEAR 1 (28T)		1	
49	93315-425U7	.BEARING		1	
50	90201-26M00	WASHER, PLATE		1	
51	68W-45611-00	SHAFT, PROPELLER		1	
52	6E5-45641-03	SHIFTER		1	
53	6E5-45634-01	SLIDE, SHIFT		1	
54	90501-16M37	SPRING, COMPRESSION		1	
55	93507-32009	BALL		2	
56	93511-32017	BALL		2	
57	93503-16003	BALL		2	
58	90250-08M07	PIN, STRAIGHT		1	
59	68V-45631-01	CLUTCH, DOG		1	
60	6E5-45633-01	RING, CROSS PIN		1	
61	6L6-45332-00-94	HOUSING, BEARING		1	
62	93332-000V7	BEARING		1	
63	68W-45570-10	GEAR 2 (28T)		1	
64	6L6-45576-00	WASHER, THRUST		1	
65	93341-440U5	BEARING		1	
66	6K1-45578-01	SHIM (T:0.10MM)		1	UR
	6K1-45578-10	SHIM (T:0.12MM)		1	UR
	6K1-45578-20	SHIM (T:0.15MM)		1	UR
	6K1-45578-30	SHIM (T:0.18MM)		1	UR

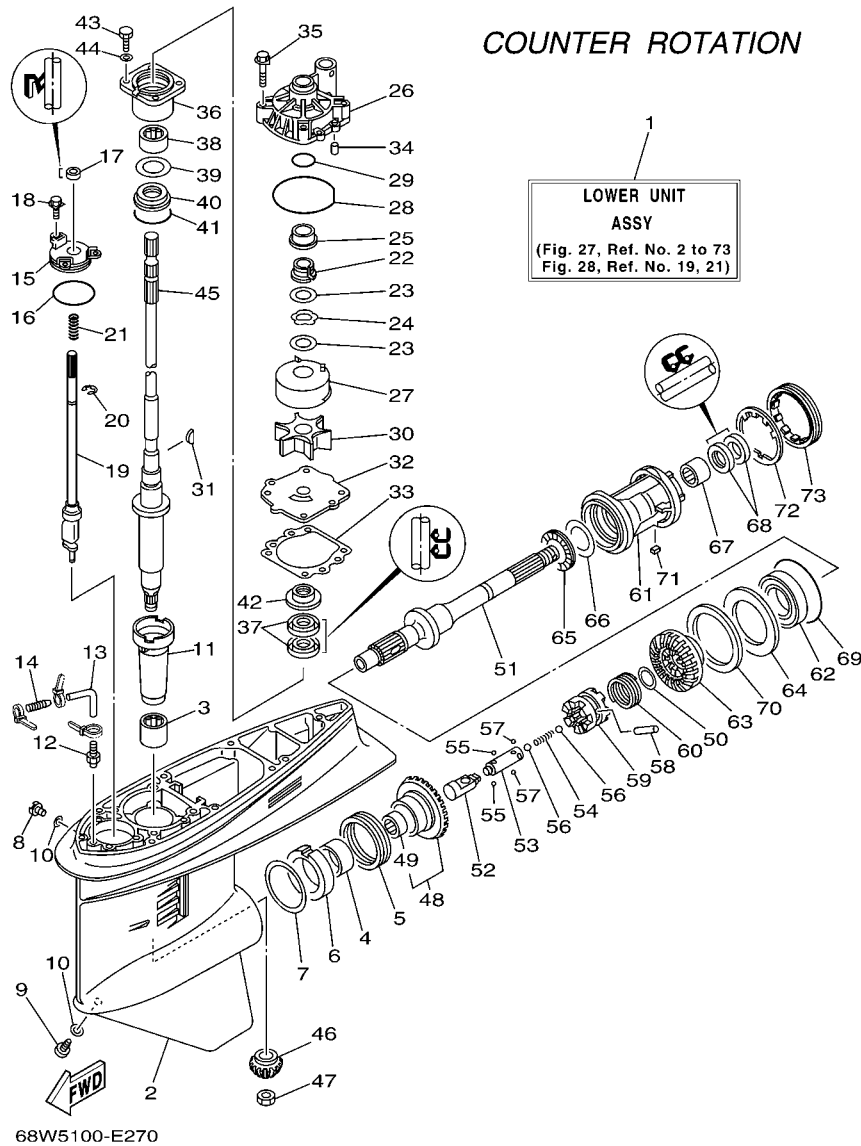
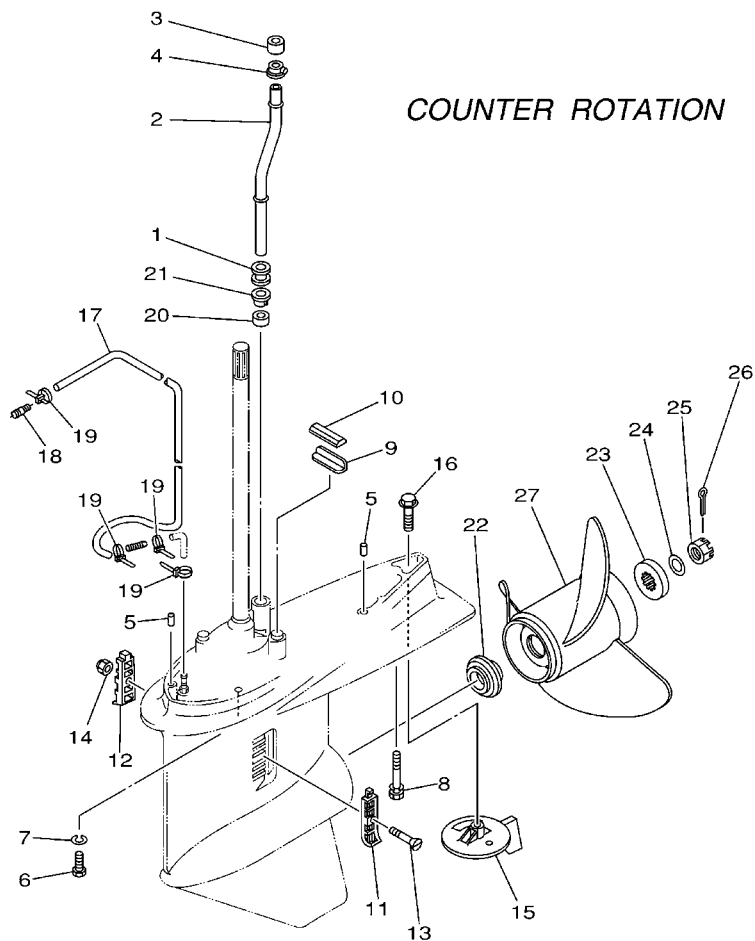


FIG. 27 LOWER CASING & DRIVE 3

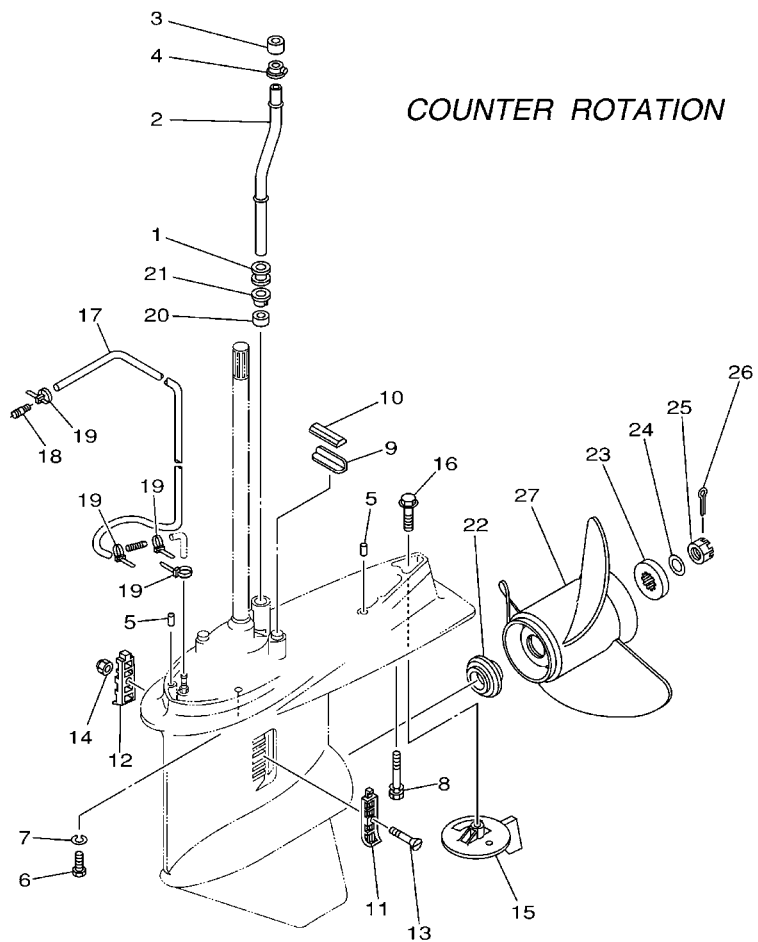
REF. NO.	PART NO.	DESCRIPTION	68V5	68W5	REMARKS
66	6K1-45578-40	SHIM (T:0.30MM)		1	UR
	6K1-45578-50	SHIM (T:0.40MM)		1	UR
	6K1-45578-60	SHIM (T:0.50MM)		1	UR
67	93317-330U5	BEARING		1	
68	93101-30M17	OIL SEAL		2	
69	93210-86M39	O-RING		1	
70	6L6-45577-00	SHIM (T:0.10MM)		1	UR
	6L6-45577-10	SHIM (T:0.12MM)		1	UR
	6L6-45577-20	SHIM (T:0.15MM)		1	UR
	6L6-45577-30	SHIM (T:0.18MM)		1	UR
	6L6-45577-40	SHIM (T:0.30MM)		1	UR
	6L6-45577-50	SHIM (T:0.40MM)		1	UR
	6L6-45577-60	SHIM (T:0.50MM)		1	UR
71	90282-04010	KEY, STRAIGHT		1	
72	688-45383-02	WASHER, CLAW		1	
73	688-45384-00	NUT		1	



68W0100-1310

FIG. 28 LOWER CASING & DRIVE 4

REF. NO.	PART NO.	DESCRIPTION	68V5	68W5	REMARKS
1	6E5-44366-00	DAMPER, WATER SEAL		1	
2	68V-44361-30	TUBE, WATER		1	X (25.3")
3	6E5-44365-00	DAMPER, WATER SEAL		1	
4	6E5-44312-00	COVER, WATER PUMP HOUSING		1	
5	93608-12M05	PIN, DOWEL		2	
6	97075-10045	BOLT		6	
7	92995-10100	WASHER		6	
8	90119-10M89	BOLT, WITH WASHER		1	
9	663-45376-00-94	GUIDE, SEAL DAMPER		1	
10	688-45375-00	DAMPER, SEAL		1	
11	688-45214-02	COVER, WATER INLET 1		1	
12	688-45215-02	COVER, WATER INLET 2		1	
13	90152-05M07	SCREW, COUNTERSUNK		1	
14	90185-05002	NUT, SELF-LOCKING		1	
15	6L6-45371-00	TAB-TRIM		1	
16	90105-10M00	BOLT, FLANGE		1	
17	90445-076K2	HOSE (L1550)		1	
18	6E5-83558-00	END, NIPPLE		1	
19	90465-11M10	CLAMP		4	
20	6E5-44365-00	DAMPER, WATER SEAL		1	
21	6E5-44312-00	COVER, WATER PUMP HOUSING		1	
22	63P-45987-00	SPACER		1	
23	688-45997-01	SPACER		1	
24	92990-18200	WASHER		1	
25	90171-18M04	NUT, CASTLE		1	
26	91490-40030	PIN, COTTER		1	
27	6L6-45930-01-98	PROPELLER (3X13"X17"-KL)		1	UR



FWD
68W0100-1310

FIG. 28 LOWER CASING & DRIVE 4

REF. NO.	PART NO.	DESCRIPTION	68V5	68W5	REMARKS
27	6L6-45970-00-98	PROPELLER (3X13"X19"-KL)		1	UR
	6L6-45972-00-98	PROPELLER (3X13"X21"-KL)		1	UR

D1

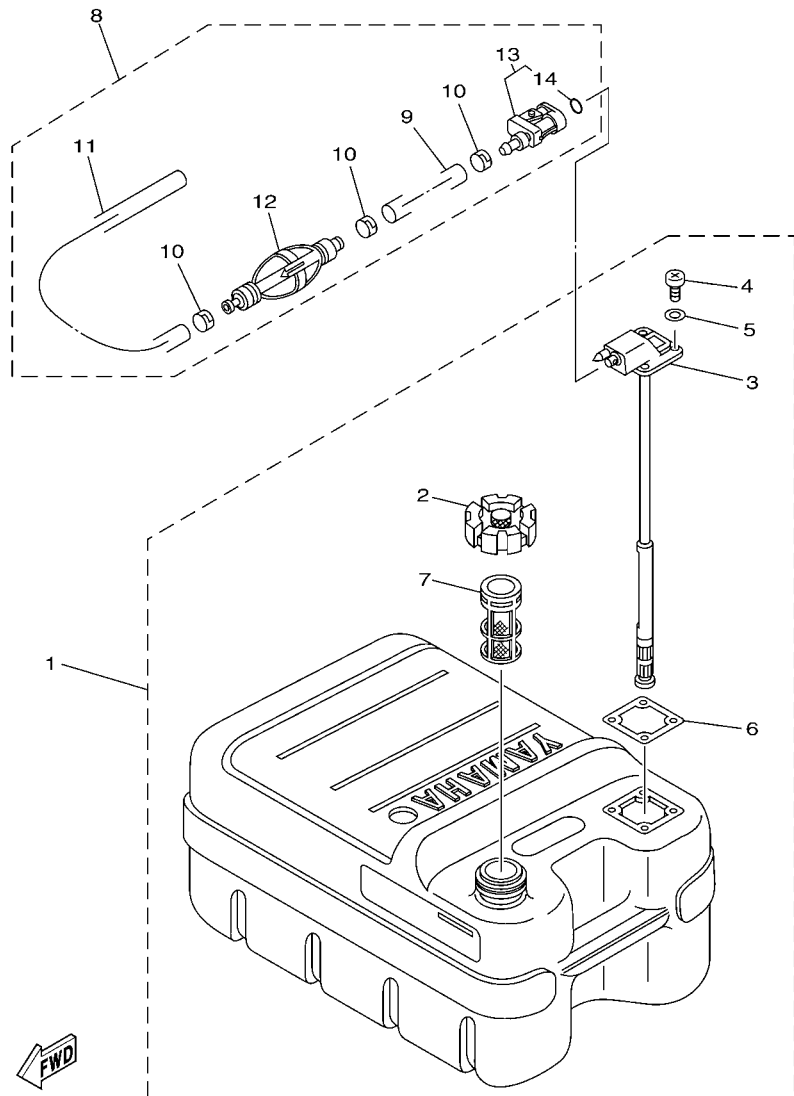
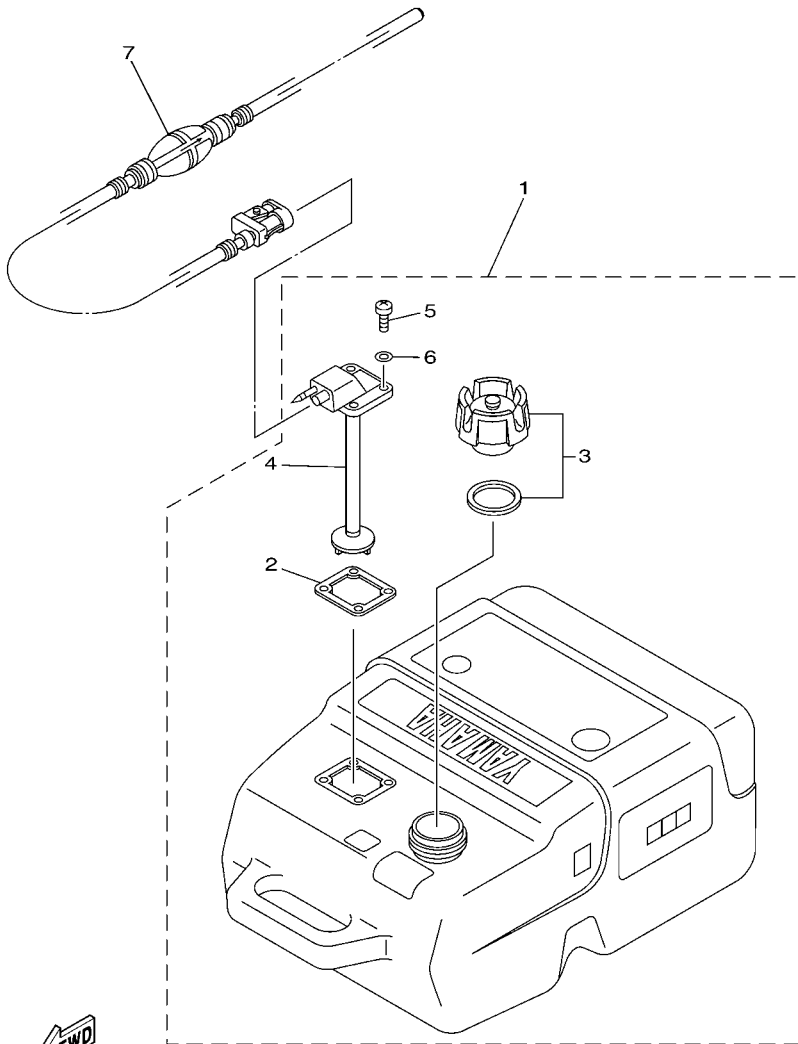


FIG. 29 FUEL TANK 1

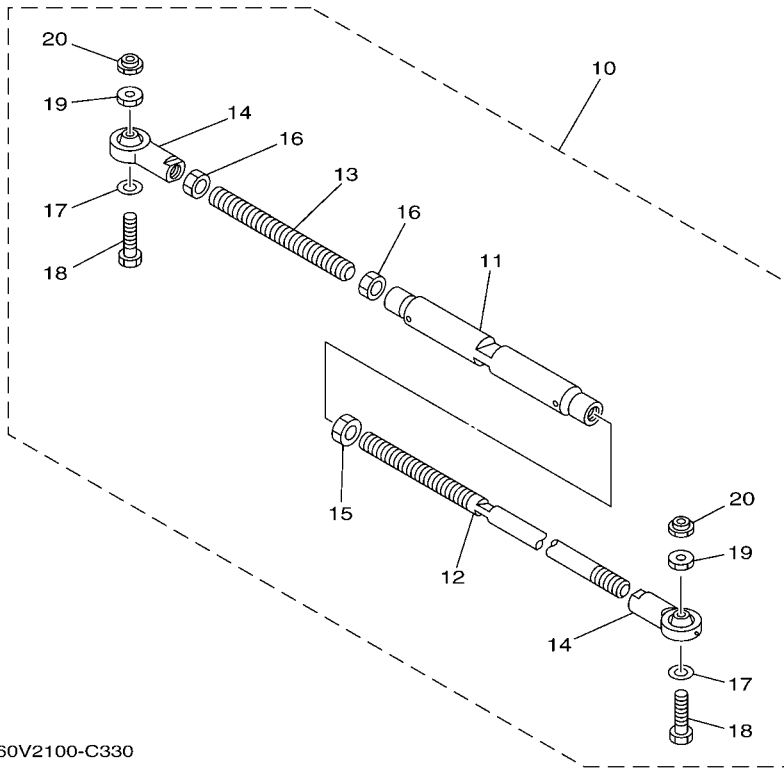
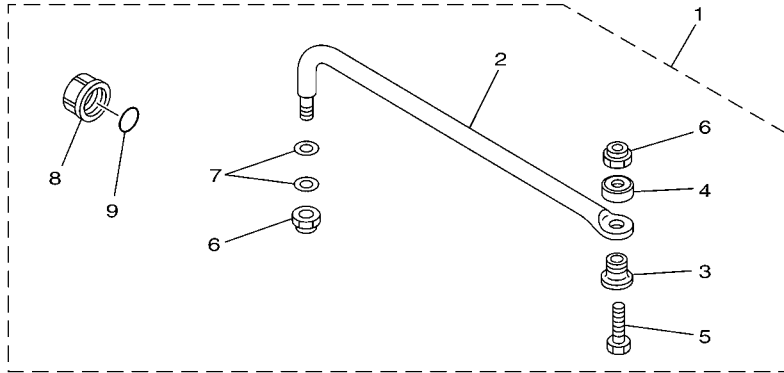
REF. NO.	PART NO.	DESCRIPTION	68V5	68W5	REMARKS
1	6YJ-24201-10	FUEL TANK ASSY (24L)	1	1	AP FOR CAR(EPA)
2	6YJ-24610-01	.CAP ASSY	1	1	
3	6Y1-24260-12	.FUEL METER ASSY	1	1	WITH INDICATOR
4	98586-05016	.SCREW, PAN HEAD	4	4	
5	6Y1-24329-00	.SEAL	4	4	
6	6Y1-24268-00	.GASKET, FUEL METER	1	1	
7	6YJ-24167-00	.STRAINER	1	1	
8	6Y2-24306-45	FUEL PIPE COMP. 1	1	1	AP FOR CAR(EPA)
9	90445-13M01	.HOSE (L2050)	1	1	
10	6E5-24351-51	.BAND 1	3	3	
11	90445-13M35	.HOSE (L250)	1	1	
12	6Y2-24360-60	.PRIMER PUMP ASSY	1	1	
13	6Y2-24305-06	.FUEL PIPE JOINT COMP. 2	1	1	
14	93210-08287	..O-RING	1	1	



6D71300-D320

FIG. 30 FUEL TANK 2

REF. NO.	PART NO.	DESCRIPTION			REMARKS
			68V5	68W5	
1	6YK-24201-02	FUEL TANK ASSY (25L)	1	1	AP FOR CAR(CE)
2	6YL-24268-01	.GASKET, FUEL METER	1	1	
3	6YK-24610-01	.CAP ASSY	1	1	
4	6YK-24260-01	.FUEL METER ASSY	1	1	
5	90157-05M16	.SCREW, PAN HEAD	4	4	
6	6YL-24329-00	.SEAL	4	4	
7	6YK-24306-44	FUEL PIPE COMP. 1	1	1	AP FOR CAR(CE)

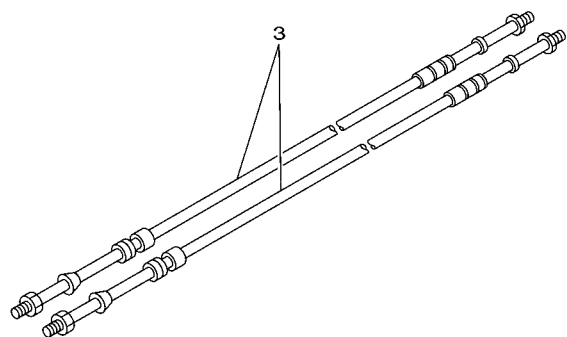
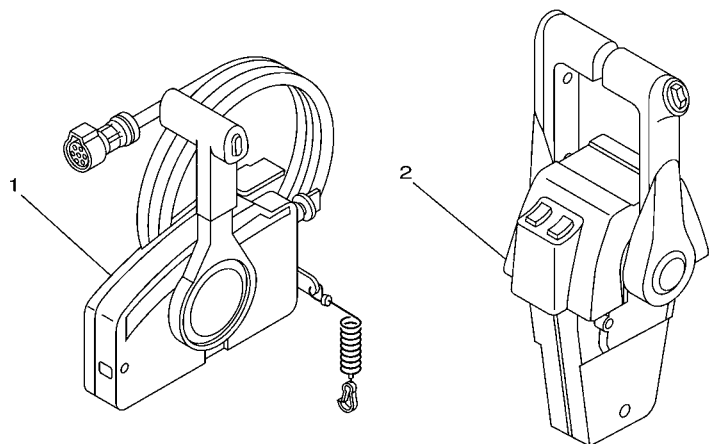


60V2100-C330

FIG. 31 STEERING GUIDE

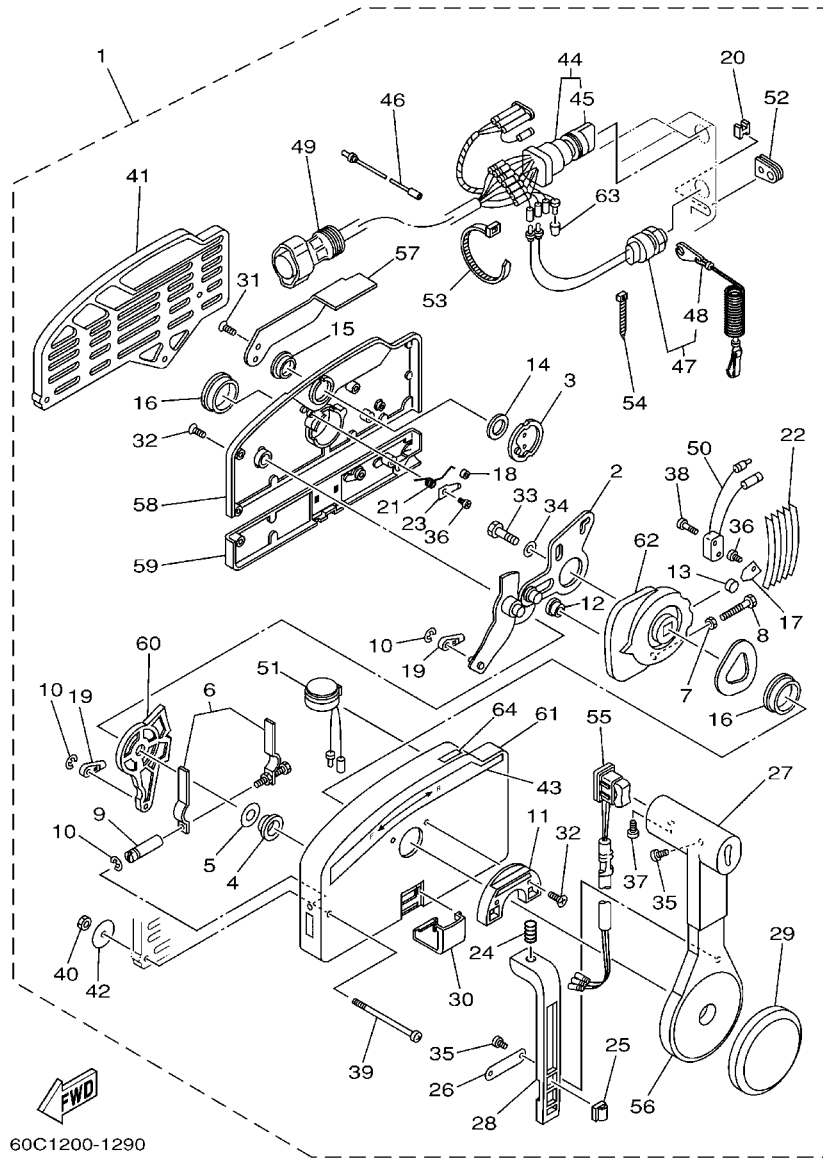
REF. NO.	PART NO.	DESCRIPTION	68V5	68W5	REMARKS
1	6E5-61350-02	STEERING GUIDE ATTACHMENT KIT	1	1	AP 68W5-OCE,CAR
2	6E5-61351-01	.ROD, STEERING LINK	1	1	
3	90387-10M61	.COLLAR	1	1	
4	90560-12M01	.SPACER	1	1	
5	6E5-61355-00	.BOLT	1	1	
6	90185-09M01	.NUT, SELF-LOCKING	2	2	
7	90201-10M20	.WASHER, PLATE	2	2	
8	6E5-43145-01	.CAP, CLAMP BRACKET	1	1	
9	93210-16275	.O-RING	1	1	
10	6E5-61301-01	TWIN KIT (L:600-800MM)	1		AP
11	6E5-61313-00	.ADJUSTER	1		
12	6E5-61311-11	.TIE BAR	1		
13	6E5-61315-00	.TIE BAR	1		
14	6E5-61303-00	.STEERING EYE COMP.	2		
15	90170-14M06	.NUT	1		
16	95380-14700	.NUT	2		
17	90201-10M76	.WASHER, PLATE	2		
18	90101-09M70	.BOLT	2		
19	90170-09M05	.NUT	2		
20	90185-09M01	.NUT, SELF-LOCKING	2		

FIG. 32 REMOTE CONTROL BOX



68V4100-D350

REF. NO.	PART NO.	DESCRIPTION	68V5	68W5			REMARKS
1	703-48205-17	REMOTE CONTROL ASSY (10P)	1				AP WITH PT/T SW.
	703-48205-A5	REMOTE CONTROL ASSY (10P)	1				AP CAR WITH PT/T SW.
	703-48207-17	REMOTE CONTROL ASSY (10P)	1				AP BRA WITH PT/T SW.
2	704-48207-P0	REMOTE CONTROL ASSY		1			AP WITH PT/T SW.
3	701-48320-50	CABLE, REMOTE CONTROL L=15F	2	2			UR
	701-48320-60	CABLE, REMOTE CONTROL L=16F	2	2			UR
	701-48320-80	CABLE, REMOTE CONTROL L=17F	2	2			UR
	701-48350-00	CABLE, REMOTE CONTROL L=21F	2	2			UR
	701-48350-20	CABLE, REMOTE CONTROL L=23F	2	2			UR



60C1200-1290

FIG. 33 REMOTE CONTROL ASSY 1

REF. NO.	PART NO.	DESCRIPTION	68V5	68W5	REMARKS
1	703-48205-17	REMOTE CONTROL ASSY (10P)	1		AP WITH PT/T SW.
	703-48205-A5	REMOTE CONTROL ASSY (10P)	1		AP CAR WITH PT/T SW.
	703-48207-17	REMOTE CONTROL ASSY (10P)	1		AP BRA WITH PT/T SW.
2	703-48261-01	.ARM, THROTTLE	1		
3	703-48153-00	.SHAFT, FREE ACCEL.	1		
4	703-48235-00	.BUSHING	1		
5	703-48268-00	.SPACER	1		
6	703-48264-00	.FRICTION, THROTTLE	1		
7	95380-05600	.NUT	1		
8	97380-05025	.BOLT	1		
9	703-48265-00	.SHAFT, FRICTION	1		
10	93430-06024	.CIRCLIP	3		
11	703-48245-00	.PLATE, LOCK	1		
12	703-48252-00	.ROLLER, CAM	1		
13	701-48248-00	.ROLLER, FREE ACCEL.	1		
14	703-48198-00	.WASHER, WAVE	1		
15	703-48243-00	.BUSHING	1		
16	703-48236-00	.BUSHING 1	2		
17	703-48189-00	.RETAINER	1		
18	703-48234-00	.ROLLER, DETENT	1		
19	703-48345-01	.CABLE END, REMOTE CONTROL 2	2		
20	703-48358-00	.ANCHOR, CABLE	1		
21	703-48244-00	.SPRING, FREE ACCEL.	1		
22	703-48238-00	.SPRING, DETENT	5		
23	703-48246-00	.SPACER	1		
24	703-48227-00	.SPRING, NEUTRAL LOCK	1		
25	703-82594-00	.CLAMP	1		WITH PT/T SW.

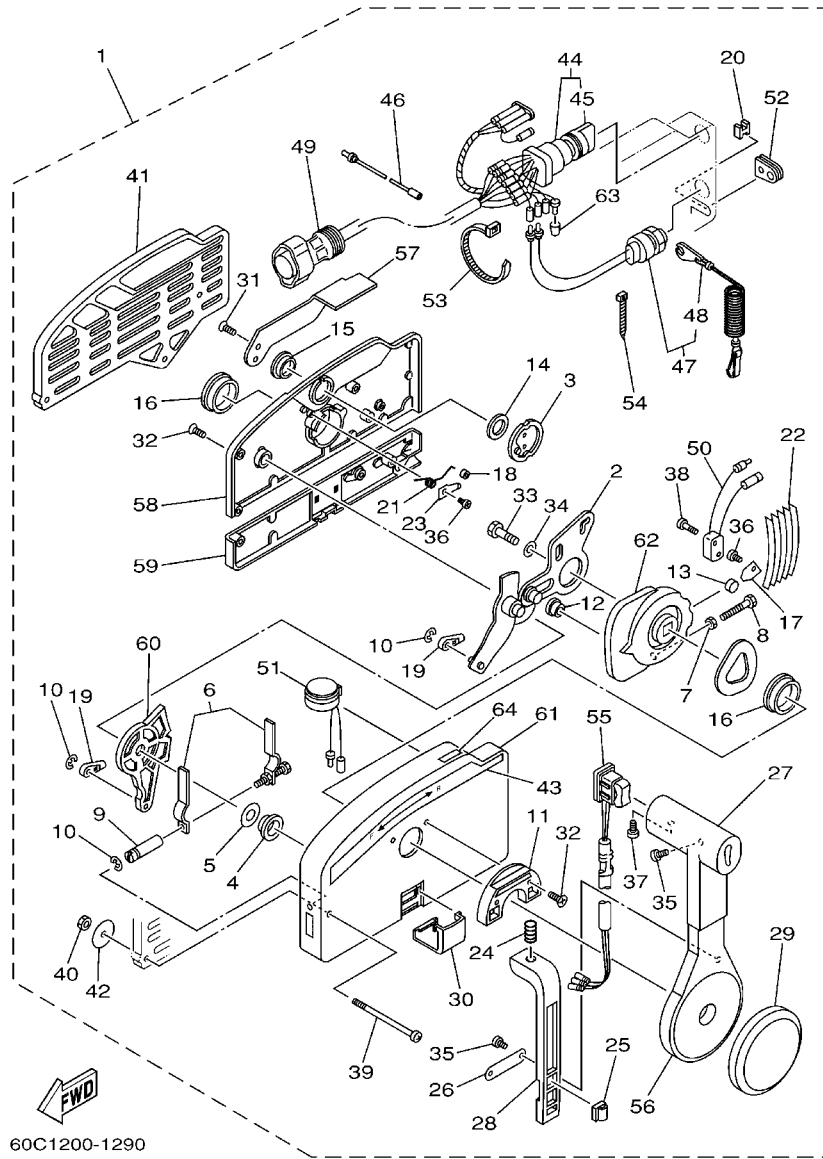


FIG. 33 REMOTE CONTROL ASSY 1

REF. NO.	PART NO.	DESCRIPTION	68V5	68W5	REMARKS
26	703-48226-00	.PLATE, STOPPER	1		
27	703-48222-00	.GRIP, CONTROL LEVER	1		SINGLE
28	703-48223-00	.LOCK, NEUTRAL	1		
29	703-48225-00	.COVER	1		
30	703-48219-00	.COVER, LEAD	1		
31	703-48281-00	.SCREW	2		
32	703-48282-00	.SCREW	7		
33	97380-08030	.BOLT	1		
34	92990-08600	.WASHER, PLATE	1		
35	98580-04010	.SCREW, PAN HEAD	3		
36	98580-04006	.SCREW, PAN HEAD	2		
37	98580-05010	.SCREW, PAN HEAD	1		
38	98580-03015	.SCREW, PAN HEAD	2		
39	703-48291-10	.SCREW (M6)	3		
40	95380-06600	.NUT, HEXAGON	3		
41	703-48293-10	.SPACER, REMOTE CONTROL	1		SINGLE
42	701-48287-00	.WASHER	3		
43	703-48215-00	.GRAPHIC	1		
44	703-82510-43	.MAIN SWITCH ASSY	1		
	703-82510-12	.MAIN SWITCH ASSY	1		FOR 703-485205-A5
45	703-82577-00	..CAP, KEY	1		FOR 703-82510-43
	676-82577-00	..CAP, KEY	1		FOR 703-82510-12
46	703-82531-00	.WIRE, LEAD	1		
47	688-82575-01	.ENGINE STOP SWITCH ASSY	1		
48	682-82556-00	..STOPPER	1		
49	688-8258A-20	.EXTENSION, WIRE HARNESS	1		L:5M (10P)
50	703-82540-00	.NEUTRAL SWITCH ASSY	1		

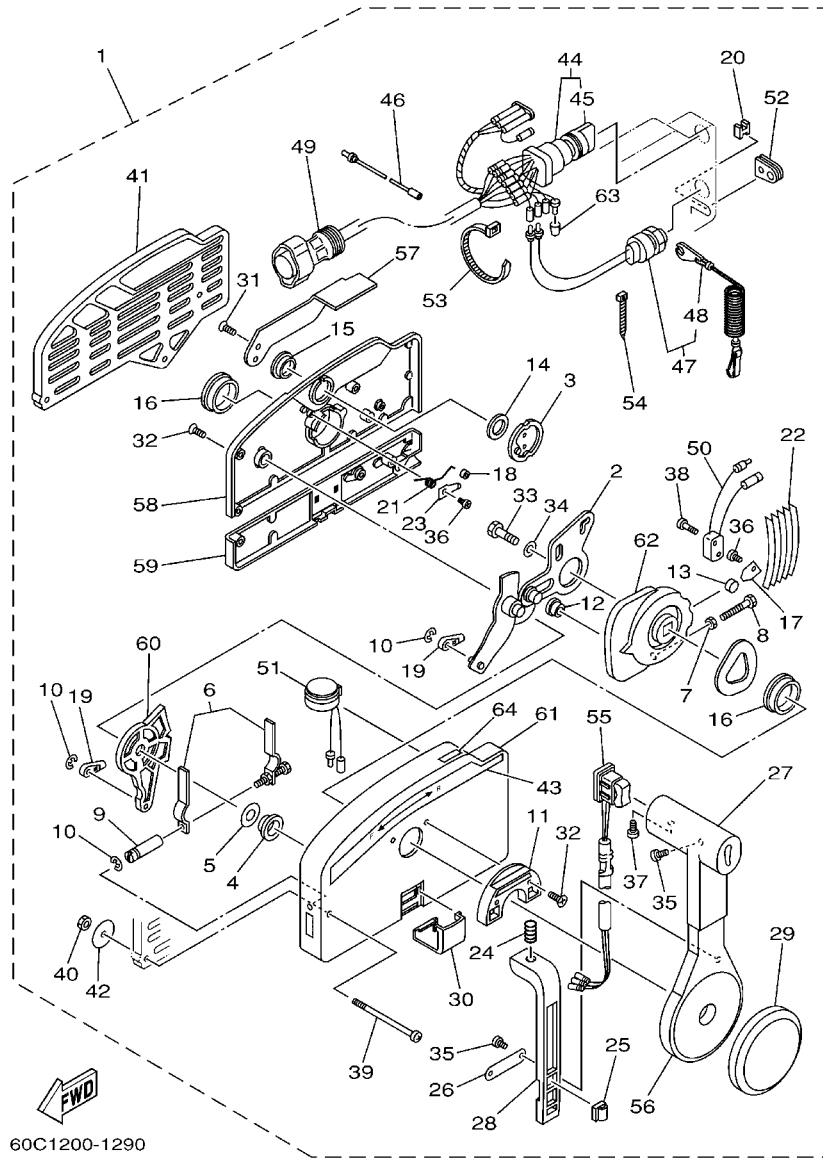
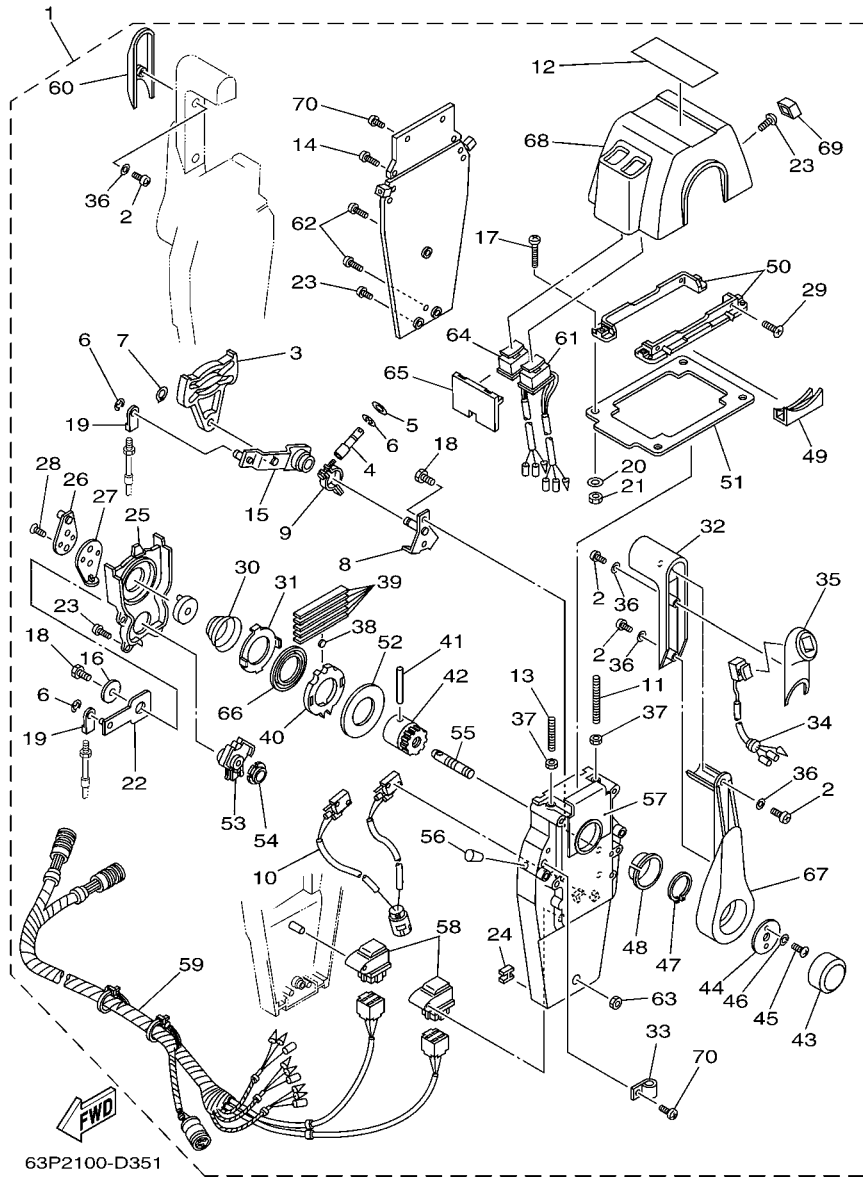


FIG. 33 REMOTE CONTROL ASSY 1

REF. NO.	PART NO.	DESCRIPTION	68V5	68W5	REMARKS
51	703-83383-02	.BUZZER	1		
	703-83383-B0	.BUZZER	1		FOR 703-485205-A5
52	703-48284-00	.GROMMET	1		
	703-48284-10	.GROMMET	1		FOR 703-48207-17
53	703-82591-00	.BAND	1		
	703-82591-00	.BAND	3		FOR 703-48207-17
54	703-82592-00	.BAND	1		
55	703-82563-02	.TRIM & TILT SWITCH ASSY	1		WITH PT/T SW.
	703-82563-12	.TRIM & TILT SWITCH ASSY	1		FOR 703-48207-17
56	703-48221-00	.LEVER, CONTROL	1		
57	703-48152-00	.KNOB, FREE ACCEL.	1		
58	703-48212-00	.BACK PLATE 1	1		
59	703-48213-00	.BACK PLATE 2	1		
60	703-48271-00	.ARM, SHIFT	1		
61	703-48211-01	.HOUSING,1	1		
62	703-48232-00	.GEAR	1		
63	703-82542-00	.CAP	1		FOR 703-485205-A5
64	703-48218-00	.GRAPHIC	1		FOR 703-485205-A5



63P2100-D351

FIG. 34 REMOTE CONTROL ASSY 2

REF. NO.	PART NO.	DESCRIPTION	68V5	68W5	REMARKS
1	704-48207-P0	REMOTE CONTROL ASSY		1	AP WITH PT/T SW.
2	704-48128-00	.SCREW 2		6	
3	EL8-48251-00	.PLATE, CAM		2	
4	704-48265-00	.SHAFT, FRICTION		2	
5	701-48246-00	.SPACER		2	
6	93430-06024	.CIRCLIP		8	
7	EL8-48259-00	.CIRCLIP 1		2	
8	704-48262-00	.SHAFT, THROTTLE		2	
9	704-48264-00	.THROTTLE, FRICTION		2	
10	704-82540-30	.NEUTRAL SWITCH ASSY		1	
11	EL8-48281-00	.SCREW		2	
12	704-48215-30	.GRAPHIC		1	
13	704-48281-00	.SCREW		2	
14	97890-05025	.SCREW, PAN HEAD		4	
15	704-48261-00	.ARM, THROTTLE		2	
16	EL8-48191-00	.WASHER 1		2	
17	704-48283-00	.SCREW		4	
18	97380-06018	.BOLT		6	
19	703-48345-01	.CABLE END, REMOTE CONTROL 2		4	
20	704-48287-00	.WASHER		4	
21	95380-05600	.NUT		4	
22	704-48271-00	.ARM, SHIFT		2	
23	EL8-48127-00	.SCREW 1		18	
24	703-48358-00	.ANCHOR, CABLE		2	
25	704-48231-00	.HOUSING, GEAR		2	
26	EL8-48241-00	.ARM, DRIVE		2	
27	EL8-48254-00	.STOPPER, THROTTLE ADJUSTING		2	

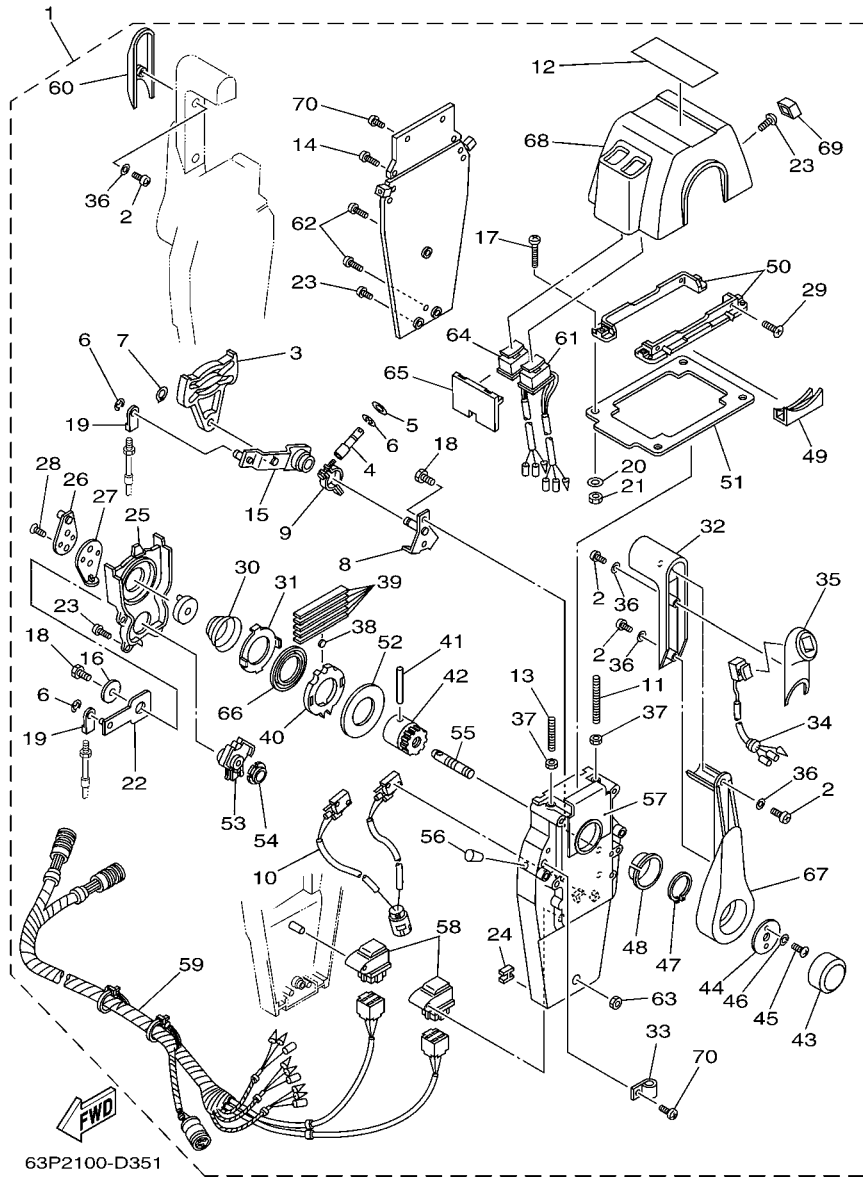


FIG. 34 REMOTE CONTROL ASSY 2

REF. NO.	PART NO.	DESCRIPTION	68V5	68W5	REMARKS
28	92780-06020	.SCREW, FLAT HEAD		4	
29	98780-05018	.SCREW, FLAT HEAD		4	
30	EL8-48244-00	.SPRING, FREE ACCEL.		2	
31	EL8-48245-00	.PLATE, LOCK		2	
32	704-48222-P0	.GRIP, CONTROL LEVER		2	
33	704-82594-00	.CLAMP		1	
34	704-82563-50	.TRIM & TILT SWITCH ASSY		1	
35	704-48229-P1	.GRIP, CONTROL LEVER		1	
36	92990-05300	.WASHER, INTERNAL TOOTH		6	
37	95380-06600	.NUT, HEXAGON		4	
38	701-48248-00	.ROLLER, FREE ACCEL.		2	
39	704-48238-00	.SPRING, DETENT		10	
40	704-48232-P1	.GEAR		2	
41	EL8-48164-00	.PIN 2		2	
42	704-48242-10	.SHAFT, DRIVE		2	
43	6X3-48225-20	.COVER		2	
44	704-48192-00	.WASHER 2		2	
45	97890-06018	.SCREW, PAN HEAD		4	
46	92990-06300	.WASHER, INTERNAL TOOTH		4	
47	EL8-48279-00	.CIRCLIP 2		2	
48	704-48234-00	.BUSHING 1		2	
49	704-48219-P0	.COVER, LEAD		2	
50	704-48144-20	.PLATE, STOPPER 2		2	
51	704-48176-10	.GROMMET		1	
52	704-48192-P0	.WASHER 2		2	
53	704-48233-00	.GEAR 2		2	
54	704-48235-00	.BUSHING		2	

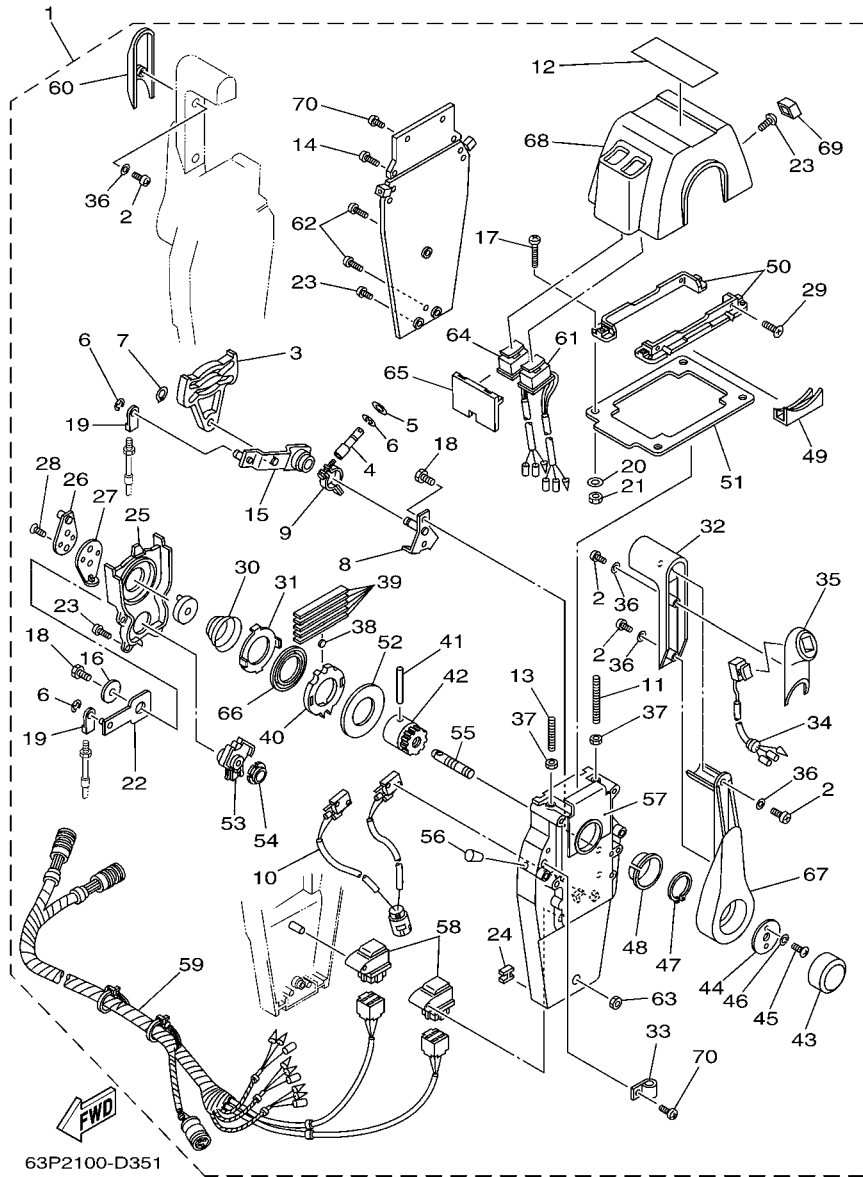


FIG. 34 REMOTE CONTROL ASSY 2

REF. NO.	PART NO.	DESCRIPTION	68V5	68W5	REMARKS
55	704-48153-00	.SHAFT, FREE ACCEL.		2	
56	704-48166-00	.PLUG		2	
57	704-48284-P0	.GROMMET		2	
58	704-81950-10	.RELAY ASSY		2	
59	704-82590-10	.WIRE HARNESS ASSY		1	
60	704-48229-00	.GRIP, CONTROL LEVER		1	
61	704-82563-H0	.TRIM & TILT SWITCH ASSY		1	
62	704-48128-00	.SCREW 2		3	
63	704-48156-00	.NUT 1		1	
64	704-82563-J0	.TRIM & TILT SWITCH ASSY		1	
65	704-48285-10	.GROMMET 2		1	
66	704-48178-00	.PLATE, SHIFT		2	
67	704-48221-P0	.LEVER, CONTROL		2	
68	704-48119-40	.COVER		1	
69	704-48167-10	.PLUG		1	
70	97890-05016	.SCREW, PAN HEAD		5	

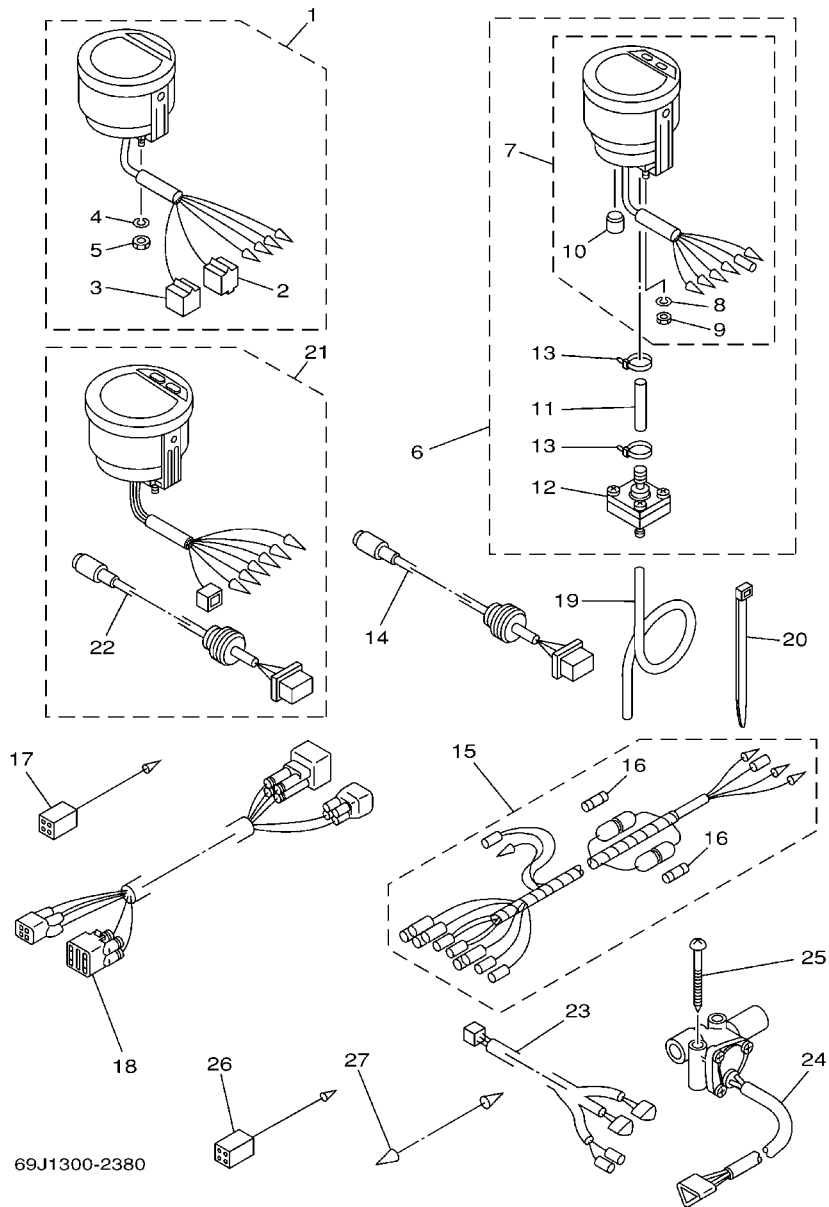
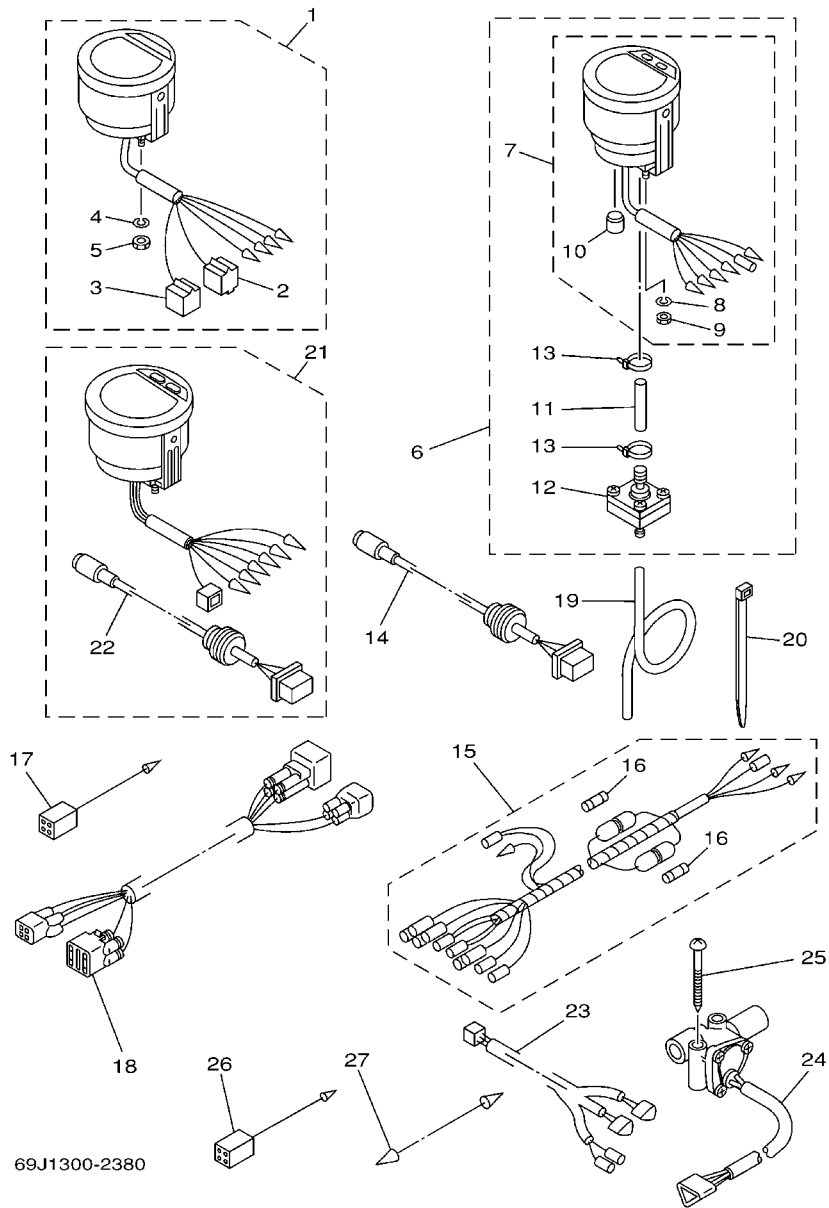


FIG. 35 METER

REF. NO.	PART NO.	DESCRIPTION	68V5	68W5		REMARKS
1	6Y5-8350T-03	DIGITAL TACHOMETER ASSY	1	1		AP OCE,CAR,BRA
2	9E450-04433	.CONNECTOR	1	1		M-4-W
3	9E450-04533	.CONNECTOR	1	1		F-4-W
4	92990-04100	.WASHER, SPRING	2	2		
5	95380-04600	.NUT	2	2		
6	6Y5-83500-S5	DIGITAL SPEEDOMETER ASSY	1			AP OCE,CAR,BRA
7	6Y5-83570-S5	.SPEEDOMETER ASSY	1			
8	92990-04100	..WASHER, SPRING	2			
9	95380-04600	..NUT	2			
10	6Y5-83533-T2	..GROMMET	1			
11	6Y5-83557-31	.TUBE	1			
12	6Y5-83728-00	.CONNECTOR ASSY	1			
13	90465-11M10	.CLAMP	2			
14	6Y5-87122-S0	CORD ASSY 1	1			AP OCE,CAR,BRA
15	6Y5-83553-M0	WIRE, LEAD (L=2.5M)	1			AP OCE,CAR,BRA
	6Y5-83553-00	WIRE, LEAD (L=2.5M)		1		AP OCE,CAR
16	1E6-82151-00	.FUSE (10A)	2			FOR 6Y5-83553-M0
	1E6-82151-00	.FUSE (10A)		1		FOR 6Y5-83553-00
17	6Y5-82117-00	WIRE, LEAD (BLACK)	1			AP OCE,CAR,BRA
18	68F-82553-80	EXTENSION, WIRE LEAD (L=8.0M)	1			AP OCE,CAR,BRA
	68F-82553-90	EXTENSION, WIRE LEAD (L=9.5M)		1		AP OCE,CAR
19	6Y5-83557-10	TUBE (8M)	1			AP OCE,CAR,BRA
20	90465-11M10	CLAMP	2			AP OCE,CAR,BRA
21	6Y5-8350F-00	FUEL MANAGEMENT METER	1			AP OCE
22	6Y5-87122-S0	.CORD ASSY 1	1			
23	6Y5-83553-F1	WIRE, LEAD (L=8.0M)	1			AP OCE
24	6Y5-85752-01	SENDER UNIT ASSY, FUEL METER		2		AP OCE



69J1300-2380

FIG. 35 METER

REF. NO.	PART NO.	DESCRIPTION	68V5	68W5	REMARKS
25	90158-06002	SCREW, WOOD		4	AP OCE
26	6Y5-82117-00	WIRE, LEAD (BLACK)		1	AP OCE
27	703-82531-00	WIRE, LEAD		1	AP OCE

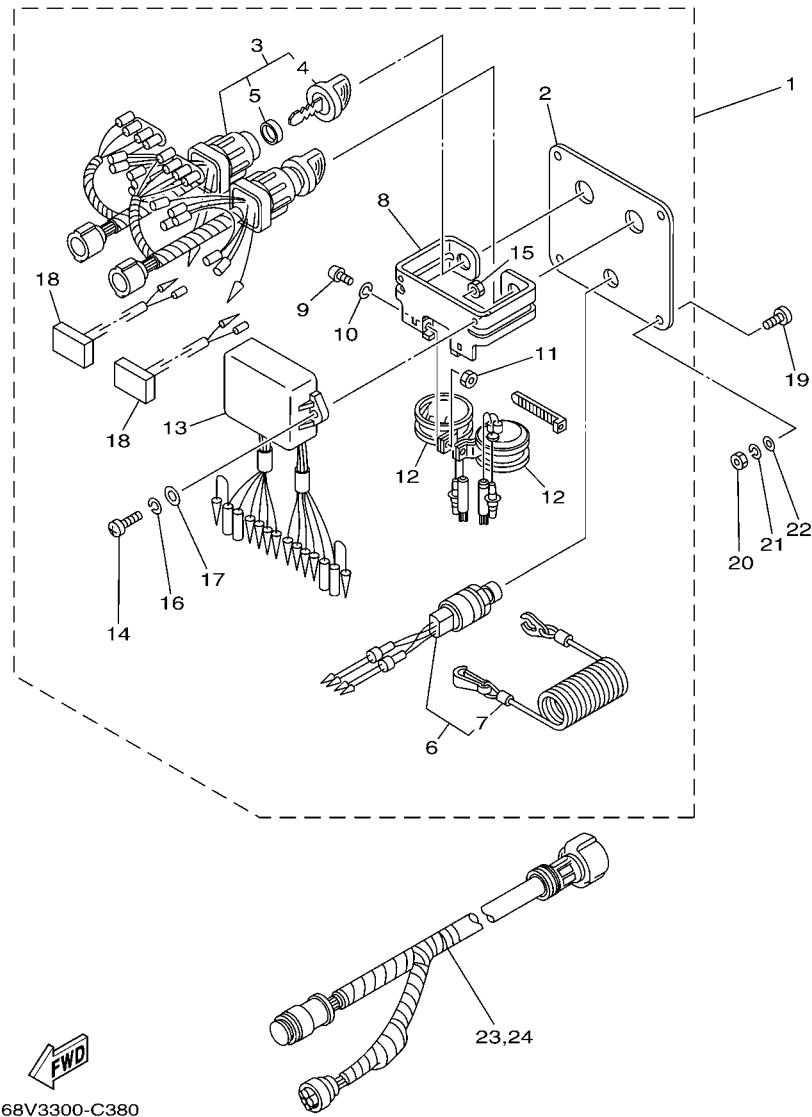
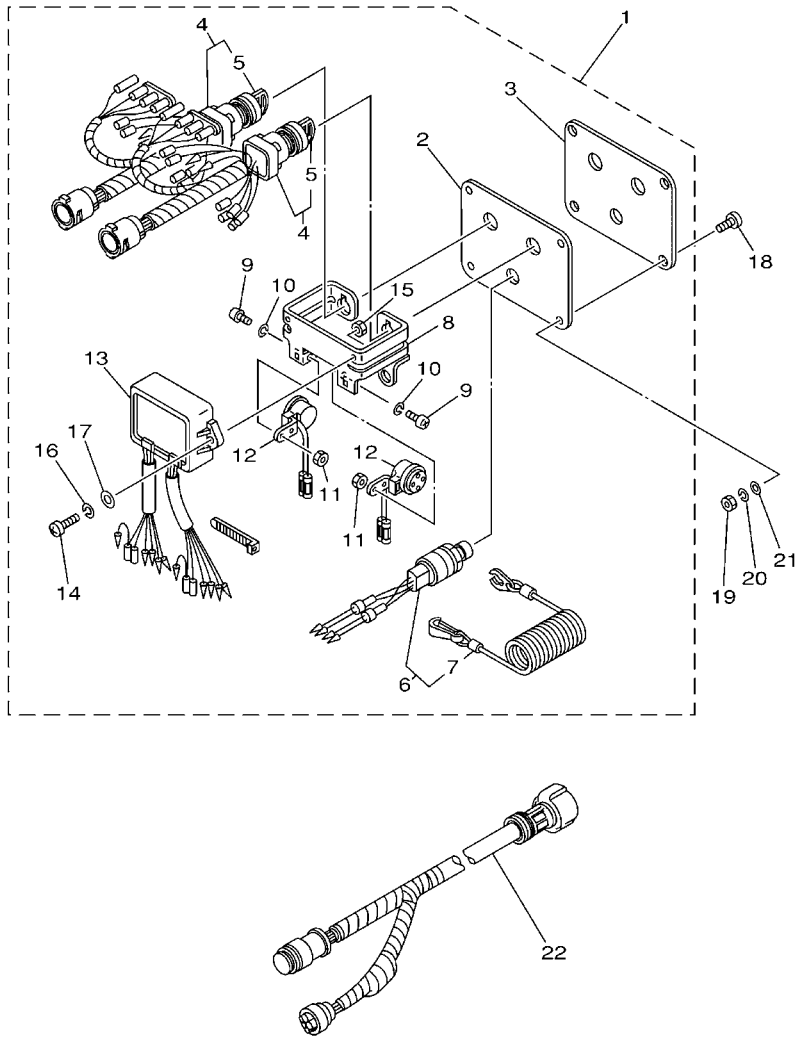


FIG. 36 SWITCH & PANEL 1

REF. NO.	PART NO.	DESCRIPTION	68V5	68W5	REMARKS
1	6K1-82570-08	PANEL SWITCH ASSY		1	AP
2	6K1-82571-02	.PANEL, SWITCH		1	
3	6K1-82510-06	.MAIN SWITCH ASSY		2	
4	703-82577-00	..CAP, KEY		1	
5	6K1-82532-00	..CAP		1	
6	6K1-82575-00	.ENGINE STOP SWITCH ASSY		1	
7	682-82556-00	..STOPPER		1	
8	6K1-83614-01	.BRACKET		1	
9	98980-05010	.SCREW, BIND		2	
10	92990-05100	.WASHER, SPRING		2	
11	95380-05600	.NUT		2	
12	688-83383-11	.BUZZER		2	
13	6K1-85830-01	.CONTROL UNIT ASSY		1	
14	98980-06020	.SCREW, BIND		2	
15	95380-06600	.NUT, HEXAGON		2	
16	92990-06100	.WASHER, SPRING		2	
17	92990-06600	.WASHER, PLATE		2	
18	6K1-81980-00	.DIODE ASSY		2	
19	90149-05M05	SCREW		4	AP
20	95380-05600	NUT		4	AP
21	92990-05100	WASHER, SPRING		4	AP
22	92990-05600	WASHER, PLATE		4	AP
23	6K1-8258A-40	EXTENSION, WIRE HARNESS (8M)		1	AP (10P)
24	61B-8258A-01	EXTENSION, WIRE HARNESS (9.5M)		1	AP (10P)



68V1100-2410

FIG. 37 SWITCH & PANEL 2

REF. NO.	PART NO.	DESCRIPTION	68V5	68W5	REMARKS
1	61B-82570-03	PANEL SWITCH ASSY		1	AP FOR CAR
2	61B-82588-01	.PLATE		1	
3	6K1-82571-02	.PANEL, SWITCH		1	
4	61B-82510-01	.MAIN SWITCH ASSY		2	
5	676-82577-00	..CAP, KEY		1	
6	6K1-82575-00	.ENGINE STOP SWITCH ASSY		1	
7	682-82556-00	..STOPPER		1	
8	6K1-83614-01	.BRACKET		1	
9	98980-05010	.SCREW, BIND		2	
10	92990-05100	.WASHER, SPRING		2	
11	95380-05600	.NUT		2	
12	6R5-83383-00	.BUZZER		2	
13	61B-85830-00	.CONTROL UNIT ASSY		1	
14	98980-06020	.SCREW, BIND		2	
15	95380-06600	.NUT, HEXAGON		2	
16	92990-06100	.WASHER, SPRING		2	
17	92990-06600	.WASHER, PLATE		2	
18	90149-05M05	SCREW		4	AP FOR CAR
19	95380-05600	NUT		4	AP FOR CAR
20	92990-05100	WASHER, SPRING		4	AP FOR CAR
21	92990-05600	WASHER, PLATE		4	AP FOR CAR
22	6K1-8258A-40	EXTENSION, WIRE HARNESS (8M)		2	AP FOR CAR (10P)

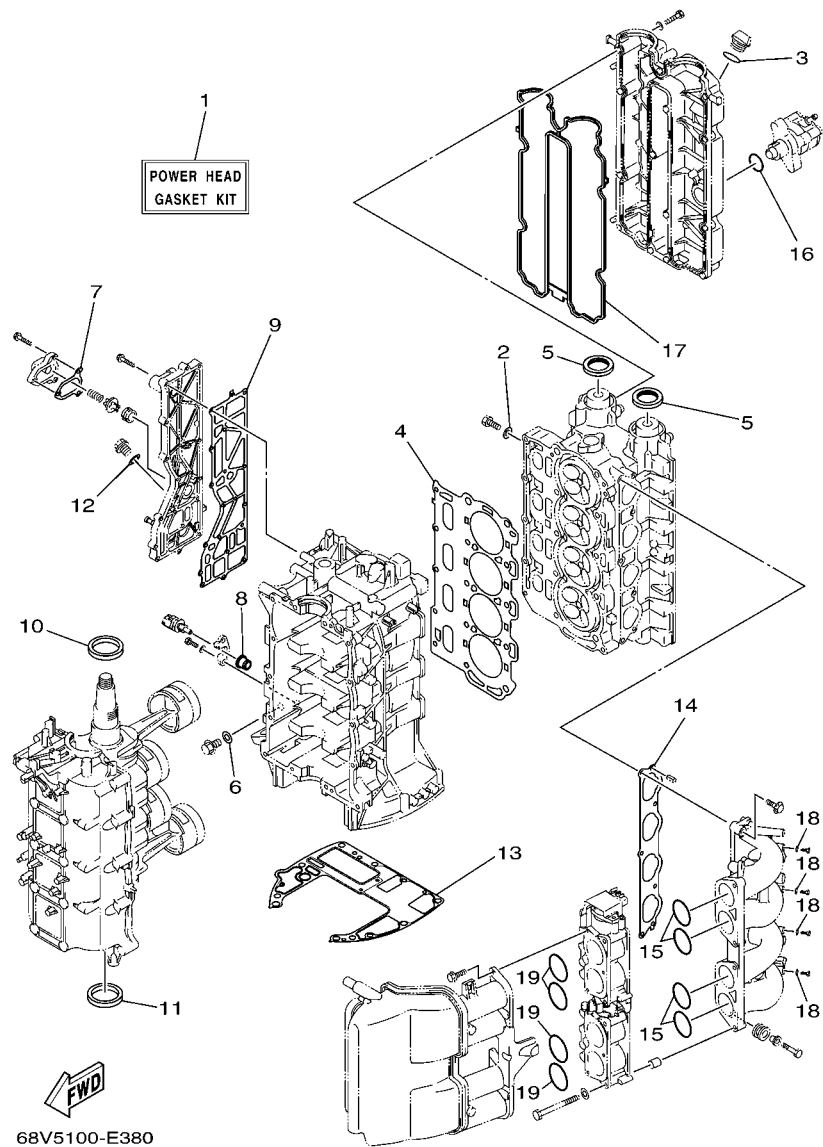


FIG. 38 REPAIR KIT 1

REF. NO.	PART NO.	DESCRIPTION	68V5	68W5		REMARKS
1	68V-W0001-04	POWER HEAD GASKET KIT	1	1		
2	90430-08143	.GASKET	4	4		
3	93210-24M79	.O-RING	1	1		
4	67F-11181-02	.GASKET, CYLINDER HEAD 1	1	1		
5	93102-38M59	.OIL SEAL	2	2		
6	90430-14115	.GASKET	1	1		
7	67F-12435-A0	.GASKET	1	1		
8	68V-85753-00	.GASKET, SENDER UNIT	1	1		
9	6D8-41114-A0	.GASKET, EXHAUST OUTER COVER	1	1		
10	93102-48009	.OIL SEAL	1	1		
11	93101-48002	.OIL SEAL	1	1		
12	90430-18130	.GASKET	1	1		
13	68V-11351-00	.GASKET, CYLINDER	1	1		
14	68V-13645-00	.GASKET, MANIFOLD 1	1	1		
15	93210-48MG8	.O-RING	4	4		
16	93210-30682	.O-RING	1	1		
17	6D8-11356-00	.SEAL, CYLINDER 2	1	1		
18	90430-06014	.GASKET	4	4		
19	93210-48MJ9	.O-RING	4	4		

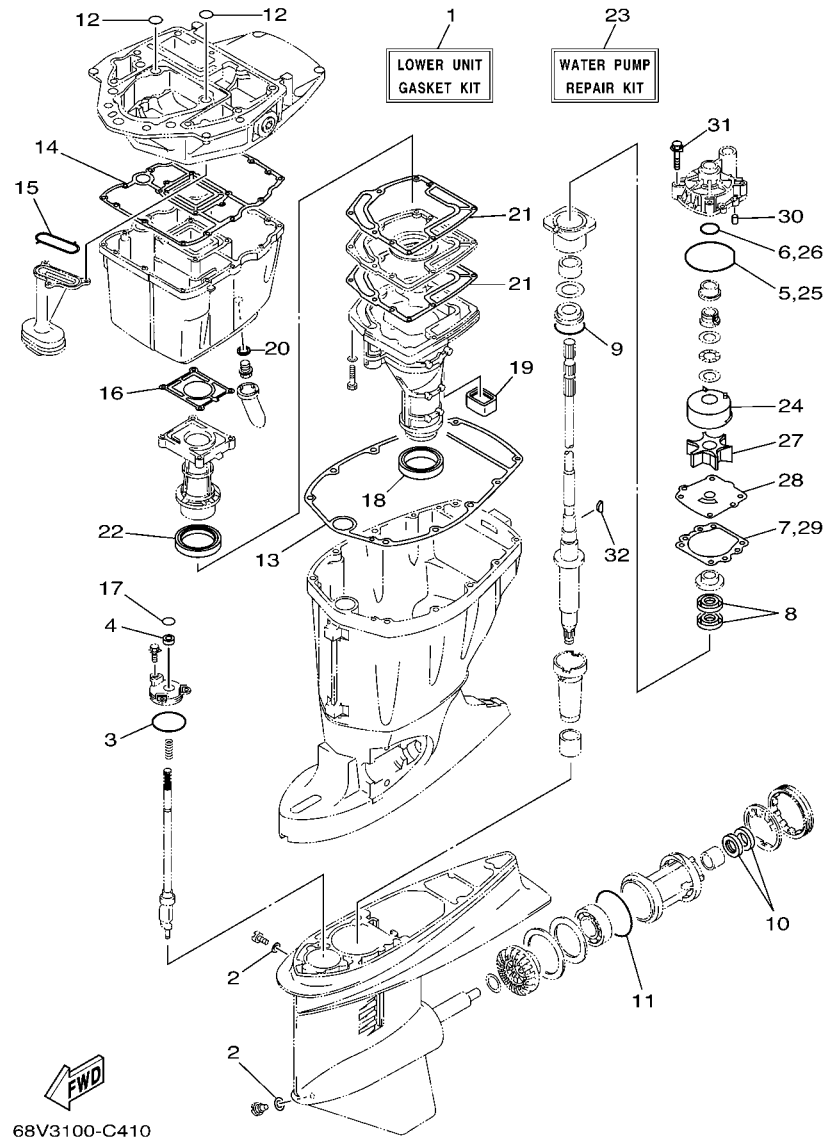


FIG. 39 REPAIR KIT 2

REF. NO.	PART NO.	DESCRIPTION	68V5	68W5	REMARKS
1	68V-W0001-21	LOWER UNIT GASKET KIT	1	1	
2	90430-08020	.GASKET	2	2	
3	93210-58144	.O-RING	1	1	
4	93106-09014	.OIL SEAL	1	1	
5	93210-86M38	.O-RING	1	1	
6	93210-37160	.O-RING	1	1	
7	6E5-44315-A0	.GASKET, WATER PUMP	1	1	
8	93101-28M16	.OIL SEAL	2	2	
9	93210-55M14	.O-RING	1	1	
10	93101-30M17	.OIL SEAL	2	2	
11	93210-86M39	.O-RING	1	1	
12	93210-19MJ1	.O-RING	2	2	
13	67F-45113-00	.GASKET, UPPER CASING	1	1	
14	68V-15312-00	.GASKET, OIL PAN	1	1	
15	67F-13415-00	.SEAL, OIL STRAINER	1	1	
16	67F-41133-A1	.GASKET, EXHAUST MANIFOLD 1	1	1	
17	93210-09165	.O-RING	1	1	
18	68V-45123-00	.GASKET, MUFFLER	1	1	
19	67F-45127-00	.SEAL	1	1	
20	90430-14M09	.GASKET	1	1	
21	67F-41134-A0	.GASKET, EXHAUST MANIFOLD	2	2	
22	67F-41138-00	.SEAL, EXT. 1	1	1	
23	68V-W0078-00	WATER PUMP REPAIR KIT	1	1	
24	61A-44322-02	.INSERT, CARTRIDGE	1	1	
25	93210-86M38	.O-RING	1	1	
26	93210-37160	.O-RING	1	1	
27	6E5-44352-01	.IMPELLER	1	1	

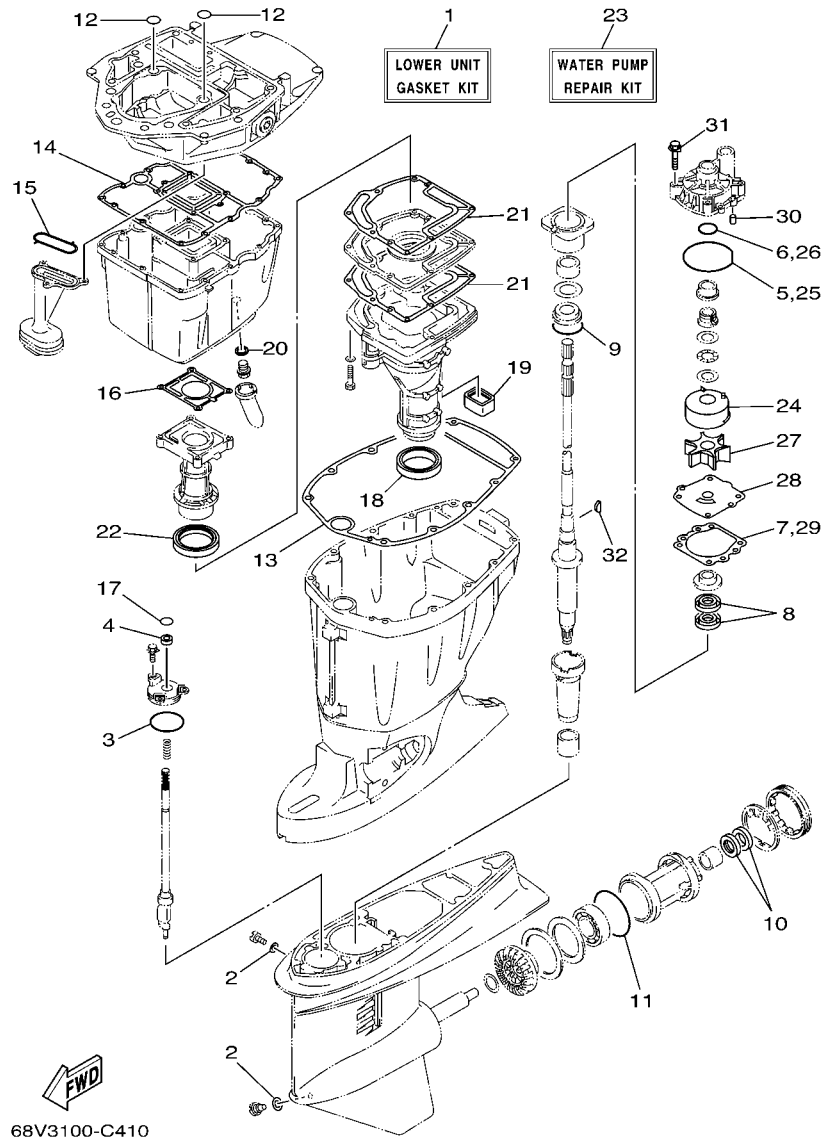


FIG. 39 REPAIR KIT 2

REF. NO.	PART NO.	DESCRIPTION	68V5	68W5		REMARKS
28	68V-44323-00	.OUTER PLATE, CARTRIDGE	1	1		
29	6E5-44315-A0	.GASKET, WATER PUMP	1	1		
30	93606-12019	.PIN, DOWEL	2	2		
31	90119-08M14	.BOLT, WITH WASHER	4	4		
32	90280-04M05	.KEY, WOODRUFF	1	1		

NUMERICAL INDEX

PART NO.	REF. NO.	PART NO.	REF. NO.	PART NO.	REF. NO.	PART NO.	REF. NO.	PART NO.	REF. NO.	PART NO.	REF. NO.
68V-11110-03-94	4 - 2	67F-12138-60	12 - 23	67F-12169-G0	5 - 10	68V-13533-00	9 - 24	68V-14191-00	9 - 14	68V-15311-00-5B	24 - 1
62Y-11119-00	2 - 9	67F-12153-00	5 - 9	67F-12169-H0	5 - 10	68V-13534-00	9 - 32	68V-14200-04	7 - 1	68V-15312-00	24 - 8
67F-11133-10	4 - 3	67F-12168-00	5 - 10	67F-12169-J0	5 - 10	68V-13535-00	9 - 36	68V-14200-11	7 - 1		39 - 14
67F-11168-00	4 - 22	67F-12168-10	5 - 10	67F-12169-K0	5 - 10	68V-13542-00	9 - 23	68V-14225-00	8 - 5	63P-15316-00	24 - 2
67F-11181-02	4 - 17	67F-12168-20	5 - 10	67F-12169-L0	5 - 10	68V-13543-01	9 - 38	69J-14225-00	9 - 39	6D8-15362-00	24 - 30
	38 - 4	67F-12168-30	5 - 10	67F-12169-M0	5 - 10	68V-13544-00	9 - 25	68V-14255-00	9 - 12	6G8-15363-00	4 - 35
68V-11191-00-1S	4 - 21	67F-12168-40	5 - 10	67F-12169-N0	5 - 10	68V-13545-00	9 - 27	68V-14255-10	9 - 12	67F-15373-00	6 - 6
67F-11192-01	4 - 29	67F-12168-50	5 - 10	67F-12171-00	5 - 11	68V-13546-00	9 - 28	68V-14264-00	8 - 12	68V-21841-00	8 - 13
6E5-11325-00	2 - 14	67F-12168-60	5 - 10	67F-12181-00	5 - 12	68V-13547-01	9 - 33	68V-14265-00	8 - 23	68V-2247B-00	8 - 27
68V-11325-01	2 - 27	67F-12168-70	5 - 10	60V-12411-00	4 - 31	68V-13573-00	7 - 21	68V-14291-00-94	6 - 14	68V-2411M-00	8 - 17
	4 - 8	67F-12168-80	5 - 10	68V-12413-00-1S	4 - 32	68V-13574-00	7 - 20	68V-14292-00	6 - 21	68V-24149-00	10 - 24
67F-11327-00-94	4 - 9	67F-12168-A0	5 - 10	6G5-12416-00	2 - 21	68V-13577-00	9 - 31	68V-14321-00	7 - 4	6YJ-24167-00	29 - 7
69J-11327-00-94	2 - 28	67F-12168-B0	5 - 10	67F-12435-A0	2 - 25	68V-13593-00	9 - 21	68V-14323-00	7 - 3	68V-2417H-00	7 - 36
67F-11328-00	2 - 31	67F-12168-C0	5 - 10		38 - 7	67F-13631-03	24 - 22	68V-14331-00	7 - 5	6YK-24201-02	30 - 1
	4 - 12	67F-12168-D0	5 - 10	67F-1243A-00	2 - 33	68V-13641-00-94	7 - 25	68V-14356-00	8 - 11	6YJ-24201-10	29 - 1
68V-11351-00	2 - 36	67F-12168-E0	5 - 10	67F-1246A-01-1S	2 - 24	68V-13645-00	6 - 5	68V-14357-00	8 - 21	6YK-24260-01	30 - 4
	38 - 13	67F-12168-F0	5 - 10	67F-12535-00	17 - 31		38 - 14	68V-14366-00	9 - 6	6Y1-24260-12	29 - 3
6D8-11356-00	38 - 17	67F-12168-G0	5 - 10	68T-12572-00	17 - 30	68V-13716-00	9 - 22	68V-14397-00	8 - 7	6Y1-24268-00	29 - 6
6D8-11356-01	4 - 26	67F-12168-H0	5 - 10	6R3-12581-00	17 - 34	68V-13751-01	7 - 2	68V-14397-10	8 - 7	6YL-24268-01	30 - 2
68V-11411-00	3 - 1	67F-12168-J0	5 - 10	6R3-12582-00	17 - 35	68V-13751-10	7 - 2	68V-14419-10	7 - 24	6Y2-24305-06	29 - 13
67F-11416-00	3 - 4	67F-12168-K0	5 - 10	6R3-12583-00	17 - 36	68V-13752-01	7 - 6	68V-1441J-00	7 - 35	6YK-24306-44	30 - 7
67F-11416-10	3 - 4	67F-12168-L0	5 - 10	68V-13105-00	7 - 8	68V-13752-10	7 - 6	68V-1441L-00	7 - 31	6Y2-24306-45	29 - 8
67F-11416-20	3 - 4	67F-12168-M0	5 - 10	67F-13119-01	24 - 19	68V-13766-00	8 - 4	68V-14428-00	8 - 19	6Y2-24307-50	11 - 1
67F-11417-00	3 - 5	67F-12168-N0	5 - 10	68V-1312A-00	7 - 10	68V-13766-10	8 - 4	68V-14440-00	6 - 16	68V-24311-00	10 - 13
67F-11417-10	3 - 5	67F-12168-P0	5 - 10	68V-13131-00	10 - 17	67F-13769-00	24 - 20	68V-14446-00	8 - 22	68V-24312-00	17 - 37
67F-11417-20	3 - 5	67F-12168-R0	5 - 10	67F-13149-00	24 - 23	68V-13769-00	9 - 4	68V-14453-00	7 - 34	6Y1-24329-00	29 - 5
67F-11417-30	3 - 5	67F-12168-S0	5 - 10	68V-13160-00	8 - 1	68V-13769-10	9 - 4	68V-14475-00	7 - 23	6YL-24329-00	30 - 6
67F-11418-00	3 - 6	67F-12168-T0	5 - 10	68V-13160-10	8 - 1	68V-13781-10	9 - 7		8 - 20	6E5-24351-51	11 - 3
67F-11418-10	3 - 6	67F-12168-U0	5 - 10	67F-13300-10	24 - 14	68V-13784-00	9 - 9	68V-14496-00	7 - 19		29 - 10
67F-11418-20	3 - 6	67F-12168-V0	5 - 10	67F-13314-02	24 - 15	68V-13906-01	8 - 9	68V-14511-00	7 - 13	6Y2-24360-60	11 - 5
6D8-11536-00	5 - 23	67F-12168-W0	5 - 10	67F-13329-00	24 - 17	68V-13907-02	9 - 17	68V-14546-00	9 - 16		29 - 12
67F-11537-00	5 - 14	67F-12168-X0	5 - 10	67F-13338-00	24 - 25	68V-13907-10	9 - 17	68V-14546-10	9 - 16	68V-24374-00	10 - 20
67F-11590-00	5 - 18	67F-12168-Y0	5 - 10	67F-13339-00	24 - 24	67F-13914-00	24 - 21	68V-14565-00	8 - 10	68V-24377-00	9 - 29
67F-11595-00	5 - 21	67F-12169-00	5 - 10	67F-13411-00	24 - 9	68V-13915-00	9 - 8	68V-14567-00	9 - 11	6R3-24377-10	10 - 35
6D8-11603-01	3 - 9	67F-12169-10	5 - 10	67F-13415-00	24 - 13	68V-13915-10	9 - 8	68V-14592-00	9 - 13	68V-24379-00	9 - 30
6D8-11604-01	3 - 9	67F-12169-20	5 - 10		39 - 15	68V-13971-00	8 - 14	68V-14592-10	9 - 13	68V-24387-00	9 - 19
68V-11656-00	3 - 10	67F-12169-30	5 - 10	67F-13434-03	1 - 36	68V-13971-10	8 - 14	68V-14711-10-5B	23 - 9	68V-24410-00	10 - 14
68V-11656-10	3 - 10	67F-12169-40	5 - 10	68V-13435-00	8 - 6	68V-13972-00	8 - 15	68V-14711-30-5B	23 - 9	68V-24411-00	10 - 19
68V-11656-20	3 - 10	67F-12169-50	5 - 10	68V-13437-41	12 - 24	68V-13972-10	8 - 15	68V-14777-00	7 - 22	68V-24412-00	10 - 15
68V-11656-30	3 - 10	67F-12169-60	5 - 10	68V-13437-51	12 - 24	68V-13973-10	9 - 20		8 - 18	68V-24413-00	10 - 21
68V-12111-00	5 - 1	67F-12169-70	5 - 10	68V-13437-61	12 - 24	68V-1410B-00	8 - 3	68V-14807-00	9 - 18	68V-24414-00	10 - 22
67F-12114-00	5 - 4	67F-12169-80	5 - 10	5GH-13440-00	2 - 41	68V-14126-00	9 - 15	68V-14807-10	9 - 18	68V-24423-00	10 - 18
67F-12116-00	5 - 3	67F-12169-A0	5 - 10	68V-13473-00	7 - 11	68V-14180-02	9 - 1	68V-14960-00	7 - 9	68V-24444-00	10 - 23
67F-12117-00	5 - 5	67F-12169-B0	5 - 10	67F-13473-01	24 - 16	68V-14180-10	9 - 1	68V-14984-00	9 - 10	68V-24454-00	10 - 16
67F-12118-00	5 - 6	67F-12169-C0	5 - 10	68V-13490-01	9 - 37	68V-14181-00	9 - 3	68V-14984-10	9 - 10	68V-24469-01	10 - 7
68V-12121-00	5 - 2	67F-12169-D0	5 - 10	68V-13490-10	9 - 37	68V-14181-10	9 - 3	68V-14985-00	9 - 5	68V-2447A-00	8 - 26
67F-12138-40	12 - 23	67F-12169-E0	5 - 10	67F-13495-00	24 - 18	68V-14182-01	9 - 2	68V-15100-02-1S	2 - 2	67F-24491-00	10 - 32
67F-12138-50	12 - 23	67F-12169-F0	5 - 10	68V-13532-00	9 - 26	68V-14182-10	9 - 2	67F-15142-00	2 - 13	68V-24495-00	10 - 29

NUMERICAL INDEX

PART NO.	REF. NO.	PART NO.	REF. NO.	PART NO.	REF. NO.	PART NO.	REF. NO.	PART NO.	REF. NO.	PART NO.	REF. NO.
68V-24502-01	9 - 34	68V-42677-10	1 - 25	64E-43817-00	21 - 5	64E-4388J-00	21 - 3	61A-44575-00	20 - 17	68V-45501-30	25 - 43
68V-24502-11	9 - 34	68V-42677-A0	1 - 25	64E-43817-10	22 - 19	64E-43891-00	22 - 31	68V-44581-01	2 - 4		27 - 45
68V-24519-00	8 - 16	68V-42678-10	1 - 26	64E-43818-01	21 - 32	64E-43892-00	22 - 34	68V-45111-11-8D	23 - 18	61A-45527-00	25 - 23
68V-24521-01	10 - 4	68V-42678-B0	1 - 26	64E-4381G-00	21 - 27	6E5-43896-00	22 - 9	68V-45111-31-8D	23 - 18		27 - 25
68V-24560-01	10 - 3	68V-42681-10	1 - 28	64E-43820-00	21 - 15	64E-43897-00	21 - 24	67F-45113-00	23 - 27	6E5-45536-00	25 - 9
68V-24563-00	10 - 5	68V-42682-10	1 - 29	64E-43821-00	21 - 16	64E-43898-00	21 - 7		39 - 13		27 - 11
68V-24566-00	10 - 9	68V-42710-01-8D	17 - 1	64E-43822-00	21 - 17	68V-44117-00	18 - 5	663-45119-00	19 - 14	61A-45538-00	25 - 20
67F-24575-00	10 - 28	648-42715-00	18 - 27	64E-43825-01	21 - 2	68V-44118-00	18 - 22	68V-45123-00	23 - 10		27 - 22
6YJ-24610-01	29 - 2	61A-42716-00	17 - 39	64E-43827-00	22 - 22	68V-44120-10	18 - 17		39 - 18	6L6-45538-00	27 - 6
6YK-24610-01	30 - 3	67F-42717-00	17 - 25	64E-43828-00	21 - 22	68V-44120-30	18 - 17	67F-45127-00	23 - 17	68V-45551-00	25 - 44
68V-2481H-00	8 - 28	68V-42718-00	1 - 20	64E-43829-00	21 - 23	68V-44121-00	18 - 15		39 - 19		27 - 46
	9 - 35	67F-42724-00	23 - 31	64E-4382G-00	21 - 29	68V-44122-01	18 - 12	67F-45151-00	23 - 23	68V-45560-00	25 - 46
67F-28100-01	10 - 38	68V-42725-00	17 - 19	68V-43830-00	22 - 4	67F-44135-00	18 - 37	6H3-45155-00	23 - 26	68W-45560-00	27 - 48
67F-2812A-00	14 - 32	68V-42725-10	17 - 19	64E-43831-00	22 - 2	6L6-44150-01	25 - 17	67F-45181-00-5B	23 - 15	6E5-45567-01	25 - 5
6A1-28176-00	17 - 50	6H1-42726-21	17 - 22	64E-43841-00	22 - 7	6E5-44150-02	27 - 19	688-45214-02	26 - 11		27 - 7
61H-2819R-31	10 - 37	6G1-42727-00	23 - 4	64E-43843-00	22 - 6	61A-44311-01	25 - 24		28 - 11	6E5-45567-10	25 - 5
6D8-41113-00-1S	2 - 16	68V-42738-00-5B	17 - 17	64E-43843-10	22 - 38		27 - 26	688-45215-02	26 - 12		27 - 7
6D8-41114-A0	2 - 19	67F-42741-01-8D	17 - 40	64E-4384J-00	21 - 18	6E5-44312-00	26 - 4		28 - 12	6E5-45567-20	25 - 5
	38 - 9	6H4-42748-00	17 - 24	64E-43850-00	22 - 15		28 - 4	6G5-45251-02	19 - 2		27 - 7
67F-41131-01-5B	23 - 5	68F-42753-00	17 - 46	66Y-43851-00	22 - 11	6E5-44315-A0	25 - 31	68V-45300-12-8D	25 - 1	6E5-45567-30	25 - 5
67F-41133-A1	23 - 6	67F-42756-00	17 - 20	68V-43855-00	22 - 14		27 - 33	68V-45300-32-8D	25 - 1		27 - 7
	39 - 16	67F-42761-00-94	2 - 37	64E-43858-00	22 - 12		39 - 7	68W-45300-32-8D	27 - 1	6E5-45567-40	25 - 5
67F-41134-A0	23 - 14	67F-42815-00-8D	17 - 5	6E5-43858-00	21 - 28	61A-44322-02	25 - 25	6E5-45301-05-8D	25 - 2		27 - 7
	39 - 21	67F-42816-00-8D	17 - 6	72X-43858-00	22 - 5		27 - 27		27 - 2	6E5-45567-50	25 - 5
67F-41137-02-94	23 - 1	68V-42818-01	17 - 9	64E-43859-00	22 - 13		39 - 24	6E5-45318-00	23 - 21		27 - 7
67F-41138-00	23 - 16	67F-42828-00-5B	17 - 7	64E-43860-00	22 - 20	68V-44323-00	25 - 30	6E5-45321-00	25 - 13	6E5-45567-60	25 - 5
	39 - 22	68V-43111-01-8D	19 - 1	6E5-43862-00	21 - 10		27 - 32		27 - 15		27 - 7
68V-41237-00	7 - 28	68V-43112-01-8D	19 - 9	6G5-43863-00	22 - 10		39 - 28	6E5-45331-00-94	25 - 34	68W-45570-10	27 - 63
6H4-41237-00	7 - 29	64E-43126-00	19 - 37	6E5-43864-00	21 - 20	6E5-44352-01	25 - 28		27 - 36	68V-45571-00	25 - 60
68V-42154-00	18 - 36	64E-43131-01	19 - 15	6G5-43864-00	21 - 19		27 - 30	6E5-45332-00-94	25 - 58	6E5-45576-00	25 - 61
68V-42157-00	18 - 30	64E-43139-02	20 - 1	64E-43865-00	22 - 16		39 - 27	6L6-45332-00-94	27 - 61	6L6-45576-00	27 - 64
68V-42171-00	18 - 31	64D-43144-00	17 - 14	6G5-43865-00	22 - 35	68V-44361-11	26 - 2	688-45341-10	25 - 7	6L6-45577-00	25 - 65
68V-42510-10-8D	20 - 10	66T-43144-00	19 - 27	64E-43866-00	21 - 9	68V-44361-30	26 - 2		27 - 9		27 - 70
68V-42510-30-8D	20 - 10	6E5-43145-01	31 - 8	64E-43867-00	21 - 8		28 - 2	6E5-45344-00	25 - 40	6L6-45577-10	25 - 65
68V-42610-12-8D	1 - 1	6G5-43148-00	19 - 32	64E-43868-00	22 - 3	6E5-44365-00	26 - 3		27 - 42		27 - 70
68V-42610-B2-8D	1 - 1	6G5-43181-02	19 - 29	64E-43869-00	21 - 26		28 - 3	6L6-45371-00	28 - 15	6L6-45577-20	25 - 65
68V-42612-00-8D	1 - 17	6G5-43185-02	19 - 30	6H1-4386K-10	22 - 29	6E5-44366-00	26 - 1	6E5-45371-01	26 - 15		27 - 70
68V-42613-00	1 - 15	64E-43311-10-8D	19 - 22	6E5-43872-00	21 - 12		28 - 1	688-45375-00	26 - 10	6L6-45577-30	25 - 65
68V-42615-00	1 - 21	64E-43311-20-8D	19 - 22	64E-43873-00	22 - 24	6H3-44391-01	1 - 32		28 - 10		27 - 70
68V-42617-00	1 - 30	63P-43376-00	20 - 7	6E5-43874-01	21 - 21		17 - 23	663-45376-00-94	26 - 9	6L6-45577-40	25 - 65
68V-42619-00	1 - 31	68V-43800-01-4D	21 - 1	64E-43875-00	22 - 25	67F-44514-00-94	20 - 28		28 - 9		27 - 70
68V-42628-00	1 - 19	64E-43802-00	22 - 8	64E-43879-00	22 - 27	67F-44526-00	20 - 31	6E5-45378-00	25 - 10	6L6-45577-50	25 - 65
68V-42632-00	1 - 22	64E-43805-00	22 - 37	64E-43879-10	22 - 26	6G5-44526-00	19 - 3		27 - 12		27 - 70
68V-42647-00	1 - 2	64E-4380F-00	22 - 33	64E-4387A-00	22 - 23	67F-44533-00	20 - 33	688-45383-02	25 - 68	6L6-45577-60	25 - 65
67F-42649-00	1 - 11	64E-4380J-00	22 - 30	68V-43880-01	22 - 28	68F-44533-00	2 - 40		27 - 72		27 - 70
68V-42651-00	1 - 5	64E-43810-00	21 - 6	64E-43883-00	21 - 11	68V-44551-00-8D	20 - 15	688-45384-00	25 - 69	6K1-45578-01	27 - 66
68V-42652-00	1 - 8	6E5-43814-Q2	21 - 13	64E-4388E-00	21 - 25	68V-44553-00-8D	20 - 25		27 - 73	6K1-45578-10	27 - 66
67F-42662-00	1 - 14	64E-43816-00	22 - 17	64E-4388E-10	22 - 1	61A-44555-01-94	20 - 18	68V-45501-10	25 - 43	6K1-45578-20	27 - 66

NUMERICAL INDEX

PART NO.	REF. NO.	PART NO.	REF. NO.	PART NO.	REF. NO.	PART NO.	REF. NO.	PART NO.	REF. NO.	PART NO.	REF. NO.
6K1-45578-30	27 - 66	688-45978-60-98	26 - 27	703-48227-00	33 - 24	704-48285-10	34 - 65	68F-81820-00	16 - 7	68V-82317-00	13 - 2
6K1-45578-40	27 - 66	63P-45987-00	26 - 22	704-48229-00	34 - 60	701-48287-00	33 - 42	67F-81821-00	16 - 13	6A0-82317-00	14 - 24
6K1-45578-50	27 - 66		28 - 22	704-48229-P1	34 - 35	704-48287-00	34 - 20	6K7-81826-10	16 - 24	67F-82361-00	13 - 12
6K1-45578-60	27 - 66	688-45997-01	26 - 23	704-48231-00	34 - 25	703-48291-10	33 - 39	67F-81828-00	16 - 25	67F-82362-00	13 - 13
6E5-45587-01	25 - 37		28 - 23	703-48232-00	33 - 62	703-48293-10	33 - 41	68V-8182L-00	7 - 16	68V-82377-00	17 - 49
	27 - 39	67F-46241-00	5 - 17	704-48232-P1	34 - 40	701-48320-50	32 - 3	67F-81830-00	16 - 17	63V-82377-50	19 - 40
6E5-45587-10	25 - 37	704-48119-40	34 - 68	704-48233-00	34 - 53	701-48320-60	32 - 3	67F-81832-00	16 - 11	68V-82380-00	7 - 17
	27 - 39	EL8-48127-00	34 - 23	703-48234-00	33 - 18	701-48320-80	32 - 3	67F-81836-00	16 - 12	68V-82388-00	13 - 10
6E5-45587-20	25 - 37	704-48128-00	34 - 2	704-48234-00	34 - 48	663-48344-00	18 - 3	67F-81839-00	16 - 21	68V-82504-00	15 - 23
	27 - 39	704-48144-20	34 - 50	703-48235-00	33 - 4	703-48345-01	33 - 19	67F-8183R-00	16 - 16	61B-82510-01	37 - 4
6E5-45587-30	25 - 37	703-48152-00	33 - 57	704-48235-00	34 - 54		34 - 19	60V-8183T-00	16 - 18	6K1-82510-06	36 - 3
	27 - 39	703-48153-00	33 - 3	703-48236-00	33 - 16	701-48350-00	32 - 3	68F-81840-00	16 - 4	703-82510-12	33 - 44
6E5-45587-40	25 - 37	704-48153-00	34 - 55	703-48238-00	33 - 22	701-48350-20	32 - 3	67F-81841-00	16 - 14	703-82510-43	33 - 44
	27 - 39	704-48156-00	34 - 63	704-48238-00	34 - 39	703-48358-00	33 - 20	67F-81842-00	16 - 20	6D8-8252H-00	15 - 29
6E5-45587-50	25 - 37	EL8-48164-00	34 - 41	EL8-48241-00	34 - 26		34 - 24	67F-81846-00	16 - 26	703-82531-00	33 - 46
	27 - 39	704-48166-00	34 - 56	704-48242-10	34 - 42	68V-48511-00-8D	20 - 35	67F-81850-00	16 - 2		35 - 27
6E5-45587-60	25 - 37	704-48167-10	34 - 69	703-48243-00	33 - 15	67F-48538-00	18 - 1	67F-81857-00	16 - 9	68V-82532-00	14 - 16
	27 - 39	704-48176-10	34 - 51	703-48244-00	33 - 21	6E5-61301-01	31 - 10	67F-81869-00	16 - 23	6K1-82532-00	36 - 5
68W-45611-00	27 - 51	704-48178-00	34 - 66	EL8-48244-00	34 - 30	6E5-61303-00	31 - 14	67F-81891-00	16 - 15	703-82540-00	33 - 50
6E5-45611-01	25 - 48	703-48189-00	33 - 17	703-48245-00	33 - 11	6E5-61311-11	31 - 12	68V-81919-00	14 - 50	704-82540-30	34 - 10
68V-45631-01	25 - 56	EL8-48191-00	34 - 16	EL8-48245-00	34 - 31	6E5-61313-00	31 - 11	68V-81919-10	14 - 51	703-82542-00	33 - 63
	27 - 59	704-48192-00	34 - 44	701-48246-00	34 - 5	6E5-61315-00	31 - 13	60V-81925-00	16 - 28	6D8-82544-00	6 - 9
6E5-45633-01	25 - 57	704-48192-P0	34 - 52	703-48246-00	33 - 23	6E5-61350-02	31 - 1	68V-81941-01	16 - 22	68F-82553-80	35 - 18
	27 - 60	703-48198-00	33 - 14	701-48248-00	33 - 13	6E5-61351-01	31 - 2	68V-81942-03	14 - 31	68F-82553-90	35 - 18
6E5-45634-01	25 - 50	703-48205-17	32 - 1		34 - 38	6E5-61355-00	31 - 5	68V-81948-02	14 - 23	682-82556-00	33 - 48
	27 - 53		33 - 1	EL8-48251-00	34 - 3	68V-81145-01	7 - 14	68V-81949-00	14 - 15		36 - 7
6K1-45641-01	25 - 49	703-48205-A5	32 - 1	703-48252-00	33 - 12	68V-81146-01	7 - 12	68V-8194A-00	14 - 7		37 - 7
6E5-45641-03	27 - 52		33 - 1	EL8-48254-00	34 - 27	68V-81147-00	7 - 18	68V-81950-00	14 - 5	703-82563-02	33 - 55
6L6-45930-01-98	28 - 27	703-48207-17	32 - 1	EL8-48259-00	34 - 7		8 - 8	704-81950-10	34 - 58	63D-82563-10	15 - 25
688-45930-02-98	26 - 27		33 - 1	704-48261-00	34 - 15	68V-81315-00	15 - 24	68V-81953-00	14 - 8	703-82563-12	33 - 55
688-45932-60-98	26 - 27	704-48207-P0	32 - 2	703-48261-01	33 - 2	445-81328-20	12 - 7	68V-8195B-01	14 - 14	704-82563-50	34 - 34
6E5-45941-00-EL	26 - 27		34 - 1	704-48262-00	34 - 8	67F-8132G-01	15 - 1	68V-81960-00	13 - 14	704-82563-H0	34 - 61
6E5-45943-00-EL	26 - 27	703-48211-01	33 - 61	703-48264-00	33 - 6	6D8-81332-00	12 - 16	6K1-81980-00	36 - 18	704-82563-J0	34 - 64
6E5-45945-01-EL	26 - 27	703-48212-00	33 - 58	704-48264-00	34 - 9	67F-81337-01	12 - 19	68V-82105-00	14 - 1	61B-82570-03	37 - 1
6E5-45947-00-EL	26 - 27	703-48213-00	33 - 59	703-48265-00	33 - 9	63D-81345-20	12 - 5	6Y5-82117-00	35 - 17	6K1-82570-08	36 - 1
6E5-45949-00-EL	26 - 27	703-48215-00	33 - 43	704-48265-00	34 - 4	68V-81410-00	12 - 4	6G5-82119-00	14 - 13	6K1-82571-02	36 - 2
6E5-45952-00-EL	26 - 27	704-48215-30	34 - 12	703-48268-00	33 - 5	68V-81450-00	12 - 1	703-82119-00	20 - 4		37 - 3
6E5-45954-00-EL	26 - 27	703-48218-00	33 - 64	703-48271-00	33 - 60	68V-81460-00	12 - 2	682-82119-01	14 - 17	6K1-82575-00	36 - 6
6E5-45956-00-EL	26 - 27	703-48219-00	33 - 30	704-48271-00	34 - 22	6D8-81518-00	14 - 33	6E5-82148-00	19 - 6		37 - 6
6L6-45970-00-98	28 - 27	704-48219-P0	34 - 49	EL8-48279-00	34 - 47	6D8-81528-00	15 - 4	66K-82149-00	19 - 26	688-82575-01	33 - 47
688-45970-03-98	26 - 27	703-48221-00	33 - 56	703-48281-00	33 - 31	68V-81673-00	12 - 8	68V-82149-30	19 - 26	676-82577-00	33 - 45
62A-45970-10	26 - 27	704-48221-P0	34 - 67	704-48281-00	34 - 13	68V-81800-01	16 - 1	1E6-82151-00	35 - 16		37 - 5
6L6-45972-00-98	28 - 27	703-48222-00	33 - 27	EL8-48281-00	34 - 11	67F-81801-00	16 - 5	67F-82151-00	14 - 35	703-82577-00	33 - 45
688-45972-02-98	26 - 27	704-48222-P0	34 - 32	703-48282-00	33 - 32	67F-81807-00	16 - 10	67F-82151-10	14 - 36		36 - 4
62A-45972-10	26 - 27	703-48223-00	33 - 28	704-48283-00	34 - 17	67F-81808-00	16 - 8	67F-8215B-10	14 - 39	6E3-8257H-00	17 - 51
688-45974-02-98	26 - 27	703-48225-00	33 - 29	703-48284-00	33 - 52	67F-81809-00	16 - 19	67F-8215B-20	14 - 40	6D8-82581-00	14 - 44
62A-45974-10	26 - 27	6X3-48225-20	34 - 43	703-48284-10	33 - 52	67F-81810-00	16 - 3	68V-82310-00	13 - 5	68F-82582-00	16 - 29
688-45976-01-98	26 - 27	703-48226-00	33 - 26	704-48284-P0	34 - 57	67F-81813-00	16 - 6	68V-82310-10	13 - 6	68V-82582-10	14 - 53

NUMERICAL INDEX

PART NO.	REF. NO.	PART NO.	REF. NO.	PART NO.	REF. NO.	PART NO.	REF. NO.	PART NO.	REF. NO.	PART NO.	REF. NO.
6E5-82587-00	15 - 26	67H-83672-00	20 - 3	90109-14007	20 - 22	90179-08003	16 - 27	90340-14M06	24 - 3	90447-10003	14 - 37
6E5-82588-00	17 - 26	64E-83672-02	20 - 3	90116-10175	20 - 36	90179-24002	12 - 15	90340-18M09	2 - 17	90462-08018	1 - 34
61A-82588-01	18 - 7	6Y5-83728-00	35 - 12	90119-06M10	25 - 16	90185-05002	26 - 14	90344-51019	4 - 4	90464-06001	13 - 11
61B-82588-01	37 - 2	72X-85075-L0	22 - 21		27 - 18		28 - 14	90386-06M12	18 - 16	90464-12M58	14 - 28
68V-82588-10	15 - 9	689-85547-00	10 - 1	90119-06M49	6 - 15	90185-09M01	31 - 6	90386-10M16	19 - 31	90464-16001	2 - 43
61B-8258A-01	36 - 24	68V-85548-00	14 - 29	90119-06M59	13 - 4	90185-10051	20 - 37	90386-15M73	17 - 10	90464-18004	17 - 48
688-8258A-10	14 - 52	68V-85580-00	12 - 3		14 - 26	90185-12M12	20 - 34	90386-22M98	19 - 38	90464-20258	17 - 47
688-8258A-20	33 - 49	6Y5-85752-01	35 - 24	90119-06M82	6 - 18	90185-22M11	19 - 20		21 - 33	90465-06M86	15 - 21
6K1-8258A-40	36 - 23	68V-85753-00	15 - 18	90119-06M83	10 - 27	90201-06068	17 - 12	90386-25M31	19 - 18	90465-08M23	17 - 28
	37 - 22		38 - 8	90119-06M92	12 - 22	90201-06M31	18 - 44	90386-38M32	20 - 13	90465-08M63	19 - 23
704-82590-10	34 - 59	67F-85757-00	15 - 17	90119-06MA2	2 - 26	90201-08M12	10 - 31	90386-90M90	18 - 19	90465-11M10	2 - 34
68V-82590-11	14 - 34	67F-85790-00	15 - 16	90119-06MA4	2 - 20	90201-08M14	21 - 30	90387-06119	13 - 3		6 - 7
68V-82590-41	14 - 34	61B-85830-00	37 - 13	90119-06ME1	6 - 19	90201-09M02	18 - 20		14 - 25		8 - 29
703-82591-00	33 - 53	6K1-85830-01	36 - 13	90119-07234	4 - 7	90201-10M02	18 - 32	90387-06M21	18 - 34		10 - 8
703-82592-00	33 - 54	68V-85885-00	7 - 15	90119-07235	4 - 5	90201-10M20	31 - 7	90387-06M43	17 - 45		17 - 38
68V-82594-00	14 - 27	65L-85886-00	6 - 20		10 - 33	90201-10M76	31 - 17	90387-06M64	24 - 12		19 - 21
703-82594-00	33 - 25	68V-8591A-14	13 - 1	90119-08M14	25 - 33	90201-12M05	19 - 43	90387-06M71	12 - 20		20 - 6
704-82594-00	34 - 33	68V-8591A-22	13 - 1		27 - 35	90201-12M09	20 - 32	90387-08M32	6 - 3		26 - 19
60V-8259F-00	18 - 6	68V-8591A-30	13 - 1		39 - 31	90201-13M01	19 - 42	90387-08M37	17 - 4		28 - 19
68V-8259M-01	15 - 8	68V-8591A-40	13 - 1	90119-08M22	17 - 2	90201-15M58	20 - 21	90387-10M05	19 - 34		35 - 13
68V-8259N-00	7 - 33	6Y5-87122-S0	35 - 14	90119-08M58	23 - 30	90201-16M55	20 - 20	90387-10M08	4 - 18	90465-11M52	14 - 47
6R5-83383-00	37 - 12	68V-8A360-00	8 - 2	90119-08M66	2 - 6	90201-22M01	25 - 21	90387-10M61	31 - 3	90465-12M03	6 - 11
703-83383-02	33 - 51	68V-8A360-10	8 - 2	90119-08M68	6 - 2		27 - 23	90401-20145	2 - 42	90465-13M18	6 - 24
688-83383-11	36 - 12	K1C-A3275-00	3 - 8	90119-08M91	4 - 20	90201-24014	12 - 14	90430-06014	8 - 25		14 - 48
703-83383-B0	33 - 51	K0A-A3721-00	5 - 7	90119-10M06	5 - 15	90201-26M00	27 - 50		38 - 18		15 - 12
6Y5-83500-S5	35 - 6	K0A-A3722-00	5 - 8	90119-10M08	23 - 19	90201-26M59	19 - 19	90430-08020	25 - 8	90467-20M15	2 - 35
6Y5-8350F-00	35 - 21	68V-W0001-04	38 - 1	90119-10M72	5 - 22	90201-30M92	25 - 66		27 - 10		6 - 8
6Y5-8350T-03	35 - 1	68V-W0001-21	39 - 1	90119-10M88	2 - 5	90201-38M60	20 - 11		39 - 2	90468-18008	18 - 4
6Y5-83533-T2	35 - 10	68V-W0070-10	1 - 27	90119-10M89	26 - 8	90202-07M07	18 - 13	90430-08143	4 - 16	90480-06M19	11 - 4
6Y5-83553-00	35 - 15	68V-W0078-00	39 - 23		28 - 8	90202-32M19	20 - 19		38 - 2	90480-12072	2 - 12
6Y5-83553-F1	35 - 23	68V-W009A-04-1S	4 - 1	90149-05M05	36 - 19	90202-40M47	20 - 14	90430-14115	2 - 8		4 - 25
6Y5-83553-M0	35 - 15	68V-W009B-06-1S	2 - 1		37 - 18	90206-10M04	18 - 33		38 - 6	90480-13M24	15 - 5
6Y5-83557-10	35 - 19	68V-W1164-01	3 - 7	90152-05M07	26 - 13	90206-15M18	17 - 11	90430-14M09	24 - 4		17 - 44
6Y5-83557-31	35 - 11	68V-W1164-11	3 - 7		28 - 13	90206-22M19	25 - 22		39 - 20	90480-15M31	12 - 21
6E5-83558-00	26 - 18	90101-09M70	31 - 18	90157-05M16	30 - 5		27 - 24	90430-18130	2 - 18	90480-20M05	2 - 23
	28 - 18	90101-12M03	19 - 41	90158-06002	35 - 25	90249-06M19	19 - 33		38 - 12	90480-22M15	17 - 3
6E5-83558-10	25 - 12	90101-12M05	19 - 41	90159-06M28	17 - 42	90250-08M07	25 - 55	90445-076K2	26 - 17	90501-11M10	25 - 19
	27 - 14	90101-12M77	19 - 41	90159-06M29	4 - 30		27 - 58		28 - 17		27 - 21
6Y5-83570-S5	35 - 7	90105-10M00	26 - 16	90167-06002	17 - 32	90280-04008	5 - 25	90445-07ME8	25 - 11	90501-12082	18 - 26
67F-83614-00	15 - 27		28 - 16	90170-09M05	31 - 19	90280-04M05	25 - 29	90445-07ME9	25 - 11	90501-16M11	2 - 22
6K1-83614-01	36 - 8	90105-10M89	4 - 19	90170-14M06	31 - 15		27 - 31		27 - 13	90501-16M37	25 - 51
	37 - 8	90109-06M80	17 - 15	90170-16M01	25 - 45		39 - 32	90445-10M18	1 - 33		27 - 54
6K1-83623-41	12 - 27	90109-06M81	17 - 27		27 - 47	90280-04M08	12 - 13	90445-13M01	11 - 2	90506-14M24	19 - 36
6K1-83623-50	12 - 28	90109-06M82	17 - 8	90170-40003	5 - 24	90282-04010	25 - 67		29 - 9	90506-16M34	17 - 16
6A1-83625-41	12 - 25	90109-06M86	15 - 28	90171-18M04	26 - 25		27 - 71	90445-13M35	29 - 11	90506-16M39	5 - 19
6A1-83625-51	12 - 26		17 - 21		28 - 25	90340-08002	25 - 6	90445-13M37	10 - 2	90560-12M01	31 - 4
68V-83626-00	4 - 37		18 - 2	90179-06M28	1 - 18		27 - 8	90445-15M03	5 - 20	91490-20015	18 - 21
67F-83627-01	16 - 34	90109-12007	20 - 30		18 - 35	90340-14M06	2 - 7	90447-07007	14 - 38	91490-40030	26 - 26



NUMERICAL INDEX

PART NO.	REF. NO.	PART NO.	REF. NO.	PART NO.	REF. NO.	PART NO.	REF. NO.	PART NO.	REF. NO.	PART NO.	REF. NO.
91490-40030	28 - 26	92995-06600	19 - 8	93210-48MJ9	38 - 19	93606-19M23	23 - 13	97095-06014	15 - 6	98580-05010	33 - 37
91609-25014	10 - 30		23 - 8	93210-55M14	25 - 39	93608-12M05	26 - 5	97095-06016	10 - 11	98586-05016	29 - 4
91690-30020	19 - 35		24 - 6		27 - 41		28 - 5		15 - 2	98780-04016	2 - 15
91690-50014	6 - 4	92995-08100	19 - 17		39 - 9	93608-16M16	23 - 3		17 - 13	98780-05018	34 - 29
91809-08006	4 - 6	92995-08600	4 - 14	93210-58144	25 - 14	93700-06M03	19 - 13	97095-06020	2 - 10	98980-05010	36 - 9
	10 - 34		6 - 23		27 - 16	94702-00400	4 - 38		13 - 18		37 - 9
92780-06020	34 - 28		25 - 42		39 - 3	95333-08600	16 - 32		14 - 41	98980-06020	36 - 14
92903-06100	14 - 3		27 - 44	93210-86M38	25 - 26	95380-04600	35 - 5		15 - 13		37 - 14
92903-06600	14 - 4	92995-10100	20 - 27		27 - 28	95380-05600	33 - 7	97095-06025	2 - 38	99001-08600	25 - 18
92903-08100	16 - 33		26 - 7		39 - 5		34 - 21		4 - 33		27 - 20
92903-08600	16 - 31		28 - 7	93210-86M39	25 - 64		36 - 11		13 - 7	99530-08012	12 - 9
92907-04600	4 - 24	92995-10600	20 - 9		27 - 69		37 - 11	97095-06030	4 - 27	99530-10114	7 - 26
92907-06600	24 - 11	92995-14600	20 - 24		39 - 11	95380-05700	7 - 30		12 - 10	9E450-04433	35 - 2
92990-04100	35 - 4	93101-28M16	25 - 35	93306-208U0	25 - 59	95380-06600	1 - 4		19 - 4	9E450-04533	35 - 3
92990-05100	36 - 10		27 - 37	93315-345W0	27 - 4		17 - 41	97095-06035	18 - 39		
	37 - 10		39 - 8	93315-425U7	25 - 47		33 - 40	97095-06040	18 - 10		
92990-05200	1 - 23	93101-30M17	25 - 63		27 - 49		34 - 37	97095-06045	24 - 26		
92990-05300	34 - 36		27 - 68	93315-430U8	25 - 62		36 - 15	97095-08014	4 - 15		
92990-05600	36 - 22		39 - 10	93315-628U9	25 - 3		37 - 15	97095-08020	6 - 22		
	37 - 21	93101-48002	3 - 3		27 - 3	95380-08600	10 - 10		19 - 16		
92990-06100	1 - 3		38 - 11	93317-330U2	25 - 36	95380-12600	19 - 44	97095-08025	25 - 41		
	36 - 16	93102-08M43	22 - 36		27 - 38	95380-14600	20 - 23		27 - 43		
	37 - 16	93102-38M59	5 - 16	93317-330U5	27 - 67	95380-14700	31 - 16	97380-05025	33 - 8		
92990-06300	34 - 46		38 - 5	93332-000U7	25 - 4	95780-10300	20 - 8	97380-06018	34 - 18		
92990-06600	19 - 12	93102-48009	3 - 2	93332-000V7	27 - 62	95895-06025	6 - 10	97380-08030	33 - 33		
	23 - 25		38 - 10	93341-360U8	27 - 5	97013-06020	14 - 2	97575-08445	20 - 29		
	36 - 17	93106-09014	25 - 15	93341-440U5	27 - 65	97013-08045	16 - 30	97575-08540	2 - 32		
	37 - 17		27 - 17	93341-930V2	25 - 38	97027-06025	24 - 10		6 - 1		
92990-08600	33 - 34		39 - 4		27 - 40	97075-06020	2 - 29		23 - 2		
92990-18200	26 - 24	93210-08287	29 - 14	93410-22M11	19 - 39		4 - 10	97607-04110	12 - 6		
	28 - 24	93210-09165	18 - 18	93410-37M04	20 - 16	97075-06025	18 - 23	97607-04310	22 - 32		
92995-04100	18 - 9		39 - 17	93420-36M01	23 - 22		24 - 5	97780-50620	1 - 35		
92995-06100	12 - 11	93210-10M74	21 - 4	93430-06024	33 - 10	97075-06030	23 - 11	97780-50625	1 - 24		
	13 - 8	93210-16275	31 - 9		34 - 6	97075-06070	23 - 7	97780-60525	20 - 2		
	14 - 11	93210-19MJ1	24 - 29	93501-04M02	18 - 25	97075-08025	4 - 13	97780-60620	14 - 9		
	15 - 14		39 - 12	93503-16003	25 - 54	97075-10040	20 - 26	97780-60625	14 - 6		
	18 - 40	93210-24M79	4 - 36		27 - 57	97075-10045	26 - 6	97880-06012	19 - 11		
	19 - 5		38 - 3	93507-32009	25 - 52		28 - 6	97880-06016	23 - 24		
92995-06600	1 - 7	93210-30682	10 - 26		27 - 55	97080-08016	21 - 31	97885-04016	18 - 8		
	2 - 11		38 - 16	93511-32017	25 - 53	97095-06010	8 - 24	97885-06010	12 - 17		
	4 - 11	93210-32738	10 - 6		27 - 56		14 - 10	97885-06016	20 - 5		
	6 - 13	93210-37160	25 - 27	93604-12M07	24 - 28		15 - 22	97890-05016	34 - 70		
	10 - 12		27 - 29	93605-10108	5 - 13		19 - 7	97890-05025	34 - 14		
	12 - 12		39 - 6	93606-12019	2 - 3		23 - 28	97890-06018	34 - 45		
	13 - 9	93210-37MH7	20 - 12		24 - 7	97095-06012	1 - 6	98507-04008	4 - 23		
	14 - 12	93210-48MG8	7 - 27		25 - 32		6 - 12	98580-03015	33 - 38		
	15 - 3		38 - 15		27 - 34		15 - 10	98580-04006	33 - 36		
	18 - 11	93210-48MJ9	6 - 17		39 - 30		14 - 45	98580-04010	33 - 35		

F115TR/LF115TR
F115AET/FL115AET
PARTS CATALOGUE
©2005 by Yamaha Motor Co., Ltd.
1st edition, April 2005
All rights reserved.
Any reprinting or unauthorized use
without the written permission of
Yamaha Motor Co., Ltd.
is expressly prohibited.
Printed in Japan.