

# PARTS CATALOGUE

**F115TR'08/TRG** (68V7)

**LF115TR'08/TRG** (68W7)

**F115AET'08** (68V7)

**FL115AET'08** (68W7)



2008/10/3

1G68V-100E1

( 2G68V-100E1 )

NEWS NO.	DATE	COMMENT
PE0-OM-080003	Feb./7/2008	MOD:FIG.17 BOTTOM COWLING FLUSHING KIT REVISION
PE0-OM-080021	Mar./17/2008	MOD:FIG.20 CAM, TRIM SENDER P/No. REVISION
PE0-OM-080038	MAY/22/2008	MOD:FIG.21 PTT P/No. REVISION
PE0-OM-080063	Sep./26/2008	MOD:FIG.13 ELECTRICAL 1, FIG.15 ELECTRICAL 3 REVISION

F115TR/F115TRG/F115AET  
LF115TR/LF115TRG/FL115AET  
PARTS CATALOGUE  
©2007 by Yamaha Motor Co., Ltd.  
1st edition, March 2007  
All rights reserved.  
Any reprinting or unauthorized use  
without the written permission of  
Yamaha Motor Co., Ltd.  
is expressly prohibited.  
Printed in Japan.

# FOREWORD

This Parts Catalogue is related to the parts for the model(s) on the cover page. When you are ordering replacement parts, please refer to this Parts Catalogue and quote both part numbers and part names correctly.

1. Modifications or additions which have been made after the issue of the Parts Catalogue will be announced in the Parts News.  
It is advisable that you make the necessary corrections to the Parts Catalogue according to the Parts News.

2. Abbreviations

The following abbreviations are used in this Parts Catalogue.

“UR” Use specified parts number.

“UN” Use as many as needed.

“AP” Alternate Parts

“LM” Locally Made (Parts need to be ordered locally)

“F#” Frame No. (Applicable machine No.)

“O/S” Over Size

3. The number of components for assembly

- Parts, which are to be supplied in an assembly, are listed with a dot (.) in front of the part name as shown below.
- The numeral appearing to the right of each component part indicates the quantity of parts for each assembly unit.

PART NO.	DESCRIPTION	Q'TY	REMARKS
2F5-83310-60	FRONT FLASHER LIGHT ASSY	2	
115-83311-60	.BULB (6V-18W)	1	

4. Applicable colours of graphics are represented in the “REMARKS” as shown below.

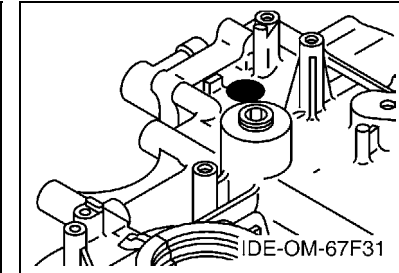
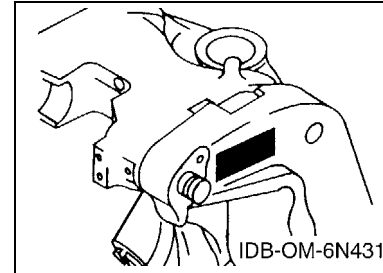
PART NO.	DESCRIPTION	Q'TY	REMARKS
2N4-24110-00-X5	FUEL TANK COMP.	2	MXR
3J1-24240-10	.GRAPHIC, FUEL TANK	1	FOR MXR

5. Note that the illustrations for reference in finding parts numbers are not to be used for assembling. When assembling, please use the applicable service manual.

6. The asterisk (\*) before a reference number indicates modified items after the first edition.

7. Applicable Serial No.

Engine Serial No.



8. Applicable Engine Starting Serial No.

Model	Serial No.	Model	Serial No.
F115	68V-1082891	F115A	68V-1082891
LF115	68W-1003581	FL115A	68W-1003581

9. Applicable Colour Code

Abbreviation	Colour Name	Colour Code
DBN1	DARK BLUISH GRAY 1	008D

10. Quantity Column Information

Column No.	Name Of Q'ty Column	Applicable Model
1	68V7	F115TR,F115TRG,F115AET
2	68W7	LF115TR,LF115TRG,FL115AET

# CONTENTS

## SHEET1/2

TOP COWLING .....	A4
CYLINDER & CRANKCASE 1 .....	A6
CRANKSHAFT & PISTON .....	B1
CYLINDER & CRANKCASE 2 .....	B2
VALVE .....	B4
INTAKE 1 .....	B7
INTAKE 2 .....	C1
FUEL INJECTION NOZZLE .....	C3
FUEL INJECTION PUMP .....	C5
FUEL 1 .....	C7
FUEL 2 .....	D2
GENERATOR .....	D3
ELECTRICAL 1 .....	D5
ELECTRICAL 2 .....	D6
ELECTRICAL 3 .....	E2
STARTING MOTOR .....	E4
BOTTOM COWLING .....	E6
CONTROL .....	F1
BRACKET 1 .....	F3
BRACKET 2 .....	F5
POWER TRIM & TILT ASSY 1 .....	F7

## INDEX

NUMERICAL INDEX .....	G1
-----------------------	----

## SHEET2/2

POWER TRIM & TILT ASSY 1 .....	A4*
POWER TRIM & TILT ASSY 2 .....	A5*
UPPER CASING .....	A7*
OIL PAN .....	B2*
LOWER CASING & DRIVE 1 .....	B4*
LOWER CASING & DRIVE 2 .....	C1*
LOWER CASING & DRIVE 3 .....	C3*
LOWER CASING & DRIVE 4 .....	C7*
FUEL TANK 1 .....	D2*
FUEL TANK 2 .....	D3*
STEERING GUIDE .....	D4*
REMOTE CONTROL BOX .....	D5*
REMOTE CONTROL ASSY 1 .....	D6*
REMOTE CONTROL ASSY 2 .....	E2*
REMOTE CONTROL ASSY 3 .....	E5*
METER .....	F1*
SWITCH & PANEL 1 .....	F3*
SWITCH & PANEL 2 .....	F4*
REPAIR KIT 1 .....	F5*
REPAIR KIT 2 .....	F6*

## INDEX

NUMERICAL INDEX .....	G1*
-----------------------	-----

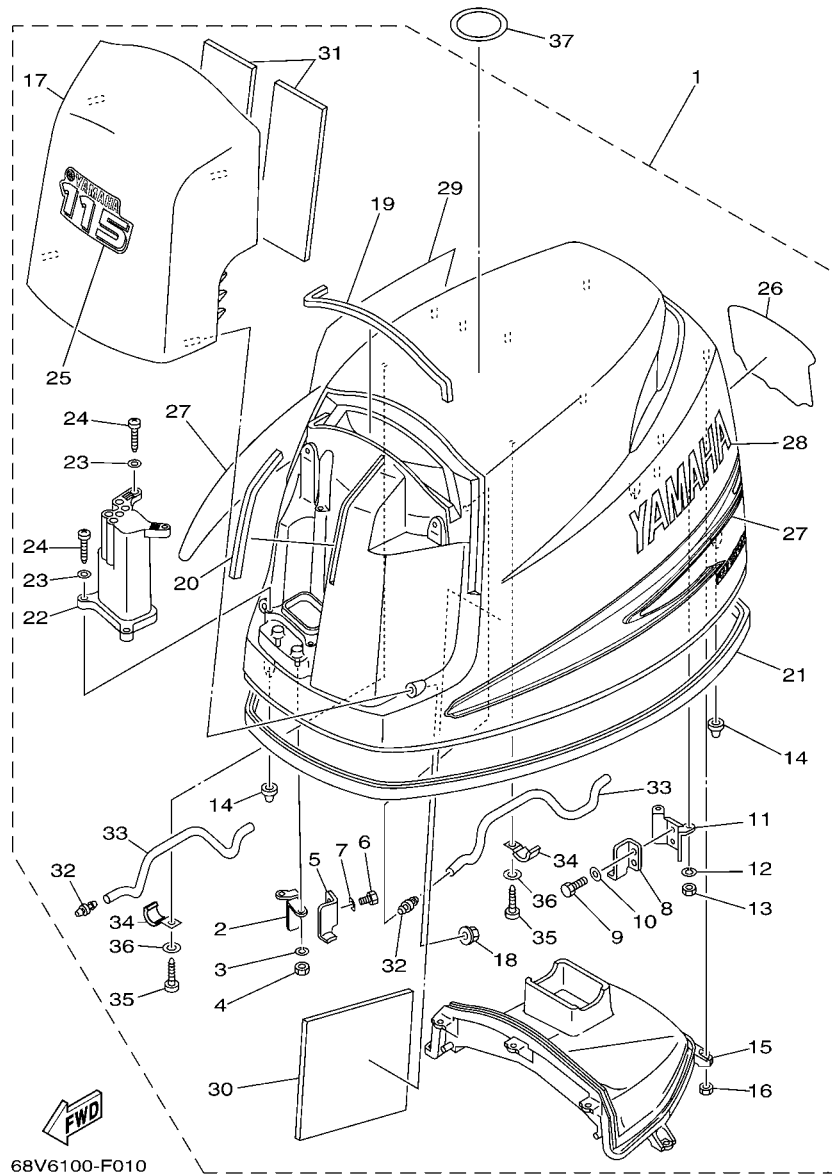


FIG. 1 TOP COWLING

REF. NO.	PART NO.	DESCRIPTION	68V7	68W7	REMARKS
1	68V-42610-12-8D	TOP COWLING ASSY	1	1	
	68V-42610-B2-8D	TOP COWLING ASSY	1		F115TJR
2	68V-42647-00	.HOLDER, CLAMP BAND	1	1	
3	92990-06100	.WASHER, SPRING	2	2	
4	95380-06600	.NUT, HEXAGON	2	2	
5	68V-42651-00	.HOOK	1	1	
6	97095-06012	.BOLT	2	2	
7	92995-06600	.WASHER	2	2	
8	68V-42652-00	.HOOK	1	1	
9	97095-06012	.BOLT	2	2	
10	92995-06600	.WASHER	2	2	
11	67F-42649-00	.HOLDER, CLAMP BAND	1	1	
12	92990-06100	.WASHER, SPRING	2	2	
13	95380-06600	.NUT, HEXAGON	2	2	
14	67F-42662-00	.DAMPER	3	3	
15	68V-42613-00	.MOLDING, AIR DUCT	1	1	
16	95380-06600	.NUT, HEXAGON	7	7	
17	68V-42612-00-8D	.AIR DUCT, TOP COWLING	1	1	
18	90179-06M28	.NUT	4	4	
19	68V-42628-00	.SEAL	1	1	
20	68V-42718-00	.RUBBER, SEAL 3	1	1	
21	68V-42615-00	.SEAL	1	1	
22	68V-42632-00	.WINDOW	1	1	
23	92990-05200	.WASHER, PLAIN	4	4	
24	97780-50625	.SCREW, TAPPING	4	4	
25	68V-42677-10	.GRAPHIC, FRONT	1	1	
	68V-42677-A0	.GRAPHIC, FRONT	1		F115TJR

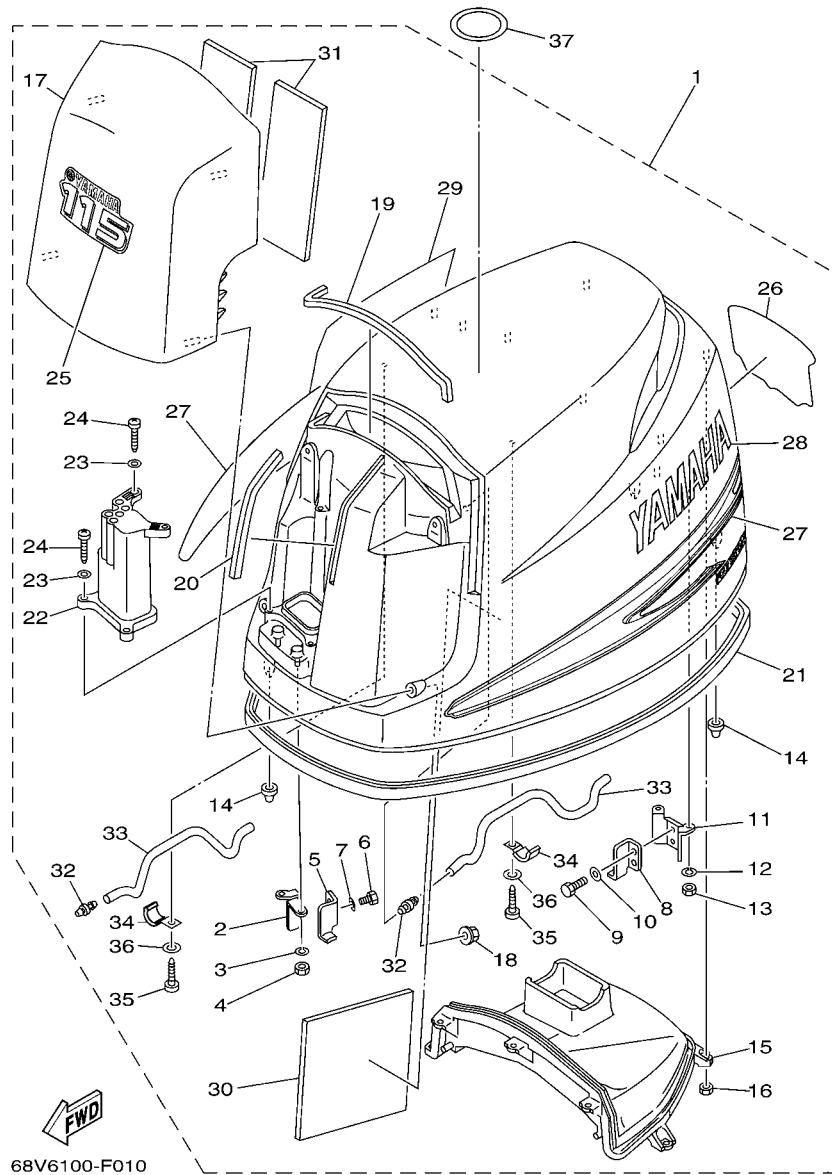
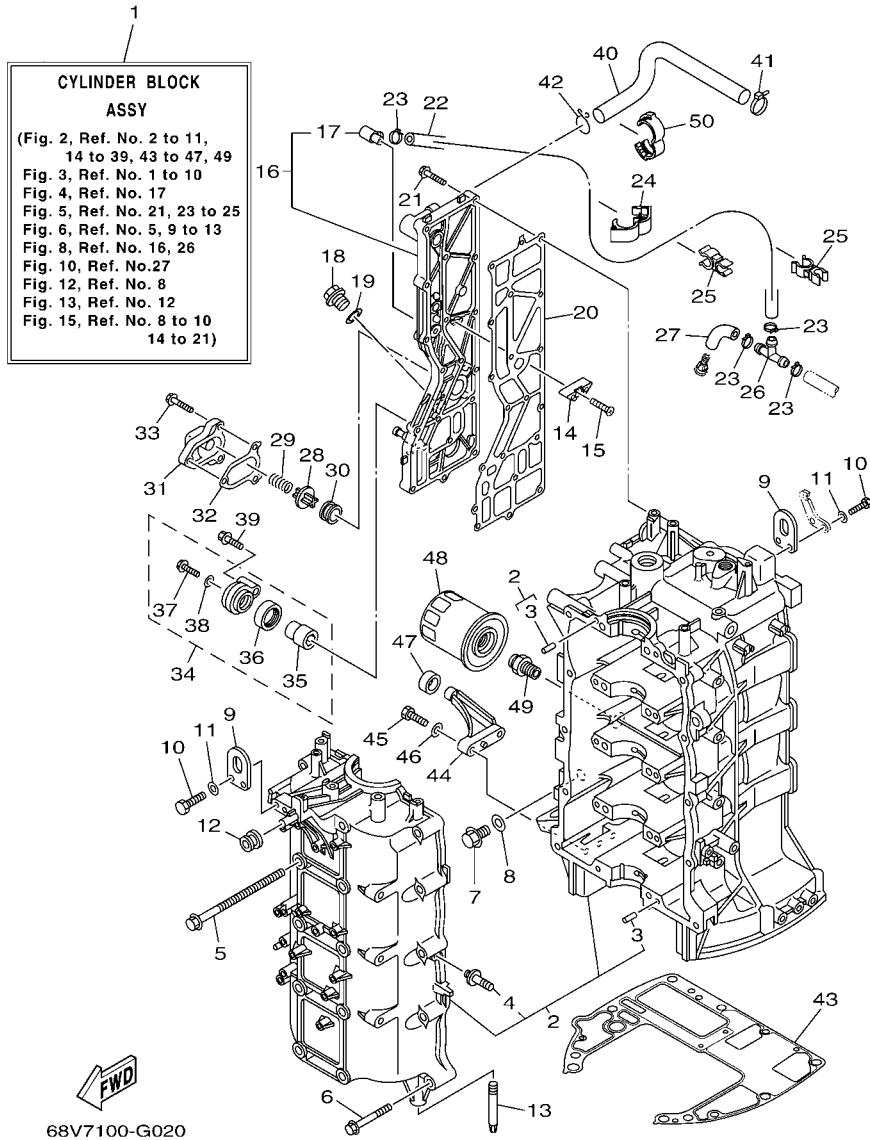


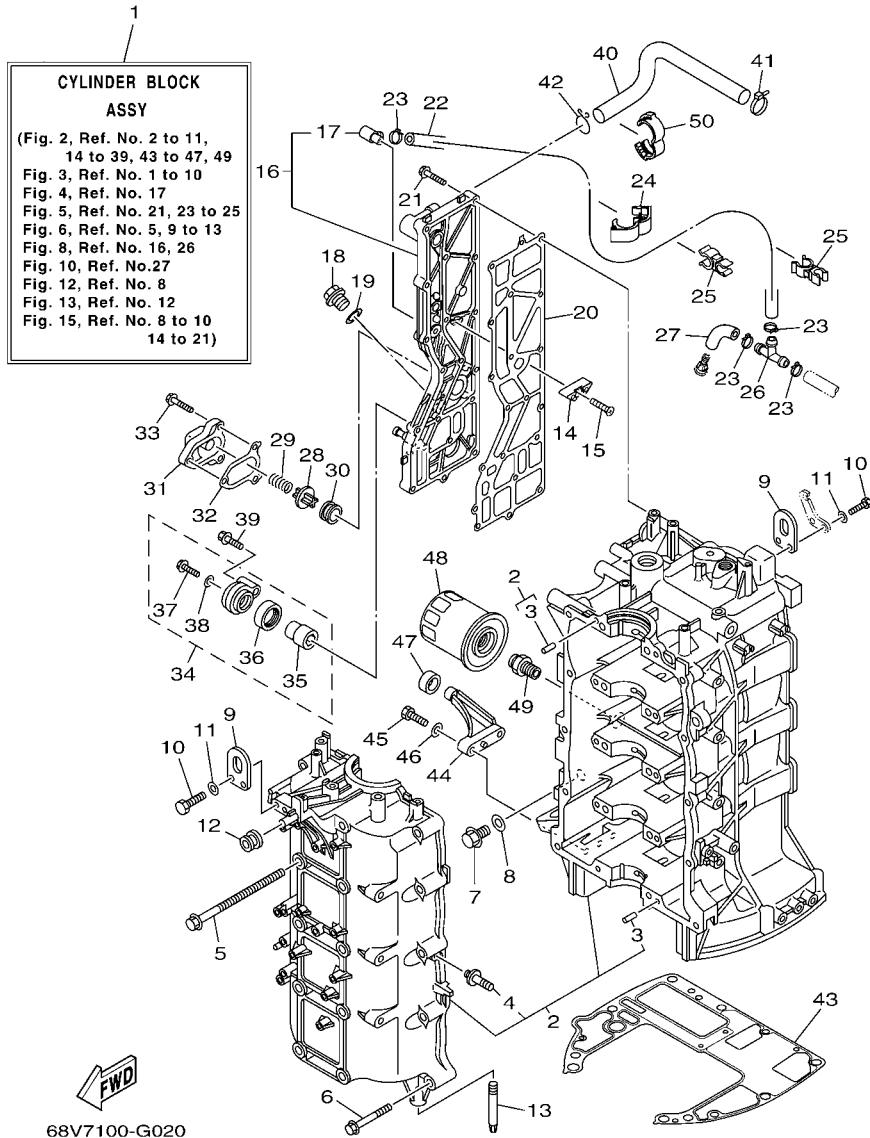
FIG. 1 TOP COWLING

REF. NO.	PART NO.	DESCRIPTION	68V7	68W7				REMARKS
			1	1				
26	68V-42678-10	.GRAPHIC, REAR	1	1				
	68V-42678-B0	.GRAPHIC, REAR	1					F115TJR
27	68V-W0070-10	.GRAPHIC SET	1	1				
28	68V-42681-10	.MARK, COWLING	1	1				
29	68V-42682-10	.MARK, COWLING	1	1				
30	68V-42617-00	.DAMPER, FORM	1	1				
31	68V-42619-00	.DAMPER, FORM	2	2				
32	6H3-44391-01	.NIPPLE, HOSE	2	2				
33	90445-10M18	.HOSE (L295)	2	2				
34	90465-08M63	.CLAMP	2	2				
35	97780-50620	.SCREW, TAPPING	2	2				
36	92990-05200	.WASHER, PLAIN	2	2				
37	67F-13434-03	LABEL, CAUTION	1	1				



**FIG. 2 CYLINDER & CRANKCASE 1**

REF. NO.	PART NO.	DESCRIPTION	68V7	68W7	REMARKS
1	68V-W009B-08-1S	CYLINDER BLOCK ASSY	1	1	
2	68V-15100-02-1S	CRANKCASE ASSY	1	1	
3	93606-12019	.PIN, DOWEL	10	10	
4	68V-44581-01	.BOLT	1	1	
5	90119-10M88	BOLT, WITH WASHER	10	10	
6	90119-08M66	BOLT, WITH WASHER	10	10	
7	90340-14M06	PLUG, STRAIGHT SCREW	1	1	
8	90430-14115	GASKET	1	1	
9	62Y-11119-00	HANGER, ENGINE	2	2	
10	97095-06020	BOLT	4	4	
11	92995-06600	WASHER	4	4	
12	90480-12072	GROMMET	1	1	
13	67F-15142-00	GUIDE 1	2	2	
14	6E5-11325-00	ANODE	3	3	
15	98780-04016	SCREW, FLAT HEAD	3	3	
16	6D8-41113-10-1S	OUTER COVER, EXHAUST	1	1	
17	676-11372-00	.NIPPLE, HOSE	1	1	
18	90340-18M09	PLUG, STRAIGHT SCREW	1	1	
19	90430-18130	GASKET	1	1	
20	67F-41114-A2	GASKET, EXHAUST OUTER COVER	1	1	
21	90119-06MA4	BOLT, WITH WASHER	18	18	
22	68V-42541-00	PIPE 1	1	1	
23	90465-11M10	CLAMP	4	4	
24	90464-18004	CLAMP	1	1	
25	90464-10010	CLAMP	2	2	
26	688-24378-00	PIPE, JOINT 3	1	1	
27	61A-24316-00	PIPE 6	1	1	

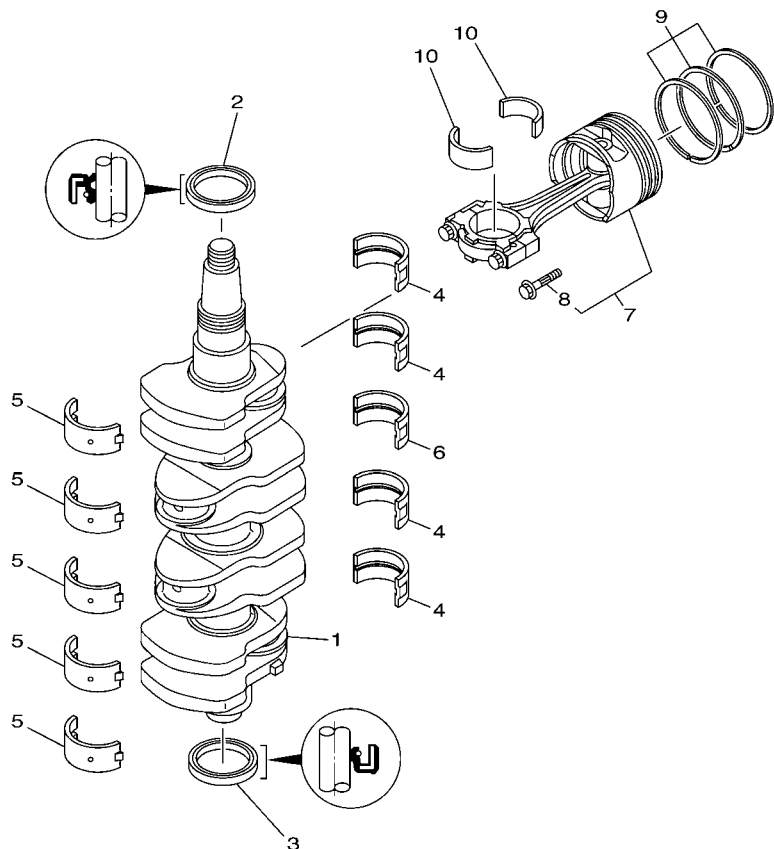


**FIG. 2 CYLINDER & CRANKCASE 1**

REF. NO.	PART NO.	DESCRIPTION	68V7	68W7	REMARKS
28	6G5-12416-00	VALVE, PRESSURE CONTROL	1	1	
29	90501-16M11	SPRING, COMPRESSION	1	1	
30	90480-20M05	GROMMET	1	1	
31	67F-1246A-01-1S	COVER 1	1	1	
32	67F-12435-A0	GASKET	1	1	
33	90119-06MA2	BOLT, WITH WASHER	3	3	
34	69J-11301-10	ANODE COVER ASSY	1	1	
35	68V-11325-02	.ANODE	1	1	
36	67F-11328-00	.GROMMET, ANODE	1	1	
37	90105-06M07	.BOLT, FLANGE	1	1	
38	90430-06M03	.GASKET	1	1	
39	97575-08540	BOLT, WITH WASHER	1	1	
40	67F-1243A-00	HOSE 1	1	1	
41	90465-11M10	CLAMP	1	1	
42	90467-20M15	CLIP	1	1	
43	68V-11351-00	GASKET, CYLINDER	1	1	
44	67F-42761-00-94	STOPPER	2	2	
45	97095-06025	BOLT	4	4	
46	92995-06600	WASHER	4	4	
47	68F-44533-00	DAMPER, UPPER MOUNT RUBBER	2	2	
48	5GH-13440-00	ELEMENT ASSY, OIL CLEANER	1	1	
49	90401-20145	BOLT, UNION	1	1	
50	90464-16001	CLAMP	1	1	



**FIG. 3 CRANKSHAFT & PISTON**



68V0010-0031

REF. NO.	PART NO.	DESCRIPTION	68V7	68W7		REMARKS
1	68V-11411-00	CRANKSHAFT	1	1		
2	93102-48009	OIL SEAL	1	1		
3	93101-48002	OIL SEAL	1	1		
4	67F-11416-00	PLANE BEARING, CRANKSHAFT 1	4	4		UR GREEN
	67F-11416-10	PLANE BEARING, CRANKSHAFT 1	4	4		UR BLUE
	67F-11416-20	PLANE BEARING, CRANKSHAFT 1	4	4		UR RED
5	67F-11417-00	PLANE BEARING, CRANKSHAFT 2	5	5		UR YELLOW
	67F-11417-10	PLANE BEARING, CRANKSHAFT 2	5	5		UR GREEN
	67F-11417-20	PLANE BEARING, CRANKSHAFT 2	5	5		UR BLUE
	67F-11417-30	PLANE BEARING, CRANKSHAFT 2	5	5		UR RED
6	67F-11418-00	PLANE BEARING, CRANKSHAFT 3	1	1		UR GREEN
	67F-11418-10	PLANE BEARING, CRANKSHAFT 3	1	1		UR BLUE
	67F-11418-20	PLANE BEARING, CRANKSHAFT 3	1	1		UR RED
7	68V-W1164-01	PISTON/CON-ROD ASSY(STD)	4	4		
	68V-W1164-11	PISTON/CON-ROD ASSY(0.25MM OS)	4	4		AP
8	K1C-A3275-00	.BOLT, CONNECTING ROD	2	2		
9	6D8-11603-01	PISTON RING SET (STD)	4	4		
	6D8-11604-01	PISTON RING SET (0.25MM O/S)	4	4		AP
10	68V-11656-00	PLANE BEARING, CONNECTING ROD	8	8		UR YELLOW
	68V-11656-10	PLANE BEARING, CONNECTING ROD	8	8		UR GREEN
	68V-11656-20	PLANE BEARING, CONNECTING ROD	8	8		UR BLUE
	68V-11656-30	PLANE BEARING, CONNECTING ROD	8	8		UR RED

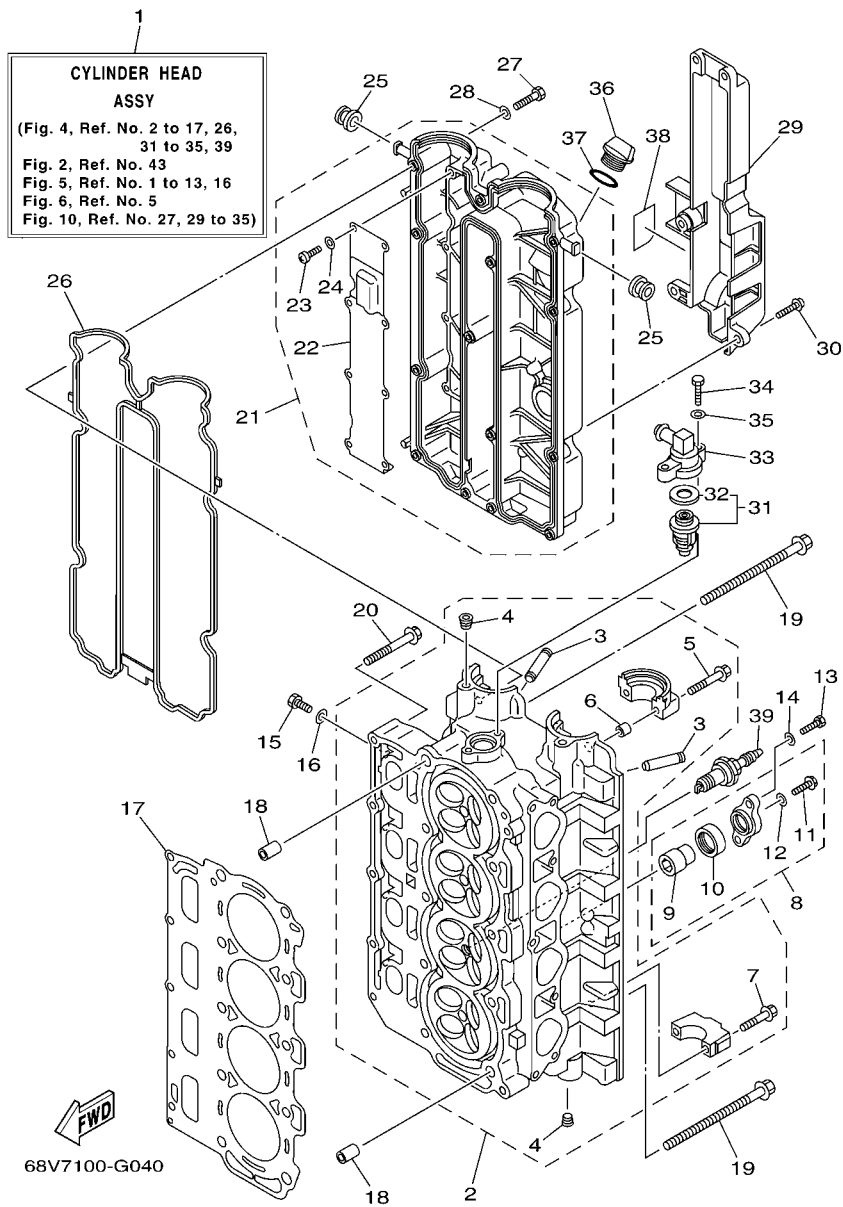
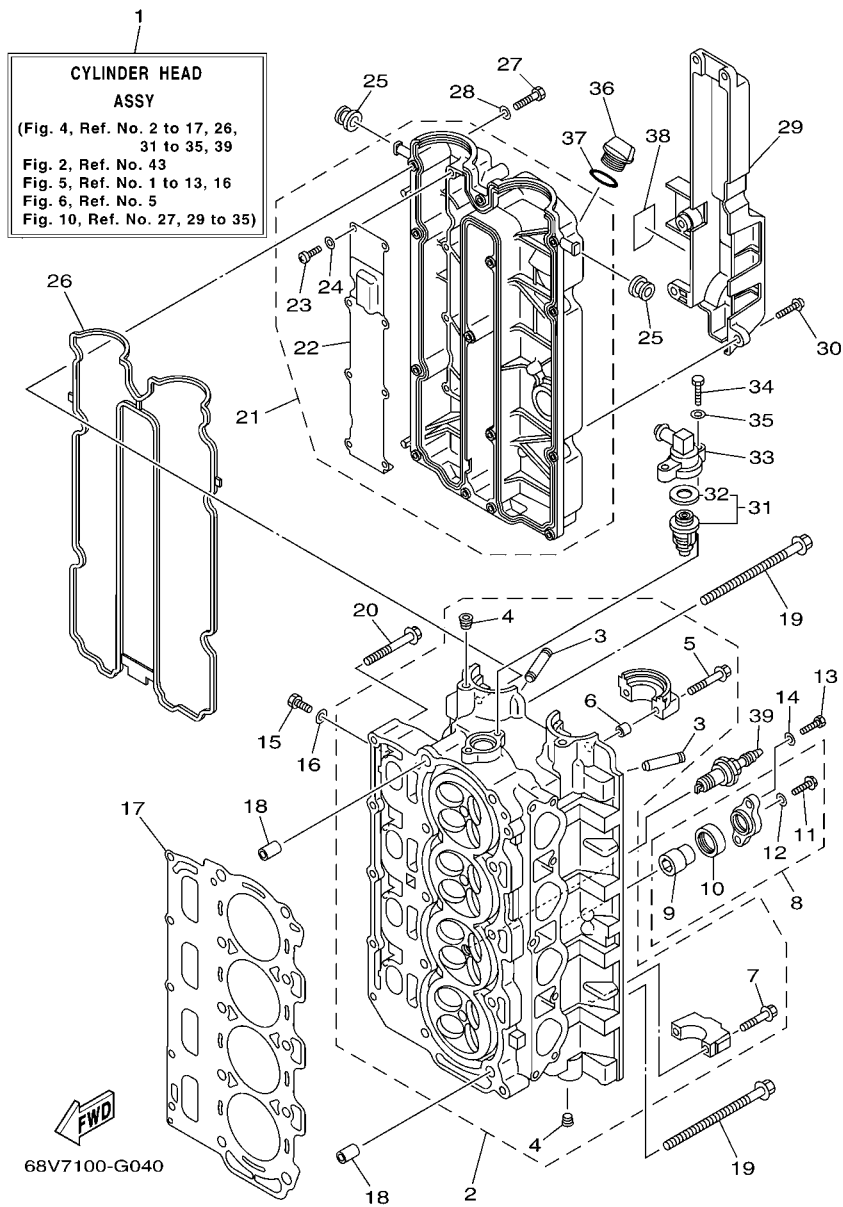


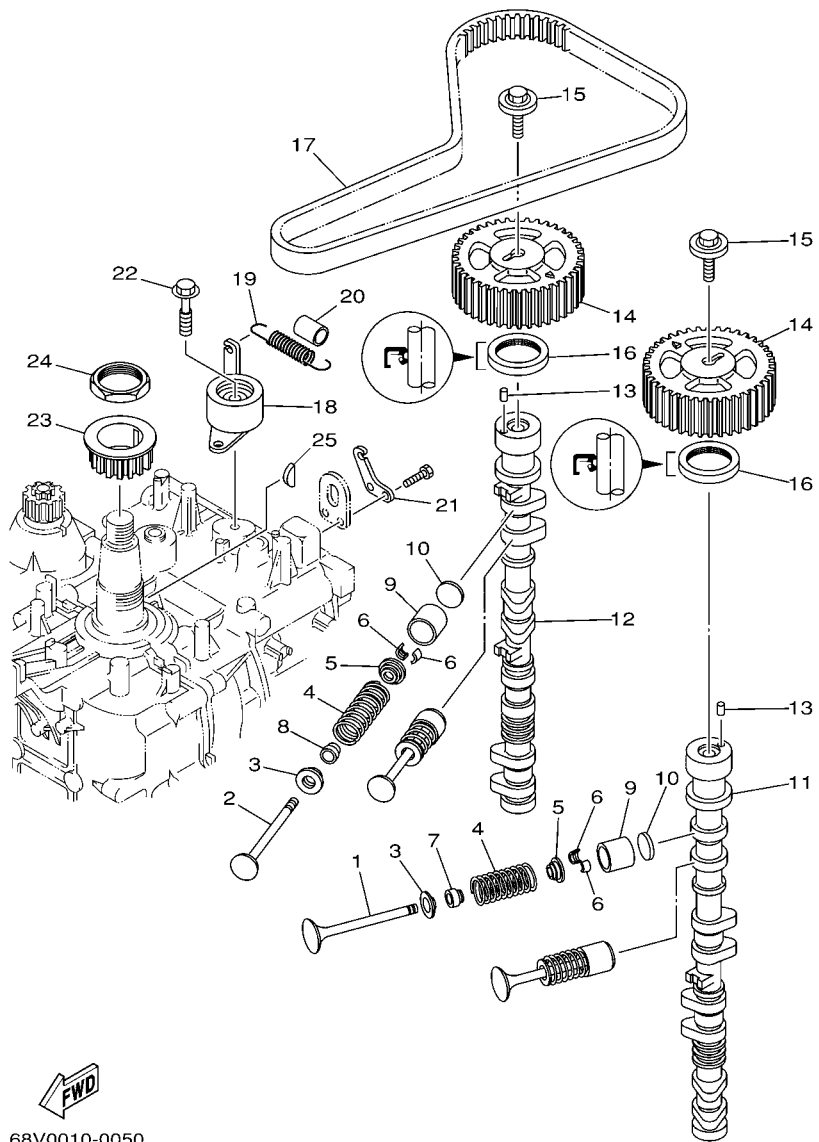
FIG. 4 CYLINDER & CRANKCASE 2

REF. NO.	PART NO.	DESCRIPTION	68V7	68W7	REMARKS
1	68V-W009A-05-1S	CYLINDER HEAD ASSY	1	1	
2	68V-11110-03-94	CYLINDER HEAD ASSY	1	1	
3	67F-11133-10	.GUIDE, VALVE 1	16	16	
4	90344-51019	.PLUG, TAPER SCREW	4	4	
5	90119-07235	.BOLT/WASHER-CAM CAPS	4	4	
6	91809-08006	.PIN, DOWEL	4	4	
7	90119-07234	.BOLT, WITH WASHER	16	16	
8	67F-11301-10	ANODE COVER ASSY	2	2	
9	68V-11325-02	.ANODE	1	1	
10	67F-11328-00	.GROMMET, ANODE	1	1	
11	90105-06M07	.BOLT, FLANGE	1	1	
12	90430-06M03	.GASKET	1	1	
13	97075-08025	BOLT	4	4	
14	92995-08600	WASHER	4	4	
15	97095-08014	BOLT	4	4	
16	90430-08143	GASKET	4	4	
17	67F-11181-03	GASKET, CYLINDER HEAD 1	1	1	
18	90387-10M08	COLLAR	2	2	
19	90105-10M89	BOLT, FLANGE	10	10	
20	90119-08M91	BOLT, WITH WASHER	5	5	
21	68V-11191-00-1S	COVER, CYLINDER HEAD 1	1	1	
22	67F-11168-00	.COVER, BREATHER	1	1	
23	98507-04008	.SCREW, PAN HEAD	8	8	
24	92907-04600	.WASHER	8	8	
25	90480-12072	GROMMET	2	2	
26	6D8-11356-01	SEAL, CYLINDER 2	1	1	
27	97095-06030	BOLT	14	14	



**FIG. 4 CYLINDER & CRANKCASE 2**

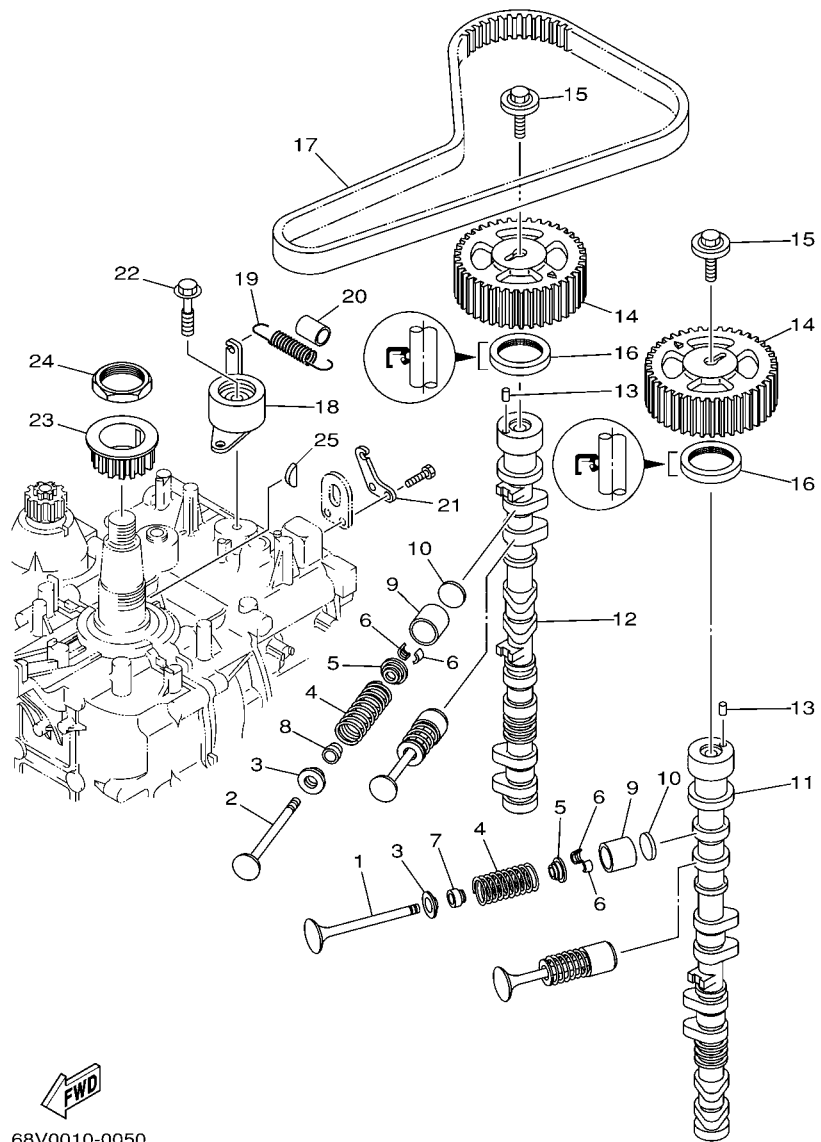
REF. NO.	PART NO.	DESCRIPTION	68V7	68W7			REMARKS
			14	14			
28	92995-06600	WASHER	14	14			
29	67F-11192-01	COVER, CYLINDER HEAD 2	1	1			
30	90159-06M29	SCREW, WITH WASHER	5	5			
31	60V-12411-00	THERMOSTAT	1	1			
32	67F-12412-00	.SEAL, THERMOSTAT	1	1			
33	68V-12413-00-1S	COVER, THERMOSTAT	1	1			
34	97095-06025	BOLT	2	2			
35	92995-06600	WASHER	2	2			
36	6G8-15363-00	PLUG, OIL	1	1			
37	93210-24M79	O-RING	1	1			
38	68V-83626-00	MARK 6	1	1			
39	94702-00400	PLUG, SPARK (NGK LFR6A-11)	4	4			



68V0010-0050

FIG. 5 VALVE

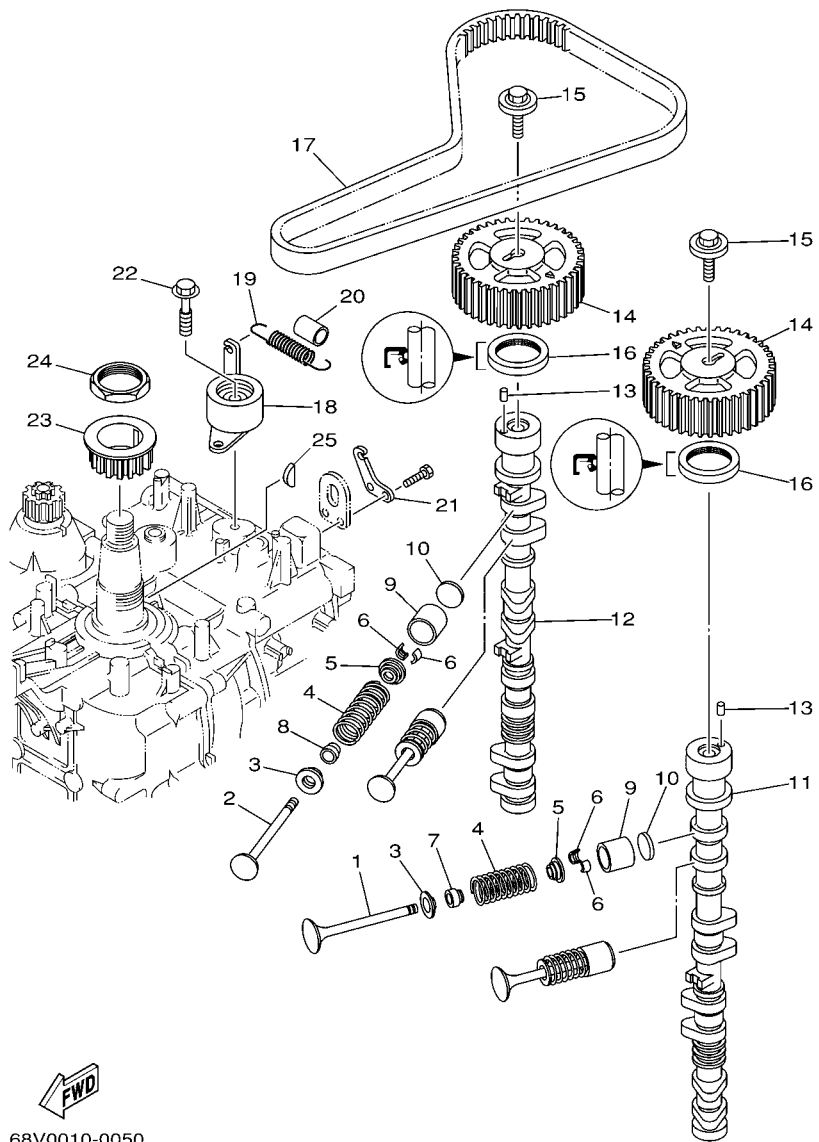
REF. NO.	PART NO.	DESCRIPTION	68V7	68W7	REMARKS
1	68V-12111-00	VALVE, INTAKE	8	8	
2	68V-12121-00	VALVE, EXHAUST	8	8	
3	67F-12116-00	SEAT, VALVE SPRING	16	16	
4	67F-12114-00	SPRING, VALVE OUTER	16	16	
5	67F-12117-00	RETAINER, VALVE SPRING	16	16	
6	67F-12118-00	COTTER, VALVE	32	32	
7	K0A-A3721-00	SEAL, VALVE STEM	8	8	
8	K0A-A3722-00	SEAL, VALVE STEM 2	8	8	
9	67F-12153-00	LIFTER, VALVE	16	16	
10	67F-12168-00	PAD, ADJUSTING (2.000)	16	16	UR
	67F-12168-10	PAD, ADJUSTING (2.025)	16	16	UR
	67F-12168-20	PAD, ADJUSTING (2.050)	16	16	UR
	67F-12168-30	PAD, ADJUSTING (2.075)	16	16	UR
	67F-12168-40	PAD, ADJUSTING (2.100)	16	16	UR
	67F-12168-50	PAD, ADJUSTING (2.125)	16	16	UR
	67F-12168-60	PAD, ADJUSTING (2.150)	16	16	UR
	67F-12168-70	PAD, ADJUSTING (2.175)	16	16	UR
	67F-12168-80	PAD, ADJUSTING (2.200)	16	16	UR
	67F-12168-A0	PAD, ADJUSTING (2.225)	16	16	UR
	67F-12168-B0	PAD, ADJUSTING (2.250)	16	16	UR
	67F-12168-C0	PAD, ADJUSTING (2.275)	16	16	UR
	67F-12168-D0	PAD, ADJUSTING (2.300)	16	16	UR
	67F-12168-E0	PAD, ADJUSTING (2.325)	16	16	UR
	67F-12168-F0	PAD, ADJUSTING (2.350)	16	16	UR
	67F-12168-G0	PAD, ADJUSTING (2.375)	16	16	UR
	67F-12168-H0	PAD, ADJUSTING (2.400)	16	16	UR
	67F-12168-J0	PAD, ADJUSTING (2.425)	16	16	UR



68V0010-0050

FIG. 5 VALVE

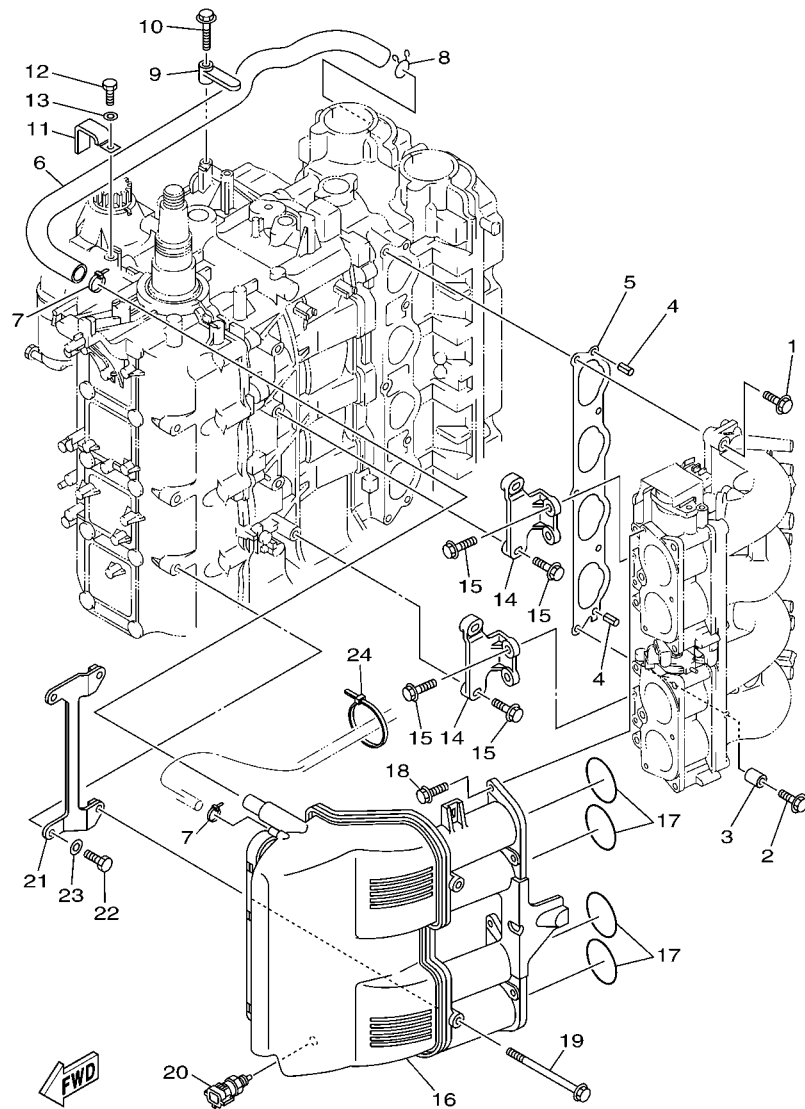
REF. NO.	PART NO.	DESCRIPTION	68V7	68W7	REMARKS
10	67F-12168-K0	PAD, ADJUSTING (2.450)	16	16	UR
	67F-12168-L0	PAD, ADJUSTING (2.475)	16	16	UR
	67F-12168-M0	PAD, ADJUSTING (2.500)	16	16	UR
	67F-12168-N0	PAD, ADJUSTING (2.525)	16	16	UR
	67F-12168-P0	PAD, ADJUSTING (2.550)	16	16	UR
	67F-12168-R0	PAD, ADJUSTING (2.575)	16	16	UR
	67F-12168-S0	PAD, ADJUSTING (2.600)	16	16	UR
	67F-12168-T0	PAD, ADJUSTING (2.625)	16	16	UR
	67F-12168-U0	PAD, ADJUSTING (2.650)	16	16	UR
	67F-12168-V0	PAD, ADJUSTING (2.675)	16	16	UR
	67F-12168-W0	PAD, ADJUSTING (2.700)	16	16	UR
	67F-12168-X0	PAD, ADJUSTING (2.725)	16	16	UR
	67F-12168-Y0	PAD, ADJUSTING (2.750)	16	16	UR
	67F-12169-00	PAD, ADJUSTING (2.775)	16	16	UR
	67F-12169-10	PAD, ADJUSTING (2.800)	16	16	UR
	67F-12169-20	PAD, ADJUSTING (2.825)	16	16	UR
	67F-12169-30	PAD, ADJUSTING (2.850)	16	16	UR
	67F-12169-40	PAD, ADJUSTING (2.875)	16	16	UR
	67F-12169-50	PAD, ADJUSTING (2.900)	16	16	UR
	67F-12169-60	PAD, ADJUSTING (2.925)	16	16	UR
	67F-12169-70	PAD, ADJUSTING (2.950)	16	16	UR
	67F-12169-80	PAD, ADJUSTING (2.975)	16	16	UR
	67F-12169-A0	PAD, ADJUSTING (3.000)	16	16	UR
	67F-12169-B0	PAD, ADJUSTING (3.025)	16	16	UR
	67F-12169-C0	PAD, ADJUSTING (3.050)	16	16	UR
	67F-12169-D0	PAD, ADJUSTING (3.075)	16	16	UR
	67F-12169-E0	PAD, ADJUSTING (3.100)	16	16	UR



  
68V0010-0050

**FIG. 5 VALVE**

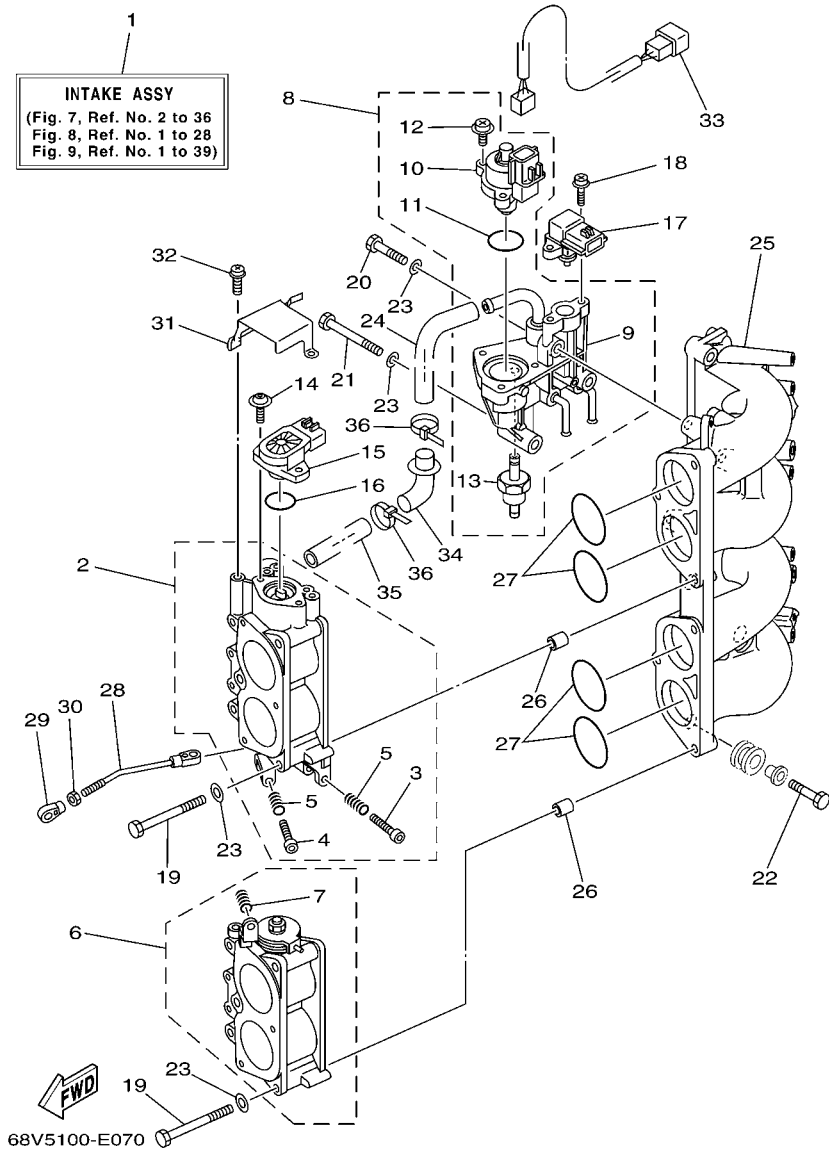
REF. NO.	PART NO.	DESCRIPTION	68V7	68W7	REMARKS
10	67F-12169-F0	PAD, ADJUSTING (3.125)	16	16	UR
	67F-12169-G0	PAD, ADJUSTING (3.150)	16	16	UR
	67F-12169-H0	PAD, ADJUSTING (3.175)	16	16	UR
	67F-12169-J0	PAD, ADJUSTING (3.200)	16	16	UR
	67F-12169-K0	PAD, ADJUSTING (3.225)	16	16	UR
	67F-12169-L0	PAD, ADJUSTING (3.250)	16	16	UR
	67F-12169-M0	PAD, ADJUSTING (3.275)	16	16	UR
	67F-12169-N0	PAD, ADJUSTING (3.300)	16	16	UR
11	67F-12171-00	CAMSHAFT 1	1	1	
12	67F-12181-00	CAMSHAFT 2	1	1	
13	93605-10108	PIN, DOWEL	2	2	
14	67F-11537-00	GEAR, DRIVEN	2	2	
15	90119-10M06	BOLT, WITH WASHER	2	2	
16	93102-38M59	OIL SEAL	2	2	
17	67F-46241-00	BELT	1	1	
18	67F-11590-00	TENSIONER ASSY	1	1	
19	90506-16M39	SPRING, TENSION	1	1	
20	90445-15M03	HOSE (L23)	1	1	
21	67F-11595-00	PLATE, VALVE	1	1	
22	90119-10M72	BOLT, WITH WASHER	1	1	
23	6D8-11536-00	GEAR, DRIVE	1	1	
24	90170-40008	NUT	1	1	
25	90280-04008	KEY, WOODRUFF	1	1	



68V5100-E060

FIG. 6 INTAKE 1

REF. NO.	PART NO.	DESCRIPTION	68V7	68W7				REMARKS
			4	4				
1	97575-08540	BOLT, WITH WASHER	4	4				
2	90119-08M68	BOLT, WITH WASHER	1	1				
3	90387-08M32	COLLAR	1	1				
4	91690-50014	PIN, SPRING	2	2				
5	68V-13645-00	GASKET, MANIFOLD 1	1	1				
6	67F-15373-00	PIPE, BREATHER	1	1				
7	90465-11M10	CLAMP	2	2				
8	90467-20M15	CLIP	1	1				
9	6D8-82544-00	CLAMP	1	1				
10	95895-06025	BOLT, FLANGE	1	1				
11	90465-12M03	CLAMP	1	1				
12	97095-06012	BOLT	1	1				
13	92995-06600	WASHER	1	1				
14	68V-14291-00-94	BRACKET 1	2	2				
15	90119-06M49	BOLT, WITH WASHER	8	8				
16	68V-14440-00	SILENCER ASSY, INTAKE	1	1				
17	93210-48MJ9	O-RING	4	4				
18	90119-06M82	BOLT, WITH WASHER	6	6				
19	90119-06ME1	BOLT, WITH WASHER	2	2				
20	65L-85886-00	THERMOSENSOR	1	1				
21	68V-14292-00	BRACKET 2	1	1				
22	97095-08020	BOLT	2	2				
23	92995-08600	WASHER	2	2				
24	90465-13M18	CLAMP	1	1				



**FIG. 7 INTAKE 2**

REF. NO.	PART NO.	DESCRIPTION	68V7	68W7	REMARKS
1	68V-14200-20	INTAKE ASSY	1	1	EXCEPT FOR BRA
	68V-14200-30	INTAKE ASSY	1	1	FOR BRA
2	68V-13751-01	BODY, THROTTLE 1	1	1	EXCEPT FOR BRA
	68V-13751-10	BODY, THROTTLE 1	1	1	FOR BRA
3	68V-14323-00	.SCREW, AIR ADJUSTING	1	1	
4	68V-14321-00	.SCREW, THROTTLE	1	1	
5	68V-14331-00	.SPRING, THROTTLE VALVE	2	2	
6	68V-13752-01	BODY, THROTTLE 2	1	1	EXCEPT FOR BRA
	68V-13752-10	BODY, THROTTLE 2	1	1	FOR BRA
7	68V-14331-00	.SPRING, THROTTLE VALVE	1	1	
8	68V-13105-00	CONTROL VALVE ASSY	1	1	
9	68V-14960-00	.BODY ASSY	1	1	
10	68V-1312A-00	.VALVE, CONTROL	1	1	
11	68V-13473-00	.O-RING	1	1	
12	68V-81146-01	.SCREW 2	3	3	
13	68V-14511-00	.FILTER ASSY	1	1	
14	68V-81145-01	SCREW 1	2	2	
15	68V-85885-00	THROTTLE SENSOR ASSY	1	1	
16	68V-8182L-00	O-RING 1	1	1	
17	68V-82380-00	SENSOR, PRESSURE	1	1	
18	68V-81147-00	SCREW 3	2	2	
19	68V-14496-00	BOLT	6	6	
20	68V-13574-00	BOLT 2	1	1	
21	68V-13573-00	BOLT 1	2	2	
22	68V-14777-00	BOLT	3	3	
23	68V-14475-00	WASHER	9	9	
24	68V-14419-10	PIPE	1	1	



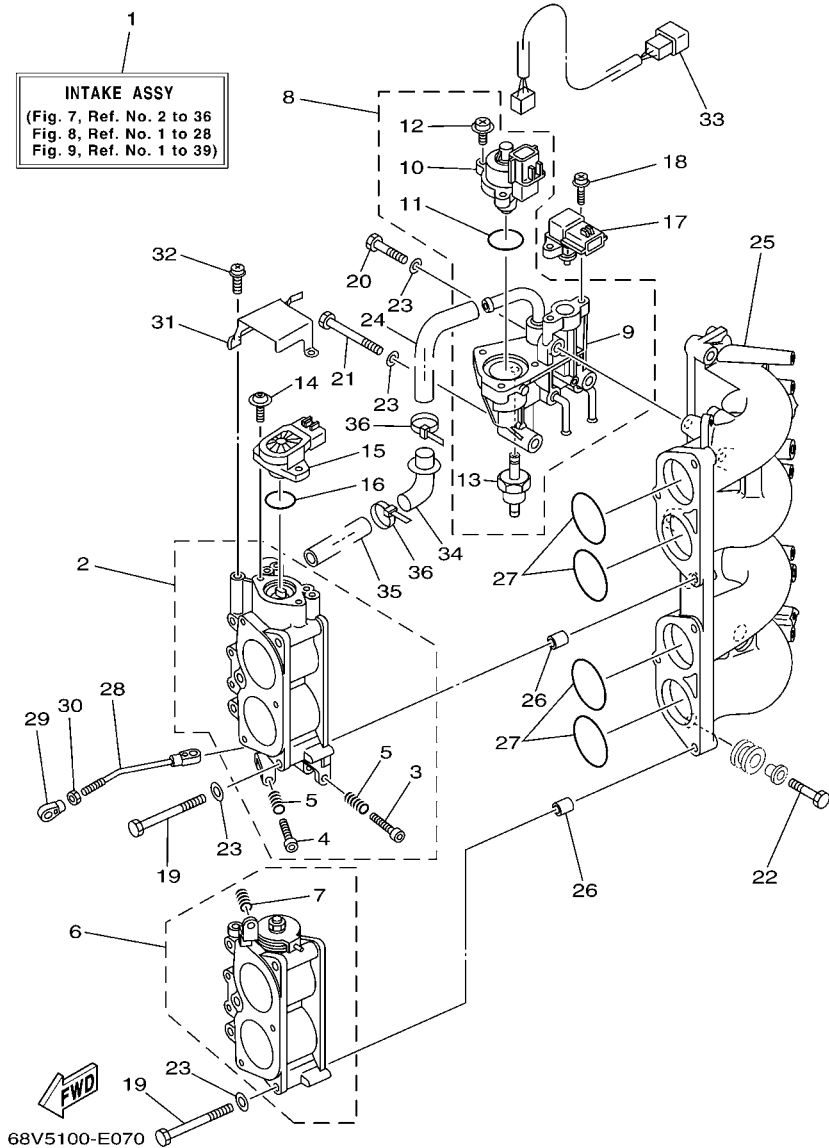
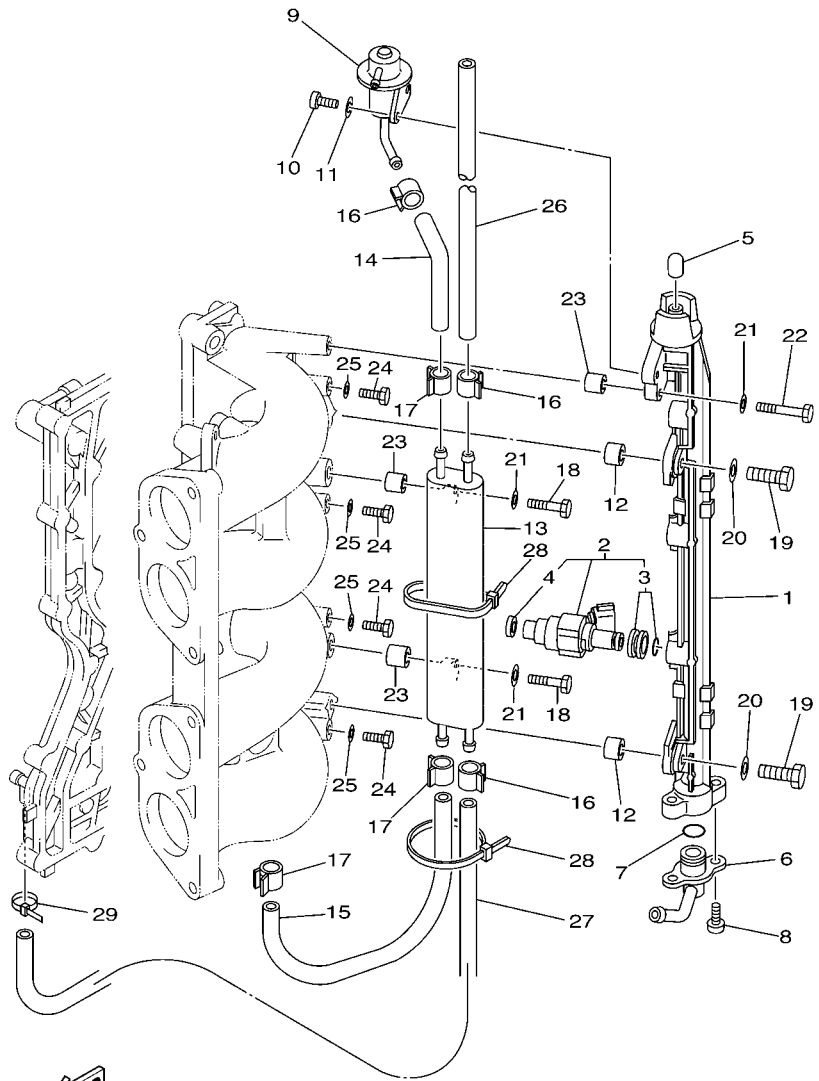


FIG. 7 INTAKE 2

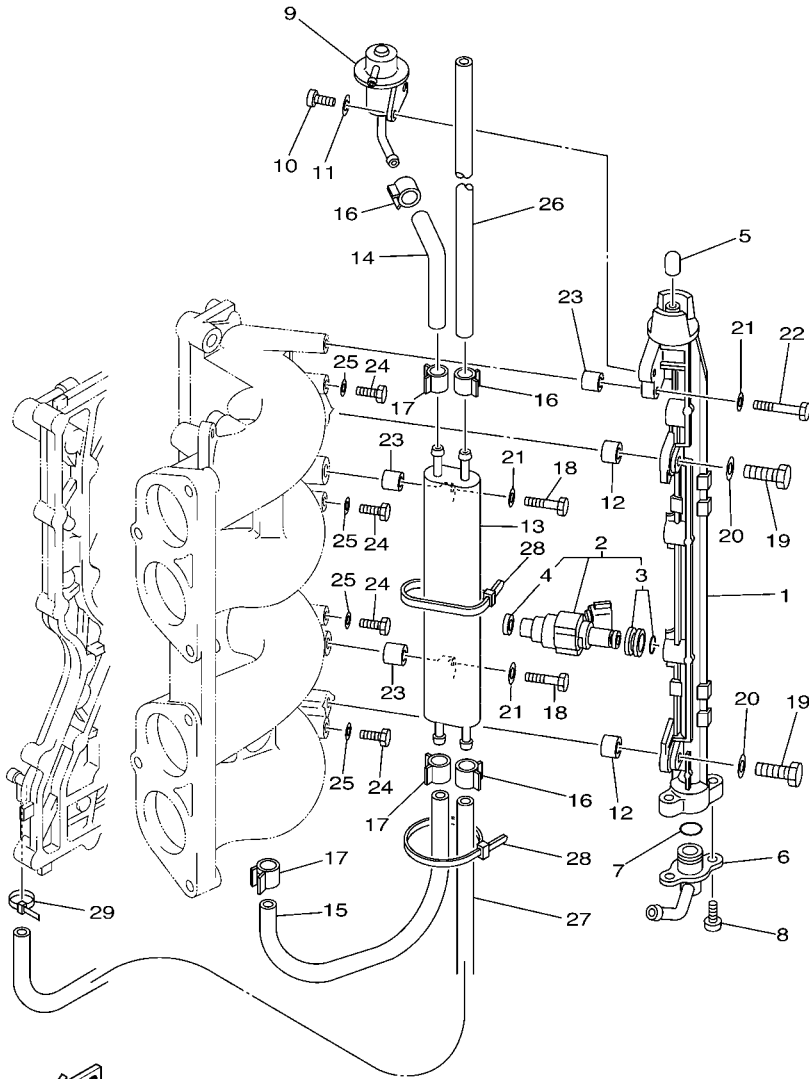
REF. NO.	PART NO.	DESCRIPTION			REMARKS
			68V7	68W7	
25	68V-13641-00-94	MANIFOLD 1	1	1	
26	99530-10114	PIN, DOWEL	4	4	
27	93210-48MG8	O-RING	4	4	
28	68V-41237-00	JOINT, LINK	1	1	
29	6H4-41237-00	JOINT, LINK	1	1	
30	95380-05700	NUT	1	1	
31	68V-1441L-00	BRACKET 1	1	1	
32	68V-81145-01	SCREW 1	3	3	
33	68V-8259N-00	WIRE HARNESS ASSY 3	1	1	
34	68V-14453-00	JOINT, AIR CLEANER 1	1	1	
35	68V-1441J-00	PIPE, SILENCER	1	1	
36	68V-2417H-00	CLAMP 1	2	2	



68V1010-2080

FIG. 8 FUEL INJECTION NOZZLE

REF. NO.	PART NO.	DESCRIPTION	68V7	68W7	REMARKS
1	68V-13160-00	DELIVERY PIPE ASSY 1	1	1	EXCEPT FOR BRA
	68V-13160-10	DELIVERY PIPE ASSY 1	1	1	FOR BRA
2	68V-8A360-00	INJECTOR UNIT	4	4	EXCEPT FOR BRA
	68V-8A360-10	INJECTOR UNIT	4	4	FOR BRA
3	68V-1410B-00	.PACKING KIT	1	1	
4	68V-13766-00	.RUBBER, INJECTOR	1	1	EXCEPT FOR BRA
	68V-13766-10	.RUBBER, INJECTOR	1	1	FOR BRA
5	68V-14225-00	CAP	1	1	
6	68V-13435-00	NIPPLE	1	1	
7	68V-14397-00	O-RING	1	1	EXCEPT FOR BRA
	68V-14397-10	O-RING	1	1	FOR BRA
8	68V-81147-00	SCREW 3	2	2	
9	68V-13906-01	REGULATOR, PRESSURE	1	1	
10	68V-14565-00	SCREW	2	2	
11	68V-14356-00	WASHER, SPRING	2	2	
12	68V-14264-00	COLLAR	2	2	
13	69J-21841-02	COOLER	1	1	
14	68V-13971-00	PIPE, FUEL 1	1	1	EXCEPT FOR BRA
	68V-13971-10	PIPE, FUEL 1	1	1	FOR BRA
15	68V-13972-00	PIPE, FUEL 2	1	1	EXCEPT FOR BRA
	68V-13972-10	PIPE, FUEL 2	1	1	FOR BRA
16	68V-24519-00	CLIP	3	3	
17	68V-2411M-00	CLIP	3	3	
18	68V-14777-00	BOLT	2	2	
19	68V-14428-00	BOLT	2	2	
20	68V-14475-00	WASHER	2	2	
21	68V-14357-00	WASHER, PLAIN	3	3	



68V1010-2080

FIG. 8 FUEL INJECTION NOZZLE

REF. NO.	PART NO.	DESCRIPTION	68V7	68W7	REMARKS
22	68V-14446-00	BOLT	1	1	
23	68V-14265-00	COLLAR	3	3	
24	97095-06010	BOLT	4	4	
25	90430-06014	GASKET	4	4	
26	68V-2247A-10	HOSE 1	1	1	
27	68V-2247B-00	HOSE 2	1	1	
28	68V-2481H-00	CLAMP	2	2	
29	90465-11M10	CLAMP	1	1	

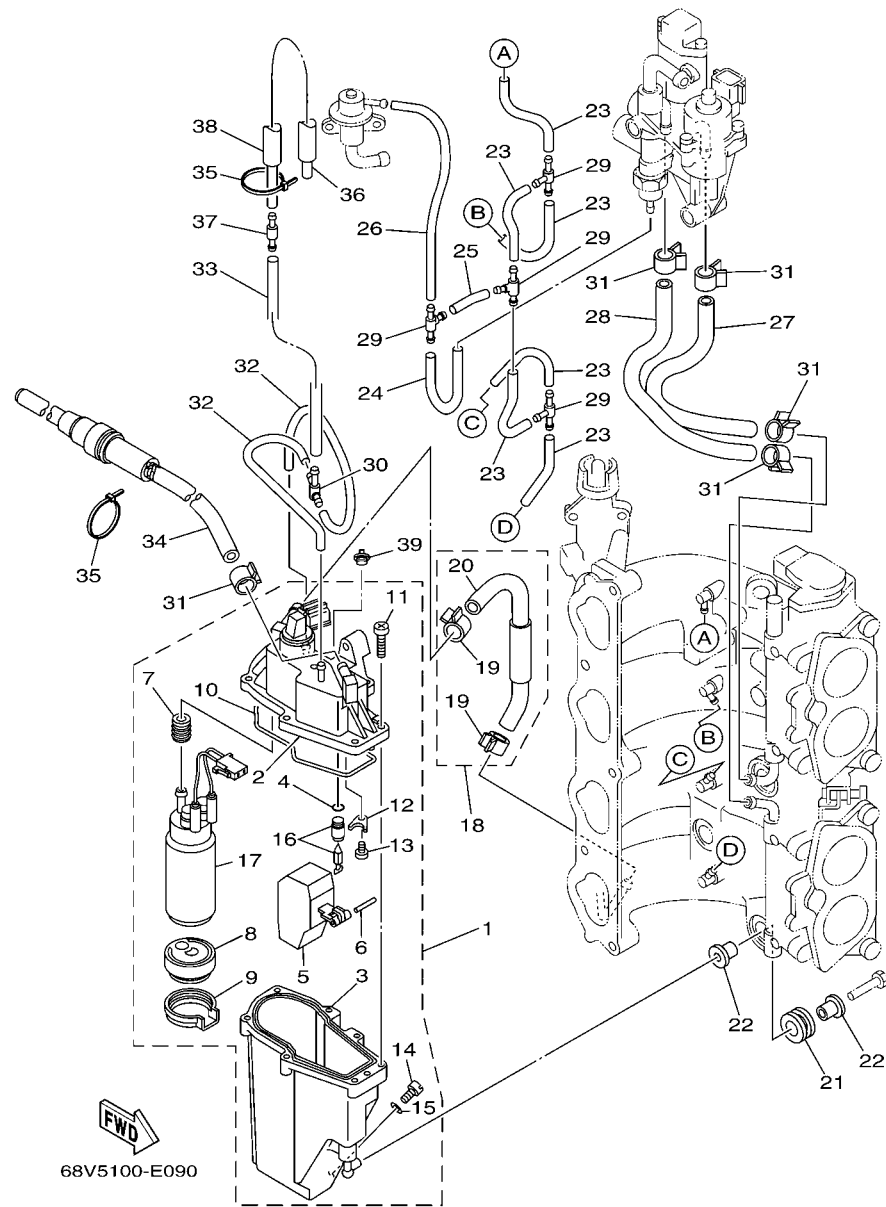


FIG. 9 FUEL INJECTION PUMP

REF. NO.	PART NO.	DESCRIPTION	68V7	68W7	REMARKS
1	68V-14180-02	FLOAT CHAMBER ASSY	1	1	EXCEPT FOR BRA
	68V-14180-10	FLOAT CHAMBER ASSY	1	1	FOR BRA
2	68V-14182-01	.COVER, FLOAT CHAMBER	1	1	EXCEPT FOR BRA
	68V-14182-10	.COVER, FLOAT CHAMBER	1	1	FOR BRA
3	68V-14181-00	.BODY, FLOAT CHAMBER 1	1	1	EXCEPT FOR BRA
	68V-14181-10	.BODY, FLOAT CHAMBER 1	1	1	FOR BRA
4	68V-13769-00	.O-RING	1	1	EXCEPT FOR BRA
	68V-13769-10	.O-RING	1	1	FOR BRA
5	68V-14985-00	.FLOAT	1	1	
6	68V-14386-00	.PIN, FLOAT	1	1	
7	68V-13781-10	.DAMPER, PUMP	1	1	
8	68V-13915-00	.FILTER	1	1	EXCEPT FOR BRA
	68V-13915-10	.FILTER	1	1	FOR BRA
9	68V-13784-00	.COVER, PUMP	1	1	
10	68V-14984-00	.GASKET, FLOAT CHAMBER	1	1	EXCEPT FOR BRA
	68V-14984-10	.GASKET, FLOAT CHAMBER	1	1	FOR BRA
11	68V-14567-00	.SCREW	7	7	
12	68V-14255-00	.PLATE	1	1	EXCEPT FOR BRA
	68V-14255-10	.PLATE	1	1	FOR BRA
13	68V-14592-00	.SCREW	1	1	EXCEPT FOR BRA
	68V-14592-10	.SCREW	1	1	FOR BRA
14	68V-14191-00	.PLUG, DRAIN	1	1	
15	68V-14126-00	.GASKET	1	1	
16	68V-14546-00	.VALVE, NEEDLE	1	1	EXCEPT FOR BRA
	68V-14546-10	.VALVE, NEEDLE	1	1	FOR BRA
17	68V-13907-03	.FUEL PUMP COMP.	1	1	EXCEPT FOR BRA
	68V-13907-11	.FUEL PUMP COMP.	1	1	FOR BRA

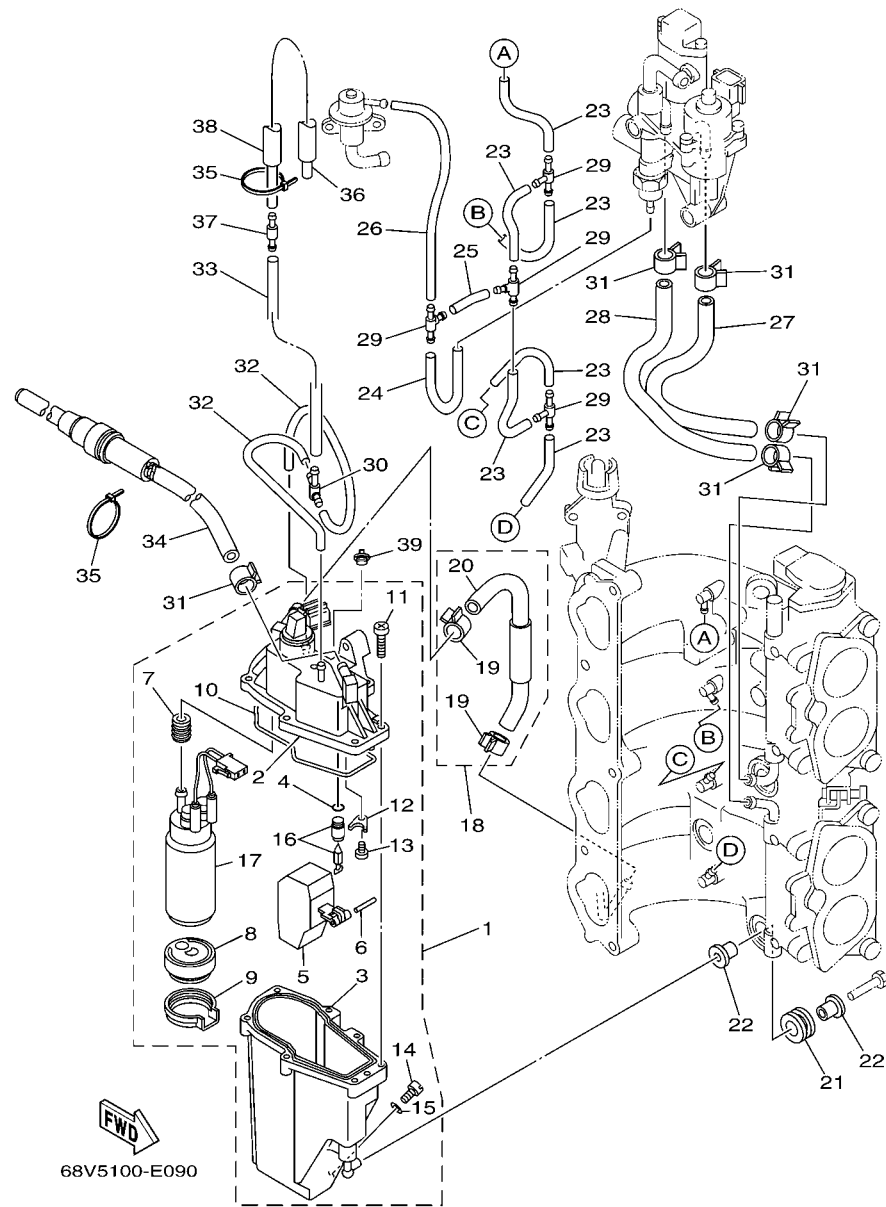
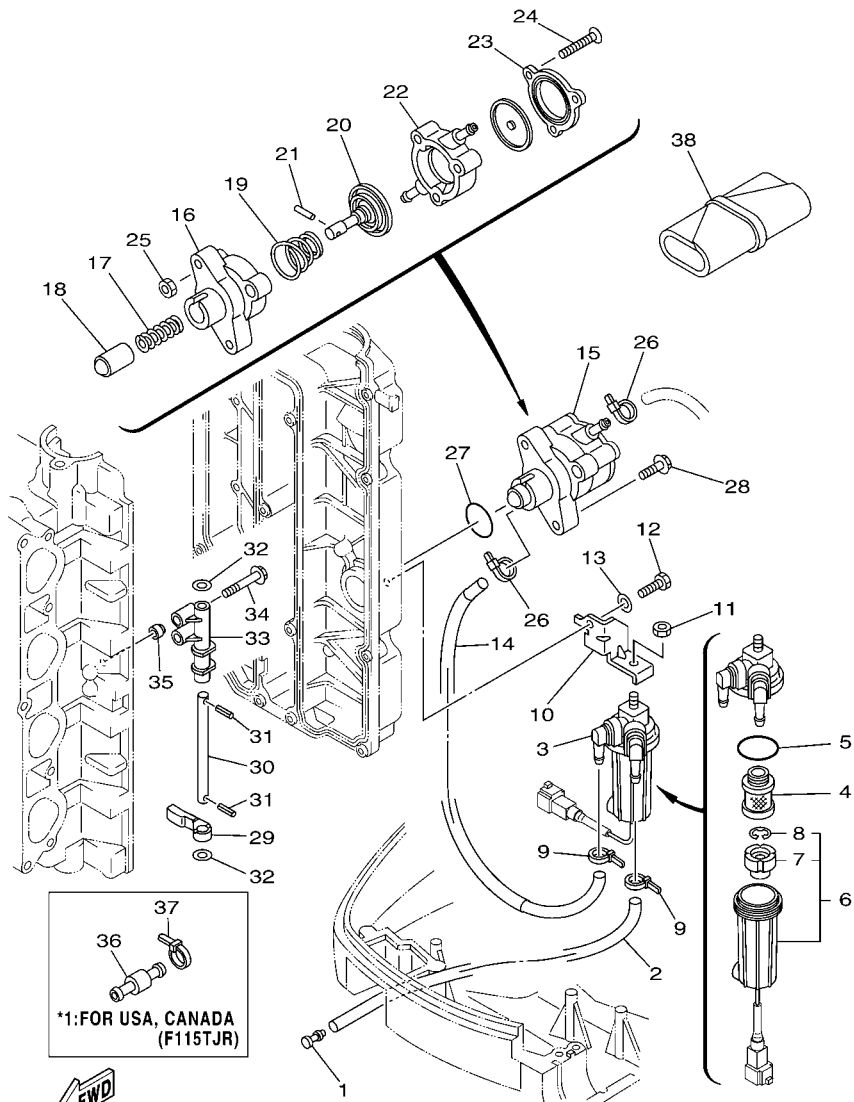


FIG. 9 FUEL INJECTION PUMP

REF. NO.	PART NO.	DESCRIPTION	68V7	68W7	REMARKS
18	68V-14807-00	HOSE COMP.	1	1	EXCEPT FOR BRA
	68V-14807-10	HOSE COMP.	1	1	FOR BRA
19	68V-24387-00	.CLIP	2	2	
20	68V-13973-10	.PIPE, FUEL 3	1	1	FOR BRA
21	68V-13593-00	DAMPER	3	3	
22	68V-13716-00	COLLAR	6	6	
23	68V-13542-00	HOSE, VACUUM SENSING 1	6	6	
24	68V-13533-00	HOSE, VACUUM SENSING 4	1	1	
25	68V-13544-00	HOSE, VACUUM SENSING 2	1	1	
26	68V-13532-00	HOSE, VACUUM SENSING 3	1	1	
27	68V-13545-00	HOSE 1	1	1	
28	68V-13546-00	HOSE 2	1	1	
29	68V-24377-00	PIPE, JOINT 2	4	4	
30	68V-24379-00	PIPE, JOINT 4	1	1	
31	68V-13577-00	CLIP	5	5	
32	68V-13534-00	HOSE, VACUUM SENSING 5	2	2	
33	68V-13547-01	HOSE 3	1	1	
34	68V-24502-01	FILTER, FUEL	1	1	EXCEPT FOR BRA
	68V-24502-11	FILTER, FUEL	1	1	FOR BRA
35	68V-2481H-00	CLAMP	2	2	
36	68V-13535-00	HOSE, VACUUM SENSING 5	1	1	
37	68V-24460-01	RELIEF VALVE ASSY	1	1	EXCEPT FOR BRA
	68V-24460-10	RELIEF VALVE ASSY	1	1	FOR BRA
38	68V-13543-01	HOSE, AIR	1	1	
39	69J-14225-00	CAP	1	1	



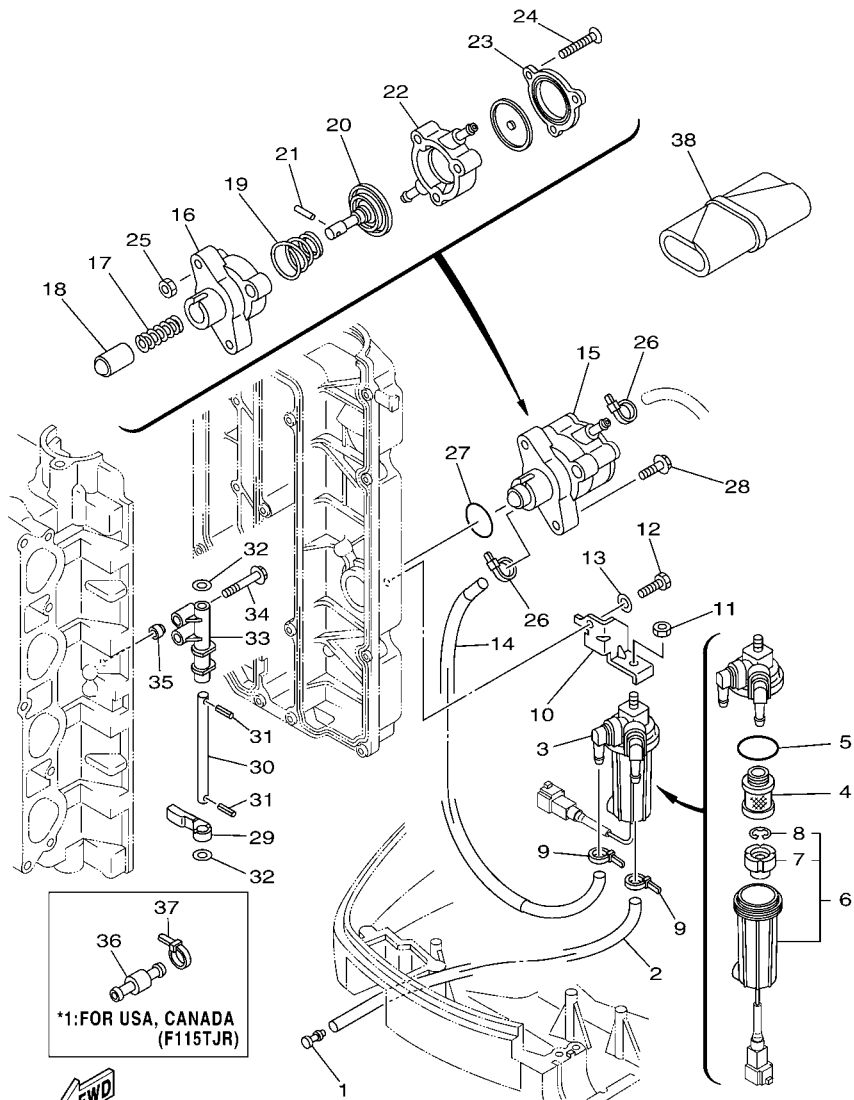
68V7100-G100

\*1: FOR USA, CANADA (F115TJR)

FIG. 10 FUEL 1

REF. NO.	PART NO.	DESCRIPTION	68V7	68W7	REMARKS
1	689-85547-00	DAMPER	1	1	
2	90445-13M37	HOSE (L2300)	1	1	
3	6D8-24560-00	FILTER ASSY	1	1	
4	6D8-24563-00	.ELEMENT, FILTER	1	1	
5	6D8-24564-00	.GASKET	1	1	
6	6D8-24562-00	.CUP, FILTER	1	1	
7	6D8-24469-00	..FLOAT, WATER LEVEL	1	1	
8	6D8-24519-00	..CLIP	1	1	
9	90465-11M10	CLAMP	2	2	
10	68V-24566-00	BRACKET, FILTER	1	1	
11	95380-08600	NUT	1	1	
12	97095-06016	BOLT	1	1	
13	92995-06600	WASHER	1	1	
14	68V-24311-00	PIPE, FUEL 1	1	1	
15	68V-24410-00	FUEL PUMP ASSY	1	1	
16	68V-24412-00	.BODY 1	1	1	
17	68V-24454-00	.SPRING	1	1	
18	68V-13131-00	.PLUNGER	1	1	
19	68V-24423-00	.SPRING, DIAPHRAGM	1	1	
20	68V-24411-00	.DIAPHRAGM	1	1	
21	68V-24374-00	.PIN	1	1	
22	68V-24413-00	.BODY 2	1	1	
23	68V-24414-00	.BODY 3	1	1	
24	68V-24444-00	.SCREW	3	3	
25	68V-24149-00	.NUT	3	3	
26	90465-11M10	CLAMP	2	2	
27	93210-30682	O-RING	1	1	

FIG. 10 FUEL 1



68V7100-G100

\*1: FOR USA, CANADA (F115TJR)

REF. NO.	PART NO.	DESCRIPTION	68V7	68W7			REMARKS
28	90119-06M83	BOLT, WITH WASHER	2	2			
29	67F-24575-00	LEVER, FUEL CHANGE	1	1			
30	68V-24495-00	SHAFT	1	1			
31	91609-25014	PIN, SPRING	2	2			
32	90201-08M12	WASHER, PLATE	2	2			
33	67F-24491-00	BRACKET, FUEL PUMP	1	1			
34	90119-07235	BOLT/WASHER-CAM CAPS	2	2			
35	91809-08006	PIN, DOWEL	2	2			
36	6R3-24377-10	PIPE, JOINT 2	1	1			*1
37	90465-11M10	CLAMP	1	1			*1
38	67F-28100-01	TOOL KIT	1	1			AP

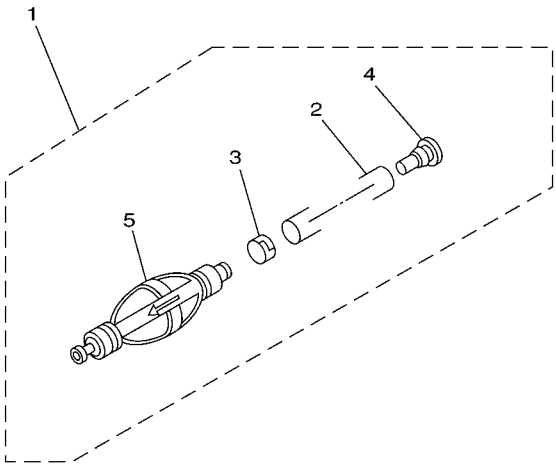


FIG. 11 FUEL 2

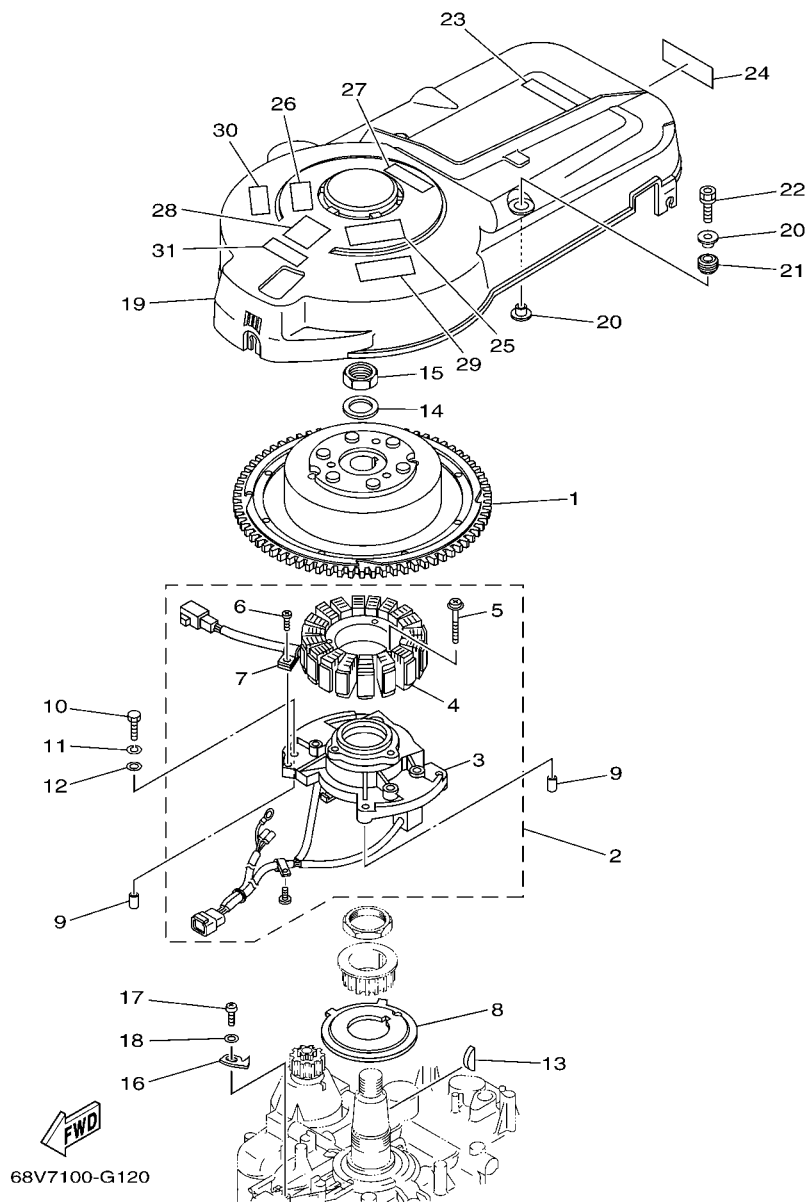
REF. NO.	PART NO.	DESCRIPTION			REMARKS
			68V7	68W7	
1	6Y2-24307-50	FUEL PIPE COMP. 2	1	1	AP EXCEPT CAR
2	90445-13M01	.HOSE (L2050)	1	1	
3	6E5-24351-51	.BAND 1	1	1	
4	90480-06M19	.GROMMET	1	1	
5	6Y2-24360-60	.PRIMER PUMP ASSY	1	1	



68V0100-0110

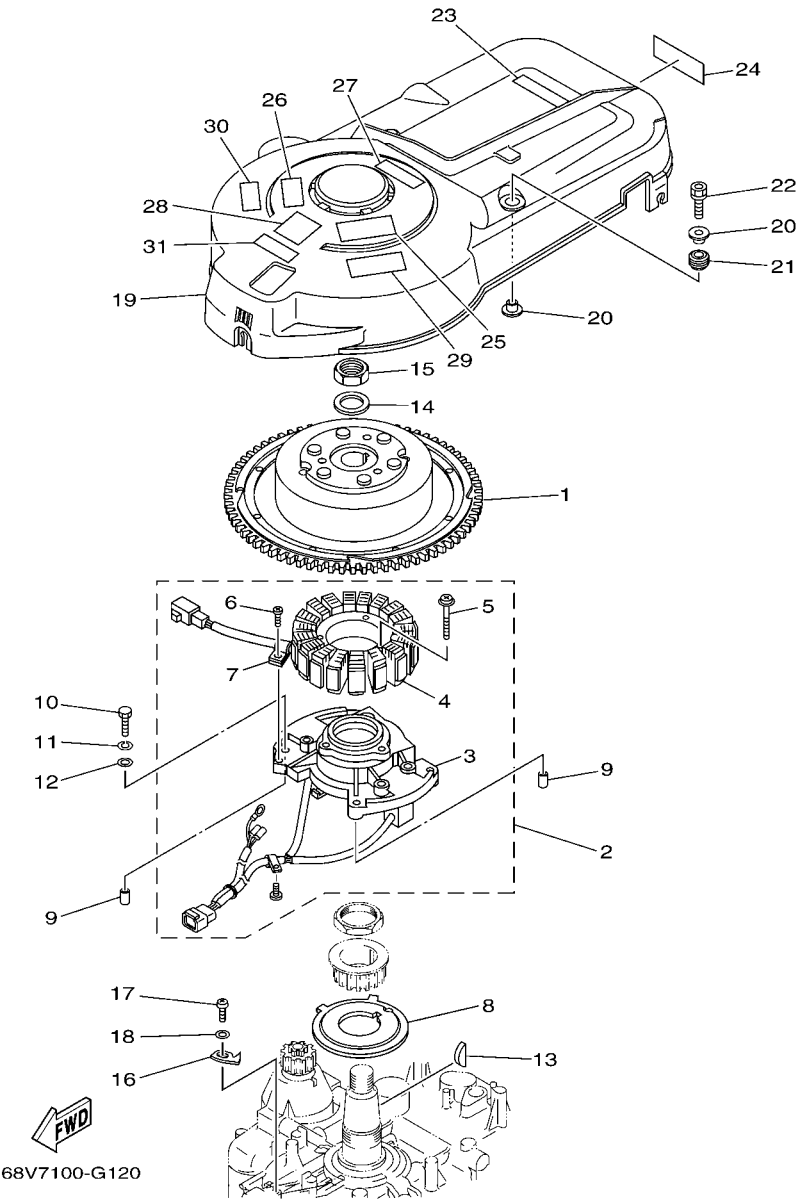


FIG. 12 GENERATOR

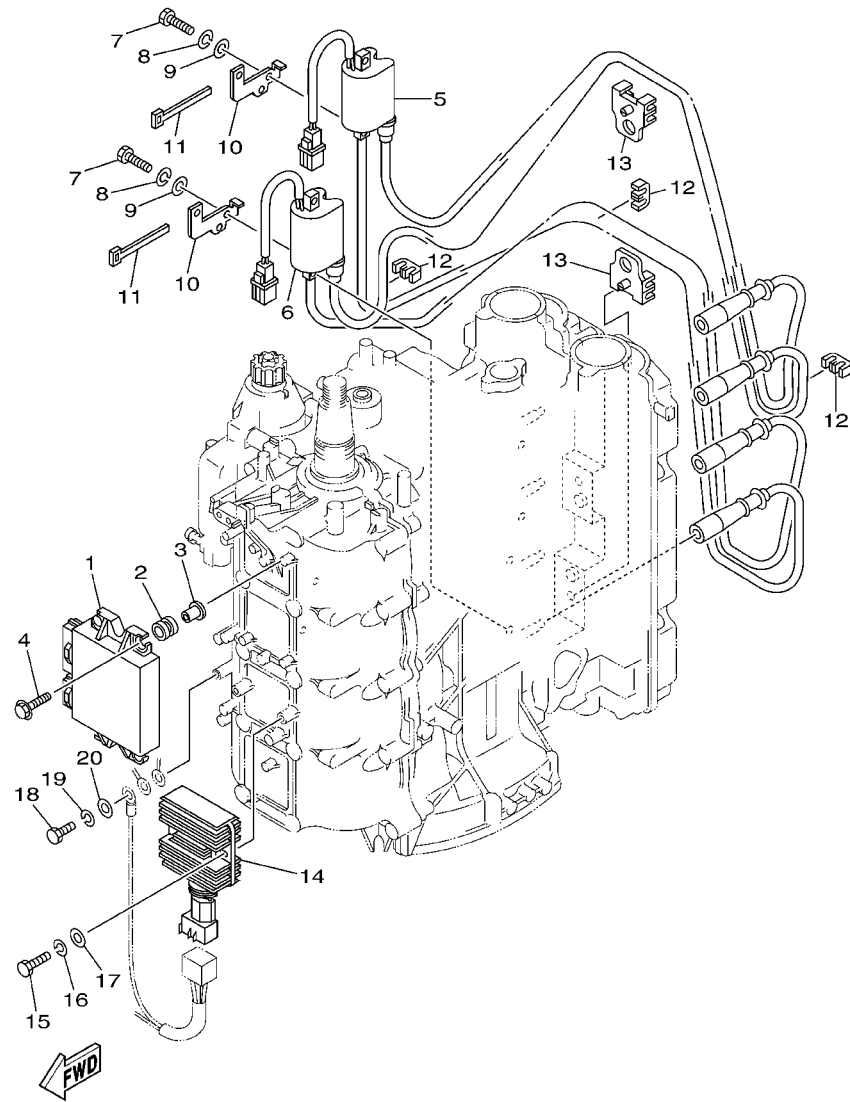


REF. NO.	PART NO.	DESCRIPTION	68V7	68W7			REMARKS
1	68V-81450-00	ROTOR ASSY	1	1			
2	68V-81460-00	BASE ASSY	1	1			
3	68V-85580-00	.COIL, PULSER	1	1			
4	68V-81410-00	.STATOR ASSY	1	1			
5	63D-81345-20	.SCREW, WITH WASHER (M6X30)	3	3			
6	97607-04110	.SCREW, WITH WASHER	1	1			
7	445-81328-20	.CLAMP	1	1			
8	68V-81673-00	ROTOR	1	1			
9	99530-08012	PIN, DOWEL	2	2			
10	97095-06030	BOLT	4	4			
11	92995-06100	WASHER, SPRING	4	4			
12	92995-06600	WASHER	4	4			
13	90280-04M08	KEY, WOODRUFF	1	1			
14	90201-24014	WASHER, PLATE	1	1			
15	90179-24002	NUT	1	1			
16	6D8-81332-00	PLATE, TIMING	1	1			
17	97885-06010	SCREW, PAN HEAD	1	1			
18	92995-06600	WASHER	1	1			
19	67F-81337-01	COVER, FLYWHEEL	1	1			
20	90387-06M71	COLLAR	4	4			
21	90480-15M31	GROMMET	2	2			
22	90119-06M92	BOLT, WITH WASHER	2	2			
23	67F-12138-40	MARK, CAUTION	1	1			FOR USA,OCE
	67F-12138-50	MARK, CAUTION	1	1			FOR CAN
	67F-12138-60	MARK, CAUTION	1	1			FOR CAR,BRA
24	68V-13437-41	MARK, CAUTION	1	1			FOR USA,OCE
	68V-13437-51	MARK, CAUTION	1	1			FOR CAN

FIG. 12 GENERATOR



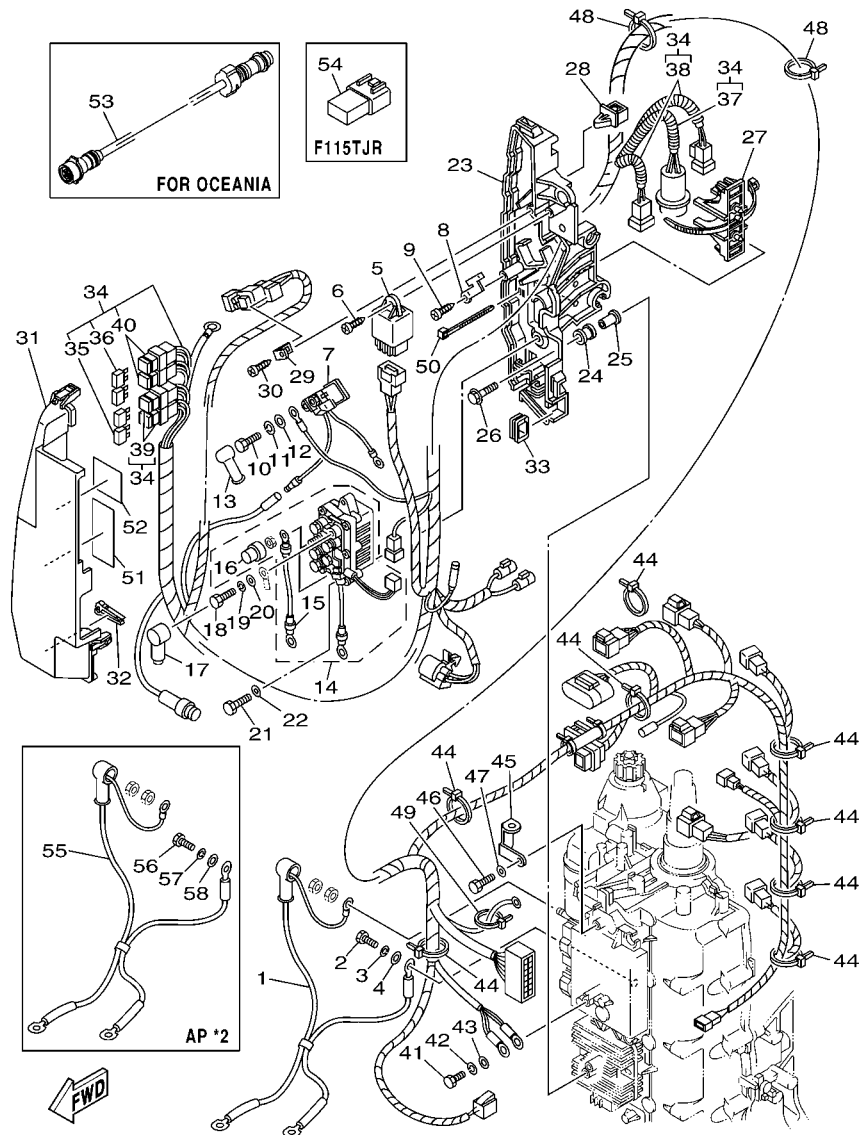
REF. NO.	PART NO.	DESCRIPTION	68V7	68W7		REMARKS
24	68V-13437-61	MARK, CAUTION	1	1		FOR CAR,BRA
25	6AH-81995-40	LABEL, WARNING	1	1		
26	6AH-81995-50	LABEL, WARNING	1	1		FOR CAN,CAR,BRA
27	6K1-83623-41	MARK 3		1		
28	6K1-83623-50	MARK 3		1		FOR CAN,CAR,BRA
29	6AH-81994-40	LABEL, SAFETY	1	1		
30	6AH-81994-50	LABEL, SAFETY	1	1		FOR CAN,CAR,BRA
31	6AG-81996-00	MARK	1	1		
<hr/>						
<hr/>						
<hr/>						
<hr/>						
<hr/>						
<hr/>						
<hr/>						
<hr/>						



68V7100-G131

FIG. 13 ELECTRICAL 1

REF. NO.	PART NO.	DESCRIPTION	68V7	68W7	REMARKS
1	68V-8591A-41	ENGINE CONTROL UNIT ASSY	1	1	
	68V-8591A-50	ENGINE CONTROL UNIT ASSY	1	1	FOR CAR(CE)
	68V-8591A-60	ENGINE CONTROL UNIT ASSY	1	1	FOR BRA
2	68V-82317-00	DAMPER, IGNITION COIL	4	4	
3	90387-06119	COLLAR	4	4	
4	90119-06M59	BOLT, WITH WASHER	4	4	
5	68V-82310-00	IGNITION COIL ASSY	1	1	
6	68V-82310-10	IGNITION COIL ASSY	1	1	
7	97095-06025	BOLT	4	4	
8	92995-06100	WASHER, SPRING	4	4	
9	92995-06600	WASHER	4	4	
10	68V-82388-00	PLATE	2	2	
11	90464-06001	CLAMP	2	2	
12	67F-82361-00	CLAMP, CORD	3	3	
13	67F-82362-00	CLAMP, CORD 2	2	2	
14	68V-81960-10	RECTIFIER & REGULATOR ASSY	1	1	Go to P/N:PE0-OM-080063
15	97095-06025	BOLT	2	2	
16	92995-06100	WASHER, SPRING	2	2	
17	92995-06600	WASHER	2	2	
18	97095-06016	BOLT	1	1	
19	92995-06100	WASHER, SPRING	1	1	
20	92995-06600	WASHER	1	1	

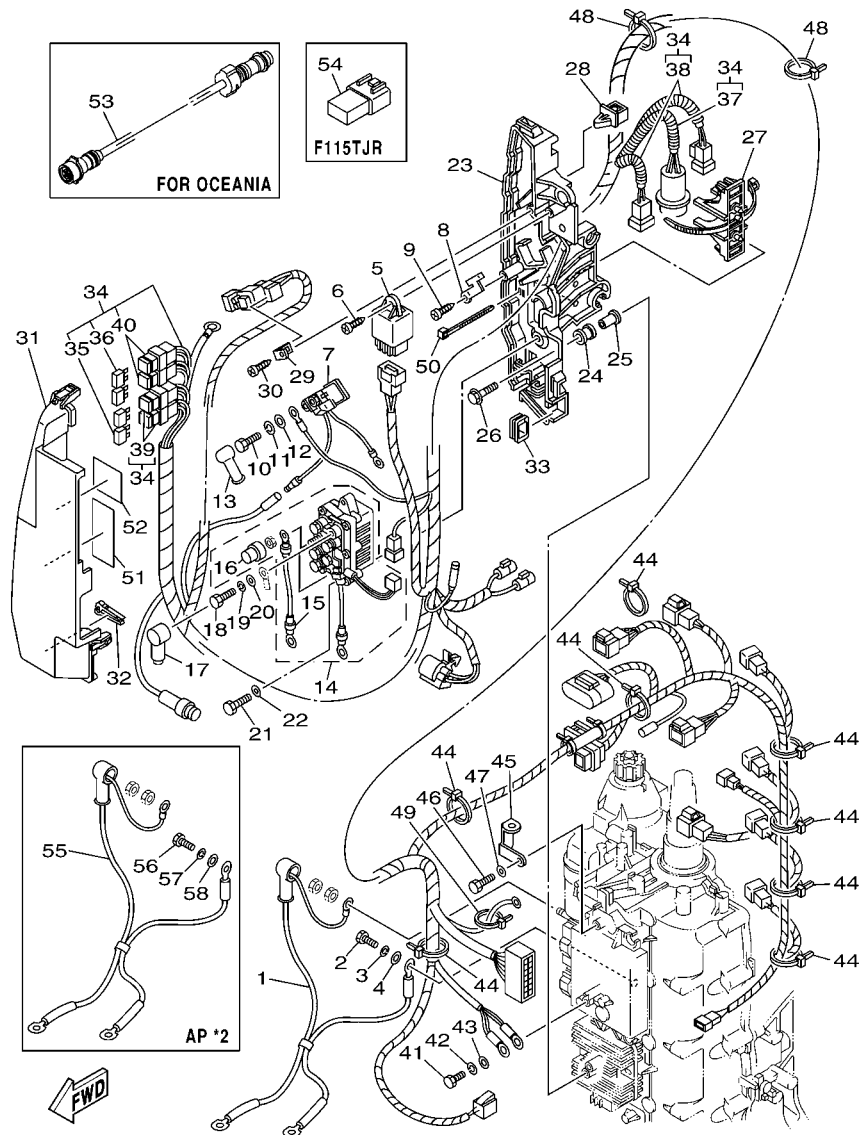


68V7100-G140

\*1: 68V-FOR OCEANIA, CARIB, BRAZIL, CANADA (EXCEPT F115TJR)  
 68W-FOR OCEANIA, CARIB, BRAZIL, CANADA  
 \*2: 68V-FOR USA, CANADA (F115TJR)  
 68W-FOR USA

FIG. 14 ELECTRICAL 2

REF. NO.	PART NO.	DESCRIPTION			REMARKS
			68V7	68W7	
1	68V-82105-00	WIRE HARNESS	1	1	*1
2	97013-06020	BOLT	1	1	*1
3	92903-06100	WASHER, SPRING	1	1	*1
4	92903-06600	WASHER, PLATE	1	1	*1
5	68V-81950-00	RELAY ASSY	1	1	
6	97780-60625	SCREW, TAPPING	1	1	
7	68V-8194A-00	RELAY	1	1	
8	68V-81953-00	STAY, RELAY	1	1	
9	97780-60620	SCREW, TAPPING	1	1	
10	97095-06010	BOLT	2	2	
11	92995-06100	WASHER, SPRING	2	2	
12	92995-06600	WASHER	2	2	
13	6G5-82119-00	COVER, LEAD WIRE	2	2	
14	68V-8195B-01	RELAY ASSY	1	1	
15	68V-81949-00	.WIRE, LEAD	1	1	
16	68V-82532-00	.CAP	1	1	
17	682-82119-01	COVER, LEAD WIRE	2	2	
18	97095-06010	BOLT	2	2	
19	92995-06100	WASHER, SPRING	2	2	
20	92995-06600	WASHER	2	2	
21	97013-06020	BOLT	2	2	
22	92903-06600	WASHER, PLATE	2	2	
23	68V-81948-02	BRACKET	1	1	
24	6A0-82317-00	DAMPER, IGNITION COIL	5	5	
25	90387-06119	COLLAR	5	5	
26	90119-06M59	BOLT, WITH WASHER	5	5	
27	68V-82594-00	CLAMP	1	1	



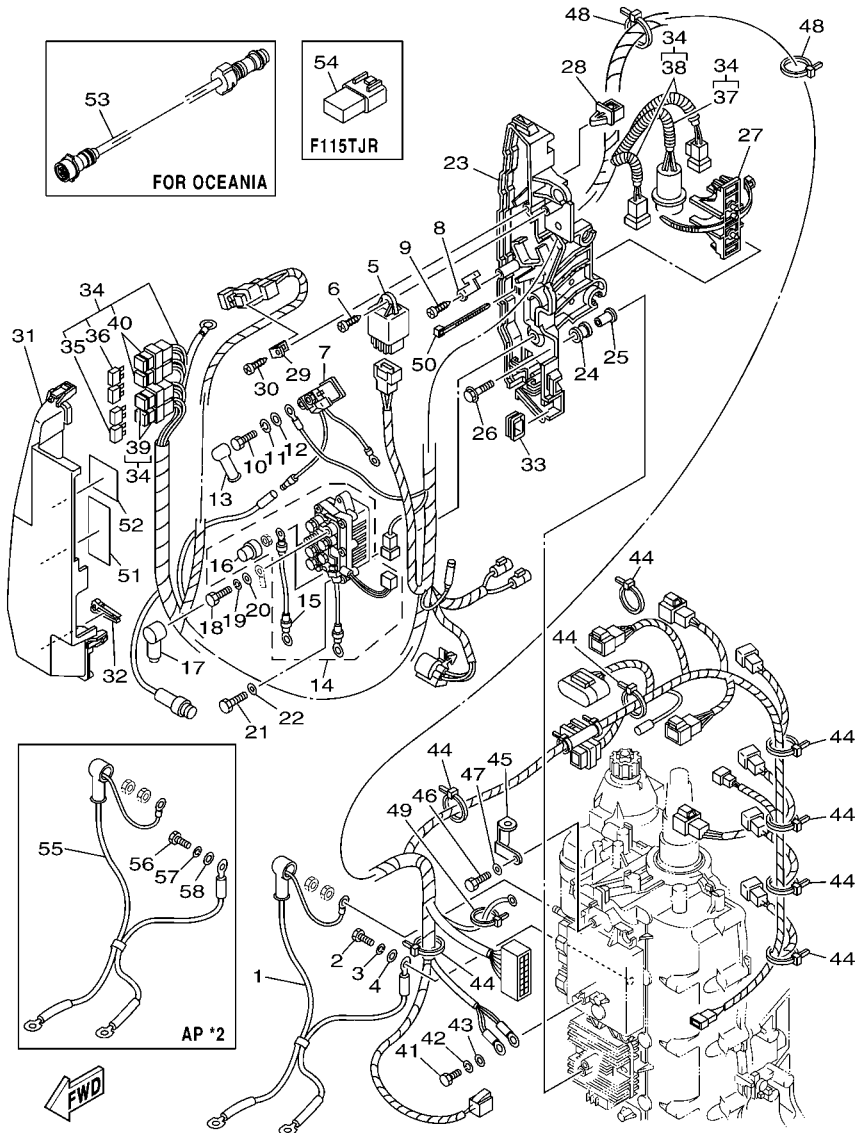
68V7100-G140

\*1: 68V-FOR OCEANIA, CARIB, BRAZIL, CANADA (EXCEPT F115TJR)  
 68W-FOR OCEANIA, CARIB, BRAZIL, CANADA  
 \*2: 68V-FOR USA, CANADA (F115TJR)  
 68W-FOR USA

FIG. 14 ELECTRICAL 2

REF. NO.	PART NO.	DESCRIPTION			REMARKS
			68V7	68W7	
28	90464-12M58	CLAMP	1	1	
29	68V-85548-00	HOLDER	1	1	
30	97780-60620	SCREW, TAPPING	1	1	
31	68V-81942-03	COVER	1	1	
32	67F-2812A-00	PULLER, FUSE	1	1	
33	6D8-81518-00	GROMMET	1	1	
34	68V-82590-50	WIRE HARNESS ASSY	1	1	
35	67F-82151-00	.FUSE (20A)	4	4	
36	67F-82151-10	.FUSE (30A)	4	4	
37	90447-10003	.HOSE, WITH SPRING	1	1	
38	90447-07007	.HOSE, WITH SPRING	2	2	
39	67F-8215B-10	.CAP (YELLOW)	2	2	
40	67F-8215B-20	.CAP (GREEN)	2	2	
41	97095-06016	BOLT	1	1	
42	92995-06100	WASHER, SPRING	1	1	
43	92995-06600	WASHER	1	1	
44	90465-13M18	CLAMP	9	9	
45	6D8-82581-00	STAY, CORD CLAMP	1	1	
46	97095-06014	BOLT	1	1	
47	92995-06600	WASHER	1	1	
48	90465-11M52	CLAMP	2	2	
49	90465-13M18	CLAMP	1	1	
50	90465-13M18	CLAMP	2	2	
51	68V-81919-00	GRAPHIC, REGULATOR	1	1	
52	68V-81919-10	GRAPHIC, REGULATOR	1	1	
53	688-8258A-10	EXTENSION, WIRE HARNESS (2M)	1		FOR OCE (10P)
54	68V-82582-10	COVER, WIRE HARNESS	1		F115TJR

**FIG. 14 ELECTRICAL 2**



68V7100-G140

\*1: 68V-FOR OCEANIA, CARIB, BRAZIL, CANADA (EXCEPT F115TJR)  
 68W-FOR OCEANIA, CARIB, BRAZIL, CANADA  
 \*2: 68V-FOR USA, CANADA (F115TJR)  
 68W-FOR USA

REF. NO.	PART NO.	DESCRIPTION			REMARKS
			68V7	68W7	
55	68V-82105-00	WIRE HARNESS	1	1	AP *2
56	97013-06020	BOLT	1	1	AP *2
57	92903-06100	WASHER, SPRING	1	1	AP *2
58	92903-06600	WASHER, PLATE	1	1	AP *2
-----					
-----					
-----					
-----					
-----					
-----					
-----					
-----					
-----					
-----					
-----					
-----					
-----					
-----					
-----					
-----					
-----					
-----					
-----					
-----					

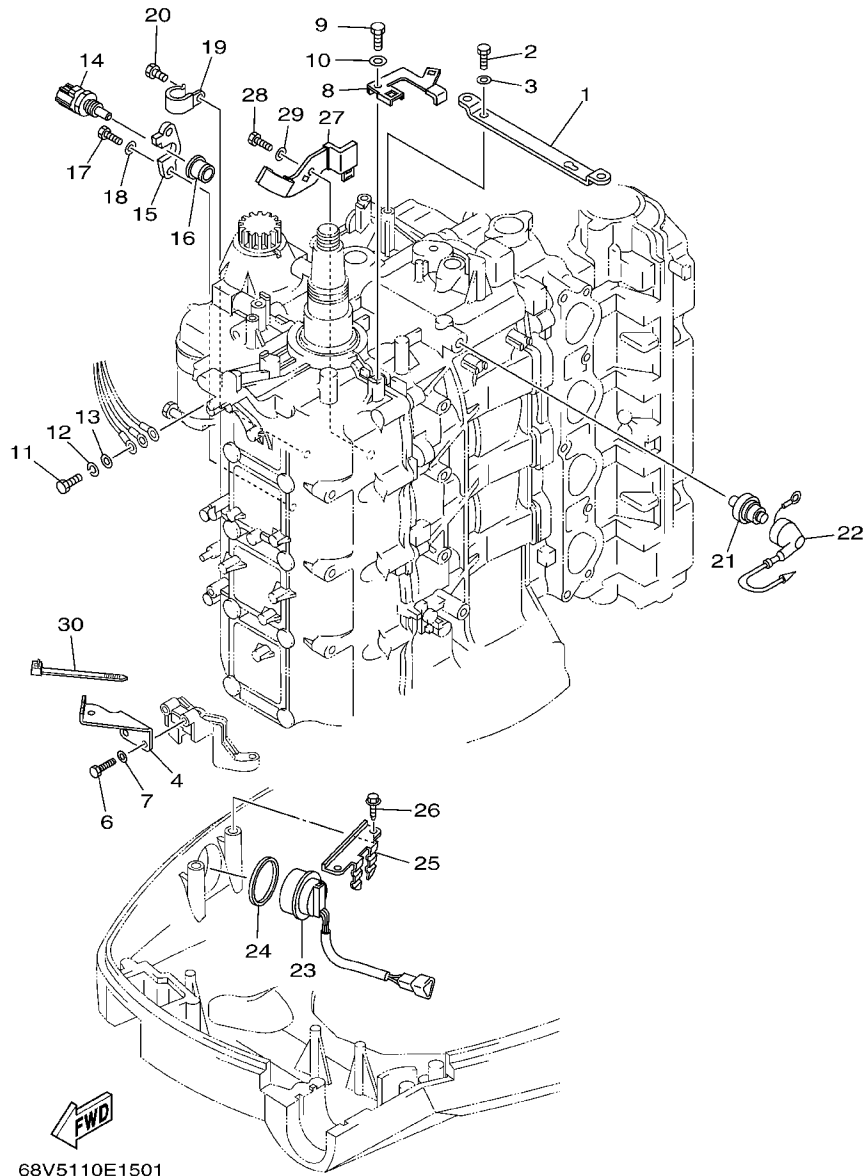
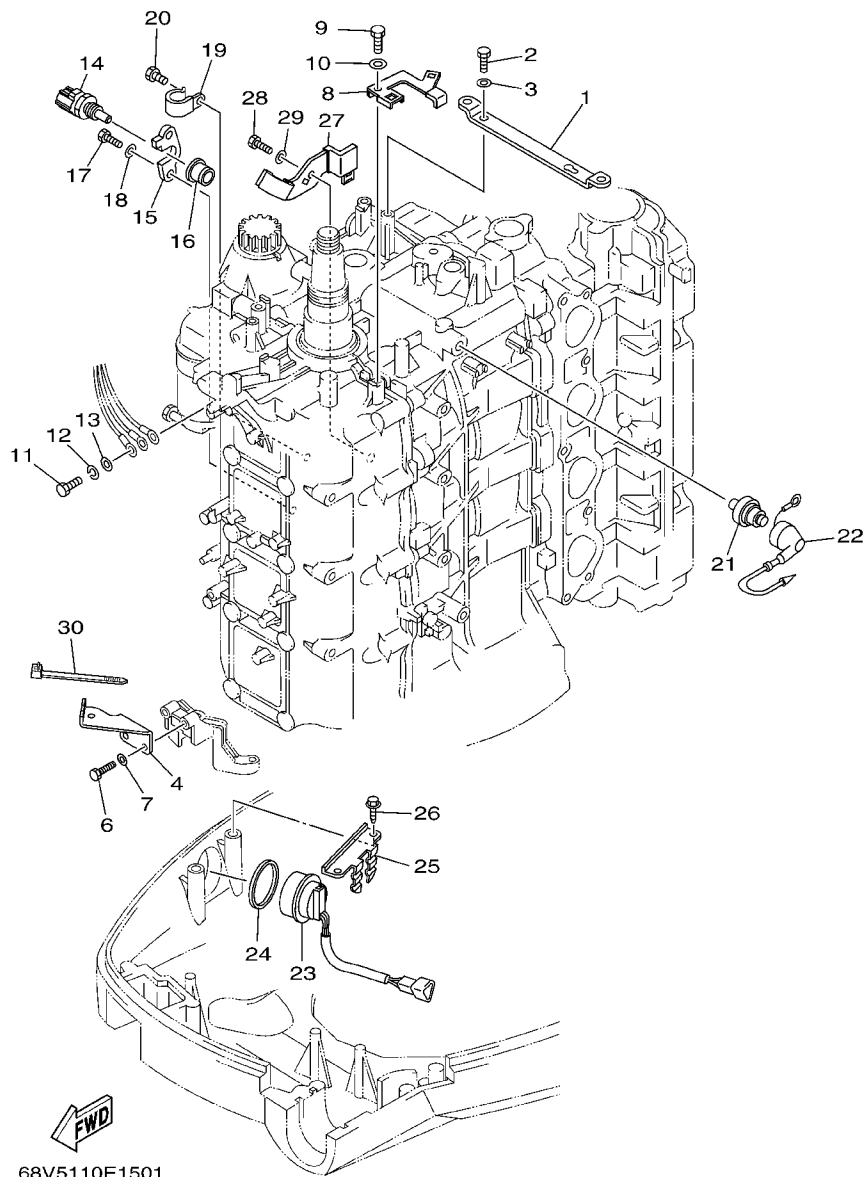


FIG. 15 ELECTRICAL 3

REF. NO.	PART NO.	DESCRIPTION	68V7	68W7			REMARKS
1	67F-8132G-01	PLATE	1	1			
2	97095-06016	BOLT	2	2			
3	92995-06600	WASHER	2	2			
4	68V-81528-00	CLAMP 1	1	1			Go to P/N:PE0-OM-080063
6	97095-06016	BOLT	2	2			Go to P/N:PE0-OM-080063
7	92995-06600	WASHER	2	2			Go to P/N:PE0-OM-080063
8	68V-82588-10	PLATE	1	1			
9	97095-06012	BOLT	1	1			
10	92995-06600	WASHER	1	1			
11	97095-06016	BOLT	1	1			
12	92995-06100	WASHER, SPRING	1	1			
13	92995-06600	WASHER	1	1			
14	67F-85790-00	THERMOSENSOR ASSY	1	1			
15	67F-85757-00	RETAINER	1	1			
16	68V-85753-00	GASKET, SENDER UNIT	1	1			
17	97095-06016	BOLT	2	2			
18	92995-06600	WASHER	2	2			
19	90465-06M86	CLAMP	1	1			
20	97095-06010	BOLT	1	1			
21	68V-82504-00	OIL PRESSURE SWITCH ASSY	1	1			
22	68V-81315-00	LEAD WIRE ASSY	1	1			
23	63D-82563-10	TRIM & TILT SWITCH ASSY	1	1			
24	6E5-82587-00	GASKET	1	1			
25	67F-83614-00	BRACKET	1	1			
26	90109-06M86	BOLT	2	2			
27	6D8-8252H-00	PLATE, HOLDER	1	1			

FIG. 15 ELECTRICAL 3



68V5110E1501

REF. NO.	PART NO.	DESCRIPTION	68V7	68W7		REMARKS
28	97095-06012	BOLT	1	1		
29	92995-06600	WASHER	1	1		
30	90465-13M18	CLAMP	1	1		Go to P/N:PE0-OM-080063
-----						
-----						
-----						
-----						
-----						
-----						
-----						
-----						
-----						
-----						



# PARTS NEWS

News No. PE0-OM-080063(1/2)

Date:2008/09/26


Signature:K . Otsuka

Cause  Revision Notice  Correction  Sales Unit Change  Others






Model	F115TR, F115AET '07-'08 / LF115TR, FL115AET '07-'08
Subject	PARTS CATALOGUE CORRECTIONS
CATALOGUE NO.	See the "List of Models and CATALOGUE No's below."
Time of YPEC Revision	Text, Illustration --> Oct./25/2008
	PDF Replace --> Oct./25/2008
(YPEC = Yamaha Parts Electrical Catalogue = Website parts catalogue)	

## 1. LIST CORRECTION

### ELECTRICAL 1

Fig. No.	Ref. No.	PART NO.	PART NAME	Q'TY	*1	REMARKS
*1	14	OLD 6D3-81960-00	RECTIFIER & REGULATOR ASSY	1		*Part number revision
		NEW 68V-81960-10				

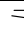
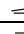

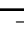

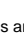

### ELECTRICAL 3

	4	OLD 6D8-81528-00	CLAMP 1	1		*Part number revision
		NEW 68V-81528-00				
*2	5	OLD <del>90480-13M24</del>	<del>GROMMET</del>	4		*Deleted Parts
	6	OLD 97095-06014	BOLT	1		*Part number & Q'ty revision
		NEW 97095-06016		2		
	7	OLD 92995-06600	WASHER	1		*Q'ty revision
NEW 92995-06600		2				
30	NEW 90465-13M18	CLAMP	1		*Added Parts	

\*Applicable Engine Serial No.

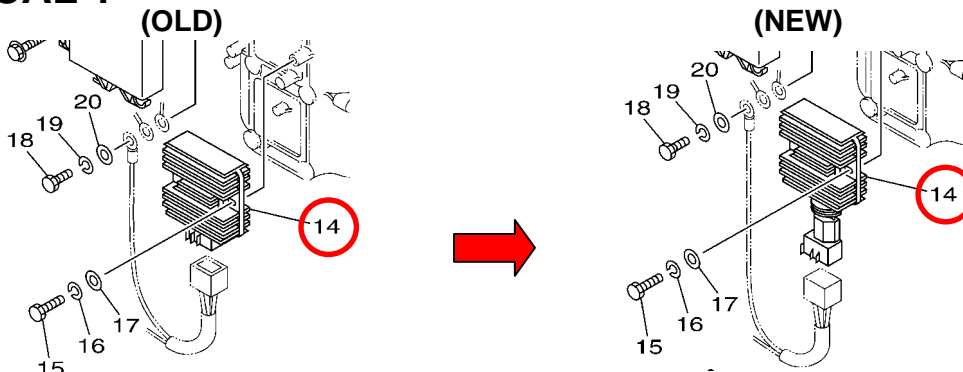
MODEL NAME	MODEL CODE	Applicable Engine Serial No.
F115TR, F115AET	68V6 / 68V7	68V:1098138-
LF115TR, FL115AET	68W6 / 68W7	68W:1004277-

\*1: Interchangeability

A	Old Parts		Old Parts
	New Parts		New Parts
B	Old Parts		Old Parts
	New Parts		New Parts
C	Old Parts		Old Parts
	New Parts		New Parts
	These parts are interchangeable with a set		

## 2. ILLUSTRATION CORRECTION

### ELECTRICAL 1



Parts Manager Check

Service Manager Check

Parts Manager File

YAMAHA MOTOR CO.,LTD  
2500 Shingai Iwata Shizuoka 438-8501.Japan  
Technical Publication Dept.

# PARTS NEWS

News No. PE0-OM-080063(2/2)

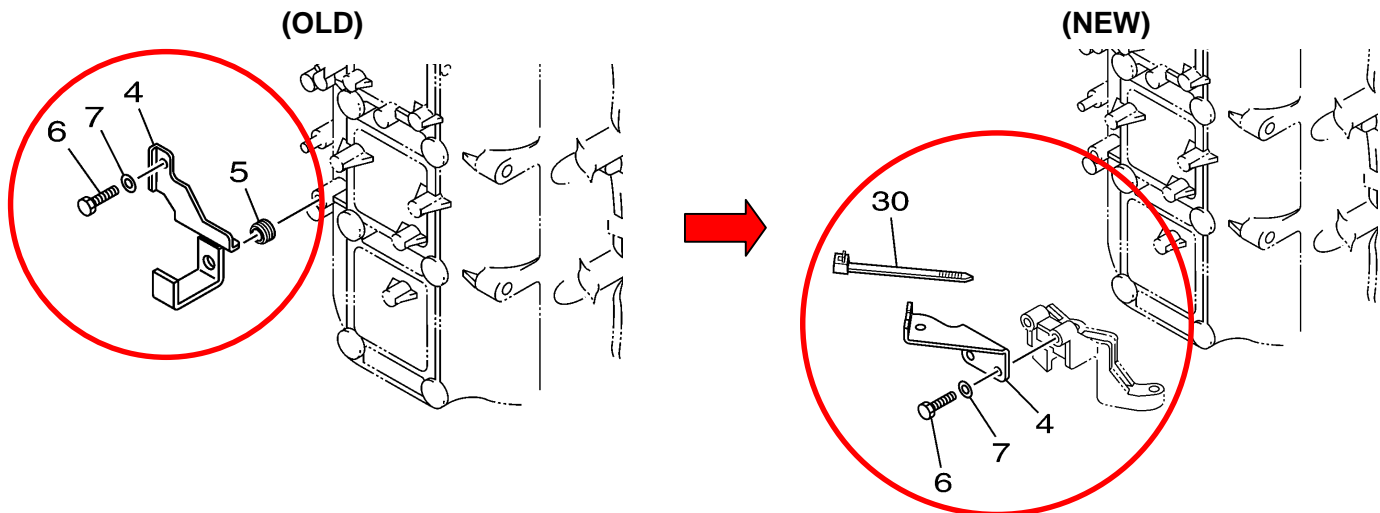
Date:2008/09/26

Signatur K . Otsuka

Cause  Revision Notice  Correction  Sales Unit Change  Others

Model	F115TR, F115AET '07-'08 / LF115TR, FL115AET '07-'08	
Subject	PARTS CATALOGUE CORRECTIONS	
CATALOGUE NO.	See the "List of Models and CATALOGUE No's below."	
Time of YPEC Revision	Text, Illustration --> Oct./25/2008	PDF Replace --> Oct./25/2008
(YPEC = Yamaha Parts Electrical Catalogue = Website parts catalogue)		

## 2. ILLUSTRATION CORRECTION ELECTRICAL 3



## 3. LIST of Models and CATALOGUE No's.

The applicable MODELS, MODEL CODES, and CATALOGUE No's are as follows.

MODEL NAME	MODEL CODE	MODEL YEAR	CATALOGUE NO.	Fig.No.	
				*1	*2
F115TR(F), F115AET LF115TR(F), FL115AET	68V6 68W6	2007	1F68V-100E1	13	15
F115AET FL115AET	68V6 68W6	2007	1F68V-300F1	13	15
F115AET	68V6	2007	1F68V-200S1	12	14
F115TR(G), F115AET LF115TR(G), FL115AET	68V7 68W7	2008	1G68V-100E1	13	15
F115AET FL115AET	68V7 68W7	2008	1G68V-300F1	13	15
F115AET	68V7	2008	1G68V-415M1	12	14

Thank you very much for your cooperation.

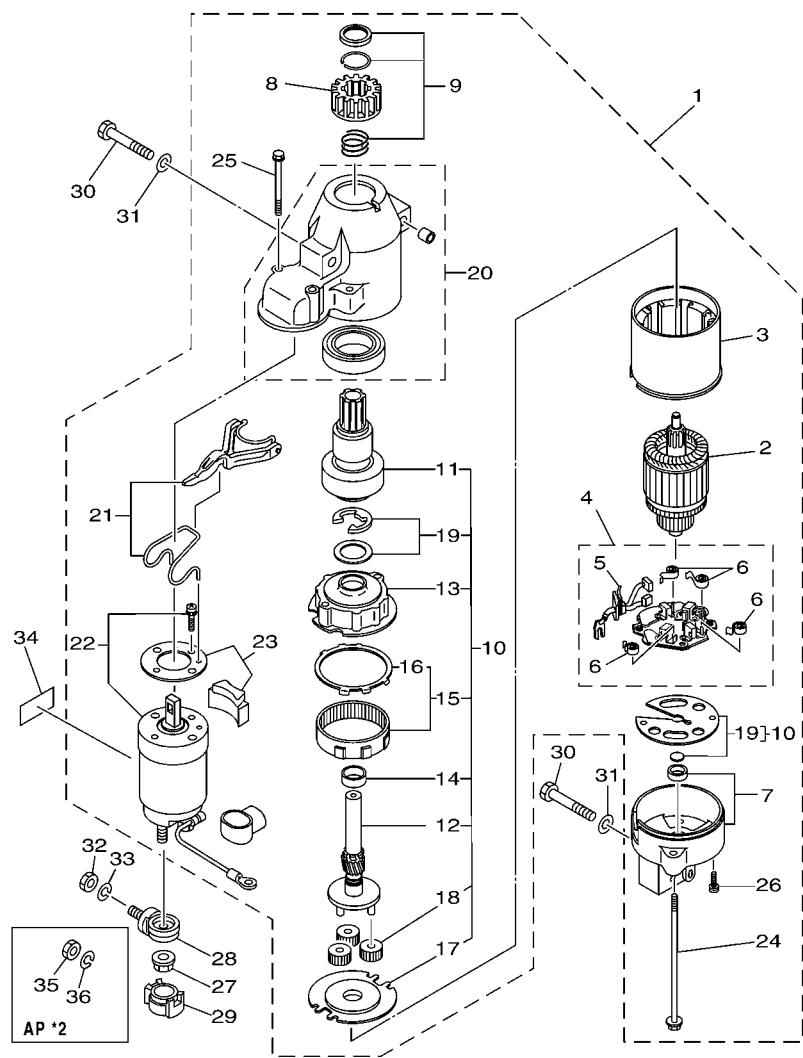
Parts  
Manager  
Check

Service  
Manager  
Check

Parts  
Manager  
File

YAMAHA MOTOR CO.,LTD  
2500 Shingai Iwata Shizuoka 438-8501.Japan  
Technical Publication Dept.

FIG. 16 STARTING MOTOR

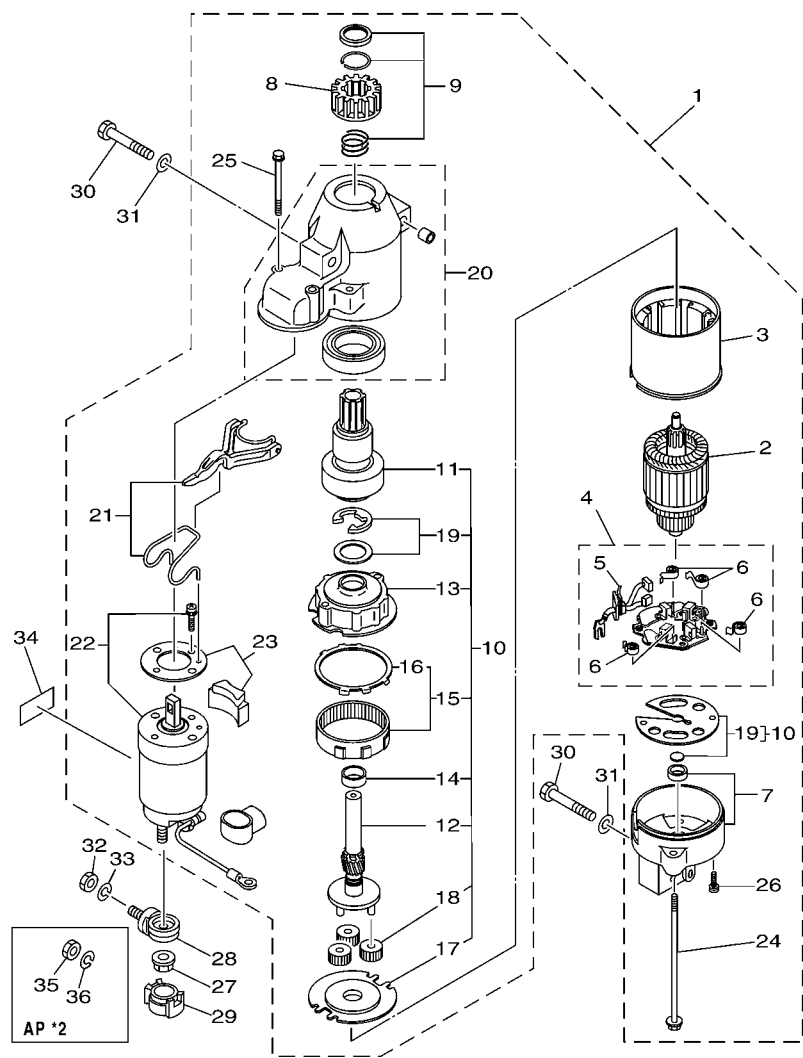


68V7100-G160

\*1: 68V-FOR OCEANIA,CARIB, BRAZIL, CANADA (EXCEPT F115TJR)  
 68W-FOR OCEANIA,CARIB, BRAZIL, CANADA  
 \*2: 68V-FOR USA, CANADA (F115TJR)  
 68W-FOR USA

REF. NO.	PART NO.	DESCRIPTION	68V7	68W7	REMARKS
1	68V-81800-01	STARTING MOTOR ASSY	1	1	
2	67F-81850-00	.ARMATURE ASSY	1	1	
3	67F-81810-00	.STATOR ASSY	1	1	
4	68F-81840-00	.BRUSH HOLDER ASSY	1	1	
5	67F-81801-00	..BRUSH SET	1	1	
6	67F-81813-00	..SPRING, BRUSH	4	4	
7	68F-81820-00	.REAR BRACKET ASSY	1	1	
8	67F-81808-00	.PINION ASSY	1	1	
9	67F-81857-00	.PINION STOPPER SET	1	1	
10	67F-81807-00	.GEAR ASSY, STARTING MOTOR	1	1	
11	67F-81832-00	..CLUTCH, OVER RUN	1	1	
12	67F-81836-00	..SHAFT, PINION	1	1	
13	67F-81821-00	..BRACKET, CENTER 1	1	1	
14	67F-81841-00	..BEARING	1	1	
15	67F-81891-00	..GEAR, RING	1	1	
16	67F-8183R-00	...GASKET	1	1	
17	67F-81830-00	..BRACKET, CENTER 2	1	1	
18	60V-8183T-00	..GEAR, IDLER	3	3	
19	67F-81809-00	..WASHER KIT	1	1	
20	67F-81842-00	.COVER	1	1	
21	67F-81839-00	.LEVER ASSY	1	1	
22	68V-81941-01	.STARTER RELAY ASSY	1	1	
23	67F-81869-00	.COVER, DUST	1	1	
24	6K7-81826-11	.BOLT	2	2	
25	67F-81828-00	.BOLT 2	2	2	
26	67F-81846-00	.SCREW	2	2	
27	90179-08003	NUT	1	1	

FIG. 16 STARTING MOTOR

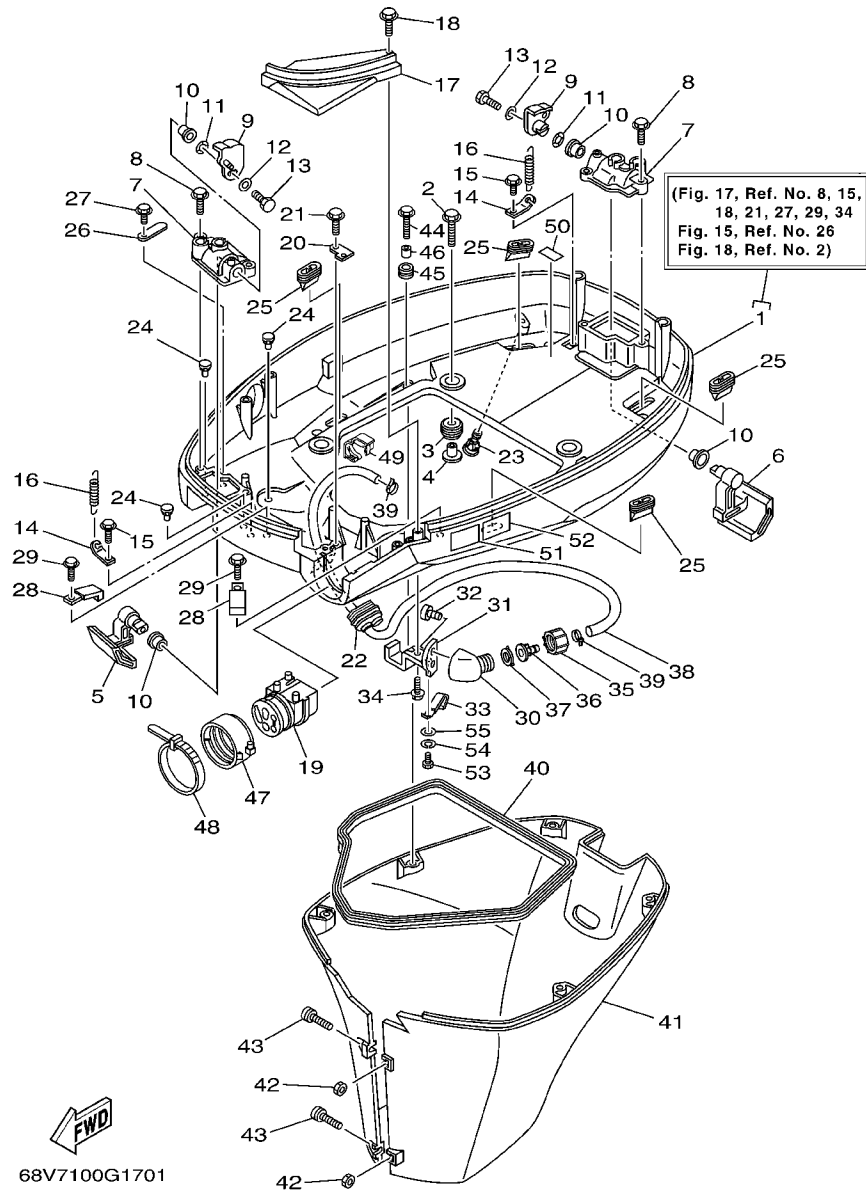


68V7100-G160

\*1: 68V-FOR OCEANIA, CARIB, BRAZIL, CANADA (EXCEPT F115TJR)  
 68W-FOR OCEANIA, CARIB, BRAZIL, CANADA  
 \*2: 68V-FOR USA, CANADA (F115TJR)  
 68W-FOR USA

REF. NO.	PART NO.	DESCRIPTION	68V7	68W7				REMARKS
			1	1				
28	60V-81925-00	TERMINAL	1	1				
29	68F-82582-00	COVER, WIRE HARNESS	1	1				
30	97013-08045	BOLT	3	3				
31	92903-08600	WASHER, PLATE	3	3				
32	95333-08600	NUT	1	1				*1
33	92903-08100	WASHER, SPRING	1	1				*1
34	67F-83627-01	LABEL, CAUTION 7	1	1				*2
35	95333-08600	NUT	1	1				AP *2
36	92903-08100	WASHER, SPRING	1	1				AP *2

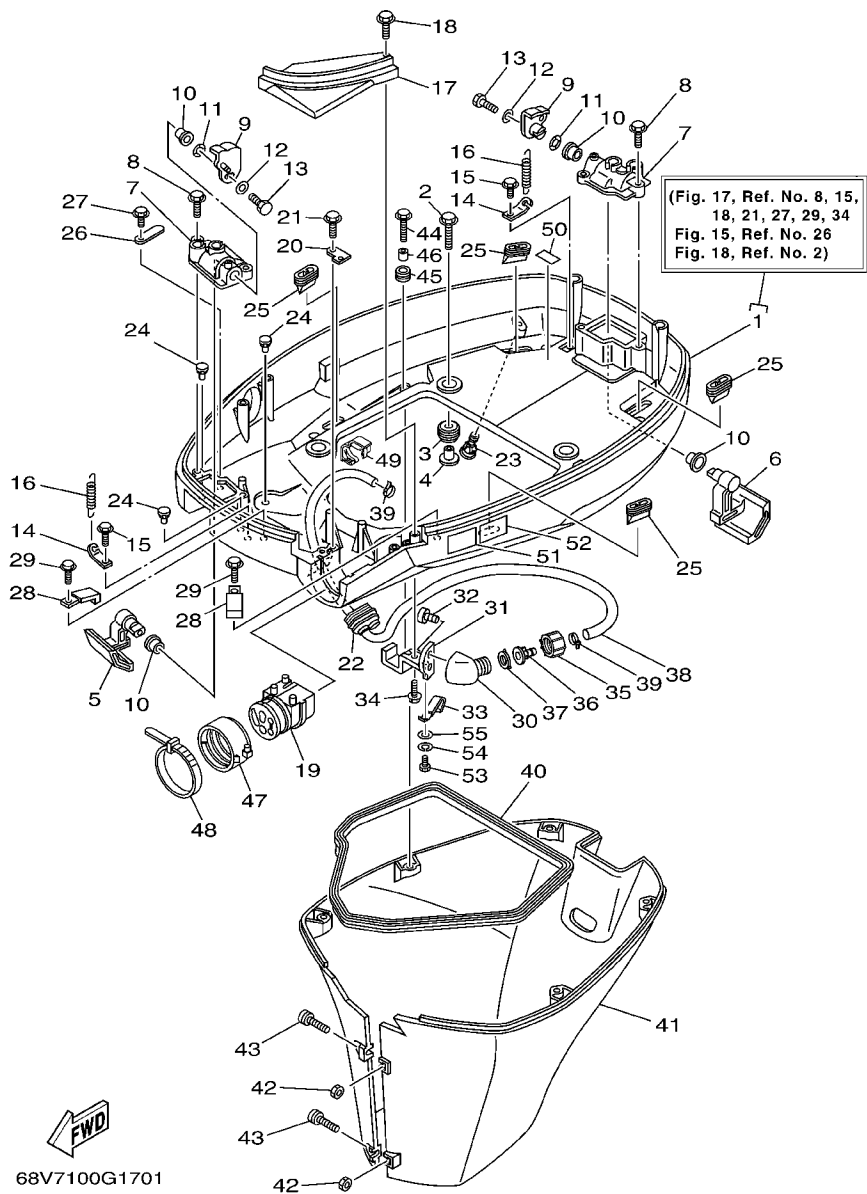
**FIG. 17 BOTTOM COWLING**



\*1: 68V-FOR USA, OCEANIA, BRAZIL, CANADA (F115TJR)  
68W-FOR USA, OCEANIA, BRAZIL

REF. NO.	PART NO.	DESCRIPTION	68V7	68W7	REMARKS
1	68V-42710-01-8D	BOTTOM COWLING ASSY	1	1	
2	90119-08M22	BOLT, WITH WASHER	4	4	
3	90480-22M15	GROMMET	4	4	
4	90387-08M37	COLLAR	4	4	
5	67F-42815-00-8D	LEVER, CLAMP	1	1	
6	67F-42816-00-8D	LEVER, CLAMP	1	1	
7	67F-42828-00-5B	PLATE, CLAMP	2	2	
8	90109-06M82	BOLT	4	4	
9	68V-42818-01	LEVER, CLAMP	2	2	
10	90386-15M73	BUSH	4	4	
11	90206-15M18	WASHER, WAVE	2	2	
12	90201-06068	WASHER, PLATE	2	2	
13	97095-06016	BOLT	2	2	
14	64D-43144-00	HOOK, SPRING	2	2	
15	90109-06M80	BOLT	2	2	
16	90506-16M34	SPRING, TENSION	2	2	
17	68V-42738-00-5B	PLATE, FITTING	1	1	
18	90109-06M82	BOLT	2	2	
19	68V-42725-00	GROMMET	1	1	EXCEPT FOR CAR
	68V-42725-10	GROMMET	1	1	FOR CAR
20	67F-42756-00	STAY, CLAMP	1	1	
21	90109-06M86	BOLT	1	1	
22	6H1-42726-21	GROMMET	1	1	FLUSHING KIT
23	6H3-44391-01	NIPPLE, HOSE	1	1	
24	6H4-42748-00	GROMMET	3	3	
25	67F-42717-00	RUBBER, SEAL 2	4	4	
26	6E5-82588-00	PLATE	1	1	

**FIG. 17 BOTTOM COWLING**



68V7100G1701

\*1: 68V-FOR USA, OCEANIA, BRAZIL, CANADA (F115TJR)  
68W-FOR USA, OCEANIA, BRAZIL

REF. NO.	PART NO.	DESCRIPTION	68V7	68W7	REMARKS
27	90109-06M81	BOLT	1	1	
28	90465-08M23	CLAMP	2	2	
29	90109-06M80	BOLT	2	2	
30	68T-12572-00	ADAPTER	1	1	FLUSHING KIT
31	67F-12535-01	PLATE	1	1	FLUSHING KIT Go to P/N : PE0-OM-080003
32	90167-06002	SCREW, TAPPING	2	2	FLUSHING KIT
33	90462-06018	CLAMP	1	1	Go to P/N : PE0-OM-080003
34	90109-06M86	BOLT	1	1	FLUSHING KIT
35	6R3-12581-00	JOINT, HOSE 1	1	1	FLUSHING KIT
36	6R3-12582-00	JOINT, HOSE 2	1	1	FLUSHING KIT
37	6R3-12583-00	GASKET, HOSE JOINT	1	1	FLUSHING KIT
38	68V-24312-00	PIPE 2	1	1	FLUSHING KIT
39	90465-11M10	CLAMP	2	2	FLUSHING KIT
40	61A-42716-00	RUBBER, SEAL 1	1	1	
41	67F-42741-01-8D	APRON	1	1	
42	95380-06600	NUT, HEXAGON	2	2	
43	90159-06M28	SCREW, WITH WASHER	2	2	
44	90109-06M80	BOLT	5	5	
45	90480-13M24	GROMMET	5	5	
46	90387-06M43	COLLAR	5	5	
47	68F-42753-00	FASTNER	1	1	AP *1
48	90464-20258	CLAMP	1	1	AP *1
49	90464-18004	CLAMP	1	1	
50	68V-82377-00	LABEL	1	1	
51	6AH-42794-40	LABEL, WARNING (GENERAL)	1	1	
52	6AH-42794-50	LABEL, WARNING (GENERAL)	1	1	FOR CAN,CAR,BRA
53	97095-06008	BOLT	1	1	Go to P/N : PE0-OM-080003
54	92995-06100	WASHER, SPRING	1	1	Go to P/N : PE0-OM-080003
55	92955-06200	WASHER	1	1	Go to P/N : PE0-OM-080003

# PARTS NEWS

News No. PE0-OM-080003

Date:2008/02/07

Signature:K . Otsuka

Cause  Revision Notice  Correction  Sales Unit Change  Others

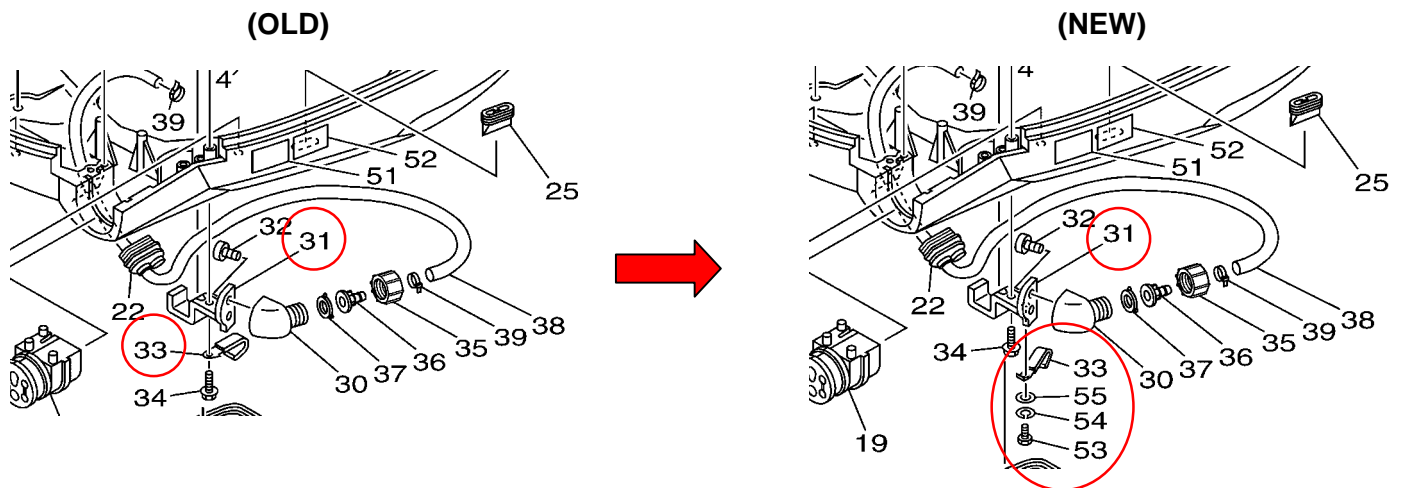
Model	F115TR(G), F115AET '08 (68V7) / LF115TR(G), FL115AET '08 (68W7)
Subject	PARTS CATALOGUE CORRECTIONS
CATALOGUE NO.	1G68V-100E1 / 1G68V-300F1
Time of YPEC Revision	Text, Illustration --> Mar./14/2008
	PDF Replace --> Mar./14/2008
(YPEC = Yamaha Parts Electrical Catalogue = Website parts catalogue)	

## FIG.17 BOTTOM COWLING

### 1.LIST CORRECTION

Fig.No-Ref.No.	OLD P/No.	NEW P/No.	PART NAME	Q'TY	*1	REMARKS
17-31	67F-12535-00	<b>67F-12535-01</b>	PLATE	1	B ○	*Part number revision
17-33	90465-06M88	<b>90462-06018</b>	CLAMP	1	○	
17-53	-	<b>97095-06008</b>	BOLT	1	○	*Added Parts
17-54	-	<b>92995-06100</b>	WASHER, SPRING	1	○	
17-55	-	<b>92995-06200</b>	WASHER	1	○	

### 2. ILLUSTRATION CORRECTION



\*Applicable Engine Serial No.

MODEL NAME	MODEL CODE	Applicable Engine Serial No.
F115TR(G) F115AET	68V7	<b>68V:1089891-</b>
LF115TR(G) FL115AET	68W7	<b>68W:1003904-</b>

\*1: Interchangeability

A	Old Parts	→	Old Parts
	New Parts	→	New Parts
B	Old Parts	→	Old Parts
	New Parts	→	New Parts
C	Old Parts	→	Old Parts
	New Parts	→	New Parts
○	These parts are interchangeable with a set		

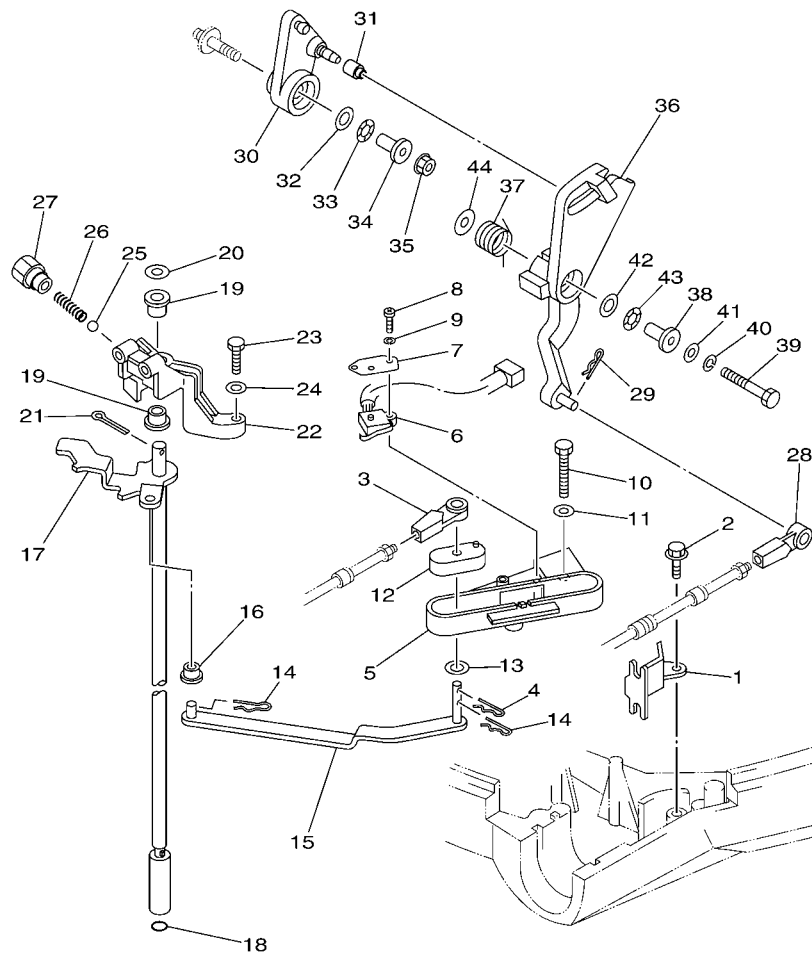
Thank you very much for your cooperation.

Parts  
Manager  
Check

Service  
Manager  
Check

Parts  
Manager  
File

YAMAHA MOTOR CO.,LTD  
2500 Shingai Iwata Shizuoka 438-8501.Japan  
Technical Publication Dept.



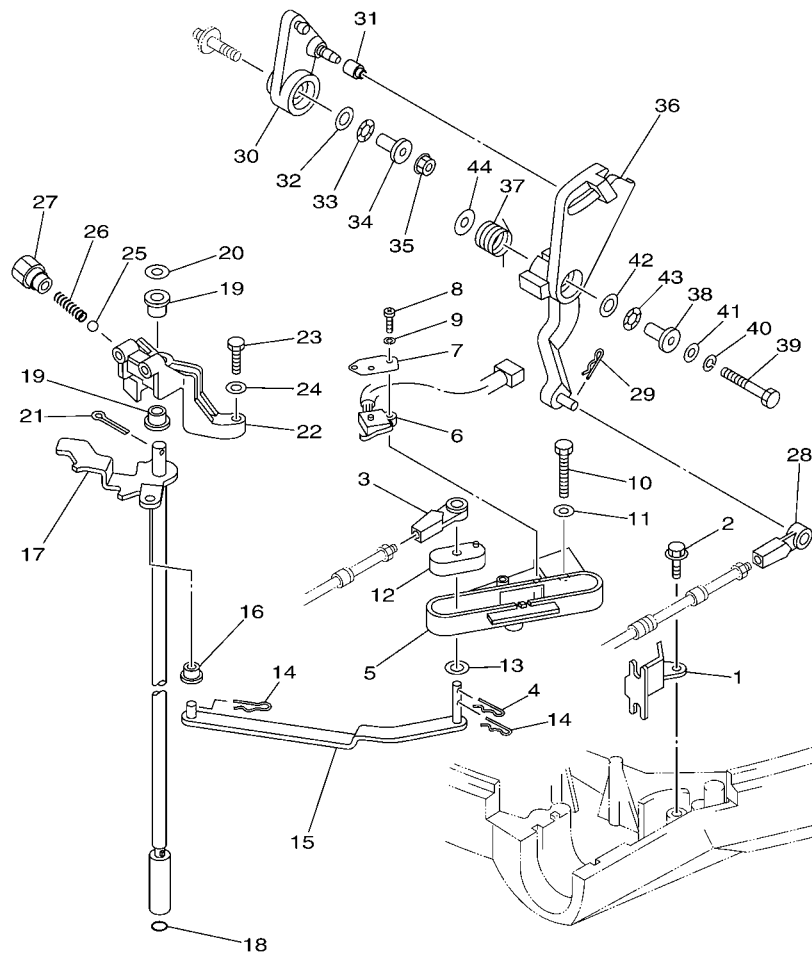
**FWD**  
68V3100-C210

**FIG. 18 CONTROL**

REF. NO.	PART NO.	DESCRIPTION	68V7	68W7	REMARKS
1	67F-48538-00	CLAMP, CABLE 1	1	1	
2	90109-06M86	BOLT	1	1	
3	663-48344-00	CABLE END, REMOTE CONTROL	1	1	
4	90468-18008	CLIP	1	1	
5	68V-44117-01	BRACKET	1	1	
6	60V-8259F-00	SWITCH ASSY	1	1	EXCEPT F115TJR
7	61A-82588-01	PLATE	1	1	EXCEPT F115TJR
8	97885-04016	SCREW, PAN HEAD	2	2	EXCEPT F115TJR
9	92995-04100	WASHER	2	2	EXCEPT F115TJR
10	97095-06040	BOLT	2	2	
11	92995-06600	WASHER	2	2	
12	68V-44122-01	BUSHING, SHIFT ROD LEVER	1	1	
13	90202-07M07	WASHER, PLATE	1	1	
14	90468-18008	CLIP	2	2	
15	68V-44121-00	LEVER, SHIFT ROD	1	1	
16	90386-06M12	BUSH	1	1	
17	68V-44120-10	HANDLE GEAR SHIFT ASSY	1		L(20.3")
	68V-44120-30	HANDLE GEAR SHIFT ASSY	1	1	X(25.3")
18	93210-09165	O-RING	1	1	
19	90386-90M90	BUSH	2	2	
20	90201-09M02	WASHER, PLATE	1	1	
21	91490-20015	PIN, COTTER	1	1	
22	68V-44118-00	BRACKET	1	1	
23	97075-06025	BOLT	2	2	
24	92995-06600	WASHER	2	2	
25	93501-04M02	BALL	1	1	
26	90501-12082	SPRING, COMPRESSION	1	1	

**F1**

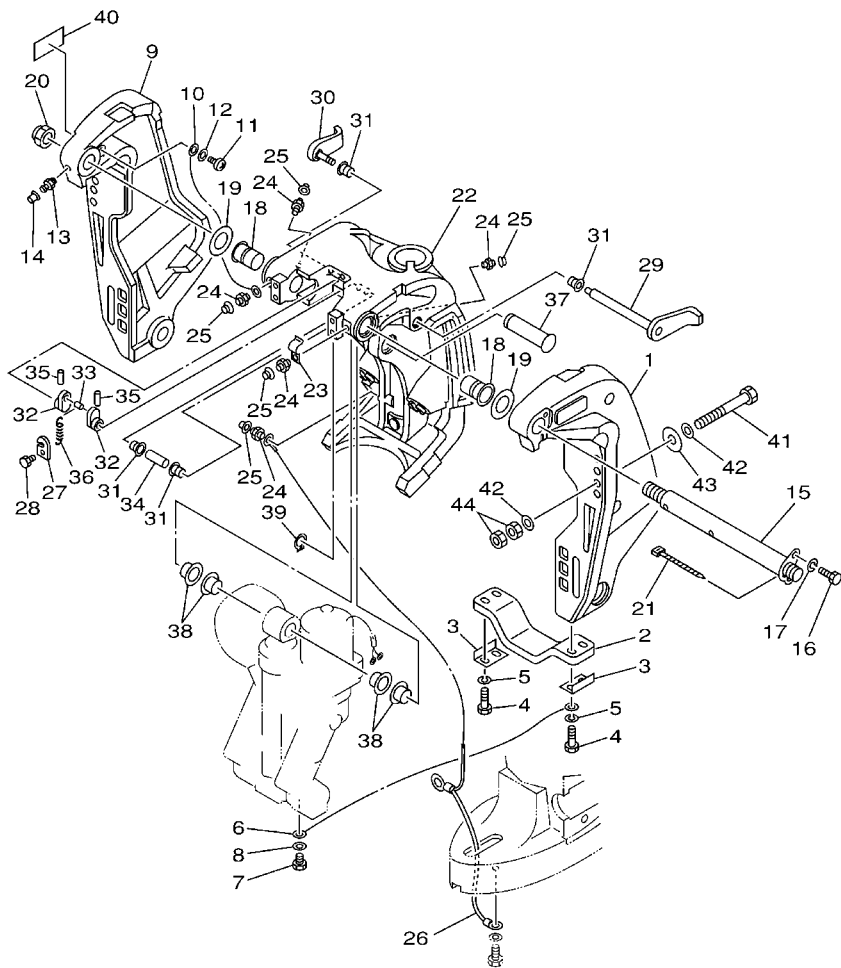




**FWD**  
68V3100-C210

**FIG. 18 CONTROL**

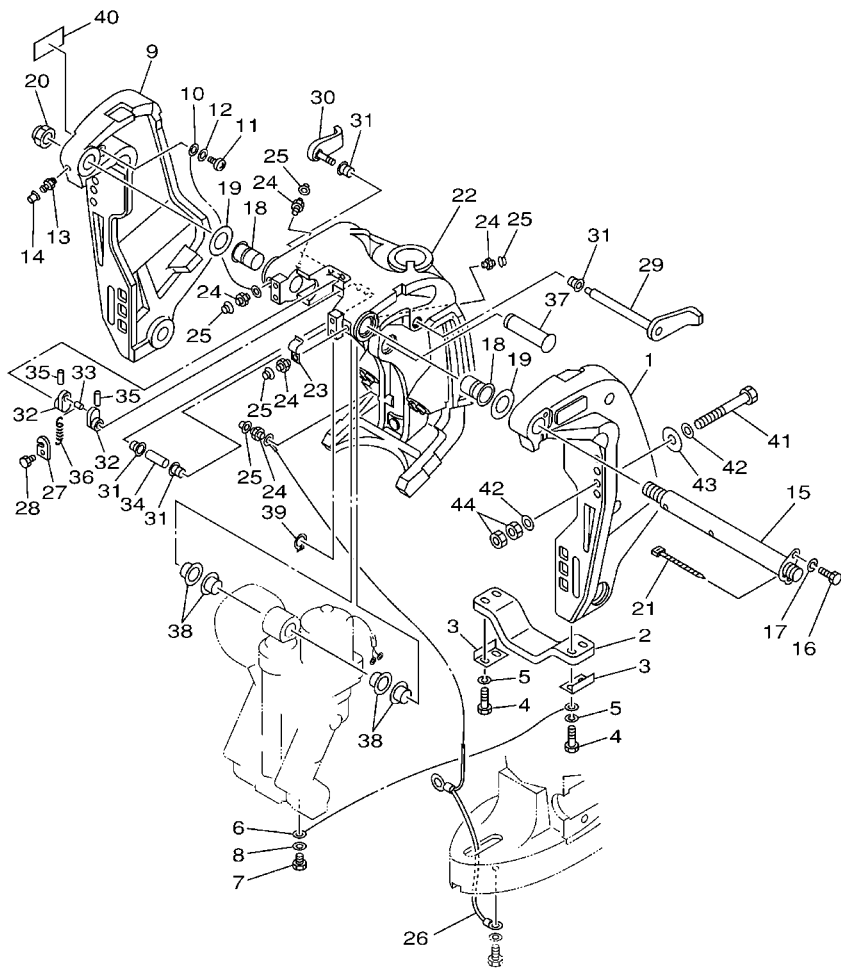
REF. NO.	PART NO.	DESCRIPTION	68V7	68W7			REMARKS
			1	1			
27	648-42715-00	BUSHING	1	1			
28	663-48344-00	CABLE END, REMOTE CONTROL	1	1			
29	90468-18008	CLIP	1	1			
30	68V-42157-00	LEVER, THROTTLE	1	1			
31	68V-42171-00	BUSHING	1	1			
32	90201-10M02	WASHER, PLATE	1	1			
33	90206-10M04	WASHER, WAVE	1	1			
34	90387-06M21	COLLAR	1	1			
35	90179-06M28	NUT	1	1			
36	68V-42154-00	LEVER, THROTTLE CONTROL	1	1			
37	67F-44135-00	SPRING	1	1			
38	90387-06M21	COLLAR	1	1			
39	97095-06035	BOLT	1	1			
40	92995-06100	WASHER, SPRING	1	1			
41	92995-06600	WASHER	1	1			
42	90201-10M02	WASHER, PLATE	1	1			
43	90206-10M04	WASHER, WAVE	1	1			
44	90201-06M31	WASHER, PLATE	1	1			



68V1100-2220

FIG. 19 BRACKET 1

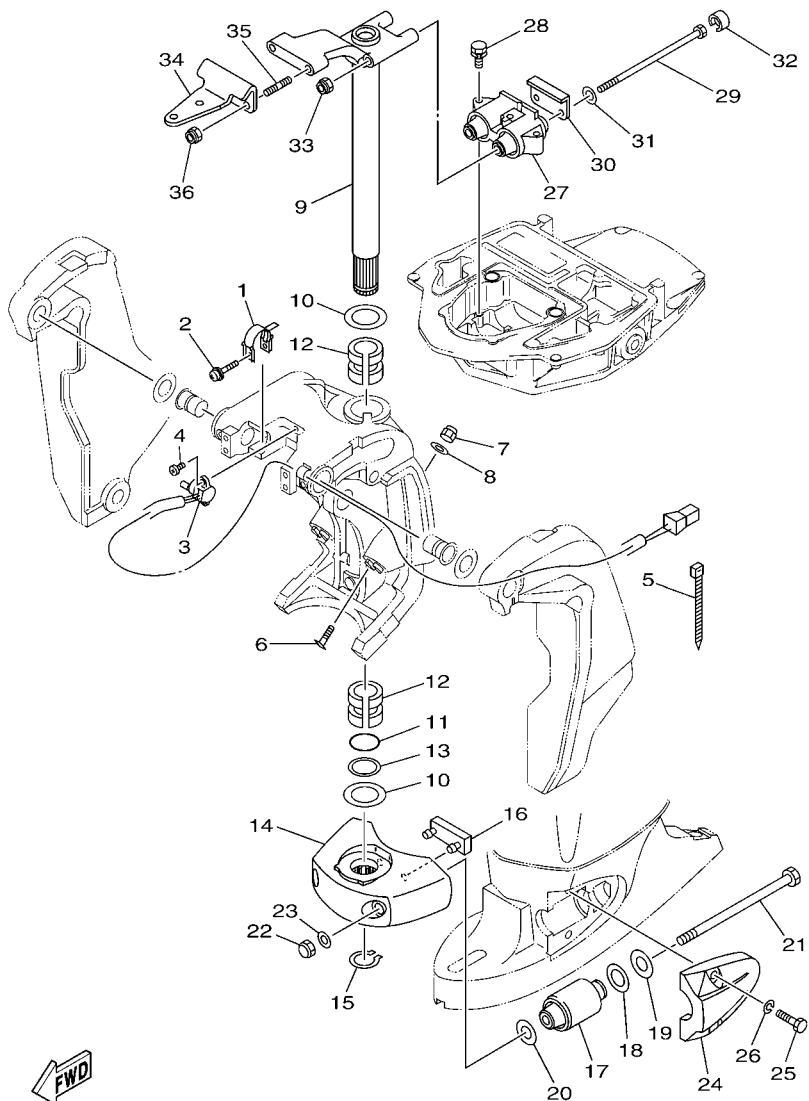
REF. NO.	PART NO.	DESCRIPTION	68V7	68W7	REMARKS
1	68V-43111-01-8D	BRACKET, CLAMP 1	1	1	
2	6G5-45251-02	ANODE	1	1	
3	6G5-44526-00	PLATE	2	2	
4	97095-06030	BOLT	4	4	
5	92995-06100	WASHER, SPRING	4	4	
6	6E5-82148-00	WIRE, LEAD 4	1	1	
7	97095-06010	BOLT	1	1	
8	92995-06600	WASHER	1	1	
9	68V-43112-01-8D	BRACKET, CLAMP 2	1	1	
10	6E5-82148-00	WIRE, LEAD 4	1	1	
11	97880-06012	SCREW, PAN HEAD	1	1	
12	92990-06600	WASHER, PLATE	1	1	
13	93700-06M03	NIPPLE, GREASE	1	1	
14	663-45119-00	CAP, GREASE NIPPLE	1	1	AP
15	64E-43131-01	BOLT, CLAMP BRACKET	1	1	
16	97095-08020	BOLT	1	1	
17	92995-08100	WASHER	1	1	
18	90386-25M31	BUSH	2	2	
19	90201-26M59	WASHER, PLATE	2	2	
20	90185-22M11	NUT, SELF-LOCKING	1	1	
21	90465-11M10	CLAMP	1	1	
22	64E-43311-10-8D	BRACKET, SWIVEL 1	1		L(20.3")
	64E-43311-20-8D	BRACKET, SWIVEL 1	1	1	X(25.3")
23	90465-08M63	CLAMP	1	1	
24	93700-06M03	NIPPLE, GREASE	5	5	
25	663-45119-00	CAP, GREASE NIPPLE	5	5	AP
26	66K-82149-00	WIRE, LEAD 3	1		L(20.3")



**FWD**  
68V1100-2220

**FIG. 19 BRACKET 1**

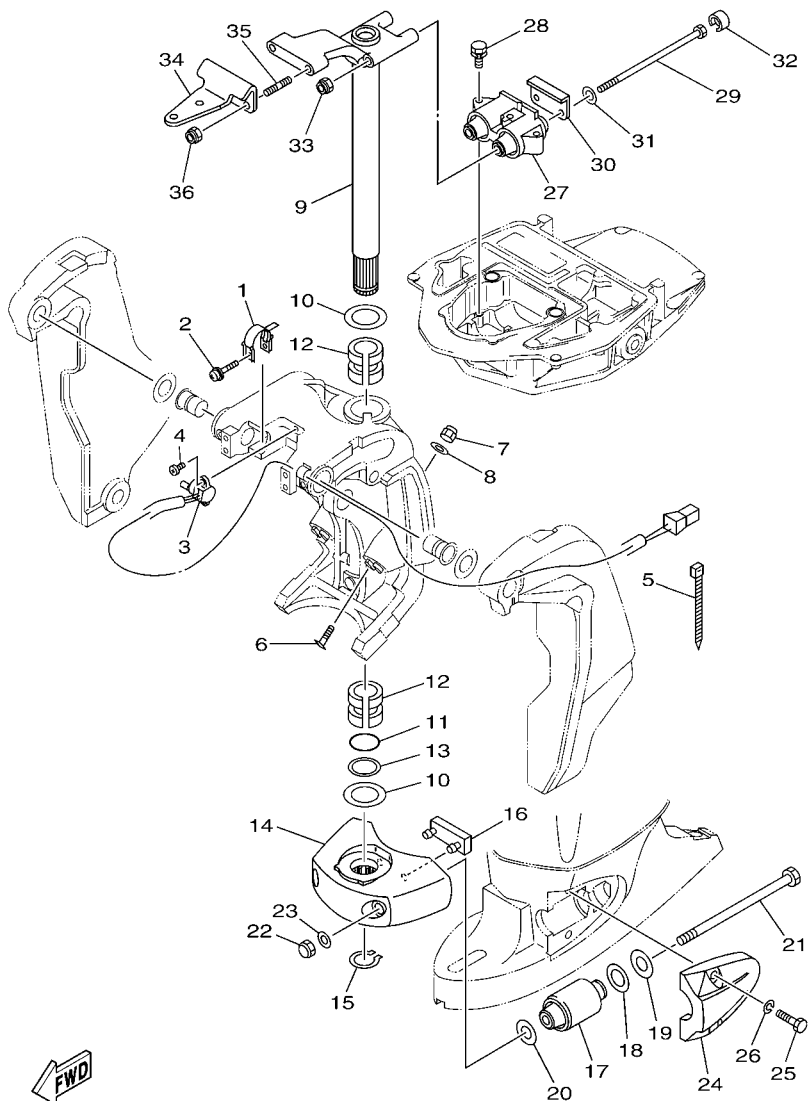
REF. NO.	PART NO.	DESCRIPTION	68V7	68W7	REMARKS
26	68V-82149-30	WIRE, LEAD 3	1	1	X(25.3")
27	66T-43144-00	HOOK, SPRING	1	1	
28	97095-06010	BOLT	1	1	
29	6G5-43181-02	LEVER, TILT STOP	1	1	
30	6G5-43185-02	LEVER, TILT STOP	1	1	
31	90386-10M16	BUSH	4	4	
32	6G5-43148-00	COLLAR, DISTANCE	2	2	
33	90249-06M19	PIN	1	1	
34	90387-10M05	COLLAR	1	1	
35	91690-30020	PIN, SPRING	2	2	
36	90506-14M24	SPRING, TENSION	1	1	
37	64E-43126-00	PIN, UPPER SHOCK MOUNT	1	1	
38	90386-22M98	BUSH	4	4	
39	93410-22M11	CIRCLIP	1	1	
40	63V-82377-50	LABEL (SPARK,IGNITION)	1	1	FOR CAN
41	90101-12M05	BOLT (L:130MM)	4	4	EXCEPT FOR CAR
	90101-12M77	BOLT (L:150MM)	2	2	EXCEPT FOR CAR
	90101-12M03	BOLT (L:115MM)	4	4	FOR CAR
42	90201-13M01	WASHER, PLATE	8	8	
43	90201-12M05	WASHER, PLATE	4	4	
44	95380-12600	NUT	8	8	



68V7100-G200

FIG. 20 BRACKET 2

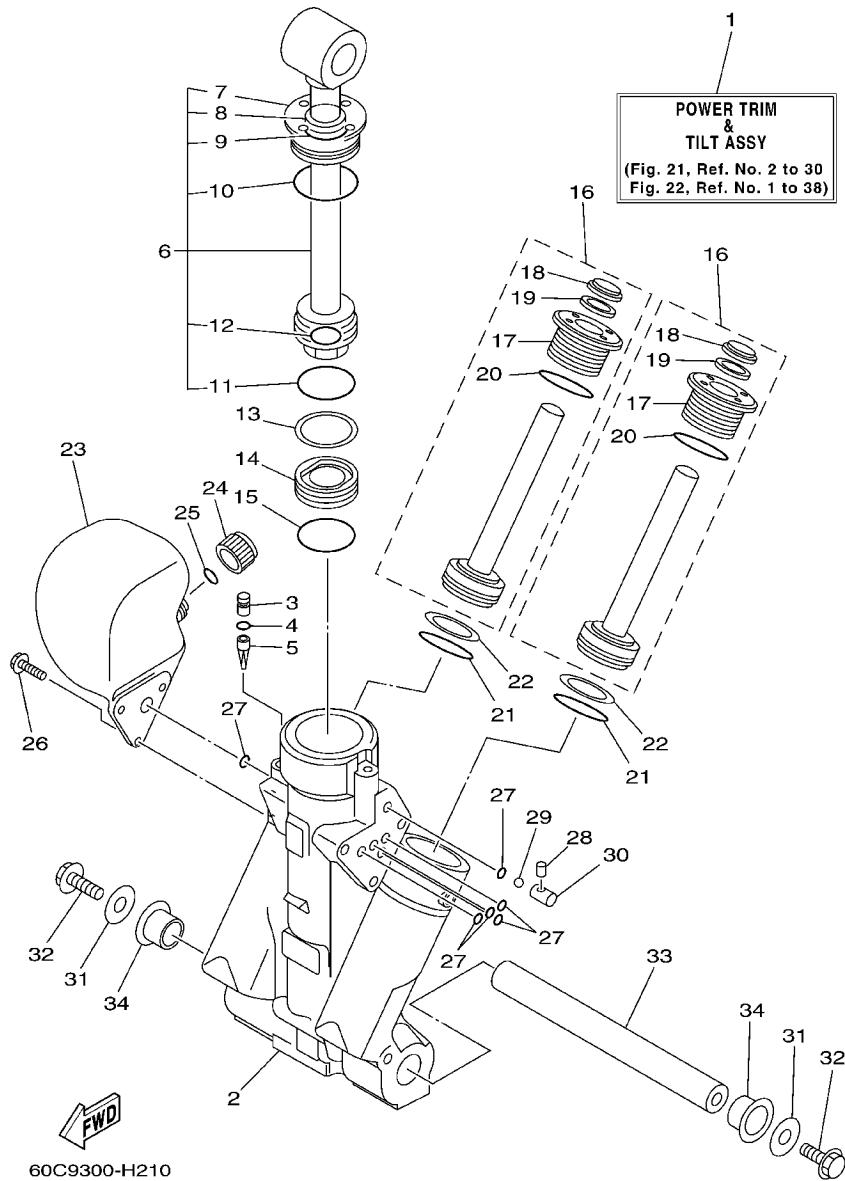
REF. NO.	PART NO.	DESCRIPTION	68V7	68W7	REMARKS
1	64E-43139-10	CAM, TRIM SENDER	1	1	
2	90159-05059	SCREW, WITH WASHER	1	1	
3	67H-83672-00	TRIM SENDER	1	1	
4	97885-06016	SCREW, PAN HEAD	2	2	
5	90465-11M10	CLAMP	3	3	
6	63P-43376-00	BOLT, THRUST RECEIVER	2	2	
7	95780-10300	NUT, FLANGE	2	2	
8	92995-10600	WASHER	2	2	
9	68V-42510-10-8D	STEERING BRACKET ASSY	1		L(20.3")
	68V-42510-30-8D	STEERING BRACKET ASSY	1	1	X(25.3")
10	90201-38M60	WASHER, PLATE	2	2	
11	93210-37MH7	O-RING	1	1	
12	90386-38M32	BUSH	2	2	
13	90202-40M47	WASHER, PLATE	1	1	
14	68V-44551-00-8D	HOUSING, LOWER MOUNT RUBBER	1	1	
15	93410-37M04	CIRCLIP	1	1	
16	61A-44575-00	DAMPER, LOWER MOUNT RUBBER	1	1	
17	61A-44555-01-94	MOUNT DAMPER, LOWER SIDE	2	2	
18	90202-32M19	WASHER, PLATE	2	2	
19	90201-16M55	WASHER, PLATE	2	2	
20	90201-15M58	WASHER, PLATE	2	2	
21	90109-14007	BOLT	2	2	
22	95380-14600	NUT	2	2	
23	92995-14600	WASHER	2	2	
24	68V-44553-00-8D	COVER, LOWER MOUNT	2	2	
25	97075-10040	BOLT	4	4	
26	92995-10100	WASHER	4	4	



  
68V7100-G200

**FIG. 20 BRACKET 2**

REF. NO.	PART NO.	DESCRIPTION			REMARKS
			68V7	68W7	
27	67F-44514-00-94	MOUNT DAMPER, UPPER SIDE	1	1	
28	90119-08091	BOLT, WITH WASHER	3	3	
29	90109-12007	BOLT	2	2	
30	67F-44526-00	PLATE	1	1	
31	90201-12M09	WASHER, PLATE	2	2	
32	67F-44533-00	DAMPER, UPPER MOUNT RUBBER	2	2	
33	90185-12M12	NUT, SELF-LOCKING	2	2	
34	68V-48511-00-8D	HOOK, STEERING	1	1	
35	90116-10175	BOLT, STUD	2	2	
36	90185-10051	NUT, SELF-LOCKING	2	2	
-----					
-----					
-----					
-----					
-----					



**FIG. 21 POWER TRIM & TILT ASSY 1**

REF. NO.	PART NO.	DESCRIPTION	68V7	68W7	REMARKS
1	68V-43800-03-4D	POWER TRIM & TILT ASSY	1	1	
2	64E-43825-02	HOUSING, TRIM & TILT	1	1	
3	64E-4388J-00	PLUG 2	1	1	
4	93210-10M74	O-RING	1	1	
5	64E-43817-00	FILTER 2	1	1	
6	64E-43810-01	TILT PISTON SUB ASSY	1	1	
7	64E-43811-01	.SCREW, CYLINDER END	1	1	
8	64E-43898-00	.SEAL ,DUST 2	1	1	
9	64E-43867-00	.O-RING	1	1	
10	64E-43866-00	.O-RING	1	1	
11	6E5-43862-00	.O-RING	1	1	
12	64E-43883-00	.O-RING	1	1	
13	6E5-43872-00	RING, BACK UP	1	1	
14	6E5-43814-02	PISTON, FREE	1	1	
15	6E5-43862-00	O-RING	1	1	
16	64E-43820-01	TRIM PISTON SUB ASSY	2	2	
17	64E-43821-01	.SCREW, TRIM CYLINDER END	1	1	
18	64E-43822-00	.SEAL, TRIM DUST	1	1	
19	64E-4384J-00	.SEAL, TRIM DOWN	1	1	
20	6G5-43864-00	.O-RING	1	1	
21	6E5-43864-00	O-RING	2	2	
22	6E5-43874-01	RING, BACK UP	2	2	
23	64E-43828-00	BODY, RESERVOIR	1	1	
24	64E-43829-00	PLUG, RESERVOIR	1	1	
25	64E-43897-00	O-RING	1	1	
26	64E-4388E-00	BOLT ,SCREW (L:14MM)	3	3	
27	64E-43869-00	O-RING	6	6	

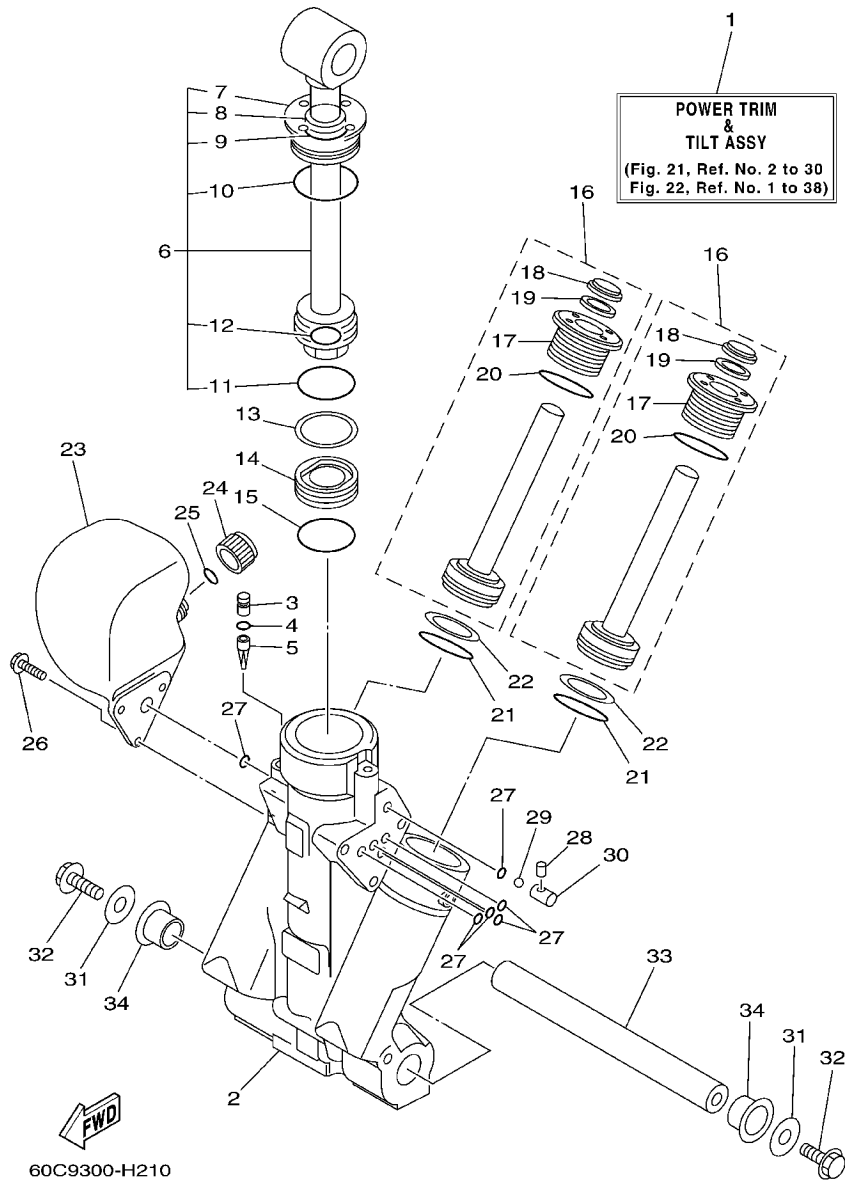


FIG. 21 POWER TRIM & TILT ASSY 1

REF. NO.	PART NO.	DESCRIPTION	68V7	68W7	REMARKS
28	64E-4381G-00	PIN	1	1	
29	6E5-43858-00	BALL	1	1	
30	64E-4382G-00	VALVE, SEAT	1	1	
31	90201-10060	WASHER, PLATE	2	2	Go to P/N : PE0-OM-080038
32	97575-10530	BOLT, WITH WASHER	2	2	Go to P/N : PE0-OM-080038
33	6BC-43818-00	PIN, LOWER SHOCK MOUNT	1	1	Go to P/N : PE0-OM-080038
34	90386-22M98	BUSH	2	2	
-----					
-----					
-----					
-----					
-----					
-----					
-----					
-----					
-----					
-----					
-----					

# PARTS NEWS

News No. PE0-OM-080038

Date:2008/5/22

Signature: K . Otsuka

 Cause  Revision Notice  Correction  Sales Unit Change  Others

Model	F115TR, F115AET '08 (68V7) / LF115TR, FL115AET '08 (68W7)
Subject	PARTS CATALOGUE CORRECTIONS
CATALOGUE NO.	1G68V-100E1
Time of YPEC Revision	Text, Illustration --> Jun./20/2008 PDF Replace --> Jun./20/2008 (YPEC = Yamaha Parts Electrical Catalogue = Website parts catalogue)

## FIG.21 POWER TRIM & TILT ASSY 1

### 1. LIST CORRECTION

Fig.No-Ref.No.	PART NO.	PART NAME	Q'TY	*1	REMARKS
21-31	OLD 90201-08M14	WASHER, PLATE	2	○	*Part number revision
	<b>NEW 90201-10060</b>				
21-32	OLD 97080-08016	BOLT	2	○	*Part number revision
	<b>NEW 97575-10530</b>	<b>BOLT, WITH WASHER</b>			
21-33	OLD 64E-43818-01	PIN, LOWER SHOCK MOUNT	1	○	*Part number revision
	<b>NEW 6BC-43818-00</b>				

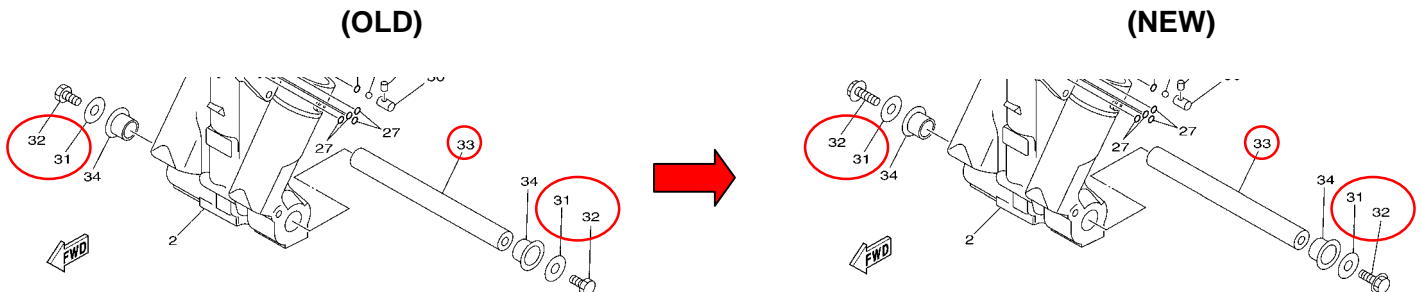
\*Applicable Engine Serial No.

MODEL NAME	MODEL CODE	Applicable Engine Serial No.
F115TR, F115AET	68V7	68V:1088303-
LF115TR, FL115AET	68W7	68W:1003812-

\*1: Interchangeability

A	Old Parts	→	Old Parts
	New Parts	→	New Parts
B	Old Parts	→	Old Parts
	New Parts	→	New Parts
C	Old Parts	→	Old Parts
	New Parts	→	New Parts
○	These parts are interchangeable with a set		

### 2. ILLUSTRATION CORRECTION



Thank you very much for your cooperation.

 Parts  
Manager  
Check

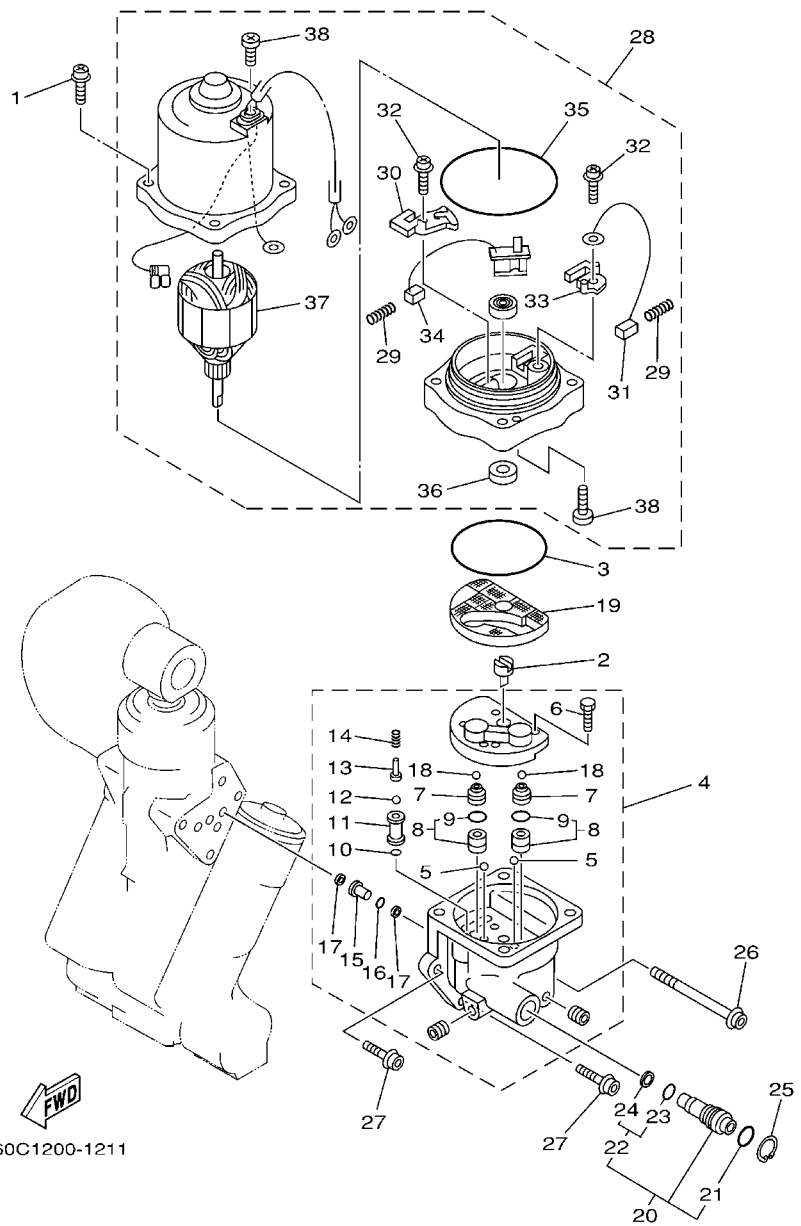
 Service  
Manager  
Check

 Parts  
Manager  
File

 YAMAHA MOTOR CO.,LTD  
 2500 Shingai Iwata Shizuoka 438-8501.Japan  
 Technical Publication Dept.



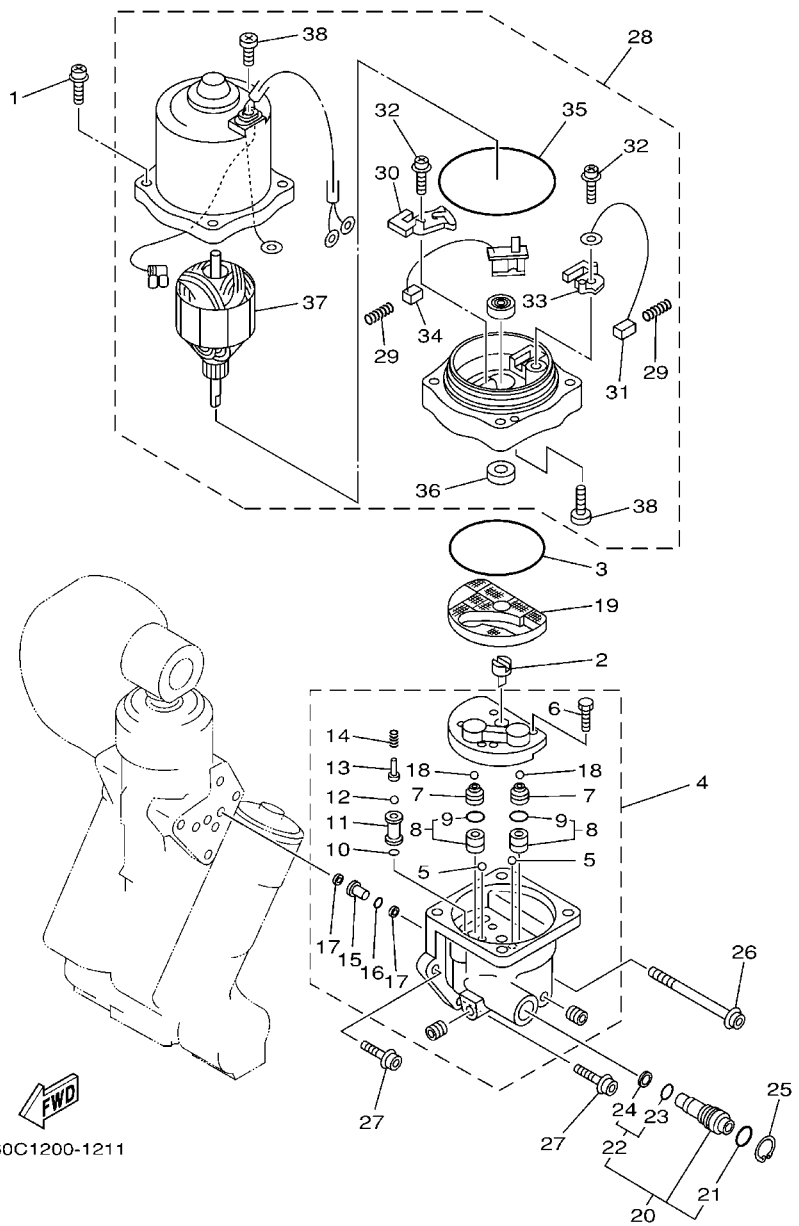
FIG. 22 POWER TRIM & TILT ASSY 2



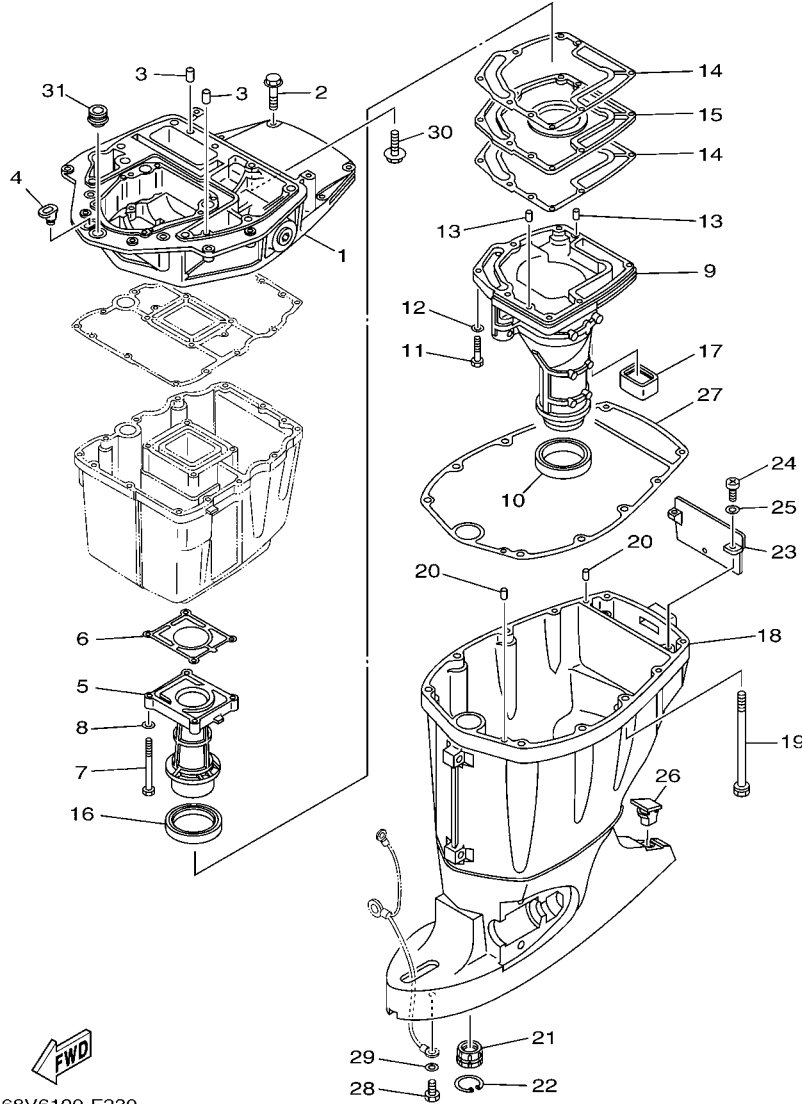
60C1200-1211

REF. NO.	PART NO.	DESCRIPTION	68V7	68W7	REMARKS
1	64E-4388E-10	BOLT ,SCREW (L:34.7MM)	4	4	
2	64E-43831-00	CONNECTOR, SHAFT	1	1	
3	64E-43868-00	O-RING	1	1	
4	68V-43830-00	GEAR PUMP ASSY	1	1	
5	72X-43858-00	.BALL	2	2	
6	64E-43843-00	.SCREW, VALVE LOCK	4	4	
7	64E-43841-00	.PISTON, SHUTTLE	2	2	
8	64E-43802-00	.VALVE SUB ASSY	2	2	
9	6E5-43896-00	..O-RING	1	1	
10	6G5-43863-00	.O-RING	1	1	
11	66Y-43851-00	.SEAT, RELIEF VALVE	1	1	
12	64E-43858-00	.BALL	1	1	
13	64E-43859-00	.PIN, VALVE SUPPORT	1	1	
14	68V-43855-00	.SPRING, UP RELIEF	1	1	
15	64E-43850-00	.VALVE SUB ASSY	1	1	
16	64E-43865-00	.O-RING	1	1	
17	64E-43816-00	.FILTER 1	2	2	
18	64E-43858-00	.BALL	2	2	
19	64E-43817-10	FILTER 2	1	1	
20	64E-43860-00	MANUAL VALVE SUB-ASSY	1	1	
21	72X-85075-L0	.O-RING	1	1	
22	64E-43827-00	.RING SET	1	1	
23	64E-4387A-00	..O-RING	1	1	
24	64E-43873-00	..RING, BACK UP	1	1	
25	64E-43875-00	RING, SNAP	1	1	
26	64E-43879-10	SCREW, WITH WASHER	1	1	
27	64E-43879-00	SCREW, WITH WASHER	2	2	

**FIG. 22 POWER TRIM & TILT ASSY 2**



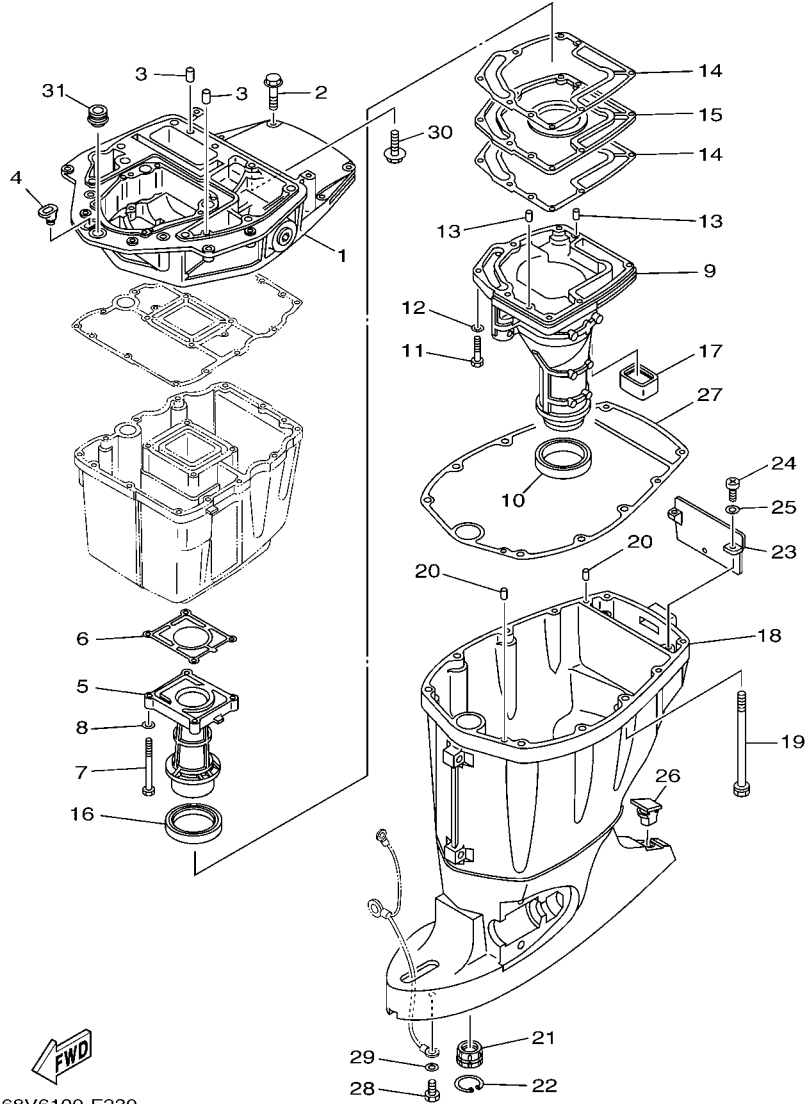
REF. NO.	PART NO.	DESCRIPTION	68V7	68W7	REMARKS				
28	68V-43880-02	MOTOR ASSY	1	1					
29	6H1-4386K-10	.SPRING, BRUSH	2	2					
30	64E-4380J-00	.HOLDER, BRUSH	1	1					
31	64E-43891-00	.BRUSH 1	1	1					
32	97607-04310	.SCREW, WITH WASHER	2	2					
33	64E-4380F-00	.HOLDER, BRUSH 2	1	1					
34	64E-43892-00	.BRUSH 2	1	1					
35	6G5-43865-00	.O-RING	1	1					
36	93102-08M43	.OIL SEAL	1	1					
37	64E-43805-00	.ARMATURE ASSY	1	1					
38	64E-43843-10	.SCREW, VALVE LOCK	3	3					



68V6100-F230

FIG. 23 UPPER CASING

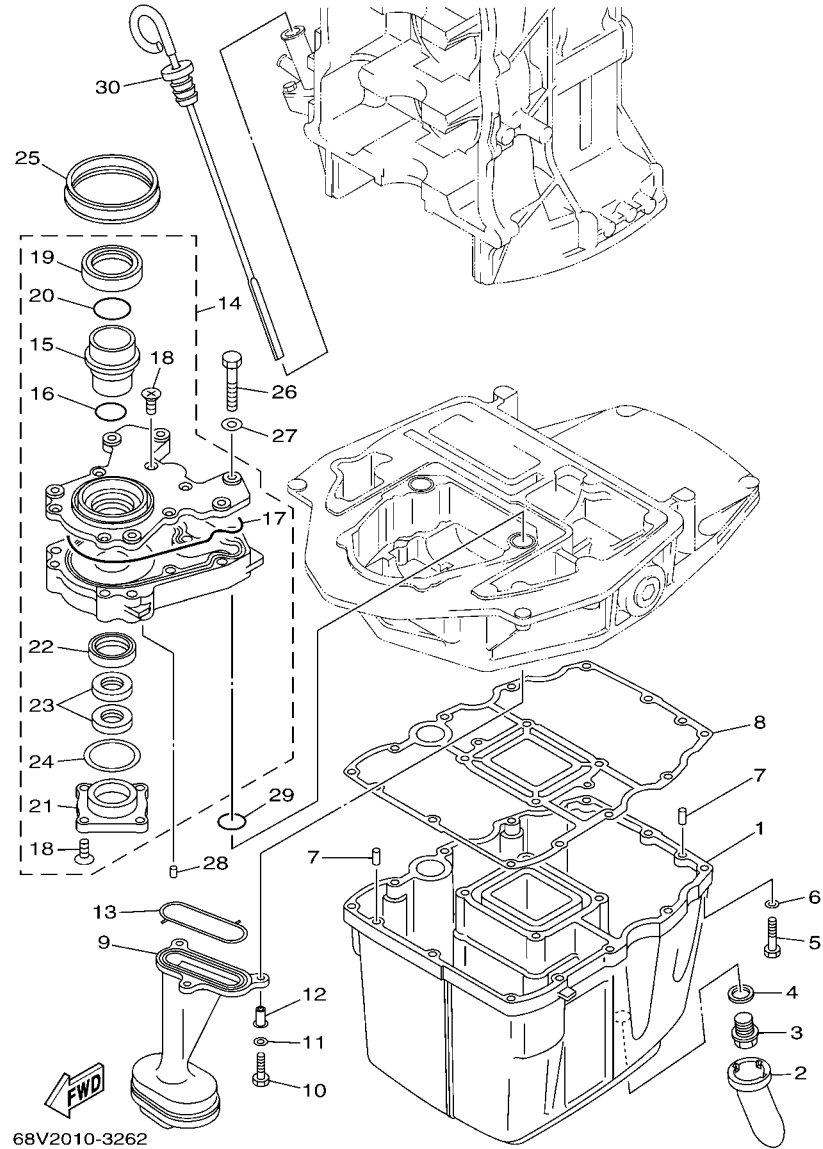
REF. NO.	PART NO.	DESCRIPTION	68V7	68W7			REMARKS
1	67F-41137-02-94	GUIDE, EXHAUST	1	1			
2	97575-08540	BOLT, WITH WASHER	4	4			
3	93608-16M16	PIN, DOWEL	2	2			
4	6G1-42727-00	GROMMET	1	1			
5	67F-41131-01-5B	MANIFOLD, EXT. 1	1	1			
6	67F-41133-A1	GASKET, EXHAUST MANIFOLD 1	1	1			
7	97075-06070	BOLT	4	4			
8	92995-06600	WASHER	4	4			
9	68V-14711-10-5B	MUFFLER 1	1				L(20.3")
	68V-14711-30-5B	MUFFLER 1	1	1			X(25.3")
10	68V-45123-00	GASKET, MUFFLER	1	1			
11	97075-06030	BOLT	7	7			
12	92995-06600	WASHER	7	7			
13	93606-19M23	PIN, DOWEL	2	2			
14	67F-41134-A0	GASKET, EXHAUST MANIFOLD	2	2			
15	67F-45181-00-5B	PLATE	1	1			
16	67F-41138-00	SEAL, EXT. 1	1	1			
17	67F-45127-00	SEAL	1	1			
18	68V-45111-11-8D	CASING, UPPER	1				L(20.3")
	68V-45111-31-8D	CASING, UPPER	1	1			X(25.3")
19	90119-10M08	BOLT, WITH WASHER	6	6			
20	93608-16M16	PIN, DOWEL	2	2			
21	6E5-45318-00	BUSHING, DRIVE SHAFT	1	1			
22	93420-36M01	CIRCLIP	1	1			
23	67F-45151-00	COVER, UPPER CASING	1	1			
24	97880-06016	SCREW, PAN HEAD	2	2			
25	92990-06600	WASHER, PLATE	2	2			



68V6100-F230

FIG. 23 UPPER CASING

REF. NO.	PART NO.	DESCRIPTION			REMARKS
			68V7	68W7	
26	6C5-45155-00	CAP	1	1	
27	67F-45113-00	GASKET, UPPER CASING	1	1	
28	97095-06010	BOLT	1	1	
29	92995-06600	WASHER	1	1	
30	90119-08M58	BOLT, WITH WASHER	2	2	
31	67F-42724-00	GROMMET	1	1	
-----					
-----					
-----					
-----					
-----					
-----					
-----					
-----					



**FIG. 24 OIL PAN**

REF. NO.	PART NO.	DESCRIPTION	68V7	68W7			REMARKS
1	68V-15311-00-5B	OIL PAN	1	1			
2	63P-15316-00	DAMPER, ENGINE MOUNT 1	1	1			
3	90340-14M06	PLUG, STRAIGHT SCREW	1	1			
4	90430-14M09	GASKET	1	1			
5	97075-06025	BOLT	12	12			
6	92995-06600	WASHER	12	12			
7	93606-12019	PIN, DOWEL	2	2			
8	68V-15312-00	GASKET, OIL PAN	1	1			
9	67F-13411-00	STRAINER, OIL	1	1			
10	97027-06025	BOLT	3	3			
11	92907-06600	WASHER, PLATE	3	3			
12	90387-06M64	COLLAR	3	3			
13	67F-13415-00	SEAL, OIL STRAINER	1	1			
14	67F-13300-10	OIL PUMP ASSY	1	1			
15	67F-13314-02	.SHAFT, PUMP	1	1			
16	67F-13473-01	.O-RING	1	1			
17	67F-13329-00	.GASKET, PUMP COVER	1	1			
18	67F-13495-00	.SCREW	10	10			
19	67F-13119-01	.OIL SEAL	1	1			
20	67F-13769-00	.O-RING	1	1			
21	67F-13914-00	.HOUSING, PUMP	1	1			
22	67F-13631-03	.OIL SEAL	1	1			
23	67F-13149-00	.OIL SEAL	2	2			
24	67F-13339-00	.GASKET, PUMP COVER	1	1			
25	67F-13338-00	SEAL	1	1			
26	97095-06045	BOLT	6	6			
27	92995-06600	WASHER	6	6			

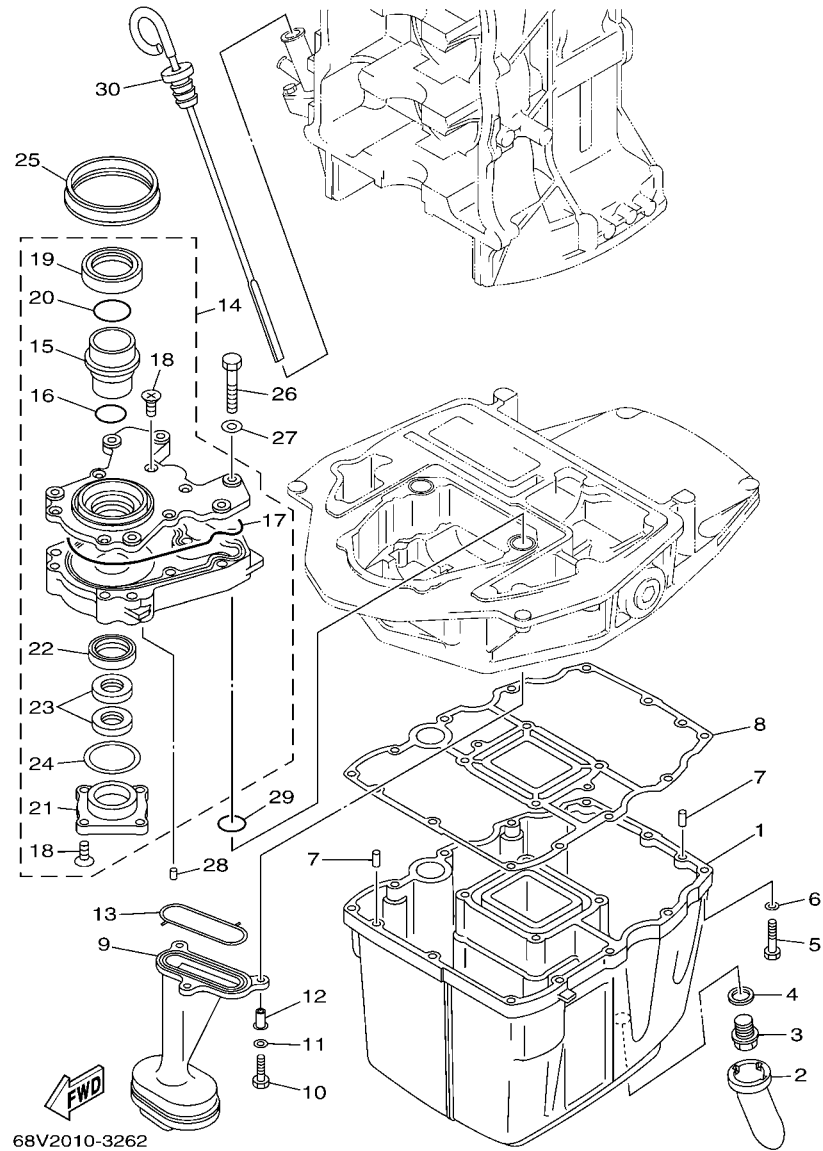
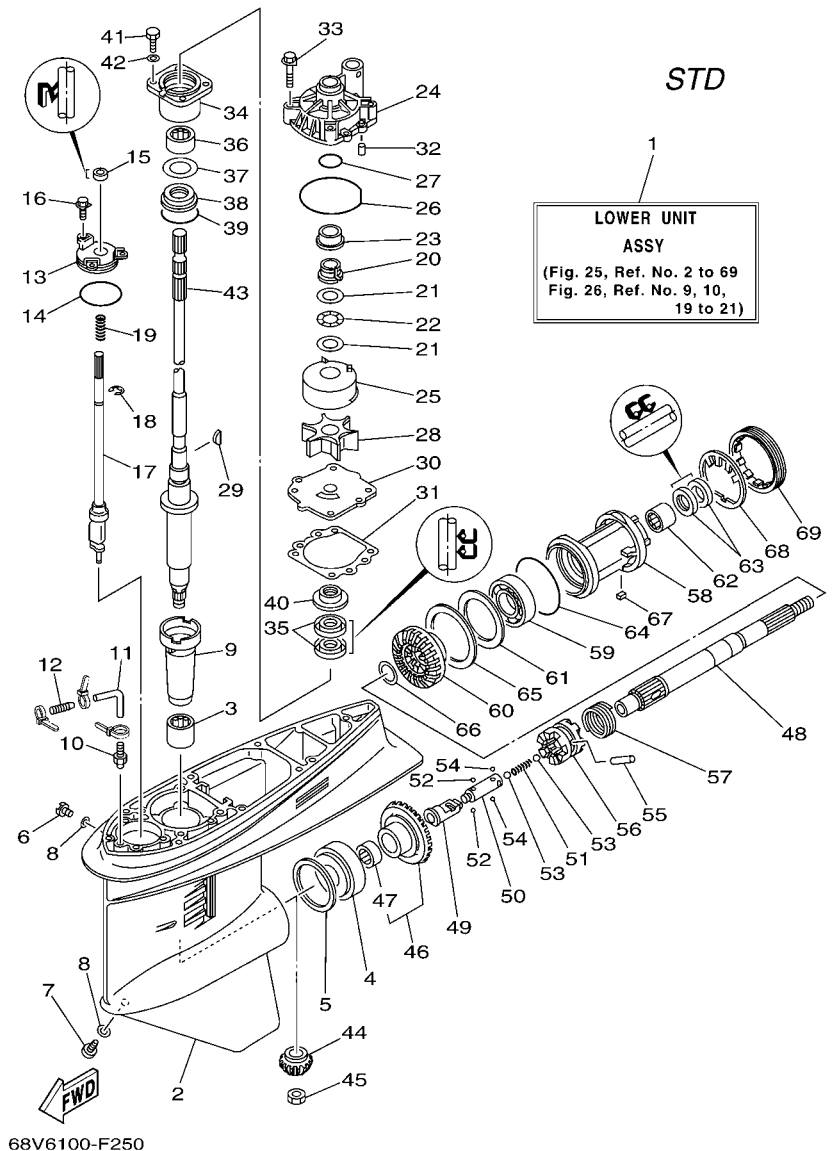


FIG. 24 OIL PAN

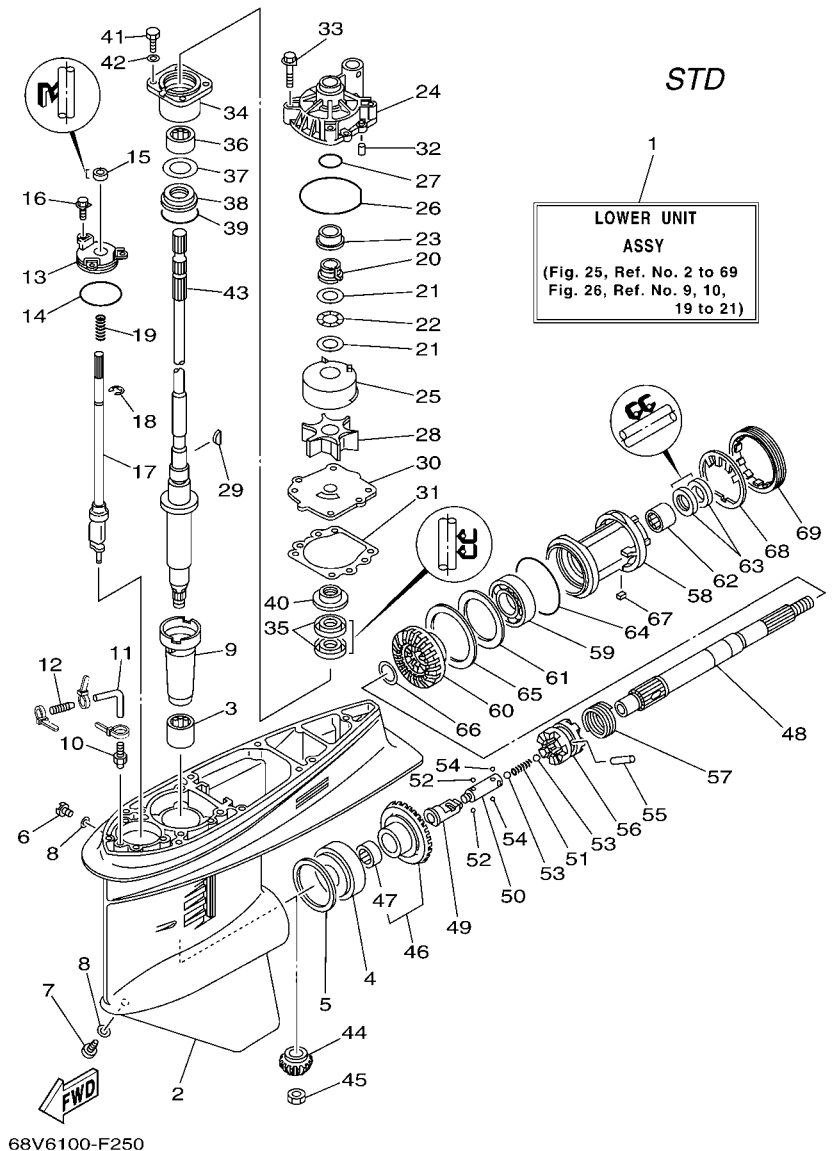
REF. NO.	PART NO.	DESCRIPTION	68V7	68W7			REMARKS
28	93604-12M07	PIN, DOWEL	2	2			
29	93210-19MJ1	O-RING	2	2			
30	6D8-15362-00	PLUG, OIL LEVEL	1	1			



68V6100-F250

FIG. 25 LOWER CASING & DRIVE 1

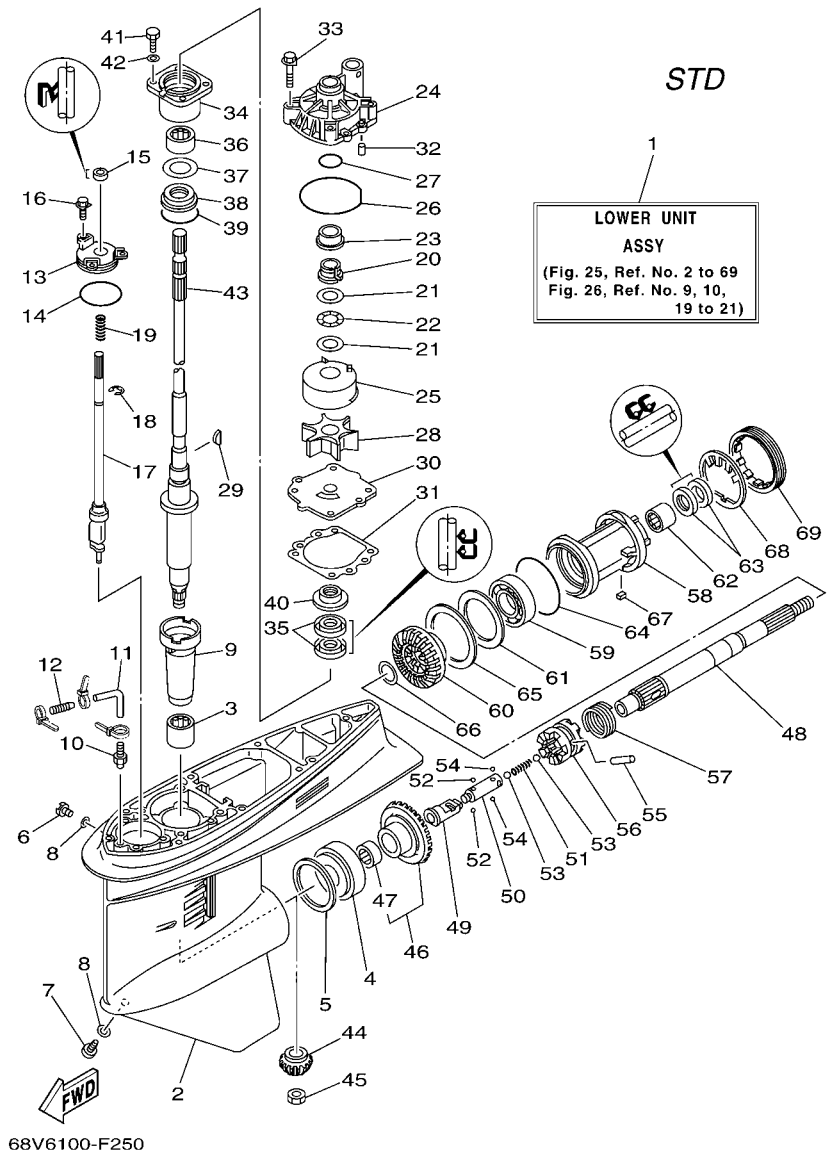
REF. NO.	PART NO.	DESCRIPTION	68V7	68W7	REMARKS
1	68V-45300-12-8D	LOWER UNIT ASSY	1		L(20.3"),RH
	68V-45300-32-8D	LOWER UNIT ASSY	1		X(25.3"),RH
2	6E5-45301-05-8D	CASING, LOWER	1		
3	93315-628U9	BEARING	1		
4	93332-000U7	BEARING	1		
5	6E5-45567-01	SHIM (T:0.10MM)	1		UR
	6E5-45567-10	SHIM (T:0.12MM)	1		UR
	6E5-45567-20	SHIM (T:0.15MM)	1		UR
	6E5-45567-30	SHIM (T:0.18MM)	1		UR
	6E5-45567-40	SHIM (T:0.30MM)	1		UR
6	90340-08002	PLUG, STRAIGHT SCREW	1		
7	688-45341-10	PLUG, DRAIN	1		
8	90430-08020	GASKET	2		
9	6E5-45536-00	SLEEVE, DRIVE SHAFT	1		
10	6E5-45378-00	NIPPLE, HOSE	1		
11	90445-07ME8	HOSE (L80)	1		L(20.3")
	90445-07ME9	HOSE (L120)	1		X(25.3")
12	6E5-83558-10	END, NIPPLE	1		
13	6E5-45321-00	PLATE	1		
14	93210-58144	O-RING	1		
15	93106-09014	OIL SEAL	1		
16	90119-06M10	BOLT, WITH WASHER	3		
17	6L6-44150-01	SHIFT CAM ASSY	1		
18	99001-08600	CIRCLIP	1		
19	90501-11M10	SPRING, COMPRESSION	1		



**FIG. 25 LOWER CASING & DRIVE 1**

REF. NO.	PART NO.	DESCRIPTION	68V7	68W7	REMARKS
20	61A-45538-00	SPACER 1	1		
21	90201-22M01	WASHER, PLATE	2		
22	90206-22M19	WASHER, WAVE	1		
23	61A-45527-00	COLLAR, DRIVE SHAFT	1		
24	61A-44311-01	HOUSING, WATER PUMP	1		
25	61A-44322-02	INSERT, CARTRIDGE	1		
26	93210-86M38	O-RING	1		
27	93210-37160	O-RING	1		
28	6E5-44352-01	IMPELLER	1		
29	90280-04M05	KEY, WOODRUFF	1		
30	68V-44323-00	OUTER PLATE, CARTRIDGE	1		
31	6E5-44315-A0	GASKET, WATER PUMP	1		
32	93606-12019	PIN, DOWEL	2		
33	90119-08M14	BOLT, WITH WASHER	4		
34	6E5-45331-00-94	HOUSING, BEARING	1		
35	93101-28M16	OIL SEAL	2		
36	93317-330U2	BEARING	1		
37	6E5-45587-01	SHIM (T:0.10MM)	1		UR
	6E5-45587-10	SHIM (T:0.12MM)	1		UR
	6E5-45587-20	SHIM (T:0.15MM)	1		UR
	6E5-45587-30	SHIM (T:0.18MM)	1		UR
	6E5-45587-40	SHIM (T:0.30MM)	1		UR
	6E5-45587-50	SHIM (T:0.40MM)	1		UR
	6E5-45587-60	SHIM (T:0.50MM)	1		UR
38	93341-930V2	BEARING	1		
39	93210-55M14	O-RING	1		
40	6E5-45344-00	COVER, OIL SEAL	1		

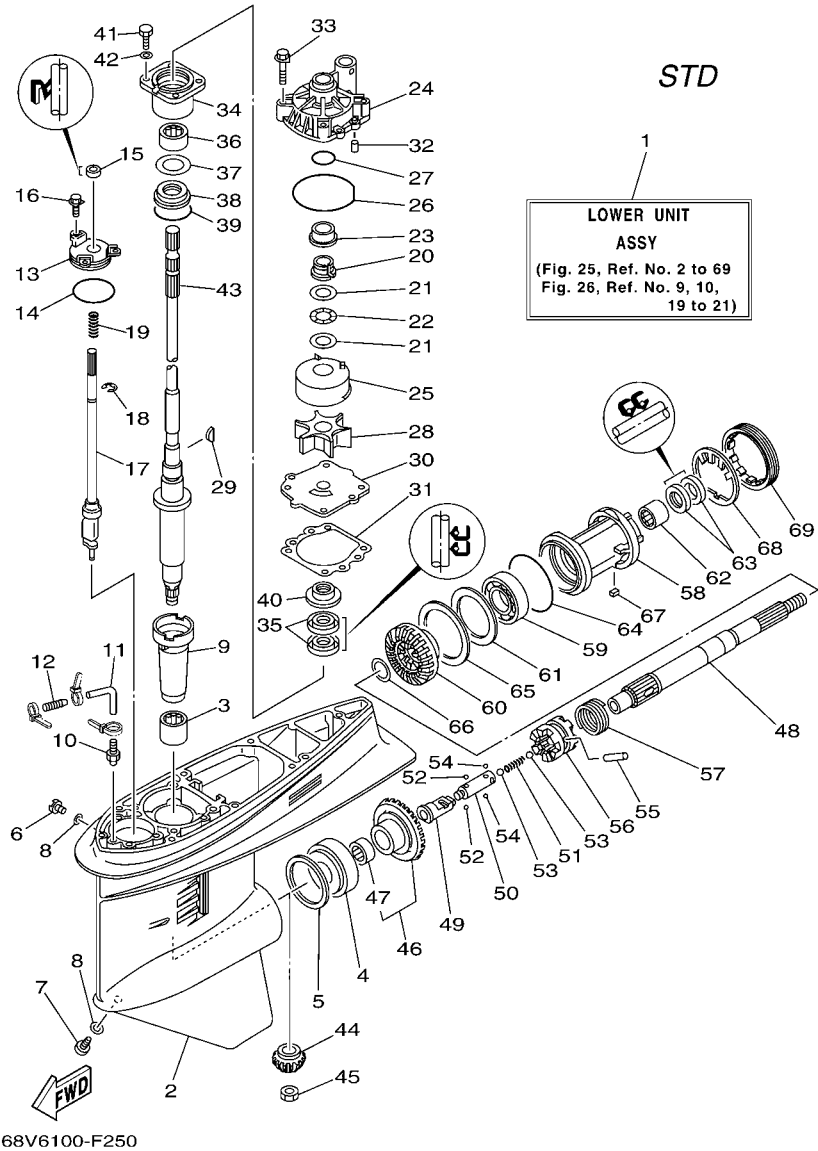




68V6100-F250

FIG. 25 LOWER CASING & DRIVE 1

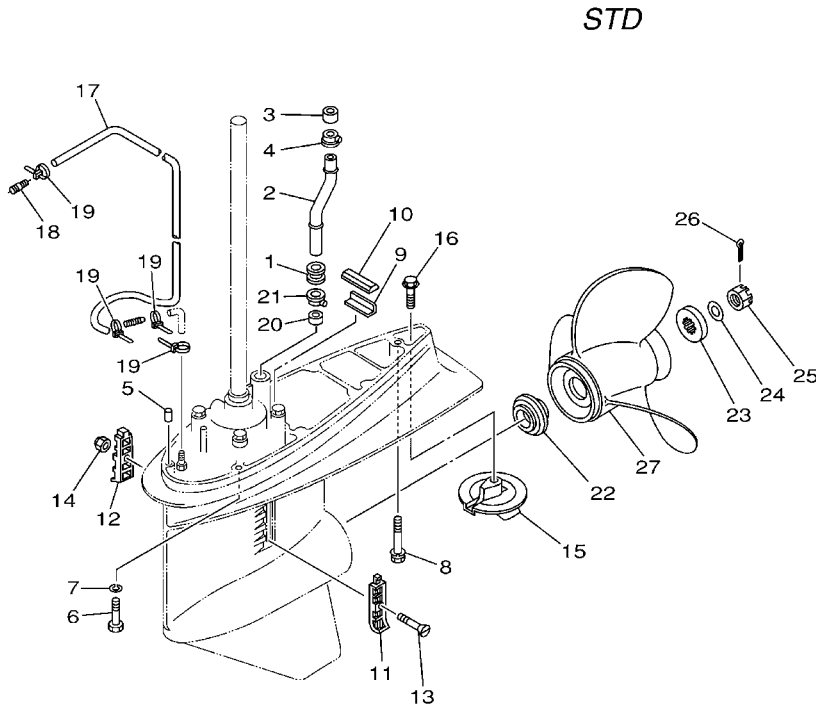
REF. NO.	PART NO.	DESCRIPTION	68V7	68W7	REMARKS
41	97095-08025	BOLT	4		
42	92995-08600	WASHER	4		
43	68V-45501-10	DRIVE SHAFT COMP.	1		L(20.3")
	68V-45501-30	DRIVE SHAFT COMP.	1		X(25.3")
44	68V-45551-00	PINION (13T)	1		
45	90170-16M01	NUT	1		
46	68V-45560-00	GEAR 1 (28T)	1		
47	93315-425U7	.BEARING	1		
48	6E5-45611-01	SHAFT, PROPELLER	1		
49	6K1-45641-01	SHIFTER	1		
50	6E5-45634-01	SLIDE, SHIFT	1		
51	90501-16M37	SPRING, COMPRESSION	1		
52	93507-32009	BALL	2		
53	93511-32017	BALL	2		
54	93503-16003	BALL	2		
55	90250-08M07	PIN, STRAIGHT	1		
56	68V-45631-01	CLUTCH, DOG	1		
57	6E5-45633-01	RING, CROSS PIN	1		
58	6E5-45332-00-94	HOUSING, BEARING	1		
59	93306-208U0	BEARING	1		
60	68V-45571-00	GEAR 2 (28T)	1		
61	6E5-45576-00	WASHER, THRUST	1		
62	93315-430U8	BEARING	1		
63	93101-30M17	OIL SEAL	2		
64	93210-86M39	O-RING	1		
65	6L6-45577-00	SHIM (T:0.10MM)	1		UR
	6L6-45577-10	SHIM (T:0.12MM)	1		UR



**FIG. 25 LOWER CASING & DRIVE 1**

REF. NO.	PART NO.	DESCRIPTION	68V7	68W7	REMARKS
65	6L6-45577-20	SHIM (T:0.15MM)	1		UR
	6L6-45577-30	SHIM (T:0.18MM)	1		UR
	6L6-45577-40	SHIM (T:0.30MM)	1		UR
	6L6-45577-50	SHIM (T:0.40MM)	1		UR
	6L6-45577-60	SHIM (T:0.50MM)	1		UR
66	90201-30M92	WASHER, PLATE	2		
67	90282-04010	KEY, STRAIGHT	1		
68	688-45383-02	WASHER, CLAW	1		
69	688-45384-00	NUT	1		
-----					
-----					
-----					
-----					
-----					
-----					

**FIG. 26 LOWER CASING & DRIVE 2**

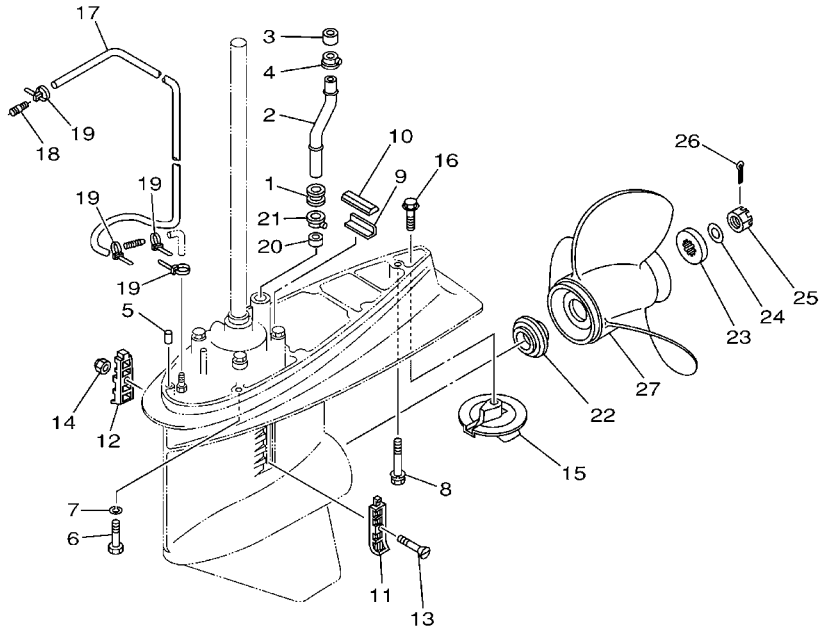


STD



68V0100-1290

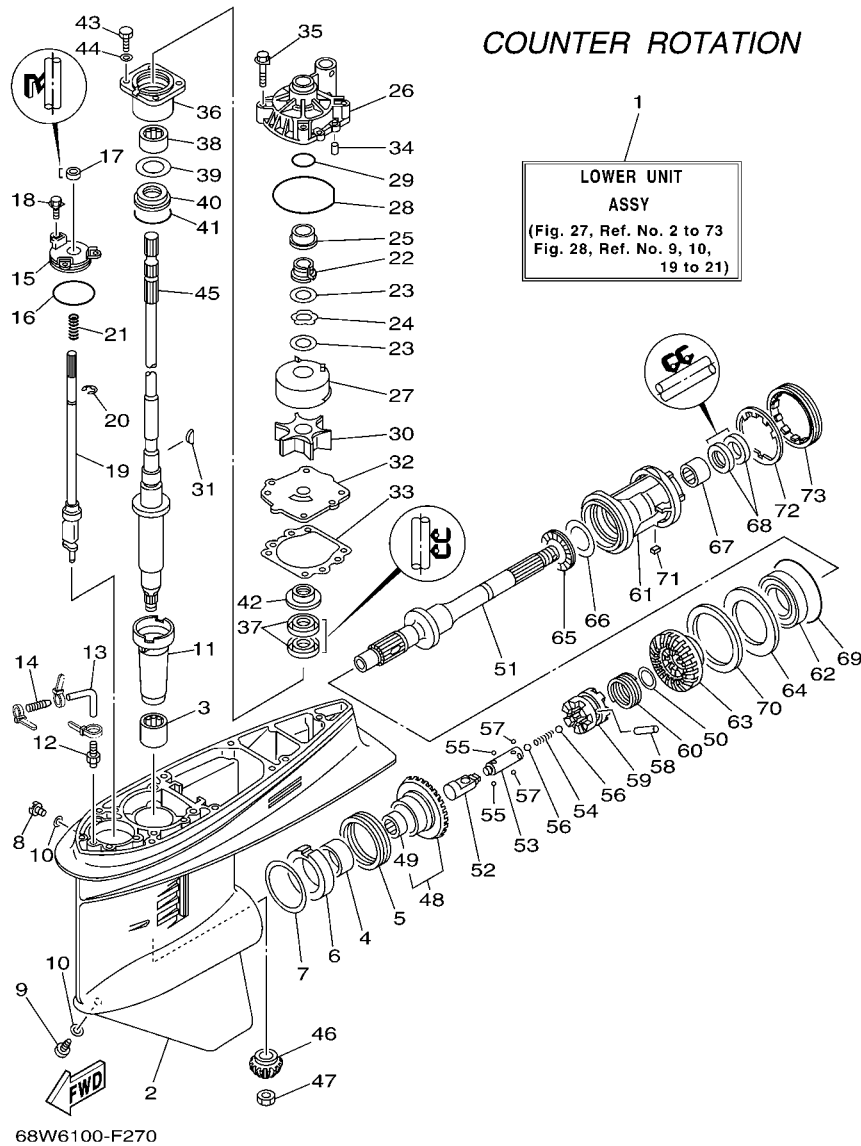
REF. NO.	PART NO.	DESCRIPTION	68V7	68W7	REMARKS
1	6E5-44366-00	DAMPER, WATER SEAL	1		
2	68V-44361-11	TUBE, WATER	1		L(20.3")
	68V-44361-30	TUBE, WATER	1		X(25.3")
3	6E5-44365-00	DAMPER, WATER SEAL	1		
4	6E5-44312-00	COVER, WATER PUMP HOUSING	1		
5	93608-12M05	PIN, DOWEL	2		
6	97075-10045	BOLT	6		
7	92995-10100	WASHER	6		
8	90119-10M89	BOLT, WITH WASHER	1		
9	663-45376-00-94	GUIDE, SEAL DAMPER	1		
10	688-45375-00	DAMPER, SEAL	1		
11	688-45214-02	COVER, WATER INLET 1	1		
12	688-45215-02	COVER, WATER INLET 2	1		
13	90152-05M07	SCREW, COUNTERSUNK	1		
14	90185-05002	NUT, SELF-LOCKING	1		
15	6E5-45371-01	TAB-TRIM	1		
16	90105-10M00	BOLT, FLANGE	1		
17	90445-076K2	HOSE (L1550)	1		
18	6E5-83558-00	END, NIPPLE	1		
19	90465-11M10	CLAMP	4		
20	6E5-44365-00	DAMPER, WATER SEAL	1		
21	6E5-44312-00	COVER, WATER PUMP HOUSING	1		
22	63P-45987-00	SPACER	1		
23	688-45997-01	SPACER	1		
24	92990-18200	WASHER	1		
25	90171-18M04	NUT, CASTLE	1		
26	91490-40030	PIN, COTTER	1		



**FWD**  
68V0100-1290

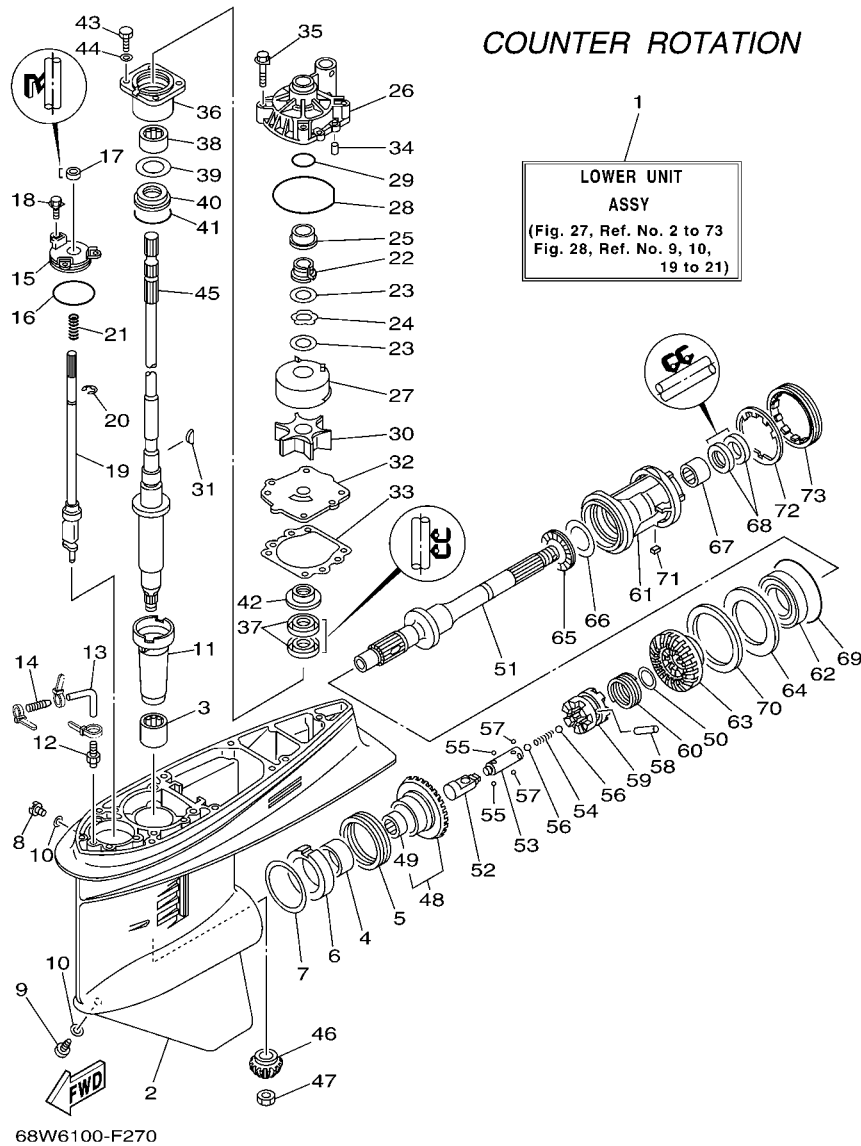
**FIG. 26 LOWER CASING & DRIVE 2**

REF. NO.	PART NO.	DESCRIPTION	68V7	68W7	REMARKS
27	6E5-45941-00-EL	PROPELLER (3X13"X19"-K)	1		UR
	6E5-45943-00-EL	PROPELLER (3X12-5/8"X21"-K)	1		UR
	6E5-45945-01-EL	PROPELLER (3X13-1/4"X17"-K)	1		UR
	6E5-45947-00-EL	PROPELLER (3X13-1/2"X15"-K)	1		UR
	6E5-45949-00-EL	PROPELLER (3X13-5/8"X13"-K)	1		UR
	6E5-45952-00-EL	PROPELLER (3X13"X23"-K)	1		UR
	6E5-45954-00-EL	PROPELLER (3X14"X11"-K)	1		UR
	6E5-45956-00-EL	PROPELLER (3X13"X25"-K)	1		UR
	688-45930-02-98	PROPELLER (3X13"X17"-K)	1		UR
	688-45932-60-98	PROPELLER (3X13-1/2"X14"-K)	1		UR
	688-45970-03-98	PROPELLER (3X13"X19"-K)	1		UR
	688-45972-02-98	PROPELLER (3X13"X21"-K)	1		UR
	688-45974-02-98	PROPELLER (3X13"X23"-K)	1		UR
	688-45976-01-98	PROPELLER (3X13"X25"-K)	1		UR
	688-45978-60-98	PROPELLER (3X13-1/2"X16"-K)	1		UR
	62A-45970-10	PROPELLER (3X13-1/2"X21"-K)	1		UR
	62A-45972-10	PROPELLER (3X13-1/2"X23"-K)	1		UR
	62A-45974-10	PROPELLER (3X13-1/2"X19"-K)	1		UR



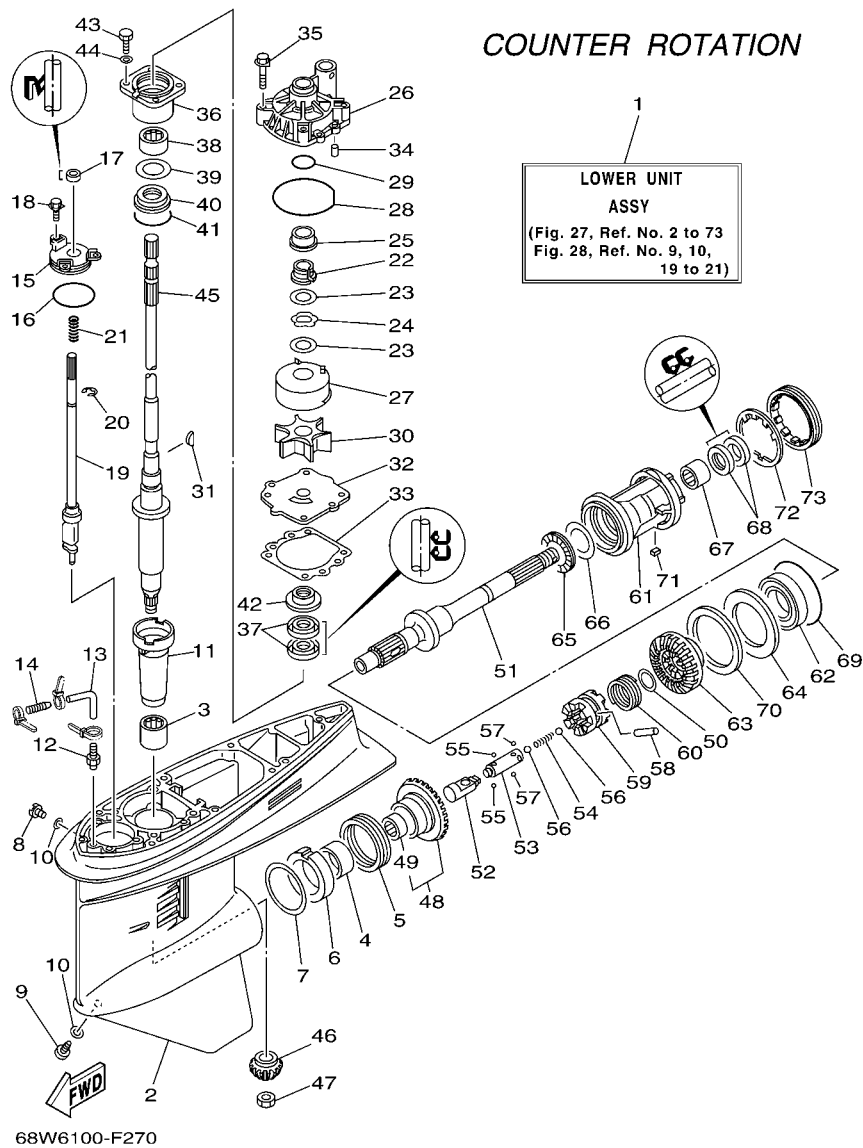
**FIG. 27 LOWER CASING & DRIVE 3**

REF. NO.	PART NO.	DESCRIPTION	68V7	68W7	REMARKS
1	68W-45300-32-8D	LOWER UNIT ASSY		1	X(25.3"),LH
2	6E5-45301-05-8D	CASING, LOWER		1	
3	93315-628U9	BEARING		1	
4	93315-345W0	BEARING		1	
5	93341-360U8	BEARING		1	
6	6L6-45538-00	SPACER 1		1	
7	6E5-45567-01	SHIM (T:0.10MM)		1	UR
	6E5-45567-10	SHIM (T:0.12MM)		1	UR
	6E5-45567-20	SHIM (T:0.15MM)		1	UR
	6E5-45567-30	SHIM (T:0.18MM)		1	UR
8	90340-08002	PLUG, STRAIGHT SCREW		1	
9	688-45341-10	PLUG, DRAIN		1	
10	90430-08020	GASKET		2	
11	6E5-45536-00	SLEEVE, DRIVE SHAFT		1	
12	6E5-45378-00	NIPPLE, HOSE		1	
13	90445-07ME9	HOSE (L120)		1	X(25.3")
14	6E5-83558-10	END, NIPPLE		1	
15	6E5-45321-00	PLATE		1	
16	93210-58144	O-RING		1	
17	93106-09014	OIL SEAL		1	
18	90119-06M10	BOLT, WITH WASHER		3	
19	6E5-44150-02	SHIFT CAM ASSY		1	
20	99001-08600	CIRCLIP		1	
21	90501-11M10	SPRING, COMPRESSION		1	



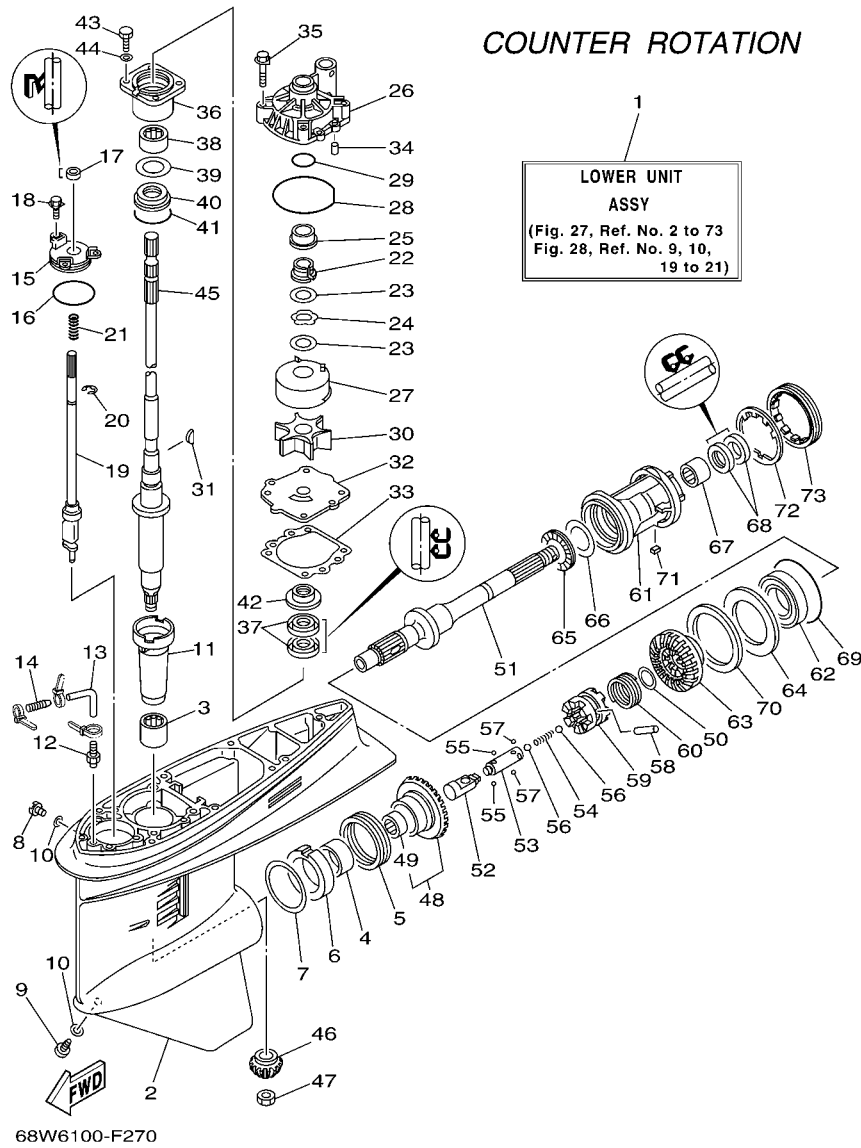
**FIG. 27 LOWER CASING & DRIVE 3**

REF. NO.	PART NO.	DESCRIPTION	68V7	68W7	REMARKS
22	61A-45538-00	SPACER 1		1	
23	90201-22M01	WASHER, PLATE		2	
24	90206-22M19	WASHER, WAVE		1	
25	61A-45527-00	COLLAR, DRIVE SHAFT		1	
26	61A-44311-01	HOUSING, WATER PUMP		1	
27	61A-44322-02	INSERT, CARTRIDGE		1	
28	93210-86M38	O-RING		1	
29	93210-37160	O-RING		1	
30	6E5-44352-01	IMPELLER		1	
31	90280-04M05	KEY, WOODRUFF		1	
32	68V-44323-00	OUTER PLATE, CARTRIDGE		1	
33	6E5-44315-A0	GASKET, WATER PUMP		1	
34	93606-12019	PIN, DOWEL		2	
35	90119-08M14	BOLT, WITH WASHER		4	
36	6E5-45331-00-94	HOUSING, BEARING		1	
37	93101-28M16	OIL SEAL		2	
38	93317-330U2	BEARING		1	
39	6E5-45587-01	SHIM (T:0.10MM)		1	UR
	6E5-45587-10	SHIM (T:0.12MM)		1	UR
	6E5-45587-20	SHIM (T:0.15MM)		1	UR
	6E5-45587-30	SHIM (T:0.18MM)		1	UR
	6E5-45587-40	SHIM (T:0.30MM)		1	UR
	6E5-45587-50	SHIM (T:0.40MM)		1	UR
	6E5-45587-60	SHIM (T:0.50MM)		1	UR
40	93341-930V2	BEARING		1	
41	93210-55M14	O-RING		1	
42	6E5-45344-00	COVER, OIL SEAL		1	



**FIG. 27 LOWER CASING & DRIVE 3**

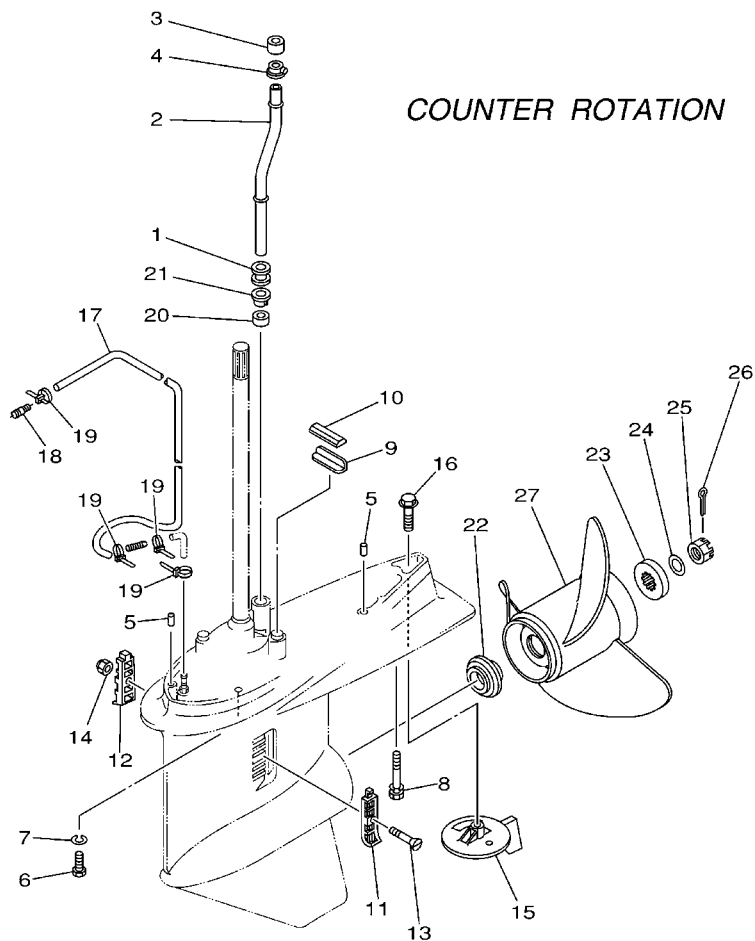
REF. NO.	PART NO.	DESCRIPTION	68V7	68W7	REMARKS
43	97095-08025	BOLT		4	
44	92995-08600	WASHER		4	
45	68V-45501-30	DRIVE SHAFT COMP.		1	X(25.3")
46	68V-45551-00	PINION (13T)		1	
47	90170-16M01	NUT		1	
48	68W-45560-00	GEAR 1 (28T)		1	
49	93315-425U7	.BEARING		1	
50	90201-26M00	WASHER, PLATE		1	
51	68W-45611-00	SHAFT, PROPELLER		1	
52	6E5-45641-03	SHIFTER		1	
53	6E5-45634-01	SLIDE, SHIFT		1	
54	90501-16M37	SPRING, COMPRESSION		1	
55	93507-32009	BALL		2	
56	93511-32017	BALL		2	
57	93503-16003	BALL		2	
58	90250-08M07	PIN, STRAIGHT		1	
59	68V-45631-01	CLUTCH, DOG		1	
60	6E5-45633-01	RING, CROSS PIN		1	
61	6L6-45332-00-94	HOUSING, BEARING		1	
62	93332-000V7	BEARING		1	
63	68W-45570-10	GEAR 2 (28T)		1	
64	6L6-45576-00	WASHER, THRUST		1	
65	93341-440U5	BEARING		1	
66	6K1-45578-01	SHIM (T:0.10MM)		1	UR
	6K1-45578-10	SHIM (T:0.12MM)		1	UR
	6K1-45578-20	SHIM (T:0.15MM)		1	UR
	6K1-45578-30	SHIM (T:0.18MM)		1	UR



**FIG. 27 LOWER CASING & DRIVE 3**

REF. NO.	PART NO.	DESCRIPTION	68V7	68W7	REMARKS
66	6K1-45578-40	SHIM (T:0.30MM)		1	UR
	6K1-45578-50	SHIM (T:0.40MM)		1	UR
	6K1-45578-60	SHIM (T:0.50MM)		1	UR
67	93315-43061	BEARING		1	
68	93101-30M17	OIL SEAL		2	
69	93210-86M39	O-RING		1	
70	6L6-45577-00	SHIM (T:0.10MM)		1	UR
	6L6-45577-10	SHIM (T:0.12MM)		1	UR
	6L6-45577-20	SHIM (T:0.15MM)		1	UR
	6L6-45577-30	SHIM (T:0.18MM)		1	UR
	6L6-45577-40	SHIM (T:0.30MM)		1	UR
	6L6-45577-50	SHIM (T:0.40MM)		1	UR
	6L6-45577-60	SHIM (T:0.50MM)		1	UR
71	90282-04010	KEY, STRAIGHT		1	
72	688-45383-02	WASHER, CLAW		1	
73	688-45384-00	NUT		1	

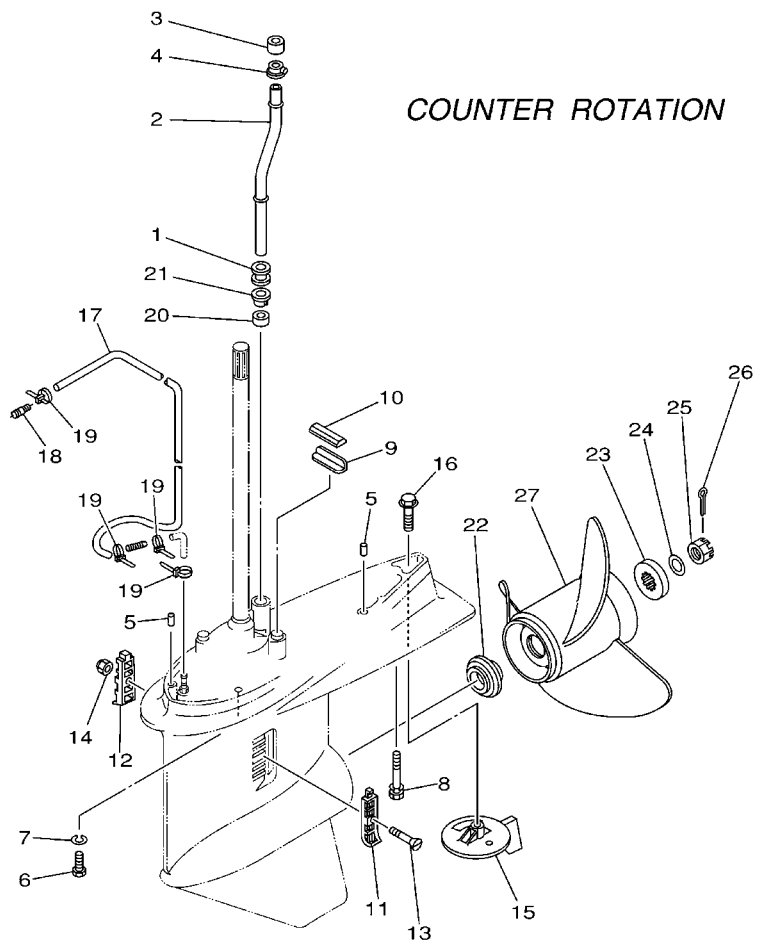




68W0100-1310

**FIG. 28 LOWER CASING & DRIVE 4**

REF. NO.	PART NO.	DESCRIPTION	68V7	68W7		REMARKS
1	6E5-44366-00	DAMPER, WATER SEAL		1		
2	68V-44361-30	TUBE, WATER		1		X(25.3")
3	6E5-44365-00	DAMPER, WATER SEAL		1		
4	6E5-44312-00	COVER, WATER PUMP HOUSING		1		
5	93608-12M05	PIN, DOWEL		2		
6	97075-10045	BOLT		6		
7	92995-10100	WASHER		6		
8	90119-10M89	BOLT, WITH WASHER		1		
9	663-45376-00-94	GUIDE, SEAL DAMPER		1		
10	688-45375-00	DAMPER, SEAL		1		
11	688-45214-02	COVER, WATER INLET 1		1		
12	688-45215-02	COVER, WATER INLET 2		1		
13	90152-05M07	SCREW, COUNTERSUNK		1		
14	90185-05002	NUT, SELF-LOCKING		1		
15	6L6-45371-00	TAB-TRIM		1		
16	90105-10M00	BOLT, FLANGE		1		
17	90445-076K2	HOSE (L1550)		1		
18	6E5-83558-00	END, NIPPLE		1		
19	90465-11M10	CLAMP		4		
20	6E5-44365-00	DAMPER, WATER SEAL		1		
21	6E5-44312-00	COVER, WATER PUMP HOUSING		1		
22	63P-45987-00	SPACER		1		
23	688-45997-01	SPACER		1		
24	92990-18200	WASHER		1		
25	90171-18M04	NUT, CASTLE		1		
26	91490-40030	PIN, COTTER		1		
27	6L6-45930-01-98	PROPELLER (3X13"X17"-KL)		1		UR

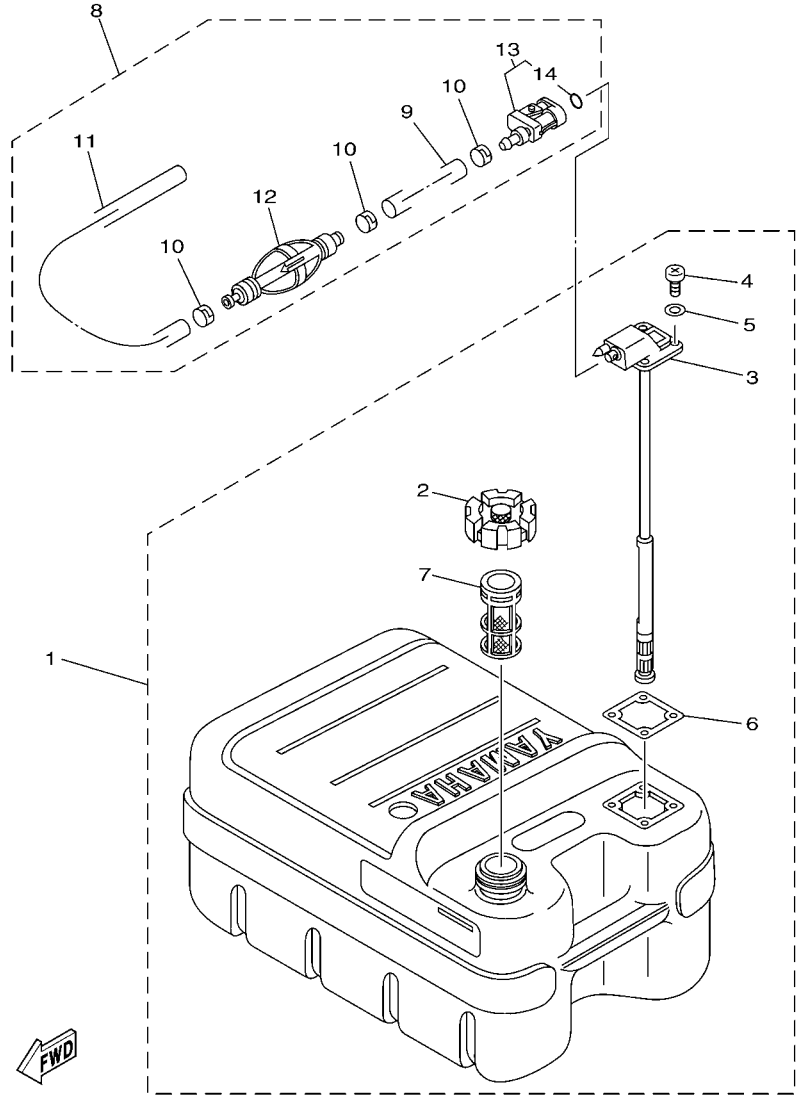


  
68W0100-1310

**FIG. 28 LOWER CASING & DRIVE 4**

REF. NO.	PART NO.	DESCRIPTION	68V7	68W7	REMARKS
27	6L6-45970-00-98	PROPELLER (3X13"X19"-KL)		1	UR
	6L6-45972-00-98	PROPELLER (3X13"X21"-KL)		1	UR
-----					
-----					
-----					
-----					
-----					
-----					
-----					

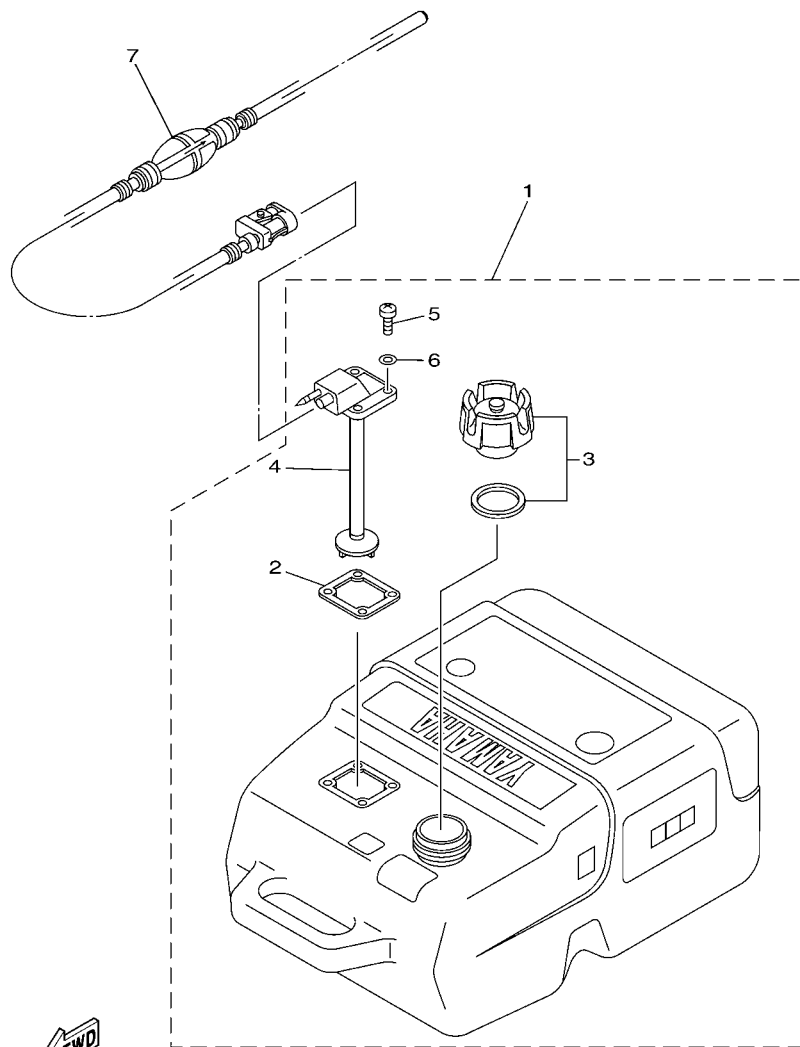
**D1**



6N43100-C270

FIG. 29 FUEL TANK 1

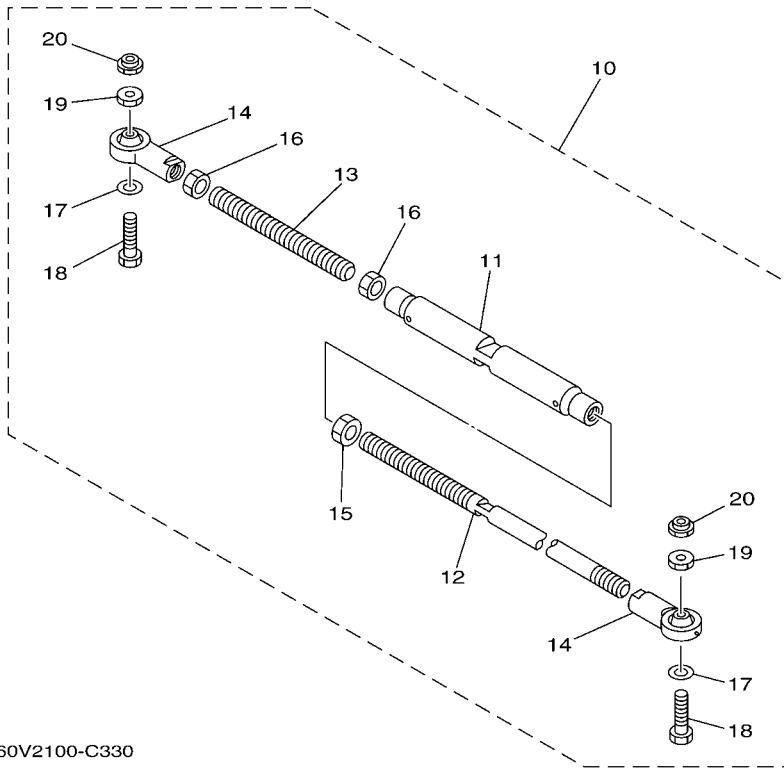
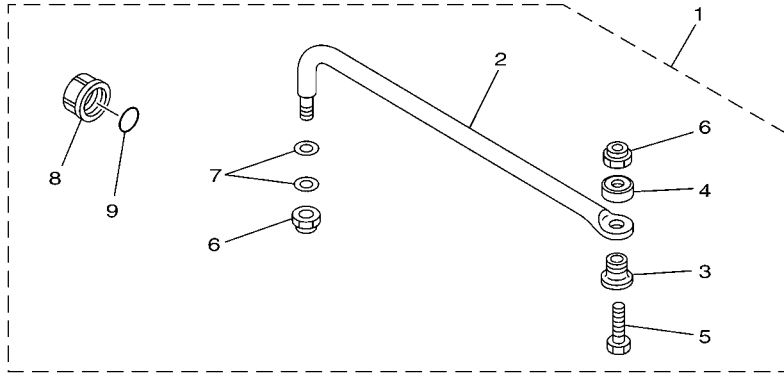
REF. NO.	PART NO.	DESCRIPTION	68V7	68W7	REMARKS
1	6YJ-24201-10	FUEL TANK ASSY (24L)	1	1	AP FOR CAR(EPA)
2	6YJ-24610-01	.CAP ASSY	1	1	
3	6Y1-24260-12	.FUEL METER ASSY	1	1	WITH INDICATOR
4	90157-05M19	.SCREW, PAN HEAD	4	4	
5	6Y1-24329-00	.SEAL	4	4	
6	6Y1-24268-00	.GASKET, FUEL METER	1	1	
7	6YJ-24167-00	.STRAINER	1	1	
8	6Y2-24306-45	FUEL PIPE COMP. 1	1	1	AP FOR CAR(EPA)
9	90445-13M01	.HOSE (L2050)	1	1	
10	6E5-24351-51	.BAND 1	3	3	
11	90445-13M35	.HOSE (L250)	1	1	
12	6Y2-24360-60	.PRIMER PUMP ASSY	1	1	
13	6Y2-24305-06	.FUEL PIPE JOINT COMP. 2	1	1	
14	93210-08287	..O-RING	1	1	




  
 6D71300-D320

**FIG. 30 FUEL TANK 2**

REF. NO.	PART NO.	DESCRIPTION	68V7	68W7	REMARKS
1	6YK-24201-02	FUEL TANK ASSY (25L)	1	1	AP FOR CAR(CE)
2	6YL-24268-01	.GASKET, FUEL METER	1	1	
3	6YK-24610-01	.CAP ASSY	1	1	
4	6YK-24260-01	.FUEL METER ASSY	1	1	
5	90157-05M16	.SCREW, PAN HEAD	4	4	
6	6YL-24329-00	.SEAL	4	4	
7	6YK-24306-44	FUEL PIPE COMP. 1	1	1	AP FOR CAR(CE)

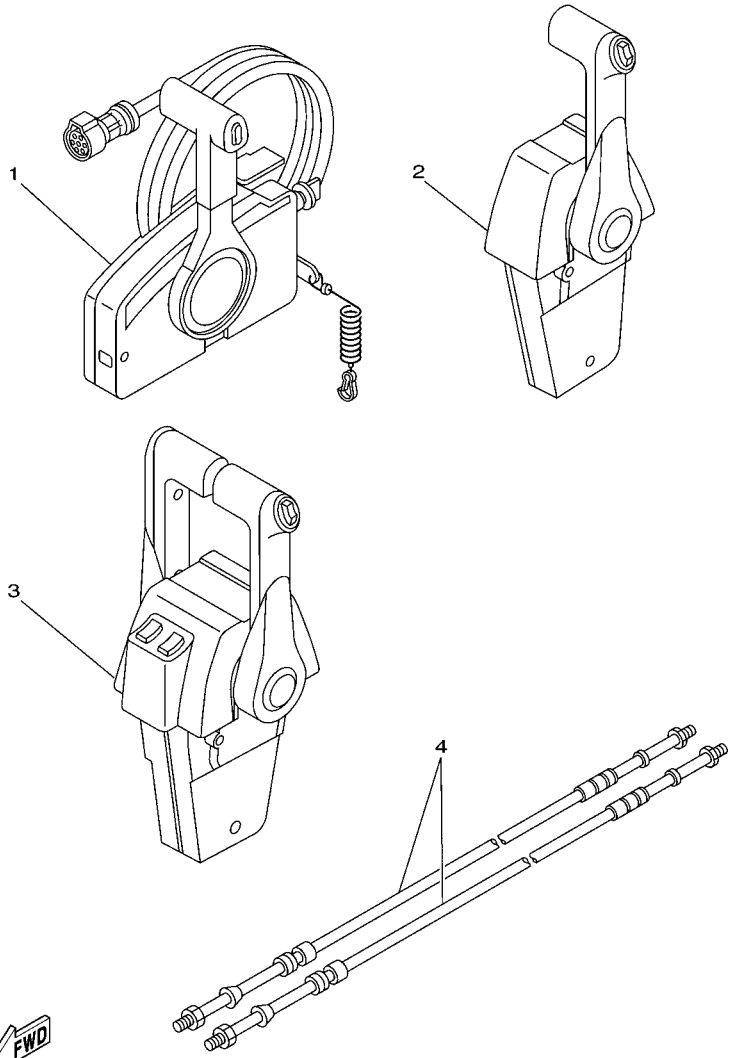


60V2100-C330

FIG. 31 STEERING GUIDE

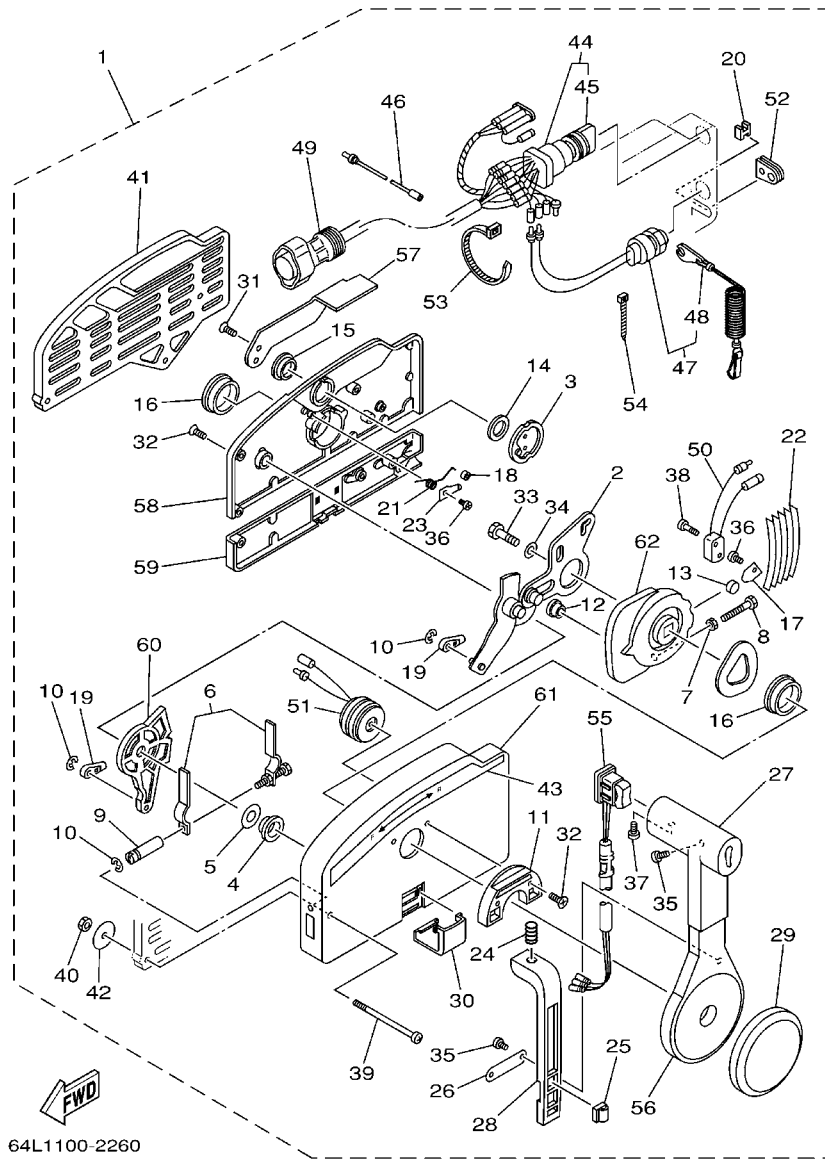
REF. NO.	PART NO.	DESCRIPTION	68V7	68W7	REMARKS
1	6E5-61350-02	STEERING GUIDE ATTACHMENT KIT	1	1	AP 68W7-OCE,CAR
2	6E5-61351-01	.ROD, STEERING LINK	1	1	
3	90387-10M61	.COLLAR	1	1	
4	90560-12M01	.SPACER	1	1	
5	6E5-61355-00	.BOLT	1	1	
6	90185-09M01	.NUT, SELF-LOCKING	2	2	
7	90201-10M20	.WASHER, PLATE	2	2	
8	6E5-43145-01	.CAP, CLAMP BRACKET	1	1	
9	93210-16275	.O-RING	1	1	
10	6E5-61301-01	TWIN KIT (L:600-800MM)	1		AP
11	6E5-61313-00	.ADJUSTER	1		
12	6E5-61311-11	.TIE BAR	1		
13	6E5-61315-00	.TIE BAR	1		
14	6E5-61303-00	.STEERING AXLE COMP.	2		
15	90170-14M06	.NUT	1		
16	95380-14700	.NUT	2		
17	90201-10M76	.WASHER, PLATE	2		
18	90101-09M70	.BOLT	2		
19	90170-09M05	.NUT	2		
20	90185-09M01	.NUT, SELF-LOCKING	2		

**FIG. 32 REMOTE CONTROL BOX**



63P2100-D320

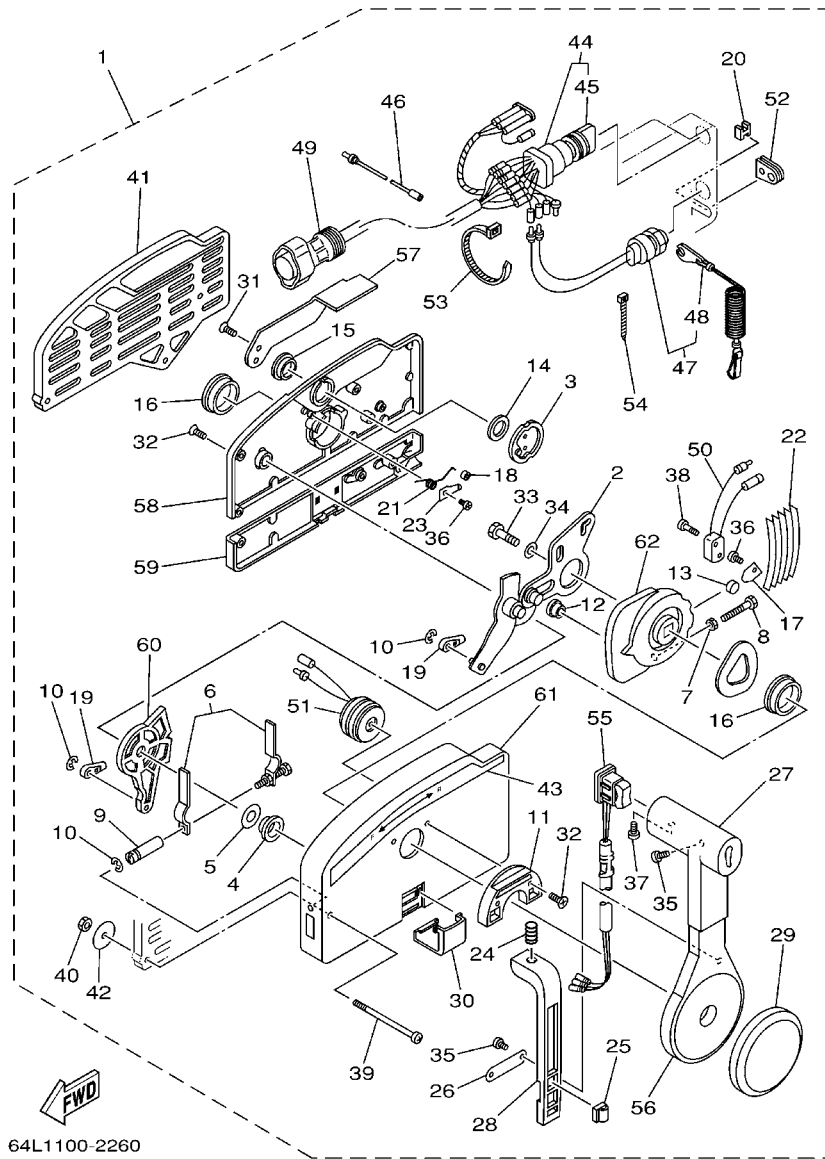
REF. NO.	PART NO.	DESCRIPTION	68V7	68W7			REMARKS
1	703-48205-17	REMOTE CONTROL ASSY (10P)	1				AP WITH PT/T SW.
	703-48207-17	REMOTE CONTROL ASSY (10P)	1				AP BRA WITH PT/T SW.
2	704-48205-P1	REMOTE CONTROL ASSY (RIGHT)	1				AP CAR WITH PT/T SW.
3	704-48207-P1	REMOTE CONTROL ASSY		1			AP WITH PT/T SW.
4	701-48320-50	CABLE, REMOTE CONTROL L=15F	2	2			UR
	701-48320-60	CABLE, REMOTE CONTROL L=16F	2	2			UR
	701-48320-80	CABLE, REMOTE CONTROL L=17F	2	2			UR
	701-48350-00	CABLE, REMOTE CONTROL L=21F	2	2			UR
	701-48350-20	CABLE, REMOTE CONTROL L=23F	2	2			UR



64L1100-2260

FIG. 33 REMOTE CONTROL ASSY 1

REF. NO.	PART NO.	DESCRIPTION	68V7	68W7	REMARKS
1	703-48205-17	REMOTE CONTROL ASSY (10P)	1		AP WITH PT/T SW.
	703-48207-17	REMOTE CONTROL ASSY (10P)	1		AP BRA WITH PT/T SW.
2	703-48261-01	.ARM, THROTTLE	1		
3	703-48153-00	.SHAFT, FREE ACCEL.	1		
4	703-48235-00	.BUSHING	1		
5	703-48268-00	.SPACER	1		
6	703-48264-00	.FRICTION, THROTTLE	1		
7	95380-05600	.NUT	1		
8	97380-05025	.BOLT	1		
9	703-48265-00	.SHAFT, FRICTION	1		
10	93430-06024	.CIRCLIP	3		
11	703-48245-00	.PLATE, LOCK	1		
12	703-48252-00	.ROLLER, CAM	1		
13	701-48248-00	.ROLLER, FREE ACCEL.	1		
14	703-48198-00	.WASHER, WAVE	1		
15	703-48243-00	.BUSHING	1		
16	703-48236-00	.BUSHING 1	2		
17	703-48189-00	.RETAINER	1		
18	703-48234-00	.ROLLER, DETENT	1		
19	703-48345-01	.CABLE END, REMOTE CONTROL 2	2		
20	703-48358-00	.ANCHOR, CABLE	1		
21	703-48244-00	.SPRING, FREE ACCEL.	1		
22	703-48238-00	.SPRING, DETENT	5		
23	703-48246-00	.SPACER	1		
24	703-48227-00	.SPRING, NEUTRAL LOCK	1		
25	703-82594-00	.CLAMP	1		WITH PT/T SW.
26	703-48226-00	.PLATE, STOPPER	1		



64L1100-2260

FIG. 33 REMOTE CONTROL ASSY 1

REF. NO.	PART NO.	DESCRIPTION	68V7	68W7	REMARKS
27	703-48222-00	.GRIP, CONTROL LEVER	1		SINGLE
28	703-48223-00	.LOCK, NEUTRAL	1		
29	703-48225-00	.COVER	1		
30	703-48219-00	.COVER, LEAD	1		
31	703-48281-00	.SCREW	2		
32	703-48282-00	.SCREW	7		
33	97380-08030	.BOLT	1		
34	92990-08600	.WASHER, PLATE	1		
35	98580-04010	.SCREW, PAN HEAD	3		
36	98580-04006	.SCREW, PAN HEAD	2		
37	98580-05010	.SCREW, PAN HEAD	1		
38	98580-03015	.SCREW, PAN HEAD	2		
39	703-48291-10	.SCREW (M6)	3		
40	95380-06600	.NUT, HEXAGON	3		
41	703-48293-10	.SPACER, REMOTE CONTROL	1		SINGLE
42	701-48287-00	.WASHER	3		
43	703-48215-00	.GRAPHIC	1		
44	703-82510-43	.MAIN SWITCH ASSY	1		
45	703-82577-00	..CAP, KEY	1		
46	703-82531-00	.WIRE, LEAD (L70)	1		
47	688-82575-01	.ENGINE STOP SWITCH ASSY	1		
48	682-82556-00	..LANYARD, STOP SWITCH	1		
49	688-8258A-20	.EXTENSION, WIRE HARNESS (4.9M)	1		(10P)
50	703-82540-00	.NEUTRAL SWITCH ASSY	1		
51	703-83383-02	.BUZZER	1		
52	703-48284-00	.GROMMET	1		FOR 703-48205-17
	703-48284-10	.GROMMET	1		FOR 703-48207-17



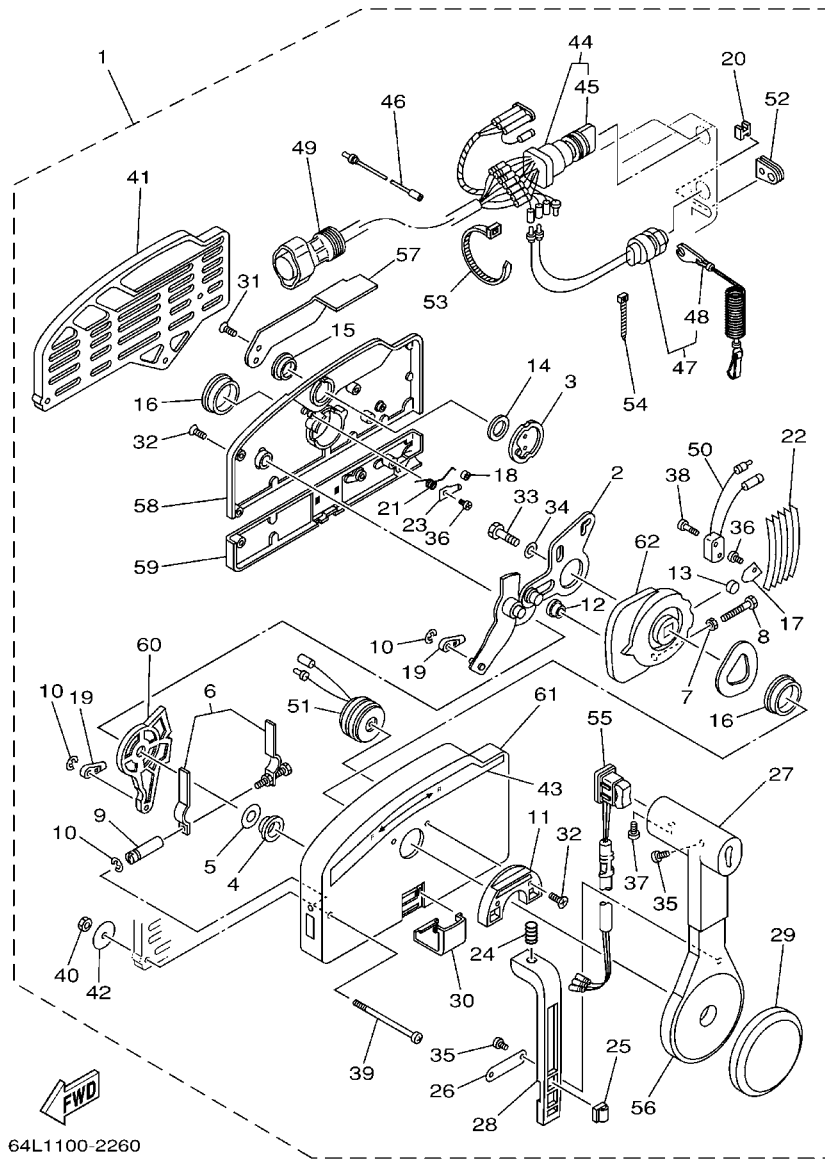
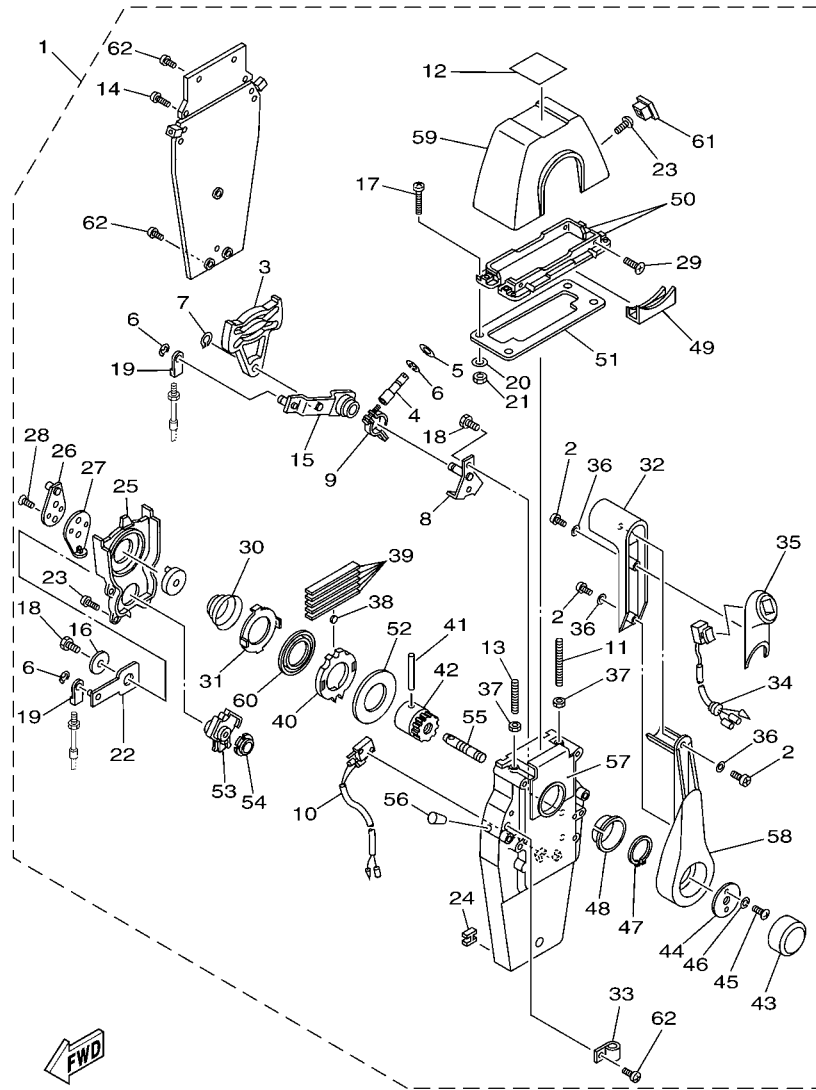


FIG. 33 REMOTE CONTROL ASSY 1

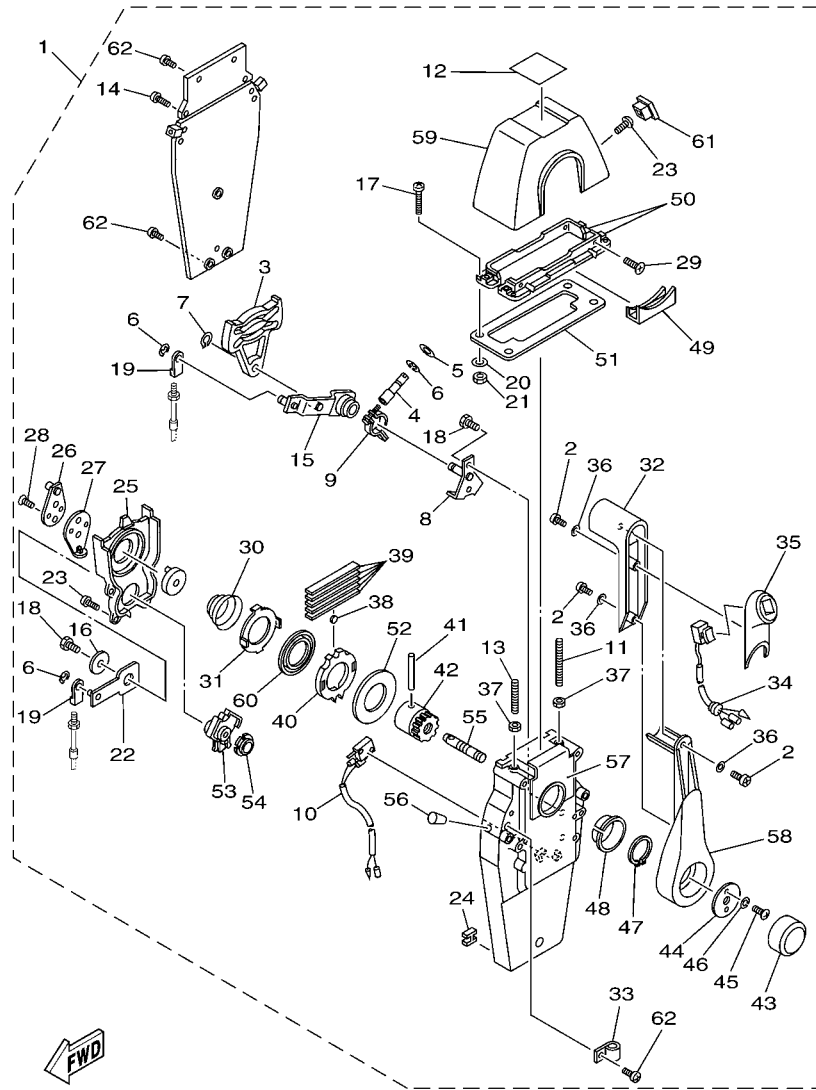
REF. NO.	PART NO.	DESCRIPTION	68V7	68W7	REMARKS
53	703-82591-00	.BAND	1		FOR 703-48205-17
	703-82591-00	.BAND	3		FOR 703-48207-17
54	703-82592-00	.BAND	1		
55	703-82563-02	.TRIM & TILT SWITCH ASSY	1		FOR 703-48205-17
	703-82563-12	.TRIM & TILT SWITCH ASSY	1		FOR 703-48207-17
56	703-48221-00	.LEVER, CONTROL	1		
57	703-48152-00	.KNOB, FREE ACCEL.	1		
58	703-48212-00	.BACK PLATE 1	1		
59	703-48213-00	.BACK PLATE 2	1		
60	703-48271-00	.ARM, SHIFT	1		
61	703-48211-01	.HOUSING,1	1		
62	703-48232-00	.GEAR	1		



6C23100-F340

FIG. 34 REMOTE CONTROL ASSY 2

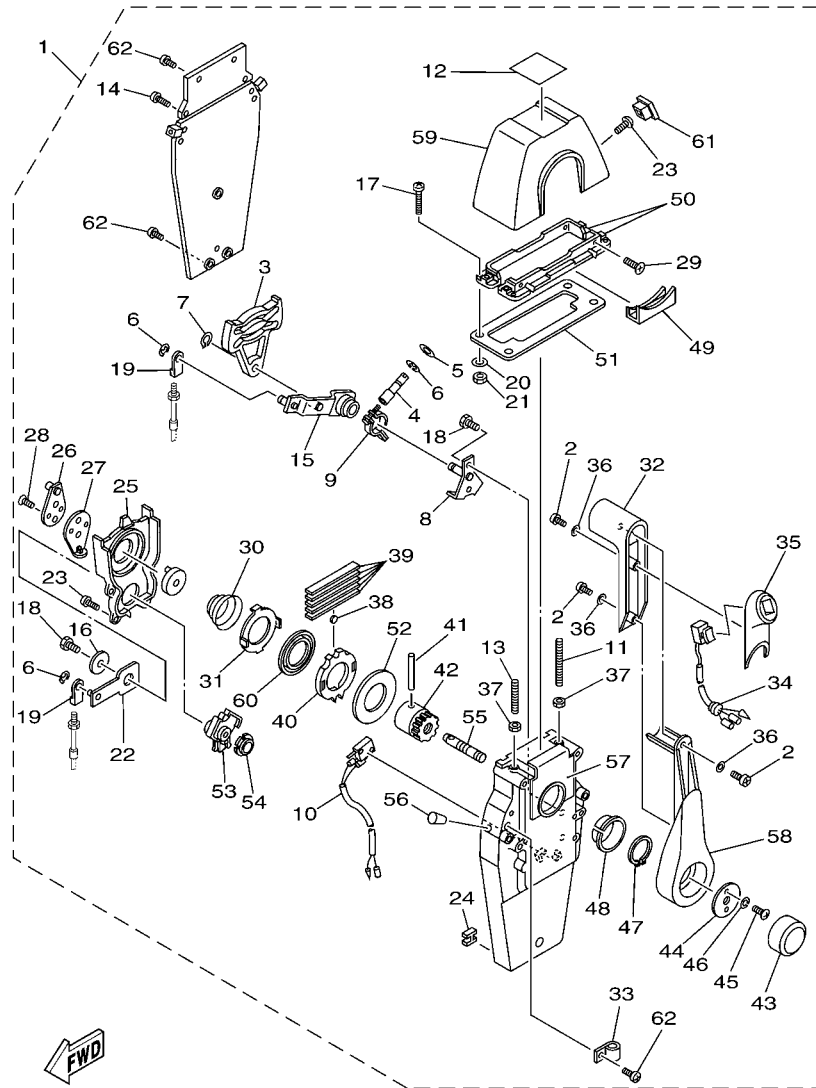
REF. NO.	PART NO.	DESCRIPTION	68V7	68W7	REMARKS
1	704-48205-P1	REMOTE CONTROL ASSY (RIGHT)	1		AP CAR WITH PT/T SW.
2	704-48128-00	.SCREW 2	3		
3	EL8-48251-00	.PLATE, CAM	1		
4	704-48265-00	.SHAFT, FRICTION	1		
5	701-48246-00	.SPACER	1		
6	93430-06024	.CIRCLIP	4		
7	EL8-48259-00	.CIRCLIP 1	1		
8	704-48262-00	.SHAFT, THROTTLE	1		
9	704-48264-00	.THROTTLE, FRICTION	1		
10	704-82540-20	.NEUTRAL SWITCH ASSY	1		
11	EL8-48281-00	.SCREW	1		
12	704-48215-20	.GRAPHIC	1		
13	704-48281-00	.SCREW	1		
14	97890-05025	.SCREW, PAN HEAD	2		
15	704-48261-00	.ARM, THROTTLE	1		
16	EL8-48191-00	.WASHER 1	1		
17	704-48283-00	.SCREW	4		
18	97380-06018	.BOLT	3		
19	703-48345-01	.CABLE END, REMOTE CONTROL 2	2		
20	704-48287-00	.WASHER	4		
21	95380-05600	.NUT	4		
22	704-48271-00	.ARM, SHIFT	1		
23	EL8-48127-00	.SCREW 1	10		
24	703-48358-00	.ANCHOR, CABLE	1		
25	704-48231-00	.HOUSING, GEAR	1		
26	EL8-48241-00	.ARM, DRIVE	1		
27	EL8-48254-00	.STOPPER, THROTTLE ADJUSTING	1		



6C23100-F340

FIG. 34 REMOTE CONTROL ASSY 2

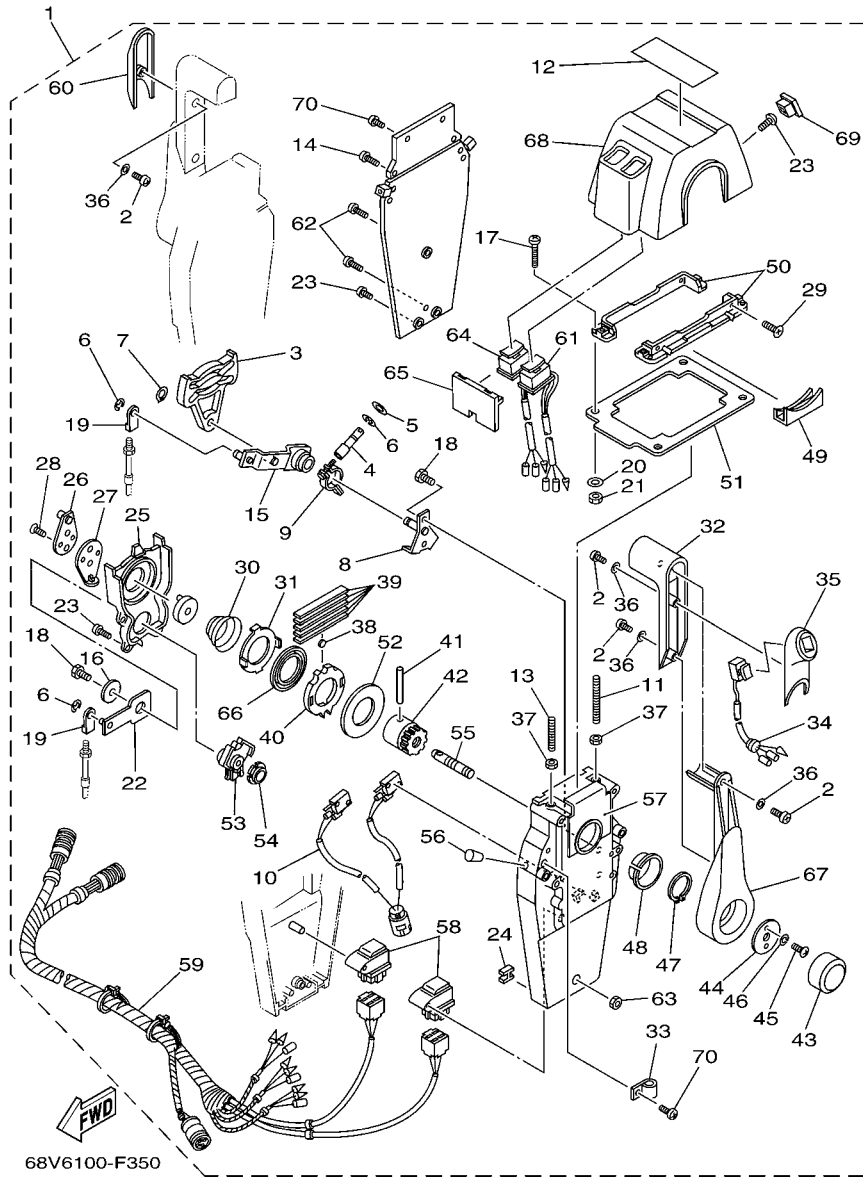
REF. NO.	PART NO.	DESCRIPTION	68V7	68W7	REMARKS
28	92780-06020	.SCREW, FLAT HEAD	2		
29	98780-05018	.SCREW, FLAT HEAD	4		
30	EL8-48244-00	.SPRING, FREE ACCEL.	1		
31	EL8-48245-00	.PLATE, LOCK	1		
32	704-48222-P0	.GRIP, CONTROL LEVER	1		
33	704-82594-00	.CLAMP	1		
34	704-82563-41	.TRIM & TILT SWITCH ASSY	1		
35	704-48229-P1	.GRIP, CONTROL LEVER	1		
36	92990-05300	.WASHER, INTERNAL TOOTH	3		
37	95380-06600	.NUT, HEXAGON	2		
38	701-48248-00	.ROLLER, FREE ACCEL.	1		
39	704-48238-00	.SPRING, DETENT	5		
40	704-48232-P1	.GEAR	1		
41	EL8-48164-00	.PIN 2	1		
42	704-48242-10	.SHAFT, DRIVE	1		
43	6X3-48225-20	.COVER	1		
44	704-48192-00	.WASHER 2	1		
45	97890-06018	.SCREW, PAN HEAD	2		
46	92990-06300	.WASHER, INTERNAL TOOTH	2		
47	EL8-48279-00	.CIRCLIP 2	1		
48	704-48234-00	.BUSHING 1	1		
49	704-48219-P0	.COVER, LEAD	1		
50	704-48144-10	.PLATE, STOPPER 2	2		
51	704-48176-00	.GROMMET	1		
52	704-48192-P0	.WASHER 2	1		
53	704-48233-00	.GEAR 2	1		
54	704-48235-00	.BUSHING	1		



6C23100-F340

FIG. 34 REMOTE CONTROL ASSY 2

REF. NO.	PART NO.	DESCRIPTION	68V7	68W7	REMARKS
55	704-48153-00	.SHAFT, FREE ACCEL.	1		
56	704-48166-00	.PLUG	1		
57	704-48284-P0	.GROMMET	1		
58	704-48221-P0	.LEVER, CONTROL	1		
59	704-48119-31	.COVER	1		
60	704-48178-10	.PLATE, SHIFT	1		
61	704-48167-01	.PLUG	1		
62	97890-05016	.SCREW, PAN HEAD	3		



68V6100-F350

FIG. 35 REMOTE CONTROL ASSY 3

REF. NO.	PART NO.	DESCRIPTION	68V7	68W7	REMARKS
1	704-48207-P1	REMOTE CONTROL ASSY		1	AP WITH PT/T SW.
2	704-48128-00	.SCREW 2		6	
3	EL8-48251-00	.PLATE, CAM		2	
4	704-48265-00	.SHAFT, FRICTION		2	
5	701-48246-00	.SPACER		2	
6	93430-06024	.CIRCLIP		8	
7	EL8-48259-00	.CIRCLIP 1		2	
8	704-48262-00	.SHAFT, THROTTLE		2	
9	704-48264-00	.THROTTLE, FRICTION		2	
10	704-82540-30	.NEUTRAL SWITCH ASSY		1	
11	EL8-48281-00	.SCREW		2	
12	704-48215-30	.GRAPHIC		1	
13	704-48281-00	.SCREW		2	
14	97890-05025	.SCREW, PAN HEAD		4	
15	704-48261-00	.ARM, THROTTLE		2	
16	EL8-48191-00	.WASHER 1		2	
17	704-48283-00	.SCREW		4	
18	97380-06018	.BOLT		6	
19	703-48345-01	.CABLE END, REMOTE CONTROL 2		4	
20	704-48287-00	.WASHER		4	
21	95380-05600	.NUT		4	
22	704-48271-00	.ARM, SHIFT		2	
23	EL8-48127-00	.SCREW 1		18	
24	703-48358-00	.ANCHOR, CABLE		2	
25	704-48231-00	.HOUSING, GEAR		2	
26	EL8-48241-00	.ARM, DRIVE		2	
27	EL8-48254-00	.STOPPER, THROTTLE ADJUSTING		2	

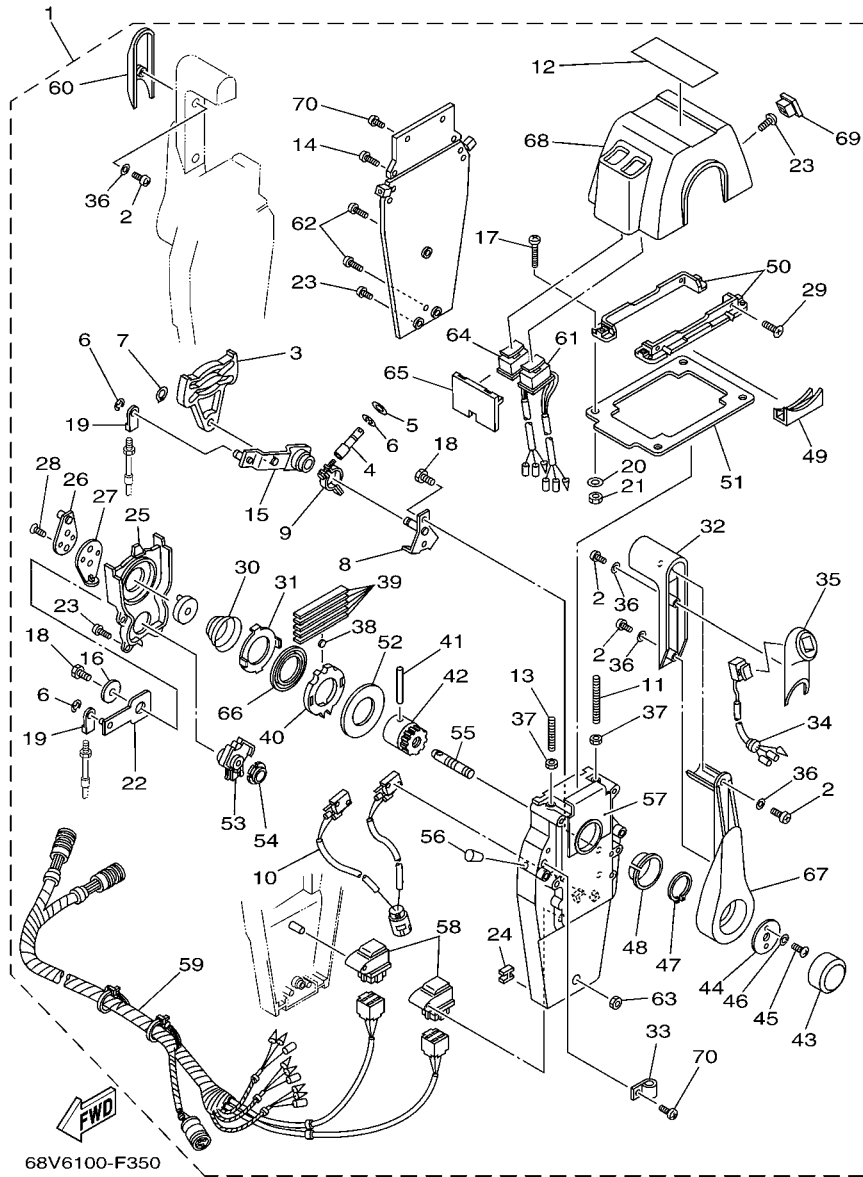


FIG. 35 REMOTE CONTROL ASSY 3

REF. NO.	PART NO.	DESCRIPTION	68V7	68W7	REMARKS
28	92780-06020	.SCREW, FLAT HEAD		4	
29	98780-05018	.SCREW, FLAT HEAD		4	
30	EL8-48244-00	.SPRING, FREE ACCEL.		2	
31	EL8-48245-00	.PLATE, LOCK		2	
32	704-48222-P0	.GRIP, CONTROL LEVER		2	
33	704-82594-00	.CLAMP		1	
34	704-82563-51	.TRIM & TILT SWITCH ASSY		1	
35	704-48229-P1	.GRIP, CONTROL LEVER		1	
36	92990-05300	.WASHER, INTERNAL TOOTH		6	
37	95380-06600	.NUT, HEXAGON		4	
38	701-48248-00	.ROLLER, FREE ACCEL.		2	
39	704-48238-00	.SPRING, DETENT		10	
40	704-48232-P1	.GEAR		2	
41	EL8-48164-00	.PIN 2		2	
42	704-48242-10	.SHAFT, DRIVE		2	
43	6X3-48225-20	.COVER		2	
44	704-48192-00	.WASHER 2		2	
45	97890-06018	.SCREW, PAN HEAD		4	
46	92990-06300	.WASHER, INTERNAL TOOTH		4	
47	EL8-48279-00	.CIRCLIP 2		2	
48	704-48234-00	.BUSHING 1		2	
49	704-48219-P0	.COVER, LEAD		2	
50	704-48144-20	.PLATE, STOPPER 2		2	
51	704-48176-10	.GROMMET		1	
52	704-48192-P0	.WASHER 2		2	
53	704-48233-00	.GEAR 2		2	
54	704-48235-00	.BUSHING		2	

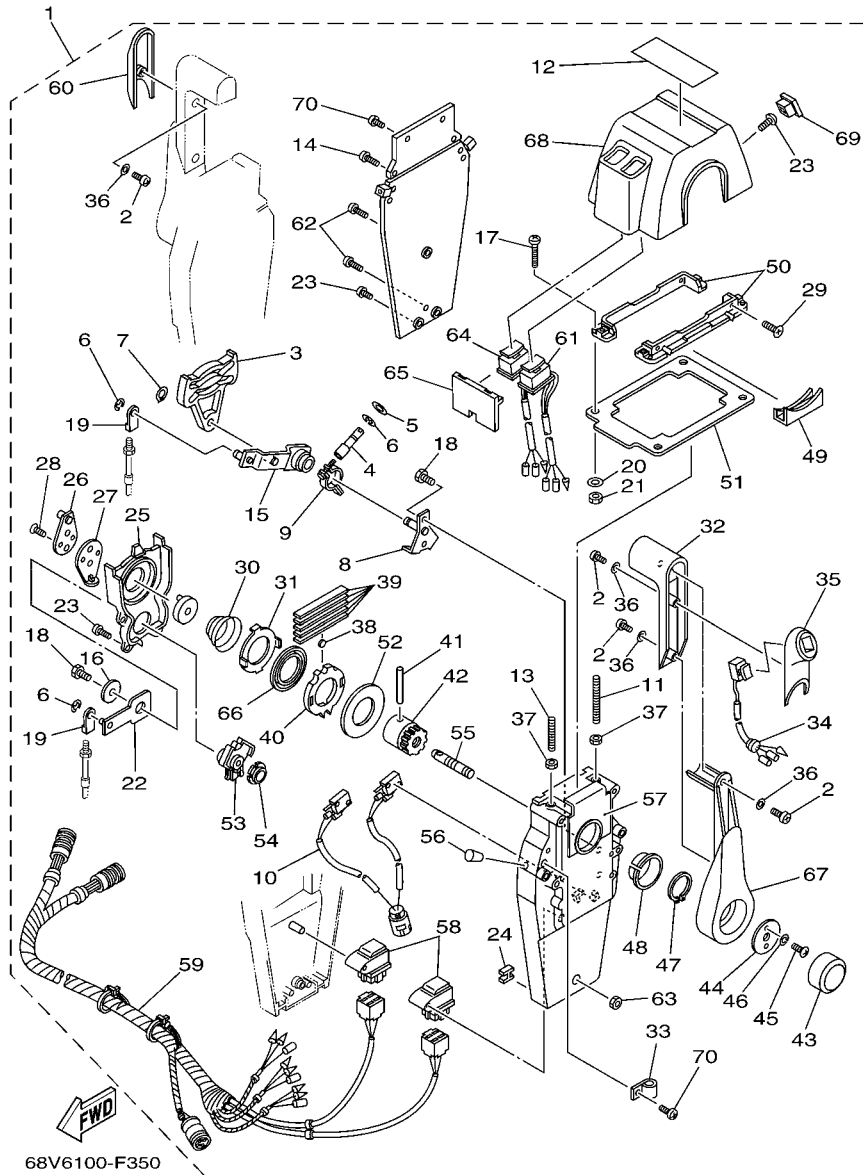
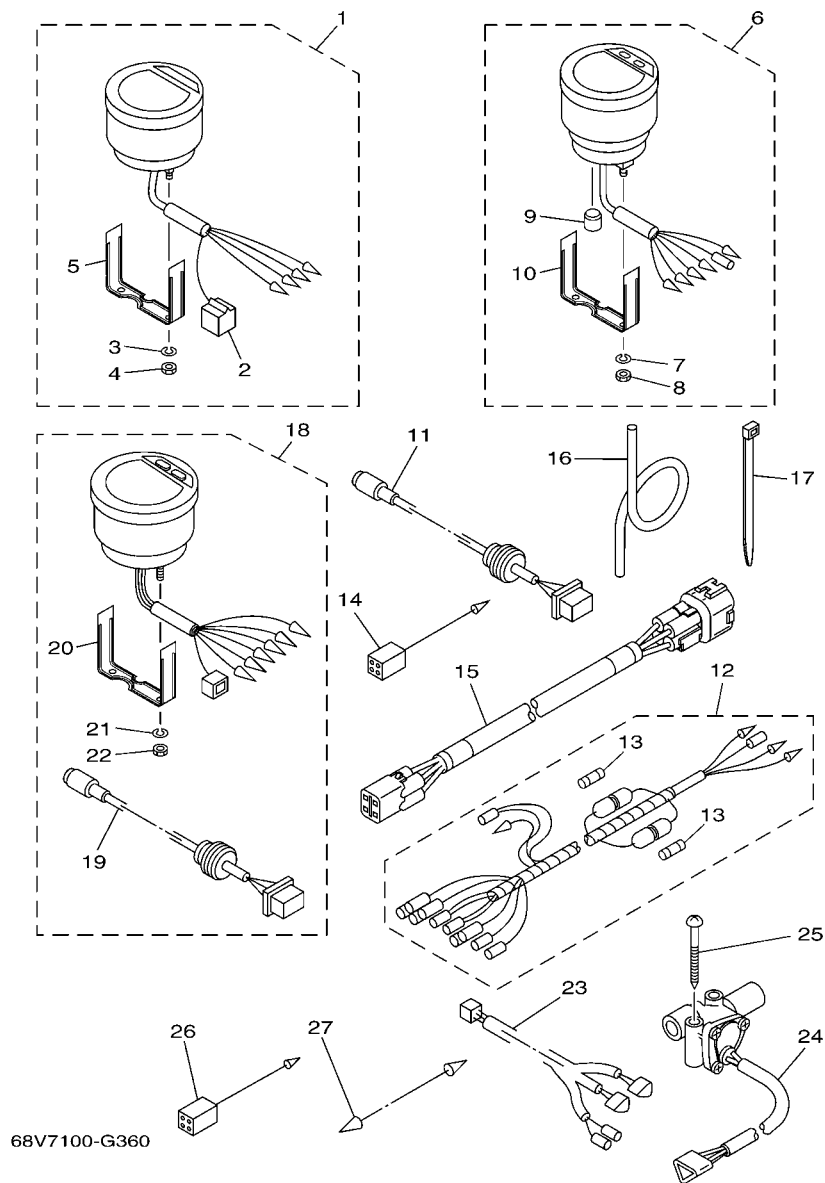


FIG. 35 REMOTE CONTROL ASSY 3

REF. NO.	PART NO.	DESCRIPTION	68V7	68W7	REMARKS
55	704-48153-00	.SHAFT, FREE ACCEL.		2	
56	704-48166-00	.PLUG		2	
57	704-48284-P0	.GROMMET		2	
58	704-81950-10	.RELAY ASSY		2	
59	704-82590-10	.WIRE HARNESS ASSY		1	
60	704-48229-R0	.GRIP, CONTROL LEVER		1	
61	704-82563-H1	.TRIM & TILT SWITCH ASSY		1	
62	704-48128-00	.SCREW 2		3	
63	704-48156-00	.NUT 1		1	
64	704-82563-J1	.TRIM & TILT SWITCH ASSY		1	
65	704-48285-10	.GROMMET 2		1	
66	704-48178-00	.PLATE, SHIFT		2	
67	704-48221-P0	.LEVER, CONTROL		2	
68	704-48119-41	.COVER		1	
69	704-48167-11	.PLUG		1	
70	97890-05016	.SCREW, PAN HEAD		5	

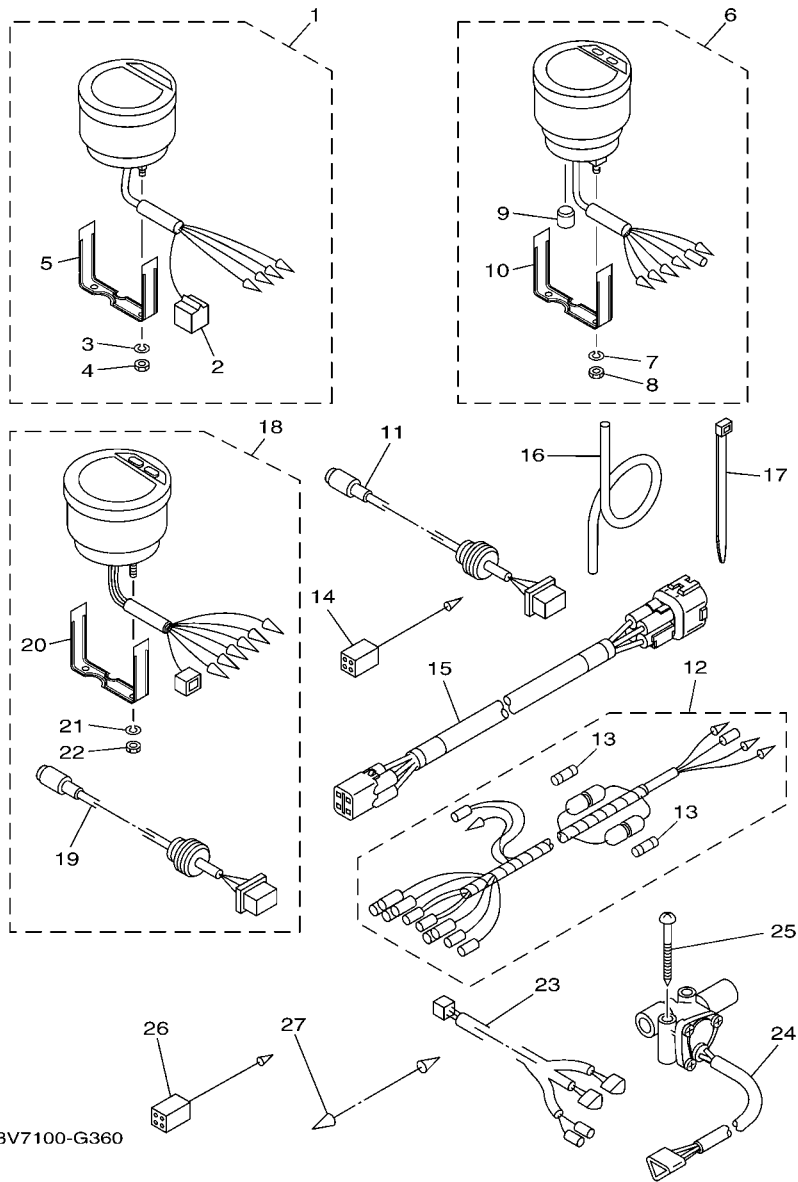
FIG. 36 METER



68V7100-G360

REF. NO.	PART NO.	DESCRIPTION	68V7	68W7	REMARKS
1	6Y5-8350T-90	DIGITAL TACHOMETER ASSY	1	1	AP FOR BRA
2	9E450-04533	.CONNECTOR	1	1	F-4-W
3	92990-04100	.WASHER, SPRING	2	2	
4	95380-04600	.NUT	2	2	
5	6Y5-8355X-T1	.BRACKET, METER 1	1	1	
6	6Y5-83570-S5	SPEEDOMETER ASSY	1		AP FOR BRA
7	92990-04100	.WASHER, SPRING	2		
8	95380-04600	.NUT	2		
9	6Y5-83533-T2	.GROMMET	1		
10	6Y5-8355X-T1	.BRACKET, METER 1	1		
11	6Y5-87122-S0	CORD ASSY 1	1		AP FOR BRA
12	6Y5-83553-M0	WIRE, LEAD (L=2.5M)	1		AP FOR BRA
	6Y5-83553-00	WIRE, LEAD (L=2.5M)		1	AP FOR BRA
13	1E6-82151-00	.FUSE (10A)	2		FOR 6Y5-83553-M0
	1E6-82151-00	.FUSE (10A)		1	FOR 6Y5-83553-00
14	6Y5-82117-00	WIRE, LEAD (BLACK) (L300)	1		AP FOR BRA
15	6Y5-83653-30	WIRE, LEAD	1		AP FOR BRA 4P,8M
	6Y5-83653-40	WIRE, LEAD		1	AP FOR BRA 4P,9M
16	6Y5-83557-10	TUBE (8M)	1		AP FOR BRA
17	90465-11M10	CLAMP	2		AP FOR BRA
18	6Y5-8350F-00	FUEL MANAGEMENT METER	1		AP FOR BRA
19	6Y5-87122-S0	.CORD ASSY 1	1		
20	6Y5-8355X-T1	.BRACKET, METER 1	1		
21	92990-04100	.WASHER, SPRING	2		
22	95380-04600	.NUT	2		
23	6Y5-83553-F1	WIRE, LEAD (L=8.0M)	1		AP FOR BRA
24	6Y5-85752-02	SENDER UNIT ASSY, FUEL METER	2		AP FOR BRA

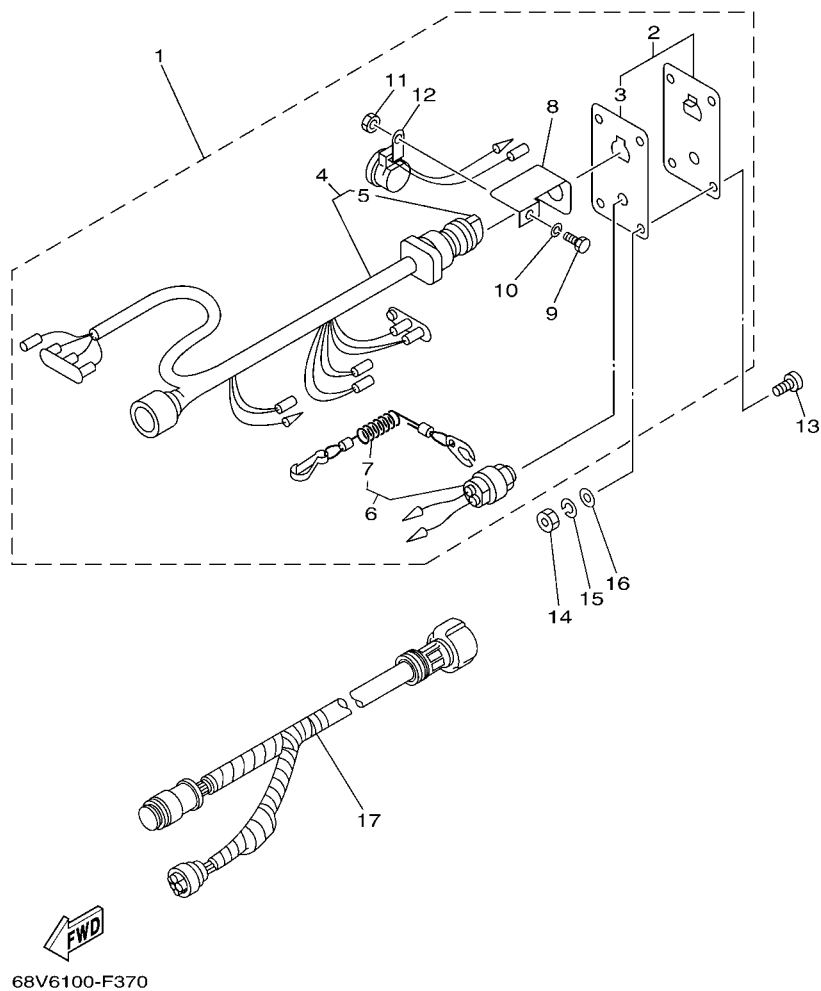




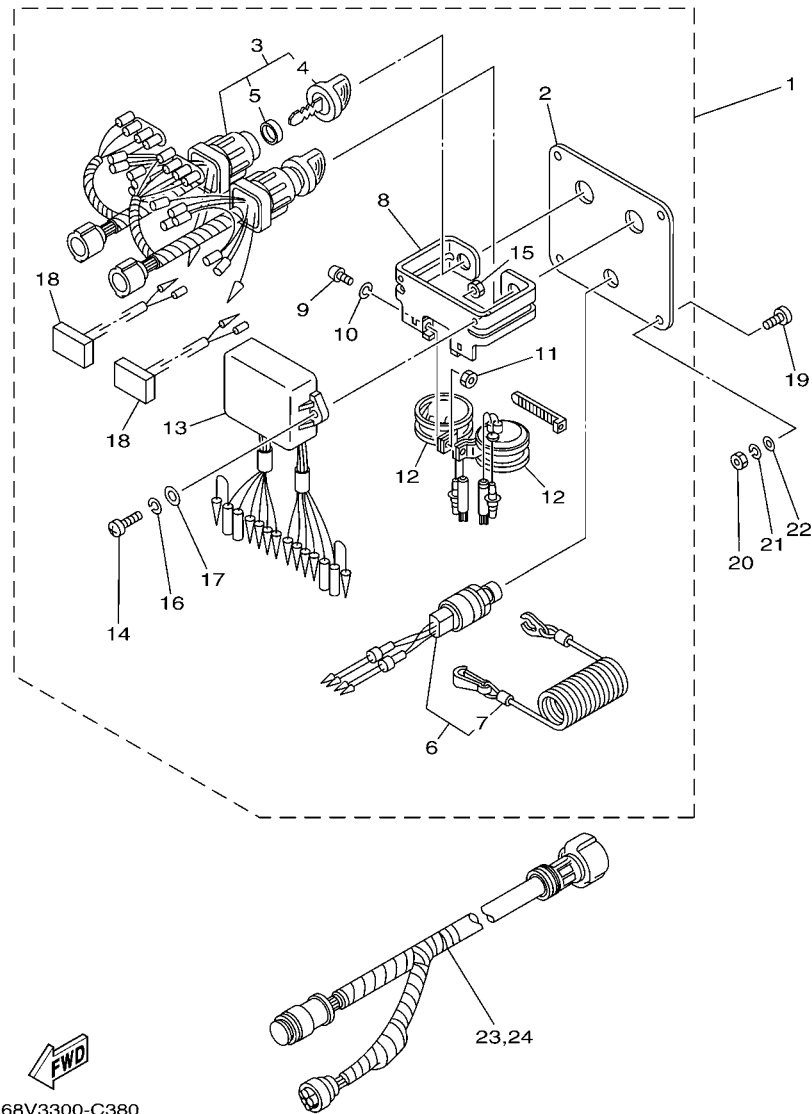
**FIG. 36 METER**

REF. NO.	PART NO.	DESCRIPTION	68V7	68W7	REMARKS
25	90158-06003	SCREW, WOOD		4	AP FOR BRA
26	6Y5-82117-00	WIRE, LEAD (BLACK) (L300)		1	AP FOR BRA
27	703-82531-00	WIRE, LEAD (L70)		1	AP FOR BRA

**FIG. 37 SWITCH & PANEL 1**



REF. NO.	PART NO.	DESCRIPTION	68V7	68W7	REMARKS
1	6R5-82570-05	PANEL SWITCH ASSY	1		AP FOR CAR
2	704-82571-02	.PANEL, SWITCH	1		
3	6R5-82588-01	..PLATE	1		
4	6R5-82510-02	.MAIN SWITCH ASSY	1		
5	676-82577-00	..CAP, KEY	1		
6	688-82575-01	.ENGINE STOP SWITCH ASSY	1		
7	682-82556-00	..LANYARD, STOP SWITCH	1		
8	64D-82581-00	.STAY, CORD CLAMP	1		
9	97303-05012	.BOLT	1		
10	92903-05100	.WASHER, SPRING	1		
11	95303-05700	.NUT	1		
12	6R5-83383-00	.BUZZER	1		
13	90149-05M05	SCREW	4		AP FOR CAR
14	95303-05600	NUT	4		AP FOR CAR
15	92903-05100	WASHER, SPRING	4		AP FOR CAR
16	92903-05600	WASHER, PLATE	4		AP FOR CAR
17	6K1-8258A-40	EXTENSION, WIRE HARNESS (8M)	1		AP FOR CAR (10P)



**FIG. 38 SWITCH & PANEL 2**

REF. NO.	PART NO.	DESCRIPTION	68V7	68W7	REMARKS
1	6K1-82570-08	PANEL SWITCH ASSY		1	AP FOR BRA
2	6K1-82571-02	.PLATE, PANEL SWITCH		1	
3	6K1-82510-06	.MAIN SWITCH ASSY		2	
4	703-82577-00	..CAP, KEY		1	
5	6K1-82532-00	..CAP		1	
6	6K1-82575-00	.ENGINE STOP SWITCH ASSY		1	
7	682-82556-00	..LANYARD, STOP SWITCH		1	
8	6K1-83614-01	.BRACKET		1	
9	98980-05010	.SCREW, BIND		2	
10	92990-05100	.WASHER, SPRING		2	
11	95380-05600	.NUT		2	
12	688-83383-11	.BUZZER		2	
13	6K1-85830-01	.CONTROL UNIT ASSY		1	
14	98980-06020	.SCREW, BIND		2	
15	95380-06600	.NUT, HEXAGON		2	
16	92990-06100	.WASHER, SPRING		2	
17	92990-06600	.WASHER, PLATE		2	
18	6K1-81980-00	.DIODE ASSY		2	
19	90149-05M05	SCREW		4	AP FOR BRA
20	95380-05600	NUT		4	AP FOR BRA
21	92990-05100	WASHER, SPRING		4	AP FOR BRA
22	92990-05600	WASHER, PLATE		4	AP FOR BRA
23	6K1-8258A-40	EXTENSION, WIRE HARNESS (8M)		1	AP FOR BRA (10P)
24	61B-8258A-01	EXTENSION, WIRE HARNESS (9.5M)		1	AP FOR BRA (10P)

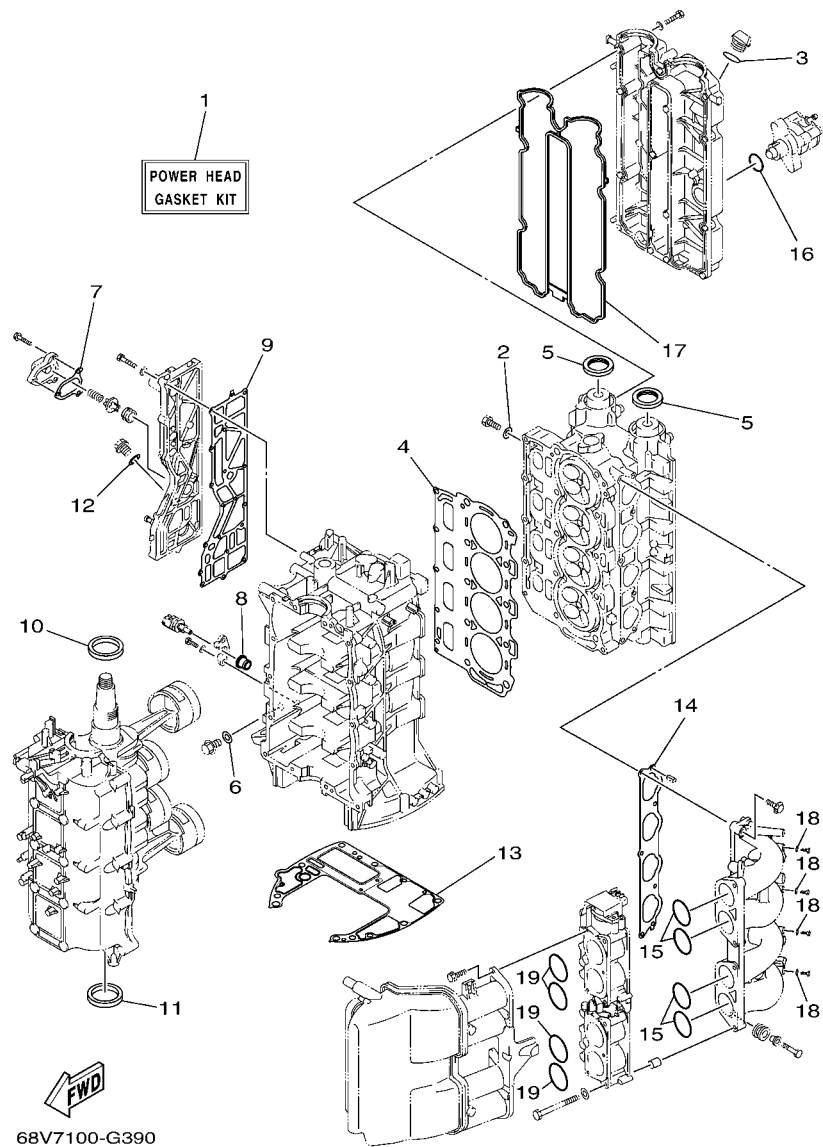


FIG. 39 REPAIR KIT 1

REF. NO.	PART NO.	DESCRIPTION	68V7	68W7			REMARKS
1	68V-W0001-05	POWER HEAD GASKET KIT	1	1			
2	90430-08143	.GASKET	4	4			
3	93210-24M79	.O-RING	1	1			
4	67F-11181-03	.GASKET, CYLINDER HEAD 1	1	1			
5	93102-38M59	.OIL SEAL	2	2			
6	90430-14115	.GASKET	1	1			
7	67F-12435-A0	.GASKET	1	1			
8	68V-85753-00	.GASKET, SENDER UNIT	1	1			
9	67F-41114-A2	.GASKET, EXHAUST OUTER COVER	1	1			
10	93102-48009	.OIL SEAL	1	1			
11	93101-48002	.OIL SEAL	1	1			
12	90430-18130	.GASKET	1	1			
13	68V-11351-00	.GASKET, CYLINDER	1	1			
14	68V-13645-00	.GASKET, MANIFOLD 1	1	1			
15	93210-48MG8	.O-RING	4	4			
16	93210-30682	.O-RING	1	1			
17	6D8-11356-01	.SEAL, CYLINDER 2	1	1			
18	90430-06014	.GASKET	4	4			
19	93210-48MJ9	.O-RING	4	4			

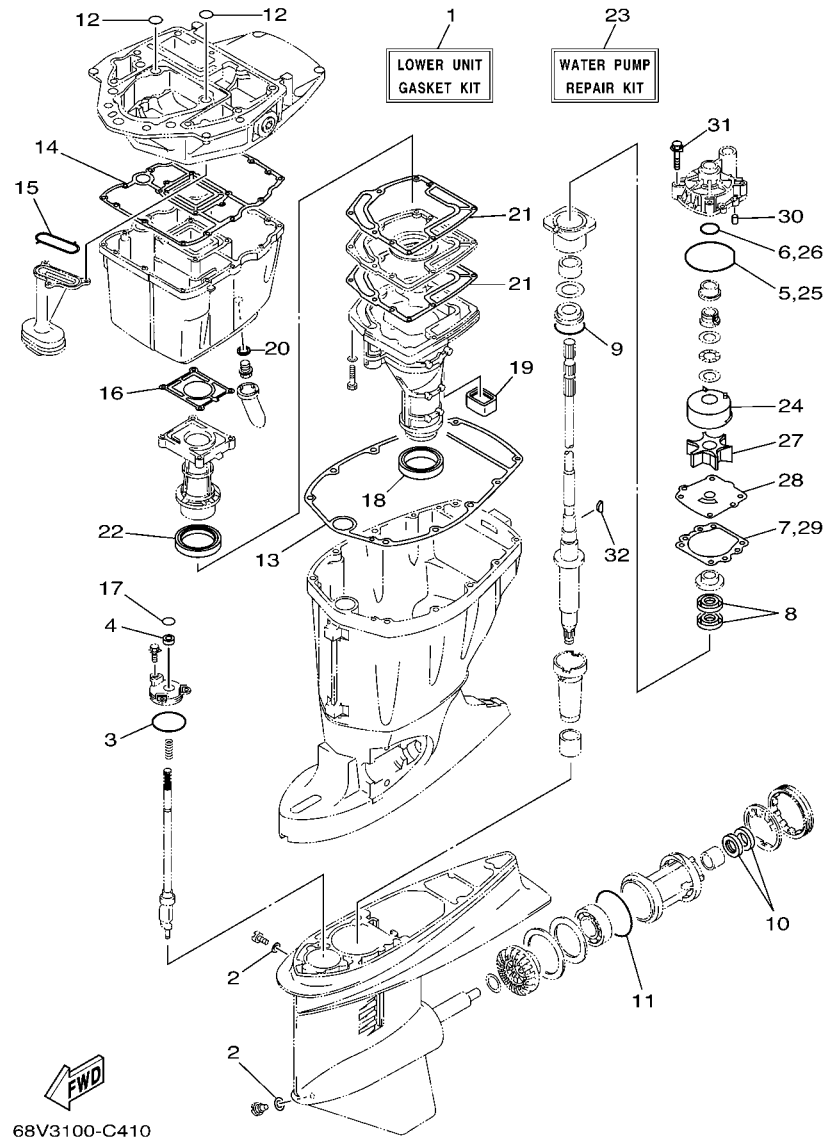
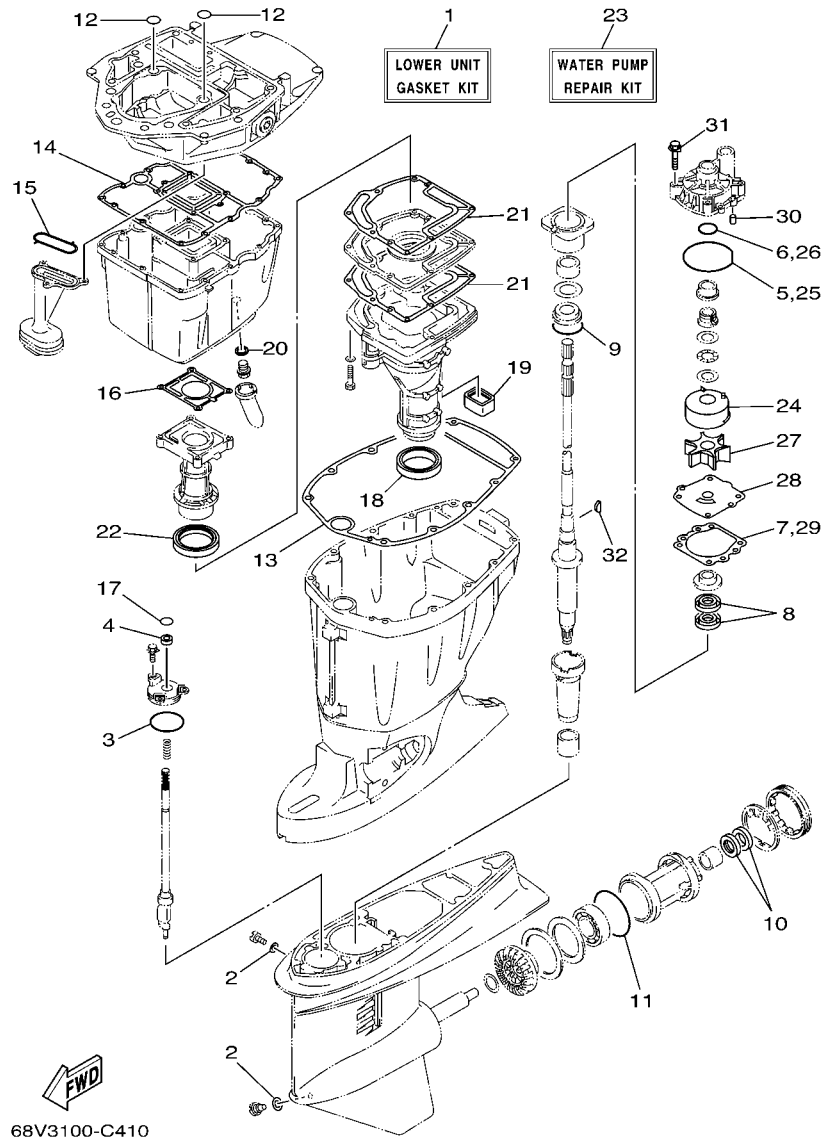


FIG. 40 REPAIR KIT 2

REF. NO.	PART NO.	DESCRIPTION	68V7	68W7	REMARKS
1	68V-W0001-21	LOWER UNIT GASKET KIT	1	1	
2	90430-08020	.GASKET	2	2	
3	93210-58144	.O-RING	1	1	
4	93106-09014	.OIL SEAL	1	1	
5	93210-86M38	.O-RING	1	1	
6	93210-37160	.O-RING	1	1	
7	6E5-44315-A0	.GASKET, WATER PUMP	1	1	
8	93101-28M16	.OIL SEAL	2	2	
9	93210-55M14	.O-RING	1	1	
10	93101-30M17	.OIL SEAL	2	2	
11	93210-86M39	.O-RING	1	1	
12	93210-19MJ1	.O-RING	2	2	
13	67F-45113-00	.GASKET, UPPER CASING	1	1	
14	68V-15312-00	.GASKET, OIL PAN	1	1	
15	67F-13415-00	.SEAL, OIL STRAINER	1	1	
16	67F-41133-A1	.GASKET, EXHAUST MANIFOLD 1	1	1	
17	93210-09165	.O-RING	1	1	
18	68V-45123-00	.GASKET, MUFFLER	1	1	
19	67F-45127-00	.SEAL	1	1	
20	90430-14M09	.GASKET	1	1	
21	67F-41134-A0	.GASKET, EXHAUST MANIFOLD	2	2	
22	67F-41138-00	.SEAL, EXT. 1	1	1	
23	68V-W0078-00	WATER PUMP REPAIR KIT	1	1	
24	61A-44322-02	.INSERT, CARTRIDGE	1	1	
25	93210-86M38	.O-RING	1	1	
26	93210-37160	.O-RING	1	1	
27	6E5-44352-01	.IMPELLER	1	1	



68V3100-C410

FIG. 40 REPAIR KIT 2

REF. NO.	PART NO.	DESCRIPTION	68V7	68W7	REMARKS
28	68V-44323-00	.OUTER PLATE, CARTRIDGE	1	1	
29	6E5-44315-A0	.GASKET, WATER PUMP	1	1	
30	93606-12019	.PIN, DOWEL	2	2	
31	90119-08M14	.BOLT, WITH WASHER	4	4	
32	90280-04M05	.KEY, WOODRUFF	1	1	
-----					
-----					
-----					
-----					
-----					
-----					
-----					
-----					
-----					
-----					











NUMERICAL INDEX

PART NO.	REF. NO.	PART NO.	REF. NO.	PART NO.	REF. NO.	PART NO.	REF. NO.	PART NO.	REF. NO.	PART NO.	REF. NO.
90445-13M01	29 - 9	90501-16M37	27 - 54	92995-06600	4 - 28	93210-37160	25 - 27	93511-32017	27 - 56	97095-06010	14 - 10
90445-13M35	29 - 11	90506-14M24	19 - 36		6 - 13		27 - 29	93604-12M07	24 - 28		15 - 20
90445-13M37	10 - 2	90506-16M34	17 - 16		10 - 13		40 - 6	93605-10108	5 - 13		19 - 7
90445-15M03	5 - 20	90506-16M39	5 - 19		12 - 12	93210-37MH7	20 - 11	93606-12019	2 - 3		23 - 28
90447-07007	14 - 38	90560-12M01	31 - 4		13 - 9	93210-48MG8	7 - 27		24 - 7	97095-06012	1 - 6
90447-10003	14 - 37	91490-20015	18 - 21		14 - 12		39 - 15		25 - 32		6 - 12
90464-06001	13 - 11	91490-40030	26 - 26		15 - 3	93210-48MJ9	6 - 17		27 - 34		15 - 9
90464-10010	2 - 25		28 - 26		18 - 11		39 - 19		40 - 30	97095-06014	14 - 46
90464-12M58	14 - 28	91609-25014	10 - 31		19 - 8	93210-55M14	25 - 39	93606-19M23	23 - 13		15 - 6
90464-16001	2 - 50	91690-30020	19 - 35		23 - 8		27 - 41	93608-12M05	26 - 5	97095-06016	10 - 12
90464-18004	2 - 24	91690-50014	6 - 4		24 - 6		40 - 9		28 - 5		13 - 18
	17 - 49	91809-08006	4 - 6	92995-08100	19 - 17	93210-58144	25 - 14	93608-16M16	23 - 3		14 - 41
90464-20258	17 - 48		10 - 35	92995-08600	4 - 14		27 - 16	93700-06M03	19 - 13		15 - 2
90465-06M86	15 - 19	92780-06020	34 - 28		6 - 23		40 - 3	94702-00400	4 - 39		17 - 13
90465-06M88	17 - 33		35 - 28		25 - 42	93210-86M38	25 - 26	95303-05600	37 - 14	97095-06020	2 - 10
90465-08M23	17 - 28	92903-05100	37 - 10		27 - 44		27 - 28	95303-05700	37 - 11	97095-06025	2 - 45
90465-08M63	1 - 34	92903-05600	37 - 16	92995-10100	20 - 26		40 - 5	95333-08600	16 - 32		4 - 34
	19 - 23	92903-06100	14 - 3		26 - 7	93210-86M39	25 - 64	95380-04600	36 - 4		13 - 7
90465-11M10	2 - 23	92903-06600	14 - 4		28 - 7		27 - 69	95380-05600	33 - 7	97095-06030	4 - 27
	6 - 7	92903-08100	16 - 33	92995-10600	20 - 8		40 - 11		34 - 21		12 - 10
	8 - 29	92903-08600	16 - 31	92995-14600	20 - 23	93306-208U0	25 - 59		35 - 21		19 - 4
	10 - 9	92907-04600	4 - 24	93101-28M16	25 - 35	93315-345W0	27 - 4		38 - 11	97095-06035	18 - 39
	17 - 39	92907-06600	24 - 11		27 - 37	93315-425U7	25 - 47	95380-05700	7 - 30	97095-06040	18 - 10
	19 - 21	92990-04100	36 - 3		40 - 8		27 - 49	95380-06600	1 - 4	97095-06045	24 - 26
	20 - 5	92990-05100	38 - 10	93101-30M17	25 - 63	93315-43061	27 - 67		17 - 42	97095-08014	4 - 15
	26 - 19	92990-05200	1 - 23		27 - 68	93315-430U8	25 - 62		33 - 40	97095-08020	6 - 22
	28 - 19	92990-05300	34 - 36		40 - 10	93315-628U9	25 - 3		34 - 37		19 - 16
	36 - 17		35 - 36	93101-48002	3 - 3		27 - 3		35 - 37	97095-08025	25 - 41
90465-11M52	14 - 48	92990-05600	38 - 22		39 - 11	93317-330U2	25 - 36		38 - 15		27 - 43
90465-12M03	6 - 11	92990-06100	1 - 3	93102-08M43	22 - 36		27 - 38	95380-08600	10 - 11	97303-05012	37 - 9
90465-13M18	6 - 24		38 - 16	93102-38M59	5 - 16	93332-000U7	25 - 4	95380-12600	19 - 44	97380-05025	33 - 8
	14 - 44	92990-06300	34 - 46		39 - 5	93332-000V7	27 - 62	95380-14600	20 - 22	97380-06018	34 - 18
90467-20M15	2 - 42		35 - 46	93102-48009	3 - 2	93341-360U8	27 - 5	95380-14700	31 - 16		35 - 18
	6 - 8	92990-06600	19 - 12		39 - 10	93341-440U5	27 - 65	95780-10300	20 - 7	97380-08030	33 - 33
90468-18008	18 - 4		23 - 25	93106-09014	25 - 15	93341-930V2	25 - 38	95895-06025	6 - 10	97575-08540	2 - 39
90480-06M19	11 - 4		38 - 17		27 - 17		27 - 40	97013-06020	14 - 2		6 - 1
90480-12072	2 - 12	92990-08600	33 - 34		40 - 4	93410-22M11	19 - 39	97013-08045	16 - 30		23 - 2
	4 - 25	92990-18200	26 - 24	93210-08287	29 - 14	93410-37M04	20 - 15	97027-06025	24 - 10	97607-04110	12 - 6
90480-13M24	15 - 5		28 - 24	93210-09165	18 - 18	93420-36M01	23 - 22	97075-06025	18 - 23	97607-04310	22 - 32
	17 - 45	92995-04100	18 - 9		40 - 17	93430-06024	33 - 10		24 - 5	97780-50620	1 - 35
90480-15M31	12 - 21	92995-06100	12 - 11	93210-10M74	21 - 4		34 - 6	97075-06030	23 - 11	97780-50625	1 - 24
90480-20M05	2 - 30		13 - 8	93210-16275	31 - 9		35 - 6	97075-06070	23 - 7	97780-60620	14 - 9
90480-22M15	17 - 3		14 - 11	93210-19MJ1	24 - 29	93501-04M02	18 - 25	97075-08025	4 - 13	97780-60625	14 - 6
90501-11M10	25 - 19		15 - 12		40 - 12	93503-16003	25 - 54	97075-10040	20 - 25	97880-06012	19 - 11
	27 - 21		18 - 40	93210-24M79	4 - 37		27 - 57	97075-10045	26 - 6	97880-06016	23 - 24
90501-12082	18 - 26		19 - 5		39 - 3	93507-32009	25 - 52		28 - 6	97885-04016	18 - 8
90501-16M11	2 - 29	92995-06600	1 - 7	93210-30682	10 - 27		27 - 55	97080-08016	21 - 32	97885-06010	12 - 17
90501-16M37	25 - 51		2 - 11		39 - 16	93511-32017	25 - 53	97095-06010	8 - 24	97885-06016	20 - 4

NUMERICAL INDEX

PART NO.	REF. NO.	PART NO.	REF. NO.	PART NO.	REF. NO.	PART NO.	REF. NO.	PART NO.	REF. NO.	PART NO.	REF. NO.
97890-05016	34 - 62										
	35 - 70										
97890-05025	34 - 14										
	35 - 14										
97890-06018	34 - 45										
	35 - 45										
97980-05230	20 - 2										
98507-04008	4 - 23										
98580-03015	33 - 38										
98580-04006	33 - 36										
98580-04010	33 - 35										
98580-05010	33 - 37										
98780-04016	2 - 15										
98780-05018	34 - 29										
	35 - 29										
98980-05010	38 - 9										
98980-06020	38 - 14										
99001-08600	25 - 18										
	27 - 20										
99530-08012	12 - 9										
99530-10114	7 - 26										
9E450-04533	36 - 2										