



PARTS CATALOGUE

F150TRD (63P2)

LF150TRD (64P2)

F150AET'05 (63P2)

FL150AET'05 (64P2)

FOREWORD

This Parts Catalogue is related to the parts for the model(s) on the cover page. When you are ordering replacement parts, please refer to this Parts Catalogue and quote both part numbers and part names correctly.

1. Modifications or additions which have been made after the issue of the Parts Catalogue will be announced in the Parts News.
It is advisable that you make the necessary corrections to the Parts Catalogue according to the Parts News.

2. Abbreviations

The following abbreviations are used in this Parts Catalogue.

- “UR” Use specified parts number.
- “UN” Use as many as needed.
- “AP” Alternate Parts
- “LM” Locally Made (Parts need to be ordered locally)
- “F#” Frame No. (Applicable machine No.)
- “O/S” Over Size

3. The number of components for assembly

- Parts, which are to be supplied in an assembly, are listed with a dot (.) in front of the part name as shown below.
- The numeral appearing to the right of each component part indicates the quantity of parts for each assembly unit.

PART NO.	DESCRIPTION	Q'TY	REMARKS
2F5-83310-60	FRONT FLASHER LIGHT ASSY	2	
115-83311-60	.BULB (6V-18W)	1	

4. Applicable colours of graphics are represented in the “REMARKS” as shown below.

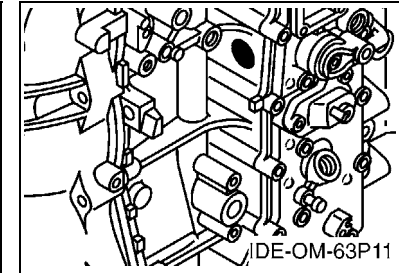
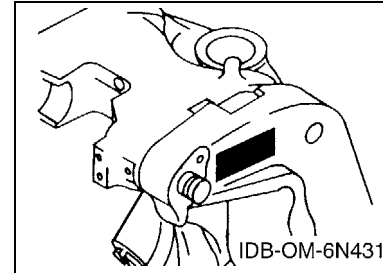
PART NO.	DESCRIPTION	Q'TY	REMARKS
2N4-24110-00-X5	FUEL TANK COMP.	2	MXR
3J1-24240-10	.GRAPHIC, FUEL TANK	1	FOR MXR

5. Note that the illustrations for reference in finding parts numbers are not to be used for assembling. When assembling, please use the applicable service manual.

6. The asterisk (*) before a reference number indicates modified items after the first edition.

7. Applicable Serial No.

Engine Serial No.



8. Applicable Engine Starting Serial No.

Model	Serial No.	Model	Serial No.
F150	63P-1014727	LF150	64P-1001555
F150A	63P-1014727	FL150A	64P-1001555

9. Applicable Colour Code

Abbreviation	Colour Name	Colour Code
DBN1	DARK BLUISH GRAY 1	008D

10. Quantity Column Information

Column No.	Name Of Q'ty Column	Applicable Model
1	63P2	F150TRD,F150AET
2	64P2	LF150TRD,FL150AET

CONTENTS

SHEET1/2

TOP COWLING	A4
CYLINDER & CRANKCASE 1	A6
CRANKSHAFT & PISTON	B1
CYLINDER & CRANKCASE 2	B2
CYLINDER & CRANKCASE 3	B4
VALVE	B6
INTAKE 1	C1
INTAKE 2	C2
FUEL INJECTION PUMP 1	C4
FUEL INJECTION PUMP 2	C5
FUEL 1	C6
FUEL 2	D1
GENERATOR	D2
ELECTRICAL 1	D4
ELECTRICAL 2	D5
ELECTRICAL 3	D7
STARTING MOTOR	E2
BOTTOM COWLING	E4
CONTROL	E6
BRACKET 1	F2
BRACKET 2	F4
POWER TRIM & TILT ASSY 1	F6

INDEX

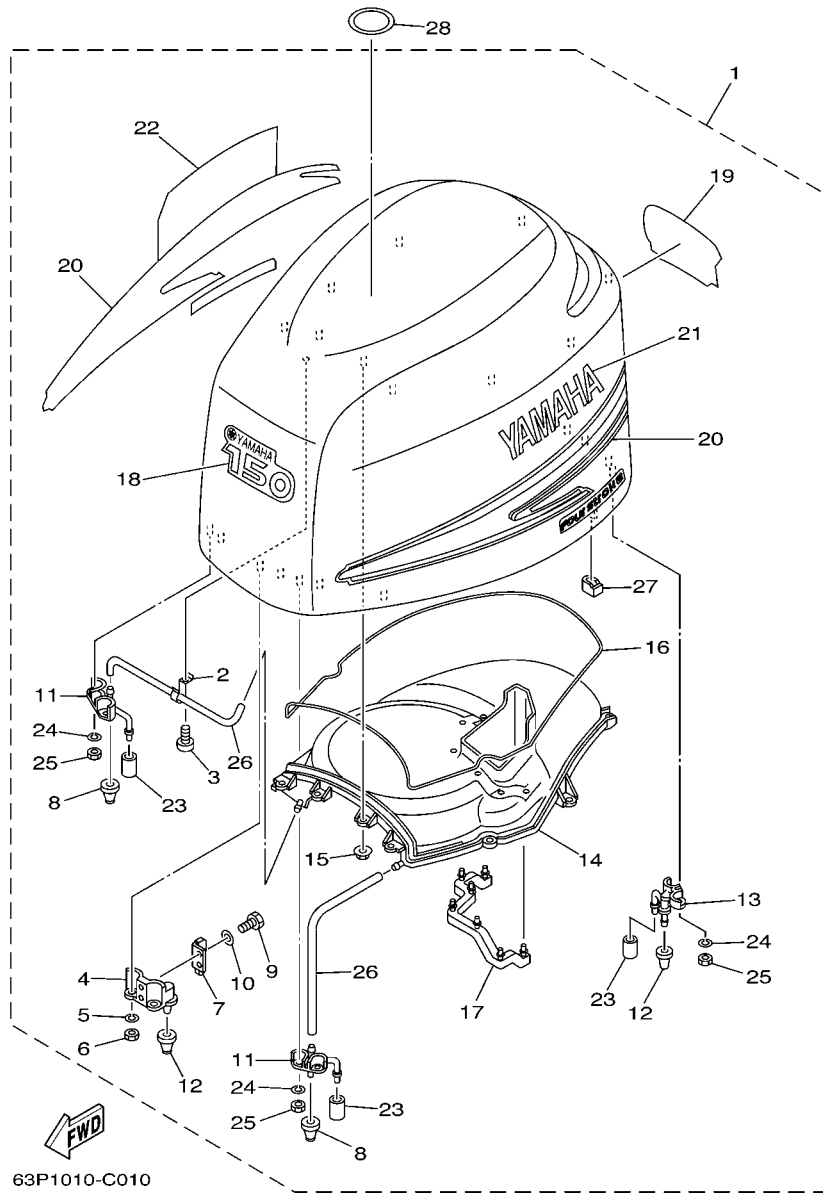
NUMERICAL INDEX	G1
-----------------------	----

SHEET2/2

POWER TRIM & TILT ASSY 2	A4*
UPPER CASING	A6*
OIL PAN	B1*
LOWER CASING & DRIVE 1	B3*
LOWER CASING & DRIVE 2	B7*
LOWER CASING & DRIVE 3	C2*
LOWER CASING & DRIVE 4	C6*
STEERING GUIDE ATTACHMENT 1	D1*
STEERING GUIDE ATTACHMENT 2	D2*
REMOTE CONTROL BOX	D3*
REMOTE CONTROL ASSY 1	D4*
REMOTE CONTROL ASSY 2	D7*
REMOTE CONTROL ASSY 3	E3*
METER	E6*
SWITCH & PANEL 1	F1*
SWITCH & PANEL 2	F2*
REPAIR KIT 1	F3*
REPAIR KIT 2	F4*

INDEX

NUMERICAL INDEX	G1*
-----------------------	-----



63P1010-C010

FIG. 1 TOP COWLING

REF. NO.	PART NO.	DESCRIPTION	63P2	64P2		REMARKS
1	63P-42610-00-8D	TOP COWLING ASSY	1	1		
2	90465-10032	.CLAMP	1	1		
3	97780-50620	.SCREW, TAPPING	1	1		
4	63P-42647-00-94	.HOLDER, CLAMP BAND	2	2		
5	92990-06100	.WASHER, SPRING	4	4		
6	95380-06600	.NUT, HEXAGON	4	4		
7	60V-42651-01	.HOOK	2	2		
8	69J-42663-00	.DAMPER	2	2		
9	97095-06016	.BOLT	4	4		
10	92995-06600	.WASHER	4	4		
11	63P-42643-00-94	.PLATE, CLAMP	2	2		
12	68F-42663-00	.DAMPER	4	4		
13	63P-42644-00-94	.PLATE, CLAMP 2	2	2		
14	63P-42613-00	.MOLDING, AIR DUCT	1	1		
15	90179-06M24	.NUT	10	10		
16	63P-42629-00	.SEAL	1	1		
17	63P-42617-00	.DAMPER, FORM	1	1		
18	63P-42677-00	.GRAPHIC, FRONT	1	1		
19	63P-42678-00	.GRAPHIC, REAR	1	1		
20	63P-W0070-00	.GRAPHIC SET	1	1		
21	63P-42681-00	.MARK, COWLING	1	1		
22	63P-42682-00	.MARK, COWLING	1	1		
23	67F-13448-00	.CAP	4	4		
24	92990-06100	.WASHER, SPRING	8	8		
25	95380-06600	.NUT, HEXAGON	8	8		
26	90445-11020	.HOSE (L400)	2	2		
27	63P-42662-00	.DAMPER	4	4		

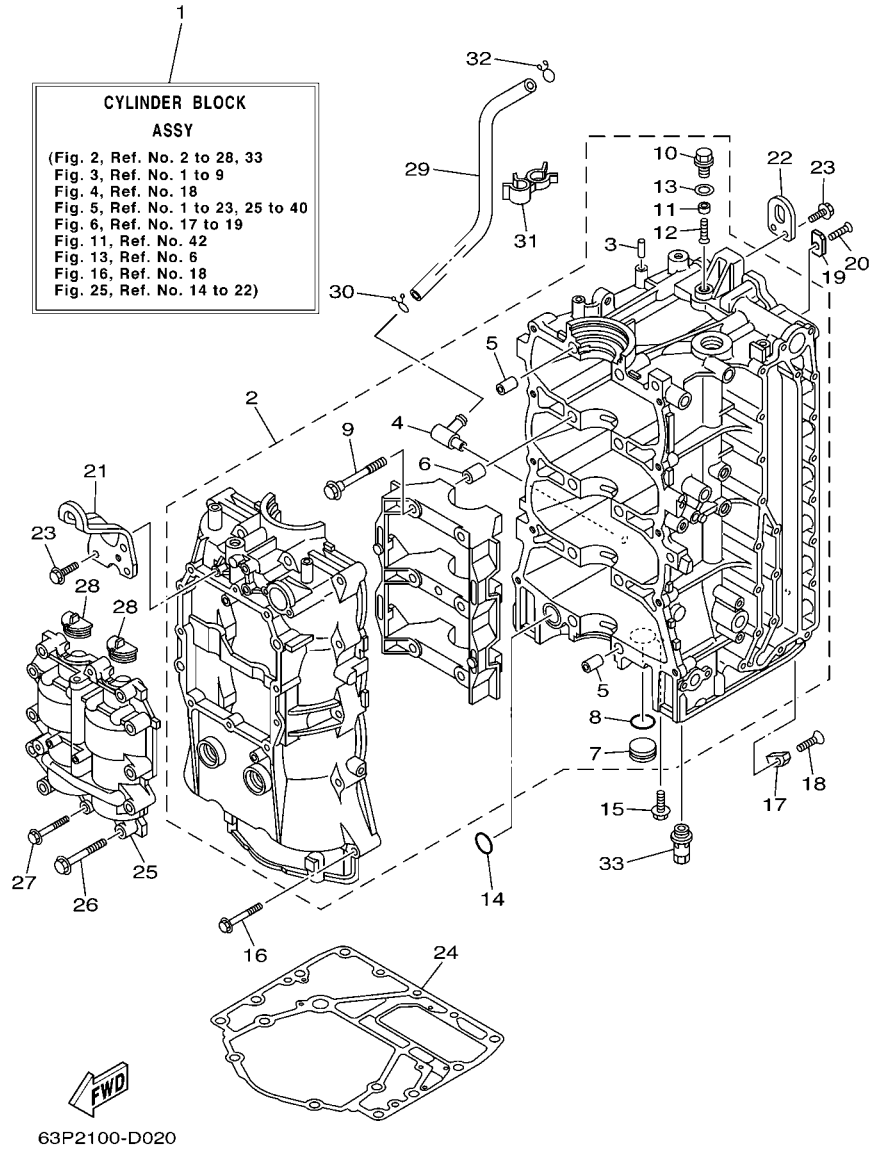
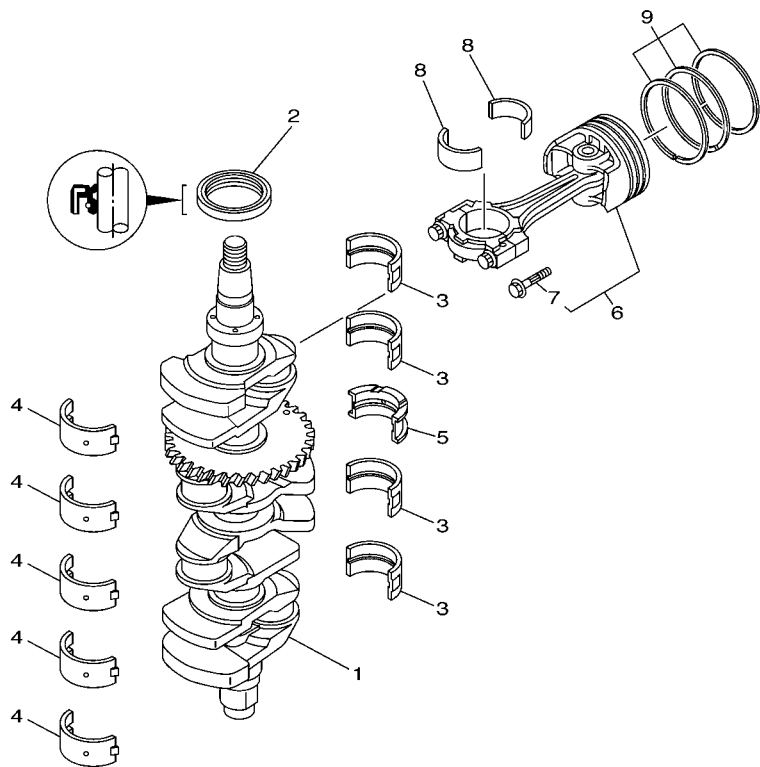


FIG. 2 CYLINDER & CRANKCASE 1

REF. NO.	PART NO.	DESCRIPTION	63P2	64P2	REMARKS
1	63P-W009B-00-1S	CYLINDER BLOCK ASSY	1	1	
2	63P-W1510-00-1S	CRANKCASE ASSY	1	1	
3	93606-12019	.PIN, DOWEL	1	1	
4	63P-11372-00	.NIPPLE, HOSE	1	1	
5	91814-18001	.PIN, DOWEL	4	4	
6	91814-18001	.PIN, DOWEL	6	6	
7	90338-25004	.PLUG	1	1	
8	93210-25647	.O-RING	1	1	
9	90105-10071	.BOLT, FLANGE	10	10	
10	63P-11197-00	.PLUG, BLIND	1	1	
11	63P-11325-21	.ANODE	1	1	
12	98780-05016	.SCREW, FLAT HEAD	1	1	
13	90430-14115	.GASKET	1	1	
14	93210-25552	O-RING	1	1	
15	90119-06M81	BOLT, WITH WASHER	1	1	
16	90119-08M66	BOLT, WITH WASHER	10	10	
17	63P-11325-01	ANODE	1	1	
18	90151-06M02	SCREW, COUNTERSUNK	1	1	
19	63P-11325-11	ANODE	2	2	
20	90151-06M02	SCREW, COUNTERSUNK	2	2	
21	63P-11119-00	HANGER, ENGINE	1	1	
22	68F-11119-00	HANGER, ENGINE	1	1	
23	90119-06MA2	BOLT, WITH WASHER	5	5	
24	63P-11351-00	GASKET, CYLINDER	1	1	
25	63P-11500-00	BALANCER ASSY	1	1	
26	90119-08M66	BOLT, WITH WASHER	10	10	
27	90119-06MA6	BOLT, WITH WASHER	2	2	

FIG. 3 CRANKSHAFT & PISTON



63P1010-C030

REF. NO.	PART NO.	DESCRIPTION	63P2	64P2			REMARKS
1	63P-11410-00	CRANKSHAFT	1	1			
2	93102-60004	OIL SEAL	1	1			
3	63P-11416-00	PLANE BEARING, CRANKSHAFT 1	4	4			UR GREEN
	63P-11416-10	PLANE BEARING, CRANKSHAFT 1	4	4			UR RED
	63P-11416-20	PLANE BEARING, CRANKSHAFT 1	4	4			UR YELLOW
4	63P-11417-00	PLANE BEARING, CRANKSHAFT 2	5	5			UR GREEN
	63P-11417-10	PLANE BEARING, CRANKSHAFT 2	5	5			UR RED
	63P-11417-20	PLANE BEARING, CRANKSHAFT 2	5	5			UR YELLOW
	63P-11417-30	PLANE BEARING, CRANKSHAFT 2	5	5			UR BLUE/ GREEN
5	63P-11426-00	PLANE BEARING, CRANKSHAFT 1	1	1			UR GREEN
	63P-11426-10	PLANE BEARING, CRANKSHAFT 1	1	1			UR RED
	63P-11426-20	PLANE BEARING, CRANKSHAFT 1	1	1			UR YELLOW
6	63P-W1164-00	PISTON/CONROD ASSY(STD)	4	4			
7	63P-11654-00	.BOLT, CONNECTING ROD	2	2			
8	63P-11656-00	PLANE BEARING, CONNECTING ROD	8	8			UR GREEN
	63P-11656-10	PLANE BEARING, CONNECTING ROD	8	8			UR BLUE
	63P-11656-20	PLANE BEARING, CONNECTING ROD	8	8			UR RED
9	63P-11603-00	PISTON RING SET (STD)	4	4			

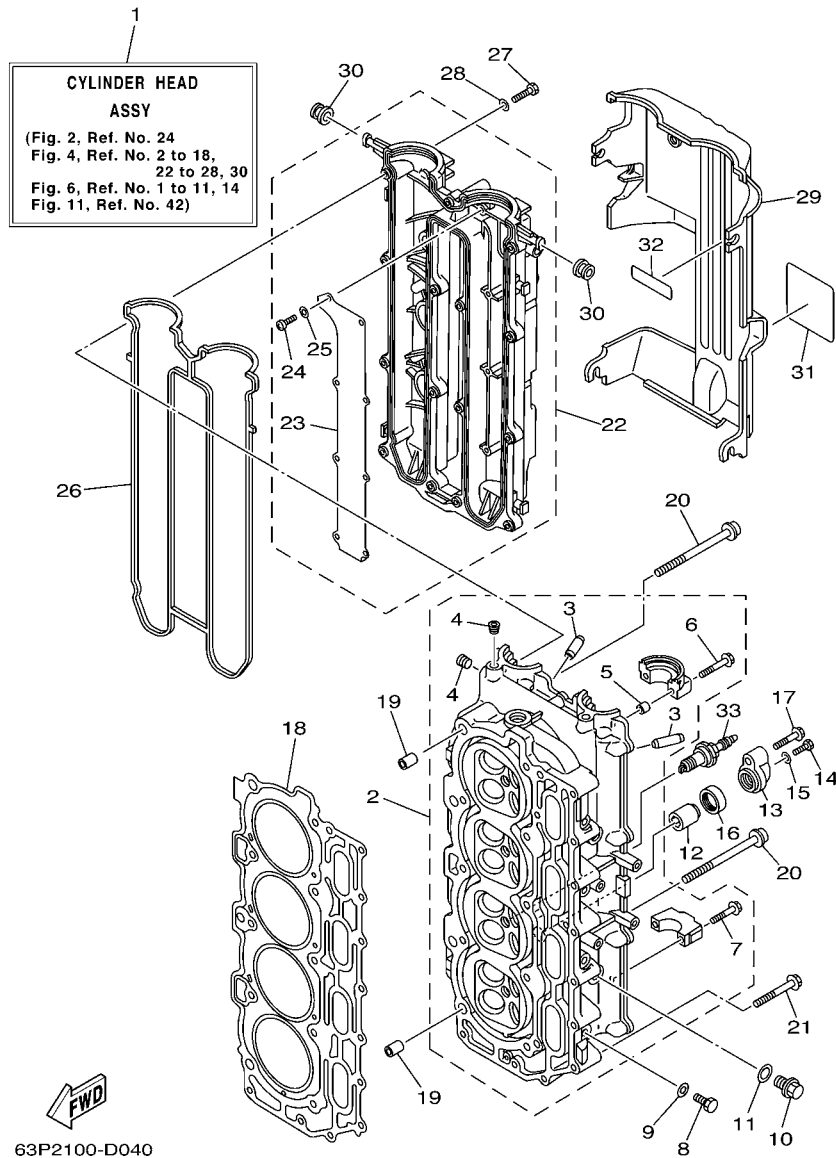


FIG. 4 CYLINDER & CRANKCASE 2

REF. NO.	PART NO.	DESCRIPTION	63P2	64P2	REMARKS
1	63P-W009A-00-1S	CYLINDER HEAD ASSY	1	1	
2	63P-11110-00-94	CYLINDER HEAD ASSY	1	1	
3	69J-11133-10	.GUIDE, VALVE 1	16	16	
4	90344-51019	.PLUG, TAPER SCREW	3	3	
5	91809-08006	.SLEEVE GUIDE-DOWEL	4	4	
6	90119-07235	.BOLT/WASHER-CAM CAPS	4	4	
7	90119-07234	.BOLT, WITH WASHER	16	16	
8	97095-08014	BOLT	4	4	
9	90430-08143	GASKET	4	4	
10	90340-14M06	PLUG, STRAIGHT SCREW	2	2	
11	90430-14115	GASKET	2	2	
12	68V-11325-01	ANODE	2	2	
13	69J-11327-00-94	COVER, ANODE	2	2	
14	97075-06020	BOLT	2	2	
15	92995-06600	WASHER	2	2	
16	67F-11328-00	GROMMET, ANODE	2	2	
17	97575-08540	BOLT, WITH WASHER	2	2	
18	63P-11181-00	GASKET, CYLINDER HEAD 1	1	1	
19	90387-10M08	COLLAR	2	2	
20	90155-10001	SCREW, FLAT FILLISTER	10	10	
21	90119-08M91	BOLT, WITH WASHER	10	10	
22	63P-11191-00-1S	COVER, CYLINDER HEAD 1	1	1	
23	63P-11135-00	.PLATE, BREATHER 3	1	1	
24	98507-04008	.SCREW, PAN HEAD	8	8	
25	92907-04600	.WASHER	8	8	
26	63P-11193-00	GASKET, HEAD COVER 1	1	1	
27	97095-06030	BOLT	15	15	

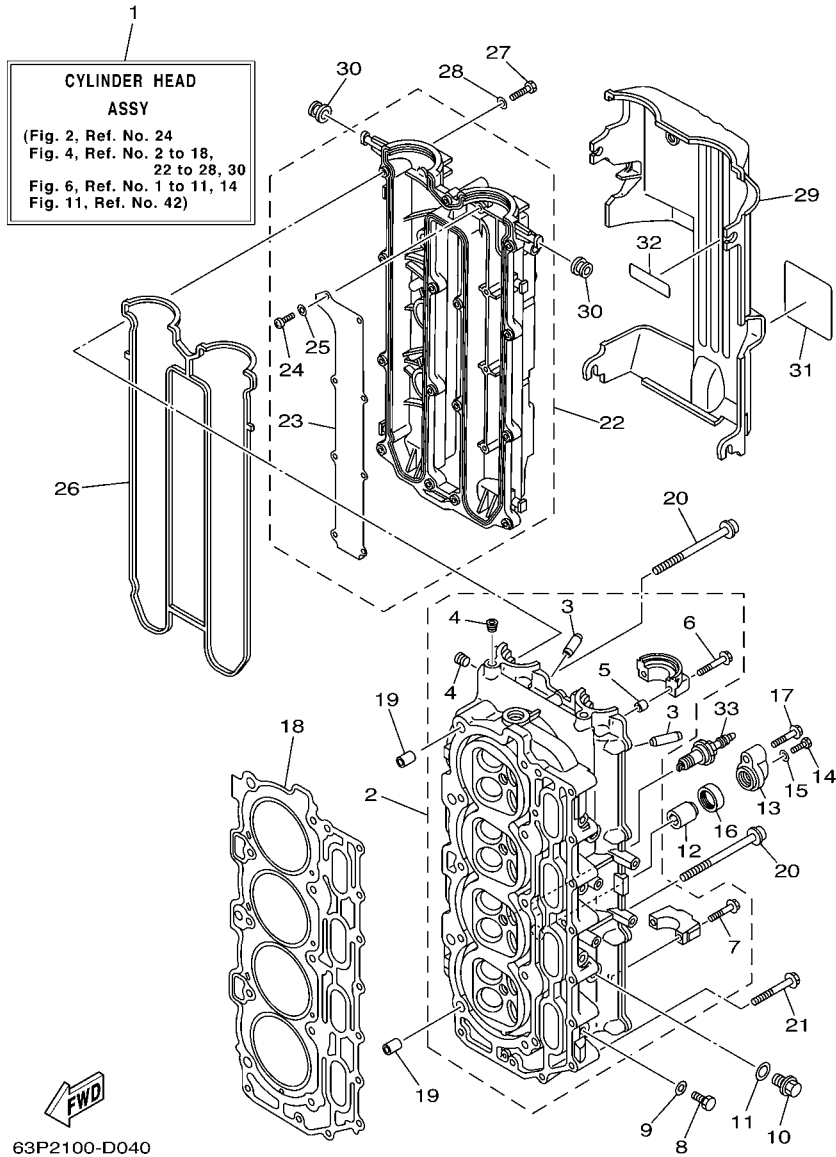
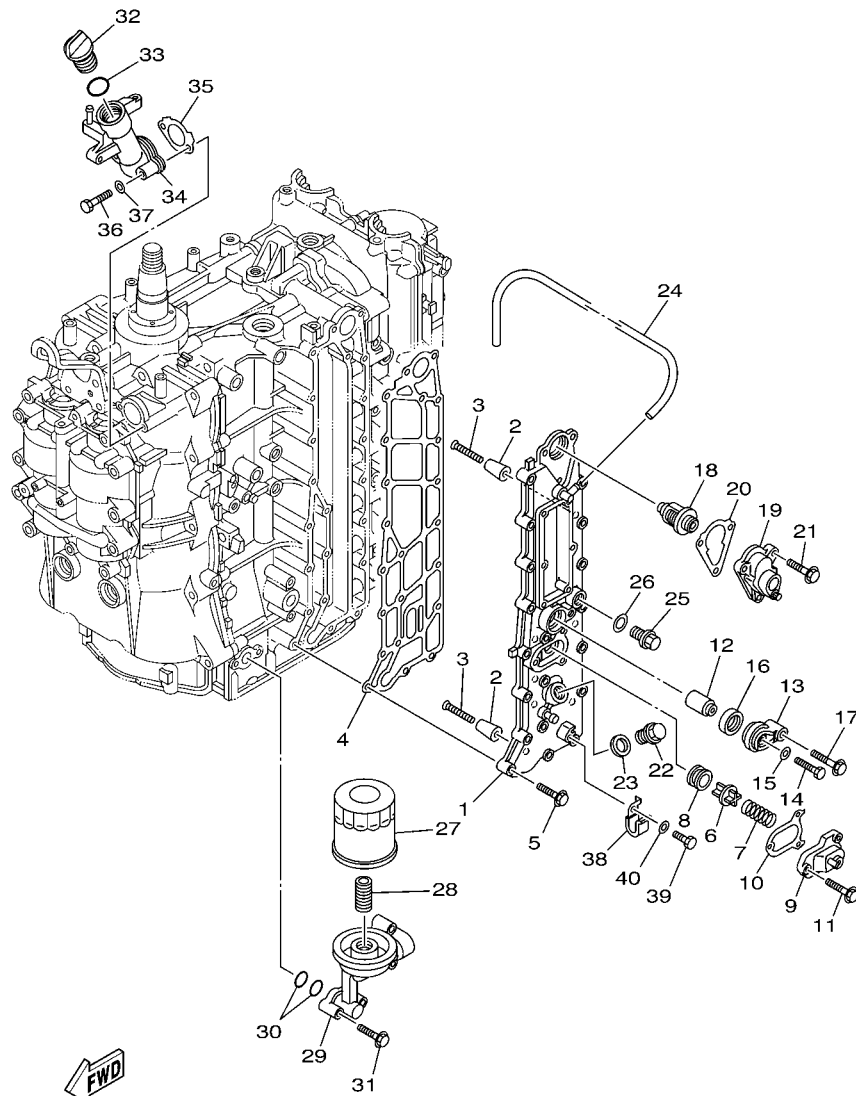


FIG. 4 CYLINDER & CRANKCASE 2

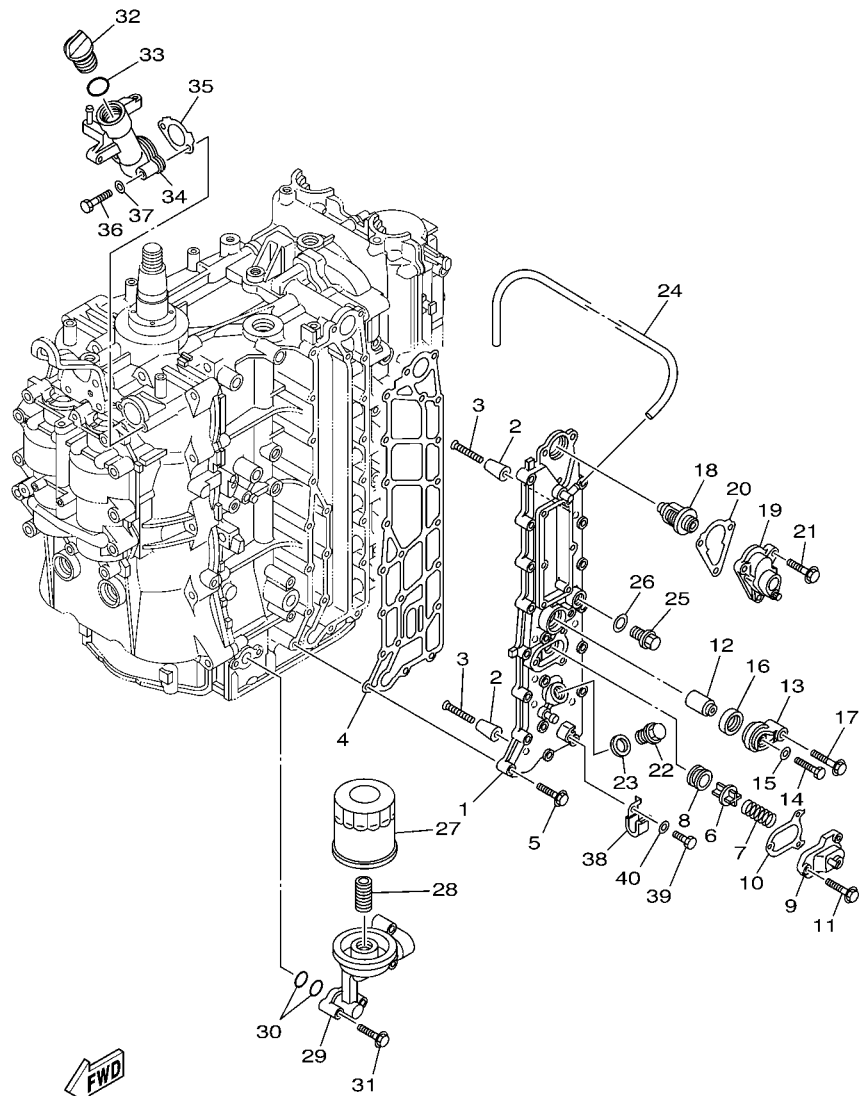
REF. NO.	PART NO.	DESCRIPTION	63P2	64P2	REMARKS
28	92995-06600	WASHER	15	15	
29	63P-11192-00	COVER, CYLINDER HEAD 2	1	1	
30	90480-12072	GROMMET	6	6	
31	63P-83626-00	MARK 6	1	1	
32	67F-12138-40	MARK, CAUTION	1	1	FOR USA,OCE
	67F-12138-50	MARK, CAUTION	1	1	FOR CAN
	67F-12138-60	MARK, CAUTION	1	1	FOR CAR
33	94702-00391	PLUG, SPARK (NGK LFR5A-11)	4	4	



63P2100-D050

FIG. 5 CYLINDER & CRANKCASE 3

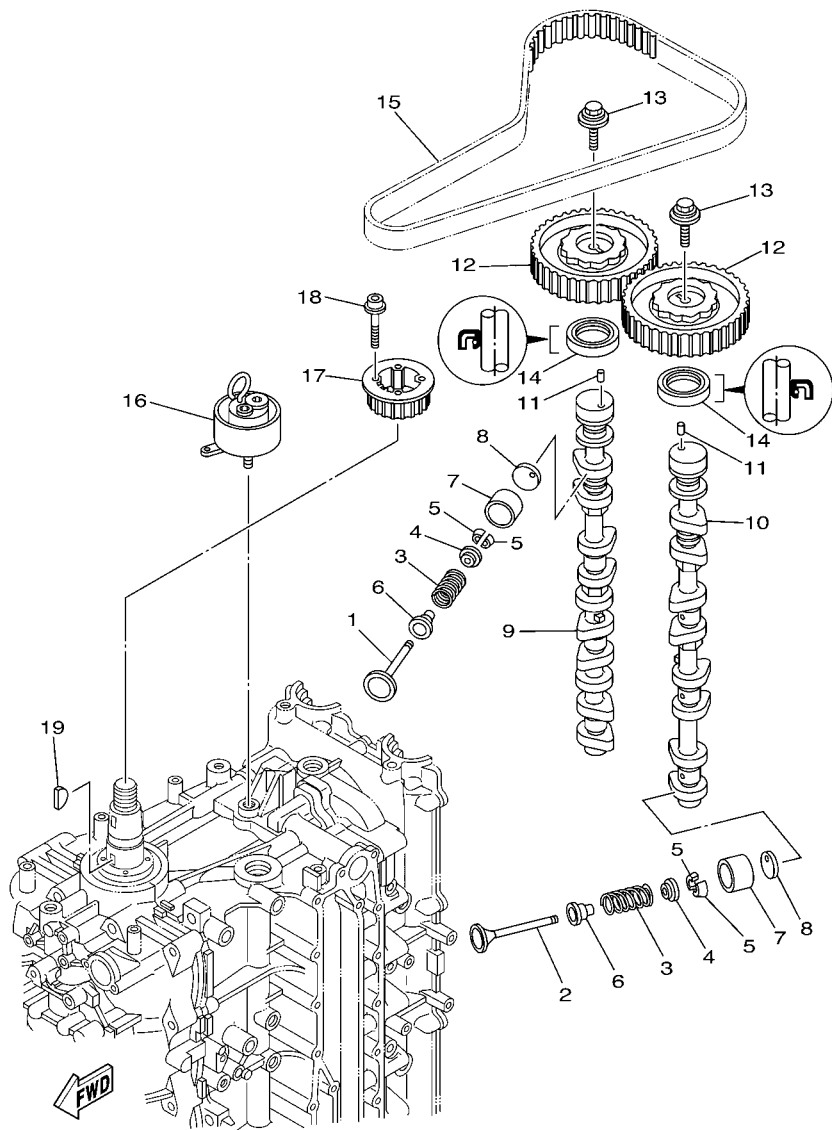
REF. NO.	PART NO.	DESCRIPTION	63P2	64P2			REMARKS
1	63P-41113-00-1S	OUTER COVER, EXHAUST	1	1			
2	68T-11325-00	ANODE	7	7			
3	90151-05M05	SCREW, COUNTERSUNK	7	7			
4	63P-41114-A0	GASKET, EXHAUST OUTER COVER	1	1			
5	90119-06MA4	BOLT, WITH WASHER	19	19			
6	6G5-12416-00	VALVE, PRESSURE CONTROL	1	1			
7	90501-16M11	SPRING, COMPRESSION	1	1			
8	90480-20M05	GROMMET	1	1			
9	67F-1246A-00-1S	COVER 1	1	1			
10	67F-12435-A0	GASKET	1	1			
11	90119-06MA2	BOLT, WITH WASHER	3	3			
12	68V-11325-01	ANODE	1	1			
13	69J-11327-00-94	COVER, ANODE	1	1			
14	97075-06020	BOLT	1	1			
15	92995-06600	WASHER	1	1			
16	67F-11328-00	GROMMET, ANODE	1	1			
17	97575-08540	BOLT, WITH WASHER	1	1			
18	67F-12411-00	THERMOSTAT	1	1			
19	63P-1240H-00-1S	COVER ASSEMBLY	1	1			
20	63P-12414-00	GASKET, COVER	1	1			
21	90119-06MA4	BOLT, WITH WASHER	3	3			
22	90340-18M09	PLUG, STRAIGHT SCREW	1	1			
23	90430-18130	GASKET	1	1			
24	90445-10027	HOSE (L670)	1	1			
25	90340-14M06	PLUG, STRAIGHT SCREW	1	1			
26	90430-14115	GASKET	1	1			
27	69J-13440-00	ELEMENT ASSY, OIL CLEANER	1	1			



63P2100-D050

FIG. 5 CYLINDER & CRANKCASE 3

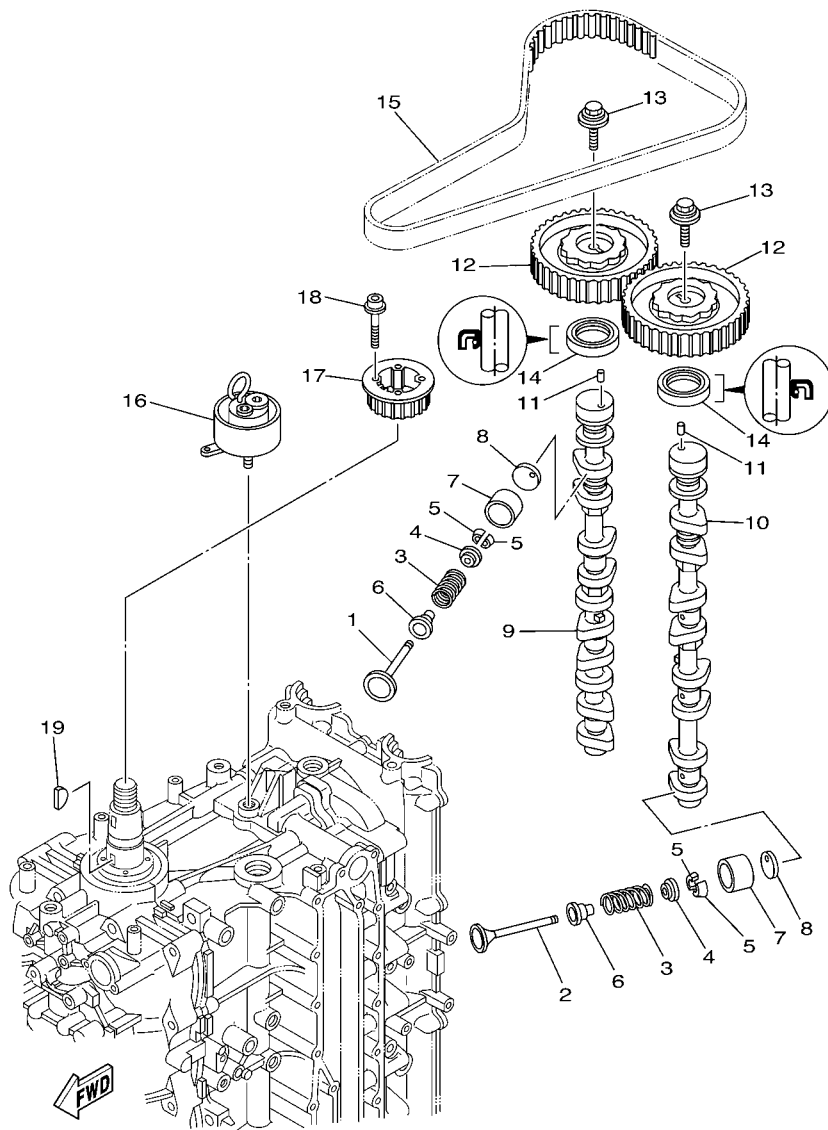
REF. NO.	PART NO.	DESCRIPTION	63P2	64P2				REMARKS
28	69J-12858-00	BOLT, UNION	1	1				
29	63P-13446-00-94	CONNECTOR	1	1				
30	93210-19MJ1	O-RING	2	2				
31	97575-06540	BOLT, WITH WASHER	4	4				
32	6G8-15363-00	PLUG, OIL	1	1				
33	93210-24M79	O-RING	1	1				
34	63P-15319-00-1S	JOINT	1	1				
35	63P-15364-A0	GASKET, OIL PLUG	1	1				
36	97095-06045	BOLT	2	2				
37	92995-06600	WASHER	2	2				
38	90465-08M99	CLAMP	1	1				
39	97095-06012	BOLT	1	1				
40	92995-06600	WASHER	1	1				



63P1010-C060

FIG. 6 VALVE

REF. NO.	PART NO.	DESCRIPTION	63P2	64P2	REMARKS
1	69J-12111-00	VALVE, INTAKE	8	8	
2	69J-12121-00	VALVE, EXHAUST	8	8	
3	69J-12113-00	SPRING, VALVE INNER	16	16	
4	69J-12117-01	RETAINER, VALVE SPRING	16	16	
5	69J-12118-00	COTTER, VALVE	32	32	
6	69J-12119-00	SEAL, VALVE STEM	16	16	
7	69J-12153-00	LIFTER, VALVE	16	16	
8	69J-12168-00	PAD, ADJUSTING (2.320)	16	16	UR
	69J-12168-10	PAD, ADJUSTING (2.340)	16	16	UR
	69J-12168-20	PAD, ADJUSTING (2.360)	16	16	UR
	69J-12168-30	PAD, ADJUSTING (2.380)	16	16	UR
	69J-12168-40	PAD, ADJUSTING (2.400)	16	16	UR
	69J-12168-50	PAD, ADJUSTING (2.420)	16	16	UR
	69J-12168-60	PAD, ADJUSTING (2.440)	16	16	UR
	69J-12168-70	PAD, ADJUSTING (2.460)	16	16	UR
	69J-12168-80	PAD, ADJUSTING (2.480)	16	16	UR
	69J-12168-90	PAD, ADJUSTING (2.500)	16	16	UR
	69J-12168-A0	PAD, ADJUSTING (2.520)	16	16	UR
	69J-12168-B0	PAD, ADJUSTING (2.540)	16	16	UR
	69J-12168-C0	PAD, ADJUSTING (2.560)	16	16	UR
	69J-12168-D0	PAD, ADJUSTING (2.580)	16	16	UR
	69J-12168-E0	PAD, ADJUSTING (2.600)	16	16	UR
	69J-12168-F0	PAD, ADJUSTING (2.620)	16	16	UR
	69J-12168-G0	PAD, ADJUSTING (2.640)	16	16	UR
	69J-12168-H0	PAD, ADJUSTING (2.660)	16	16	UR
	69J-12168-J0	PAD, ADJUSTING (2.680)	16	16	UR
	69J-12168-K0	PAD, ADJUSTING (2.700)	16	16	UR

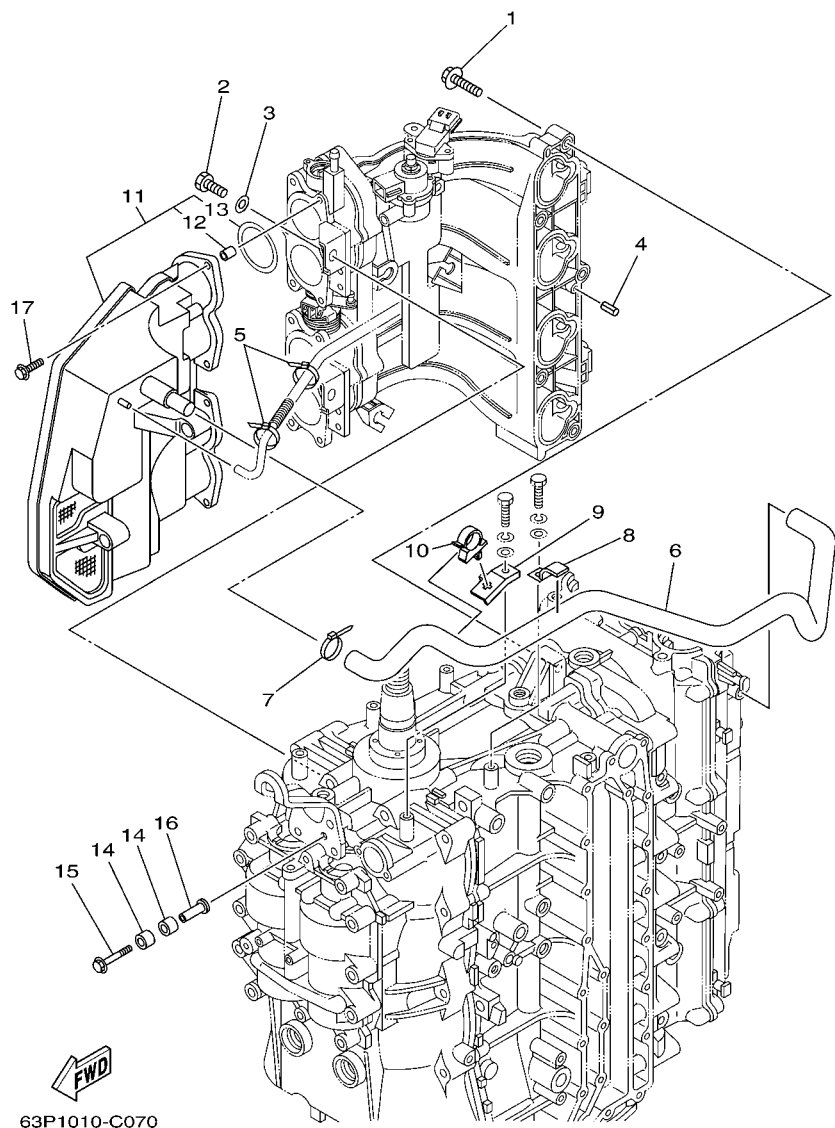


63P1010-C060

FIG. 6 VALVE

REF. NO.	PART NO.	DESCRIPTION	63P2	64P2	REMARKS
8	69J-12168-L0	PAD, ADJUSTING (2.720)	16	16	UR
	69J-12168-M0	PAD, ADJUSTING (2.740)	16	16	UR
	69J-12168-N0	PAD, ADJUSTING (2.760)	16	16	UR
	69J-12168-P0	PAD, ADJUSTING (2.780)	16	16	UR
	69J-12168-R0	PAD, ADJUSTING (2.800)	16	16	UR
---	69J-12168-S0	PAD, ADJUSTING (2.820)	16	16	UR
	69J-12168-T0	PAD, ADJUSTING (2.840)	16	16	UR
	69J-12168-U0	PAD, ADJUSTING (2.860)	16	16	UR
	69J-12168-V0	PAD, ADJUSTING (2.880)	16	16	UR
	69J-12168-W0	PAD, ADJUSTING (2.900)	16	16	UR
---	69J-12168-X0	PAD, ADJUSTING (2.920)	16	16	UR
	69J-12168-Y0	PAD, ADJUSTING (2.940)	16	16	UR
	69J-12169-00	PAD, ADJUSTING (2.960)	16	16	UR
9	63P-12171-00	CAMSHAFT 1	1	1	
10	63P-12181-00	CAMSHAFT 2	1	1	
11	93605-10108	PIN, DOWEL	2	2	
12	63P-11537-00	GEAR, DRIVEN	2	2	
13	90119-10M06	BOLT, WITH WASHER	2	2	
14	93102-38M59	OIL SEAL	2	2	
15	63P-46241-00	V-BELT	1	1	
16	63P-11590-00	TENSIONER ASSY	1	1	
17	63P-11536-00	GEAR, DRIVE	1	1	
18	90110-05020	BOLT, HEXAGON SOCKET HEAD	4	4	
19	90280-04008	KEY, WOODRUFF	1	1	

FIG. 7 INTAKE 1



REF. NO.	PART NO.	DESCRIPTION	63P2	64P2				REMARKS
1	97575-08540	BOLT, WITH WASHER	5	5				
2	97013-08020	BOLT	2	2				
3	92903-08600	WASHER, PLATE	2	2				
4	91690-50014	PIN, SPRING	2	2				
5	90465-11M59	CLAMP	2	2				
6	63P-15373-00	PIPE, BREATHER	1	1				
7	90465-11M59	CLAMP	1	1				
8	90462-10023	CLAMP	1	1				
9	63P-15378-00	HOLDER	1	1				
10	90464-20006	CLAMP	1	1				
11	63P-14440-00	SILENCER ASSY, INTAKE	1	1				
12	63P-14449-00	.COLLAR	6	6				
13	63P-14457-00	.SEAL	4	4				
14	90386-08001	BUSH	4	4				
15	90119-06076	BOLT, WITH WASHER	2	2				
16	90387-06038	COLLAR	2	2				
17	90119-06M82	BOLT, WITH WASHER	6	6				

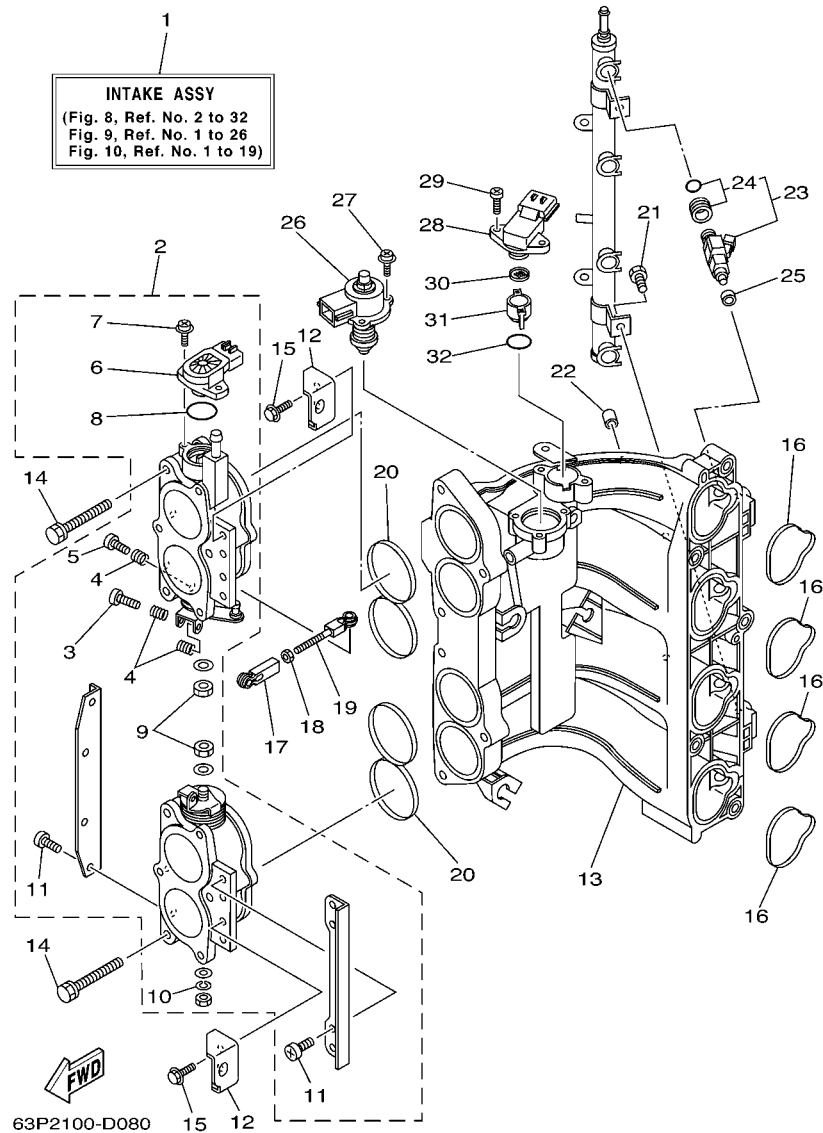


FIG. 8 INTAKE 2

REF. NO.	PART NO.	DESCRIPTION	63P2	64P2	REMARKS
1	63P-14200-00	INTAKE ASSY	1	1	
2	63P-13751-00	BODY, THROTTLE 1	1	1	
3	69J-14321-00	.SCREW, THROTTLE	1	1	
4	68V-14331-00	.SPRING, THROTTLE VALVE	3	3	
5	68V-14323-00	.SCREW, AIR ADJUSTING	1	1	
6	69J-85885-00	.THROTTLE SENSOR ASSY	1	1	
7	68V-81145-01	.SCREW 1	2	2	
8	68V-8182L-00	.O-RING 1	1	1	
9	3CF-14594-00	.NUT	2	2	
10	68V-14356-00	.WASHER, SPRING	1	1	
11	68V-14565-00	.SCREW	8	8	
12	63P-14291-00	BRACKET 1	2	2	
13	63P-13641-00	MANIFOLD 1	1	1	
14	63P-14496-00	BOLT	6	6	
15	97595-06516	BOLT, WITH WASHER	4	4	
16	63P-13645-00	GASKET, MANIFOLD 1	4	4	
17	6H4-41237-00	JOINT, LINK	1	1	
18	95380-05700	NUT	1	1	
19	682-41238-01	JOINT, LINK	1	1	
20	63P-13557-00	GASKET	2	2	
21	63P-14446-00	BOLT	2	2	
22	63P-13643-00	COVER, MANIFOLD	4	4	
23	63P-13761-00	INJECTOR ASSY	4	4	
24	68V-1410B-00	.PACKING KIT	1	1	
25	68V-13766-00	RUBBER, INJECTOR	4	4	
26	63P-1312A-00	VALVE, CONTROL	1	1	
27	68V-81146-01	SCREW 2	3	3	

FWD
63P2100-D090

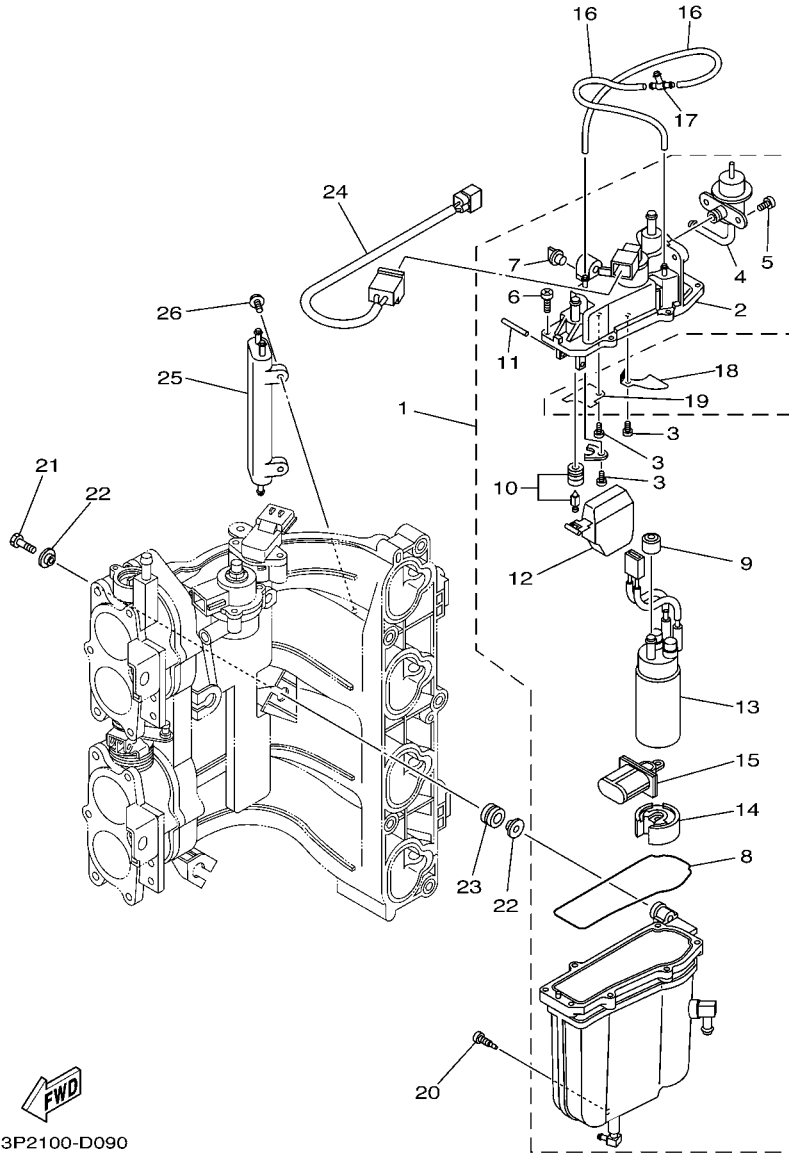
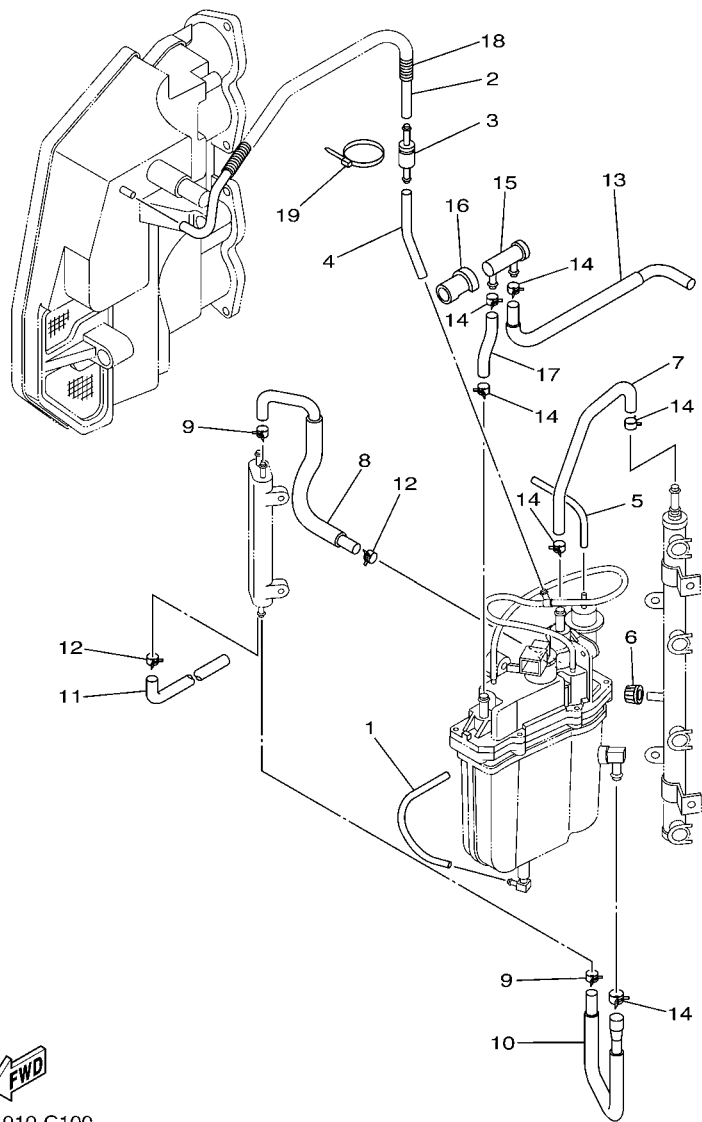


FIG. 9 FUEL INJECTION PUMP 1

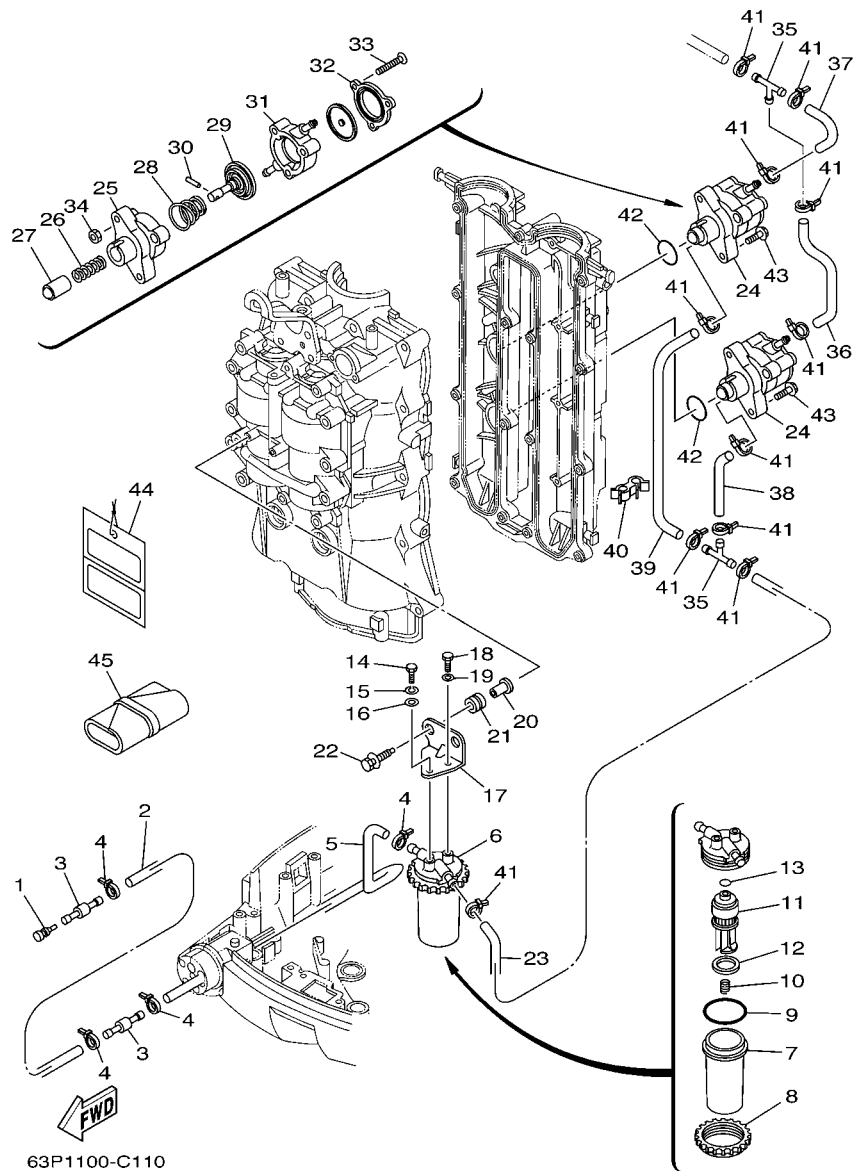
REF. NO.	PART NO.	DESCRIPTION	63P2	64P2				REMARKS
1	63P-14180-00	FLOAT CHAMBER ASSY	1	1				
2	63P-14182-00	.COVER, FLOAT CHAMBER	1	1				
3	4SV-24453-00	.SCREW	3	3				
4	63P-13906-00	.REGULATOR, PRESSURE	1	1				
5	63P-14565-00	.SCREW	2	2				
6	63P-14567-00	.SCREW	7	7				
7	69J-14225-00	.CAP	1	1				
8	63P-14984-00	.GASKET, FLOAT CHAMBER	1	1				
9	68V-13781-10	.DAMPER, PUMP	1	1				
10	63P-14546-00	.VALVE, NEEDLE	1	1				
11	68V-14386-00	.PIN, FLOAT	1	1				
12	63P-14985-00	.FLOAT	1	1				
13	63P-13907-01	.FUEL PUMP COMP.	1	1				
14	63P-13784-00	.COVER, PUMP	1	1				
15	63P-13915-00	.FILTER	1	1				
16	63P-14148-00	PIPE	2	2				
17	69J-24379-00	PIPE, JOINT 4	1	1				
18	63P-2441R-00	PLATE, BAFFLE 1	1	1				
19	63P-2441T-00	PLATE, BAFFLE 2	1	1				
20	63P-14191-00	PLUG, DRAIN	1	1				
21	63P-14777-00	BOLT	3	3				
22	69J-13716-00	COLLAR	6	6				
23	69J-13593-00	DAMPER	3	3				
24	63P-8259L-00	WIRE HARNESS ASSY 1	1	1				
25	63P-21841-00	COOLER	1	1				
26	68V-14446-00	BOLT	2	2				



63P1010-C100

FIG. 10 FUEL INJECTION PUMP 2

REF. NO.	PART NO.	DESCRIPTION	63P2	64P2			REMARKS
1	63P-14149-00	PIPE	1	1			
2	63P-1441J-00	PIPE, SILENCER	1	1			
3	63P-13490-00	RELIEF VALVE ASSY	1	1			
4	63P-14197-00	PIPE	1	1			
5	63P-13532-00	HOSE, VACUUM SENSING 3	1	1			
6	63P-14225-00	CAP	1	1			
7	63P-13974-00	PIPE, FUEL 4	1	1			
8	63P-13976-00	PIPE, FUEL 6	1	1			
9	68V-2411M-00	CLIP	2	2			
10	63P-24317-00	PIPE 7	1	1			
11	63P-22478-00	PIPE 2	1	1			
12	68V-24519-00	CLIP	2	2			
13	63P-24325-00	PIPE 14	1	1			
14	68V-13577-00	CLIP	6	6			
15	69J-24501-00	FILTER, FUEL	1	1			
16	69J-24599-00	CAP	1	1			
17	63P-13975-00	PIPE, FUEL 5	1	1			
18	63P-13881-00	COVER 1	1	1			
19	68V-2481H-00	CLAMP	1	1			



63P1100-C110

FIG. 11 FUEL 1

REF. NO.	PART NO.	DESCRIPTION	63P2	64P2	REMARKS
1	689-85547-00	DAMPER	1	1	
2	90445-13511	HOSE (L2000)	1	1	
3	6R3-24377-10	PIPE, JOINT 3	2	2	
4	90465-11M10	CLAMP	4	4	
5	63P-24316-00	PIPE 6	1	1	
6	65L-24560-00	FILTER ASSY	1	1	
7	61A-24521-00	.CUP, FILTER	1	1	
8	65L-24531-01	.NUT	1	1	
9	61A-24564-00	.O-RING	1	1	
10	65L-24577-00	.SPRING	1	1	
11	65L-24563-00	.ELEMENT, FILTER	1	1	
12	61A-24469-00	.FLOAT, WATER LEVEL	1	1	
13	65L-24564-00	.O-RING	1	1	
14	97095-06016	BOLT	1	1	
15	92995-06100	WASHER, SPRING	1	1	
16	90201-06068	WASHER, PLATE	1	1	
17	63P-24566-00	BRACKET, FILTER	1	1	
18	97095-06014	BOLT	1	1	
19	92995-06600	WASHER	1	1	
20	90387-06M60	COLLAR	2	2	
21	90480-10M23	GROMMET	2	2	
22	90119-06071	BOLT, WITH WASHER	2	2	
23	63P-24311-00	PIPE, FUEL 1	1	1	
24	63P-24410-00	FUEL PUMP ASSY	2	2	
25	68V-24412-00	.BODY 1	1	1	
26	68V-24454-00	.SPRING	1	1	
27	63P-13131-00	.PLUNGER	1	1	

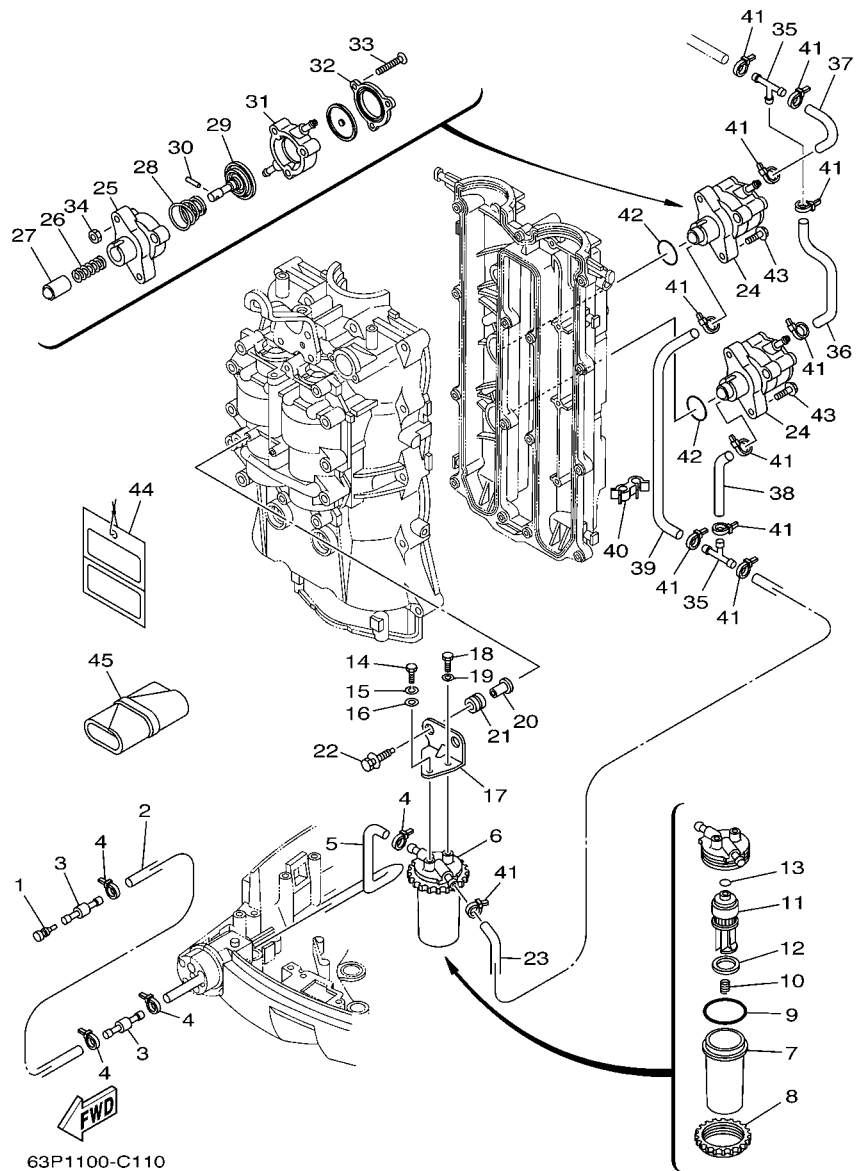
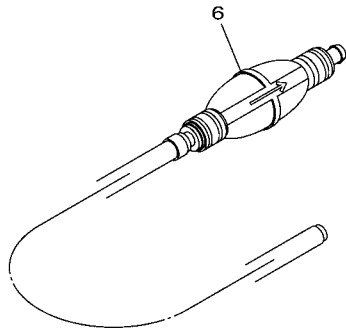
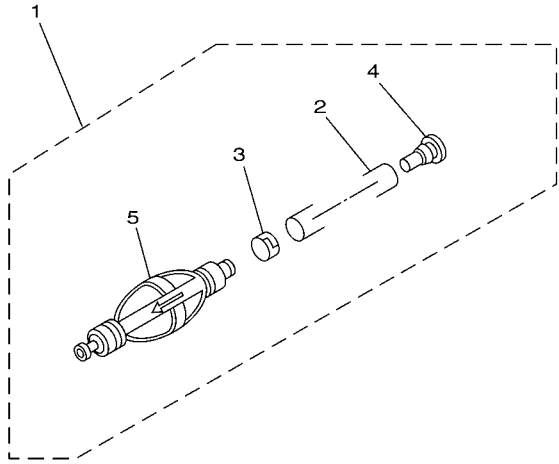


FIG. 11 FUEL 1

REF. NO.	PART NO.	DESCRIPTION	63P2	64P2			REMARKS
28	63P-24423-00	.SPRING, DIAPHRAGM	1	1			
29	68V-24411-00	.DIAPHRAGM	1	1			
30	68V-24374-00	.PIN	1	1			
31	68V-24413-00	.BODY 2	1	1			
32	63P-24414-00	.BODY 3	1	1			
33	68V-24444-00	.SCREW	3	3			
34	68V-24149-00	.NUT	3	3			
35	6E5-24378-00	PIPE, JOINT 3	2	2			
36	63P-24314-00	PIPE 4	1	1			
37	63P-24315-00	PIPE 5	1	1			
38	63P-24312-00	PIPE 2	1	1			
39	63P-24313-00	PIPE 3	1	1			
40	90464-12004	CLAMP	1	1			
41	90465-11M10	CLAMP	11	11			
42	93210-30682	O-RING	2	2			
43	90119-06M83	BOLT, WITH WASHER	4	4			
44	61H-2819R-31	TAG, WARNING	1	1			
45	67F-28100-01	TOOL KIT	1	1			AP



63P1100-C120

FIG. 12 FUEL 2

REF. NO.	PART NO.	DESCRIPTION	63P2	64P2				REMARKS
1	6Y2-24307-50	FUEL PIPE COMP. 2	1	1				AP
2	90445-13M01	.HOSE (L2050)	1	1				
3	6E5-24351-51	.BAND 1	1	1				
4	90480-06M19	.GROMMET	1	1				
5	6Y2-24360-60	.PRIMER PUMP ASSY	1	1				
6	6YK-24307-42	FUEL PIPE COMP. 2	1	1				AP FOR CAR(CE)

D1

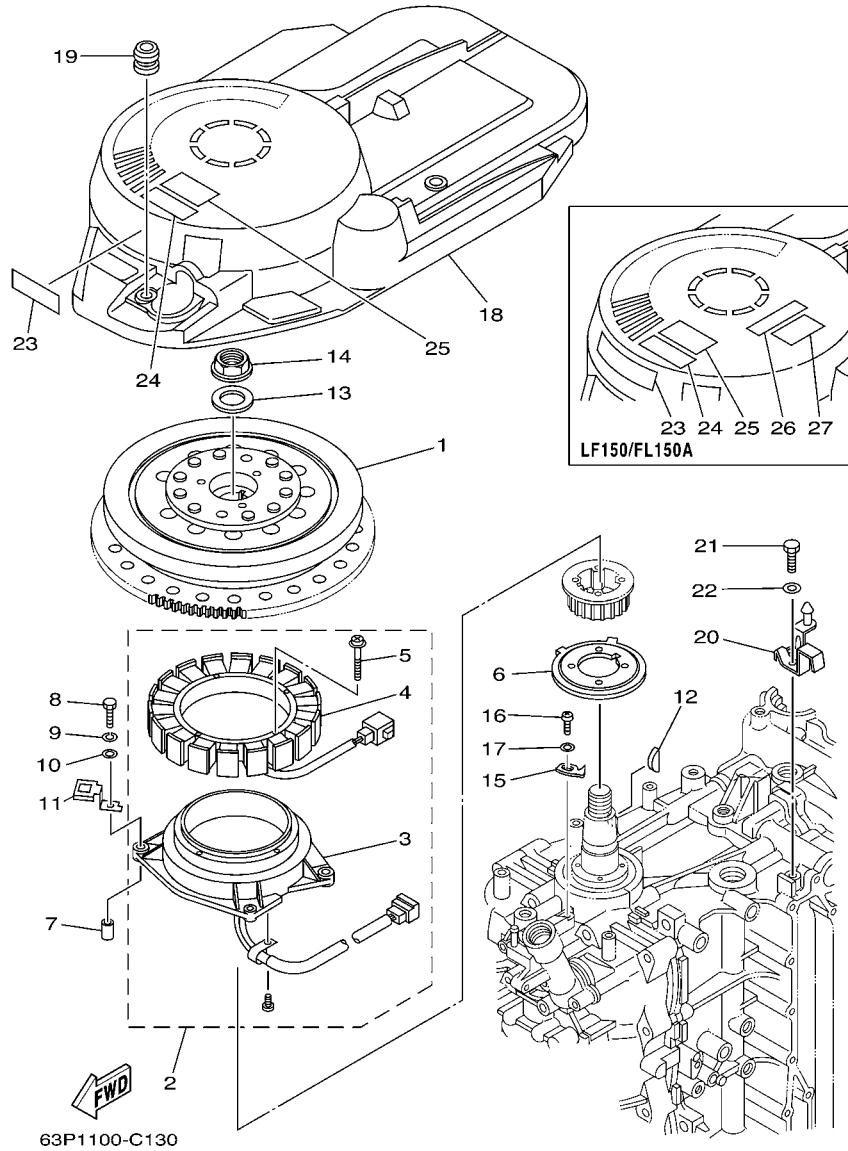


FIG. 13 GENERATOR

REF. NO.	PART NO.	DESCRIPTION	63P2	64P2		REMARKS
1	63P-81450-00	ROTOR ASSY	1	1		
2	63P-81460-00	BASE ASSY	1	1		
3	63P-85580-00	.COIL, PULSER	1	1		
4	63P-81410-00	.STATOR ASSY	1	1		
5	63D-81345-20	.SCREW, WITH WASHER (M6X30)	4	4		
6	63P-81673-00	ROTOR	1	1		
7	99530-08012	PIN, DOWEL	2	2		
8	97095-06035	BOLT	4	4		
9	92995-06100	WASHER, SPRING	4	4		
10	92995-06600	WASHER	4	4		
11	63P-81845-00	PLATE	2	2		
12	90280-05015	KEY, WOODRUFF	1	1		
13	90201-24014	WASHER, PLATE	1	1		
14	90179-24002	NUT	1	1		
15	67F-81332-00	PLATE, TIMING	1	1		
16	97885-06010	SCREW, PAN HEAD	1	1		
17	92995-06600	WASHER	1	1		
18	63P-81337-00	COVER, FLYWHEEL	1	1		
19	663-82317-01	DAMPER, IGNITION COIL	3	3		
20	63P-8132G-00	PLATE	1	1		
21	97095-06016	BOLT	1	1		
22	92995-06600	WASHER	1	1		
23	63P-13437-40	MARK, CAUTION	1	1		FOR USA,OCE
	63P-13437-50	MARK, CAUTION	1	1		FOR CAN
	63P-13437-60	MARK, CAUTION	1	1		FOR CAR
24	6A1-83625-41	MARK 5	1	1		
25	6A1-83625-51	MARK 5	1	1		FOR CAN,CAR

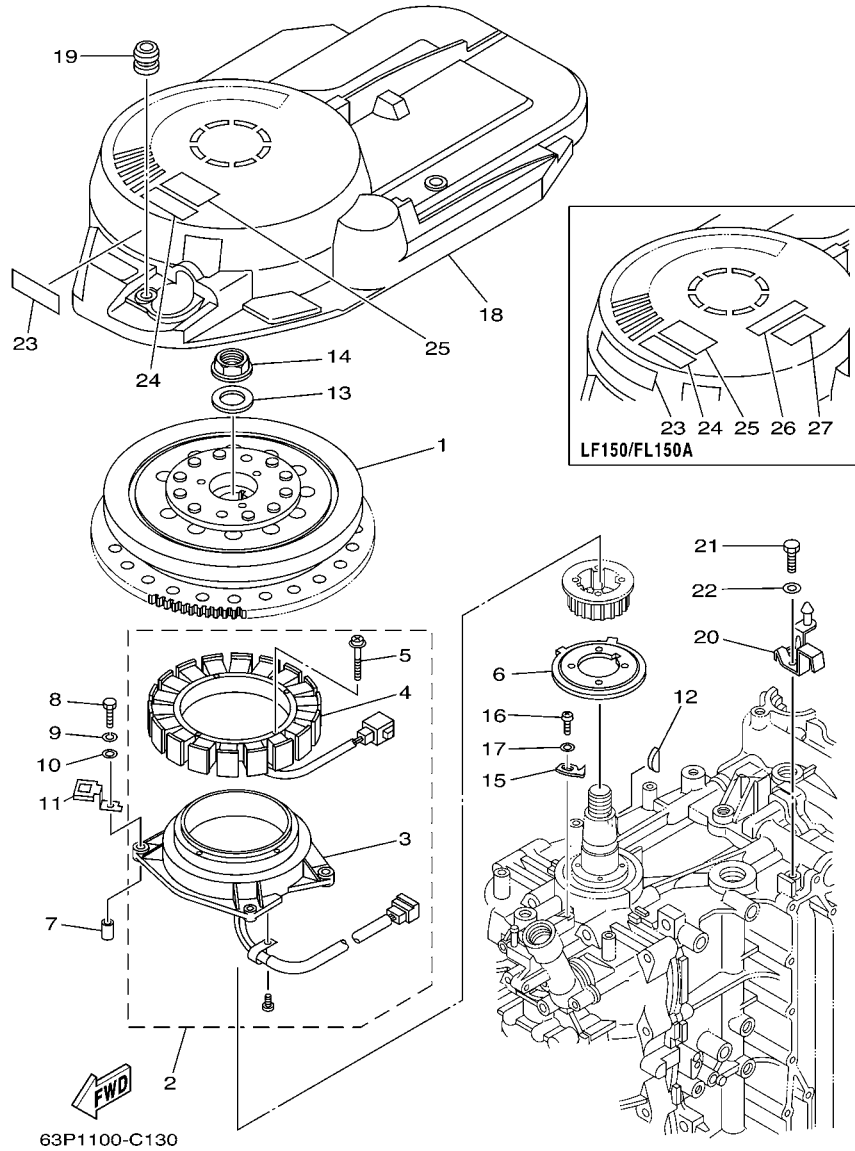
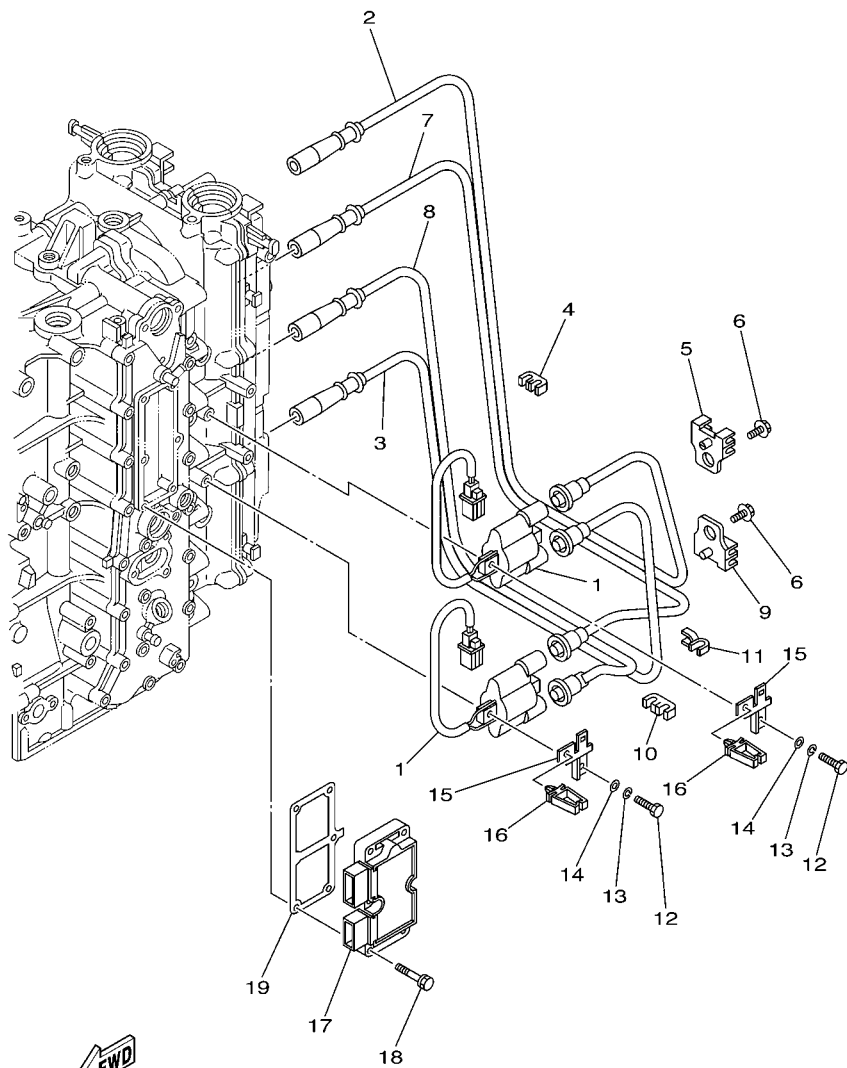


FIG. 13 GENERATOR

REF. NO.	PART NO.	DESCRIPTION	63P2	64P2		REMARKS
26	6K1-83623-41	MARK 3		1		
27	6K1-83623-50	MARK 3		1		FOR CAN,CAR



63P2100-D140

FIG. 14 ELECTRICAL 1

REF. NO.	PART NO.	DESCRIPTION	63P2	64P2			REMARKS
			2	2			
1	63P-82310-01	IGNITION COIL ASSY	2	2			
2	63P-82341-00	CORD, HIGH TENSION 1	1	1			
3	63P-82342-00	CORD, HIGH TENSION 2	1	1			
4	67F-82361-00	CLAMP, CORD	1	1			
5	67F-82362-00	CLAMP, CORD 2	1	1			
6	90119-06M73	BOLT, WITH WASHER	2	2			
7	63P-82343-00	CORD, HIGH TENSION 3	1	1			
8	63P-82344-00	CORD, HIGH TENSION 4	1	1			
9	67F-82362-00	CLAMP, CORD 2	1	1			
10	67F-82361-00	CLAMP, CORD	1	1			
11	90464-07M41	CLAMP	1	1			
12	97095-06025	BOLT	4	4			
13	92995-06100	WASHER, SPRING	4	4			
14	92995-06600	WASHER	4	4			
15	63P-82388-00	PLATE	2	2			
16	90464-05141	CLAMP	2	2			
17	63P-81960-00	RECTIFIER & REGULATOR ASSY	1	1			
18	90119-06MA4	BOLT, WITH WASHER	6	6			
19	63P-81975-00	PLATE, RECTIFIER FITTING	1	1			

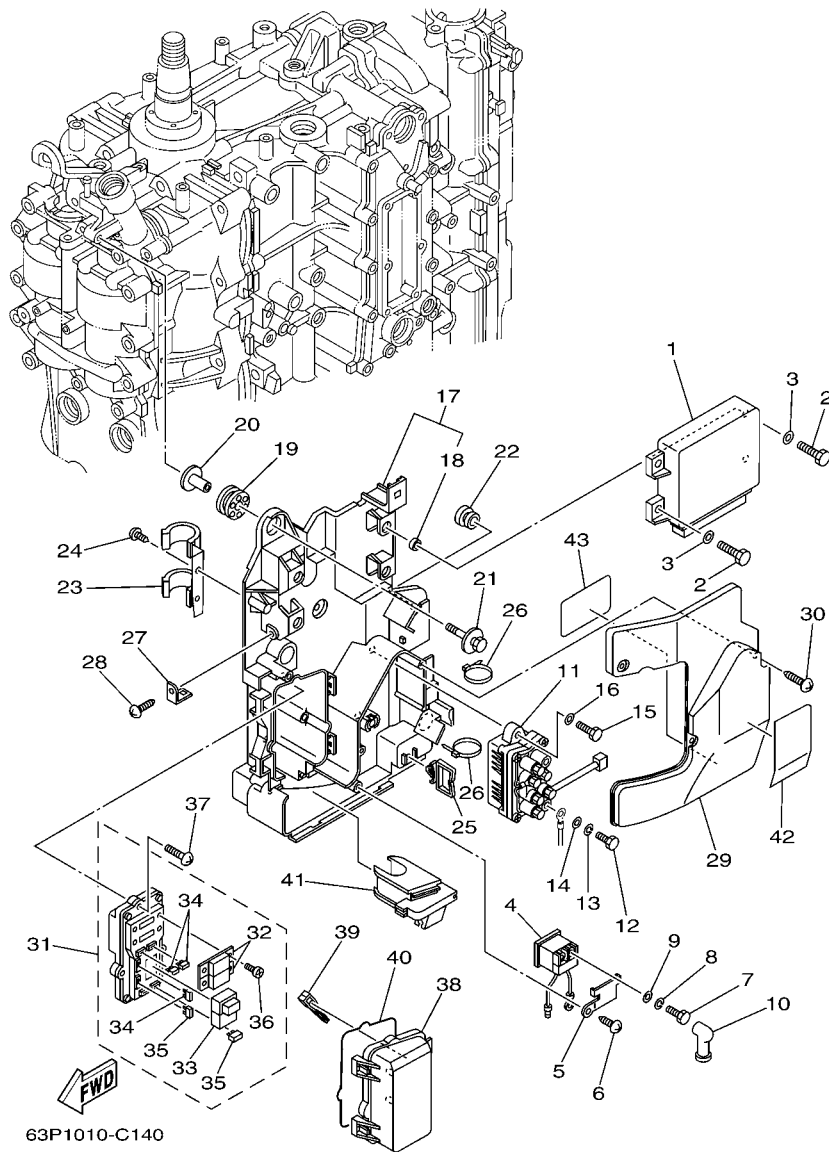


FIG. 15 ELECTRICAL 2

REF. NO.	PART NO.	DESCRIPTION	63P2	64P2	REMARKS
1	63P-8591A-30	ENGINE CONTROL UNIT ASSY	1	1	FOR USA,CAN
	63P-8591A-10	ENGINE CONTROL UNIT ASSY	1	1	
	63P-8591A-00	ENGINE CONTROL UNIT ASSY	1	1	FOR CAR(CE)
2	97095-06016	BOLT	4	4	
3	92995-06600	WASHER	4	4	
4	68V-8194A-00	RELAY	1	1	
5	68V-81953-00	STAY, RELAY	1	1	
6	97780-60620	SCREW, TAPPING	1	1	
7	97095-06010	BOLT	2	2	
8	92995-06100	WASHER, SPRING	2	2	
9	92995-06600	WASHER	2	2	
10	6G5-82119-00	COVER, LEAD WIRE	2	2	
11	63P-81950-00	RELAY ASSY	1	1	
12	97095-06010	BOLT	2	2	
13	92995-06100	WASHER, SPRING	2	2	
14	92995-06600	WASHER	2	2	
15	97013-06020	BOLT	2	2	
16	92903-06600	WASHER, PLATE	2	2	
17	63P-81948-00	BRACKET	1	1	
18	90387-06010	.COLLAR	4	4	
19	68F-85516-01	SPACER	3	3	
20	68F-86129-00	COLLAR	3	3	
21	68F-85119-00	BOLT	3	3	
22	90480-10627	GROMMET	1	1	
23	63P-82594-00	CLAMP	1	1	
24	97780-60620	SCREW, TAPPING	1	1	
25	90464-23199	CLAMP	1	1	

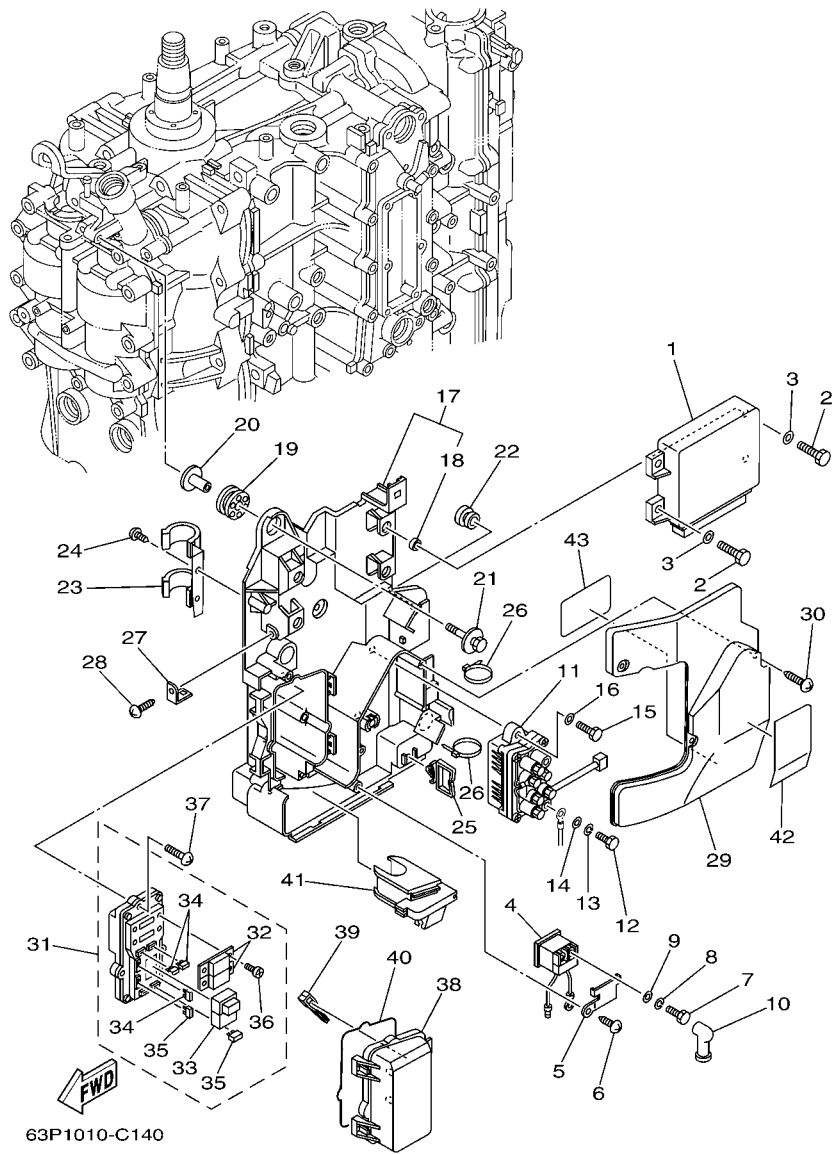
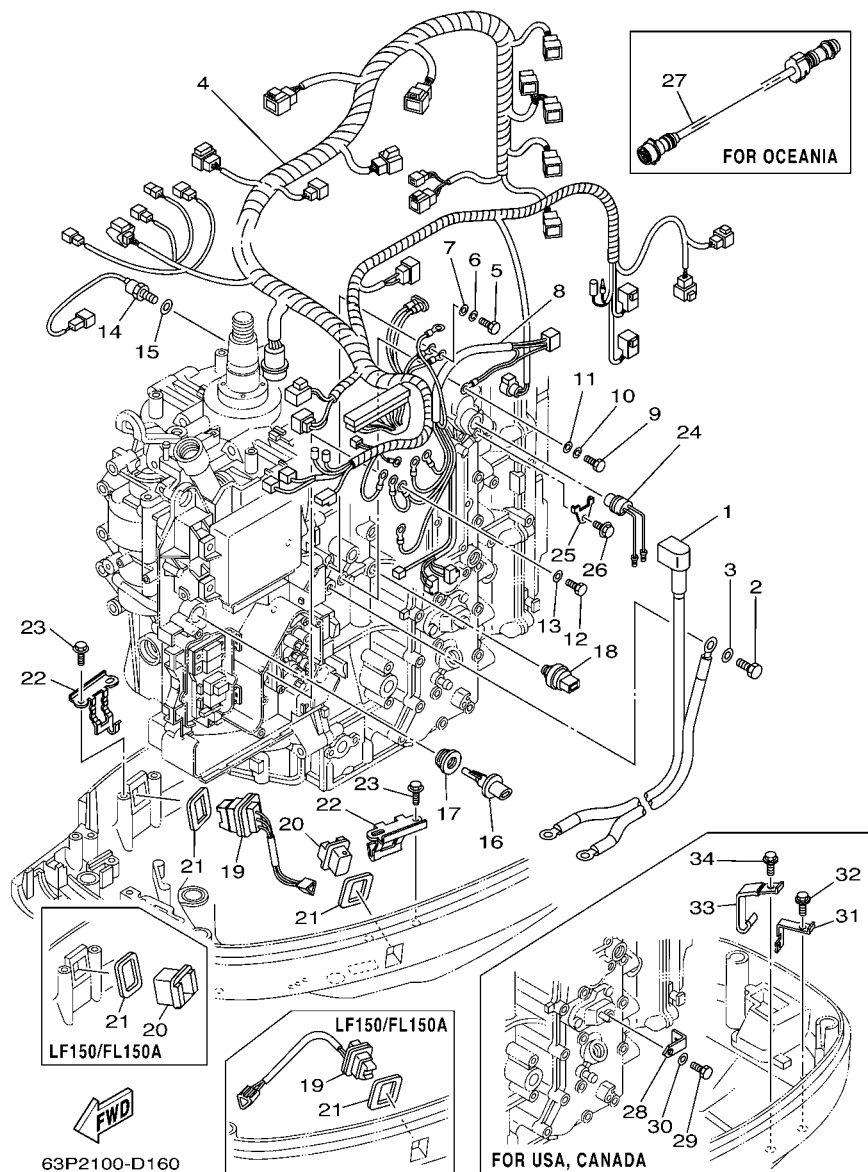


FIG. 15 ELECTRICAL 2

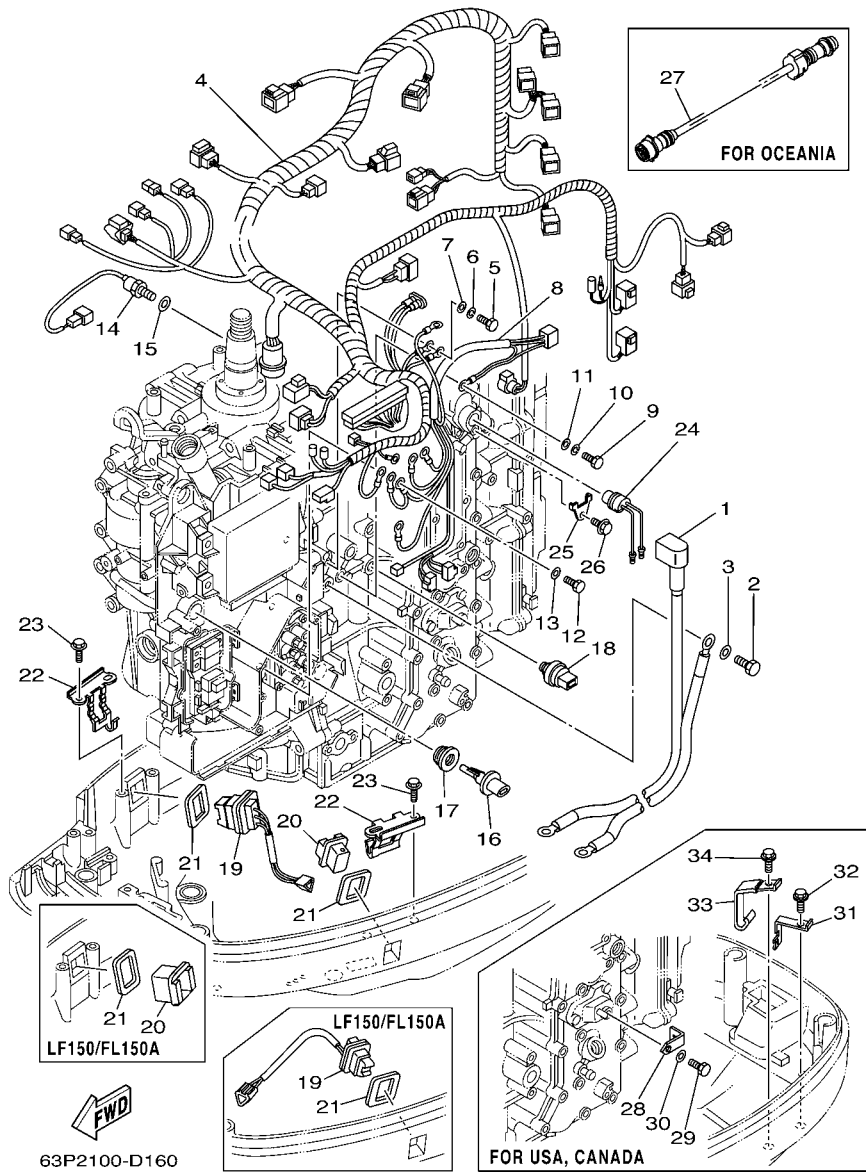
REF. NO.	PART NO.	DESCRIPTION	63P2	64P2	REMARKS
26	90465-13M18	CLAMP	3	3	
27	68V-85548-00	HOLDER	1	1	
28	97780-60620	SCREW, TAPPING	1	1	
29	63P-81942-00	COVER	1	1	
30	90169-05M00	SCREW, TRUSS HEAD TAPPING	3	3	
31	63P-82170-00	FUSE BOX ASSY	1	1	
32	63P-82151-00	.FUSE (50A)	2	2	
33	68F-8195A-00	.RELAY ASSY	1	1	
34	67F-82151-00	.FUSE (20A)	3	3	
35	67F-82151-10	.FUSE (30A)	2	2	
36	68F-82846-00	.SCREW, PAN HEAD (M5)	4	4	
37	97780-50620	SCREW, TAPPING	3	3	
38	60V-85544-00	CASE	1	1	
39	67F-2812A-00	PULLER, FUSE	1	1	
40	60V-82157-00	DAMPER	1	1	
41	63P-81336-00	GROMMET	1	1	
42	63P-81919-00	GRAPHIC, REGULATOR	1	1	
43	63P-81919-10	GRAPHIC, REGULATOR	1	1	

FIG. 16 ELECTRICAL 3

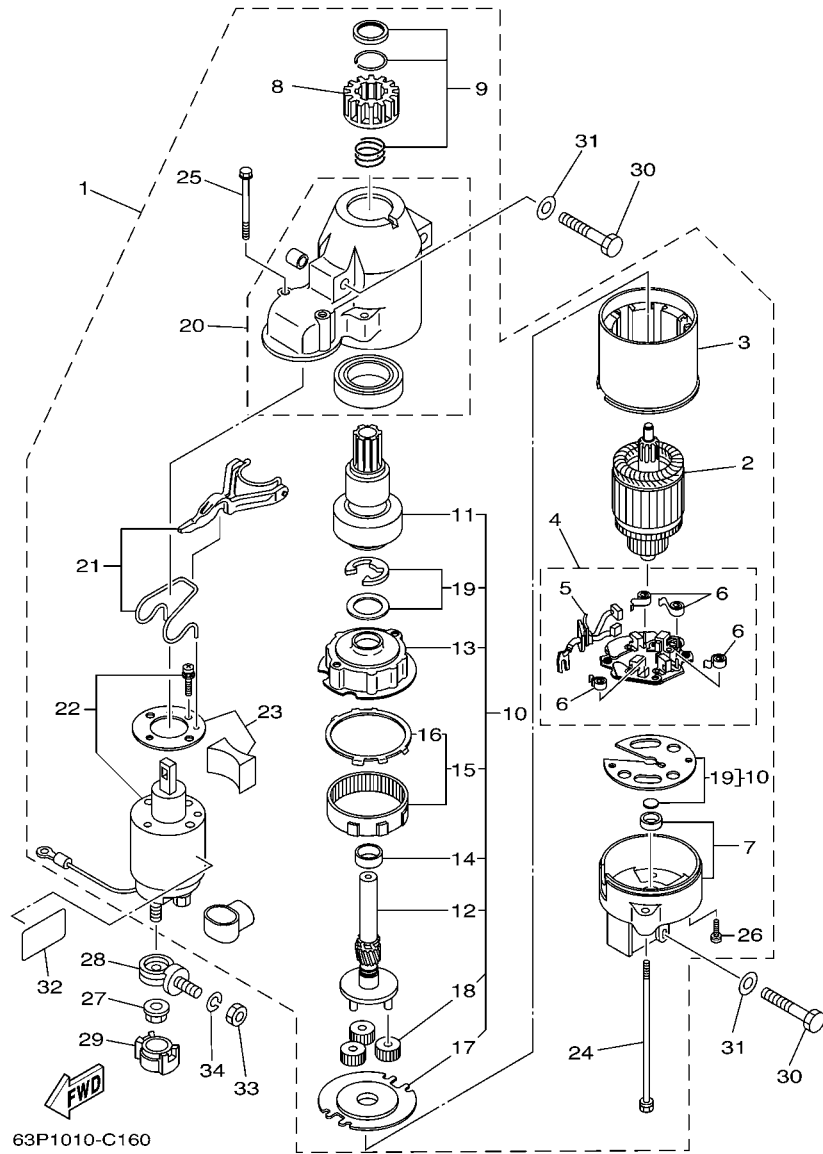


REF. NO.	PART NO.	DESCRIPTION	63P2	64P2	REMARKS
1	63P-82105-00	WIRE HARNESS	1	1	
2	97095-08016	BOLT	1	1	
3	92995-08600	WASHER	1	1	
4	63P-82590-20	WIRE HARNESS ASSY	1	1	FOR USA,CAN
	63P-82590-00	WIRE HARNESS ASSY	1	1	FOR OCE,CAR
5	97095-06020	BOLT	1	1	
6	92995-06100	WASHER, SPRING	1	1	
7	92995-06600	WASHER	1	1	
8	63P-8259M-00	WIRE HARNESS ASSY 2	1	1	
9	97095-06020	BOLT	1	1	
10	92995-06100	WASHER, SPRING	1	1	
11	92995-06600	WASHER	1	1	
12	97095-06012	BOLT	1	1	
13	92995-06600	WASHER	1	1	
14	61A-85790-00	THERMOSENSOR ASSY	1	1	
15	92990-10600	WASHER, PLATE	1	1	
16	63P-85886-00	SENSOR,AIR TEMPERATURE	1	1	
17	63P-14435-00	GROMMET	1	1	
18	69J-83651-00	SENDER, OIL PRESSURE	1	1	
19	69J-82563-00	TRIM & TILT SWITCH ASSY	1	1	
20	69J-42723-00-8D	COVER, BOTTOM	1	1	
21	69J-82587-00	GASKET	2	2	
22	63P-83614-00	BRACKET	2	2	
23	90109-06M86	BOLT	4	4	
24	69J-82560-00	THERMO SWITCH ASSY	1	1	
25	6E9-82588-00	PLATE	1	1	
26	90109-06M86	BOLT	1	1	

FIG. 16 ELECTRICAL 3



REF. NO.	PART NO.	DESCRIPTION	63P2	64P2	REMARKS
27	688-8258A-10	EXTENSION, WIRE HARNESS	1		FOR OCE (10P)
28	63P-8366P-00	BRACKET 4	1	1	FOR USA,CAN
29	97095-06012	BOLT	1	1	FOR USA,CAN
30	92995-06600	WASHER	1	1	FOR USA,CAN
31	69J-8366G-00	BRACKET 3	1	1	FOR USA,CAN
32	90109-06M86	BOLT	1	1	FOR USA,CAN
33	90462-08025	CLAMP	1	1	FOR USA,CAN
34	90109-06M86	BOLT	1	1	FOR USA,CAN



63P1010-C160

FIG. 17 STARTING MOTOR

REF. NO.	PART NO.	DESCRIPTION	63P2	64P2	REMARKS
1	63P-81800-00	STARTING MOTOR ASSY	1	1	
2	67F-81850-00	.ARMATURE ASSY	1	1	
3	67F-81810-00	.STATOR ASSY	1	1	
4	69J-81840-00	.BRUSH HOLDER ASSY	1	1	
5	69J-81801-00	..BRUSH SET	1	1	
6	67F-81813-00	..SPRING, BRUSH	4	4	
7	68F-81820-00	.REAR BRACKET ASSY	1	1	
8	67F-81808-00	.PINION ASSY	1	1	
9	67F-81857-00	.PINION STOPPER SET	1	1	
10	67F-81807-00	.GEAR ASSY, STARTING MOTOR	1	1	
11	67F-81832-00	..CLUTCH, OVER RUN	1	1	
12	67F-81836-00	..SHAFT, PINION	1	1	
13	67F-81821-00	..BRACKET, CENTER 1	1	1	
14	67F-81841-00	..BEARING	1	1	
15	67F-81891-00	..GEAR, RING	1	1	
16	67F-8183R-00	...GASKET	1	1	
17	67F-81830-00	..BRACKET, CENTER 2	1	1	
18	60V-8183T-00	..GEAR, IDLER	3	3	
19	67F-81809-00	..WASHER KIT	1	1	
20	69J-81842-00	.COVER	1	1	
21	69J-81839-00	.LEVER ASSY	1	1	
22	63P-81941-00	.STARTER RELAY ASSY	1	1	
23	69J-81869-00	.COVER, DUST	1	1	
24	6K7-81826-10	.BOLT	2	2	
25	69J-81828-00	.BOLT 2	2	2	
26	67F-81846-00	.SCREW	2	2	
27	90179-08003	NUT	1	1	

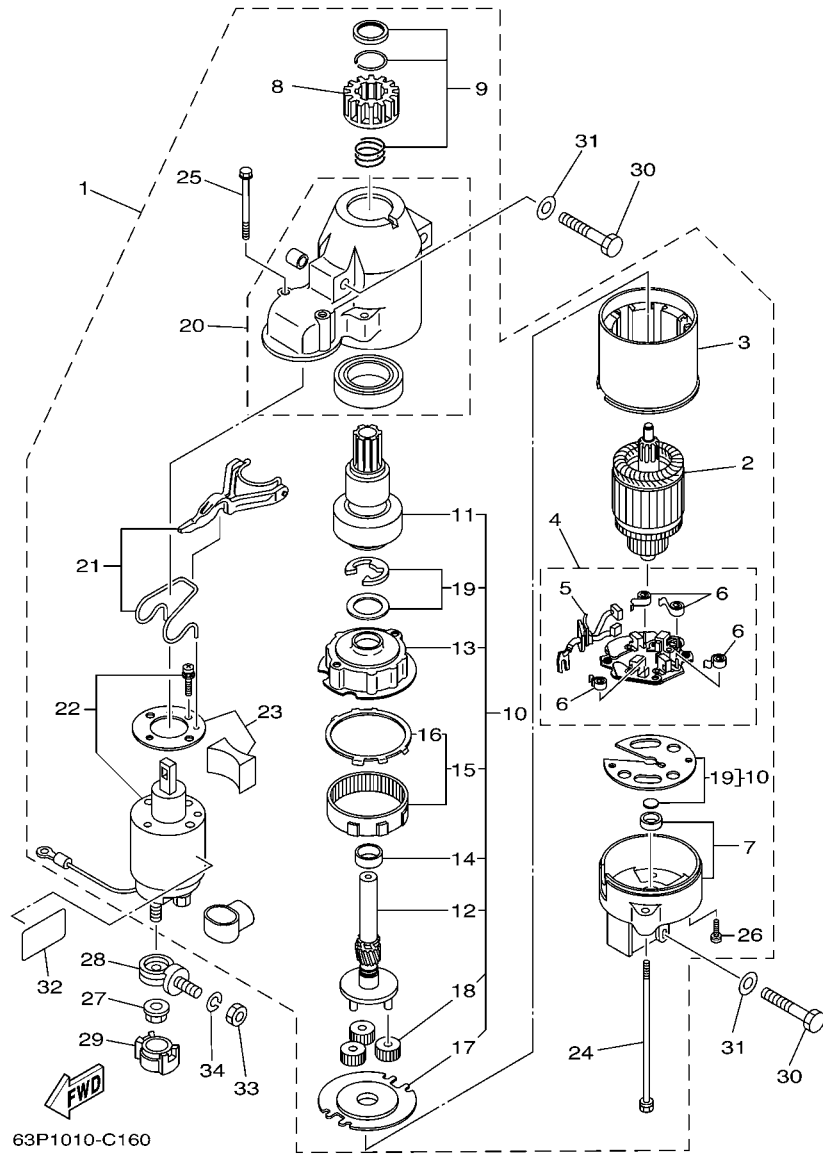
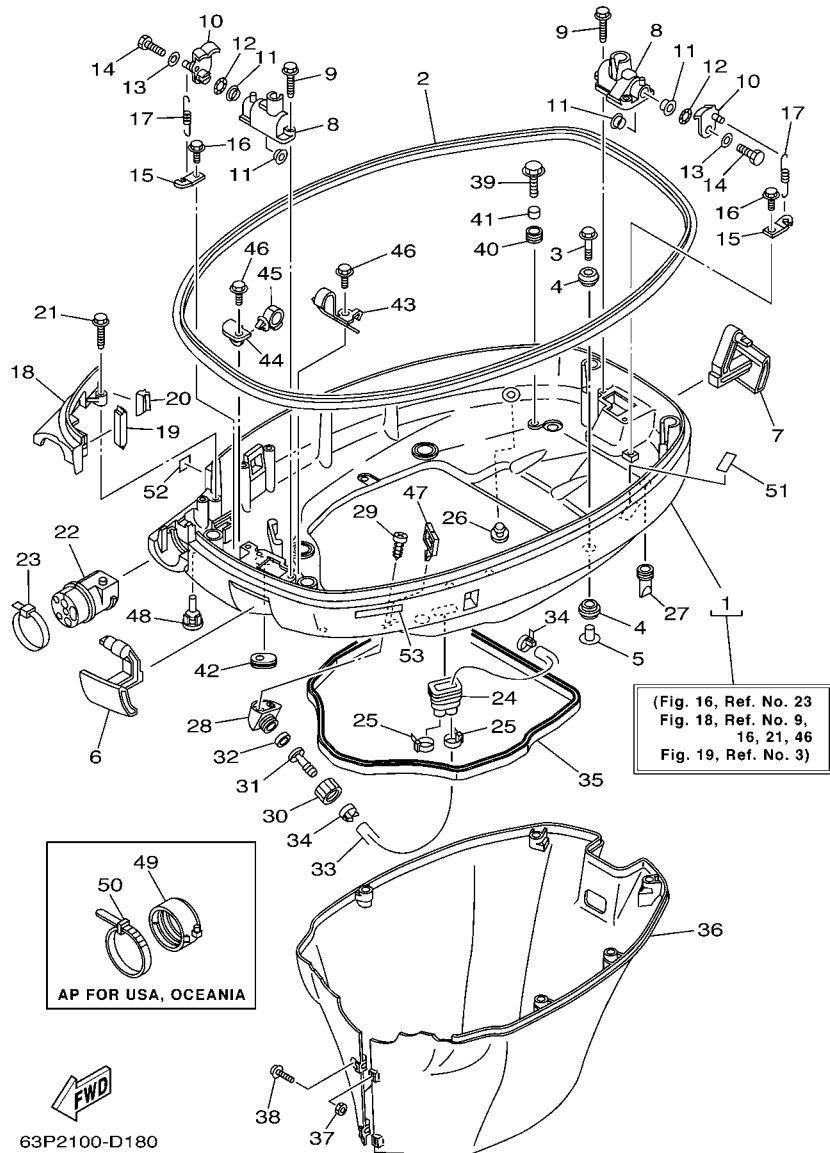


FIG. 17 STARTING MOTOR

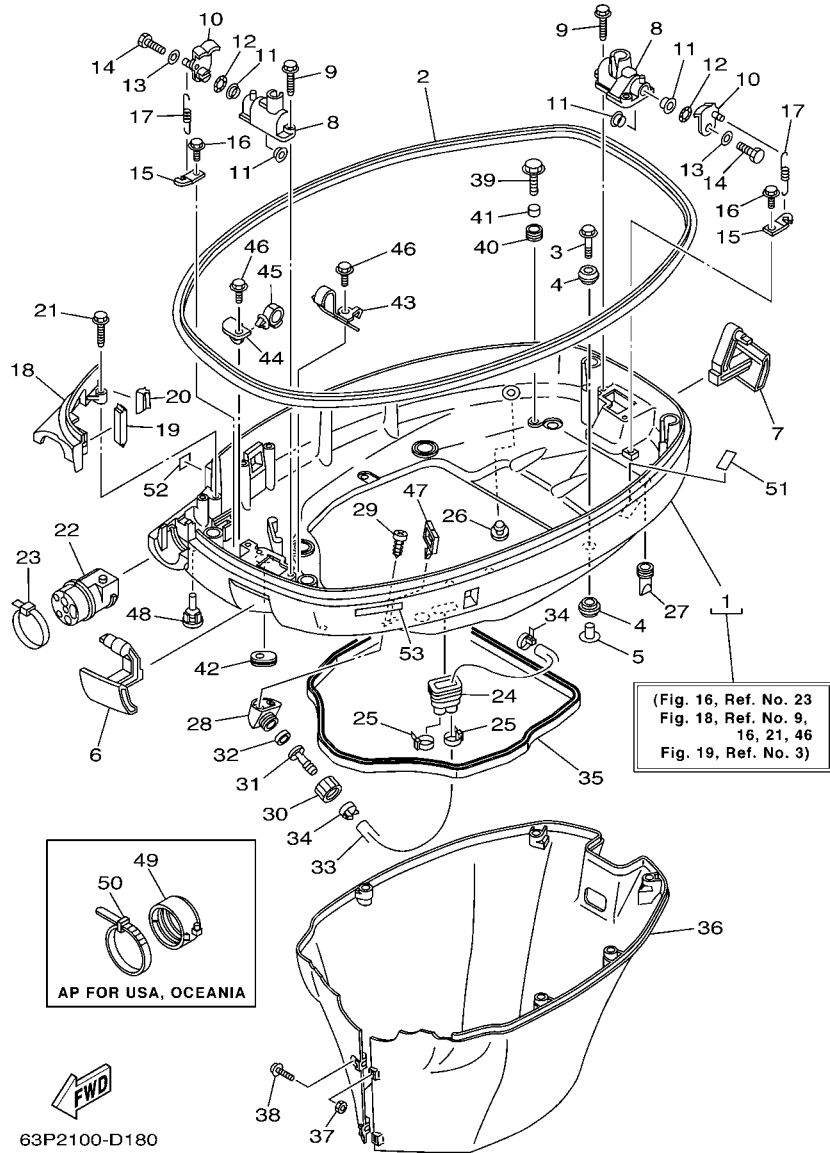
REF. NO.	PART NO.	DESCRIPTION	63P2	64P2				REMARKS
28	60V-81925-00	TERMINAL	1	1				
29	68F-82582-00	COVER, WIRE HARNESS	1	1				
30	97013-08045	BOLT	3	3				
31	92903-08600	WASHER, PLATE	3	3				
32	67F-83627-01	LABEL, CAUTION 7	1	1				
33	95333-08600	NUT	1	1				
34	92903-08100	WASHER, SPRING	1	1				

FIG. 18 BOTTOM COWLING

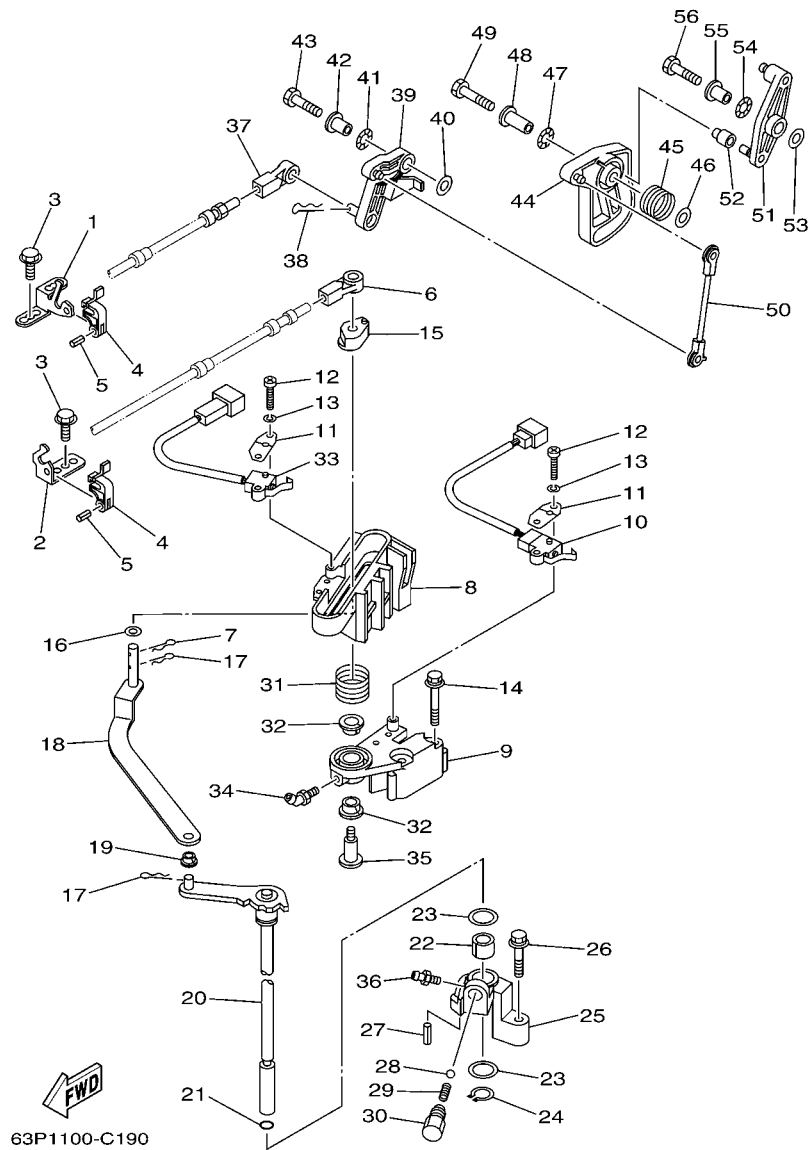


REF. NO.	PART NO.	DESCRIPTION	63P2	64P2	REMARKS
1	63P-42710-00-8D	BOTTOM COWLING ASSY	1	1	
2	63P-42615-00	SEAL	1	1	
3	90119-08M22	BOLT, WITH WASHER	4	4	
4	90480-22M81	GROMMET	8	8	
5	90387-08M37	COLLAR	4	4	
6	63P-42815-00-8D	LEVER, CLAMP	1	1	
7	63P-42816-00-8D	LEVER, CLAMP	1	1	
8	68F-42828-00-5B	PLATE, CLAMP	2	2	
9	90109-06M82	BOLT	4	4	
10	63P-42818-01	LEVER, CLAMP	2	2	
11	90386-15M73	BUSH	4	4	
12	90206-15M18	WASHER, WAVE	2	2	
13	90201-06068	WASHER, PLATE	2	2	
14	97095-06020	BOLT	2	2	
15	64D-43144-00	HOOK, SPRING	2	2	
16	90109-06M86	BOLT	2	2	
17	90506-16M34	SPRING, TENSION	2	2	
18	63P-42738-00-8D	PLATE, FITTING	1	1	
19	63P-42717-00	RUBBER, SEAL 2	1	1	
20	63P-42718-00	RUBBER, SEAL 3	1	1	
21	90109-06M82	BOLT	2	2	
22	63P-42725-00	GROMMET	1	1	
23	90465-13M30	CLAMP	1	1	FOR CAN,CAR
24	6H1-42726-21	GROMMET	1	1	
25	90465-11M10	CLAMP	2	2	
26	69J-44391-00	NIPPLE, HOSE	1	1	
27	61A-42717-00	RUBBER, SEAL 2	4	4	

FIG. 18 BOTTOM COWLING



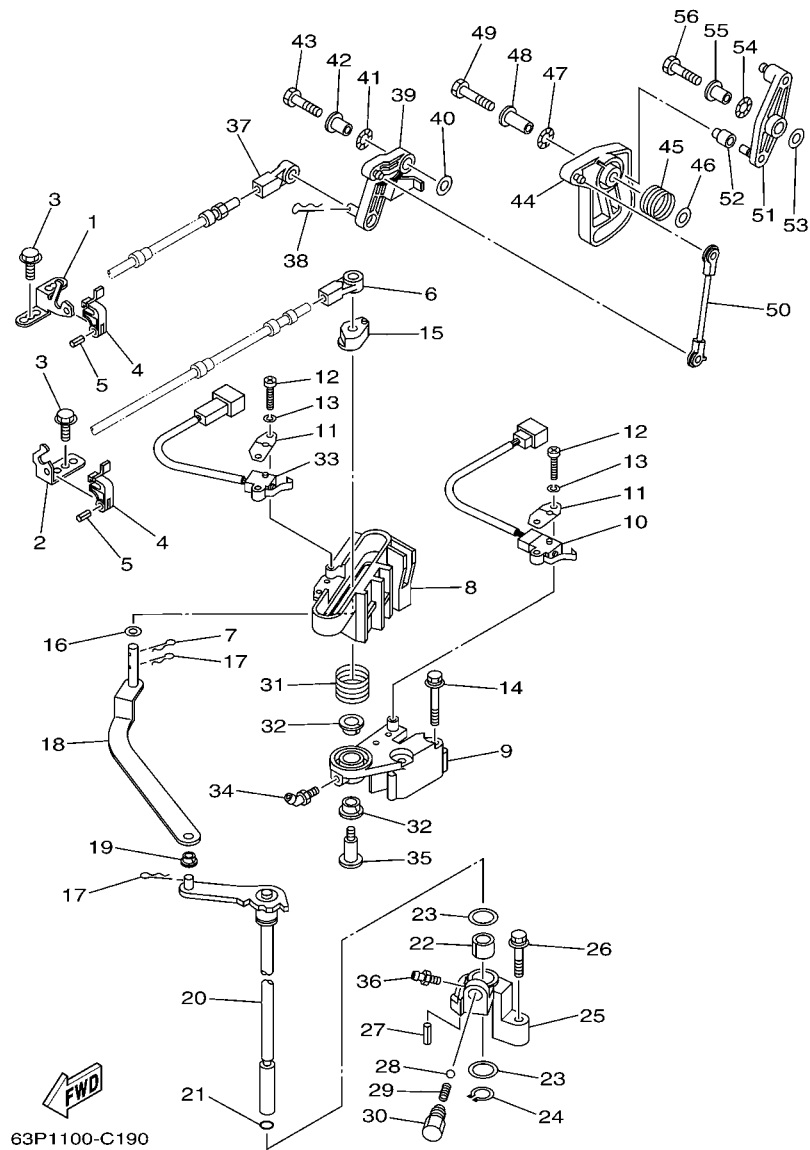
REF. NO.	PART NO.	DESCRIPTION	63P2	64P2	REMARKS
28	68T-12572-00	ADAPTER	1	1	
29	97780-60520	SCREW, TAPPING	2	2	
30	6R3-12581-00	JOINT, HOSE 1	1	1	
31	6R3-12582-00	JOINT, HOSE 2	1	1	
32	6R3-12583-00	GASKET, HOSE JOINT	1	1	
33	63P-42541-00	PIPE 1	1	1	
34	90465-11M10	CLAMP	2	2	
35	63P-42716-00	RUBBER, SEAL 1	1	1	
36	63P-42741-00-8D	APRON	1	1	
37	95380-06600	NUT, HEXAGON	2	2	
38	90159-06M28	SCREW, WITH WASHER	2	2	
39	90109-06M80	BOLT	4	4	
40	90480-13M24	GROMMET	4	4	
41	90387-06M43	COLLAR	4	4	
42	61A-42727-00	GROMMET	1	1	
43	63P-42811-01	STAY	1	1	
44	63P-42756-00	STAY, CLAMP	1	1	
45	90464-20181	CLAMP	1	1	
46	90109-06M86	BOLT	2	2	
47	90464-23199	CLAMP	1	1	
48	6H4-42748-00	GROMMET	2	2	
49	68F-42753-00	FASTNER	1	1	AP FOR USA,OCE
50	90464-20258	CLAMP	1	1	AP FOR USA,OCE
51	67F-82377-00	LABEL	1	1	
52	6A1-28176-00	LABEL, CAUTION	1	1	FOR CAR(CE)
53	6E3-8257H-00	PLATE, MARK	1	1	FOR CAR(CE)



63P1100-C190

FIG. 19 CONTROL

REF. NO.	PART NO.	DESCRIPTION	63P2	64P2	REMARKS
1	63P-48531-00	BRACKET, REMOTE CONTROL 1	1	1	
2	63P-48532-00	BRACKET, REMOTE CONTROL 2	1	1	
3	90109-06M86	BOLT	3	3	
4	63P-48538-00	CLAMP, CABLE 1	2	2	
5	91690-30010	PIN, SPRING	2	2	
6	6E5-48344-00	CABLE END, REMOTE CONTROL	1	1	
7	90468-18008	CLIP	1	1	
8	63P-44176-00-1S	BRACKET	1	1	
9	63P-44117-00-1S	BRACKET	1	1	
10	69J-8259F-00	SWITCH ASSY	1	1	
11	61A-82588-01	PLATE	2	2	
12	97885-04016	SCREW, PAN HEAD	4	4	
13	92995-04100	WASHER	4	4	
14	97595-06550	BOLT, WITH WASHER	2	2	
15	63P-44122-00	BUSHING, SHIFT ROD LEVER	1	1	
16	90202-08M20	WASHER, PLATE	1	1	
17	90468-18008	CLIP	2	2	
18	63P-44121-00	LEVER, SHIFT ROD	1	1	
19	90386-06M12	BUSH	1	1	
20	63P-44120-00	HANDLE GEAR SHIFT ASSY	1	1	
21	93210-09165	O-RING	1	1	
22	90386-16M66	BUSH	1	1	
23	90202-16061	WASHER, PLATE	2	2	
24	93410-16006	CIRCLIP	1	1	
25	63P-44118-00-8D	BRACKET	1	1	
26	97575-06535	BOLT, WITH WASHER	1	1	
27	91690-30010	PIN, SPRING	1	1	



63P1100-C190

FIG. 19 CONTROL

REF. NO.	PART NO.	DESCRIPTION	63P2	64P2	REMARKS
28	93501-04M02	BALL	1	1	
29	90501-12082	SPRING, COMPRESSION	1	1	
30	648-42715-00	BUSHING	1	1	
31	90508-20M31	SPRING, TORSION	1	1	
32	90386-12069	BUSH	2	2	
33	60V-8259F-00	SWITCH ASSY	1	1	
34	93700-06M01	NIPPLE, GREASE	1	1	
35	90109-08019	BOLT	1	1	
36	93700-06M03	NIPPLE, GREASE	1	1	
37	6E5-48344-00	CABLE END, REMOTE CONTROL	1	1	
38	90468-18008	CLIP	1	1	
39	63P-42154-00	LEVER, THROTTLE CONTROL	1	1	
40	90201-06M31	WASHER, PLATE	1	1	
41	90206-10M04	WASHER, WAVE	1	1	
42	90387-06M29	COLLAR	1	1	
43	97095-06025	BOLT	1	1	
44	63P-41213-00	CAM, ACCEL.	1	1	
45	69J-44135-00	SPRING	1	1	
46	90201-06M31	WASHER, PLATE	1	1	
47	90206-10M04	WASHER, WAVE	1	1	
48	90387-06M82	COLLAR	1	1	
49	97095-06035	BOLT	1	1	
50	63P-41237-00	JOINT, LINK	1	1	
51	63P-42157-00	LEVER, THROTTLE	1	1	
52	68V-42171-00	BUSHING	1	1	
53	90201-06M31	WASHER, PLATE	1	1	
54	90206-10M04	WASHER, WAVE	1	1	

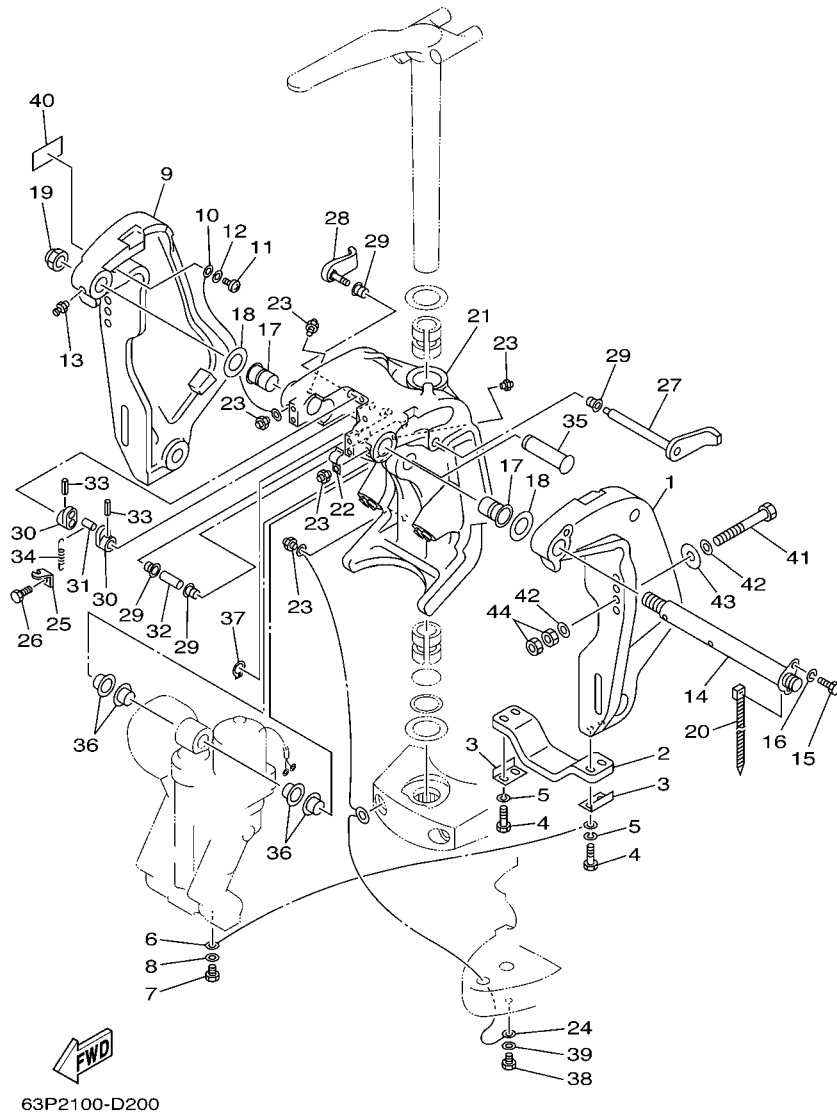


FIG. 20 BRACKET 1

REF. NO.	PART NO.	DESCRIPTION	63P2	64P2				REMARKS
1	64E-43111-02-8D	BRACKET, CLAMP	1	1				
2	6G5-45251-02	ANODE	1	1				
3	6G5-44526-00	PLATE	2	2				
4	97095-06030	BOLT	4	4				
5	92995-06100	WASHER, SPRING	4	4				
6	6E5-82148-00	WIRE, LEAD 4	1	1				
7	97095-06010	BOLT	1	1				
8	92995-06600	WASHER	1	1				
9	64E-43112-02-8D	BRACKET, CLAMP	1	1				
10	6E5-82148-00	WIRE, LEAD 4	1	1				
11	97880-06012	SCREW, PAN HEAD	1	1				
12	92990-06600	WASHER, PLATE	1	1				
13	93700-06M03	NIPPLE, GREASE	1	1				
14	64E-43131-01	BOLT, CLAMP BRACKET	1	1				
15	97095-08020	BOLT	1	1				
16	92995-08100	WASHER	1	1				
17	90386-25M31	BUSH	2	2				
18	90201-26M59	WASHER, PLATE	2	2				
19	90185-22M11	NUT, SELF-LOCKING	1	1				
20	90465-11M10	CLAMP	1	1				
21	64E-43311-10-8D	BRACKET, SWIVEL 1	1	1				
22	90465-08M63	CLAMP	1	1				
23	93700-06M03	NIPPLE, GREASE	5	5				
24	66K-82149-00	WIRE, LEAD 3	1	1				
25	6G5-43144-00	HOOK, SPRING	1	1				
26	97095-06010	BOLT	1	1				
27	6G5-43181-02	LEVER, TILT STOP	1	1				

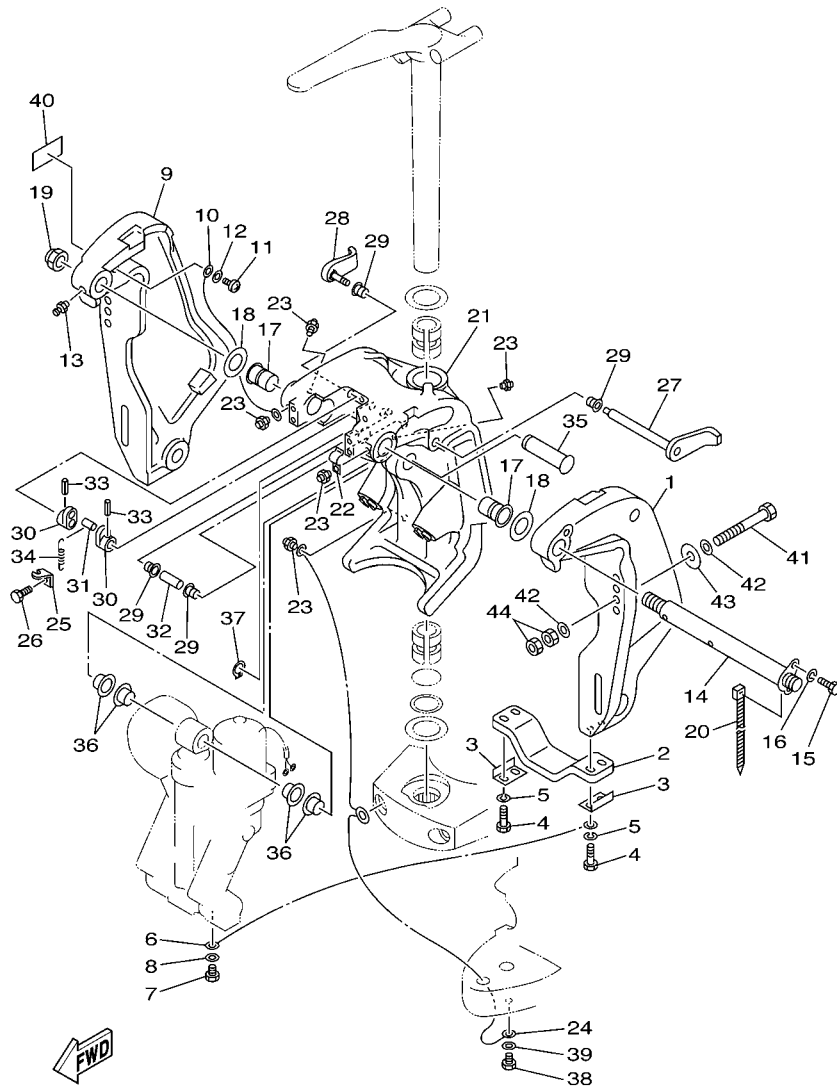
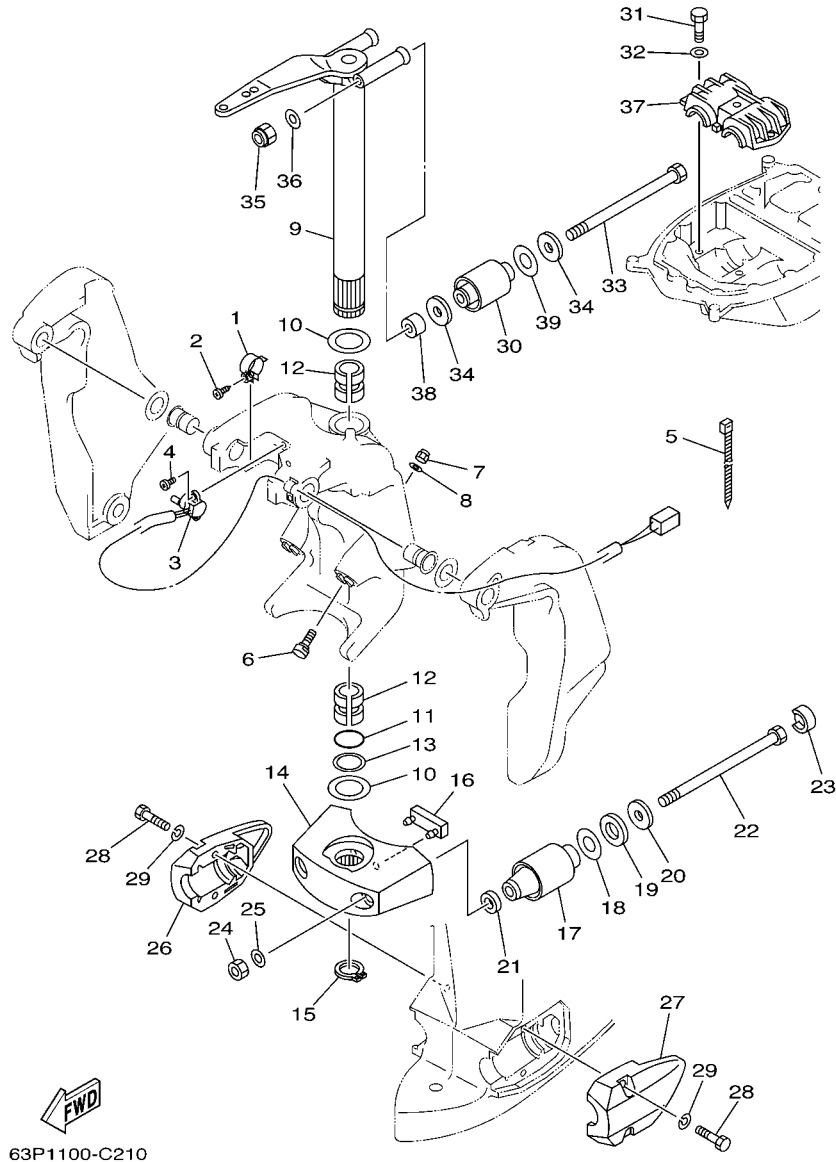


FIG. 20 BRACKET 1

REF. NO.	PART NO.	DESCRIPTION	63P2	64P2	REMARKS
28	6G5-43185-02	LEVER, TILT STOP	1	1	
29	90386-10M16	BUSH	4	4	
30	6G5-43148-00	COLLAR, DISTANCE	2	2	
31	90249-06M19	PIN	1	1	
32	90387-10M05	COLLAR	1	1	
33	91690-30020	PIN, SPRING	2	2	
34	90506-16003	SPRING, TENSION	1	1	
35	64E-43126-00	PIN, UPPER SHOCK MOUNT	1	1	
36	90386-22M98	BUSH	4	4	
37	93410-22M11	CIRCLIP	1	1	
38	97095-06010	BOLT	1	1	
39	92995-06600	WASHER	1	1	
40	63V-82377-50	LABEL (SPARK,IGNITION)	1	1	FOR CAN
41	90101-12M05	BOLT (L:130MM)	4	4	UR
	90101-12M77	BOLT (L:150MM)	2	2	UR EXCEPT CAR
42	90201-13M01	WASHER, PLATE	8	8	
43	90201-12M05	WASHER, PLATE	4	4	
44	95380-12600	NUT	8	8	



63P1100-C210

FIG. 21 BRACKET 2

REF. NO.	PART NO.	DESCRIPTION	63P2	64P2			REMARKS
1	64E-43139-02	CAM, TRIM SENDER	1	1			
2	97780-60525	SCREW, TAPPING	1	1			
3	67H-83672-00	TRIM SENDER	1	1			FOR USA,CAN
	64E-83672-02	TRIM SENDER	1	1			FOR OCE,CAR
4	97885-06016	SCREW, PAN HEAD	2	2			
5	90465-11M10	CLAMP	3	3			
6	63P-43376-00	BOLT, THRUST RECEIVER	2	2			
7	95780-10300	NUT, FLANGE	2	2			
8	92995-10600	WASHER	2	2			
9	66K-42510-01-8D	STEERING BRACKET ASSY	1	1			
10	90201-38M60	WASHER, PLATE	2	2			
11	93210-37MH7	O-RING	1	1			
12	90386-38M32	BUSH	2	2			
13	90202-40M47	WASHER, PLATE	1	1			
14	68V-44551-00-8D	HOUSING, LOWER MOUNT RUBBER	1	1			
15	93410-37M04	CIRCLIP	1	1			
16	61A-44575-00	DAMPER, LOWER MOUNT RUBBER	1	1			
17	60V-44555-00-94	MOUNT DAMPER, LOWER SIDE	2				L
	63P-44555-00-94	MOUNT DAMPER, LOWER SIDE	2	2			X
18	90201-35008	WASHER, PLATE	2	2			
19	90202-32M19	WASHER, PLATE	2	2			
20	90201-16M55	WASHER, PLATE	2	2			
21	90201-15M58	WASHER, PLATE	2	2			
22	90109-14007	BOLT	2	2			
23	69J-44533-00	DAMPER, UPPER MOUNT RUBBER	2	2			
24	95380-14600	NUT	2	2			
25	92995-14600	WASHER	2	2			

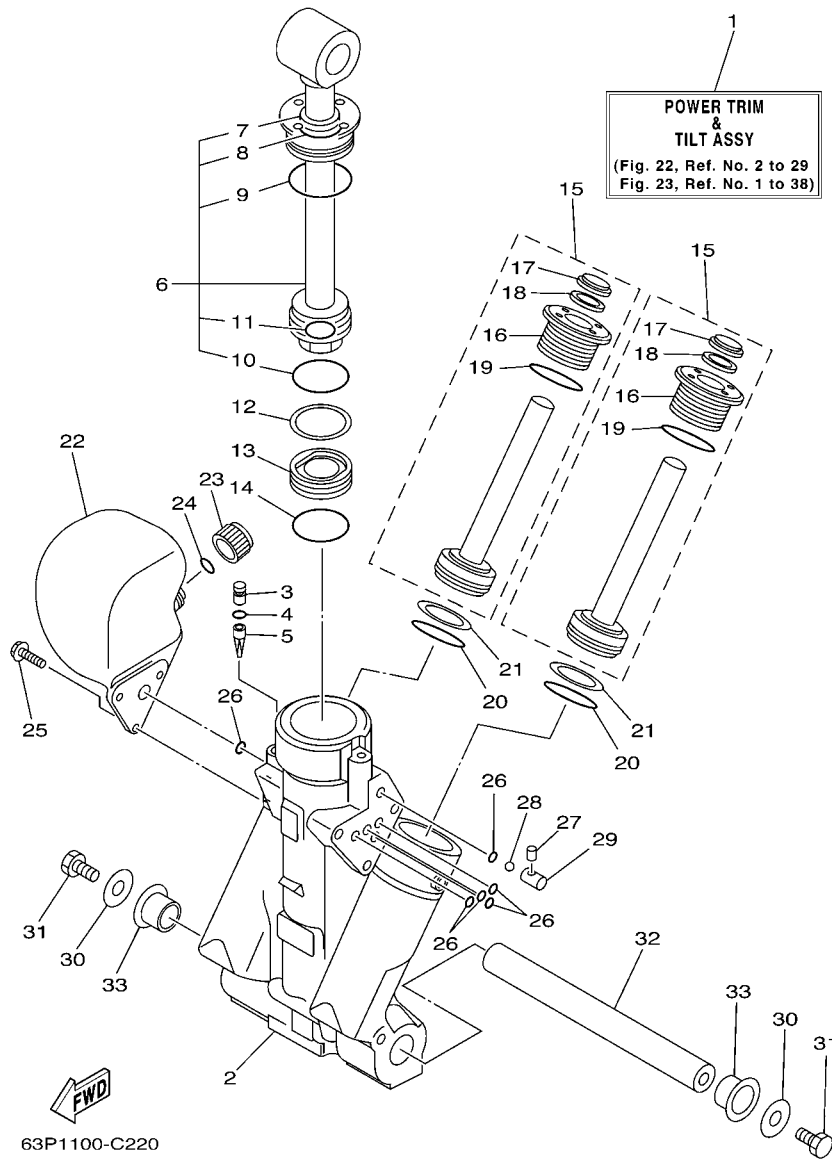
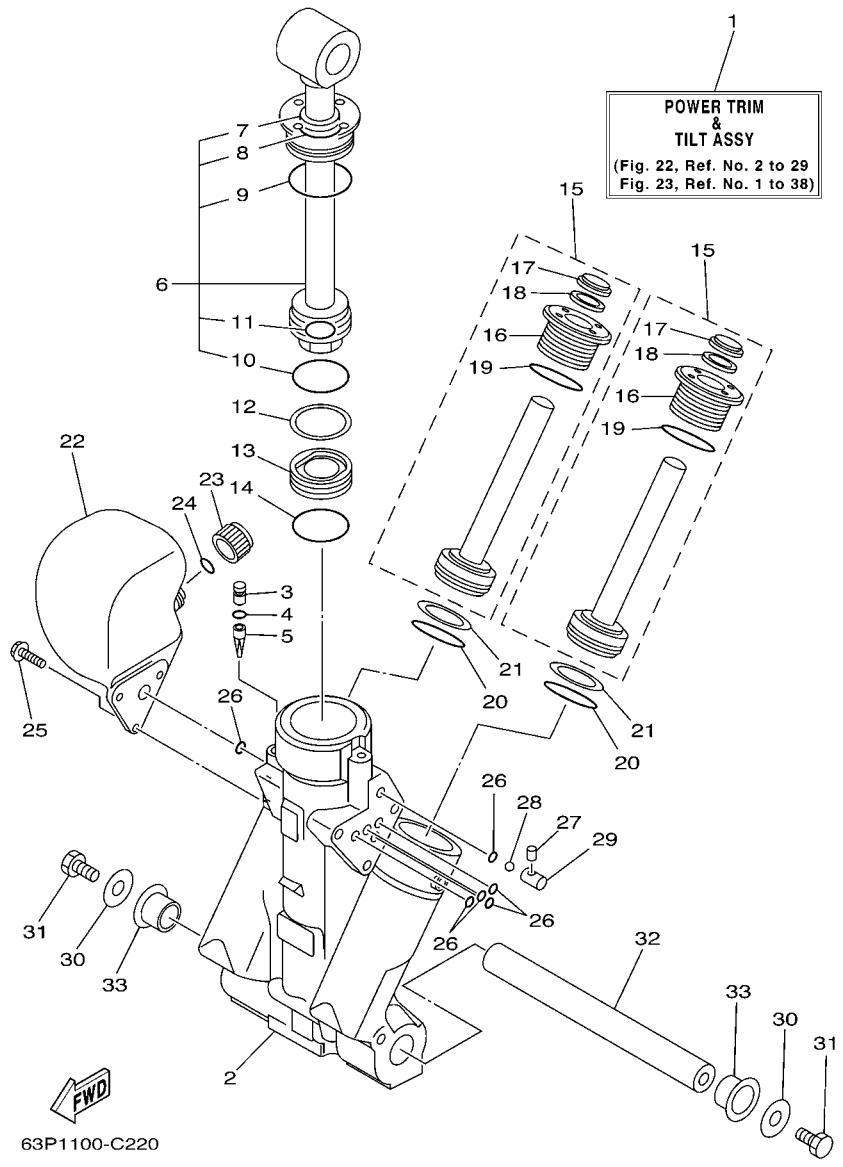


FIG. 22 POWER TRIM & TILT ASSY 1

REF. NO.	PART NO.	DESCRIPTION	63P2	64P2	REMARKS
1	63P-43800-00-4D	POWER TRIM & TILT ASSY	1	1	
2	64E-43825-01	HOUSING, TRIM & TILT	1	1	
3	64E-4388J-00	PLUG 2	1	1	
4	93210-10M74	O-RING	1	1	
5	64E-43817-00	FILTER 2	1	1	
6	63P-43810-00	TILT PISTON SUB ASSY	1	1	
7	64E-43898-00	.SEAL ,DUST 2	1	1	
8	64E-43867-00	.O-RING	1	1	
9	64E-43866-00	.O-RING	1	1	
10	6E5-43862-00	.O-RING	1	1	
11	64E-43883-00	.O-RING	1	1	
12	6E5-43872-00	RING, BACK UP	1	1	
13	6E5-43814-02	PISTON, FREE	1	1	
14	6E5-43862-00	O-RING	1	1	
15	64E-43820-00	TRIM PISTON SUB ASSY	2	2	
16	64E-43821-00	.SCREW, TRIM CYLINDER END	1	1	
17	64E-43822-00	.SEAL, TRIM DUST	1	1	
18	64E-4384J-00	.SEAL, TRIM DOWN	1	1	
19	6G5-43864-00	.O-RING	1	1	
20	6E5-43864-00	O-RING	2	2	
21	6E5-43874-01	RING, BACK UP	2	2	
22	64E-43828-00	BODY, RESERVOIR	1	1	
23	64E-43829-00	PLUG, RESERVOIR	1	1	
24	64E-43897-00	O-RING	1	1	
25	64E-4388E-00	BOLT ,SCREW (L:14MM)	3	3	
26	64E-43869-00	O-RING	6	6	
27	64E-4381G-00	PIN	1	1	

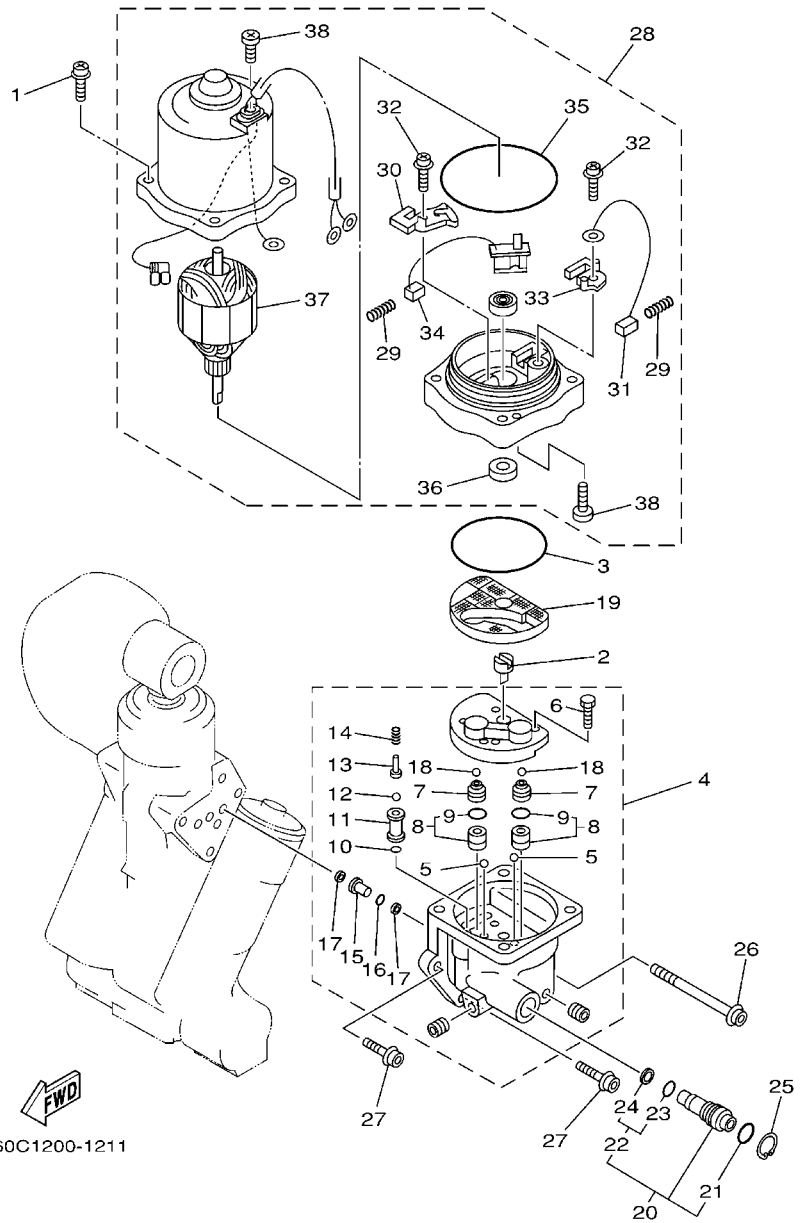


63P1100-C220

FIG. 22 POWER TRIM & TILT ASSY 1

REF. NO.	PART NO.	DESCRIPTION	63P2	64P2			REMARKS
			1	1			
28	6E5-43858-00	BALL	1	1			
29	64E-4382G-00	VALVE, SEAT	1	1			
30	90201-08M14	WASHER, PLATE	2	2			
31	97080-08016	BOLT	2	2			
32	64E-43818-01	PIN, LOWER SHOCK MOUNT	1	1			
33	90386-22M98	BUSH	2	2			

FIG. 23 POWER TRIM & TILT ASSY 2



60C1200-1211

REF. NO.	PART NO.	DESCRIPTION	63P2	64P2	REMARKS
1	64E-4388E-10	BOLT ,SCREW (L:34.7MM)	4	4	
2	64E-43831-00	CONNECTOR, SHAFT	1	1	
3	64E-43868-00	O-RING	1	1	
4	64E-43830-00	GEAR PUMP ASSY	1	1	
5	72X-43858-00	.BALL	2	2	
6	64E-43843-00	.SCREW, VALVE LOCK	4	4	
7	64E-43841-00	.PISTON, SHUTTLE	2	2	
8	64E-43802-00	.VALVE SUB ASSY	2	2	
9	6E5-43896-00	..O-RING	1	1	
10	6G5-43863-00	.O-RING	1	1	
11	64E-43851-00	.SEAT, RELIEF VALVE	1	1	
12	64E-43858-00	.BALL	1	1	
13	64E-43859-00	.PIN, VALVE SUPPORT	1	1	
14	64E-43855-00	.SPRING, UP RELIEF	1	1	
15	64E-43850-00	.VALVE SUB ASSY	1	1	
16	64E-43865-00	.O-RING	1	1	
17	64E-43816-00	.FILTER 1	2	2	
18	64E-43858-00	.BALL	2	2	
19	64E-43817-10	FILTER 2	1	1	
20	64E-43860-00	MANUAL VALVE SUB-ASSY	1	1	
21	72X-85075-L0	.O-RING	1	1	
22	64E-43827-00	.RING SET	1	1	
23	64E-4387A-00	..O-RING	1	1	
24	64E-43873-00	..RING, BACK UP	1	1	
25	64E-43875-00	RING, SNAP	1	1	
26	64E-43879-10	SCREW, WITH WASHER	1	1	
27	64E-43879-00	SCREW, WITH WASHER	2	2	

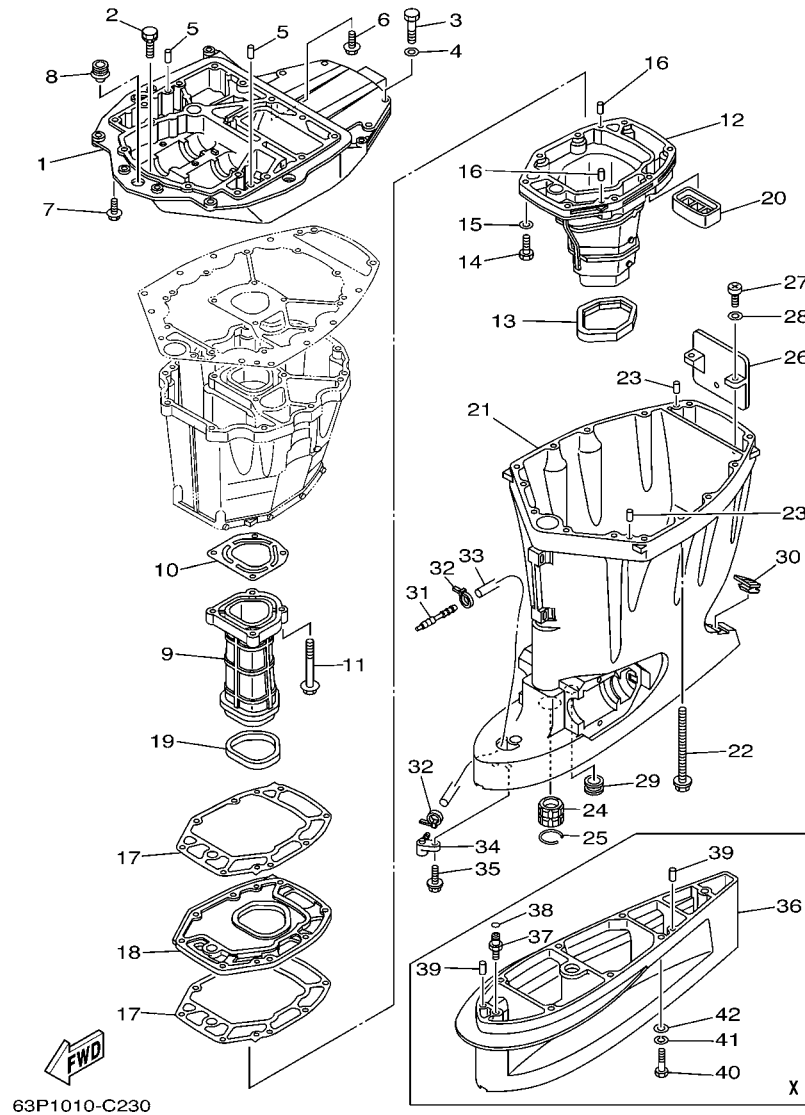


FIG. 24 UPPER CASING

REF. NO.	PART NO.	DESCRIPTION	63P2	64P2	REMARKS
1	63P-41137-00	GUIDE, EXHAUST	1	1	
2	90119-08M79	BOLT, WITH WASHER	2	2	
3	97075-10045	BOLT	4	4	
4	92995-10600	WASHER	4	4	
5	93608-16M16	PIN, DOWEL	2	2	
6	90119-08M58	BOLT, WITH WASHER	3	3	
7	97575-10535	BOLT, WITH WASHER	4	4	
8	6E5-42724-00	GROMMET	1	1	
9	63P-41131-00-5B	MANIFOLD, EXT. 1	1	1	
10	63P-41133-A0	GASKET, EXHAUST MANIFOLD 1	1	1	
11	97575-08560	BOLT, WITH WASHER	4	4	
12	63P-14711-00-5B	MUFFLER 1	1	1	
13	69J-45123-00	GASKET, MUFFLER	1	1	
14	97075-08035	BOLT	8	8	
15	92995-08600	WASHER	8	8	
16	93606-19M23	PIN, DOWEL	2	2	
17	63P-41134-A0	GASKET, EXHAUST MANIFOLD	2	2	
18	63P-45181-00-5B	PLATE	1	1	
19	63P-41138-00	SEAL, EXT. 1	1	1	
20	69J-45127-00	SEAL	1	1	
21	63P-45111-00-8D	CASING, UPPER	1	1	
22	90119-10007	BOLT, WITH WASHER	8	8	
23	93608-16M16	PIN, DOWEL	2	2	
24	6E5-45318-00	BUSHING, DRIVE SHAFT	1	1	
25	93420-36M01	CIRCLIP	1	1	
26	69J-14624-01	COVER, EXHAUST	1	1	
27	97880-06016	SCREW, PAN HEAD	2	2	

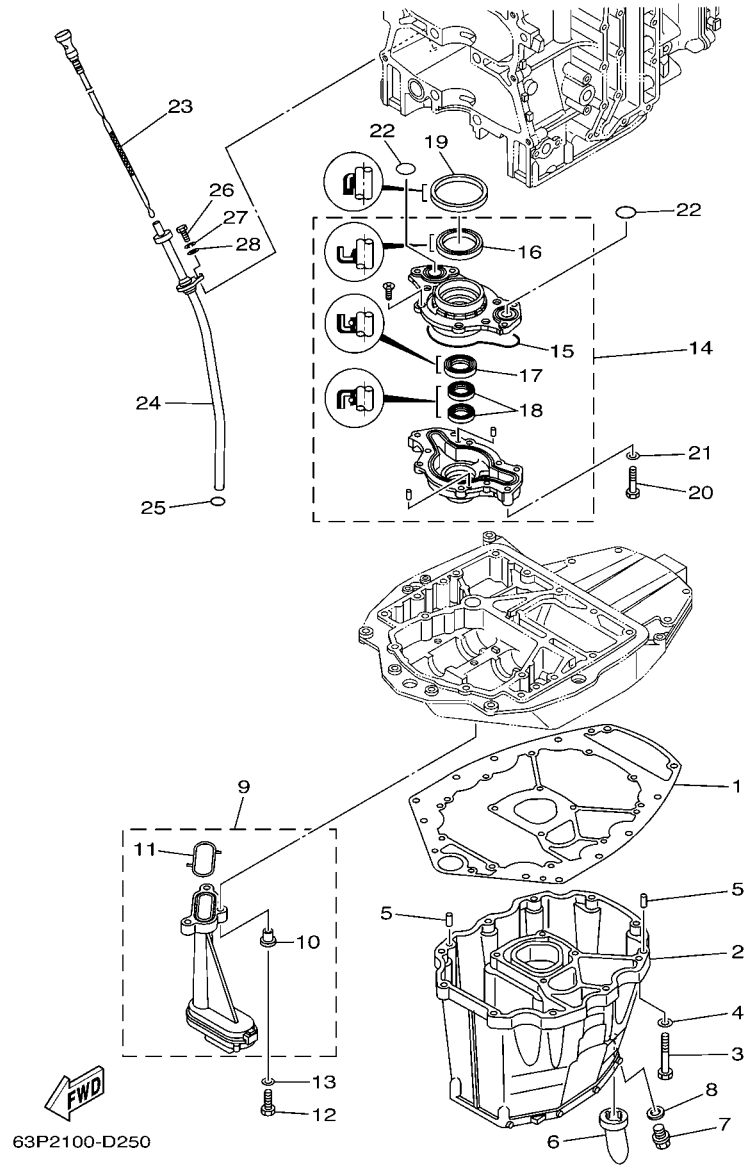


FIG. 25 OIL PAN

REF. NO.	PART NO.	DESCRIPTION	63P2	64P2			REMARKS
1	63P-15312-00	GASKET, OIL PAN	1	1			
2	63P-15311-00-5B	OIL PAN	1	1			
3	97075-08035	BOLT	10	10			
4	92995-08600	WASHER	10	10			
5	93608-16M16	PIN, DOWEL	2	2			
6	63P-15316-00	DAMPER, ENGINE MOUNT 1	1	1			
7	90340-14M06	PLUG, STRAIGHT SCREW	1	1			
8	90430-14M09	GASKET	1	1			
9	63P-13411-00	STRAINER, OIL	1	1			
10	90387-06M64	.COLLAR	3	3			
11	63P-13415-00	.SEAL, OIL STRAINER	1	1			
12	97027-06025	BOLT	3	3			
13	92907-06600	WASHER, PLATE	3	3			
14	63P-13300-00	OIL PUMP ASSY	1	1			
15	63P-13329-00	.GASKET, PUMP COVER	1	1			
16	69J-13338-00	.OIL SEAL	1	1			
17	69J-13119-00	.OIL SEAL	1	1			
18	69J-13631-00	.OIL SEAL	2	2			
19	69J-11355-00	SEAL, CYLINDER 1	1	1			
20	97095-06040	BOLT	4	4			
21	92995-06600	WASHER	4	4			
22	93210-25552	O-RING	2	2			
23	63P-15362-00	PLUG, OIL LEVEL	1	1			
24	63P-15377-00	GUIDE, INLET	1	1			
25	93210-19MJ3	O-RING	1	1			
26	97095-06020	BOLT	1	1			
27	92995-06100	WASHER, SPRING	1	1			

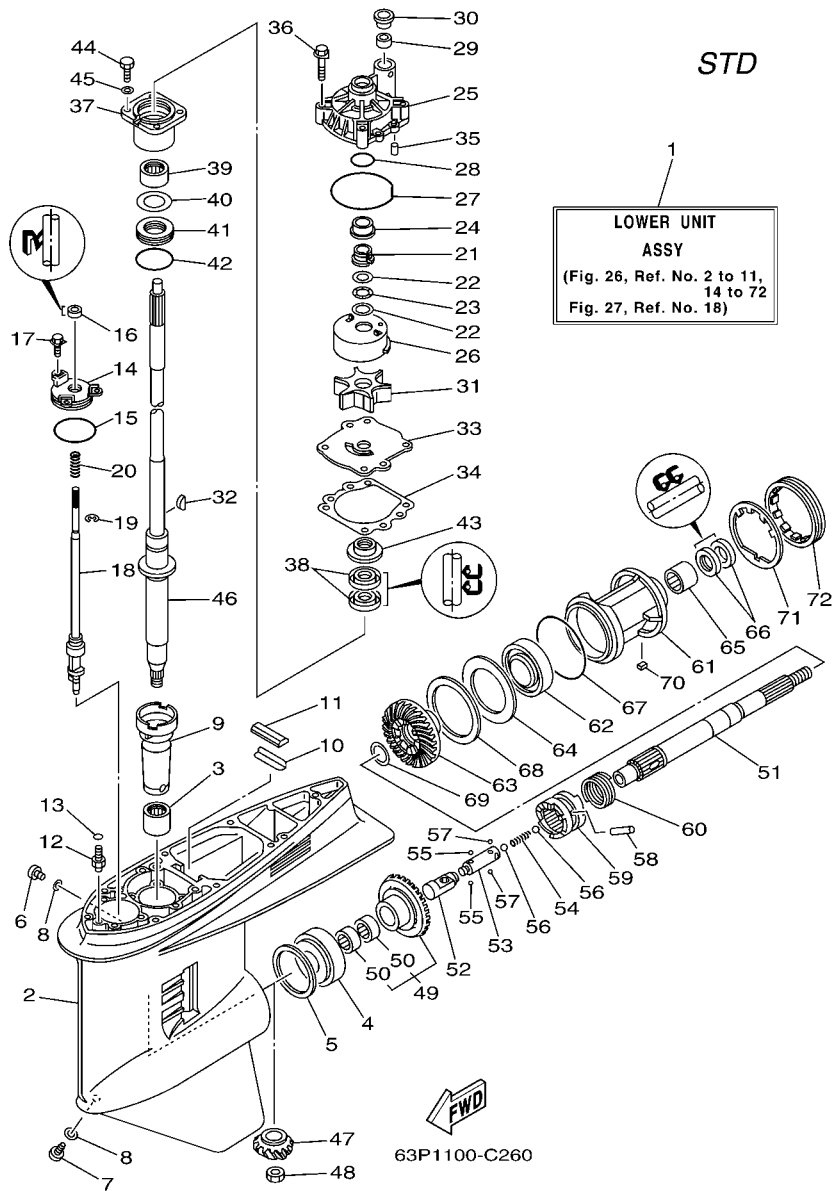


FIG. 26 LOWER CASING & DRIVE 1

REF. NO.	PART NO.	DESCRIPTION	63P2	64P2		REMARKS
1	63P-45300-01-8D	LOWER UNIT ASSY	1			L
	63P-45300-11-8D	LOWER UNIT ASSY	1			X
2	6J9-45301-05-8D	CASING, LOWER	1			
3	93311-928U5	BEARING	1			
4	93332-000V3	BEARING	1			
5	6G5-45567-01	SHIM (T:0.10MM)	1			UR
	6G5-45567-10	SHIM (T:0.12MM)	1			UR
	6G5-45567-20	SHIM (T:0.15MM)	1			UR
	6G5-45567-30	SHIM (T:0.18MM)	1			UR
	6G5-45567-40	SHIM (T:0.30MM)	1			UR
	6G5-45567-50	SHIM (T:0.40MM)	1			UR
	6G5-45567-60	SHIM (T:0.50MM)	1			UR
6	90340-08002	PLUG, STRAIGHT SCREW	1			
7	688-45341-10	PLUG, DRAIN	1			
8	90430-08020	GASKET	2			
9	6G5-45536-01	SLEEVE, DRIVE SHAFT	1			
10	663-45376-00-94	GUIDE, SEAL DAMPER	1			
11	688-45375-00	DAMPER, SEAL	1			
12	63P-45378-00	NIPPLE, HOSE	1			
13	93210-07003	O-RING	1			
14	6E5-45321-00	PLATE	1			
15	93210-58144	O-RING	1			
16	93106-09014	OIL SEAL	1			
17	90119-06M10	BOLT, WITH WASHER	3			
18	63P-44150-00	SHIFT CAM ASSY	1			L
	63P-44150-10	SHIFT CAM ASSY	1			X
19	99001-08600	CIRCLIP	1			

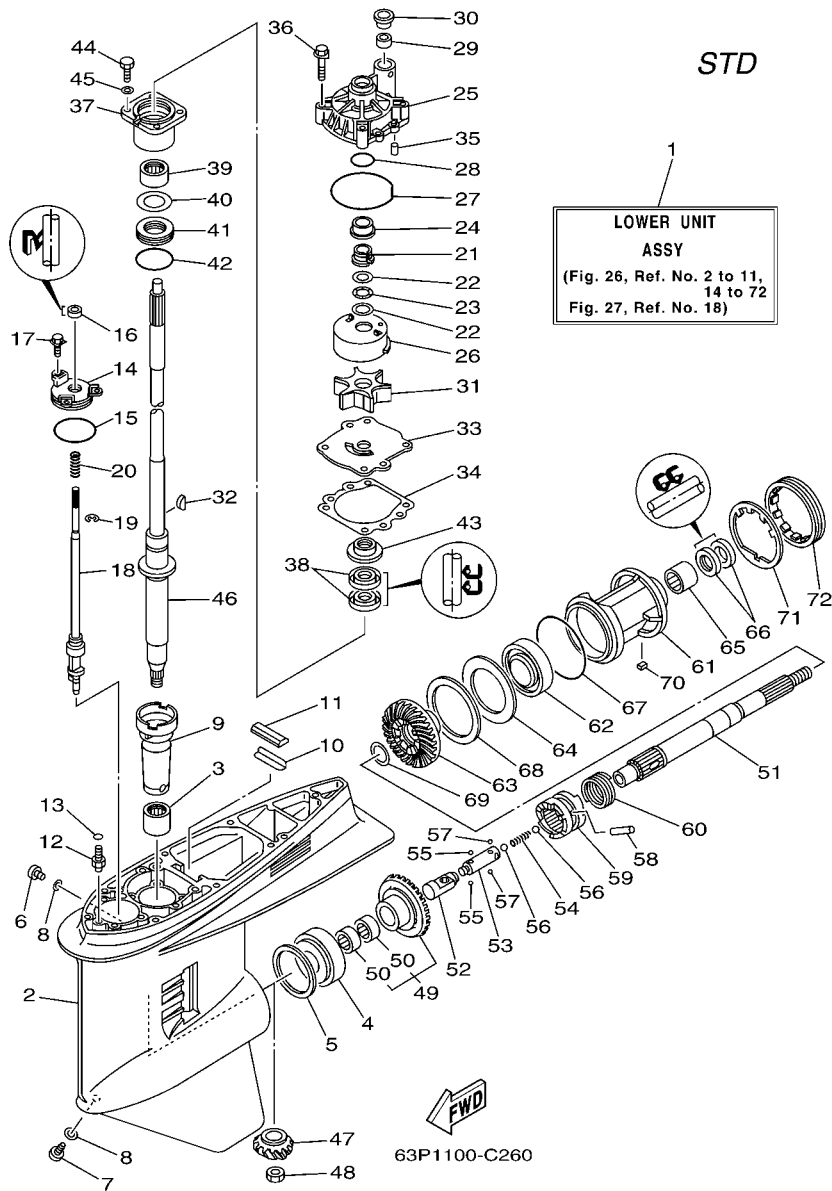


FIG. 26 LOWER CASING & DRIVE 1

REF. NO.	PART NO.	DESCRIPTION	63P2	64P2	REMARKS
20	90501-11M10	SPRING, COMPRESSION	1		
21	61A-45538-00	SPACER 1	1		
22	90201-22M01	WASHER, PLATE	2		
23	90206-22M19	WASHER, WAVE	1		
24	61A-45527-00	COLLAR, DRIVE SHAFT	1		
25	61A-44311-01	HOUSING, WATER PUMP	1		
26	61A-44322-02	INSERT, CARTRIDGE	1		
27	93210-86M38	O-RING	1		
28	93210-37160	O-RING	1		
29	6E5-44365-00	DAMPER, WATER SEAL	1		
30	6E5-44312-00	COVER, WATER PUMP HOUSING	1		
31	6E5-44352-01	IMPELLER	1		
32	90280-04M05	KEY, WOODRUFF	1		
33	6G5-44323-00	OUTER PLATE, CARTRIDGE	1		
34	6E5-44315-A0	GASKET, WATER PUMP	1		
35	93606-12019	PIN, DOWEL	2		
36	90119-08M14	BOLT, WITH WASHER	4		
37	6E5-45331-00-94	HOUSING, BEARING	1		
38	93101-28M16	OIL SEAL	2		
39	93317-330U2	BEARING	1		
40	6E5-45587-01	SHIM (T:0.10MM)	1		UR
	6E5-45587-10	SHIM (T:0.12MM)	1		UR
	6E5-45587-20	SHIM (T:0.15MM)	1		UR
	6E5-45587-30	SHIM (T:0.18MM)	1		UR
	6E5-45587-40	SHIM (T:0.30MM)	1		UR
	6E5-45587-50	SHIM (T:0.40MM)	1		UR
	6E5-45587-60	SHIM (T:0.50MM)	1		UR

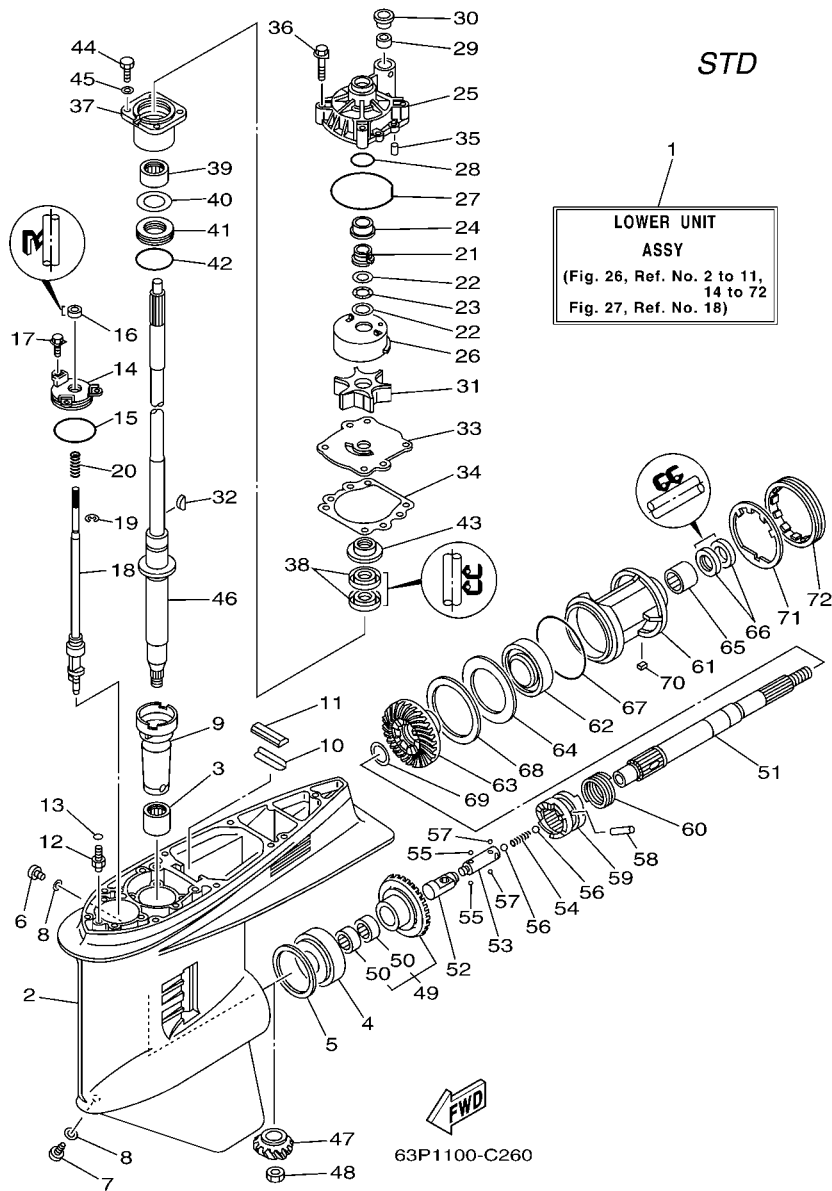


FIG. 26 LOWER CASING & DRIVE 1

REF. NO.	PART NO.	DESCRIPTION	63P2	64P2		REMARKS
41	93341-930V2	BEARING	1			
42	93210-55M14	O-RING	1			
43	6E5-45344-00	COVER, OIL SEAL	1			
44	97095-08025	BOLT	4			
45	92995-08600	WASHER	4			
46	63P-45501-00	DRIVE SHAFT COMP.	1			L
	63P-45501-10	DRIVE SHAFT COMP.	1			X
47	63P-45551-00	PINION (14T)	1			
48	90170-16M01	NUT	1			
49	63P-45560-01	GEAR 1 (28T)	1			
50	93315-425V3	.BEARING	2			
51	6J9-45611-01	SHAFT, PROPELLER	1			
52	6E5-45641-03	SHIFTER	1			
53	6E5-45634-01	SLIDE, SHIFT	1			
54	90501-16M37	SPRING, COMPRESSION	1			
55	93507-32009	BALL	2			
56	93511-32017	BALL	2			
57	93503-16003	BALL	2			
58	90250-08M07	PIN, STRAIGHT	1			
59	63P-45631-01	CLUTCH, DOG	1			
60	6E5-45633-01	RING, CROSS PIN	1			
61	6J9-45332-00-8D	HOUSING, BEARING	1			
62	93306-209U0	BEARING	1			
63	63P-45571-01	GEAR 2 (28T)	1			
64	6G5-45576-10	WASHER, THRUST	1			
65	93315-43061	BEARING	1			
66	93101-30M17	OIL SEAL	2			

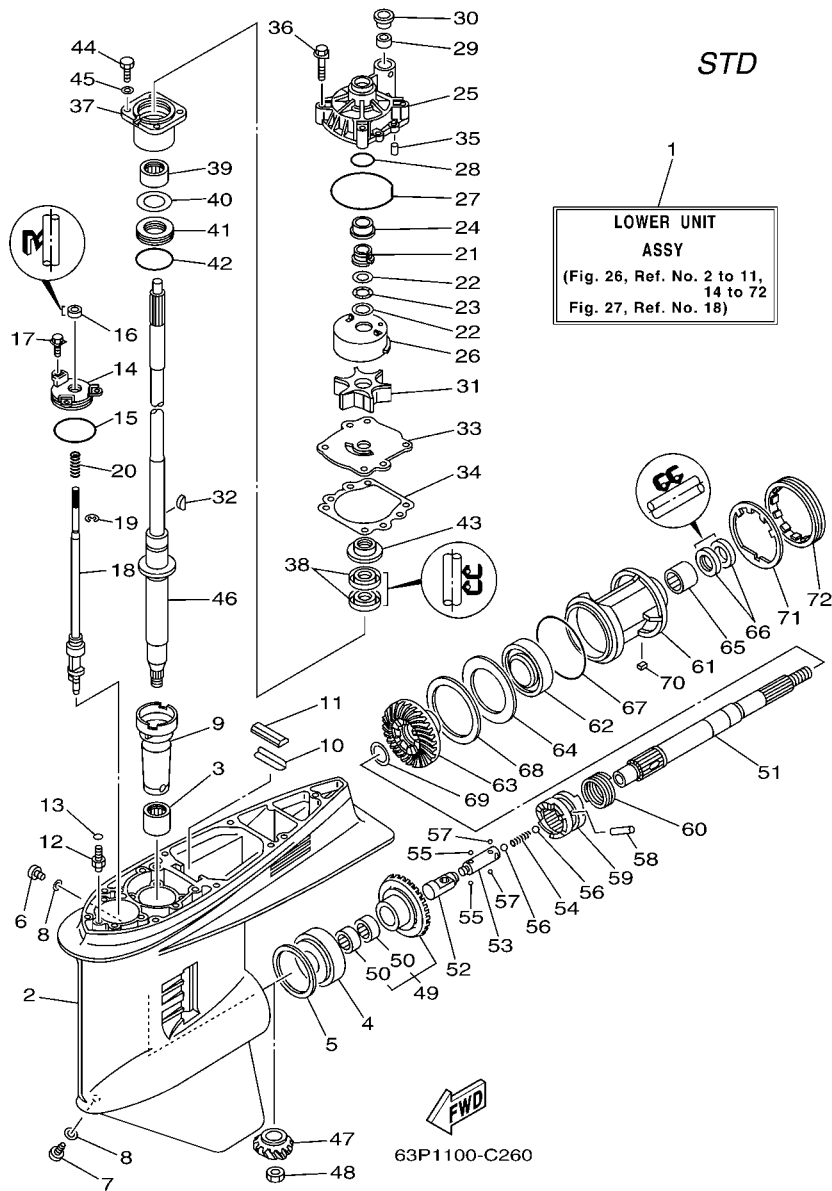
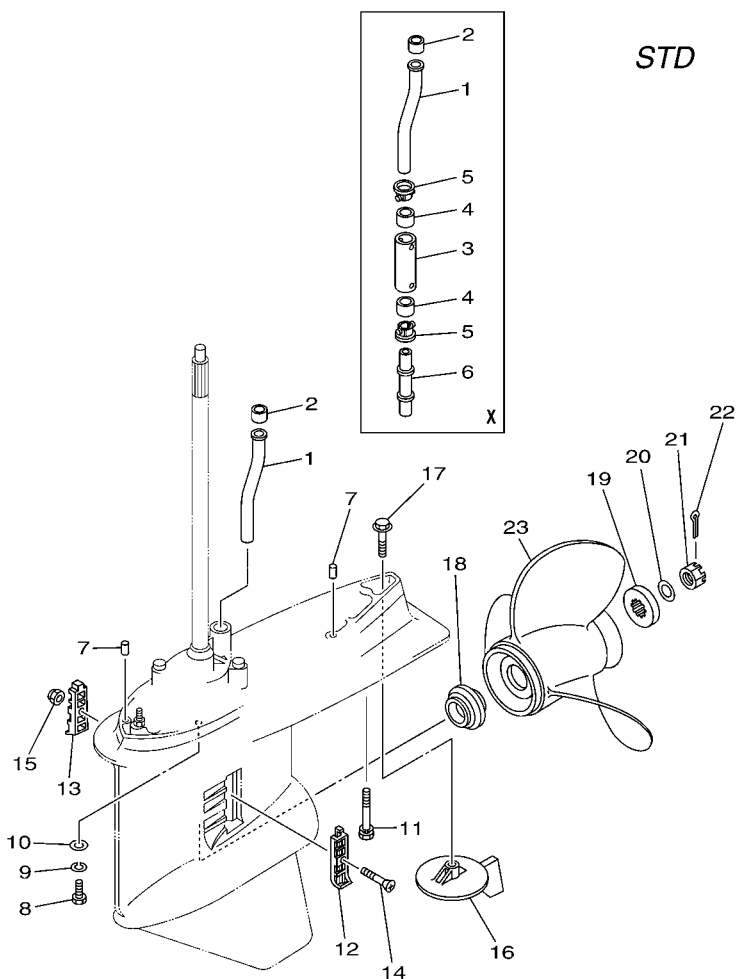


FIG. 26 LOWER CASING & DRIVE 1

REF. NO.	PART NO.	DESCRIPTION	63P2	64P2	REMARKS
67	93210-97M55	O-RING	1		
68	6G5-45577-02	SHIM (T:0.10MM)	1		UR
	6G5-45577-10	SHIM (T:0.12MM)	1		UR
	6G5-45577-20	SHIM (T:0.15MM)	1		UR
	6G5-45577-30	SHIM (T:0.18MM)	1		UR
	6G5-45577-40	SHIM (T:0.30MM)	1		UR
	6G5-45577-50	SHIM (T:0.40MM)	1		UR
	6G5-45577-60	SHIM (T:0.50MM)	1		UR
69	90201-30M92	WASHER, PLATE	1		
70	90282-04M00	KEY, STRAIGHT	1		
71	6G5-45383-01	WASHER, CLAW	1		
72	6G5-45384-02	NUT	1		

FIG. 27 LOWER CASING & DRIVE 2

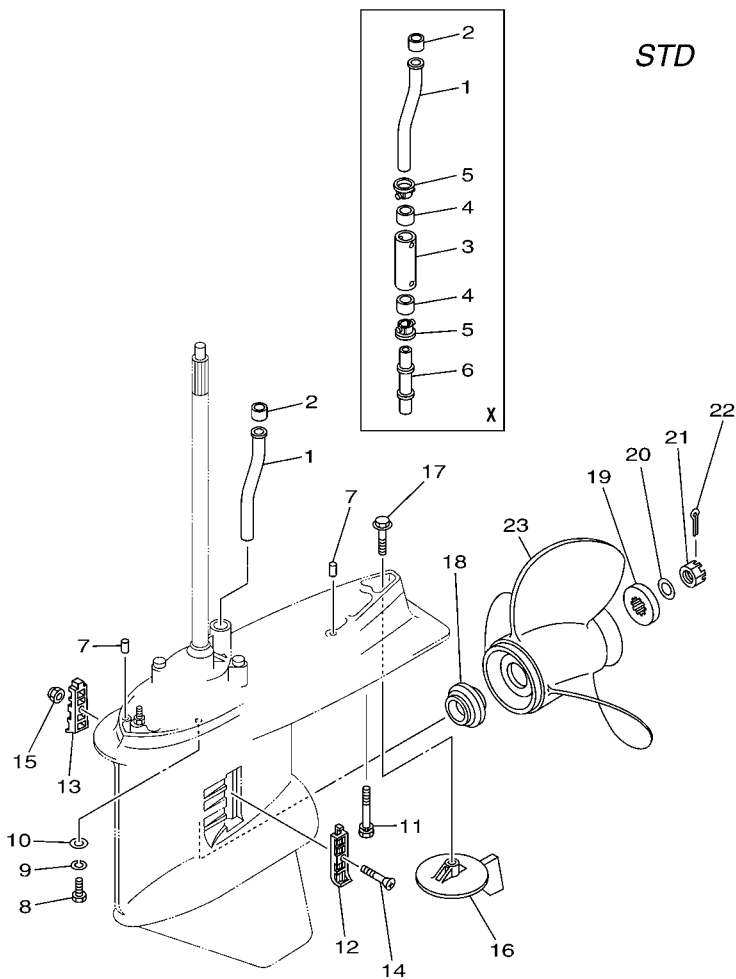


FWD
63P1010-C260

REF. NO.	PART NO.	DESCRIPTION	63P2	64P2		REMARKS
1	63P-44361-00	TUBE, WATER	1			
2	6E5-44365-00	DAMPER, WATER SEAL	1			
3	63P-44362-00	TUBE, WATER	1			X
4	6E5-44365-00	DAMPER, WATER SEAL	2			X
5	6E5-44312-00	COVER, WATER PUMP HOUSING	2			X
6	63P-44363-00	TUBE, WATER 3	1			X
7	93608-16M16	PIN, DOWEL	2			
8	97095-10045	BOLT	6			
9	92995-10100	WASHER	6			
10	92995-10600	WASHER	6			
11	90119-10MA2	BOLT, WITH WASHER	1			L
	90119-10008	BOLT, WITH WASHER	1			X
12	6J9-45214-00	COVER, WATER INLET	1			
13	6J9-45215-00	COVER, WATER INLET	1			
14	90152-05M08	SCREW, COUNTERSUNK	1			
15	90185-05002	NUT, SELF-LOCKING	1			
16	6J9-45371-01	TAB-TRIM	1			
17	90105-10M00	BOLT, FLANGE	1			
18	63P-45987-00	SPACER	1			
19	688-45997-01	SPACER	1			
20	92990-18200	WASHER	1			
21	90171-18M04	NUT, CASTLE	1			
22	91490-40030	PIN, COTTER	1			
23	6G5-45941-00-98	PROPELLER (3X15-1/4"X15"-M)	1			UR
	6G5-45943-01-98	PROPELLER (3X13-3/4"X21"-M)	1			UR
	6G5-45945-01-98	PROPELLER (3X14"X19"-M)	1			UR
	6G5-45947-01-98	PROPELLER (3X14-1/2"X17"-M)	1			UR

B7

FIG. 27 LOWER CASING & DRIVE 2



 63P1010-C260

REF. NO.	PART NO.	DESCRIPTION	63P2	64P2		REMARKS
23	6G5-45949-00-98	PROPELLER (3X13-1/2"X23"-M)	1			UR
	6G5-45930-00-98	PROPELLER (3X13-3/8"X25"-M)	1			UR
	6G5-45932-00-98	PROPELLER (3X15-3/4"X13"-M)	1			UR
	6G5-45970-02-98	PROPELLER (3X15-1/4"X15"-M)	1			UR
	6G5-45972-02-98	PROPELLER (3X13-3/4"X21"-M)	1			UR
	6G5-45974-03-98	PROPELLER (3X13-3/4"X19"-M2)	1			UR
	6G5-45976-01-98	PROPELLER (3X13-3/8"X23"-M)	1			UR
	6G5-45978-03-98	PROPELLER (3X13-3/4"X17"-M2)	1			UR
	6R4-45970-A0	PROPELLER (3X15-1/4"X19"-M)	1			UR
	6R4-45972-A0	PROPELLER (3X14-7/8"X21"-M)	1			UR
	6R4-45974-A0	PROPELLER (3X14-1/2"X23"-M)	1			UR
	6R4-45976-A0	PROPELLER (3X14-1/2"X15"-M)	1			UR
	6R4-45978-A0	PROPELLER (3X15-1/4"X17"-M)	1			UR
	6J9-45970-10	PROPELLER (3X14-1/2"X25"-M)	1			UR
	6J9-45972-10	PROPELLER (3X14-1/2"X23"-M)	1			UR
	6J9-45974-10	PROPELLER (3X14-1/2"X27"-M)	1			UR
	6J9-45976-10	PROPELLER (3X14-1/2"X21"-M)	1			UR

C1

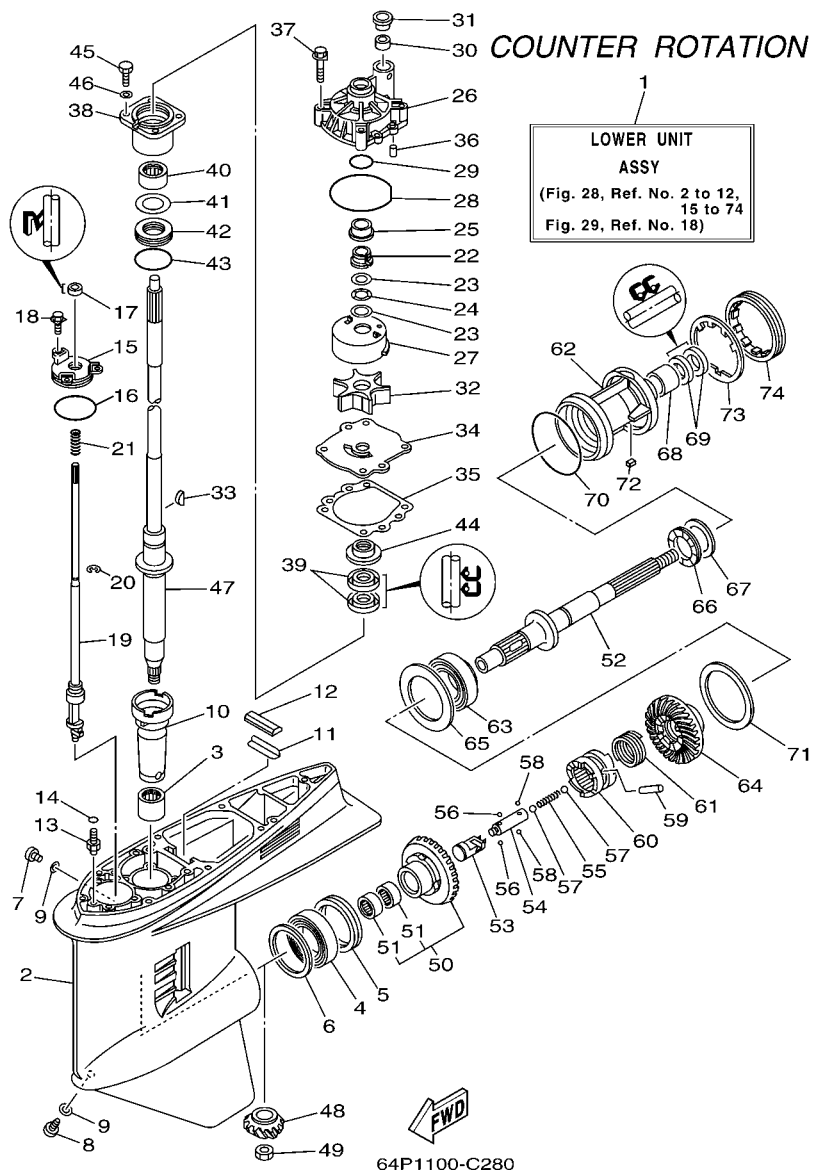


FIG. 28 LOWER CASING & DRIVE 3

REF. NO.	PART NO.	DESCRIPTION	63P2	64P2	REMARKS
1	64P-45300-11-8D	LOWER UNIT ASSY		1	X
2	6J9-45301-05-8D	CASING, LOWER		1	
3	93311-928U5	BEARING		1	
4	93390-000U2	BEARING		1	
5	93341-465U4	BEARING		1	
6	6G5-45567-01	SHIM (T:0.10MM)		1	UR
	6G5-45567-10	SHIM (T:0.12MM)		1	UR
	6G5-45567-20	SHIM (T:0.15MM)		1	UR
	6G5-45567-30	SHIM (T:0.18MM)		1	UR
	6G5-45567-40	SHIM (T:0.30MM)		1	UR
	6G5-45567-50	SHIM (T:0.40MM)		1	UR
	6G5-45567-60	SHIM (T:0.50MM)		1	UR
7	90340-08002	PLUG, STRAIGHT SCREW		1	
8	688-45341-10	PLUG, DRAIN		1	
9	90430-08020	GASKET		2	
10	6G5-45536-01	SLEEVE, DRIVE SHAFT		1	
11	663-45376-00-94	GUIDE, SEAL DAMPER		1	
12	688-45375-00	DAMPER, SEAL		1	
13	63P-45378-00	NIPPLE, HOSE		1	
14	93210-07003	O-RING		1	
15	6E5-45321-00	PLATE		1	
16	93210-58144	O-RING		1	
17	93106-09014	OIL SEAL		1	
18	90119-06M10	BOLT, WITH WASHER		3	
19	64P-44150-10	SHIFT CAM ASSY		1	X
20	99001-08600	CIRCLIP		1	
21	90501-11M10	SPRING, COMPRESSION		1	

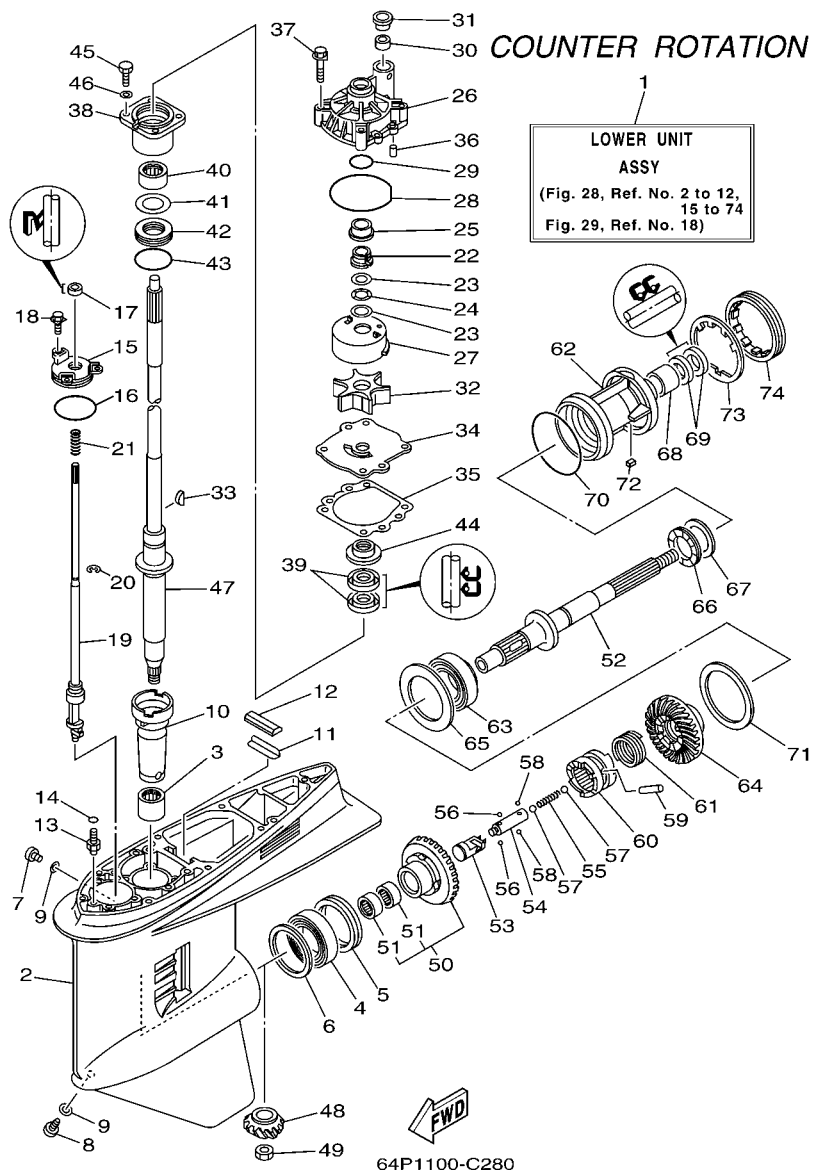


FIG. 28 LOWER CASING & DRIVE 3

REF. NO.	PART NO.	DESCRIPTION	63P2	64P2	REMARKS
22	61A-45538-00	SPACER 1		1	
23	90201-22M01	WASHER, PLATE		2	
24	90206-22M19	WASHER, WAVE		1	
25	61A-45527-00	COLLAR, DRIVE SHAFT		1	
26	61A-44311-01	HOUSING, WATER PUMP		1	
27	61A-44322-02	INSERT, CARTRIDGE		1	
28	93210-86M38	O-RING		1	
29	93210-37160	O-RING		1	
30	6E5-44365-00	DAMPER, WATER SEAL		1	
31	6E5-44312-00	COVER, WATER PUMP HOUSING		1	
32	6E5-44352-01	IMPELLER		1	
33	90280-04M05	KEY, WOODRUFF		1	
34	6G5-44323-00	OUTER PLATE, CARTRIDGE		1	
35	6E5-44315-A0	GASKET, WATER PUMP		1	
36	93606-12019	PIN, DOWEL		2	
37	90119-08M14	BOLT, WITH WASHER		4	
38	6E5-45331-00-94	HOUSING, BEARING		1	
39	93101-28M16	OIL SEAL		2	
40	93317-330U2	BEARING		1	
41	6E5-45587-01	SHIM (T:0.10MM)		1	UR
	6E5-45587-10	SHIM (T:0.12MM)		1	UR
	6E5-45587-20	SHIM (T:0.15MM)		1	UR
	6E5-45587-30	SHIM (T:0.18MM)		1	UR
	6E5-45587-40	SHIM (T:0.30MM)		1	UR
	6E5-45587-50	SHIM (T:0.40MM)		1	UR
	6E5-45587-60	SHIM (T:0.50MM)		1	UR
42	93341-930V2	BEARING		1	

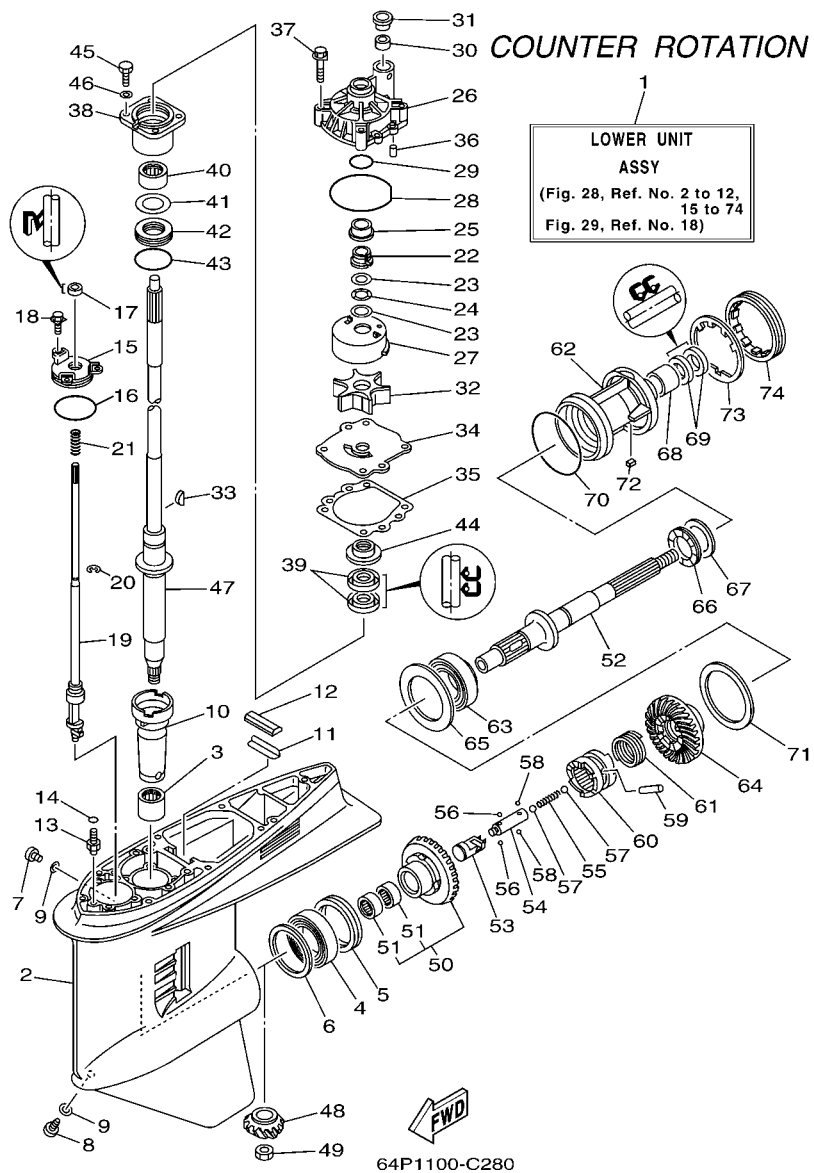


FIG. 28 LOWER CASING & DRIVE 3

REF. NO.	PART NO.	DESCRIPTION	63P2	64P2	REMARKS
43	93210-55M14	O-RING		1	
44	6E5-45344-00	COVER, OIL SEAL		1	
45	97095-08025	BOLT		4	
46	92995-08600	WASHER		4	
47	63P-45501-10	DRIVE SHAFT COMP.		1	X
48	63P-45551-00	PINION (14T)		1	
49	90170-16M01	NUT		1	
50	64P-45560-01	GEAR 1 (28T)		1	
51	93315-425V3	.BEARING		2	
52	6K1-45611-10	SHAFT, PROPELLER		1	
53	6K1-45641-01	SHIFTER		1	
54	6E5-45634-01	SLIDE, SHIFT		1	
55	90501-16M37	SPRING, COMPRESSION		1	
56	93507-32009	BALL		2	
57	93511-32017	BALL		2	
58	93503-16003	BALL		2	
59	90250-08M07	PIN, STRAIGHT		1	
60	63P-45631-01	CLUTCH, DOG		1	
61	6E5-45633-01	RING, CROSS PIN		1	
62	6K1-45332-01-8D	HOUSING, BEARING		1	
63	93332-00048	BEARING		1	
64	64P-45570-01	GEAR 2 (28T)		1	
65	6K1-45576-00	WASHER, THRUST		1	
66	93341-440U5	BEARING		1	UR
67	6K1-45578-01	SHIM (T:0.10MM)		1	UR
	6K1-45578-10	SHIM (T:0.12MM)		1	UR
	6K1-45578-20	SHIM (T:0.15MM)		1	UR

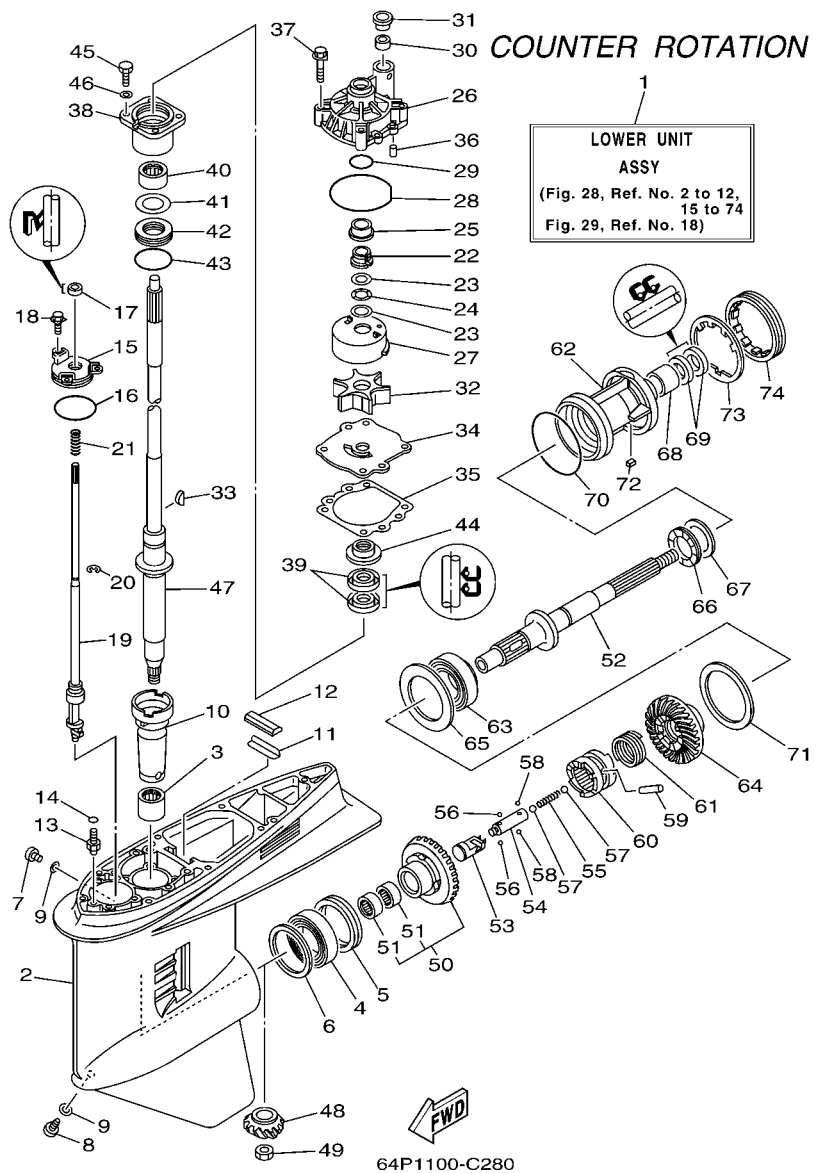
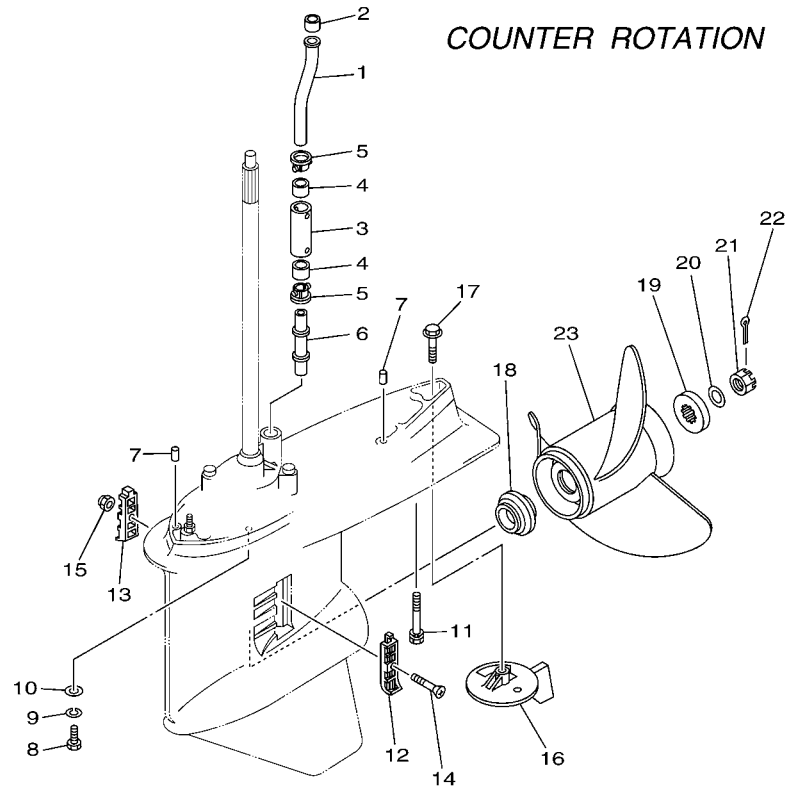


FIG. 28 LOWER CASING & DRIVE 3

REF. NO.	PART NO.	DESCRIPTION	63P2	64P2	REMARKS
67	6K1-45578-30	SHIM (T:0.18MM)		1	UR
	6K1-45578-40	SHIM (T:0.30MM)		1	UR
	6K1-45578-50	SHIM (T:0.40MM)		1	UR
	6K1-45578-60	SHIM (T:0.50MM)		1	UR
68	93315-43061	BEARING		1	
69	93101-30M17	OIL SEAL		2	
70	93210-97M55	O-RING		1	
71	6G5-45577-02	SHIM (T:0.10MM)		1	UR
	6G5-45577-10	SHIM (T:0.12MM)		1	UR
	6G5-45577-20	SHIM (T:0.15MM)		1	UR
	6G5-45577-30	SHIM (T:0.18MM)		1	UR
	6G5-45577-40	SHIM (T:0.30MM)		1	UR
	6G5-45577-50	SHIM (T:0.40MM)		1	UR
	6G5-45577-60	SHIM (T:0.50MM)		1	UR
72	90282-04M00	KEY, STRAIGHT		1	
73	6G5-45383-01	WASHER, CLAW		1	
74	6G5-45384-02	NUT		1	

FIG. 29 LOWER CASING & DRIVE 4



FWD
64P1010-C280

REF. NO.	PART NO.	DESCRIPTION	63P2	64P2	REMARKS
1	63P-44361-00	TUBE, WATER		1	
2	6E5-44365-00	DAMPER, WATER SEAL		1	
3	63P-44362-00	TUBE, WATER		1	X
4	6E5-44365-00	DAMPER, WATER SEAL		2	X
5	6E5-44312-00	COVER, WATER PUMP HOUSING		2	X
6	63P-44363-00	TUBE, WATER 3		1	X
7	93608-16M16	PIN, DOWEL		2	
8	97095-10045	BOLT		6	
9	92995-10100	WASHER		6	
10	92995-10600	WASHER		6	
11	90119-10008	BOLT, WITH WASHER		1	X
12	6J9-45214-00	COVER, WATER INLET		1	
13	6J9-45215-00	COVER, WATER INLET		1	
14	90152-05M08	SCREW, COUNTERSUNK		1	
15	90185-05002	NUT, SELF-LOCKING		1	
16	6K1-45371-02	TAB-TRIM		1	
17	90105-10M00	BOLT, FLANGE		1	
18	63P-45987-00	SPACER		1	
19	688-45997-01	SPACER		1	
20	92990-18200	WASHER		1	
21	90171-18M04	NUT, CASTLE		1	
22	91490-40030	PIN, COTTER		1	
23	6K1-45970-01-98	PROPELLER (3X15-1/4"X15"-ML)		1	UR
	6K1-45972-01-98	PROPELLER (3X13-3/4"X21"-ML)		1	UR
	6K1-45974-02-98	PROPELLER (3X13-3/4"X19"-ML1)		1	UR
	6K1-45976-00-98	PROPELLER (3X13-3/8"X23"-ML)		1	UR
	6K1-45978-02-98	PROPELLER (3X13-3/4"X17"-ML1)		1	UR

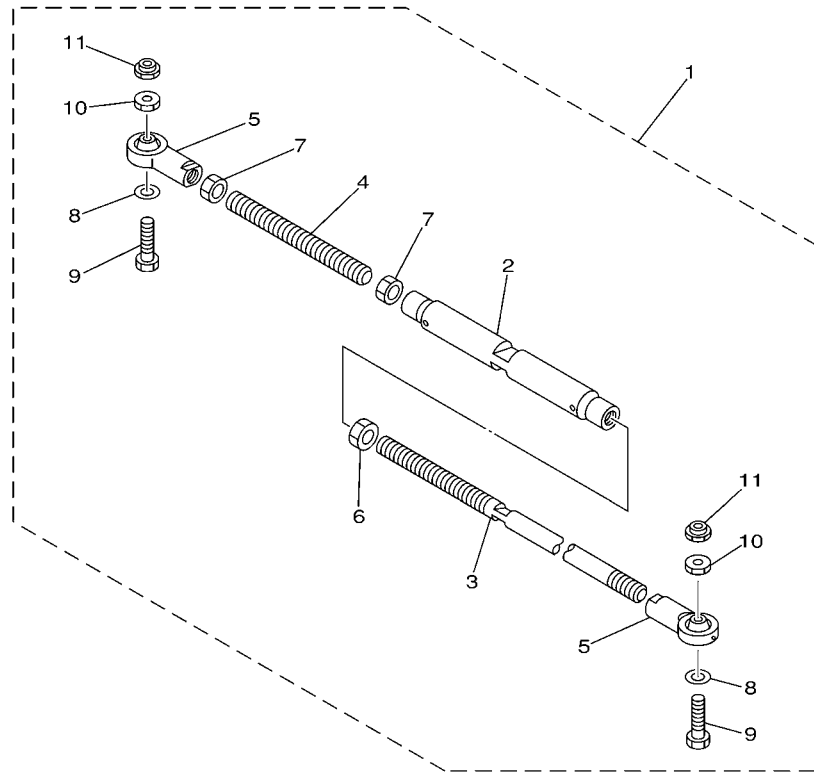
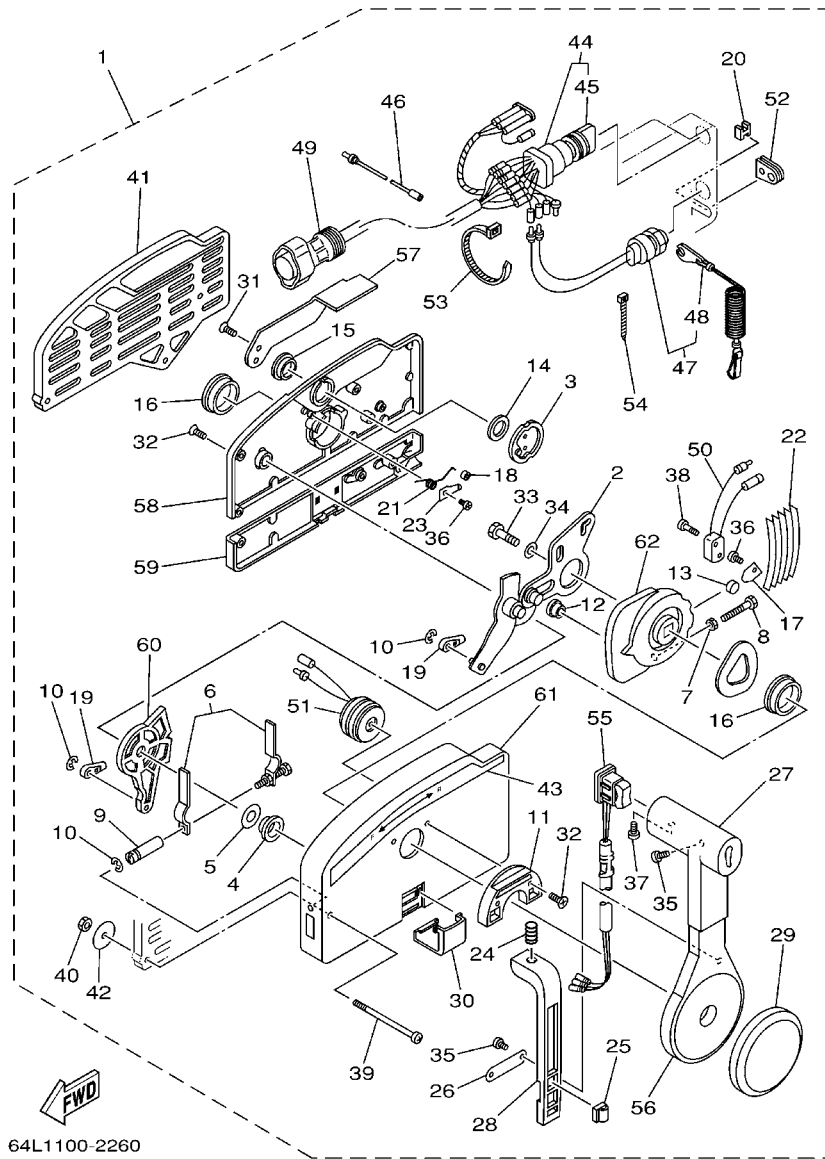


FIG. 31 STEERING GUIDE ATTACHMENT 2

REF. NO.	PART NO.	DESCRIPTION	63P2	64P2	REMARKS
1	6E5-61301-01	TWIN KIT (L:600-800MM)		1	AP
2	6E5-61313-00	.ADJUSTER		1	
3	6E5-61311-11	.TIE BAR		1	
4	6E5-61315-00	.TIE BAR		1	
5	6E5-61303-00	.STEERING EYE COMP.		2	
6	90170-14M06	.NUT		1	
7	95380-14700	.NUT		2	
8	90201-10M76	.WASHER, PLATE		2	
9	90101-09M70	.BOLT		2	
10	90170-09M05	.NUT		2	
11	90185-09M01	.NUT, SELF-LOCKING		2	

67H0100-0300



64L1100-2260

FIG. 33 REMOTE CONTROL ASSY 1

REF. NO.	PART NO.	DESCRIPTION	63P2	64P2	REMARKS
1	703-48205-17	REMOTE CONTROL ASSY (10P)	1		AP WITH PT/T SW.
2	703-48261-01	.ARM, THROTTLE	1		
3	703-48153-00	.SHAFT, FREE ACCEL.	1		
4	703-48235-00	.BUSHING	1		
5	703-48268-00	.SPACER	1		
6	703-48264-00	.FRICTION, THROTTLE	1		
7	95380-05600	.NUT	1		
8	97380-05025	.BOLT	1		
9	703-48265-00	.SHAFT, FRICTION	1		
10	93430-06024	.CIRCLIP	3		
11	703-48245-00	.PLATE, LOCK	1		
12	703-48252-00	.ROLLER, CAM	1		
13	701-48248-00	.ROLLER, FREE ACCEL.	1		
14	703-48198-00	.WASHER, WAVE	1		
15	703-48243-00	.BUSHING	1		
16	703-48236-00	.BUSHING 1	2		
17	703-48189-00	.RETAINER	1		
18	703-48234-00	.ROLLER, DETENT	1		
19	703-48345-01	.CABLE END, REMOTE CONTROL 2	2		
20	703-48358-00	.ANCHOR, CABLE	1		
21	703-48244-00	.SPRING, FREE ACCEL.	1		
22	703-48238-00	.SPRING, DETENT	5		
23	703-48246-00	.SPACER	1		
24	703-48227-00	.SPRING, NEUTRAL LOCK	1		
25	703-82594-00	.CLAMP	1		WITH PT/T SW.
26	703-48226-00	.PLATE, STOPPER	1		
27	703-48222-00	.GRIP, CONTROL LEVER	1		SINGLE

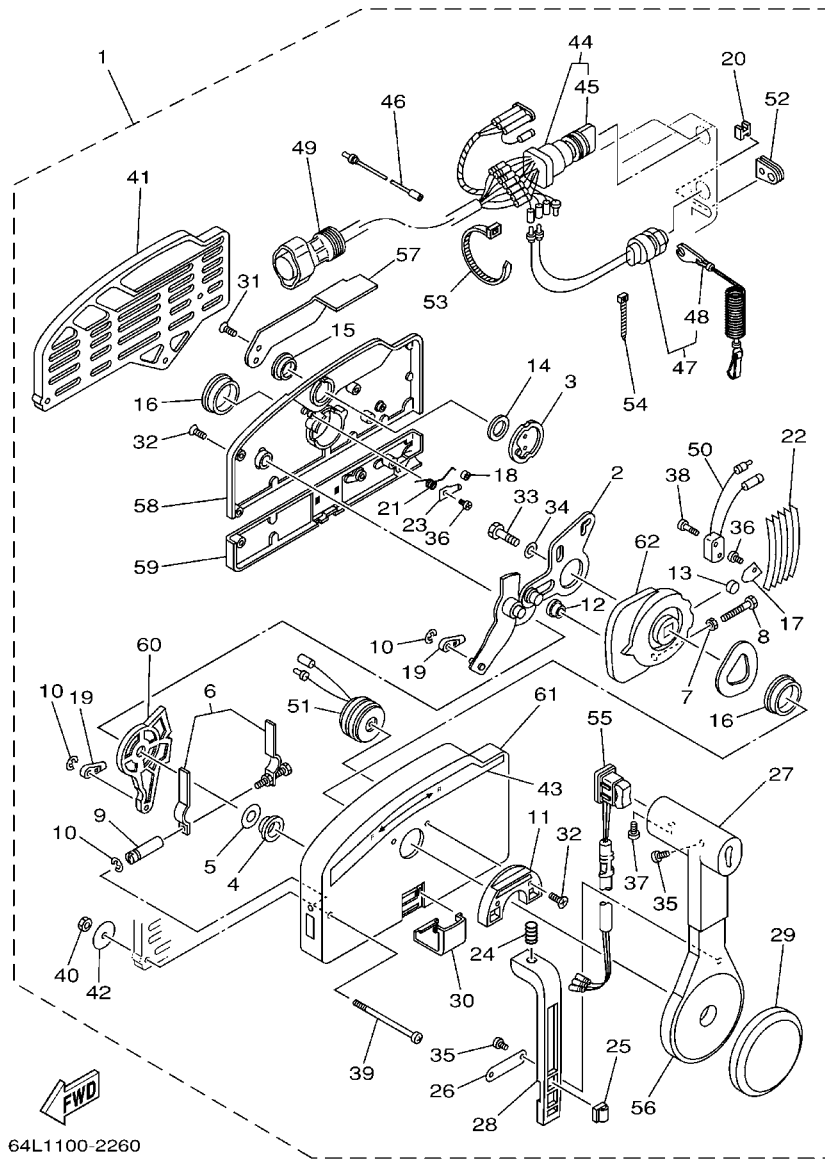
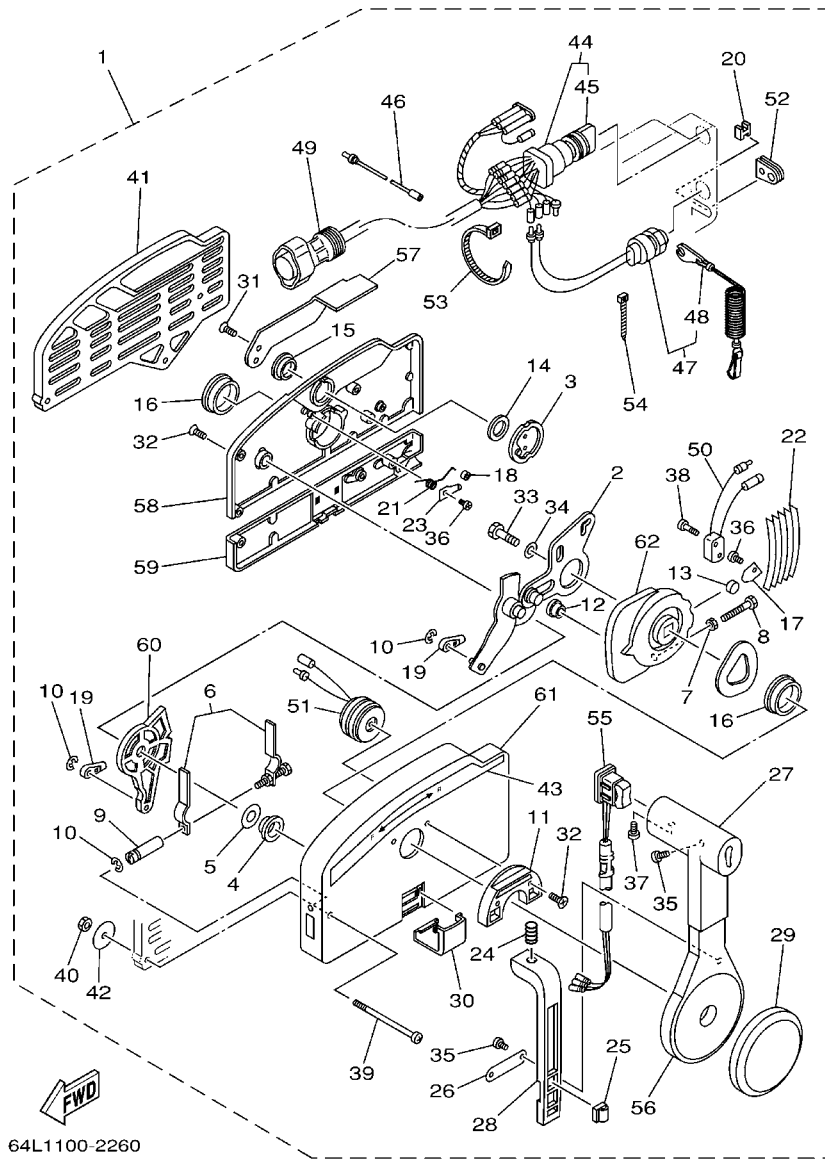


FIG. 33 REMOTE CONTROL ASSY 1

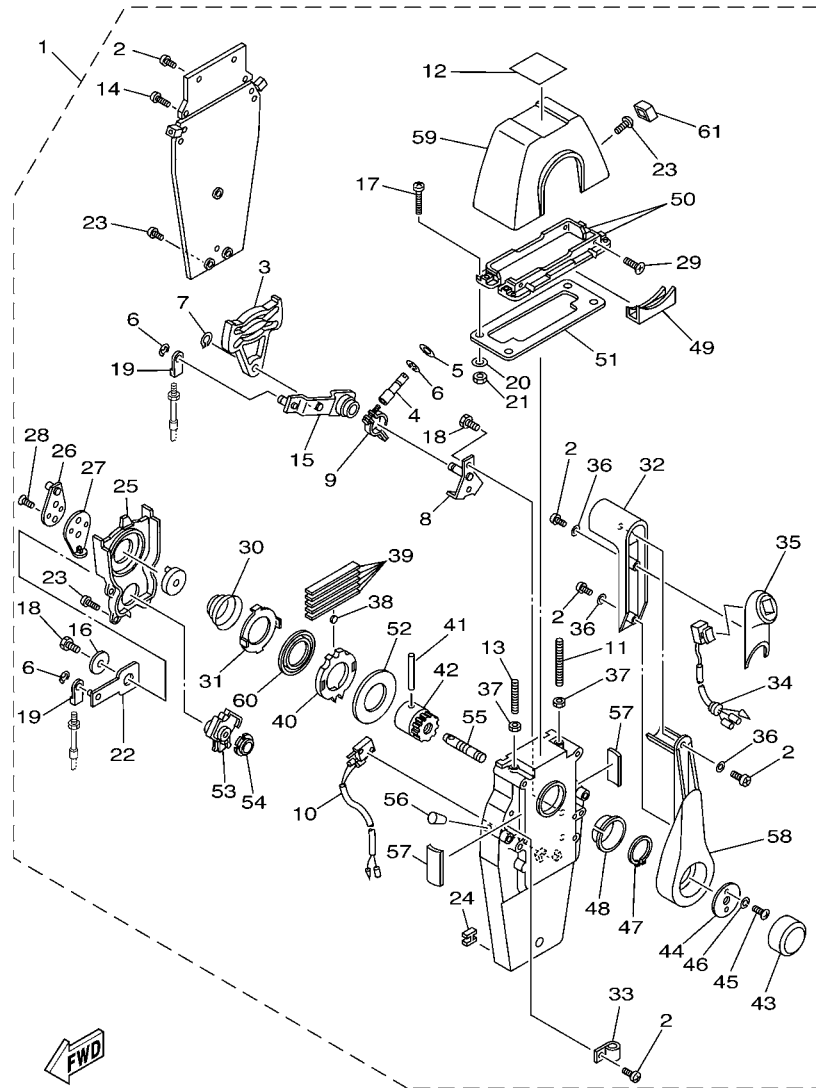
REF. NO.	PART NO.	DESCRIPTION	63P2	64P2		REMARKS
28	703-48223-00	.LOCK, NEUTRAL	1			
29	703-48225-00	.COVER	1			
30	703-48219-00	.COVER, LEAD	1			
31	703-48281-00	.SCREW	2			
32	703-48282-00	.SCREW	7			
33	97380-08030	.BOLT	1			
34	92990-08600	.WASHER, PLATE	1			
35	98580-04010	.SCREW, PAN HEAD	3			
36	98580-04006	.SCREW, PAN HEAD	2			
37	98580-05010	.SCREW, PAN HEAD	1			
38	98580-03015	.SCREW, PAN HEAD	2			
39	703-48291-10	.SCREW (M6)	3			
40	95380-06600	.NUT, HEXAGON	3			
41	703-48293-10	.SPACER, REMOTE CONTROL	1			SINGLE
42	701-48287-00	.WASHER	3			
43	703-48215-00	.GRAPHIC	1			
44	703-82510-43	.MAIN SWITCH ASSY	1			
45	703-82577-00	..CAP, KEY	1			
46	703-82531-00	.WIRE, LEAD	1			
47	688-82575-01	.ENGINE STOP SWITCH ASSY	1			
48	682-82556-00	..STOPPER	1			
49	688-8258A-20	.EXTENSION, WIRE HARNESS	1			L:5M (10P)
50	703-82540-00	.NEUTRAL SWITCH ASSY	1			
51	703-83383-02	.BUZZER	1			
52	703-48284-00	.GROMMET	1			
53	703-82591-00	.BAND	1			
54	703-82592-00	.BAND	1			



64L1100-2260

FIG. 33 REMOTE CONTROL ASSY 1

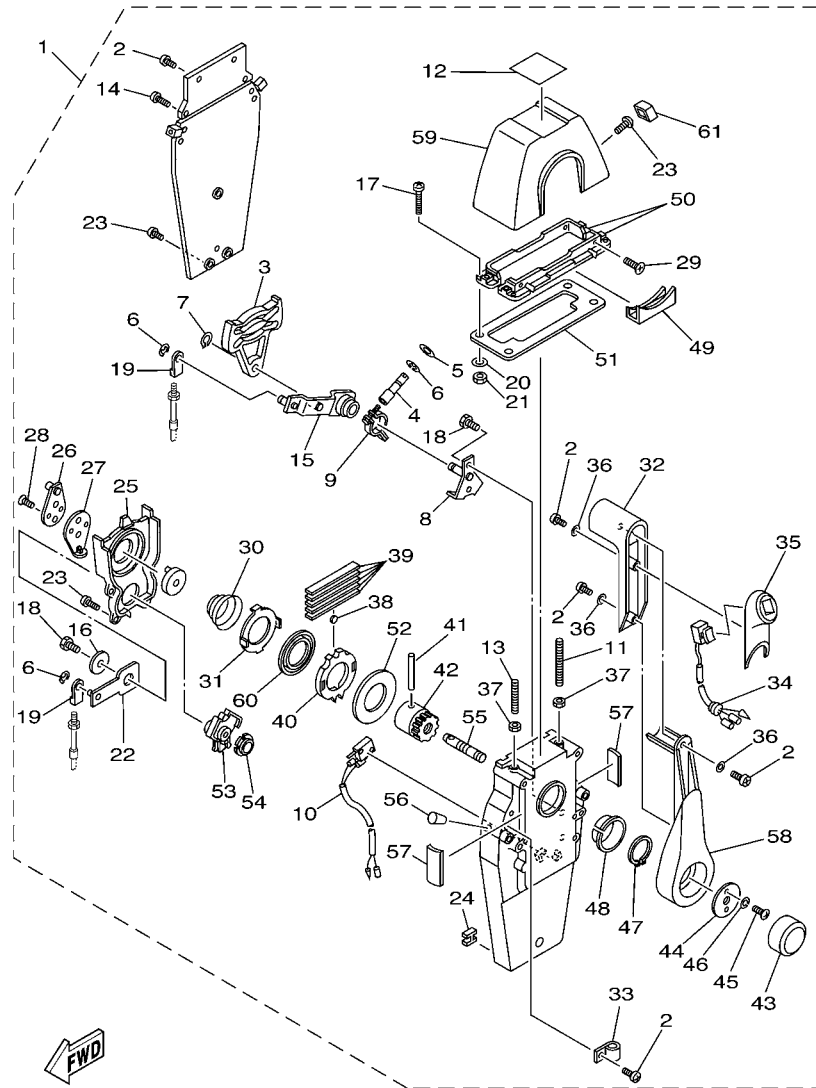
REF. NO.	PART NO.	DESCRIPTION	63P2	64P2	REMARKS
55	703-82563-02	.TRIM & TILT SWITCH ASSY	1		WITH PT/T SW.
56	703-48221-00	.LEVER, CONTROL	1		
57	703-48152-00	.KNOB, FREE ACCEL.	1		
58	703-48212-00	.BACK PLATE 1	1		
59	703-48213-00	.BACK PLATE 2	1		
60	703-48271-00	.ARM, SHIFT	1		
61	703-48211-01	.HOUSING,1	1		
62	703-48232-00	.GEAR	1		



63P2100-D340

FIG. 34 REMOTE CONTROL ASSY 2

REF. NO.	PART NO.	DESCRIPTION	63P2	64P2	REMARKS
1	704-48205-P0	REMOTE CONTROL ASSY	1		AP CAR WITH PT/T SW.
2	704-48128-00	.SCREW 2	6		
3	EL8-48251-00	.PLATE, CAM	1		
4	704-48265-00	.SHAFT, FRICTION	1		
5	701-48246-00	.SPACER	1		
6	93430-06024	.CIRCLIP	4		
7	EL8-48259-00	.CIRCLIP 1	1		
8	704-48262-00	.SHAFT, THROTTLE	1		
9	704-48264-00	.THROTTLE, FRICTION	1		
10	704-82540-20	.NEUTRAL SWITCH ASSY	1		
11	EL8-48281-00	.SCREW	1		
12	704-48215-20	.GRAPHIC	1		
13	704-48281-00	.SCREW	1		
14	97890-05025	.SCREW, PAN HEAD	2		
15	704-48261-00	.ARM, THROTTLE	1		
16	EL8-48191-00	.WASHER 1	1		
17	704-48283-00	.SCREW	4		
18	97380-06018	.BOLT	3		
19	703-48345-01	.CABLE END, REMOTE CONTROL 2	2		
20	704-48287-00	.WASHER	4		
21	95380-05600	.NUT	4		
22	704-48271-00	.ARM, SHIFT	1		
23	EL8-48127-00	.SCREW 1	10		
24	703-48358-00	.ANCHOR, CABLE	1		
25	704-48231-00	.HOUSING, GEAR	1		
26	EL8-48241-00	.ARM, DRIVE	1		
27	EL8-48254-00	.STOPPER, THROTTLE ADJUSTING	1		



63P2100-D340

FIG. 34 REMOTE CONTROL ASSY 2

REF. NO.	PART NO.	DESCRIPTION	63P2	64P2			REMARKS
28	92780-06020	.SCREW, FLAT HEAD	2				
29	98780-05018	.SCREW, FLAT HEAD	4				
30	EL8-48244-00	.SPRING, FREE ACCEL.	1				
31	EL8-48245-00	.PLATE, LOCK	1				
32	704-48222-P0	.GRIP, CONTROL LEVER	1				
33	704-82594-00	.CLAMP	1				
34	704-82563-40	.TRIM & TILT SWITCH ASSY	1				
35	704-48229-P0	.GRIP, CONTROL LEVER	1				
36	92990-05300	.WASHER, INTERNAL TOOTH	3				
37	95380-06600	.NUT, HEXAGON	2				
38	701-48248-00	.ROLLER, FREE ACCEL.	1				
39	704-48238-00	.SPRING, DETENT	5				
40	704-48232-P0	.GEAR	1				
41	EL8-48164-00	.PIN 2	1				
42	704-48242-10	.SHAFT, DRIVE	1				
43	6X3-48225-20	.COVER	1				
44	704-48192-00	.WASHER 2	1				
45	97890-06018	.SCREW, PAN HEAD	2				
46	92990-06300	.WASHER, INTERNAL TOOTH	2				
47	EL8-48279-00	.CIRCLIP 2	1				
48	704-48234-00	.BUSHING 1	1				
49	704-48219-P0	.COVER, LEAD	1				
50	704-48144-10	.PLATE, STOPPER 2	2				
51	704-48176-00	.GROMMET	1				
52	704-48192-00	.WASHER 2	1				
53	704-48233-00	.GEAR 2	1				
54	702-48235-00	.BUSHING	1				

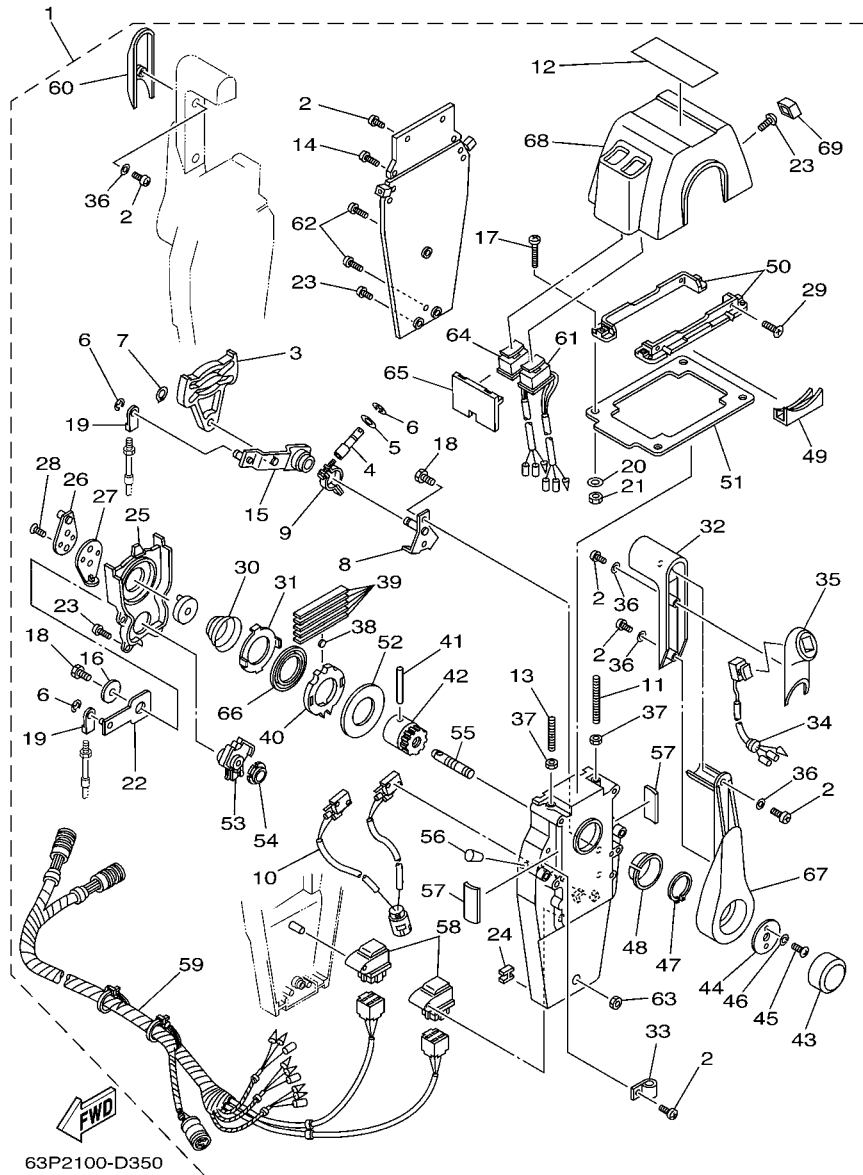
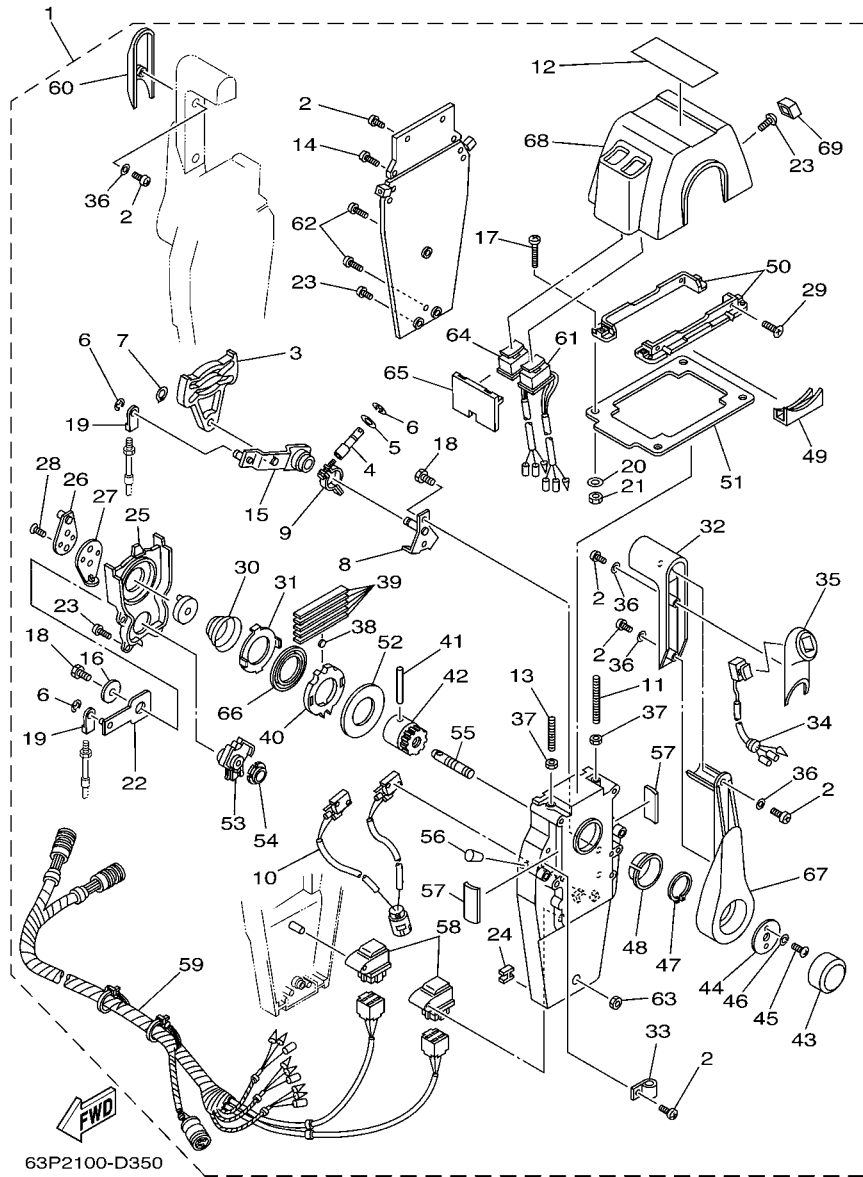


FIG. 35 REMOTE CONTROL ASSY 3

REF. NO.	PART NO.	DESCRIPTION	63P2	64P2	REMARKS
1	704-48207-P0	REMOTE CONTROL ASSY		1	AP WITH PT/T SW.
2	704-48128-00	.SCREW 2		12	
3	EL8-48251-00	.PLATE, CAM		2	
4	704-48265-00	.SHAFT, FRICTION		2	
5	701-48246-00	.SPACER		2	
6	93430-06024	.CIRCLIP		8	
7	EL8-48259-00	.CIRCLIP 1		2	
8	704-48262-00	.SHAFT, THROTTLE		2	
9	704-48264-00	.THROTTLE, FRICTION		2	
10	704-82540-30	.NEUTRAL SWITCH ASSY		1	
11	EL8-48281-00	.SCREW		2	
12	704-48215-30	.GRAPHIC		1	
13	704-48281-00	.SCREW		2	
14	97890-05025	.SCREW, PAN HEAD		4	
15	704-48261-00	.ARM, THROTTLE		2	
16	EL8-48191-00	.WASHER 1		2	
17	704-48283-00	.SCREW		4	
18	97380-06018	.BOLT		6	
19	703-48345-01	.CABLE END, REMOTE CONTROL 2		4	
20	704-48287-00	.WASHER		4	
21	95380-05600	.NUT		4	
22	704-48271-00	.ARM, SHIFT		2	
23	EL8-48127-00	.SCREW 1		18	
24	703-48358-00	.ANCHOR, CABLE		2	
25	704-48231-00	.HOUSING, GEAR		2	
26	EL8-48241-00	.ARM, DRIVE		2	
27	EL8-48254-00	.STOPPER, THROTTLE ADJUSTING		2	



63P2100-D350

FIG. 35 REMOTE CONTROL ASSY 3

REF. NO.	PART NO.	DESCRIPTION	63P2	64P2	REMARKS
28	92780-06020	.SCREW, FLAT HEAD		4	
29	98780-05018	.SCREW, FLAT HEAD		4	
30	EL8-48244-00	.SPRING, FREE ACCEL.		2	
31	EL8-48245-00	.PLATE, LOCK		2	
32	704-48222-P0	.GRIP, CONTROL LEVER		2	
33	704-82594-00	.CLAMP		1	
34	704-82563-50	.TRIM & TILT SWITCH ASSY		1	
35	704-48229-P0	.GRIP, CONTROL LEVER		1	
36	92990-05300	.WASHER, INTERNAL TOOTH		6	
37	95380-06600	.NUT, HEXAGON		4	
38	701-48248-00	.ROLLER, FREE ACCEL.		2	
39	704-48238-00	.SPRING, DETENT		10	
40	704-48232-P0	.GEAR		2	
41	EL8-48164-00	.PIN 2		2	
42	704-48242-10	.SHAFT, DRIVE		2	
43	6X3-48225-20	.COVER		2	
44	704-48192-00	.WASHER 2		2	
45	97890-06018	.SCREW, PAN HEAD		4	
46	92990-06300	.WASHER, INTERNAL TOOTH		4	
47	EL8-48279-00	.CIRCLIP 2		2	
48	704-48234-00	.BUSHING 1		2	
49	704-48219-P0	.COVER, LEAD		2	
50	704-48144-20	.PLATE, STOPPER 2		2	
51	704-48176-10	.GROMMET		1	
52	704-48192-00	.WASHER 2		2	
53	704-48233-00	.GEAR 2		2	
54	702-48235-00	.BUSHING		2	

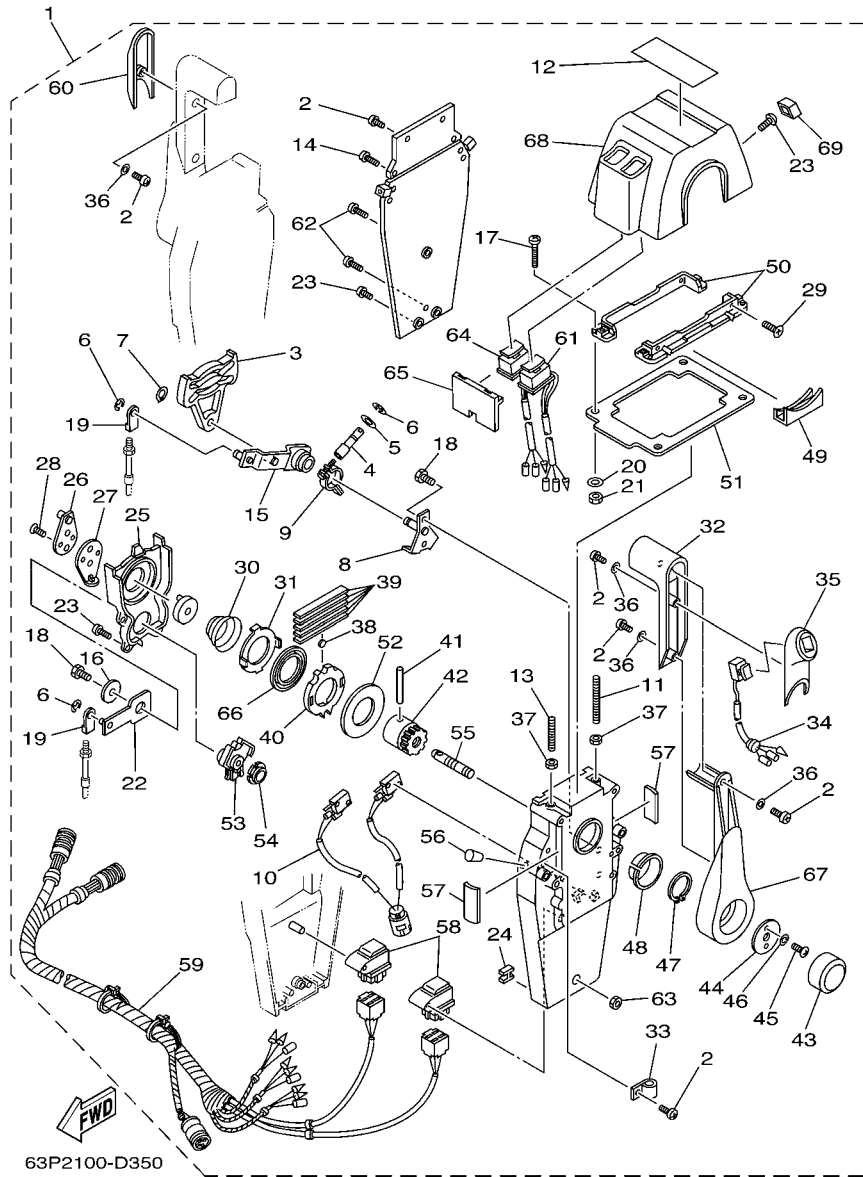


FIG. 35 REMOTE CONTROL ASSY 3

REF. NO.	PART NO.	DESCRIPTION	63P2	64P2	REMARKS
55	704-48153-00	.SHAFT, FREE ACCEL.		2	
56	704-48166-00	.PLUG		2	
57	704-48284-P0	.GROMMET		4	
58	704-81950-10	.RELAY ASSY		2	
59	704-82590-10	.WIRE HARNESS ASSY		1	
60	704-48229-00	.GRIP, CONTROL LEVER		1	
61	704-82563-H0	.TRIM & TILT SWITCH ASSY		1	
62	704-48128-00	.SCREW 2		3	
63	704-48156-00	.NUT 1		1	
64	704-82563-J0	.TRIM & TILT SWITCH ASSY		1	
65	704-48285-10	.GROMMET 2		1	
66	704-48178-10	.PLATE, SHIFT		2	
67	704-48221-P0	.LEVER, CONTROL		2	
68	704-48119-40	.COVER		1	
69	704-48167-10	.PLUG		1	

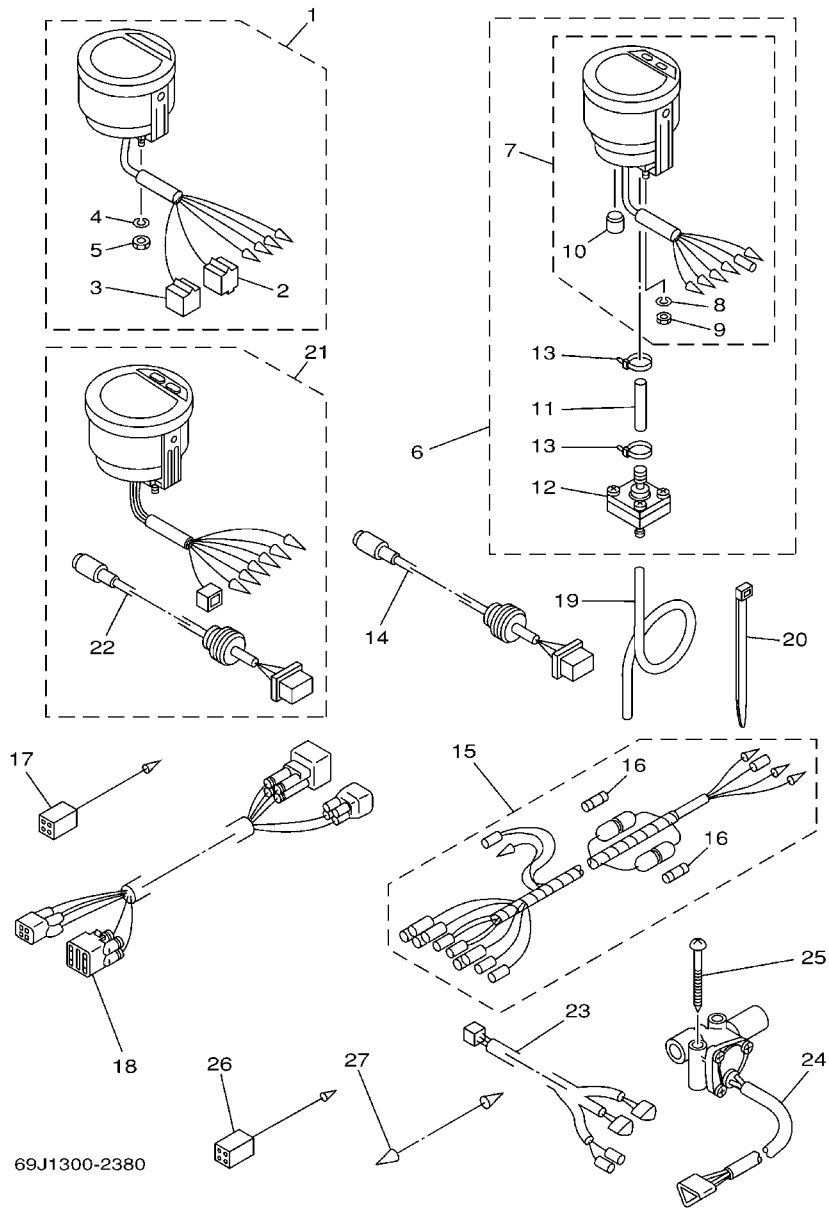
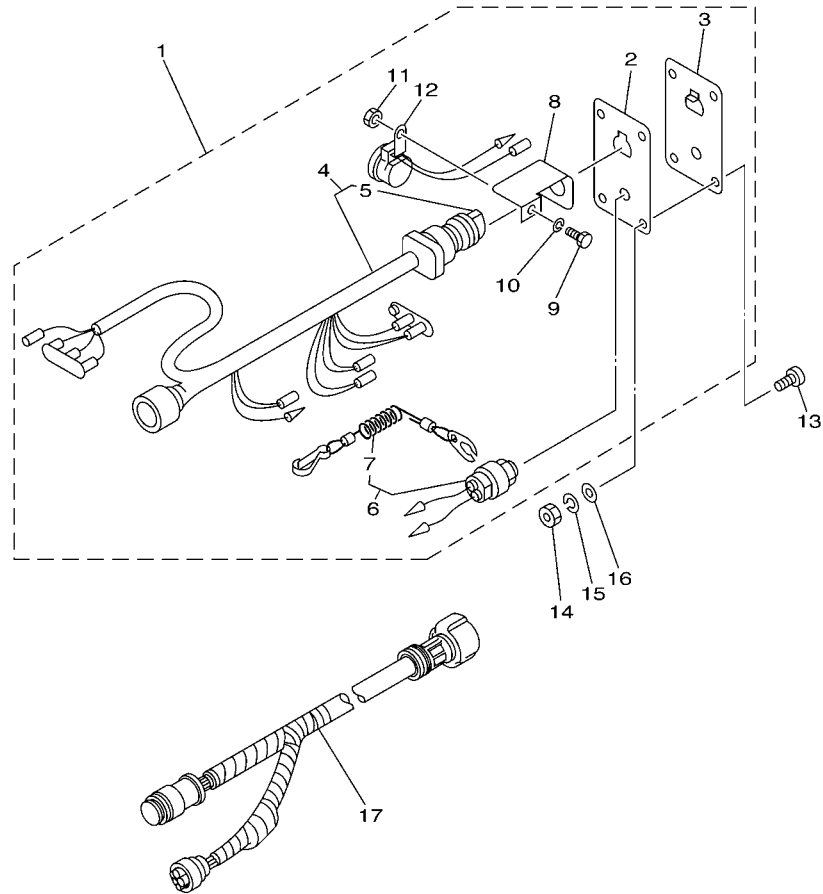


FIG. 36 METER

REF. NO.	PART NO.	DESCRIPTION	63P2	64P2		REMARKS
1	6Y5-8350T-03	TACHOMETER ASSY	1	1		AP FOR OCE,CAR
2	9E450-04433	.CONNECTOR	1	1		M-4-W
3	9E450-04533	.CONNECTOR	1	1		F-4-W
4	92990-04100	.WASHER, SPRING	2	1		
5	95380-04600	.NUT	2	1		
6	6Y5-83500-S5	DIGITAL SPEEDOMETER ASSY	1			AP FOR OCE,CAR
7	6Y5-83570-S5	.SPEEDOMETER ASSY	1			
8	92990-04100	..WASHER, SPRING	2			
9	95380-04600	..NUT	2			
10	6Y5-83533-T2	..GROMMET	1			
11	6Y5-83557-31	.TUBE	1			
12	6Y5-83728-00	.CONNECTOR ASSY	1			
13	90465-11M10	.CLAMP	2			
14	6Y5-87122-S0	CORD ASSY 1	1			AP FOR OCE,CAR
15	6Y5-83553-M0	WIRE, LEAD	1			AP FOR OCE,CAR
	6Y5-83553-00	WIRE, LEAD	1			AP FOR OCE,CAR
16	1E6-82151-00	.FUSE (10A)	2			FOR 6Y5-83553-M0
	1E6-82151-00	.FUSE (10A)		1		FOR 6Y5-83553-00
17	6Y5-82117-00	WIRE, LEAD (BLACK)	1			AP FOR OCE,CAR
18	68F-82553-80	EXTENSION, WIRE LEAD	1			AP FOR OCE,CAR
	68F-82553-90	EXTENSION, WIRE LEAD	1			AP FOR OCE,CAR
19	6Y5-83557-10	TUBE (8M)	1			AP FOR OCE,CAR
20	90465-11M10	CLAMP	2			AP FOR OCE,CAR
21	6Y5-8350F-00	FUEL MANAGEMENT METER	1			AP FOR OCE,CAR
22	6Y5-87122-S0	.CORD ASSY 1	1			
23	6Y5-83553-F1	WIRE, LEAD	1			AP FOR OCE,CAR
24	6Y5-85752-01	SENDER UNIT ASSY, FUEL METER	2			AP FOR OCE,CAR

FIG. 37 SWITCH & PANEL 1



69J2100-3400

REF. NO.	PART NO.	DESCRIPTION	63P2	64P2		REMARKS
1	6R5-82570-05	PANEL SWITCH ASSY	1			AP FOR CAR
2	6R5-82588-01	.PLATE	1			
3	704-82571-02	.PANEL, SWITCH	1			
4	6R5-82510-02	.MAIN SWITCH ASSY	1			
5	676-82577-00	..CAP, KEY	1			
6	688-82575-01	.ENGINE STOP SWITCH ASSY	1			
7	682-82556-00	..STOPPER	1			
8	64D-82581-00	.STAY, CORD CLAMP	1			
9	97303-05012	.BOLT	1			
10	92903-05100	.WASHER, SPRING	1			
11	95303-05700	.NUT	1			
12	6R5-83383-00	.BUZZER	1			
13	90149-05M05	SCREW	4			AP FOR CAR
14	95303-05600	NUT	4			AP FOR CAR
15	92903-05100	WASHER, SPRING	4			AP FOR CAR
16	92903-05600	WASHER, PLATE	4			AP FOR CAR
17	6K1-8258A-40	EXTENSION, WIRE HARNESS	1			AP FOR CAR

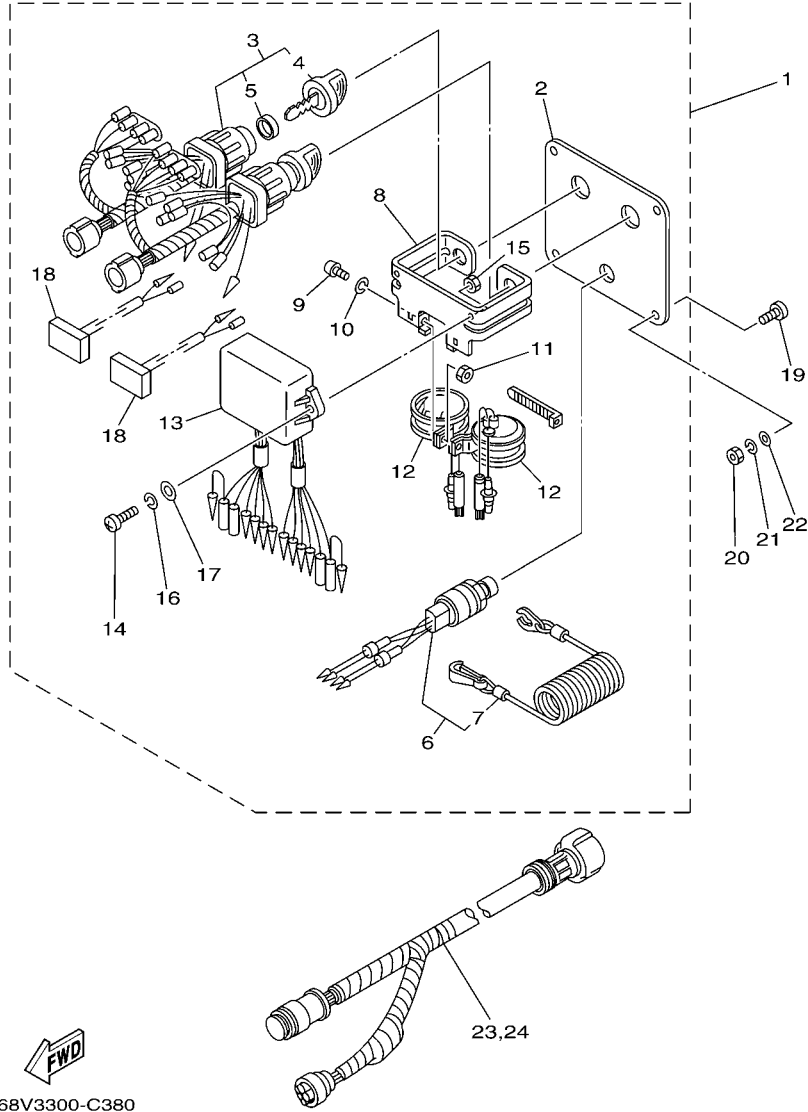


FIG. 38 SWITCH & PANEL 2

REF. NO.	PART NO.	DESCRIPTION	63P2	64P2	REMARKS
1	6K1-82570-08	PANEL SWITCH ASSY		1	AP
2	6K1-82571-02	.PANEL, SWITCH		1	
3	6K1-82510-06	.MAIN SWITCH ASSY		2	
4	703-82577-00	..CAP, KEY		1	
5	6K1-82532-00	..CAP		1	
6	6K1-82575-00	.ENGINE STOP SWITCH ASSY		1	
7	682-82556-00	..STOPPER		1	
8	6K1-83614-01	.BRACKET		1	
9	98980-05010	.SCREW, BIND		2	
10	92990-05100	.WASHER, SPRING		2	
11	95380-05600	.NUT		2	
12	688-83383-11	.BUZZER		2	
13	6K1-85830-01	.CONTROL UNIT ASSY		1	
14	98980-06020	.SCREW, BIND		2	
15	95380-06600	.NUT, HEXAGON		2	
16	92990-06100	.WASHER, SPRING		2	
17	92990-06600	.WASHER, PLATE		2	
18	6K1-81980-00	.DIODE ASSY		2	
19	90149-05M05	SCREW		4	AP
20	95380-05600	NUT		4	AP
21	92990-05100	WASHER, SPRING		4	AP
22	92990-05600	WASHER, PLATE		4	AP
23	6K1-8258A-40	EXTENSION, WIRE HARNESS		1	AP
24	61B-8258A-01	EXTENSION, WIRE HARNESS		1	AP

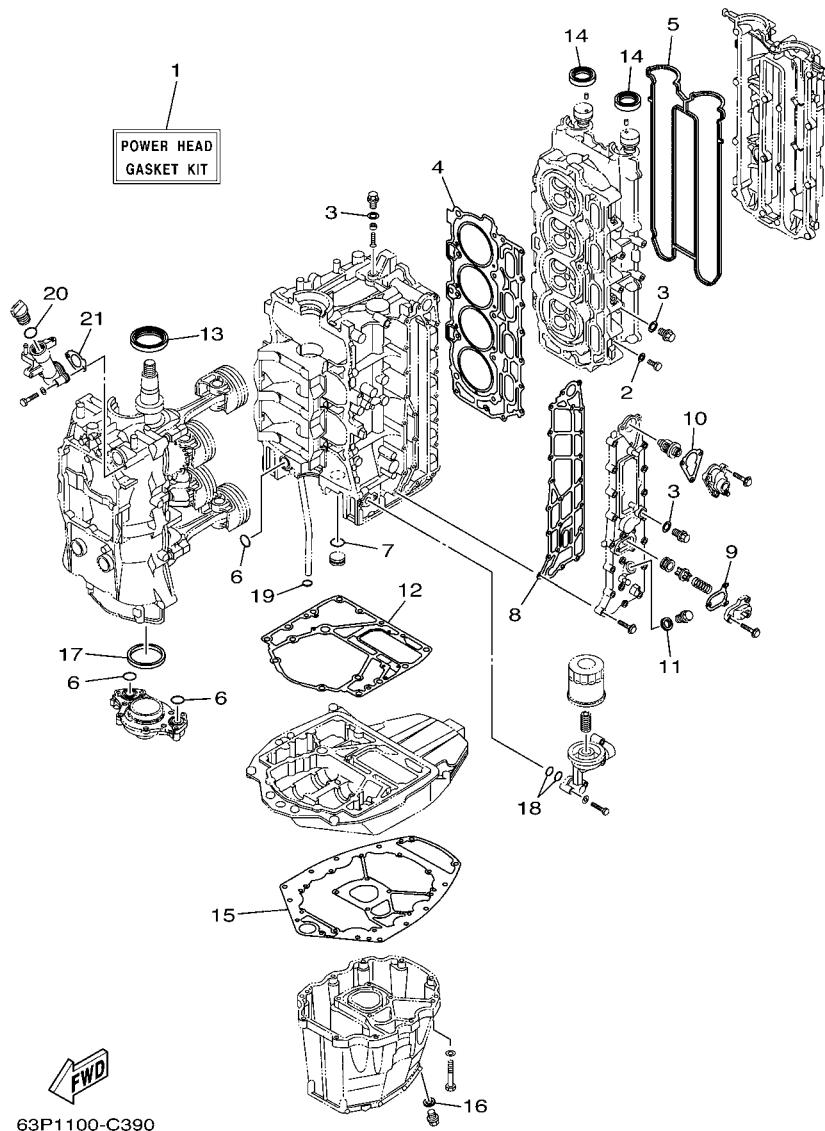


FIG. 39 REPAIR KIT 1

REF. NO.	PART NO.	DESCRIPTION	63P2	64P2				REMARKS
1	63P-W0001-00	POWER HEAD GASKET KIT	1	1				
2	90430-08143	.GASKET	4	4				
3	90430-14115	.GASKET	4	4				
4	63P-11181-00	.GASKET, CYLINDER HEAD 1	1	1				
5	63P-11193-00	.GASKET, HEAD COVER 1	1	1				
6	93210-25552	.O-RING	3	3				
7	93210-25647	.O-RING	1	1				
8	63P-41114-A0	.GASKET, EXHAUST OUTER COVER	1	1				
9	67F-12435-A0	.GASKET	1	1				
10	63P-12414-00	.GASKET, COVER	1	1				
11	90430-18130	.GASKET	1	1				
12	63P-11351-00	.GASKET, CYLINDER	1	1				
13	93102-60004	.OIL SEAL	1	1				
14	93102-38M59	.OIL SEAL	2	2				
15	63P-15312-00	.GASKET, OIL PAN	1	1				
16	90430-14M09	.GASKET	1	1				
17	69J-11355-00	.SEAL, CYLINDER 1	1	1				
18	93210-19MJ1	.O-RING	2	2				
19	93210-19MJ3	.O-RING	1	1				
20	93210-24M79	.O-RING	1	1				
21	63P-15364-A0	.GASKET, OIL PLUG	1	1				

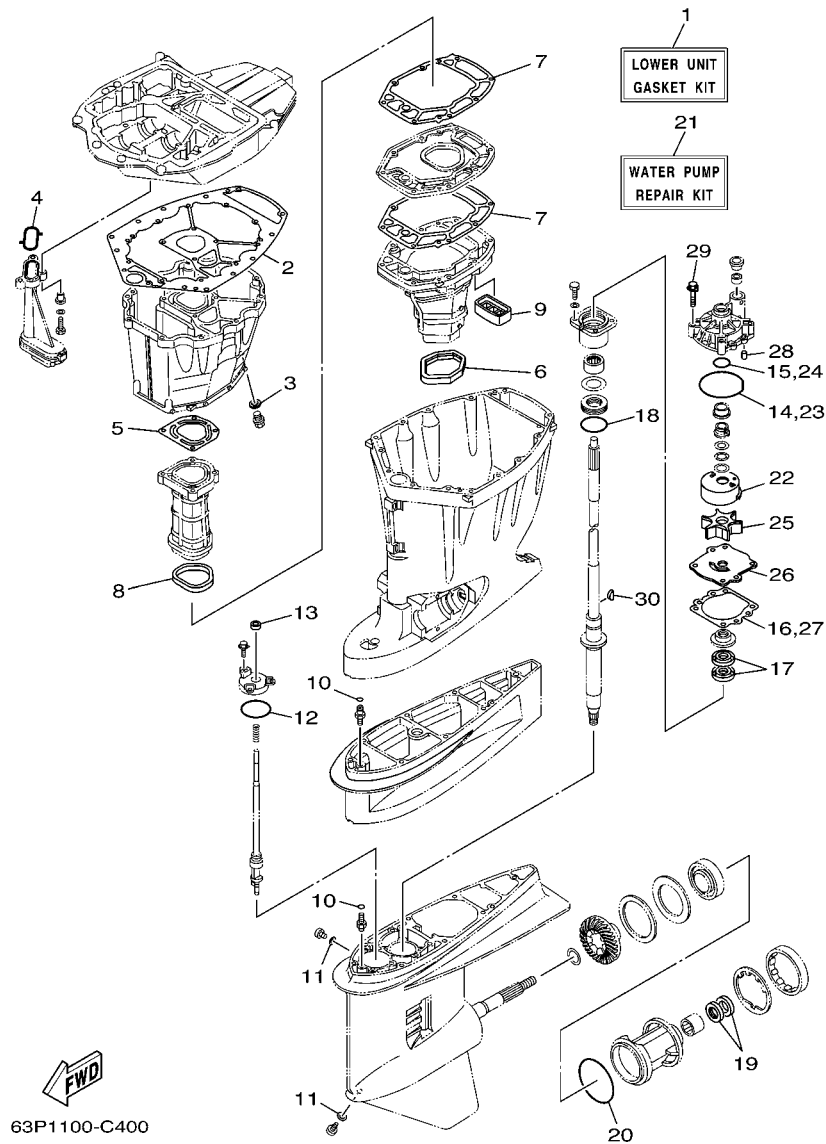


FIG. 40 REPAIR KIT 2

REF. NO.	PART NO.	DESCRIPTION	63P2	64P2	REMARKS
1	63P-W0001-20	LOWER UNIT GASKET KIT	1	1	
2	63P-15312-00	.GASKET, OIL PAN	1	1	
3	90430-14M09	.GASKET	1	1	
4	63P-13415-00	.SEAL, OIL STRAINER	1	1	
5	63P-41133-A0	.GASKET, EXHAUST MANIFOLD 1	1	1	
6	69J-45123-00	.GASKET, MUFFLER	1	1	
7	63P-41134-A0	.GASKET, EXHAUST MANIFOLD	2	2	
8	63P-41138-00	.SEAL, EXT. 1	1	1	
9	69J-45127-00	.SEAL	1	1	
10	93210-07003	.O-RING	2	2	
11	90430-08020	.GASKET	2	2	
12	93210-58144	.O-RING	1	1	
13	93106-09014	.OIL SEAL	1	1	
14	93210-86M38	.O-RING	1	1	
15	93210-37160	.O-RING	1	1	
16	6E5-44315-A0	.GASKET, WATER PUMP	1	1	
17	93101-28M16	.OIL SEAL	2	2	
18	93210-55M14	.O-RING	1	1	
19	93101-30M17	.OIL SEAL	2	2	
20	93210-97M55	.O-RING	1	1	
21	61A-W0078-A3	WATER PUMP REPAIR KIT	1	1	
22	61A-44322-02	.INSERT, CARTRIDGE	1	1	
23	93210-86M38	.O-RING	1	1	
24	93210-37160	.O-RING	1	1	
25	6E5-44352-01	.IMPELLER	1	1	
26	6G5-44323-00	.OUTER PLATE, CARTRIDGE	1	1	
27	6E5-44315-A0	.GASKET, WATER PUMP	1	1	

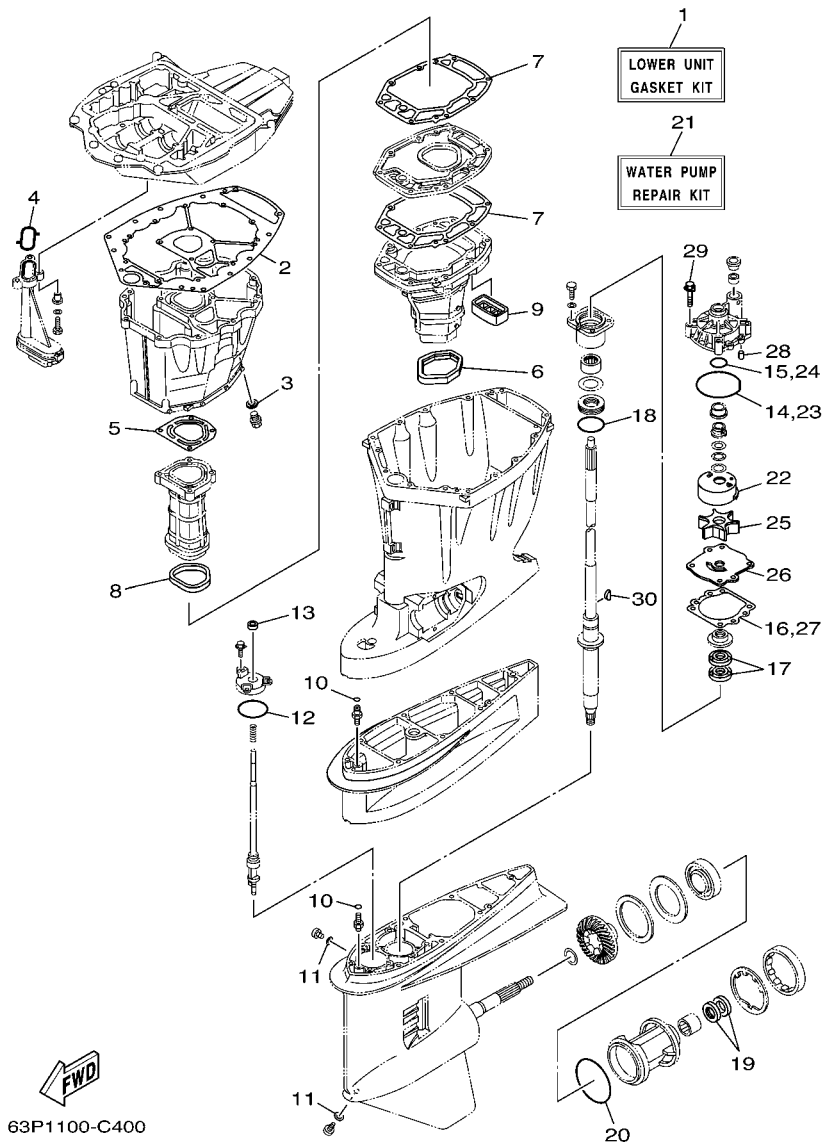


FIG. 40 REPAIR KIT 2

REF. NO.	PART NO.	DESCRIPTION	63P2	64P2			REMARKS
28	93606-12019	.PIN, DOWEL	2	2			
29	90119-08M14	.BOLT, WITH WASHER	4	4			
30	90280-04M05	.KEY, WOODRUFF	1	1			

NUMERICAL INDEX

PART NO.	REF. NO.	PART NO.	REF. NO.	PART NO.	REF. NO.	PART NO.	REF. NO.	PART NO.	REF. NO.	PART NO.	REF. NO.
63P-11110-00-94	4 - 2	63P-11656-20	3 - 8	63P-12414-00	5 - 20	63P-13907-01	9 - 13	63P-15364-A0	39 - 21	67F-28100-01	11 - 45
63P-11119-00	2 - 21	69J-12111-00	6 - 1		39 - 10	63P-13915-00	9 - 15	63P-15373-00	7 - 6	67F-2812A-00	15 - 39
68F-11119-00	2 - 22	69J-12113-00	6 - 3	6G5-12416-00	5 - 6	63P-13974-00	10 - 7	63P-15377-00	25 - 24	6A1-28176-00	18 - 52
69J-11133-10	4 - 3	69J-12117-01	6 - 4	67F-12435-A0	5 - 10	63P-13975-00	10 - 17	63P-15378-00	7 - 9	61H-2819R-31	11 - 44
63P-11135-00	4 - 23	69J-12118-00	6 - 5		39 - 9	63P-13976-00	10 - 8	63P-21841-00	9 - 25	63P-41113-00-1S	5 - 1
63P-11181-00	4 - 18	69J-12119-00	6 - 6	67F-1246A-00-1S	5 - 9	68V-1410B-00	8 - 24	63P-22478-00	10 - 11	63P-41114-A0	5 - 4
	39 - 4	69J-12121-00	6 - 2	68T-12572-00	18 - 28	63P-14148-00	9 - 16	68V-2411M-00	10 - 9		39 - 8
63P-11191-00-1S	4 - 22	67F-12138-40	4 - 32	6R3-12581-00	18 - 30	63P-14149-00	10 - 1	68V-24149-00	11 - 34	63P-41131-00-5B	24 - 9
63P-11192-00	4 - 29	67F-12138-50	4 - 32	6R3-12582-00	18 - 31	63P-14180-00	9 - 1	6YK-24307-42	12 - 6	63P-41133-A0	24 - 10
63P-11193-00	4 - 26	67F-12138-60	4 - 32	6R3-12583-00	18 - 32	63P-14182-00	9 - 2	6Y2-24307-50	12 - 1		40 - 5
	39 - 5	69J-12153-00	6 - 7	69J-12858-00	5 - 28	63P-14191-00	9 - 20	63P-24311-00	11 - 23	63P-41134-A0	24 - 17
63P-11197-00	2 - 10	69J-12168-00	6 - 8	69J-13119-00	25 - 17	63P-14197-00	10 - 4	63P-24312-00	11 - 38		40 - 7
68T-11325-00	5 - 2	69J-12168-10	6 - 8	63P-1312A-00	8 - 26	63P-14200-00	8 - 1	63P-24313-00	11 - 39	63P-41137-00	24 - 1
63P-11325-01	2 - 17	69J-12168-20	6 - 8	63P-13131-00	11 - 27	63P-14225-00	10 - 6	63P-24314-00	11 - 36	63P-41138-00	24 - 19
68V-11325-01	4 - 12	69J-12168-30	6 - 8	63P-13300-00	25 - 14	69J-14225-00	9 - 7	63P-24315-00	11 - 37		40 - 8
	5 - 12	69J-12168-40	6 - 8	63P-13329-00	25 - 15	63P-14291-00	8 - 12	63P-24316-00	11 - 5	63P-41213-00	19 - 44
63P-11325-11	2 - 19	69J-12168-50	6 - 8	69J-13338-00	25 - 16	69J-14321-00	8 - 3	63P-24317-00	10 - 10	63P-41237-00	19 - 50
63P-11325-21	2 - 11	69J-12168-60	6 - 8	63P-13411-00	25 - 9	68V-14323-00	8 - 5	63P-24325-00	10 - 13	6H4-41237-00	8 - 17
69J-11327-00-94	4 - 13	69J-12168-70	6 - 8	63P-13415-00	25 - 11	68V-14331-00	8 - 4	6E5-24351-51	12 - 3	682-41238-01	8 - 19
	5 - 13	69J-12168-80	6 - 8		40 - 4	68V-14356-00	8 - 10	6Y2-24360-60	12 - 5	63P-42154-00	19 - 39
67F-11328-00	4 - 16	69J-12168-90	6 - 8	67F-13434-02	1 - 28	68V-14386-00	9 - 11	68V-24374-00	11 - 30	63P-42157-00	19 - 51
	5 - 16	69J-12168-A0	6 - 8	63P-13437-40	13 - 23	63P-1441J-00	10 - 2	6R3-24377-10	11 - 3	68V-42171-00	19 - 52
63P-11351-00	2 - 24	69J-12168-B0	6 - 8	63P-13437-50	13 - 23	63P-14435-00	16 - 17	6E5-24378-00	11 - 35	66K-42510-01-8D	21 - 9
	39 - 12	69J-12168-C0	6 - 8	63P-13437-60	13 - 23	69J-14440-00	7 - 11	63P-24379-00	9 - 17	63P-42541-00	18 - 33
69J-11355-00	25 - 19	69J-12168-D0	6 - 8	69J-13440-00	5 - 27	63P-14446-00	8 - 21	63P-24410-00	11 - 24	63P-42610-00-8D	1 - 1
	39 - 17	69J-12168-E0	6 - 8	63P-13446-00-94	5 - 29	68V-14446-00	9 - 26	68V-24411-00	11 - 29	63P-42613-00	1 - 14
63P-11372-00	2 - 4	69J-12168-F0	6 - 8	67F-13448-00	1 - 23	63P-14449-00	7 - 12	68V-24412-00	11 - 25	63P-42615-00	18 - 2
63P-11377-00	2 - 29	69J-12168-G0	6 - 8	63P-13490-00	2 - 33	63P-14457-00	7 - 13	68V-24413-00	11 - 31	63P-42617-00	1 - 17
63P-11410-00	3 - 1	69J-12168-H0	6 - 8		10 - 3	63P-14496-00	8 - 14	63P-24414-00	11 - 32	63P-42629-00	1 - 16
63P-11416-00	3 - 3	69J-12168-J0	6 - 8	63P-13532-00	10 - 5	63P-14546-00	9 - 10	63P-2441R-00	9 - 18	63P-42643-00-94	1 - 11
63P-11416-10	3 - 3	69J-12168-K0	6 - 8	63P-13557-00	8 - 20	63P-14565-00	9 - 5	63P-2441T-00	9 - 19	63P-42644-00-94	1 - 13
63P-11416-20	3 - 3	69J-12168-L0	6 - 8	68V-13577-00	10 - 14	68V-14565-00	8 - 11	63P-24423-00	11 - 28	63P-42647-00-94	1 - 4
63P-11417-00	3 - 4	69J-12168-M0	6 - 8	69J-13593-00	9 - 23	63P-14567-00	9 - 6	68V-24444-00	11 - 33	60V-42651-01	1 - 7
63P-11417-10	3 - 4	69J-12168-N0	6 - 8	69J-13631-00	25 - 18	3CF-14594-00	8 - 9	4SV-24453-00	9 - 3	63P-42662-00	1 - 27
63P-11417-20	3 - 4	69J-12168-P0	6 - 8	63P-13641-00	8 - 13	69J-14624-01	24 - 26	68V-24454-00	11 - 26	68F-42663-00	1 - 12
63P-11417-30	3 - 4	69J-12168-R0	6 - 8	63P-13643-00	8 - 22	63P-14711-00-5B	24 - 12	61A-24469-00	11 - 12	69J-42663-00	1 - 8
63P-11426-00	3 - 5	69J-12168-S0	6 - 8	63P-13645-00	8 - 16	63P-14777-00	9 - 21	69J-24501-00	10 - 15	63P-42677-00	1 - 18
63P-11426-10	3 - 5	69J-12168-T0	6 - 8	69J-13716-00	9 - 22	63P-14984-00	9 - 8	68V-24519-00	10 - 12	63P-42678-00	1 - 19
63P-11426-20	3 - 5	69J-12168-U0	6 - 8	63P-13751-00	8 - 2	63P-14985-00	9 - 12	61A-24521-00	11 - 7	63P-42681-00	1 - 21
63P-11500-00	2 - 25	69J-12168-V0	6 - 8	63P-13761-00	8 - 23	63P-15311-00-5B	25 - 2	65L-24531-01	11 - 8	63P-42682-00	1 - 22
63P-11512-00	2 - 28	69J-12168-W0	6 - 8	68V-13766-00	8 - 25	63P-15312-00	25 - 1	65L-24560-00	11 - 6	63P-42710-00-8D	18 - 1
63P-11536-00	6 - 17	69J-12168-X0	6 - 8	63P-13769-00	8 - 32		39 - 15	65L-24563-00	11 - 11	648-42715-00	19 - 30
63P-11537-00	6 - 12	69J-12168-Y0	6 - 8	68V-13781-10	9 - 9		40 - 2	61A-24564-00	11 - 9	63P-42716-00	18 - 35
63P-11590-00	6 - 16	69J-12169-00	6 - 8	63P-13784-00	9 - 14	63P-15316-00	25 - 6	65L-24564-00	11 - 13	61A-42717-00	18 - 27
63P-11603-00	3 - 9	63P-12171-00	6 - 9	63P-13881-00	10 - 18	63P-15319-00-1S	5 - 34	63P-24566-00	11 - 17	63P-42717-00	18 - 19
63P-11654-00	3 - 7	63P-12181-00	6 - 10	63P-13898-00	8 - 31	63P-15362-00	25 - 23	65L-24577-00	11 - 10	63P-42718-00	18 - 20
63P-11656-00	3 - 8	63P-1240H-00-1S	5 - 19	63P-13905-00	8 - 30	6G8-15363-00	5 - 32	69J-24599-00	10 - 16	69J-42723-00-8D	16 - 20
63P-11656-10	3 - 8	67F-12411-00	5 - 18	63P-13906-00	9 - 4	63P-15364-A0	5 - 35	68V-2481H-00	10 - 19	6E5-42724-00	24 - 8

NUMERICAL INDEX

PART NO.	REF. NO.	PART NO.	REF. NO.	PART NO.	REF. NO.	PART NO.	REF. NO.	PART NO.	REF. NO.	PART NO.	REF. NO.
63P-42725-00	18 - 22	64E-43841-00	23 - 7	64P-44150-10	28 - 19	63P-45181-00-5B	24 - 18	63P-45560-01	26 - 49	6E5-45587-30	28 - 41
6H1-42726-21	18 - 24	64E-43843-00	23 - 6	63P-44176-00-1S	19 - 8	63P-45211-00-8D	24 - 36	64P-45560-01	28 - 50	6E5-45587-40	26 - 40
61A-42727-00	18 - 42	64E-43843-10	23 - 38	61A-44311-01	26 - 25	6J9-45214-00	27 - 12	6G5-45567-01	26 - 5		28 - 41
63P-42738-00-8D	18 - 18	64E-4384J-00	22 - 18		28 - 26		29 - 12		28 - 6	6E5-45587-50	26 - 40
63P-42741-00-8D	18 - 36	64E-43850-00	23 - 15	6E5-44312-00	26 - 30	6J9-45215-00	27 - 13	6G5-45567-10	26 - 5		28 - 41
6H4-42748-00	18 - 48	64E-43851-00	23 - 11		27 - 5		29 - 13		28 - 6	6E5-45587-60	26 - 40
68F-42753-00	18 - 49	64E-43855-00	23 - 14		28 - 31	6G5-45251-02	20 - 2	6G5-45567-20	26 - 5		28 - 41
63P-42756-00	18 - 44	64E-43858-00	23 - 12		29 - 5	63P-45300-01-8D	26 - 1		28 - 6	6J9-45611-01	26 - 51
63P-42811-01	18 - 43	6E5-43858-00	22 - 28	6E5-44315-A0	26 - 34	63P-45300-11-8D	26 - 1	6G5-45567-30	26 - 5	6K1-45611-10	28 - 52
63P-42815-00-8D	18 - 6	72X-43858-00	23 - 5		28 - 35	64P-45300-11-8D	28 - 1		28 - 6	63P-45631-01	26 - 59
63P-42816-00-8D	18 - 7	64E-43859-00	23 - 13		40 - 16	6J9-45301-05-8D	26 - 2	6G5-45567-40	28 - 6		28 - 60
63P-42818-01	18 - 10	64E-43860-00	23 - 20	61A-44322-02	26 - 26		28 - 2		28 - 6	6E5-45633-01	26 - 60
68F-42828-00-5B	18 - 8	6E5-43862-00	22 - 10		28 - 27	6E5-45318-00	24 - 24	6G5-45567-50	26 - 5		28 - 61
64E-43111-02-8D	20 - 1	6G5-43863-00	23 - 10		40 - 22	6E5-45321-00	26 - 14		28 - 6	6E5-45634-01	26 - 53
64E-43112-02-8D	20 - 9	6E5-43864-00	22 - 20	6G5-44323-00	26 - 33		28 - 15	6G5-45567-60	26 - 5		28 - 54
64E-43126-00	20 - 35	6G5-43864-00	22 - 19		28 - 34	6E5-45331-00-94	26 - 37		28 - 6	6K1-45641-01	28 - 53
64E-43131-01	20 - 14	64E-43865-00	23 - 16		40 - 26		28 - 38	64P-45570-01	28 - 64	6E5-45641-03	26 - 52
64E-43139-02	21 - 1	6G5-43865-00	23 - 35	6E5-44352-01	26 - 31	6J9-45332-00-8D	26 - 61	63P-45571-01	26 - 63	6G5-45930-00-98	27 - 23
64D-43144-00	18 - 15	64E-43866-00	22 - 9		28 - 32	6K1-45332-01-8D	28 - 62	6K1-45576-00	28 - 65	6G5-45932-00-98	27 - 23
6G5-43144-00	20 - 25	64E-43867-00	22 - 8		40 - 25	688-45341-10	26 - 7	6G5-45576-10	26 - 64	6G5-45941-00-98	27 - 23
6E5-43145-01	30 - 8	64E-43868-00	23 - 3	63P-44361-00	27 - 1		28 - 8	6G5-45577-02	26 - 68	6G5-45943-01-98	27 - 23
6G5-43148-00	20 - 30	64E-43869-00	22 - 26		29 - 1	6E5-45344-00	26 - 43		28 - 71	6K1-45945-00-98	29 - 23
6G5-43181-02	20 - 27	6H1-4386K-10	23 - 29	63P-44362-00	27 - 3		28 - 44	6G5-45577-10	26 - 68	6G5-45945-01-98	27 - 23
6G5-43185-02	20 - 28	6E5-43872-00	22 - 12		29 - 3	6J9-45371-01	27 - 16		28 - 71	6K1-45947-00-98	29 - 23
64E-43311-10-8D	20 - 21	64E-43873-00	23 - 24	63P-44363-00	27 - 6	6K1-45371-02	29 - 16	6G5-45577-20	26 - 68	6G5-45947-01-98	27 - 23
63P-43376-00	21 - 6	6E5-43874-01	22 - 21		29 - 6	688-45375-00	26 - 11		28 - 71	6G5-45949-00-98	27 - 23
63P-43800-00-4D	22 - 1	64E-43875-00	23 - 25	6E5-44365-00	26 - 29		28 - 12	6G5-45577-30	26 - 68	6K1-45970-01-98	29 - 23
64E-43802-00	23 - 8	64E-43879-00	23 - 27		27 - 2	663-45376-00-94	26 - 10		28 - 71	6G5-45970-02-98	27 - 23
64E-43805-00	23 - 37	64E-43879-10	23 - 26		28 - 30		28 - 11	6G5-45577-40	26 - 68	6J9-45970-10	27 - 23
64E-4380F-00	23 - 33	64E-4387A-00	23 - 23		29 - 2	63P-45378-00	24 - 37		28 - 71	6R1-45970-A0	29 - 23
64E-4380J-00	23 - 30	67H-43880-01	23 - 28	6E5-44366-00	24 - 29		26 - 12	6G5-45577-50	26 - 68	6R4-45970-A0	27 - 23
63P-43810-00	22 - 6	64E-43883-00	22 - 11	69J-44391-00	18 - 26		28 - 13		28 - 71	6K1-45972-01-98	29 - 23
6E5-43814-02	22 - 13	64E-4388E-00	22 - 25	63P-44511-00-94	21 - 37	63P-45379-00	24 - 34	6G5-45577-60	26 - 68	6G5-45972-02-98	27 - 23
64E-43816-00	23 - 17	64E-4388E-10	23 - 1	63P-44514-00-94	21 - 30	6G5-45383-01	26 - 71		28 - 71	6J9-45972-10	27 - 23
64E-43817-00	22 - 5	64E-4388J-00	22 - 3	6G5-44526-00	20 - 3		28 - 73	6K1-45578-01	28 - 67	6R1-45972-A0	29 - 23
64E-43817-10	23 - 19	64E-43891-00	23 - 31	69J-44533-00	21 - 23	6G5-45384-02	26 - 72	6K1-45578-10	28 - 67	6R4-45972-A0	27 - 23
64E-43818-01	22 - 32	64E-43892-00	23 - 34	68V-44551-00-8D	21 - 14		28 - 74	6K1-45578-20	28 - 67	6K1-45974-02-98	29 - 23
64E-4381G-00	22 - 27	6E5-43896-00	23 - 9	63P-44553-00-8D	21 - 26	63P-45501-00	26 - 46	6K1-45578-30	28 - 67	6G5-45974-03-98	27 - 23
64E-43820-00	22 - 15	64E-43897-00	22 - 24	60V-44555-00-94	21 - 17	63P-45501-10	26 - 46	6K1-45578-40	28 - 67	6J9-45974-10	27 - 23
64E-43821-00	22 - 16	64E-43898-00	22 - 7	63P-44555-00-94	21 - 17		28 - 47	6K1-45578-50	28 - 67	6R1-45974-A0	29 - 23
64E-43822-00	22 - 17	63P-44117-00-1S	19 - 9	63P-44556-00-8D	21 - 27	61A-45527-00	26 - 24	6K1-45578-60	28 - 67	6R4-45974-A0	27 - 23
64E-43825-01	22 - 2	63P-44118-00-8D	19 - 25	61A-44575-00	21 - 16		28 - 25	6E5-45587-01	26 - 40	6K1-45976-00-98	29 - 23
64E-43827-00	23 - 22	63P-44120-00	19 - 20	63P-45111-00-8D	24 - 21	6G5-45536-01	26 - 9		28 - 41	6G5-45976-01-98	27 - 23
64E-43828-00	22 - 22	63P-44121-00	19 - 18	69J-45123-00	24 - 13		28 - 10	6E5-45587-10	26 - 40	6J9-45976-10	27 - 23
64E-43829-00	22 - 23	63P-44122-00	19 - 15		40 - 6	61A-45538-00	26 - 21		28 - 41	6R1-45976-A0	29 - 23
64E-4382G-00	22 - 29	69J-44135-00	19 - 45	69J-45127-00	24 - 20		26 - 22	6E5-45587-20	26 - 40	6R4-45976-A0	27 - 23
64E-43830-00	23 - 4	63P-44150-00	26 - 18		40 - 9	63P-45551-00	26 - 47		28 - 41	6K1-45978-02-98	29 - 23
64E-43831-00	23 - 2	63P-44150-10	26 - 18	6H3-45155-00	24 - 30		28 - 48	6E5-45587-30	26 - 40	6G5-45978-03-98	27 - 23

NUMERICAL INDEX

PART NO.	REF. NO.	PART NO.	REF. NO.	PART NO.	REF. NO.	PART NO.	REF. NO.	PART NO.	REF. NO.	PART NO.	REF. NO.
6R1-45978-A0	29 - 23	703-48219-00	33 - 30	703-48246-00	33 - 23	6E5-48344-00	19 - 6	67F-8183R-00	17 - 16	6R5-82510-02	37 - 4
6R4-45978-A0	27 - 23	704-48219-P0	34 - 49	701-48248-00	33 - 13	703-48345-01	33 - 19	60V-8183T-00	17 - 18	6K1-82510-06	38 - 3
63P-45987-00	27 - 18		35 - 49		34 - 38		34 - 19	69J-81840-00	17 - 4	703-82510-43	33 - 44
	29 - 18	703-48221-00	33 - 56		35 - 38		35 - 19	67F-81841-00	17 - 14	703-82531-00	33 - 46
688-45997-01	27 - 19	704-48221-P0	34 - 58	EL8-48251-00	34 - 3	701-48350-00	32 - 4	69J-81842-00	17 - 20		36 - 27
	29 - 19		35 - 67		35 - 3	701-48350-20	32 - 4	63P-81845-00	13 - 11	6K1-82532-00	38 - 5
63P-46241-00	6 - 15	703-48222-00	33 - 27	703-48252-00	33 - 12	703-48358-00	33 - 20	67F-81846-00	17 - 26	703-82540-00	33 - 50
704-48119-30	34 - 59	704-48222-P0	34 - 32	EL8-48254-00	34 - 27		34 - 24	67F-81850-00	17 - 2	704-82540-20	34 - 10
704-48119-40	35 - 68		35 - 32		35 - 27		35 - 24	67F-81857-00	17 - 9	704-82540-30	35 - 10
EL8-48127-00	34 - 23	703-48223-00	33 - 28	EL8-48259-00	34 - 7	63P-48531-00	19 - 1	69J-81869-00	17 - 23	68F-82553-80	36 - 18
	35 - 23	703-48225-00	33 - 29		35 - 7	63P-48532-00	19 - 2	67F-81891-00	17 - 15	68F-82553-90	36 - 18
704-48128-00	34 - 2	6X3-48225-20	34 - 43	704-48261-00	34 - 15	63P-48538-00	19 - 4	63P-81919-00	15 - 42	682-82556-00	33 - 48
	35 - 2		35 - 43		35 - 15	6E5-61301-01	31 - 1	63P-81919-10	15 - 43		37 - 7
704-48144-10	34 - 50	703-48226-00	33 - 26	703-48261-01	33 - 2	6E5-61303-00	31 - 5	60V-81925-00	17 - 28		38 - 7
704-48144-20	35 - 50	703-48227-00	33 - 24	704-48262-00	34 - 8	6E5-61311-11	31 - 3	63P-81941-00	17 - 22	69J-82560-00	16 - 24
703-48152-00	33 - 57	704-48229-00	35 - 60		35 - 8	6E5-61313-00	31 - 2	63P-81942-00	15 - 29	69J-82563-00	16 - 19
703-48153-00	33 - 3	704-48229-P0	34 - 35	703-48264-00	33 - 6	6E5-61315-00	31 - 4	63P-81948-00	15 - 17	703-82563-02	33 - 55
704-48153-00	34 - 55		35 - 35	704-48264-00	34 - 9	6E5-61350-02	30 - 1	68V-8194A-00	15 - 4	704-82563-40	34 - 34
	35 - 55	704-48231-00	34 - 25		35 - 9	6E5-61351-01	30 - 2	63P-81950-00	15 - 11	704-82563-50	35 - 34
704-48156-00	35 - 63		35 - 25	703-48265-00	33 - 9	6E5-61355-00	30 - 5	704-81950-10	35 - 58	704-82563-H0	35 - 61
EL8-48164-00	34 - 41	703-48232-00	33 - 62	704-48265-00	34 - 4	68V-81145-01	8 - 7	68V-81953-00	15 - 5	704-82563-J0	35 - 64
	35 - 41	704-48232-P0	34 - 40		35 - 4	68V-81146-01	8 - 27	68F-8195A-00	15 - 33	6R5-82570-05	37 - 1
704-48166-00	34 - 56		35 - 40	703-48268-00	33 - 5	68V-81147-00	8 - 29	63P-81960-00	14 - 17	6K1-82570-08	38 - 1
	35 - 56	704-48233-00	34 - 53	703-48271-00	33 - 60	63P-8132G-00	13 - 20	63P-81975-00	14 - 19	6K1-82571-02	38 - 2
704-48167-00	34 - 61		35 - 53	704-48271-00	34 - 22	67F-81332-00	13 - 15	6K1-81980-00	38 - 18	704-82571-02	37 - 3
704-48167-10	35 - 69	703-48234-00	33 - 18		35 - 22	63P-81336-00	15 - 41	63P-82105-00	16 - 1	6K1-82575-00	38 - 6
704-48176-00	34 - 51	704-48234-00	34 - 48	EL8-48279-00	34 - 47	63P-81337-00	13 - 18	6Y5-82117-00	36 - 17	688-82575-01	33 - 47
704-48176-10	35 - 51		35 - 48		35 - 47	63D-81345-20	13 - 5	6G5-82119-00	15 - 10		37 - 6
704-48178-10	34 - 60	702-48235-00	34 - 54	703-48281-00	33 - 31	63P-81410-00	13 - 4	6E5-82148-00	20 - 6	676-82577-00	37 - 5
	35 - 66		35 - 54	704-48281-00	34 - 13	63P-81450-00	13 - 1	66K-82149-00	20 - 24	703-82577-00	33 - 45
703-48189-00	33 - 17	703-48235-00	33 - 4		35 - 13	63P-81460-00	13 - 2	1E6-82151-00	36 - 16		38 - 4
EL8-48191-00	34 - 16	703-48236-00	33 - 16	EL8-48281-00	34 - 11	63P-81673-00	13 - 6	63P-82151-00	15 - 32	6E3-8257H-00	18 - 53
	35 - 16	703-48238-00	33 - 22		35 - 11	63P-81800-00	17 - 1	67F-82151-00	15 - 34	64D-82581-00	37 - 8
704-48192-00	34 - 44	704-48238-00	34 - 39	703-48282-00	33 - 32	69J-81801-00	17 - 5	67F-82151-10	15 - 35	68F-82582-00	17 - 29
	35 - 44		35 - 39	704-48283-00	34 - 17	67F-81807-00	17 - 10	60V-82157-00	15 - 40	69J-82587-00	16 - 21
703-48198-00	33 - 14	EL8-48241-00	34 - 26		35 - 17	67F-81808-00	17 - 8	63P-82170-00	15 - 31	6E9-82588-00	16 - 25
703-48205-17	32 - 1		35 - 26	703-48284-00	33 - 52	67F-81809-00	17 - 19	63P-82310-01	14 - 1	61A-82588-01	19 - 11
	33 - 1	704-48242-10	34 - 42	704-48284-P0	34 - 57	67F-81810-00	17 - 3	663-82317-01	13 - 19	6R5-82588-01	37 - 2
704-48205-P0	32 - 2		35 - 42		35 - 57	67F-81813-00	17 - 6	63P-82341-00	14 - 2	61B-8258A-01	38 - 24
	34 - 1	703-48243-00	33 - 15	704-48285-10	35 - 65	68F-81820-00	17 - 7	63P-82342-00	14 - 3	688-8258A-10	16 - 27
704-48207-P0	32 - 3	703-48244-00	33 - 21	701-48287-00	33 - 42	67F-81821-00	17 - 13	63P-82343-00	14 - 7	688-8258A-20	33 - 49
	35 - 1	EL8-48244-00	34 - 30	704-48287-00	34 - 20	6K7-81826-10	17 - 24	63P-82344-00	14 - 8	6K1-8258A-40	37 - 17
703-48211-01	33 - 61		35 - 30		35 - 20	69J-81828-00	17 - 25	67F-82361-00	14 - 4		38 - 23
703-48212-00	33 - 58	703-48245-00	33 - 11	703-48291-10	33 - 39	68V-8182L-00	8 - 8	67F-82362-00	14 - 5	63P-82590-00	16 - 4
703-48213-00	33 - 59	EL8-48245-00	34 - 31	703-48293-10	33 - 41	67F-81830-00	17 - 17	67F-82377-00	18 - 51	704-82590-10	35 - 59
703-48215-00	33 - 43		35 - 31	701-48320-50	32 - 4	67F-81832-00	17 - 11	63P-82377-50	20 - 40	63P-82590-20	16 - 4
704-48215-20	34 - 12	701-48246-00	34 - 5	701-48320-60	32 - 4	67F-81836-00	17 - 12	63P-82380-00	8 - 28	703-82591-00	33 - 53
704-48215-30	35 - 12		35 - 5	701-48320-80	32 - 4	69J-81839-00	17 - 21	63P-82388-00	14 - 15	703-82592-00	33 - 54

NUMERICAL INDEX

PART NO.	REF. NO.	PART NO.	REF. NO.	PART NO.	REF. NO.	PART NO.	REF. NO.	PART NO.	REF. NO.	PART NO.	REF. NO.
63P-82594-00	15 - 23	63P-85886-00	16 - 16	90119-08M22	18 - 3	90201-24014	13 - 13	90387-06M82	19 - 48	90467-15M14	2 - 30
703-82594-00	33 - 25	63P-8591A-00	15 - 1	90119-08M58	24 - 6	90201-26M59	20 - 18	90387-08M37	18 - 5	90468-18008	19 - 7
704-82594-00	34 - 33	63P-8591A-10	15 - 1	90119-08M66	2 - 16	90201-30M92	26 - 69	90387-10M05	20 - 32	90480-06M19	12 - 4
	35 - 33	63P-8591A-30	15 - 1	90119-08M79	24 - 2	90201-35008	21 - 18	90387-10M08	4 - 19	90480-10627	15 - 22
60V-8259F-00	19 - 33	68F-86129-00	15 - 20	90119-08M91	4 - 21	90201-38M60	21 - 10	90387-10M61	30 - 3	90480-10M23	11 - 21
69J-8259F-00	19 - 10	6Y5-87122-S0	36 - 14	90119-10007	24 - 22	90202-08M20	19 - 16	90387-14004	21 - 38	90480-12072	4 - 30
63P-8259L-00	9 - 24	63P-W0001-00	39 - 1	90119-10008	27 - 11	90202-16061	19 - 23	90430-08020	26 - 8	90480-13M24	18 - 40
63P-8259M-00	16 - 8	63P-W0001-20	40 - 1		29 - 11	90202-28001	21 - 39		28 - 9	90480-20M05	5 - 8
68F-82846-00	15 - 36	63P-W0070-00	1 - 20	90119-10M06	6 - 13	90202-32M19	21 - 19		40 - 11	90480-22M81	18 - 4
6R5-83383-00	37 - 12	61A-W0078-A3	40 - 21	90119-10MA2	27 - 11	90202-40M47	21 - 13	90430-08143	4 - 9	90501-11M10	26 - 20
703-83383-02	33 - 51	63P-W009A-00-1S	4 - 1	90149-05M05	37 - 13	90206-10M04	19 - 41		39 - 2		28 - 21
688-83383-11	38 - 12	63P-W009B-00-1S	2 - 1		38 - 19	90206-15M18	18 - 12	90430-14115	2 - 13	90501-12082	19 - 29
6Y5-83500-S5	36 - 6	63P-W1164-00	3 - 6	90151-05M05	5 - 3	90206-22M19	26 - 23		4 - 11	90501-16M11	5 - 7
6Y5-8350F-00	36 - 21	63P-W1510-00-1S	2 - 2	90151-06M02	2 - 18		28 - 24		5 - 26	90501-16M37	26 - 54
6Y5-8350T-03	36 - 1	90101-09M70	31 - 9	90152-05M08	27 - 14	90249-06M19	20 - 31		39 - 3		28 - 55
6Y5-83533-T2	36 - 10	90101-12M05	20 - 41		29 - 14	90250-08M07	26 - 58	90430-14M09	25 - 8	90506-16003	20 - 34
6Y5-83553-00	36 - 15	90101-12M77	20 - 41	90155-10001	4 - 20		28 - 59		39 - 16	90506-16M34	18 - 17
6Y5-83553-F1	36 - 23	90105-10071	2 - 9	90158-06002	36 - 25	90280-04008	6 - 19		40 - 3	90508-20M31	19 - 31
6Y5-83553-M0	36 - 15	90105-10M00	27 - 17	90159-06M28	18 - 38	90280-04M05	26 - 32	90430-18130	5 - 23	90560-12M01	30 - 4
6Y5-83557-10	36 - 19		29 - 17	90169-05M00	15 - 30		28 - 33		39 - 11	91490-40030	27 - 22
6Y5-83557-31	36 - 11	90109-06M80	18 - 39	90170-09M05	31 - 10		40 - 30	90445-070F1	24 - 33		29 - 22
6E5-83558-00	24 - 31	90109-06M82	18 - 9	90170-14M06	31 - 6	90280-05015	13 - 12	90445-10027	5 - 24	91690-30010	19 - 5
6Y5-83570-S5	36 - 7	90109-06M86	16 - 23	90170-16M01	26 - 48	90282-04M00	26 - 70	90445-11020	1 - 26	91690-30020	20 - 33
63P-83614-00	16 - 22		18 - 16		28 - 49		28 - 72	90445-13511	11 - 2	91690-50014	7 - 4
6K1-83614-01	38 - 8		19 - 3	90171-18M04	27 - 21	90338-25004	2 - 7	90445-13M01	12 - 2	91809-08006	4 - 5
6K1-83623-41	13 - 26	90109-08019	19 - 35		29 - 21	90340-08002	26 - 6	90462-08025	16 - 33	91814-18001	2 - 5
6K1-83623-S0	13 - 27	90109-14005	21 - 33	90179-06M24	1 - 15		28 - 7	90462-10023	7 - 8	92780-06020	34 - 28
6A1-83625-41	13 - 24	90109-14007	21 - 22	90179-08003	17 - 27	90340-14M06	4 - 10	90464-05141	14 - 16		35 - 28
6A1-83625-51	13 - 25	90110-05020	6 - 18	90179-24002	13 - 14		5 - 25	90464-07M41	14 - 11	92903-05100	37 - 10
63P-83626-00	4 - 31	90119-06071	11 - 22	90185-05002	27 - 15		25 - 7	90464-12004	11 - 40	92903-05600	37 - 16
67F-83627-01	17 - 32	90119-06076	7 - 15		29 - 15	90340-18M09	5 - 22	90464-16013	2 - 31	92903-06600	15 - 16
69J-83651-00	16 - 18	90119-06M10	26 - 17	90185-09M01	30 - 6	90344-51019	4 - 4	90464-20006	7 - 10	92903-08100	17 - 34
69J-8366G-00	16 - 31		28 - 18		31 - 11	90386-06M12	19 - 19	90464-20181	18 - 45	92903-08600	7 - 3
63P-8366P-00	16 - 28	90119-06M18	24 - 35	90185-14M00	21 - 35	90386-08001	7 - 14	90464-20258	18 - 50		17 - 31
67H-83672-00	21 - 3	90119-06M73	14 - 6	90185-22M11	20 - 19	90386-10M16	20 - 29	90464-23199	15 - 25	92907-04600	4 - 25
64E-83672-02	21 - 3	90119-06M81	2 - 15	90201-06068	11 - 16	90386-12069	19 - 32		18 - 47	92907-06600	25 - 13
6Y5-83728-00	36 - 12	90119-06M82	7 - 17		18 - 13	90386-15M73	18 - 11	90465-08M63	20 - 22	92990-04100	36 - 4
72X-85075-L0	23 - 21	90119-06M83	11 - 43	90201-06M31	19 - 40	90386-16M66	19 - 22	90465-08M99	5 - 38	92990-05100	38 - 10
68F-85119-00	15 - 21	90119-06MA2	2 - 23	90201-08M14	22 - 30	90386-22M98	20 - 36	90465-10032	1 - 2	92990-05300	34 - 36
68F-85516-01	15 - 19		5 - 11	90201-10M20	30 - 7		22 - 33	90465-11M10	11 - 4		35 - 36
60V-85544-00	15 - 38	90119-06MA4	5 - 5	90201-10M76	31 - 8	90386-25M31	20 - 17		18 - 25	92990-05600	38 - 22
689-85547-00	11 - 1		14 - 18	90201-12M05	20 - 43	90386-38M32	21 - 12		20 - 20	92990-06100	1 - 5
68V-85548-00	15 - 27	90119-06MA6	2 - 27	90201-13M01	20 - 42	90387-06010	15 - 18		21 - 5		38 - 16
63P-85580-00	13 - 3	90119-07234	4 - 7	90201-15M58	21 - 21	90387-06038	7 - 16		24 - 32	92990-06300	34 - 46
6Y5-85752-01	36 - 24	90119-07235	4 - 6	90201-16M01	21 - 34	90387-06M29	19 - 42		36 - 13		35 - 46
61A-85790-00	16 - 14	90119-08M14	26 - 36	90201-16M55	21 - 20	90387-06M43	18 - 41	90465-11M59	7 - 5	92990-06600	20 - 12
6K1-85830-01	38 - 13		28 - 37	90201-22M01	26 - 22	90387-06M60	11 - 20	90465-13M18	15 - 26		24 - 28
69J-85885-00	8 - 6		40 - 29		28 - 23	90387-06M64	25 - 10	90465-13M30	18 - 23		38 - 17

NUMERICAL INDEX

PART NO.	REF. NO.	PART NO.	REF. NO.	PART NO.	REF. NO.	PART NO.	REF. NO.	PART NO.	REF. NO.	PART NO.	REF. NO.
92990-08600	33 - 34	93106-09014	26 - 16	93332-000V3	26 - 4	95380-06600	38 - 15	97380-06018	35 - 18		
92990-10600	16 - 15		28 - 17	93341-440U5	28 - 66	95380-12600	20 - 44	97380-08030	33 - 33		
92990-18200	27 - 20		40 - 13	93341-465U4	28 - 5	95380-14600	21 - 24	97575-06535	19 - 26		
	29 - 20	93210-07003	24 - 38	93341-930V2	26 - 41	95380-14700	31 - 7	97575-06540	5 - 31		
92995-04100	19 - 13		26 - 13		28 - 42	95780-10300	21 - 7		4 - 17		
92995-06100	11 - 15		28 - 14	93390-000U2	28 - 4	97013-06020	15 - 15		5 - 17		
	13 - 9		40 - 10	93410-16006	19 - 24	97013-08020	7 - 2		7 - 1		
	14 - 13	93210-09165	19 - 21	93410-22M11	20 - 37	97013-08045	17 - 30	97575-08560	24 - 11		
	15 - 8	93210-10M74	22 - 4	93410-37M04	21 - 15	97027-06025	25 - 12	97575-10535	24 - 7		
	16 - 6	93210-16275	30 - 9	93420-36M01	24 - 25	97075-06020	4 - 14	97595-06516	8 - 15		
	20 - 5	93210-19MJ1	5 - 30	93430-06024	33 - 10		5 - 14	97595-06550	19 - 14		
	25 - 27		39 - 18		34 - 6	97075-08035	24 - 14	97607-04310	23 - 32		
92995-06600	1 - 10	93210-19MJ3	25 - 25		35 - 6		25 - 3	97780-50620	1 - 3		
	4 - 15		39 - 19	93501-04M02	19 - 28	97075-10040	21 - 28		15 - 37		
	5 - 15	93210-24M79	5 - 33	93503-16003	26 - 57	97075-10045	21 - 31	97780-60520	18 - 29		
	11 - 19		39 - 20		28 - 58		24 - 3	97780-60525	21 - 2		
	13 - 10	93210-25552	2 - 14	93507-32009	26 - 55	97080-08016	22 - 31	97780-60620	15 - 6		
	14 - 14		25 - 22		28 - 56	97095-06010	15 - 7	97880-06012	20 - 11		
	15 - 3		39 - 6	93511-32017	26 - 56		20 - 7	97880-06016	24 - 27		
	16 - 7	93210-25647	2 - 8		28 - 57	97095-06012	5 - 39	97885-04016	19 - 12		
	20 - 8		39 - 7	93605-10108	6 - 11		16 - 12	97885-06010	13 - 16		
	25 - 21	93210-30682	11 - 42	93606-12019	2 - 3	97095-06014	11 - 18	97885-06016	21 - 4		
92995-08100	20 - 16	93210-37160	26 - 28		26 - 35	97095-06016	1 - 9	97890-05025	34 - 14		
92995-08600	16 - 3		28 - 29		28 - 36		11 - 14		35 - 14		
	24 - 15		40 - 15		40 - 28		13 - 21	97890-06018	34 - 45		
	25 - 4	93210-37MH7	21 - 11	93606-19M23	24 - 16		15 - 2		35 - 45		
	26 - 45	93210-55M14	26 - 42	93608-16M16	24 - 5	97095-06020	16 - 5	98507-04008	4 - 24		
	28 - 46		28 - 43		25 - 5		18 - 14	98580-03015	33 - 38		
92995-10100	21 - 29		40 - 18		27 - 7		25 - 26	98580-04006	33 - 36		
	24 - 41	93210-58144	26 - 15		29 - 7	97095-06025	14 - 12	98580-04010	33 - 35		
	27 - 9		28 - 16	93700-06M01	19 - 34		19 - 43	98580-05010	33 - 37		
	29 - 9		40 - 12	93700-06M03	19 - 36	97095-06030	4 - 27	98780-05016	2 - 12		
92995-10600	21 - 8	93210-86M38	26 - 27		20 - 13		20 - 4	98780-05018	34 - 29		
	24 - 4		28 - 28	94702-00391	4 - 33	97095-06035	13 - 8		35 - 29		
	27 - 10		40 - 14	95303-05600	37 - 14		19 - 49	98980-05010	38 - 9		
	29 - 10	93210-97M55	26 - 67	95303-05700	37 - 11	97095-06040	25 - 20	98980-06020	38 - 14		
92995-14600	21 - 25		28 - 70	95333-08600	17 - 33	97095-06045	5 - 36	99001-08600	26 - 19		
93101-28M16	26 - 38		40 - 20	95380-04600	36 - 5	97095-08014	4 - 8		28 - 20		
	28 - 39	93306-209U0	26 - 62	95380-05600	33 - 7	97095-08016	16 - 2	99530-08012	13 - 7		
	40 - 17	93311-928U5	26 - 3		34 - 21	97095-08020	20 - 15	9E450-04433	36 - 2		
93101-30M17	26 - 66		28 - 3		35 - 21	97095-08025	26 - 44	9E450-04533	36 - 3		
	28 - 69	93315-425V3	26 - 50		38 - 11		28 - 45				
	40 - 19		28 - 51	95380-05700	8 - 18	97095-10045	24 - 40				
93102-08M43	23 - 36	93315-43061	26 - 65	95380-06600	1 - 6		27 - 8				
93102-38M59	6 - 14		28 - 68		18 - 37		29 - 8				
	39 - 14	93317-330U2	26 - 39		33 - 40	97303-05012	37 - 9				
93102-60004	3 - 2		28 - 40		34 - 37	97380-05025	33 - 8				
	39 - 13	93332-00048	28 - 63		35 - 37	97380-06018	34 - 18				

F150TRD/LF150TRD
F150AET/FL150AET
PARTS CATALOGUE
©2004 by Yamaha Motor Co., Ltd.
1st edition, March 2004
All rights reserved.
Any reprinting or unauthorized use
without the written permission of
Yamaha Motor Co., Ltd.
is expressly prohibited.
Printed in Japan.