

# PARTS CATALOGUE

**F200TRB** (60L2) / **F200A** '03 (60L2)

**F225TRB** (69J2) / **F225A** '03 (69J2)

**LF200TRB** (60M2) / **FL200A** '03 (60M2)

**LF225TRB** (69K2) / **FL225A** '03 (69K2)

# FOREWORD

This Parts Catalogue is related to the parts for the model(s) in the below frame. When you are ordering replacement parts, please refer to this Parts Catalogue and quote both part numbers and part names correctly.

F200TRB(60L2), F225TRB(69J2), LF200TRB(60M2), LF225TRB(69K2),  
F200A'03(60L2), F225A'03(69J2), FL200A'03(60M2), FL225A'03(69K2)

1. Modifications or additions which have been made after issue of the Parts Catalogue will be announced in the Yamaha Parts News.  
It is advisable that you make necessary corrections to the Parts Catalogue according to the Yamaha Parts News.

2. Abbreviations

The Following abbreviations are used in this Parts Catalogue.

“UR” Use specified parts number.

“UN” Use as many as needed.

“AP” Alternate Parts

“LM” Local Made

(Parts need to be ordered locally)

“O/S” Over Size

3. Parts, which are to be supplied in an assembly, are listed with a dot(.) in front of the part name as shown below.

EXAMPLE

CARBURETOR ASSY

.JET, PILOT

.NOZZLE, MAIN

4. Number of component for assembly

The numeral appearing to the right of each component part indicates the quantity of parts for each assembly unit.

EXAMPLE

PART NO.	DESCRIPTION	1	2	3	4	REMARKS
6E0-85500-70	C.D.I. MAGNETO ASSY	1				
6E0-85550-70	.ROTOR ASSY	1				
6E0-15723-00-94.	.PULLY, STARTER	1				

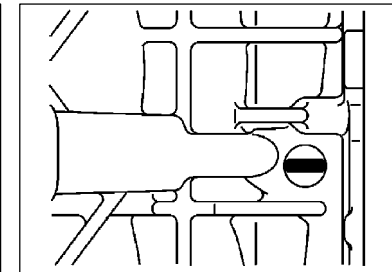
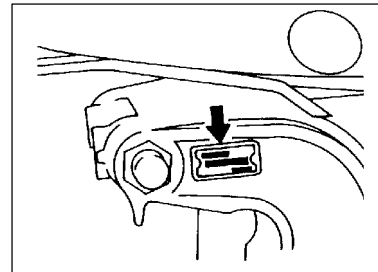
5. Quantity Column Information

NAME for Q'TY COLUMN	APPLICABLE MODEL
69J2	F225TRB, F225AET
60L2	F200TRB, F200AET
69K2	LF225TRB, FL225AET
60M2	LF200TRB, FL200AET

6. Applicable Starting Serial No. and Color Code

1) Engine Starting Sserial No.

F200TXRB	60L	: 1000001	F200AET X	60L	: 1000001
F225TXRB	69J	: 1000001	F225AET X/U	69J	: 1000001
F225TURB	69J	: 1000001	FL200AET X	60M	: 1000001
LF200TXRB	60M	: 1000001	FL225AET X/U	69K	: 1000001
LF225TXRB	69K	: 1000001			
LF225TURB	69K	: 1000001			



2) Color Code

Color Code	Color Name	Abbreviation
004D	DARK BLUISH GRAY METALLIC 2	DBNM2

7. Note that the illustrations for reference in finding parts numbers, not to be used for assembling. When assembling, please use the applicable service manual.

8. The asterisk (\*) before a reference number indicates modification items after the first edition.

# CONTENTS

## SHEET 1/2

TOP COWLING .....	A4
CYLINDER. CRANKCASE 1 .....	A6
CRANKSHAFT. PISTON .....	B2
CYLINDER. CRANKCASE 2 .....	B3
CYLINDER. CRANKCASE 3 .....	B5
VALVE .....	B6
INTAKE .....	C2
THROTTLE BODY ASSY 1 .....	C4
THROTTLE BODY ASSY 2 .....	C6
THROTTLE BODY ASSY 3 .....	D1
FUEL INJECTION PUMP 1 .....	D2
FUEL INJECTION PUMP 2 .....	D4
FUEL 1 .....	D5
FUEL 2 .....	D6
GENERATOR .....	D7
ELECTRICAL 1 .....	E2
ELECTRICAL 2 .....	E4
ELECTRICAL 3 .....	E6
STARTING MOTOR .....	E7
BOTTOM COWLING 1 .....	F2
BOTTOM COWLING 2 .....	F4
CONTROL 1 .....	F5
CONTROL 2 .....	F7

## INDEX

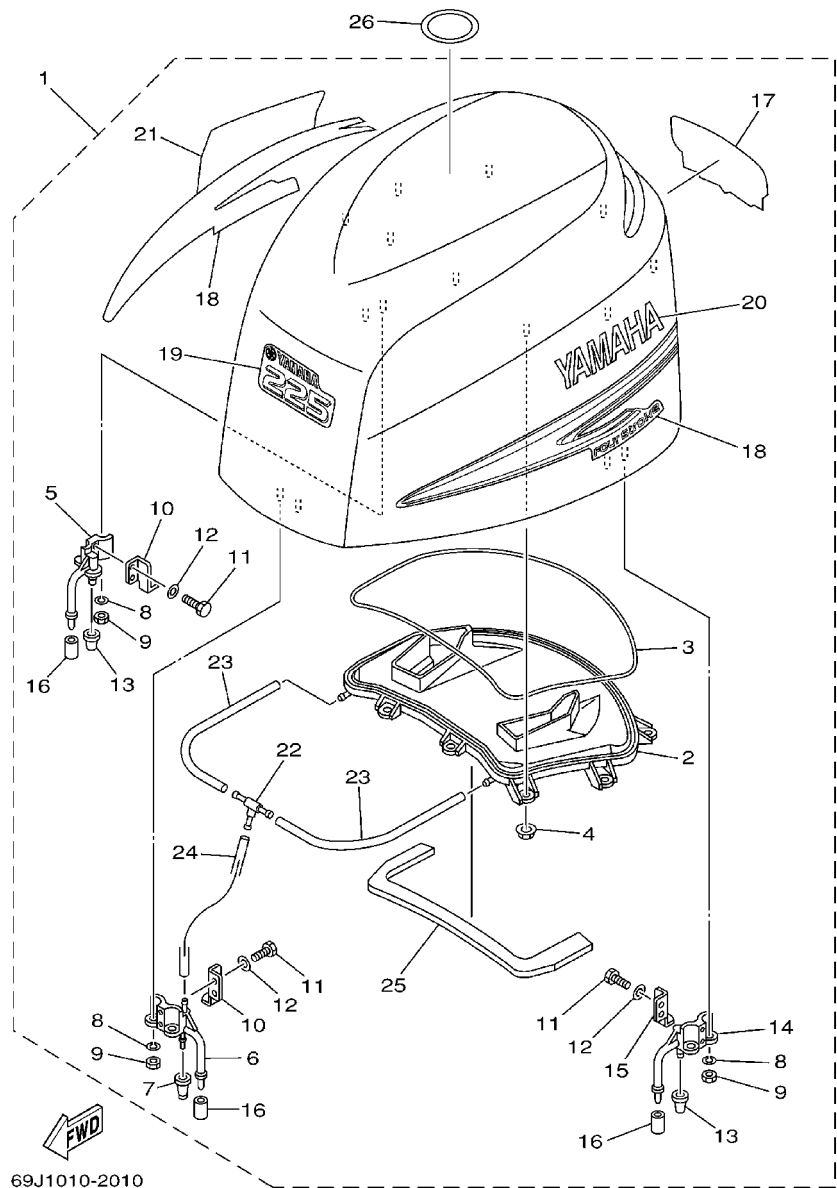
NUMERICAL INDEX .....	G1
-----------------------	----

## SHEET 2/2

CONTROL 3 .....	A4*
BRACKET 1 .....	A5*
BRACKET 2 .....	A7*
POWER TRIM & TILT ASSY 1 .....	B2*
POWER TRIM & TILT ASSY 2 .....	B6*
UPPER CASING .....	B7*
OIL PAN .....	C3*
LOWER CASING. DRIVE 1 .....	C4*
LOWER CASING. DRIVE 2 .....	D1*
LOWER CASING. DRIVE 3 .....	D3*
LOWER CASING. DRIVE 4 .....	D7*
STEERING GUIDE ATTACHMENT 1 .....	E2*
STEERING GUIDE ATTACHMENT 2 .....	E3*
REMOTE CONTROL BOX .....	E4*
METER .....	E5*
SWITCH. PANEL 1 .....	E7*
SWITCH. PANEL 2 .....	F1*
SWITCH. PANEL 3 .....	F2*
REPAIR KIT 1 .....	F3*
REPAIR KIT 2 .....	F4*

## INDEX

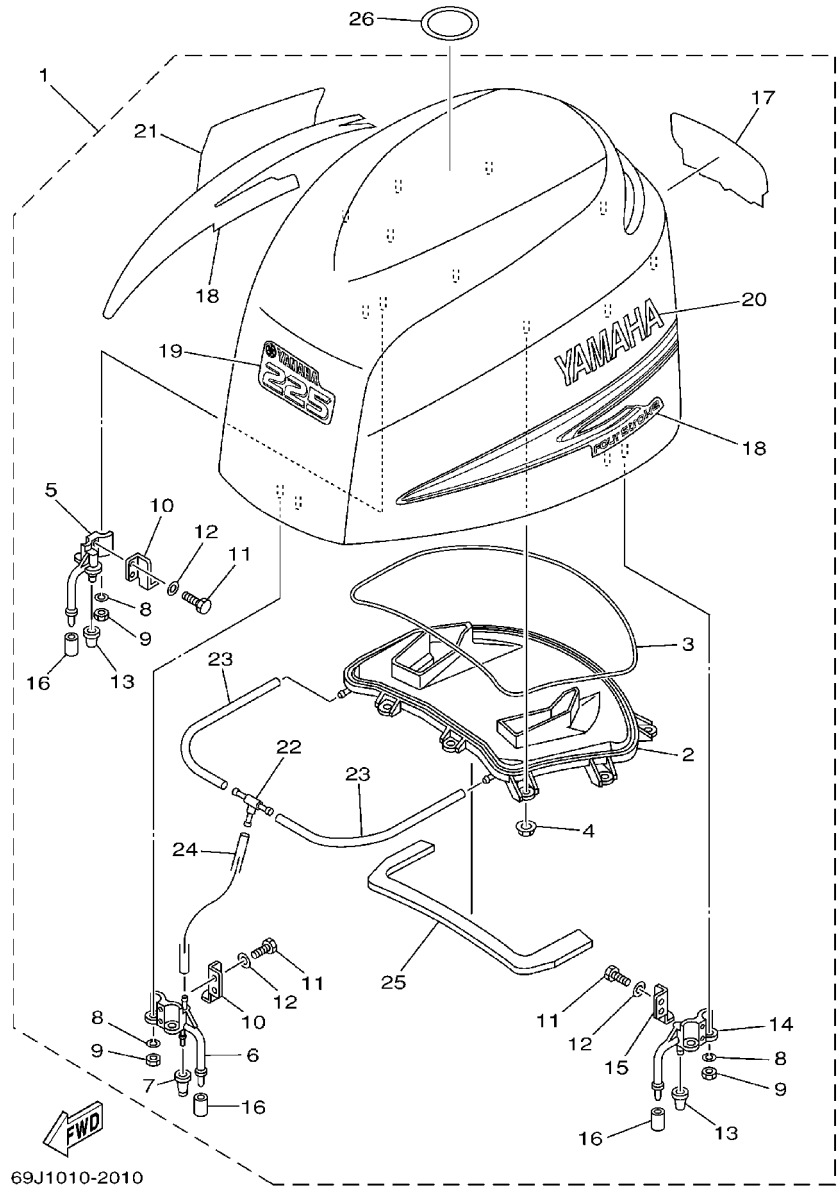
NUMERICAL INDEX .....	G1*
-----------------------	-----



69J1010-2010

FIG. 1 TOP COWLING

REF. NO.	PART NO.	DESCRIPTION	69J2	60L2	69K2	60M2	REMARKS
1	69J-42610-00-8D	TOP COWLING ASSY	1		1		
	60L-42610-00-8D	TOP COWLING ASSY		1		1	
2	69J-42613-00	.MOLDING, AIR DUCT	1	1	1	1	
3	69J-42629-00	.SEAL	1	1	1	1	
4	90179-06M28	.NUT	9	9	9	9	
5	68F-42647-01-94	.HOLDER, CLAMP BAND	1	1	1	1	
6	69J-42647-00-94	.HOLDER, CLAMP BAND	1	1	1	1	
7	69J-42663-00	.DAMPER	1	1	1	1	
8	92990-06100	.WASHER, SPRING	6	6	6	6	
9	95380-06600	.NUT, HEXAGON	6	6	6	6	
10	68F-42651-00	.HOOK	2	2	2	2	
11	97095-06016	.BOLT	6	6	6	6	
12	92995-06600	.WASHER	6	6	6	6	
13	68F-42663-00	.DAMPER	2	2	2	2	
14	68F-42648-01-94	.HOLDER, CLAMP BAND	1	1	1	1	
15	67F-42652-00	.HOOK	1	1	1	1	
16	67F-13448-00	.CAP	3	3	3	3	
17	69J-42678-00	.GRAPHIC, REAR	1		1		
	60L-42678-00	.GRAPHIC, REAR		1		1	
18	69J-W0070-00	.GRAPHIC SET	1	1	1	1	
19	69J-42677-00	.GRAPHIC, FRONT	1		1		
	60L-42677-00	.GRAPHIC, FRONT		1		1	
20	69J-42681-00	.MARK, COWLING	1	1	1	1	
21	69J-42682-00	.MARK, COWLING	1	1	1	1	
22	69J-24378-00	.PIPE, JOINT 4	1	1	1	1	
23	90445-11020	.HOSE	2	2	2	2	
24	90445-11021	.HOSE	1	1	1	1	



69J1010-2010

FIG. 1 TOP COWLING

REF. NO.	PART NO.	DESCRIPTION	69J2	60L2	69K2	60M2	REMARKS
25	69J-42617-00	.DAMPER, FORM	1	1	1	1	
26	67F-13434-02	LABEL, CAUTION	1	1	1	1	

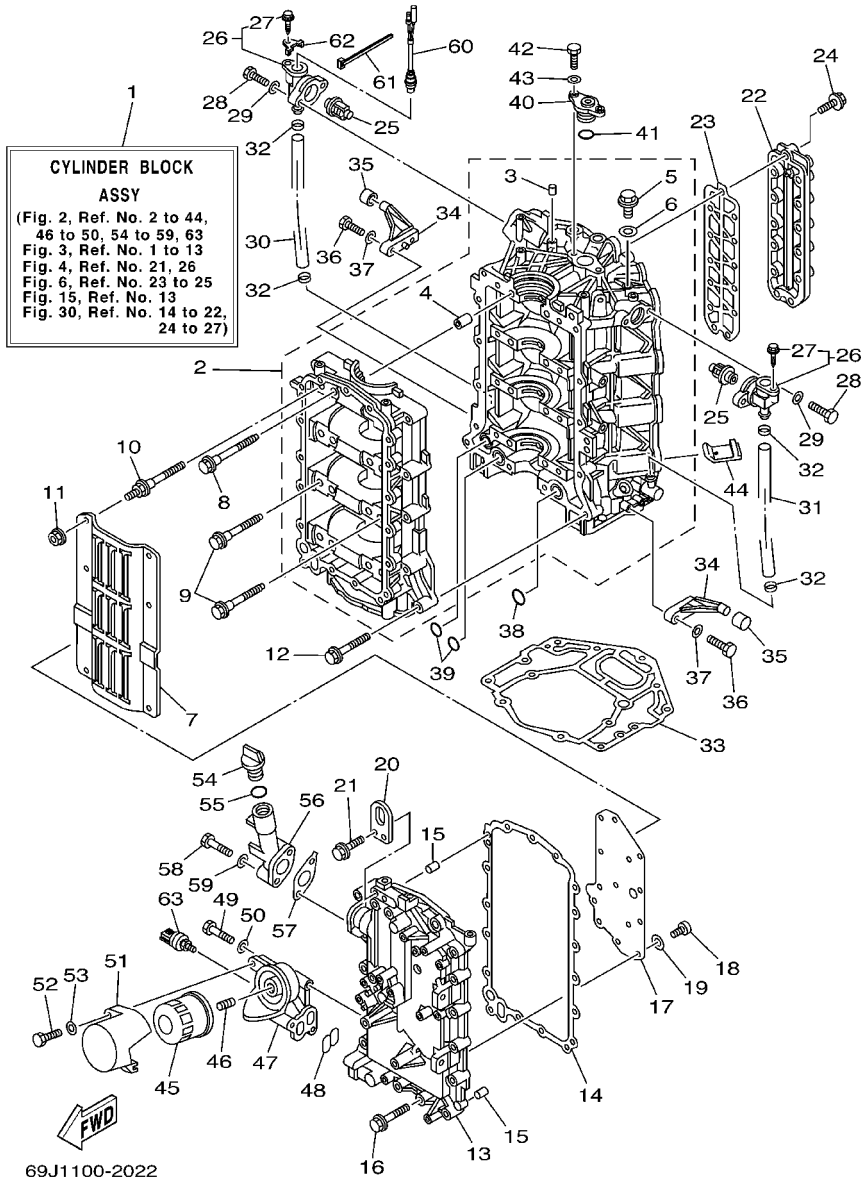
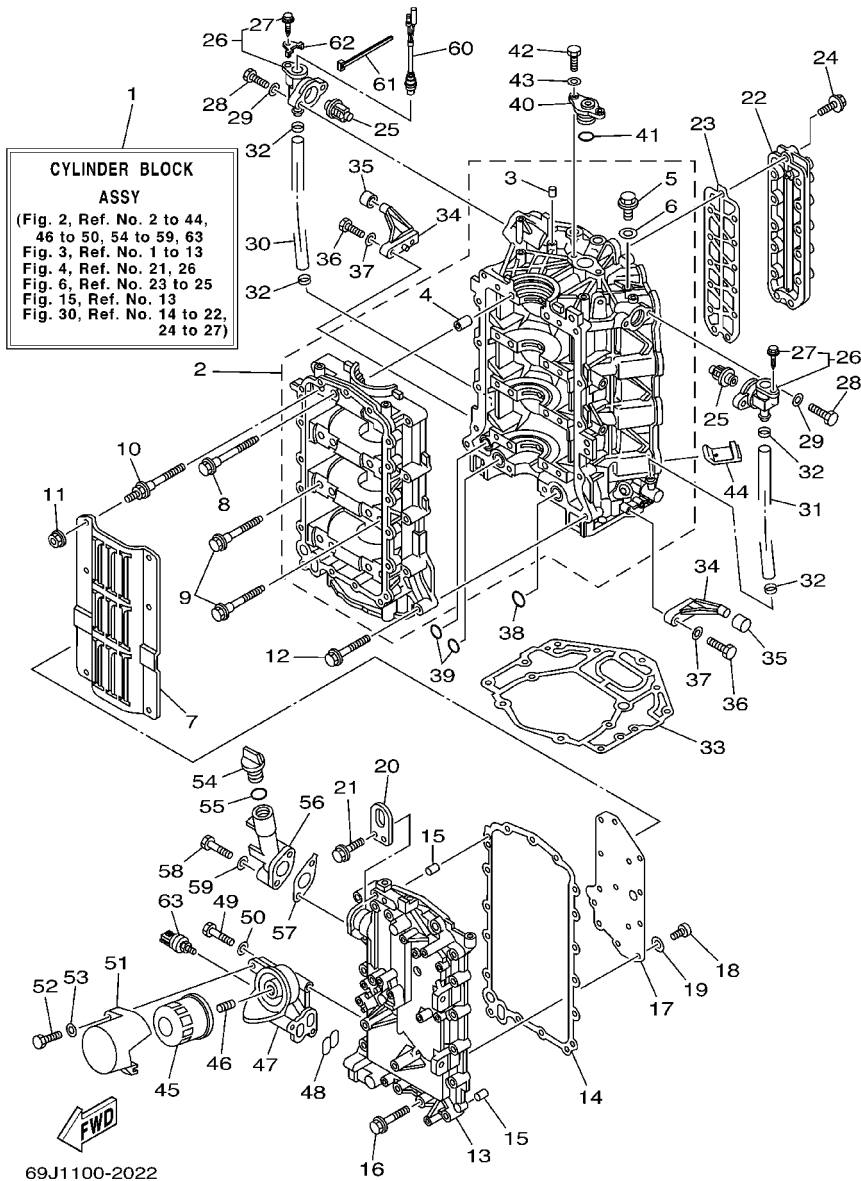


FIG. 2 CYLINDER. CRANKCASE 1

REF. NO.	PART NO.	DESCRIPTION	69J2	60L2	69K2	60M2	REMARKS
1	69J-W009B-01-1S	CYLINDER BLOCK ASSY	1	1	1	1	
2	69J-15100-00-1S	CRANKCASE ASSY	1	1	1	1	
3	93606-12019	.PIN, DOWEL	1	1	1	1	
4	91814-18001	.PIN, DOWEL	8	8	8	8	
5	90340-14M06	.PLUG, STRAIGHT SCREW	1	1	1	1	
6	90430-14115	.GASKET	1	1	1	1	
7	69J-15123-00	PLATE, BUFFLE 1	1	1	1	1	
8	69J-15187-00	BOLT	8	8	8	8	
9	69J-15481-00	BOLT 1	2	2	2	2	
10	69J-15482-00	BOLT 2	6	6	6	6	
11	95707-06500	NUT, FLANGE	6	6	6	6	
12	90119-08M66	BOLT, WITH WASHER	13	13	13	13	
13	69J-15411-00-94	COVER, CRANKCASE 1	1	1	1	1	
14	69J-15451-00	GASKET, CRANKCASE COVER 1	1	1	1	1	
15	93606-12019	PIN, DOWEL	2	2	2	2	
16	90119-08009	BOLT, WITH WASHER	17	17	17	17	
17	69J-11168-00	COVER, BREATHER	1	1	1	1	
18	98507-04008	SCREW	14	14	14	14	
19	92907-04600	WASHER	14	14	14	14	
20	69J-11119-00	HANGER, ENGINE	1	1	1	1	
21	90119-06MA2	BOLT, WITH WASHER	2	2	2	2	
22	69J-1131C-00-1S	COVER, JOINT	1	1	1	1	
23	69J-1131B-00	GASKET, COVER	1	1	1	1	
24	90119-06MA4	BOLT, WITH WASHER	13	13	13	13	
25	67F-12411-00	THERMOSTAT	2	2	2	2	
26	69J-1240H-00-1S	COVER ASSEMBLY	2	2	2	2	
27	90109-06M86	.BOLT	1	1	1	1	



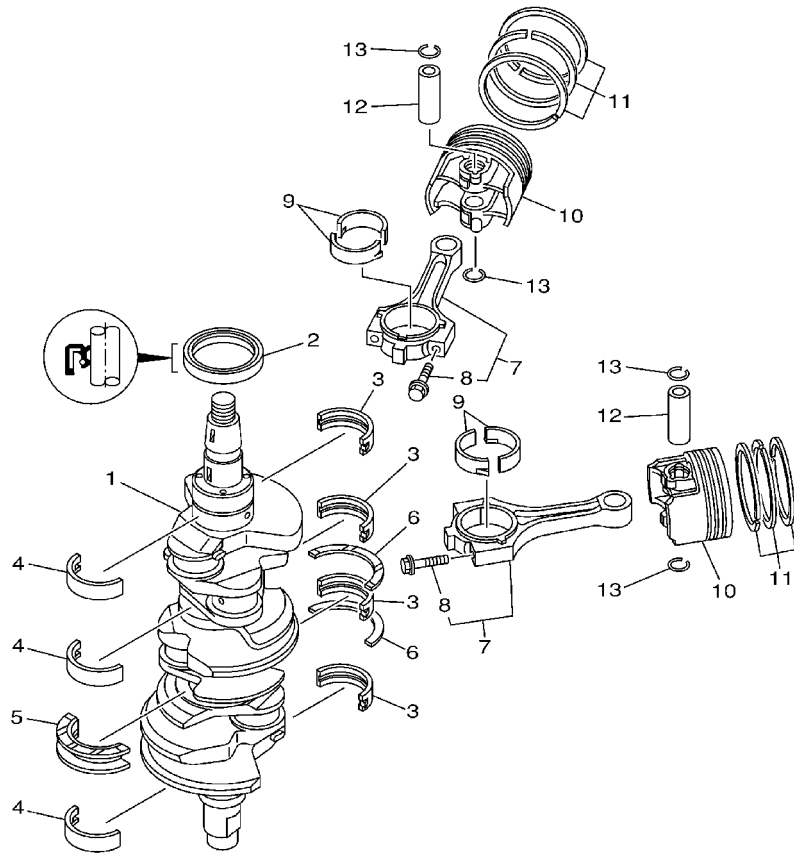
**FIG. 2 CYLINDER. CRANKCASE 1**

REF. NO.	PART NO.	DESCRIPTION	69J2	60L2	69K2	60M2	REMARKS
28	97095-06025	BOLT	4	4	4	4	
29	92995-06600	WASHER	4	4	4	4	
30	69J-1243A-00	HOSE 1	1	1	1	1	
31	69J-1243E-00	HOSE 2	1	1	1	1	
32	90465-11M10	CLAMP	4	4	4	4	
33	69J-11351-00	GASKET, CYLINDER	1	1	1	1	
34	67F-42761-00-94	STOPPER	2	2	2	2	
35	68F-44533-00	DAMPER, UPPER MOUNT RUBBER	2	2	2	2	
36	97095-06025	BOLT	4	4	4	4	
37	92995-06600	WASHER	4	4	4	4	
38	93210-25552	O-RING	1	1	1	1	
39	93210-19MJ1	O-RING	2	2	2	2	
40	69J-11313-00-94	PLUG, BLIND	1	1	1	1	
41	93210-25647	O-RING	1	1	1	1	
42	97095-06020	BOLT	2	2	2	2	
43	92995-06600	WASHER	2	2	2	2	
44	69J-14664-00	GROMMET, WATER SHUT	2	2	2	2	
45	69J-13440-00	ELEMENT ASSY, OIL CLEANER	1	1	1	1	
46	69J-12858-00	BOLT, UNION	1	1	1	1	
47	69J-13446-00-94	CONNECTOR	1	1	1	1	
48	69J-13477-00	GASKET	1	1	1	1	
49	97095-06045	BOLT	3	3	3	3	
50	92995-06600	WASHER	3	3	3	3	
51	69J-13447-00	COVER, OIL ELEMENT	1	1	1	1	
52	97095-06040	BOLT	1	1	1	1	
53	92995-06600	WASHER	1	1	1	1	
54	6G8-15363-00	PLUG, OIL	1	1	1	1	



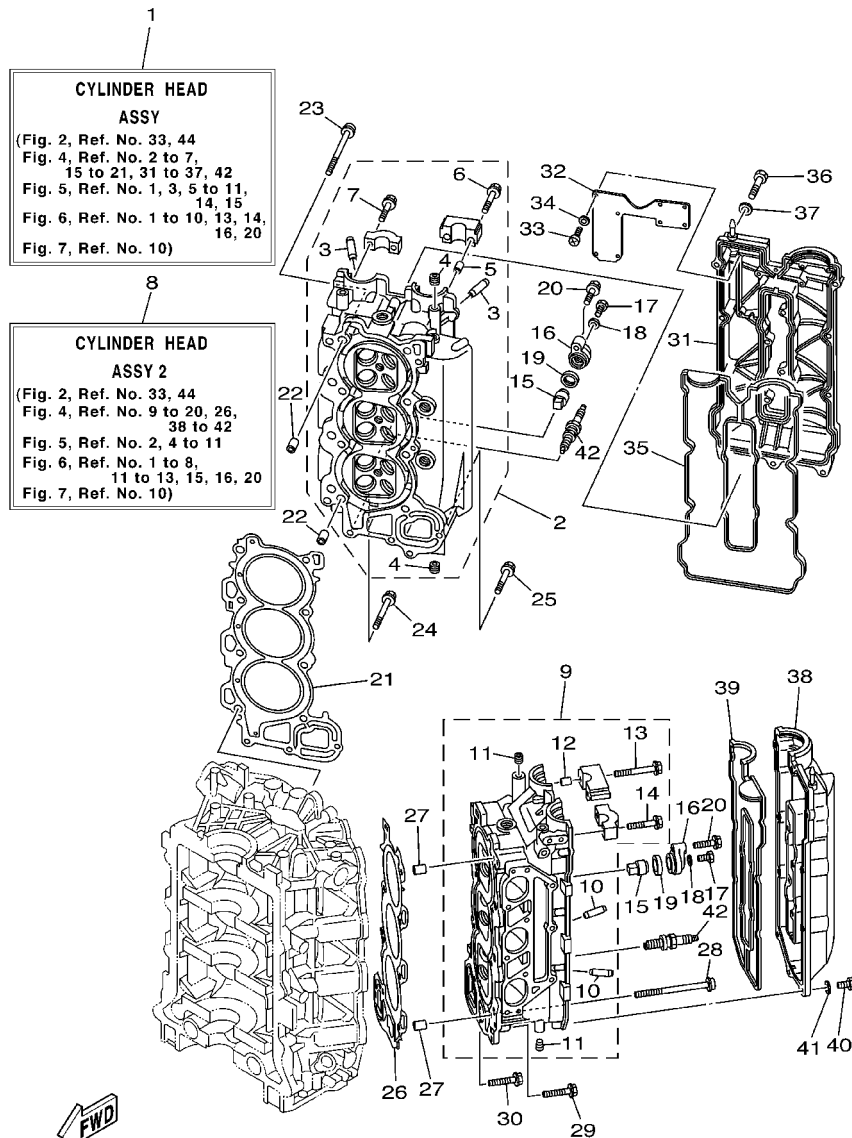


**FIG. 3 CRANKSHAFT. PISTON**



REF. NO.	PART NO.	DESCRIPTION	69J2	60L2	69K2	60M2	REMARKS
1	69J-11411-00	CRANKSHAFT	1	1	1	1	
2	93102-63004	OIL SEAL	1	1	1	1	
3	69J-11416-00	PLANE BEARING, CRANKSHAFT 1	4	4	4	4	UR #1
	69J-11416-10	PLANE BEARING, CRANKSHAFT 1	4	4	4	4	UR #2
	69J-11416-20	PLANE BEARING, CRANKSHAFT 1	4	4	4	4	UR #3
4	69J-11417-00	PLANE BEARING, CRANKSHAFT 2	3	3	3	3	UR #1
	69J-11417-10	PLANE BEARING, CRANKSHAFT 2	3	3	3	3	UR #2
	69J-11417-20	PLANE BEARING, CRANKSHAFT 2	3	3	3	3	UR #3
5	69J-11426-00	PLANE BEARING, CRANKSHAFT 1	1	1	1	1	UR #1
	69J-11426-10	PLANE BEARING, CRANKSHAFT 1	1	1	1	1	UR #2
	69J-11426-20	PLANE BEARING, CRANKSHAFT 1	1	1	1	1	UR #3
6	69J-11427-00	PLANE BEARING, CRANKSHAFT 2	2	2	2	2	
7	69J-W1165-00	CONNECTING ROD ASSY	6	6	6	6	
8	69J-11654-00	.BOLT, CONNECTING ROD	2	2	2	2	
9	69J-11656-00	PLANE BEARING, CONNECTING ROD	12	12	12	12	UR YELLOW
	69J-11656-10	PLANE BEARING, CONNECTING ROD	12	12	12	12	UR GREEN
	69J-11656-20	PLANE BEARING, CONNECTING ROD	12	12	12	12	UR BLUE
10	69J-11631-00-B0	PISTON (STD)	6	6	6	6	
11	69J-11603-00	PISTON RING SET (STD)	6	6	6	6	
12	69J-11633-00	PIN, PISTON	6	6	6	6	
13	69J-11634-00	CLIP, PISTON PIN	12	12	12	12	

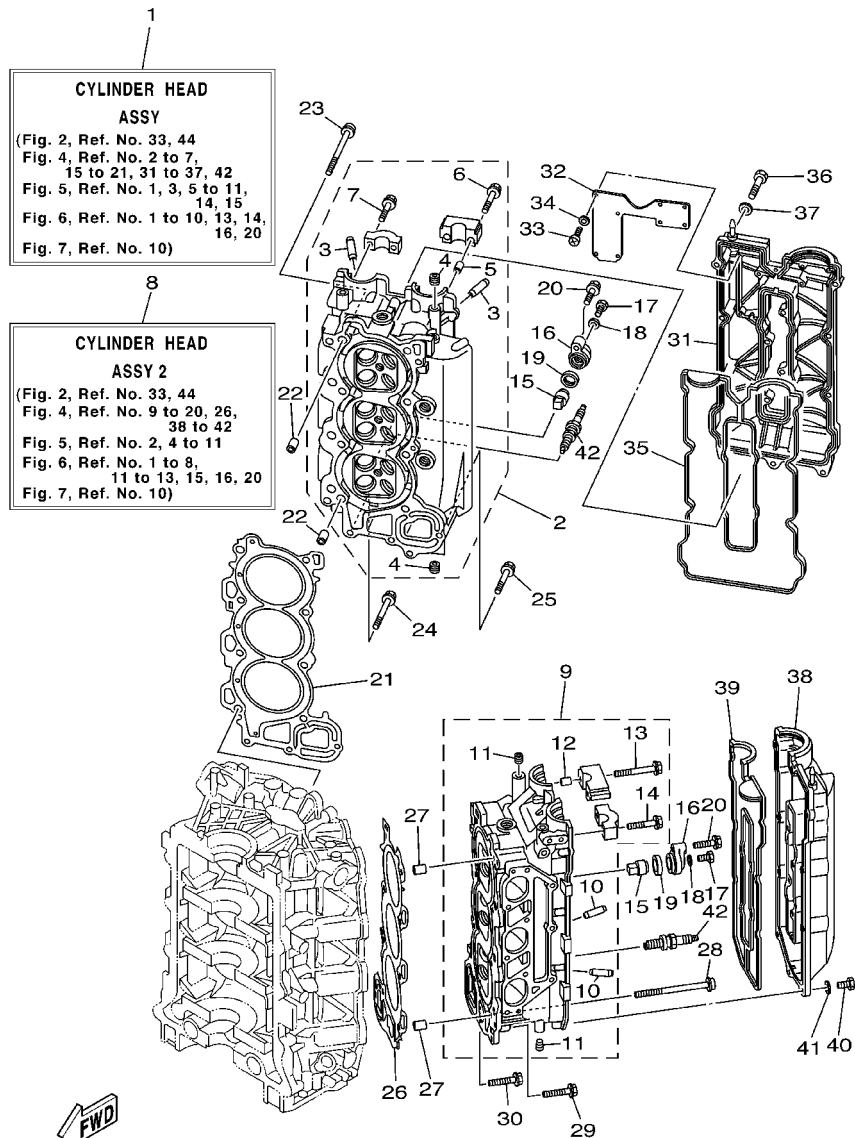
  
69J1010-2030



69J1100-2042

FIG. 4 CYLINDER. CRANKCASE 2

REF. NO.	PART NO.	DESCRIPTION	69J2	60L2	69K2	60M2	REMARKS
1	69J-W009A-01-1S	CYLINDER HEAD ASSY	1	1	1	1	
2	69J-11110-00-94	CYLINDER HEAD ASSY	1	1	1	1	
3	69J-11133-10	.GUIDE, INTAKE VALVE	12	12	12	12	
4	90344-51019	.PLUG, TAPER SCREW	5	5	5	5	
5	91809-08006	.PIN, DOWEL	2	2	2	2	
6	90119-07235	.BOLT, WITH WASHER	2	2	2	2	
7	90119-07234	.BOLT, WITH WASHER	18	18	18	18	
8	69J-W009C-01-1S	CYLINDER HEAD ASSY 2	1	1	1	1	
9	69J-11120-00-94	CYLINDER HEAD ASSY 2	1	1	1	1	
10	69J-11133-10	.GUIDE, INTAKE VALVE	12	12	12	12	
11	90344-51019	.PLUG, TAPER SCREW	5	5	5	5	
12	91809-08006	.PIN, DOWEL	2	2	2	2	
13	90119-07235	.BOLT, WITH WASHER	2	2	2	2	
14	90119-07234	.BOLT, WITH WASHER	14	14	14	14	
15	67F-11325-00	ANODE	4	4	4	4	
16	69J-11327-00-94	COVER, ANODE	4	4	4	4	
17	97075-06020	BOLT	4	4	4	4	
18	92995-06600	WASHER	4	4	4	4	
19	67F-11328-00	GROMMET, ANODE	4	4	4	4	
20	97575-08540	BOLT, WITH WASHER	4	4	4	4	
21	69J-11181-01	GASKET, CYLINDER HEAD 1	1	1	1	1	
22	90387-10M08	COLLAR	2	2	2	2	
23	90155-10001	SCREW, FLAT FILLISTER	8	8	8	8	
24	90119-08M91	BOLT, WITH WASHER	2	2	2	2	
25	90119-08021	BOLT, WITH WASHER	1	1	1	1	
26	69J-11182-01	GASKET, CYLINDER HEAD 2	1	1	1	1	
27	90387-10M08	COLLAR	2	2	2	2	

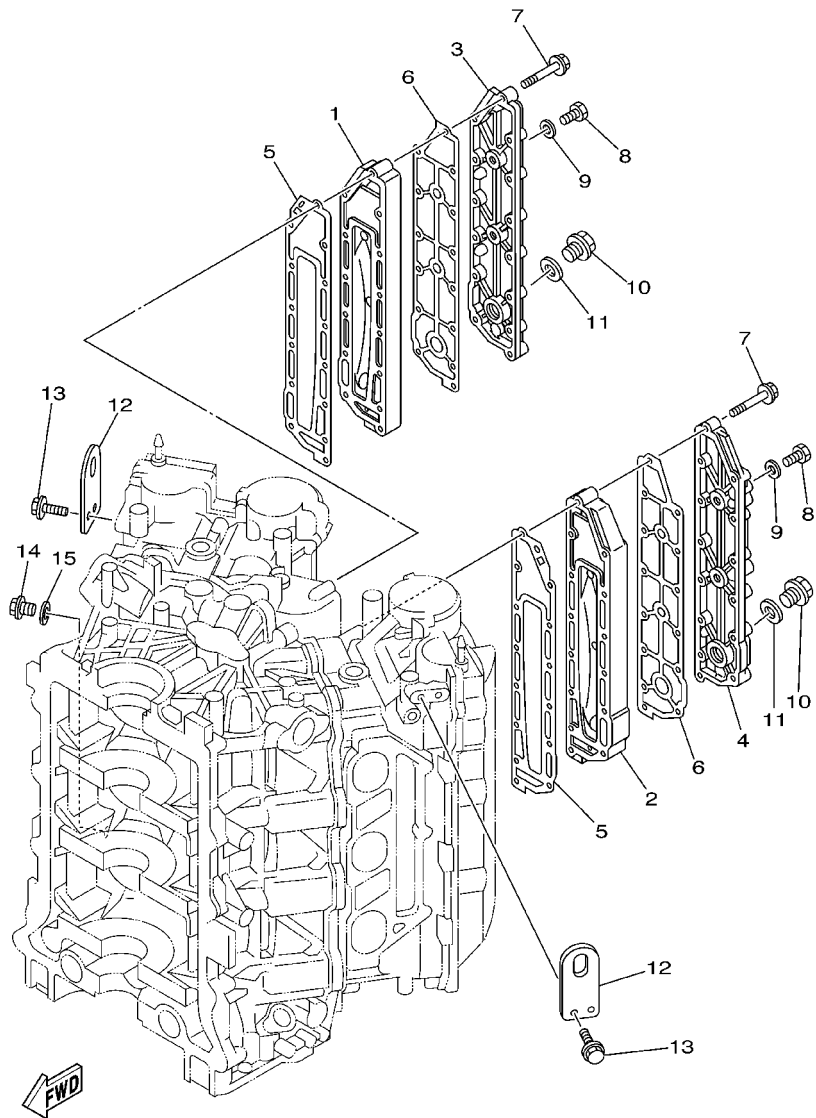


69J1100-2042

FIG. 4 CYLINDER. CRANKCASE 2

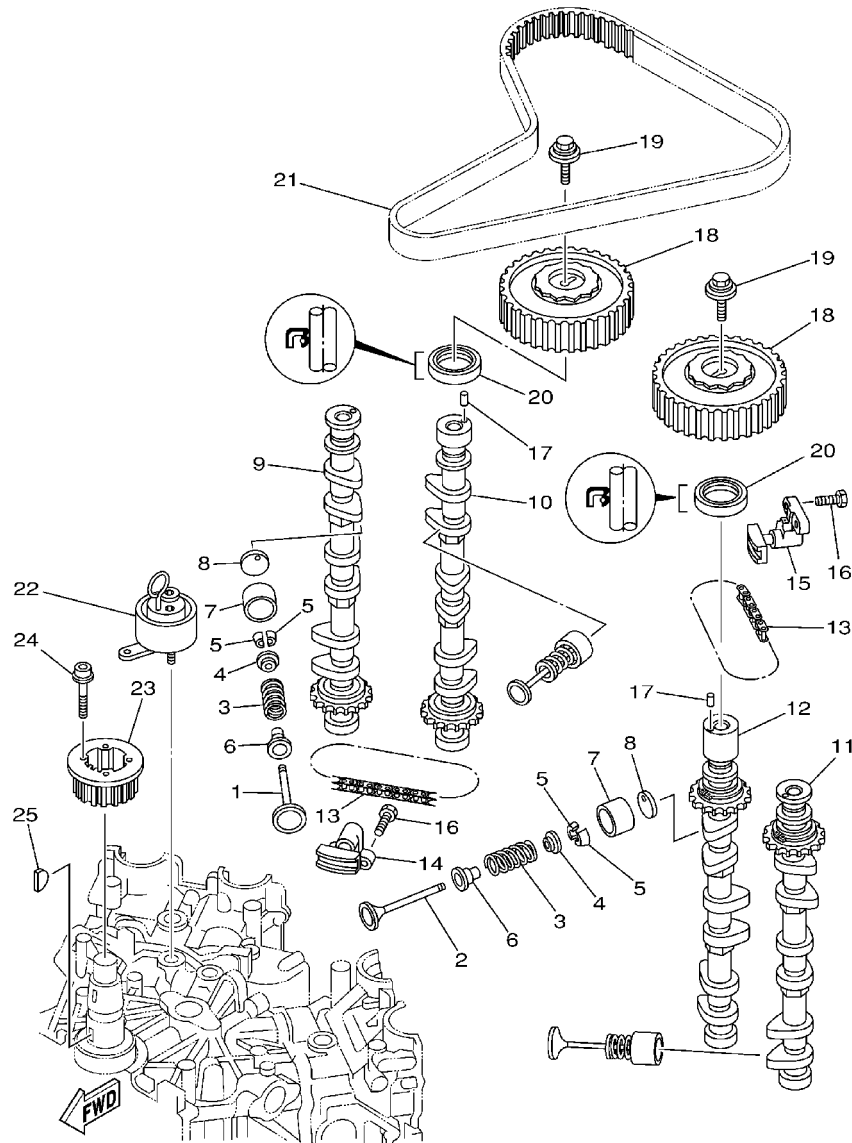
REF. NO.	PART NO.	DESCRIPTION	69J2	60L2	69K2	60M2	REMARKS
28	90155-10001	SCREW, FLAT FILLISTER	8	8	8	8	
29	90119-08M91	BOLT, WITH WASHER	2	2	2	2	
30	90119-08021	BOLT, WITH WASHER	1	1	1	1	
31	69J-11191-00-1S	COVER, CYLINDER HEAD 1	1	1	1	1	
32	69J-11135-00	PLATE, BREATHER 3	1	1	1	1	
33	98507-04008	SCREW	8	8	8	8	
34	92907-04600	WASHER	8	8	8	8	
35	69J-11193-00	GASKET, HEAD COVER 1	1	1	1	1	
36	97095-06030	BOLT	14	14	14	14	
37	92995-06600	WASHER	14	14	14	14	
38	69J-11192-00-1S	COVER, CYLINDER HEAD 2	1	1	1	1	
39	69J-11194-00	GASKET, HEAD COVER 2	1	1	1	1	
40	97095-06030	BOLT	14	14	14	14	
41	92995-06600	WASHER	14	14	14	14	
42	94702-00391	PLUG, SPARK (NGK LFR5A-11)	6	6	6	6	

FIG. 5 CYLINDER. CRANKCASE 3



69J2010-3050

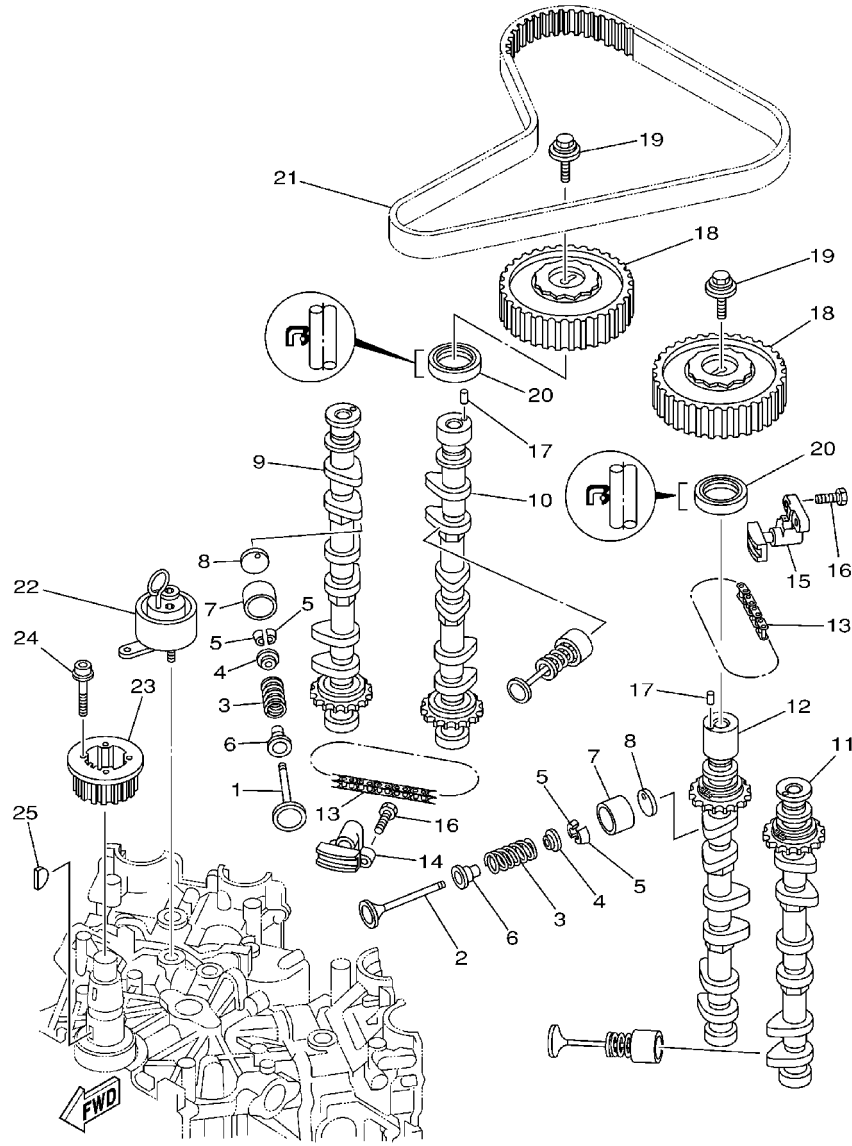
REF. NO.	PART NO.	DESCRIPTION	69J2	60L2	69K2	60M2	REMARKS
1	69J-41111-00-1S	INNER COVER, EXHAUST	1	1	1	1	
2	69J-41121-00-1S	INNER COVER, EXHAUST	1	1	1	1	
3	69J-41113-00-1S	OUTER COVER, EXHAUST	1	1	1	1	
4	69J-41123-00-1S	OUTER COVER, EXHAUST	1	1	1	1	
5	69J-41112-00	GASKET, EXHAUST INNER COVER	2	2	2	2	
6	69J-41114-00	GASKET, EXHAUST OUTER COVER	2	2	2	2	
7	90119-06027	BOLT, WITH WASHER	28	28	28	28	
8	97095-08014	BOLT	4	4	4	4	
9	90430-08143	GASKET	4	4	4	4	
10	90340-18M09	PLUG, STRAIGHT SCREW	2	2	2	2	
11	90430-18130	GASKET	2	2	2	2	
12	69J-1111E-00	HANGER, ENGINE 2	2	2	2	2	
13	90119-06MA2	BOLT, WITH WASHER	4	4	4	4	
14	90340-14M06	PLUG, STRAIGHT SCREW	1	1	1	1	
15	90430-14115	GASKET	1	1	1	1	



69J1010-2060

FIG. 6 VALVE

REF. NO.	PART NO.	DESCRIPTION	69J2	60L2	69K2	60M2	REMARKS
1	69J-12111-00	VALVE, INTAKE	12	12	12	12	
2	69J-12121-00	VALVE, EXHAUST	12	12	12	12	
3	69J-12113-00	SPRING, VALVE INNER	24	24	24	24	
4	69J-12117-00	RETAINER, VALVE SPRING	24	24	24	24	
5	69J-12118-00	COTTER, VALVE	48	48	48	48	
6	69J-12119-00	SEAL, VALVE STEM	24	24	24	24	
7	69J-12153-00	LIFTER, VALVE	24	24	24	24	
8	69J-12168-00	PAD, ADJUSTING (2.320)	24	24	24	24	UR
	69J-12168-10	PAD, ADJUSTING (2.340)	24	24	24	24	UR
	69J-12168-20	PAD, ADJUSTING (2.360)	24	24	24	24	UR
	69J-12168-30	PAD, ADJUSTING (2.380)	24	24	24	24	UR
	69J-12168-40	PAD, ADJUSTING (2.400)	24	24	24	24	UR
	69J-12168-50	PAD, ADJUSTING (2.420)	24	24	24	24	UR
	69J-12168-60	PAD, ADJUSTING (2.440)	24	24	24	24	UR
	69J-12168-70	PAD, ADJUSTING (2.460)	24	24	24	24	UR
	69J-12168-80	PAD, ADJUSTING (2.480)	24	24	24	24	UR
	69J-12168-90	PAD, ADJUSTING (2.500)	24	24	24	24	UR
	69J-12168-A0	PAD, ADJUSTING (2.520)	24	24	24	24	UR
	69J-12168-B0	PAD, ADJUSTING (2.540)	24	24	24	24	UR
	69J-12168-C0	PAD, ADJUSTING (2.560)	24	24	24	24	UR
	69J-12168-D0	PAD, ADJUSTING (2.580)	24	24	24	24	UR
	69J-12168-E0	PAD, ADJUSTING (2.600)	24	24	24	24	UR
	69J-12168-F0	PAD, ADJUSTING (2.620)	24	24	24	24	UR
	69J-12168-G0	PAD, ADJUSTING (2.640)	24	24	24	24	UR
	69J-12168-H0	PAD, ADJUSTING (2.660)	24	24	24	24	UR
	69J-12168-J0	PAD, ADJUSTING (2.680)	24	24	24	24	UR
	69J-12168-K0	PAD, ADJUSTING (2.700)	24	24	24	24	UR

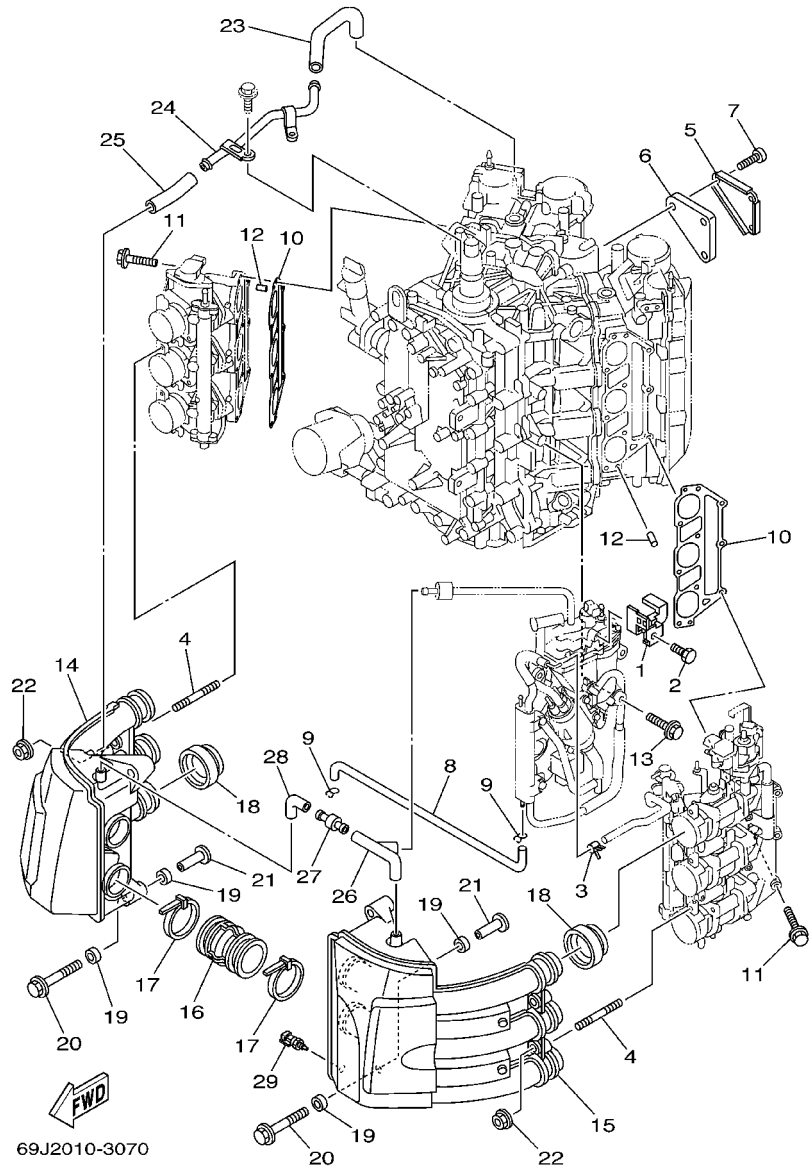


69J1010-2060

FIG. 6 VALVE

REF. NO.	PART NO.	DESCRIPTION	69J2	60L2	69K2	60M2	REMARKS
8	69J-12168-L0	PAD, ADJUSTING (2.720)	24	24	24	24	UR
	69J-12168-M0	PAD, ADJUSTING (2.740)	24	24	24	24	UR
	69J-12168-N0	PAD, ADJUSTING (2.760)	24	24	24	24	UR
	69J-12168-P0	PAD, ADJUSTING (2.780)	24	24	24	24	UR
	69J-12168-R0	PAD, ADJUSTING (2.800)	24	24	24	24	UR
	69J-12168-S0	PAD, ADJUSTING (2.820)	24	24	24	24	UR
	69J-12168-T0	PAD, ADJUSTING (2.840)	24	24	24	24	UR
	69J-12168-U0	PAD, ADJUSTING (2.860)	24	24	24	24	UR
	69J-12168-V0	PAD, ADJUSTING (2.880)	24	24	24	24	UR
	69J-12168-W0	PAD, ADJUSTING (2.900)	24	24	24	24	UR
	69J-12168-X0	PAD, ADJUSTING (2.920)	24	24	24	24	UR
	69J-12168-Y0	PAD, ADJUSTING (2.940)	24	24	24	24	UR
	69J-12169-00	PAD, ADJUSTING (2.960)	24	24	24	24	UR
9	69J-12171-00	CAMSHAFT 1	1	1	1	1	
10	69J-12181-00	CAMSHAFT 2	1	1	1	1	
11	69J-12172-00	CAMSHAFT 3	1	1	1	1	
12	69J-12182-00	CAMSHAFT 4	1	1	1	1	
13	94581-99044	CHAIN	2	2	2	2	
14	69J-12210-00	TENSIONER ASSY, CAM CHAIN	1	1	1	1	
15	69J-12230-00	TENSIONER ASSY, CAM CHAIN 2	1	1	1	1	
16	97013-06025	BOLT	4	4	4	4	
17	93605-10108	PIN, DOWEL	2	2	2	2	
18	69J-11537-00	GEAR, DRIVEN	2	2	2	2	
19	90119-10M06	BOLT, WITH WASHER	2	2	2	2	
20	93102-38M59	OIL SEAL	2	2	2	2	
21	69J-46241-00	V-BELT	1	1	1	1	
22	69J-11590-00	TENSIONER ASSY	1	1	1	1	





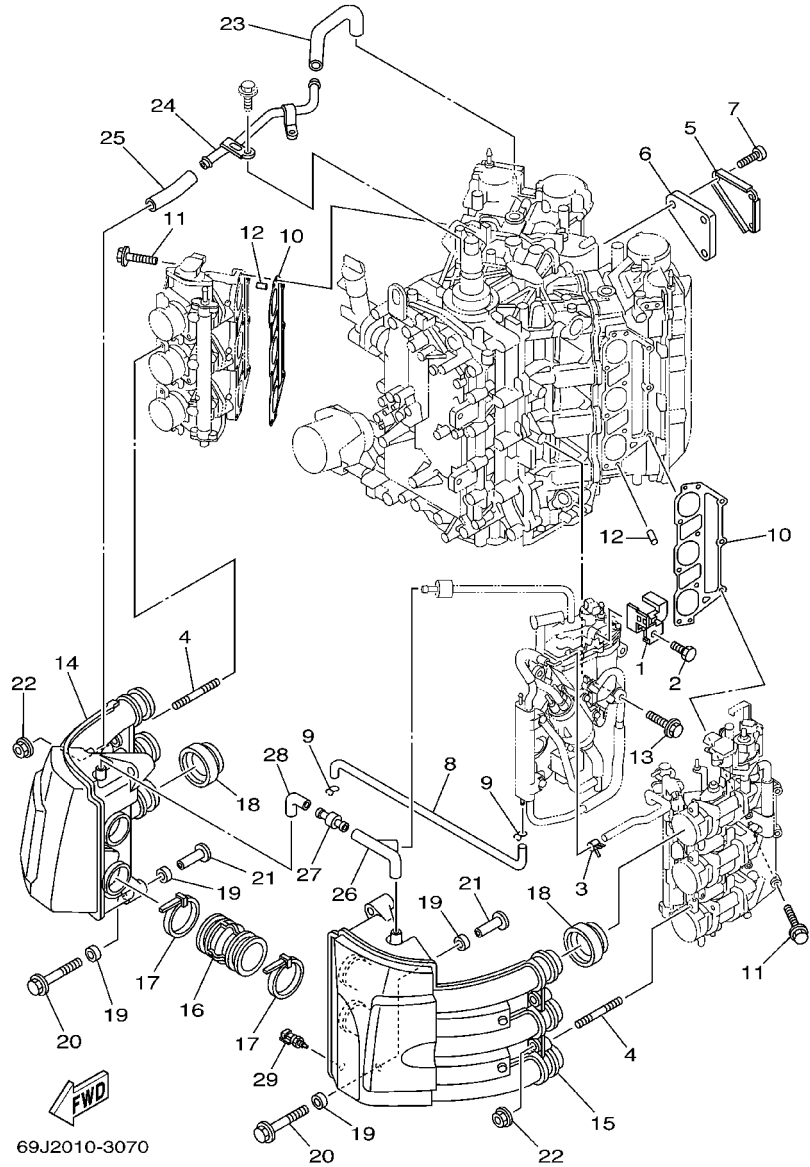
69J2010-3070

FIG. 7 INTAKE

REF. NO.	PART NO.	DESCRIPTION	69J2	60L2	69K2	60M2	REMARKS
1	69J-14146-10	PLATE	1	1	1	1	
2	69J-14162-00	BOLT, HOLDING	1	1	1	1	
3	68V-24519-00	CLIP	1	1	1	1	
4	90116-06032	BOLT, STUD	4	4	4	4	
5	69J-1442A-00	COVER, CLEANER CASE 3	1	1	1	1	
6	69J-14409-00	DAMPER	1	1	1	1	
7	97780-60620	SCREW, TAPPING	3	3	3	3	
8	69J-12483-00	PIPE 3	1	1	1	1	
9	90467-09M03	CLIP	2	2	2	2	
10	69J-13645-00	GASKET, MANIFOLD 1	2	2	2	2	
11	90119-08022	BOLT, WITH WASHER	18	18	18	18	
12	91690-50014	PIN, SPRING	4	4	4	4	
13	90119-06M24	BOLT, WITH WASHER	4	4	4	4	
14	69J-14440-00	SILENCER ASSY, INTAKE	1	1	1	1	
15	69J-1444F-00	SILENCER ASSY, INTAKE 2	1	1	1	1	
16	69J-14419-00	PIPE	2	2	2	2	
17	90465-11M52	CLAMP	4	4	4	4	
18	69J-14457-00	SEAL	6	6	6	6	
19	90386-08001	BUSH	8	8	8	8	
20	90119-06036	BOLT, WITH WASHER	4	4	4	4	
21	90387-06038	COLLAR	4	4	4	4	
22	90179-06M28	NUT	4	4	4	4	
23	69J-15373-00	PIPE, BREATHER	1	1	1	1	
24	69J-15394-00	PIPE, OIL VENT	1	1	1	1	
25	69J-15393-00	PIPE, BREATHER 2	1	1	1	1	
26	69J-15397-00	PIPE	1	1	1	1	
27	5EL-14467-00	SEAL	1	1	1	1	

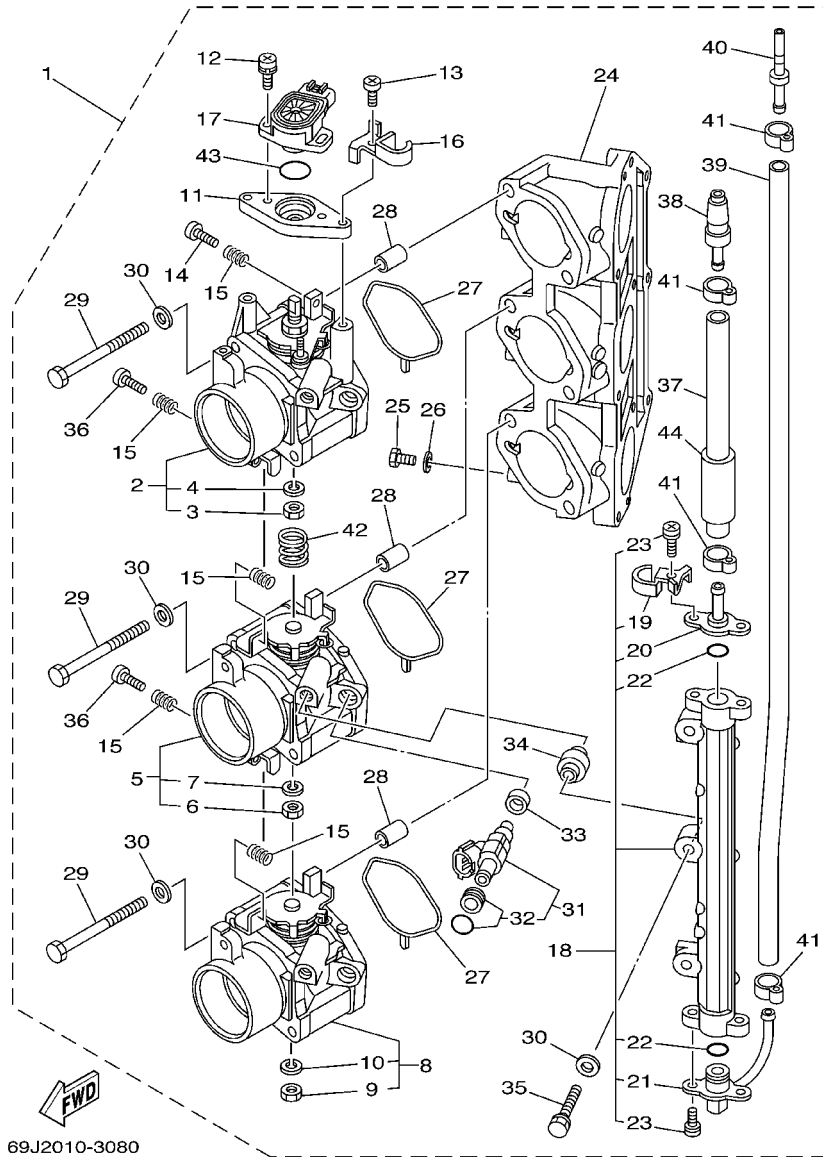


FIG. 7 INTAKE



REF. NO.	PART NO.	DESCRIPTION	69J2	60L2	69K2	60M2	REMARKS
28	69J-14348-00	PIPE 1	1	1	1	1	
29	65L-85886-00	THERMOSENSOR	1	1	1	1	

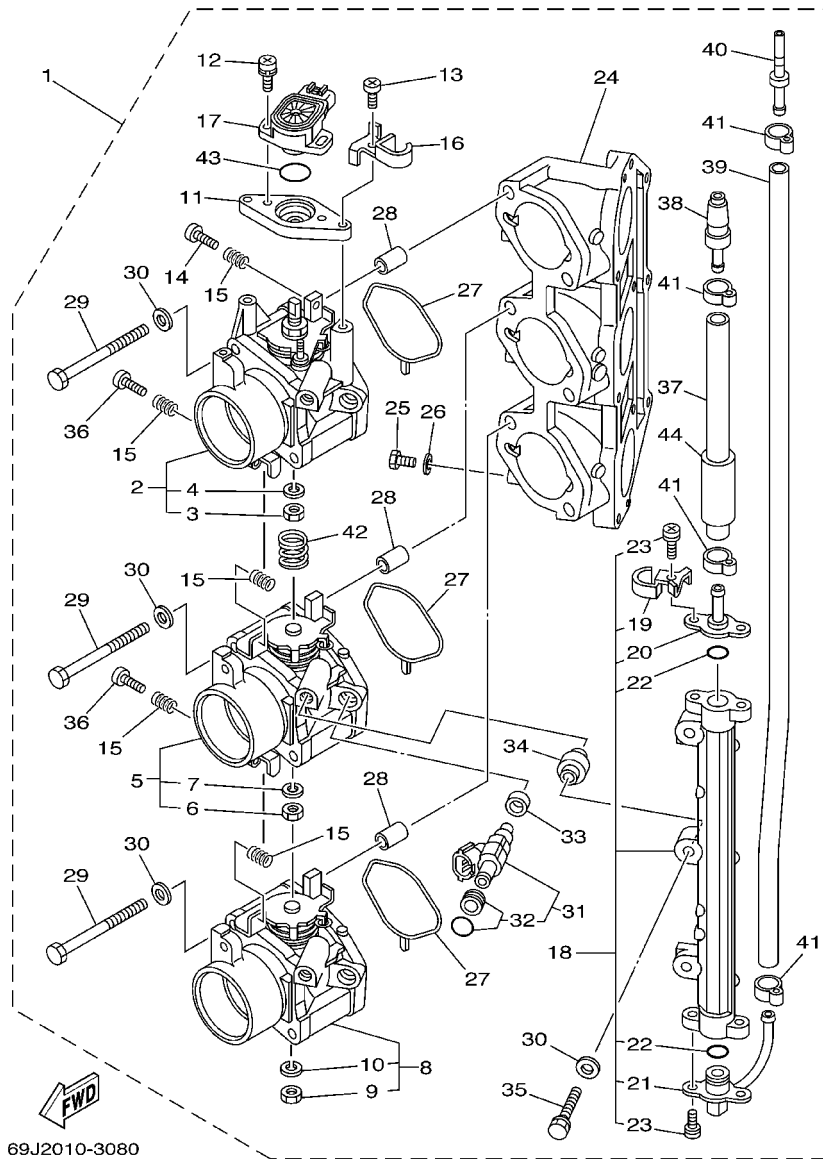
FIG. 8 THROTTLE BODY ASSY 1



69J2010-3080

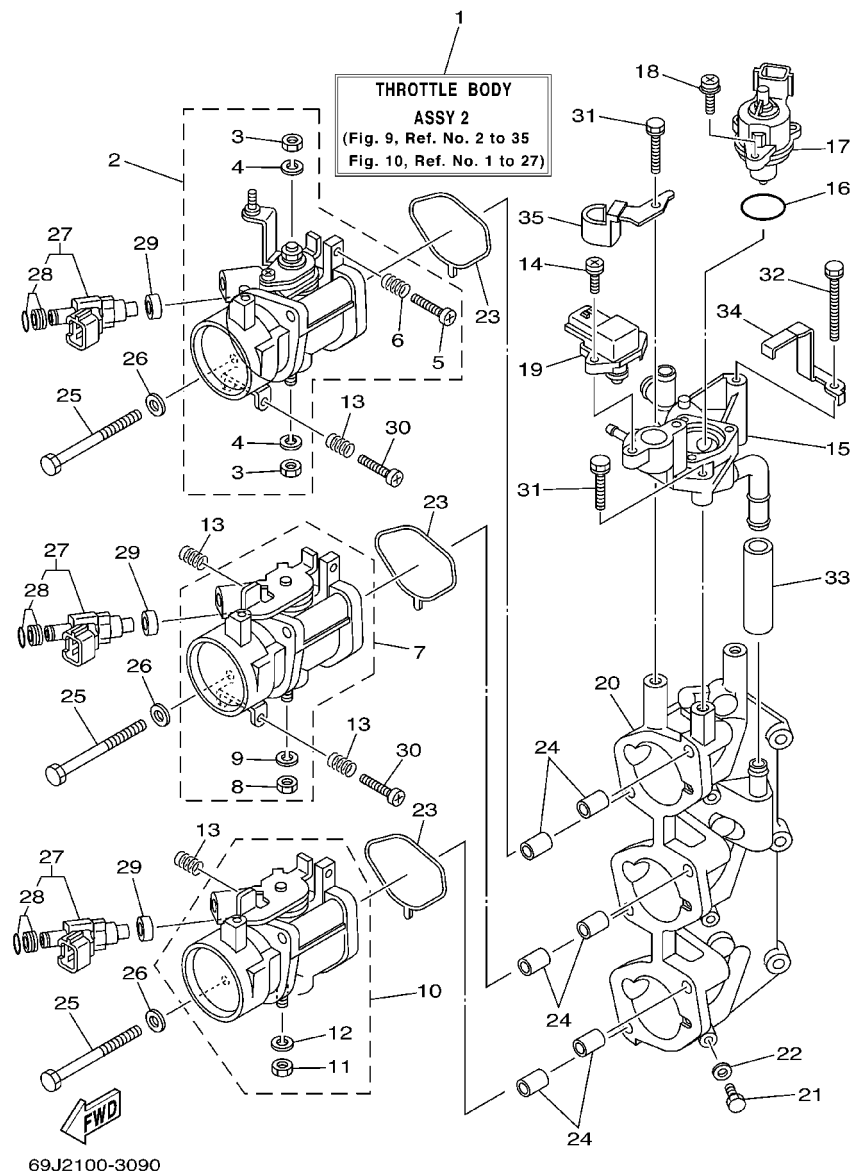
REF. NO.	PART NO.	DESCRIPTION	69J2	60L2	69K2	60M2	REMARKS
1	69J-13750-00	THROTTLE BODY ASSY	1		1		
	60L-13750-00	THROTTLE BODY ASSY		1		1	
2	69J-13751-00	..BODY, THROTTLE 1	1		1		
	60L-13751-00	..BODY, THROTTLE 1		1		1	
3	3CF-14594-00	..NUT	1	1	1	1	
4	92990-08100	..WASHER, SPRING	1	1	1	1	
5	69J-13753-00	..BODY, THROTTLE 3	1		1		
	60L-13753-00	..BODY, THROTTLE 3		1		1	
6	3CF-14594-00	..NUT	1	1	1	1	
7	92990-08100	..WASHER, SPRING	1	1	1	1	
8	69J-13755-00	..BODY, THROTTLE 5	1		1		
	60L-13755-00	..BODY, THROTTLE 5		1		1	
9	3CF-14594-00	..NUT	1	1	1	1	
10	92990-08100	..WASHER, SPRING	1	1	1	1	
11	69J-13576-00	..SPACER	1	1	1	1	
12	68V-81145-01	..SCREW 1	2	2	2	2	
13	68V-14565-00	..SCREW	2	2	2	2	
14	68V-14323-00	..SCREW, AIR ADJUSTING	1	1	1	1	
15	68V-14331-00	..SPRING, THROTTLE VALVE	5	5	5	5	
16	69J-14261-00	..HOLDER	1	1	1	1	
17	69J-85885-00	..THROTTLE SENSOR ASSY	1	1	1	1	
18	69J-13160-00	..DELIVERY PIPE ASSY 1	1	1	1	1	
19	69J-14261-00	..HOLDER	1	1	1	1	
20	69J-14295-00	..PIPE, FUEL	1	1	1	1	
21	69J-14251-00	..NIPPLE	1	1	1	1	
22	68V-14397-00	..O-RING	2	2	2	2	
23	68V-81147-00	..SCREW 3	4	4	4	4	

FIG. 8 THROTTLE BODY ASSY 1



69J2010-3080

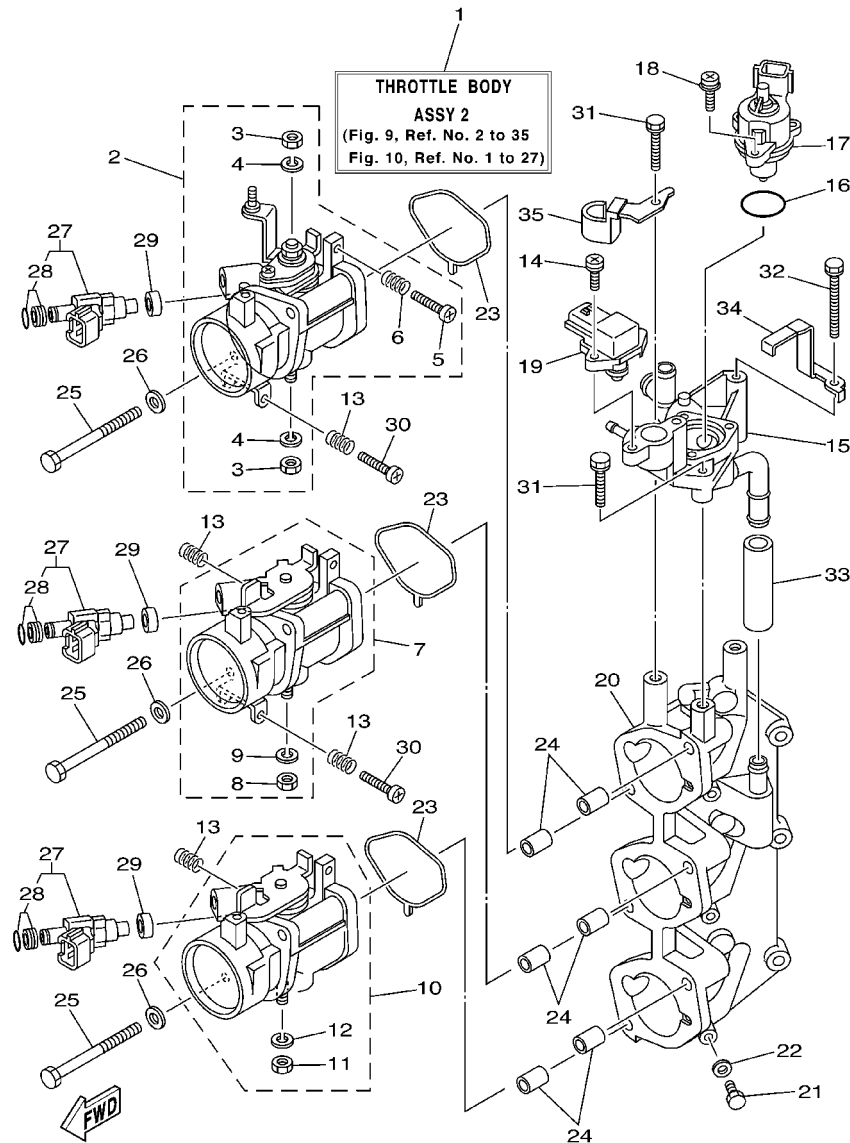
REF. NO.	PART NO.	DESCRIPTION	69J2	60L2	69K2	60M2	REMARKS
24	69J-13641-00	.MANIFOLD 1	1	1	1	1	
25	97095-06010	.BOLT	3	3	3	3	
26	90430-06014	.GASKET	3	3	3	3	
27	69J-13557-00	.GASKET	3	3	3	3	
28	99530-10114	.PIN, DOWEL	6	6	6	6	
29	69J-14496-00	.BOLT	6	6	6	6	
30	68V-14475-00	.WASHER	9	9	9	9	
31	69J-13761-00	.INJECTOR ASSY	3	3	3	3	
32	68V-1410B-00	.PACKING KIT	1	1	1	1	
33	68V-13766-00	.RUBBER, INJECTOR	3	3	3	3	
34	68V-14264-00	.COLLAR	3	3	3	3	
35	68V-14428-00	.BOLT	3	3	3	3	
36	69J-14321-00	.SCREW, THROTTLE	2	2	2	2	
37	69J-13973-00	.PIPE, FUEL 3	1	1	1	1	
38	68F-24300-00	.FUEL PIPE JOINT	1	1	1	1	
39	69J-13972-00	.PIPE, FUEL 2	1	1	1	1	
40	69J-24381-00	.SET BAR, FUEL JOINT	1	1	1	1	
41	68V-24387-00	.CLIP	4	4	4	4	
42	69J-14286-00	.SPRING	1		1		
	60L-14286-00	.SPRING		1		1	
43	68V-8182L-00	.O-RING 1	1	1	1	1	
44	69J-14149-00	.PIPE	1	1	1	1	



**FIG. 9 THROTTLE BODY ASSY 2**

REF. NO.	PART NO.	DESCRIPTION	69J2	60L2	69K2	60M2	REMARKS
1	69J-1375A-00	THROTTLE BODY ASSY 2	1		1		
	60L-1375A-00	THROTTLE BODY ASSY 2		1		1	
2	69J-13752-00	BODY, THROTTLE 2	1		1		
	60L-13752-00	BODY, THROTTLE 2		1		1	
3	3CF-14594-00	.NUT	2	2	2	2	
4	92990-08100	.WASHER, SPRING	2	2	2	2	
5	68V-14323-00	.SCREW, AIR ADJUSTING	1	1	1	1	
6	68V-14331-00	.SPRING, THROTTLE VALVE	1	1	1	1	
7	69J-13754-00	BODY, THROTTLE 4	1		1		
	60L-13754-00	BODY, THROTTLE 4		1		1	
8	3CF-14594-00	.NUT	1	1	1	1	
9	92990-08100	.WASHER, SPRING	1	1	1	1	
10	69J-13756-00	BODY, THROTTLE 6	1		1		
	60L-13756-00	BODY, THROTTLE 6		1		1	
11	3CF-14594-00	.NUT	1	1	1	1	
12	92990-08100	.WASHER, SPRING	1	1	1	1	
13	68V-14331-00	SPRING, THROTTLE VALVE	4	4	4	4	
14	68V-81147-00	SCREW 3	2	2	2	2	
15	69J-14960-00	BODY ASSY	1	1	1	1	
16	68V-13473-00	O-RING	1	1	1	1	
17	68V-1312A-00	VALVE, CONTROL	1	1	1	1	
18	68V-81146-01	SCREW 2	3	3	3	3	
19	68V-82380-00	SENSOR, PRESSURE	1	1	1	1	
20	69J-13642-00	MANIFOLD 2	1	1	1	1	
21	97095-06010	BOLT	3	3	3	3	
22	90430-06014	GASKET	3	3	3	3	
23	69J-13557-00	GASKET	3	3	3	3	

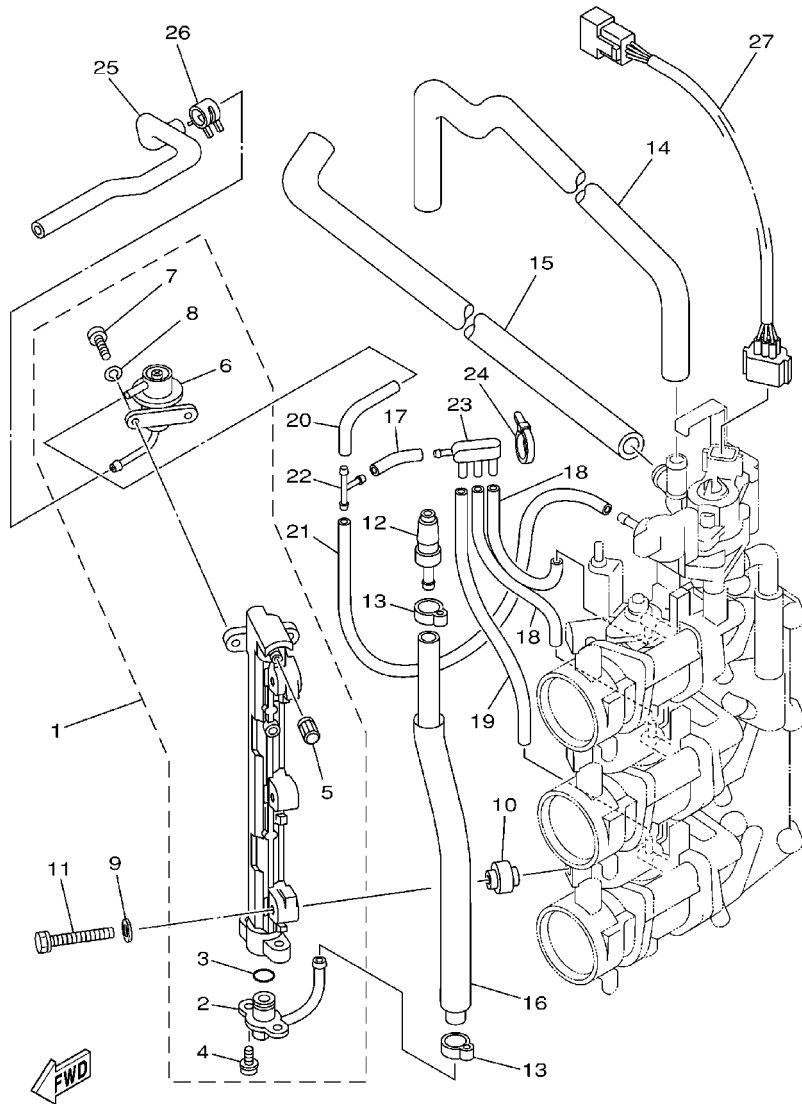
FIG. 9 THROTTLE BODY ASSY 2



69J2100-3090

REF. NO.	PART NO.	DESCRIPTION	69J2	60L2	69K2	60M2	REMARKS
24	99530-10114	PIN, DOWEL	6	6	6	6	
25	69J-14496-00	BOLT	6	6	6	6	
26	68V-14475-00	WASHER	6	6	6	6	
27	69J-13761-00	INJECTOR ASSY	3	3	3	3	
28	68V-1410B-00	..PACKING KIT	1	1	1	1	
29	68V-13766-00	RUBBER, INJECTOR	3	3	3	3	
30	69J-14321-00	SCREW, THROTTLE	2	2	2	2	
31	69J-13573-00	BOLT 1	2	2	2	2	
32	69J-13574-00	BOLT 2	1	1	1	1	
33	69J-13547-00	HOSE 3	1	1	1	1	
34	69J-14159-00	CLIP	1	1	1	1	
35	69J-14255-00	PLATE	1	1	1	1	

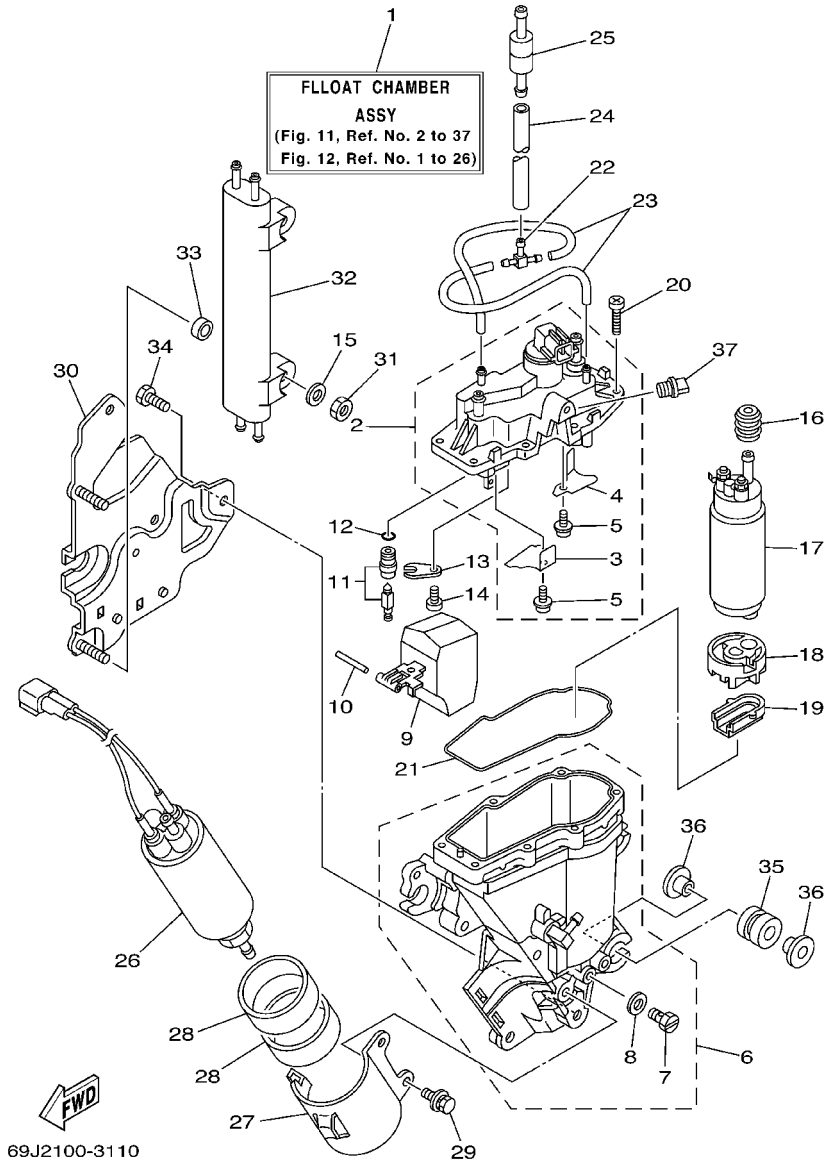
FIG. 10 THROTTLE BODY ASSY 3



69J1010-2100

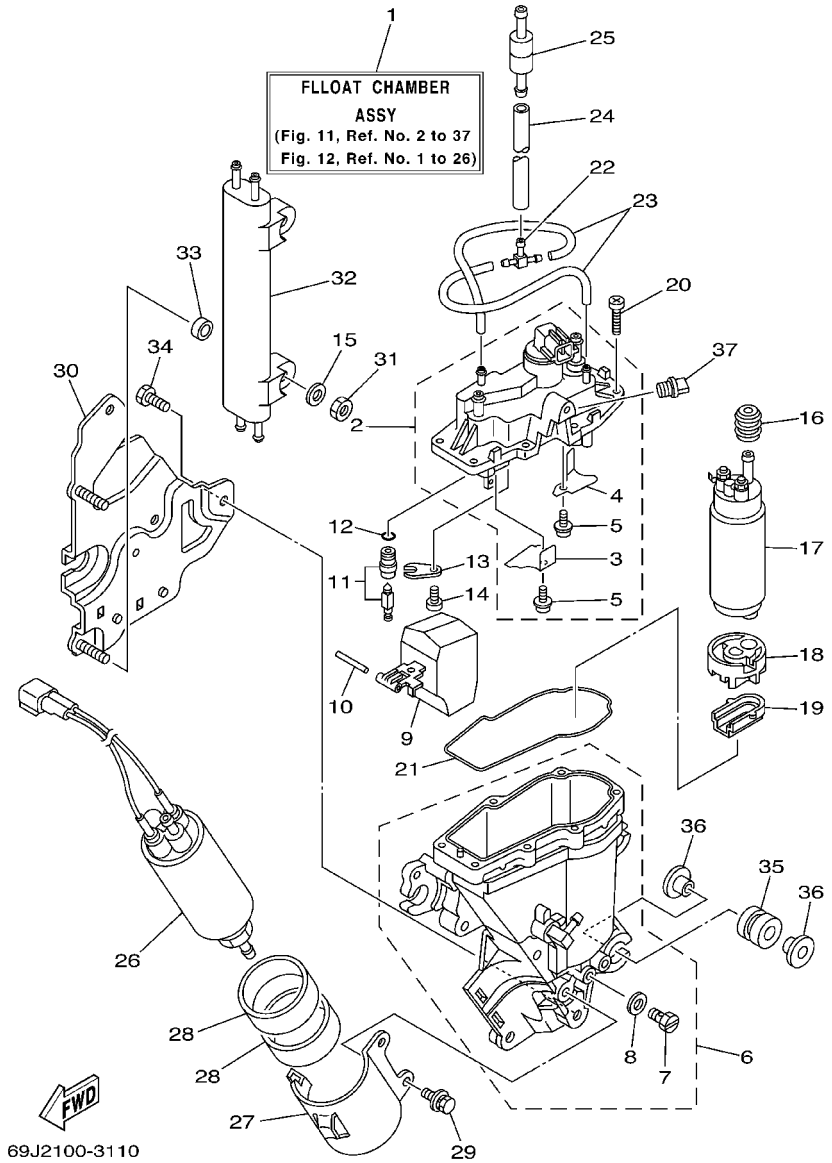
REF. NO.	PART NO.	DESCRIPTION	69J2	60L2	69K2	60M2	REMARKS
1	69J-13170-00	DELIVERY PIPE ASSY 2	1	1	1	1	
2	69J-13435-00	.NIPPLE	1	1	1	1	
3	68V-14397-00	.O-RING	1	1	1	1	
4	68V-81147-00	.SCREW 3	2	2	2	2	
5	68V-14225-00	.CAP	1	1	1	1	
6	69J-13906-00	.REGULATOR, PRESSURE	1	1	1	1	
7	68V-14565-00	.SCREW	2	2	2	2	
8	68V-14356-00	.WASHER, SPRING	2	2	2	2	
9	68V-14475-00	WASHER	3	3	3	3	
10	68V-14264-00	COLLAR	3	3	3	3	
11	68V-14428-00	BOLT	3	3	3	3	
12	68F-24300-00	FUEL PIPE JOINT	1	1	1	1	
13	68V-24387-00	CLIP	2	2	2	2	
14	69J-13546-00	HOSE 2	1	1	1	1	
15	69J-13545-00	HOSE 1	1	1	1	1	
16	69J-13974-00	PIPE, FUEL 4	1	1	1	1	
17	68V-13544-00	HOSE, VACUUM SENSING 2	1	1	1	1	
18	5JW-14349-00	PIPE	2	2	2	2	
19	69J-13542-00	HOSE, VACUUM SENSING 1	1	1	1	1	
20	69J-13532-00	HOSE, VACUUM SENSING 3	1	1	1	1	
21	69J-13533-00	HOSE, VACUUM SENSING 4	1	1	1	1	
22	68V-24377-00	PIPE, JOINT 3	1	1	1	1	
23	69J-13595-00	JOINT	1	1	1	1	
24	69J-14139-00	CLIP, PIPE	1	1	1	1	
25	69J-13975-00	PIPE, FUEL 5	1	1	1	1	
26	68V-24519-00	CLIP	1	1	1	1	
27	69J-8259L-00	WIRE HARNESS ASSY 1	1	1	1	1	

**FIG. 11 FUEL INJECTION PUMP 1**



REF. NO.	PART NO.	DESCRIPTION	69J2	60L2	69K2	60M2	REMARKS
1	69J-14180-10	FLOAT CHAMBER ASSY	1	1	1	1	
2	69J-14182-00	COVER, FLOAT CHAMBER	1	1	1	1	
3	69J-2411R-00	.PLATE 1	1	1	1	1	
4	69J-2411T-00	.PLATE 2	1	1	1	1	
5	4SV-24453-00	.SCREW	2	2	2	2	
6	69J-14181-00	BODY, FLOAT CHAMBER 1	1	1	1	1	
7	266-14191-00	.PLUG, DRAIN	1	1	1	1	
8	59V-14962-00	.WASHER	1	1	1	1	
9	69J-14985-00	FLOAT	1	1	1	1	
10	68V-14386-00	PIN, FLOAT	1	1	1	1	
11	69J-14546-00	VALVE, NEEDLE	1	1	1	1	
12	68V-13769-00	O-RING	1	1	1	1	
13	68V-14255-00	PLATE	1	1	1	1	
14	98507-04008	SCREW	1	1	1	1	
15	68V-14357-00	WASHER, PLAIN	2	2	2	2	
16	68V-13781-00	DAMPER, PUMP	1	1	1	1	
17	69J-13907-00	FUEL PUMP COMP.	1	1	1	1	
18	68V-13915-00	FILTER	1	1	1	1	
19	68V-13784-00	COVER, PUMP	1	1	1	1	
20	68V-14567-00	SCREW	7	7	7	7	
21	68V-14984-00	GASKET, FLOAT CHAMBER	1	1	1	1	
22	69J-24379-00	PIPE, JOINT 4	1	1	1	1	
23	69J-14148-00	PIPE	2	2	2	2	
24	69J-14197-00	PIPE	1	1	1	1	
25	69J-14989-00	ORIFICE, AIR VENT	1	1	1	1	
26	69J-24410-00	FUEL PUMP ASSY	1	1	1	1	
27	69J-24491-00	BRACKET, FUEL PUMP	1	1	1	1	

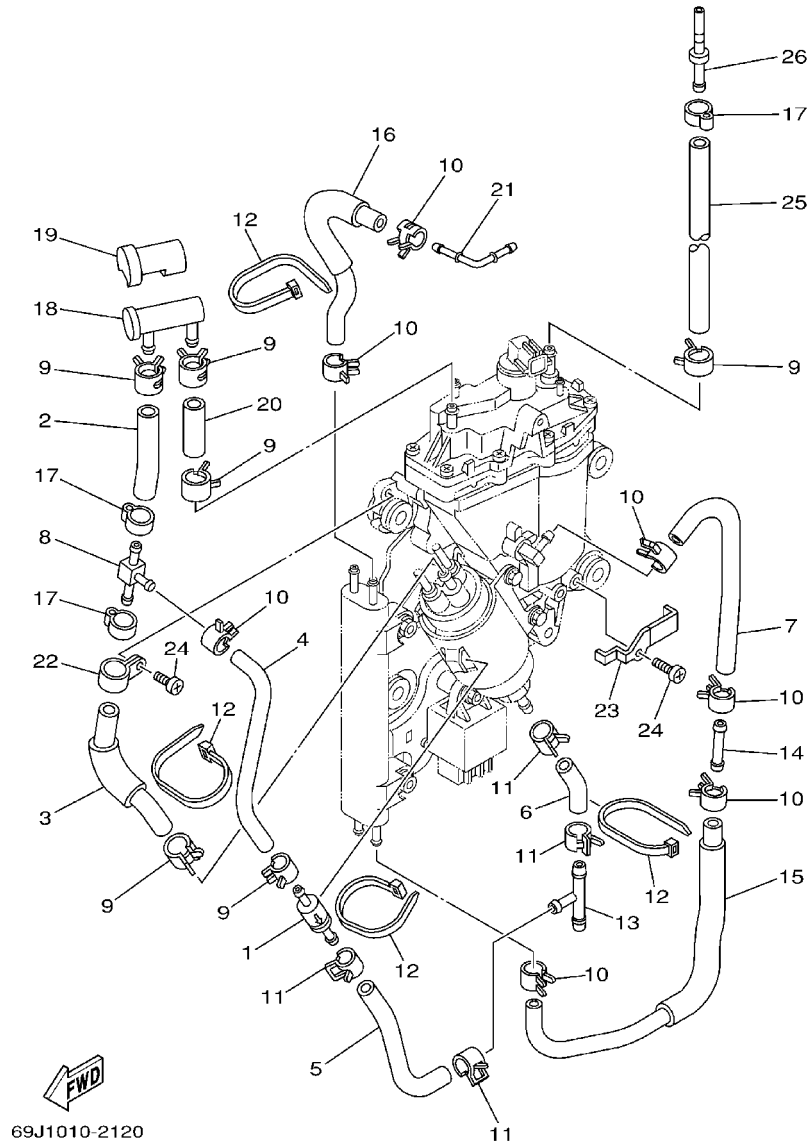
**FIG. 11 FUEL INJECTION PUMP 1**



REF. NO.	PART NO.	DESCRIPTION	69J2	60L2	69K2	60M2	REMARKS
28	69J-24492-00	BUSH, FUELEL PUMP	2	2	2	2	
29	69J-24592-00	BOLT	2	2	2	2	
30	69J-24422-10	PLATE	1	1	1	1	
31	69J-14164-00	NUT, HOLDING	2	2	2	2	
32	69J-21841-00	COOLER	1	1	1	1	
33	68V-14265-00	COLLAR	2	2	2	2	
34	69J-14446-00	BOLT	3	3	3	3	
35	69J-13593-00	DAMPER	4	4	4	4	
36	69J-13716-00	COLLAR	8	8	8	8	
37	69J-14225-00	CAP	1	1	1	1	



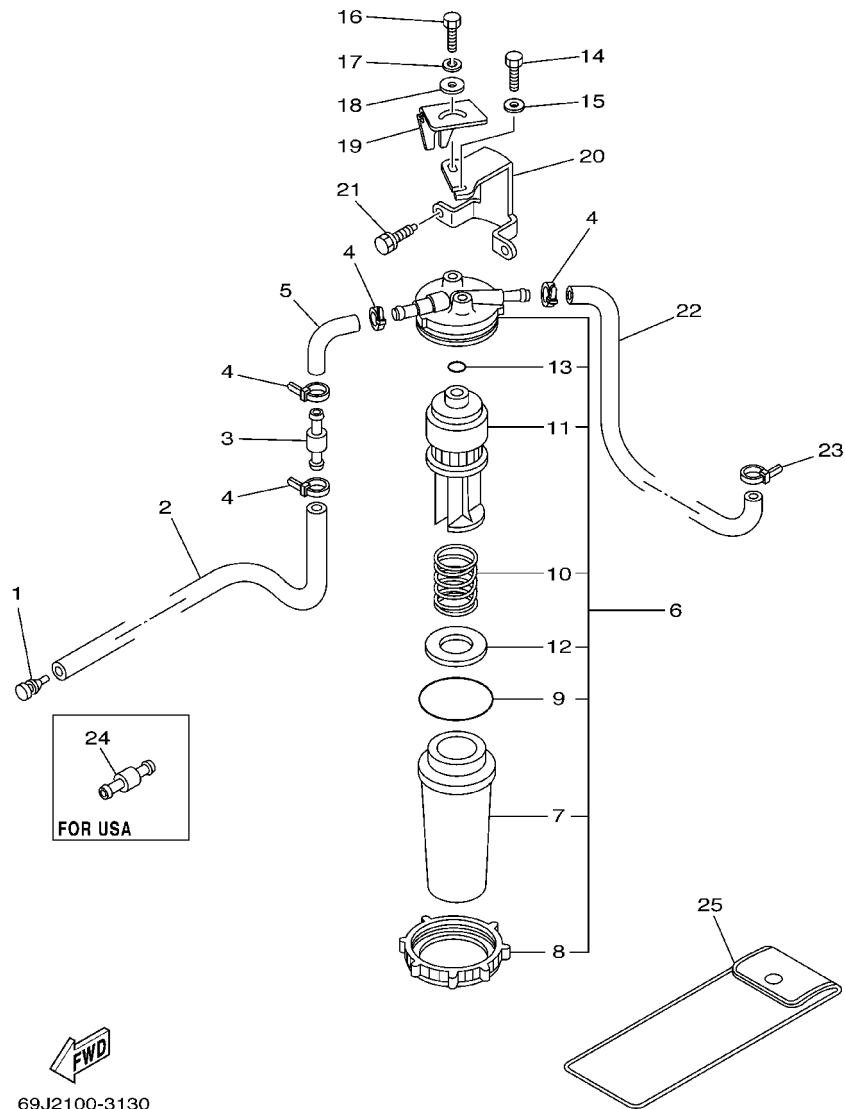
FIG. 12 FUEL INJECTION PUMP 2



69J1010-2120

REF. NO.	PART NO.	DESCRIPTION	69J2	60L2	69K2	60M2	REMARKS
1	69J-24460-00	RELIEF VALVE ASSY	1	1	1	1	
2	69J-24324-00	PIPE 13	1	1	1	1	
3	69J-24321-00	PIPE 10	1	1	1	1	
4	69J-24322-00	PIPE 11	1	1	1	1	
5	69J-24323-00	PIPE 12	1	1	1	1	
6	69J-24317-00	PIPE 7	1	1	1	1	
7	69J-24316-00	PIPE 6	1	1	1	1	
8	69J-24537-00	NIPPLE	1	1	1	1	
9	68V-13577-00	CLIP	6	6	6	6	
10	68V-24519-00	CLIP	7	7	7	7	
11	69J-14137-00	CLIP	4	4	4	4	
12	68V-2481H-00	CLAMP	4	4	4	4	
13	6E5-24378-00	PIPE, JOINT 3	1	1	1	1	
14	69J-24461-00	PIPE, JOINT	1	1	1	1	
15	69J-24315-00	PIPE 5	1	1	1	1	
16	69J-13976-00	PIPE, FUEL 6	1	1	1	1	
17	68V-24387-00	CLIP	3	3	3	3	
18	69J-24501-00	FILTER, FUEL	1	1	1	1	
19	69J-24599-00	CAP	1	1	1	1	
20	69J-24325-00	PIPE 14	1	1	1	1	
21	69J-1410F-00	NIPPLE 1	1	1	1	1	
22	69J-24366-00	CLAMP, FUEL PIPE 1	1	1	1	1	
23	69J-24367-00	CLAMP, FUEL PIPE 2	1	1	1	1	
24	98582-05008	ELECTRONIC SIREN ASS'Y	2	2	2	2	
25	69J-13974-00	PIPE, FUEL 4	1	1	1	1	
26	69J-24381-00	SET BAR, FUEL JOINT	1	1	1	1	

FIG. 13 FUEL 1

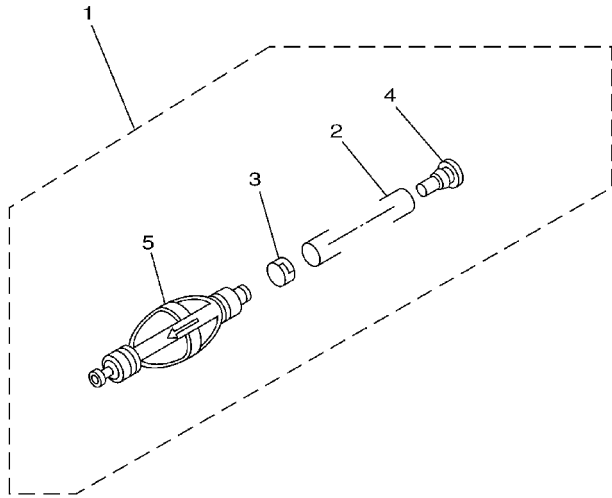


REF. NO.	PART NO.	DESCRIPTION	69J2	60L2	69K2	60M2	REMARKS
1	689-85547-00	DAMPER	1	1	1	1	
2	90445-13004	HOSE	1	1	1	1	
3	6R3-24377-00	PIPE, JOINT 3	1	1	1	1	
4	90465-11M10	CLAMP	4	4	4	4	
5	61A-24311-00	PIPE, FUEL 1	1	1	1	1	
6	65L-24560-00	FILTER ASSY	1	1	1	1	
7	61A-24521-00	.CUP, FILTER	1	1	1	1	
8	65L-24531-01	.NUT	1	1	1	1	
9	61A-24564-00	.O-RING	1	1	1	1	
10	65L-24577-00	.SPRING	1	1	1	1	
11	65L-24563-00	.ELEMENT, FILTER	1	1	1	1	
12	61A-24469-00	.FLOAT, WATER LEVEL	1	1	1	1	
13	65L-24564-00	.O-RING	1	1	1	1	
14	97095-06014	BOLT	1	1	1	1	
15	92995-06600	WASHER	1	1	1	1	
16	97095-06016	BOLT	1	1	1	1	
17	92995-06100	WASHER, SPRING	1	1	1	1	
18	90201-06068	WASHER, PLATE	1	1	1	1	
19	65L-24558-00	HOLDER, FILTER	1	1	1	1	
20	69J-24566-00	BRACKET, FILTER	1	1	1	1	
21	90119-06037	BOLT, WITH WASHER	2	2	2	2	
22	69J-24313-00	PIPE 3	1	1	1	1	
23	90465-11M10	CLAMP	1	1	1	1	
24	6R3-24377-10	PIPE, JOINT 3	1	1	1	1	FOR USA
25	69J-28100-00	TOOL KIT	1	1	1	1	AP FOR CARIB



69J2100-3130

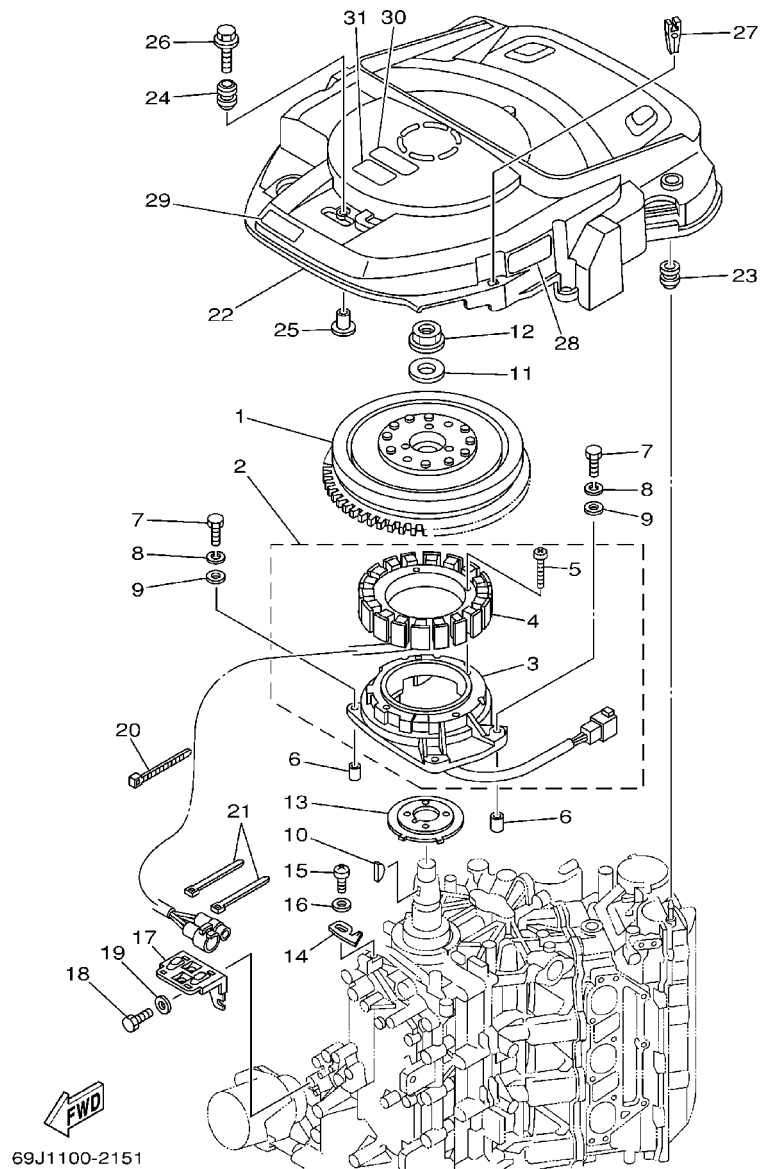
FIG. 14 FUEL 2



REF. NO.	PART NO.	DESCRIPTION	69J2	60L2	69K2	60M2	REMARKS
1	6Y2-24307-41	FUEL PIPE COMP. 2	1	1	1	1	AP
	6Y2-24307-50	FUEL PIPE COMP. 2	1	1	1	1	AP FOR USA
2	90445-13M01	.HOSE (L:2050)	1	1	1	1	
3	6E5-24351-51	.BAND 1	1	1	1	1	
4	90480-06M19	.GROMMET	1	1	1	1	
5	6Y2-24360-52	.PRIMER PUMP ASSY	1	1	1	1	FOR 6Y2-24307-41
	6Y2-24360-60	.PRIMER PUMP ASSY	1	1	1	1	FOR 6Y2-24307-50

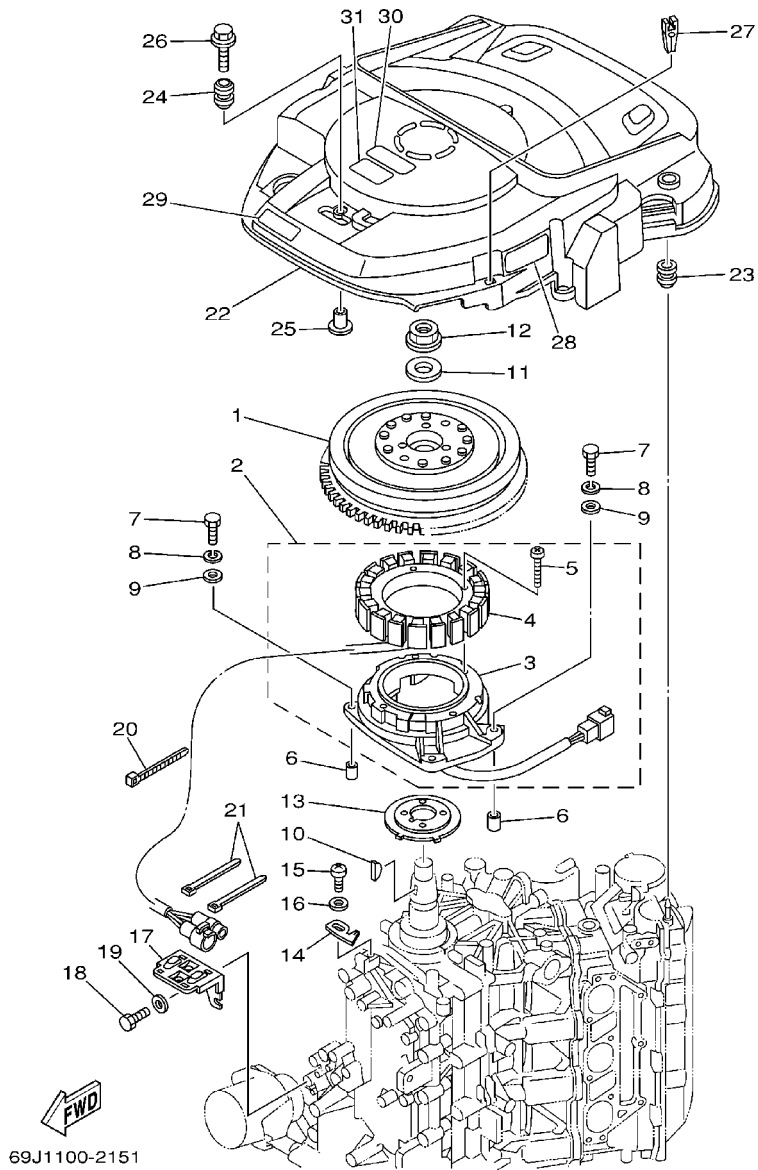
 67F0100-1100

FIG. 15 GENERATOR



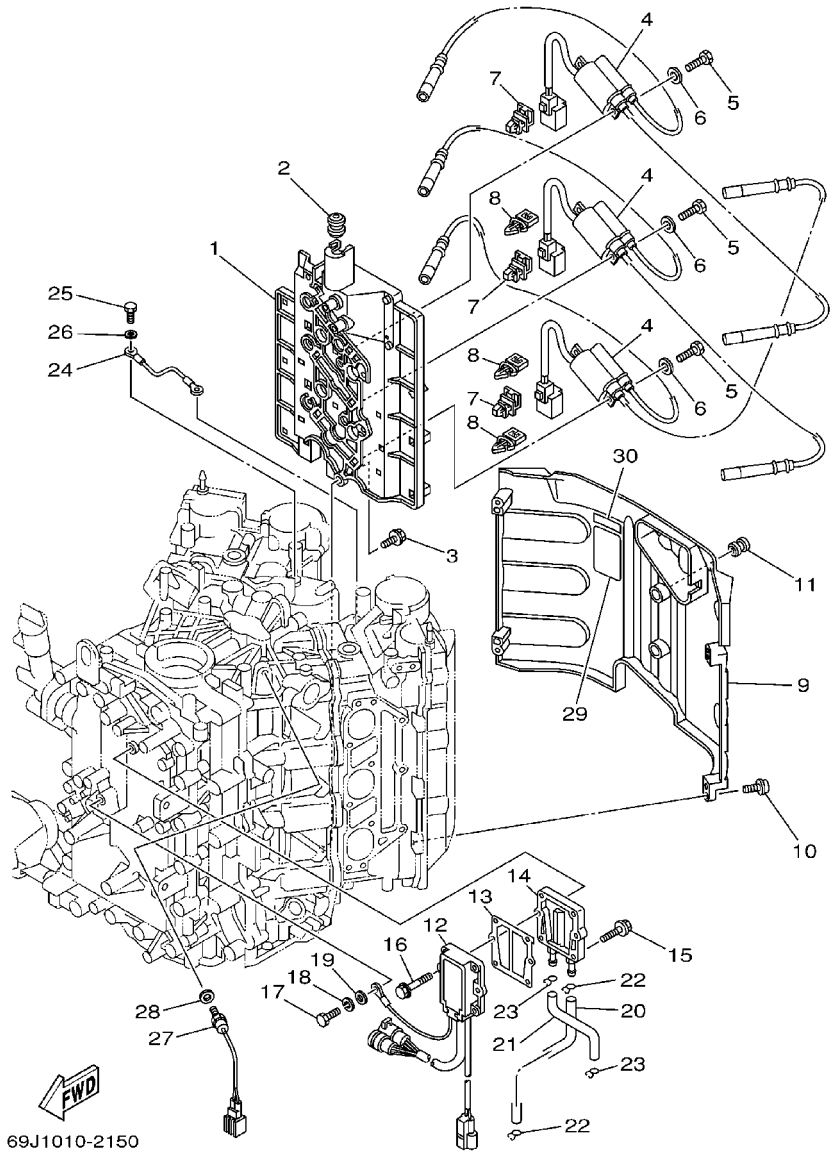
REF. NO.	PART NO.	DESCRIPTION	69J2	60L2	69K2	60M2	REMARKS
1	69J-81450-10	ROTOR ASSY	1	1	1	1	
2	69J-81460-01	BASE ASSY	1	1	1	1	
3	69J-85580-00	.COIL, PULSER	1	1	1	1	
4	69J-81410-01	.STATOR ASSY	1	1	1	1	
5	63D-81345-20	.SCREW, WITH WASHER (M6X30)	4	4	4	4	
6	99530-08012	PIN, DOWEL	2	2	2	2	
7	97095-06035	BOLT	4	4	4	4	
8	92995-06100	WASHER, SPRING	4	4	4	4	
9	92995-06600	WASHER	4	4	4	4	
10	90280-05015	KEY, WOODRUFF	1	1	1	1	
11	90201-24014	WASHER, PLATE	1	1	1	1	
12	90179-24002	NUT	1	1	1	1	
13	69J-81673-00	ROTOR	1	1	1	1	
14	67F-81332-00	PLATE, TIMING	1	1	1	1	
15	97885-06010	SCREW, PAN HEAD	1	1	1	1	
16	92995-06600	WASHER	1	1	1	1	
17	69J-8132G-00	PLATE	1	1	1	1	
18	97095-06016	BOLT	1	1	1	1	
19	92995-06600	WASHER	1	1	1	1	
20	90465-13M18	CLAMP	1	1	1	1	
21	90465-14M66	CLAMP	2	2	2	2	
22	69J-81337-00	COVER, FLYWHEEL	1	1	1	1	
23	663-82317-01	DAMPER, IGNITION COIL	2	2	2	2	
24	6A0-82317-00	DAMPER, IGNITION COIL	3	3	3	3	
25	624-42542-00	PIPE	3	3	3	3	
26	90119-06M59	BOLT, WITH WASHER	3	3	3	3	
27	67F-2812A-00	PULLER, FUSE	1	1	1	1	

FIG. 15 GENERATOR



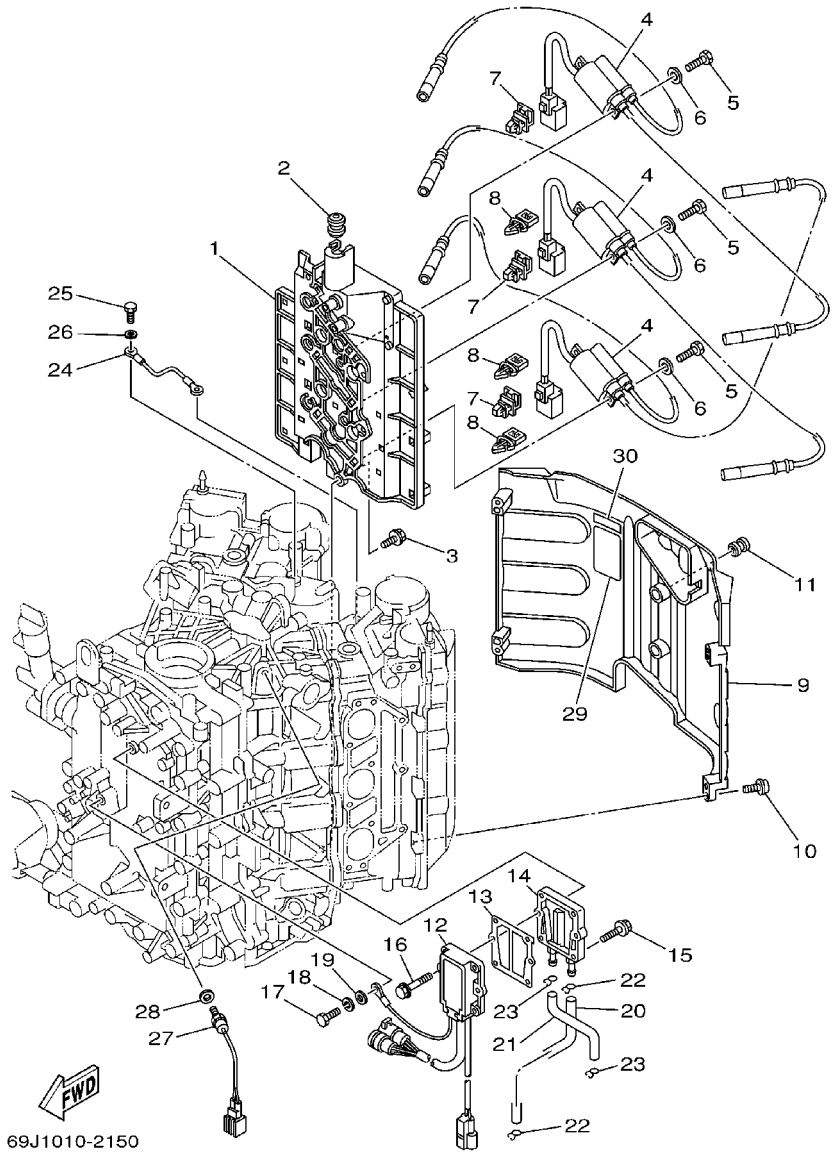
REF. NO.	PART NO.	DESCRIPTION	69J2	60L2	69K2	60M2	REMARKS
28	69J-81919-20	GRAPHIC, REGULATOR	1	1	1	1	
29	69J-13437-41	MARK, CAUTION	1	1	1	1	FOR USA,OCEANIA
	69J-13437-51	MARK, CAUTION	1	1	1	1	FOR CANADA
	69J-13437-61	MARK, CAUTION	1	1	1	1	FOR CARIB
30	6A1-83625-41	MARK 5	1	1	1	1	
31	6A1-83625-51	MARK 5	1	1	1	1	FOR CANADA,CARIB
-----							
-----							
-----							
-----							
-----							
-----							
-----							
-----							

FIG. 16 ELECTRICAL 1



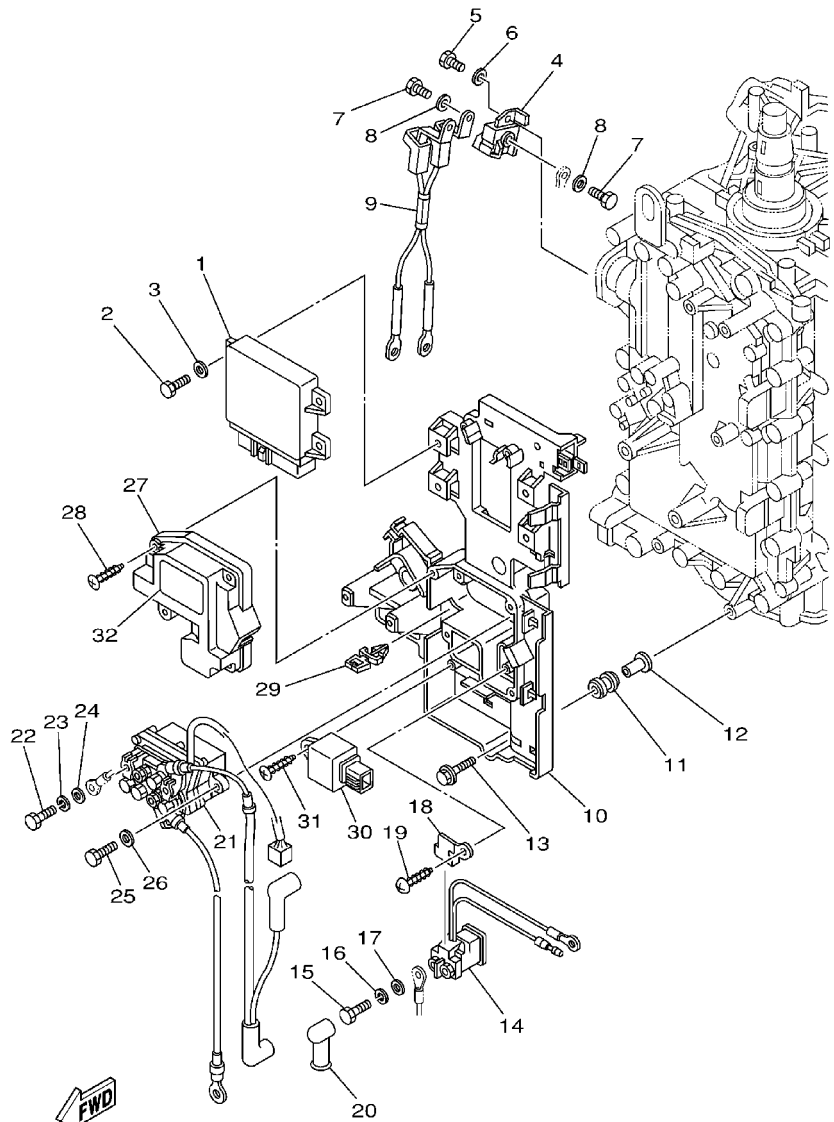
REF. NO.	PART NO.	DESCRIPTION	69J2	60L2	69K2	60M2	REMARKS
1	69J-82316-00	BRACKET, IGNITION COIL	1	1	1	1	
2	90480-09M21	GROMMET	1	1	1	1	
3	90119-06041	BOLT, WITH WASHER	6	6	6	6	
4	69J-82310-00	IGNITION COIL ASSY	3	3	3	3	
5	97095-06020	BOLT	6	6	6	6	
6	92995-06600	WASHER	6	6	6	6	
7	90464-12002	CLAMP	3	3	3	3	
8	90464-07M56	CLAMP	3	3	3	3	
9	69J-82314-00	COVER, IGNITION COIL	1	1	1	1	
10	90110-06038	BOLT, HEXAGON SOCKET HEAD	4	4	4	4	
11	663-82317-01	DAMPER, IGNITION COIL	2	2	2	2	
12	69J-81960-10	RECTIFIER & REGULATOR ASSY	1	1	1	1	
13	69J-81975-A0	PLATE, RECTIFIER FITTING	1	1	1	1	
14	69J-81972-01-1S	COVER, RECTIFIER	1	1	1	1	
15	90119-06MA3	BOLT, WITH WASHER	4	4	4	4	
16	90119-06MA5	BOLT, WITH WASHER	2	2	2	2	
17	97095-06020	BOLT	1	1	1	1	
18	92995-06100	WASHER, SPRING	1	1	1	1	
19	92995-06600	WASHER	1	1	1	1	
20	69J-12482-00	PIPE 2	1	1	1	1	
21	69J-12481-00	PIPE 1	1	1	1	1	
22	90467-09M03	CLIP	2	2	2	2	
23	90467-08M18	CLIP	2	2	2	2	
24	69J-82519-00	WIRE, EARTH LEAD	1	1	1	1	
25	97095-06012	BOLT	2	2	2	2	
26	92995-06600	WASHER	2	2	2	2	
27	61A-85790-00	THERMOSENSOR ASSY	1	1	1	1	

FIG. 16 ELECTRICAL 1



REF. NO.	PART NO.	DESCRIPTION	69J2	60L2	69K2	60M2	REMARKS
28	92990-10600	WASHER, PLATE	1	1	1	1	
29	69J-83626-00	MARK 6	1	1	1	1	
30	67F-12138-40	MARK, CAUTION	1	1	1	1	FOR USA,OCEANIA
	67F-12138-50	MARK, CAUTION	1	1	1	1	FOR CANADA
	67F-12138-60	MARK, CAUTION	1	1	1	1	FOR CARIB
-----							
-----							
-----							
-----							
-----							
-----							
-----							
-----							
-----							

FIG. 17 ELECTRICAL 2

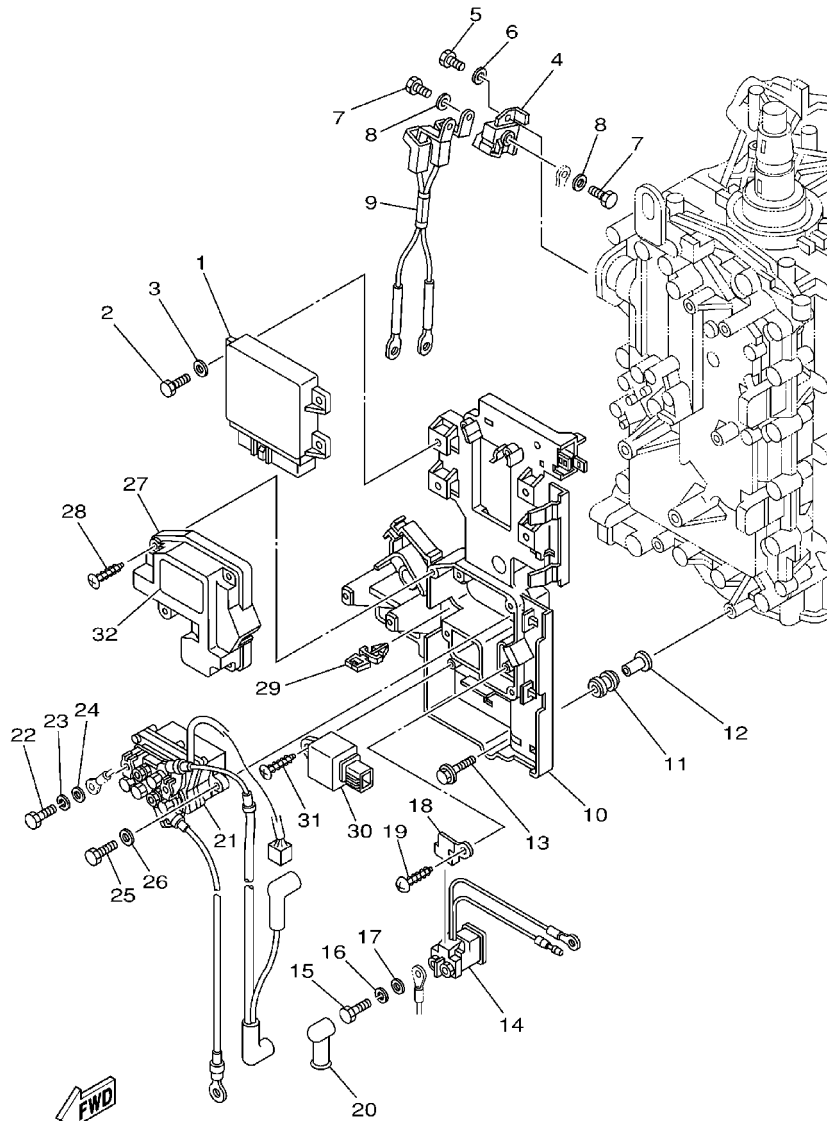


69J1010-2160

REF. NO.	PART NO.	DESCRIPTION	69J2	60L2	69K2	60M2	REMARKS
1	69J-8591A-02	ENGINE CONTROL UNIT ASSY	1		1		
	60L-8591A-01	ENGINE CONTROL UNIT ASSY		1		1	
2	97095-06016	BOLT	4	4	4	4	
3	92995-06600	WASHER	4	4	4	4	
4	69J-81925-00	TERMINAL	1	1	1	1	
5	97095-08020	BOLT	2	2	2	2	
6	92995-08600	WASHER	2	2	2	2	
7	97095-06014	BOLT	2	2	2	2	
8	92995-06600	WASHER	2	2	2	2	
9	69J-82105-00	WIRE HARNESS	1	1	1	1	
10	69J-81948-00	BRACKET	1	1	1	1	
11	6A0-82317-00	DAMPER, IGNITION COIL	6	6	6	6	
12	624-42542-00	PIPE	6	6	6	6	
13	90119-06M59	BOLT, WITH WASHER	6	6	6	6	
14	68V-8194A-00	RELAY	1	1	1	1	
15	97095-06010	BOLT	2	2	2	2	
16	92995-06100	WASHER, SPRING	2	2	2	2	
17	92995-06600	WASHER	2	2	2	2	
18	68V-81953-00	STAY, RELAY	1	1	1	1	
19	97780-60620	SCREW, TAPPING	1	1	1	1	
20	6G5-82119-00	COVER, LEAD WIRE	1	1	1	1	
21	69J-81950-10	RELAY ASSY	1	1	1	1	
22	97095-06010	BOLT	2	2	2	2	
23	92995-06100	WASHER, SPRING	2	2	2	2	
24	92995-06600	WASHER	2	2	2	2	
25	97013-06025	BOLT	2	2	2	2	
26	92903-06600	WASHER, PLATE	2	2	2	2	



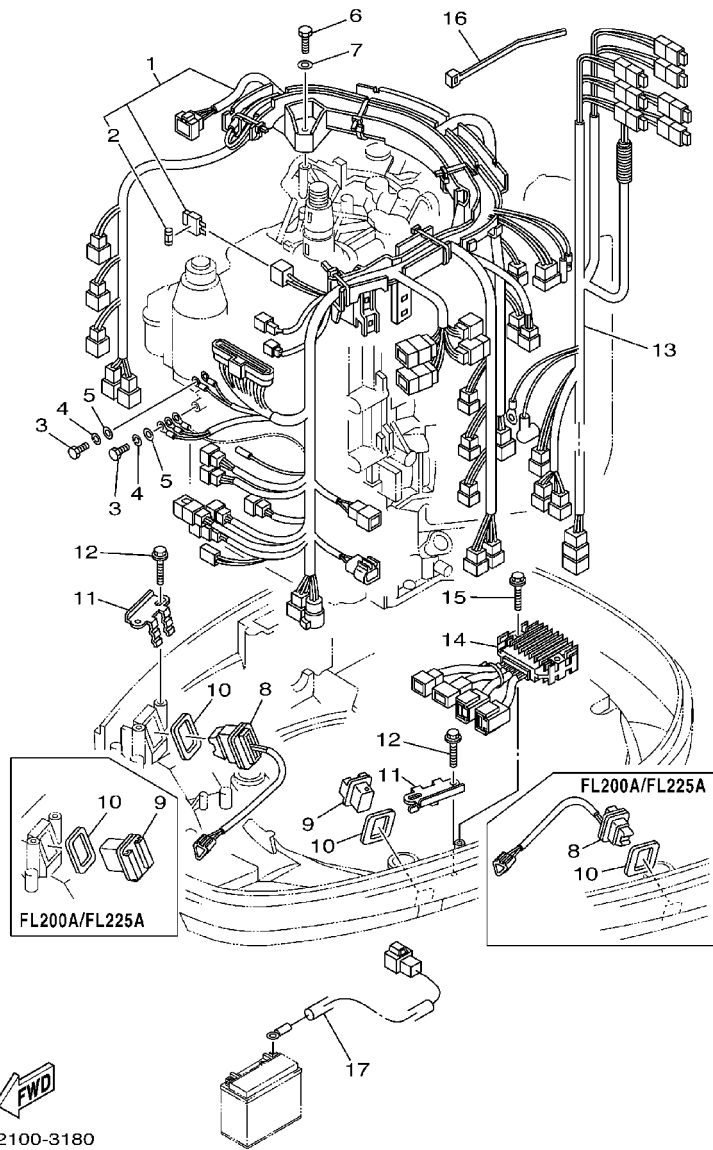
FIG. 17 ELECTRICAL 2



69J1010-2160

REF. NO.	PART NO.	DESCRIPTION	69J2	60L2	69K2	60M2	REMARKS
27	69J-81942-00	COVER	1	1	1	1	
28	90169-05M00	SCREW, TRUSS HEAD TAPPING	4	4	4	4	
29	90464-07M56	CLAMP	2	2	2	2	
30	68V-81950-00	RELAY ASSY	1	1	1	1	
31	97780-60625	SCREW, TAPPING	1	1	1	1	
32	69J-81919-00	GRAPHIC, REGULATOR	1	1	1	1	

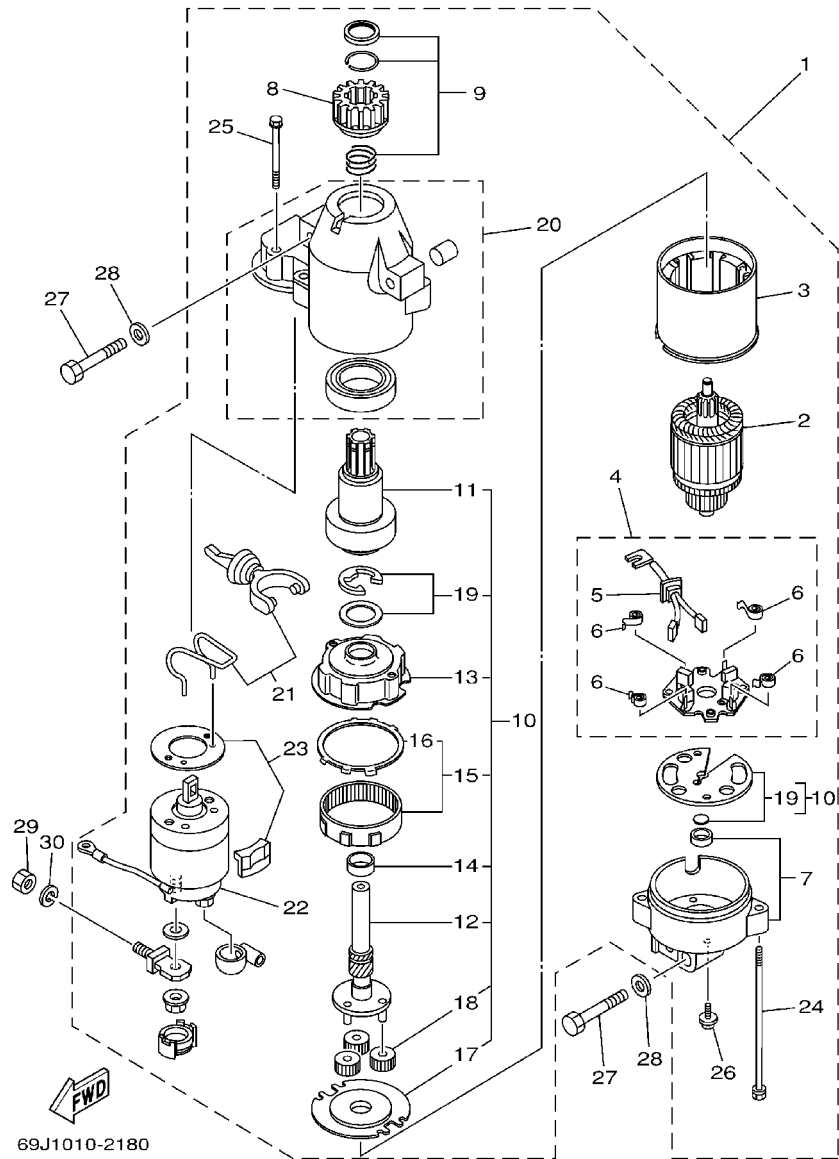
FIG. 18 ELECTRICAL 3



69J2100-3180

REF. NO.	PART NO.	DESCRIPTION	69J2	60L2	69K2	60M2	REMARKS
1	69J-82590-30	WIRE HARNESS ASSY	1	1	1	1	FOR USA,CANADA
	69J-82590-20	WIRE HARNESS ASSY	1	1	1	1	FOR OCEANIA,CARIB
2	67F-82151-20	.FUSE	2	2	2	2	
3	97095-06020	BOLT	2	2	2	2	
4	92995-06100	WASHER, SPRING	2	2	2	2	
5	92995-06600	WASHER	2	2	2	2	
6	97095-06035	BOLT	3	3	3	3	
7	92995-06600	WASHER	3	3	3	3	
8	69J-82563-00	TRIM & TILT SWITCH ASSY	1	1	1	1	
9	69J-42723-00-8D	COVER, BOTTOM	1	1	1	1	
10	69J-82587-00	GASKET	2	2	2	2	
11	69J-83614-00	BRACKET	2	2	2	2	
12	90109-06M86	BOLT	4	4	4	4	
13	69J-8259N-10	WIRE HARNESS ASSY 3	1	1	1	1	
14	69J-83306-00	DRIVE UNIT ASSY	1	1	1	1	
15	90109-06M82	BOLT	2	2	2	2	
16	90465-13M18	CLAMP	6	6	6	6	
17	69J-81949-00	WIRE, LEAD (ISOLATOR CABLE)	1	1	1	1	AP

FIG. 19 STARTING MOTOR

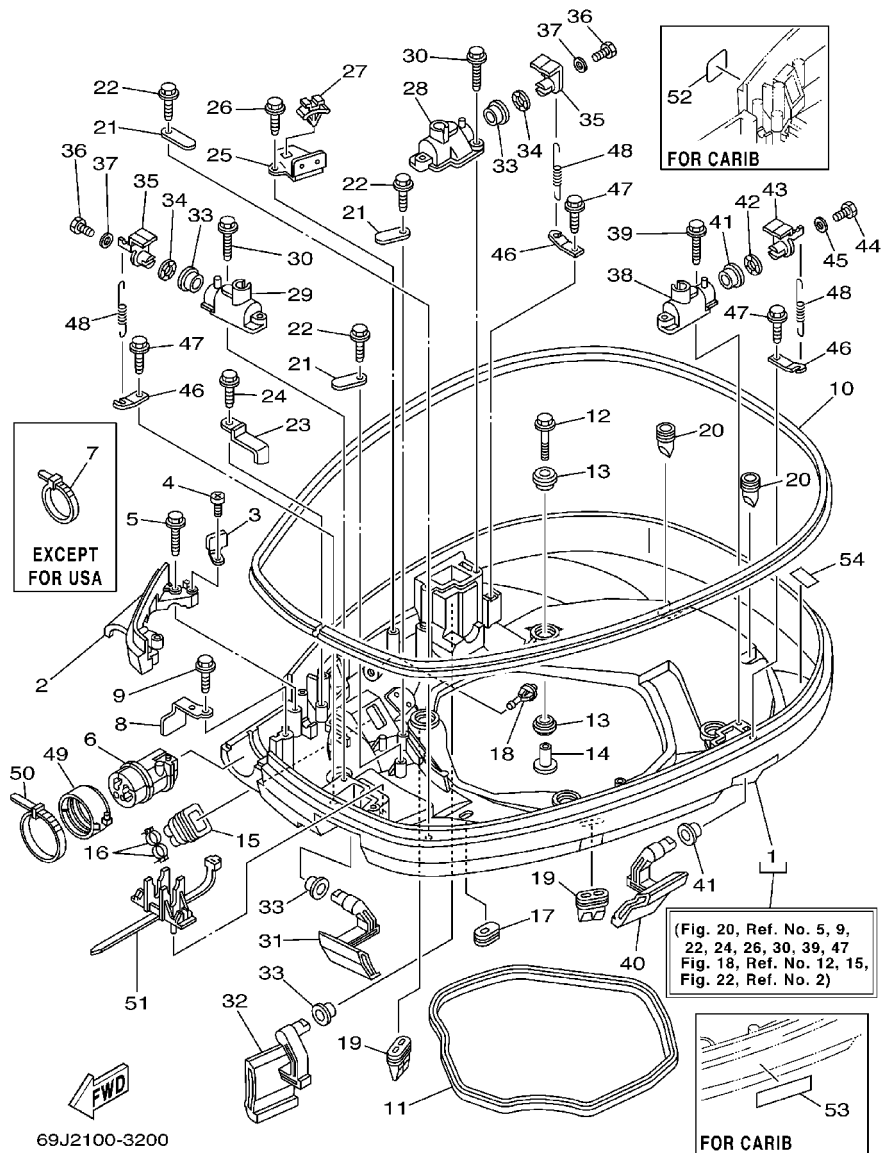


69J1010-2180

REF. NO.	PART NO.	DESCRIPTION	69J2	60L2	69K2	60M2	REMARKS
1	69J-81800-00	STARTING MOTOR ASSY	1	1	1	1	
2	67F-81850-00	..ARMATURE ASSY	1	1	1	1	
3	67F-81810-00	..STATOR ASSY	1	1	1	1	
4	69J-81840-00	..BRUSH HOLDER ASSY	1	1	1	1	
5	69J-81801-00	..BRUSH SET	1	1	1	1	
6	67F-81813-00	..SPRING, BRUSH	4	4	4	4	
7	68F-81820-00	..REAR BRACKET ASSY	1	1	1	1	
8	67F-81808-00	..PINION ASSY	1	1	1	1	
9	67F-81857-00	..PINION STOPPER SET	1	1	1	1	
10	67F-81807-00	..GEAR ASSY, STARTING MOTOR	1	1	1	1	
11	67F-81832-00	..CLUTCH, OVER RUN	1	1	1	1	
12	67F-81836-00	..SHAFT, PINION	1	1	1	1	
13	67F-81821-00	..BRACKET, CENTER 1	1	1	1	1	
14	67F-81841-00	..BEARING	1	1	1	1	
15	67F-81891-00	..GEAR, RING	1	1	1	1	
16	67F-8183R-00	...GASKET	1	1	1	1	
17	67F-81830-00	..BRACKET, CENTER 2	1	1	1	1	
18	67F-8183T-00	..GEAR, IDLER	3	3	3	3	
19	67F-81809-00	..WASHER KIT	1	1	1	1	
20	69J-81842-00	..COVER	1	1	1	1	
21	69J-81839-00	..LEVER ASSY	1	1	1	1	
22	69J-81941-00	..STARTER RELAY ASSY	1	1	1	1	
23	69J-81869-00	..COVER, DUST	1	1	1	1	
24	6K7-81826-10	..BOLT	2	2	2	2	
25	69J-81828-00	..BOLT 2	2	2	2	2	
26	67F-81846-00	..SCREW	2	2	2	2	
27	97013-08045	BOLT	3	3	3	3	

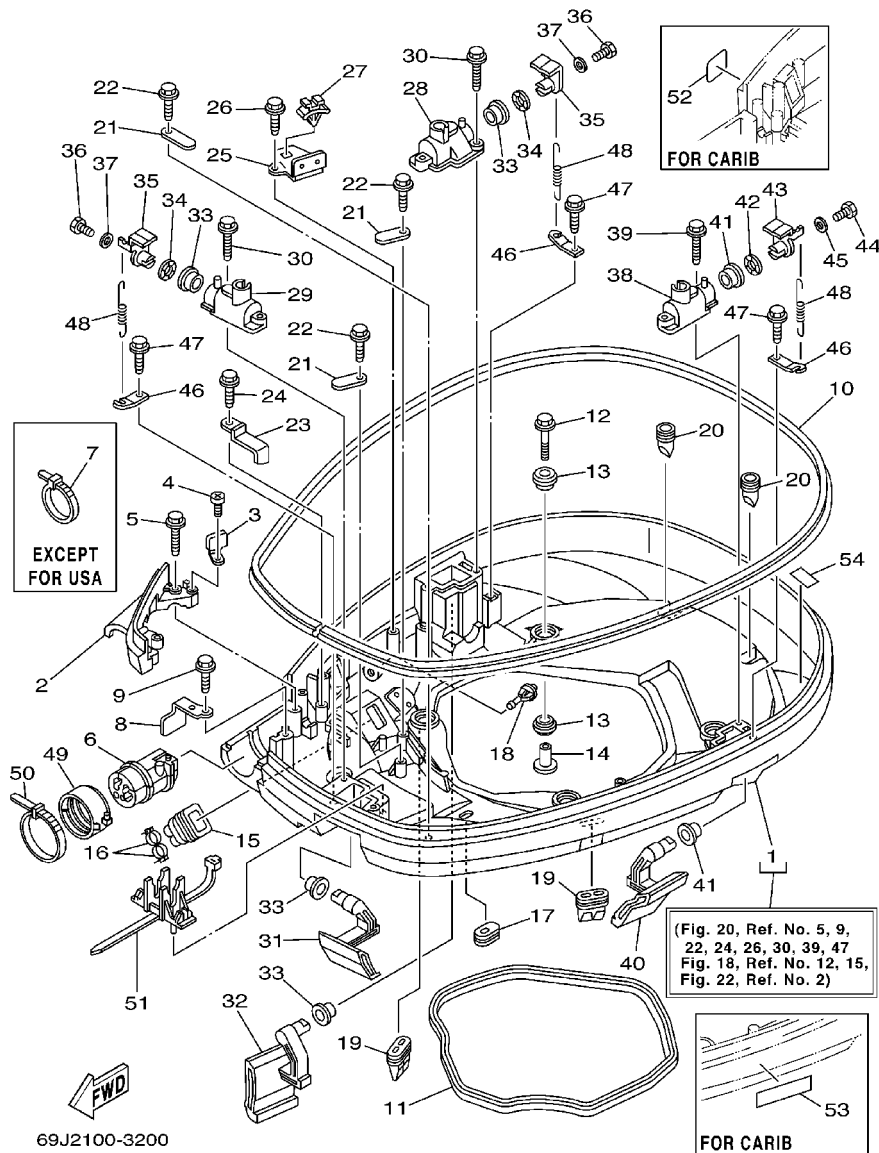


**FIG. 20 BOTTOM COWLING 1**



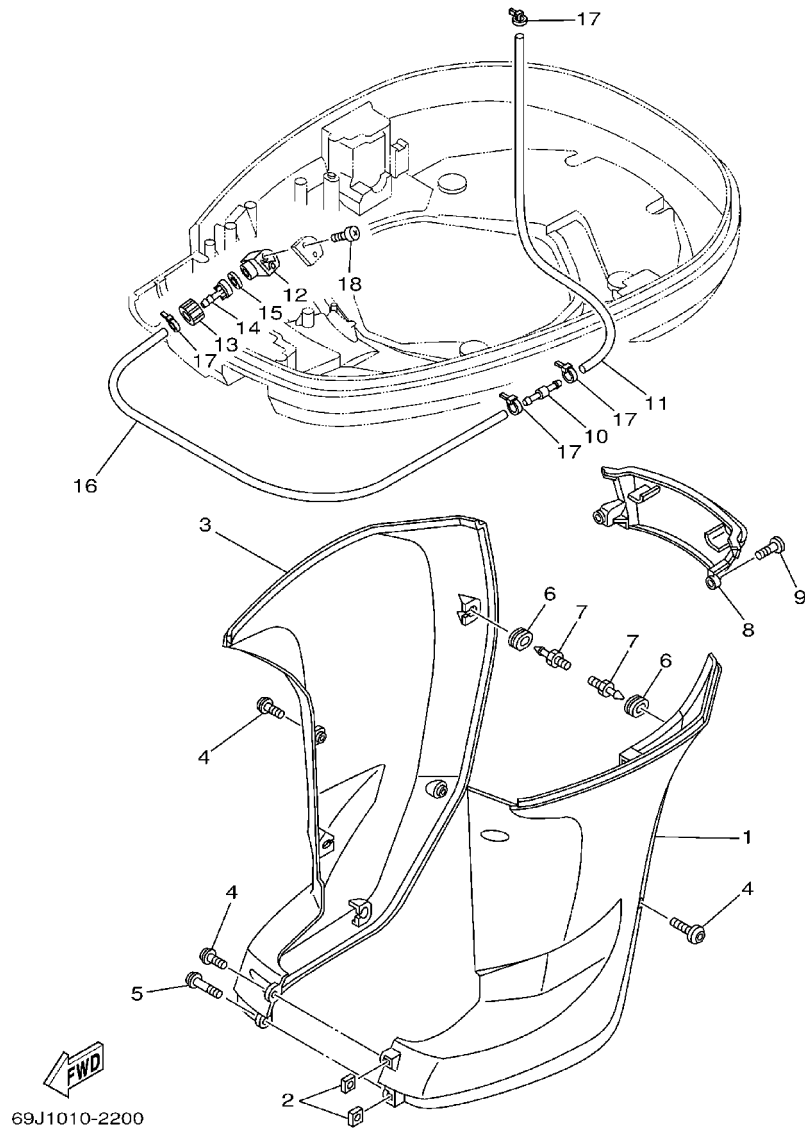
REF. NO.	PART NO.	DESCRIPTION	69J2	60L2	69K2	60M2	REMARKS
1	69J-42710-01-8D	BOTTOM COWLING ASSY	1	1	1	1	
2	69J-42738-01-5B	PLATE, FITTING	1	1	1	1	
3	69J-42744-10	STAY	1	1	1	1	
4	97885-06010	SCREW, PAN HEAD	1	1	1	1	
5	90109-06M82	BOLT	2	2	2	2	
6	69J-42725-01	GROMMET	1	1	1	1	EXCEPT FOR USA
7	90465-13M30	CLAMP	1	1	1	1	
8	64D-42738-10-5B	PLATE, FITTING	1	1	1	1	
9	90109-06M82	BOLT	1	1	1	1	
10	69J-42615-00	SEAL	1	1	1	1	
11	69J-42716-00	RUBBER, SEAL 1	1	1	1	1	
12	90119-08M22	BOLT, WITH WASHER	4	4	4	4	
13	90480-22M81	GROMMET	8	8	8	8	
14	90387-08M37	COLLAR	4	4	4	4	
15	6H1-42726-20	GROMMET	1	1	1	1	
16	90465-11M10	CLAMP	2	2	2	2	
17	61A-42727-00	GROMMET	1	1	1	1	
18	69J-44391-00	NIPPLE, HOSE	1	1	1	1	
19	69J-42717-00	RUBBER, SEAL 2	2	2	2	2	
20	61A-42717-00	RUBBER, SEAL 2	2	2	2	2	
21	6E5-82588-00	PLATE	3	3	3	3	
22	90109-06M81	BOLT	3	3	3	3	
23	90462-20001	CLAMP	1	1	1	1	
24	90109-06M86	BOLT	1	1	1	1	
25	69J-82554-00	STAY, NEUTRAL SWITCH	1	1	1	1	
26	90109-06M86	BOLT	1	1	1	1	
27	90464-09M47	CLAMP	1	1	1	1	

**FIG. 20 BOTTOM COWLING 1**



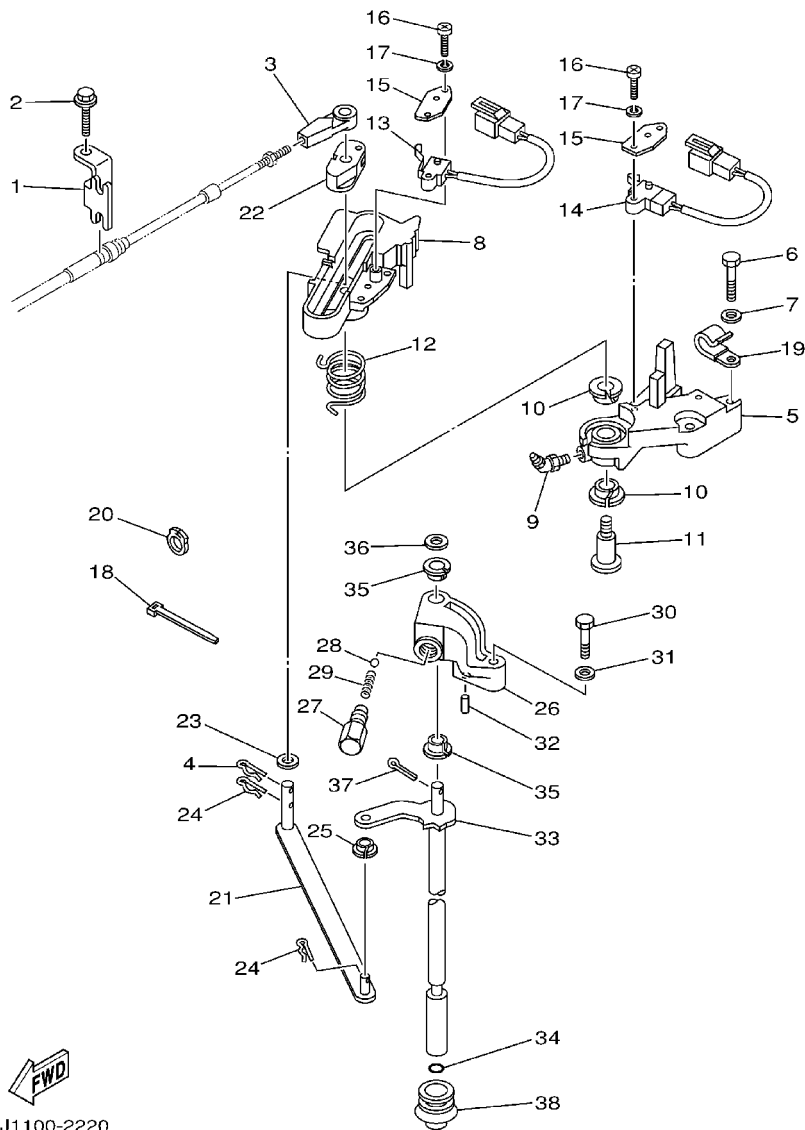
REF. NO.	PART NO.	DESCRIPTION	69J2	60L2	69K2	60M2	REMARKS
28	68F-42828-00-5B	PLATE, CLAMP	1	1	1	1	
29	69J-42828-00-5B	PLATE, CLAMP	1	1	1	1	
30	90109-06M82	BOLT	4	4	4	4	
31	69J-42815-00-8D	LEVER, CLAMP	1	1	1	1	
32	69J-42817-00-8D	LEVER, CLAMP	1	1	1	1	
33	90386-15M73	BUSH	4	4	4	4	
34	90206-15M18	WASHER, WAVE	2	2	2	2	
35	68F-42818-00	LEVER, CLAMP	2	2	2	2	
36	97095-06020	BOLT	2	2	2	2	
37	90201-06068	WASHER, PLATE	2	2	2	2	
38	68F-42828-10-5B	PLATE, CLAMP	1	1	1	1	
39	90109-06M82	BOLT	2	2	2	2	
40	69J-42816-00-8D	LEVER, CLAMP	1	1	1	1	
41	90386-15M73	BUSH	2	2	2	2	
42	90206-15M18	WASHER, WAVE	1	1	1	1	
43	67F-42818-00	LEVER, CLAMP	1	1	1	1	
44	97095-06020	BOLT	1	1	1	1	
45	90201-06068	WASHER, PLATE	1	1	1	1	
46	64D-43144-00	HOOK, SPRING	3	3	3	3	
47	90109-06M86	BOLT	3	3	3	3	
48	90506-16M34	SPRING, TENSION	3	3	3	3	
49	68F-42753-00	FASTNER	1	1	1	1	FOR USA
50	90464-20258	CLAMP	1	1	1	1	FOR USA
51	68V-82594-00	CLAMP	1	1	1	1	
52	6A1-28176-00	LABEL, CAUTION	1	1	1	1	FOR CARIB
53	6E3-8257H-00	PLATE, MARK	1	1	1	1	FOR CARIB
54	67F-82377-00	LABEL	1	1	1	1	

**FIG. 21 BOTTOM COWLING 2**



REF. NO.	PART NO.	DESCRIPTION	69J2	60L2	69K2	60M2	REMARKS
1	69J-42741-00-8D	APRON	1	1	1	1	
2	90173-06001	NUT, SQUARE	2	2	2	2	
3	69J-42771-00-8D	APRON	1	1	1	1	
4	90111-06025	BOLT	5	5	5	5	
5	90111-06026	BOLT	1	1	1	1	
6	90480-14M17	GROMMET	6	6	6	6	
7	69J-42774-00	STAY, APRON 1	6	6	6	6	
8	69J-45151-00-8D	COVER, UPPER CASING	1	1	1	1	
9	90111-06025	BOLT	2	2	2	2	
10	6E5-24379-00	PIPE, JOINT 4	1	1	1	1	
11	90445-11012	HOSE (L600)	1	1	1	1	
12	68T-12572-00	ADAPTER	1	1	1	1	
13	6R3-12581-00	JOINT, HOSE 1	1	1	1	1	
14	6R3-12582-00	JOINT, HOSE 2	1	1	1	1	
15	6R3-12583-00	GASKET, HOSE JOINT	1	1	1	1	
16	90445-11028	HOSE	1	1	1	1	
17	90465-11M10	CLAMP	4	4	4	4	
18	97780-60520	SCREW, TAPPING	2	2	2	2	

FIG. 22 CONTROL 1

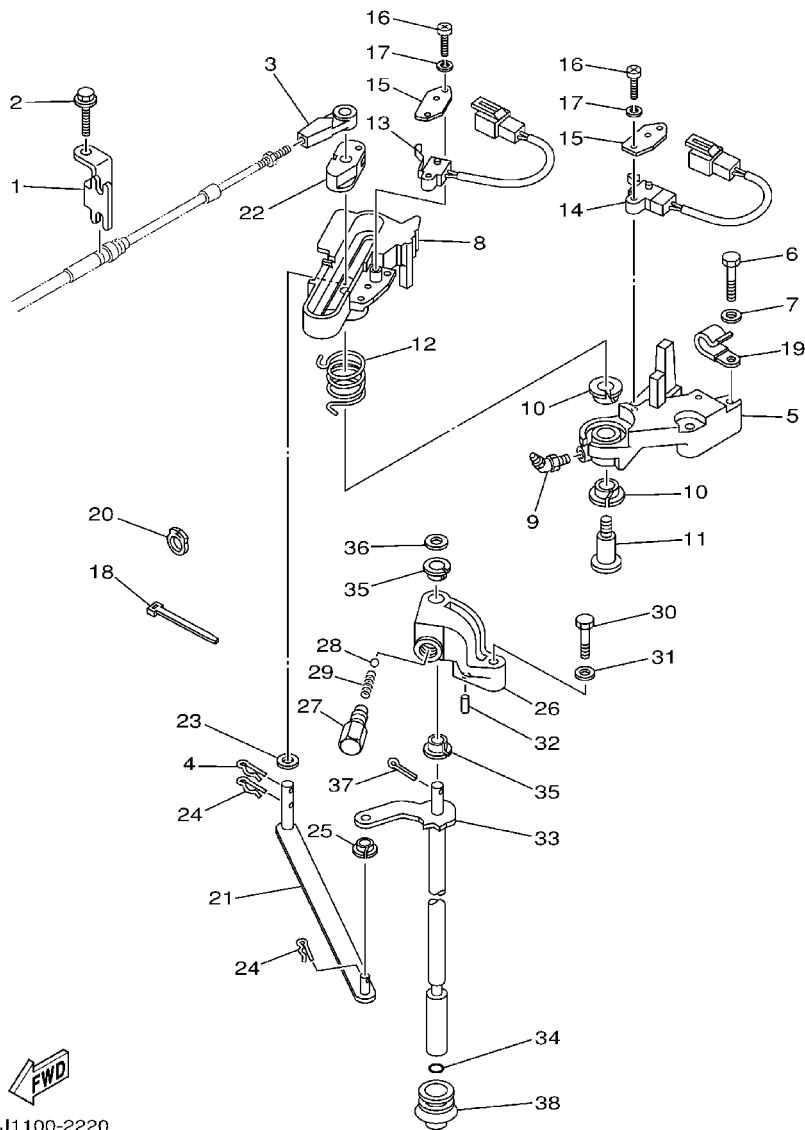


  
69J1100-2220

REF. NO.	PART NO.	DESCRIPTION	69J2	60L2	69K2	60M2	REMARKS
1	69J-48531-00	BRACKET, REMOTE CONTROL 1	1	1	1	1	
2	90109-06M86	BOLT	1	1	1	1	
3	6E5-48344-00	CABLE END, REMOTE CONTROL	1	1	1	1	
4	90468-18008	CLIP	1	1	1	1	
5	69J-44117-00-1S	BRACKET	1	1	1	1	
6	97095-06035	BOLT	2	2	2	2	
7	92995-06600	WASHER	2	2	2	2	
8	69J-44176-01-1S	BRACKET	1	1	1	1	
9	93700-06M01	NIPPLE, GREASE	1	1	1	1	
10	90386-12069	BUSH	2	2	2	2	
11	90109-08019	BOLT	1	1	1	1	
12	90508-20020	SPRING, TORSION	1	1	1	1	
13	68F-8259F-00	SWITCH ASSY	1	1	1	1	
14	69J-8259F-00	SWITCH ASSY	1	1	1	1	
15	61A-82588-00	PLATE	2	2	2	2	
16	97885-04016	SCREW, PAN HEAD	4	4	4	4	
17	92995-04100	WASHER	4	4	4	4	
18	90465-11M10	CLAMP	1	1	1	1	
19	90465-06M86	CLAMP	1	1	1	1	
20	90464-09010	CLAMP	1	1	1	1	
21	69J-44121-00	LEVER, SHIFT ROD	1	1	1	1	
22	69J-44122-00	BUSHING, SHIFT ROD LEVER	1	1	1	1	
23	90202-08M20	WASHER, PLATE	1	1	1	1	
24	90468-18008	CLIP	2	2	2	2	
25	90386-06M12	BUSH	1	1	1	1	
26	69J-44118-00	BRACKET	1	1	1	1	
27	648-42715-00	BUSHING	1	1	1	1	



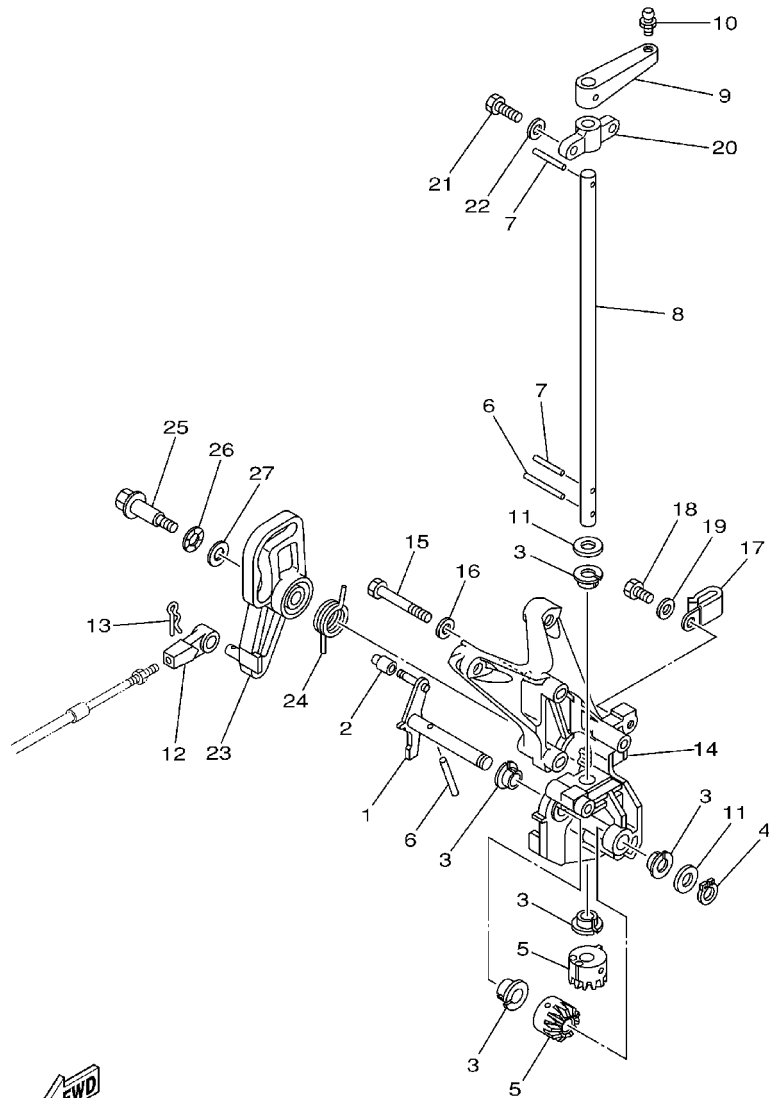
FIG. 22 CONTROL 1



69J1100-2220

REF. NO.	PART NO.	DESCRIPTION	69J2	60L2	69K2	60M2	REMARKS
28	93501-04M02	BALL	1	1	1	1	
29	90501-12082	SPRING, COMPRESSION	1	1	1	1	
30	97075-06030	BOLT	1	1	1	1	
31	92995-06600	WASHER	1	1	1	1	
32	91690-30010	PIN, SPRING	1	1	1	1	
33	69J-44120-00	HANDLE GEAR SHIFT ASSY	1	1	1	1	X
	69J-44120-10	HANDLE GEAR SHIFT ASSY	1		1		U
34	93210-09165	O-RING	1	1	1	1	
35	90386-90M90	BUSH	2	2	2	2	
36	90201-09M02	WASHER, PLATE	1	1	1	1	
37	91490-20015	PIN, COTTER	1	1	1	1	
38	6E5-42724-00	GROMMET	1	1	1	1	

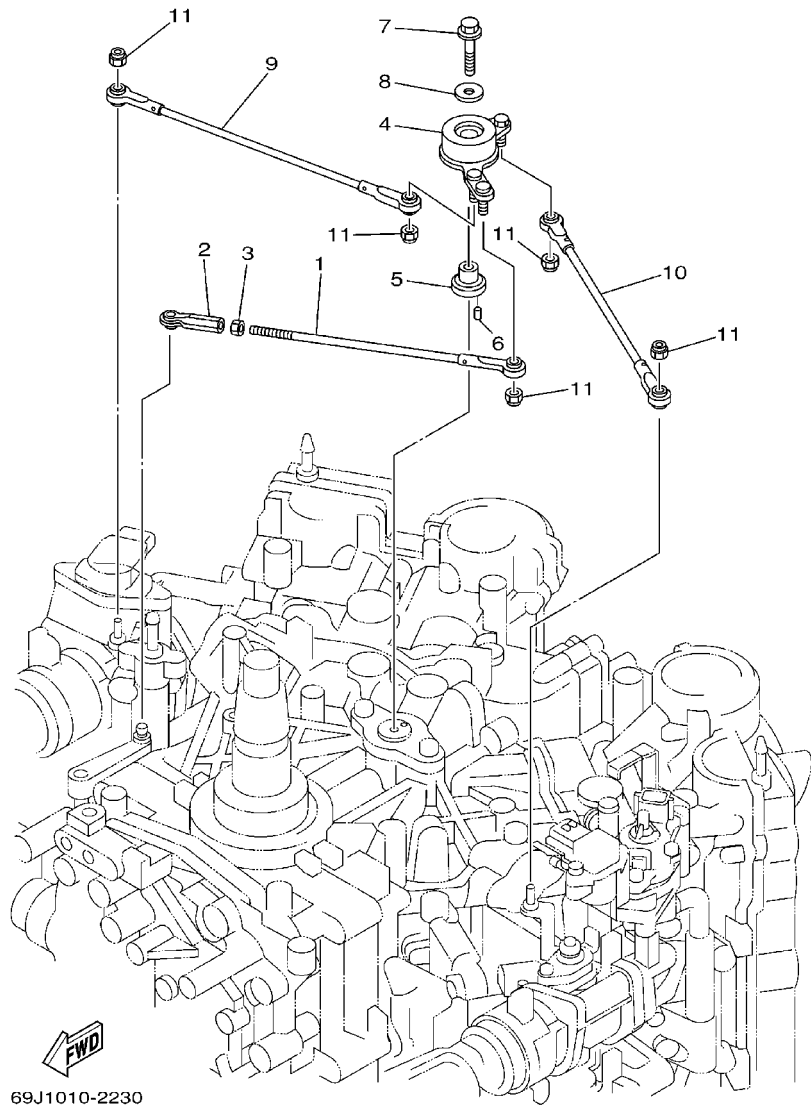
FIG. 23 CONTROL 2



  
69J1100-2230

REF. NO.	PART NO.	DESCRIPTION	69J2	60L2	69K2	60M2	REMARKS
1	69J-42154-00	LEVER, THROTTLE CONTROL	1	1	1	1	
2	68V-42171-00	BUSHING	1	1	1	1	
3	90386-10025	BUSH	5	5	5	5	
4	93410-10082	CIRCLIP	1	1	1	1	
5	69J-42152-00-94	GEAR	2	2	2	2	
6	91690-30025	PIN, SPRING	2	2	2	2	
7	91690-30018	PIN, SPRING	2	2	2	2	
8	69J-42153-00	SHAFT, THROTTLE CONTROL	1	1	1	1	
9	69J-41632-00-94	LEVER, MAGNETO CONTROL	1	1	1	1	
10	663-85518-00	JOINT, BALL	1	1	1	1	
11	90201-10M02	WASHER, PLATE	2	2	2	2	
12	6E5-48344-00	CABLE END, REMOTE CONTROL	1	1	1	1	
13	90468-18008	CLIP	1	1	1	1	
14	69J-41661-00-94	BRACKET	1	1	1	1	
15	97095-06045	BOLT	5	5	5	5	
16	92995-06600	WASHER	5	5	5	5	
17	90465-06M67	CLAMP	2	2	2	2	
18	97095-06014	BOLT	2	2	2	2	
19	92995-06600	WASHER	2	2	2	2	
20	676-41662-00	BRACKET	1	1	1	1	
21	97095-06020	BOLT	2	2	2	2	
22	92995-06600	WASHER	2	2	2	2	
23	69J-41213-00	CAM, ACCEL.	1	1	1	1	
24	69J-44135-00	SPRING	1	1	1	1	
25	90109-06040	BOLT	1	1	1	1	
26	90206-10M04	WASHER, WAVE	1	1	1	1	
27	90201-10M02	WASHER, PLATE	1	1	1	1	

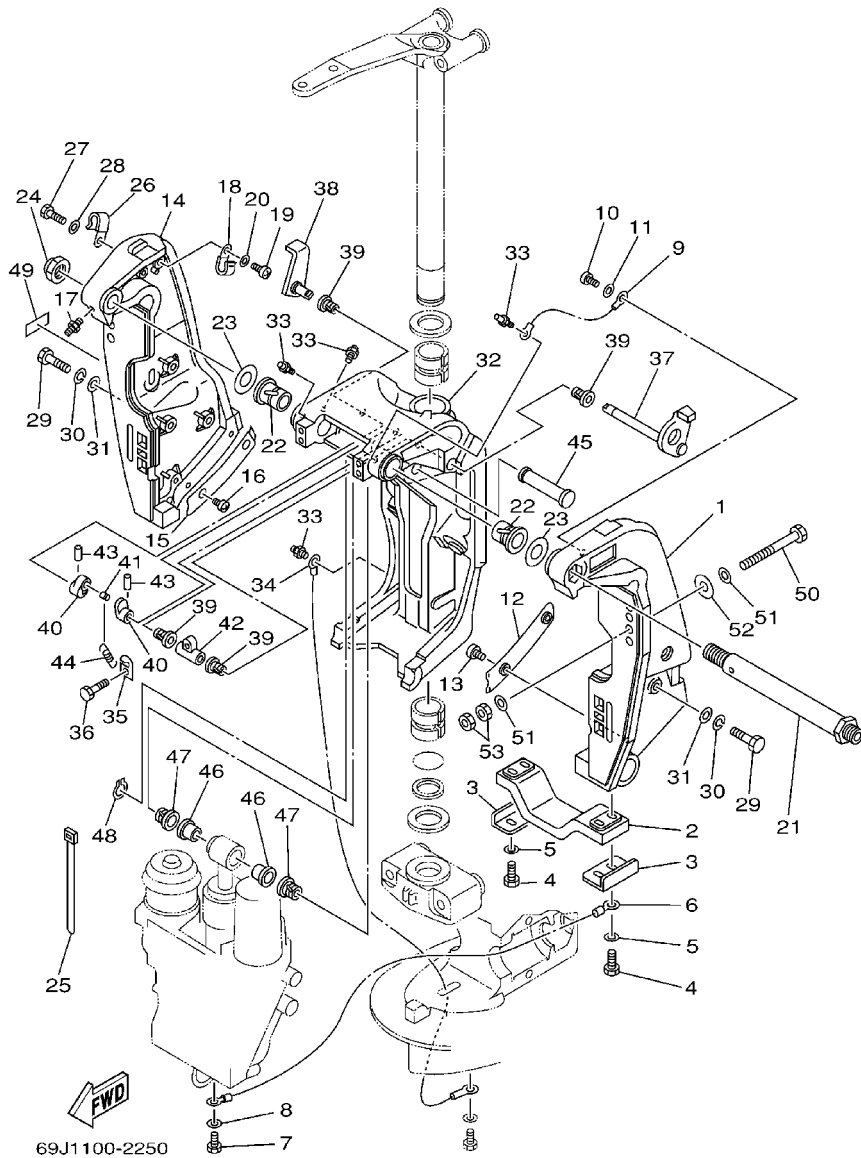
FIG. 24 CONTROL 3



69J1010-2230

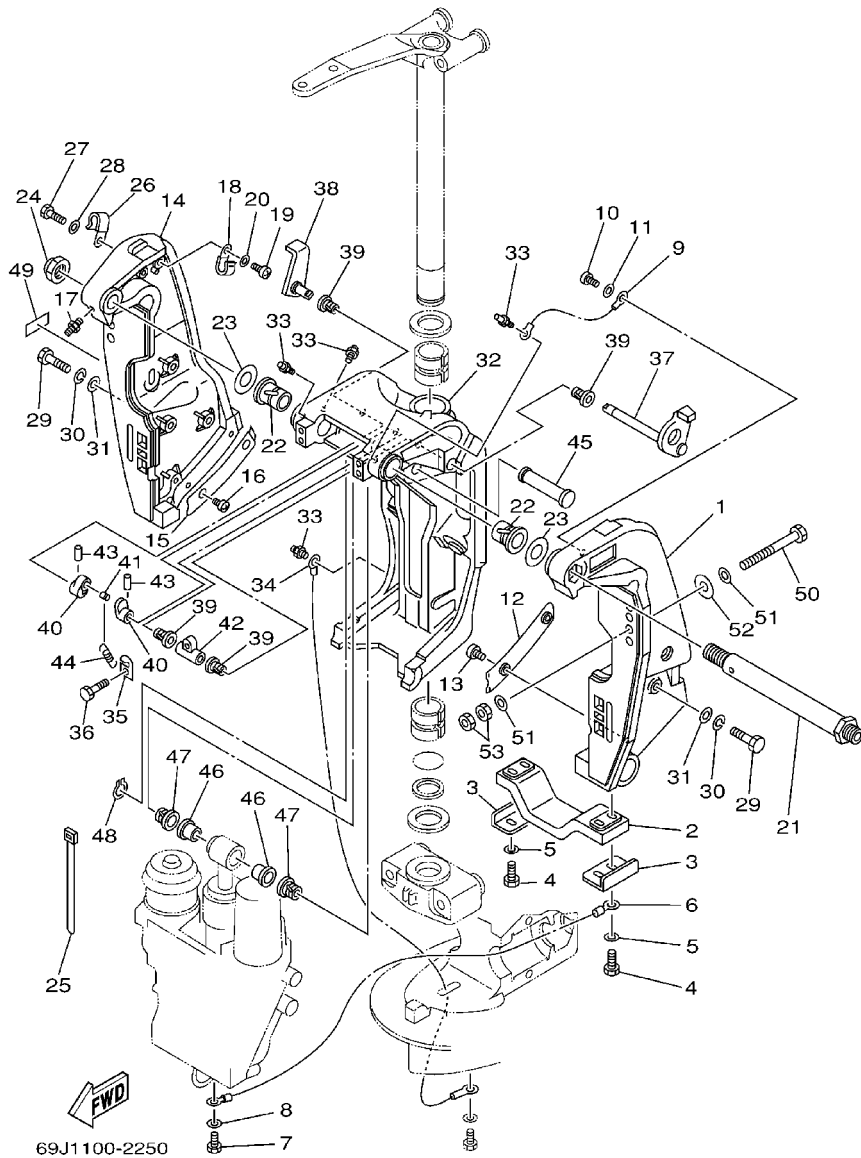
REF. NO.	PART NO.	DESCRIPTION	69J2	60L2	69K2	60M2	REMARKS
1	69J-41241-00	ROD, LINK	1	1	1	1	
2	682-41237-00	JOINT, LINK	1	1	1	1	
3	95380-05600	NUT	1	1	1	1	
4	69J-41210-00	ACCEL. ARM ASSY	1	1	1	1	
5	69J-41635-00	SHAFT, LINK CONNECTING	1	1	1	1	
6	91690-30008	PIN, SPRING	1	1	1	1	
7	95895-06030	BOLT, FLANGE	1	1	1	1	
8	90201-06M31	WASHER, PLATE	1	1	1	1	
9	69J-41211-00	LINK, ACCEL.	1	1	1	1	
10	69J-41636-00	ROD, MAGNETO CONTROL	1	1	1	1	
11	95680-05100	NUT, U	5	5	5	5	

FIG. 25 BRACKET 1



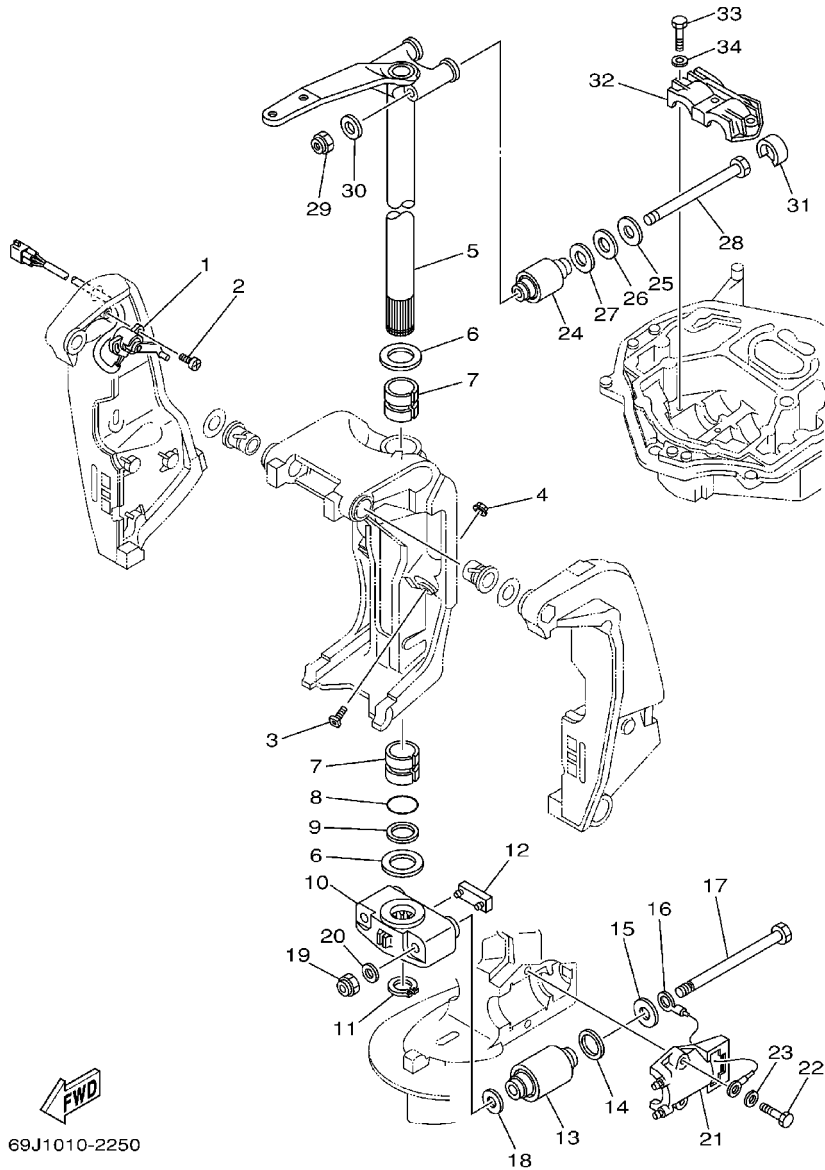
REF. NO.	PART NO.	DESCRIPTION	69J2	60L2	69K2	60M2	REMARKS
1	69J-43111-00-8D	BRACKET, CLAMP	1	1	1	1	
2	6G5-45251-02	ANODE	1	1	1	1	
3	6G5-44526-00	PLATE	2	2	2	2	
4	97095-06025	BOLT	4	4	4	4	
5	92995-06600	WASHER	4	4	4	4	
6	6H1-82148-00	WIRE, LEAD 4	1	1	1	1	
7	97095-06010	BOLT	1	1	1	1	
8	92995-06600	WASHER	1	1	1	1	
9	6E5-82148-00	WIRE, LEAD 4	1	1	1	1	
10	97885-06012	SCREW, PAN HEAD	1	1	1	1	
11	92995-06600	WASHER	1	1	1	1	
12	61A-43132-00	WASHER, FRICTION	1	1	1	1	
13	97885-06010	SCREW, PAN HEAD	2	2	2	2	
14	69J-43112-00-8D	BRACKET, CLAMP	1	1	1	1	
15	61A-43133-00	WASHER, FRICTION	1	1	1	1	
16	97885-06010	SCREW, PAN HEAD	2	2	2	2	
17	93700-06M03	NIPPLE, GREASE	1	1	1	1	
18	90465-08M83	CLAMP	1	1	1	1	
19	97885-06012	SCREW, PAN HEAD	1	1	1	1	
20	92995-06600	WASHER	1	1	1	1	
21	6R3-43131-00	BOLT, CLAMP BRACKET	1	1	1	1	
22	90386-25M31	BUSH	2	2	2	2	
23	90201-26M59	WASHER, PLATE	2	2	2	2	
24	90185-22M11	NUT, SELF-LOCKING	1	1	1	1	
25	90465-11M10	CLAMP	4	4	4	4	
26	90465-08M83	CLAMP	1	1	1	1	
27	97095-06014	BOLT	1	1	1	1	

FIG. 25 BRACKET 1



REF. NO.	PART NO.	DESCRIPTION	69J2	60L2	69K2	60M2	REMARKS
28	92995-06600	WASHER	1	1	1	1	
29	97095-10045	BOLT	8	8	8	8	
30	92995-10100	WASHER	8	8	8	8	
31	92995-10600	WASHER	8	8	8	8	
32	61A-43311-21-8D	BRACKET, SWIVEL 1	1	1	1	1	
33	93700-06M03	NIPPLE, GREASE	5	5	5	5	
34	69J-82147-00	WIRE, LEAD 4	1	1	1	1	
35	6G5-43144-00	HOOK, SPRING	1	1	1	1	
36	97095-06010	BOLT	1	1	1	1	
37	61A-43181-01	LEVER, TILT STOP	1	1	1	1	
38	6G5-43185-02	LEVER, TILT STOP	1	1	1	1	
39	90386-10M16	BUSH	4	4	4	4	
40	6G5-43148-00	COLLAR, DISTANCE	2	2	2	2	
41	90249-06M19	PIN	1	1	1	1	
42	90387-10M02	COLLAR	1	1	1	1	
43	91690-30020	PIN, SPRING	2	2	2	2	
44	90506-16003	SPRING, TENSION	1	1	1	1	
45	6E5-43126-02	PIN, UPPER SHOCK MOUNT	1	1	1	1	
46	90386-18M63	BUSH	2	2	2	2	
47	90386-18M14	BUSH	2	2	2	2	
48	93410-18M02	CIRCLIP	1	1	1	1	
49	63V-82377-50	LABEL (SPARK,IGNITION)	1	1	1	1	FOR CANADA
50	90101-12M05	BOLT (L:130MM)	4	4	4	4	UR
	90101-12M77	BOLT (L:150MM)	2	2	2	2	UR FOR USA,CANADA ONLY
51	90201-13M01	WASHER, PLATE	8	8	8	8	
52	90201-12M05	WASHER, PLATE	4	4	4	4	
53	95380-12600	NUT	8	8	8	8	

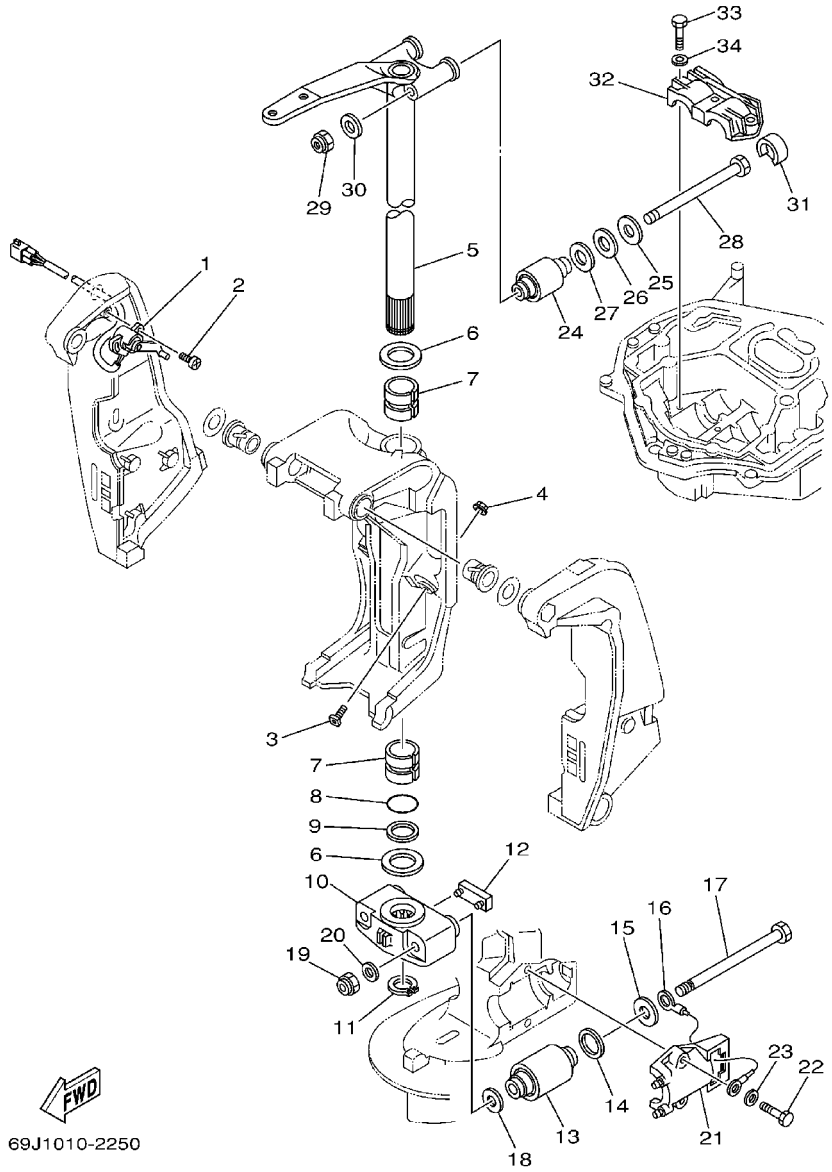
FIG. 26 BRACKET 2



69J1010-2250

REF. NO.	PART NO.	DESCRIPTION	69J2	60L2	69K2	60M2	REMARKS
1	69J-83672-00	TRIM SENDER	1	1	1	1	
2	97885-06016	SCREW, PAN HEAD	2	2	2	2	
3	61A-43376-00	BOLT, THRUST RECEIVER	2	2	2	2	
4	95780-10300	NUT, FLANGE	2	2	2	2	
5	69J-42510-00-8D	STEERING BRACKET ASSY	1	1	1	1	
6	90201-40M00	WASHER, PLATE	2	2	2	2	
7	90386-39M89	BUSH	2	2	2	2	
8	93210-35321	O-RING	1	1	1	1	
9	90202-40M47	WASHER, PLATE	1	1	1	1	
10	69J-44551-00-8D	HOUSING, LOWER MOUNT RUBBER	1	1	1	1	
11	93410-37M04	CIRCLIP	1	1	1	1	
12	61A-44575-00	DAMPER, LOWER MOUNT RUBBER	1	1	1	1	
13	66K-44555-00-94	MOUNT DAMPER, LOWER SIDE	2	2	2	2	
14	90202-32M19	WASHER, PLATE	2	2	2	2	
15	90201-16M55	WASHER, PLATE	2	2	2	2	
16	6E5-82149-00	WIRE, LEAD 3	1	1	1	1	
17	90109-14M48	BOLT	2	2	2	2	
18	90201-15M58	WASHER, PLATE	2	2	2	2	
19	90185-14M00	NUT, SELF-LOCKING	2	2	2	2	
20	92995-14600	WASHER	2	2	2	2	
21	61A-44552-01-94	HOUSING, LOWER MOUNT RUBBER	2	2	2	2	
22	97095-10045	BOLT	4	4	4	4	
23	92995-10600	WASHER	4	4	4	4	
24	66K-44514-00-94	MOUNT DAMPER, UPPER SIDE	2	2	2	2	
25	90201-16M01	WASHER, PLATE	2	2	2	2	
26	90202-28M46	WASHER, PLATE	2	2	2	2	
27	90201-28M01	WASHER, PLATE	2	2	2	2	

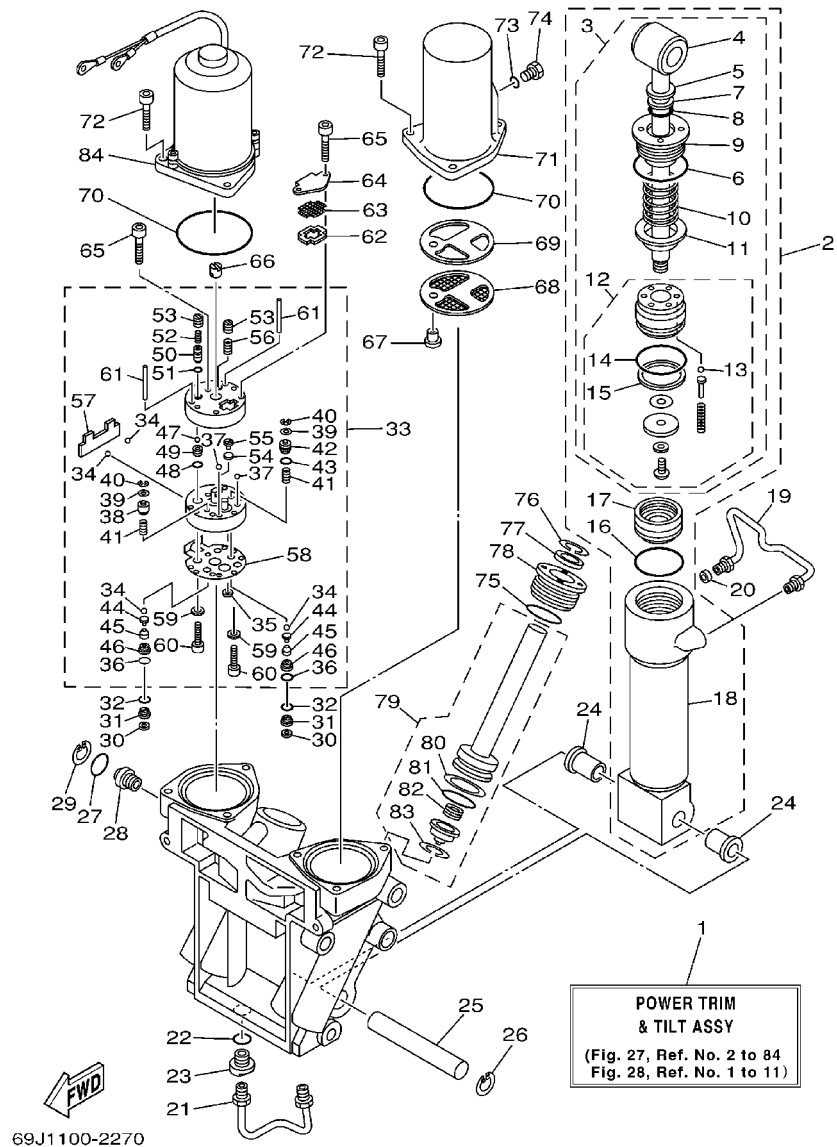
FIG. 26 BRACKET 2



69J1010-2250

REF. NO.	PART NO.	DESCRIPTION	69J2	60L2	69K2	60M2	REMARKS
28	90109-14M10	BOLT	2	2	2	2	
29	90185-14M00	NUT, SELF-LOCKING	2	2	2	2	
30	92995-14600	WASHER	2	2	2	2	
31	69J-44533-00	DAMPER, UPPER MOUNT RUBBER	2	2	2	2	
32	61A-44511-00-94	COVER, UPPER MOUNT	1	1	1	1	
33	97095-10045	BOLT	3	3	3	3	
34	92995-10600	WASHER	3	3	3	3	

FIG. 27 POWER TRIM & TILT ASSY 1

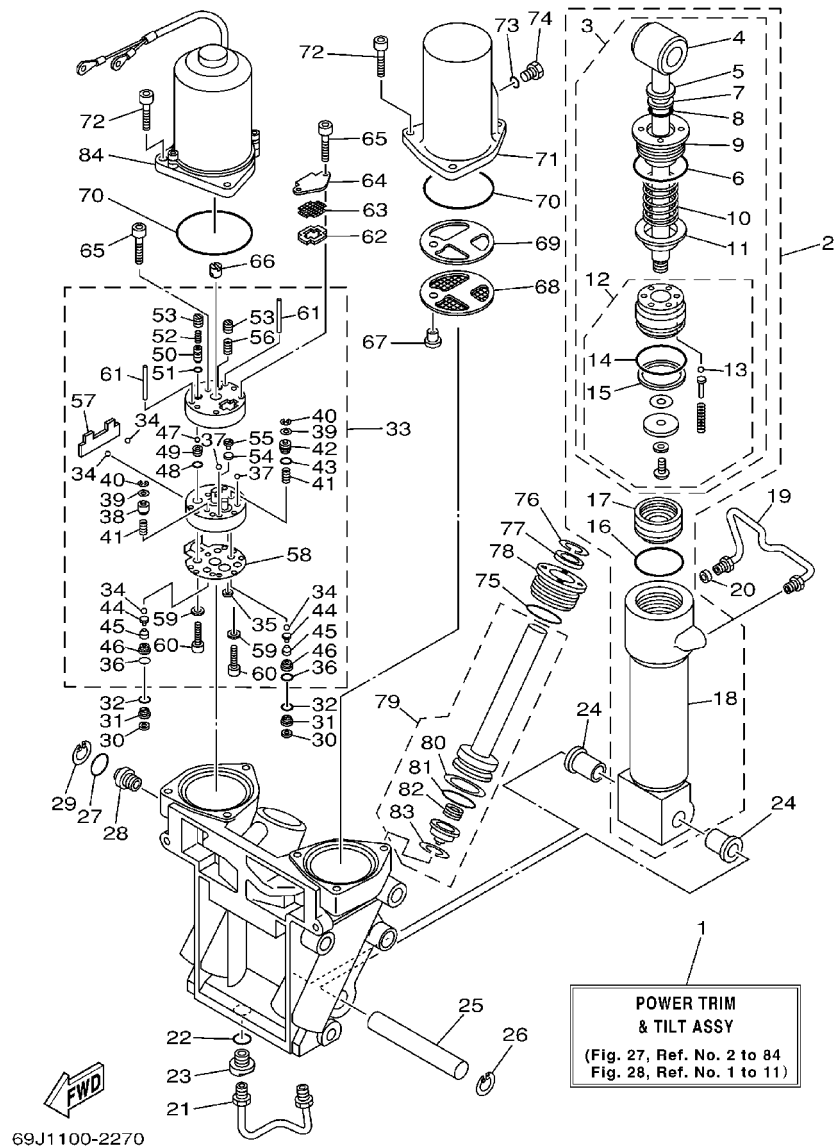


69J1100-2270

REF. NO.	PART NO.	DESCRIPTION	69J2	60L2	69K2	60M2	REMARKS
1	69J-43800-00-4D	POWER TRIM & TILT ASSY	1	1	1	1	
2	69J-43840-00	POWER TILT ASSY	1	1	1	1	
3	69J-43810-00	..TILT PISTON SUB ASSY	1	1	1	1	
4	69J-43801-00	..ROD	1	1	1	1	
5	93106-19N50	..OIL SEAL	1	1	1	1	
6	6H1-43861-00	..O-RING	1	1	1	1	
7	6H1-43872-00	..RING, BACK UP	1	1	1	1	
8	61A-4389H-00	..O-RING	1	1	1	1	
9	61A-43811-00	..SCREW, CYLINDER END	1	1	1	1	
10	69J-4384H-00	..SPRING	1	1	1	1	
11	69J-4382E-00	..ADAPTOR 2	1	1	1	1	
12	69J-4380P-00	..PISTON SUB ASSY	1	1	1	1	
13	93505-32038	...BALL	5	5	5	5	
14	61A-43861-00	...O-RING	1	1	1	1	
15	61A-43871-00	...RING, BACK UP	1	1	1	1	
16	61A-43861-00	..O-RING	1	1	1	1	
17	6H1-43814-00	..PISTON, FREE	1	1	1	1	
18	61A-43813-01	..CYLINDER, TILT	1	1	1	1	
19	61A-43835-01	PIPE	1	1	1	1	
20	69J-4388J-00	PLUG 2	1	1	1	1	
21	69J-43833-00	PIPE	1	1	1	1	
22	93210-17239	O-RING	1	1	1	1	
23	69J-4388E-00	BOLT ,SCREW	1	1	1	1	
24	90386-18M14	BUSH	2	2	2	2	
25	61A-43818-00	PIN, LOWER SHOCK MOUNT	1	1	1	1	
26	61A-43876-00	..RING, SNAP	1	1	1	1	
27	93210-18397	O-RING	1	1	1	1	

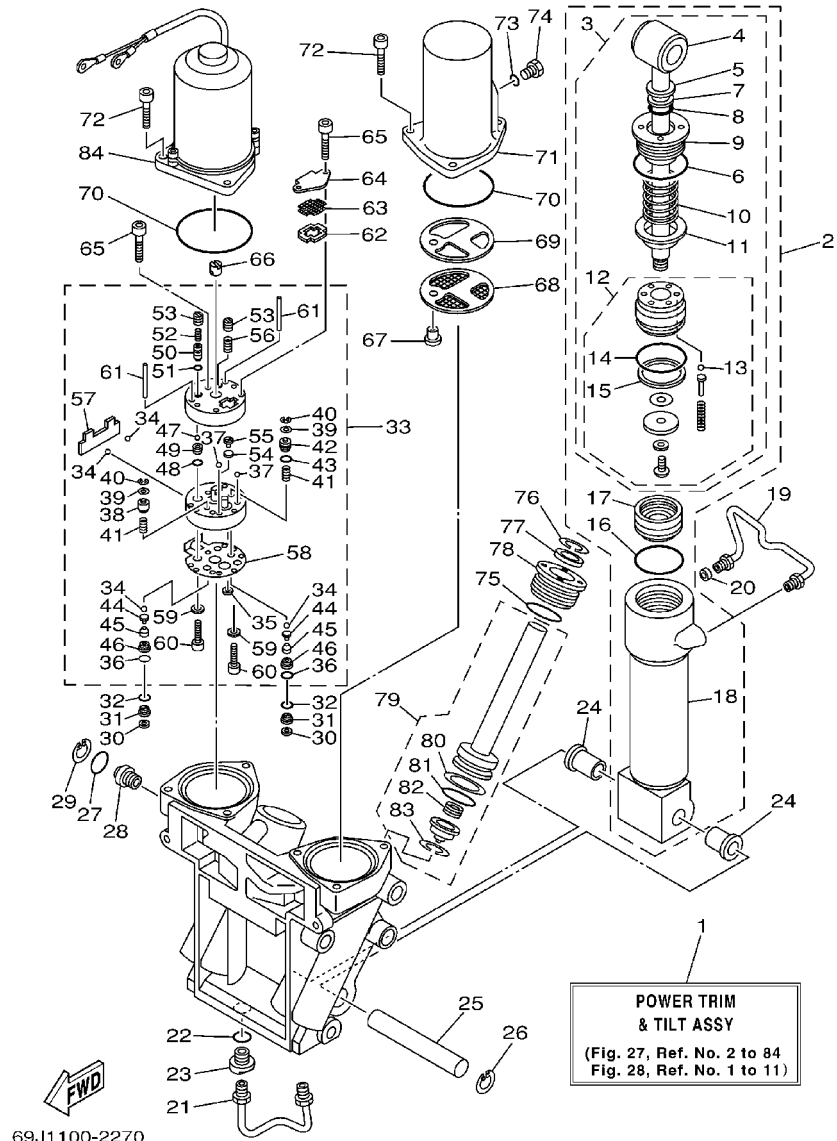


FIG. 27 POWER TRIM & TILT ASSY 1



REF. NO.	PART NO.	DESCRIPTION	69J2	60L2	69K2	60M2	REMARKS
28	69J-43845-00	SCREW, MANUAL RELEASE	1	1	1	1	
29	6H1-43875-00	RING, SNAP	1	1	1	1	
30	69J-4381C-00	FILTER 3	2	2	2	2	
31	69J-43899-00	PLATE STOPPER	2	2	2	2	
32	69J-4389J-00	O-RING	2	2	2	2	
33	69J-43830-00	GEAR PUMP ASSY	1	1	1	1	
34	93505-32038	.BALL	4	4	4	4	
35	69J-4381C-00	.FILTER 3	1	1	1	1	
36	69J-4389J-00	.O-RING	2	2	2	2	
37	93503-16003	.BALL	2	2	2	2	
38	69J-4384M-00	.PISTON, SHUTTLE 2	1	1	1	1	
39	69A-4384F-00	.SEAL, MAIN VALVE	2	2	2	2	
40	99001-03600	.CIRCLIP	2	2	2	2	
41	69J-43894-00	.SPRING, SHUTTLE RETURN	2	2	2	2	
42	69J-43841-00	.PISTON, SHUTTLE	1	1	1	1	
43	6H1-43883-00	.O-RING	1	1	1	1	
44	65W-4386A-00	.PIN, ABSORBER VALVE	2	2	2	2	
45	69J-43853-00	.SPRING, MAIN VALVE	2	2	2	2	
46	69J-43893-00	.WASHER	2	2	2	2	
47	93501-08001	.BALL	2	2	2	2	
48	93210-08391	.O-RING	1	1	1	1	
49	69J-43851-00	.SEAT, RELIEF VALVE	1	1	1	1	
50	69J-43844-00	.PIN, VALVE SUPPORT	1	1	1	1	
51	93210-064A5	.O-RING	1	1	1	1	
52	69J-43855-00	.SPRING, UP RELIEF	1	1	1	1	
53	69J-43843-00	.SCREW, VALVE LOCK	2	2	2	2	
54	6H1-4384G-11	.SEAL, RELIEF VALVE	1	1	1	1	

FIG. 27 POWER TRIM & TILT ASSY 1

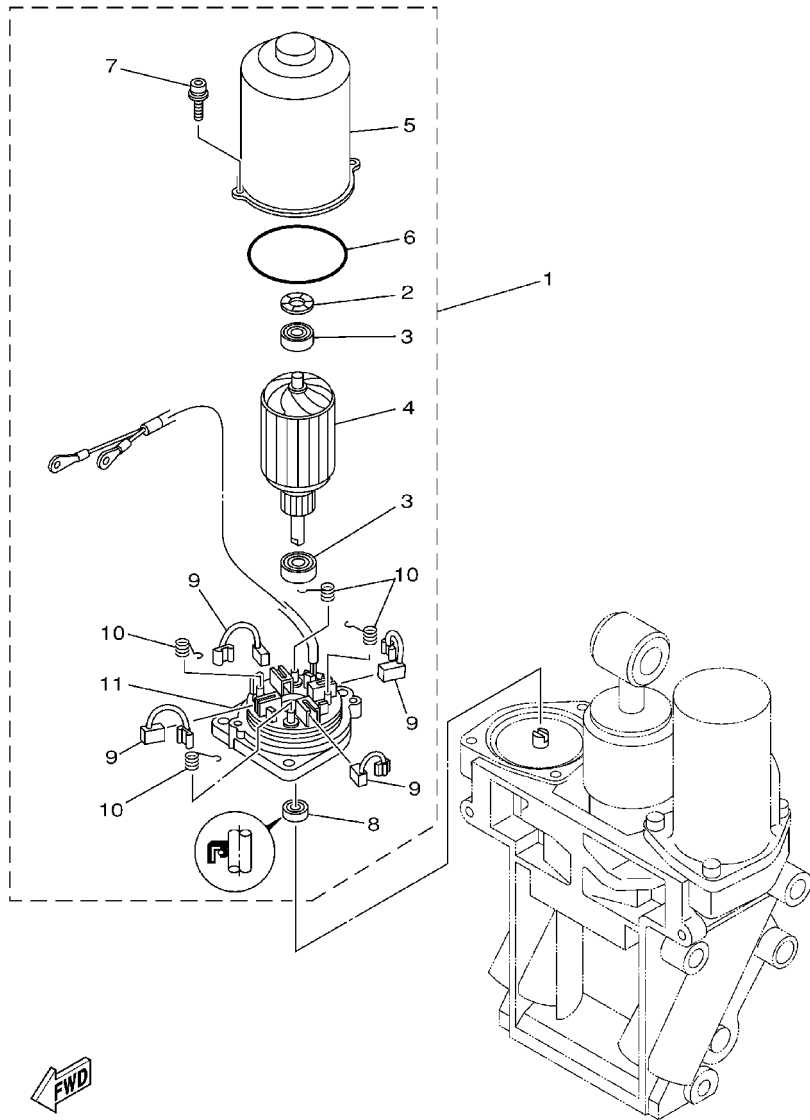


69J1100-2270

REF. NO.	PART NO.	DESCRIPTION	69J2	60L2	69K2	60M2	REMARKS
55	6H1-43844-10	.PIN, VALVE SUPPORT	1	1	1	1	
56	6H1-43856-10	.SPRING, DOWN RELIEF	1	1	1	1	
57	69J-43854-00	.SPRING, MANUAL RELEASE	1	1	1	1	
58	69J-4384G-00	.SEAL, RELIEF VALVE	1	1	1	1	
59	CS3-4387G-00	.WASHER	2	2	2	2	
60	91318-05025	.BOLT	2	2	2	2	
61	93604-35236	.PIN, DOWEL	2	2	2	2	
62	69J-43871-00	RING, BACK UP	1	1	1	1	
63	69J-43816-00	FILTER 1	1	1	1	1	
64	69J-4381J-00	PLATE	1	1	1	1	
65	91318-05040	BOLT	3	3	3	3	
66	69J-43831-00	CONNECTOR, SHAFT	1	1	1	1	
67	69J-4388H-00	PLUG	1	1	1	1	
68	69J-43817-00	FILTER 2	1	1	1	1	
69	69J-4388F-00	SPACER	1	1	1	1	
70	6H1-43869-00	O-RING	2	2	2	2	
71	69J-43828-00	BODY, RESERVOIR	1	1	1	1	
72	69J-43888-00	BOLT, SOCKET	6	6	6	6	
73	93210-09165	O-RING	1	1	1	1	
74	6H1-43829-00	PLUG, RESERVOIR	1	1	1	1	
75	61A-43861-00	O-RING	2	2	2	2	
76	6T4-43875-00	RING, SNAP	2	2	2	2	
77	61A-43822-00	SEAL, TRIM DUST	2	2	2	2	
78	61A-43821-00	SCREW, TRIM CYLINDER END	2	2	2	2	
79	69J-43820-00	TRIM PISTON SUB ASSY	2	2	2	2	
80	61A-43874-00	.RING, BACK UP	1	1	1	1	
81	61A-43864-00	.O-RING	1	1	1	1	



FIG. 28 POWER TRIM & TILT ASSY 2

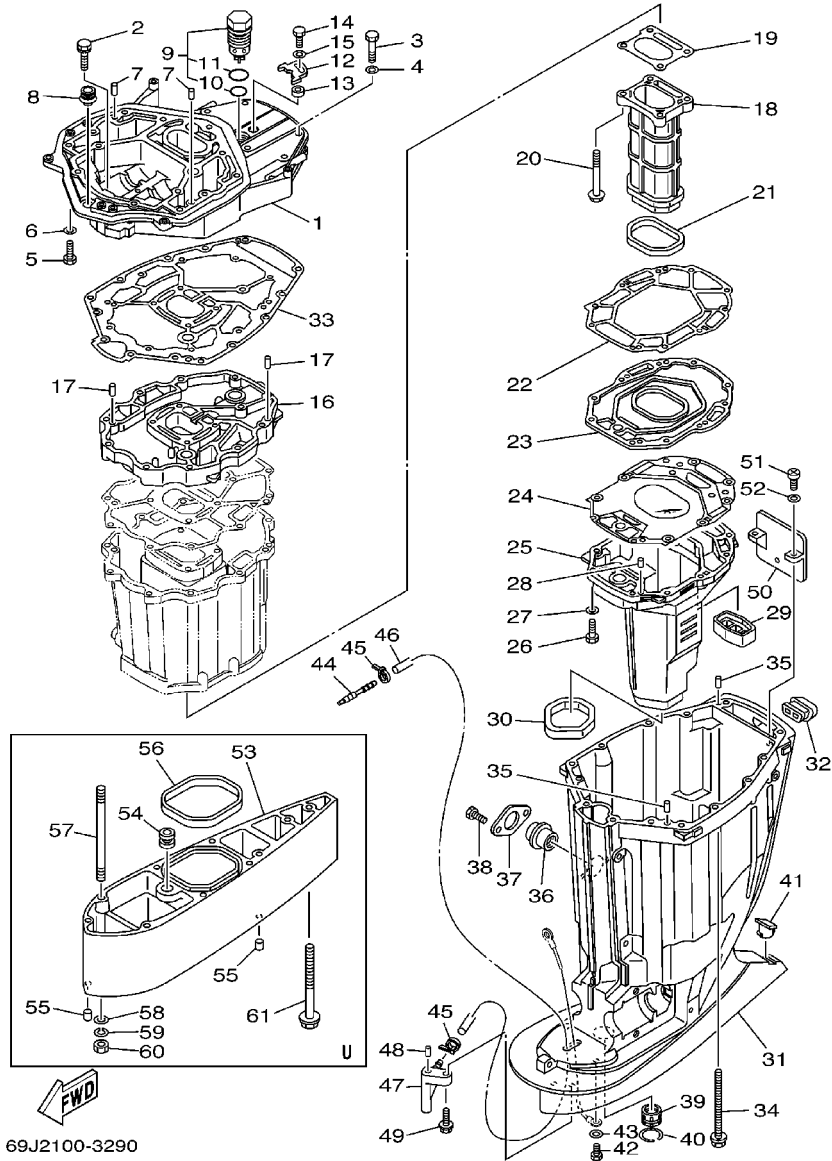


REF. NO.	PART NO.	DESCRIPTION	69J2	60L2	69K2	60M2	REMARKS
1	69J-43880-00	MOTOR ASSY	1	1	1	1	
2	90206-14N50	.WASHER, WAVE	1	1	1	1	
3	93399-999T6	.BEARING	2	2	2	2	
4	69J-43805-00	.ARMATURE ASSY	1	1	1	1	
5	69J-43804-00	.STATOR ASSY	1	1	1	1	
6	69J-43861-00	.O-RING	1	1	1	1	
7	69J-43886-00	.BOLT	2	2	2	2	
8	69J-43882-00	.OIL SEAL	1	1	1	1	
9	69J-43891-00	.BRUSH 1	4	4	4	4	
10	69J-4386K-00	.SPRING, BRUSH	4	4	4	4	
11	69J-43881-00	.FRAME, END	1	1	1	1	



69J1010-2270

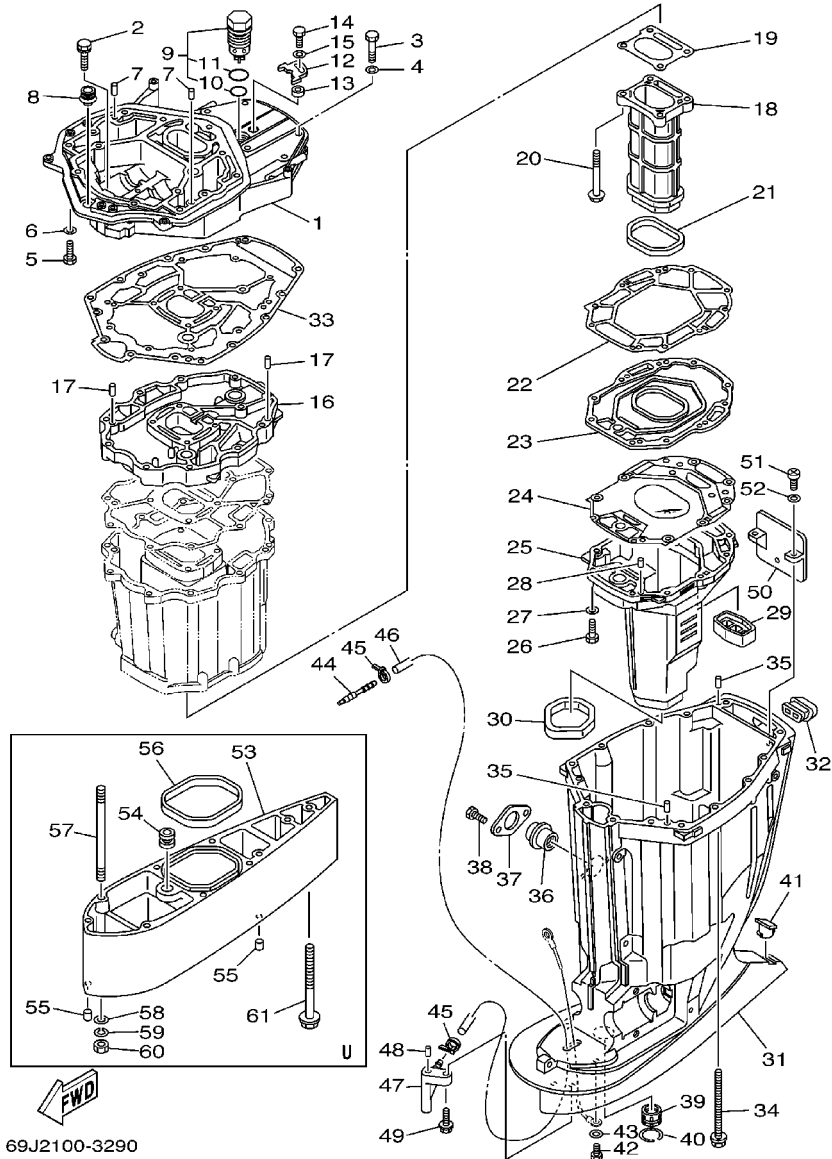
FIG. 29 UPPER CASING



69J2100-3290

REF. NO.	PART NO.	DESCRIPTION	69J2	60L2	69K2	60M2	REMARKS
1	69J-41137-00-94	GUIDE, EXHAUST	1	1	1	1	
2	90119-08M79	BOLT, WITH WASHER	2	2	2	2	
3	97075-10045	BOLT	7	7	7	7	
4	92995-10600	WASHER	7	7	7	7	
5	97075-10035	BOLT	7	7	7	7	
6	92995-10600	WASHER	7	7	7	7	
7	93608-16M16	PIN, DOWEL	2	2	2	2	
8	6E5-42724-00	GROMMET	1	1	1	1	
9	69J-11371-00	COVER	1	1	1	1	
10	93210-28543	.O-RING	1	1	1	1	
11	93210-33MG4	.O-RING	1	1	1	1	
12	69J-12233-00	PLATE, GUIDE STOPPER 1	1	1	1	1	
13	90387-06037	COLLAR	1	1	1	1	
14	97095-06020	BOLT	1	1	1	1	
15	92995-06600	WASHER	1	1	1	1	
16	69J-41131-00-94	MANIFOLD, EXT. 1	1	1	1	1	
17	93608-16M16	PIN, DOWEL	2	2	2	2	
18	69J-41132-00-5B	MANIFOLD, EXHAUST	1	1	1	1	
19	69J-41134-A0	GASKET, EXHAUST MANIFOLD	1	1	1	1	
20	97575-08590	BOLT, WITH WASHER	4	4	4	4	
21	69J-41138-00	SEAL, EXT. 1	1	1	1	1	
22	69J-41135-A0	GASKET, EXHAUST MANIFOLD	1	1	1	1	
23	69J-45181-00-5B	PLATE	1	1	1	1	
24	69J-41136-A0	GASKET, EXHAUST MANIFOLD 4	1	1	1	1	
25	69J-14711-00-5B	MUFFLER 1	1	1	1	1	
26	97075-08035	BOLT	10	10	10	10	
27	92995-08600	WASHER	10	10	10	10	

**FIG. 29 UPPER CASING**

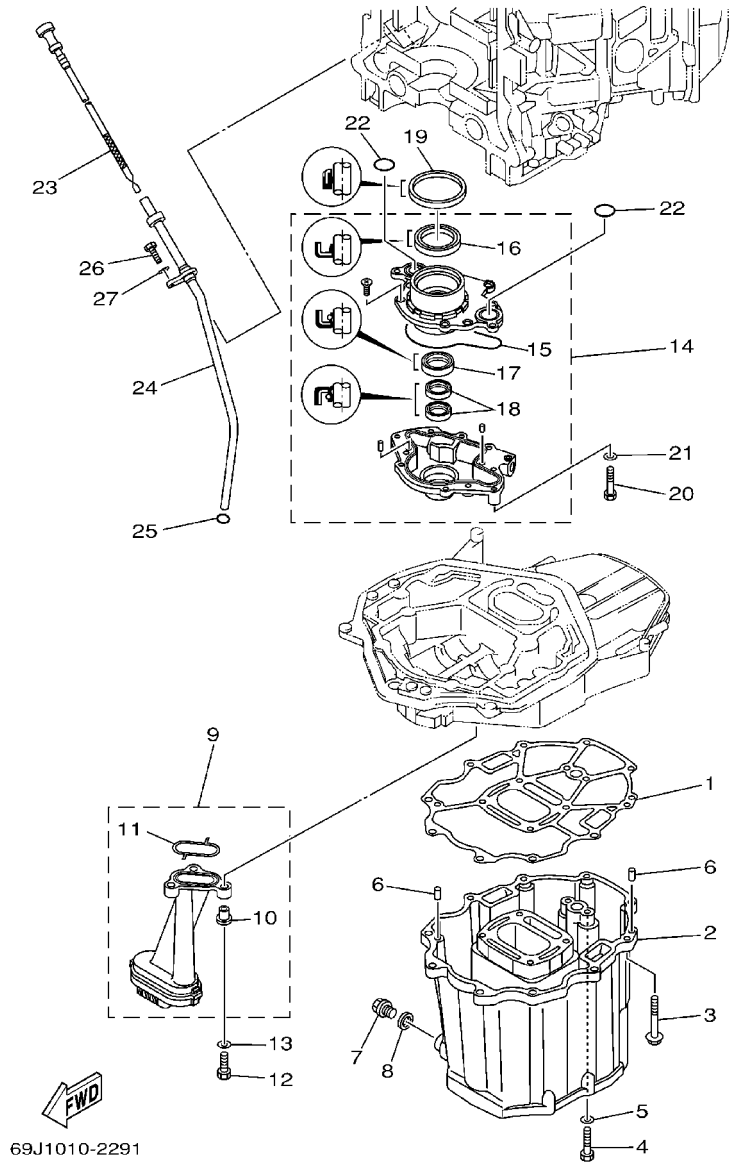


69J2100-3290

REF. NO.	PART NO.	DESCRIPTION	69J2	60L2	69K2	60M2	REMARKS
28	93606-19M23	PIN, DOWEL	2	2	2	2	
29	69J-45127-00	SEAL	1	1	1	1	
30	69J-45123-00	GASKET, MUFFLER	1	1	1	1	
31	69J-45111-01-8D	CASING, UPPER	1	1	1	1	
32	69J-42769-00	SEAL, RUBBER	1	1	1	1	
33	69J-45113-00	GASKET, UPPER CASING	1	1	1	1	
34	90119-10007	BOLT, WITH WASHER	6	6	6	6	
35	93608-16M16	PIN, DOWEL	2	2	2	2	
36	69J-15316-00	DAMPER, ENGINE MOUNT 1	1	1	1	1	
37	69J-45152-00-8D	COVER, UPPER CASING 2	1	1	1	1	
38	97095-06014	BOLT	2	2	2	2	
39	69J-45318-00	BUSHING, DRIVE SHAFT	1	1	1	1	
40	93420-36M01	CIRCLIP	1	1	1	1	
41	61A-45155-00	CAP	1	1	1	1	
42	97095-06010	BOLT	1	1	1	1	
43	92995-06600	WASHER	1	1	1	1	
44	6E5-83558-00	END, NIPPLE	1	1	1	1	
45	90465-11M10	CLAMP	2	2	2	2	
46	90445-07010	HOSE	1	1	1	1	X
	90445-07012	HOSE	1	1	1	1	U
47	61A-45378-00	NIPPLE, HOSE	1	1	1	1	
48	93606-12019	PIN, DOWEL	1	1	1	1	
49	90119-06M17	BOLT, WITH WASHER	1	1	1	1	
50	69J-14624-01	COVER, EXHAUST	1	1	1	1	
51	97880-06016	SCREW, PAN HEAD	2	2	2	2	
52	92990-06600	WASHER, PLATE	2	2	2	2	
53	69J-45211-01-8D	EXTENSION	1	1	1	1	U



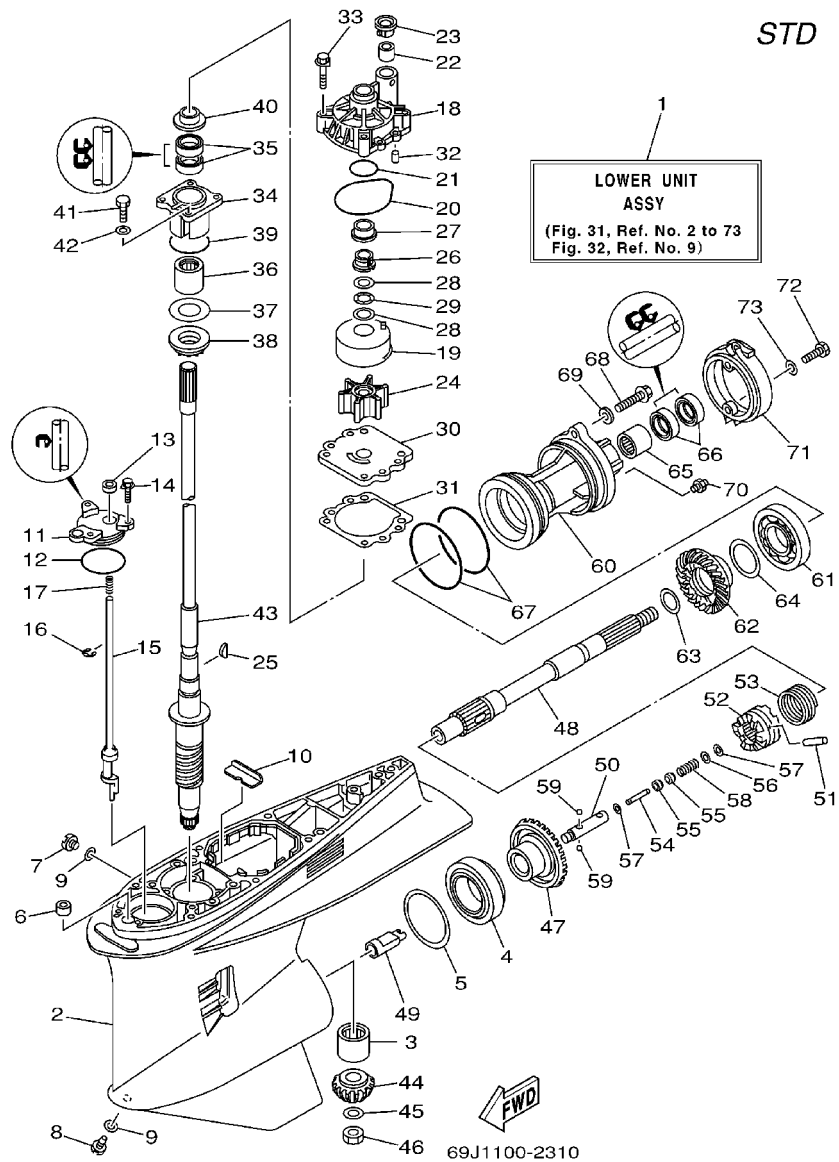
FIG. 30 OIL PAN



69J1010-2291

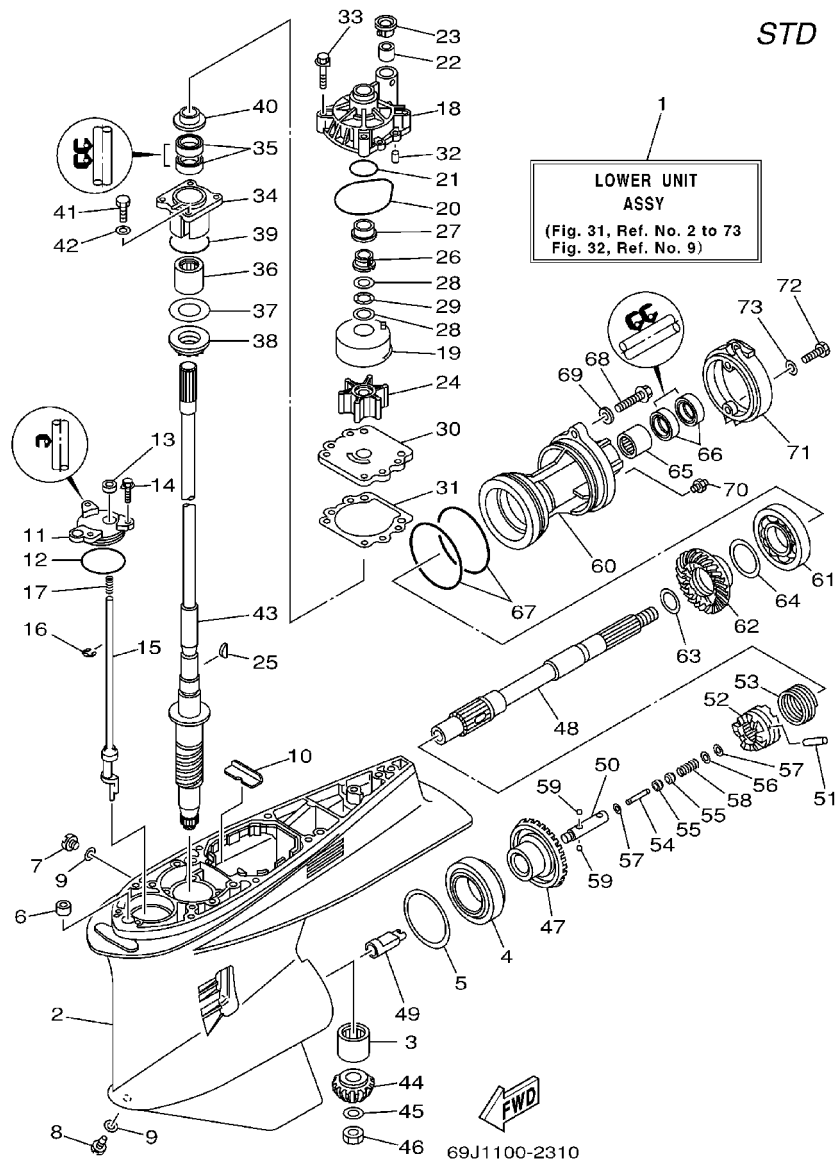
REF. NO.	PART NO.	DESCRIPTION	69J2	60L2	69K2	60M2	REMARKS
1	69J-15312-00	GASKET, OIL PAN	1	1	1	1	
2	69J-15311-00-5B	OIL PAN	1	1	1	1	
3	97575-08560	BOLT, WITH WASHER	10	10	10	10	
4	97095-08035	BOLT	2	2	2	2	
5	92995-08600	WASHER	2	2	2	2	
6	93608-16M16	PIN, DOWEL	2	2	2	2	
7	90340-14M06	PLUG, STRAIGHT SCREW	1	1	1	1	
8	90430-14M09	GASKET	1	1	1	1	
9	69J-13411-00	STRAINER, OIL	1	1	1	1	
10	90387-06M64	.COLLAR	3	3	3	3	
11	69J-13415-00	.SEAL, OIL STRAINER	1	1	1	1	
12	97027-06025	BOLT	3	3	3	3	
13	92907-06600	WASHER, PLATE	3	3	3	3	
14	69J-13300-00	OIL PUMP ASSY	1	1	1	1	
15	69J-13329-00	.GASKET, PUMP COVER	1	1	1	1	
16	69J-13338-00	.OIL SEAL	1	1	1	1	
17	69J-13119-00	.OIL SEAL	1	1	1	1	
18	69J-13631-00	.OIL SEAL	2	2	2	2	
19	69J-11355-00	SEAL, CYLINDER 1	1	1	1	1	
20	97095-06040	BOLT	4	4	4	4	
21	92995-06600	WASHER	4	4	4	4	
22	93210-25552	O-RING	2	2	2	2	
23	69J-15362-00	PLUG, OIL LEVEL	1	1	1	1	
24	69J-15377-00	GUIDE, INLET	1	1	1	1	
25	93210-19MJ3	O-RING	1	1	1	1	
26	97095-06020	BOLT	1	1	1	1	
27	92995-06600	WASHER	1	1	1	1	





**FIG. 31 LOWER CASING. DRIVE 1**

REF. NO.	PART NO.	DESCRIPTION	69J2	60L2	69K2	60M2	REMARKS
1	69J-45300-21-8D	LOWER UNIT ASSY	1	1			X
	69J-45300-31-8D	LOWER UNIT ASSY	1				U
2	61A-45301-10-8D	CASING, LOWER	1	1			
3	93311-832V2	BALL BEARING	1	1			
4	93332-000W1	BEARING	1	1			
5	61A-45567-00-10	SHIM (T:0.10MM)	1	1			UR
	61A-45567-00-12	SHIM (T:0.12MM)	1	1			UR
	61A-45567-00-15	SHIM (T:0.15MM)	1	1			UR
	61A-45567-00-18	SHIM (T:0.18MM)	1	1			UR
	61A-45567-00-30	SHIM (T:0.30MM)	1	1			UR
	61A-45567-00-40	SHIM (T:0.40MM)	1	1			UR
	61A-45567-00-50	SHIM (T:0.50MM)	1	1			UR
6	663-44366-00	DAMPER, WATER SEAL	1	1			
7	90340-08002	PLUG, STRAIGHT SCREW	1	1			
8	688-45341-10	PLUG, DRAIN	1	1			
9	90430-08020	GASKET	2	2			
10	61A-45376-00-94	GUIDE, SEAL DAMPER	1	1			
11	61A-45321-01	PLATE	1	1			
12	93210-64488	O-RING	1	1			
13	93106-09014	OIL SEAL	1	1			
14	90119-06M10	BOLT, WITH WASHER	3	3			
15	69J-44150-00	SHIFT CAM ASSY	1	1			
16	99001-08600	CIRCLIP	1	1			
17	90501-11M10	SPRING, COMPRESSION	1	1			
18	61A-44311-01	HOUSING, WATER PUMP	1	1			
19	61A-44322-02	INSERT, CARTRIDGE	1	1			
20	93210-86M38	O-RING	1	1			



**FIG. 31 LOWER CASING. DRIVE 1**

REF. NO.	PART NO.	DESCRIPTION	69J2	60L2	69K2	60M2	REMARKS
21	93210-37160	O-RING	1	1			
22	6E5-44365-00	DAMPER, WATER SEAL	1	1			
23	6E5-44312-00	COVER, WATER PUMP HOUSING	1	1			
24	6E5-44352-01	IMPELLER	1	1			
25	90280-04M05	KEY, WOODRUFF	1	1			
26	61A-45538-00	SPACER 1	1	1			
27	61A-45527-00	COLLAR, DRIVE SHAFT	1	1			
28	90201-22M01	WASHER, PLATE	2	2			
29	90206-22M19	WASHER, WAVE	1	1			
30	6G5-44323-00	OUTER PLATE, CARTRIDGE	1	1			
31	6E5-44315-A0	GASKET, WATER PUMP	1	1			
32	93606-12019	PIN, DOWEL	2	2			
33	90119-08M14	BOLT, WITH WASHER	4	4			
34	61A-45331-00-94	HOUSING, BEARING	1	1			
35	93101-28M16	OIL SEAL	2	2			
36	93317-330U2	BEARING	1	1			
37	61A-45587-00-10	SHIM (T:0.10MM)	1	1			UR
	61A-45587-00-12	SHIM (T:0.12MM)	1	1			UR
	61A-45587-00-15	SHIM (T:0.15MM)	1	1			UR
	61A-45587-00-18	SHIM (T:0.18MM)	1	1			UR
	61A-45587-00-30	SHIM (T:0.30MM)	1	1			UR
	61A-45587-00-40	SHIM (T:0.40MM)	1	1			UR
	61A-45587-00-50	SHIM (T:0.50MM)	1	1			UR
38	93341-930U9	BEARING	1	1			
39	93210-55M14	O-RING	1	1			
40	6E5-45344-00	COVER, OIL SEAL	1	1			
41	97095-08025	BOLT	4	4			

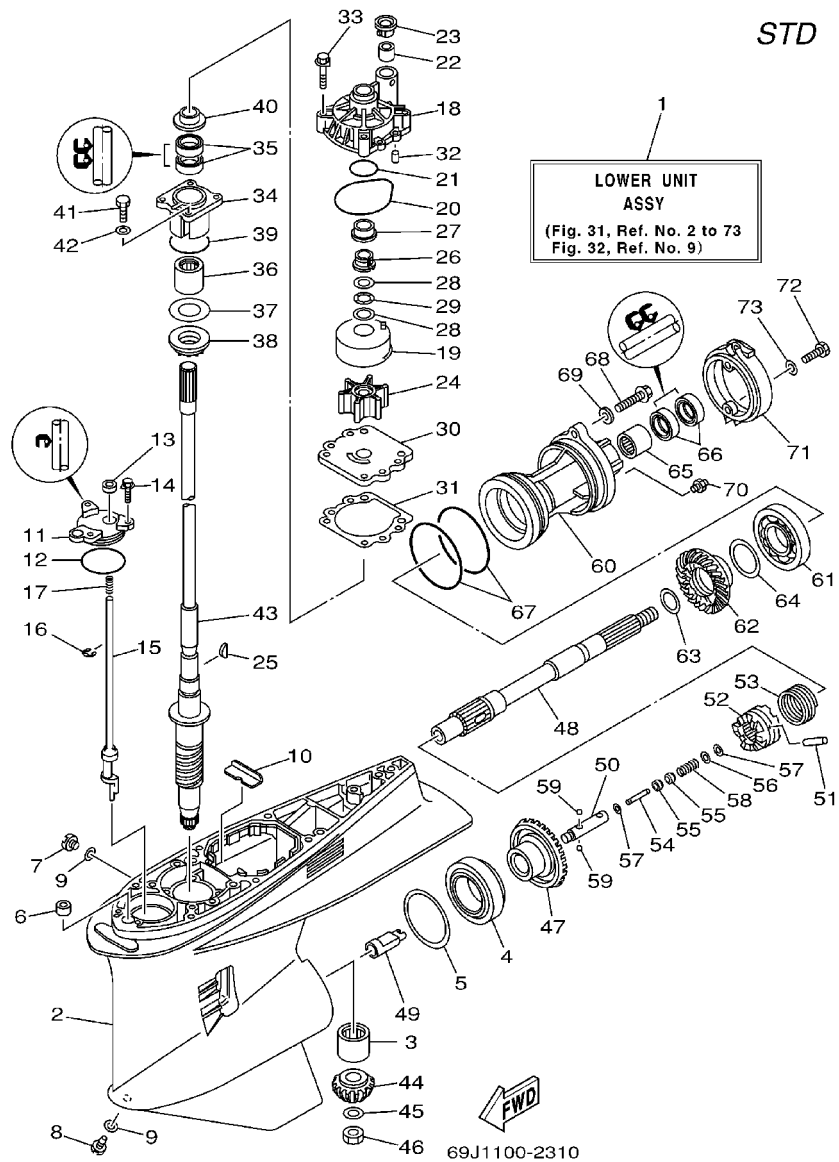
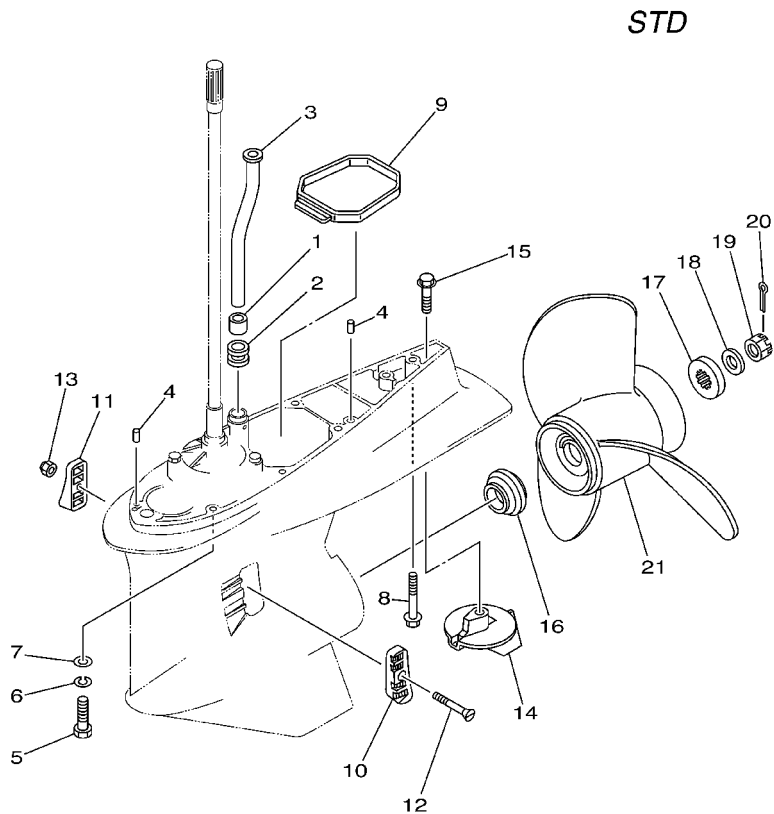


FIG. 31 LOWER CASING. DRIVE 1

REF. NO.	PART NO.	DESCRIPTION	69J2	60L2	69K2	60M2	REMARKS
42	92995-08600	WASHER	4	4			
43	69J-45501-00	DRIVE SHAFT COMP.	1	1			X
	61A-45501-30	DRIVE SHAFT COMP.	1				U
44	69J-45551-00	PINION	1	1			
45	90201-16M00	WASHER, PLATE	1	1			
46	90170-16M19	NUT	1	1			
47	69J-45560-00	GEAR	1	1			
48	69J-45611-00	SHAFT, PROPELLER	1	1			
49	69J-45641-00	SHIFTER	1	1			
50	61A-45634-01	SLIDE, SHIFT	1	1			
51	61A-45632-00	PIN, CROSS	1	1			
52	69J-45631-00	CLUTCH, DOG	1	1			
53	61A-45633-00	RING, CROSS PIN	1	1			
54	6H1-45668-00	SHAFT, FREE	1	1			
55	61A-45635-00	PLUNGER, SHIFT	2	2			
56	90201-02M00	WASHER, PLATE	1	1			
57	90183-02M03	NUT, SPRING	2	2			
58	90501-10M77	SPRING, COMPRESSION	1	1			
59	93501-04011	BALL	2	2			
60	69J-45332-00-94	HOUSING, BEARING	1	1			
61	93306-210U0	BEARING	1	1			
62	69J-45571-00	GEAR	1	1			
63	90201-31M00	WASHER, PLATE	1	1			
64	61A-45577-00-10	SHIM (T:0.10MM)	1	1			UR
	61A-45577-00-12	SHIM (T:0.12MM)	1	1			UR
	61A-45577-00-15	SHIM (T:0.15MM)	1	1			UR
	61A-45577-00-18	SHIM (T:0.18MM)	1	1			UR



FIG. 32 LOWER CASING. DRIVE 2



69J2100-3320

REF. NO.	PART NO.	DESCRIPTION	69J2	60L2	69K2	60M2	REMARKS
1	6E5-44365-00	DAMPER, WATER SEAL	1	1			
2	6E5-44366-00	DAMPER, WATER SEAL	1	1			
3	69J-44361-00	TUBE, WATER	1	1			X
	69J-44361-10	TUBE, WATER	1				U
4	93608-12M05	PIN, DOWEL	2	2			
5	97095-10045	BOLT	7	7			X
6	92995-10100	WASHER	7	7			X
7	92995-10600	WASHER	7	7			X
8	90119-10MA2	BOLT, WITH WASHER	1	1			X
	90119-10009	BOLT, WITH WASHER	1				U
9	69J-45375-00	DAMPER, SEAL	1	1			
10	61A-45214-10	COVER, WATER INLET	1	1			
11	61A-45215-10	COVER, WATER INLET	1	1			
12	90152-05003	SCREW, COUNTERSUNK	1	1			
13	90185-05002	NUT, SELF-LOCKING	1	1			
14	61A-45371-00	TAB-TRIM	1	1			
15	90105-10M00	BOLT, FLANGE	1	1			
16	69J-45987-00	SPACER	1	1			
17	688-45997-01	SPACER	1	1			
18	92990-18200	WASHER	1	1			
19	90171-18M04	NUT, CASTLE	1	1			
20	91490-40030	PIN, COTTER	1	1			
21	6G5-45970-02-98	PROPELLER (3X15-1/4"X15"-M)	1	1			UR
	6G5-45972-02-98	PROPELLER (3X13-3/4"X21"-M)	1	1			UR
	6G5-45974-03-98	PROPELLER (3X13-3/4"X19"-M2)	1	1			UR
	6G5-45978-03-98	PROPELLER (3X13-3/4"X17"-M2)	1	1			UR
	61A-45972-00-98	PROPELLER (3X14-1/2"X21"-T)	1	1			UR

D1



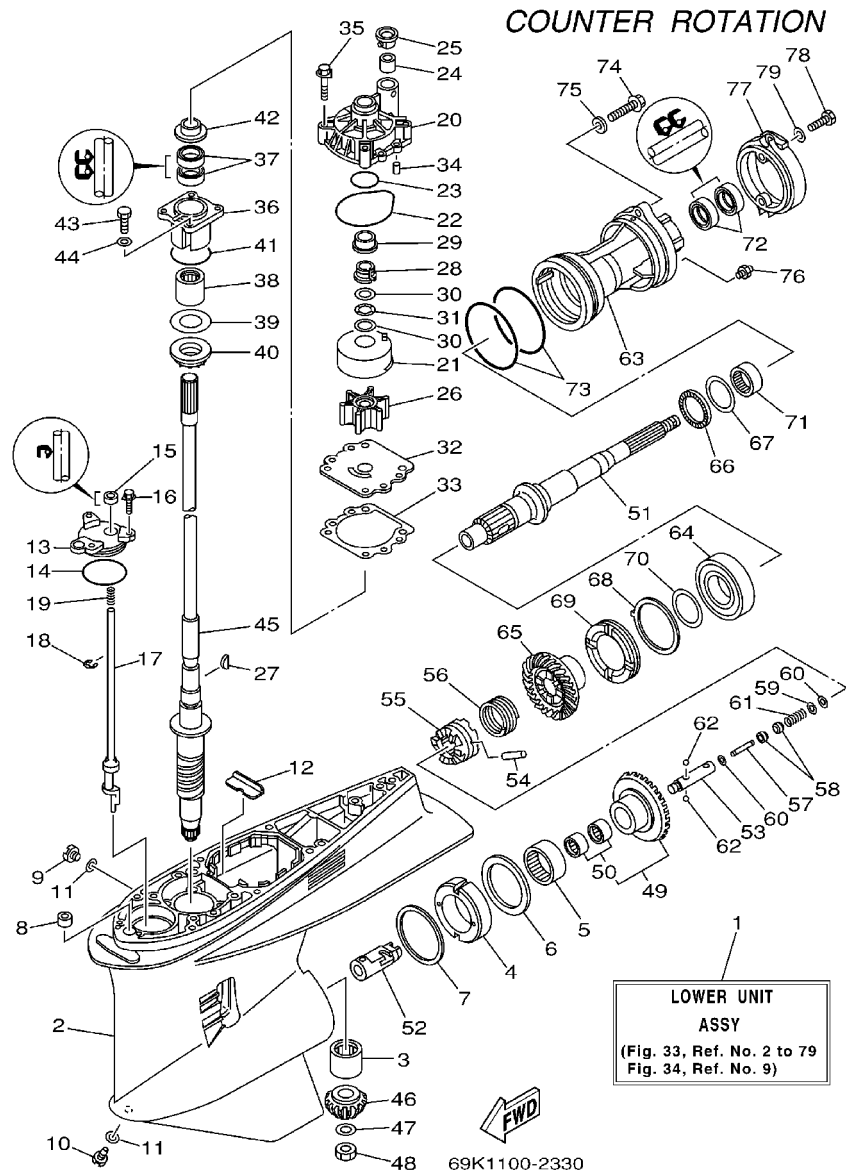
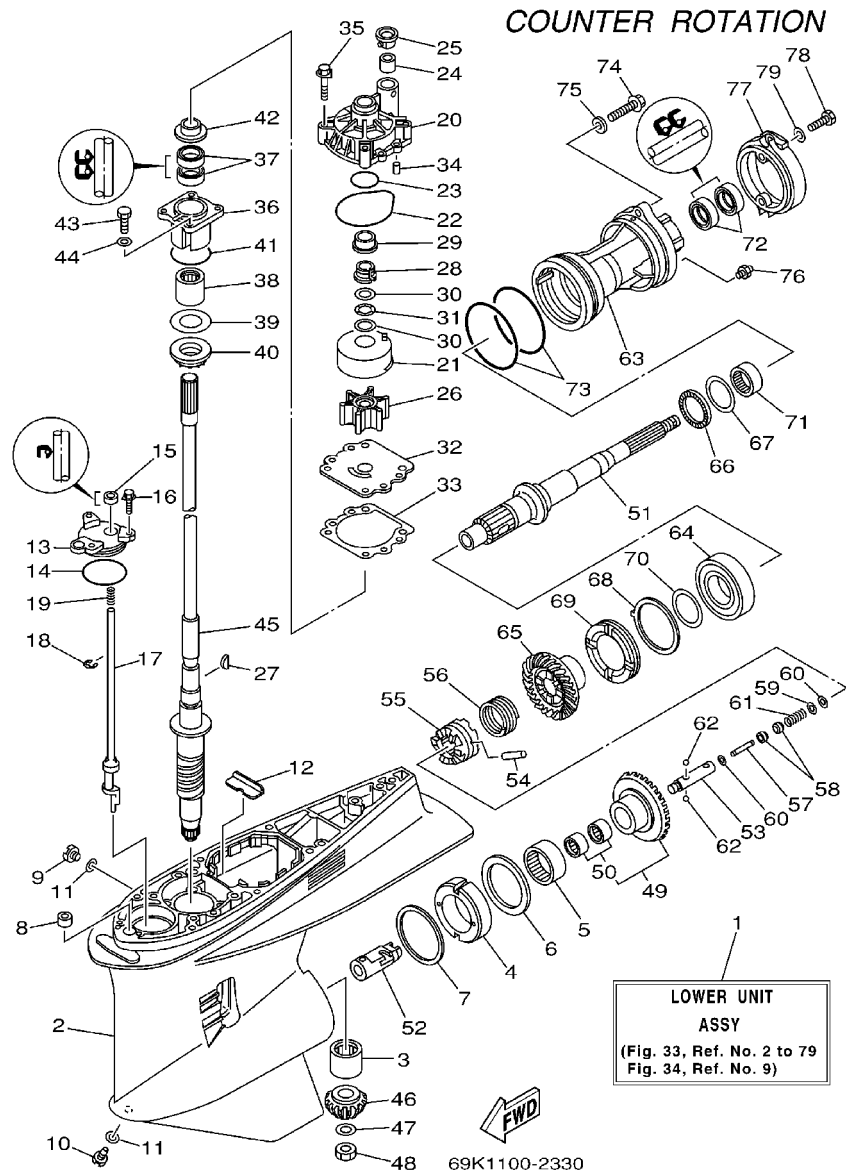


FIG. 33 LOWER CASING. DRIVE 3

REF. NO.	PART NO.	DESCRIPTION	69J2	60L2	69K2	60M2	REMARKS
1	69K-45300-21-8D	LOWER UNIT ASSY			1	1	X
	69K-45300-31-8D	LOWER UNIT ASSY			1		U
2	61A-45301-10-8D	CASING, LOWER			1	1	
3	93311-832V2	BALL BEARING			1	1	
4	61B-45538-01	SPACER 1			1	1	
5	93315-660W3	BEARING			1	1	
6	93341-670V0	BEARING			1	1	
7	61A-45567-00-10	SHIM (T:0.10MM)			1	1	UR
	61A-45567-00-12	SHIM (T:0.12MM)			1	1	UR
	61A-45567-00-15	SHIM (T:0.15MM)			1	1	UR
	61A-45567-00-18	SHIM (T:0.18MM)			1	1	UR
	61A-45567-00-30	SHIM (T:0.30MM)			1	1	UR
	61A-45567-00-40	SHIM (T:0.40MM)			1	1	UR
	61A-45567-00-50	SHIM (T:0.50MM)			1	1	UR
8	663-44366-00	DAMPER, WATER SEAL			1	1	
9	90340-08002	PLUG, STRAIGHT SCREW			1	1	
10	688-45341-10	PLUG, DRAIN			1	1	
11	90430-08020	GASKET			2	2	
12	61A-45376-00-94	GUIDE, SEAL DAMPER			1	1	
13	61A-45321-01	PLATE			1	1	
14	93210-64488	O-RING			1	1	
15	93106-09014	OIL SEAL			1	1	
16	90119-06M10	BOLT, WITH WASHER			3	3	
17	69K-44150-00	SHIFT CAM ASSY			1	1	
18	99001-08600	CIRCLIP			1	1	
19	90501-11M10	SPRING, COMPRESSION			1	1	
20	61A-44311-01	HOUSING, WATER PUMP			1	1	



**FIG. 33 LOWER CASING. DRIVE 3**

REF. NO.	PART NO.	DESCRIPTION	69J2	60L2	69K2	60M2	REMARKS
21	61A-44322-02	INSERT, CARTRIDGE			1	1	
22	93210-86M38	O-RING			1	1	
23	93210-37160	O-RING			1	1	
24	6E5-44365-00	DAMPER, WATER SEAL			1	1	
25	6E5-44312-00	COVER, WATER PUMP HOUSING			1	1	
26	6E5-44352-01	IMPELLER			1	1	
27	90280-04M05	KEY, WOODRUFF			1	1	
28	61A-45538-00	SPACER 1			1	1	
29	61A-45527-00	COLLAR, DRIVE SHAFT			1	1	
30	90201-22M01	WASHER, PLATE			2	2	
31	90206-22M19	WASHER, WAVE			1	1	
32	6G5-44323-00	OUTER PLATE, CARTRIDGE			1	1	
33	6E5-44315-A0	GASKET, WATER PUMP			1	1	
34	93606-12019	PIN, DOWEL			2	2	
35	90119-08M14	BOLT, WITH WASHER			4	4	
36	61A-45331-00-94	HOUSING, BEARING			1	1	
37	93101-28M16	OIL SEAL			2	2	
38	93317-330U2	BEARING			1	1	
39	61A-45587-00-10	SHIM (T:0.10MM)			1	1	UR
	61A-45587-00-12	SHIM (T:0.12MM)			1	1	UR
	61A-45587-00-15	SHIM (T:0.15MM)			1	1	UR
	61A-45587-00-18	SHIM (T:0.18MM)			1	1	UR
	61A-45587-00-30	SHIM (T:0.30MM)			1	1	UR
	61A-45587-00-40	SHIM (T:0.40MM)			1	1	UR
	61A-45587-00-50	SHIM (T:0.50MM)			1	1	UR
40	93341-930U9	BEARING			1	1	
41	93210-55M14	O-RING			1	1	



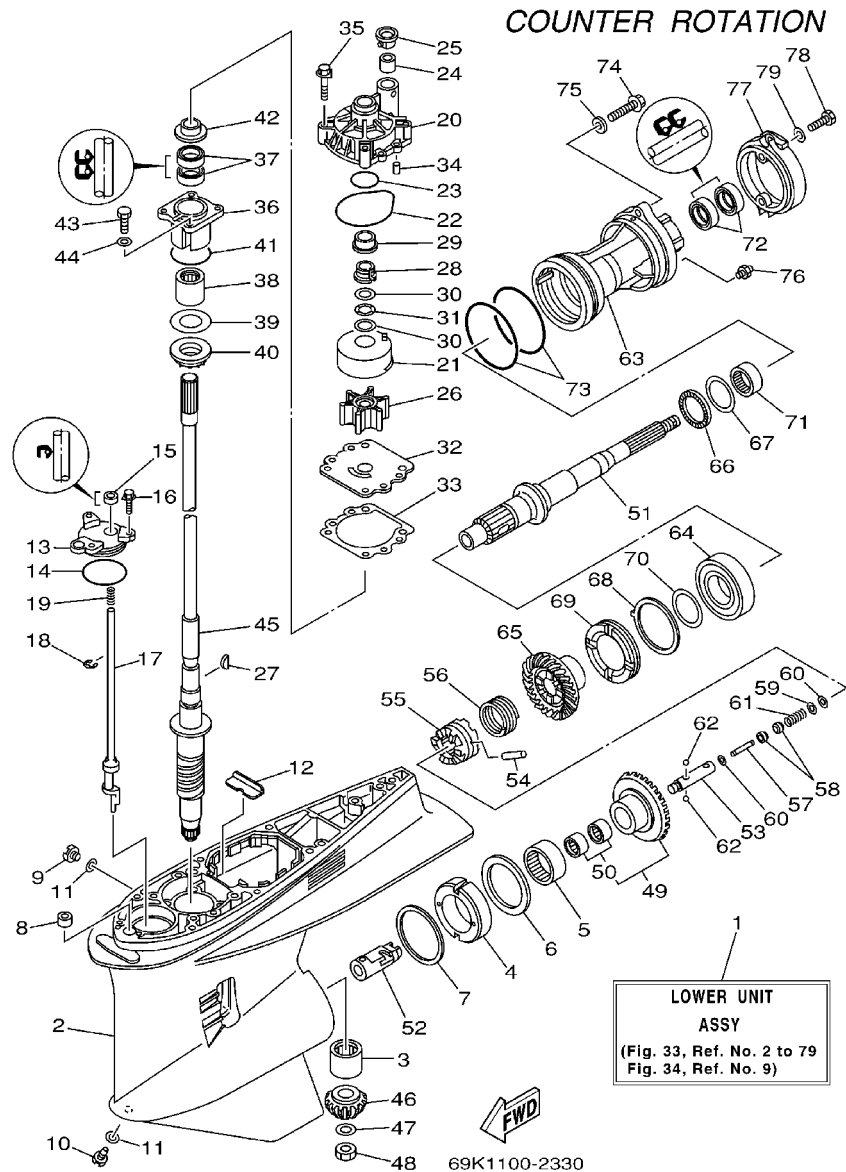
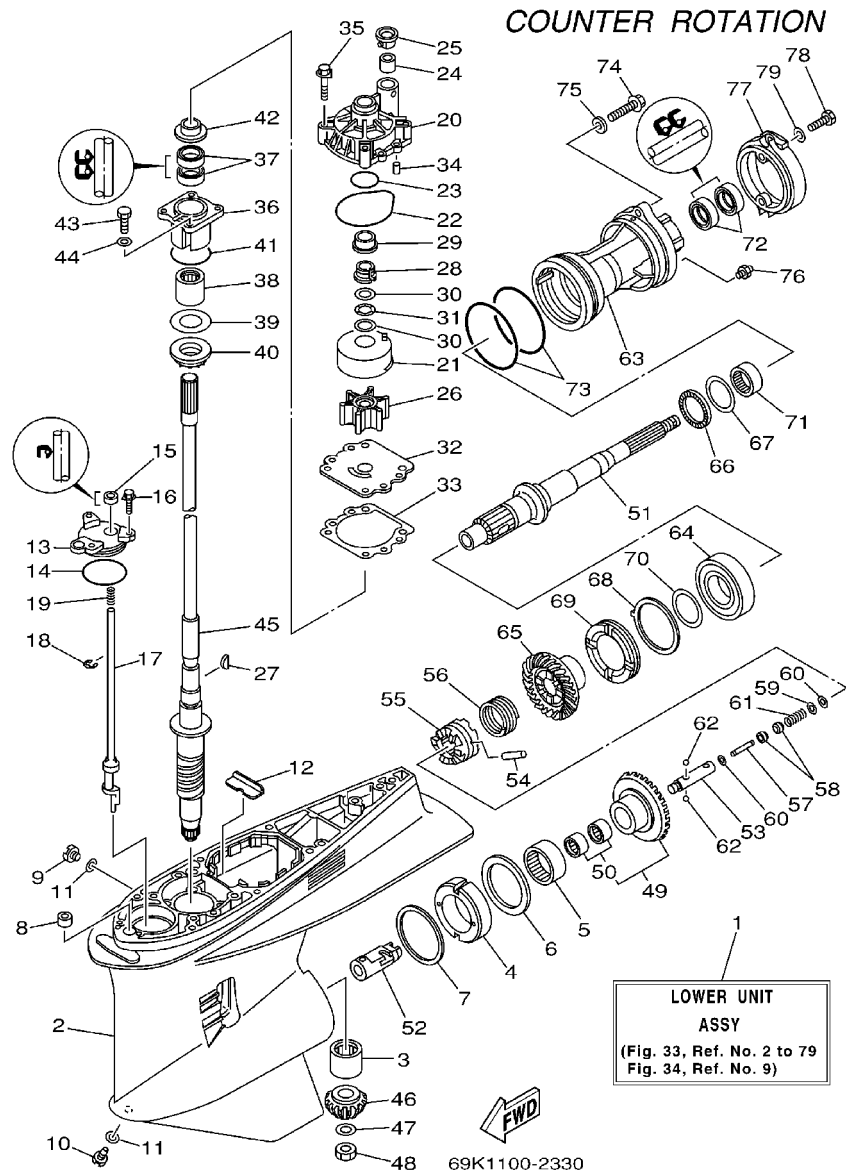


FIG. 33 LOWER CASING. DRIVE 3

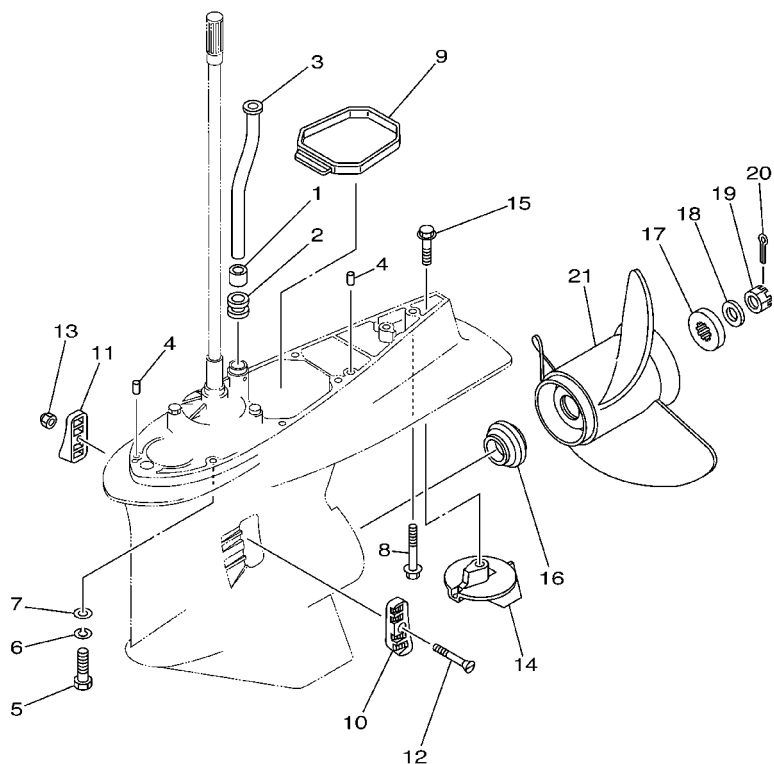
REF. NO.	PART NO.	DESCRIPTION	69J2	60L2	69K2	60M2	REMARKS
42	6E5-45344-00	COVER, OIL SEAL			1	1	
43	97095-08025	BOLT			4	4	
44	92995-08600	WASHER			4	4	
45	69J-45501-00	DRIVE SHAFT COMP.			1	1	X
	61A-45501-30	DRIVE SHAFT COMP.			1		U
46	69J-45551-00	PINION			1	1	
47	90201-16M00	WASHER, PLATE			1	1	
48	90170-16M19	NUT			1	1	
49	69K-45560-00	GEAR			1	1	
50	93317-428U7	BEARING			2	2	
51	69K-45611-00	SHAFT, PROPELLER			1	1	
52	69K-45641-00	SHIFTER			1	1	
53	61A-45634-01	SLIDE, SHIFT			1	1	
54	61A-45632-00	PIN, CROSS			1	1	
55	69J-45631-00	CLUTCH, DOG			1	1	
56	61A-45633-00	RING, CROSS PIN			1	1	
57	6H1-45668-00	SHAFT, FREE			1	1	
58	61A-45635-00	PLUNGER, SHIFT			2	2	
59	90201-02M00	WASHER, PLATE			1	1	
60	90183-02M03	NUT, SPRING			2	2	
61	90501-10M77	SPRING, COMPRESSION			1	1	
62	93501-04011	BALL			2	2	
63	69K-45332-00-94	HOUSING, BEARING			1	1	
64	93332-00048	BEARING			1	1	
65	69K-45571-00	GEAR			1	1	
66	93341-440U5	BEARING			1	1	
67	6K1-45578-01-10	SHIM (T:0.10MM)			1	1	UR



**FIG. 33 LOWER CASING. DRIVE 3**

REF. NO.	PART NO.	DESCRIPTION	69J2	60L2	69K2	60M2	REMARKS
67	6K1-45578-01-12	SHIM (T:0.12MM)			1	1	UR
	6K1-45578-01-15	SHIM (T:0.15MM)			1	1	UR
	6K1-45578-01-18	SHIM (T:0.18MM)			1	1	UR
	6K1-45578-01-30	SHIM (T:0.30MM)			1	1	UR
	6K1-45578-01-40	SHIM (T:0.40MM)			1	1	UR
	6K1-45578-01-50	SHIM (T:0.50MM)			1	1	UR
68	61B-45383-00	WASHER, CLAW			1	1	
69	69K-45384-00	NUT			1	1	
70	69K-45577-00	SHIM (T:0.10MM)			1	1	UR
	69K-45577-10	SHIM (T:0.12MM)			1	1	UR
	69K-45577-20	SHIM (T:0.15MM)			1	1	UR
	69K-45577-30	SHIM (T:0.18MM)			1	1	UR
	69K-45577-40	SHIM (T:0.30MM)			1	1	UR
	69K-45577-50	SHIM (T:0.40MM)			1	1	UR
	69K-45577-60	SHIM (T:0.50MM)			1	1	UR
71	93315-43061	BEARING			1	1	
72	93101-30M17	OIL SEAL			2	2	
73	93211-04384	O-RING			2	2	
74	90105-08036	BOLT, FLANGE			2	2	
75	90201-08023	WASHER, PLATE			2	2	
76	93700-09M00	NIPPLE, GREASE			1	1	
77	69J-45361-00-8D	CAP, LOWER CASING			1	1	
78	97095-08020	BOLT			2	2	
79	92995-08600	WASHER			2	2	

COUNTER ROTATION



69K2100-3340

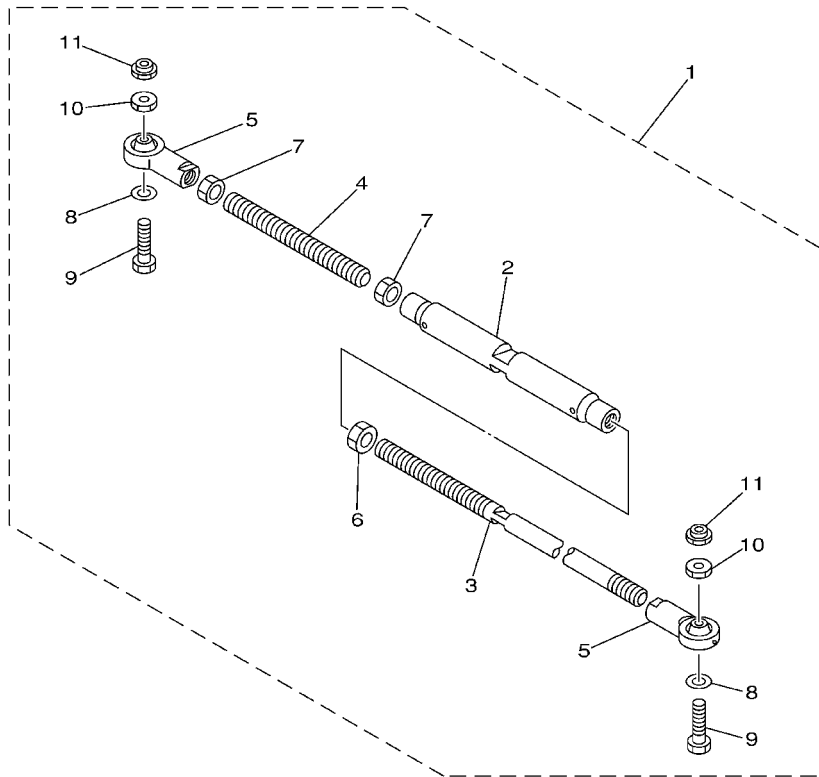
FIG. 34 LOWER CASING. DRIVE 4

REF. NO.	PART NO.	DESCRIPTION	69J2	60L2	69K2	60M2	REMARKS
1	6E5-44365-00	DAMPER, WATER SEAL			1	1	
2	6E5-44366-00	DAMPER, WATER SEAL			1	1	
3	69J-44361-00	TUBE, WATER			1	1	X
	69J-44361-10	TUBE, WATER			1		U
4	93608-12M05	PIN, DOWEL			2	2	
5	97095-10045	BOLT			7	7	X
6	92995-10100	WASHER			7	7	X
7	92995-10600	WASHER			7	7	X
8	90119-10MA2	BOLT, WITH WASHER			1	1	X
	90119-10009	BOLT, WITH WASHER			1		U
9	69J-45375-00	DAMPER, SEAL			1	1	
10	61A-45214-10	COVER, WATER INLET			1	1	
11	61A-45215-10	COVER, WATER INLET			1	1	
12	90152-05003	SCREW, COUNTERSUNK			1	1	
13	90185-05002	NUT, SELF-LOCKING			1	1	
14	61A-45371-00	TAB-TRIM			1	1	
15	90105-10M00	BOLT, FLANGE			1	1	
16	69J-45987-00	SPACER			1	1	
17	688-45997-01	SPACER			1	1	
18	92990-18200	WASHER			1	1	
19	90171-18M04	NUT, CASTLE			1	1	
20	91490-40030	PIN, COTTER			1	1	
21	6K1-45970-01-98	PROPELLER (3X15-1/4"X15"-ML)			1	1	UR
	6K1-45972-01-98	PROPELLER (3X13-3/4"X21"-ML)			1	1	UR
	6K1-45974-02-98	PROPELLER (3X13-3/4"X19"-ML1)			1	1	UR
	6K1-45978-02-98	PROPELLER (3X13-3/4"X17"-ML1)			1	1	UR
	61B-45972-00-98	PROPELLER (3X14-1/2"X21"-TL)			1	1	UR





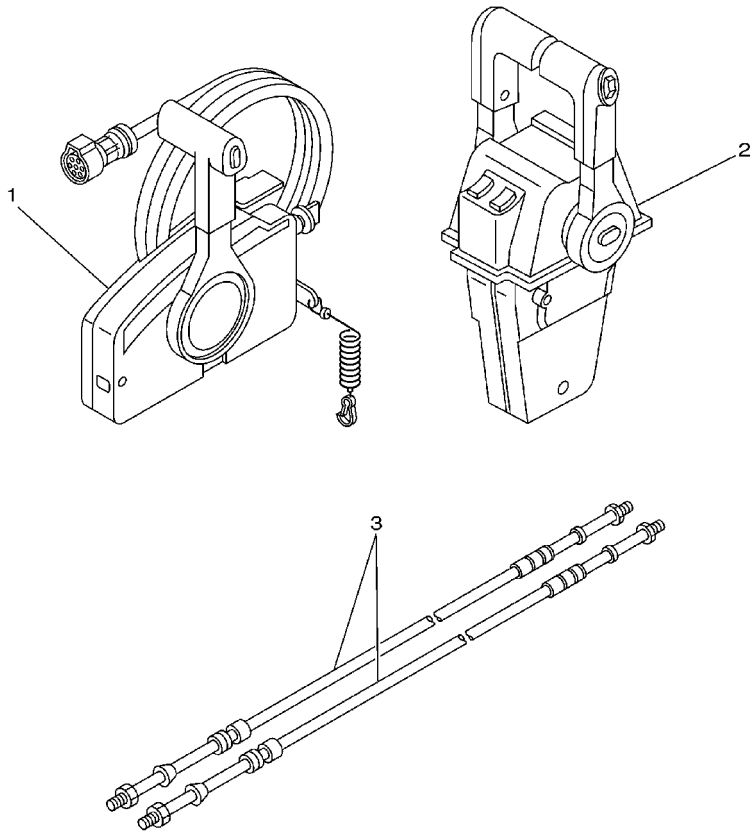
FIG. 36 STEERING GUIDE ATTACHMENT 2



67H0100-0300

REF. NO.	PART NO.	DESCRIPTION	69J2	60L2	69K2	60M2	REMARKS
1	6E5-61301-01	TWIN KIT (L:600-800MM)			1	1	AP
2	6E5-61313-00	.ADJUSTER			1	1	
3	6E5-61311-11	.TIE BAR			1	1	
4	6E5-61315-00	.TIE BAR			1	1	
5	6E5-61303-00	.STEERING EYE COMP.			2	2	
6	90170-14M06	.NUT			1	1	
7	95380-14700	.NUT			2	2	
8	90201-10M76	.WASHER, PLATE			2	2	
9	90101-09M70	.BOLT			2	2	
10	90170-09M05	.NUT			2	2	
11	90185-09M01	.NUT, SELF-LOCKING			2	2	

**FIG. 37 REMOTE CONTROL BOX**

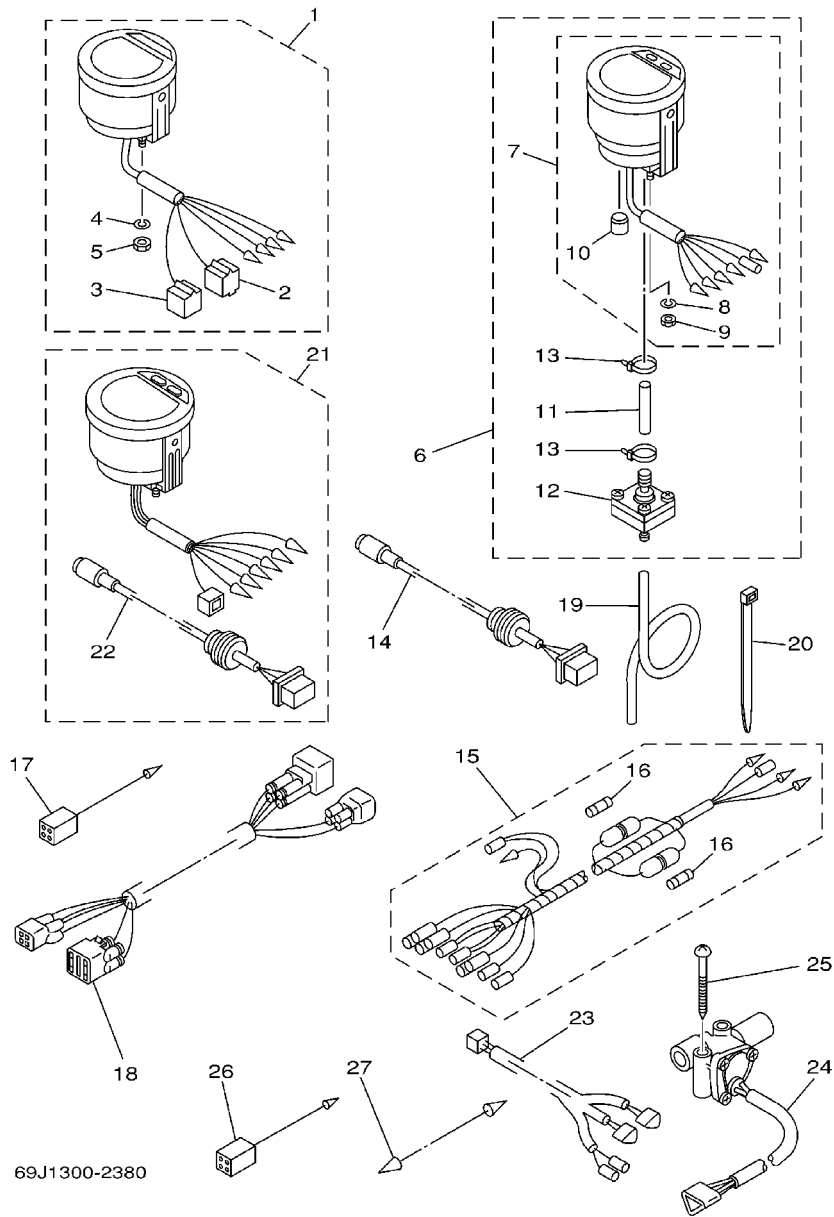


REF. NO.	PART NO.	DESCRIPTION	69J2	60L2	69K2	60M2	REMARKS
1	703-48205-17	REMOTE CONTROL ASSY	1	1			AP WITH PT/T SW.
2	704-48207-23	REMOTE CONTROL ASSY			1	1	AP WITH PT/T SW.
	704-48205-14	REMOTE CONTROL ASSY	1	1			AP FOR CARIB WITH PT/T SW.
3	701-48320-50	CABLE, REMOTE CONTROL L=15F	2	2	2	2	UR
	701-48320-60	CABLE, REMOTE CONTROL L=16F	2	2	2	2	UR
	701-48320-80	CABLE, REMOTE CONTROL L=17F	2	2	2	2	UR
	701-48320-40	CABLE, REMOTE CONTROL L=19F	2	2	2	2	UR
	701-48350-20	CABLE, REMOTE CONTROL L=23F	2	2	2	2	UR



67H0100-9310

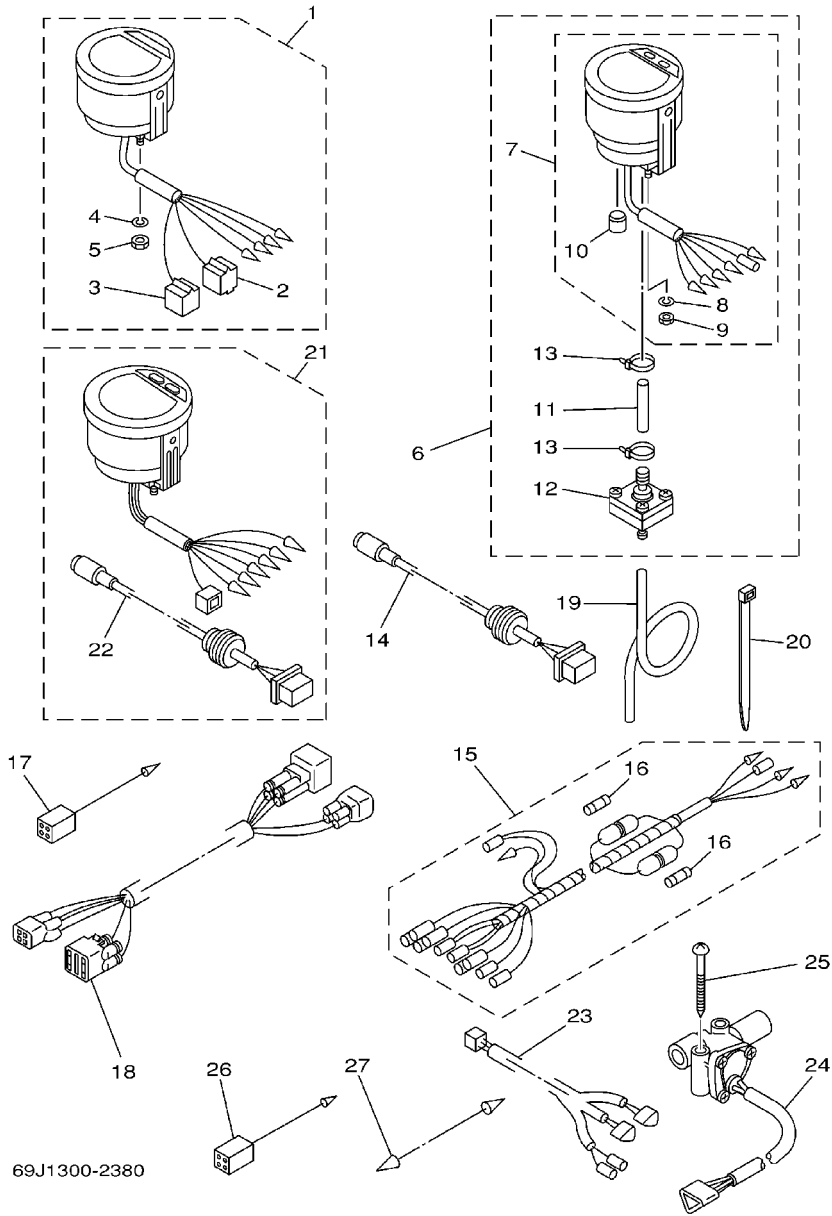
FIG. 38 METER



69J1300-2380

REF. NO.	PART NO.	DESCRIPTION	69J2	60L2	69K2	60M2	REMARKS
1	6Y5-8350T-80	DIGITAL TACHOMETER ASSY	1	1	1	1	AP FOR USA,CANADA
	6Y5-8350T-01	DIGITAL TACHOMETER ASSY	1	1	1	1	AP FOR OCEANIA, CARIB M-4-W
2	9E450-04433	.CONNECTOR	1	1	1	1	F-4-W
3	9E450-04533	.CONNECTOR	1	1	1	1	
4	92990-04100	.WASHER, SPRING	2	2	2	2	
5	95380-04600	.NUT	2	2	2	2	
6	6Y5-83500-S5	DIGITAL SPEEDOMETER ASSY	1	1			AP
7	6Y5-83570-S5	.SPEEDOMETER ASSY	1	1			
8	92990-04100	..WASHER, SPRING	2	2			
9	95380-04600	..NUT	2	2			
10	6Y5-83533-T2	..GROMMET	1	1			
11	6Y5-83557-31	.TUBE	1	1			
12	6Y5-83728-00	.CONNECTOR ASSY	1	1			
13	90465-11M10	.CLAMP	2	2			
14	6Y5-87122-S0	CORD ASSY 1	1	1			AP
15	6Y5-83553-M0	WIRE, LEAD	1	1			AP
	6Y5-83553-00	WIRE, LEAD			1	1	AP
16	1E6-82151-00	.FUSE (10A)	2	2			FOR 6Y5-83553-M0
	1E6-82151-00	.FUSE (10A)			1	1	FOR 6Y5-83553-00
17	6Y5-82117-00	WIRE, LEAD (BLACK)	1	1			AP
18	68F-82553-80	EXTENSION, WIRE LEAD	1	1			AP
	68F-82553-90	EXTENSION, WIRE LEAD			1	1	AP
19	6Y5-83557-10	TUBE (8M)	1	1			AP
20	90465-11M10	CLAMP	2	2			AP
21	6Y5-8350F-00	FUEL MANAGEMENT METER			1	1	AP
22	6Y5-87122-S0	.CORD ASSY 1			1	1	
23	6Y5-83553-F1	WIRE, LEAD			1	1	AP



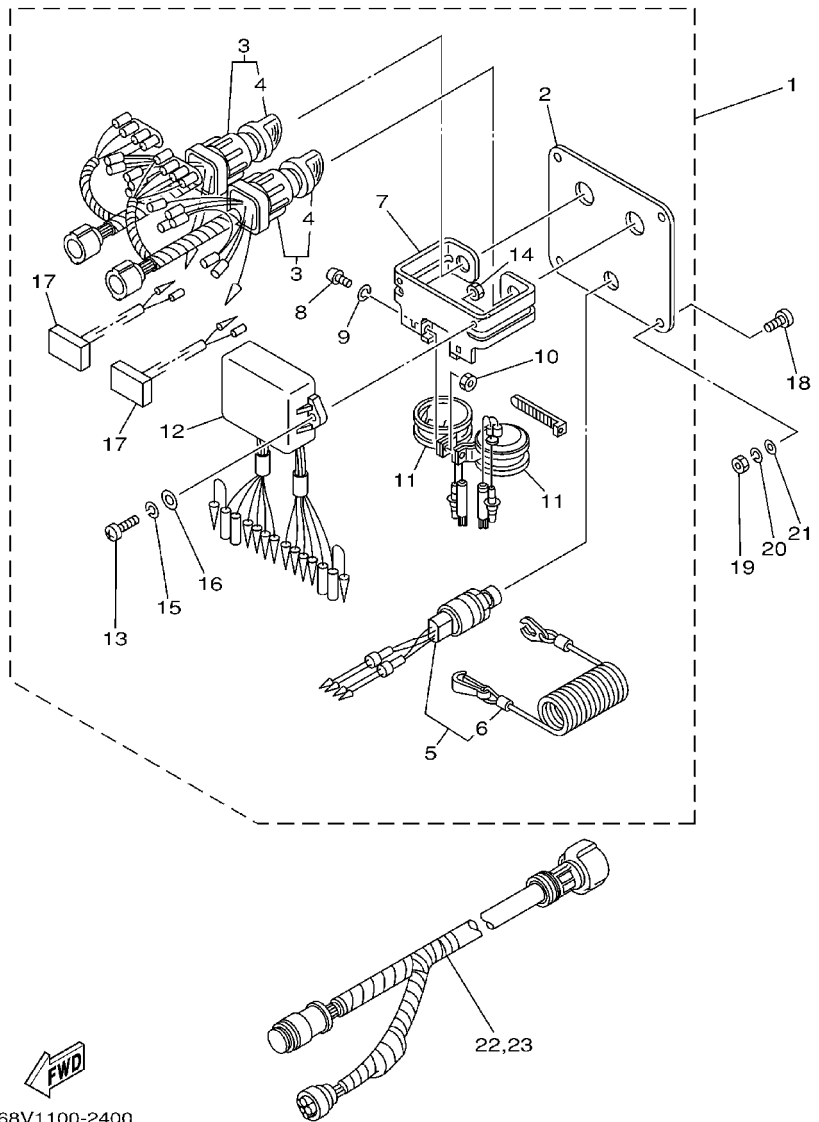


69J1300-2380

FIG. 38 METER

REF. NO.	PART NO.	DESCRIPTION	69J2	60L2	69K2	60M2	REMARKS
24	6Y5-85752-01	SENDER UNIT ASSY, FUEL METER			2	2	AP
25	90158-06002	SCREW, WOOD			4	4	AP
26	6Y5-82117-00	WIRE, LEAD (BLACK)			1	1	AP
27	703-82531-00	WIRE, LEAD			1	1	AP

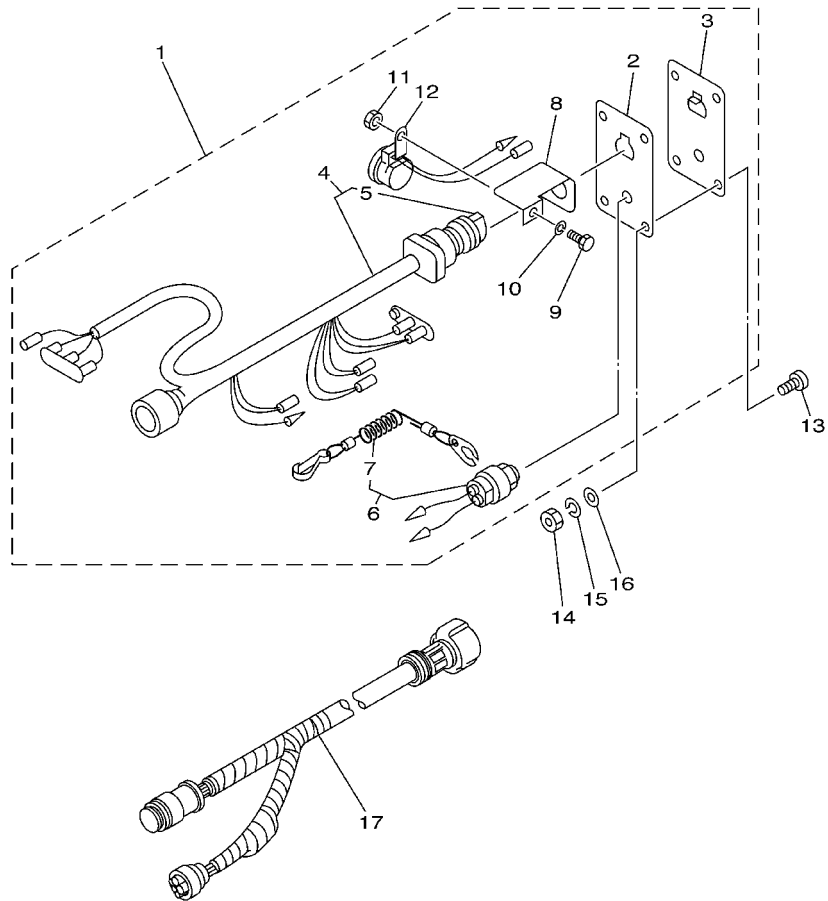
FIG. 39 SWITCH. PANEL 1



68V1100-2400

REF. NO.	PART NO.	DESCRIPTION	69J2	60L2	69K2	60M2	REMARKS
1	6K1-82570-07	PANEL SWITCH ASSY			1	1	AP
2	6K1-82571-01	.PANEL, SWITCH			1	1	
3	6K1-82510-06	.MAIN SWITCH ASSY			2	2	
4	703-82577-00	..CAP, KEY			1	1	
5	6K1-82575-00	.ENGINE STOP SWITCH ASSY			1	1	
6	682-82556-00	..STOPPER			1	1	
7	6K1-83614-01	.BRACKET			1	1	
8	98980-05010	.SCREW, BIND			2	2	
9	92990-05100	.WASHER, SPRING			2	2	
10	95380-05600	.NUT			2	2	
11	688-83383-11	.BUZZER			2	2	
12	6K1-85830-01	.CONTROL UNIT ASSY			1	1	
13	98980-06020	.SCREW, BIND			2	2	
14	95380-06600	.NUT, HEXAGON			2	2	
15	92990-06100	.WASHER, SPRING			2	2	
16	92990-06600	.WASHER, PLATE			2	2	
17	6K1-81980-00	.DIODE ASSY			2	2	
18	90149-05M05	SCREW			4	4	AP
19	95380-05600	NUT			4	4	AP
20	92990-05100	WASHER, SPRING			4	4	AP
21	92990-05600	WASHER, PLATE			4	4	AP
22	6K1-8258A-40	EXTENSION, WIRE HARNESS			1	1	AP
23	61B-8258A-01	EXTENSION, WIRE HARNESS			1	1	AP

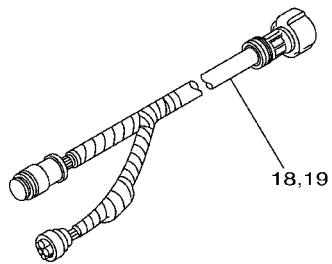
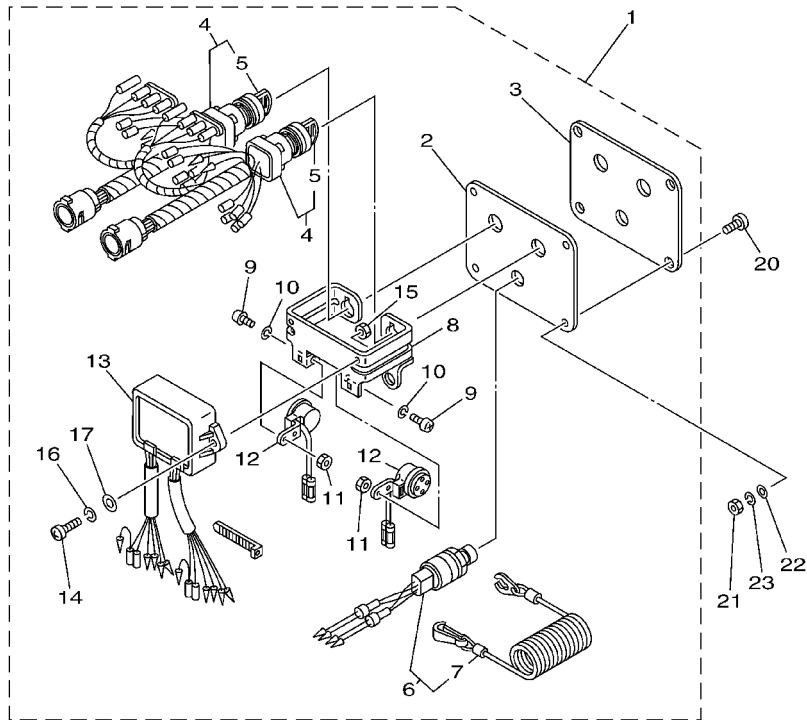
FIG. 40 SWITCH. PANEL 2



69J2100-3400

REF. NO.	PART NO.	DESCRIPTION	69J2	60L2	69K2	60M2	REMARKS
1	6R5-82570-04	PANEL SWITCH ASSY	1	1			AP FOR CARIB
2	6R5-82588-01	.PLATE	1	1			
3	6R5-82571-01	.PANEL, SWITCH	1	1			
4	6R5-82510-02	.MAIN SWITCH ASSY	1	1			
5	676-82577-00	..CAP, KEY	1	1			
6	688-82575-01	.ENGINE STOP SWITCH ASSY	1	1			
7	682-82556-00	..STOPPER	1	1			
8	64D-82581-00	.STAY, CORD CLAMP	1	1			
9	97303-05012	.BOLT	1	1			
10	92903-05100	.WASHER, SPRING	1	1			
11	95303-05700	.NUT	1	1			
12	6R5-83383-00	.BUZZER	1	1			
13	90149-05M05	SCREW	4	4			AP FOR CARIB
14	95303-05600	NUT	4	4			AP FOR CARIB
15	92903-05100	WASHER, SPRING	4	4			AP FOR CARIB
16	92903-05600	WASHER, PLATE	4	4			AP FOR CARIB
17	6K1-8258A-40	EXTENSION, WIRE HARNESS	1	1			AP FOR CARIB

FIG. 41 SWITCH. PANEL 3

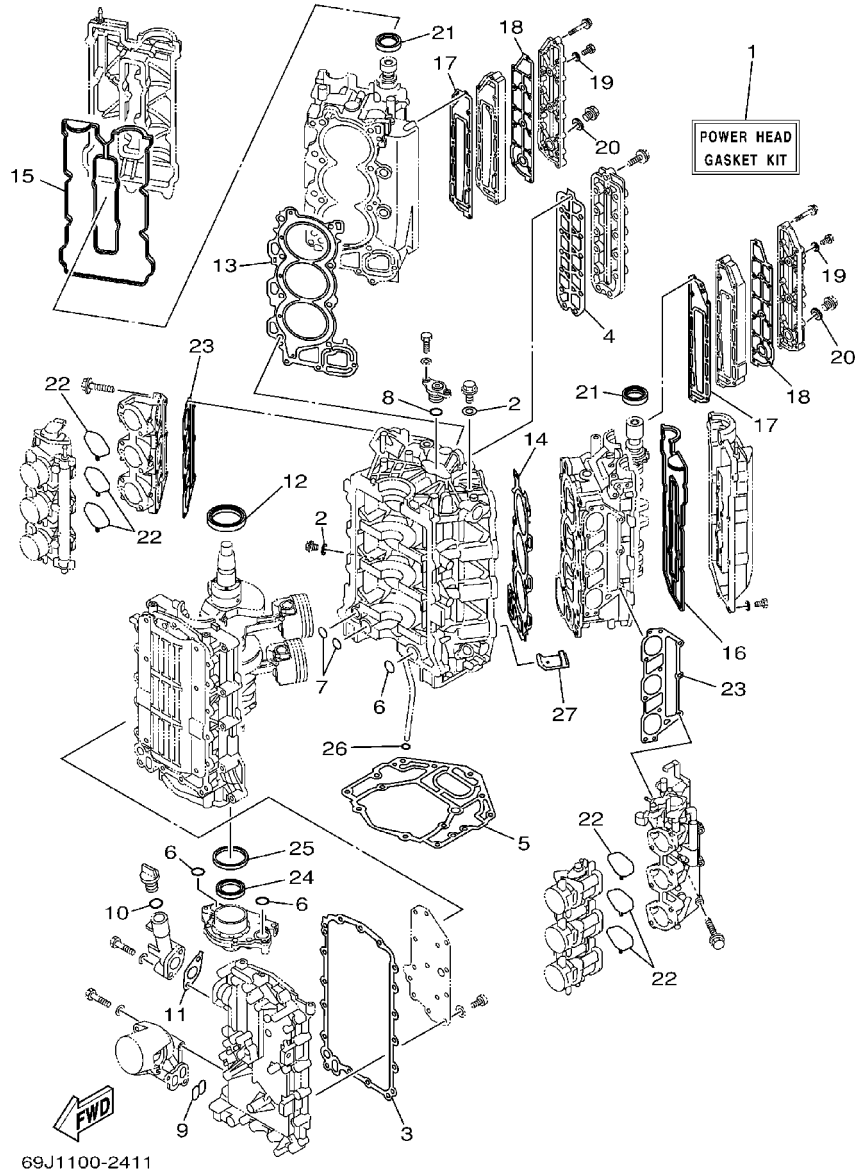


REF. NO.	PART NO.	DESCRIPTION	69J2	60L2	69K2	60M2	REMARKS
1	61B-82570-02	PANEL SWITCH ASSY			1	1	AP FOR CARIB
2	61B-82588-01	.PLATE			1	1	
3	61B-82551-01	.STOP SWITCH ASSY			1	1	
4	61B-82510-01	.MAIN SWITCH ASSY			2	2	
5	676-82577-00	..CAP, KEY			1	1	
6	6K1-82575-00	.ENGINE STOP SWITCH ASSY			1	1	
7	682-82556-00	..STOPPER			1	1	
8	6K1-83614-01	.BRACKET			1	1	
9	98980-05010	.SCREW, BIND			2	2	
10	92990-05100	.WASHER, SPRING			2	2	
11	95380-05600	.NUT			2	2	
12	6R5-83383-00	.BUZZER			2	2	
13	61B-85830-00	.CONTROL UNIT ASSY			1	1	
14	98980-06020	.SCREW, BIND			2	2	
15	95380-06600	.NUT, HEXAGON			2	2	
16	92990-06100	.WASHER, SPRING			2	2	
17	92990-06600	.WASHER, PLATE			2	2	
18	6K1-8258A-40	EXTENSION, WIRE HARNESS			1	1	AP FOR CARIB
19	61B-8258A-01	EXTENSION, WIRE HARNESS			1	1	AP FOR CARIB
20	90149-05M05	SCREW			4	4	AP FOR CARIB
21	95380-05600	NUT			4	4	AP FOR CARIB
22	92990-05600	WASHER, PLATE			4	4	AP FOR CARIB
23	92990-05100	WASHER, SPRING			4	4	AP FOR CARIB



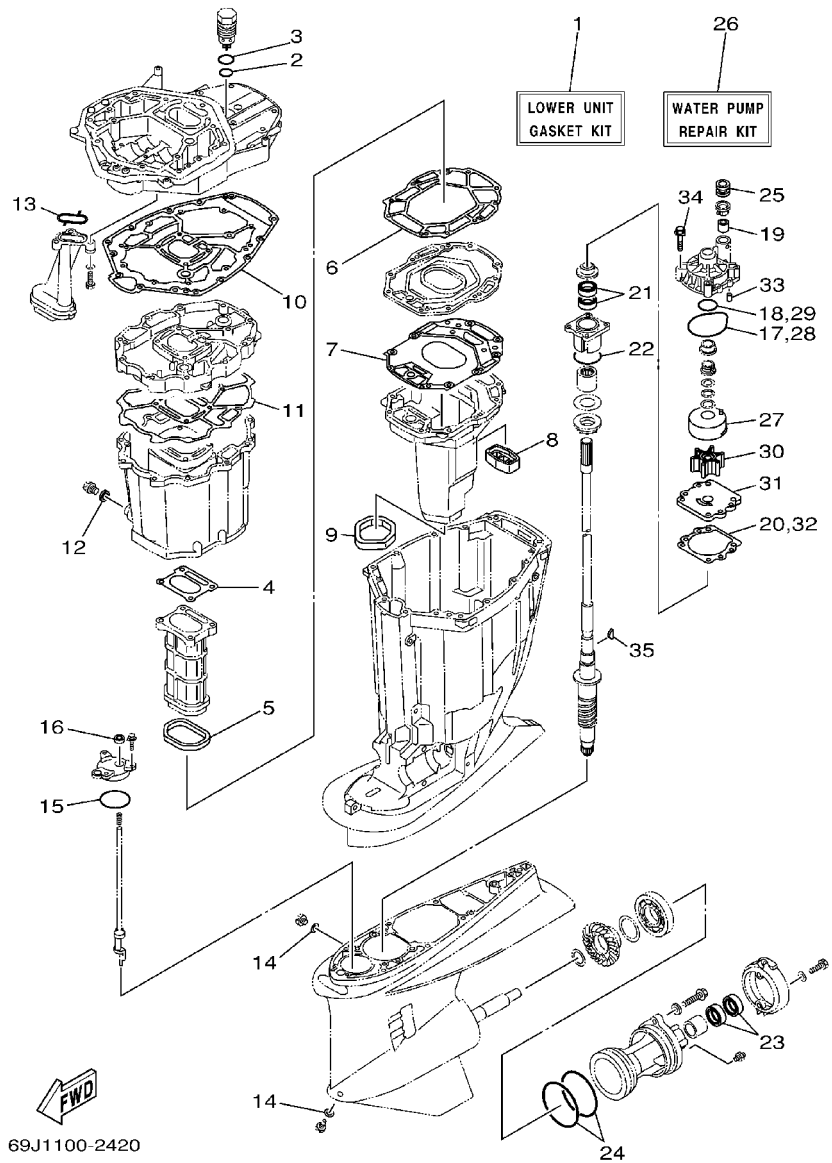
67H1100-2360

FIG. 42 REPAIR KIT 1



REF. NO.	PART NO.	DESCRIPTION	69J2	60L2	69K2	60M2	REMARKS
1	69J-W0001-01	POWER HEAD GASKET KIT	1	1	1	1	
2	90430-14115	.GASKET	2	2	2	2	
3	69J-15451-00	.GASKET, CRANKCASE COVER 1	1	1	1	1	
4	69J-1131B-00	.GASKET, COVER	1	1	1	1	
5	69J-11351-00	.GASKET, CYLINDER	1	1	1	1	
6	93210-25552	.O-RING	3	3	3	3	
7	93210-19MJ1	.O-RING	2	2	2	2	
8	93210-25647	.O-RING	1	1	1	1	
9	69J-13477-00	.GASKET	1	1	1	1	
10	93210-24M79	.O-RING	1	1	1	1	
11	69J-15364-A0	.GASKET, OIL PLUG	1	1	1	1	
12	93102-63004	.OIL SEAL	1	1	1	1	
13	69J-11181-01	.GASKET, CYLINDER HEAD 1	1	1	1	1	
14	69J-11182-01	.GASKET, CYLINDER HEAD 2	1	1	1	1	
15	69J-11193-00	.GASKET, HEAD COVER 1	1	1	1	1	
16	69J-11194-00	.GASKET, HEAD COVER 2	1	1	1	1	
17	69J-41112-00	.GASKET, EXHAUST INNER COVER	2	2	2	2	
18	69J-41114-00	.GASKET, EXHAUST OUTER COVER	2	2	2	2	
19	90430-08143	.GASKET	4	4	4	4	
20	90430-18130	.GASKET	2	2	2	2	
21	93102-38M59	.OIL SEAL	2	2	2	2	
22	69J-13557-00	.GASKET	6	6	6	6	
23	69J-13645-00	.GASKET, MANIFOLD 1	2	2	2	2	
24	69J-13338-00	.OIL SEAL	1	1	1	1	
25	69J-11355-00	.SEAL, CYLINDER 1	1	1	1	1	
26	93210-19MJ3	.O-RING	1	1	1	1	
27	69J-14664-00	.GROMMET, WATER SHUT	2	2	2	2	

FIG. 43 REPAIR KIT 2



69J1100-2420

REF. NO.	PART NO.	DESCRIPTION	69J2	60L2	69K2	60M2	REMARKS
1	69J-W0001-20	LOWER UNIT GASKET KIT	1	1	1	1	
2	93210-28543	.O-RING	1	1	1	1	
3	93210-33MG4	.O-RING	1	1	1	1	
4	69J-41134-A0	.GASKET, EXHAUST MANIFOLD	1	1	1	1	
5	69J-41138-00	.SEAL, EXT. 1	1	1	1	1	
6	69J-41135-A0	.GASKET, EXHAUST MANIFOLD	1	1	1	1	
7	69J-41136-A0	.GASKET, EXHAUST MANIFOLD 4	1	1	1	1	
8	69J-45127-00	.SEAL	1	1	1	1	
9	69J-45123-00	.GASKET, MUFFLER	1	1	1	1	
10	69J-45113-00	.GASKET, UPPER CASING	1	1	1	1	
11	69J-15312-00	.GASKET, OIL PAN	1	1	1	1	
12	90430-14M09	.GASKET	1	1	1	1	
13	69J-13415-00	.SEAL, OIL STRAINER	1	1	1	1	
14	90430-08020	.GASKET	2	2	2	2	
15	93210-64488	.O-RING	1	1	1	1	
16	93106-09014	.OIL SEAL	1	1	1	1	
17	93210-86M38	.O-RING	1	1	1	1	
18	93210-37160	.O-RING	1	1	1	1	
19	6E5-44365-00	.DAMPER, WATER SEAL	1	1	1	1	
20	6E5-44315-A0	.GASKET, WATER PUMP	1	1	1	1	
21	93101-28M16	.OIL SEAL	2	2	2	2	
22	93210-55M14	.O-RING	1	1	1	1	
23	93101-30M17	.OIL SEAL	2	2	2	2	
24	93211-04384	.O-RING	2	2	2	2	
25	6E5-44366-00	.DAMPER, WATER SEAL	1	1	1	1	
26	61A-W0078-A3	WATER PUMP REPAIR KIT	1	1	1	1	
27	61A-44322-02	.INSERT, CARTRIDGE	1	1	1	1	



NUMERICAL INDEX

PART NO.	REF. NO.	PART NO.	REF. NO.	PART NO.	REF. NO.	PART NO.	REF. NO.	PART NO.	REF. NO.	PART NO.	REF. NO.
69J-W0001-01	42-1	69J-11427-00	3-6	69J-12168-40	6-8	69J-13477-00	42-9	68V-13915-00	11-18	68V-14397-00	8-22
69J-W0001-20	43-1	69J-11536-00	6-23	69J-12168-50	6-8	69J-13532-00	10-20	69J-13972-00	8-39		10-3
69J-W0070-00	1-18	69J-11537-00	6-18	69J-12168-60	6-8	69J-13533-00	10-21	69J-13973-00	8-37	69J-14409-00	7-6
61A-W0078-A3	43-26	69J-11590-00	6-22	69J-12168-70	6-8	69J-13542-00	10-19	69J-13974-00	10-16	69J-14419-00	7-16
69J-W009A-01-1S	4-1	69J-11603-00	3-11	69J-12168-80	6-8	68V-13544-00	10-17		12-25	69J-1442A-00	7-5
69J-W009B-01-1S	2-1	69J-11631-00-B0	3-10	69J-12168-90	6-8	69J-13545-00	10-15	69J-13975-00	10-25	68V-14428-00	8-35
69J-W009C-01-1S	4-8	69J-11633-00	3-12	69J-12169-00	6-8	69J-13546-00	10-14	69J-13976-00	12-16		10-11
69J-W1165-00	3-7	69J-11634-00	3-13	69J-12171-00	6-9	69J-13547-00	9-33	68V-1410B-00	8-32	69J-1444F-00	7-15
69J-1111E-00	5-12	69J-11654-00	3-8	69J-12172-00	6-11	69J-13557-00	8-27		9-28	69J-14440-00	7-14
69J-11110-00-94	4-2	69J-11656-00	3-9	69J-12181-00	6-10		9-23	69J-1410F-00	12-21	69J-14446-00	11-34
69J-11119-00	2-20	69J-11656-10	3-9	69J-12182-00	6-12		42-22	69J-14137-00	12-11	69J-14457-00	7-18
69J-11120-00-94	4-9	69J-11656-20	3-9	69J-12210-00	6-14	69J-13573-00	9-31	69J-14139-00	10-24	5EL-14467-00	7-27
69J-11133-10	4-3	69J-12111-00	6-1	69J-12230-00	6-15	69J-13574-00	9-32	69J-14146-10	7-1	68V-14475-00	8-30
	4-10	69J-12113-00	6-3	69J-12233-00	29-12	69J-13576-00	8-11	69J-14148-00	11-23		9-26
69J-11135-00	4-32	69J-12117-00	6-4	69J-1240H-00-1S	2-26	68V-13577-00	12-9	69J-14149-00	8-44		10-9
69J-11168-00	2-17	69J-12118-00	6-5	67F-12411-00	2-25	69J-13593-00	11-35	69J-14159-00	9-34	69J-14496-00	8-29
69J-11181-01	4-21	69J-12119-00	6-6	69J-1243A-00	2-30	69J-13595-00	10-23	69J-14162-00	7-2		9-25
	42-13	69J-12121-00	6-2	69J-1243E-00	2-31	69J-13631-00	30-18	69J-14164-00	11-31	69J-14546-00	11-11
69J-11182-01	4-26	67F-12138-40	16-30	69J-12481-00	16-21	69J-13641-00	8-24	69J-14180-10	11-1	68V-14565-00	8-13
	42-14	67F-12138-50	16-30	69J-12482-00	16-20	69J-13642-00	9-20	69J-14181-00	11-6		10-7
69J-11191-00-1S	4-31	67F-12138-60	16-30	69J-12483-00	7-8	69J-13645-00	7-10	69J-14182-00	11-2	68V-14567-00	11-20
69J-11192-00-1S	4-38	69J-12153-00	6-7	68T-12572-00	21-12		42-23	266-14191-00	11-7	3CF-14594-00	8-3
69J-11193-00	4-35	69J-12168-A0	6-8	6R3-12581-00	21-13	69J-13716-00	11-36	69J-14197-00	11-24		8-6
	42-15	69J-12168-B0	6-8	6R3-12582-00	21-14	60L-1375A-00	9-1	68V-14225-00	10-5		8-9
69J-11194-00	4-39	69J-12168-C0	6-8	6R3-12583-00	21-15	69J-1375A-00	9-1	69J-14225-00	11-37		9-3
	42-16	69J-12168-D0	6-8	69J-12858-00	2-46	60L-13750-00	8-1	69J-14251-00	8-21		9-8
69J-1131B-00	2-23	69J-12168-E0	6-8	69J-13119-00	30-17	69J-13750-00	8-1	68V-14255-00	11-13		9-11
	42-4	69J-12168-F0	6-8	68V-1312A-00	9-17	60L-13751-00	8-2	69J-14255-00	9-35	69J-14624-01	29-50
69J-1131C-00-1S	2-22	69J-12168-G0	6-8	69J-13160-00	8-18	69J-13751-00	8-2	69J-14261-00	8-16	69J-14664-00	2-44
69J-11313-00-94	2-40	69J-12168-H0	6-8	69J-13170-00	10-1	60L-13752-00	9-2		8-19		42-27
67F-11325-00	4-15	69J-12168-J0	6-8	69J-13300-00	30-14	69J-13752-00	9-2	68V-14264-00	8-34	69J-14711-00-5B	29-25
69J-11327-00-94	4-16	69J-12168-K0	6-8	69J-13329-00	30-15	60L-13753-00	8-5		10-10	69J-14960-00	9-15
67F-11328-00	4-19	69J-12168-L0	6-8	69J-13338-00	30-16	69J-13753-00	8-5	68V-14265-00	11-33	59V-14962-00	11-8
69J-11351-00	2-33	69J-12168-M0	6-8		42-24	60L-13754-00	9-7	60L-14286-00	8-42	68V-14984-00	11-21
	42-5	69J-12168-N0	6-8	69J-13411-00	30-9	69J-13754-00	9-7	69J-14286-00	8-42	69J-14985-00	11-9
69J-11355-00	30-19	69J-12168-P0	6-8	69J-13415-00	30-11	60L-13755-00	8-8	69J-14295-00	8-20	69J-14989-00	11-25
	42-25	69J-12168-R0	6-8		43-13	69J-13755-00	8-8	69J-14321-00	8-36	69J-15100-00-1S	2-2
69J-11371-00	29-9	69J-12168-S0	6-8	67F-13434-02	1-26	60L-13756-00	9-10		9-30	69J-15123-00	2-7
69J-11411-00	3-1	69J-12168-T0	6-8	69J-13435-00	10-2	69J-13756-00	9-10	68V-14323-00	8-14	69J-15187-00	2-8
69J-11416-00	3-3	69J-12168-U0	6-8	69J-13437-41	15-29	69J-13761-00	8-31		9-5	69J-15311-00-5B	30-2
69J-11416-10	3-3	69J-12168-V0	6-8	69J-13437-51	15-29		9-27	68V-14331-00	8-15	69J-15312-00	30-1
69J-11416-20	3-3	69J-12168-W0	6-8	69J-13437-61	15-29	68V-13766-00	8-33		9-6		43-11
69J-11417-00	3-4	69J-12168-X0	6-8	69J-13440-00	2-45		9-29		9-13	69J-15316-00	29-36
69J-11417-10	3-4	69J-12168-Y0	6-8	69J-13446-00-94	2-47	68V-13769-00	11-12	69J-14348-00	7-28	69J-15319-00-1S	2-56
69J-11417-20	3-4	69J-12168-00	6-8	69J-13447-00	2-51	68V-13781-00	11-16	5JW-14349-00	10-18	69J-15362-00	30-23
69J-11426-00	3-5	69J-12168-10	6-8	67F-13448-00	1-16	68V-13784-00	11-19	68V-14356-00	10-8	6G8-15363-00	2-54
69J-11426-10	3-5	69J-12168-20	6-8	68V-13473-00	9-16	69J-13906-00	10-6	68V-14357-00	11-15	69J-15364-A0	2-57
69J-11426-20	3-5	69J-12168-30	6-8	69J-13477-00	2-48	69J-13907-00	11-17	68V-14386-00	11-10		42-11



NUMERICAL INDEX

PART NO.	REF. NO.	PART NO.	REF. NO.	PART NO.	REF. NO.	PART NO.	REF. NO.	PART NO.	REF. NO.	PART NO.	REF. NO.
69J-15373-00	7-23	69J-24461-00	12-14	69J-41632-00-94	23-9	69J-42769-00	29-32	69J-43833-00	27-21	61A-4389H-00	27-8
69J-15377-00	30-24	61A-24469-00	13-12	69J-41635-00	24-5	69J-42771-00-8D	21-3	61A-43835-01	27-19	69J-4389J-00	27-32
69J-15393-00	7-25	69J-24491-00	11-27	69J-41636-00	24-10	69J-42774-00	21-7	69A-4384F-00	27-39	69J-4389K-00	27-36
69J-15394-00	7-24	69J-24492-00	11-28	69J-41661-00-94	23-14	69J-42815-00-8D	20-31	6H1-4384G-11	27-54	69J-43891-00	28-9
69J-15397-00	7-26	69J-24501-00	12-18	676-41662-00	23-20	69J-42816-00-8D	20-40	69J-4384G-00	27-58	69J-43893-00	27-46
69J-15411-00-94	2-13	68V-24519-00	7-3	69J-42152-00-94	23-5	69J-42817-00-8D	20-32	61A-4384H-10	27-82	69J-43894-00	27-41
69J-15451-00	2-14		10-26	69J-42153-00	23-8	67F-42818-00	20-43	69J-4384H-00	27-10	69J-43899-00	27-31
	42-3		12-10	69J-42154-00	23-1	68F-42818-00	20-35	69J-4384M-00	27-38	69J-44117-00-1S	22-5
69J-15481-00	2-9	61A-24521-00	13-7	68V-42171-00	23-2	68F-42828-00-5B	20-28	69J-43840-00	27-2	69J-44118-00	22-26
69J-15482-00	2-10	65L-24531-01	13-8	69J-42510-00-8D	26-5	68F-42828-10-5B	20-38	69J-43841-00	27-42	69J-44120-00	22-33
69J-21841-00	11-32	69J-24537-00	12-8	624-42542-00	15-25	69J-42828-00-5B	20-29	69J-43843-00	27-53	69J-44120-10	22-33
69J-2411R-00	11-3	65L-24558-00	13-19		17-12	69J-43111-00-8D	25-1	6H1-43844-10	27-55	69J-44121-00	22-21
69J-2411T-00	11-4	65L-24560-00	13-6	60L-42610-00-8D	1-1	69J-43112-00-8D	25-14	69J-43844-00	27-50	69J-44122-00	22-22
68F-24300-00	8-38	65L-24563-00	13-11	69J-42610-00-8D	1-1	6E5-43126-02	25-45	69J-43845-00	27-28	69J-44135-00	23-24
	10-12	61A-24564-00	13-9	69J-42613-00	1-2	6R3-43131-00	25-21	69J-43851-00	27-49	69J-44150-00	31-15
6Y2-24307-41	14-1	65L-24564-00	13-13	69J-42615-00	20-10	61A-43132-00	25-12	69J-43853-00	27-45	69K-44150-00	33-17
6Y2-24307-50	14-1	69J-24566-00	13-20	69J-42617-00	1-25	61A-43133-00	25-15	69J-43854-00	27-57	69J-44176-01-1S	22-8
61A-24311-00	13-5	65L-24577-00	13-10	69J-42629-00	1-3	6G5-43144-00	25-35	69J-43855-00	27-52	61A-44311-01	31-18
69J-24313-00	13-22	69J-24592-00	11-29	68F-42647-01-94	1-5	64D-43144-00	20-46	6H1-43856-10	27-56		33-20
69J-24315-00	12-15	69J-24599-00	12-19	69J-42647-00-94	1-6	6E5-43145-01	35-8	65W-4386A-00	27-44	6E5-44312-00	31-23
69J-24316-00	12-7	68V-2481H-00	12-12	68F-42648-01-94	1-14	6G5-43148-00	25-40	69J-4386K-00	28-10		33-25
69J-24317-00	12-6	69J-28100-00	13-25	68F-42651-00	1-10	61A-43181-01	25-37	6H1-43861-00	27-6	6E5-44315-A0	31-31
69J-24321-00	12-3	67F-2812A-00	15-27	67F-42652-00	1-15	6G5-43185-02	25-38	61A-43861-00	27-14		33-33
69J-24322-00	12-4	6A1-28176-00	20-52	68F-42663-00	1-13	61A-43311-21-8D	25-32		27-16		43-20
69J-24323-00	12-5	69J-41111-00-1S	5-1	69J-42663-00	1-7	61A-43376-00	26-3		27-75		43-32
69J-24324-00	12-2	69J-41112-00	5-5	60L-42677-00	1-19	69J-4380P-00	27-12	69J-43861-00	28-6	61A-44322-02	31-19
69J-24325-00	12-20		42-17	69J-42677-00	1-19	69J-43800-00-4D	27-1	61A-43864-00	27-81		33-21
6E5-24351-51	14-3	69J-41113-00-1S	5-3	60L-42678-00	1-17	69J-43801-00	27-4	6H1-43869-00	27-70		43-27
6Y2-24360-52	14-5	69J-41114-00	5-6	69J-42678-00	1-17	69J-43804-00	28-5	CS3-4387G-00	27-59	6G5-44323-00	31-30
6Y2-24360-60	14-5		42-18	69J-42681-00	1-20	69J-43805-00	28-4	61A-43871-00	27-15		33-32
69J-24366-00	12-22	69J-41121-00-1S	5-2	69J-42682-00	1-21	69J-4381C-00	27-30	69J-43871-00	27-62		43-31
69J-24367-00	12-23	69J-41123-00-1S	5-4	69J-42710-01-8D	20-1		27-35	6H1-43872-00	27-7	6E5-44352-01	31-24
6R3-24377-00	13-3	69J-41131-00-94	29-16	648-42715-00	22-27	69J-4381J-00	27-64	61A-43874-00	27-80		33-26
6R3-24377-10	13-24	69J-41132-00-5B	29-18	69J-42716-00	20-11	69J-43810-00	27-3	6H1-43875-00	27-29		43-30
68V-24377-00	10-22	69J-41134-A0	29-19	61A-42717-00	20-20	61A-43811-00	27-9	6T4-43875-00	27-76	69J-44361-00	32-3
6E5-24378-00	12-13		43-4	69J-42717-00	20-19	61A-43813-01	27-18	61A-43875-10	27-83		34-3
69J-24378-00	1-22	69J-41135-A0	29-22	69J-42723-00-8D	18-9	6H1-43814-00	27-17	61A-43876-00	27-26	69J-44361-10	32-3
6E5-24379-00	21-10		43-6	6E5-42724-00	22-38	69J-43816-00	27-63	69J-4388E-00	27-23		34-3
69J-24379-00	11-22	69J-41136-A0	29-24		29-8	69J-43817-00	27-68	69J-4388F-00	27-69	6E5-44365-00	31-22
69J-24381-00	8-40		43-7	69J-42725-01	20-6	61A-43818-00	27-25	69J-4388H-00	27-67		32-1
	12-26	69J-41137-00-94	29-1	6H1-42726-20	20-15	69J-4382E-00	27-11	69J-4388J-00	27-20		33-24
68V-24387-00	8-41	69J-41138-00	29-21	61A-42727-00	20-17	69J-43820-00	27-79	69J-43880-00	27-84		34-1
	10-13		43-5	64D-42738-10-5B	20-8	61A-43821-00	27-78		28-1		43-19
	12-17	69J-41210-00	24-4	69J-42738-01-5B	20-2	61A-43822-00	27-77	69J-43881-00	28-11	6E5-44366-00	29-54
69J-24410-00	11-26	69J-41211-00	24-9	69J-42741-00-8D	21-1	69J-43828-00	27-71	69J-43882-00	28-8		32-2
69J-24422-10	11-30	69J-41213-00	23-23	69J-42744-10	20-3	6H1-43829-00	27-74	6H1-43883-00	27-43		34-2
4SV-24453-00	11-5	682-41237-00	24-2	68F-42753-00	20-49	69J-43830-00	27-33	69J-43886-00	28-7		43-25
69J-24460-00	12-1	69J-41241-00	24-1	67F-42761-00-94	2-34	69J-43831-00	27-66	69J-43888-00	27-72	663-44366-00	31-6

NUMERICAL INDEX

PART NO.	REF. NO.	PART NO.	REF. NO.	PART NO.	REF. NO.	PART NO.	REF. NO.	PART NO.	REF. NO.	PART NO.	REF. NO.
663-44366-00	33 - 8	61A-45371-00	32 - 14	69K-45577-30	33 - 70	6R4-45972-A0	32 - 21	67F-81332-00	15 - 14	69J-82105-00	17 - 9
69J-44391-00	20 - 18		34 - 14	69K-45577-40	33 - 70	61A-45972-00-98	32 - 21	69J-81337-00	15 - 22	6Y5-82117-00	38 - 17
61A-44511-00-94	26 - 32	69J-45375-00	32 - 9	69K-45577-50	33 - 70	61B-45972-00-98	34 - 21	63D-81345-20	15 - 5		38 - 26
66K-44514-00-94	26 - 24		34 - 9	69K-45577-60	33 - 70	66K-45972-B0	32 - 21	69J-81410-01	15 - 4	6G5-82119-00	17 - 20
6G5-44526-00	25 - 3	61A-45376-00-94	31 - 10	6K1-45578-01-10	33 - 67	6G5-45974-03-98	32 - 21	69J-81450-10	15 - 1	69J-82147-00	25 - 34
68F-44533-00	2 - 35		33 - 12	6K1-45578-01-12	33 - 67	6K1-45974-02-98	34 - 21	69J-81460-01	15 - 2	6E5-82148-00	25 - 9
69J-44533-00	26 - 31	61A-45378-00	29 - 47	6K1-45578-01-15	33 - 67	6R1-45974-A0	34 - 21	69J-81673-00	15 - 13	6H1-82148-00	25 - 6
69J-44551-00-8D	26 - 10	61B-45383-00	33 - 68	6K1-45578-01-18	33 - 67	6R4-45974-A0	32 - 21	69J-81800-00	19 - 1	6E5-82149-00	26 - 16
61A-44552-01-94	26 - 21	69K-45384-00	33 - 69	6K1-45578-01-30	33 - 67	61A-45974-00-98	32 - 21	69J-81801-00	19 - 5	1E6-82151-00	38 - 16
66K-44555-00-94	26 - 13	61A-45501-30	31 - 43	6K1-45578-01-40	33 - 67	61B-45974-00-98	34 - 21	67F-81807-00	19 - 10	67F-82151-20	18 - 2
61A-44575-00	26 - 12		33 - 45	6K1-45578-01-50	33 - 67	6R1-45976-A0	34 - 21	67F-81808-00	19 - 8	69J-82310-00	16 - 4
69J-45111-01-8D	29 - 31	69J-45501-00	31 - 43	61A-45587-00-10	31 - 37	6R4-45976-A0	32 - 21	67F-81809-00	19 - 19	69J-82314-00	16 - 9
69J-45113-00	29 - 33		33 - 45		33 - 39	6G5-45978-03-98	32 - 21	67F-81810-00	19 - 3	69J-82316-00	16 - 1
	43 - 10	61A-45527-00	31 - 27	61A-45587-00-12	31 - 37	6K1-45978-02-98	34 - 21	67F-81813-00	19 - 6	6A0-82317-00	15 - 24
69J-45123-00	29 - 30		33 - 29		33 - 39	6R1-45978-A0	34 - 21	68V-8182L-00	8 - 43		17 - 11
	43 - 9	61A-45538-00	31 - 26	61A-45587-00-15	31 - 37	6R4-45978-A0	32 - 21	68F-81820-00	19 - 7	663-82317-01	15 - 23
69J-45127-00	29 - 29		33 - 28		33 - 39	61A-45978-00-98	32 - 21	67F-81821-00	19 - 13		16 - 11
	43 - 8	61B-45538-01	33 - 4	61A-45587-00-18	31 - 37	61B-45978-00-98	34 - 21	6K7-81826-10	19 - 24	63V-82377-50	25 - 49
69J-45151-00-8D	21 - 8	69J-45551-00	31 - 44		33 - 39	69J-45987-00	32 - 16	69J-81828-00	19 - 25	67F-82377-00	20 - 54
69J-45152-00-8D	29 - 37		33 - 46	61A-45587-00-30	31 - 37		34 - 16	67F-8183R-00	19 - 16	68V-82380-00	9 - 19
61A-45155-00	29 - 41	69J-45560-00	31 - 47		33 - 39	688-45997-01	32 - 17	67F-8183T-00	19 - 18	69J-82510-06	39 - 3
69J-45159-00	29 - 56	69K-45560-00	33 - 49	61A-45587-00-40	31 - 37		34 - 17	67F-81830-00	19 - 17	6R5-82510-02	40 - 4
69J-45181-00-5B	29 - 23	61A-45567-00-10	31 - 5		33 - 39	69J-46241-00	6 - 21	67F-81832-00	19 - 11	61B-82510-01	41 - 4
69J-45211-01-8D	29 - 53		33 - 7	61A-45587-00-50	31 - 37	703-48205-17	37 - 1	67F-81836-00	19 - 12	69J-82519-00	16 - 24
61A-45214-10	32 - 10	61A-45567-00-12	31 - 5		33 - 39	704-48205-14	37 - 2	69J-81839-00	19 - 21	703-82531-00	38 - 27
	34 - 10		33 - 7	69J-45611-00	31 - 48	704-48207-23	37 - 2	69J-81840-00	19 - 4	61B-82551-01	41 - 3
61A-45215-10	32 - 11	61A-45567-00-15	31 - 5	69K-45611-00	33 - 51	701-48320-40	37 - 3	67F-81841-00	19 - 14	68F-82553-80	38 - 18
	34 - 11		33 - 7	69J-45631-00	31 - 52	701-48320-50	37 - 3	69J-81842-00	19 - 20	68F-82553-90	38 - 18
6G5-45251-02	25 - 2	61A-45567-00-18	31 - 5		33 - 55	701-48320-60	37 - 3	67F-81846-00	19 - 26	69J-82554-00	20 - 25
69J-45300-21-8D	31 - 1		33 - 7	61A-45632-00	31 - 51	701-48320-80	37 - 3	67F-81850-00	19 - 2	682-82556-00	39 - 6
69J-45300-31-8D	31 - 1	61A-45567-00-30	31 - 5		33 - 54	6E5-48344-00	22 - 3	67F-81857-00	19 - 9		40 - 7
69K-45300-21-8D	33 - 1		33 - 7	61A-45633-00	31 - 53		23 - 12	69J-81869-00	19 - 23		41 - 7
69K-45300-31-8D	33 - 1	61A-45567-00-40	31 - 5		33 - 56	701-48350-20	37 - 3	67F-81891-00	19 - 15	69J-82560-00	2 - 60
61A-45301-10-8D	31 - 2		33 - 7	61A-45634-01	31 - 50	69J-48531-00	22 - 1	69J-81919-00	17 - 32	69J-82563-00	18 - 8
	33 - 2	61A-45567-00-50	31 - 5		33 - 53	6E5-61301-01	36 - 1	69J-81919-20	15 - 28	6E3-8257H-00	20 - 53
69J-45318-00	29 - 39		33 - 7	61A-45635-00	31 - 55	6E5-61303-00	36 - 5	69J-81925-00	17 - 4	6K1-82570-07	39 - 1
61A-45321-01	31 - 11	69J-45571-00	31 - 62		33 - 58	6E5-61311-11	36 - 3	68V-8194A-00	17 - 14	6R5-82570-04	40 - 1
	33 - 13	69K-45571-00	33 - 65	69J-45641-00	31 - 49	6E5-61313-00	36 - 2	69J-81941-00	19 - 22	61B-82570-02	41 - 1
61A-45331-00-94	31 - 34	61A-45577-00-10	31 - 64	69K-45641-00	33 - 52	6E5-61315-00	36 - 4	69J-81942-00	17 - 27	6K1-82571-01	39 - 2
	33 - 36	61A-45577-00-12	31 - 64	6H1-45668-00	31 - 54	6E5-61350-02	35 - 1	69J-81948-00	17 - 10	6R5-82571-01	40 - 3
69J-45332-00-94	31 - 60	61A-45577-00-15	31 - 64		33 - 57	6E5-61351-01	35 - 2	69J-81949-00	18 - 17	6K1-82575-00	39 - 5
69K-45332-00-94	33 - 63	61A-45577-00-18	31 - 64	6G5-45970-02-98	32 - 21	6E5-61355-00	35 - 5	68V-81950-00	17 - 30		41 - 6
688-45341-10	31 - 8	61A-45577-00-30	31 - 64	6K1-45970-01-98	34 - 21	68V-81145-01	8 - 12	69J-81950-10	17 - 21	688-82575-01	40 - 6
	33 - 10	61A-45577-00-40	31 - 64	6R1-45970-A0	34 - 21	68V-81146-01	9 - 18	68V-81953-00	17 - 18	676-82577-00	40 - 5
6E5-45344-00	31 - 40	61A-45577-00-50	31 - 64	6R4-45970-A0	32 - 21	68V-81147-00	8 - 23	69J-81960-10	16 - 12		41 - 5
	33 - 42	69K-45577-00	33 - 70	6G5-45972-02-98	32 - 21		9 - 14	69J-81972-01-1S	16 - 14	703-82577-00	39 - 4
69J-45361-00-8D	31 - 71	69K-45577-10	33 - 70	6K1-45972-01-98	34 - 21		10 - 4	69J-81975-A0	16 - 13	6K1-8258A-40	39 - 22
	33 - 77	69K-45577-20	33 - 70	6R1-45972-A0	34 - 21	69J-8132G-00	15 - 17	6K1-81980-00	39 - 17		40 - 17

NUMERICAL INDEX

PART NO.	REF. NO.	PART NO.	REF. NO.	PART NO.	REF. NO.	PART NO.	REF. NO.	PART NO.	REF. NO.	PART NO.	REF. NO.
6K1-8258A-40	41 - 18	61B-85830-00	41 - 13	90119-06M59	15 - 26	90183-02M03	31 - 57	90280-04M05	33 - 27	90445-07012	29 - 46
61B-8258A-01	39 - 23	69J-85885-00	8 - 17		17 - 13		33 - 60		43 - 35	90445-11012	21 - 11
	41 - 19	65L-85886-00	7 - 29	90119-06027	5 - 7	90185-05002	32 - 13	90280-04008	6 - 25	90445-11020	1 - 23
64D-82581-00	40 - 8	60L-8591A-01	17 - 1	90119-06036	7 - 20		34 - 13	90280-05015	15 - 10	90445-11021	1 - 24
69J-82587-00	18 - 10	69J-8591A-02	17 - 1	90119-06037	13 - 21	90185-09M01	35 - 6	90340-08002	31 - 7	90445-11028	21 - 16
6E5-82588-00	20 - 21	6Y5-87122-S0	38 - 14	90119-06041	16 - 3		36 - 11		33 - 9	90445-13M01	14 - 2
6E9-82588-00	2 - 62		38 - 22	90119-07234	4 - 7	90185-14M00	26 - 19	90340-14M06	2 - 5	90445-13004	13 - 2
6R5-82588-01	40 - 2	9E450-04433	38 - 2		4 - 14		26 - 29		5 - 14	90462-20001	20 - 23
61A-82588-00	22 - 15	9E450-04533	38 - 3	90119-07235	4 - 6	90185-22M11	25 - 24		30 - 7	90464-07M56	16 - 8
61B-82588-01	41 - 2	90101-09M70	36 - 9		4 - 13	90201-02M00	31 - 56	90340-18M09	5 - 10		17 - 29
68F-8259F-00	22 - 13	90101-12M05	25 - 50	90119-08M14	31 - 33		33 - 59	90344-51019	4 - 4	90464-09M47	20 - 27
69J-8259F-00	22 - 14	90101-12M77	25 - 50		33 - 35	90201-06M31	24 - 8		4 - 11	90464-09010	22 - 20
69J-8259L-00	10 - 27	90105-08036	31 - 68		43 - 34	90201-06068	13 - 18	90386-06M12	22 - 25	90464-12002	16 - 7
69J-8259N-10	18 - 13		33 - 74	90119-08M22	20 - 12		20 - 37	90386-08M01	7 - 19	90464-20258	20 - 50
69J-82590-20	18 - 1	90105-10M00	32 - 15	90119-08M66	2 - 12		20 - 45	90386-10M16	25 - 39	90465-06M67	23 - 17
69J-82590-30	18 - 1		34 - 15	90119-08M79	29 - 2	90201-08023	31 - 69	90386-10025	23 - 3	90465-06M86	22 - 19
68V-82594-00	20 - 51	90109-06M81	20 - 22	90119-08M91	4 - 24		33 - 75	90386-12069	22 - 10	90465-08M83	25 - 18
69J-83306-00	18 - 14	90109-06M82	18 - 15		4 - 29	90201-09M02	22 - 36	90386-15M73	20 - 33		25 - 26
6R5-83383-00	40 - 12		20 - 5	90119-08009	2 - 16	90201-10M02	23 - 11		20 - 41	90465-11M10	2 - 32
	41 - 12		20 - 9	90119-08021	4 - 25		23 - 27	90386-18M14	25 - 47		2 - 61
688-83383-11	39 - 11		20 - 30		4 - 30	90201-10M20	35 - 7		27 - 24		13 - 4
6Y5-8350F-00	38 - 21		20 - 39	90119-08022	7 - 11	90201-10M76	36 - 8	90386-18M63	25 - 46		13 - 23
6Y5-8350T-01	38 - 1	90109-06M86	2 - 27	90119-10MA2	32 - 8	90201-12M05	25 - 52	90386-25M31	25 - 22		20 - 16
6Y5-8350T-80	38 - 1		18 - 12		34 - 8	90201-13M01	25 - 51	90386-39M89	26 - 7		21 - 17
6Y5-83500-S5	38 - 6		20 - 24	90119-10M06	6 - 19	90201-15M58	26 - 18	90386-90M90	22 - 35		22 - 18
6Y5-83533-T2	38 - 10		20 - 26	90119-10007	29 - 34	90201-16M00	31 - 45	90387-06M64	30 - 10		25 - 25
6Y5-83553-F1	38 - 23		20 - 47	90119-10008	29 - 61		33 - 47	90387-06037	29 - 13		29 - 45
6Y5-83553-M0	38 - 15		22 - 2	90119-10009	32 - 8	90201-16M01	26 - 25	90387-06038	7 - 21		38 - 13
6Y5-83553-00	38 - 15	90109-06040	23 - 25		34 - 8	90201-16M55	26 - 15	90387-08M37	20 - 14		38 - 20
6Y5-83557-10	38 - 19	90109-08019	22 - 11	90149-05M05	39 - 18	90201-22M01	31 - 28	90387-10M02	25 - 42	90465-11M52	7 - 17
6Y5-83557-31	38 - 11	90109-14M10	26 - 28		40 - 13		33 - 30	90387-10M08	4 - 22	90465-13M18	15 - 20
6E5-83558-00	29 - 44	90109-14M48	26 - 17		41 - 20	90201-24014	15 - 11		4 - 27		18 - 16
6Y5-83570-S5	38 - 7	90110-05010	6 - 24	90152-05003	32 - 12	90201-26M59	25 - 23	90387-10M61	35 - 3	90465-13M30	20 - 7
6K1-83614-01	39 - 7	90110-06038	16 - 10		34 - 12	90201-28M01	26 - 27	90430-06014	8 - 26	90465-14M66	15 - 21
	41 - 8	90111-06025	21 - 4	90155-10001	4 - 23	90201-31M00	31 - 63		9 - 22	90467-08M18	16 - 23
69J-83614-00	18 - 11		21 - 9		4 - 28	90201-40M00	26 - 6	90430-08020	31 - 9	90467-09M03	7 - 9
6A1-83625-41	15 - 30	90111-06026	21 - 5	90158-06002	38 - 25	90202-08M20	22 - 23		33 - 11		16 - 22
6A1-83625-51	15 - 31	90116-06032	7 - 4	90169-05M00	17 - 28	90202-28M46	26 - 26		43 - 14	90468-18008	22 - 4
69J-83626-00	16 - 29	90116-10012	29 - 57	90170-09M05	36 - 10	90202-32M19	26 - 14	90430-08143	5 - 9		22 - 24
69J-83651-00	2 - 63	90119-06MA2	2 - 21	90170-14M06	36 - 6	90202-40M47	26 - 9		42 - 19		23 - 13
69J-83672-00	26 - 1		5 - 13	90170-16M19	31 - 46	90206-10M04	23 - 26	90430-14M09	30 - 8	90480-06M19	14 - 4
6Y5-83728-00	38 - 12	90119-06MA3	16 - 15		33 - 48	90206-14N50	28 - 2		43 - 12	90480-09M21	16 - 2
663-85518-00	23 - 10	90119-06MA4	2 - 24	90171-18M04	32 - 19	90206-15M18	20 - 34	90430-14115	2 - 6	90480-14M17	21 - 6
689-85547-00	13 - 1	90119-06MA5	16 - 16		34 - 19		20 - 42		5 - 15	90480-22M81	20 - 13
69J-85580-00	15 - 3	90119-06M10	31 - 14	90173-06001	21 - 2	90206-22M19	31 - 29		42 - 2	90501-10M77	31 - 58
6Y5-85752-01	38 - 24		33 - 16	90179-06M28	1 - 4		33 - 31	90430-18130	5 - 11		33 - 61
61A-85790-00	16 - 27	90119-06M17	29 - 49		7 - 22	90249-06M19	25 - 41		42 - 20	90501-11M10	31 - 17
6K1-85830-01	39 - 12	90119-06M24	7 - 13	90179-24002	15 - 12	90280-04M05	31 - 25	90445-07010	29 - 46		33 - 19

NUMERICAL INDEX

PART NO.	REF. NO.	PART NO.	REF. NO.	PART NO.	REF. NO.	PART NO.	REF. NO.	PART NO.	REF. NO.	PART NO.	REF. NO.
90501-12082	22-29	92990-10100	29-59	92995-06600	30-27	93210-25552	30-22	93501-04011	33-62	97013-06025	6-16
90506-16M34	20-48	92990-10600	16-28	92995-08600	17-6		42-6	93501-08001	27-47		17-25
90506-16003	25-44		29-58		29-27	93210-25647	2-41	93503-16003	27-37	97013-08045	19-27
90508-20020	22-12	92990-18200	32-18		30-5		42-8	93505-32038	27-13	97027-06025	30-12
90560-12M01	35-4		34-18		31-42	93210-28543	29-10		27-34	97075-06020	4-17
91318-05025	27-60	92995-04100	22-17		31-73		43-2	93604-35236	27-61	97075-06030	22-30
91318-05040	27-65	92995-06100	13-17		33-44	93210-33MG4	29-11	93605-10108	6-17	97075-08035	29-26
91490-20015	22-37		15-8		33-79		43-3	93606-12019	2-3	97075-10035	29-5
91490-40030	32-20		16-18	92995-10100	25-30	93210-35321	26-8		2-15	97075-10045	29-3
	34-20		17-16		32-6	93210-37160	31-21		29-48	97095-06010	8-25
91690-30008	24-6		17-23		34-6		33-23		31-32		9-21
91690-30010	22-32		18-4	92995-10600	25-31		43-18		33-34		17-15
91690-30018	23-7	92995-06600	1-12		26-23		43-29		43-33		17-22
91690-30020	25-43		2-29		26-34	93210-55M14	31-39	93606-19M23	29-28		25-7
91690-30025	23-6		2-37		29-4		33-41	93608-12M05	29-55		25-36
91690-50014	7-12		2-43		29-6		43-22		32-4		29-42
91809-08006	4-5		2-50		32-7	93210-64488	31-12		34-4	97095-06012	16-25
	4-12		2-53		34-7		33-14	93608-16M16	29-7	97095-06014	13-14
91814-18001	2-4		2-59	92995-14600	26-20		43-15		29-17		17-7
92903-05100	40-10		4-18		26-30	93210-86M38	31-20		29-35		23-18
	40-15		4-37	93101-28M16	31-35		33-22		30-6		25-27
92903-05600	40-16		4-41		33-37		43-17	93700-06M01	22-9		29-38
92903-06600	17-26		13-15		43-21		43-28	93700-06M03	25-17	97095-06016	1-11
92903-08100	19-30		15-9	93101-30M17	31-66	93211-04384	31-67		25-33		13-16
92903-08600	19-28		15-16		33-72		33-73	93700-09M00	31-70		15-18
92907-04600	2-19		15-19		43-23		43-24		33-76		17-2
	4-34		16-6	93102-38M59	6-20	93306-210U0	31-61	94581-99044	6-13	97095-06020	2-42
92907-06600	30-13		16-19		42-21	93311-832V2	31-3	94702-00391	4-42		16-5
92990-04100	38-4		16-26	93102-63004	3-2		33-3	95303-05600	40-14		16-17
	38-8		17-3		42-12	93315-43061	31-65	95303-05700	40-11		18-3
92990-05100	39-9		17-8	93106-09014	31-13		33-71	95333-08600	19-29		20-36
	39-20		17-17		33-15	93315-660W3	33-5	95380-04600	38-5		20-44
	41-10		17-24		43-16	93317-330U2	31-36		38-9		23-21
	41-23		18-5	93106-19N50	27-5		33-38	95380-05600	24-3		29-14
92990-05600	39-21		18-7	93210-064A5	27-51	93317-428U7	33-50		39-10		30-26
	41-22		22-7	93210-08391	27-48	93332-000W1	31-4		39-19	97095-06025	2-28
92990-06100	1-8		22-31	93210-09165	22-34	93332-00048	33-64		41-11		2-36
	39-15		23-16		27-73	93341-440U5	33-66		41-21		25-4
	41-16		23-19	93210-16275	35-9	93341-670V0	33-6	95380-06600	1-9	97095-06030	4-36
92990-06600	29-52		23-22	93210-17239	27-22	93341-930U9	31-38		39-14		4-40
	39-16		25-5	93210-18397	27-27		33-40		41-15	97095-06035	15-7
	41-17		25-8	93210-19MJ1	2-39	93399-999T6	28-3	95380-10600	29-60		18-6
92990-08100	8-4		25-11		42-7	93410-10082	23-4	95380-12600	25-53		22-6
	8-7		25-20	93210-19MJ3	30-25	93410-18M02	25-48	95380-14700	36-7	97095-06040	2-52
	8-10		25-28		42-26	93410-37M04	26-11	95680-05100	24-11		30-20
	9-4		29-15	93210-24M79	2-55	93420-36M01	29-40	95707-06500	2-11	97095-06045	2-49
	9-9		29-43		42-10	93501-04M02	22-28	95780-10300	26-4		2-58
	9-12		30-21	93210-25552	2-38	93501-04011	31-59	95895-06030	24-7		23-15

NUMERICAL INDEX

PART NO.	REF. NO.	PART NO.	REF. NO.	PART NO.	REF. NO.	PART NO.	REF. NO.	PART NO.	REF. NO.	PART NO.	REF. NO.
97095-08014	5 - 8										
97095-08020	17 - 5										
	31 - 72										
	33 - 78										
97095-08025	31 - 41										
	33 - 43										
97095-08035	30 - 4										
97095-10045	25 - 29										
	26 - 22										
	26 - 33										
	32 - 5										
	34 - 5										
97303-05012	40 - 9										
97575-08540	4 - 20										
97575-08560	30 - 3										
97575-08590	29 - 20										
97780-60520	21 - 18										
97780-60620	7 - 7										
	17 - 19										
97780-60625	17 - 31										
97880-06016	29 - 51										
97885-04016	22 - 16										
97885-06010	15 - 15										
	20 - 4										
	25 - 13										
	25 - 16										
97885-06012	25 - 10										
	25 - 19										
97885-06016	26 - 2										
98507-04008	2 - 18										
	4 - 33										
	11 - 14										
98582-05008	12 - 24										
98980-05010	39 - 8										
	41 - 9										
98980-06020	39 - 13										
	41 - 14										
99001-03600	27 - 40										
99001-08600	31 - 16										
	33 - 18										
99530-08012	15 - 6										
99530-10114	8 - 28										
	9 - 24										

F200TRB/F225TRB/LF200TRB/LF225TRB/  
F200A/F225A/FL200A/FL225A  
PARTS CATALOGUE

©2002 by Yamaha Motor Co., Ltd.  
1st Edition, Apr. 2002

All rights reserved.

Any reprinting or unauthorized use  
without the written permission of  
Yamaha Motor Co., Ltd.  
is expressly prohibited.

**G7**