

**PARTS  
CATALOGUE  
CATALOGO  
DE REPUESTOS**

**40X '98(66T)**

**E40X'98(66T)**

---

1W66T-200S2

**YAMAHA**  
**GENUINE**  
Parts & Accessories



# FOREWORD

This Parts Catalogue is related to the parts for the model(s) in the below frame. When you are ordering replacement parts, please refer to this Parts Catalogue and quote both part numbers and part names correctly.

40X'98(66T), E40X'98(66T)

1. Modifications or additions which have been made after issue of the Parts Catalogue will be announced in the Yamaha Parts News.

It is advisable that you make necessary corrections to the Parts Catalogue according to the Yamaha Parts News.

2. Abbreviations

The Following abbreviations are used in this Parts Catalogue.

"UR" Use specified parts number.

"UN" Use as many as needed.

"AP" Alternate Parts

"LM" Local Made

(Parts need to be ordered locally)

"O/S" Over Size

3. Parts, which are to be supplied in an assembly, are listed with a dot(.) in front of the part name as shown below.

EXAMPLE

CARBURETOR ASSY

.JET, PILOT

.NOZZLE, MAIN

4. Number of component for assembly

The numeral appearing to the right of each component part indicates the quantity of parts for each assembly unit.

EXAMPLE

PART NO.	DESCRIPTION	U	H	H		REMARKS
6E0-85500-70	C.D.I. MAGNETO ASSY	1				
6E0-85550-70	.ROTOR ASSY	1				
6E0-15723-00-94	.PULLY, STARTER	1				

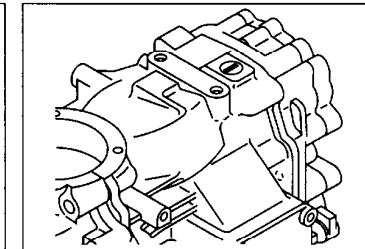
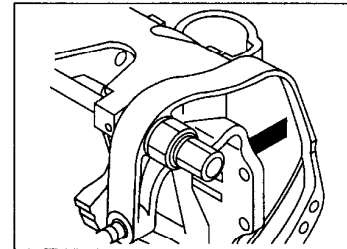
5. Quantity Column Information

NAME for Q'TY COLUMN	APPLICABLE MODEL
MH	40XMH, E40XMH
WH	E40XWH
W	40XW, E40XW
WT	40XWT

6. Applicable Serial No. and Color Code

1) Engine Sserial No.

40XMH	S : 000101 ~	E40XMH	S : 000101 ~
40XW	S : 120101 ~		L : 200101 ~
40XWT	L : 450101 ~		X : 700101 ~
		E40XWH	L : 350101 ~
		E40XW	L : 400101 ~



- 2) Color Code

Color Code	Color Name	Abbreviation
004D	DARK BLUIISH GRAY METALLIC 2	DBNM2

7. Note that the illustrations for reference in funding parts numbers, not to be used for assembling. When assembling, pleas use the applicable service manual.

8. The asterisk (\*) before a reference number indicates modification items after the first edition.



# CONTENTS

## SHEET 1/2

CYLINDER. CRANKCASE .....	A4
CRANKSHAFT. PISTON .....	A6
INTAKE .....	A7
CARBURETOR .....	B1
STARTER .....	B3
FUEL .....	B5
FUEL TANK .....	B7
TOP COWLING .....	C1
BOTTOM COWLING .....	C2
BRACKET 1 .....	C4
BRACKET 2 .....	D1
BRACKET 3 .....	D3
POWER TRIM & TILT ASSY .....	D5
STEERING 1 .....	E1
STEERING 2 .....	E3
REMOTE CONTROL ATTACHMENT .....	E4
CONTROL .....	E5
STEERING GUIDE ATTACHMENT .....	E7
REMOTE CONTROL BOX .....	F1
REMOTE CONTROL ASSY 1 .....	F2
REMOTE CONTROL ASSY 2 .....	F5
UPPER CASING .....	F7

## INDEX

NUMERICAL INDEX .....	G1
-----------------------	----

## SHEET 2/2

LOWER CASING. DRIVE 1 .....	A4*
LOWER CASING. DRIVE 2 .....	B1*
GENERATOR .....	B3*
STARTING MOTOR .....	B4*
ELECTRICAL 1 .....	B5*
ELECTRICAL 2 .....	B7*
ELECTRICAL 3 .....	C2*
REPAIR KIT 1 .....	C3*
REPAIR KIT 2 .....	C5*
REPAIR KIT 3 .....	C6*

## INDEX

NUMERICAL INDEX .....	G1*
-----------------------	-----

# CONTENIDO

## PAGINA 1/2

CYLINDRO. CARTER .....	A4
CIGUENAL. PISTON .....	A6
ADMISION .....	A7
CARBURADOR .....	B1
ARRANQUE .....	B3
COMBUSTIBLE .....	B5
DEPOSITO DE COMBUSTIBLE .....	B7
SOPORTE SUPERIOR .....	C1
CUBIERTA INFERIOR .....	C2
SOPORTE 1 .....	C4
SOPORTE 2 .....	D1
SOPORTE 3 .....	D3
COMPONER Y PODER VARILLA .....	D5
DIRECCION 1 .....	E1
DIRECCION 2 .....	E3
CONJUNTO ADITAMENTO .....	E4
CONTROL .....	E5
ADITAMENTO GUIA DE GOBIERNO .....	E7
CONTROL REMOTO COMPL. ....	F1
CONTROL REMOTO COMPL. 1 .....	F2
CONTROL REMOTO COMPL. 2 .....	F5
FUNDA SUPERIOR .....	F7

## INDICE

INDICE NUMERICO .....	G1
-----------------------	----

## PAGINA 2/2

IMPULSOR E INFERIOR 1 .....	A4*
IMPULSOR E INFERIOR 2 .....	B1*
GENERADOR .....	B3*
MOTOR DE ARRANQUE .....	B4*
EQUIPO ELECTRICO 1 .....	B5*
EQUIPO ELECTRICO 2 .....	B7*
EQUIPO ELECTRICO 3 .....	C2*
ESTUCHE REPARATION 1 .....	C3*
ESTUCHE REPARATION 2 .....	C5*
ESTUCHE REPARATION 3 .....	C6*

## INDICE

INDICE NUMERICO .....	G1*
-----------------------	-----

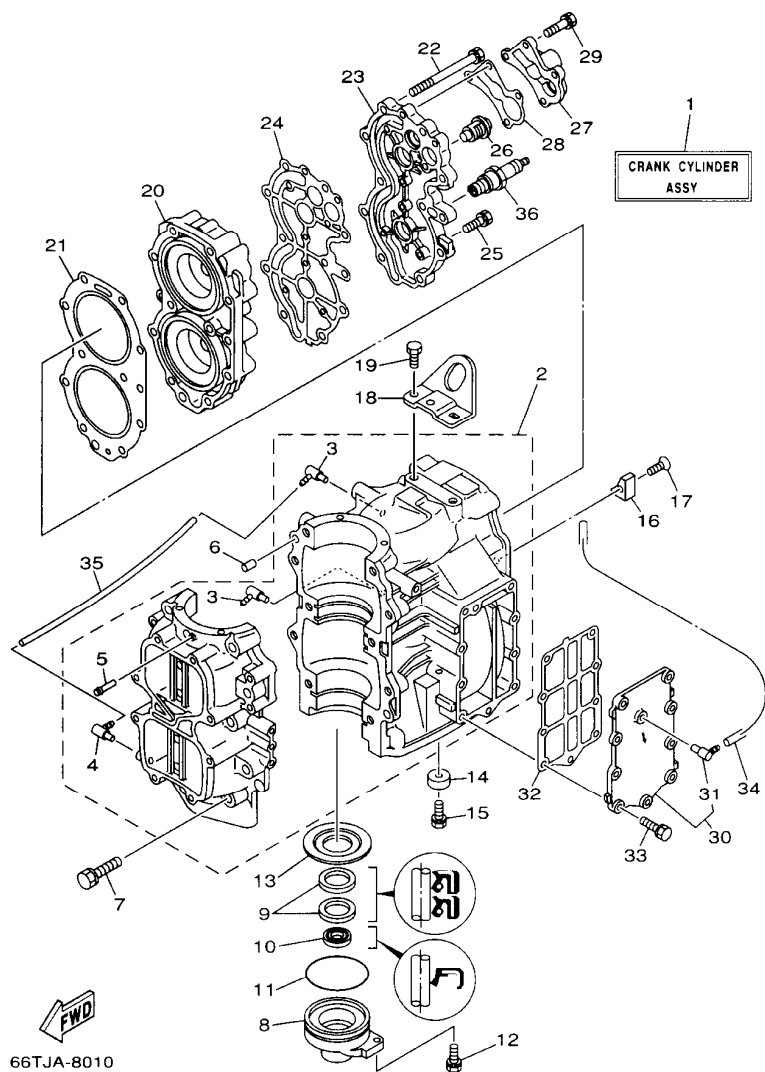


FIG. 1 CYLINDER, CRANKCASE CYLINDRO, CARTER

REF. NO.	PART NO. CODIGO NO.	DESCRIPTION DESCRIPTION	MH	WH	W	WT	REMARKS OBSERVACION
1	66T-W0090-00-4D	CRANK CYLINDER ASSY BLOQUE MOTOR COMPLETO ( REF.NO. 2-35, FIG.2, REF.NO. 1~20 FIG.22, REF.NO. 12 )	1	1	1	1	
2	66T-15100-00-94	CRANKCASE ASSY CARTER COMPLETO	1	1	1	1	
3	6E5-13552-00	.NOZZLE .BOQUILLA	2	2	2	2	
4	6E5-13552-00	.NOZZLE .BOQUILLA	1	1	1	1	
5	624-14485-00	.PIPE, JOINT .TUBO DE UNION	1	1	1	1	
6	93608-12063	PIN, DOWEL PASADOR DE CLAVIJA	2	2	2	2	
7	90119-10M07	BOLT, WITH WASHER TORNILLO CON ARANDELA	10	10	10	10	
8	66T-15396-00	HOUSING, OIL SEAL CAJA DE SELLO DE ACEITE	1	1	1	1	
9	93102-30M53	OIL SEAL SELLO ACEITE	2	2	2	2	
10	93104-16M01	OIL SEAL SELLO ACEITE	1	1	1	1	
11	93210-65M50	O-RING ANILLO O	1	1	1	1	
12	97595-06520	BOLT, WITH WASHER PERNO CON ARANDELA RONDELLE	1	1	1	1	
13	90209-34M27	WASHER ARANDELA DE SEPARACION	1	1	1	1	
14	676-45251-00	ANODE CATODE	1	1	1	1	
15	97595-06520	BOLT, WITH WASHER PERNO CON ARANDELA RONDELLE	1	1	1	1	
16	676-11325-00	ANODE ANODO	1	1	1	1	
17	90141-06M00	SCREW, COUNTERSUNK TORNILLO RANURADO	1	1	1	1	
18	66T-11119-00	HANGER, ENGINE SOPORTE DEL MOTOR	1	1	1	1	
19	97013-08020	BOLT PERNO	2	2	2	2	
20	66T-11111-00-94	HEAD, CYLINDER 1 CULATA CILINDRO 1	1	1	1	1	
21	66T-11181-A0	GASKET, CYLINDER HEAD 1 JUNTA, DE CULATA 1	1	1	1	1	
22	90119-08M09	BOLT, WITH WASHER TORNILLO CON ARANDELA	11	11	11	11	
23	66T-11191-00-9M	COVER, CYLINDER HEAD 1 TAPA CULATA DE CILINDRO 1	1	1	1	1	
24	66T-11193-A0	GASKET, HEAD COVER 1 EMPAQUE	1	1	1	1	
25	97513-06525	BOLT, WITH WASHER PERNO CON ARANDELA RONDELLE	4	4	4	4	
26	6E5-12411-01	THERMOSTAT TERMOSTAT	1	1	1	1	





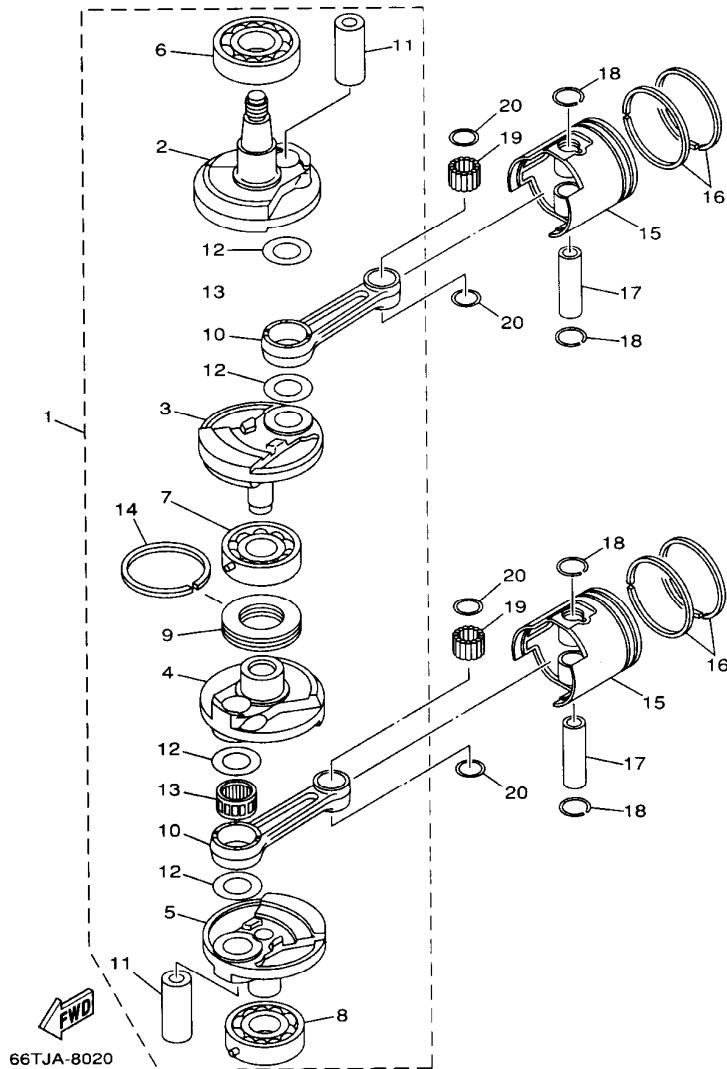
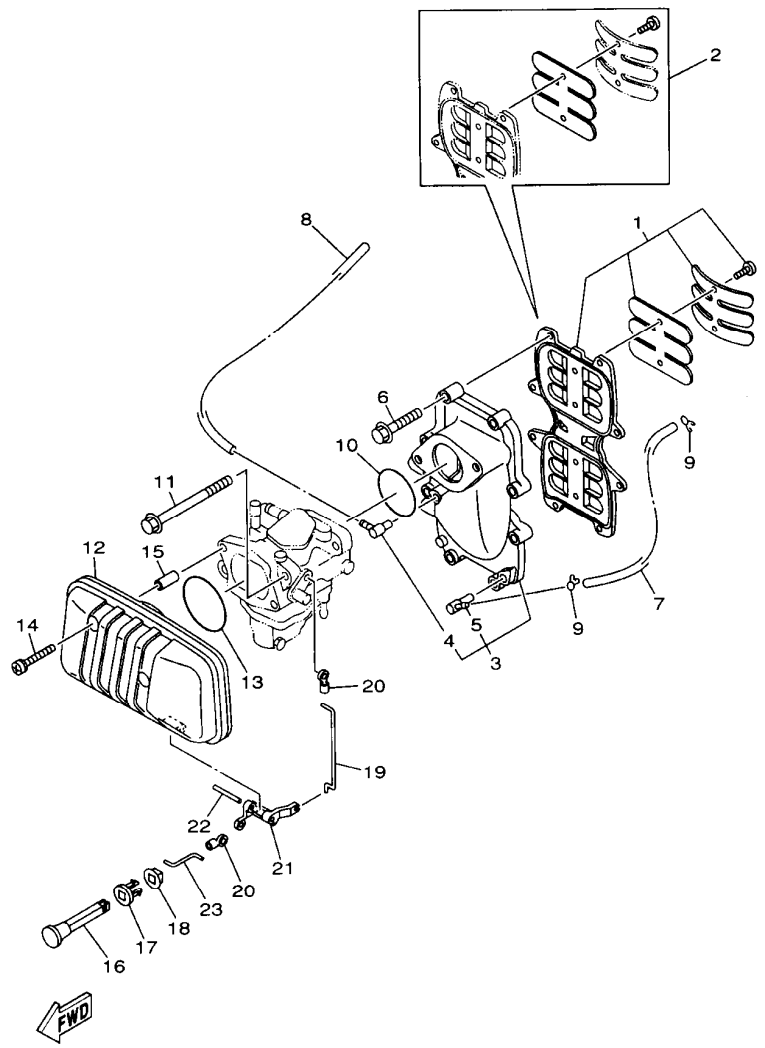


FIG. 2 CRANKSHAFT. PISTON CIGUENAL. PISTON

REF. NO.	PART NO. CODIGO NO.	DESCRIPTION DESCRIPTION	MH	WH	W	WT	REMARKS OBSERVACION
1	66T-11400-00	CRANKSHAFT ASSY CIGUENAL COMPLETO	1	1	1	1	
2	66T-11412-00	.CRANK 1 .MANIVELA 1	1	1	1	1	
3	66T-11422-00	.CRANK 2 .MANIVELA 2	1	1	1	1	
4	66T-11432-00	.CRANK 3 .MANIVELA 3	1	1	1	1	
5	66T-11442-00	.CRANK 4 .MANIVELA 4	1	1	1	1	
6	93306-307U0	.BEARING .COJINETE	1	1	1	1	
7	93306-306V6	.BEARING .COJINETE	1	1	1	1	
8	93306-306V5	.BEARING .COJINETE	1	1	1	1	
9	6F5-11515-00	.SEAL, LABYRINTH 1 .SELLO LABERINTO 1	1	1	1	1	
10	6F5-11651-00	.ROD, CONNECTING .BIELA	2	2	2	2	
11	66T-11681-00	.PIN, CRANK 1 .PASADOR MANIVELA 1	2	2	2	2	
12	90209-27M07	.WASHER .ARANDELA DE SEPARACION	4	4	4	4	
13	93310-727U0	.BEARING .COJINETE	2	2	2	2	
14	93440-68M03	.CIRCLIP .BOLA	1	1	1	1	
15	66T-11631-00-93	PISTON (STD) PISTON (STD)	2	2	2	2	
	66T-11635-00	PISTON (0.25MM O/S)	2	2	2	2	AP
	66T-11636-00	PISTON (0.50MM O/S)	2	2	2	2	AP
16	66T-11603-00	PISTON RING SET (STD) JUEGO DE ANILLOS (STD)	2	2	2	2	
	66T-11604-00	PISTON RING SET (0.25MM O/S) JUEGO DE ANILLOS (0.25MM O/S)	2	2	2	2	AP
	66T-11605-00	PISTON RING SET (0.50MM O/S) JUEGO DE ANILLOS (0.50MM O/S)	2	2	2	2	AP
17	6F5-11633-00	PIN, PISTON PASADOR, PISTON	2	2	2	2	
18	663-11634-00	CLIP, PISTON PIN PRESILLA, BULON DE PISTON	4	4	4	4	
19	93603-21111	PIN, DOWEL PASADOR DE CLAVIJA	56	56	56	56	
20	90201-20417	WASHER, PLATE ARANDELA PLANA	4	4	4	4	



66TJA-8030

FIG. 3 INTAKE ADMISION

REF. NO.	PART NO. CODIGO NO.	DESCRIPTION DESCRIPTION	MH	WH	W	WT	REMARKS OBSERVACION
1	66T-13610-00	REED VALVE ASSY VALVULA DE LAMINAS COMPLETA	1	1	1	1	
2	66T-W0004-00	.REED SET .JUEGO DE VALVULAS DE LENGUETA	1	1	1	1	
3	66T-13641-00-94	MANIFOLD 1 MULTIPLE 1	1	1	1	1	
4	6E5-13552-00	.NOZZLE .BOQUILLA	1	1	1	1	
5	650-11372-00	.NIPPLE, HOSE .NIPLE DE MANGUERA	1	1	1	1	
6	97513-06535	BOLT, WITH WASHER PERNO CON ARANDELA RONDELLE	8	8	8	8	
7	90445-07M24	HOSE TUBO	1	1	1	1	
8	90445-07MA4	HOSE TUBO	1	1	1	1	
9	90467-06016	CLIP PRESILLA	2	2	2	2	
10	93210-46M16	O-RING ANILLO O	1	1	1	1	
11	90119-08M50	BOLT, WITH WASHER TORNILLO CON ARANDELA	2	2	2	2	
12	66T-14440-00	SILENCER ASSY, INTAKE SILENCIADOR COMPL DE ADMISION	1	1	1	1	
13	93210-54M54	O-RING ANILLO O	1	1	1	1	
14	97985-06240	SCREW, WITH WASHER TORNILLO, CON ARANDELA	2	2	2	2	
15	90387-06M80	COLLAR CASQUILLO CON VALONA	2	2	2	2	
16	6H4-41271-01	KNOB, CHOKE PERILLA AHOGADOR	1	1	1	1	
17	689-41273-00	GROMMET TAPON PROTECTOR	1	1	1	1	
18	6J8-41274-00	GROMMET 2 TAPON 2	1	1	1	1	
19	66T-41256-00	ROD, CHOKE 1 VARILLA DE AHOGADOR	1	1	1	1	
20	661-41262-02	JOINT, CHOKE LEVER CONECTOR DE AHOGADOR	2	2	2	2	
21	66T-41252-00	LEVER, CHOKE 1 PALANCA AHOGADOR 1	1	1	1	1	
22	91690-40032	PIN, SPRING PASADOR DE RESORTE	1	1	1	1	
23	66T-41257-00	ROD, CHOKE 2 VARILLA DE AHOGADOR	1	1	1	1	

66TJA-8040

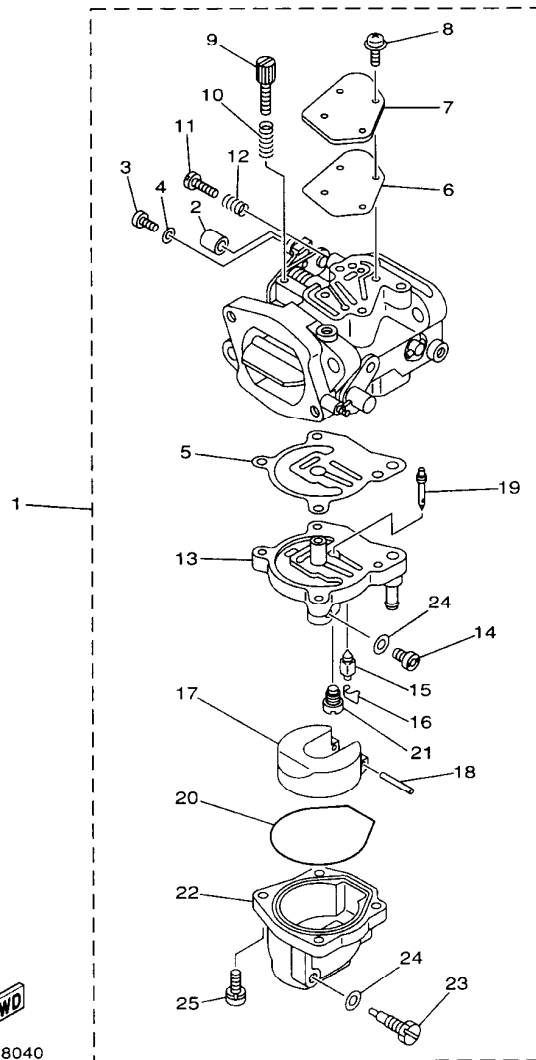


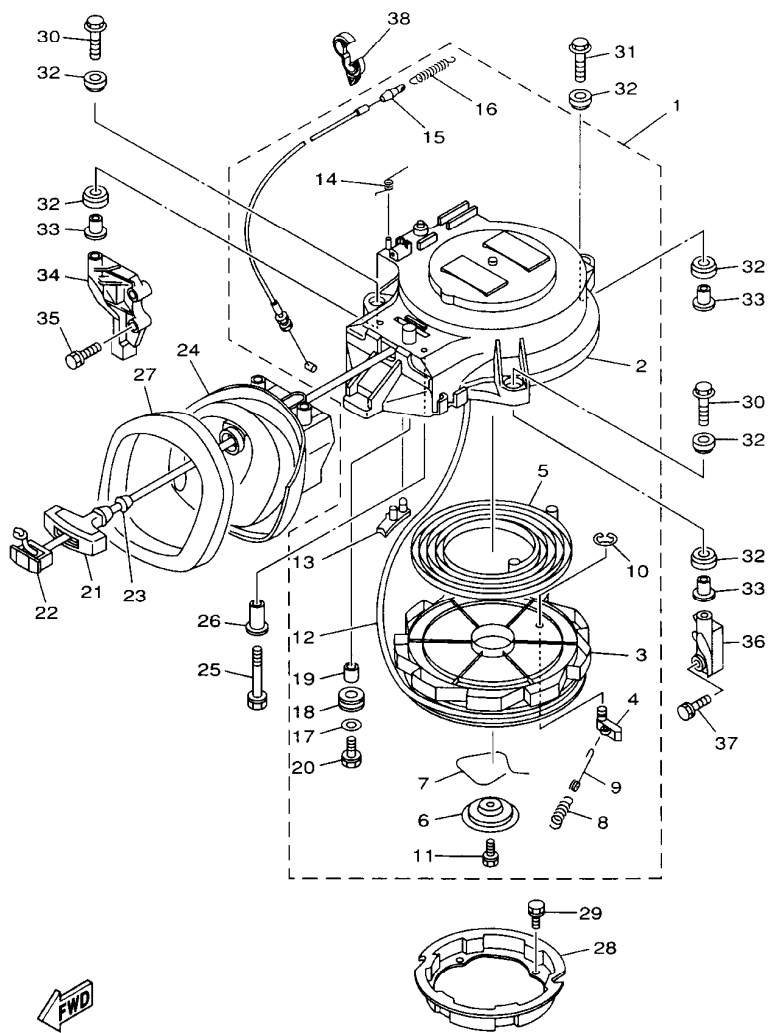
FIG. 4 CARBURETOR

CARBURADOR

REF. NO.	PART NO. CODIGO NO.	DESCRIPTION DESCRIPTION	MH	WH	W	WT	REMARKS OBSERVACION
1	66T-14301-00	CARBURETOR ASSY 1 CARBURADOR COMPLETO 1	1	1			UR
	66T-14301-10	CARBURETOR ASSY 1 CARBURADOR COMPLETO 1			1	1	UR
	66T-14301-20	CARBURETOR ASSY 1 CARBURADOR COMPLETO 1	1				UR FOR BRAZIL
	66T-14301-30	CARBURETOR ASSY 1 CARBURADOR COMPLETO 1			1		UR FOR BRAZIL
2	6J8-14578-00	.COLLAR .COLLAR	1	1	1	1	
3	6J8-14592-01	.SCREW .TORNILLO	1	1	1	1	
4	92990-05600	.WASHER, PLATE .ARANDELA	1	1	1	1	
5	66T-14384-00	.GASKET, FLOAT CHAMBER .EMPAQUE DE CAMARA DE BOIA	1	1	1	1	
6	66T-14536-00	.GASKET .EMPAQUE	1	1	1	1	
7	66T-14527-00	.PLATE .PLACA	1	1	1	1	
8	97980-04112	.SCREW, WITH WASHER .TORNILLO, CON ARANDELA	4	4	4	4	
9	66T-14523-00	.SCREW, STOP .TORNILLO DE TOPE	1	1	1	1	
10	6J8-14334-00	.SPRING, THROTTLE .RESORTE DE AJUSTADOR DE AIRE	1	1	1	1	
11	6E5-14323-03	.SCREW, AIR ADJUSTING .TORNILLO DE AJUSTE DE AIRE	1	1	1	1	
12	6E5-14223-00	.SPRING, AIR ADJUSTING .RESORTE, AJUSTE DE AIRE	1	1	1	1	
13	66T-14945-00	.SPACER ASSY .BRIDA DE ESPACIADOR 1	1	1	1	1	
14	61A-1492E-85	.JET, MAIN (#170) .INJECTOR, PRINCIPAL (#170)	1	1	1	1	UR
	61A-1492E-88	.JET, MAIN (#176) .INJECTOR, PRINCIPAL (#176)	1	1			UR FOR BRAZIL
15	6E5-14546-00	.VALVE, NEEDLE .VALVULA DE AGUJA	1	1	1	1	
16	6E5-14159-00	.CLIP .PRESILLA	1	1	1	1	
17	6E5-14385-02	.FLOAT .BOIA	1	1	1	1	
18	6E5-14386-02	.PIN, FLOAT .PASADOR DE BOIA	1	1	1	1	
19	66T-1492F-35	.JET, AIR SLOW (#70) .ESPREA (#70)	1	1	1	1	UR
	66T-1492F-37	.JET, AIR SLOW (#74) .ESPREA (#74)	1	1			UR FOR BRAZIL
20	66T-14984-00	.GASKET, FLOAT CHAMBER .EMPAQUE CAMARA DE BOIA	1	1	1	1	
21	66T-14992-00	.PLUG .TAPON	1	1	1	1	
22	66T-14981-00	.BODY, FLOAT CHAMBER .CUERPO CAMARA DE BOIA	1	1	1	1	

B1



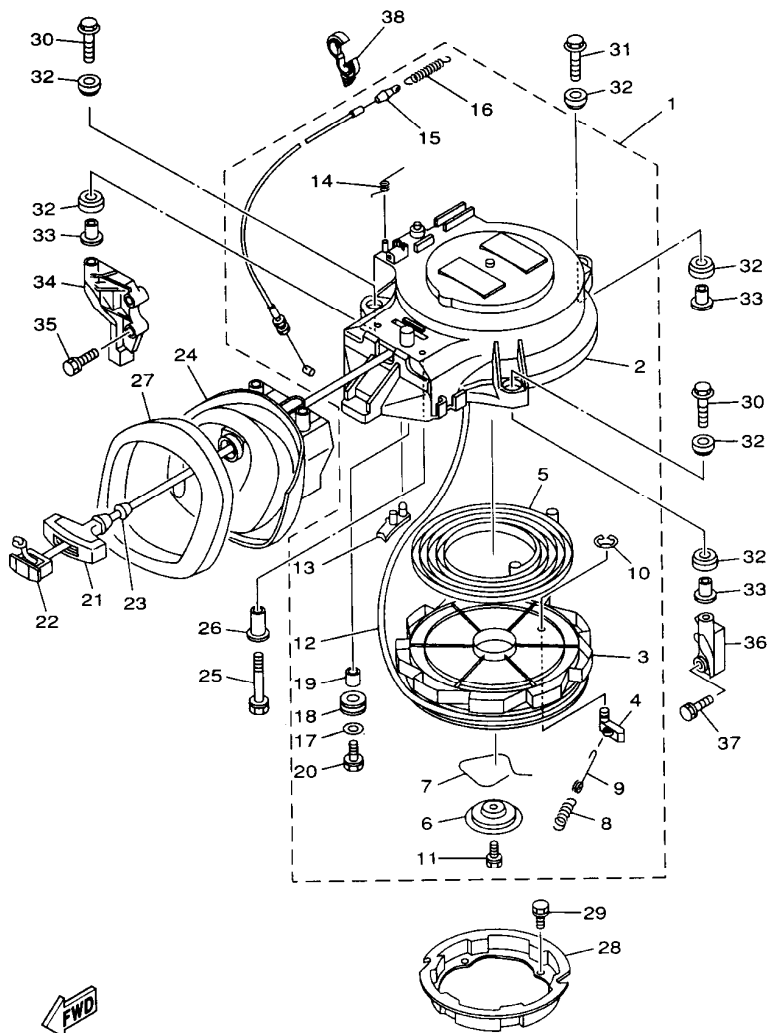


**FWD**  
66TJA-8050

**FIG. 5 STARTER**

**ARRANQUE**

REF. NO.	PART NO. CODIGO NO.	DESCRIPTION DESCRIPTION	MH	WH	W	WT	REMARKS OBSERVACION
1	66T-15710-00	STARTER ASSY ARRANQUE COMPLETO	1	1	1	1	
2	66T-15711-00	.CASE, STARTER .CAJA DE ARRANQUE	1	1	1	1	
3	66T-15714-00	.DRUM, SHEAVE .TAMBOR ROLDANA	1	1	1	1	
4	63V-15741-00	.PAWL, DRIVE .TRINQUETE DE TRACCION	1	1	1	1	
5	66T-15713-00	.SPRING, STARTER .RESORTE DE ARRANQUE	1	1	1	1	
6	66T-15716-00	.PLATE, DRIVE .PLACA DE TRACCION	1	1	1	1	
7	66T-15705-00	.SPRING, DRIVE PAWL .RESORTE	1	1	1	1	
8	66T-15767-00	.SPRING .RESORTE	1	1	1	1	
9	66T-15784-00	.SPRING, RETURN .RESORTE DE RETORNO	1	1	1	1	
10	63V-15744-00	.CIRCLIP .SEGURO	1	1	1	1	
11	63V-15768-00	.BOLT .TORNILLO	1	1	1	1	
12	*	.WIRE, STARTER (1.8M) .CUERDA DE ARRANQUE (1,8M)	1	1	1	1	
13	66T-15794-00	.STOPPER .TOPE	1	1	1	1	
14	66T-15734-00	.SPRING, RETURN .RESORTE DE RETORNO	1	1	1	1	
15	66T-15770-00	.CABLE COMP., STARTER STOP .CABLECOMPL DE SEGURO ARRANQUE	1	1	1	1	
16	66T-15731-00	.SPRING, RETURN .RESORTE DE RETORNO	1	1	1	1	
17	663-15791-00	.WASHER, LOCK .EMBLEMA	1	1	1	1	
18	6F5-15752-00	.ROLLER, WIRE .RODILLO DE CUERDA	1	1	1	1	
19	663-15753-00	.BUSH .BUJE	1	1	1	1	
20	66T-15768-00	.BOLT .TORNILLO	1	1	1	1	
21	689-15755-01	.HANDLE, STARTER MANIJA DE ARRANQUE	1	1	1	1	
22	6F5-15779-02	.COVER CUBIERTA	1	1	1	1	
23	697-15789-00	.DAMPER AMORTIGUADOR	1	1	1	1	
24	66T-15758-00	.GUIDE, ROPE GUIA DE CUERDA	1	1	1	1	
25	97595-06535	.BOLT, WITH WASHER PERNO CON ARANDELA RONDELLE	2	2	2	2	
* CUT FROM 50M ROLLS, PART NO. 90890-44374, CUTTING LENGTH 1.8M							
* CORTE DE UN RODILLO DE 50M , PARTS NUMERO 90890-44374, LARGO DEL CORTE 1.8M							

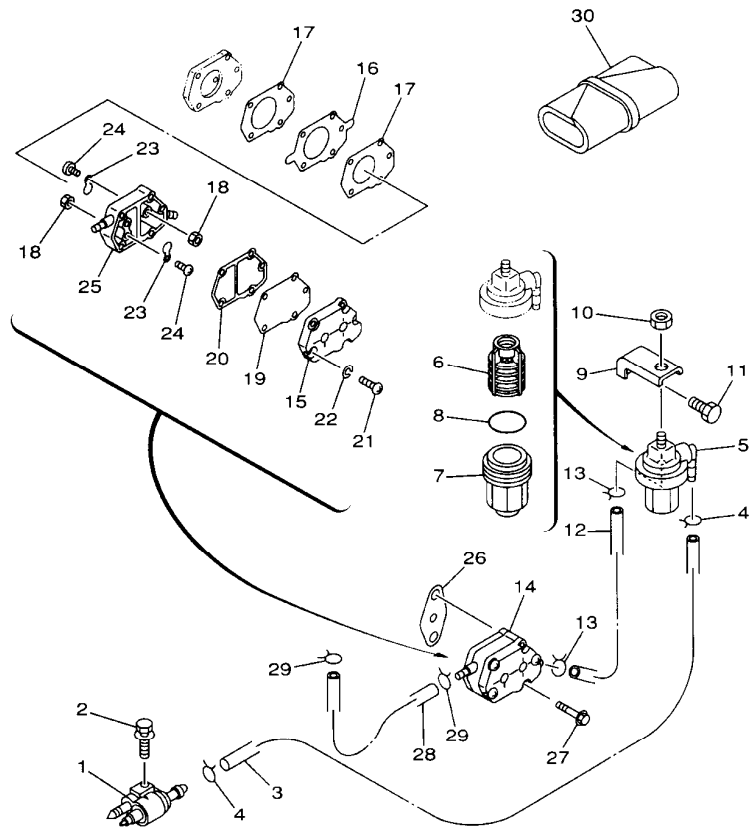


**FWD**  
66TJA-8050

**FIG. 5 STARTER**

**ARRANQUE**

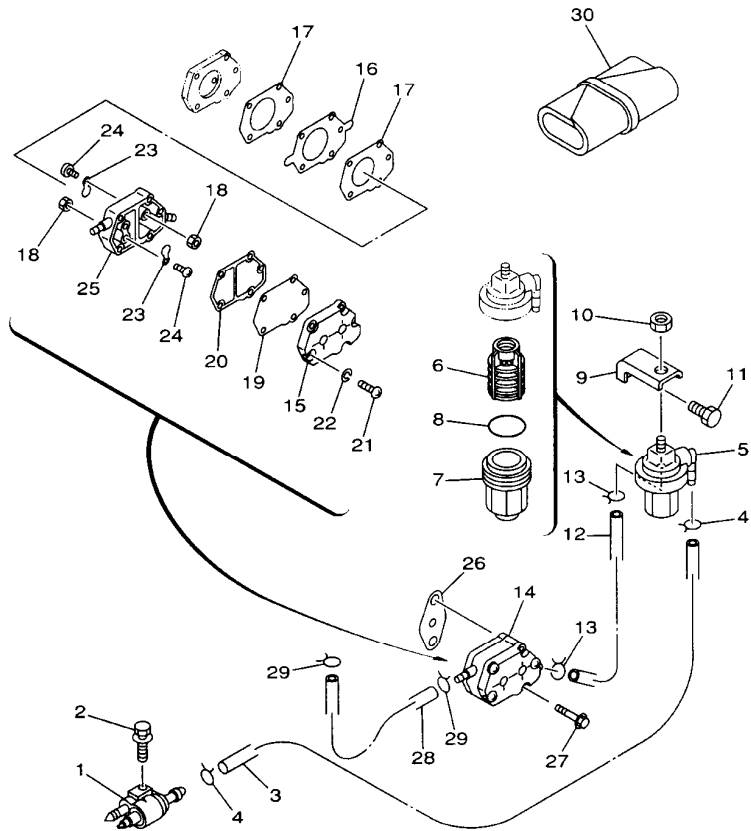
REF. NO.	PART NO. CODIGO NO.	DESCRIPTION DESCRIPTION	MH	WH	W	WT	REMARKS OBSERVACION
26	90387-06M66	COLLAR CASQUILLO CON VALONA	2	2	2	2	
27	66T-15762-00	SEAL, RUBBER 2 SELLO DE GOMA 2	1	1	1	1	
28	66T-15723-00	PULLEY, STARTER POLEA DE ARRANQUE	1	1	1	1	
29	97595-06510	BOLT, WITH WASHER PERNO CON ARANDELA RONDELLE	4	4	4	4	
30	90119-08M10	BOLT, WITH WASHER TORNILLO CON ARANDELA	2	2	2	2	
31	90119-08M51	BOLT, WITH WASHER TORNILLO CON ARANDELA	1	1	1	1	
32	90385-12M04	BUSH BUJE	6	6	6	6	
33	90387-08M05	COLLAR CASQUILLO CON VALONA	3	3	3	3	
34	66T-15771-00-94	STAY 1 SOPORTE 1	1	1	1	1	
35	97513-06530	BOLT, WITH WASHER PERNO CON ARANDELA RONDELLE	2	2	2	2	
36	66T-15772-00-94	STAY 2 SOPORTE 2	1	1	1	1	
37	97513-06530	BOLT, WITH WASHER PERNO CON ARANDELA RONDELLE	2	2	2	2	
38	90464-13249	CLAMP BRIDA		1	1	1	



66TJA-8060

FIG. 6 FUEL COMBUSTIBLE

REF. NO.	PART NO. CODIGO NO.	DESCRIPTION DESCRIPTION	MH	WH	W	WT	REMARKS OBSERVACION
1	6G1-24304-02	FUEL PIPE JOINT COMP. 1 CONECTOR MANGUERA COMBUST. 1	1	1	1	1	
2	97595-06530	BOLT, WITH WASHER PERNO CON ARANDELA RONDELLE	1	1	1	1	
3	90445-09M08	HOSE TUBO	1	1	1	1	
4	90467-08004	CLIP PRESILLA	2	2	2	2	
5	61N-24560-00	FILTER ASSY FILTRO COMPLETO	1	1	1	1	
6	61N-24563-00	ELEMENT, FILTER ELEMENTO DEL FILTRO	1	1	1	1	
7	61N-24521-00	CUP, FILTER COPA DE FILTRO	1	1	1	1	
8	93210-32738	O-RING ANILLO O	1	1	1	1	
9	648-24566-01	BRACKET, FILTER SOPORTE DEL FILTRO	1	1	1	1	
10	95380-08600	NUT TUERCA	1	1	1	1	
11	97013-06014	BOLT PERNO	1	1	1	1	
12	90445-09086	HOSE TUBO	1	1	1	1	
13	90467-08004	CLIP PRESILLA	2	2	2	2	
14	692-24410-00	FUEL PUMP ASSY BOMBA DE COMBUSTIBLE COMPLETA	1	1	1	1	
15	6A0-24413-00	BODY 2 CUERPO 2	1	1	1	1	
16	692-24411-00	DIAPHRAGM DIAFRAGMA	1	1	1	1	
17	648-24434-01	GASKET, BODY EMPAQUE	2	2	2	2	
18	95380-03600	NUT TUERCA	2	2	2	2	
19	663-24411-00	DIAPHRAGM DIAFRAGMA	1	1	1	1	
20	648-24435-02	GASKET, BODY 2 EMPAQUE	1	1	1	1	
21	98503-05028	SCREW, PAN HEAD TORNILLO DE CABEZA CON PLANA	3	3	3	3	
22	92990-05100	WASHER, SPRING ARANDELA	3	3	3	3	
23	6A0-24421-01	VALVE, CHECK VALVULA DE RETENCION	2	2	2	2	
24	6A0-14325-00	SCREW, PAN HEAD TORNILLO CABEZA REDONDA	2	2	2	2	
25	6A0-24412-02	BODY 1 CUERPO 1	1	1	1	1	
26	650-24431-A0	GASKET, FUEL PUMP 1 EMPAQUE BOMBA COMBUST 1	1	1	1	1	
27	97595-06540	BOLT, WITH WASHER PERNO CON ARANDELA RONDELLE	2	2	2	2	



66TJA-8060

FIG. 6 FUEL

COMBUSTIBLE

REF. NO.	PART NO. CODIGO NO.	DESCRIPTION DESCRIPTION	MH	WH	W	WT	REMARKS OBSERVACION
28	90445-09086	HOSE TUBO	1	1	1	1	
29	90467-08004	CLIP PRESILLA	2	2	2	2	
30	676-W2810-01	TOOL KIT JUEGO DE HERRAMIENTAS	1	1	1	1	

B6



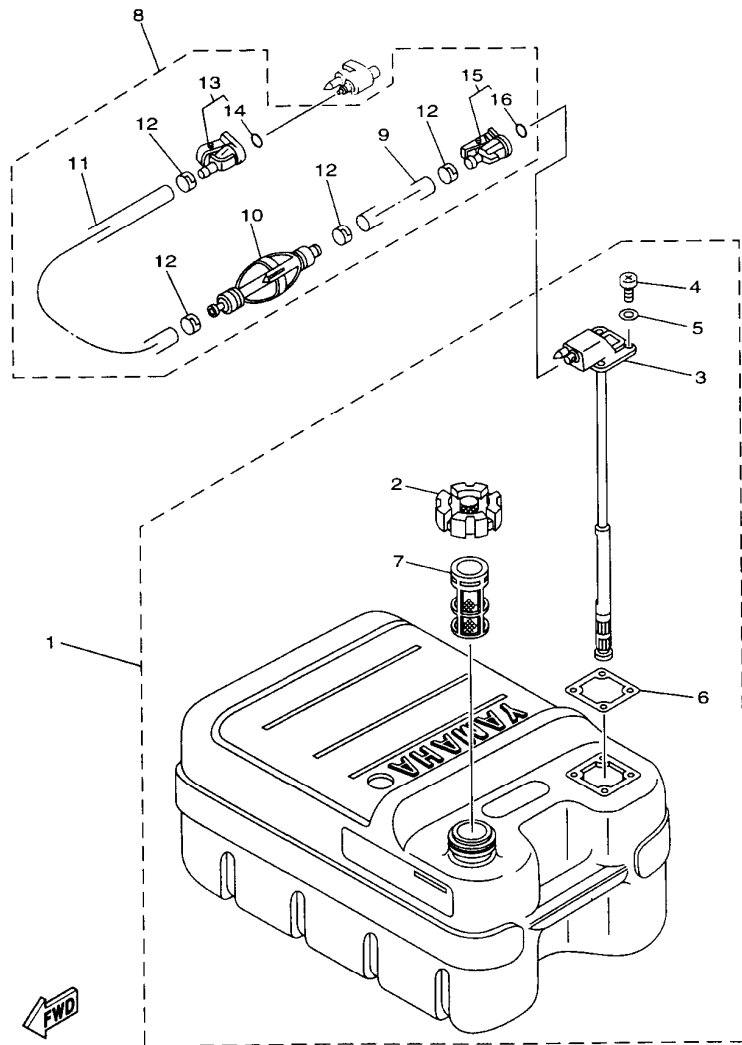


FIG. 7 FUEL TANK

DEPOSITO DE COMBUSTIBLE

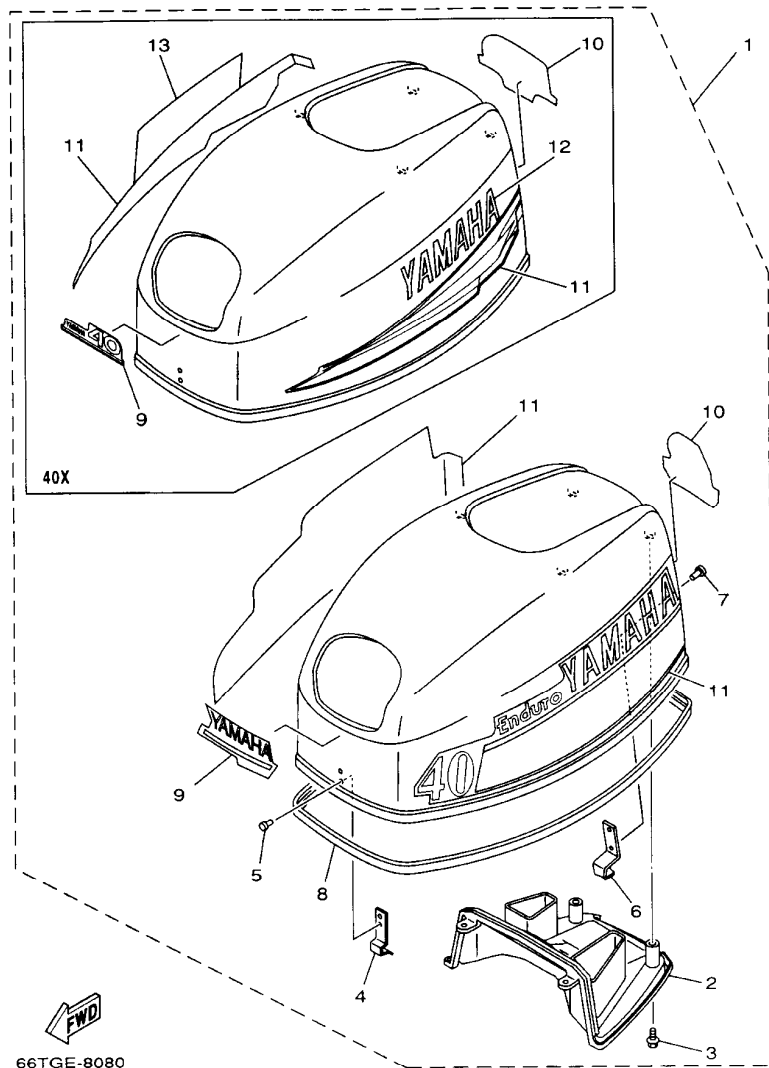
REF. NO.	PART NO. CODIGO NO.	DESCRIPTION DESCRIPTION	MH	WH	W	WT	REMARKS OBSERVACION
1	6YJ-24201-00	FUEL TANK ASSY (24L) TANQUE DEL COMBUSTIBLE (24L)	1	1	1	1	UR
	6YJ-24201-10	FUEL TANK ASSY (24L) TANQUE DEL COMBUSTIBLE (24L)	1	1	1	1	UR WITH INDICATOR
2	6YJ-24610-01	.CAP ASSY .TAPA COMPLETA	1	1	1	1	
3	6YJ-24260-00	.FUEL METER ASSY .MEDIDOR DE COMBUSTIBLE COMPL.	1	1	1	1	UR
	6Y1-24260-12	.FUEL METER ASSY .MEDIDOR DE COMBUSTIBLE COMPL.	1	1	1	1	UR WITH INDICATOR
4	98586-05016	.SCREW, PAN HEAD .TORNILLO DE CABEZA CON PLANA	4	4	4	4	
5	6Y1-24329-00	.SEAL .SELLO	4	4	4	4	
6	6Y1-24268-00	.GASKET, FUEL METER .EMPAQ MEDIDOR DE COMBUSTIBLE	1	1	1	1	
7	6YJ-24167-00	.STRAINER .COLADOR	1	1	1	1	
8	6Y1-24306-51	FUEL PIPE COMP. 1 TUBO COMBUST. COMPL 1	1	1	1	1	
9	90445-11M06	.HOSE (L:2050MM) .MANGUERA (L:2050MM)	1	1	1	1	
10	6Y1-24360-51	.PRIMER PUMP ASSY .SOPORTE BOMBA	1	1	1	1	
11	90445-11M05	.HOSE (L:850MM) .MANGUERA (L:850MM)	1	1	1	1	
12	650-24351-51	.BAND 1 .ABRAZADERA 1	4	4	4	4	
13	6G1-24305-01	.FUEL PIPE JOINT COMP. 2 .CONECTOR MANGUERA COMBUST. 2	1	1	1	1	
14	93210-08287	.O-RING .ANILLO O	1	1	1	1	
15	6Y1-24305-02	.FUEL PIPE JOINT COMP. 2 .CONECTOR MANGUERA COMBUST. 2	1	1	1	1	
16	93210-08287	.O-RING .ANILLO O	1	1	1	1	

6J8US-9080

B7

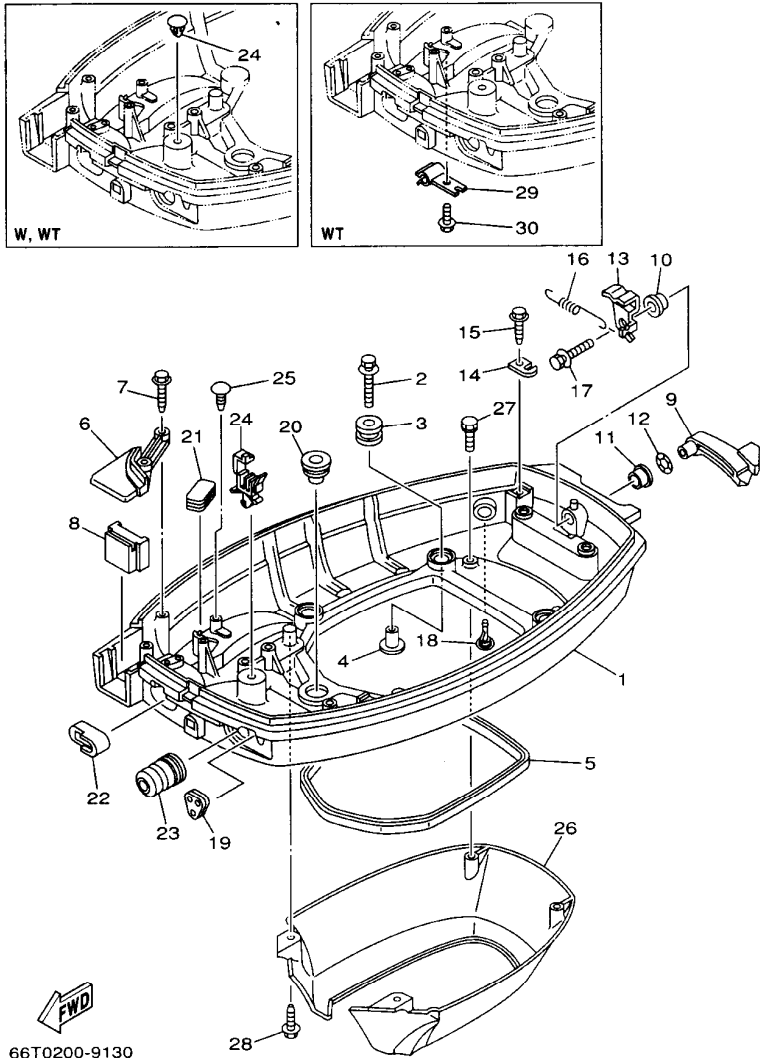
FIG. 8 TOP COWLING

SOPORTE SUPERIOR



REF. NO.	PART NO. CODIGO NO.	DESCRIPTION DESCRIPTION	MH	WH	W	WT	REMARKS OBSERVACION
1	66T-42610-10-4D	TOP COWLING ASSY SOPORTE SUPERIOR COMPL.	1		1	1	UR YAMAHA 40
	66T-42610-H0-4D	TOP COWLING ASSY SOPORTE SUPERIOR COMPL.	1	1	1		UR ENDURO
2	66T-42613-00	.MOLDING, AIR DUCT .MOLDURA CONDUCTO AIRE	1	1	1	1	
3	97780-60520	.SCREW, TAPPING .TORNILLO ROSCA HEMBRA	4	4	4	4	
4	6E0-42651-02	.HOOK .GANCHO	1	1	1	1	
5	90266-04M04	.RIVET .REMACHE	2	2	2	2	
6	6F5-42652-01	.HOOK .GANCHO	1	1	1	1	
7	90266-04M04	.RIVET .REMACHE	2	2	2	2	
8	66T-42615-00	.SEAL .SELLO	1	1	1	1	
9	63D-42677-11	.GRAPHIC, FRONT .CALCAMONIA FRONTAL	1		1	1	UR YAMAHA 40
	61N-42677-H0	.GRAPHIC, FRONT .CALCAMONIA FRONTAL	1	1	1		UR ENDURO
10	63D-42678-11	.GRAPHIC, REAR .CALCAMONIA TRASERA	1		1	1	UR YAMAHA 40
	6J4-42678-H0	.GRAPHIC, REAR .CALCAMONIA TRASERA	1	1	1		UR ENDURO
11	63D-W0070-10	.GRAPHIC SET .JUEGO DE EMBLEMA	1		1	1	UR YAMAHA 40
	66T-W0070-H0	.GRAPHIC SET .JUEGO DE EMBLEMA	1	1	1		UR ENDURO
12	63D-42681-10	.MARK, COWLING .MARCA DE CUBIERTA	1		1	1	
13	63D-42682-10	.MARK, COWLING .MARCA DE CUBIERTA	1		1	1	

C1



66T0200-9130

FIG. 9 BOTTOM COWLING CUBIERTA INFERIOR

REF. NO.	PART NO. CODIGO NO.	DESCRIPTION DESCRIPTION	MH	WH	W	WT	REMARKS OBSERVACION
1	66T-42710-00-4D	BOTTOM COWLING ASSY CUBIERTA INFERIOR COMPL. ( REF.NO. 7, 15, 28, 30 , FIG.17, REF.NO. 18, 20 FIG.28, REF.NO. 29, 31 )	1	1	1	1	
2	90119-06M61	BOLT, WITH WASHER TORNILLO CON ARANDELA	4	4	4	4	
3	90480-09M21	GROMMET TAPON	4	4	4	4	
4	90387-06M41	COLLAR CASQUILLO CON VALONA	4	4	4	4	
5	66T-42716-00	RUBBER, SEAL 1 SELLO DE GOMA 1	1	1	1	1	
6	66T-42738-00-5B	PLATE, FITTING PLACA DE AJUSTE	1	1	1	1	
7	90109-06M81	BOLT PERNO	2	2	2	2	
8	66T-42725-00	GROMMET TAPON	1				UR
66T-42725-10	GROMMET TAPON			1			UR
66T-42725-20	GROMMET TAPON				1	1	UR
9	66T-42815-00-4D	LEVER, CLAMP PALANCA ABRAZADERA	1	1	1	1	
10	90386-12M37	BUSH BUJE	1	1	1	1	
11	90386-12MA2	BUSH BUJE	1	1	1	1	
12	90206-12052	WASHER, WAVE ARANDELA ONDULADA	1	1	1	1	
13	66T-42816-00	LEVER, CLAMP PALANCA ABRAZADERA	1	1	1	1	
14	66T-43144-00	HOOK, SPRING GANCHO	1	1	1	1	
15	90109-06M86	BOLT PERNO	1	1	1	1	
16	90506-16M34	SPRING, TENSION RESORTE DE TENSION	1	1	1	1	
17	90119-06M73	BOLT, WITH WASHER TORNILLO CON ARANDELA	1	1	1	1	
18	6E5-44391-00	NIPPLE, HOSE NIPLE MANGUERA	1	1	1	1	
19	65W-26326-00	GROMMET TAPON PROTECTOR	1	1			UR
65W-26326-10	GROMMET TAPON PROTECTOR				1	1	UR
20	676-42727-00	GROMMET TAPON	1	1	1	1	
21	6H4-42726-00	GROMMET TAPON	1	1	1		UR
6H1-42726-10	GROMMET TAPON					1	UR

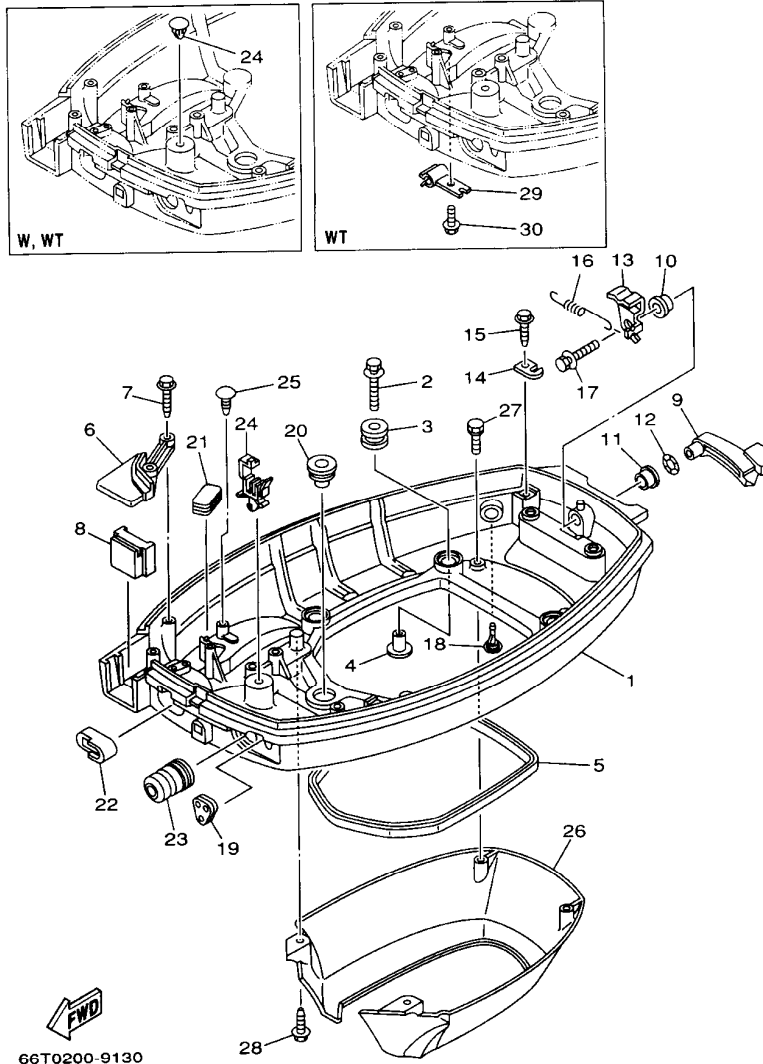


FIG. 9 BOTTOM COWLING CUBIERTA INFERIOR

REF. NO.	PART NO. CODIGO NO.	DESCRIPTION DESCRIPTION	MH	WH	W	WT	REMARKS OBSERVACION
22	66T-24329-00	SEAL SELLO	1	1	1	1	
23	65W-42726-00	GROMMET TAPON	1	1			UR
	65W-42726-10	GROMMET TAPON			1	1	UR
24	90465-25M57	CLAMP BRIDA	1	1			UR
	90338-07M00	PLUG TAPON			1	1	UR
25	90338-05M03	PLUG TAPON	1	1	1		
26	66T-42741-00	APRON MANDIL	1	1	1	1	
27	97595-06516	BOLT, WITH WASHER PERNO CON ARANDELA RONDELLE	2	2	2	2	
28	90109-06M80	BOLT PERNO	2	2	2	2	
29	90464-09M49	CLAMP BRIDA				1	
30	90109-06M80	BOLT PERNO				1	

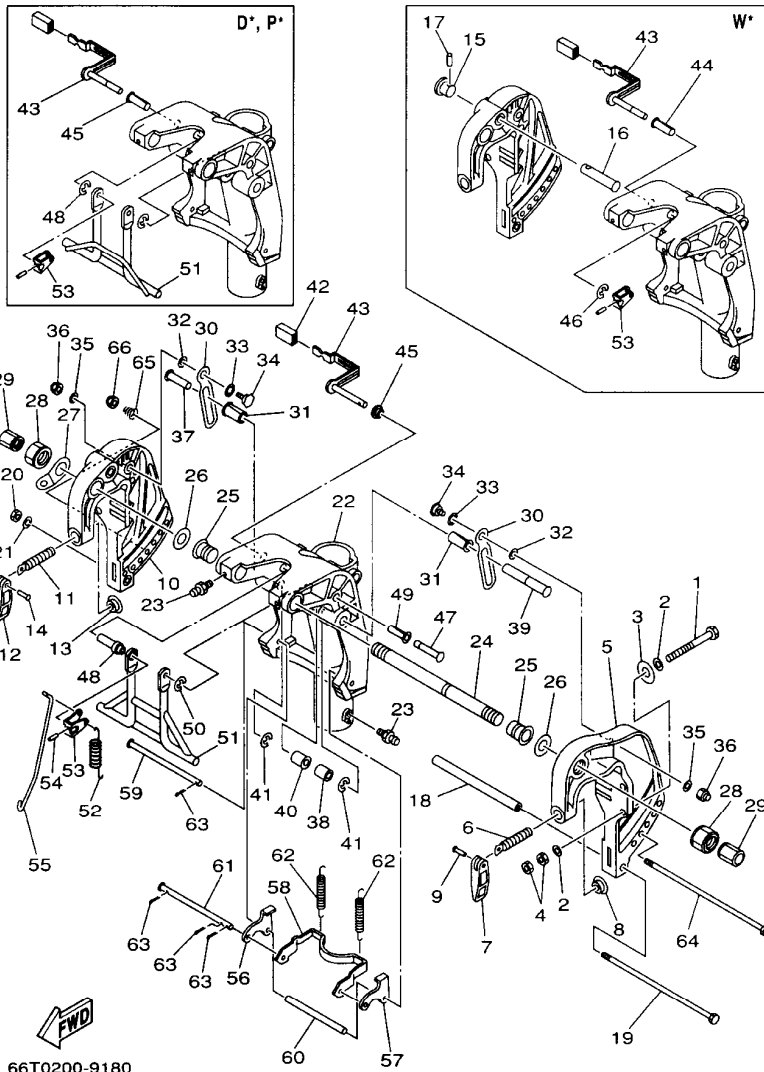


FIG. 10 BRACKET 1

SOPORTE 1

REF. NO.	PART NO. CODIGO NO.	DESCRIPTION DESCRIPTION	MH	WH	W	WT	REMARKS OBSERVACION
1	90101-10M58	BOLT TORNILLO	4	4	4		
2	92995-10600	WASHER ARANDELA	8	8	8		
3	90201-12426	WASHER, PLATE ARANDELA PLANA	4	4	4		
4	95380-10600	NUT TUERCA	8	8	8		
5	66T-43111-00-4D	BRACKET, CLAMP SOPORTE DE LA ABRAZADERA	1	1	1		
6	90149-14M12	SCREW TORNILLO DE REGLAJE	1	1	1		
7	663-43118-01-4D	HANDLE, TRANSOM CLAMP MANIJA DE LA ABRAZADERA DEL ES	1	1	1		
8	648-43114-01	PAD, TRANSOM CLAMP ARANDELA DE ABRAZADERA	1	1	1		
9	90243-04007	PIN PASADOR	1	1	1		
10	66T-43112-00-4D	BRACKET, CLAMP SOPORTE DE LA ABRAZADERA	1	1	1		
11	90149-14M12	SCREW TORNILLO DE REGLAJE	1	1	1		
12	663-43118-01-4D	HANDLE, TRANSOM CLAMP MANIJA DE LA ABRAZADERA DEL ES	1	1	1		
13	648-43114-01	PAD, TRANSOM CLAMP ARANDELA DE ABRAZADERA	1	1	1		
14	90243-04007	PIN PASADOR	1	1	1		
15	65W-43192-00	KNOB, STOPPER PERILLA DE TOPE	1	1	1		W*
16	65W-43191-00	SHAFT, STOPPER EJE DE TOPE	1	1	1		W*
17	91690-30018	PIN, SPRING PASADOR DE RESORTE	1	1	1		W*
18	90387-08M29	COLLAR CASQUILLO CON VALONA	1	1	1		
19	90101-08M76	BOLT TORNILLO	1	1	1		
20	95380-08600	NUT TUERCA	1	1	1		
21	92990-08100	WASHER, SPRING ARANDELA	1	1	1		
22	65W-43311-00-4D	BRACKET, SWIVEL SOPORTE GIRATORIO	1	1	1		UR S
	65W-43311-10-4D	BRACKET, SWIVEL SOPORTE GIRATORIO	1	1	1		UR L, X
<p>W* : WITHOUT SHALLOW WATER DRIVE W* : SIN NAVEGACION EN AGUAS POCO PROFUNDAS</p>							

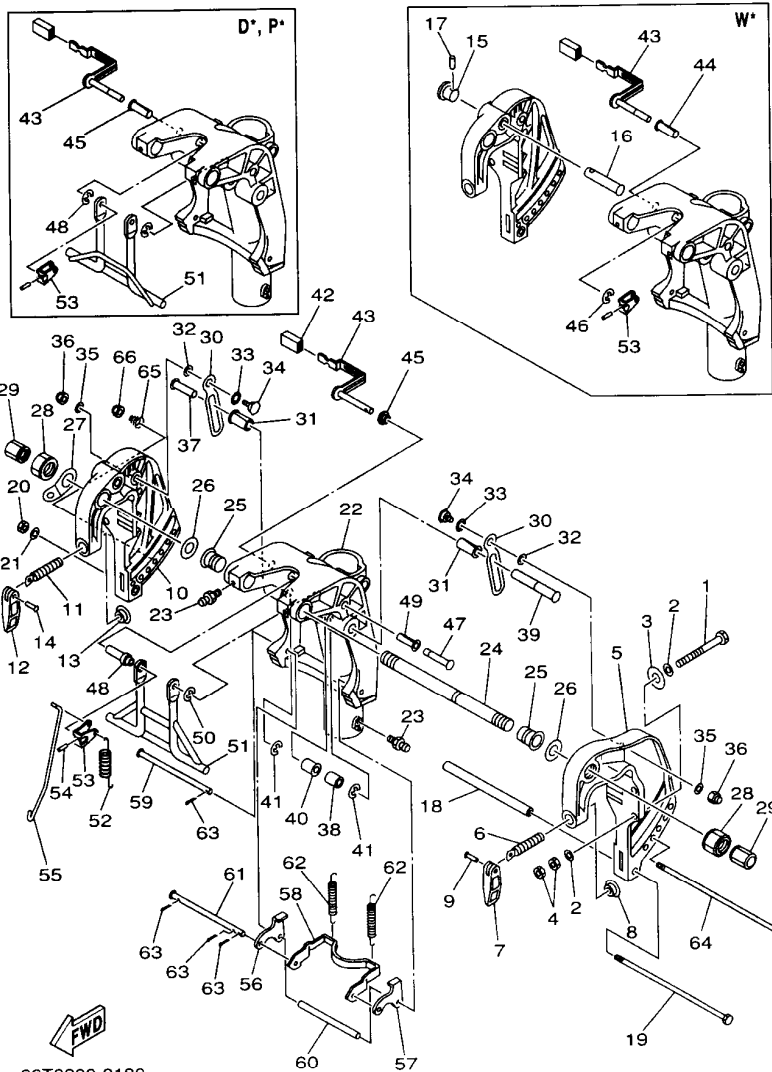


FIG. 10 BRACKET 1

SOPORTE 1

REF. NO.	PART NO. CODIGO NO.	DESCRIPTION DESCRIPTION	MH	WH	W	WT	REMARKS OBSERVACION
23	93700-06M03	NIPPLE, GREASE NIPLE DE ENGRASAR	1				UR
	93700-06M03	NIPPLE, GREASE NIPLE DE ENGRASAR		3	3		UR
24	63D-43131-00	BOLT, CLAMP BRACKET TORNILLO DE ABRAZADERA DEL SOP	1	1	1		
25	90386-22M15	BUSH BUJE	2	2	2		
26	90201-22M03	WASHER, PLATE ARANDELA PLANA	2	2	2		
27	6J8-43113-01	PLATE, CLAMP BRACKET PLACA ABRAZADERA SOPORTE	1	1	1		
28	63V-43145-00	CAP, CLAMP BRACKET TAPA	2	2	2		
29	6G5-43145-00	CAP, CLAMP BRACKET TAPA	2	2	2		
30	66T-43627-00	STOPPER RETEN	2	2	2		
31	90386-12M98	BUSH BUJE	2	2	2		
32	90202-12031	WASHER, PLATE ARANDELA DE PLANA	2	2	2		
33	90206-12M00	WASHER, WAVE ARANDELA ONDULADA	2	2	2		
34	90109-08M90	BOLT PERNO	2	2	2		
35	90201-08M07	WASHER, PLATE ARANDELA PLANA	2	2	2		
36	90185-08057	NUT, SELF-LOCKING TUERCA AUTOBLOCANTE	2	2	2		
37	90249-12M34	PIN PASADOR	1	1	1		
38	90387-12M04	COLLAR CASQUILLO CON VALONA	1	1	1		D*
39	90249-12M39	PIN PASADOR	1	1	1		UR D*
	90249-12M34	PIN PASADOR	1	1	1		UR W*
40	90386-12MA0	BUSH BUJE	1	1	1		D*
41	93430-10M00	CIRCLIP BOLA	2	2	2		
42	663-43318-00	COVER CUBIERTA	1	1	1		

D\* : FOR SHALLOW WATER DRIVE  
D\* : PARA NAVEGACION EN AGUAS POCO PROFUNDAS

W\* : WITHOUT SHALLOW WATER DRIVE  
W\* : SIN NAVEGACION EN AGUAS POCO PROFUNDAS

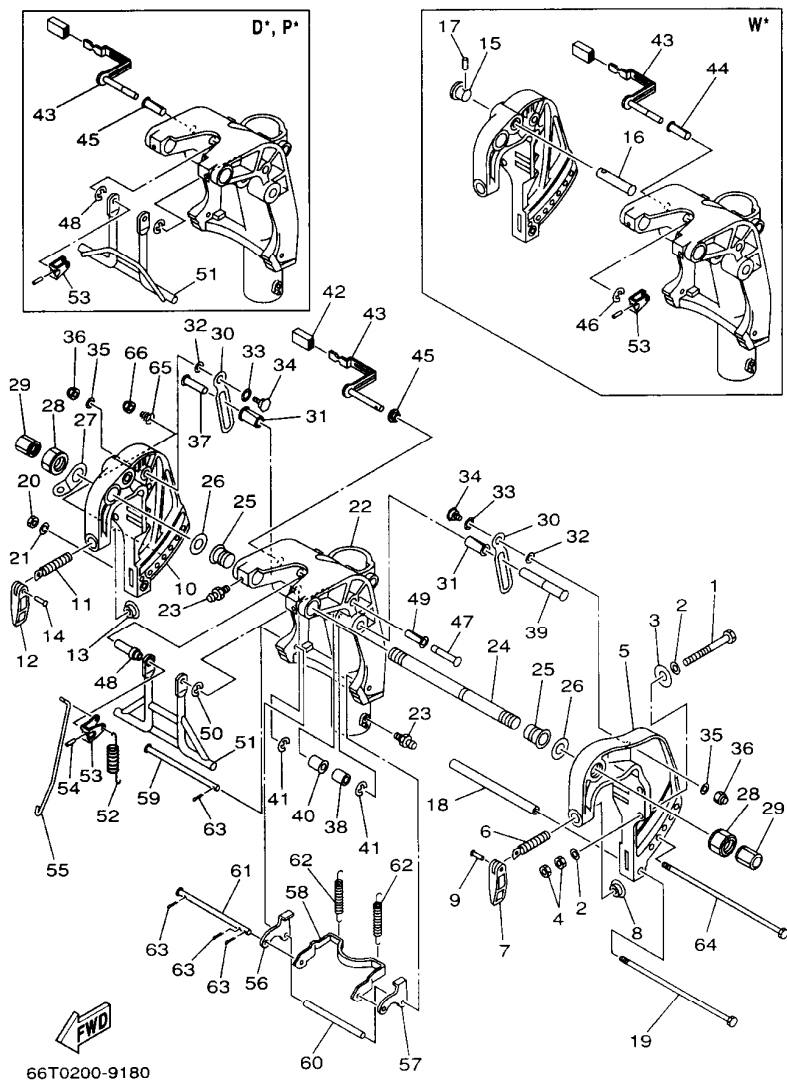
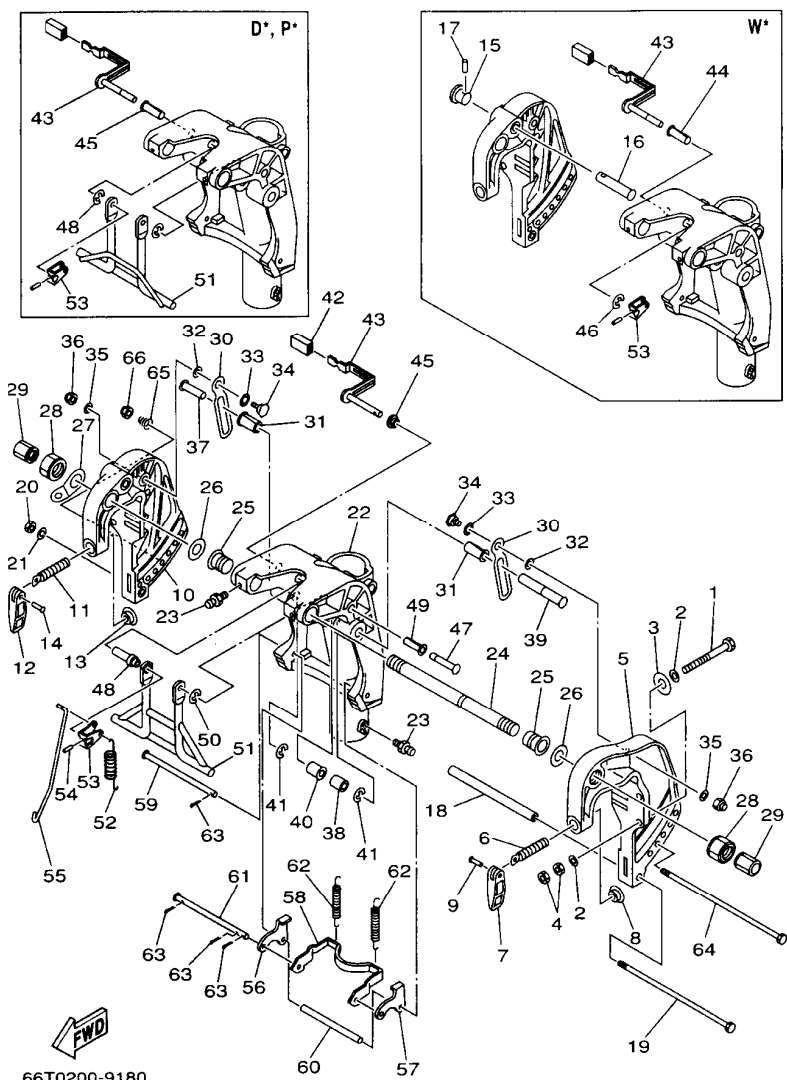


FIG. 10 BRACKET 1 SOPORTE 1

REF. NO.	PART NO. CODIGO NO.	DESCRIPTION DESCRIPTION	MH	WH	W	WT	REMARKS OBSERVACION
43	65W-43630-10	TILT LEVER ASSY PLANCA DE INCLINACION COMPL	1	1	1		UR D*, N*
	65W-43630-00	TILT LEVER ASSY PLANCA DE INCLINACION COMPL	1	1	1		UR D*, P*
	65W-43630-00	TILT LEVER ASSY PLANCA DE INCLINACION COMPL	1	1	1		UR W*
44	90386-10M99	BUSH BUJE	1	1	1		W*
45	90386-07MA2	BUSH BUJE	1	1	1		UR D*, N*
	90386-10M99	BUSH BUJE	1	1	1		UR D*, P*
46	99080-08600	CIRCLIP PRESILLA REDONDA	1	1	1		W*
47	90249-10M31	PIN PASADOR	1	1	1		D*
48	90387-07M05	COLLAR CASQUILLO CON VALONA	1	1	1		UR D*, N*
	99080-08600	CIRCLIP PRESILLA REDONDA	1	1	1		UR D*, P*
49	90386-10M99	BUSH BUJE	1	1	1		D*
50	99080-08600	CIRCLIP PRESILLA REDONDA	1	1	1		D*
51	66T-43350-01	RECEIVER ASSY RECIBIDOR COMPL	1	1	1		UR D*, N*
	66T-43350-00	RECEIVER ASSY RECIBIDOR COMPL	1	1	1		UR D*, P*
52	90506-20M37	SPRING, TENSION RESORTE DE TENSION	1	1	1		D*
53	66T-43631-10	LEVER, TILT PALANCA DE INCLINACION	1	1	1		UR D*, N*
	66T-43631-00	LEVER, TILT PALANCA DE INCLINACION	1	1	1		UR D*, P*
	66T-43631-00	LEVER, TILT PALANCA DE INCLINACION	1	1	1		UR W*
54	90254-03M03	PIN, SPRING PASADOR DE TIPO A RESORTE	1	1	1		
55	65W-43616-00	ROD, TILT LOCK VARILLA SEGURO DE INCLINACION	1	1	1		
<p>D* : FOR SHALLOW WATER DRIVE D* : PARA NAVEGACION EN AGUAS POCO PROFUNDAS</p> <p>W* : WITHOUT SHALLOW WATER DRIVE W* : SIN NAVEGACION EN AGUAS POCO PROFUNDAS</p> <p>N* : MH S: 000902 ~ WH L: 350339 ~ L: 202764 ~ W S: 120166 ~ X: 700263 ~ L: 400369 ~</p> <p>P* : MH S:- 000901 WH L:- 350338 L:- 202763 W S:- 120165 X:- 700262 L:- 400368</p>							

FIG. 10 BRACKET 1

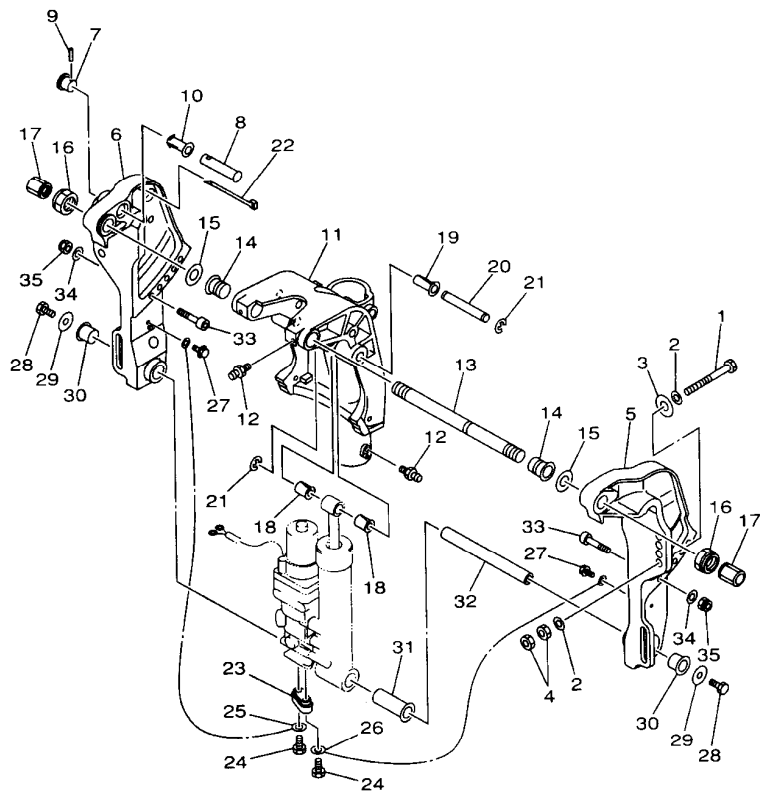
SOPORTE 1



66T0200-9180

REF. NO.	PART NO. CODIGO NO.	DESCRIPTION DESCRIPTION	MH	WH	W	WT	REMARKS OBSERVACION
56	65W-43614-00	PLATE, TILT LOCK PLACA DE SEGURO DE INCLINACION	1	1	1		
57	65W-43615-00	PLATE, TILT LOCK PLACA DE SEGURO DE INCLINACION	1	1	1		
58	65W-43613-00	ARM, TILT LOCK BRAZO DE SEGURO DE INCLINACION	1	1	1		
59	90249-07M32	PIN PASADOR	1	1	1		
60	90387-07M29	COLLAR CASQUILLO CON VALONA	1	1	1		
61	90249-07M33	PIN PASADOR	1	1	1		
62	90506-30M00	SPRING, TENSION RESORTE DE TENSION	2	2	2		
63	91490-20015	PIN, COTTER PASADOR DE CHAVETA	4	4	4		
64	90101-08M28	BOLT TORNILLO	1	1	1		
65	90502-10M06	SPRING, CONICAL RESORTE CONICO	1	1	1		
66	90185-08057	NUT, SELF-LOCKING TUERCA AUTOBLOCANTE	1	1	1		
-----							
-----							
-----							
-----							
-----							





**FWD**  
65WUS-8131

**FIG. 11 BRACKET 2**

**SOPORTE 2**

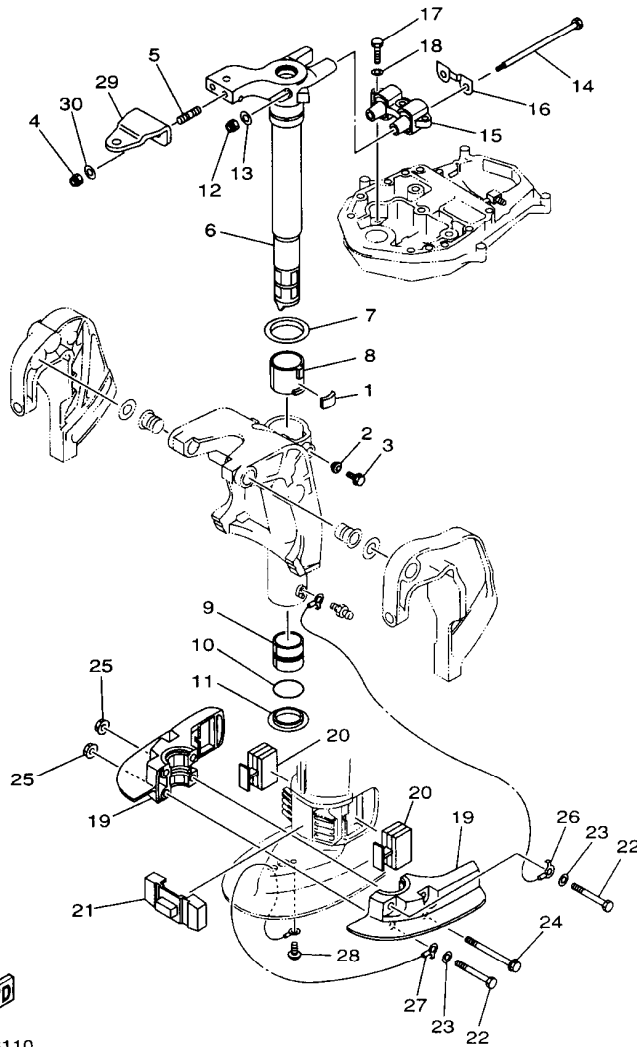
REF. NO.	PART NO. CODIGO NO.	DESCRIPTION DESCRIPTION	MH	WH	W	WT	REMARKS OBSERVACION
1	90101-12M65	BOLT TORNILLO				4	
2	92995-12200	WASHER ARANDELA				8	
3	90201-12426	WASHER, PLATE ARANDELA PLANA				4	
4	95380-12600	NUT TUERCA				8	
5	65W-43111-10-4D	BRACKET, CLAMP SOPORTE DE LA ABRAZADERA				1	
6	65W-43112-10-4D	BRACKET, CLAMP SOPORTE DE LA ABRAZADERA				1	
7	65W-43192-00	KNOB, STOPPER PERILLA DE TOPE				1	
8	65W-43191-00	SHAFT, STOPPER EJE DE TOPE				1	
9	91690-30018	PIN, SPRING PASADOR DE RESORTE				1	
10	90386-14MA1	BUSH BUJE				1	
11	65W-43311-10-4D	BRACKET, SWIVEL SOPORTE GIRATORIO				1	
12	93700-06M03	NIPPLE, GREASE NIPLE DE ENGRASAR				3	
13	63D-43131-00	BOLT, CLAMP BRACKET TORNILLO DE ABRAZADERA DEL SOP				1	
14	90386-22M15	BUSH BUJE				2	
15	90201-22M03	WASHER, PLATE ARANDELA PLANA				2	
16	90185-22M11	NUT, SELF-LOCKING TUERCA AUTOBLOCANTE				2	
17	6G5-43145-00	CAP, CLAMP BRACKET TAPA				2	
18	90386-12MA0	BUSH BUJE				2	
19	90386-12M98	BUSH BUJE				1	
20	90249-12M38	PIN PASADOR				1	
21	93430-10M00	CIRCLIP BOLA				2	
22	90465-13M11	CLAMP BRIDA				2	
23	65W-45251-00	ANODE CATODE				1	
24	97085-06025	BOLT PERNO				2	
25	6H1-82148-00	WIRE, LEAD 4 CABLE CONDUCTOR 4				1	
26	6U0-82127-00	WIRE, LEAD 2 CABLE CONDUCTOR 2				1	
27	97595-06514	BOLT, WITH WASHER PERNO CON ARANDELA RONDELLE				2	

**D1**



FIG. 12 BRACKET 3

SOPORTE 3

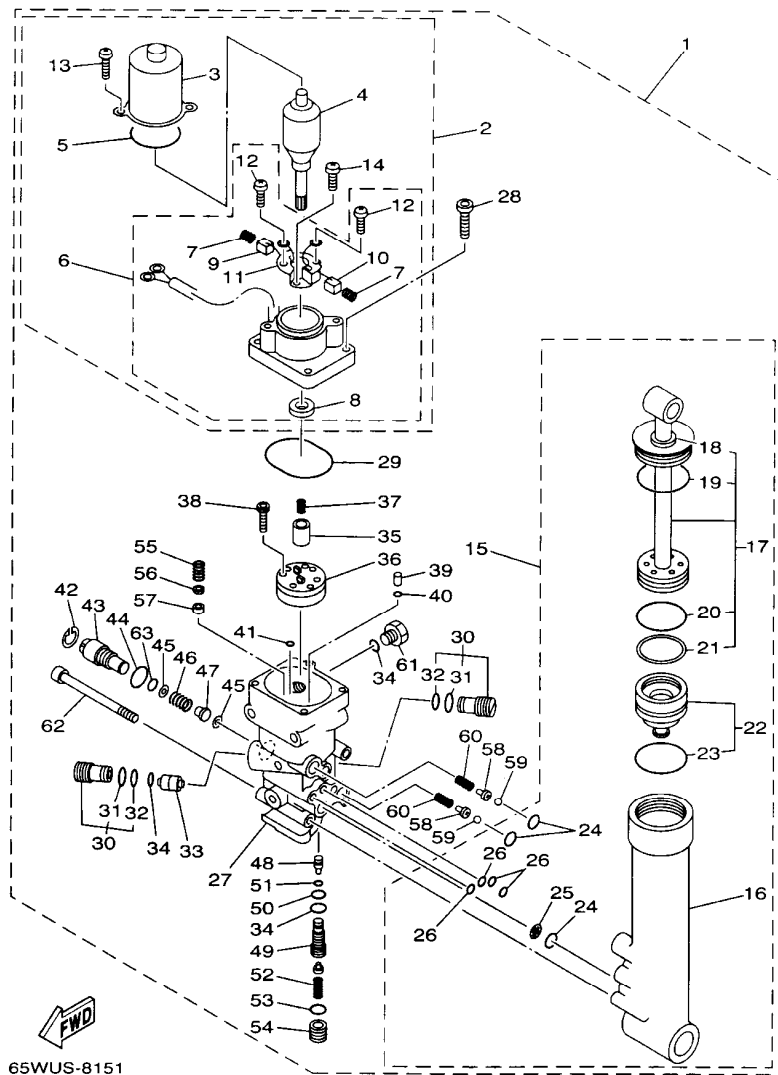


66TJA-8110

REF. NO.	PART NO. CODIGO NO.	DESCRIPTION DESCRIPTION	MH	WH	W	WT	REMARKS OBSERVACION
1	648-42528-00	PLATE, FRICTION PIEZA DE FRICCION	1	1	1	1	
2	65W-43373-00	SEAL, DAMPER SELLO DE GOMA	1	1	1	1	
3	90105-08M76	BOLT, WASHER BASED TORNILLO CON ARANDELA	1	1	1	1	
4	90185-10051	NUT, SELF-LOCKING TUERCA AUTOBLOCANTE	2	2	2	2	
5	90116-10M28	BOLT, STUD ESPARRAGO	2	2	2	2	
6	65W-42511-00-4D	BRACKET, STEERING SOPORTE DE DIRECCION	1		1		UR S
	65W-42511-10-4D	BRACKET, STEERING SOPORTE DE DIRECCION	1	1	1	1	UR L, X
7	90209-52M00	WASHER ARANDELA DE SEPARACION	1	1	1	1	
8	90386-52M02	BUSH BUJE	1	1	1	1	
9	90386-44M03	BUSH BUJE	1	1	1	1	
10	93210-43MJ0	O-RING ANILLO O	1	1	1	1	
11	90386-44M99	BUSH BUJE	1	1	1	1	
12	90185-08045	NUT, SELF-LOCKING TUERCA AUTOBLOCANTE	2	2	2	2	
13	92995-08200	WASHER ARANDELA	2	2	2	2	
14	90101-08M86	BOLT TORNILLO	2	2	2	2	
15	66T-44514-00-4D	MOUNT DAMPER, UPPER SIDE AMORTIGUADOR LADO SUPERIOR	1	1	1	1	UR S, L
	66T-44514-30-4D	MOUNT DAMPER, UPPER SIDE AMORTIGUADOR LADO SUPERIOR	1				UR X
16	66T-44526-00	PLATE PLACA 1	1	1	1	1	UR S, L
	66T-44526-30	PLATE PLACA 1	1				UR X
17	97075-08030	BOLT PERNO	3	3	3	3	
18	92995-08100	WASHER ARANDELA	3	3	3	3	
19	65W-44551-00-4D	HOUSING, LOWER MOUNT RUBBER CAJA AMORTIGUADOR INFERIOR HU	2	2	2	2	
20	65W-44555-10	MOUNT DAMPER, LOWER SIDE AMORTIGUADOR DE HULE LADO INFE	2	2	2	2	
21	66T-44575-00	DAMPER, LOWER MOUNT RUBBER AMORTIGUADOR INFERIOR	1	1	1	1	
22	97075-10070	BOLT PERNO	2	2	2	2	
23	92995-10600	WASHER ARANDELA	2	2	2	2	
24	90119-10M04	BOLT, WITH WASHER TORNILLO CON ARANDELA	2	2	2	2	

D3





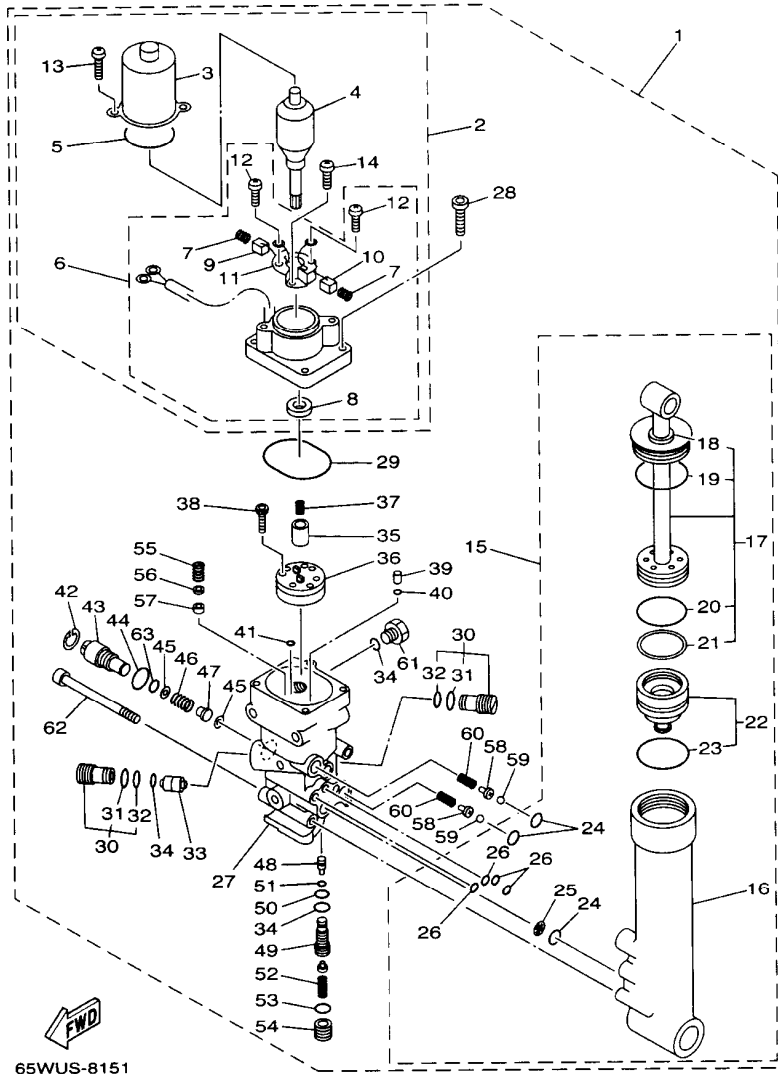
65WUS-8151

FIG. 13 POWER TRIM & TILT ASSY COMPONER Y PODER VARILLA

REF. NO.	PART NO. CODIGO NO.	DESCRIPTION DESCRIPTION	MH	W/H	W	WT	REMARKS OBSERVACION
1	65W-43800-01-4D	POWER TRIM & TILT ASSY ELEVADOR HIDRAULICO COMPL				1	
2	65W-43880-00	.MOTOR ASSY .MOTOR COMPL.				1	
3	65W-43804-00	.STATOR ASSY .ESTATOR COMPL				1	
4	65W-43805-00	.ARMATURE ASSY .INDUCIDO COMPL.				1	
5	65W-43869-00	.O-RING .ANILLO EN O 9				1	
6	65W-43881-00	.FRAME, END .CUADRO EXTERMO				1	
7	65W-4386K-00	.SPRING, BRUSH .RESORTE, ESCOBILLA				2	
8	65W-43882-00	.OIL SEAL .SELLO ACEITE				1	
9	65W-43892-00	.BRUSH 2 .ESCOBILLA 2				1	
10	65W-43891-00	.BRUSH 1 .ESCOBILLA 1				1	
11	65W-4380F-00	.PLATE, BRUSH HOLDER .PLACA				1	
12	65W-43879-00	.SCREW, WITH WASHER .TORNILLO CON RONDANA				2	
13	65W-43887-00	.BOLT, THROUGH .TORNILLO				2	
14	65W-4388E-00	.BOLT .PERNO				1	
15	65W-43840-00	.POWER TILT ASSY CONJUNTO COMPONER				1	
16	65W-4380K-00	.CYLINDER, TILT SUB ASSY .CILINDRO, INCLINACION				1	
17	65W-43810-00	.PISTON SUB ASSY .SUB-PISTON COMPL				1	
18	65W-43812-00	.SEAL, DUST .SELLO DE POLVO				1	
19	65W-43865-00	.O-RING .ANILLO EN O 5				1	
20	6H1-43861-10	.O-RING .ANILLO EN O 1				1	
21	65W-43871-00	.RING, BACK UP .ANILLO				1	
22	65W-4381B-00	.FREE PISTON SUB ASSY .SUB-PISTON COMPL				1	
23	6H1-43861-10	.O-RING .ANILLO EN O 1				1	
24	93210-11368	.O-RING .ANILLO O				3	
25	6H1-43816-00	.FILTER 1 .FIELTRO 1				1	
26	93210-064A5	.O-RING .ANILLO O				4	
27	65W-4380L-00	.HOUSING, TRIM & TILT SUB ASSY .CAJA, INCLINACION Y ADRNO				1	

D5

FIG. 13 POWER TRIM & TILT ASSY COMPONER Y PODER VARILLA

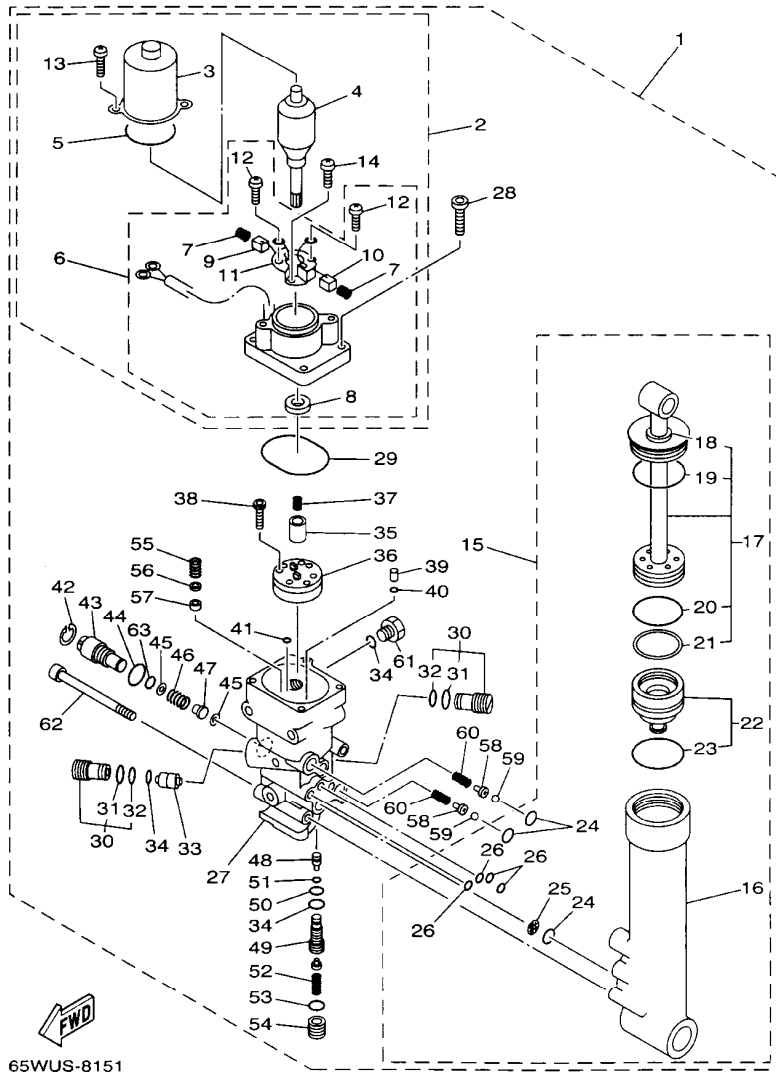


65WUS-8151

REF. NO.	PART NO. CODIGO NO.	DESCRIPTION DESCRIPTION	MH	WH	W	WT	REMARKS OBSERVACION
28	65W-43888-00	.BOLT, SOCKET .TORNILLO ENCASTRE				4	
29	93210-50768	.O-RING .ANILLO O				1	
30	6T4-43802-03	.VALVE SUB ASSY .VALVULA PRINCIPAL COMPL.				2	
31	6H1-43866-00	.O-RING .ANILLO EN O 6				1	
32	6H1-43867-00	.O-RING .ANILLO EN O 7				1	
33	62X-43841-00	.PISTON, SHUTTLE .PISTON				1	
34	93210-09165	.O-RING .ANILLO O				3	
35	65W-43831-00	.CONNECTOR, SHAFT .CONEXION EJE				1	
36	65W-43830-00	.GEAR PUMP ASSY .ENGRANAJE BOMBA COMPL.				1	
37	6T4-43853-00	.SPRING, MAIN VALVE .RESORTE				1	
38	91318-04025	.BOLT .PERNO				4	
39	65W-43817-00	.FILTER 2 .FILTRO 2				2	
40	65W-43861-00	.O-RING .ANILLO EN O 1				2	
41	65W-43862-00	.O-RING .ANILLO EN O 2				2	
42	6H1-43875-00	.RING, SNAP .ANILLO				1	
43	6H1-43845-00	.SCREW, MANUAL RELEASE .TORNILLO DESCOPLO MANUAL				1	
44	93210-18397	.O-RING .ANILLO O				1	
45	6H1-43847-00	.SEAT, MANUAL VALVE .ASIENTO VALVULA MANUAL				2	
46	65W-43854-00	.SPRING, MANUAL RELEASE .RESORTE DESCOPLO MANUAL				1	
47	65W-4382A-00	.ADAPTOR 1 .ADAPTADOR 1				1	
48	65W-43844-00	.PIN, VALVE SUPPORT .PASADOR VALVULA SOPORTE				1	
49	65W-43851-00	.SEAT, RELIEF VALVE .ASIENTO VALVULA DE DESCARGA				1	
50	93210-08006	.O-RING .ANILLO O				1	
51	93210-03478	.O-RING .ANILLO O				1	
52	65W-43855-00	.SPRING, UP RELIEF .RESORTE SEGURIDAD SUPERIOR				1	
53	93210-11073	.O-RING .ANILLO O				1	
54	65W-43843-00	.SCREW, VALVE LOCK .TORNILLO				1	

D6

FIG. 13 POWER TRIM & TILT ASSY COMPONER Y PODER VARILLA



65WUS-8151

REF. NO.	PART NO. CODIGO NO.	DESCRIPTION DESCRIPTION	MH	WH	W	WT	REMARKS OBSERVACION
55	6H1-43856-10	.SPRING, DOWN RELIEF .RESORTE SEGURIDAD				1	
56	6H1-43844-10	.PIN, VALVE SUPPORT .PASADOR VALVULA SOPORTE				1	
57	6H1-4384F-10	.SEAL, MAIN VALVE .ASIENTO				1	
58	65W-4386A-00	.PIN, ABSORBER VALVE .PASADOR VALVULA ABSORBER				2	
59	93501-08001	.BALL .BOLA				2	
60	65W-43853-00	.SPRING, MAIN VALVE .RESORTE				2	
61	6H1-43829-00	.PLUG, RESERVOIR .TAPON DEPOSITO				1	
62	62X-43878-00	.BOLT, SOCKET .TORNILLO ENCASTRE				3	
63	93210-10M74	.O-RING .ANILLO O				1	

D7

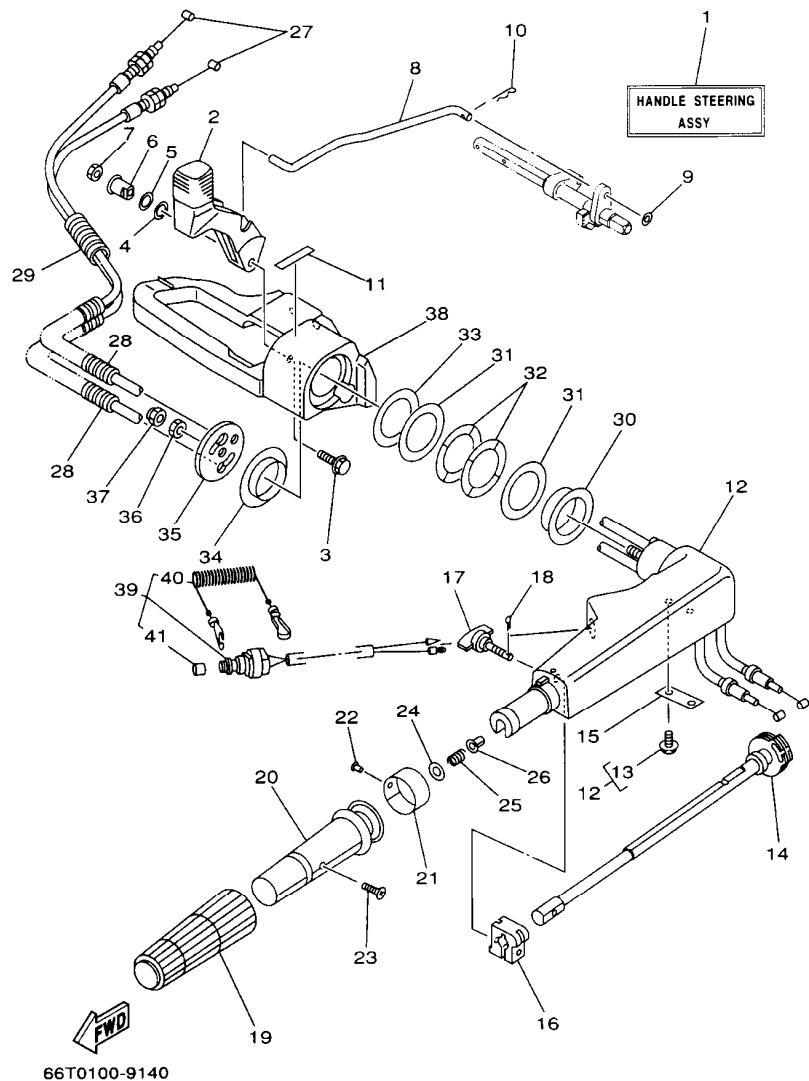
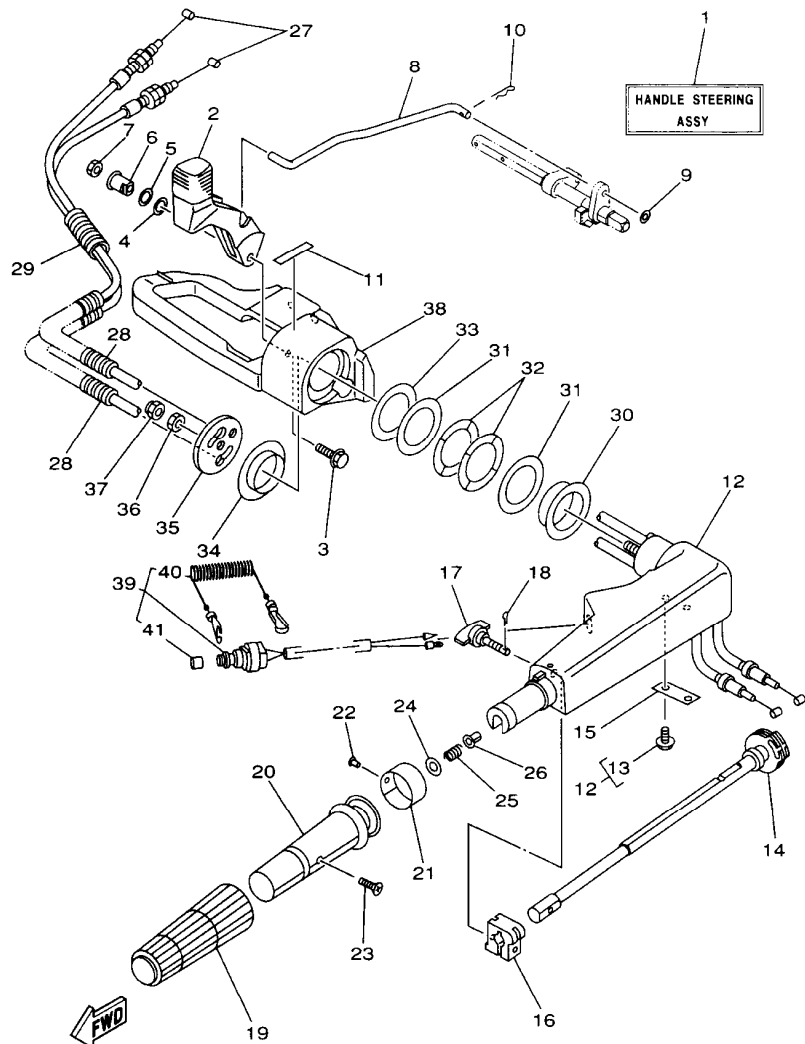


FIG. 14 STEERING 1

DIRECCION 1

REF. NO.	PART NO. CODIGO NO.	DESCRIPTION DESCRIPTION	MH	WH	W	WT	REMARKS OBSERVACION
1	66T-W0084-00-4D	HANDLE STEERING ASSY CONJUNTO DE MANIJA ( REF.NO. 2-7, 11-41 )	1	1			
2	66T-44111-00	HANDLE, GEAR SHIFT MANIJA DE CAMBIO DE MARCHAS	1	1			
3	90119-06M85	BOLT, WITH WASHER TORNILLO CON ARANDELA	1	1			
4	90201-12M07	WASHER, PLATE ARANDELA PLANA	1	1			
5	90206-12M00	WASHER, WAVE ARANDELA ONDULADA	1	1			
6	65W-42123-00	BOLT, HANDLE JOINT TORNILLO CONEXION DE LA MANIJA	1	1			
7	95380-06600	NUT TUERCA	1	1			
8	66T-44124-00	LINK, SHIFT ROD ESLABON	1	1			
9	92990-06200	WASHER, PLAIN ARANDELA	1	1			
10	90468-18008	CLIP PRESILLA	1	1			
11	6E0-44191-11	INDICATOR, SHIFT INDICADOR DE CAMBIOS	1	1			
12	65W-42101-01-4D	HANDLE, STEERING MANIJA DE DIRECCION	1	1			
13	90109-06M86	BOLT PERNO	2	2			
14	65W-42138-00	LEVER, THROTTLE PLANCA DE ACELERACION	1	1			
15	65W-42159-00	STAY SOPORTE	1	1			
16	6G1-42126-00	FRICION, STEERING HANDLE GRIP FRICCION DE MANGO DIRECCION	1	1			
17	65W-42125-00	BOLT, FRICTION ADJUSTING TORNILLO FRICCION ADJUSTA	1	1			
18	91490-20010	PIN, COTTER PASADOR DE CHAVETA	1	1			
19	6F6-42177-A0	RUBBER, HANDLE HULE DE MANIJA	1	1			
20	664-42119-00	GRIP, STEERING HANDLE MANGO, MANIJA DE DIRECCION	1	1			
21	6G1-42137-10	INDICATOR, THROTTLE INDICADOR ACELERADOR	1	1			
22	90269-02M09	RIVET REMACHE	1	1			
23	90149-05M13	SCREW TORNILLO DE REGLAJE	1	1			
24	92903-10600	WASHER, PLATE ARANDELA	1	1			
25	90501-23215	SPRING, COMPRESSION RESORTE DE COMPRESION	1	1			
26	90386-08032	BUSH BUJE	1	1			





66T0100-9140

FIG. 14 STEERING 1

DIRECCION 1

REF. NO.	PART NO. CODIGO NO.	DESCRIPTION DESCRIPTION	MH	WH	W	WT	REMARKS OBSERVACION
27	66T-26301-00	THROTTLE CABLE ASSY CABLE DE ACELERADOR COMPLETO	2	2			
28	90446-10M82	HOSE TUBO RESEIRADERO	2	2			
29	90446-10M86	HOSE TUBO RESEIRADERO	2	2			
30	90386-40MA0	BUSH BUJE	1	1			
31	90201-43M00	WASHER, PLATE ARANDELA PLANA	2	2			
32	90206-43M22	WASHER, WAVE ARANDELA ONDULADA	2	2			
33	90202-43M57	WASHER, PLATE ARANDELA DE PLANA	1	1			
34	90386-40M99	BUSH BUJE	1	1			
35	65W-42131-01	COVER, HANDLE STEERING CUBIERTA MANIJA DIRRECCION	1	1			
36	95380-10700	NUT TUERCA	1	1			
37	95780-10300	NUT, FLANGE TUERCA DE BRIDA	1	1			
38	65W-42121-00	BRACKET SOPORTE	1	1			
39	66T-82575-00	ENGINE STOP SWITCH ASSY INTERRUPTOR DE PARADA COMPL	1	1			
40	682-82556-00	.STOPPER .RETEN	1	1			
41	689-8257Y-00	.CAP .CASQUILLO	1	1			

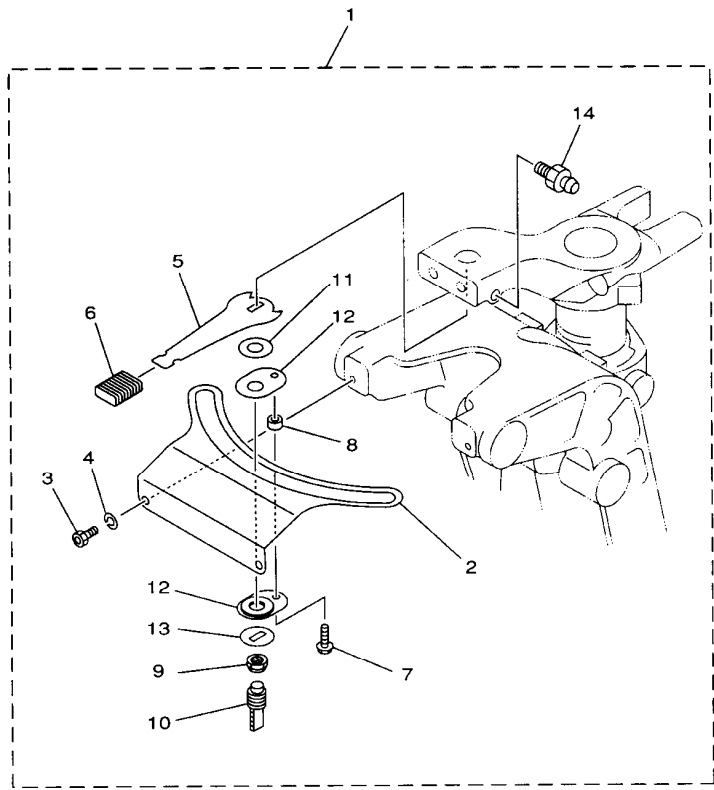


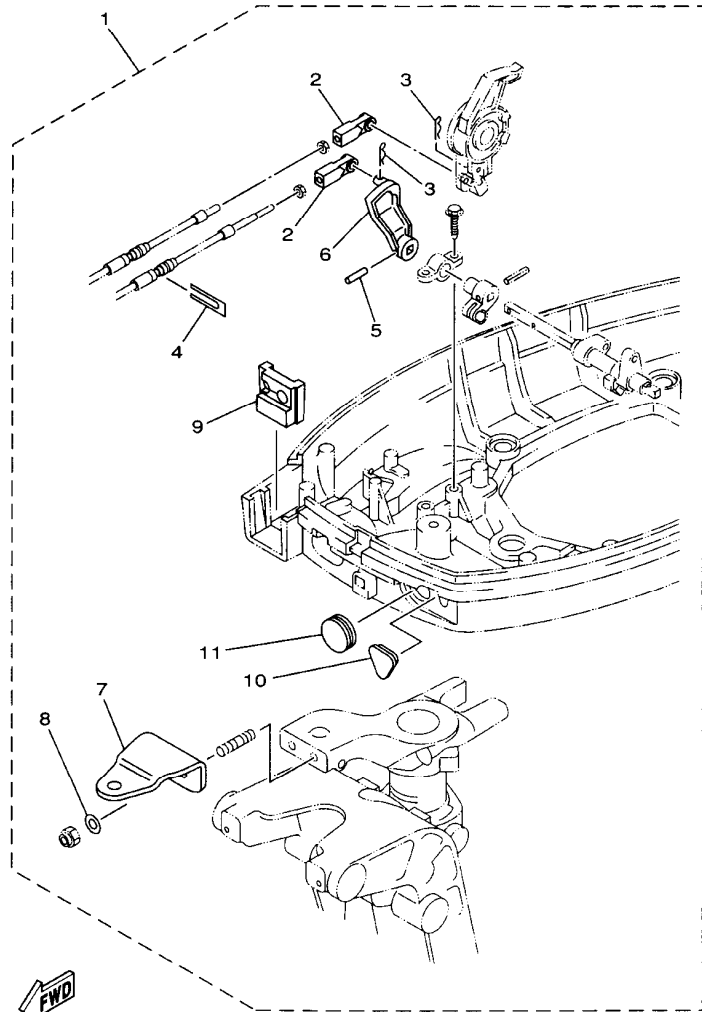
FIG. 15 STEERING 2

DIRECCION 2

REF. NO.	PART NO. CODIGO NO.	DESCRIPTION DESCRIPTION	MH	WH	W	WT	REMARKS OBSERVACION
1	65W-42508-00	STEERING FRICTION ASSY DIRECCION FRICCION COMP.	1				AP
2	65W-42527-00	.PLATE, FRICTION .PLACA DE FRICCION	1				
3	90109-06M50	.BOLT .PERNO	2				
4	92990-06100	.WASHER, SPRING .ARANDELA	2				
5	65W-42561-00	.KNOB, STEERING LOCK .PERILLA	1				
6	689-43633-00	.COVER, TILT LEVER .CUBIERTA PALANCA DE INCLINAC	1				
7	97595-05516	.BOLT, WITH WASHER .PERNO CON ARANDELA RONDELLE	1				
8	90387-05M11	.COLLAR .CASQUILLO CON VALONA	1				
9	90185-10M14	.NUT, SELF-LOCKING .TUERCA AUTOBLOCANTE	1				
10	65W-42562-00	.SHAFT, STEERING LOCK .EJE, CERRADURA DE DIRECCION	1				
11	90202-10M56	.WASHER, PLATE .ARANDELA DE PLANA	1				
12	65W-42528-00	.PLATE, FRICTION .PIEZA DE FRICCION	2				
13	90209-10M26	.WASHER .ARANDELA DE SEPARACION	1				
14	93700-06M03	.NIPPLE, GREASE .NIPLE DE ENGRASAR	1				



65WJA-8150



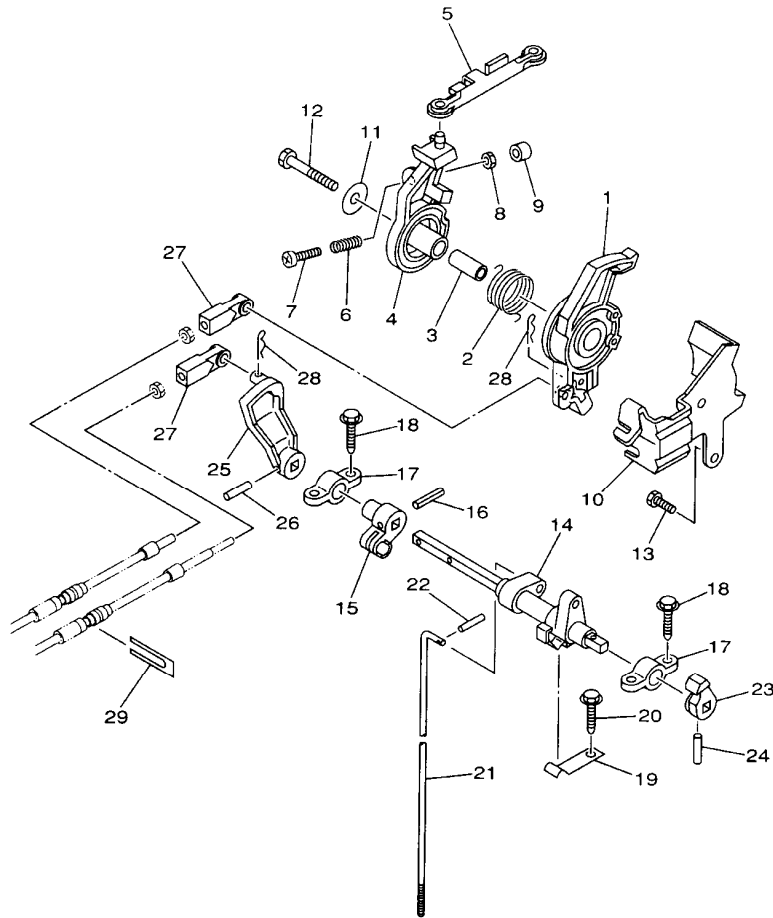
66T0200-9170

FIG. 16 REMOTE CONTROL ATTACHMENT CONJUNTO ADITAMENTO

REF. NO.	PART NO. CODIGO NO.	DESCRIPTION DESCRIPTION	MH	WT	W	WT	REMARKS OBSERVACION
1	66T-48501-00	REMOTE CONT. ATTACHMENT ASSY. CONJUNTO ADITAMENTO	1	1			AP
2	663-48344-00	.CABLE END, REMOTE CONTROL .BASE CONTROL	2	2			
3	90468-18008	.CLIP .PRESILLA	2	2			
4	6H3-48538-00	.CLAMP, CABLE 1 .GRAMPA DE CABLE	1	1			
5	91690-30318	.PIN, SPRING .PASADOR DE RESORTE	1	1			
6	66T-44125-00	.LEVER, SHIFT ROD .PALANCA VARILLA CAMBIOS	1	1			
7	65W-48511-00	.HOOK, STEERING .GANCHO DIRECCION	1	1			
8	90201-10120	.WASHER, PLATE .ARANDELA PLANA	2	2			
9	66T-42725-30	.GROMMET .TAPON	1	1			
10	65W-26326-10	.GROMMET .TAPON PROTECTOR	1	1			
11	65W-42726-10	.GROMMET .TAPON	1	1			

FIG. 17 CONTROL

CONTROL



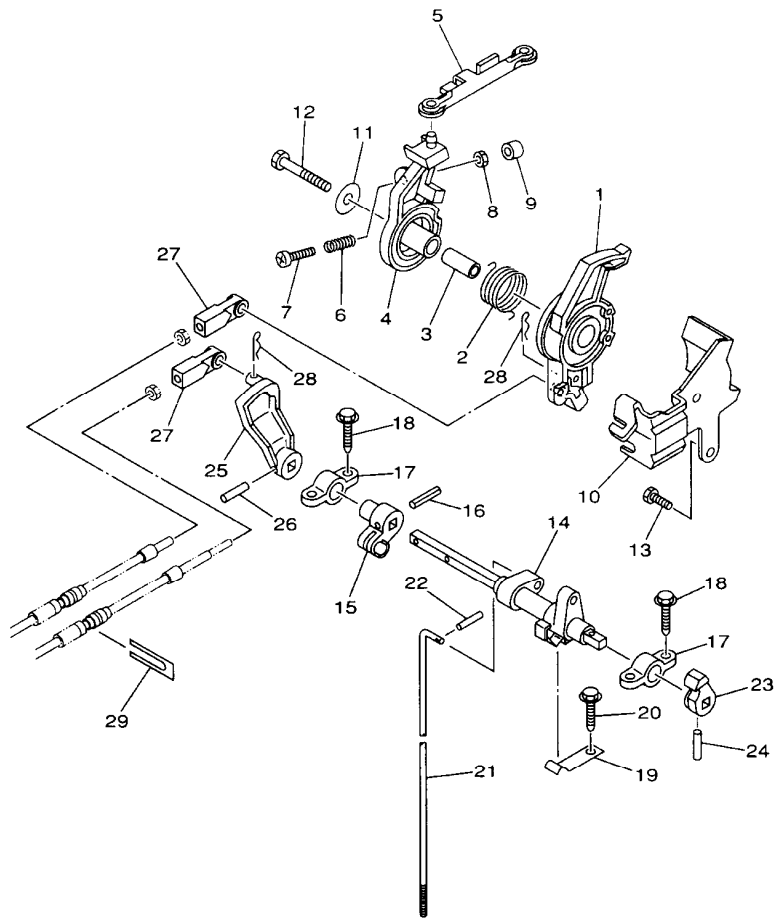
**FWD**  
66TJA-8150

REF. NO.	PART NO. CODIGO NO.	DESCRIPTION DESCRIPTION	MH	WH	W	WT	REMARKS OBSERVACION
1	66T-41638-00	PULLEY POLEA	1	1	1	1	
2	66T-42167-00	SPRING 1 RESORTE 1	1	1	1	1	
3	90387-08M16	COLLAR CASQUILLO CON VALONA	1	1	1	1	
4	66T-41631-00	LEVER, MAGNETO CONTROL PALANCA DE CONTROL DE MAGNETO	1	1	1	1	
5	66T-41237-00	JOINT, LINK CONECTOR	1	1	1	1	
6	90501-10M84	SPRING, COMPRESSION RESORTE DE COMPRESION	1	1	1	1	
7	97880-06035	SCREW, PAN HEAD TORNILLO DE CABEZA CON PLANA	1	1	1	1	
8	95380-06700	NUT TUERCA	1	1	1	1	
9	688-44194-00	CAP TAPA	1	1	1	1	
10	66T-14497-00	STAY, THROTTLE WIRE SOPORTE VALVULA DE OBTURACION	1	1	1	1	
11	90201-08M54	WASHER, PLATE ARANDELA PLANA	1	1	1	1	
12	97095-08045	BOLT PERNO	1	1	1	1	
13	97095-06014	BOLT PERNO	1	1	1	1	
14	66T-44121-00	LEVER, SHIFT ROD PALANCA VARILLA CAMBIOS	1	1	1	1	
15	66M-44122-00	BUSHING, SHIFT ROD LEVER BUJE PALANCA VARILLA DE CAMBIO	1	1	1	1	
16	90254-03M05	PIN, SPRING PASADOR DE TIPO A RESORTE	1	1	1	1	
17	6F5-41662-00	BRACKET SOPORTE	2	2	2	2	
18	90109-06M81	BOLT PERNO	4	4	4	4	
19	682-44116-01	SPRING RESORTE	1	1	1	1	
20	90109-06M86	BOLT PERNO	1	1	1	1	
21	66T-44143-00	ROD, SHIFT VARILLA DE CAMBIO	1		1		UR S
	66T-44143-10	ROD, SHIFT VARILLA DE CAMBIO	1	1	1	1	UR L, X
22	91490-16012	PIN, COTTER PASADOR DE CHAVETA	1	1	1	1	
23	65W-44173-00	LEVER, SHIFT CONTROL PALANCA CONTROL CAMBIOS		1			
24	90254-03M04	PIN, SPRING PASADOR DE TIPO A RESORTE		1			
25	66T-44125-00	LEVER, SHIFT ROD PALANCA VARILLA CAMBIOS			1	1	
26	90254-03M04	PIN, SPRING PASADOR DE TIPO A RESORTE			1	1	

**E5**

FIG. 17 CONTROL

CONTROL

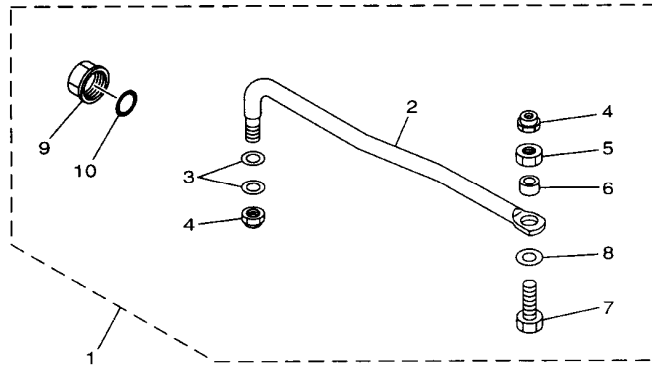


REF. NO.	PART NO. CODIGO NO.	DESCRIPTION DESCRIPTION	MH	WH	W	WT	REMARKS OBSERVACION
27	663-48344-00	CABLE END, REMOTE CONTROL BASE CONTROL			2	2	
28	90468-18008	CLIP PRESILLA			2	2	
29	6H3-48538-00	CLAMP, CABLE 1 GRAMPA DE CABLE			1	1	
-----							
-----							
-----							
-----							
-----							
-----							
-----							
-----							
-----							
-----							

  
66TJA-8150

FIG. 18 STEERING GUIDE ATTACHMENT

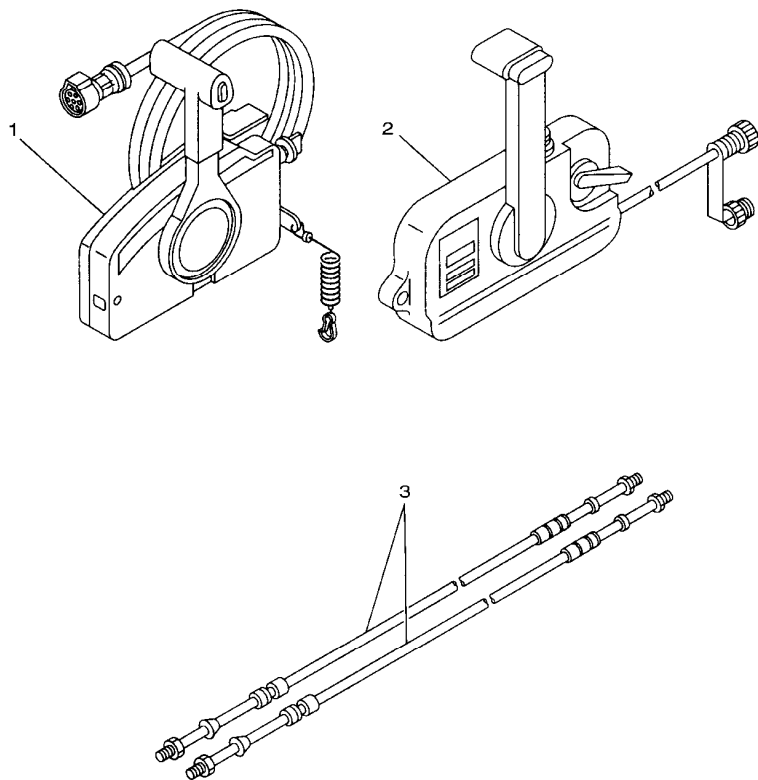
ADITAMENTO GUIA DE GOBIERNO



REF. NO.	PART NO. CODIGO NO.	DESCRIPTION DESCRIPTION	M/H	W/H	W	WT	REMARKS OBSERVACION
1	65W-61350-00	STEERING GUIDE ATTACHMENT KIT ESTUCHE ADITAMENTO GUIA DE TIM				1 1	AP
2	65W-61351-00	.ROD, STEERING LINK .VARILLA ESLABON DIRECCION				1 1	
3	90201-10M20	.WASHER, PLATE .ARANDELA PLANA				2 2	
4	90185-09M01	.NUT, SELF-LOCKING .TUERCA AUTOBLOCANTE				2 2	
5	90170-09M03	.NUT .TUERCA				1 1	
6	90387-10M42	.COLLAR .CASQUILLO CON VALONA				1 1	
7	90101-09M01	.BOLT .TORNILLO				1 1	
8	90201-10M63	.WASHER, PLATE .ARANDELA PLANA				1 1	
9	6E5-43145-01	.CAP, CLAMP BRACKET .TAPA				1 1	
10	93210-16275	.O-RING .ANILLO O				1 1	

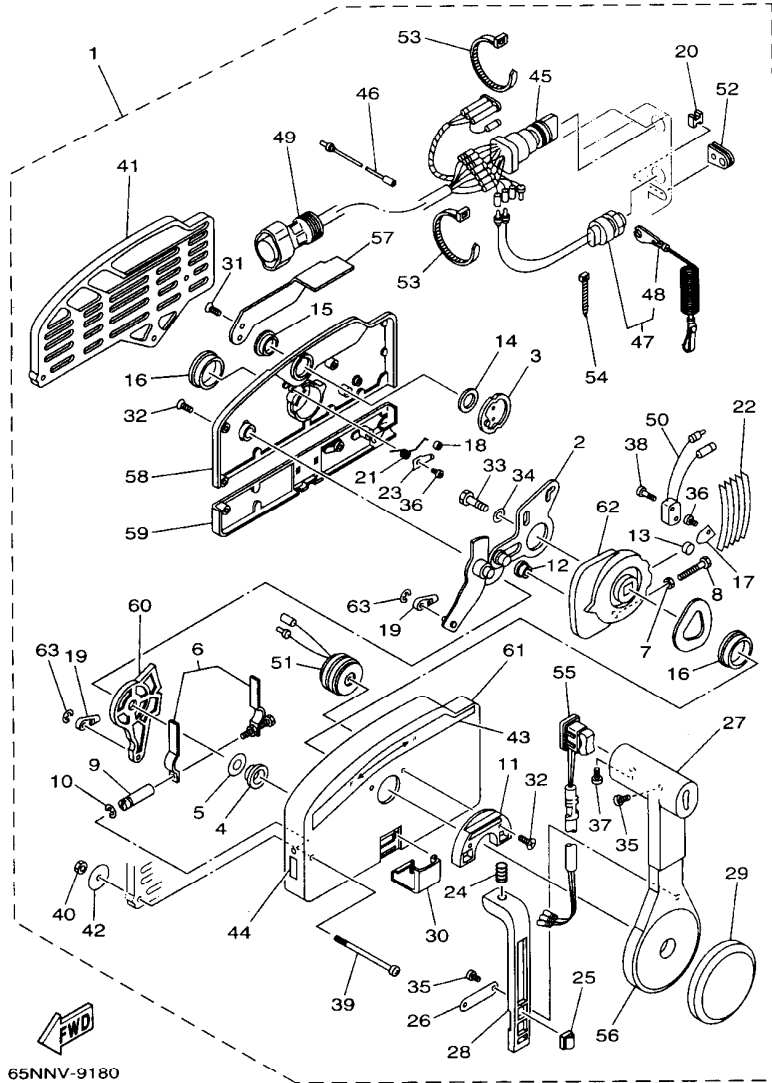
65WJA-8170

FIG. 19 REMOTE CONTROL BOX CONTROL REMOTO COMPL.



REF. NO.	PART NO. CODIGO NO.	DESCRIPTION DESCRIPTION	MH	WH	W	WT	REMARKS OBSERVACION
1	703-48203-14	REMOTE CONTROL ASSY (7P) REMOTO CONTROL COMPL. (7P)			1	1	AP
	703-48205-15	REMOTE CONTROL ASSY (10P) REMOTO CONTROL COMPL. (10P)			1	1	AP WITH PT/T SW.
2	701-48130-23	REMOTE CONTROL ASSY (RIGHT) REMOTO CONTROL COMPL. (RECTO)	1	1			AP
	701-48130-E0	REMOTE CONTROL ASSY (RIGHT) REMOTO CONTROL COMPL. (RECTO)	1	1			AP WITH NEUTRAL LOCK
	701-48140-E0	REMOTE CONTROL ASSY (LEFT) REMOTO CONTROL COMPL. (ZURDO)	1	1			AP WITH NEUTRAL LOCK
3	701-48310-90	CABLE, REMOTE CONTROL L=11F CABLE CONTROL REMOTO L=11F	2	2	2	2	UR
	701-48320-00	CABLE, REMOTE CONTROL L=12F CABLE CONTROL REMOTO L=12F	2	2	2	2	UR
	701-48320-20	CABLE, REMOTE CONTROL L=13F CABLE CONTROL REMOTO L=13F	2	2	2	2	UR
	701-48320-30	CABLE, REMOTE CONTROL L=14F CABLE CONTROL REMOTO L=14F	2	2	2	2	UR
	701-48320-50	CABLE, REMOTE CONTROL L=15F CABLE CONTROL REMOTO L=15F	2	2	2	2	UR
	701-48320-60	CABLE, REMOTE CONTROL L=16F CABLE CONTROL REMOTO L=16F	2	2	2	2	UR
	701-48320-80	CABLE, REMOTE CONTROL L=17F CABLE CONTROL REMOTO L=17F	2	2	2	2	UR

  
OMACC-9020

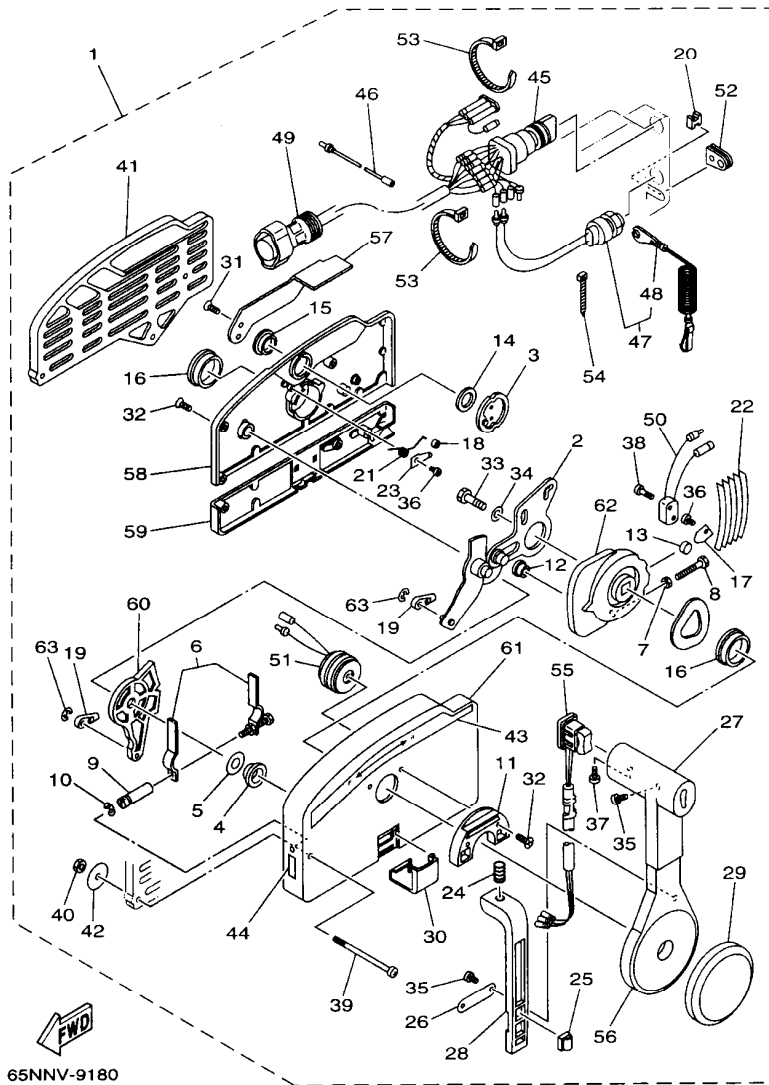


65NNV-9180

FIG. 20 REMOTE CONTROL ASSY 1 CONTROL REMOTO COMPL. 1

REF. NO.	PART NO. CODIGO NO.	DESCRIPTION DESCRIPTION	MH	WH	W	WT	REMARKS OBSERVACION	
1	703-48203-14	REMOTE CONTROL ASSY (7P)				1	1	AP
	703-48205-15	REMOTE CONTROL COMPL. (7P)				1	1	AP WITH PT/T SW.
2	703-48261-01	.ARM, THROTTLE .BRAZO ACELERADOR				1	1	
3	703-48153-00	.SHAFT, FREE ACCEL. .EJE				1	1	
4	703-48235-00	.BUSHING .BUJE				1	1	
5	703-48268-00	.SPACER .ESPACIADOR 3				1	1	
6	703-48264-00	.THROTTLE, FRICTION .FRICCION ACELERADOR				1	1	
7	95380-05600	.NUT .TUERCA				1	1	
8	97380-05025	.BOLT .PERNO				1	1	
9	703-48265-00	.SHAFT, FRICTION .EJE FRICCION				1	1	
10	93430-06024	.CIRCLIP .BOLA				3	3	
11	703-48245-00	.PLATE, LOCK .PLACA CERRADURA				1	1	
12	703-48252-00	.ROLLER, CAM .RODILLO LEVA				1	1	
13	701-48248-00	.ROLLER, FREE ACCEL. .RODILLO ACELERADOR LIBRE				1	1	
14	703-48198-00	.WASHER, WAVE .RONDANA ONDULADA 3				1	1	
15	703-48243-00	.BUSHING .BUJE 3				1	1	
16	703-48236-00	.BUSHING 1 .BUJE				2	2	
17	703-48189-00	.RETAINER .RETENEDOR				1	1	
18	703-48236-00	.BUSHING 1 .BUJE				1	1	
19	703-48345-01	.CABLE END, REMOTE CONTROL 2 .TERMINAL CABLE DE CONTROL REM				2	2	
20	703-48358-00	.ANCHOR, CABLE .ABRAZADERA CABLE				1	1	
21	703-48244-00	.SPRING, FREE ACCEL. .RESORTE ACELERADOR LIBRE				1	1	
22	703-48238-00	.SPRING, DETENT .RESORTE				5	5	
23	703-48246-00	.SPACER .ESPACIADOR				1	1	
24	703-48227-00	.SPRING, NEUTRAL LOCK .RESORTE DE SEGURO				1	1	
25	703-82594-00	.CLAMP .GRAMPA				1	1	WITH PT/T SW.
26	703-48226-00	.PLATE, STOPPER .PLACA RETEN				1	1	





65NNV-9180

FIG. 20 REMOTE CONTROL ASSY 1 CONTROL REMOTO COMPL. 1

REF. NO.	PART NO. CODIGO NO.	DESCRIPTION DESCRIPTION	MH	WH	W	WT	REMARKS OBSERVACION
27	703-48222-00	.GRIP, CONTROL LEVER .MANGO DE PALANCA CONTROL			1	1	SINGLE
28	703-48223-00	.LOCK, NEUTRAL .CERRADURA NEUTRO			1	1	
29	703-48225-00	.COVER .CUBIERTA			1	1	
30	703-48219-00	.COVER, LEAD .CUBIERTA			1	1	
31	703-48281-00	.SCREW .TORNILLO 1			2	2	
32	703-48282-00	.SCREW .TORNILLO 2			7	7	
33	97095-08030	.BOLT .PERNO			1	1	
34	92990-08600	.WASHER, PLATE .ARANDELA			1	1	
35	98580-04010	.SCREW, PAN HEAD .TORNILLO DE CABEZA CON PLANA			3	3	
36	98580-04006	.SCREW, PAN HEAD .TORNILLO DE CABEZA CON PLANA			2	2	
37	98580-05010	.SCREW, PAN HEAD .TORNILLO DE CABEZA CON PLANA			1	1	
38	98580-03015	.SCREW, PAN HEAD .TORNILLO DE CABEZA CON PLANA			2	2	
39	703-48291-10	.SCREW (M6) .TORNILLO (M6)			3	3	
40	95380-06600	.NUT .TUERCA			3	3	
41	703-48293-10	.SPACER, REMOTE CONTROL .ESPACIADOR			1	1	SINGLE
42	701-48287-00	.WASHER .ARANDELA			3	3	
43	703-48215-00	.GRAPHIC .CALCOMANIA 1			1	1	
44	702-48217-00	.MARK .MARCA 1			1	1	
45	703-82510-31	.MAIN SWITCH ASSY (7P) .CONJUNTO DE LLAVE IGNICION (7P)			1	1	UR
	703-82510-41	.MAIN SWITCH ASSY (10P) .CONJUNTO DE LLAVE IGNICION (10P)			1	1	UR
46	703-82531-00	.WIRE, LEAD .CABLE CONDUCTOR			1	1	
47	688-82575-01	.ENGINE STOP SWITCH ASSY .INTERRUPTOR DE PARADA COMPL			1	1	
48	682-82556-00	.STOPPER .RETEN			1	1	
49	688-82586-21	.EXTENSION, WIRE HARNESS .EXTENSION, CONJ. DE CABLES			1	1	UR L:5M (7P)
	688-8258A-20	.EXTENSION, WIRE HARNESS .EXTENSION, ARNES DE CABLES			1	1	UR L:5M (10P)
50	703-82540-00	.NEUTRAL SWITCH ASSY .INTERRUPTOR NEUTRAL COMPL			1	1	
51	703-83383-02	.BUZZER .ZUMBADOR			1	1	

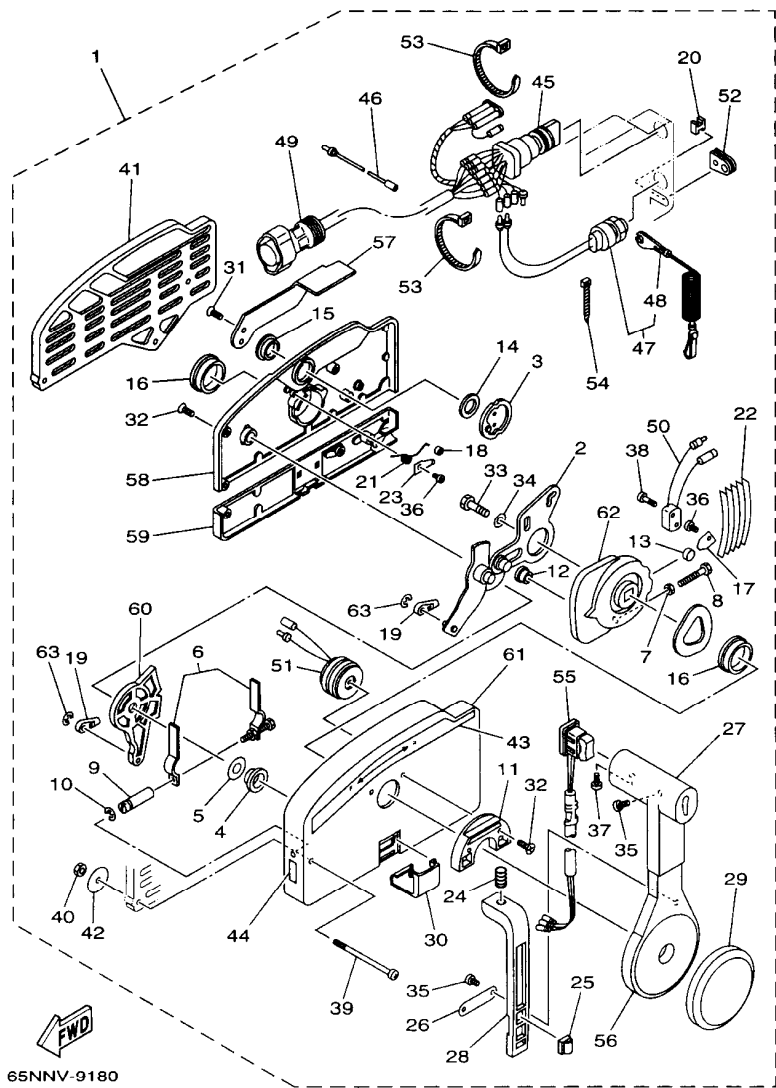
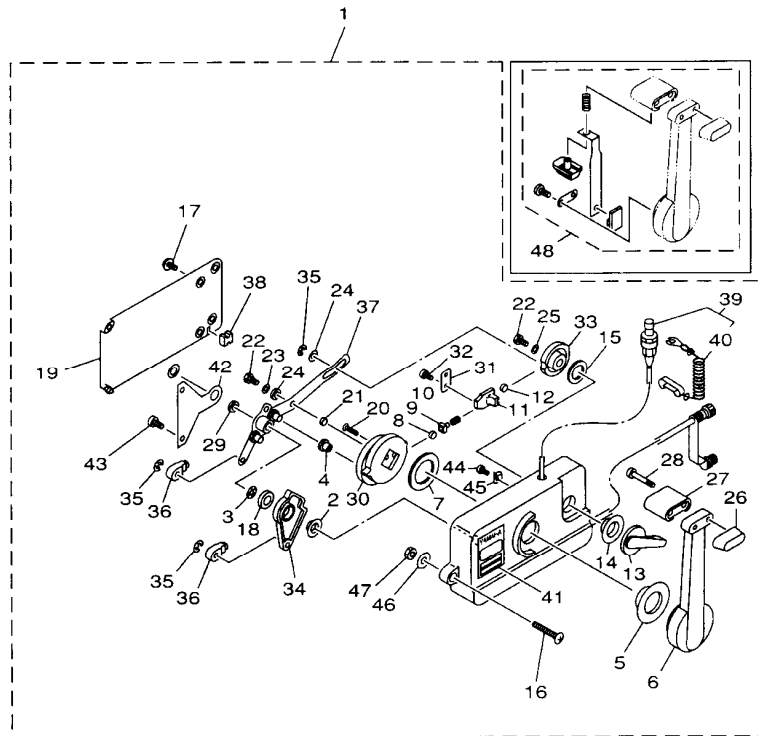


FIG. 20 REMOTE CONTROL ASSY 1 CONTROL REMOTO COMPL. 1

REF. NO.	PART NO. CODIGO NO.	DESCRIPTION DESCRIPTION	M/H	WH	W	WT	REMARKS OBSERVACION
52	703-48284-00	.GROMMET .TAPON 1				1 1	
53	90464-13080	.CLAMP .BRIDA				2 2	
54	703-82592-00	.BAND .BANDA				1 1	
55	703-82563-01	.TRIM & TILT SWITCH ASSY .INTERRUPTOR DE INCLINACION				1 1	UR WITH PT/T SW.
	703-48224-00	.COVER, CONTROL LEVER .CUBIERTA DE PALANCA CONTROL				1 1	UR WITHOUT PT/T SW.
56	703-48221-00	.LEVER, CONTROL .PALANCA CONTROL				1 1	
57	703-48152-00	.KNOB, FREE ACCEL. .PERILLA				1 1	
58	703-48212-00	.BACK PLATE 1 .PLACA TRASERA 1				1 1	
59	703-48213-00	.BACK PLATE 2 .PLACA TRASERA 2				1 1	
60	703-48271-00	.ARM, SHIFT .BRAZO CAMBIADOR				1 1	
61	703-48211-01	.HOUSING,1 .CAJA				1 1	
62	703-48232-00	.GEAR .ENGRANAJE 1				1 1	
63	93430-06024	.CIRCLIP .BOLA				2 2	

FIG. 21 REMOTE CONTROL ASSY 2 CONTROL REMOTO COMPL. 2



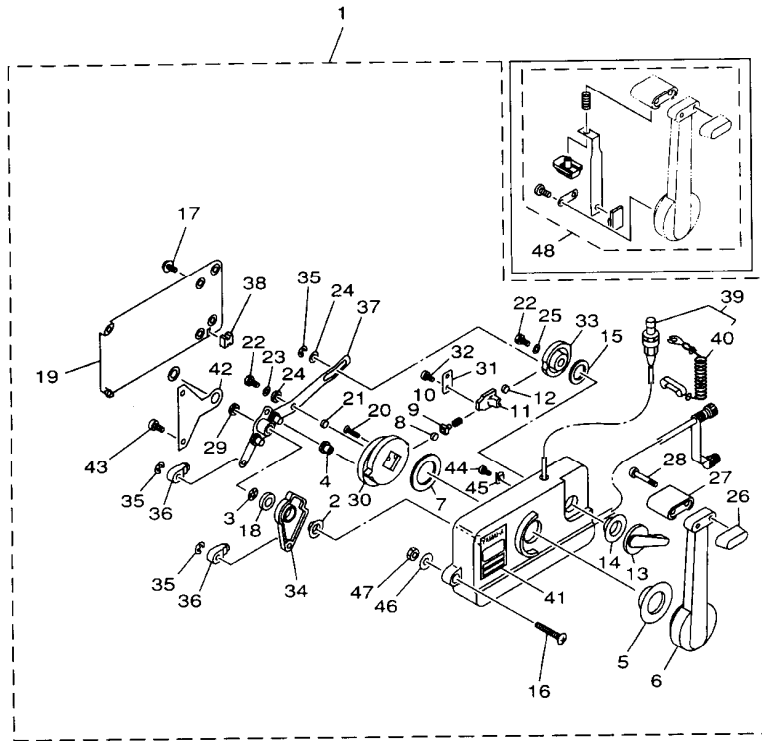
REF. NO.	PART NO. CODIGO NO.	DESCRIPTION DESCRIPTION	MH	WH	W	WT	REMARKS OBSERVACION
1	701-48130-23	REMOTE CONTROL ASSY (RIGHT)	1	1			AP
	701-48130-E0	REMOTO CONTROL COMPL. (RECTO)	1	1			AP WITH NEUTRAL LOCK
	701-48140-E0	REMOTE CONTROL ASSY (LEFT)	1	1			AP WITH NEUTRAL LOCK
		REMOTO CONTROL COMPL. (ZURDO)					
2	701-48235-00	.BUSHING	1	1			
		.BUJE					
3	701-48197-10	.WASHER, WAVE	1	1			
		.RONDANA ONDULADA 2					
4	701-48252-00	.ROLLER, CAM	1	1			
		.RODILLO LEVA					
5	701-48234-00	.BUSHING 1	1	1			
		.BUJE					
6	701-48221-00	.LEVER, CONTROL	1	1			
		.PALANCA CONTROL					
7	701-48196-11	.WASHER, WAVE	1	1			
		.ARANDELA ONDULADA					
8	701-48236-00	.ROLLER, DETENT	1	1			
		.RODILLO					
9	702-48237-00	.ADAPTOR	1	1			
		.ADAPTADOR					
10	702-48238-00	.SPRING, DETENT	1	1			
		.RESORTE					
11	701-48249-00	.ADAPTOR, SPRING	1	1			
		.RESORTE ADAPTADOR					
12	701-48248-00	.ROLLER, FREE ACCEL.	1	1			
		.RODILLO ACELERADOR LIBRE					
13	701-48152-11	.KNOB, FREE ACCEL.	1	1			
		.PERILLA					
14	701-48243-00	.BUSHING	1	1			
		.BUJE 3					
15	701-48198-10	.WASHER, WAVE	1	1			
		.RONDANA ONDULADA 3					
16	701-48281-10	.SCREW	3	3			
		.TORNILLO 1					
17	98580-05010	.SCREW, PAN HEAD	4	4			
		.TORNILLO DE CABEZA CON PLANA					
18	701-48268-00	.SPACER	1	1			
		.ESPACIADOR 3					
19	701-48213-00	.BACK PLATE 2	1	1			
		.PLACA TRASERA 2					
20	98780-06025	.SCREW, FLAT HEAD	2	2			
		.TORNILLO DE CABEZA PLANA					
21	701-48255-00	.COLLAR	1	1			
		.COLLAR 1					
22	97080-06018	.BOLT	2	2			
		.PERNO					
23	702-48288-00	.WASHER, PLAIN	1	1			
		.ARANDELA					
24	701-48246-00	.SPACER	2	2			
		.ESPACIADOR					
25	92990-06300	.WASHER, INTERNAL TOOTH	1	1			
		.ARANDELA					



66T0200-9290

F5

FIG. 21 REMOTE CONTROL ASSY 2 CONTROL REMOTO COMPL. 2



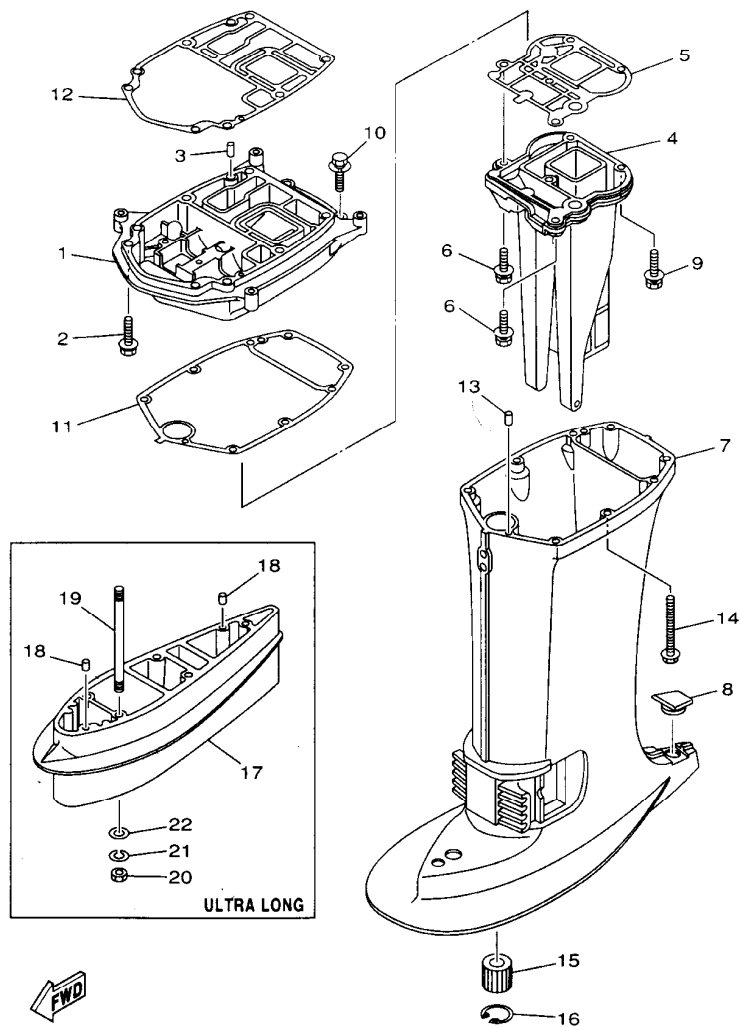
REF. NO.	PART NO. CODIGO NO.	DESCRIPTION DESCRIPTION	MH	WH	W	WT	REMARKS OBSERVACION
26	701-48229-00	.GRIP, CONTROL LEVER .MANGO DE PALANCA CONTROL 2	1	1			
27	701-48222-00	.GRIP, CONTROL LEVER .MANGO DE PALANCA CONTROL	1	1			
28	98580-05555	.SCREW, PAN HEAD .TORNILLO DE CABEZA CON PLANA	2	2			
29	701-48266-00	.SPACER .ESPACIADOR 2	1	1			
30	701-48232-00	.GEAR .ENGRANAJE 1	1	1			
31	701-48189-11	.RETAINER .RETENEDOR	1	1			
32	98580-05010	.SCREW, PAN HEAD .TORNILLO DE CABEZA CON PLANA	2	2			
33	701-48153-12	.SHAFT, FREE ACCEL. .EJE	1	1			
34	701-48271-00	.ARM, SHIFT .BRAZO CAMBIADOR	1	1			
35	93430-06024	.CIRCLIP .BOLA	3	3			
36	703-48345-01	.CABLE END,REMOTE CONTROL 2 .TERMINAL CABLE DE CONTROL REM	2	2			
37	701-48261-20	.ARM, THROTTLE .BRAZO ACELERADOR	1	1			
38	701-48358-00	.ANCHOR, CABLE .ABRAZADERA CABLE	1	1			
39	701-82575-53	.ENGINE STOP SWITCH ASSY .INTERRUPTOR DE PARADA COMPL	1	1			
40	682-82556-00	.STOPPER .RETEN	1	1			
41	701-48126-00	.GRAPHIC .MARCADOR	1	1			
42	701-48133-00	.PLATE, LINK .PLACA DE ESLABON	1	1			
43	98580-05020	.SCREW, PAN HEAD .TORNILLO DE CABEZA CON PLANA	2	2			
44	701-48283-00	.SCREW .TORNILLO 3	1	1			
45	701-82594-00	.CLAMP .GRAMPA	1	1			
46	701-48287-00	.WASHER .ARANDELA	3	3			
47	95380-06600	.NUT .TUERCA	3	3			
48	701-48280-00	.NEUTRAL LOCK KIT .TORNILLO	1	1			



66T0200-9290

FIG. 22 UPPER CASING

FUNDA SUPERIOR



REF. NO.	PART NO. CODIGO NO.	DESCRIPTION DESCRIPTION	MH	WH	W	WT	REMARKS OBSERVACION
1	66T-41137-00-5B	GUIDE, EXHAUST GUIA DE ESCAPE	1	1	1	1	
2	90119-08M79	BOLT, WITH WASHER TORNILLO CON ARANDELA	2	2	2	2	
3	93606-12019	PIN, DOWEL PASADOR DE CLAVIJA	2	2	2	2	
4	66T-41131-00-5B	MANIFOLD, EXT. 1 TUBO MULTIPLE DE ESCAPE	1	1	1	1	
5	66T-41133-A0	GASKET, EXHAUST MANIFOLD 1 EMPAQUE ESCAPE MULTIPLE	1	1	1	1	
6	97575-08530	BOLT, WITH WASHER PERNO CON ARANDELA RONDELLE	2	2	2	2	
7	66T-45111-00-4D	CASING, UPPER CAJA SUPERIOR	1	1			UR S
	66T-45111-10-4D	CASING, UPPER CAJA SUPERIOR	1	1	1	1	UR L, X
8	63D-45155-00	CAP TAPA	1	1	1	1	
9	97575-08545	BOLT, WITH WASHER PERNO CON ARANDELA RONDELLE	3	3	3	3	
10	90119-08M79	BOLT, WITH WASHER TORNILLO CON ARANDELA	2	2	2	2	
11	66T-45114-A0	GASKET, UPPER CASING EMPAQUE	1	1	1	1	
12	66T-45113-A0	GASKET, UPPER CASING EMPAQUE	1	1	1	1	
13	93606-12019	PIN, DOWEL PASADOR DE CLAVIJA	2	2	2	2	
14	90119-08M42	BOLT, WITH WASHER TORNILLO CON ARANDELA	6	6	6	6	
15	66T-45318-00	BUSHING, DRIVE SHAFT BUJE, EJE DE MANDO	1	1	1	1	L
16	93420-30042	CIRCLIP BOLA	1	1	1	1	L
17	66T-45211-00-4D	EXTENSION EXTENSION	1				X
18	93606-12019	PIN, DOWEL PASADOR DE CLAVIJA	2				X
19	90116-10M23	BOLT, STUD ESPARRAGO	4				X
20	95380-10600	NUT TUERCA	4				X
21	92990-10100	WASHER, SPRING ARANDELA	4				X
22	92990-10600	WASHER, PLATE ARANDELA	4				X

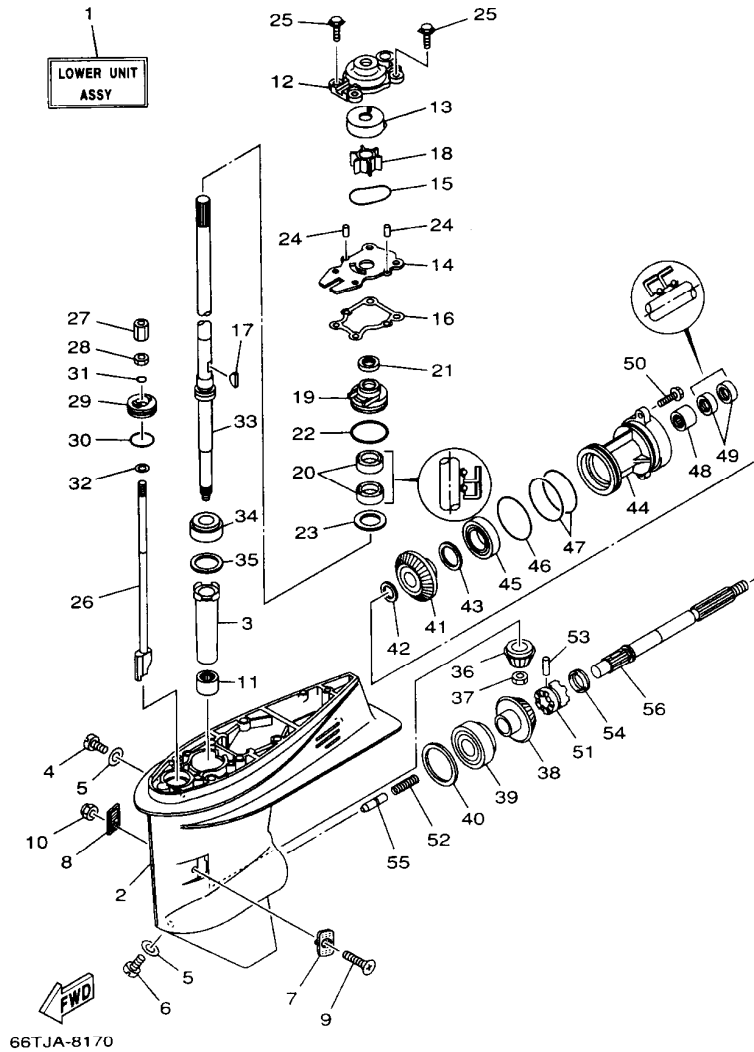


FIG. 23 LOWER CASING. DRIVE 1 IMPULSOR E INFERIOR 1

REF. NO.	PART NO. CODIGO NO.	DESCRIPTION DESCRIPTION	MH	WH	W	WT	REMARKS OBSERVACION
1	66T-45300-00-4D	LOWER UNIT ASSY CONJUNTO UNIDAD INFERIOR ( REF.NO. 2-6, 11-26, 28-56 )	1		1		UR S
	66T-45300-10-4D	LOWER UNIT ASSY CONJUNTO UNIDAD INFERIOR ( REF.NO. 2-6, 11-26, 28-56 )	1	1	1	1	UR L
	66T-45300-30-4D	LOWER UNIT ASSY CONJUNTO UNIDAD INFERIOR ( REF.NO. 2-6, 11-26, 28-56 )	1				UR X
2	66T-45311-00-4D	CASING, LOWER FUNDA INFERIOR	1	1	1	1	
3	6H4-45536-00	SLEEVE, DRIVE SHAFT CAMISA EJE DE MANDO	1	1	1	1	
4	90340-08M04	PLUG, STRAIGHT SCREW TORNILLO, DE DRENAJE	1	1	1	1	
5	90430-08020	GASKET JUNTA	2	2	2	2	
6	688-45341-00	PLUG, DRAIN TAPON, DREN	1	1	1	1	
7	63D-45214-00	COVER, WATER INLET CUBIERTA ENTRADA AGUA	1	1	1	1	
8	63D-45215-00	COVER, WATER INLET CUBIERTA ENTRADA AGUA	1	1	1	1	
9	90142-05M06	SCREW, COUNTERSUNK TORNILLO EMBUTIDO	1	1	1	1	
10	95380-05600	NUT TUERCA	1	1	1	1	
11	93315-32224	BEARING COJINETE	1	1	1	1	
12	66T-44311-00	HOUSING, WATER PUMP CAJA BOMBA DE AGUA	1	1	1	1	
13	63D-44322-00	INSERT, CARTRIDGE CARTUCHO				1	UR
	63D-44322-40	INSERT, CARTRIDGE CARTUCHO	1	1	1		UR CHROME PUMP
14	66T-44323-00	OUTER PLATE, CARTRIDGE PLACA EXTERIOR DEL CARTUCHO				1	UR
	66T-44323-40	OUTER PLATE, CARTRIDGE PLACA EXTERIOR DEL CARTUCHO	1	1	1		UR CHROME PUMP
15	93210-59MG7	O-RING ANILLO O	1	1	1	1	
16	63D-44316-00	GASKET, WATER PUMP EMPAQUE	1	1	1	1	
17	90280-03M07	KEY, WOODRUFF CUNA WOODRUFF	1	1	1	1	
18	6H4-44352-02	IMPELLER IMPULSOR	1	1	1	1	
19	63D-44341-00	HOUSING, WATER PUMP CAJA BOMBA DE AGUA	1	1	1	1	
20	93101-22M60	OIL SEAL SELLO ACEITE	2	2	2	2	

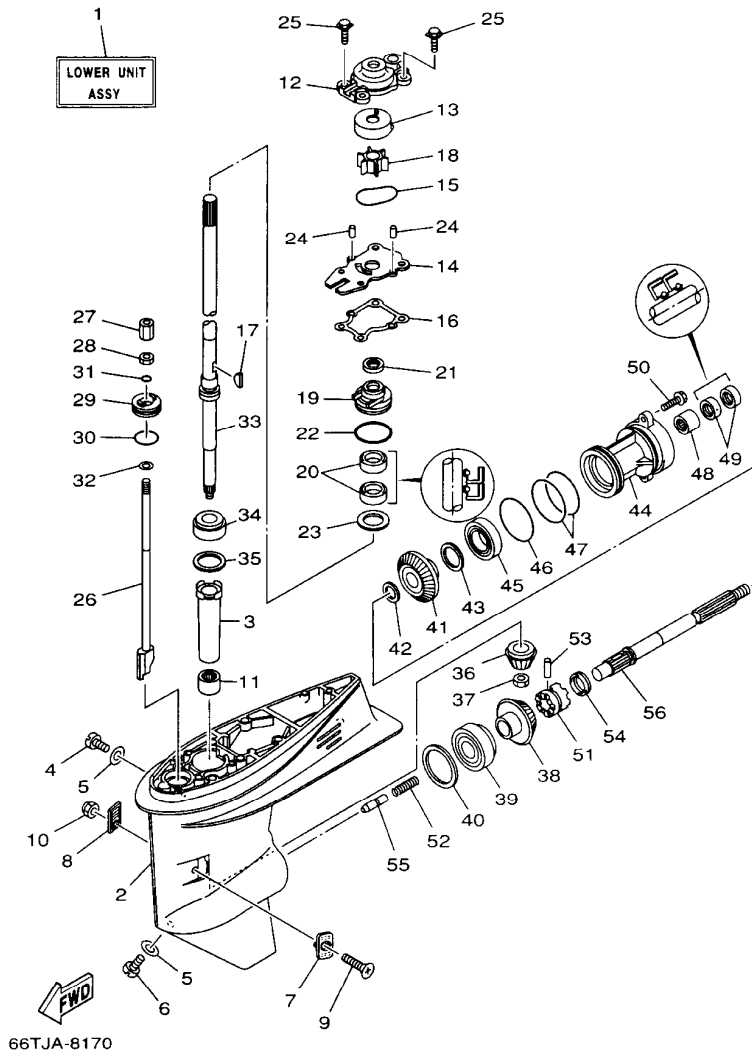


FIG. 23 LOWER CASING. DRIVE 1 IMPULSOR E INFERIOR 1

REF. NO.	PART NO. CODIGO NO.	DESCRIPTION DESCRIPTION	MH	WH	W	WT	REMARKS OBSERVACION
21	66T-45344-00	COVER, OIL SEAL CUBIERTA SELLO ACEITE	1	1	1	1	
22	93210-48MG8	O-RING ANILLO O	1	1	1	1	
23	90201-27M00	WASHER, PLATE ARANDELA PLANA	1	1	1	1	
24	93604-08062	PIN, DOWEL PASADOR DE CLAVIJA	2	2	2	2	
25	90119-08M15	BOLT, WITH WASHER TORNILLO CON ARANDELA	4	4	4	4	
26	66T-44150-00	SHIFT CAM ASSY CONJUNTO EJE LEVA COMPL.	1		1		UR S
	66T-44150-10	SHIFT CAM ASSY CONJUNTO EJE LEVA COMPL.	1	1	1	1	UR L
	66T-44150-20	SHIFT CAM ASSY CONJUNTO EJE LEVA COMPL.	1				UR X
27	61N-44146-00	CONNECTOR, SHIFT ROD CONECTOR VARILLA DE CAMBIO	1	1	1	1	
28	95380-06700	NUT TUERCA	1	1	1	1	
29	66T-45321-00	PLATE PLACA	1	1	1	1	
30	93210-33MG4	O-RING ANILLO O	1	1	1	1	
31	93210-06ME6	O-RING ANILLO O	1	1	1	1	
32	92990-06600	WASHER, PLATE ARANDELA	1	1	1	1	
33	66T-45501-00	DRIVE SHAFT COMP. EJE DE MANDO COMPL.	1		1		UR S
	66T-45501-10	DRIVE SHAFT COMP. EJE DE MANDO COMPL.	1	1	1	1	UR L
	66T-45501-20	DRIVE SHAFT COMP. EJE DE MANDO COMPL.	1				UR X
34	93332-00001	BEARING COJINETE	1	1	1	1	
35	663-45587-01-10	SHIM (T:0.10MM) LAINA (T:0.10MM)	1	1	1	1	UR
	663-45587-01-12	SHIM (T:0.12MM) LAINA (T:0.12MM)	1	1	1	1	UR
	663-45587-01-15	SHIM (T:0.15MM) LAINA (T:0.15MM)	1	1	1	1	UR
	663-45587-01-18	SHIM (T:0.18MM) LAINA (T:0.18MM)	1	1	1	1	UR
	663-45587-01-30	SHIM (T:0.30MM) LAINA (T:0.30MM)	1	1	1	1	UR
	663-45587-01-40	SHIM (T:0.40MM) LAINA (T:0.40MM)	1	1	1	1	UR
	663-45587-01-50	SHIM (T:0.50MM) LAINA (T:0.50MM)	1	1	1	1	UR
36	66T-45551-00	PINION PINON	1	1	1	1	
37	90170-12138	NUT TUERCA	1	1	1	1	

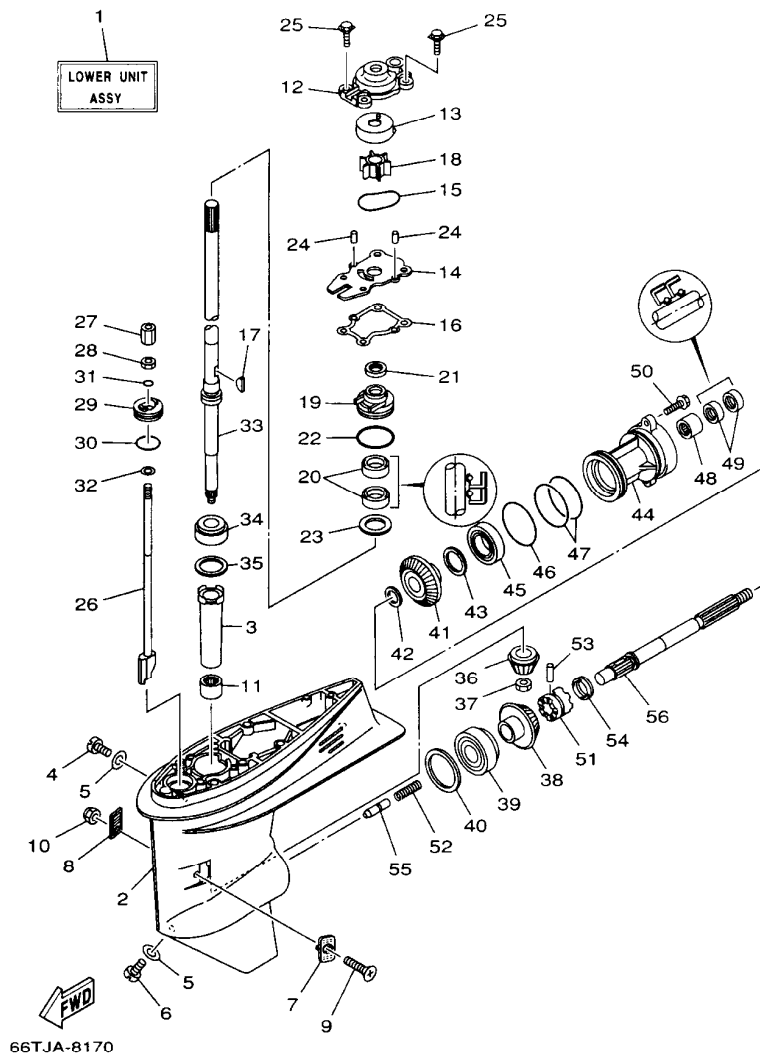
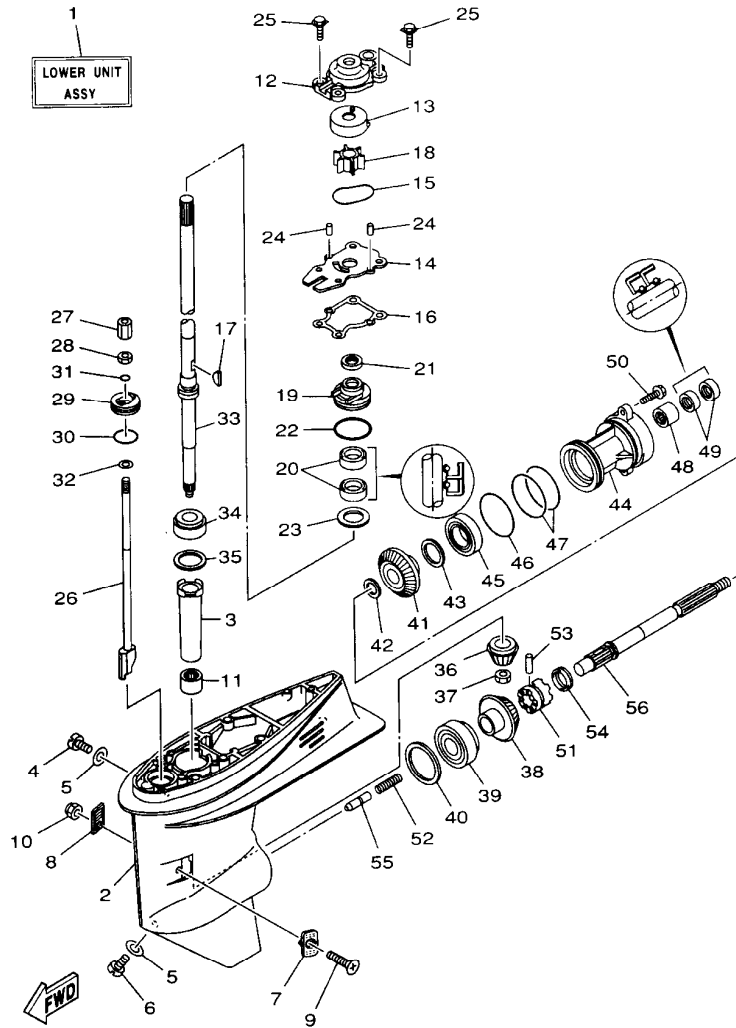


FIG. 23 LOWER CASING. DRIVE 1 IMPULSOR E INFERIOR 1

REF. NO.	PART NO. CODIGO NO.	DESCRIPTION DESCRIPTION	MH	WH	W	WT	REMARKS OBSERVACION
38	66T-45560-00	GEAR ENGRANE COMPLE 1	1	1	1	1	
39	93332-00003	BEARING COJINETE	1	1	1	1	
40	663-45567-01-10	SHIM (T:0.10MM) LAINA(T:0.10MM)	1	1	1	1	UR
	663-45567-01-12	SHIM (T:0.12MM) LAINA (T:0.12MM)	1	1	1	1	UR
	663-45567-01-15	SHIM (T:0.15MM) LAINA (T:0.15MM)	1	1	1	1	UR
	663-45567-01-18	SHIM (T:0.18MM) LAINA (T:0.18MM)	1	1	1	1	UR
	663-45567-01-30	SHIM (T:0.30MM) LAINA (T:0.30MM)	1	1	1	1	UR
	663-45567-01-40	SHIM (T:0.40MM) LAINA (T:0.40MM)	1	1	1	1	UR
	663-45567-01-50	SHIM (T:0.50MM) LAINA (T:0.50MM)	1	1	1	1	UR
41	66T-45571-00	GEAR ENGRANAJE	1	1	1	1	
42	90201-22429	WASHER, PLATE ARANDELA PLANA	1	1	1	1	
43	63D-45577-00-10	SHIM (T:0.10MM) LAINA (T:0.10MM)	1	1	1	1	UR
	63D-45577-00-12	SHIM (T:0.12MM) LAINA (T:0.12MM)	1	1	1	1	UR
	63D-45577-00-15	SHIM (T:0.15MM) LAINA (T:0.15MM)	1	1	1	1	UR
	63D-45577-00-18	SHIM (T:0.18MM) LAINA (T:0.18MM)	1	1	1	1	UR
	63D-45577-00-30	SHIM (T:0.30MM) LAINA (T:0.30MM)	1	1	1	1	UR
	63D-45577-00-40	SHIM (T:0.40MM) LAINA (T:0.40MM)	1	1	1	1	UR
	63D-45577-00-50	SHIM (T:0.50MM) LAINA (T:0.50MM)	1	1	1	1	UR
44	63D-45361-02-4D	CAP, LOWER CASING FUNDA INFERIOR	1	1	1	1	
45	93306-001U1	BEARING COJINETE	1	1	1	1	
46	93210-69MG6	O-RING ANILLO O	1	1	1	1	
47	93210-74MG5	O-RING ANILLO O	2	2	2	2	
48	93317-22204	BEARING COJINETE	1	1	1	1	
49	93101-22M00	OIL SEAL SELLO ACEITE	2	2	2	2	
50	90105-08M61	BOLT, WASHER BASED TORNILLO CON ARANDELA	2	2	2	2	
51	66T-45631-00	CLUTCH, DOG EMBRAGUE DE GARRA	1	1	1	1	
52	90501-15M01	SPRING, COMPRESSION RESORTE DE COMPRESION	1	1	1	1	





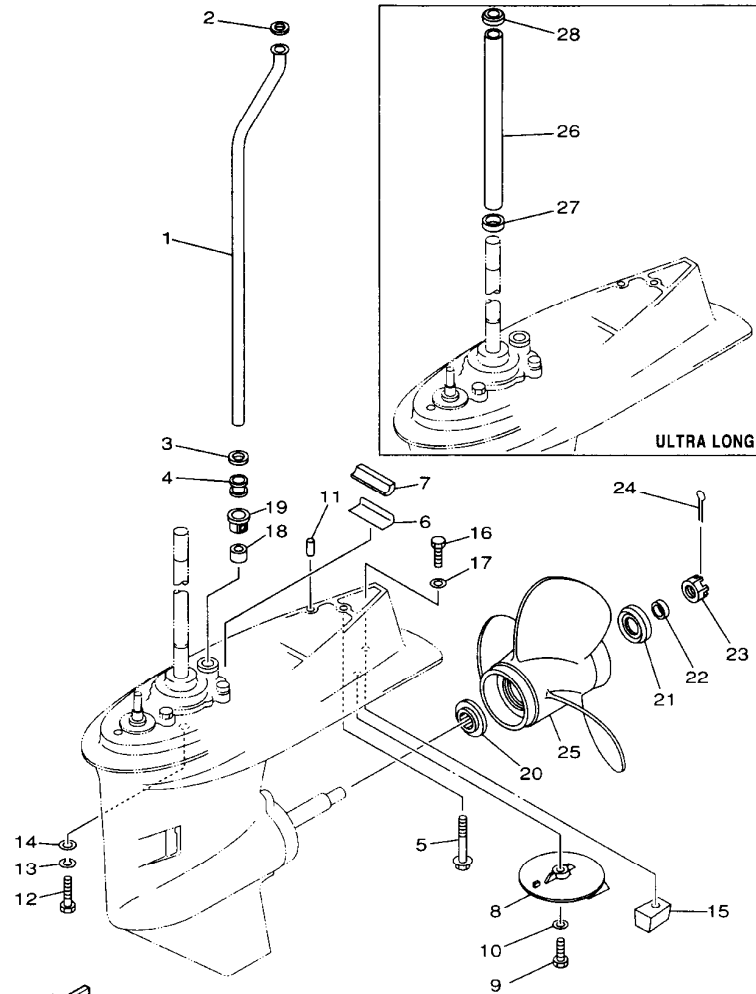
66TJA-8170

FIG. 23 LOWER CASING. DRIVE 1 IMPULSOR E INFERIOR 1

REF. NO.	PART NO. CODIGO NO.	DESCRIPTION DESCRIPTION					REMARKS OBSERVACION
			MH	WH	W	WT	
53	90250-06023	PIN, STRAIGHT PASADOR CILINDRICO	1	1	1	1	
54	663-45633-00	RING, CROSS PIN ANILLO DE PASADOR	1	1	1	1	
55	66T-45635-00	PLUNGER, SHIFT EMBOLO DE CAMBIO	1	1	1	1	
56	66T-45611-00	SHAFT, PROPELLER EJE PROPUSOR	1	1	1	1	

FIG. 24 LOWER CASING. DRIVE 2

IMPULSOR E INFERIOR 2

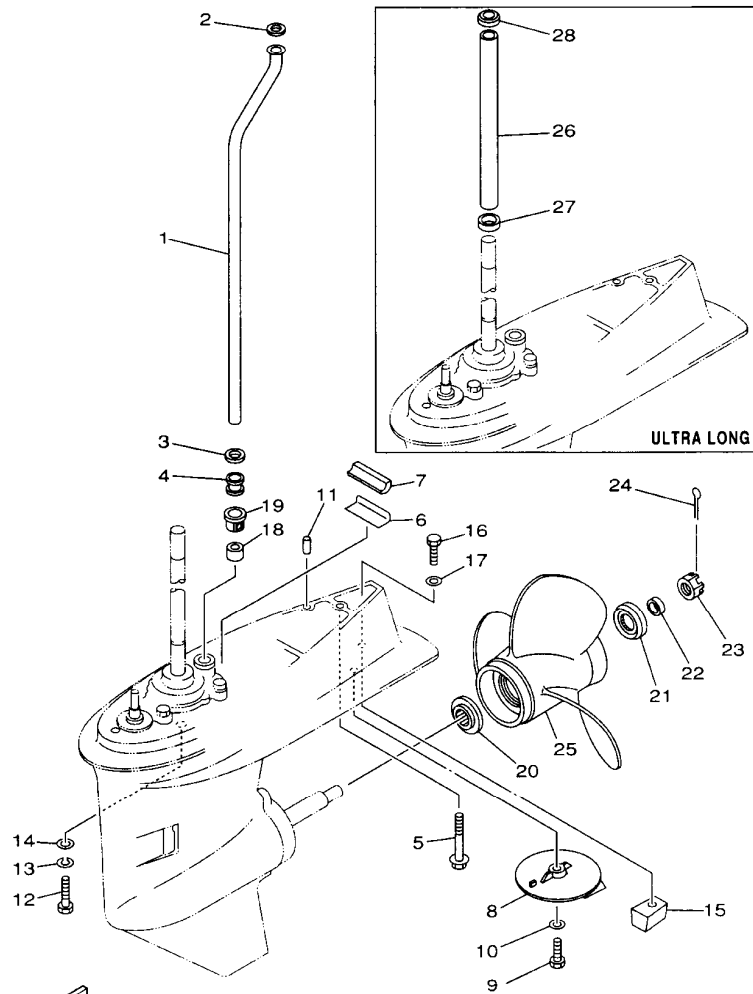


66TJA-8180

REF. NO.	PART NO. CODIGO NO.	DESCRIPTION DESCRIPTION	MH	WH	W	WT	REMARKS OBSERVACION
1	66T-44361-00	TUBE, WATER TUBO DE AGUA	1		1		UR S
	66T-44361-10	TUBE, WATER TUBO DE AGUA	1	1	1	1	UR L
	66T-44361-20	TUBE, WATER TUBO DE AGUA	1				UR X
2	90202-12060	WASHER, PLATE ARANDELA DE PLANA	1	1	1	1	
3	90430-12072	GASKET JUNTA	1	1	1	1	
4	663-44367-00	DAMPER, WATER SEAL GOMA DEL SELLO DE AGUA	1	1	1	1	
5	90119-08M44	BOLT, WITH WASHER TORNILLO CON ARANDELA	1	1	1	1	UR S, L
	90119-08M43	BOLT, WITH WASHER TORNILLO CON ARANDELA	1				UR X
6	663-45376-00	GUIDE, SEAL DAMPER GUIA DE SELLO GOMA	1	1	1	1	
7	63D-45375-00	DAMPER, SEAL GOMA DE SELLO	1	1	1	1	
8	664-45371-01	TAB-TRIM QUILLA ESTABILIZADOR	1	1	1	1	
9	97095-08025	BOLT PERNO	1	1	1	1	
10	92995-08100	WASHER ARANDELA	1	1	1	1	
11	93606-12019	PIN, DOWEL PASADOR DE CLAVIJA	2	2	2	2	
12	97075-10040	BOLT PERNO	4	4	4	4	S, L
13	92995-10100	WASHER ARANDELA	4	4	4	4	S, L
14	92995-10600	WASHER ARANDELA	4	4	4	4	S, L
15	63D-45251-10	ANODE CATODE	1	1	1	1	
16	97095-08030	BOLT PERNO	1	1	1	1	
17	92995-08100	WASHER ARANDELA	1	1	1	1	
18	663-44366-00	DAMPER, WATER SEAL GOMA DEL SELLO DE AGUA	1	1	1	1	
19	63D-44312-00	COVER, WATER PUMP HOUSING CUBIERTA CAJA BOMBA DE AGUA	1	1	1	1	
20	663-45987-02	SPACER ESPACIADOR	1	1	1	1	
21	66T-45997-00	SPACER ESPACIADOR	1	1	1	1	
22	90389-22M01	BUSH BUJE	1	1	1	1	
23	90171-16011	NUT, CASTLE TUERCA ENTALLADA	1	1	1	1	
24	91490-30025	PIN, COTTER PASADOR DE CHAVETA	1	1	1	1	

B1

FIG. 24 LOWER CASING. DRIVE 2 IMPULSOR E INFERIOR 2



FWD  
66TJA-8180

REF. NO.	PART NO. CODIGO NO.	DESCRIPTION DESCRIPTION	MH	WH	W	WT	REMARKS OBSERVACION
25	63D-45941-00-EL	PROPELLER (3X12-1/4"X8"-G) PROPELA (3X12-1/4"X8"-G)	1	1	1	1	UR
	663-45930-00-98	PROPELLER (3X10-1/4"X14"-G) PROPELA (3X10-1/4"X14"-G)	1	1	1	1	UR
	663-45941-01-EL	PROPELLER (3X10-3/4"X17"-G) PROPELA (3X10-3/4"X17"-G)	1	1	1	1	UR
	663-45945-02-EL	PROPELLER (3X11-1/8"X13"-G) PROPELA (3X11-1/8"X13"-G)	1	1	1	1	UR
	663-45947-02-EL	PROPELLER (3X11-5/8"X11"-G) PROPELA (3X11-5/8"X11"-G)	1	1	1	1	UR
	663-45949-01-EL	PROPELLER (3X10-3/4"X16"-G) PROPELA (3X10-3/4"X16"-G)	1	1	1	1	UR
	663-45952-02-EL	PROPELLER (3X11-3/8"X12"-G) PROPELA (3X11-3/8"X12"-G)	1	1	1	1	UR
	663-45954-01-EL	PROPELLER (3X11-3/4"X10"-G) PROPELA (3X11-3/4"X10"-G)	1	1	1	1	UR
	663-45956-01-EL	PROPELLER (3X12-1/4"X9"-G) PROPELA (3X12-1/4"X9"-G)	1	1	1	1	UR
	663-45958-01-EL	PROPELLER (3X11-1/4"X14"-G) PROPELA (3X11-1/4"X14"-G)	1	1	1	1	UR
	663-45970-60-98	PROPELLER (3X11-3/4"X12"-G) PROPELA (3X11-3/4"X12"-G)	1	1	1	1	UR
	663-45972-60-98	PROPELLER (3X12"X11"-G) PROPELA (3X12"X11"-G)	1	1	1	1	UR
	663-45974-60-98	PROPELLER (3X11-1/2"X13"-G) PROPELA (3X11-1/2"X13"-G)	1	1	1	1	UR
	663-45976-00-98	PROPELLER (3X10-1/4"X15"-G) PROPELA (3X10-1/4"X15"-G)	1	1	1	1	UR
	663-45978-00-98	PROPELLER (3X10-1/4"X16"-G) PROPELA (3X10-1/4"X16"-G)	1	1	1	1	UR
26	66T-44362-20	TUBÉ, WATER TUBO DE AGUA	1				X
27	90480-25M70	GROMMET TAPON	1				X
28	90480-30M71	GROMMET TAPON	1				X

B2

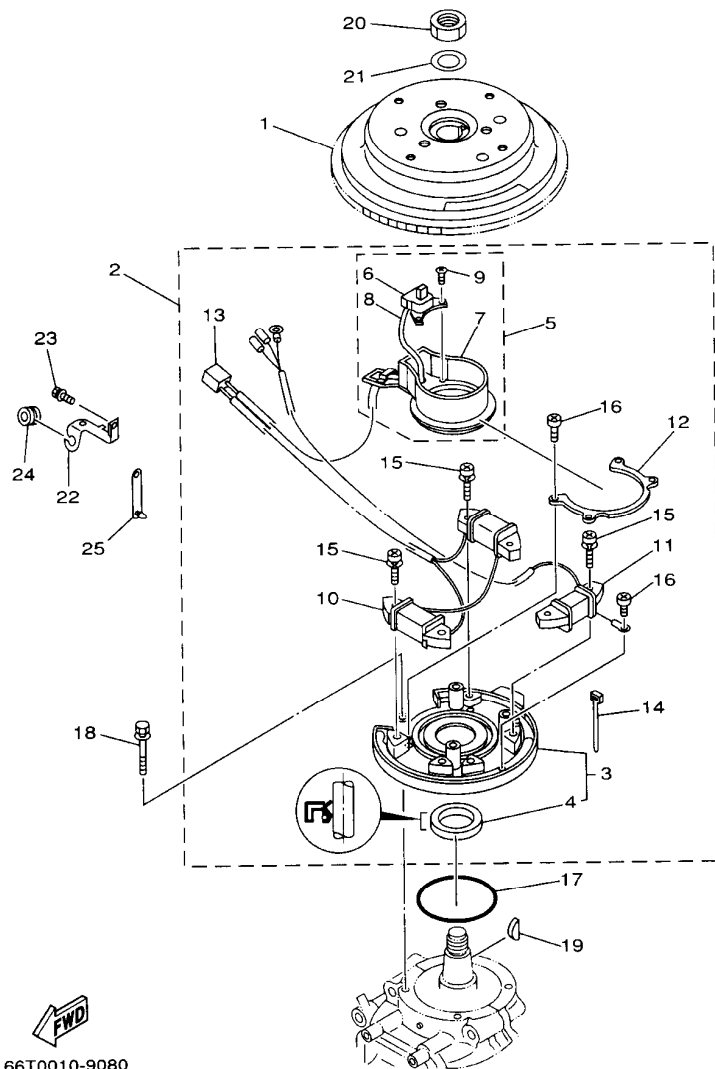


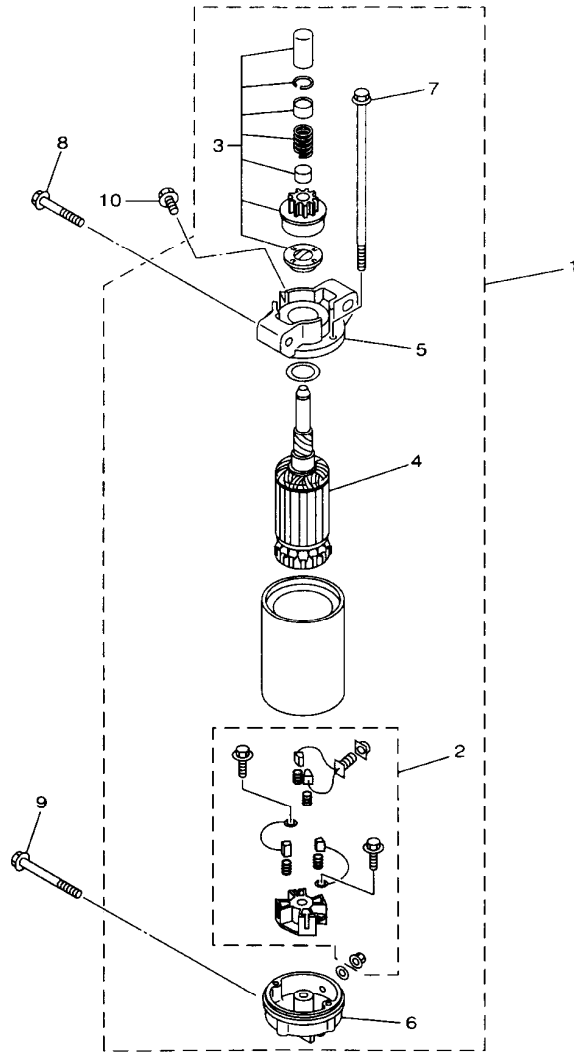
FIG. 25 GENERATOR

GENERADOR

REF. NO.	PART NO. CODIGO NO.	DESCRIPTION DESCRIPTION	MH	WH	W	WT	REMARKS OBSERVACION
1	66T-85550-00	ROTOR ASSY ROTOR COMPLETO		1	1	1	UR
	66T-85550-10	ROTOR ASSY ROTOR COMPLETO		1			UR
2	66T-85560-00	BASE ASSY (W/LIGHTING COIL) CONJUNTO BASE (C/BOBINA DE LUZ)		1	1	1	UR
	66T-85560-10	BASE ASSY CONJUNTO BASE		1			UR
3	66T-85561-00	BASE, MAGNETO BASE DE MAGNETO		1	1	1	
4	93102-35M58	OIL SEAL SELLO ACEITE		1	1	1	
5	66T-85580-00	PULSER COIL ASSY BOBINA DE PULSACION COMPLETA		1	1	1	
6	66T-85596-00	COIL, PULSER 1 BOBINA DE PULSACION 1		1	1	1	
7	66T-85582-00	ATTACHMENT, PULSER IMPLEMENTO DE PULSACION		1	1	1	
8	66T-85515-00	LEAD WIRE ASSY CABLE CONDUCTOR COMPLETO		1	1	1	
9	97902-04108	SCREW, WITH WASHER TORNILLO, CON ARANDELA		2	2	2	
10	66T-85520-00	COIL, CHARGE BOBINA DE CARGA		1	1	1	
11	66T-85533-00	COIL, LIGHTING BOBINA DE LUZ		1	1	1	FOR 66T-85560-00
12	66T-41611-00	RETAINER, MAGNETO BASE RETENEDOR BASE MAGNETO		1	1	1	
13	9E471-04305	CONNECTOR CONECTOR		1	1	1	
14	66T-81328-00	CLAMP GRAMPA		1	1	1	
15	97902-06125	SCREW, WITH WASHER TORNILLO, CON ARANDELA		6	6	6	
16	97802-04006	SCREW, PAN HEAD TORNILLO DE CABEZA CON PLANA		5	5	5	
17	93210-75M51	O-RING ANILLO O		1	1	1	
18	97595-06540	BOLT, WITH WASHER PERNO CON ARANDELA RONDELLE		4	4	4	
19	90280-05015	KEY, WOODRUFF CUNA WOODRUFF		1	1	1	
20	90170-20137	NUT TUERCA		1	1	1	
21	90201-21M18	WASHER, PLATE ARANDELA PLANA		1	1	1	
22	90465-15M74	CLAMP BRIDA		1	1	1	
23	97595-06516	BOLT, WITH WASHER PERNO CON ARANDELA RONDELLE		1	1	1	
24	90480-10M71	GROMMET TAPON		1	1	1	
25	90464-12M00	CLAMP BRIDA		1	1	1	

FIG. 26 STARTING MOTOR

MOTOR DE ARRANQUE



66TJA-8201

REF. NO.	PART NO. CODIGO NO.	DESCRIPTION DESCRIPTION	MH	WH	W	WT	REMARKS OBSERVACION
1	66T-81800-00	STARTING MOTOR ASSY MOTOR DE ARRANQUE COMPLETO		1	1	1	
2	66T-81840-00	.BRUSH HOLDER ASSY .SOSTEN DE ESCOBILLA COMPLETO		1	1	1	
3	66T-81857-00	.PINION STOPPER SET .JUEGO TAPON PINON		1	1	1	
4	66T-81850-00	.ARMATURE ASSY .INDUCIDO COMPLETO		1	1	1	
5	66T-81830-00	.FRONT BRACKET ASSY .SOPORTE DELANTERO COMPLETO		1	1	1	
6	66T-81820-00	.REAR BRACKET ASSY .CUBIERTA TRASERA COMPL		1	1	1	
7	66T-81826-00	.BOLT .PERNO		1	1	1	
8	90119-08M39	BOLT, WITH WASHER TORNILLO CON ARANDELA		2	2	2	
9	90119-08M52	BOLT, WITH WASHER TORNILLO CON ARANDELA		1	1	1	
10	97595-08516	BOLT, WITH WASHER PERNO CON ARANDELA RONDELLE		1	1	1	

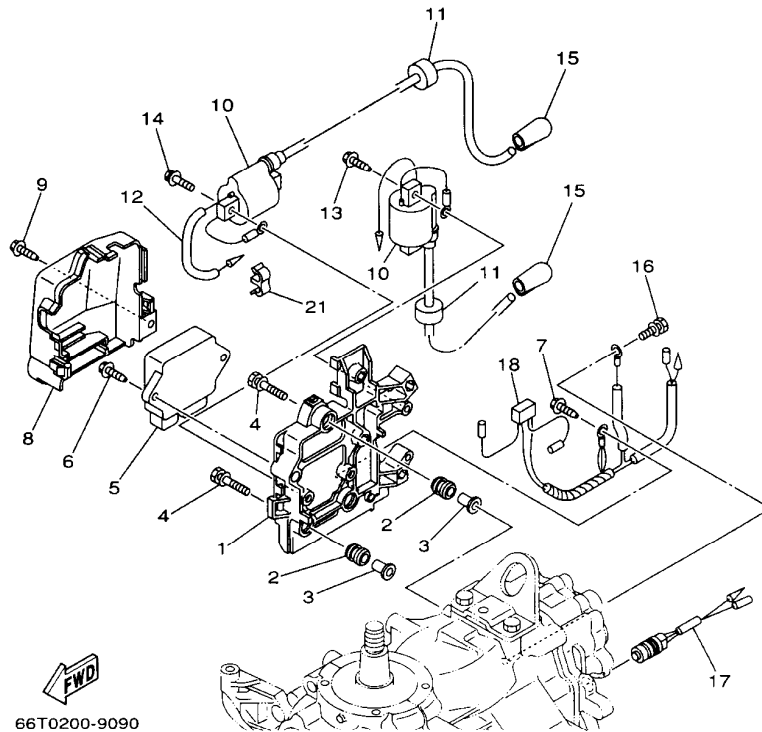
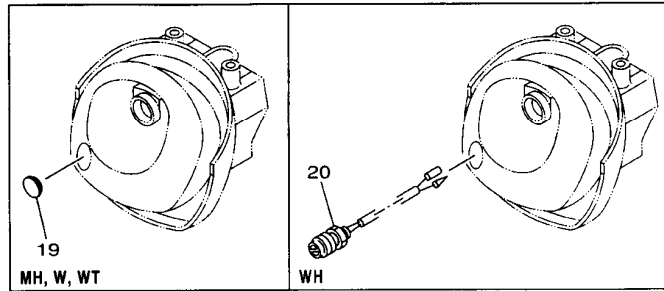


FIG. 27 ELECTRICAL 1

EQUIPO ELECTRICO 1

REF. NO.	PART NO. CODIGO NO.	DESCRIPTION DESCRIPTION	MH	WH	W	WT	REMARKS OBSERVACION
1	66T-8554B-01-94	BRACKET SOPORTE ( REF.NO. 6, 7, 9, 13, FIG.28, REF.NO. 12 )	1	1	1	1	N*
	66T-8554B-00-94	BRACKET SOPORTE ( REF.NO. 6, 7, 13, FIG.28, REF.NO. 12 )		1	1	1	P*
2	6A0-82317-00	DAMPER, IGNITION COIL AMORTIGUADOR BOBINA ENCENDIDO	3	3	3	3	
3	624-42542-00	PIPE TUBO	3	3	3	3	
4	90119-06M65	BOLT, WITH WASHER TORNILLO CON ARANDELA	3	3	3	3	
5	66T-85540-00	C.D.I. UNIT ASSY UNIDAD C.D.I. COMPLETA	1	1	1	1	
6	90109-06M81	BOLT PERNO	2	2	2	2	
7	90109-06M80	BOLT PERNO	1	1	1	1	
8	66T-81916-01	COVER, TERMINAL CUBIERTA DE TERMINAL	1	1	1	1	N*
	66T-81916-00	COVER, TERMINAL CUBIERTA DE TERMINAL	1	1	1	1	P*
9	90109-06M81	BOLT PERNO	1	1	1	1	N*
10	66T-85570-00	IGNITION COIL ASSY BOBINA DE IGNICION COMPLETO	2	2	2	2	
11	90480-25161	GROMMET TAPON	2	2	2	2	
12	90446-03MA3	HÓSE TUBO RESEIRADERO	1	1	1	1	
13	90109-06M81	BOLT PERNO	2	2	2	2	
14	97595-06525	BOLT, WITH WASHER PERNO CON ARANDELA RONDELLE	2	2	2	2	
15	682-82370-00	PLUG CAP ASSY TAPON DE BUJIA COMPLT	2	2	2		UR
	6E3-82370-20	PLUG CAP ASSY TAPON DE BUJIA COMPLT				2	UR
16	97595-06512	BOLT, WITH WASHER PERNO CON ARANDELA RONDELLE	1	1	1	1	
17	688-82560-10	THERMO SWITCH ASSY INTER. DE TERMO	1	1	1	1	
N*: MH S: 004368 ~ WH L: 350892 ~ WT L: 451213 ~ L: 209514 ~ W S: 120950 ~ X: 700700 ~ L: 401160 ~							
P*: MH S:~ 004367 WH L:~ 350891 WT L:~ 451212 L:~ 209513 W S:~ 120949 X:~ 700699 L:~ 401159							

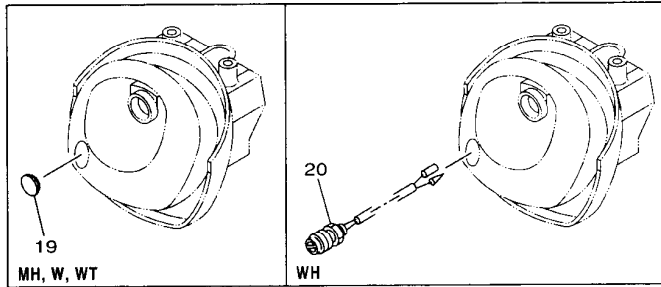


FIG. 27 ELECTRICAL 1

EQUIPO ELECTRICO 1

REF. NO.	PART NO. CODIGO NO.	DESCRIPTION DESCRIPTION	MH	WH	W	WT	REMARKS OBSERVACION
18	66T-82519-00	WIRE, EARTH LEAD CABLE CONDUCTOR A TIERRA	1	1			
19	6G1-42725-00	GROMMET TAPON	1		1	1	
20	689-81870-00	STARTING SWITCH ASSY INTERRUPTOR DE ARRANQUE COMPL.		1			
21	90464-07M20	CLAMP BRIDA	1	1	1	1	P*
P*: MH S:~ 004367 WH L:~ 350891 WT L:~ 451212 L:~ 209513 W S:~ 120949 X:~ 700699 L:~ 401159							

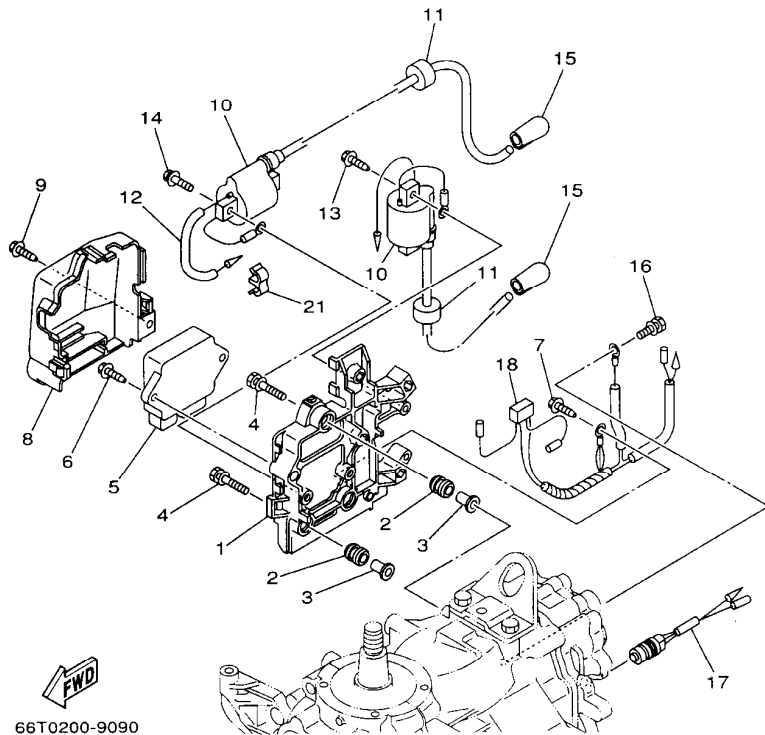
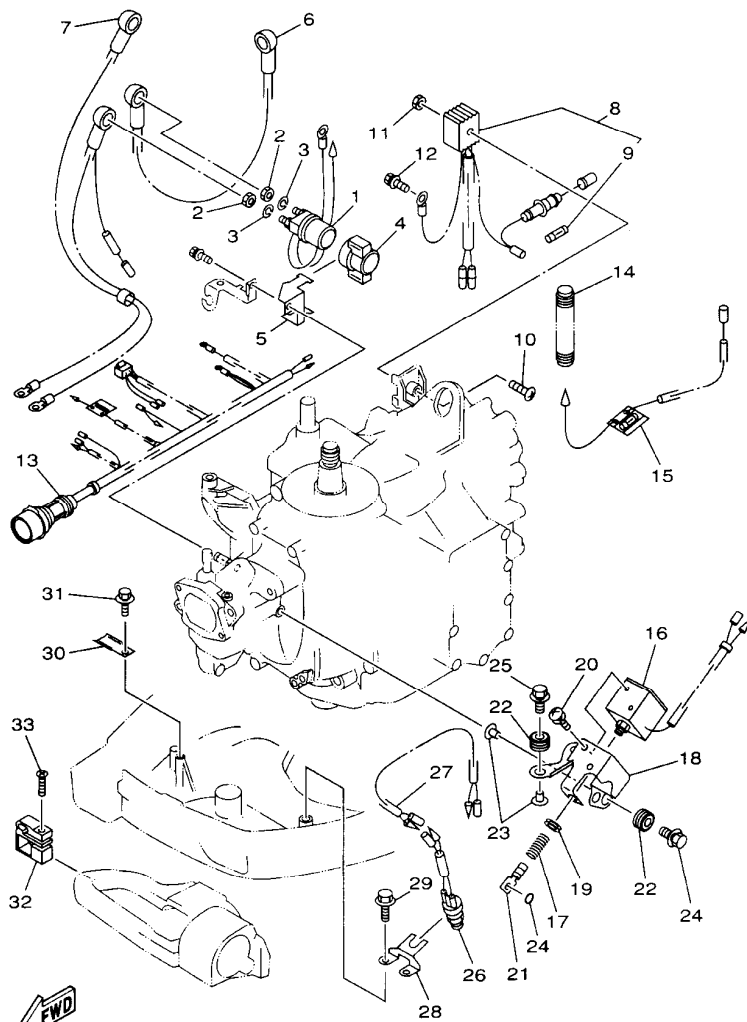


FIG. 28 ELECTRICAL 2

EQUIPO ELECTRICO 2



66TGE-8230

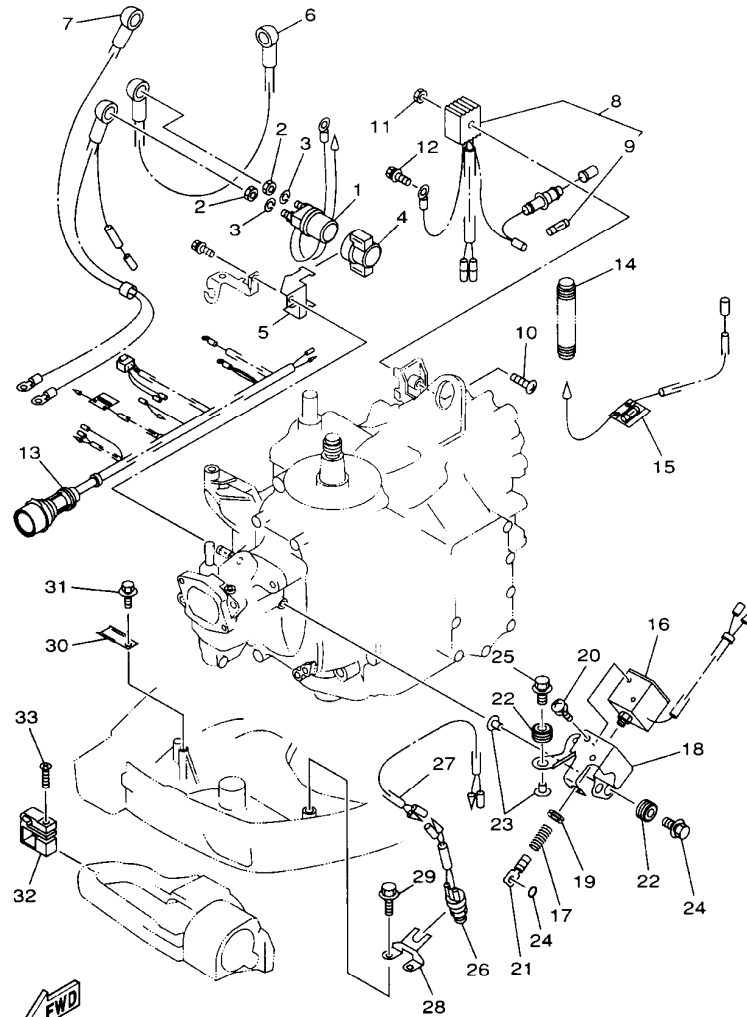
REF. NO.	PART NO. CODIGO NO.	DESCRIPTION DESCRIPTION	MH	WH	W	WT	REMARKS OBSERVACION
1	6G1-8194A-10	RELAY RELE		1	1	1	
2	90170-06M30	NUT TUERCA		2	2	2	
3	90204-06M00	WASHER, SPRING ARANDELA DE RESORTE		2	2	2	
4	6G1-81952-00	HOLDER, RELAY SOSTEN DE RELE		1	1	1	
5	6L2-81945-00	PLATE, SWITCH FITTING PLACA ACCESORIA DE INTERRUPTOR		1	1		
6	6E5-82117-00	WIRE, LEAD CABLE CONDUCTOR		1	1	1	
7	66T-82105-00	WIRE HARNESS ARNES DE CABLES		1	1	1	
8	6G1-81970-61	RECTIFIER ASSY RECTIFICADOR COMPLETO		1	1	1	
9	6G1-82151-00	FUSE FUSIBLE		1	1	1	
10	97980-05230	SCREW, WITH WASHER TORNILLO CON ARANDELA		1	1	1	
11	95380-05600	NUT TUERCA		1	1	1	
12	90109-06M80	BOLT PERNO		1	1	1	
13	66T-82590-00	WIRE HARNESS ASSY CONJUNTO DE CABLES			1		
14	66T-83557-00	TUBE ENCHUFE DE ACEITE		1	1		UR I.DIA.: 13MM
	6N7-83557-00	TUBE ENCHUFE DE ACEITE				1	UR I.DIA.: 22MM
15	66T-82115-00	WIRE, PLUS LEAD CABLE CONDUCTOR POSITIVO		1			
16	6J4-86111-00	COIL, SOLENOID CONJUNTO BOBINA SOLENOIDE			1	1	
17	6J4-86116-00	WIRE, PULL ALAMBRE-JALADOR			1	1	
18	66T-86112-00	STAY, SOLENOID SOPORTE SOLENOIDE			1	1	
19	90480-10155	GROMMET TAPON				1	
20	97880-05008	SCREW, PAN HEAD TORNILLO DE CABEZA CON PLANA			4	4	
21	682-86117-00	HOOK, WIRE PULL GANCHO JALADOR DE ALAMBRE			1	1	
22	90480-10M23	GROMMET TAPON				3	
23	90387-06M60	COLLAR CASQUILLO CON VALONA				3	
24	93210-03261	O-RING ANILLO O				1	
25	90119-06M88	BOLT, WITH WASHER TORNILLO CON ARANDELA				3	
26	6F5-82540-00	NEUTRAL SWITCH ASSY INTERRUPTOR NEUTRAL COMPL				1	

B7



FIG. 28 ELECTRICAL 2

EQUIPO ELECTRICO 2



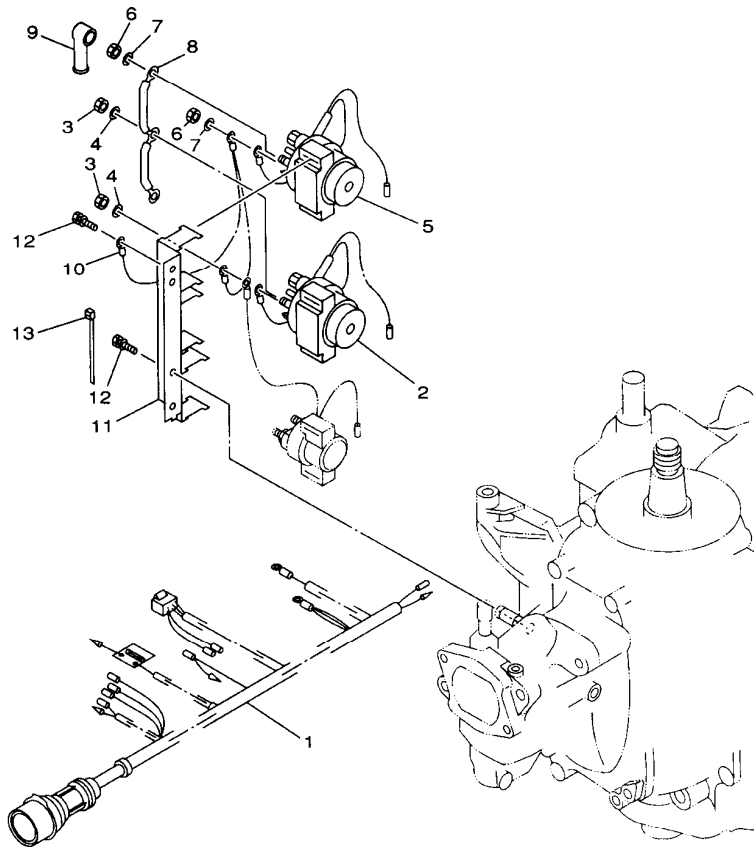
66TGE-8230

REF. NO.	PART NO. CODIGO NO.	DESCRIPTION DESCRIPTION	MH	WH	W	WT	REMARKS OBSERVACION
27	66T-82553-00	EXTENSION, WIRE LEAD CABLE		1			
28	66T-82554-00	STAY, NEUTRAL SWITCH SOPORTE INTERRUPTOR DE NEUTRAL		1			
29	90109-06M86	BOLT PERNO		2			
30	90465-20M31	CLAMP BRIDA		1	1	1	
31	90109-06M86	BOLT PERNO		1	1	1	
32	65W-82594-00	CLAMP GRAMPA		1			
33	90161-06M00	SCREW, TAPPING TORNILLO DE CABEZA PLANA		1			

C1

FIG. 29 ELECTRICAL 3

EQUIPO ELECTRICO 3

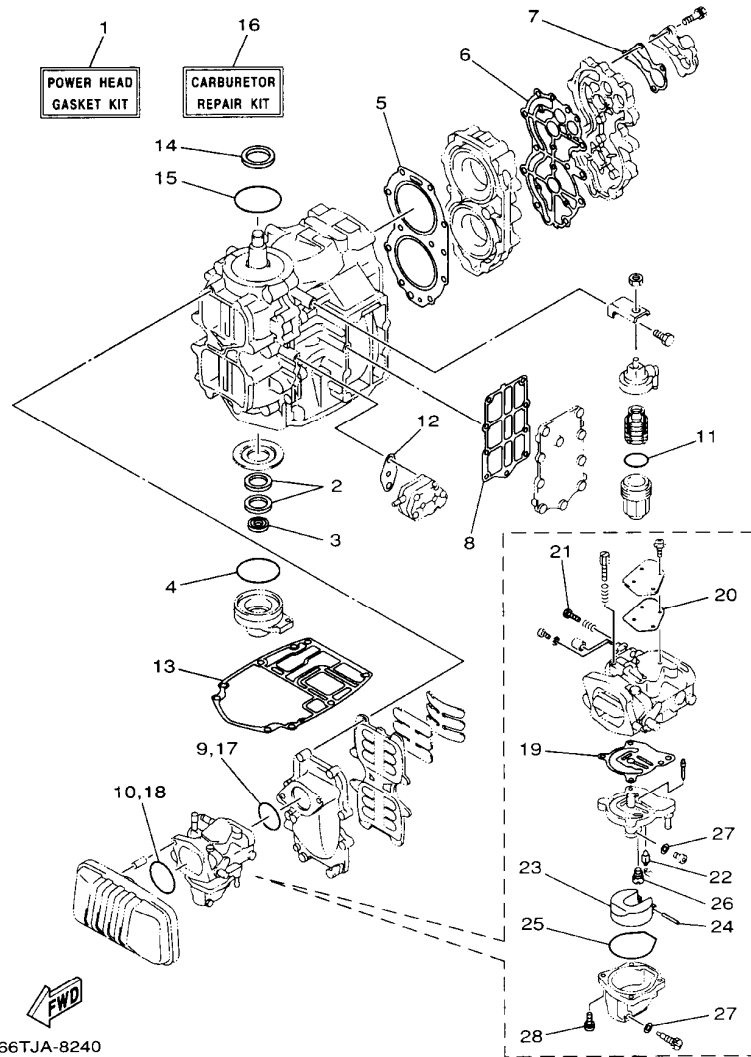


**FWD**  
66TJA-8230

REF. NO.	PART NO. CODIGO NO.	DESCRIPTION DESCRIPTION	MH	WH	W	WT	REMARKS OBSERVACION
1	66T-82590-20	WIRE HARNESS ASSY CONJUNTO DE CABLES				1	
2	6E5-8195B-01	RELAY ASSY RELE COMPLETO				1	
3	90170-06M30	NUT TUERCA				3	
4	90204-06M00	WASHER, SPRING ARANDELA DE RESORTE				3	
5	6E5-8195C-01	RELAY ASSY RELE COMPLETO				1	
6	90170-06M30	NUT TUERCA				3	
7	90204-06M00	WASHER, SPRING ARANDELA DE RESORTE				3	
8	66T-87149-00	CONNECTOR CONECTOR				1	
9	6G5-82119-00	COVER, LEAD WIRE CUBIERTA DE CABLE CONDUCTOR				4	
10	6E5-82116-00	WIRE, MINUS LEAD CABLE CONDUCTOR NEGATIVO				1	
11	66T-81948-00	BRACKET SOPORTE				1	
12	97595-06516	BOLT, WITH WASHER PERNO CON ARANDELA RONDELLE				1	
13	90465-11M10	CLAMP BRIDA				1	

FIG. 30 REPAIR KIT 1

ESTUCHE REPARATION 1

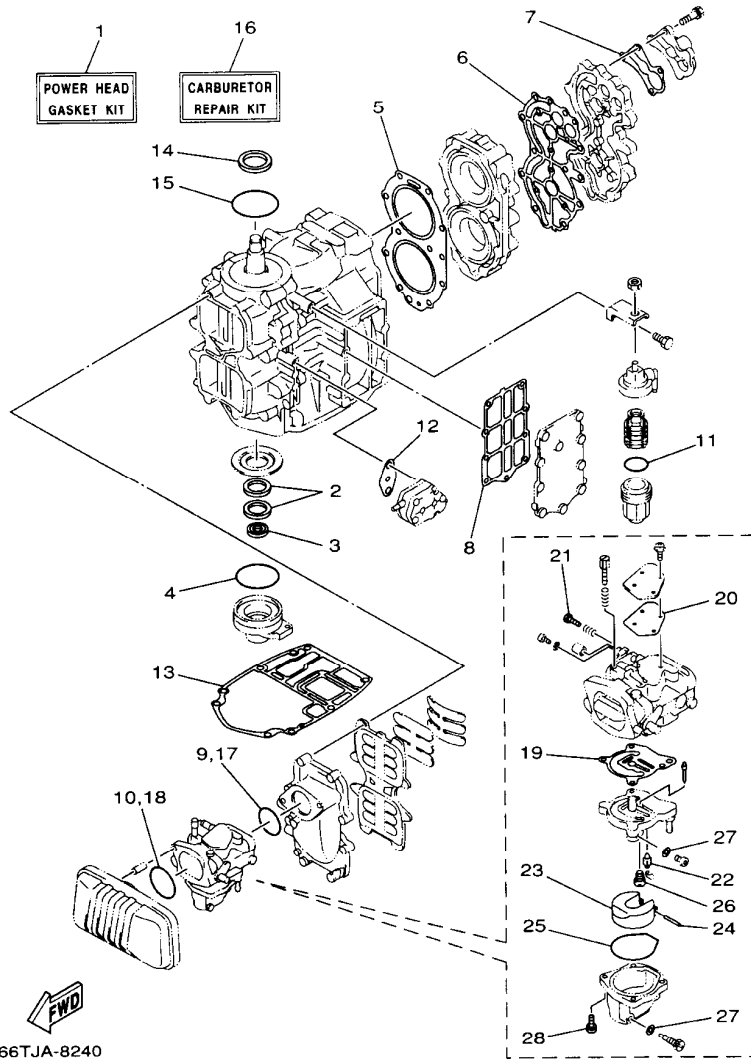


66TJA-8240

REF. NO.	PART NO. CODIGO NO.	DESCRIPTION DESCRIPTION	MH	WH	W	WT	REMARKS OBSERVACION
1	66T-W0001-00	POWER HEAD GASKET KIT JUEGO DE EMPAQUE MOTOR	1	1	1	1	
2	93102-30M53	.OIL SEAL .SELLO ACEITE	2	2	2	2	
3	93104-16M01	.OIL SEAL .SELLO ACEITE	1	1	1	1	
4	93210-65M50	.O-RING .ANILLO O	1	1	1	1	
5	66T-11181-A0	.GASKET, CYLINDER HEAD 1 JUNTA, DE CULATA 1	1	1	1	1	
6	66T-11193-A0	.GASKET, HEAD COVER 1 EMPAQUE	1	1	1	1	
7	676-12414-A0	.GASKET, COVER EMPAQUE	1	1	1	1	
8	66T-41114-A0	.GASKET, EXHAUST OUTER COVER EMPAQUE	1	1	1	1	
9	93210-46M16	.O-RING ANILLO O	1	1	1	1	
10	93210-54M54	.O-RING ANILLO O	1	1	1	1	
11	93210-32738	.O-RING ANILLO O	1	1	1	1	
12	650-24431-A0	.GASKET, FUEL PUMP 1 EMPAQUE BOMBA COMBUST 1	1	1	1	1	
13	66T-45113-A0	.GASKET, UPPER CASING EMPAQUE	1	1	1	1	
14	93102-35M58	.OIL SEAL .SELLO ACEITE	1	1	1	1	
15	93210-75M51	.O-RING ANILLO O	1	1	1	1	
16	66T-W0093-00	CARBURETOR REPAIR KIT KIT REPARACION CARBURADOR	1	1	1	1	
17	93210-46M16	.O-RING ANILLO O	1	1	1	1	
18	93210-54M54	.O-RING ANILLO O	1	1	1	1	
19	66T-14384-00	.GASKET, FLOAT CHAMBER EMPAQUE DE CAMARA DE BOIA	1	1	1	1	
20	66T-14536-00	.GASKET EMPAQUE	1	1	1	1	
21	6E5-14323-03	.SCREW, AIR ADJUSTING TORNILLO DE AJUSTE DE AIRE	1	1	1	1	
22	6E5-14546-00	.VALVE, NEEDLE VALVULA DE AGUJA	1	1	1	1	
23	6E5-14385-02	.FLOAT BOIA	1	1	1	1	
24	6E5-14386-02	.PIN, FLOAT PASADOR DE BOIA	1	1	1	1	
25	66T-14984-00	.GASKET, FLOAT CHAMBER EMPAQUE CAMARA DE BOIA	1	1	1	1	
26	66T-14992-00	.PLUG TAPON	1	1	1	1	
27	66T-14959-00	.GASKET EMPAQUE	2	2	2	2	

FIG. 30 REPAIR KIT 1

ESTUCHE REPARATION 1



REF. NO.	PART NO. CODIGO NO.	DESCRIPTION DESCRIPTION	MH	WH	W	WT	REMARKS OBSERVACION
28	97980-05125	.SCREW, WITH WASHER .TORNILLO, CON ARANDELA	4	4	4	4	
-----							
-----							
-----							
-----							
-----							
-----							
-----							
-----							
-----							

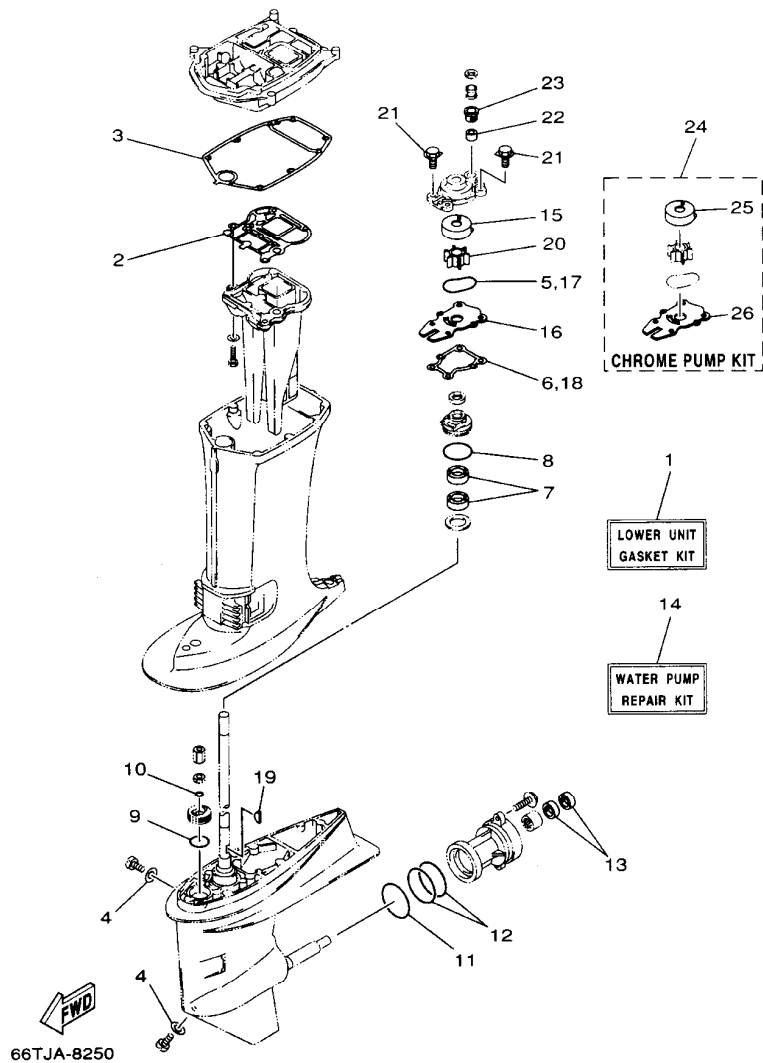


FIG. 31 REPAIR KIT 2

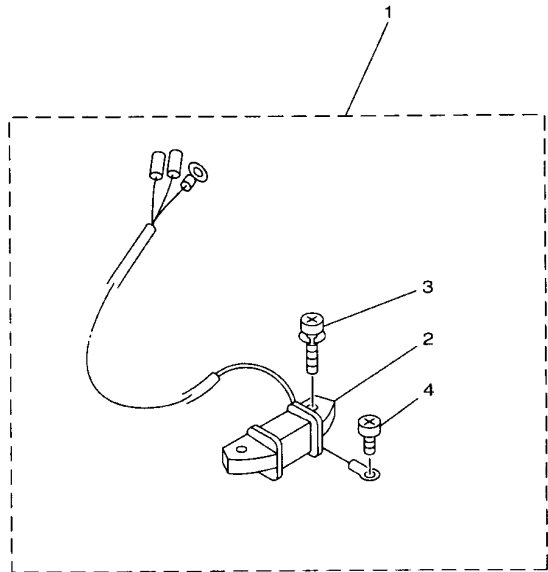
ESTUCHE REPARATION 2

REF. NO.	PART NO. CODIGO NO.	DESCRIPTION DESCRIPTION	MH	WH	W	WT	REMARKS OBSERVACION
1	66T-W0001-20	LOWER UNIT GASKET KIT JUEGO DE EMPAQUE UNIDAD INFER	1	1	1	1	
2	66T-41133-A0	.GASKET, EXHAUST MANIFOLD 1 .EMPAQUE ESCAPE MULTIPLE	1	1	1	1	
3	66T-45114-A0	.GASKET, UPPER CASING .EMPAQUE	1	1	1	1	
4	90430-08020	.GASKET .JUNTA	2	2	2	2	
5	93210-59MG7	.O-RING .ANILLO O	1	1	1	1	
6	63D-44316-00	.GASKET, WATER PUMP .EMPAQUE	1	1	1	1	
7	93101-22M60	.OIL SEAL .SELLO ACEITE	2	2	2	2	
8	93210-48MG8	.O-RING .ANILLO O	1	1	1	1	
9	93210-33MG4	.O-RING .ANILLO O	1	1	1	1	
10	93210-06ME6	.O-RING .ANILLO O	1	1	1	1	
11	93210-69MG6	.O-RING .ANILLO O	1	1	1	1	
12	93210-74MG5	.O-RING .ANILLO O	2	2	2	2	
13	93101-22M00	.OIL SEAL .SELLO ACEITE	2	2	2	2	
14	66T-W0078-00	WATER PUMP REPAIR KIT ESTUCHE REPARACION BOMBA AGUA	1	1	1	1	
15	63D-44322-00	.INSERT, CARTRIDGE .CARTUCHO	1	1	1	1	
16	66T-44323-00	.OUTER PLATE, CARTRIDGE .PLACA EXTERIOR DEL CARTUCHO	1	1	1	1	
17	93210-59MG7	.O-RING .ANILLO O	1	1	1	1	
18	63D-44316-00	.GASKET, WATER PUMP .EMPAQUE	1	1	1	1	
19	90280-03M07	.KEY, WOODRUFF .CUNA WOODRUFF	1	1	1	1	
20	6H4-44352-02	.IMPELLER .IMPULSOR	1	1	1	1	
21	90119-08M15	.BOLT, WITH WASHER .TORNILLO CON ARANDELA	4	4	4	4	
22	663-44366-00	.DAMPER, WATER SEAL .GOMA DEL SELLO DE AGUA	1	1	1	1	
23	63D-44312-00	.COVER, WATER PUMP HOUSING .CUBIERTA CAJA BOMBA DE AGUA	1	1	1	1	
24	66T-W0078-0A	CHROME PUMP KIT ESTUCHE REPARACION BOMBA AGUA	1	1	1	1	
25	63D-44322-40	.INSERT, CARTRIDGE .CARTUCHO	1	1	1	1	
26	66T-44323-40	.OUTER PLATE, CARTRIDGE .PLACA EXTERIOR DEL CARTUCHO	1	1	1	1	

FIG. 32 REPAIR KIT 3

ESTUCHE REPARATION 3

REF. NO.	PART NO. CODIGO NO.	DESCRIPTION DESCRIPTION	MH	WH	W	WT	REMARKS OBSERVACION
1	66T-81303-00	LIGHTING COIL ASSY BOBINA DE ILUMINACION COMPL.	1	1	1	1	AP
2	66T-85533-00	.COIL, LIGHTING .BOBINA DE LUZ	1	1	1	1	
3	97902-06125	.SCREW, WITH WASHER .TORNILLO, CON ARANDELA	2	2	2	2	
4	97802-04006	.SCREW, PAN HEAD .TORNILLO DE CABEZA CON PLANA	1	1	1	1	
-----							
-----							
-----							
-----							
-----							
-----							
-----							
-----							



66T0200-9320

C6

**NUMERICAL INDEX  
INDICE NUMERICO**

PART NO. CODIGO NO.	REF. NO.	PART NO. CODIGO NO.	REF. NO.	PART NO. CODIGO NO.	REF. NO.	PART NO. CODIGO NO.	REF. NO.	PART NO. CODIGO NO.	REF. NO.	PART NO. CODIGO NO.	REF. NO.
66T-W0001-00	30 - 1	66T-14301-00	4 - 1	66T-15734-00	5 - 14	66T-26301-00	14 - 27	6E0-42651-02	8 - 4	663-43318-00	10 - 42
66T-W0001-20	31 - 1	66T-14301-10	4 - 1	63V-15741-00	5 - 4	65W-26326-00	9 - 19	6F5-42652-01	8 - 6	66T-43350-00	10 - 51
66T-W0004-00	3 - 2	66T-14301-20	4 - 1	63V-15744-00	5 - 10	65W-26326-10	9 - 19	61N-42677-H0	8 - 9	66T-43350-01	10 - 51
63D-W0070-10	8 - 11	66T-14301-30	4 - 1	6F5-15752-00	5 - 18		16 - 10	63D-42677-11	8 - 9	65W-43373-00	12 - 2
66T-W0070-H0	8 - 11	6E5-14323-03	4 - 11	663-15753-00	5 - 19	66T-41113-00-9M	1 - 30	6J4-42678-H0	8 - 10	65W-43613-00	10 - 58
66T-W0078-0A	31 - 24		30 - 21	689-15755-01	5 - 21	66T-41114-A0	1 - 32	63D-42678-11	8 - 10	65W-43614-00	10 - 56
66T-W0078-00	31 - 14	6A0-14325-00	6 - 24	66T-15758-00	5 - 24		30 - 8	63D-42681-10	8 - 12	65W-43615-00	10 - 57
66T-W0084-00-4D	14 - 1	6J8-14334-00	4 - 10	66T-15762-00	5 - 27	66T-41131-00-5B	22 - 4	63D-42682-10	8 - 13	65W-43616-00	10 - 55
66T-W0090-00-4D	1 - 1	66T-14384-00	4 - 5	66T-15767-00	5 - 8	66T-41133-A0	22 - 5	66T-42710-00-4D	9 - 1	66T-43627-00	10 - 30
66T-W0093-00	30 - 16		30 - 19	63V-15768-00	5 - 11		31 - 2	66T-42716-00	9 - 5	65W-43630-00	10 - 43
676-W2810-01	6 - 30	6E5-14385-02	4 - 17	66T-15768-00	5 - 20	66T-41137-00-5B	22 - 1	6G1-42725-00	27 - 19	65W-43630-10	10 - 43
66T-11111-00-94	1 - 20		30 - 23	66T-15770-00	5 - 15	66T-41237-00	17 - 5	66T-42725-00	9 - 8	66T-43631-00	10 - 53
66T-11119-00	1 - 18	6E5-14386-02	4 - 18	66T-15771-00-94	5 - 34	66T-41252-00	3 - 21	66T-42725-10	9 - 8	66T-43631-10	10 - 53
66T-11181-A0	1 - 21		30 - 24	66T-15772-00-94	5 - 36	66T-41256-00	3 - 19	66T-42725-20	9 - 8	689-43633-00	15 - 6
	30 - 5	66T-14440-00	3 - 12	6F5-15779-02	5 - 22	66T-41257-00	3 - 23	66T-42725-30	16 - 9	65W-4380F-00	13 - 11
66T-11191-00-9M	1 - 23	624-14485-00	1 - 5	66T-15784-00	5 - 9	661-41262-02	3 - 20	6H1-42726-10	9 - 21	65W-4380K-00	13 - 16
66T-11193-A0	1 - 24	66T-14497-00	17 - 10	697-15789-00	5 - 23	6H4-41271-01	3 - 16	6H4-42726-00	9 - 21	65W-4380L-00	13 - 27
	30 - 6	66T-14523-00	4 - 9	663-15791-00	5 - 17	689-41273-00	3 - 17	65W-42726-00	9 - 23	65W-43800-01-4D	13 - 1
676-11325-00	1 - 16	66T-14527-00	4 - 7	66T-15794-00	5 - 13	6J8-41274-00	3 - 18	65W-42726-10	9 - 23	6T4-43802-03	13 - 30
650-11372-00	3 - 5	66T-14536-00	4 - 6	6YJ-24167-00	7 - 7	66T-41611-00	25 - 12		16 - 11	65W-43804-00	13 - 3
676-11372-00	1 - 31		30 - 20	6YJ-24201-00	7 - 1	66T-41631-00	17 - 4	676-42727-00	9 - 20	65W-43805-00	13 - 4
66T-11400-00	2 - 1	6E5-14546-00	4 - 15	6YJ-24201-10	7 - 1	66T-41638-00	17 - 1	66T-42738-00-5B	9 - 6	65W-4381B-00	13 - 22
66T-11412-00	2 - 2		30 - 22	6YJ-24260-00	7 - 3	6F5-41662-00	17 - 17	66T-42741-00	9 - 26	65W-43810-00	13 - 17
66T-11422-00	2 - 3	6J8-14578-00	4 - 2	6Y1-24260-12	7 - 3	65W-42101-01-4D	14 - 12	66T-42815-00-4D	9 - 9	65W-43812-00	13 - 18
66T-11432-00	2 - 4	6J8-14592-01	4 - 3	6Y1-24268-00	7 - 6	664-42119-00	14 - 20	66T-42816-00	9 - 13	6H1-43816-00	13 - 25
66T-11442-00	2 - 5	61A-1492E-85	4 - 14	6G1-24304-02	6 - 1	65W-42121-00	14 - 38	65W-43111-10-4D	11 - 5	65W-43817-00	13 - 39
6F5-11515-00	2 - 9	61A-1492E-88	4 - 14	6G1-24305-01	7 - 13	65W-42123-00	14 - 6	66T-43111-00-4D	10 - 5	65W-4382A-00	13 - 47
66T-11603-00	2 - 16	66T-1492F-35	4 - 19	6Y1-24305-02	7 - 15	65W-42125-00	14 - 17	65W-43112-10-4D	11 - 6	6H1-43829-00	13 - 61
66T-11604-00	2 - 16	66T-1492F-37	4 - 19	6Y1-24306-51	7 - 8	6G1-42126-00	14 - 16	66T-43112-00-4D	10 - 10	65W-43830-00	13 - 36
66T-11605-00	2 - 16	66T-14945-00	4 - 13	6Y1-24329-00	7 - 5	65W-42131-01	14 - 35	6J8-43113-01	10 - 27	65W-43831-00	13 - 35
66T-11631-00-93	2 - 15	66T-14959-00	4 - 24	66T-24329-00	9 - 22	6G1-42137-10	14 - 21	648-43114-01	10 - 8	6H1-4384F-10	13 - 57
6F5-11633-00	2 - 17		30 - 27	650-24351-51	7 - 12	65W-42138-00	14 - 14		10 - 13	65W-43840-00	13 - 15
663-11634-00	2 - 18	66T-14981-00	4 - 22	6Y1-24360-51	7 - 10	65W-42159-00	14 - 15	663-43118-01-4D	10 - 7	62X-43841-00	13 - 33
66T-11635-00	2 - 15	66T-14984-00	4 - 20	692-24410-00	6 - 14	66T-42167-00	17 - 2		10 - 12	65W-43843-00	13 - 54
66T-11636-00	2 - 15		30 - 25	663-24411-00	6 - 19	6F6-42177-A0	14 - 19	63D-43131-00	10 - 24	6H1-43844-10	13 - 56
6F5-11651-00	2 - 10	66T-14991-00	4 - 23	692-24411-00	6 - 16	65W-42508-00	15 - 1		11 - 13	65W-43844-00	13 - 48
66T-11681-00	2 - 11	66T-14992-00	4 - 21	6A0-24412-02	6 - 25	65W-42511-00-4D	12 - 6	66T-43144-00	9 - 14	6H1-43845-00	13 - 43
6E5-12411-01	1 - 26		30 - 26	6A0-24413-00	6 - 15	65W-42511-10-4D	12 - 6	6E5-43145-01	18 - 9	6H1-43847-00	13 - 45
676-12413-00-9M	1 - 27	66T-15100-00-94	1 - 2	6A0-24421-01	6 - 23	65W-42527-00	15 - 2	6G5-43145-00	10 - 29	65W-43851-00	13 - 49
676-12414-A0	1 - 28	66T-15396-00	1 - 8	650-24431-A0	6 - 26	648-42528-00	12 - 1		11 - 17	6T4-43853-00	13 - 37
	30 - 7	66T-15705-00	5 - 7		30 - 12	65W-42528-00	15 - 12	63V-43145-00	10 - 28	65W-43853-00	13 - 60
6E5-13552-00	1 - 3	66T-15710-00	5 - 1	648-24434-01	6 - 17	624-42542-00	27 - 3	65W-43191-00	10 - 16	65W-43854-00	13 - 46
	1 - 4	66T-15711-00	5 - 2	648-24435-02	6 - 20	65W-42561-00	15 - 5		11 - 8	65W-43855-00	13 - 52
	3 - 4	66T-15713-00	5 - 5	61N-24521-00	6 - 7	65W-42562-00	15 - 10	65W-43192-00	10 - 15	6H1-43856-10	13 - 55
66T-13610-00	3 - 1	66T-15714-00	5 - 3	61N-24560-00	6 - 5	66T-42610-H0-4D	8 - 1		11 - 7	65W-4386A-00	13 - 58
66T-13641-00-94	3 - 3	66T-15716-00	5 - 6	61N-24563-00	6 - 6	66T-42610-10-4D	8 - 1	65W-43311-00-4D	10 - 22	65W-4386K-00	13 - 7
6E5-14159-00	4 - 16	66T-15723-00	5 - 28	648-24566-01	6 - 9	66T-42613-00	8 - 2	65W-43311-10-4D	10 - 22	6H1-43861-10	13 - 20
6E5-14223-00	4 - 12	66T-15731-00	5 - 16	6YJ-24610-01	7 - 2	66T-42615-00	8 - 8		11 - 11		13 - 23

NUMERICAL INDEX  
INDICE NUMERICO

PART NO. CODIGO NO.	REF. NO.	PART NO. CODIGO NO.	REF. NO.	PART NO. CODIGO NO.	REF. NO.	PART NO. CODIGO NO.	REF. NO.	PART NO. CODIGO NO.	REF. NO.	PART NO. CODIGO NO.	REF. NO.
65W-43861-00	13 - 40	63D-44341-00	23 - 19	66T-45560-00	23 - 38	701-48130-23	21 - 1	703-48244-00	20 - 21	65W-61350-00	18 - 1
65W-43862-00	13 - 41	6H4-44352-02	23 - 18	663-45567-01-10	23 - 40	701-48133-00	21 - 42	703-48245-00	20 - 11	65W-61351-00	18 - 2
65W-43865-00	13 - 19		31 - 20	663-45567-01-12	23 - 40	701-48140-E0	19 - 2	701-48246-00	21 - 24	66T-81303-00	32 - 1
6H1-43866-00	13 - 31	66T-44361-00	24 - 1	663-45567-01-15	23 - 40		21 - 1	703-48246-00	20 - 23	66T-81328-00	25 - 14
6H1-43867-00	13 - 32	66T-44361-10	24 - 1	663-45567-01-18	23 - 40	701-48152-11	21 - 13	701-48248-00	20 - 13	66T-81800-00	26 - 1
65W-43869-00	13 - 5	66T-44361-20	24 - 1	663-45567-01-30	23 - 40	703-48152-00	20 - 57		21 - 12	66T-81820-00	26 - 6
65W-43871-00	13 - 21	66T-44362-20	24 - 26	663-45567-01-40	23 - 40	701-48153-12	21 - 33	701-48249-00	21 - 11	66T-81826-00	26 - 7
6H1-43875-00	13 - 42	663-44366-00	24 - 18	663-45567-01-50	23 - 40	703-48153-00	20 - 3	701-48252-00	21 - 4	66T-81830-00	26 - 5
62X-43878-00	13 - 62		31 - 22	66T-45571-00	23 - 41	701-48189-11	21 - 31	703-48252-00	20 - 12	66T-81840-00	26 - 2
65W-43879-00	13 - 12	663-44367-00	24 - 4	63D-45577-00-10	23 - 43	703-48189-00	20 - 17	701-48255-00	21 - 21	66T-81850-00	26 - 4
65W-4388E-00	13 - 14	6E5-44391-00	9 - 18	63D-45577-00-12	23 - 43	701-48196-11	21 - 7	701-48261-20	21 - 37	66T-81857-00	26 - 3
65W-43880-00	13 - 2	66T-44514-00-4D	12 - 15	63D-45577-00-15	23 - 43	701-48197-10	21 - 3	703-48261-01	20 - 2	689-81870-00	27 - 20
65W-43881-00	13 - 6	66T-44514-30-4D	12 - 15	63D-45577-00-18	23 - 43	701-48198-10	21 - 15	703-48264-00	20 - 6	66T-81916-00	27 - 8
65W-43882-00	13 - 8	66T-44526-00	12 - 16	63D-45577-00-30	23 - 43	703-48198-00	20 - 14	703-48265-00	20 - 9	66T-81916-01	27 - 8
65W-43887-00	13 - 13	66T-44526-30	12 - 16	63D-45577-00-40	23 - 43	703-48203-14	19 - 1	701-48266-00	21 - 29	6G1-8194A-10	28 - 1
65W-43888-00	13 - 28	65W-44551-00-4D	12 - 19	63D-45577-00-50	23 - 43		20 - 1	701-48268-00	21 - 18	6L2-81945-00	28 - 5
65W-43891-00	13 - 10	65W-44555-10	12 - 20	663-45587-01-10	23 - 35	703-48205-15	19 - 1	703-48268-00	20 - 5	66T-81948-00	29 - 11
65W-43892-00	13 - 9	66T-44575-00	12 - 21	663-45587-01-12	23 - 35		20 - 1	701-48271-00	21 - 34	6E5-8195B-01	29 - 2
66T-44111-00	14 - 2	66T-45111-00-4D	22 - 7	663-45587-01-15	23 - 35	703-48211-01	20 - 61	703-48271-00	20 - 60	6E5-8195C-01	29 - 5
682-44116-01	17 - 19	66T-45111-10-4D	22 - 7	663-45587-01-18	23 - 35	703-48212-00	20 - 58	701-48280-00	21 - 48	6G1-81952-00	28 - 4
66T-44121-00	17 - 14	66T-45113-A0	22 - 12	663-45587-01-30	23 - 35	701-48213-00	21 - 19	701-48281-10	21 - 16	6G1-81970-61	28 - 8
66M-44122-00	17 - 15		30 - 13	663-45587-01-40	23 - 35	703-48213-00	20 - 59	703-48281-00	20 - 31	66T-82105-00	28 - 7
66T-44124-00	14 - 8	66T-45114-A0	22 - 11	663-45587-01-50	23 - 35	703-48215-00	20 - 43	703-48282-00	20 - 32	66T-82115-00	28 - 15
66T-44125-00	16 - 6		31 - 3	66T-45611-00	23 - 56	702-48217-00	20 - 44	701-48283-00	21 - 44	6E5-82116-00	29 - 10
	17 - 25	63D-45155-00	22 - 8	66T-45631-00	23 - 51	703-48219-00	20 - 30	703-48284-00	20 - 52	6E5-82117-00	28 - 6
66T-44143-00	17 - 21	66T-45211-00-4D	22 - 17	663-45633-00	23 - 54	701-48221-00	21 - 6	701-48287-00	20 - 42	6G5-82119-00	29 - 9
66T-44143-10	17 - 21	63D-45214-00	23 - 7	66T-45635-00	23 - 55	703-48221-00	20 - 56		21 - 46	6U0-82127-00	11 - 26
61N-44146-00	23 - 27	63D-45215-00	23 - 8	663-45930-00-98	24 - 25	701-48222-00	21 - 27	702-48288-00	21 - 23	66T-82127-00	12 - 26
66T-44150-00	23 - 26	63D-45251-10	24 - 15	63D-45941-00-EL	24 - 25	703-48222-00	20 - 27	703-48291-10	20 - 39	66T-82127-10	12 - 27
66T-44150-10	23 - 26	65W-45251-00	11 - 23	663-45941-01-EL	24 - 25	703-48223-00	20 - 28	703-48293-10	20 - 41	6H1-82148-00	11 - 25
66T-44150-20	23 - 26	676-45251-00	1 - 14	663-45945-02-EL	24 - 25	703-48224-00	20 - 55	701-48310-90	19 - 3	6G1-82151-00	28 - 9
65W-44173-00	17 - 23	66T-45300-00-4D	23 - 1	663-45947-02-EL	24 - 25	703-48225-00	20 - 29	701-48320-00	19 - 3	6A0-82317-00	27 - 2
6E0-44191-11	14 - 11	66T-45300-10-4D	23 - 1	663-45949-01-EL	24 - 25	703-48226-00	20 - 26	701-48320-20	19 - 3	6E3-82370-20	27 - 15
688-44194-00	17 - 9	66T-45300-30-4D	23 - 1	663-45952-02-EL	24 - 25	703-48227-00	20 - 24	701-48320-30	19 - 3	682-82370-00	27 - 15
66T-44311-00	23 - 12	66T-45311-00-4D	23 - 2	663-45954-01-EL	24 - 25	701-48229-00	21 - 26	701-48320-50	19 - 3	703-82510-31	20 - 45
63D-44312-00	24 - 19	66T-45318-00	22 - 15	663-45956-01-EL	24 - 25	701-48232-00	21 - 30	701-48320-60	19 - 3	703-82510-41	20 - 45
	31 - 23	66T-45321-00	23 - 29	663-45958-01-EL	24 - 25	703-48232-00	20 - 62	701-48320-80	19 - 3	66T-82519-00	27 - 18
63D-44316-00	23 - 16	688-45341-00	23 - 6	663-45970-60-98	24 - 25	701-48234-00	21 - 5	663-48344-00	16 - 2	703-82531-00	20 - 46
	31 - 6	66T-45344-00	23 - 21	663-45972-60-98	24 - 25	701-48235-00	21 - 2		17 - 27	6F5-82540-00	28 - 26
	31 - 18	63D-45361-02-4D	23 - 44	663-45974-60-98	24 - 25	703-48235-00	20 - 4	703-48345-01	20 - 19	703-82540-00	20 - 50
63D-44322-00	23 - 13	664-45371-01	24 - 8	663-45976-00-98	24 - 25	701-48236-00	21 - 8		21 - 36	66T-82553-00	28 - 27
	31 - 15	63D-45375-00	24 - 7	663-45978-00-98	24 - 25	703-48236-00	20 - 16	701-48358-00	21 - 38	66T-82554-00	28 - 28
63D-44322-40	23 - 13	663-45376-00	24 - 6	663-45987-02	24 - 20		20 - 18	703-48358-00	20 - 20	682-82556-00	14 - 40
	31 - 25	66T-45501-00	23 - 33	66T-45997-00	24 - 21	702-48237-00	21 - 9	66T-48501-00	16 - 1		20 - 48
66T-44323-00	23 - 14	66T-45501-10	23 - 33	701-48126-00	21 - 41	702-48238-00	21 - 10	65W-48511-00	12 - 29		21 - 40
	31 - 16	66T-45501-20	23 - 33	701-48130-E0	19 - 2	703-48238-00	20 - 22		16 - 7	688-82560-10	27 - 17
66T-44323-40	23 - 14	6H4-45536-00	23 - 3		21 - 1	701-48243-00	21 - 14		16 - 4	703-82563-01	20 - 55
	31 - 26	66T-45551-00	23 - 36	701-48130-23	19 - 2	703-48243-00	20 - 15		17 - 29	689-8257Y-00	14 - 41



NUMERICAL INDEX  
INDICE NUMERICO

PART NO. CODIGO NO.	REF. NO.	PART NO. CODIGO NO.	REF. NO.	PART NO. CODIGO NO.	REF. NO.	PART NO. CODIGO NO.	REF. NO.	PART NO. CODIGO NO.	REF. NO.	PART NO. CODIGO NO.	REF. NO.
66T-82575-00	14 - 39	90109-06M80	28 - 12	90179-10M33	12 - 25	90249-12M38	11 - 20	90387-10M42	18 - 6	90506-30M00	10 - 62
688-82575-01	20 - 47	90109-06M81	9 - 7	90185-08045	12 - 12	90249-12M39	10 - 39	90387-12M04	10 - 38	91318-04025	13 - 38
701-82575-53	21 - 39		17 - 18	90185-08057	10 - 36	90249-18M35	11 - 32	90389-22M01	24 - 22	91490-16012	17 - 22
688-8258A-20	20 - 49		27 - 6		10 - 66	90250-06023	23 - 53	90430-08020	23 - 5	91490-20010	14 - 18
688-82586-21	20 - 49		27 - 9	90185-09M01	18 - 4	90254-03M03	10 - 54		31 - 4	91490-20015	10 - 63
66T-82590-00	28 - 13		27 - 13	90185-10M13	11 - 35	90254-03M04	17 - 24	90430-12072	24 - 3	91490-30025	24 - 24
66T-82590-20	29 - 1	90109-06M86	9 - 15	90185-10M14	15 - 9		17 - 26	90445-07MA4	3 - 8	91690-30018	10 - 17
703-82592-00	20 - 54		14 - 13	90185-10051	12 - 4	90254-03M05	17 - 16	90445-07M08	1 - 35		
65W-82594-00	28 - 32		17 - 20	90185-22M11	11 - 16	90266-04M04	8 - 5	90445-07M24	3 - 7	91690-30318	16 - 5
701-82594-00	21 - 45		28 - 29	90201-08M00	11 - 29		8 - 7	90445-09M08	6 - 3	91690-40032	3 - 22
703-82594-00	20 - 25		28 - 31	90201-08M07	10 - 35	90269-02M09	14 - 22	90445-09M75	1 - 34	92903-10600	14 - 24
703-83383-02	20 - 51	90109-08M90	10 - 34	90201-08M54	17 - 11	90280-03M07	23 - 17	90445-09086	6 - 12	92990-05100	6 - 22
6N7-83557-00	28 - 14	90110-10M02	11 - 33	90201-10M20	18 - 3		31 - 19		6 - 28	92990-05600	4 - 4
66T-83557-00	28 - 14	90116-10M23	22 - 19	90201-10M63	18 - 8	90280-05015	25 - 19	90445-11M05	7 - 11	92990-06100	15 - 4
66T-85515-00	25 - 8	90116-10M28	12 - 5	90201-10M120	12 - 30	90338-05M03	9 - 25	90445-11M06	7 - 9	92990-06200	14 - 9
66T-85520-00	25 - 10	90119-06M61	9 - 2		16 - 8	90338-07M00	9 - 24	90446-03MA3	27 - 12	92990-06300	21 - 25
66T-85533-00	25 - 11	90119-06M65	27 - 4	90201-12M07	14 - 4	90340-08M04	23 - 4	90446-10M82	14 - 28	92990-06600	23 - 32
	32 - 2	90119-06M73	9 - 17	90201-12426	10 - 3	90385-12M04	5 - 32	90446-10M86	14 - 29	92990-08100	10 - 21
66T-8554B-00-94	27 - 1	90119-06M85	14 - 3		11 - 3	90386-07MA2	10 - 45	90464-07M20	27 - 21	92990-08600	20 - 34
66T-8554B-01-94	27 - 1	90119-06M88	28 - 25	90201-20417	2 - 20	90386-08032	14 - 26	90464-09M49	9 - 29	92990-10100	22 - 21
66T-85540-00	27 - 5	90119-08M09	1 - 22	90201-21M18	25 - 21	90386-10M99	10 - 44	90464-12M00	25 - 25	92990-10600	22 - 22
66T-85550-00	25 - 1	90119-08M10	5 - 30	90201-22M03	10 - 26		10 - 49	90464-13080	20 - 53	92995-08100	12 - 18
66T-85550-10	25 - 1	90119-08M15	23 - 25		11 - 15	90386-12MA0	10 - 40	90464-13249	5 - 38		24 - 10
66T-85560-00	25 - 2		31 - 21	90201-22429	23 - 42		11 - 18	90465-11M10	29 - 13		24 - 17
66T-85560-10	25 - 2	90119-08M39	26 - 8	90201-27M00	23 - 23	90386-12MA2	9 - 11	90465-13M11	11 - 22	92995-08200	12 - 13
66T-85561-00	25 - 3	90119-08M42	22 - 14	90201-43M00	14 - 31	90386-12M37	9 - 10	90465-15M74	25 - 22	92995-10100	24 - 13
66T-85570-00	27 - 10	90119-08M43	24 - 5	90202-10M56	15 - 11	90386-12M98	10 - 31	90465-20M31	28 - 30	92995-10600	10 - 2
66T-85580-00	25 - 5	90119-08M44	24 - 5	90202-12031	10 - 32		11 - 19	90465-25M57	9 - 24		11 - 34
66T-85582-00	25 - 7	90119-08M50	3 - 11	90202-12060	24 - 2	90386-14MA1	11 - 10	90467-06016	3 - 9		12 - 23
66T-85596-00	25 - 6	90119-08M51	5 - 31	90202-43M57	14 - 33	90386-18MA0	11 - 31	90467-08004	6 - 4		24 - 14
6J4-86111-00	28 - 16	90119-08M52	26 - 9	90204-06M00	28 - 3	90386-18M44	11 - 30		6 - 13	92995-12200	11 - 2
66T-86112-00	28 - 18	90119-08M79	22 - 2		29 - 4	90386-22M15	10 - 25		6 - 29	93101-22M00	23 - 49
6J4-86116-00	28 - 17		22 - 10		29 - 7		11 - 14	90468-18008	14 - 10		31 - 13
682-86117-00	28 - 21	90119-10M04	12 - 24	90206-12M00	10 - 33	90386-40MA0	14 - 30		16 - 3	93101-22M60	23 - 20
66T-87149-00	29 - 8	90119-10M07	1 - 7		14 - 5	90386-40M99	14 - 34		17 - 28		31 - 7
9E471-04305	25 - 13	90141-06M00	1 - 17	90206-12052	9 - 12	90386-44M03	12 - 9	90480-09M21	9 - 3	93102-30M53	1 - 9
90101-08M28	10 - 64	90142-05M06	23 - 9	90206-43M22	14 - 32	90386-44M99	12 - 11	90480-10M23	28 - 22		30 - 2
90101-08M76	10 - 19	90149-05M13	14 - 23	90209-10M26	15 - 13	90386-52M02	12 - 8	90480-10M71	25 - 24	93102-35M58	25 - 4
90101-08M86	12 - 14	90149-14M12	10 - 6	90209-27M07	2 - 12	90387-05M11	15 - 8	90480-10155	28 - 19		30 - 14
90101-09M01	18 - 7		10 - 11	90209-34M27	1 - 13	90387-06M41	9 - 4	90480-25M70	24 - 27	93104-16M01	1 - 10
90101-10M58	10 - 1	90161-06M00	28 - 33	90209-52M00	12 - 7	90387-06M60	28 - 23	90480-25161	27 - 11		30 - 3
90101-12M65	11 - 1	90170-06M30	28 - 2	90243-04007	10 - 9	90387-06M66	5 - 26	90480-30M71	24 - 28	93210-03261	28 - 24
90105-08M61	23 - 50		29 - 3		10 - 14	90387-06M80	3 - 15	90501-10M84	17 - 6	93210-03478	13 - 51
90105-08M76	12 - 3		29 - 6	90249-07M32	10 - 59	90387-07M05	10 - 48	90501-15M01	23 - 52	93210-06ME6	23 - 31
90109-06M50	15 - 3	90170-09M03	18 - 5	90249-07M33	10 - 61	90387-07M29	10 - 60	90501-23215	14 - 25		31 - 10
90109-06M80	9 - 28	90170-12138	23 - 37	90249-10M31	10 - 47	90387-08M05	5 - 33	90502-10M06	10 - 65	93210-064A5	13 - 26
	9 - 30	90170-20137	25 - 20	90249-12M34	10 - 37	90387-08M16	17 - 3	90506-16M34	9 - 16	93210-08006	13 - 50
	27 - 7	90171-16011	24 - 23		10 - 39	90387-08M29	10 - 18	90506-20M37	10 - 52	93210-08287	7 - 14

NUMERICAL INDEX  
INDICE NUMERICO

PART NO. CODIGO NO.	REF. NO.	PART NO. CODIGO NO.	REF. NO.	PART NO. CODIGO NO.	REF. NO.	PART NO. CODIGO NO.	REF. NO.	PART NO. CODIGO NO.	REF. NO.	PART NO. CODIGO NO.	REF. NO.
93210-08287	7 - 16	93501-08001	13 - 59	97513-06535	3 - 6						
93210-09165	13 - 34	93603-21111	2 - 19	97575-08530	22 - 6						
93210-10M74	13 - 63	93604-08062	23 - 24	97575-08545	22 - 9						
93210-11073	13 - 53	93606-12019	22 - 3	97595-05516	15 - 7						
93210-11368	13 - 24		22 - 13	97595-06510	5 - 29						
93210-16275	18 - 10		22 - 18	97595-06512	27 - 16						
93210-18397	13 - 44		24 - 11	97595-06514	11 - 27						
93210-32738	6 - 8	93608-12063	1 - 6	97595-06516	9 - 27						
	30 - 11	93700-06M03	10 - 23		25 - 23						
93210-33MG4	23 - 30		11 - 12		29 - 12						
	31 - 9		15 - 14	97595-06520	1 - 12						
93210-43MJ0	12 - 10	94702-00040	1 - 36		1 - 15						
93210-46M16	3 - 10	94702-00272	1 - 36	97595-06525	27 - 14						
	30 - 9	95380-03600	6 - 18	97595-06530	6 - 2						
	30 - 17	95380-05600	20 - 7	97595-06535	5 - 25						
93210-48MG8	23 - 22		23 - 10	97595-06540	6 - 27						
	31 - 8		28 - 11		25 - 18						
93210-50768	13 - 29	95380-06600	14 - 7	97595-08516	26 - 10						
93210-54M54	3 - 13		20 - 40	97780-60520	8 - 3						
	30 - 10		21 - 47	97802-04006	25 - 16						
	30 - 18	95380-06700	17 - 8		32 - 4						
93210-59MG7	23 - 15		23 - 28	97880-05008	28 - 20						
	31 - 5	95380-08600	6 - 10	97880-06035	17 - 7						
	31 - 17		10 - 20	97885-06008	12 - 28						
93210-65M50	1 - 11	95380-10600	10 - 4	97902-04108	25 - 9						
	30 - 4		22 - 20	97902-06125	25 - 15						
93210-69MG6	23 - 46	95380-10700	14 - 36		32 - 3						
	31 - 11	95380-12600	11 - 4	97980-04112	4 - 8						
93210-74MG5	23 - 47	95780-10300	14 - 37	97980-05125	4 - 25						
	31 - 12	97013-06014	6 - 11		30 - 28						
93210-75M51	25 - 17	97013-08020	1 - 19	97980-05230	28 - 10						
	30 - 15	97075-08030	12 - 17	97985-06240	3 - 14						
93306-001U1	23 - 45	97075-10040	24 - 12	98503-05028	6 - 21						
93306-306V5	2 - 8	97075-10070	12 - 22	98580-03015	20 - 38						
93306-306V6	2 - 7	97080-06018	21 - 22	98580-04006	20 - 36						
93306-307U0	2 - 6	97080-08016	11 - 28	98580-04010	20 - 35						
93310-727U0	2 - 13	97085-06025	11 - 24	98580-05010	20 - 37						
93315-32224	23 - 11	97095-06014	17 - 13		21 - 17						
93317-22204	23 - 48	97095-08025	24 - 9		21 - 32						
93332-00001	23 - 34	97095-08030	20 - 33	98580-05020	21 - 43						
93332-00003	23 - 39		24 - 16	98580-05555	21 - 28						
93420-30042	22 - 16	97095-08045	17 - 12	98586-05016	7 - 4						
93430-06024	20 - 10	97380-05025	20 - 8	98780-06025	21 - 20						
	20 - 63	97513-06525	1 - 25	99080-08600	10 - 46						
	21 - 35		1 - 33		10 - 50						
93430-10M00	10 - 41	97513-06530	5 - 35								
	11 - 21		5 - 37								
93440-68M03	2 - 14	97513-06535	1 - 29								

—MEMO—

A series of horizontal dotted lines for writing.

*COPYRIGHT : All rights reserved. No part of this publication  
may be reproduced without permission.*

*RESERVADO : EL DERECHO DE REPRODUCCION  
NO SE PUEDE REPRODUCIR NINGUNA PARTE  
DE ESTA LISTA SIN PERMISO.*

PRINTED ON RECYCLED PAPER  
IMPRESO EN PAPEL RECICLADO



YAMAHA MOTOR CO., LTD.  
2500 SHINGAI IWATA SHIZUOKA JAPAN  
SERVICE INFORMATION DIV.

Printed in Japan  
First edition MAR., 1999

**T6**

PUBLICADO EN JAPON  
Primera edición MARZO., 1999

**T6**