

PARTS CATALOGUE

40XMH'02(66T2) 40XW '02(66T3)

YAMAHA
GENUINE
Parts & Accessories

1A66T-664E1

2006/3/3

NEWS NO.	DATE	COMMENT
PE0-OM-050011	Aug., 16, 2005	COR:FIG.11 STARTING MOTOR LIST/ILLUSTRATION CORRECTION
PE0-OM-060007	Feb., 24, 2006	COR:FIG.13 STEERING ILLUSTRATION CORRECTION

FOREWORD

This Parts Catalogue is related to the parts for the model(s) in the below frame. When you are ordering replacement parts, please refer to this Parts Catalogue and quote both part numbers and part names correctly.

40XMH'02(66T2), 40XW'02(66T3)

1. Modifications or additions which have been made after issue of the Parts Catalogue will be announced in the Yamaha Parts News. It is advisable that you make necessary corrections to the Parts Catalogue according to the Yamaha Parts News.

2. Abbreviations
The Following abbreviations are used in this Parts Catalogue.

“UR” Use specified parts number.

“UN” Use as many as needed.

“AP” Alternate Parts

“LM” Local Made
(Parts need to be ordered locally)

“O/S” Over Size

3. Parts, which are to be supplied in an assembly, are listed with a dot(.) in front of the part name as shown below.

EXAMPLE

CARBURETOR ASSY

.JET, PILOT

.NOZZLE, MAIN

4. Number of component for assembly

The numeral appearing to the right of each component part indicates the quantity of parts for each assembly unit.

EXAMPLE

PART NO.	DESCRIPTION	□	□	□	□	REMARKS
6E0-85500-70	C.D.I. MAGNETO ASSY	1				
6E0-85550-70	.ROTOR ASSY	1				
6E0-15723-00-94.	.PULLY, STARTER	1				

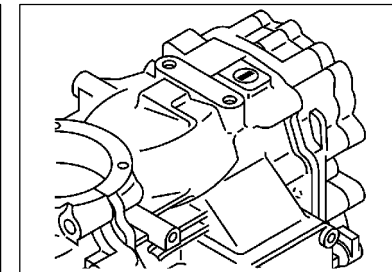
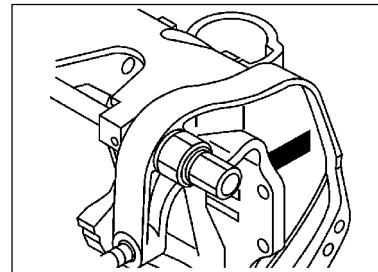
5. Quantity Column Information

NAME for Q'TY COLUMN	APPLICABLE MODEL
MH	40XMH
W	40XW

6. Applicable Starting Serial No. and Color Code

1) Engine Starting Sserial No.

40XMH	66TK S : 000619 66TK L : 103423	40XW	66TK L : 700390
-------	------------------------------------	------	-----------------



2) Color Code

Color Code	Color Name	Abbreviation
004D	DARK BLUISH GRAY METALLIC 2	DBNM2

7. Note that the illustrations for reference in finding parts numbers, not to be used for assembling. When assembling, please use the applicable service manual.

8. The asterisk (*) before a reference number indicates modification items after the first edition.

CONTENTS

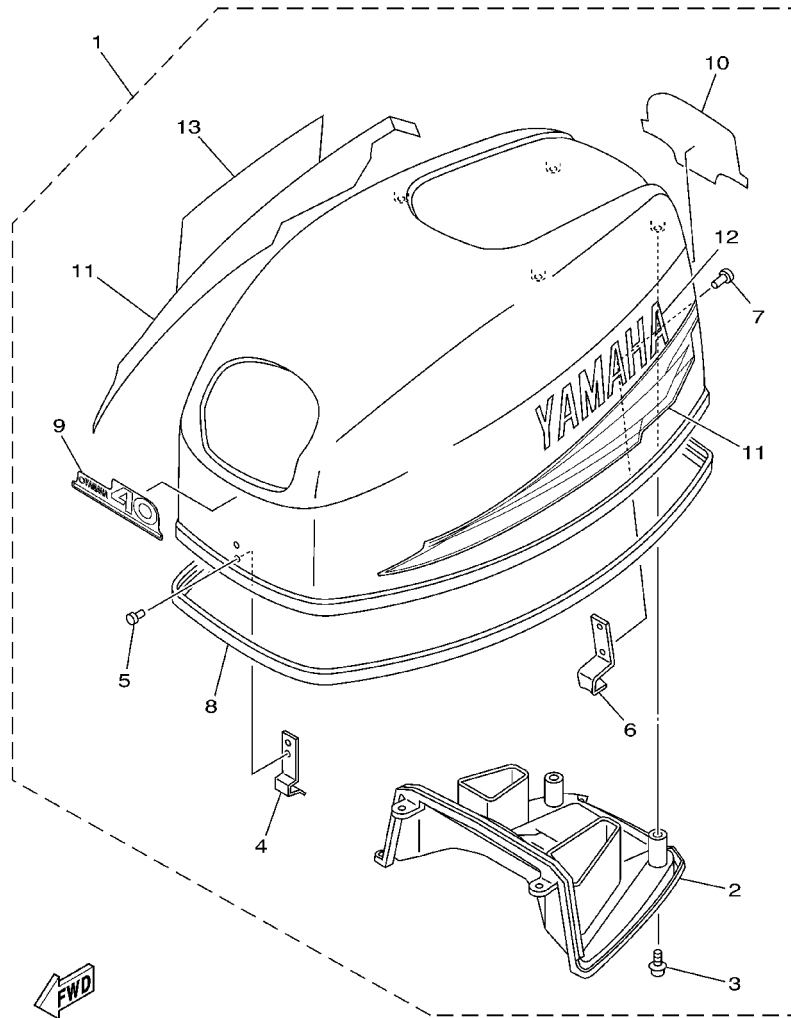
TOP COWLING	1
CYLINDER, CRANKCASE	2
CRANKSHAFT, PISTON	4
INTAKE	5
CARBURETOR	6
FUEL	7
STARTER	9
GENERATOR	11
ELECTRICAL 1	13
ELECTRICAL 2	14
STARTING MOTOR	15
BOTTOM COWLING	16
STEERING	18
CONTROL	20
REMOTE CONTROL ATTACHMENT	22
BRACKET 1	23
BRACKET 2	26
UPPER CASING	28
LOWER CASING, DRIVE 1	29
LOWER CASING, DRIVE 2	32

FUEL TANK	34
REMOTE CONTROL BOX	35
REMOTE CONTROL ASSY	36
REPAIR KIT 1	39
REPAIR KIT 2	41
REPAIR KIT 3	42

INDEX

NUMERICAL INDEX	43
-----------------------	----

FIG. 1 TOP COWLING



66T2664-2010

REF. NO.	PART NO.	DESCRIPTION	MH	W				REMARKS
1	66T-42610-20-4D	TOP COWLING ASSY	1	1				PRESURE
2	66T-42613-01	.MOLDING, AIR DUCT	1	1				
3	97780-50616	.SCREW, TAPPING	4	4				
4	6E0-42651-02	.HOOK	1	1				
5	90266-04M04	.RIVET	2	2				
6	6F5-42652-01	.HOOK	1	1				
7	90266-04M01	.RIVET	2	2				
8	66T-42615-02	.SEAL	1	1				
9	63D-42677-20	.GRAPHIC, FRONT	1	1				PRESURE
10	63D-42678-11	.GRAPHIC, REAR	1	1				PRESURE
11	63D-W0070-10	.GRAPHIC SET	1	1				PRESURE
12	63D-42681-10	.MARK, COWLING	1	1				PRESURE
13	63D-42682-10	.MARK, COWLING	1	1				PRESURE

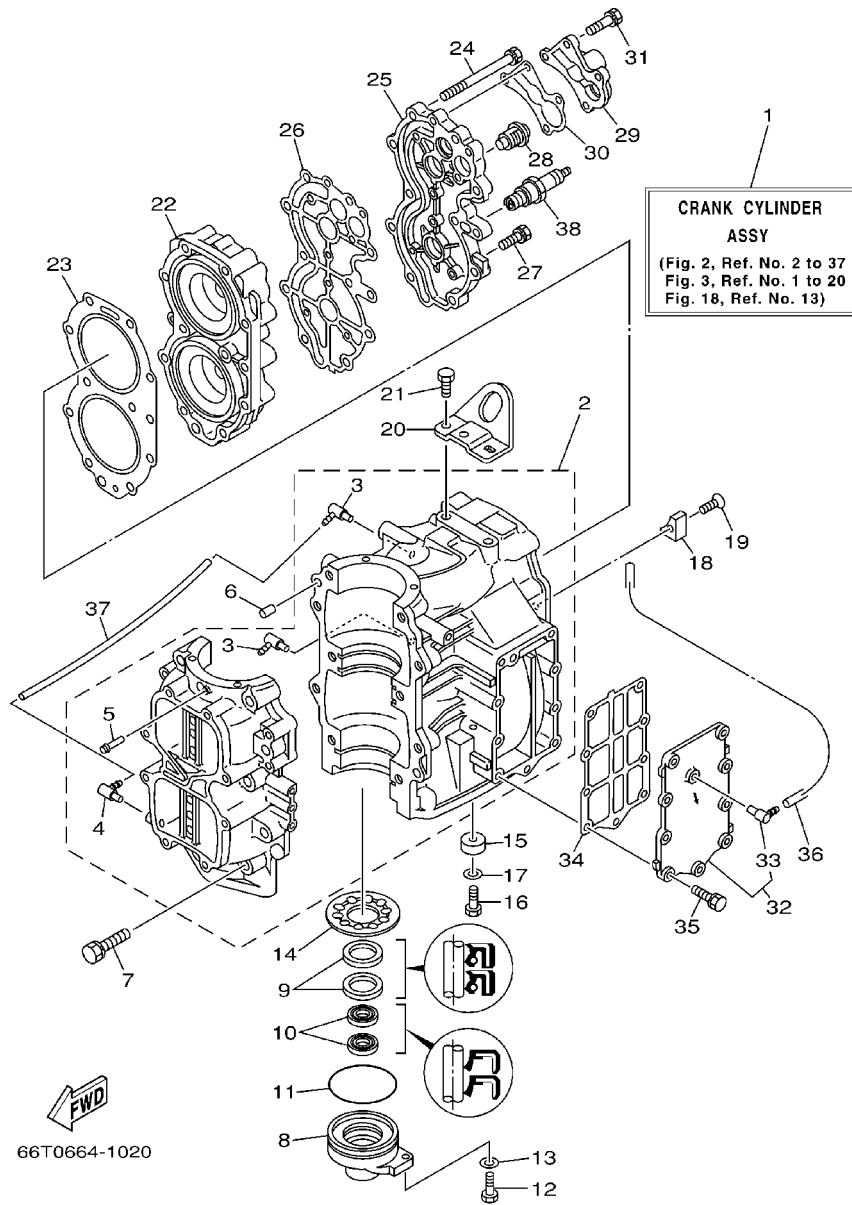


FIG. 2 CYLINDER. CRANKCASE

REF. NO.	PART NO.	DESCRIPTION	MH	W	REMARKS
1	66T-W0090-02-1S	CRANK CYLINDER ASSY	1	1	
2	66T-15100-02-1S	CRANKCASE ASSY	1	1	
3	6E5-13552-00	.NOZZLE	2	2	
4	6E5-13552-00	.NOZZLE	1	1	
5	624-14485-00	.PIPE, JOINT	1	1	
6	93608-12063	PIN, DOWEL	2	2	
7	90119-10005	BOLT, WITH WASHER	10	10	
8	66T-15396-01-94	HOUSING, OIL SEAL	1	1	
9	93102-30M56	OIL SEAL	2	2	
10	93101-16001	OIL SEAL	2	2	
11	93210-65M50	O-RING	1	1	
12	97095-06020	BOLT	1	1	
13	92995-06600	WASHER	1	1	
14	66T-11565-00	WASHER, BEARING COVER	1	1	
15	676-45251-00	ANODE	1	1	
16	97095-06020	BOLT	1	1	
17	92995-06600	WASHER	1	1	
18	676-11325-00	ANODE	1	1	
19	90141-06M00	SCREW, COUNTERSUNK	1	1	
20	66T-11119-00	HANGER, ENGINE	1	1	
21	90101-08002	BOLT	2	2	
22	66T-11111-01-1S	HEAD, CYLINDER 1	1	1	
23	66T-11181-A2	GASKET, CYLINDER HEAD 1	1	1	
24	90119-08MA5	BOLT, WITH WASHER	11	11	
25	66T-11191-00-1S	COVER, CYLINDER HEAD 1	1	1	
26	66T-11193-A2	GASKET, HEAD COVER 1	1	1	
27	90119-06MA3	BOLT, WITH WASHER	4	4	

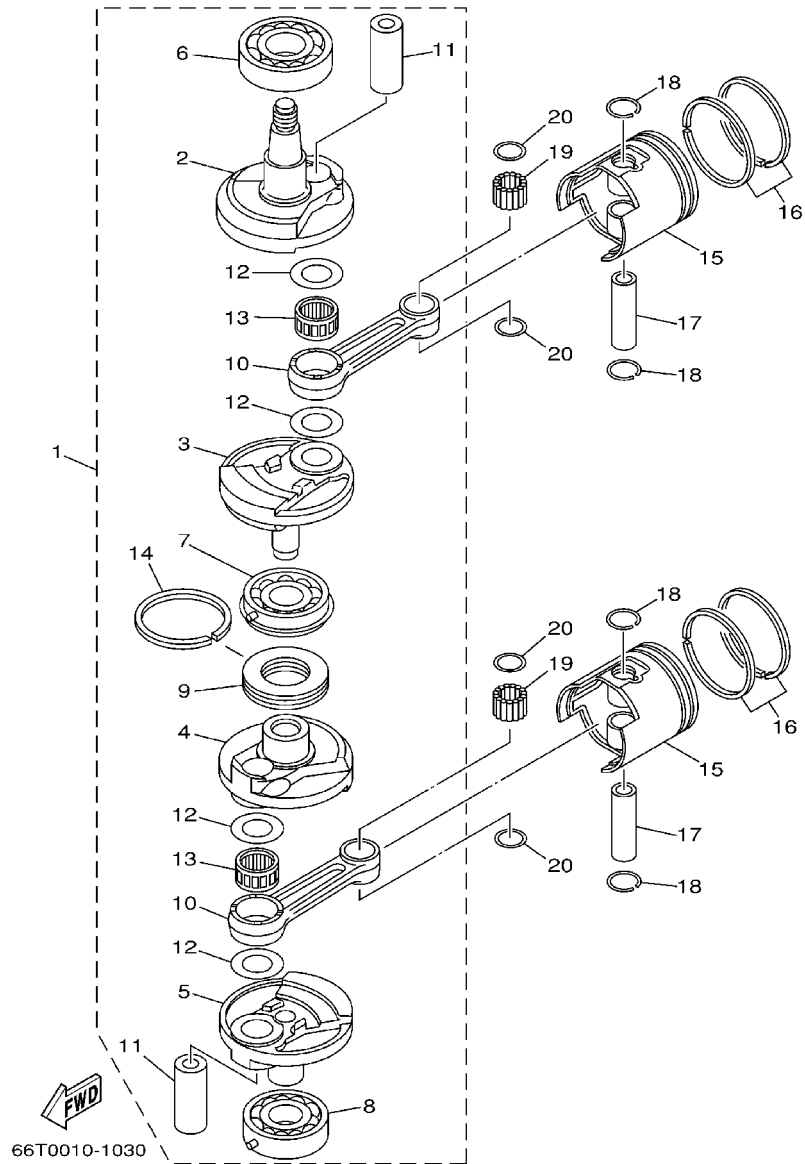


FIG. 3 CRANKSHAFT. PISTON

REF. NO.	PART NO.	DESCRIPTION	MH	W		REMARKS
1	66T-11400-01	CRANKSHAFT ASSY	1	1		
2	66T-11412-00	CRANK 1	1	1		
3	66T-11422-00	CRANK 2	1	1		
4	66T-11432-00	CRANK 3	1	1		
5	66T-11442-00	CRANK 4	1	1		
6	93306-307U0	BEARING	1	1		
7	93332-000UE	BEARING	1	1		
8	93306-306V5	BEARING	1	1		
9	6F5-11515-00	SEAL, LABYRINTH 1	1	1		
10	6F5-11651-00	ROD, CONNECTING	2	2		
11	66T-11681-00	PIN, CRANK 1	2	2		
12	90209-27M07	WASHER	4	4		
13	93310-727U0	BEARING	2	2		
14	93440-68M03	CIRCLIP	1	1		
15	66T-11631-01-93	PISTON (STD)	2	2		
	66T-11635-01	PISTON (0.25MM O/S)	2	2		AP
	66T-11636-01	PISTON (0.50MM O/S)	2	2		AP
16	66T-11603-00	PISTON RING SET (STD)	2	2		
	66T-11604-00	PISTON RING SET (0.25MM O/S)	2	2		AP
	66T-11605-00	PISTON RING SET (0.50MM O/S)	2	2		AP
17	6F5-11633-00	PIN, PISTON	2	2		
18	663-11634-00	CLIP, PISTON PIN	4	4		
19	93603-21111	PIN, DOWEL	56	56		
20	90201-20417	WASHER, PLATE	4	4		

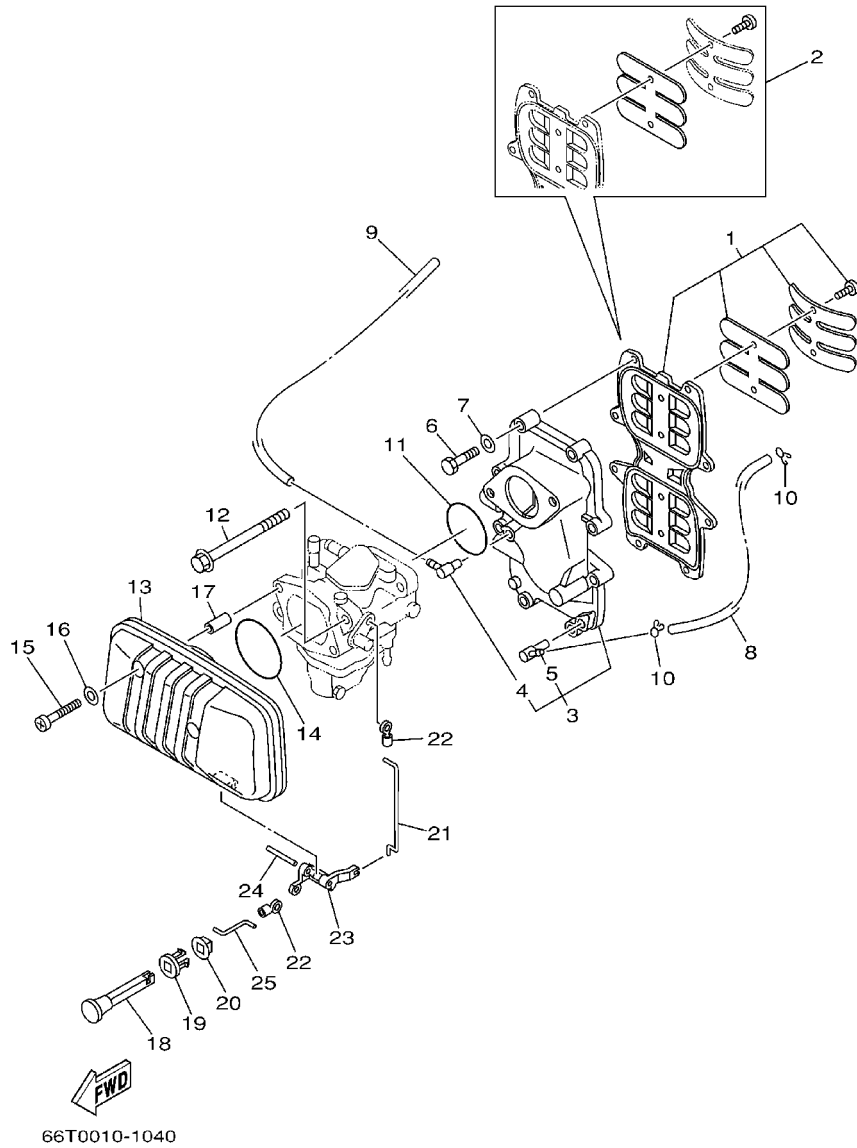
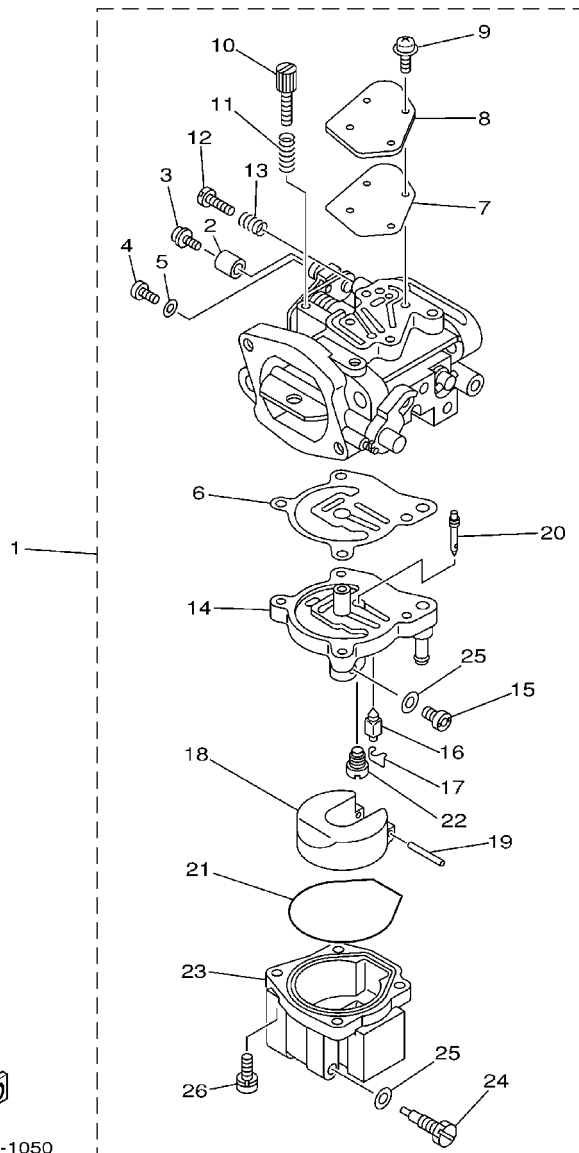


FIG. 4 INTAKE

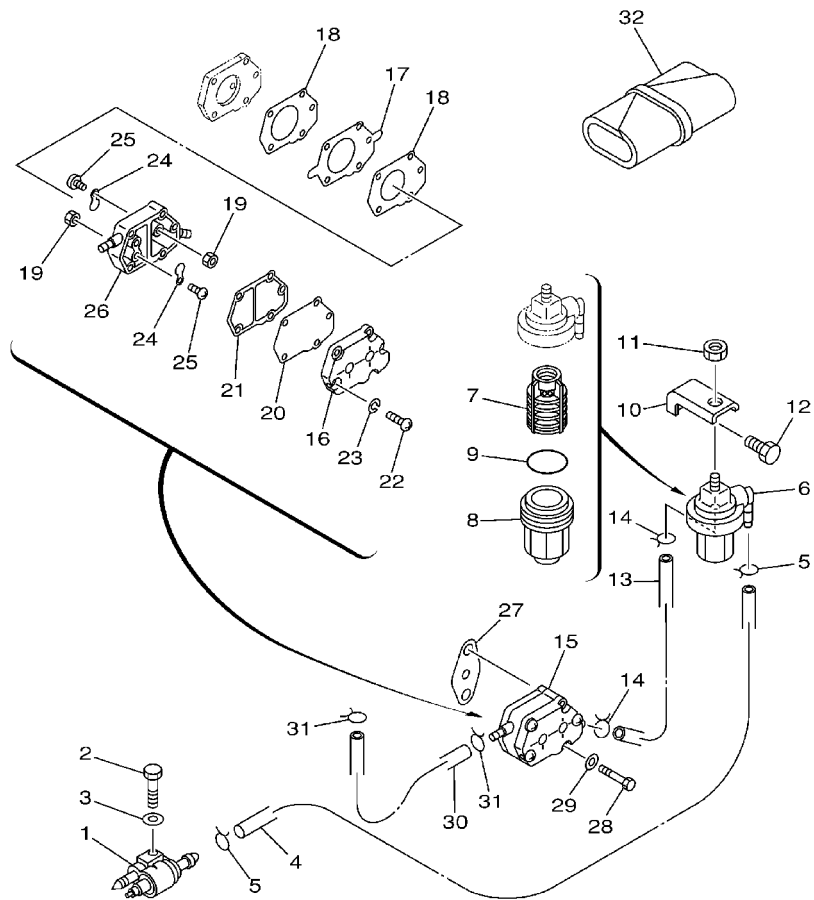
REF. NO.	PART NO.	DESCRIPTION	MH	W				REMARKS
1	66T-13610-00	REED VALVE ASSY	1	1				
2	66T-W0004-00	.REED SET	1	1				
3	66T-13641-02-1S	MANIFOLD 1	1	1				
4	6E5-13552-00	.NOZZLE	1	1				
5	650-11372-00	.NIPPLE, HOSE	1	1				
6	97013-06035	BOLT	8	8				
7	92903-06600	WASHER, PLATE	8	8				
8	90445-07M24	HOSE (L240)	1	1				
9	90445-07MA4	HOSE (L280)	1	1				
10	90467-06016	CLIP	2	2				
11	93210-46M16	O-RING	1	1				
12	90119-08M03	BOLT, WITH WASHER	2	2				
13	66T-14440-00	SILENCER ASSY, INTAKE	1	1				
14	93210-54M54	O-RING	1	1				
15	97885-06040	SCREW, PAN HEAD	2	2				
16	92995-06600	WASHER	2	2				
17	90387-06M80	COLLAR	2	2				
18	6H4-41271-01	KNOB, CHOKE	1	1				
19	689-41273-00	GROMMET	1	1				
20	6J8-41274-00	GROMMET 2	1	1				
21	66T-41256-00	ROD, CHOKE 1	1	1				
22	661-41262-02	JOINT, CHOKE LEVER	2	2				
23	66T-41252-00	LEVER, CHOKE 1	1	1				
24	91690-40032	PIN, SPRING	1	1				
25	66T-41257-00	ROD, CHOKE 2	1	1				

FIG. 5 CARBURETOR



66T0010-1050

REF. NO.	PART NO.	DESCRIPTION	MH	W				REMARKS
1	66T-14301-02	CARBURETOR ASSY 1	1					
	66T-14301-12	CARBURETOR ASSY 1		1				
2	66T-14578-00	.COLLAR	1	1				
3	66T-14584-00	.STOPPER	1	1				
4	6J8-14592-01	.SCREW	1	1				
5	92990-05600	.WASHER, PLATE	1	1				
6	66T-14384-01	.GASKET, FLOAT CHAMBER	1	1				
7	66T-14536-00	.GASKET	1	1				
8	66T-14527-00	.PLATE	1	1				
9	97980-04112	.SCREW, WITH WASHER	4	4				
10	66T-14523-00	.SCREW, STOP	1	1				
11	6J8-14334-00	.SPRING, THROTTLE	1	1				
12	6E5-14323-03	.SCREW, AIR ADJUSTING	1	1				
13	6E5-14223-00	.SPRING, AIR ADJUSTING	1	1				
14	66T-14945-02	.SPACER ASSY (#38)	1	1				
15	61A-1492E-85	.JET, MAIN (#170)	1	1				
16	6E5-14546-00	.VALVE, NEEDLE	1	1				
17	6E5-14159-00	.CLIP	1	1				
18	6E5-14385-02	.FLOAT	1	1				
19	6E5-14386-02	.PIN, FLOAT	1	1				
20	66T-1492F-35	.JET, AIR SLOW (#70)	1	1				
21	66T-14984-00	.GASKET, FLOAT CHAMBER	1	1				
22	66T-14992-00	.PLUG	1	1				
23	66T-14981-00	.BODY, FLOAT CHAMBER	1	1				
24	66T-14991-00	.PLUG, DRAIN	1	1				
25	66T-14959-00	.GASKET	2	2				
26	97980-05125	.SCREW, WITH WASHER	4	4				

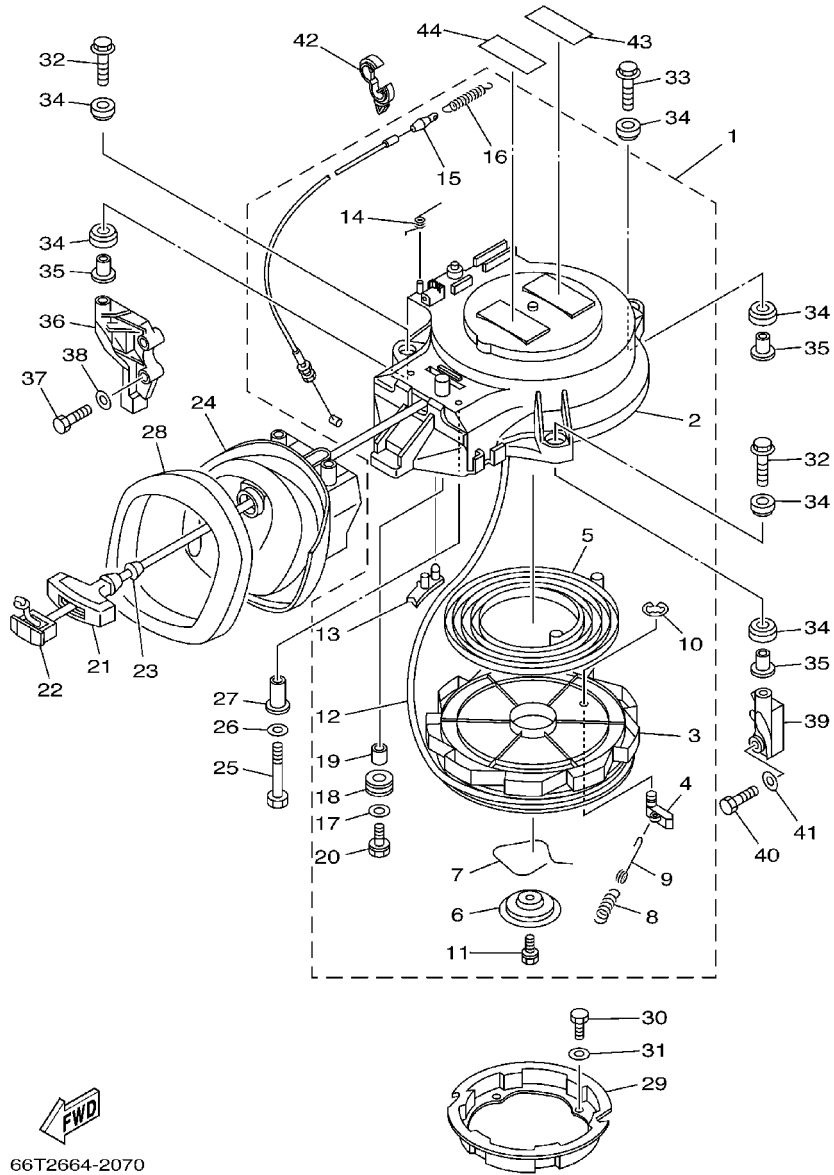


66T0010-1060

FIG. 6 FUEL

REF. NO.	PART NO.	DESCRIPTION	MH	W				REMARKS
1	6G1-24304-02	FUEL PIPE JOINT COMP. 1	1	1				
2	97095-06030	BOLT	1	1				
3	92995-06600	WASHER	1	1				
4	90445-09M08	HOSE (L550)	1	1				
5	90467-08004	CLIP	2	2				
6	61N-24560-00	FILTER ASSY	1	1				
7	61N-24563-00	.ELEMENT, FILTER	1	1				
8	61N-24521-00	.CUP, FILTER	1	1				
9	93210-32738	.O-RING	1	1				
10	648-24566-02	BRACKET, FILTER	1	1				
11	95380-08600	NUT	1	1				
12	97013-06014	BOLT	1	1				
13	90445-09086	HOSE (L170)	1	1				
14	90467-08004	CLIP	2	2				
15	692-24410-00	FUEL PUMP ASSY	1	1				
16	6A0-24413-00	.BODY 2	1	1				
17	692-24411-00	.DIAPHRAGM	1	1				
18	648-24434-01	.GASKET, BODY	2	2				
19	95380-03600	.NUT	2	2				
20	663-24411-00	.DIAPHRAGM	1	1				
21	648-24435-02	.GASKET, BODY 2	1	1				
22	98503-05028	.SCREW, PAN HEAD	3	3				
23	92990-05100	.WASHER, SPRING	3	3				
24	6A0-24421-01	.VALVE, CHECK	2	2				
25	6A0-14325-00	.SCREW, PAN HEAD	2	2				
26	6A0-24412-02	.BODY 1	1	1				
27	650-24431-A0	GASKET, FUEL PUMP 1	1	1				

FIG. 7 STARTER




66T2664-2070

REF. NO.	PART NO.	DESCRIPTION	MH	W	REMARKS
1	66T-15710-00	STARTER ASSY	1	1	
2	66T-15711-00	.CASE, STARTER	1	1	
3	66T-15714-00	.DRUM, SHEAVE	1	1	
4	63V-15741-00	.PAWL, DRIVE	1	1	
5	66T-15713-00	.SPRING, STARTER	1	1	
6	66T-15716-00	.PLATE, DRIVE	1	1	
7	66T-15705-00	.SPRING, DRIVE PAWL	1	1	
8	66T-15767-00	.SPRING	1	1	
9	66T-15784-00	.SPRING, RETURN	1	1	
10	63V-15744-00	.CIRCLIP	1	1	
11	63V-15768-00	.BOLT	1	1	
12	*	.WIRE, STARTER (1.8M)	1	1	
13	66T-15794-00	.STOPPER	1	1	
14	66T-15734-00	.SPRING, RETURN	1	1	
15	66T-15770-00	.CABLE COMP., STARTER STOP	1	1	
16	66T-15731-00	.SPRING, RETURN	1	1	
17	6F5-15791-00	.WASHER, LOCK	1	1	
18	6F5-15752-00	.ROLLER, WIRE	1	1	
19	6F5-15753-00	.BUSH	1	1	
20	6F5-15768-00	.BOLT	1	1	
21	689-15755-01	HANDLE, STARTER	1	1	
22	6F5-15779-02	COVER	1	1	
23	697-15789-00	DAMPER	1	1	
24	66T-15758-01	GUIDE, ROPE	1	1	
25	97095-06035	BOLT	2	2	

* CUT FROM 50M ROLLS, PART NO. 90890-44374,
CUTTING LENGTH 1.8M

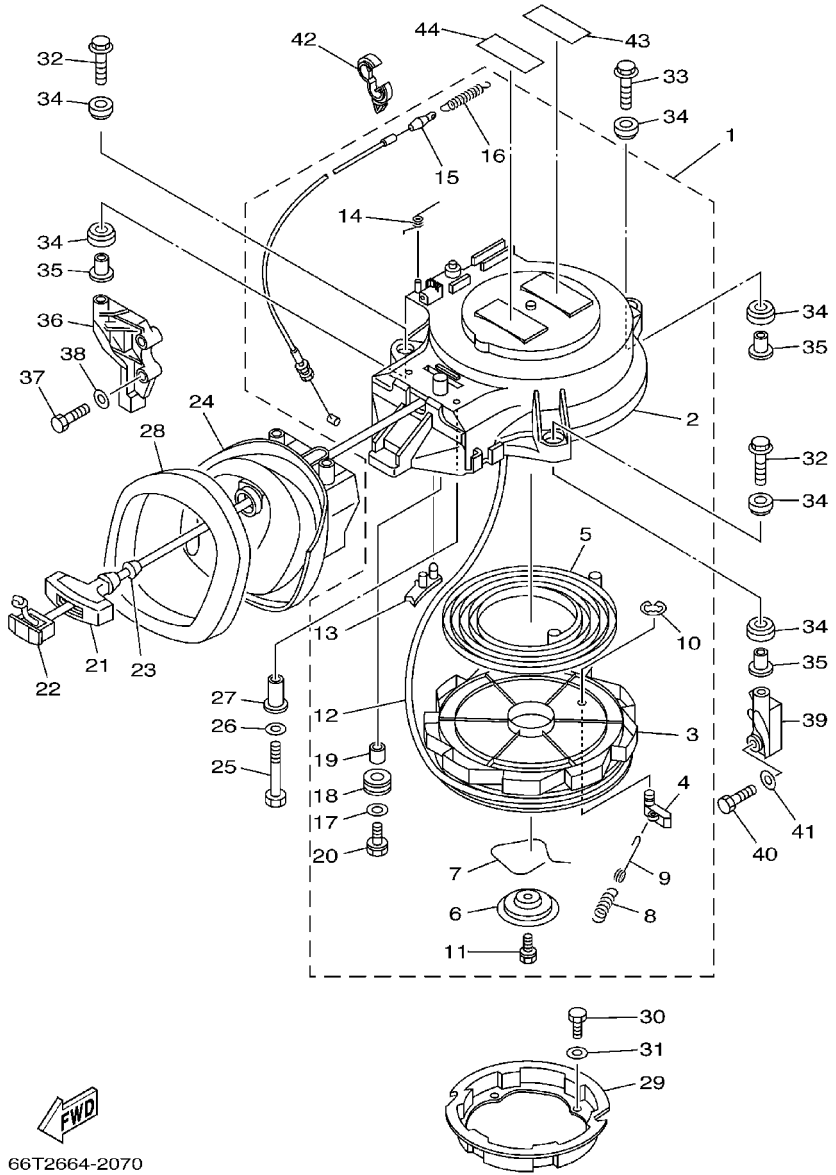
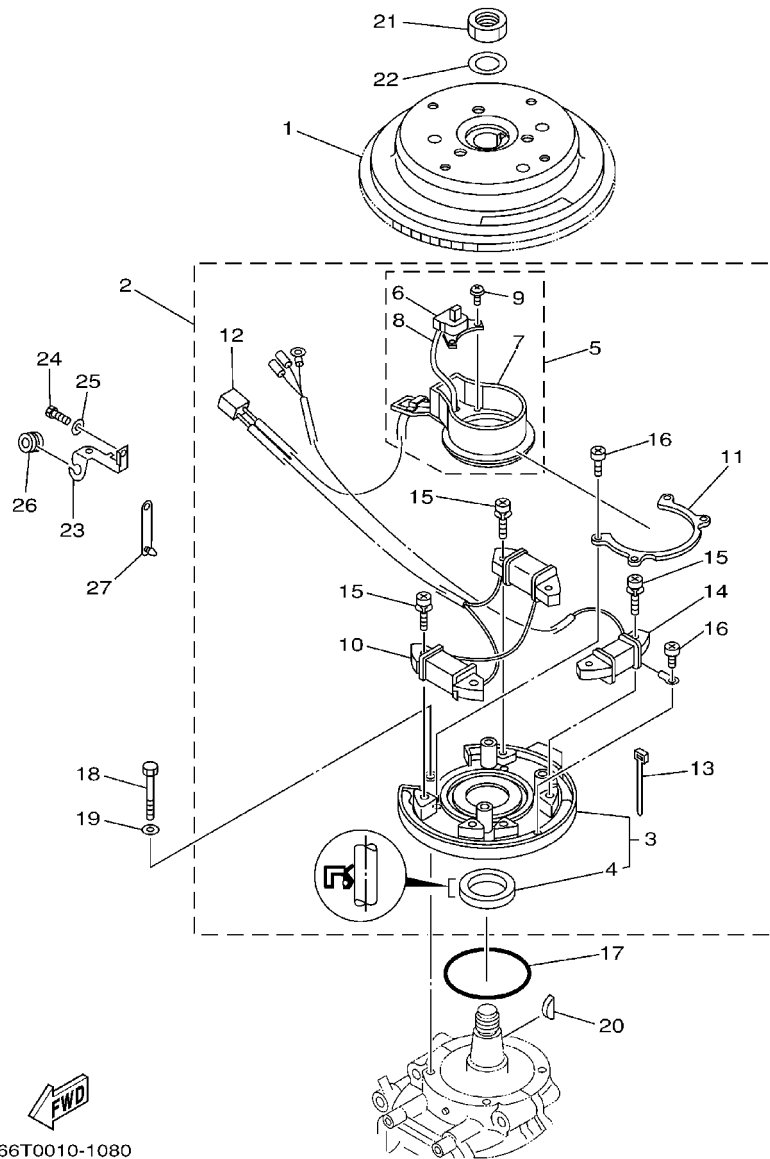


FIG. 7 STARTER

REF. NO.	PART NO.	DESCRIPTION	MH	W				REMARKS
26	92995-06600	WASHER	2	2				
27	90387-06M66	COLLAR	2	2				
28	66T-15762-01	SEAL, RUBBER 2	1	1				
29	66T-15723-00	PULLEY, STARTER	1	1				
30	97095-06010	BOLT	4	4				
31	92995-06600	WASHER	4	4				
32	90119-08M10	BOLT, WITH WASHER	2	2				
33	90119-08M51	BOLT, WITH WASHER	1	1				
34	90385-12M04	BUSH	6	6				
35	90387-08M05	COLLAR	3	3				
36	66T-15771-00-94	STAY 1	1	1				
37	97013-06030	BOLT	2	2				
38	92903-06600	WASHER, PLATE	2	2				
39	66T-15772-00-94	STAY 2	1	1				
40	97013-06030	BOLT	2	2				
41	92903-06600	WASHER, PLATE	2	2				
42	90464-13249	CLAMP		1				
43	6A1-83625-41	MARK 5	1	1				
44	6A1-83625-51	MARK 5	1	1				


66T2664-2070

FIG. 8 GENERATOR



66T0010-1080

REF. NO.	PART NO.	DESCRIPTION	MH	W	REMARKS
1	66T-85550-00	ROTOR ASSY		1	
	66T-85550-10	ROTOR ASSY	1		
2	66T-85560-01	BASE ASSY	1	1	
3	66T-85561-00	.BASE, MAGNETO	1	1	
4	93102-35008	..OIL SEAL	1	1	
5	66T-85580-00	..PULSER COIL ASSY	1	1	
6	66T-85596-00	..COIL, PULSER 1	1	1	
7	66T-85582-00	..ATTACHMENT, PULSER	1	1	
8	66T-85515-00	..LEAD WIRE ASSY	1	1	
9	97902-04108	..SCREW, WITH WASHER	2	2	
10	66T-85520-00	..COIL, CHARGE	1	1	
11	66T-41611-00	..RETAINER, MAGNETO BASE	1	1	
12	9E471-04305	..CONNECTOR	1	1	
13	66T-81328-00	..CLAMP	1	1	
14	66T-85533-00	..COIL, LIGHTING	1	1	
15	97902-06125	..SCREW, WITH WASHER	6	6	
16	97802-04006	..SCREW, PAN HEAD	5	5	
17	93210-75M51	O-RING	1	1	
18	97095-06040	BOLT	4	4	
19	92995-06600	WASHER	4	4	
20	90280-05015	KEY, WOODRUFF	1	1	
21	90170-20137	NUT	1	1	
22	90201-21M18	WASHER, PLATE	1	1	
23	90465-15M74	CLAMP	1	1	
24	97095-06016	BOLT	1	1	
25	92995-06600	WASHER	1	1	
26	90480-10M71	GROMMET	1	1	

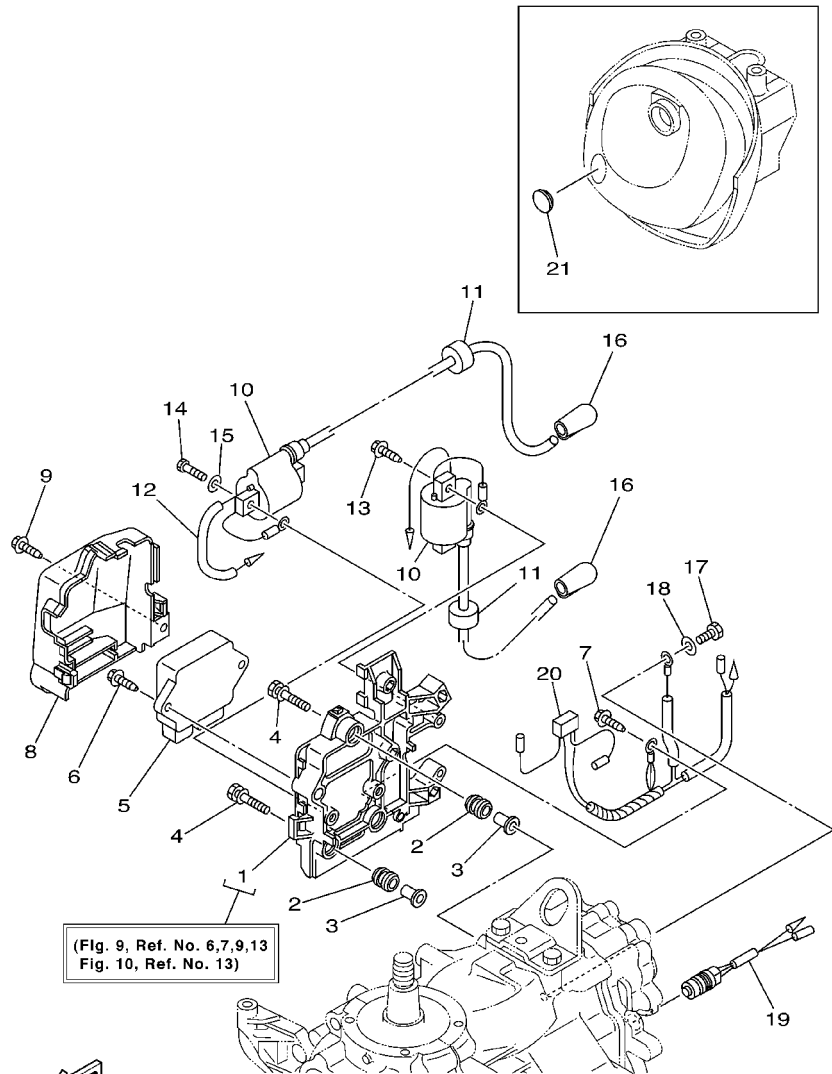
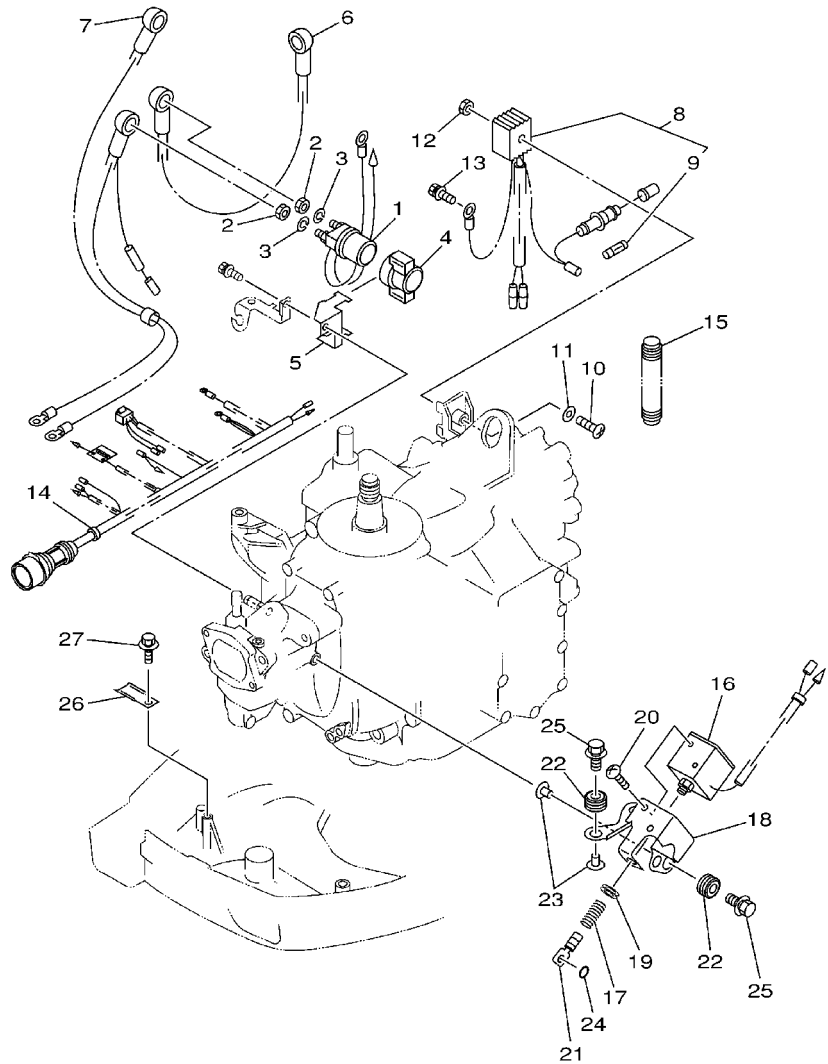


FIG. 9 ELECTRICAL 1

REF. NO.	PART NO.	DESCRIPTION	MH	W				REMARKS
1	66T-8554B-01-94	BRACKET	1	1				
2	6A0-82317-00	DAMPER, IGNITION COIL	3	3				
3	624-42542-00	PIPE	3	3				
4	90119-06M65	BOLT, WITH WASHER	3	3				
5	66T-85540-00	C.D.I. UNIT ASSY	1	1				
6	90109-06M81	BOLT	2	2				
7	90109-06M80	BOLT	1	1				
8	66T-81916-01	COVER, TERMINAL	1	1				
9	90109-06M81	BOLT	1	1				
10	66T-85570-00	IGNITION COIL ASSY	2	2				
11	90480-25161	GROMMET	2	2				
12	90446-03MA3	HOSE	1	1				
13	90109-06M81	BOLT	2	2				
14	97095-06025	BOLT	2	2				
15	92995-06600	WASHER	2	2				
16	6E3-82370-21	PLUG CAP ASSY	2	2				
17	97095-06012	BOLT	1	1				
18	92995-06600	WASHER	1	1				
19	688-82560-10	THERMO SWITCH ASSY	1	1				
20	66T-82519-00	WIRE, EARTH LEAD	1					
21	6G1-42725-00	GROMMET	1	1				

66T2664-2090

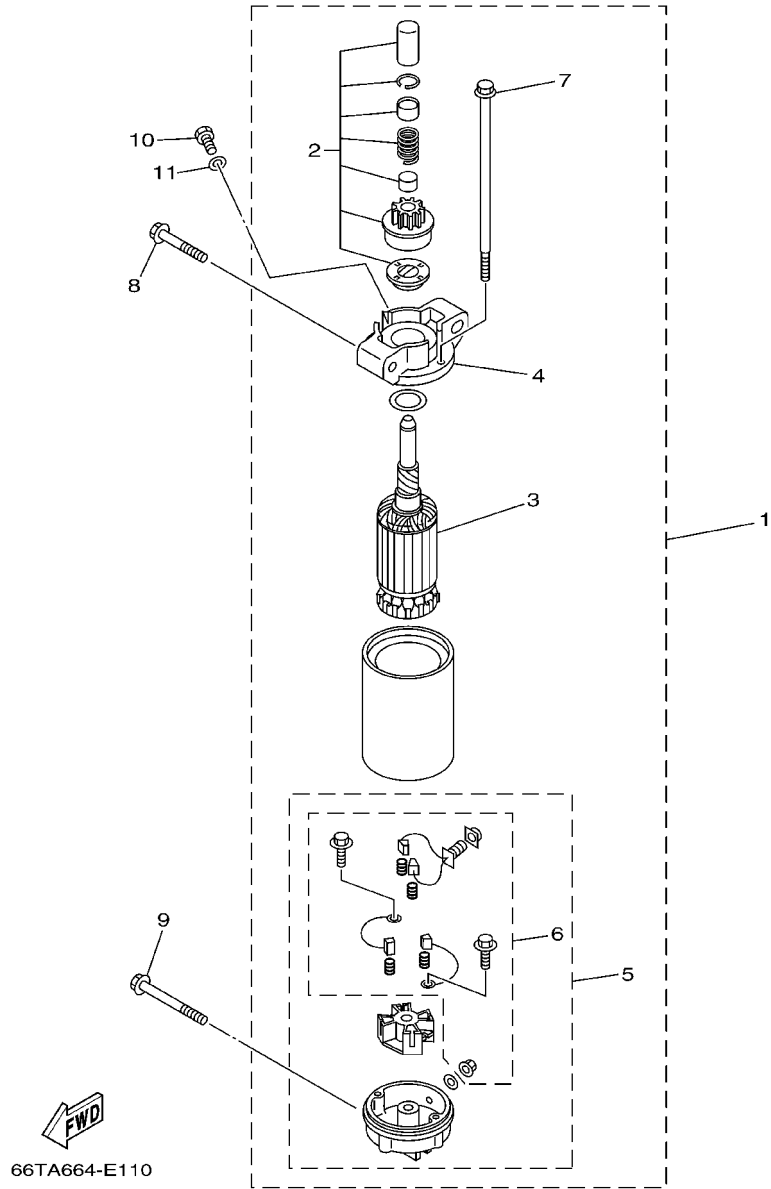
FIG. 10 ELECTRICAL 2



66T0664-1100

REF. NO.	PART NO.	DESCRIPTION	MH	W	REMARKS
1	6G1-8194A-10	RELAY		1	
2	90170-06M30	NUT		2	
3	90204-06M00	WASHER, SPRING		2	
4	6G1-81952-00	HOLDER, RELAY		1	
5	6L2-81945-00	PLATE, SWITCH FITTING		1	
6	6E5-82117-01	WIRE, LEAD		1	
7	66T-82105-00	WIRE HARNESS		1	
8	6G1-81970-61	RECTIFIER ASSY		1	
9	6G1-82151-00	.FUSE		1	
10	97880-05030	SCREW, PAN HEAD		1	
11	92990-05600	WASHER, PLATE		1	
12	95380-05600	NUT		1	
13	90109-06M80	BOLT		1	
14	66T-82590-00	WIRE HARNESS ASSY		1	
15	66T-83557-00	TUBE		1	I.DIA.: 13MM
16	6J4-86111-00	COIL, SOLENOID		1	
17	6J4-86116-00	WIRE, PULL		1	
18	66T-86112-00	STAY, SOLENOID		1	
19	90480-10155	GROMMET		1	
20	97880-05008	SCREW, PAN HEAD		4	
21	682-86117-00	HOOK, WIRE PULL		1	
22	90480-10M23	GROMMET		3	
23	90387-06M60	COLLAR		3	
24	93210-03261	O-RING		1	
25	90119-06M88	BOLT, WITH WASHER		3	
26	90465-20M31	CLAMP		1	
27	90109-06M86	BOLT		1	

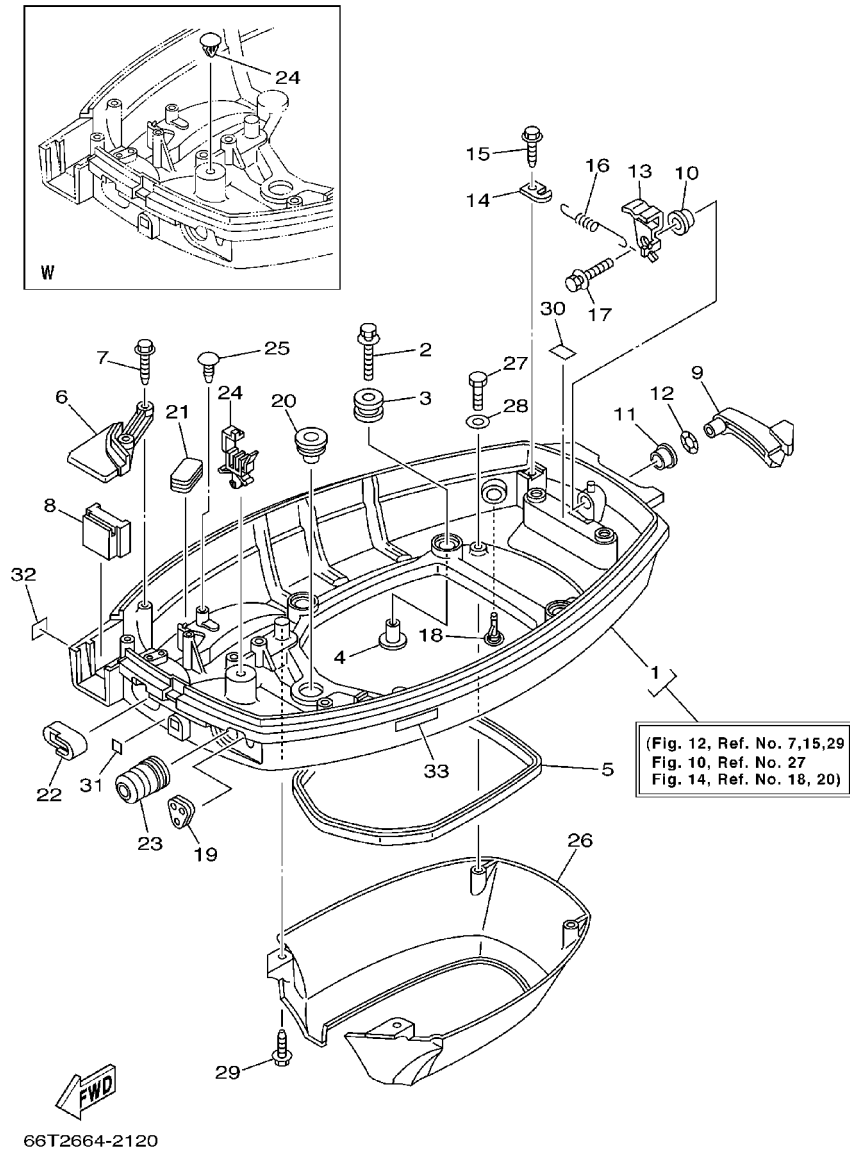
FIG. 11 STARTING MOTOR



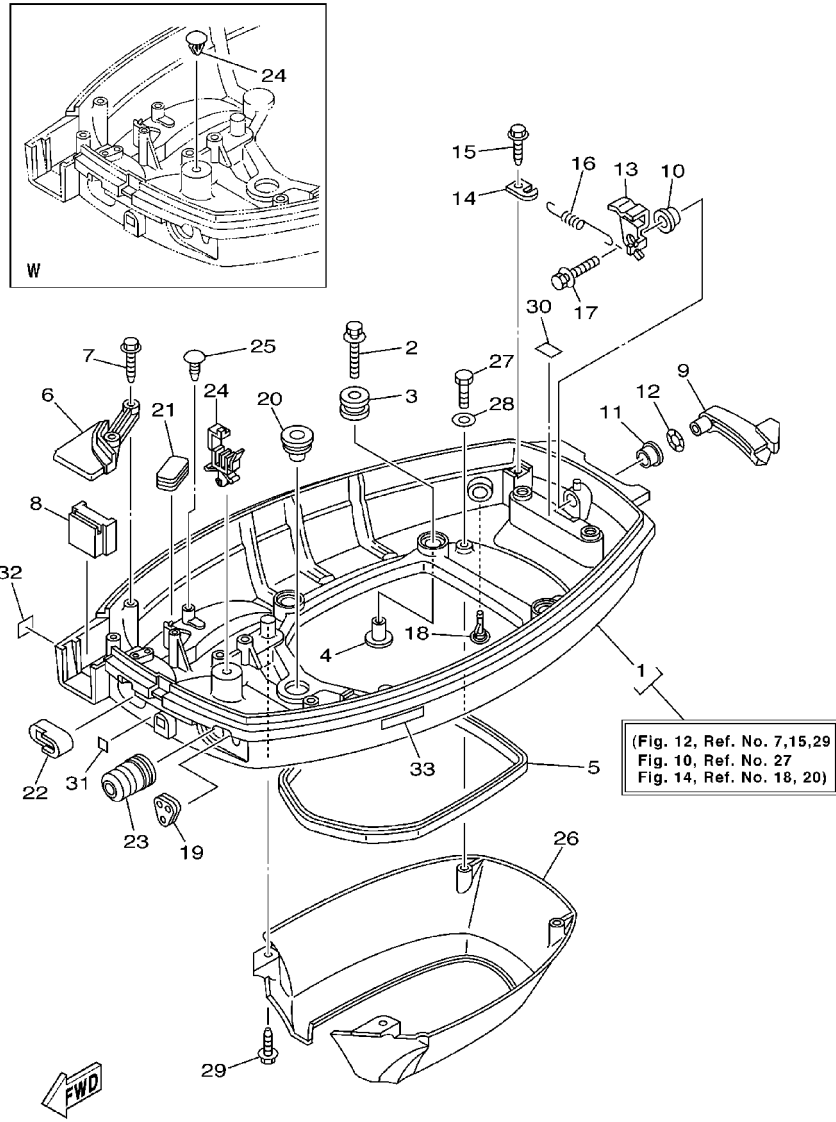
66TA664-E110

REF. NO.	PART NO.	DESCRIPTION	MH	W	REMARKS
1	66T-81800-01	STARTING MOTOR ASSY		1	
2	66T-81857-00	.PINION STOPPER SET		1	
3	66T-81850-01	.ARMATURE ASSY		1	
4	66T-81830-00	.FRONT BRACKET ASSY		1	
5	66T-81820-00	.REAR BRACKET ASSY		1	
6	66T-81840-00	.BRUSH HOLDER ASSY		1	
7	66T-81826-00	.BOLT		2	
8	90119-08M39	BOLT, WITH WASHER		2	
9	90119-08M52	BOLT, WITH WASHER		1	
10	97095-08016	BOLT		1	
11	92995-08600	WASHER		1	

FIG. 12 BOTTOM COWLING



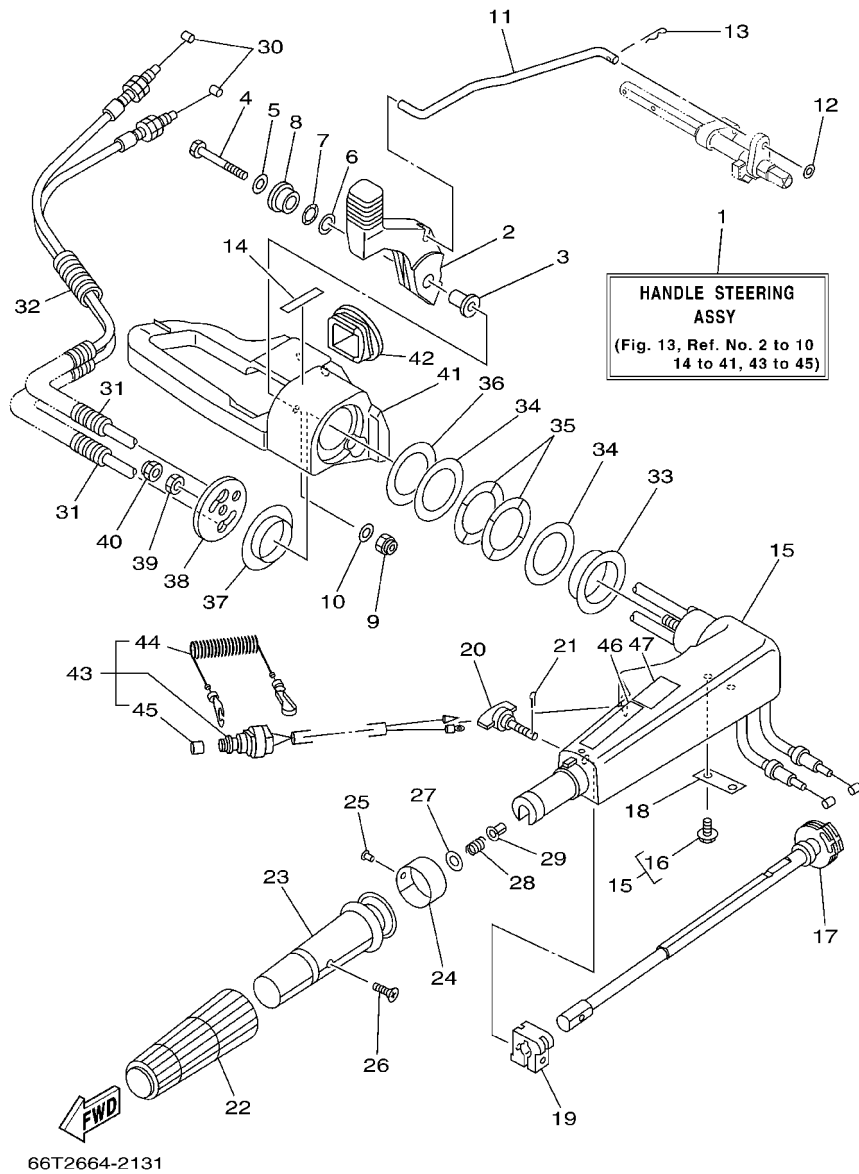
REF. NO.	PART NO.	DESCRIPTION	MH	W	REMARKS
1	66T-42710-01-4D	BOTTOM COWLING ASSY	1	1	
2	90119-06M61	BOLT, WITH WASHER	4	4	
3	90480-09M21	GROMMET	4	4	
4	90387-06035	COLLAR	4	4	
5	66T-42716-00	RUBBER, SEAL 1	1	1	
6	66T-42738-00-5B	PLATE, FITTING	1	1	
7	90109-06M81	BOLT	2	2	
8	66T-42725-00	GROMMET	1		
	66T-42725-20	GROMMET		1	
9	66T-42815-01-4D	LEVER, CLAMP	1	1	
10	90386-12M37	BUSH	1	1	
11	90386-12MA2	BUSH	1	1	
12	90206-12052	WASHER, WAVE	1	1	
13	66T-42816-00	LEVER, CLAMP	1	1	
14	66T-43144-00	HOOK, SPRING	1	1	
15	90109-06M86	BOLT	1	1	
16	90506-16M34	SPRING, TENSION	1	1	
17	90119-06M73	BOLT, WITH WASHER	1	1	
18	6E5-44391-00	NIPPLE, HOSE	1	1	
19	65W-26326-00	GROMMET	1		
	65W-26326-10	GROMMET		1	
20	676-42727-00	GROMMET	1	1	
21	6H4-42726-00	GROMMET	1	1	
22	66T-24329-00	SEAL	1	1	
23	65W-42726-00	GROMMET	1		
	65W-42726-10	GROMMET		1	
24	90465-25M57	CLAMP	1		



66T2664-2120

FIG. 12 BOTTOM COWLING

REF. NO.	PART NO.	DESCRIPTION	MH	W	REMARKS
24	90338-07M00	PLUG		1	
25	90338-05M03	PLUG	1	1	
26	66T-42741-00	APRON	1	1	
27	97095-06016	BOLT	2	2	
28	92995-06600	WASHER	2	2	
29	90109-06M80	BOLT	2	2	
30	664-42791-10	MARK 1	1	1	
31	6A1-42792-01	MARK (100:1)	1	1	
32	6A1-28176-00	LABEL, CAUTION	1	1	
33	6E3-8257H-00	PLATE, MARK	1	1	



66T2664-2131

FIG. 13 STEERING

REF. NO.	PART NO.	DESCRIPTION	MH	W	REMARKS
1	66T-W0084-02-4D	HANDLE STEERING ASSY	1		
2	66T-44111-02	HANDLE, GEAR SHIFT	1		
3	90387-06M86	COLLAR	1		
4	97095-06050	BOLT	1		
5	92995-06600	WASHER	1		
6	90201-12M07	WASHER, PLATE	1		
7	90206-12052	WASHER, WAVE	1		
8	66T-42123-00	BOLT, HANDLE JOINT	1		
9	95780-06300	NUT, FLANGE	1		
10	92995-06200	WASHER	1		
11	66T-44124-00	LINK, SHIFT ROD	1		
12	92990-06200	WASHER, PLAIN	1		
13	90468-18008	CLIP	1		
14	6E0-44191-11	INDICATOR, SHIFT	1		
15	65W-42101-01-4D	HANDLE, STEERING	1		
16	90109-06M86	BOLT	2		
17	65W-42138-00	LEVER, THROTTLE	1		
18	65W-42159-00	STAY	1		
19	6G1-42126-00	FRICTION, STEERING HANDLE GRIP	1		
20	65W-42125-00	BOLT, FRICTION ADJUSTING	1		
21	91490-20010	PIN, COTTER	1		
22	6F6-42177-A0	RUBBER, HANDLE	1		
23	664-42119-00	GRIP, STEERING HANDLE	1		
24	6G1-42137-10	INDICATOR, THROTTLE	1		
25	90269-02M09	RIVET	1		
26	90149-05M13	SCREW	1		
27	92903-10600	WASHER, PLATE	1		

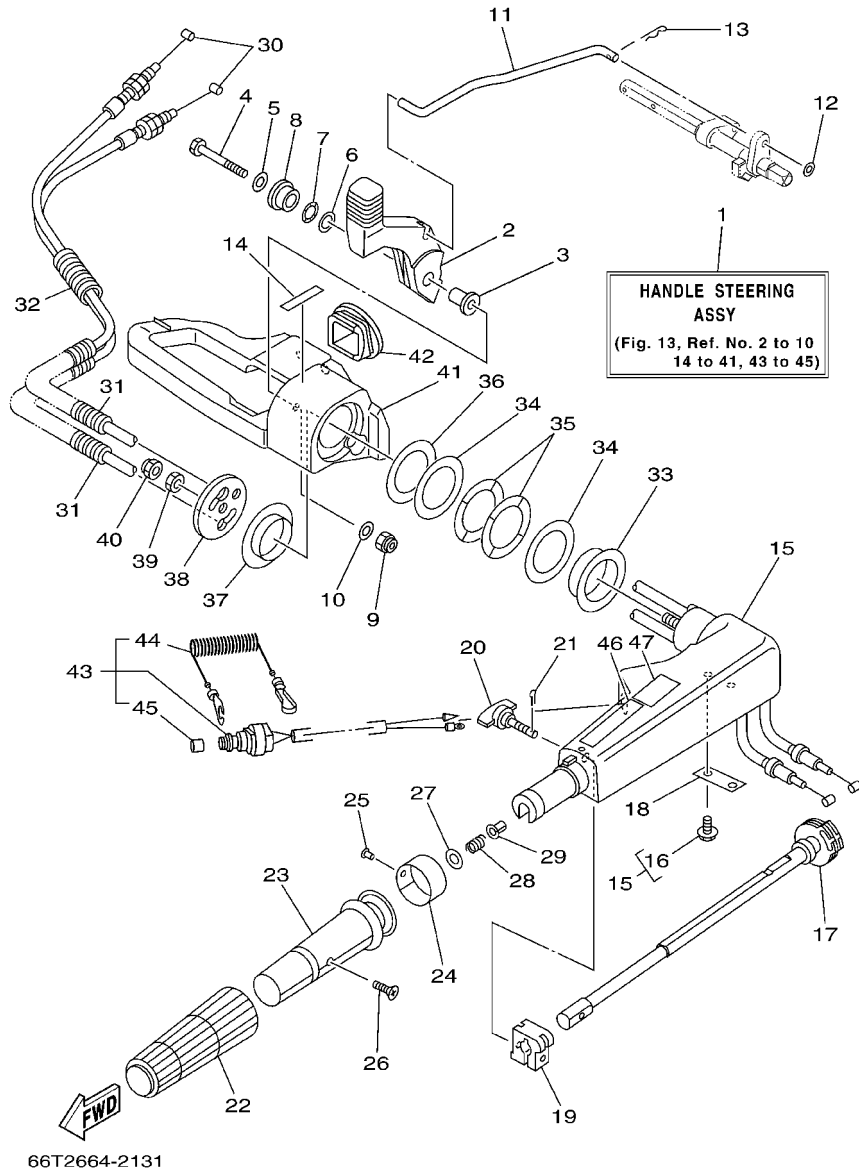
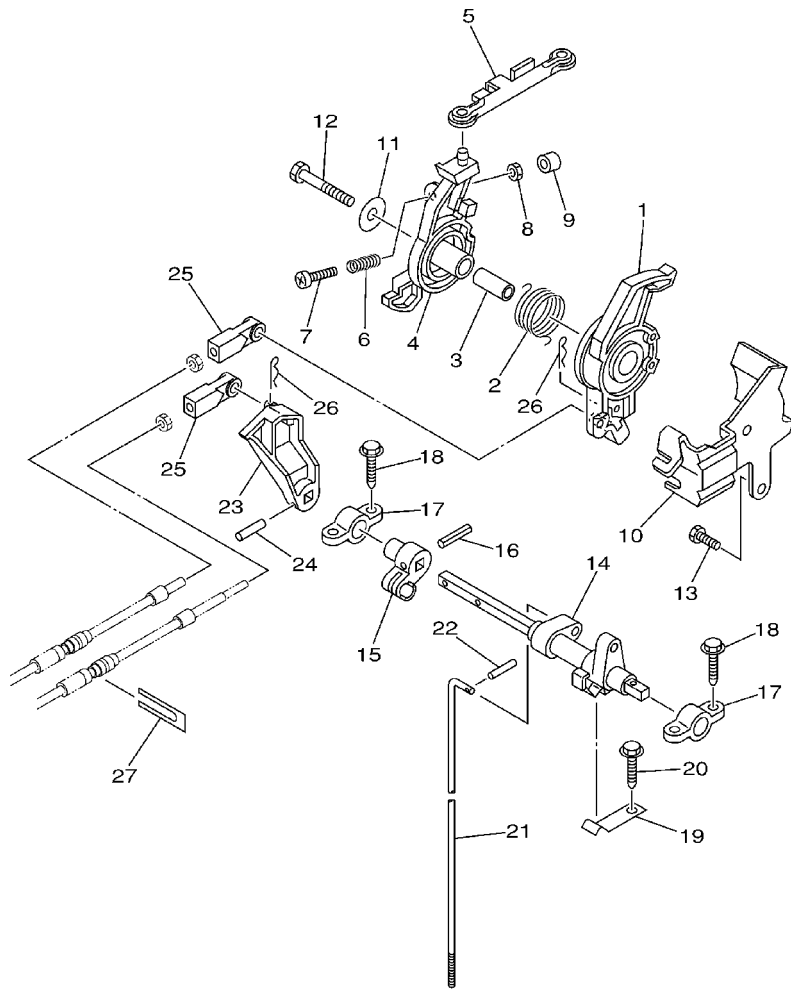


FIG. 13 STEERING

REF. NO.	PART NO.	DESCRIPTION	MH	W	REMARKS
28	90501-23215	SPRING, COMPRESSION	1		
29	90386-08032	BUSH	1		
30	66T-26301-00	THROTTLE CABLE ASSY	2		
31	90446-10M87	HOSE	2		
32	90446-10M86	HOSE	2		
33	90386-40MA0	BUSH	1		
34	90201-43M00	WASHER, PLATE	2		
35	90206-43M22	WASHER, WAVE	2		
36	90202-43M57	WASHER, PLATE	1		
37	90386-40M99	BUSH	1		
38	65W-42131-01	COVER, HANDLE STEERING	1		
39	95380-10700	NUT	1		
40	95780-10300	NUT, FLANGE	1		
41	65W-42121-01-4D	BRACKET	1		
42	66T-41273-00	GROMMET	1		
43	66T-82575-01	ENGINE STOP SWITCH ASSY	1		
44	682-82556-00	.STOPPER	1		
45	689-8257Y-00	.CAP	1		
46	6E0-83627-41	LABEL, CAUTION 7	1		
47	6E0-83627-51	LABEL, CAUTION 7	1		

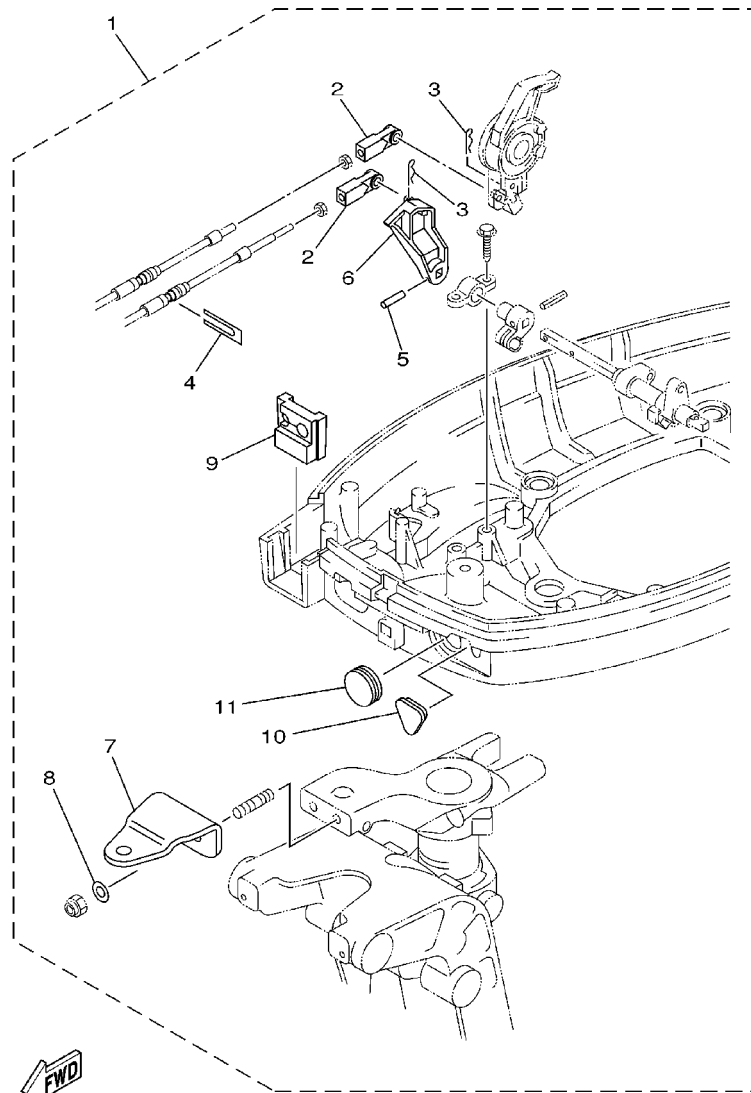
FIG. 14 CONTROL




66T0664-1140

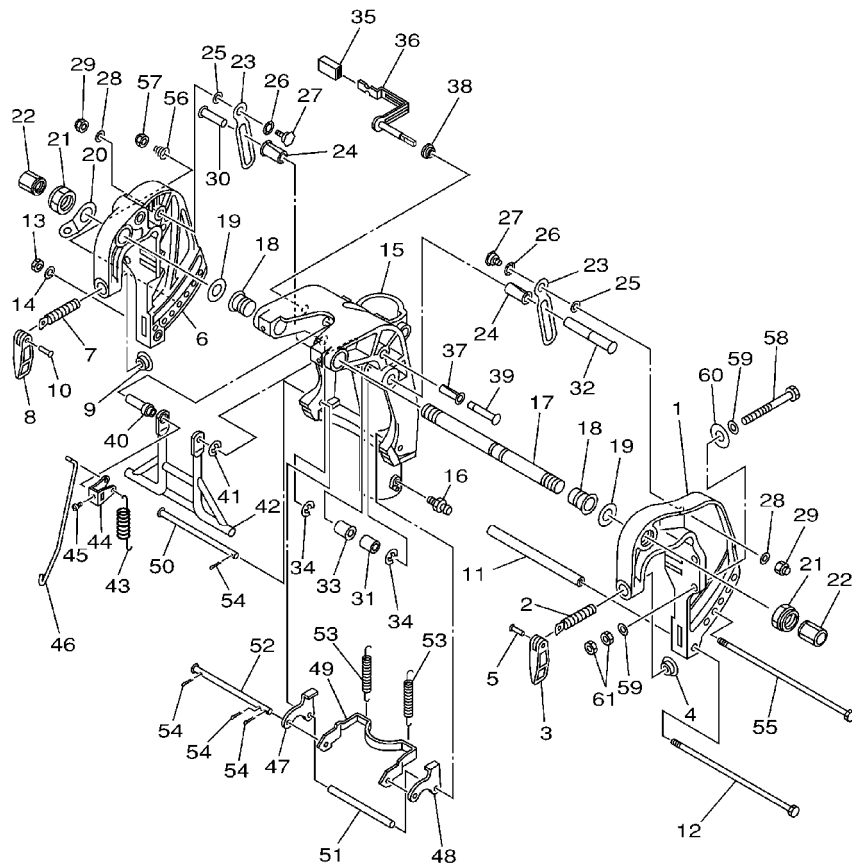
REF. NO.	PART NO.	DESCRIPTION	MH	W				REMARKS
1	66T-41638-00	PULLEY	1	1				
2	66T-42167-00	SPRING 1	1	1				
3	90387-08M16	COLLAR	1	1				
4	66T-41631-01	LEVER, MAGNETO CONTROL	1	1				
5	66T-41237-00	JOINT, LINK	1	1				
6	90501-10M84	SPRING, COMPRESSION	1	1				
7	97880-06035	SCREW, PAN HEAD	1	1				
8	95380-06700	NUT	1	1				
9	688-44194-00	CAP	1	1				
10	66T-14497-00	STAY, THROTTLE WIRE	1	1				
11	90201-08M54	WASHER, PLATE	1	1				
12	97095-08045	BOLT	1	1				
13	97095-06014	BOLT	1	1				
14	66T-44121-00	LEVER, SHIFT ROD	1	1				
15	66M-44122-00	BUSHING, SHIFT ROD LEVER	1	1				
16	90254-03M05	PIN, SPRING	1	1				
17	6F5-41662-00	BRACKET	2	2				
18	90109-06M81	BOLT	4	4				
19	682-44116-01	SPRING	1	1				
20	90109-06M86	BOLT	1	1				
21	66T-44143-00	ROD, SHIFT	1					S
	66T-44143-10	ROD, SHIFT	1	1				L
22	91490-16012	PIN, COTTER	1	1				
23	66T-44125-01	LEVER, SHIFT ROD	1	1				
24	90254-03M04	PIN, SPRING	1	1				
25	663-48344-00	CABLE END, REMOTE CONTROL		2				
26	90468-18008	CLIP		2				

FIG. 15 REMOTE CONTROL ATTACHMENT



66T0010-1170

REF. NO.	PART NO.	DESCRIPTION	MH	W				REMARKS
1	66T-48501-01	REMOTE CONT. ATTACHMENT ASSY.	1	1				AP
2	663-48344-00	.CABLE END, REMOTE CONTROL	2	2				
3	90468-18008	.CLIP	2	2				
4	6H3-48538-00	.CLAMP, CABLE 1	1	1				
5	90254-03M04	.PIN, SPRING	1	1				
6	66T-44125-01	.LEVER, SHIFT ROD	1	1				
7	65W-48511-00	.HOOK, STEERING	1	1				
8	90201-10120	.WASHER, PLATE	2	2				
9	66T-42725-30	.GROMMET	1	1				
10	65W-26326-10	.GROMMET	1	1				
11	65W-42726-10	.GROMMET	1	1				

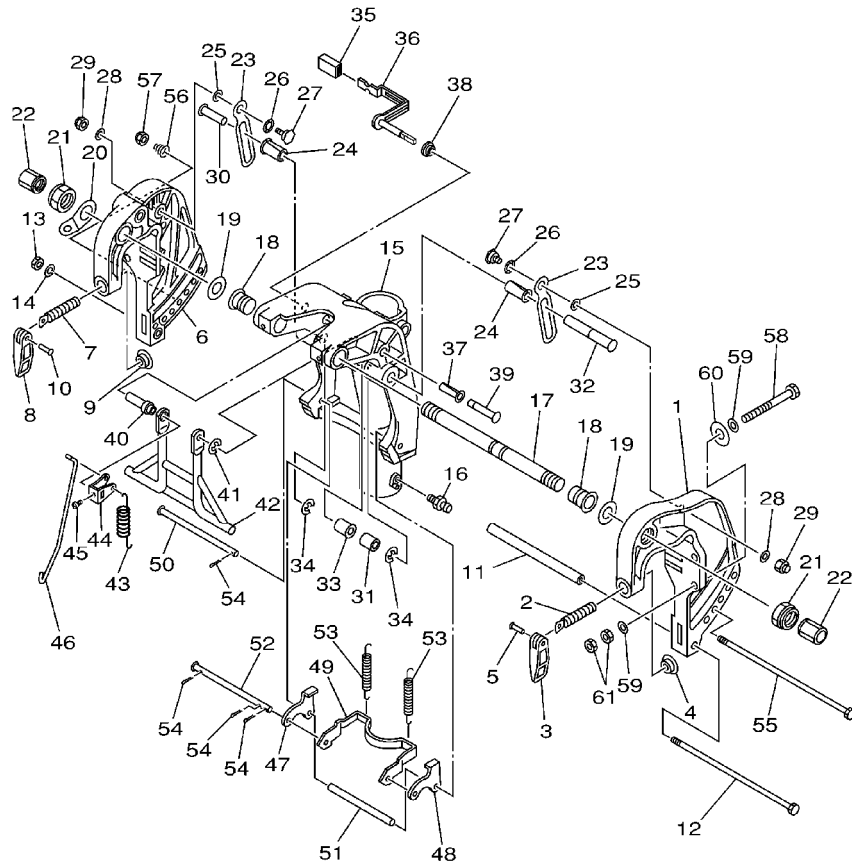


66T0010-1180

FIG. 16 BRACKET 1

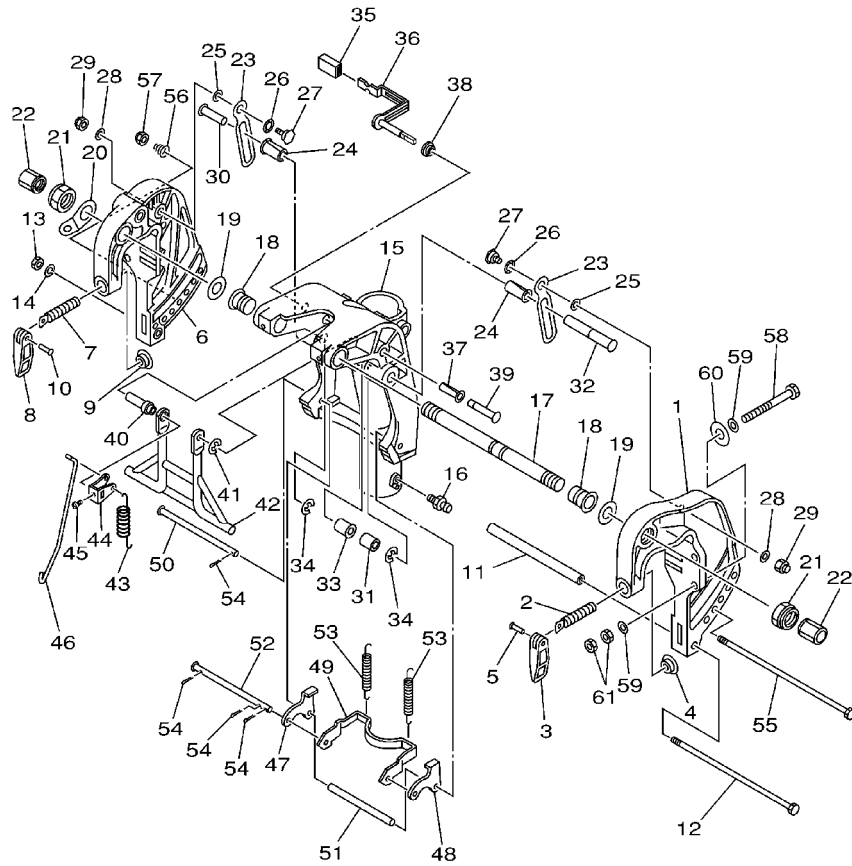
REF. NO.	PART NO.	DESCRIPTION	MH	W				REMARKS
1	66T-43111-01-4D	BRACKET, CLAMP	1	1				
2	90149-14M12	SCREW	1	1				
3	663-43118-01-4D	HANDLE, TRANSOM CLAMP	1	1				
4	648-43114-01	PAD, TRANSOM CLAMP	1	1				
5	90243-04007	PIN	1	1				
6	66T-43112-01-4D	BRACKET, CLAMP	1	1				
7	90149-14M12	SCREW	1	1				
8	663-43118-01-4D	HANDLE, TRANSOM CLAMP	1	1				
9	648-43114-01	PAD, TRANSOM CLAMP	1	1				
10	90243-04007	PIN	1	1				
11	90387-08M29	COLLAR	1	1				
12	90101-08M76	BOLT	1	1				
13	95380-08600	NUT	1	1				
14	92990-08100	WASHER, SPRING	1	1				
15	65W-43311-00-4D	BRACKET, SWIVEL 1	1					S
	65W-43311-10-4D	BRACKET, SWIVEL 1	1	1				L
16	93700-06M03	NIPPLE, GREASE	3	3				
17	63D-43131-01	BOLT, CLAMP BRACKET	1	1				
18	90386-22M15	BUSH	2	2				
19	90201-22M03	WASHER, PLATE	2	2				
20	6J8-43113-01	PLATE, CLAMP BRACKET	1	1				
21	90185-22043	NUT, SELF-LOCKING	2	2				
22	6G5-43145-01	CAP, CLAMP BRACKET	2	2				
23	66T-43627-00	STOPPER	2	2				
24	90386-12M98	BUSH	2	2				
25	90202-12031	WASHER, PLATE	2	2				
26	90206-12M00	WASHER, WAVE	2	2				

FIG. 16 BRACKET 1



66T0010-1180

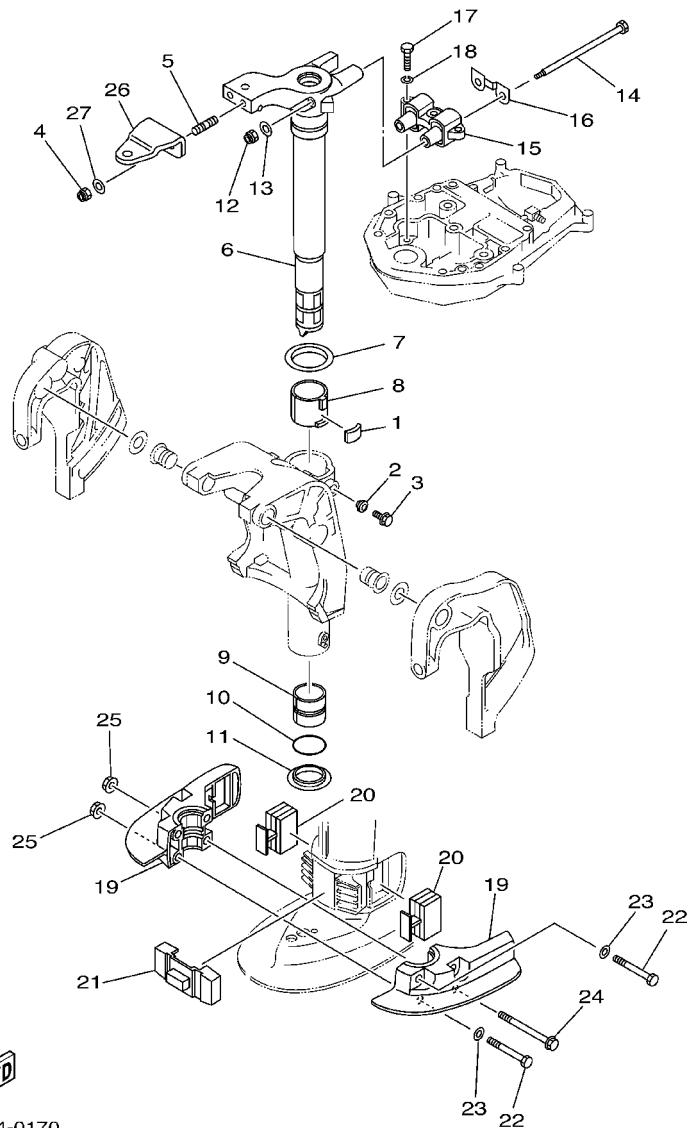
REF. NO.	PART NO.	DESCRIPTION	MH	W				REMARKS
27	90109-08M90	BOLT	2	2				
28	90201-08M07	WASHER, PLATE	2	2				
29	90185-08057	NUT, SELF-LOCKING	2	2				
30	90249-12M34	PIN	1	1				
31	90387-12M04	COLLAR	1	1				
32	90249-12M39	PIN	1	1				
33	90386-12MA0	BUSH	1	1				
34	93430-10M00	CIRCLIP	2	2				
35	682-43318-01	COVER	1	1				
36	65W-43630-11	TILT LEVER ASSY	1	1				
37	90386-10M99	BUSH	1	1				
38	90386-07MA2	BUSH	1	1				
39	90249-10M31	PIN	1	1				
40	90387-07M05	COLLAR	1	1				
41	99080-08600	CIRCLIP	1	1				
42	66T-43350-02	RECEIVER ASSY	1	1				
43	90506-20M37	SPRING, TENSION	1	1				
44	66T-43631-11	LEVER, TILT	1	1				
45	90157-05014	SCREW, PAN HEAD	1	1				
46	65W-43616-00	ROD, TILT LOCK	1	1				
47	65W-43614-01	PLATE, TILT LOCK	1	1				
48	65W-43615-01	PLATE, TILT LOCK	1	1				
49	65W-43613-00	ARM, TILT LOCK	1	1				
50	90249-07M32	PIN	1	1				
51	90387-07M29	COLLAR	1	1				
52	90249-07M33	PIN	1	1				
53	90506-30M00	SPRING, TENSION	2	2				




 66T0010-1180

FIG. 16 BRACKET 1

REF. NO.	PART NO.	DESCRIPTION	MH	W	REMARKS
54	91490-20015	PIN, COTTER	4	4	
55	90101-08M28	BOLT	1	1	
56	90502-10M06	SPRING, CONICAL	1	1	
57	90185-08057	NUT, SELF-LOCKING	1	1	
58	90101-10M58	BOLT	4	4	
59	92995-10600	WASHER	8	8	
60	90201-12426	WASHER, PLATE	4	4	
61	95380-10600	NUT	8	8	

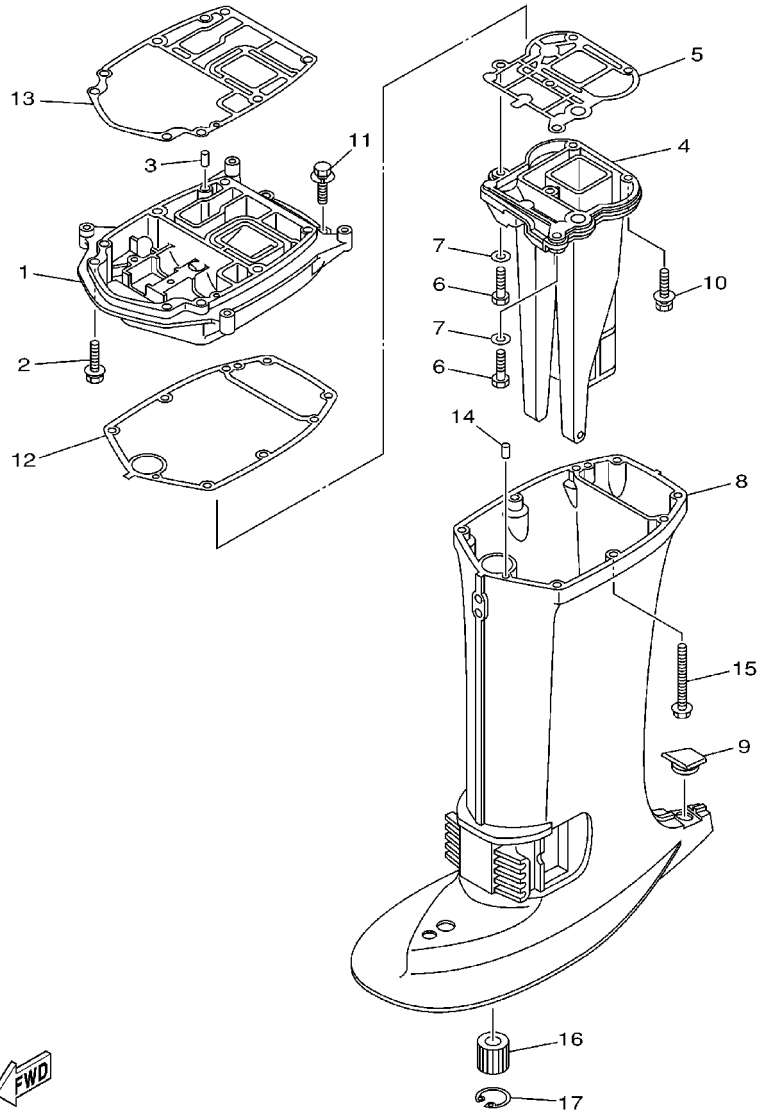


66T0664-0170

FIG. 17 BRACKET 2

REF. NO.	PART NO.	DESCRIPTION	MH	W			REMARKS
1	648-42528-00	PLATE, FRICTION	1	1			
2	65W-43373-00	SEAL, DAMPER	1	1			
3	90105-08M76	BOLT, FLANGE	1	1			
4	90185-10051	NUT, SELF-LOCKING	2	2			
5	90116-10M28	BOLT, STUD	2	2			
6	65W-42511-00-4D	BRACKET, STEERING	1				S
	65W-42511-10-4D	BRACKET, STEERING	1	1			L
7	90209-52M00	WASHER	1	1			
8	90386-52M02	BUSH	1	1			
9	90386-44M03	BUSH	1	1			
10	93210-43MJ0	O-RING	1	1			
11	90386-44M99	BUSH	1	1			
12	90185-08045	NUT, SELF-LOCKING	2	2			
13	92995-08200	WASHER	2	2			
14	90101-08M86	BOLT	2	2			
15	66T-44514-00-4D	MOUNT DAMPER, UPPER SIDE	1	1			
16	66T-44526-00	PLATE	1	1			
17	97075-08030	BOLT	3	3			
18	92995-08100	WASHER	3	3			
19	65W-44551-00-4D	HOUSING, LOWER MOUNT RUBBER	2	2			
20	65W-44555-10	MOUNT DAMPER, LOWER SIDE	2	2			
21	66T-44575-00	DAMPER, LOWER MOUNT RUBBER	1	1			
22	97075-10070	BOLT	2	2			
23	92995-10600	WASHER	2	2			
24	90119-10M04	BOLT, WITH WASHER	2	2			
25	90179-10M33	NUT	4	4			
26	65W-48511-00	HOOK, STEERING		1			

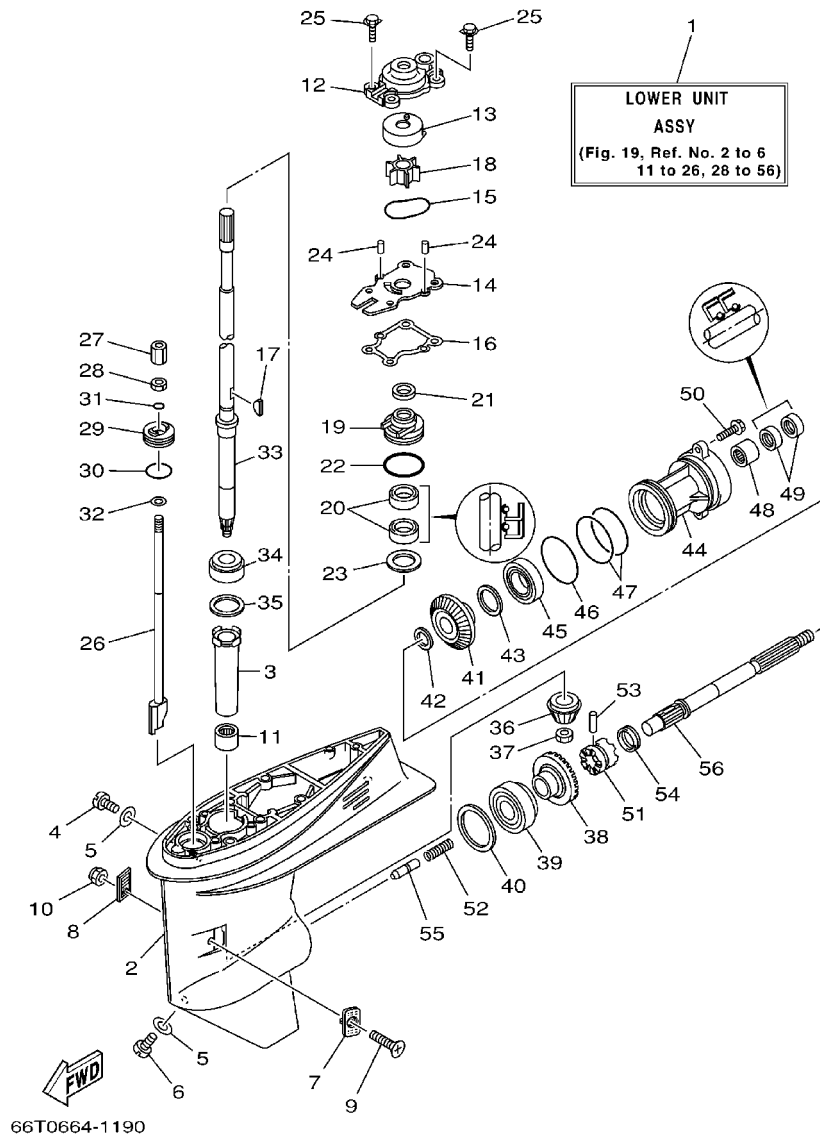
FIG. 18 UPPER CASING



66T0100-1210

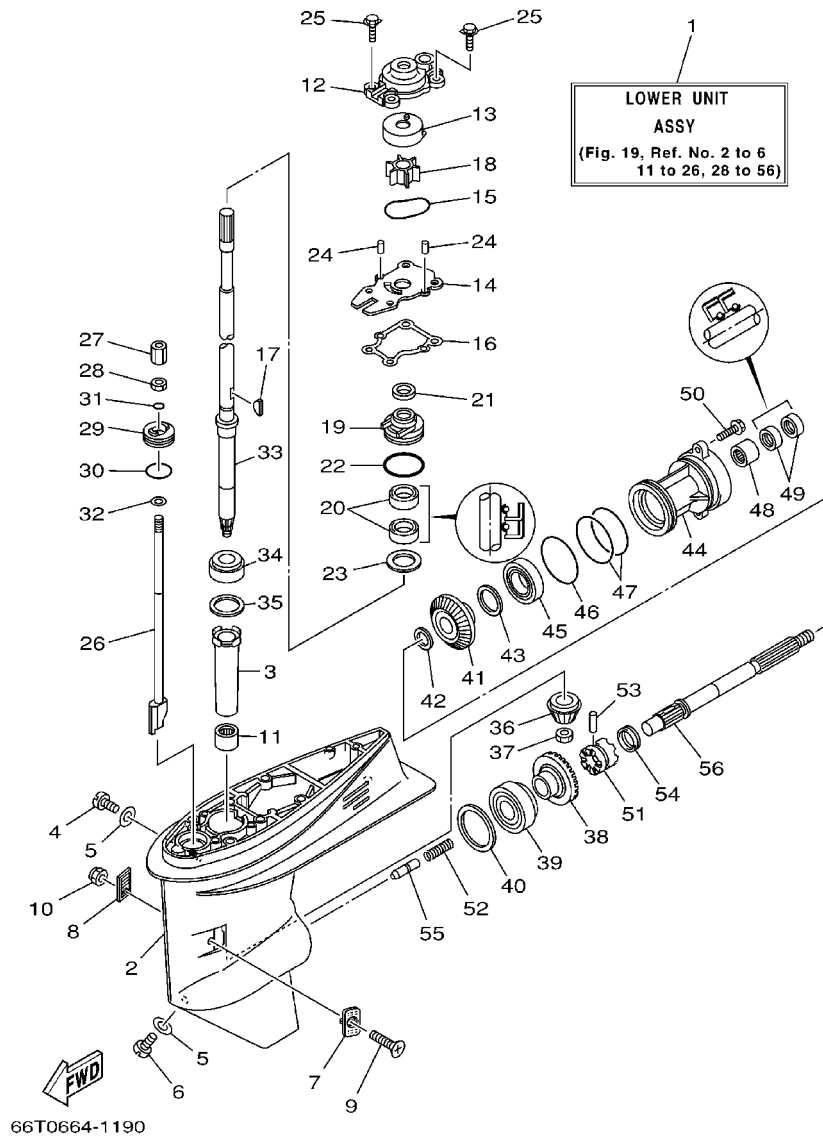
REF. NO.	PART NO.	DESCRIPTION	MH	W			REMARKS
1	66T-41137-00-94	GUIDE, EXHAUST	1	1			
2	90119-08M79	BOLT, WITH WASHER	2	2			
3	93606-12019	PIN, DOWEL	2	2			
4	66T-41131-00-5B	MANIFOLD, EXT. 1	1				S
	66T-41131-10-5B	MANIFOLD, EXT. 1	1	1			L
5	66T-41133-A0	GASKET, EXHAUST MANIFOLD 1	1	1			
6	97075-08030	BOLT	2	2			
7	92995-08600	WASHER	2	2			
8	66T-45111-00-4D	CASING, UPPER	1				S
	66T-45111-10-4D	CASING, UPPER	1	1			L
9	63D-45155-00	CAP	1	1			
10	97575-08545	BOLT, WITH WASHER	3	3			
11	90119-08M79	BOLT, WITH WASHER	2	2			
12	66T-45114-A0	GASKET, UPPER CASING	1	1			
13	66T-45113-A0	GASKET, UPPER CASING	1	1			
14	93606-12019	PIN, DOWEL	2	2			
15	90119-08M42	BOLT, WITH WASHER	6	6			
16	679-45318-00	BUSHING, DRIVE SHAFT	1	1			L
17	93420-30042	CIRCLIP	1	1			L

FIG. 19 LOWER CASING. DRIVE 1



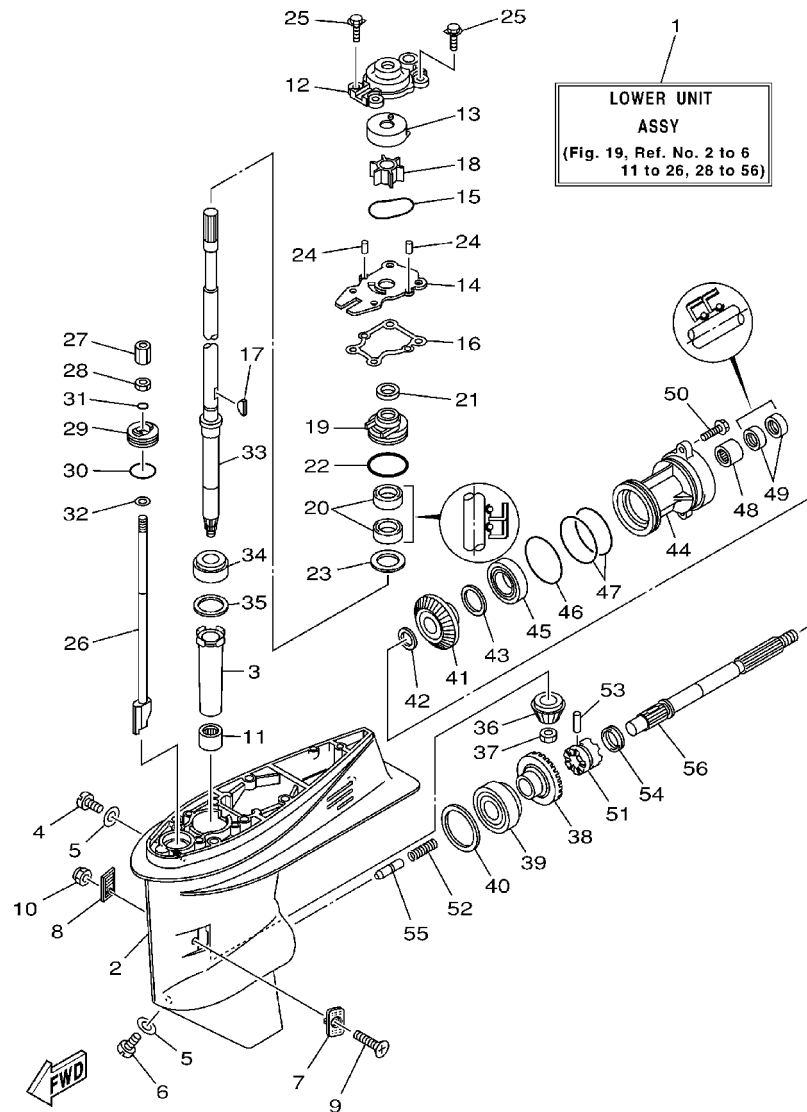
REF. NO.	PART NO.	DESCRIPTION	MH	W		REMARKS
1	66T-45300-01-4D	LOWER UNIT ASSY	1			S
	66T-45300-11-4D	LOWER UNIT ASSY	1	1		L
2	66T-45311-01-4D	CASING, LOWER	1	1		
3	6H4-45536-00	SLEEVE, DRIVE SHAFT	1	1		
4	90340-08002	PLUG, STRAIGHT SCREW	1	1		
5	90430-08020	GASKET	2	2		
6	688-45341-10	PLUG, DRAIN	1	1		
7	63D-45214-00	COVER, WATER INLET	1	1		
8	63D-45215-00	COVER, WATER INLET	1	1		
9	90142-05M06	SCREW, COUNTERSUNK	1	1		
10	95380-05600	NUT	1	1		
11	93315-32224	BEARING	1	1		
12	66T-44311-00	HOUSING, WATER PUMP	1	1		
13	63D-44322-00	INSERT, CARTRIDGE	1	1		
14	66T-44323-00	OUTER PLATE, CARTRIDGE	1	1		
15	93210-59MG7	O-RING	1	1		
16	63D-44316-00	GASKET, WATER PUMP	1	1		
17	90280-03M03	KEY, WOODRUFF	1	1		
18	6H4-44352-02	IMPELLER	1	1		
19	63D-44341-00	HOUSING, WATER PUMP	1	1		
20	93101-22M60	OIL SEAL	2	2		
21	66T-45344-01	COVER, OIL SEAL	1	1		
22	93210-48MG8	O-RING	1	1		
23	90201-27M00	WASHER, PLATE	1	1		
24	93604-08062	PIN, DOWEL	2	2		
25	90119-08M15	BOLT, WITH WASHER	4	4		
26	66T-44150-01	SHIFT CAM ASSY	1			S

FIG. 19 LOWER CASING. DRIVE 1



REF. NO.	PART NO.	DESCRIPTION	MH	W					REMARKS
26	66T-44150-11	SHIFT CAM ASSY	1	1					L
27	61N-44146-00	CONNECTOR, SHIFT ROD	1	1					
28	95380-06700	NUT	1	1					
29	66T-45321-00	PLATE	1	1					
30	93210-33MG4	O-RING	1	1					
31	93210-06ME6	O-RING	1	1					
32	92990-06600	WASHER, PLATE	1	1					
33	66T-45501-01	DRIVE SHAFT COMP.	1						S
	66T-45501-11	DRIVE SHAFT COMP.	1	1					L
34	93332-00001	BEARING	1	1					
35	663-45587-01-10	SHIM (T:0.10MM)	1	1					UR
	663-45587-01-12	SHIM (T:0.12MM)	1	1					UR
	663-45587-01-15	SHIM (T:0.15MM)	1	1					UR
	663-45587-01-18	SHIM (T:0.18MM)	1	1					UR
	663-45587-01-30	SHIM (T:0.30MM)	1	1					UR
	663-45587-01-40	SHIM (T:0.40MM)	1	1					UR
	663-45587-01-50	SHIM (T:0.50MM)	1	1					UR
36	66T-45551-00	PINION	1	1					
37	90170-12138	NUT	1	1					
38	66T-45560-01	GEAR	1	1					
39	93332-00003	BEARING	1	1					
40	663-45567-01-10	SHIM (T:0.10MM)	1	1					UR
	663-45567-01-12	SHIM (T:0.12MM)	1	1					UR
	663-45567-01-15	SHIM (T:0.15MM)	1	1					UR
	663-45567-01-18	SHIM (T:0.18MM)	1	1					UR
	663-45567-01-30	SHIM (T:0.30MM)	1	1					UR
	663-45567-01-40	SHIM (T:0.40MM)	1	1					UR

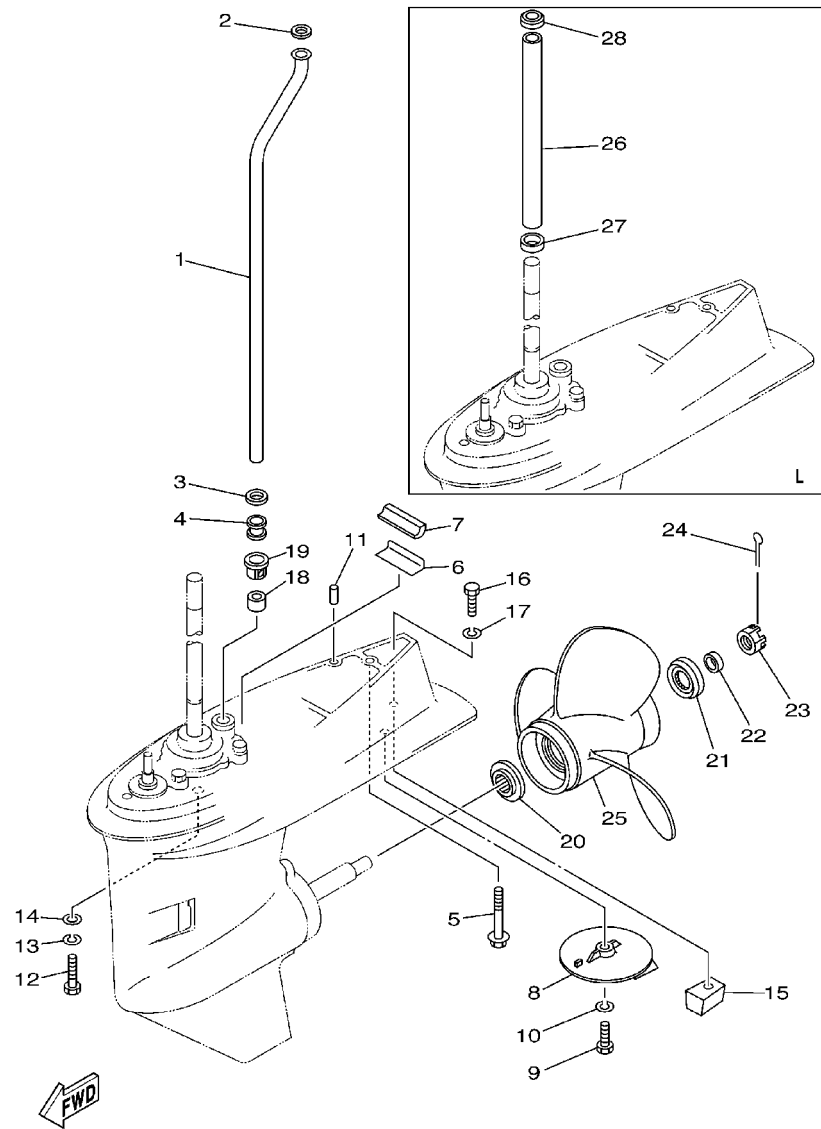
FIG. 19 LOWER CASING. DRIVE 1



66T0664-1190

REF. NO.	PART NO.	DESCRIPTION	MH	W		REMARKS
40	663-45567-01-50	SHIM (T:0.50MM)	1	1		UR
41	66T-45571-00	GEAR	1	1		
42	90201-22429	WASHER, PLATE	1	1		
43	63D-45577-00-10	SHIM (T:0.10MM)	1	1		UR
	63D-45577-00-12	SHIM (T:0.12MM)	1	1		UR
	63D-45577-00-15	SHIM (T:0.15MM)	1	1		UR
	63D-45577-00-18	SHIM (T:0.18MM)	1	1		UR
	63D-45577-00-30	SHIM (T:0.30MM)	1	1		UR
	63D-45577-00-40	SHIM (T:0.40MM)	1	1		UR
	63D-45577-00-50	SHIM (T:0.50MM)	1	1		UR
44	63D-45361-02-4D	CAP, LOWER CASING	1	1		
45	93306-001U1	BEARING	1	1		
46	93210-69MG6	O-RING	1	1		
47	93210-74MG5	O-RING	2	2		
48	93317-22204	BEARING	1	1		
49	93101-22M00	OIL SEAL	2	2		
50	90105-08M61	BOLT, FLANGE	2	2		
51	66T-45631-00	CLUTCH, DOG	1	1		
52	90501-15M01	SPRING, COMPRESSION	1	1		
53	90250-06023	PIN, STRAIGHT	1	1		
54	663-45633-00	RING, CROSS PIN	1	1		
55	66T-45635-00	PLUNGER, SHIFT	1	1		
56	66T-45611-00	SHAFT, PROPELLER	1	1		

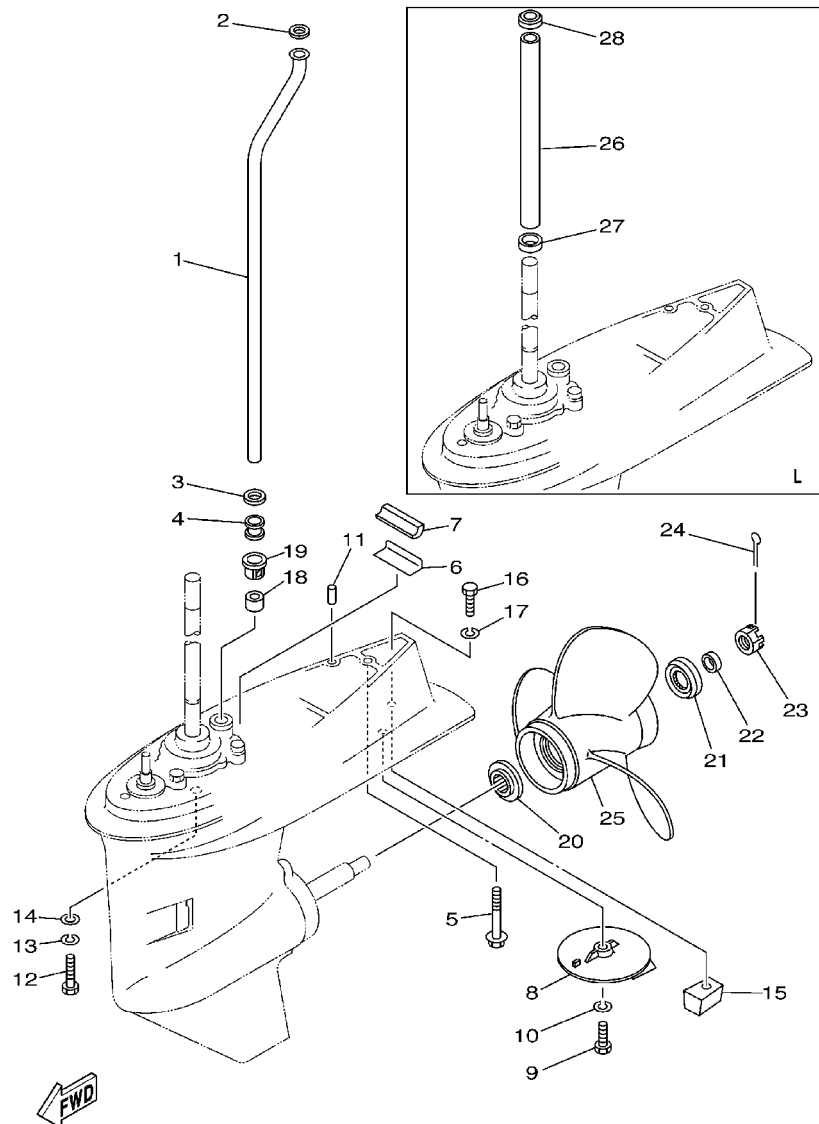
FIG. 20 LOWER CASING. DRIVE 2



66T0664-1201

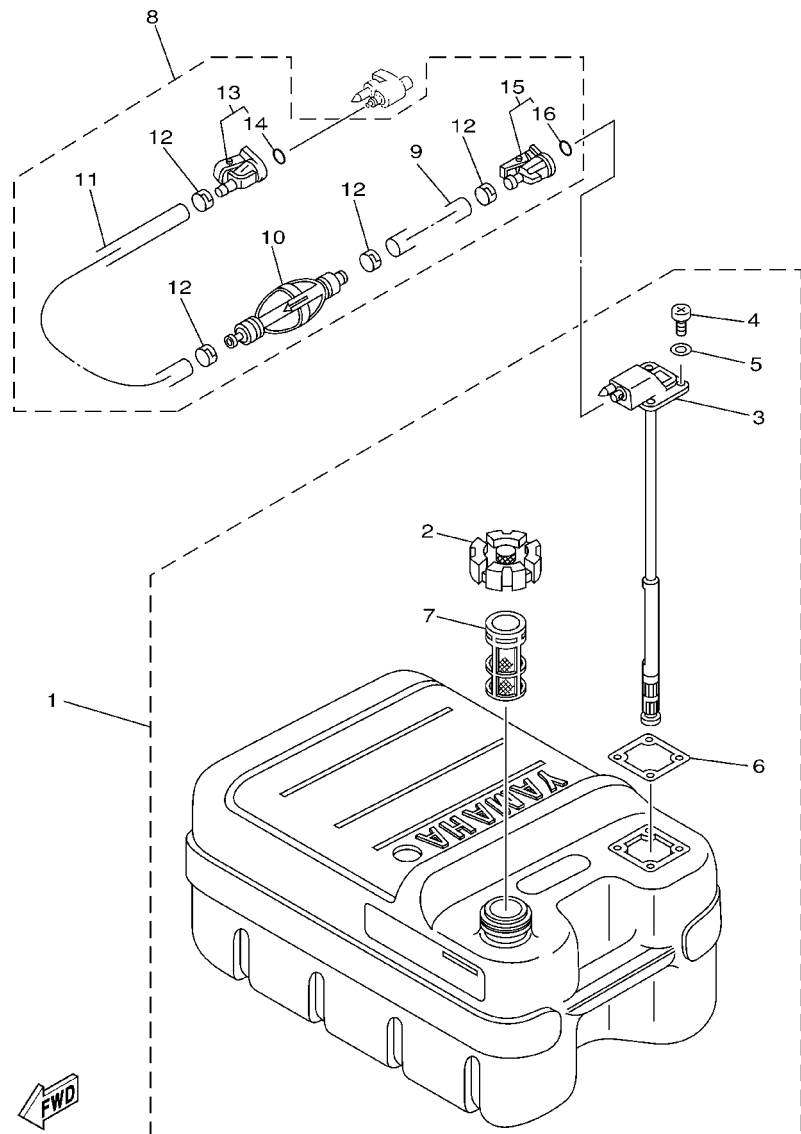
REF. NO.	PART NO.	DESCRIPTION	MH	W				REMARKS
1	66T-44361-00	TUBE, WATER	1					S
	66T-44361-10	TUBE, WATER	1	1				L
2	90202-12060	WASHER, PLATE	1	1				
3	90430-12072	GASKET	1	1				
4	663-44367-00	DAMPER, WATER SEAL	1	1				
5	90119-08M44	BOLT, WITH WASHER	1	1				
6	663-45376-00	GUIDE, SEAL DAMPER	1	1				
7	63D-45375-00	DAMPER, SEAL	1	1				
8	664-45371-01	TAB-TRIM	1	1				
9	97095-08025	BOLT	1	1				
10	92995-08100	WASHER	1	1				
11	93606-12019	PIN, DOWEL	2	2				
12	97075-10040	BOLT	4	4				
13	92995-10100	WASHER	4	4				
14	92995-10600	WASHER	4	4				
15	67C-45251-00	ANODE	1	1				
16	97095-08035	BOLT	1	1				
17	92995-08100	WASHER	1	1				
18	663-44366-00	DAMPER, WATER SEAL	1	1				
19	63D-44312-00	COVER, WATER PUMP HOUSING	1	1				
20	663-45987-02	SPACER	1	1				
21	66T-45997-00	SPACER	1	1				
22	90389-22M01	BUSH	1	1				
23	90171-16011	NUT, CASTLE	1	1				
24	91490-30025	PIN, COTTER	1	1				
25	63D-45941-00-EL	PROPELLER (3X12-1/4"X8"-G)	1	1				UR
	663-45930-00-98	PROPELLER (3X10-1/4"X14"-G)	1	1				UR

FIG. 20 LOWER CASING. DRIVE 2



66T0664-1201

REF. NO.	PART NO.	DESCRIPTION	MH	W				REMARKS
25	663-45941-01-EL	PROPELLER (3X10-3/4"X17"-G)	1	1				UR
	663-45943-02-EL	PROPELLER (3X11"X15"-G)	1	1				UR
	663-45945-02-EL	PROPELLER (3X11-1/8"X13"-G)	1	1				UR
	663-45947-02-EL	PROPELLER (3X11-5/8"X11"-G)	1	1				UR
	663-45949-01-EL	PROPELLER (3X10-3/4"X16"-G)	1	1				UR
	663-45952-02-EL	PROPELLER (3X11-3/8"X12"-G)	1	1				UR
	663-45954-01-EL	PROPELLER (3X11-3/4"X10"-G)	1	1				UR
	663-45956-01-EL	PROPELLER (3X12-1/4"X9"-G)	1	1				UR
	663-45958-01-EL	PROPELLER (3X11-1/4"X14"-G)	1	1				UR
	663-45976-00-98	PROPELLER (3X10-1/4"X15"-G)	1	1				UR
	663-45978-00-98	PROPELLER (3X10-1/4"X16"-G)	1	1				UR
	663-45970-60-98	PROPELLER (3X11-3/4"X12"-G)	1	1				UR
	663-45972-60-98	PROPELLER (3X12"X11"-G)	1	1				UR
	663-45974-60-98	PROPELLER (3X11-1/2"X13"-G)	1	1				UR
26	66T-44362-10	TUBE, WATER	1	1				L
27	90480-25M70	GROMMET	1	1				L
28	90480-30M71	GROMMET	1	1				L

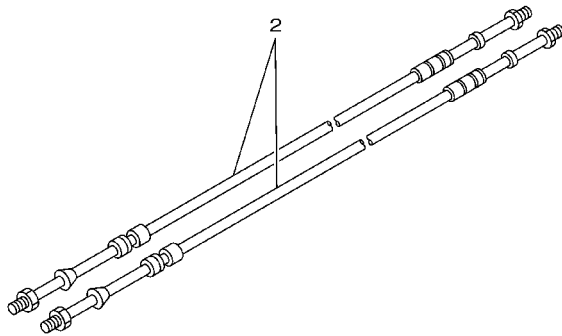
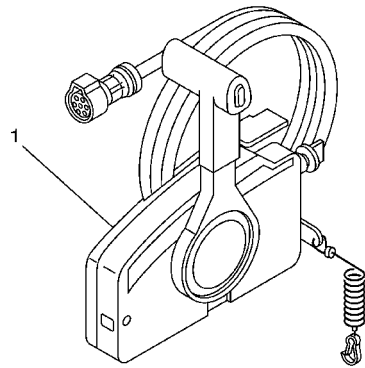


66T0100-9240

FIG. 21 FUEL TANK

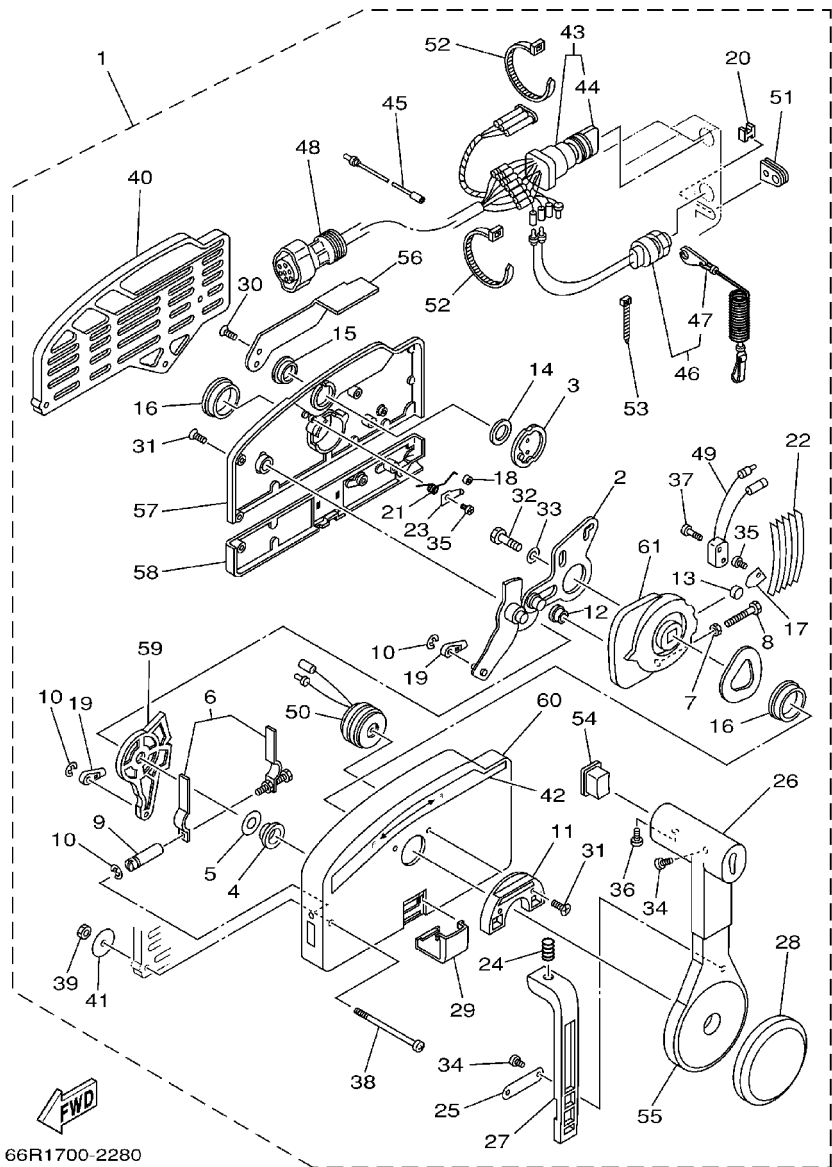
REF. NO.	PART NO.	DESCRIPTION	MH	W	REMARKS
1	6YJ-24201-10	FUEL TANK ASSY (24L)	1	1	AP WITH INDICATOR
2	6YJ-24610-01	.CAP ASSY	1	1	
3	6Y1-24260-12	.FUEL METER ASSY	1	1	WITH INDICATOR
4	98586-05016	.SCREW, PAN HEAD	4	4	
5	6Y1-24329-00	.SEAL	4	4	
6	6Y1-24268-00	.GASKET, FUEL METER	1	1	
7	6YJ-24167-00	.STRAINER	1	1	
8	61J-24306-02	FUEL PIPE COMP. 1	1	1	AP
9	90445-11M06	.HOSE (L=2050)	1	1	
10	61J-24360-00	.PRIMER PUMP ASSY	1	1	
11	90445-11M05	.HOSE (L=850)	1	1	
12	650-24351-51	.BAND 1	4	4	
13	6G1-24305-03	.FUEL PIPE JOINT COMP. 2	1	1	
14	93210-08287	..O-RING	1	1	
15	6Y1-24305-04	.FUEL PIPE JOINT COMP. 2	1	1	
16	93210-08287	..O-RING	1	1	

FIG. 22 REMOTE CONTROL BOX



67M0100-8280

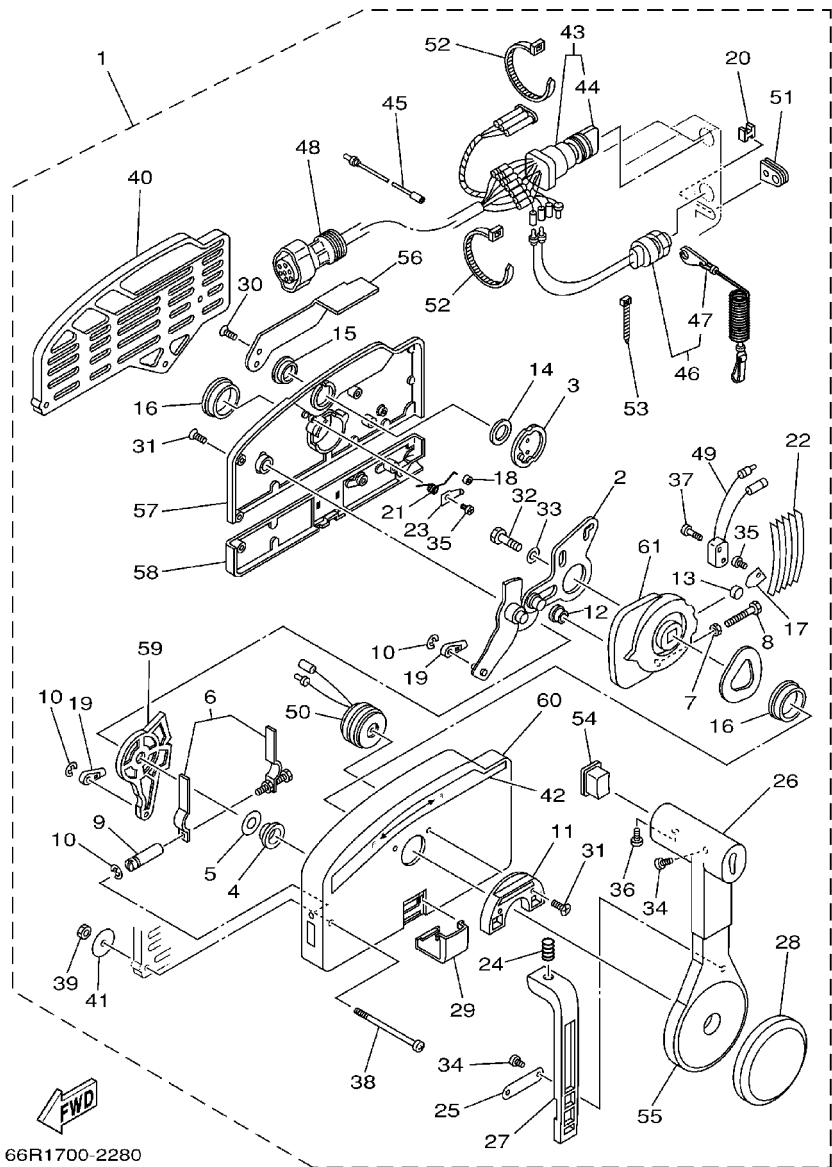
REF. NO.	PART NO.	DESCRIPTION	MH	W		REMARKS
1	703-48203-15	REMOTE CONTROL ASSY		1		AP
2	701-48310-90	CABLE, REMOTE CONTROL L=11F		2		UR
	701-48320-00	CABLE, REMOTE CONTROL L=12F		2		UR
	701-48320-20	CABLE, REMOTE CONTROL L=13F		2		UR
	701-48320-30	CABLE, REMOTE CONTROL L=14F		2		UR
	701-48320-50	CABLE, REMOTE CONTROL L=15F		2		UR
	701-48320-60	CABLE, REMOTE CONTROL L=16F		2		UR
	701-48320-80	CABLE, REMOTE CONTROL L=17F		2		UR



66R1700-2280

FIG. 23 REMOTE CONTROL ASSY

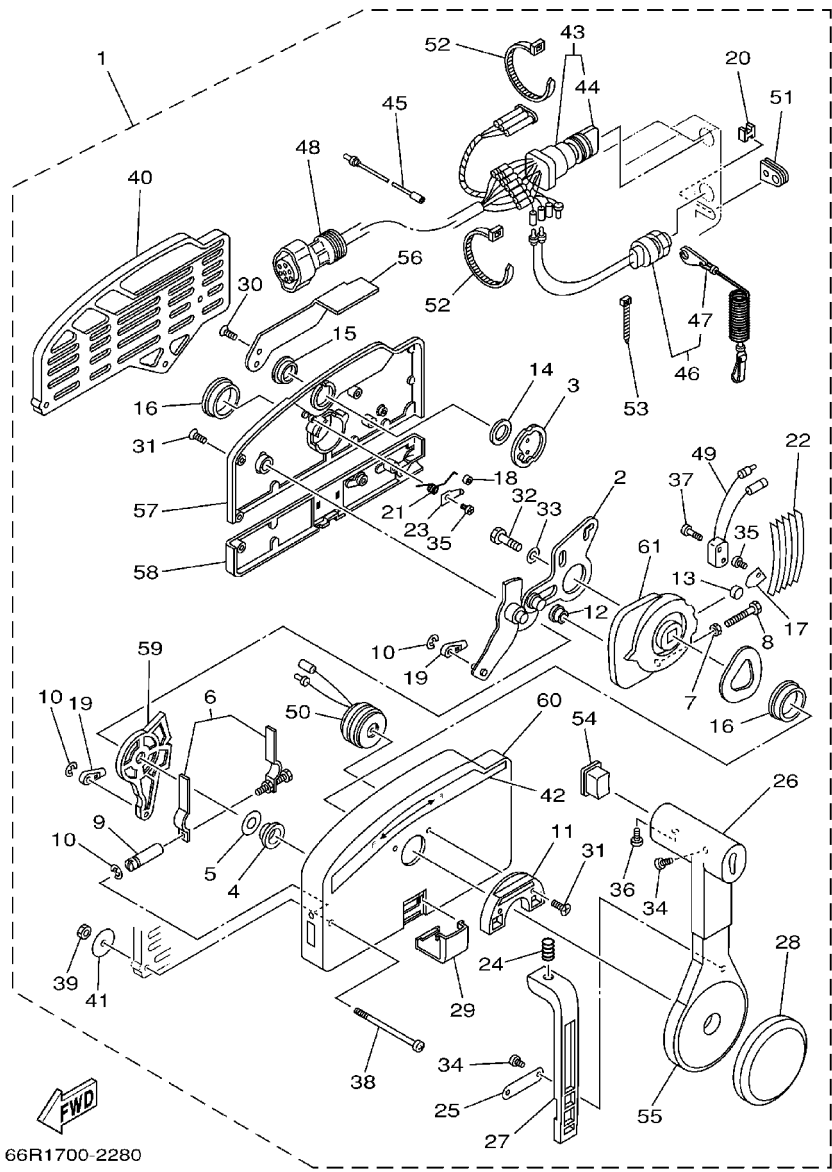
REF. NO.	PART NO.	DESCRIPTION	MH	W	REMARKS
1	703-48203-15	REMOTE CONTROL ASSY		1	AP
2	703-48261-01	.ARM, THROTTLE		1	
3	703-48153-00	.SHAFT, FREE ACCEL.		1	
4	703-48235-00	.BUSHING		1	
5	703-48268-00	.SPACER		1	
6	703-48264-00	.THROTTLE, FRICTION		1	
7	95380-05600	.NUT		1	
8	97380-05025	.BOLT		1	
9	703-48265-00	.SHAFT, FRICTION		1	
10	93430-06024	.CIRCLIP		3	
11	703-48245-00	.PLATE, LOCK		1	
12	703-48252-00	.ROLLER, CAM		1	
13	701-48248-00	.ROLLER, FREE ACCEL.		1	
14	703-48198-00	.WASHER, WAVE		1	
15	703-48243-00	.BUSHING		1	
16	703-48236-00	.BUSHING 1		2	
17	703-48189-00	.RETAINER		1	
18	703-48234-00	.ROLLER, DETENT		1	
19	703-48345-01	.CABLE END, REMOTE CONTROL 2		2	
20	703-48358-00	.ANCHOR, CABLE		1	
21	703-48244-00	.SPRING, FREE ACCEL.		1	
22	703-48238-00	.SPRING, DETENT		5	
23	703-48246-00	.SPACER		1	
24	703-48227-00	.SPRING, NEUTRAL LOCK		1	
25	703-48226-00	.PLATE, STOPPER		1	
26	703-48222-00	.GRIP, CONTROL LEVER		1	SINGLE
27	703-48223-00	.LOCK, NEUTRAL		1	



66R1700-2280

FIG. 23 REMOTE CONTROL ASSY

REF. NO.	PART NO.	DESCRIPTION	MH	W	REMARKS
28	703-48225-00	.COVER		1	
29	703-48219-00	.COVER, LEAD		1	
30	703-48281-00	.SCREW		2	
31	703-48282-00	.SCREW		7	
32	97380-08030	.BOLT		1	
33	92990-08600	.WASHER, PLATE		1	
34	98580-04010	.SCREW, PAN HEAD		3	
35	98580-04006	.SCREW, PAN HEAD		2	
36	98580-05010	.SCREW, PAN HEAD		1	
37	98580-03015	.SCREW, PAN HEAD		2	
38	703-48291-10	.SCREW (M6)		3	
39	95380-06600	.NUT, HEXAGON		3	
40	703-48293-10	.SPACER, REMOTE CONTROL		1	SINGLE
41	701-48287-00	.WASHER		3	
42	703-48215-00	.GRAPHIC		1	
43	703-82510-33	.MAIN SWITCH ASSY		1	
44	703-82577-00	..CAP, KEY		1	
45	703-82531-00	.WIRE, LEAD		1	
46	688-82575-01	.ENGINE STOP SWITCH ASSY		1	
47	682-82556-00	..STOPPER		1	
48	688-82586-21	.EXTENSION, WIRE HARNESS		1	L:5M (7P)
49	703-82540-00	.NEUTRAL SWITCH ASSY		1	
50	703-83383-02	.BUZZER		1	
51	703-48284-00	.GROMMET		1	
52	703-82591-00	.BAND		1	
53	703-82592-00	.BAND		1	
54	703-48224-00	.COVER, CONTROL LEVER		1	WITHOUT PT/T SW.



66R1700-2280

FIG. 23 REMOTE CONTROL ASSY

REF. NO.	PART NO.	DESCRIPTION	MH	W	REMARKS
55	703-48221-00	.LEVER, CONTROL		1	
56	703-48152-00	.KNOB, FREE ACCEL.		1	
57	703-48212-00	.BACK PLATE 1		1	
58	703-48213-00	.BACK PLATE 2		1	
59	703-48271-00	.ARM, SHIFT		1	
60	703-48211-01	.HOUSING,1		1	
61	703-48232-00	.GEAR		1	

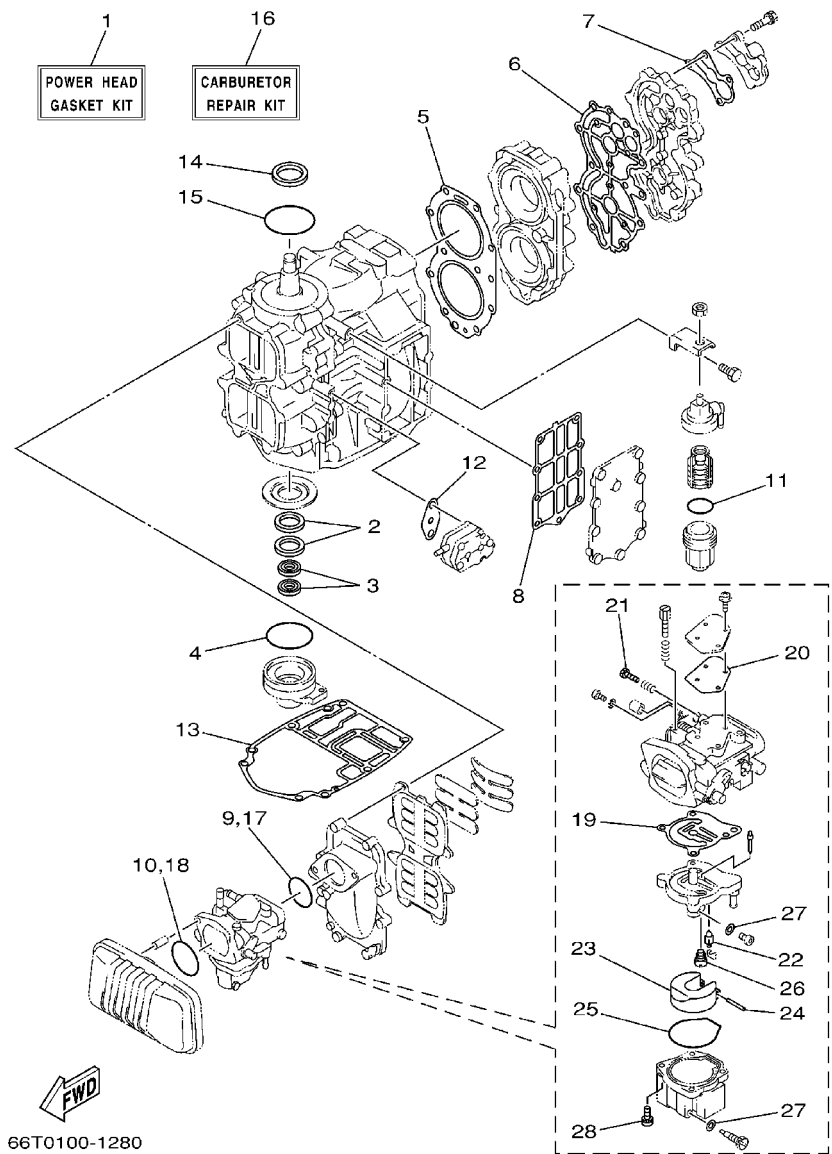
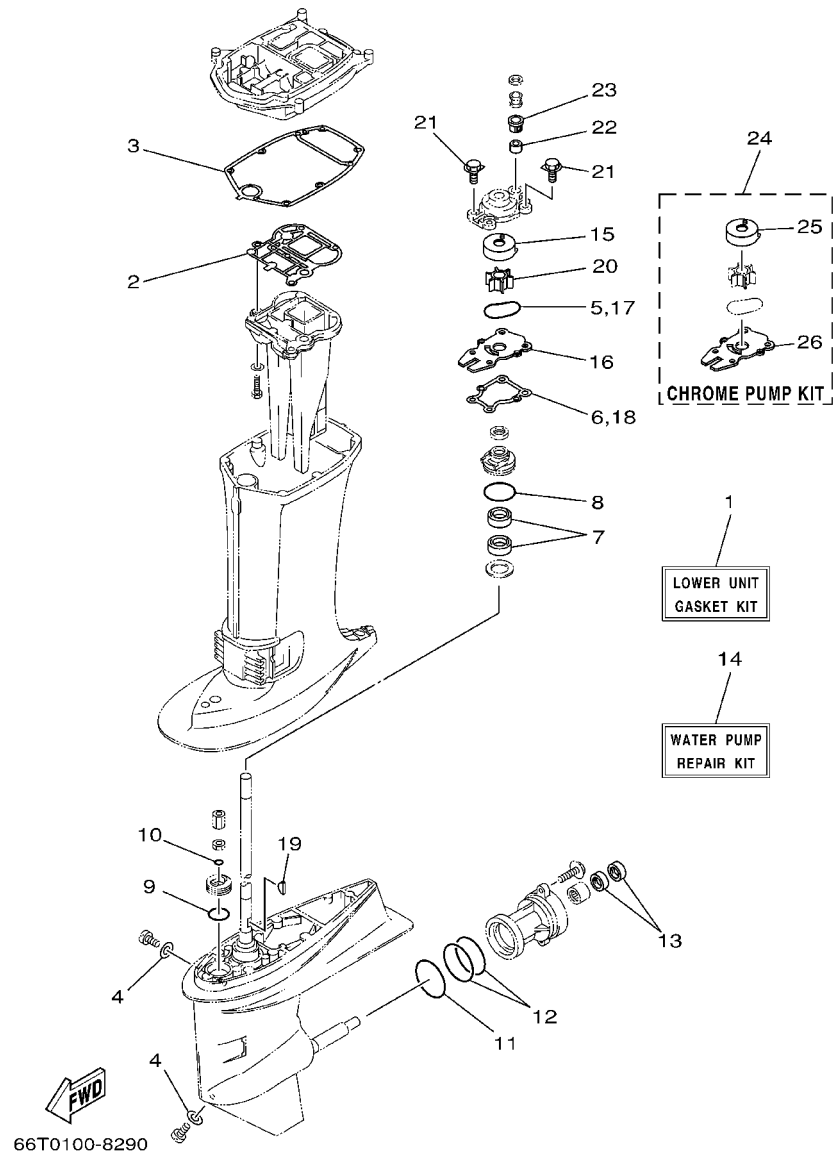


FIG. 24 REPAIR KIT 1

REF. NO.	PART NO.	DESCRIPTION	MH	W	REMARKS
1	66T-W0001-01	POWER HEAD GASKET KIT	1	1	
2	93102-30M56	.OIL SEAL	2	2	
3	93101-16001	.OIL SEAL	2	2	
4	93210-65M50	.O-RING	1	1	
5	66T-11181-A2	.GASKET, CYLINDER HEAD 1	1	1	
6	66T-11193-A2	.GASKET, HEAD COVER 1	1	1	
7	676-12414-A0	.GASKET, COVER	1	1	
8	66T-41114-A0	.GASKET, EXHAUST OUTER COVER	1	1	
9	93210-46M16	.O-RING	1	1	
10	93210-54M54	.O-RING	1	1	
11	93210-32738	.O-RING	1	1	
12	650-24431-A0	.GASKET, FUEL PUMP 1	1	1	
13	66T-45113-A0	.GASKET, UPPER CASING	1	1	
14	93102-35008	.OIL SEAL	1	1	
15	93210-75M51	.O-RING	1	1	
16	66T-W0093-01	CARBURETOR REPAIR KIT	1	1	
17	93210-46M16	.O-RING	1	1	
18	93210-54M54	.O-RING	1	1	
19	66T-14384-01	.GASKET, FLOAT CHAMBER	1	1	
20	66T-14536-00	.GASKET	1	1	
21	6E5-14323-03	.SCREW, AIR ADJUSTING	1	1	
22	6E5-14546-00	.VALVE, NEEDLE	1	1	
23	6E5-14385-02	.FLOAT	1	1	
24	6E5-14386-02	.PIN, FLOAT	1	1	
25	66T-14984-00	.GASKET, FLOAT CHAMBER	1	1	
26	66T-14992-00	.PLUG	1	1	
27	66T-14959-00	.GASKET	2	2	

FIG. 25 REPAIR KIT 2



REF. NO.	PART NO.	DESCRIPTION	MH	W				REMARKS
1	66T-W0001-20	LOWER UNIT GASKET KIT	1	1				
2	66T-41133-A0	.GASKET, EXHAUST MANIFOLD 1	1	1				
3	66T-45114-A0	.GASKET, UPPER CASING	1	1				
4	90430-08020	.GASKET	2	2				
5	93210-59MG7	.O-RING	1	1				
6	63D-44316-00	.GASKET, WATER PUMP	1	1				
7	93101-22M60	.OIL SEAL	2	2				
8	93210-48MG8	.O-RING	1	1				
9	93210-33MG4	.O-RING	1	1				
10	93210-06ME6	.O-RING	1	1				
11	93210-69MG6	.O-RING	1	1				
12	93210-74MG5	.O-RING	2	2				
13	93101-22M00	.OIL SEAL	2	2				
14	66T-W0078-00	WATER PUMP REPAIR KIT	1	1				
15	63D-44322-00	.INSERT, CARTRIDGE	1	1				
16	66T-44323-00	.OUTER PLATE, CARTRIDGE	1	1				
17	93210-59MG7	.O-RING	1	1				
18	63D-44316-00	.GASKET, WATER PUMP	1	1				
19	90280-03M03	.KEY, WOODRUFF	1	1				
20	6H4-44352-02	.IMPELLER	1	1				
21	90119-08M15	.BOLT, WITH WASHER	4	4				
22	663-44366-00	.DAMPER, WATER SEAL	1	1				
23	63D-44312-00	.COVER, WATER PUMP HOUSING	1	1				
24	66T-W0078-0A	CHROME PUMP KIT	1	1				
25	63D-44322-40	.INSERT, CARTRIDGE	1	1				
26	66T-44323-40	.OUTER PLATE, CARTRIDGE	1	1				

NUMERICAL INDEX

PART NO.	REF. NO.	PART NO.	REF. NO.	PART NO.	REF. NO.	PART NO.	REF. NO.	PART NO.	REF. NO.	PART NO.	REF. NO.
66T-W0001-01	24 - 1	66T-14301-02	5 - 1	6F5-15752-00	7 - 18	66T-41113-00-1S	2 - 32	6G1-42725-00	9 - 21	66T-44150-11	19 - 26
66T-W0001-20	25 - 1	66T-14301-12	5 - 1	6F5-15753-00	7 - 19	66T-41114-A0	2 - 34	66T-42725-00	12 - 8	6E0-44191-11	13 - 14
66T-W0004-00	4 - 2	6E5-14323-03	5 - 12	689-15755-01	7 - 21		24 - 8	66T-42725-20	12 - 8	688-44194-00	14 - 9
63D-W0070-10	1 - 11		24 - 21	66T-15758-01	7 - 24	66T-41131-00-5B	18 - 4	66T-42725-30	15 - 9	66T-44311-00	19 - 12
66T-W0078-0A	25 - 24	6A0-14325-00	6 - 25	66T-15762-01	7 - 28	66T-41131-10-5B	18 - 4	6H4-42726-00	12 - 21	63D-44312-00	20 - 19
66T-W0078-00	25 - 14	6J8-14334-00	5 - 11	66T-15767-00	7 - 8	66T-41133-A0	18 - 5	65W-42726-00	12 - 23		25 - 23
66T-W0084-02-4D	13 - 1	66T-14384-01	5 - 6	6F5-15768-00	7 - 20		25 - 2	65W-42726-10	12 - 23	63D-44316-00	19 - 16
66T-W0090-02-1S	2 - 1		24 - 19	63V-15768-00	7 - 11	66T-41137-00-94	18 - 1		15 - 11		25 - 6
66T-W0093-01	24 - 16	6E5-14385-02	5 - 18	66T-15770-00	7 - 15	66T-41237-00	14 - 5	676-42727-00	12 - 20		25 - 18
676-W2810-01	6 - 32		24 - 23	66T-15771-00-94	7 - 36	66T-41252-00	4 - 23	66T-42738-00-5B	12 - 6	63D-44322-00	19 - 13
66T-11111-01-1S	2 - 22	6E5-14386-02	5 - 19	66T-15772-00-94	7 - 39	66T-41256-00	4 - 21	66T-42741-00	12 - 26		25 - 15
66T-11119-00	2 - 20		24 - 24	6F5-15779-02	7 - 22	66T-41257-00	4 - 25	664-42791-10	12 - 30	63D-44322-40	25 - 25
66T-11181-A2	2 - 23	66T-14440-00	4 - 13	66T-15784-00	7 - 9	661-41262-02	4 - 22	6A1-42792-01	12 - 31	66T-44323-00	19 - 14
	24 - 5	624-14485-00	2 - 5	697-15789-00	7 - 23	6H4-41271-01	4 - 18	66T-42815-01-4D	12 - 9		25 - 16
66T-11191-00-1S	2 - 25	66T-14497-00	14 - 10	6F5-15791-00	7 - 17	66T-41273-00	13 - 42	66T-42816-00	12 - 13	66T-44323-40	25 - 26
66T-11193-A2	2 - 26	66T-14523-00	5 - 10	66T-15794-00	7 - 13	689-41273-00	4 - 19	66T-43111-01-4D	16 - 1	63D-44341-00	19 - 19
	24 - 6	66T-14527-00	5 - 8	6YJ-24167-00	21 - 7	6J8-41274-00	4 - 20	66T-43112-01-4D	16 - 6	6H4-44352-02	19 - 18
676-11325-00	2 - 18	66T-14536-00	5 - 7	6YJ-24201-10	21 - 1	66T-41611-00	8 - 11	6J8-43113-01	16 - 20		25 - 20
650-11372-00	4 - 5		24 - 20	6Y1-24260-12	21 - 3	66T-41631-01	14 - 4	648-43114-01	16 - 4	66T-44361-00	20 - 1
676-11372-00	2 - 33	6E5-14546-00	5 - 16	6Y1-24268-00	21 - 6	66T-41638-00	14 - 1		16 - 9	66T-44361-10	20 - 1
66T-11400-01	3 - 1		24 - 22	6G1-24304-02	6 - 1	6F5-41662-00	14 - 17	663-43118-01-4D	16 - 3	66T-44362-10	20 - 26
66T-11412-00	3 - 2	66T-14578-00	5 - 2	6G1-24305-03	21 - 13	65W-42101-01-4D	13 - 15		16 - 8	663-44366-00	20 - 18
66T-11422-00	3 - 3	66T-14584-00	5 - 3	6Y1-24305-04	21 - 15	664-42119-00	13 - 23	63D-43131-01	16 - 17		25 - 22
66T-11432-00	3 - 4	6J8-14592-01	5 - 4	61J-24306-02	21 - 8	65W-42119-01-4D	13 - 41	66T-43144-00	12 - 14	663-44367-00	20 - 4
66T-11442-00	3 - 5	61A-1492E-85	5 - 15	6Y1-24329-00	21 - 5	66T-42123-00	13 - 8	6G5-43145-01	16 - 22	6E5-44391-00	12 - 18
6F5-11515-00	3 - 9	66T-1492F-35	5 - 20	66T-24329-00	12 - 22	65W-42125-00	13 - 20	65W-43311-00-4D	16 - 15	66T-44514-00-4D	17 - 15
66T-11565-00	2 - 14	66T-14945-02	5 - 14	650-24351-51	21 - 12	6G1-42126-00	13 - 19	65W-43311-10-4D	16 - 15	66T-44526-00	17 - 16
66T-11603-00	3 - 16	66T-14959-00	5 - 25	61J-24360-00	21 - 10	65W-42131-01	13 - 38	682-43318-01	16 - 35	65W-44551-00-4D	17 - 19
66T-11604-00	3 - 16		24 - 27	692-24410-00	6 - 15	6G1-42137-10	13 - 24	66T-43350-02	16 - 42	65W-44555-10	17 - 20
66T-11605-00	3 - 16	66T-14981-00	5 - 23	663-24411-00	6 - 20	65W-42138-00	13 - 17	65W-43373-00	17 - 2	66T-44575-00	17 - 21
66T-11631-01-93	3 - 15	66T-14984-00	5 - 21	692-24411-00	6 - 17	65W-42159-00	13 - 18	65W-43613-00	16 - 49	66T-45111-00-4D	18 - 8
6F5-11633-00	3 - 17		24 - 25	6A0-24412-02	6 - 26	66T-42167-00	14 - 2	65W-43614-01	16 - 47	66T-45111-10-4D	18 - 8
663-11634-00	3 - 18	66T-14991-00	5 - 24	6A0-24413-00	6 - 16	6F6-42177-A0	13 - 22	65W-43615-01	16 - 48	66T-45113-A0	18 - 13
66T-11635-01	3 - 15	66T-14992-00	5 - 22	6A0-24421-01	6 - 24	65W-42511-00-4D	17 - 6	65W-43616-00	16 - 46		24 - 13
66T-11636-01	3 - 15		24 - 26	650-24431-A0	6 - 27	65W-42511-10-4D	17 - 6	66T-43627-00	16 - 23	66T-45114-A0	18 - 12
6F5-11651-00	3 - 10	66T-15100-02-1S	2 - 2		24 - 12	648-42528-00	17 - 1	65W-43630-11	16 - 36		25 - 3
66T-11681-00	3 - 11	66T-15396-01-94	2 - 8	648-24434-01	6 - 18	624-42542-00	9 - 3	66T-43631-11	16 - 44	63D-45155-00	18 - 9
6E5-12411-01	2 - 28	66T-15705-00	7 - 7	648-24435-02	6 - 21	66T-42610-20-4D	1 - 1	66T-44111-02	13 - 2	63D-45214-00	19 - 7
676-12413-00-1S	2 - 29	66T-15710-00	7 - 1	61N-24521-00	6 - 8	66T-42613-01	1 - 2	682-44116-01	14 - 19	63D-45215-00	19 - 8
676-12414-A0	2 - 30	66T-15711-00	7 - 2	61N-24560-00	6 - 6	66T-42615-02	1 - 8	66T-44121-00	14 - 14	67C-45251-00	20 - 15
	24 - 7	66T-15713-00	7 - 5	61N-24563-00	6 - 7	6E0-42651-02	1 - 4	66M-44122-00	14 - 15	676-45251-00	2 - 15
6E5-13552-00	2 - 3	66T-15714-00	7 - 3	648-24566-02	6 - 10	6F5-42652-01	1 - 6	66T-44124-00	13 - 11	66T-45300-01-4D	19 - 1
	2 - 4	66T-15716-00	7 - 6	6YJ-24610-01	21 - 2	63D-42677-20	1 - 9	66T-44125-01	14 - 23	66T-45300-11-4D	19 - 1
	4 - 4	66T-15723-00	7 - 29	66T-26301-00	13 - 30	63D-42678-11	1 - 10		15 - 6	66T-45311-01-4D	19 - 2
66T-13610-00	4 - 1	66T-15731-00	7 - 16	65W-26326-00	12 - 19	63D-42681-10	1 - 12	66T-44143-00	14 - 21	679-45318-00	18 - 16
66T-13641-02-1S	4 - 3	66T-15734-00	7 - 14	65W-26326-10	12 - 19	63D-42682-10	1 - 13	66T-44143-10	14 - 21	66T-45321-00	19 - 29
6E5-14159-00	5 - 17	63V-15741-00	7 - 4		15 - 10	66T-42710-01-4D	12 - 1	61N-44146-00	19 - 27	688-45341-10	19 - 6
6E5-14223-00	5 - 13	63V-15744-00	7 - 10	6A1-28176-00	12 - 32	66T-42716-00	12 - 5	66T-44150-01	19 - 26	66T-45344-01	19 - 21

NUMERICAL INDEX

PART NO.	REF. NO.	PART NO.	REF. NO.	PART NO.	REF. NO.	PART NO.	REF. NO.	PART NO.	REF. NO.	PART NO.	REF. NO.
63D-45361-02-4D	19-44	663-45974-60-98	20-25	701-48320-30	22-2	703-83383-02	23-50	90119-06MA5	2-31	90202-12060	20-2
664-45371-01	20-8	663-45976-00-98	20-25	701-48320-50	22-2	66T-83557-00	10-15	90119-06M61	12-2	90202-43M57	13-36
63D-45375-00	20-7	663-45978-00-98	20-25	701-48320-60	22-2	6A1-83625-41	7-43	90119-06M65	9-4	90204-06M00	10-3
663-45376-00	20-6	663-45987-02	20-20	701-48320-80	22-2	6A1-83625-51	7-44	90119-06M73	12-17	90206-12M00	16-26
66T-45501-01	19-33	66T-45997-00	20-21	663-48344-00	14-25	6E0-83627-41	13-46	90119-06M88	10-25	90206-12052	12-12
66T-45501-11	19-33	703-48152-00	23-56		15-2	6E0-83627-51	13-47	90119-08MA5	2-24		13-7
6H4-45536-00	19-3	703-48153-00	23-3	703-48345-01	23-19	66T-85515-00	8-8	90119-08M03	4-12	90206-43M22	13-35
66T-45551-00	19-36	703-48189-00	23-17	703-48358-00	23-20	66T-85520-00	8-10	90119-08M10	7-32	90209-27M07	3-12
66T-45560-01	19-38	703-48198-00	23-14	66T-48501-01	15-1	66T-85533-00	8-14	90119-08M15	19-25	90209-52M00	17-7
663-45567-01-10	19-40	703-48203-15	22-1	65W-48511-00	15-7		26-2		25-21	90243-04007	16-5
663-45567-01-12	19-40		23-1		17-26	66T-8554B-01-94	9-1	90119-08M39	11-8		16-10
663-45567-01-15	19-40	703-48211-01	23-60	6H3-48538-00	14-27	66T-85540-00	9-5	90119-08M42	18-15	90249-07M32	16-50
663-45567-01-18	19-40	703-48212-00	23-57		15-4	66T-85550-00	8-1	90119-08M44	20-5	90249-07M33	16-52
663-45567-01-30	19-40	703-48213-00	23-58	66T-81303-00	26-1	66T-85550-10	8-1	90119-08M51	7-33	90249-10M31	16-39
663-45567-01-40	19-40	703-48215-00	23-42	66T-81328-00	8-13	66T-85560-01	8-2	90119-08M52	11-9	90249-12M34	16-30
663-45567-01-50	19-40	703-48219-00	23-29	66T-81800-01	11-1	66T-85561-00	8-3	90119-08M79	18-2	90249-12M39	16-32
66T-45571-00	19-41	703-48221-00	23-55	66T-81820-00	11-6	66T-85570-00	9-10		18-11	90250-06023	19-53
63D-45577-00-10	19-43	703-48222-00	23-26	66T-81826-00	11-7	66T-85580-00	8-5	90119-10M04	17-24	90254-03M04	14-24
63D-45577-00-12	19-43	703-48223-00	23-27	66T-81830-00	11-5	66T-85582-00	8-7	90119-10005	2-7		15-5
63D-45577-00-15	19-43	703-48224-00	23-54	66T-81840-00	11-2	66T-85596-00	8-6	90141-06M00	2-19	90254-03M05	14-16
63D-45577-00-18	19-43	703-48225-00	23-28	66T-81850-01	11-4	6J4-86111-00	10-16	90142-05M06	19-9	90266-04M01	1-7
63D-45577-00-30	19-43	703-48226-00	23-25	66T-81857-00	11-3	66T-86112-00	10-18	90149-05M13	13-26	90266-04M04	1-5
63D-45577-00-40	19-43	703-48227-00	23-24	66T-81916-01	9-8	6J4-86116-00	10-17	90149-14M12	16-2	90269-02M09	13-25
63D-45577-00-50	19-43	703-48232-00	23-61	6G1-8194A-10	10-1	682-86117-00	10-21		16-7	90280-03M03	19-17
663-45587-01-10	19-35	703-48234-00	23-18	6L2-81945-00	10-5	9E471-04305	8-12	90157-05014	16-45		25-19
663-45587-01-12	19-35	703-48235-00	23-4	6G1-81952-00	10-4	90101-08M28	16-55	90170-06M30	10-2	90280-05015	8-20
663-45587-01-15	19-35	703-48236-00	23-16	6G1-81970-61	10-8	90101-08M76	16-12	90170-12138	19-37	90338-05M03	12-25
663-45587-01-18	19-35	703-48238-00	23-22	66T-82105-00	10-7	90101-08M86	17-14	90170-20137	8-21	90338-07M00	12-24
663-45587-01-30	19-35	703-48243-00	23-15	6E5-82117-01	10-6	90101-08002	2-21	90171-16011	20-23	90340-08002	19-4
663-45587-01-40	19-35	703-48244-00	23-21	6G1-82151-00	10-9	90101-10M58	16-58	90179-10M33	17-25	90385-12M04	7-34
663-45587-01-50	19-35	703-48245-00	23-11	6A0-82317-00	9-2	90105-08M61	19-50	90185-08045	17-12	90386-07MA2	16-38
66T-45611-00	19-56	703-48246-00	23-23	6E3-82370-21	9-16	90105-08M76	17-3	90185-08057	16-29	90386-08032	13-29
66T-45631-00	19-51	701-48248-00	23-13	703-82510-33	23-43	90109-06M80	9-7		16-57	90386-10M99	16-37
663-45633-00	19-54	703-48252-00	23-12	66T-82519-00	9-20		10-13	90185-10051	17-4	90386-12MA0	16-33
66T-45635-00	19-55	703-48261-01	23-2	703-82531-00	23-45		12-29	90185-22043	16-21	90386-12MA2	12-11
663-45930-00-98	20-25	703-48264-00	23-6	703-82540-00	23-49	90109-06M81	9-6	90201-08M07	16-28	90386-12M37	12-10
63D-45941-00-EL	20-25	703-48265-00	23-9	682-82556-00	13-44		9-9	90201-08M54	14-11	90386-12M98	16-24
663-45941-01-EL	20-25	703-48268-00	23-5		23-47		9-13	90201-10120	15-8	90386-22M15	16-18
663-45943-02-EL	20-25	703-48271-00	23-59	688-82560-10	9-19		12-7		17-27	90386-40MA0	13-33
663-45945-02-EL	20-25	703-48281-00	23-30	6E3-8257H-00	12-33		14-18	90201-12M07	13-6	90386-40M99	13-37
663-45947-02-EL	20-25	703-48282-00	23-31	689-8257Y-00	13-45	90109-06M86	10-27	90201-12426	16-60	90386-44M03	17-9
663-45949-01-EL	20-25	703-48284-00	23-51	66T-82575-01	13-43		12-15	90201-20417	3-20	90386-44M99	17-11
663-45952-02-EL	20-25	701-48287-00	23-41	688-82575-01	23-46		13-16	90201-21M18	8-22	90386-52M02	17-8
663-45954-01-EL	20-25	703-48291-10	23-38	703-82577-00	23-44		14-20	90201-22M03	16-19	90387-06M60	10-23
663-45956-01-EL	20-25	703-48293-10	23-40	688-82586-21	23-48	90109-08M90	16-27	90201-22429	19-42	90387-06M66	7-27
663-45958-01-EL	20-25	701-48310-90	22-2	66T-82590-00	10-14	90116-10M28	17-5	90201-27M00	19-23	90387-06M80	4-17
663-45970-60-98	20-25	701-48320-00	22-2	703-82591-00	23-52	90119-06MA3	2-27	90201-43M00	13-34	90387-06M86	13-3
663-45972-60-98	20-25	701-48320-20	22-2	703-82592-00	23-53		2-35	90202-12031	16-25	90387-06035	12-4

NUMERICAL INDEX

PART NO.	REF. NO.	PART NO.	REF. NO.	PART NO.	REF. NO.	PART NO.	REF. NO.	PART NO.	REF. NO.	PART NO.	REF. NO.
90387-07M05	16 - 40	91490-16012	14 - 22	93102-35008	8 - 4	93606-12019	20 - 11	97880-05008	10 - 20		
90387-07M29	16 - 51	91490-20010	13 - 21		24 - 14	93608-12063	2 - 6	97880-05030	10 - 10		
90387-08M05	7 - 35	91490-20015	16 - 54	93210-03261	10 - 24	93700-06M03	16 - 16	97880-06035	14 - 7		
90387-08M16	14 - 3	91490-30025	20 - 24	93210-06ME6	19 - 31	94702-00272	2 - 38	97885-06040	4 - 15		
90387-08M29	16 - 11	91690-40032	4 - 24		25 - 10	95380-03600	6 - 19	97902-04108	8 - 9		
90387-12M04	16 - 31	92903-06600	4 - 7	93210-08287	21 - 14	95380-05600	10 - 12	97902-06125	8 - 15		
90389-22M01	20 - 22		7 - 38		21 - 16		19 - 10		26 - 3		
90430-08020	19 - 5		7 - 41	93210-32738	6 - 9		23 - 7	97980-04112	5 - 9		
	25 - 4	92903-10600	13 - 27		24 - 11	95380-06600	23 - 39	97980-05125	5 - 26		
90430-12072	20 - 3	92990-05100	6 - 23	93210-33MG4	19 - 30	95380-06700	14 - 8		24 - 28		
90445-07MA4	4 - 9	92990-05600	5 - 5		25 - 9		19 - 28	98503-05028	6 - 22		
90445-07M08	2 - 37		10 - 11	93210-43MJ0	17 - 10	95380-08600	6 - 11	98580-03015	23 - 37		
90445-07M24	4 - 8	92990-06200	13 - 12	93210-46M16	4 - 11		16 - 13	98580-04006	23 - 35		
90445-09M08	6 - 4	92990-06600	19 - 32		24 - 9	95380-10600	16 - 61	98580-04010	23 - 34		
90445-09M75	2 - 36	92990-08100	16 - 14		24 - 17	95380-10700	13 - 39	98580-05010	23 - 36		
90445-09086	6 - 13	92990-08600	23 - 33	93210-48MG8	19 - 22	95780-06300	13 - 9	98586-05016	21 - 4		
	6 - 30	92995-06200	13 - 10		25 - 8	95780-10300	13 - 40	99080-08600	16 - 41		
90445-11M05	21 - 11	92995-06600	2 - 13	93210-54M54	4 - 14	97013-06014	6 - 12				
90445-11M06	21 - 9		2 - 17		24 - 10	97013-06030	7 - 37				
90446-03MA3	9 - 12		4 - 16		24 - 18		7 - 40				
90446-10M86	13 - 32		6 - 3	93210-59MG7	19 - 15	97013-06035	4 - 6				
90446-10M87	13 - 31		6 - 29		25 - 5	97075-08030	17 - 17				
90464-12M00	8 - 27		7 - 26		25 - 17		18 - 6				
90464-13249	7 - 42		7 - 31	93210-65M50	2 - 11	97075-10040	20 - 12				
90465-15M74	8 - 23		8 - 19		24 - 4	97075-10070	17 - 22				
90465-20M31	10 - 26		8 - 25	93210-69MG6	19 - 46	97095-06010	7 - 30				
90465-25M57	12 - 24		9 - 15		25 - 11	97095-06012	9 - 17				
90467-06016	4 - 10		9 - 18	93210-74MG5	19 - 47	97095-06014	14 - 13				
90467-08004	6 - 5		12 - 28		25 - 12	97095-06016	8 - 24				
	6 - 14		13 - 5	93210-75M51	8 - 17		12 - 27				
	6 - 31	92995-08100	17 - 18		24 - 15	97095-06020	2 - 12				
90468-18008	13 - 13		20 - 10	93306-001U1	19 - 45		2 - 16				
	14 - 26		20 - 17	93306-306V5	3 - 8	97095-06025	9 - 14				
	15 - 3	92995-08200	17 - 13	93306-307U0	3 - 6	97095-06030	6 - 2				
90480-09M21	12 - 3	92995-08600	11 - 11	93310-727U0	3 - 13	97095-06035	7 - 25				
90480-10M23	10 - 22		18 - 7	93315-32224	19 - 11	97095-06040	6 - 28				
90480-10M71	8 - 26	92995-10100	20 - 13	93317-22204	19 - 48		8 - 18				
90480-10155	10 - 19	92995-10600	16 - 59	93332-000UE	3 - 7	97095-06050	13 - 4				
90480-25M70	20 - 27		17 - 23	93332-00001	19 - 34	97095-08016	11 - 10				
90480-25161	9 - 11		20 - 14	93332-00003	19 - 39	97095-08025	20 - 9				
90480-30M71	20 - 28	93101-16001	2 - 10	93420-30042	18 - 17	97095-08035	20 - 16				
90501-10M84	14 - 6		24 - 3	93430-06024	23 - 10	97095-08045	14 - 12				
90501-15M01	19 - 52	93101-22M00	19 - 49	93430-10M00	16 - 34	97380-05025	23 - 8				
90501-23215	13 - 28		25 - 13	93440-68M03	3 - 14	97380-08030	23 - 32				
90502-10M06	16 - 56	93101-22M60	19 - 20	93603-21111	3 - 19	97575-08545	18 - 10				
90506-16M34	12 - 16		25 - 7	93604-08062	19 - 24	97780-50616	1 - 3				
90506-20M37	16 - 43	93102-30M56	2 - 9	93606-12019	18 - 3	97802-04006	8 - 16				
90506-30M00	16 - 53		24 - 2		18 - 14		26 - 4				

40XMH/40XW
PARTS CATALOGUE
E2001 by Yamaha Motor Co., Ltd.
1st Edition, Nov. 2001
All rights reserved.
Any reprinting or unauthorized use
without the written permission of
Yamaha Motor Co., Ltd.
is expressly prohibited.
Printed in Japan