

# PARTS CATALOGUE

## F350CA-2011 (6AW4)

---



2010/11/15

1K6AW-110E1

( )

NEWS NO.	DATE	COMMENT
PE0-OM-100058	Nov.,15,2010	MOD:FIG.27 BRACKET 1 LIST REVISION

F350CA  
PARTS CATALOGUE  
©2010 by Yamaha Motor Co., Ltd.  
1st edition, April 2010  
All rights reserved.  
Any reprinting or unauthorized use  
without the written permission of  
Yamaha Motor Co., Ltd.  
is expressly prohibited.  
Printed in Japan.

# FOREWORD

This Parts Catalogue is related to the parts for the model(s) on the cover page. When you are ordering replacement parts, please refer to this Parts Catalogue and quote both part numbers and part names correctly.

1. Modifications or additions which have been made after the issue of the Parts Catalogue will be announced in the Parts News.  
It is advisable that you make the necessary corrections to the Parts Catalogue according to the Parts News.

2. Abbreviations

The following abbreviations are used in this Parts Catalogue.

“UR” Use specified parts number.

“UN” Use as many as needed.

“AP” Alternate Parts

“LM” Locally Made (Parts need to be ordered locally)

“F#” Frame No. (Applicable machine No.)

“O/S” Over Size

3. The number of components for assembly

- Parts, which are to be supplied in an assembly, are listed with a dot (.) in front of the part name as shown below.
- The numeral appearing to the right of each component part indicates the quantity of parts for each assembly unit.

PART NO.	DESCRIPTION	Q'TY	REMARKS
2F5-83310-60	FRONT FLASHER LIGHT ASSY	2	
115-83311-60	.BULB (6V-18W)	1	

4. Applicable colours of graphics are represented in the “REMARKS” as shown below.

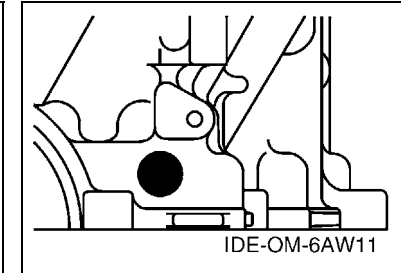
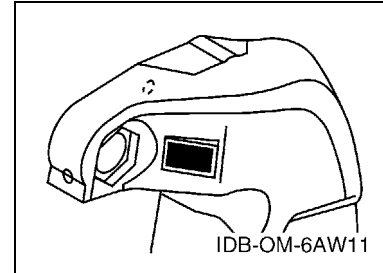
PART NO.	DESCRIPTION	Q'TY	REMARKS
2N4-24110-00-X5	FUEL TANK COMP.	2	MXR
3J1-24240-10	.GRAPHIC, FUEL TANK	1	FOR MXR

5. Note that the illustrations for reference in finding parts numbers are not to be used for assembling. When assembling, please use the applicable service manual.

6. The asterisk (\*) before a reference number indicates modified items after the first edition.

7. Applicable Serial No.

Engine Serial No.



8. Applicable Engine Starting Serial No.

Model	Serial No.	Model	Serial No.
F350CA	6AW-1004795		

9. Applicable Colour Code

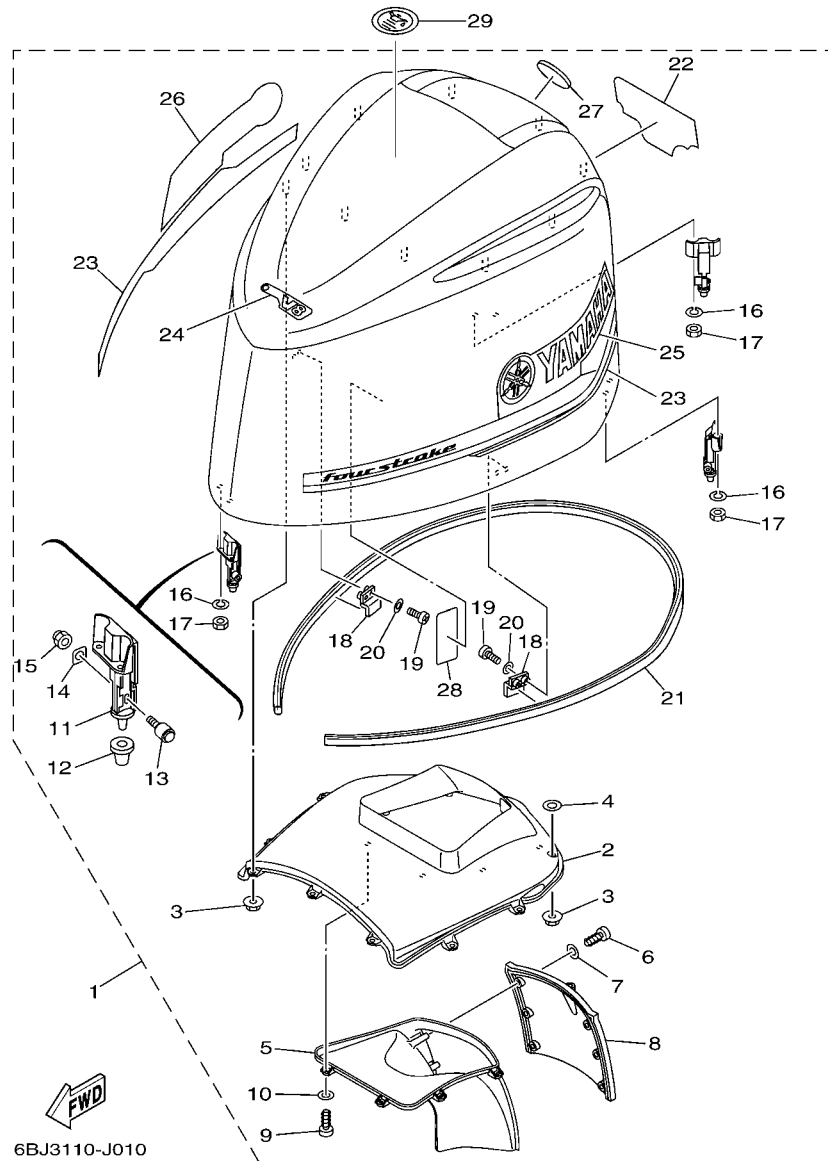
Abbreviation	Colour Name	Colour Code
DBN1	DARK BLUISH GRAY 1	008D

10. Quantity Column Information

Column No.	Name Of Q'ty Column	Applicable Model
1	XCA	F350XCA
2	UCA	F350UCA

# CONTENTS

TOP COWLING .....	1
CYLINDER & CRANKCASE 1 .....	3
CRANKSHAFT & PISTON .....	5
CYLINDER & CRANKCASE 2 .....	6
CYLINDER & CRANKCASE 3 .....	8
CYLINDER & CRANKCASE 4 .....	10
VALVE .....	12
INTAKE 1 .....	15
INTAKE 2 .....	16
THROTTLE BODY ASSY 1 .....	17
THROTTLE BODY ASSY 2 .....	18
FUEL INJECTION PUMP 1 .....	19
FUEL INJECTION PUMP 2 .....	21
FUEL 1 .....	23
FUEL 2 .....	24
GENERATOR .....	26
ELECTRICAL 1 .....	27
ELECTRICAL 2 .....	28
ELECTRICAL 3 .....	30
ELECTRICAL 4 .....	32
ELECTRICAL 5 .....	34
STARTING MOTOR .....	36
BOTTOM COWLING 1 .....	37
BOTTOM COWLING 2 .....	39
BOTTOM COWLING 3 .....	41
CONTROL .....	42
BRACKET 1 .....	44
BRACKET 2 .....	47
POWER TRIM & TILT ASSY 1 .....	49
POWER TRIM & TILT ASSY 2 .....	52
UPPER CASING .....	53
OIL PAN .....	56
LOWER CASING & DRIVE 1 .....	57
LOWER CASING & DRIVE 2 .....	61
OPTIONAL PARTS .....	63
REPAIR KIT 1 .....	64
REPAIR KIT 2 .....	65
<b>INDEX</b>	
NUMERICAL INDEX .....	67

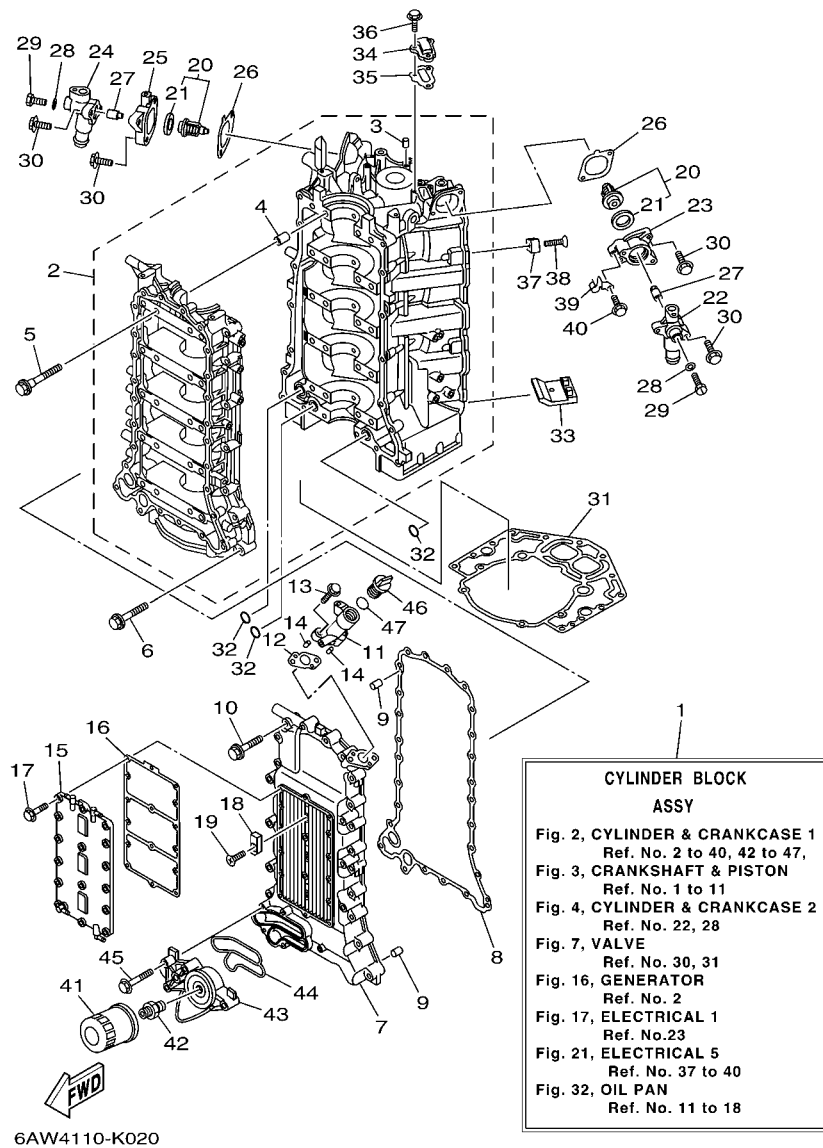


6BJ3110-J010

FIG. 1 TOP COWLING

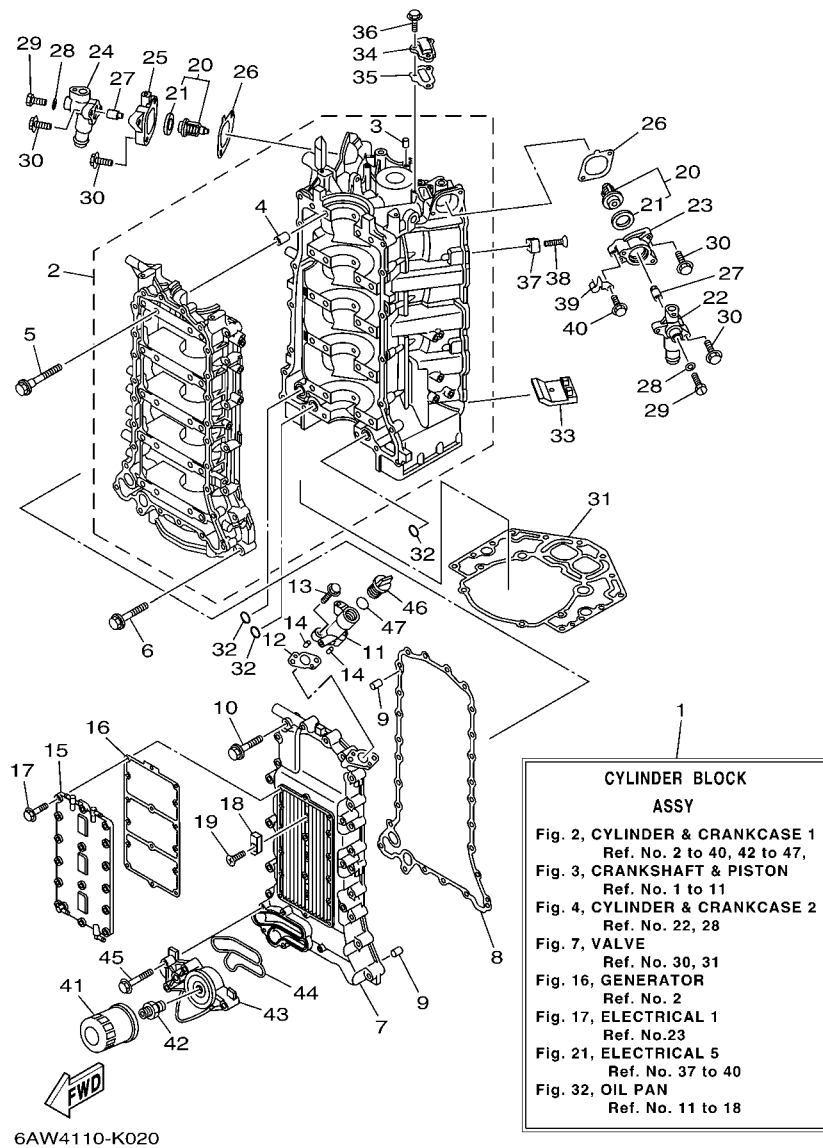
REF. NO.	PART NO.	DESCRIPTION	XCA	UCA			REMARKS
1	6AW-42610-20	TOP COWLING ASSY	1	1			
2	6AW-42613-00	.MOLDING, AIR DUCT	1	1			
3	90179-06M28	.NUT	10	10			
4	6CB-42545-00	.WASHER, PLAIN	3	3			
5	6AW-42635-00	.DUCT, WATER SEPARATOR	1	1			
6	97780-60516	.SCREW, TAPPING	6	6			
7	92995-06200	.WASHER	6	6			
8	6AW-42532-00	.COVER	1	1			
9	97780-60516	.SCREW, TAPPING	7	7			
10	92995-06200	.WASHER	7	7			
11	6AW-42647-00-9S	.HOLDER, CLAMP BAND	3	3			
12	6AW-42663-00	.DAMPER	3	3			
13	6AW-4264A-00	.HOOK ASSY	3	3			
14	6AW-42646-10	.PLATE, CLAMP	3	3			
15	95780-08300	.NUT, FLANGE	3	3			
16	92990-06100	.WASHER, SPRING	6	6			
17	95380-06600	.NUT, HEXAGON	6	6			
18	6AW-42477-00	.PLATE, LOCK	2	2			
19	97885-05010	.SCREW, PAN HEAD	4	4			
20	92995-05600	.WASHER	4	4			
21	6AW-42628-20	.SEAL	1	1			
22	6AW-42678-00	.GRAPHIC, REAR	1	1			
23	6AW-W0070-00	.GRAPHIC SET	1	1			
24	6AW-42677-00	.GRAPHIC, FRONT	1	1			
25	6AW-42681-00	.MARK, COWLING	1	1			
26	6AW-42682-00	.MARK, COWLING	1	1			
27	6AW-42697-10	.TUNING FORK MARK	1	1			





**FIG. 2 CYLINDER & CRANKCASE 1**

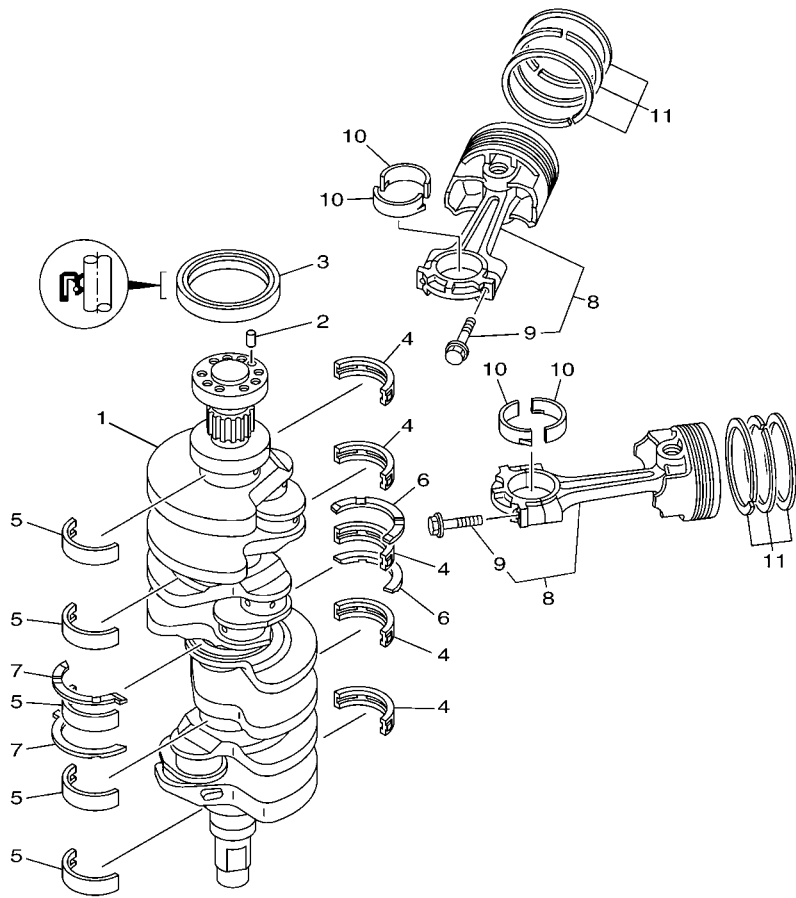
REF. NO.	PART NO.	DESCRIPTION	XCA	UCA	REMARKS
1	6AW-W009B-03-9S	CYLINDER BLOCK ASSY	1	1	
2	6AW-15100-02	CRANKCASE ASSY	1	1	
3	93606-12019	.PIN, DOWEL	3	3	
4	91814-18001	.PIN, DOWEL	10	10	
5	69J-15187-00	BOLT	20	20	
6	90105-08175	BOLT, FLANGE	18	18	
7	6AW-15411-00-9S	COVER, CRANKCASE 1	1	1	
8	6AW-15451-00	GASKET, CRANKCASE COVER 1	1	1	
9	93606-12019	PIN, DOWEL	2	2	
10	90105-08175	BOLT, FLANGE	26	26	
11	6AW-15319-00-9S	JOINT	1	1	
12	6AW-15364-00	GASKET, OIL PLUG	1	1	
13	90105-06155	BOLT, FLANGE	2	2	
14	93604-08062	PIN, DOWEL	2	2	
15	6AW-15421-00-9S	COVER, CRANKCASE 2	1	1	
16	6AW-15461-00	GASKET, CRANKCASE COVER 2	1	1	
17	90105-06037	BOLT, FLANGE	16	16	
18	63P-11325-01	ANODE	3	3	
19	90151-06M02	SCREW, COUNTERSUNK	3	3	
20	6AW-12411-00	THERMOSTAT	2	2	
21	6AW-12412-00	.SEAL, THERMOSTAT	1	1	
22	6AW-12413-00-9S	COVER, THERMOSTAT	1	1	
23	6AW-12422-00-9S	COVER, HOUSING	1	1	
24	6AW-1241B-00-9S	COVER, THERMOSTAT 2	1	1	
25	6AW-1242B-00-9S	COVER, HOUSING 2	1	1	
26	6AW-12427-00	GASKET, HOUSING COVER 1	2	2	
27	6AW-1132R-00	ANODE 6	2	2	



**FIG. 2 CYLINDER & CRANKCASE 1**

REF. NO.	PART NO.	DESCRIPTION	XCA	UCA			REMARKS
28	90430-05002	GASKET	2	2			
29	90105-05012	BOLT, FLANGE	2	2			
30	90105-06028	BOLT, FLANGE	8	8			
31	6AW-11351-00	GASKET, CYLINDER	1	1			
32	93210-26658	O-RING	3	3			
33	6AW-14664-00	GROMMET, WATER SHUT	2	2			
34	6AW-1131M-00-9S	COVER	1	1			
35	6AW-11381-00	GASKET 1	1	1			
36	90105-06039	BOLT, FLANGE	3	3			
37	6AW-1132P-00	ANODE 5	8	8			
38	98780-06530	SCREW, FLAT HEAD	8	8			
39	90462-12008	CLAMP	1	1			
40	95895-06012	BOLT, FLANGE	1	1			
41	N26-13440-00	ELEMENT ASSY, OIL CLEANER	1	1			
42	90401-19001	BOLT, UNION	1	1			
43	6AW-13446-00-9S	CONNECTOR	1	1			
44	6AW-13477-00	GASKET	1	1			
45	95885-06045	BOLT, FLANGE	5	5			
46	6G8-15363-00	PLUG, OIL	1	1			
47	93210-24M79	O-RING	1	1			

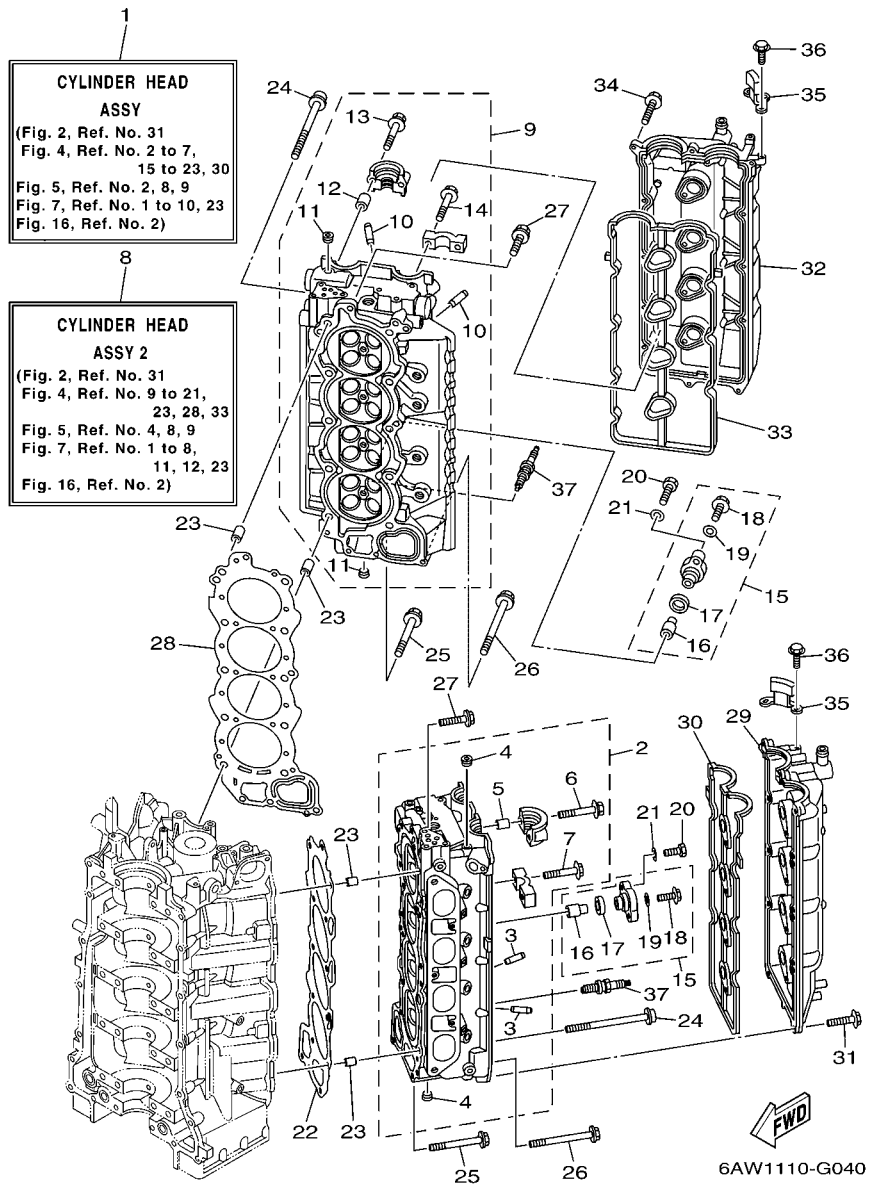




  
 6AW1110-G030

**FIG. 3 CRANKSHAFT & PISTON**

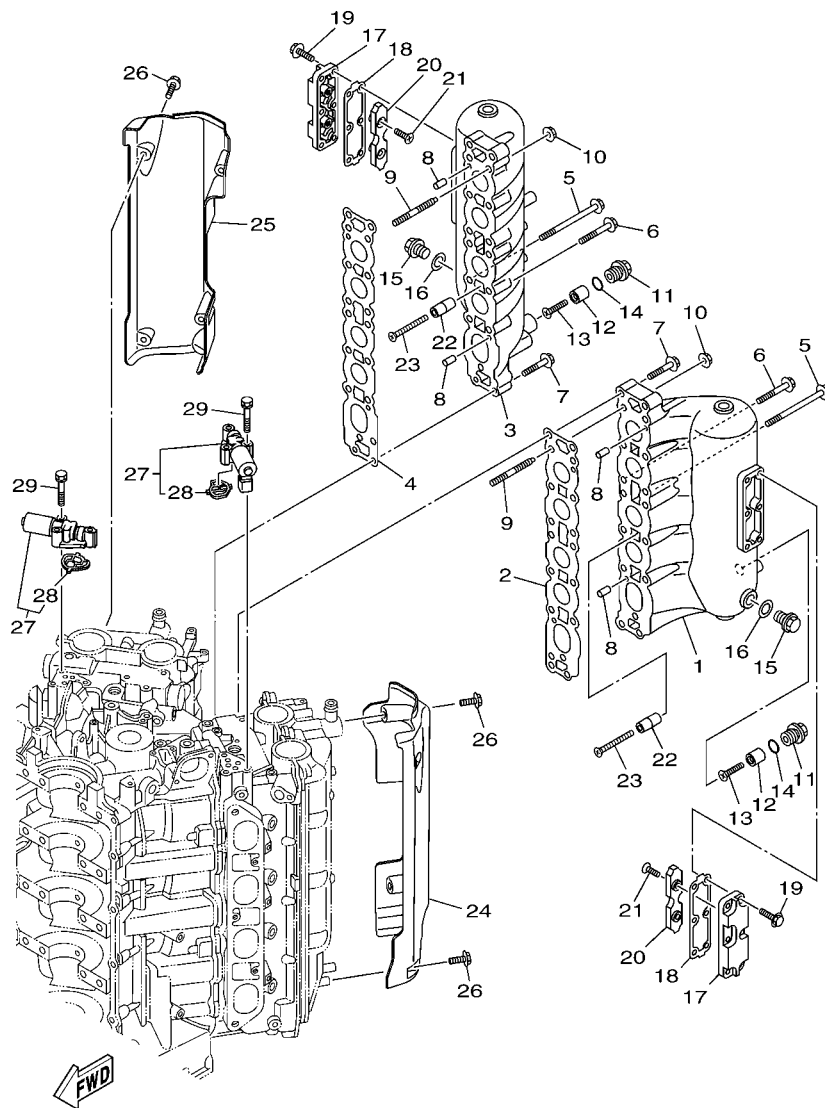
REF. NO.	PART NO.	DESCRIPTION	XCA	UCA		REMARKS
1	6AW-11411-00	CRANKSHAFT	1	1		
2	93606-12019	PIN, DOWEL	1	1		
3	93102-85004	OIL SEAL	1	1		
4	6AW-11416-00	PLANE BEARING, CRANKSHAFT 1	5	5		UR YELLOW
	6AW-11416-10	PLANE BEARING, CRANKSHAFT 1	5	5		UR GREEN
	6AW-11416-20	PLANE BEARING, CRANKSHAFT 1	5	5		UR BROWN
	6AW-11416-30	PLANE BEARING, CRANKSHAFT 1	5	5		UR BLACK
	6AW-11416-40	PLANE BEARING, CRANKSHAFT 1	5	5		UR BLUE
5	6AW-11417-00	PLANE BEARING, CRANKSHAFT 2	5	5		UR YELLOW
	6AW-11417-10	PLANE BEARING, CRANKSHAFT 2	5	5		UR GREEN
	6AW-11417-20	PLANE BEARING, CRANKSHAFT 2	5	5		UR BROWN
	6AW-11417-30	PLANE BEARING, CRANKSHAFT 2	5	5		UR BLACK
	6AW-11417-40	PLANE BEARING, CRANKSHAFT 2	5	5		UR BLUE
6	6AW-11426-00	BEARING, THRUST 1	2	2		
7	6AW-11427-00	BEARING, THRUST 2	2	2		
8	6AW-W1164-01	PISTON/CON-ROD ASSY STD	8	8		
9	63P-11654-00	.BOLT, CONNECTING ROD	2	2		
10	63P-11656-01	PLANE BEARING, CONNECTING ROD	16	16		UR GREEN
	63P-11656-11	PLANE BEARING, CONNECTING ROD	16	16		UR BLUE
	63P-11656-21	PLANE BEARING, CONNECTING ROD	16	16		UR RED
11	6AW-11603-00	PISTON RING SET (STD)	8	8		



**FIG. 4 CYLINDER & CRANKCASE 2**

REF. NO.	PART NO.	DESCRIPTION	XCA	UCA		REMARKS
1	6AW-W009A-00-9S	CYLINDER HEAD ASSY	1	1		
2	6AW-11110-01	CYLINDER HEAD ASSY	1	1		
3	69J-11133-10	.GUIDE, VALVE 1	16	16		
4	90344-51019	.PLUG, TAPER SCREW	9	9		
5	91809-08006	.PIN, DOWEL	4	4		
6	90119-07001	.BOLT, WITH WASHER	4	4		
7	90119-07234	.BOLT, WITH WASHER	16	16		
8	6AW-W009C-00-9S	CYLINDER HEAD ASSY 2	1	1		
9	6AW-11120-01	CYLINDER HEAD ASSY 2	1	1		
10	69J-11133-10	.GUIDE, VALVE 1	16	16		
11	90344-51019	.PLUG, TAPER SCREW	9	9		
12	91809-08006	.PIN, DOWEL	4	4		
13	90119-07001	.BOLT, WITH WASHER	4	4		
14	90119-07234	.BOLT, WITH WASHER	16	16		
15	6AW-11301-00	ANODE COVER ASSY	6	6		
16	6AW-11325-00	.ANODE	1	1		
17	67F-11328-00	.GROMMET, ANODE	1	1		
18	90105-06M07	.BOLT, FLANGE	1	1		
19	90430-06M03	.GASKET	1	1		
20	97075-08025	BOLT	12	12		
21	92995-08600	WASHER	12	12		
22	6AW-11181-00	GASKET, CYLINDER HEAD 1	1	1		
23	90387-11005	COLLAR	4	4		
24	90155-11002	SCREW, FLAT FILLISTER	20	20		
25	90119-08MA5	BOLT, WITH WASHER	4	4		
26	90119-08021	BOLT, WITH WASHER	2	2		
27	90119-08115	BOLT, WITH WASHER	2	2		





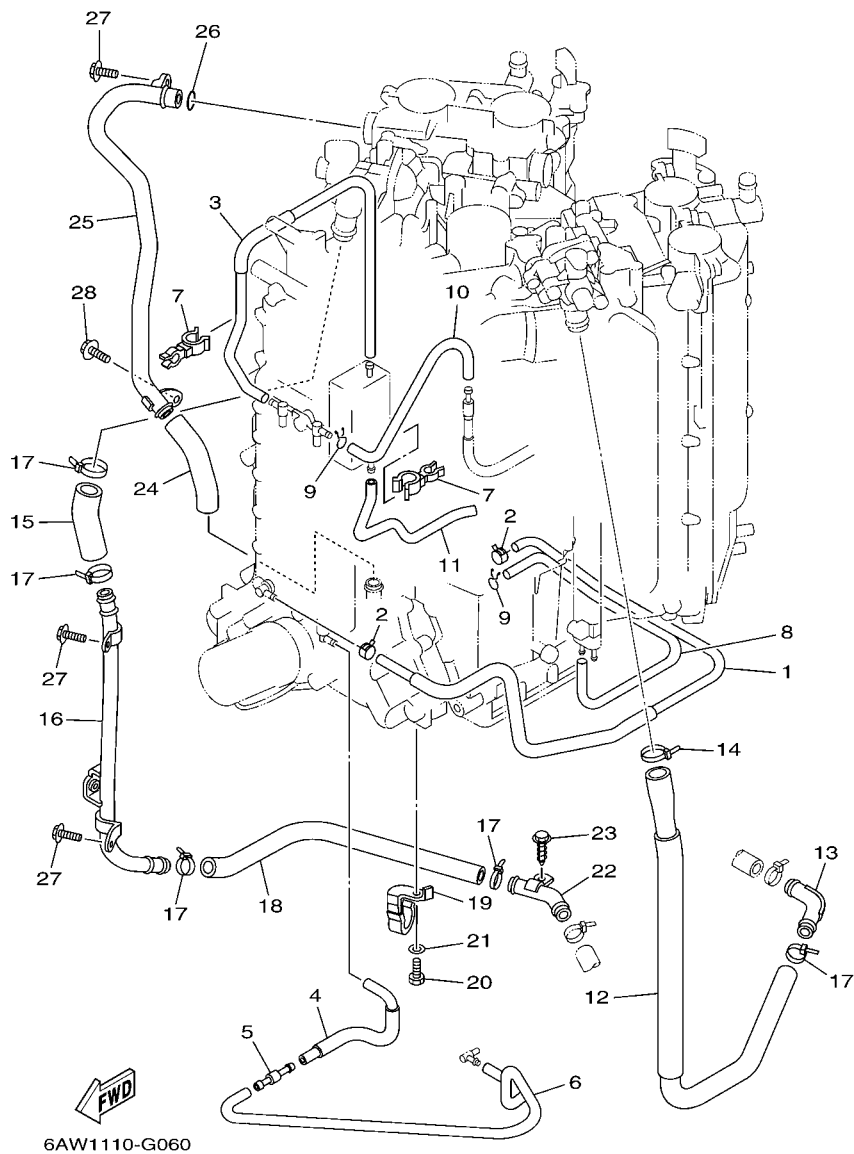
6BJ3110-J051

FIG. 5 CYLINDER & CRANKCASE 3

REF. NO.	PART NO.	DESCRIPTION	XCA	UCA			REMARKS
1	6AW-14615-00-9S	JOINT, EXHAUST 1	1	1			
2	6AW-14613-00	GASKET, EXHAUST PIPE	1	1			
3	6AW-14625-00-9S	JOINT, EXHAUST 2	1	1			
4	6AW-14623-00	GASKET, EXHAUST PIPE	1	1			
5	90105-08173	BOLT, FLANGE	12	12			
6	90105-08175	BOLT, FLANGE	10	10			
7	90105-06151	BOLT, FLANGE	8	8			
8	93608-16M16	PIN, DOWEL	4	4			
9	90116-08037	BOLT, STUD	4	4			
10	90179-08M34	NUT	4	4			
11	6AW-11197-00	PLUG, BLIND	2	2			
12	6AW-1132L-00	ANODE 2	2	2			
13	98780-05025	SCREW, FLAT HEAD	2	2			
14	93210-19758	O-RING	2	2			
15	90340-18M09	PLUG, STRAIGHT SCREW	2	2			
16	90430-18130	GASKET	2	2			
17	6AW-1118A-00-9S	COVER	2	2			
18	6AW-11195-00	GASKET	2	2			
19	90105-06155	BOLT, FLANGE	12	12			
20	6AW-1132M-00	ANODE 3	2	2			
21	98780-06020	SCREW, FLAT HEAD	4	4			
22	6AW-1132N-01	ANODE 4	10	10			
23	98780-06550	SCREW, FLAT HEAD	10	10			
24	6AW-11186-00	COVER, CYLINDER HEAD SIDE 2	1	1			
25	6AW-11187-00	COVER, CYLINDER HEAD SIDE 3	1	1			
26	90119-06M92	BOLT, WITH WASHER	8	8			
27	6P2-86120-00	SOLENOID VALVE ASSY	2	2			

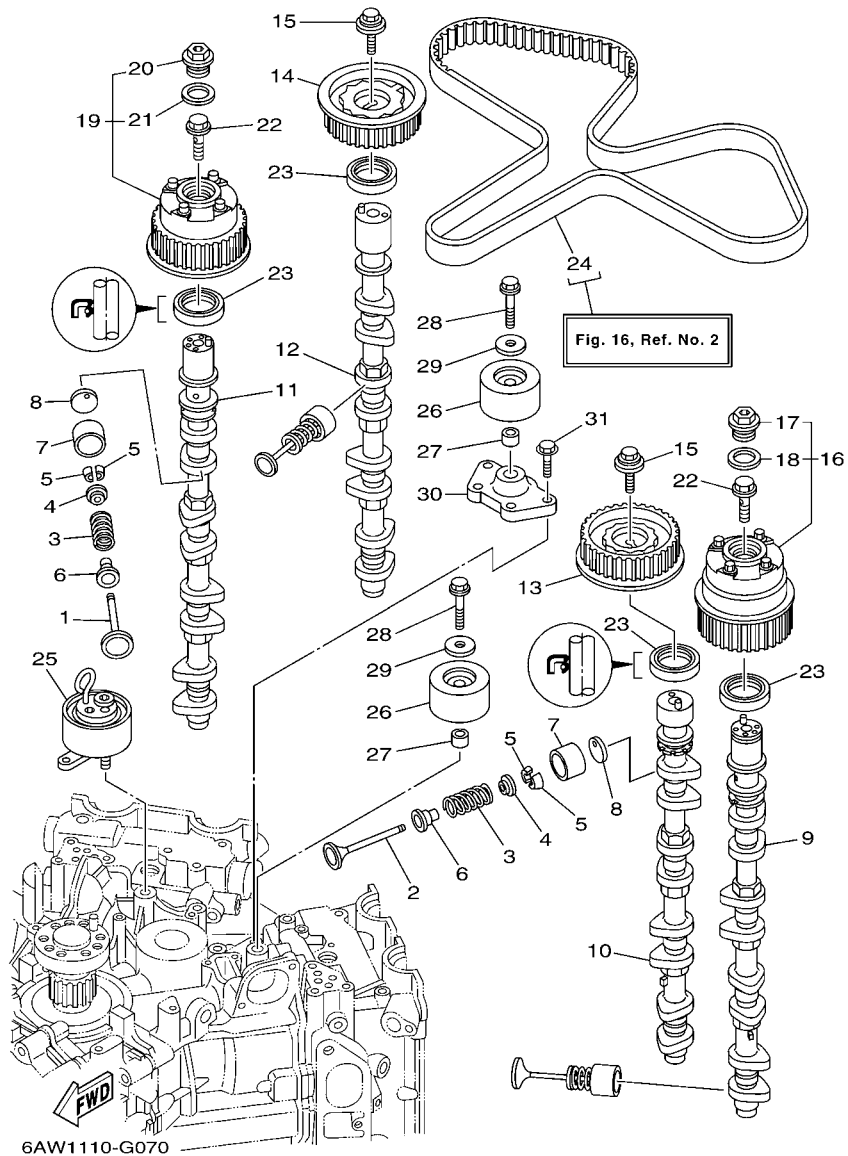


FIG. 6 CYLINDER & CRANKCASE 4



REF. NO.	PART NO.	DESCRIPTION	XCA	UCA		REMARKS
1	6AW-12576-00	HOSE 1	1	1		
2	90467-11136	CLIP	2	2		
3	6AW-12577-00	HOSE 2	1	1		
4	6AW-12578-00	HOSE 3	1	1		
5	6E5-24379-00	PIPE, JOINT 4	1	1		
6	6AW-12579-00	HOSE 4	1	1		
7	90464-10010	CLAMP	2	2		
8	90445-09111	HOSE (L430)	1	1		
9	90467-08M10	CLIP	2	2		
10	6AW-12483-00	PIPE 3	1	1		
11	6AW-12482-00	PIPE 2	1	1		
12	6AW-1243A-00	HOSE 1	1	1		
13	6AW-12477-00	PIPE 7	1	1		
14	90465-11M59	CLAMP	1	1		
15	6AW-1243E-00	HOSE 2	1	1		
16	6AW-12484-00	PIPE 4	1	1		
17	90465-11M59	CLAMP	5	5		
18	6AW-1244G-00	HOSE, 4	1	1		
19	6AW-12491-00	CLAMP 1	1	1		
20	97095-06014	BOLT	1	1		
21	92995-06600	WASHER	1	1		
22	6AW-12476-00	PIPE 6	1	1		
23	90109-06M86	BOLT	1	1		
24	6AW-1244J-00	HOSE 6	1	1		
25	6AW-11378-00	HOSE 2	1	1		
26	93210-207A0	O-RING	1	1		
27	95885-06014	BOLT, FLANGE	3	3		





6AW1110-G070

FIG. 7 VALVE

REF. NO.	PART NO.	DESCRIPTION	XCA	UCA	REMARKS
1	6P2-12111-00	VALVE, INTAKE	16	16	
2	6P2-12121-00	VALVE, EXHAUST	16	16	
3	69J-12113-01	SPRING, VALVE INNER	32	32	
4	69J-12117-01	RETAINER, VALVE SPRING	32	32	
5	69J-12118-00	COTTER, VALVE	64	64	
6	69J-12119-00	SEAL, VALVE STEM	32	32	
7	69J-12153-00	LIFTER, VALVE	32	32	
8	6S1-12168-00	PAD, ADJUSTING (2.320)	32	32	UR
	6S1-12168-10	PAD, ADJUSTING (2.340)	32	32	UR
	6S1-12168-20	PAD, ADJUSTING (2.360)	32	32	UR
	6S1-12168-30	PAD, ADJUSTING (2.380)	32	32	UR
	6S1-12168-40	PAD, ADJUSTING (2.400)	32	32	UR
	6S1-12168-50	PAD, ADJUSTING (2.420)	32	32	UR
	6S1-12168-60	PAD, ADJUSTING (2.440)	32	32	UR
	6S1-12168-70	PAD, ADJUSTING (2.460)	32	32	UR
	6S1-12168-80	PAD, ADJUSTING (2.480)	32	32	UR
	6S1-12168-90	PAD, ADJUSTING (2.500)	32	32	UR
	6S1-12168-A0	PAD, ADJUSTING (2.520)	32	32	UR
	6S1-12168-B0	PAD, ADJUSTING (2.540)	32	32	UR
	6S1-12168-C0	PAD, ADJUSTING (2.560)	32	32	UR
	6S1-12168-D0	PAD, ADJUSTING (2.580)	32	32	UR
	6S1-12168-E0	PAD, ADJUSTING (2.600)	32	32	UR
	6S1-12168-F0	PAD, ADJUSTING (2.620)	32	32	UR
	6S1-12168-G0	PAD, ADJUSTING (2.640)	32	32	UR
	6S1-12168-H0	PAD, ADJUSTING (2.660)	32	32	UR
	6S1-12168-J0	PAD, ADJUSTING (2.680)	32	32	UR
	6S1-12168-K0	PAD, ADJUSTING (2.700)	32	32	UR



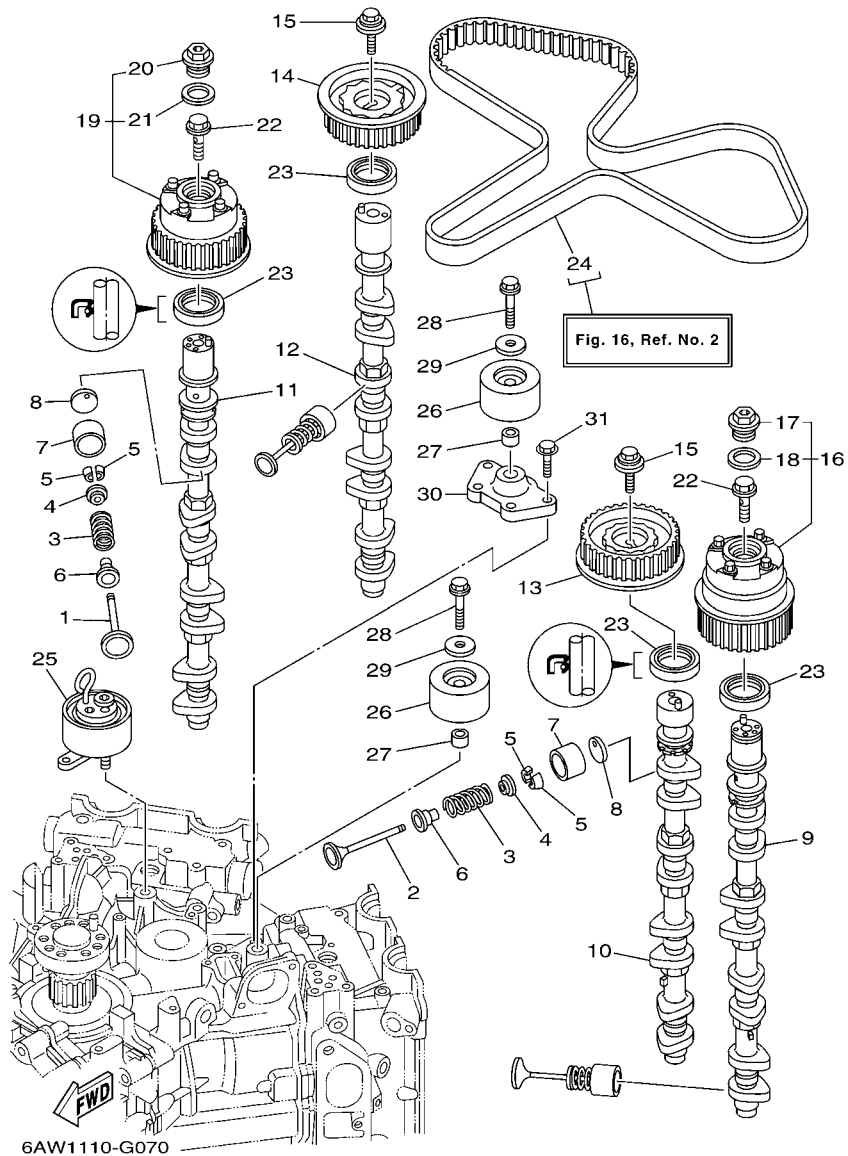
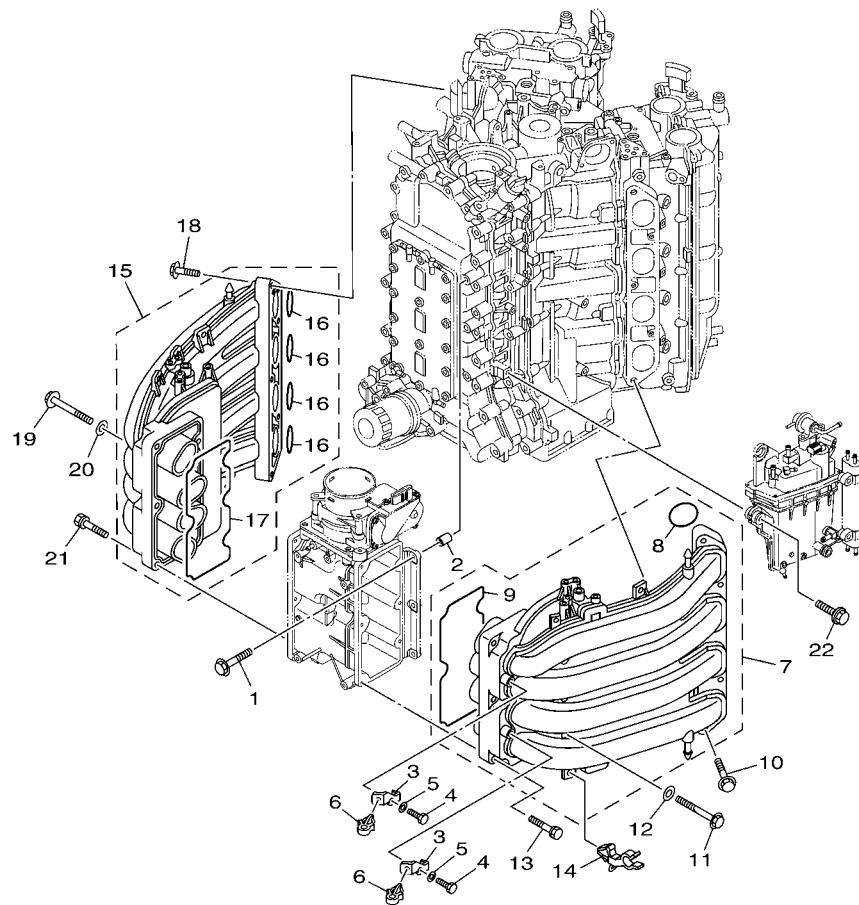


FIG. 7 VALVE

REF. NO.	PART NO.	DESCRIPTION	XCA	UCA		REMARKS
8	6S1-12168-L0	PAD, ADJUSTING (2.720)	32	32		UR
	6S1-12168-M0	PAD, ADJUSTING (2.740)	32	32		UR
	6S1-12168-N0	PAD, ADJUSTING (2.760)	32	32		UR
	6S1-12168-P0	PAD, ADJUSTING (2.780)	32	32		UR
	6S1-12168-R0	PAD, ADJUSTING (2.800)	32	32		UR
	6S1-12168-S0	PAD, ADJUSTING (2.820)	32	32		UR
	6S1-12168-T0	PAD, ADJUSTING (2.840)	32	32		UR
	6S1-12168-U0	PAD, ADJUSTING (2.860)	32	32		UR
	6S1-12168-V0	PAD, ADJUSTING (2.880)	32	32		UR
	6S1-12168-W0	PAD, ADJUSTING (2.900)	32	32		UR
	6S1-12168-X0	PAD, ADJUSTING (2.920)	32	32		UR
	6S1-12168-Y0	PAD, ADJUSTING (2.940)	32	32		UR
	6S1-12169-00	PAD, ADJUSTING (2.960)	32	32		UR
9	6AW-12171-01	CAMSHAFT 1	1	1		
10	6AW-12181-00	CAMSHAFT 2	1	1		
11	6AW-12172-01	CAMSHAFT 3	1	1		
12	6AW-12182-00	CAMSHAFT 4	1	1		
13	6AW-11537-00	GEAR, DRIVEN	1	1		
14	6AW-11567-00	GEAR, DRIVEN 2	1	1		
15	68V-12157-00	BOLT	2	2		
16	6AW-12645-00	PULLEY ASSY 1	1	1		
17	6P2-12623-00	.BOLT	1	1		
18	6P2-12663-00	.GASKET	1	1		
19	6AW-1264A-00	PULLEY ASSY 2	1	1		
20	6P2-12623-00	.BOLT	1	1		
21	6P2-12663-00	.GASKET	1	1		
22	6P2-12615-00	BOLT	2	2		





6AW2010-H080

FIG. 8 INTAKE 1

REF. NO.	PART NO.	DESCRIPTION	XCA	UCA		REMARKS
1	95875-08035	BOLT, FLANGE	6	6		
2	99530-10114	PIN, DOWEL	2	2		
3	6AW-13782-00	STAY	2	2		
4	97095-06012	BOLT	2	2		
5	92995-06600	WASHER	2	2		
6	90464-09023	CLAMP	2	2		
7	6AW-13641-00	MANIFOLD 1	1	1		
8	6AW-13645-00	.GASKET, MANIFOLD 1	4	4		
9	6AW-13646-00	.GASKET, MANIFOLD 2	1	1		
10	97575-08540	BOLT, WITH WASHER	5	5		
11	90105-06149	BOLT, FLANGE	3	3		
12	92990-06200	WASHER, PLAIN	3	3		
13	90119-06MA6	BOLT, WITH WASHER	3	3		
14	90464-17006	CLAMP	2	2		
15	6AW-13641-00	MANIFOLD 1	1	1		
16	6AW-13645-00	.GASKET, MANIFOLD 1	4	4		
17	6AW-13646-00	.GASKET, MANIFOLD 2	1	1		
18	97575-08540	BOLT, WITH WASHER	5	5		
19	90105-06149	BOLT, FLANGE	3	3		
20	92990-06200	WASHER, PLAIN	3	3		
21	90119-06MA6	BOLT, WITH WASHER	3	3		
22	90119-06M24	BOLT, WITH WASHER	4	4		

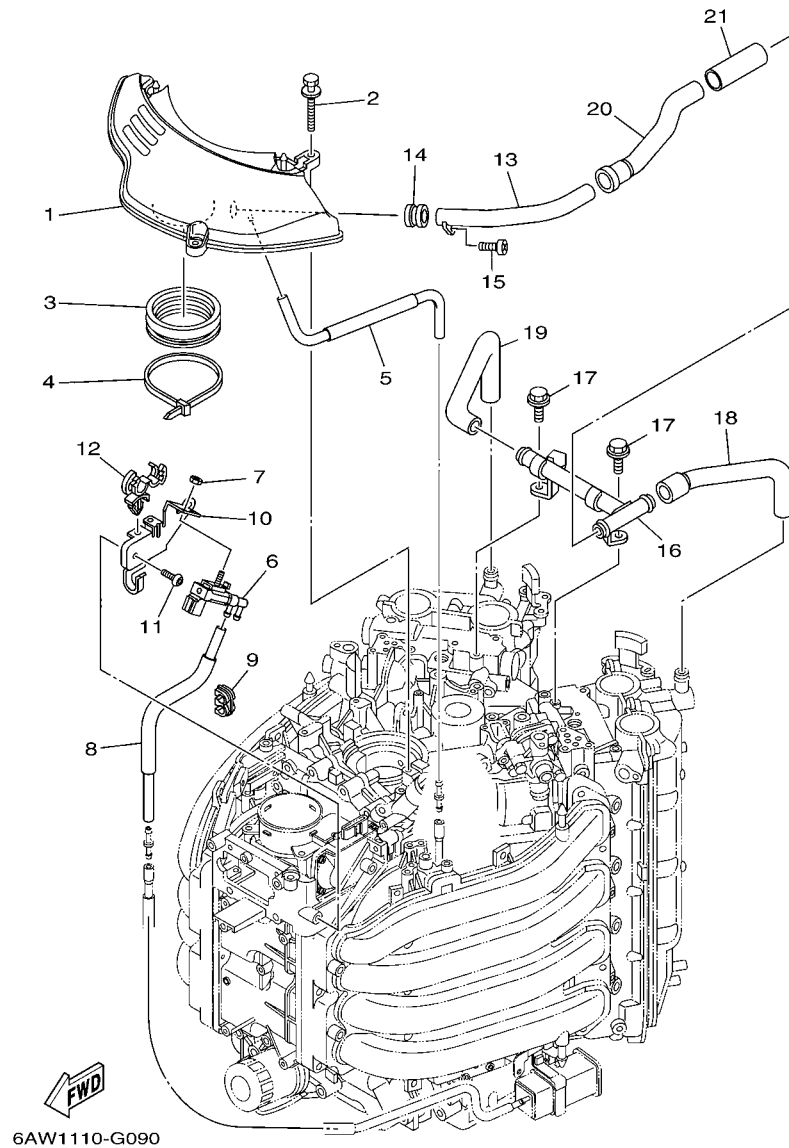
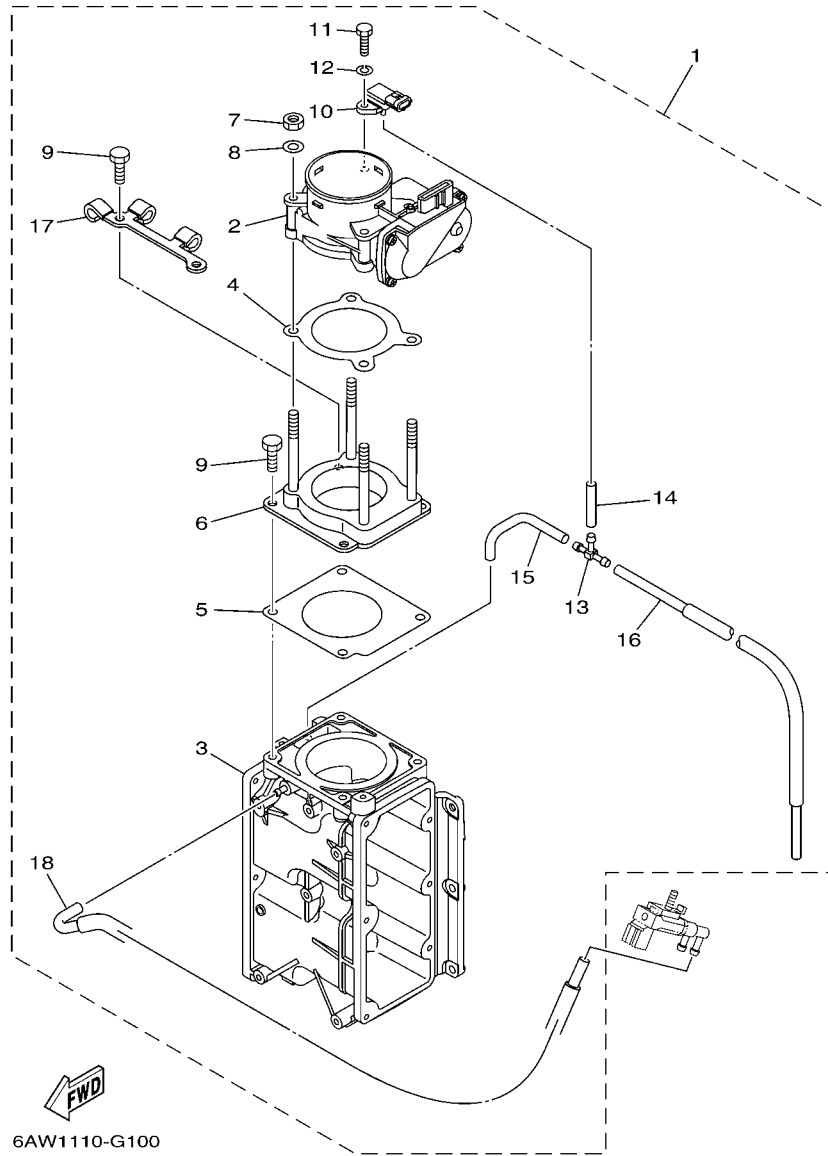


FIG. 9 INTAKE 2

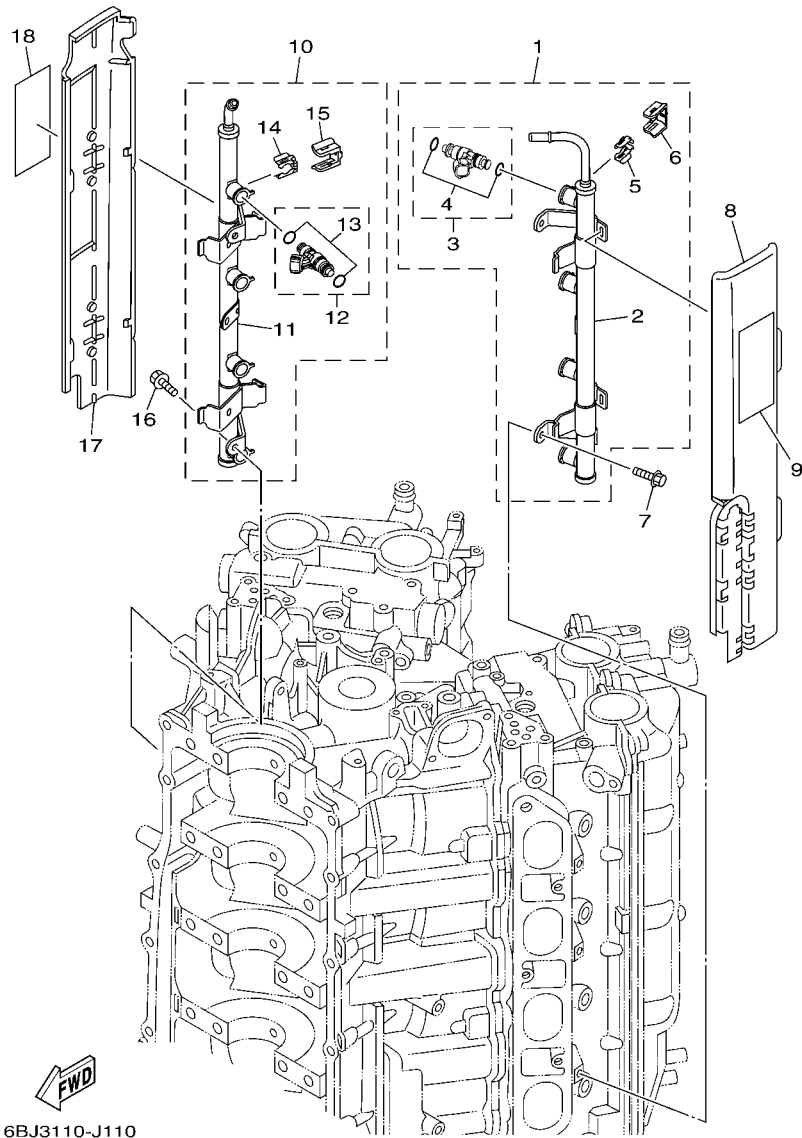
REF. NO.	PART NO.	DESCRIPTION	XCA	UCA				REMARKS
1	6AW-14440-00	SILENCER ASSY, INTAKE	1	1				
2	90119-06M35	BOLT, WITH WASHER	3	3				
3	6AW-1441J-00	PIPE, SILENCER	1	1				
4	90464-99004	CLAMP	1	1				
5	6AW-14419-00	PIPE	1	1				
6	6C5-86120-00	SOLENOID VALVE ASSY	1	1				
7	95380-06600	NUT, HEXAGON	1	1				
8	6AW-24312-00	PIPE 2	1	1				
9	90464-12224	CLAMP	1	1				
10	6AW-8611A-00	HOLDER SOLENOID	1	1				
11	90111-06034	BOLT, HEX. SOCKET BUTTON	2	2				
12	90464-18246	CLAMP	1	1				
13	6AW-15373-00	PIPE, BREATHER	1	1				
14	6AW-14445-00	GROMMET	1	1				
15	97780-60620	SCREW, TAPPING	1	1				
16	6AW-15393-00	PIPE, BREATHER 2	1	1				
17	97575-06514	BOLT, WITH WASHER	2	2				
18	6AW-1531A-00	HOSE, BREATHER 1	1	1				
19	6AW-1531A-10	HOSE, BREATHER 1	1	1				
20	6AW-1532A-00	HOSE, BREATHER 2	1	1				
21	90446-32002	HOSE (L90)	1	1				



6AW1110-G100

FIG. 10 THROTTLE BODY ASSY 1

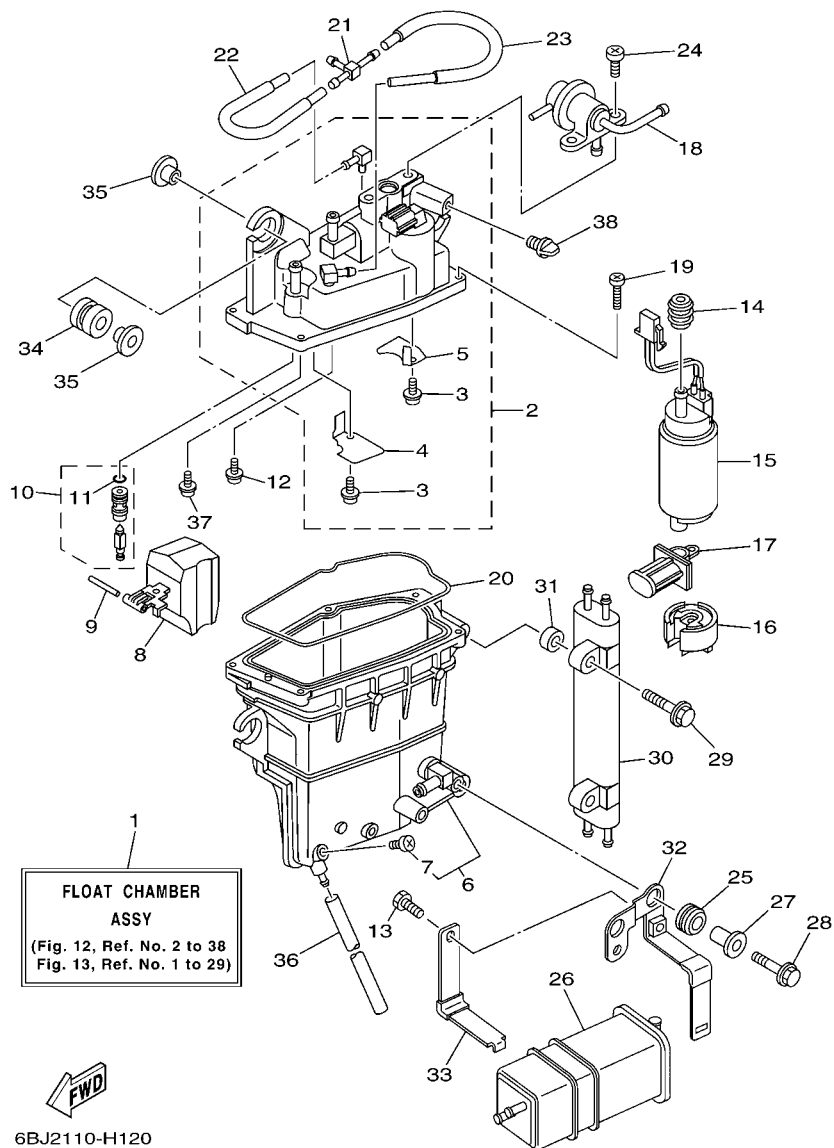
REF. NO.	PART NO.	DESCRIPTION	XCA	UCA		REMARKS
1	6AW-13750-01	THROTTLE BODY ASSY	1	1		
2	6AW-13751-00	.BODY, THROTTLE 1	1	1		
3	6AW-13711-01	.MIXING BODY	1	1		
4	6AW-13556-00	.GASKET, MANIFOLD	1	1		
5	6AW-13557-00	.GASKET	1	1		
6	6AW-14360-00	.THROTTLE DAMPER ASSY	1	1		
7	6P2-13588-00	.NUT	4	4		
8	6P2-13578-00	.WASHER	4	4		
9	6P2-14496-00	.BOLT	4	4		
10	6P2-82380-00	.SENSOR, PRESSURE	1	1		
11	6P2-13573-00	.BOLT 1	1	1		
12	68V-14356-00	.WASHER, SPRING	1	1		
13	4N0-14251-00	.NIPPLE	1	1		
14	5JW-24311-00	.PIPE, FUEL 1	1	1		
15	6AW-82364-00	.HOSE 2	1	1		
16	6AW-82365-00	.HOSE 3	1	1		
17	6AW-11188-00	.CLIP, PIPE	1	1		
18	6AW-82366-00	.HOSE 4	1	1		



6BJ3110-J110

FIG. 11 THROTTLE BODY ASSY 2

REF. NO.	PART NO.	DESCRIPTION	XCA	UCA			REMARKS
1	6AW-13160-00	DELIVERY PIPE ASSY 1	1	1			
2	6AW-13161-00	.PIPE, DELIVERY 1	1	1			
3	6AW-13761-00	.INJECTOR	4	4			
4	6AW-1410B-00	..PACKING KIT	1	1			
5	6AW-13577-00	.CLIP	4	4			
6	6AW-13767-00	.CAP, INJECTOR	4	4			
7	95875-06016	BOLT, FLANGE	2	2			
8	6AW-13564-00	COVER, MANIFOLD	1	1			
9	6AW-13889-00	LABEL	1	1			
10	6AW-13170-00	DELIVERY PIPE ASSY 2	1	1			
11	6AW-13171-00	.PIPE, DELIVERY 2	1	1			
12	6AW-13761-00	.INJECTOR	4	4			
13	6AW-1410B-00	..PACKING KIT	1	1			
14	6AW-13577-00	.CLIP	4	4			
15	6AW-13767-00	.CAP, INJECTOR	4	4			
16	95875-06016	BOLT, FLANGE	2	2			
17	6AW-13594-00	COVER, MANIFOLD 2	1	1			
18	6AW-13889-10	LABEL	1	1			



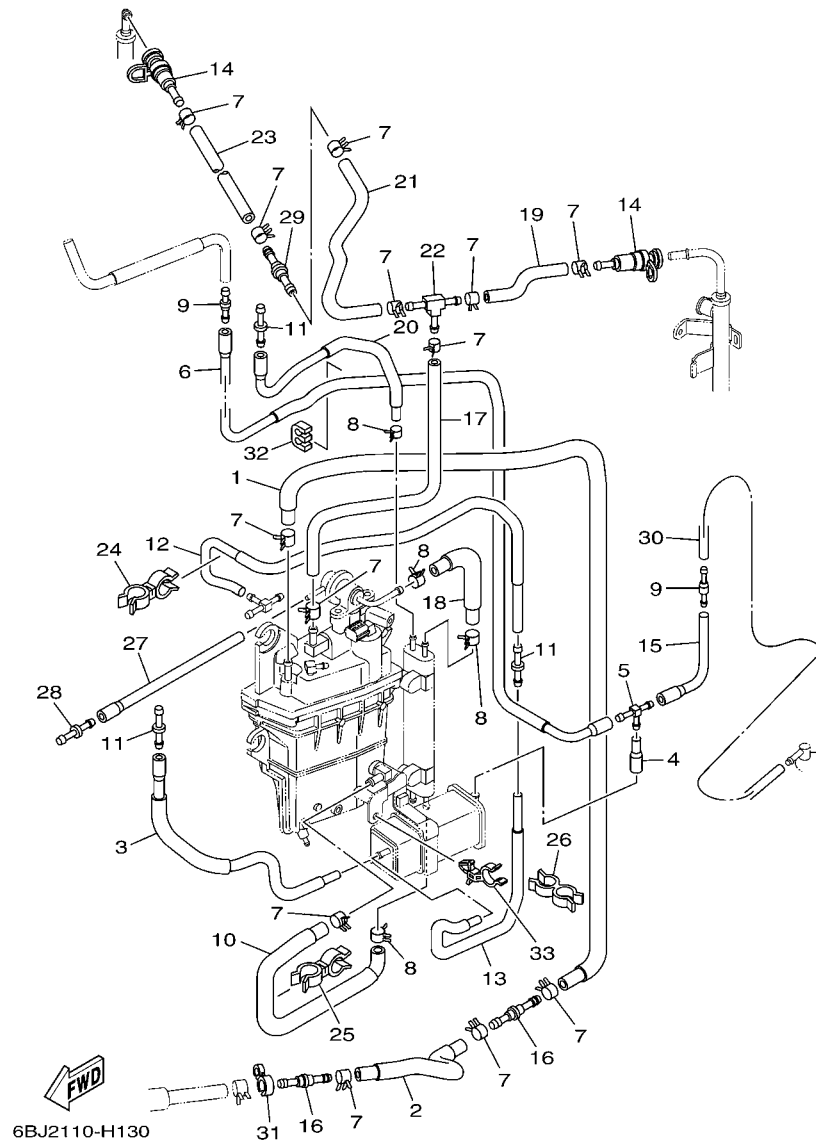
6BJ2110-H120

**FIG. 12 FUEL INJECTION PUMP 1**

REF. NO.	PART NO.	DESCRIPTION	XCA	UCA	REMARKS
1	6AW-14180-01	FLOAT CHAMBER ASSY	1	1	
2	6AW-14182-00	COVER, FLOAT CHAMBER	1	1	
3	4SV-24453-00	.SCREW	2	2	
4	6AW-2411T-00	.PLATE 2	1	1	
5	6AW-2411R-00	.PLATE 1	1	1	
6	6AW-14181-00	BODY, FLOAT CHAMBER 1	1	1	
7	6P2-14191-00	.PLUG, DRAIN	1	1	
8	6P2-14985-00	FLOAT	1	1	
9	6P2-14386-00	PIN, FLOAT	1	1	
10	6P2-14546-00	VALVE, NEEDLE	1	1	
11	6P2-13769-00	.O-RING	1	1	
12	4SV-24453-00	SCREW	1	1	
13	6P2-13574-00	BOLT 2	1	1	
14	68V-13781-10	DAMPER, PUMP	1	1	
15	6AW-13907-00	FUEL PUMP COMP.	1	1	
16	63P-13784-00	COVER, PUMP	1	1	
17	63P-13915-00	FILTER	1	1	
18	6AW-13906-00	REGULATOR, PRESSURE	1	1	
19	63P-14567-00	SCREW	5	5	
20	6AW-14984-00	GASKET, FLOAT CHAMBER	1	1	
21	69J-24379-00	PIPE, JOINT 4	1	1	
22	6AW-1475F-00	PIPE 3	1	1	
23	6AW-1475G-00	PIPE 4	1	1	
24	68V-14564-00	SCREW	2	2	
25	90480-10M23	GROMMET	2	2	
26	6P2-24170-00	CANISTER ASSY	1	1	
27	90387-06M60	COLLAR	2	2	







**FIG. 13 FUEL INJECTION PUMP 2**

REF. NO.	PART NO.	DESCRIPTION	XCA	UCA			REMARKS
1	6AW-24316-00	PIPE 6	1	1			
2	6AW-24317-00	PIPE 7	1	1			
3	6AW-1475H-00	PIPE 5	1	1			
4	6AW-13545-00	HOSE 1	1	1			
5	688-24378-00	PIPE, JOINT 3	1	1			
6	6AW-13548-00	HOSE, AIR 4	1	1			
7	68V-13577-00	CLIP	13	13			
8	68V-24519-00	CLIP	4	4			
9	6E5-21744-00	BREATHER	2	2			
10	6AW-24315-00	PIPE 5	1	1			
11	6P2-1410F-00	NIPPLE 1	3	3			
12	6AW-1475A-00	PIPE 1	1	1			
13	6AW-1475E-00	PIPE 2	1	1			
14	60E-24300-01	FUEL PIPE JOINT	2	2			
15	6AW-13547-00	HOSE 3	1	1			
16	6P2-24461-00	PIPE, JOINT	2	2			
17	6AW-13971-10	PIPE, FUEL 1	1	1			
18	6AW-13976-00	PIPE, FUEL 6	1	1			
19	6AW-13974-10	PIPE, FUEL 4	1	1			
20	6AW-2247A-00	HOSE 1	1	1			
21	6AW-13973-10	PIPE, FUEL 3	1	1			
22	6AW-24461-00	PIPE, JOINT	1	1			
23	6AW-13972-10	PIPE, FUEL 2	1	1			
24	6AW-2417H-00	CLAMP 1	1	1			
25	6AW-2417J-00	CLAMP 2	1	1			
26	6B6-12486-00	CLIP	1	1			
27	6AW-13543-00	HOSE, AIR	1	1			



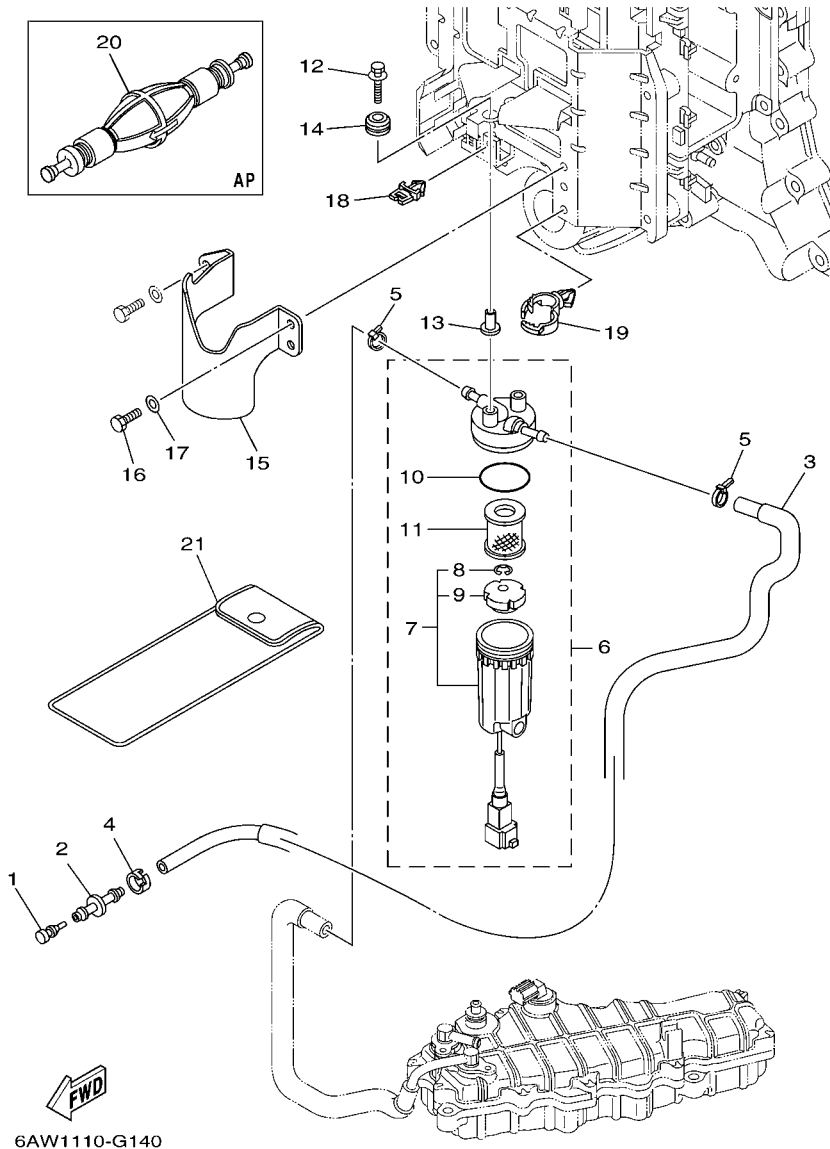


FIG. 14 FUEL 1

REF. NO.	PART NO.	DESCRIPTION	XCA	UCA	REMARKS
1	689-85547-00	DAMPER	1	1	
2	6AW-24377-00	PIPE, JOINT 2	1	1	
3	6AW-24311-00	PIPE, FUEL 1	1	1	
4	6E5-24351-51	BAND 1	1	1	
5	90465-11M10	CLAMP	2	2	
6	6P3-24560-11	FILTER ASSY	1	1	
7	6P3-24562-11	.CUP, FILTER	1	1	
8	6P3-24519-00	..CLIP	1	1	
9	6P3-24469-00	..FLOAT, WATER LEVEL	1	1	
10	6P3-24564-00	.GASKET	1	1	
11	6P3-24563-00	.ELEMENT, FILTER	1	1	
12	90119-06M17	BOLT, WITH WASHER	2	2	
13	90387-06M60	COLLAR	2	2	
14	90480-10M23	GROMMET	2	2	
15	6AW-24596-00	COVER	1	1	
16	97095-06012	BOLT	2	2	
17	92995-06600	WASHER	2	2	
18	90464-11121	CLAMP	1	1	
19	90464-20181	CLAMP	1	1	
20	6AW-24360-00	PRIMER PUMP ASSY	1	1	AP
21	69J-28100-01	TOOL KIT	1	1	AP

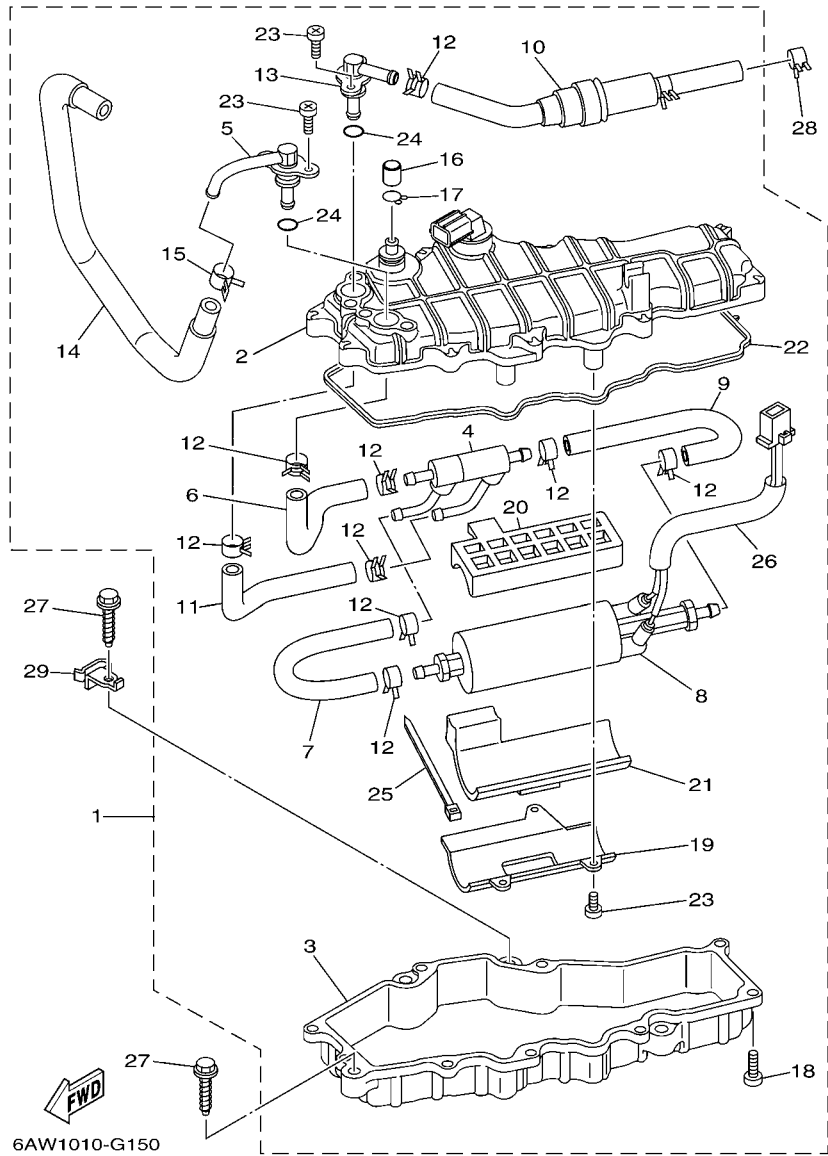
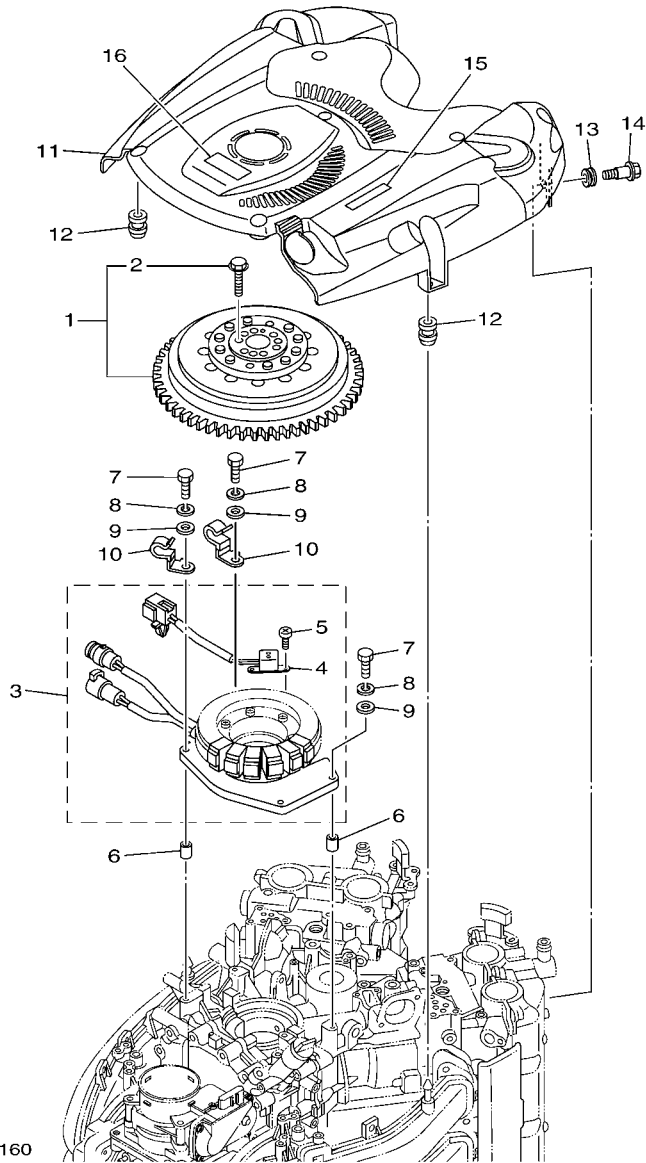


FIG. 15 FUEL 2

REF. NO.	PART NO.	DESCRIPTION	XCA	UCA			REMARKS
1	6AW-24408-01	FUEL FEED ASSY	1	1			
2	6AW-244A0-00	.PUMP CASE COMP.	1	1			
3	6AW-244A1-00	.CASE, PUMP 1	1	1			
4	6AW-24460-00	.RELIEF VALVE ASSY	1	1			
5	6AW-24378-00	.PIPE, JOINT 3	1	1			
6	6AW-24322-00	.PIPE 11	1	1			
7	6AW-24323-00	.PIPE 12	1	1			
8	6AW-24410-00	.FUEL PUMP ASSY	1	1			
9	6AW-24324-00	.PIPE 13	1	1			
10	6AW-24502-00	.FILTER, FUEL	1	1			
11	6AW-24325-00	.PIPE 14	1	1			
12	68V-13577-00	.CLIP	9	9			
13	6AW-24379-00	.PIPE, JOINT 4	1	1			
14	6AW-24321-01	.PIPE 10	1	1			
15	69J-14137-00	.CLIP	1	1			
16	6AW-14118-00	.CAP	1	1			
17	6AW-24356-00	.CLIP, PIPE 1	1	1			
18	6AW-14567-00	.SCREW	9	9			
19	6AW-24491-00	.BRACKET, FUEL PUMP	1	1			
20	6AW-24492-00	.BUSH, FUEL PUMP	1	1			
21	6AW-24492-10	.BUSH, FUEL PUMP	1	1			
22	6AW-24431-00	.GASKET, FUEL PUMP 1	1	1			
23	6AW-14565-00	.SCREW	7	7			
24	68V-14397-00	.O-RING	2	2			
25	68V-2481H-00	.CLAMP	1	1			
26	6AW-24327-00	.PROTECTOR, PIPE	1	1			
27	90109-06MA2	BOLT	4	4			





6AW4110-K160

FIG. 16 GENERATOR

REF. NO.	PART NO.	DESCRIPTION	XCA	UCA			REMARKS
1	6AW-W8145-01	ROTOR ASSY WITH BOLTS	1	1			
2	6AW-W9011-00	.BOLT SET (FOR ROTOR ASSY)	1	1			
3	6AW-81460-00	BASE ASSY	1	1			
4	6AW-85580-00	.COIL, PULSER	1	1			
5	63D-81345-00	.SCREW, WITH WASHER (M5X12)	2	2			
6	99530-08012	PIN, DOWEL	2	2			
7	97095-06030	BOLT	4	4			
8	92995-06100	WASHER, SPRING	4	4			
9	92995-06600	WASHER	4	4			
10	90462-10042	CLAMP	2	2			
11	6AW-81337-01	COVER, FLYWHEEL	1	1			
12	663-82317-01	DAMPER, IGNITION COIL	4	4			
13	90480-12314	GROMMET	2	2			
14	90109-06MA1	BOLT	2	2			
15	6AW-13437-41	MARK, CAUTION	1	1			
16	6AH-81994-40	LABEL, SAFETY	1	1			

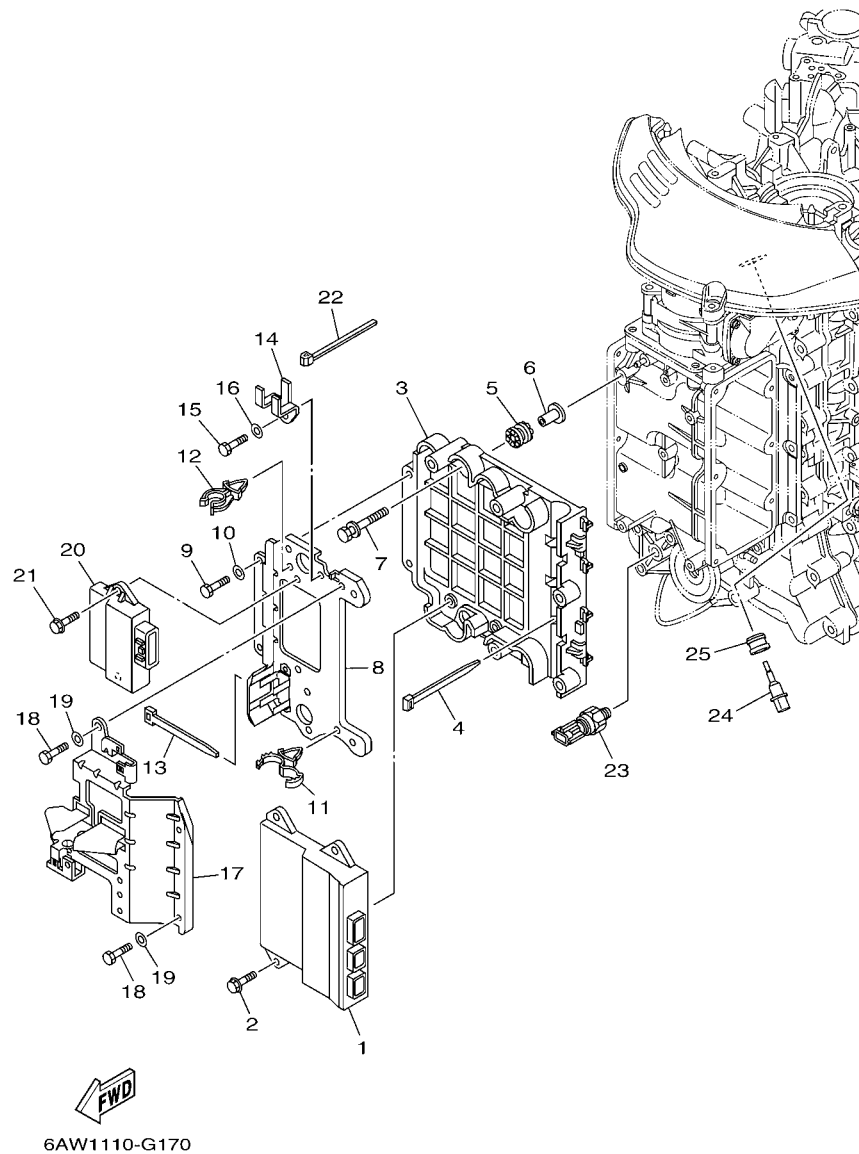
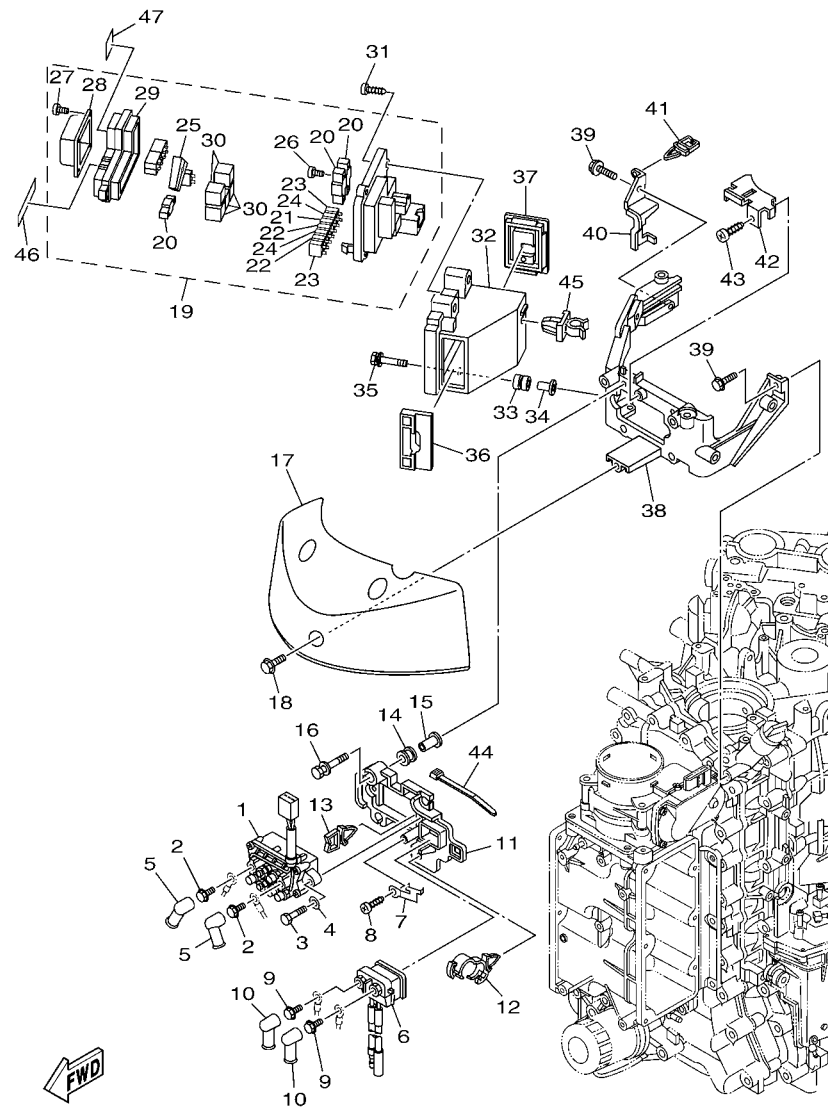


FIG. 17 ELECTRICAL 1

REF. NO.	PART NO.	DESCRIPTION	XCA	UCA			REMARKS
1	6AW-8591A-20	ENGINE CONTROL UNIT ASSY	1	1			
2	90119-06M23	BOLT, WITH WASHER	4	4			
3	6AW-85991-00	BRACKET, UNIT	1	1			
4	90465-14M66	CLAMP	4	4			
5	60V-85564-00	GROMMET	4	4			
6	90387-06176	COLLAR	4	4			
7	68F-85119-00	BOLT	4	4			
8	6AW-8591C-00	CASE, ECU	1	1			
9	97095-06012	BOLT	5	5			
10	92995-06600	WASHER	5	5			
11	90464-18246	CLAMP	1	1			
12	90464-16240	CLAMP	1	1			
13	90465-13M24	CLAMP	1	1			
14	6AW-82544-01	CLAMP	1	1			
15	97095-06012	BOLT	1	1			
16	92995-06600	WASHER	1	1			
17	6AW-82588-00	PLATE	1	1			
18	97095-06012	BOLT	4	4			
19	92995-06600	WASHER	4	4			
20	6AW-85740-00	CONTROL UNIT ASSY	1	1			
21	90119-06024	BOLT, WITH WASHER	2	2			
22	90465-14M66	CLAMP	1	1			
23	6AW-83651-00	SENDER, OIL PRESSURE	1	1			
24	63P-85886-00	SENSOR, AIR TEMPERATURE	1	1			
25	63P-14435-00	GROMMET	1	1			

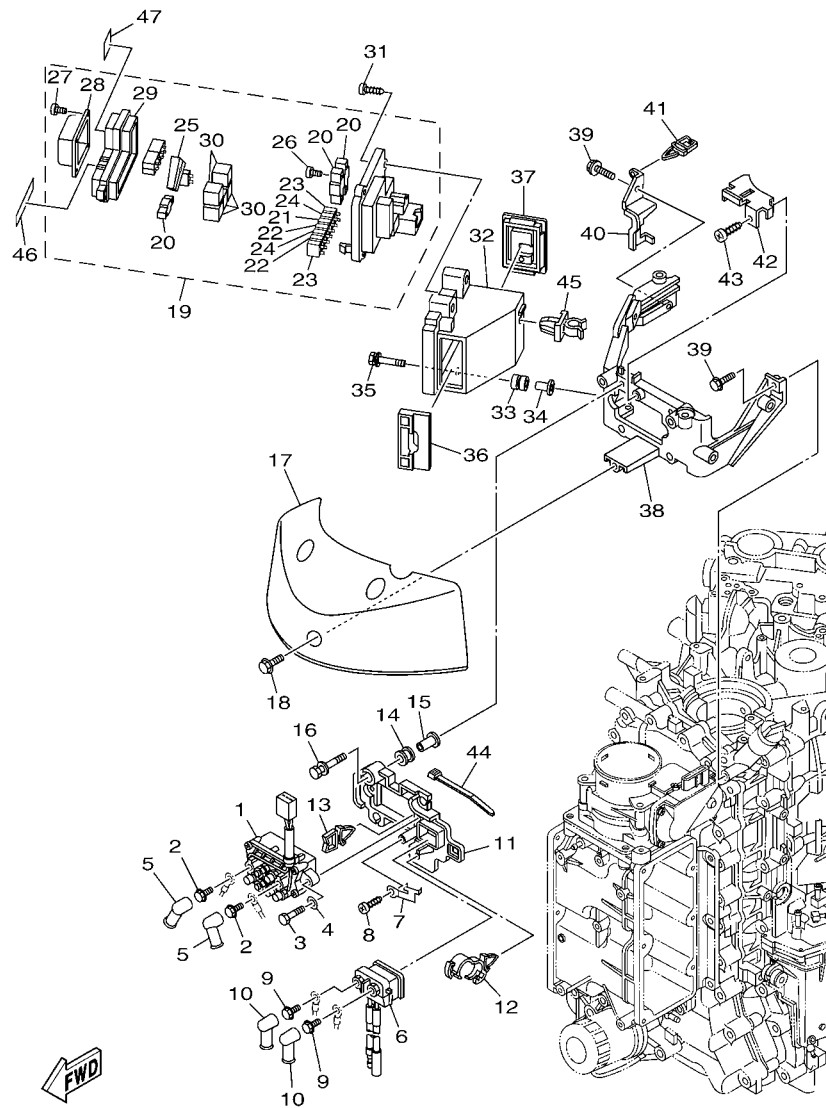


6AW4110-K180

FIG. 18 ELECTRICAL 2

REF. NO.	PART NO.	DESCRIPTION	XCA	UCA	REMARKS
1	6AW-81950-00	RELAY ASSY	1	1	
2	97595-06610	BOLT, WITH WASHER	2	2	
3	97013-06020	BOLT	2	2	
4	92903-06600	WASHER, PLATE	2	2	
5	6G5-82119-10	COVER, LEAD WIRE	2	2	
6	6AW-8194A-00	RELAY	1	1	
7	68V-81953-00	STAY, RELAY	1	1	
8	97780-60620	SCREW, TAPPING	1	1	
9	97595-06610	BOLT, WITH WASHER	2	2	
10	6G5-82119-00	COVER, LEAD WIRE	2	2	
11	6AW-81952-00	HOLDER, RELAY	1	1	
12	90464-12183	CLAMP	1	1	
13	90464-11121	CLAMP	1	1	
14	6A0-82317-00	DAMPER, IGNITION COIL	4	4	
15	90387-06119	COLLAR	4	4	
16	90119-06M59	BOLT, WITH WASHER	4	4	
17	6AW-81942-00	COVER	1	1	
18	95895-06016	BOLT, FLANGE	3	3	
19	6AW-82170-01	FUSE BOX ASSY	1	1	
20	6P2-82151-00	.FUSE (60A)	3	3	
21	67F-82151-00	.FUSE (20A)	2	2	
22	67F-82151-10	.FUSE (30A)	3	3	
23	67F-82151-40	.FUSE (10A)	3	3	
24	67F-82151-50	.FUSE (15A)	3	3	
25	67F-2812A-00	.PULLER, FUSE	1	1	
26	68F-82846-00	.SCREW, PAN HEAD (M5)	4	4	
27	6P2-82113-00	.SCREW	4	4	

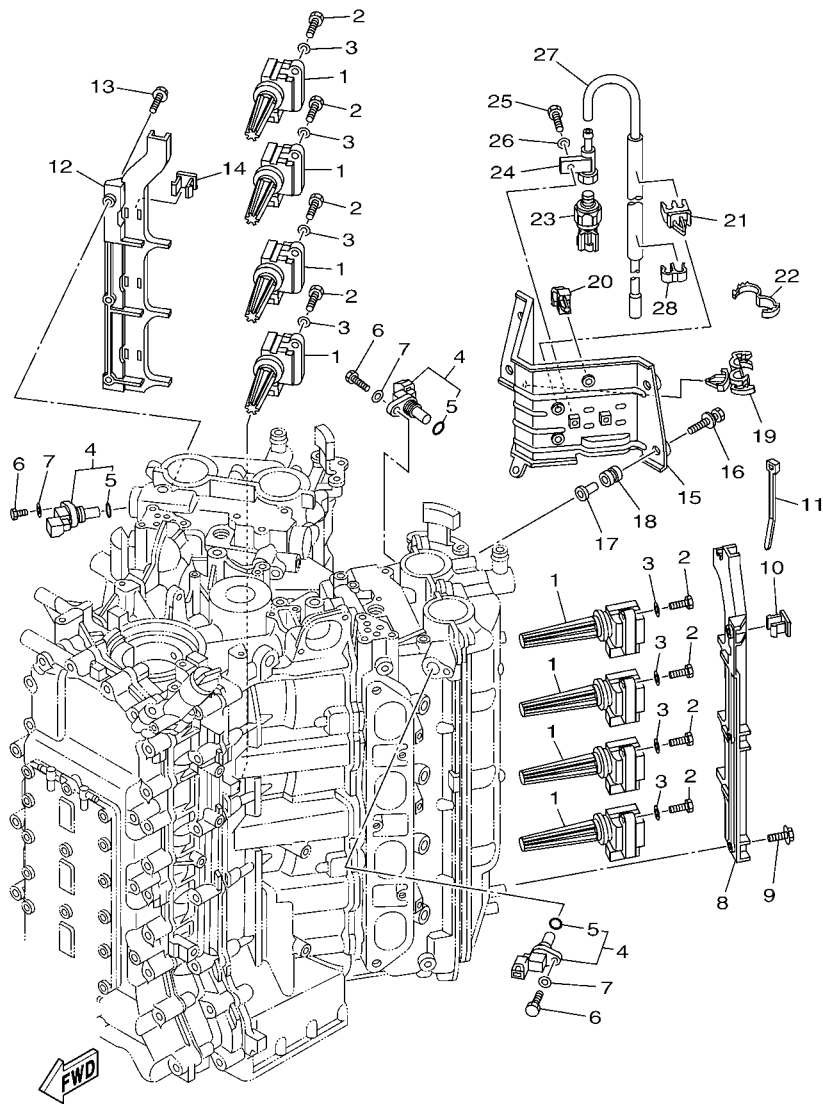




6AW4110-K180

FIG. 18 ELECTRICAL 2

REF. NO.	PART NO.	DESCRIPTION	XCA	UCA	REMARKS
28	6P2-81639-00	.RELAY COVER	1	1	
29	6P2-85544-00	.CASE	1	1	
30	68F-8195A-00	.RELAY ASSY	5	5	
31	97780-50620	SCREW, TAPPING	4	4	
32	6AW-82171-00	STAY, FUSE BOX	1	1	
33	6A0-82317-00	DAMPER, IGNITION COIL	3	3	
34	90387-06119	COLLAR	3	3	
35	90119-06M59	BOLT, WITH WASHER	3	3	
36	6AW-82572-00	GROMMET 1	1	1	
37	6AW-82573-00	GROMMET 2	1	1	
38	6AW-81948-00	BRACKET	1	1	
39	95895-06020	BOLT, FLANGE	4	4	
40	6AW-81678-00	CLAMP 2	1	1	
41	90464-11121	CLAMP	1	1	
42	6AW-81443-00	CLAMP, LEAD 1	1	1	
43	97780-50514	SCREW, TAPPING	1	1	
44	90465-11M10	CLAMP	2	2	
45	90464-09008	CLAMP	1	1	
46	6AW-81919-20	GRAPHIC, REGULATOR	1	1	
47	6AW-81919-31	GRAPHIC, REGULATOR	1	1	



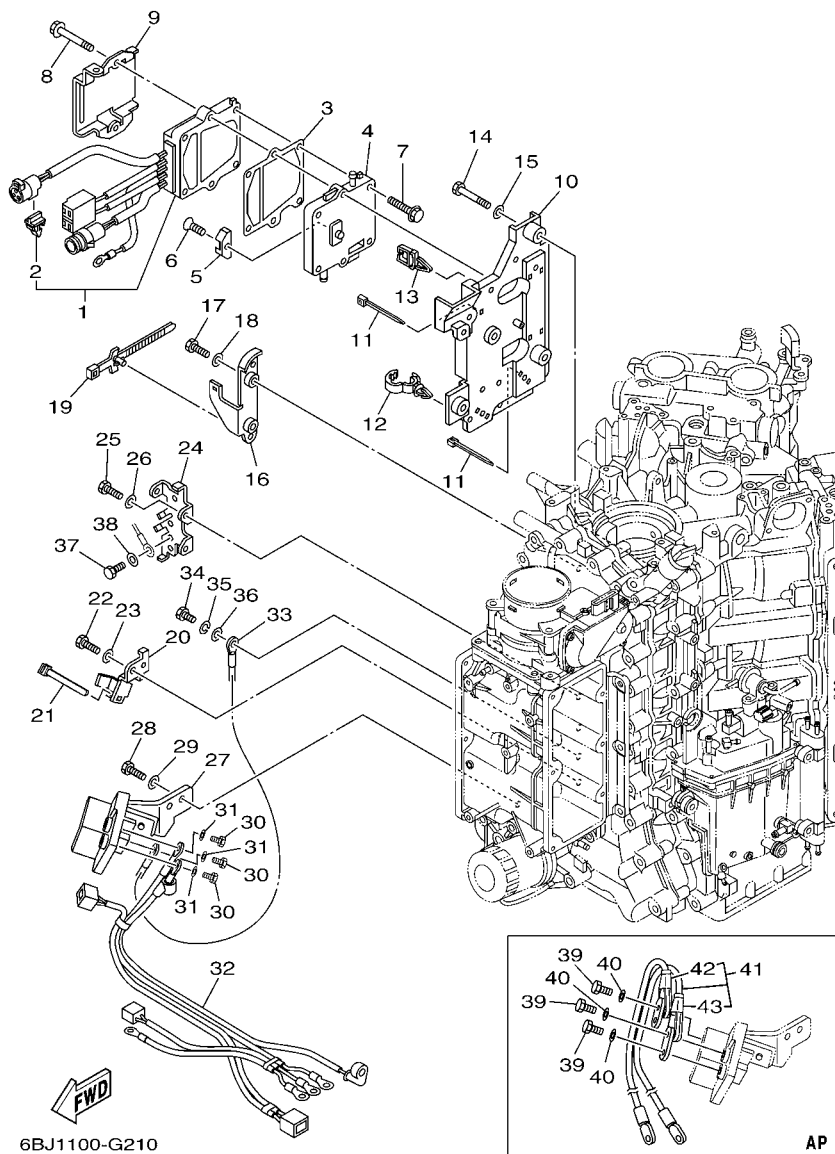
6BJ3110-J190

FIG. 19 ELECTRICAL 3

REF. NO.	PART NO.	DESCRIPTION	XCA	UCA		REMARKS
1	6AW-82310-01	IGNITION COIL ASSY	8	8		
2	97095-06025	BOLT	8	8		
3	92995-06600	WASHER	8	8		
4	6P2-85896-00	SENSOR, CAM POSITION	3	3		
5	6P2-85075-00	.O-RING	1	1		
6	97095-06020	BOLT	3	3		
7	92995-06600	WASHER	3	3		
8	6AW-8272F-00	PLATE, GUIDE 1	1	1		
9	95895-06014	BOLT, FLANGE	3	3		
10	6AW-82361-00	CLAMP, CORD	3	3		
11	90465-11M10	CLAMP	1	1		
12	6AW-8272F-10	PLATE, GUIDE 1	1	1		
13	95895-06014	BOLT, FLANGE	3	3		
14	6AW-82361-10	CLAMP, CORD	4	4		
15	6AW-8366G-00	BRACKET 3	1	1		
16	90119-06M35	BOLT, WITH WASHER	4	4		
17	69M-42758-00	COLLAR	4	4		
18	64J-85516-00	SPACER	4	4		
19	90464-18246	CLAMP	1	1		
20	90464-07259	CLAMP	1	1		
21	90464-07009	CLAMP	2	2		
22	90464-16001	CLAMP	1	1		
23	6AW-8366B-00	SENSOR, WATER PRESSURE	1	1		
24	60V-8366D-00	ADAPTOR, INPUT	1	1		
25	97095-06016	BOLT	1	1		
26	92995-06600	WASHER	1	1		
27	6AW-82353-00	HOSE	1	1		

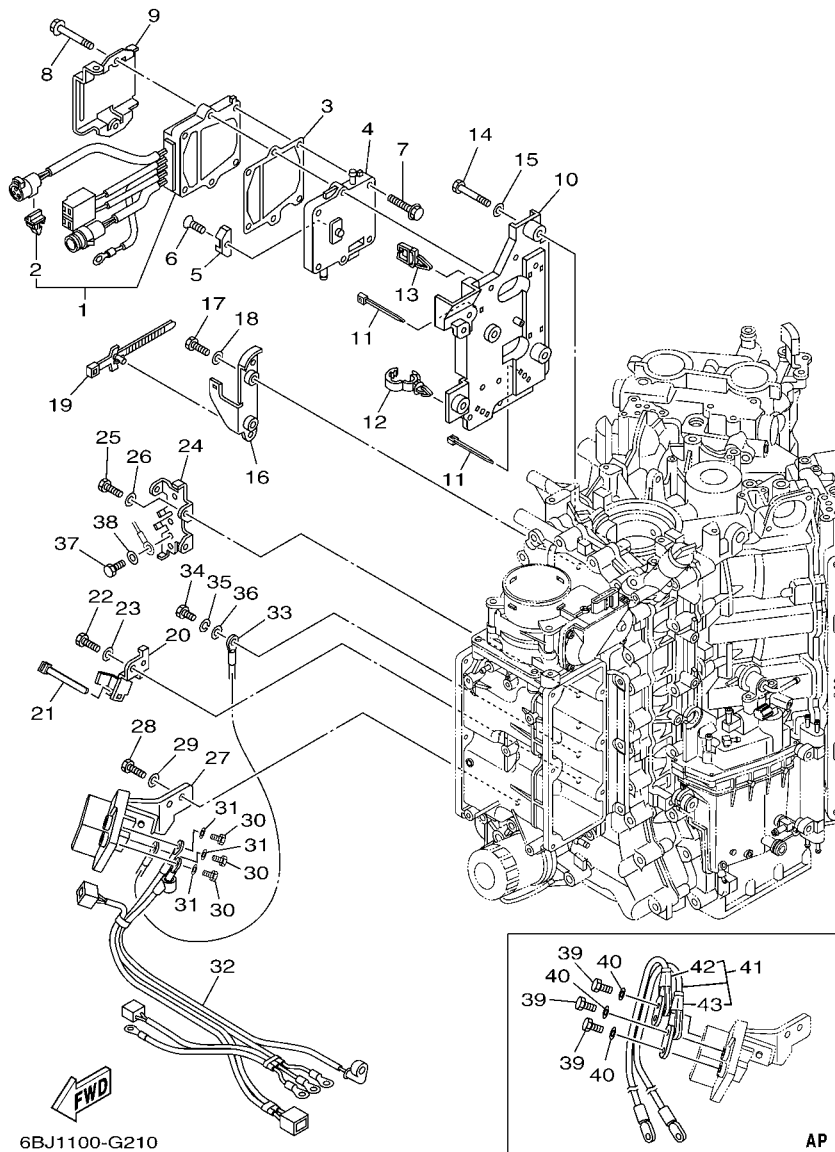


FIG. 20 ELECTRICAL 4



REF. NO.	PART NO.	DESCRIPTION	XCA	UCA			REMARKS
1	6AW-81960-01	RECTIFIER & REGULATOR ASSY	1	1			
2	90464-12002	.CLAMP	1	1			
3	6AW-81975-00	PLATE, RECTIFIER FITTING	1	1			
4	6AW-81972-00-9S	COVER, RECTIFIER	1	1			
5	6E5-11325-00	ANODE	1	1			
6	98780-04015	SCREW, FLAT HEAD	1	1			
7	90119-06MA3	BOLT, WITH WASHER	4	4			
8	90119-06MA5	BOLT, WITH WASHER	2	2			
9	6AW-82581-00	STAY, CORD CLAMP	1	1			
10	6AW-8235A-00	CASE 1	1	1			
11	90465-14M66	CLAMP	5	5			
12	90464-13249	CLAMP	1	1			
13	90464-11121	CLAMP	1	1			
14	97095-06016	BOLT	4	4			
15	92995-06600	WASHER	4	4			
16	6AW-83614-01	BRACKET	1	1			
17	97095-06014	BOLT	2	2			
18	92995-06600	WASHER	2	2			
19	90464-44002	CLAMP	2	2			
20	6AW-81328-00	CLAMP	1	1			
21	90465-14M66	CLAMP	1	1			
22	97095-06016	BOLT	1	1			
23	92995-06600	WASHER	1	1			
24	6AW-81218-00	TERMINAL	1	1			
25	97095-06016	BOLT	2	2			
26	92995-06600	WASHER	2	2			
27	6AW-81925-01	TERMINAL	1	1			

FIG. 20 ELECTRICAL 4



REF. NO.	PART NO.	DESCRIPTION	XCA	UCA		REMARKS
28	97095-08020	BOLT	2	2		
29	92995-08600	WASHER	2	2		
30	90101-08022	BOLT	3	3		
31	92990-08600	WASHER, PLATE	3	3		
32	6AW-8259M-00	WIRE HARNESS ASSY 2	1	1		
33	6AW-82117-01	WIRE, LEAD	1	1		
34	97095-06020	BOLT	1	1		
35	92995-06100	WASHER, SPRING	1	1		
36	92995-06600	WASHER	1	1		
37	97095-06010	BOLT	4	4		
38	92995-06600	WASHER	4	4		
39	97095-08016	BOLT	3	3		AP
40	92995-08600	WASHER	3	3		AP
41	6AW-82105-00	WIRE HARNESS	1	1		AP
42	6AW-82119-00	.COVER, LEAD WIRE	1	1		
43	6AW-82119-20	.COVER, LEAD WIRE	1	1		

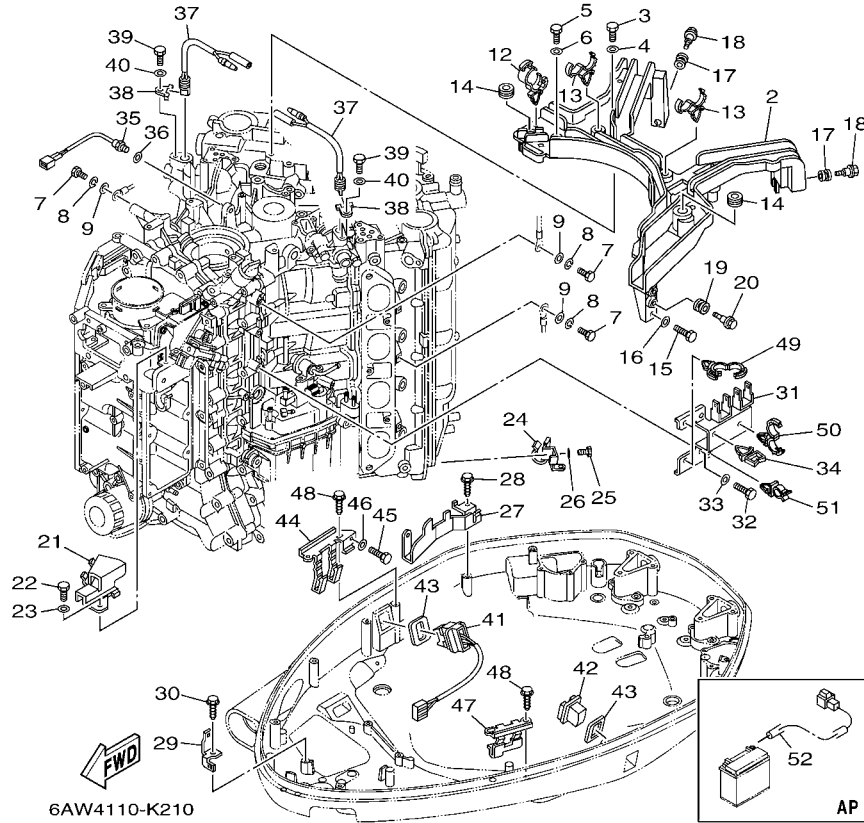
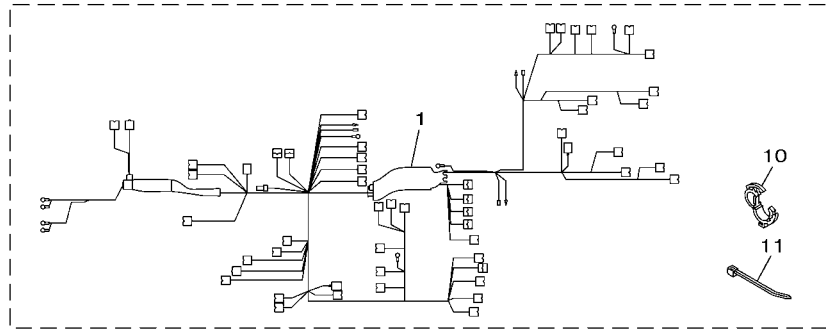


FIG. 21 ELECTRICAL 5

REF. NO.	PART NO.	DESCRIPTION	XCA	UCA			REMARKS
1	6AW-82590-10	WIRE HARNESS ASSY	1	1			
2	6AW-82589-00	PROTECTOR, WIRE HARNESS	1	1			
3	97095-06035	BOLT	2	2			
4	92995-06600	WASHER	2	2			
5	97095-06025	BOLT	1	1			
6	92995-06600	WASHER	1	1			
7	97095-06016	BOLT	3	3			
8	92995-06100	WASHER, SPRING	3	3			
9	92995-06600	WASHER	3	3			
10	90464-30003	CLAMP	1	1			
11	90465-13M18	CLAMP	2	2			
12	90464-20181	CLAMP	1	1			
13	90464-18246	CLAMP	2	2			
14	90480-19368	GROMMET	2	2			
15	97095-06012	BOLT	1	1			
16	92995-06600	WASHER	1	1			
17	90480-12314	GROMMET	2	2			
18	90109-06MA1	BOLT	2	2			
19	90480-12314	GROMMET	2	2			
20	90109-06MA1	BOLT	2	2			
21	6AW-82388-00	PLATE	1	1			
22	97095-06014	BOLT	1	1			
23	92995-06600	WASHER	1	1			
24	6AW-81677-00	CLAMP 1	1	1			
25	97095-06014	BOLT	1	1			
26	92995-06600	WASHER	1	1			
27	6AW-8257G-00	CLAMP, CORD	1	1			

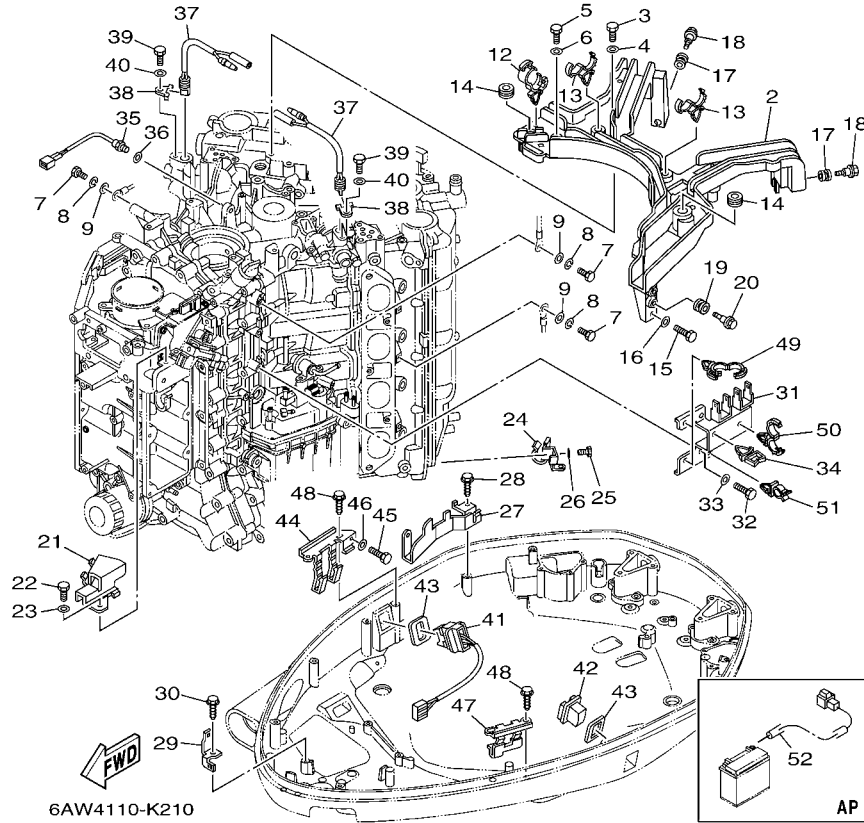
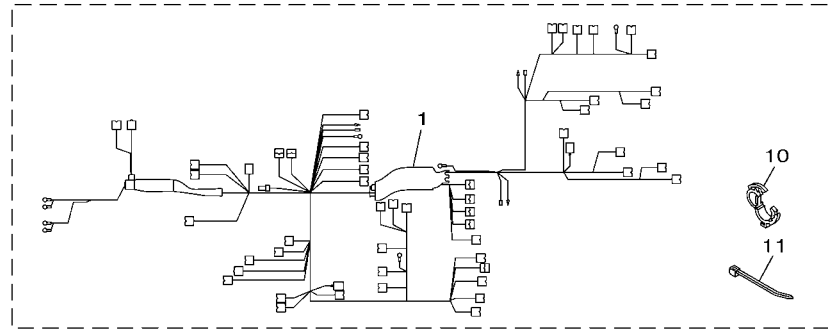
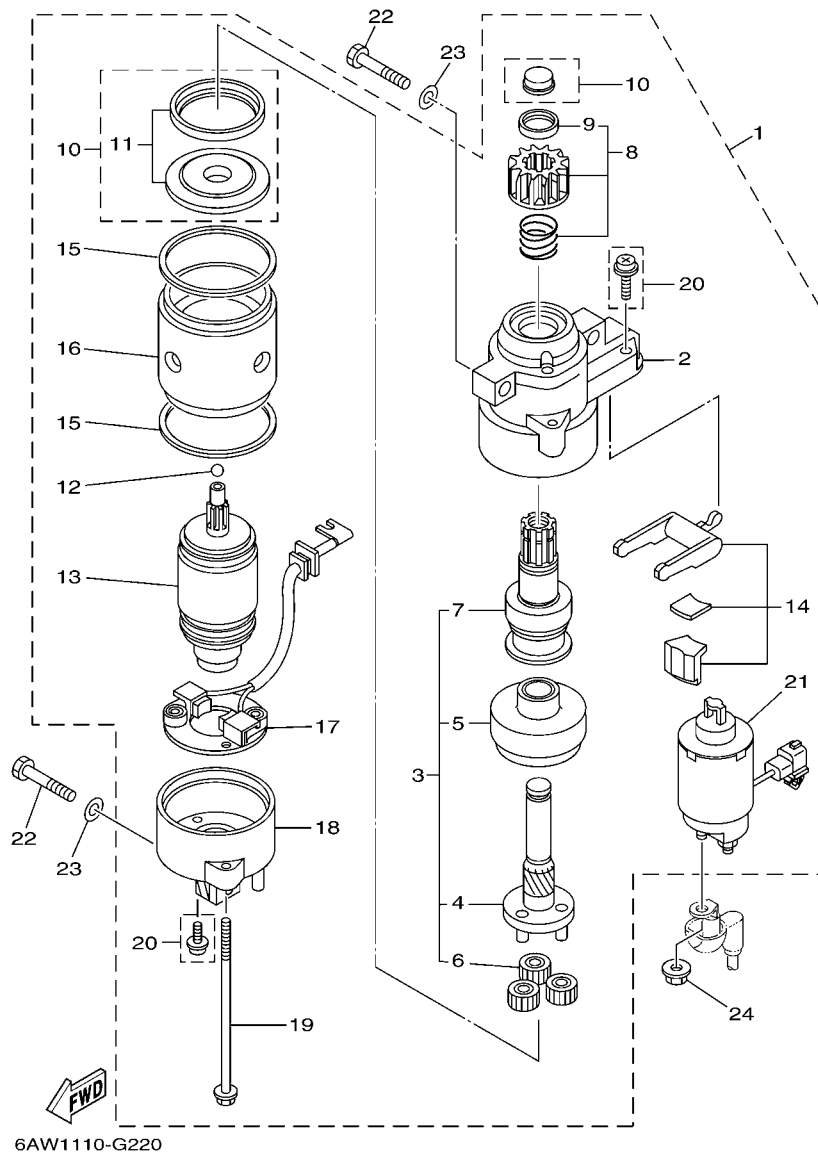


FIG. 21 ELECTRICAL 5

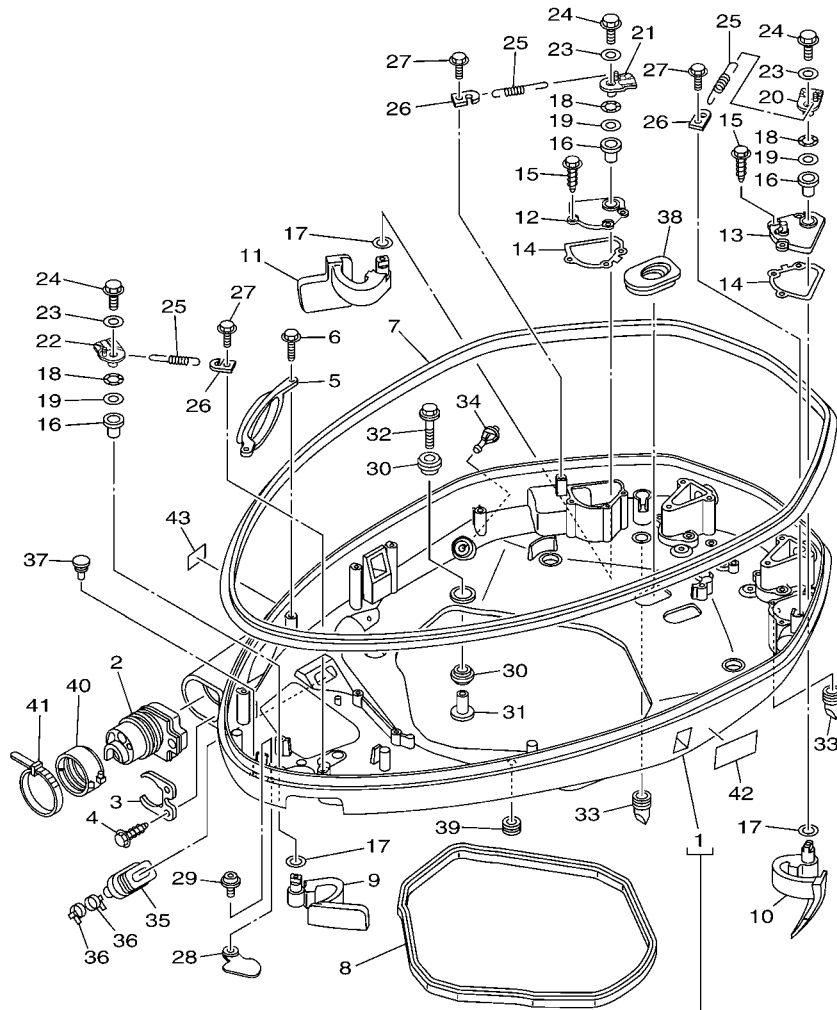
REF. NO.	PART NO.	DESCRIPTION	XCA	UCA			REMARKS
28	90109-06M86	BOLT	1	1			
29	6AW-42743-00	BRACKET	1	1			
30	90109-06M86	BOLT	1	1			
31	6AW-81845-00	PLATE	1	1			
32	97095-06014	BOLT	2	2			
33	92995-06600	WASHER	2	2			
34	90464-11121	CLAMP	1	1			
35	61A-85790-00	THERMOSENSOR ASSY	1	1			
36	92990-10600	WASHER, PLATE	1	1			
37	6AW-82560-00	THERMO SWITCH ASSY	2	2			
38	6E9-82588-00	PLATE	2	2			
39	97095-06016	BOLT	2	2			
40	92995-06600	WASHER	2	2			
41	6AW-82563-00	TRIM & TILT SWITCH ASSY	1	1			
42	69J-42723-00-8D	COVER, BOTTOM	1	1			
43	69J-82587-00	GASKET	2	2			
44	6AX-83614-00	BRACKET	1	1			
45	97095-06014	BOLT	1	1			
46	92995-06600	WASHER	1	1			
47	63P-83614-01	BRACKET	1	1			
48	90109-06M86	BOLT	4	4			
49	90464-20181	CLAMP	2	2			
50	90464-18246	CLAMP	1	1			
51	90464-09008	CLAMP	1	1			
52	69J-81949-02	WIRE, LEAD (ISOLATOR, 3.8M )	1	1			AP



**FIG. 22 STARTING MOTOR**

REF. NO.	PART NO.	DESCRIPTION	XCA	UCA	REMARKS
1	6AW-81800-00	STARTING MOTOR ASSY	1	1	
2	6AW-81830-00	.FRONT BRACKET ASSY	1	1	
3	6AW-81807-00	.GEAR ASSY, STARTING MOTOR	1	1	
4	6AW-81836-00	..SHAFT, PINION	1	1	
5	6AW-81891-00	..GEAR, RING	1	1	
6	6AW-8183T-00	..GEAR, IDLER	3	3	
7	6AW-81832-00	..CLUTCH, OVER RUN	1	1	
8	6AW-81808-00	.PINION ASSY	1	1	
9	6AW-81857-00	..RETAINER	1	1	
10	6AW-81862-00	.CAP	1	1	
11	6AW-8183R-00	..PACKING SET	1	1	
12	6AW-81854-00	.BALL, STEEL	1	1	
13	6AW-81850-00	.ARMATURE ASSY	1	1	
14	6AW-81839-00	.LEVER ASSY	1	1	
15	6AW-81842-00	.PACKING	2	2	
16	6AW-81810-00	.STATOR ASSY	1	1	
17	6AW-81840-00	.BRUSH HOLDER ASSY	1	1	
18	6AW-81820-00	.REAR BRACKET ASSY	1	1	
19	6AW-81826-00	.BOLT	1	1	
20	6AW-81846-00	.SCREW	1	1	
21	6AW-81941-00	.STARTER RELAY ASSY	1	1	
22	97013-08045	BOLT	3	3	
23	92903-08600	WASHER, PLATE	3	3	
24	90179-08003	NUT	1	1	



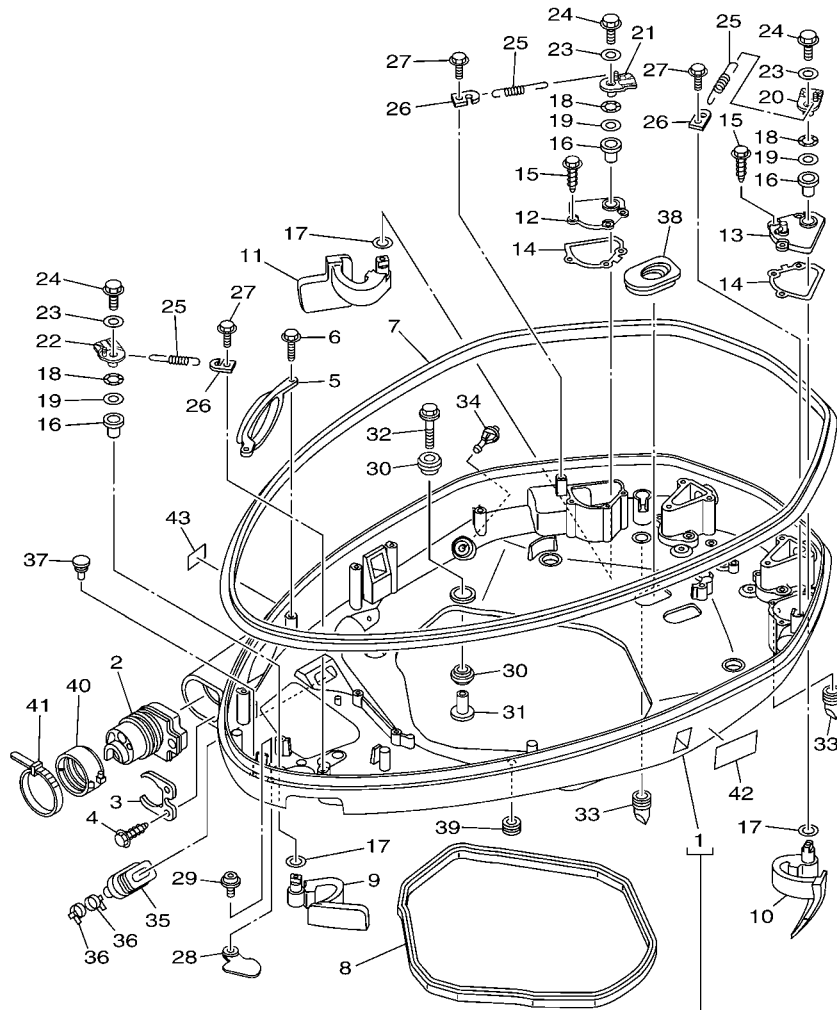


**BOTTOM COWLING  
ASSY**  
(Fig. 6, Ref. No. 23  
Fig. 15, Ref. No. 27  
Fig. 21, Ref. No. 28, 30, 48  
Fig. 23, Ref. No. 4, 6, 15, 27  
Fig. 24, Ref. No. 14, 17, 26)

6BJ2110-H230

**FIG. 23 BOTTOM COWLING 1**

REF. NO.	PART NO.	DESCRIPTION	XCA	UCA	REMARKS
1	6AW-42710-00-8D	BOTTOM COWLING ASSY	1	1	
2	6AW-42725-00	GROMMET	1	1	
3	6AW-42761-00	STOPPER	1	1	
4	90109-06M86	BOLT	2	2	
5	6AW-42735-00	PROTECTOR	1	1	
6	90109-06M86	BOLT	2	2	
7	6AW-42615-00	SEAL	1	1	
8	63P-42716-00	RUBBER, SEAL 1	1	1	
9	6AW-42815-00-8D	LEVER, CLAMP	1	1	
10	6AW-42816-01-8D	LEVER, CLAMP	1	1	
11	6AW-42817-01-8D	LEVER, CLAMP	1	1	
12	6AW-42828-00-8D	PLATE, CLAMP	1	1	
13	6AW-42829-00-8D	PLATE, CLAMP 2	1	1	
14	6AW-42722-00	GASKET 2	2	2	
15	90109-06M81	BOLT	6	6	
16	90381-15002	BUSH, SOLID	3	3	
17	90202-15M37	WASHER, PLATE	3	3	
18	90206-15M18	WASHER, WAVE	3	3	
19	90201-156J2	WASHER, PLATE	3	3	
20	6AW-42818-01	LEVER, CLAMP	1	1	
21	6AW-42819-01	LEVER, CLAMP	1	1	
22	6AW-4281A-01	LEVER, CLAMP 6	1	1	
23	90201-06M30	WASHER, PLATE	3	3	
24	90105-06155	BOLT, FLANGE	3	3	
25	90506-22001	SPRING, TENSION	3	3	
26	66T-43144-00	HOOK, SPRING	3	3	
27	90109-06M86	BOLT	3	3	

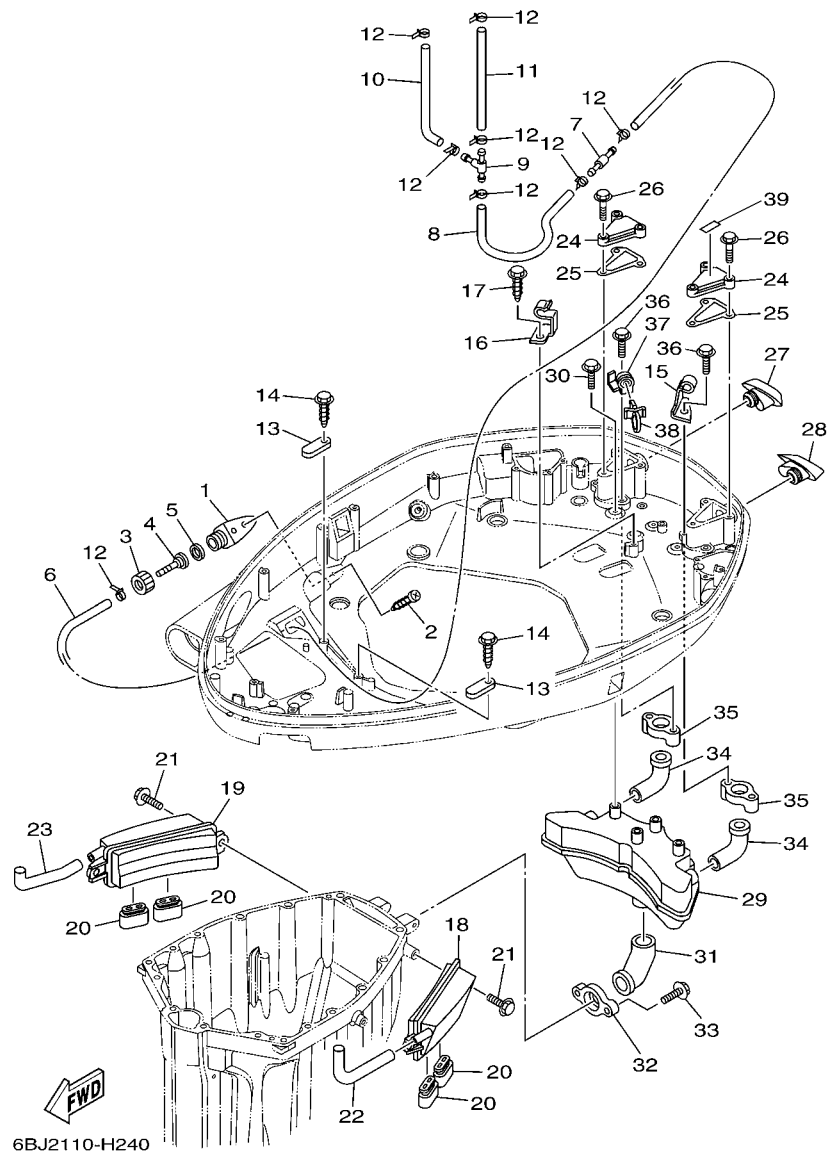


**BOTTOM COWLING  
ASSY**  
 (Fig. 6, Ref. No. 23  
 Fig. 15, Ref. No. 27  
 Fig. 21, Ref. No. 28, 30, 48  
 Fig. 23, Ref. No. 4, 6, 15, 27  
 Fig. 24, Ref. No. 14, 17, 26)

6BJ2110-H230

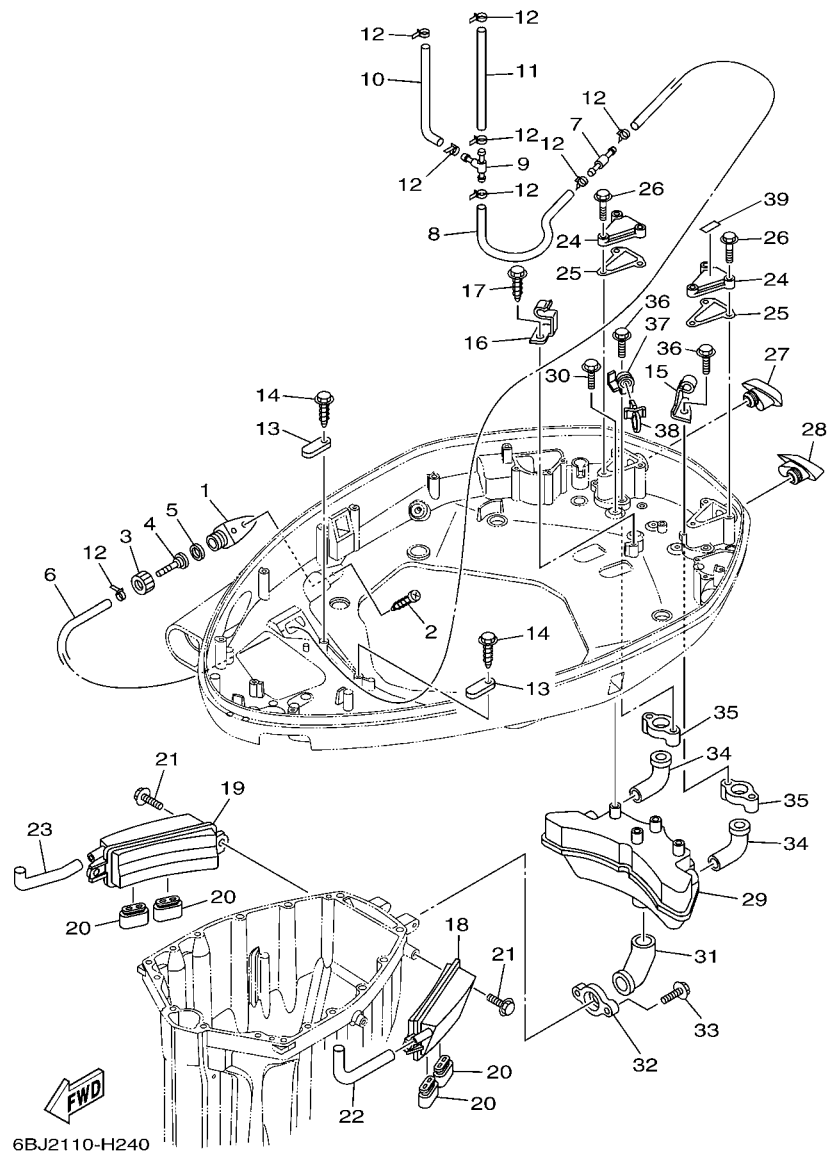
**FIG. 23 BOTTOM COWLING 1**

REF. NO.	PART NO.	DESCRIPTION	XCA	UCA	REMARKS
28	6AW-42851-00	COVER, CLAMP	1	1	
29	90111-06094	BOLT, HEX. SOCKET BUTTON	1	1	
30	90480-22M81	GROMMET	12	12	
31	90387-08M37	COLLAR	6	6	
32	90119-08M22	BOLT, WITH WASHER	6	6	
33	61A-42717-00	RUBBER, SEAL 2	2	2	
34	6P2-44391-00	NIPPLE, HOSE	1	1	
35	6H1-42726-21	GROMMET	1	1	
36	90465-11M10	CLAMP	2	2	
37	6H4-42748-00	GROMMET	1	1	
38	6AW-42726-00	GROMMET	2	2	
39	90480-16007	GROMMET	1	1	
40	68F-42753-00	FASTNER	1	1	AP
41	90464-20258	CLAMP	1	1	AP
42	6AH-42794-40	LABEL, WARNING (GENERAL)	1	1	
43	6AH-81996-00	MARK	1	1	



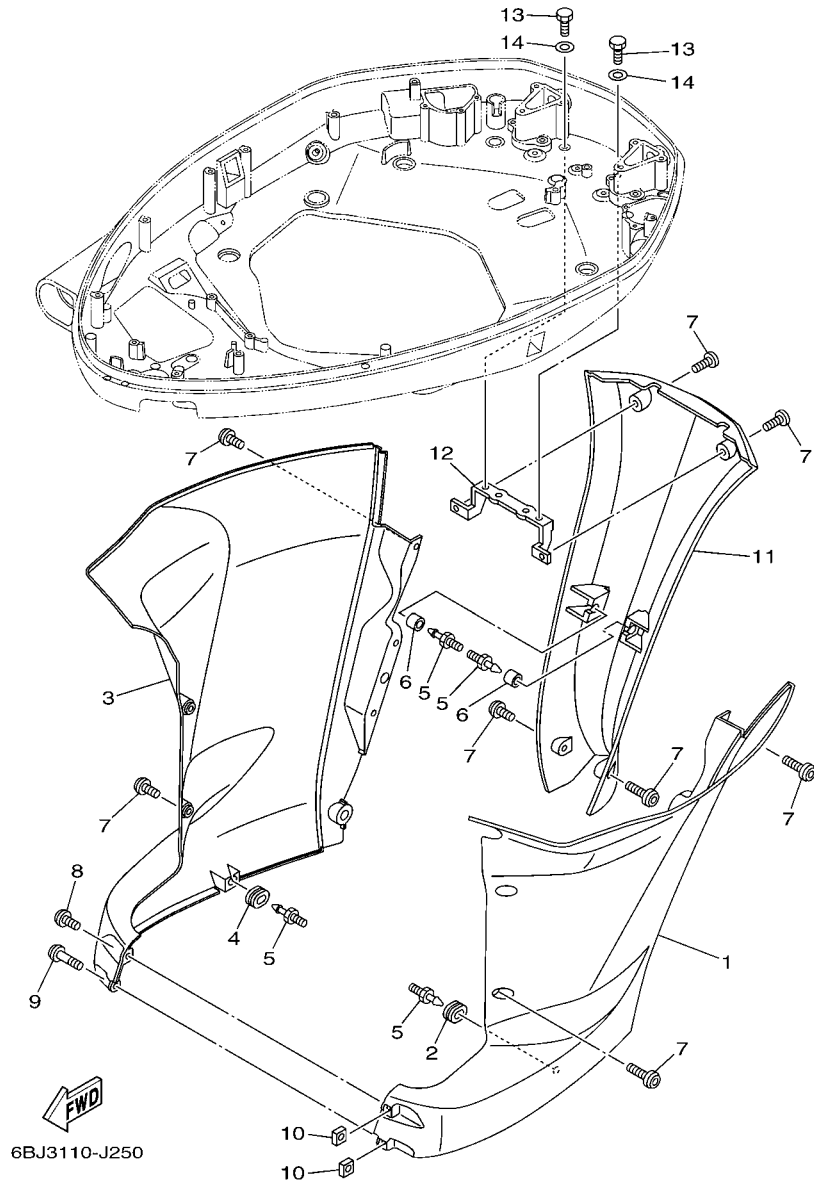
**FIG. 24 BOTTOM COWLING 2**

REF. NO.	PART NO.	DESCRIPTION	XCA	UCA			REMARKS
1	6AW-12572-00	ADAPTER	1	1			
2	97780-60520	SCREW, TAPPING	2	2			
3	6R3-12581-00	JOINT, HOSE 1	1	1			
4	6AW-12582-00	JOINT, HOSE 2	1	1			
5	6R3-12583-00	GASKET, HOSE JOINT	1	1			
6	90445-14015	HOSE (L1520)	1	1			
7	6AW-42785-00	PIPE	1	1			
8	90445-14013	HOSE (L480)	1	1			
9	6AW-42169-00	JOINT	1	1			
10	66V-24314-00	PIPE 4	1	1			
11	90445-116J1	HOSE (L185)	1	1			
12	90465-11M10	CLAMP	8	8			
13	6E5-82588-00	PLATE	2	2			
14	90109-06M81	BOLT	2	2			
15	90465-08M82	CLAMP	1	1			
16	6AW-42744-00	STAY	1	1			
17	90109-06M86	BOLT	1	1			
18	6AW-42733-00	BOX, DRAIN	1	1			
19	6AW-42734-00	BOX, DRAIN 2	1	1			
20	69J-42717-00	RUBBER, SEAL 2	4	4			
21	95895-06016	BOLT, FLANGE	4	4			
22	6AW-42786-00	HOSE, DRAIN 1	1	1			
23	6AW-42787-00	HOSE, DRAIN 2	1	1			
24	6AW-42723-00-8D	COVER, BOTTOM	2	2			
25	6AW-42721-00	GASKET 1	2	2			
26	90109-06M81	BOLT	6	6			
27	6AW-42769-00	SEAL, RUBBER	1	1			



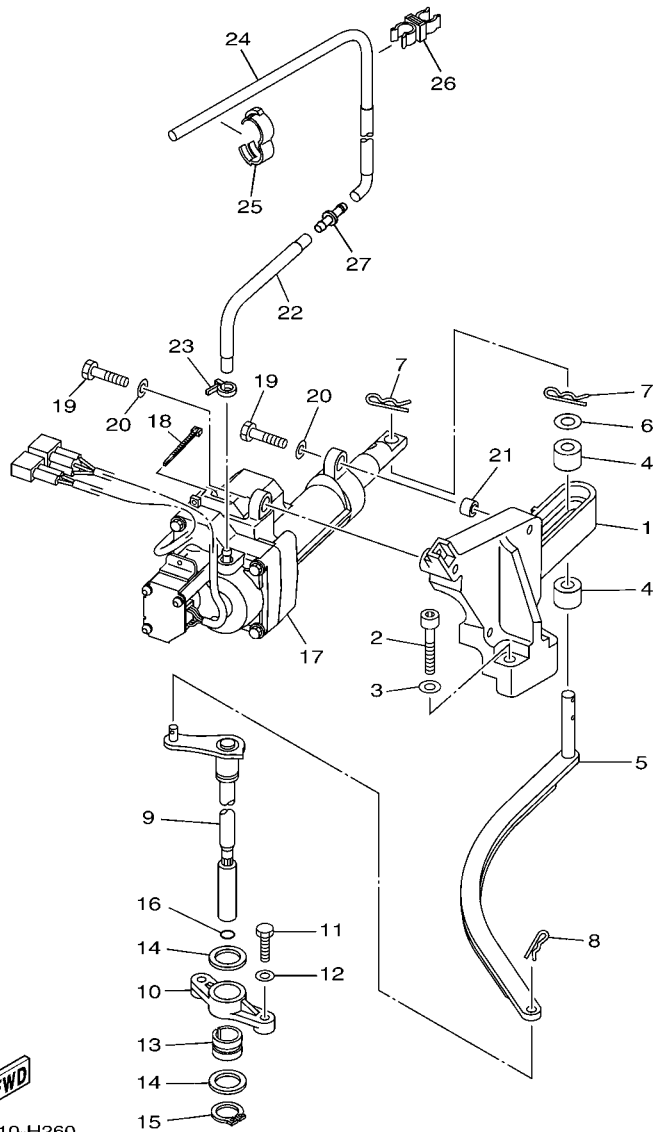
**FIG. 24 BOTTOM COWLING 2**

REF. NO.	PART NO.	DESCRIPTION	XCA	UCA	REMARKS
28	6AW-42629-00	SEAL	1	1	
29	6AW-14750-00	SILENCER ASSY	1	1	
30	95875-06016	BOLT, FLANGE	4	4	
31	6AW-1475E-00	PIPE 2	1	1	
32	6AW-14763-00	SPACER	1	1	
33	95875-06025	BOLT, FLANGE	2	2	
34	6AW-1475F-00	PIPE 3	2	2	
35	6AW-14764-00-CA	SPACER	2	2	
36	95875-06016	BOLT, FLANGE	4	4	
37	6AW-8339X-00	CLAMP, CORD	1	1	
38	90464-12001	CLAMP	1	1	
39	68V-82377-00	LABEL	1	1	



**FIG. 25 BOTTOM COWLING 3**

REF. NO.	PART NO.	DESCRIPTION	XCA	UCA	REMARKS
1	6AW-42741-00-8D	APRON	1	1	
2	90480-14M17	GROMMET	1	1	
3	6AW-42771-00-8D	APRON	1	1	
4	90480-14M17	GROMMET	1	1	
5	69J-42774-10	STAY, APRON 1	4	4	
6	90386-07001	BUSH	2	2	
7	90111-06111	BOLT,HEX. SOCKET BUTTON	14	14	
8	90111-06111	BOLT,HEX. SOCKET BUTTON	1	1	
9	90111-06113	BOLT,HEX. SOCKET BUTTON	1	1	
10	90173-06001	NUT, SQUARE	2	2	
11	6AW-45151-01-8D	COVER, UPPER CASING	1	1	
12	6AW-42775-00	STAY, APRON 2	1	1	
13	97095-06014	BOLT	2	2	
14	92995-06600	WASHER	2	2	

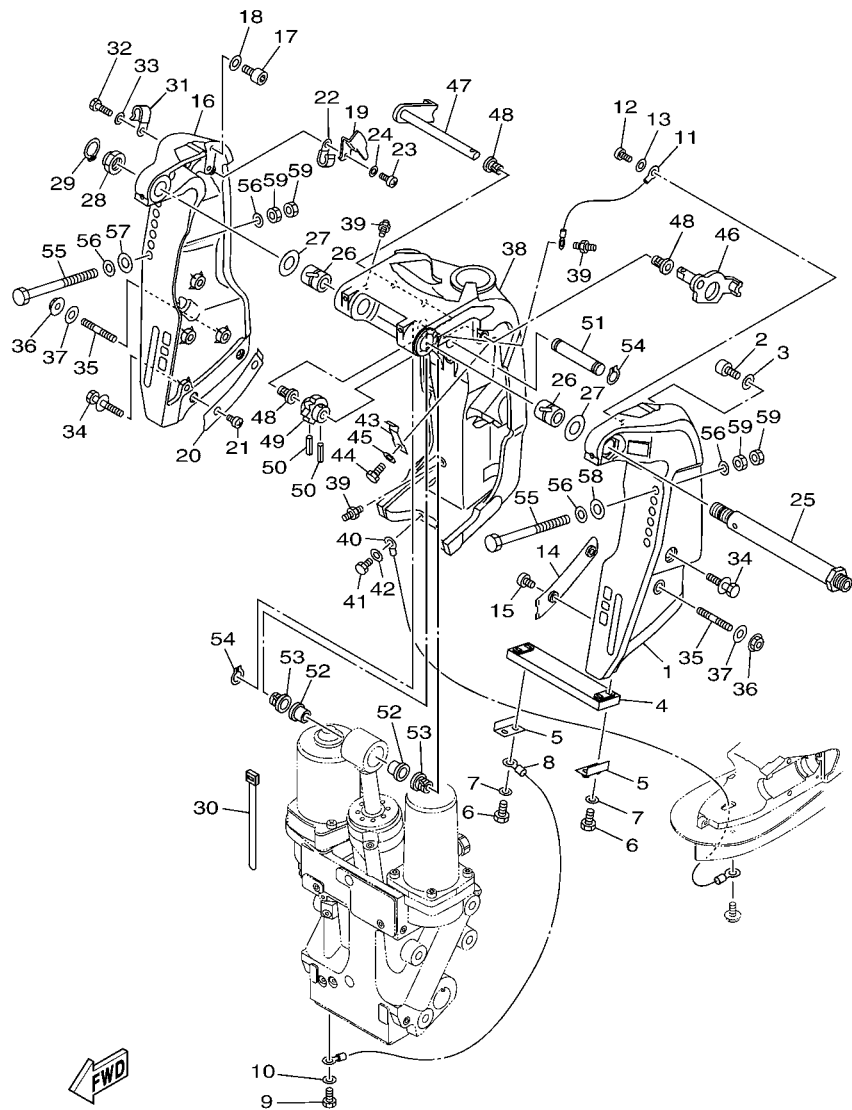


6BJ2110-H260

FIG. 26 CONTROL

REF. NO.	PART NO.	DESCRIPTION	XCA	UCA	REMARKS
1	6AW-44176-00	BRACKET	1	1	
2	90110-08085	BOLT, HEXAGON SOCKET HEAD	2	2	
3	92990-08600	WASHER, PLATE	2	2	
4	6AW-44122-00	BUSHING, SHIFT ROD LEVER	2	2	
5	6AW-44121-00	LEVER, SHIFT ROD	1	1	
6	90201-11008	WASHER, PLATE	1	1	
7	90468-180A0	CLIP	2	2	
8	90468-18008	CLIP	1	1	
9	6AW-44120-00	HANDLE GEAR SHIFT ASSY	1		X(25.1")
	6AW-44120-10	HANDLE GEAR SHIFT ASSY		1	U(30.1")
10	6AW-44118-00	BRACKET	1	1	
11	97095-06025	BOLT	2	2	
12	92995-06600	WASHER	2	2	
13	90380-19001	BUSH, SOLID	1	1	
14	90202-19001	WASHER, PLATE	2	2	
15	93410-19088	CIRCLIP	1	1	
16	93210-09165	O-RING	1	1	
17	6AW-4820A-10	ACTUATOR UNIT	1	1	
18	90465-11M10	CLAMP	1	1	
19	97080-08030	BOLT	4	4	
20	92900-08600	WASHER	4	4	
21	90387-08M31	COLLAR	2	2	
22	6AW-24314-10	PIPE 4	1	1	
23	90465-11M10	CLAMP	1	1	
24	6AW-24314-00	PIPE 4	1	1	
25	90464-16001	CLAMP	1	1	
26	90464-10M59	CLAMP	1	1	



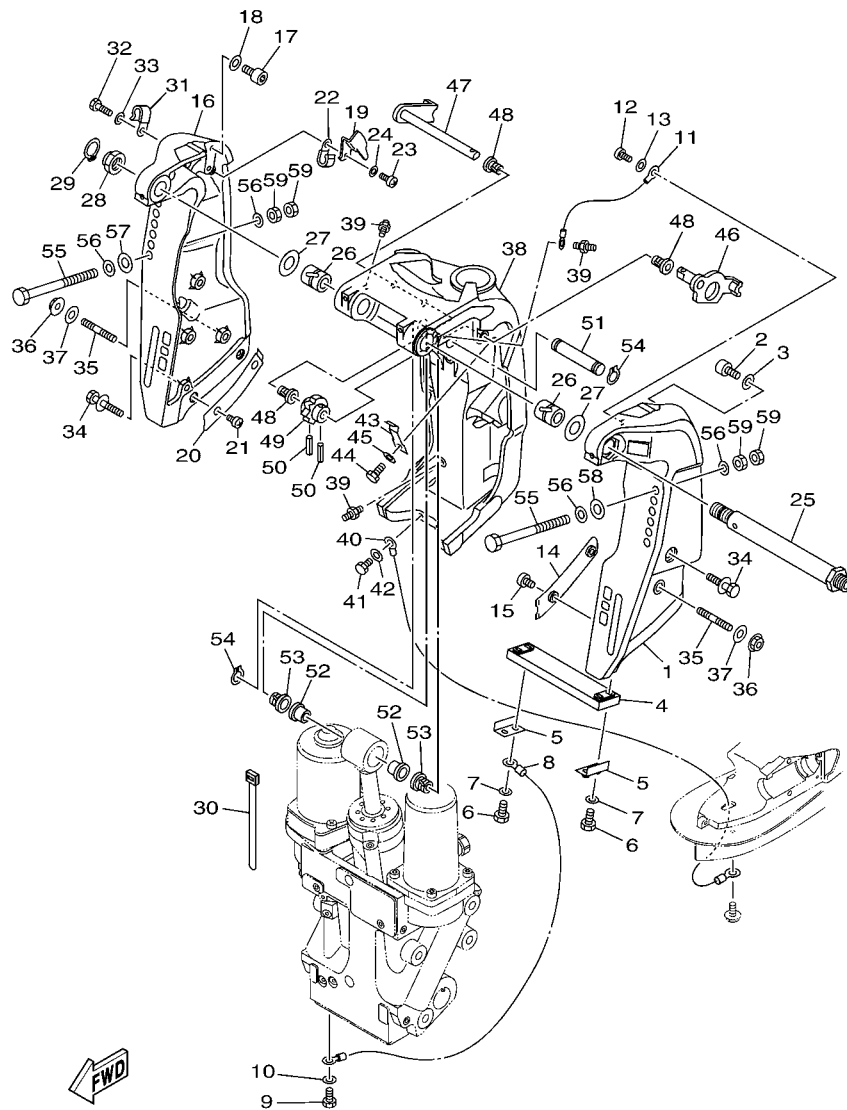


6AW4110-K270

FIG. 27 BRACKET 1

REF. NO.	PART NO.	DESCRIPTION	XCA	UCA			REMARKS
1	6AW-43111-00-8D	BRACKET, CLAMP 1	1	1			
2	90110-10092	BOLT, HEXAGON SOCKET HEAD	1	1			
3	90201-10049	WASHER, PLATE	1	1			
4	6AW-45251-00	ANODE	1	1			
5	6G5-44526-00	PLATE	2	2			
6	97095-06030	BOLT	4	4			
7	92995-06600	WASHER	4	4			
8	6H1-82148-00	WIRE, LEAD 4	1	1			
9	97095-06010	BOLT	1	1			
10	92995-06600	WASHER	1	1			
11	6H1-82148-00	WIRE, LEAD 4	1	1			
12	97885-06012	SCREW, PAN HEAD	1	1			
13	92995-06600	WASHER	1	1			
14	61A-43132-00	WASHER, FRICTION	1	1			
15	97885-06010	SCREW, PAN HEAD	2	2			
16	6AW-43112-00-8D	BRACKET, CLAMP 2	1	1			
17	90110-10092	BOLT, HEXAGON SOCKET HEAD	1	1			
18	90201-10049	WASHER, PLATE	1	1			
19	6AW-43113-00	PLATE, CLAMP BRACKET	1	1			
20	61A-43133-00	WASHER, FRICTION	1	1			
21	97885-06010	SCREW, PAN HEAD	2	2			
22	90465-08M83	CLAMP	1	1			
23	97885-06012	SCREW, PAN HEAD	1	1			
24	92995-06600	WASHER	1	1			
25	6R3-43131-10	BOLT, CLAMP BRACKET	1	1			
26	90386-25003	BUSH	2	2			
27	90201-26014	WASHER, PLATE	2	2			





6AW4110-K270

FIG. 27 BRACKET 1

REF. NO.	PART NO.	DESCRIPTION	XCA	UCA	REMARKS
28	90185-22007	NUT, SELF-LOCKING	1	1	
29	93410-21089	CIRCLIP	1	1	
30	90465-11M10	CLAMP	3	3	
31	90465-08M83	CLAMP	1	1	
32	97095-06014	BOLT	1	1	
33	92995-06600	WASHER	1	1	
34	90119-10039	BOLT, WITH WASHER	6	6	
35	90116-10047	BOLT, STUD	2	2	
36	95780-10300	NUT, FLANGE	2	2	
37	90201-10048	WASHER, PLATE	2	2	
38	6AW-43311-00-8D	BRACKET, SWIVEL 1	1	1	
39	93700-06M03	NIPPLE, GREASE	3	3	
40	6E5-82147-00	WIRE, LEAD 5	1	1	
41	97095-06010	BOLT	1	1	
42	92995-06600	WASHER	1	1	
43	6AW-44116-00	SPRING	1	1	
44	97095-06010	BOLT	1	1	
45	92995-06600	WASHER	1	1	
46	6AW-43181-01	LEVER, TILT STOP 1	1	1	Go to P/N : PE0-OM-100058
47	6AW-43185-01	LEVER, TILT STOP 2	1	1	Go to P/N : PE0-OM-100058
48	90386-10M16	BUSH	3	3	
49	6AW-43148-00	COLLAR, DISTANCE	1	1	
50	91690-30020	PIN, SPRING	2	2	
51	6AW-43126-01	PIN, UPPER SHOCK MOUNT	1	1	
52	90386-18M63	BUSH	2	2	
53	90386-18M14	BUSH	2	2	
54	93410-18M02	CIRCLIP	2	2	



# PARTS NEWS



News No. PE0-OM-100058

Date: F. Takahashi

Signature: November 15, 20

Cause  Revision Notice  Correction  Sales Unit Change  Others

Model	F350CA, F350AET '11 (6AW4) / LF350CA, FL350AET '11 (6AX4)
Subject	PARTS CATALOGUE CORRECTIONS
CATALOGUE NO.	1K6AW-100E1/1K6AW-110E1/1K6AX-110E1/1K6AW-200S1/1K6AW-300F1
Time of YPEC Revision	Text, Illustration --> Dec./10/2010 PDF Replace --> Dec./10/2010 (YPEC = Yamaha Parts Electrical Catalogue = Website parts catalogue)

## FIG.27 or 28 BRACKET 1 LIST CORRECTION

Fig. No.	Ref. No.	PART NO.	PART NAME	Q'TY	REMARKS (Color Change)
27 or 28	46	OLD	6AW-43181-00	1	(Dark Bluish Gray)
		<b>NEW</b>	<b>6AW-43181-01</b>		*Part number revision (Silver Gray)
	47	OLD	6AW-43185-00	1	(Dark Bluish Gray)
		<b>NEW</b>	<b>6AW-43185-01</b>		*Part number revision (Silver Gray)

\*Applicable Engine Serial No.

MODEL NAME	MODEL CODE	Applicable Engine Serial No.
F350CA, F350AET	6AW4	6AW:1005506-
LF350CA, FL350AET	6AX4	6AX:1003343-

\*1: Interchangeability

A	Old Parts	↔	Old Parts
	New Parts	↔	New Parts
B	Old Parts	↔	Old Parts
	New Parts	↔	New Parts
C	Old Parts	↔	Old Parts
	New Parts	↔	New Parts
	These parts are interchangeable with a set		

Thank you very much for your cooperation.

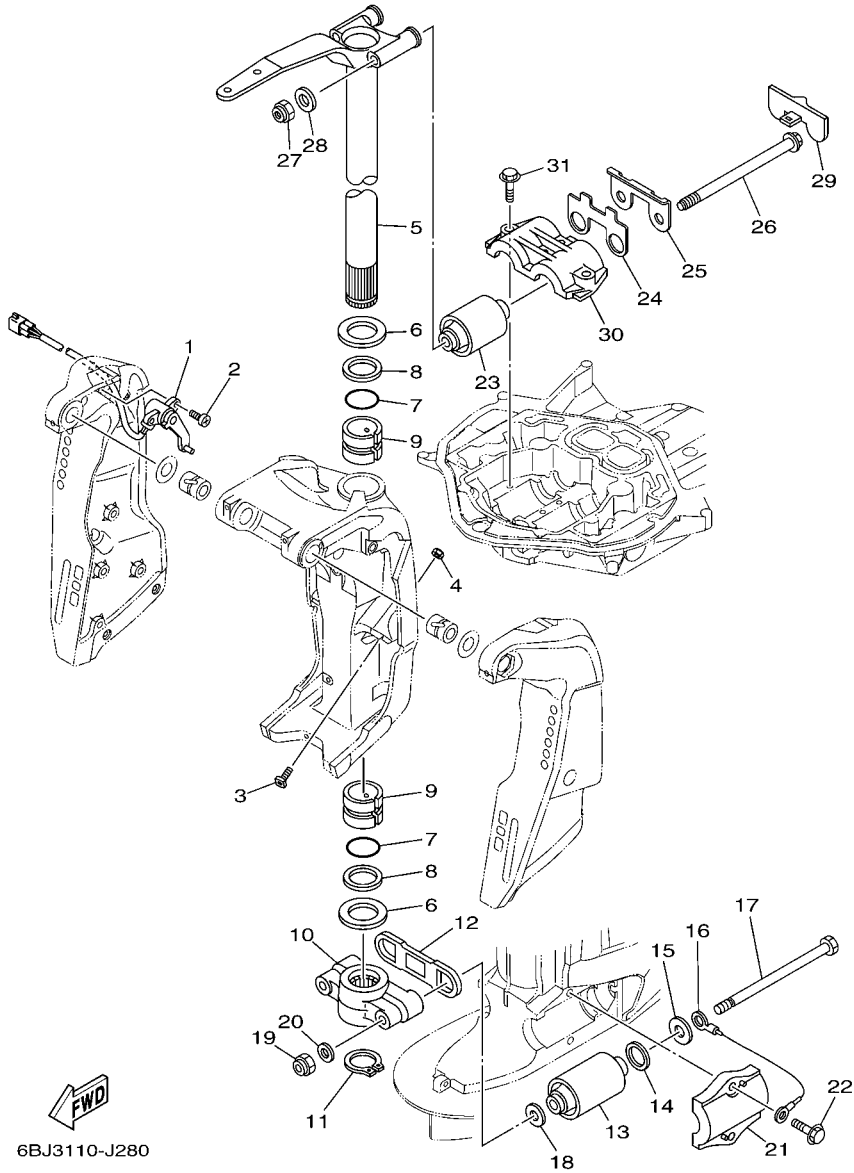
Parts  
Manager  
Check

Service  
Manager  
Check

Parts  
Manager  
File

YAMAHA MOTOR CO.,LTD  
2500 Shingai Iwata Shizuoka 438-8501.Japan  
Technical Publication Dept.



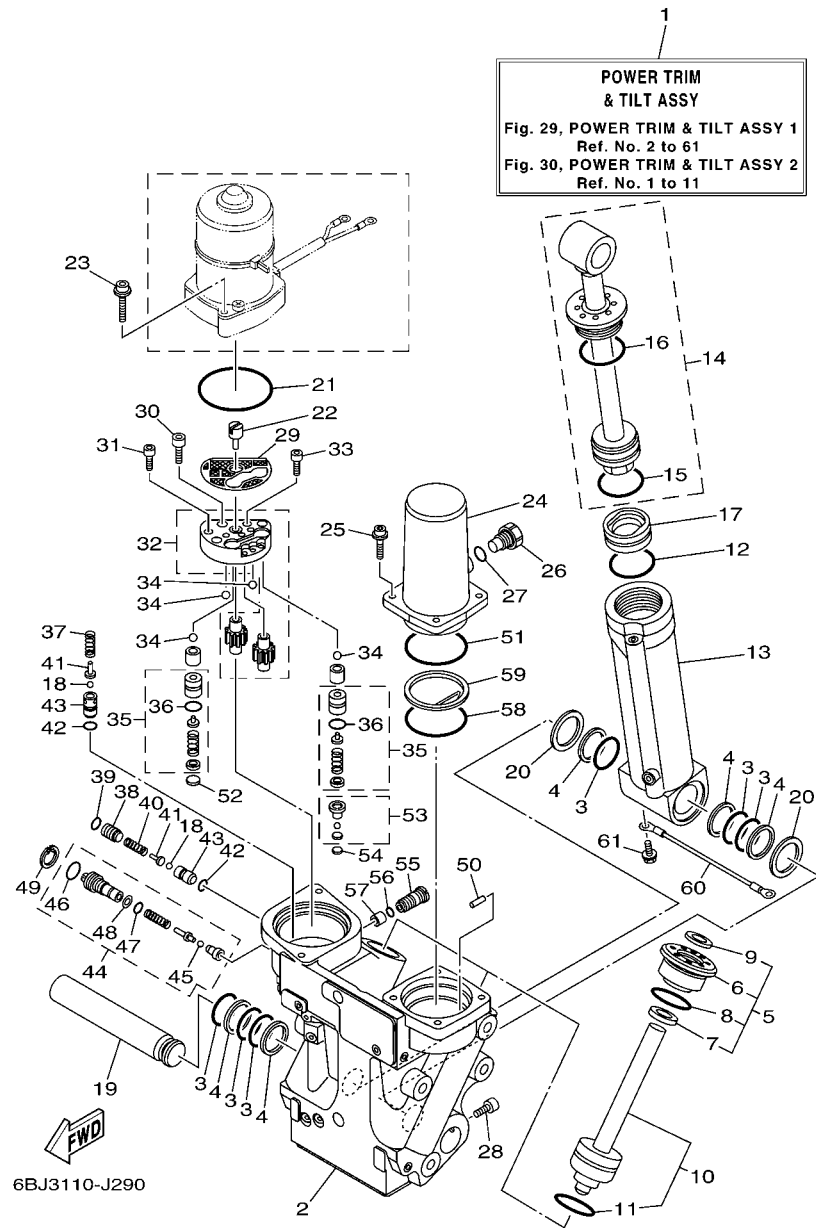


6BJ3110-J280

FIG. 28 BRACKET 2

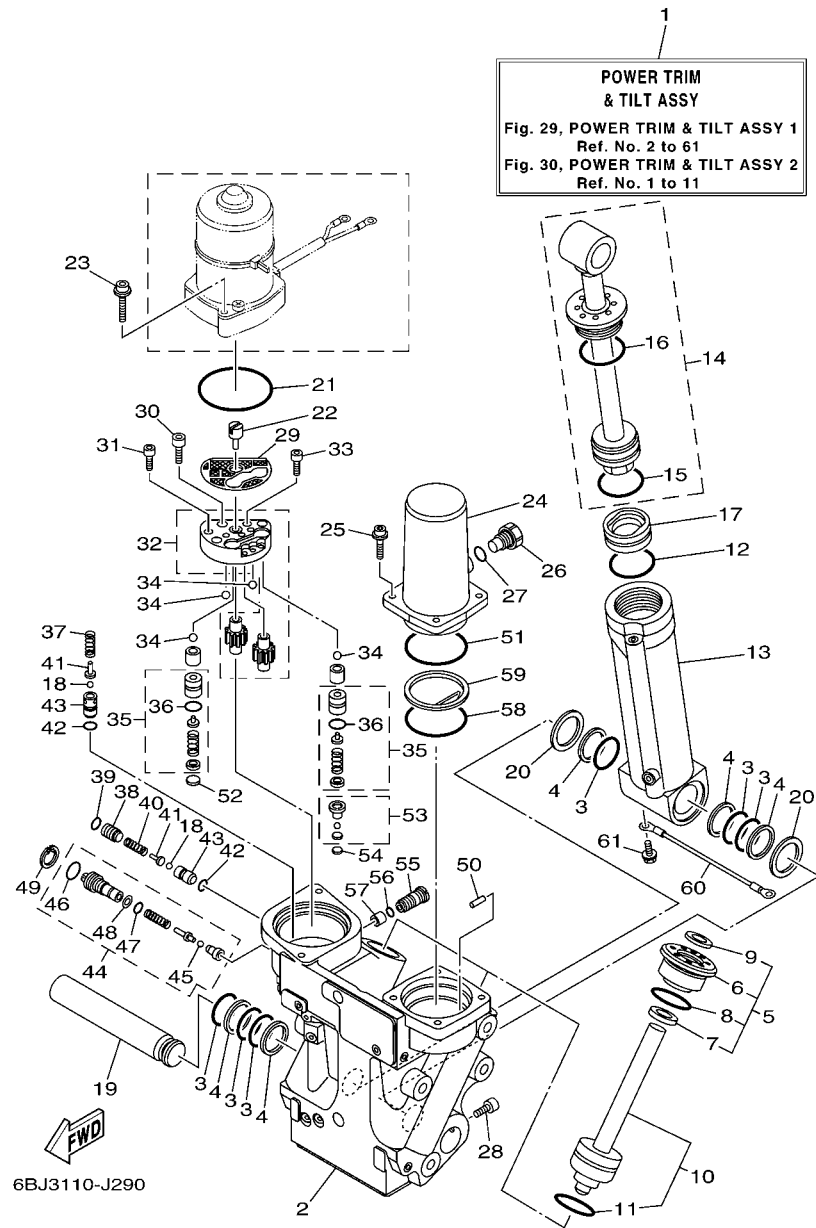
REF. NO.	PART NO.	DESCRIPTION	XCA	UCA	REMARKS
1	6AW-83672-00	TRIM SENDER	1	1	
2	97885-06016	SCREW, PAN HEAD	2	2	
3	6AW-43376-00	BOLT, THRUST RECEIVER	2	2	
4	95780-10300	NUT, FLANGE	2	2	
5	6AW-42510-01-8D	STEERING BRACKET ASSY	1	1	
6	90201-46008	WASHER, PLATE	2	2	
7	93210-43001	O-RING	2	2	
8	90202-45001	WASHER, PLATE	2	2	
9	90386-45002	BUSH	2	2	
10	6AW-44551-00-8D	HOUSING, LOWER MOUNT RUBBER 1	1	1	
11	93410-44087	CIRCLIP	1	1	
12	6AW-44575-00	DAMPER, LOWER MOUNT RUBBER	1	1	
13	6AW-44555-00	MOUNT DAMPER, LOWER SIDE	2	2	
14	90202-32M19	WASHER, PLATE	2	2	
15	90201-16016	WASHER, PLATE	2	2	
16	6AW-82149-00	WIRE, LEAD 3	1	1	
17	90101-14004	BOLT	2	2	
18	90201-15M58	WASHER, PLATE	2	2	
19	90185-14M00	NUT, SELF-LOCKING	2	2	
20	92995-14600	WASHER	2	2	
21	6AW-44552-00-CA	HOUSING, LOWER MOUNT RUBBER 2	2	2	
22	90119-10024	BOLT, WITH WASHER	4	4	
23	6AW-44514-01-94	MOUNT DAMPER, UPPER SIDE	2	2	
24	6AW-44532-00	STOPPER, UPPER MOUNT	1	1	
25	6AW-44526-00	PLATE	1	1	
26	90105-16003	BOLT, FLANGE	2	2	
27	90185-16008	NUT, SELF-LOCKING	2	2	





**FIG. 29 POWER TRIM & TILT ASSY 1**

REF. NO.	PART NO.	DESCRIPTION	XCA	UCA			REMARKS
1	6AW-43800-01	POWER TRIM & TILT ASSY	1	1			
2	6AW-43825-01	HOUSING, TRIM & TILT	1	1			
3	6AW-4389H-00	O-RING	6	6			
4	6AW-43871-00	RING, BACK UP	5	5			
5	6AW-4380R-00	CYLINDER END SUB ASSY	2	2			
6	6AW-43821-00	.SCREW, TRIM CYLINDER END	1	1			
7	6AW-4384J-00	.SEAL, TRIM DOWN	1	1			
8	6E5-43862-00	.O-RING	1	1			
9	6AW-43822-00	.SEAL, TRIM DUST	1	1			
10	6AW-43820-00	TRIM PISTON SUB ASSY	2	2			
11	6G5-43864-00	.O-RING	1	1			
12	6E5-43862-00	O-RING	1	1			
13	6AW-43813-00	CYLINDER, TILT	1	1			
14	6AW-43810-01	TILT PISTON SUB ASSY	1	1			
15	6E5-43862-00	.O-RING	1	1			
16	64E-43866-00	.O-RING	1	1			
17	6AW-43814-00	PISTON, FREE	1	1			
18	64E-43858-00	BALL	2	2			
19	6AW-4381A-00	SHAFT	1	1			
20	6AW-4387G-00	WASHER	2	2			
21	64E-43868-00	O-RING	1	1			
22	64E-43831-00	CONNECTOR, SHAFT	1	1			
23	6AW-43879-00	SCREW, WITH WASHER	2	2			
24	6AW-43828-00	BODY, RESERVOIR	1	1			
25	6AW-43887-00	BOLT	4	4			
26	6AW-43829-00	PLUG, RESERVOIR	1	1			
27	6AW-43897-00	O-RING	1	1			



**FIG. 29 POWER TRIM & TILT ASSY 1**

REF. NO.	PART NO.	DESCRIPTION	XCA	UCA	REMARKS
28	6AW-4388E-00	BOLT ,SCREW	1	1	
29	64E-43817-11	FILTER 2	1	1	
30	6AW-43878-00	BOLT, SOCKET	4	4	
31	6AW-43888-00	BOLT, SOCKET	3	3	
32	6AW-43830-00	GEAR PUMP ASSY	1	1	
33	6AW-43886-00	BOLT	1	1	
34	6AW-43858-00	BALL	4	4	
35	6AW-43802-00	VALVE SUB ASSY	2	2	
36	6E5-43896-00	.O-RING	1	1	
37	6AW-43856-00	SPRING, DOWN RELIEF	1	1	
38	6AW-4388J-00	PLUG 2	1	1	
39	6AW-43869-00	O-RING	1	1	
40	6AW-4384H-00	SPRING	1	1	
41	6AW-43844-00	PIN, VALVE SUPPORT	2	2	
42	6G5-43863-00	O-RING	2	2	
43	6AW-4382G-00	VALVE SEAT	2	2	
44	6AW-43860-01	MANUAL VALVE SUB-ASSY	1	1	
45	64E-43858-00	.BALL	1	1	
46	72X-85075-L0	.O-RING	1	1	
47	64E-4387A-00	.O-RING	1	1	
48	64E-43873-00	.RING, BACK UP	1	1	
49	6AW-43875-00	RING, SNAP	1	1	
50	6AW-4381G-00	PIN 1	1	1	
51	6AW-43861-00	O-RING	1	1	
52	6AW-43817-00	FILTER 2	1	1	
53	6AW-43809-00	SEAT VALVE COMP. 2	1	1	
54	64E-43816-00	FILTER 1	1	1	

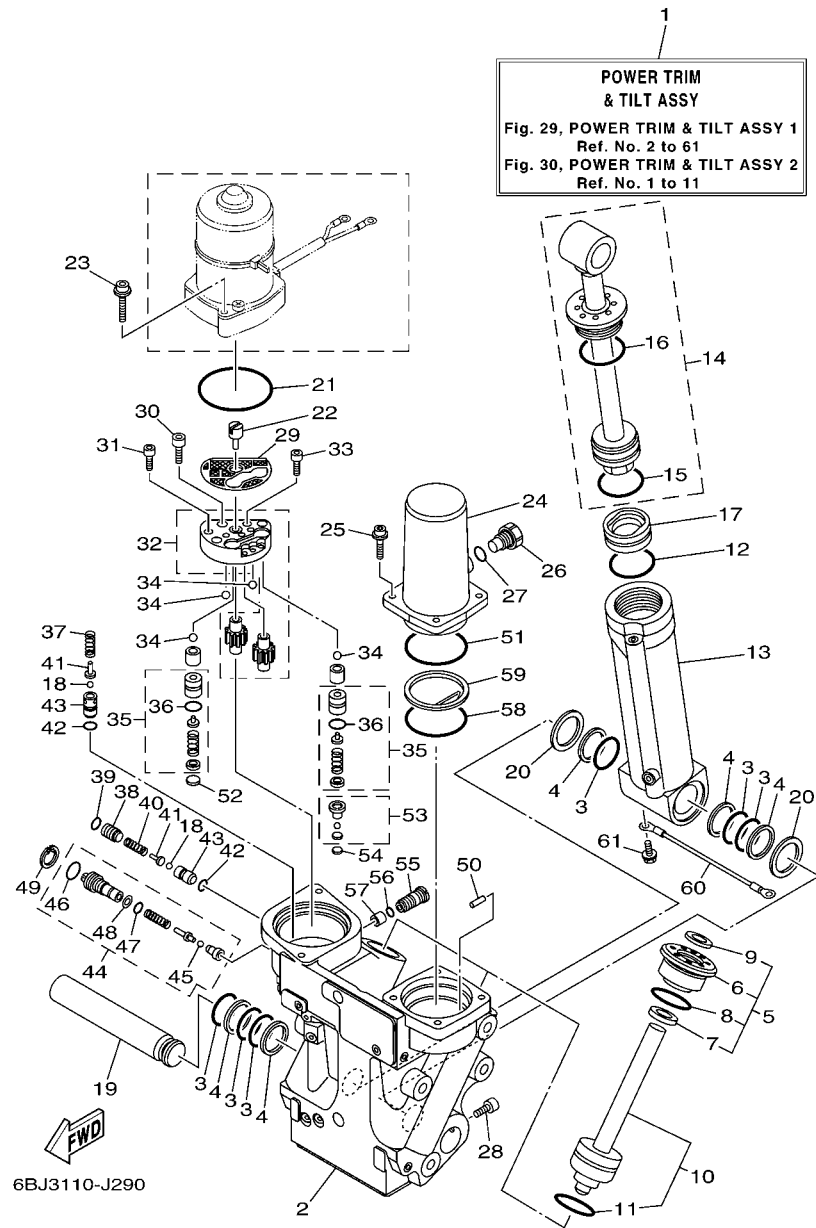


FIG. 29 POWER TRIM & TILT ASSY 1

REF. NO.	PART NO.	DESCRIPTION	XCA	UCA	REMARKS
55	6AX-4388J-00	PLUG 2	1	1	
56	64E-43865-00	O-RING	1	1	
57	6AW-4388H-00	PLUG	1	1	
58	6AW-4389J-00	O-RING	1	1	
59	6AW-43899-00	PLATE STOPPER	1	1	
60	6H1-82148-00	WIRE, LEAD 4	1	1	
61	97595-06510	BOLT, WITH WASHER	1	1	





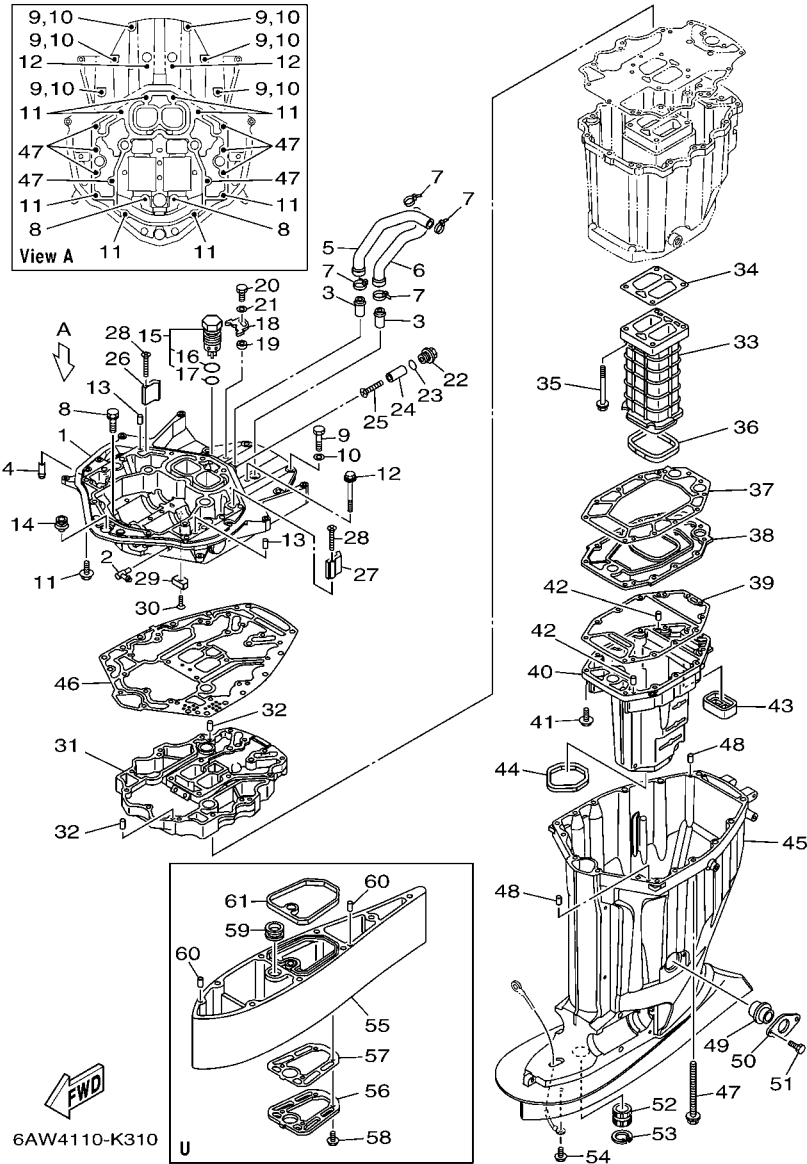
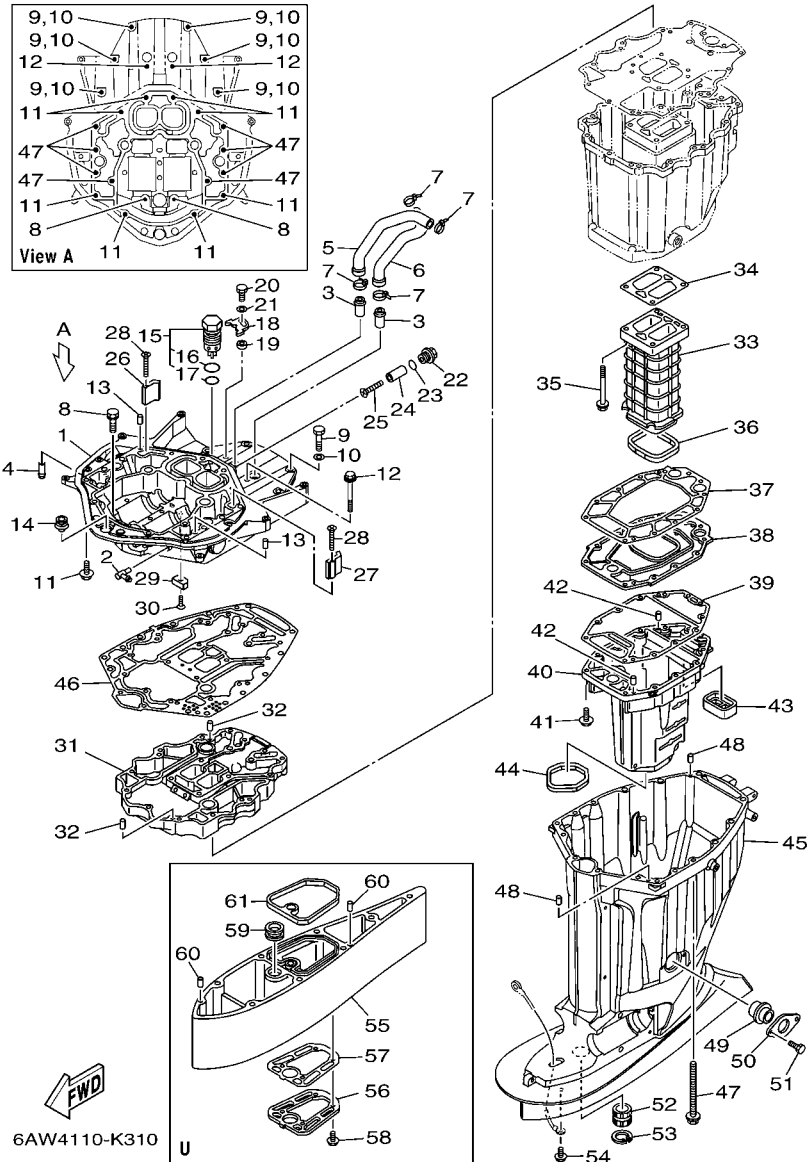


FIG. 31 UPPER CASING

REF. NO.	PART NO.	DESCRIPTION	XCA	UCA			REMARKS
1	6AW-41137-11-CA	GUIDE, EXHAUST	1	1			
2	6H1-11372-00	NIPPLE, HOSE	1	1			
3	6AW-1475G-00	PIPE 4	2	2			
4	6AW-1475J-00	PIPE	2	2			
5	6AW-1244H-00	HOSE 5	1	1			
6	6AW-1243F-00	HOSE,3	1	1			
7	90465-11M59	CLAMP	4	4			
8	90119-08102	BOLT, WITH WASHER	2	2			
9	97075-10045	BOLT	6	6			
10	92995-10600	WASHER	6	6			
11	90119-10040	BOLT, WITH WASHER	8	8			
12	97575-10585	BOLT, WITH WASHER	2	2			
13	93608-16M16	PIN, DOWEL	2	2			
14	6AW-42724-00	GROMMET	1	1			
15	6AW-11371-10	PRESSURE CONTROL VALVE ASSY	1	1			
16	93210-347A1	.O-RING	1	1			
17	93210-28543	.O-RING	1	1			
18	69J-12233-00	PLATE, GUIDE STOPPER 1	1	1			
19	90387-06037	COLLAR	1	1			
20	97095-06020	BOLT	1	1			
21	92995-06600	WASHER	1	1			
22	6AW-11197-00	PLUG, BLIND	1	1			
23	93210-19758	O-RING	1	1			
24	6AW-1132S-00	ANODE 7	1	1			
25	98780-05550	SCREW, FLAT HEAD	1	1			
26	6AW-1132T-00	ANODE 8	1	1			
27	6AW-1132U-00	ANODE 9	1	1			



**FIG. 31 UPPER CASING**

REF. NO.	PART NO.	DESCRIPTION	XCA	UCA			REMARKS
28	98780-05550	SCREW, FLAT HEAD	2	2			
29	63P-11325-11	ANODE	1	1			
30	90151-06M02	SCREW, COUNTERSUNK	1	1			
31	6AW-41131-00-CA	MANIFOLD, EXT. 1	1	1			
32	93608-16M16	PIN, DOWEL	2	2			
33	6AW-41132-00-9S	MANIFOLD, EXHAUST	1	1			
34	6AW-41134-01	GASKET, EXHAUST MANIFOLD	1	1			
35	90119-08117	BOLT, WITH WASHER	4	4			
36	6AW-41138-00	SEAL, EXT. 1	1	1			
37	6AW-41135-00	GASKET, EXHAUST MANIFOLD	1	1			
38	6AW-45181-00-9S	PLATE	1	1			
39	6AW-41136-00	GASKET, EXHAUST MANIFOLD 4	1	1			
40	6AW-14711-00-9S	MUFFLER 1	1	1			
41	97575-08535	BOLT, WITH WASHER	12	12			
42	93606-19M23	PIN, DOWEL	2	2			
43	6AW-45127-00	SEAL	1	1			
44	69J-45123-00	GASKET, MUFFLER	1	1			
45	6AW-45111-00-8D	CASING, UPPER	1	1			
46	6AW-45113-00	GASKET, UPPER CASING	1	1			
47	90119-10007	BOLT, WITH WASHER	8	8			
48	93608-16M16	PIN, DOWEL	2	2			
49	69J-15316-00	DAMPER 1	1	1			
50	69J-45152-10	COVER, UPPER CASING 2	1	1			
51	97095-06014	BOLT	2	2			
52	6AW-45318-00	BUSHING, DRIVE SHAFT	1	1			
53	93420-38091	CIRCLIP	1	1			
54	95895-06010	BOLT, FLANGE	1	1			

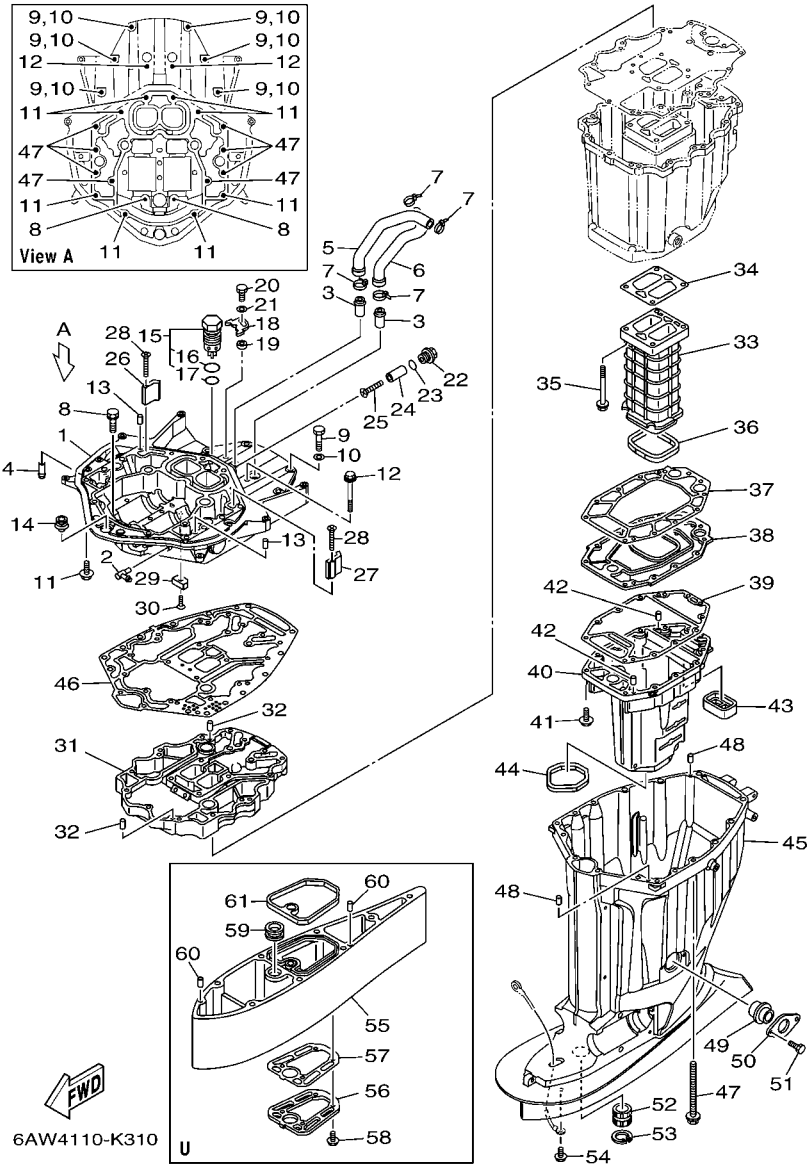


FIG. 31 UPPER CASING

REF. NO.	PART NO.	DESCRIPTION	XCA	UCA	REMARKS
55	6AW-45211-00-8D	EXTENSION		1	U(30.1")
56	6AW-45213-00-9S	COVER, EXTENSION		1	U(30.1")
57	6AW-4581L-00	GASKET, PLATE		1	U(30.1")
58	97575-06520	BOLT, WITH WASHER		4	U(30.1")
59	6AW-44366-00	DAMPER, WATER SEAL 2		1	U(30.1")
60	93608-12M05	PIN, DOWEL		2	U(30.1")
61	6AW-45159-00	DAMPER		1	U(30.1")

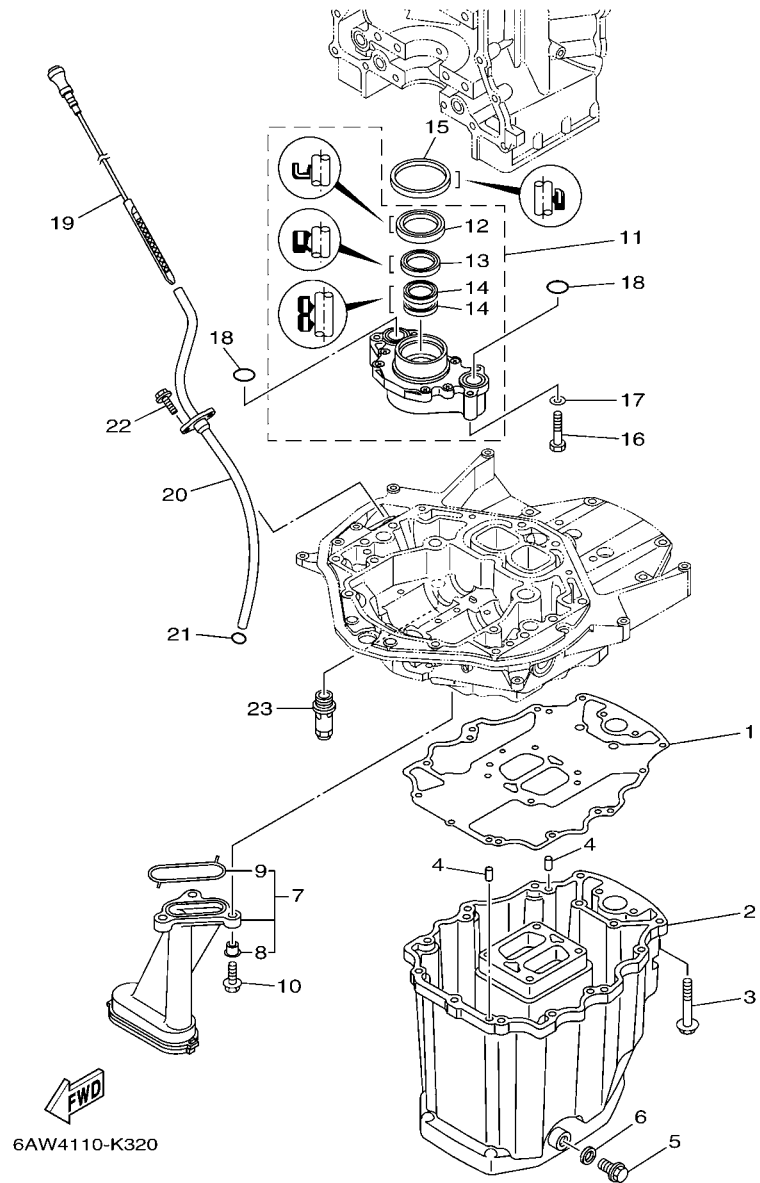
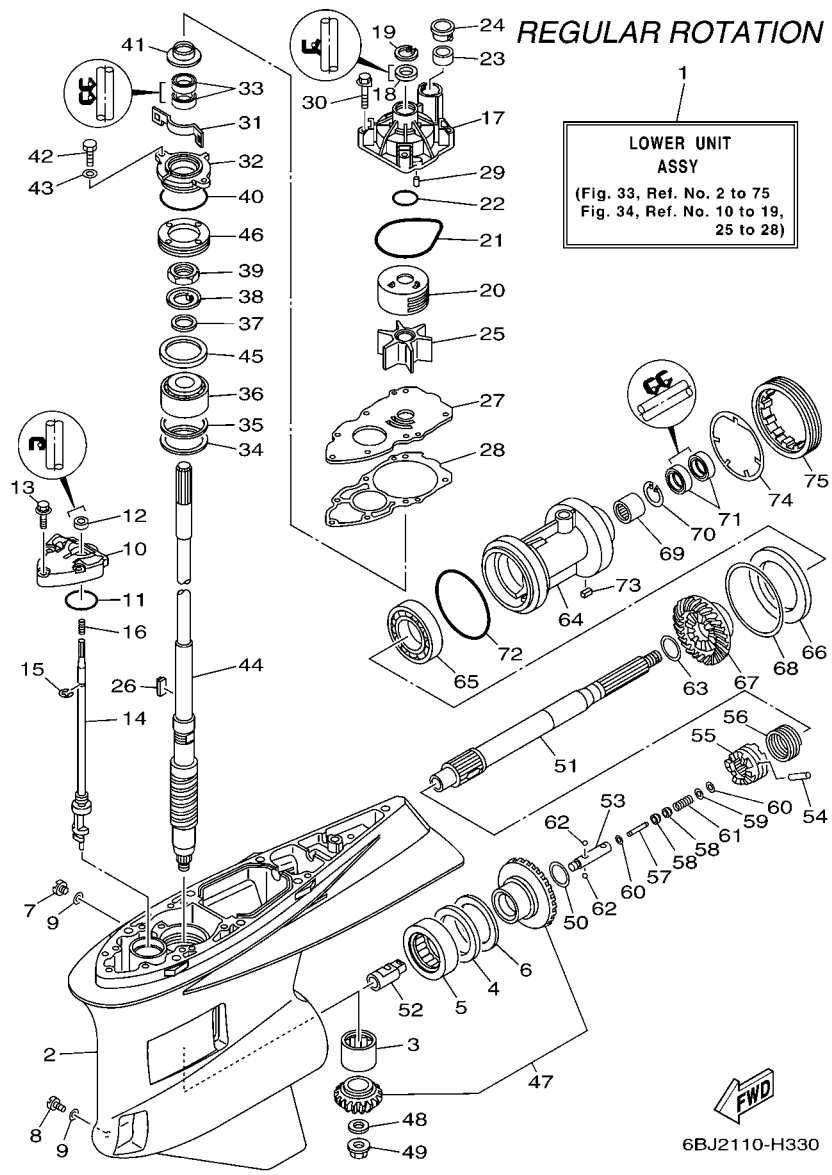


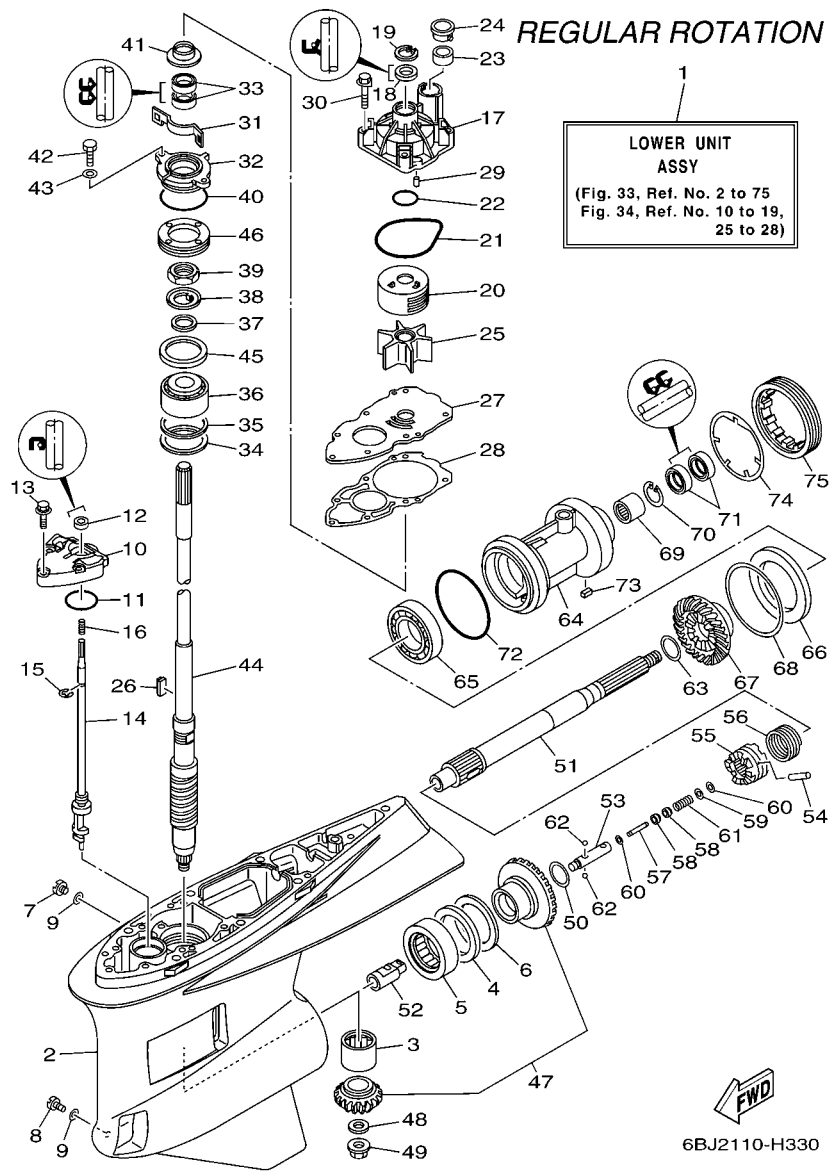
FIG. 32 OIL PAN

REF. NO.	PART NO.	DESCRIPTION	XCA	UCA			REMARKS
1	6AW-15312-00	GASKET, OIL PAN	1	1			
2	6AW-15311-00-CA	OIL PAN	1	1			
3	97575-08570	BOLT, WITH WASHER	13	13			
4	93608-16M16	PIN, DOWEL	2	2			
5	90340-14M06	PLUG, STRAIGHT SCREW	1	1			
6	90430-14M09	GASKET	1	1			
7	6AW-13411-00	STRAINER, OIL	1	1			
8	90387-06263	.COLLAR	3	3			
9	6AW-13415-00	.SEAL, OIL STRAINER	1	1			
10	95812-06025	BOLT, FLANGE	3	3			
11	6AW-13300-00	OIL PUMP ASSY	1	1			
12	69J-13338-00	.OIL SEAL	1	1			
13	6AW-13119-00	.OIL SEAL	1	1			
14	6AW-13631-00	.OIL SEAL	2	2			
15	69J-11355-00	SEAL, CYLINDER 1	1	1			
16	97075-06050	BOLT	4	4			
17	92995-06600	WASHER	4	4			
18	93210-26658	O-RING	2	2			
19	6AW-15362-00	PLUG, OIL LEVEL	1	1			
20	6AW-15377-00	GUIDE, INLET	1	1			
21	93210-19MJ3	O-RING	1	1			
22	95875-06016	BOLT, FLANGE	2	2			
23	6AW-13490-01	RELIEF VALVE ASSY	1	1			



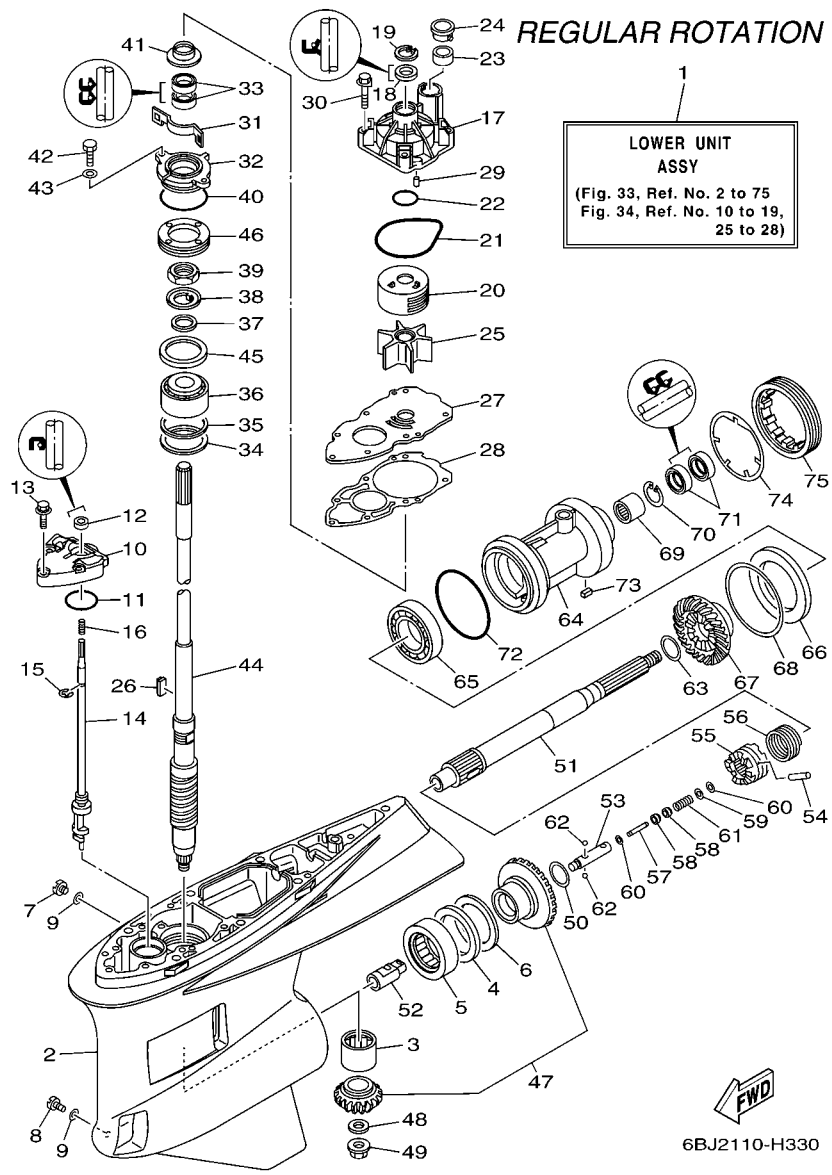
**FIG. 33 LOWER CASING & DRIVE 1**

REF. NO.	PART NO.	DESCRIPTION	XCA	UCA	REMARKS
1	6AW-45300-20-8D	LOWER UNIT ASSY	1		X(25.1"),RH
	6AW-45300-30-8D	LOWER UNIT ASSY		1	U(30.1"),RH
2	6AW-45311-01-8D	CASING, LOWER	1	1	
3	93311-93590	BEARING	1	1	
4	93340-67011	BEARING	1	1	
5	93390-00031	BEARING	1	1	
6	6AW-45567-00	SHIM (T:2.00MM)	1	1	UR
	6AW-45567-10	SHIM (T:2.03MM)	1	1	UR
	6AW-45567-20	SHIM (T:2.06MM)	1	1	UR
	6AW-45567-30	SHIM (T:2.09MM)	1	1	UR
	6AW-45567-40	SHIM (T:2.12MM)	1	1	UR
	6AW-45567-50	SHIM (T:2.15MM)	1	1	UR
7	90340-08002	PLUG, STRAIGHT SCREW	1	1	
8	688-45341-10	PLUG, DRAIN	1	1	
9	90430-08020	GASKET	2	2	
10	6AW-45321-00	PLATE	1	1	
11	93210-48214	O-RING	1	1	
12	93101-12M70	OIL SEAL	1	1	
13	90119-08M26	BOLT, WITH WASHER	3	3	
14	6AW-44150-00	SHIFT CAM ASSY	1	1	
15	99002-10600	CLIP	1	1	
16	90501-127J4	SPRING, COMPRESSION	1	1	
17	6AW-44311-00	HOUSING, WATER PUMP	1	1	
18	93109-24001	OIL SEAL	1	1	
19	93420-35085	CIRCLIP	1	1	
20	6AW-44322-00	INSERT, CARTRIDGE	1	1	
21	93210-94003	O-RING	1	1	



**FIG. 33 LOWER CASING & DRIVE 1**

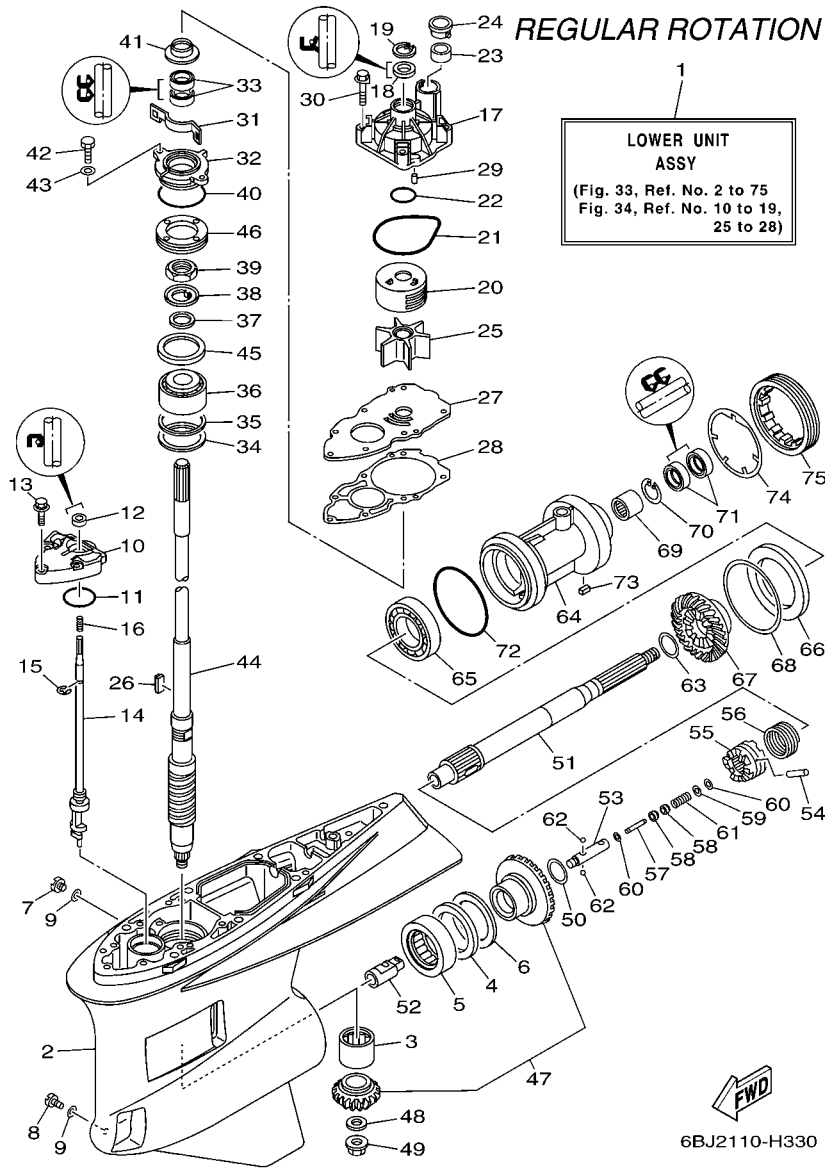
REF. NO.	PART NO.	DESCRIPTION	XCA	UCA	REMARKS
22	93210-37160	O-RING	1	1	
23	6AW-44365-00	DAMPER, WATER SEAL 1	1	1	
24	6AW-44312-00	COVER, WATER PUMP HOUSING	1	1	
25	6AW-44352-00	IMPELLER	1	1	
26	6AW-44336-00	KEY	1	1	
27	6AW-44323-00	OUTER PLATE, CARTRIDGE	1	1	
28	6AW-44315-00	GASKET, WATER PUMP	1	1	
29	93606-12019	PIN, DOWEL	2	2	
30	90119-08M14	BOLT, WITH WASHER	4	4	
31	6AW-45723-00	PLATE, SEAL	1	1	
32	6AW-45335-00-CA	HOUSING, OIL SEAL	1	1	
33	93101-28004	OIL SEAL	2	2	
34	90201-68008	WASHER, PLATE	1	1	
35	6AW-45587-00	SHIM (T:0.10MM)	1	1	UR
	6AW-45587-10	SHIM (T:0.12MM)	1	1	UR
	6AW-45587-20	SHIM (T:0.15MM)	1	1	UR
	6AW-45587-30	SHIM (T:0.18MM)	1	1	UR
	6AW-45587-40	SHIM (T:0.30MM)	1	1	UR
	6AW-45587-50	SHIM (T:0.40MM)	1	1	UR
	6AW-45587-60	SHIM (T:0.50MM)	1	1	UR
36	93399-99962	BEARING	1	1	
37	90201-301U7	WASHER, PLATE	1	1	
38	90214-30003	WASHER, CLAW	1	1	
39	90170-30M18	NUT	1	1	
40	93210-69MG6	O-RING	1	1	
41	6AW-45344-00	COVER, OIL SEAL	1	1	
42	97095-08020	BOLT	2	2	



**FIG. 33 LOWER CASING & DRIVE 1**

REF. NO.	PART NO.	DESCRIPTION	XCA	UCA	REMARKS
43	92995-08600	WASHER	2	2	
44	6AW-45501-00	DRIVE SHAFT COMP.	1		X(25.1")
	6AW-45501-10	DRIVE SHAFT COMP.		1	U(30.1")
45	6T5-45539-00	SPACER 2	1	1	
46	6AW-45244-00	NUT	1	1	
47	6AW-45550-00	GEAR SET	1	1	
48	90201-18023	WASHER, PLATE	1	1	
49	90179-18009	NUT	1	1	
50	90201-35015	WASHER, PLATE	1	1	
51	6AW-45611-00	SHAFT, PROPELLER	1	1	
52	6AW-45641-00	SHIFTER	1	1	
53	61A-45634-01	SLIDE, SHIFT	1	1	
54	6AW-45632-00	PIN, CROSS	1	1	
55	6AW-45631-00	CLUTCH, DOG	1	1	
56	6AW-45633-00	RING, CROSS PIN	1	1	
57	6H1-45668-00	SHAFT, FREE 1	1	1	
58	61A-45635-00	PLUNGER, SHIFT	2	2	
59	90201-02M00	WASHER, PLATE	1	1	
60	90183-02M03	NUT, SPRING	2	2	
61	90501-10M77	SPRING, COMPRESSION	1	1	
62	93501-04011	BALL	2	2	
63	6AW-45612-00	WASHER, THRUST	1	1	
64	6AW-45332-00	HOUSING, BEARING	1	1	
65	93306-21101	BEARING	1	1	
66	6AW-45576-00	WASHER, THRUST 2	1	1	
67	6AW-45571-00	GEAR 2 (26T)	1	1	
68	6AW-45577-00	SHIM (T:0.10MM)	1	1	UR





**FIG. 33 LOWER CASING & DRIVE 1**

REF. NO.	PART NO.	DESCRIPTION	XCA	UCA	REMARKS
68	6AW-45577-10	SHIM (T:0.12MM)	1	1	UR
	6AW-45577-20	SHIM (T:0.15MM)	1	1	UR
	6AW-45577-30	SHIM (T:0.18MM)	1	1	UR
	6AW-45577-40	SHIM (T:0.30MM)	1	1	UR
	6AW-45577-50	SHIM (T:0.40MM)	1	1	UR
	6AW-45577-60	SHIM (T:0.50MM)	1	1	UR
69	93311-63591	BEARING	1	1	
70	99009-47500	CIRCLIP	1	1	
71	93101-35018	OIL SEAL	2	2	
72	93211-10232	O-RING	1	1	
73	90282-05008	KEY, STRAIGHT	1	1	
74	6AW-45383-00	WASHER, CLAW	1	1	
75	6AW-45384-00	NUT	1	1	

REGULAR ROTATION

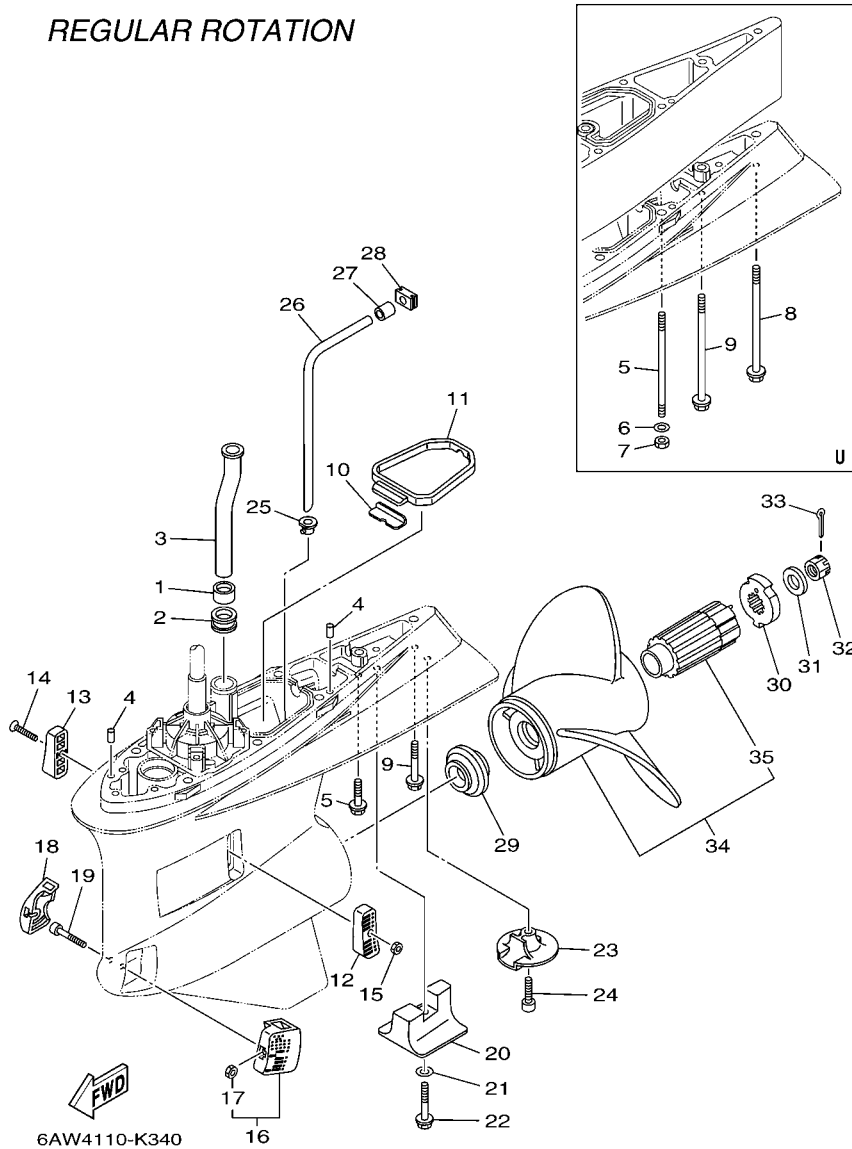


FIG. 34 LOWER CASING & DRIVE 2

REF. NO.	PART NO.	DESCRIPTION	XCA	UCA			REMARKS
1	6AW-44365-00	DAMPER, WATER SEAL 1	1	1			
2	6AW-44366-00	DAMPER, WATER SEAL 2	1	1			
3	6AW-44361-00	TUBE, WATER 1	1				X(25.1")
	6AW-44361-10	TUBE, WATER 1		1			U(30.1")
4	93608-12M05	PIN, DOWEL	2	2			
5	90119-10038	BOLT, WITH WASHER	7				X(25.1")
	90116-10041	BOLT, STUD		6			U(30.1")
6	90201-10048	WASHER, PLATE		6			U(30.1")
7	90170-10009	NUT		6			U(30.1")
8	90119-10008	BOLT, WITH WASHER		1			U(30.1")
9	97575-10570	BOLT, WITH WASHER	1				X(25.1")
	90119-10009	BOLT, WITH WASHER		1			U(30.1")
10	61A-45376-00	GUIDE, SEAL DAMPER	1	1			
11	6AW-45375-00	DAMPER, SEAL	1	1			
12	6AW-45214-00	COVER, WATER INLET 1	1	1			
13	6AW-45215-00	COVER, WATER INLET 2	1	1			
14	90152-05003	SCREW, COUNTERSUNK	1	1			
15	90185-05002	NUT, NYLON	1	1			
16	6AW-45224-00	COVER, WATER INLET 3	1	1			
17	90185-05002	.NUT, NYLON	1	1			
18	6AW-45225-00	COVER, WATER INLET 4	1	1			
19	90110-05050	BOLT, HEXAGON SOCKET HEAD	1	1			
20	6AW-45373-00	ANODE	1	1			
21	92990-10300	WASHER	1	1			
22	90105-10257	BOLT, FLANGE	1	1			
23	6AW-45619-00	CAP	1	1			
24	90110-10018	BOLT, HEXAGON SOCKET HEAD	1	1			

REGULAR ROTATION

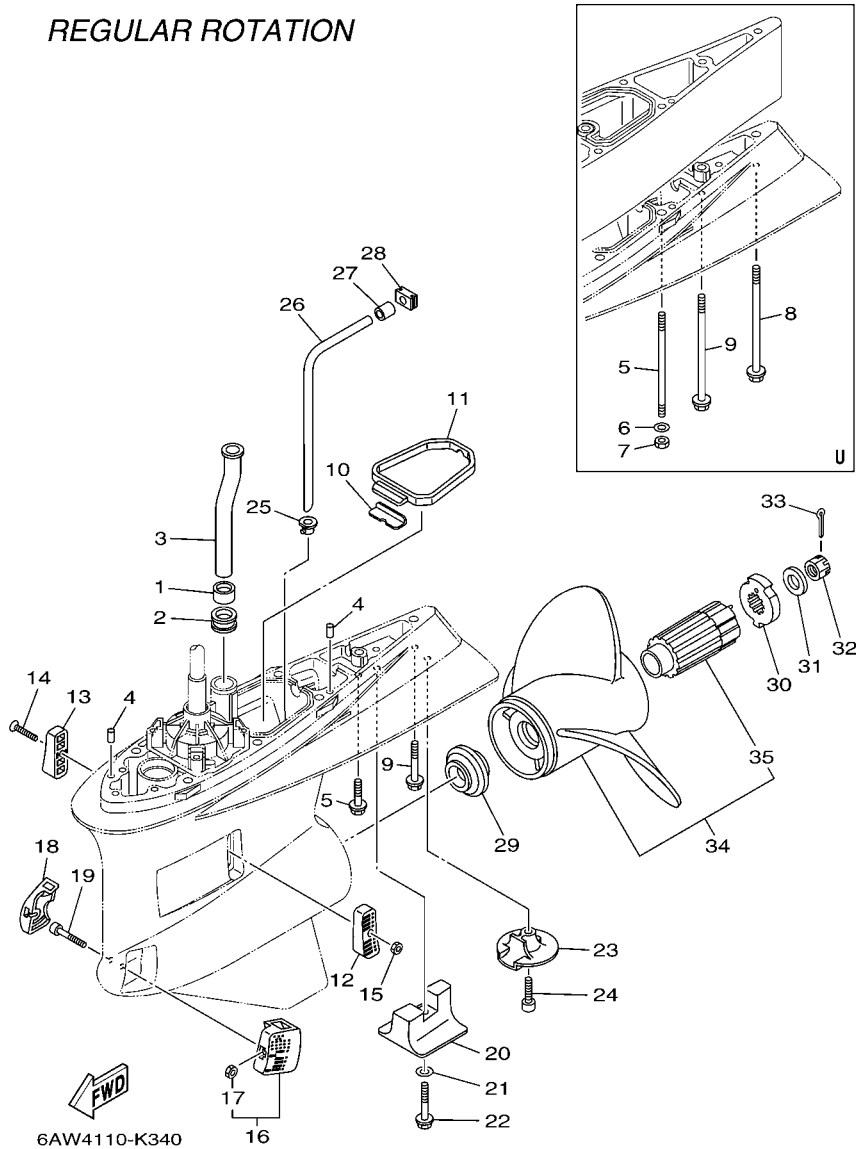
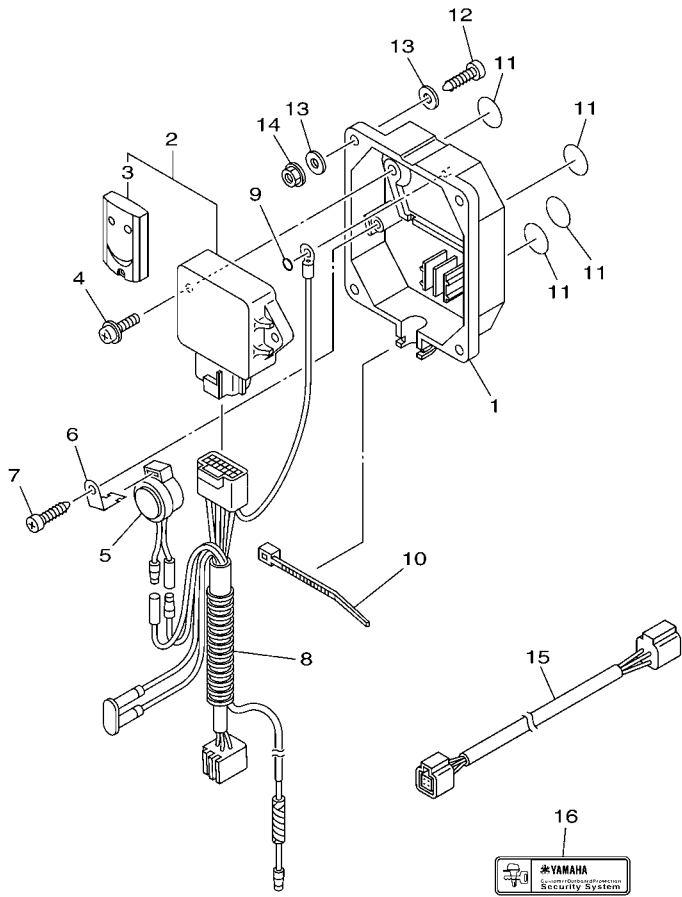


FIG. 34 LOWER CASING & DRIVE 2

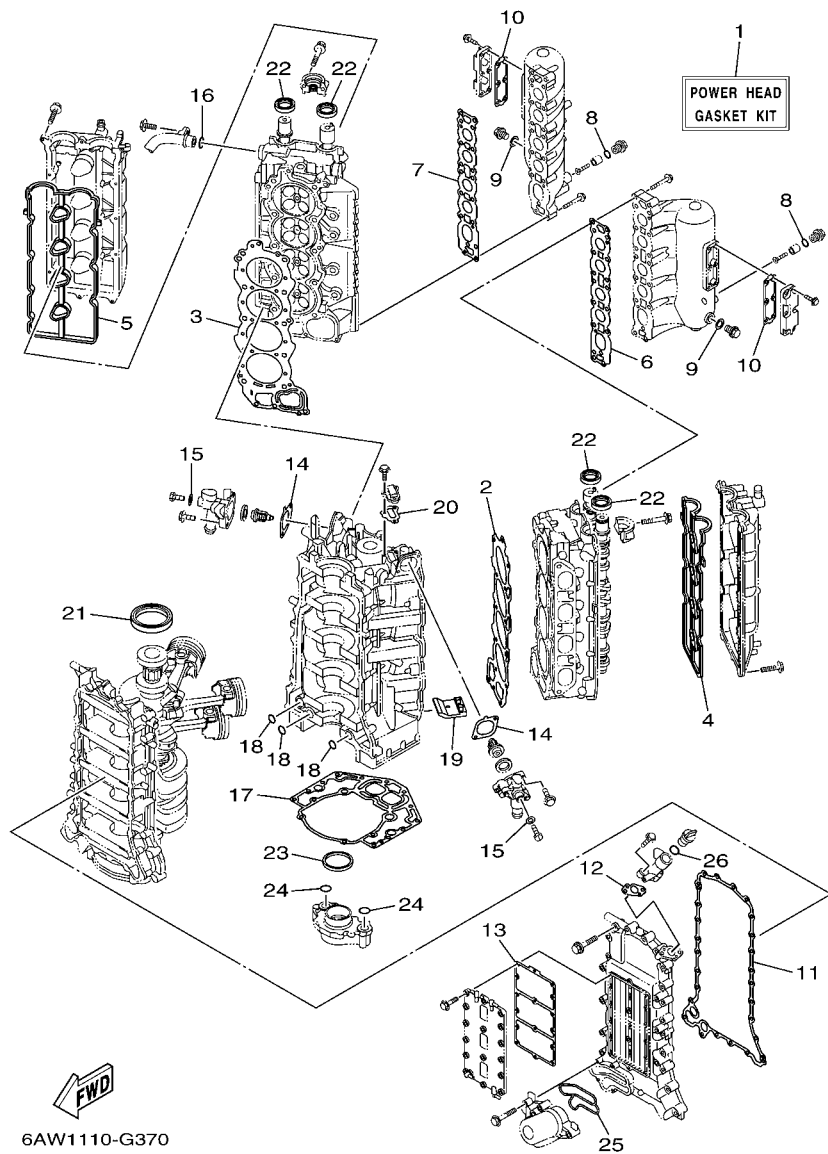
REF. NO.	PART NO.	DESCRIPTION	XCA	UCA	REMARKS
25	6AW-44367-00	DAMPER, WATER SEAL 3	1	1	
26	6AW-44362-00	TUBE, WATER 2	1	1	
27	6AW-44375-00	GROMMET, WATER TUBE 1	1	1	
28	6AW-44376-00	GROMMET, WATER TUBE 2	1	1	
29	6AW-45987-00	SPACER 1	1	1	
30	6AW-45997-10	SPACER 2	1	1	
31	90201-19M01	WASHER, PLATE	1	1	
32	90171-18M04	NUT, CASTLE	1	1	
33	91490-40030	PIN. COTTER	1	1	
34	6AW-45970-10	PROPELLER (3X16-1/4"X15"-X)	1	1	UR SWS XL PROP.
	6AW-45972-10	PROPELLER (3X16-1/4"X17"-X)	1	1	UR SWS XL PROP.
	6AW-45974-10	PROPELLER (3X15-1/2"X19"-X)	1	1	UR SWS XL PROP.
	6AW-45976-10	PROPELLER (3X15-1/4"X21"-X)	1	1	UR SWS XL PROP.
	6AW-45978-10	PROPELLER (3X15-1/4"X23"-X)	1	1	UR SWS XL PROP.
35	6AW-45C80-00	.PROPELLER DAMPER RUBBER ASSY	1	1	



6CJ1100-K370

FIG. 35 OPTIONAL PARTS

REF. NO.	PART NO.	DESCRIPTION	XCA	UCA		REMARKS
1	6Y8-86267-00	CASE COMPLETE 1	1	1		
2	6Y8-86260-10	REMOTE CONTROL UNIT ASSY	1	1		
3	6AA-86261-20	.TRANSMITTER COMP	2	2		
4	97980-06216	SCREW, WITH WASHER	2	2		
5	6X4-83383-00	BUZZER	1	1		
6	6X4-83386-00	STAY, BUZZER	1	1		
7	97780-60620	SCREW, TAPPING	1	1		
8	6Y8-82509-10	WIRE, SUB LEAD	1	1		
9	93210-04279	O-RING	1	1		
10	90465-11M10	CLAMP	1	1		
11	6Y8-8454G-00	PATCH 1	4	4		
12	90167-06M00	SCREW, TAPPING	4	4		UR
	97880-06035	SCREW, PAN HEAD	4	4		UR
13	90201-06M30	WASHER, PLATE	8	8		
14	95780-06300	NUT, FLANGE	4	4		
15	6Y8-82521-11	2FT PIGTAIL BUS	1	1		
16	6Y8-48277-00	STICKER 1	4	4		



6AW1110-G370

FIG. 36 REPAIR KIT 1

REF. NO.	PART NO.	DESCRIPTION	XCA	UCA	REMARKS
1	6AW-W0001-00	POWER HEAD GASKET KIT	1	1	
2	6AW-11181-00	.GASKET, CYLINDER HEAD 1	1	1	
3	6AW-11182-00	.GASKET, CYLINDER HEAD 2	1	1	
4	6AW-11193-00	.GASKET, HEAD COVER 1	1	1	
5	6AW-11194-00	.GASKET, HEAD COVER 2	1	1	
6	6AW-14613-00	.GASKET, EXHAUST PIPE	1	1	
7	6AW-14623-00	.GASKET, EXHAUST PIPE	1	1	
8	93210-19758	.O-RING	2	2	
9	90430-18130	.GASKET	2	2	
10	6AW-11195-00	.GASKET	2	2	
11	6AW-15451-00	.GASKET, CRANKCASE COVER 1	1	1	
12	6AW-15364-00	.GASKET, OIL PLUG	1	1	
13	6AW-15461-00	.GASKET, CRANKCASE COVER 2	1	1	
14	6AW-12427-00	.GASKET, HOUSING COVER 1	2	2	
15	90430-05002	.GASKET	2	2	
16	93210-207A0	.O-RING	1	1	
17	6AW-11351-00	.GASKET, CYLINDER	1	1	
18	93210-26658	.O-RING	3	3	
19	6AW-14664-00	.GROMMET, WATER SHUT	2	2	
20	6AW-11381-00	.GASKET 1	1	1	
21	93102-85004	.OIL SEAL	1	1	
22	93102-38008	.OIL SEAL	4	4	
23	69J-11355-00	.SEAL, CYLINDER 1	1	1	
24	93210-26658	.O-RING	2	2	
25	6AW-13477-00	.GASKET	1	1	
26	93210-24M79	.O-RING	1	1	

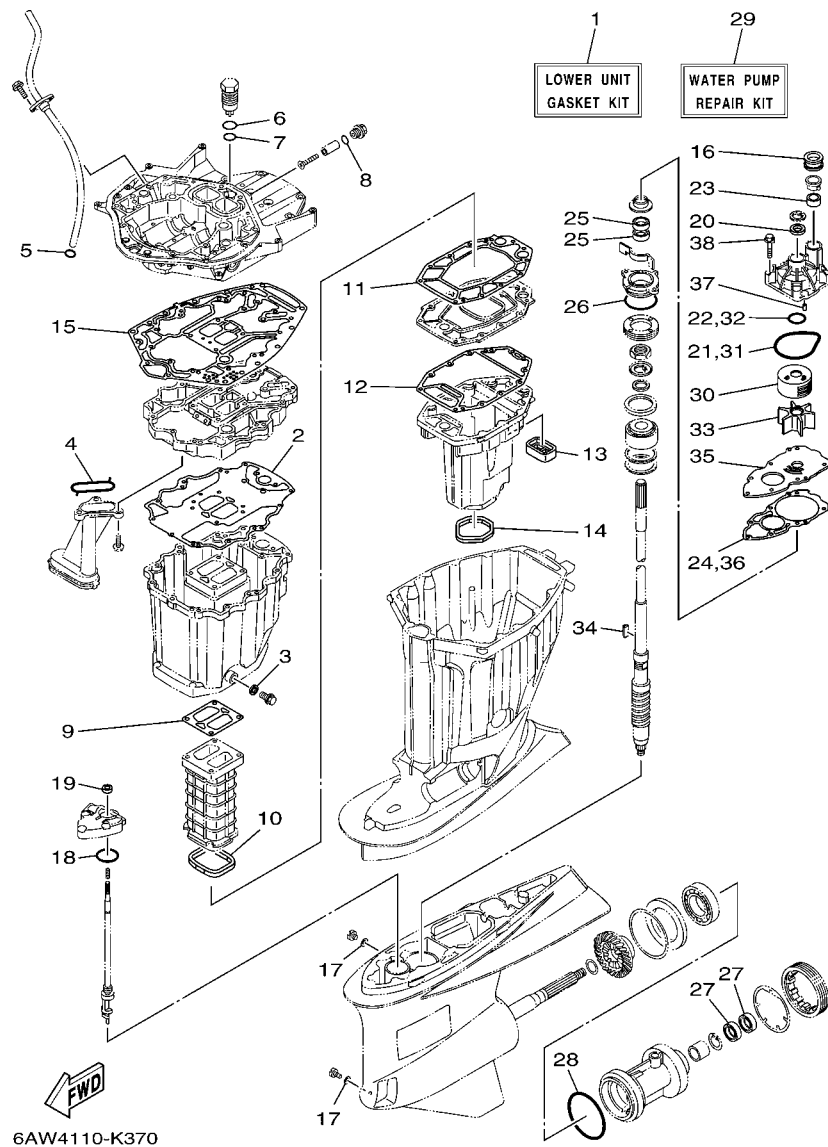


FIG. 37 REPAIR KIT 2

REF. NO.	PART NO.	DESCRIPTION	XCA	UCA	REMARKS
1	6AW-W0001-20	LOWER UNIT GASKET KIT	1	1	
2	6AW-15312-00	.GASKET, OIL PAN	1	1	
3	90430-14M09	.GASKET	1	1	
4	6AW-13415-00	.SEAL, OIL STRAINER	1	1	
5	93210-19MJ3	.O-RING	1	1	
6	93210-347A1	.O-RING	1	1	
7	93210-28543	.O-RING	1	1	
8	93210-19758	.O-RING	1	1	
9	6AW-41134-01	.GASKET, EXHAUST MANIFOLD	1	1	
10	6AW-41138-00	.SEAL, EXT. 1	1	1	
11	6AW-41135-00	.GASKET, EXHAUST MANIFOLD	1	1	
12	6AW-41136-00	.GASKET, EXHAUST MANIFOLD 4	1	1	
13	6AW-45127-00	.SEAL	1	1	
14	69J-45123-00	.GASKET, MUFFLER	1	1	
15	6AW-45113-00	.GASKET, UPPER CASING	1	1	
16	6AW-44366-00	.DAMPER, WATER SEAL 2	1	1	
17	90430-08020	.GASKET	2	2	
18	93210-48214	.O-RING	1	1	
19	93101-12M70	.OIL SEAL	1	1	
20	93109-24001	.OIL SEAL	1	1	
21	93210-94003	.O-RING	1	1	
22	93210-37160	.O-RING	1	1	
23	6AW-44365-00	.DAMPER, WATER SEAL 1	1	1	
24	6AW-44315-00	.GASKET, WATER PUMP	1	1	
25	93101-28004	.OIL SEAL	2	2	
26	93210-69MG6	.O-RING	1	1	
27	93101-35018	.OIL SEAL	2	2	



NUMERICAL INDEX

PART NO.	REF. NO.	PART NO.	REF. NO.	PART NO.	REF. NO.	PART NO.	REF. NO.	PART NO.	REF. NO.	PART NO.	REF. NO.
6AW-11110-01	4 - 2	6AW-11416-10	3 - 4	6S1-12168-M0	7 - 8	6P2-12623-00	7 - 17	69J-13716-00	12 - 35	63P-14567-00	12 - 19
6AW-11120-01	4 - 9	6AW-11416-20	3 - 4	6S1-12168-N0	7 - 8		7 - 20	6AW-13750-01	10 - 1	6AW-14567-00	15 - 18
69J-11133-10	4 - 3	6AW-11416-30	3 - 4	6S1-12168-P0	7 - 8	6AW-12645-00	7 - 16	6AW-13751-00	10 - 2	6AW-14613-00	5 - 2
	4 - 10	6AW-11416-40	3 - 4	6S1-12168-R0	7 - 8	6AW-1264A-00	7 - 19	6AW-13761-00	11 - 3		36 - 6
6AW-11181-00	4 - 22	6AW-11417-00	3 - 5	6S1-12168-S0	7 - 8	6P2-12663-00	7 - 18		11 - 12	6AW-14615-00-9S	5 - 1
	36 - 2	6AW-11417-10	3 - 5	6S1-12168-T0	7 - 8		7 - 21	6AW-13767-00	11 - 6	6AW-14623-00	5 - 4
6AW-11182-00	4 - 28	6AW-11417-20	3 - 5	6S1-12168-U0	7 - 8	6AW-13119-00	32 - 13		11 - 15		36 - 7
	36 - 3	6AW-11417-30	3 - 5	6S1-12168-V0	7 - 8	6AW-13160-00	11 - 1	6P2-13769-00	12 - 11	6AW-14625-00-9S	5 - 3
6AW-11186-00	5 - 24	6AW-11417-40	3 - 5	6S1-12168-W0	7 - 8	6AW-13161-00	11 - 2	68V-13781-10	12 - 14	6AW-14664-00	2 - 33
6AW-11187-00	5 - 25	6AW-11426-00	3 - 6	6S1-12168-X0	7 - 8	6AW-13170-00	11 - 10	6AW-13782-00	8 - 3		36 - 19
6AW-11188-00	10 - 17	6AW-11427-00	3 - 7	6S1-12168-Y0	7 - 8	6AW-13171-00	11 - 11	63P-13784-00	12 - 16	6AW-14711-00-9S	31 - 40
6AW-1118A-00-9S	5 - 17	6AW-11537-00	7 - 13	6S1-12169-00	7 - 8	6AW-13300-00	32 - 11	6AW-13889-00	11 - 9	6AW-14750-00	24 - 29
6AW-11191-00-9S	4 - 29	6AW-11567-00	7 - 14	6AW-12171-01	7 - 9	69J-13338-00	32 - 12	6AW-13889-10	11 - 18	6AW-1475A-00	13 - 12
6AW-11192-00-9S	4 - 32	6P2-11590-00	7 - 25	6AW-12172-01	7 - 11	6AW-13411-00	32 - 7	6AW-13906-00	12 - 18	6AW-1475E-00	13 - 13
6AW-11193-00	4 - 30	6AW-11603-00	3 - 11	6AW-12181-00	7 - 10	6AW-13415-00	32 - 9	6AW-13907-00	12 - 15		24 - 31
	36 - 4	63P-11654-00	3 - 9	6AW-12182-00	7 - 12		37 - 4	63P-13915-00	12 - 17	6AW-1475F-00	12 - 22
6AW-11194-00	4 - 33	63P-11656-01	3 - 10	69J-12233-00	31 - 18	67F-13434-20	1 - 29	6AW-13971-10	13 - 17		24 - 34
	36 - 5	63P-11656-11	3 - 10	6P2-12403-00	5 - 28	6AW-13437-41	16 - 15	6AW-13972-10	13 - 23	6AW-1475G-00	12 - 23
6AW-11195-00	5 - 18	63P-11656-21	3 - 10	6AW-12411-00	2 - 20	N26-13440-00	2 - 41	6AW-13973-10	13 - 21		31 - 3
	36 - 10	6P2-12111-00	7 - 1	6AW-12412-00	2 - 21	6AW-13446-00-9S	2 - 43	6AW-13974-10	13 - 19	6AW-1475H-00	13 - 3
6AW-11197-00	5 - 11	69J-12113-01	7 - 3	6AW-12413-00-9S	2 - 22	6AW-13477-00	2 - 44	6AW-13976-00	13 - 18	6AW-1475J-00	31 - 4
	31 - 22	69J-12117-01	7 - 4	6AW-1241B-00-9S	2 - 24		36 - 25	6AW-1410B-00	11 - 4	6AW-14763-00	24 - 32
6AW-11301-00	4 - 15	69J-12118-00	7 - 5	6AW-12422-00-9S	2 - 23	6AW-13490-01	32 - 23		11 - 13	6AW-14764-00-CA	24 - 35
6AW-1131M-00-9S	2 - 34	69J-12119-00	7 - 6	6AW-12427-00	2 - 26	6AW-13543-00	13 - 27	6P2-1410F-00	13 - 11	6AW-14984-00	12 - 20
6AW-11325-00	4 - 16	6P2-12121-00	7 - 2		36 - 14	6AW-13545-00	13 - 4	6AW-14118-00	15 - 16	6P2-14985-00	12 - 8
6E5-11325-00	20 - 5	69J-12153-00	7 - 7	6AW-1242B-00-9S	2 - 25	6AW-13547-00	13 - 15	69J-14137-00	15 - 15	6AW-15100-02	2 - 2
63P-11325-01	2 - 18	68V-12157-00	7 - 15	6AW-1243A-00	6 - 12	6AW-13548-00	13 - 6	6AW-14180-01	12 - 1	6AW-15142-00	4 - 35
63P-11325-11	31 - 29	6S1-12168-00	7 - 8	6AW-1243E-00	6 - 15	6AW-13556-00	10 - 4	6AW-14181-00	12 - 6	69J-15187-00	2 - 5
67F-11328-00	4 - 17	6S1-12168-10	7 - 8	6AW-1243F-00	31 - 6	6AW-13557-00	10 - 5	6AW-14182-00	12 - 2	6AW-15311-00-CA	32 - 2
6AW-1132L-00	5 - 12	6S1-12168-20	7 - 8	6AW-1244G-00	6 - 18	6AW-13564-00	11 - 8	6P2-14191-00	12 - 7	6AW-15312-00	32 - 1
6AW-1132M-00	5 - 20	6S1-12168-30	7 - 8	6AW-1244H-00	31 - 5	6P2-13573-00	10 - 11	6AW-14197-00	12 - 36		37 - 2
6AW-1132N-01	5 - 22	6S1-12168-40	7 - 8	6AW-1244J-00	6 - 24	6P2-13574-00	12 - 13	69J-14225-01	12 - 38	69J-15316-00	31 - 49
6AW-1132P-00	2 - 37	6S1-12168-50	7 - 8	6AW-12476-00	6 - 22	68V-13577-00	13 - 7	4N0-14251-00	10 - 13	6AW-15319-00-9S	2 - 11
6AW-1132R-00	2 - 27	6S1-12168-60	7 - 8	6AW-12477-00	6 - 13		15 - 12	68V-14265-00	12 - 31	6AW-1531A-00	9 - 18
6AW-1132S-00	31 - 24	6S1-12168-70	7 - 8	6AW-12482-00	6 - 11	6AW-13577-00	11 - 5	68V-14356-00	10 - 12	6AW-1531A-10	9 - 19
6AW-1132T-00	31 - 26	6S1-12168-80	7 - 8	6AW-12483-00	6 - 10		11 - 14	6AW-14360-00	10 - 6	6AW-1532A-00	9 - 20
6AW-1132U-00	31 - 27	6S1-12168-90	7 - 8	6AW-12484-00	6 - 16	6P2-13578-00	10 - 8	6P2-14386-00	12 - 9	6AW-15362-00	32 - 19
6AW-11351-00	2 - 31	6S1-12168-A0	7 - 8	6B6-12486-00	13 - 26	6P2-13588-00	10 - 7	68V-14397-00	15 - 24	6G8-15363-00	2 - 46
	36 - 17	6S1-12168-B0	7 - 8	6AW-12491-00	6 - 19	69J-13593-00	12 - 34	6AW-14419-00	9 - 5	6AW-15364-00	2 - 12
69J-11355-00	32 - 15	6S1-12168-C0	7 - 8	6AW-12572-00	24 - 1	6AW-13594-00	11 - 17	6AW-1441J-00	9 - 3		36 - 12
	36 - 23	6S1-12168-D0	7 - 8	6AW-12576-00	6 - 1	6AW-13631-00	32 - 14	63P-14435-00	17 - 25	6AW-15373-00	9 - 13
6AW-11371-10	31 - 15	6S1-12168-E0	7 - 8	6AW-12577-00	6 - 3	6AW-14440-00	8 - 7	6AW-14440-00	9 - 1	6AW-15377-00	32 - 20
6H1-11372-00	31 - 2	6S1-12168-F0	7 - 8	6AW-12578-00	6 - 4	6AW-14445-00	8 - 15	6AW-14445-00	9 - 14	6AW-15393-00	9 - 16
6AW-11378-00	6 - 25	6S1-12168-G0	7 - 8	6AW-12579-00	6 - 6	6AW-13645-00	8 - 8	6P2-14446-00	12 - 29	6AW-15411-00-9S	2 - 7
6AW-11381-00	2 - 35	6S1-12168-H0	7 - 8	6R3-12581-00	24 - 3		8 - 16	6P2-14496-00	10 - 9	6AW-15421-00-9S	2 - 15
	36 - 20	6S1-12168-J0	7 - 8	6AW-12582-00	24 - 4	6AW-13646-00	8 - 9	6P2-14546-00	12 - 10	6AW-15451-00	2 - 8
6AW-11411-00	3 - 1	6S1-12168-K0	7 - 8	6R3-12583-00	24 - 5		8 - 17	68V-14564-00	12 - 24		36 - 11
6AW-11416-00	3 - 4	6S1-12168-L0	7 - 8	6P2-12615-00	7 - 22	6AW-13711-01	10 - 3	6AW-14565-00	15 - 23	6AW-15461-00	2 - 16



NUMERICAL INDEX

PART NO.	REF. NO.	PART NO.	REF. NO.	PART NO.	REF. NO.	PART NO.	REF. NO.	PART NO.	REF. NO.	PART NO.	REF. NO.
6AW-15461-00	36 - 13	6P2-24461-10	13 - 29	6AW-42697-10	1 - 27	6AW-43138-00	30 - 8	64E-43866-00	29 - 16	6AW-44361-00	34 - 3
6P2-15512-00	7 - 26	6P3-24469-00	14 - 9	6AW-42710-00-8D	23 - 1	66T-43144-00	23 - 26	64E-43868-00	29 - 21	6AW-44361-10	34 - 3
6AW-15544-00	7 - 30	6AW-24491-00	15 - 19	63P-42716-00	23 - 8	6AW-43148-00	27 - 49	6AW-43869-00	29 - 39	6AW-44362-00	34 - 26
6AW-2134X-00	12 - 32	6AW-24492-00	15 - 20	61A-42717-00	23 - 33	6AW-43181-00	27 - 46	6AW-4386K-00	30 - 11	6AW-44365-00	33 - 23
6E5-21744-00	13 - 9	6AW-24492-10	15 - 21	6AW-42717-00	24 - 20	6AW-43185-00	27 - 47	6AW-43871-00	29 - 4		34 - 1
69J-21841-02	12 - 30	6AW-244A0-00	15 - 2	6AW-42721-00	24 - 25	6AW-43311-00-8D	27 - 38	64E-43873-00	29 - 48		37 - 23
6AW-2247A-00	13 - 20	6AW-244A1-00	15 - 3	6AW-42722-00	23 - 14	6AW-43376-00	28 - 3	6AW-43875-00	29 - 49	6AW-44366-00	31 - 59
6AW-2411R-00	12 - 5	6AW-24502-00	15 - 10	69J-42723-00-8D	21 - 42	6AW-43800-01	29 - 1	6AW-43878-00	29 - 30		34 - 2
6AW-2411T-00	12 - 4	68V-24519-00	13 - 8	6AW-42723-00-8D	24 - 24	6AW-43802-00	29 - 35	6AW-43879-00	29 - 23		37 - 16
6P2-24170-00	12 - 26	6P3-24519-00	14 - 8	6AW-42724-00	31 - 14	6AW-43804-00	30 - 5	64E-4387A-00	29 - 47	6AW-44367-00	34 - 25
6AW-2417H-00	13 - 24	6P3-24560-11	14 - 6	6AW-42725-00	23 - 2	6AW-43805-00	30 - 3	6AW-4387G-00	29 - 20	6AW-44375-00	34 - 27
6AW-2417J-00	13 - 25	6P3-24562-11	14 - 7	6AW-42726-00	23 - 38	6AW-43809-00	29 - 53	6AW-43880-01	30 - 1	6AW-44376-00	34 - 28
6P2-2419A-00	12 - 33	6P3-24563-00	14 - 11	6H1-42726-21	23 - 35	6AW-4380J-00	30 - 10	6AW-43881-11	30 - 6	6P2-44391-00	23 - 34
60E-24300-01	13 - 14	6P3-24564-00	14 - 10	6AW-42733-00	24 - 18	6AW-4380R-00	29 - 5	6AW-43882-00	30 - 2	6AW-44511-01-CA	28 - 30
5JW-24311-00	10 - 14	6AW-24596-00	14 - 15	6AW-42734-00	24 - 19	6AW-43810-01	29 - 14	6AW-43886-00	29 - 33	6AW-44514-01-94	28 - 23
6AW-24311-00	14 - 3	68V-2481H-00	15 - 25	6AH-42735-00	1 - 28	6AW-43813-00	29 - 13	6AW-43887-00	29 - 25	6AW-44526-00	28 - 25
6AW-24312-00	9 - 8	69J-28100-01	14 - 21	6AW-42735-00	23 - 5	6AW-43814-00	29 - 17	6AX-43887-00	30 - 7	6G5-44526-00	27 - 5
66V-24314-00	24 - 10	67F-2812A-00	18 - 25	6AW-42741-00-8D	25 - 1	64E-43816-00	29 - 54	6AW-43888-00	29 - 31	6AW-44532-00	28 - 24
6AW-24314-00	26 - 24	6AW-41131-00-CA	31 - 31	6AW-42743-00	21 - 29	6AW-43817-00	29 - 52	6AW-4388E-00	29 - 28	6AW-44533-00	28 - 29
6AW-24314-10	26 - 22	6AW-41132-00-9S	31 - 33	6AW-42744-00	24 - 16	64E-43817-11	29 - 29	6AW-4388H-00	29 - 57	6AW-44551-00-8D	28 - 10
6AW-24315-00	13 - 10	6AW-41134-01	31 - 34	6H4-42748-00	23 - 37	6AW-4381A-00	29 - 19	6AW-4388J-00	29 - 38	6AW-44552-00-CA	28 - 21
6AW-24316-00	13 - 1		37 - 9	68F-42753-00	23 - 40	6AW-4381G-00	29 - 50	6AX-4388J-00	29 - 55	6AW-44555-00	28 - 13
6AW-24317-00	13 - 2	6AW-41135-00	31 - 37	69M-42758-00	19 - 17	6AW-43820-00	29 - 10	6E5-43896-00	29 - 36	6AW-44575-00	28 - 12
6AW-24321-01	15 - 14		37 - 11	6AW-42761-00	23 - 3	6AW-43821-00	29 - 6	6AW-43897-00	29 - 27	6AW-45111-00-8D	31 - 45
6AW-24322-00	15 - 6	6AW-41136-00	31 - 39	6AW-42769-00	24 - 27	6AW-43822-00	29 - 9	6AW-43899-00	29 - 59	6AW-45113-00	31 - 46
6AW-24323-00	15 - 7		37 - 12	6AW-42771-00-8D	25 - 3	6AW-43825-01	29 - 2	6AW-4389H-00	29 - 3		37 - 15
6AW-24324-00	15 - 9	6AW-41137-11-CA	31 - 1	69J-42774-10	25 - 5	6AW-43828-00	29 - 24	6AW-4389J-00	29 - 58	69J-45123-00	31 - 44
6AW-24325-00	15 - 11	6AW-41138-00	31 - 36	6AW-42775-00	25 - 12	6AW-43829-00	29 - 26	6AW-44116-00	27 - 43		37 - 14
6AW-24327-00	15 - 26		37 - 10	6AW-42785-00	24 - 7	6AW-4382G-00	29 - 43	6AW-44118-00	26 - 10	6AW-45127-00	31 - 43
6E5-24351-51	14 - 4	6AW-42169-00	24 - 9	6AW-42786-00	24 - 22	6AW-43830-00	29 - 32	6AW-44120-00	26 - 9		37 - 13
6AW-24356-00	15 - 17	6AW-42477-00	1 - 18	6AW-42787-00	24 - 23	64E-43831-00	29 - 22	6AW-44120-10	26 - 9	6AW-45151-01-8D	25 - 11
6AW-24360-00	14 - 20	6AW-42510-01-8D	28 - 5	6AH-42794-40	23 - 42	6AW-43842-00	30 - 9	6AW-44121-00	26 - 5	69J-45152-10	31 - 50
6G8-24376-00	26 - 27	6AW-42532-00	1 - 8	6AW-42815-00-8D	23 - 9	6AW-43843-00	30 - 4	6AW-44122-00	26 - 4	6AW-45159-00	31 - 61
6P2-24376-00	13 - 28	6CB-42545-00	1 - 4	6AW-42816-01-8D	23 - 10	6AW-43844-00	29 - 41	6AW-44150-00	33 - 14	6AW-45181-00-9S	31 - 38
6AW-24377-00	14 - 2	6AW-42610-20	1 - 1	6AW-42817-01-8D	23 - 11	6AW-4384H-00	29 - 40	6AW-44176-00	26 - 1	6AW-45211-00-8D	31 - 55
688-24378-00	13 - 5	6AW-42613-00	1 - 2	6AW-42818-01	23 - 20	6AW-4384J-00	29 - 7	6AW-44311-00	33 - 17	6AW-45213-00-9S	31 - 56
6AW-24378-00	15 - 5	6AW-42615-00	23 - 7	6AW-42819-01	23 - 21	6AW-43856-00	29 - 37	6AW-44312-00	33 - 24	6AW-45214-00	34 - 12
69J-24379-00	12 - 21	6AW-42628-20	1 - 21	6AW-4281A-01	23 - 22	64E-43858-00	29 - 18	6AW-44315-00	33 - 28	6AW-45215-00	34 - 13
6AW-24379-00	15 - 13	6AW-42629-00	24 - 28	6AW-42828-00-8D	23 - 12		29 - 45		37 - 24	6AW-45224-00	34 - 16
6E5-24379-00	6 - 5	6AW-42635-00	1 - 5	6AW-42829-00-8D	23 - 13	6AW-43858-00	29 - 34		37 - 36	6AW-45225-00	34 - 18
6AW-24408-01	15 - 1	6AW-42646-10	1 - 14	6AW-42851-00	23 - 28	6AW-43860-01	29 - 44	6AW-44322-00	33 - 20	6AW-45244-00	33 - 46
6AW-24410-00	15 - 8	6AW-42647-00-9S	1 - 11	6AW-43111-00-8D	27 - 1	6AW-43861-00	29 - 51		37 - 30	6AW-45251-00	27 - 4
6AW-24431-00	15 - 22	6AW-4264A-00	1 - 13	6AW-43112-00-8D	27 - 16	6E5-43862-00	29 - 8	6AW-44323-00	33 - 27	6AW-45300-20-8D	33 - 1
4SV-24453-00	12 - 3	6AW-42663-00	1 - 12	6AW-43113-00	27 - 19		29 - 12		37 - 35	6AW-45300-30-8D	33 - 1
	12 - 12	6AW-42677-00	1 - 24	6AW-43126-01	27 - 51		29 - 15	6AW-44336-00	33 - 26	6AW-45311-01-8D	33 - 2
6AW-24460-00	15 - 4	6AW-42678-00	1 - 22	6R3-43131-10	27 - 25	6G5-43863-00	29 - 42		37 - 34	6AW-45318-00	31 - 52
6AW-24461-00	13 - 22	6AW-42681-00	1 - 25	61A-43132-00	27 - 14	6G5-43864-00	29 - 11	6AW-44352-00	33 - 25	6AW-45321-00	33 - 10
6P2-24461-00	13 - 16	6AW-42682-00	1 - 26	61A-43133-00	27 - 20	64E-43865-00	29 - 56		37 - 33	6AW-45332-00	33 - 64

NUMERICAL INDEX

PART NO.	REF. NO.	PART NO.	REF. NO.	PART NO.	REF. NO.	PART NO.	REF. NO.	PART NO.	REF. NO.	PART NO.	REF. NO.
6AW-45335-00-CA	33 - 32	6AW-45974-10	34 - 34	68V-81953-00	18 - 7	6AW-82581-00	20 - 9	6AW-W009A-00-9S	4 - 1	90110-10018	34 - 24
688-45341-10	33 - 8	6AW-45976-10	34 - 34	68F-8195A-00	18 - 30	69J-82587-00	21 - 43	6AW-W009B-03-9S	2 - 1	90110-10092	27 - 2
6AW-45344-00	33 - 41	6AW-45978-10	34 - 34	6AW-81960-01	20 - 1	6AW-82588-00	17 - 17	6AW-W009C-00-9S	4 - 8		27 - 17
6AW-45373-00	34 - 20	6AW-45987-00	34 - 29	6AW-81972-00-9S	20 - 4	6E5-82588-00	24 - 13	6AW-W1164-01	3 - 8	90111-06034	9 - 11
6AW-45375-00	34 - 11	6AW-45997-10	34 - 30	6AW-81975-00	20 - 3	6E9-82588-00	21 - 38	6AW-W4624-00	7 - 24	90111-06094	23 - 29
61A-45376-00	34 - 10	6AW-45C80-00	34 - 35	6AH-81994-40	16 - 16	6AW-82589-00	21 - 2	6AW-W8145-01	16 - 1	90111-06111	25 - 7
6AW-45383-00	33 - 74	6AW-4820A-10	26 - 17	6AH-81996-00	23 - 43	6AW-82590-10	21 - 1	6AW-W9011-00	16 - 2		25 - 8
6AW-45384-00	33 - 75	6Y8-48277-00	35 - 16	6AW-82105-00	20 - 41	6AW-8259M-00	20 - 32		20 - 30	90111-06113	25 - 9
6AW-45501-00	33 - 44	6AW-81218-00	20 - 24	6P2-82113-00	18 - 27	6AW-8272F-00	19 - 8	90101-12031	27 - 55	90116-08037	5 - 9
6AW-45501-10	33 - 44	6AW-81328-00	20 - 20	6AW-82117-01	20 - 33	6AW-8272F-10	19 - 12	90101-12036	27 - 55	90116-10041	34 - 5
6T5-45539-00	33 - 45	6AW-81337-01	16 - 11	6AW-82119-00	20 - 42	68F-82846-00	18 - 26	90101-14004	28 - 17	90116-10047	27 - 35
6AW-45550-00	33 - 47	63D-81345-00	16 - 5	6G5-82119-00	18 - 10	6X4-83383-00	35 - 5	90105-05012	2 - 29	90119-06024	17 - 21
6AW-45567-00	33 - 6	6AW-81443-00	18 - 42	6G5-82119-10	18 - 5	6X4-83386-00	35 - 6	90105-06028	2 - 30	90119-06M17	14 - 12
6AW-45567-10	33 - 6	6AW-81460-00	16 - 3	6AW-82119-20	20 - 43	6AW-8339X-00	24 - 37	90105-06037	2 - 17	90119-06M23	17 - 2
6AW-45567-20	33 - 6	6P2-81639-00	18 - 28	6E5-82147-00	27 - 40	6AX-83614-00	21 - 44	90105-06039	2 - 36	90119-06M24	8 - 22
6AW-45567-30	33 - 6	6AW-81677-00	21 - 24	6H1-82148-00	27 - 8	63P-83614-01	21 - 47	90105-06149	8 - 11	90119-06M35	9 - 2
6AW-45567-40	33 - 6	6AW-81678-00	18 - 40		27 - 11	6AW-83614-01	20 - 16		8 - 19		19 - 16
6AW-45567-50	33 - 6	6AW-81800-00	22 - 1		29 - 60	6AW-83651-00	17 - 23	90105-06151	5 - 7	90119-06M59	12 - 28
6AW-45571-00	33 - 67	6AW-81807-00	22 - 3	6AW-82149-00	28 - 16	6AW-8366B-00	19 - 23	90105-06152	4 - 31		18 - 16
6AW-45576-00	33 - 66	6AW-81808-00	22 - 8	67F-82151-00	18 - 21	60V-8366D-00	19 - 24		4 - 34		18 - 35
6AW-45577-00	33 - 68	6AW-81810-00	22 - 16	6P2-82151-00	18 - 20	6AW-8366G-00	19 - 15	90105-06155	2 - 13	90119-06M92	5 - 26
6AW-45577-10	33 - 68	6AW-81820-00	22 - 18	67F-82151-10	18 - 22	6AW-83672-00	28 - 1		5 - 19	90119-06MA3	20 - 7
6AW-45577-20	33 - 68	6AW-81826-00	22 - 19	67F-82151-40	18 - 23	6Y8-8454G-00	35 - 11		23 - 24	90119-06MA5	20 - 8
6AW-45577-30	33 - 68	6AW-81830-00	22 - 2	67F-82151-50	18 - 24	6P2-85075-00	19 - 5	90105-06M07	4 - 18	90119-06MA6	5 - 29
6AW-45577-40	33 - 68	6AW-81832-00	22 - 7	6AW-82170-01	18 - 19	72X-85075-L0	29 - 46	90105-08173	5 - 5		8 - 13
6AW-45577-50	33 - 68	6AW-81836-00	22 - 4	6AW-82171-00	18 - 32	68F-85119-00	17 - 7	90105-08175	2 - 10		8 - 21
6AW-45577-60	33 - 68	6AW-81839-00	22 - 14	6AW-82310-01	19 - 1	64J-85516-00	19 - 18		2 - 6	90119-07001	4 - 6
6AW-45587-00	33 - 35	6AW-8183R-00	22 - 11	6A0-82317-00	18 - 14	6P2-85544-00	18 - 29		5 - 6		4 - 13
6AW-45587-10	33 - 35	6AW-8183T-00	22 - 6		18 - 33	689-85547-00	14 - 1	90105-08178	7 - 31	90119-07234	4 - 7
6AW-45587-20	33 - 35	6AW-81840-00	22 - 17	663-82317-01	16 - 12	60V-85564-00	17 - 5	90105-10257	34 - 22		4 - 14
6AW-45587-30	33 - 35	6AW-81842-00	22 - 15	6AW-82353-00	19 - 27	6AW-85580-00	16 - 4	90105-16003	28 - 26	90119-08021	4 - 26
6AW-45587-40	33 - 35	6AW-81845-00	21 - 31	6AW-8235A-00	20 - 10	6AW-85740-00	17 - 20	90109-06M81	23 - 15	90119-08102	31 - 8
6AW-45587-50	33 - 35	6AW-81846-00	22 - 20	6AW-82361-00	19 - 10	61A-85790-00	21 - 35		24 - 14	90119-08115	4 - 27
6AW-45587-60	33 - 35	6AW-81850-00	22 - 13	6AW-82361-10	19 - 14	63P-85886-00	17 - 24		24 - 26	90119-08117	31 - 35
6AW-45611-00	33 - 51	6AW-81854-00	22 - 12	6AW-82364-00	10 - 15	6P2-85896-00	19 - 4	90109-06M86	6 - 23	90119-08M14	33 - 30
6AW-45612-00	33 - 63	6AW-81857-00	22 - 9	6AW-82365-00	10 - 16	6AW-8591A-20	17 - 1		21 - 28		37 - 38
6AW-45619-00	34 - 23	6AW-81862-00	22 - 10	6AW-82366-00	10 - 18	6AW-8591C-00	17 - 8		21 - 30	90119-08M22	23 - 32
6AW-45631-00	33 - 55	6AW-81891-00	22 - 5	68V-82377-00	24 - 39	6AW-85991-00	17 - 3		21 - 48	90119-08M26	33 - 13
6AW-45632-00	33 - 54	6AW-81919-20	18 - 46	6P2-82380-00	10 - 10	6AW-8611A-00	9 - 10		23 - 4	90119-08MA5	4 - 25
6AW-45633-00	33 - 56	6AW-81919-31	18 - 47	6AW-82388-00	21 - 21	6C5-86120-00	9 - 6		23 - 6	90119-10007	31 - 47
61A-45634-01	33 - 53	6AW-81925-01	20 - 27	6Y8-82509-10	35 - 8	6P2-86120-00	5 - 27		23 - 27	90119-10008	34 - 8
61A-45635-00	33 - 58	6AW-81941-00	22 - 21	6Y8-82521-11	35 - 15	6Y8-86260-10	35 - 2		24 - 17	90119-10009	34 - 9
6AW-45641-00	33 - 52	6AW-81942-00	18 - 17	6AW-82544-01	17 - 14	6AA-86261-20	35 - 3	90109-06MA1	16 - 14	90119-10024	28 - 22
6H1-45668-00	33 - 57	6AW-81948-00	18 - 38	6AW-82560-00	21 - 37	6Y8-86267-00	35 - 1		21 - 18		28 - 31
6AW-45723-00	33 - 31	69J-81949-02	21 - 52	6AW-82563-00	21 - 41	6AW-W0001-00	36 - 1		21 - 20	90119-10038	34 - 5
6AW-4581L-00	31 - 57	6AW-8194A-00	18 - 6	6AW-82572-00	18 - 36	6AW-W0001-20	37 - 1	90109-06MA2	15 - 27	90119-10039	27 - 34
6AW-45970-10	34 - 34	6AW-81950-00	18 - 1	6AW-82573-00	18 - 37	6AW-W0070-00	1 - 23	90110-05050	34 - 19	90119-10040	31 - 11
6AW-45972-10	34 - 34	6AW-81952-00	18 - 11	6AW-8257G-00	21 - 27	6AW-W0078-00	37 - 29	90110-08085	26 - 2	90119-10M07	7 - 28

NUMERICAL INDEX

PART NO.	REF. NO.	PART NO.	REF. NO.	PART NO.	REF. NO.	PART NO.	REF. NO.	PART NO.	REF. NO.	PART NO.	REF. NO.
90151-06M02	2 - 19	90282-05008	33 - 73	90464-09008	18 - 45	90465-13M18	21 - 11	92995-06600	16 - 9	93102-85004	36 - 21
	31 - 30	90340-08002	33 - 7		21 - 51	90465-13M24	17 - 13		17 - 10	93109-24001	33 - 18
90152-05003	34 - 14	90340-14M06	32 - 5	90464-09023	8 - 6	90465-14M66	17 - 4		17 - 16		37 - 20
90155-11002	4 - 24	90340-18M09	5 - 15	90464-10010	6 - 7		17 - 22		17 - 19	93210-04279	35 - 9
90167-06M00	35 - 12	90344-51019	4 - 4	90464-10M59	26 - 26		20 - 11		19 - 3	93210-09165	26 - 16
90170-10009	34 - 7		4 - 11	90464-11121	14 - 18		20 - 21		19 - 7	93210-19758	5 - 14
90170-30M18	33 - 39	90380-19001	26 - 13		18 - 13	90467-08M10	6 - 9		19 - 26		31 - 23
90171-18M04	34 - 32	90381-15002	23 - 16		18 - 41	90467-11136	6 - 2		20 - 15		36 - 8
90173-06001	25 - 10	90386-07001	25 - 6		20 - 13	90467-120A0	15 - 28		20 - 18		37 - 8
90179-06M28	1 - 3	90386-10M16	27 - 48		21 - 34	90468-18008	26 - 8		20 - 23	93210-19MJ3	32 - 21
90179-08003	22 - 24	90386-18M14	27 - 53	90464-12001	24 - 38	90468-180A0	26 - 7		20 - 26		37 - 5
90179-08M34	5 - 10	90386-18M63	27 - 52	90464-12002	20 - 2	90480-10M23	12 - 25		20 - 36	93210-207A0	6 - 26
90179-18009	33 - 49	90386-25003	27 - 26	90464-12183	18 - 12		14 - 14		20 - 38		36 - 16
90183-02M03	33 - 60	90386-45002	28 - 9	90464-12224	9 - 9	90480-12314	16 - 13		21 - 4	93210-24M79	2 - 47
90185-05002	34 - 15	90387-06037	31 - 19	90464-13249	20 - 12		21 - 17		21 - 6		36 - 26
	34 - 17	90387-06119	18 - 15	90464-13M34	13 - 31		21 - 19		21 - 9	93210-26658	2 - 32
90185-14M00	28 - 19		18 - 34	90464-16001	19 - 22	90480-14M17	25 - 2		21 - 16		32 - 18
90185-16008	28 - 27	90387-06176	17 - 6		26 - 25		25 - 4		21 - 23		36 - 18
90185-22007	27 - 28	90387-06263	32 - 8	90464-16240	17 - 12	90480-16007	23 - 39		21 - 26		36 - 24
90201-02M00	33 - 59	90387-06M60	12 - 27	90464-17006	8 - 14	90480-19368	21 - 14		21 - 33	93210-28543	31 - 17
90201-06M30	23 - 23		14 - 13		13 - 33	90480-22M81	23 - 30		21 - 40		37 - 7
	35 - 13	90387-08M31	26 - 21	90464-18246	9 - 12	90501-10M77	33 - 61		21 - 46	93210-347A1	31 - 16
90201-10048	27 - 37	90387-08M37	23 - 31		17 - 11	90501-127J4	33 - 16		25 - 14		37 - 6
	34 - 6	90387-10M08	7 - 27		19 - 19	90506-22001	23 - 25		26 - 12	93210-37160	33 - 22
90201-10049	27 - 3	90387-11005	4 - 23		21 - 13	91490-40030	34 - 33		27 - 7		37 - 22
	27 - 18	90401-19001	2 - 42		21 - 50	91690-30020	27 - 50		27 - 10		37 - 32
90201-10M01	7 - 29	90430-05002	2 - 28	90464-20181	14 - 19	91809-08006	4 - 5		27 - 13	93210-43001	28 - 7
90201-11008	26 - 6		36 - 15		21 - 12		4 - 12		27 - 24	93210-48214	33 - 11
90201-12060	27 - 56	90430-06M03	4 - 19		21 - 49	91814-18001	2 - 4		27 - 33		37 - 18
90201-12M05	27 - 57	90430-08020	33 - 9	90464-20258	23 - 41	92900-08600	26 - 20		27 - 42	93210-69MG6	33 - 40
90201-13M19	27 - 58		37 - 17	90464-30003	21 - 10	92903-06600	18 - 4		27 - 45		37 - 26
90201-156J2	23 - 19	90430-14M09	32 - 6	90464-44002	20 - 19	92903-08600	22 - 23		31 - 21	93210-94003	33 - 21
90201-15M58	28 - 18		37 - 3	90464-99004	9 - 4	92990-06100	1 - 16		32 - 17		37 - 21
90201-16016	28 - 15	90430-18130	5 - 16	90465-08M82	24 - 15	92990-06200	8 - 12	92995-08600	4 - 21		37 - 31
90201-16030	28 - 28		36 - 9	90465-08M83	27 - 22		8 - 20		20 - 29	93211-10232	33 - 72
90201-18023	33 - 48	90445-08033	13 - 30		27 - 31	92990-08600	20 - 31		20 - 40		37 - 28
90201-19M01	34 - 31	90445-09111	6 - 8	90465-11M10	14 - 5		26 - 3		33 - 43	93306-21101	33 - 65
90201-26014	27 - 27	90445-116J1	24 - 11		18 - 44	92990-10300	34 - 21	92995-10600	31 - 10	93311-63591	33 - 69
90201-301U7	33 - 37	90445-14013	24 - 8		19 - 11	92990-10600	21 - 36	92995-14600	28 - 20	93311-93590	33 - 3
90201-35015	33 - 50	90445-14015	24 - 6		23 - 36	92995-05600	1 - 20	93101-12M70	33 - 12	93340-67011	33 - 4
90201-46008	28 - 6	90446-32002	9 - 21		24 - 12	92995-06100	16 - 8		37 - 19	93390-00031	33 - 5
90201-68008	33 - 34	90462-10042	16 - 10		26 - 18		20 - 35	93101-28004	33 - 33	93399-99962	33 - 36
90202-15M37	23 - 17	90462-12008	2 - 39		26 - 23		21 - 8		37 - 25	93410-18M02	27 - 54
90202-19001	26 - 14	90462-12009	15 - 29		27 - 30	92995-06200	1 - 7	93101-35018	33 - 71	93410-19088	26 - 15
90202-32M19	28 - 14	90464-07006	13 - 32		35 - 10		1 - 10		37 - 27	93410-21089	27 - 29
90202-45001	28 - 8	90464-07009	19 - 21	90465-11M59	6 - 14	92995-06600	6 - 21	93102-38008	7 - 23	93410-44087	28 - 11
90206-15M18	23 - 18	90464-07259	19 - 20		6 - 17		8 - 5		36 - 22	93420-35085	33 - 19
90214-30003	33 - 38	90464-07M20	19 - 28		31 - 7		14 - 17	93102-85004	3 - 3	93420-38091	31 - 53

NUMERICAL INDEX

PART NO.	REF. NO.	PART NO.	REF. NO.	PART NO.	REF. NO.	PART NO.	REF. NO.	PART NO.	REF. NO.	PART NO.	REF. NO.
93501-04011	33 - 62	97080-08030	26 - 19	97595-06610	18 - 9						
93604-08062	2 - 14	97095-06010	20 - 37	97780-50514	18 - 43						
93606-12019	2 - 3		27 - 9	97780-50620	18 - 31						
	2 - 9		27 - 41	97780-60516	1 - 6						
	3 - 2		27 - 44		1 - 9						
	33 - 29	97095-06012	8 - 4	97780-60520	24 - 2						
	37 - 37		14 - 16	97780-60620	9 - 15						
93606-19M23	31 - 42		17 - 9		18 - 8						
93608-12M05	31 - 60		17 - 15		35 - 7						
	34 - 4		17 - 18	97880-06035	35 - 12						
93608-16M16	5 - 8		21 - 15	97885-05010	1 - 19						
	31 - 13	97095-06014	6 - 20	97885-06010	27 - 15						
	31 - 32		20 - 17		27 - 21						
	31 - 48		21 - 22	97885-06012	27 - 12						
	32 - 4		21 - 25		27 - 23						
93700-06M03	27 - 39		21 - 32	97885-06016	28 - 2						
94702-00400	4 - 37		21 - 45	97980-06216	35 - 4						
95380-06600	1 - 17		25 - 13	98507-04008	12 - 37						
	9 - 7		27 - 32	98780-04015	20 - 6						
95380-12600	27 - 59		31 - 51	98780-05025	5 - 13						
95780-06300	35 - 14	97095-06016	19 - 25	98780-05550	31 - 25						
95780-08300	1 - 15		20 - 14		31 - 28						
95780-10300	27 - 36		20 - 22	98780-06020	5 - 21						
	28 - 4		20 - 25	98780-06530	2 - 38						
95812-06025	32 - 10		21 - 7	98780-06550	5 - 23						
95875-06016	11 - 7		21 - 39	99002-10600	33 - 15						
	11 - 16	97095-06020	19 - 6	99009-47500	33 - 70						
	24 - 30		20 - 34	99530-08012	16 - 6						
	24 - 36		31 - 20	99530-10114	8 - 2						
	32 - 22	97095-06025	19 - 2								
95875-06025	24 - 33		21 - 5								
95875-08035	8 - 1		26 - 11								
95885-06010	6 - 28	97095-06030	16 - 7								
95885-06014	4 - 36		27 - 6								
	6 - 27	97095-06035	21 - 3								
95885-06045	2 - 45	97095-08016	20 - 39								
95895-06010	31 - 54	97095-08020	20 - 28								
95895-06012	2 - 40		33 - 42								
95895-06014	19 - 9	97575-06514	9 - 17								
	19 - 13	97575-06520	31 - 58								
95895-06016	18 - 18	97575-08535	31 - 41								
	24 - 21	97575-08540	8 - 10								
	18 - 39		8 - 18								
95895-06020	18 - 3	97575-08570	32 - 3								
97013-06020	22 - 22	97575-10570	34 - 9								
97013-08045	32 - 16	97575-10585	31 - 12								
97075-06050	4 - 20	97595-06510	29 - 61								
97075-08025	31 - 9	97595-06610	18 - 2								
97075-10045											