

PARTS CATALOGUE

YZ450FR (5TA1) U.S.A.
YZ450F (5TA2) EUROPE
YZ450F (5TA3) JAPAN
YZ450FR (5TA4) CANADA, OCEANIA, S.AFRICA

YZ450FR/YZ450F
PARTS CATALOGUE
©2002 by Yamaha Motor Co., Ltd.
1st Edition, July 2002
All rights reserved.
Any reprinting or unauthorized use
without the written permission of
Yamaha Motor Co., Ltd.
is expressly prohibited.

A3



A4

FOREWORD

This Parts Catalogue is related to the parts for the model(s) in the below frame. When you are ordering replacement parts, please refer to this Parts Catalogue and quote both part numbers and part names correctly.

YZ450FR(5TA1,5TA4)/YZ450F(5TA2,5TA3)

1. Modifications or additions which have been made after issue of the Parts Catalogue will be announced in the Yamaha Parts News.
It is advisable that you make necessary corrections to the Parts Catalogue according to the Yamaha Parts News.

2. Abbreviations
The Following abbreviations are used in this Parts Catalogue.

“UR” Use specified parts number.
 “UN” Use as many as needed.
 “AP” Alternate Parts
 “LM” Local Made (Parts need to be ordered locally)
 “F#” Frame No. (Applicable machine No.)

3. Parts, which are to be supplied in an assembly, are listed with a dot(.) in front of the part name as shown below.

EXAMPLE

CARBURETOR ASSY
 .JET, PILOT
 .NOZZLE, MAIN

4. Number of component for assembly
The numeral appearing to the right of each component part indicates the quantity of parts for each assembly unit.

EXAMPLE

PART NO.	DESCRIPTION	Q'TY	REMARKS
2F5-83310-60	FRONT FLASHER LIGHT ASSY	2	
115-83311-60	.BULB (6V-18W)	1	
1M1-83309-60	.REFLECTOR	1	

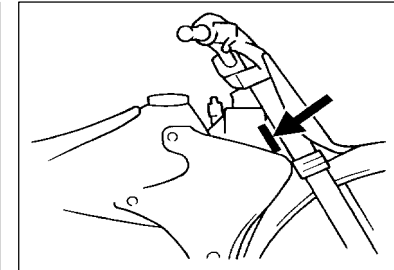
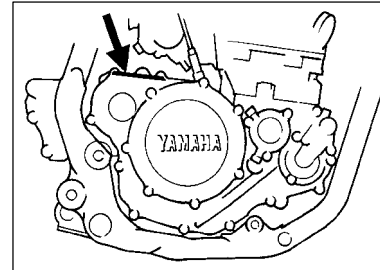
5. Applicable colors of graphics are represented in the “REMARKS” as shown below.

PART NO.	DESCRIPTION	Q'TY	REMARKS
2N4-24110-00-X5	.FUEL TANK COMP.	2	MXR
3J1-24240-10	.GRAPHIC, FUEL TANK	1	for MXR

6. Applicable Serial No.

Engine Serial No.

Frame Serial No.

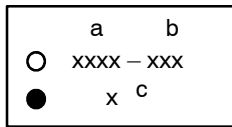


7. Note that the illustrations for reference in finding parts numbers, not to be used for assembling. When assembling, please use the applicable service manual.
8. The asterisk (*) before a reference number indicates modification items after the first edition.

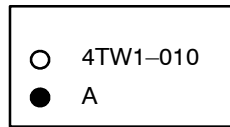
MODEL LABEL

(1) A label called "Model Label" is affixed in the location as indicated in (3) below.
When using this parts catalogue, please be sure to cross-refer the "model code – production code No." in the catalogue to the "model code – production code No." indicated on the Model Label affixed onto the product concerned.

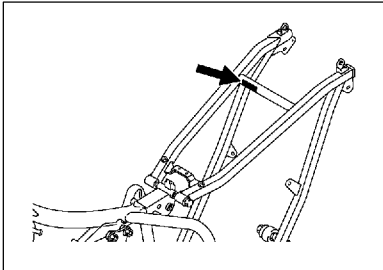
(2) "Model Label" Indication



a: Model Type Code
b: Production Code No.
c: Colouring Type



(3) Model Label Affixing Location

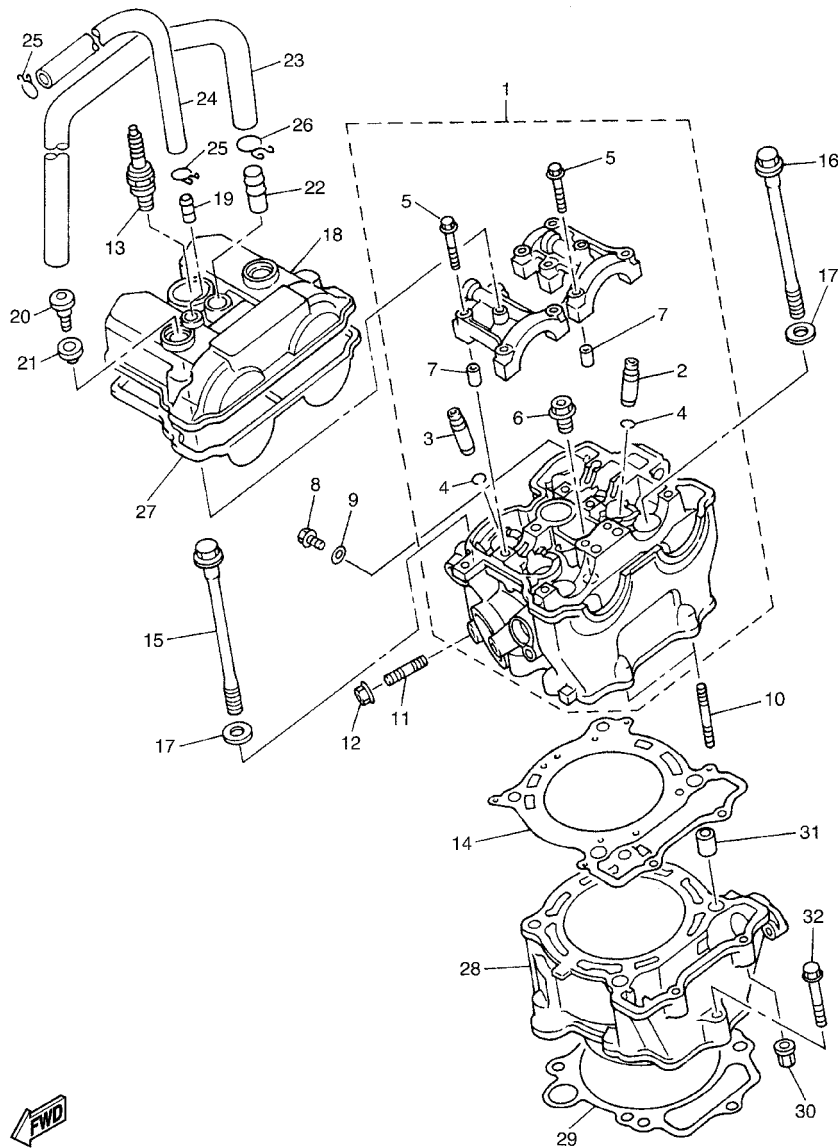


(4) Model Code – Production Code Number of Model Listed in This Parts Catalog

Model Code	Production Code No.	Country (destination)	Model Code	Production Code No.	Country (destination)
5TA1	010	U.S.A	5TA4	030	NEWZEALAND
5TA2	010	FRANCE			S.AFRICA
	020	BELGIUM			
	030	GERMANY			
	040	SPAIN			
	050	050	FINLAND		
			IRELAND		
	060	ENGLAND			
	070	GREECE			
	080	ITALY			
	090	PORTUGAL			
100	SWEDEN				
5TA3	010	JAPAN			
5TA4	010	AUSTRALIA			
	020	CANADA			

(5) Colouring Information

Model Code	Colouring type code	Colour code	Colour Name	Abbreviation
5TA1	A	0583	DEEP PURPLISH BLUE SOLID E	DPBSE
5TA2				
5TA3				
5TA4				



5TA1100-B010

FIG. 1 CYLINDER

REF. NO.	PART NO.	DESCRIPTION	5TA1	5TA2	5TA3	5TA4	REMARKS
1	5TA-11102-00	CYLINDER HEAD ASSY	1	1	1	1	
2	5TA-11133-10	.GUIDE, INTAKE VALVE	3	3	3	3	
3	5TA-11134-10	.GUIDE, EXHAUST VALVE	2	2	2	2	
4	93440-10153	.CIRCLIP	5	5	5	5	
5	90105-06027	.BOLT, FLANGE	10	10	10	10	
6	90340-12112	.PLUG, STRAIGHT SCREW	1	1	1	1	
7	91808-16023	.PIN, DOWEL	4	4	4	4	
8	95027-06010	BOLT, FLANGE	1	1	1	1	
9	90430-06014	GASKET	1	1	1	1	
10	95617-06635	BOLT, STUD	2	2	2	2	
11	95617-08620	BOLT, STUD	1	1	1	1	
12	95707-08500	NUT, FLANGE	1	1	1	1	
13	94701-00411	PLUG, SPARK (NGK R CR8E)	1	1	1	1	STD
	94703-00411	PLUG, SPARK (NGK R CR8E)			1		STD
	94701-00410	PLUG, SPARK (NGK R CR9E)	1	1	1	1	AP
	94703-00410	PLUG, SPARK (NGK R CR9E)			1		AP
14	5TA-11181-00	GASKET, CYLINDER HEAD 1	1	1	1	1	
15	90105-104A7	BOLT, FLANGE	2	2	2	2	
16	90105-106A3	BOLT, FLANGE	2	2	2	2	
17	90201-10025	WASHER, PLATE	4	4	4	4	
18	5TA-11191-00	COVER, CYLINDER HEAD 1	1	1	1	1	
19	5BE-11167-00	PIPE, BREATHER 2	1	1	1	1	
20	90109-066F0	BOLT	2	2	2	2	
21	4KG-1111G-00	RUBBER, MOUNT 1	2	2	2	2	
22	371-11167-01	PIPE, BREATHER 2	1	1	1	1	
23	5TA-11166-00	PIPE, BREATHER 1	1	1	1	1	
24	90445-112K0	HOSE (L285)	1	1	1	1	

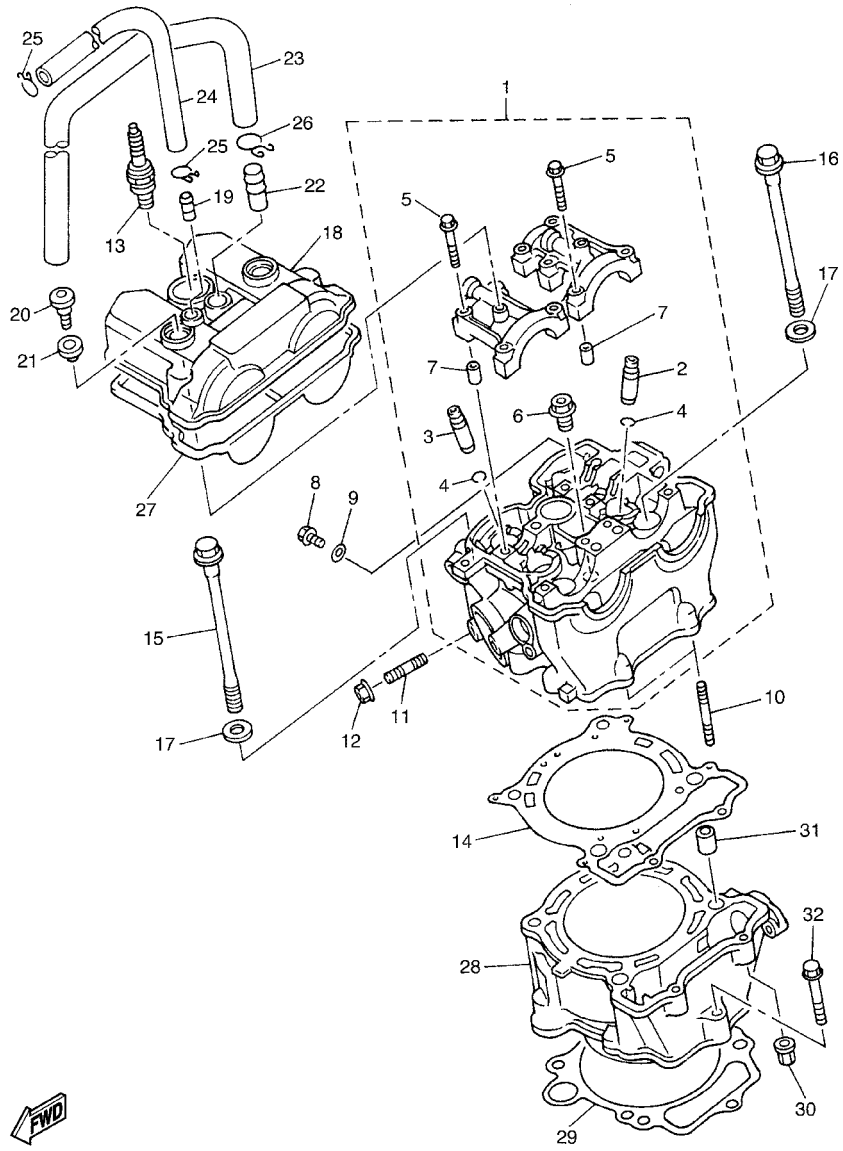


FIG. 1 CYLINDER

REF. NO.	PART NO.	DESCRIPTION	5TA1	5TA2	5TA3	5TA4	REMARKS
25	90467-11106	CLIP	2	2	2	2	
26	90467-14015	CLIP	1	1	1	1	
27	5TA-11193-00	GASKET, HEAD COVER 1	1	1	1	1	
28	5TA-11311-00	CYLINDER 1	1	1	1	1	
29	5TA-11351-00	GASKET, CYLINDER	1	1	1	1	
30	90179-06500	NUT	2	2	2	2	
31	93612-16254	PIN, DOWEL	2	2	2	2	
32	95027-06035	BOLT, FLANGE	1	1	1	1	


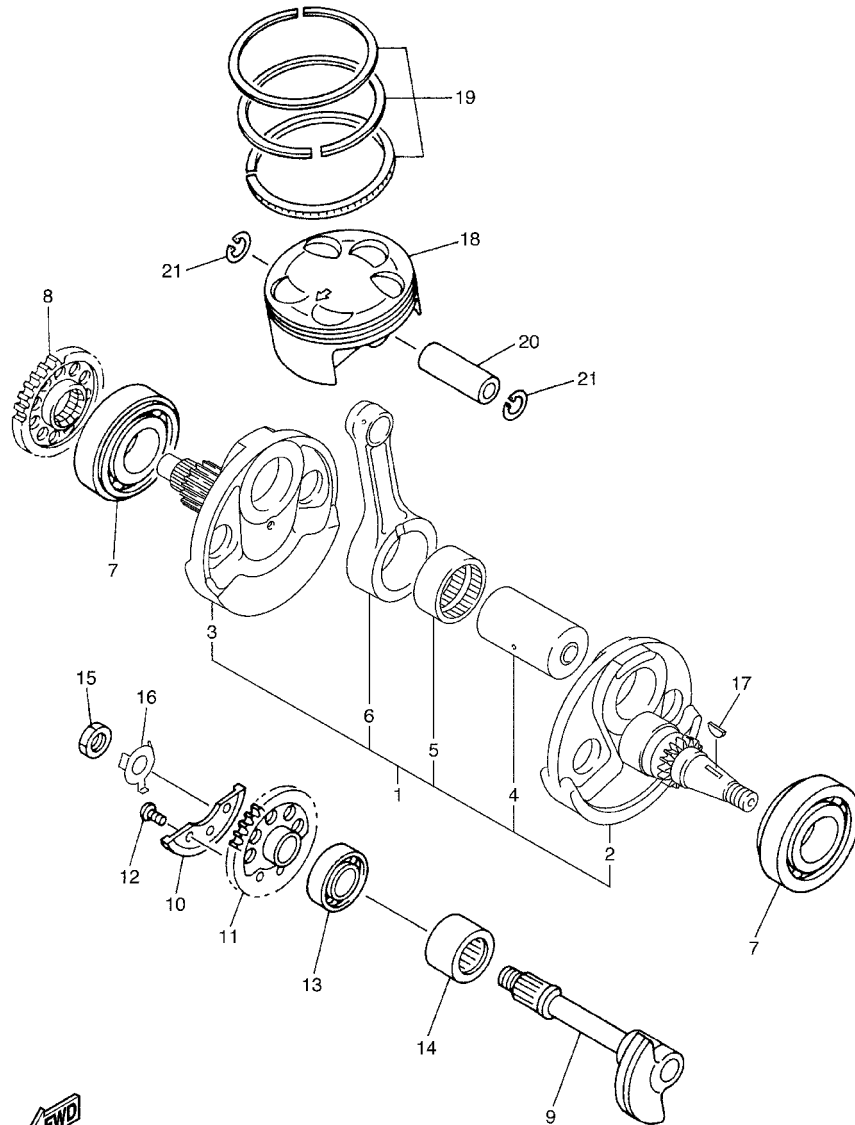
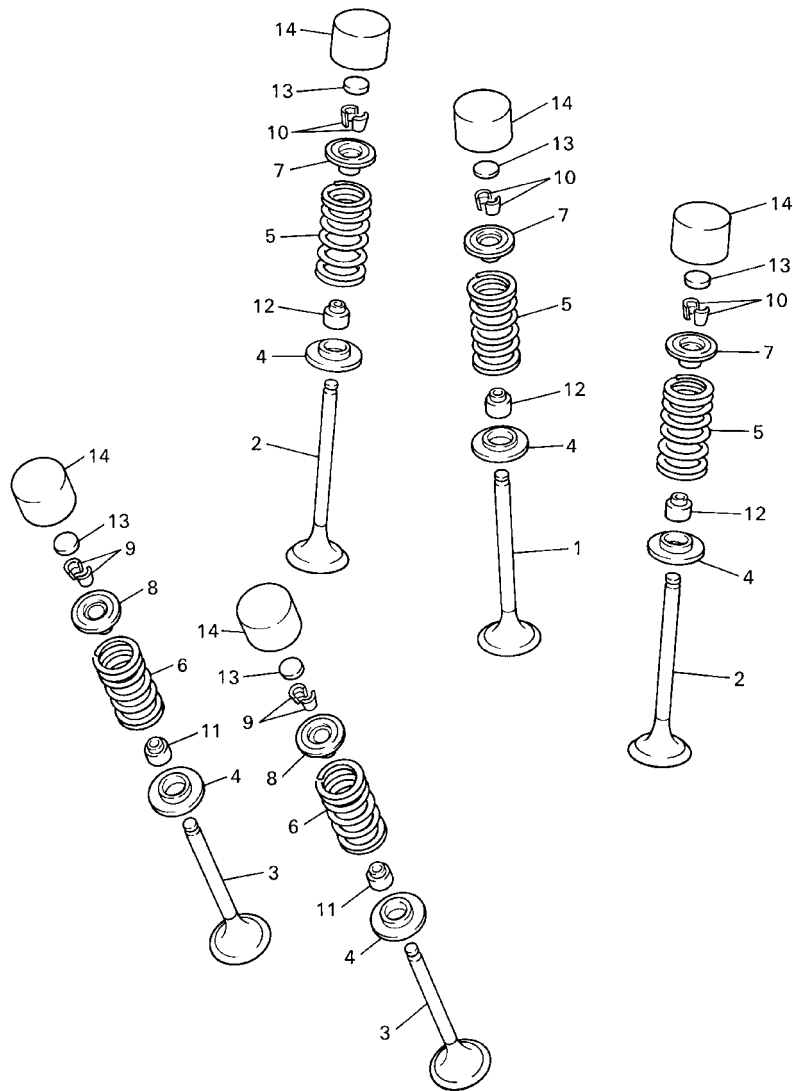
 5TA1100-B010

FIG. 2 CRANKSHAFT. PISTON



5TA1100-B020

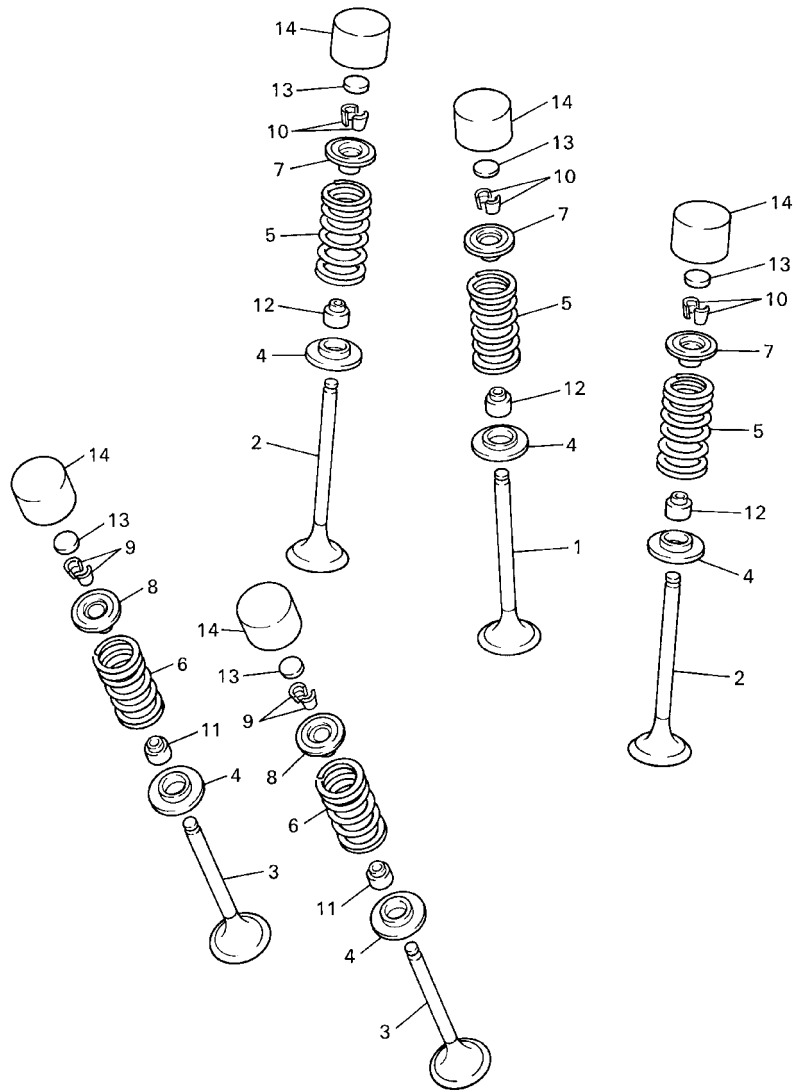
REF. NO.	PART NO.	DESCRIPTION	5TA1	5TA2	5TA3	5TA4	REMARKS
1	5TA-11400-00	CRANKSHAFT ASSY	1	1	1	1	
2	5TA-11412-00	.CRANK 1	1	1	1	1	
3	5TA-11422-00	.CRANK 2	1	1	1	1	
4	5TA-11681-00	.PIN, CRANK 1	1	1	1	1	
5	93310-63412	.BEARING	1	1	1	1	
6	5TA-11651-00	.ROD, CONNECTING	1	1	1	1	
7	93306-30633	BEARING	2	2	2	2	
8	5TA-11536-00	GEAR, DRIVE	1	1	1	1	
9	5TA-11455-00	SHAFT 1	1	1	1	1	
10	5BE-11454-00	WEIGHT 1	1	1	1	1	
11	5TA-11531-00	GEAR, BALANCE WEIGHT	1	1	1	1	
12	90149-06250	SCREW	3	3	3	3	
13	93306-20335	BEARING	1	1	1	1	
14	93311-62574	BEARING	1	1	1	1	
15	90170-14171	NUT	1	1	1	1	
16	90215-14287	WASHER, LOCK	1	1	1	1	
17	90280-03001	KEY, WOODRUFF	1	1	1	1	
18	5TA-11631-00	PISTON (STD)	1	1	1	1	
19	5JG-11603-00	PISTON RING SET (STD)	1	1	1	1	
20	5TA-11633-00	PIN, PISTON	1	1	1	1	
21	93420-18082	CIRCLIP	2	2	2	2	



5BE100-8030

FIG. 3 VALVE

REF. NO.	PART NO.	DESCRIPTION	5TA1	5TA2	5TA3	5TA4	REMARKS
1	5TA-12111-00	VALVE, INTAKE	1	1	1	1	
2	5TA-12112-00	VALVE, INTAKE 2	2	2	2	2	
3	5TA-12121-00	VALVE, EXHAUST	2	2	2	2	
4	3GM-12126-00	SEAT, VALVE SPRING 2	5	5	5	5	
5	5TA-12113-00	SPRING, VALVE INNER	3	3	3	3	
6	5TA-12114-00	SPRING, VALVE OUTER	2	2	2	2	
7	5BE-12117-00	RETAINER, VALVE SPRING	3	3	3	3	
8	4GY-12117-00	RETAINER, VALVE SPRING	2	2	2	2	
9	1AA-12118-00	COTTER, VALVE	4	4	4	4	
10	1WG-12118-00	COTTER, VALVE	6	6	6	6	
11	33M-12119-00	SEAL, VALVE STEM	2	2	2	2	
12	4SV-12119-00	SEAL, VALVE STEM	3	3	3	3	
13	3LD-12168-00	PAD, ADJUSTING (1.20)	5	5	5	5	UR
	3LD-12168-20	PAD, ADJUSTING (1.25)	5	5	5	5	UR
	3LD-12168-40	PAD, ADJUSTING (1.30)	5	5	5	5	UR
	3LD-12168-60	PAD, ADJUSTING (1.35)	5	5	5	5	UR
	3LD-12168-80	PAD, ADJUSTING (1.40)	5	5	5	5	UR
	3LD-12168-A0	PAD, ADJUSTING (1.45)	5	5	5	5	UR
	3LD-12168-F0	PAD, ADJUSTING (1.50)	5	5	5	5	UR
	3LD-12168-H1	PAD, ADJUSTING (1.55)	5	5	5	5	UR
	3LD-12168-K1	PAD, ADJUSTING (1.60)	5	5	5	5	UR
	3LD-12168-M1	PAD, ADJUSTING (1.65)	5	5	5	5	UR
	3LD-12168-R1	PAD, ADJUSTING (1.70)	5	5	5	5	UR
	3LD-12168-U1	PAD, ADJUSTING (1.75)	5	5	5	5	UR
	3LD-12168-W1	PAD, ADJUSTING (1.80)	5	5	5	5	UR
	3LD-12168-Y1	PAD, ADJUSTING (1.85)	5	5	5	5	UR
	3LD-12169-11	PAD, ADJUSTING (1.90)	5	5	5	5	UR

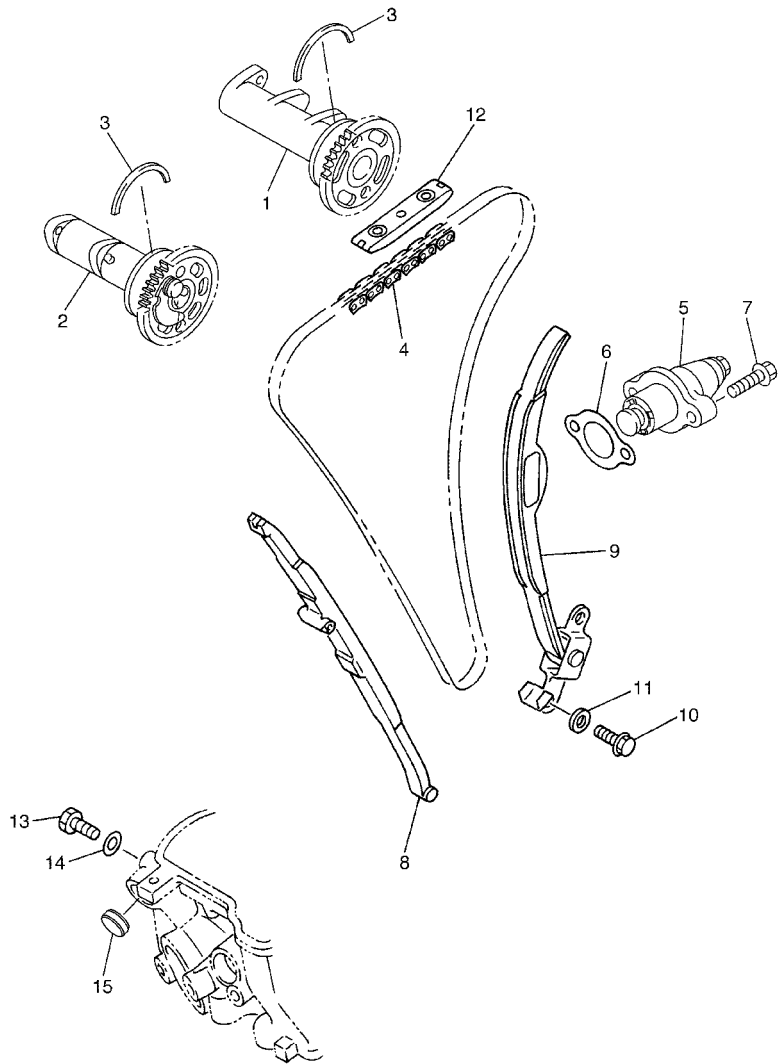


5BE100-8030

FIG. 3 VALVE

REF. NO.	PART NO.	DESCRIPTION	5TA1	5TA2	5TA3	5TA4	REMARKS
13	3LD-12169-31	PAD, ADJUSTING (1.95)	5	5	5	5	UR
	3LD-12169-50	PAD, ADJUSTING (2.00)	5	5	5	5	UR
	3LD-12169-70	PAD, ADJUSTING (2.05)	5	5	5	5	UR
	3LD-12169-90	PAD, ADJUSTING (2.10)	5	5	5	5	UR
	3LD-12169-E0	PAD, ADJUSTING (2.15)	5	5	5	5	UR
	3LD-12169-G0	PAD, ADJUSTING (2.20)	5	5	5	5	UR
	3LD-12169-J0	PAD, ADJUSTING (2.25)	5	5	5	5	UR
	3LD-12169-L0	PAD, ADJUSTING (2.30)	5	5	5	5	UR
	3LD-12169-N0	PAD, ADJUSTING (2.35)	5	5	5	5	UR
	3LD-12169-T0	PAD, ADJUSTING (2.40)	5	5	5	5	UR
14	3FV-12153-00	LIFTER, VALVE	5	5	5	5	UR BLACK
	3FV-12153-10	LIFTER, VALVE	5	5	5	5	UR YELLOW
	3FV-12153-20	LIFTER, VALVE	5	5	5	5	UR BLUE

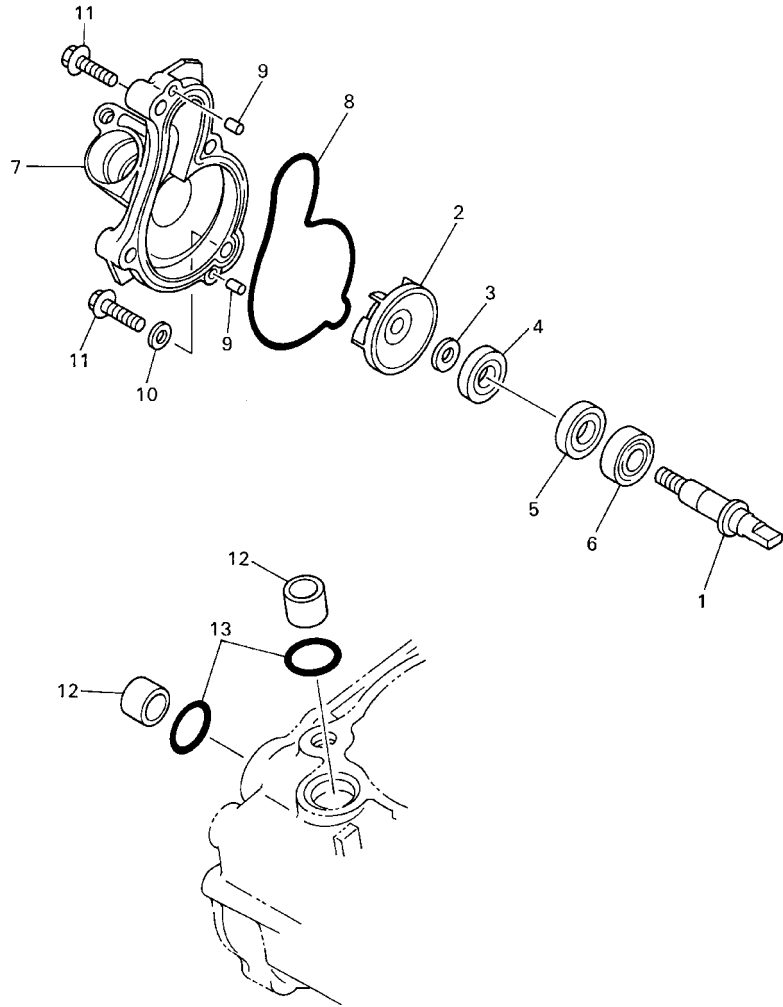
FIG. 4 CAMSHAFT. CHAIN



REF. NO.	PART NO.	DESCRIPTION	5TA1	5TA2	5TA3	5TA4	REMARKS
1	5TA-12170-00	CAMSHAFT ASSY 1	1	1	1	1	
2	5TA-12180-00	CAMSHAFT ASSY 2	1	1	1	1	
3	93440-41178	CIRCLIP	2	2	2	2	
4	94591-57118	CHAIN	1	1	1	1	
5	5TA-12210-00	TENSIONER ASSY, CAM CHAIN	1	1	1	1	
6	4FM-12213-00	GASKET, TENSIONER CASE	1	1	1	1	
7	95027-06025	BOLT, FLANGE	2	2	2	2	
8	5TA-12251-01	DAMPER, CHAIN 1	1	1	1	1	
9	5TA-12252-00	DAMPER, CHAIN 2	1	1	1	1	
10	97027-06016	BOLT	2	2	2	2	
11	92907-06600	WASHER, PLATE	2	2	2	2	
12	5BE-12241-00	GUIDE, STOPPER 2	1	1	1	1	
13	90109-06418	BOLT	1	1	1	1	
14	90430-06014	GASKET	1	1	1	1	
15	90338-18064	PLUG	1	1	1	1	

 5TA1100-B040

FIG. 5 WATER PUMP

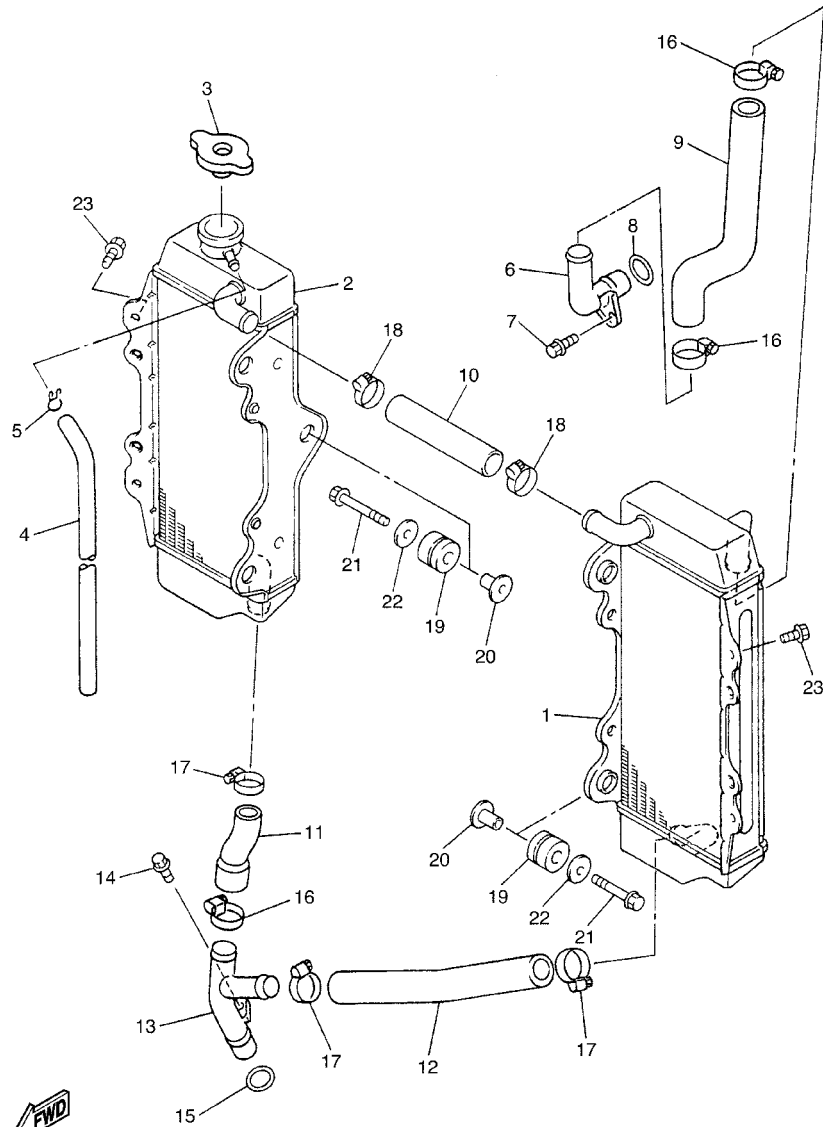


REF. NO.	PART NO.	DESCRIPTION	5TA1	5TA2	5TA3	5TA4	REMARKS
1	5GR-12458-00	SHAFT, IMPELLER	1	1	1	1	
2	5DJ-12451-00	IMPELLER, WATER PUMP	1	1	1	1	
3	90201-08512	WASHER, PLATE	1	1	1	1	
4	93109-11073	OIL SEAL	1	1	1	1	
5	93102-12106	OIL SEAL (SD 12-22-5 HS)	1	1	1	1	
6	93306-00105	BEARING (B6001)	1	1	1	1	
7	5BE-12422-20	COVER, HOUSING	1	1	1	1	
8	5BE-12439-00	O-RING	1	1	1	1	
9	93604-10011	PIN, DOWEL	2	2	2	2	
10	90430-06014	GASKET	1	1	1	1	
11	95027-06030	BOLT, FLANGE	4	4	4	4	
12	5BE-12564-00	PIPE, WATER	2	2	2	2	
13	93210-19758	O-RING	2	2	2	2	



5BE100-8050

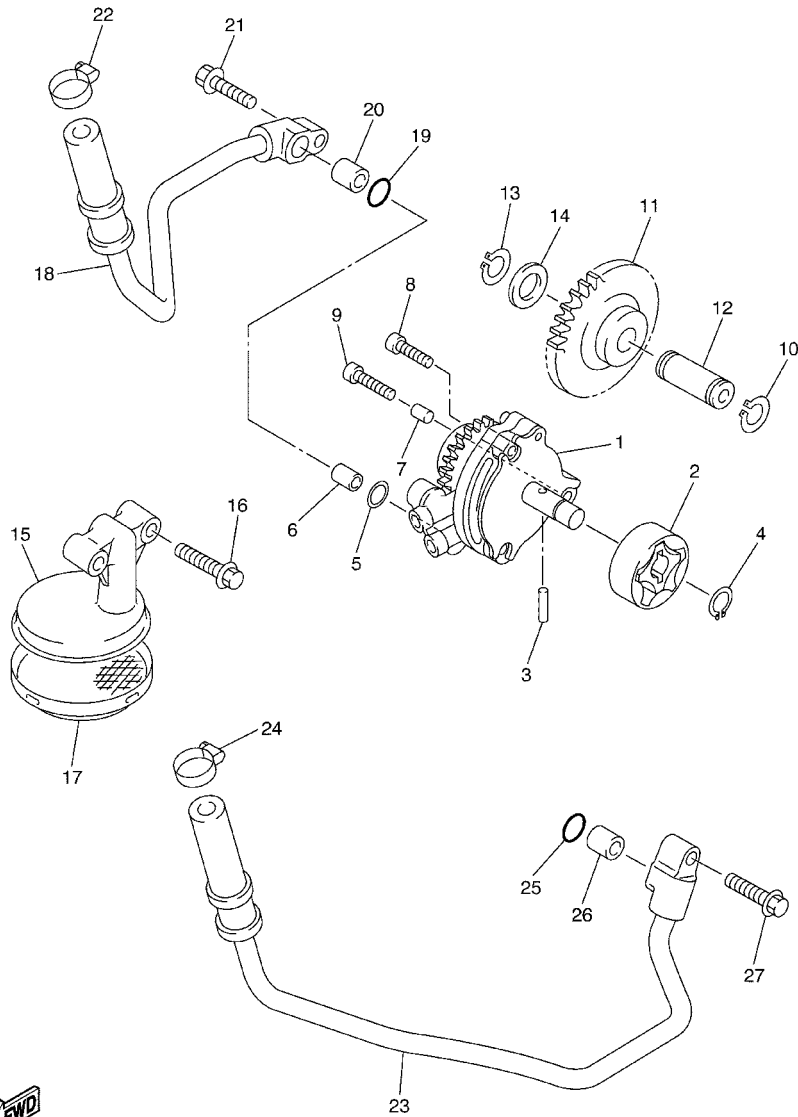
FIG. 6 RADIATOR. HOSE



5TA1100-B060

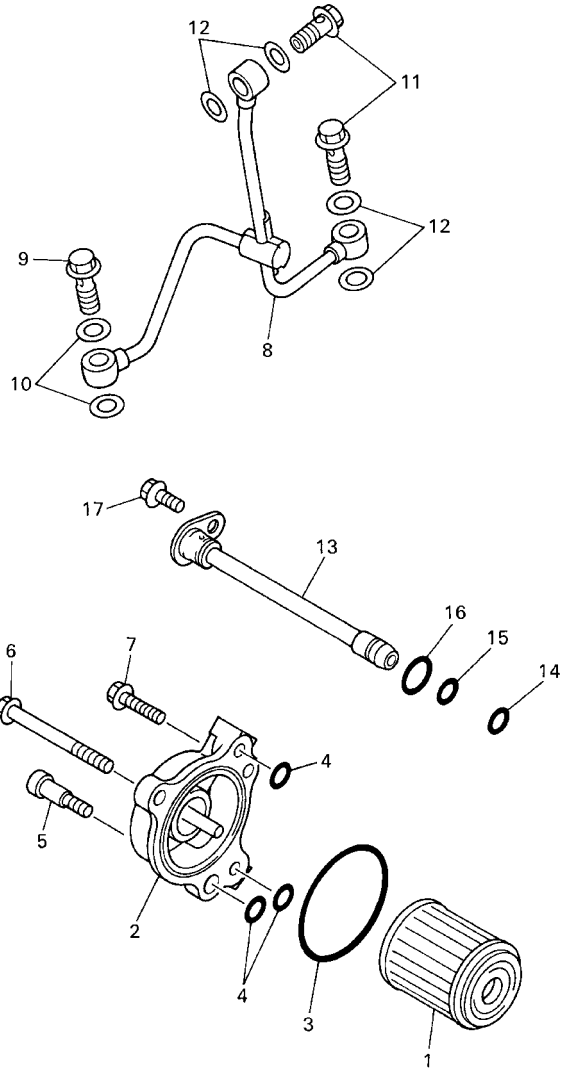
REF. NO.	PART NO.	DESCRIPTION	5TA1	5TA2	5TA3	5TA4	REMARKS
1	5TA-1240A-00	RADIATOR ASSY	1	1	1	1	
2	5TA-12461-00	RADIATOR ASSY	1	1	1	1	
3	5HD-12462-00	CAP, RADIATOR	1	1	1	1	
4	91A20-05065	TUBE, FLEXIBLE VINYL	1	1	1	1	
5	90467-09006	CLIP	1	1	1	1	
6	5TA-12481-00	PIPE 1	1	1	1	1	
7	95027-06012	BOLT, FLANGE	1	1	1	1	
8	93210-16500	O-RING	1	1	1	1	
9	5TA-12576-00	HOSE 1	1	1	1	1	
10	5SG-12579-00	HOSE 4	1	1	1	1	
11	5TA-12578-00	HOSE 3	1	1	1	1	
12	5TA-12579-00	HOSE 4	1	1	1	1	
13	5TA-12482-00	PIPE 2	1	1	1	1	
14	95027-06012	BOLT, FLANGE	1	1	1	1	
15	93210-16500	O-RING	1	1	1	1	
16	90450-28014	HOSE CLAMP ASSY	3	3	3	3	
17	90450-25037	HOSE CLAMP ASSY	3	3	3	3	
18	90450-22017	HOSE CLAMP ASSY	2	2	2	2	
19	90480-15528	GROMMET	6	6	6	6	
20	90387-06065	COLLAR	6	6	6	6	
21	95027-06025	BOLT, FLANGE	6	6	6	6	
22	90201-06571	WASHER, PLATE	6	6	6	6	
23	95827-06010	BOLT, FLANGE	2	2	2	2	

FIG. 7 OIL PUMP



5TA1100-B070

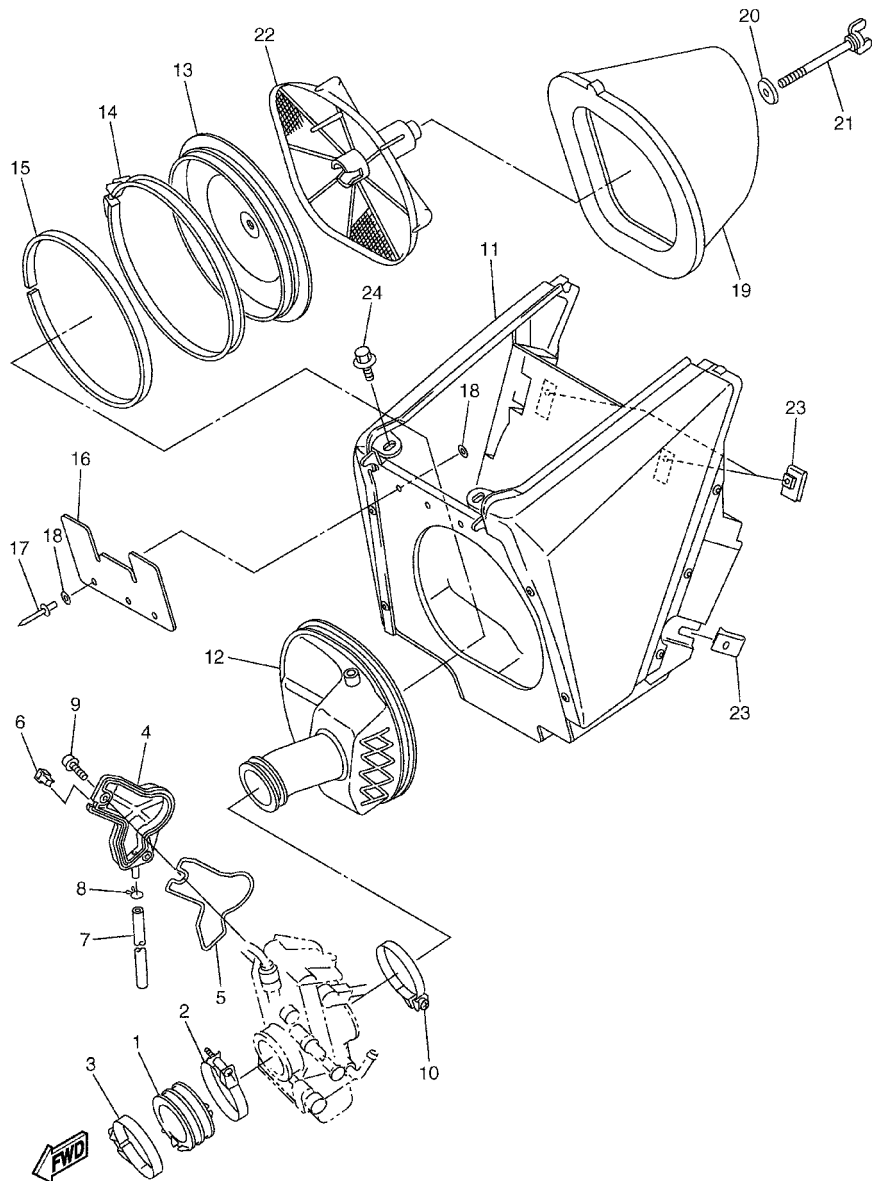
REF. NO.	PART NO.	DESCRIPTION	5TA1	5TA2	5TA3	5TA4	REMARKS
1	5TA-13300-00	OIL PUMP ASSY	1	1	1	1	
2	5TA-13320-00	ROTOR ASSY 2	1	1	1	1	
3	93603-16219	PIN, DOWEL	1	1	1	1	
4	93440-10153	CIRCLIP	1	1	1	1	
5	93210-10197	O-RING	1	1	1	1	
6	99530-10114	PIN, DOWEL	1	1	1	1	
7	99530-08012	PIN, DOWEL	1	1	1	1	
8	91317-06025	BOLT	2	2	2	2	
9	91314-06030	BOLT	1	1	1	1	
10	99001-08600	CIRCLIP	1	1	1	1	
11	5TA-13341-00	GEAR, OIL PUMP IDLE	1	1	1	1	
12	5BE-13342-00	SHAFT, IDLE GEAR	1	1	1	1	
13	99009-12400	CIRCLIP	1	1	1	1	
14	90201-12166	WASHER, PLATE	1	1	1	1	
15	5TA-13412-00	HOUSING, STRAINER	1	1	1	1	
16	95027-06025	BOLT, FLANGE	2	2	2	2	
17	5BE-13411-00	STRAINER, OIL	1	1	1	1	
18	5TA-13464-00	HOSE, OIL 1	1	1	1	1	
19	93210-10197	O-RING	1	1	1	1	
20	99530-10114	PIN, DOWEL	1	1	1	1	
21	95027-06025	BOLT, FLANGE	1	1	1	1	
22	90450-22017	HOSE CLAMP ASSY	1	1	1	1	
23	5TA-13465-00	HOSE, OIL 2	1	1	1	1	
24	90450-22017	HOSE CLAMP ASSY	1	1	1	1	
25	93210-10197	O-RING	1	1	1	1	
26	99530-10114	PIN, DOWEL	1	1	1	1	
27	95027-06025	BOLT, FLANGE	1	1	1	1	



5BE100-8080

FIG. 8 OIL CLEANER

REF. NO.	PART NO.	DESCRIPTION	5TA1	5TA2	5TA3	5TA4	REMARKS
1	5TA-13440-00	ELEMENT ASSY, OIL CLEANER	1	1	1	1	
2	5BE-13447-10	COVER, OIL ELEMENT	1	1	1	1	
3	93210-47675	O-RING	1	1	1	1	
4	93210-07135	O-RING	3	3	3	3	
5	90109-065G2	BOLT	1	1	1	1	
6	95027-06065	BOLT, FLANGE	1	1	1	1	
7	95027-06020	BOLT, FLANGE	1	1	1	1	
8	5TA-13161-00	PIPE, DELIVERY 1	1	1	1	1	
9	90401-10159	BOLT, UNION	1	1	1	1	
10	90430-10188	GASKET	2	2	2	2	
11	90401-08038	BOLT, UNION	2	2	2	2	
12	90430-08119	GASKET	4	4	4	4	
13	5TA-13171-00	PIPE, DELIVERY 2	1	1	1	1	
14	93210-07003	O-RING	1	1	1	1	
15	93210-09008	O-RING	1	1	1	1	
16	93210-12759	O-RING	1	1	1	1	
17	95027-06012	BOLT, FLANGE	1	1	1	1	

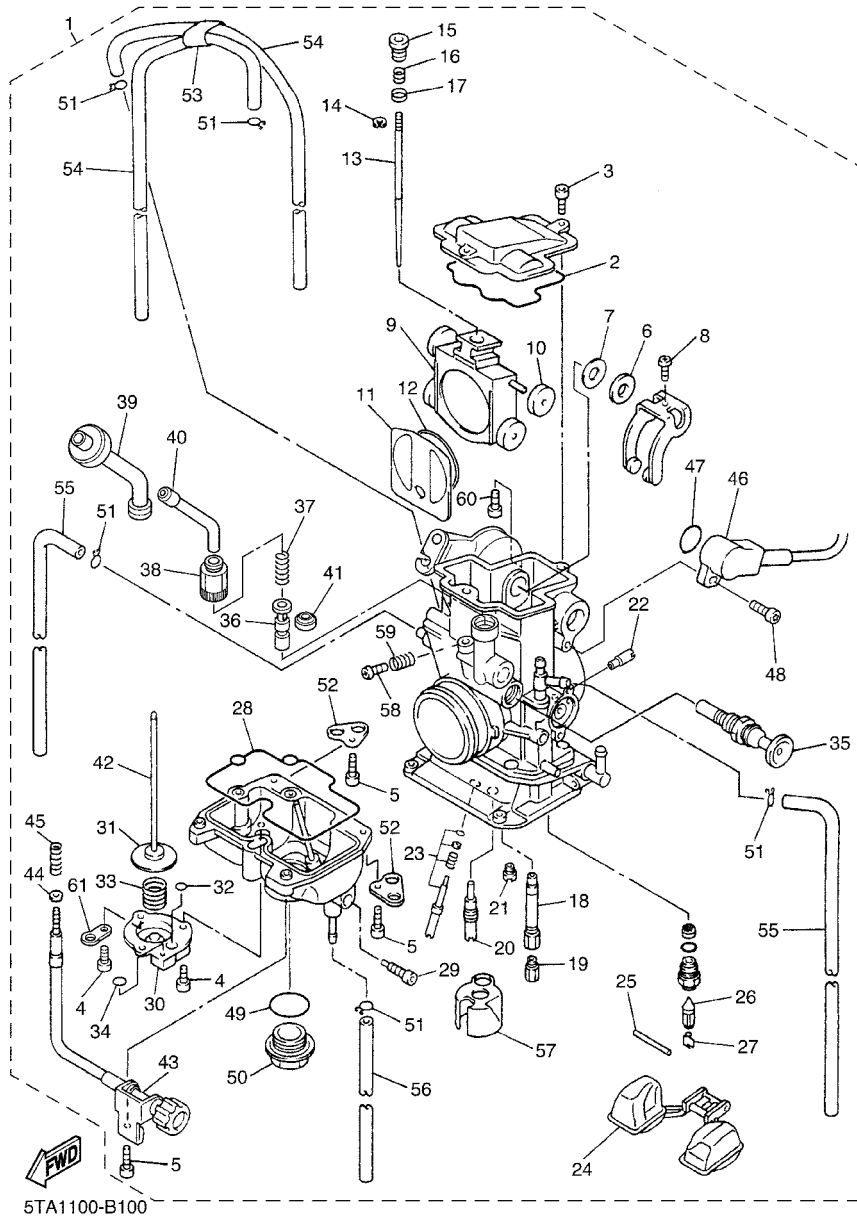


5TA1100-B090

FIG. 9 INTAKE

REF. NO.	PART NO.	DESCRIPTION	5TA1	5TA2	5TA3	5TA4	REMARKS
1	5TA-13597-00	JOINT, CARBURETOR 3	1	1	1	1	
2	90450-57004	HOSE CLAMP ASSY	1	1	1	1	
3	90450-59002	HOSE CLAMP ASSY	1	1	1	1	
4	5TA-14293-00	COVER 1	1	1	1	1	
5	5TA-14227-00	GASKET	1	1	1	1	
6	5TA-14239-00	SEAL	1	1	1	1	
7	5TA-14987-00	HOSE	1	1	1	1	
8	3TJ-14137-40	CLIP	1	1	1	1	
9	5TA-14428-00	BOLT	2	2	2	2	
10	90450-61001	HOSE CLAMP ASSY	1	1	1	1	
11	5TA-14401-00	AIR CLEANER CASE ASSY	1	1	1	1	
12	5TA-14453-00	JOINT, AIR CLEANER 1	1	1	1	1	
13	5NY-14459-00	HOLDER, GUIDE	1	1	1	1	
14	5NY-14455-10	BAND	1	1	1	1	
15	5NY-14442-00	SPACER	1	1	1	1	
16	5NY-14417-00	COVER 1	1	1	1	1	
17	90267-32070	RIVET, BLIND	3	3	3	3	
18	90201-03313	WASHER, PLATE	6	6	6	6	
19	4XM-14451-00	ELEMENT, AIR CLEANER	1	1	1	1	
20	90209-06096	WASHER	1	1	1	1	
21	90122-06035	BOLT, WING	1	1	1	1	
22	5BE-14458-00	GUIDE	1	1	1	1	
23	90183-06023	NUT, SPRING	3	3	3	3	
24	90109-067F4	BOLT	2	2	2	2	

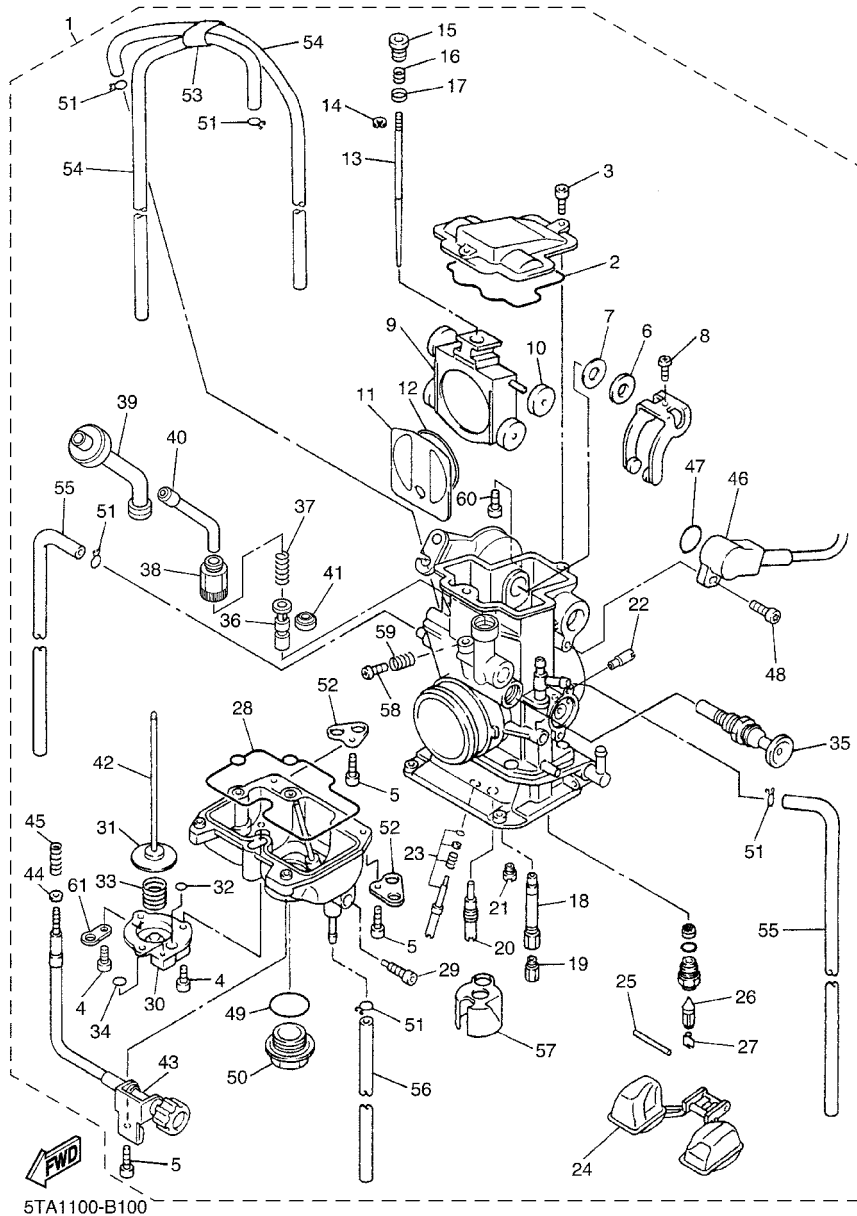
FIG. 10 CARBURETOR



5TA1100-B100

REF. NO.	PART NO.	DESCRIPTION	5TA1	5TA2	5TA3	5TA4	REMARKS
1	5TA-14101-00	CARBURETOR ASSY 1	1	1	1	1	
2	5JG-14959-00	.GASKET	1	1	1	1	
3	91316-04012	.BOLT	2	2	2	2	
4	688-14592-00	.SCREW	3	3	3	3	
5	98502-04012	.SCREW, PAN HEAD	4	4	4	4	
6	90202-08045	.WASHER, PLATE	1	1	1	1	
7	5JG-14951-00	.WASHER	1	1	1	1	
8	5JG-14522-00	.SCREW, ADJUST	1	1	1	1	
9	5JG-14388-00	.VALVE, VACUUM CONTROL	1	1	1	1	
10	3TJ-14267-40	.ROLLER	1	1	1	1	
11	5JG-14546-01	.VALVE, NEEDLE	1	1	1	1	
12	4FN-14997-00	.SEAL	1	1	1	1	
13	5TA-14916-V1	.NEEDLE (#NCVQ)	1	1	1	1	STD
	5TA-14916-VM	.NEEDLE (#NCVM)	1	1	1	1	AP
	5TA-14916-VN	.NEEDLE (#NCVN)	1	1	1	1	AP
	5TA-14916-VP	.NEEDLE (#NCVP)	1	1	1	1	AP
	5TA-14916-VR	.NEEDLE (#NCVR)	1	1	1	1	AP
	5TA-14916-VS	.NEEDLE (#NCVS)	1	1	1	1	AP
	5TA-14916-VT	.NEEDLE (#NCVT)	1	1	1	1	AP
	5TA-14916-YN	.NEEDLE (#NCYN)	1	1	1	1	AP
	5TA-14916-YP	.NEEDLE (#NCYP)	1	1	1	1	AP
	5TA-14916-Y1	.NEEDLE (#NCYQ)	1	1	1	1	AP
	5TA-14916-YR	.NEEDLE (#NCYR)	1	1	1	1	AP
	5TA-14916-YS	.NEEDLE (#NCYS)	1	1	1	1	AP
	5TA-14916-JN	.NEEDLE (#NDJN)	1	1	1	1	AP
	5TA-14916-JP	.NEEDLE (#NDJP)	1	1	1	1	AP
	5TA-14916-J1	.NEEDLE (#NDJQ)	1	1	1	1	AP

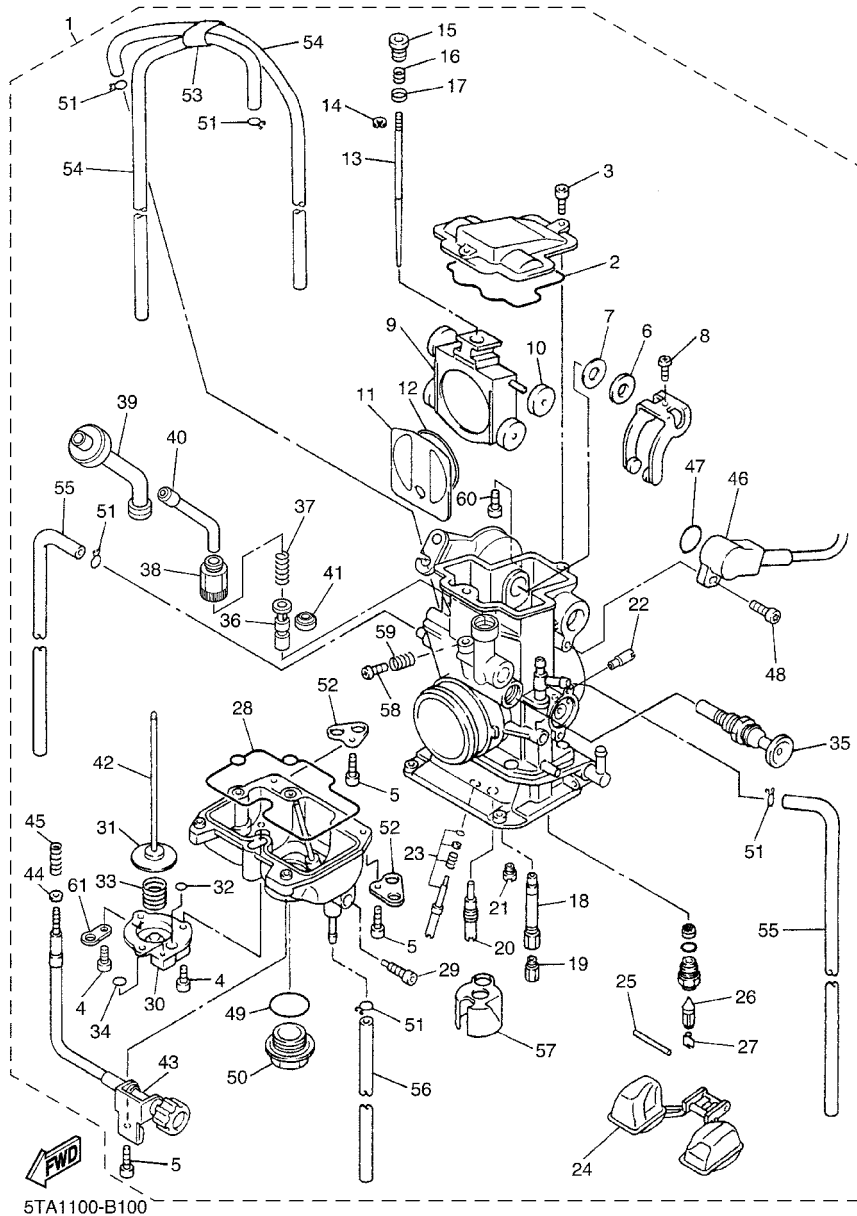
FIG. 10 CARBURETOR



5TA1100-B100

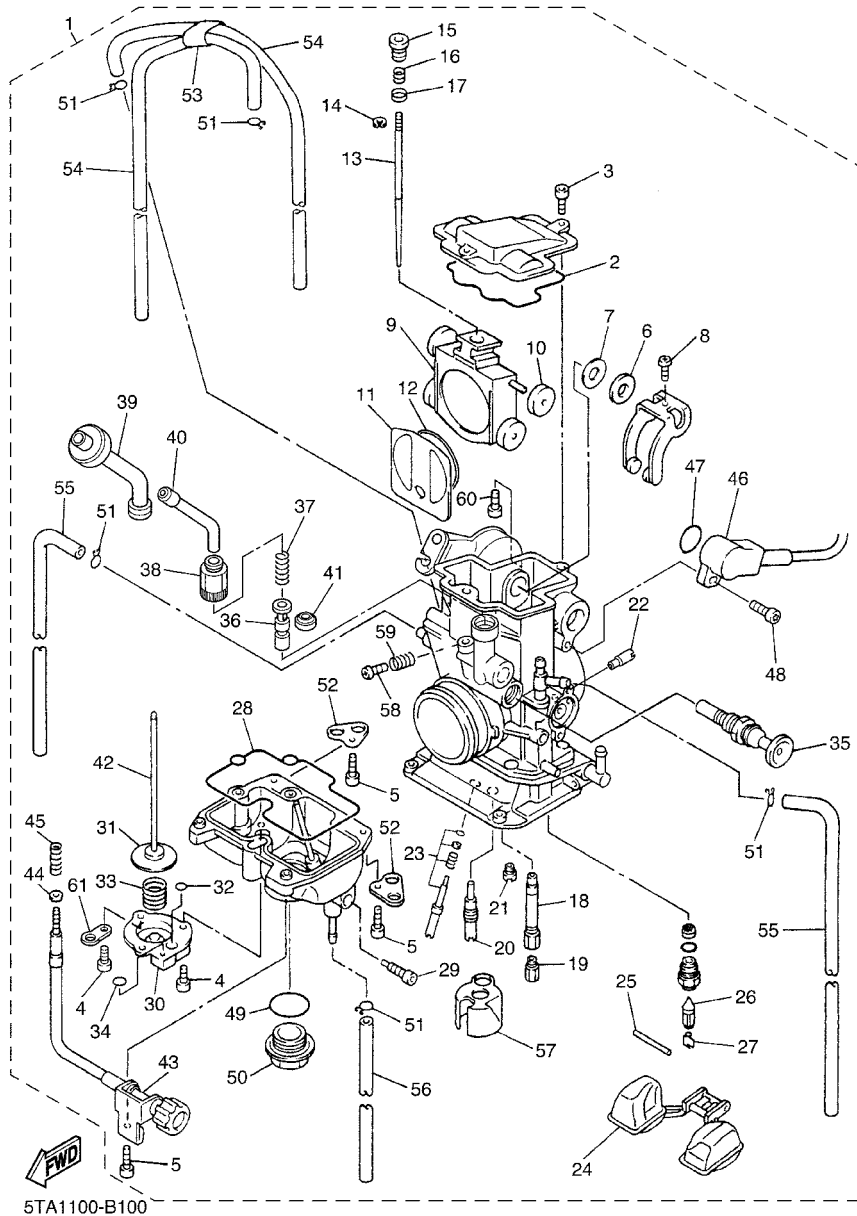
REF. NO.	PART NO.	DESCRIPTION	5TA1	5TA2	5TA3	5TA4	REMARKS
13	5TA-14916-JR	.NEEDLE (#NDJR)	1	1	1	1	AP
	5TA-14916-JS	.NEEDLE (#NDJS)	1	1	1	1	AP
14	3TJ-14159-40	.CLIP	1	1	1	1	
15	5JG-14521-00	.SCREW, ADJUST	1	1	1	1	
16	5JG-14275-00	.SPRING	1	1	1	1	
17	5JG-14264-00	.COLLAR	1	1	1	1	
18	5JG-14947-00	.NOZZLE, MAIN	1	1	1	1	
19	4MX-14943-90	.JET, MAIN (#162)	1	1	1	1	STD
	4MX-14943-88	.JET, MAIN (#152)	1	1	1	1	AP
	4MX-14943-38	.JET, MAIN (#155)	1	1	1	1	AP
	4MX-14943-89	.JET, MAIN (#158)	1	1	1	1	AP
	4MX-14943-39	.JET, MAIN (#160)	1	1	1	1	AP
	4MX-14943-40	.JET, MAIN (#165)	1	1	1	1	AP
	4MX-14943-91	.JET, MAIN (#168)	1	1	1	1	AP
	4MX-14943-41	.JET, MAIN (#170)	1	1	1	1	AP
	4MX-14943-92	.JET, MAIN (#172)	1	1	1	1	AP
	4MX-14943-42	.JET, MAIN (#175)	1	1	1	1	AP
	4MX-14943-93	.JET, MAIN (#178)	1	1	1	1	AP
20	4MX-14948-04	.JET, SLOW (#42)	1	1	1	1	STD
	4MX-14948-01	.JET, SLOW (#35)	1	1	1	1	AP
	4MX-14948-02	.JET, SLOW (#38)	1	1	1	1	AP
	4MX-14948-03	.JET, SLOW (#40)	1	1	1	1	AP
	4MX-14948-05	.JET, SLOW (#45)	1	1	1	1	AP
	4MX-14948-06	.JET, SLOW (#48)	1	1	1	1	AP
	4MX-14948-07	.JET, SLOW (#50)	1	1	1	1	AP
21	3TJ-1494F-16	.JET (#72)	1	1	1	1	STD
	3TJ-1494F-12	.JET (#62)	1	1	1	1	AP

FIG. 10 CARBURETOR



REF. NO.	PART NO.	DESCRIPTION	5TA1	5TA2	5TA3	5TA4	REMARKS
21	3TJ-1494F-13	.JET (#65)	1	1	1	1	AP
	3TJ-1494F-14	.JET (#68)	1	1	1	1	AP
	3TJ-1494F-15	.JET (#70)	1	1	1	1	AP
	3TJ-1494F-17	.JET (#75)	1	1	1	1	AP
	3TJ-1494F-18	.JET (#78)	1	1	1	1	AP
	3TJ-1494F-19	.JET (#80)	1	1	1	1	AP
	3TJ-1494F-20	.JET (#82)	1	1	1	1	AP
22	5TA-14943-27	.JET, MAIN (#100)	1	1	1	1	
23	3TJ-14105-40	.PILOT SCREW SET	1	1	1	1	
24	4SR-14985-00	.FLOAT	1	1	1	1	
25	676-14548-00	.PIN, FLOAT ARM	1	1	1	1	
26	4MX-14392-00	.VALVE, NEEDLE	1	1	1	1	
27	633-14159-00	.CLIP	1	1	1	1	
28	5JG-14984-00	.GASKET, FLOAT CHAMBER	1	1	1	1	
29	3TJ-14191-40	.PLUG, DRAIN	1	1	1	1	
30	3TJ-14293-40	.COVER 1	1	1	1	1	
31	5JG-14940-17	.DIAPHRAGM ASSY	1	1	1	1	STD
	5JG-14940-19	.DIAPHRAGM ASSY	1	1	1	1	AP
	5JG-14940-18	.DIAPHRAGM ASSY	1	1	1	1	AP
32	3TJ-14536-40	.GASKET	1	1	1	1	
33	3TJ-14933-40	.SPRING, DIAPHRAGM	1	1	1	1	
34	6H4-14561-00	.O-RING	1	1	1	1	
35	5TA-14171-00	.PLUNGER, STARTER	1	1	1	1	
36	5TA-14371-00	.PLUNGER, STARTER	1	1	1	1	
37	5TA-14335-00	.SPRING, PLUNGER	1	1	1	1	
38	5TA-14991-00	.SCREW	1	1	1	1	
39	5TA-14374-00	.CAP, PLUNGER	1	1	1	1	

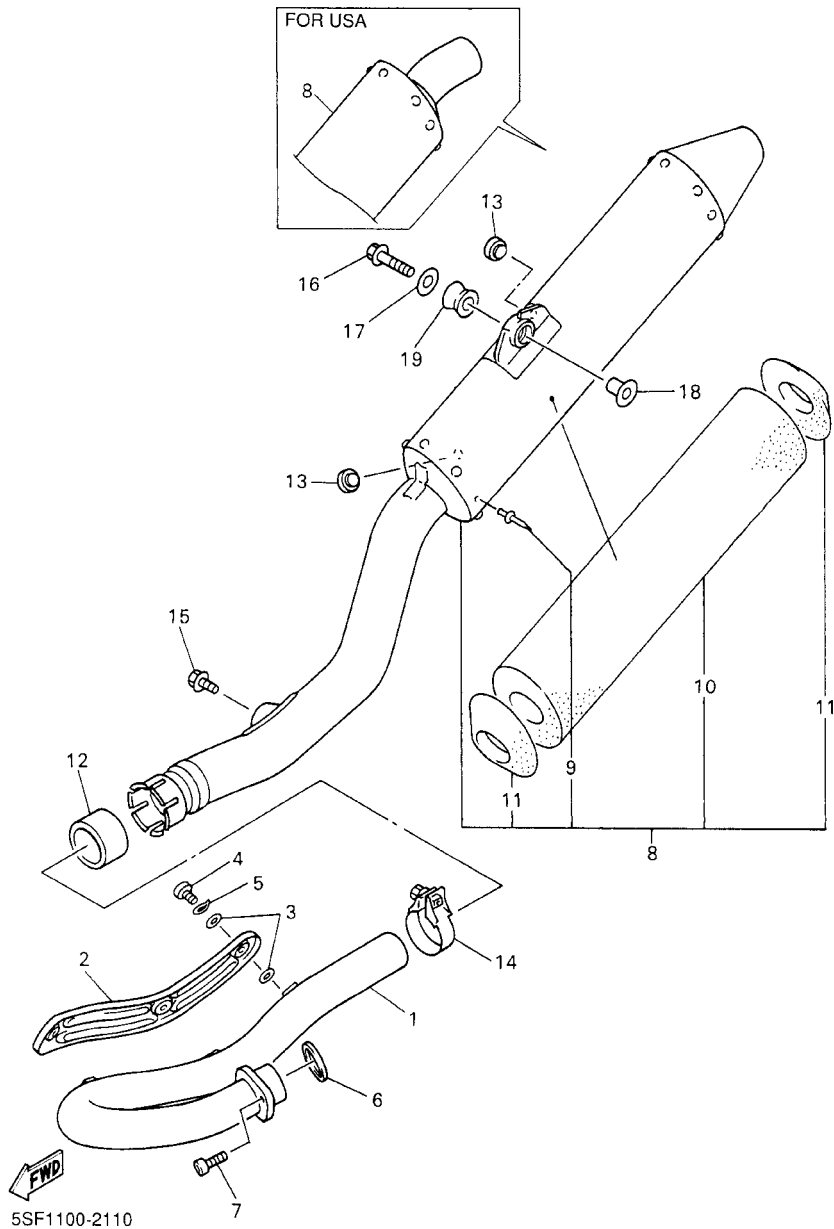
FIG. 10 CARBURETOR



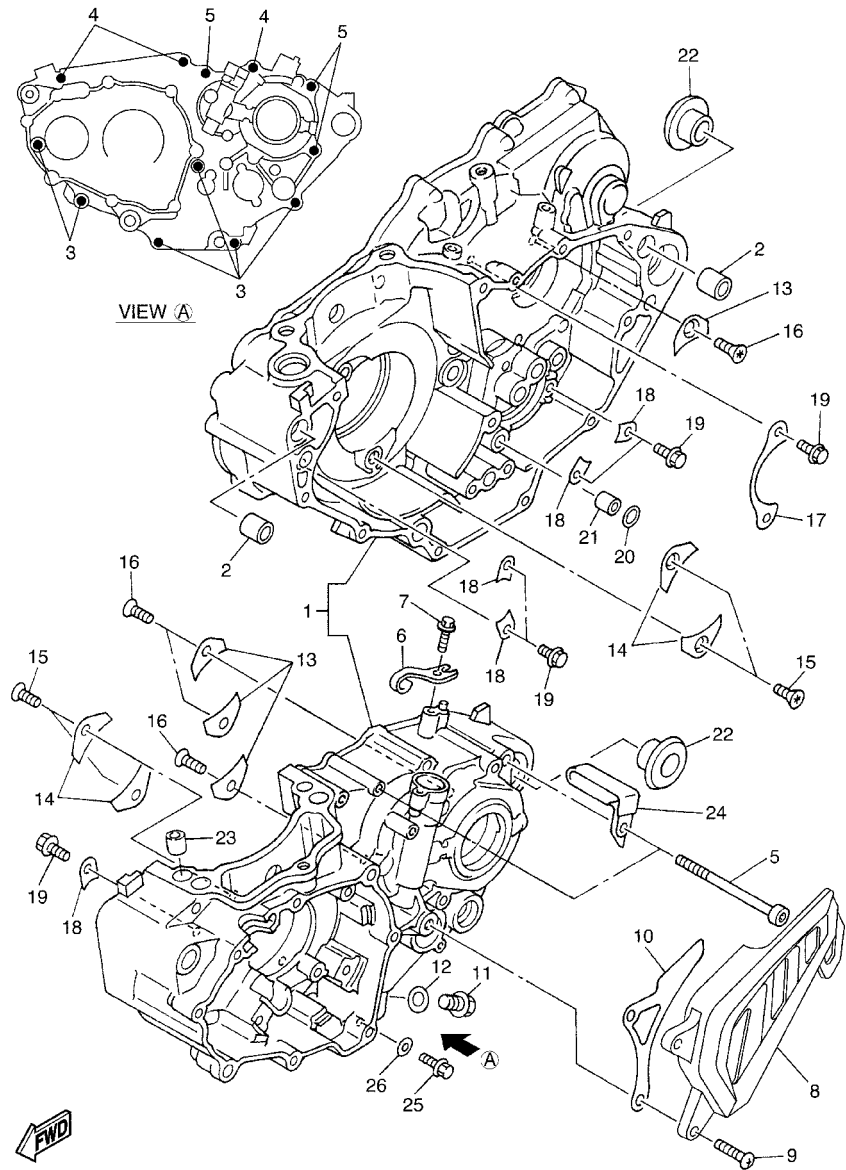
5TA1100-B100

REF. NO.	PART NO.	DESCRIPTION	5TA1	5TA2	5TA3	5TA4	REMARKS
40	5TA-14155-00	.GUIDE, CABLE	1	1	1	1	
41	5TA-14997-00	.SEAL	1	1	1	1	
42	5JG-14379-00	.ROD, STARTER	1	1	1	1	
43	5JG-14922-00	.SCREW, THROTTLE	1	1	1	1	
44	90201-08410	.WASHER, PLATE	1	1	1	1	
45	5TA-14934-00	.SPRING, THROTTLE STOP	1	1	1	1	
46	5TA-85885-00	.THROTTLE SENSOR ASSY	1	1	1	1	
47	5NX-14562-00	.O-RING	1	1	1	1	
48	5NX-14216-00	.SCREW	1	1	1	1	
49	4MX-14561-00	.O-RING	1	1	1	1	
50	4MX-14115-00	.PLUG, SCREW	1	1	1	1	
51	3TJ-14137-40	.CLIP	5	5	5	5	
52	5BE-14146-00	.PLATE	2	2	2	2	
53	5TA-14261-00	.HOLDER	1	1	1	1	
54	5TA-14196-00	.PIPE	2	2	2	2	
55	5TA-14197-00	.PIPE	2	2	2	2	
56	5JG-14987-00	.HOSE	1	1	1	1	
57	5JG-14346-00	.PLATE	1	1	1	1	
58	5JG-14565-00	.SCREW	1	1	1	1	
59	5JG-14531-00	.SPRING, ADJUST SCREW	1	1	1	1	
60	5JG-14591-00	.SCREW	1	1	1	1	
61	5PA-14146-00	.PLATE	1	1	1	1	

FIG. 11 EXHAUST



REF. NO.	PART NO.	DESCRIPTION	5TA1	5TA2	5TA3	5TA4	REMARKS
1	5TA-14611-00	PIPE, EXHAUST 1	1	1	1	1	
2	5TA-14628-00	PROTECTOR, EXHAUST PIPE	1	1	1	1	
3	4BD-14766-00	WASHER, PROTECTOR	6	6	6	6	
4	98980-06008	SCREW, BIND	3	3	3	3	
5	90206-06090	WASHER, WAVE	3	3	3	3	
6	3VD-14613-00	GASKET, EXHAUST PIPE	1	1	1	1	
7	91317-08020	BOLT	1	1	1	1	
8	5TA-14753-00	SILENCER, EXHAUST	1				
	5TA-14753-10	SILENCER, EXHAUST		1	1	1	
9	90267-48084	.RIVET, BLIND	16	16	16	16	
10	5TA-1469A-00	.FIBER	1	1	1	1	
11	5TA-1469E-00	.FIBER	2	2	2	2	
12	3GW-14714-00	GASKET, MUFFLER	1	1	1	1	
13	4FU-24181-00	DAMPER, LOCATING 1	2	2	2	2	
14	5BE-14788-00	BAND, SILENCER	1	1	1	1	
15	95817-08020	BOLT, FLANGE	1	1	1	1	
16	95817-08030	BOLT, FLANGE	1	1	1	1	
17	90201-081R9	WASHER, PLATE	1	1	1	1	
18	90387-0814J	COLLAR	1	1	1	1	
19	5BE-14747-00	DAMPER, MUFFLER	1	1	1	1	

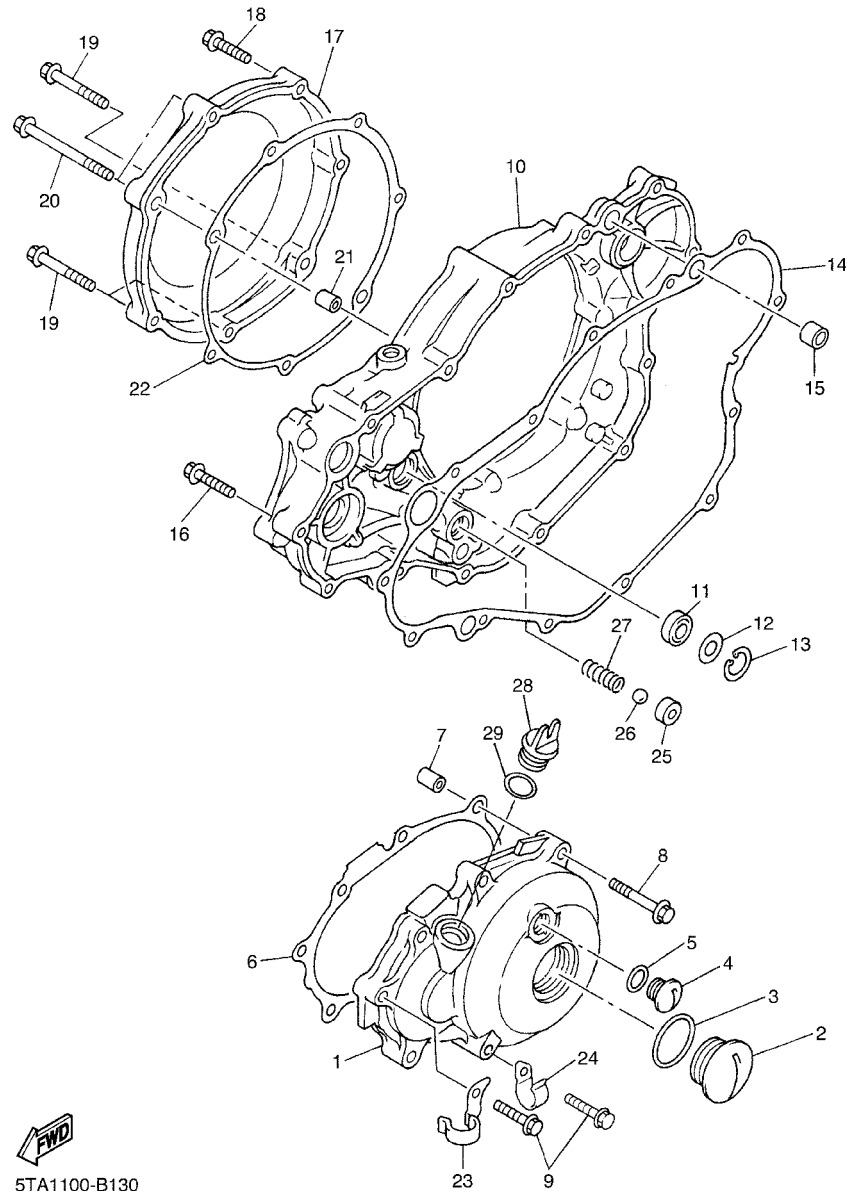


5TA1100-B120

FIG. 12 CRANKCASE

REF. NO.	PART NO.	DESCRIPTION	5TA1	5TA2	5TA3	5TA4	REMARKS
1	5TA-15150-00	CRANKCASE ASSY	1	1	1	1	
2	99530-14016	PIN, DOWEL	2	2	2	2	
3	91317-06050	BOLT	6	6	6	6	
4	91317-06060	BOLT	3	3	3	3	
5	91317-06075	BOLT	3	3	3	3	
6	5TA-15441-00	HOLDER, CLUTCH CABLE	1	1	1	1	
7	95027-06016	BOLT, FLANGE	1	1	1	1	
8	5TA-15421-00	COVER, CRANKCASE 2	1	1	1	1	
9	98507-06025	SCREW	2	2	2	2	
10	5TA-17466-00	GUIDE, CHAIN	1	1	1	1	
11	95027-10016	BOLT, FLANGE	1	1	1	1	
12	90430-10188	GASKET	1	1	1	1	
13	4JT-15381-01	PLATE, BEARING COVER	4	4	4	4	
14	5BE-15383-01	PLATE, BEARING COVER	4	4	4	4	
15	90149-06126	SCREW	4	4	4	4	
16	90149-06326	SCREW	4	4	4	4	
17	4L0-17471-00	PLATE, COVER	1	1	1	1	
18	5DH-18562-00	PLATE, STOPPER 2	5	5	5	5	
19	90105-06553	BOLT, FLANGE	7	7	7	7	
20	93210-10197	O-RING	1	1	1	1	
21	99530-10114	PIN, DOWEL	1	1	1	1	
22	90387-18007	COLLAR	2	2	2	2	
23	99530-10116	PIN, DOWEL	2	2	2	2	
24	90461-10136	CLAMP	1	1	1	1	
25	95024-06010	BOLT, FLANGE	1	1	1	1	
26	90430-06014	GASKET	1	1	1	1	

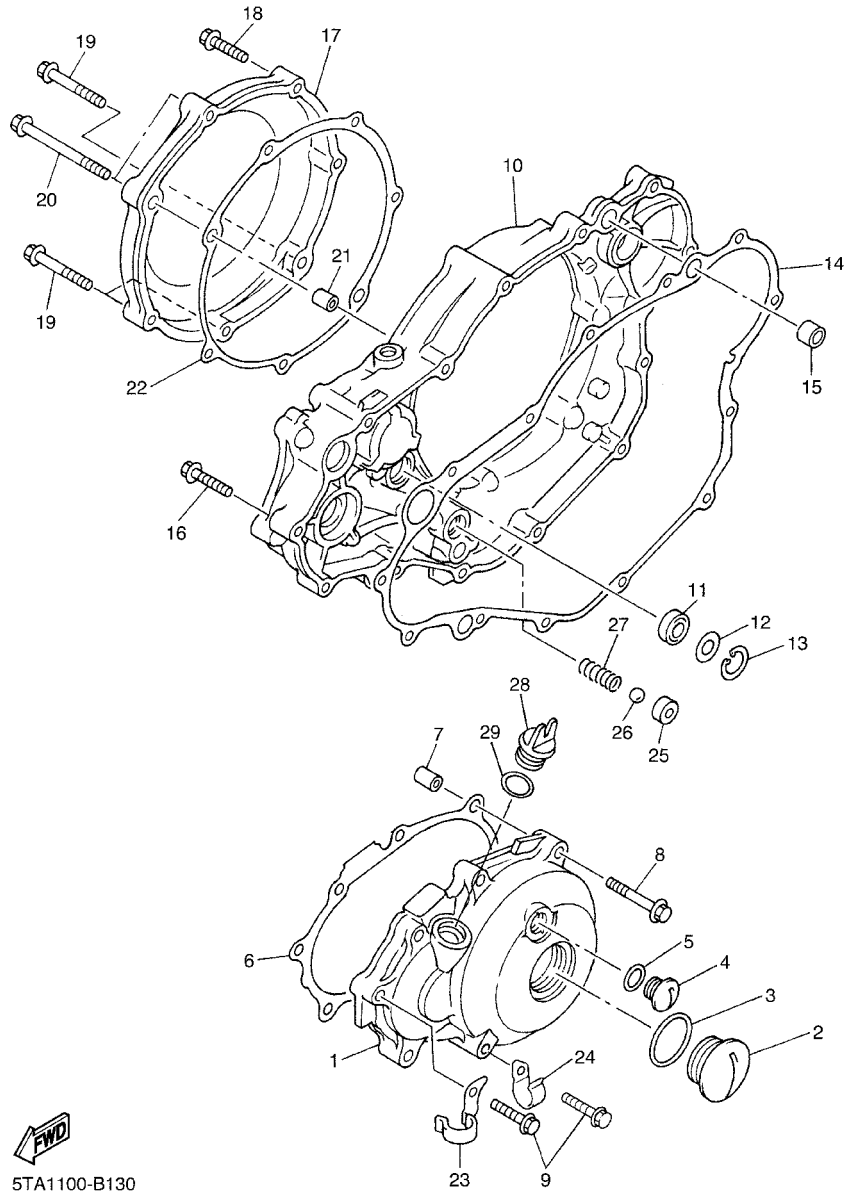
FIG. 13 CRANKCASE COVER 1



5TA1100-B130

REF. NO.	PART NO.	DESCRIPTION	5TA1	5TA2	5TA3	5TA4	REMARKS
1	5TA-15411-00	COVER, CRANKCASE 1	1	1	1	1	
2	90340-32123	PLUG, STRAIGHT SCREW	1	1	1	1	
3	93210-32172	O-RING	1	1	1	1	
4	90340-14128	PLUG, STRAIGHT SCREW	1	1	1	1	
5	93210-14369	O-RING	1	1	1	1	
6	5TA-15451-00	GASKET, CRANKCASE COVER 1	1	1	1	1	
7	99530-08016	PIN, DOWEL	2	2	2	2	
8	95027-06040	BOLT, FLANGE	2	2	2	2	
9	95027-06030	BOLT, FLANGE	6	6	6	6	
10	5TA-15431-00	COVER, CRANKCASE 3	1	1	1	1	
11	93101-14164	OIL SEAL	1	1	1	1	
12	90201-15701	WASHER, PLATE (1.0T)	1	1	1	1	
13	99009-22500	CIRCLIP	1	1	1	1	
14	5TA-15462-00	GASKET, CRANKCASE COVER 3	1	1	1	1	
15	91812-16001	PIN, DOWEL	2	2	2	2	
16	95027-06030	BOLT, FLANGE	10	10	10	10	
17	5TA-15415-00	COVER, GENERATOR	1	1	1	1	
18	95027-06030	BOLT, FLANGE	2	2	2	2	
19	95027-06040	BOLT, FLANGE	3	3	3	3	
20	95027-06080	BOLT, FLANGE	2	2	2	2	
21	99530-08016	PIN, DOWEL	2	2	2	2	
22	5TA-15453-00	GASKET	1	1	1	1	
23	90462-10241	CLAMP	1	1	1	1	
24	90465-08029	CLAMP	1	1	1	1	
25	583-13113-00	SEAT, CHECK BALL	1	1	1	1	
26	93503-08007	BALL	1	1	1	1	
27	90501-043E0	SPRING, COMPRESSION	1	1	1	1	

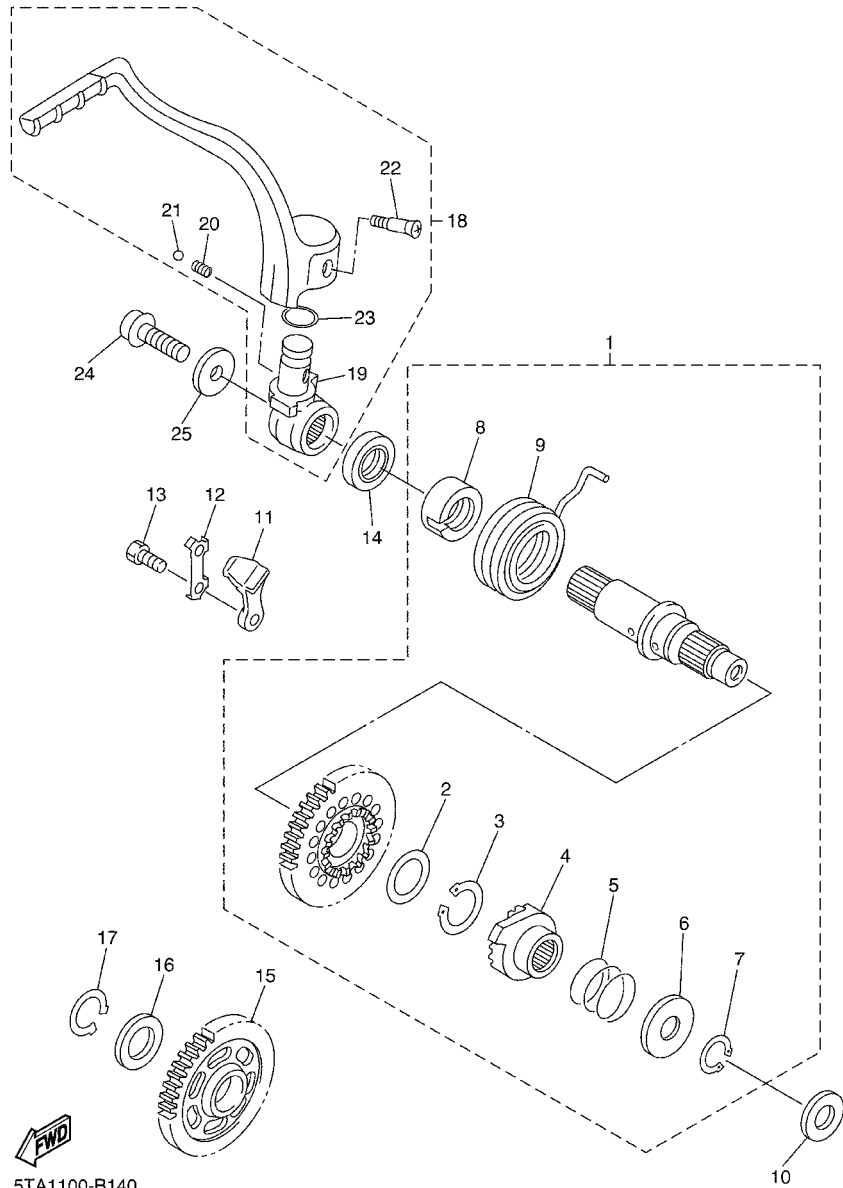
FIG. 13 CRANKCASE COVER 1



5TA1100-B130

REF. NO.	PART NO.	DESCRIPTION	5TA1	5TA2	5TA3	5TA4	REMARKS
28	3Y1-15363-00	PLUG, OIL	1	1	1	1	
29	93210-19123	O-RING	1	1	1	1	

FIG. 14 STARTER



5TA1100-B140

REF. NO.	PART NO.	DESCRIPTION	5TA1	5TA2	5TA3	5TA4	REMARKS
1	5TA-15601-00	KICK SHAFT ASSY	1	1	1	1	
2	90201-20685	.WASHER, PLATE (0.5T)	1	1	1	1	
3	93410-20038	.CIRCLIP	1	1	1	1	
4	4GY-15671-00	.WHEEL, RATCHET	1	1	1	1	
5	90501-16016	.SPRING, COMPRESSION	1	1	1	1	
6	90201-167P7	.WASHER, PLATE	1	1	1	1	
7	99009-16400	.CIRCLIP	1	1	1	1	
8	5NL-15664-00	.GUIDE, SPRING	1	1	1	1	
9	90508-30743	.SPRING, TORSION	1	1	1	1	
10	90201-162H4	WASHER, PLATE	1	1	1	1	
11	5SG-15668-00	STOPPER	1	1	1	1	
12	214-15686-00	WASHER, LOCK	1	1	1	1	
13	90101-06001	BOLT	2	2	2	2	
14	93102-18278	OIL SEAL	1	1	1	1	
15	5TA-15651-00	GEAR, KICK IDLE	1	1	1	1	
16	90201-20276	WASHER, PLATE (1.0T)	1	1	1	1	
17	99009-20400	CIRCLIP	1	1	1	1	
18	5TA-15620-00	KICK CRANK ASSY	1	1	1	1	
19	5TA-15621-00	.BOSS, KICK CRANK	1	1	1	1	
20	90501-12081	.SPRING, COMPRESSION	1	1	1	1	
21	93507-32009	.BALL	1	1	1	1	
22	90152-06010	.SCREW, COUNTERSUNK	1	1	1	1	
23	93210-17570	.O-RING	1	1	1	1	
24	90109-082G0	BOLT	1	1	1	1	
25	90201-08326	WASHER, PLATE	1	1	1	1	

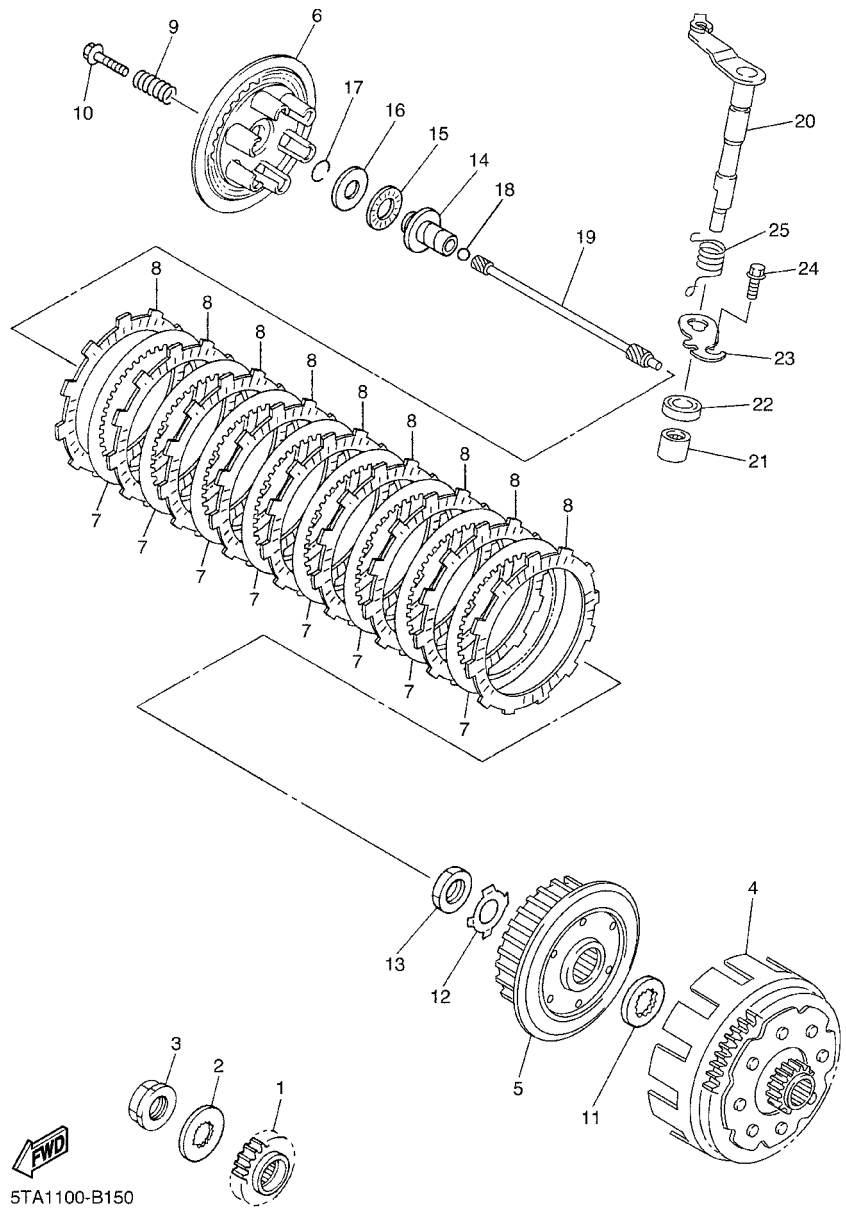
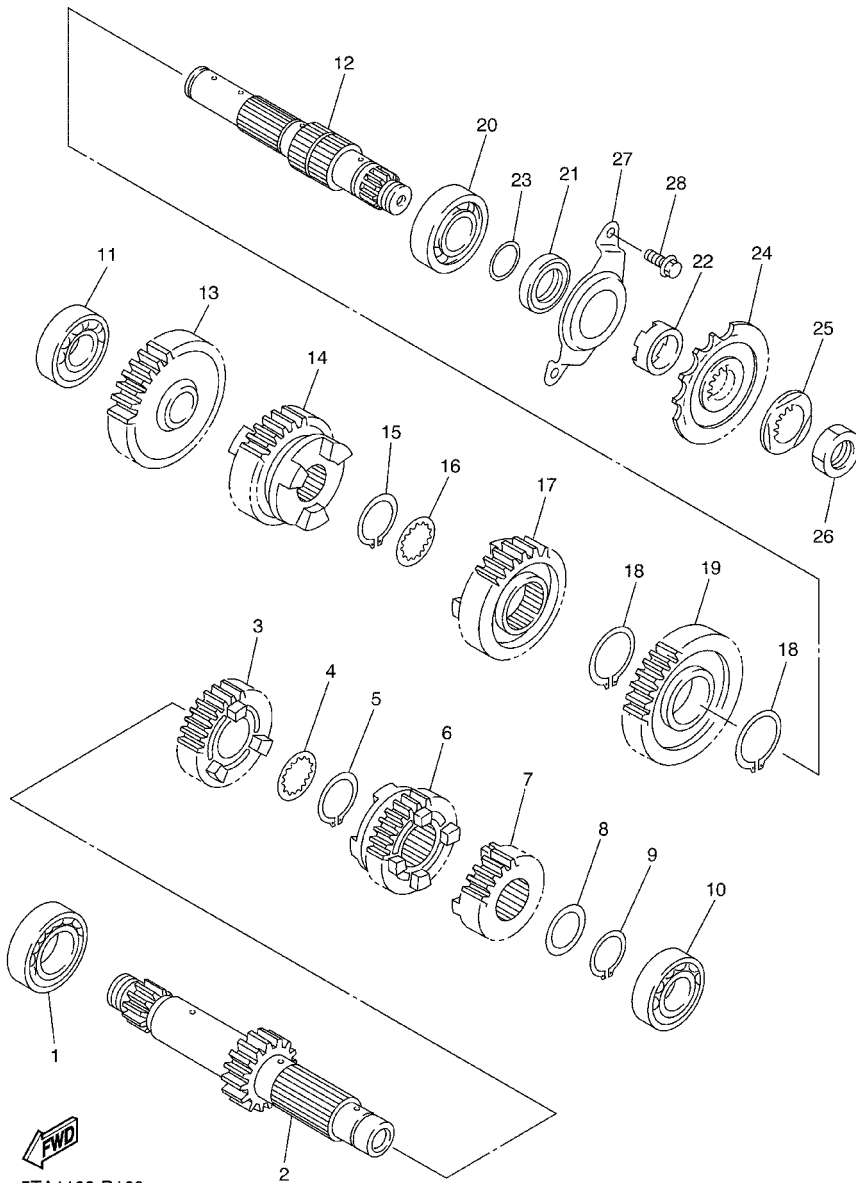


FIG. 15 CLUTCH

REF. NO.	PART NO.	DESCRIPTION	5TA1	5TA2	5TA3	5TA4	REMARKS
1	5TA-16111-00	GEAR, PRIMARY DRIVE	1	1	1	1	
2	90215-21001	WASHER, LOCK	1	1	1	1	
3	90179-20001	NUT	1	1	1	1	
4	5TA-16150-10	PRIMARY DRIVEN GEAR COMP.	1	1	1	1	
5	5TA-16371-00	BOSS, CLUTCH	1	1	1	1	
6	5JG-16351-00	PLATE, PRESSURE 1	1	1	1	1	
7	5JG-16325-00	PLATE, CLUTCH 2	8	8	8	8	
8	5TA-16321-00	PLATE, FRICTION	9	9	9	9	
9	90501-237L0	SPRING, COMPRESSION	6	6	6	6	
10	90159-06092	SCREW, WITH WASHER	6	6	6	6	
11	5TA-16154-00	PLATE, THRUST 1	1	1	1	1	
12	90215-20231	WASHER, LOCK	1	1	1	1	
13	90170-20327	NUT	1	1	1	1	
14	5JG-16356-00	ROD, PUSH 1	1	1	1	1	
15	93340-21505	BEARING	1	1	1	1	
16	90201-125L6	WASHER, PLATE	1	1	1	1	
17	93440-10085	CIRCLIP	1	1	1	1	
18	93511-32027	BALL	1	1	1	1	
19	5TA-16357-00	ROD, PUSH 2	1	1	1	1	
20	5TA-16381-00	PUSH LEVER COMP.	1	1	1	1	
21	93317-11287	BEARING	1	1	1	1	
22	93102-12224	OIL SEAL	1	1	1	1	
23	5TA-16384-00	PLATE, SEAT	1	1	1	1	
24	95027-06012	BOLT, FLANGE	1	1	1	1	
25	90508-14020	SPRING, TORSION	1	1	1	1	

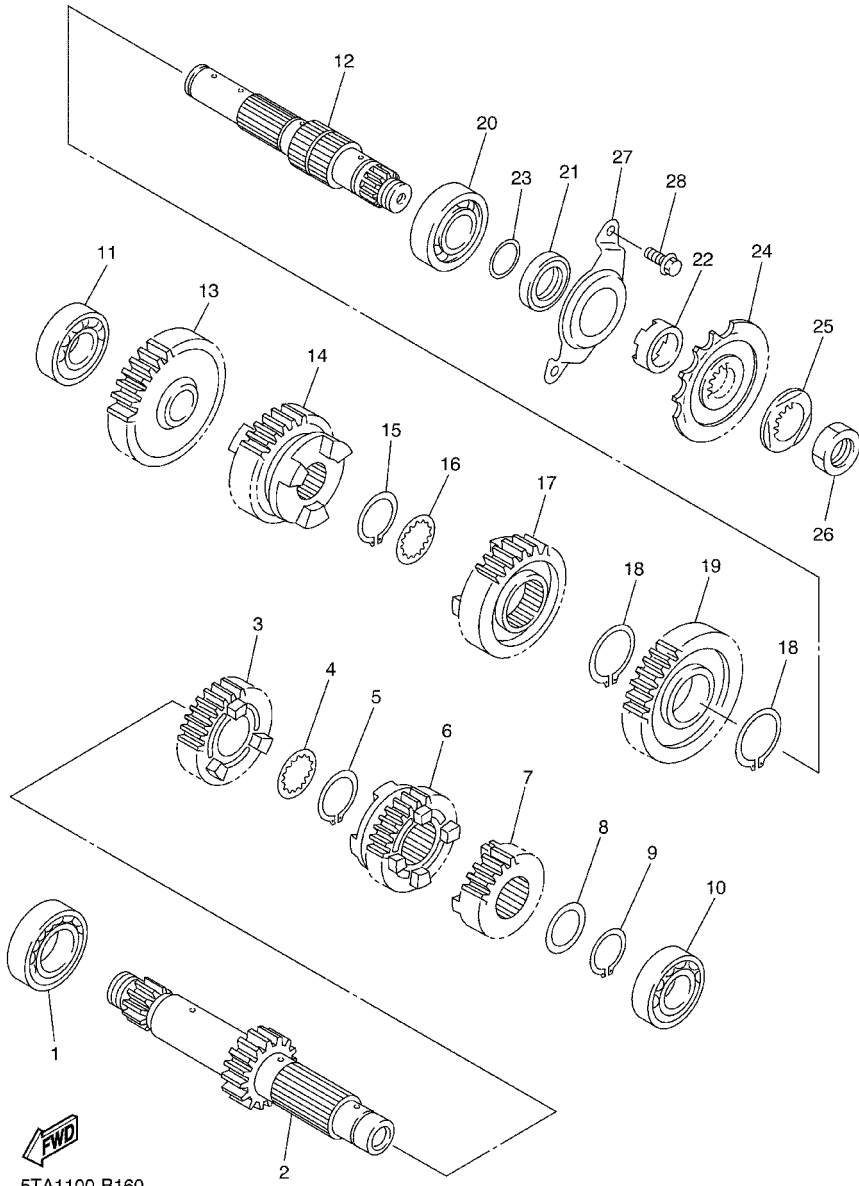
FIG. 16 TRANSMISSION



5TA1100-B160

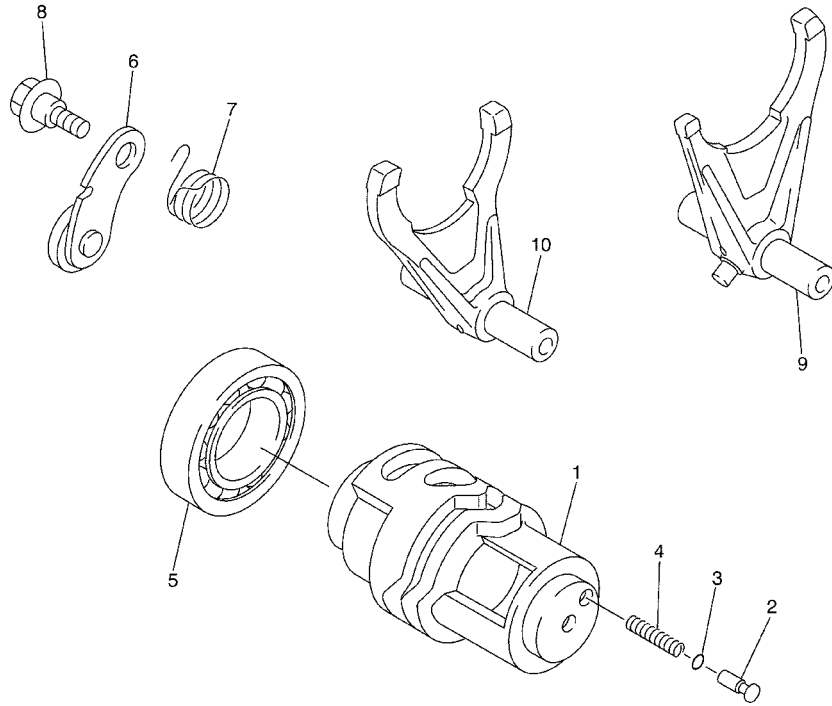
REF. NO.	PART NO.	DESCRIPTION	5TA1	5TA2	5TA3	5TA4	REMARKS
1	93306-20532	BEARING	1	1	1	1	
2	5TA-17411-10	AXLE, MAIN (14T)	1	1	1	1	
3	5TA-17141-10	GEAR, 4TH PINION (20T)	1	1	1	1	
4	90209-21332	WASHER	1	1	1	1	
5	93440-25084	CIRCLIP	1	1	1	1	
6	5TA-17131-10	GEAR, 3RD PINION (18T)	1	1	1	1	
7	5TA-17121-10	GEAR, 2ND PINION (16T)	1	1	1	1	
8	90201-206L6	WASHER, PLATE	1	1	1	1	
9	99009-20400	CIRCLIP	1	1	1	1	
10	93306-00431	BEARING	1	1	1	1	
11	93306-00426	BEARING	1	1	1	1	
12	5TA-17402-00	DRIVE AXLE ASSY	1	1	1	1	
13	5TA-17211-10	GEAR, 1ST WHEEL (27T)	1	1	1	1	
14	5TA-17241-10	GEAR, 4TH WHEEL (21T)	1	1	1	1	
15	93440-25084	CIRCLIP	1	1	1	1	
16	90209-21332	WASHER	1	1	1	1	
17	5TA-17231-00	GEAR, 3RD WHEEL (23T)	1	1	1	1	
18	93440-30077	CIRCLIP	2	2	2	2	
19	5TA-17221-10	GEAR, 2ND WHEEL (25T)	1	1	1	1	
20	93306-20593	BEARING	1	1	1	1	
21	93102-32480	OIL SEAL	1	1	1	1	
22	90387-2513F	COLLAR	1	1	1	1	
23	93210-22164	O-RING	1	1	1	1	
24	9383E-14215	SPROCKET, DRIVE (14T)	1	1	1	1	
25	90215-21001	WASHER, LOCK	1	1	1	1	
26	90179-20001	NUT	1	1	1	1	
27	5GR-17471-00	PLATE, COVER	1	1	1	1	

FIG. 16 TRANSMISSION



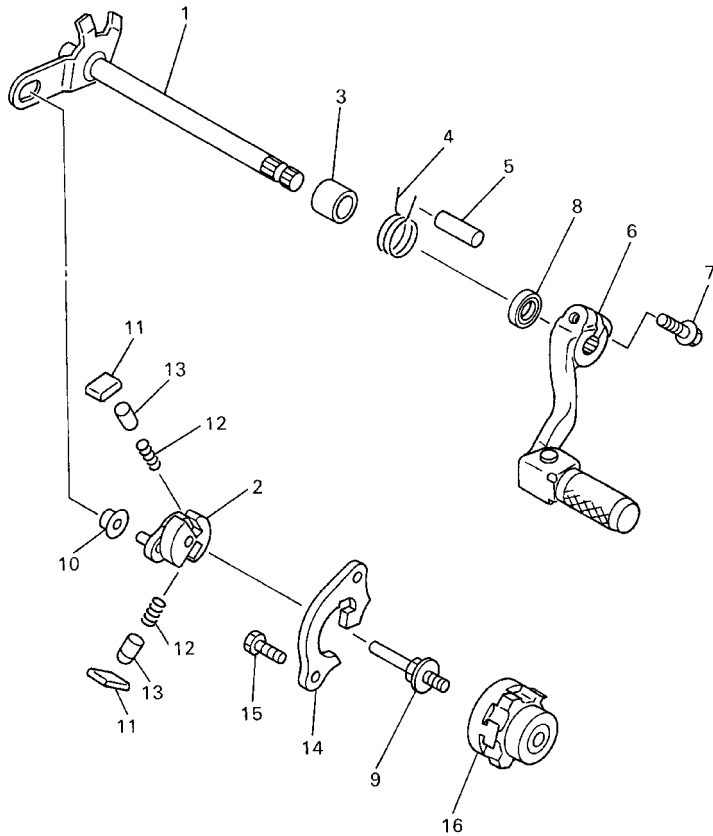
REF. NO.	PART NO.	DESCRIPTION	5TA1	5TA2	5TA3	5TA4	REMARKS
28	90105-06553	BOLT, FLANGE	2	2	2	2	

FIG. 17 SHIFT CAM. FORK



REF. NO.	PART NO.	DESCRIPTION	5TA1	5TA2	5TA3	5TA4	REMARKS
1	5TA-18541-00	CAM, SHIFT	1	1	1	1	
2	278-18542-00	POINT, NEUTRAL	1	1	1	1	
3	93210-04122	O-RING	1	1	1	1	
4	90501-06022	SPRING, COMPRESSION	1	1	1	1	
5	93306-90501	BEARING	1	1	1	1	
6	3XK-18140-00	STOPPER LEVER ASSY	1	1	1	1	
7	90508-26561	SPRING, TORSION	1	1	1	1	
8	90109-063F8	BOLT	1	1	1	1	
9	5TA-18501-00	FORK, SHIFT 1	1	1	1	1	
10	5TA-18502-00	FORK, SHIFT 2	1	1	1	1	

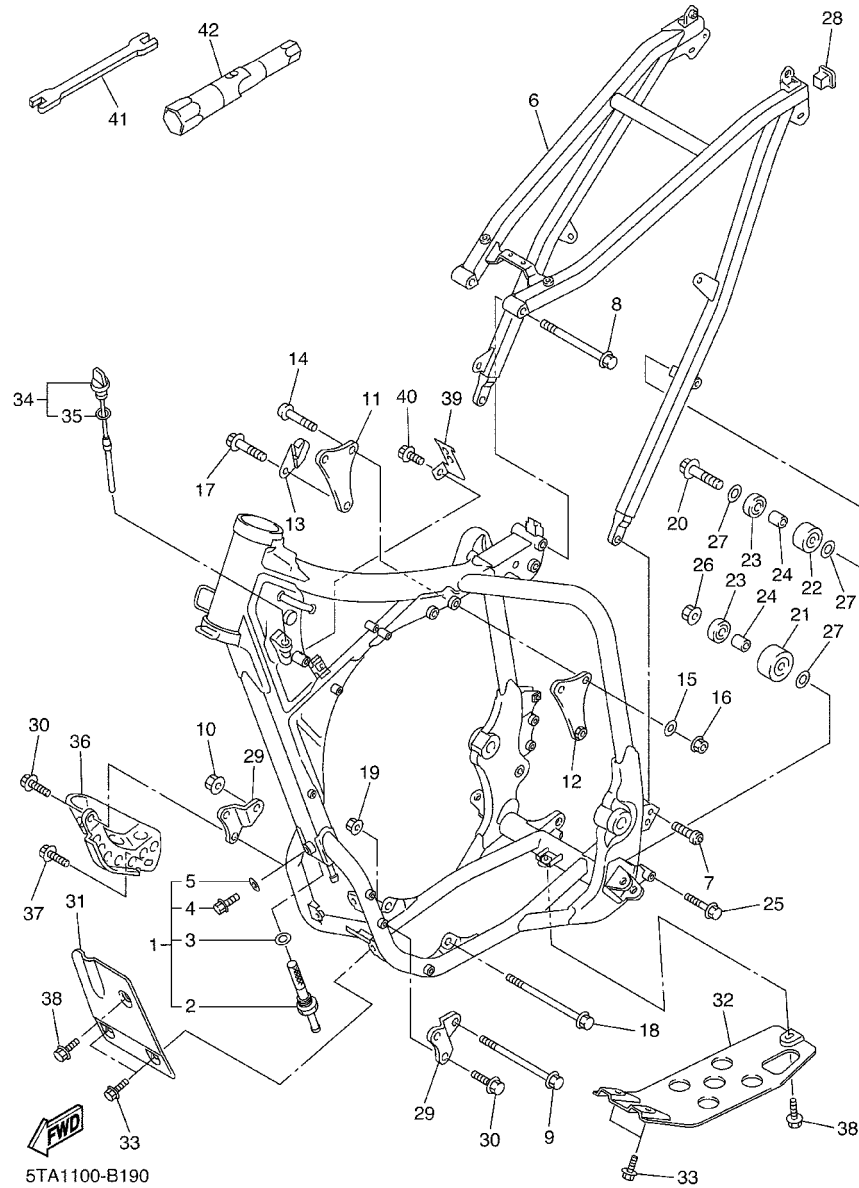
FIG. 18 SHIFT SHAFT



5BE100-8180

REF. NO.	PART NO.	DESCRIPTION	5TA1	5TA2	5TA3	5TA4	REMARKS
1	5TA-18101-00	SHIFT SHAFT ASSY	1	1	1	1	
2	5LP-18122-00	LEVER, SHIFT 2	1	1	1	1	
3	90387-124F4	COLLAR	1	1	1	1	
4	90508-291A8	SPRING, TORSION	1	1	1	1	
5	93608-33002	PIN, DOWEL	1	1	1	1	
6	5TA-18110-00	SHIFT PEDAL ASSY	1	1	1	1	
7	95027-06020	BOLT, FLANGE	1	1	1	1	
8	93102-12224	OIL SEAL	1	1	1	1	
9	3XJ-18173-00	PIN, SHIFT	1	1	1	1	
10	3XJ-18178-00	ROLLER, SHIFT LEVER	1	1	1	1	
11	3XJ-18182-00	PAWL, SHIFTER	2	2	2	2	
12	90501-052G5	SPRING, COMPRESSION	2	2	2	2	
13	3XJ-18184-00	PIN, PAWL	2	2	2	2	
14	5BE-18172-00	GUIDE, SHIFT	1	1	1	1	
15	90101-06664	BOLT	2	2	2	2	
16	4EW-18185-00	SEGMENT	1	1	1	1	

FIG. 19 FRAME



5TA1100-B190

REF. NO.	PART NO.	DESCRIPTION	5TA1	5TA2	5TA3	5TA4	REMARKS
1	5TA-21101-00	FRONT FRAME COMP.	1	1	1	1	
2	5TA-21756-00	.NET, FILTER	1	1	1	1	
3	90201-145M4	.WASHER, PLATE	1	1	1	1	
4	95827-08012	.BOLT, FLANGE	1	1	1	1	
5	90430-08119	.GASKET	1	1	1	1	
6	5TA-21190-00	REAR FRAME COMP.	1	1	1	1	
7	90110-08096	BOLT, HEXAGON SOCKET HEAD	2	2	2	2	
8	90105-08120	BOLT, FLANGE	1	1	1	1	
9	95817-10160	BOLT, FLANGE	1	1	1	1	
10	90185-10002	NUT, SELF-LOCKING	1	1	1	1	
11	5TA-21425-00	BRACKET, REAR UPPER 1	1	1	1	1	
12	5TA-21425-10	BRACKET, REAR UPPER 1	1	1	1	1	
13	5TA-21161-00	HOLDER, CABLE	1	1	1	1	
14	92017-10060	BOLT	2	2	2	2	
15	90201-104R2	WASHER, PLATE	2	2	2	2	
16	90179-10658	NUT	2	2	2	2	
17	95817-10055	BOLT, FLANGE	1	1	1	1	
18	90105-10733	BOLT, FLANGE	1	1	1	1	
19	90185-10002	NUT, SELF-LOCKING	1	1	1	1	
20	95027-08040	BOLT, FLANGE	1	1	1	1	
21	3JD-22178-10	TENSIONER	1	1	1	1	
22	4EW-22178-00	TENSIONER	1	1	1	1	
23	93300-60804	BEARING	2	2	2	2	
24	90387-086N4	COLLAR	2	2	2	2	
25	95027-08065	BOLT, FLANGE	1	1	1	1	
26	95707-08500	NUT, FLANGE	1	1	1	1	
27	90201-086P8	WASHER, PLATE	3	3	3	3	

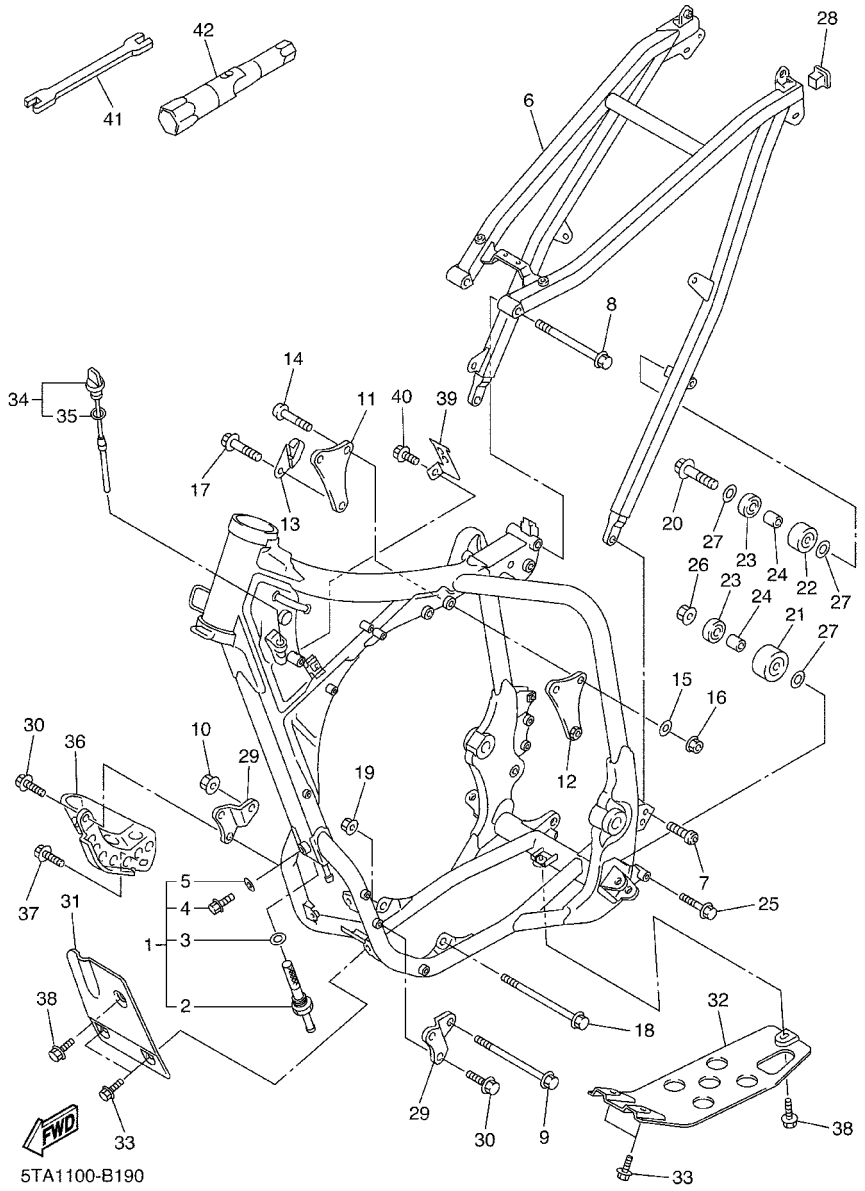
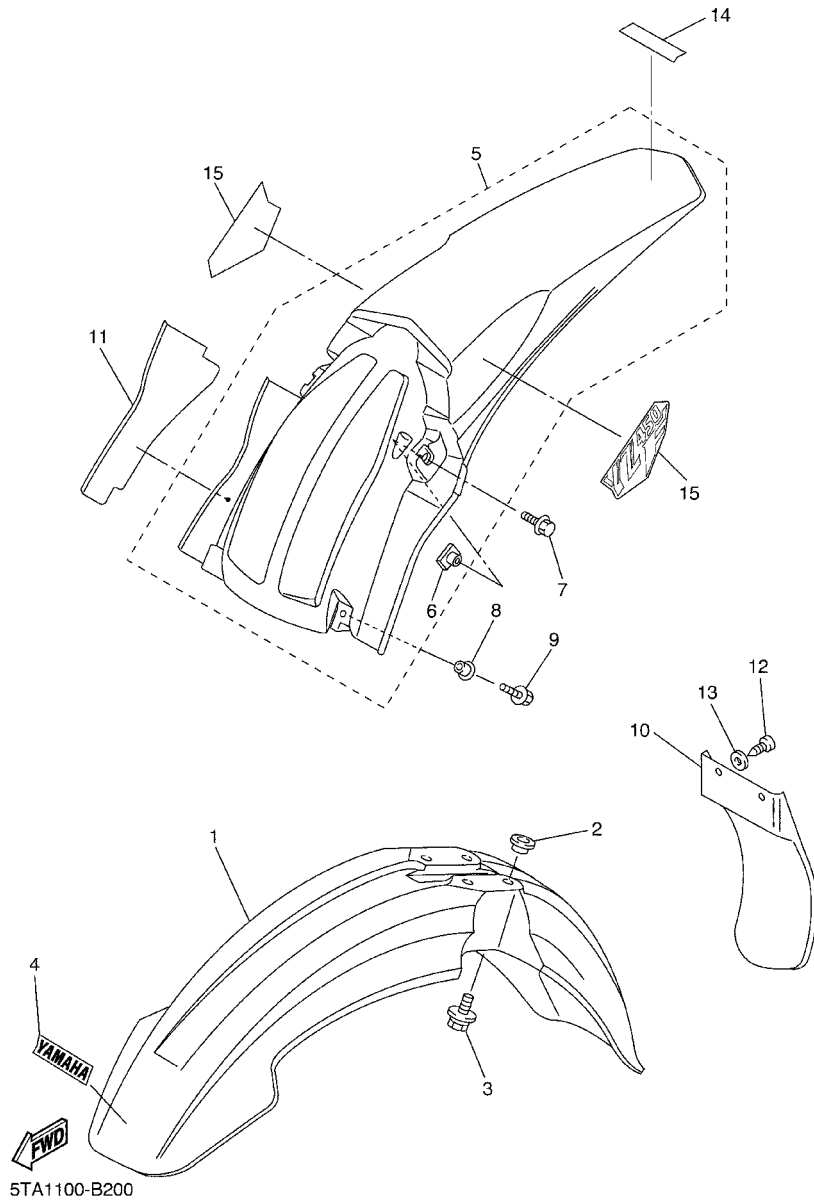


FIG. 19 FRAME

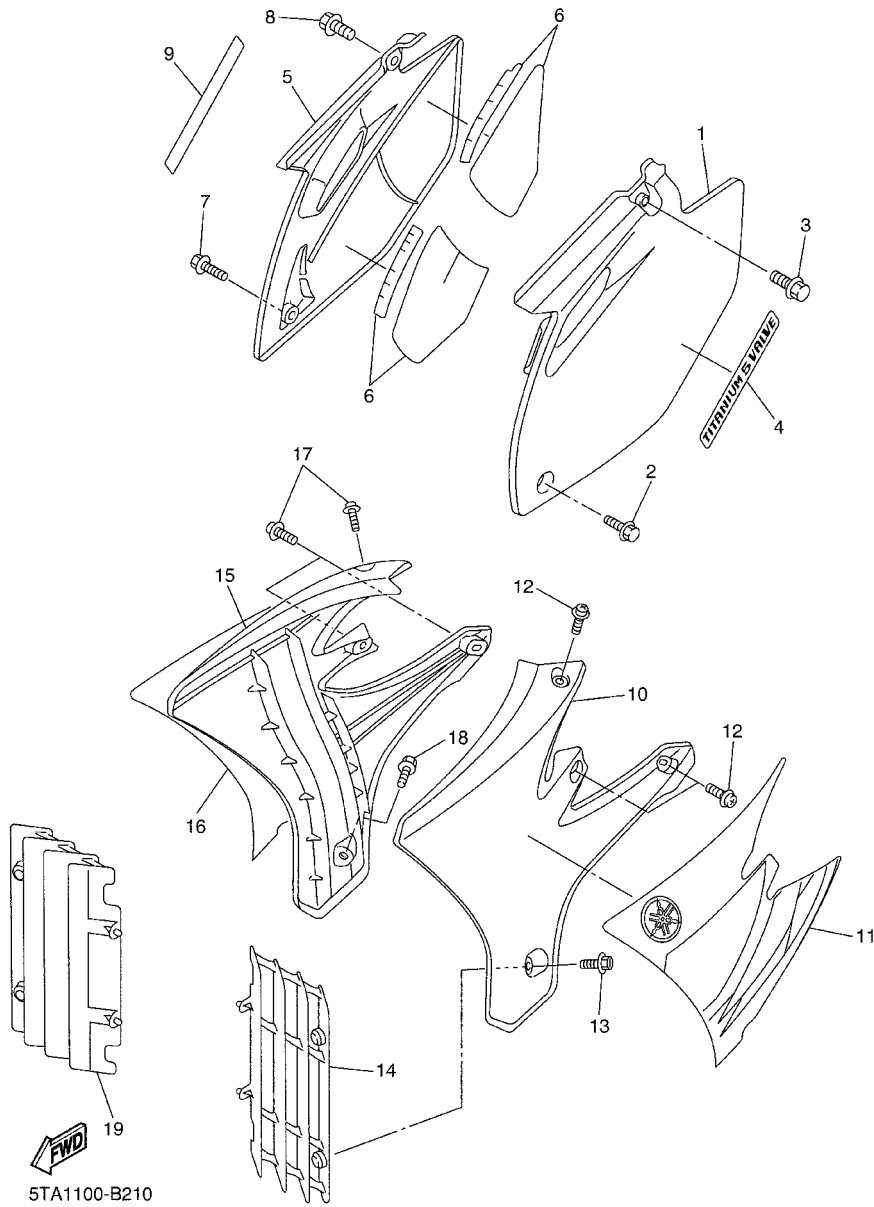
REF. NO.	PART NO.	DESCRIPTION	5TA1	5TA2	5TA3	5TA4	REMARKS
28	90338-18176	PLUG	1	1	1	1	
29	5TA-21417-00	BRACKET, FRONT LOWER 1	2	2	2	2	
30	95817-08016	BOLT, FLANGE	4	4	4	4	
31	5TA-21471-00	PROTECTOR, ENGINE	1	1	1	1	
32	5TA-2147E-00	GUARD, ENGINE 2	1	1	1	1	
33	95027-06012	BOLT, FLANGE	4	4	4	4	
34	5TA-15362-01	PLUG, OIL LEVEL	1	1	1	1	
35	93210-08001	.O-RING	1	1	1	1	
36	5TA-2147A-00	GUARD, ENGINE 1	1	1	1	1	
37	95817-08012	BOLT, FLANGE	1	1	1	1	
38	90119-06001	BOLT, WITH WASHER	2	2	2	2	
39	5TA-21274-01	BRACKET, C.D.I. UNIT	1	1	1	1	
40	97527-06512	BOLT, WITH WASHER	1	1	1	1	
41	5ET-28166-00	WRENCH, HEXAGON	1	1	1	1	
42	5TA-2814F-00	BOX, SPARK PLUG	1	1	1	1	

FIG. 20 FENDER

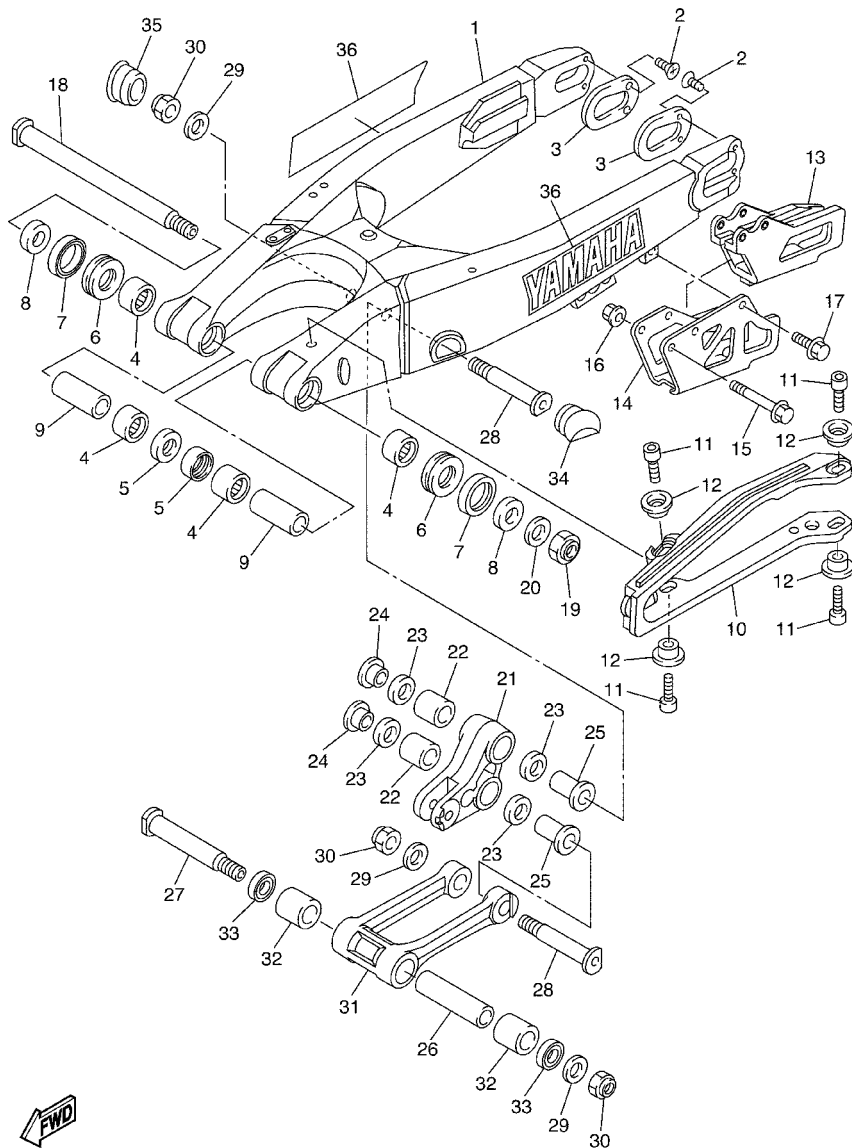


REF. NO.	PART NO.	DESCRIPTION	5TA1	5TA2	5TA3	5TA4	REMARKS
1	5HD-21511-00	FENDER, FRONT	1	1	1	1	
2	3JD-21748-00	COLLAR	4	4	4	4	
3	90119-06096	BOLT, WITH WASHER	4	4	4	4	
4	4ES-2153E-01	EMBLEM, YAMAHA	1	1	1	1	
5	5TA-21610-00	REAR FENDER COMP.	1	1	1	1	
6	5TA-21635-00	.NUT, REAR FENDER	2	2	2	2	
7	90105-06154	BOLT, FLANGE	2	2	2	2	
8	90387-06009	COLLAR	2	2	2	2	
9	90119-06225	BOLT, WITH WASHER	2	2	2	2	
10	5TA-21642-00	GUARD, FLAP	1	1	1	1	
11	5TA-2174T-00	INSULATOR, SIDE COVER 2	1	1	1	1	
12	97707-60016	SCREW, TAPPING	2	2	2	2	
13	90201-06557	WASHER, PLATE	2	2	2	2	
14	4ES-2153E-01	EMBLEM, YAMAHA	1	1	1	1	
15	5TA-2163G-00	EMBLEM 1	2	2	2	2	

FIG. 21 SIDE COVER



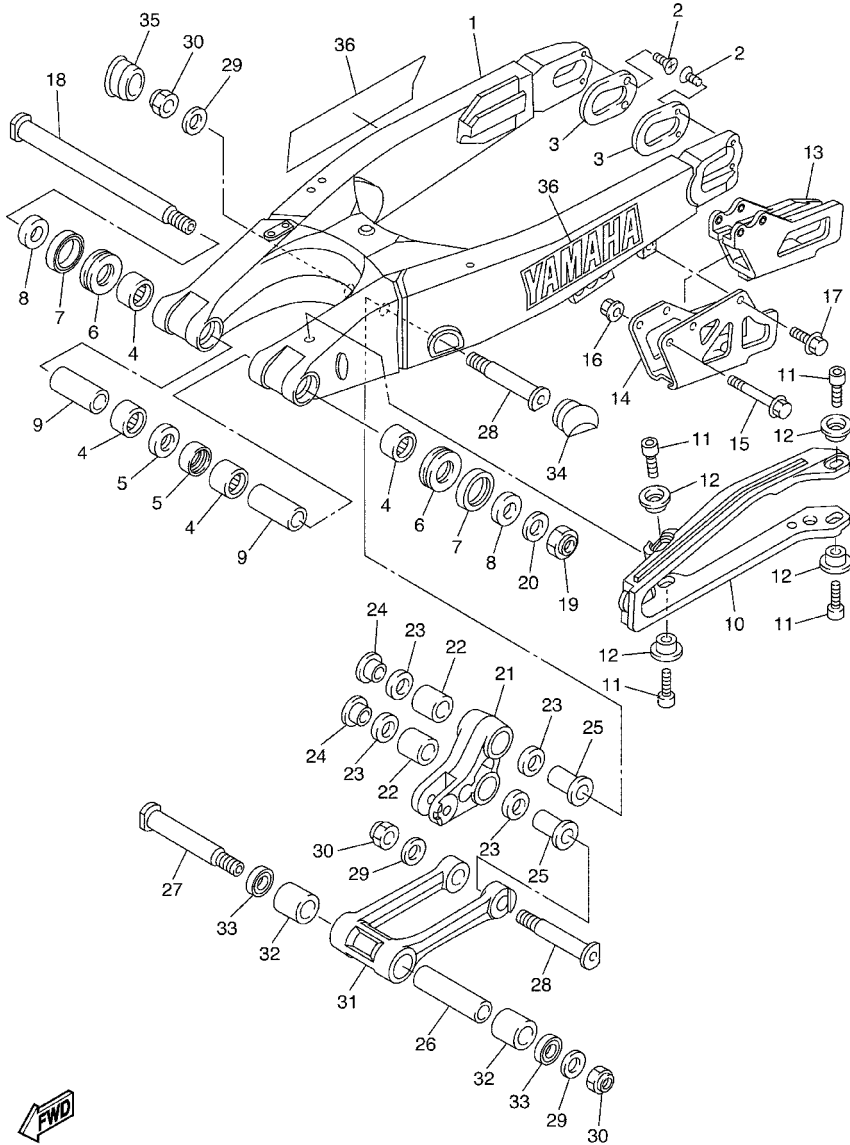
REF. NO.	PART NO.	DESCRIPTION	5TA1	5TA2	5TA3	5TA4	REMARKS
1	5TA-21711-00	COVER, SIDE 1	1	1	1	1	
2	95827-06016	BOLT, FLANGE	1	1	1	1	
3	90119-08238	BOLT, WITH WASHER	1	1	1	1	
4	5JG-21781-50	EMBLEM 1	1	1	1	1	
5	5TA-21721-00	COVER, SIDE 2	1	1	1	1	
6	5TA-2174A-00	INSULATOR, SIDE COVER	1	1	1	1	
7	95827-06016	BOLT, FLANGE	1	1	1	1	
8	90119-08238	BOLT, WITH WASHER	1	1	1	1	
9	5JG-21781-50	EMBLEM 1	1	1	1	1	
10	5TA-21730-00	SIDE COVER ASSY 3	1	1	1	1	
11	5TA-2173E-01	GRAPHIC 1	1	1	1	1	
12	90159-06182	SCREW, WITH WASHER	3	3	3	3	
13	90159-06078	SCREW, WITH WASHER	1	1	1	1	
14	5TA-2172A-00	PANEL 1	1	1	1	1	
15	5TA-21740-00	SIDE COVER ASSY 4	1	1	1	1	
16	5TA-2173F-01	GRAPHIC 2	1	1	1	1	
17	90159-06182	SCREW, WITH WASHER	3	3	3	3	
18	90159-06078	SCREW, WITH WASHER	1	1	1	1	
19	5TA-2172A-00	PANEL 1	1	1	1	1	



5TA1100-B220

FIG. 22 REAR ARM

REF. NO.	PART NO.	DESCRIPTION	5TA1	5TA2	5TA3	5TA4	REMARKS
1	5UN-22110-00	REAR ARM COMP.	1	1	1	1	
2	90151-04048	SCREW, COUNTERSUNK	4	4	4	4	
3	5UN-22355-00	PATCH	2	2	2	2	
4	93317-22262	BEARING	4	4	4	4	
5	93106-22019	OIL SEAL (DC 22-28-8)	2	2	2	2	
6	93342-22217	BEARING	2	2	2	2	
7	93109-28043	OIL SEAL	2	2	2	2	
8	90387-18005	COLLAR	2	2	2	2	
9	90387-18004	COLLAR	2	2	2	2	
10	5UN-22151-00	SEAL, GUARD	1	1	1	1	
11	91317-05008	BOLT	4	4	4	4	
12	5JG-22156-00	WASHER, PLATE	4	4	4	4	
13	5UN-22199-00	SUPPORT, CHAIN	1	1	1	1	
14	5UN-22128-00	COVER, THRUST 1	1	1	1	1	
15	95027-06050	BOLT, FLANGE	2	2	2	2	
16	90179-06568	NUT	2	2	2	2	
17	95027-06010	BOLT, FLANGE	1	1	1	1	
18	5NY-22141-01	SHAFT, PIVOT	1	1	1	1	
19	90185-16127	NUT, SELF-LOCKING	1	1	1	1	
20	90201-160F6	WASHER, PLATE	1	1	1	1	
21	5NY-2217A-00	ARM, RELAY	1	1	1	1	
22	93315-32056	BEARING	2	2	2	2	
23	93109-20076	OIL SEAL	4	4	4	4	
24	90387-16005	COLLAR	2	2	2	2	
25	90387-16007	COLLAR	2	2	2	2	
26	90387-167Y9	COLLAR	1	1	1	1	
27	5NY-22121-00	SHAFT 1	1	1	1	1	

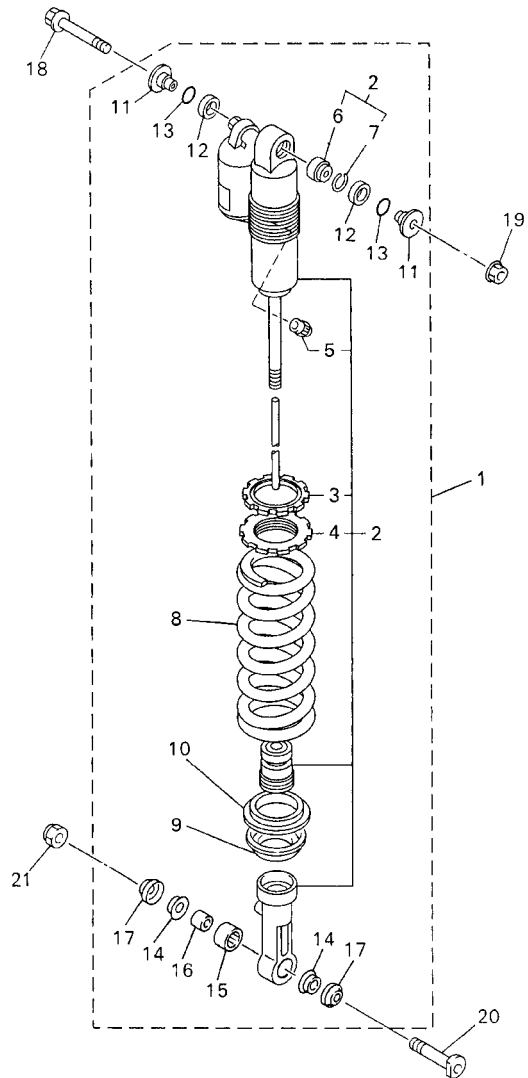


5TA1100-B220

FIG. 22 REAR ARM

REF. NO.	PART NO.	DESCRIPTION	5TA1	5TA2	5TA3	5TA4	REMARKS
28	5NY-22122-00	SHAFT 2	2	2	2	2	
29	90201-14740	WASHER, PLATE	3	3	3	3	
30	90185-14007	NUT, SELF-LOCKING	3	3	3	3	
31	5NY-2217F-00	ROD, CONNECTING 1	1	1	1	1	
32	93315-32053	BEARING	2	2	2	2	
33	93109-20076	OIL SEAL	2	2	2	2	
34	5NY-2135F-00	COVER	1	1	1	1	
35	5HD-2135F-00	COVER	1	1	1	1	
36	5UN-2153A-00	EMBLEM, YAMAHA	2	2	2	2	

FIG. 23 REAR SUSPENSION

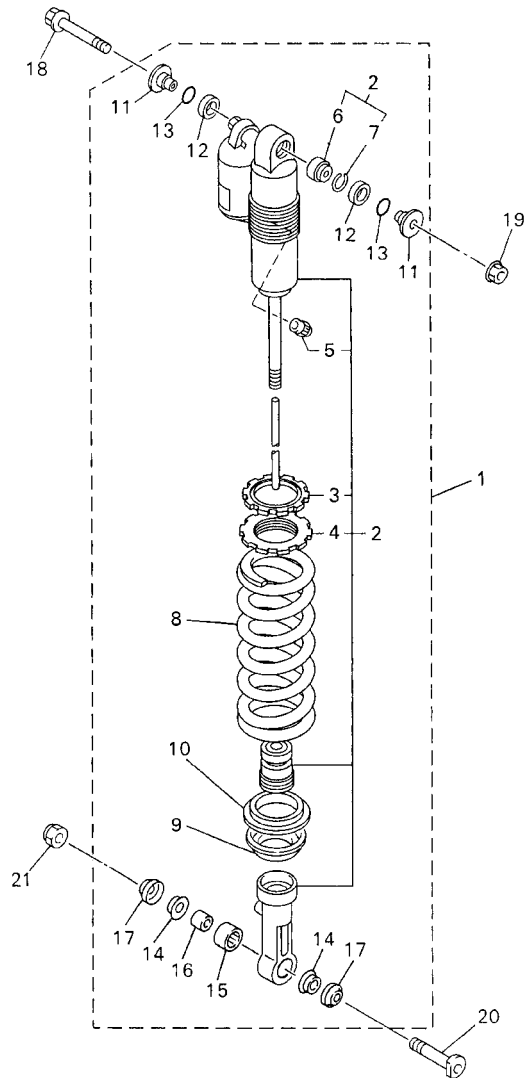


REF. NO.	PART NO.	DESCRIPTION	5TA1	5TA2	5TA3	5TA4	REMARKS
1	5TA-22210-00	SHOCK ABSORBER ASSY, REAR	1				
	5TA-22210-10	SHOCK ABSORBER ASSY, REAR		1			
	5TA-22210-20	SHOCK ABSORBER ASSY, REAR			1		
	5TA-22210-30	SHOCK ABSORBER ASSY, REAR				1	UR FOR CAN
	5TA-22210-40	SHOCK ABSORBER ASSY, REAR				1	UR FOR OCE,ZAF
2	5TA-22201-00	.DAMPER SUB ASSY	1				
	5TA-22201-10	.DAMPER SUB ASSY		1			
	5TA-22201-20	.DAMPER SUB ASSY			1		
	5TA-22201-30	.DAMPER SUB ASSY				1	UR FOR CAN
	5TA-22201-40	.DAMPER SUB ASSY				1	UR FOR OCE,ZAF
3	3SP-22234-00	..GUIDE, SPRING 3	1	1	1	1	
4	3SP-22213-00	..SEAT, SPRING UPPER	1	1	1	1	
5	509-23184-L0	..CAP, AIR VALVE	1	1	1	1	
6	4JX-22226-00	..BUSH, SHOCK ABSORBER LOWER	1	1	1	1	
7	5DH-23183-00	..CIRCLIP	1	1	1	1	
8	5UN-22212-50	..SPRING (K=5.3)	1		1	1	
	5UN-22212-E0	..SPRING (K=APPROX.5.3)		1			
9	5DH-22214-00	..GUIDE, SPRING 1	1	1	1	1	
10	5MV-22224-00	..GUIDE, SPRING 2	1	1	1	1	
11	5DH-22253-00	..COLLAR, DISTANCE	2	2	2	2	
12	3JE-22475-00	..SEAL, DUST	2	2	2	2	
13	4EW-22474-00	..SEAL, RING	2	2	2	2	
14	5MV-22253-00	..COLLAR, DISTANCE	2	2	2	2	
15	5UN-22176-00	..BEARING	1	1	1	1	
16	5MV-22184-00	..BUSH	1	1	1	1	
17	5NY-22475-00	..SEAL, DUST	2	2	2	2	
18	90105-10323	BOLT, FLANGE	1	1	1	1	



5SF1100-2230

FIG. 23 REAR SUSPENSION



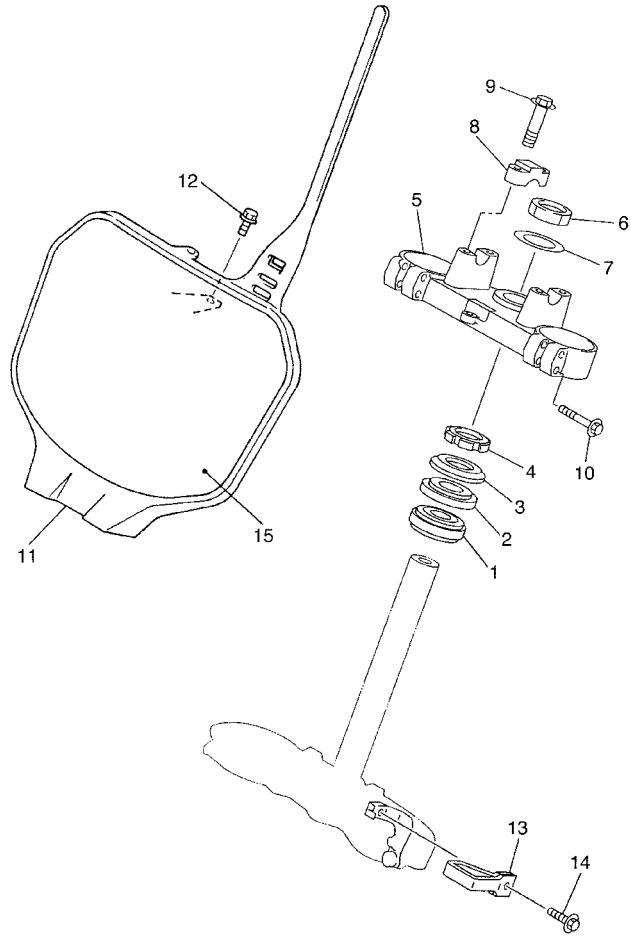
REF. NO.	PART NO.	DESCRIPTION	5TA1	5TA2	5TA3	5TA4	REMARKS
19	95607-10200	NUT, U FLANGE	1	1	1	1	
20	5NY-22241-00	BOLT 1	1	1	1	1	
21	90185-10060	NUT, SELF-LOCKING	1	1	1	1	



5SF1100-2230

D6

FIG. 24 STEERING

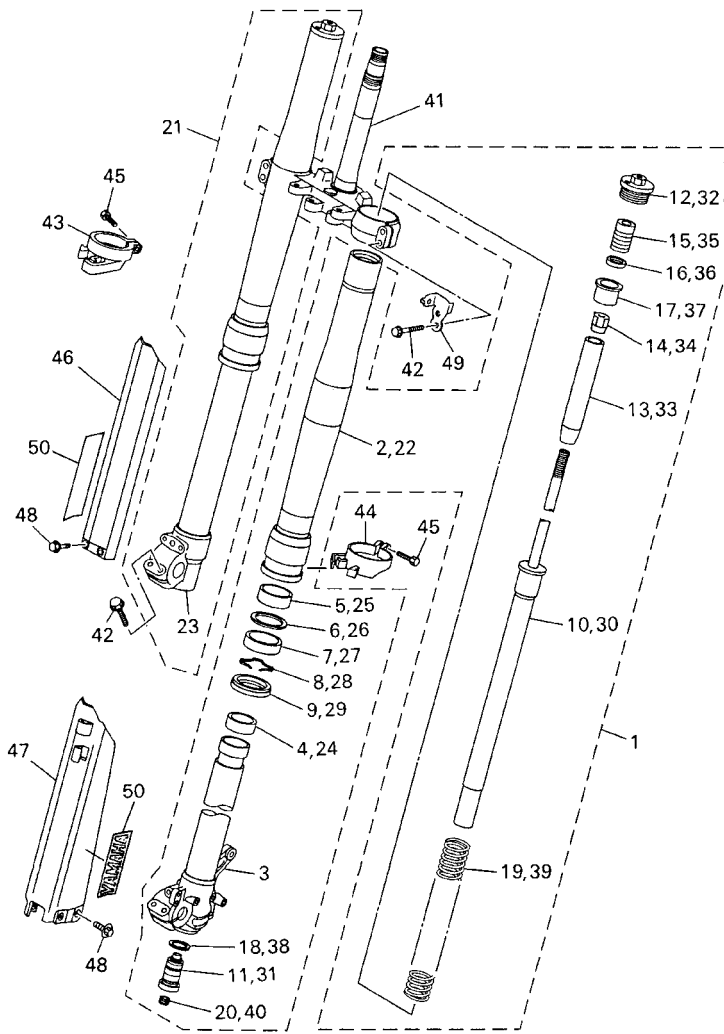


REF. NO.	PART NO.	DESCRIPTION	5TA1	5TA2	5TA3	5TA4	REMARKS
1	93332-00081	BEARING	1	1	1	1	
2	93332-00068	BEARING	1	1	1	1	
3	4EW-23416-00	COVER, BALL RACE 2	1	1	1	1	
4	5TA-23393-00	NUT, SPECIAL	1	1	1	1	
5	5TA-23435-00	CROWN, HANDLE	1	1	1	1	
6	5TA-23357-00	NUT	1	1	1	1	
7	90201-247L2	WASHER, PLATE	1	1	1	1	
8	3SP-23441-00	HOLDER, HANDLE UPPER	2	2	2	2	
9	95027-08035	BOLT, FLANGE	4	4	4	4	
10	95027-08040	BOLT, FLANGE	4	4	4	4	
11	5HD-23485-00	PLATE, NUMBER	1	1	1	1	
12	95027-06014	BOLT, FLANGE	1	1	1	1	
13	4DA-23389-00	GUIDE, CABLE	1	1	1	1	
14	90119-05071	BOLT, WITH WASHER	1	1	1	1	
15	5HD-2339E-00	GRAPHIC 1	1	1	1	1	



5TA1100-B240

FIG. 25 FRONT FORK



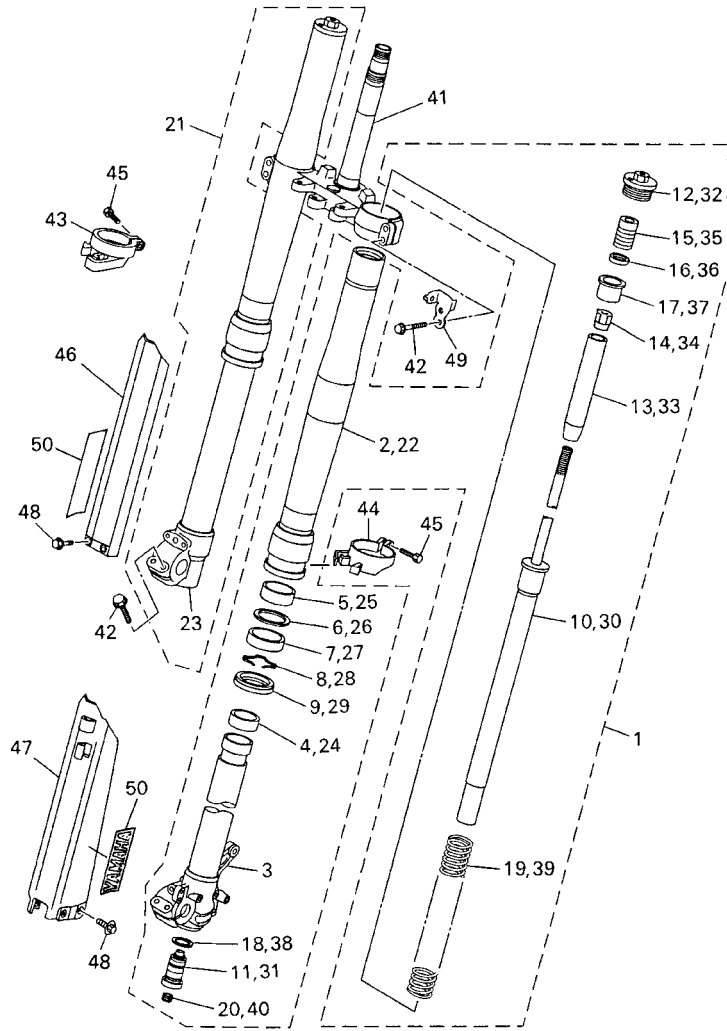
REF. NO.	PART NO.	DESCRIPTION	5TA1	5TA2	5TA3	5TA4	REMARKS
1	5TA-23102-00	FRONT FORK ASSY (L.H)	1		1	1	
	5TA-23102-10	FRONT FORK ASSY (L.H)		1			
2	5TA-23136-L0	.TUBE, OUTER (RIGHT)	1	1	1	1	
3	5DH-23120-L0	.INNER TUBE COMP.2	1	1	1	1	
4	5ET-23171-L0	.PISTON, FRONT FORK	1	1	1	1	
5	5ET-23125-L0	.METAL, SLIDE 1	1	1	1	1	
6	5UN-23146-L0	.WASHER, OIL SEAL	1	1	1	1	
7	5ET-23145-L0	.OIL SEAL	1	1	1	1	
8	4SS-23153-L0	.RING, SNAP	1	1	1	1	
9	5HD-23144-L0	.SEAL, DUST	1	1	1	1	
10	5TA-23170-L0	.CYLINDER COMP., FRONT FORK	1		1	1	
	5TA-23170-M0	.CYLINDER COMP., FRONT FORK		1			
11	5TA-2316A-L0	.VALVE COMP.	1		1	1	
	5TA-2316A-M0	.VALVE COMP.		1			
12	5UN-23111-L0	.BOLT, CAP	1	1	1	1	
13	5DH-23142-L0	.SEAT, SPRING UPPER	1	1	1	1	
14	5HD-23393-L0	.NUT, SPECIAL	1	1	1	1	
15	5MV-23195-L0	.RUBBER	1	1	1	1	
16	5DH-23149-L0	.WASHER, SPRING UPPER	1	1	1	1	
17	5DH-23118-L0	.SPACER	1	1	1	1	
18	4SS-23158-L0	.GASKET	1	1	1	1	
19	5GR-23141-L0	.SPRING, FRONT FORK (K=0.46)	1	1	1	1	
20	3JD-2312G-L0	.PLUG	1	1	1	1	
21	5TA-23103-00	FRONT FORK ASSY (R.H)	1		1	1	
	5TA-23103-10	FRONT FORK ASSY (R.H)		1			
22	5TA-23136-L0	.TUBE, OUTER (RIGHT)	1	1	1	1	
23	5BF-23110-L0	.INNER TUBE COMP.1	1	1	1	1	



5JG5100-1250

D8

FIG. 25 FRONT FORK



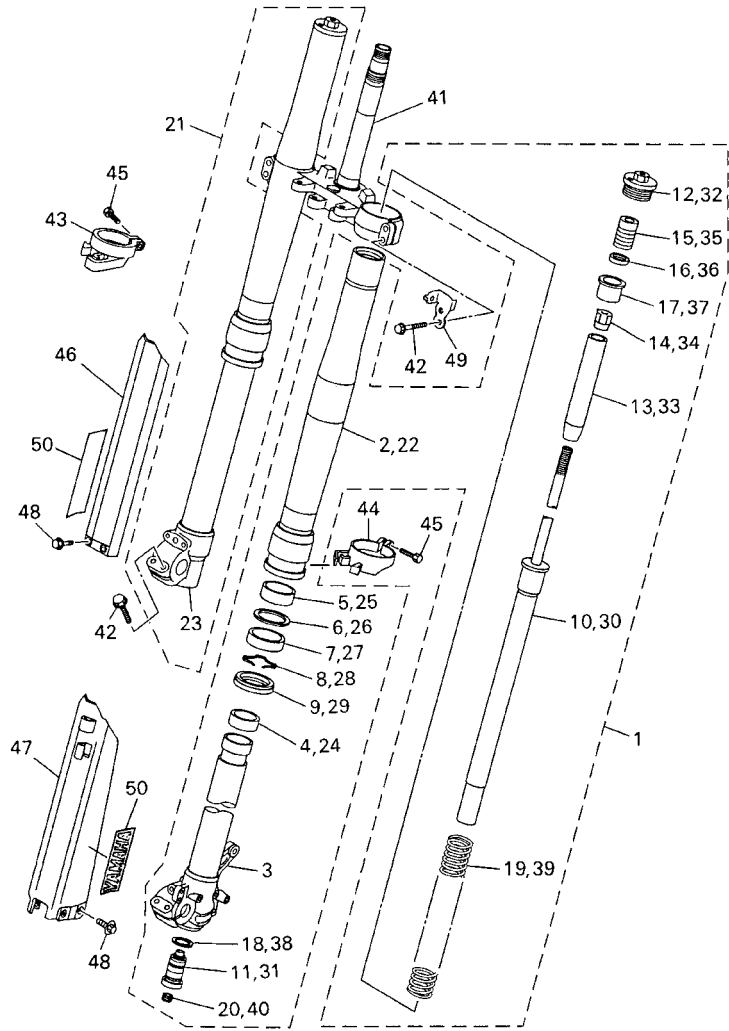
REF. NO.	PART NO.	DESCRIPTION	5TA1	5TA2	5TA3	5TA4	REMARKS
24	5ET-23171-L0	.PISTON, FRONT FORK	1	1	1	1	
25	5ET-23125-L0	.METAL, SLIDE 1	1	1	1	1	
26	5UN-23146-L0	.WASHER, OIL SEAL	1	1	1	1	
27	5ET-23145-L0	.OIL SEAL	1	1	1	1	
28	4SS-23153-L0	.RING, SNAP	1	1	1	1	
29	5HD-23144-L0	.SEAL, DUST	1	1	1	1	
30	5TA-23170-L0	.CYLINDER COMP., FRONT FORK	1		1	1	
	5TA-23170-M0	.CYLINDER COMP., FRONT FORK		1			
31	5TA-2316A-L0	.VALVE COMP.	1		1	1	
	5TA-2316A-M0	.VALVE COMP.		1			
32	5UN-23111-L0	.BOLT, CAP	1	1	1	1	
33	5DH-23142-L0	.SEAT, SPRING UPPER	1	1	1	1	
34	5HD-23393-L0	.NUT, SPECIAL	1	1	1	1	
35	5MV-23195-L0	.RUBBER	1	1	1	1	
36	5DH-23149-L0	.WASHER, SPRING UPPER	1	1	1	1	
37	5DH-23118-L0	.SPACER	1	1	1	1	
38	4SS-23158-L0	.GASKET	1	1	1	1	
39	5GR-23141-L0	.SPRING, FRONT FORK (K=0.46)	1	1	1	1	
40	3JD-2312G-L0	.PLUG	1	1	1	1	
41	5UP-23340-L0	UNDER BRACKET COMP.	1	1	1	1	
42	5NY-23346-L0	BOLT 1	8	8	8	8	
43	4SS-2314G-L0	PROTECTOR GUIDE COMP., 2	1	1	1	1	
44	5DH-2314F-L0	PROTECTOR GUIDE COMP., 1	1	1	1	1	
45	4SS-23346-L0	BOLT 1	2	2	2	2	
46	5TA-2314J-00	PROTECTOR COMP., 2	1	1	1	1	
47	5TA-2314H-00	PROTECTOR COMP., 1	1	1	1	1	
48	3SP-23356-L0	BOLT 2	6	6	6	6	



5JG5100-1250

D9

FIG. 25 FRONT FORK

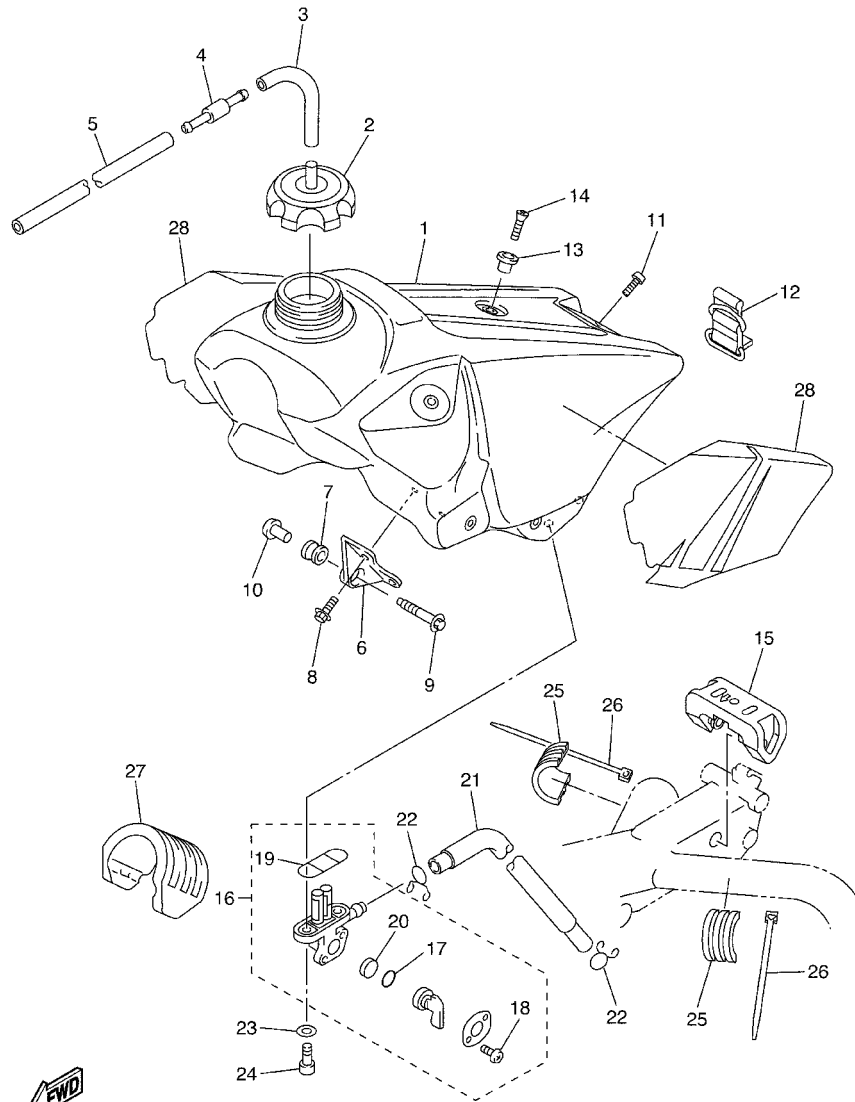


REF. NO.	PART NO.	DESCRIPTION	5TA1	5TA2	5TA3	5TA4	REMARKS
49	5HC-2331E-00	GUIDE, CABLE	1	1	1	1	
50	4XL-2153A-10	EMBLEM, YAMAHA	2	2	2	2	



5JG5100-1250

FIG. 26 FUEL TANK

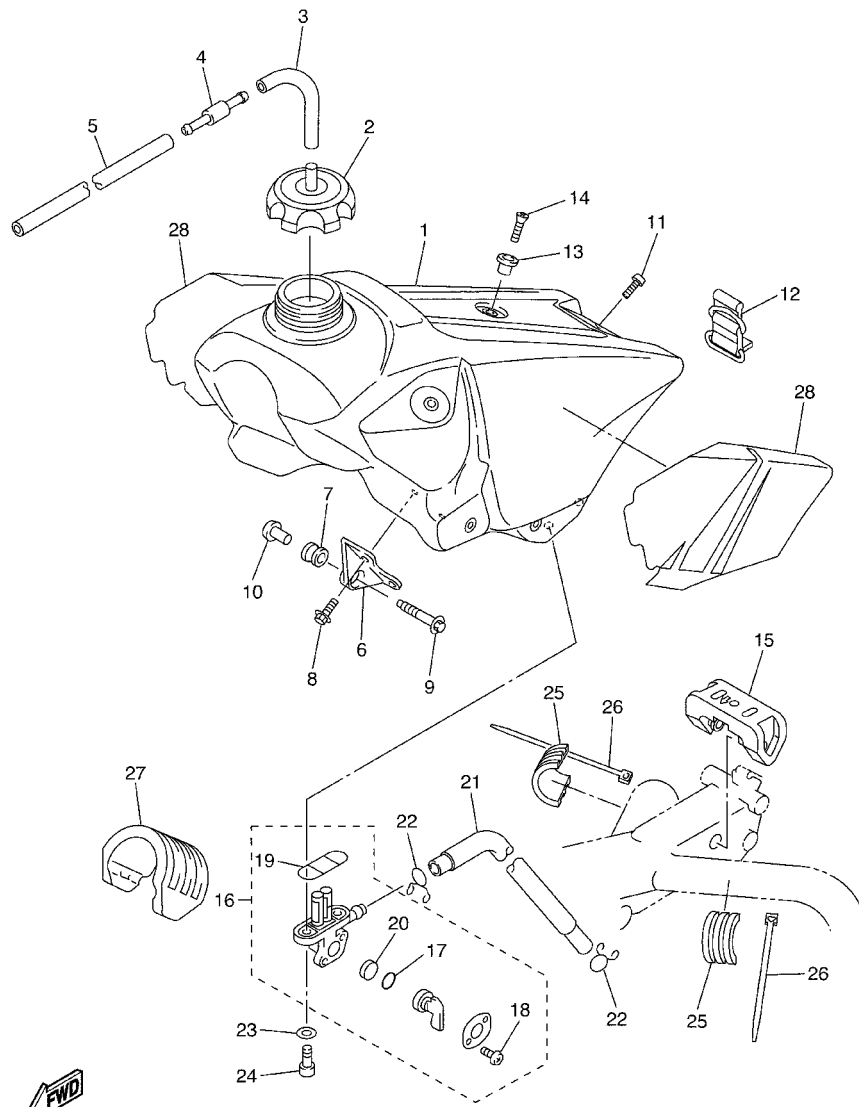


FWD
5TA1100-B260

REF. NO.	PART NO.	DESCRIPTION	5TA1	5TA2	5TA3	5TA4	REMARKS
1	5TA-24110-00	FUEL TANK COMP.	1	1	1	1	
2	5UN-24610-00	CAP ASSY	1	1	1	1	
3	90445-09220	HOSE	1	1	1	1	
4	3XJ-24380-00	PIPE JOINT ASSY	1	1	1	1	
5	90445-09104	HOSE	1	1	1	1	
6	24X-24144-00	HOLDER, DAMPER	2	2	2	2	
7	90480-18549	GROMMET	2	2	2	2	
8	95027-06016	BOLT, FLANGE	4	4	4	4	
9	90119-06214	BOLT, WITH WASHER	2	2	2	2	
10	5NY-24186-00	WASHER, SPECIAL	2	2	2	2	
11	98907-06025	SCREW, BIND	1	1	1	1	
12	5SF-24173-00	BAND, TANK FITTING 1	1	1	1	1	
13	4EW-2412F-00	BRACKET, SEAT	1	1	1	1	
14	98707-06025	SCREW, FLAT HEAD	1	1	1	1	
15	4SS-24181-00	DAMPER, LOCATING 1	1	1	1	1	
16	4DP-24500-00	FUEL COCK ASSY 1	1	1	1	1	
17	3AJ-24534-00	.SEAL, COCK	1	1	1	1	
18	97801-03008	.SCREW, PAN HEAD	2	2	2	2	
19	4X8-24512-00	.O-RING	1	1	1	1	
20	3AJ-24523-00	.VALVE PACKING	1	1	1	1	
21	90445-11185	HOSE	1	1	1	1	
22	90467-10008	CLIP	2	2	2	2	
23	90202-05193	WASHER, PLATE	2	2	2	2	
24	90149-06011	SCREW	2	2	2	2	
25	5NY-24183-00	DAMPER, LOCATING 3	2	2	2	2	
26	90465-13152	CLAMP	2	2	2	2	
27	5BE-24182-00	DAMPER, LOCATING 2	1	1	1	1	

FIG. 26 FUEL TANK

REF. NO.	PART NO.	DESCRIPTION	5TA1	5TA2	5TA3	5TA4	REMARKS
28	5TA-24240-00	GRAPHIC SET	1	1	1	1	

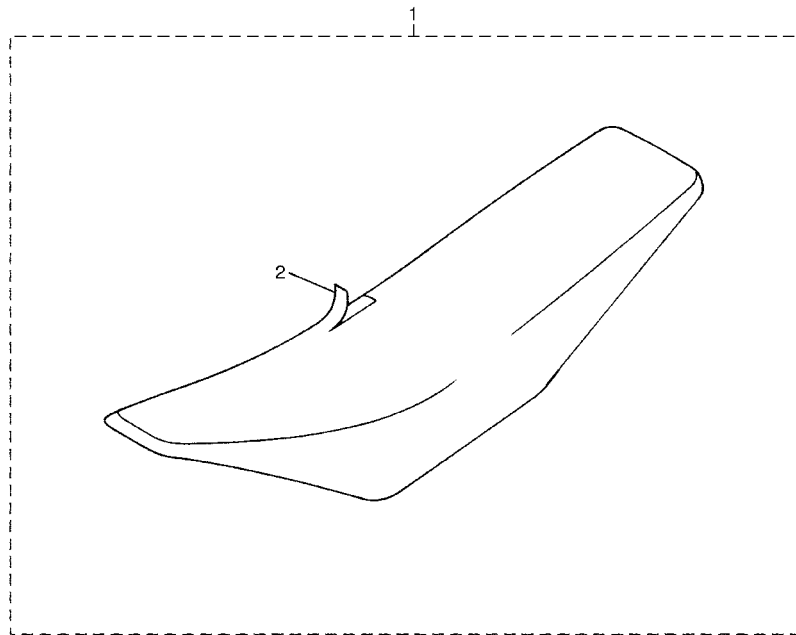



 5TA1100-B260

D12

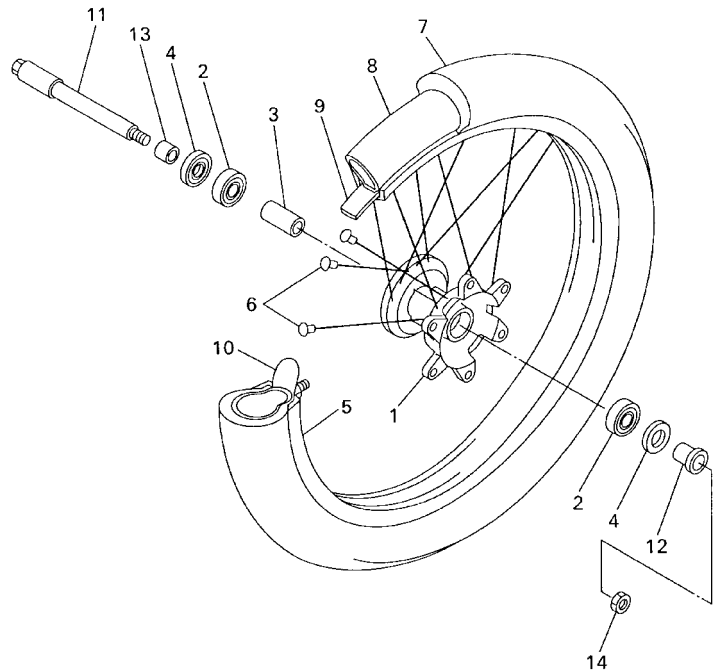
FIG. 27 SEAT

REF. NO.	PART NO.	DESCRIPTION	5TA1	5TA2	5TA3	5TA4	REMARKS
1	5TA-24710-00	SINGLE SEAT ASSY	1	1	1	1	
2	5TA-2470F-00	.SEAT COVER COMP.	1	1	1	1	



5TA1100-B270

FIG. 28 FRONT WHEEL

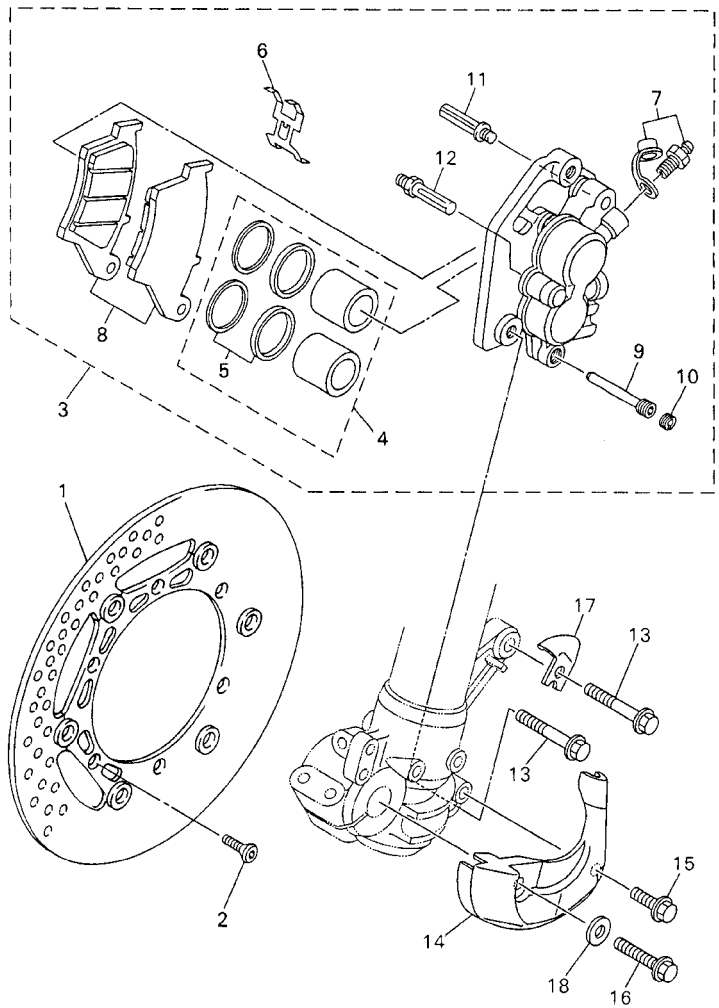


REF. NO.	PART NO.	DESCRIPTION	5TA1	5TA2	5TA3	5TA4	REMARKS
1	5NY-25111-00	HUB, FRONT	1	1	1	1	
2	93306-90403	BEARING	2	2	2	2	
3	5NY-25117-00	SPACER, BEARING	1	1	1	1	
4	93102-26468	OIL SEAL	2	2	2	2	
5	94416-21003	RIM (1.60-21)	1	1	1	1	
6	5NY-25104-00	SPOKE SET, FRONT	1	1	1	1	
7	94108-21008	TIRE (80/100-21 51M D739FA)	1			1	DUNLOP
	94108-2112Y	TIRE (80/100-21 51M D755F)		1		1	DUNLOP FOR FRA,CAN
	*	TIRE (80/100-21 MT320)		1			LM PIRELLI
	94108-2110Y	TIRE (80/100-21 51M M77)			1		BRIDGESTONE
8	94227-21101	TUBE (80/100-21 TR4 BTL)	1	1		1	DUNLOP FOR FRA
	*	TUBE (80/100-21)		1			LM PIRELLI
	94209-21229	TUBE (80/100C-21 TR4)			1		BRIDGESTONE
9	94309-21161	BAND, RIM (1.60-21)	1	1		1	DUNLOP FOR FRA
	*	BAND, RIM (80/100-21)			1		LM PIRELLI
	94330-21084	BAND,RIM (1.60-21)				1	BRIDGESTONE
10	5SF-25394-00	SPACER, BEAD	1	1	1	1	
11	5BE-25181-00	AXLE, WHEEL	1	1	1	1	
12	5NY-25183-00	COLLAR, WHEEL	1	1	1	1	
13	5NY-25186-00	COLLAR, WHEEL	1	1	1	1	
14	90179-16672	NUT	1	1	1	1	



5BE100-8280

FIG. 29 FRONT BRAKE CALIPER

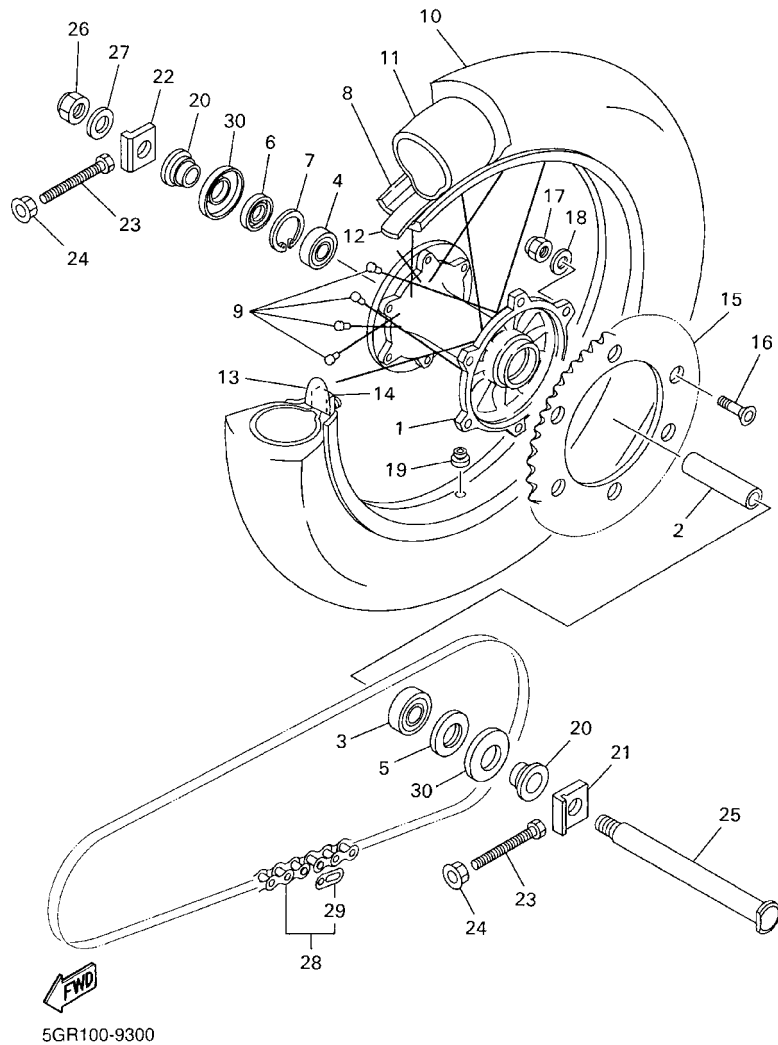


REF. NO.	PART NO.	DESCRIPTION	5TA1	5TA2	5TA3	5TA4	REMARKS
1	5MV-2581T-00	DISC BRAKE ASSY	1	1	1	1	
2	90149-06327	SCREW	6	6	6	6	
3	5UN-2580T-00	CALIPER ASSY (LEFT)	1	1	1	1	
4	5UN-W0057-00	.PISTON ASSY, CALIPER	1	1	1	1	
5	3JD-W0047-00	..CALIPER SEAL KIT	1	1	1	1	
6	5DH-25919-00	.SUPPORT, PAD	1	1	1	1	
7	1UY-W0048-50	.BLEED SCREW KIT	1	1	1	1	
8	5MV-W0045-00	.BRAKE PAD KIT	1	1	1	1	
9	5DH-25933-00	.PIN, PAD	1	1	1	1	
10	5DH-25916-00	.PLUG	1	1	1	1	
11	3SP-25926-51	.BOLT	1	1	1	1	
12	3SP-25914-51	.PIN, SLIDE	1	1	1	1	
13	90105-08659	BOLT, FLANGE	2	2	2	2	
14	5DH-2314E-00	COVER, HOSE	1	1	1	1	
15	95827-06012	BOLT, FLANGE	1	1	1	1	
16	95027-08020	BOLT, FLANGE	1	1	1	1	
17	5DH-25875-00	HOLDER, BRAKE HOSE 1	1	1	1	1	
18	92907-08200	WASHER	1	1	1	1	



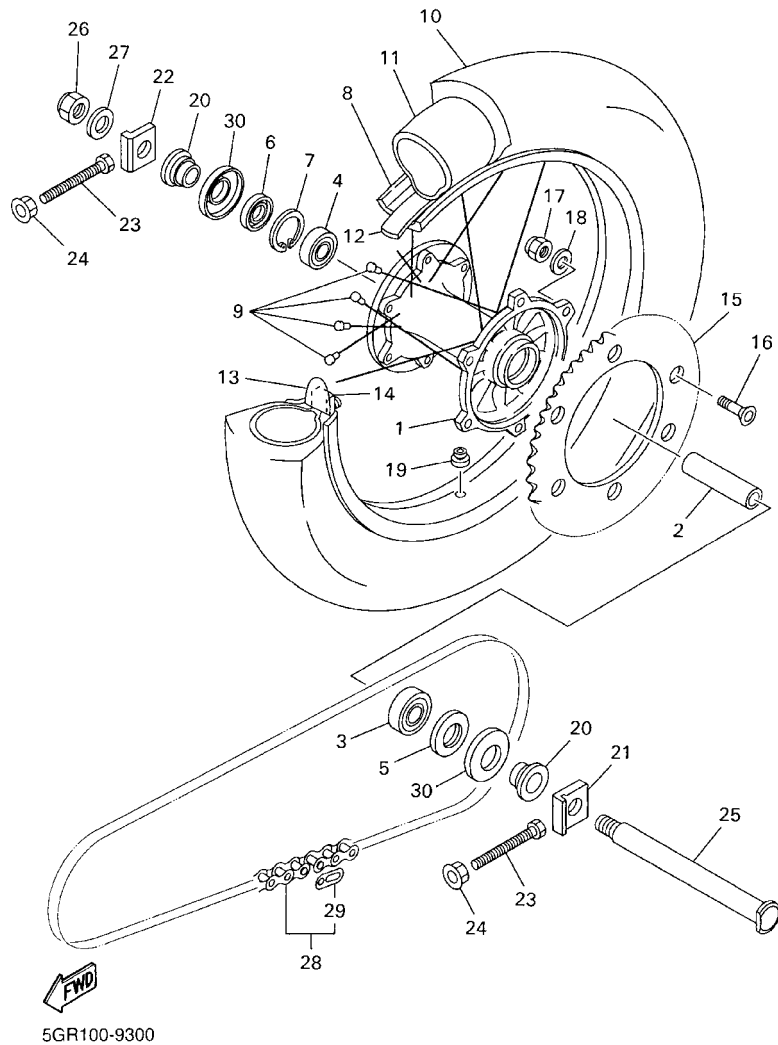
5SF1100-2290

FIG. 30 REAR WHEEL



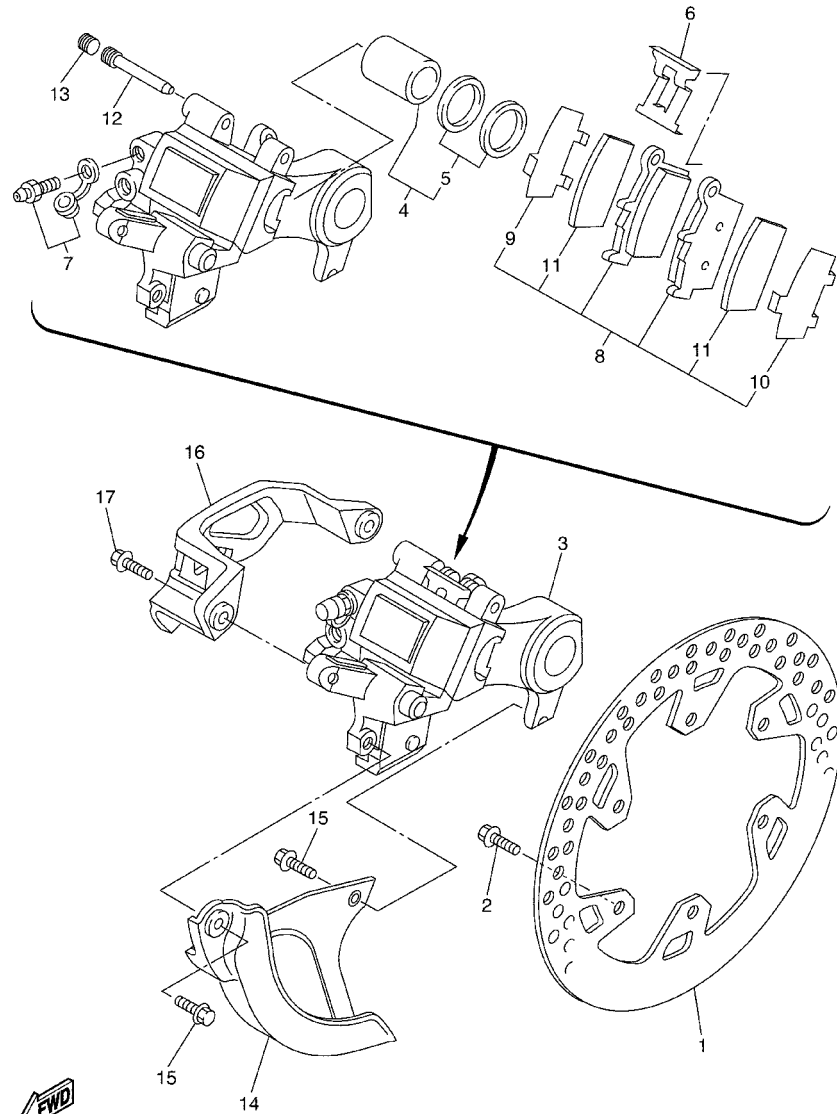
REF. NO.	PART NO.	DESCRIPTION	5TA1	5TA2	5TA3	5TA4	REMARKS
1	5ET-25311-00	HUB, REAR	1	1	1	1	
2	5ET-25317-00	SPACER, BEARING	1	1	1	1	
3	93306-27205	BEARING	1	1	1	1	
4	93306-07202	BEARING	1	1	1	1	
5	93106-30044	OIL SEAL	1	1	1	1	
6	93106-30045	OIL SEAL	1	1	1	1	
7	99009-45500	CIRCLIP	1	1	1	1	
8	94421-19602	RIM (2.15-19)	1	1	1	1	
9	5HD-25304-00	SPOKE SET, REAR	1	1	1	1	
10	94111-19008	TIRE (110/90-19 62M D739)	1			1	DUNLOP
	94111-1913A	TIRE (110/90-19 62M D755)		1		1	DUNLOP FOR FRA,CAN
	*	TIRE (110/90-19 MT320)		1			LM PIRELLI
	94111-1911B	TIRE (110/90-19 62M M78A)			1		BRIDGESTONE
11	94211-19273	TUBE (110/90 110/100-19TR4)	1	1		1	DUNLOP FOR FRA
	*	TUBE (110/90-19)			1		LM PIRELLI
	94211-19274	TUBE (MCS 110/90-19 TR4)				1	BRIDGESTONE
12	94311-19155	BAND, RIM (110/90 110/100-19)	1	1		1	DUNLOP FOR FRA
	*	BAND, RIM (3.50-18)			1		LM METZELER
	94321-19157	BAND, RIM (2.15-19)				1	BRIDGESTONE
13	3JE-25394-00	SPACER, BEAD	1	1	1	1	
14	4XM-25364-00	DAMPER	1	1	1	1	
15	5NY-25448-00	SPROCKET, DRIVEN (48T)	1		1	1	STD
	5ET-25447-00	SPROCKET, DRIVEN (47T)			1		STD
	5TA-25446-00	SPROCKET, DRIVEN (46T)	1	1	1	1	AP
	5ET-25447-00	SPROCKET, DRIVEN (47T)	1		1	1	AP
	5NY-25448-00	SPROCKET, DRIVEN (48T)			1		AP
	5NY-25449-00	SPROCKET, DRIVEN (49T)	1	1	1	1	AP

FIG. 30 REAR WHEEL



REF. NO.	PART NO.	DESCRIPTION	5TA1	5TA2	5TA3	5TA4	REMARKS
15	5NY-25450-00	SPROCKET, DRIVEN (50T)	1	1	1	1	AP
	5NY-25451-00	SPROCKET, DRIVEN (51T)	1	1	1	1	AP
	5NY-25452-00	SPROCKET, DRIVEN (52T)	1	1	1	1	AP
16	90109-081G1	BOLT	6	6	6	6	
17	90185-08169	NUT, SELF-LOCKING	6	6	6	6	
18	90201-08326	WASHER, PLATE	6	6	6	6	
19	90480-08608	GROMMET	1	1	1	1	
20	5UN-25383-00	COLLAR, WHEEL	2	2	2	2	
21	5NY-25388-00	PULLER, CHAIN 1	1	1	1	1	
22	5NY-25389-00	PULLER, CHAIN 2	1	1	1	1	
23	90101-08777	BOLT	2	2	2	2	
24	95707-08500	NUT, FLANGE	2	2	2	2	
25	5ET-25381-00	AXLE, WHEEL	1	1	1	1	
26	90185-20168	NUT, SELF-LOCKING	1	1	1	1	
27	90201-203U1	WASHER, PLATE	1	1	1	1	
28	9Y581-92113	CHAIN (DID 520D 114L)	1		1	1	
	9Y581-92111	CHAIN (DID 520D 112L)		1			
29	94681-68001	.JOINT,CHAIN (DID 520DM-RJ)	1	1	1	1	
30	5ET-25367-00	COVER, HUB DUST	2	2	2	2	

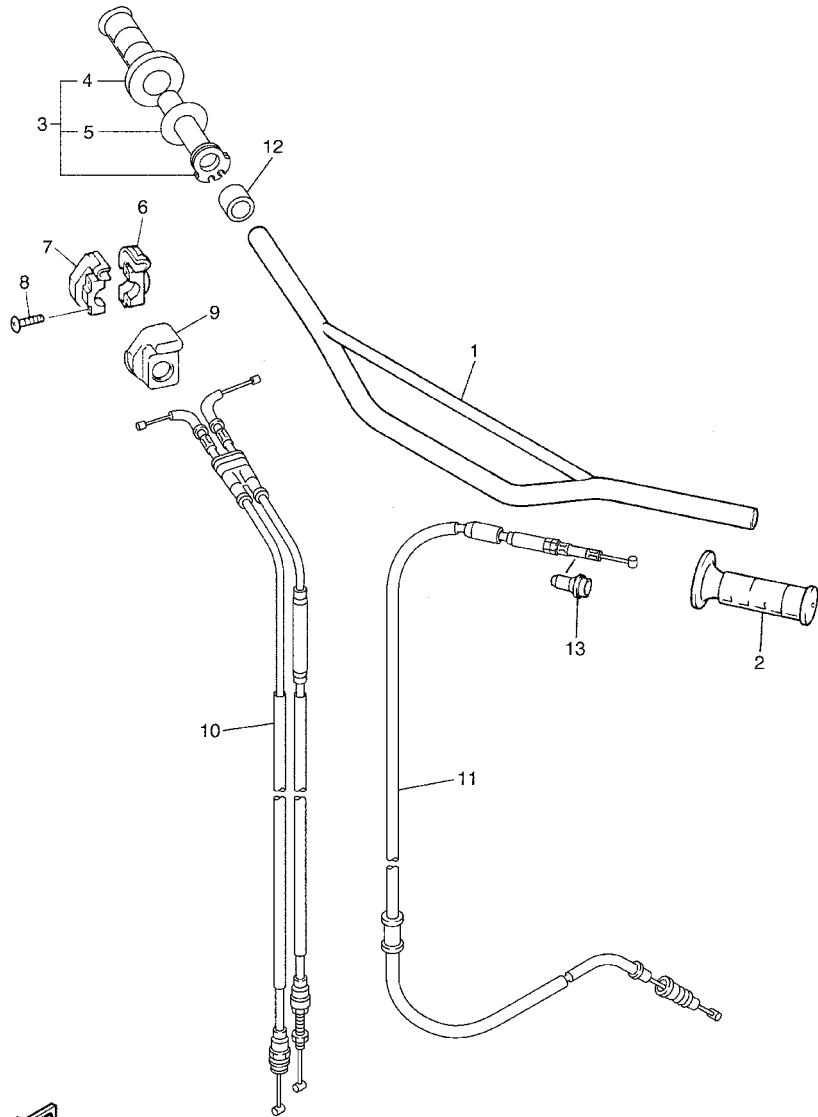
FIG. 31 REAR BRAKE CALIPER



5TA1100-B310

REF. NO.	PART NO.	DESCRIPTION	5TA1	5TA2	5TA3	5TA4	REMARKS
1	5NY-2582W-00	DISC, REAR BRAKE 2	1	1	1	1	
2	90109-065G4	BOLT	6	6	6	6	
3	5UN-2580W-00	CALIPER ASSY, REAR 2	1		1	1	
	5UN-2580W-10	CALIPER ASSY, REAR 2		1			
4	5UN-W0057-50	.PISTON ASSY, CALIPER	1	1	1	1	
5	5UN-W0047-50	..CALIPER SEAL KIT	1	1	1	1	
6	5DH-25919-50	..SUPPORT, PAD	1	1	1	1	
7	1UY-W0048-50	..BLEED SCREW KIT	1	1	1	1	
8	5UN-W0046-00	..BRAKE PAD KIT 2	1		1	1	
	5UN-W0046-50	..BRAKE PAD KIT 2		1			
9	5UN-25828-50	..SHIM, CALIPER	1	1	1	1	
10	5UN-25827-50	..SHIM, CALIPER	1	1	1	1	
11	5UN-22898-50	..INSULATOR, HEAT	2	2	2	2	
12	8CR-25924-00	..PIN, PAD	1	1	1	1	
13	5DH-25916-00	..PLUG	1	1	1	1	
14	5DH-25718-01	PROTECTOR, DISK BRAKE	1	1	1	1	
15	95027-06012	BOLT, FLANGE	2	2	2	2	
16	5TA-27491-00	PROTECTOR	1	1	1	1	
17	95027-06016	BOLT, FLANGE	2	2	2	2	

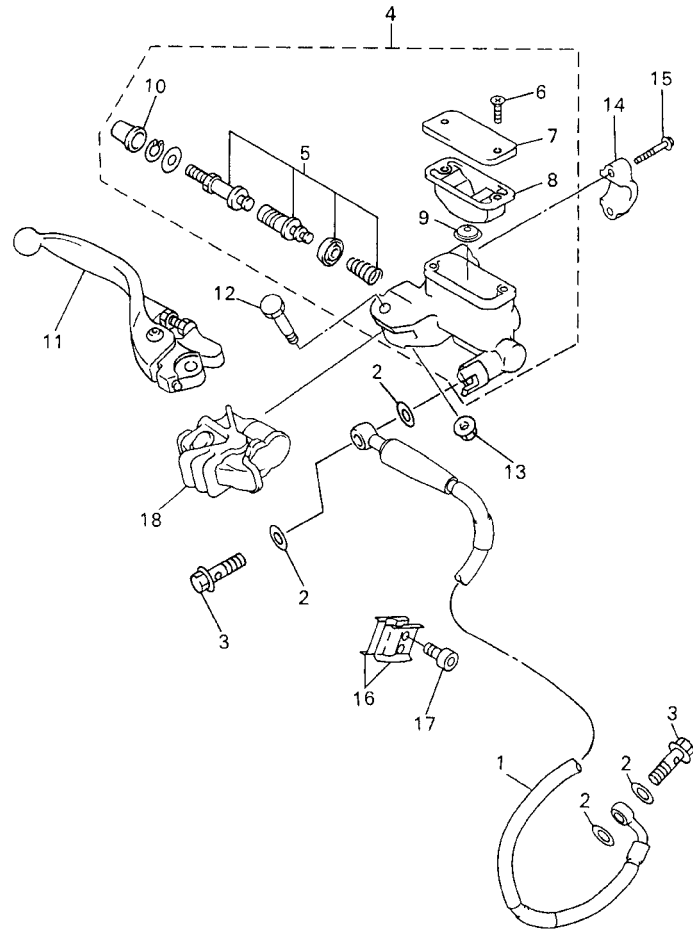
FIG. 32 STEERING HANDLE. CABLE



REF. NO.	PART NO.	DESCRIPTION	5TA1	5TA2	5TA3	5TA4	REMARKS
1	4XM-26111-00	HANDLEBAR	1	1	1	1	
2	4GY-26241-00	GRIP	1	1	1	1	
3	5BE-26240-00	GRIP ASSY	1	1	1	1	
4	4GY-26242-00	.GRIP (RIGHT)	1	1	1	1	
5	3Y1-26249-00	.RING, LEAF	1	1	1	1	
6	5BE-26281-00	CAP, GRIP UPPER	1	1	1	1	
7	5BE-26282-00	CAP, GRIP LOWER	1	1	1	1	
8	98507-05020	SCREW	2	2	2	2	
9	5SF-26287-00	COVER, CAP GRIP	1	1	1	1	
10	5TA-26302-01	THROTTLE CABLE ASSY	1	1	1	1	
11	5TA-26335-00	CABLE, CLUTCH	1	1	1	1	
12	90387-225N2	COLLAR	1	1	1	1	
13	5HD-26342-00	BOOT, CABLE	1	1	1	1	

 5TA1100-B320

FIG. 33 FRONT MASTER CYLINDER

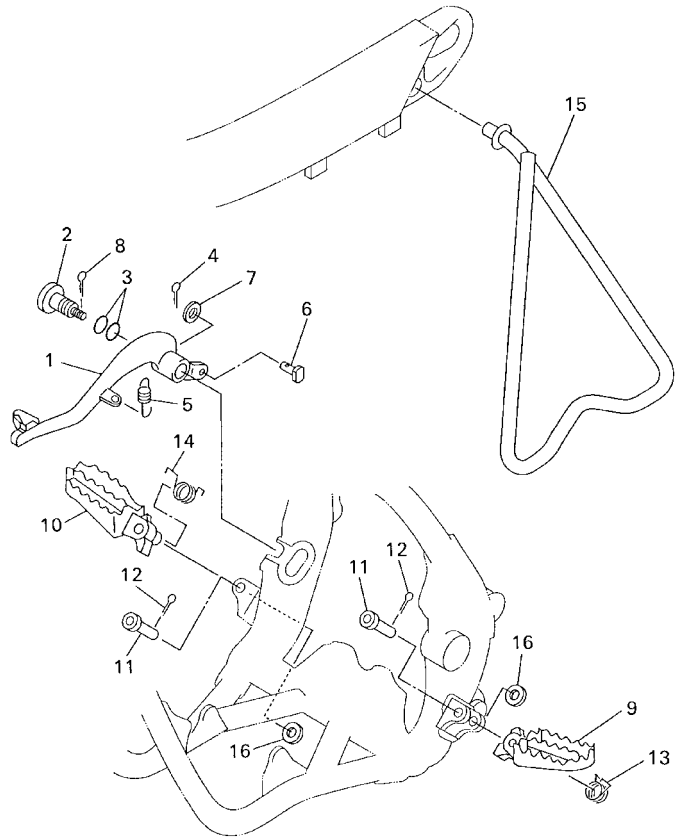


REF. NO.	PART NO.	DESCRIPTION	5TA1	5TA2	5TA3	5TA4	REMARKS
1	5ET-25872-00	HOSE, BRAKE 1	1	1	1	1	
2	90201-10118	WASHER, PLATE	4	4	4	4	
3	90401-10172	BOLT, UNION	2	2	2	2	
4	5UN-W2587-00	MASTER CYLINDER SUB ASSY	1	1	1	1	
5	5NY-W0041-00	.CYLINDER KIT, MASTER	1	1	1	1	
6	98706-04012	.SCREW, FLAT HEAD	2	2	2	2	
7	5MV-25852-01	.CAP, RESERVOIR	1	1	1	1	
8	56A-25854-00	.DIAPHRAGM, RESERVOIR	1	1	1	1	
9	5CG-25715-00	.SEPARATOR ASSY	1	1	1	1	
10	5NY-25868-00	.BOOT, MASTER CYLINDER	1	1	1	1	
11	5MV-83922-00	LEVER 2	1	1	1	1	
12	5MV-2589F-00	BOLT, LEVER	1	1	1	1	
13	95701-06500	NUT, FLANGE	1	1	1	1	
14	5MV-25867-00	BRACKET, MASTER CYLINDER	1	1	1	1	
15	5MV-25833-00	BOLT, FITTING	2	2	2	2	
16	90465-16258	CLAMP	2	2	2	2	
17	91317-06014	BOLT	2	2	2	2	
18	5NY-26372-00	COVER, HANDLE LEVER 1	1	1	1	1	



5SF1100-2330

FIG. 34 STAND, FOOTREST

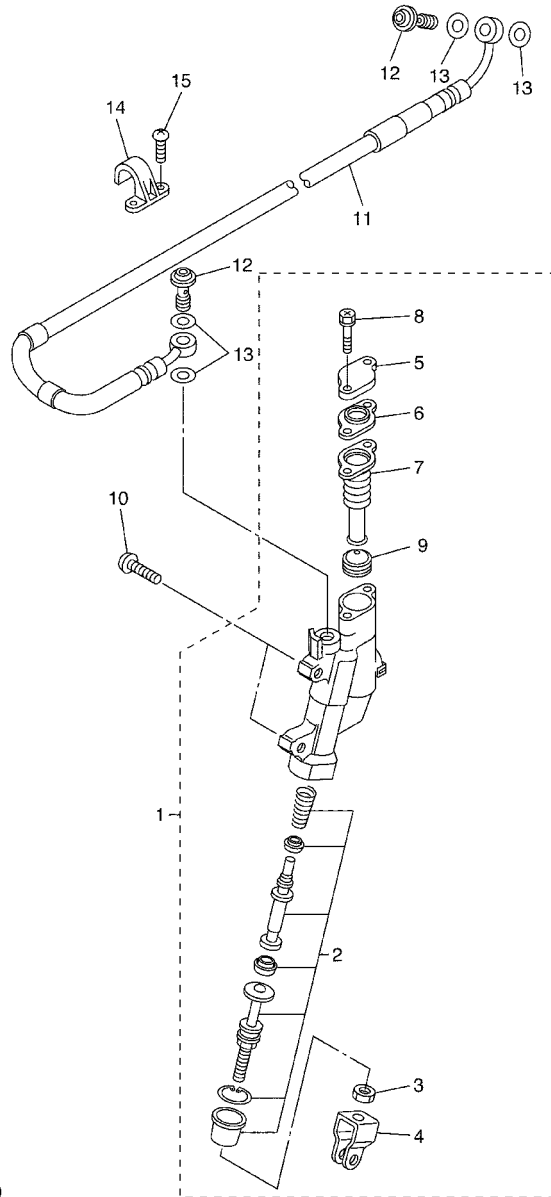


REF. NO.	PART NO.	DESCRIPTION	5TA1	5TA2	5TA3	5TA4	REMARKS
1	5TA-27200-00	PEDAL, BRAKE	1	1	1	1	
2	5JG-27217-00	BOLT	1	1	1	1	
3	93210-11073	O-RING	2	2	2	2	
4	91401-20012	PIN, COTTER	1	1	1	1	
5	90506-16500	SPRING, TENSION	1	1	1	1	
6	90240-08120	PIN, CLEVIS	1	1	1	1	
7	90201-08089	WASHER, PLATE	1	1	1	1	
8	90468-16191	CLIP	1	1	1	1	
9	5ET-27411-00	FOOTREST 1	1	1	1	1	
10	5ET-27421-00	FOOTREST 2	1	1	1	1	
11	90240-10142	PIN, CLEVIS	2	2	2	2	
12	91401-25015	PIN, COTTER	2	2	2	2	
13	90508-282B8	SPRING, TORSION	1	1	1	1	
14	90508-282B9	SPRING, TORSION	1	1	1	1	
15	5ET-27311-00	STAND, SIDE	1	1	1	1	
16	90201-10119	WASHER, PLATE	2	2	2	2	



5BE100-8340

FIG. 35 REAR MASTER CYLINDER



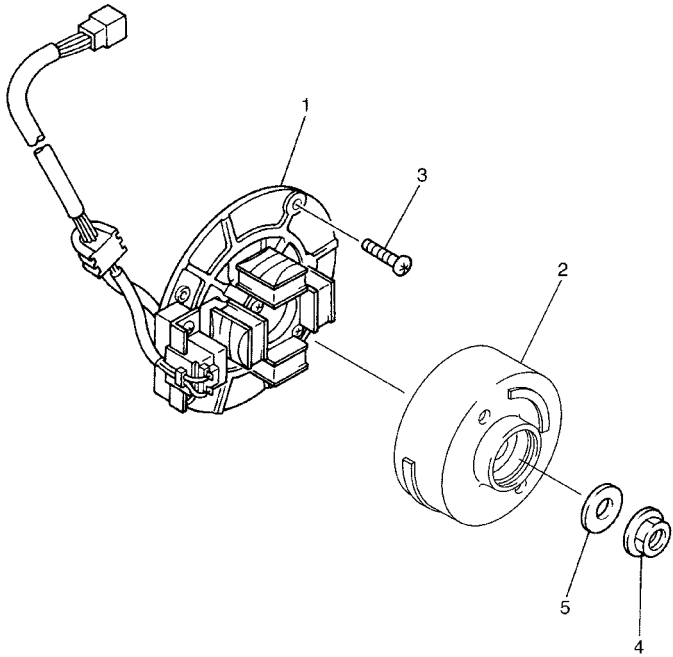
REF. NO.	PART NO.	DESCRIPTION	5TA1	5TA2	5TA3	5TA4	REMARKS
1	5UN-2583V-00	RR. MASTER CYLINDER ASSY.	1	1	1	1	
2	5UN-W0042-50	.CYLINDER KIT, MASTER	1	1	1	1	
3	5UN-27218-00	.NUT	1	1	1	1	
4	5UN-27222-00	.JOINT	1	1	1	1	
5	5UN-25852-50	.CAP, RESERVOIR	1	1	1	1	
6	5UN-2585B-00	.PLATE, DIAPHRAGM	1	1	1	1	
7	5UN-25854-00	.DIAPHRAGM, RESERVOIR	1	1	1	1	
8	5UN-27217-00	.BOLT	2	2	2	2	
9	5CG-25715-00	.SEPARATOR ASSY	2	2	2	2	
10	90111-06029	BOLT	2	2	2	2	
11	5UN-25873-00	HOSE, BRAKE 2	1	1	1	1	
12	90401-10172	BOLT, UNION	2	2	2	2	
13	90201-10118	WASHER, PLATE	4	4	4	4	
14	2VM-25876-00	HOLDER, BRAKE HOSE 2	2	2	2	2	
15	98507-05010	SCREW, PAN HEAD	4	4	4	4	



5TA1100-B350

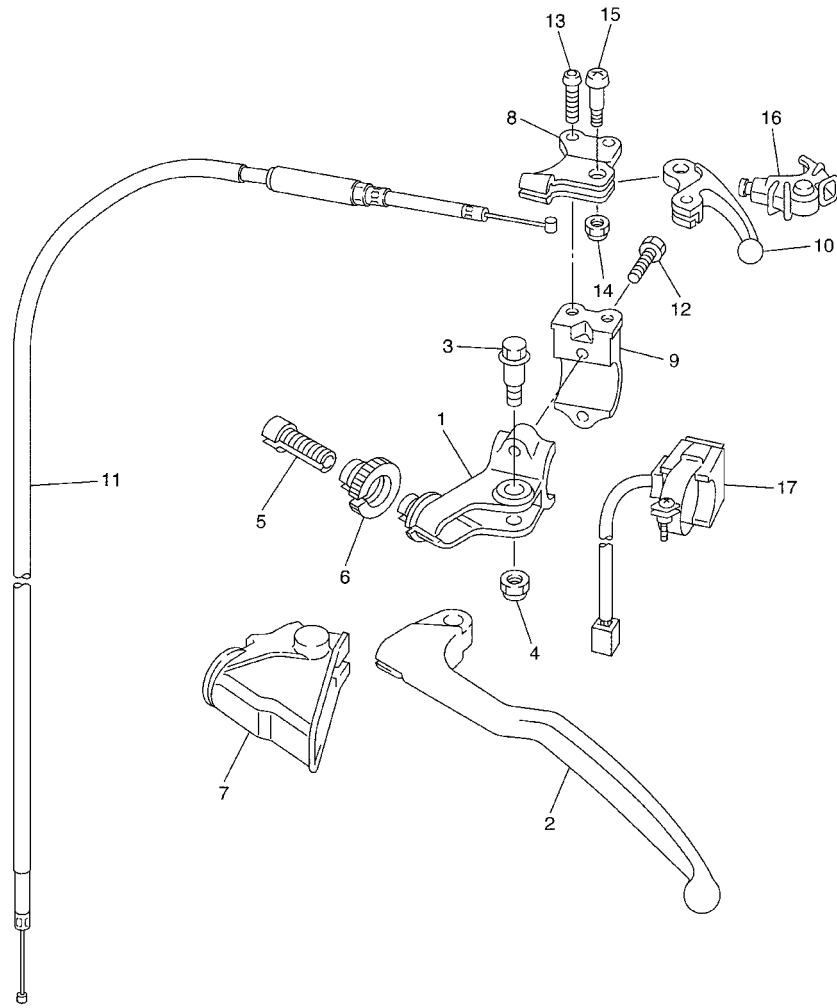
FIG. 36 GENERATOR

REF. NO.	PART NO.	DESCRIPTION	5TA1	5TA2	5TA3	5TA4	REMARKS
1	5SF-85560-00	BASE ASSY	1	1	1	1	
2	5TA-85550-00	ROTOR ASSY	1	1	1	1	
3	90149-06324	SCREW	3	3	3	3	
4	90179-12248	NUT	1	1	1	1	
5	90201-127E1	WASHER, PLATE	1	1	1	1	
<hr style="border-top: 1px dashed black;"/>							
<hr style="border-top: 1px dashed black;"/>							
<hr style="border-top: 1px dashed black;"/>							
<hr style="border-top: 1px dashed black;"/>							
<hr style="border-top: 1px dashed black;"/>							
<hr style="border-top: 1px dashed black;"/>							
<hr style="border-top: 1px dashed black;"/>							
<hr style="border-top: 1px dashed black;"/>							
<hr style="border-top: 1px dashed black;"/>							
<hr style="border-top: 1px dashed black;"/>							



5TA1100-B360

FIG. 37 HANDLE SWITCH. LEVER

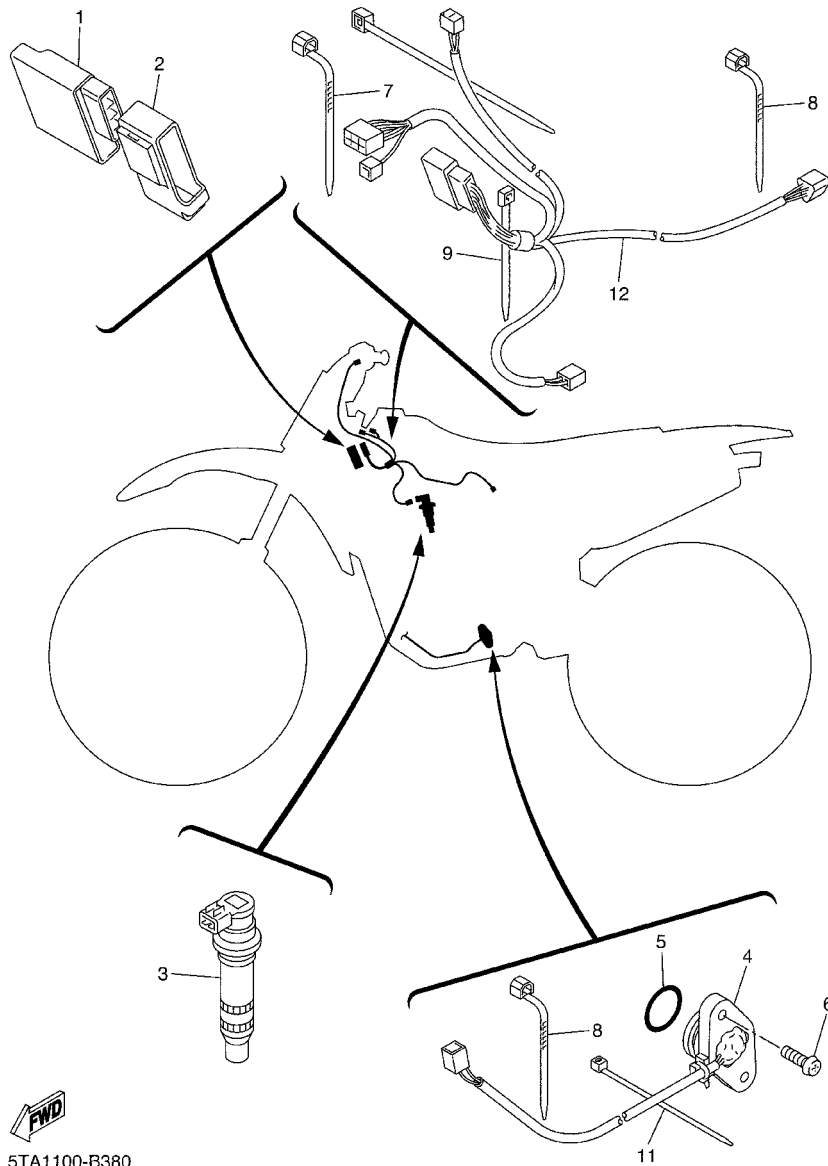


REF. NO.	PART NO.	DESCRIPTION	5TA1	5TA2	5TA3	5TA4	REMARKS
1	5HD-82911-00	HOLDER, LEVER 1	1	1	1	1	
2	5MV-83912-00	LEVER 1	1	1	1	1	
3	90109-06027	BOLT	1	1	1	1	
4	95607-06100	NUT, U	1	1	1	1	
5	5TA-26337-00	BOLT, ADJUSTING	1	1	1	1	
6	5HD-83951-00	BOLT, CABLE ADJUSTING	1	1	1	1	
7	5HD-26372-00	COVER, HANDLE LEVER 1	1	1	1	1	
8	5TA-82946-00	HOLDER, STARTER LEVER	1	1	1	1	
9	5TA-82913-00	HOLDER, LEVER LOWER 1	1	1	1	1	
10	5TA-83941-00	LEVER, STARTER	1	1	1	1	
11	5TA-26334-00	CABLE, STARTER 2	1	1	1	1	
12	97007-05016	BOLT	2	2	2	2	
13	92017-05012	BOLT, BUTTON HEAD	2	2	2	2	
14	95607-05100	NUT, U	1	1	1	1	
15	90149-05163	SCREW	1	1	1	1	
16	5TA-26339-00	BOOT	1	1	1	1	
17	5SF-83976-00	SWITCH, HANDLE 1	1	1	1	1	



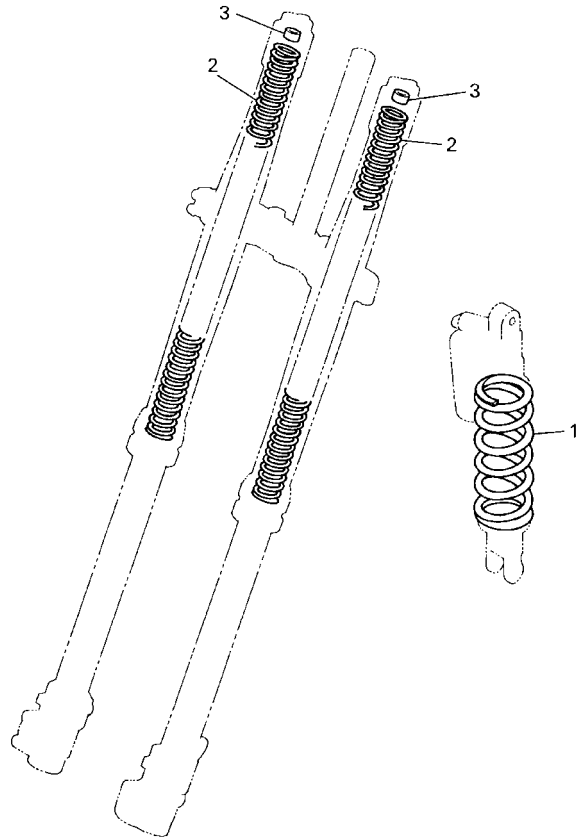
5TA1100-B370

FIG. 38 ELECTRICAL 1



REF. NO.	PART NO.	DESCRIPTION	5TA1	5TA2	5TA3	5TA4	REMARKS
1	5TA-85540-00	C.D.I. UNIT ASSY	1	1	1	1	
2	5TA-85546-00	BAND	1	1	1	1	
3	5TA-82310-00	IGNITION COIL ASSY	1	1	1	1	
4	5TA-82540-00	NEUTRAL SWITCH ASSY	1	1	1	1	
5	93210-21276	O-RING	1	1	1	1	
6	90154-05026	SCREW, BINDING	2	2	2	2	
7	90464-13077	CLAMP	2	2	2	2	
8	90464-13073	CLAMP	3	3	3	3	
9	90465-13152	CLAMP	1	1	1	1	
10	90465-13275	CLAMP	4	4	4	4	
11	5Y9-12491-00	CLAMP 1	3	3	3	3	
12	5TA-82509-00	WIRE, SUB LEAD	1	1	1	1	

FIG. 39 ALTERNATE (CHASSIS)

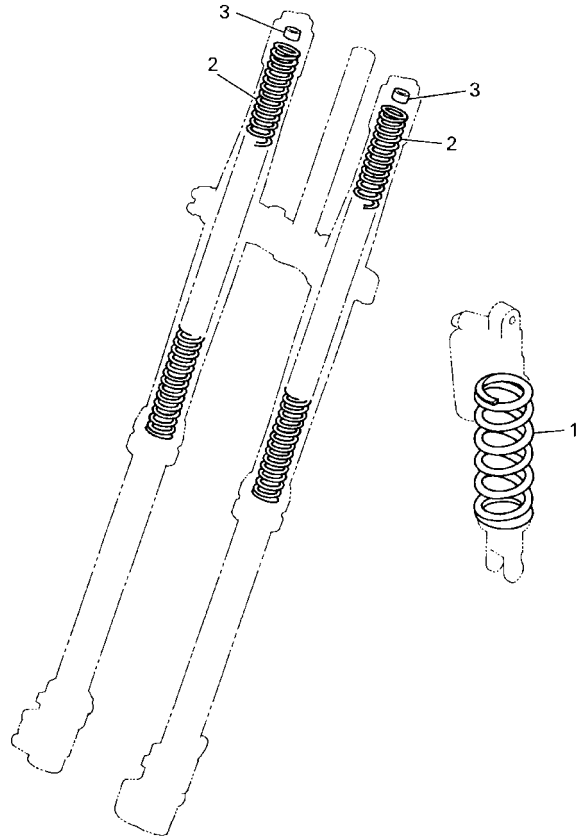


REF. NO.	PART NO.	DESCRIPTION	5TA1	5TA2	5TA3	5TA4	REMARKS
1	5UN-22212-00	SPRING (K=4.3)	1	1	1	1	AP
	5UN-22212-10	SPRING (K=4.5)	1	1	1	1	AP
	5UN-22212-20	SPRING (K=4.7)	1	1	1	1	AP
	5UN-22212-30	SPRING (K=4.9)	1	1	1	1	AP
	5UN-22212-40	SPRING (K=5.1)	1	1	1	1	AP
	5UN-22212-50	SPRING (K=5.3)	1	1	1	1	AP
	5UN-22212-60	SPRING (K=5.5)	1	1	1	1	AP
	5UN-22212-70	SPRING (K=5.7)	1	1	1	1	AP
	5UN-22212-A0	SPRING (K=APPROX.4.5)	1	1	1	1	AP
	5UN-22212-B0	SPRING (K=APPROX.4.7)	1	1	1	1	AP
	5UN-22212-C0	SPRING (K=APPROX.4.9)	1	1	1	1	AP
	5UN-22212-D0	SPRING (K=APPROX.5.1)	1	1	1	1	AP
	5UN-22212-E0	SPRING (K=APPROX.5.3)	1	1	1	1	AP
	5UN-22212-F0	SPRING (K=APPROX.5.5)	1	1	1	1	AP
	5UN-22212-G0	SPRING (K=APPROX.5.7)	1	1	1	1	AP
2	4SS-23141-10	SPRING, FRONT FORK (K=0.38)	2	2	2	2	AP
	4SS-23141-20	SPRING, FRONT FORK (K=0.39)	2	2	2	2	AP
	4SS-23141-30	SPRING, FRONT FORK (K=0.40)	2	2	2	2	AP
	4SS-23141-40	SPRING, FRONT FORK (K=0.41)	2	2	2	2	AP
	4SS-23141-50	SPRING, FRONT FORK (K=0.42)	2	2	2	2	AP
	4SS-23141-60	SPRING, FRONT FORK (K=0.43)	2	2	2	2	AP
	4SS-23141-70	SPRING, FRONT FORK (K=0.44)	2	2	2	2	AP
	5ET-23141-00	SPRING (K=APPROX.0.41)	2	2	2	2	AP
	5ET-23141-10	SPRING (K=APPROX.0.43)	2	2	2	2	AP
	5ET-23141-20	SPRING (K=APPROX.0.40)	2	2	2	2	AP
	5ET-23141-30	SPRING (K=APPROX.0.42)	2	2	2	2	AP
	5ET-23141-40	SPRING (K=APPROX.0.44)	2	2	2	2	AP



5BE100-8390

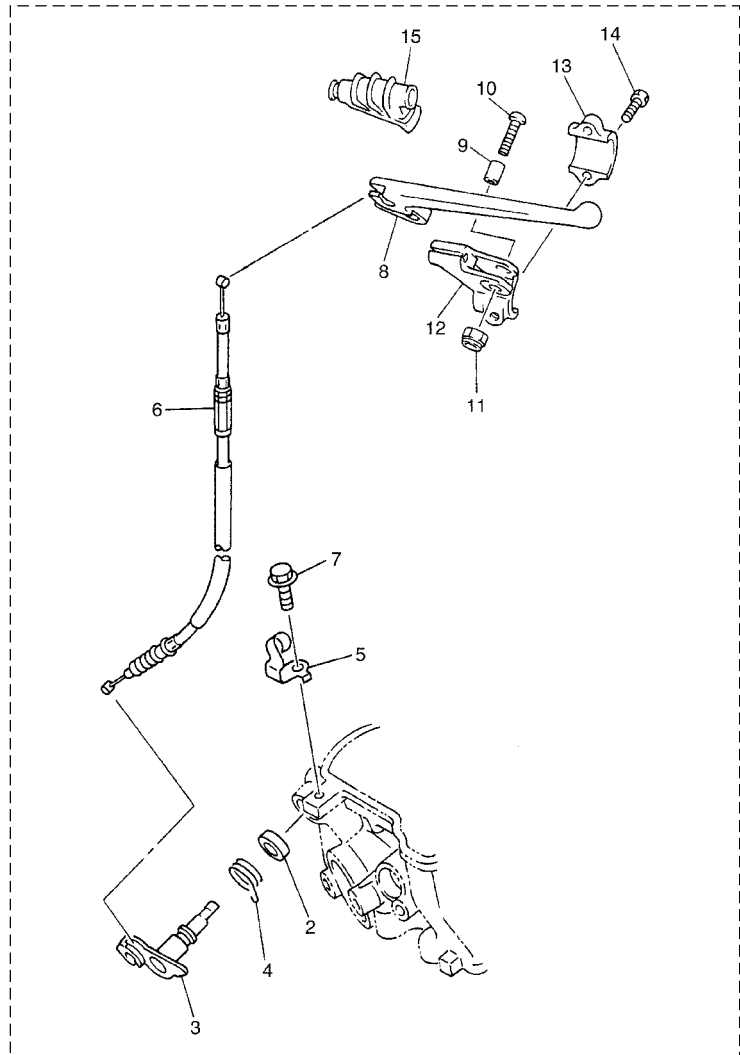
FIG. 39 ALTERNATE (CHASSIS)



REF. NO.	PART NO.	DESCRIPTION	5TA1	5TA2	5TA3	5TA4	REMARKS
3	4SS-23364-L0	COLLAR 2	2	2	2	2	UN

 5BE100-8390

FIG. 40 ALTERNATE



5TA1100-B400

REF. NO.	PART NO.	DESCRIPTION	5TA1	5TA2	5TA3	5TA4	REMARKS
1	5TA-W1228-00	DECOMPRESSION KIT	1	1	1	1	AP
2	93102-12224	.OIL SEAL	1	1	1	1	
3	5BE-12280-10	.DECOMPRESSION ASSY	1	1	1	1	
4	90508-162B2	.SPRING, TORSION	1	1	1	1	
5	5NL-12283-00	.BRACKET, DECOMPRESSION	1	1	1	1	
6	5BE-12292-10	.CABLE, DECOMPRESSION	1	1	1	1	
7	95827-06014	.BOLT, FLANGE	1	1	1	1	
8	583-83981-00	.LEVER, DECOMPRESSION	1	1	1	1	
9	5BE-83913-00	.COLLAR, LEVER 1	1	1	1	1	
10	98507-05020	.SCREW	1	1	1	1	
11	95607-05100	.NUT, U	1	1	1	1	
12	5BE-82912-00	.HOLDER, LEVER UPPER 1	1	1	1	1	
13	38V-82913-00	.HOLDER, LEVER LOWER 1	1	1	1	1	
14	97007-05016	.BOLT	2	2	2	2	
15	583-26352-00	.COVER, DECOMPRESSION CABLE	1	1	1	1	

NUMERICAL INDEX

PART NO.	GRID NO.	PART NO.	GRID NO.	PART NO.	GRID NO.	PART NO.	GRID NO.	PART NO.	GRID NO.	PART NO.	GRID NO.
5NY-W0041-00	E - 6	3GM-12126-00	B - 5	5Y9-12491-00	E - 11	5JG-14388-00	B - 13	5TA-14916-YR	B - 13	5TA-15362-01	C - 14
5UN-W0042-50	E - 8	3FV-12153-00	B - 6	5BE-12564-00	B - 8	4MX-14392-00	B - 15	5TA-14916-YS	B - 13	3Y1-15363-00	C - 6
5MV-W0045-00	D - 15	3FV-12153-10	B - 6	5TA-12576-00	B - 9	5TA-14401-00	B - 12	5TA-14916-Y1	B - 13	4JT-15381-01	C - 4
5UN-W0046-00	E - 4	3FV-12153-20	B - 6	5TA-12578-00	B - 9	5NY-14417-00	B - 12	5JG-14922-00	C - 2	5BE-15383-01	C - 4
5UN-W0046-50	E - 4	3LD-12168-A0	B - 5	5SG-12579-00	B - 9	5TA-14428-00	B - 12	3TJ-14933-40	B - 15	5TA-15411-00	C - 5
3JD-W0047-00	D - 15	3LD-12168-F0	B - 5	5TA-12579-00	B - 9	5NY-14442-00	B - 12	5TA-14934-00	C - 2	5TA-15415-00	C - 5
5UN-W0047-50	E - 4	3LD-12168-H1	B - 5	583-13113-00	C - 5	4XM-14451-00	B - 12	3TJ-1494F-12	B - 14	5TA-15421-00	C - 4
1UY-W0048-50	D - 15	3LD-12168-K1	B - 5	5TA-13161-00	B - 11	5TA-14453-00	B - 12	3TJ-1494F-13	B - 15	5TA-15431-00	C - 5
	E - 4	3LD-12168-M1	B - 5	5TA-13171-00	B - 11	5NY-14455-10	B - 12	3TJ-1494F-14	B - 15	5TA-15441-00	C - 4
5UN-W0057-00	D - 15	3LD-12168-R1	B - 5	5TA-13300-00	B - 10	5BE-14458-00	B - 12	3TJ-1494F-15	B - 15	5TA-15451-00	C - 5
5UN-W0057-50	E - 4	3LD-12168-U1	B - 5	5TA-13320-00	B - 10	5NY-14459-00	B - 12	3TJ-1494F-16	B - 14	5TA-15453-00	C - 5
5TA-W1228-00	E - 14	3LD-12168-W1	B - 5	5TA-13341-00	B - 10	5JG-14521-00	B - 14	3TJ-1494F-17	B - 15	5TA-15462-00	C - 5
5UN-W2587-00	E - 6	3LD-12168-Y1	B - 5	5BE-13342-00	B - 10	5JG-14522-00	B - 13	3TJ-1494F-18	B - 15	5TA-15601-00	C - 7
5TA-11102-00	B - 2	3LD-12168-00	B - 5	5BE-13411-00	B - 10	5JG-14531-00	C - 2	3TJ-1494F-19	B - 15	5TA-15620-00	C - 7
4KG-1111G-00	B - 2	3LD-12168-20	B - 5	5TA-13412-00	B - 10	3TJ-14536-40	B - 15	3TJ-1494F-20	B - 15	5TA-15621-00	C - 7
5TA-11133-10	B - 2	3LD-12168-40	B - 5	5TA-13440-00	B - 11	5JG-14546-01	B - 13	5JG-14940-17	B - 15	5TA-15651-00	C - 7
5TA-11134-10	B - 2	3LD-12168-60	B - 5	5BE-13447-00	B - 11	676-14548-00	B - 15	5JG-14940-18	B - 15	5NL-15664-00	C - 7
5TA-11166-00	B - 2	3LD-12168-80	B - 5	5TA-13464-00	B - 10	4MX-14561-00	C - 2	5JG-14940-19	B - 15	5SG-15668-00	C - 7
371-11167-01	B - 2	3LD-12169-E0	B - 6	5TA-13465-00	B - 10	6H4-14561-00	B - 15	4MX-14943-38	B - 14	4GY-15671-00	C - 7
5BE-11167-00	B - 2	3LD-12169-G0	B - 6	5TA-13597-00	B - 12	5NX-14562-00	C - 2	4MX-14943-39	B - 14	214-15686-00	C - 7
5TA-11181-00	B - 2	3LD-12169-J0	B - 6	5TA-14101-00	B - 13	5JG-14565-00	C - 2	4MX-14943-40	B - 14	5TA-16111-00	C - 8
5TA-11191-00	B - 2	3LD-12169-L0	B - 6	3TJ-14105-40	B - 15	5JG-14591-00	C - 2	4MX-14943-41	B - 14	5TA-16150-10	C - 8
5TA-11193-00	B - 3	3LD-12169-N0	B - 6	4MX-14115-00	C - 2	688-14592-00	B - 13	4MX-14943-42	B - 14	5TA-16154-00	C - 8
5TA-11311-00	B - 3	3LD-12169-T0	B - 6	3TJ-14137-40	B - 12	5TA-14611-00	C - 3	4MX-14943-88	B - 14	5TA-16321-00	C - 8
5TA-11351-00	B - 3	3LD-12169-11	B - 5		C - 2	3VD-14613-00	C - 3	4MX-14943-89	B - 14	5JG-16325-00	C - 8
5TA-11400-00	B - 4	3LD-12169-31	B - 6	5BE-14146-00	C - 2	5TA-14628-00	C - 3	4MX-14943-90	B - 14	5JG-16351-00	C - 8
5TA-11412-00	B - 4	3LD-12169-50	B - 6	5PA-14146-00	C - 2	5TA-1469A-00	C - 3	4MX-14943-91	B - 14	5JG-16356-00	C - 8
5TA-11422-00	B - 4	3LD-12169-70	B - 6	5TA-14155-00	C - 2	5TA-1469E-00	C - 3	4MX-14943-92	B - 14	5TA-16357-00	C - 8
5BE-11454-00	B - 4	3LD-12169-90	B - 6	3TJ-14159-40	B - 14	3GW-14714-00	C - 3	4MX-14943-93	B - 14	5TA-16371-00	C - 8
5TA-11455-00	B - 4	5TA-12170-00	B - 7	633-14159-00	B - 15	5BE-14747-00	C - 3	5TA-14943-27	B - 15	5TA-16381-00	C - 8
5TA-11531-00	B - 4	5TA-12180-00	B - 7	5TA-14171-00	B - 15	5TA-14753-00	C - 3	5JG-14947-00	B - 14	5TA-16384-00	C - 8
5TA-11536-00	B - 4	5TA-12210-00	B - 7	3TJ-14191-40	B - 15	5TA-14753-10	C - 3	4MX-14948-01	B - 14	5TA-17121-10	C - 9
5JG-11603-00	B - 4	4FM-12213-00	B - 7	5TA-14196-00	C - 2	4BD-14766-00	C - 3	4MX-14948-02	B - 14	5TA-17131-10	C - 9
5TA-11631-00	B - 4	5BE-12241-00	B - 7	5TA-14197-00	C - 2	5BE-14788-00	C - 3	4MX-14948-03	B - 14	5TA-17141-10	C - 9
5TA-11633-00	B - 4	5TA-12251-01	B - 7	5NX-14216-00	C - 2	5TA-14916-JN	B - 13	4MX-14948-04	B - 14	5TA-17211-10	C - 9
5TA-11651-00	B - 4	5TA-12252-00	B - 7	5TA-14227-00	B - 12	5TA-14916-JP	B - 13	4MX-14948-05	B - 14	5TA-17221-10	C - 9
5TA-11681-00	B - 4	5BE-12280-10	E - 14	5TA-14239-00	B - 12	5TA-14916-JR	B - 14	4MX-14948-06	B - 14	5TA-17231-00	C - 9
5TA-12111-00	B - 5	5NL-12283-00	E - 14	5TA-14261-00	C - 2	5TA-14916-JS	B - 14	4MX-14948-07	B - 14	5TA-17241-10	C - 9
5TA-12112-00	B - 5	5BE-12292-10	E - 14	5JG-14264-00	B - 14	5TA-14916-J1	B - 13	5JG-14951-00	B - 13	5TA-17402-00	C - 9
5TA-12113-00	B - 5	5TA-1240A-00	B - 9	3TJ-14267-40	B - 13	5TA-14916-VM	B - 13	5JG-14959-00	B - 13	5TA-17411-10	C - 9
5TA-12114-00	B - 5	5BE-12422-20	B - 8	5JG-14275-00	B - 14	5TA-14916-VN	B - 13	5JR-14984-00	B - 15	5TA-17466-00	C - 4
4GY-12117-00	B - 5	5BE-12439-00	B - 8	3TJ-14293-40	B - 15	5TA-14916-VP	B - 13	4SR-14985-00	B - 15	4L0-17471-00	C - 4
5BE-12117-00	B - 5	5DJ-12451-00	B - 8	5TA-14293-00	B - 12	5TA-14916-VR	B - 13	5JG-14987-00	C - 2	5GR-17471-00	C - 9
1AA-12118-00	B - 5	5GR-12458-00	B - 8	5TA-14335-00	B - 15	5TA-14916-VS	B - 13	5TA-14987-00	B - 12	5TA-18101-00	C - 12
1WG-12118-00	B - 5	5TA-12461-00	B - 9	5JG-14346-00	C - 2	5TA-14916-VT	B - 13	5TA-14991-00	B - 15	5TA-18110-00	C - 12
33M-12119-00	B - 5	5HD-12462-00	B - 9	5TA-14371-00	B - 15	5TA-14916-V1	B - 13	4FN-14997-00	B - 13	5LP-18122-00	C - 12
4SV-12119-00	B - 5	5TA-12481-00	B - 9	5TA-14374-00	B - 15	5TA-14916-YN	B - 13	5TA-14997-00	C - 2	3XK-18140-00	C - 11
5TA-12121-00	B - 5	5TA-12482-00	B - 9	5JG-14379-00	C - 2	5TA-14916-YP	B - 13	5TA-15150-00	C - 4	5BE-18172-00	C - 12

NUMERICAL INDEX

PART NO.	GRID NO.	PART NO.	GRID NO.	PART NO.	GRID NO.	PART NO.	GRID NO.	PART NO.	GRID NO.	PART NO.	GRID NO.
3XJ-18173-00	C-12	5JG-22156-00	D-3	5TA-23102-00	D-8	5TA-2316A-L0	D-8	5NY-25104-00	D-14	3SP-25914-51	D-15
3XJ-18178-00	C-12	5NY-2217A-00	D-3	5TA-23102-10	D-8	5TA-2316A-M0	D-8	5NY-25111-00	D-14	5DH-25916-00	D-15
3XJ-18182-00	C-12	5NY-2217F-00	D-4	5TA-23103-00	D-8	5TA-2316A-M0	D-8	5NY-25117-00	D-14		E-4
3XJ-18184-00	C-12	5UN-22176-00	D-5	5TA-23103-10	D-8		D-9	5BE-25181-00	D-14	5DH-25919-00	D-15
4EW-18185-00	C-12	3JD-22178-10	C-13	5BF-23110-L0	D-8	5TA-23170-L0	D-8	5NY-25183-00	D-14	5DH-25919-50	E-4
5TA-18501-00	C-11	4EW-22178-00	C-13	5UN-23111-L0	D-8		D-9	5NY-25186-00	D-14	8CR-25924-00	E-4
5TA-18502-00	C-11	5MV-22184-00	D-5		D-9	5TA-23170-M0	D-8	5HD-25304-00	E-2	3SP-25926-51	D-15
5TA-18541-00	C-11	5UN-22199-00	D-3	5DH-23118-L0	D-8		D-9	5ET-25311-00	E-2	5DH-25933-00	D-15
278-18542-00	C-11	5TA-22201-00	D-5		D-9	5ET-23171-L0	D-8	5ET-25317-00	E-2	4XM-26111-00	E-5
5DH-18562-00	C-4	5TA-22201-10	D-5	3JD-2312G-L0	D-8		D-9	4XM-25364-00	E-2	5BE-26240-00	E-5
5TA-21101-00	C-13	5TA-22201-20	D-5		D-9	5DH-23183-00	D-5	5ET-25367-00	E-3	4GY-26241-00	E-5
5TA-21161-00	C-13	5TA-22201-30	D-5	5DH-23120-L0	D-8	509-23184-L0	D-5	5ET-25381-00	E-3	4GY-26242-00	E-5
5TA-21190-00	C-13	5TA-22201-40	D-5	5ET-23125-L0	D-8	5MV-23195-L0	D-8	5UN-25383-00	E-3	3Y1-26249-00	E-5
5TA-21274-01	C-14	5TA-22210-00	D-5		D-9		D-9	5NY-25388-00	E-3	5BE-26281-00	E-5
5HD-2135F-00	D-4	5TA-22210-10	D-5	5TA-23136-L0	D-8	5HC-2331E-00	D-10	5NY-25389-00	E-3	5BE-26282-00	E-5
5NY-2135F-00	D-4	5TA-22210-20	D-5	5DH-2314E-00	D-15	5UP-23340-L0	D-9	3JE-25394-00	E-2	5SF-26287-00	E-5
5TA-21417-00	C-14	5TA-22210-30	D-5	5DH-2314F-L0	D-9	4SS-23346-L0	D-9	5SF-25394-00	D-14	5TA-26302-01	E-5
5TA-21425-00	C-13	5TA-22210-40	D-5	4SS-2314G-L0	D-9	5NY-23346-L0	D-9	5TA-25446-00	E-2	5TA-26334-00	E-10
5TA-21425-10	C-13	5UN-22212-A0	E-12	5TA-2314H-00	D-9	3SP-23356-L0	D-9	5ET-25447-00	E-2	5TA-26335-00	E-5
5TA-2147A-00	C-14	5UN-22212-B0	E-12	5TA-2314J-00	D-9	5TA-23357-00	D-7	5NY-25448-00	E-2	5TA-26337-00	E-10
5TA-2147E-00	C-14	5UN-22212-C0	E-12	4SS-23141-10	E-12	4SS-23364-L0	E-13	5NY-25449-00	E-2	5TA-26339-00	E-10
5TA-21471-00	C-14	5UN-22212-D0	E-12	4SS-23141-20	E-12	4DA-23389-00	D-7	5NY-25450-00	E-3	5HD-26342-00	E-5
5HD-21511-00	C-15	5UN-22212-E0	D-5	4SS-23141-30	E-12	5HD-2339E-00	D-7	5NY-25451-00	E-3	583-26352-00	E-14
4XL-2153A-10	D-10		E-12	4SS-23141-40	E-12	5HD-23393-L0	D-8	5NY-25452-00	E-3	5HD-26372-00	E-10
5UN-2153A-00	D-4	5UN-22212-F0	E-12	4SS-23141-50	E-12		D-9	5CG-25715-00	E-6	5NY-26372-00	E-6
4ES-2153E-01	C-15	5UN-22212-G0	E-12	4SS-23141-60	E-12	5TA-23393-00	D-7		E-8	5TA-27200-00	E-7
5TA-21610-00	C-15	5UN-22212-00	E-12	4SS-23141-70	E-12	4EW-23416-00	D-7	5DH-25718-01	E-4	5JG-27217-00	E-7
5TA-2163G-00	C-15	5UN-22212-10	E-12	5ET-23141-00	E-12	5TA-23435-00	D-7	5UN-2580T-00	D-15	5UN-27217-00	E-8
5TA-21635-00	C-15	5UN-22212-20	E-12	5ET-23141-10	E-12	3SP-23441-00	D-7	5UN-2580W-00	E-4	5UN-27218-00	E-8
5TA-21642-00	C-15	5UN-22212-30	E-12	5ET-23141-20	E-12	5HD-23485-00	D-7	5UN-2580W-10	E-4	5UN-27222-00	E-8
5TA-21711-00	D-2	5UN-22212-40	E-12	5ET-23141-30	E-12	5TA-24110-00	D-11	5MV-2581T-00	D-15	5ET-27311-00	E-7
5TA-2172A-00	D-2	5UN-22212-50	D-5	5ET-23141-40	E-12	4EW-2412F-00	D-11	5NY-2582W-00	E-4	5ET-27411-00	E-7
5TA-21721-00	D-2		E-12	5GR-23141-L0	D-8	24X-24144-00	D-11	5UN-25827-50	E-4	5ET-27421-00	E-7
5TA-2173E-01	D-2	5UN-22212-60	E-12		D-9	5SF-24173-00	D-11	5UN-25828-50	E-4	5TA-27491-00	E-4
5TA-2173F-01	D-2	5UN-22212-70	E-12	5DH-23142-L0	D-8	4FU-24181-00	C-3	5UN-2583V-00	E-8	5TA-2814F-00	C-14
5TA-21730-00	D-2	3SP-22213-00	D-5		D-9	4SS-24181-00	D-11	5MV-25833-00	E-6	5ET-28166-00	C-14
5TA-2174A-00	D-2	5DH-22214-00	D-5	5HD-23144-L0	D-8	5BE-24182-00	D-11	5UN-2585B-00	E-8	5TA-82310-00	E-11
5TA-2174T-00	C-15	5MV-22224-00	D-5		D-9	5NY-24183-00	D-11	5MV-25852-01	E-6	5TA-82509-00	E-11
5TA-21740-00	D-2	4JX-22226-00	D-5	5ET-23145-L0	D-8	5NY-24186-00	D-11	5UN-25852-50	E-8	5TA-82540-00	E-11
3JD-21748-00	C-15	3SP-22234-00	D-5		D-9	5TA-24240-00	D-12	5UN-25854-00	E-8	5HD-82911-00	E-10
5TA-21756-00	C-13	5NY-22241-00	D-6	5UN-23146-L0	D-8	3XJ-24380-00	D-11	56A-25854-00	E-6	5BE-82912-00	E-14
5JG-21781-50	D-2	5DH-22253-00	D-5		D-9	4DP-24500-00	D-11	5MV-25867-00	E-6	38V-82913-00	E-14
5UN-22110-00	D-3	5MV-22253-00	D-5	5DH-23149-L0	D-8	4X8-24512-00	D-11	5NY-25868-00	E-6	5TA-82913-00	E-10
5NY-22121-00	D-3	5UN-22355-00	D-3		D-9	3AJ-24523-00	D-11	5ET-25872-00	E-6	5TA-82946-00	E-10
5NY-22122-00	D-4	4EW-22474-00	D-5	4SS-23153-L0	D-8	3AJ-24534-00	D-11	5UN-25873-00	E-8	5MV-83912-00	E-10
5UN-22128-00	D-3	3JE-22475-00	D-5		D-9	5UN-24610-00	D-11	5DH-25875-00	D-15	5BE-83913-00	E-14
5NY-22141-01	D-3	5NY-22475-00	D-5	4SS-23158-L0	D-8	5TA-2470F-00	D-13	2VM-25876-00	E-8	5MV-83922-00	E-6
5UN-22151-00	D-3	5UN-22898-50	E-4		D-9	5TA-24710-00	D-13	5MV-2589F-00	E-6	5TA-83941-00	E-10

NUMERICAL INDEX

PART NO.	GRID NO.	PART NO.	GRID NO.	PART NO.	GRID NO.	PART NO.	GRID NO.	PART NO.	GRID NO.	PART NO.	GRID NO.
5HD-83951-00	E-10	90151-04048	D-3	90201-206L6	C-9	90445-09220	D-11	91317-06060	C-4	93306-07202	E-2
5SF-83976-00	E-10	90152-06010	C-7	90201-20685	C-7	90445-11185	D-11	91317-06075	C-4	93306-20335	B-4
583-83981-00	E-14	90154-05026	E-11	90201-247L2	D-7	90445-112K0	B-2	91317-08020	C-3	93306-20532	C-9
5TA-85540-00	E-11	90159-06078	D-2	90202-05193	D-11	90450-22017	B-9	91401-20012	E-7	93306-20593	C-9
5TA-85546-00	E-11	90159-06092	C-8	90202-08045	B-13		B-10	91401-25015	E-7	93306-27205	E-2
5TA-85550-00	E-9	90159-06182	D-2	90206-06090	C-3	90450-25037	B-9	91808-16023	B-2	93306-30633	B-4
5SF-85560-00	E-9	90170-14171	B-4	90209-06096	B-12	90450-28014	B-9	91812-16001	C-5	93306-90403	D-14
5TA-85885-00	C-2	90170-20327	C-8	90209-21332	C-9	90450-57004	B-12	92017-05012	E-10	93306-90501	C-11
9Y581-92111	E-3	90179-06500	B-3	90215-14287	B-4	90450-59002	B-12	92017-10060	C-13	93310-63412	B-4
9Y581-92113	E-3	90179-06568	D-3	90215-20231	C-8	90450-61001	B-12	92907-06600	B-7	93311-62574	B-4
90101-06001	C-7	90179-10658	C-13	90215-21001	C-8	90461-10136	C-4	92907-08200	D-15	93315-32053	D-4
90101-06664	C-12	90179-12248	E-9		C-9	90462-10241	C-5	93101-14164	C-5	93315-32056	D-3
90101-08777	E-3	90179-16672	D-14	90240-08120	E-7	90464-13073	E-11	93102-12106	B-8	93317-11287	C-8
90105-06027	B-2	90179-20001	C-8	90240-10142	E-7	90464-13077	E-11	93102-12224	C-8	93317-22262	D-3
90105-06154	C-15		C-9	90267-32070	B-12	90465-08029	C-5		C-12	93332-00068	D-7
90105-06553	C-4	90183-06023	B-12	90267-48084	C-3	90465-13152	D-11		E-14	93332-00081	D-7
	C-10	90185-08169	E-3	90280-03001	B-4		E-11	93102-18278	C-7	93340-21505	C-8
90105-08120	C-13	90185-10002	C-13	90338-18064	B-7	90465-13275	E-11	93102-26468	D-14	93342-22217	D-3
90105-08659	D-15	90185-10060	D-6	90338-18176	C-14	90465-16258	E-6	93102-32480	C-9	93410-20038	C-7
90105-10323	D-5	90185-14007	D-4	90340-12112	B-2	90467-09006	B-9	93106-22019	D-3	93420-18082	B-4
90105-104A7	B-2	90185-16127	D-3	90340-14128	C-5	90467-10008	D-11	93106-30044	E-2	93440-10085	C-8
90105-106A3	B-2	90185-20168	E-3	90340-32123	C-5	90467-11106	B-3	93106-30045	E-2	93440-10153	B-2
90105-10733	C-13	90201-03313	B-12	90387-06009	C-15	90467-14015	B-3	93109-11073	B-8		B-10
90109-06027	E-10	90201-06557	C-15	90387-06065	B-9	90468-16191	E-7	93109-20076	D-3	93440-25084	C-9
90109-063F8	C-11	90201-06571	B-9	90387-0814J	C-3	90480-08608	E-3		D-4	93440-30077	C-9
90109-06418	B-7	90201-08089	E-7	90387-086N4	C-13	90480-15528	B-9	93109-28043	D-3	93440-41178	B-7
90109-065G2	B-11	90201-081R9	C-3	90387-124F4	C-12	90480-18549	D-11	93210-04122	C-11	93503-08007	C-5
90109-065G4	E-4	90201-08326	C-7	90387-16005	D-3	90501-043E0	C-5	93210-07003	B-11	93507-32009	C-7
90109-066F0	B-2		E-3	90387-16007	D-3	90501-052G5	C-12	93210-07135	B-11	93511-32027	C-8
90109-067F4	B-12	90201-08410	C-2	90387-167Y9	D-3	90501-06022	C-11	93210-08001	C-14	93603-16219	B-10
90109-081G1	E-3	90201-08512	B-8	90387-18004	D-3	90501-12081	C-7	93210-09008	B-11	93604-10011	B-8
90109-082G0	C-7	90201-086P8	C-13	90387-18005	D-3	90501-16016	C-7	93210-10197	B-10	93608-33002	C-12
90110-08096	C-13	90201-10025	B-2	90387-18007	C-4	90501-237L0	C-8		C-4	93612-16254	B-3
90111-06029	E-8	90201-10118	E-6	90387-225N2	E-5	90506-16500	E-7	93210-11073	E-7	9383E-14215	C-9
90119-05071	D-7		E-8	90387-2513F	C-9	90508-14020	C-8	93210-12759	B-11	94108-21008	D-14
90119-06001	C-14	90201-10119	E-7	90401-08038	B-11	90508-162B2	E-14	93210-14369	C-5	94108-2110Y	D-14
90119-06096	C-15	90201-104R2	C-13	90401-10159	B-11	90508-26561	C-11	93210-16500	B-9	94108-2112Y	D-14
90119-06214	D-11	90201-12166	B-10	90401-10172	E-6	90508-282B8	E-7	93210-17570	C-7	94111-19008	E-2
90119-06225	C-15	90201-125L6	C-8		E-8	90508-282B9	E-7	93210-19123	C-6	94111-1911B	E-2
90119-08238	D-2	90201-127E1	E-9	90430-06014	B-2	90508-291A8	C-12	93210-19758	B-8	94111-1913A	E-2
90122-06035	B-12	90201-145M4	C-13		B-7	90508-30743	C-7	93210-21276	E-11	94209-21229	D-14
90149-05163	E-10	90201-14740	D-4		B-8	91A20-05065	B-9	93210-22164	C-9	94211-19273	E-2
90149-06011	D-11	90201-15701	C-5		C-4	91314-06030	B-10	93210-32172	C-5	94211-19274	E-2
90149-06126	C-4	90201-160F6	D-3	90430-08119	B-11	91316-04012	B-13	93210-47675	B-11	94227-21101	D-14
90149-06250	B-4	90201-162H4	C-7		C-13	91317-05008	D-3	93300-60804	C-13	94309-21161	D-14
90149-06324	E-9	90201-167P7	C-7	90430-10188	B-11	91317-06014	E-6	93306-00105	B-8	94311-19155	E-2
90149-06326	C-4	90201-20276	C-7		C-4	91317-06025	B-10	93306-00426	C-9	94321-19157	E-2
90149-06327	D-15	90201-203U1	E-3	90445-09104	D-11	91317-06050	C-4	93306-00431	C-9	94330-21084	D-14

NUMERICAL INDEX

PART NO.	GRID NO.	PART NO.	GRID NO.	PART NO.	GRID NO.	PART NO.	GRID NO.	PART NO.	GRID NO.
94416-21003	D - 14	95817-08012	C - 14						
94421-19602	E - 2	95817-08016	C - 14						
94591-57118	B - 7	95817-08020	C - 3						
94681-68001	E - 3	95817-08030	C - 3						
94701-00410	B - 2	95817-10055	C - 13						
94701-00411	B - 2	95817-10160	C - 13						
94703-00410	B - 2	95827-06010	B - 9						
94703-00411	B - 2	95827-06012	D - 15						
95024-06010	C - 4	95827-06014	E - 14						
95027-06010	B - 2	95827-06016	D - 2						
	D - 3	95827-08012	C - 13						
95027-06012	B - 9	97007-05016	E - 10						
	B - 11		E - 14						
	C - 8	97027-06016	B - 7						
	C - 14	97527-06512	C - 14						
	E - 4	97707-60016	C - 15						
95027-06014	D - 7	97801-03008	D - 11						
95027-06016	C - 4	98502-04012	B - 13						
	D - 11	98507-05010	E - 8						
	E - 4	98507-05020	E - 5						
95027-06020	B - 11		E - 14						
	C - 12	98507-06025	C - 4						
95027-06025	B - 7	98706-04012	E - 6						
	B - 9	98707-06025	D - 11						
	B - 10	98907-06025	D - 11						
95027-06030	B - 8	98980-06008	C - 3						
	C - 5	99001-08600	B - 10						
95027-06035	B - 3	99009-12400	B - 10						
95027-06040	C - 5	99009-16400	C - 7						
95027-06050	D - 3	99009-20400	C - 7						
95027-06065	B - 11		C - 9						
95027-06080	C - 5	99009-22500	C - 5						
95027-08020	D - 15	99009-45500	E - 2						
95027-08035	D - 7	99530-08012	B - 10						
95027-08040	C - 13	99530-08016	C - 5						
	D - 7	99530-10114	B - 10						
95027-08065	C - 13		C - 4						
95027-10016	C - 4	99530-10116	C - 4						
95607-05100	E - 10	99530-14016	C - 4						
	E - 14								
95607-06100	E - 10								
95607-10200	D - 6								
95617-06635	B - 2								
95617-08620	B - 2								
95701-06500	E - 6								
95707-08500	B - 2								
	C - 13								
	E - 3								

CONTENTS

ENGINE

CYLINDER	B2
CRANKSHAFT. PISTON	B4
VALVE	B5
CAMSHAFT. CHAIN	B7
WATER PUMP	B8
RADIATOR. HOSE	B9
OIL PUMP	B10
OIL CLEANER	B11
INTAKE	B12
CARBURETOR	B13
EXHAUST	C3
CRANKCASE	C4
CRANKCASE COVER 1	C5
STARTER	C7
CLUTCH	C8
TRANSMISSION	C9
SHIFT CAM. FORK	C11
SHIFT SHAFT	C12

CHASSIS

FRAME	C13
FENDER	C15
SIDE COVER	D2
REAR ARM	D3
REAR SUSPENSION	D5
STEERING	D7
FRONT FORK	D8
FUEL TANK	D11
SEAT	D13
FRONT WHEEL	D14
FRONT BRAKE CALIPER	D15
REAR WHEEL	E2

REAR BRAKE CALIPER	E4
STEERING HANDLE. CABLE	E5
FRONT MASTER CYLINDER	E6
STAND. FOOTREST	E7
REAR MASTER CYLINDER	E8
GENERATOR	E9
HANDLE SWITCH. LEVER	E10
ELECTRICAL 1	E11
ALTERNATE (CHASSIS)	E12
ALTERNATE	E14

INDEX

NUMERICAL INDEX	M1
-----------------------	----