

PARTS CATALOGUE

YZ450FA (33D5) CANADA

YZ450F (33D6) EUROPE

YZ450F (33D7) JAPAN

YZ450FA (33D8) OCEANIA, SOUTH AFRICA

NEWS No.	DATE	COMMENT
PE0-MC-100034	Nov.,30,2010	MOD: FIG.21: SIDE COVER LIST/ILLUSTRATION REVISION

YZ450FA/YZ450F
PARTS CATALOGUE
©2010 by Yamaha Motor Co., Ltd.
1st edition, June 2010
All rights reserved.
Any reprinting or unauthorized use
without the written permission of
Yamaha Motor Co., Ltd.
is expressly prohibited.
Printed in Japan.

FOREWORD

This Parts Catalogue is related to the parts for the model(s) on the cover page. When you are ordering replacement parts, please refer to this Parts Catalogue and quote both part numbers and part names correctly.

1. Modifications or additions which have been made after the issue of the Parts Catalogue will be announced in the Parts News.

It is advisable that you make the necessary corrections to the Parts Catalogue according to the Parts News.

2. Abbreviations

The following abbreviations are used in this Parts Catalogue.

“UR” Use specified parts number.

“UN” Use as many as needed.

“AP” Alternate Parts

“LM” Locally Made (Parts need to be ordered locally)

“F#” Frame No. (Applicable machine No.)

“O/S” Over Size

3. The number of components for assembly

- Parts, which are to be supplied in an assembly, are listed with a dot (.) in front of the part name as shown below.
- The numeral appearing to the right of each component part indicates the quantity of parts for each assembly unit.

PART NO.	DESCRIPTION	Q'TY	REMARKS
2F5-83310-60	FRONT FLASHER LIGHT ASSY	2	
115-83311-60	.BULB (6V-18W)	1	

4. Applicable colours of graphics are represented in the “REMARKS” as shown below.

PART NO.	DESCRIPTION	Q'TY	REMARKS
2N4-24110-00-X5	FUEL TANK COMP.	2	MXR
3J1-24240-10	.GRAPHIC, FUEL TANK	1	FOR MXR

5. Note that the illustrations for reference in finding parts numbers are not to be used for assembling. When assembling, please use the applicable service manual.

6. The asterisk (*) before a reference number indicates modified items after the first edition.

CONTENTS

ENGINE

CYLINDER	1
CRANKSHAFT & PISTON	3
VALVE	4
CAMSHAFT & CHAIN	6
WATER PUMP	7
RADIATOR & HOSE	8
OIL PUMP	9
OIL CLEANER	10
INTAKE	11
INTAKE 2	13
EXHAUST	14
CRANKCASE	15
CRANKCASE COVER 1	17
STARTER	19
CLUTCH	20
TRANSMISSION	21
SHIFT CAM & FORK	23
SHIFT SHAFT	24

CHASSIS

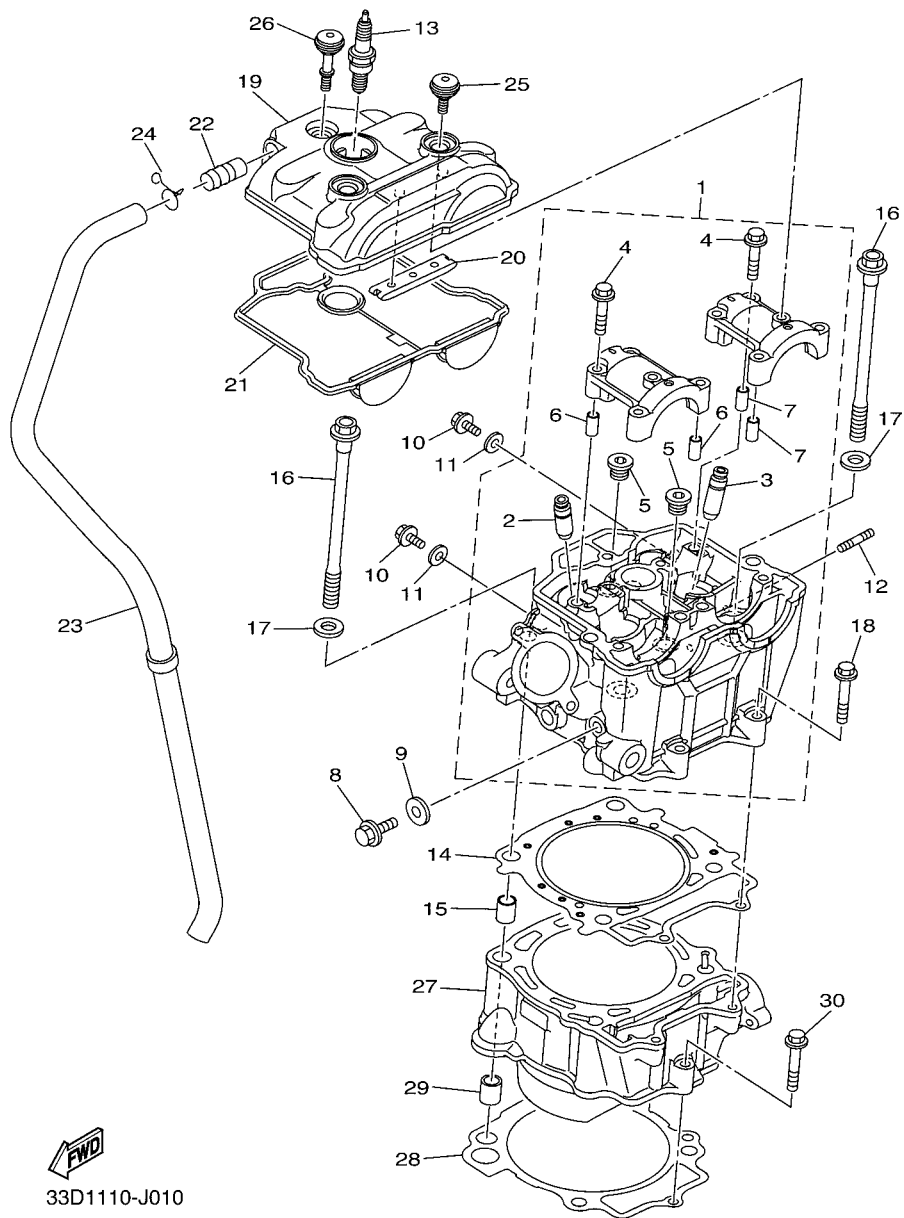
FRAME	25
FENDER	28
SIDE COVER	29
REAR ARM	30
REAR SUSPENSION	32
STEERING	34
FRONT FORK	35
FUEL TANK	38
SEAT	40
FRONT WHEEL	41
FRONT BRAKE CALIPER	42
REAR WHEEL	43
REAR BRAKE CALIPER	45
STEERING HANDLE & CABLE	46
FRONT MASTER CYLINDER	47
STAND & FOOTREST	48
REAR MASTER CYLINDER	49
GENERATOR	50
HANDLE SWITCH & LEVER	51
ELECTRICAL 1	52
ALTERNATE FOR CHASSIS	54

INDEX

NUMERICAL INDEX	55
-----------------------	----

FIG. 1 CYLINDER

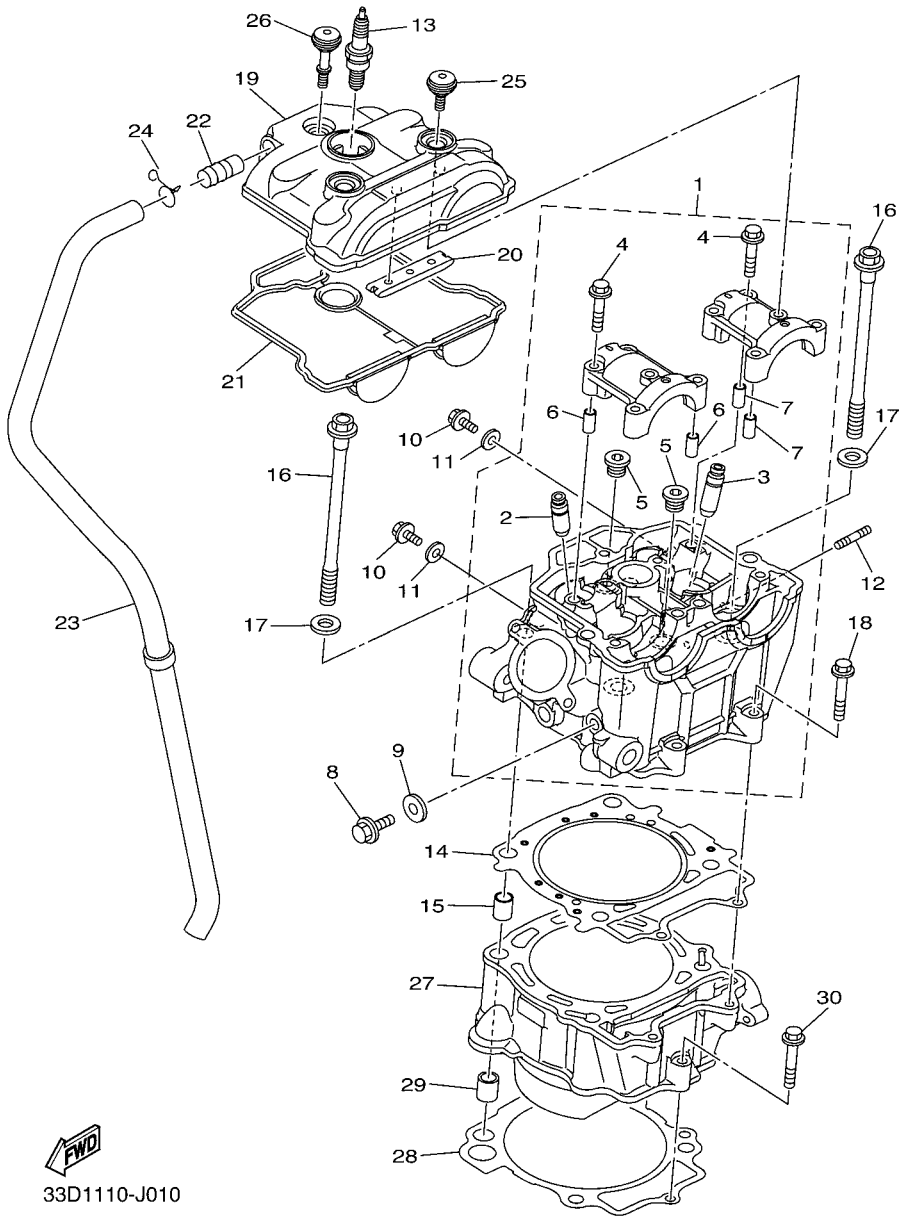
REF. NO.	PART NO.	DESCRIPTION	33D5	33D6	33D7	33D8	REMARKS
1	33D-11102-00	CYLINDER HEAD ASSY	1	1	1	1	
2	5PS-11133-10	.GUIDE, VALVE 1	2	2	2	2	
3	5PS-11134-10	.GUIDE, VALVE 2	2	2	2	2	
4	90105-06027	.BOLT, FLANGE	8	8	8	8	
5	90340-12007	.PLUG, STRAIGHT SCREW	2	2	2	2	
6	91808-16023	.PIN, DOWEL	2	2	2	2	
7	91808-16023	.PIN, DOWEL	2	2	2	2	
8	95022-08012	BOLT, FLANGE	1	1	1	1	
9	90430-08119	GASKET	1	1	1	1	
10	95022-06010	BOLT, FLANGE	2	2	2	2	
11	90430-06014	GASKET	2	2	2	2	
12	90116-06037	BOLT, STUD	3	3	3	3	
13	94701-00411	PLUG, SPARK (NGK R CR8E)	1	1		1	STD
	94703-00411	PLUG, SPARK (NGK R CR8E)			1		STD
	94701-00410	PLUG, SPARK (NGK R CR9E)	1	1		1	AP
	94703-00410	PLUG, SPARK (NGK R CR9E)			1		AP
14	33D-11181-00	GASKET, CYLINDER HEAD 1	1	1	1	1	
15	93612-16254	PIN, DOWEL	2	2	2	2	
16	90105-10367	BOLT, FLANGE	4	4	4	4	
17	90201-10025	WASHER, PLATE	4	4	4	4	
18	95022-06035	BOLT, FLANGE	2	2	2	2	
19	33D-11191-00	COVER, CYLINDER HEAD 1	1	1	1	1	
20	5BE-12241-00	GUIDE, STOPPER 2	1	1	1	1	
21	33D-11193-00	GASKET, HEAD COVER 1	1	1	1	1	
22	371-11167-01	PIPE, BREATHER 2	1	1	1	1	
23	33D-11166-00	PIPE, BREATHER 1	1	1	1	1	
24	90467-140A4	CLIP	1	1	1	1	



33D1110-J010

FIG. 1 CYLINDER

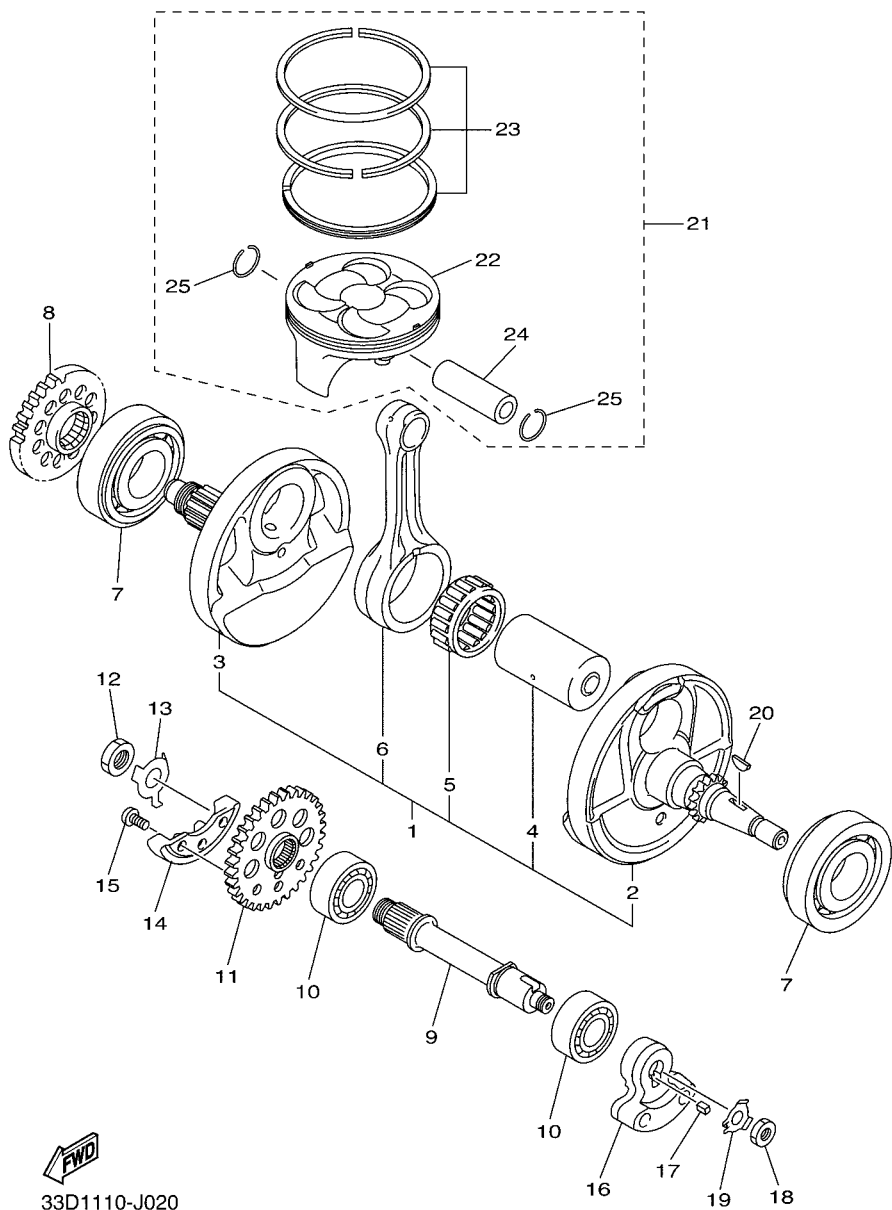
REF. NO.	PART NO.	DESCRIPTION					REMARKS
			33D5	33D6	33D7	33D8	
25	5UM-1119E-00	BOLT, COVER HEAD	2	2	2	2	
26	33D-1119E-00	BOLT, COVER HEAD	1	1	1	1	
27	33D-11311-00	CYLINDER 1	1	1	1	1	
28	33D-11351-00	GASKET, CYLINDER	1	1	1	1	
29	99530-14016	PIN, DOWEL	2	2	2	2	
30	95022-06035	BOLT, FLANGE	1	1	1	1	



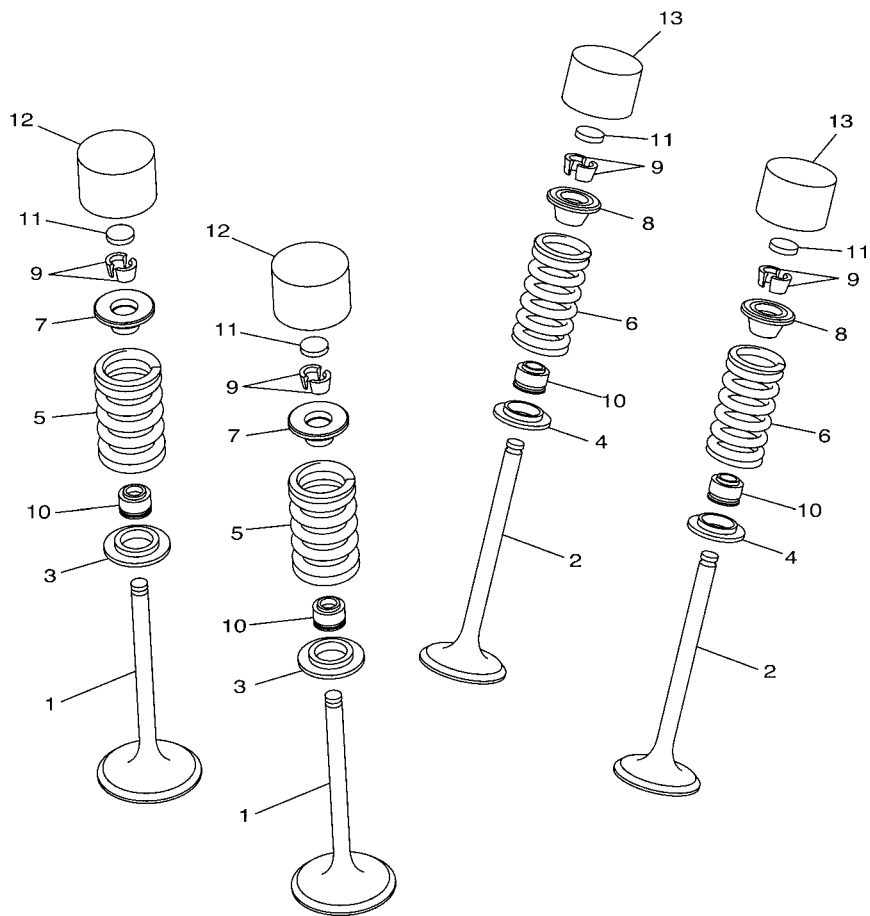
33D1110-J010

FIG. 2 CRANKSHAFT & PISTON

REF. NO.	PART NO.	DESCRIPTION	33D5	33D6	33D7	33D8	REMARKS
1	33D-11400-01	CRANKSHAFT ASSY	1	1	1	1	
2	33D-11412-00	.CRANK 1	1	1	1	1	
3	33D-11422-00	.CRANK 2	1	1	1	1	
4	5TG-11681-01	.PIN, CRANK 1	1	1	1	1	
5	93310-63458	.BEARING	1	1	1	1	
6	33D-11651-00	.ROD, CONNECTING	1	1	1	1	
7	93306-30633	BEARING	2	2	2	2	
8	33D-11536-00	GEAR, DRIVE	1	1	1	1	
9	33D-11455-00	SHAFT 1	1	1	1	1	
10	93304-20310	BEARING	2	2	2	2	
11	2S2-11531-00	GEAR, BALANCE WEIGHT	1	1	1	1	
12	90170-14171	NUT	1	1	1	1	
13	90215-14287	WASHER, LOCK	1	1	1	1	
14	33D-11454-00	WEIGHT 1	1	1	1	1	
15	90149-06083	SCREW	3	3	3	3	
16	33D-11464-00	WEIGHT 2	1	1	1	1	
17	90282-05034	KEY, STRAIGHT	1	1	1	1	
18	90170-10405	NUT	1	1	1	1	
19	90215-10009	WASHER, LOCK	1	1	1	1	
20	90280-03006	KEY, WOODRUFF	1	1	1	1	
21	33D-116A0-00	PISTON ASSY	1	1	1	1	
22	33D-11631-00	.PISTON (STD)	1	1	1	1	
23	33D-11603-00	.PISTON RING SET (STD)	1	1	1	1	
24	33D-11633-00	.PIN, PISTON	1	1	1	1	
25	93450-19052	.CIRCLIP	2	2	2	2	



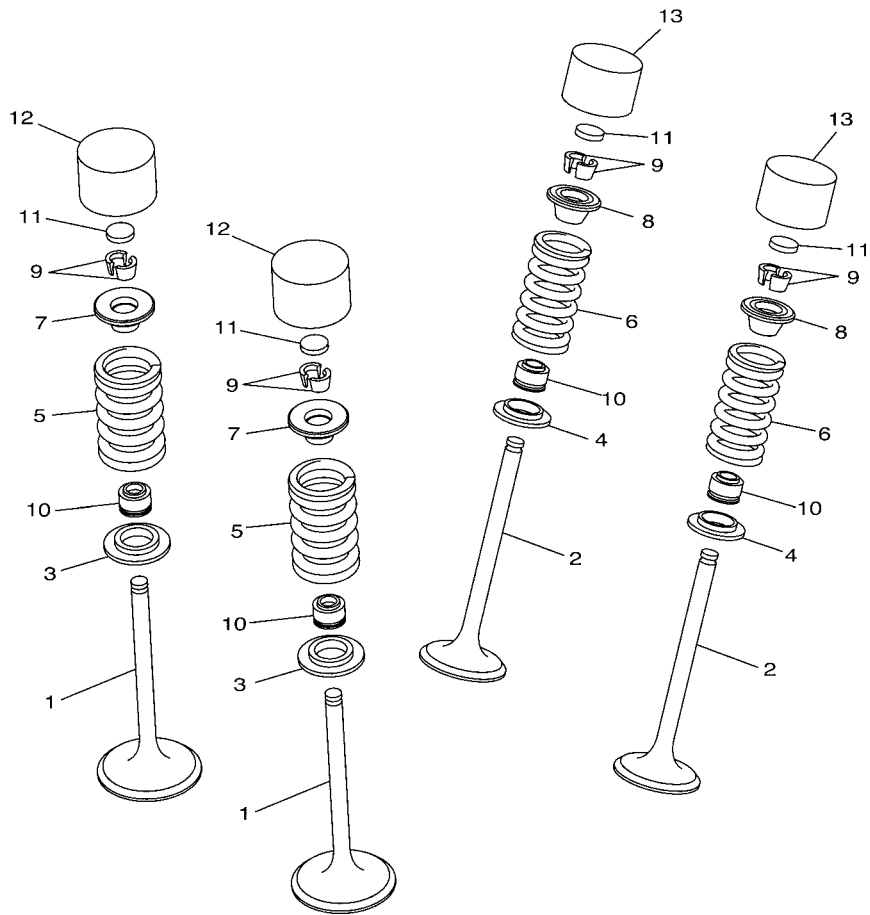
33D1110-J020



33D1110-J030

FIG. 3 VALVE

REF. NO.	PART NO.	DESCRIPTION	33D5	33D6	33D7	33D8	REMARKS
1	33D-12111-00	VALVE, INTAKE	2	2	2	2	
2	33D-12121-00	VALVE, EXHAUST	2	2	2	2	
3	33D-12116-00	SEAT, VALVE SPRING	2	2	2	2	
4	33D-12126-00	SEAT, VALVE SPRING 2	2	2	2	2	
5	33D-12113-00	SPRING, VALVE INNER	2	2	2	2	
6	33D-12114-00	SPRING, VALVE OUTER	2	2	2	2	
7	33D-12117-00	RETAINER, VALVE SPRING	2	2	2	2	
8	3LD-12117-00	RETAINER, VALVE SPRING	2	2	2	2	
9	3LD-12118-00	COTTER, VALVE	8	8	8	8	
10	51Y-12119-00	SEAL, VALVE STEM	4	4	4	4	
11	3LD-12168-00	PAD, ADJUSTING (1.20)	4	4	4	4	UR
	3LD-12168-20	PAD, ADJUSTING (1.25)	4	4	4	4	UR
	3LD-12168-40	PAD, ADJUSTING (1.30)	4	4	4	4	UR
	3LD-12168-60	PAD, ADJUSTING (1.35)	4	4	4	4	UR
	3LD-12168-80	PAD, ADJUSTING (1.40)	4	4	4	4	UR
	3LD-12168-A0	PAD, ADJUSTING (1.45)	4	4	4	4	UR
	3LD-12168-F0	PAD, ADJUSTING (1.50)	4	4	4	4	UR
	3LD-12168-H1	PAD, ADJUSTING (1.55)	4	4	4	4	UR
	3LD-12168-K1	PAD, ADJUSTING (1.60)	4	4	4	4	UR
	3LD-12168-M1	PAD, ADJUSTING (1.65)	4	4	4	4	UR
	3LD-12168-R1	PAD, ADJUSTING (1.70)	4	4	4	4	UR
	3LD-12168-U1	PAD, ADJUSTING (1.75)	4	4	4	4	UR
	3LD-12168-W1	PAD, ADJUSTING (1.80)	4	4	4	4	UR
	3LD-12168-Y1	PAD, ADJUSTING (1.85)	4	4	4	4	UR
	3LD-12169-11	PAD, ADJUSTING (1.90)	4	4	4	4	UR
	3LD-12169-31	PAD, ADJUSTING (1.95)	4	4	4	4	UR
	3LD-12169-50	PAD, ADJUSTING (2.00)	4	4	4	4	UR



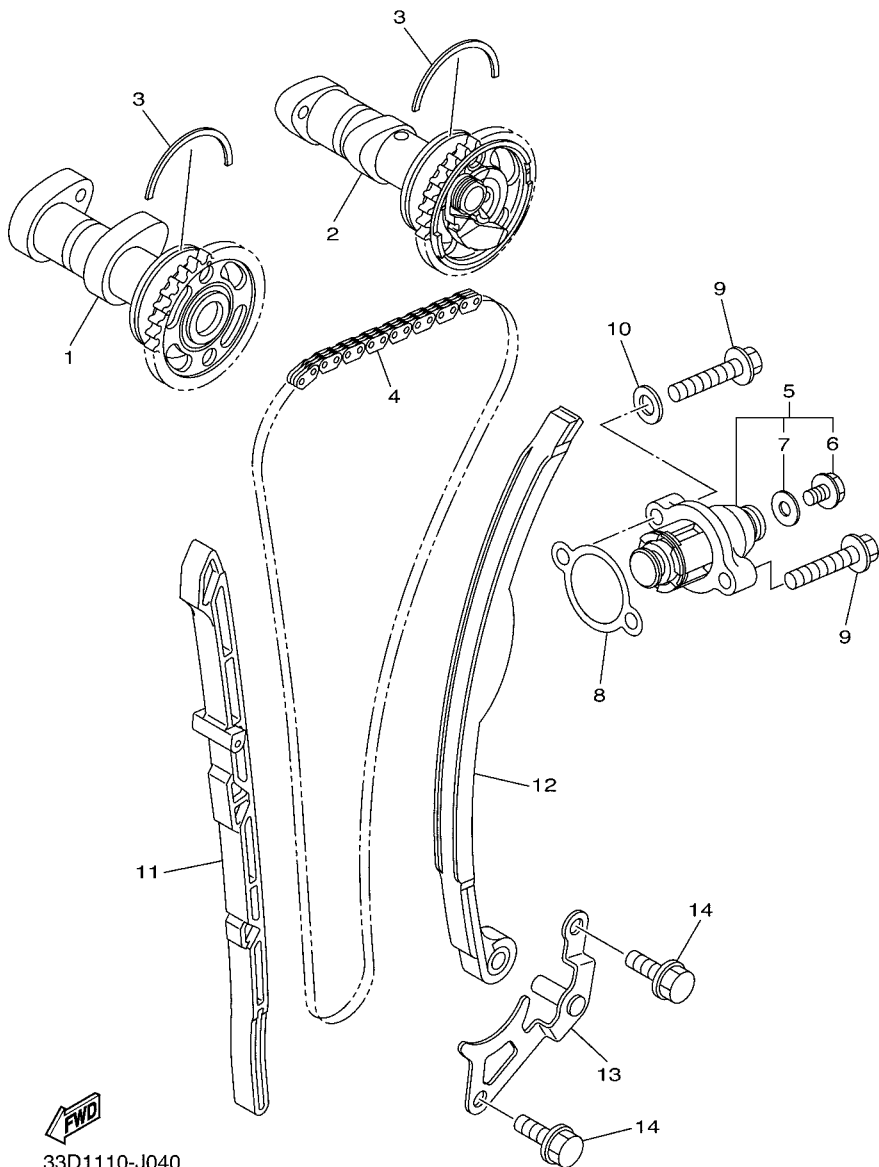
33D1110-J030

FIG. 3 VALVE

REF. NO.	PART NO.	DESCRIPTION	33D5	33D6	33D7	33D8	REMARKS
11	3LD-12169-70	PAD, ADJUSTING (2.05)	4	4	4	4	UR
	3LD-12169-90	PAD, ADJUSTING (2.10)	4	4	4	4	UR
	3LD-12169-E0	PAD, ADJUSTING (2.15)	4	4	4	4	UR
	3LD-12169-G0	PAD, ADJUSTING (2.20)	4	4	4	4	UR
	3LD-12169-J0	PAD, ADJUSTING (2.25)	4	4	4	4	UR
	3LD-12169-L0	PAD, ADJUSTING (2.30)	4	4	4	4	UR
	3LD-12169-N0	PAD, ADJUSTING (2.35)	4	4	4	4	UR
	3LD-12169-T0	PAD, ADJUSTING (2.40)	4	4	4	4	UR
12	4C8-12153-10	LIFTER, VALVE	2	2	2	2	YELLOW
13	5EB-12153-10	LIFTER, VALVE	2	2	2	2	YELLOW

FIG. 4 CAMSHAFT & CHAIN

REF. NO.	PART NO.	DESCRIPTION	33D5	33D6	33D7	33D8	REMARKS
1	33D-12170-00	CAMSHAFT ASSY 1	1	1	1	1	
2	33D-12180-00	CAMSHAFT ASSY 2	1	1	1	1	
3	93440-41178	CIRCLIP	2	2	2	2	
4	94591-57122	CHAIN	1	1	1	1	
5	5TA-12210-30	TENSIONER ASSY, CAM CHAIN	1	1	1	1	
6	5EL-12228-00	.BOLT	1	1	1	1	
7	5EL-12214-00	.GASKET	1	1	1	1	
8	4FM-12213-00	GASKET, TENSIONER CASE	1	1	1	1	
9	95022-06025	BOLT, FLANGE	2	2	2	2	
10	90430-06014	GASKET	1	1	1	1	
11	33D-12251-00	DAMPER, CHAIN 1	1	1	1	1	
12	33D-12252-00	DAMPER, CHAIN 2	1	1	1	1	
13	33D-12233-00	PLATE, GUIDE STOPPER 1	1	1	1	1	
14	90105-06099	BOLT, FLANGE	2	2	2	2	



33D1110-J040

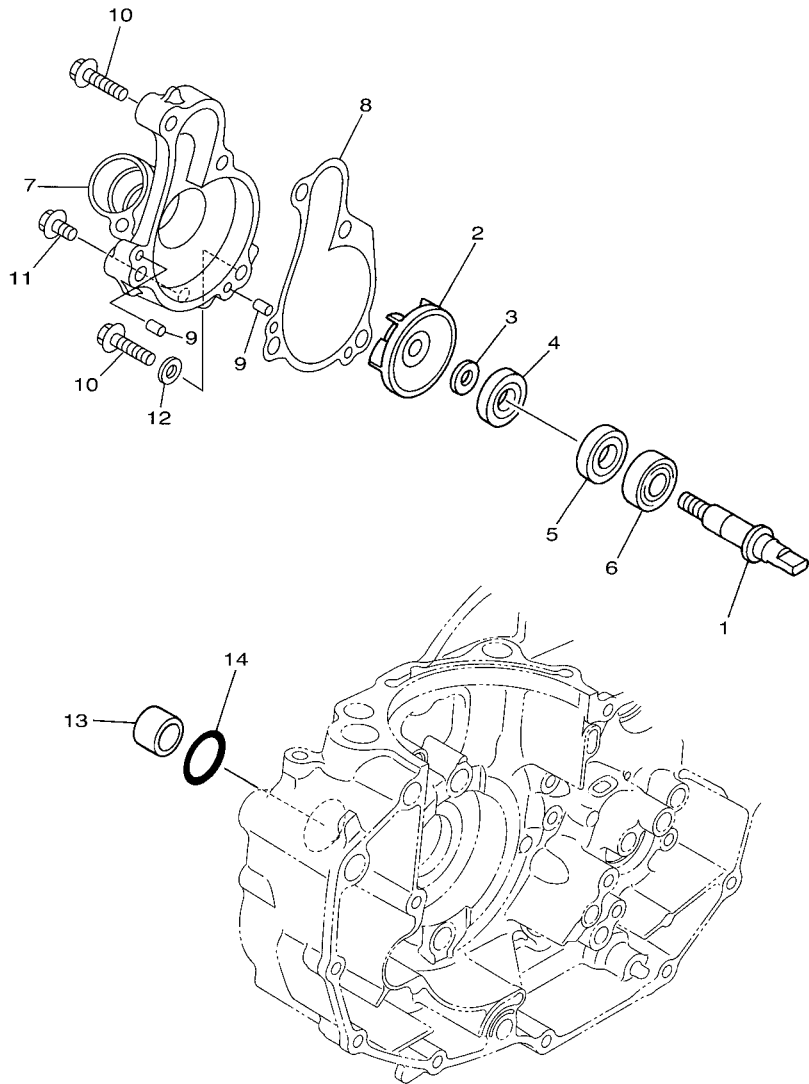


FIG. 5 WATER PUMP

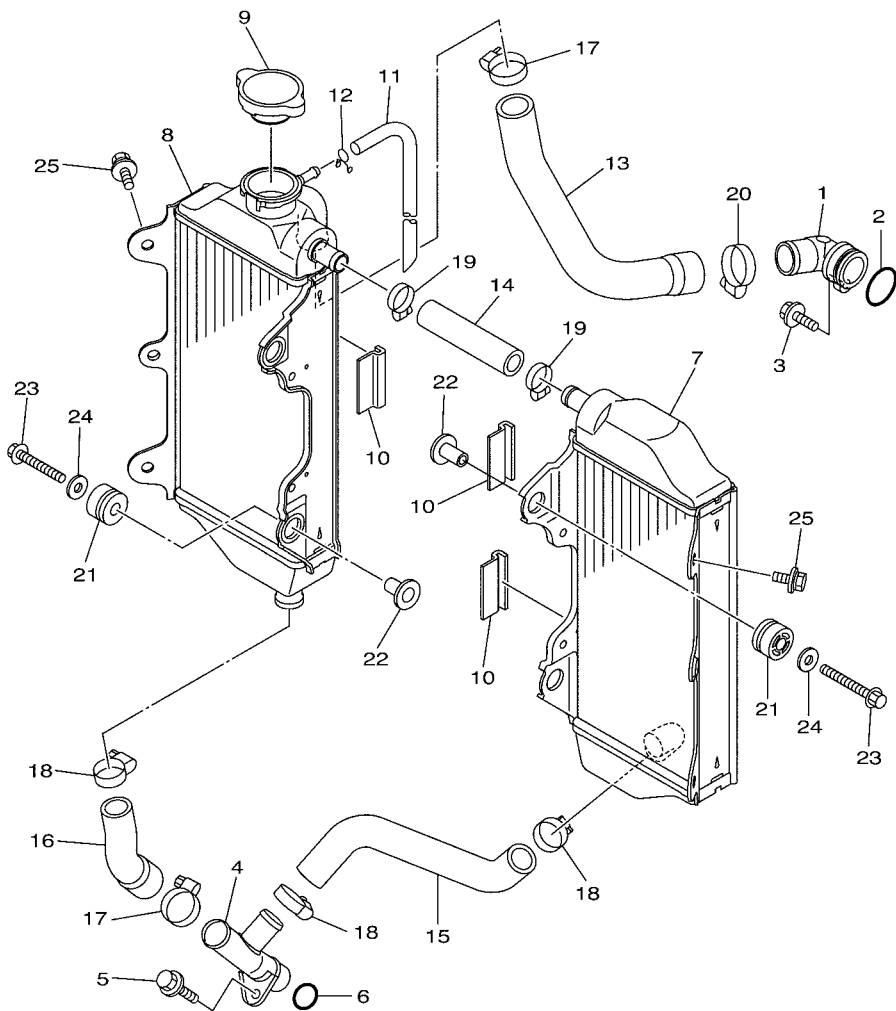
REF. NO.	PART NO.	DESCRIPTION	33D5	33D6	33D7	33D8	REMARKS
1	5GR-12458-00	SHAFT, IMPELLER	1	1	1	1	
2	5DJ-12451-00	IMPELLER, WATER PUMP	1	1	1	1	
3	90201-08512	WASHER, PLATE	1	1	1	1	
4	93109-11073	OIL SEAL	1	1	1	1	
5	93102-12106	OIL SEAL (SD 12-22-5 HS)	1	1	1	1	
6	93306-00105	BEARING	1	1	1	1	
7	33D-12422-00	COVER, HOUSING	1	1	1	1	
8	33D-12427-00	GASKET, HOUSING COVER 1	1	1	1	1	
9	93604-10011	PIN, DOWEL	2	2	2	2	
10	95022-06025	BOLT, FLANGE	4	4	4	4	
11	95022-06010	BOLT, FLANGE	1	1	1	1	
12	90430-06014	GASKET	1	1	1	1	
13	5BE-12564-00	PIPE, WATER	1	1	1	1	
14	93210-19758	O-RING	1	1	1	1	



33D1110-J050

FIG. 6 RADIATOR & HOSE

REF. NO.	PART NO.	DESCRIPTION	33D5	33D6	33D7	33D8	REMARKS
1	33D-12446-00	JOINT	1	1	1	1	
2	93210-24253	O-RING	1	1	1	1	
3	95022-06020	BOLT, FLANGE	1	1	1	1	
4	33D-12482-00	PIPE 2	1	1	1	1	
5	95022-06012	BOLT, FLANGE	1	1	1	1	
6	93210-16500	O-RING	1	1	1	1	
7	33D-1240A-00	RADIATOR ASSY	1	1	1	1	
8	33D-12461-00	RADIATOR COMP	1	1	1	1	
9	5SL-12462-00	CAP, RADIATOR	1	1	1	1	
10	33D-12465-00	DAMPER, RADIATOR	3	3	3	3	
11	91A20-05065	TUBE, FLEXIBLE VINYL	1	1	1	1	
12	90467-090A2	CLIP	1	1	1	1	
13	33D-12576-00	HOSE 1	1	1	1	1	
14	33D-12577-00	HOSE 2	1	1	1	1	
15	33D-12578-00	HOSE 3	1	1	1	1	
16	33D-12579-00	HOSE 4	1	1	1	1	
17	90450-28001	HOSE CLAMP ASSY	2	2	2	2	
18	90450-25001	HOSE CLAMP ASSY	3	3	3	3	
19	90450-22001	HOSE CLAMP ASSY	2	2	2	2	
20	90450-32003	HOSE CLAMP ASSY	1	1	1	1	
21	90480-15012	GROMMET	4	4	4	4	
22	90387-06065	COLLAR	4	4	4	4	
23	90105-06111	BOLT, FLANGE	4	4	4	4	
24	90201-06571	WASHER, PLATE	4	4	4	4	
25	90119-06239	BOLT, WITH WASHER	2	2	2	2	



33D1110-J060

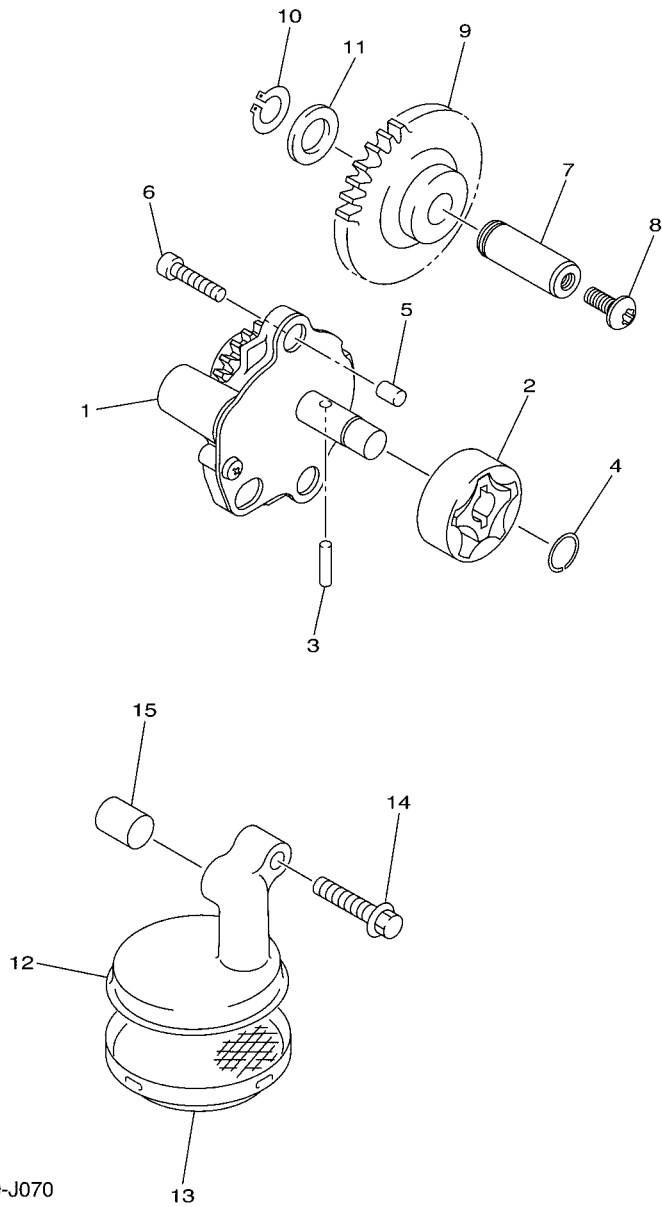
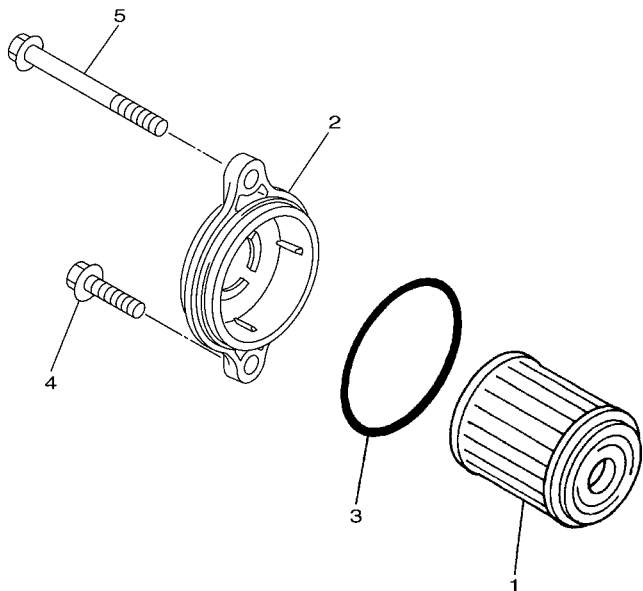


FIG. 7 OIL PUMP

REF. NO.	PART NO.	DESCRIPTION	33D5	33D6	33D7	33D8	REMARKS
1	2S2-13300-10	OIL PUMP ASSY	1	1	1	1	
2	5TA-13320-00	ROTOR ASSY 2	1	1	1	1	
3	93603-16219	PIN, DOWEL	1	1	1	1	
4	93440-10153	CIRCLIP	1	1	1	1	
5	99530-08012	PIN, DOWEL	2	2	2	2	
6	91312-06030	BOLT	2	2	2	2	
7	2S2-13342-00	SHAFT, IDLE GEAR	1	1	1	1	
8	90149-06069	SCREW	1	1	1	1	
9	2S2-13341-00	GEAR, OIL PUMP IDLE	1	1	1	1	
10	99009-12400	CIRCLIP	1	1	1	1	
11	90201-12166	WASHER, PLATE	1	1	1	1	
12	2S2-13412-00	HOUSING, STRAINER	1	1	1	1	
13	5BE-13411-00	STRAINER, OIL	1	1	1	1	
14	90105-06091	BOLT, FLANGE	1	1	1	1	
15	99530-10114	PIN, DOWEL	1	1	1	1	

FIG. 8 OIL CLEANER



REF. NO.	PART NO.	DESCRIPTION	33D5	33D6	33D7	33D8	REMARKS
1	5D3-13440-00	ELEMENT ASSY, OIL CLEANER	1	1	1	1	
2	33D-13447-00	COVER, OIL ELEMENT	1	1	1	1	
3	93210-45708	O-RING	1	1	1	1	
4	95022-06016	BOLT, FLANGE	1	1	1	1	
5	95022-06070	BOLT, FLANGE	1	1	1	1	



33D1110-J080

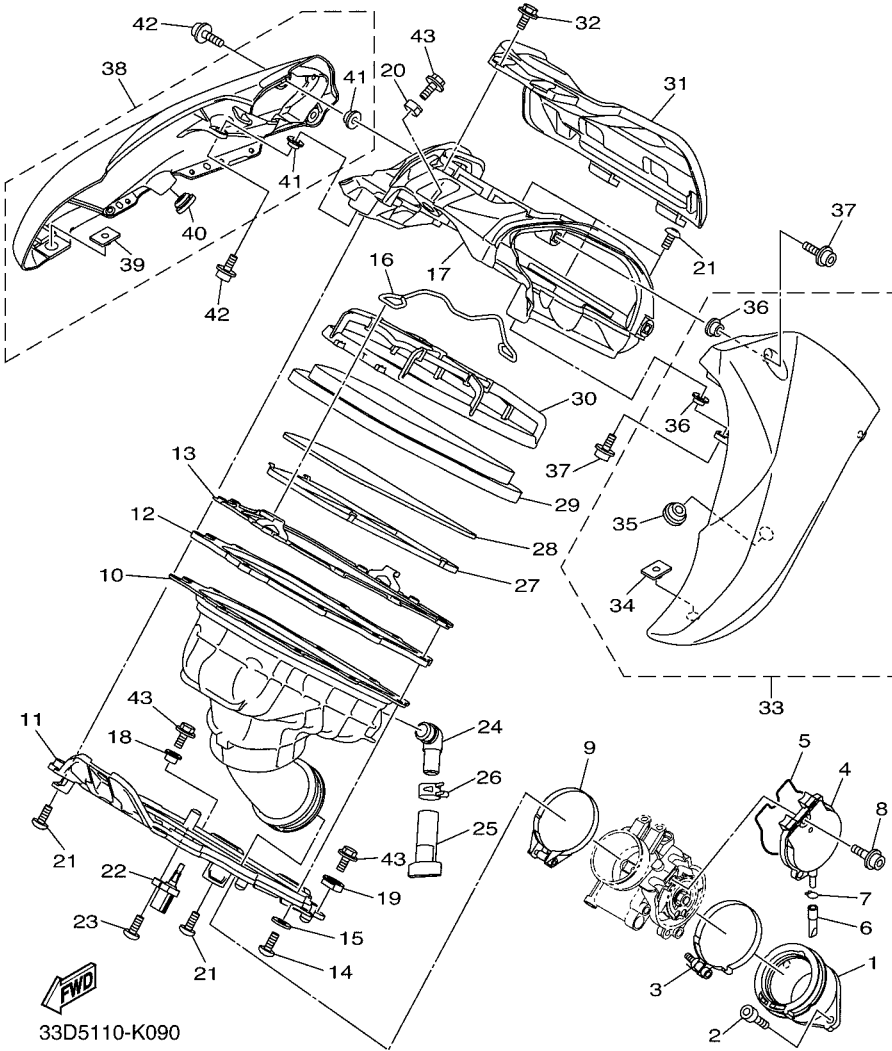
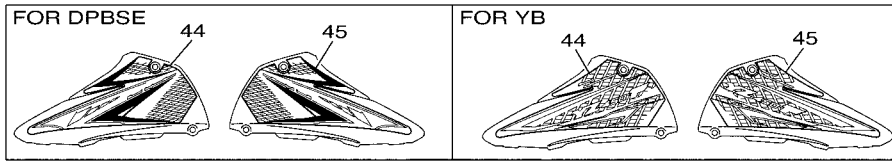
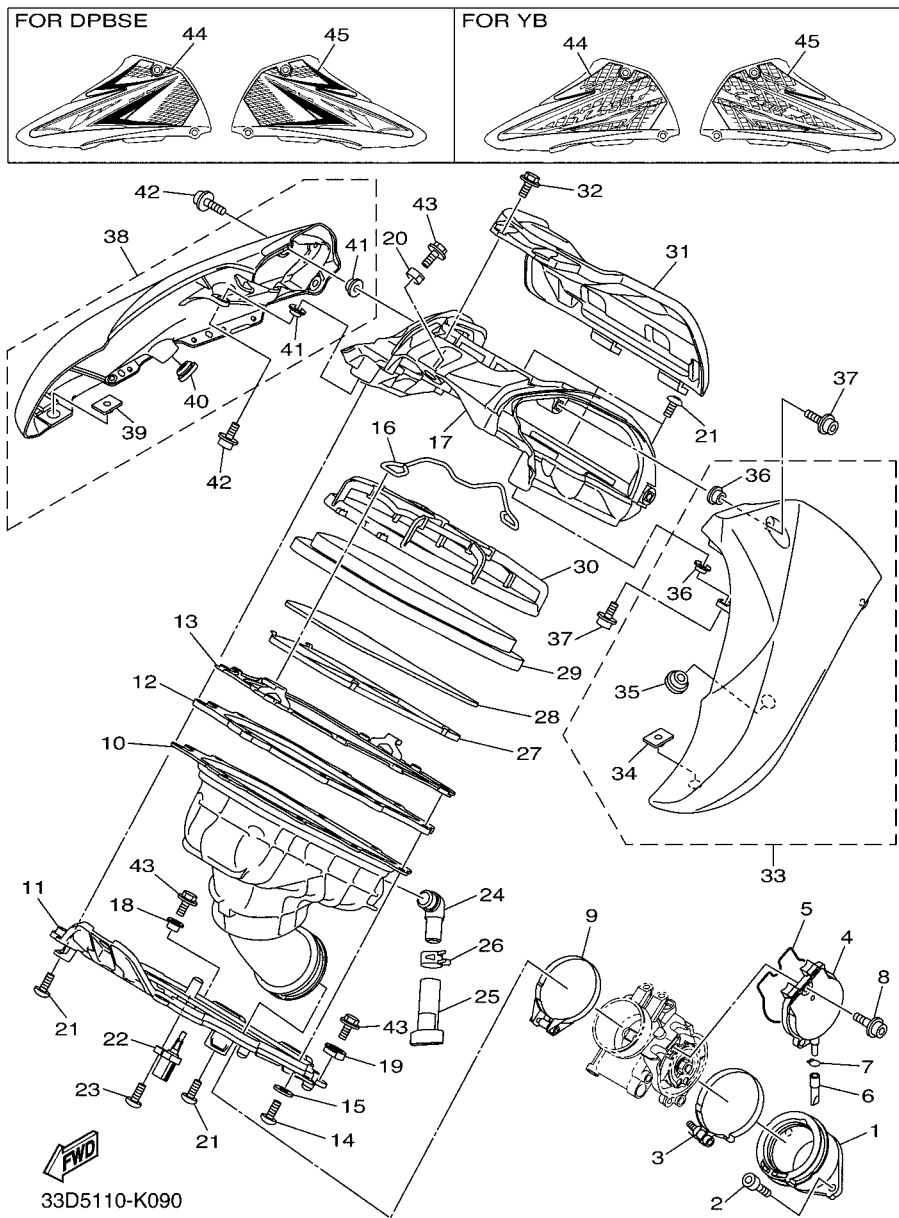


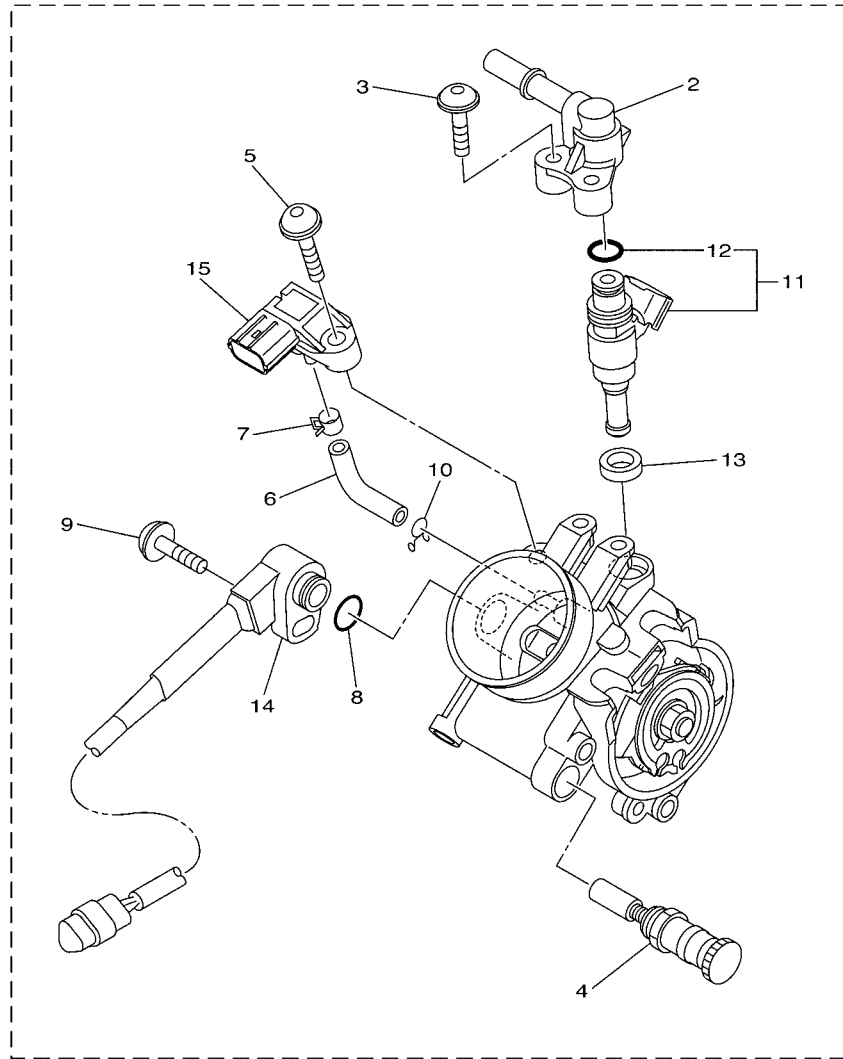
FIG. 9 INTAKE

REF. NO.	PART NO.	DESCRIPTION	33D5	33D6	33D7	33D8	REMARKS
1	33D-13597-00	JOINT, CARBURETOR 3	1	1	1	1	
2	91312-06020	BOLT	2	2	2	2	
3	90450-60004	HOSE CLAMP ASSY	1	1	1	1	
4	33D-14293-00	COVER 1	1	1	1	1	
5	33D-14227-00	WASHER	1	1	1	1	
6	33D-14987-00	HOSE	1	1	1	1	
7	3TJ-14137-40	CLIP	1	1	1	1	
8	33D-14428-00	BOLT	2	2	2	2	
9	90450-58007	HOSE CLAMP ASSY	1	1	1	1	
10	33D-14454-00	JOINT	1	1	1	1	
11	33D-14477-00	PLATE	1	1	1	1	
12	33D-14462-00	SEAL	1	1	1	1	
13	33D-14459-00	HOLDER, GUIDE	1	1	1	1	
14	92012-04012	BOLT, BUTTON HEAD	9	9	9	9	
15	90201-04030	WASHER, PLATE	9	9	9	9	
16	33D-1441G-00	BINDER 1	1	1	1	1	
17	33D-14417-00	COVER 1	1	1	1	1	
18	90387-06009	COLLAR	1	1	1	1	
19	33D-14495-00	COLLAR	1	1	1	1	
20	33D-14449-00	COLLAR	1	1	1	1	
21	97702-50516	SCREW, TAPPING	9	9	9	9	
22	8FP-85886-00	SENSOR, AIR TEMPERATURE	1	1	1	1	
23	97702-50516	SCREW, TAPPING	1	1	1	1	
24	5TJ-14419-00	PIPE	1	1	1	1	
25	33D-1443E-00	PIPE, DRAIN	1	1	1	1	
26	90467-16098	CLIP	1	1	1	1	
27	33D-1441B-00	NET 1	1	1	1	1	

FIG. 9 INTAKE



REF. NO.	PART NO.	DESCRIPTION	33D5	33D6	33D7	33D8	REMARKS
28	33D-14461-00	ELEMENT, AIR CLEANER 2	1	1	1	1	
29	33D-14451-00	ELEMENT, AIR CLEANER	1	1	1	1	
30	33D-14458-00	GUIDE	1	1	1	1	
31	33D-14480-00	COVER SUB ASSY	1	1	1	1	
32	90105-05028	BOLT, FLANGE	2	2	2	2	
33	33D-14437-00	DUCT	1	1	1	1	UR FOR DPBSE
	33D-14437-50	DUCT	1	1	1	1	UR FOR YB
34	90179-06055	.NUT	1	1	1	1	
35	33D-14425-00	.DAMPER 1	1	1	1	1	
36	90387-06009	.COLLAR	3	3	3	3	
37	90110-06245	BOLT, HEXAGON SOCKET HEAD	3	3	3	3	
38	33D-1443A-00	DUCT	1	1	1	1	UR FOR DPBSE
	33D-1443A-50	DUCT	1	1	1	1	UR FOR YB
39	90179-06055	.NUT	1	1	1	1	
40	33D-14425-00	.DAMPER 1	1	1	1	1	
41	90387-06009	.COLLAR	3	3	3	3	
42	90110-06245	BOLT, HEXAGON SOCKET HEAD	3	3	3	3	
43	90105-06170	BOLT, FLANGE	3	3	3	3	
44	33D-2173E-10	GRAPHIC, 1	1	1	1	1	UR FOR DPBSE
	33D-2173E-20	GRAPHIC, 1	1	1	1	1	UR FOR YB
45	33D-2173F-10	GRAPHIC, 2	1	1	1	1	UR FOR DPBSE
	33D-2173F-20	GRAPHIC, 2	1	1	1	1	UR FOR YB



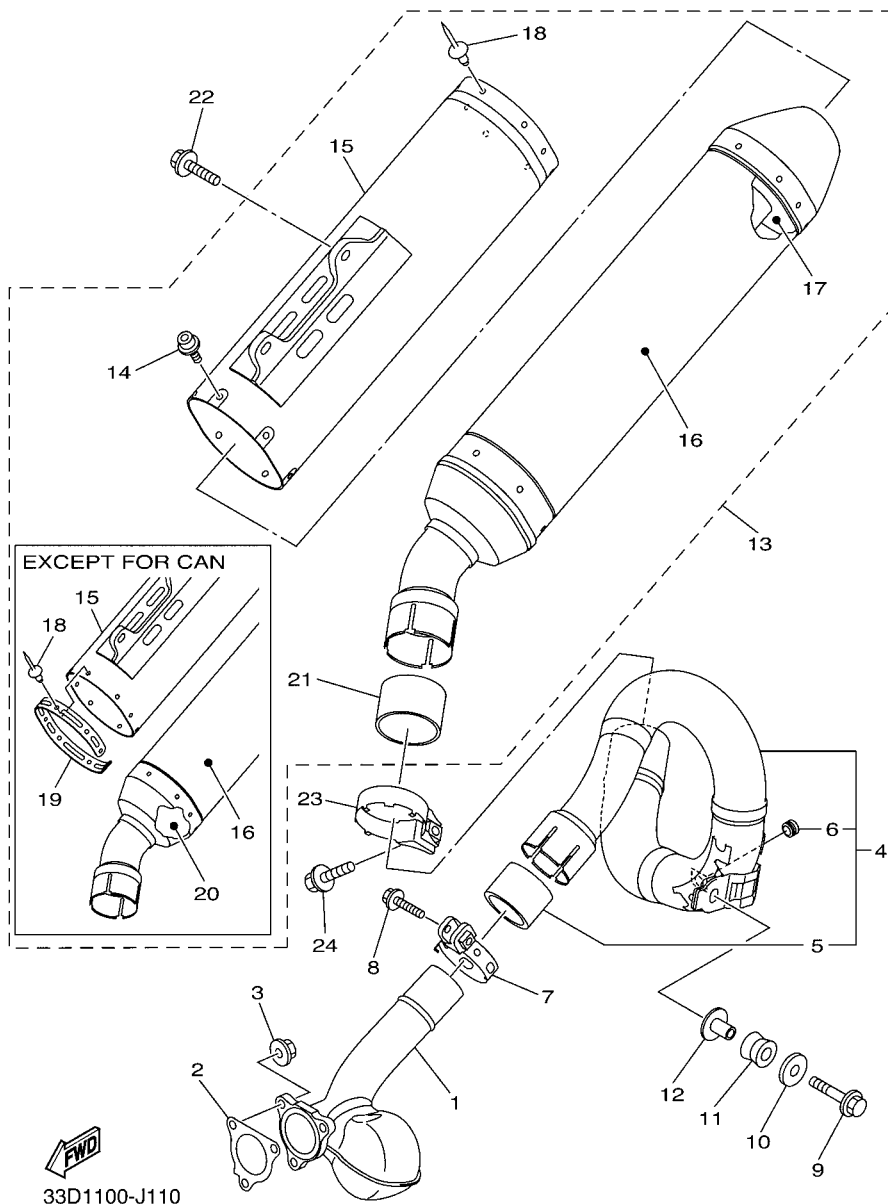
33D1110-J100

FIG. 10 INTAKE 2

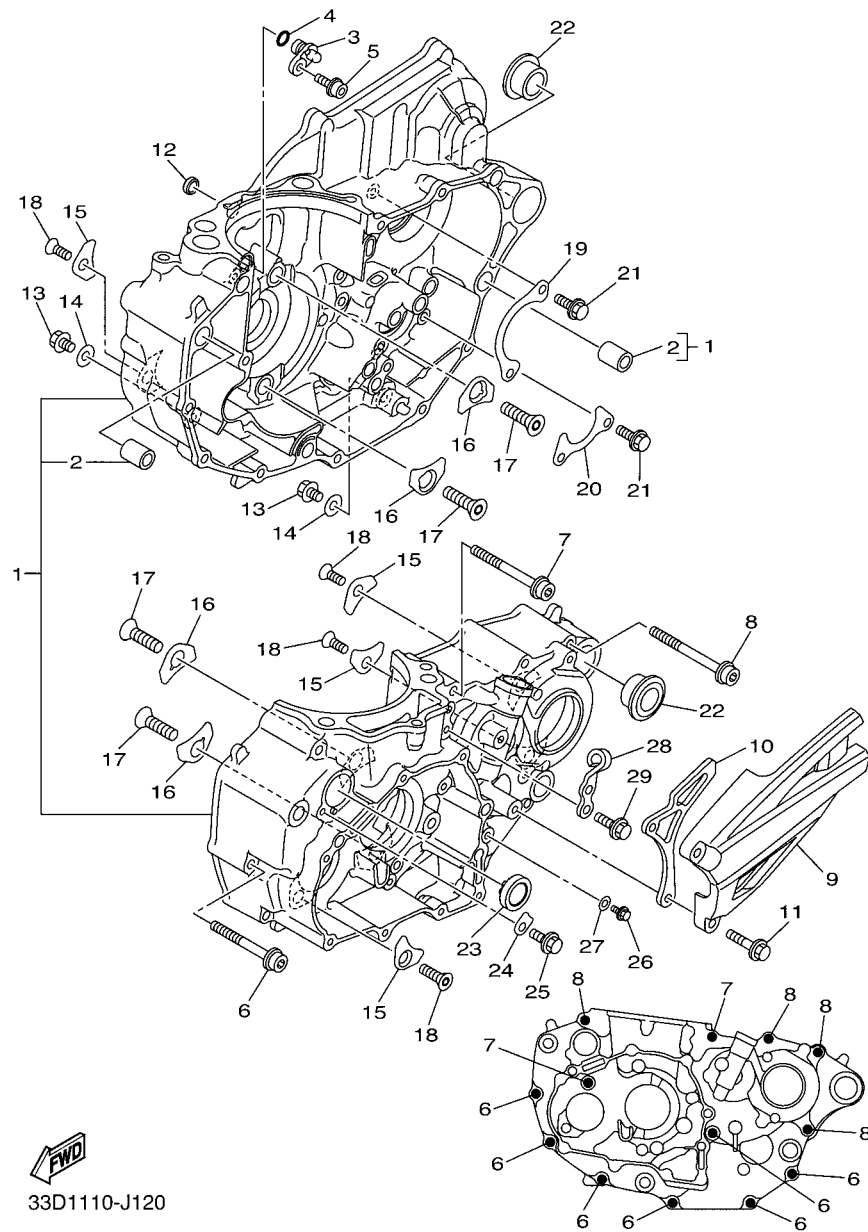
REF. NO.	PART NO.	DESCRIPTION	33D5	33D6	33D7	33D8	REMARKS
1	33D-13750-00	THROTTLE BODY ASSY	1	1	1	1	
2	33D-13938-00	.PIPE	1	1	1	1	
3	33D-14486-00	.SCREW, ROD	2	2	2	2	
4	33D-14171-00	.PLUNGER, STARTER	1	1	1	1	
5	33D-14325-00	.SCREW, PAN HEAD	1	1	1	1	
6	33D-14348-00	.PIPE 1	1	1	1	1	
7	33D-13577-00	.CLIP	1	1	1	1	
8	33D-14562-00	.O-RING	1	1	1	1	
9	33D-14216-00	.SCREW	1	1	1	1	
10	3TJ-14137-40	.CLIP	1	1	1	1	
11	3B4-13761-00	.INJECTOR	1	1	1	1	
12	5PS-14147-00	.O-RING	1	1	1	1	
13	90430-09002	.GASKET	1	1	1	1	
14	33D-85885-00	.THROTTLE SENSOR ASSY	1	1	1	1	
15	2C0-82380-00	.SENSOR, PRESSURE	1	1	1	1	

FIG. 11 EXHAUST

REF. NO.	PART NO.	DESCRIPTION	33D5	33D6	33D7	33D8	REMARKS
1	33D-14611-00	PIPE, EXHAUST 1	1	1	1	1	
2	33D-14613-00	GASKET, EXHAUST PIPE	1	1	1	1	
3	95704-06500	NUT, FLANGE	3	3	3	3	
4	33D-14620-00	EXHAUST PIPE ASSY 2	1	1	1	1	
5	5PH-14714-00	.GASKET, MUFFLER	1	1	1	1	
6	2D1-14737-00	.DAMPER, MUFFLER	1	1	1	1	
7	33D-14788-00	BAND, SILENCER	1	1	1	1	
8	95024-08035	BOLT, FLG.(SMALL HEAD)	1	1	1	1	
9	90105-08137	BOLT, FLANGE	1	1	1	1	
10	90201-08061	WASHER, PLATE	1	1	1	1	
11	5VY-14747-00	DAMPER, MUFFLER	1	1	1	1	
12	90387-08081	COLLAR	1	1	1	1	
13	33D-14750-00	SILENCER ASSY	1				
	33D-14750-20	SILENCER ASSY		1	1	1	
14	90110-05064	.BOLT, HEXAGON SOCKET HEAD	6				
15	33D-1466G-00	.BODY, SILENCER	1				
	33D-1466G-10	.BODY, SILENCER		1	1	1	
16	33D-1469A-00	.FIBER	1				
	2S2-1469A-10	.FIBER		1	1	1	
17	2S2-1469F-00	.FIBER	1	1	1	1	
18	90267-48084	.RIVET, BLIND	8	16	16	16	
19	33D-1476F-10	.REINF. ,3		1	1	1	
20	2S2-1469E-00	.FIBER		1	1	1	
21	8GL-14714-00	.GASKET, MUFFLER	1	1	1	1	
22	90119-08133	BOLT, WITH WASHER	2	2	2	2	
23	8GL-14789-00	BAND, SILENCER	1	1	1	1	
24	95024-08025	BOLT, FLG.(SMALL HEAD)	1	1	1	1	



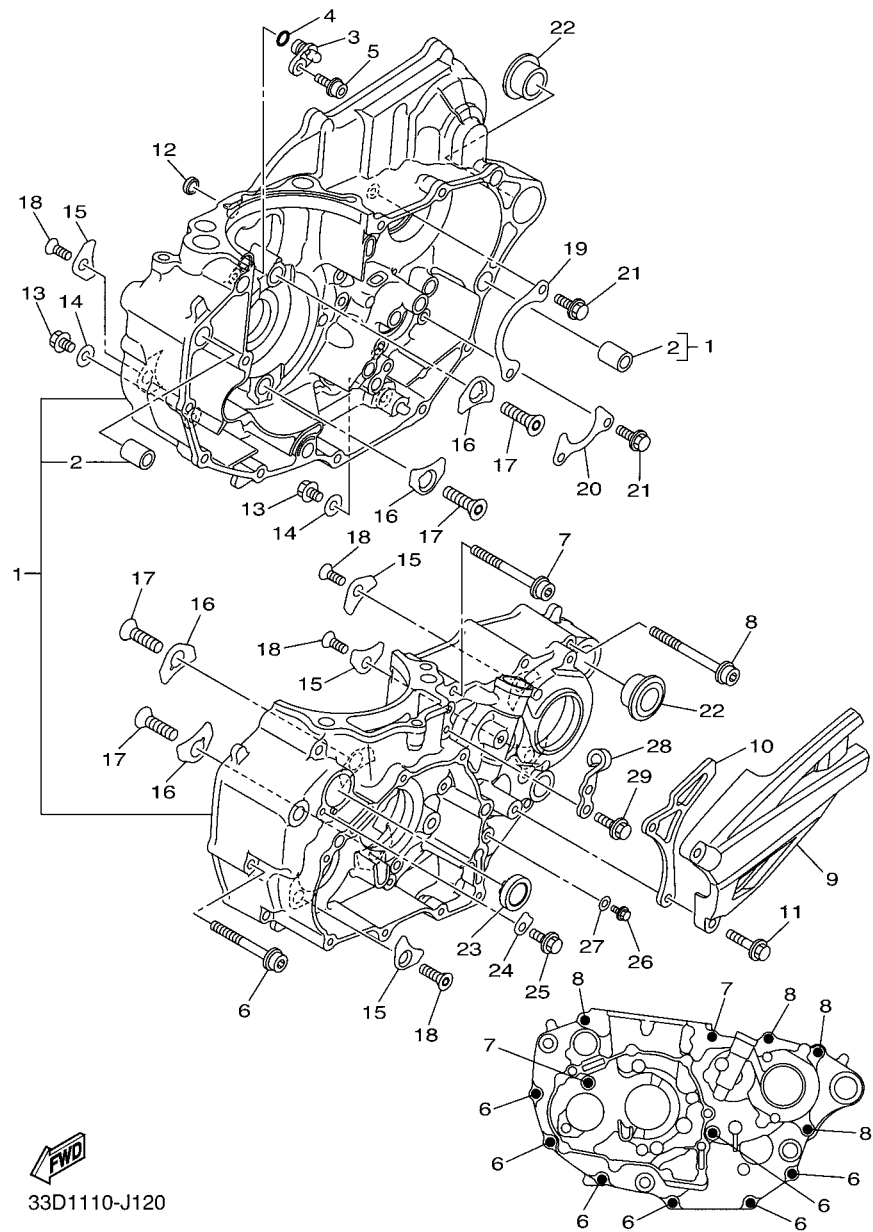
33D1100-J110



33D1110-J120

FIG. 12 CRANKCASE

REF. NO.	PART NO.	DESCRIPTION	33D5	33D6	33D7	33D8	REMARKS
1	33D-15100-00	CRANKCASE ASSY	1	1	1	1	
2	99530-14016	.PIN, DOWEL	2	2	2	2	
3	17D-15155-00	NOZZLE 3	1	1	1	1	
4	93210-07001	O-RING	1	1	1	1	
5	90110-05062	BOLT, HEXAGON SOCKET HEAD	1	1	1	1	
6	90110-06362	BOLT, HEXAGON SOCKET HEAD	7	7	7	7	
7	90110-06363	BOLT, HEXAGON SOCKET HEAD	2	2	2	2	
8	90110-06364	BOLT, HEXAGON SOCKET HEAD	4	4	4	4	
9	33D-15421-00	COVER, CRANKCASE 2	1	1	1	1	
10	2S2-17466-00	GUIDE, CHAIN	1	1	1	1	
11	90105-06189	BOLT, FLANGE	2	2	2	2	
12	90430-08002	GASKET	1	1	1	1	
13	95822-08016	BOLT, FLANGE	2	2	2	2	
14	90430-08119	GASKET	2	2	2	2	
15	4JT-15381-01	PLATE, BEARING COVER	4	4	4	4	
16	18P-15383-00	PLATE, BEARING COVER	4	4	4	4	
17	90151-08003	SCREW, COUNTERSUNK	4	4	4	4	
18	90149-06074	SCREW	4	4	4	4	
19	2S2-15388-00	PLATE, BEARING COVER	1	1	1	1	
20	33D-18562-00	PLATE, STOPPER 2	1	1	1	1	
21	90105-06081	BOLT, FLANGE	4	4	4	4	
22	90387-17015	COLLAR	2	2	2	2	
23	3Y1-15361-00	GAUGE, LEVEL	1	1	1	1	
24	5XC-15118-00	HOLDER	1	1	1	1	
25	95022-06012	BOLT, FLANGE	1	1	1	1	
26	95022-06012	BOLT, FLANGE	1	1	1	1	
27	90430-06014	GASKET	1	1	1	1	



33D1110-J120

FIG. 12 CRANKCASE

REF. NO.	PART NO.	DESCRIPTION	33D5	33D6	33D7	33D8	REMARKS
28	33D-15441-10	HOLDER, CLUTCH CABLE	1	1	1	1	
29	90105-06099	BOLT, FLANGE	2	2	2	2	

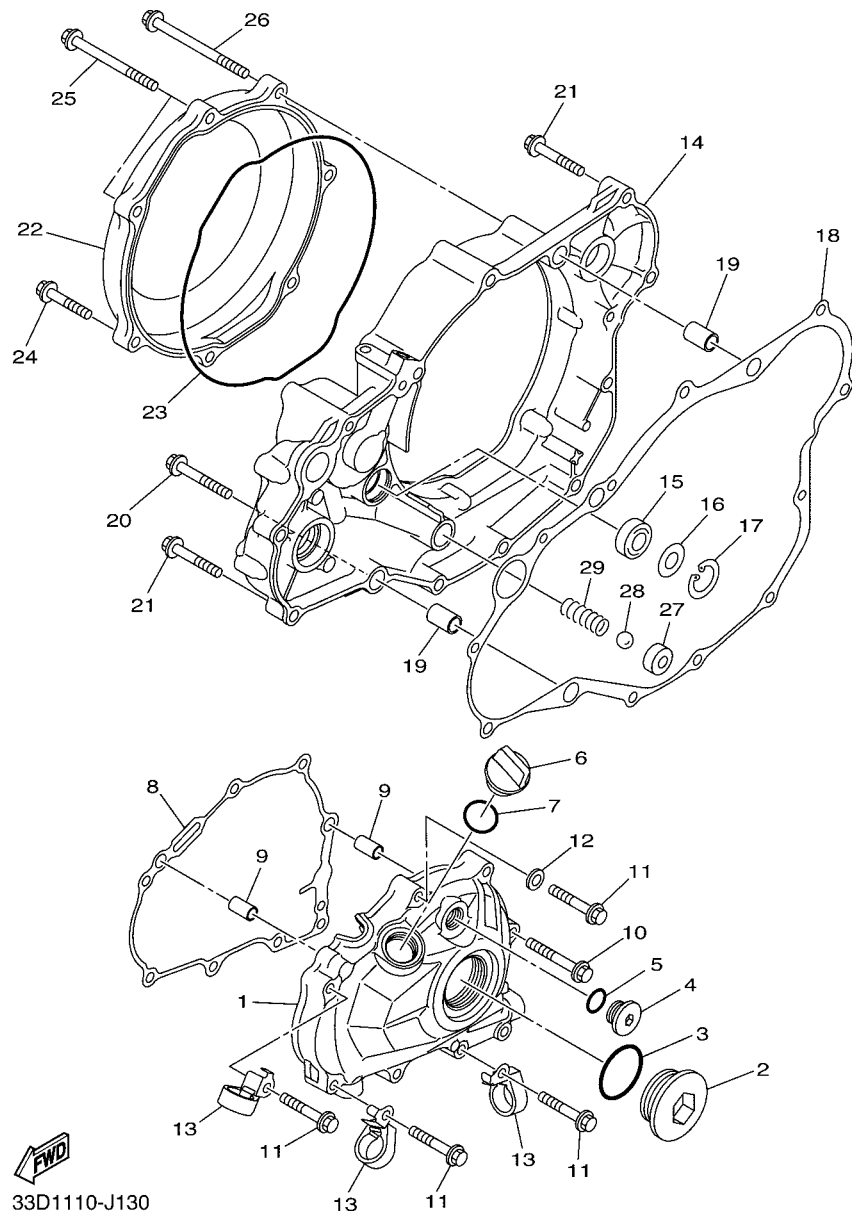
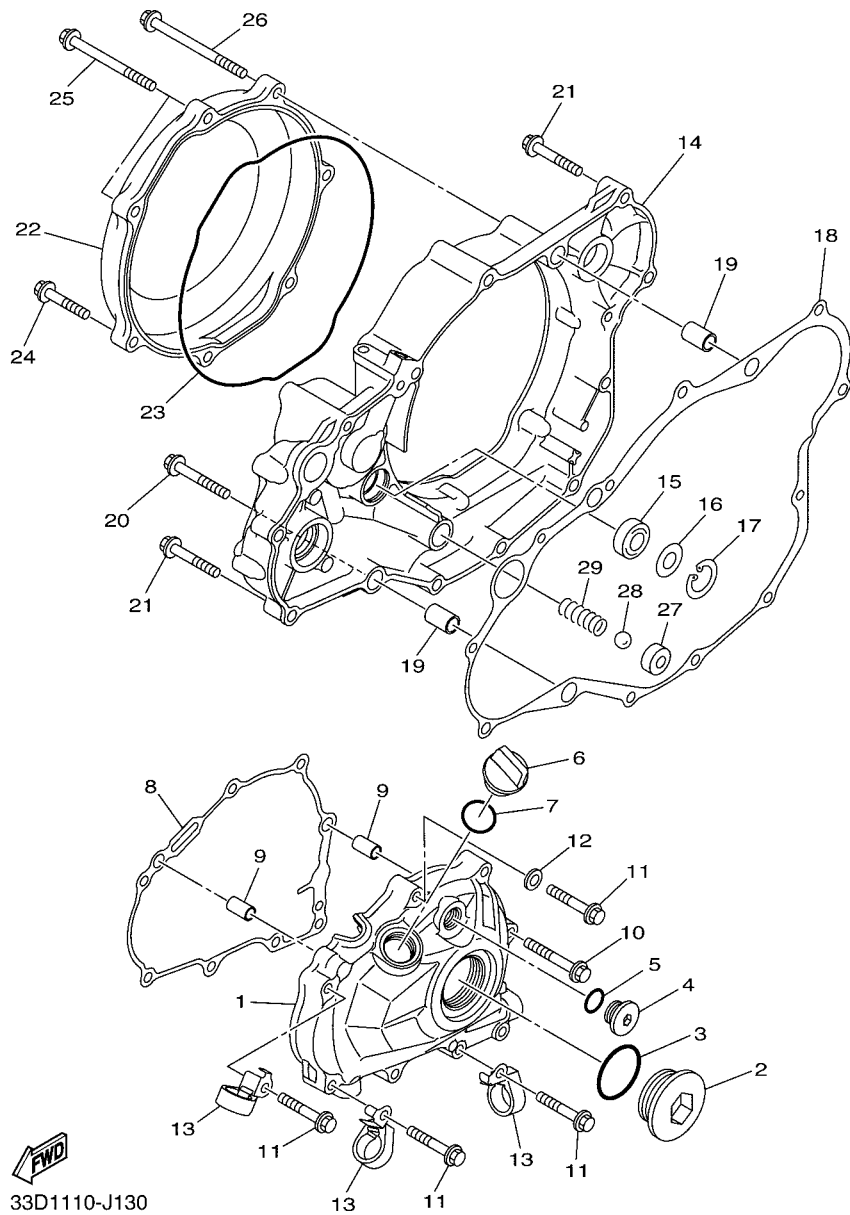


FIG. 13 CRANKCASE COVER 1

REF. NO.	PART NO.	DESCRIPTION	33D5	33D6	33D7	33D8	REMARKS
1	33D-15411-00	COVER, CRANKCASE 1	1	1	1	1	
2	90340-36002	PLUG, STRAIGHT SCREW	1	1	1	1	
3	93210-357A3	O-RING	1	1	1	1	
4	90340-14011	PLUG, STRAIGHT SCREW	1	1	1	1	
5	93210-14369	O-RING	1	1	1	1	
6	3Y1-15363-10	PLUG, OIL	1	1	1	1	
7	93210-19123	O-RING	1	1	1	1	
8	33D-15451-00	GASKET, CRANKCASE COVER 1	1	1	1	1	
9	99530-08016	PIN, DOWEL	2	2	2	2	
10	95022-06040	BOLT, FLANGE	1	1	1	1	
11	95022-06030	BOLT, FLANGE	7	7	7	7	
12	90430-06014	GASKET	1	1	1	1	
13	2S2-15378-00	HOLDER	3	3	3	3	
14	33D-15431-00	COVER, CRANKCASE 3	1	1	1	1	
15	93101-14164	OIL SEAL	1	1	1	1	
16	90201-15701	WASHER, PLATE (T=1.0)	1	1	1	1	
17	99009-22500	CIRCLIP	1	1	1	1	
18	33D-15462-00	GASKET, CRANKCASE COVER 3	1	1	1	1	
19	91812-16001	PIN, DOWEL	2	2	2	2	
20	95022-06040	BOLT, FLANGE	1	1	1	1	
21	95022-06030	BOLT, FLANGE	8	8	8	8	
22	33D-15415-00	COVER, GENERATOR	1	1	1	1	
23	33D-15453-00	GASKET	1	1	1	1	
24	95022-06025	BOLT, FLANGE	4	4	4	4	
25	95022-06070	BOLT, FLANGE	2	2	2	2	
26	95022-06080	BOLT, FLANGE	1	1	1	1	
27	583-13113-00	SEAT, CHECK BALL	1	1	1	1	



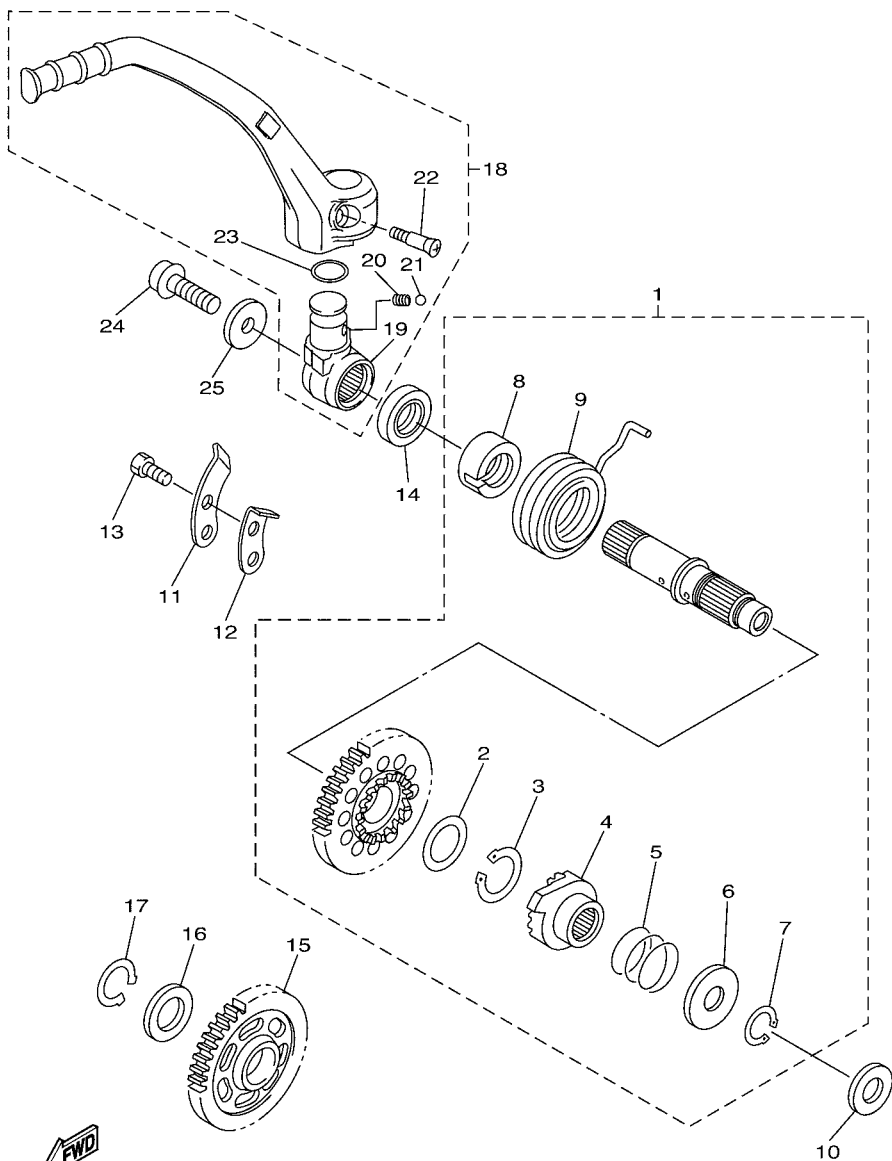
33D1110-J130

FIG. 13 CRANKCASE COVER 1

REF. NO.	PART NO.	DESCRIPTION	33D5	33D6	33D7	33D8	REMARKS
28	93503-08007	BALL	1	1	1	1	
29	90501-043E0	SPRING, COMPRESSION	1	1	1	1	

FIG. 14 STARTER

REF. NO.	PART NO.	DESCRIPTION	33D5	33D6	33D7	33D8	REMARKS
1	2S2-15601-00	KICK SHAFT ASSY	1	1	1	1	
2	90201-20685	.WASHER, PLATE (T=0.5)	1	1	1	1	
3	93410-20038	.CIRCLIP	1	1	1	1	
4	2S2-15671-00	.WHEEL, RATCHET	1	1	1	1	
5	90501-160A2	.SPRING, COMPRESSION	1	1	1	1	
6	90201-167P7	.WASHER, PLATE	1	1	1	1	
7	99009-16400	.CIRCLIP	1	1	1	1	
8	5GR-15664-00	.GUIDE, SPRING	1	1	1	1	
9	90508-305B0	.SPRING, TORSION	1	1	1	1	
10	90201-162H4	WASHER, PLATE	1	1	1	1	
11	3Y6-15674-00	GUIDE, RATCHET WHEEL	1	1	1	1	
12	2NX-15668-00	STOPPER	1	1	1	1	
13	90101-06044	BOLT	2	2	2	2	
14	93102-20108	OIL SEAL	1	1	1	1	
15	5TA-15651-00	GEAR, KICK IDLE	1	1	1	1	
16	90201-20685	WASHER, PLATE (T=0.5)	1	1	1	1	
17	99009-20400	CIRCLIP	1	1	1	1	
18	33D-15620-01	KICK CRANK ASSY	1	1	1	1	
19	33D-15621-01	.BOSS, KICK CRANK	1	1	1	1	
20	90501-147A5	.SPRING, COMPRESSION	1	1	1	1	
21	93507-32009	.BALL	1	1	1	1	
22	90151-06045	.SCREW, COUNTERSUNK	1	1	1	1	
23	93210-17570	.O-RING	1	1	1	1	
24	90110-08087	BOLT, HEXAGON SOCKET HEAD	1	1	1	1	
25	90201-08047	WASHER, PLATE	1	1	1	1	



33D1110-J140

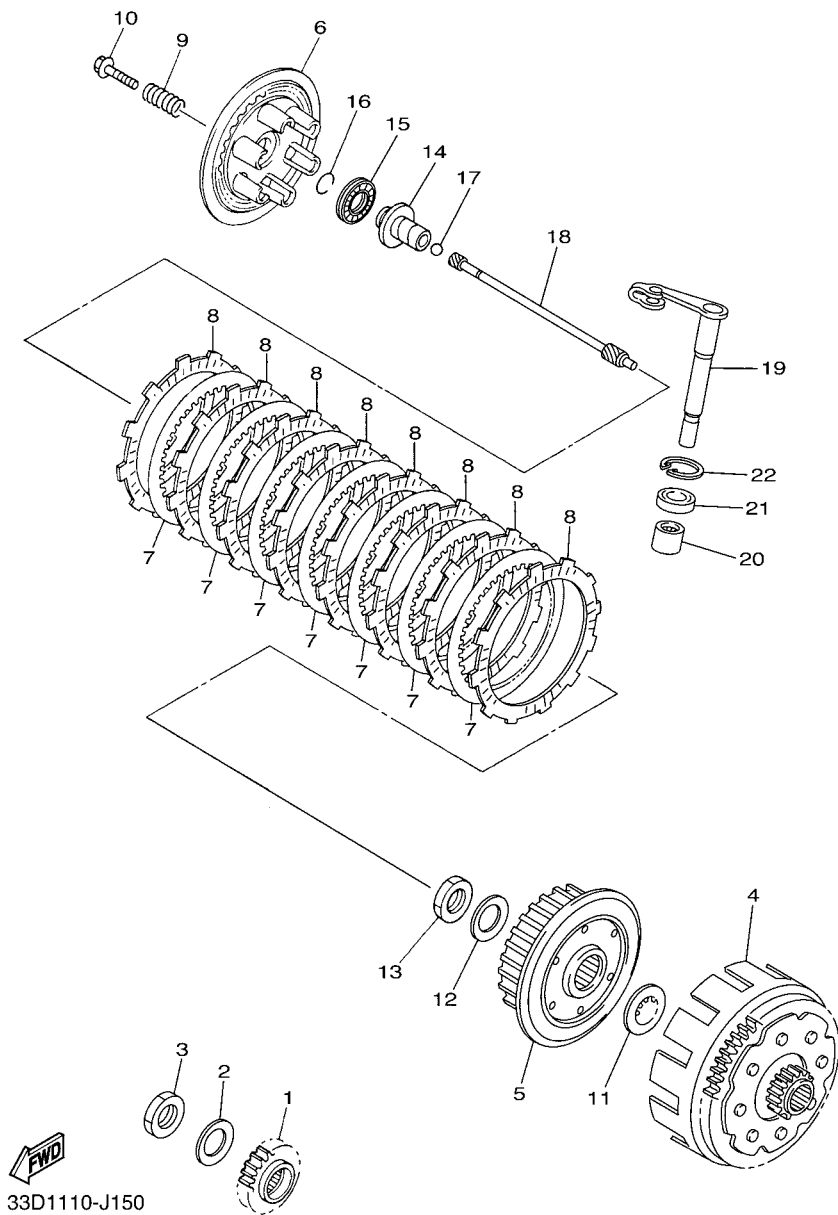


FIG. 15 CLUTCH

REF. NO.	PART NO.	DESCRIPTION	33D5	33D6	33D7	33D8	REMARKS
1	2S2-16111-60	GEAR, PRIMARY DRIVE	1	1	1	1	
2	90208-20008	WASHER, CONICAL SPRING	1	1	1	1	
3	90170-20255	NUT	1	1	1	1	
4	5XD-16150-60	PRIMARY DRIVEN GEAR COMP.	1	1	1	1	
5	5TA-16371-10	BOSS, CLUTCH	1	1	1	1	
6	2S2-16351-00	PLATE, PRESSURE 1	1	1	1	1	
7	4B1-16324-00	PLATE, CLUTCH 1	7	7	7	7	
8	5TA-16321-00	PLATE, FRICTION	8	8	8	8	
9	90501-230E4	SPRING, COMPRESSION	6	6	6	6	
10	90159-06010	SCREW, WITH WASHER	6	6	6	6	
11	5XD-16154-00	PLATE, THRUST 1	1	1	1	1	
12	90208-20008	WASHER, CONICAL SPRING	1	1	1	1	
13	90170-20255	NUT	1	1	1	1	
14	33D-16356-00	ROD, PUSH 1	1	1	1	1	
15	93340-21209	BEARING	1	1	1	1	
16	93440-10085	CIRCLIP	1	1	1	1	
17	93511-32027	BALL	1	1	1	1	
18	2S2-16357-00	ROD, PUSH 2	1	1	1	1	
19	33D-16381-10	PUSH LEVER COMP.	1	1	1	1	
20	93317-11287	BEARING	1	1	1	1	
21	93102-12224	OIL SEAL	1	1	1	1	
22	99009-20500	CIRCLIP	1	1	1	1	

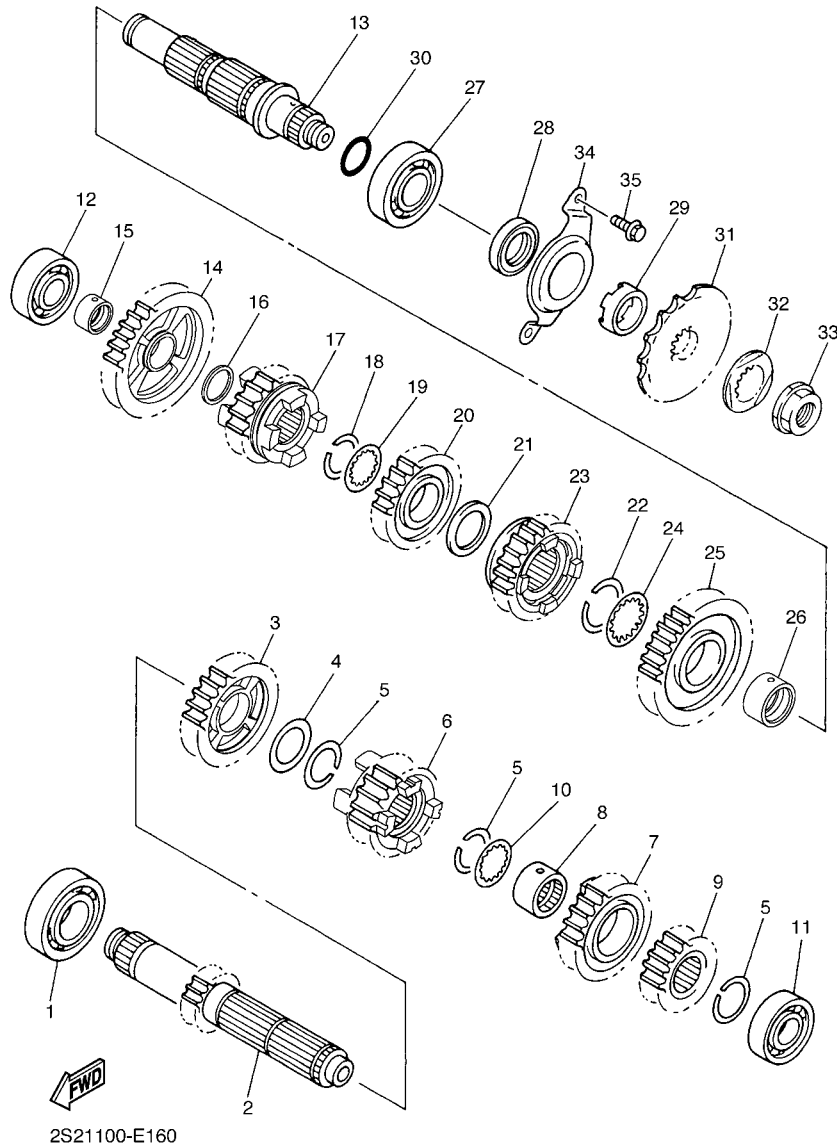


FIG. 16 TRANSMISSION

REF. NO.	PART NO.	DESCRIPTION	33D5	33D6	33D7	33D8	REMARKS
1	93306-20532	BEARING	1	1	1	1	
2	2S2-17411-00	AXLE,MAIN(14T)	1	1	1	1	
3	2S2-17151-00	GEAR, 5TH PINION(21T)	1	1	1	1	
4	90201-253K0	WASHER, PLATE (T=1.0)	1	1	1	1	
5	93440-25084	CIRCLIP	3	3	3	3	
6	33D-17131-00	GEAR, 3RD PINION (18T)	1	1	1	1	
7	2S2-17141-00	GEAR, 4TH PINION (22T)	1	1	1	1	
8	90387-21005	COLLAR	1	1	1	1	
9	2S2-17121-00	GEAR, 2ND PINION(15T)	1	1	1	1	
10	90209-21332	WASHER	1	1	1	1	
11	93306-00447	BEARING	1	1	1	1	
12	93306-00426	BEARING	1	1	1	1	
13	33D-17402-00	DRIVE AXLE ASSY	1	1	1	1	
14	2S2-17211-00	GEAR, 1ST WHEEL(27T)	1	1	1	1	
15	90387-20028	COLLAR	1	1	1	1	
16	90201-203E7	WASHER, PLATE	1	1	1	1	
17	33D-17251-00	GEAR, 5TH WHEEL (20T)	1	1	1	1	
18	93440-25084	CIRCLIP	1	1	1	1	
19	90209-22008	WASHER	1	1	1	1	
20	2S2-17231-00	GEAR, 3RD WHEEL(23T)	1	1	1	1	
21	90201-253K0	WASHER, PLATE (T=1.0)	1	1	1	1	
22	93440-28062	CIRCLIP	1	1	1	1	
23	2S2-17241-00	GEAR, 4TH WHEEL(24T)	1	1	1	1	
24	90209-26348	WASHER	1	1	1	1	
25	2S2-17221-00	GEAR, 2ND WHEEL(23T)	1	1	1	1	
26	90387-28012	COLLAR	1	1	1	1	
27	93306-205A5	BEARING	1	1	1	1	

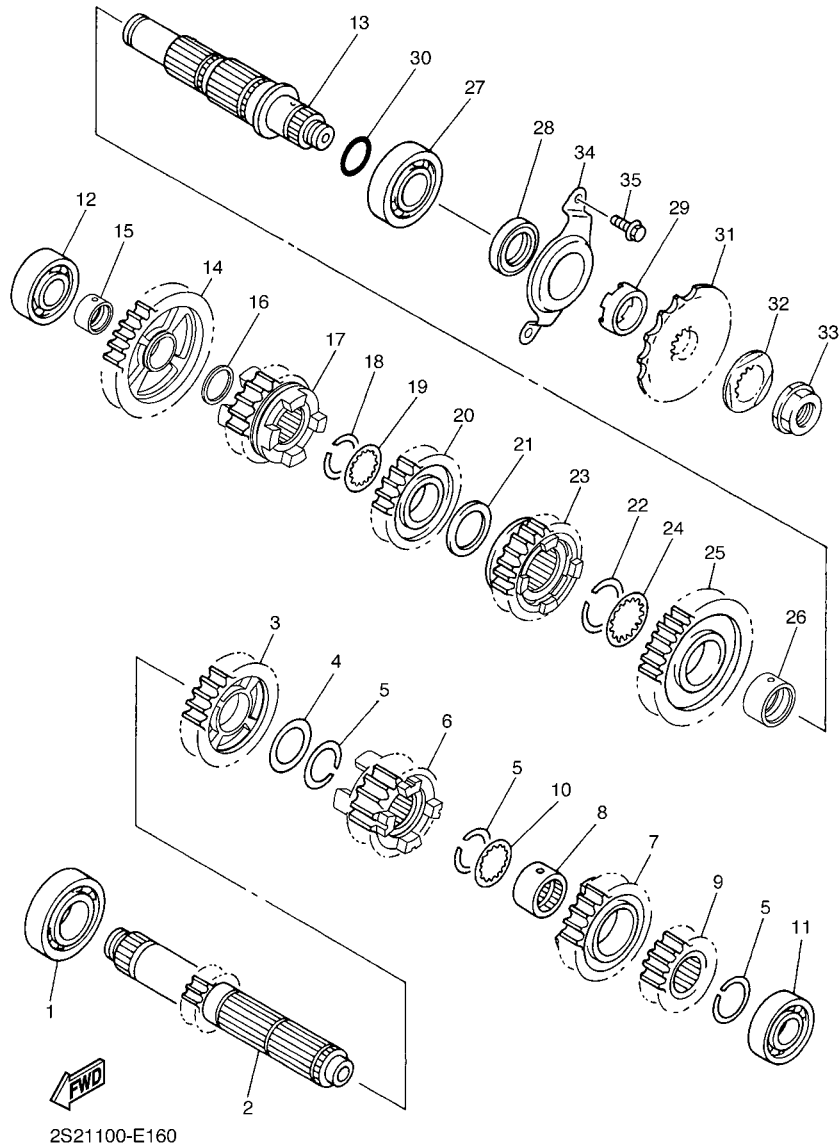


FIG. 16 TRANSMISSION

REF. NO.	PART NO.	DESCRIPTION	33D5	33D6	33D7	33D8	REMARKS
28	93102-32480	OIL SEAL	1	1	1	1	
29	90387-2513F	COLLAR	1	1	1	1	
30	93210-22164	O-RING	1	1	1	1	
31	9383E-13233	SPROCKET, DRIVE (13T)	1	1	1	1	
32	90215-21003	WASHER, LOCK	1	1	1	1	
33	90179-20001	NUT	1	1	1	1	
34	2S2-17471-00	PLATE, COVER	1	1	1	1	
35	90105-06081	BOLT, FLANGE	2	2	2	2	

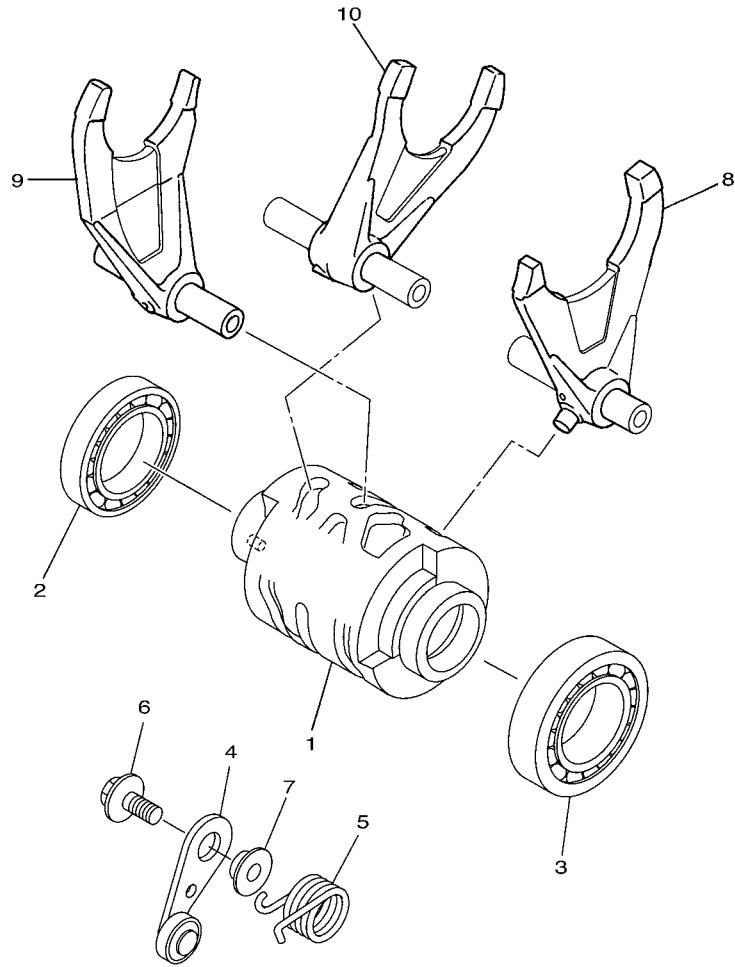
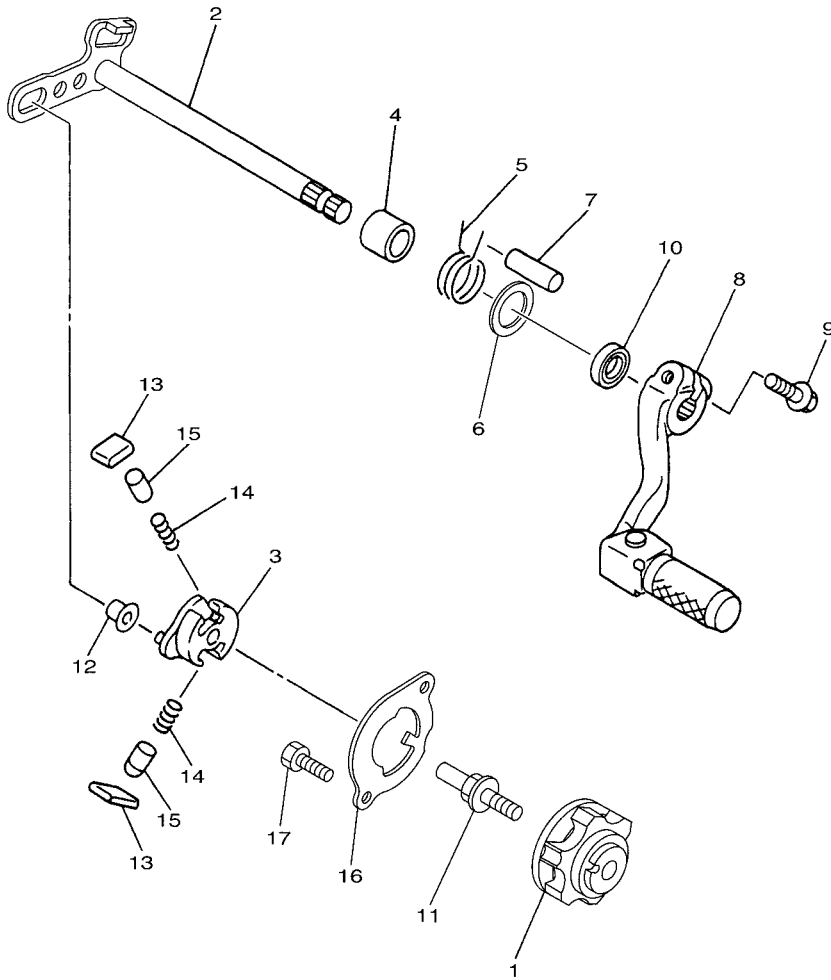


FIG. 17 SHIFT CAM & FORK

REF. NO.	PART NO.	DESCRIPTION	33D5	33D6	33D7	33D8	REMARKS
1	33D-18541-00	CAM, SHIFT	1	1	1	1	
2	93306-90409	BEARING	1	1	1	1	
3	93306-80502	BEARING	1	1	1	1	
4	33D-18140-00	STOPPER LEVER ASSY	1	1	1	1	
5	90508-26021	SPRING, TORSION	1	1	1	1	
6	90159-06027	SCREW, WITH WASHER	1	1	1	1	
7	33D-18175-00	SPACER	1	1	1	1	
8	33D-18501-00	FORK, SHIFT 1	1	1	1	1	
9	33D-18502-00	FORK, SHIFT 2	1	1	1	1	
10	5TG-18503-00	FORK, SHIFT 3	1	1	1	1	



33D1110-J170



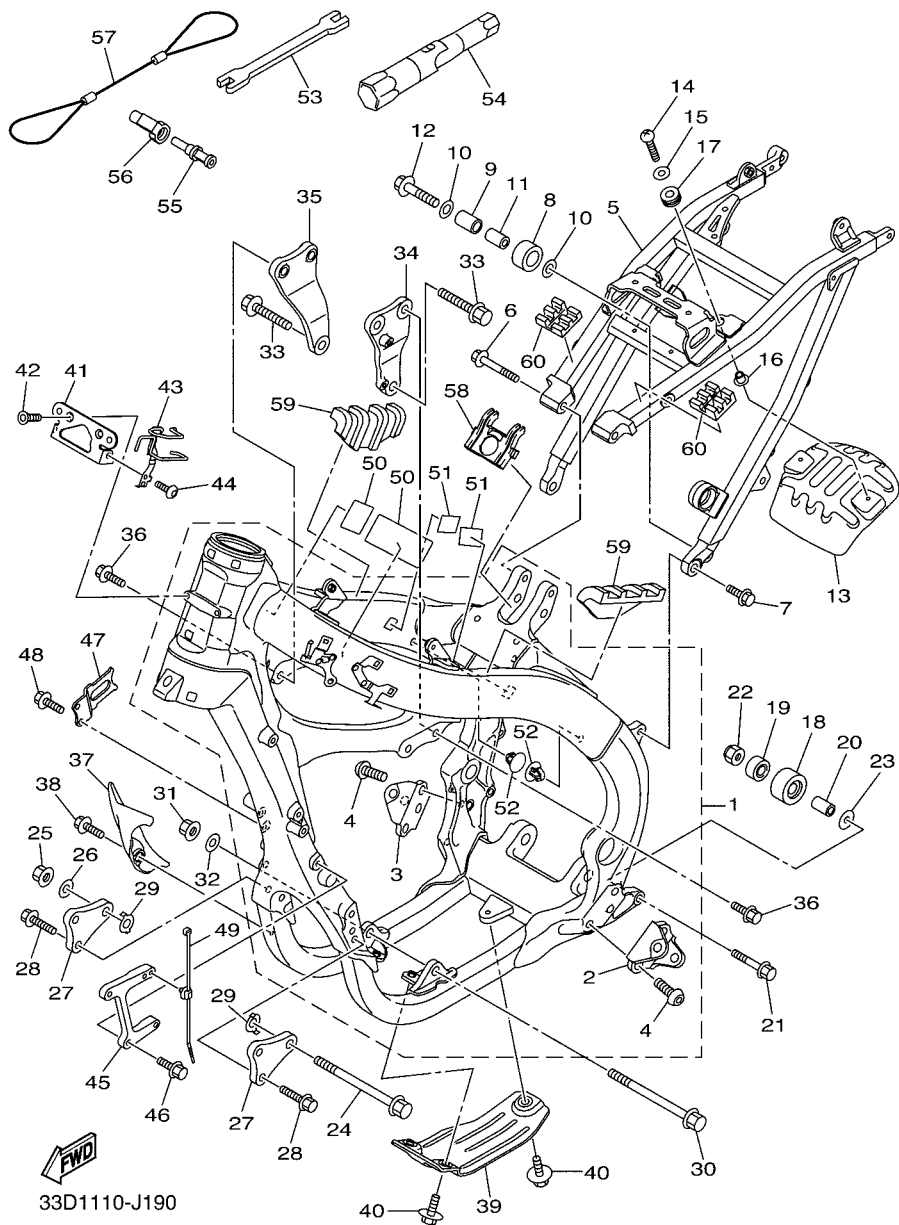
33D1110-J180

FIG. 18 SHIFT SHAFT

REF. NO.	PART NO.	DESCRIPTION	33D5	33D6	33D7	33D8	REMARKS
			1	1	1	1	
1	1C3-18185-00	SEGMENT	1	1	1	1	
2	33D-18101-00	SHIFT SHAFT ASSY	1	1	1	1	
3	18P-18122-00	LEVER, SHIFT 2	1	1	1	1	
4	90387-124F4	COLLAR	1	1	1	1	
5	90508-29021	SPRING, TORSION	1	1	1	1	
6	90201-127E1	WASHER, PLATE	1	1	1	1	
7	93608-33002	PIN, DOWEL	1	1	1	1	
8	2S2-18110-00	SHIFT PEDAL ASSY	1	1	1	1	
9	90105-06127	BOLT, FLANGE	1	1	1	1	
10	93102-12224	OIL SEAL	1	1	1	1	
11	3XJ-18173-10	PIN, SHIFT	1	1	1	1	
12	3XJ-18178-00	ROLLER, SHIFT LEVER	1	1	1	1	
13	3XJ-18182-00	PAWL, SHIFTER	2	2	2	2	
14	90501-052G5	SPRING, COMPRESSION	2	2	2	2	
15	3XJ-18184-00	PIN, PAWL	2	2	2	2	
16	5TJ-18172-00	GUIDE, SHIFT	1	1	1	1	
17	90101-06041	BOLT	2	2	2	2	

FIG. 19 FRAME

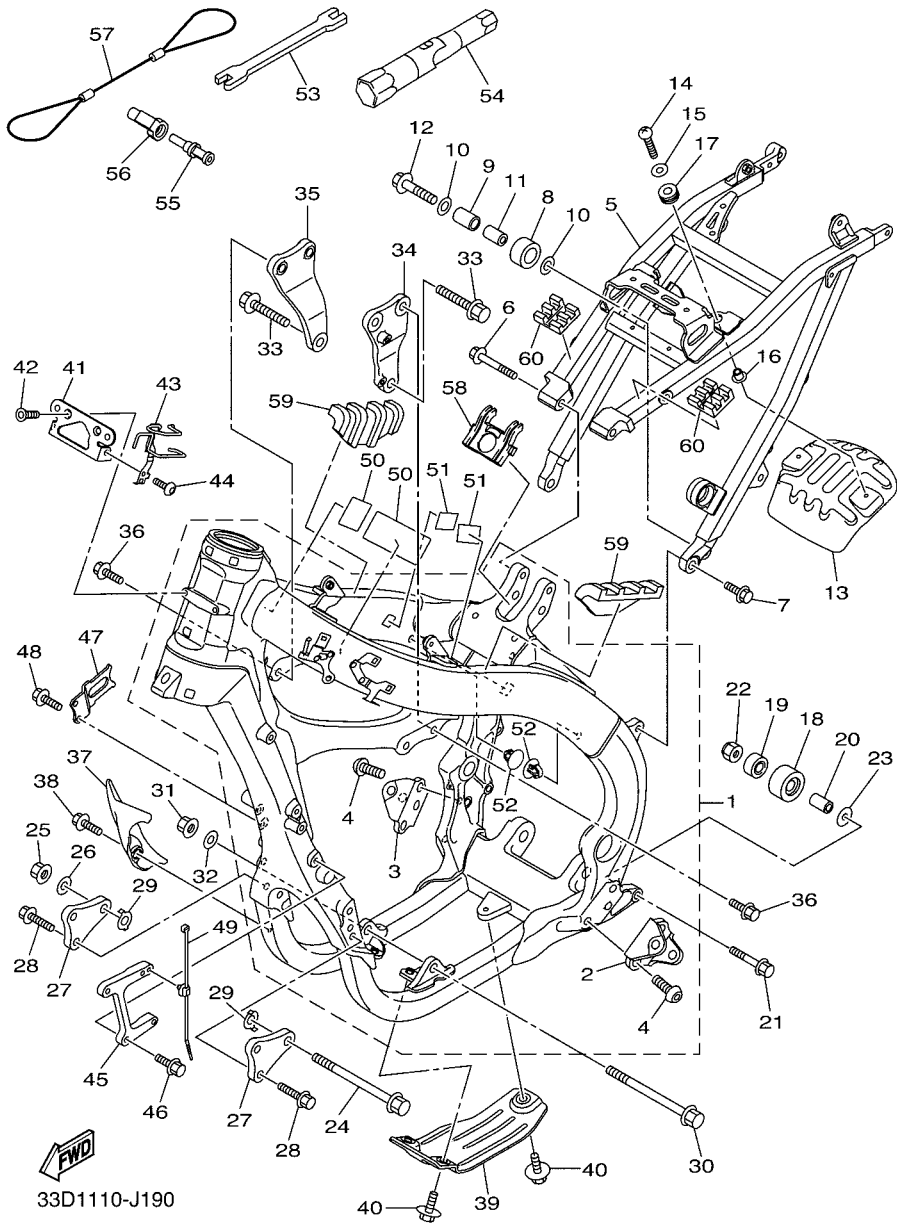
REF. NO.	PART NO.	DESCRIPTION	33D5	33D6	33D7	33D8	REMARKS
1	33D-21101-00	FRONT FRAME COMP.	1	1	1	1	
2	17D-21447-00	.BRACKET, FOOTREST	1	1	1	1	
3	17D-21448-00	.BRACKET, FOOTREST	1	1	1	1	
4	90149-10031	.SCREW	4	4	4	4	
5	33D-21190-00	REAR FRAME COMP.	1	1	1	1	
6	90105-08231	BOLT, FLANGE	2	2	2	2	
7	90105-08230	BOLT, FLANGE	2	2	2	2	
8	30X-22178-00	TENSIONER	1	1	1	1	
9	4V4-22184-00	BUSH	1	1	1	1	
10	90201-08045	WASHER, PLATE	2	2	2	2	
11	90387-08041	COLLAR	1	1	1	1	
12	95022-08040	BOLT, FLANGE	1	1	1	1	
13	33D-2117F-00	COVER	1	1	1	1	
14	98502-05016	SCREW, PAN HEAD	2	2	2	2	
15	90201-05N15	WASHER, PLATE	2	2	2	2	
16	90387-05003	COLLAR	2	2	2	2	
17	90480-12025	GROMMET	2	2	2	2	
18	3JD-22178-20	TENSIONER	1	1	1	1	
19	93300-60839	BEARING	1	1	1	1	
20	90387-086N4	COLLAR	1	1	1	1	
21	90105-08232	BOLT, FLANGE	1	1	1	1	
22	90185-08009	NUT, SELF-LOCKING	1	1	1	1	
23	90201-08043	WASHER, PLATE	1	1	1	1	
24	90105-10193	BOLT, FLANGE	1	1	1	1	
25	90179-10658	NUT	1	1	1	1	
26	90201-10045	WASHER, PLATE	1	1	1	1	
27	33D-21417-00	BRACKET, FRONT LOWER 1	2	2	2	2	



33D1110-J190

FIG. 19 FRAME

REF. NO.	PART NO.	DESCRIPTION	33D5	33D6	33D7	33D8	REMARKS
28	90105-08143	BOLT, FLANGE	4	4	4	4	
29	5XC-21456-90	PLATE, PATCH	2	2	2	2	
30	90105-10176	BOLT, FLANGE	1	1	1	1	
31	90179-10658	NUT	1	1	1	1	
32	90201-10045	WASHER, PLATE	1	1	1	1	
33	90105-10189	BOLT, FLANGE	2	2	2	2	
34	33D-21425-00	BRACKET, REAR UPPER 1	1	1	1	1	
35	33D-21426-00	BRACKET, REAR UPPER 2	1	1	1	1	
36	90105-08226	BOLT, FLANGE	4	4	4	4	
37	33D-21471-00	PROTECTOR, ENGINE	1	1	1	1	
38	90119-06149	BOLT, WITH WASHER	1	1	1	1	
39	33D-2147E-00	GUARD, ENGINE 2	1	1	1	1	
40	90119-06146	BOLT, WITH WASHER	3	3	3	3	
41	33D-2116M-00	BRACKET 10	1	1	1	1	
42	90151-06032	SCREW, COUNTERSUNK	2	2	2	2	
43	33D-21163-00	HOLDER, CLUTCH CABLE	1	1	1	1	
44	92012-05010	BOLT, BUTTON HEAD	1	1	1	1	
45	33D-2194U-00	STAY, IGNITION COIL	1	1	1	1	
46	90105-06170	BOLT, FLANGE	2	2	2	2	
47	33D-2116J-00	BRACKET 7	1	1	1	1	
48	95022-06010	BOLT, FLANGE	2	2	2	2	
49	90464-31002	CLAMP	1	1	1	1	
50	33D-21268-00	SEAL	2	2	2	2	
51	19D-21732-00	SEAL 1	2	2	2	2	
52	90338-06233	PLUG	2	2	2	2	
53	5ET-28166-10	WRENCH, HEXAGON	1	1	1	1	
54	5TA-2814F-00	BOX, SPARK PLUG	1	1	1	1	



33D1110-J190

FIG. 19 FRAME

REF. NO.	PART NO.	DESCRIPTION	33D5	33D6	33D7	33D8	REMARKS
55	18P-2467E-00	CAP	1	1	1	1	
56	18P-2464V-00	CASE, CAP	1	1	1	1	
57	33D-2814A-00	WIRE, HOOK	1	1	1	1	
58	33D-24181-00	DAMPER, LOCATING 1	1	1	1	1	
59	33D-24182-00	DAMPER, LOCATING 2	2	2	2	2	
60	33D-24183-00	DAMPER, LOCATING 3	2	2	2	2	

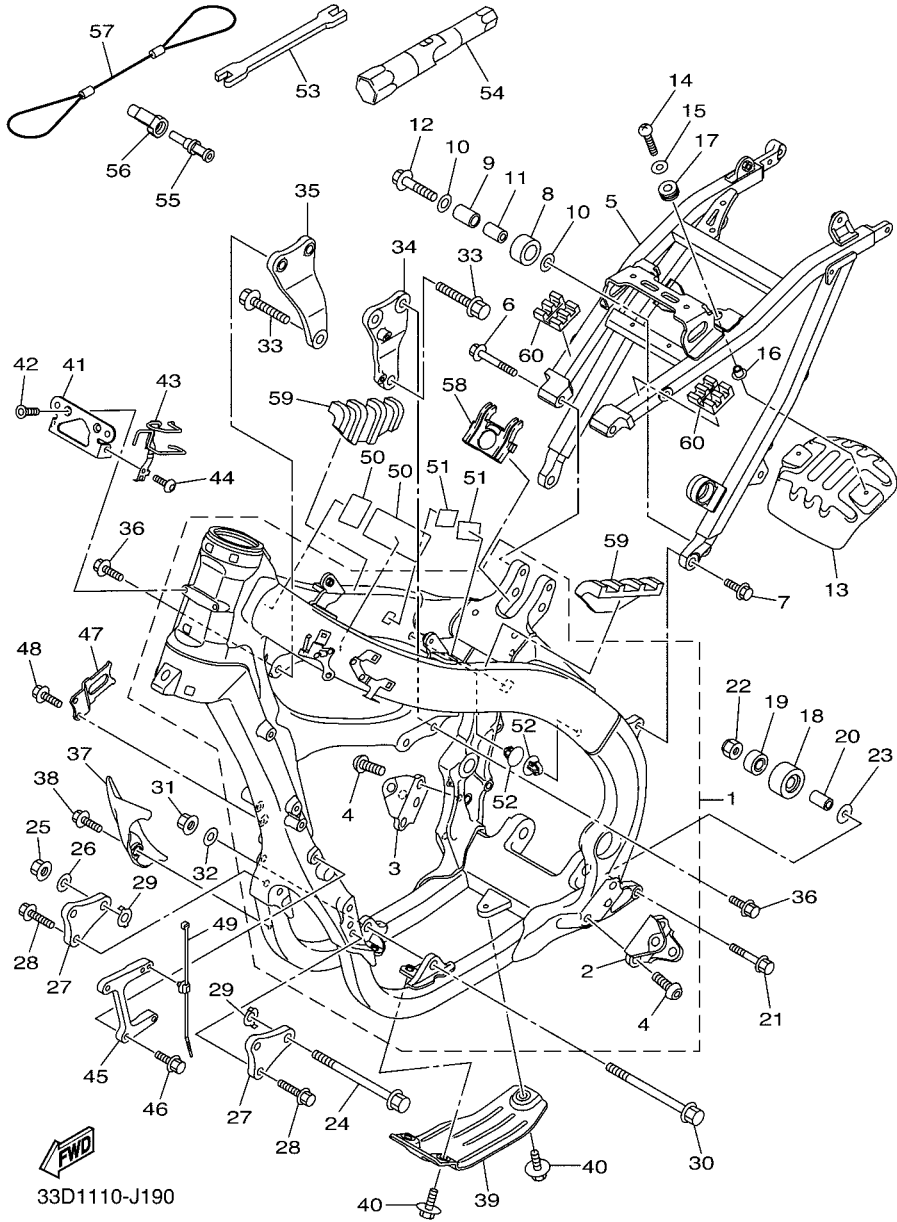
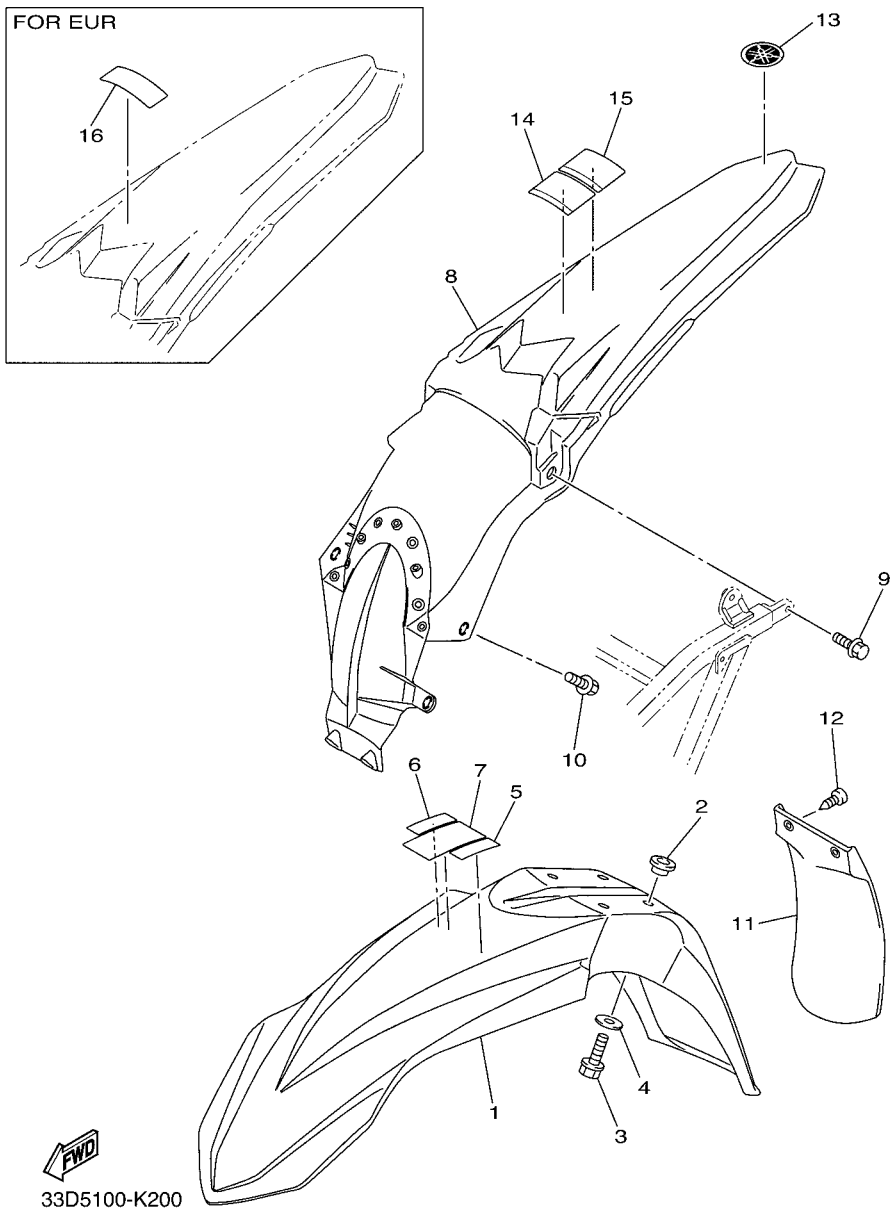
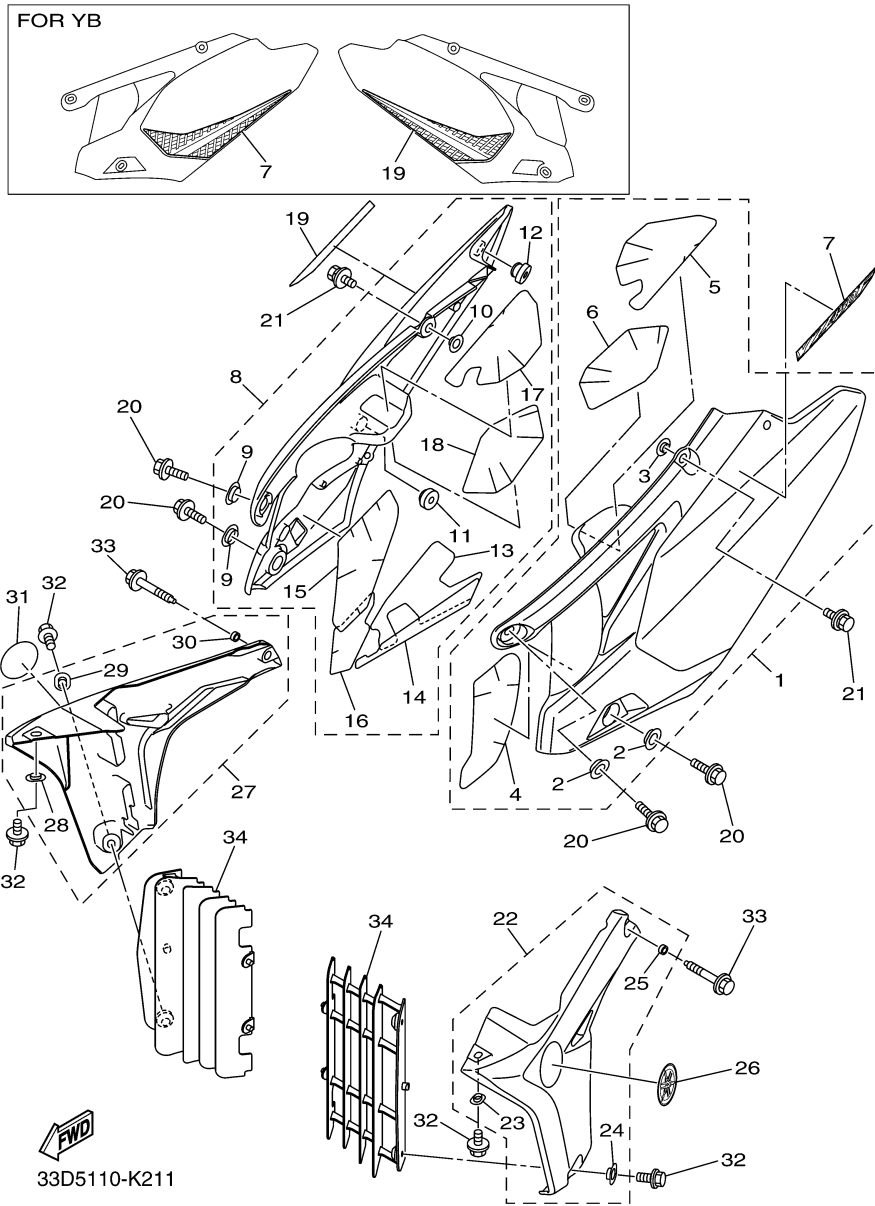


FIG. 20 FENDER



REF. NO.	PART NO.	DESCRIPTION	33D5	33D6	33D7	33D8	REMARKS
1	17D-21511-50	FENDER, FRONT	1	1	1	1	UR FOR DPBSE
	17D-21511-60	FENDER, FRONT	1	1	1	1	UR FOR YB
2	90387-06259	COLLAR	4	4	4	4	
3	90105-06127	BOLT, FLANGE	4	4	4	4	
4	90201-06108	WASHER, PLATE	4	4	4	4	
5	3FB-2415E-02	LABEL, CAUTION	1				
	3FB-2415E-C1	LABEL, CAUTION			1		JAPANESE
6	3FB-2415E-12	LABEL, CAUTION	1				
7	4SR-2416E-00	LABEL, CAUTION CANADA	1				
8	33D-21610-00	REAR FENDER COMP.	1	1	1	1	UR FOR DPBSE
	33D-21610-50	REAR FENDER COMP.	1	1	1	1	UR FOR YB
9	90105-06100	BOLT, FLANGE	2	2	2	2	
10	90105-06170	BOLT, FLANGE	3	3	3	3	
11	33D-21642-00	GUARD, FLAP	1	1	1	1	
12	97702-60016	SCREW, TAPPING	2	2	2	2	
13	3C5-2411B-20	EMBLEM	1	1	1	1	
14	5PA-2118K-00	LABEL, CAUTION	1			1	
	5PA-2118K-20	LABEL, CAUTION			1		
15	5PA-2118K-10	LABEL, CAUTION	1				
16	5PG-2816R-00	LABEL, WARNING GENERAL INFO.		1			

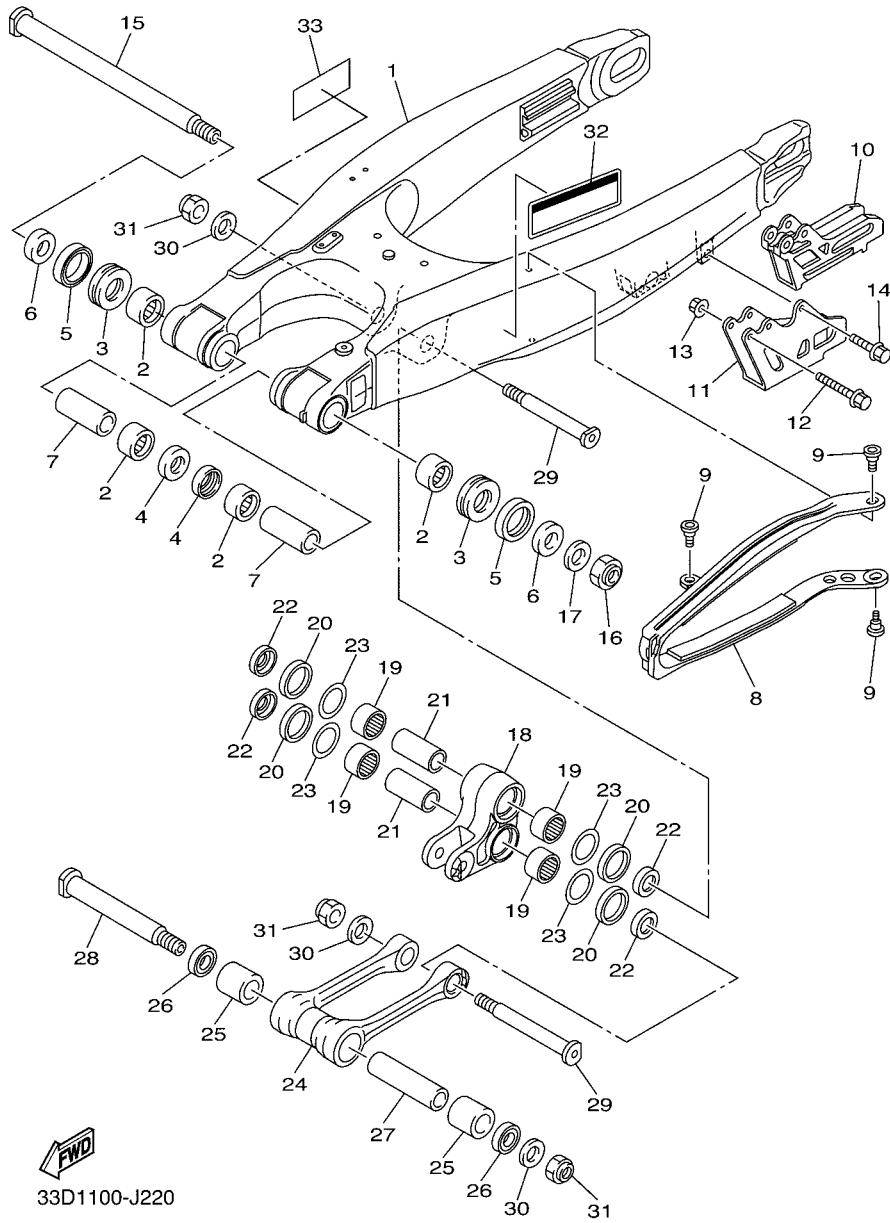


33D5110-K211

FIG. 21 SIDE COVER

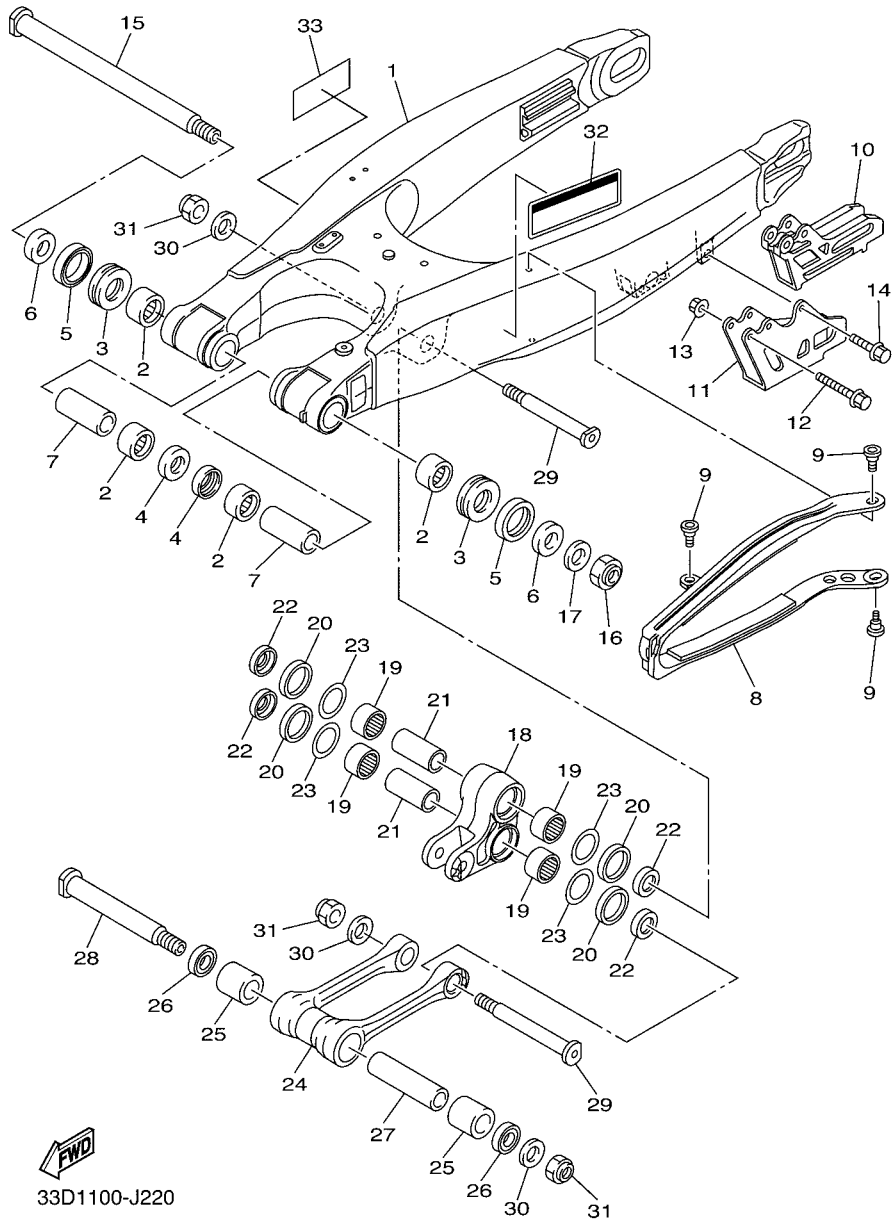
REF. NO.	PART NO.	DESCRIPTION	33D5	33D6	33D7	33D8	REMARKS
1	33D-21710-01	SIDE COVER ASSY 1	1	1	1	1	
2	17D-21749-00	.COLLER	2	2	2	2	
3	5BE-21749-00	.COLLER	1	1	1	1	
4	33D-2172S-00	.INSULATOR 3	1	1	1	1	
5	33D-2172P-00	.SEAT	1	1	1	1	
6	33D-2174P-00	.SEAT 3	1	1	1	1	
7	2S2-2163G-20	EMBLEM 1	1	1	1	1	UR FOR DPBSE
	33D-2174G-10	GRAPHIC, 3	1	1	1	1	UR FOR YB
8	33D-21720-01	SIDE COVER ASSY 2	1	1	1	1	
9	17D-21749-00	.COLLER	2	2	2	2	
10	5BE-21749-00	.COLLER	1	1	1	1	
11	5XC-21719-90	.GROMMET	1	1	1	1	
12	33D-21719-00	.GROMMET	1	1	1	1	
13	33D-2174A-00	.INSULATOR, SIDE COVER	1	1	1	1	
14	33D-2174T-00	.INSULATOR, SIDE COVER 2	1	1	1	1	
15	33D-2173S-00	.INSULATOR 4	1	1	1	1	
16	33D-2174S-00	.INSULATOR 5	1	1	1	1	
17	33D-2173P-00	.SEAT 2	1	1	1	1	
18	33D-2175P-00	.SEAT 4	1	1	1	1	
19	2S2-2163G-20	EMBLEM 1	1	1	1	1	UR FOR DPBSE
	33D-2174H-10	GRAPHIC, 4	1	1	1	1	UR FOR YB
20	90105-06170	BOLT, FLANGE	4	4	4	4	
21	90119-08095	BOLT, WITH WASHER	2	2	2	2	
22	33D-21730-51	SIDE COVER ASSY 3	1	1	1	1	
23	5PA-21748-00	.COLLER	1	1	1	1	
24	17D-21749-00	.COLLER	1	1	1	1	
25	90387-06133	.COLLER	1	1	1	1	
26	5PW-2413B-00	EMBLEM	1	1	1	1	
27	33D-21740-51	SIDE COVER ASSY 4	1	1	1	1	
28	5PA-21748-00	.COLLER	1	1	1	1	
29	17D-21749-00	.COLLER	1	1	1	1	
30	90387-06133	.COLLER	1	1	1	1	
31	5PW-2413B-00	EMBLEM	1	1	1	1	
32	90105-06064	BOLT, FLANGE	4	4	4	4	
33	90105-06179	BOLT, FLANGE	2	2	2	2	
34	33D-2172A-00	PANEL 1	2	2	2	2	

FIG. 22 REAR ARM



33D1100-J220

REF. NO.	PART NO.	DESCRIPTION	33D5	33D6	33D7	33D8	REMARKS
1	33D-22110-00	REAR ARM COMP.	1	1	1	1	
2	93317-22262	BEARING	4	4	4	4	
3	93342-22217	BEARING	2	2	2	2	
4	93106-22002	OIL SEAL	2	2	2	2	
5	93109-28043	OIL SEAL	2	2	2	2	
6	90387-17016	COLLAR	2	2	2	2	
7	90387-1714S	COLLAR	2	2	2	2	
8	34P-22151-01	SEAL, GUARD	1	1	1	1	
9	1C3-22969-90	SCREW, 1	3	3	3	3	
10	2S2-22199-70	SUPPORT, CHAIN	1	1	1	1	
11	2S2-22128-70	COVER, THRUST 1	1	1	1	1	
12	90105-06104	BOLT, FLANGE	2	2	2	2	
13	90179-06028	NUT	2	2	2	2	
14	90105-06105	BOLT, FLANGE	1	1	1	1	
15	33D-22141-00	SHAFT, PIVOT	1	1	1	1	
16	90185-16002	NUT, SELF-LOCKING	1	1	1	1	
17	90201-16018	WASHER, PLATE	1	1	1	1	
18	17D-2217A-00	ARM, RELAY	1	1	1	1	
19	93315-32166	BEARING	4	4	4	4	
20	93109-25001	OIL SEAL	4	4	4	4	
21	90387-16026	COLLAR	2	2	2	2	
22	90209-16011	WASHER	4	4	4	4	
23	90201-21014	WASHER, PLATE	4	4	4	4	
24	33D-2217F-00	ROD, CONNECTING 1	1	1	1	1	
25	93315-32166	BEARING	2	2	2	2	
26	93109-21001	OIL SEAL	2	2	2	2	
27	90387-14016	COLLAR	1	1	1	1	

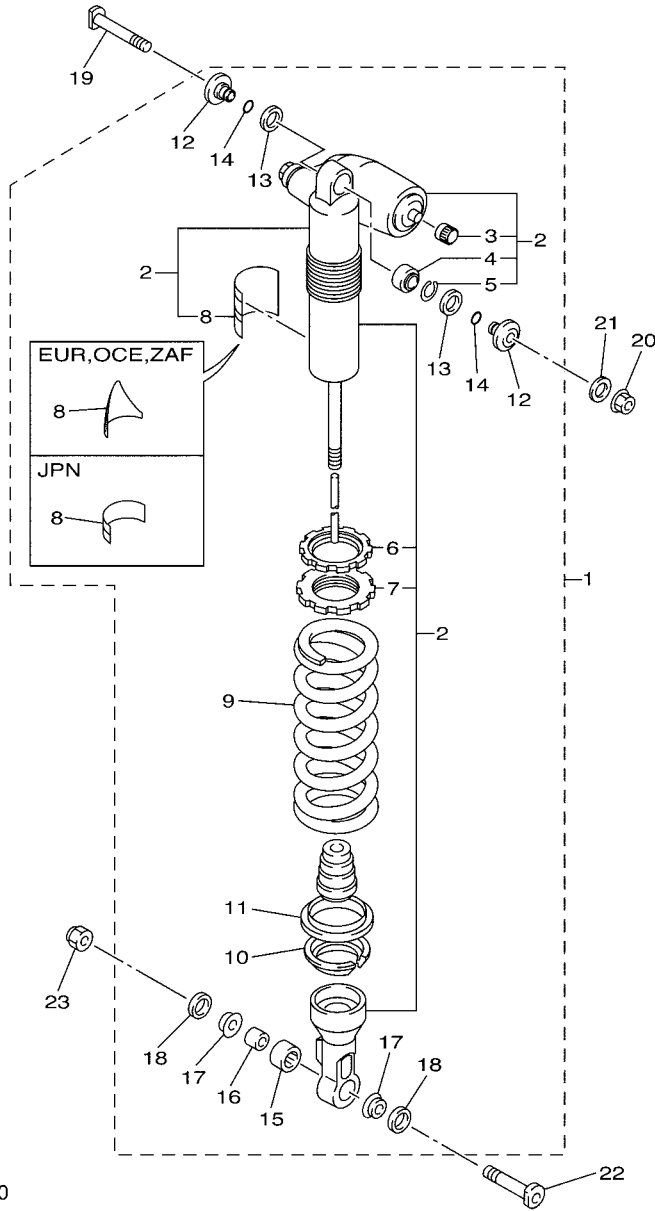


33D1100-J220

FIG. 22 REAR ARM

REF. NO.	PART NO.	DESCRIPTION	33D5	33D6	33D7	33D8	REMARKS
28	5XC-22121-91	SHAFT 1	1	1	1	1	
29	34P-22122-00	SHAFT 2	2	2	2	2	
30	90201-14020	WASHER, PLATE	3	3	3	3	
31	90185-14010	NUT, SELF-LOCKING	3	3	3	3	
32	3RV-21668-A0	LABEL, TIRE	1			1	
33	3RV-21668-B0	LABEL, TIRE	1				

FIG. 23 REAR SUSPENSION

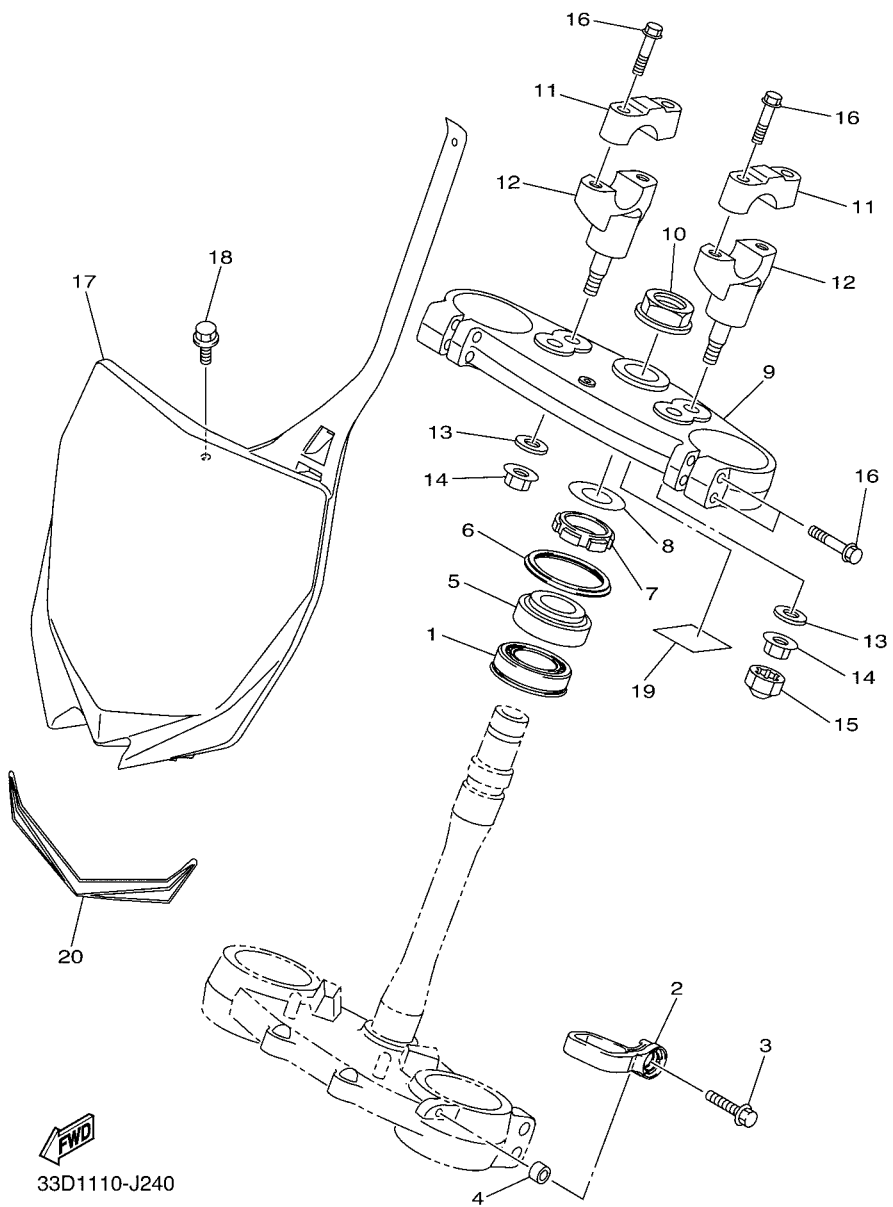


33D1100-J230

REF. NO.	PART NO.	DESCRIPTION	33D5	33D6	33D7	33D8	REMARKS
1	33D-22200-30	SHOCK ABSORBER ASSY, REAR	1				UR FOR DPBSE
	33D-22200-70	SHOCK ABSORBER ASSY, REAR	1				UR FOR YB
	33D-22200-10	SHOCK ABSORBER ASSY, REAR		1		1	UR FOR DPBSE
	33D-22200-50	SHOCK ABSORBER ASSY, REAR		1		1	UR FOR YB
	33D-22200-20	SHOCK ABSORBER ASSY, REAR			1		UR FOR DPBSE
	33D-22200-60	SHOCK ABSORBER ASSY, REAR			1		UR FOR YB
2	33D-22201-30	.DAMPER SUB ASSY	1				
	33D-22201-10	.DAMPER SUB ASSY		1		1	
	33D-22201-20	.DAMPER SUB ASSY			1		
3	509-23184-L0	..CAP, AIR VALVE	1	1	1	1	
4	4JX-22226-00	..BUSH, SHOCK ABSORBER LOWER	1	1	1	1	
5	5DH-23183-00	..CIRCLIP	1	1	1	1	
6	33D-22234-00	..GUIDE, SPRING 3	1	1	1	1	
7	33D-22213-00	..SEAT, SPRING UPPER	1	1	1	1	
8	4AA-22259-70	..LABEL, WARNING	1				
	4AA-22259-40	..LABEL, WARNING		1		1	
	4AA-22259-50	..LABEL, WARNING			1		
9	33D-22212-30	.SPRING (K=56N/MM)	1	1	1	1	UR FOR DPBSE
	33D-22212-D0	.SPRING (K=56N/MM)	1	1	1	1	UR FOR YB
10	33D-22214-00	.GUIDE, SPRING 1	1	1	1	1	
11	33D-22224-00	.GUIDE, SPRING 2	1	1	1	1	
12	1C3-22253-50	.COLLAR, DISTANCE	2	2	2	2	
13	3JE-22475-00	.SEAL, DUST	2	2	2	2	
14	4EW-22474-00	.SEAL, RING	2	2	2	2	
15	5UN-22176-00	.BEARING	1	1	1	1	
16	5MV-22184-00	.BUSH	1	1	1	1	
17	17D-22253-00	.COLLAR, DISTANCE	2	2	2	2	

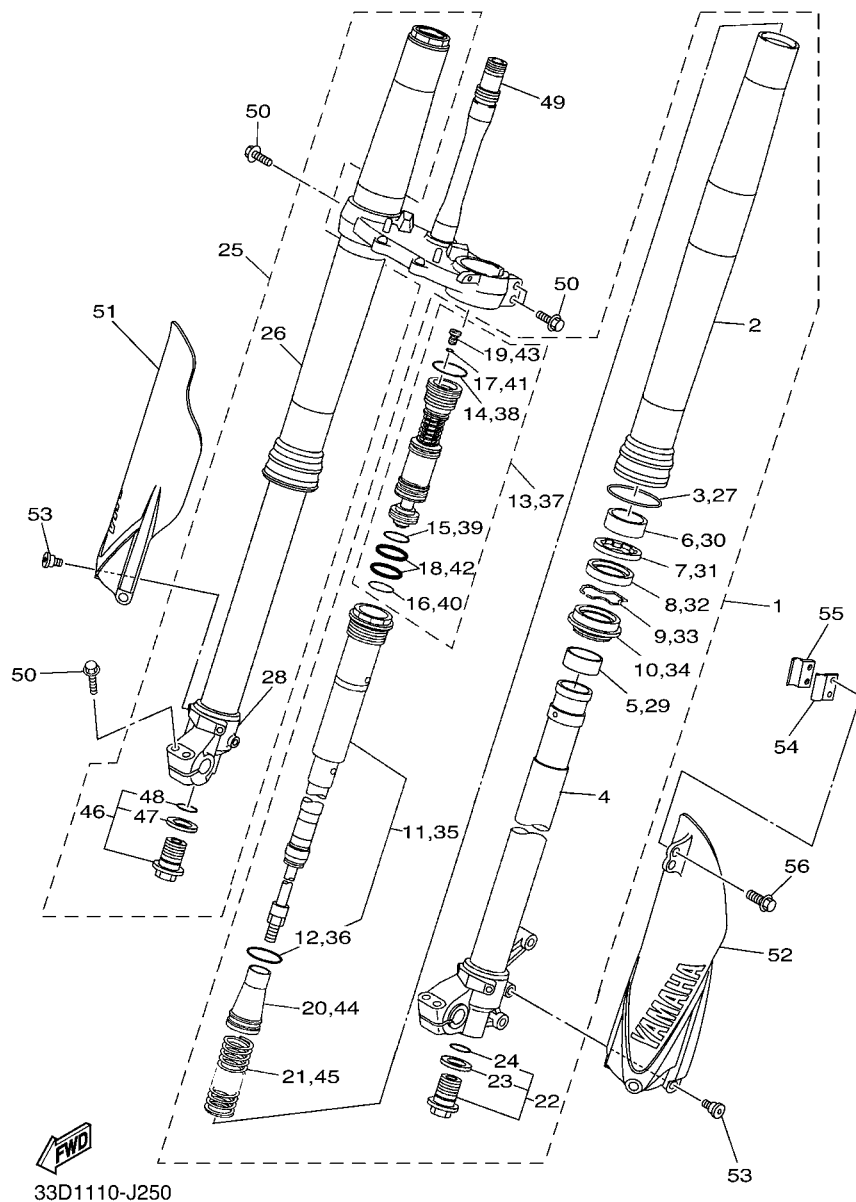
FIG. 24 STEERING

REF. NO.	PART NO.	DESCRIPTION	33D5	33D6	33D7	33D8	REMARKS
1	93332-00081	BEARING	1	1	1	1	
2	17D-23389-50	GUIDE, CABLE	1	1	1	1	
3	90105-06170	BOLT, FLANGE	1	1	1	1	
4	90387-06105	COLLAR	1	1	1	1	
5	93332-00068	BEARING	1	1	1	1	
6	17D-23416-50	COVER, BALL RACE 2	1	1	1	1	
7	90179-28015	NUT	1	1	1	1	
8	90201-286K9	WASHER, PLATE (T1.0)	1	1	1	1	
9	33D-23435-00	CROWN, HANDLE	1	1	1	1	
10	90179-24004	NUT	1	1	1	1	
11	18P-23441-00	HOLDER, HANDLE UPPER	2	2	2	2	
12	33D-23442-00	HOLDER, HANDLE LOWER	2	2	2	2	
13	92902-10200	WASHER	2	2	2	2	
14	95602-10200	NUT, U FLANGE	2	2	2	2	
15	5YU-2143A-00	CAP	1	1	1	1	
16	90105-08154	BOLT, FLANGE	8	8	8	8	
17	17D-23485-50	PLATE, NUMBER	1	1	1	1	
18	90105-06064	BOLT, FLANGE	1	1	1	1	
19	33D-23472-00	PROTECTOR	1	1	1	1	
20	17D-2339E-10	GRAPHIC 1	1	1	1	1	FOR YB



33D1110-J240

FIG. 25 FRONT FORK



REF. NO.	PART NO.	DESCRIPTION	33D5	33D6	33D7	33D8	REMARKS
1	33D-23102-00	FRONT FORK ASSY (L.H)	1		1		
	33D-23102-10	FRONT FORK ASSY (L.H)		1		1	
2	33D-23136-00	.TUBE, OUTER (RIGHT)	1	1	1	1	
3	17D-23153-00	.RING, SNAP	1	1	1	1	
4	33D-23120-00	.INNER TUBE COMP.2	1	1	1	1	
5	5XE-23171-L0	.PISTON, FRONT FORK	1	1	1	1	
6	5XE-23125-L0	.METAL, SLIDE 1	1	1	1	1	
7	5XC-23146-10	.WASHER, OIL SEAL	1	1	1	1	
8	17D-23145-00	.OIL SEAL	1	1	1	1	
9	5XE-23153-L0	.RING, SNAP	1	1	1	1	
10	5XE-23144-L0	.SEAL, DUST	1	1	1	1	
11	33D-23170-00	.CYLINDER COMP., FRONT FORK	1		1		
	33D-23170-10	.CYLINDER COMP., FRONT FORK		1		1	
12	1C3-23147-L0	..O-RING	1	1	1	1	
13	33D-2316A-00	.VALVE COMP.	1		1		
	33D-2316A-10	.VALVE COMP.		1		1	
14	1C3-23188-L0	..O-RING	1	1	1	1	
15	1C3-23188-N0	..O-RING	1	1	1	1	
16	1C3-23188-P0	..O-RING	1	1	1	1	
17	1C3-23188-R0	..O-RING	1	1	1	1	
18	1AE-23147-00	..O-RING	2	2	2	2	
19	1C3-23190-L0	..AIR VALVE COMP.	1	1	1	1	
20	1C3-23142-L0	.SEAT, SPRING UPPER	1	1	1	1	
21	33D-23141-D0	.SPRING, FRONT FORK(K=4.6N/MM)	1	1	1	1	
22	5XC-23111-00	.BOLT, CAP	1	1	1	1	
23	2HH-23158-L0	..GASKET	1	1	1	1	
24	276-23114-00	..GASKET	1	1	1	1	

FIG. 25 FRONT FORK

REF. NO.	PART NO.	DESCRIPTION	33D5	33D6	33D7	33D8	REMARKS
25	33D-23103-00	FRONT FORK ASSY (R.H)	1		1		
	33D-23103-10	FRONT FORK ASSY (R.H)		1		1	
26	33D-23136-00	.TUBE, OUTER (RIGHT)	1	1	1	1	
27	17D-23153-00	.RING, SNAP	1	1	1	1	
28	33D-23110-00	.INNER TUBE COMP.1	1	1	1	1	
29	5XE-23171-L0	.PISTON, FRONT FORK	1	1	1	1	
30	5XE-23125-L0	.METAL, SLIDE 1	1	1	1	1	
31	5XC-23146-10	.WASHER, OIL SEAL	1	1	1	1	
32	17D-23145-00	.OIL SEAL	1	1	1	1	
33	5XE-23153-L0	.RING, SNAP	1	1	1	1	
34	5XE-23144-L0	.SEAL, DUST	1	1	1	1	
35	33D-23170-00	.CYLINDER COMP., FRONT FORK	1		1		
	33D-23170-10	.CYLINDER COMP., FRONT FORK		1		1	
36	1C3-23147-L0	..O-RING	1	1	1	1	
37	33D-2316A-00	.VALVE COMP.	1		1		
	33D-2316A-10	.VALVE COMP.		1		1	
38	1C3-23188-L0	..O-RING	1	1	1	1	
39	1C3-23188-N0	..O-RING	1	1	1	1	
40	1C3-23188-P0	..O-RING	1	1	1	1	
41	1C3-23188-R0	..O-RING	1	1	1	1	
42	1AE-23147-00	..O-RING	2	2	2	2	
43	1C3-23190-L0	..AIR VALVE COMP.	1	1	1	1	
44	1C3-23142-L0	.SEAT, SPRING UPPER	1	1	1	1	
45	33D-23141-D0	.SPRING, FRONT FORK(K=4.6N/MM)	1	1	1	1	
46	5XC-23111-00	.BOLT, CAP	1	1	1	1	
47	2HH-23158-L0	..GASKET	1	1	1	1	
48	276-23114-00	..GASKET	1	1	1	1	

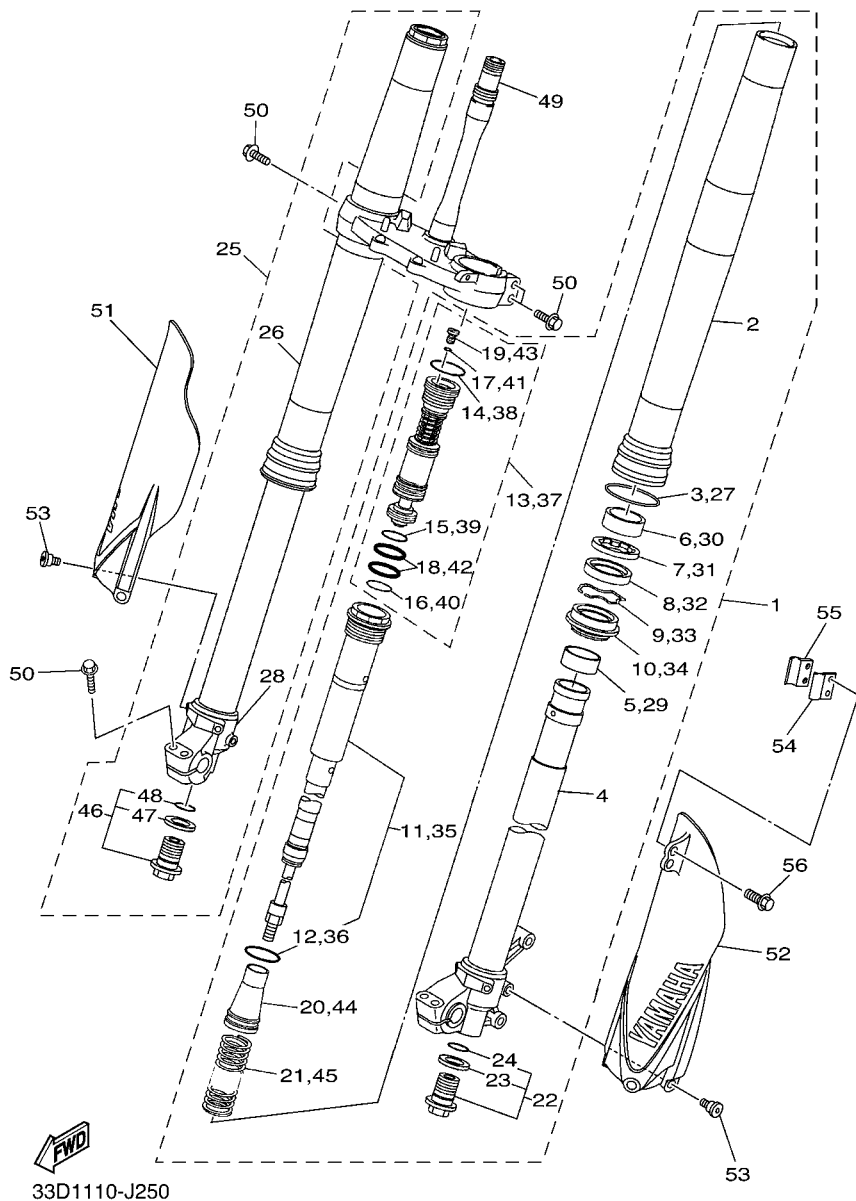
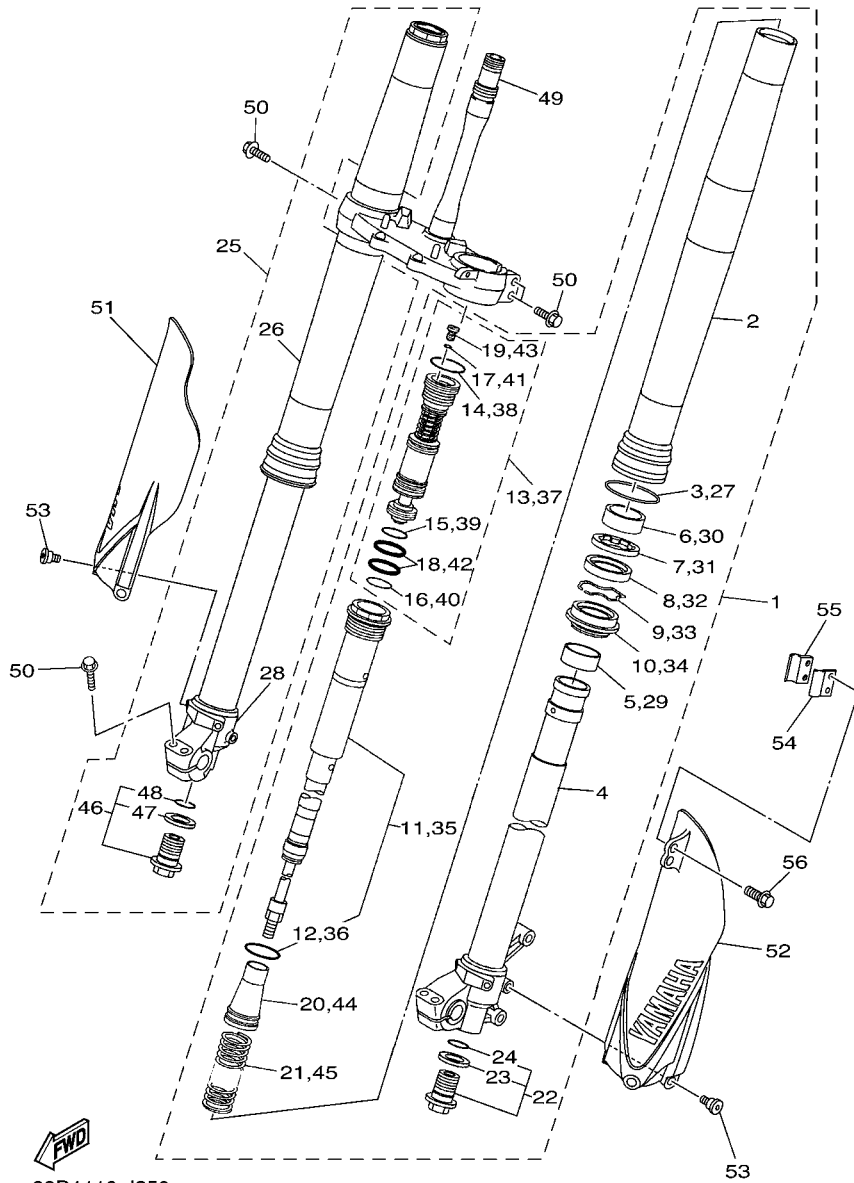


FIG. 25 FRONT FORK

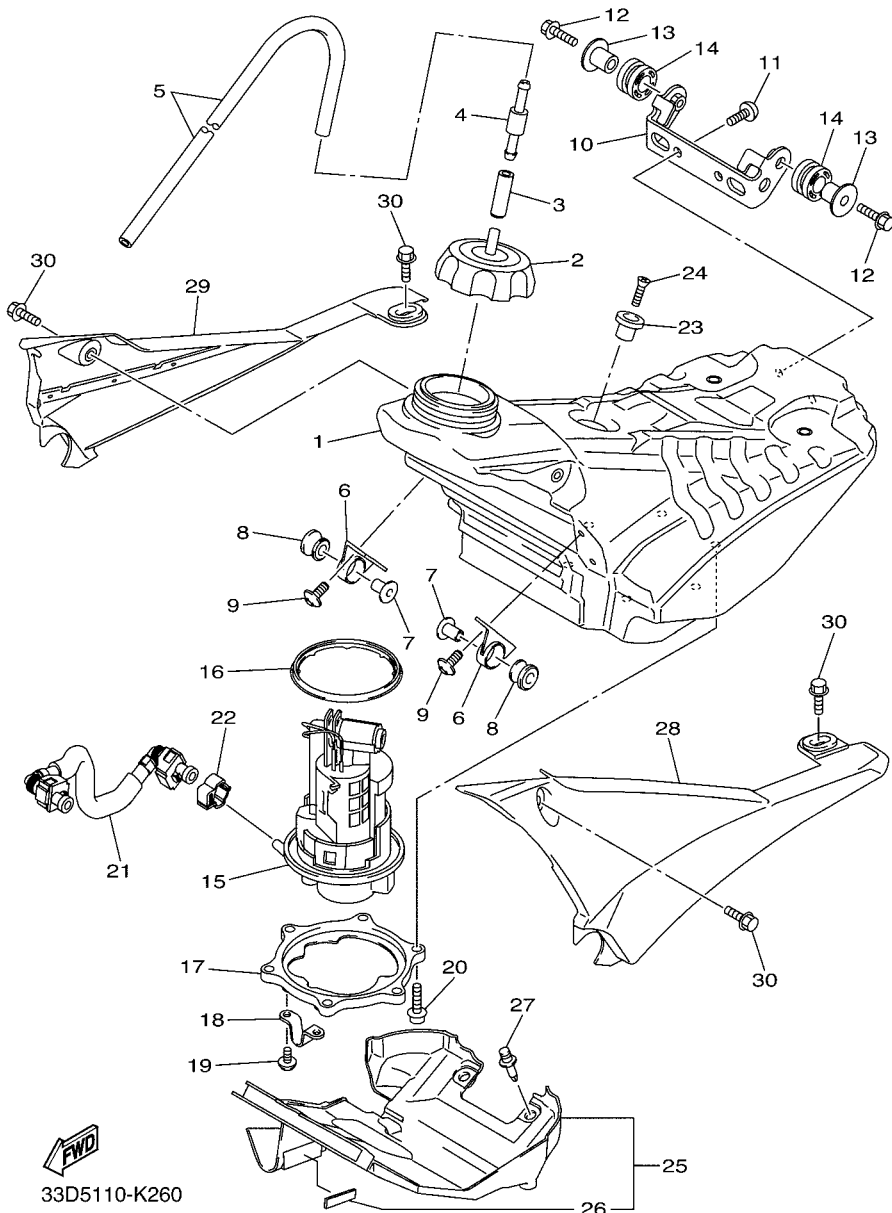


33D1110-J250

REF. NO.	PART NO.	DESCRIPTION	33D5	33D6	33D7	33D8	REMARKS
			1	1	1	1	
49	33D-23340-00	UNDER BRACKET COMP.	1	1	1	1	
50	90105-08154	BOLT, FLANGE	8	8	8	8	
51	17D-2315J-50	PROTECTOR 2	1	1	1	1	
52	17D-2315H-50	PROTECTOR 1	1	1	1	1	
53	90109-06232	BOLT	6	6	6	6	
54	17D-23466-00	CLAMP	1	1	1	1	
55	17D-23467-00	CLAMP	1	1	1	1	
56	90105-06170	BOLT, FLANGE	2	2	2	2	

FIG. 26 FUEL TANK

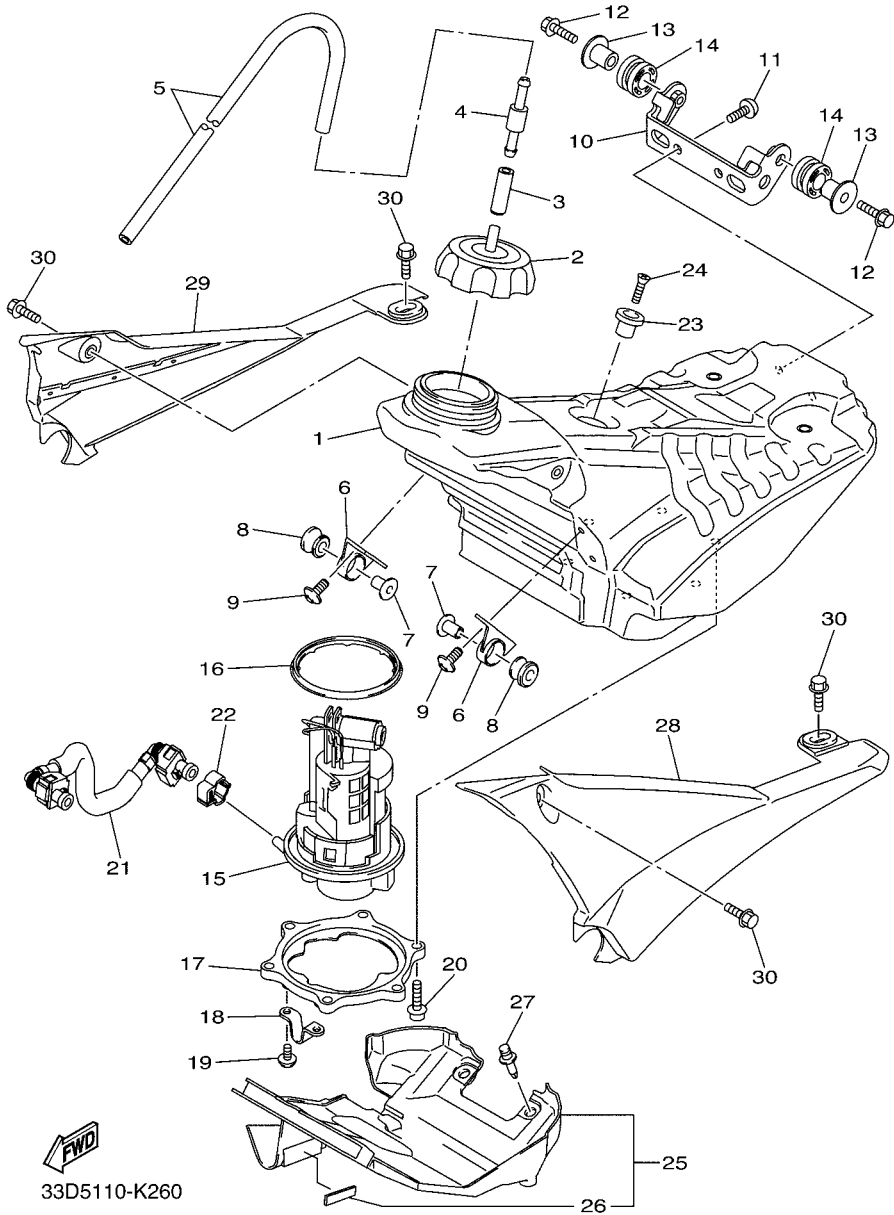
REF. NO.	PART NO.	DESCRIPTION	33D5	33D6	33D7	33D8	REMARKS
1	33D-24110-50	FUEL TANK COMP.	1	1	1	1	
2	5NY-24610-00	CAP ASSY	1	1	1	1	
3	90445-09220	HOSE (L30)	1	1	1	1	
4	3XJ-24380-00	PIPE JOINT ASSY	1	1	1	1	
5	90445-09251	HOSE (L350)	1	1	1	1	
6	33D-24144-00	HOLDER, DAMPER	2	2	2	2	
7	90387-06091	COLLAR	2	2	2	2	
8	90480-18549	GROMMET	2	2	2	2	
9	90111-06007	BOLT,HEX. SOCKET BUTTON	4	4	4	4	
10	33D-2419A-00	HOLDER	1	1	1	1	
11	90111-06007	BOLT,HEX. SOCKET BUTTON	2	2	2	2	
12	95022-06025	BOLT, FLANGE	2	2	2	2	
13	90387-06236	COLLAR	2	2	2	2	
14	90480-01023	GROMMET	2	2	2	2	
15	33D-13907-00	FUEL PUMP COMP.	1	1	1	1	
16	33D-24486-00	O-RING	1	1	1	1	
17	33D-24491-00	BRACKET, FUEL PUMP	1	1	1	1	
18	33D-24192-00	BRACKET, FUEL TANK 2	1	1	1	1	
19	90154-05012	SCREW, BINDING	2	2	2	2	
20	90110-05058	BOLT, HEXAGON SOCKET HEAD	6	6	6	6	
21	33D-13971-00	PIPE, FUEL 1	1	1	1	1	
22	33D-24135-00	CLAMP 1	1	1	1	1	
23	4EW-2412F-00	BRACKET, SEAT	1	1	1	1	
24	98702-06025	SCREW, FLAT HEAD	1	1	1	1	
25	33D-24217-00	COVER	1	1	1	1	
26	33D-24665-00	.DAMPER	1	1	1	1	
27	90269-07001	RIVET	2	2	2	2	



33D5110-K260

FIG. 26 FUEL TANK

REF. NO.	PART NO.	DESCRIPTION	33D5	33D6	33D7	33D8	REMARKS
28	33D-24106-50	TANK SIDE COVER ASSY 1	1	1	1	1	UR FOR DPBSE
	33D-24106-60	TANK SIDE COVER ASSY 1	1	1	1	1	UR FOR YB
29	33D-24108-50	TANK SIDE COVER ASSY 2	1	1	1	1	UR FOR DPBSE
	33D-24108-60	TANK SIDE COVER ASSY 2	1	1	1	1	UR FOR YB
30	90105-06064	BOLT, FLANGE	4	4	4	4	
<hr/>							
<hr/>							
<hr/>							
<hr/>							
<hr/>							
<hr/>							
<hr/>							
<hr/>							
<hr/>							



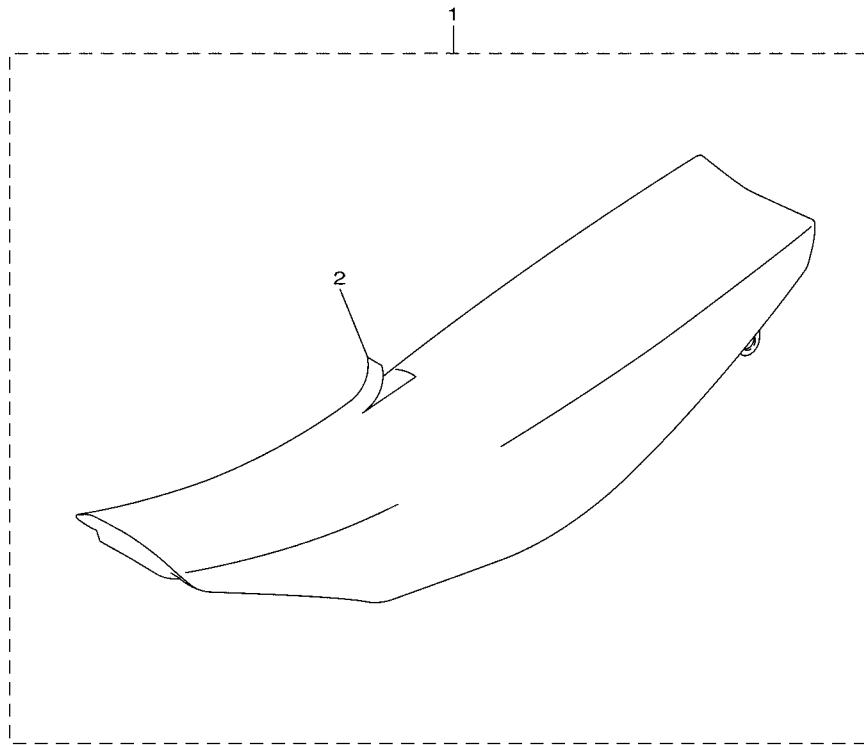


FIG. 27 SEAT

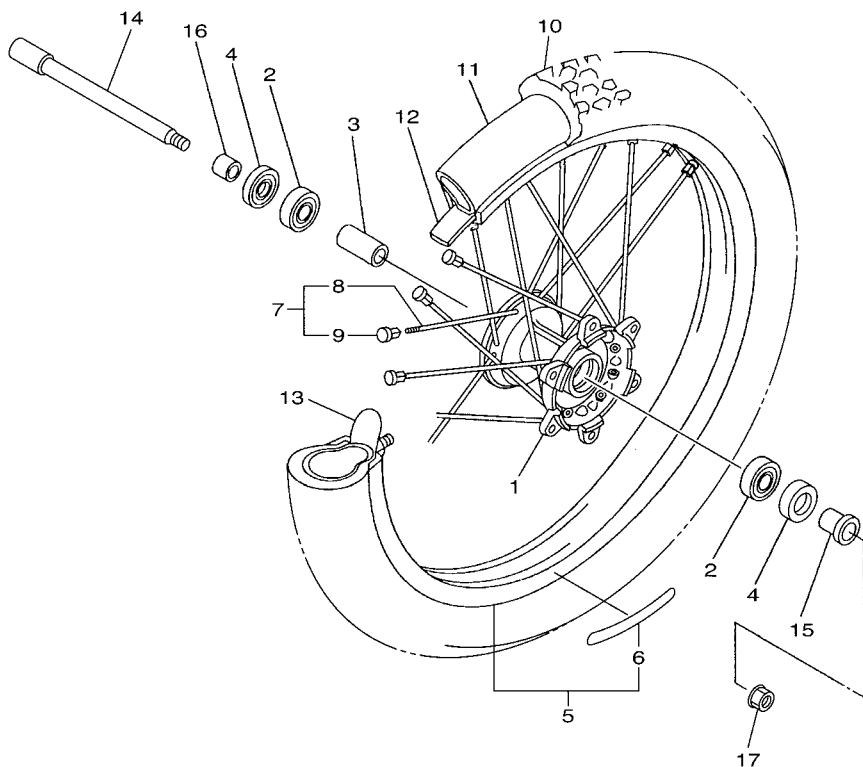
REF. NO.	PART NO.	DESCRIPTION	33D5	33D6	33D7	33D8	REMARKS
1	33D-24710-50	SINGLE SEAT ASSY	1	1	1	1	UR FOR DPBSE
	33D-24710-60	SINGLE SEAT ASSY	1	1	1	1	UR FOR YB
2	33D-2470F-50	.SEAT COVER COMP.	1	1	1	1	UR FOR DPBSE
	33D-2470F-60	.SEAT COVER COMP.	1	1	1	1	UR FOR YB



33D1110-J270

FIG. 28 FRONT WHEEL

REF. NO.	PART NO.	DESCRIPTION	33D5	33D6	33D7	33D8	REMARKS
1	5NY-25111-00	HUB, FRONT	1	1	1	1	
2	93306-90409	BEARING	2	2	2	2	
3	5NY-25117-00	SPACER, BEARING	1	1	1	1	
4	93102-26468	OIL SEAL	2	2	2	2	
5	94416-21034	RIM (1.60-21)	1				UR FOR DPBSE
	94416-21045	RIM (1.60-21)	1				UR FOR YB
	94416-21045	RIM (1.60-21)		1	1	1	
6	17D-2531B-00	.EMBLEM, WHEEL	1				FOR YB
	17D-2531B-00	.EMBLEM, WHEEL		1	1	1	
7	5NY-25104-00	SPOKE SET, FRONT	1	1	1	1	
8	5NY-25196-00	.SPOKE, INNER 1			36		
9	56A-25195-00	.NIPPLE, SPOKE			36		
10	94108-21025	TIRE (80/100-21 51M D742FA)	1			1	DUNLOP
	*	TIRE (80/100-21 51R MST)		1			LM PIRELLI
	*	TIRE(80/100-21 51M M601)			1		LM BRIDGESTONE
11	94227-21101	TUBE (80/100-21 M/C TR4)	1			1	DUNLOP
	*	TUBE (80/100-21)		1			LM PIRELLI
	*	TUBE (80/100-21 M/C TR4)			1		LM BRIDGESTONE
12	94309-21161	BAND, RIM (22-21)	1			1	DUNLOP
	*	BAND, RIM (80/100-21)		1			LM PIRELLI
	*	BAND, RIM (1.60-21)			1		LM BRIDGESTONE
13	5SF-25394-00	SPACER, BEAD	1	1	1	1	
14	5XC-25181-G0	AXLE, WHEEL	1	1	1	1	
15	5XC-25183-G0	COLLAR, WHEEL	1	1	1	1	
16	5XC-25186-G0	COLLAR, WHEEL	1	1	1	1	
17	90179-16011	NUT	1	1	1	1	



17DD100-K280

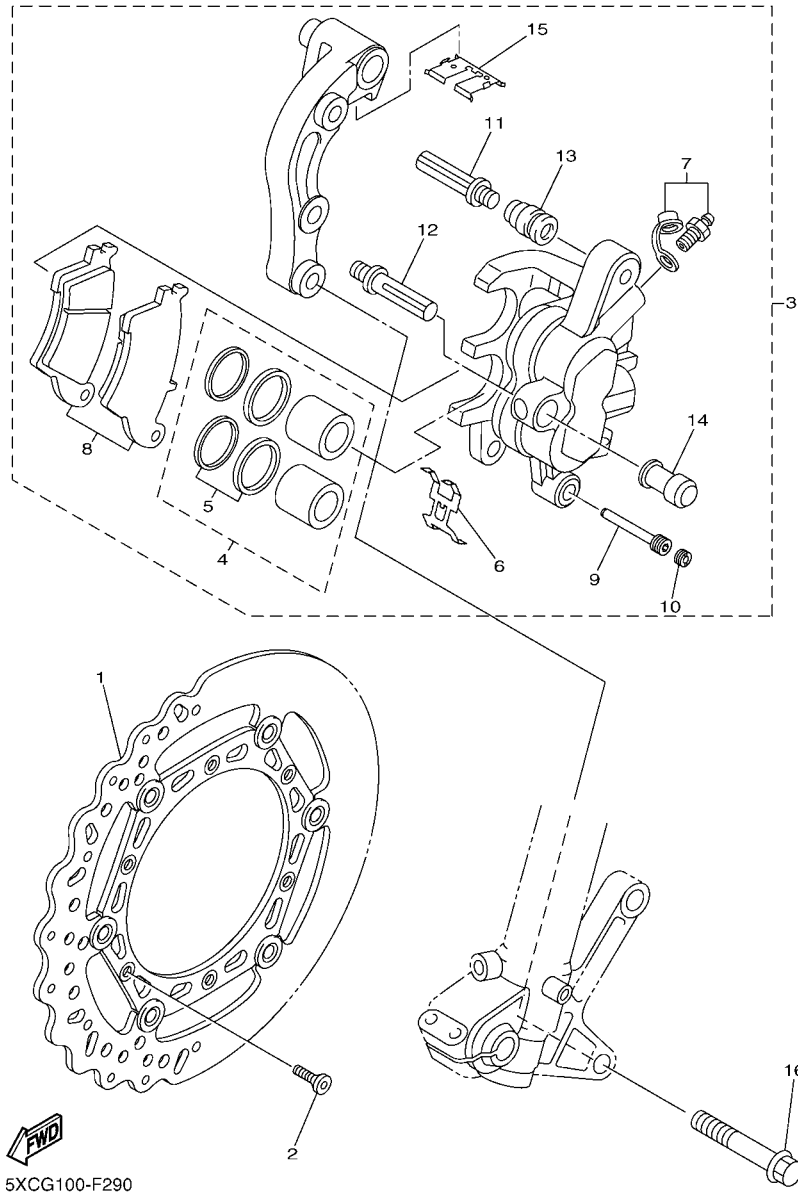
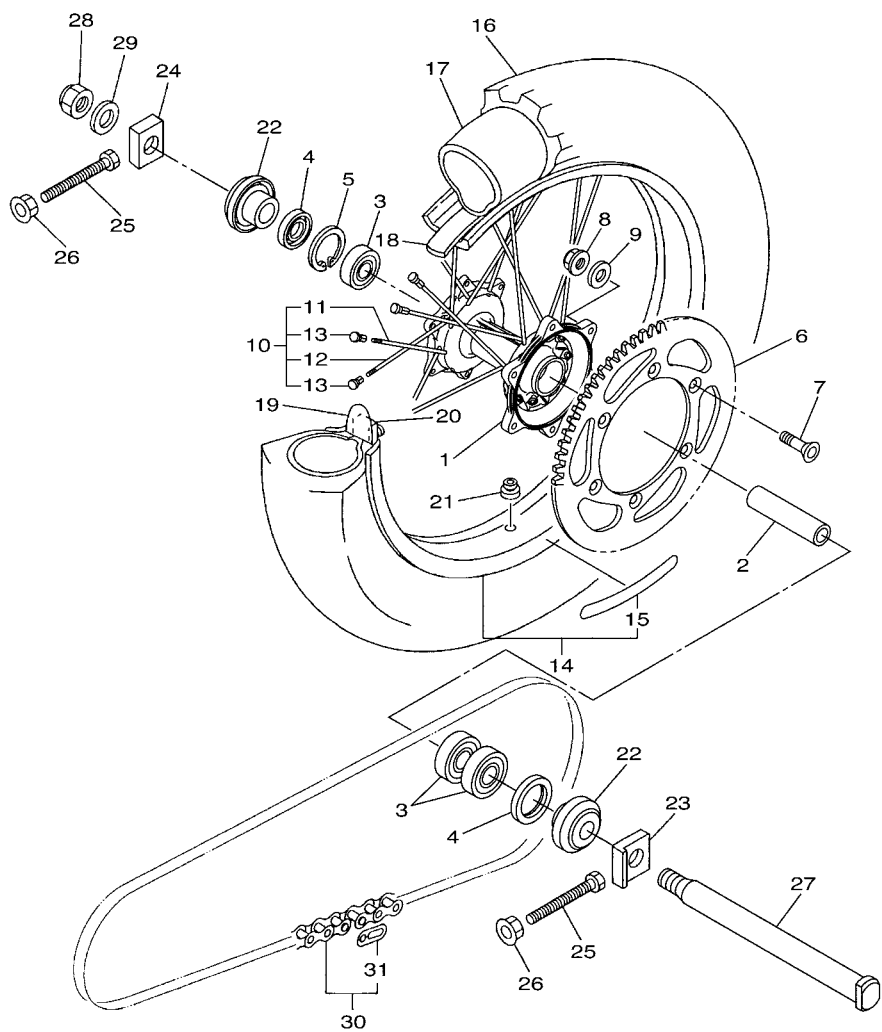


FIG. 29 FRONT BRAKE CALIPER

REF. NO.	PART NO.	DESCRIPTION	33D5	33D6	33D7	33D8	REMARKS
1	5XC-2581T-G0	DISK BRAKE ASSY	1	1	1	1	
2	90151-06051	SCREW, COUNTERSUNK	6	6	6	6	
3	5XC-2580T-G0	CALIPER ASSY (LEFT)	1	1	1	1	
4	5XC-W0057-00	.PISTON ASSY, CALIPER	1	1	1	1	
5	5KM-W0047-10	..CALIPER SEAL KIT	1	1	1	1	
6	5DH-25919-00	.SUPPORT, PAD	1	1	1	1	
7	1UY-W0048-50	.BLEED SCREW KIT	1	1	1	1	
8	5XC-W0045-00	.BRAKE PAD KIT	1	1	1	1	
9	5DH-25933-00	.PIN, PAD	1	1	1	1	
10	5DH-25916-00	.PLUG	1	1	1	1	
11	3SP-25926-51	.BOLT	1	1	1	1	
12	3SP-25914-51	.PIN, SLIDE	1	1	1	1	
13	3JD-25917-00	.BOOT, CALIPER	1	1	1	1	
14	1UY-25937-51	.BOOT 2	1	1	1	1	
15	5XC-25849-G0	.RETAINER, CALIPER	1	1	1	1	
16	90105-08137	BOLT, FLANGE	2	2	2	2	

FIG. 30 REAR WHEEL

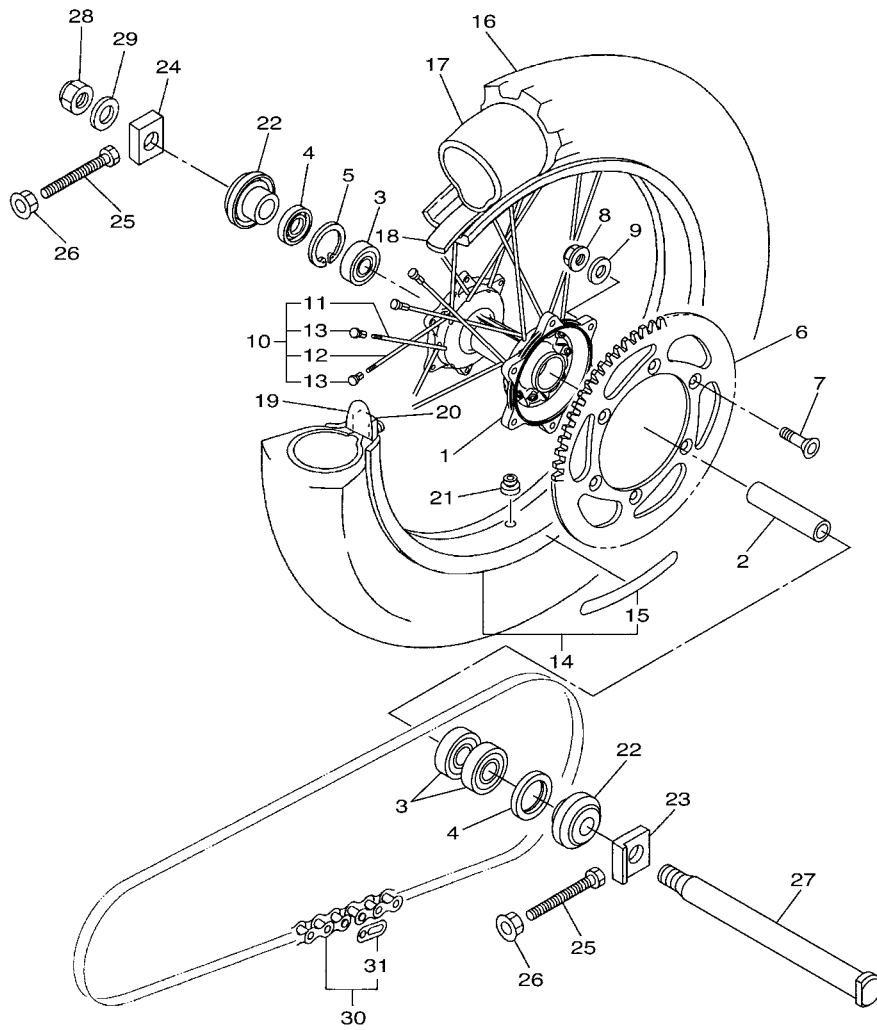
REF. NO.	PART NO.	DESCRIPTION	33D5	33D6	33D7	33D8	REMARKS
1	17D-25311-00	HUB, REAR	1	1	1	1	
2	17D-25317-00	SPACER, BEARING	1	1	1	1	
3	93306-90510	BEARING	3	3	3	3	
4	93102-32337	OIL SEAL	2	2	2	2	
5	99009-42700	CIRCLIP	1	1	1	1	
6	17D-25448-50	SPROCKET, DRIVEN (48T)	1				STD
	17D-25449-50	SPROCKET, DRIVEN (49T)		1	1	1	STD
	17D-25447-50	SPROCKET, DRIVEN (47T)	1	1	1	1	AP
	17D-25450-50	SPROCKET, DRIVEN (50T)	1	1	1	1	AP
	17D-25451-50	SPROCKET, DRIVEN (51T)	1	1	1	1	AP
	17D-25452-50	SPROCKET, DRIVEN (52T)	1	1	1	1	AP
	17D-25449-50	SPROCKET, DRIVEN (49T)	1				AP
	17D-25448-50	SPROCKET, DRIVEN (48T)		1	1	1	AP
7	90109-08078	BOLT	6	6	6	6	
8	90185-08008	NUT, SELF-LOCKING	6	6	6	6	
9	90201-08048	WASHER, PLATE	6	6	6	6	
10	34P-25304-00	SPOKE SET, REAR	1	1	1	1	
11	34P-25396-00	.SPOKE, INNER 2			18		
12	34P-25397-00	.SPOKE, OUTER 2			18		
13	5ET-25395-00	.NIPPLE, SPOKE			36		
14	94421-19007	RIM (2.15-19)	1				UR FOR DPBSE
	94421-19013	RIM (2.15-19)	1				UR FOR YB
	94421-19013	RIM (2.15-19)		1	1	1	
15	17D-2531B-00	.EMBLEM, WHEEL	1				FOR YB
	17D-2531B-00	.EMBLEM, WHEEL		1	1	1	
16	94112-19008	TIRE (120/80-19 63M D756)	1			1	DUNLOP
	*	TIRE (110/90-19 62M NHS)		1			LM PIRELLI



17DD100-K300

FIG. 30 REAR WHEEL

REF. NO.	PART NO.	DESCRIPTION	33D5	33D6	33D7	33D8	REMARKS
16	*	TIRE (110/90-19 62M M602)			1		LM BRIDGESTONE
17	94211-19273	TUBE (110/90-19 M/C TR4)	1			1	DUNLOP
	*	TUBE (110/90-19)		1			LM PIRELLI
	*	TUBE (110/90-19 M/C TR4)			1		LM BRIDGESTONE
18	94311-19155	BAND, RIM (2.5-19)	1			1	DUNLOP
	*	BAND, RIM (3.50-18)		1			LM METZELER
	*	BAND, RIM (2.15-19)			1		LM BRIDGESTONE
19	3JE-25394-00	SPACER, BEAD	1	1	1	1	
20	4XM-25364-00	DAMPER	1	1	1	1	
21	90480-08608	GROMMET	1	1	1	1	
22	17D-2530S-00	COLLAR ASSY	2	2	2	2	
23	17D-25388-00	PULLER, CHAIN 1	1	1	1	1	
24	33D-25389-00	PULLER, CHAIN 2	1	1	1	1	
25	90101-08006	BOLT	2	2	2	2	
26	90179-08019	NUT	2	2	2	2	
27	17D-25381-00	AXLE, WHEEL	1	1	1	1	
28	90185-22011	NUT, SELF-LOCKING	1	1	1	1	
29	90201-22023	WASHER, PLATE	1	1	1	1	
30	9Y581-92113	CHAIN (DID 520D 114L)	1	1	1	1	UR FOR DPBSE
	9Y582-28113	CHAIN (DID520DMA2-114LL)	1	1	1	1	UR FOR YB
31	94681-68001	.JOINT,CHAIN (DID 520DM-RJ)	1	1	1	1	UR FOR DPBSE
	94682-28001	.JOINT, CHAIN (DID520DM G&B-RJ)	1	1	1	1	UR FOR YB



17DD100-K300

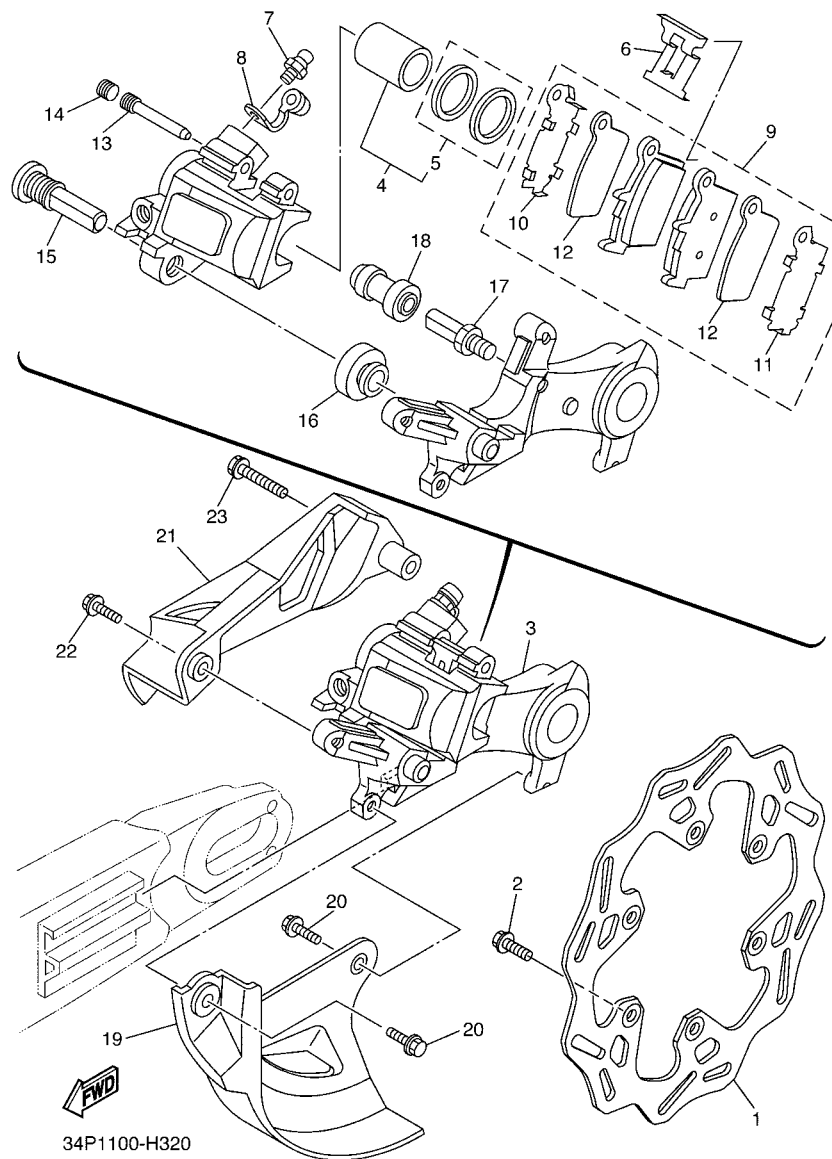
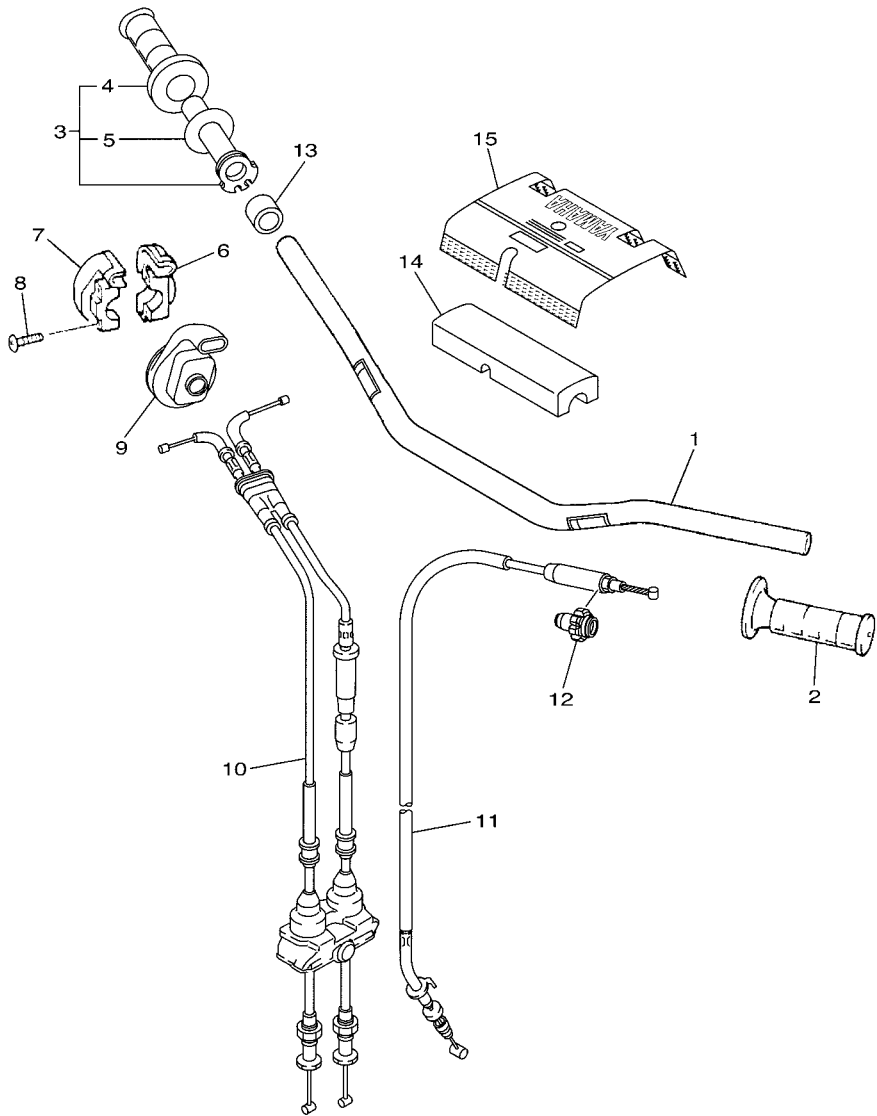


FIG. 31 REAR BRAKE CALIPER

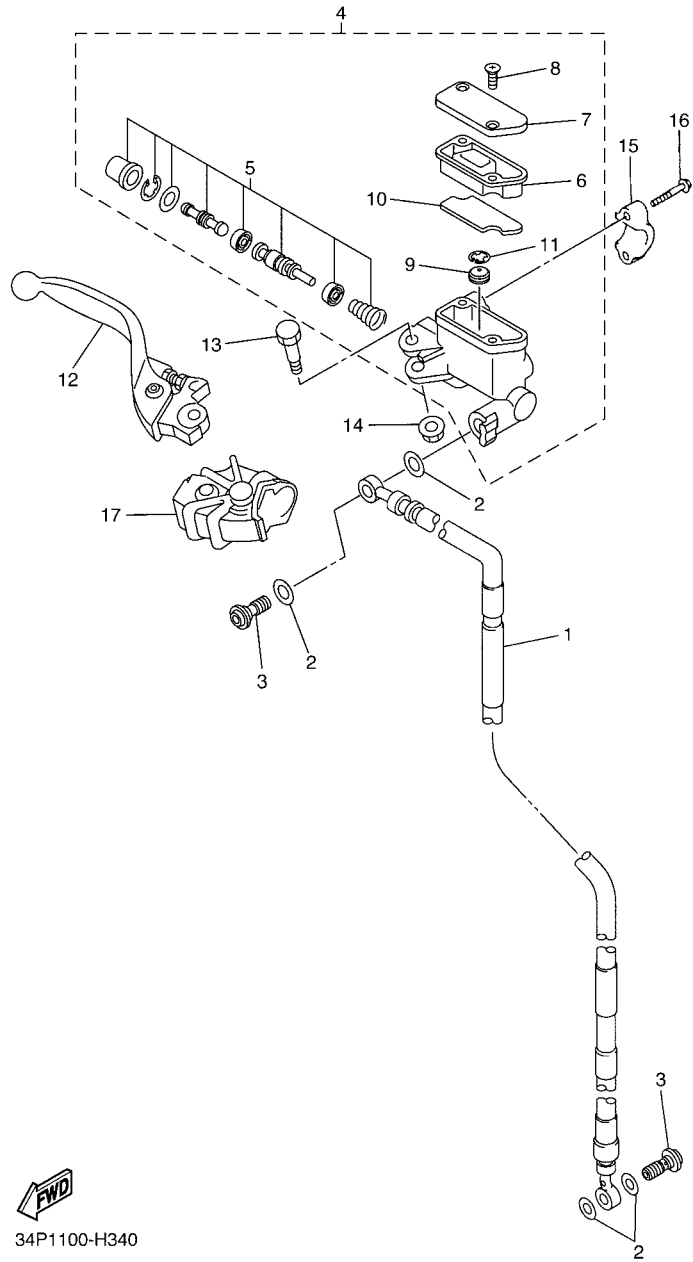
REF. NO.	PART NO.	DESCRIPTION	33D5	33D6	33D7	33D8	REMARKS
1	2S2-2582W-70	DISK, REAR BRAKE 2	1	1	1	1	
2	90105-06156	BOLT, FLANGE	6	6	6	6	
3	17D-2580W-01	CALIPER ASSY, REAR 2	1		1	1	
	17D-2580W-11	CALIPER ASSY, REAR 2		1			
4	5UN-W0057-50	.PISTON ASSY, CALIPER	1	1	1	1	
5	5UN-W0047-50	..CALIPER SEAL KIT	1	1	1	1	
6	5DH-25919-50	.SUPPORT, PAD	1	1	1	1	
7	1UY-25824-51	.SCREW, BLEED	1	1	1	1	
8	1UY-25825-51	.CAP	1	1	1	1	
9	1C3-W0046-50	.BRAKE PAD KIT 2	1		1	1	
	1C3-W0046-B0	.BRAKE PAD KIT 2		1			
10	5UN-25828-60	..SHIM, CALIPER	1	1	1	1	
11	5UN-25827-60	..SHIM, CALIPER	1	1	1	1	
12	5UN-22898-60	..INSULATOR, HEAT	2	2	2	2	
13	8CR-25924-00	.PIN, PAD	1	1	1	1	
14	5DH-25916-00	.PLUG	1	1	1	1	
15	5DH-25914-50	.PIN, SLIDE	1	1	1	1	
16	3JD-25917-00	.BOOT, CALIPER	1	1	1	1	
17	5UN-25914-00	.PIN, SLIDE	1	1	1	1	
18	1UY-25937-51	.BOOT 2	1	1	1	1	
19	17D-25718-50	PROTECTOR, DISK BRAKE	1	1	1	1	
20	90105-06110	BOLT, FLANGE	2	2	2	2	
21	17D-27491-50	PROTECTOR	1	1	1	1	
22	90105-06107	BOLT, FLANGE	1	1	1	1	
23	90105-06111	BOLT, FLANGE	1	1	1	1	

FIG. 32 STEERING HANDLE & CABLE

REF. NO.	PART NO.	DESCRIPTION	33D5	33D6	33D7	33D8	REMARKS
1	5XC-26111-L1	HANDLEBAR	1	1	1	1	
2	4GY-26241-00	GRIP	1	1	1	1	
3	5TJ-26240-C0	GRIP ASSY	1	1	1	1	
4	4GY-26242-00	.GRIP (RIGHT)	1	1	1	1	
5	3Y1-26249-00	.RING, LEAF	1	1	1	1	
6	5BE-26281-00	CAP, GRIP UPPER	1	1	1	1	
7	5BE-26282-00	CAP, GRIP UNDER	1	1	1	1	
8	98507-05020	SCREW, PAN HEAD	2	2	2	2	
9	5SF-26287-10	COVER, CAP GRIP	1	1	1	1	
10	33D-26302-00	THROTTLE CABLE ASSY	1	1	1	1	
11	33D-26335-00	CABLE, CLUTCH	1	1	1	1	
12	34P-26342-00	BOOT, CABLE	1	1	1	1	
13	90387-225N2	COLLAR	1	1	1	1	
14	17D-26124-00	PROTECTOR, HANDLEBAR	1	1	1	1	
15	5XC-26143-L0	COVER,HAND,UPPER 1	1	1	1	1	UR FOR DPBSE
	5XC-26143-M0	COVER,HAND,UPPER 1	1	1	1	1	UR FOR YB



33D1110-J320



FWD
34P1100-H340

FIG. 33 FRONT MASTER CYLINDER

REF. NO.	PART NO.	DESCRIPTION	33D5	33D6	33D7	33D8	REMARKS
1	17D-25872-50	HOSE, BRAKE 1	1	1	1	1	
2	90430-10005	GASKET	4	4	4	4	
3	90401-10172	BOLT, UNION	2	2	2	2	
4	5XC-W2587-00	MASTER CYLINDER SUB ASSY	1	1	1	1	
5	5XC-W0041-00	.CYLINDER KIT, MASTER	1	1	1	1	
6	5XC-25854-G0	.DIAPHRAGM, RESERVOIR	1	1	1	1	
7	5XC-25852-G0	.CAP, RESERVOIR	1	1	1	1	
8	98706-04012	.SCREW, FLAT HEAD	2	2	2	2	
9	5CG-25715-00	.SEPARATOR ASSY	1	1	1	1	
10	5XC-25853-G0	.FLOAT, RESERVOIR	1	1	1	1	
11	5CG-2585G-00	.CIRCLIP	1	1	1	1	
12	5XC-83922-L0	LEVER 2	1	1	1	1	
13	5MV-2589F-00	BOLT, LEVER	1	1	1	1	
14	95701-06500	NUT, WITH WASHER	1	1	1	1	
15	5MV-25867-00	BRACKET, MASTER CYLINDER	1	1	1	1	
16	5MV-25833-00	BOLT, FITTING	2	2	2	2	
17	5XC-26372-G0	COVER, HANDLE LEVER 1	1	1	1	1	

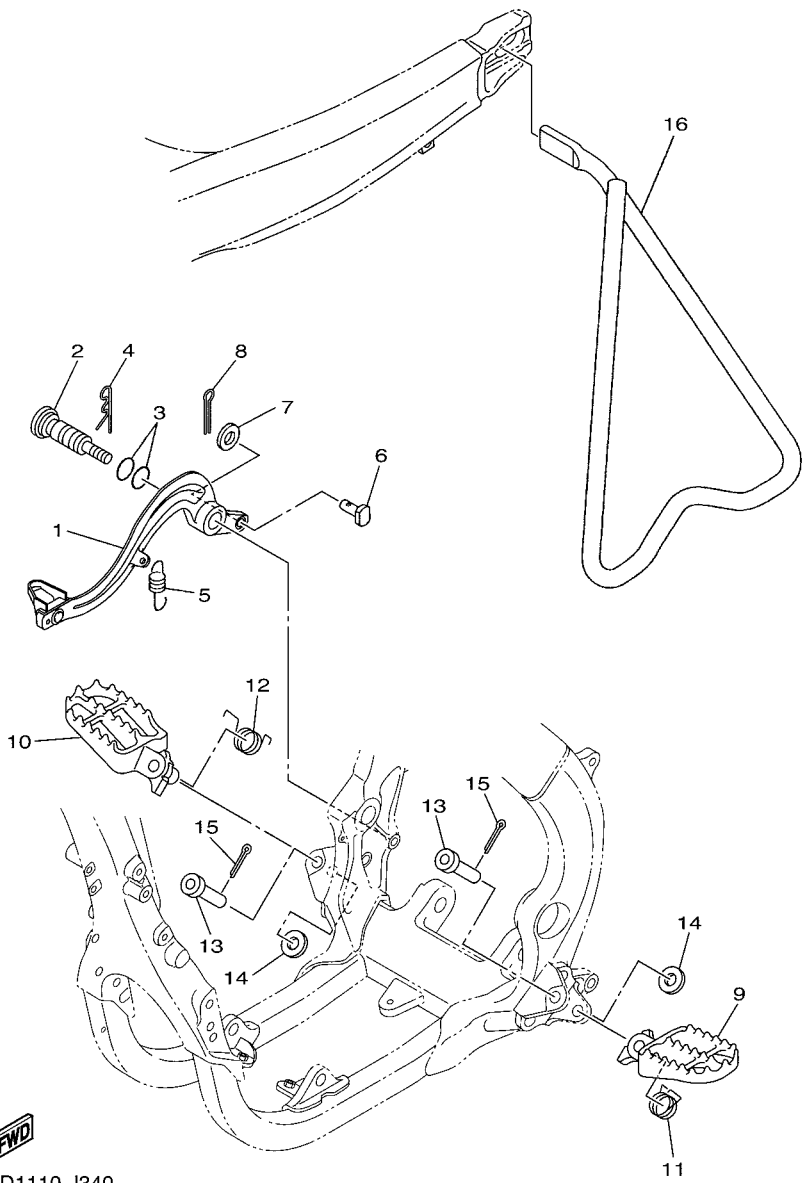
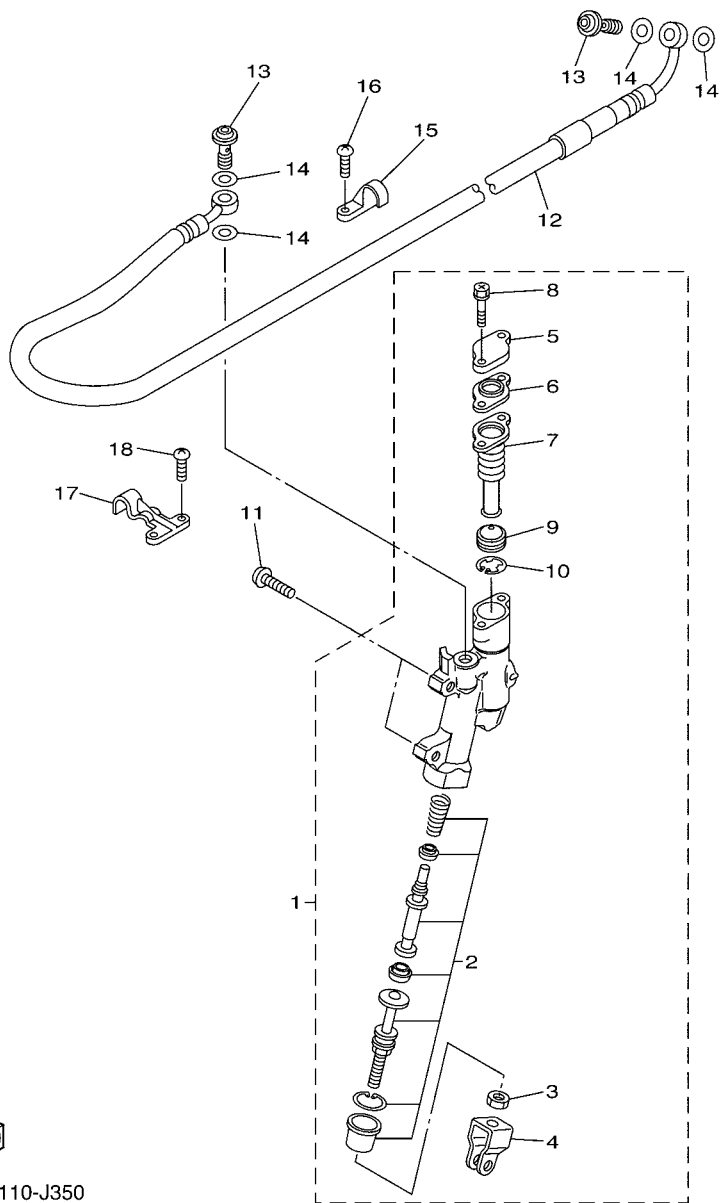


FIG. 34 STAND & FOOTREST

REF. NO.	PART NO.	DESCRIPTION	33D5	33D6	33D7	33D8	REMARKS
1	33D-27200-01	PEDAL, BRAKE	1	1	1	1	
2	17D-27217-00	BOLT	1	1	1	1	
3	93210-11073	O-RING	2	2	2	2	
4	90468-16001	CLIP	1	1	1	1	
5	90506-18019	SPRING, TENSION	1	1	1	1	
6	90240-08120	PIN, CLEVIS	1	1	1	1	
7	90201-08044	WASHER, PLATE	1	1	1	1	
8	91402-20012	PIN, COTTER	1	1	1	1	
9	17D-27411-00	FOOTREST 1	1	1	1	1	
10	17D-27421-00	FOOTREST 2	1	1	1	1	
11	90508-28015	SPRING, TORSION	1	1	1	1	
12	90508-28018	SPRING, TORSION	1	1	1	1	
13	90240-10004	PIN, CLEVIS	2	2	2	2	
14	90201-10032	WASHER, PLATE	2	2	2	2	
15	91402-25015	PIN, COTTER	2	2	2	2	
16	34P-27311-00	STAND, SIDE	1	1	1	1	

FIG. 35 REAR MASTER CYLINDER



33D1110-J350

REF. NO.	PART NO.	DESCRIPTION	33D5	33D6	33D7	33D8	REMARKS
1	33D-2583V-00	RR. MASTER CYLINDER ASSY.	1	1	1	1	
2	5UN-W0042-50	.CYLINDER KIT, MASTER	1	1	1	1	
3	5UN-27218-00	.NUT	1	1	1	1	
4	5UN-27222-00	.JOINT	1	1	1	1	
5	5UN-25852-50	.CAP, RESERVOIR	1	1	1	1	
6	5UN-2585B-00	.PLATE, DIAPHRAGM	1	1	1	1	
7	5UN-25854-00	.DIAPHRAGM, RESERVOIR	1	1	1	1	
8	5UN-27217-00	.BOLT	2	2	2	2	
9	5CG-25715-00	.SEPARATOR ASSY	1	1	1	1	
10	5CG-2585G-00	.CIRCLIP	1	1	1	1	
11	90111-06116	BOLT,HEX. SOCKET BUTTON	2	2	2	2	
12	5XC-25873-L0	HOSE, BRAKE 2	1	1	1	1	
13	90401-10172	BOLT, UNION	2	2	2	2	
14	90430-10005	GASKET	4	4	4	4	
15	1C3-25886-50	HOLDER, BRAKE HOSE	1	1	1	1	
16	98502-05010	SCREW, PAN HEAD	2	2	2	2	
17	1C3-25876-50	HOLDER, BRAKE HOSE 2	1	1	1	1	
18	98502-05010	SCREW, PAN HEAD	2	2	2	2	

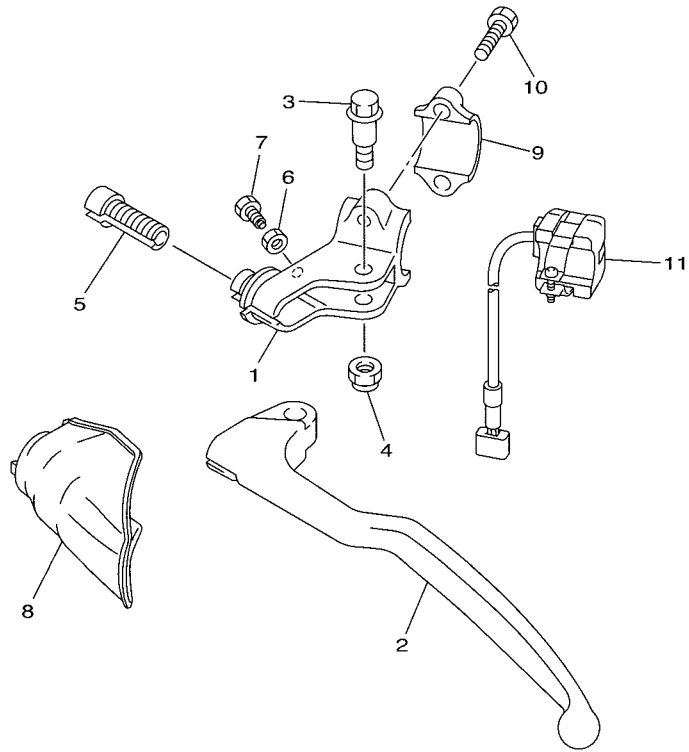


FIG. 37 HANDLE SWITCH & LEVER

REF. NO.	PART NO.	DESCRIPTION	33D5	33D6	33D7	33D8	REMARKS
1	17D-82911-00	HOLDER, LEVER 1	1	1	1	1	
2	17D-83912-00	LEVER 1	1	1	1	1	
3	90109-06034	BOLT	1	1	1	1	
4	5LP-84126-10	NUT, LENS FITTING	1	1	1	1	
5	17D-26337-00	BOLT, ADJUSTING	1	1	1	1	
6	95302-05600	NUT	1	1	1	1	
7	90101-05005	BOLT	1	1	1	1	
8	34P-26372-00	COVER, HANDLE LEVER 1	1	1	1	1	
9	33D-82913-00	HOLDER, LEVER LOWER 1	1	1	1	1	
10	95022-06020	BOLT, FLANGE	2	2	2	2	
11	33D-83976-01	SWITCH, HANDLE 1	1	1	1	1	



33D1110-J370

FIG. 38 ELECTRICAL 1

REF. NO.	PART NO.	DESCRIPTION	33D5	33D6	33D7	33D8	REMARKS
1	33D-8591A-00	ENGINE CONTROL UNIT ASSY	1				
	33D-8591A-40	ENGINE CONTROL UNIT ASSY		1			
	33D-8591A-50	ENGINE CONTROL UNIT ASSY			1		
	33D-8591A-60	ENGINE CONTROL UNIT ASSY				1	
2	92012-05025	BOLT, BUTTON HEAD	2	2	2	2	
3	90387-05048	COLLAR	2	2	2	2	
4	90480-13029	GROMMET	2	2	2	2	
5	90201-05043	WASHER, PLATE	2	2	2	2	
6	33D-82310-00	IGNITION COIL ASSY	1	1	1	1	
7	33D-82351-00	TUBE, CORD	1	1	1	1	
8	90480-11015	GROMMET	1	1	1	1	
9	33D-82370-00	PLUG CAP ASSY	1	1	1	1	
10	92012-05016	BOLT, BUTTON HEAD	2	2	2	2	
11	33D-13542-00	HOSE, VACUUM SENSING 1	1	1	1	1	
12	90467-07138	CLIP	1	1	1	1	
13	92012-05016	BOLT, BUTTON HEAD	1	1	1	1	
14	4P9-83591-00	THERMO UNIT	1	1	1	1	
15	90430-10004	GASKET	1	1	1	1	
16	2C0-82380-00	SENSOR, PRESSURE	1	1	1	1	
17	33D-82388-00	PLATE	1	1	1	1	
18	90105-06110	BOLT, FLANGE	1	1	1	1	
19	33D-81960-00	RECTIFIER & REGULATOR ASSY	1	1	1	1	
20	90105-06110	BOLT, FLANGE	2	2	2	2	
21	33D-81965-00	CONDENSER, SMOOTHING	1	1	1	1	
22	33D-82590-00	WIRE HARNESS ASSY	1	1	1	1	
23	33D-82378-00	CONNECTOR	1	1	1	1	
24	90464-13077	CLAMP	1	1	1	1	

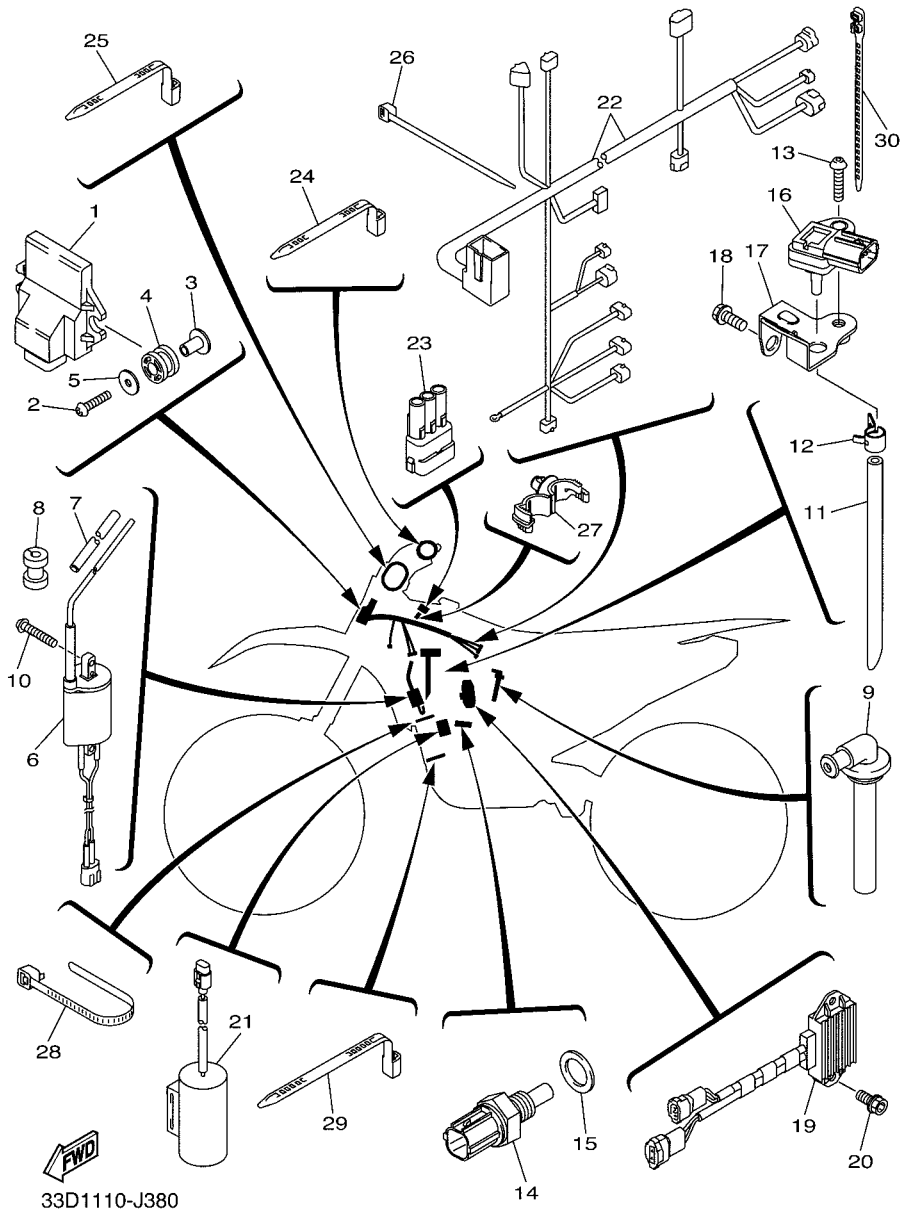
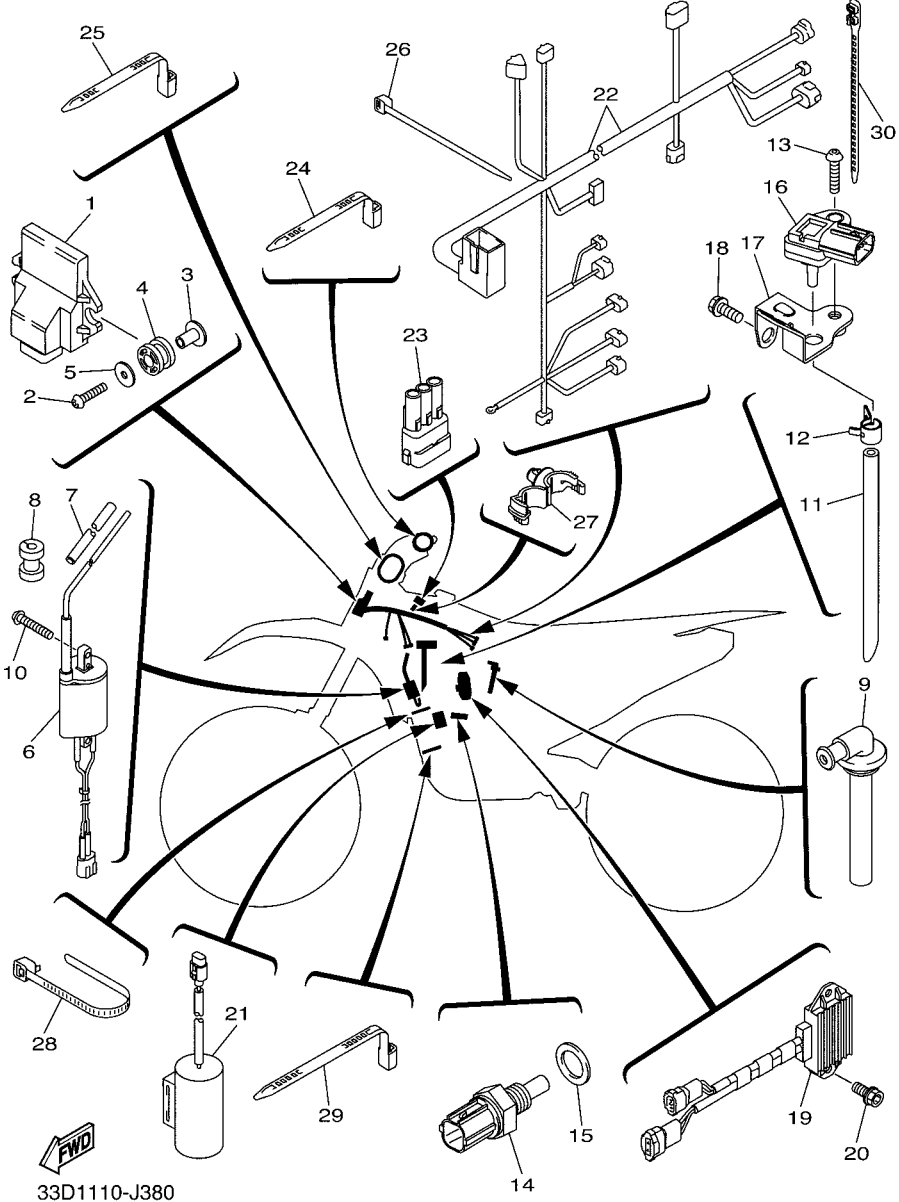
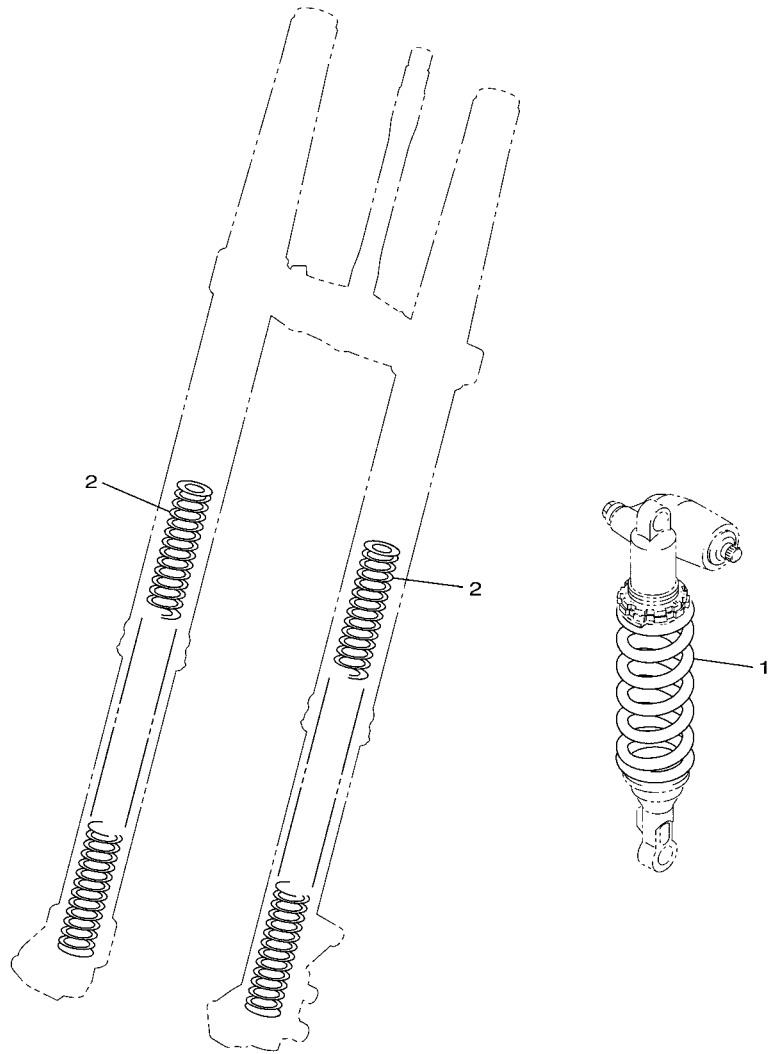


FIG. 38 ELECTRICAL 1



REF. NO.	PART NO.	DESCRIPTION	33D5	33D6	33D7	33D8	REMARKS
25	90464-13073	CLAMP	1	1	1	1	
26	5Y9-12491-00	CLAMP 1	2	2	2	2	
27	90464-18002	CLAMP	2	2	2	2	
28	90464-20258	CLAMP	1	1	1	1	
29	90464-15195	CLAMP	1	1	1	1	
30	90464-45001	CLAMP	1	1	1	1	



33D1110-J390

FIG. 39 ALTERNATE FOR CHASSIS

REF. NO.	PART NO.	DESCRIPTION	33D5	33D6	33D7	33D8	REMARKS
1	33D-22212-20	SPRING (K=54N/MM)	1	1	1	1	AP BLUE
	33D-22212-40	SPRING (K=58N/MM)	1	1	1	1	AP BLUE
	33D-22212-C0	SPRING (K=54N/MM)	1	1	1	1	AP RED
	33D-22212-E0	SPRING (K=58N/MM)	1	1	1	1	AP RED
2	33D-23141-20	SPRING, FRONT FORK(K=4.5N/MM)	2	2	2	2	AP
	33D-23141-30	SPRING, FRONT FORK(K=4.6N/MM)	2	2	2	2	AP
	33D-23141-40	SPRING, FRONT FORK(K=4.7N/MM)	2	2	2	2	AP

NUMERICAL INDEX

PART NO.	REF. NO.	PART NO.	REF. NO.	PART NO.	REF. NO.	PART NO.	REF. NO.	PART NO.	REF. NO.	PART NO.	REF. NO.
33D-11102-00	1 - 1	3LD-12168-R1	3 - 11	5D3-13440-00	8 - 1	33D-1469A-00	11 - 16	33D-16381-10	15 - 19	33D-2147E-00	19 - 39
5PS-11133-10	1 - 2	3LD-12168-U1	3 - 11	33D-13447-00	8 - 2	2S2-1469A-10	11 - 16	2S2-17121-00	16 - 9	17D-21511-50	20 - 1
5PS-11134-10	1 - 3	3LD-12168-W1	3 - 11	33D-13542-00	38 - 11	2S2-1469E-00	11 - 20	33D-17131-00	16 - 6	17D-21511-60	20 - 1
33D-11166-00	1 - 23	3LD-12168-Y1	3 - 11	33D-13577-00	10 - 7	2S2-1469F-00	11 - 17	2S2-17141-00	16 - 7	33D-21610-00	20 - 8
371-11167-01	1 - 22	3LD-12169-11	3 - 11	33D-13597-00	9 - 1	5PH-14714-00	11 - 5	2S2-17151-00	16 - 3	33D-21610-50	20 - 8
33D-11181-00	1 - 14	3LD-12169-31	3 - 11	33D-13750-00	10 - 1	8GL-14714-00	11 - 21	2S2-17211-00	16 - 14	2S2-2163G-20	21 - 5
33D-11191-00	1 - 19	3LD-12169-50	3 - 11	3B4-13761-00	10 - 11	2D1-14737-00	11 - 6	2S2-17221-00	16 - 25		21 - 15
33D-11193-00	1 - 21	3LD-12169-70	3 - 11	33D-13907-00	26 - 15	5VY-14747-00	11 - 11	2S2-17231-00	16 - 20	33D-21642-00	20 - 11
33D-1119E-00	1 - 26	3LD-12169-90	3 - 11	33D-13938-00	10 - 2	33D-14750-00	11 - 13	2S2-17241-00	16 - 23	3RV-21668-A0	22 - 32
5UM-1119E-00	1 - 25	3LD-12169-E0	3 - 11	33D-13971-00	26 - 21	33D-14750-20	11 - 13	33D-17251-00	16 - 17	3RV-21668-B0	22 - 33
33D-11311-00	1 - 27	3LD-12169-G0	3 - 11	3TJ-14137-40	9 - 7	33D-1476F-10	11 - 19	33D-17402-00	16 - 13	33D-21710-01	21 - 1
33D-11351-00	1 - 28	3LD-12169-J0	3 - 11		10 - 10	33D-14788-00	11 - 7	2S2-17411-00	16 - 2	33D-21719-00	21 - 8
33D-11400-01	2 - 1	3LD-12169-L0	3 - 11	5PS-14147-00	10 - 12	8GL-14789-00	11 - 23	2S2-17466-00	12 - 10	5XC-21719-90	21 - 7
33D-11412-00	2 - 2	3LD-12169-N0	3 - 11	33D-14171-00	10 - 4	33D-14987-00	9 - 6	2S2-17471-00	16 - 34	33D-21720-01	21 - 6
33D-11422-00	2 - 3	3LD-12169-T0	3 - 11	33D-14216-00	10 - 9	33D-15100-00	12 - 1	33D-18101-00	18 - 2	33D-2172A-00	21 - 24
33D-11454-00	2 - 14	33D-12170-00	4 - 1	33D-14227-00	9 - 5	5XC-15118-00	12 - 24	2S2-18110-00	18 - 8	33D-2172P-00	21 - 3
33D-11455-00	2 - 9	33D-12180-00	4 - 2	33D-14293-00	9 - 4	17D-15155-00	12 - 3	33D-18122-00	18 - 3	33D-2172S-00	21 - 2
33D-11464-00	2 - 16	5TA-12210-30	4 - 5	33D-14325-00	10 - 5	3Y1-15361-00	12 - 23	33D-18140-00	17 - 4	33D-21730-51	21 - 18
2S2-11531-00	2 - 11	4FM-12213-00	4 - 8	33D-14348-00	10 - 6	3Y1-15363-10	13 - 6	5TJ-18172-00	18 - 16	19D-21732-00	19 - 51
33D-11536-00	2 - 8	5EL-12214-00	4 - 7	33D-14417-00	9 - 17	2S2-15378-00	13 - 13	3XJ-18173-10	18 - 11	33D-2173E-10	9 - 44
33D-11603-00	2 - 23	5EL-12228-00	4 - 6	5TJ-14419-00	9 - 24	4JT-15381-01	12 - 15	33D-18175-00	17 - 7	33D-2173E-20	9 - 44
33D-11631-00	2 - 22	33D-12233-00	4 - 13	33D-1441B-00	9 - 27	18P-15383-00	12 - 16	3XJ-18178-00	18 - 12	33D-2173F-10	9 - 45
33D-11633-00	2 - 24	5BE-12241-00	1 - 20	33D-1441G-00	9 - 16	2S2-15388-00	12 - 19	3XJ-18182-00	18 - 13	33D-2173F-20	9 - 45
33D-11651-00	2 - 6	33D-12251-00	4 - 11	33D-14425-00	9 - 35	33D-15411-00	13 - 1	3XJ-18184-00	18 - 15	33D-2173P-00	21 - 13
5TG-11681-01	2 - 4	33D-12252-00	4 - 12		9 - 40	33D-15415-00	13 - 22	1C3-18185-00	18 - 1	33D-2173S-00	21 - 11
33D-116A0-00	2 - 21	33D-1240A-00	6 - 7	33D-14428-00	9 - 8	33D-15421-00	12 - 9	33D-18501-00	17 - 8	33D-21740-51	21 - 20
33D-12111-00	3 - 1	33D-12422-00	5 - 7	33D-14437-00	9 - 33	33D-15431-00	13 - 14	33D-18502-00	17 - 9	33D-2174A-00	21 - 9
33D-12113-00	3 - 5	33D-12427-00	5 - 8	33D-14437-50	9 - 33	33D-15441-10	12 - 28	5TG-18503-00	17 - 10	33D-2174G-10	21 - 5
33D-12114-00	3 - 6	33D-12446-00	6 - 1	33D-1443A-00	9 - 38	33D-15451-00	13 - 8	33D-18541-00	17 - 1	33D-2174H-10	21 - 15
33D-12116-00	3 - 3	5DJ-12451-00	5 - 2	33D-1443A-50	9 - 38	33D-15453-00	13 - 23	33D-18562-00	12 - 20	33D-2174P-00	21 - 4
33D-12117-00	3 - 7	5GR-12458-00	5 - 1	33D-1443E-00	9 - 25	33D-15462-00	13 - 18	33D-21101-00	19 - 1	33D-2174S-00	21 - 12
3LD-12117-00	3 - 8	33D-12461-00	6 - 8	33D-14449-00	9 - 20	2S2-15601-00	14 - 1	33D-21163-00	19 - 43	33D-2174T-00	21 - 10
3LD-12118-00	3 - 9	5SL-12462-00	6 - 9	33D-14451-00	9 - 29	33D-15620-01	14 - 18	33D-2116J-00	19 - 47	33D-2175P-00	21 - 14
51Y-12119-00	3 - 10	33D-12465-00	6 - 10	33D-14454-00	9 - 10	33D-15621-01	14 - 19	33D-2116M-00	19 - 41	33D-2194U-00	19 - 45
33D-12121-00	3 - 2	33D-12482-00	6 - 4	33D-14458-00	9 - 30	5TA-15651-00	14 - 15	33D-2117F-00	19 - 13	33D-22110-00	22 - 1
33D-12126-00	3 - 4	5Y9-12491-00	38 - 26	33D-14459-00	9 - 13	5GR-15664-00	14 - 8	5PA-2118K-00	20 - 14	5XC-22121-91	22 - 28
4C8-12153-10	3 - 12	5BE-12564-00	5 - 13	33D-14461-00	9 - 28	2NX-15668-00	14 - 12	5PA-2118K-10	20 - 15	34P-22122-00	22 - 29
5EB-12153-10	3 - 13	33D-12576-00	6 - 13	33D-14462-00	9 - 12	2S2-15671-00	14 - 4	5PA-2118K-20	20 - 14	2S2-22128-70	22 - 11
3LD-12168-00	3 - 11	33D-12577-00	6 - 14	33D-14477-00	9 - 11	3Y6-15674-00	14 - 11	33D-21190-00	19 - 5	33D-22141-00	22 - 15
3LD-12168-20	3 - 11	33D-12578-00	6 - 15	33D-14480-00	9 - 31	2S2-16111-60	15 - 1	33D-21268-00	19 - 50	34P-22151-01	22 - 8
3LD-12168-40	3 - 11	33D-12579-00	6 - 16	33D-14486-00	10 - 3	5XD-16150-60	15 - 4	33D-21417-00	19 - 27	5UN-22176-00	23 - 15
3LD-12168-60	3 - 11	583-13113-00	13 - 27	33D-14495-00	9 - 19	5XD-16154-00	15 - 11	33D-21425-00	19 - 34	30X-22178-00	19 - 8
3LD-12168-80	3 - 11	2S2-13300-10	7 - 1	33D-14562-00	10 - 8	5TA-16321-00	15 - 8	33D-21426-00	19 - 35	3JD-22178-20	19 - 18
3LD-12168-A0	3 - 11	5TA-13320-00	7 - 2	33D-14611-00	11 - 1	4B1-16324-00	15 - 7	5YU-2143A-00	24 - 15	17D-2217A-00	22 - 18
3LD-12168-F0	3 - 11	2S2-13341-00	7 - 9	33D-14613-00	11 - 2	2S2-16351-00	15 - 6	17D-21447-00	19 - 2	33D-2217F-00	22 - 24
3LD-12168-H1	3 - 11	2S2-13342-00	7 - 7	33D-14620-00	11 - 4	33D-16356-00	15 - 14	17D-21448-00	19 - 3	4V4-22184-00	19 - 9
3LD-12168-K1	3 - 11	5BE-13411-00	7 - 13	33D-1466G-00	11 - 15	2S2-16357-00	15 - 18	5XC-21456-90	19 - 29	5MV-22184-00	23 - 16
3LD-12168-M1	3 - 11	2S2-13412-00	7 - 12	33D-1466G-10	11 - 15	5TA-16371-10	15 - 5	33D-21471-00	19 - 37	2S2-22199-70	22 - 10

NUMERICAL INDEX

PART NO.	REF. NO.	PART NO.	REF. NO.	PART NO.	REF. NO.	PART NO.	REF. NO.	PART NO.	REF. NO.	PART NO.	REF. NO.
33D-22200-10	23 - 1	33D-23141-40	39 - 2	17D-23416-50	24 - 6	34P-25304-00	30 - 10	5MV-25867-00	33 - 15	5ET-28166-10	19 - 53
33D-22200-20	23 - 1	33D-23141-D0	25 - 21	33D-23435-00	24 - 9	17D-2530S-00	30 - 22	17D-25872-50	33 - 1	5PG-2816R-00	20 - 16
33D-22200-30	23 - 1		25 - 45	18P-23441-00	24 - 11	17D-25311-00	30 - 1	5XC-25873-L0	35 - 12	33D-81410-00	36 - 1
33D-22200-50	23 - 1	1C3-23142-L0	25 - 20	33D-23442-00	24 - 12	17D-25317-00	30 - 2	1C3-25876-50	35 - 17	33D-81450-00	36 - 2
33D-22200-60	23 - 1		25 - 44	17D-23466-00	25 - 54	17D-2531B-00	28 - 6	1C3-25886-50	35 - 15	33D-81528-00	36 - 3
33D-22200-70	23 - 1	5XE-23144-L0	25 - 10	17D-23467-00	25 - 55		28 - 6	5MV-2589F-00	33 - 13	33D-81960-00	38 - 19
33D-22201-10	23 - 2		25 - 34	33D-23472-00	24 - 19		30 - 15	5UN-25914-00	31 - 17	33D-81965-00	38 - 21
33D-22201-20	23 - 2	17D-23145-00	25 - 8	17D-23485-50	24 - 17		30 - 15	5DH-25914-50	31 - 15	33D-82310-00	38 - 6
33D-22201-30	23 - 2		25 - 32	33D-24106-50	26 - 28	4XM-25364-00	30 - 20	3SP-25914-51	29 - 12	33D-82351-00	38 - 7
33D-22212-20	39 - 1	5XC-23146-10	25 - 7	33D-24106-60	26 - 28	17D-25381-00	30 - 27	5DH-25916-00	29 - 10	33D-82370-00	38 - 9
33D-22212-30	23 - 9		25 - 31	33D-24108-50	26 - 29	17D-25388-00	30 - 23		31 - 14	33D-82378-00	38 - 23
33D-22212-40	39 - 1	1AE-23147-00	25 - 18	33D-24108-60	26 - 29	33D-25389-00	30 - 24	3JD-25917-00	29 - 13	2C0-82380-00	10 - 15
33D-22212-C0	39 - 1		25 - 42	33D-24110-50	26 - 1	3JE-25394-00	30 - 19		31 - 16		38 - 16
33D-22212-D0	23 - 9	1C3-23147-L0	25 - 12	3C5-2411B-20	20 - 13	5SF-25394-00	28 - 13	5DH-25919-00	29 - 6	33D-82388-00	38 - 17
33D-22212-E0	39 - 1		25 - 36	4EW-2412F-00	26 - 23	5ET-25395-00	30 - 13	5DH-25919-50	31 - 6	33D-82590-00	38 - 22
33D-22213-00	23 - 7	17D-23153-00	25 - 3	33D-24135-00	26 - 22	34P-25396-00	30 - 11	8CR-25924-00	31 - 13	17D-82911-00	37 - 1
33D-22214-00	23 - 10		25 - 27	5PW-2413B-00	21 - 19	34P-25397-00	30 - 12	3SP-25926-51	29 - 11	33D-82913-00	37 - 9
33D-22224-00	23 - 11	5XE-23153-L0	25 - 9		21 - 21	17D-25447-50	30 - 6	5DH-25933-00	29 - 9	4P9-83591-00	38 - 14
4JX-22226-00	23 - 4		25 - 33	33D-24144-00	26 - 6	17D-25448-50	30 - 6	1UY-25937-51	29 - 14	17D-83912-00	37 - 2
33D-22234-00	23 - 6	2HH-23158-L0	25 - 23	3FB-2415E-02	20 - 5		30 - 6		31 - 18	5XC-83922-L0	33 - 12
5NY-22241-00	23 - 22		25 - 47	3FB-2415E-12	20 - 6	17D-25449-50	30 - 6	5XC-26111-L1	32 - 1	33D-83976-01	37 - 11
5XE-22242-00	23 - 19	17D-2315H-50	25 - 52	3FB-2415E-C1	20 - 5		30 - 6	17D-26124-00	32 - 14	5LP-84126-10	37 - 4
17D-22253-00	23 - 17	17D-2315J-50	25 - 51	4SR-2416E-00	20 - 7	17D-25450-50	30 - 6	5XC-26143-L0	32 - 15	33D-85885-00	10 - 14
1C3-22253-50	23 - 12	33D-2316A-00	25 - 13	33D-24181-00	19 - 58	17D-25451-50	30 - 6	5XC-26143-M0	32 - 15	8FP-85886-00	9 - 22
4AA-22259-40	23 - 8		25 - 37	33D-24182-00	19 - 59	17D-25452-50	30 - 6	5TJ-26240-C0	32 - 3	33D-8591A-00	38 - 1
4AA-22259-50	23 - 8	33D-2316A-10	25 - 13	33D-24183-00	19 - 60	5CG-25715-00	33 - 9	4GY-26241-00	32 - 2	33D-8591A-40	38 - 1
4AA-22259-70	23 - 8		25 - 37	33D-24192-00	26 - 18		35 - 9	4GY-26242-00	32 - 4	33D-8591A-50	38 - 1
4EW-22474-00	23 - 14	33D-23170-00	25 - 11	33D-2419A-00	26 - 10	17D-25718-50	31 - 19	3Y1-26249-00	32 - 5	33D-8591A-60	38 - 1
3JE-22475-00	23 - 13		25 - 35	33D-24217-00	26 - 25	5XC-2580T-G0	29 - 3	5BE-26281-00	32 - 6	5XC-W0041-00	33 - 5
5NY-22475-00	23 - 18	33D-23170-10	25 - 11	3XJ-24380-00	26 - 4	17D-2580W-01	31 - 3	5BE-26282-00	32 - 7	5UN-W0042-50	35 - 2
5UN-22898-60	31 - 12		25 - 35	33D-24486-00	26 - 16	17D-2580W-11	31 - 3	5SF-26287-10	32 - 9	5XC-W0045-00	29 - 8
1C3-22969-90	22 - 9	5XE-23171-L0	25 - 5	33D-24491-00	26 - 17	5XC-2581T-G0	29 - 1	33D-26302-00	32 - 10	1C3-W0046-50	31 - 9
33D-23102-00	25 - 1		25 - 29	5NY-24610-00	26 - 2	1UY-25824-51	31 - 7	33D-26335-00	32 - 11	1C3-W0046-B0	31 - 9
33D-23102-10	25 - 1	5DH-23183-00	23 - 5	18P-2464V-00	19 - 56	1UY-25825-51	31 - 8	17D-26337-00	37 - 5	5KM-W0047-10	29 - 5
33D-23103-00	25 - 25	509-23184-L0	23 - 3	33D-24665-00	26 - 26	5UN-25827-60	31 - 11	34P-26342-00	32 - 12	5UN-W0047-50	31 - 5
33D-23103-10	25 - 25	1C3-23188-L0	25 - 14	18P-2467E-00	19 - 55	5UN-25828-60	31 - 10	34P-26372-00	37 - 8	1UY-W0048-50	29 - 7
33D-23110-00	25 - 28		25 - 38	33D-2470F-50	27 - 2	2S2-2582W-70	31 - 1	5XC-26372-G0	33 - 17	5XC-W0057-00	29 - 4
5XC-23111-00	25 - 22	1C3-23188-N0	25 - 15	33D-2470F-60	27 - 2	5MV-25833-00	33 - 16	33D-27200-01	34 - 1	5UN-W0057-50	31 - 4
	25 - 46		25 - 39	33D-24710-50	27 - 1	33D-2583V-00	35 - 1	17D-27217-00	34 - 2	5XC-W2587-00	33 - 4
276-23114-00	25 - 24	1C3-23188-P0	25 - 16	33D-24710-60	27 - 1	5XC-25849-G0	29 - 15	5UN-27217-00	35 - 8	90101-05005	37 - 7
	25 - 48		25 - 40	5NY-25104-00	28 - 7	5UN-25852-50	35 - 5	5UN-27218-00	35 - 3	90101-06041	18 - 17
33D-23120-00	25 - 4	1C3-23188-R0	25 - 17	5NY-25111-00	28 - 1	5XC-25852-G0	33 - 7	5UN-27222-00	35 - 4	90101-06044	14 - 13
5XE-23125-L0	25 - 6		25 - 41	5NY-25117-00	28 - 3	5XC-25853-G0	33 - 10	34P-27311-00	34 - 16	90101-08006	30 - 25
	25 - 30	1C3-23190-L0	25 - 19	5XC-25181-G0	28 - 14	5UN-25854-00	35 - 7	17D-27411-00	34 - 9	90105-05028	9 - 32
33D-23136-00	25 - 2		25 - 43	5XC-25183-G0	28 - 15	5XC-25854-G0	33 - 6	17D-27421-00	34 - 10	90105-06027	1 - 4
	25 - 26	33D-23340-00	25 - 49	5XC-25186-G0	28 - 16	5UN-2585B-00	35 - 6	17D-27491-50	31 - 21	90105-06064	21 - 22
33D-23141-20	39 - 2	17D-23389-50	24 - 2	56A-25195-00	28 - 9	5CG-2585G-00	33 - 11	33D-2814A-00	19 - 57		24 - 18
33D-23141-30	39 - 2	17D-2339E-10	24 - 20	5NY-25196-00	28 - 8		35 - 10	5TA-2814F-00	19 - 54		26 - 30

NUMERICAL INDEX

PART NO.	REF. NO.	PART NO.	REF. NO.	PART NO.	REF. NO.	PART NO.	REF. NO.	PART NO.	REF. NO.	PART NO.	REF. NO.
90105-06081	12 - 21	90110-06363	12 - 7	90201-06108	20 - 4	90387-05003	19 - 16	90464-15195	38 - 29	93102-26468	28 - 4
	16 - 35	90110-06364	12 - 8	90201-06571	6 - 24	90387-05048	38 - 3	90464-18002	38 - 27	93102-32337	30 - 4
90105-06091	7 - 14	90110-08087	14 - 24	90201-08043	19 - 23	90387-06009	9 - 18	90464-20258	38 - 28	93102-32480	16 - 28
90105-06099	4 - 14	90111-06007	26 - 9	90201-08044	34 - 7		9 - 36	90464-31002	19 - 49	93106-22002	22 - 4
	12 - 29		26 - 11	90201-08045	19 - 10		9 - 41	90464-45001	38 - 30	93109-11073	5 - 4
90105-06100	20 - 9	90111-06116	35 - 11	90201-08047	14 - 25	90387-06065	6 - 22	90467-07138	38 - 12	93109-21001	22 - 26
90105-06104	22 - 12	90116-06037	1 - 12	90201-08048	30 - 9	90387-06091	26 - 7	90467-090A2	6 - 12	93109-25001	22 - 20
90105-06105	22 - 14	90119-06146	19 - 40	90201-08061	11 - 10	90387-06105	24 - 4	90467-140A4	1 - 24	93109-28043	22 - 5
90105-06107	31 - 22	90119-06149	19 - 38	90201-08512	5 - 3	90387-06236	26 - 13	90467-16098	9 - 26	93210-07001	12 - 4
90105-06110	31 - 20	90119-06239	6 - 25	90201-10025	1 - 17	90387-06259	20 - 2	90468-16001	34 - 4	93210-11073	34 - 3
	38 - 18	90119-08095	21 - 17	90201-10032	34 - 14	90387-08041	19 - 11	90480-01023	26 - 14	93210-14369	13 - 5
	38 - 20	90119-08133	11 - 22	90201-10045	19 - 26	90387-08081	11 - 12	90480-08608	30 - 21	93210-16500	6 - 6
90105-06111	6 - 23	90149-05031	36 - 4		19 - 32	90387-086N4	19 - 20	90480-11015	38 - 8	93210-17570	14 - 23
	31 - 23	90149-06069	7 - 8	90201-12166	7 - 11	90387-124F4	18 - 4	90480-12025	19 - 17	93210-19123	13 - 7
90105-06127	18 - 9	90149-06074	12 - 18	90201-127E1	18 - 6	90387-14016	22 - 27	90480-13029	38 - 4	93210-19758	5 - 14
	20 - 3	90149-06083	2 - 15		36 - 7	90387-16026	22 - 21	90480-15012	6 - 21	93210-22164	16 - 30
90105-06156	31 - 2	90149-10031	19 - 4	90201-14020	22 - 30	90387-17015	12 - 22	90480-18549	26 - 8	93210-24253	6 - 2
90105-06170	9 - 43	90151-06032	19 - 42	90201-15701	13 - 16	90387-17016	22 - 6	90501-043E0	13 - 29	93210-357A3	13 - 3
	19 - 46	90151-06045	14 - 22	90201-16018	22 - 17	90387-1714S	22 - 7	90501-052G5	18 - 14	93210-45708	8 - 3
	20 - 10	90151-06051	29 - 2	90201-162H4	14 - 10	90387-20028	16 - 15	90501-147A5	14 - 20	93300-60839	19 - 19
	21 - 16	90151-08003	12 - 17	90201-167P7	14 - 6	90387-21005	16 - 8	90501-160A2	14 - 5	93304-20310	2 - 10
	24 - 3	90154-05012	26 - 19	90201-203E7	16 - 16	90387-225N2	32 - 13	90501-230E4	15 - 9	93306-00105	5 - 6
	25 - 56	90159-06010	15 - 10	90201-20685	14 - 2	90387-2513F	16 - 29	90506-18019	34 - 5	93306-00426	16 - 12
90105-06179	21 - 23	90159-06027	17 - 6		14 - 16	90387-28012	16 - 26	90508-26021	17 - 5	93306-00447	16 - 11
90105-06189	12 - 11	90170-10405	2 - 18	90201-21014	22 - 23	90401-10172	33 - 3	90508-28015	34 - 11	93306-20532	16 - 1
90105-08137	11 - 9	90170-14171	2 - 12	90201-22023	30 - 29		35 - 13	90508-28018	34 - 12	93306-205A5	16 - 27
	29 - 16	90170-20255	15 - 3	90201-253K0	16 - 4	90430-06014	1 - 11	90508-29021	18 - 5	93306-30633	2 - 7
90105-08143	19 - 28		15 - 13		16 - 21		4 - 10	90508-305B0	14 - 9	93306-80502	17 - 3
90105-08154	24 - 16	90179-06028	22 - 13	90201-286K9	24 - 8		5 - 12	91312-06020	9 - 2	93306-90409	17 - 2
	25 - 50	90179-06055	9 - 34	90208-20008	15 - 2		12 - 27	91312-06030	7 - 6		28 - 2
90105-08226	19 - 36		9 - 39		15 - 12		13 - 12	91402-20012	34 - 8	93306-90510	30 - 3
90105-08230	19 - 7	90179-08019	30 - 26	90209-16011	22 - 22	90430-08002	12 - 12	91402-25015	34 - 15	93310-63458	2 - 5
90105-08231	19 - 6	90179-10658	19 - 25	90209-21332	16 - 10	90430-08119	1 - 9	91808-16023	1 - 6	93315-32166	22 - 19
90105-08232	19 - 21		19 - 31	90209-22008	16 - 19		12 - 14		1 - 7		22 - 25
90105-10176	19 - 30	90179-12657	36 - 6	90209-26348	16 - 24	90430-09002	10 - 13	91812-16001	13 - 19	93317-11287	15 - 20
90105-10189	19 - 33	90179-16011	28 - 17	90215-10009	2 - 19	90430-10004	38 - 15	91A20-05065	6 - 11	93317-22262	22 - 2
90105-10193	19 - 24	90179-20001	16 - 33	90215-14287	2 - 13	90430-10005	33 - 2	92012-04012	9 - 14	93332-00068	24 - 5
90105-10367	1 - 16	90179-24004	24 - 10	90215-21003	16 - 32		35 - 14	92012-05010	19 - 44	93332-00081	24 - 1
90109-06034	37 - 3	90179-28015	24 - 7	90240-08120	34 - 6	90445-09220	26 - 3	92012-05016	38 - 10	93340-21209	15 - 15
90109-06232	25 - 53	90185-08008	30 - 8	90240-10004	34 - 13	90445-09251	26 - 5		38 - 13	93342-22217	22 - 3
90109-08078	30 - 7	90185-08009	19 - 22	90267-48084	11 - 18	90450-22001	6 - 19	92012-05025	38 - 2	93410-20038	14 - 3
90110-05058	26 - 20	90185-10012	23 - 23	90269-07001	26 - 27	90450-25001	6 - 18	92902-10200	23 - 21	93440-10085	15 - 16
90110-05062	12 - 5	90185-14010	22 - 31	90280-03006	2 - 20	90450-28001	6 - 17		24 - 13	93440-10153	7 - 4
90110-05064	11 - 14	90185-16002	22 - 16	90282-05034	2 - 17	90450-32003	6 - 20	93101-14164	13 - 15	93440-25084	16 - 5
90110-06161	36 - 5	90185-22011	30 - 28	90338-06233	19 - 52	90450-58007	9 - 9	93102-12106	5 - 5		16 - 18
90110-06245	9 - 37	90201-04030	9 - 15	90340-12007	1 - 5	90450-60004	9 - 3	93102-12224	15 - 21	93440-28062	16 - 22
	9 - 42	90201-05043	38 - 5	90340-14011	13 - 4	90464-13073	38 - 25		18 - 10	93440-41178	4 - 3
90110-06362	12 - 6	90201-05N15	19 - 15	90340-36002	13 - 2	90464-13077	38 - 24	93102-20108	14 - 14	93450-19052	2 - 25

NUMERICAL INDEX

PART NO.	REF. NO.	PART NO.	REF. NO.	PART NO.	REF. NO.	PART NO.	REF. NO.	PART NO.	REF. NO.	PART NO.	REF. NO.
93503-08007	13 - 28	95022-06080	13 - 28								
93507-32009	14 - 21	95022-08012	1 - 8								
93511-32027	15 - 17	95022-08040	19 - 12								
93603-16219	7 - 3	95024-08025	11 - 24								
93604-10011	5 - 9	95024-08035	11 - 8								
93608-33002	18 - 7	95302-05600	37 - 6								
93612-16254	1 - 15	95602-10200	23 - 20								
9383E-13233	16 - 31		24 - 14								
94108-21025	28 - 10	95701-06500	33 - 14								
94112-19008	30 - 16	95704-06500	11 - 3								
94211-19273	30 - 17	95822-08016	12 - 13								
94227-21101	28 - 11	97702-50516	9 - 21								
94309-21161	28 - 12		9 - 23								
94311-19155	30 - 18	97702-60016	20 - 12								
94416-21034	28 - 5	98502-05010	35 - 16								
94416-21045	28 - 5		35 - 18								
	28 - 5	98502-05016	19 - 14								
94421-19007	30 - 14	98507-05020	32 - 8								
94421-19013	30 - 14	98702-06025	26 - 24								
	30 - 14	98706-04012	33 - 8								
94591-57122	4 - 4	99009-12400	7 - 10								
94681-68001	30 - 31	99009-16400	14 - 7								
94682-28001	30 - 31	99009-20400	14 - 17								
94701-00410	1 - 13	99009-20500	15 - 22								
94701-00411	1 - 13	99009-22500	13 - 17								
94703-00410	1 - 13	99009-42700	30 - 5								
94703-00411	1 - 13	99530-08012	7 - 5								
95022-06010	1 - 10	99530-08016	13 - 9								
	5 - 11	99530-10114	7 - 15								
	19 - 48	99530-14016	1 - 29								
95022-06012	6 - 5		12 - 2								
	12 - 25	9Y581-92113	30 - 30								
	12 - 26	9Y582-28113	30 - 30								
95022-06016	8 - 4										
95022-06020	6 - 3										
	37 - 10										
95022-06025	4 - 9										
	5 - 10										
	13 - 24										
	26 - 12										
95022-06030	13 - 11										
	13 - 21										
95022-06035	1 - 18										
	1 - 30										
95022-06040	13 - 10										
	13 - 20										
95022-06070	8 - 5										
	13 - 25										