

PARTS CATALOGUE

WaveRunner GP800R

GP800A-Z (F0W1/68AA/68A1)

MJ-GP800R'01 (F0W2/68AB/68A1)

GP800A–Z/MJ–GP800R
PARTS CATALOGUE
©2001 by Yamaha Motor Co., Ltd.
1st Edition, Jan. 2001
All rights reserved.
Any reprinting or unauthorized use
without the written permission of
Yamaha Motor Co., Ltd.
is expressly prohibited.

A3

FOREWORD

This Parts Catalogue is related to the parts for the model(s) in the below frame. When you are ordering replacement parts, please refer to this Parts Catalogue and quote both part numbers and part names correctly.

GP800A-Z(F0W1/68AA/68A1), MJ-GP800R'01(F0W2/68AB/68A1)

1. Modifications or additions which have been made after issue of the Parts Catalogue will be announced in the Yamaha Parts News.
It is advisable that you make necessary corrections to the Parts Catalogue according to the Yamaha Parts News.

2. Abbreviations

The following abbreviations are used in this Parts Catalogue.

“UR” Use specified parts number.

“UN” Use as many as needed.

“AP” Alternate Parts

“LM” Local Made (Parts need to be ordered locally)

“F#” Frame No. (Applicable machine No.)

3. Parts, which are to be supplied in an assembly, are listed with a dot(.) in front of the part name as shown below.
The numeral appearing to the right of each component part indicates the quantity of parts for each assembly unit.

EXAMPLE

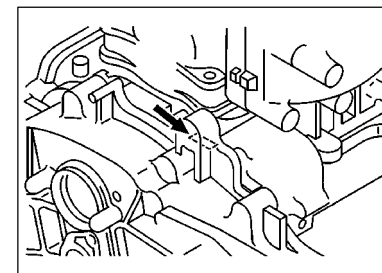
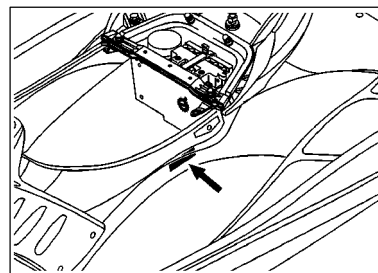
PART NO.	DESCRIPTION	Q'TY	REMARKS
EU0-62280-00	DRAIN PLUG ASSY	2	
EU0-62282-00	.PLUG,DRAIN	1	

4. Quantity Column Information

NAME for Q'TY COLUMN	COUNTRY (destination)
USA	USA
CAN	CANADA
GENE	EXCEPT USA, CANADA, JAPAN
JPN	JAPAN

5. Applicable Starting Serial No. and Color Code

Hull Serial No.	(F0W1) FOR USA,CAN,GENE	F0W-800101
	(F0W2) FOR JPN	F0W-100101
Engine Serial No.	(68AA) FOR USA,CAN	68A-000101
	(68AA) FOR GENE	68A-001801
	(68AB) FOR JPN	68A-001701



Color Code	Color Name	Abbreviation
0240	PURE WHITE	PURW

6. Note that the illustration for reference in finding parts numbers, not to be used for assembling. When assembling, please use the applicable service manual.

7. A part with “YMUS” in the remarks column can be obtained from YMUS (USA) and not from YAMAHA MOTOR CO.,LTD (JAPAN).

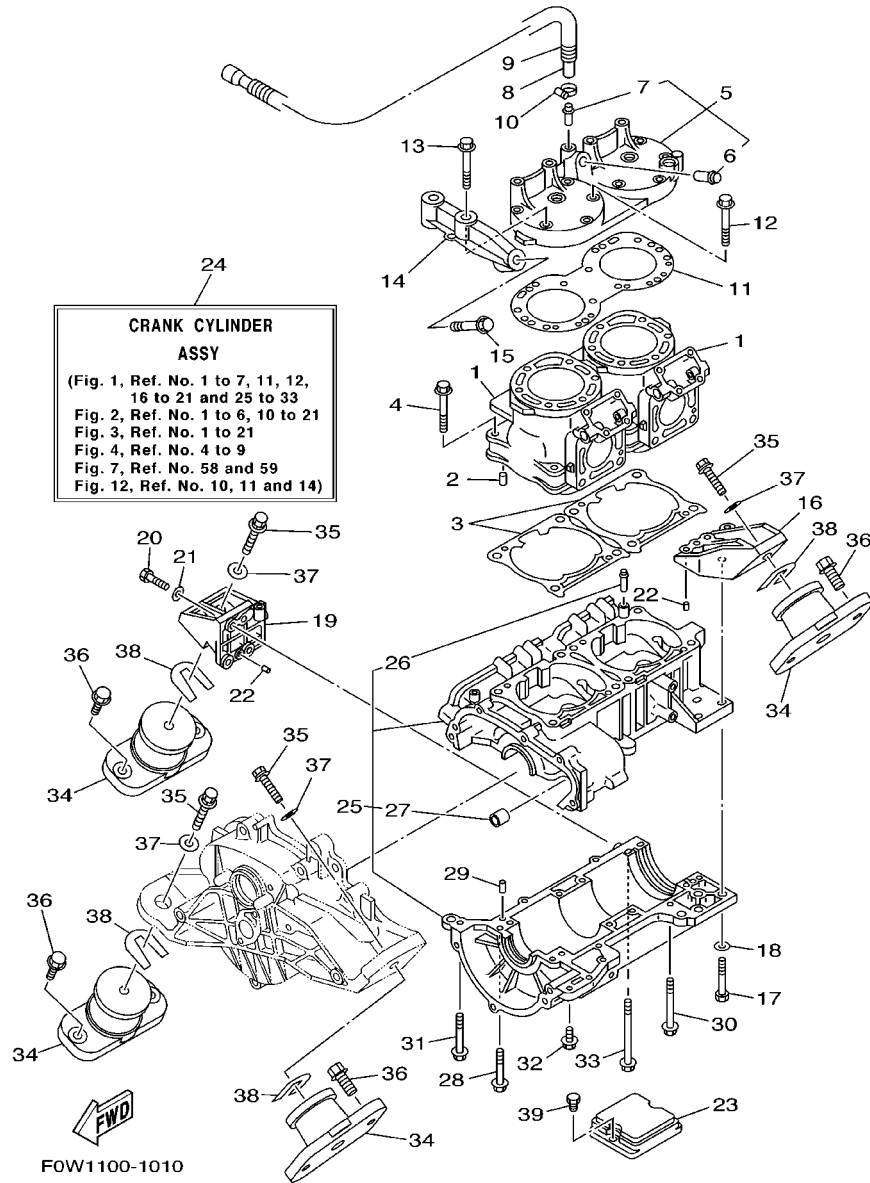
EXAMPLE

PART NO.	DESCRIPTION	Q'TY	REMARKS
EW2-U5160-00	ENGINE HATCH COMP.	2	.. YMUS
90601-168U7	BAND, HOSE	1	.. YMUS

ADDRESS:

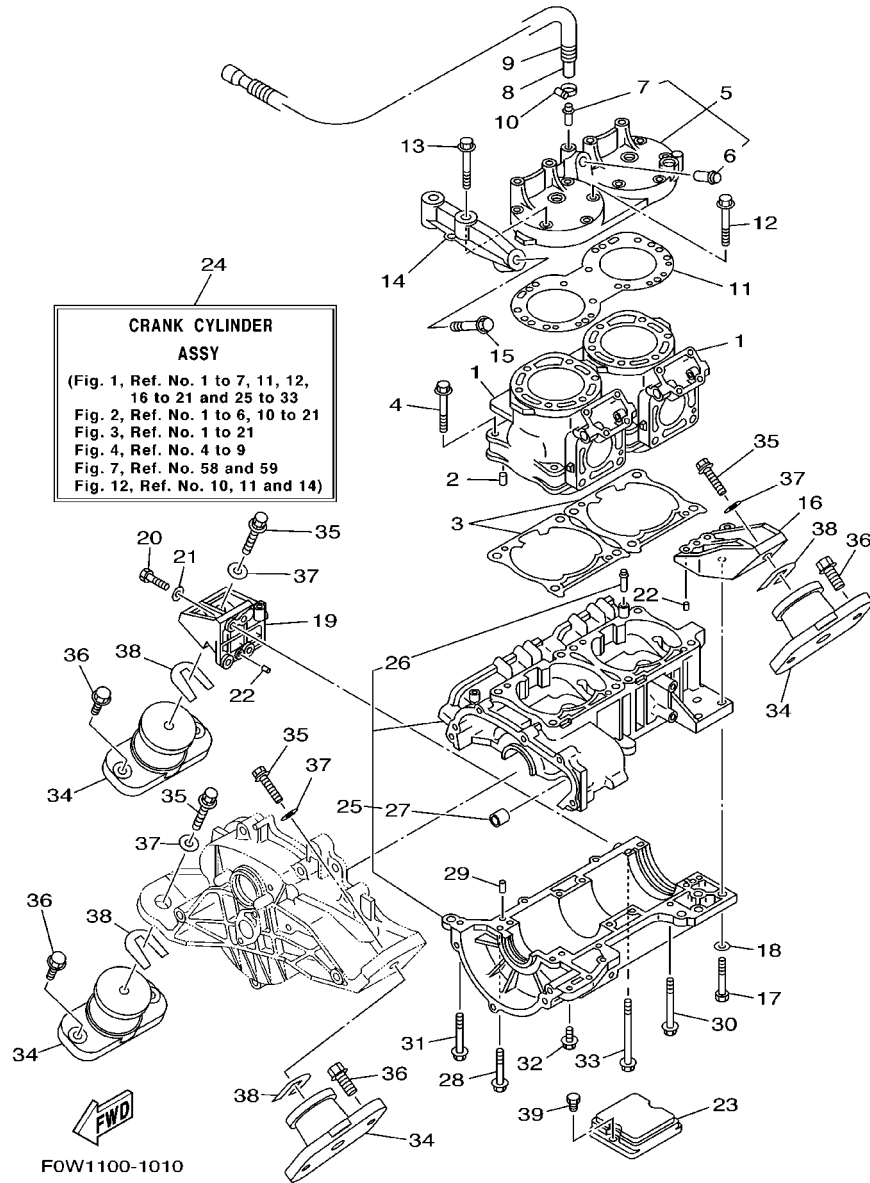
YAMAHA MOTOR CORPORATION U.S.A.
 PARTS & ACCESSORY DIV.
 6555 KATELLA AVENUE
 CYPRESS, CALIFORNIA 90630 U.S.A.

FIG. 1 CYLINDER. CRANKCASE 1



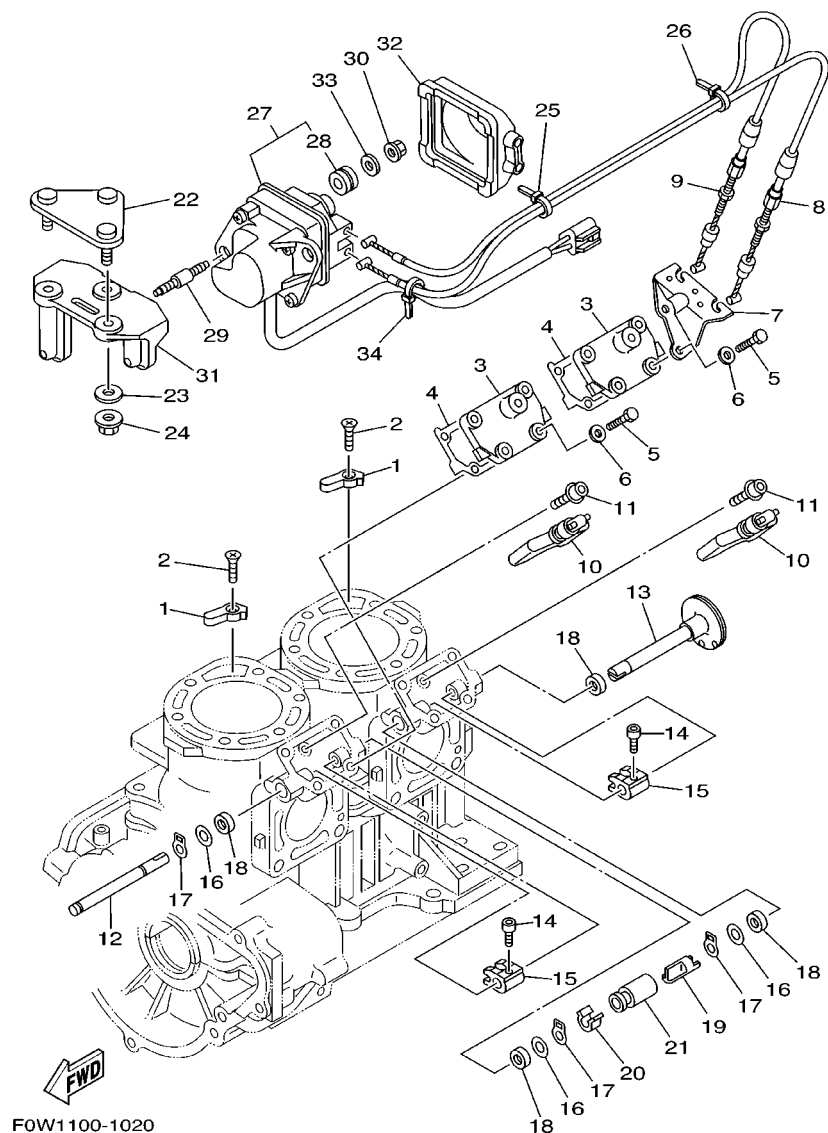
REF. NO.	PART NO.	DESCRIPTION	USA	CAN	GENE	JPN	REMARKS
1	66E-11311-00-94	CYLINDER 1	2	2	2	2	
2	93606-12019	PIN, DOWEL	4	4	4	4	
3	66E-11351-01	GASKET, CYLINDER	2	2	2	2	
4	90119-10M07	BOLT, WITH WASHER	8	8	8	8	
5	66E-11111-00-94	HEAD, CYLINDER 1	1	1	1	1	
6	66E-51129-00	.NIPPLE	1	1	1	1	
7	6K8-51129-00	.NIPPLE	1	1	1	1	
8	90445-14M33	HOSE (L1150)	1	1	1	1	
9	90446-24M94	HOSE	1	1	1	1	
10	90450-14M05	HOSE CLAMP ASSY	1	1	1	1	
11	66E-11181-00	GASKET, CYLINDER HEAD 1	1	1	1	1	
12	90119-08MA1	BOLT, WITH WASHER	10	10	10	10	
13	90119-08MA2	BOLT, WITH WASHER	2	2	2	2	
14	66E-14781-10-94	STAY, MUFFLER 2	1	1	1	1	
15	90119-10M00	BOLT, WITH WASHER	1	1	1	1	
16	66E-21425-10-8P	BRACKET, REAR UPPER 1	1	1	1	1	
17	97013-08045	BOLT	3	3	3	3	
18	92903-08600	WASHER, PLATE	3	3	3	3	
19	66E-21426-10-8P	BRACKET, REAR UPPER 2	1	1	1	1	
20	97013-08030	BOLT	3	3	3	3	
21	92903-08600	WASHER, PLATE	3	3	3	3	
22	93606-12019	PIN, DOWEL	4	4	4	4	
23	67A-44532-00	STOPPER, UPPER MOUNT	1	1	1	1	
24	66E-W0090-12-8P	CRANK CYLINDER ASSY	1	1	1	1	
25	66E-15100-10-8P	CRANKCASE ASSY	1	1	1	1	
26	62T-14251-10	.NIPPLE	2	2	2	2	
27	90380-12M29	.BUSH, SOLID	1	1	1	1	

FIG. 1 CYLINDER. CRANKCASE 1



REF. NO.	PART NO.	DESCRIPTION	USA	CAN	GENE	JPN	REMARKS
28	90119-08M55	BOLT, WITH WASHER	10	10	10	10	
29	93606-12019	PIN, DOWEL	2	2	2	2	
30	90119-06M78	BOLT, WITH WASHER	3	3	3	3	
31	90119-08M61	BOLT, WITH WASHER	1	1	1	1	
32	90119-06M13	BOLT, WITH WASHER	4	4	4	4	
33	90119-08M56	BOLT, WITH WASHER	2	2	2	2	
34	68A-44517-00-9M	MOUNT RUBBER	4	4	4	4	
35	90119-089UR	BOLT, WITH WASHER	4	4	4	4	YMUS
36	90119-089UN	BOLT, WITH WASHER	8	8	8	8	YMUS
37	90201-099U3	WASHER, PLATE	4	4	4	4	YMUS
38	EU0-U7354-00-01	SHIM (T=0.1)	10	10	10	10	UR, YMUS
	EU0-U7354-00-03	SHIM (T=0.3)	10	10	10	10	UR, YMUS
	EU0-U7354-00-05	SHIM (T=0.5)	10	10	10	10	UR, YMUS
	EU0-U7354-00-10	SHIM (T=1.0)	10	10	10	10	UR, YMUS
	EU0-U7354-00-20	SHIM (T=2.0)	10	10	10	10	UR, YMUS
39	90101-06917	BOLT	2	2	2	2	

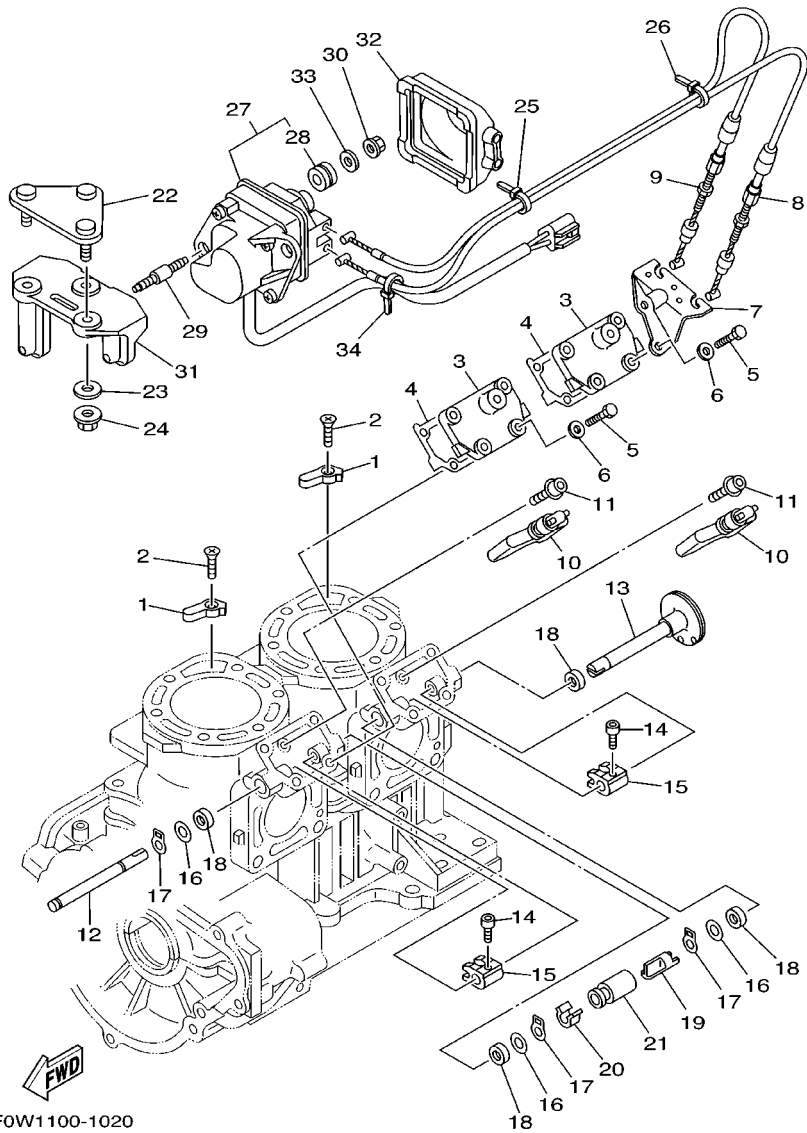
FIG. 2 CYLINDER. CRANKCASE 2



F0W1100-1020

REF. NO.	PART NO.	DESCRIPTION	USA	CAN	GENE	JPN	REMARKS
1	66E-11325-00	ANODE	2	2	2	2	
2	98780-05020	SCREW, FLAT HEAD	2	2	2	2	
3	66E-1131M-01-8P	COVER	2	2	2	2	
4	66E-1131B-01	GASKET, COVER	2	2	2	2	
5	97013-06025	BOLT	8	8	8	8	
6	92903-06600	WASHER, PLATE	8	8	8	8	
7	66E-11998-10	BRACKET 1	1	1	1	1	
8	66E-1133E-10	CABLE, PULLEY 1	1	1	1	1	
9	66E-1133F-10	CABLE, PULLEY 2	1	1	1	1	
10	66E-1131S-03	VALVE ASSY.	2	2	2	2	
11	90110-05008	BOLT, HEXAGON SOCKET HEAD	2	2	2	2	
12	66E-1131V-00	SHAFT 1	1	1	1	1	
13	66E-1132C-00	PULLEY, SHAFT	1	1	1	1	
14	90110-04M03	BOLT, HEXAGON SOCKET HEAD	2	2	2	2	
15	66E-11832-01	LEVER, LINK	2	2	2	2	
16	90201-08M09	WASHER, PLATE	3	3	3	3	
17	93410-08M12	CIRCLIP	3	3	3	3	
18	93109-08M07	OIL SEAL	4	4	4	4	
19	66E-1131H-00	JOINT 1	1	1	1	1	
20	66E-1131J-10	JOINT 2	1	1	1	1	
21	66E-1131C-10	COVER, JOINT	1	1	1	1	
22	GU0-6824E-00	BRACKET, YPVS	1	1	1	1	
23	9299R-08200	WASHER	3	3	3	3	YMUS
24	9572R-08300	NUT, FLANGE	3	3	3	3	YMUS
25	90601-200U2	BAND	1	1	1	1	YMUS
26	90601-200U2	BAND	1	1	1	1	YMUS
27	66E-85820-11	SERVO MOTOR ASSY	1	1	1	1	

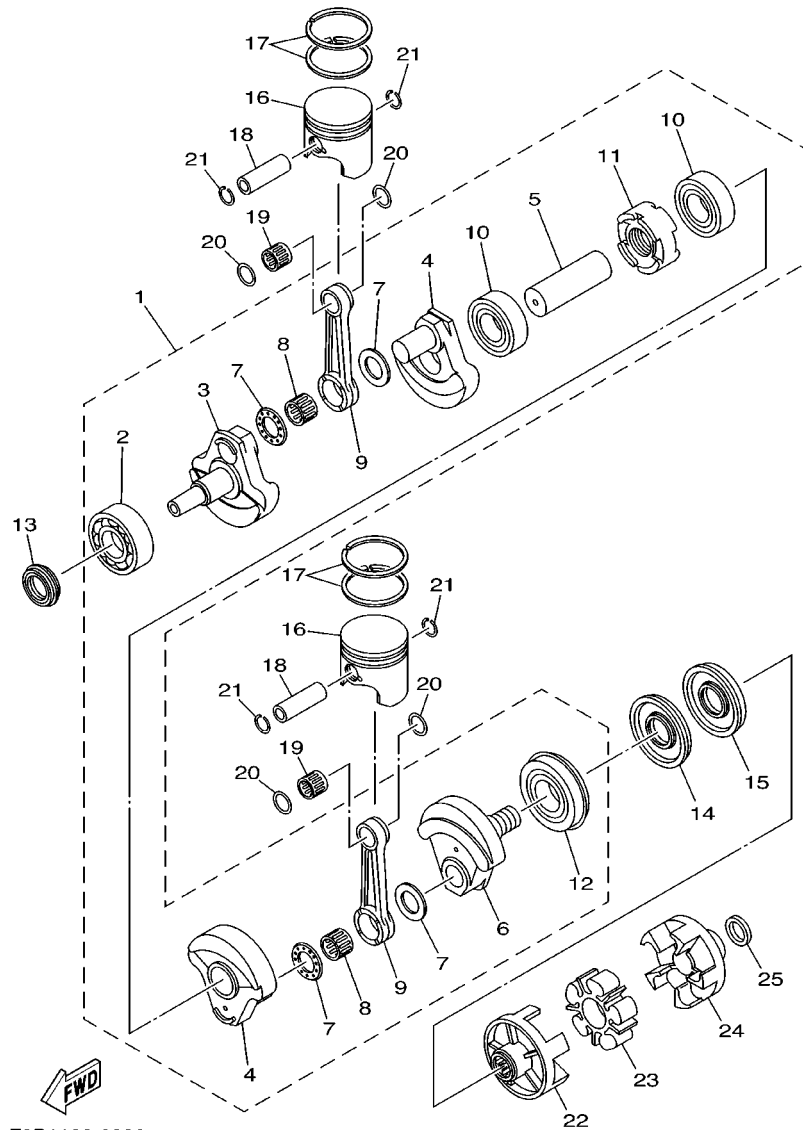
FIG. 2 CYLINDER. CRANKCASE 2



F0W1100-1020

REF. NO.	PART NO.	DESCRIPTION	USA	CAN	GENE	JPN	REMARKS
28	90480-14023	.GROMMET	2	2	2	2	
29	90116-06M67	BOLT, STUD	2	2	2	2	
30	9572R-06300	NUT, FLANGE	2	2	2	2	YMUS
31	66E-85112-00-94	BRACKET, REFLECTOR 1	1	1	1	1	
32	66E-85825-00	COVER, WIRE	1	1	1	1	
33	90201-065F3	WASHER, PLATE	2	2	2	2	
34	90465-11M10	CLAMP	1	1	1	1	

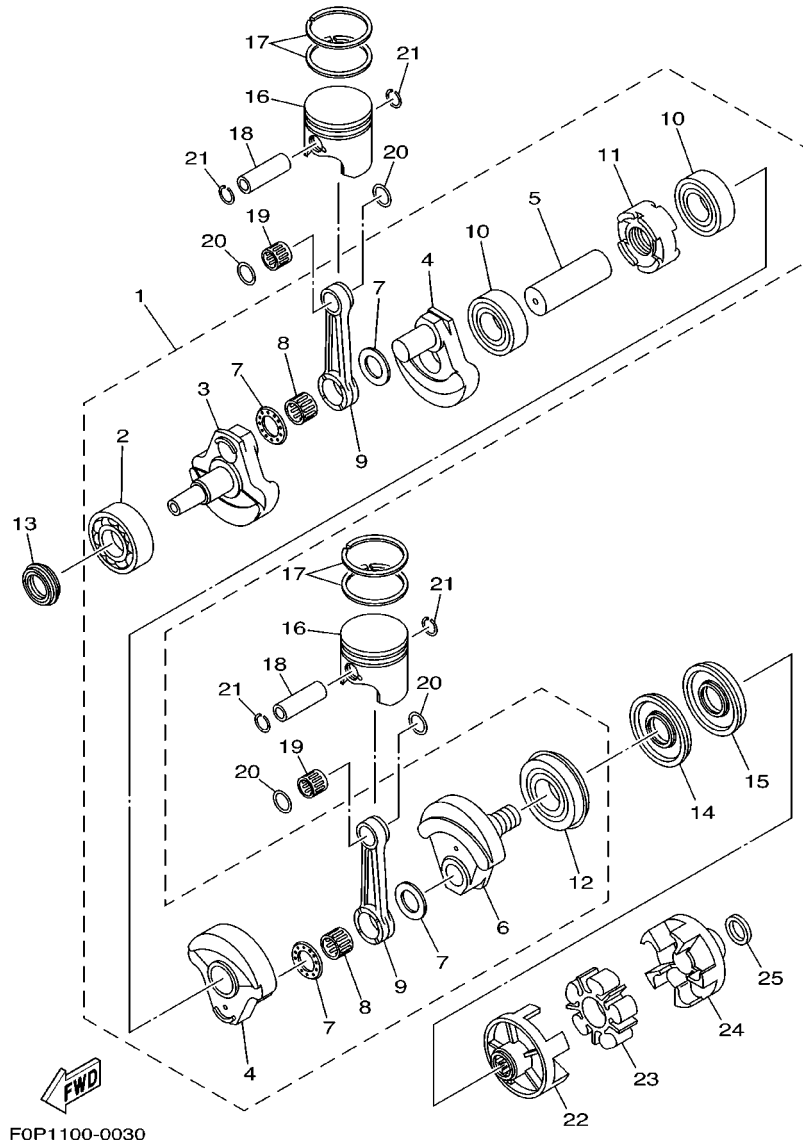
FIG. 3 CRANKSHAFT, PISTON



FOP1100-0030

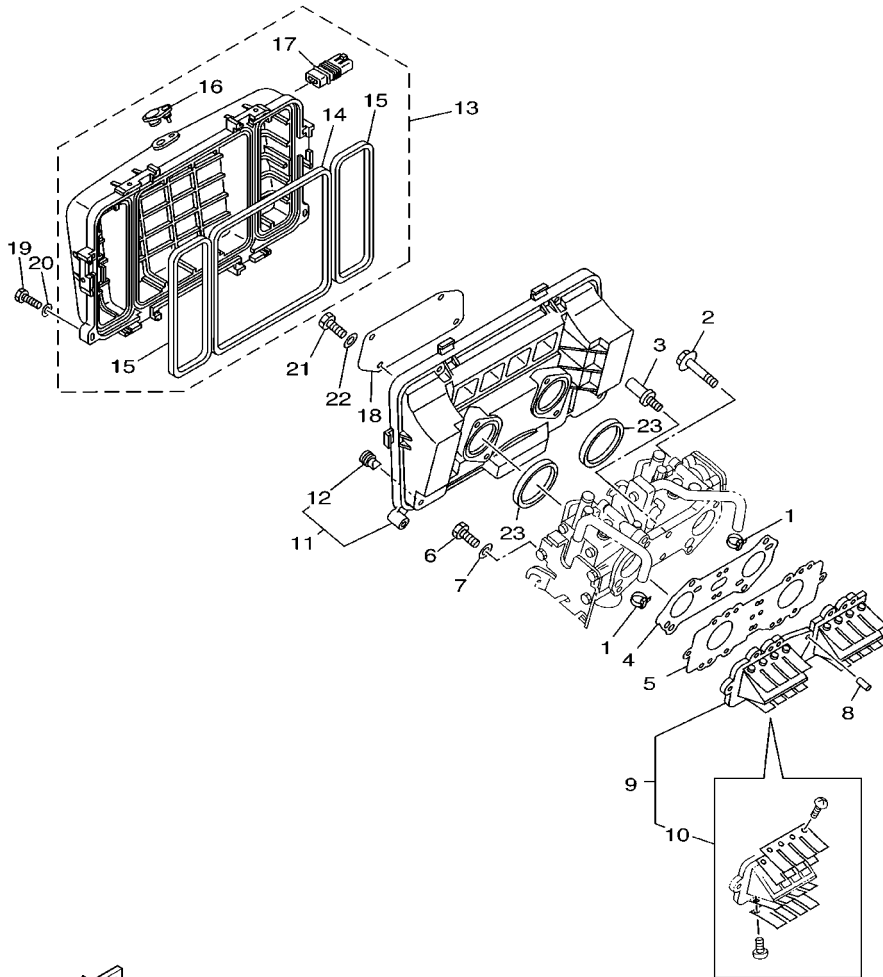
REF. NO.	PART NO.	DESCRIPTION	USA	CAN	GENE	JPN	REMARKS
1	66E-11400-00	CRANKSHAFT ASSY	1	1	1	1	
2	93305-307U0	.BEARING	1	1	1	1	
3	66E-11412-00	.CRANK 1	1	1	1	1	
4	66E-11422-00	.CRANK 2	2	2	2	2	
5	66E-11431-00	.CRANK 3	1	1	1	1	
6	66E-11442-00	.CRANK 4	1	1	1	1	
7	66E-11685-00	.WASHER, CRANK PIN	4	4	4	4	
8	93310-627U6	.BEARING	2	2	2	2	
9	66E-11651-00	.ROD, CONNECTING	2	2	2	2	
10	93306-208U1	.BEARING	2	2	2	2	
11	66E-11515-00	.SEAL, LABYRINTH 1	1	1	1	1	
12	93306-308U1	.BEARING	1	1	1	1	
13	93103-35M03	OIL SEAL	1	1	1	1	
14	93101-36M62	OIL SEAL	1	1	1	1	
15	93101-36M61	OIL SEAL	1	1	1	1	
16	66E-11631-00-A0	PISTON (STD)	2	2	2	2	UR RED
	66E-11631-00-B0	PISTON (STD)	2	2	2	2	UR ORANGE
	66E-11631-00-C0	PISTON (STD)	2	2	2	2	UR GREEN
	66E-11631-00-D0	PISTON (STD)	2	2	2	2	UR PURPLE
17	66E-11603-01	PISTON RING SET (STD)	2	2	2	2	
18	66E-11633-00	PIN, PISTON	2	2	2	2	
19	93310-422U2	BEARING	2	2	2	2	
20	90201-22M04	WASHER, PLATE	4	4	4	4	
21	66E-11634-00	CLIP, PISTON PIN	4	4	4	4	
22	66E-45813-10-94	FLANGE, COUPLING	1	1	1	1	
23	66E-4581J-00	RUBBER SHAFT COUPLING	1	1	1	1	
24	66E-45813-10-94	FLANGE, COUPLING	1	1	1	1	

FIG. 3 CRANKSHAFT. PISTON



REF. NO.	PART NO.	DESCRIPTION	USA	CAN	GENE	JPN	REMARKS
25	90201-278T0	WASHER, PLATE	1	1	1	1	YMUS

FIG. 4 INTAKE

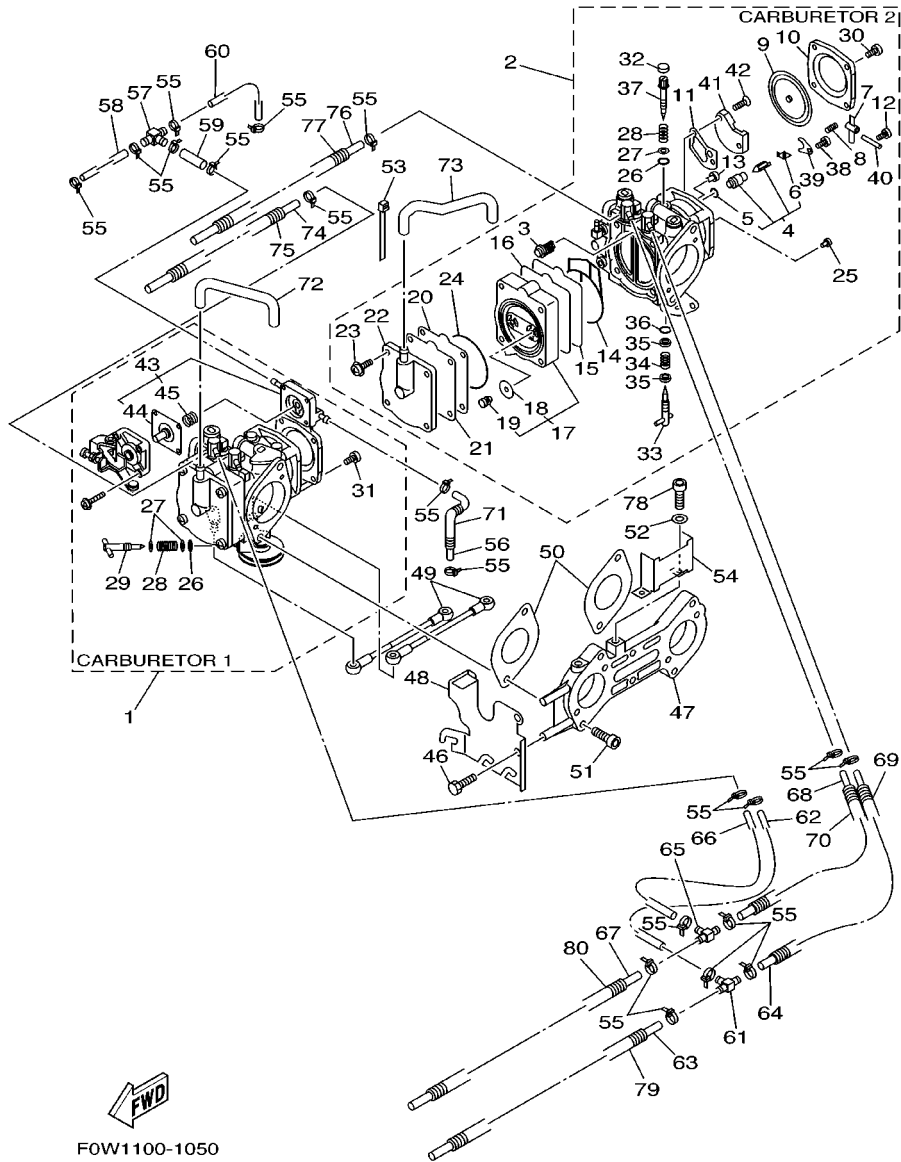


REF. NO.	PART NO.	DESCRIPTION	USA	CAN	GENE	JPN	REMARKS
1	90465-11M10	CLAMP	2	2	2	2	
2	90105-08M86	BOLT, WASHER BASED	4	4	4	4	
3	90109-06M00	BOLT	2	2	2	2	
4	66E-13556-00	GASKET, MANIFOLD	1	1	1	1	
5	66E-13624-10-94	PLATE, REED VALVE	1	1	1	1	
6	97013-06025	BOLT	12	12	12	12	
7	92903-06600	WASHER, PLATE	12	12	12	12	
8	93606-19M23	PIN, DOWEL	2	2	2	2	
9	66E-13610-00	REED VALVE ASSY	2	2	2	2	
10	66E-W0004-00	.REED SET	1	1	1	1	
11	66E-1441E-00	COVER, CLEANER CASE 2	1	1	1	1	
12	66E-42717-00	.RUBBER, SEAL 2	2	2	2	2	
13	66E-14480-11	COVER SUB ASSY	1	1	1	1	
14	66E-14457-10	.SEAL	1	1	1	1	
15	66E-14452-00	.SEAL	2	2	2	2	
16	66E-14435-00	.GROMMET	1	1	1	1	
17	66E-13898-11	.HOLDER	6	6	6	6	
18	66E-14451-00	ELEMENT, AIR CLEANER	1	1	1	1	
19	97095-06035	BOLT	3	3	3	3	
20	92995-06600	WASHER	3	3	3	3	
21	97013-06045	BOLT	4	4	4	4	
22	92903-06600	WASHER, PLATE	4	4	4	4	
23	66E-13473-00	O-RING	2	2	2	2	



F0N3300-0041

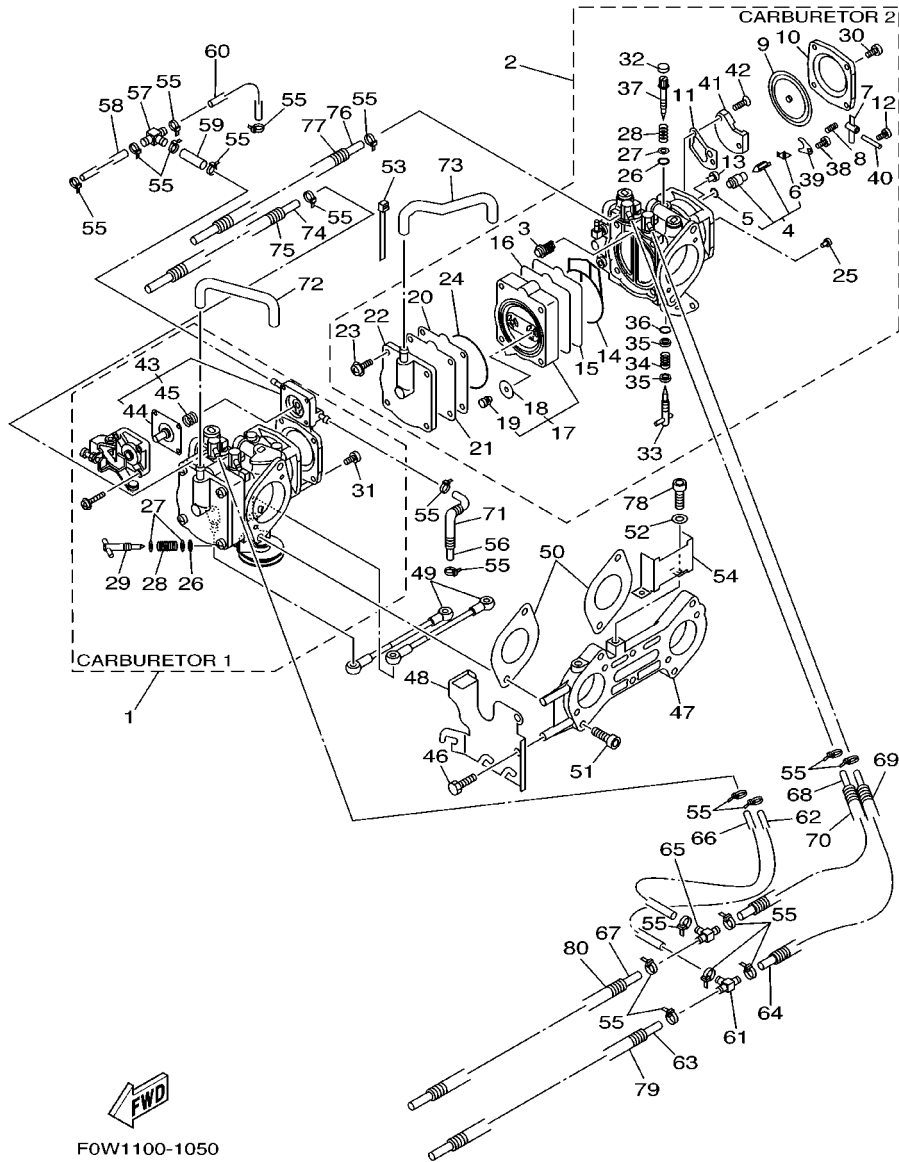
FIG. 5 CARBURETOR



FOW1100-1050

REF. NO.	PART NO.	DESCRIPTION	USA	CAN	GENE	JPN	REMARKS
1	68A-14301-00	CARBURETOR ASSY 1	1	1	1	1	
2	68A-14302-00	CARBURETOR ASSY 2	1	1	1	1	
3	6R7-14569-00	.STRAINER	2	2	2	2	
4	64T-14916-00	.NEEDLE	2	2	2	2	
5	8F2-14147-00	..O-RING	1	1	1	1	
6	7EG-14159-00	..CLIP	1	1	1	1	
7	6K8-14547-01	.ARM, FLOAT	2	2	2	2	
8	6R7-14253-00	.SPRING	2	2	2	2	
9	6R7-14541-00	.DIAPHRAGM, PUMP	2	2	2	2	
10	6R7-14542-00	.BODY, PUMP 1	1	1	1	1	CARBURETOR 2
11	6K8-14536-11	.GASKET	2	2	2	2	
12	6K8-14503-02	.SCREW	2	2	2	2	
13	3G2-14231-30	.JET, MAIN (#150)	1	1	1	1	UR CARBURETOR 1
	3G2-14231-30	.JET, MAIN (#150)	1	1	1	1	UR CARBURETOR 2
14	66E-14563-01	.O-RING	2	2	2	2	
15	66E-24471-00	.DIAPHRAGM	2	2	2	2	
16	66E-24411-00	.DIAPHRAGM	2	2	2	2	
17	66E-24413-01	.BODY 2	2	2	2	2	
18	66E-24362-00	..VALVE, CHECK 1	1	1	1	1	
19	65U-24492-00	..BUSH, FULEL PUMP	1	1	1	1	
20	66E-24421-00	.VALVE, CHECK	2	2	2	2	
21	66E-24431-00	.GASKET, FUEL PUMP 1	2	2	2	2	
22	66E-24452-00	.COVER	2	2	2	2	
23	90157-05M17	.SCREW, PAN HEAD	8	8	8	8	
24	66E-14564-01	.O-RING	2	2	2	2	
25	830-14231-18	.JET, MAIN (#90)	2	2	2	2	
26	812-14147-00	.O-RING	3	3	3	3	

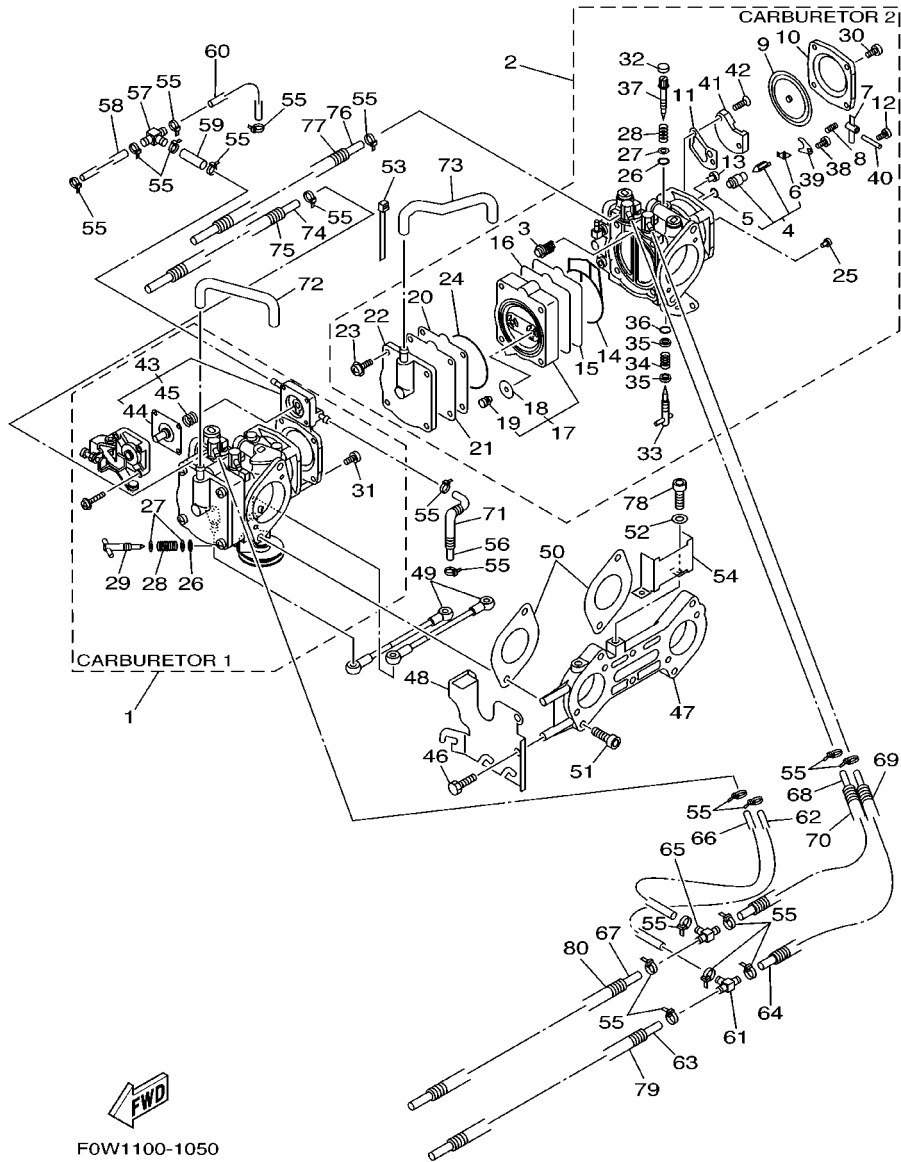
FIG. 5 CARBURETOR



F0W1100-1050

REF. NO.	PART NO.	DESCRIPTION	USA	CAN	GENE	JPN	REMARKS
27	812-14235-00	.WASHER, NEEDLE	4	4	4	4	
28	3KW-14932-00	.SPRING, THROTTLE 2	3	3	3	3	
29	66E-14521-00	.SCREW, ADJUST	1	1	1	1	CARBURETOR 1
30	97880-05010	.SCREW, PAN HEAD	4	4	4	4	CARBURETOR 2
31	98580-05014	.SCREW, PAN HEAD	4	4	4	4	CARBURETOR 1
32	6K8-14471-10	.CAP, CARBURETOR	2	2	2	2	
33	66E-14211-00	.SCREW, PILOT ADJUSTING	2	2	2	2	
34	6K8-14589-00	.SPRING	2	2	2	2	
35	822-14235-00	.WASHER, NEEDLE	4	4	4	4	
36	583-14561-00	.O-RING	2	2	2	2	
37	6K8-14946-10	.METERING NEEDLE	2	2	2	2	
38	6M6-14503-00	.SCREW	2	2	2	2	
39	6K8-14527-11	.PLATE	2	2	2	2	
40	439-14186-00	.PIN, FLOAT	2	2	2	2	
41	66E-24412-01	.BODY 1	2	2	2	2	
42	6K8-14523-11	.SCREW, STOP	4	4	4	4	
43	66E-14280-00	.COVER, CARBURETOR	1	1	1	1	CARBURETOR 1
44	66E-14170-00	..DIAPHRAGM ASS'Y	1	1	1	1	CARBURETOR 1
45	66E-14286-00	..SPRING	1	1	1	1	CARBURETOR 1
46	90101-06M25	BOLT	3	3	3	3	
47	66E-14243-00	PLATE	1	1	1	1	
48	66E-14291-00	BRACKET 1	1	1	1	1	
49	66E-41217-00	ROD, ACCEL. LEVER	2	2	2	2	
50	66E-14398-00	GASKET	2	2	2	2	
51	66E-14162-01	BOLT, HOLDING	4	4	4	4	
52	92990-06600	WASHER, PLATE	2	2	2	2	
53	4KM-14137-00	CLIP	1	1	1	1	

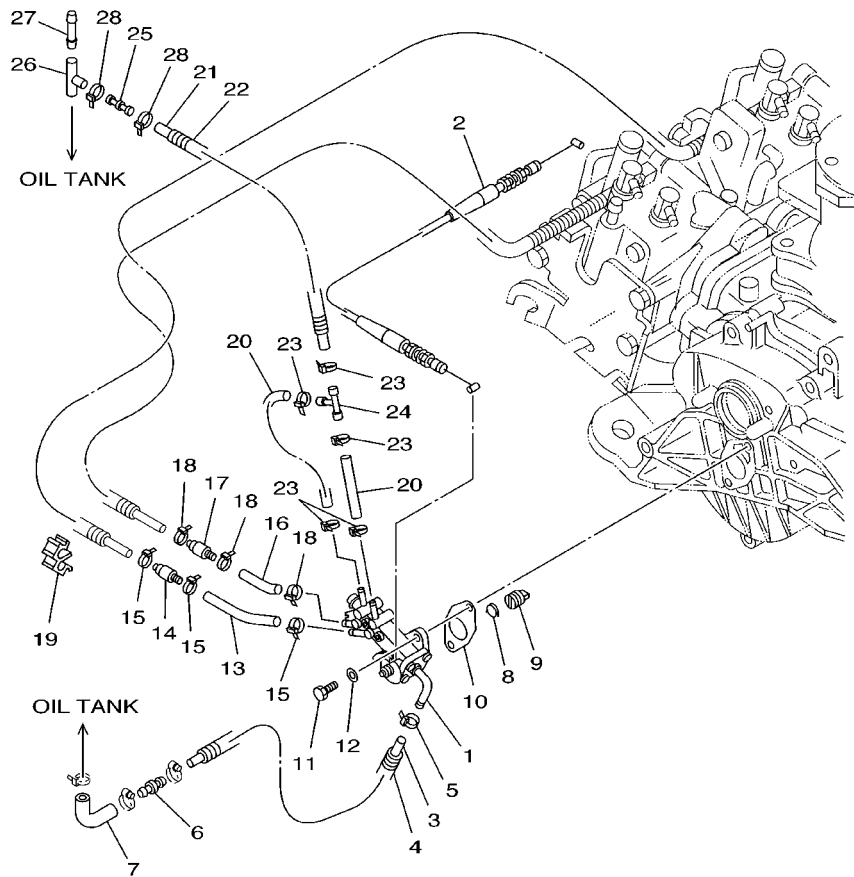
FIG. 5 CARBURETOR



FOW1100-1050

REF. NO.	PART NO.	DESCRIPTION	USA	CAN	GENE	JPN	REMARKS
54	66E-14146-00	PLATE	1	1	1	1	
55	35H-14139-00	CLIP, PIPE	20	20	20	20	
56	3XP-14294-00	HOSE	1	1	1	1	
57	4N0-14251-00	NIPPLE	1	1	1	1	
58	90445-07M78	HOSE	1	1	1	1	
59	90445-07M42	HOSE	1	1	1	1	
60	90445-07M79	HOSE	1	1	1	1	
61	66E-14251-00	NIPPLE	1	1	1	1	
62	90445-10MH0	HOSE	1	1	1	1	
63	90445-10MH1	HOSE	1	1	1	1	
64	90445-10MH2	HOSE	1	1	1	1	
65	66E-14251-00	NIPPLE	1	1	1	1	
66	90445-10MH3	HOSE	1	1	1	1	
67	90445-10MH4	HOSE	1	1	1	1	
68	90445-10MH5	HOSE	1	1	1	1	
69	90446-14M98	HOSE	1	1	1	1	
70	90446-14M99	HOSE	1	1	1	1	
71	90446-10MA2	HOSE	1	1	1	1	
72	66E-24314-00	PIPE 4	1	1	1	1	
73	66E-24315-00	PIPE 5	1	1	1	1	
74	90446-07M96	HOSE	1	1	1	1	
75	90446-10MA0	HOSE	1	1	1	1	
76	90446-07M97	HOSE	1	1	1	1	
77	90446-10MA1	HOSE	1	1	1	1	
78	66E-14162-00	BOLT, HOLDING	2	2	2	2	
79	90447-13004	HOSE, WITH SPRING	1	1	1	1	
80	90447-13003	HOSE, WITH SPRING	1	1	1	1	

FIG. 6 OIL PUMP

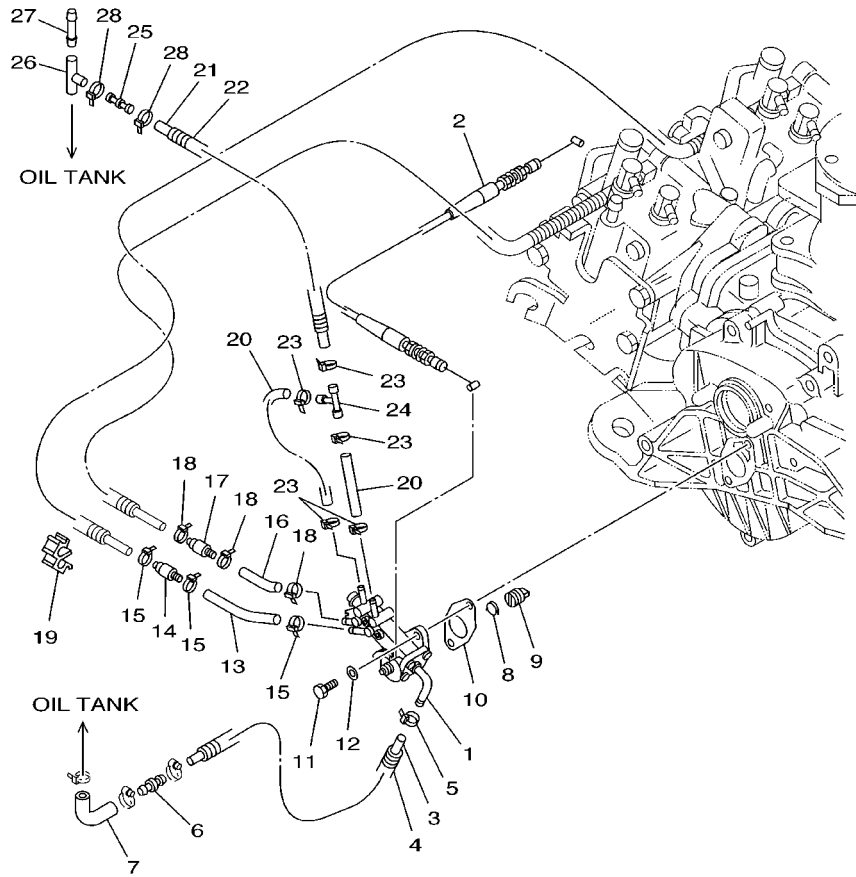


FOP3100-1060

REF. NO.	PART NO.	DESCRIPTION	USA	CAN	GENE	JPN	REMARKS
1	66E-13200-02	OIL INJECTION PUMP ASSY	1	1	1	1	
2	66E-26320-00	PUMP CABLE ASSY	1	1	1	1	
3	90445-11M35	HOSE (L540)	1	1	1	1	
4	90446-17M72	HOSE	1	1	1	1	
5	90465-11M10	CLAMP	1	1	1	1	
6	66V-51142-00	CONNECTION	1	1	1	1	
7	90445-14M00	HOSE (L118)	1	1	1	1	
8	66E-13469-00	SPRING	1	1	1	1	
9	65U-13132-00	JOINT	1	1	1	1	
10	63M-13116-00	GASKET, PUMP CASE	1	1	1	1	
11	97095-06020	BOLT	2	2	2	2	
12	92995-06600	WASHER	2	2	2	2	
13	90446-07M14	HOSE	1	1	1	1	
14	6R3-13183-00	VALVE, CHECK	1	1	1	1	
15	90465-11M10	CLAMP	3	3	3	3	
16	90446-07M14	HOSE	1	1	1	1	
17	6R3-13183-00	VALVE, CHECK	1	1	1	1	
18	90465-11M10	CLAMP	3	3	3	3	
19	90464-07M20	CLAMP	1	1	1	1	
20	90445-07M25	HOSE (L53)	2	2	2	2	
21	90445-07006	HOSE	1	1	1	1	
22	90447-07002	HOSE, WITH SPRING	1	1	1	1	
23	90465-11M10	CLAMP	5	5	5	5	
24	6E0-24378-00	PIPE, JOINT 4	1	1	1	1	
25	63M-13132-00	JOINT	1	1	1	1	
26	63M-24378-00	PIPE, JOINT 4	1	1	1	1	
27	6G8-24376-00	PIPE, JOINT 1	1	1	1	1	

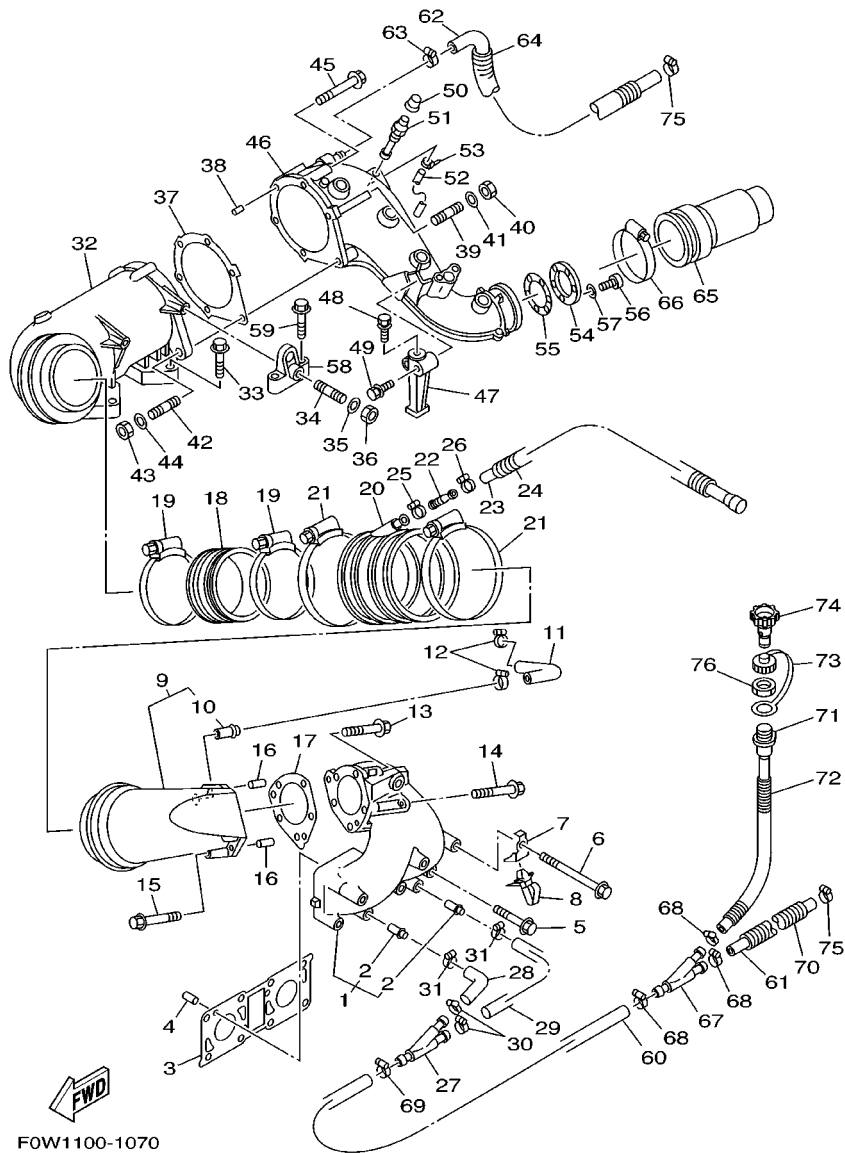
FIG. 6 OIL PUMP

REF. NO.	PART NO.	DESCRIPTION	USA	CAN	GENE	JPN	REMARKS
28	90465-11829	CLAMP	2	2	2	2	YMUS



FOP3100-1060

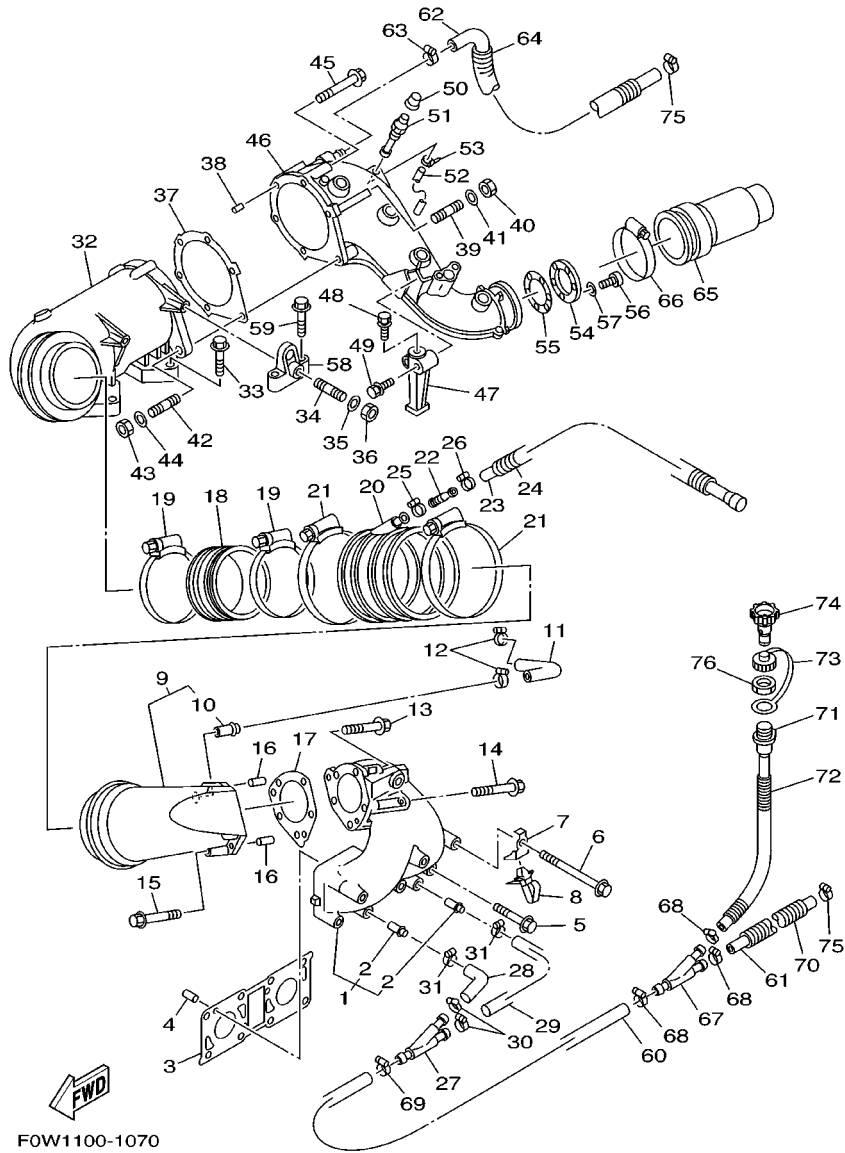
FIG. 7 EXHAUST 1



FOW1100-1070

REF. NO.	PART NO.	DESCRIPTION	USA	CAN	GENE	JPN	REMARKS
1	66E-14711-10-8P	MUFFLER 1	1	1	1	1	
2	6K8-51129-00	.NIPPLE	2	2	2	2	
3	66E-14613-00	GASKET, EXHAUST PIPE	1	1	1	1	
4	93606-12019	PIN, DOWEL	2	2	2	2	
5	90105-10M85	BOLT, WASHER BASED	4	4	4	4	
6	90105-10M86	BOLT, WASHER BASED	4	4	4	4	
7	90465-20M78	CLAMP	2	2	2	2	
8	90465-12M56	CLAMP	2	2	2	2	
9	66E-14712-10-8P	RING, JOINT	1	1	1	1	
10	66E-51129-00	.NIPPLE	1	1	1	1	
11	66E-12576-00	HOSE 1	1	1	1	1	
12	90450-22M14	HOSE CLAMP ASSY	2	2	2	2	
13	90105-08M83	BOLT, WASHER BASED	2	2	2	2	
14	90105-08M84	BOLT, WASHER BASED	2	2	2	2	
15	90105-08M66	BOLT, WASHER BASED	1	1	1	1	
16	93606-12019	PIN, DOWEL	2	2	2	2	
17	66E-14749-00	GASKET, MUFFLER DAMPER 2	1	1	1	1	
18	66E-14625-00	JOINT, EXHAUST 2	1	1	1	1	
19	90450-99M02	HOSE CLAMP ASSY	2	2	2	2	
20	66E-14615-00	JOINT, EXHAUST 1	1	1	1	1	
21	90450-99M18	HOSE CLAMP ASSY	2	2	2	2	
22	66E-51142-00	CONNECTION	1	1	1	1	
23	90445-14M21	HOSE (L890)	1	1	1	1	
24	90446-20M70	HOSE	1	1	1	1	
25	90450-18M09	HOSE CLAMP ASSY	1	1	1	1	
26	90450-14M05	HOSE CLAMP ASSY	1	1	1	1	
27	63M-12581-00	JOINT, HOSE 1	1	1	1	1	

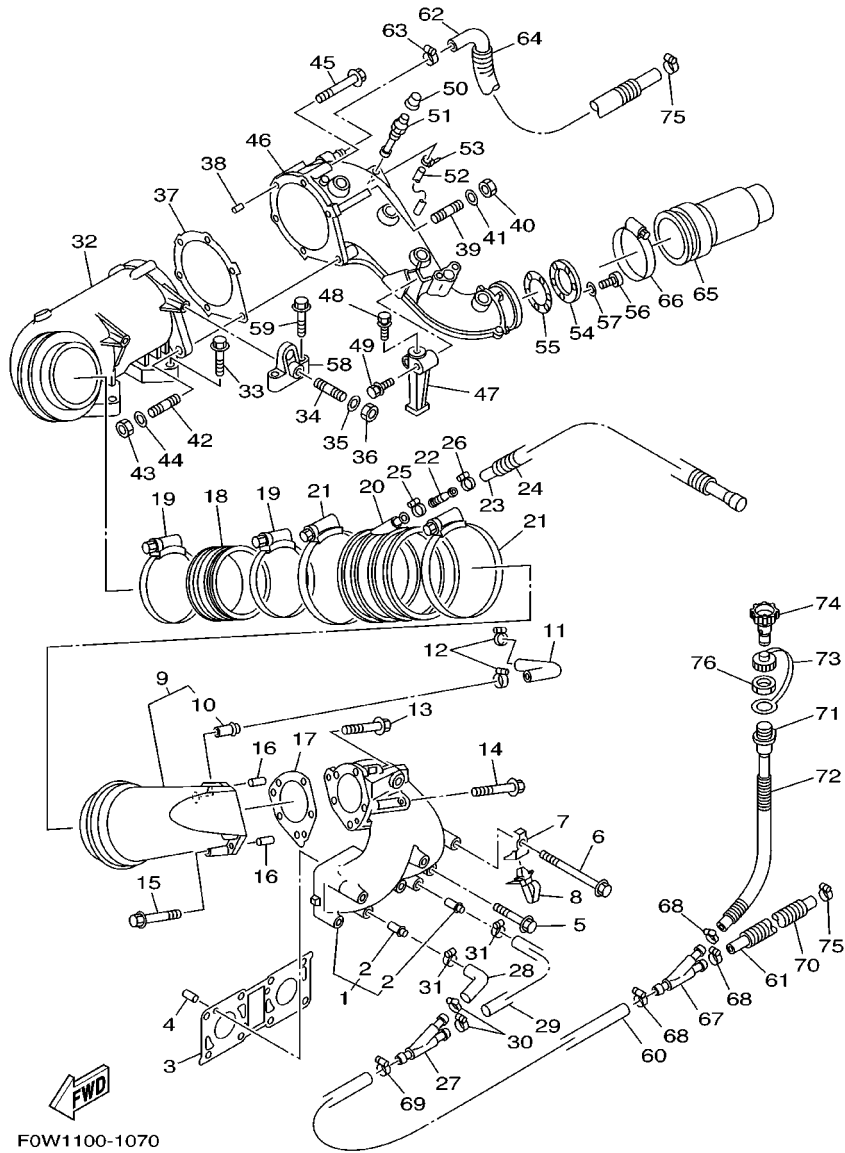
FIG. 7 EXHAUST 1



FOW1100-1070

REF. NO.	PART NO.	DESCRIPTION	USA	CAN	GENE	JPN	REMARKS
28	66E-12577-00	HOSE 2	1	1	1	1	
29	66E-12579-00	HOSE 4	1	1	1	1	
30	90450-18M09	HOSE CLAMP ASSY	2	2	2	2	
31	90450-14M05	HOSE CLAMP ASSY	2	2	2	2	
32	66E-14721-10-94	MUFFLER 2	1	1	1	1	
33	90105-10M82	BOLT, WASHER BASED	2	2	2	2	
34	90116-10M66	BOLT, STUD	2	2	2	2	
35	92990-10600	WASHER, PLATE	2	2	2	2	
36	95380-10600	NUT	2	2	2	2	
37	66E-41124-10	GASKET, EXHAUST OUTER COVER	1	1	1	1	
38	93606-12019	PIN, DOWEL	2	2	2	2	
39	90116-08M64	BOLT, STUD	2	2	2	2	
40	95333-08600	NUT	2	2	2	2	
41	92990-08600	WASHER, PLATE	2	2	2	2	
42	90116-10M65	BOLT, STUD	1	1	1	1	
43	95380-10600	NUT	1	1	1	1	
44	92990-10600	WASHER, PLATE	1	1	1	1	
45	90105-08M83	BOLT, WASHER BASED	3	3	3	3	
46	67A-41123-00-94	OUTER COVER, EXHAUST	1	1	1	1	
47	66E-14791-00-94	STAY, MUFFLER	1	1	1	1	
48	90119-10M10	BOLT, WITH WASHER	1	1	1	1	
49	90119-10M00	BOLT, WITH WASHER	1	1	1	1	
50	663-45119-00	CAP, GREASE NIPPLE	1	1	1	1	
51	61L-5169A-00	NIPPLE, GREASE	1	1	1	1	
52	90445-09M21	HOSE (L445)	1	1	1	1	
53	90465-11M10	CLAMP	1	1	1	1	
54	66E-14763-10	SPACER	1	1	1	1	

FIG. 7 EXHAUST 1



FOW1100-1070

REF. NO.	PART NO.	DESCRIPTION	USA	CAN	GENE	JPN	REMARKS
55	66E-14623-00	GASKET, EXHAUST PIPE	1	1	1	1	
56	97885-06016	SCREW, PAN HEAD	3	3	3	3	
57	92995-06600	WASHER	3	3	3	3	
58	66E-14771-01-94	STAY, MUFFLER 1	2	2	2	2	
59	90119-10M18	BOLT, WITH WASHER	4	4	4	4	
60	90445-18M17	HOSE (L60)	1	1	1	1	
61	90445-18M02	HOSE (L700)	1	1	1	1	
62	66E-12578-00	HOSE 3	1	1	1	1	
63	90450-22M14	HOSE CLAMP ASSY	1	1	1	1	
64	90446-27M95	HOSE	1	1	1	1	
65	67A-14752-00	PIPE, OUTLET	1	1	1	1	
66	90460-90M11	CLAMP, HOSE	1	1	1	1	
67	63M-12581-00	JOINT, HOSE 1	1	1	1	1	
68	90450-18M09	HOSE CLAMP ASSY	3	3	3	3	
69	90450-18M09	HOSE CLAMP ASSY	1	1	1	1	
70	90446-24M52	HOSE	1	1	1	1	
71	64T-12580-00	JOINT ASSY	1	1	1	1	
72	90446-24M89	HOSE	1	1	1	1	
73	682-84385-01	CAP,1	1	1	1	1	
74	67X-12590-00	CONDUCTION ASSY	1				FOR USA
	67X-12590-10	CONDUCTION ASSY				1	FOR JPN
	67X-12590-20	CONDUCTION ASSY		1	1		FOR CAN,GENE
75	90601-118UF	BAND, HOSE 18	3	3	3	3	YMUS
76	EU0-61652-00	NUT	1	1	1	1	

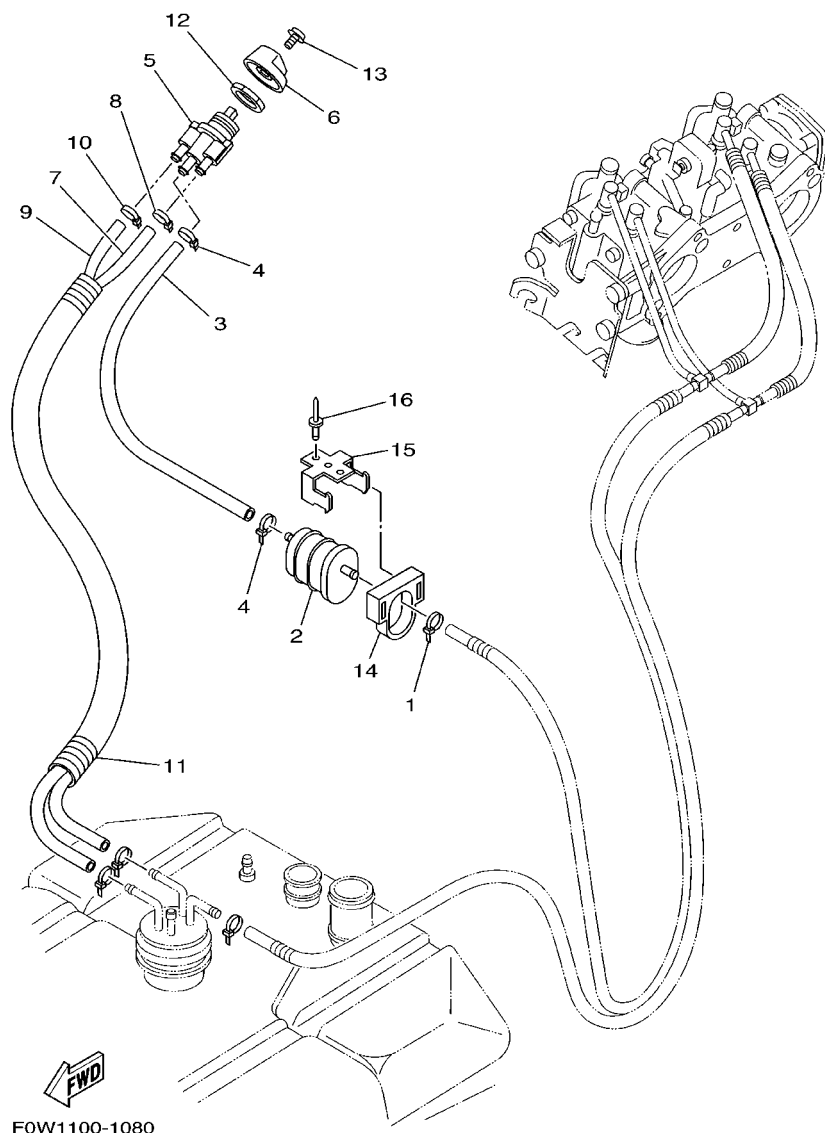
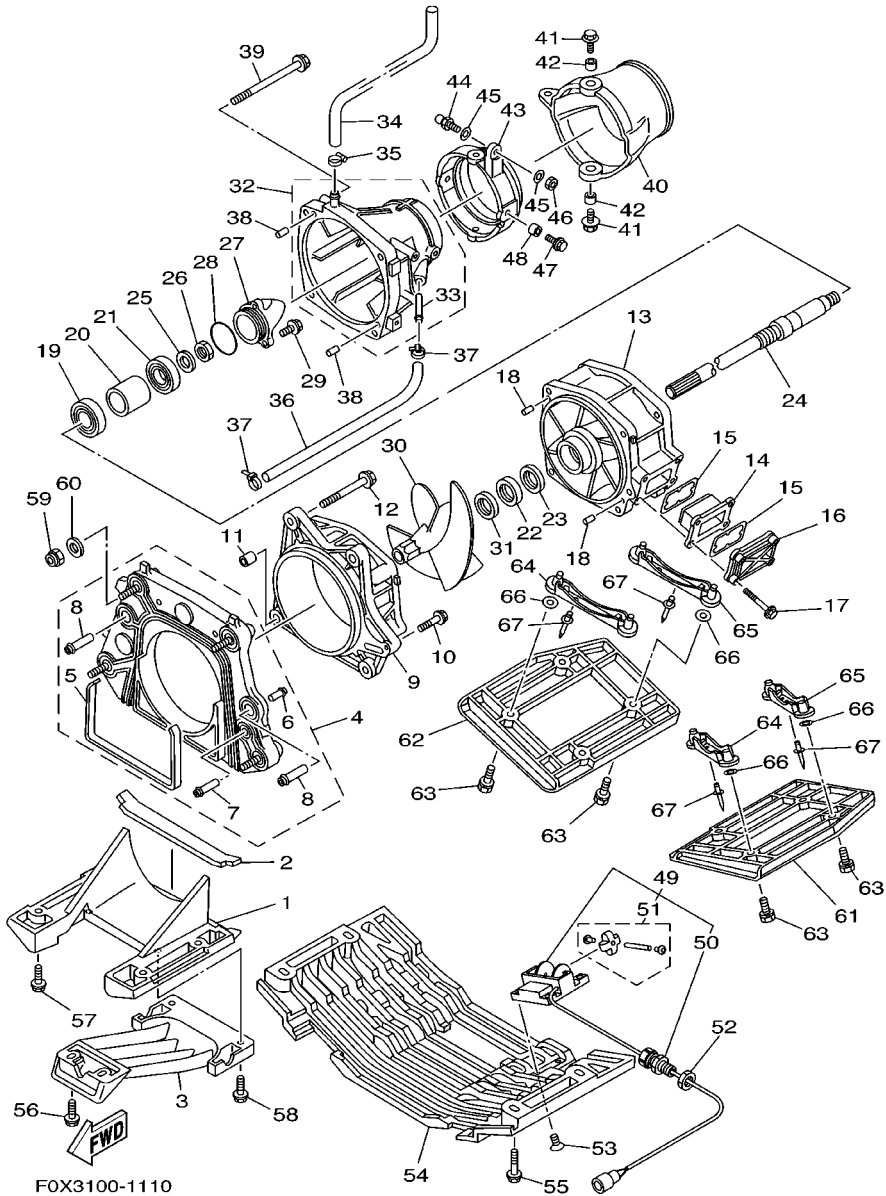


FIG. 8 FUEL

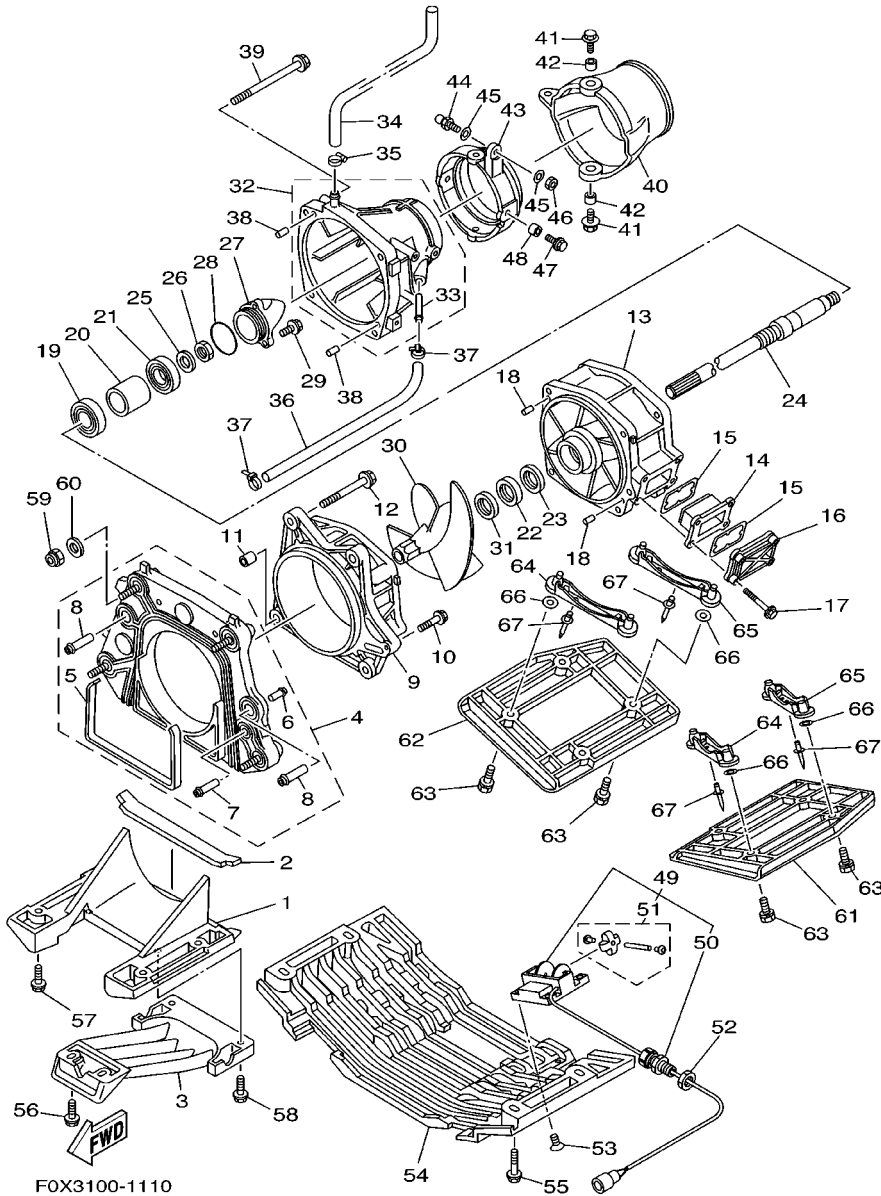
REF. NO.	PART NO.	DESCRIPTION	USA	CAN	GENE	JPN	REMARKS
1	90465-11829	CLAMP	1	1	1	1	YMUS
2	66V-24560-00	FILTER ASSY	1	1	1	1	
3	90445-11007	HOSE (L500)	1	1	1	1	
4	90465-11M10	CLAMP	2	2	2	2	
5	66V-24500-01	FUEL COCK ASSY 1	1	1	1	1	
6	6K8-24524-10	LEVER, COCK	1	1	1	1	
7	90445-11006	HOSE (L580)	1	1	1	1	
8	90465-11M10	CLAMP	1	1	1	1	
9	90445-11008	HOSE (L550)	1	1	1	1	
10	90465-11829	CLAMP	1	1	1	1	YMUS
11	90446-27M55	HOSE	1	1	1	1	
12	90170-22187	NUT	1	1	1	1	
13	90159-04800	SCREW, WITH WASHER	1	1	1	1	YMUS
14	EU0-U7817-00	HOLDER, FILTER	1	1	1	1	YMUS
15	FN8-67816-00	BRACKET, FUEL FILTER	1	1	1	1	
16	90267-489U1	RIVET,BLIND	2	2	2	2	YMUS

FIG. 9 JET UNIT 1



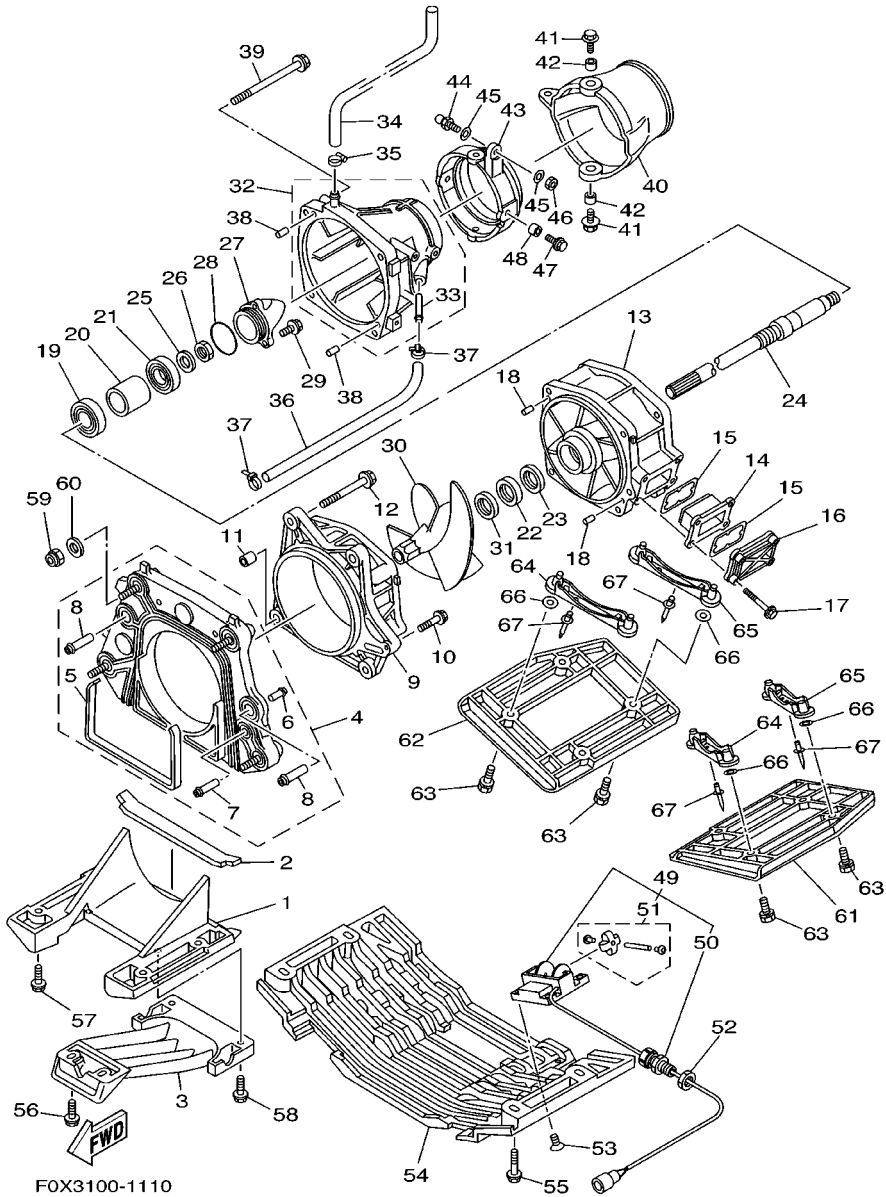
REF. NO.	PART NO.	DESCRIPTION	USA	CAN	GENE	JPN	REMARKS
1	67X-51311-00-94	DUCT, INTAKE	1	1	1	1	
2	67X-51367-00	FELT, PACKING	1	1	1	1	
3	67X-51333-00-94	SCREEN, INTAKE	1	1	1	1	
4	66V-G5831-00	PLATE, TRANSOM	1	1	1	1	YMUS
5	66V-51367-10	.FELT, PACKING	1	1	1	1	
6	65A-R1129-00	.NIPPLE	1	1	1	1	YMUS
7	66V-51129-01	.NIPPLE	1	1	1	1	
8	66V-51129-10	.NIPPLE	2	2	2	2	
9	66V-51312-01-94	HOUSING, IMPELLER	1	1	1	1	
10	90119-06835	BOLT, WITH WASHER	1	1	1	1	YMUS
11	99590-14016	PIN, DOWEL	2	2	2	2	
12	90119-10836	BOLT, WITH WASHER	4	4	4	4	YMUS
13	66V-51315-00-94	DUCT, IMPELLER	1	1	1	1	
14	66V-46882-00	FILTER	1	1	1	1	
15	66V-42414-00	O-RING	2	2	2	2	
16	66V-45214-00-94	COVER, WATER INLET	1	1	1	1	
17	90119-06800	BOLT, WITH WASHER	4	4	4	4	YMUS
18	93606-12019	PIN, DOWEL	2	2	2	2	
19	93306-205U0	BEARING	1	1	1	1	
20	65V-45538-00	SPACER 1	1	1	1	1	
21	93306-304U1	BEARING	1	1	1	1	
22	93101-28M66	OIL SEAL	1	1	1	1	
23	93101-28M65	OIL SEAL	1	1	1	1	
24	66V-45511-01	SHAFT, DRIVE	1	1	1	1	
25	9299R-16600	WASHER	1	1	1	1	YMUS
26	9531P-16700	NUT	1	1	1	1	YMUS
27	65A-R1326-00	CAP	1	1	1	1	YMUS

FIG. 9 JET UNIT 1



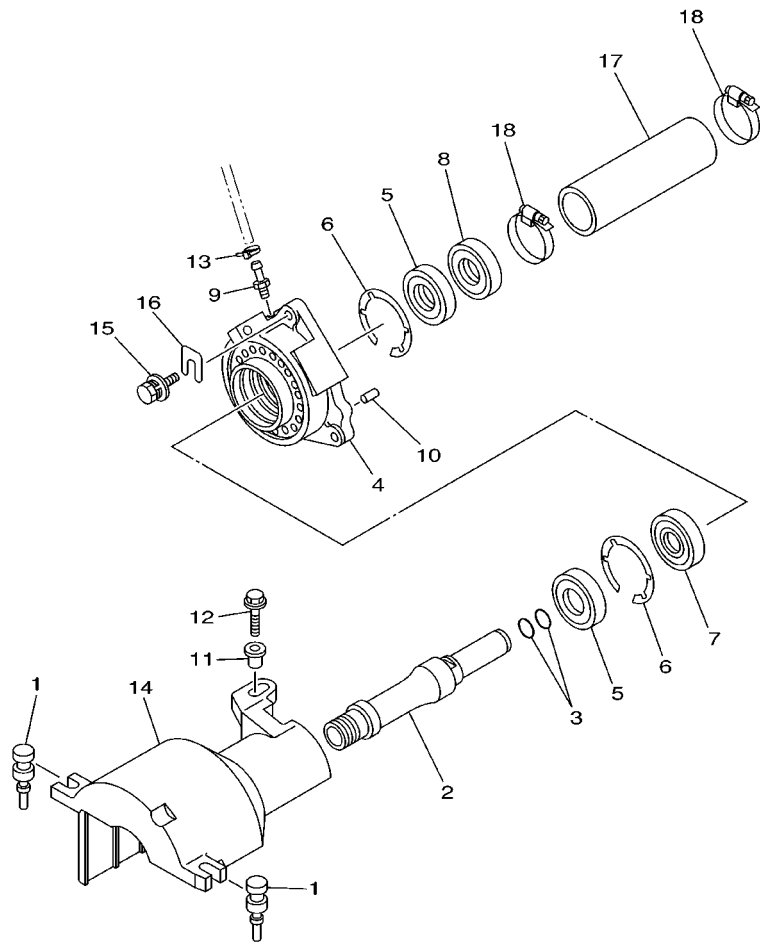
REF. NO.	PART NO.	DESCRIPTION	USA	CAN	GENE	JPN	REMARKS
28	93210-46M16	O-RING	1	1	1	1	
29	90119-069UB	BOLT, WITH WASHER	3	3	3	3	YMUS
30	68A-R1321-00	IMPELLER	1	1	1	1	YMUS
31	66V-R1348-10	SPACER	1	1	1	1	YMUS
32	67X-51318-00-94	NOZZLE	1	1	1	1	
33	63M-51334-00	.NIPPLE,HOSE	1	1	1	1	
34	67X-51673-00	PIPE 1	1	1	1	1	
35	90601-118UF	BAND, HOSE 18	1	1	1	1	YMUS
36	90445-14898	HOSE (L270)	1	1	1	1	YMUS
37	90465-11829	CLAMP	2	2	2	2	YMUS
38	93606-12019	PIN, DOWEL	2	2	2	2	
39	90119-10837	BOLT, WITH WASHER	4	4	4	4	YMUS
40	66V-R1313-01	NOZZLE,DEFLECTOR	1	1	1	1	YMUS
41	90119-089UE	BOLT, WITH WASHER	2	2	2	2	YMUS
42	90387-08M06	COLLAR	2	2	2	2	
43	66G-51190-00-94	RING,TRIM	1	1	1	1	
44	GH3-U146E-00	STUD, JOINT BALL	1	1	1	1	YMUS
45	90201-068M4	WASHER, PLATE	2	2	2	2	YMUS
46	9538R-06700	NUT	1	1	1	1	YMUS
47	90119-089UE	BOLT, WITH WASHER	2	2	2	2	YMUS
48	90387-08M06	COLLAR	2	2	2	2	
49	GJ1-U8K31-02	SENSOR SPEED	1	1	1	1	YMUS
50	EU0-67267-20	.CONNECTOR, CABLE	1	1	1	1	
51	GJ1-U835D-00	.SERVIS KIT (SPEED SENSOR)	1	1	1	1	YMUS
52	EU0-62241-30	NUT, DRAIN 1	1	1	1	1	
53	9878R-05512	SCREW, FLAT HEAD	4	4	4	4	YMUS
54	FOX-U273B-00	PLATE 2	1	1	1	1	YMUS

FIG. 9 JET UNIT 1



REF. NO.	PART NO.	DESCRIPTION	USA	CAN	GENE	JPN	REMARKS
55	90119-089U6	BOLT, WITH WASHER	4	4	4	4	YMUS
56	90119-069UK	BOLT, WITH WASHER	2	2	2	2	YMUS
57	90119-089U6	BOLT, WITH WASHER	4	4	4	4	YMUS
58	90119-069UB	BOLT, WITH WASHER	2	2	2	2	YMUS
59	9572R-10300	NUT, FLANGE	4	4	4	4	YMUS
60	90201-10801	WASHER, PLATE	4	4	4	4	YMUS
61	F0X-6884R-00	PLATE, STEP 1	1	1	1	1	
62	F0X-6884S-00	PLATE, STEP 2	1	1	1	1	
63	90119-069UD	BOLT, WITH WASHER	8	8	8	8	YMUS
64	F0X-6885R-00	PLATE, STEP 1	2	2	2	2	
65	F0X-6885S-00	PLATE, STEP 2	2	2	2	2	
66	F0X-62663-01	PACKING 1	8	8	8	8	
67	90267-48806	RIVET, BLIND	4	4	4	4	YMUS

FIG. 10 JET UNIT 2

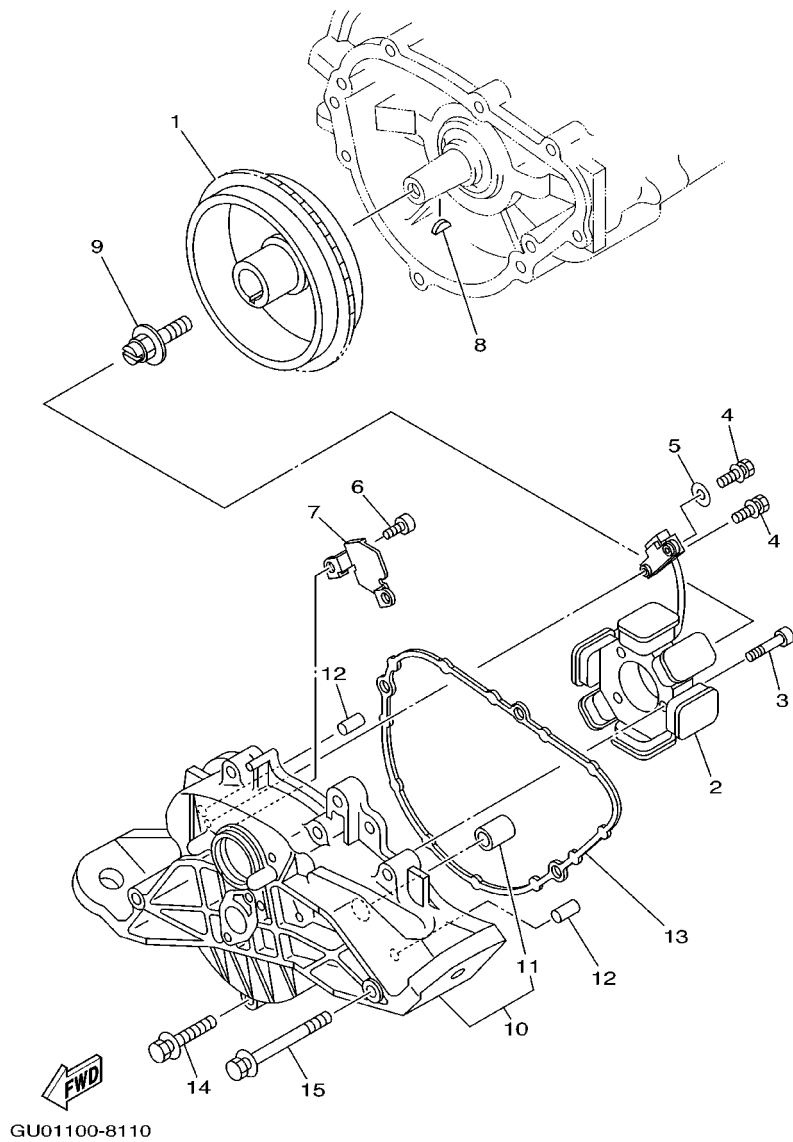


REF. NO.	PART NO.	DESCRIPTION	USA	CAN	GENE	JPN	REMARKS
1	90480-06M46	GROMMET	2	2	2	2	
2	66V-51323-01	SHAFT, COUPLOR	1	1	1	1	
3	93210-19MJ4	O-RING	2	2	2	2	
4	61X-45332-03-94	HOUSING, BEARING	1	1	1	1	
5	93101-25M55	OIL SEAL	2	2	2	2	
6	93430-47M04	CIRCLIP	2	2	2	2	
7	93306-205U6	BEARING	1	1	1	1	
8	93101-25M56	OIL SEAL	1	1	1	1	
9	61L-45378-00	NIPPLE, HOSE	1	1	1	1	
10	93606-12019	PIN, DOWEL	2	2	2	2	
11	90387-06M60	COLLAR	1	1	1	1	
12	90119-069UD	BOLT, WITH WASHER	1	1	1	1	YMUS
13	90465-11829	CLAMP	1	1	1	1	YMUS
14	67A-R1381-00	COVER	1	1	1	1	YMUS
15	90119-089UL	BOLT, WITH WASHER	3	3	3	3	YMUS
16	GD0-U7249-00-05	SHIM (T=0.5)	1	1	1	1	UR, YMUS
	GD0-U7249-00-10	SHIM (T=1.0)	1	1	1	1	UR, YMUS
17	F0X-U883B-01	PIPE, 1	1	1	1	1	YMUS
18	90601-152U3	BAND, HOSE 52	2	2	2	2	YMUS



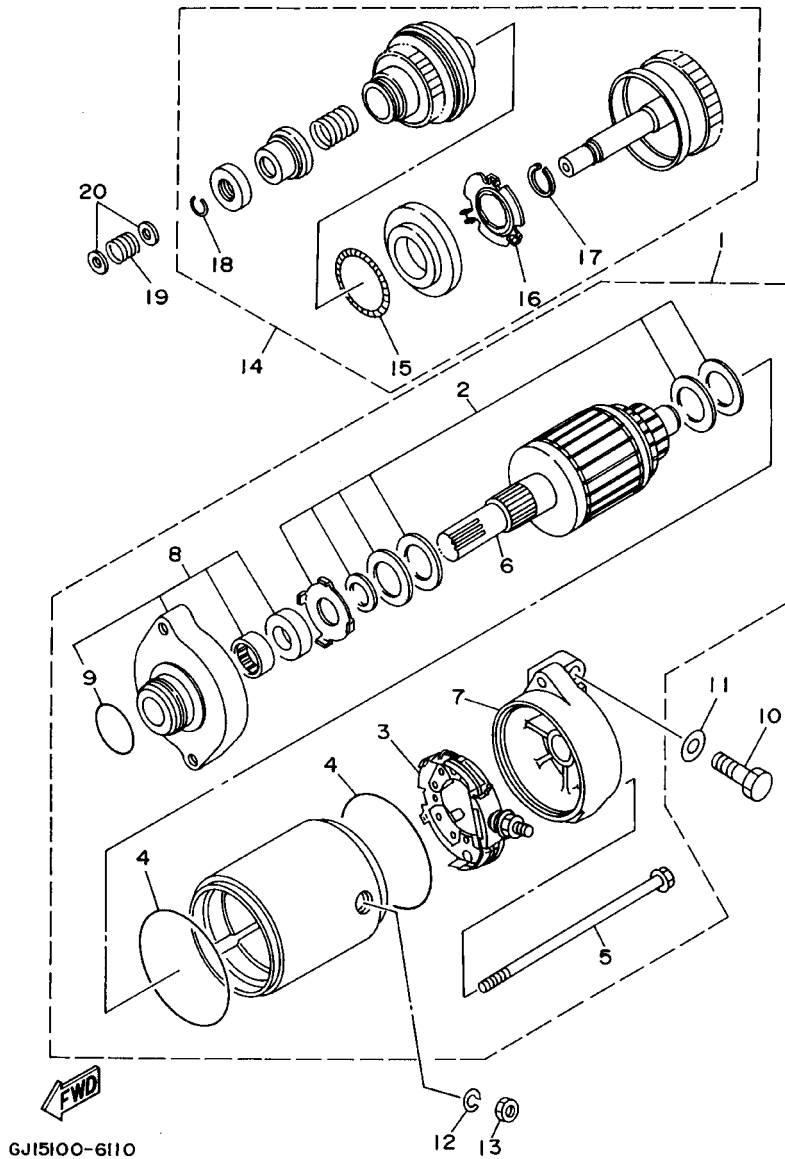
FOW1100-1100

FIG. 11 GENERATOR



REF. NO.	PART NO.	DESCRIPTION	USA	CAN	GENE	JPN	REMARKS
1	66E-85550-00	ROTOR ASSY	1	1	1	1	
2	66E-85510-00	STATOR ASSY	1	1	1	1	
3	91318-06030	BOLT	3	3	3	3	
4	97513-05514	BOLT, WITH WASHER	2	2	2	2	
5	90201-05M09	WASHER, PLATE	1	1	1	1	
6	91318-06014	BOLT	2	2	2	2	
7	66E-81328-00	CLAMP	1	1	1	1	
8	90280-05013	KEY, WOODRUFF	1	1	1	1	
9	90109-10M72	BOLT	1	1	1	1	
10	66E-81337-11-8P	COVER, FLYWHEEL	1	1	1	1	
11	90380-12M29	.BUSH, SOLID	1	1	1	1	
12	93608-16M16	PIN, DOWEL	2	2	2	2	
13	66E-81168-10	O-RING	1	1	1	1	
14	90119-08M18	BOLT, WITH WASHER	6	6	6	6	
15	90119-08M55	BOLT, WITH WASHER	2	2	2	2	

FIG. 12 STARTING MOTOR



REF. NO.	PART NO.	DESCRIPTION	USA	CAN	GENE	JPN	REMARKS
1	63M-81800-00	STARTING MOTOR ASSY	1	1	1	1	
2	3AJ-81809-00	.WASHER KIT	1	1	1	1	
3	6M6-81840-10	.BRUSH HOLDER ASSY	1	1	1	1	
4	11H-81844-00	.GASKET	2	2	2	2	
5	6M6-81826-00	.BOLT	2	2	2	2	
6	6M6-81850-00	.ARMATURE ASSY	1	1	1	1	
7	63M-81830-00	.REAR BRACKET ASSY	1	1	1	1	
8	6M6-81830-00	.FRONT BRACKET ASSY	1	1	1	1	
9	1FK-81847-00	.O-RING	1	1	1	1	
10	97013-08025	BOLT	2	2	2	2	
11	92903-08600	WASHER, PLATE	2	2	2	2	
12	92990-06100	WASHER, SPRING	1	1	1	1	
13	95380-06700	NUT	1	1	1	1	
14	6M6-8183E-00	IDLE GEAR COMP	1	1	1	1	
15	6M6-81866-00	.WEIGHT SPRING	1	1	1	1	
16	6M6-81865-00	.WEIGHT HOLDER	1	1	1	1	
17	93440-25M08	.CIRCLIP	1	1	1	1	
18	93450-18M06	.CIRCLIP	1	1	1	1	
19	90501-14M73	SPRING, COMPRESSION	1	1	1	1	
20	92903-06600	WASHER, PLATE	2	2	2	2	

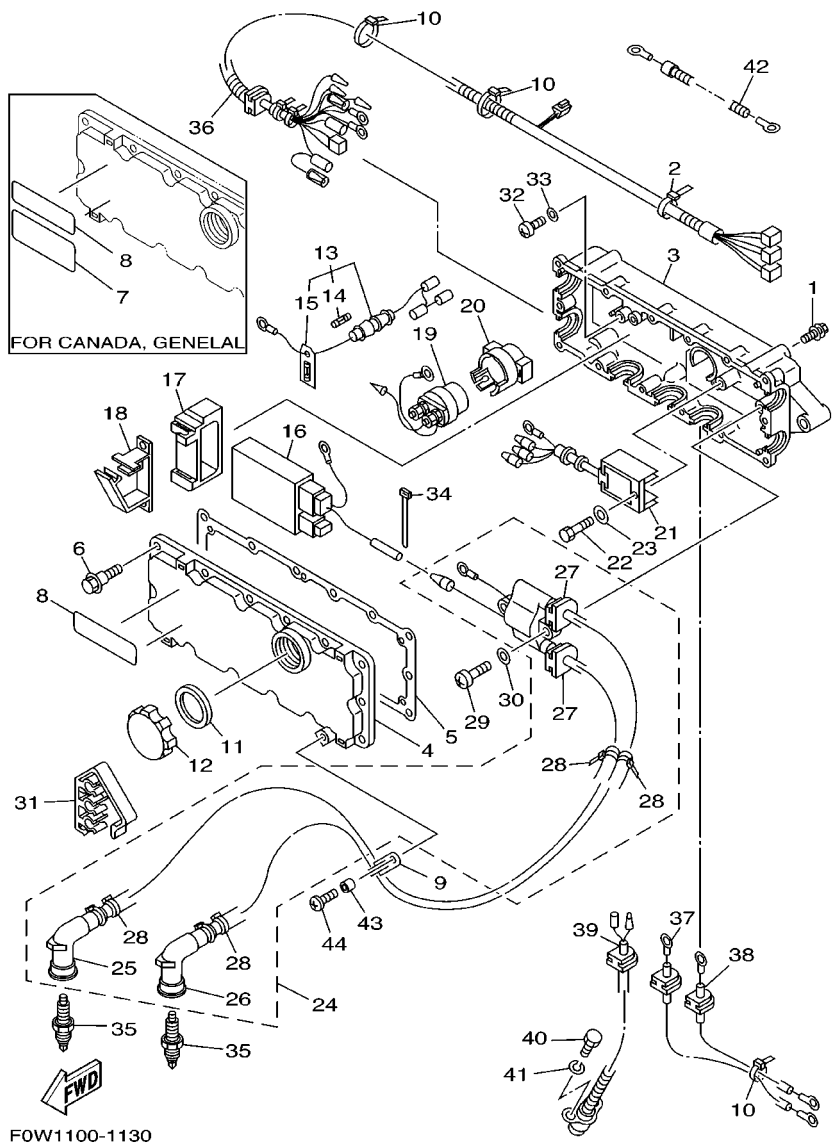


FIG. 13 ELECTRICAL 1

REF. NO.	PART NO.	DESCRIPTION	USA	CAN	GENE	JPN	REMARKS
1	90119-089U7	BOLT, WITH WASHER	3	3	3	3	YMUS
2	90465-12M56	CLAMP	1	1	1	1	
3	66E-8552A-00-94	HOUSING	1	1	1	1	
4	66E-8552E-00	COVER, CASE	1	1	1	1	
5	66E-81921-00	GASKET, TERMINAL	1	1	1	1	
6	90109-05MA0	BOLT	14	14	14	14	
7	6R7-83623-50	MARK 3		1	1		FOR CAN,GENE
8	63N-83623-00	MARK 3				1	FOR JPN
	6R7-83623-40	MARK 3	1	1	1		FOR USA,CAN,GENE
9	90465-12M53	CLAMP	1	1	1	1	
10	90465-13M36	CLAMP	3	3	3	3	
11	6M6-81844-00	GASKET	1	1	1	1	
12	6M6-8132W-00	CAP	1	1	1	1	
13	66E-82150-00	FUSE HOLDER ASSY	1	1	1	1	
14	6G1-82151-00	.FUSE	1	1	1	1	
15	6K8-82159-00	.FUSE SPEAR	1	1	1	1	
16	66E-85540-00	C.D.I. UNIT ASSY	1	1	1	1	
17	64X-85546-00	BAND	1	1	1	1	
18	90464-06M29	CLAMP	1	1	1	1	
19	6G1-81941-10	STARTER RELAY ASSY	1	1	1	1	
20	6M6-81952-01	HOLDER, RELAY	1	1	1	1	
21	63M-81960-00	RECTIFIER & REGULATOR ASSY	1	1	1	1	
22	97095-06012	BOLT	1	1	1	1	
23	92995-06600	WASHER	1	1	1	1	
24	64X-85570-01	IGNITION COIL ASSY	1	1	1	1	
25	62E-82371-11	.CAP, PLUG	1	1	1	1	
26	62E-82371-11	.CAP, PLUG	1	1	1	1	

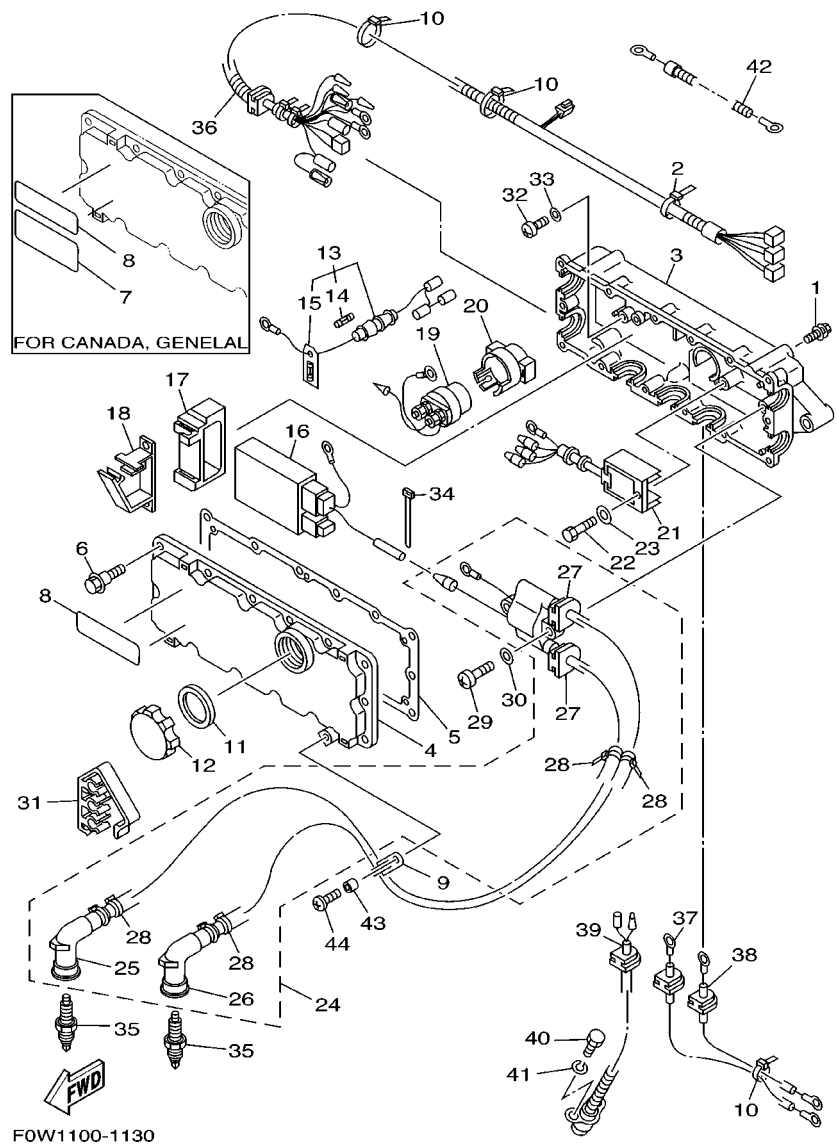
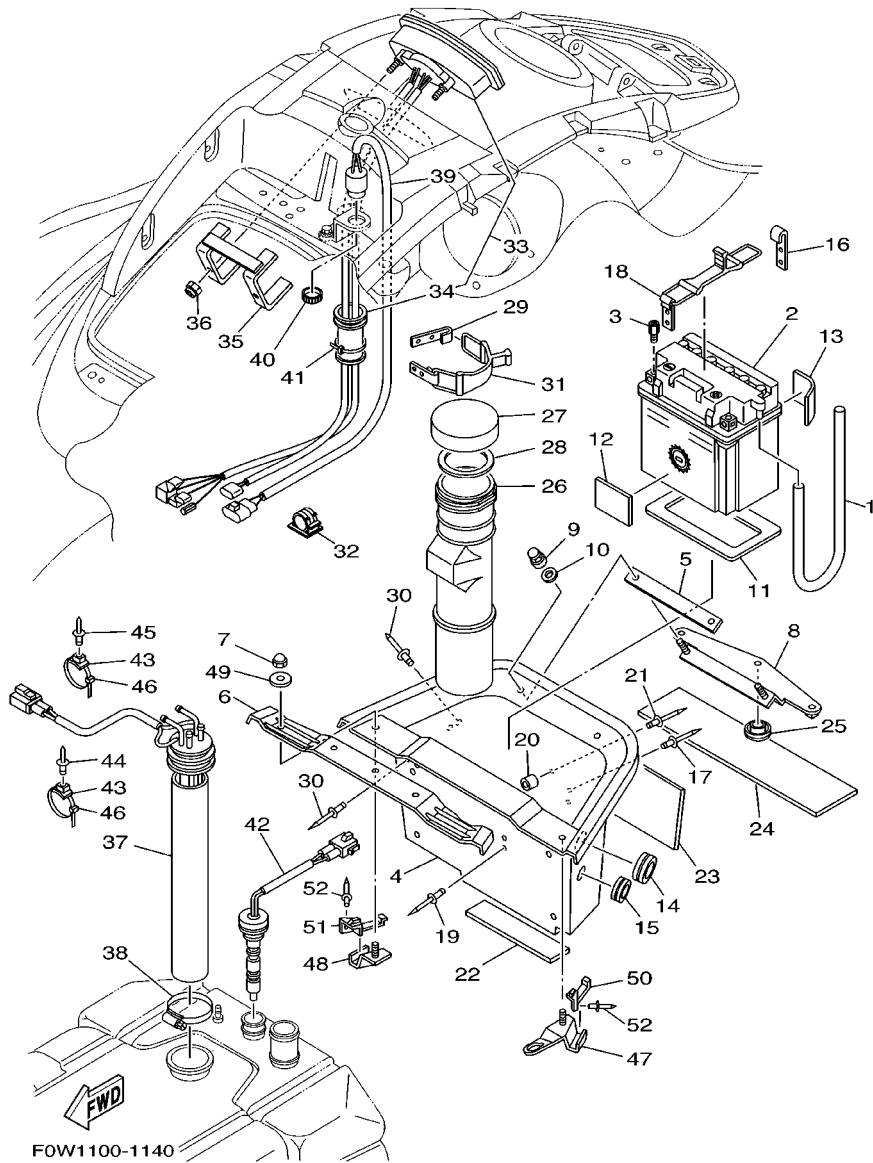


FIG. 13 ELECTRICAL 1

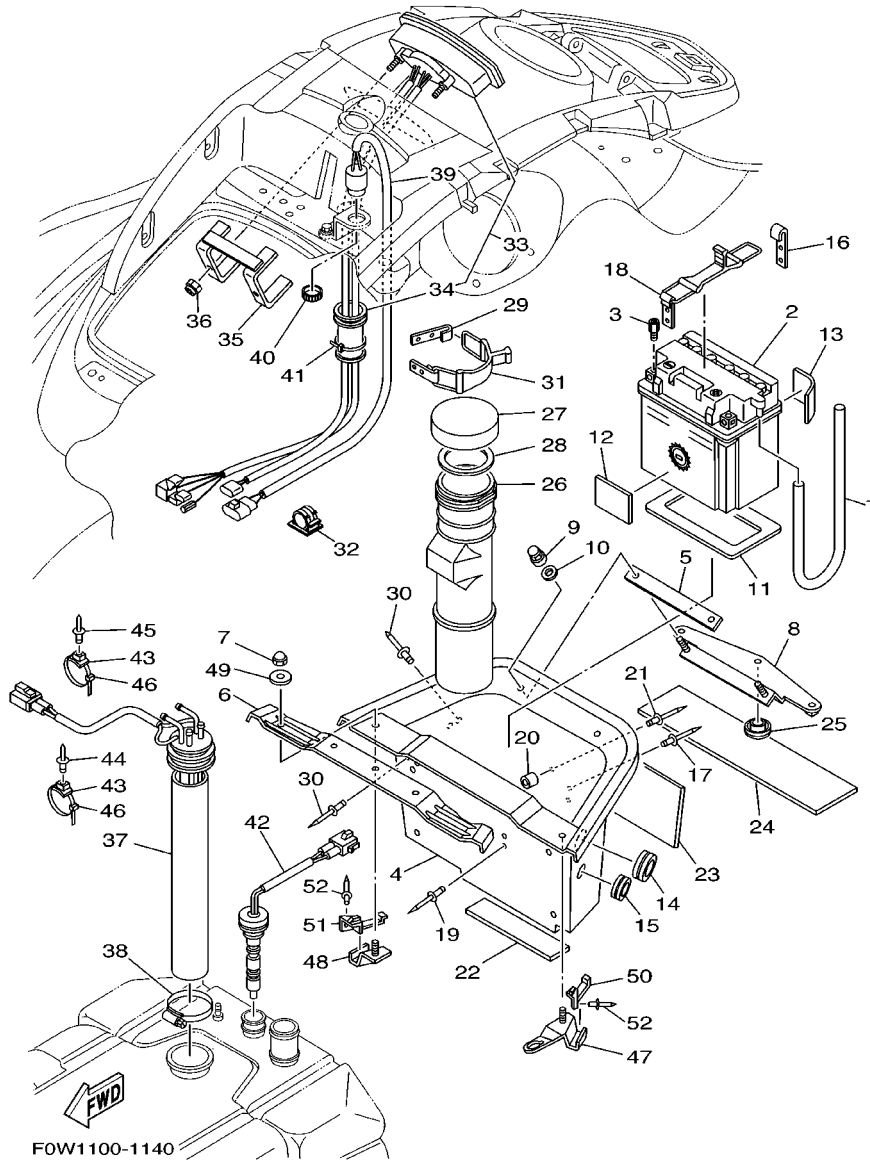
REF. NO.	PART NO.	DESCRIPTION	USA	CAN	GENE	JPN	REMARKS
27	90480-06M43	.GROMMET	2	2	2	2	
28	90465-11M10	.CLAMP	4	4	4	4	
29	97880-06030	SCREW, PAN HEAD	2	2	2	2	
30	92990-06600	WASHER, PLATE	2	2	2	2	
31	65U-81317-10	CLAMP, CORD	1	1	1	1	
32	97880-06016	SCREW, PAN HEAD	2	2	2	2	
33	92990-06600	WASHER, PLATE	2	2	2	2	
34	90465-11M10	CLAMP	1	1	1	1	
35	94702-00204	PLUG, SPARK (NGK BR8ES)	2	2	2		FOR USA,CAN,GENE
	94709-00204	PULG, SPARK (NGK BR8ES)				2	FOR JPN
36	68A-82553-00	EXTENSION, WIRE LEAD	1	1	1	1	
37	62E-82117-20	WIRE, LEAD	1	1	1	1	
38	68A-82117-10	WIRE, LEAD	1	1	1	1	
39	68A-82560-00	THERMO SWITCH ASSY	1	1	1	1	
40	97095-06016	BOLT	2	2	2	2	
41	92995-06100	WASHER, SPRING	2	2	2	2	
42	61L-82117-00	WIRE, LEAD	1	1	1	1	
43	90387-06M05	COLLAR	1	1	1	1	
44	97780-60425	SCREW, TAPPING	1	1	1	1	

FIG. 14 ELECTRICAL 2



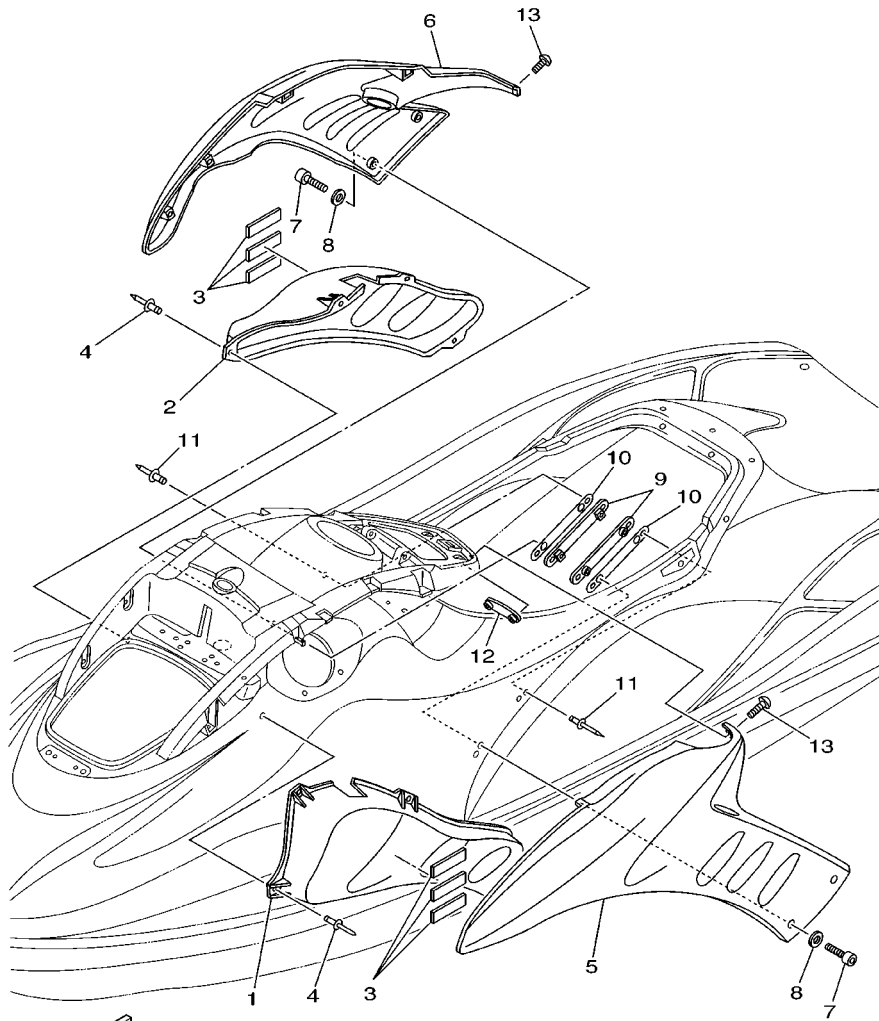
REF. NO.	PART NO.	DESCRIPTION	USA	CAN	GENE	JPN	REMARKS
1	EU0-U7856-40	HOSE, AIR VENT 3	1	1	1	1	YMUS
2	EU0-82110-09	BATTERY ASSY	1	1	1	1	
3	F0W-68239-01	NUT	1	1	1	1	
4	F0X-U8211-02	CASE, BATTERY	1	1	1	1	YMUS
5	F0X-U266D-00	PACKING 5	1	1	1	1	YMUS
6	F0X-68952-00	BEAM, DECK 1	1	1	1	1	
7	90176-06005	NUT, CROWN	2	2	2	2	
8	F0X-6821H-00	BRKT., BASE BATTERY	1	1	1	1	
9	90179-08978	NUT	2	2	2	2	
10	9299R-08200	WASHER	2	2	2	2	YMUS
11	F0X-U8221-00	PAD, BATTERY	1	1	1	1	YMUS
12	F0W-U822C-00	PAD, BATTERY 2	1	1	1	1	YMUS
13	F0W-U822C-00	PAD, BATTERY 2	1	1	1	1	YMUS
14	90480-279U1	GROMMET	1	1	1	1	YMUS
15	90480-38800	GROMMET	1	1	1	1	YMUS
16	GA7-65772-00	HOOK A	1	1	1	1	
17	90267-489U9	RIVET, BLIND	2	2	2	2	YMUS
18	GJ1-66607-00	HOOK COMP	1	1	1	1	
19	90267-489U9	RIVET, BLIND	2	2	2	2	YMUS
20	GK5-63768-00	CUSHION, RUBBER	2	2	2	2	
21	90267-489U1	RIVET, BLIND	2	2	2	2	YMUS
22	F0X-6352C-00	TRIM, MAT	1	1	1	1	
23	GP8-67593-00	MAT	1	1	1	1	
24	F0X-6351B-00	MAT, LOWER	1	1	1	1	
25	F0X-65568-00	CAP	1	1	1	1	
26	F0X-U5983-00	BOX, FIRE EXTINGUISHER	1	1	1	1	YMUS
27	EW2-U5912-01	CAP, CASE	1	1	1	1	YMUS

FIG. 14 ELECTRICAL 2



REF. NO.	PART NO.	DESCRIPTION	USA	CAN	GENE	JPN	REMARKS
28	EW2-U5913-01	PACKING, CASE	1	1	1	1	YMUS
29	GA7-65772-00	HOOK A	1	1	1	1	
30	90267-489U9	RIVET, BLIND	4	4	4	4	YMUS
31	GJ1-66607-00	HOOK COMP	1	1	1	1	
32	90600-925U9	CLAMP	1	1	1	1	YMUS
33	F0W-6820A-00	METER ASSY	1				FOR UAS
	F0W-6820A-10	METER ASSY		1	1	1	FOR CAN,GENE,JPN
34	GU2-6822E-01	.GROMMET	1	1	1	1	
35	GP7-68238-10	BRACKET, METER	1	1	1	1	
36	9572R-05300	NUT, FLANGE	2	2	2	2	YMUS
37	F0D-U824B-01	SENDER, FUEL	1	1	1	1	YMUS
38	90601-162U5	BAND, HOSE 62	1	1	1	1	YMUS
39	F0D-U8341-00	BUZZER	1	1	1	1	YMUS
40	F0X-U8239-00	NUT	1	1	1	1	YMUS
41	90464-32801	CLAMP	1	1	1	1	YMUS
42	F0D-U824C-00	SENDER, OIL	1	1	1	1	YMUS
43	90600-917U4	CLAMP COMP.	8	8	8	8	YMUS
44	90267-489U6	RIVET, BLIND	2	2	2	2	YMUS
45	90267-48802	RIVET, BLIND	6	6	6	6	YMUS
46	90464-32801	CLAMP	8	8	8	8	YMUS
47	F0X-65938-01	STAY 1	1	1	1	1	
48	F0X-65939-01	STAY 2	1	1	1	1	
49	90201-06014	WASHER, PLATE	2	2	2	2	
50	F0X-63225-00	PACKING, SEAL 2	1	1	1	1	
51	F0X-63226-00	PACKING,SEAL	1	1	1	1	
52	90267-489U6	RIVET, BLIND	2	2	2	2	YMUS

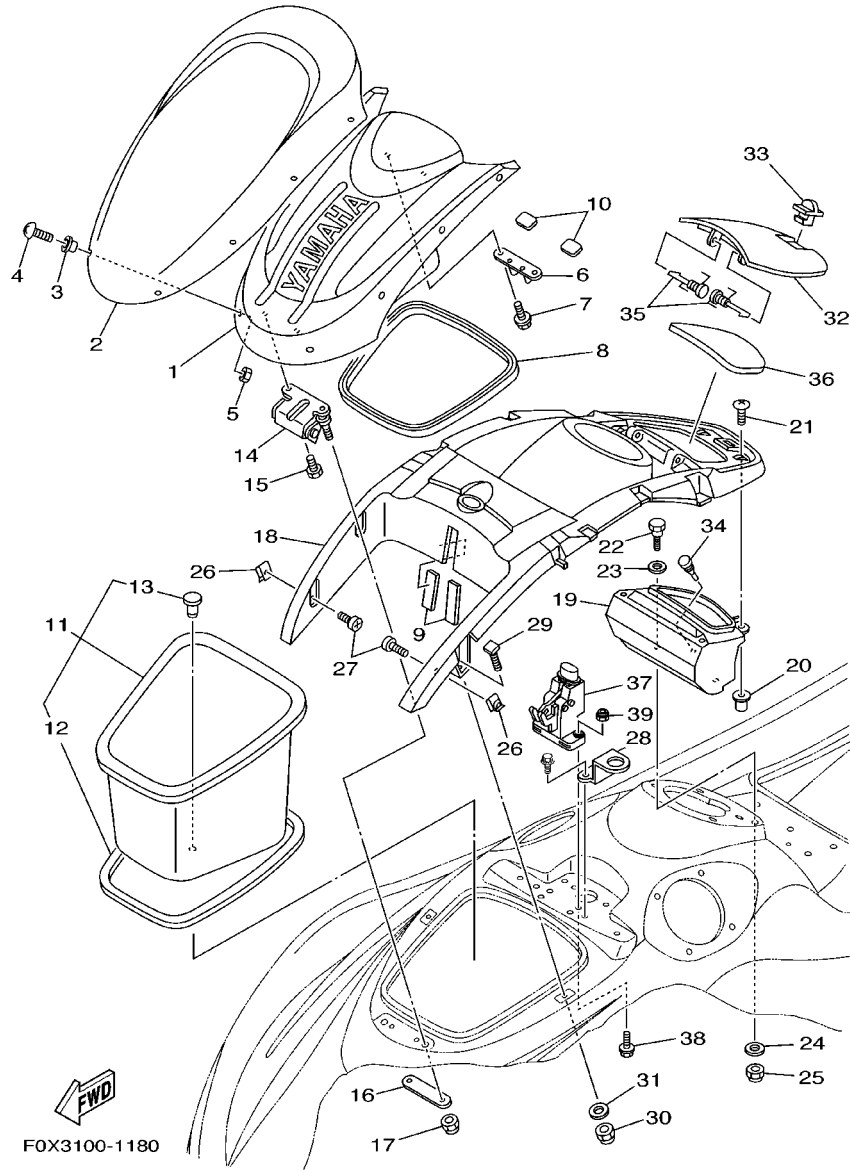
FIG. 15 ENGINE HATCH 1



F0X1100-0170

REF. NO.	PART NO.	DESCRIPTION	USA	CAN	GENE	JPN	REMARKS
1	F0X-62187-00	BOX, INDUCATION 1	1	1	1	1	
2	F0X-62188-00	BOX, INDUCATION 2	1	1	1	1	
3	F0X-6351C-00	MAT, SIDE 1	6	6	6	6	
4	90267-48806	RIVET, BLIND	8	8	8	8	YMUS
5	F0X-U377B-10-P0	COVER, SIDE 1	1	1	1	1	DPBMF, YMUS
6	F0X-U377C-10-P0	COVER, SIDE 2	1	1	1	1	DPBMF, YMUS
7	90110-06008	BOLT, HEXAGON SOCKET HEAD	4	4	4	4	
8	9299R-06200	WASHER	4	4	4	4	YMUS
9	F0X-6377M-00	BRKT., COVER SIDE 1	2	2	2	2	
10	F0X-U3635-01	TAPE, FITTING	2	2	2	2	YMUS
11	90267-48806	RIVET, BLIND	4	4	4	4	YMUS
12	F0X-6377P-00	BRKT., COVER SIDE 3	1	1	1	1	
13	90111-05001	BOLT	2	2	2	2	

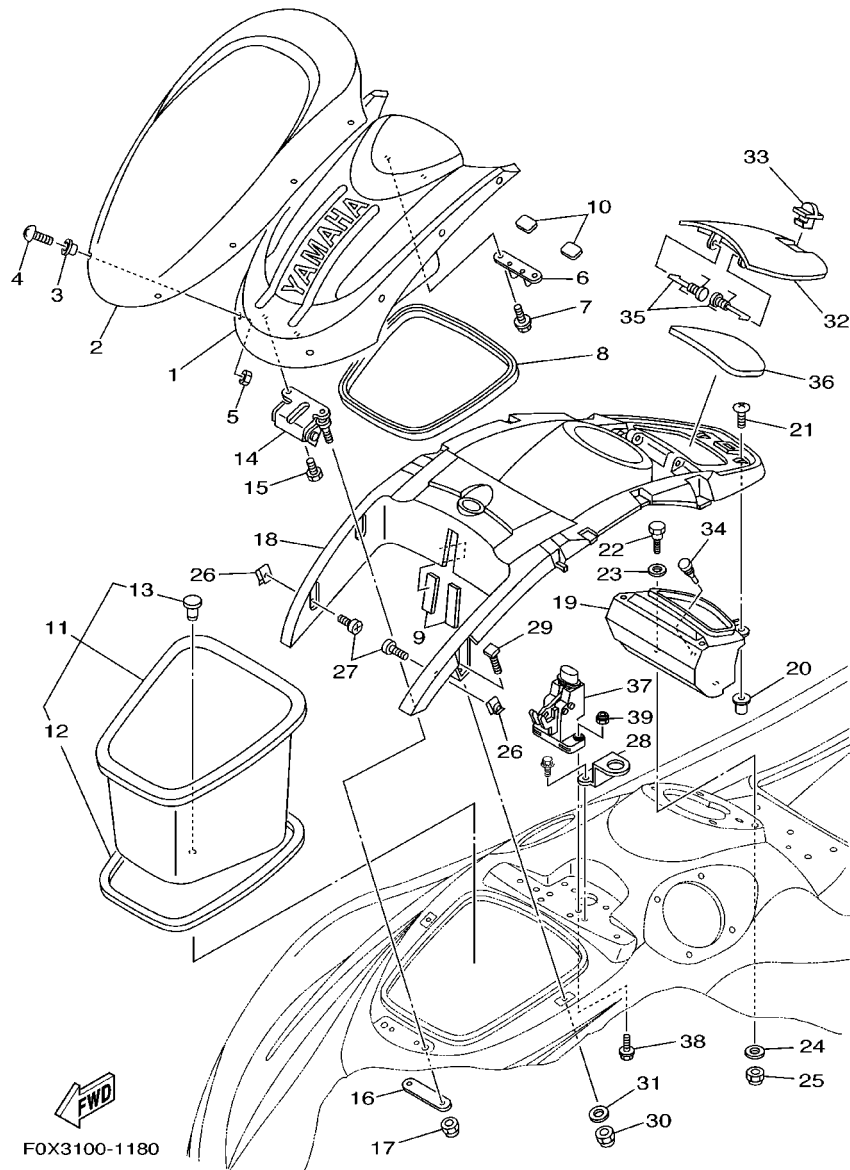
FIG. 16 ENGINE HATCH 2



FOX3100-1180

REF. NO.	PART NO.	DESCRIPTION	USA	CAN	GENE	JPN	REMARKS
1	F0X-U517B-00	LID, ENGINE ROOM	1	1	1	1	YMUS
2	F0X-U515N-00	VISOR	1	1	1	1	YMUS
3	90381-05041	BUSH, SOLID	8	8	8	8	
4	90111-05001	BOLT	8	8	8	8	
5	90179-05800	NUT	8	8	8	8	YMUS
6	F0X-6517F-00	HOOK, LID LOCK	1	1	1	1	
7	90119-069UJ	BOLT, WITH WASHER	2	2	2	2	YMUS
8	F0X-U266B-00	PACKING 3	1	1	1	1	YMUS
9	F0X-U515D-00	DAMPER 1	2	2	2	2	YMUS
10	F0X-U515E-00	DAMPER 2	2	2	2	2	YMUS
11	F0X-U475A-00	BOWLOCKER ASSY	1	1	1	1	YMUS
12	F0X-U266E-01	.PACKING,6	1	1	1	1	YMUS
13	90605-502U1	.PLUG, BLIND	1	1	1	1	YMUS
14	F0X-6517D-00	HINGE, LID	1	1	1	1	
15	90101-06019	BOLT	2	2	2	2	
16	F0X-6518E-00	PRATE, HINGE LID	1	1	1	1	
17	9572R-08300	NUT, FLANGE	2	2	2	2	YMUS
18	F0X-U5554-00	COVER, CENTER	1	1	1	1	YMUS
19	F0X-U516P-00	BOX GLOVE	1	1	1	1	YMUS
20	90179-05801	NUT	4	4	4	4	YMUS
21	90111-05001	BOLT	4	4	4	4	
22	90109-08902	BOLT	2	2	2	2	
23	90202-10922	WASHER, PLATE	2	2	2	2	
24	9299R-08200	WASHER	2	2	2	2	YMUS
25	9572R-08300	NUT, FLANGE	2	2	2	2	YMUS
26	90183-06902	NUT, SPRING	4	4	4	4	
27	90111-06018	BOLT	4	4	4	4	

FIG. 16 ENGINE HATCH 2



REF. NO.	PART NO.	DESCRIPTION	USA	CAN	GENE	JPN	REMARKS
28	F0X-6555D-00	BRKT., COVER CENTER 1	1	1	1	1	
29	F0X-6555E-00	BRKT., COVER CENTER 2	2	2	2	2	
30	9572R-06300	NUT, FLANGE	2	2	2	2	YMUS
31	9299R-06200	WASHER	2	2	2	2	YMUS
32	F0X-U517H-10-P0	LID HATCH	1	1	1	1	DPBMF, YMUS
33	GU2-62875-01	LOCK	1	1	1	1	
34	90605-502U2	PLUG	1	1	1	1	YMUS
35	F0X-6517R-01	PIN, HINGE	2	2	2	2	
36	F0X-U519D-01	PACKING CASE	1	1	1	1	YMUS
37	F0X-6517C-00	LOCK, LID	1	1	1	1	
38	90119-06824	BOLT, WITH WASHER	2	2	2	2	YMUS
39	9572R-06300	NUT, FLANGE	2	2	2	2	YMUS

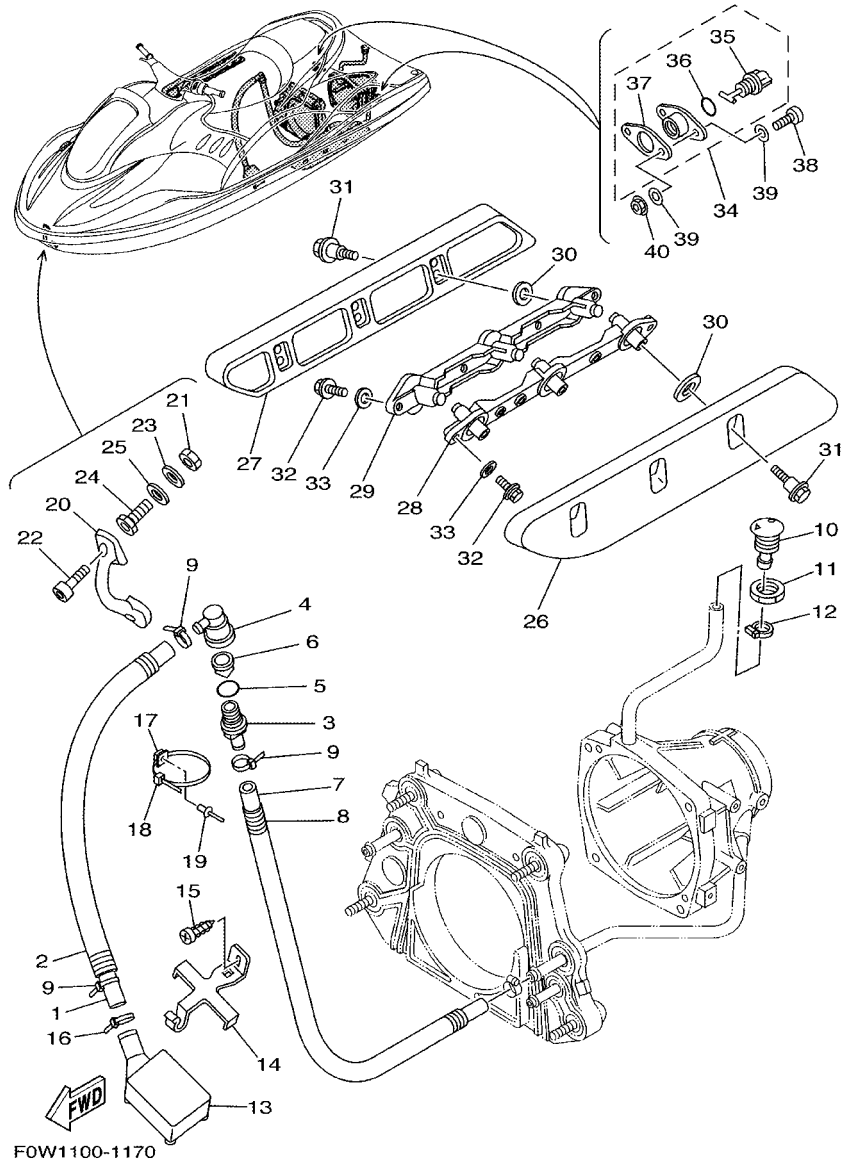
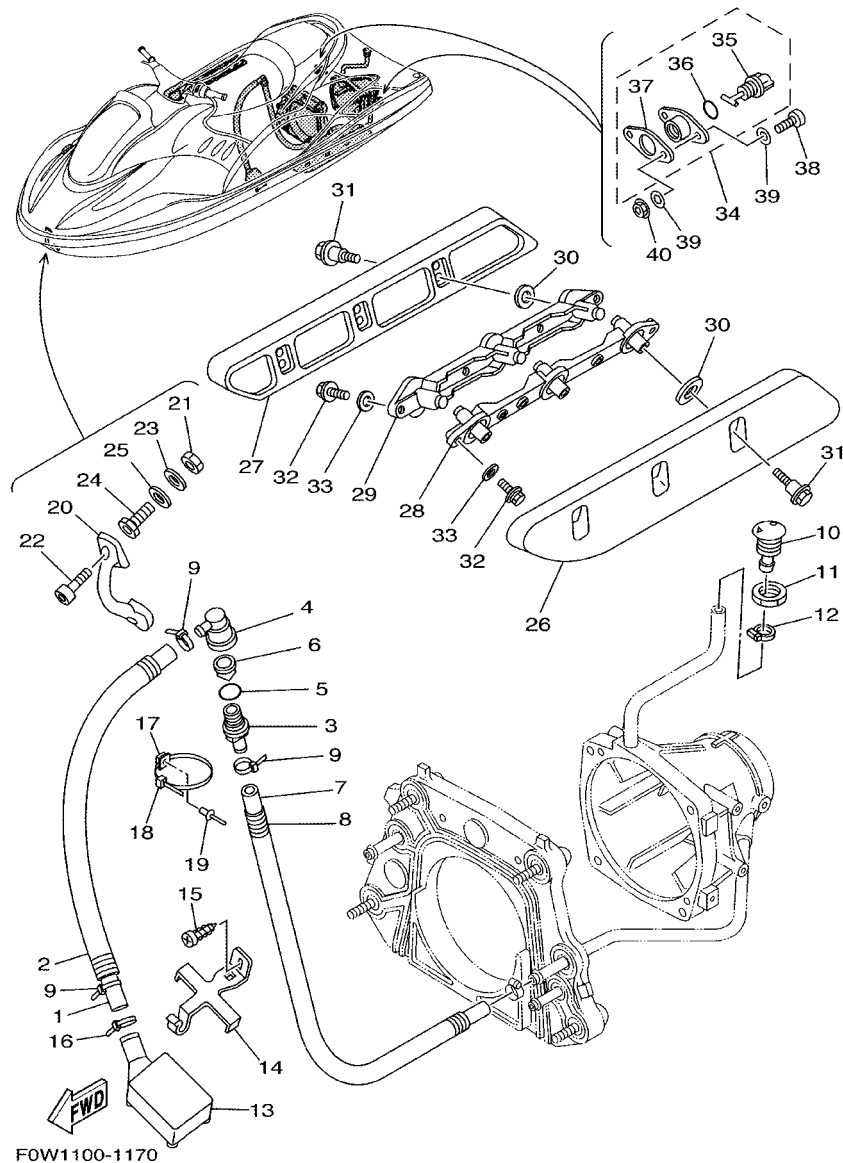


FIG. 17 HULL DECK

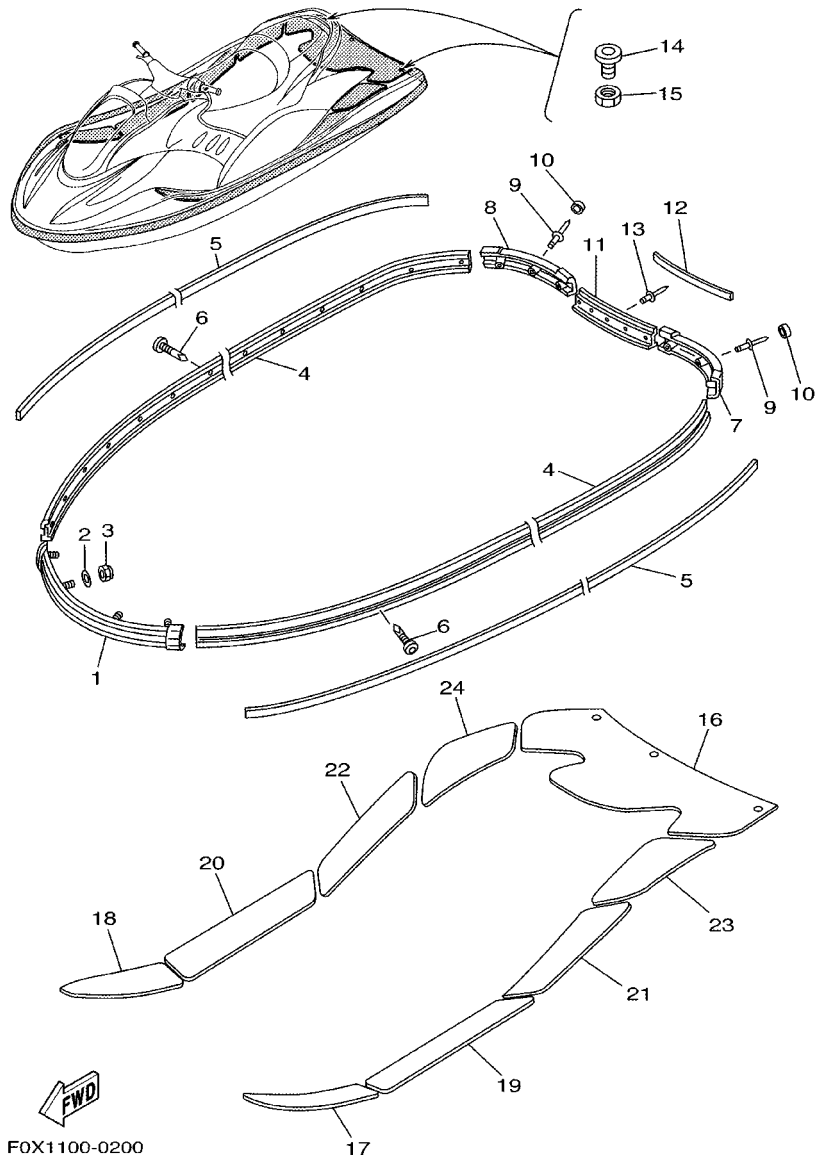
REF. NO.	PART NO.	DESCRIPTION	USA	CAN	GENE	JPN	REMARKS
1	90445-198C0	HOSE (L1000)	1	1	1	1	YMUS
2	90446-27M95	HOSE	1	1	1	1	
3	63M-51162-00	JOINT, HOSE	1	1	1	1	
4	63M-51165-00	JOINT HOSE 2	1	1	1	1	
5	93210-22ME5	O-RING	1	1	1	1	
6	63M-5316M-00	VALVE 1	1	1	1	1	
7	90445-198B9	HOSE (L650)	1	1	1	1	YMUS
8	90446-27MF2	HOSE	1	1	1	1	
9	90601-200U1	BAND	3	3	3	3	YMUS
10	FN8-6269B-00	SPOUT	1	1	1	1	
11	EU0-61652-00	NUT	1	1	1	1	
12	90601-118UF	BAND, HOSE 18	1	1	1	1	YMUS
13	GD0-U761D-00	STRAINER, BILGE	1	1	1	1	YMUS
14	EW2-67618-00	BASE, STRAINER BLIGE	1	1	1	1	
15	9778R-50112	SCREW, TAPPING	1	1	1	1	YMUS
16	90601-200U1	BAND	1	1	1	1	YMUS
17	90600-917U4	CLAMP COMP.	2	2	2	2	YMUS
18	90601-200U2	BAND	2	2	2	2	YMUS
19	90267-489U7	RIVET, BLIND	2	2	2	2	YMUS
20	F0X-61624-00	BOWEYE 1 (S)	1	1	1	1	
21	F0X-61652-00	NUT	2	2	2	2	
22	90110-06016	BOLT, HEXAGON SOCKET HEAD	2	2	2	2	
23	F0X-61637-00	WASHER	2	2	2	2	
24	99780-12600	NUT.HEX.(COARS)	2	2	2	2	
25	92990-12200	WASHER, PLAIN	2	2	2	2	
26	F0X-U883N-00	STABILIZER LH	1	1	1	1	BL, YMUS
27	F0X-U883P-00	STABILIZER RH	1	1	1	1	BL, YMUS

FIG. 17 HULL. DECK



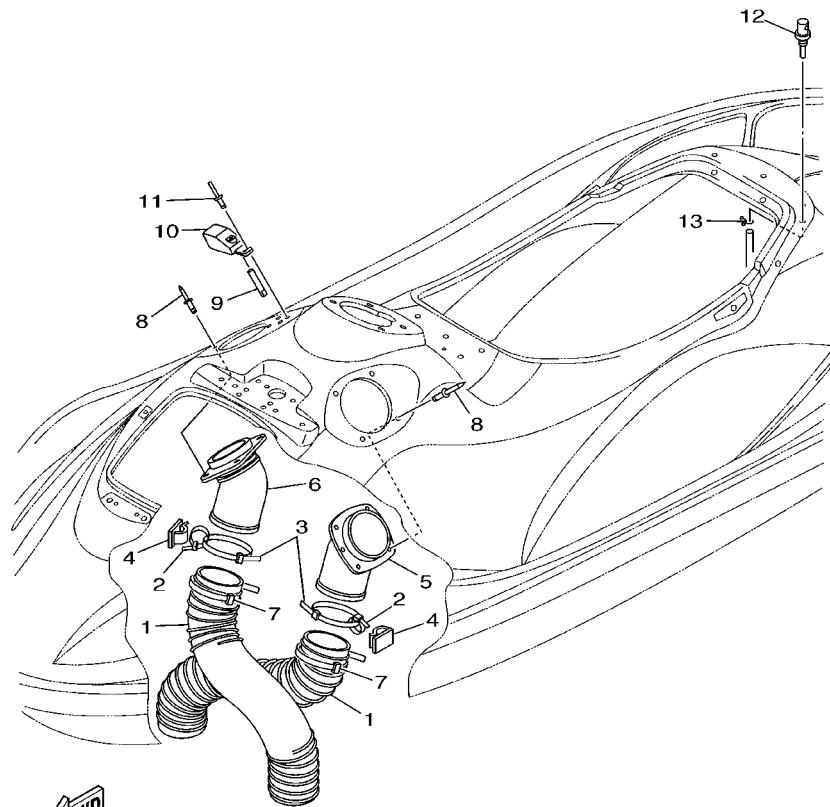
REF. NO.	PART NO.	DESCRIPTION	USA	CAN	GENE	JPN	REMARKS
28	F0X-6883T-00	BRACKET,STABILIZER	1	1	1	1	
29	F0X-6883V-00	BRACKET, STABILIZER 2	1	1	1	1	
30	F0X-6883U-01	PACKING,STABILIZER	6	6	6	6	
31	F0X-62624-00	BOLT	6	6	6	6	
32	90119-069UH	BOLT, WITH WASHER	8	8	8	8	YMUS
33	90202-05001	WASHER, PLATE	8	8	8	8	
34	EU0-62280-00	DRAIN PLUG ASSY	2	2	2	2	
35	EU0-62282-00	.PLUG, DRAIN	1	1	1	1	
36	EU0-62283-00	.O-RING	1	1	1	1	
37	EU0-62285-01	.PACKING DRAIN (EU0)	1	1	1	1	
38	9788R-05025	SCREW, PAN HEAD	4	4	4	4	YMUS
39	9299R-05200	WASHER	8	8	8	8	YMUS
40	9572R-05300	NUT, FLANGE	4	4	4	4	YMUS

FIG. 18 GUNWALE. MAT



REF. NO.	PART NO.	DESCRIPTION	USA	CAN	GENE	JPN	REMARKS
1	GP7-U2501-20	BOW GUNWALE COMP.	1	1	1	1	YB, YMUS
2	9299R-06200	WASHER	4	4	4	4	YMUS
3	9572R-06300	NUT, FLANGE	4	4	4	4	YMUS
4	F0X-U2512-00	GUNWALE, SIDE	2	2	2	2	YB, YMUS
5	F0X-U2519-00	INNER,GUNWALE	2	2	2	2	YB, YMUS
6	90169-059U1	SCREW,TAPPING	34	34	34	34	YMUS
7	F0X-U251D-00	GUNWALE, STERN 1	1	1	1	1	YB, YMUS
8	F0X-U251E-00	GUNWALE, STERN 2	1	1	1	1	YB, YMUS
9	90267-489US	RIVET, BLIND	6	6	6	6	YMUS
10	GJ3-U352E-40	MAT, BOW	6	6	6	6	DBGS8, YMUS
11	F0X-U252C-00	COVER, GUNWALE 1	1	1	1	1	YB, YMUS
12	F0X-U252D-00	COVER, GUNWALE 2	1	1	1	1	YB, YMUS
13	90267-489US	RIVET, BLIND	6	6	6	6	YMUS
14	FN8-61651-01	ROPE HOLE	1	1	1	1	
15	EU0-61652-00	NUT	2	2	2	2	
16	F0X-U3581-00	MAT, UPPER	1	1	1	1	BL, YMUS
17	F0X-U351H-00	MAT, STEP 1	1	1	1	1	BL, YMUS
18	F0X-U351J-00	MAT, STEP 2	1	1	1	1	BL, YMUS
19	F0X-U351K-01	MAT, STEP 3	1	1	1	1	BL, YMUS
20	F0X-U351M-01	MAT, STEP 4	1	1	1	1	BL, YMUS
21	F0X-U351N-00	MAT, STEP 5	1	1	1	1	BL, YMUS
22	F0X-U351P-00	MAT, STEP 6	1	1	1	1	BL, YMUS
23	F0X-U351R-00	MAT, STEP 7	1	1	1	1	BL, YMUS
24	F0X-U351S-00	MAT, STEP 8	1	1	1	1	BL, YMUS

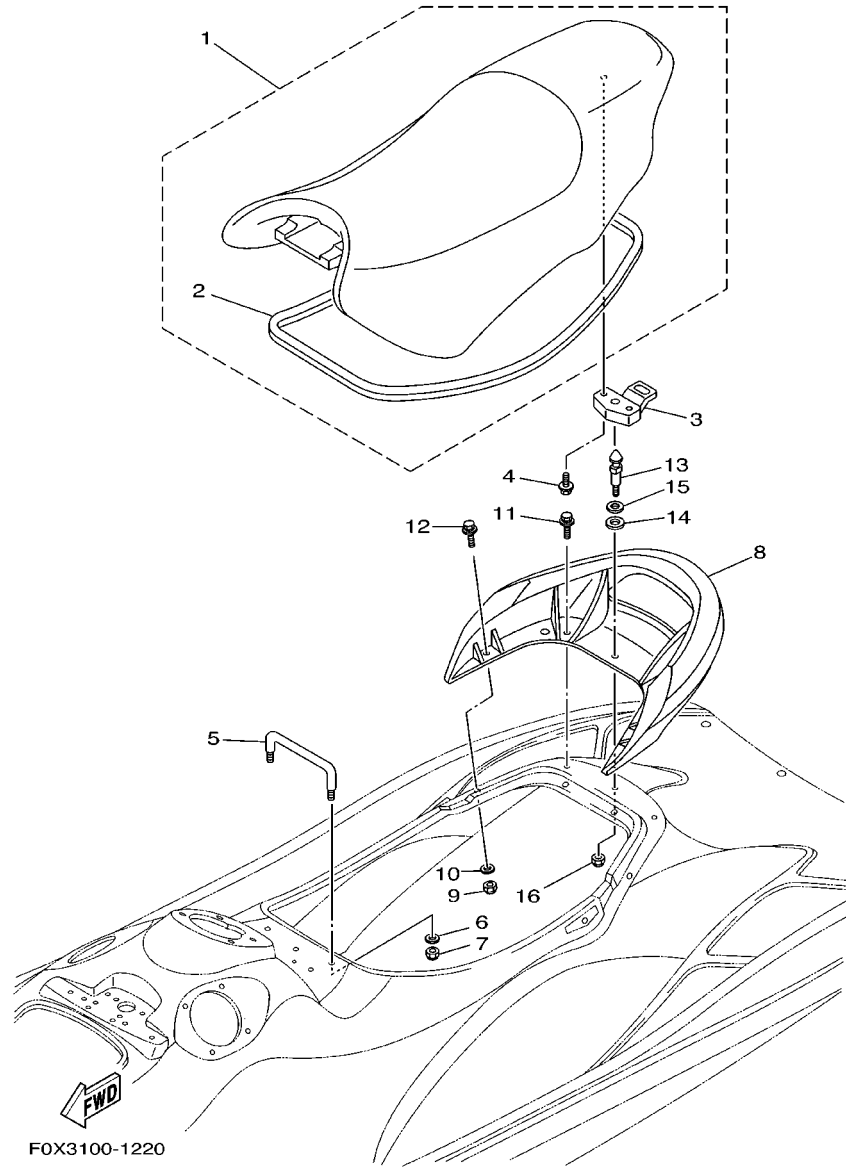
FIG. 19 VENTILATION



F0X3100-1211

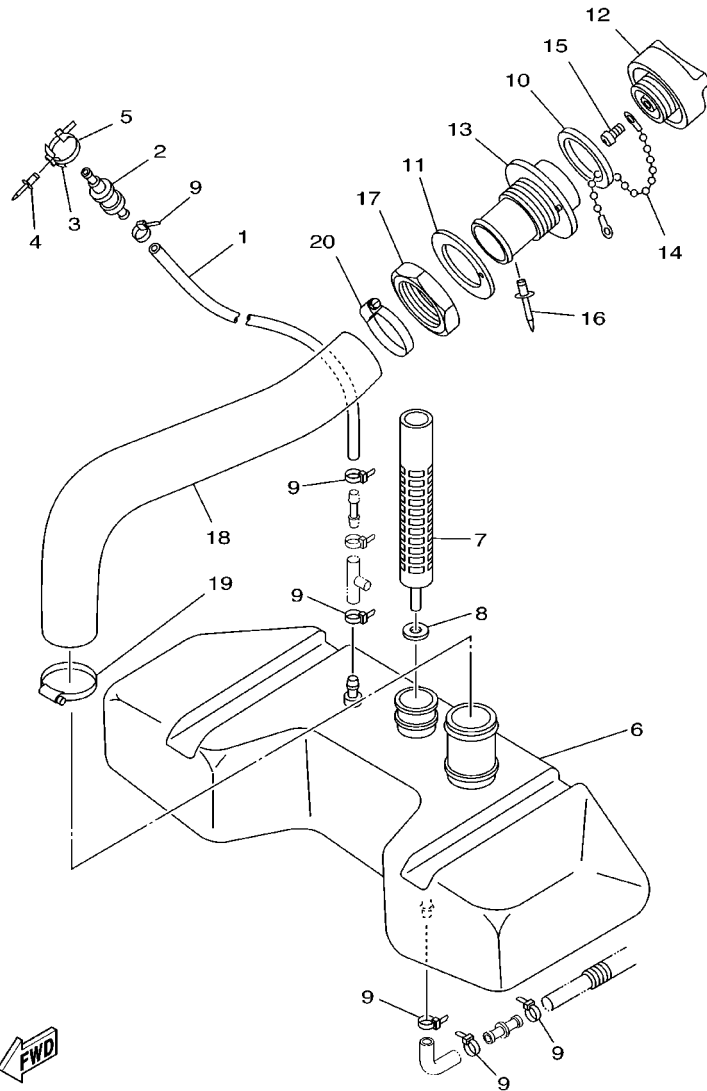
REF. NO.	PART NO.	DESCRIPTION	USA	CAN	GENE	JPN	REMARKS
1	F0X-U213G-01	HOSE, VENTILATOR 2	2	2	2	2	YMUS
2	90601-200U2	BAND	2	2	2	2	YMUS
3	90601-200U7	BAND	2	2	2	2	YMUS
4	90464-17800	CLAMP	2	2	2	2	YMUS
5	F0X-6213D-00	BASE, AIR INTAKE 1	1	1	1	1	
6	F0X-6213E-00	BASE, AIR INTAKE 2	1	1	1	1	
7	90601-200U7	BAND	2	2	2	2	YMUS
8	90267-48806	RIVET, BLIND	8	8	8	8	YMUS
9	EW2-62149-00	PIPE, VENTILATION 1	1	1	1	1	
10	GP7-62159-01	SOCKET, VENTILATION	1	1	1	1	
11	90267-489U6	RIVET, BLIND	2	2	2	2	YMUS
12	GJ3-6215F-00	NIPPLE	1	1	1	1	
13	90467-089U1	CLIP	1	1	1	1	YMUS

FIG. 20 SEAT. UNDER LOCKER



REF. NO.	PART NO.	DESCRIPTION	USA	CAN	GENE	JPN	REMARKS
1	F0X-U371A-10	DOUBLE SEAT ASSY	1	1	1	1	LGS6, YMUS
2	F0D-U2664-00	.PACKING	1	1	1	1	YMUS
3	F0D-63850-01	SEAT LOCK ASSY	1	1	1	1	
4	90119-069UP	BOLT, WITH WASHER	2	2	2	2	YMUS
5	F0X-6378C-00	STAY, SEAT 1	1	1	1	1	
6	90201-099U3	WASHER, PLATE	2	2	2	2	YMUS
7	9572R-08300	NUT, FLANGE	2	2	2	2	YMUS
8	F0X-U271B-00	GRIP, HAND	1	1	1	1	YB, YMUS
9	9572R-08300	NUT, FLANGE	2	2	2	2	YMUS
10	9299R-08600	WASHER	2	2	2	2	YMUS
11	90119-089U5	BOLT, WITH WASHER	2	2	2	2	YMUS
12	90119-08807	BOLT, WITH WASHER	2	2	2	2	YMUS
13	F0X-U3774-00	PIN	1	1	1	1	YMUS
14	F0X-6375E-00	PACKING 1	1	1	1	1	
15	92990-12200	WASHER, PLAIN	1	1	1	1	
16	9572R-10300	NUT, FLANGE	1	1	1	1	YMUS

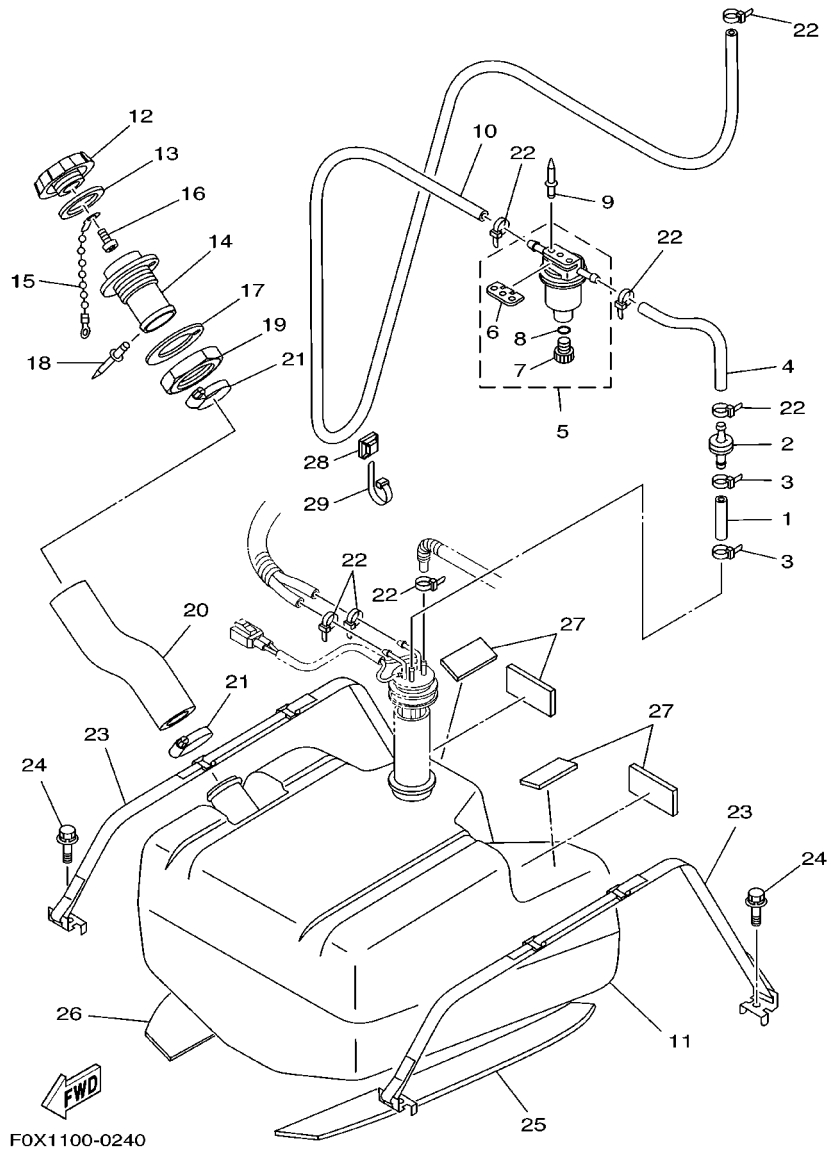
FIG. 21 OIL TANK



FOX1100-0230

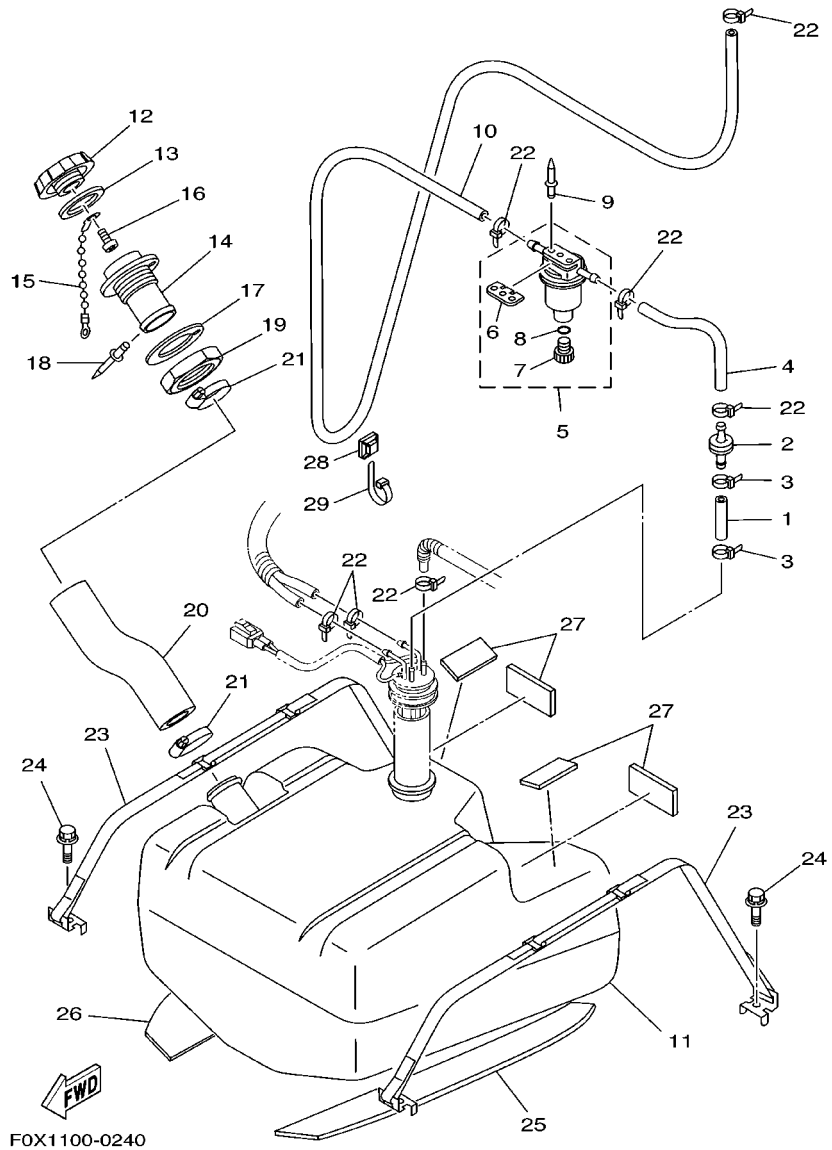
REF. NO.	PART NO.	DESCRIPTION	USA	CAN	GENE	JPN	REMARKS
1	F0X-U7856-00	HOSE, AIR VENT 3	1	1	1	1	YMUS
2	FJ0-67766-00	ROLL OVER VALVE	1	1	1	1	
3	90600-91736	CLAMP COMP.	1	1	1	1	
4	90267-489U6	RIVET, BLIND	1	1	1	1	YMUS
5	90464-32801	CLAMP	1	1	1	1	YMUS
6	F0D-U775B-02	TANK, OIL	1	1	1	1	YMUS
7	F0D-6775C-01	FILTER	1	1	1	1	
8	F0D-6775E-01	PACKING	1	1	1	1	
9	90465-11829	CLAMP	6	6	6	6	YMUS
10	GJ3-U778C-00	PACKING,OIL CAP	1	1	1	1	YMUS
11	F0X-U778E-00	PACKING,OIL FILLER	1	1	1	1	YMUS
12	F0X-U778B-00	CAP,OIL FILLER	1	1	1	1	YMUS
13	F0X-U778D-00	SOCKET,OIL FILLER	1	1	1	1	YMUS
14	EU0-U7835-00	CHAIN BALL	1	1	1	1	YMUS
15	97780-04110	SCREW, TAPPING	1	1	1	1	
16	90267-40935	RIVET, BLIND	1	1	1	1	
17	F0X-U778H-00	NUT, OIL FILLER	1	1	1	1	YMUS
18	F0X-U776C-00	HOSE,OIL FILLER	1	1	1	1	YMUS
19	90601-152U3	BAND, HOSE 52	1	1	1	1	YMUS
20	90464-99803	CLAMP	1	1	1	1	YMUS

FIG. 22 FUEL TANK



REF. NO.	PART NO.	DESCRIPTION	USA	CAN	GENE	JPN	REMARKS
1	GP7-U785H-00	HOSE, AIR VENT 3	1	1	1	1	YMUS
2	EU0-67767-31	CHECK VALVE	1	1	1	1	
3	90465-11829	CLAMP	2	2	2	2	YMUS
4	GJ3-U7856-10	HOSE, AIR VENT 3	1	1	1	1	YMUS
5	EW2-62140-00	FILTER, VENT ASSY	1	1	1	1	
6	EW2-62142-00	.PLATE, FILTER	1	1	1	1	
7	70R-24543-00	.PLUG, DRAIN	1	1	1	1	
8	70R-24489-00	.O-RING	1	1	1	1	
9	90267-489U2	RIVET, BLIND	2	2	2	2	YMUS
10	GP7-U785G-00	HOSE, AIR VENT	1	1	1	1	YMUS
11	F0X-U7711-00	TANK, FUEL	1	1	1	1	YMUS
12	GP7-U7831-00	CAP, FUEL FILLER	1	1	1	1	PURW, YMUS
13	GP7-U7832-00	PACKING	1	1	1	1	YMUS
14	GP7-U7833-00	SOCKET	1	1	1	1	YMUS
15	GP7-U7835-00	CHAIN BALL	1	1	1	1	YMUS
16	90169-049U1	TAPPING SCREW	1	1	1	1	YMUS
17	GP7-U7834-00	PACKING FUEL FILLER	1	1	1	1	YMUS
18	90267-329UR	RIVET, BLIND	1	1	1	1	YMUS
19	GP7-U783F-00	NUT, FUEL FILLER	1	1	1	1	YMUS
20	F0X-U7844-00	HOSE	1	1	1	1	YMUS
21	90601-155U4	BAND, HOSE 55	2	2	2	2	YMUS
22	90465-11829	CLAMP	7	7	7	7	YMUS
23	F0X-67743-00	BELT, TANK 1	2	2	2	2	
24	90119-089U7	BOLT, WITH WASHER	4	4	4	4	YMUS
25	F0X-U759B-00	MAT 1	1	1	1	1	YMUS
26	F0X-U759C-00	MAT 2	1	1	1	1	YMUS
27	GJ1-U759C-00	MAT 2	4	4	4	4	YMUS

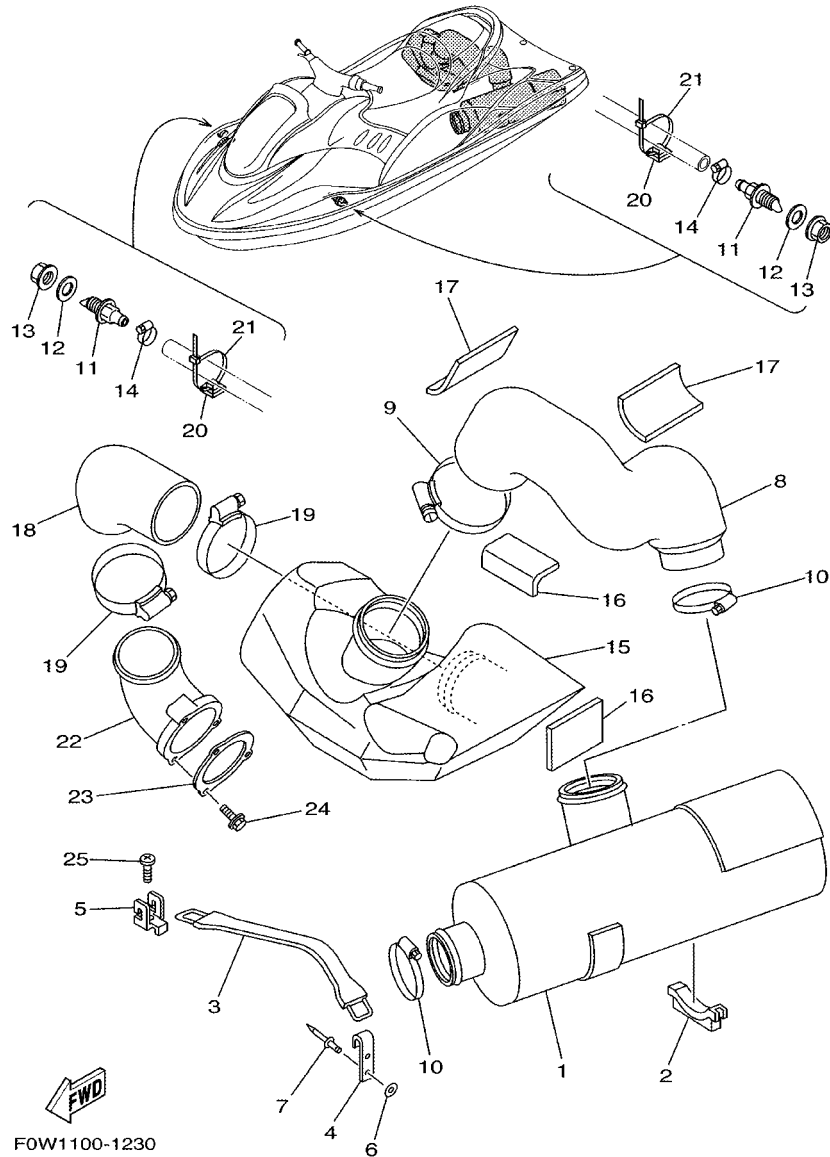
FIG. 22 FUEL TANK



FOX1100-0240

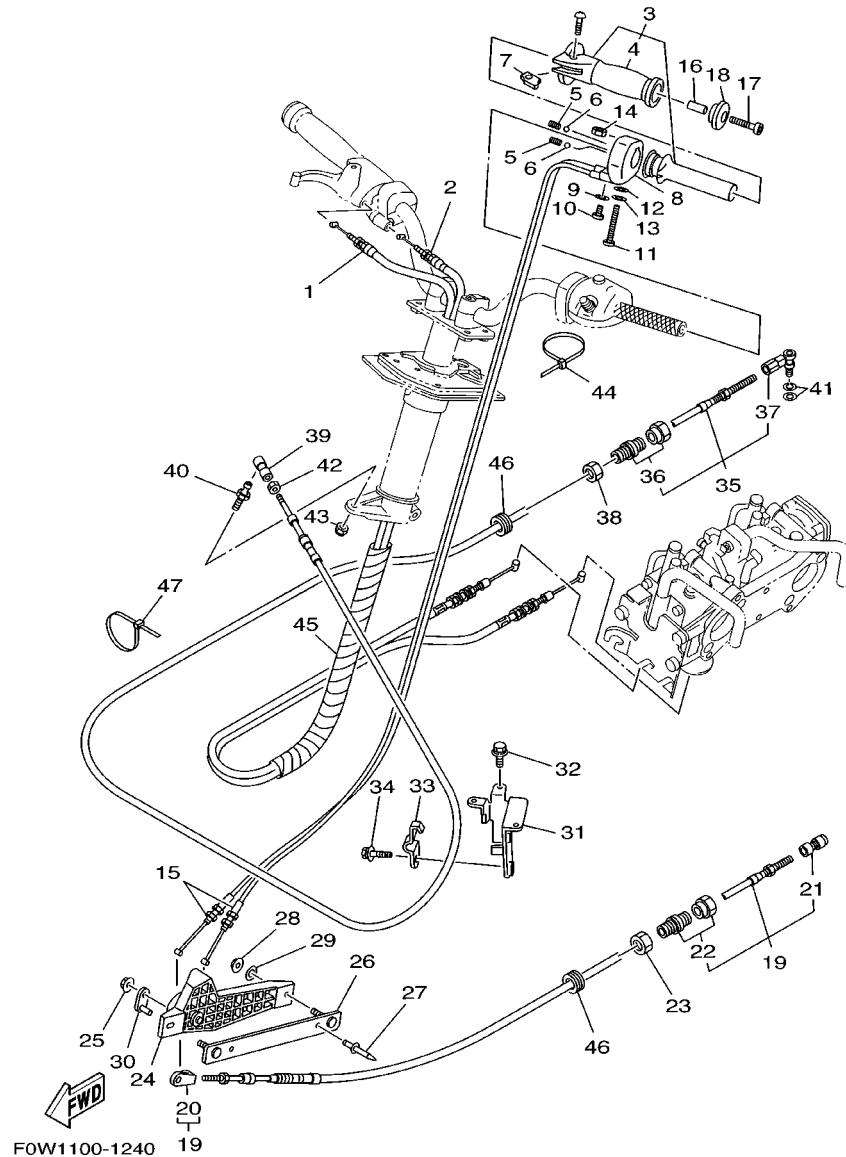
REF. NO.	PART NO.	DESCRIPTION	USA	CAN	GENE	JPN	REMARKS
28	90600-900U6	BASE, CLAMP	1	1	1	1	YMUS
29	90464-40825	CLAMP	1	1	1	1	YMUS

FIG. 23 EXHAUST 2



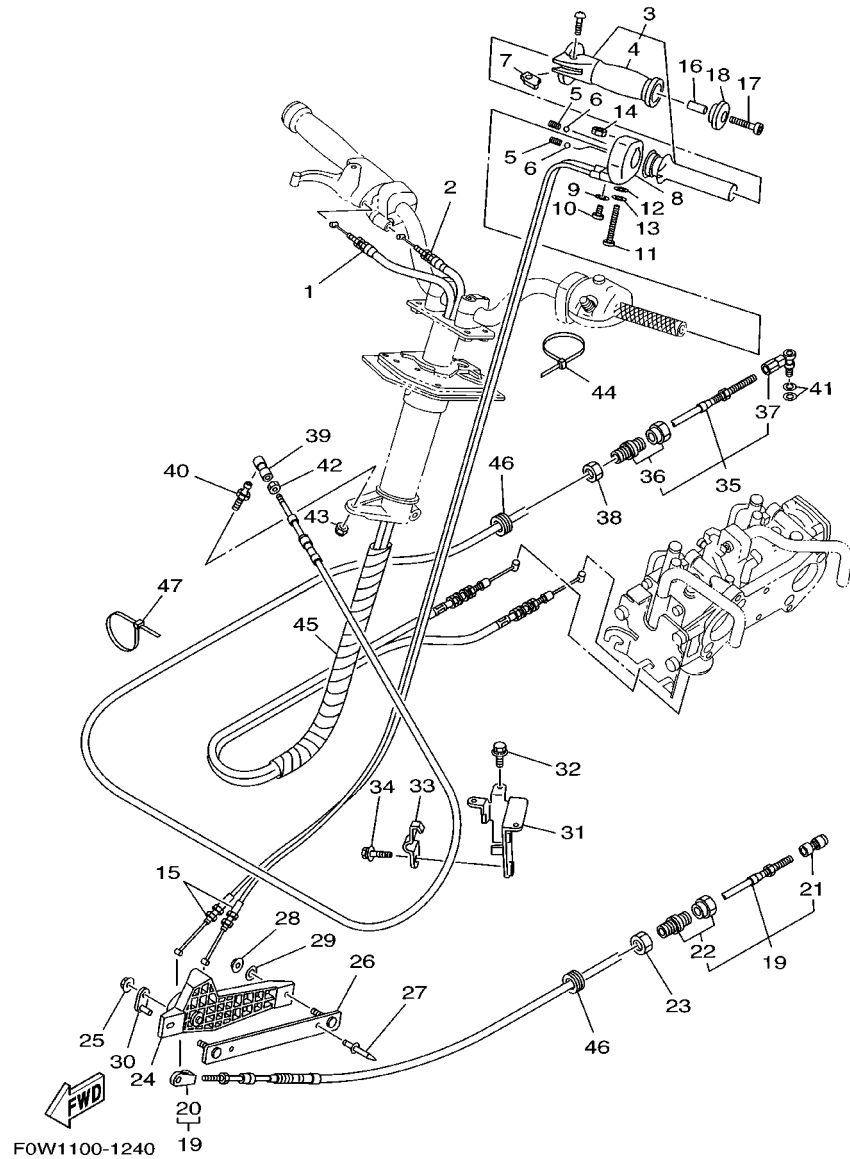
REF. NO.	PART NO.	DESCRIPTION	USA	CAN	GENE	JPN	REMARKS
1	F0W-67550-01	WATER LOCK COMP.	1	1	1	1	
2	F0X-6755J-00	MAT,WATER LOCK	1	1	1	1	
3	EU0-U821D-00	BAND,BATTERY 2	1	1	1	1	YMUS
4	GA7-65772-00	HOOK A	1	1	1	1	
5	EW2-U5772-00	HOOK A	1	1	1	1	YMUS
6	9299R-05200	WASHER	2	2	2	2	YMUS
7	90267-489U9	RIVET, BLIND	2	2	2	2	YMUS
8	F0W-U7555-00	HOSE, EXHAUST	1	1	1	1	YMUS
9	90450-99801	HOSE CLAMP ASSY	1	1	1	1	YMUS
10	90601-175UR	BAND, HOSE 75	2	2	2	2	YMUS
11	F0X-6753B-00	PILOT, WATER	2	2	2	2	
12	90430-16910	GASKET	2	2	2	2	
13	F0X-62733-00	NUT	2	2	2	2	
14	90601-118UF	BAND, HOSE 18	2	2	2	2	YMUS
15	F0X-64261-02	TANK, WATER	1	1	1	1	
16	GP8-6755J-00	MAT,WATER LOCK	2	2	2	2	
17	GU0-67593-00	MAT	2	2	2	2	
18	F0X-U758C-00	HOSE,EXHAUST2	1	1	1	1	YMUS
19	90601-195UD	BAND, HOSE 95	2	2	2	2	YMUS
20	90600-900U6	BASE, CLAMP	3	3	3	3	YMUS
21	90464-40825	CLAMP	6	6	6	6	YMUS
22	F0D-67565-01	THRU-HULL,EXHAUST	1	1	1	1	
23	F0D-U7525-00	PACKING	1	1	1	1	YMUS
24	90119-069UK	BOLT, WITH WASHER	3	3	3	3	YMUS
25	90149-069UA	SCREW	2	2	2	2	YMUS

FIG. 24 CONTROL CABLE



REF. NO.	PART NO.	DESCRIPTION	USA	CAN	GENE	JPN	REMARKS
1	68A-67252-00	CABLE, THROTTLE	1	1	1	1	
2	68A-67242-00	CABLE, CHOKE	1	1	1	1	
3	GP7-U157A-00	GRIP HANDLE ASSY.	1	1	1	1	YMUS
4	GP7-U155C-00	.GRIP,HANDLE	1	1	1	1	YMUS
5	GP7-U152P-00	SPRING	2	2	2	2	YMUS
6	GP7-U152R-00	BALL	2	2	2	2	YMUS
7	GP7-U151M-00	LEVER ASSY	1	1	1	1	YMUS
8	GP7-U152M-00	HOUSING ASSY	1	1	1	1	YMUS
9	92990-04600	WASHER, PLATE	1	1	1	1	
10	98980-04010	SCREW, BIND	1	1	1	1	
11	97880-06065	SCREW, PAN HEAD	1	1	1	1	
12	92990-06600	WASHER, PLATE	1	1	1	1	
13	9299R-06100	WASHER	1	1	1	1	YMUS
14	GH1-U143B-00	NUT,SPECIAL	1	1	1	1	YMUS
15	F0D-U153D-01	CABLE,NOZZLE CONTROL 2	2	2	2	2	YMUS
16	90387-05800	COLLAR	1	1	1	1	YMUS
17	90110-05908	BOLT, HEXAGON SOCKET HEAD	1	1	1	1	
18	GP7-U155F-00	GRIP, END	1	1	1	1	YMUS
19	F0X-U153E-01	CABLE,NOZZLE CONTROL 3	1	1	1	1	YMUS
20	GH1-U046C-00	.END,CABLE	1	1	1	1	YMUS
21	EU0-U1461-30	.SHAFT, JOINT BALL	1	1	1	1	YMUS
22	EU0-67267-10	.CONNECTOR, CABLE	1	1	1	1	
23	EU0-62241-30	NUT, DRAIN 1	1	1	1	1	
24	F0D-U153J-00	REMOCON,NOZZLE 2	1	1	1	1	YMUS
25	9572R-06300	NUT, FLANGE	1	1	1	1	YMUS
26	F0X-U4958-00	BASE, REMOCON.	1	1	1	1	YMUS
27	90267-489U6	RIVET, BLIND	2	2	2	2	YMUS

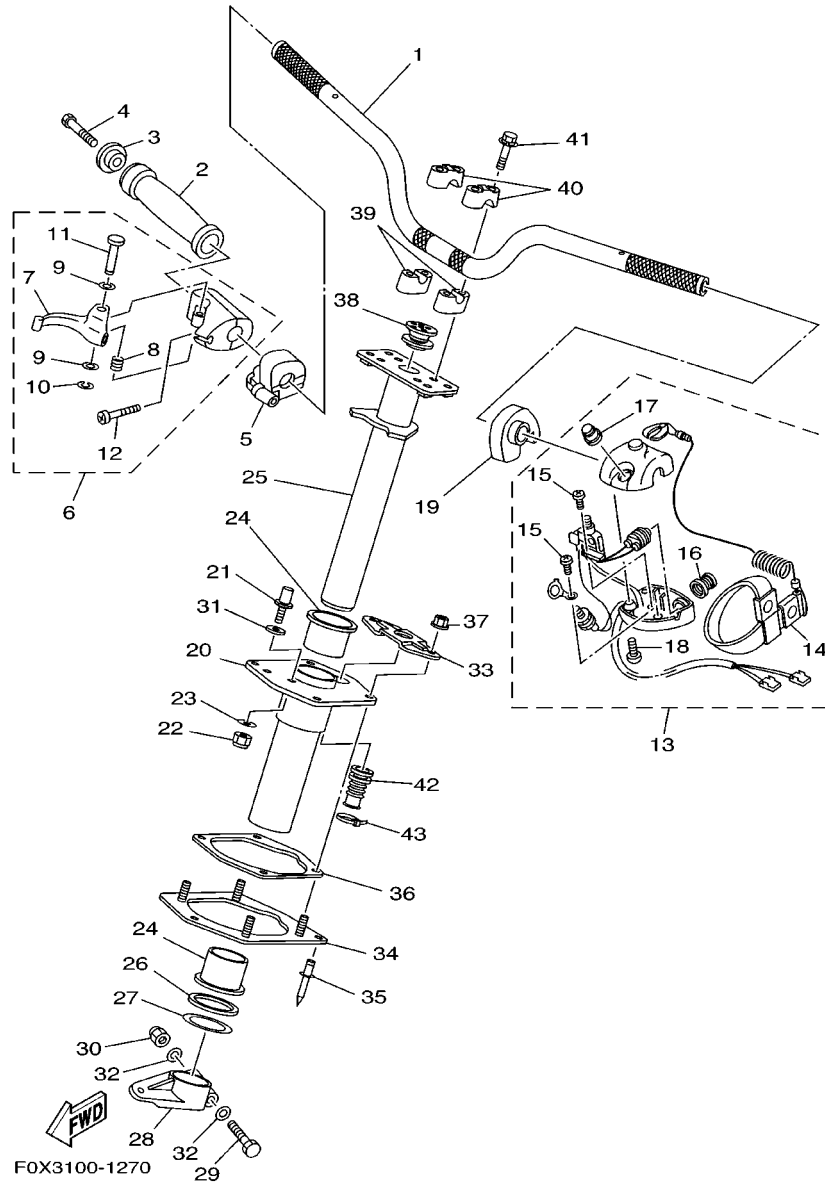
FIG. 24 CONTROL CABLE



FOW1100-1240 19

REF. NO.	PART NO.	DESCRIPTION	USA	CAN	GENE	JPN	REMARKS
28	9572R-06300	NUT, FLANGE	2	2	2	2	YMUS
29	9299R-06200	WASHER	2	2	2	2	YMUS
30	F0D-U152C-00	PIN	1	1	1	1	YMUS
31	F0X-61467-00	BRACKET, STOPPER CABLE	1	1	1	1	
32	90119-06827	BOLT, WITH WASHER	3	3	3	3	YMUS
33	F0X-61468-00	STOPPER, CABLE	1	1	1	1	
34	90119-069UH	BOLT, WITH WASHER	1	1	1	1	YMUS
35	F0X-U1481-00	CABLE, STEERING	1	1	1	1	YMUS
36	GK5-67267-10	.CONNECTOR, CABLE	1	1	1	1	
37	GP8-U1461-T0	.STUD, JOINT BALL	1	1	1	1	YMUS
38	EU0-62241-30	NUT, DRAIN 1	1	1	1	1	
39	GK5-U146F-00	SHAFT, JOINT BALL	1	1	1	1	YMUS
40	EU0-U1461-02	STUD, JOINT BALL	1	1	1	1	YMUS
41	90201-06906	WASHER, PLATE	2	2	2	2	
42	9538R-06700	NUT	1	1	1	1	YMUS
43	9572R-06300	NUT, FLANGE	1	1	1	1	YMUS
44	90601-200U2	BAND	1	1	1	1	YMUS
45	90448-25800	HOSE, WITH UNION	1	1	1	1	YMUS
46	90480-279U1	GROMMET	2	2	2	2	YMUS
47	90601-200U2	BAND	1	1	1	1	YMUS

FIG. 25 STEERING 1



REF. NO.	PART NO.	DESCRIPTION	USA	CAN	GENE	JPN	REMARKS
1	F0X-61552-00	HANDLE	1	1	1	1	
2	GP7-U155D-00	GRIP, HANDLE	1	1	1	1	YMUS
3	GP7-U155F-00	GRIP, END	1	1	1	1	YMUS
4	90110-05908	BOLT, HEXAGON SOCKET HEAD	1	1	1	1	
5	F0X-6724A-00	CHOKE LEVER ASSY	1	1	1	1	
6	F0D-67250-03	THROTTLE LEVER ASSY	1	1	1	1	
7	F0D-67255-01	.LEVER, THROTTLE	1	1	1	1	
8	EW2-67256-00	.SPRING	1	1	1	1	
9	EW2-67258-01	.WASHER	2	2	2	2	
10	EW2-67259-01	.E-RING	1	1	1	1	
11	F0D-67257-00	.SHAFT	1	1	1	1	
12	98500-05025	.SCREW, PAN HEAD	2	2	2	2	
13	FK7-68310-07	SWITCH BOX ASSY	1	1	1	1	
14	EW2-68348-00	.LANYARD, STOP SWITCH	1	1	1	1	
15	97880-03008	.SCREW, PAN HEAD	2	2	2	2	
16	FK7-68312-02	.STOP BUTTON COMP	1	1	1	1	
17	FK7-68313-02	.START BUTTON COMP.	1	1	1	1	
18	97880-05025	.SCREW, PAN HEAD	2	2	2	2	
19	F0X-6143G-00	SPACER	1	1	1	1	
20	F0X-6152M-00	HOUSING ASSY	1	1	1	1	
21	FN8-6131B-00	PIN, STOPPER	1	1	1	1	
22	95720-10300	NUT	1	1	1	1	
23	92990-10600	WASHER, PLATE	1	1	1	1	
24	F0X-6141B-00	BEARING, COLUMN	2	2	2	2	
25	F0X-61541-00	COLUMN, STEERING	1	1	1	1	
26	F0X-6153P-00	WASHER	1	1	1	1	
27	F0X-6153P-10	WASHER	1	1	1	1	

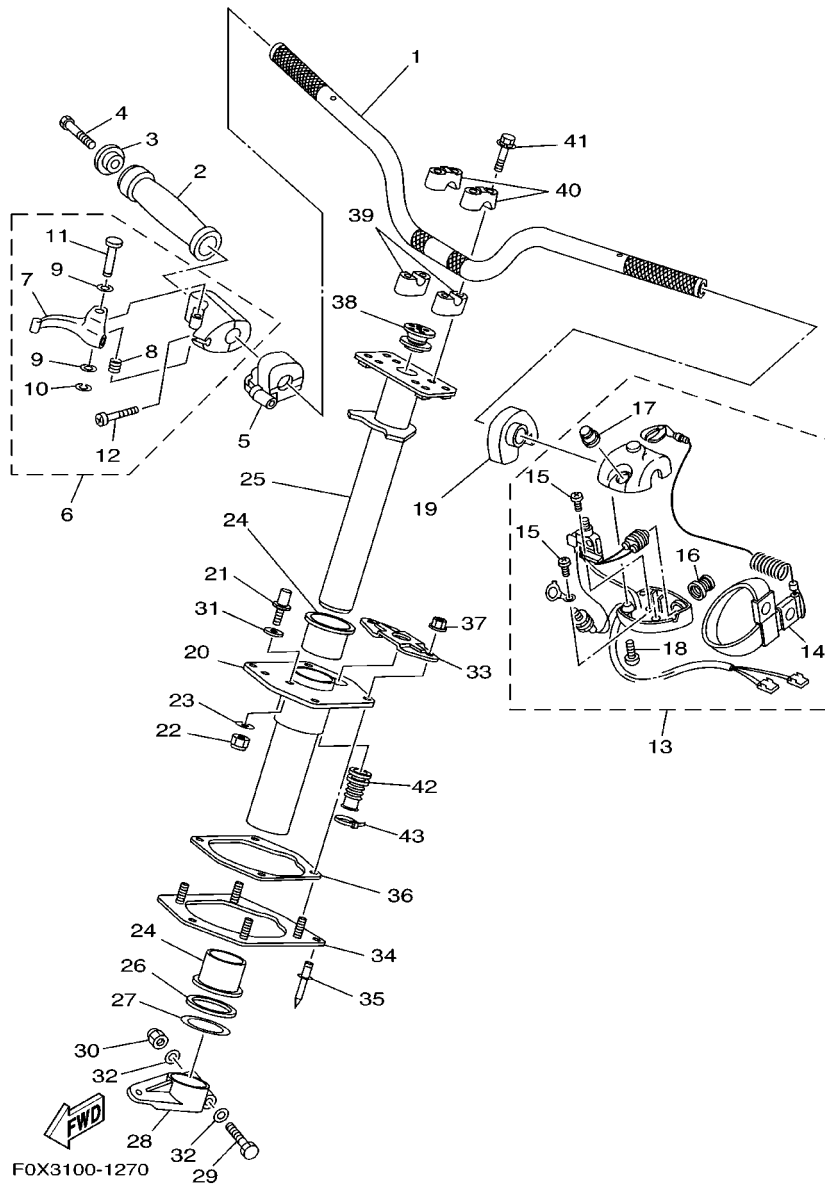
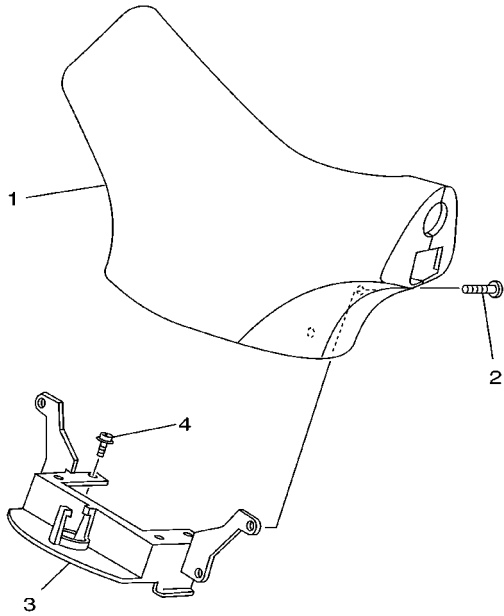


FIG. 25 STEERING 1

REF. NO.	PART NO.	DESCRIPTION	USA	CAN	GENE	JPN	REMARKS
28	FOX-6151B-00	ARM, STEERING	1	1	1	1	
29	90101-08003	BOLT	1	1	1	1	
30	90185-08002	NUT, SELF-LOCKING	1	1	1	1	
31	90201-10017	WASHER, PLATE	1	1	1	1	
32	92990-08600	WASHER, PLATE	2	2	2	2	
33	FOX-61596-00	PLATE	1	1	1	1	
34	FOX-6133B-00	PLATE, BRACKET	1	1	1	1	
35	90267-489U6	RIVET, BLIND	2	2	2	2	YMUS
36	FOX-6143C-00	SEAL, RUBBER	1	1	1	1	
37	9572R-08300	NUT, FLANGE	4	4	4	4	YMUS
38	FOX-61469-00	PACKING, STEERING COLUMN	1	1	1	1	
39	EU0-23814-01	HOLDER, HANDLE LOWER	2	2	2	2	
40	EU0-23814-30	HOLDER, HANDLE UPPER	2	2	2	2	
41	90119-089UM	BOLT, WITH WASHER	4	4	4	4	YMUS
42	F0D-6822E-00	GROMMET	1	1	1	1	
43	90464-32801	CLAMP	1	1	1	1	YMUS

FIG. 26 STEERING 2



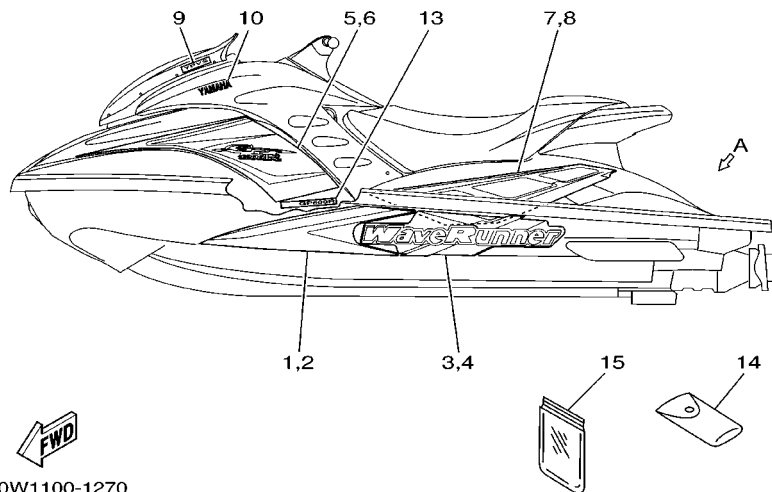
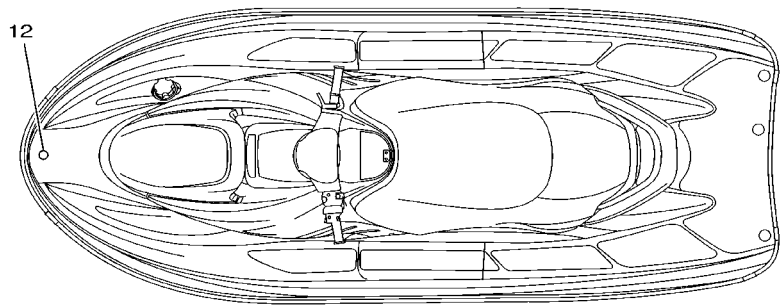
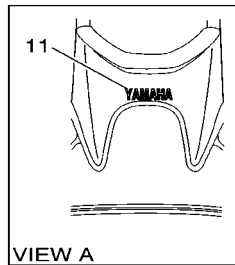
REF. NO.	PART NO.	DESCRIPTION	USA	CAN	GENE	JPN	REMARKS
1	GP7-U142A-11	STEERING PAD COMP	1	1	1	1	YB, YMUS
2	90149-069U9	SCREW	4	4	4	4	YMUS
3	GP7-U142K-00	FIX, STEERING PAD	1	1	1	1	YMUS
4	90159-069U1	SCREW, WITH WASHER	4	4	4	4	YMUS



GP71100-7250

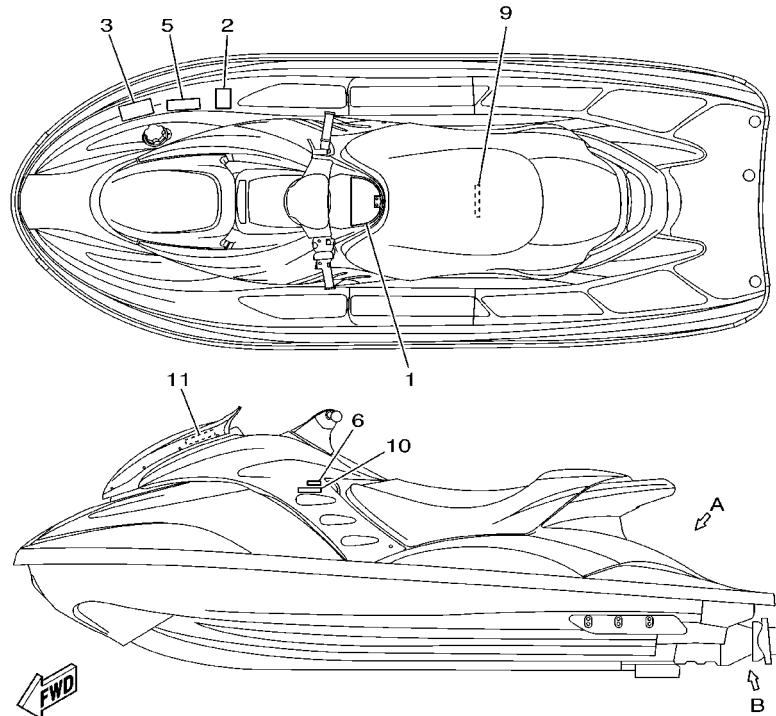
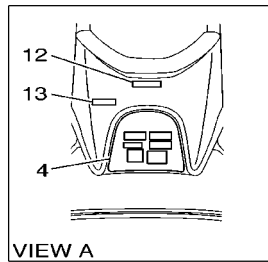
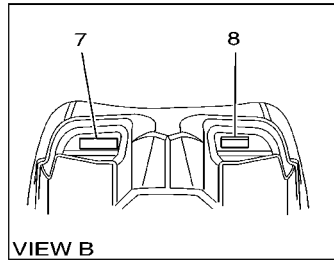
FIG. 27 GRAPHICS

REF. NO.	PART NO.	DESCRIPTION	USA	CAN	GENE	JPN	REMARKS
1	F0X-U417B-10	GRAPHIC 1	1	1	1	1	LH, YMUS
2	F0X-U417C-10	GRAPHIC 2	1	1	1	1	RH, YMUS
3	F0X-U417D-10	GRAPHIC 3	1	1	1	1	LH, YMUS
4	F0X-U417E-10	GRAPHIC 4	1	1	1	1	RH, YMUS
5	F0W-U417F-00	GRAPHIC 5	1	1	1	1	LH, YMUS
6	F0W-U417G-00	GRAPHIC 6	1	1	1	1	RH, YMUS
7	F0X-U417H-10	GRAPHIC 7	1	1	1	1	LH, YMUS
8	F0X-U417J-10	GRAPHIC 8	1	1	1	1	RH, YMUS
9	F0X-U417K-00	GRAPHIC 9	1	1	1	1	YMUS
10	F0X-U4122-00	EMBLEM 2	2	2	2	2	YMUS
11	GJ3-U4114-52	MARK, YAMAHA A	1	1	1	1	YMUS
12	GU2-U411H-00	EMBLEM, TUNING FORK	1	1	1	1	YMUS
13	F0W-U4125-00	EMBLEM				2	FOR JPN, YMUS
14	EU0-65986-00	TOOL SET	1	1	1	1	
15	EU0-65901-01	TOOL BAG	1	1	1	1	



FWD
F0W1100-1270

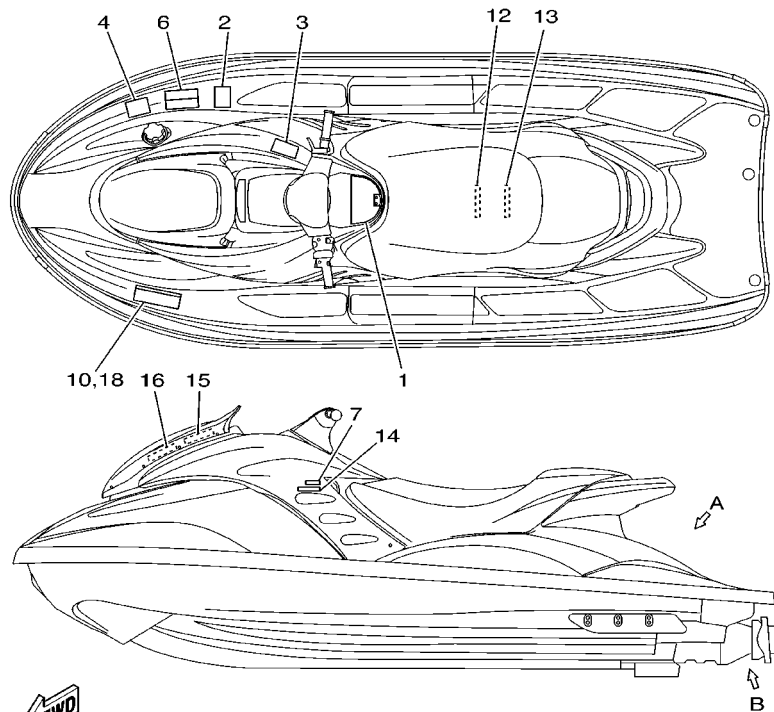
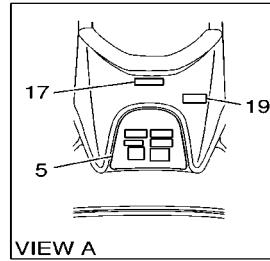
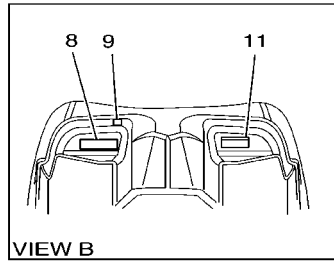
FIG. 28 IMPORTANT LABELS



F0W1100-1280

REF. NO.	PART NO.	DESCRIPTION	USA	CAN	GENE	JPN	REMARKS
1	F0X-U41B1-01	LABEL, WARNING JDC 1	1				YMUS
2	F0M-U41B2-00	LABEL, WARNING JDC 2	1				YMUS
3	F0P-U418R-00	LABEL, WARNING VENTILATION	1				YMUS
4	F0W-U41E2-00	LABEL, SET 2	1				YMUS
5	F0P-U415B-00	LABEL, WARNING(FUEL)	1				YMUS
6	F0X-U41D7-00	LABEL, WARNING OIL TANK	1				YMUS
7	F0P-U41E1-10	LABEL, SET 1	1				YMUS
8	F0P-U418G-00	LABEL, CAUTION	1				YMUS
9	F0P-U418B-00	LABEL, CAUTION	1				YMUS
10	F0W-U41F3-00	LABEL, CAUTION OIL	1				YMUS
11	F0X-U419S-00	LABEL, CAUTION VISOR	1				RH, YMUS
12	F0P-U41F5-00	LABEL, FIRE EXTINGUISHER 1	1				YMUS
13	F0X-U41G1-00	LABEL, CAPACITY	1				YMUS

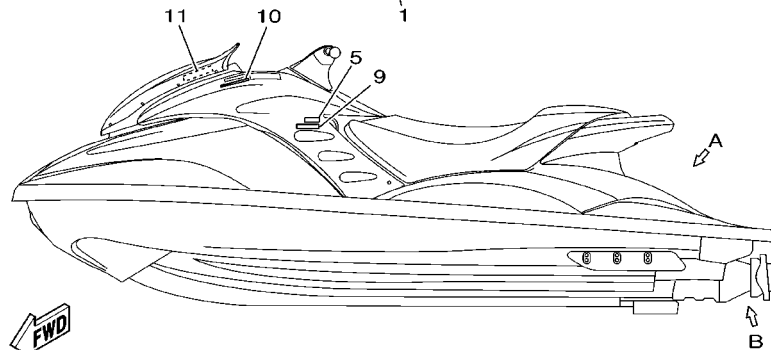
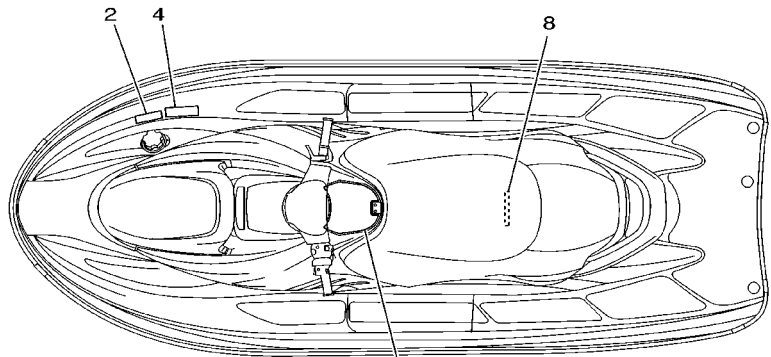
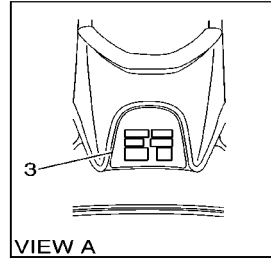
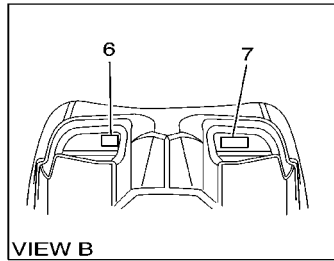
FIG. 29 IMPORTANT LABELS 2



F0W1100-1290

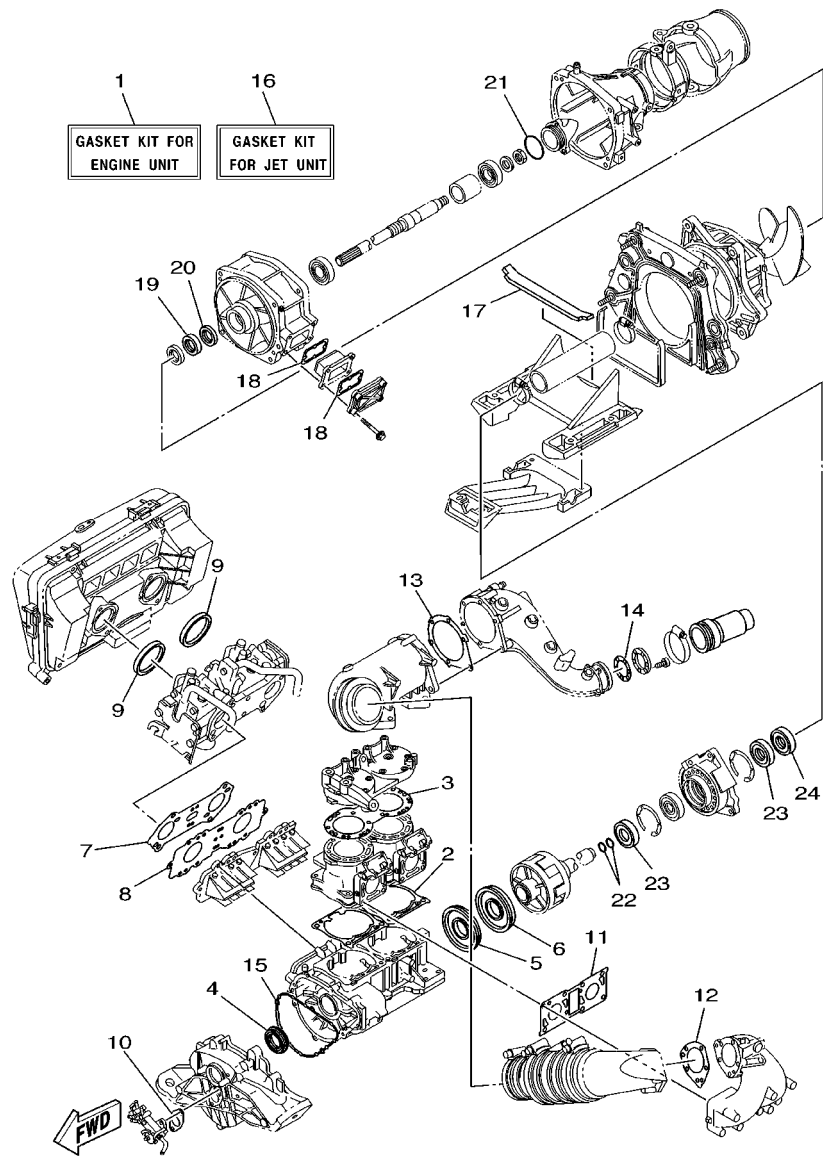
REF. NO.	PART NO.	DESCRIPTION	USA	CAN	GENE	JPN	REMARKS
1	F0X-U41B1-11	LABEL, WARNING JDC 1		1	1		YMUS
2	F0M-U41B2-00	LABEL, WARNING JDC 2		1	1		YMUS
3	F0X-U41B2-10	LABEL, WARNING JDC 2		1	1		YMUS
4	F0P-U418R-10	LABEL, WARNING VENTILATION		1	1		YMUS
5	F0X-U41E2-20	LABEL, SET 2		1	1		YMUS
6	F0P-U415B-10	LABEL, WARNING(FUEL)		1	1		YMUS
7	F0M-U41D7-10	LABEL, WARNING OIL TANK		1	1		YMUS
8	F0P-U41D3-10	LABEL, WARNING UPRIGHTING		1	1		YMUS
9	GA9-U418F-00	LABEL, RIGHTING		1	1		YMUS
10	GJ3-U416H-00	LABEL,WARNING(FRANCE)			1		FOR GENE, YMUS
11	F0P-U418G-10	LABEL, CAUTION		1	1		YMUS
12	F0P-U418B-00	LABEL, CAUTION		1	1		YMUS
13	F0P-U418B-10	LABEL, CAUTION		1	1		YMUS
14	F0M-U41F3-00	LABEL, CAUTION OIL		1	1		YMUS
15	F0X-U419S-00	LABEL, CAUTION VISOR		1	1		RH, YMUS
16	F0X-U419S-10	LABEL, CAUTION VISOR		1	1		RH, YMUS
17	F0P-U41F5-10	LABEL, FIRE EXTINGUISHER 1		1	1		YMUS
18	GJ3-U419E-00	LABEL 4		1			FOR CAN, YMUS
19	F0X-U41G1-10	LABEL, CAPACITY		1	1		YMUS

FIG. 30 IMPORTANT LABELS 3



FOW1100-1300

REF. NO.	PART NO.	DESCRIPTION	USA	CAN	GENE	JPN	REMARKS
1	F0X-641B1-20	LABEL, WARNING JDC 1				1	
2	F0M-6418R-00	LABEL, WARNING VENTILATION				1	
3	F0W-641E2-30	LABEL, SET 2				1	
4	F0M-6415B-00	LABEL, WARNING(FUEL)				1	
5	F0M-641D7-10	LABEL, WARNING OIL TANK				1	
6	F0M-641E1-00	LABEL, SET 1				1	
7	F0M-6418G-00	LABEL, CAUTION				1	
8	F0M-6418B-00	LABEL, CAUTION				1	
9	F0M-641F3-10	LABEL, CAUTION OIL				1	
10	GA9-U411B-00	PLATE,ASSY				1	YMUS
11	F0X-6419S-20	LABEL, CAUTION VISOR				1	RH

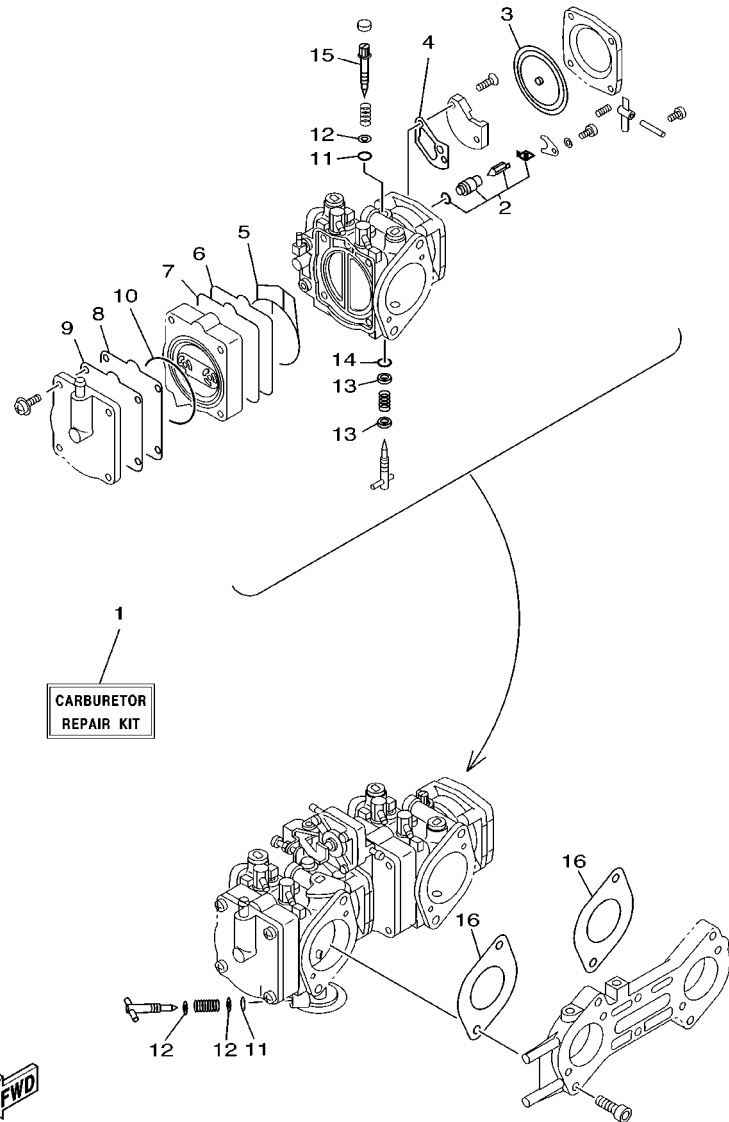


F0W1100-1310

FIG. 31 REPAIR KIT 1

REF. NO.	PART NO.	DESCRIPTION	USA	CAN	GENE	JPN	REMARKS
1	66E-W0001-02	GASKET KIT FOR ENGINE UNIT	1	1	1	1	
2	66E-11351-01	.GASKET, CYLINDER	2	2	2	2	
3	66E-11181-00	.GASKET, CYLINDER HEAD 1	1	1	1	1	
4	93103-35M03	.OIL SEAL	1	1	1	1	
5	93101-36M62	.OIL SEAL	1	1	1	1	
6	93101-36M61	.OIL SEAL	1	1	1	1	
7	66E-13556-00	.GASKET, MANIFOLD	1	1	1	1	
8	66E-13624-10	.PLATE, REED VALVE	1	1	1	1	
9	66E-13473-00	.O-RING	2	2	2	2	
10	63M-13116-00	.GASKET, PUMP CASE	1	1	1	1	
11	66E-14613-00	.GASKET, EXHAUST PIPE	1	1	1	1	
12	66E-14749-00	.GASKET, MUFFLER DAMPER 2	1	1	1	1	
13	66E-41124-10	.GASKET, EXHAUST OUTER COVER	1	1	1	1	
14	66E-14623-00	.GASKET, EXHAUST PIPE	1	1	1	1	
15	66E-81168-10	.O-RING	1	1	1	1	
16	67X-W0001-20	GASKET KIT FOR JET UNIT	1	1	1	1	
17	67X-51367-00	.FELT, PACKING	1	1	1	1	
18	66V-42414-00	.O-RING	2	2	2	2	
19	93101-28M66	.OIL SEAL	1	1	1	1	
20	93101-28M65	.OIL SEAL	1	1	1	1	
21	93210-46M16	.O-RING	1	1	1	1	
22	93210-19MJ4	.O-RING	2	2	2	2	
23	93101-25M55	.OIL SEAL	2	2	2	2	
24	93101-25M56	.OIL SEAL	1	1	1	1	

FIG. 32 REPAIR KIT 2



REF. NO.	PART NO.	DESCRIPTION	USA	CAN	GENE	JPN	REMARKS
1	66E-W0093-01	CARBURETOR REPAIR KIT	1	1	1	1	
2	64T-14916-00	.NEEDLE	2	2	2	2	
3	6R7-14541-00	.DIAPHRAGM, PUMP	2	2	2	2	
4	6K8-14536-11	.GASKET	2	2	2	2	
5	66E-14563-01	.O-RING	2	2	2	2	
6	66E-24471-00	.DIAPHRAGM	2	2	2	2	
7	66E-24411-00	.DIAPHRAGM	2	2	2	2	
8	66E-24421-00	.VALVE, CHECK	2	2	2	2	
9	66E-24431-00	.GASKET, FUEL PUMP 1	2	2	2	2	
10	66E-14564-01	.O-RING	2	2	2	2	
11	812-14147-00	.O-RING	3	3	3	3	
12	812-14235-00	.WASHER, NEEDLE	4	4	4	4	
13	822-14235-00	.WASHER, NEEDLE	4	4	4	4	
14	583-14561-00	.O-RING	2	2	2	2	
15	6K8-14946-10	.METERING NEEDLE	2	2	2	2	
16	66E-14398-00	.GASKET	2	2	2	2	

FWD
GU04100-9300

NUMERICAL INDEX

PARTNO.	GRID NO.	PARTNO.	GRID NO.	PARTNO.	GRID NO.	PARTNO.	GRID NO.	PARTNO.	GRID NO.	PARTNO.	GRID NO.
66V-G5831-00	C - 4	F0X-U351N-00	D - 5	GA9-U418F-00	E - 5	GP7-U7832-00	D - 9	66E-11422-00	B - 6	66E-14162-01	B - 10
65A-R1129-00	C - 4	F0X-U351P-00	D - 5	F0P-U418G-00	E - 4	GP7-U7833-00	D - 9	66E-11431-00	B - 6	66E-14170-00	B - 10
66V-R1313-01	C - 5	F0X-U351R-00	D - 5	F0P-U418G-10	E - 5	GP7-U7834-00	D - 9	66E-11442-00	B - 6	439-14186-00	B - 10
68A-R1321-00	C - 5	F0X-U351S-00	D - 5	F0P-U418R-00	E - 4	EU0-U7835-00	D - 8	66E-11515-00	B - 6	66E-14211-00	B - 10
65A-R1326-00	C - 4	GJ3-U352E-40	D - 5	F0P-U418R-10	E - 5	GP7-U7835-00	D - 9	66E-11603-01	B - 6	3G2-14231-30	B - 9
66V-R1348-10	C - 5	F0X-U3581-00	D - 5	GJ3-U419E-00	E - 5	F0X-U7844-00	D - 9	66E-11631-00-A0	B - 6	830-14231-18	B - 9
67A-R1381-00	C - 7	F0X-U3635-01	C - 14	F0X-U419S-00	E - 4	GP7-U785G-00	D - 9	66E-11631-00-B0	B - 6	812-14235-00	B - 10
GH1-U046C-00	D - 12	F0X-U371A-10	D - 7		E - 5	GP7-U785H-00	D - 9	66E-11631-00-C0	B - 6		E - 8
GP7-U142A-11	E - 2	F0X-U377B-10-P0	C - 14	F0X-U419S-10	E - 5	EU0-U7856-40	C - 12	66E-11631-00-DO	B - 6	822-14235-00	B - 10
GP7-U142K-00	E - 2	F0X-U377C-10-P0	C - 14	F0X-U475A-00	C - 15	F0X-U7856-00	D - 8	66E-11633-00	B - 6		E - 8
GH1-U143B-00	D - 12	F0X-U377A-00	D - 7	F0X-U4958-00	D - 12	GJ3-U7856-10	D - 9	66E-11634-00	B - 6	66E-14243-00	B - 10
GH3-U146E-00	C - 5	F0X-U41B1-01	E - 4	F0X-U515D-00	C - 15	GJ1-U8K31-02	C - 5	66E-11651-00	B - 6	4N0-14251-00	B - 11
GK5-U146F-00	D - 13	F0X-U41B1-11	E - 5	F0X-U515E-00	C - 15	EU0-U821D-00	D - 11	66E-11685-00	B - 6	62T-14251-10	B - 2
EU0-U1461-02	D - 13	F0M-U41B2-00	E - 4	F0X-U515N-00	C - 15	F0X-U8211-02	C - 12	66E-11832-01	B - 4	66E-14251-00	B - 11
EU0-U1461-30	D - 12		E - 5	F0X-U516P-00	C - 15	F0W-U822C-00	C - 12	66E-11998-10	B - 4	6R7-14253-00	B - 9
GP8-U1461-T0	D - 13	F0X-U41B2-10	E - 5	F0X-U517B-00	C - 15	F0X-U8221-00	C - 12	66E-12576-00	B - 14	66E-14280-00	B - 10
F0X-U1481-00	D - 13	F0P-U41D3-10	E - 5	F0X-U517H-10-P0	D - 2	F0X-U8239-00	C - 13	66E-12577-00	B - 15	66E-14286-00	B - 10
GP7-U151M-00	D - 12	F0M-U41D7-10	E - 5	F0X-U519D-01	D - 2	F0D-U824B-01	C - 13	66E-12578-00	C - 2	66E-14291-00	B - 10
F0D-U152C-00	D - 13	F0X-U41D7-00	E - 4	F0X-U5554-00	C - 15	F0D-U824C-00	C - 13	66E-12579-00	B - 15	3XP-14294-00	B - 11
GP7-U152M-00	D - 12	F0P-U41E1-10	E - 4	EW2-U5772-00	D - 11	F0D-U8341-00	C - 13	64T-12580-00	C - 2	68A-14301-00	B - 9
GP7-U152P-00	D - 12	F0W-U41E2-00	E - 4	EW2-U5912-01	C - 12	GJ1-U835D-00	C - 5	63M-12581-00	B - 14	68A-14302-00	B - 9
GP7-U152R-00	D - 12	F0X-U41E2-20	E - 5	EW2-U5913-01	C - 13	F0X-U883B-01	C - 7		C - 2	66E-14398-00	B - 10
F0D-U153D-01	D - 12	F0M-U41F3-00	E - 5	F0X-U5983-00	C - 12	F0X-U883N-00	D - 3	67X-12590-00	C - 2		E - 8
F0X-U153E-01	D - 12	F0W-U41F3-00	E - 4	GD0-U7249-00-05	C - 7	F0X-U883P-00	D - 3	67X-12590-10	C - 2	66E-1441E-00	B - 8
F0D-U153J-00	D - 12	F0P-U41F5-00	E - 4	GD0-U7249-00-10	C - 7	66E-W0001-02	E - 7	67X-12590-20	C - 2	66E-14435-00	B - 8
GP7-U155C-00	D - 12	F0P-U41F5-10	E - 5	EU0-U7354-00-01	B - 3	67X-W0001-20	E - 7	63M-13116-00	B - 12	66E-14451-00	B - 8
GP7-U155D-00	D - 14	F0X-U41G1-00	E - 4	EU0-U7354-00-03	B - 3	66E-W0004-00	B - 8		E - 7	66E-14452-00	B - 8
GP7-U155F-00	D - 12	F0X-U41G1-10	E - 5	EU0-U7354-00-05	B - 3	66E-W0090-12-8P	B - 2	63M-13132-00	B - 12	66E-14457-10	B - 8
	D - 14	GA9-U411B-00	E - 6	EU0-U7354-00-10	B - 3	66E-W0093-01	E - 8	65U-13132-00	B - 12	6K8-14471-10	B - 10
GP7-U157A-00	D - 12	GU2-U411H-00	E - 3	EU0-U7354-00-20	B - 3	66E-11111-00-94	B - 2	6R3-13183-00	B - 12	66E-14480-11	B - 8
F0X-U213G-01	D - 6	GJ3-U4114-52	E - 3	F0D-U7525-00	D - 11	66E-11181-00	B - 2	66E-13200-02	B - 12	6K8-14503-02	B - 9
GP7-U2501-20	D - 5	F0X-U4122-00	E - 3	F0W-U7555-00	D - 11		E - 7	66E-13469-00	B - 12	6M6-14503-00	B - 10
F0X-U251D-00	D - 5	F0W-U4125-00	E - 3	F0X-U758C-00	D - 11	66E-1131B-01	B - 4	66E-13473-00	B - 8	66E-14521-00	B - 10
F0X-U251E-00	D - 5	F0P-U415B-00	E - 4	F0X-U759B-00	D - 9	66E-1131C-10	B - 4		E - 7	6K8-14523-11	B - 10
F0X-U2512-00	D - 5	F0P-U415B-10	E - 5	F0X-U759C-00	D - 9	66E-1131H-00	B - 4	66E-13556-00	B - 8	6K8-14527-11	B - 10
F0X-U2519-00	D - 5	GJ3-U416H-00	E - 5	GJ1-U759C-00	D - 9	66E-1131J-10	B - 4		E - 7	6K8-14536-11	B - 9
F0X-U252C-00	D - 5	F0X-U417B-10	E - 3	GD0-U761D-00	D - 3	66E-1131M-01-8P	B - 4	66E-13610-00	B - 8		E - 8
F0X-U252D-00	D - 5	F0X-U417C-10	E - 3	F0X-U7711-00	D - 9	66E-1131S-03	B - 4	66E-13624-10	E - 7	6R7-14541-00	B - 9
F0X-U266B-00	C - 15	F0X-U417D-10	E - 3	F0D-U775B-02	D - 8	66E-1131V-00	B - 4	66E-13624-10-94	B - 8		E - 8
F0X-U266D-00	C - 12	F0X-U417E-10	E - 3	F0X-U776C-00	D - 8	66E-11311-00-94	B - 2	66E-13898-11	B - 8	6R7-14542-00	B - 9
F0X-U266E-01	C - 15	F0W-U417F-00	E - 3	F0X-U778B-00	D - 8	66E-1132C-00	B - 4	4KM-14137-00	B - 10	6K8-14547-01	B - 9
F0D-U2664-00	D - 7	F0W-U417G-00	E - 3	GJ3-U778C-00	D - 8	66E-11325-00	B - 4	35H-14139-00	B - 11	583-14561-00	B - 10
F0X-U271B-00	D - 7	F0X-U417H-10	E - 3	F0X-U778D-00	D - 8	66E-1133E-10	B - 4	66E-14146-00	B - 11		E - 8
F0X-U273B-00	C - 5	F0X-U417J-10	E - 3	F0X-U778E-00	D - 8	66E-1133F-10	B - 4	8F2-14147-00	B - 9	66E-14563-01	B - 9
F0X-U351H-00	D - 5	F0X-U417K-00	E - 3	F0X-U778H-00	D - 8	66E-11351-01	B - 2	812-14147-00	B - 9		E - 8
F0X-U351J-00	D - 5	F0P-U418B-00	E - 4	EU0-U7817-00	C - 3		E - 7		E - 8	66E-14564-01	B - 9
F0X-U351K-01	D - 5		E - 5	GP7-U783F-00	D - 9	66E-11400-00	B - 6	7EG-14159-00	B - 9		E - 8
F0X-U351M-01	D - 5	F0P-U418B-10	E - 5	GP7-U7831-00	D - 9	66E-11412-00	B - 6	66E-14162-00	B - 11	6R7-14569-00	B - 9

NUMERICAL INDEX

PARTNO.	GRID NO.	PARTNO.	GRID NO.	PARTNO.	GRID NO.	PARTNO.	GRID NO.	PARTNO.	GRID NO.	PARTNO.	GRID NO.
6K8-14589-00	B - 10	70R-24543-00	D - 9	F0X-6143C-00	D - 15	F0X-6377P-00	C - 14	GP8-67593-00	C - 12	66E-81921-00	C - 10
66E-14613-00	B - 14	66V-24560-00	C - 3	F0X-6143G-00	D - 14	F0X-6378C-00	D - 7	GU0-67593-00	D - 11	6G1-81941-10	C - 10
	E - 7	66E-26320-00	B - 12	F0X-61467-00	D - 13	F0D-63850-01	D - 7	EW2-67618-00	D - 3	6M6-81952-01	C - 10
66E-14615-00	B - 14	67A-41123-00-94	B - 15	F0X-61468-00	D - 13	F0X-641B1-20	E - 6	F0X-67743-00	D - 9	63M-81960-00	C - 10
66E-14623-00	C - 2	66E-41124-10	B - 15	F0X-61469-00	D - 15	F0M-641D7-10	E - 6	F0D-6775C-01	D - 8	EU0-82110-09	C - 12
	E - 7		E - 7	F0X-6151B-00	D - 15	F0M-641E1-00	E - 6	F0D-6775E-01	D - 8	61L-82117-00	C - 11
66E-14625-00	B - 14	66E-41217-00	B - 10	F0X-6152M-00	D - 14	F0W-641E2-30	E - 6	FJ0-67766-00	D - 8	62E-82117-20	C - 11
66E-14711-10-8P	B - 14	66V-42414-00	C - 4	F0X-6153P-00	D - 14	F0M-641F3-10	E - 6	EU0-67767-31	D - 9	68A-82117-10	C - 11
66E-14712-10-8P	B - 14		E - 7	F0X-6153P-10	D - 14	F0M-6415B-00	E - 6	FN8-67816-00	C - 3	66E-82150-00	C - 10
66E-14721-10-94	B - 15	66E-42717-00	B - 8	F0X-61541-00	D - 14	F0M-6418B-00	E - 6	F0W-6820A-00	C - 13	6G1-82151-00	C - 10
66E-14749-00	B - 14	68A-44517-00-9M	B - 3	F0X-61552-00	D - 14	F0M-6418G-00	E - 6	F0W-6820A-10	C - 13	6K8-82159-00	C - 10
	E - 7	67A-44532-00	B - 2	F0X-61596-00	D - 15	F0M-6418R-00	E - 6	F0X-6821H-00	C - 12	62E-82371-11	C - 10
67A-14752-00	C - 2	663-45119-00	B - 15	F0X-61624-00	D - 3	F0X-6419S-20	E - 6	F0D-6822E-00	D - 15	68A-82553-00	C - 11
66E-14763-10	B - 15	66V-45214-00-94	C - 4	F0X-61637-00	D - 3	F0X-64261-02	D - 11	GU2-6822E-01	C - 13	68A-82560-00	C - 11
66E-14771-01-94	C - 2	61X-45332-03-94	C - 7	FN8-61651-01	D - 5	F0X-6517C-00	D - 2	GP7-83238-10	C - 13	6R7-83623-40	C - 10
66E-14781-10-94	B - 2	61L-45378-00	C - 7	EU0-61652-00	C - 2	F0X-6517D-00	C - 15	F0W-68239-01	C - 12	6R7-83623-50	C - 10
66E-14791-00-94	B - 15	66V-45511-01	C - 4		D - 3	F0X-6517F-00	C - 15	GU0-6824E-00	B - 4	63N-83623-00	C - 10
64T-14916-00	B - 9	65V-45538-00	C - 4	F0X-61652-00	D - 3	F0X-6517R-01	D - 2	FK7-68310-07	D - 14	682-84385-01	C - 2
	E - 8	66E-4581J-00	B - 6	F0X-61652-00	D - 3	F0X-6518E-00	C - 15	FK7-68312-02	D - 14	66E-85112-00-94	B - 5
3KW-14932-00	B - 10	66E-45813-10-94	B - 6	F0X-6213D-00	D - 6	F0X-6555D-00	D - 2	FK7-68313-02	D - 14	66E-85510-00	C - 8
6K8-14946-10	B - 10	66V-46882-00	C - 4	F0X-6213E-00	D - 6	F0X-6555E-00	D - 2	EW2-8552A-00-94	D - 14	66E-8552A-00-94	C - 10
	E - 8	6K8-51129-00	B - 14	EW2-62140-00	D - 9	F0X-65568-00	C - 12	F0X-6883T-00	D - 4	66E-8552E-00	C - 10
66E-15100-10-8P	B - 2		B - 2	EW2-62142-00	D - 9	GA7-65772-00	C - 12	F0X-6883U-01	D - 4	66E-85540-00	C - 10
66E-21425-10-8P	B - 2	66E-51129-00	B - 14	EW2-62149-00	D - 6		C - 13	F0X-6883V-00	D - 4	64X-85546-00	C - 10
66E-21426-10-8P	B - 2		B - 2	GJ3-6215F-00	D - 6		D - 11	F0X-6884R-00	C - 6	66E-85550-00	C - 8
EU0-23814-01	D - 15	66V-51129-01	C - 4	GP7-62159-01	D - 6	EU0-65901-01	E - 3	F0X-6884S-00	C - 6	64X-85570-01	C - 10
EU0-23814-30	D - 15	66V-51129-10	C - 4	F0X-62187-00	C - 14	F0X-65938-01	C - 13	F0X-6885R-00	C - 6	66E-85820-11	B - 4
66E-24314-00	B - 11	66E-51142-00	B - 14	F0X-62188-00	C - 14	F0X-65939-01	C - 13	F0X-6885S-00	C - 6	66E-85825-00	B - 5
66E-24315-00	B - 11	66V-51142-00	B - 12	EU0-62241-30	C - 5	EU0-65986-00	E - 3	F0X-68952-00	C - 12	90101-06M25	B - 10
66E-24362-00	B - 9	63M-51162-00	D - 3		D - 12	GJ1-66607-00	C - 12	66E-81168-10	C - 8	90101-06019	C - 15
6G8-24376-00	B - 12	63M-51165-00	D - 3		D - 13		C - 13		E - 7	90101-06917	B - 3
6E0-24378-00	B - 12	66G-51190-00-94	C - 5	EU0-62280-00	D - 4	F0X-6724A-00	D - 14	65U-81317-10	C - 11	90101-08003	D - 15
63M-24378-00	B - 12	67X-51311-00-94	C - 4	EU0-62282-00	D - 4	68A-67242-00	D - 12	6M6-8132W-00	C - 10	90105-08M66	B - 14
66E-24411-00	B - 9	66V-51312-01-94	C - 4	EU0-62283-00	D - 4	F0D-67250-03	D - 14	66E-81328-00	C - 8	90105-08M83	B - 14
	E - 8	66V-51315-00-94	C - 4	EU0-62285-01	D - 4	68A-67252-00	D - 12	66E-81337-11-8P	C - 8		B - 15
66E-24412-01	B - 10	67X-51318-00-94	C - 5	F0X-62624-00	D - 4	F0D-67255-01	D - 14	63M-81800-00	C - 9	90105-08M84	B - 14
66E-24413-01	B - 9	66V-51323-01	C - 7	F0X-62663-01	C - 6	EW2-67256-00	D - 14	3AJ-81809-00	C - 9	90105-08M86	B - 8
66E-24421-00	B - 9	67X-51333-00-94	C - 4	FN8-6269B-00	D - 3	F0D-67257-00	D - 14	6M6-81826-00	C - 9	90105-10M82	B - 15
	E - 8	63M-51334-00	C - 5	F0X-62733-00	D - 11	EW2-67258-01	D - 14	6M6-8183E-00	C - 9	90105-10M85	B - 14
66E-24431-00	B - 9	66V-51367-10	C - 4	GU2-62875-01	D - 2	EW2-67259-01	D - 14	6M6-81830-00	C - 9	90105-10M86	B - 14
	E - 8	67X-51367-00	C - 4	F0X-63225-00	C - 13	EU0-67267-10	D - 12	63M-81830-00	C - 9	90109-05MA0	C - 10
66E-24452-00	B - 9		E - 7	F0X-63226-00	C - 13	EU0-67267-20	C - 5	6M6-81840-10	C - 9	90109-06M00	B - 8
66E-24471-00	B - 9	67X-51673-00	C - 5	F0X-6351B-00	C - 12	GK5-67267-10	D - 13	11H-81844-00	C - 9	90109-08902	C - 15
	E - 8	61L-5169A-00	B - 15	F0X-6351C-00	C - 14	F0X-6753B-00	D - 11	6M6-81844-00	C - 10	90109-10M72	C - 8
70R-24489-00	D - 9	63M-5316M-00	D - 3	F0X-6352C-00	C - 12	F0X-6755J-00	D - 11	1FK-81847-00	C - 9	90110-04M03	B - 4
65U-24492-00	B - 9	FN8-6131B-00	D - 14	F0X-6375E-00	D - 7	GP8-6755J-00	D - 11	6M6-81850-00	C - 9	90110-05008	B - 4
66V-24500-01	C - 3	F0X-6133B-00	D - 15	GK5-63768-00	C - 12	F0W-67550-01	D - 11	6M6-81865-00	C - 9	90110-05908	D - 12
6K8-24524-10	C - 3	F0X-6141B-00	D - 14	F0X-6377M-00	C - 14	F0D-67565-01	D - 11	6M6-81866-00	C - 9		D - 14

NUMERICAL INDEX

PARTNO.	GRID NO.	PARTNO.	GRID NO.	PARTNO.	GRID NO.	PARTNO.	GRID NO.	PARTNO.	GRID NO.	PARTNO.	GRID NO.
90110-06008	C - 14	90119-10837	C - 5	90280-05013	C - 8	90446-27M95	C - 2	90480-279U1	C - 12	92990-06100	C - 9
90110-06016	D - 3	90149-069JA	D - 11	90380-12M29	B - 2		D - 3		D - 13	92990-06600	B - 10
90111-05001	C - 14	90149-069U9	E - 2		C - 8	90447-07002	B - 12	90480-38800	C - 12		C - 11
	C - 15	90157-05M17	B - 9	90381-05041	C - 15	90447-13003	B - 11	90501-14M73	C - 9		D - 12
90111-06018	C - 15	90159-04800	C - 3	90387-05800	D - 12	90447-13004	B - 11	90600-900U6	D - 10	92990-08600	B - 15
90116-06M67	B - 5	90159-069U1	E - 2	90387-06M05	C - 11	90448-25800	D - 13		D - 11		D - 15
90116-08M64	B - 15	90169-049U1	D - 9	90387-06M60	C - 7	90450-14M05	B - 14	90600-917U4	C - 13	92990-10600	B - 15
90116-10M65	B - 15	90169-059U1	D - 5	90387-08M06	C - 5		B - 15		D - 3		D - 14
90116-10M66	B - 15	90170-22187	C - 3	90430-16910	D - 11		B - 2	90600-91736	D - 8	92990-12200	D - 3
90119-06M13	B - 3	90176-06005	C - 12	90445-07M25	B - 12	90450-18M09	B - 14	90600-925U9	C - 13		D - 7
90119-06M78	B - 3	90179-05800	C - 15	90445-07M42	B - 11		B - 15	90601-118UF	C - 2	92995-06100	C - 11
90119-06800	C - 4	90179-05801	C - 15	90445-07M78	B - 11		C - 2		C - 5	92995-06600	B - 12
90119-06824	D - 2	90179-08978	C - 12	90445-07M79	B - 11	90450-22M14	B - 14		D - 11		B - 8
90119-06827	D - 13	90183-06902	C - 15	90445-07006	B - 12		C - 2		D - 3		C - 10
90119-06835	C - 4	90185-08002	D - 15	90445-09M21	B - 15	90450-99M02	B - 14	90601-152U3	C - 7		C - 2
90119-069UB	C - 5	90201-05M09	C - 8	90445-10MH0	B - 11	90450-99M18	B - 14		D - 8	93101-25M55	C - 7
	C - 6	90201-06014	C - 13	90445-10MH1	B - 11	90450-99801	D - 11	90601-155U4	D - 9		E - 7
90119-069UD	C - 6	90201-065F3	B - 5	90445-10MH2	B - 11	90460-90M11	C - 2	90601-162U5	C - 13	93101-25M56	C - 7
	C - 7	90201-068M4	C - 5	90445-10MH3	B - 11	90464-06M29	C - 10	90601-175UR	D - 11		E - 7
90119-069UH	D - 13	90201-06906	D - 13	90445-10MH4	B - 11	90464-07M20	B - 12	90601-195UD	D - 11	93101-28M65	C - 4
	D - 4	90201-08M09	B - 4	90445-10MH5	B - 11	90464-17800	D - 6	90601-200U1	D - 3		E - 7
90119-069UJ	C - 15	90201-099U3	B - 3	90445-11M35	B - 12	90464-32801	C - 13	90601-200U2	B - 4	93101-28M66	C - 4
90119-069UK	C - 6		D - 7	90445-11006	C - 3		D - 15		D - 13		E - 7
	D - 11	90201-10017	D - 15	90445-11007	C - 3		D - 8		D - 3	93101-36M61	B - 6
90119-069UP	D - 7	90201-10801	C - 6	90445-11008	C - 3	90464-40825	D - 10		D - 6		E - 7
90119-08MA1	B - 2	90201-22M04	B - 6	90445-14M00	B - 12		D - 11	90601-200U7	D - 6	93101-36M62	B - 6
90119-08MA2	B - 2	90201-278T0	B - 7	90445-14M21	B - 14	90464-99803	D - 8	90605-502U1	C - 15		E - 7
90119-08M18	C - 8	90202-05001	D - 4	90445-14M33	B - 2	90465-11M10	B - 12	90605-502U2	D - 2	93103-35M03	B - 6
90119-08M55	B - 3	90202-10922	C - 15	90445-14898	C - 5		B - 15	91318-06014	C - 8		E - 7
	C - 8	90267-329UR	D - 9	90445-18M02	C - 2		B - 5	91318-06030	C - 8	93109-08M07	B - 4
90119-08M56	B - 3	90267-40935	D - 8	90445-18M17	C - 2		B - 8	92903-06600	B - 4	93210-19MJ4	C - 7
90119-08M61	B - 3	90267-48802	C - 13	90445-198B9	D - 3		C - 11		B - 8		E - 7
90119-08807	D - 7	90267-48806	C - 14	90445-198C0	D - 3		C - 3		C - 9	93210-22ME5	D - 3
90119-089UE	C - 5		C - 6	90446-07M14	B - 12	90465-11829	B - 13	92903-08600	B - 2	93210-46M16	C - 5
90119-089UL	C - 7		D - 6	90446-07M96	B - 11		C - 3		C - 9		E - 7
90119-089UM	D - 15	90267-489US	D - 5	90446-07M97	B - 11		C - 5	9299R-05200	D - 11	93305-307U0	B - 6
90119-089UN	B - 3	90267-489U1	C - 12	90446-10MA0	B - 11		C - 7		D - 4	93306-205U0	C - 4
90119-089UR	B - 3		C - 3	90446-10MA1	B - 11		D - 8	9299R-06100	D - 12	93306-205U6	C - 7
90119-089U5	D - 7	90267-489U2	D - 9	90446-10MA2	B - 11		D - 9	9299R-06200	C - 14	93306-208U1	B - 6
90119-089U6	C - 6	90267-489U6	C - 13	90446-14M98	B - 11	90465-12M53	C - 10		D - 13	93306-304U1	C - 4
90119-089U7	C - 10		D - 12	90446-14M99	B - 11	90465-12M56	B - 14		D - 2	93306-308U1	B - 6
	D - 9		D - 15	90446-17M72	B - 12		C - 10		D - 5	93310-422U2	B - 6
90119-10M00	B - 15		D - 6	90446-20M70	B - 14	90465-13M36	C - 10	9299R-08200	B - 4	93310-627U6	B - 6
	B - 2		D - 8	90446-24M52	C - 2	90465-20M78	B - 14		C - 12	93410-08M12	B - 4
90119-10M07	B - 2	90267-489U7	D - 3	90446-24M89	C - 2	90467-089U1	D - 6		C - 15	93430-47M04	C - 7
90119-10M10	B - 15	90267-489U9	C - 12	90446-24M94	B - 2	90480-06M43	C - 11	9299R-08600	D - 7	93440-25M08	C - 9
90119-10M18	C - 2		C - 13	90446-27MF2	D - 3	90480-06M46	C - 7	9299R-16600	C - 4	93450-18M06	C - 9
90119-10836	C - 4		D - 11	90446-27M55	C - 3	90480-14023	B - 5	92990-04600	D - 12	93606-12019	B - 14

NUMERICAL INDEX

PARTNO.	GRID NO.	PARTNO.	GRID NO.	PARTNO.	GRID NO.	PARTNO.	GRID NO.	PARTNO.	GRID NO.	PARTNO.	GRID NO.
93606-12019	B - 15	97880-06016	C - 11								
	B - 2	97880-06030	C - 11								
	B - 3	97880-06065	D - 12								
	C - 4	97885-06016	C - 2								
	C - 5	98500-05025	D - 14								
	C - 7	98580-05014	B - 10								
93606-19M23	B - 8	9878R-05512	C - 5								
93608-16M16	C - 8	98780-05020	B - 4								
94702-00204	C - 11	98980-04010	D - 12								
94709-00204	C - 11	99590-14016	C - 4								
9531P-16700	C - 4	99780-12600	D - 3								
95333-08600	B - 15										
9538R-06700	C - 5										
	D - 13										
95380-06700	C - 9										
95380-10600	B - 15										
9572R-05300	C - 13										
	D - 4										
9572R-06300	B - 5										
	D - 12										
	D - 13										
	D - 2										
	D - 5										
9572R-08300	B - 4										
	C - 15										
	D - 15										
	D - 7										
9572R-10300	C - 6										
	D - 7										
95720-10300	D - 14										
97013-06025	B - 4										
	B - 8										
97013-06045	B - 8										
97013-08025	C - 9										
97013-08030	B - 2										
97013-08045	B - 2										
97095-06012	C - 10										
97095-06016	C - 11										
97095-06020	B - 12										
97095-06035	B - 8										
97513-05514	C - 8										
9778R-50112	D - 3										
97780-04110	D - 8										
97780-60425	C - 11										
9788R-05025	D - 4										
97880-03008	D - 14										
97880-05010	B - 10										
97880-05025	D - 14										

CONTENTS

CYLINDER. CRANKCASE 1	B2
CYLINDER. CRANKCASE 2	B4
CRANKSHAFT. PISTON	B6
INTAKE	B8
CARBURETOR	B9
OIL PUMP	B12
EXHAUST 1	B14
FUEL	C3
JET UNIT 1	C4
JET UNIT 2	C7
GENERATOR	C8
STARTING MOTOR	C9
ELECTRICAL 1	C10
ELECTRICAL 2	C12
ENGINE HATCH 1	C14
ENGINE HATCH 2	C15
HULL. DECK	D3
GUNWALE. MAT	D5
VENTILATION	D6
SEAT. UNDER LOCKER	D7

OIL TANK	D8
FUEL TANK	D9
EXHAUST 2	D11
CONTROL CABLE	D12
STEERING 1	D14
STEERING 2	E2
GRAPHICS	E3
IMPORTANT LABELS	E4
IMPORTANT LABELS 2	E5
IMPORTANT LABELS 3	E6
REPAIR KIT 1	E7
REPAIR KIT 2	E8

INDEX

NUMERICAL INDEX	M1
-----------------------	----