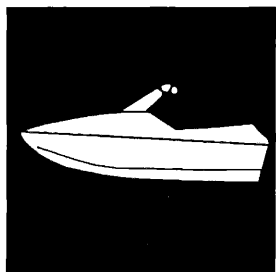


YAMAHA



PARTS CATALOGUE

WAVERAIDER

RA700BV (GJ85,GJ86)

RA700B (GJ87)

YAMAHA
GENUINE
Parts & Accessories

17GJ8-100E1

FOREWORD

This Parts Catalogue is related to the parts for the model(s) in the below frame. When you are ordering replacement parts, please refer to this Parts Catalogue and quote both part numbers and part names correctly.

RA700BV (GJ85,GJ86) RA700B(GJ87)

1. Modifications or additions which have been made after issue of the Parts Catalogue will be announced in the Yamaha Parts News. It is advisable that you make necessary corrections to the Parts Catalogue according to the Yamaha Parts News.

2. Abbreviations

The following abbreviations are used in this Parts Catalogue.

- "UR" Use specified parts number.
- "UN" Use as many as needed.
- "AP" Alternate Parts
- "LM" Local Made (Parts need to be ordered locally)
- "F#" Frame No. (Applicable machine No.)

3. Parts, which are to be supplied in an assembly, are listed with a dot (.) in front of the part name as shown below.

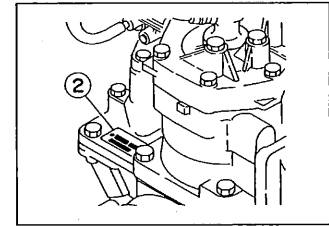
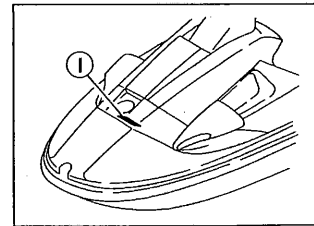
The numeral appearing to the right of each component part indicates the quantity of parts for each assembly unit.

EXAMPLE

PART NO.	DESCRIPTION	Q'TY	REMARKS
EU0-62280-00	DRAIN PLUG ASSY	2	
EU0-62282-00	. PLUG, DRAIN	1	

4. Applicable Serial No. and Color Code

① Hull Serial No.	(GJ85,GJ86)	GJ8-806201 ~
	(GJ87)	GJ8-600401 ~
② Engine Serial No.		64R-007001 ~



Color Code	Color Name	Abbreviation
0240	PURE WHITE	PURW

5. Note that the illustrations are for reference in finding parts numbers, not to be used for assembling. When assembling, please use the applicable service manual.

6. A part with "YMUS" in the remarks column can be obtained from YMUS(USA) and not from YAMAHA MOTOR CO.,LTD (JAPAN).

EXAMPLE

PART NO.	DESCRIPTION	QTY	REMARKS
EW2-U5160-00	ENGINE HATCH COMP.	1	YMUS
90601-168U7	BAND, HOSE	1	YMUS

ADDRESS:

YAMAHA MOTOR CORPORATION U.S.A.
PARTS & ACCESSORY DIV.
6555 KATELLA AVENUE
CYPRESS, CALIFORNIA 90630, U.S.A.

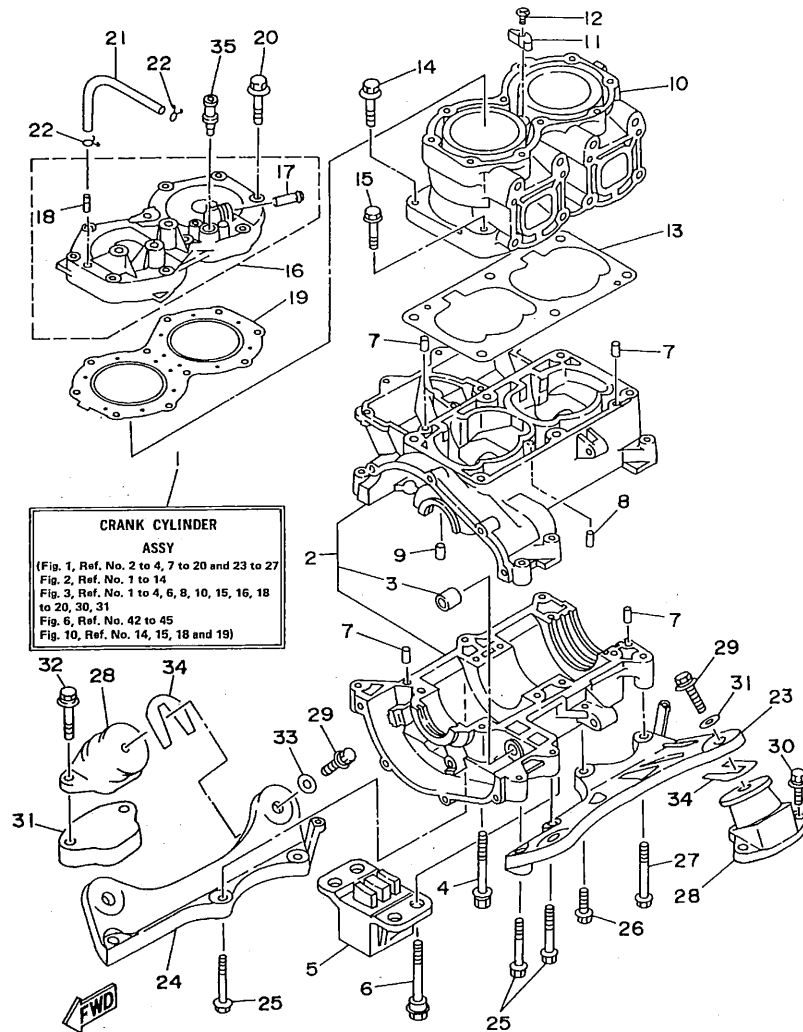
CONTENTS

Cylinder. Crankcase	B2~B3
Crankshaft. Piston	B4
Intake	B5~B6
Carburetor	B7~B8
Oil Pump	B9
Exhaust 1	B10~B11
Fuel	B12
Jet Unit 1	B13~B14
Jet Unit 2	B15~C2
Generator	C3
Starting Motor	C4
Electrical 1	C5~C6
Electrical 2	C7
Engine Hatch	C8~C9
Hull. Deck	C10~C11
Gunwale. Mat	C12
Seat · Under Locker 1	C13~C14
Seat · Under Locker 2	C15
Oil Tank	D2
Fuel Tank	D3~D4

Exhaust 2	D5
Control Cable	D6
Steering 1	D7~D8
Steering 2	D9
Graphic 1. Tool (For USA)	D10
Graphic 2. Tool (For CAN, GUM, AUS, FRA)	D11~D12
Repair Kit 1	D13~D14
Repair Kit 2	D15

INDEX

Numerical Index	M1~M3
-----------------------	-------

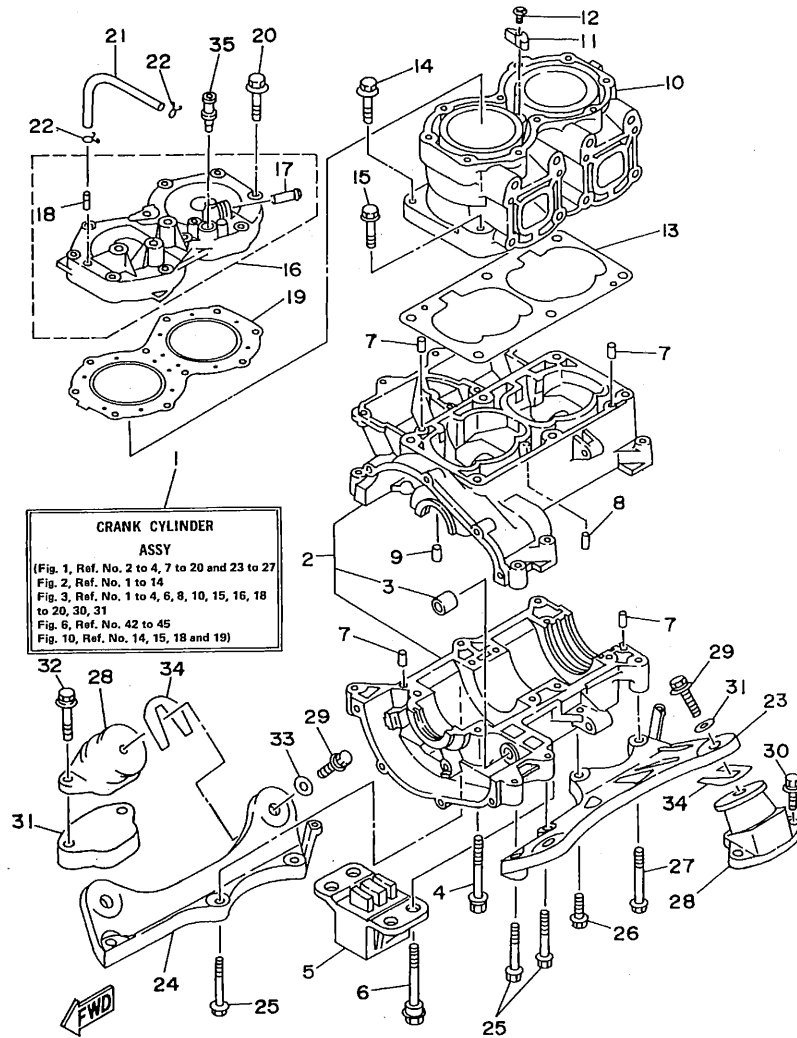


GJB1100-6010

FIG. 1 CYLINDER. CRANKCASE

REF. NO.	PART NO.	DESCRIPTION	Q'TY	REMARKS
1	61X-W0090-03-4D	CRANK CYLINDER ASSY	1	OIL INJECTION
2	61X-15100-00-94	CRANKCASE ASSY	1	
3	90380-12M29	.BUSH, SOLID	1	
4	90119-08M55	BOLT, WITH WASHER	4	
5	62T-44532-10	STOPPER, UPPER MOUNT	1	
6	90109-08M56	BOLT	4	
7	93606-12019	PIN, DOWEL	4	
8	93603-10049	PIN, DOWEL	4	
9	93604-07141	PIN, DOWEL	1	
10	61X-11311-00-94	CYLINDER 1	1	
11	6E5-11325-00	ANODE	1	
12	98780-04015	SCREW, FLAT HEAD	1	
13	6M6-11351-A2	GASKET, CYLINDER	1	
14	90119-10M56	BOLT, WITH WASHER	4	
15	90119-10M07	BOLT, WITH WASHER	2	
16	61X-11111-00-94	HEAD, CYLINDER 1	1	
17	6K8-51129-00	.NIPPLE	1	
18	6R7-14485-00	.PIPE, JOINT	1	
19	61X-11181-A0	GASKET, CYLINDER HEAD 1	1	
20	90119-08M19	BOLT, WITH WASHER	10	
21	90445-07M19	HOSE	1	
22	90467-06016	CLIP	2	
23	6R7-21415-00-94	BRACKET, FRONT UPPER 1	1	
24	6R7-21425-00-94	BRACKET, REAR UPPER 1	1	
25	90119-10M02	BOLT, WITH WASHER	5	
26	90119-10M00	BOLT, WITH WASHER	1	
27	90119-10M03	BOLT, WITH WASHER	1	
28	6M6-44517-A1-5B	MOUNT RUBBER	4	

FIG. 1 CYLINDER. CRANKCASE



**CRANK CYLINDER
ASSY**
 (Fig. 1, Ref. No. 2 to 4, 7 to 20 and 23 to 27
 Fig. 2, Ref. No. 1 to 14
 Fig. 3, Ref. No. 1 to 4, 6, 8, 10, 15, 16, 18
 to 20, 30, 31
 Fig. 6, Ref. No. 42 to 45
 Fig. 10, Ref. No. 14, 15, 18 and 19)

GJ81100-6010

REF. NO.	PART NO.	DESCRIPTION	Q'TY	REMARKS
29	90119-08904	BOLT, WITH WASHER	4	
30	90119-08038	BOLT, WITH WASHER	2	
31	GJ1-6721B-00	SPACER, ENGINE MOUNT	3	
32	90119-08901	BOLT, WITH WASHER	6	YMUS
33	EU0-67324-00	PLATE	4	
34	EU0-U7354-00-01	SHIM (T=0.1)	10	UR YMUS
	EU0-U7354-00-03	SHIM (T=0.3)	10	UR YMUS
	EU0-U7354-00-05	SHIM (T=0.5)	10	UR YMUS
	EU0-U7354-00-10	SHIM (T=1.0)	10	UR YMUS
	EU0-U7354-00-20	SHIM (T=2.0)	10	UR YMUS
35	6E0-28193-00-94	PLUG, WATER CHECK	1	FOR EXCEPT USA

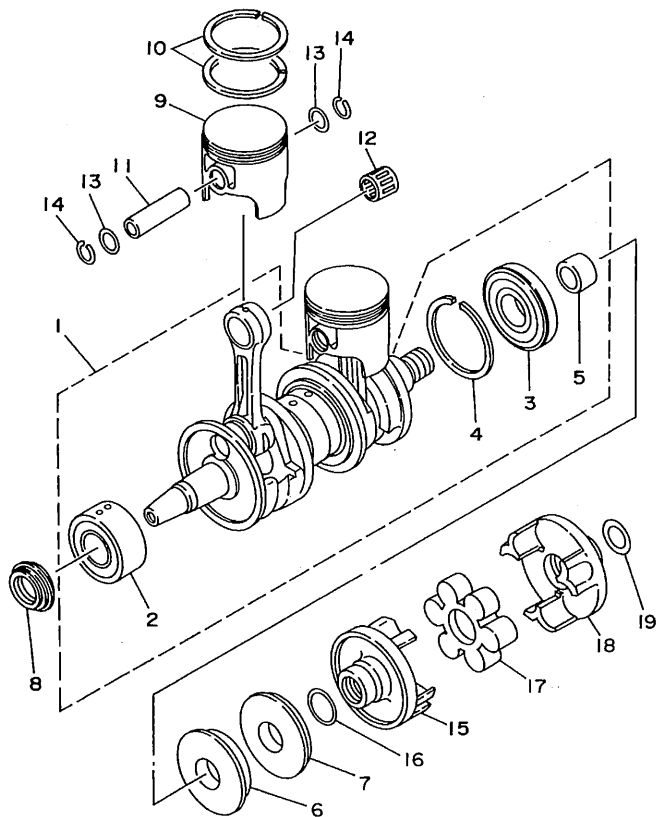


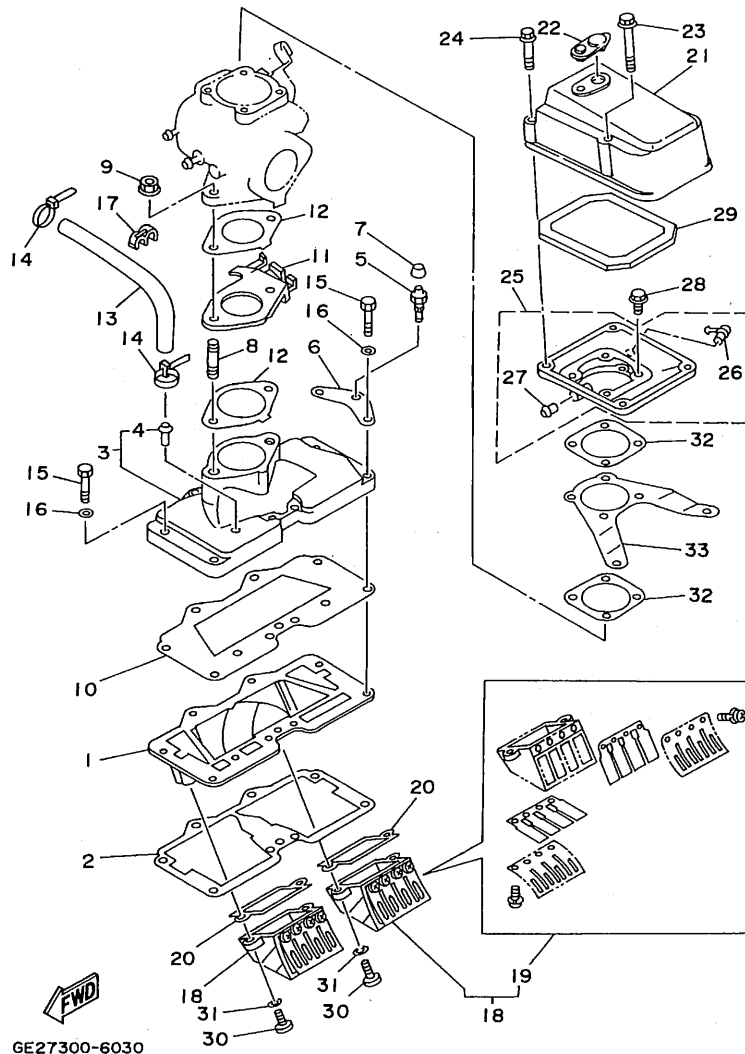
FIG. 2 CRANKSHAFT. PISTON

REF. NO.	PART NO.	DESCRIPTION	Q'TY	REMARKS
1	6M6-11400-02	CRANKSHAFT ASSY	1	
2	93305-30601	.BEARING	1	
3	93306-307U3	.BEARING	1	
4	93440-80023	.CIRCLIP	1	
5	62T-45526-00	.COLLAR, DRIVE SHAFT	1	
6	93102-36M33	OIL SEAL	1	
7	93101-36M46	OIL SEAL	1	
8	93103-32M01	OIL SEAL	1	
9	61X-11631-00-93	PISTON (STD)	2	
	61X-11635-00	PISTON (0.25MM O/S)	2 AP	
	61X-11636-00	PISTON (0.50MM O/S)	2 AP	
10	61X-11603-00	PISTON RING SET (STD)	4	
	61X-11604-00	PISTON RING SET (0.25MM O/S)	2 AP	
	61X-11605-00	PISTON RING SET (0.50MM O/S)	2 AP	
11	61X-11633-00	PIN, PISTON	2	
12	90201-20M04	WASHER, PLATE	4	
13	93310-320U2	BEARING, CYLINDRICAL	2	
14	93450-21053	CIRCLIP	4	
15	6M6-45813-31-9M	FLANGE, COUPLING	1	
16	62T-45127-00	SEAL	1	
17	61X-4581J-00	RUBBER SHAFT COUPLING	1	
18	6M6-45813-21-9M	FLANGE, COUPLING	1	
19	90201-24M02	WASHER, PLATE	1	



GH1D200-6020

B4

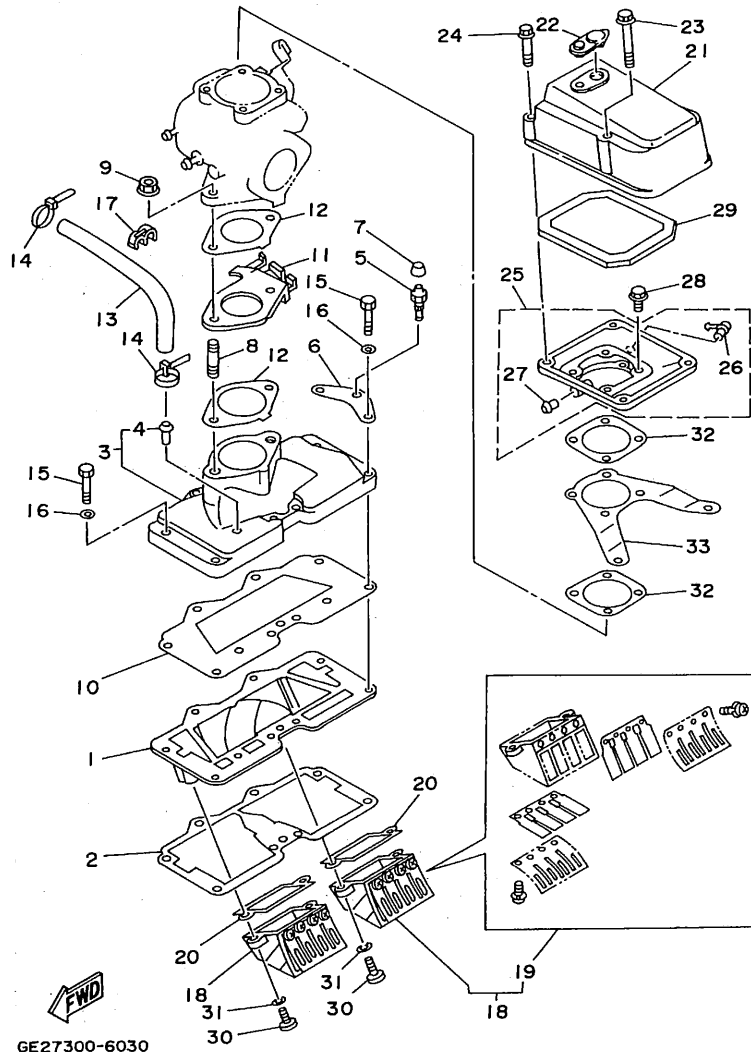


GE27300-6030

FIG. 3 INTAKE

REF. NO.	PART NO.	DESCRIPTION	Q'TY	REMARKS
1	61X-13641-01-94	MANIFOLD 1	1	
2	61X-13566-A1	GASKET	1	
3	61X-13555-01-94	MANIFOLD, INTAKE	1	
4	650-24378-00	.PIPE, JOINT	1	
5	61L-5169A-00	NIPPLE, GREASE	1	
6	61L-14243-00	PLATE	1	
7	663-45119-00	CAP, GREASE NIPPLE	1	
8	90116-08M14	BOLT, STUD	2	
9	90179-08M15	NUT	2	
10	61X-13563-A1	GASKET	1	
11	6M6-14527-02-4D	PLATE	1	
12	6M6-13556-A1	GASKET, MANIFOLD	2	
13	90445-10M48	HOSE	1	
14	90465-11M10	CLAMP	2	
15	97014-06035	BOLT	8	
16	92990-06600	WASHER, PLATE	8	
17	90464-10M38	CLAMP	2	
18	61X-13610-01	REED VALVE ASSY	2	
19	61X-W0004-00	.REED SET	1	
20	61X-13621-A0	GASKET, VALVE SEAT	2	
21	61X-14283-01	COVER, CARBURETOR 1	1	
22	6K8-14435-00	GROMMET	1	
23	90105-05M46	BOLT, WASHER BASED	2	
24	90105-05M53	BOLT, WASHER BASED	2	
25	6R8-14284-00-98	COVER, CARBURETOR 2	1	
26	6E5-11372-00	.NIPPLE, HOSE	1	
27	6H1-14485-00	.PIPE, JOINT	1	
28	97513-06520	BOLT, WITH WASHER	4	

B5

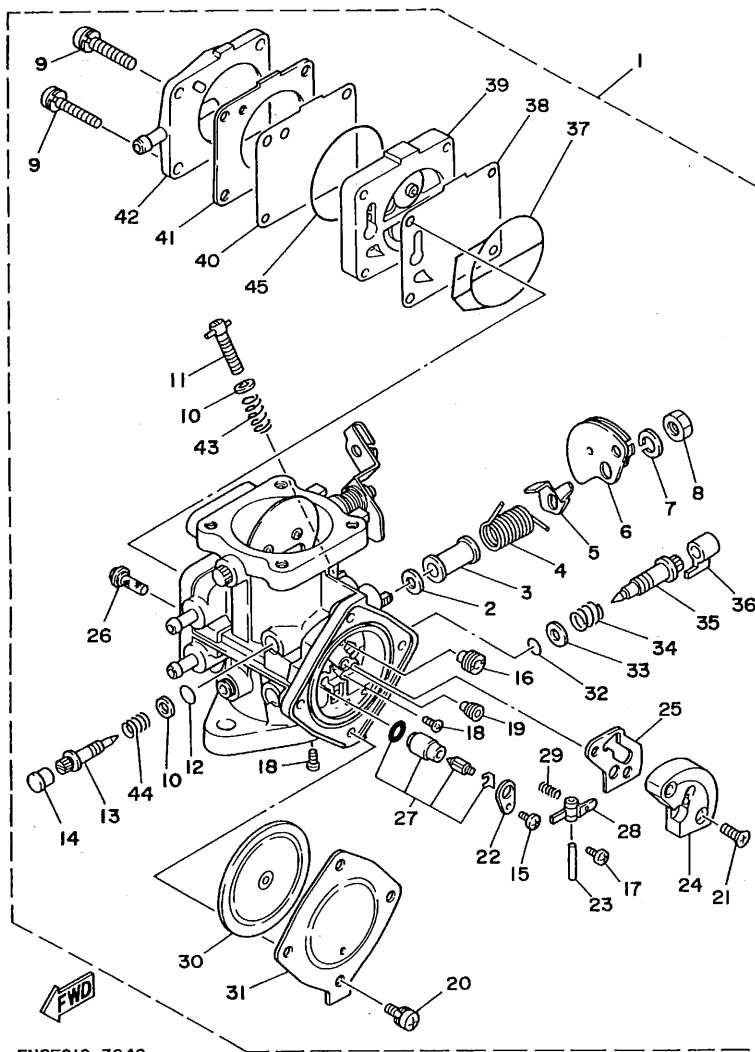


GE27300-6030

FIG. 3 INTAKE

REF. NO.	PART NO.	DESCRIPTION	Q'TY	REMARKS
29	6M6-14451-00	ELEMENT, AIR CLEANER	1	
30	98580-05016	SCREW, PAN HEAD	4	
31	92990-05600	WASHER, PLATE	4	
32	6M6-13674-A1	GASKET, AIR COOLER COVER 1	2	
33	6R7-14255-00	PLATE	1	

B6

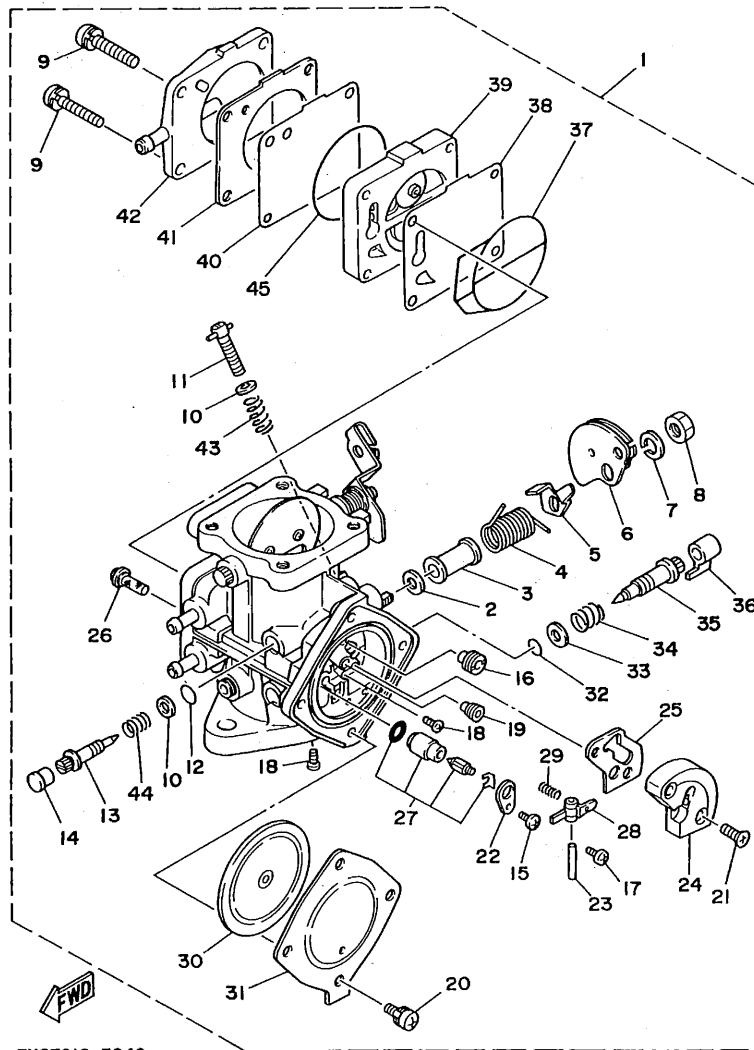


FN8F010-3040

FIG. 4 CARBURETOR

REF. NO.	PART NO.	DESCRIPTION	Q'TY	REMARKS
1	61X-14301-01	CARBURETOR ASSY 1	1	
2	6R7-14596-01	.WASHER	2	
3	6K8-14534-10	.COLLAR	1	
4	6K8-14556-10	.SPRING	1	
5	6K8-14926-10	.BRACKET, THROTTLE 1	1	
6	6K8-14930-00	.THROTTLE SHAFT ASSY	1	
7	92990-08100	.WASHER, SPRING	1	
8	95380-08700	.NUT	1	
9	97980-05330	.SCREW, WITH WASHER	4	
10	6K8-14559-00	.WASHER	2	
11	6M6-14521-00	.SCREW, ADJUST	1	
12	6K8-14562-00	.O-RING	1	
13	6K8-14946-10	.METERING NEEDLE	1	
14	6K8-14471-00	.CAP, CARBURETOR	1	
15	6M6-14503-00	.SCREW	1	
16	3G2-14231-27	.JET, MAIN (#135)	1	
17	6K8-14503-02	.SCREW	2	
18	6K8-14521-10	.SCREW	2	
19	830-14231-23	.JET, PILOT (#115)	1	
20	6K8-14591-10	.SCREW	4	
21	6K8-14523-11	.SCREW, STOP	1	
22	6K8-14527-11	.PLATE	1	
23	6K8-14579-00	.PIN, FLOAT	1	
24	6R7-24412-01	.BODY 1	1	
25	6K8-14536-11	.GASKET	1	
26	6R7-14569-00	.STRAINER	1	
27	61X-14916-15	.NEEDLE	1	
28	6K8-14547-01	.ARM, FLOAT	1	

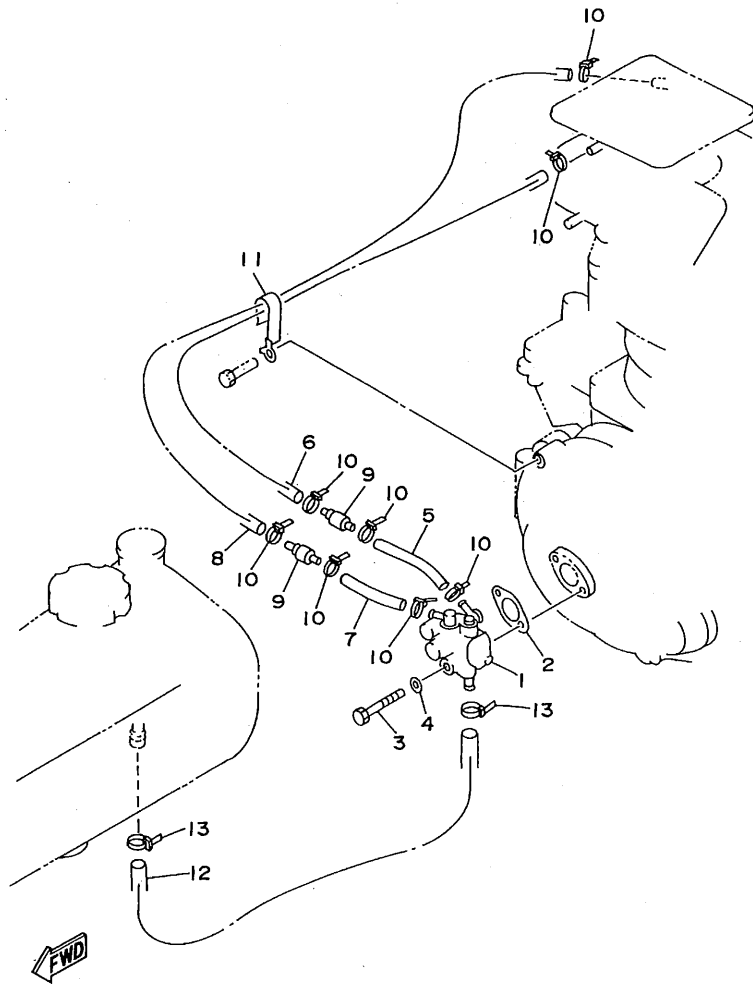
B7



FN8F010-3040

FIG. 4 CARBURETOR

REF. NO.	PART NO.	DESCRIPTION	Q'TY	REMARKS
29	6R7-14253-00	.SPRING	1	
30	6R7-14541-00	.DIAPHRAGM, PUMP	1	
31	6R7-14542-00	.BODY, PUMP 1	1	
32	583-14561-00	.O-RING	1	
33	6K8-14537-00	.GASKET	1	
34	6K8-14589-00	.SPRING	1	
35	6M6-14923-10	.SCREW, PILOT	1	
36	6K8-14481-10	.CAP, CARBURETOR	1	
37	6K8-14564-00	.O-RING	1	
38	6K8-24411-20	.DIAPHRAGM	1	
39	6M6-24413-00	.BODY 2	1	
40	6K8-24421-10	.VALVE, CHECK	1	
41	6K8-24431-20	.GASKET, FUEL PUMP 1	1	
42	6K8-24452-10	.COVER	1	
43	6K8-14531-00	.SPRING, ADJUST SCREW	1	
44	6K8-14533-00	.SPRING, ADJUST SCREW	1	
45	6K8-14563-00	.O-RING	1	



GJ81100-6050

FIG. 5 OIL PUMP

REF. NO.	PART NO.	DESCRIPTION	Q'TY	REMARKS
1	61X-13200-10	OIL INJECTION PUMP ASSY	1	
2	6R8-13116-A0	GASKET, PUMP CASE	1	
3	97095-06035	BOLT	2	
4	92990-06600	WASHER, PLATE	2	
5	90445-07M87	HOSE	1	
6	90446-07M35	HOSE	1	
7	90445-07M87	HOSE	1	
8	90446-07M48	HOSE	1	
9	6R3-13183-00	VALVE, CHECK	2	
10	90465-11M10	CLAMP	8	
11	90465-08M37	CLAMP	1	
12	90445-11M34	HOSE	1	
13	90465-11M10	CLAMP	2	

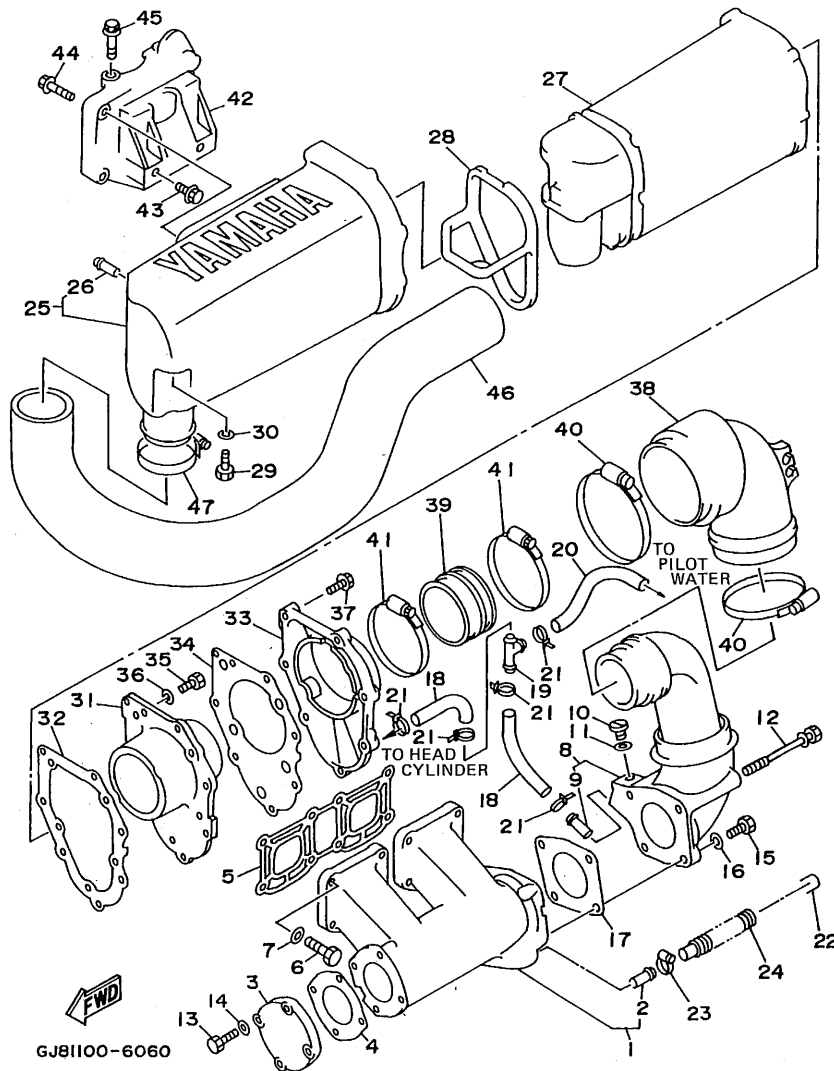


FIG. 6 EXHAUST 1

REF. NO.	PART NO.	DESCRIPTION	Q'TY	REMARKS
1	61X-14711-01-9M	MUFFLER 1	1	
2	6K8-51129-00	.NIPPLE	1	
3	6M6-14718-01-9M	PROTECTOR, MUFFLER 1	1	
4	6M6-14739-A1	GASKET, MUFFLER DAMPER 1	1	
5	61X-14613-A0	GASKET, EXHAUST PIPE	1	
6	97013-08035	BOLT	8	
7	92990-08600	WASHER, PLATE	8	
8	61L-14712-00-9M	RING, JOINT	1	
9	6K8-51129-00	.NIPPLE	1	
10	90340-08M04	PLUG, STRAIGHT SCREW	1	
11	90430-08020	GASKET	1	
12	90119-08M73	BOLT, WITH WASHER	2	
13	97013-06025	BOLT	4	
14	92990-06600	WASHER, PLATE	4	
15	97013-08025	BOLT	2	
16	92990-08600	WASHER, PLATE	2	
17	6R7-14749-A0	GASKET, MUFFLER DAMPER 2	1	
18	90445-14M29	HOSE	2	
19	6E5-24378-00	PIPE, JOINT 4	1	
20	90445-14M33	HOSE	1	
21	90465-11M10	CLAMP	5	
22	90445-14M25	HOSE	1	
23	90450-14M05	HOSE CLAMP ASSY	1	
24	90446-20M31	HOSE	1	
25	6R7-14721-00-9M	MUFFLER 2	1	
26	6R7-14485-00	.PIPE, JOINT	1	
27	6R7-14753-00-9M	SILENCER, EXHAUST	1	
28	6R7-15761-00	SEAL, RUBBER 1	1	

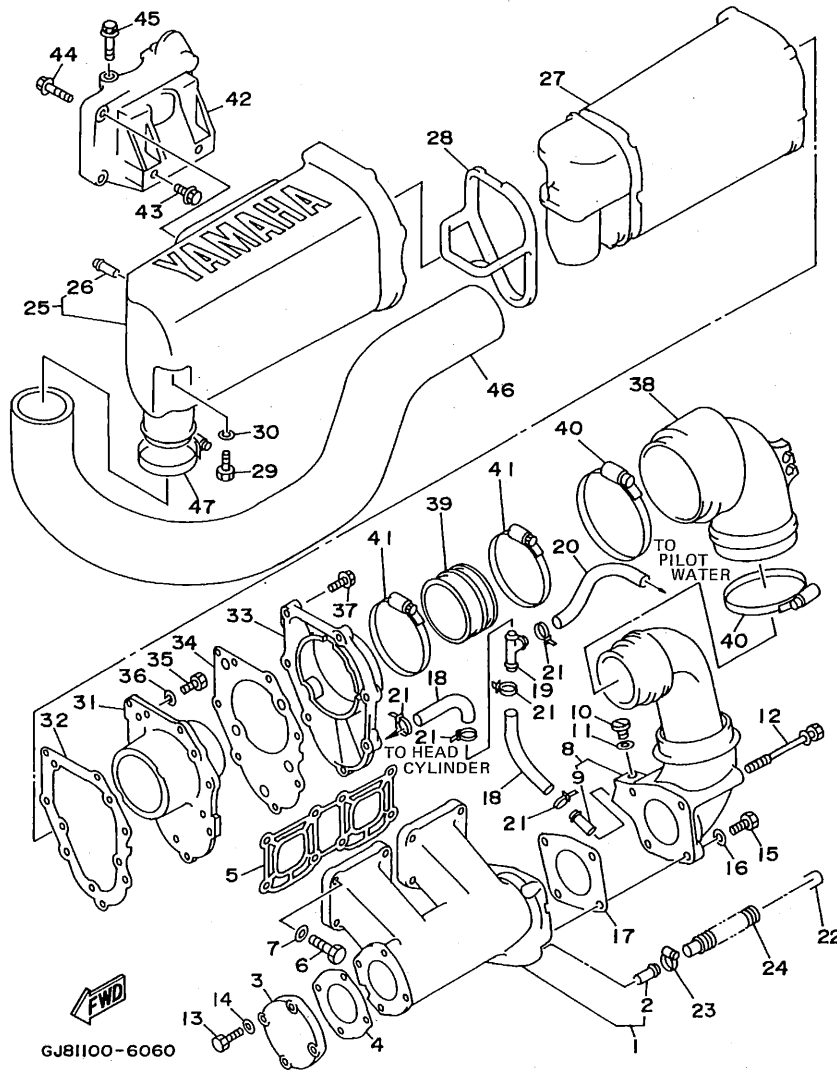
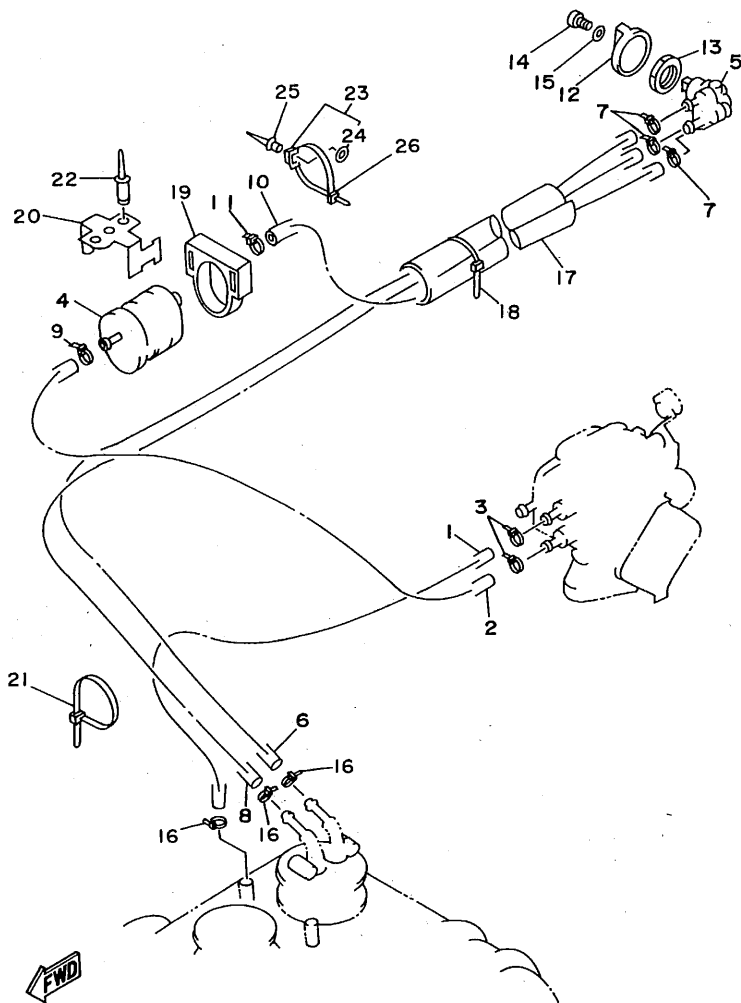


FIG. 6 EXHAUST 1

REF. NO.	PART NO.	DESCRIPTION	Q'TY	REMARKS
29	97013-06020	BOLT	1	
30	92990-06600	WASHER, PLATE	1	
31	6R7-14785-00-9M	DIFFUSER	1	
32	6R7-14755-A0	GASKET, SILENCER	1	
33	6R7-41113-00-9M	OUTER COVER, EXHAUST	1	
34	6R7-41114-A0	GASKET, EXHAUST OUTER COVER	1	
35	97095-06016	BOLT	5	
36	92990-06600	WASHER, PLATE	5	
37	90119-06MA1	BOLT, WITH WASHER	7	
38	61L-14615-00	JOINT, EXHAUST 1	1	
39	61L-14625-00	JOINT, EXHAUST 2	1	
40	90460-90M11	CLAMP, HOSE	2	
41	90460-70M16	CLAMP, HOSE	2	
42	6M6-14771-00-94	STAY, MUFFLER 1	1	
43	90105-10M49	BOLT, WASHER BASED	2	
44	90105-10M45	BOLT, WASHER BASED	3	
45	90119-10M72	BOLT, WITH WASHER	3	
46	64R-14752-00	PIPE, OUTLET	1	
47	90460-64M15	CLAMP, HOSE	1	



GJ85100-7070

FIG. 7 FUEL

REF. NO.	PART NO.	DESCRIPTION	Q'TY	REMARKS
1	90445-10M30	HOSE	1	
2	90445-10M92	HOSE	1	
3	90465-11M10	CLAMP	2	
4	6K8-24560-10	FILTER ASSY	1	
5	6K8-24500-02	FUEL COCK ASSY 1	1	
6	90445-10M71	HOSE	1	RES
7	90465-11M10	CLAMP	3	
8	90445-10M70	HOSE	1	ON
9	90465-11M10	CLAMP	1	
10	90445-10M72	HOSE	1	OUT
11	90465-11M10	CLAMP	1	
12	6K8-24524-10	LEVER, COCK	1	
13	90170-22M11	NUT	1	
14	98580-04010	SCREW, PAN HEAD	1	
15	92990-04600	WASHER, PLATE	1	
16	90465-11M10	CLAMP	3	
17	GJ1-U773J-00	PROTECTOR, HOSE	1	YMUS
18	90601-20015	NYLON CLIP 1	1	
19	EU0-67817-00	HOLDER	1	
20	FN8-67816-00	BRACKET, FUEL FILTER	1	
21	90601-200U1	NYLON CLIP 1	1	YMUS
22	90267-489U1	RIVET, BLIND	2	YMUS
23	90600-91736	CLAMP	2	
24	90201-05925	WASHER, PLATE	1	
25	90267-48925	RIVET, BLIND	2	
26	90601-20006	NYLON CLIP 1	2	

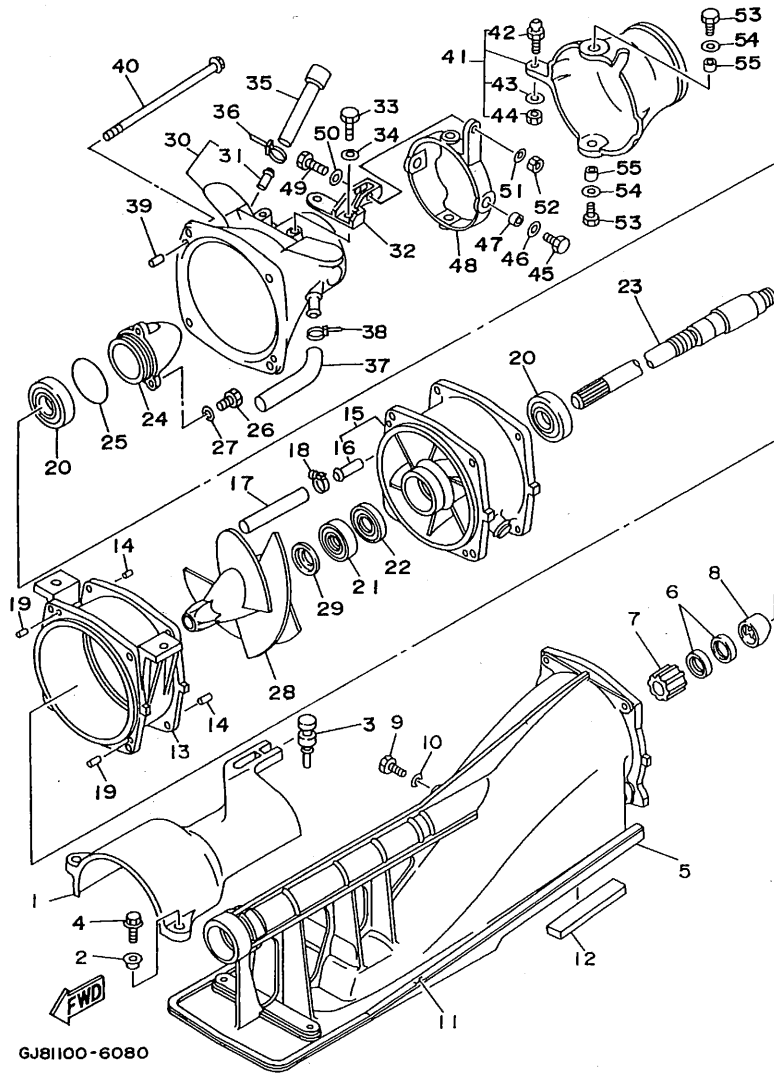


FIG. 8 JET UNIT 1

REF. NO.	PART NO.	DESCRIPTION	Q'TY	REMARKS
1	62T-51381-00	COVER	1	
2	90387-06M60	COLLAR	2	
3	90480-06M46	GROMMET	1	
4	97595-06525	BOLT, WITH WASHER	2	
5	62T-51311-02-94	DUCT, INTAKE	1	
6	93102-18M35	OIL SEAL	2	
7	6R8-45318-00	BUSHING, DRIVE SHAFT	1	
8	6R8-51348-01-5B	SPACER	1	
9	97095-06025	BOLT	1	
10	92990-06600	WASHER, PLATE	1	
11	6R8-51367-01	FELT, PACKING	2	
12	63N-51368-00	FELT, PACKING	2	
13	6R8-51312-01-94	HOUSING, IMPELLER	1	
14	93606-12019	PIN, DOWEL	2	
15	62T-51315-01-94	DUCT, IMPELLER	1	
16	6K8-51129-00	.NIPPLE	1	
17	90445-14M17	HOSE	1	
18	90450-14M05	HOSE CLAMP ASSY	1	
19	93606-12019	PIN, DOWEL	2	
20	93306-205U0	BEARING	2	
21	93102-25M34	OIL SEAL	1	
22	93101-25M50	OIL SEAL	1	
23	6R8-45511-00	SHAFT, DRIVE	1	
24	62T-51326-00	CAP	1	
25	93210-46M16	O-RING	1	
26	97095-06016	BOLT	3	
27	92990-06600	WASHER, PLATE	3	
28	6R7-51321-00-94	IMPELLER	1	

B13

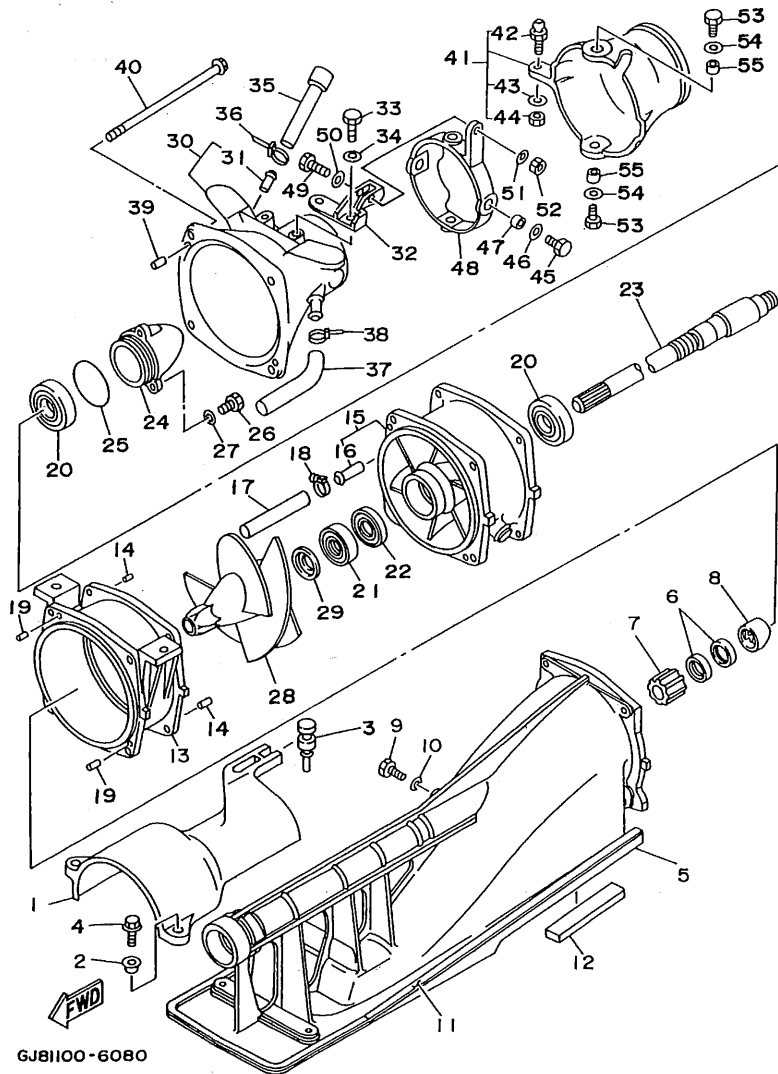
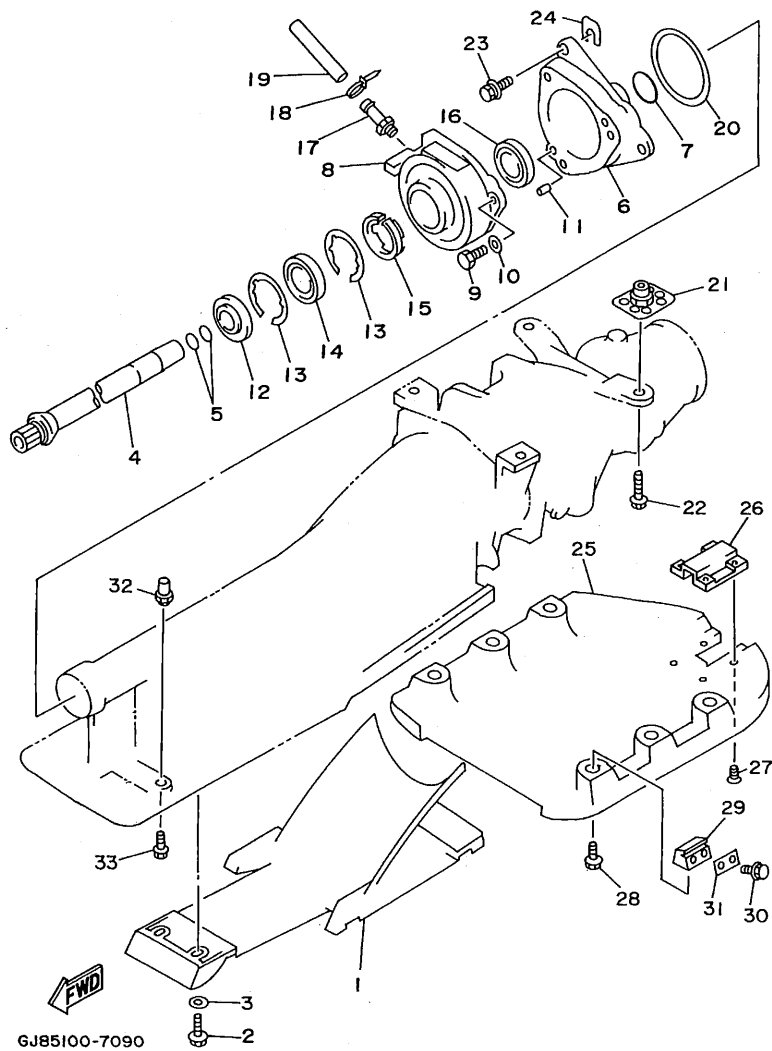


FIG. 8 JET UNIT 1

REF. NO.	PART NO.	DESCRIPTION	Q'TY	REMARKS
29	62T-51348-00	SPACER	1	
30	64R-51318-01-94	NOZZLE	1	
31	6K8-51129-00	.NIPPLE	1	
32	64R-51387-01-94	STAY	1	
33	97095-06020	BOLT	2	
34	92990-06600	WASHER, PLATE	2	
35	62T-51673-00	PIPE 1	1	
36	90465-11M10	CLAMP	1	
37	90445-14M24	HOSE	1	
38	90465-11M10	CLAMP	1	
39	93606-12019	PIN, DOWEL	2	
40	90101-06M04	BOLT	4	
41	62T-51313-01	NOZZLE, DEFLECTOR	1	
42	6R7-42316-00	.BOLT, JOINT	1	
43	90201-06M02	.WASHER, PLATE	1	
44	95380-06700	.NUT	1	
45	97095-08018	BOLT	2	
46	92995-08600	WASHER	2	
47	90387-08M08	COLLAR	2	
48	62T-51190-01-94	RING, TRIM	1	
49	97095-06035	BOLT	1	
50	92990-06600	WASHER, PLATE	1	
51	90201-06M31	WASHER, PLATE	1	
52	95380-06700	NUT	1	
53	97095-08020	BOLT	2	
54	92995-08600	WASHER	2	
55	90387-08M06	COLLAR	2	



GJ85100-7090

FIG. 9 JET UNIT 2

REF. NO.	PART NO.	DESCRIPTION	Q'TY	REMARKS
1	63N-51333-02-94	SCREEN, INTAKE	1	
2	97095-06018	BOLT	6	
3	92990-06600	WASHER, PLATE	6	
4	6R8-51323-10	SHAFT, COUPLOR	1	
5	93210-17MA4	O-RING	2	
6	62G-45331-01-94	HOUSING, BEARING	1	
7	93210-35M72	O-RING	1	
8	61X-45332-02-94	HOUSING, BEARING	1	
9	97095-08025	BOLT	3	
10	92995-08600	WASHER	3	
11	93606-12019	PIN, DOWEL	2	
12	93101-25M55	OIL SEAL	1	
13	93430-47M04	CIRCLIP	2	
14	93306-205U6	BEARING	1	
15	63M-51348-00	SPACER	1	
16	93101-25M56	OIL SEAL	1	
17	61L-45378-00	NIPPLE, HOSE	1	
18	90465-11M10	CLAMP	1	
19	90445-09M21	HOSE	1	
20	6K8-45127-00	SEAL	1	
21	90179-10925	NUT	4	
22	90119-109U8	BOLT, WITH WASHER	4	
23	90119-08907	BOLT, WITH WASHER	3	
24	GDO-U7249-00-05	SHIM (T=0.5)	2	UR YMUS
	GDO-U7249-00-10	SHIM (T=1.0)	2	UR YMUS
25	GJ1-U273B-00	PLATE 2	1	YMUS
26	GT3-6273C-00	COVER, PLATE	1	
27	98780-05512	SCREW, FLAT HEAD	4	

B15

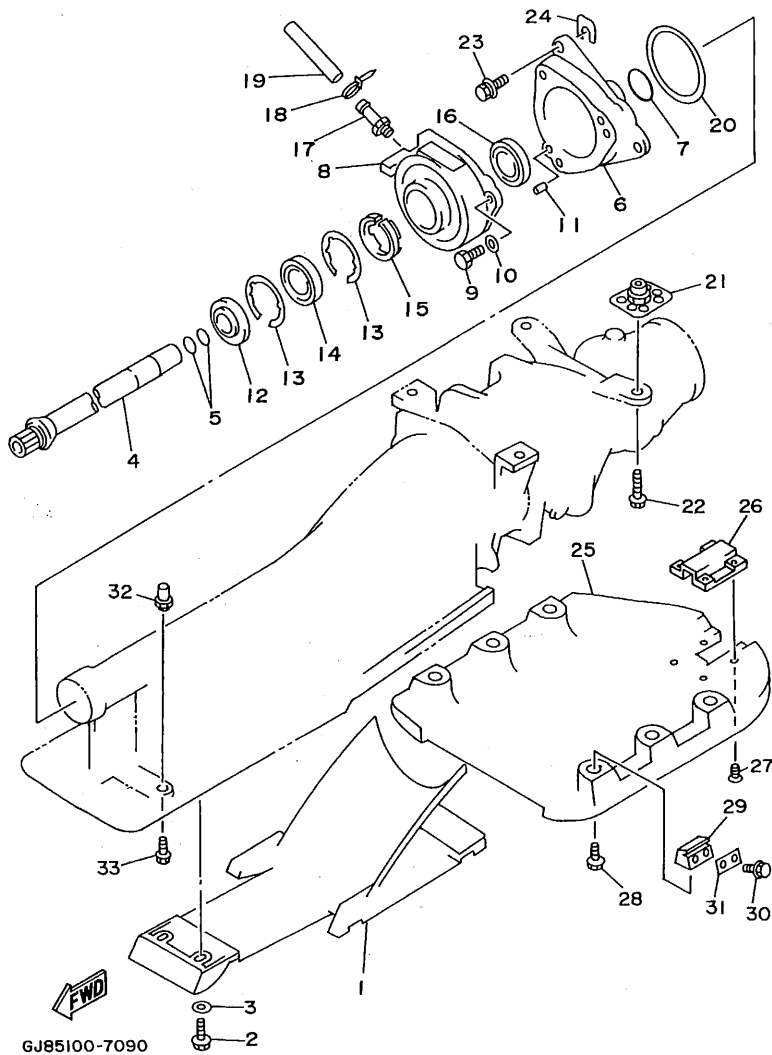
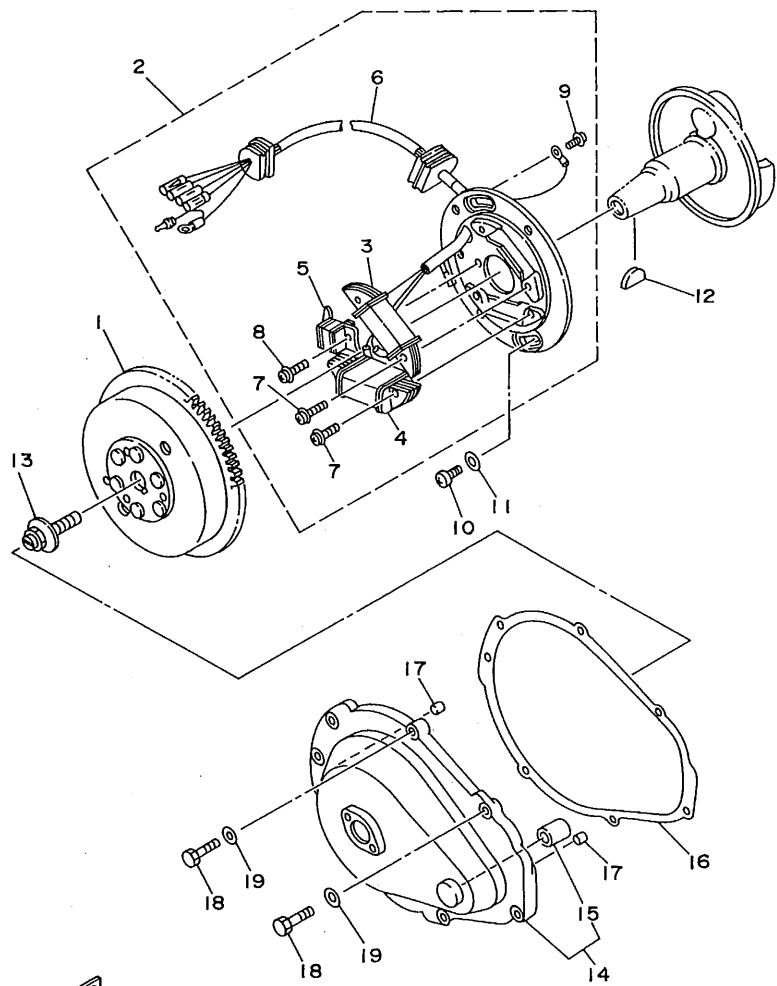


FIG. 9 JET UNIT 2

REF. NO.	PART NO.	DESCRIPTION	Q'TY	REMARKS
28	90119-08906	BOLT, WITH WASHER	6	YMUS
29	GJ1-62733-00	PACKING	6	
30	90119-08905	BOLT, WITH WASHER	12	YMUS
31	GJ1-62663-00	PACKING 1	6	
32	90179-06947	NUT	2	
33	90119-06929	BOLT, WITH WASHER	2	



GH14010-4100

FIG. 10 GENERATOR

REF. NO.	PART NO.	DESCRIPTION	Q'TY	REMARKS
1	62T-85550-00	ROTOR ASSY	1	
2	6R8-85560-10	BASE ASSY	1	
3	62T-85520-00	.COIL, CHARGE	1	
4	62T-85533-00	.COIL, LIGHTING	1	
5	6M6-85580-00	.COIL, PULSER	1	
6	62T-85515-00	.LEAD WIRE ASSY	1	
7	97902-05125	.SCREW, WITH WASHER	4	
8	97902-04122	.SCREW, WITH WASHER	2	
9	98580-04008	.SCREW, PAN HEAD	1	
10	98580-06016	SCREW, PAN HEAD	2	
11	92990-06600	WASHER, PLATE	2	
12	90280-16053	KEY, WOODRUFF	1	
13	90109-10M47	BOLT	1	
14	6R8-81337-00-9M	COVER, FLYWHEEL	1	
15	90380-12M29	.BUSH, SOLID	1	
16	6M6-81365-A0	GASKET, HOLE COVER	1	
17	93606-12019	PIN, DOWEL	2	
18	97095-06025	BOLT	7	
19	92990-06600	WASHER, PLATE	7	

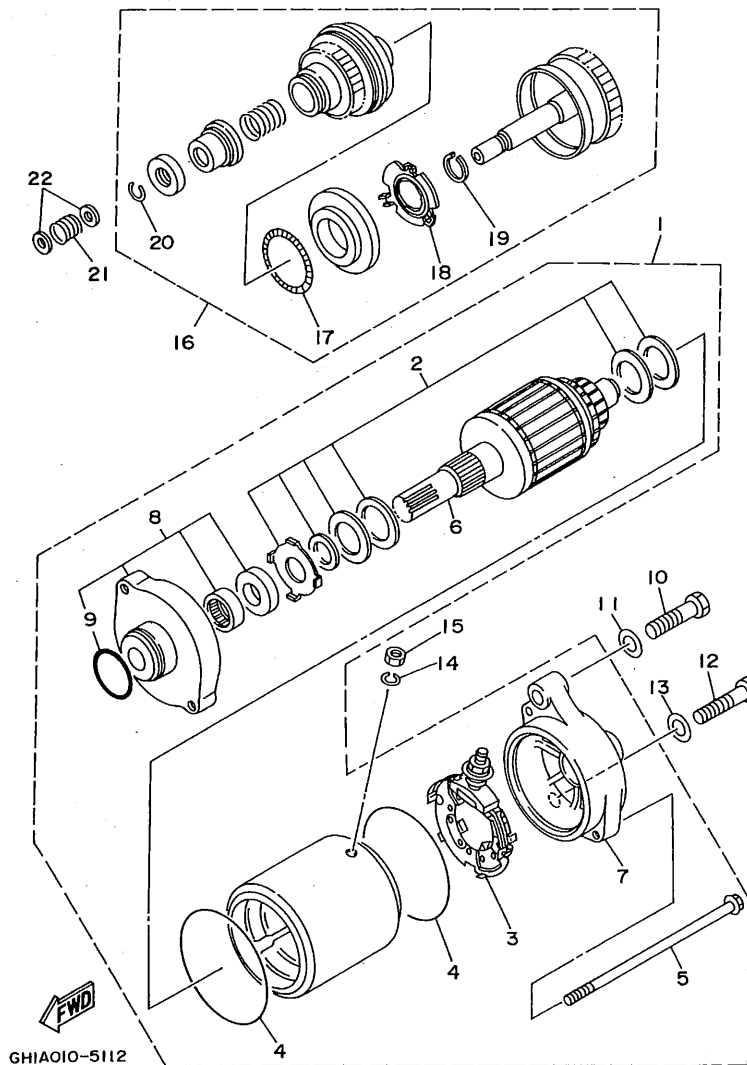
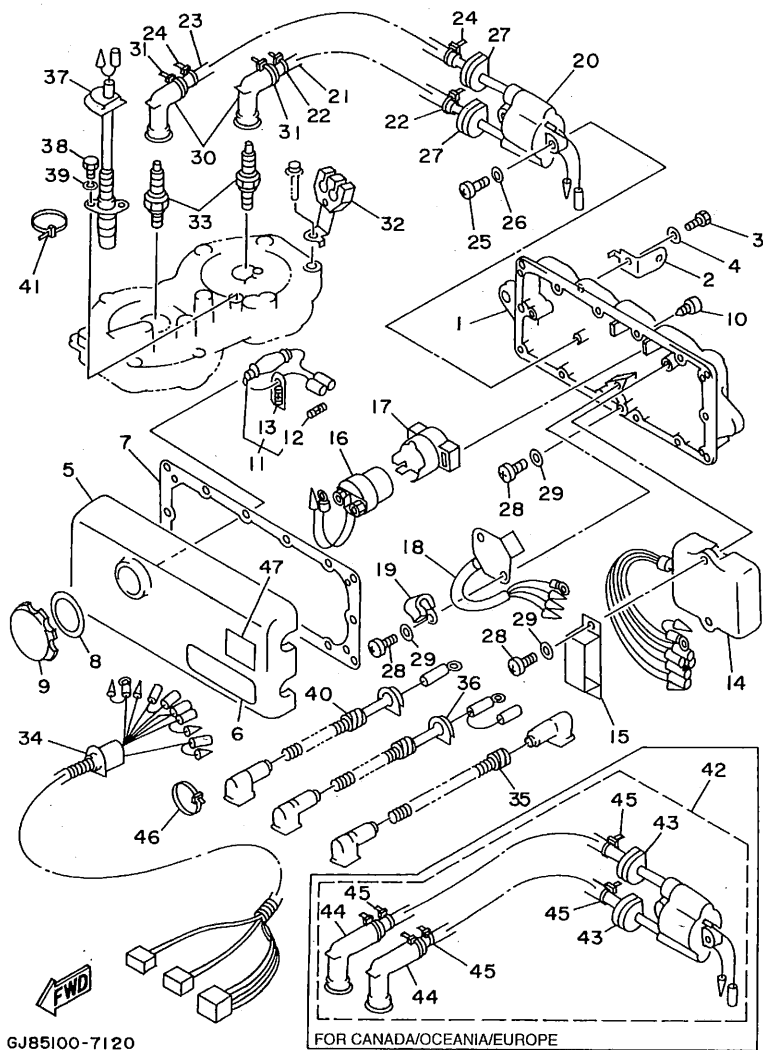


FIG. 11 STARTING MOTOR

REF. NO.	PART NO.	DESCRIPTION	Q'TY	REMARKS
1	6M6-81800-10	STARTING MOTOR ASSY	1	
2	3AJ-81809-00	.WASHER KIT	1	
3	6M6-81840-10	.BRUSH HOLDER ASSY	1	
4	11H-81844-00	.GASKET	2	
5	6M6-81826-00	.BOLT	2	
6	6M6-81850-00	.ARMATURE ASSY	1	
7	6M6-81820-00	.REAR BRACKET ASSY	1	
8	6M6-81830-00	.FRONT BRACKET ASSY	1	
9	26H-81847-00	..O-RING	1	
10	97013-08040	BOLT	1	
11	92990-08600	WASHER, PLATE	1	
12	97013-08035	BOLT	1	
13	92990-08600	WASHER, PLATE	1	
14	92995-06100	WASHER, SPRING	1	
15	95380-06700	NUT	1	
16	6M6-8183E-00	IDLE GEAR COMP.	1	
17	6M6-81866-00	.WEIGHT SPRING	1	
18	6M6-81865-00	.WEIGHT HOLDER	1	
19	93440-25M08	.CIRCLIP	1	
20	93450-18M06	.CIRCLIP	1	
21	90501-14M73	SPRING, COMPRESSION	1	
22	92990-06600	WASHER, PLATE	2	

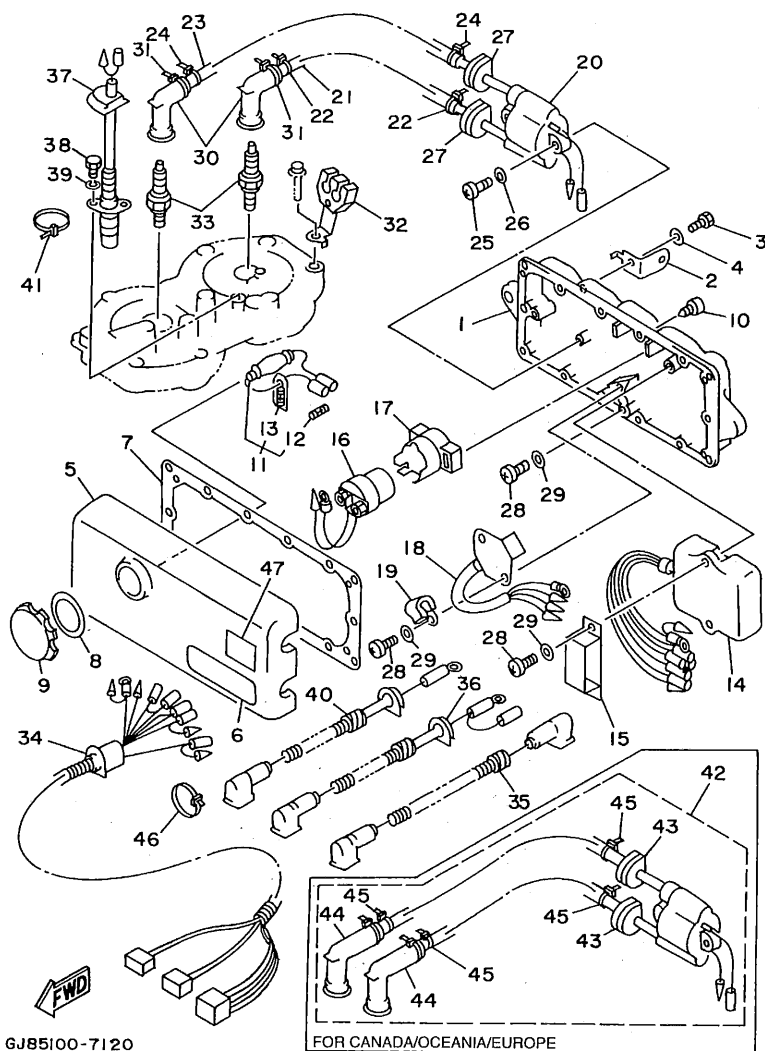


GJ85100-7120

FIG. 12 ELECTRICAL 1

REF. NO.	PART NO.	DESCRIPTION	Q'TY	REMARKS
1	62L-8552A-00-98	HOUSING	1	
2	64X-85542-00	BRACKET	1	
3	97095-08016	BOLT	1	
4	92995-08660	WASHER	1	
5	6M6-8552E-01	COVER, CASE	1	
6	6R7-83623-40	MARK 3	1	UR FOR ENGLISH
	6R7-83623-50	MARK 3	1	UR FOR FRENCH
7	6M6-81921-00	GASKET, TERMINAL	1	
8	6M6-81844-00	GASKET	1	
9	6M6-8132W-00	CAP	1	
10	97780-60525	SCREW, TAPPING	14	
11	6K8-82150-01	FUSE HOLDER ASSY	1	
12	6G1-82151-00	.FUSE	1	
13	6K8-82159-00	.FUSE SPEAR	1	
14	62T-85540-00	C.D.I. UNIT ASSY	1	
15	90464-06M29	CLAMP	1	
16	6G1-81941-10	STARTER RELAY ASSY	1	
17	6M6-81952-01	HOLDER, RELAY	1	
18	6M6-81960-A0	RECTIFIER & REGULATOR ASSY	1	
19	90465-08028	CLAMP	1	
20	62E-85570-00	IGNITION COIL ASSY	1	UR FOR USA/GUAM
21	62E-82351-00	TUBE, CORD	1	UR FOR USA/GUAM
22	90465-11M10	CLAMP	2	UR FOR USA/GUAM
23	62E-82352-00	TUBE, CORD 2	1	UR FOR USA/GUAM
24	90465-11M10	CLAMP	2	UR FOR USA/GUAM
25	97880-06030	SCREW, PAN HEAD	2	
26	92990-06600	WASHER, PLATE	2	
27	90480-06M43	GROMMET	2	UR FOR USA/GUAM

C5

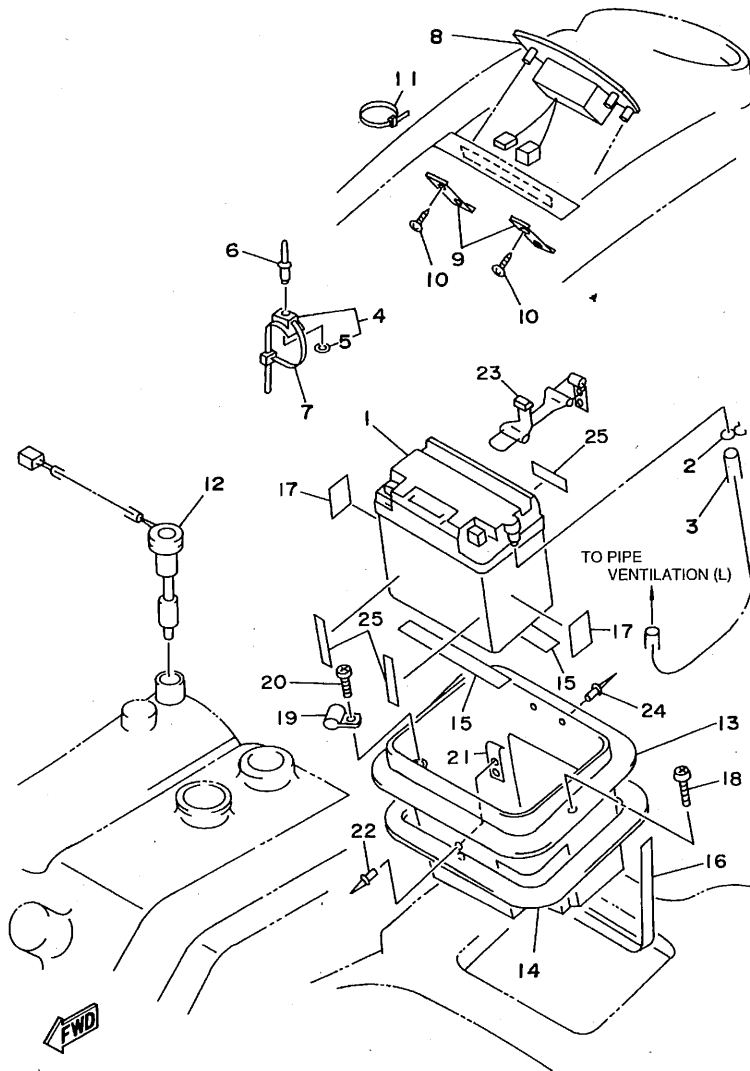


GJ85100-7120

FIG. 12 ELECTRICAL 1

REF. NO.	PART NO.	DESCRIPTION	Q'TY	REMARKS
28	98580-06016	SCREW, PAN HEAD	6	
29	92990-06600	WASHER, PLATE	6	
30	6K8-82370-00	PLUG CAP ASSY	2	UR FOR USA/GUAM
31	90465-11M10	CLAMP	2	UR FOR USA/GUAM
32	6R8-82361-00	CLAMP, CORD	1	
33	94702-00040	PLUG, SPARK (NGK B7HS)	2	UR FOR USA/GUAM
	94702-00272	PLUG, SPARK (NGK BR7HS)	2	UR FOR CANADA/OCEANIA /EUROPE
34	62T-82553-01	EXTENSION, WIRE LEAD	1	
35	62T-82117-01	WIRE, LEAD	1	
36	62T-82117-11	WIRE, LEAD	1	
37	6R7-82560-00	THERMO SWITCH ASSY	1	
38	97095-06016	BOLT	2	
39	92995-06100	WASHER, SPRING	2	
40	62L-82117-20	WIRE, LEAD	1	
41	90465-13M11	CLAMP	1	
42	62E-85570-10	IGNITION COIL ASSY	1	UR FOR CANADA/OCEANIA /EUROPE
43	90480-06M43	.GROMMET	2	
44	62E-82371-10	.CAP, PLUG	2	
45	90465-11M10	.CLAMP	4	
46	90465-13M11	CLAMP	1	
47	4GB-2155A-00	MARK, EC	1	

C6



GJ85100-7130

FIG. 13 ELECTRICAL 2

REF. NO.	PART NO.	DESCRIPTION	Q'TY	REMARKS
1	EU0-82110-09	BATTERY ASSY	1	
2	90467-08M10	CLIP	1	
3	GE1-U7856-30	HOSE, AIRVENT 3	1	YMUS
4	90600-91736	CLAMP	4	
5	90201-05925	.WASHER, PLATE	1	
6	90267-48925	RIVET, BLIND	4	
7	90601-20006	NYLON CLIP 1	4	
8	GJ8-6820A-00	METER, ASSY	1	
9	GJ8-68238-00	BRACKET, METER	2	
10	97780-50520	SCREW, TAPPING	4	
11	90601-20006	NYLON CLIP 1	1	
12	GJ8-6824C-01	SENDER, OIL	1	
13	GP2-U8211-00	BATTERY CASE COMP.	1	YMUS
14	GJ1-6266B-00	PACKING 3	1	
15	FJ0-68221-00	PAD, BATTERY 1	2	
16	FJ0-68221-30	PAD, BATTERY 2	1	
17	GJ1-U8221-00	PAD, BATTERY	2	YMUS
18	90149-05984	SCREW	6	
19	90600-91302	CLIP, NYLON 13	1	YMUS
20	97780-40116	SCREW, TAPPING	1	
21	GÁ7-65772-00	HOOK A	1	
22	90267-48909	RIVET, BLIND	2	YMUS
23	GJ1-66607-00	HOOK COMP.	1	
24	90267-48909	RIVET, BLIND	2	YMUS
25	EU0-67593-40	MAT 3	3	

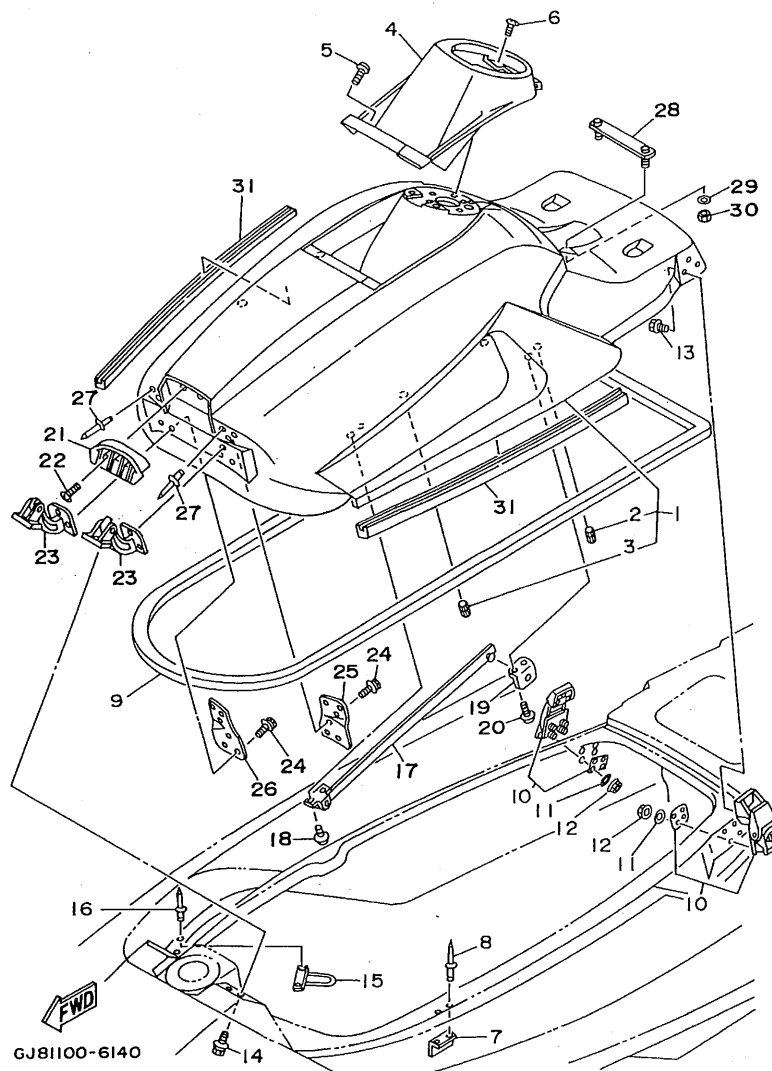
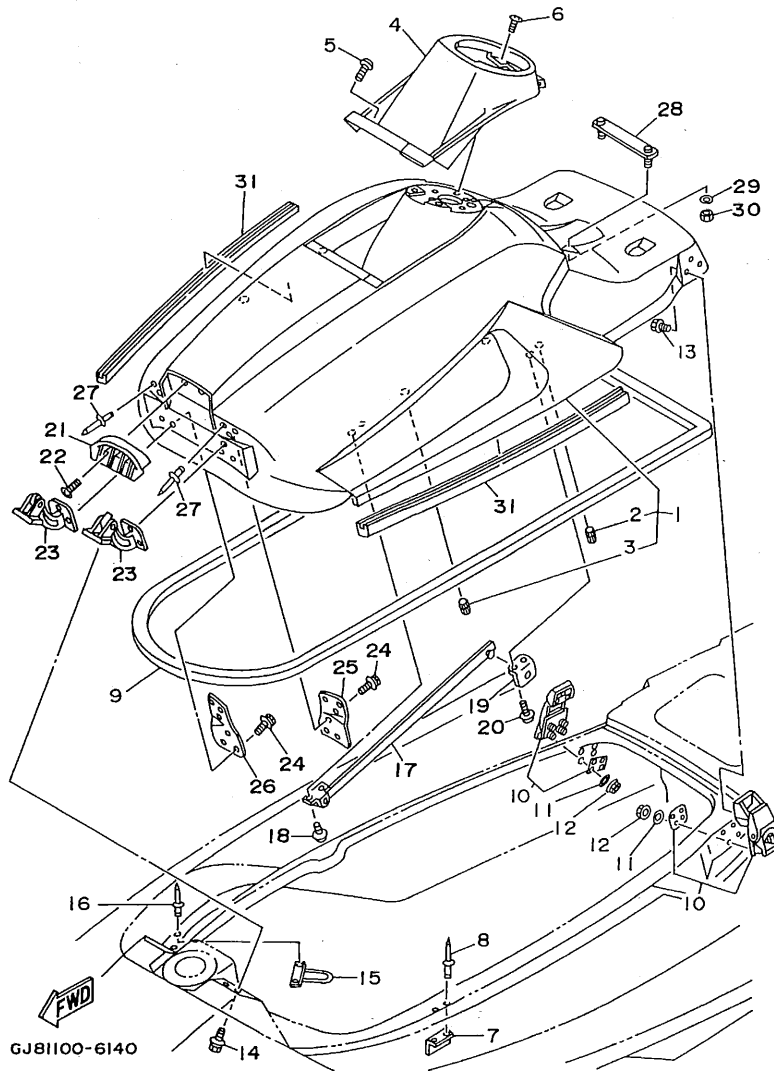


FIG. 14 ENGINE HATCH

REF. NO.	PART NO.	DESCRIPTION	Q'TY	REMARKS
1	GJ8-U516A-00-PO	ENGINE HATCH COMP.	1	YMUS
2	90179-06926	.NUT	4	
3	90179-08927	.NUT	4	
4	GH1-6516N-30	COVER, ENGINE HATCH	1	VIOLET SOLID 6
5	90149-05903	SCREW	2	
6	90149-05984	SCREW	4	
7	FN8-62884-00	BRACKET, HATCH SUPPORT	1	
8	90267-489U2	RIVET, BLIND	2	YMUS
9	GJ1-U2664-00	PACKING	1	YMUS
10	GJ1-62840-01	HATCH LOCK ASSY	2	
11	92990-05600	WASHER, PLATE	8	
12	95720-05300	NUT, FLANGE	8	
13	90119-05935	BOLT, WITH WASHER	6	
14	90119-06940	BOLT, WITH WASHER	4	
15	GH1-61557-00	GUIDE, CABLE	1	
16	90267-489U2	RIVET, BLIND	2	YMUS
17	GH1-62891-01	SUPPORT, HATCH	1	
18	90159-06901	SCREW, WITH WASHER	2	
19	FN8-62892-00	FIX, PLATE	1	
20	90159-06901	SCREW, WITH WASHER	2	
21	GH1-62128-30	UNIVERSAL, AIRINTAKE	1	VIOLET SOLID 6
22	90149-04902	SCREW	2	
23	GH1-6517G-04	HINGE, HATCH	2	
24	90119-06940	BOLT, WITH WASHER	6	
25	GH1-6517J-01	PLATE, HATCH HINGE (LH)	1	
26	GH1-6517K-01	PLATE, HATCH HINGE (RH)	1	
27	90267-489U1	RIVET, BLIND	6	YMUS
28	GH1-6378C-00	STAY, SEAT 1	1	

FIG. 14 ENGINE HATCH

REF. NO.	PART NO.	DESCRIPTION	Q'TY	REMARKS
29	92990-06200	WASHER, PLAIN	2	
30	95720-06300	NUT, SELF-LOCKING	2	
31	GH1-65162-01	TRIM	2	



C9

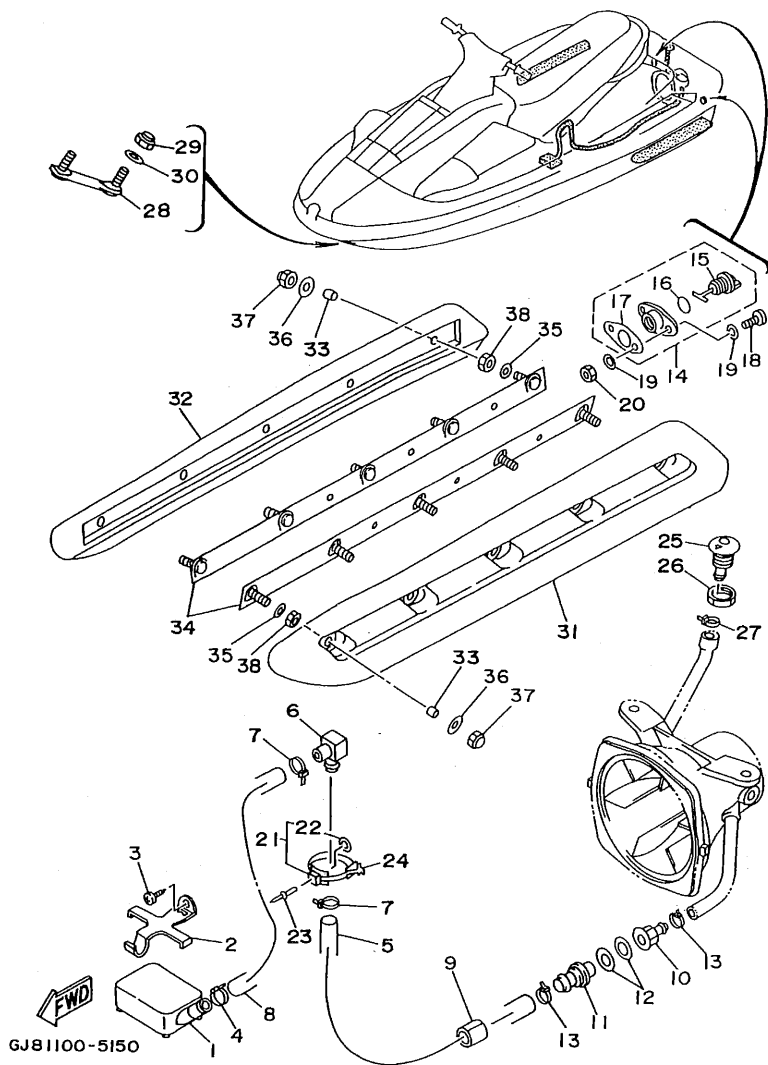
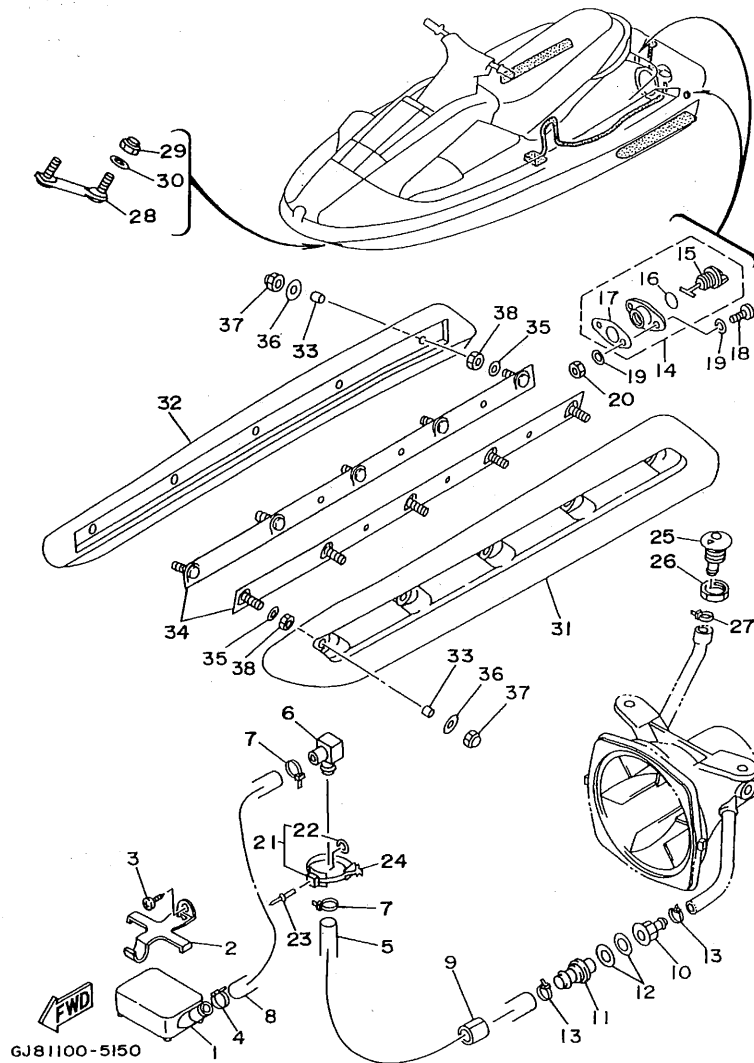


FIG. 15 HULL. DECK

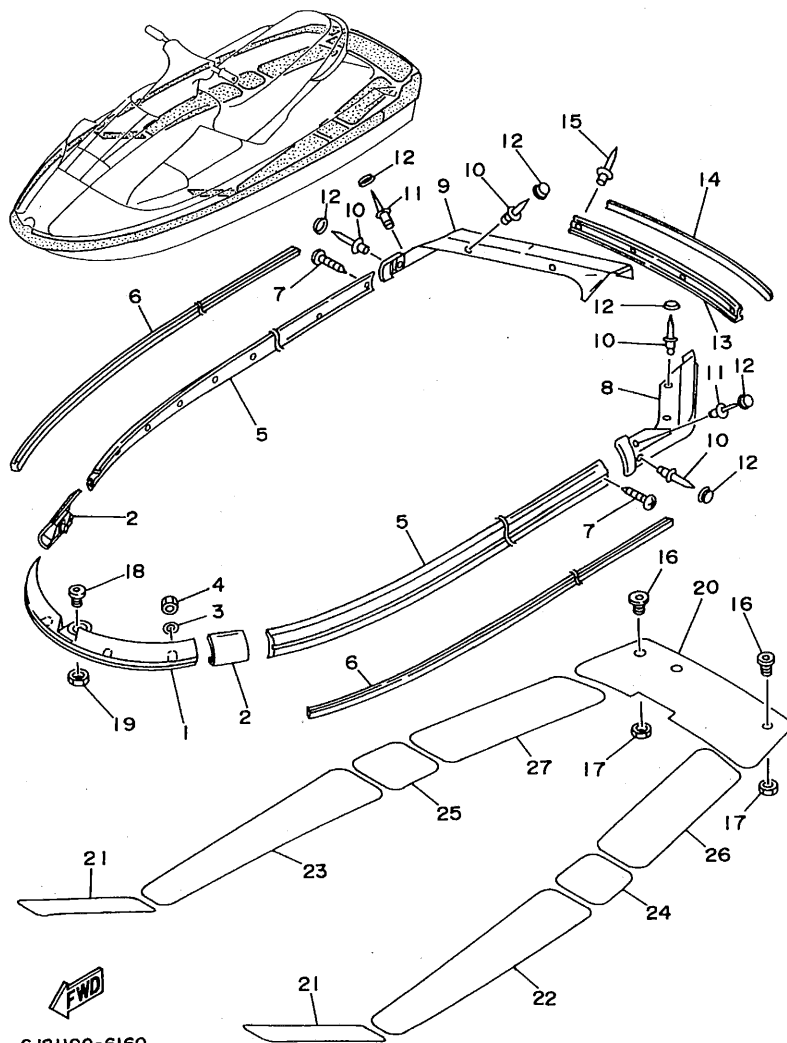
REF. NO.	PART NO.	DESCRIPTION	Q'TY	REMARKS
1	G00-6761D-00	STRAINER, BILGE	1	
2	EW2-67618-00	BASE, STRAINER BLIGE	1	
3	97780-50612	SCREW, TAPPING	1	
4	90601-200U1	NYLON CLIP 1	1	YMUS
5	90445-19M07	HOSE	1	
6	61X-51162-00	JOINT, HOSE	1	
7	90465-13M11	CLAMP	2	
8	90445-19M06	HOSE	1	
9	GJ1-U7578-10	PACKING, HOSE 2	1	
10	90604-80759	CONNECTION, THRU-HULL 1/4	1	
11	90604-80775	THROUGH, HULL CONNECTION	1	
12	90430-13909	GASKET	2	
13	90601-200U1	NYLON CLIP 1	2	YMUS
14	EU0-62280-00	DRAIN PLUG ASSY	2	
15	EU0-62282-00	.PLUG, DRAIN	1	
16	EU0-62283-00	.O-RING	1	
17	EU0-62285-01	.PACKING, DRAIN	1	
18	97880-05020	SCREW, PAN HEAD	4	
19	92990-05200	WASHER, PLAIN	8	
20	95720-05300	NUT, FLANGE	4	
21	90600-91736	CLAMP	1	
22	90201-05925	.WASHER, PLATE	1	
23	90267-48925	RIVET, BLIND	1	
24	90601-20006	NYLON CLIP 1	1	
25	FN8-6269B-00	SPOUT	1	
26	EU0-61652-00	NUT	1	
27	90465-11M10	CLAMP	1	
28	FN8-U1624-00	BOWEYE 1 (S)	1	YMUS



GJ81100-5150

FIG. 15 HULL DECK

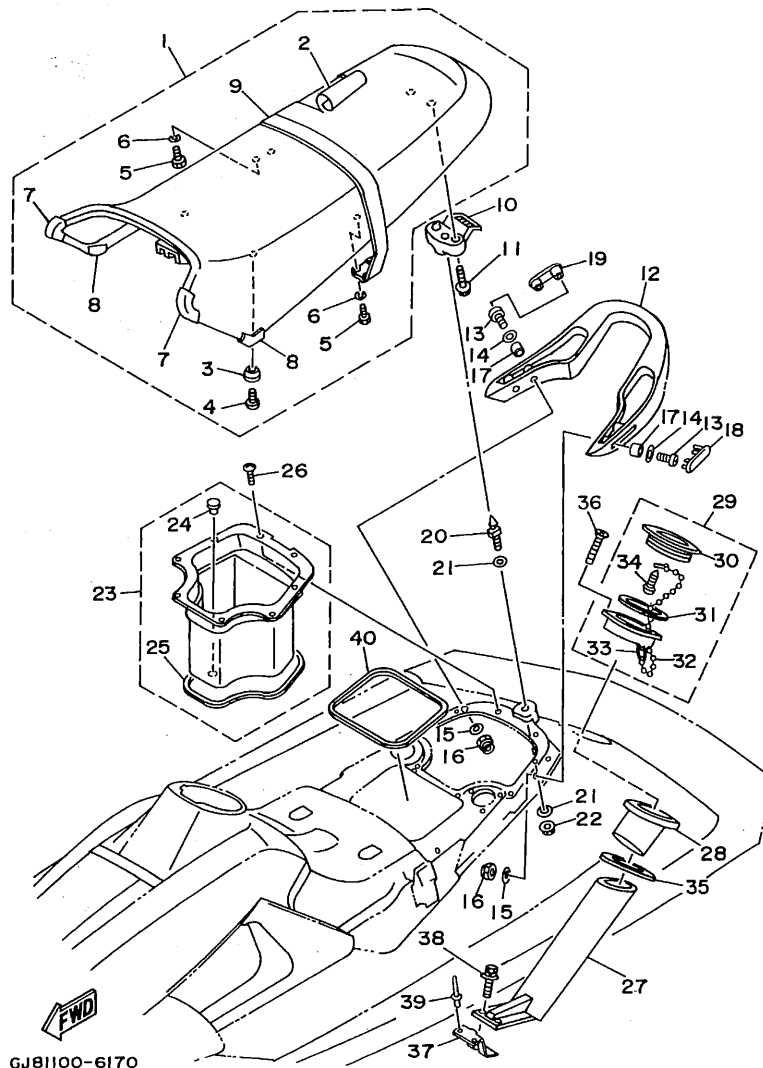
REF. NO.	PART NO.	DESCRIPTION	Q'TY	REMARKS
29	95720-08300	NUT, SELF-LOCKING	2	
30	92990-08200	WASHER, PLAIN	2	
31	GH1-6883N-50	STABILIZER LH	1	GREENISH YELLOW SOLID 2
32	GH1-6883P-50	STABILIZER RH	1	GREENISH YELLOW SOLID 2
33	90387-06916	COLLAR	10	
34	GH1-6883T-00	BRACKET, STABILIZER	2	
35	92990-06200	WASHER, PLAIN	10	
36	90201-065F3	WASHER, PLATE	10	
37	90179-06959	NUT	10	
38	95380-06700	NUT	10	



GJ81100-6160

FIG. 16 GUNWALE. MAT

REF. NO.	PART NO.	DESCRIPTION	Q'TY	REMARKS
1	GJ1-U2501-20	BOW GUNWALE COMP.	1	YMUS VIOLET SOLID 6
2	GJ1-6252A-10	JOINT, GUNWALE	2	
3	92990-06200	WASHER, PLAIN	6	
4	95720-06300	NUT, SELF-LOCKING	6	
5	GJ1-U2552-20	GUNWALE, SIDE 1	2	YMUS VIOLET SOLID 6
6	GJ1-U2519-10	INNER GUNWALE	2	YMUS GREENISH YELLOW SOLID 2
7	90169-05901	SCREW, TAPPING	22	YMUS
8	GH1-6251D-30	GUNWALE, STERN 1	1	VIOLET SOLID 6
9	GH1-6251E-30	GUNWALE, STERN 2	1	VIOLET SOLID 6
10	90267-48908	RIVET, BLIND	10	YMUS
11	90267-48835	RIVET, BLIND	2	
12	GJ3-U354D-00	CAP, HEAD	12	
13	GJ1-U252C-20	COVER, GUNWALE 1	1	YMUS VIOLET SOLID 6
14	GJ1-U252D-10	COVER, GUNWALE 2	1	YMUS GREENISH YELLOW SOLID 2
15	90267-48908	RIVET, BLIND	4	YMUS
16	FN8-61651-00	ROPE HOLE	2	
17	EU0-61652-00	NUT	2	
18	GH1-61651-00	ROPE HOLE	1	
19	EU0-61652-00	NUT	1	
20	GJ1-63581-30	MAT, UPPER	1	VIOLET SOLID 6
21	GJ1-U351H-20	MAT, STEP 1	2	YMUS VIOLET SOLID 6
22	GJ1-U351K-20	MAT, STEP 3	1	YMUS VIOLET SOLID 6
23	GJ1-U351M-20	MAT, STEP 4	1	YMUS VIOLET SOLID 6
24	GJ1-U351N-20	MAT, STEP 5	1	YMUS VIOLET SOLID 6
25	GJ1-U351P-20	MAT, STEP 6	1	YMUS VIOLET SOLID 6
26	GH1-6351R-40	MAT, STEP 7	1	YMUS VIOLET SOLID 6
27	GH1-6351S-40	MAT, STEP 8	1	YMUS VIOLET SOLID 6



GJB1100-6170

FIG. 17 SEAT · UNDER LOCKER 1

REF. NO.	PART NO.	DESCRIPTION	Q'TY	REMARKS
1	GJ1-U371A-20	DOUBLE SEAT ASSY	1	YMUS GREENISH YELLOW SOLID 2
2	GJ1-U371B-20	.COVER, SEAT 1	1	YMUS
3	GH1-63729-00	.STOPPER, SEAT	2	
4	98580-06016	.SCREW, PAN HEAD	2	
5	97095-06016	.BOLT	4	
6	92995-06100	.WASHER, SPRING	4	
7	GJ1-U375A-20	.PAD, SEAT 1	2	YMUS
8	GJ1-U375B-30	.PAD, SEAT 2	2	YMUS
9	GJ1-U373D-20	.BAND, SEAT COMP.	1	YMUS
10	GH1-63850-02	SEAT LOCK ASSY	1	
11	90119-06914	BOLT, WITH WASHER	2	
12	GH1-6271B-30	GRIP, HAND	1	
13	98980-06025	SCREW, BIND	4	
14	92990-06200	WASHER, PLAIN	4	
15	90201-065F3	WASHER, PLATE	4	
16	95720-06300	NUT, SELF-LOCKING	4	
17	90387-06914	COLLAR	4	
18	GH1-6271C-30	CAP, GRIP HAND LH	1	
19	GH1-6271D-30	CAP, GRIP HAND RH	1	
20	GH1-63774-01	PIN	1	
21	92990-10200	WASHER, PLAIN	2	
22	95720-10300	NUT	1	
23	GJ1-U474A-00	UNDER LOCKER ASSY	1	YMUS
24	90605-50201	.PLUG	1	
25	GH1-6266B-00	.PACKING 3	1	
26	90149-04943	SCREW	8	
27	GA7-65983-00	BOX, FIRE EXTINGUISHER	1	
28	GA7-65984-00	GROMMET	1	

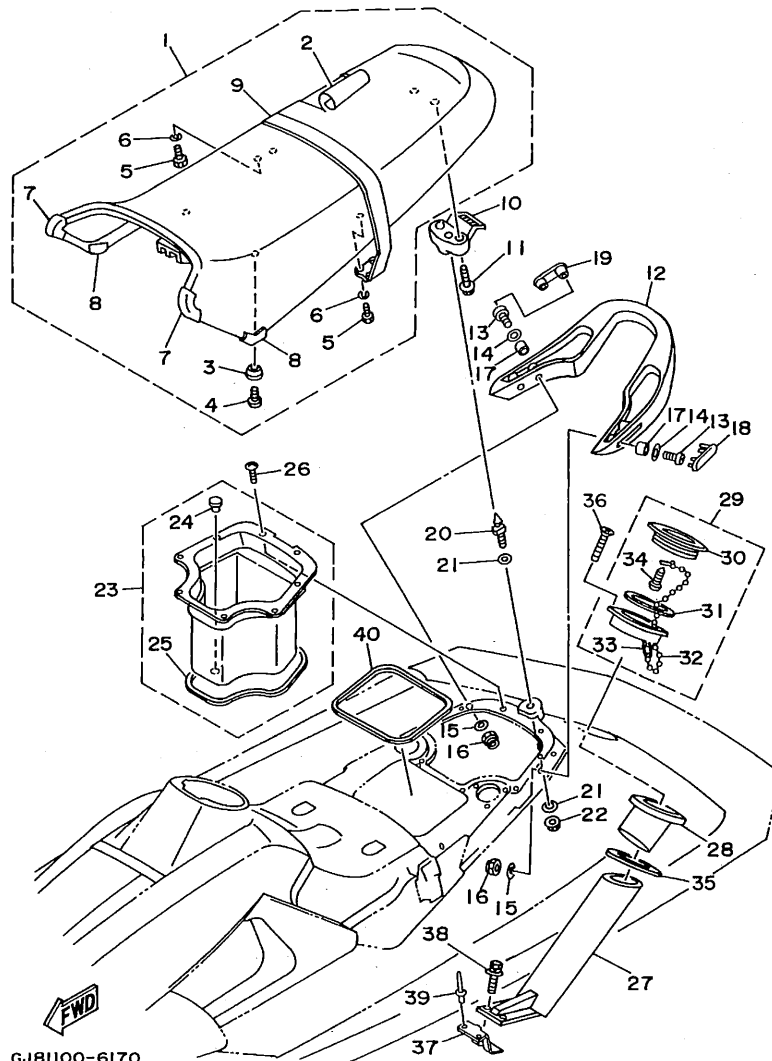
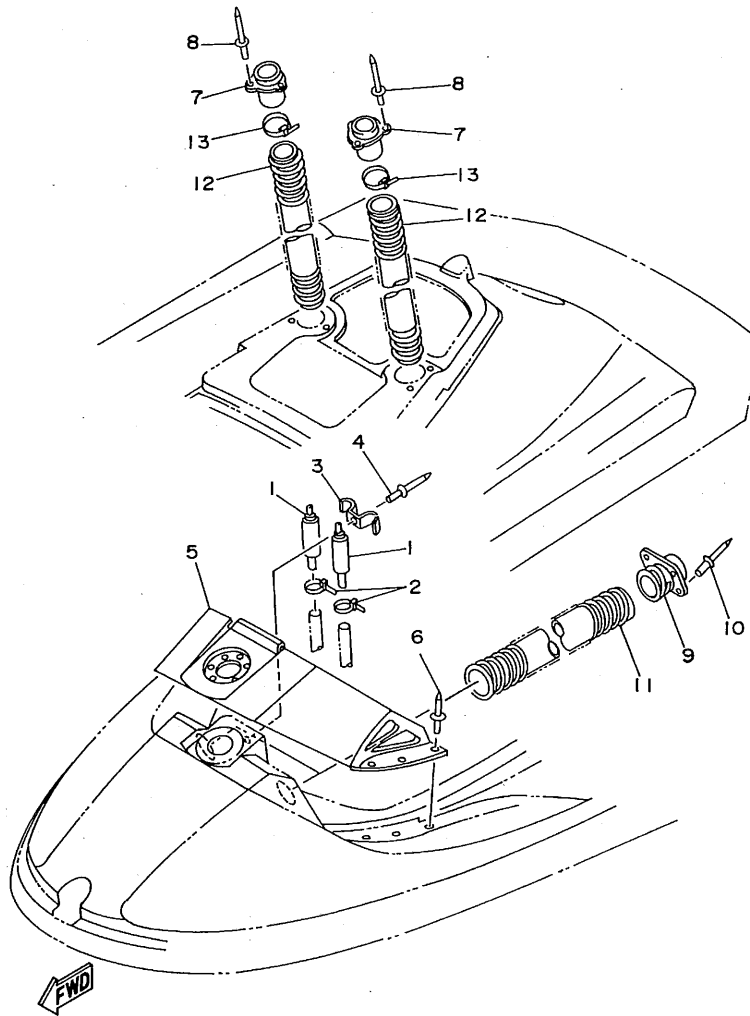


FIG. 17 SEAT - UNDER LOCKER 1

REF. NO.	PART NO.	DESCRIPTION	Q'TY	REMARKS
29	EU0-62720-31	INSPECTION COVER ASSY	1	
30	EU0-62721-31	.COVER, INSPECTION	1	
31	93211-03902	.RING	1	
32	EU0-67835-30	.CHAIN BALL	1	
33	EU0-67839-00	.COUPLING	1	
34	97780-04110	.SCREW, TAPPING	1	
35	GA7-6593J-00	PLATE, FIRE EXTINGUISHER	1	
36	98780-04535	SCREW, FLAT HEAD	6	
37	GJ1-6593H-00	BRKT, FIRE EXTINGUISHER	1	
38	90119-06908	BOLT, WITH WASHER	2	
39	90267-489U1	RIVET, BLIND	2	YMUS
40	GJ1-U266D-01	PACKING 5	1	YMUS

FIG. 18 SEAT - UNDER LOCKER 2



GJ1100-5180

REF. NO.	PART NO.	DESCRIPTION	Q'TY	REMARKS
1	EW2-62150-00	PIPE, VENTILATION 3	2	
2	90465-11M10	CLAMP	2	
3	GHI-6215G-00	PLATE, GUIDE	1	
4	90267-489U1	RIVET, BLIND	1	YMUS
5	GJ8-6521B-10	COVER, BOW	1	
6	90267-48951	RIVET, BLIND	6	
7	GHI-62139-00	VENTILATOR, OUTLET	2	
8	90267-409U5	RIVET, BLIND	6	
9	GHI-62127-00	BASE, AIR INTAKE	2	
10	90267-48925	RIVET, BLIND	8	
11	GJ1-U213F-00	HOSE, VENTILATOR 1	2	YMUS
12	GJ1-U213G-00	HOSE, VENTILATOR 2	2	YMUS
13	90601-20007	NYLON CLIP 1	2	

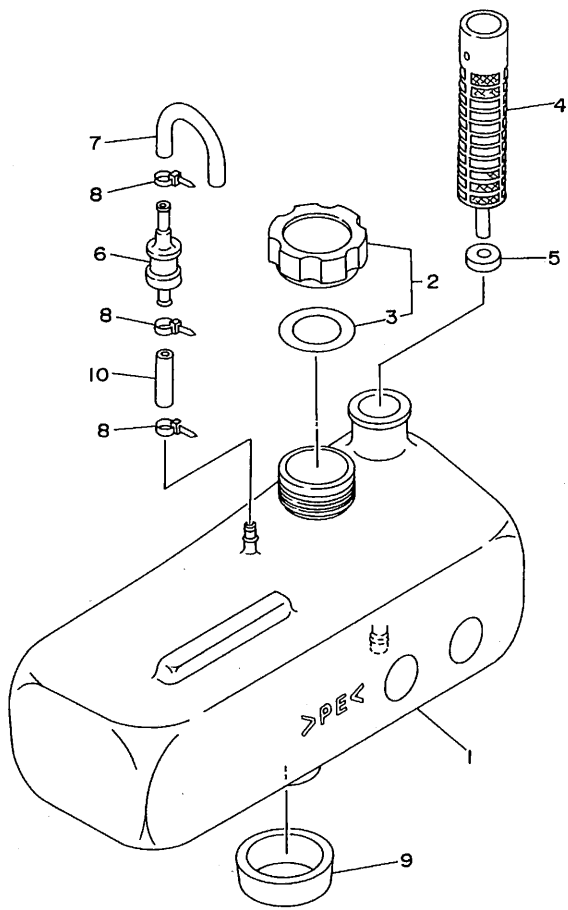


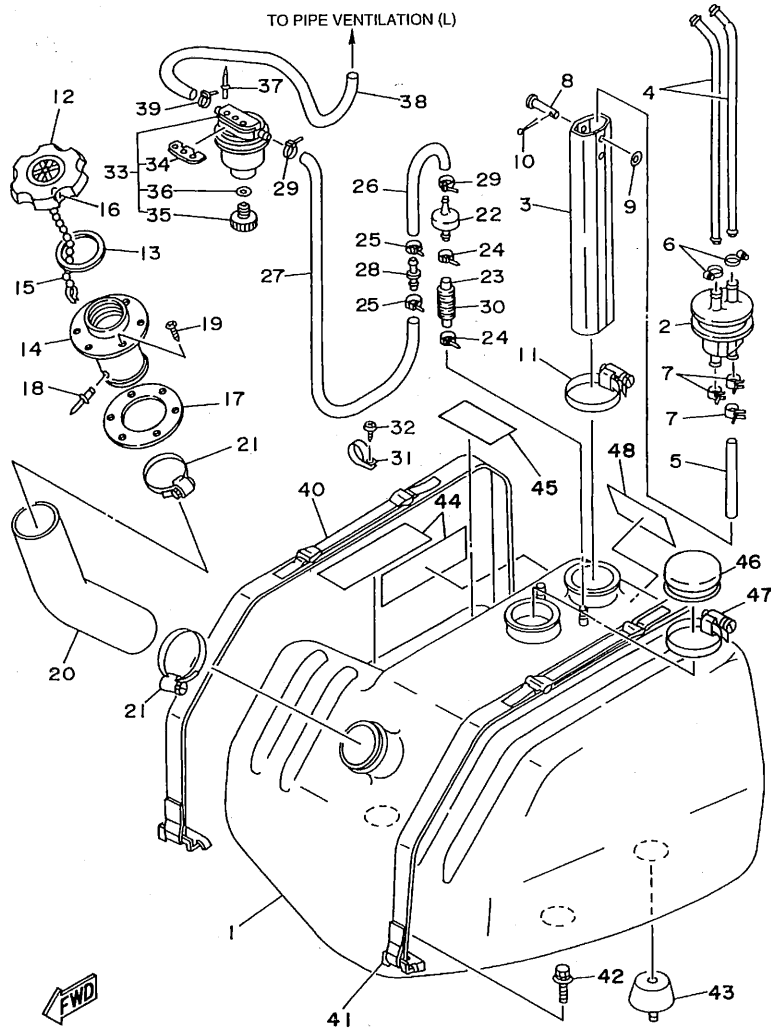
FIG. 19 OIL TANK

REF. NO.	PART NO.	DESCRIPTION	Q'TY	REMARKS
1	GJ1-U775B-01	TANK, OIL	1	YMUS
2	GE2-6784A-00	OIL TANK CAP ASSY	1	
3	FJ0-67841-01	.PACKING, OIL CAP	1	
4	6J8-13411-00	STRAINER, OIL	1	
5	6J8-13414-00	GASKET, STRAINER COVER	1	
6	FJ0-67766-00	ROLL OVER VALVE	1	
7	FJ0-62158-00	HOSE	1	
8	90465-11M10	CLAMP	3	
9	GH1-6759D-00	MAT 3	1	
10	90445-09901	HOSE	1	



GH61100-5190

D2

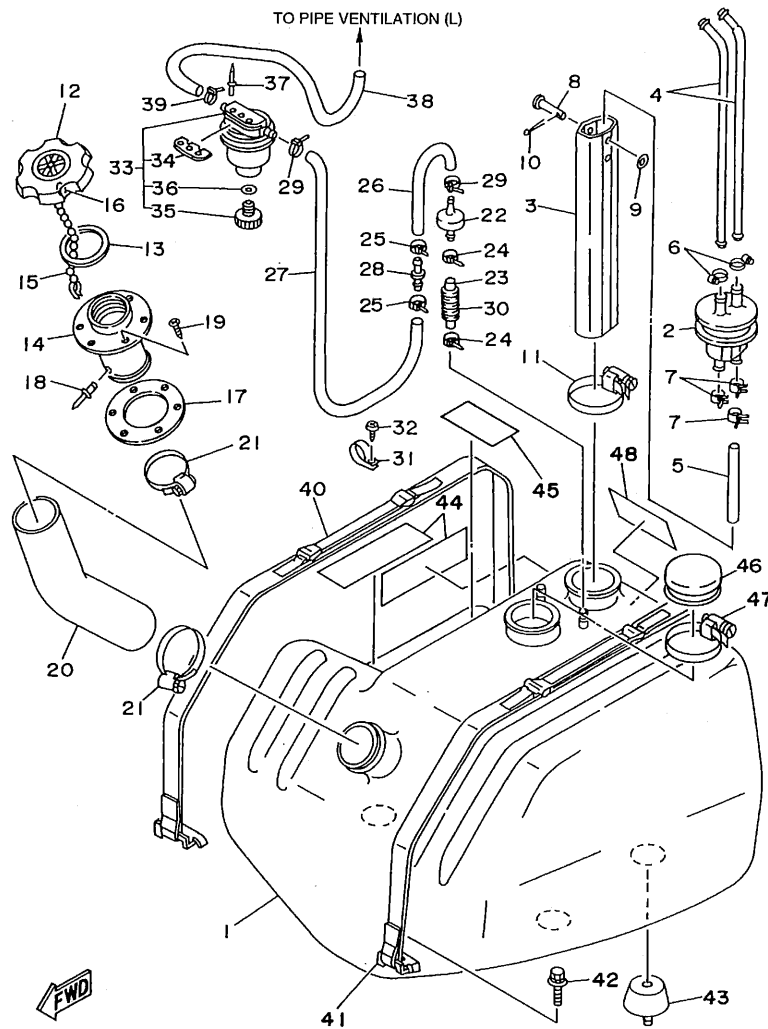


GJ85100-7200

FIG. 20 FUEL TANK

REF. NO.	PART NO.	DESCRIPTION	Q'TY	REMARKS
1	GJ1-U7711-00	TANK, FUEL	1	YMUS
2	FJ0-67713-00	PIPE, JOINT	1	
3	FJ0-67716-01	SLEEVE 1	1	
4	FJ0-67714-02	PIPE, SUCTION 3	2	
5	90445-11903	HOSE	1	
6	90601-11062	BAND, HOSE 11	2	
7	90467-11044	CLIP	3	
8	91790-05040	PIN, CLEVIS	1	
9	92990-05600	WASHER, PLATE	1	
10	91490-16010	PIN, COTTER	1	
11	90601-162U5	BAND, HOSE 62	1	YMUS
12	GP2-67831-00	CAP, FUEL FILLER	1	
13	EU0-67832-00	PACKING 1	1	
14	GP2-67833-00	SOCKET	1	
15	EU0-67835-00	CHAIN BALL	1	
16	EU0-67839-00	COUPLING	1	
17	EU0-67834-00	PACKING, FUEL FILLER	1	
18	90267-40935	RIVET, BLIND	1	
19	EU0-U7869-00	SCREW, FLAT HEAD	6	
20	GJ1-U7844-00	HOSE	1	YMUS
21	90601-155U4	BAND, HOSE 55	2	YMUS
22	EU0-67767-31	CHECK VALVE	1	
23	GA7-67856-00	HOSE, AIRVENT	1	
24	90465-11M10	CLAMP	2	
25	90465-11M10	CLAMP	2	
26	EU0-67856-50	HOSE, AIRVENT 3	1	
27	GJ1-67856-00	HOSE, AIRVENT 3	1	
28	668-24376-00	PIPE, JOINT 1	1	

D3



GJ85100-7200

FIG. 20 FUEL TANK

REF. NO.	PART NO.	DESCRIPTION	Q'TY	REMARKS
29	90465-11M10	CLAMP	2	
30	GJ1-6773D-00	TUBE	1	
31	90600-918U3	CLIP, NYLON 16	1	YMUS
32	97780-60116	SCREW, TAPPING	1	
33	EW2-62140-00	FILTER, VENT ASSY	1	
34	EW2-62142-00	.PLATE, FILTER	1	
35	70R-24543-00	.PLUG, DRAIN	1	
36	70R-24489-00	.O-RING, SEPARATER 2	1	
37	90267-489U2	RIVET, BLIND	2	YMUS
38	90445-09905	HOSE	1	
39	90465-11M10	CLAMP	1	
40	GJ1-67743-00	BELT, TANK 1	1	
41	GJ8-67743-00	BELT, TANK 1	1	
42	90119-089U7	BOLT, WITH WASHER	4	YMUS
43	GHT-6782B-01	DAMPER, FUEL TANK	4	
44	GJ1-6759B-00	MAT 1	2	
45	GJ1-6759C-00	MAT 2	1	
46	FN8-6771K-00	COVER	1	
47	90601-162U5	BAND, HOSE 62	1	YMUS
48	GH3-6418D-00	LABEL, FUEL TANK	1	

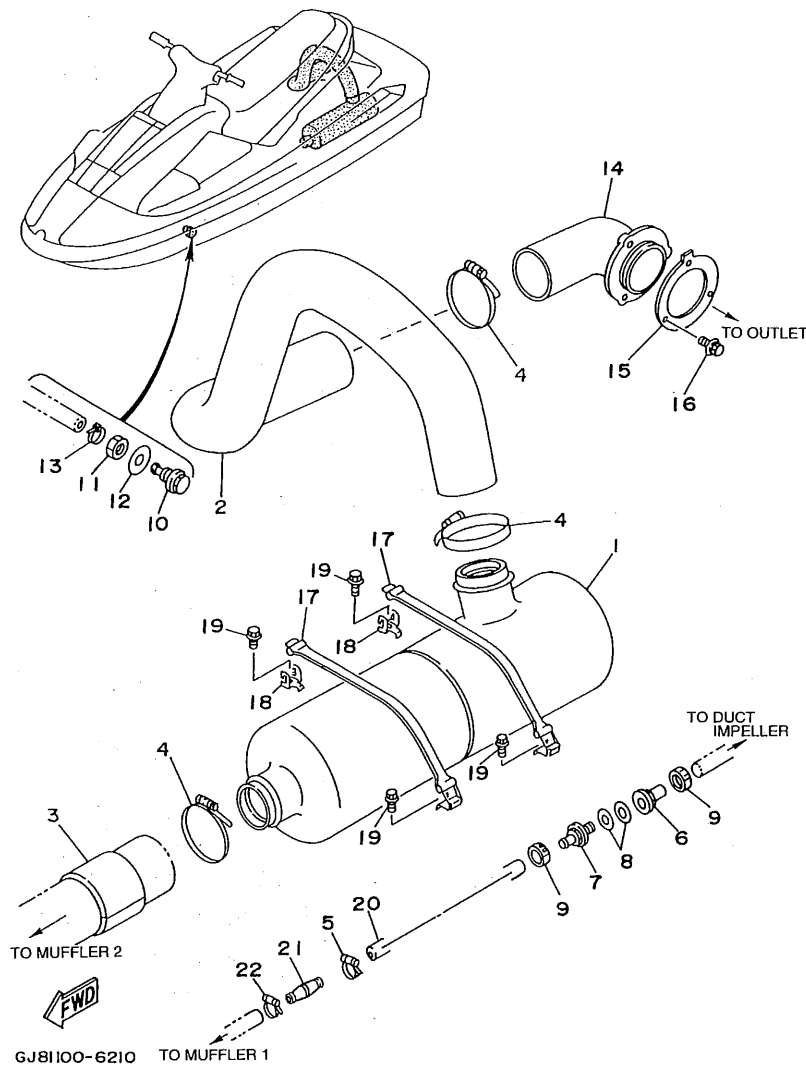
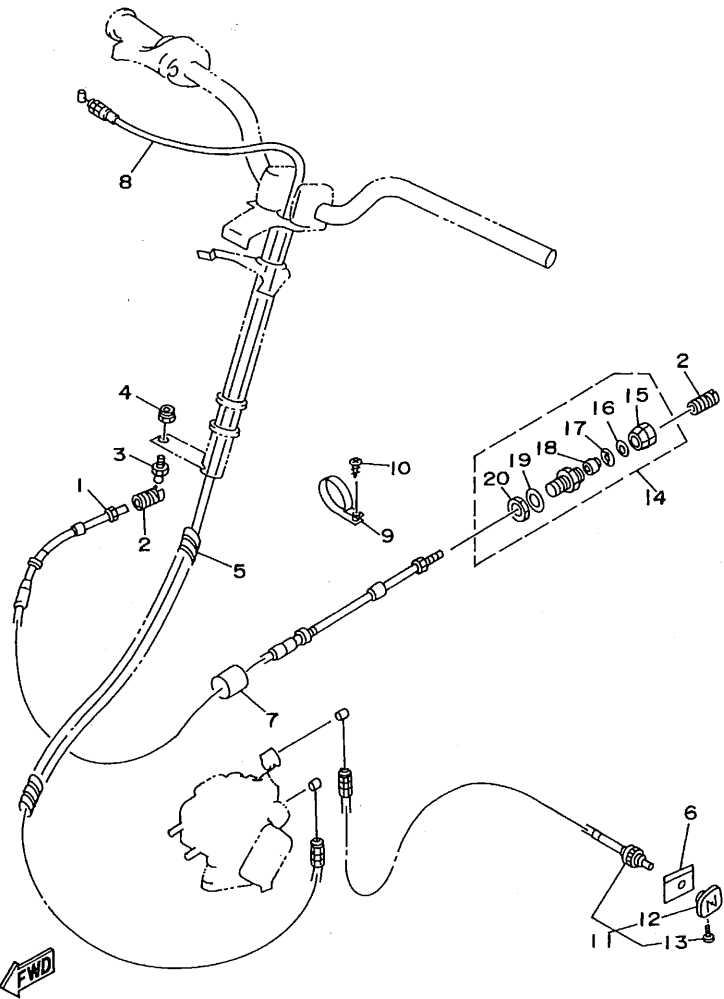


FIG. 21 EXHAUST 2

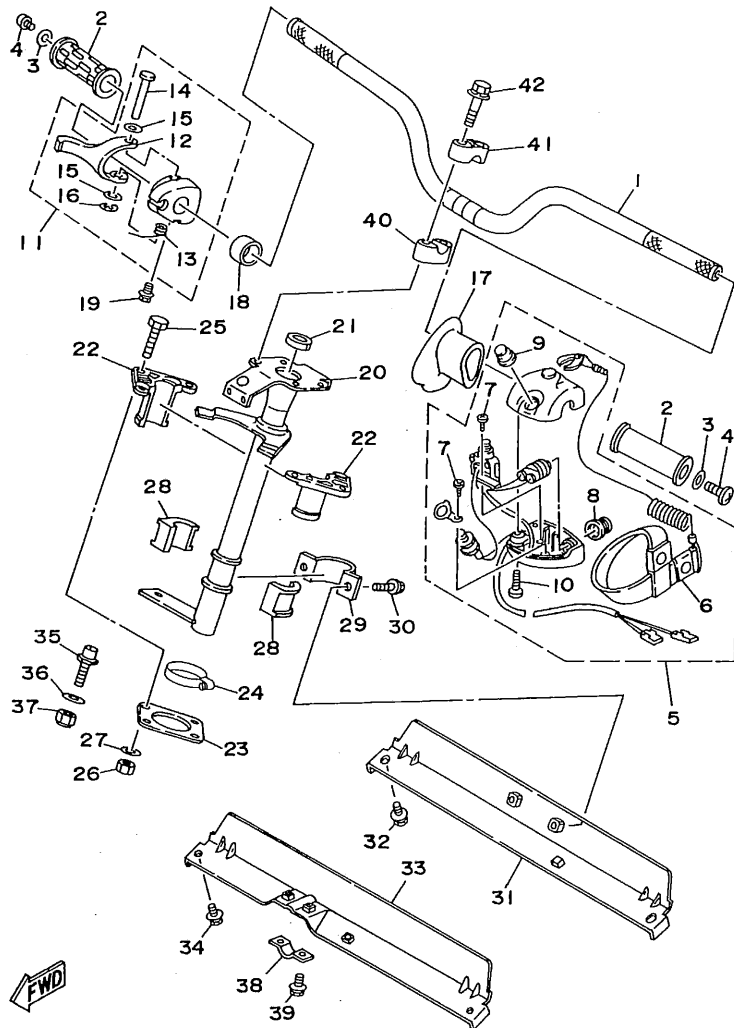
REF. NO.	PART NO.	DESCRIPTION	Q'TY	REMARKS
1	GH1-U7550-00	WATER LOCK	1	YMUS
2	GH6-U7555-00	HOSE	1	YMUS
3	GH6-67577-01	PACKING, HOSE 1	1	
4	90601-170UG	NYLON CLIP 1	3	YMUS
5	90601-110UC	NYLON CLIP 1	2	YMUS
6	90604-80795	THROUGH HULL CONNECTION 3/8-12	1	
7	90604-80796	THROUGH HULL CONNECTION 3/8-12	1	
8	90430-16910	GASKET	2	
9	90601-118UF	NYLON CLIP 1	2	YMUS
10	GJ1-6753B-02	PILOT, WATER	1	
11	GP7-61652-00	NUT	1	
12	92990-14200	WASHER, PLAIN	1	
13	90465-11M10	CLAMP	1	
14	GA9-67565-00	THRU-HULL, EXHAUST	1	
15	GA9-U7525-00	PACKING	1	YMUS
16	90119-059U4	BOLT, WITH WASHER	3	YMUS
17	GJ1-U7570-00	HOOK C	2	YMUS
18	EW2-65772-00	HOOK A	2	
19	90105-06900	BOLT, WASHER BASED	4	
20	90445-14M26	HOSE	1	
21	6M6-51142-00	CONNECTION	1	
22	90450-14M05	HOSE CLAMP ASSY	1	



GJ81100-6220

FIG. 22 CONTROL CABLE

REF. NO.	PART NO.	DESCRIPTION	Q'TY	REMARKS
1	GH6-U1481-00	CABLE, STEERING	1	YMUS
2	EU0-U1461-30	SHAFT, JOINT BALL	2	YMUS
3	EU0-U1461-01	STUD, JOINT BALL	1	YMUS
4	95720-06300	NUT, SELF-LOCKING	1	
5	90699-36U01	SPIRAP 11	1	YMUS
6	GJ1-6824D-00	PLATE, CHOKE	1	
7	GJ1-67578-20	PACKING, HOSE 2	1	
8	EU0-67252-02	CABLE, THROTTLE 1	1	
9	90600-918U3	CLIP, NYLON 16	1	YMUS
10	97780-60116	SCREW, TAPPING	1	
11	FN8-U7242-02	CABLE, CHOKE	1	YMUS
12	GA9-U724C-00	.KNOB	1	YMUS
13	GA9-U724D-00	.SCREW	1	YMUS
14	EU0-67267-00	CONNECTOR, CABLE	1	
15	EU0-62694-00	.CAP	1	
16	EU0-61446-00	.WASHER 30	1	
17	EU0-61486-00	.STOPPER	1	
18	EU0-61435-00	.SEAL, PIPE 30	1	
19	EU0-61438-00	.PACKING (C)	1	
20	EU0-62241-30	.NUT, DRAIN 1	1	

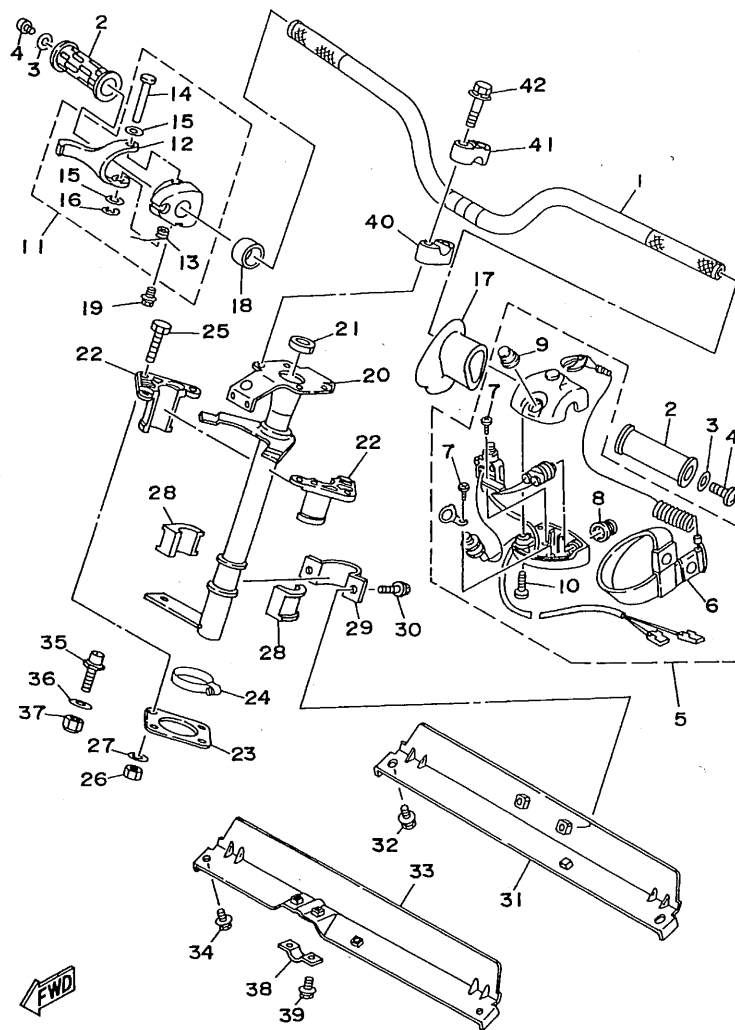


GJ81100-6230

FIG. 23 STEERING 1

REF. NO.	PART NO.	DESCRIPTION	Q'TY	REMARKS
1	GJ1-U1552-02	HANDLE	1	YMUS
2	EW2-61553-00	GRIP, HANDLE 1	2	
3	90201-05928	WASHER, PLATE	2	
4	90149-05905	SCREW	2	YMUS
5	GJ1-68310-00	SWITCH BOX ASSY	1	
6	EW2-68348-00	.LANYARD, STOP SWITCH	1	
7	98580-03008	.SCREW, PAN HEAD	2	
8	FK7-68312-02	.STOP BUTTON COMP.	1	
9	FK7-68313-01	.START BUTTON COMP.	1	
10	98580-05525	.SCREW, PAN HEAD	2	
11	EW2-67250-02	THROTTLE LEVER ASSY	1	
12	EW2-67255-00	.LEVER, THROTTLE	1	
13	EW2-67256-00	.SPRING	1	
14	EW2-67257-01	.SHAFT	1	
15	EW2-67258-01	.WASHER	2	
16	EW2-67259-01	.E-RING	1	
17	GJ3-U143G-00	SPACER	1	YMUS
18	90560-22281	SPACER	1	
19	90159-05900	SCREW, WITH WASHER	1	
20	GP2-61541-00	COLUMN, STEERING	1	
21	GH1-61469-00	PACKING, STEERING COLUMN	1	
22	GH1-6141B-00	BEARING, COLUMN	2	
23	GH1-6143C-30	SEAL, RUBBER	1	
24	90601-142U6	NYLON CLIP 1	1	YMUS
25	97080-06030	BOLT	4	
26	95720-06300	NUT, SELF-LOCKING	4	
27	92990-06200	WASHER, PLAIN	4	
28	GH1-6141D-01	BEARING, STEERING	2	

D7



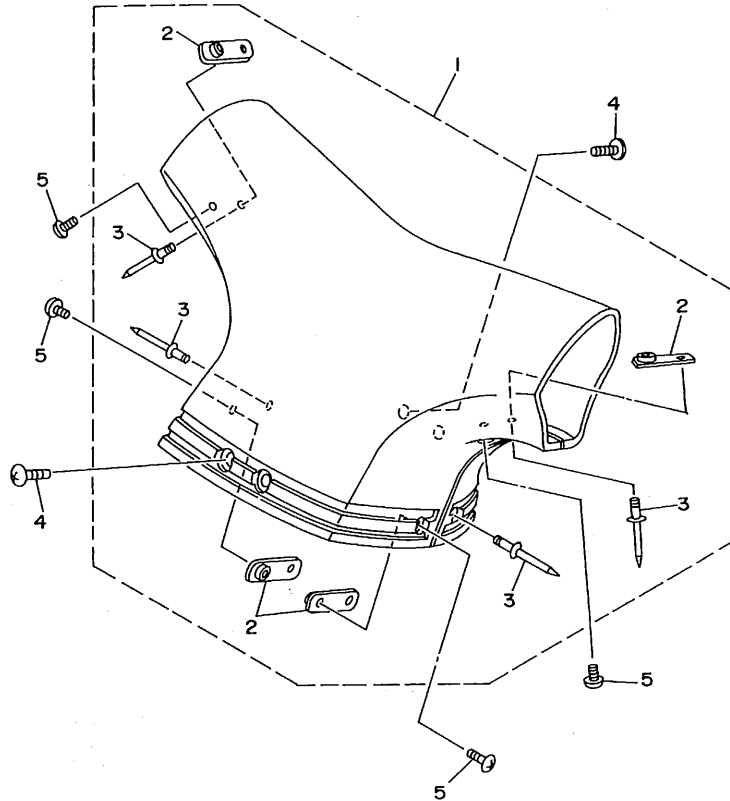
GJ81100-6230

FIG. 23 STEERING 1

REF. NO.	PART NO.	DESCRIPTION	Q'TY	REMARKS
29	EU0-61588-00	JOINT, BEARING	1	
30	90119-089U7	BOLT, WITH WASHER	2	YMUS
31	GHI-61433-00	BRACKET, BEARING	1	
32	90119-089U7	BOLT, WITH WASHER	2	YMUS
33	GHI-61467-01	BRACKET, STOPPER CABLE	1	
34	90119-089U7	BOLT, WITH WASHER	2	YMUS
35	FN8-6131B-00	PIN, STOPPER	1	
36	92990-10200	WASHER, PLAIN	1	
37	95720-10300	NUT	1	
38	GHI-61468-01	STOPPER, CABLE	1	
39	90119-06908	BOLT, WITH WASHER	2	
40	EU0-23814-01	HOLDER, HANDLE LOWER	2	
41	EU0-23814-30	HOLDER, HANDLE UPPER	2	
42	90119-08925	BOLT, WITH WASHER	4	

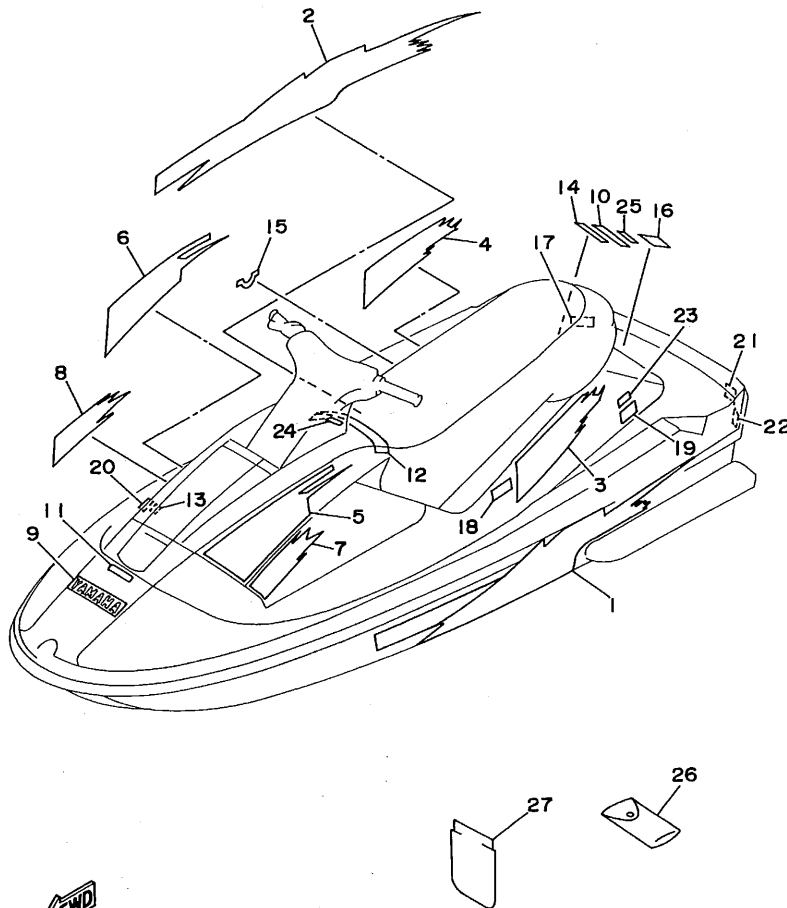
FIG. 24 STEERING 2

REF. NO.	PART NO.	DESCRIPTION	Q'TY	REMARKS
1	GJ3-U142A-40	STEERING PAD COMP.	1	YMUS
2	GA7-6144D-00	.PLATE	4	
3	90267-48951	.RIVET, BLIND	4	
4	90149-059U5	SCREW	4	YMUS
5	90149-049U6	SCREW	4	YMUS



GHI4010-4240

D9

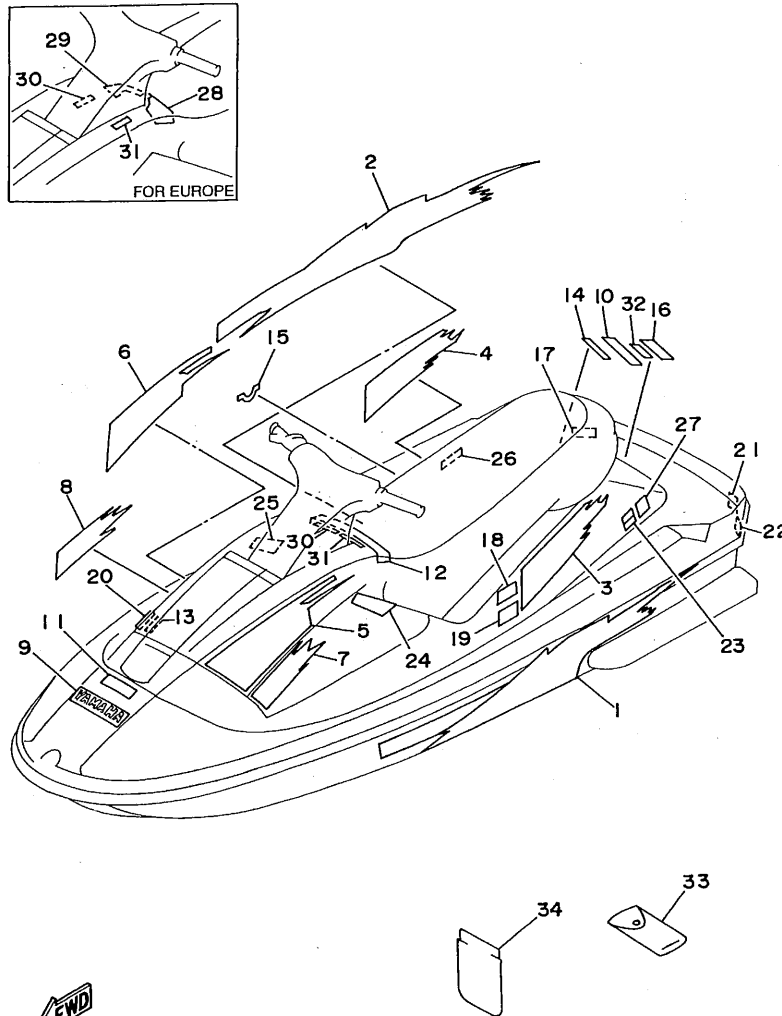


GJ85100-7250

FIG. 25 GRAPHIC 1. TOOL (FOR USA)

REF. NO.	PART NO.	DESCRIPTION	Q'TY	REMARKS
1	GJ8-U417B-10	GRAPHIC 1	1	YMUS
2	GJ8-U417C-10	GRAPHIC 2	1	YMUS
3	GJ8-U417D-10	GRAPHIC 3	1	YMUS
4	GJ8-U417E-10	GRAPHIC 4	1	YMUS
5	GJ8-U417F-10	GRAPHIC 5	1	YMUS
6	GJ8-U417G-10	GRAPHIC 6	1	YMUS
7	GJ8-U417H-10	GRAPHIC 7	1	YMUS
8	GJ8-U417J-10	GRAPHIC 8	1	YMUS
9	GJ3-U4114-00	MARK, YAMAHA A	1	YMUS
10	GJ1-U4122-20	EMBLEM 2	1	YMUS
11	GA9-U416B-00	LABEL, WARNING	1	YMUS
12	GJ1-U416C-02	LABEL, WARNING 1	1	YMUS
13	GA9-U416F-00	LABEL, WARNING 4	1	YMUS
14	GJ1-U418C-30	LABEL, CAUTION	1	YMUS
15	GJ1-U419C-00	LABEL 2	1	YMUS
16	GA9-U418C-00	LABEL, CAUTION	1	YMUS
17	GA9-U418G-00	LABEL, CAUTION	1	YMUS
18	EU0-U418B-00	LABEL, CAUTION	1	YMUS
19	GA9-U418E-00	LABEL, USCG.	1	YMUS
20	GA9-U418C-41	LABEL, CAUTION	1	YMUS
21	GA9-U418F-00	LABEL, UP RIGHTING	1	YMUS
22	GA9-U416G-00	LABEL, WARNING	1	YMUS
23	GJ1-U418C-00	LABEL, CAUTION	1	YMUS
24	GJ1-U415E-01	LABEL, WARNING	1	YMUS
25	GJ1-U415F-01	LABEL, WARNING	1	YMUS
26	EU0-65986-00	TOOL SET	1	
27	EU0-65901-01	BAG, VINYL	1	

FIG. 26 GRAPHIC 2. TOOL (FOR CAN, GUM, AUS, FRA)



GJ85100-7260

REF. NO.	PART NO.	DESCRIPTION	Q'TY	REMARKS
1	GJ8-U417B-10	GRAPHIC 1	1	YMUS
2	GJ8-U417C-10	GRAPHIC 2	1	YMUS
3	GJ8-U417D-10	GRAPHIC 3	1	YMUS
4	GJ8-U417E-10	GRAPHIC 4	1	YMUS
5	GJ8-U417F-10	GRAPHIC 5	1	YMUS
6	GJ8-U417G-10	GRAPHIC 6	1	YMUS
7	GJ8-U417H-10	GRAPHIC 7	1	YMUS
8	GJ8-U417J-10	GRAPHIC 8	1	YMUS
9	GJ3-U4114-00	MARK, YAMAHA	1	YMUS
10	GJ1-U4122-20	EMBLEM 2	1	YMUS
11	GA9-U416B-10	LABEL, WARNING	1	YMUS
12	GJ1-U416C-21	LABEL, WARNING 1	1	YMUS
13	GA9-U416F-10	LABEL, WARNING 4	1	YMUS
14	GJ1-U418C-40	LABEL, CAUTION	1	YMUS
15	GJ1-U419C-00	LABEL 2	1	YMUS
16	GA9-U418C-10	LABEL, CAUTION	1	YMUS
17	GA9-U418G-10	LABEL, CAUTION	1	YMUS
18	EU0-U418B-00	LABEL, CAUTION	1	YMUS
19	EU0-U418B-10	LABEL, CAUTION	1	YMUS
20	GA9-U418C-50	LABEL, CAUTION	1	YMUS
21	GA9-U418F-00	LABEL, UP RIGHTING	1	YMUS
22	GA9-U416G-10	LABEL, WARNING	1	YMUS
23	GJ1-U418C-10	LABEL, CAUTION	1	YMUS
24	GJ1-U416C-11	LABEL, WARNING 1	1	YMUS
25	GJ1-U416D-11	LABEL, WARNING 2	1	YMUS
26	GJ3-U419E-00	LABEL 4	1	YMUS EXCEPT FOR FRANCE
27	GA9-U418E-00	LABEL, USCG.	1	YMUS GUAM ONLY
28	GJ1-U416H-10	LABEL, WARNING (FRANCE)	1	YMUS FRANCE ONLY

D11

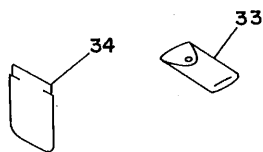
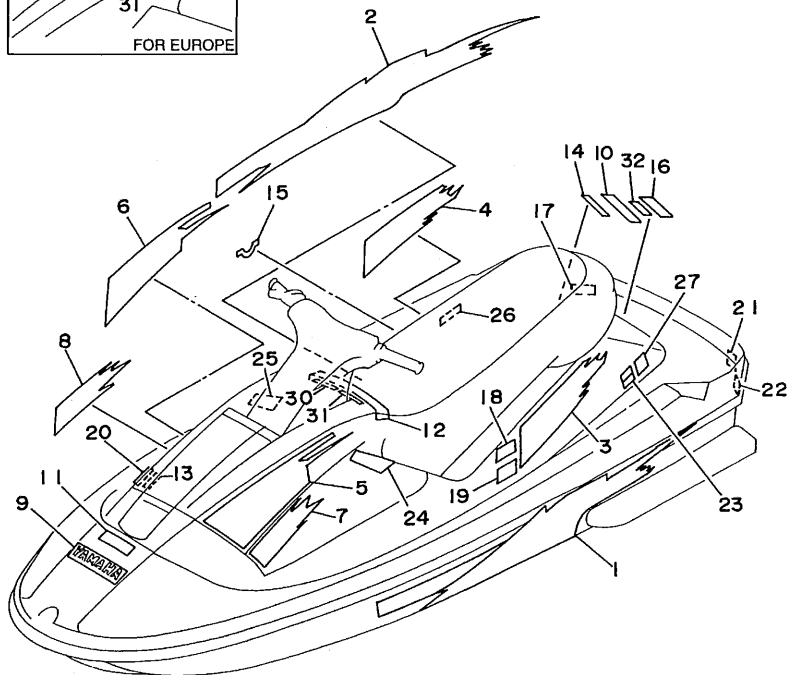
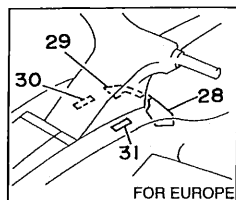


FIG. 26 GRAPHIC 2. TOOL (FOR CAN, GUM, AUS, FRA)

REF. NO.	PART NO.	DESCRIPTION	Q'TY	REMARKS
29	GJ1-U416H-20	LABEL, WARNING (FRANCE)	1	YMUS FRANCE ONLY
30	GJ1-U415E-01	LABEL, WARNING	1	YMUS
31	GJ1-U415E-10	LABEL, WARNING	1	YMUS
32	GJ1-U415F-10	LABEL, WARNING 4	1	YMUS
33	EU0-65986-00	TOOL SET	1	
34	EU0-65901-01	BAG, VINYL	1	



GJ85100-7260

D12

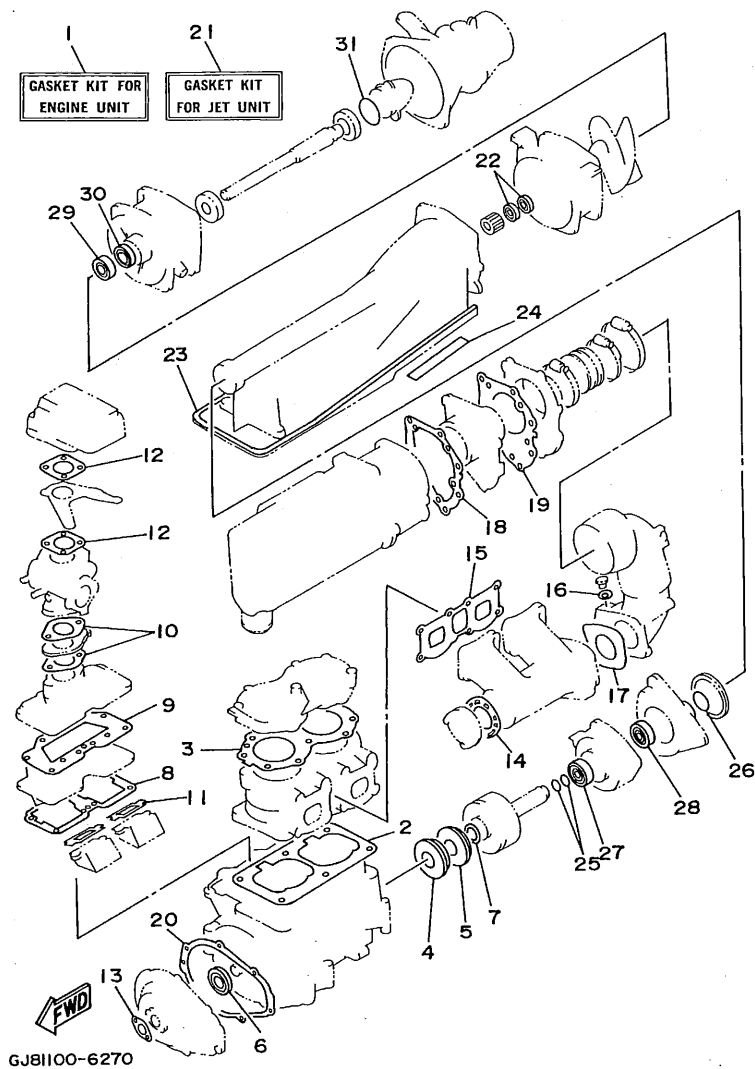


FIG. 27 REPAIR KIT 1

REF. NO.	PART NO.	DESCRIPTION	Q'TY	REMARKS
1	61X-W0001-02	GASKET KIT FOR ENGINE UNIT	1	
2	6M6-11351-A2	.GASKET, CYLINDER	1	
3	61X-11181-A0	.GASKET, CYLINDER HEAD 1	1	
4	93102-36M33	.OIL SEAL	1	
5	93101-36M46	.OIL SEAL	1	
6	93103-32M01	.OIL SEAL	1	
7	62T-45127-00	.SEAL	1	'96MODEL
8	61X-13566-A1	.GASKET	1	
9	61X-13563-A1	.GASKET	1	
10	6M6-13556-A1	.GASKET, MANIFOLD	2	
11	61X-13621-A0	.GASKET, VALVE SEAT	2	
12	6M6-13674-A1	.GASKET, AIR COOLER COVER 1	2	
13	6R8-13116-A0	.GASKET, PUMP CASE	1	
14	6M6-14739-A1	.GASKET, MUFFLER DAMPER 1	2	
15	61X-14613-A0	.GASKET, EXHAUST PIPE	1	
16	90430-08020	.GASKET	1	
17	6R7-14749-A0	.GASKET, MUFFLER DAMPER 2	1	
18	6R7-14755-A0	.GASKET, SILENCER	1	
19	6R7-41114-A0	.GASKET, EXHAUST OUTER COVER	1	
20	6M6-81365-A0	.GASKET, HOLE COVER	1	
21	63N-W0001-20	GASKET KIT FOR JET UNIT	1	
22	93102-18M35	.OIL SEAL	2	
23	6R8-51367-01	.FELT, PACKING	2	
24	63N-51368-00	.FELT, PACKING	2	
25	93210-17MA4	.O-RING	2	
26	93210-35M72	.O-RING	1	
27	93101-25M55	.OIL SEAL	1	
28	93101-25M56	.OIL SEAL	1	

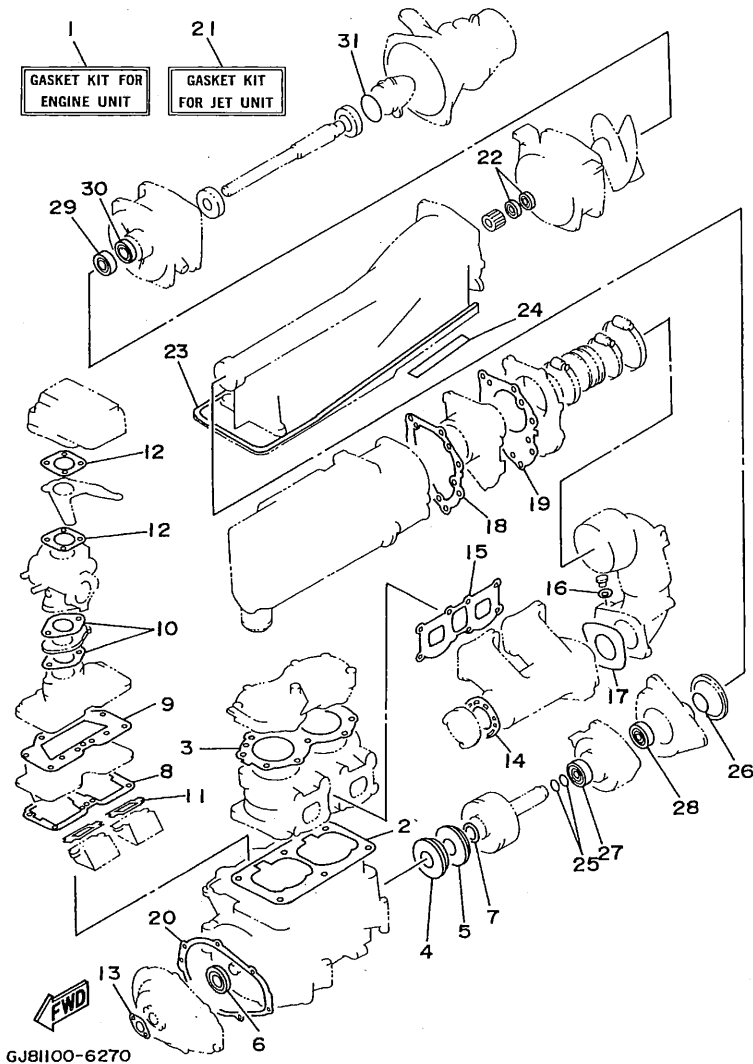


FIG. 27 REPAIR KIT 1

REF. NO.	PART NO.	DESCRIPTION	Q'TY	REMARKS
29	93102-25M34	.OIL SEAL	1	
30	93101-25M50	.OIL SEAL	1	
31	93210-46M16	.O-RING	1	

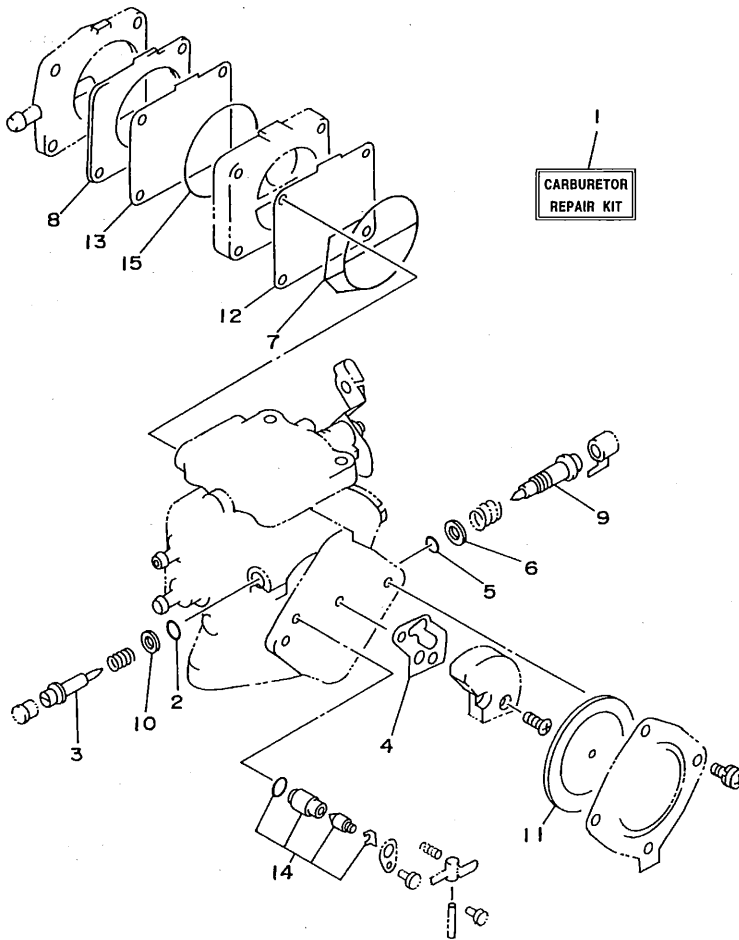


FIG. 28 REPAIR KIT 2

REF. NO.	PART NO.	DESCRIPTION	Q'TY	REMARKS
1	6M6-W0093-12	CARBURETOR REPAIR KIT	1	
2	6K8-14562-00	.O-RING	1	
3	6K8-14946-10	.METERING NEEDLE	1	
4	6K8-14536-11	.GASKET	1	
5	583-14561-00	.O-RING	1	
6	6K8-14537-00	.GASKET	1	
7	6K8-14564-00	.O-RING	1	
8	6K8-24431-20	.GASKET, FUEL PUMP 1	1	
9	6M6-14923-10	.SCREW, PILOT	1	
10	6K8-14559-00	.WASHER	2	
11	6R7-14541-00	.DIAPHRAGM, PUMP	1	
12	6K8-24411-20	.DIAPHRAGM	1	
13	6K8-24421-10	.VALVE, CHECK	1	
14	61X-14916-15	.NEEDLE	1	
15	6K8-14563-00	.O-RING	1	



GJ81100-6280

D15

NUMERICAL INDEX

PART NO.	GRID NO.	PART NO.	GRID NO.	PART NO.	GRID NO.	PART NO.	GRID NO.	PART NO.	GRID NO.	PART NO.	GRID NO.
GJ3-U142A-40	D- 9	GJ1-U416H-20	D-12	EU0-U7354-00-20	B- 3	61X-13610-01	B- 5	6K8-14564-00	B- 8	6K8-24421-10	D-15
GJ3-U143G-00	D- 7	GJ8-U417B-10	D-10	GA9-U7525-00	D- 5	61X-13621-A0	B- 5		D-15	6K8-24431-20	B- 8
EU0-U1461-01	D- 6		D-11	GH1-U7550-00	D- 5		D-13	6R7-14569-00	B- 7		D-15
EU0-U1461-30	D- 6	GJ8-U417C-10	D-10	GH6-U7555-00	D- 5	61X-13641-01-94	B- 5	6K8-14579-00	B- 7	6K8-24452-10	B- 8
GH6-U1481-00	D- 6		D-11	GJ1-U7570-00	D- 5	6M6-13674-A1	B- 6	6K8-14589-00	B- 8	70R-24489-00	D- 4
GJ1-U1552-02	D- 7	GJ8-U417D-10	D-10	GJ1-U7578-10	C-10		D-13	6K8-14591-10	B- 7	6K8-24500-02	B-12
FN8-U1624-00	C-10		D-11	GJ1-U7711-00	D- 3	3G2-14231-27	B- 7	6R7-14596-01	B- 7	6K8-24524-10	B-12
GJ1-U213F-00	C-15	GJ8-U417E-10	D-10	GJ1-U773J-00	B-12	830-14231-23	B- 7	61X-14613-A0	B-10	70R-24543-00	D- 4
GJ1-U213G-00	C-15		D-11	GJ1-U775B-01	D- 2	61L-14243-00	B- 5		D-13	6K8-24560-10	B-12
GJ1-U2501-20	C-12	GJ8-U417F-10	D-10	GJ1-U7844-00	D- 3	6R7-14253-00	B- 8	61L-14615-00	B-11	6E0-28193-00-94	B- 3
GJ1-U2519-10	C-12		D-11	GE1-U7856-30	C- 7	6R7-14255-00	B- 6	61L-14625-00	B-11	6R7-41113-00-9M	B-11
GJ1-U252C-20	C-12	GJ8-U417G-10	D-10	EU0-U7869-00	D- 3	61X-14283-01	B- 5	61X-14711-01-9M	B-10	6R7-41114-A0	B-11
GJ1-U252D-10	C-12		D-11	GP2-U8211-00	C- 7	6R8-14284-00-98	B- 5	61L-14712-00-9M	B-10		D-13
GJ1-U2552-20	C-12	GJ8-U417H-10	D-10	GJ1-U8221-00	C- 7	61X-14301-01	B- 7	6M6-14718-01-9M	B-10	6R7-42316-00	B-14
GJ1-U266D-01	C-14		D-11	61X-W0001-02	D-13	6K8-14435-00	B- 5	6R7-14721-00-9M	B-10	6M6-44517-A1-5B	B- 2
GJ1-U2664-00	C- 8	GJ8-U417J-10	D-10	63N-W0001-20	D-13	6M6-14451-00	B- 6	6M6-14739-A1	B-10	62T-44532-10	B- 2
GJ1-U273B-00	B-15		D-11	61X-W0004-00	B- 5	6K8-14471-00	B- 7		D-13	663-45119-00	B- 5
GJ1-U351H-20	C-12	EU0-U418B-00	D-10	61X-W0090-03-4D	B- 2	6K8-14481-10	B- 8	6R7-14749-A0	B-10	6K8-45127-00	B-15
GJ1-U351K-20	C-12		D-11	6M6-W0093-12	D-15	6H1-14485-00	B- 5		D-13	62T-45127-00	B- 4
GJ1-U351M-20	C-12	EU0-U418B-10	D-11	61X-11111-00-94	B- 2	6R7-14485-00	B- 2	64R-14752-00	B-11		D-13
GJ1-U351N-20	C-12	GA9-U418C-00	D-10	61X-11181-A0	B- 2		B-10	6R7-14753-00-9M	B-10	6R8-45318-00	B-13
GJ1-U351P-20	C-12	GA9-U418C-10	D-11		D-13	6K8-14503-02	B- 7	6R7-14755-A0	B-11	62G-45331-01-94	B-15
GJ3-U354D-00	C-12	GA9-U418C-41	D-10	61X-11311-00-94	B- 2	6M6-14503-00	B- 7		D-13	61X-45332-02-94	B-15
GJ1-U371A-20	C-13	GA9-U418C-50	D-11	6E5-11325-00	B- 2	6K8-14521-10	B- 7	6M6-14771-00-94	B-11	61L-45378-00	B-15
GJ1-U371B-20	C-13	GJ1-U418C-00	D-10	6M6-11351-A2	B- 2	6M6-14521-00	B- 7	6R7-14785-00-9M	B-11	6R8-45511-00	B-13
GJ1-U373D-20	C-13	GJ1-U418C-10	D-11		D-13	6K8-14523-11	B- 7	61X-14916-15	B- 7	62T-45526-00	B- 4
GJ1-U375A-20	C-13	GJ1-U418C-30	D-10	6E5-11372-00	B- 5	6K8-14527-11	B- 7		D-15	61X-4581J-00	B- 4
GJ1-U375B-30	C-13	GJ1-U418C-40	D-11	6M6-11400-02	B- 4	6M6-14527-02-4D	B- 5	6M6-14923-10	B- 8	6M6-45813-21-9M	B- 4
GJ3-U4114-00	D-10	GA9-U418E-00	D-10	61X-11603-00	B- 4	6K8-14531-00	B- 8		D-15	6M6-45813-31-9M	B- 4
	D-11		D-11	61X-11604-00	B- 4	6K8-14533-00	B- 8	6K8-14926-10	B- 7	6K8-51129-00	B- 2
GJ1-U4122-20	D-10	GA9-U418F-00	D-10	61X-11605-00	B- 4	6K8-14534-10	B- 7	6K8-14930-00	B- 7		B-10
	D-11		D-11	61X-11631-00-93	B- 4	6K8-14536-11	B- 7	6K8-14946-10	B- 7		B-10
GJ1-U415E-01	D-10	GA9-U418G-00	D-10	61X-11633-00	B- 4		D-15		D-15		B-13
	D-12	GA9-U418G-10	D-11	61X-11635-00	B- 4	6K8-14537-00	B- 8	61X-15100-00-94	B- 2		B-14
GJ1-U415E-10	D-12	GJ1-U419C-00	D-10	61X-11636-00	B- 4		D-15	6R7-15761-00	B-10	6M6-51142-00	D- 5
GJ1-U415F-01	D-10		D-11	6R8-13116-A0	B- 9	6R7-14541-00	B- 8	6R7-21415-00-94	B- 2	61X-51162-00	C-10
GJ1-U415F-10	D-12	GJ3-U419E-00	D-11		D-13		D-15	6R7-21425-00-94	B- 2	62T-51190-01-94	B-14
GA9-U416B-00	D-10	GJ1-U474A-00	C-13	6R3-13183-00	B- 9	6R7-14542-00	B- 8	4GB-21554-00	C- 6	62T-51311-02-94	B-13
GA9-U416B-10	D-11	GJ8-U516A-00-PO	C- 8	61X-13200-10	B- 9	6K8-14547-01	B- 7	EU0-23814-01	D- 8	6R8-51312-01-94	B-13
GJ1-U416C-02	D-10	GA9-U724C-00	D- 6	6J8-13411-00	D- 2	6K8-14556-10	B- 7	EU0-23814-30	D- 8	62T-51313-01	B-14
GJ1-U416C-11	D-11	GA9-U724D-00	D- 6	6J8-13414-00	D- 2	6K8-14559-00	B- 7	6G8-24376-00	D- 3	62T-51315-01-94	B-13
GJ1-U416C-21	D-11	FN8-U7242-02	D- 6	61X-13555-01-94	B- 5		D-15	6E5-24378-00	B-10	64R-51318-01-94	B-14
GJ1-U416D-11	D-11	GDO-U7249-00-05	B-15	6M6-13556-A1	B- 5	583-14561-00	B- 8	650-24378-00	B- 5	6R7-51321-00-94	B-13
GA9-U416F-00	D-10	GDO-U7249-00-10	B-15		D-13		D-15	6K8-24411-20	B- 8	6R8-51323-10	B-15
GA9-U416F-10	D-11	EU0-U7354-00-01	B- 3	61X-13563-A1	B- 5	6K8-14562-00	B- 7		D-15	62T-51326-00	B-13
GA9-U416G-00	D-10	EU0-U7354-00-03	B- 3		D-13		D-15	6R7-24412-01	B- 7	63N-51333-02-94	B-15
GA9-U416G-10	D-11	EU0-U7354-00-05	B- 3	61X-13566-A1	B- 5	6K8-14563-00	B- 8	6M6-24413-00	B- 8	6R8-51348-01-5B	B-13
GJ1-U416H-10	D-11	EU0-U7354-00-10	B- 3		D-13		D-15	6K8-24421-10	B- 8	62T-51348-00	B-14

NUMERICAL INDEX

PART NO.	GRID NO.	PART NO.	GRID NO.	PART NO.	GRID NO.	PART NO.	GRID NO.	PART NO.	GRID NO.	PART NO.	GRID NO.
63M-51348-00	B-15	GHI-6266B-00	C-13	EW2-67259-01	D- 7	GHI-6883N-50	C-11	6R8-85560-10	C- 3	90149-05903	C- 8
6R8-51367-01	B-13	GJ1-6266B-00	C- 7	EU0-67267-00	D- 6	GHI-6883P-50	C-11	62E-85570-00	C- 5	90149-05984	C- 7
	D-13	GJ1-62663-00	C- 2	EU0-67324-00	B- 3	GHI-6883T-00	C-11	62E-85570-10	C- 6		C- 8
63N-51368-00	B-13	FN8-6269B-00	C-10	GJ1-6753B-02	D- 5	6M6-8132W-00	C- 5	6M6-85580-00	C- 3	90159-05900	D- 7
	D-13	EU0-62694-00	D- 6	GA9-67565-00	D- 5	6R8-81337-00-9M	C- 3	90101-06M04	B-14	90159-06901	C- 8
62T-51381-00	B-13	GHI-6271B-30	C-13	GH6-67577-01	D- 5	6M6-81365-A0	C- 3	90105-05M46	B- 5		C- 8
64R-51387-01-94	B-14	GHI-6271C-30	C-13	GJ1-67578-20	D- 6		D-13	90105-05M53	B- 5	90169-059U1	C-12
62T-51673-00	B-14	GHI-6271D-30	C-13	GJ1-6759B-00	D- 4	6M6-81800-10	C- 4	90105-06900	D- 5	90170-22M11	B-12
61L-5169A-00	B- 5	EU0-62720-31	C-14	GJ1-6759C-00	D- 4	3AJ-81809-00	C- 4	90105-10M45	B-11	90179-06926	C- 8
FN8-6131B-00	D- 8	EU0-62721-31	C-14	GHI-6759D-00	D- 2	6M6-81820-00	C- 4	90105-10M49	B-11	90179-06947	C- 2
GHI-6141B-00	D- 7	GT3-6273C-00	B-15	EU0-67593-40	C- 7	6M6-81826-00	C- 4	90109-08M56	B- 2	90179-06959	C-11
GHI-6141D-01	D- 7	GJ1-62733-00	C- 2	GDO-6761D-00	C-10	6M6-8183E-00	C- 4	90109-10M47	C- 3	90179-08M15	B- 5
GHI-6143C-30	D- 7	GJ1-62840-01	C- 8	EW2-67618-00	C-10	6M6-81830-00	C- 4	90116-08M14	B- 5	90179-08927	C- 8
GHI-61433-00	D- 8	FN8-62884-00	C- 8	FN8-6771K-00	D- 4	6M6-81840-10	C- 4	90119-059U4	D- 5	90179-10925	B-15
EU0-61435-00	D- 6	GHI-62891-01	C- 8	FJ0-67713-00	D- 3	11H-81844-00	C- 4	90119-05935	C- 8	90201-05925	B-12
EU0-61438-00	D- 6	FN8-62892-00	C- 8	FJ0-67714-02	D- 3	6M6-81844-00	C- 5	90119-06MA1	B-11		C- 7
GA7-6144D-00	D- 9	GHI-6351R-40	C-12	FJ0-67716-01	D- 3	26H-81847-00	C- 4	90119-06908	C-14		C-10
EU0-61446-00	D- 6	GHI-6351S-40	C-12	GJ1-6773D-00	D- 4	6M6-81850-00	C- 4		D- 8	90201-05928	D- 7
GHI-61467-01	D- 8	GJ1-63581-30	C-12	GJ1-67743-00	D- 4	6M6-81865-00	C- 4	90119-06914	C-13	90201-06M02	B-14
GHI-61468-01	D- 8	GHI-63729-00	C-13	GJ8-67743-00	D- 4	6M6-81866-00	C- 4	90119-06929	C- 2	90201-06M31	B-14
GHI-61469-00	D- 7	GHI-63774-01	C-13	FJ0-67766-00	D- 2	6M6-81921-00	C- 5	90119-06940	C- 8	90201-065F3	C-11
EU0-61486-00	D- 6	GHI-6378C-00	C- 8	EU0-67767-31	D- 3	6G1-81941-10	C- 5		C- 8		C-13
GP2-61541-00	D- 7	GHI-63850-02	C-13	FN8-67816-00	B-12	6M6-81952-01	C- 5	90119-08M19	B- 2	90201-20M04	B- 4
EW2-61553-00	D- 7	GH3-6418D-00	D- 4	EU0-67817-00	B-12	6M6-81960-A0	C- 5	90119-08M55	B- 2	90201-24M02	B- 4
GHI-61557-00	C- 8	GHI-6516N-30	C- 8	GHI-6782B-01	D- 4	EU0-82110-09	C- 7	90119-08M73	B-10	90267-409U5	C-15
EU0-61588-00	D- 8	GHI-6516Z-01	C- 9	GP2-67831-00	D- 3	62L-82117-20	C- 6	90119-08038	B- 3	90267-40935	D- 3
FN8-61651-00	C-12	GHI-6517G-04	C- 8	EU0-67832-00	D- 3	62T-82117-01	C- 6	90119-089U1	B- 3	90267-48835	C-12
GHI-61651-00	C-12	GHI-6517J-01	C- 8	GP2-67833-00	D- 3	62T-82117-11	C- 6	90119-089U5	C- 2	90267-489U1	B-12
EU0-61652-00	C-10	GHI-6517K-01	C- 8	EU0-67834-00	D- 3	6K8-82150-01	C- 5	90119-089U6	C- 2		C- 8
	C-12	GJ8-6521B-10	C-15	EU0-67835-00	D- 3	6G1-82151-00	C- 5	90119-089U7	D- 4		C-14
	C-12	EW2-65772-00	D- 5	EU0-67835-30	C-14	6K8-82159-00	C- 5		D- 8		C-15
GP7-61652-00	D- 5	GA7-65772-00	C- 7	EU0-67839-00	C-14	62E-82351-00	C- 5		D- 8	90267-489U2	C- 8
GHI-62127-00	C-15	EU0-65901-01	D-10		D- 3	62E-82352-00	C- 5		D- 8		C- 8
GHI-62128-30	C- 8		D-12	GE2-6784A-00	D- 2	6R8-82361-00	C- 6	90119-08904	B- 3		D- 4
GHI-62139-00	C-15	GJ1-6593H-00	C-14	FJ0-67841-01	D- 2	6K8-82370-00	C- 6	90119-08907	B-15	90267-489U8	C-12
EW2-62140-00	D- 4	GA7-6593J-00	C-14	GA7-67856-00	D- 3	62E-82371-10	C- 6	90119-08925	D- 8		C-12
EW2-62142-00	D- 4	GA7-65983-00	C-13	EU0-67856-50	D- 3	62T-82553-01	C- 6	90119-10M00	B- 2	90267-489U9	C- 7
GHI-62156-00	C-15	GA7-65984-00	C-13	GJ1-67856-00	D- 3	6R7-82560-00	C- 6	90119-10M02	B- 2		C- 7
EW2-62150-00	C-15	EU0-65986-00	D-10	GJ8-6820A-00	C- 7	6R7-83623-40	C- 5	90119-10M03	B- 2	90267-48925	B-12
FJ0-62158-00	D- 2		D-12	FJ0-68221-00	C- 7	6R7-83623-50	C- 5	90119-10M07	B- 2		C- 7
EU0-62241-30	D- 6	GJ1-66607-00	C- 7	FJ0-68221-30	C- 7	62T-85515-00	C- 3	90119-10M56	B- 2		C-10
EU0-62280-00	C-10	GJ1-6721B-00	B- 3	GJ8-68238-00	C- 7	62L-8552A-00-98	C- 5	90119-10M72	B-11		C-15
EU0-62282-00	C-10	EW2-67250-02	D- 7	GJ8-6824C-01	C- 7	6M6-8552E-01	C- 5	90119-109U8	B-15	90267-48951	C-15
EU0-62283-00	C-10	EU0-67252-02	D- 6	GJ1-6824D-00	D- 6	62T-85520-00	C- 3	90149-049U6	D- 9		D- 9
EU0-62285-01	C-10	EW2-67255-00	D- 7	GJ1-68310-00	D- 7	62T-85533-00	C- 3	90149-04902	C- 8	90280-16053	C- 3
GHI-6251D-30	C-12	EW2-67256-00	D- 7	FK7-68312-02	D- 7	62T-85540-00	C- 5	90149-04943	C-13	90340-08M04	B-10
GHI-6251E-30	C-12	EW2-67257-01	D- 7	FK7-68313-01	D- 7	64X-85542-00	C- 5	90149-059U5	D- 7	90380-12M29	B- 2
GJ1-6252A-10	C-12	EW2-67258-01	D- 7	EW2-68348-00	D- 7	62T-85550-00	C- 3		D- 9		C- 3

NUMERICAL INDEX

PART NO.	GRID NO.	PART NO.	GRID NO.	PART NO.	GRID NO.	PART NO.	GRID NO.	PART NO.	GRID NO.	PART NO.	GRID NO.
90387-06M60	B-13	90465-11M10	B-12	90601-20006	B-12	92995-06100	C- 4	94702-00040	C- 6	97880-05020	C-10
90387-06914	C-13		B-12		C- 7		C- 6	94702-00272	C- 6	97880-06030	C- 5
90387-06916	C-11		B-12		C- 7		C-13	95380-06700	B-14	97902-04122	C- 3
90387-08M06	B-14		B-12		C-10	92995-08600	B-14		B-14	97902-05125	C- 3
90387-08M08	B-14		B-12	90601-20007	C-15		B-14		C- 4	97980-05330	B- 7
90430-08020	B-10		B-14	90601-20015	B-12		B-15		C-11	98580-03008	D- 7
	D-13		B-14	90604-80759	C-10	92995-08660	C- 5	95380-08700	B- 7	98580-04008	C- 3
90430-13909	C-10		B-15	90604-80775	C-10	93101-25M50	B-13	95720-05300	C- 8	98580-04010	B-12
90430-16910	D- 5		C- 5	90604-80795	D- 5		D-14		C-10	98580-05016	B- 6
90445-07M19	B- 2		C- 5	90604-80796	D- 5	93101-25M55	B-15	95720-06300	C- 9	98580-05525	D- 7
90445-07M87	B- 9		C- 6	90605-50201	C-13		D-13		C-12	98580-06016	C- 3
	B- 9		C- 6	90699-36U01	D- 6	93101-25M56	B-15		C-13		C- 6
90445-09M21	B-15		C-10	91490-16010	D- 3		D-13		D- 6		C-13
90445-09901	D- 2		C-15	91790-05040	D- 3	93101-36M46	B- 4		D- 7	98780-04015	B- 2
90445-09905	D- 4		D- 2	92990-04600	B-12		D-13	95720-08300	C-11	98780-04535	C-14
90445-10M30	B-12		D- 3	92990-05200	C-10	93102-18M35	B-13	95720-10300	C-13	98780-05512	B-15
90445-10M48	B- 5		D- 3	92990-05600	B- 6		D-13		D- 8	98980-06025	C-13
90445-10M70	B-12		D- 4		C- 8	93102-25M34	B-13	97013-06020	B-11		
90445-10M71	B-12		D- 4		D- 3		D-14	97013-06025	B-10		
90445-10M72	B-12		D- 5	92990-06200	C- 9	93102-36M33	B- 4	97013-08025	B-10		
90445-10M92	B-12	90465-13M11	C- 6		C-11		D-13	97013-08035	B-10		
90445-11M34	B- 9		C- 6		C-12	93103-32M01	B- 4		C- 4		
90445-11903	D- 3		C-10		C-13		D-13	97013-08040	C- 4		
90445-14M17	B-13	90467-06016	B- 2		D- 7	93210-17MA4	B-15	97014-06035	B- 5		
90445-14M24	B-14	90467-08M10	C- 7	92990-06600	B- 5		D-13	97080-06030	D- 7		
90445-14M25	B-10	90467-11044	D- 3		B- 9	93210-35M72	B-15	97095-06016	B-11		
90445-14M26	D- 5	90480-06M43	C- 5		B-10		D-13		B-13		
90445-14M29	B-10		C- 6		B-11	93210-46M16	B-13		C- 6		
90445-14M33	B-10	90480-06M46	B-13		B-11		D-14		C-13		
90445-19M06	C-10	90501-14M73	C- 4		B-13	93211-03902	C-14	97095-06018	B-15		
90445-19M07	C-10	90560-22281	D- 7		B-13	93305-30601	B- 4	97095-06020	B-14		
90446-07M35	B- 9	90600-913U2	C- 7		B-14	93306-205U0	B-13	97095-06025	B-13		
90446-07M36	B- 9	90600-91736	B-12		B-14	93306-205U6	B-15		C- 3		
90446-20M31	B-10		C- 7		B-15	93306-307U3	B- 4	97095-06035	B- 9		
90450-14M05	B-10		C-10		C- 3	93310-320U2	B- 4		B-14		
	B-13	90600-918U3	D- 4		C- 3	93430-47M04	B-15	97095-08016	C- 5		
	D- 5		D- 6		C- 4	93440-25M08	C- 4	97095-08018	B-14		
90460-64M15	B-11	90601-110UC	D- 5		C- 5	93440-80023	B- 4	97095-08020	B-14		
90460-70M16	B-11	90601-11062	D- 3		C- 6	93450-18M06	C- 4	97095-08025	B-15		
90460-90M11	B-11	90601-118UF	D- 5	92990-08100	B- 7	93450-21053	B- 4	97513-06520	B- 5		
90464-06M29	C- 5	90601-142U6	D- 7	92990-08200	C-11	93603-10049	B- 2	97595-06525	B-13		
90464-10M38	B- 5	90601-155U4	D- 3	92990-08600	B-10	93604-07141	B- 2	97780-04110	C-14		
90465-08M37	B- 9	90601-162U5	D- 3		B-10	93606-12019	B- 2	97780-40116	C- 7		
90465-08028	C- 5		D- 4		C- 4		B-13	97780-50520	C- 7		
90465-11M10	B- 5	90601-170UG	D- 5		C- 4		B-13	97780-50612	C-10		
	B- 9	90601-200U1	B-12	92990-10200	C-13		B-14	97780-60116	D- 4		
	B- 9		C-10		D- 8		B-15		D- 6		
	B-10		C-10	92990-14200	D- 5		C- 3	97780-60525	C- 5		

*COPYRIGHT: All rights reserved. No part of this publication
may be reproduced without permission.*

YAMAHA

YAMAHA MOTOR CO., LTD.
2500 SHINGA I IWATA SHIZUOKA JAPAN
SERVICE INFORMATION DIV.

PRINTED ON RECYCLED PAPER

Printed in Japan
First edition JUL., 1996