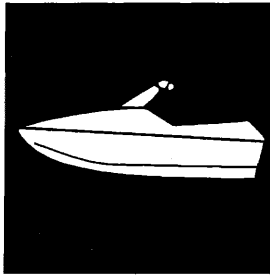


YAMAHA



**PARTS
CATALOGUE**

Wave Raider

RA700T (GH17, GH18, GH19)

YAMAHA
GENUINE
Parts & Accessories

15GH1-100E1



FOREWORD

This Parts Catalogue is related to the parts for the model(s) in the below frame. When you are ordering replacement parts, please refer to this Parts Catalogue and quote both part numbers and part names correctly.

RA700T (GH17, GH18, GH19)

1. Modifications or additions which have been made after issue of the Parts Catalogue will be announced in the Yamaha Parts News.
It is advisable that you make necessary corrections to the Parts Catalogue according to the Yamaha Parts News.

2. Abbreviations

The following abbreviations are used in this Parts Catalogue.

- "UR" Use specified parts number.
- "UN" Use as many as needed.
- "AP" Alternate Parts
- "LM" Local Made (Parts need to be ordered locally)
- "F#" Frame No. (Applicable machine No.)

3. Parts, which are to be supplied in an assembly, are listed with a dot (.) in front of the part name as shown below.

The numeral appearing to the right of each component part indicates the quantity of parts for each assembly unit.

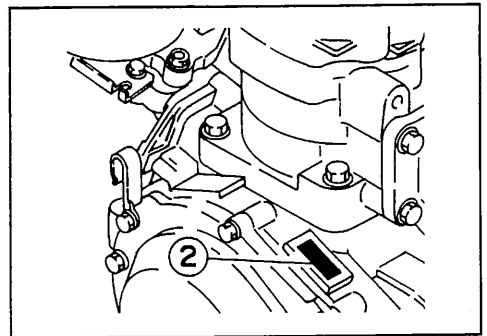
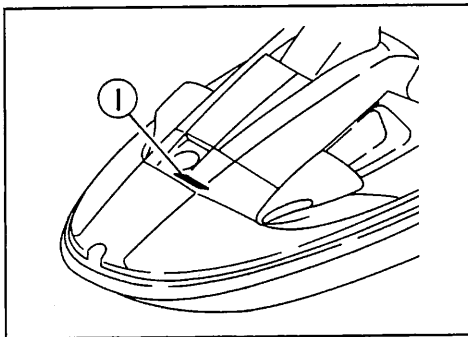
EXAMPLE

PART NO.	DESCRIPTION	Q'TY	REMARKS
EU0-62280-00	DRAIN PLUG ASSY	2	
EU0-62282-00	. PLUG, DRAIN	1	

FOREWORD

4. Applicable Serial No. and Color Code

① Hull Serial No.	GH1-920461 ~ (FOR USA)
	GH1-920001 ~ (FOR AUS, GUM)
	GH1-920090 ~ (FOR AFR)
② Engine Serial No.	62T-004464 ~



Color Code	Color Name	Abbreviation
4D	DARK BLUISH GRAY METALLIC 2	DBNM2

5. Note that the illustrations are for reference in finding parts numbers, not to be used for assembling. When assembling, please use the applicable service manual.
6. A part with "YMUS" in the remarks column can be obtained from YMUS(USA) and not from YAMAHA MOTOR CO.,LTD (JAPAN).

EXAMPLE

PART NO.	DESCRIPTION	QTY	REMARKS
EW2-U5160-00	ENGINE HATCH COMP.	1	YMUS
90601-168U7	BAND, HOSE	1	YMUS

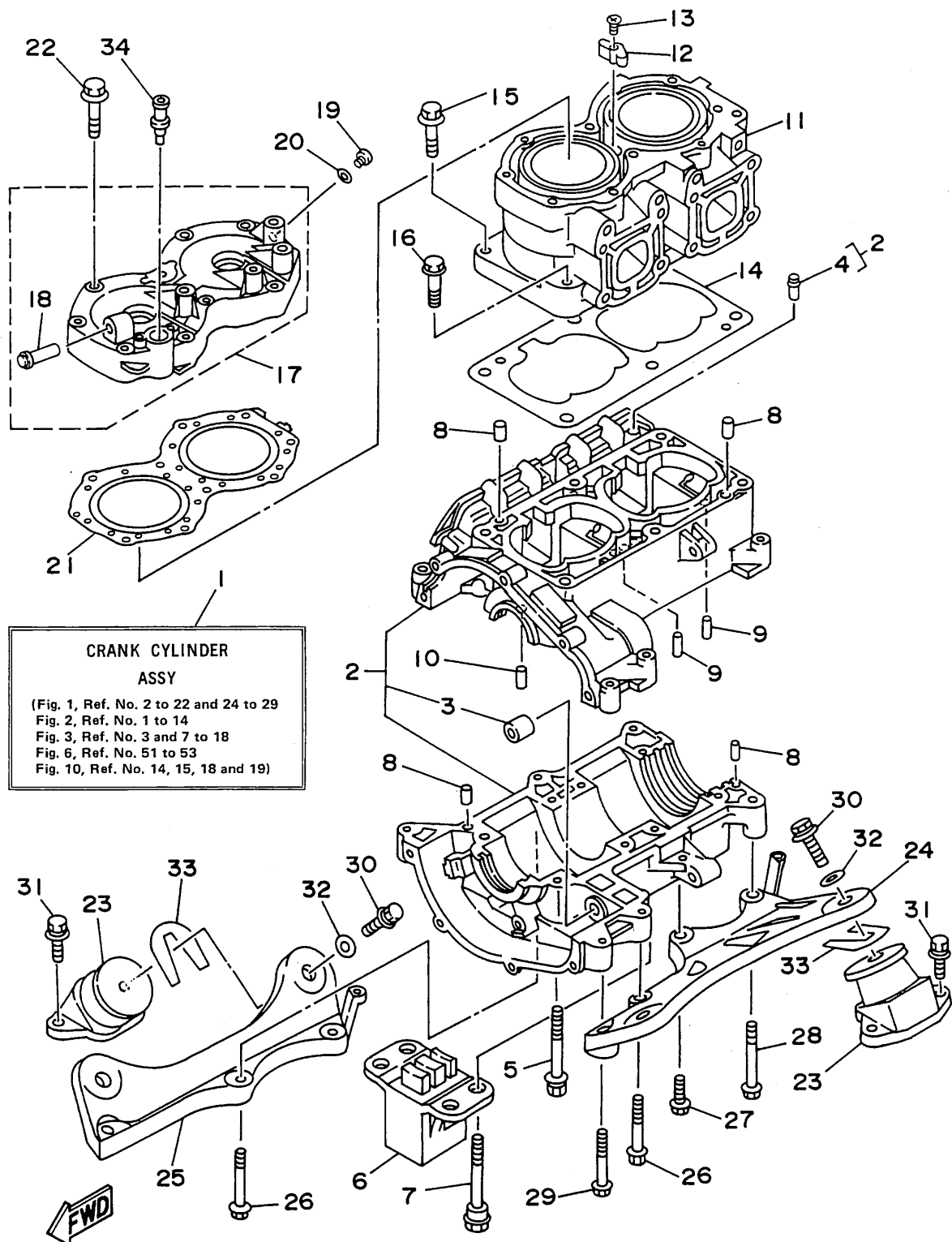
ADDRESS:

YAMAHA MOTOR CORPORATION U.S.A.
 PARTS & ACCESSORY DIV.
 6555 KATELLA AVENUE
 CYPRESS, CALIFORNIA 90630, U.S.A.

CONTENTS

Fig. 1	CYLINDER. CRANKCASE	1
Fig. 2	CRANKSHAFT. PISTON	5
Fig. 3	INTAKE	7
Fig. 4	CARBURETOR	11
Fig. 5	OIL PUMP (FOR OIL INJECTION)	15
Fig. 6	EXHAUST 1	17
Fig. 7	FUEL	21
Fig. 8	JET UNIT 1	23
Fig. 9	JET UNIT 2	27
Fig. 10	GENERATOR	31
Fig. 11	STARTING MOTOR	33
Fig. 12	ELECTRICAL 1	35
Fig. 13	ELECTRICAL 2	39
Fig. 14	ENGINE HATCH	41
Fig. 15	HULL. DECK	45
Fig. 16	GUNWALE. MAT	49
Fig. 17	SEAT · UNDER LOCKER 1	51
Fig. 18	SEAT · UNDER LOCKER 2	55
Fig. 19	OIL TANK (FOR OIL INJECTION)	57
Fig. 20	FUEL TANK	59
Fig. 21	EXHAUST 2	63
Fig. 22	CONTROL CABLE	65
Fig. 23	STEERING 1	69
Fig. 24	STEERING 2	73
Fig. 25	GRAPHIC 1. TOOL (FOR USA)	75
Fig. 26	GRAPHIC 2. TOOL (FOR AUSTRALIA, GUAM, AFRICA) ...	77
Fig. 27	GASKET KIT 1	81
Fig. 28	GASKET KIT 2	85
	NUMERICAL INDEX	

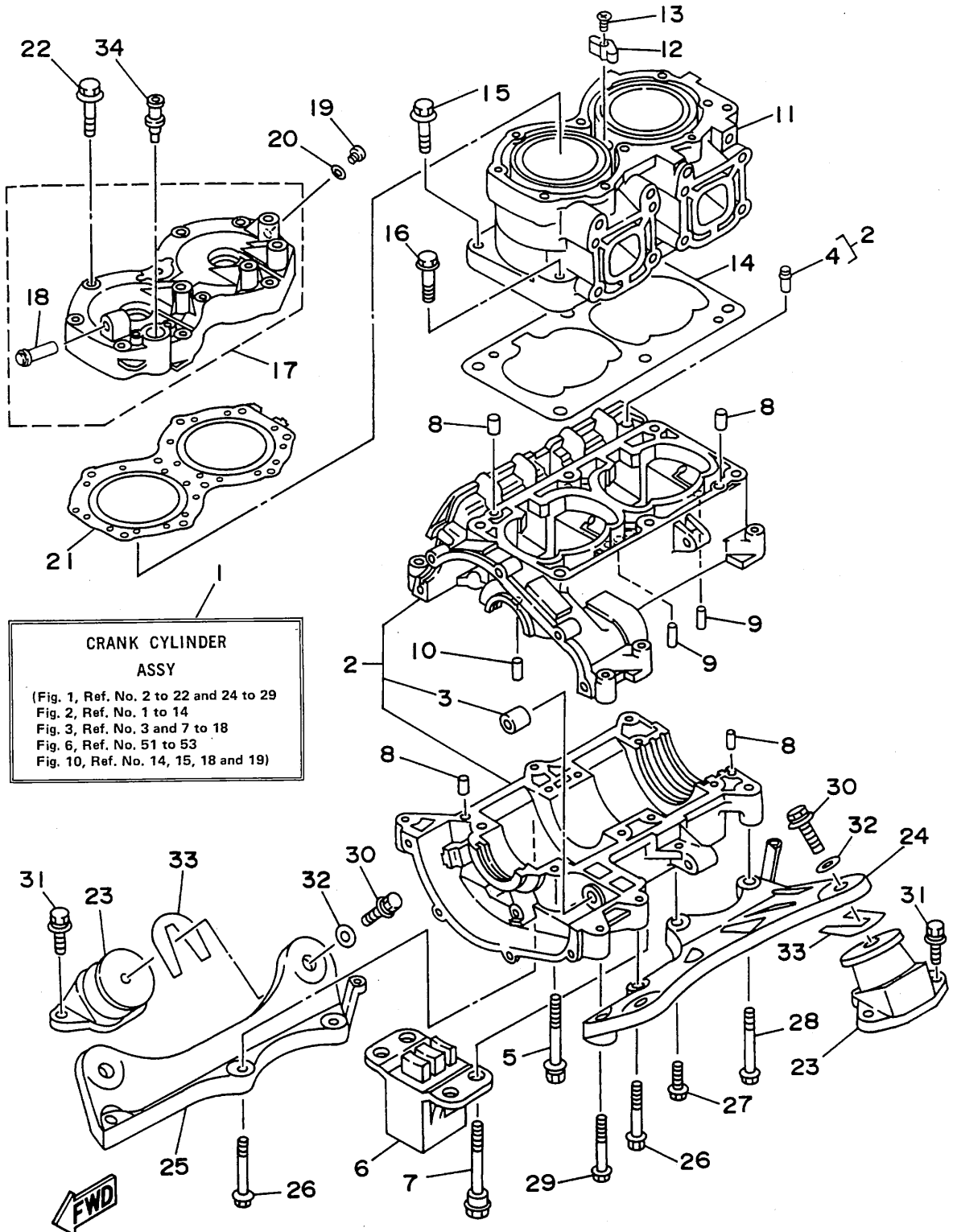
Fig. 1 CYLINDER. CRANKCASE



GHIACIO-5010

REF. NO.	PART NO.	DESCRIPTION	Q'TY	REMARKS
1	62T-W0090-00-4D	CRANK CYLINDER ASSY	1	UR OIL INJECTION
	62T-W0090-10-4D	CRANK CYLINDER ASSY	1	UR NON OIL INJECTION
2	62T-15100-00-94	CRANKCASE ASSY	1	
3	90380-12M29	.BUSH, SOLID	1	
4	62T-14251-00	.NIPPLE	1	
5	90119-08M55	BOLT, WITH WASHER	4	
6	62T-44532-10	STOPPER, UPPER MOUNT	1	
7	90109-08M56	BOLT	4	
8	93606-12019	PIN, DOWEL	4	
9	93603-10049	PIN, DOWEL	4	
10	93604-07141	PIN, DOWEL	1	
11	62T-11311-00-94	CYLINDER 1	1	
12	6E5-11325-00	ANODE	1	
13	98780-04015	SCREW, FLAT HEAD	1	
14	6M6-11351-A1	GASKET, CYLINDER	1	
15	90119-10M56	BOLT, WITH WASHER	4	
16	90119-10M07	BOLT, WITH WASHER	2	
17	62T-11111-00-94	HEAD, CYLINDER 1	1	
18	6K8-51129-00	.NIPPLE	1	
19	90340-08M04	PLUG, STRAIGHT SCREW	1	
20	90430-08020	GASKET	1	
21	62T-11181-00	GASKET, CYLINDER HEAD 1	1	
22	90119-08M19	BOLT, WITH WASHER	10	
23	6M6-44517-00-5B	MOUNT RUBBER	4	
24	6R7-21415-00-94	BRACKET, FRONT UPPER 1	1	
25	6R7-21425-00-94	BRACKET, REAR UPPER 1	1	
26	97513-10570	BOLT, WITH WASHER	4	
27	97513-10535	BOLT, WITH WASHER	1	

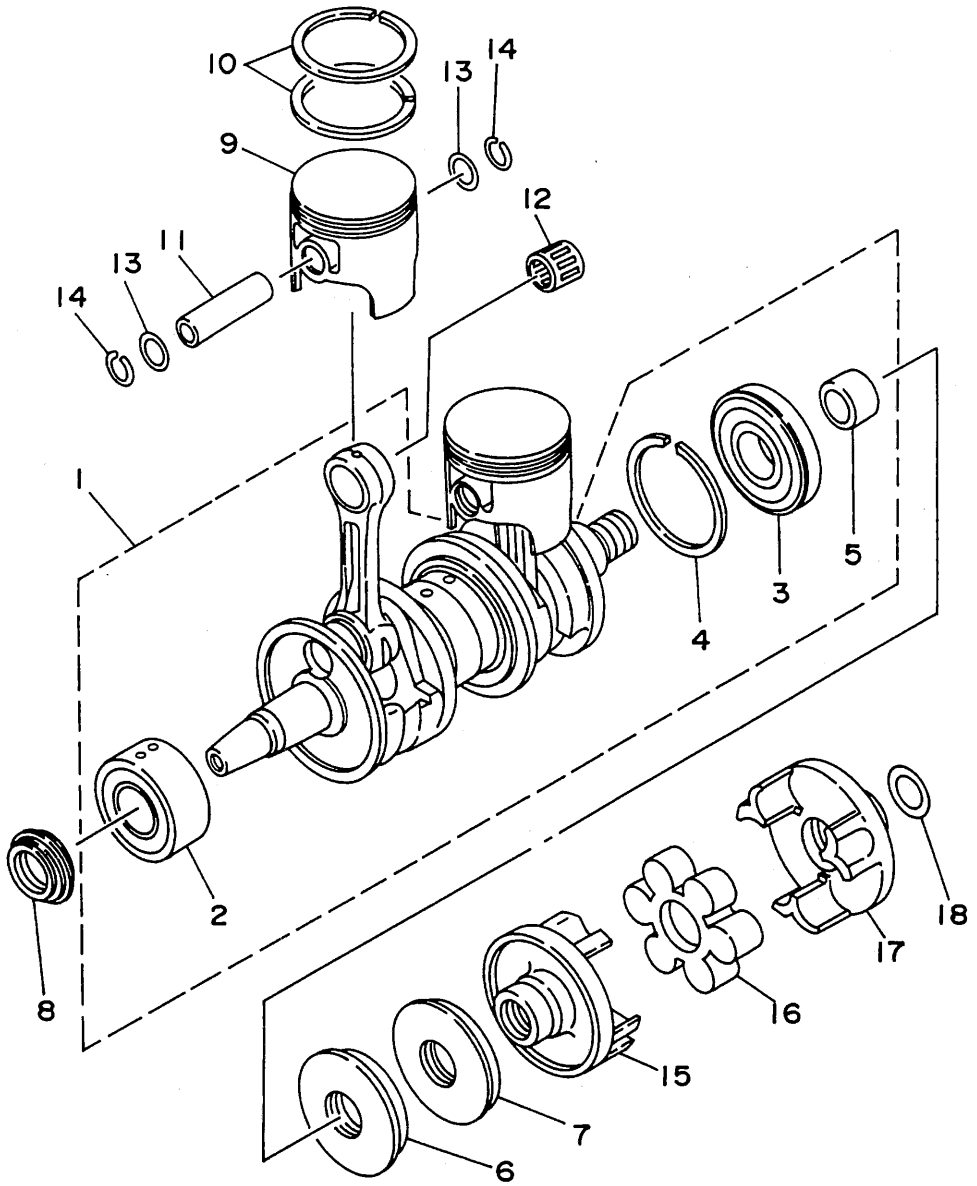
Fig. 1 CYLINDER. CRANKCASE



GHIA010-5010

REF. NO.	PART NO.	DESCRIPTION	Q'TY	REMARKS
28	97513-10580	BOLT, WITH WASHER	1	
29	97513-10565	BOLT, WITH WASHER	1	
30	90119-08904	BOLT, WITH WASHER	4	
31	90119-08038	BOLT, WITH WASHER	8	
32	EU0-67324-00	PLATE	4	
33	EU0-67354-00-01	SHIM (T=0.1)	10	UR
	EU0-67354-00-03	SHIM (T=0.3)	10	UR
	EU0-67354-00-05	SHIM (T=0.5)	10	UR
	EU0-67354-00-10	SHIM (T=1.0)	10	UR
	EU0-67354-00-20	SHIM (T=2.0)	10	UR
34	626-28193-01-94	PLUG, WATER CHECK	1	UR FOR JAPAN
	6E0-28193-01-94	PLUG, WATER CHECK	1	UR

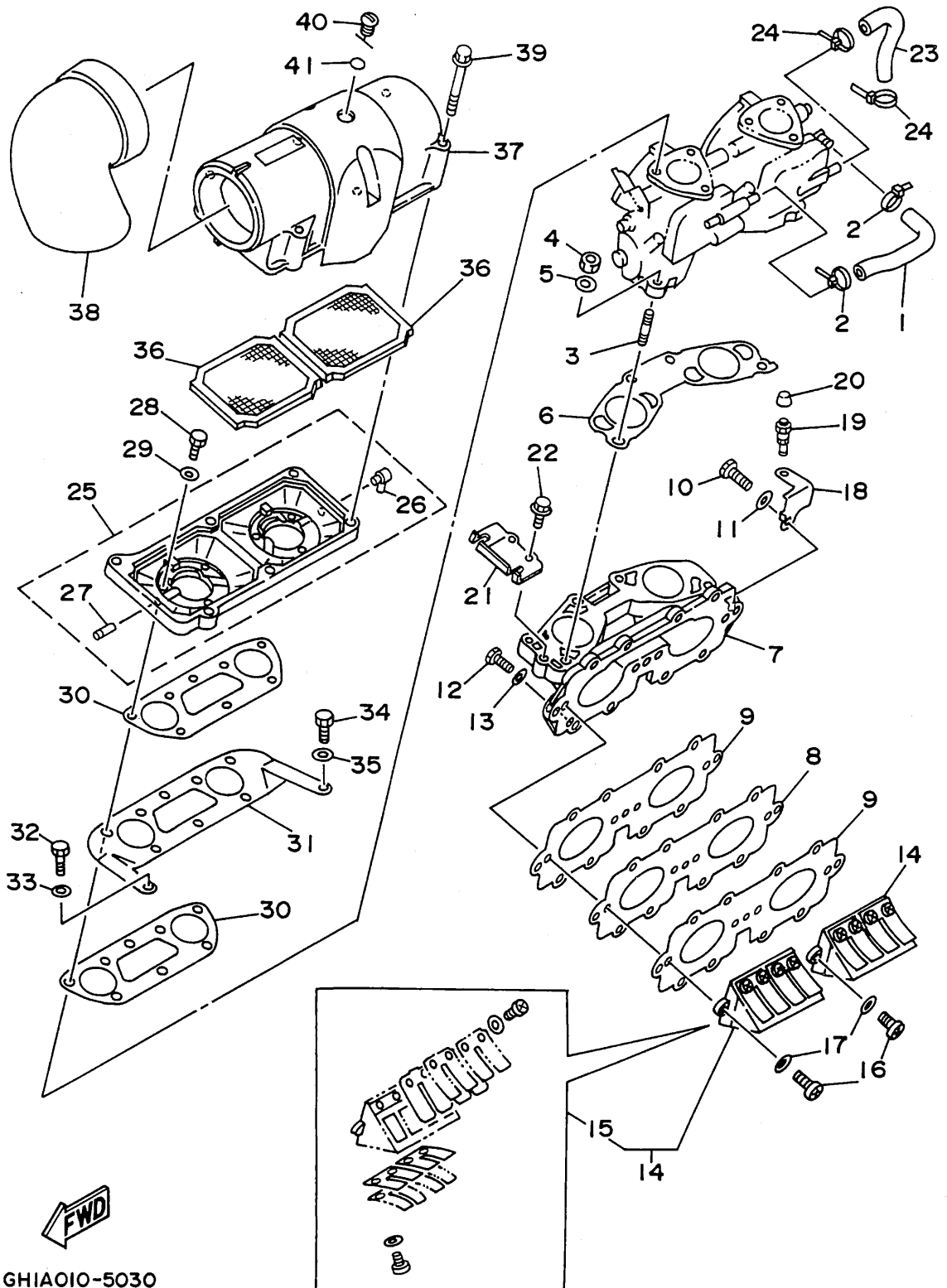
Fig. 2 CRANKSHAFT. PISTON



GHI4010-4020

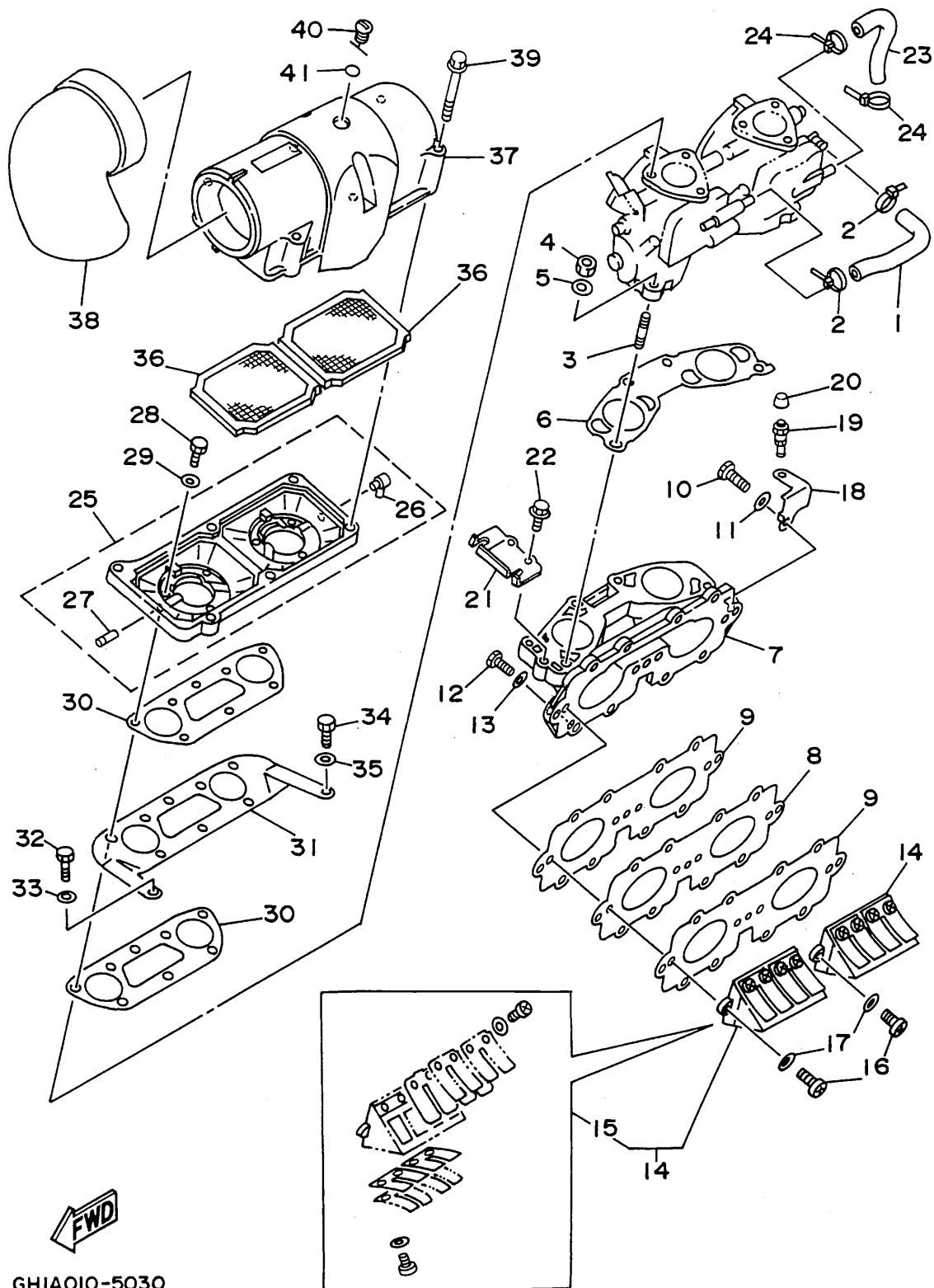
REF. NO.	PART NO.	DESCRIPTION	Q'TY	REMARKS
1	62T-11400-00	CRANKSHAFT ASSY	1	
2	93305-30601	.BEARING	1	
3	93306-307U1	.BEARING	1	
4	93440-80023	.CIRCLIP	1	
5	6M6-45526-00	.COLLAR, DRIVE SHAFT	1	
6	93102-36M33	OIL SEAL	1	
7	93101-36M46	OIL SEAL	1	
8	93103-32M01	OIL SEAL	1	
9	62T-11631-00-92	PISTON (STD)	2	
	62T-11635-00	PISTON (0.25MM O/S)	2	AP
	62T-11636-00	PISTON (0.50MM O/S)	2	AP
10	61X-11603-00	PISTON RING SET (STD)	2	
	61X-11604-00	PISTON RING SET (0.25MM O/S)	2	AP
	61X-11605-00	PISTON RING SET (0.50MM O/S)	2	AP
11	62T-11633-00	PIN, PISTON	2	
12	93310-320U2	BEARING, CYLINDRICAL	2	
13	90201-20M04	WASHER, PLATE	4	
14	93450-21053	CIRCLIP	4	
15	6M6-45813-30-9M	FLANGE, COUPLING	1	
16	61X-4581J-00	RUBBER SHAFT COUPLING	1	
17	6M6-45813-20-9M	FLANGE, COUPLING	1	
18	90201-24M02	WASHER, PLATE	1	

Fig. 3 INTAKE



REF. NO.	PART NO.	DESCRIPTION	Q'TY	REMARKS
1	62T-24313-00	PIPE 3	1	
2	90465-11M10	CLAMP	2	
3	90116-06M55	BOLT, STUD	4	
4	95380-08600	NUT	4	
5	92990-08600	WASHER, PLATE	4	
6	62T-13556-00	GASKET, MANIFOLD	1	
7	62T-13555-00-94	MANIFOLD, INTAKE	1	
8	62T-13624-00	PLATE, REED VALVE	1	
9	62T-13566-00	GASKET	2	
10	97014-06035	BOLT	3	
11	92990-06600	WASHER, PLATE	3	
12	97095-06025	BOLT	8	
13	92990-06600	WASHER, PLATE	8	
14	62T-13610-00	REED VALVE ASSY	2	
15	62T-W0004-00	.REED SET	1	
16	98580-05016	SCREW, PAN HEAD	4	
17	92990-05600	WASHER, PLATE	4	
18	62T-14243-00	PLATE	1	
19	61L-5169A-00	NIPPLE, GREASE	1	
20	663-45119-00	CAP, GREASE NIPPLE	1	
21	62T-14527-01	PLATE	1	
22	97513-06216	BOLT, WITH WASHER	2	
23	62T-24314-00	PIPE 4	1	
24	90465-11M10	CLAMP	2	
25	62T-14284-01-98	COVER, CARBURETOR 2	1	UR OIL INJECTION
	62T-14284-10-98	COVER, CARBURETOR 2	1	UR NON OIL INJECTION
26	6E5-11372-00	.NIPPLE, HOSE	1	
27	6H1-14485-00	.PIPE, JOINT	1	

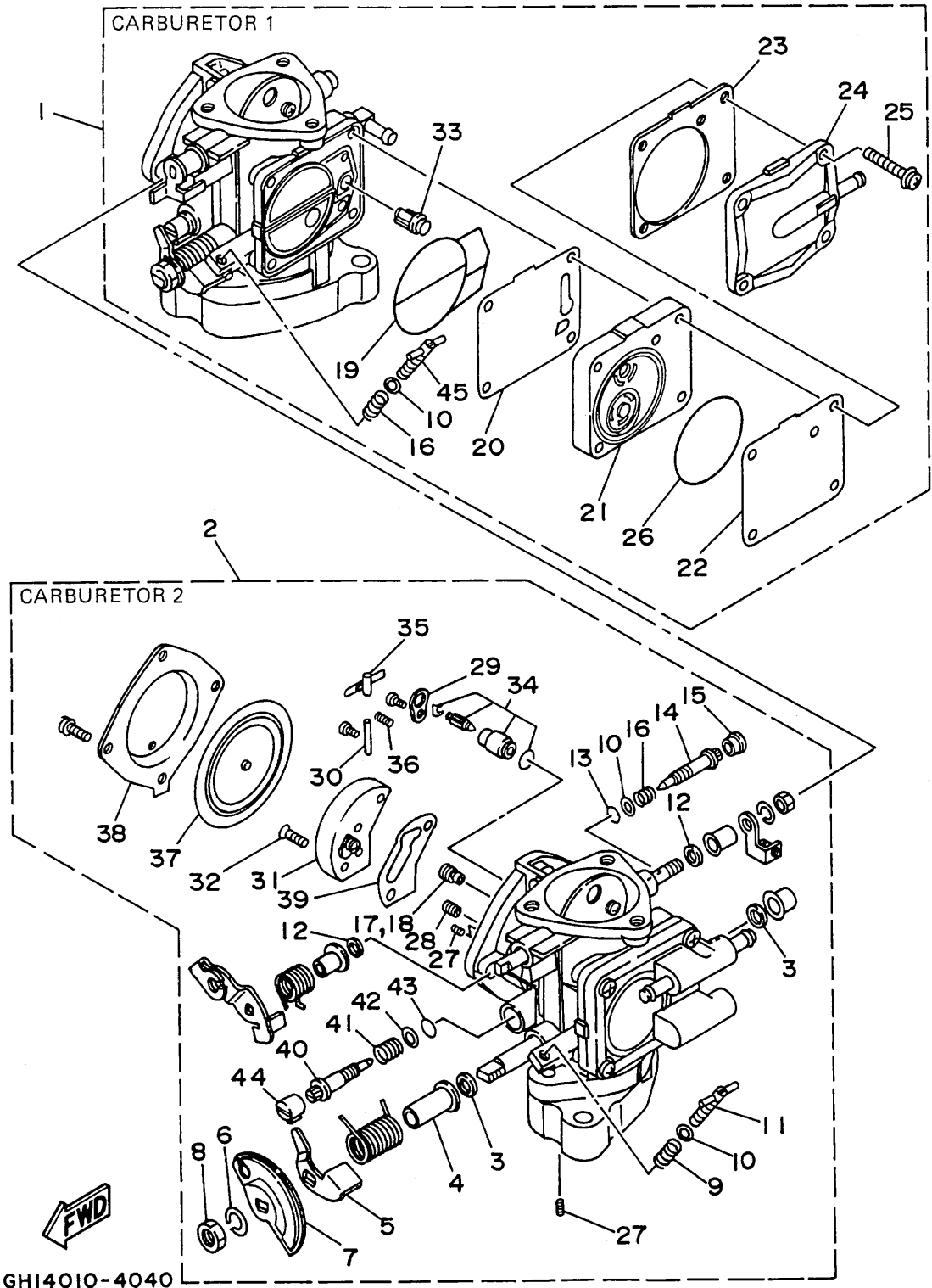
Fig. 3 INTAKE



GHI A010-5030

REF. NO.	PART NO.	DESCRIPTION	Q'TY	REMARKS
28	97095-06020	BOLT	6	
29	92990-06600	WASHER, PLATE	6	
30	62T-13674-00	GASKET, AIR COOLER COVER 1	2	
31	62T-14255-00	PLATE	1	
32	97013-06012	BOLT	1	
33	92990-06600	WASHER, PLATE	1	
34	90109-06M66	BOLT	1	
35	90201-06M31	WASHER, PLATE	1	
36	62T-14451-00	ELEMENT, AIR CLEANER	2	
37	62T-14283-00	COVER, CARBURETOR 1	1	
38	62T-14419-00	PIPE	1	
39	90105-05M46	BOLT, WASHER BASED	6	
40	62T-14435-00	GROMMET	1	
41	93210-13M63	O-RING	1	

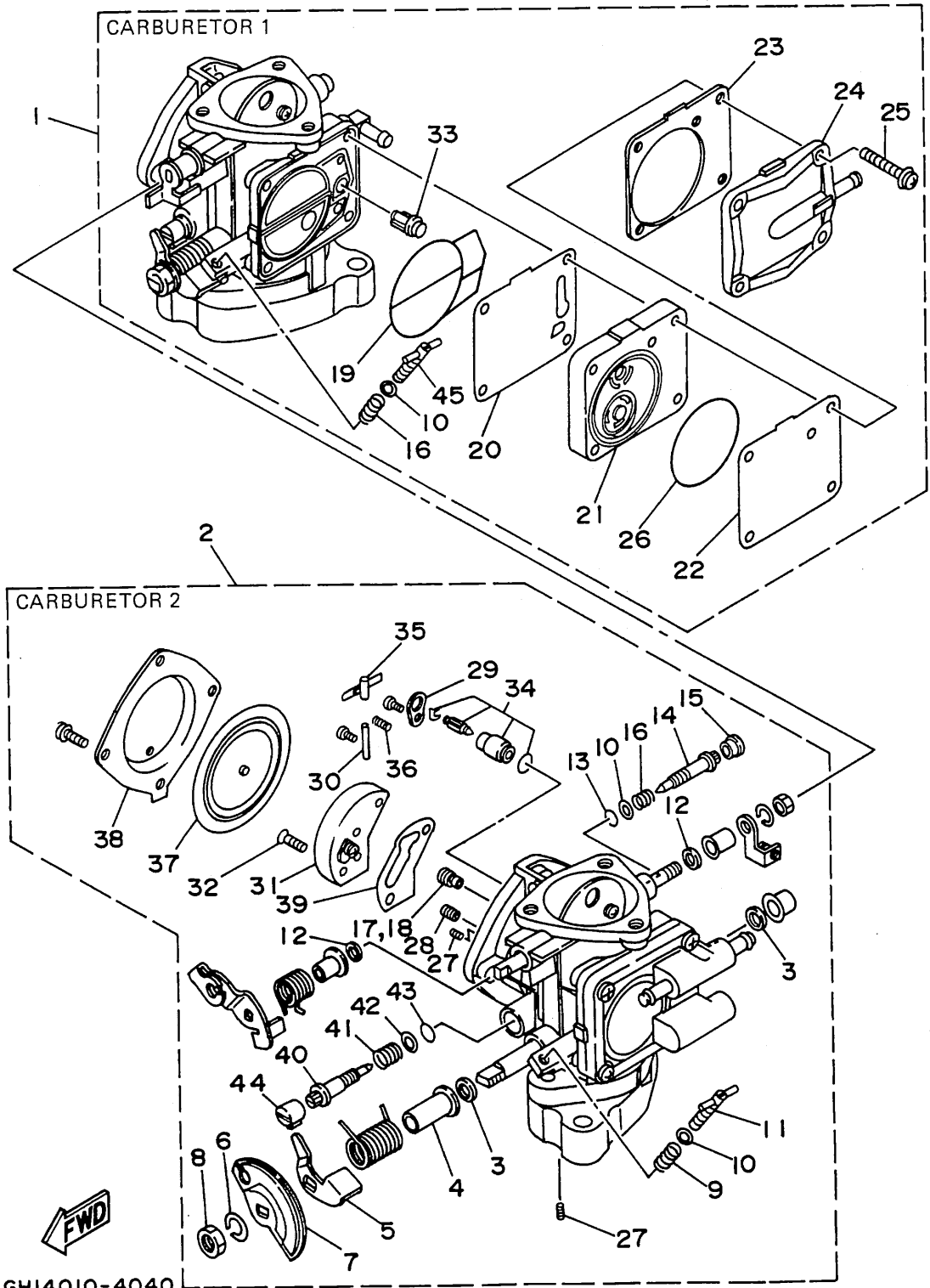
Fig. 4 CARBURETOR



GHI4010-4040

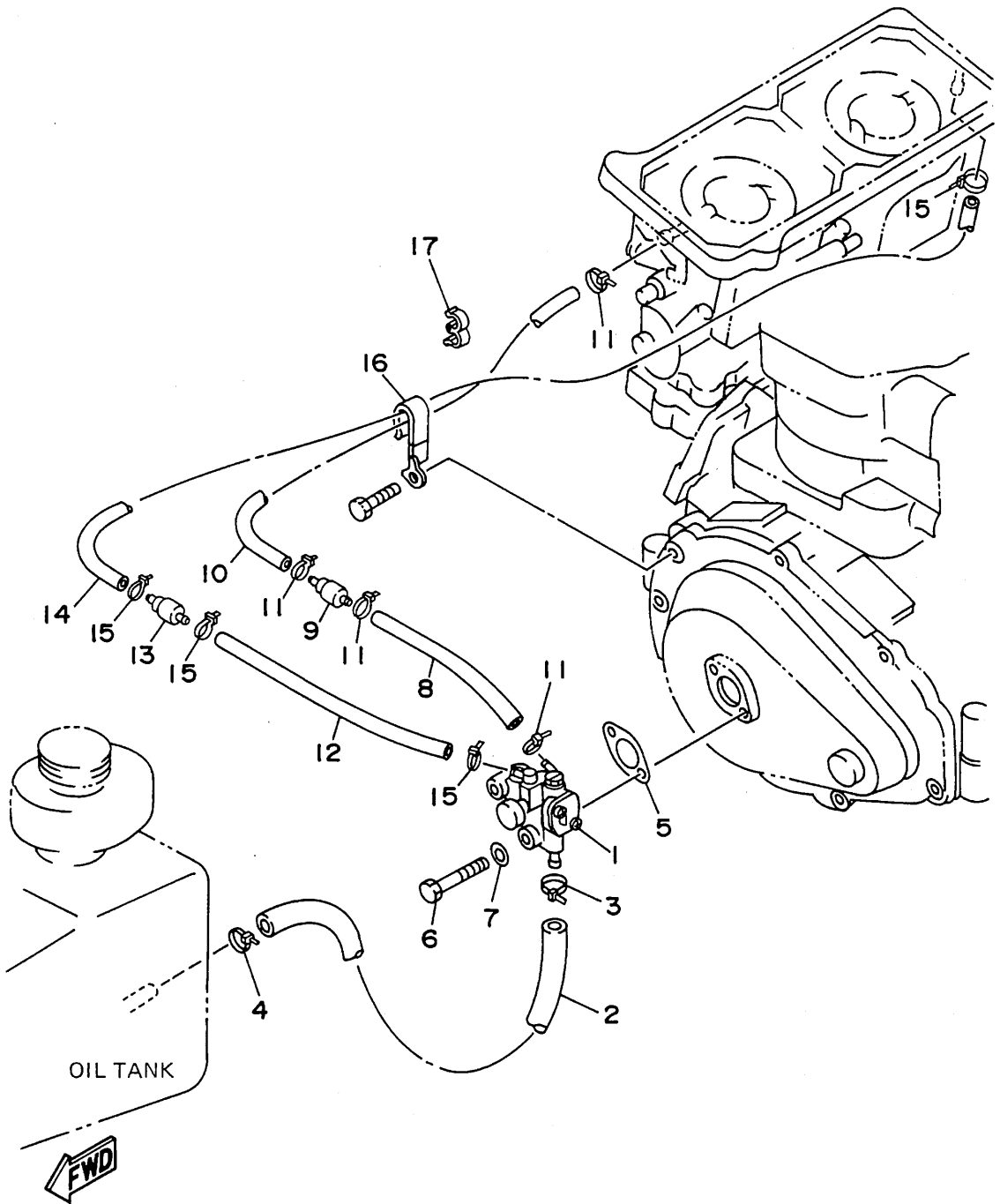
REF. NO.	PART NO.	DESCRIPTION	Q'TY	REMARKS
1	62T-14301-01	CARBURETOR ASSY 1	1	
2	62T-14302-01	CARBURETOR ASSY 2	1	
3	6R7-14596-01	.WASHER	4	
4	6K8-14534-10	.COLLAR	2	
5	6K8-14926-10	.BRACKET, THROTTLE 1	1	CARBURETOR 2
6	92990-08100	.WASHER, SPRING	2	
7	6K8-14930-00	.THROTTLE SHAFT ASSY	1	CARBURETOR 2
8	95380-08700	.NUT	2	
9	6K8-14531-00	.SPRING, ADJUST SCREW	1	CARBURETOR 2
10	6K8-14559-00	.WASHER	4	
11	6M6-14521-00	.SCREW, ADJUST	1	CARBURETOR 2
12	6K8-14597-11	.WASHER	4	
13	6K8-14562-00	.O-RING	2	
14	6K8-14946-10	.METERING NEEDLE	2	
15	6K8-14471-10	.CAP, CARBURETOR	2	
16	6K8-14533-00	.SPRING, ADJUST SCREW	3	
17	3G2-14231-26-A0	.JET, MAIN (#130)	1	CARBURETOR 1
18	3G2-14231-24	.JET, MAIN (#120)	1	CARBURETOR 2
19	6K8-14564-00	.O-RING	2	CARBURETOR 1
20	6K8-24411-20	.DIAPHRAGM	1	CARBURETOR 1
21	6M6-24413-00	.BODY 2	1	CARBURETOR 1
22	6K8-24421-10	.VALVE, CHECK	1	CARBURETOR 1
23	6K8-24431-20	.GASKET, FUEL PUMP 1	1	CARBURETOR 1
24	6K8-24452-10	.COVER	1	CARBURETOR 1
25	97980-05330	.SCREW, WITH WASHER	4	CARBURETOR 1
26	6K8-14563-00	.O-RING	1	CARBURETOR 1
27	6K8-14521-10	.SCREW	4	
28	830-1423A-64	.PILOT, JET (#67.5)	2	

Fig. 4 CARBURETOR



REF. NO.	PART NO.	DESCRIPTION	Q'TY	REMARKS
29	6K8-14527-11	.PLATE	2	
30	6K8-14579-00	.PIN, FLOAT	2	
31	6R7-24412-01	.BODY 1	2	
32	6K8-14523-11	.SCREW, STOP	4	
33	6R7-14569-00	.STRAINER	2	
34	61X-14916-15	.NEEDLE	2	
35	6K8-14547-01	.ARM, FLOAT	2	
36	6R7-14253-00	.SPRING	2	
37	6R7-14541-00	.DIAPHRAGM, PUMP	2	
38	6R7-14542-00	.BODY, PUMP 1	2	
39	6K8-14536-11	.GASKET	2	
40	6K8-14923-10	.SCREW, PILOT	2	
41	6K8-14589-00	.SPRING	2	
42	6K8-14537-00	.GASKET	2	
43	583-14561-00	.O-RING	2	
44	6K8-14481-10	.CAP, CARBURETOR	2	
45	6K8-14521-00	.SCREW, ADJUST	1	CARBURETOR 1

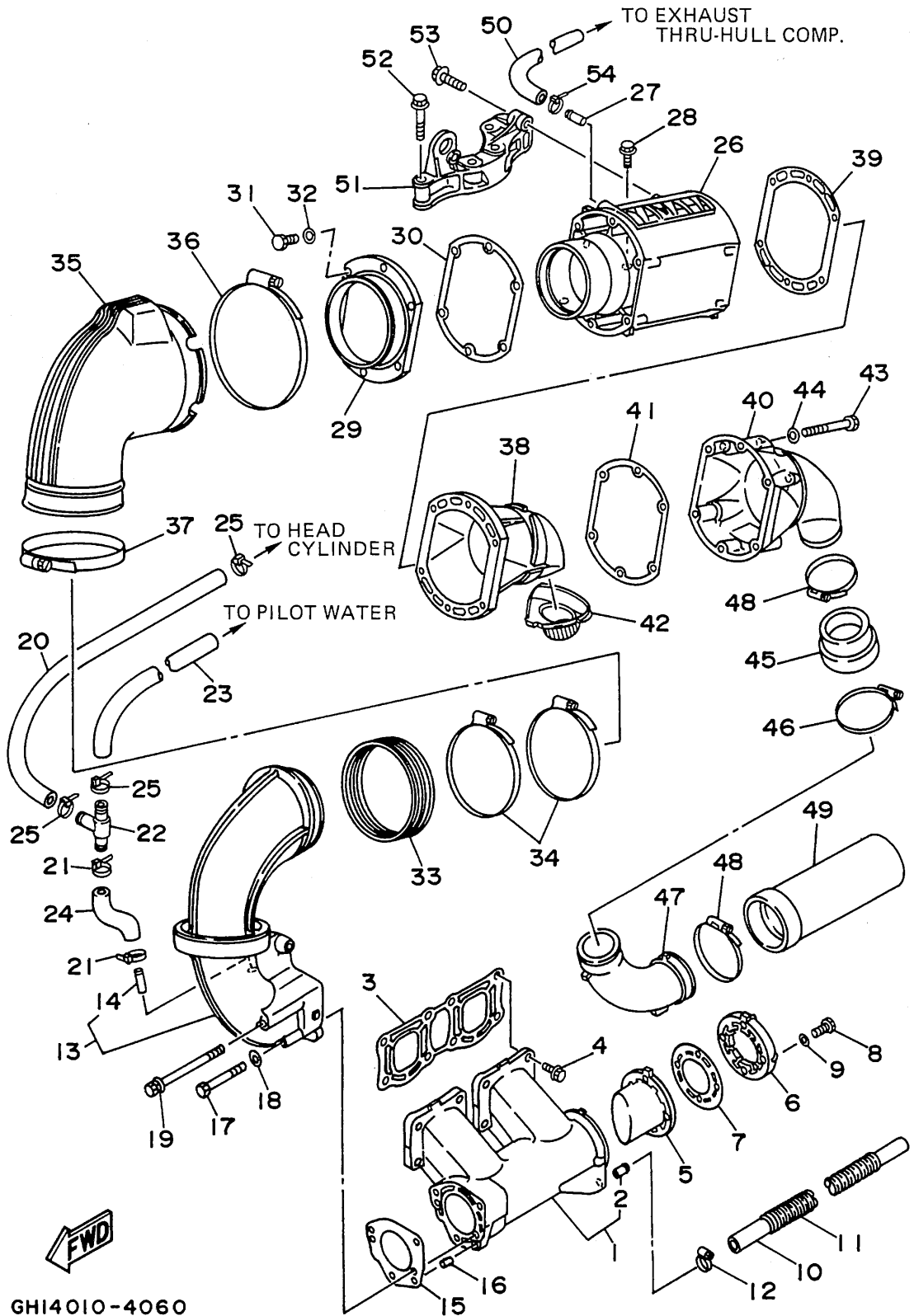
Fig. 5 OIL PUMP (FOR OIL INJECTION)



GHI4010-4050

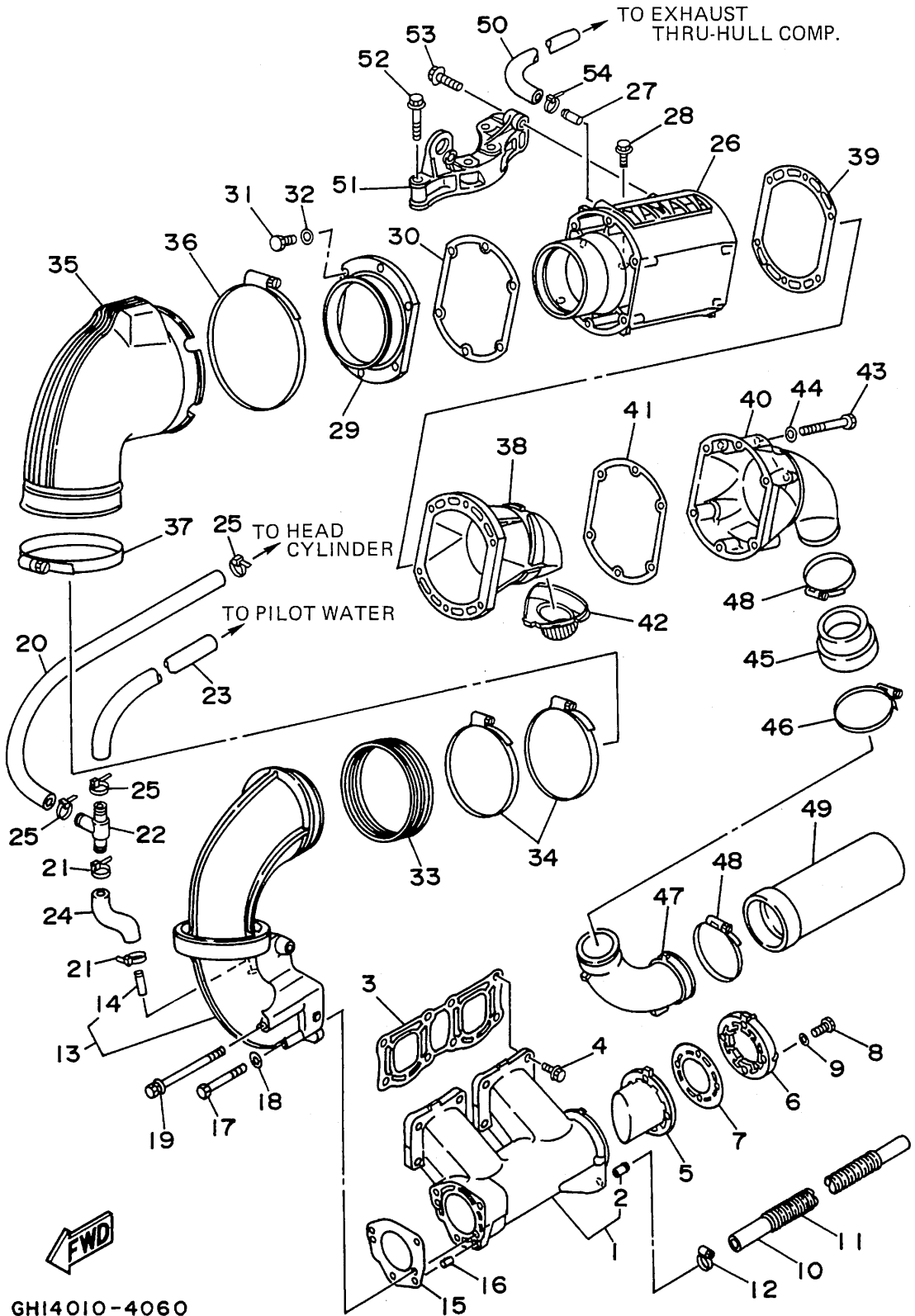
REF. NO.	PART NO.	DESCRIPTION	Q'TY	REMARKS
1	62T-13200-10	OIL INJECTION PUMP ASSY	1	
2	90445-11M33	HOSE	1	
3	90465-11M10	CLAMP	1	
4	90465-11M10	CLAMP	1	
5	6R8-13116-A0	GASKET, PUMP CASE	1	
6	97095-06035	BOLT	2	
7	92990-06600	WASHER, PLATE	2	
8	90445-07M87	HOSE	1	
9	6R3-13183-00	VALVE, CHECK	1	
10	90446-07M18	HOSE	1	
11	90465-11M10	CLAMP	4	
12	90446-07M17	HOSE	1	
13	6R3-13183-00	VALVE, CHECK	1	
14	90446-07M48	HOSE	1	
15	90465-11M10	CLAMP	4	
16	90465-08M37	CLAMP	1	
17	90464-10M38	CLAMP	2	

Fig. 6 EXHAUST 1



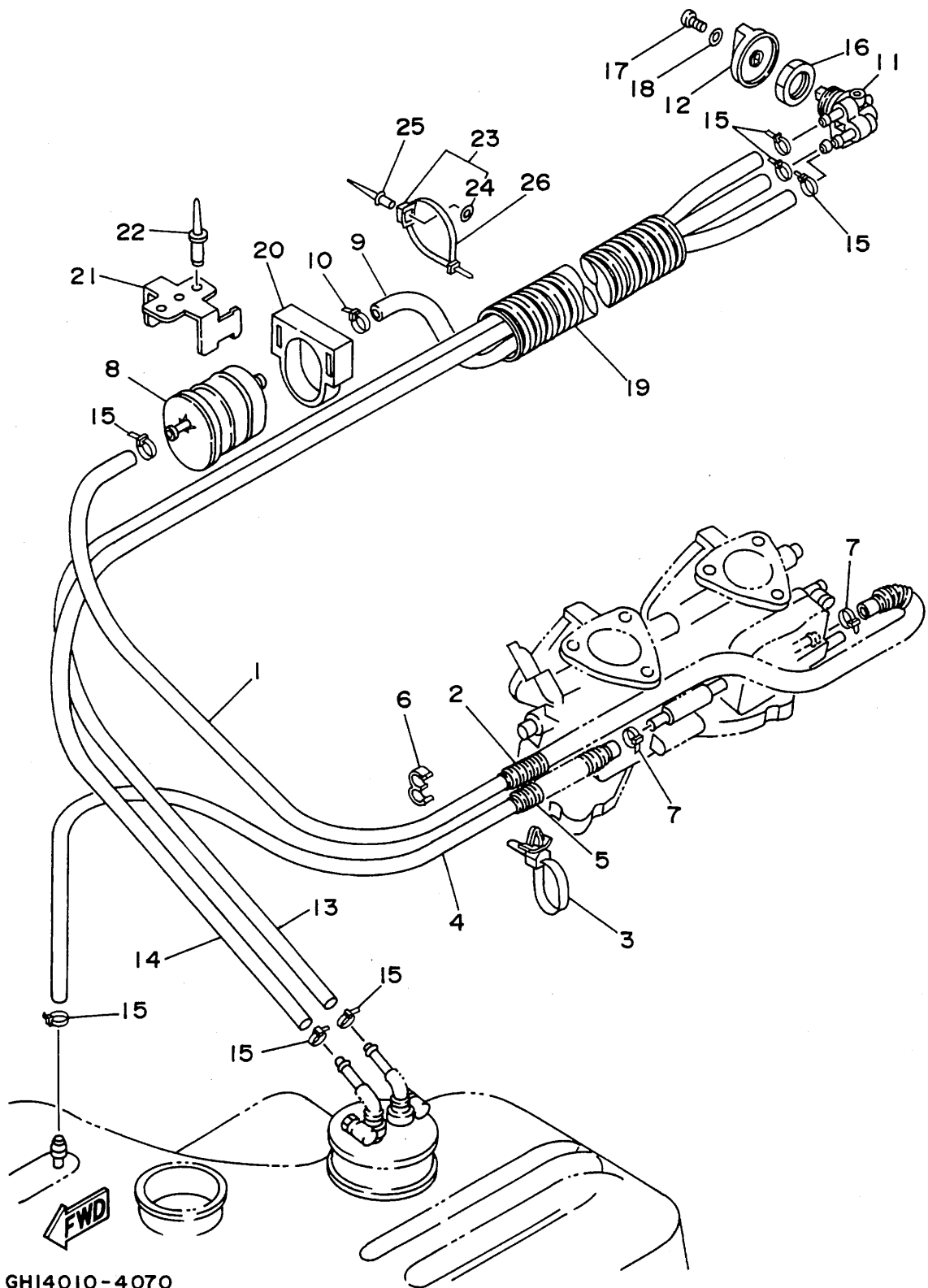
REF. NO.	PART NO.	DESCRIPTION	Q'TY	REMARKS
1	62T-14711-00-9M	MUFFLER 1	1	
2	6K8-51129-00	.NIPPLE	1	
3	62T-14613-00	GASKET, EXHAUST PIPE	1	
4	90105-10M60	BOLT, WASHER BASED	8	
5	62T-41111-00-9M	INNER COVER, EXHAUST	1	
6	62T-14718-00-9M	PROTECTOR, MUFFLER 1	1	
7	62T-14739-00	GASKET, MUFFLER DAMPER 1	2	
8	97095-06030	BOLT	4	
9	92990-06600	WASHER, PLATE	4	
10	90445-14M25	HOSE	1	
11	90446-20M31	HOSE	1	
12	90450-14M05	HOSE CLAMP ASSY	1	
13	62T-14712-00-9M	RING, JOINT	1	
14	6K8-51129-00	.NIPPLE	1	
15	62T-14749-00	GASKET, MUFFLER DAMPER 2	1	
16	93605-12M21	PIN, DOWEL	2	
17	97013-08075	BOLT	2	
18	92990-08600	WASHER, PLATE	2	
19	90119-08M11	BOLT, WITH WASHER	2	
20	90445-14M27	HOSE	1	
21	90465-11M10	CLAMP	2	
22	62T-24378-00	PIPE, JOINT 4	1	
23	90445-14M21	HOSE	1	
24	90445-14M28	HOSE	1	
25	90465-11M10	CLAMP	3	
26	62T-14721-00-94	MUFFLER 2	1	
27	62T-14485-10	PIPE, JOINT	1	
28	90105-10M60	BOLT, WASHER BASED	2	

Fig. 6 EXHAUST 1



REF. NO.	PART NO.	DESCRIPTION	Q'TY	REMARKS
29	62T-41113-00-9M	OUTER COVER, EXHAUST	1	
30	62T-41114-01	GASKET, EXHAUST OUTER COVER	1	
31	97095-06025	BOLT	6	
32	92990-06600	WASHER, PLATE	6	
33	62T-14625-00	JOINT, EXHAUST 2	1	
34	90450-99M06	HOSE CLAMP ASSY	2	
35	62T-14615-00	JOINT, EXHAUST 1	1	
36	90450-99M01	HOSE CLAMP ASSY	1	
37	90450-99M02	HOSE CLAMP ASSY	1	
38	62T-41121-00-9M	INNER COVER, EXHAUST	1	
39	62T-41122-00	GASKET, EXHAUST INNER COVER	1	
40	62T-41123-00-9M	OUTER COVER, EXHAUST	1	
41	62T-41124-00	GASKET, EXHAUST OUTER COVER	1	
42	62T-15761-00	SEAL, RUBBER 1	1	
43	97313-06070	BOLT	6	
44	92990-06600	WASHER, PLATE	6	
45	62T-14752-00	PIPE, OUTLET	1	
46	90450-85M04	HOSE CLAMP ASSY	1	
47	62T-1475A-01-9M	PIPE 1	1	
48	90450-70M03	HOSE CLAMP ASSY	2	
49	62T-14752-11	PIPE, OUTLET	1	
50	90445-21M00	HOSE	1	
51	62T-14771-00-94	STAY, MUFFLER 1	1	
52	90119-10M72	BOLT, WITH WASHER	4	
53	90105-10M45	BOLT, WASHER BASED	2	
54	90465-11M10	CLAMP	1	

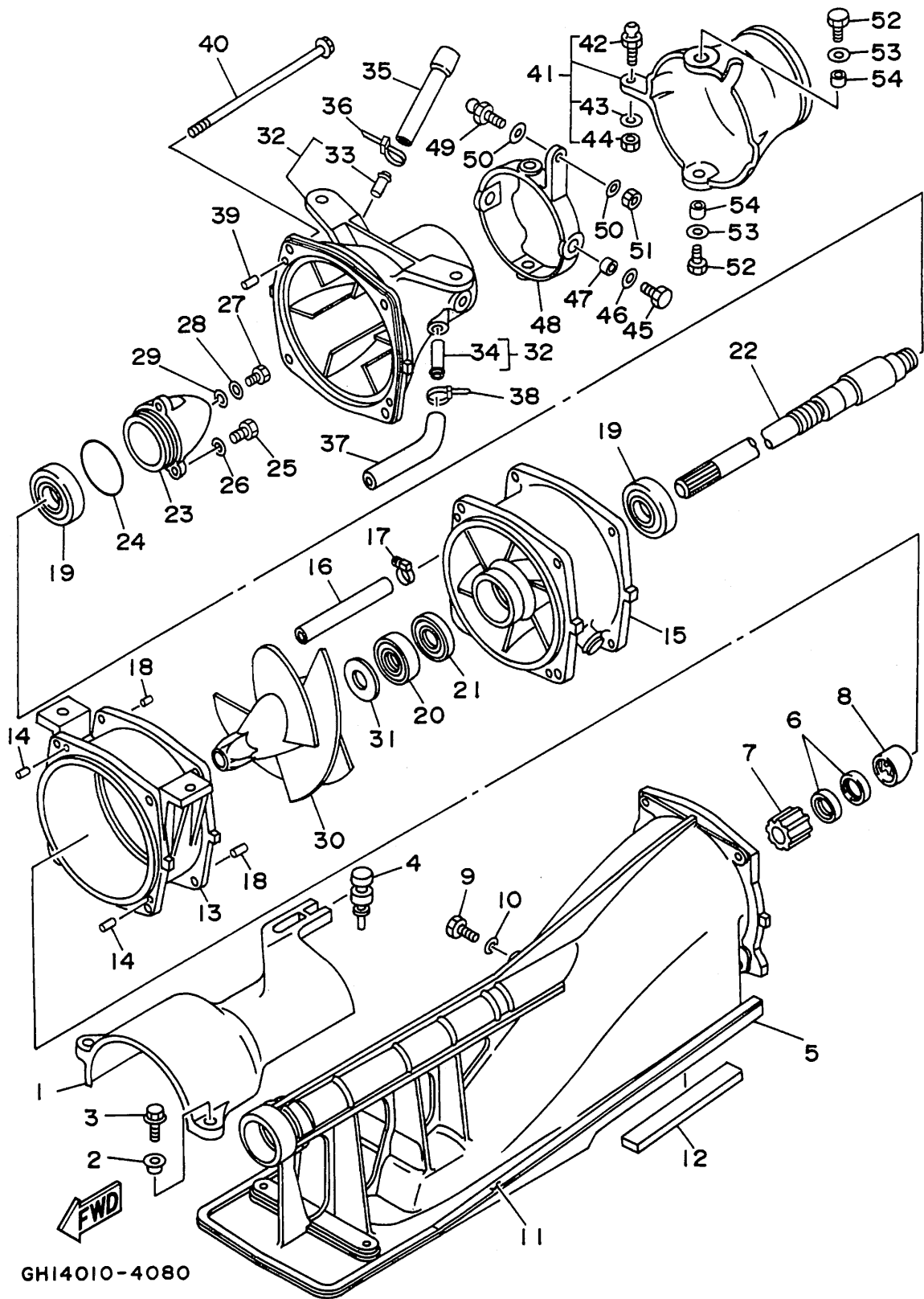
Fig. 7 FUEL



GHI4010-4070

REF. NO.	PART NO.	DESCRIPTION	Q'TY	REMARKS
1	90445-10M30	HOSE	1	
2	90446-14M49	HOSE	1	
3	90465-12M56	CLAMP	1	
4	90445-10M30	HOSE	1	
5	90446-14M28	HOSE	1	
6	90464-09M31	CLAMP	1	
7	90465-11M10	CLAMP	2	
8	6K8-24560-10	FILTER ASSY	1	
9	90445-10M72	HOSE	1	
10	90465-11M10	CLAMP	1	
11	6K8-24500-02	FUEL COCK ASSY 1	1	
12	6K8-24524-10	LEVER, COCK	1	
13	90445-10M70	HOSE	1	
14	90445-10M71	HOSE	1	
15	90465-11M10	CLAMP	7	
16	90170-22M11	NUT	1	
17	98580-04010	SCREW, PAN HEAD	1	
18	92990-04600	WASHER, PLATE	1	
19	GH1-6773D-00	TUBE	1	
20	EU0-67817-00	HOLDER	1	
21	FN8-67816-00	BRACKET, FUEL FILTER	1	
22	90267-48938	RIVET, BLIND	2	
23	90600-91736	CLAMP	2	
24	90201-05925	WASHER, PLATE	1	
25	90267-48925	RIVET, BLIND	2	
26	90601-20006	NYLON CLIP 1	4	

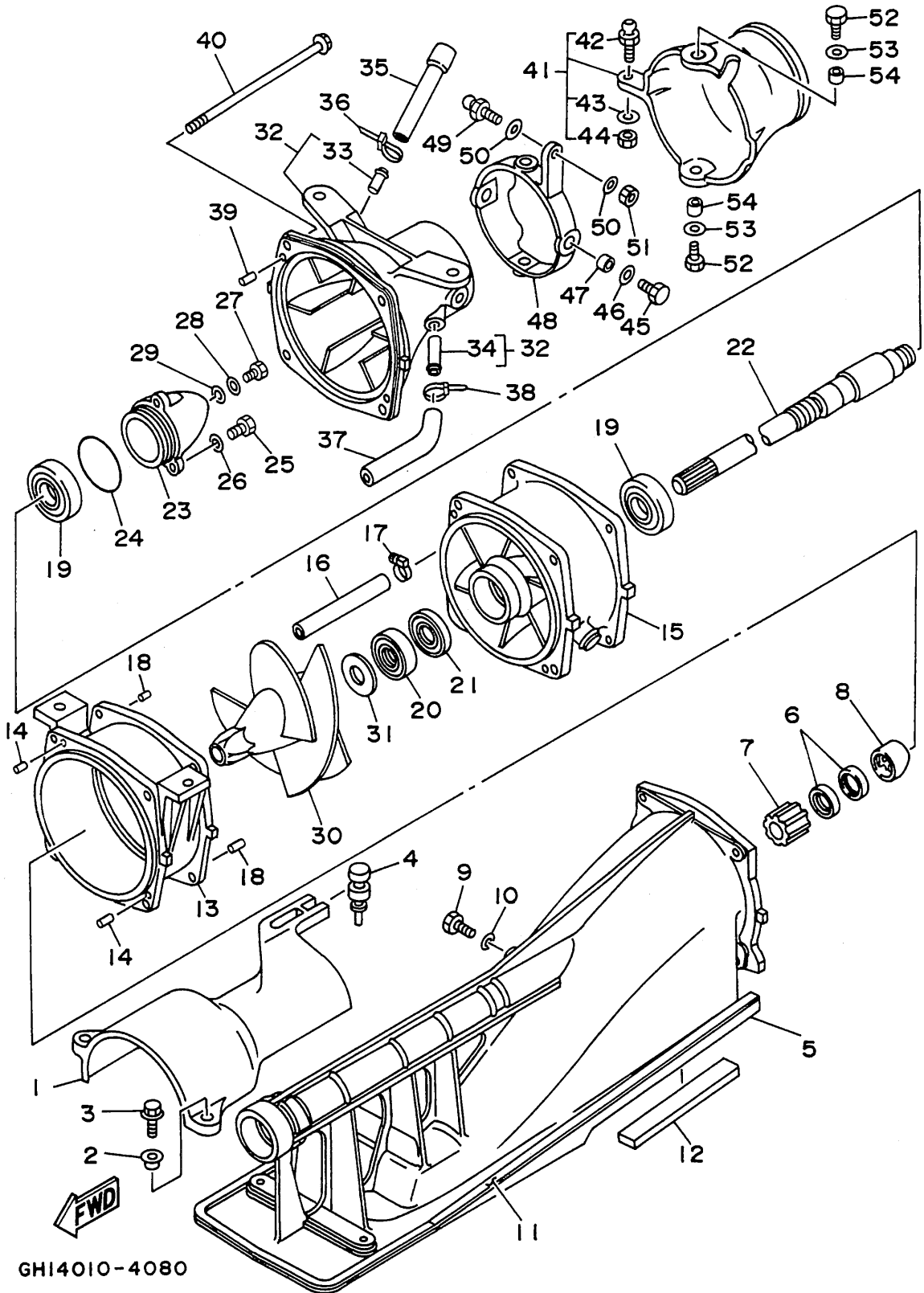
Fig. 8 JET UNIT 1



GHI4010-4080

REF. NO.	PART NO.	DESCRIPTION	Q'TY	REMARKS
1	62T-51381-00	COVER	1	
2	90387-06M60	COLLAR	2	
3	97595-06525	BOLT, WITH WASHER	2	
4	90480-06M46	GROMMET	1	
5	62T-51311-00-94	DUCT, INTAKE	1	
6	93102-18M35	OIL SEAL	2	
7	6R8-45318-00	BUSHING, DRIVE SHAFT	1	
8	6R8-51348-00-5B	SPACER	1	
9	97095-06025	BOLT	1	
10	92990-06600	WASHER, PLATE	1	
11	6R8-51367-01	FELT, PACKING	2	
12	62T-51368-00	FELT, PACKING	2	
13	6R8-51312-00-94	HOUSING, IMPELLER	1	
14	93606-12019	PIN, DOWEL	2	
15	62T-51315-00-94	DUCT, IMPELLER	1	
16	90445-14M17	HOSE	1	
17	90450-14M05	HOSE CLAMP ASSY	1	
18	93606-12019	PIN, DOWEL	2	
19	93306-205U0	BEARING	2	
20	93102-25M34	OIL SEAL	1	
21	93101-25M50	OIL SEAL	1	
22	6R8-45511-00	SHAFT, DRIVE	1	
23	6R7-51326-00-94	CAP	1	
24	93210-46M16	O-RING	1	
25	97095-06016	BOLT	3	
26	92990-06600	WASHER, PLATE	3	
27	97095-06012	BOLT	1	
28	92990-06600	WASHER, PLATE	1	

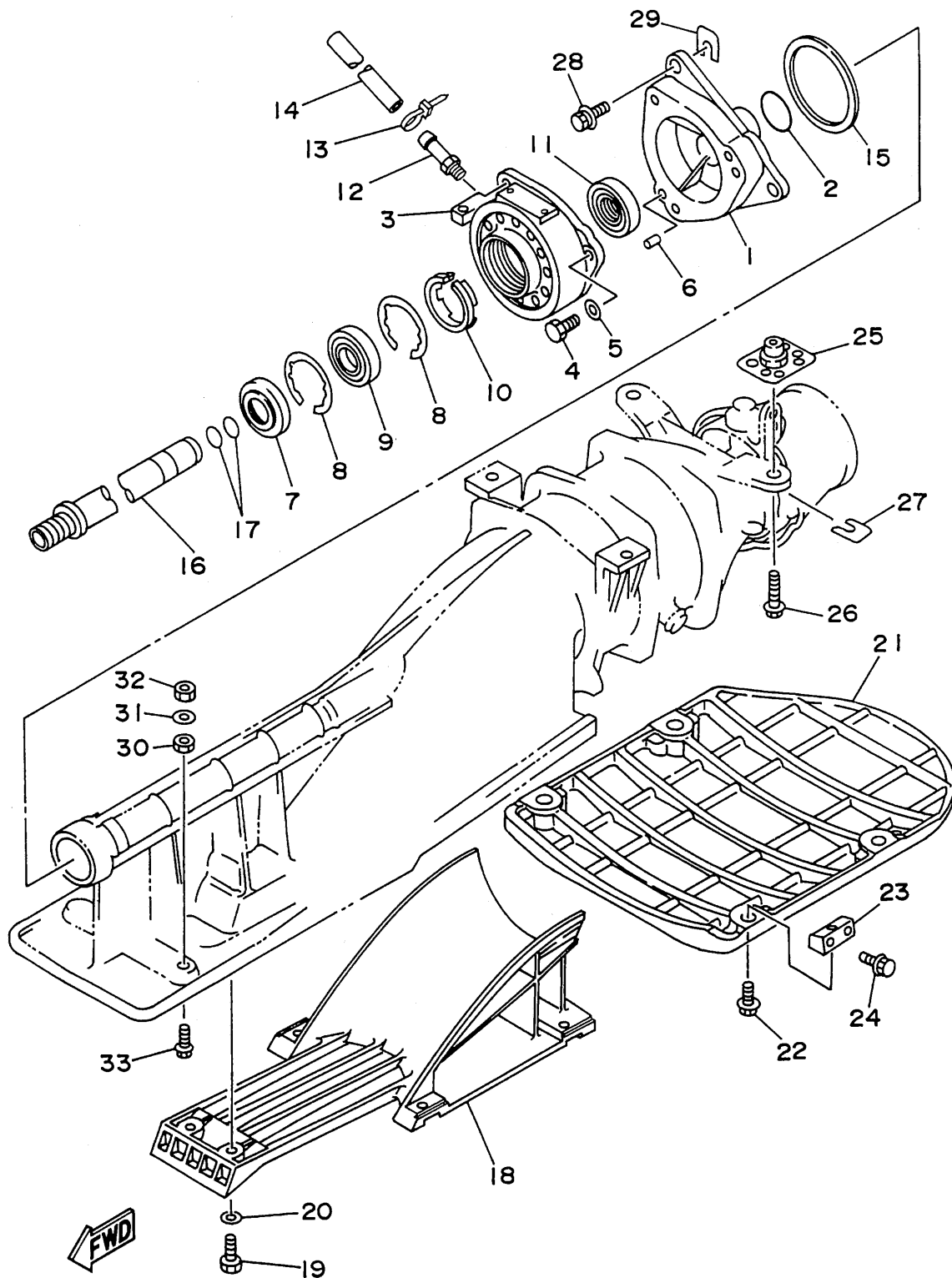
Fig. 8 JET UNIT 1



GHI4010-4080

REF. NO.	PART NO.	DESCRIPTION	Q'TY	REMARKS
29	90430-06M03	GASKET	1	
30	62T-51321-A0	IMPELLER	1	
31	62T-51348-00	SPACER	1	
32	62T-51318-00-5B	NOZZLE	1	
33	6K8-51129-00	.NIPPLE	1	
34	62T-51129-00	.NIPPLE	1	
35	62T-51673-00	PIPE 1	1	
36	90465-13M11	CLAMP	1	
37	90445-14M24	HOSE	1	
38	90465-13M11	CLAMP	1	
39	93606-12019	PIN, DOWEL	2	
40	90101-06M04	BOLT	4	
41	62T-51313-00	NOZZLE, DEFLECTOR	1	
42	6R7-42316-00	.BOLT, JOINT	1	
43	90201-06M02	.WASHER, PLATE	1	
44	95380-06700	.NUT	1	
45	97395-08018	BOLT	2	
46	92995-08600	WASHER	2	
47	90387-08M08	COLLAR	2	
48	62T-51190-00-5B	RING, TRIM	1	
49	6R7-42316-00	BOLT, JOINT	1	
50	90201-06M31	WASHER, PLATE	2	
51	95380-06700	NUT	1	
52	97095-08020	BOLT	2	
53	92995-08600	WASHER	2	
54	90387-08M06	COLLAR	2	

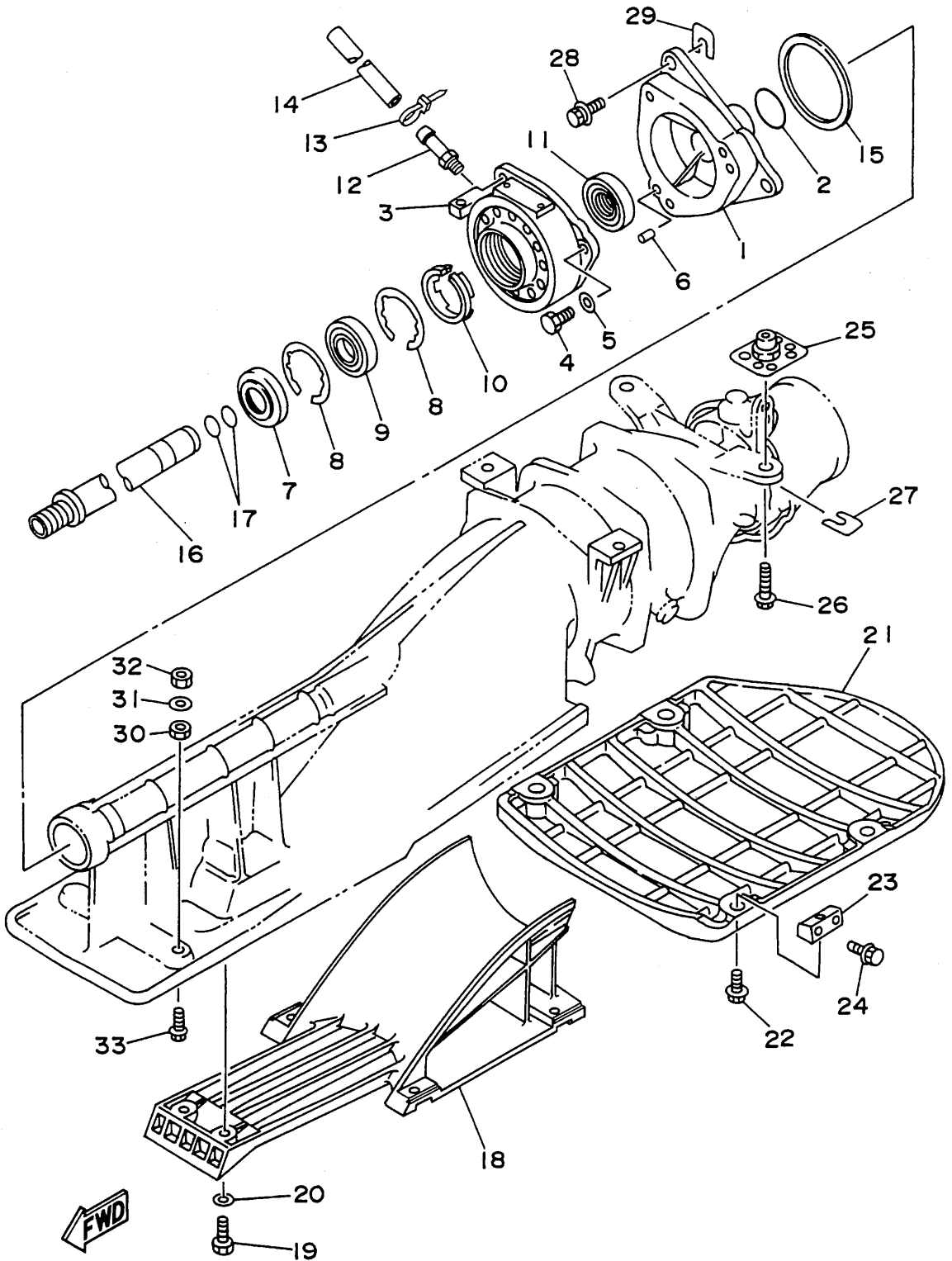
Fig. 9 JET UNIT 2



GHIAOIO-5090

REF. NO.	PART NO.	DESCRIPTION	Q'TY	REMARKS
1	62G-45331-00-94	HOUSING, BEARING	1	
2	93210-35M72	O-RING	1	
3	61X-45332-01-9M	HOUSING, BEARING	1	
4	97395-08025	BOLT	3	
5	92995-08600	WASHER	3	
6	93606-12019	PIN, DOWEL	2	
7	93101-25M55	OIL SEAL	1	
8	93430-47M04	CIRCLIP	2	
9	93306-205U6	BEARING	1	
10	63M-51348-00	SPACER	1	
11	93101-25M56	OIL SEAL	1	
12	61L-45378-00	NIPPLE, HOSE	1	
13	90465-11M10	CLAMP	1	
14	90445-09M21	HOSE	1	
15	6K8-45127-00	SEAL	1	
16	6R8-51323-10	SHAFT, COUPLOR	1	
17	93210-17MA4	O-RING	2	
18	62T-51333-00-5B	SCREEN, INTAKE	1	
19	97095-06018	BOLT	6	
20	92990-06600	WASHER, PLATE	6	
21	GH1-6273B-00	PLATE 2	1	
22	90119-08927	BOLT, WITH WASHER	4	
23	FX1-62733-00	PACKING	4	
24	90119-08038	BOLT, WITH WASHER	8	
25	90179-10957	NUT	4	
26	90119-10906	BOLT, WITH WASHER	4	
27	EW2-67354-00-01	SHIM (T=0.1)	2	UR
	EW2-67354-00-03	SHIM (T=0.3)	2	UR

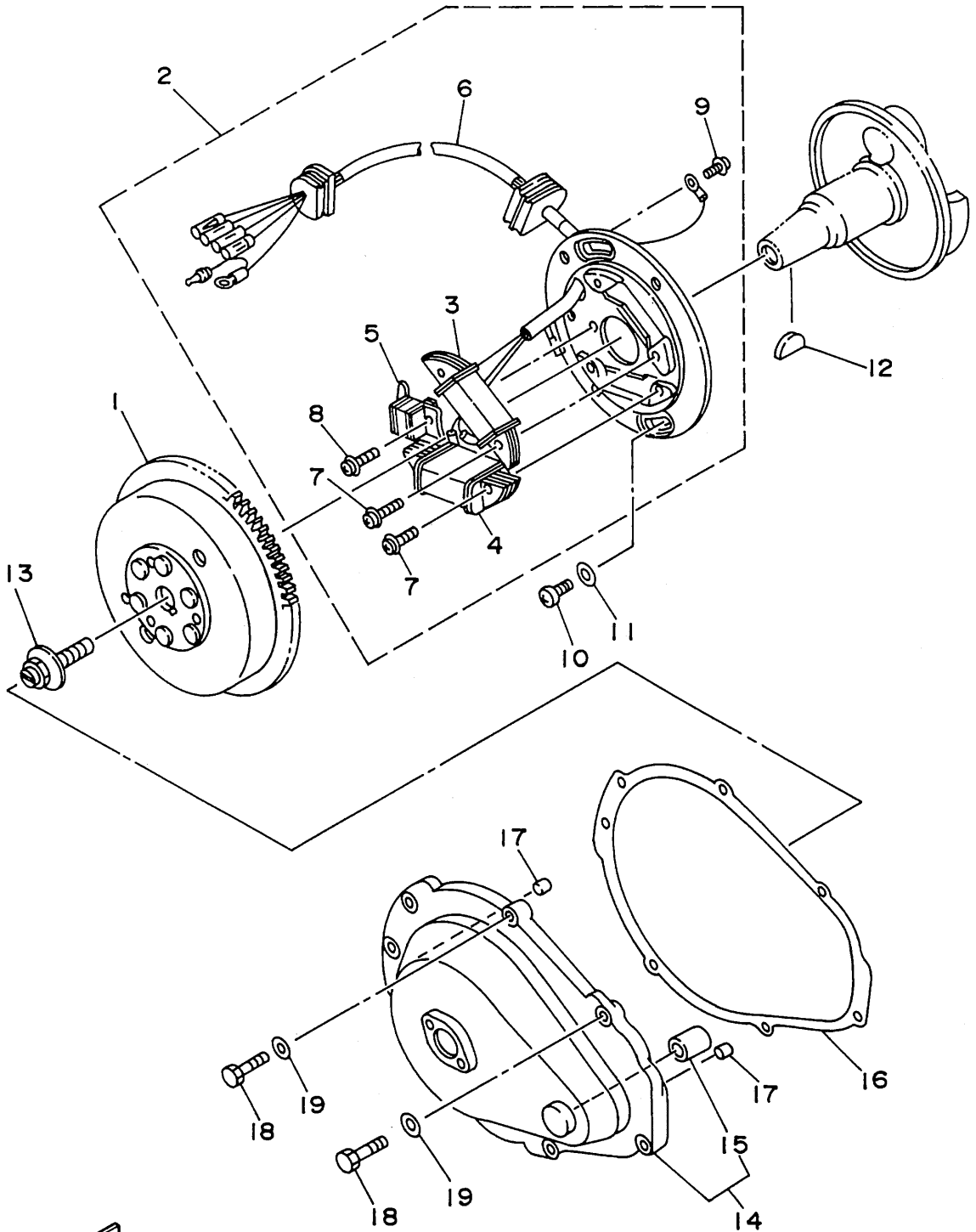
Fig. 9 JET UNIT 2



GHIAOIO-5090

REF. NO.	PART NO.	DESCRIPTION	Q'TY	REMARKS
27	EW2-67354-00-05	SHIM (T=0.5)	2	UR
	EW2-67354-00-10	SHIM (T=1.0)	2	UR
28	90119-08907	BOLT, WITH WASHER	3	
29	GDO-67249-00-05	SHIM (T=0.5)	2	UR
	GDO-67249-00-10	SHIM (T=1.0)	2	UR
30	90180-06900	NUT, T	2	
31	92990-10600	WASHER, PLATE	2	
32	95380-10600	NUT	2	
33	90119-06934	BOLT, WITH WASHER	2	

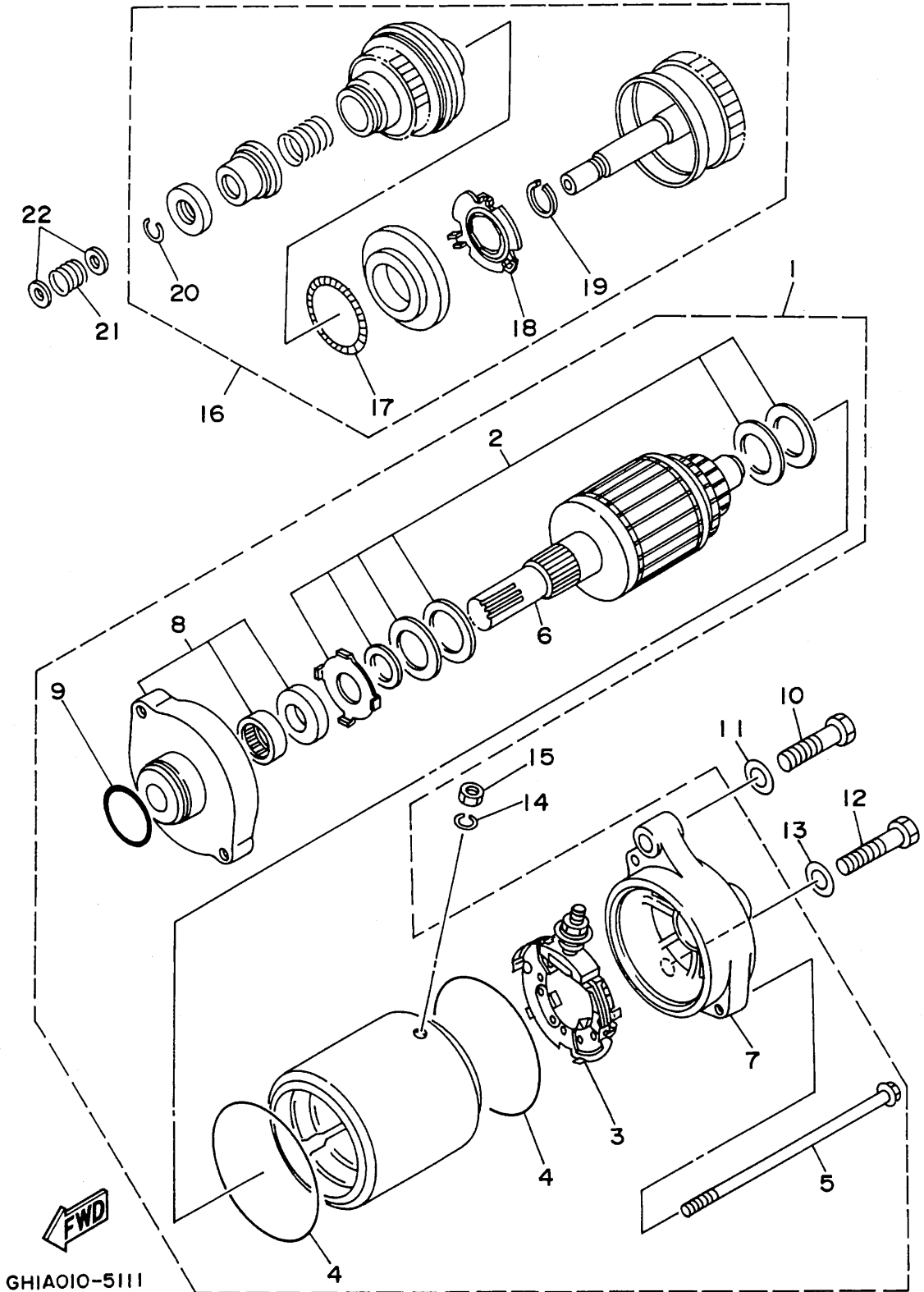
Fig. 10 GENERATOR



GHI4010-4100

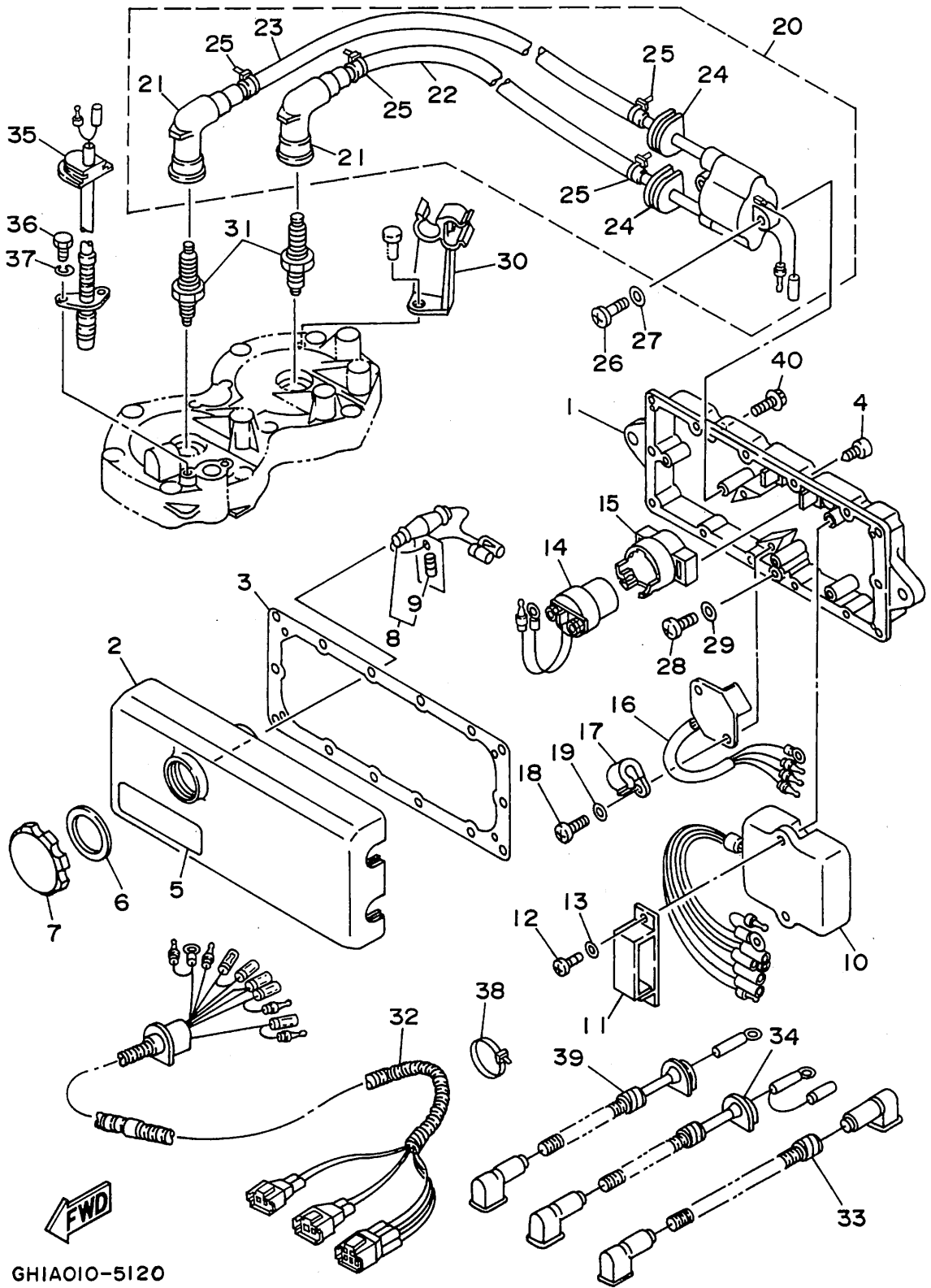
REF. NO.	PART NO.	DESCRIPTION	Q'TY	REMARKS
1	62T-85550-00	ROTOR ASSY	1	
2	62T-85560-00	BASE ASSY	1	
3	62T-85520-00	.COIL, CHARGE	1	
4	62T-85533-00	.COIL, LIGHTING	1	
5	6M6-85580-00	.COIL, PULSER	1	
6	62T-85515-00	.LEAD WIRE ASSY	1	
7	97902-05125	.SCREW, WITH WASHER	4	
8	97902-04122	.SCREW, WITH WASHER	2	
9	98580-04008	.SCREW, PAN HEAD	1	
10	98580-06016	SCREW, PAN HEAD	2	
11	92990-06600	WASHER, PLATE	2	
12	90280-16053	KEY, WOODRUFF	1	
13	90109-10M47	BOLT	1	UR OIL INJECTION
	90109-10M44	BOLT	1	UR NON OIL INJECTION
14	6R8-81337-00-9M	COVER, FLYWHEEL	1	UR OIL INJECTION
	6M6-81337-00-4D	COVER, FLYWHEEL	1	UR NON OIL INJECTION
15	90380-12M29	.BUSH, SOLID	1	
16	6M6-81365-A0	GASKET, HOLE COVER	1	
17	93606-12019	PIN, DOWEL	2	
18	97095-06025	BOLT	7	
19	92990-06600	WASHER, PLATE	7	

Fig. 11 STARTING MOTOR



REF. NO.	PART NO.	DESCRIPTION	Q'TY	REMARKS
1	6M6-81800-10	STARTING MOTOR ASSY	1	
2	3AJ-81809-00	.WASHER KIT	1	
3	6M6-81840-10	.BRUSH HOLDER ASSY	1	
4	11H-81844-00	.GASKET	2	
5	6M6-81826-00	.BOLT	2	
6	6M6-81850-00	.ARMATURE ASSY	1	
7	6M6-81820-00	.REAR BRACKET ASSY	1	
8	6M6-81830-00	.FRONT BRACKET ASSY	1	
9	26H-81847-00	.O-RING	1	
10	97313-08040	BOLT	1	
11	92990-08600	WASHER, PLATE	1	
12	97313-08035	BOLT	1	
13	92990-08600	WASHER, PLATE	1	
14	92995-06100	WASHER, SPRING	1	
15	95380-06700	NUT	1	
16	6M6-8183E-00	IDLE GEAR COMP.	1	
17	6M6-81866-00	.WEIGHT, SPRING	1	
18	6M6-81865-00	.WEIGHT, HOLDER	1	
19	93440-25M08	.CIRCLIP	1	
20	93450-18M06	.CIRCLIP	1	
21	90501-14M73	SPRING, COMPRESSION	1	
22	92990-06600	WASHER, PLATE	2	

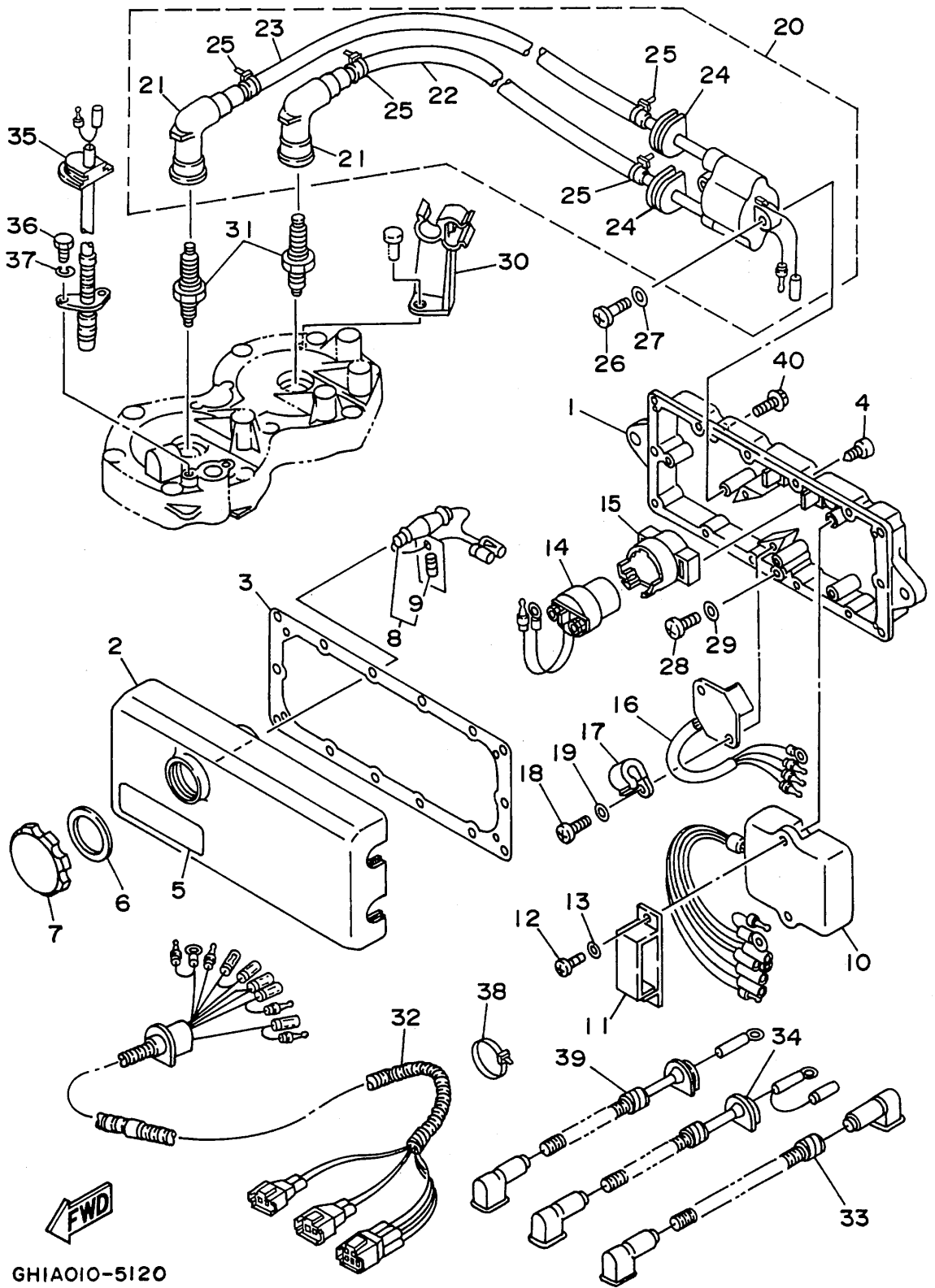
Fig. 12 ELECTRICAL 1



GHIAO10-5120

REF. NO.	PART NO.	DESCRIPTION	Q'TY	REMARKS
1	62L-8552A-00-98	HOUSING	1	LOW GLOSS BLACK
2	6M6-8552E-00	COVER, CASE	1	
3	6M6-81921-00	GASKET, TERMINAL	1	
4	97780-60525	SCREW, TAPPING	14	
5	6R7-83623-40	MARK 3	1	UR ENGLISH
	6R7-83623-50	MARK 3	1	UR FRENCH
	61L-83623-00	MARK 3	1	UR JAPAN
6	6M6-81844-00	GASKET	1	
7	6M6-8132W-00	CAP	1	
8	6K8-82150-01	FUSE HOLDER ASSY	1	
9	6G1-82151-00	.FUSE	1	
10	62T-85540-00	C.D.I. UNIT ASSY	1	
11	90464-06M29	CLAMP	1	
12	98580-06016	SCREW, PAN HEAD	2	
13	92990-06600	WASHER, PLATE	2	
14	6G1-81941-10	STARTER RELAY ASSY	1	
15	6M6-81952-01	HOLDER, RELAY	1	
16	6M6-81960-A0	RECTIFIER & REGULATOR ASSY	1	
17	90465-08028	CLAMP	1	
18	98580-06016	SCREW, PAN HEAD	2	
19	92990-06600	WASHER, PLATE	2	
20	62E-85570-10	IGNITION COIL ASSY	1	
21	62E-82731-10	.CAP, PLUG	2	
22	62E-82351-00	.TUBE, CORD 1	1	
23	62E-82352-00	.TUBE, CORD 2	1	
24	90480-06M43	.GROMMET	2	
25	90465-11M10	.CLAMP	4	
26	97880-06030	SCREW, PAN HEAD	2	

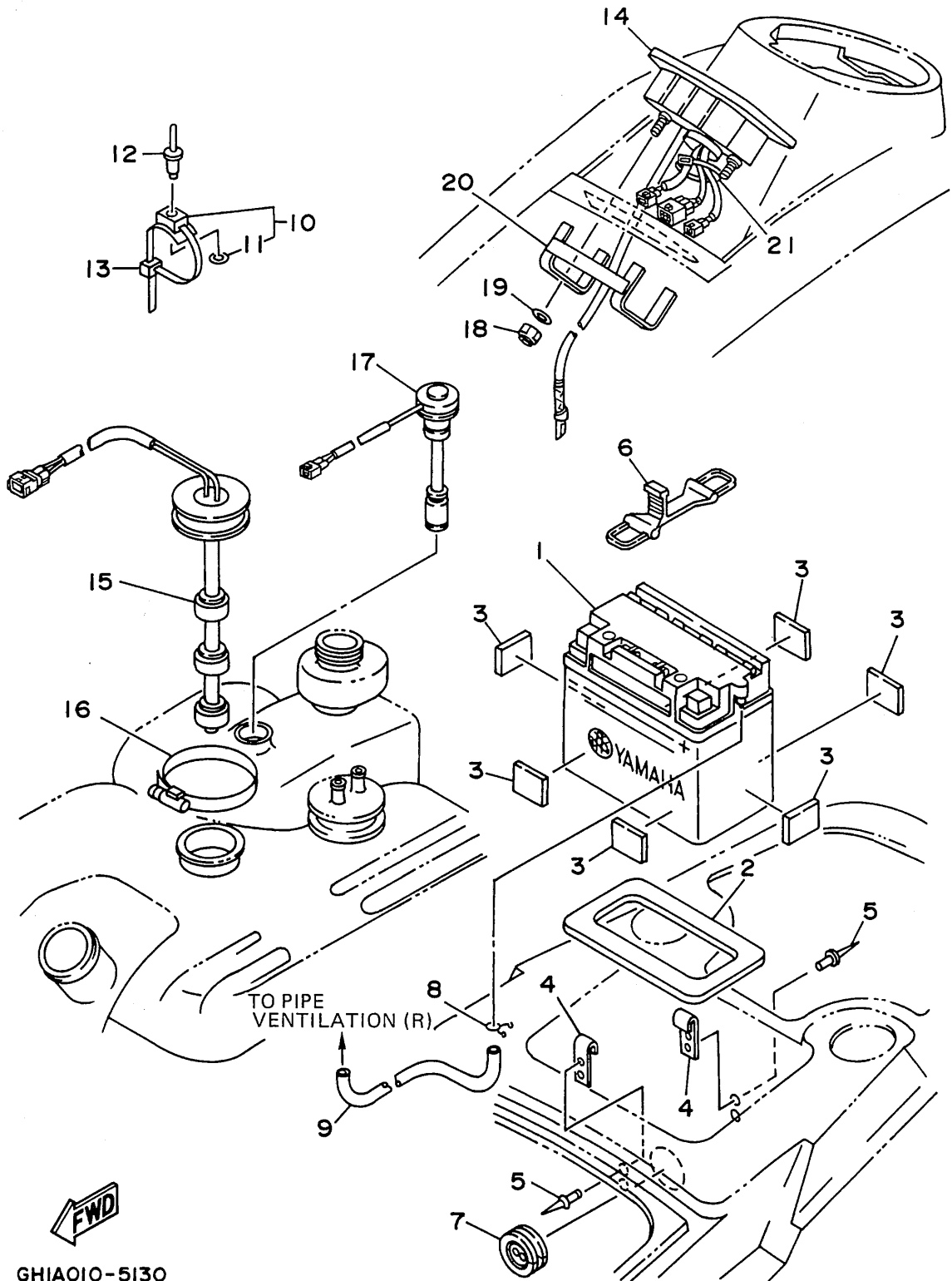
Fig. 12 ELECTRICAL 1



GHIAOIO-5120

REF. NO.	PART NO.	DESCRIPTION	Q'TY	REMARKS
27	92990-06600	WASHER, PLATE	2	
28	98580-06016	SCREW, PAN HEAD	2	
29	92990-06600	WASHER, PLATE	2	
30	62T-82361-00	CLAMP, CORD	1	
31	94702-00195	PLUG, SPARK (NGK BR8HS)	2	
32	62T-82553-01	EXTENSION, WIRE LEAD	1	
33	62T-82117-00	WIRE, LEAD	1	
34	62T-82117-10	WIRE, LEAD	1	
35	62T-82560-01	THERMO SWITCH ASSY	1	
36	97095-06016	BOLT	2	
37	92995-06100	WASHER, SPRING	2	
38	90465-13M11	CLAMP	1	
39	62L-82117-20	WIRE, LEAD	1	
40	90119-08903	BOLT, WITH WASHER	3	

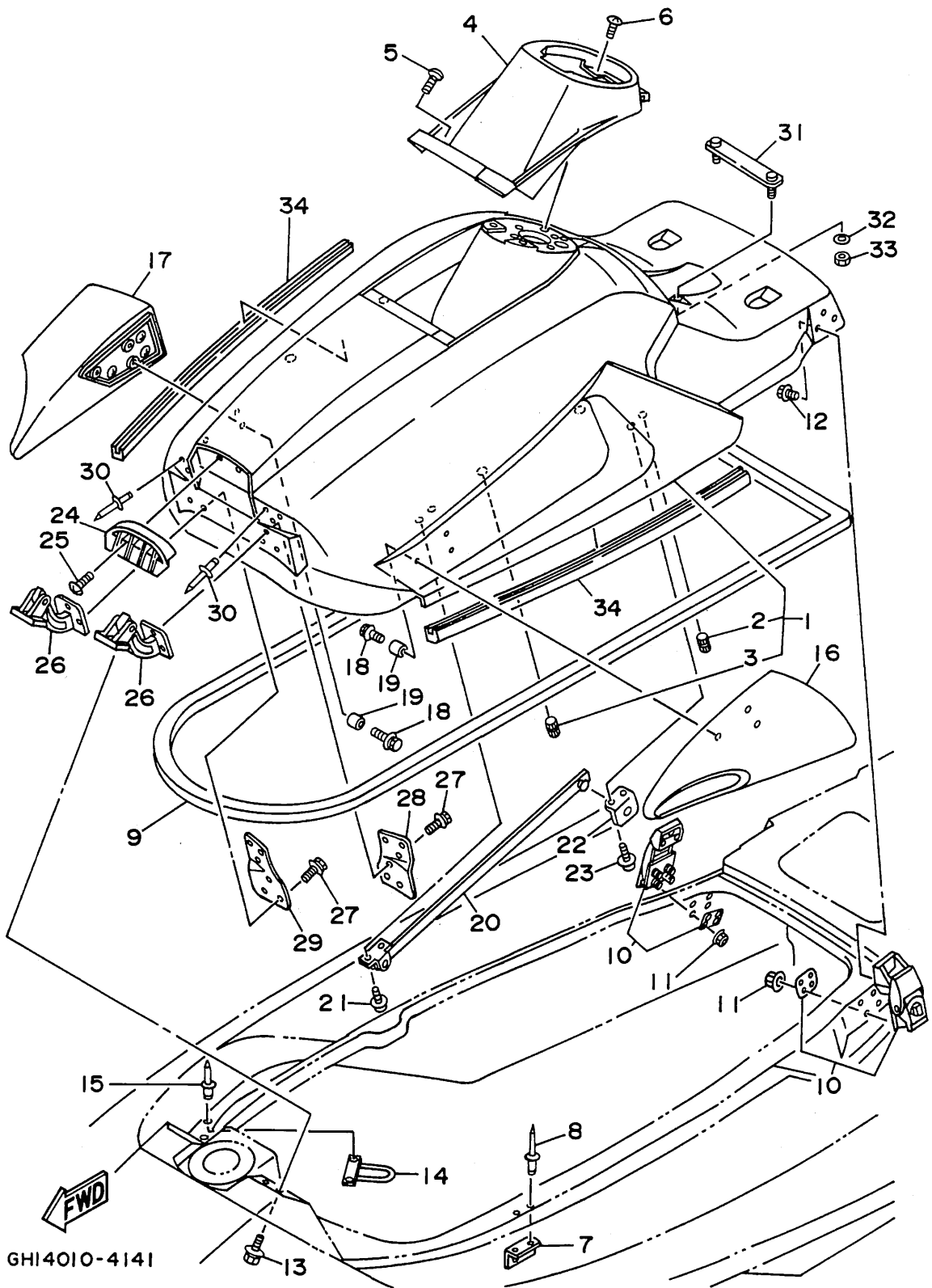
Fig. 13 ELECTRICAL 2



GHIA010-5130

REF. NO.	PART NO.	DESCRIPTION	Q'TY	REMARKS
1	EU0-82110-77	BATTERY (FB16CL-B)	1	
2	EU0-68221-00	PAD, BATTERY 1	1	
3	EU0-68221-30	PAD, BATTERY 2	6	
4	GA7-65772-00	HOOK A	2	
5	90267-48934	RIVET, BLIND	4	
6	GA7-68218-00	BAND, BATTERY	1	
7	FJ0-68222-01	GROMMET	1	
8	90467-08M10	CLIP	1	
9	FJ0-67856-30	HOSE, AIR VENT 4	1	
10	90600-91736	CLAMP	4	
11	90201-05925	.WASHER, PLATE	1	
12	90267-48925	RIVET, BLIND	4	
13	90601-20006	NYLON CLIP 1	4	
14	GH1-6820A-20	METER ASSY	1	UR OIL INJECTION
	GH1-6820A-30	METER ASSY	1	UR NON OIL INJECTION
15	GH1-6824B-00	SENDER, FUEL	1	
16	90601-16274	NYLON CLIP 1	1	
17	GH1-6824C-00	SENDER, OIL	1	UR OIL INJECTION
18	95720-05300	NUT, FLANGE	2	
19	92990-05200	WASHER, PLAIN	2	
20	GDO-68238-00	BRACKET, METER	1	
21	90601-20006	NYLON CLIP 1	1	

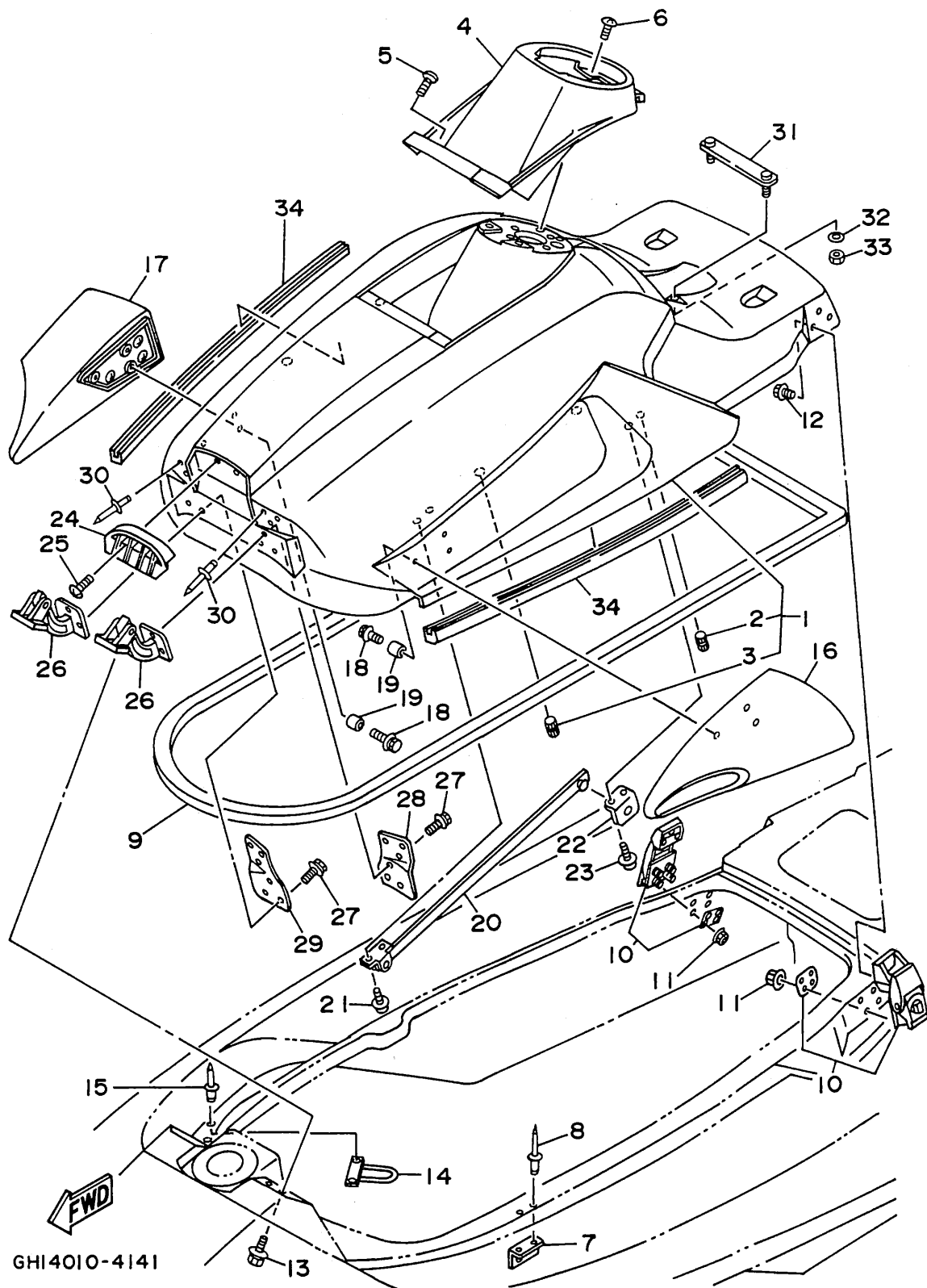
Fig. 14 ENGINE HATCH



GHI4010-4141

REF. NO.	PART NO.	DESCRIPTION	Q' TY	REMARKS
1	GH1-6516A-00-PO	ENGINE HATCH COMP.	1	PURE WHITE
2	90179-06926	.NUT	4	
3	90179-08927	.NUT	4	
4	GH1-6516N-10	COVER, ENGINE HATCH	1	
5	90149-05903	SCREW	2	
6	90149-05984	SCREW	4	
7	FN8-62884-00	BRACKET, HATCH SUPPORT	1	
8	90267-48940	RIVET, BLIND	2	
9	GH1-62664-00	PACKING	1	
10	FX1-62840-01	HATCH LOCK ASSY	2	
11	95720-05300	NUT, FLANGE	8	
12	90119-05936	BOLT, WITH WASHER	6	
13	90119-06940	BOLT, WITH WASHER	4	
14	GH1-61557-00	GUIDE, CABLE	1	
15	90267-48940	RIVET, BLIND	2	
16	GH1-6596B-10	MIRROR (LH)	1	
17	GH1-6596C-10	MIRROR (RH)	1	
18	90119-06924	BOLT, WITH WASHER	6	
19	90387-06915	COLLAR	6	
20	GH1-62891-00	SUPPORT, HATCH	1	
21	90159-06901	SCREW, WITH WASHER	2	
22	FN8-62892-00	FIX, PLATE	1	
23	90159-06901	SCREW, WITH WASHER	2	
24	GH1-62128-10	UNIVERSAL, AIR INTAKE	1	
25	90149-04902	SCREW	2	
26	GH1-6517G-04	HINGE, HATCH	2	
27	90119-06940	BOLT, WITH WASHER	6	
28	GH1-6517J-01	PLATE, HATCH HINGE (LH)	1	

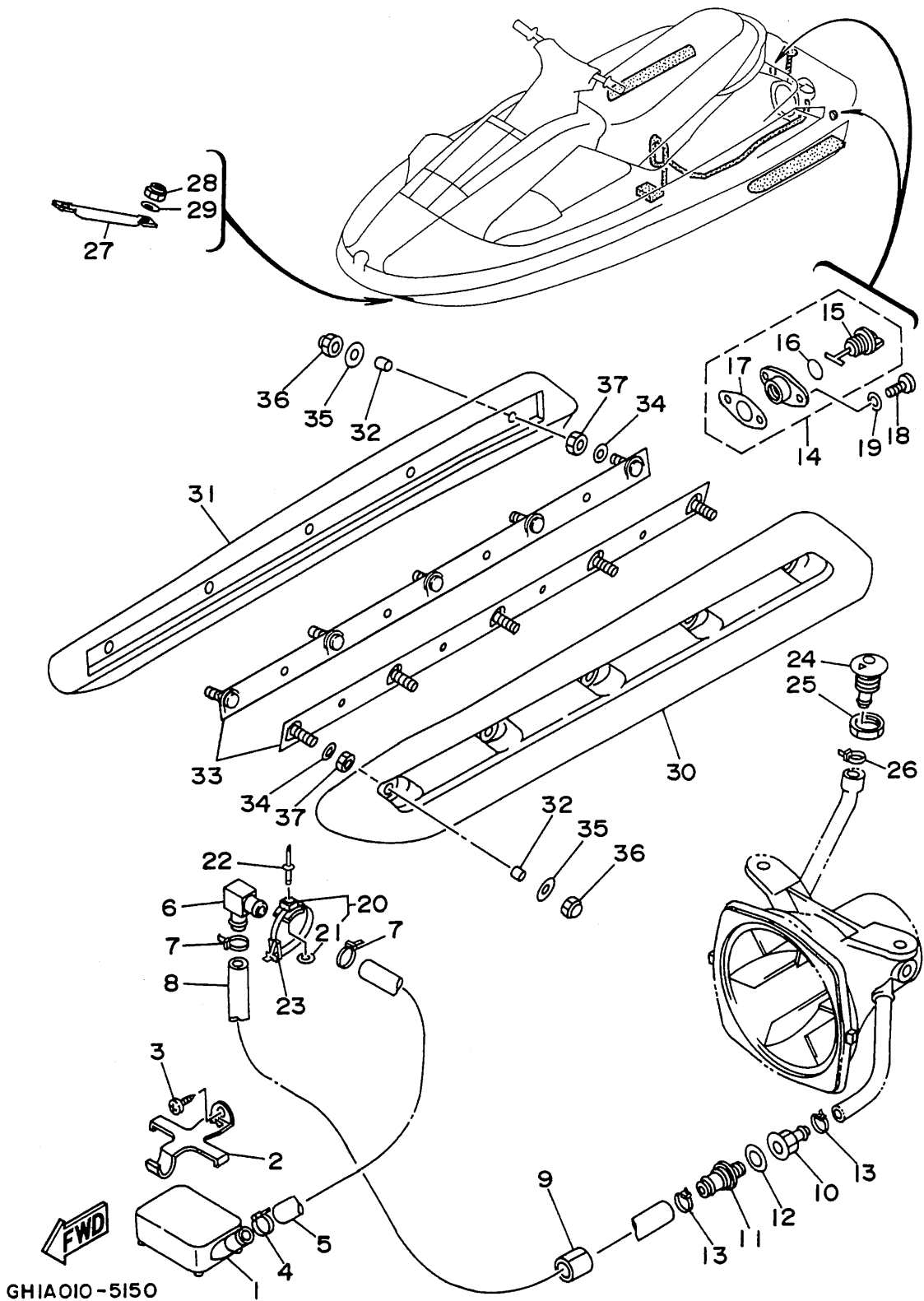
Fig. 14 ENGINE HATCH



GHI4010-4141

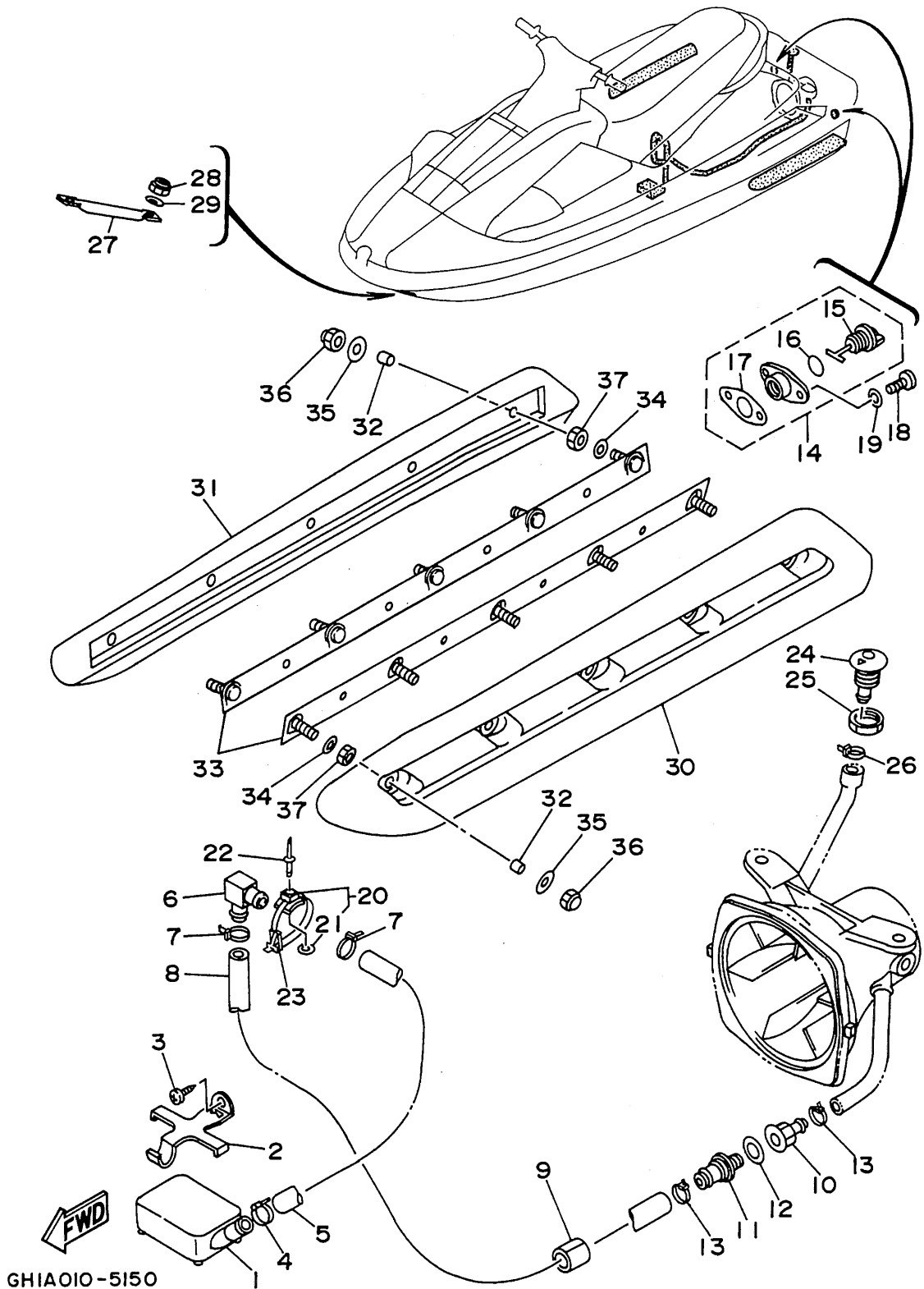
REF. NO.	PART NO.	DESCRIPTION	Q'TY	REMARKS
29	GH1-6517K-01	PLATE, HATCH HINGE (RH)	1	
30	90267-48938	RIVET, BLIND	6	
31	GH1-6378C-00	STAY, SEAT 1	1	
32	92990-06200	WASHER, PLAIN	2	
33	95720-06300	NUT, SELF-LOCKING	2	
34	GH1-65162-01	TRIM	2	

Fig. 15 HULL. DECK



REF. NO.	PART NO.	DESCRIPTION	Q'TY	REMARKS
1	GDO-6761D-00	STRAINER, BILGE	1	
2	EW2-67618-00	BASE, STRAINER BLIGE	1	
3	97780-50114	SCREW, PAN HEAD TAPPING	1	
4	90601-20005	BAND	1	
5	90445-19M04	HOSE	1	
6	61X-51162-00	JOINT, HOSE	1	
7	90465-13M11	CLAMP	2	
8	90445-19M02	HOSE	1	
9	GH1-67578-01	PACKING, HOSE 2	1	
10	90604-80759	CONNECTION, THRU-HULL 1/4	1	
11	90604-80775	THROUGH, HULL CONNECTION	1	
12	90430-13909	GASKET	1	
13	90601-20005	BAND	2	
14	EU0-62280-00	DRAIN PLUG ASSY	2	
15	EU0-62282-00	.PLUG, DRAIN	1	
16	EU0-62283-00	.O-RING	1	
17	EU0-62285-01	.PACKING, DRAIN	1	
18	97780-50520	SCREW, TAPPING	4	
19	92990-05200	WASHER, PLAIN	4	
20	90600-91736	CLAMP	1	
21	90201-05925	.WASHER, PLATE	1	
22	90267-48925	RIVET, BLIND	1	
23	90601-20006	NYLON CLIP 1	1	
24	FN8-6269B-00	SPOUT	1	
25	EU0-61652-00	NUT	1	
26	90465-13M11	CLAMP	1	
27	FN8-61624-00	BOWEYE 1 (S)	1	
28	95720-08300	NUT, SELF-LOCKING	2	

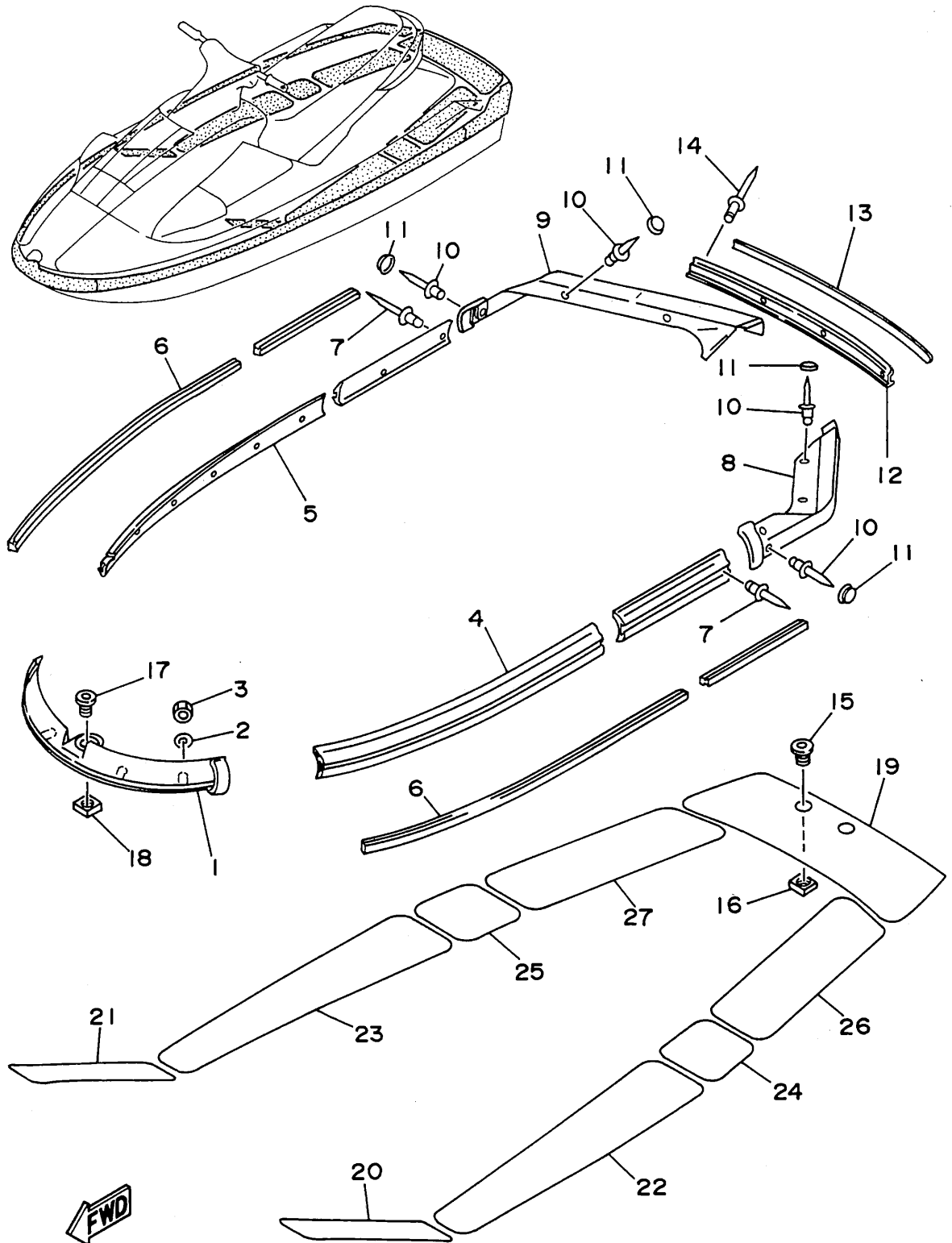
Fig. 15 HULL. DECK



GHIA010-5150

REF. NO.	PART NO.	DESCRIPTION	Q'TY	REMARKS
29	92990-08200	WASHER, PLAIN	2	
30	GH1-6883N-30	STABILIZER LH	1	
31	GH1-6883P-30	STABILIZER RH	1	
32	90387-06916	COLLAR	10	
33	GH1-6883T-00	BRACKET, STABILIZER	2	
34	92990-06200	WASHER, PLAIN	10	
35	90201-065F3	WASHER, PLATE	10	
36	90179-06959	NUT	10	
37	95380-06700	NUT	10	

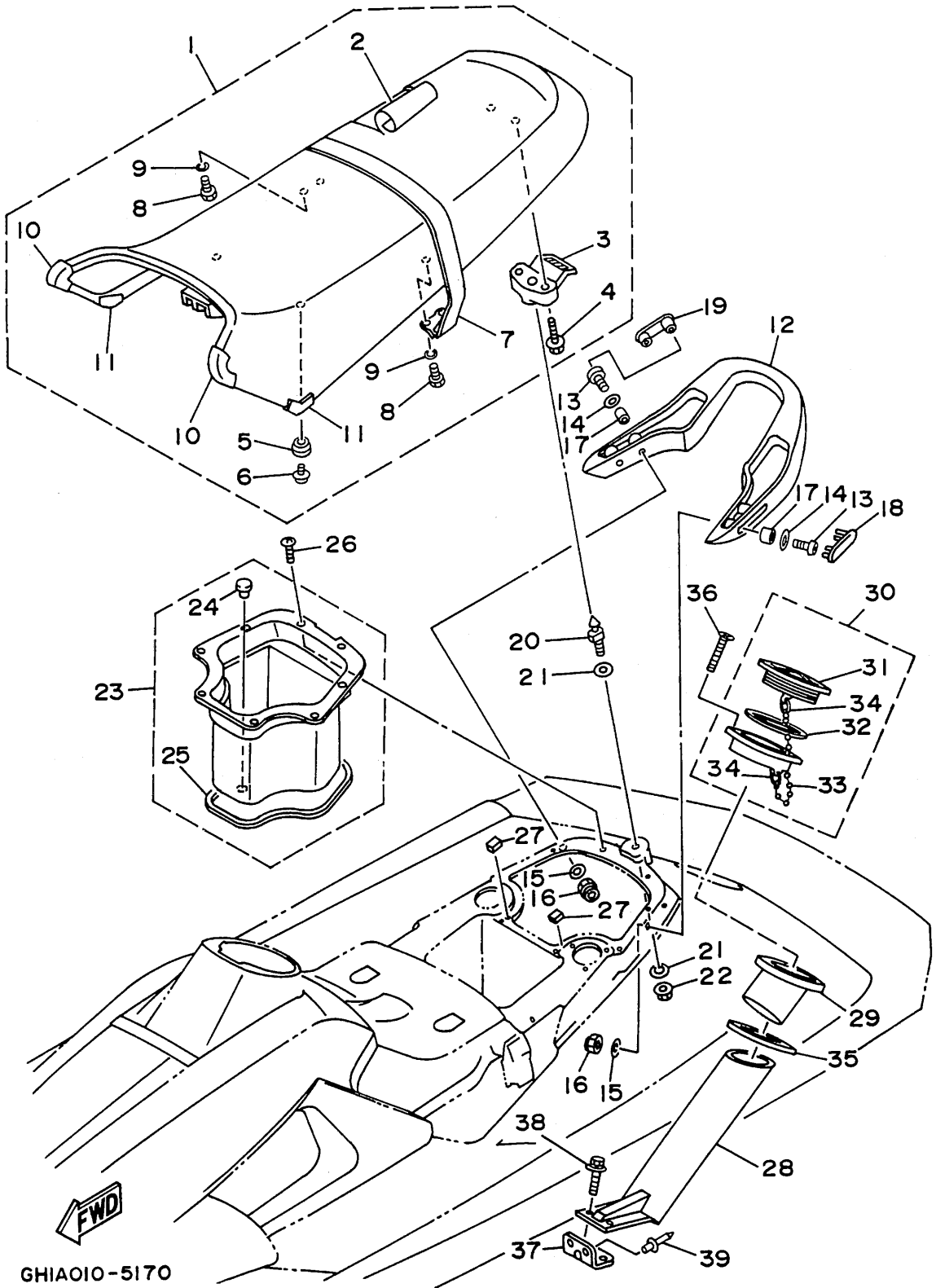
Fig. 16 GUNWALE. MAT



GHI4010-4160

REF. NO.	PART NO.	DESCRIPTION	Q'TY	REMARKS
1	GH1-62501-10	BOW GUNWALE COMP.	1	
2	92990-06200	WASHER, PLAIN	4	
3	95720-06300	NUT, SELF-LOCKING	4	
4	GH1-62552-10	GUNWALE, SIDE 1	1	
5	GH1-62553-10	GUNWALE, SIDE 2	1	
6	GH1-62519-01	INNER GUNWALE	2	
7	90267-48932	RIVET, BLIND	34	
8	GH1-6251D-10	GUNWALE, STERN 1	1	
9	GH1-6251E-10	GUNWALE, STERN 2	1	
10	90267-48932	RIVET, BLIND	12	
11	GH1-6354D-10	CAP, HEAD	12	
12	GH1-6252C-10	COVER, GUNWALE 1	1	
13	GH1-6252D-10	COVER, GUNWALE 2	1	
14	90267-48932	RIVET, BLIND	4	
15	FN8-61651-00	ROPE HOLE	2	
16	EU0-61652-00	NUT	2	
17	GH1-61651-00	ROPE HOLE	1	
18	EU0-61652-00	NUT	1	
19	GH1-63581-10	MAT, UPPER	1	
20	GH1-6351H-10	MAT, STEP 1	1	
21	GH1-6351J-10	MAT, STEP 2	1	
22	GH1-6351K-10	MAT, STEP 3	1	
23	GH1-6351M-10	MAT, STEP 4	1	
24	GH1-6351N-10	MAT, STEP 5	1	
25	GH1-6351P-10	MAT, STEP 6	1	
26	GH1-6351R-10	MAT, STEP 7	1	
27	GH1-6351S-10	MAT, STEP 8	1	

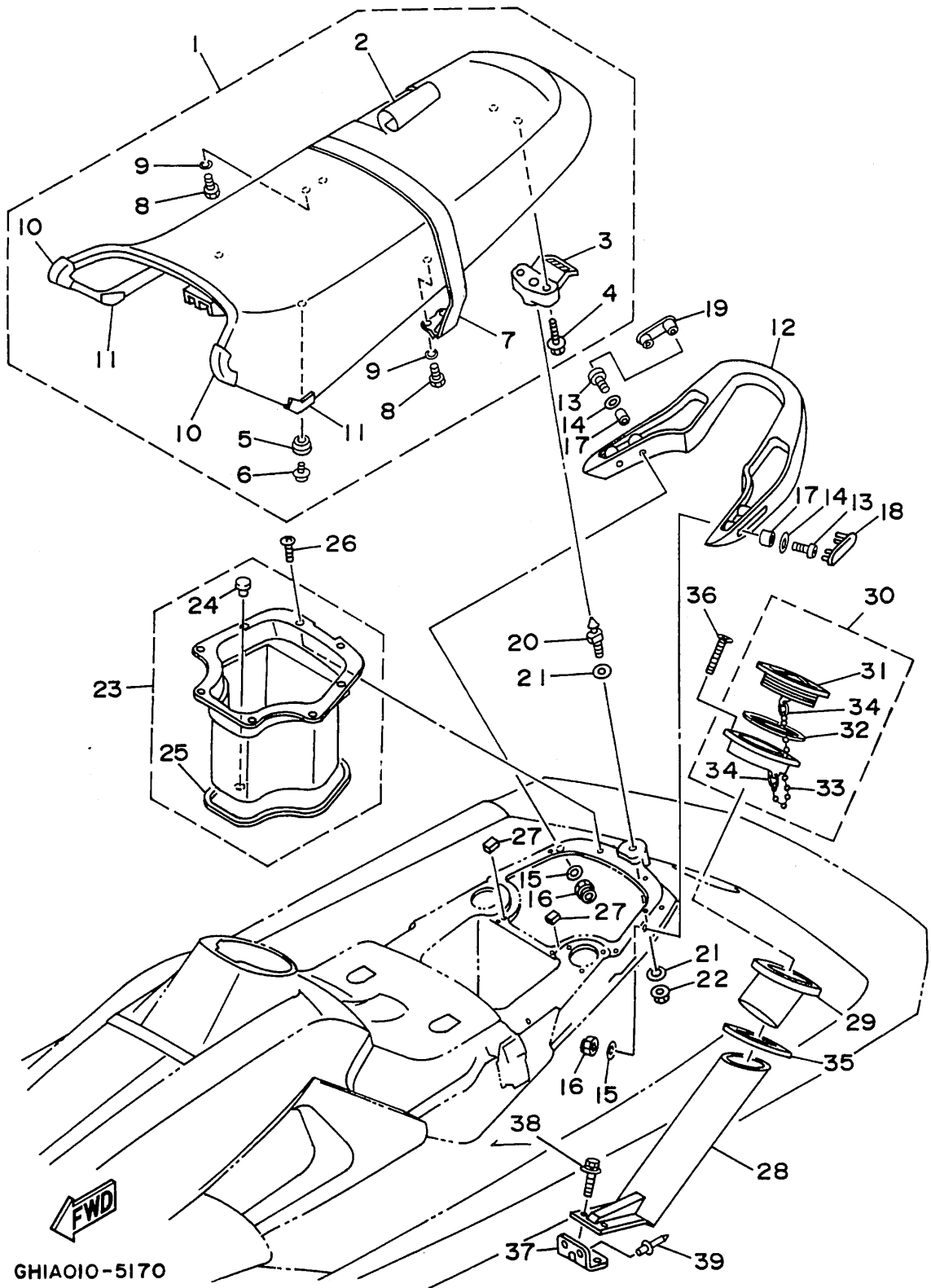
Fig. 17 SEAT • UNDER LOCKER 1



GHIAOIO-5170

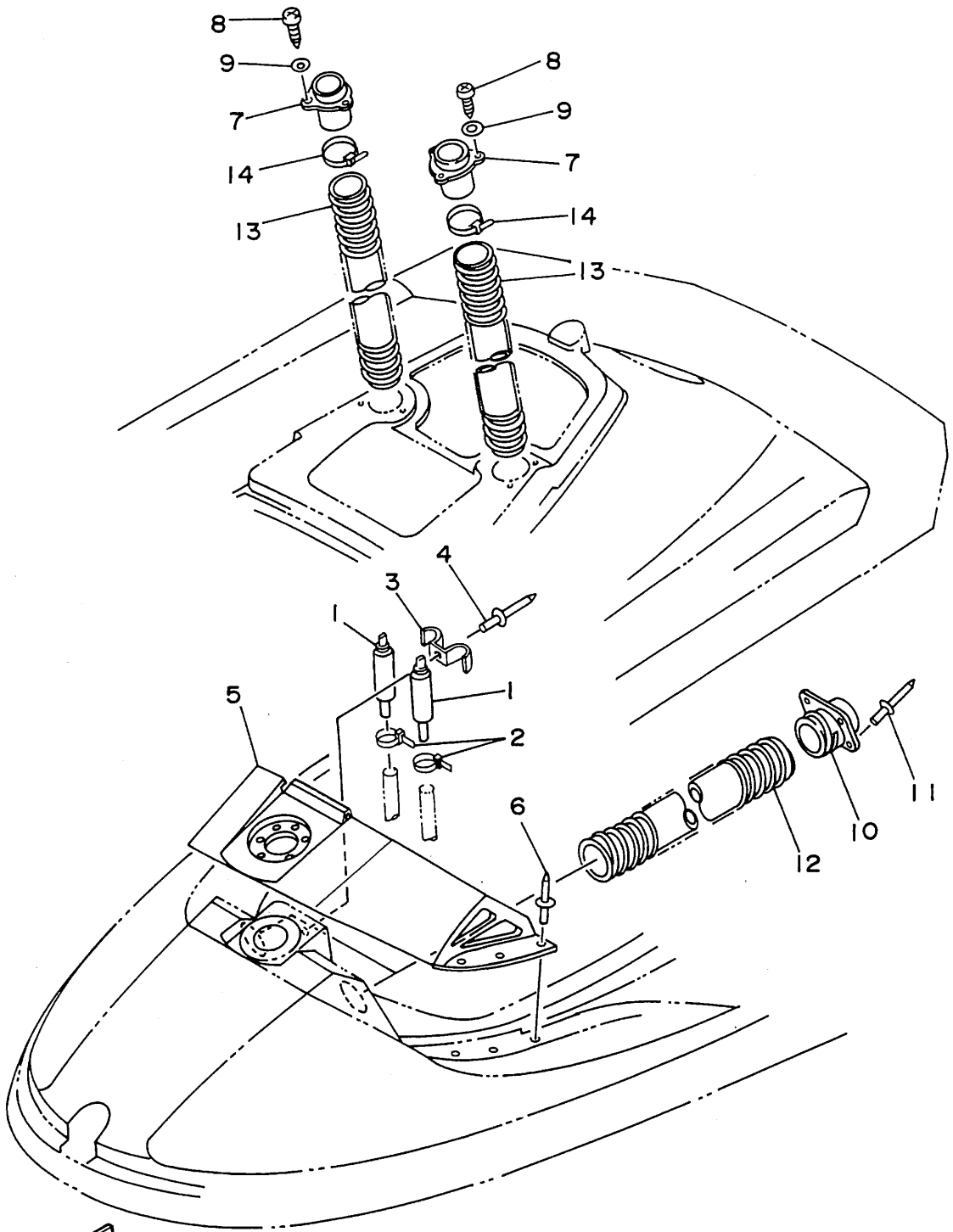
REF. NO.	PART NO.	DESCRIPTION	Q'TY	REMARKS
1	GH1-6371A-10	DOUBLE SEAT ASSY	1	GREENISH YELLOW SOLID 2
2	GH1-6371B-10	.COVER, SEAT 1	1	
3	GH1-63850-00	.SEAT LOCK ASSY	1	
4	90119-06914	.BOLT, WITH WASHER	2	
5	GH1-63729-00	.STOPPER, SEAT	2	
6	97980-06116	.SCREW, WITH WASHER	2	
7	GH1-6373D-10	.BAND, SEAT COMP.	1	
8	97090-06016	.BOLT	4	
9	92995-06100	.WASHER, SPRING	4	
10	GH1-6375A-10	.PAD, SEAT 1	2	
11	GH1-6375B-10	.PAD, SEAT 2	2	
12	GH1-6271B-10	GRIP, HAND	1	
13	98980-06025	SCREW, BIND	4	
14	92990-06200	WASHER, PLAIN	4	
15	90201-065F3	WASHER, PLATE	4	
16	95720-06300	NUT, SELF-LOCKING	4	
17	90387-06914	COLLAR	4	
18	GH1-6271C-10	CAP, GRIP HAND LH	1	
19	GH1-6271D-10	CAP, GRIP HAND RH	1	
20	GH1-63774-00	PIN	1	
21	92990-10200	WASHER, PLAIN	2	
22	95780-10300	NUT, FLANGE	1	
23	GH1-6474A-00	UNDER LOCKER ASSY	1	
24	90338-12081	.PLUG	1	
25	GH1-6266B-00	.PACKING 3	1	
26	90149-04943	SCREW	8	
27	GH1-6474D-00	PACKING, LOCKER UNDER	2	
28	GA7-65983-00	BOX, FIRE EXTINGUISHER	1	

Fig. 17 SEAT • UNDER LOCKER 1



REF. NO.	PART NO.	DESCRIPTION	Q'TY	REMARKS
29	GA7-65984-00	GROMMET	1	
30	EU0-62720-30	INSPECTION COVER ASSY	1	
31	EU0-62721-30	.COVER, INSPECTION	1	
32	93211-03902	.RING	1	
33	EU0-67835-30	.CHAIN BALL	1	
34	EU0-67839-00	.COUPLING	2	
35	GA7-6593J-00	PLATE, FIRE EXTINGUISHER	1	
36	98780-04035	SCREW, FLAT HEAD	6	
37	GH1-6593H-00	BRKT. FIRE EXTINGUISHER	1	
38	90119-06902	BOLT, WITH WASHER	2	
39	90267-48934	RIVET, BLIND	2	

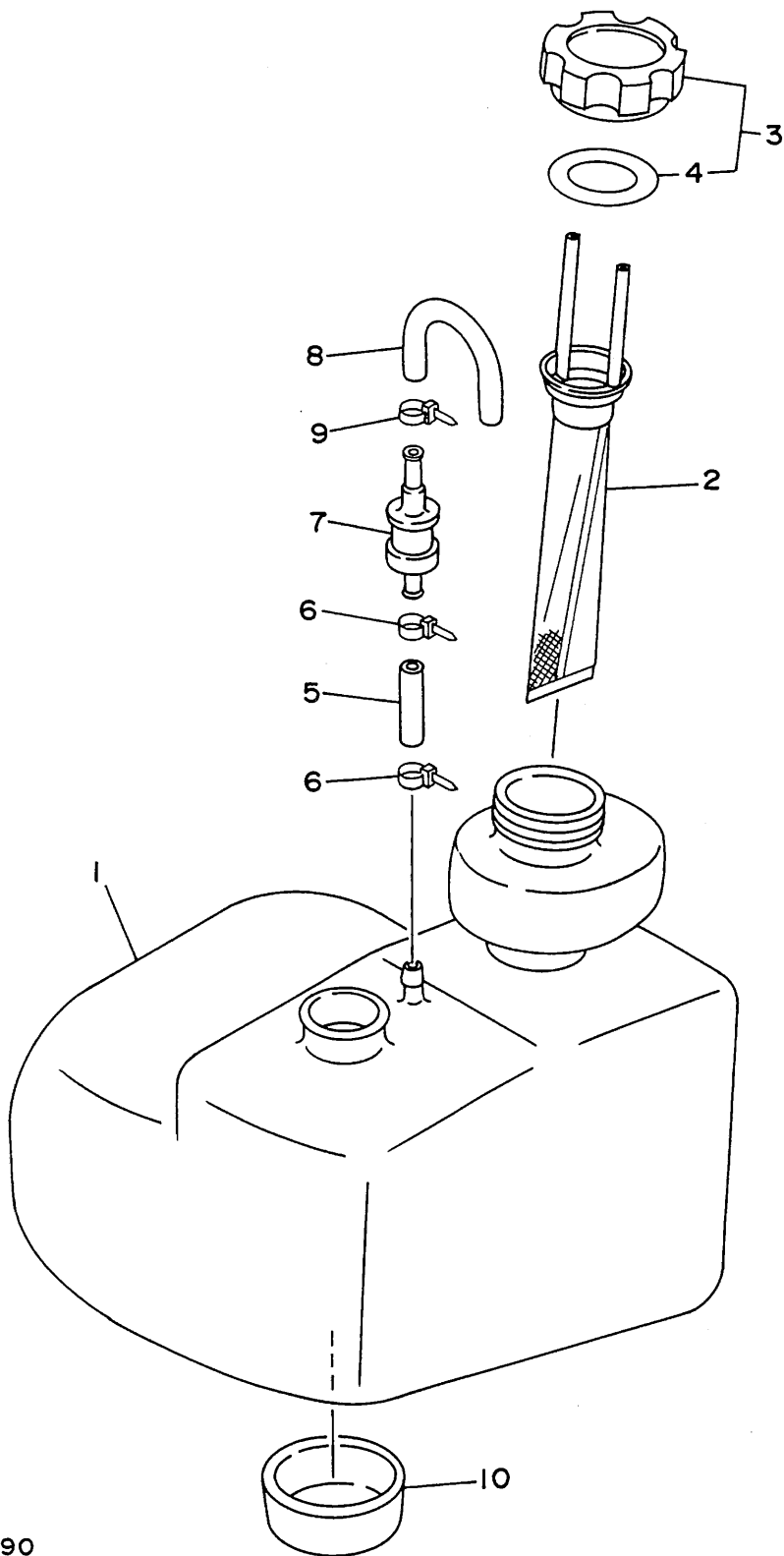
Fig. 18 SEAT • UNDER LOCKER 2



GHI4010-4180

REF. NO.	PART NO.	DESCRIPTION	Q'TY	REMARKS
1	EW2-62150-00	AIR, VENT ASSY	2	
2	90465-11M10	CLAMP	2	
3	GH1-6215G-00	PLATE, GUIDE	1	
4	90267-48938	RIVET, BLIND	1	
5	GH1-6521B-10	COVER, BOW	1	
6	90267-48951	RIVET, BLIND	6	
7	GH1-62139-00	VENTILATOR, OUTLET	2	
8	97780-40116	SCREW, TAPPING	6	
9	92990-04600	WASHER, PLATE	6	
10	GH1-62127-00	BASE, AIR INTAKE	2	
11	90267-48925	RIVET, BLIND	8	
12	GH1-6213F-01	HOSE, VENTILATOR 1	2	
13	GH1-6213G-00	HOSE, VENTILATOR 2	2	
14	90601-20007	NYLON CLIP 1	2	

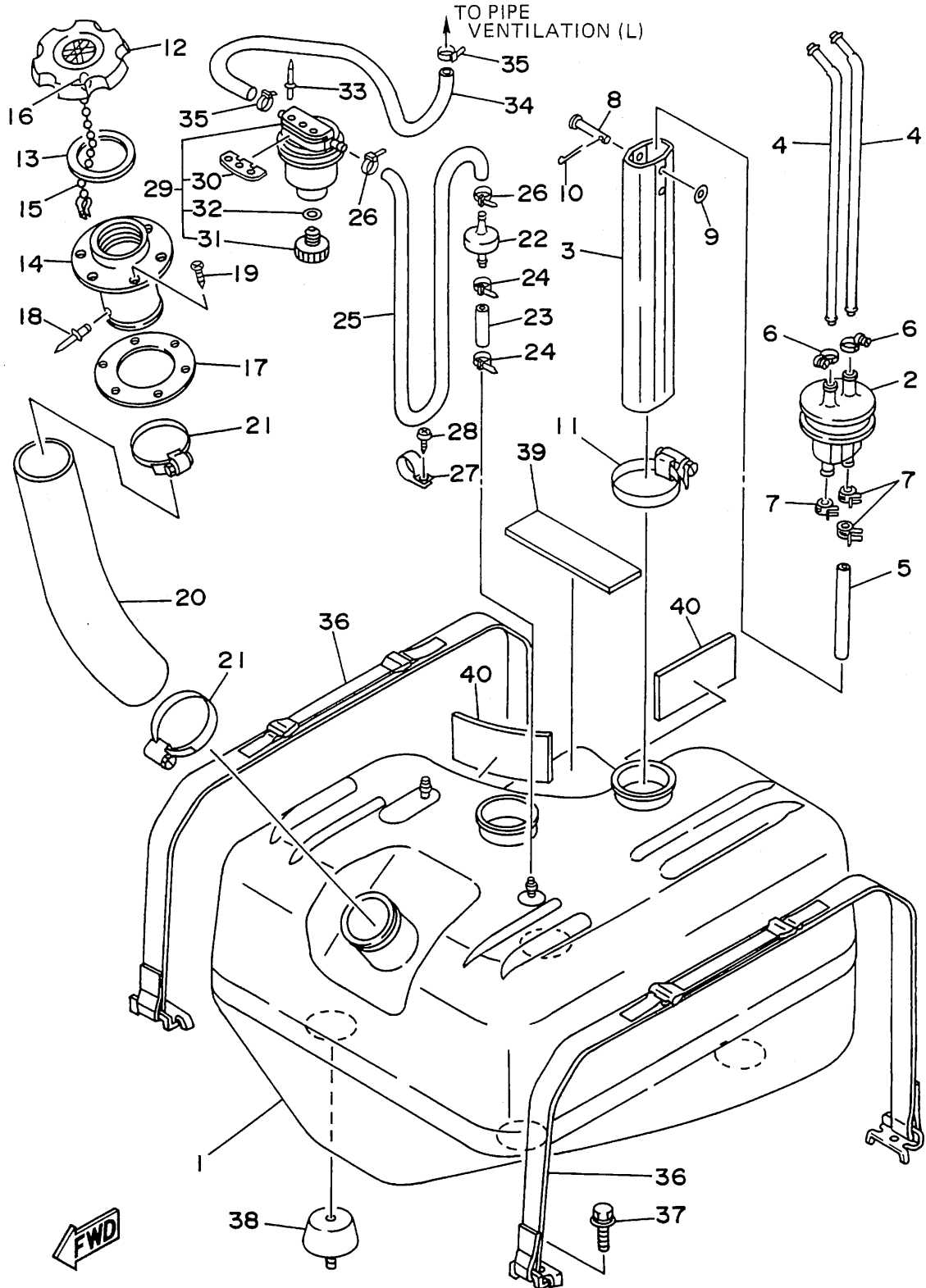
Fig. 19 OIL TANK (FOR OIL INJECTION)



GHI4010-4190

REF. NO.	PART NO.	DESCRIPTION	Q'TY	REMARKS
1	GH1-6775B-00	TANK, OIL	1	UR OIL INJECTION
	GH1-6775B-10	TANK, OIL	1	UR NON OIL INJECTION
2	GH1-6775C-00	FILTER	1	
3	FJ0-67840-00	OIL TANK CAP ASSY	1	
4	FJ0-67841-00	.PACKING, OIL CAP	1	
5	90445-09901	HOSE	1	
6	90465-11M10	CLAMP	2	
7	FJ0-67766-00	ROLL OVER VALVE	1	
8	FJ0-62158-00	HOSE	1	
9	90465-11M10	CLAMP	1	
10	GH1-6759D-00	MAT 3	1	

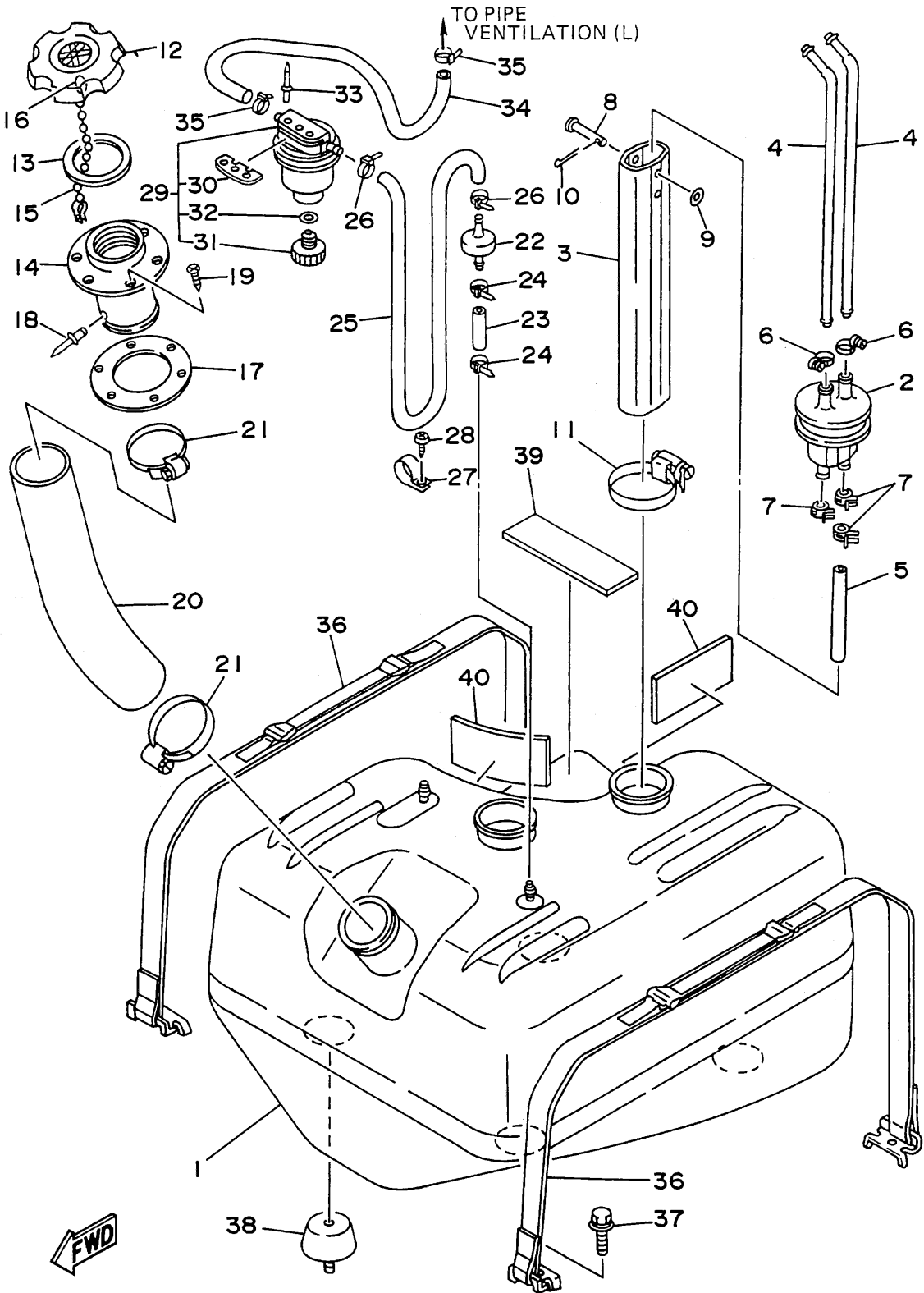
Fig. 20 FUEL TANK



GHI4010-4201

REF. NO.	PART NO.	DESCRIPTION	Q'TY	REMARKS
1	GH1-67711-01	TANK, FUEL	1	
2	FJ0-67713-00	PIPE, JOINT	1	
3	EW2-67716-00	SLEEVE 1	1	
4	FN8-67714-00	PIPE, SUCTION 3	2	
5	90445-11903	HOSE	1	
6	90601-11062	BAND, HOSE 11	2	
7	90467-11044	CLIP	3	
8	91790-05040	PIN, CLEVIS	1	
9	92990-05600	WASHER, PLATE	1	
10	91490-16010	PIN, COTTER	1	
11	90601-16274	NYLON CLIP 1	1	
12	GA7-67831-00	CAP, FUEL FILLER	1	
13	EU0-67832-00	PACKING 1	1	
14	GA7-67833-00	SOCKET	1	
15	EU0-67835-00	CHAIN BALL	1	
16	EU0-67839-00	COUPLING	1	
17	EU0-67834-00	PACKING, FUEL FILLER	1	
18	90267-40935	RIVET, BLIND	1	
19	EU0-67869-00	SCREW, FLAT HEAD	6	
20	GH1-67844-00	HOSE	1	
21	90601-15573	NYLON CLIP 1	2	
22	EU0-67767-31	CHECK VALVE	1	
23	GA7-6785G-00	HOSE, AIR VENT	1	
24	90465-11M10	CLAMP	2	
25	GA7-67856-00	HOSE, AIR VENT 3	1	
26	90465-11M10	CLAMP	2	
27	90600-91728	CLIP, NYLON 17	1	
28	97780-50116	SCREW, TAPPING	1	

Fig. 20 FUEL TANK



GHI4010-4201

REF. NO.	PART NO.	DESCRIPTION	Q'TY	REMARKS
29	EW2-62140-00	FILTER, VENT ASSY	1	
30	EW2-62142-00	.PLATE, FILTER	1	
31	70R-24543-00	.PLUG, DRAIN	1	
32	70R-24489-00	.O-RING, SEPARATER 2	1	
33	90267-48940	RIVET, BLIND	2	
34	90445-09905	HOSE	1	
35	90465-11M10	CLAMP	2	
36	GH1-67743-01	BELT, TANK 1	2	
37	90119-08903	BOLT, WITH WASHER	4	
38	GH1-6782B-01	DAMPER, FUEL TANK	4	
39	GH1-6759B-00	MAT 1	1	
40	GH1-6759C-00	MAT 2	2	