

# PARTS CATALOGUE

## *WaveRunner VX Cruiser/Deluxe*

**VX1100A-M** (F2P1,F2P2,F2P3/6ENA,6ENB,6ENC/6BU1)

**VX1100B-M** (F2P4,F2P5,F2P6/6ENA,6ENB,6ENC/6BU1)



1MF2P-100E1



VX1100A-M/VX1100B-M  
PARTS CATALOGUE  
©2012 by Yamaha Motor Co., Ltd.  
1st edition, September 2012  
All rights reserved.  
Any reprinting or unauthorized use  
without the written permission of  
Yamaha Motor Co., Ltd.  
is expressly prohibited.  
Printed in Japan.

# FOREWORD

This Parts Catalogue is related to the parts for the model(s) on the cover page. When you are ordering replacement parts, please refer to this Parts Catalogue and quote both part numbers and part names correctly.

1. Modifications or additions which have been made after the issue of the Parts Catalogue will be announced in the Parts News.

It is advisable that you make the necessary corrections to the Parts Catalogue according to the Parts News.

2. Abbreviations

The following abbreviations are used in this Parts Catalogue.

“UR” Use specified parts number.

“UN” Use as many as needed.

“AP” Alternate Parts

“LM” Locally Made (Parts need to be ordered locally)

“F#” Frame No. (Applicable machine No.)

“O/S” Over Size

3. The number of components for assembly

- Parts, which are to be supplied in an assembly, are listed with a dot (.) in front of the part name as shown below.
- The numeral appearing to the right of each component part indicates the quantity of parts for each assembly unit.

PART NO.	DESCRIPTION	Q'TY	REMARKS
2F5-83310-60	FRONT FLASHER LIGHT ASSY	2	
115-83311-60	.BULB (6V-18W)	1	

4. Applicable colours of graphics are represented in the “REMARKS” as shown below.

PART NO.	DESCRIPTION	Q'TY	REMARKS
2N4-24110-00-X5	FUEL TANK COMP.	2	MXR
3J1-24240-10	.GRAPHIC, FUEL TANK	1	FOR MXR

5. Note that the illustrations for reference in finding parts numbers are not to be used for assembling. When assembling, please use the applicable service manual.

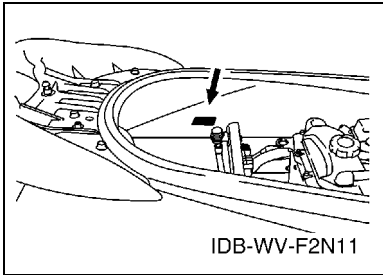
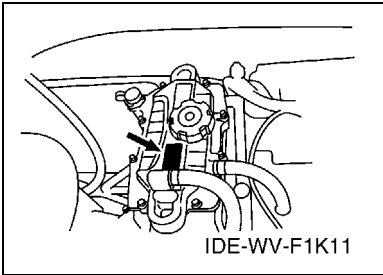
6. The asterisk (\*) before a reference number indicates modified items after the first edition.

# FOREWORD

7. Applicable Serial No.

Engine Serial No.

Primary Identification No.



8. Applicable Colour Code (The (\*) mark shows Model colour.)

Abbreviation	Colour Name	Colour Code
DNMC(*)	DARK GRAY METALLIC C	0922
DPBM11(*)	DARK PURPLISH BLUE METALLIC 11	1187
DRMR(*)	DEEP RED METALLIC R	1080
LGM3(*)	LIGHT GRAY METALLIC 3	0137

9. Quantity Column Information

Column No.	Name Of Q'ty Column	Destination
1	CAN	CANADA
2	EUR	EUROPE
3	GENE	EXCEPT CANADA, EUROPE

10. Applicable Starting Serial No.

Engine Serial No.

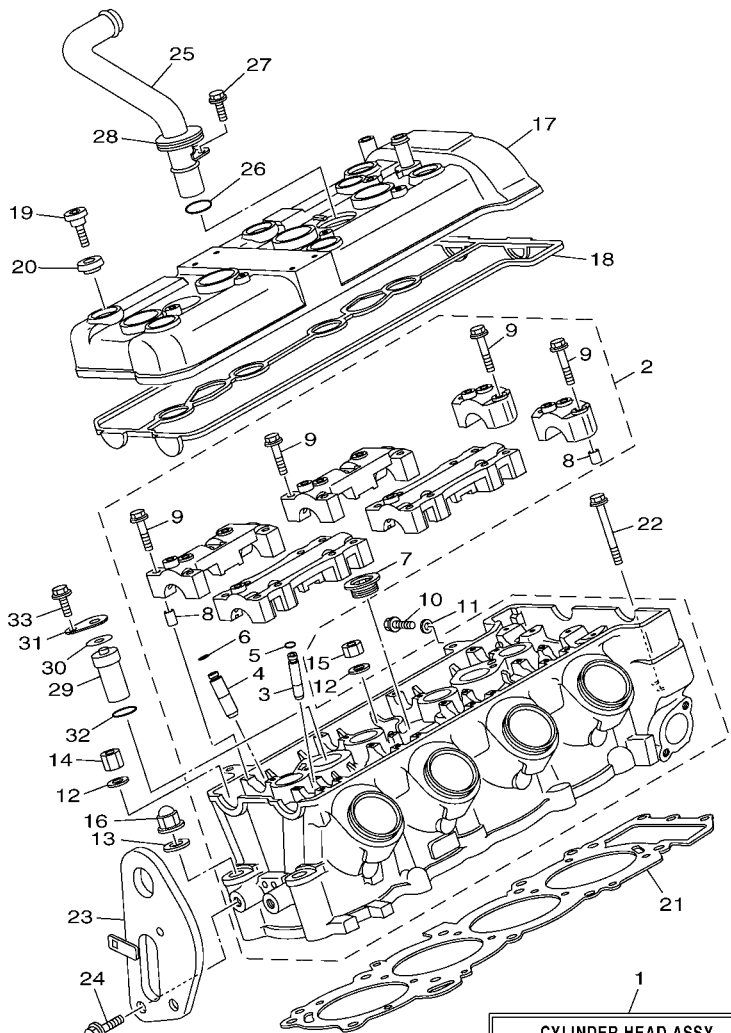
Serial No.	Name Of Q'ty Column	Model Code
6EN-1001701	CAN	6ENA
6EN-1001701	EUR	6ENC
6EN-1001701	GENE	6ENB

Primary Identification No.

Serial No.	Name Of Q'ty Column	Model Code
F2P-800101	CAN	F2P1
F2P-800101		F2P4
F2P-800101	EUR	F2P3
F2P-800101		F2P6
F2P-800101	GENE	F2P2
F2P-800101		F2P5

# CONTENTS

CYLINDER .....	1
CRANKCASE .....	3
CRANKSHAFT & PISTON .....	4
VALVE .....	6
INTAKE .....	8
INTAKE 2 .....	9
OIL PUMP .....	10
OIL COOLER .....	12
EXHAUST 1 .....	14
EXHAUST 2 .....	16
EXHAUST 3 .....	18
JET UNIT 1 .....	20
JET UNIT 2 .....	22
JET UNIT 3 .....	23
GENERATOR .....	24
STARTING MOTOR .....	25
ELECTRICAL 1 .....	26
ELECTRICAL 2 .....	28
ELECTRICAL 3 .....	30
ENGINE MOUNT .....	32
ENGINE HATCH 1 .....	33
ENGINE HATCH 2 .....	34
HULL & DECK .....	36
GUNWALE & MAT .....	38
VENTILATION .....	39
SEAT & UNDER LOCKER .....	40
FUEL TANK .....	41
EXHAUST 4 .....	43
CONTROL CABLE .....	44
STEERING 1 .....	45
STEERING 2 .....	47
GRAPHICS .....	48
IMPORTANT LABELS .....	50
IMPORTANT LABELS 2 .....	51
REPAIR KIT 1 .....	52
<b>INDEX</b>	
NUMERICAL INDEX .....	53

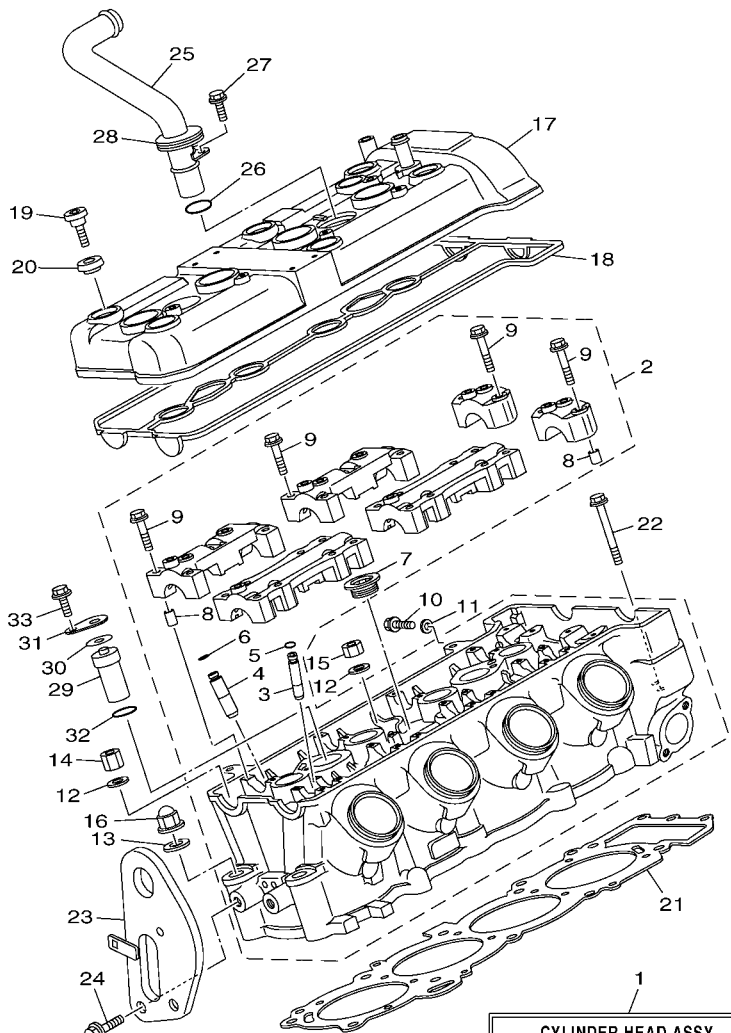


**CYLINDER HEAD ASSY**  
 Fig. 1 CYLINDER  
 Ref. No. 2 to 11  
 17 to 21 and 29 to 33  
 Fig. 4 VALVE  
 Ref. No. 1 to 20 and 22  
 Fig. 18 ELECTRICAL 2  
 Ref. No. 12

F2P1100-M010

**FIG. 1 CYLINDER**

REF. NO.	PART NO.	DESCRIPTION	CAN	EUR	GENE	REMARKS
1	6D3-W009A-11-94	CYLINDER HEAD COMPLETE	1	1	1	
2	6D3-11102-00-94	CYLINDER HEAD ASSY	1	1	1	
3	3TJ-11133-10	.GUIDE, VALVE	12	12	12	
4	1WG-11133-11	.GUIDE, VALVE	8	8	8	
5	93440-07149	.CIRCLIP	12	12	12	
6	93440-10153	.CIRCLIP	8	8	8	
7	90340-27001	.PLUG, STRAIGHT SCREW	1	1	1	
8	91808-16023	.PIN, DOWEL	12	12	12	
9	90105-06026	.BOLT, FLANGE	28	28	28	
10	95023-06012	BOLT	1	1	1	
11	90430-06014	GASKET	1	1	1	
12	90201-10013	WASHER, PLATE	8	8	8	
13	90201-10019	WASHER, PLATE	2	2	2	
14	90179-10006	NUT	3	3	3	
15	90179-10414	NUT	5	5	5	
16	90176-10001	NUT, CROWN	2	2	2	
17	6D3-11191-10	COVER, CYLINDER HEAD 1	1	1	1	
18	60E-11193-01	GASKET, HEAD COVER 1	1	1	1	
19	90109-066F0	BOLT	6	6	6	
20	4KG-1111G-00	RUBBER, MOUNT 1	6	6	6	
21	6D3-11181-00	GASKET, CYLINDER HEAD 1	1	1	1	
22	97513-06555	BOLT, WITH WASHER	3	3	3	
23	6D3-85132-00	BRACKET, REFLECTOR 1	1	1	1	
24	97513-08520	BOLT, WITH WASHER	2	2	2	
25	6D3-12482-00	PIPE 2	1	1	1	
26	93210-18417	O-RING	1	1	1	
27	91317-06016	BOLT	1	1	1	

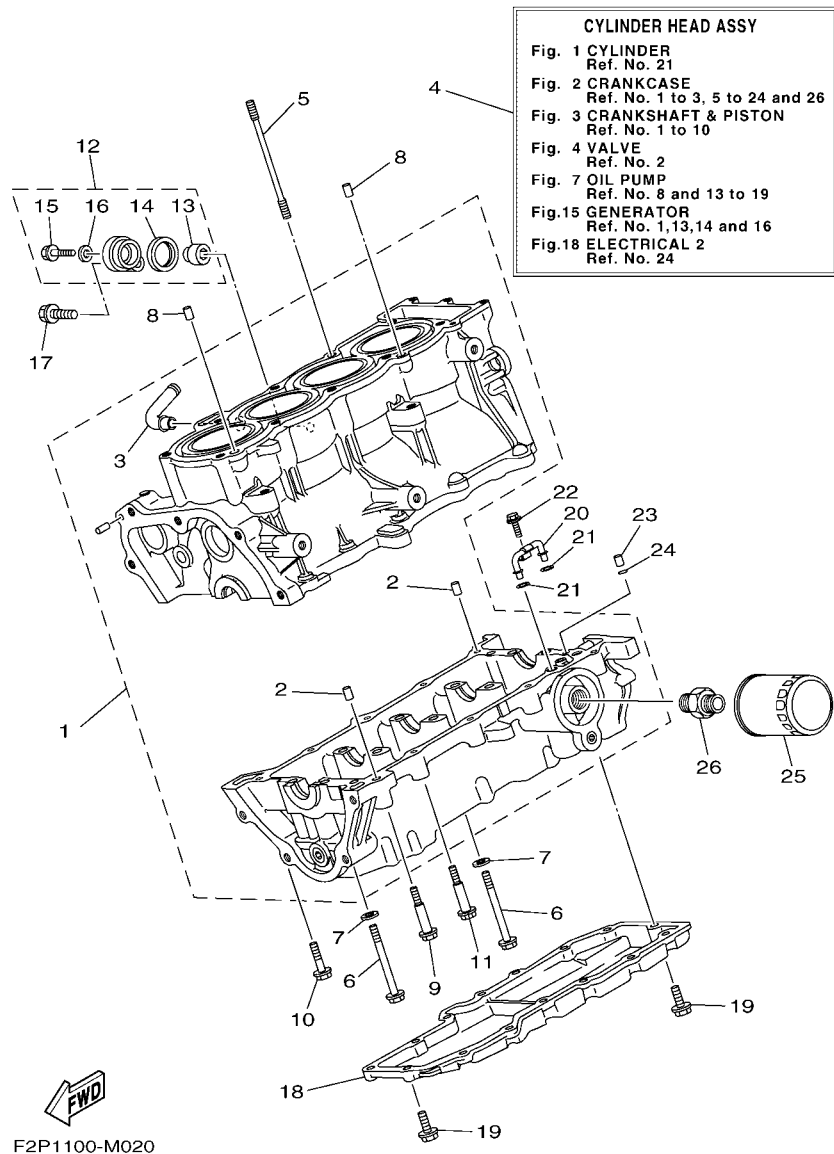


**CYLINDER HEAD ASSY**  
 Fig. 1 CYLINDER  
 Ref. No. 2 to 11  
 17 to 21 and 29 to 33  
 Fig. 4 VALVE  
 Ref. No. 1 to 20 and 22  
 Fig.18 ELECTRICAL 2  
 Ref. No. 12

  
 F2P1100-M010

**FIG. 1 CYLINDER**

REF. NO.	PART NO.	DESCRIPTION	CAN	EUR	GENE	REMARKS
28	60E-12494-00	SEAL, PIPE 1	1	1	1	
29	60E-12483-10	PIPE 3	1	1	1	
30	60E-12474-00	GASKET 1	1	1	1	
31	60E-12537-00	PLATE 2	1	1	1	
32	93210-18417	O-RING	1	1	1	
33	91317-06016	BOLT	1	1	1	
<hr/>						
<hr/>						
<hr/>						
<hr/>						
<hr/>						
<hr/>						
<hr/>						
<hr/>						
<hr/>						
<hr/>						



**FIG. 2 CRANKCASE**

REF. NO.	PART NO.	DESCRIPTION	CAN	EUR	GENE	REMARKS
1	6BU-15100-00	CRANKCASE ASSY	1	1	1	
2	99530-10014	.PIN, DOWEL	2	2	2	
3	6D3-51129-00	.NIPPLE	1	1	1	
4	6BU-W009B-00-94	CYLINDER BLOCK ASSY	1	1	1	
5	90116-10058	BOLT, STUD	10	10	10	
6	90105-093A5	BOLT, FLANGE	10	10	10	
7	90201-096J9	WASHER, PLATE	10	10	10	
8	99530-10014	PIN, DOWEL	2	2	2	
9	90109-06051	BOLT	2	2	2	
10	90105-06033	BOLT, FLANGE	1	1	1	
11	90105-06M17	BOLT, FLANGE	7	7	7	
12	69J-11301-10	ANODE COVER ASSY	1	1	1	
13	68V-11325-02	.ANODE	1	1	1	
14	67F-11328-00	.GROMMET, ANODE	1	1	1	
15	90105-06M07	.BOLT, FLANGE	1	1	1	
16	90430-06M03	.GASKET	1	1	1	
17	97595-08540	BOLT, WITH WASHER	1	1	1	
18	6B6-1310A-01-94	PAN, OIL	1	1	1	
19	97513-06520	BOLT, WITH WASHER	15	15	15	
20	60E-13161-00	PIPE, DELIVERY 1	1	1	1	
21	93210-06667	O-RING	2	2	2	
22	95027-06010	BOLT, FLANGE	1	1	1	
23	99530-08012	PIN, DOWEL	1	1	1	
24	93210-08001	O-RING	1	1	1	
25	5GH-13440-20	ELEMENT ASSY, OIL CLEANER	1	1	1	
26	90401-20007	BOLT, UNION	1	1	1	



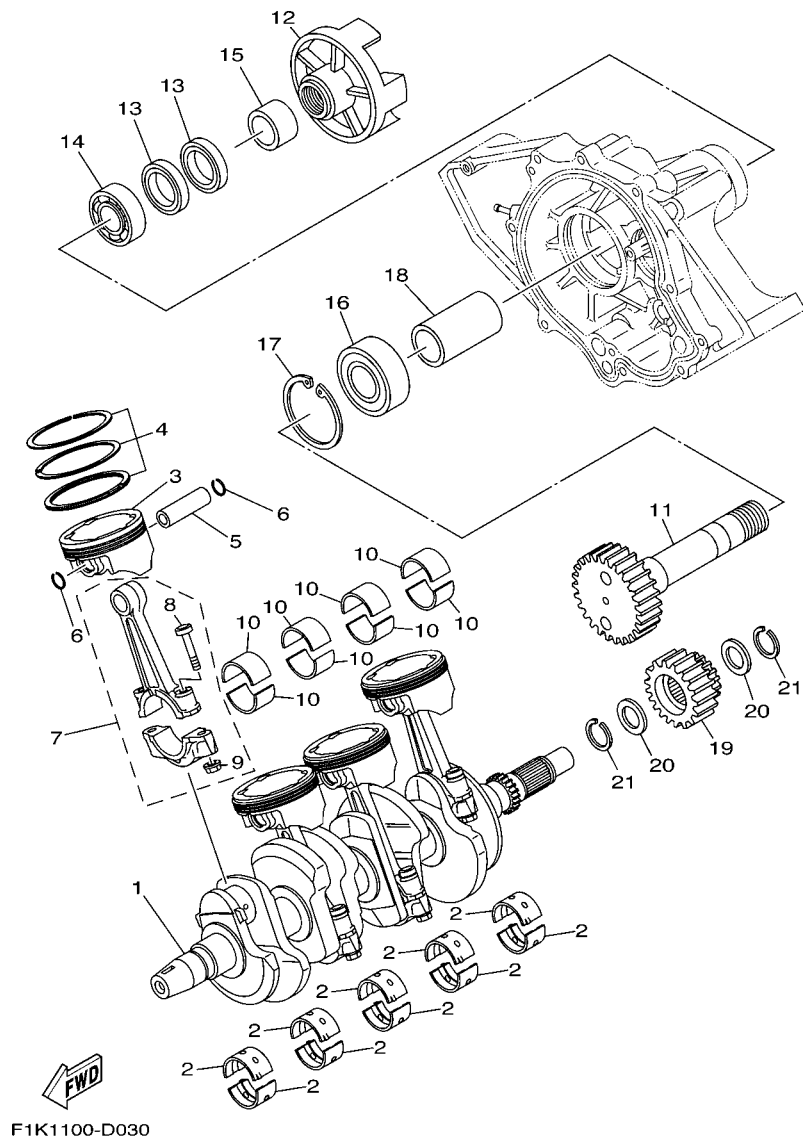
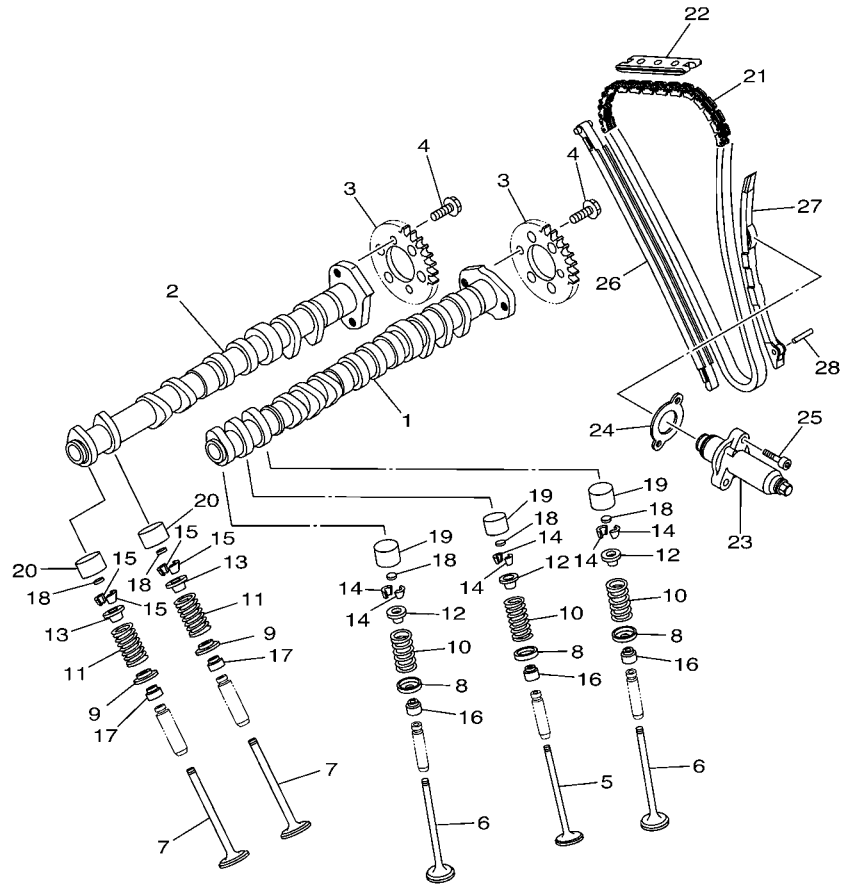


FIG. 3 CRANKSHAFT & PISTON

REF. NO.	PART NO.	DESCRIPTION	CAN	EUR	GENE	REMARKS
1	60E-11411-11	CRANKSHAFT	1	1	1	
2	6D3-11416-A0	PLANE BEARING, CRANKSHAFT 1	10	10	10	UR RED/RED
	6D3-11416-00	PLANE BEARING, CRANKSHAFT 1	10	10	10	UR RED/BROWN
	6D3-11416-10	PLANE BEARING, CRANKSHAFT 1	10	10	10	UR RED/BLACK
	6D3-11416-20	PLANE BEARING, CRANKSHAFT 1	10	10	10	UR RED/BLUE
	6D3-11416-30	PLANE BEARING, CRANKSHAFT 1	10	10	10	UR RED/GREEN
3	6D3-11631-01-B0	PISTON (STD)	4	4	4	
4	6D3-11603-00	PISTON RING SET (STD)	4	4	4	
5	6D3-11633-00	PIN, PISTON	4	4	4	
6	90468-12069	CLIP	8	8	8	
7	6D3-11650-00	CONNECTING ROD ASSY	4	4	4	
8	5JW-11654-00	.BOLT, CONNECTING ROD	2	2	2	
9	90179-08327	.NUT	2	2	2	
10	60E-11656-00	PLANE BEARING, CONNECTING ROD	8	8	8	UR BROWN
	60E-11656-10	PLANE BEARING, CONNECTING ROD	8	8	8	UR BLACK
	60E-11656-20	PLANE BEARING, CONNECTING ROD	8	8	8	UR BLUE
	60E-11656-30	PLANE BEARING, CONNECTING ROD	8	8	8	UR GREEN
11	6D3-17572-00	SHAFT, TRANSFER	1	1	1	
12	6D3-45813-00-94	FLANGE, COUPLING	1	1	1	
13	93101-35004	OIL SEAL	2	2	2	
14	93306-07801	BEARING	1	1	1	
15	6B6-11478-00	COLLAR	1	1	1	
16	93306-30610	BEARING	1	1	1	
17	99009-72500	CIRCLIP	1	1	1	
18	6B6-17585-00	COLLAR, GEAR	1	1	1	
19	6B6-17586-00	GEAR, TRANSFER DRIVE	1	1	1	
20	90209-25008	WASHER	2	2	2	

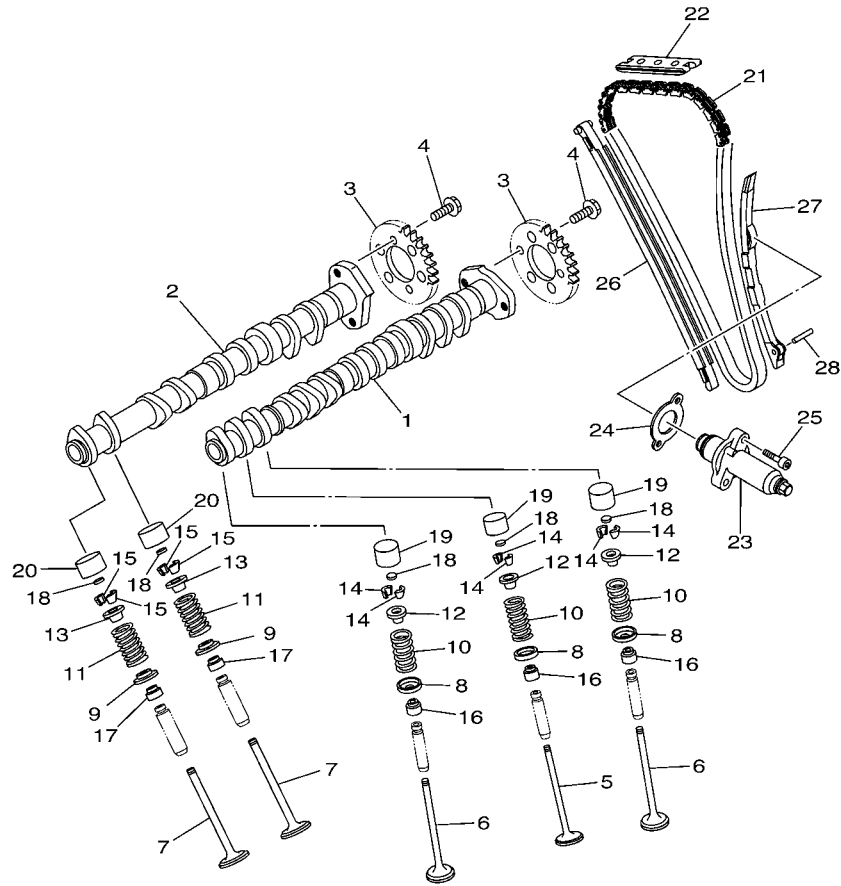




**FWD**  
F1K1100-D040

**FIG. 4 VALVE**

REF. NO.	PART NO.	DESCRIPTION	CAN	EUR	GENE	REMARKS
1	6D3-12171-11	CAMSHAFT 1	1	1	1	
2	6D3-12181-00	CAMSHAFT 2	1	1	1	
3	6D3-12176-00	SPROCKET, CAM CHAIN	2	2	2	
4	90105-07004	BOLT, FLANGE	4	4	4	
5	4XV-12111-00	VALVE, INTAKE	4	4	4	
6	4XV-12112-00	VALVE, INTAKE 2	8	8	8	
7	5LV-12121-00	VALVE, EXHAUST	8	8	8	
8	1HX-12116-01	SEAT, VALVE SPRING	12	12	12	
9	3GM-12126-00	SEAT, VALVE SPRING 2	8	8	8	
10	4XV-12113-00	SPRING, VALVE INNER	12	12	12	
11	4XV-12114-00	SPRING, VALVE OUTER	8	8	8	
12	1HX-12117-00	RETAINER, VALVE SPRING	12	12	12	
13	1WG-12117-00	RETAINER, VALVE SPRING	8	8	8	
14	1HX-12118-00	LOCK, VALVE SPRING RETAINER	24	24	24	
15	1WG-12118-00	LOCK, VALVE SPRING RETAINER	16	16	16	
16	4TV-12119-00	SEAL, VALVE STEM	12	12	12	
17	4SV-12119-00	SEAL, VALVE STEM	8	8	8	
18	1HX-12168-00	PAD, ADJUSTING 2 (1.20)	20	20	20	UR
	1HX-12168-20	PAD, ADJUSTING 2 (1.25)	20	20	20	UR
	1HX-12168-40	PAD, ADJUSTING 2 (1.30)	20	20	20	UR
	1HX-12168-60	PAD, ADJUSTING 2 (1.35)	20	20	20	UR
	1HX-12168-80	PAD, ADJUSTING 2 (1.40)	20	20	20	UR
	1HX-12168-A0	PAD, ADJUSTING 2 (1.45)	20	20	20	UR
	1HX-12168-F0	PAD, ADJUSTING 2 (1.50)	20	20	20	UR
	1HX-12168-H1	PAD, ADJUSTING 2 (1.55)	20	20	20	UR
	1HX-12168-K1	PAD, ADJUSTING 2 (1.60)	20	20	20	UR
	1HX-12168-M1	PAD, ADJUSTING 2 (1.65)	20	20	20	UR



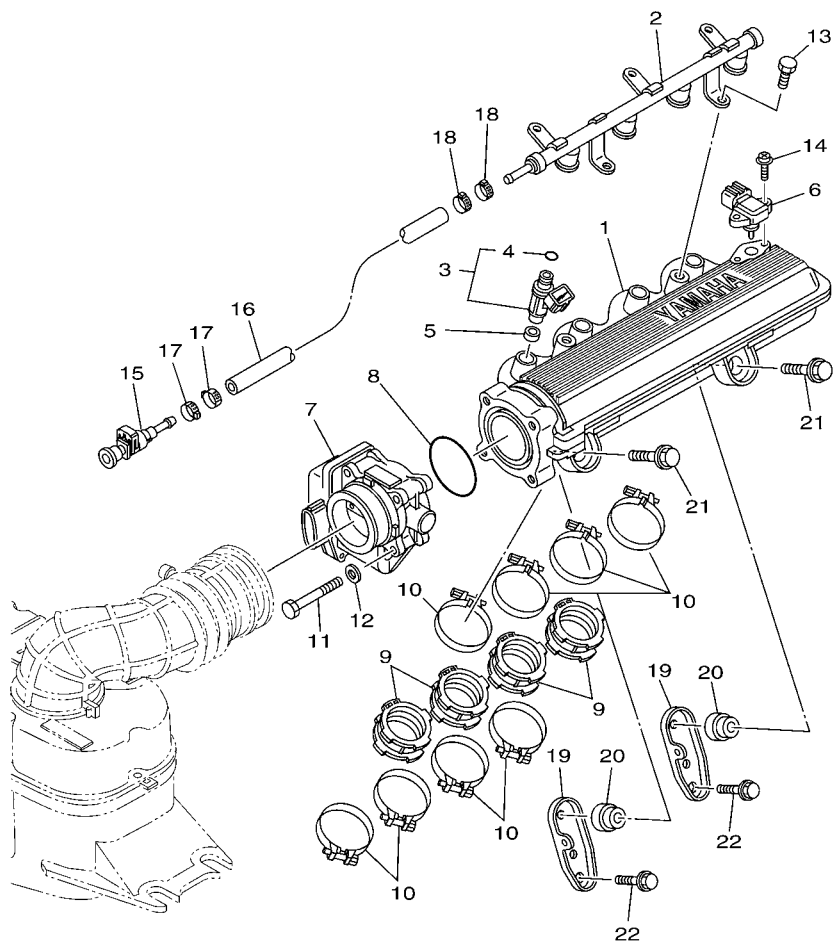
**FWD**  
F1K1100-D040

**FIG. 4 VALVE**

REF. NO.	PART NO.	DESCRIPTION	CAN	EUR	GENE	REMARKS
18	1HX-12168-R1	PAD, ADJUSTING 2 (1.70)	20	20	20	UR
	1HX-12168-U1	PAD, ADJUSTING 2 (1.75)	20	20	20	UR
	1HX-12168-W1	PAD, ADJUSTING 2 (1.80)	20	20	20	UR
	1HX-12168-Y1	PAD, ADJUSTING 2 (1.85)	20	20	20	UR
	1HX-12169-11	PAD, ADJUSTING 2 (1.90)	20	20	20	UR
	1HX-12169-31	PAD, ADJUSTING 2 (1.95)	20	20	20	UR
	1HX-12169-50	PAD, ADJUSTING 2 (2.00)	20	20	20	UR
	1HX-12169-70	PAD, ADJUSTING 2 (2.05)	20	20	20	UR
	1HX-12169-90	PAD, ADJUSTING 2 (2.10)	20	20	20	UR
	1HX-12169-E0	PAD, ADJUSTING 2 (2.15)	20	20	20	UR
	1HX-12169-G0	PAD, ADJUSTING 2 (2.20)	20	20	20	UR
	1HX-12169-J0	PAD, ADJUSTING 2 (2.25)	20	20	20	UR
	1HX-12169-L0	PAD, ADJUSTING 2 (2.30)	20	20	20	UR
	1HX-12169-N0	PAD, ADJUSTING 2 (2.35)	20	20	20	UR
	1HX-12169-T0	PAD, ADJUSTING 2 (2.40)	20	20	20	UR
19	3LN-12153-10	LIFTER, VALVE	12	12	12	YELLOW
20	3FV-12153-10	LIFTER, VALVE	8	8	8	
21	94591-49130	CHAIN	1	1	1	
22	5BE-12241-00	GUIDE, STOPPER 2	1	1	1	
23	6D3-12210-00	TENSIONER ASSY, CAM CHAIN	1	1	1	
24	4FM-12213-00	GASKET, TENSIONER CASE	1	1	1	
25	91380-06025	BOLT	2	2	2	
26	6D3-12251-00	DAMPER, CHAIN 1	1	1	1	
27	4XV-12252-00	DAMPER, CHAIN 2	1	1	1	
28	93607-44002	PIN, DOWEL	1	1	1	



FIG. 6 INTAKE 2



  
F2NK100-L060

REF. NO.	PART NO.	DESCRIPTION	CAN	EUR	GENE	REMARKS
1	6D3-13641-00	MANIFOLD, INTAKE 1	1	1	1	
2	6BU-12880-10	DELIVERY PIPE	1	1	1	
3	60E-13761-20	INJECTOR	4	4	4	
4	68V-1416A-00	.O-RING	1	1	1	
5	8FP-13556-10	GASKET, MANIFOLD	4	4	4	
6	68F-83688-10	SENSOR ASSY	1	1	1	
7	6BU-13750-00	THROTTLE BODY ASSY	1	1	1	
8	6D3-14457-00	SEAL	1	1	1	
9	6D3-13795-01	JOINT, THROTTLE BODY 1	4	4	4	
10	90450-57006	HOSE CLAMP ASSY	8	8	8	
11	68V-13573-00	BOLT 1	4	4	4	
12	68V-14475-00	WASHER	4	4	4	
13	63P-14446-00	BOLT	2	2	2	
14	6D3-81147-00	SCREW 3	2	2	2	
15	6S5-24300-01	FUEL PIPE JOINT	1	1	1	
16	6D3-14294-10	HOSE	1	1	1	
17	90450-17M17	HOSE CLAMP ASSY	2	2	2	
18	90450-17M17	HOSE CLAMP ASSY	2	2	2	
19	6D3-14414-10	STAY 2	2	2	2	
20	60E-14449-00-94	COLLAR	2	2	2	
21	90119-08050	BOLT, WITH WASHER	2	2	2	
22	90119-08074	BOLT, WITH WASHER	2	2	2	

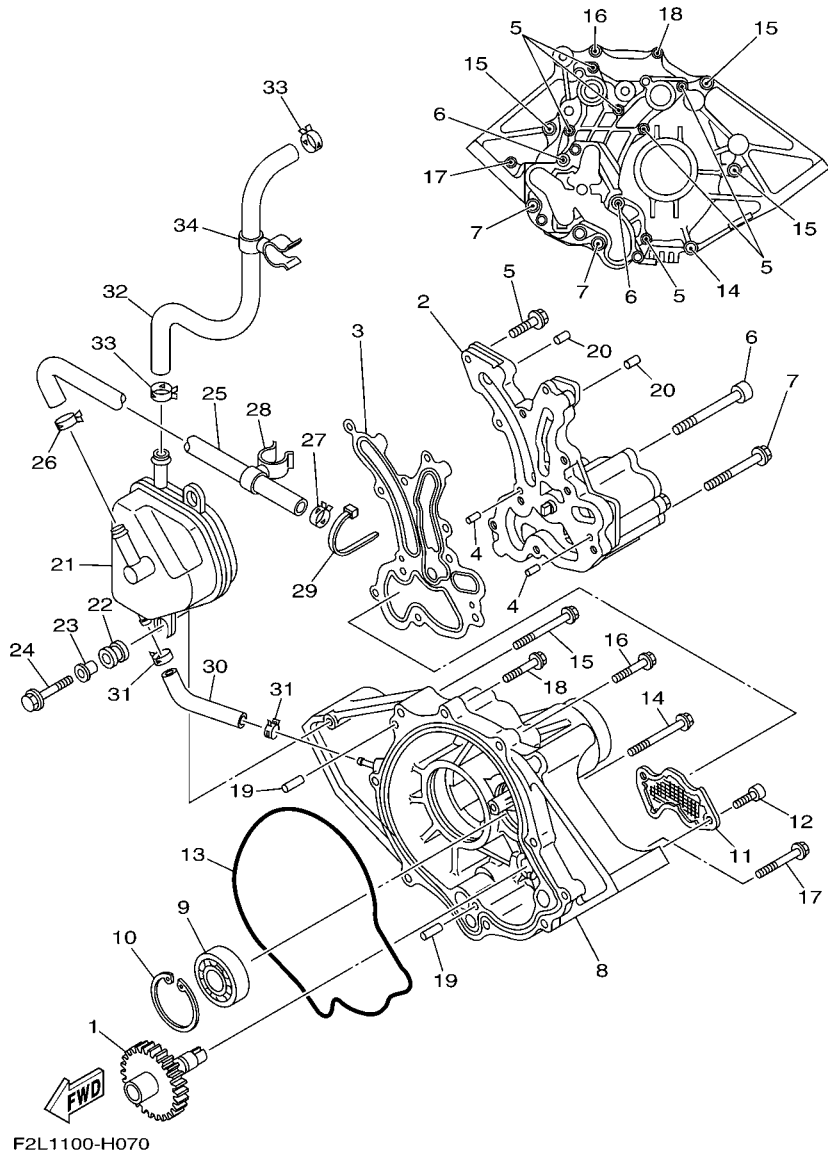
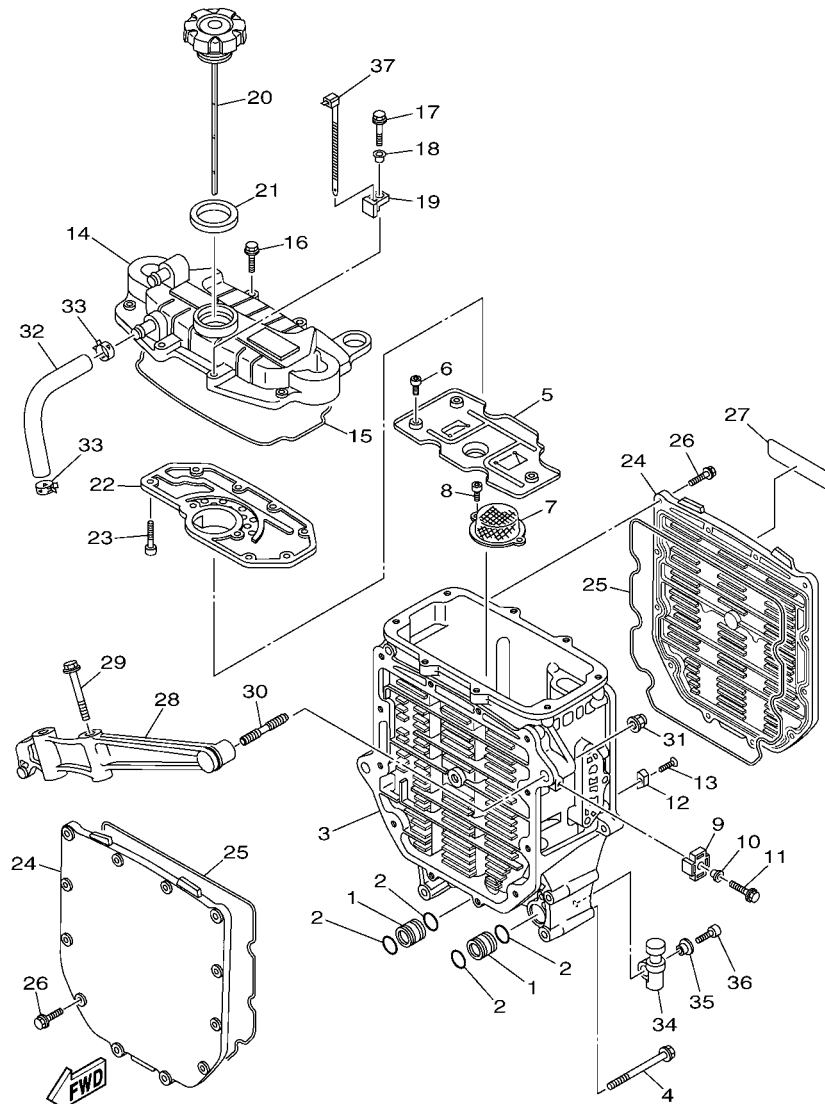


FIG. 7 OIL PUMP

REF. NO.	PART NO.	DESCRIPTION	CAN	EUR	GENE	REMARKS
1	6B6-13360-00	DRIVEN GEAR ASSY	1	1	1	
2	6D3-13300-10	OIL PUMP ASSY	1	1	1	
3	6B6-13563-01	GASKET	1	1	1	
4	93603-12221	PIN, DOWEL	2	2	2	
5	97513-06525	BOLT, WITH WASHER	6	6	6	
6	90110-08041	BOLT, HEXAGON SOCKET HEAD	2	2	2	
7	90119-08085	BOLT, WITH WASHER	2	2	2	
8	6B6-13327-02-94	COVER, PUMP GEAR	1	1	1	
9	93306-30441	BEARING	1	1	1	
10	99009-52500	CIRCLIP	1	1	1	
11	6B6-13411-00	STRAINER, OIL	1	1	1	
12	91317-06016	BOLT	2	2	2	
13	6B6-13475-01	GASKET	1	1	1	
14	90119-08045	BOLT, WITH WASHER	1	1	1	
15	90119-08034	BOLT, WITH WASHER	3	3	3	
16	90119-08043	BOLT, WITH WASHER	1	1	1	
17	97513-06555	BOLT, WITH WASHER	1	1	1	
18	97513-06535	BOLT, WITH WASHER	1	1	1	
19	93608-16M16	PIN, DOWEL	2	2	2	
20	93606-25M00	PIN, DOWEL	2	2	2	
21	6D3-11164-00	SEPERATOR, OIL	1	1	1	
22	6A0-82317-00	DAMPER, IGNITION COIL	2	2	2	
23	90387-06119	COLLAR	2	2	2	
24	90119-06M65	BOLT, WITH WASHER	2	2	2	
25	6D3-11126-00	PIPE, BREATHER 3	1	1	1	
26	90467-170A4	CLIP	1	1	1	
27	90467-170A4	CLIP	1	1	1	



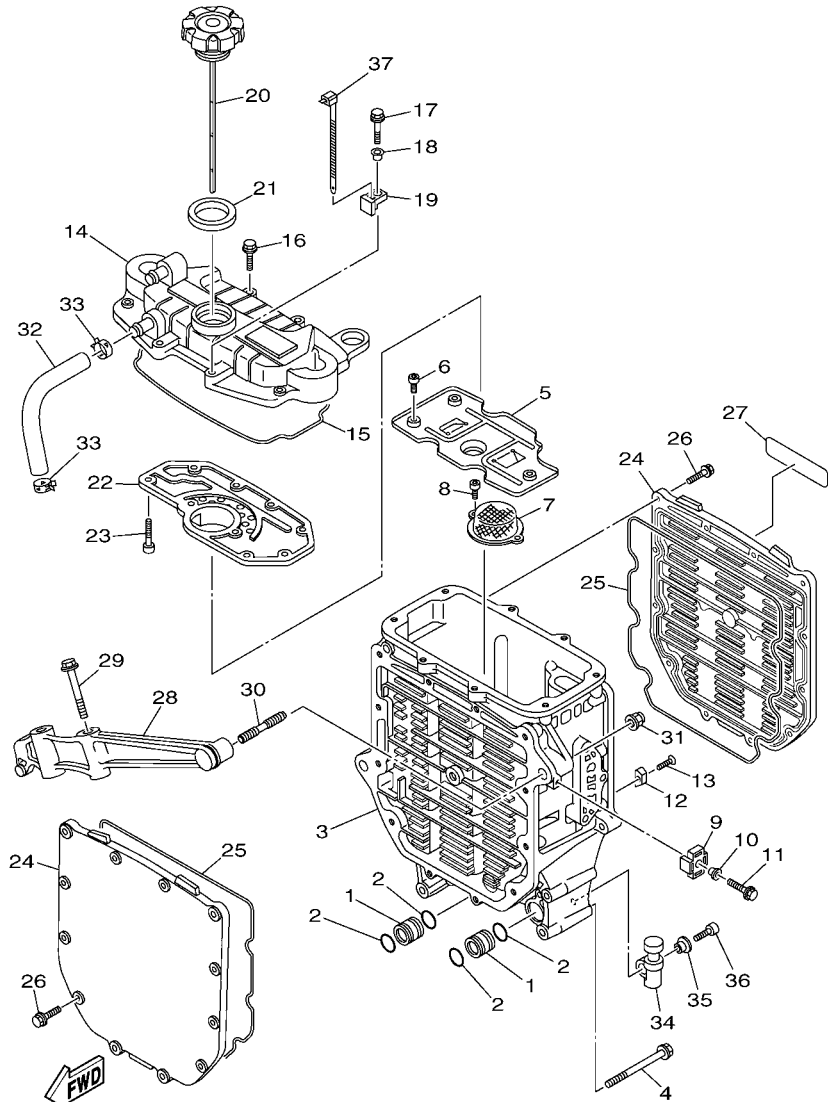




F2P1100-M080

FIG. 8 OIL COOLER

REF. NO.	PART NO.	DESCRIPTION	CAN	EUR	GENE	REMARKS
1	60E-13446-00	CONNECTOR	2	2	2	
2	93210-18322	O-RING	4	4	4	
3	6D3-13462-00-94	CASE, OIL COOLER	1	1	1	
4	90119-10020	BOLT, WITH WASHER	5	5	5	
5	6B6-13317-00	PLATE, BAFFLE	1	1	1	
6	91317-05014	BOLT	3	3	3	
7	60E-13421-00	STRAINER 2	1	1	1	
8	91317-06014	BOLT	2	2	2	
9	6BU-85542-00	BRACKET	1	1	1	
10	90387-06M05	COLLAR	1	1	1	
11	97595-06520	BOLT, WITH WASHER	1	1	1	
12	6E5-11325-00	ANODE	1	1	1	
13	98780-04015	SCREW, FLAT HEAD	1	1	1	
14	6D3-13463-00-94	COVER, OIL COOLER	1	1	1	
15	60E-13475-00	GASKET	1	1	1	
16	90105-06036	BOLT, FLANGE	7	7	7	
17	90105-06035	BOLT, FLANGE	1	1	1	
18	90387-06M05	COLLAR	1	1	1	
19	6AA-85542-00	BRACKET	1	1	1	
20	6BU-15362-A0	PLUG, OIL LEVEL	1	1	1	
21	60E-13473-00	O-RING	1	1	1	
22	6D3-11165-00	PLATE, BREATHER	1	1	1	
23	91317-05016	BOLT	9	9	9	
24	6D3-13443-00-94	COVER, OIL COOLER	2	2	2	
25	60E-13476-10	GASKET	2	2	2	
26	90105-06M07	BOLT, FLANGE	24	24	24	
27	60E-83627-00	LABEL, CAUTION 7	1	1	1	



F2P1100-M080

FIG. 8 OIL COOLER

REF. NO.	PART NO.	DESCRIPTION	CAN	EUR	GENE	REMARKS
28	6B6-13151-00-94	STAY	1	1	1	
29	90119-10M02	BOLT, WITH WASHER	2	2	2	
30	90116-10016	BOLT, STUD	2	2	2	
31	90176-10001	NUT, CROWN	2	2	2	
32	6D3-11167-00	PIPE, BREATHER 2	1	1	1	
33	90467-170A4	CLIP	2	2	2	
34	6S5-81364-10	GROMMET	2	2	2	
35	90387-06M05	COLLAR	2	2	2	
36	91380-06020	BOLT	2	2	2	
37	90465-13M39	CLAMP	1	1	1	

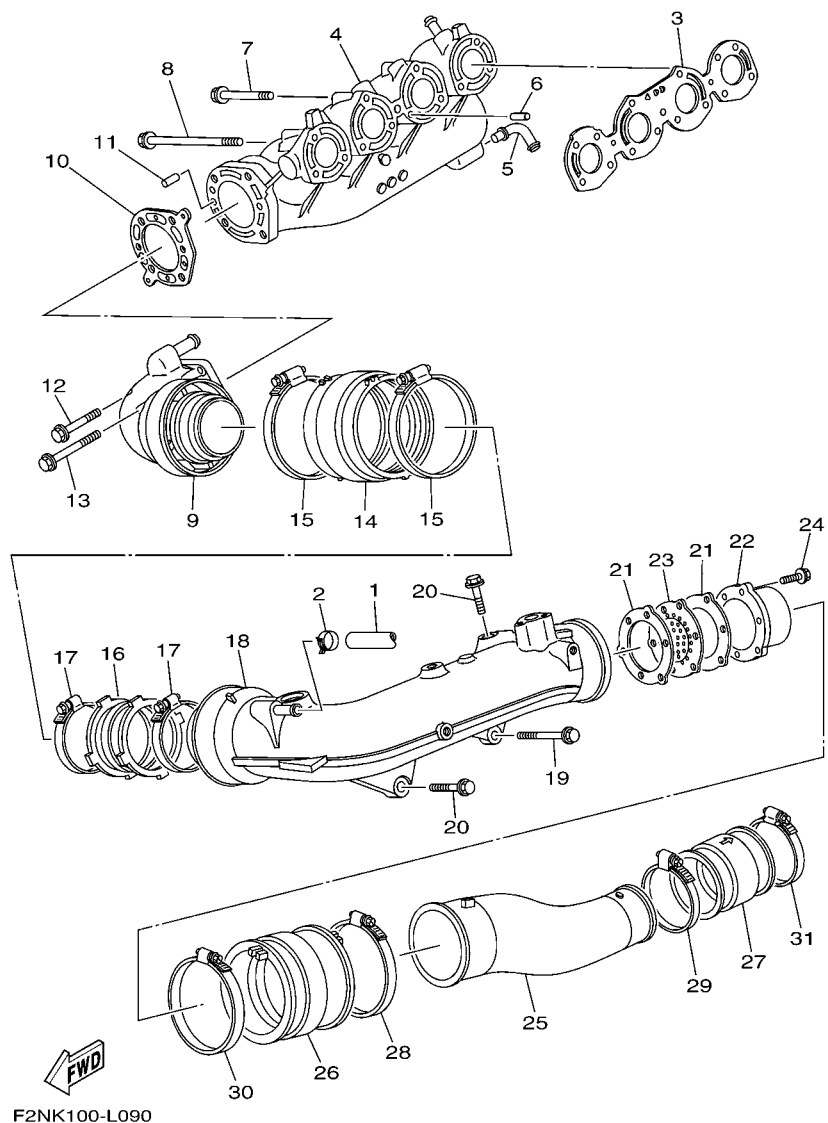


FIG. 9 EXHAUST 1

REF. NO.	PART NO.	DESCRIPTION	CAN	EUR	GENE	REMARKS
1	6BU-1244G-10	HOSE, 4	1	1	1	
2	90467-160A0	CLIP	1	1	1	
3	6D3-14613-10	GASKET, EXHAUST PIPE	1	1	1	
4	6D3-14711-10	MUFFLER 1	1	1	1	
5	60E-11372-10	NIPPLE, HOSE	1	1	1	
6	93608-16M16	PIN, DOWEL	2	2	2	
7	90119-08036	BOLT, WITH WASHER	5	5	5	
8	90119-08075	BOLT, WITH WASHER	6	6	6	
9	6D3-14712-00-94	RING, JOINT	1	1	1	
10	6D3-14739-10	GASKET, MUFFLER DAMPER 1	1	1	1	
11	93606-12019	PIN, DOWEL	2	2	2	
12	90119-08036	BOLT, WITH WASHER	2	2	2	
13	90119-08031	BOLT, WITH WASHER	2	2	2	
14	6D3-14615-00	JOINT, EXHAUST 1	1	1	1	
15	90450-99005	HOSE CLAMP ASSY	2	2	2	
16	6D3-14625-00	JOINT, EXHAUST 2	1	1	1	
17	90450-90001	HOSE CLAMP ASSY	2	2	2	
18	6D3-14721-10	MUFFLER 2	1	1	1	
19	90119-10017	BOLT, WITH WASHER	1	1	1	
20	90119-10013	BOLT, WITH WASHER	3	3	3	
21	60E-14623-00	GASKET, EXHAUST PIPE	2	2	2	
22	60E-14784-00-94	PIPE, TAIL	1	1	1	
23	6D3-1469W-10	PLATE, SILENCER 6	1	1	1	
24	90105-06790	BOLT, FLANGE	3	3	3	
25	6BU-14752-00-94	PIPE, OUTLET	1	1	1	
26	6BU-1475E-00	PIPE 2	1	1	1	
27	6BU-1475F-00	PIPE 3	1	1	1	



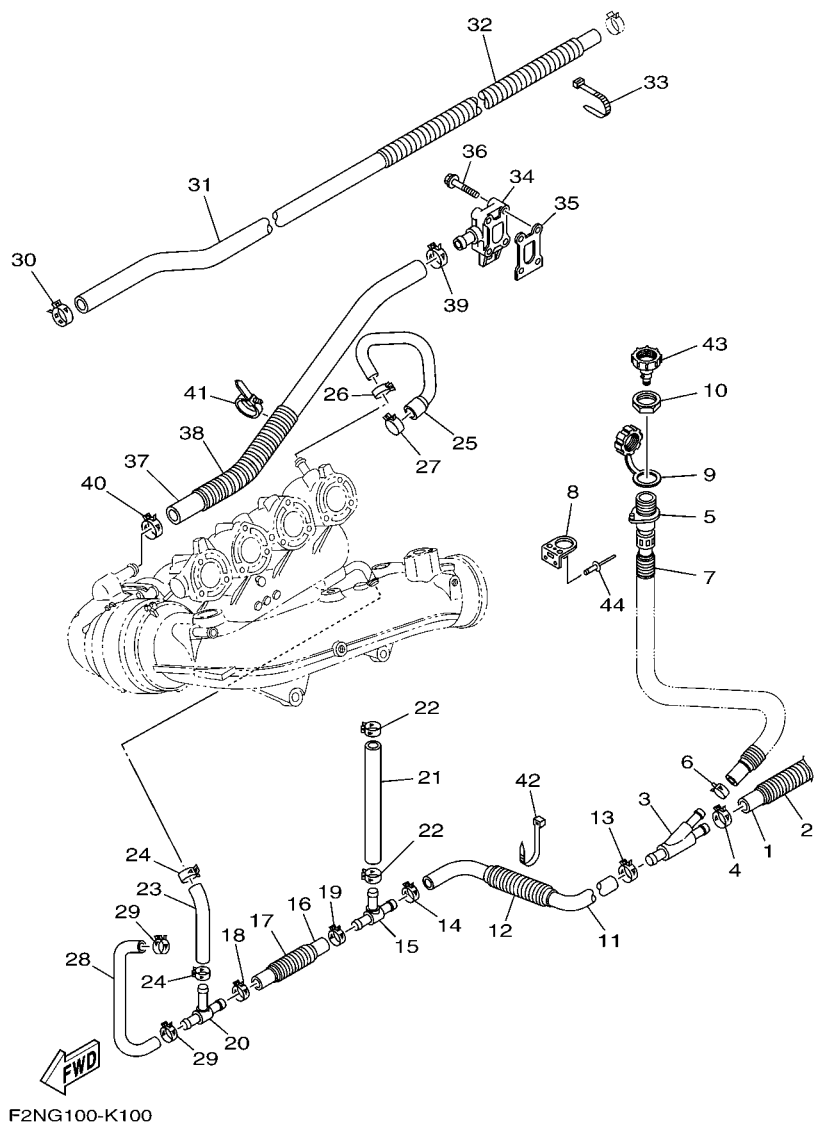


FIG. 10 EXHAUST 2

REF. NO.	PART NO.	DESCRIPTION	CAN	EUR	GENE	REMARKS
1	90445-21805	HOSE (L300)	1		1	
2	90447-22004	HOSE, WITH SPRING (L200)	1		1	
3	60E-12581-00	JOINT, HOSE 1	1		1	
4	90467-200A3	CLIP	1		1	
5	63M-12580-00	JOINT ASSY	1		1	
6	90467-150A5	CLIP	1		1	
7	90447-19801	TUBE (L485)	1		1	
8	60E-12443-00	STAY	1		1	
9	682-84385-01	CAP,1	1		1	
10	EU0-61652-00	NUT	1		1	
11	6BU-1243A-00	HOSE 1	1		1	
12	90447-22003	HOSE, WITH SPRING (L300)	1		1	
13	90467-200A3	CLIP	1		1	
14	90467-200A3	CLIP	1		1	
15	60E-12584-00	JOINT, HOSE 3	1		1	
16	6D3-1243E-10	HOSE 2	1		1	
17	90447-22001	HOSE, WITH SPRING (L100)	1		1	
18	90467-200A3	CLIP	1		1	
19	90467-200A3	CLIP	1		1	
20	6D3-12584-00	JOINT, HOSE 3	1		1	
21	6D3-1244H-10	HOSE 5	1		1	
22	90467-160A0	CLIP	2		2	
23	90445-18M03	HOSE (L108)	1		1	
24	90467-160A0	CLIP	2		2	
25	6D3-12577-10	HOSE 2	1		1	
26	90467-170A4	CLIP	1		1	
27	90467-200A3	CLIP	1		1	

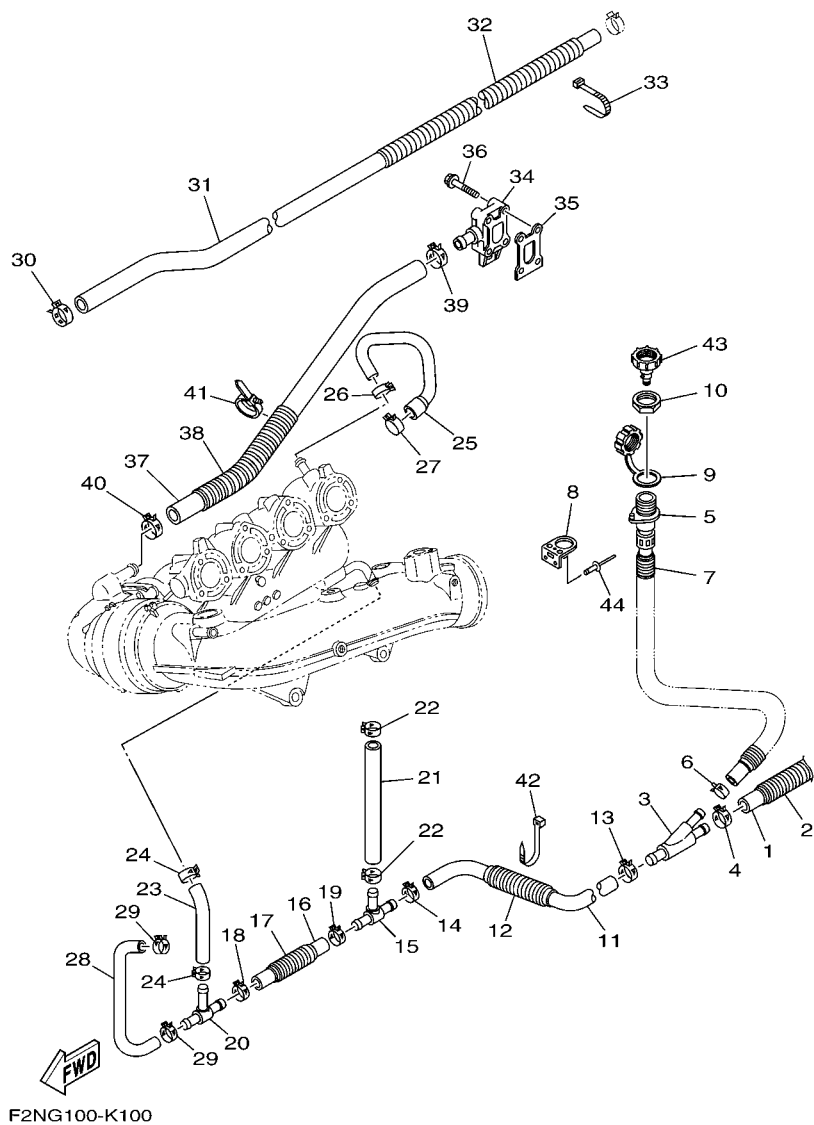


FIG. 10 EXHAUST 2

REF. NO.	PART NO.	DESCRIPTION	CAN	EUR	GENE	REMARKS
28	6D3-1244G-10	HOSE, 4	1		1	
29	90467-160A0	CLIP	2		2	
30	90467-210A0	CLIP	1		1	
31	90445-22007	HOSE (L1165)	1		1	
32	90447-25002	TUBE (L800)	1		1	
33	90464-35132	CLAMP	1		1	
34	6D3-12446-00	JOINT	1		1	
35	60E-12435-00	GASKET	1		1	
36	90105-06035	BOLT, FLANGE	4		4	
37	6BU-1243F-10	HOSE,3	1		1	
38	90447-22005	HOSE, WITH SPRING (L200)	1		1	
39	90467-200A3	CLIP	1		1	
40	90467-200A3	CLIP	1		1	
41	90464-31001	CLAMP	1		1	
42	90464-35132	CLAMP	1		1	
43	67X-E2590-10	CONDUCTION ASSY	1		1	
44	90267-489U1	RIVET,BLIND	2		2	

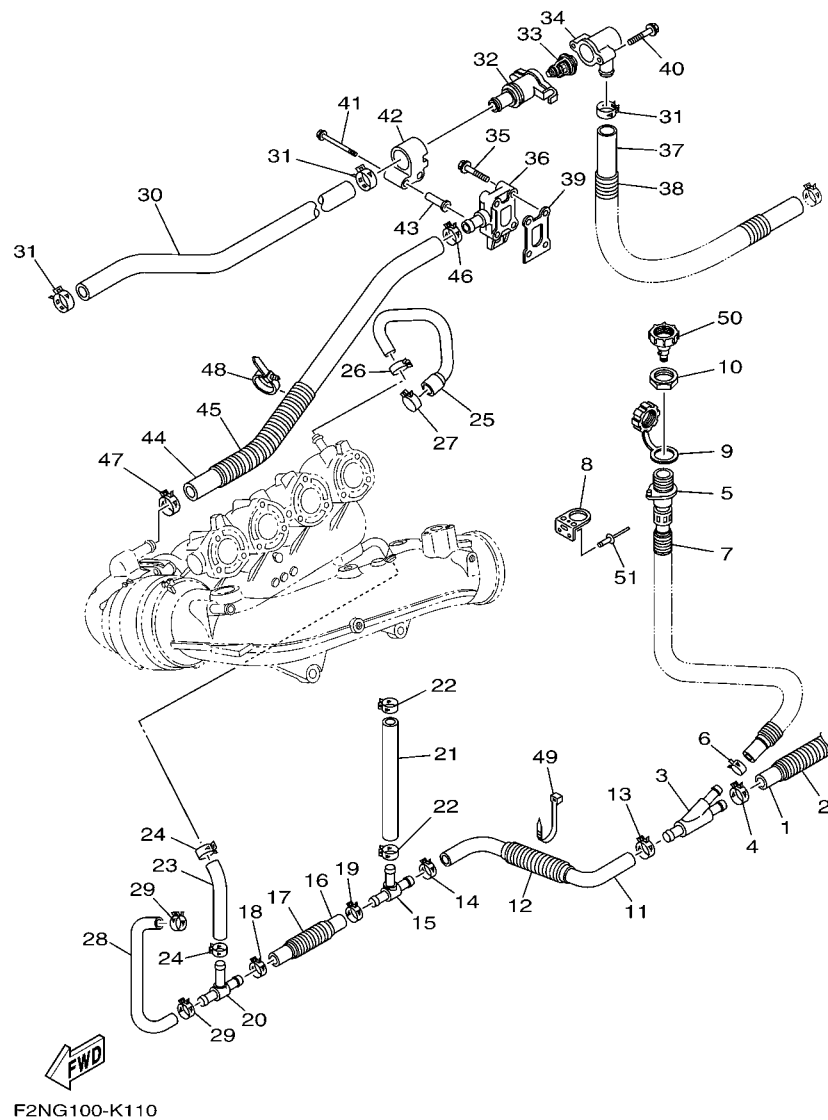


FIG. 11 EXHAUST 3

REF. NO.	PART NO.	DESCRIPTION	CAN	EUR	GENE	REMARKS
1	90445-21805	HOSE (L300)		1		
2	90447-22004	HOSE, WITH SPRING (L200)		1		
3	60E-12581-00	JOINT, HOSE 1		1		
4	90467-200A3	CLIP		1		
5	63M-12580-00	JOINT ASSY		1		
6	90467-150A5	CLIP		1		
7	90447-19801	TUBE (L485)		1		
8	60E-12443-00	STAY		1		
9	682-84385-01	CAP,1		1		
10	EU0-61652-00	NUT		1		
11	6BU-1243A-00	HOSE 1		1		
12	90447-22003	HOSE, WITH SPRING (L300)		1		
13	90467-200A3	CLIP		1		
14	90467-200A3	CLIP		1		
15	60E-12584-00	JOINT, HOSE 3		1		
16	6D3-1243E-10	HOSE 2		1		
17	90447-22001	HOSE, WITH SPRING (L100)		1		
18	90467-200A3	CLIP		1		
19	90467-200A3	CLIP		1		
20	6D3-12584-00	JOINT, HOSE 3		1		
21	6D3-1244H-10	HOSE 5		1		
22	90467-160A0	CLIP		2		
23	90445-18M03	HOSE (L108)		1		
24	90467-160A0	CLIP		2		
25	6D3-12577-10	HOSE 2		1		
26	90467-170A4	CLIP		1		
27	90467-200A3	CLIP		1		

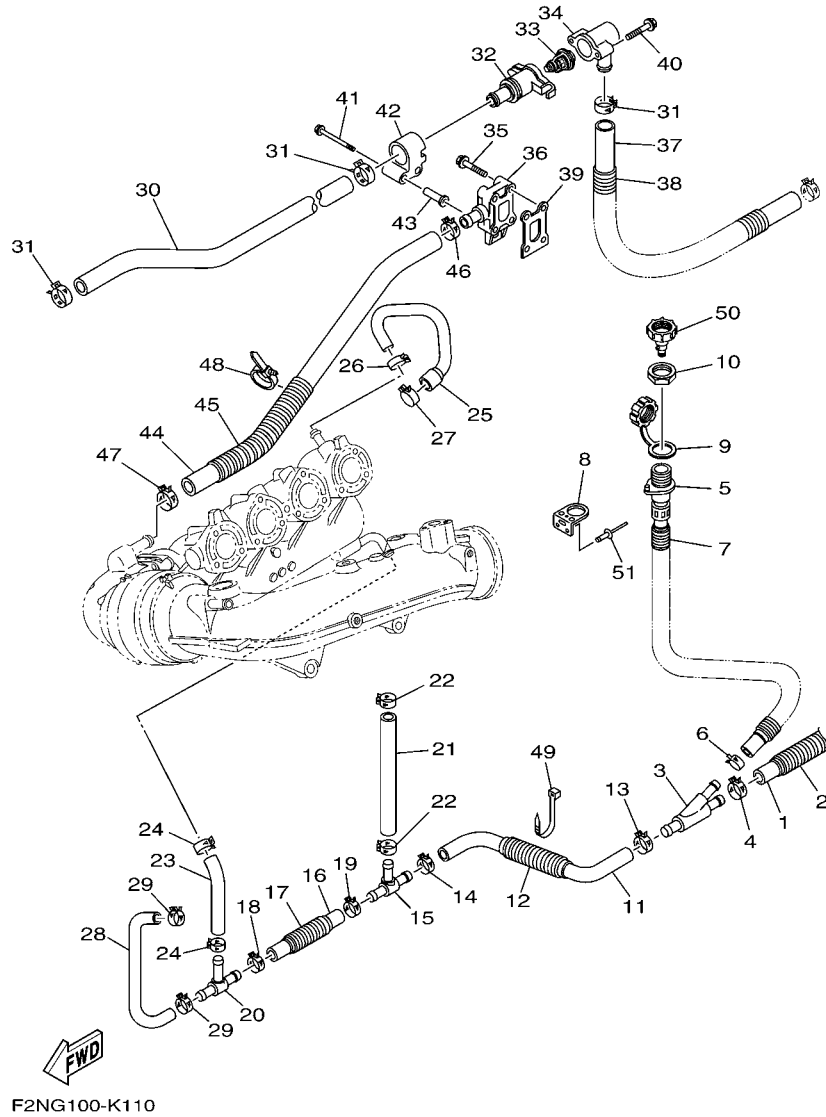
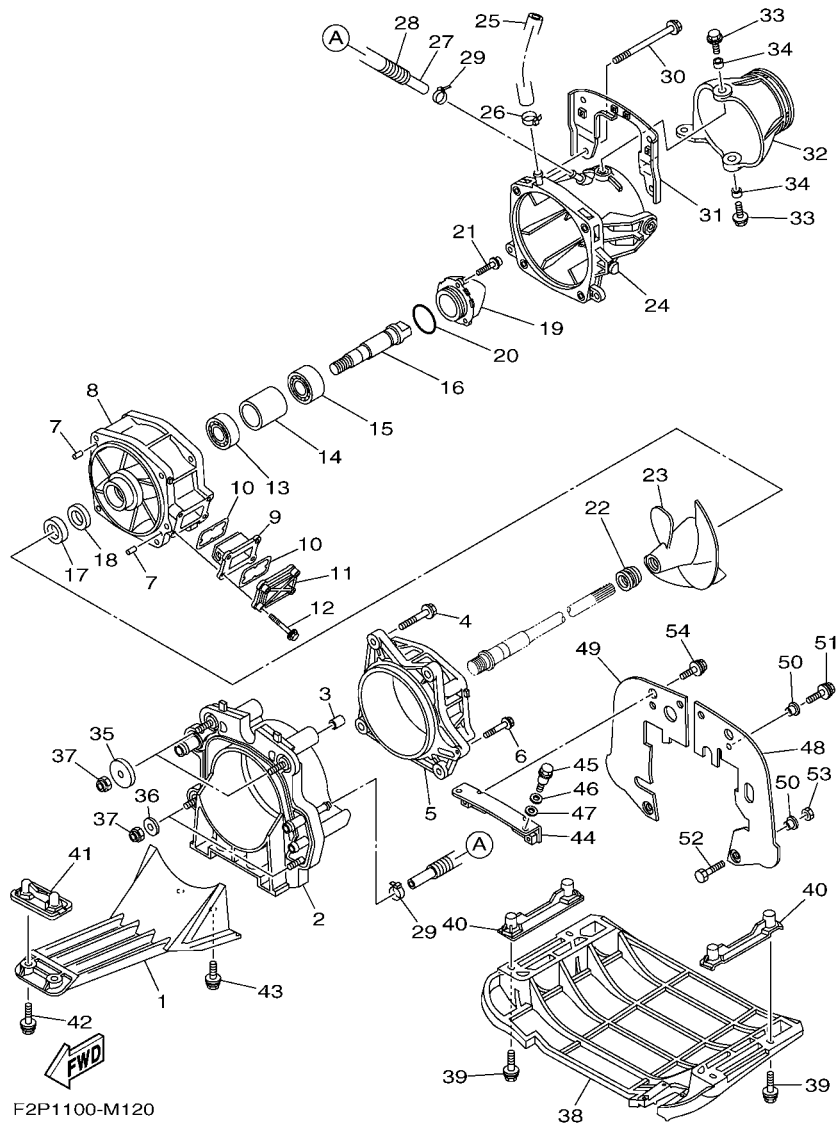


FIG. 11 EXHAUST 3

REF. NO.	PART NO.	DESCRIPTION	CAN	EUR	GENE	REMARKS
28	6D3-1244G-10	HOSE, 4		1		
29	90467-160A0	CLIP		2		
30	90445-26004	HOSE (L375)		1		
31	90467-240A0	CLIP		3		
32	60E-12417-10	HOUSING, THERMOSTAT		1		
33	6D3-12411-00	THERMOSTAT		1		
34	6BH-12413-00	COVER, THERMOSTAT		1		
35	90105-06035	BOLT, FLANGE		2		
36	6D3-12446-00	JOINT		1		
37	90445-25006	HOSE (L760)		1		
38	90447-28010	TUBE (L650)		1		
39	60E-12435-00	GASKET		1		
40	90105-06035	BOLT, FLANGE		2		
41	90105-06054	BOLT, FLANGE		2		
42	6B6-12499-00	JOINT		1		
43	90387-06083	COLLAR		2		
44	6BU-1243F-10	HOSE,3		1		
45	90447-22005	HOSE, WITH SPRING (L200)		1		
46	90467-200A3	CLIP		1		
47	90467-200A3	CLIP		1		
48	90464-31001	CLAMP		1		
49	90464-35132	CLAMP		1		
50	67X-E2590-10	CONDUCTION ASSY		1		
51	90267-489U1	RIVET,BLIND		2		

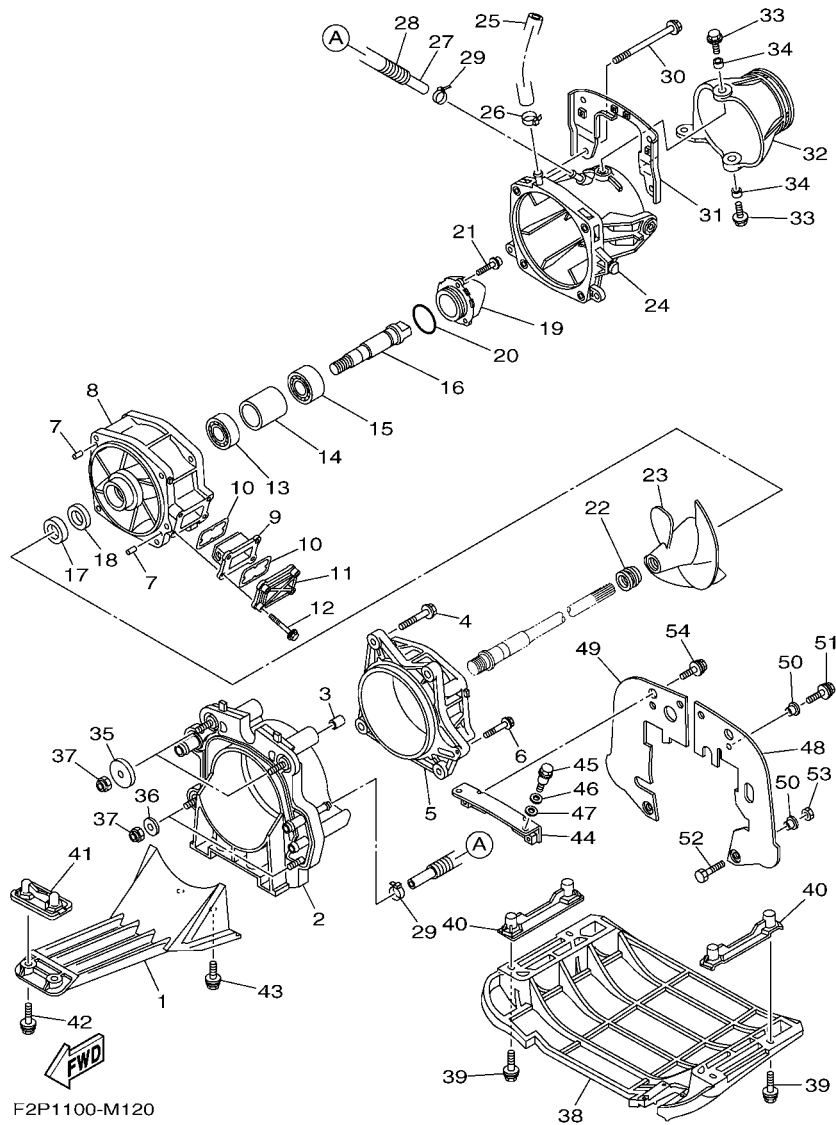




F2P1100-M120

FIG. 12 JET UNIT 1

REF. NO.	PART NO.	DESCRIPTION	CAN	EUR	GENE	REMARKS
1	6D3-R1333-01-94	SCREEN, INTAKE	1	1	1	
2	6AN-G5831-00	PLATE, TRANSOM	1	1	1	
3	99590-14016	PIN, DOWEL	2	2	2	
4	90119-10810	BOLT, WITH WASHER	4	4	4	
5	66V-51312-01-94	HOUSING, IMPELLER	1	1	1	
6	90119-06893	BOLT, WITH WASHER	1	1	1	
7	93606-12019	PIN, DOWEL	2	2	2	
8	6B6-51315-01-94	DUCT, IMPELLER	1	1	1	
9	6AN-G6882-00	FILTER	1	1	1	
10	66V-42414-00	O-RING	2	2	2	
11	6AN-G5214-00-94	COVER, WATER INLET 1	1	1	1	
12	90119-06897	BOLT, WITH WASHER	4	4	4	
13	93306-27211	BEARING	1	1	1	
14	65V-45538-00	SPACER 1	1	1	1	
15	93306-205U0	BEARING	1	1	1	
16	6D3-45514-00	SHAFT, DRIVE 4	1	1	1	
17	93101-21001	OIL SEAL	1	1	1	
18	93101-21002	OIL SEAL	1	1	1	
19	6B6-51326-10-94	CAP	1	1	1	
20	93210-464A3	O-RING	1	1	1	
21	90110-06822	BOLT, HEXAGON SOCKET HEAD	3	3	3	
22	6D3-R1319-00	CAP, IMPELLER	1	1	1	
23	6D3-R1321-02	IMPELLER	1	1	1	
24	6BU-R1318-01	NOZZLE	1	1	1	
25	90445-16006	HOSE (L260)	1	1	1	
26	90601-118UF	BAND, HOSE 18	1	1	1	
27	90445-14807	HOSE (L355)	1	1	1	



F2P1100-M120

FIG. 12 JET UNIT 1

REF. NO.	PART NO.	DESCRIPTION	CAN	EUR	GENE	REMARKS
28	90446-20MF5	HOSE (L320)	1	1	1	
29	90465-11829	CLAMP	2	2	2	
30	90119-10806	BOLT, WITH WASHER	4	4	4	
31	6D3-R1341-00	BRACKET 1	1	1	1	
32	6BU-R1313-00-94	NOZZLE, DEFLECTOR	1	1	1	
33	90119-08840	BOLT, WITH WASHER	2	2	2	
34	90387-08M06	COLLAR	2	2	2	
35	F1S-U725E-01	WASHER	2	2	2	
36	90201-10801	WASHER, PLATE	2	2	2	
37	9572R-10300	NUT, NYLON	4	4	4	
38	F2N-U273B-00	PLATE 2	1	1	1	
39	90119-08823	BOLT, WITH WASHER	4	4	4	
40	F1G-U8572-02	BRACKET 2	2	2	2	
41	F1K-U8577-01	BRACKET, 3	1	1	1	
42	90119-06895	BOLT, WITH WASHER	2	2	2	
43	90119-10808	BOLT, WITH WASHER	2	2	2	
44	F1K-U7557-01	BRACKET	1	1	1	
45	90109-08041	BOLT	2	2	2	
46	92990-12200	WASHER, PLAIN	2	2	2	
47	90430-12002	GASKET	2	2	2	
48	F1K-U757E-01	PLATE, RUBBER 1	1	1	1	
49	F1K-U757F-01	PLATE, RUBBER 2	1	1	1	
50	90387-06080	COLLAR	6	6	6	
51	90119-06882	BOLT, WITH WASHER	4	4	4	
52	90101-069U0	BOLT	2	2	2	
53	9572R-06300	NUT, NYLON	2	2	2	
54	90119-089U7	BOLT, WITH WASHER	2	2	2	

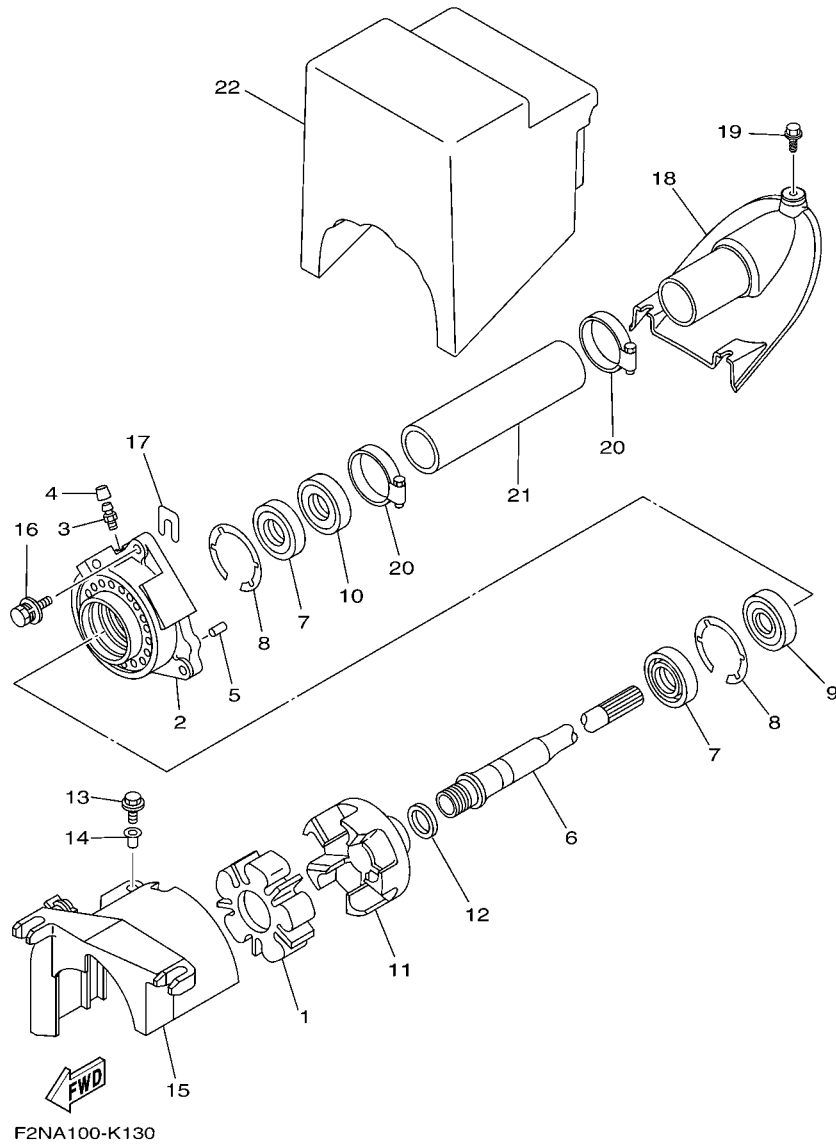


FIG. 13 JET UNIT 2

REF. NO.	PART NO.	DESCRIPTION	CAN	EUR	GENE	REMARKS
1	6D3-4581J-00	RUBBER SHAFT COUPLING	1	1	1	
2	61X-45332-03-94	HOUSING, BEARING	1	1	1	
3	93700-06M03	NIPPLE, GREASE	1	1	1	
4	663-45119-00	CAP, GREASE NIPPLE	1	1	1	
5	93606-12019	PIN, DOWEL	2	2	2	
6	6BU-45511-00	SHAFT, DRIVE	1	1	1	
7	93101-25M55	OIL SEAL	2	2	2	
8	93430-47M04	CIRCLIP	2	2	2	
9	93306-205A3	BEARING	1	1	1	
10	93102-25009	OIL SEAL	1	1	1	
11	6D3-45593-00-94	FLANGE, COUPLING 1	1	1	1	
12	90201-24800	WASHER, PLATE	1	1	1	
13	90119-06891	BOLT, WITH WASHER	1	1	1	
14	90387-06M60	COLLAR	1	1	1	
15	60E-R1381-01	COVER	1	1	1	
16	90119-089UL	BOLT, WITH WASHER	3	3	3	
17	GD0-U7249-00-05	SHIM (T=0.5)	2	2	2	UN
18	F2N-U883E-00	JOINT, PIPE	1	1	1	
19	90109-06832	BOLT	3	3	3	
20	90601-155U4	BAND, HOSE 55	2	2	2	
21	F2N-U883B-00	PIPE, 1	1	1	1	
22	F1K-U892D-00	FLOTATION, STERN	1	1	1	



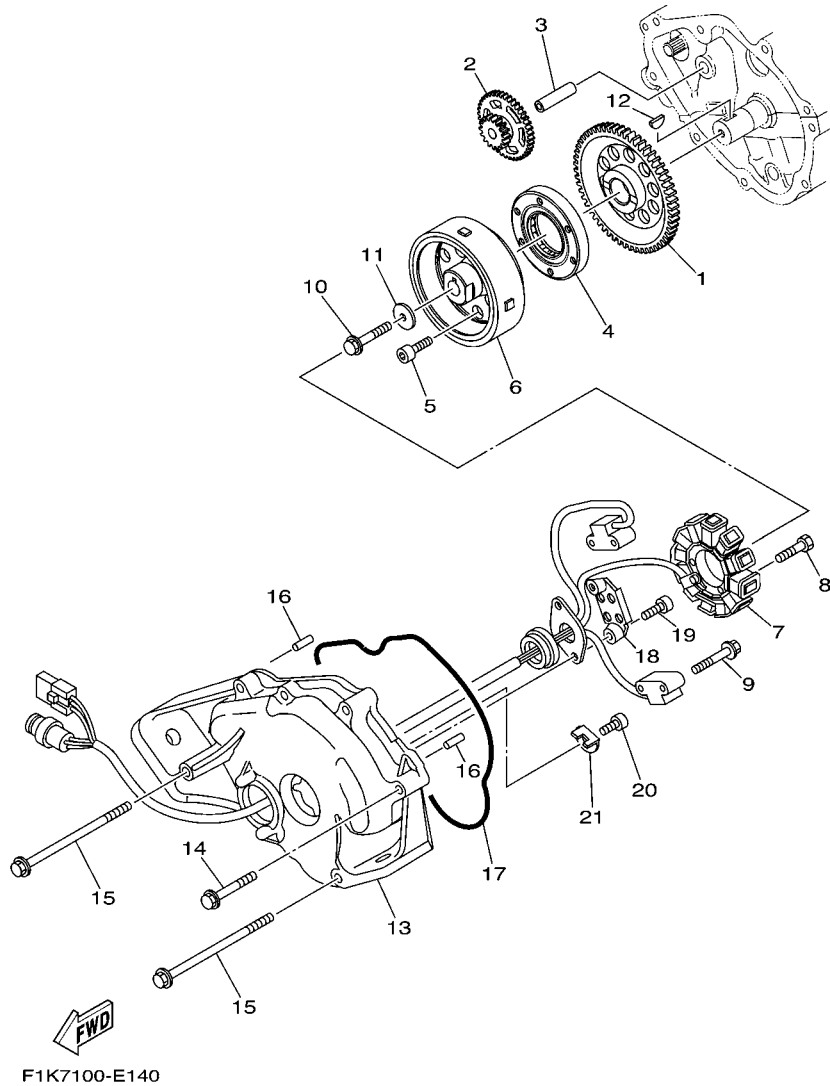
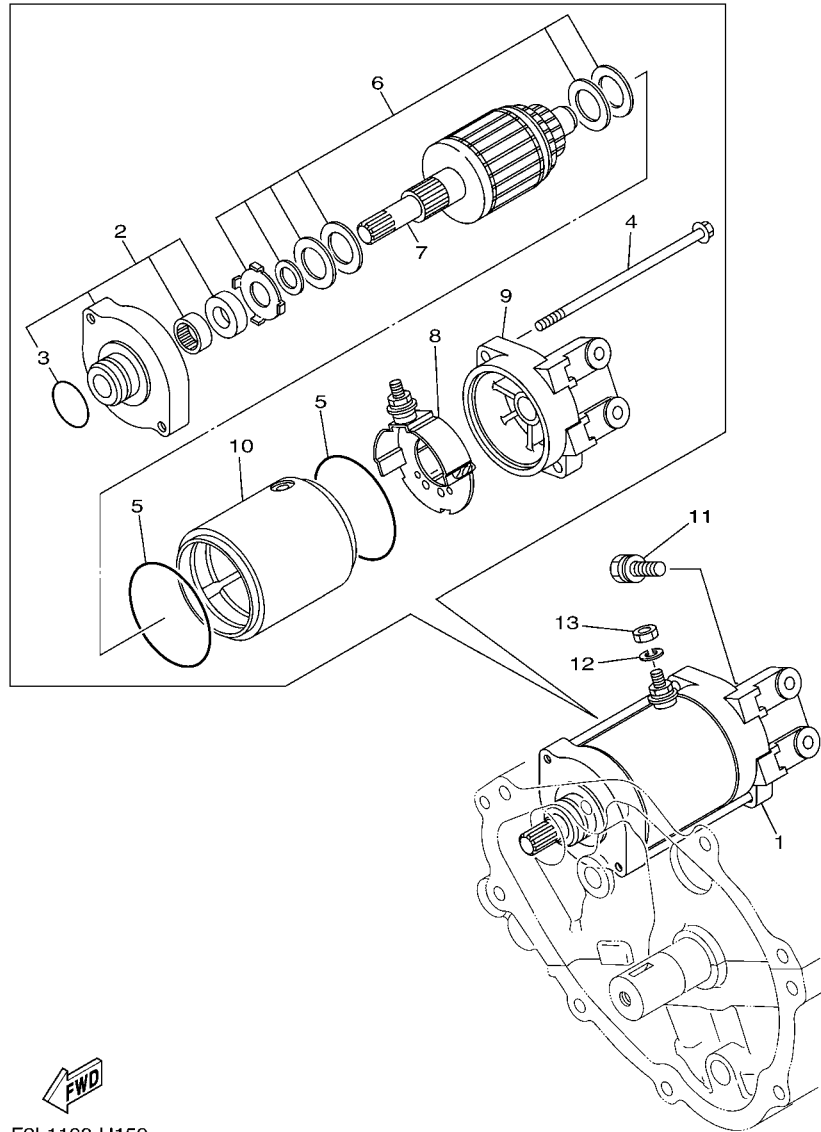


FIG. 15 GENERATOR

REF. NO.	PART NO.	DESCRIPTION	CAN	EUR	GENE	REMARKS
1	6D3-15515-00	GEAR 3	1	1	1	
2	60E-15517-00	GEAR, IDLER 2	1	1	1	
3	60E-15521-00	SHAFT 1	1	1	1	
4	4WM-15590-00	STARTER ONE-WAY ASSY	1	1	1	
5	90110-08212	BOLT, HEXAGON SOCKET HEAD	6	6	6	
6	6D3-81450-00	ROTOR ASSY	1	1	1	
7	6D3-81410-01	STATOR ASSY	1	1	1	
8	91317-06035	BOLT	3	3	3	
9	97513-05514	BOLT, WITH WASHER	2	2	2	
10	90105-105A6	BOLT, FLANGE	1	1	1	
11	90201-103U7	WASHER, PLATE	1	1	1	
12	90280-03047	KEY, WOODRUFF	1	1	1	
13	6D3-81337-00-94	COVER, FLYWHEEL	1	1	1	
14	90119-10016	BOLT, WITH WASHER	6	6	6	
15	90119-10M19	BOLT, WITH WASHER	2	2	2	
16	93608-16M16	PIN, DOWEL	2	2	2	
17	93212-04001	O-RING	1	1	1	
18	60E-81328-00	CLAMP	1	1	1	
19	91317-06014	BOLT	2	2	2	
20	91317-05010	BOLT	1	1	1	
21	6D3-81845-00	PLATE	1	1	1	



F2L1100-H150

FIG. 16 STARTING MOTOR

REF. NO.	PART NO.	DESCRIPTION	CAN	EUR	GENE	REMARKS
1	6D3-81800-00	STARTING MOTOR ASSY	1	1	1	
2	6M6-81830-00	.FRONT BRACKET ASSY	1	1	1	
3	1FK-81847-00	..O-RING	1	1	1	
4	6M6-81826-00	.BOLT	2	2	2	
5	11H-81844-00	.GASKET	2	2	2	
6	3AJ-81809-00	.WASHER KIT	1	1	1	
7	6M6-81850-00	.ARMATURE ASSY	1	1	1	
8	6M6-81840-10	.BRUSH HOLDER ASSY	1	1	1	
9	6D3-81820-00	.REAR BRACKET ASSY	1	1	1	
10	60E-81810-00	.STATOR ASSY	1	1	1	
11	97513-08530	BOLT, WITH WASHER	2	2	2	
12	92990-06100	WASHER, SPRING	1	1	1	
13	95380-06700	NUT	1	1	1	

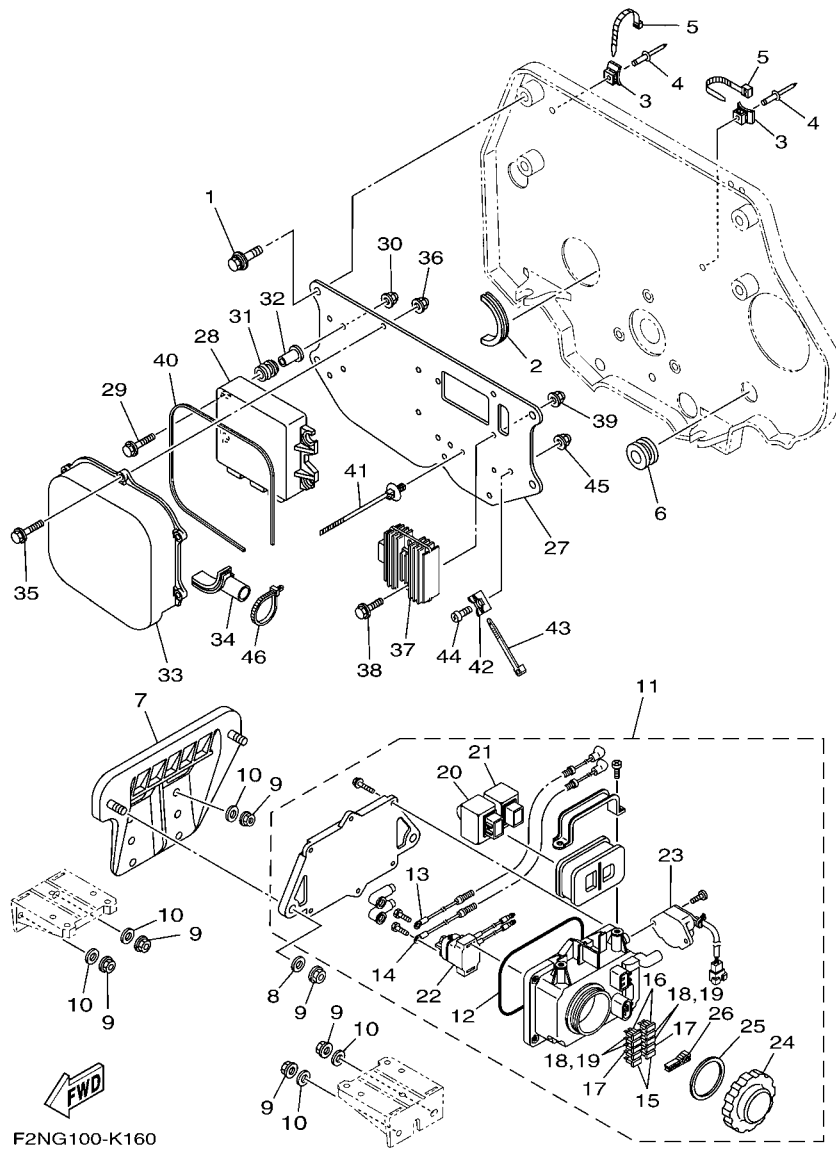


FIG. 17 ELECTRICAL 1

REF. NO.	PART NO.	DESCRIPTION	CAN	EUR	GENE	REMARKS
1	90119-089U7	BOLT, WITH WASHER	4	4	4	
2	F1S-U828H-01	TRIM, 1	1	1	1	
3	F1W-U828M-00	BASE, CLAMP	2	2	2	
4	90267-48802	RIVET, BLIND	2	2	2	
5	90464-32801	CLAMP	2	2	2	
6	90480-279U1	GROMMET	1	1	1	
7	F2N-U815D-01	BRACKET, ELECTRIC BOX	1	1	1	
8	90201-099U3	WASHER, PLATE	2	2	2	
9	9572R-08300	NUT, FLANGE	10	10	10	
10	9299R-08200	WASHER	8	8	8	
11	6BU-82170-00	FUSE BOX ASSY	1	1	1	
12	6D3-81921-00	.GASKET, TERMINAL	1	1	1	
13	6BU-82115-00	.WIRE, PLUS LEAD	1	1	1	
14	6D3-82117-00	.WIRE, LEAD	1	1	1	
15	67F-82151-00	.FUSE (20A)	2	2	2	
16	67F-82151-10	.FUSE (30A)	2	2	2	
17	67F-82151-30	.FUSE (3A)	2	2	2	
18	67F-82151-40	.FUSE (10A)	2	2	2	
19	67F-82151-40	.FUSE (10A)	2	2	2	
20	60E-81950-00	.RELAY ASSY	1	1	1	
21	68V-81950-00	.RELAY ASSY	1	1	1	
22	6B6-81940-00	.STARTER RELAY ASSY	1	1	1	
23	60E-8259E-00	.SWITCH ASSY	1	1	1	
24	66V-8132W-00	.CAP	1	1	1	
25	66V-81844-00	.GASKET	1	1	1	
26	67F-2812A-00	.PULLER, FUSE	1	1	1	
27	6BU-81845-00	PLATE	1	1	1	

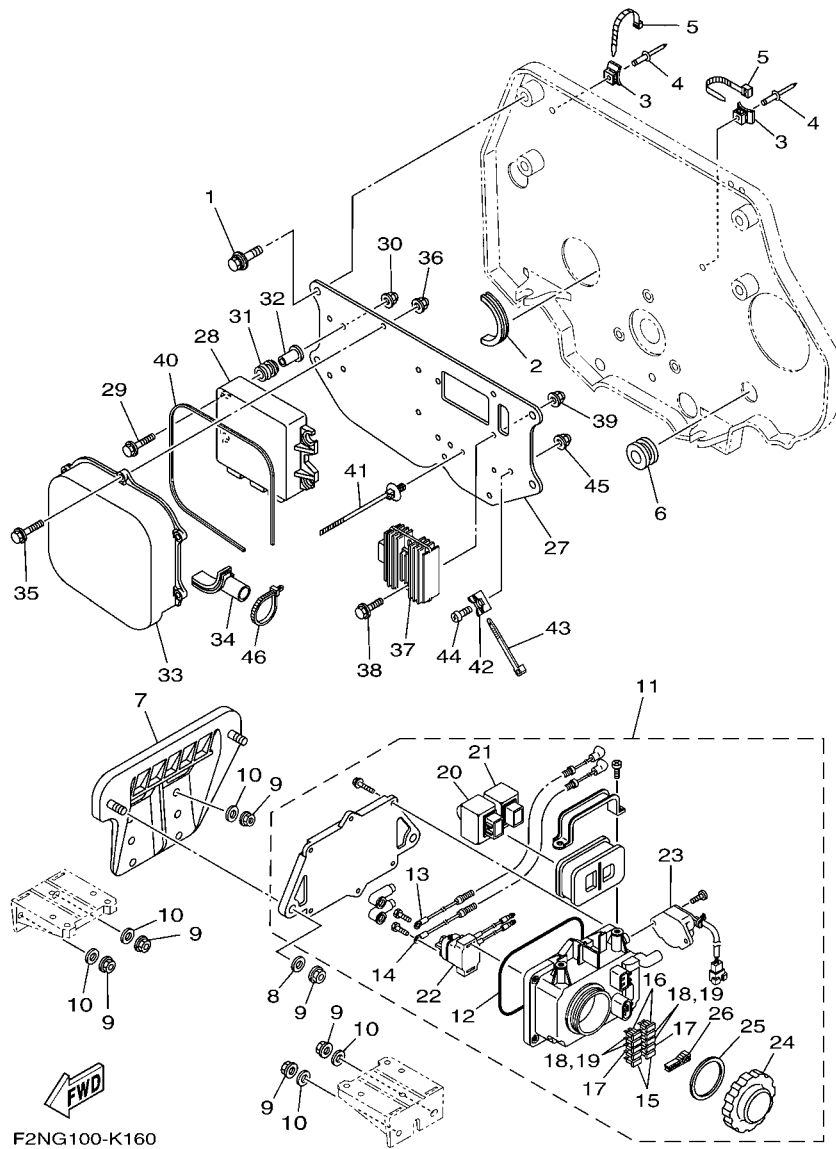
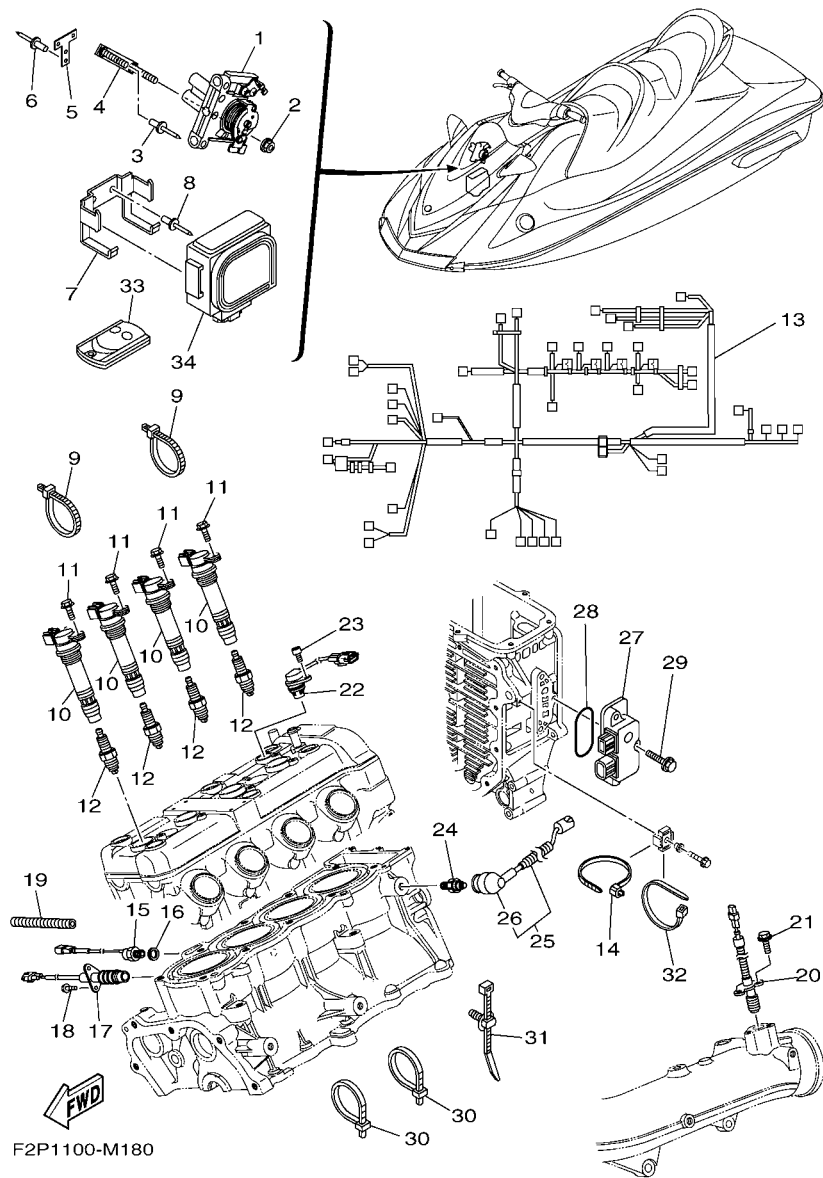


FIG. 17 ELECTRICAL 1

REF. NO.	PART NO.	DESCRIPTION	CAN	EUR	GENE	REMARKS
28	6EN-8591A-A0	ENGINE CONTROL UNIT ASSY	1		1	FOR CAN, GENE
	6EN-8591A-B0	ENGINE CONTROL UNIT ASSY		1		FOR EUR
29	95814-06025	BOLT, FLANGE	4	4	4	
30	90176-06047	NUT,CAP	4	4	4	
31	6A0-82317-00	DAMPER, IGNITION COIL	4	4	4	
32	90387-06119	COLLAR	4	4	4	
33	6BU-81639-00	COVER	1	1	1	
34	6BU-81336-00	GROMMET	1	1	1	
35	95814-06020	BOLT, FLANGE	5	5	5	
36	90176-06047	NUT,CAP	5	5	5	
37	6S8-81960-00	RECTIFIER & REGULATOR ASSY	1	1	1	
38	95814-06020	BOLT, FLANGE	2	2	2	
39	90176-06047	NUT,CAP	2	2	2	
40	6BU-81861-00	GASKET	1	1	1	
41	90464-31001	CLAMP	1	1	1	
42	60E-1244E-00	BRACKET 1	1	1	1	
43	90465-13M24	CLAMP	1	1	1	
44	92014-06012	BOLT, BUTTON HEAD	1	1	1	
45	90176-06047	NUT,CAP	1	1	1	
46	90465-13M18	CLAMP	1	1	1	





F2P1100-M180

FIG. 18 ELECTRICAL 2

REF. NO.	PART NO.	DESCRIPTION	CAN	EUR	GENE	REMARKS
1	6D3-14305-21	ACCEL. POSITON SENSOR ASSY	1	1	1	
2	95780-08300	NUT, FLANGE	2	2	2	
3	90267-489U1	RIVET,BLIND	1	1	1	
4	F2N-U7254-00	BRACKET, THROTTLE	1	1	1	
5	F2P-U8376-00	PLATE	1	1	1	
6	90267-489U1	RIVET,BLIND	2	2	2	
7	F1W-U826C-00	BRACKET	1	1	1	
8	90267-489U9	RIVET, BLIND	2	2	2	
9	90464-35132	CLAMP	2	2	2	
10	6D3-82310-01	IGNITION COIL ASSY	4	4	4	
11	95880-06016	BOLT, FLANGE	4	4	4	
12	94702-00409	PLUG, SPARK (NGK CR9EB)	4	4	4	
13	6BU-8259L-C0	WIRE HARNESS ASSY 1	1	1	1	
14	90465-13M24	CLAMP	1	1	1	
15	61A-85790-00	THERMOSENSOR ASSY	1	1	1	
16	92990-10600	WASHER, PLATE	1	1	1	
17	60E-82560-A1	THERMO SWITCH ASSY	1	1	1	
18	97595-06416	BOLT, WITH WASHER	2	2	2	
19	90446-14M23	HOSE (L180)	1	1	1	
20	6D3-82560-01	THERMO SWITCH ASSY	1	1	1	
21	97595-06416	BOLT, WITH WASHER	2	2	2	
22	6D3-85896-00	SENSOR, CAM POSITION	1	1	1	
23	91380-06016	BOLT	1	1	1	
24	68V-82504-00	OIL PRESSURE SWITCH ASSY	1	1	1	
25	60E-81315-00	LEAD WIRE ASSY	1	1	1	
26	60E-82532-00	.CAP	1	1	1	
27	6D3-8273J-01	EARTH PLATE COMP.	1	1	1	

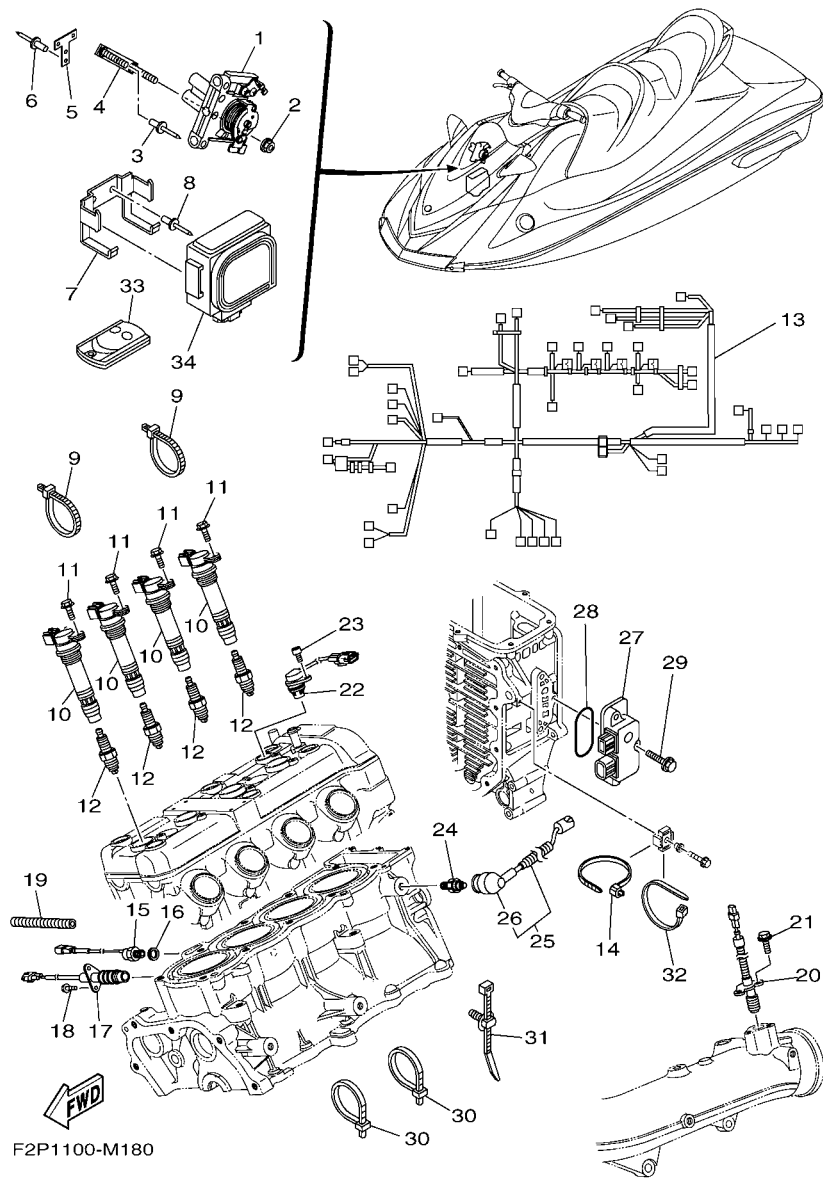
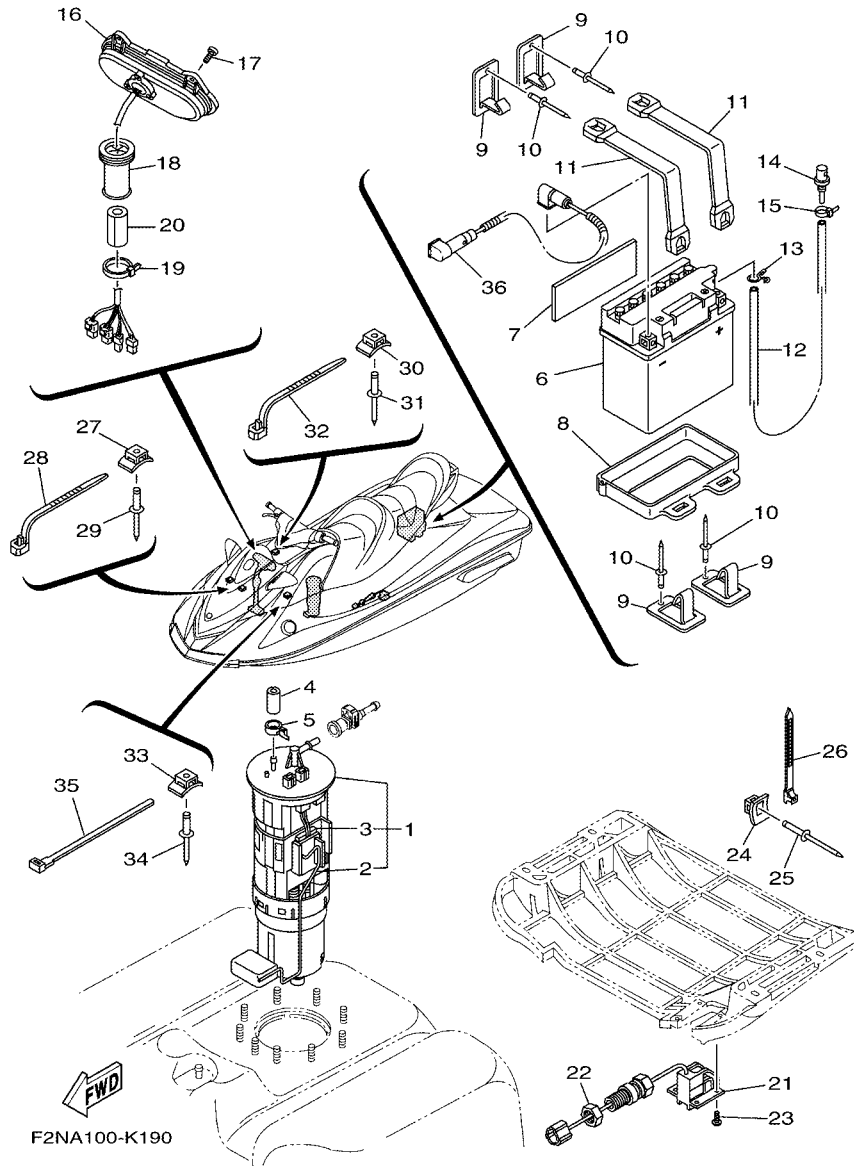


FIG. 18 ELECTRICAL 2

REF. NO.	PART NO.	DESCRIPTION	CAN	EUR	GENE	REMARKS
28	93210-60ME8	O-RING	1	1	1	
29	90119-06048	BOLT, WITH WASHER	3	3	3	
30	90465-13M18	CLAMP	2	2	2	
31	90464-45002	CLAMP	1	1	1	
32	90465-13152	CLAMP	1	1	1	
33	6B6-86261-00	TRANSMITTER COMP	1			FOR CAN
	6B6-86261-10	TRANSMITTER COMP		2	2	FOR EUR, GENE
34	6B6-86265-00	RECIVER COMP	1			FOR CAN
	6B6-86265-10	RECIVER COMP		1	1	FOR EUR, GENE



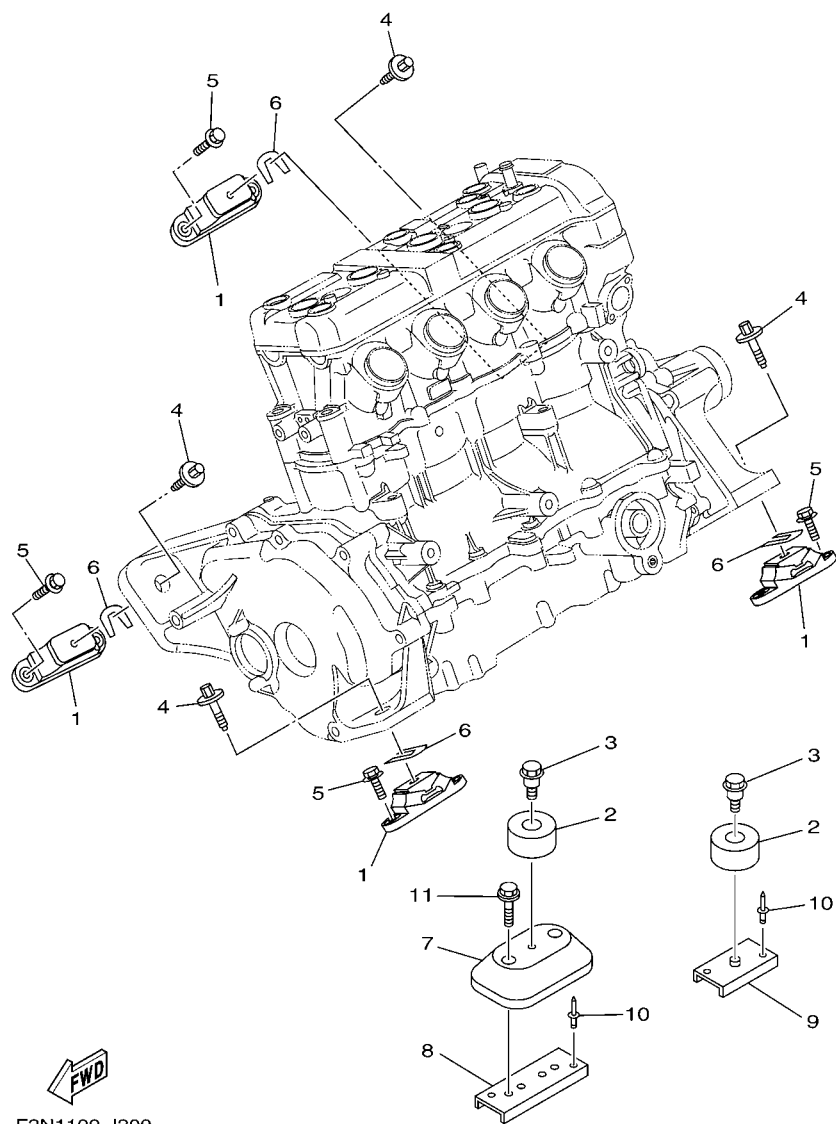
F2NA100-K190

FIG. 19 ELECTRICAL 3

REF. NO.	PART NO.	DESCRIPTION	CAN	EUR	GENE	REMARKS
1	60E-13907-02	FUEL PUMP COMP.	1	1	1	
2	60E-682E0-00	.FUEL SENDER ASSY	1	1	1	
3	60E-82556-00	.DAMPER, STOPPER	1	1	1	
4	6D3-24481-00	PLUG	1	1	1	
5	6D3-24387-00	CLIP	1	1	1	
6	EU0-U8217-H2	BATTERY (YB16CL-B)	1	1	1	
7	F1K-U8221-00	PAD, BATTERY	1	1	1	
8	F1K-U8211-01	CASE, BATTERY	1	1	1	
9	F1K-U5772-04	HOOK A	4	4	4	
10	90267-489U1	RIVET,BLIND	4	4	4	
11	F1K-U821D-01	BAND, BATTERY 1	2	2	2	
12	F0D-U785G-10	HOSE, AIR VENT	1	1	1	
13	90467-089U1	CLIP	1	1	1	
14	GJ3-6215F-00	NIPPLE	1	1	1	
15	90465-11829	CLAMP	1	1	1	
16	F1K-6820A-40	METER ASSY	1	1	1	
17	90111-05008	BOLT,HEX. SOCKET BUTTON	4	4	4	
18	GU2-6822E-01	GROMMET	1	1	1	
19	90464-32801	CLAMP	1	1	1	
20	GJ1-U7578-21	PACKING, HOSE 2	1	1	1	
21	F1S-U8K31-02	SENSOR SPEED	1	1	1	
22	F2C-U151S-00	NUT	1	1	1	
23	90150-05807	SCREW, ROUND HEAD	4	4	4	
24	F1W-U828M-00	BASE, CLAMP	6	6	6	
25	90267-489U6	RIVET, BLIND	6	6	6	
26	90464-32801	CLAMP	7	7	7	
27	F1W-U828M-00	BASE, CLAMP	2	2	2	



**FIG. 20 ENGINE MOUNT**



F2N1100-J200

REF. NO.	PART NO.	DESCRIPTION	CAN	EUR	GENE	REMARKS
1	67X-44517-10-94	MOUNT RUBBER	4	4	4	
2	6D3-44574-00	STOPPER, LOWER MOUNT RUBBER	2	2	2	
3	90109-06M92	BOLT	2	2	2	
4	90119-08859	BOLT, WITH WASHER	4	4	4	
5	90119-08823	BOLT, WITH WASHER	8	8	8	
6	EU0-U7354-00-01	SHIM (T=0.1)	4	4	4	UN
	EU0-U7354-00-03	SHIM (T=0.3)	4	4	4	UN
	EU0-U7354-00-05	SHIM (T=0.5)	4	4	4	UN
	EU0-U7354-00-10	SHIM (T=1.0)	4	4	4	UN
	EU0-U7354-00-20	SHIM (T=2.0)	4	4	4	UN
7	F2N-U721B-00	SPACER,ENGINE MOUNT	1	1	1	
8	F2N-U732B-10	PLATE	1	1	1	
9	F2N-U732B-01	PLATE	1	1	1	
10	90267-489U2	RIVET, BLIND	4	4	4	
11	90119-06891	BOLT, WITH WASHER	2	2	2	



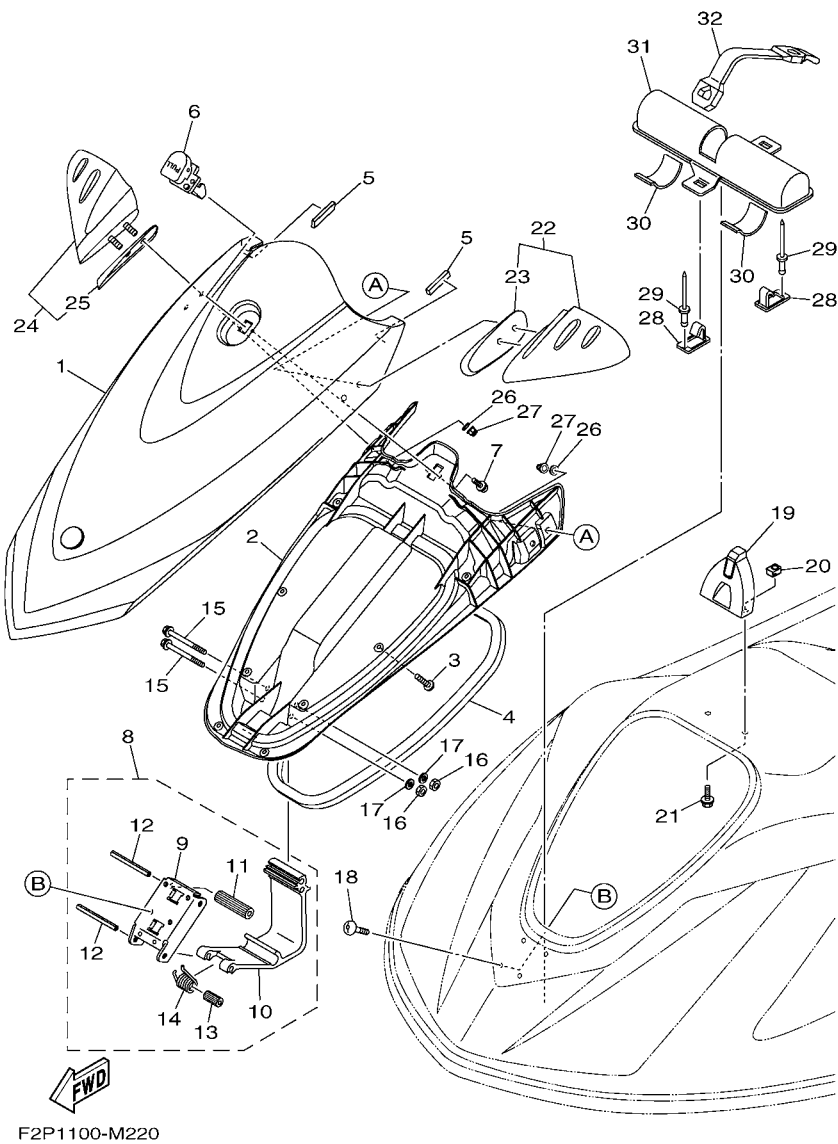
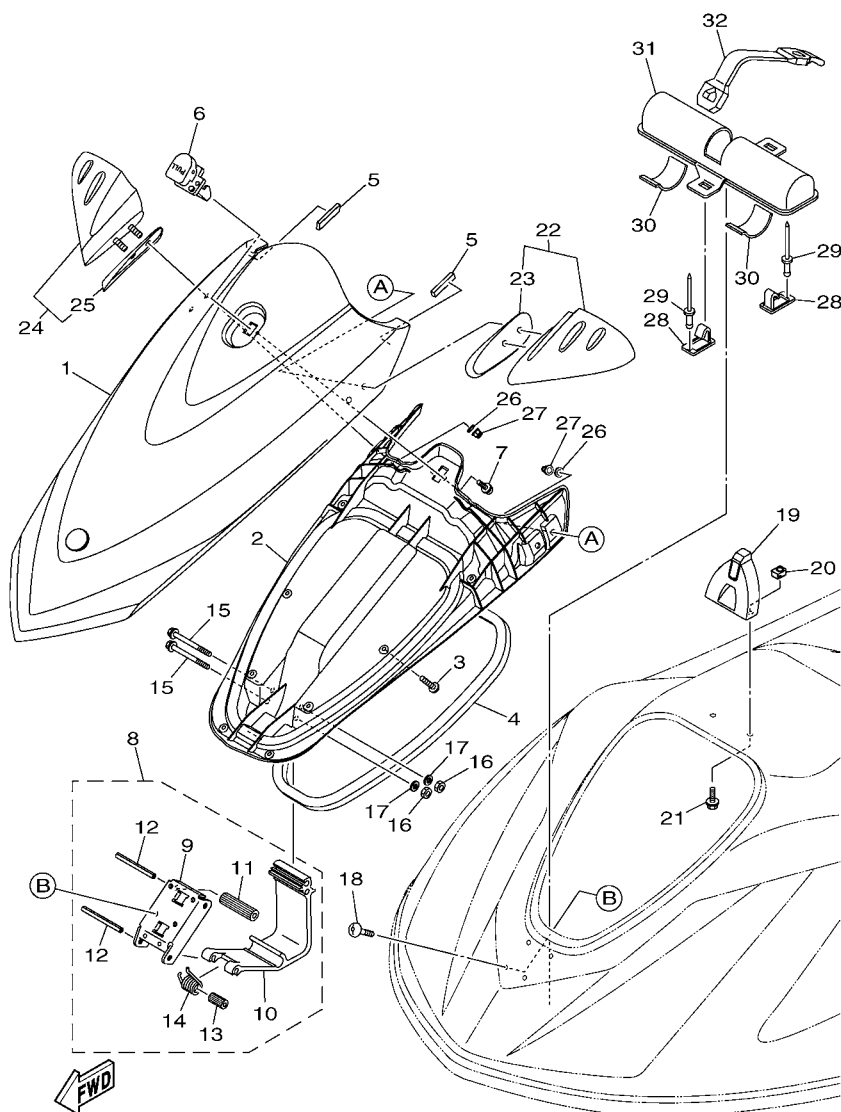


FIG. 22 ENGINE HATCH 2

REF. NO.	PART NO.	DESCRIPTION	CAN	EUR	GENE	REMARKS
1	F2N-U517B-10-P4	LID, ENGINE ROOM (DPBM11)	1	1	1	CRUISER BLUE
	F2N-U517B-10-P8	LID, ENGINE ROOM (LNMP)	1	1	1	CRUISER GRAY
	F2N-U517B-10-PA	LID, ENGINE ROOM (DNMC)	1	1	1	DELUXE GRAY
	F2N-U517B-10-P9	LID, ENGINE ROOM (DRMR)	1	1	1	DELUXE RED
2	F2N-U213B-01	COVER, VENTILATOR 1	1	1	1	
3	90149-05903	SCREW	8	8	8	
4	F2N-U2663-01	PACKING 1	1	1	1	
5	F1K-U266B-00	PACKING 3	2	2	2	
6	F1K-6517C-00	LOCK, LID	1	1	1	
7	90119-059U4	BOLT, WITH WASHER	2	2	2	
8	F1K-U515A-00	HINGE ASSY.	1	1	1	
9	F1K-U518E-04	.PLATE, HINGE LID	1	1	1	
10	F1K-U517D-05	.HINGE, LID	1	1	1	
11	F1K-U135C-01	.ROLLER, DETENT	1	1	1	
12	F1K-U517R-00	.PIN, HINGE	2	2	2	
13	F1K-U471E-03	.SPACER 1	1	1	1	
14	F1K-U283B-02	.SPRING, TORSION	1	1	1	
15	90105-06826	BOLT, FLANGE	2	2	2	
16	9572R-06300	NUT, NYLON	2	2	2	
17	9299R-06200	WASHER	2	2	2	
18	F2N-67823-00	SCREW	4	4	4	
19	F2N-U517F-00	HOOK, LID LOCK	1	1	1	
20	F1X-U517E-01	NUT	2	2	2	
21	90119-06880	BOLT, WITH WASHER	2	2	2	
22	F2N-U596B-00	MIRROR LH	1	1	1	
23	F2N-U471E-00	.SPACER 1	1	1	1	
24	F2N-U596C-00	MIRROR RH	1	1	1	



F2P1100-M220

FIG. 22 ENGINE HATCH 2

REF. NO.	PART NO.	DESCRIPTION	CAN	EUR	GENE	REMARKS
25	F2N-U471F-00	.SPACER 2	1	1	1	
26	9299R-08200	WASHER	4	4	4	
27	9572R-08300	NUT, FLANGE	4	4	4	
28	F1K-U5772-04	HOOK A	2	2	2	
29	90267-489U1	RIVET,BLIND	2	2	2	
30	F1K-U759C-00	MAT 2	2	2	2	
31	F1K-U5983-01	BOX, FIRE EXTINGUISHER	1	1	1	
32	F2P-U828K-00	BAND 1	1	1	1	



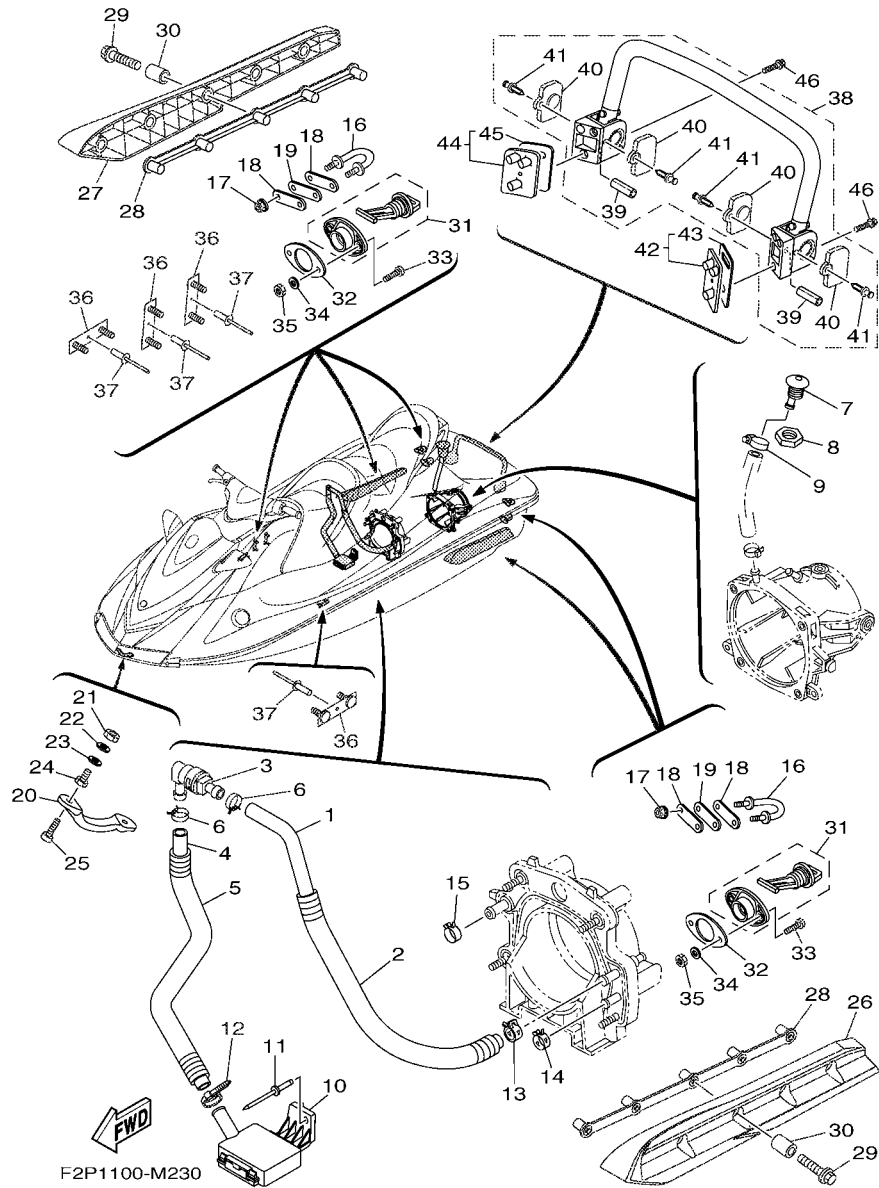


FIG. 23 HULL & DECK

REF. NO.	PART NO.	DESCRIPTION	CAN	EUR	GENE	REMARKS
1	90445-20804	HOSE (L860)	1	1	1	
2	90446-27M73	HOSE (L700)	1	1	1	
3	68N-5112T-00	JOINT, HOSE	1	1	1	
4	90445-20800	HOSE (L500)	1	1	1	
5	90446-27M55	TUBE (L400)	1	1	1	
6	90467-18804	CLIP	2	2	2	
7	F1W-U269B-00	SPOUT	1	1	1	
8	EU0-61652-00	NUT	1	1	1	
9	90601-118UF	BAND, HOSE 18	1	1	1	
10	F1B-U761D-02	STRAINER, BILGE	1	1	1	
11	90267-489U8	RIVET, BLIND	1	1	1	
12	90465-11829	CLAMP	1	1	1	
13	90467-21800	CLIP	1	1	1	
14	90467-200A0	CLIP	1	1	1	
15	90467-210A0	CLIP	1	1		FOR CAN, GENE
	90467-250A0	CLIP		1		FOR EUR
16	F2N-U1628-02	STERN EYE	2	2	2	
17	9572R-08300	NUT, FLANGE	4	4	4	
18	GP7-U4953-10	PLATE A	4	4	4	
19	F1B-U1653-02	PACKING	2	2	2	
20	F1K-61624-00	BOWEYE 1	1	1	1	
21	99780-12600	NUT.HEX.(COARS)	2	2	2	
22	92990-12200	WASHER, PLAIN	2	2	2	
23	F0X-61637-00	WASHER	2	2	2	
24	F0X-61652-00	NUT (BOLT/NUT)	2	2	2	
25	90110-06040	BOLT, HEXAGON SOCKET HEAD	2	2	2	
26	F2N-U883N-00	STABILIZER LH	1	1	1	

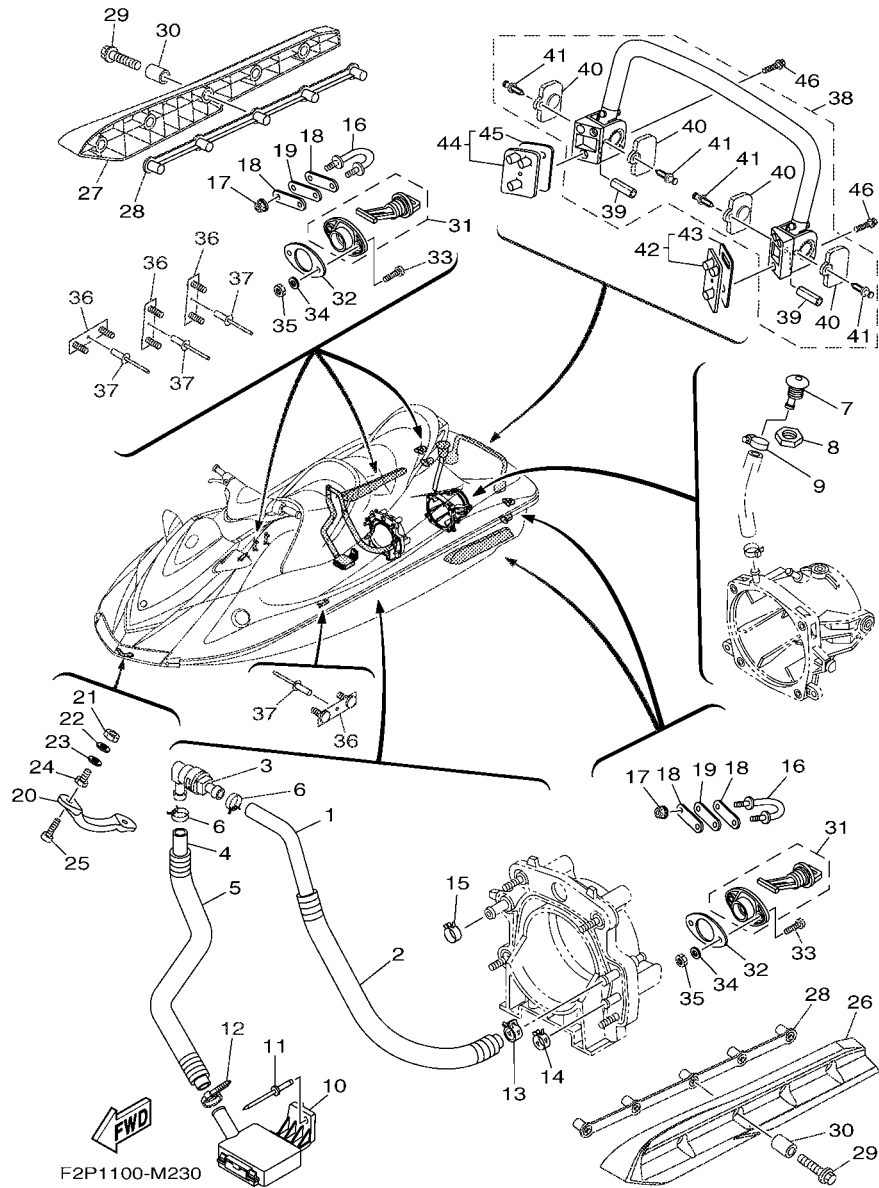
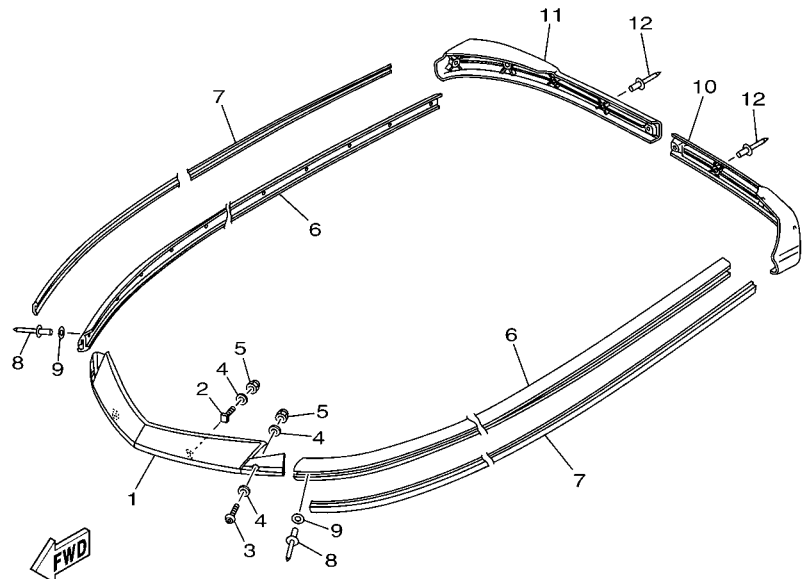
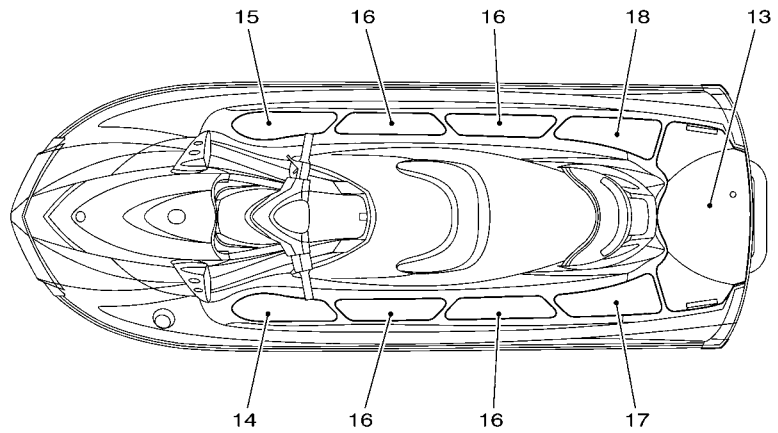


FIG. 23 HULL & DECK

REF. NO.	PART NO.	DESCRIPTION	CAN	EUR	GENE	REMARKS
27	F2N-U883P-00	STABILIZER RH	1	1	1	
28	F1X-U883T-01	BRACKET,STABILIZER	2	2	2	
29	90105-08860	BOLT, FLANGE	10	10	10	
30	F2N-U8169-00	SPACER	10	10	10	
31	F1S-U2280-00	DRAIN PLUG ASSY.	2	2	2	
32	F1S-U2285-00	PACKING, DRAIN	2	2	2	
33	9788R-05025	SCREW, PAN HEAD	4	4	4	
34	9299R-05200	WASHER	4	4	4	
35	9572R-05300	NUT, FLANGE	4	4	4	
36	F1K-U826C-03	BRACKET	4	4	4	
37	90267-489U1	RIVET,BLIND	4	4	4	
38	F2N-U278A-00	LADDER, STEP ASSY	1	1	1	
39	F1W-U771H-00	.SLEEVE 1	2	2	2	
40	F2C-U377H-00	.INNER, COVER SIDE 1	4	4	4	
41	F2C-U1314-00	.PIN	4	4	4	
42	F2L-U278F-01	BRACKET, LADDER LH	1	1	1	
43	F2L-U278H-00	.PACKING, BRKT. 1	1	1	1	
44	F2L-U278G-01	BRACKET, LADDER RH	1	1	1	
45	F2L-U278H-00	.PACKING, BRKT. 1	1	1	1	
46	90119-08861	BOLT, WITH WASHER	6	6	6	

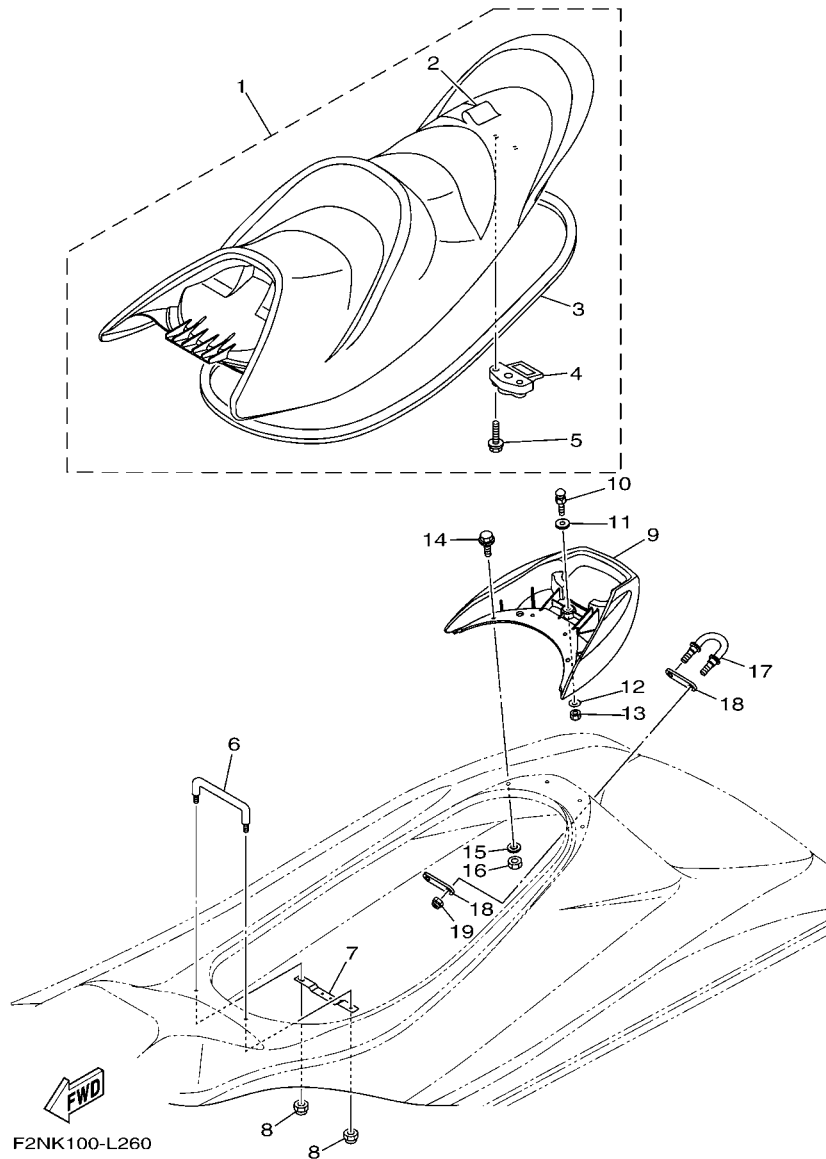


F2V1100-K170

FIG. 24 GUNWALE & MAT

REF. NO.	PART NO.	DESCRIPTION	CAN	EUR	GENE	REMARKS
1	F2N-U2511-02	GUNWALE, BOW	1	1	1	
2	F1W-U491K-00	BOLT, SPECIAL	2	2	2	
3	90111-06803	BOLT,HEX. SOCKET BUTTON	2	2	2	
4	9299R-06200	WASHER	6	6	6	
5	9572R-06300	NUT, NYLON	4	4	4	
6	F1K-U2512-03	GUNWALE, SIDE	2	2	2	GRAY
7	F1K-U2519-20	INNER,GUNWALE	2	2	2	YAMAHA BLACK
8	90267-489U8	RIVET, BLIND	30	30	30	
9	9299R-05200	WASHER	30	30	30	
10	F1K-U251D-01	GUNWALE, STERN 1	1	1	1	GRAY
11	F1K-U251E-01	GUNWALE, STERN 2	1	1	1	GRAY
12	90267-48963	RIVET, BLIND	9	9	9	
13	F2P-U3581-00	MAT, UPPER	1	1	1	DARK GREY
14	F2P-U351H-00	MAT, STEP 1	1	1	1	DARK GREY
15	F2P-U351J-00	MAT, STEP 2	1	1	1	DARK GREY
16	F2P-U351K-00	MAT, STEP 3	4	4	4	DARK GREY
17	F2P-U351M-00	MAT, STEP 4	1	1	1	DARK GREY
18	F2P-U351N-00	MAT, STEP 5	1	1	1	DARK GREY





**FIG. 26 SEAT & UNDER LOCKER**

REF. NO.	PART NO.	DESCRIPTION	CAN	EUR	GENE	REMARKS
1	F2N-U371A-53	DOUBLE SEAT ASSY	1	1	1	FOR CRUISER
	F2N-U371A-71	DOUBLE SEAT ASSY	1	1	1	FOR DELUXE
2	F2N-U371B-50	.COVER, SEAT 1	1	1	1	FOR CRUISER
	F2N-U371B-70	.COVER, SEAT 1	1	1	1	FOR DELUXE
3	F2N-U2664-00	.PACKING	1	1	1	
4	F2C-U3850-00	.SEAT LOCK ASSY	1	1	1	
5	90119-069UP	.BOLT, WITH WASHER	2	2	2	
6	F0X-6378C-00	STAY, SEAT 1	1	1	1	
7	F2N-U781E-00	BRACKET, FILTER	1	1	1	
8	9572R-08300	NUT, FLANGE	2	2	2	
9	F2N-U271B-01	GRIP, HAND	1	1	1	EXCEPT CRUI. GRAY
	F2N-U271B-10	GRIP, HAND	1	1	1	FOR CRUISER GRAY
10	GH1-U3774-00	PIN	1	1	1	
11	90201-109U6	WASHER, PLATE	1	1	1	
12	9299R-10200	WASHER	1	1	1	
13	9572R-10300	NUT, NYLON	1	1	1	
14	90119-089U2	BOLT, WITH WASHER	4	4	4	
15	9299R-08200	WASHER	4	4	4	
16	9572R-08300	NUT, FLANGE	4	4	4	
17	F2N-U1628-02	STERN EYE	1	1	1	
18	GP7-U4953-10	PLATE A	2	2	2	
19	9572R-08300	NUT, FLANGE	2	2	2	

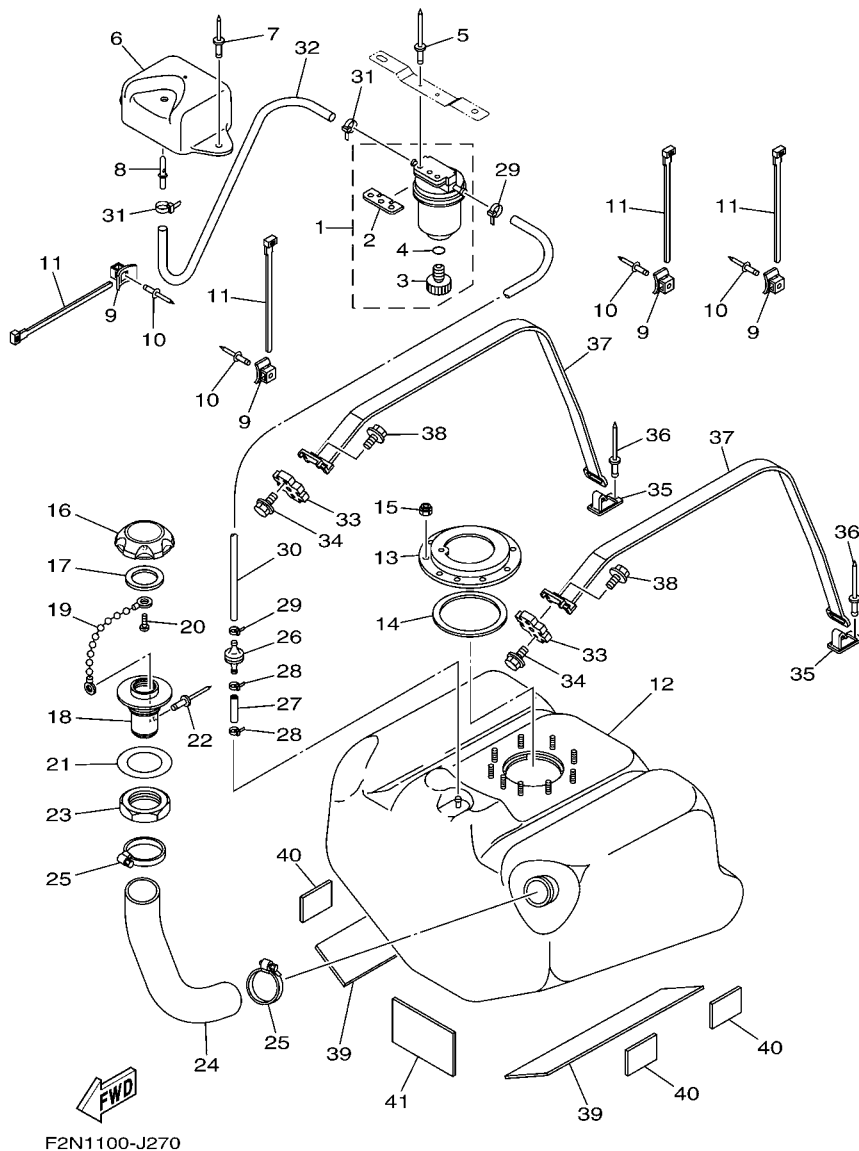
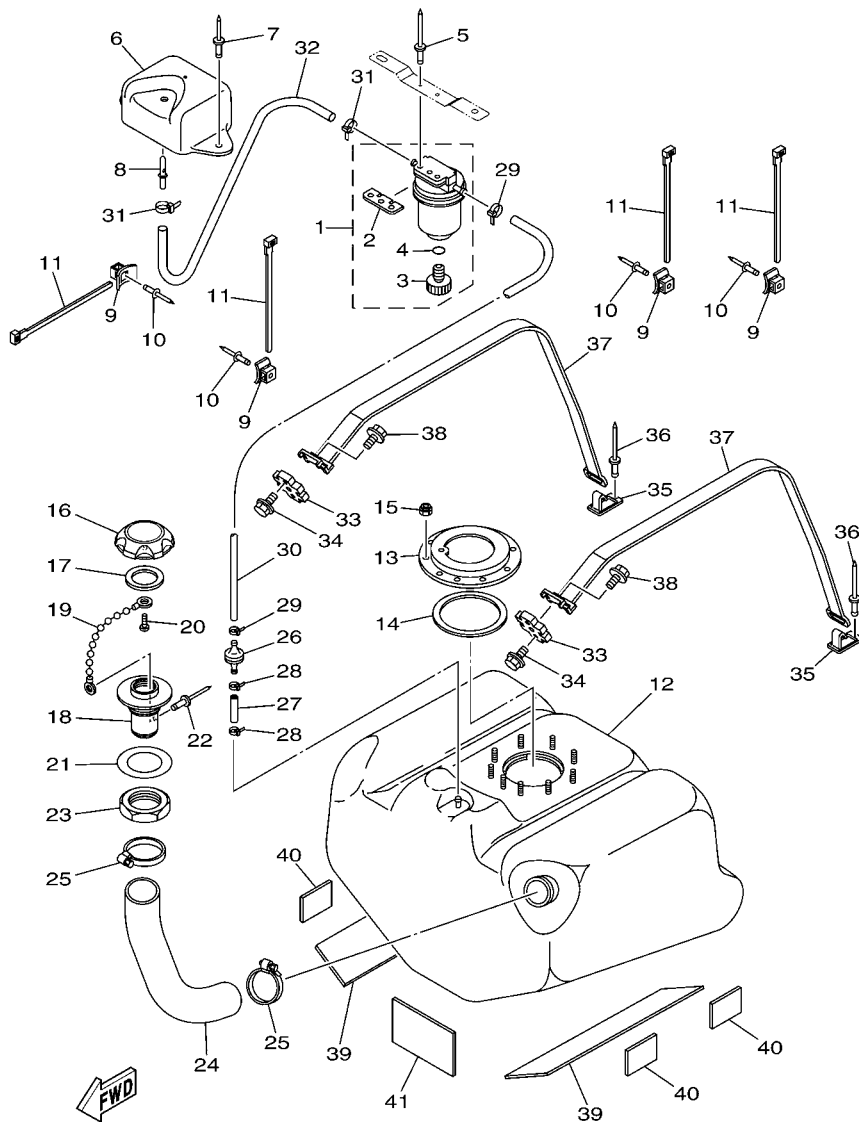


FIG. 27 FUEL TANK

REF. NO.	PART NO.	DESCRIPTION	CAN	EUR	GENE	REMARKS
1	F2F-6214A-00	FILTER, VENT ASSY	1	1	1	
2	EW2-62142-00	.PLATE, FILTER	1	1	1	
3	70R-24543-00	.PLUG, DRAIN	1	1	1	
4	70R-24489-00	.O-RING	1	1	1	
5	90267-489U1	RIVET,BLIND	2	2	2	
6	F1W-U2159-00	SOCKET, VENTILATION	1	1	1	
7	90267-489U6	RIVET, BLIND	2	2	2	
8	F1G-62149-00	PIPE, VENTILATION	1	1	1	
9	F1W-U828M-00	BASE, CLAMP	4	4	4	
10	90267-489U6	RIVET, BLIND	4	4	4	
11	90464-32801	CLAMP	4	4	4	
12	F1K-U7711-10	TANK, FUEL	1			FOR CAN
	F1K-U7711-02	TANK, FUEL		1	1	FOR EUR, GENE
13	F1B-U7773-00	RING	1	1	1	
14	F1B-67747-00	PACKING, SEAL	1	1	1	
15	9572R-06300	NUT, NYLON	9	9	9	
16	F2N-U7831-10	CAP, FUEL FILLER	1	1	1	BLACK
17	GP7-U7832-01	PACKING	1	1	1	
18	GP7-U7833-11	SOCKET	1	1	1	BLACK
19	GP7-U7835-00	CHAIN BALL	1	1	1	
20	90169-049U1	TAPPING SCREW	1	1	1	
21	GP7-U7834-00	PACKING FUEL FILLER	1	1	1	
22	90267-329UR	RIVET, BLIND	1	1	1	
23	GP7-U783F-00	NUT, FUEL FILLER	1	1	1	
24	F2N-U7844-00	HOSE	1	1	1	
25	90601-155U4	BAND, HOSE 55	2	2	2	
26	EU0-67767-31	CHECK VALVE	1	1	1	



F2N1100-J270

FIG. 27 FUEL TANK

REF. NO.	PART NO.	DESCRIPTION	CAN	EUR	GENE	REMARKS
27	GP7-U785H-00	HOSE, AIR VENT 3	1	1	1	
28	90465-11829	CLAMP	2	2	2	
29	90465-11829	CLAMP	2	2	2	
30	F1K-U785G-00	HOSE, AIR VENT	1	1	1	
31	90465-11829	CLAMP	2	2	2	
32	F0D-U7856-10	HOSE, AIR VENT 3	1	1	1	
33	F1X-U2873-00	NUT, SPECIAL	2	2	2	
34	90119-069UH	BOLT, WITH WASHER	4	4	4	
35	F1K-U5772-04	HOOK A	2	2	2	
36	90267-489U1	RIVET,BLIND	2	2	2	
37	F2N-67743-00	BELT, TANK 1	2	2	2	
38	90119-089U7	BOLT, WITH WASHER	2	2	2	
39	F1K-U759B-00	MAT 1	2	2	2	
40	F1W-U759C-01	MAT 2	4	4	4	
41	F1S-U8221-00	PAD, BATTERY	1	1	1	

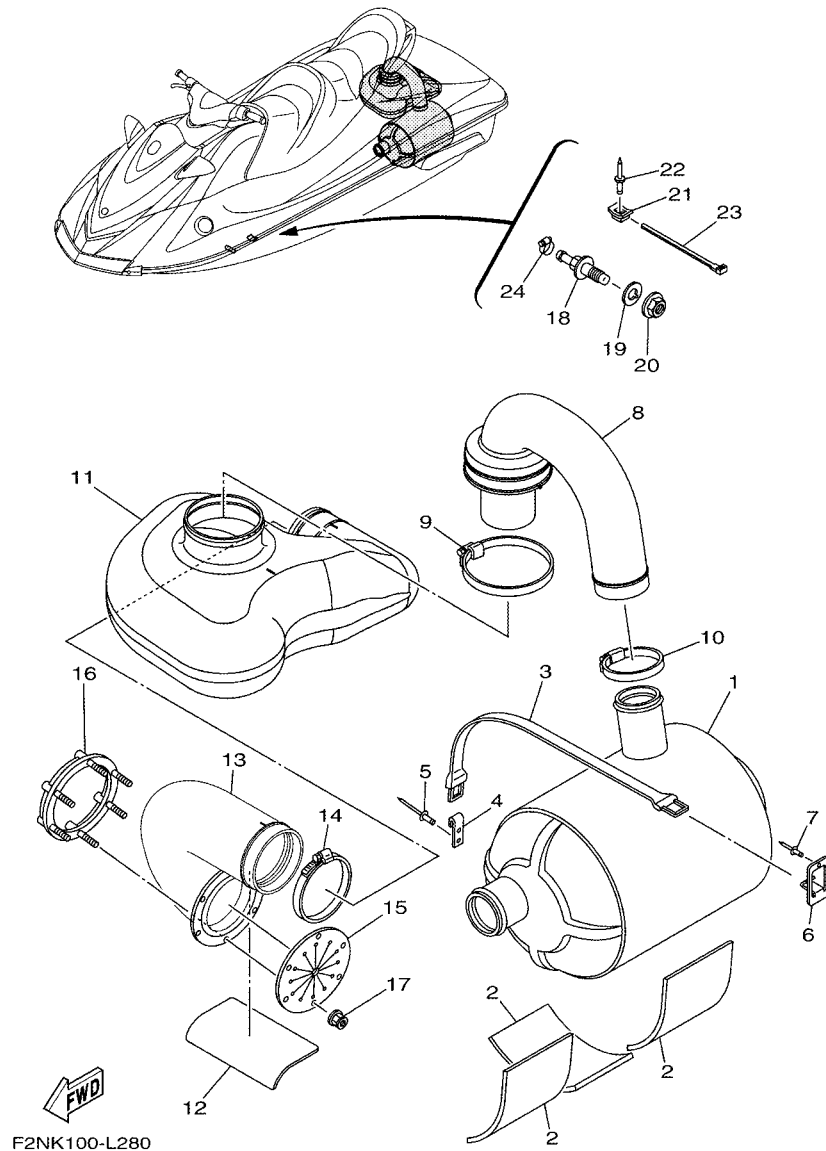
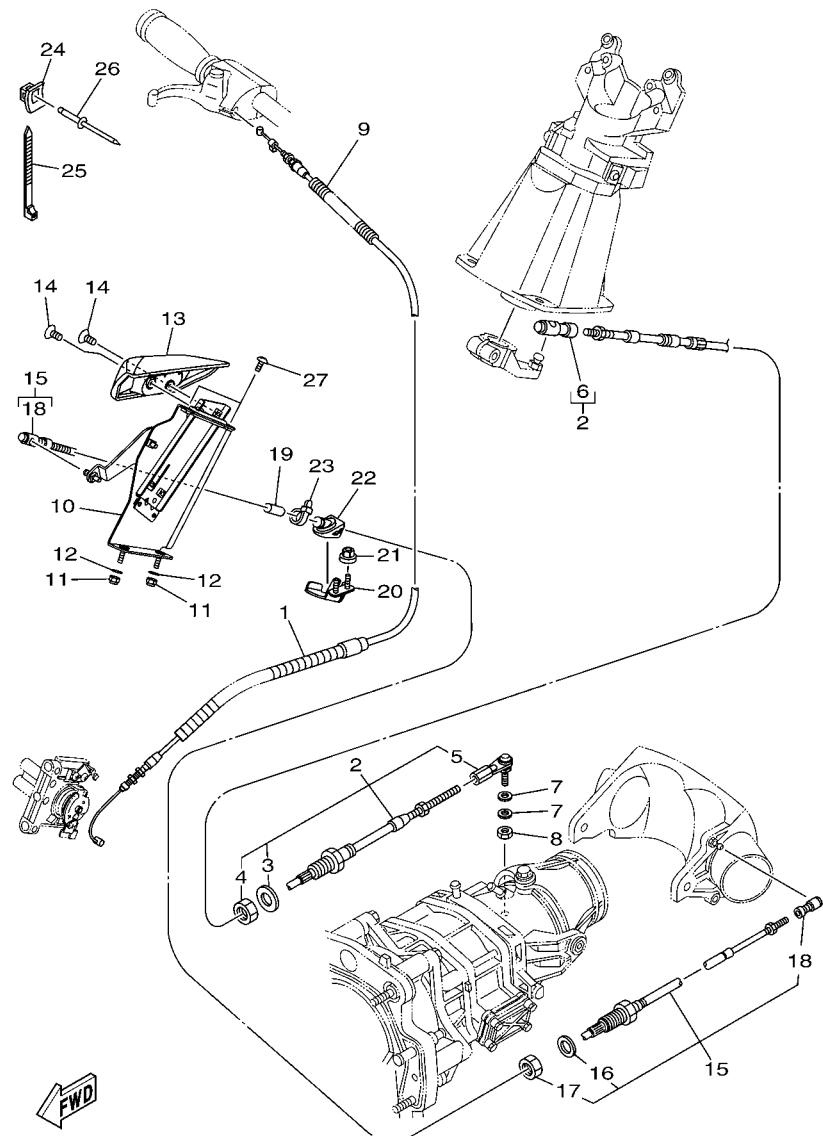


FIG. 28 EXHAUST 4

REF. NO.	PART NO.	DESCRIPTION	CAN	EUR	GENE	REMARKS
1	F1K-U7550-02	WATER LOCK COMP.	1	1	1	
2	F1S-U8221-00	PAD, BATTERY	3	3	3	
3	EW2-67821-00	BAND, FUEL TANK	1	1	1	
4	GA7-65772-00	HOOK A	1	1	1	
5	90267-489U1	RIVET,BLIND	2	2	2	
6	F1K-U5772-04	HOOK A	1	1	1	
7	90267-489U1	RIVET,BLIND	1	1	1	
8	F2N-U7555-00	HOSE, EXHAUST	1	1	1	
9	90601-179U8	BAND, HOSE 79	1	1	1	
10	90450-99804	HOSE CLAMP ASSY	1	1	1	
11	F2N-U4261-00	TANK, WATER	1	1	1	
12	F1S-U8221-00	PAD, BATTERY	1	1	1	
13	F2N-U758D-00	HOSE,EXHAUST 3	1	1	1	
14	90450-99801	HOSE CLAMP ASSY	1	1	1	
15	F1B-U751G-00	VALVE, EXHAUST	1	1	1	
16	F1S-U757B-01	PLATE	1	1	1	
17	F2N-U142L-00	NUT, LOCK	6	6	6	
18	F1K-6753B-00	PILOT, WATER	1	1	1	
19	F1B-67564-00	GASKET	1	1	1	
20	F0X-62733-00	NUT	1	1	1	
21	F1W-U828M-00	BASE, CLAMP	1	1	1	
22	90267-489U6	RIVET, BLIND	1	1	1	
23	90464-32801	CLAMP	1	1	1	
24	90467-17802	CLIP	1	1	1	

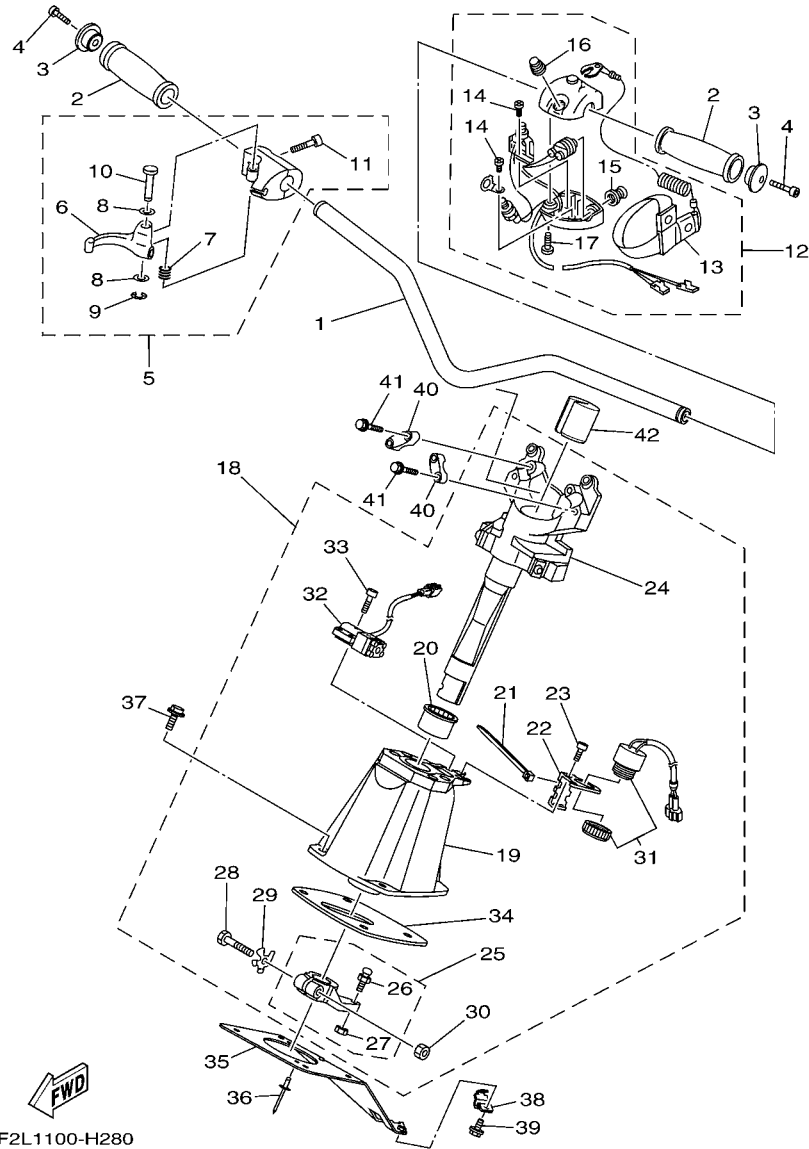




F2N1100-J290

FIG. 29 CONTROL CABLE

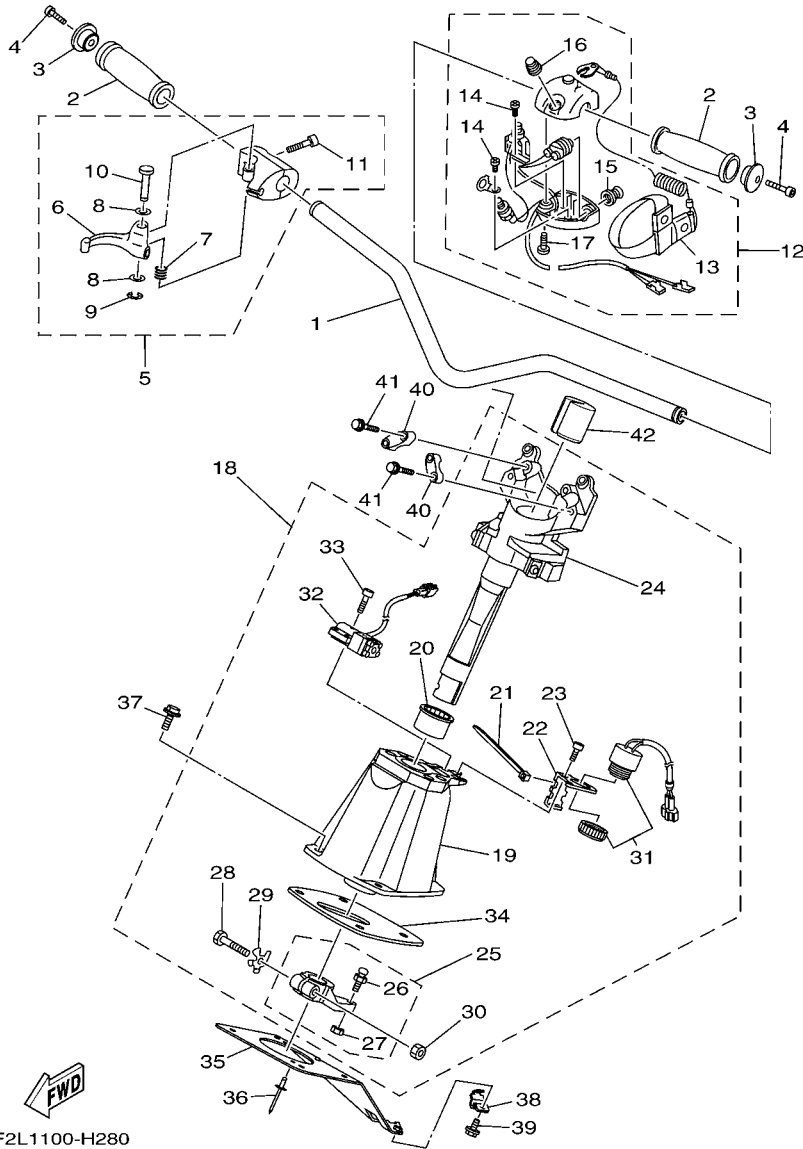
REF. NO.	PART NO.	DESCRIPTION	CAN	EUR	GENE	REMARKS
1	6BU-26311-00	CABLE, THROTTLE 1	1	1	1	
2	F2N-61481-00	CABLE, STEERING	1	1	1	
3	F1B-61438-00	.PACKING C	1	1	1	
4	F1B-6151S-00	.NUT	1	1	1	
5	F1B-61461-02	.STUD, JOINT BALL	1	1	1	
6	F2N-61460-00	.BALL JOINT ASSY	1	1	1	
7	90201-06906	WASHER, PLATE	2	2	2	
8	9538R-06700	NUT	1	1	1	
9	90447-06803	TUBE	1	1	1	
10	F2N-U134A-00	REMOCON. LEVER ASSY.	1	1	1	
11	9572R-06300	NUT, NYLON	2	2	2	
12	9299R-06200	WASHER	2	2	2	
13	F2N-U2714-01	GRIP	1	1	1	
14	90151-06815	SCREW, COUNTERSUNK	2	2	2	
15	F2N-U149C-00	CABLE, REVERSE	1	1	1	
16	F2S-U1438-00	.PACKING C	1	1	1	
17	F2S-U151S-00	.NUT	1	1	1	
18	F0V-U1461-00	.STUD, JOINT BALL	2	2	2	
19	F1W-U146G-00	PACKING, CABLE	1	1	1	
20	F2N-U1467-00	BRACKET, STOPPER CABLE	1	1	1	
21	F2N-U142L-00	NUT, LOCK	2	2	2	
22	F2N-U146G-00	PACKING, CABLE	1	1	1	
23	90465-11829	CLAMP	1	1	1	
24	F1W-U828M-00	BASE, CLAMP	1	1	1	
25	90464-32801	CLAMP	1	1	1	
26	90267-489U6	RIVET, BLIND	1	1	1	
27	F2N-67823-00	SCREW	2	2	2	



F2L1100-H280

FIG. 30 STEERING 1

REF. NO.	PART NO.	DESCRIPTION	CAN	EUR	GENE	REMARKS
1	F2N-U1552-00	HANDLE	1	1	1	
2	GP7-U155D-01	GRIP, HANDLE	2	2	2	
3	GP7-U155F-00	GRIP, END	2	2	2	
4	90110-05908	BOLT, HEXAGON SOCKET HEAD	2	2	2	
5	F0D-67250-10	THROTTLE LEVER ASSY	1	1	1	
6	F0D-67255-02	.LEVER, THROTTLE	1	1	1	
7	EW2-67256-00	.SPRING	1	1	1	
8	EW2-67258-01	.WASHER	2	2	2	
9	EW2-67259-01	.E-RING	1	1	1	
10	F0D-67257-00	.SHAFT	1	1	1	
11	F1X-6725F-01	.BOLT, THROTTLE	2	2	2	
12	FK7-68310-07	SWITCH BOX ASSY	1	1	1	
13	EW2-68348-00	.LANYARD, STOP SWITCH	1	1	1	
14	97880-03008	.SCREW, PAN HEAD	2	2	2	
15	FK7-68312-02	.STOP BUTTON COMP	1	1	1	
16	FK7-68313-02	.START BUTTON COMP.	1	1	1	
17	97880-05025	.SCREW, PAN HEAD	2	2	2	
18	F1K-61400-01	STEERING MASTER ASSY	1	1	1	
19	F1K-6152M-00	.HOUSING ASSY	1	1	1	
20	F1K-6134M-00	.BUSH	1	1	1	
21	703-82591-00	.BAND	2	2	2	
22	F1K-6146H-10	.SPACER, BRKT.	1	1	1	
23	F1B-613C1-00	.SCREW	2	2	2	
24	F1K-67410-00	.SHAFT ASSY	1	1	1	
25	F1K-6153R-00	.ARM ASSY.	1	1	1	
26	EU0-61461-02	..STUD, JOINT BALL	1	1	1	
27	95720-06300	..NUT, SELF-LOCKING	1	1	1	

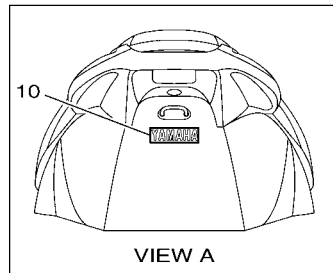
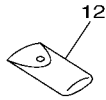
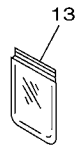
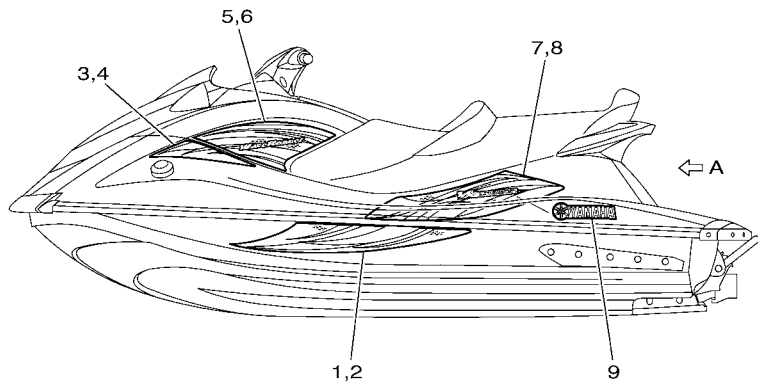
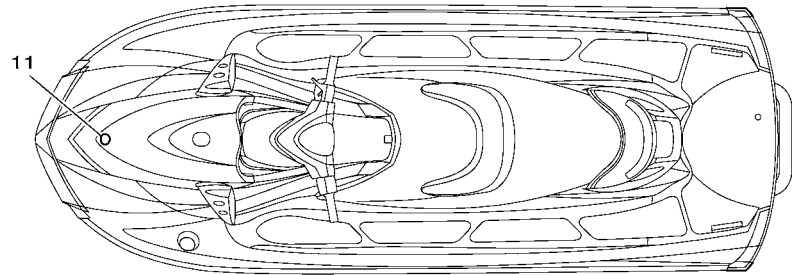


F2L1100-H280

FIG. 30 STEERING 1

REF. NO.	PART NO.	DESCRIPTION	CAN	EUR	GENE	REMARKS
28	F1K-61355-00	.BOLT	1	1	1	
29	F1K-6142B-00	.PLATE, RETAINING	1	1	1	
30	95720-08300	.NUT, SELF-LOCKING	1	1	1	
31	F1S-68341-00	.BUZZER	1	1	1	
32	F1W-68303-00	.SENSOR ASSY	1	1	1	
33	F1W-61516-00	.BOLT	4	4	4	
34	F1K-6143C-00	.SEAL, RUBBER	1	1	1	
35	F1K-U1467-01	BRACKET, STOPPER CABLE	1	1	1	
36	90267-489U2	RIVET, BLIND	2	2	2	
37	90119-08836	BOLT, WITH WASHER	4	4	4	
38	F1K-U1468-03	STOPPER, CABLE	1	1	1	
39	90119-069UH	BOLT, WITH WASHER	1	1	1	
40	EU0-23814-31	HOLDER, HANDLE UPPER	2	2	2	
41	90119-08827	BOLT, WITH WASHER	4	4	4	
42	F1K-U1949-00	PLUG	1	1	1	

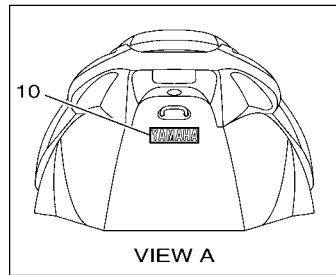
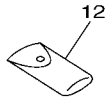
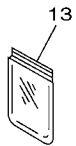
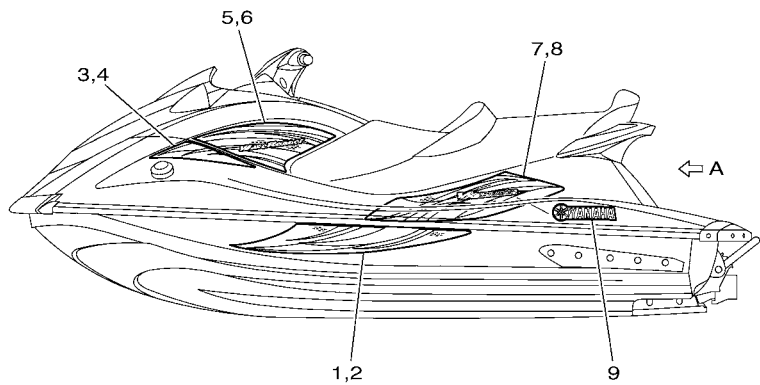
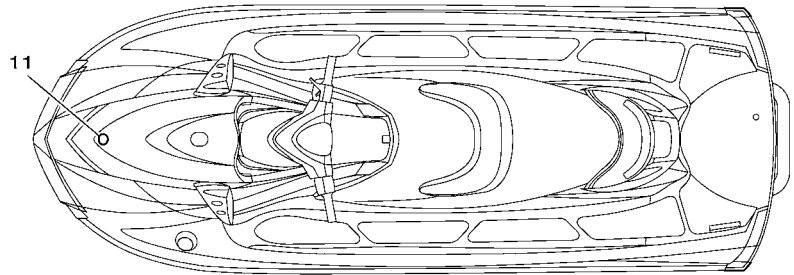




F2P1100-M320

FIG. 32 GRAPHICS

REF. NO.	PART NO.	DESCRIPTION	CAN	EUR	GENE	REMARKS
1	F2P-U417B-00	GRAPHIC 1 (LH)	1	1	1	CRUISER BLUE
	F2P-U417B-10	GRAPHIC 1 (LH)	1	1	1	CRUISER GRAY
	F2P-U417B-20	GRAPHIC 1 (LH)	1	1	1	DELUXE GRAY
	F2P-U417B-30	GRAPHIC 1 (LH)	1	1	1	DELUXE RED
2	F2P-U417C-00	GRAPHIC 2 (RH)	1	1	1	CRUISER BLUE
	F2P-U417C-10	GRAPHIC 2 (RH)	1	1	1	CRUISER GRAY
	F2P-U417C-20	GRAPHIC 2 (RH)	1	1	1	DELUXE GRAY
3	F2P-U417D-00	GRAPHIC 3 (LH)	1	1	1	CRUISER BLUE
	F2P-U417D-10	GRAPHIC 3 (LH)	1	1	1	CRUISER GRAY
	F2P-U417D-20	GRAPHIC 3 (LH)	1	1	1	DELUXE GRAY
4	F2P-U417E-00	GRAPHIC 4 (RH)	1	1	1	CRUISER BLUE
	F2P-U417E-10	GRAPHIC 4 (RH)	1	1	1	CRUISER GRAY
	F2P-U417E-20	GRAPHIC 4 (RH)	1	1	1	DELUXE GRAY
5	F2P-U417F-00	GRAPHIC 5 (LH)	1	1	1	CRUISER BLUE
	F2P-U417F-10	GRAPHIC 5 (LH)	1	1	1	CRUISER GRAY
	F2P-U417F-20	GRAPHIC 5 (LH)	1	1	1	DELUXE GRAY
	F2P-U417F-30	GRAPHIC 5 (LH)	1	1	1	DELUXE RED
6	F2P-U417G-00	GRAPHIC 6 (RH)	1	1	1	CRUISER BLUE
	F2P-U417G-10	GRAPHIC 6 (RH)	1	1	1	CRUISER GRAY
	F2P-U417G-20	GRAPHIC 6 (RH)	1	1	1	DELUXE GRAY
	F2P-U417G-30	GRAPHIC 6 (RH)	1	1	1	DELUXE RED
7	F2P-U417H-00	GRAPHIC 7 (LH)	1	1	1	CRUISER BLUE
	F2P-U417H-10	GRAPHIC 7 (LH)	1	1	1	CRUISER GRAY
	F2P-U417H-20	GRAPHIC 7 (LH)	1	1	1	DELUXE GRAY



F2P1100-M320

FIG. 32 GRAPHICS

REF. NO.	PART NO.	DESCRIPTION	CAN	EUR	GENE	REMARKS
7	F2P-U417H-30	GRAPHIC 7 (LH)	1	1	1	DELUXE RED
8	F2P-U417J-00	GRAPHIC 8 (RH)	1	1	1	CRUISER BLUE
	F2P-U417J-10	GRAPHIC 8 (RH)	1	1	1	CRUISER GRAY
	F2P-U417J-20	GRAPHIC 8 (RH)	1	1	1	DELUXE GRAY
	F2P-U417J-30	GRAPHIC 8 (RH)	1	1	1	DELUXE RED
9	F2P-U411C-00	EMBLEM, YAMAHA	2	2	2	CRUISER BLUE
	F1X-U411C-60	EMBLEM, YAMAHA	2	2	2	CRUISER GRAY
	F2P-U411C-10	EMBLEM, YAMAHA	2	2	2	DELUXE GRAY
	F2S-U411C-00	EMBLEM, YAMAHA	2	2	2	DELUXE RED
10	F2P-U4114-00	MARK, YAMAHA A	1	1	1	CRUISER BLUE
	F1X-U4114-60	MARK, YAMAHA A	1	1	1	CRUISER GRAY
	F2P-U4114-10	MARK, YAMAHA A	1	1	1	DELUXE GRAY
	F2S-U4114-00	MARK, YAMAHA A	1	1	1	DELUXE RED
11	F1K-U411H-00	EMBLEM, TUNING FORK	1	1	1	
12	F1B-65986-10	TOOL SET	1	1	1	
13	EU0-65901-01	TOOL BAG	1	1	1	







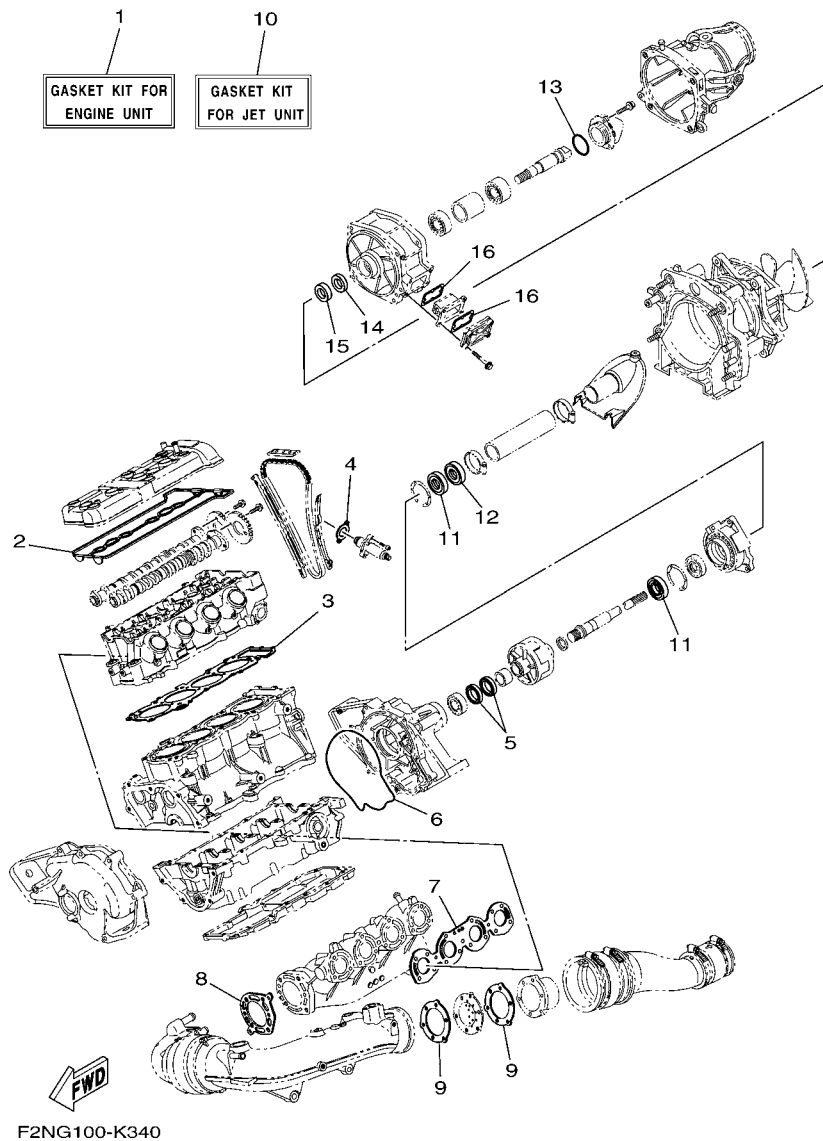


FIG. 35 REPAIR KIT 1

REF. NO.	PART NO.	DESCRIPTION	CAN	EUR	GENE	REMARKS
1	6D3-W0001-01	GASKET KIT FOR ENGINE UNIT	1	1	1	
2	60E-11193-01	.GASKET, HEAD COVER 1	1	1	1	
3	6D3-11181-00	.GASKET, CYLINDER HEAD 1	1	1	1	
4	4FM-12213-00	.GASKET, TENSIONER CASE	1	1	1	
5	93101-35004	.OIL SEAL	2	2	2	
6	6B6-13475-01	.GASKET	1	1	1	
7	6D3-14613-10	.GASKET, EXHAUST PIPE	1	1	1	
8	6D3-14739-10	.GASKET, MUFFLER DAMPER 1	1	1	1	
9	60E-14623-00	.GASKET, EXHAUST PIPE	2	2	2	
10	6BU-W0001-20	GASKET KIT FOR JET UNIT	1	1	1	
11	93101-25M55	.OIL SEAL	2	2	2	
12	93102-25009	.OIL SEAL	1	1	1	
13	93210-464A3	.O-RING	1	1	1	
14	93101-21002	.OIL SEAL	1	1	1	
15	93101-21001	.OIL SEAL	1	1	1	
16	66V-42414-00	.O-RING	2	2	2	

NUMERICAL INDEX

PART NO.	REF. NO.	PART NO.	REF. NO.	PART NO.	REF. NO.	PART NO.	REF. NO.	PART NO.	REF. NO.	PART NO.	REF. NO.
6D3-11102-00-94	1 - 2	3GM-12126-00	4 - 9	60E-12443-00	10 - 8	68V-13573-00	6 - 11	6D3-24387-00	19 - 5	F2F-6214A-00	27 - 1
4KG-1111G-00	1 - 20	3FV-12153-10	4 - 20		11 - 8	6D3-13641-00	6 - 1	6D3-24481-00	19 - 4	GJ3-6215F-00	19 - 14
6D3-11125-00	7 - 30	3LN-12153-10	4 - 19	6D3-12446-00	10 - 34	6BU-13750-00	6 - 7	70R-24489-00	27 - 4	F0X-62733-00	28 - 20
6D3-11126-00	7 - 25	1HX-12168-00	4 - 18		11 - 36	60E-13761-20	6 - 3	70R-24543-00	27 - 3	GU2-62875-01	21 - 20
3TJ-11133-10	1 - 3	1HX-12168-20	4 - 18	60E-1244E-00	17 - 42	6D3-13795-01	6 - 9	6BU-26311-00	29 - 1	F0X-6378C-00	26 - 6
1WG-11133-11	1 - 4	1HX-12168-40	4 - 18	6BU-1244G-10	9 - 1	60E-13907-02	19 - 1	67F-2812A-00	17 - 26	F1K-6517C-00	22 - 6
6D3-11164-00	7 - 21	1HX-12168-60	4 - 18	6D3-1244G-10	10 - 28	68V-1416A-00	6 - 4	66V-42414-00	12 - 10	F0X-6517R-01	21 - 19
6D3-11165-00	8 - 22	1HX-12168-80	4 - 18		11 - 28	6D3-14294-10	6 - 16		35 - 16	GA7-65772-00	28 - 4
6D3-11166-00	7 - 32	1HX-12168-A0	4 - 18	6D3-1244H-10	10 - 21	6D3-14305-21	18 - 1	67X-44517-10-94	20 - 1	EU0-65901-01	32 - 13
6D3-11167-00	8 - 32	1HX-12168-F0	4 - 18		11 - 21	6D3-14411-00	5 - 1	6D3-44574-00	20 - 2	F1B-65986-10	32 - 12
6D3-11181-00	1 - 21	1HX-12168-H1	4 - 18	60E-12474-00	1 - 30	6D3-14414-10	6 - 19	663-45119-00	13 - 4	F0D-67250-10	30 - 5
	35 - 3	1HX-12168-K1	4 - 18	6D3-12482-00	1 - 25	6D3-14419-01	5 - 8	61X-45332-03-94	13 - 2	F0D-67255-02	30 - 6
6D3-11191-10	1 - 17	1HX-12168-M1	4 - 18	60E-12483-10	1 - 29	6D3-14421-02	5 - 3	6BU-45511-00	13 - 6	EW2-67256-00	30 - 7
60E-11193-01	1 - 18	1HX-12168-R1	4 - 18	60E-12494-00	1 - 28	6D3-14437-00	5 - 7	6D3-45514-00	12 - 16	F0D-67257-00	30 - 10
	35 - 2	1HX-12168-U1	4 - 18	6B6-12499-00	11 - 42	63P-14446-00	6 - 13	65V-45538-00	12 - 14	EW2-67258-01	30 - 8
69J-11301-10	2 - 12	1HX-12168-W1	4 - 18	60E-12537-00	1 - 31	60E-14449-00-94	6 - 20	6D3-45593-00-94	13 - 11	EW2-67259-01	30 - 9
6E5-11325-00	8 - 12	1HX-12168-Y1	4 - 18	6D3-12577-10	10 - 25	6D3-14451-00	5 - 4	6D3-45813-00-94	3 - 12	F1X-6725F-01	30 - 11
68V-11325-02	2 - 13	1HX-12169-11	4 - 18		11 - 25	4XV-14452-00	5 - 2	6D3-4581J-00	13 - 1	F1K-67410-00	30 - 24
67F-11328-00	2 - 14	1HX-12169-31	4 - 18	63M-12580-00	10 - 5	6D3-14457-00	6 - 8	6D3-51129-00	2 - 3	F1K-6753B-00	28 - 18
60E-11372-10	9 - 5	1HX-12169-50	4 - 18		11 - 5	68V-14475-00	6 - 12	68N-5112T-00	23 - 3	F1B-67564-00	28 - 19
60E-11411-11	3 - 1	1HX-12169-70	4 - 18	60E-12581-00	10 - 3	6D3-14495-00	5 - 13	66V-51312-01-94	12 - 5	F2N-67743-00	27 - 37
6D3-11416-00	3 - 2	1HX-12169-90	4 - 18		11 - 3	6D3-14613-10	9 - 3	6B6-51315-01-94	12 - 8	F1B-67747-00	27 - 14
6D3-11416-10	3 - 2	1HX-12169-E0	4 - 18	60E-12584-00	10 - 15		35 - 7	6B6-51326-10-94	12 - 19	EU0-67767-31	27 - 26
6D3-11416-20	3 - 2	1HX-12169-G0	4 - 18		11 - 15	6D3-14615-00	9 - 14	6D3-52358-00	14 - 8	EW2-67821-00	28 - 3
6D3-11416-30	3 - 2	1HX-12169-J0	4 - 18	6D3-12584-00	10 - 20	60E-14623-00	9 - 21	F1K-6134M-00	30 - 20	F2N-67823-00	22 - 18
6D3-11416-A0	3 - 2	1HX-12169-L0	4 - 18		11 - 20		35 - 9	F1K-61355-00	30 - 28		29 - 27
6B6-11478-00	3 - 15	1HX-12169-N0	4 - 18	6BU-12880-10	6 - 2	6D3-14625-00	9 - 16	F1B-613C1-00	30 - 23	F2N-67823-10	21 - 16
6D3-11603-00	3 - 4	1HX-12169-T0	4 - 18	6B6-1310A-01-94	2 - 18	6D3-1469W-10	9 - 23	F1K-61400-01	30 - 18	F1K-6820A-40	19 - 16
6D3-11631-01-B0	3 - 3	6D3-12171-11	4 - 1	6B6-13151-00-94	8 - 28	6D3-14711-10	9 - 4	F1K-6142B-00	30 - 29	GU2-6822E-01	19 - 18
6D3-11633-00	3 - 5	6D3-12176-00	4 - 3	60E-13161-00	2 - 20	6D3-14712-00-94	9 - 9	F1B-61438-00	29 - 3	60E-682E0-00	19 - 2
6D3-11650-00	3 - 7	6D3-12181-00	4 - 2	6D3-13300-10	7 - 2	6D3-14721-10	9 - 18	F1K-6143C-00	30 - 34	F1W-68303-00	30 - 32
5JW-11654-00	3 - 8	6D3-12210-00	4 - 23	6B6-13317-00	8 - 5	6D3-14739-10	9 - 10	F2N-61460-00	29 - 6	FK7-68310-07	30 - 12
60E-11656-00	3 - 10	4FM-12213-00	4 - 24	6B6-13327-02-94	7 - 8		35 - 8	EU0-61461-02	30 - 26	FK7-68312-02	30 - 15
60E-11656-10	3 - 10		35 - 4	6B6-13360-00	7 - 1	6BU-14752-00-94	9 - 25	F1B-61461-02	29 - 5	FK7-68313-02	30 - 16
60E-11656-20	3 - 10	5BE-12241-00	4 - 22	6B6-13411-00	7 - 11	6BU-1475E-00	9 - 26	F1K-6146H-10	30 - 22	F1S-68341-00	30 - 31
60E-11656-30	3 - 10	6D3-12251-00	4 - 26	60E-13421-00	8 - 7	6BU-1475F-00	9 - 27	F2N-61481-00	29 - 2	EW2-68348-00	30 - 13
4XV-12111-00	4 - 5	4XV-12252-00	4 - 27	5GH-13440-20	2 - 25	60E-14784-00-94	9 - 22	F1W-61516-00	30 - 33	6D3-81147-00	6 - 14
4XV-12112-00	4 - 6	6D3-12411-00	11 - 33	6D3-13443-00-94	8 - 24	6BU-15100-00	2 - 1	F1B-6151S-00	29 - 4	60E-81315-00	18 - 25
4XV-12113-00	4 - 10	6BH-12413-00	11 - 34	60E-13446-00	8 - 1	6BU-15362-A0	8 - 20	F1K-6152M-00	30 - 19	60E-81328-00	15 - 18
4XV-12114-00	4 - 11	60E-12417-10	11 - 32	6D3-13462-00-94	8 - 3	6D3-15515-00	15 - 1	F1K-6153R-00	30 - 25	66V-8132W-00	17 - 24
1HX-12116-01	4 - 8	60E-12435-00	10 - 35	6D3-13463-00-94	8 - 14	60E-15517-00	15 - 2	F1K-61624-00	23 - 20	6BU-81336-00	17 - 34
1HX-12117-00	4 - 12		11 - 39	60E-13473-00	8 - 21	60E-15521-00	15 - 3	F0X-61637-00	23 - 23	6D3-81337-00-94	15 - 13
1WG-12117-00	4 - 13	6BU-1243A-00	10 - 11	60E-13475-00	8 - 15	4WM-15590-00	15 - 4	EU0-61652-00	10 - 10	6S5-81364-10	8 - 34
1HX-12118-00	4 - 14		11 - 11	6B6-13475-01	7 - 13	6D3-17572-00	3 - 11		11 - 10	6D3-81410-01	15 - 7
1WG-12118-00	4 - 15	6D3-1243E-10	10 - 16		35 - 6	6B6-17585-00	3 - 18		23 - 8	6D3-81450-00	15 - 6
4SV-12119-00	4 - 17		11 - 16	60E-13476-10	8 - 25	6B6-17586-00	3 - 19	F0X-61652-00	23 - 24	6BU-81639-00	17 - 33
4TV-12119-00	4 - 16	6BU-1243F-10	10 - 37	8FP-13556-10	6 - 5	EU0-23814-31	30 - 40	EW2-62142-00	27 - 2	6D3-81800-00	16 - 1
5LV-12121-00	4 - 7		11 - 44	6B6-13563-01	7 - 3	6S5-24300-01	6 - 15	F1G-62149-00	27 - 8	3AJ-81809-00	16 - 6

NUMERICAL INDEX

PART NO.	REF. NO.	PART NO.	REF. NO.	PART NO.	REF. NO.	PART NO.	REF. NO.	PART NO.	REF. NO.	PART NO.	REF. NO.
60E-81810-00	16 - 10	6EN-8591A-B0	17 - 28	F2N-U213G-01	25 - 2	F1X-U411C-60	32 - 9	F1B-U41B1-31	34 - 3	F1S-U725E-01	12 - 35
6D3-81820-00	16 - 9	6B6-86261-00	18 - 33	F1W-U2159-00	27 - 6	F1K-U411H-00	32 - 11	F1B-U41B2-01	33 - 4	F2N-U732B-01	20 - 9
6M6-81826-00	16 - 4	6B6-86261-10	18 - 33	F2N-U2187-00	25 - 6	F1X-U413P-02	34 - 13		34 - 4	F2N-U732B-10	20 - 8
6M6-81830-00	16 - 2	6B6-86265-00	18 - 34	F2N-U2188-00	25 - 7	F1S-U415B-11	33 - 5	F0V-U41D5-31	33 - 6	EU0-U7354-00-01	20 - 6
6M6-81840-10	16 - 8	6B6-86265-10	18 - 34	F1S-U2280-00	23 - 31		34 - 5		34 - 6	EU0-U7354-00-03	20 - 6
11H-81844-00	16 - 5	67X-E2590-10	10 - 43	F1S-U2285-00	23 - 32	GP8-U416H-01	34 - 12	F0V-U41DB-12	33 - 7	EU0-U7354-00-05	20 - 6
66V-81844-00	17 - 25		11 - 50	F2N-U2511-02	24 - 1	F2P-U417B-00	32 - 1		34 - 7	EU0-U7354-00-10	20 - 6
6BU-81845-00	17 - 27	6AN-G5214-00-94	12 - 11	F1K-U2512-03	24 - 6	F2P-U417B-10	32 - 1	F1S-U41E1-11	33 - 10	EU0-U7354-00-20	20 - 6
6D3-81845-00	15 - 21	6AN-G5831-00	12 - 2	F1K-U2519-20	24 - 7	F2P-U417B-20	32 - 1		34 - 10	F1B-U751G-00	28 - 15
1FK-81847-00	16 - 3	6AN-G6882-00	12 - 9	F1K-U251D-01	24 - 10	F2P-U417B-30	32 - 1	F1B-U41F5-21	33 - 8	F1K-U7550-02	28 - 1
6M6-81850-00	16 - 7	6BU-R1313-00-94	12 - 32	F1K-U251E-01	24 - 11	F2P-U417C-00	32 - 2		34 - 8	F2N-U7555-00	28 - 8
6BU-81861-00	17 - 40	6D3-R1314-00	14 - 1	F2N-U2663-01	22 - 4	F2P-U417C-10	32 - 2	F2N-U4261-00	28 - 11	F1K-U7557-01	12 - 44
6D3-81921-00	17 - 12	6BU-R1318-01	12 - 24	F2N-U2664-00	26 - 3	F2P-U417C-20	32 - 2	F2N-U471E-00	22 - 23	GJ1-U7578-21	19 - 20
6B6-81940-00	17 - 22	6D3-R1319-00	12 - 22	F1K-U266B-00	22 - 5	F2P-U417C-30	32 - 2	F1K-U471E-03	22 - 13	F1S-U757B-01	28 - 16
60E-81950-00	17 - 20	6D3-R1321-02	12 - 23	F1K-U266C-00	21 - 12	F2P-U417D-00	32 - 3	F2N-U471F-00	22 - 25	F1K-U757E-01	12 - 48
68V-81950-00	17 - 21	6D3-R1333-01-94	12 - 1	F2N-U266C-01	21 - 2	F2P-U417D-10	32 - 3	F2N-U475B-03	21 - 1	F1K-U757F-01	12 - 49
6S8-81960-00	17 - 37	6D3-R1341-00	12 - 31	F1W-U269B-00	23 - 7	F2P-U417D-20	32 - 3	F1W-U475F-01	21 - 8	F2N-U758D-00	28 - 13
6BU-82115-00	17 - 13	60E-R1381-01	13 - 15	F2N-U2714-01	29 - 13	F2P-U417D-30	32 - 3	F1W-U491K-00	24 - 2	F1K-U759B-00	27 - 39
6BU-82116-00	19 - 36	F2C-U1314-00	23 - 41	F2N-U271B-01	26 - 9	F2P-U417E-00	32 - 4	GP7-U4953-10	23 - 18	F1K-U759C-00	22 - 30
6D3-82117-00	17 - 14	F2N-U134A-00	29 - 10	F2N-U271B-10	26 - 9	F2P-U417E-10	32 - 4		26 - 18	F1W-U759C-01	27 - 40
67F-82151-00	17 - 15	F1K-U135C-01	22 - 11	F2N-U273B-00	12 - 38	F2P-U417E-20	32 - 4	F1K-U515A-00	22 - 8	F1B-U761D-02	23 - 10
67F-82151-10	17 - 16	F1K-U142D-00	31 - 4	F2N-U278A-00	23 - 38	F2P-U417E-30	32 - 4	F2N-U516N-00-P4	21 - 10	F1K-U7711-02	27 - 12
67F-82151-30	17 - 17	F2N-U142L-00	21 - 17	F2L-U278F-01	23 - 42	F2P-U417F-00	32 - 5	F2N-U516N-00-P7	21 - 10	F1K-U7711-10	27 - 12
67F-82151-40	17 - 18		28 - 17	F2L-U278G-01	23 - 44	F2P-U417F-10	32 - 5	F2N-U516N-00-P9	21 - 10	F1W-U771H-00	23 - 39
	17 - 19		29 - 21	F2L-U278H-00	23 - 43	F2P-U417F-20	32 - 5	F2N-U516N-00-PA	21 - 10	F1B-U7773-00	27 - 13
6BU-82170-00	17 - 11	F2S-U1438-00	29 - 16		23 - 45	F2P-U417F-30	32 - 5	F2N-U516P-00	21 - 11	F2N-U781E-00	26 - 7
6D3-82310-01	18 - 10	F1K-U143D-01	31 - 2	F1K-U283B-02	22 - 14	F2P-U417G-00	32 - 6	F2N-U517B-10-P4	22 - 1	F2N-U7831-10	27 - 16
6A0-82317-00	7 - 22	F1K-U143E-01	31 - 3	F1X-U2873-00	27 - 33	F2P-U417G-10	32 - 6	F2N-U517B-10-P8	22 - 1	GP7-U7832-01	27 - 17
	17 - 31	F0V-U1461-00	29 - 18	F2P-U351H-00	24 - 14	F2P-U417G-20	32 - 6	F2N-U517B-10-P9	22 - 1	GP7-U7833-11	27 - 18
68V-82504-00	18 - 24	EU0-U1461-02	14 - 11	F2P-U351J-00	24 - 15	F2P-U417G-30	32 - 6	F2N-U517B-10-PA	22 - 1	GP7-U7834-00	27 - 21
60E-82532-00	18 - 26	F2N-U1467-00	29 - 20	F2P-U351K-00	24 - 16	F2P-U417H-00	32 - 7	F1K-U517D-05	22 - 10	GP7-U7835-00	27 - 19
60E-82556-00	19 - 3	F1K-U1467-01	30 - 35	F2P-U351M-00	24 - 17	F2P-U417H-10	32 - 7	F1X-U517E-01	22 - 20	GP7-U783F-00	27 - 23
6D3-82560-01	18 - 20	F1K-U1468-03	30 - 38	F2P-U351N-00	24 - 18	F2P-U417H-20	32 - 7	F2N-U517F-00	22 - 19	F2N-U7844-00	27 - 24
60E-82560-A1	18 - 17	F1W-U146G-00	29 - 19	F2P-U3581-00	24 - 13	F2P-U417H-30	32 - 7	F2N-U517H-01	21 - 18	F0D-U7856-10	27 - 32
703-82591-00	30 - 21	F2N-U146G-00	29 - 22	F2N-U371A-53	26 - 1	F2P-U417J-00	32 - 8	F1K-U517R-00	22 - 12	F1K-U785G-00	27 - 30
60E-8259E-00	17 - 23	F2N-U149C-00	29 - 15	F2N-U371A-71	26 - 1	F2P-U417J-10	32 - 8	F1K-U518E-04	22 - 9	F0D-U785G-10	19 - 12
6BU-8259L-C0	18 - 13	F2C-U151S-00	19 - 22	F2N-U371B-50	26 - 2	F2P-U417J-20	32 - 8	F2P-U519D-00	21 - 21	GP7-U785H-00	27 - 27
6D3-8273J-01	18 - 27	F2S-U151S-00	29 - 17	F2N-U371B-70	26 - 2	F2P-U417J-30	32 - 8	F2N-U5633-00	21 - 22	F2N-U815D-01	17 - 7
60E-83627-00	8 - 27	F2N-U1552-00	30 - 1	GH1-U3774-00	26 - 10	F1G-U418F-00	33 - 9	F1K-U5772-04	19 - 9	F2N-U8169-00	23 - 30
68F-83688-10	6 - 6	GP7-U155D-01	30 - 2	F2C-U377H-00	23 - 40		34 - 9		22 - 28	F1K-U8211-01	19 - 8
682-84385-01	10 - 9	GP7-U155F-00	30 - 3	F2C-U3850-00	26 - 4	F1S-U419E-01	33 - 11		27 - 35	EU0-U8217-H2	19 - 6
	11 - 9	F1K-U156E-01	31 - 1	F2P-U4114-00	32 - 10	GJ1-U419F-21	33 - 12		28 - 6	F1K-U821D-01	19 - 11
6D3-85132-00	1 - 23	F2N-U1628-02	23 - 16	F2S-U4114-00	32 - 10		34 - 11	F2N-U596B-00	22 - 22	F1K-U8221-00	19 - 7
6AA-85542-00	8 - 19		26 - 17	F2P-U4114-10	32 - 10	F2N-U41B1-10	33 - 1	F2N-U596C-00	22 - 24	F1S-U8221-00	27 - 41
6BU-85542-00	8 - 9	F1B-U1653-02	23 - 19	F1X-U4114-60	32 - 10		34 - 1	F1K-U5983-01	22 - 31		28 - 2
61A-85790-00	18 - 15	F1K-U1949-00	30 - 42	F2P-U411C-00	32 - 9	F1B-U41B1-21	33 - 2	F2N-U721B-00	20 - 7		28 - 12
6D3-85896-00	18 - 22	F2N-U2127-00	25 - 1	F2S-U411C-00	32 - 9		34 - 2	GDO-U7249-00-05	13 - 17	F1W-U826C-00	18 - 7
6EN-8591A-A0	17 - 28	F2N-U213B-01	22 - 2	F2P-U411C-10	32 - 9	F1B-U41B1-31	33 - 3	F2N-U7254-00	18 - 4	F1K-U826C-03	23 - 36

NUMERICAL INDEX

PART NO.	REF. NO.	PART NO.	REF. NO.	PART NO.	REF. NO.	PART NO.	REF. NO.	PART NO.	REF. NO.	PART NO.	REF. NO.
F1S-U828H-01	17 - 2	90109-06M92	20 - 3	90119-089U7	27 - 38	90267-489U1	10 - 44	90445-20800	23 - 4	90464-32801	27 - 11
F2P-U828K-00	22 - 32	90109-08041	12 - 45	90119-089UL	13 - 16		11 - 51	90445-20804	23 - 1		28 - 23
F1W-U828M-00	17 - 3	90110-05908	30 - 4	90119-08M22	5 - 11		18 - 3	90445-21805	10 - 1		29 - 25
	19 - 24	90110-06040	23 - 25	90119-10013	9 - 20		18 - 6		11 - 1	90464-35132	10 - 33
	19 - 27	90110-06822	12 - 21	90119-10016	15 - 14		19 - 10	90445-22007	10 - 31		10 - 42
	19 - 30	90110-08041	7 - 6	90119-10017	9 - 19		22 - 29	90445-25006	11 - 37		11 - 49
	19 - 33	90110-08212	15 - 5	90119-10020	8 - 4		23 - 37	90445-26004	11 - 30		18 - 9
	21 - 4	90111-05008	19 - 17	90119-10806	12 - 30		27 - 5	90446-14M23	18 - 19	90464-38800	5 - 16
	25 - 3	90111-06803	24 - 3	90119-10808	12 - 43		27 - 36	90446-20MF5	12 - 28	90464-40825	5 - 17
	27 - 9	90116-10016	8 - 30	90119-10810	12 - 4		28 - 5	90446-27M55	23 - 5	90464-45002	18 - 31
	28 - 21	90116-10058	2 - 5	90119-10M02	8 - 29		28 - 7	90446-27M73	23 - 2	90464-99804	25 - 5
	29 - 24	90119-059U4	22 - 7	90119-10M19	15 - 15	90267-489U2	20 - 10	90447-06803	29 - 9	90465-11829	12 - 29
F2P-U8376-00	18 - 5	90119-06048	18 - 29	90149-05903	22 - 3		30 - 36	90447-19801	10 - 7		19 - 15
F2N-U8572-00	5 - 14	90119-06880	21 - 14		31 - 6	90267-489U6	19 - 25		11 - 7		23 - 12
F1G-U8572-02	12 - 40		22 - 21	90150-05807	19 - 23		19 - 29	90447-22001	10 - 17		27 - 28
F1K-U8577-01	12 - 41	90119-06882	12 - 51	90151-06815	29 - 14		19 - 31		11 - 17		27 - 29
F2N-U883B-00	13 - 21		21 - 15	90154-06017	31 - 5		19 - 34	90447-22003	10 - 12		27 - 31
F2N-U883E-00	13 - 18	90119-06891	13 - 13	90159-05013	5 - 5		25 - 4		11 - 12		29 - 23
F2N-U883N-00	23 - 26		20 - 11	90159-05014	5 - 6		27 - 7	90447-22004	10 - 2	90465-13152	18 - 32
F2N-U883P-00	23 - 27	90119-06893	12 - 6	90167-04003	31 - 7		27 - 10		11 - 2	90465-13M18	17 - 46
F1X-U883T-01	23 - 28	90119-06895	12 - 42	90169-049U1	27 - 20		28 - 22	90447-22005	10 - 38		18 - 30
F1K-U892D-00	13 - 22	90119-06897	12 - 12	90176-06047	17 - 30		29 - 26		11 - 45	90465-13M24	17 - 43
F1S-U8K31-02	19 - 21	90119-069UH	27 - 34		17 - 36	90267-489U8	23 - 11	90447-25002	10 - 32		18 - 14
6D3-W0001-01	35 - 1		30 - 39		17 - 39		24 - 8	90447-28010	11 - 38	90465-13M39	8 - 37
6BU-W0001-20	35 - 10	90119-069UP	26 - 5		17 - 45	90267-489U9	18 - 8	90450-17M17	6 - 17	90467-089U1	19 - 13
6D3-W009A-11-94	1 - 1	90119-069UX	14 - 4	90176-10001	1 - 16	90269-08801	21 - 7		6 - 18	90467-110A1	7 - 31
6BU-W009B-00-94	2 - 4	90119-06M65	7 - 24		8 - 31		21 - 9	90450-57006	6 - 10	90467-150A5	10 - 6
90101-069U0	12 - 52	90119-08031	9 - 13	90179-08327	3 - 9	90280-03047	15 - 12	90450-90001	9 - 17		11 - 6
90105-06026	1 - 9	90119-08034	7 - 15	90179-10006	1 - 14	90340-27001	1 - 7	90450-94001	9 - 29	90467-160A0	9 - 2
90105-06033	2 - 10	90119-08036	9 - 7	90179-10414	1 - 15	90387-06080	12 - 50		9 - 31		10 - 22
90105-06035	8 - 17		9 - 12	90183-06902	21 - 13	90387-06083	11 - 43	90450-99004	9 - 28		10 - 24
	10 - 36	90119-08043	7 - 16	90201-06801	14 - 6	90387-06119	7 - 23		9 - 30		10 - 29
	11 - 35	90119-08045	7 - 14		14 - 9		17 - 32	90450-99005	9 - 15		11 - 22
	11 - 40	90119-08050	6 - 21	90201-06906	29 - 7	90387-06M05	8 - 10	90450-99801	28 - 14		11 - 24
90105-06036	8 - 16	90119-08074	6 - 22	90201-096J9	2 - 7		8 - 18	90450-99804	28 - 10		11 - 29
90105-06054	11 - 41	90119-08075	9 - 8	90201-099U3	17 - 8		8 - 35	90464-12089	5 - 10	90467-170A4	7 - 26
90105-06790	9 - 24	90119-08085	7 - 7	90201-10013	1 - 12	90387-06M30	14 - 5	90464-18006	7 - 29		7 - 27
90105-06826	22 - 15	90119-08823	12 - 39	90201-10019	1 - 13	90387-06M60	13 - 14	90464-21001	7 - 28		7 - 33
90105-06M07	2 - 15		20 - 5	90201-103U7	15 - 11	90387-08M06	12 - 34		7 - 34		8 - 33
	8 - 26	90119-08827	30 - 41	90201-10801	12 - 36	90387-08M30	14 - 3	90464-31001	10 - 41		10 - 26
90105-06M17	2 - 11	90119-08836	30 - 37	90201-109U6	26 - 11	90401-20007	2 - 26		11 - 48		11 - 26
90105-07004	4 - 4	90119-08840	12 - 33	90201-24800	13 - 12	90430-06014	1 - 11		17 - 41	90467-17802	28 - 24
90105-08860	23 - 29		14 - 2	90209-25008	3 - 20	90430-06M03	2 - 16	90464-32801	17 - 5	90467-18804	23 - 6
90105-093A5	2 - 6	90119-08859	20 - 4	90267-329UR	27 - 22	90430-12002	12 - 47		19 - 19	90467-200A0	23 - 14
90105-105A6	15 - 10	90119-08861	23 - 46	90267-48802	17 - 4	90445-14807	12 - 27		19 - 26	90467-200A3	10 - 4
90109-06051	2 - 9	90119-089U2	26 - 14	90267-48803	21 - 5	90445-16006	12 - 25		19 - 28		10 - 13
90109-066F0	1 - 19	90119-089U7	12 - 54	90267-48806	25 - 8	90445-18M03	10 - 23		19 - 32		10 - 14
90109-06832	13 - 19		17 - 1	90267-48963	24 - 12		11 - 23		21 - 6		10 - 18

NUMERICAL INDEX

PART NO.	REF. NO.	PART NO.	REF. NO.	PART NO.	REF. NO.	PART NO.	REF. NO.	PART NO.	REF. NO.	PART NO.	REF. NO.
90467-200A3	10 - 19	9299R-05200	24 - 9	94702-00409	18 - 12	99530-10014	2 - 8				
	10 - 27	9299R-06200	22 - 17	95023-06012	1 - 10	99590-14016	12 - 3				
	10 - 39		24 - 4	95027-06010	2 - 22	99780-12600	23 - 21				
	10 - 40		29 - 12	95380-06700	16 - 13						
	11 - 4	9299R-08200	17 - 10	9538R-06600	14 - 7						
	11 - 13		22 - 26		14 - 10						
	11 - 14		26 - 15	9538R-06700	29 - 8						
	11 - 18	9299R-10200	26 - 12	95720-06300	30 - 27						
	11 - 19	93101-21001	12 - 17	95720-08300	30 - 30						
	11 - 27		35 - 15	9572R-05300	23 - 35						
	11 - 46	93101-21002	12 - 18	9572R-06300	12 - 53						
	11 - 47		35 - 14		22 - 16						
90467-210A0	10 - 30	93101-25M55	13 - 7		24 - 5						
	23 - 15		35 - 11		27 - 15						
90467-21800	23 - 13	93101-35004	3 - 13		29 - 11						
90467-240A0	11 - 31		35 - 5	9572R-08300	17 - 9						
90467-250A0	23 - 15	93102-25009	13 - 10		22 - 27						
90468-12069	3 - 6		35 - 12		23 - 17						
90480-22M15	5 - 9	93210-06667	2 - 21		26 - 8						
	5 - 12	93210-08001	2 - 24		26 - 16						
90480-279U1	17 - 6	93210-18322	8 - 2		26 - 19						
90601-118UF	12 - 26	93210-18417	1 - 26	9572R-10300	12 - 37						
	23 - 9		1 - 32		26 - 13						
90601-155U4	13 - 20	93210-464A3	12 - 20	95780-08300	18 - 2						
	27 - 25		35 - 13	95814-06020	17 - 35						
90601-175UR	5 - 15	93210-60ME8	18 - 28		17 - 38						
90601-179U8	28 - 9	93212-04001	15 - 17	95814-06025	17 - 29						
90601-200U2	19 - 35	93306-07801	3 - 14	95880-06016	18 - 11						
90605-502U1	21 - 3	93306-205A3	13 - 9	97513-05514	15 - 9						
91317-05010	15 - 20	93306-205U0	12 - 15	97513-06520	2 - 19						
91317-05014	8 - 6	93306-27211	12 - 13	97513-06525	7 - 5						
91317-05016	8 - 23	93306-30441	7 - 9	97513-06535	7 - 18						
91317-06014	8 - 8	93306-30610	3 - 16	97513-06555	1 - 22						
	15 - 19	93430-47M04	13 - 8		7 - 17						
91317-06016	1 - 27	93440-07149	1 - 5	97513-08520	1 - 24						
	1 - 33	93440-10153	1 - 6	97513-08530	16 - 11						
	7 - 12	93440-28062	3 - 21	97595-06416	18 - 18						
91317-06035	15 - 8	93603-12221	7 - 4		18 - 21						
91380-06016	18 - 23	93606-12019	9 - 11	97595-06520	8 - 11						
91380-06020	8 - 36		12 - 7	97595-08540	2 - 17						
91380-06025	4 - 25		13 - 5	97880-03008	30 - 14						
91808-16023	1 - 8	93606-25M00	7 - 20	97880-05025	30 - 17						
92014-06012	17 - 44	93607-44002	4 - 28	9788R-05025	23 - 33						
92990-06100	16 - 12	93608-16M16	7 - 19	98780-04015	8 - 13						
92990-10600	18 - 16		9 - 6	99009-52500	7 - 10						
92990-12200	12 - 46		15 - 16	99009-72500	3 - 17						
	23 - 22	93700-06M03	13 - 3	99530-08012	2 - 23						
9299R-05200	23 - 34	94591-49130	4 - 21	99530-10014	2 - 2						