

PARTS CATALOGUE

WaveRunner VX110 Sport/Deluxe

VX1100-D (F1K1,F1K2/6D3A/6D31)

VX1100A-D (F1K4/6D3B/6D32)

VX1100A-D (F1K5/6D3C/6D32)

VX1100-D/VX1100A-D
PARTS CATALOGUE
©2004 by Yamaha Motor Co., Ltd.
1st edition, December 2004
All rights reserved.
Any reprinting or unauthorized use
without the written permission of
Yamaha Motor Co., Ltd.
is expressly prohibited.
Printed in Japan.

A2

VX-1100 Sport



VX-1100A Deluxe (RED)



VX-1100A Deluxe (BLUE)



FOREWORD

This Parts Catalogue is related to the parts for the model(s) on the cover page. When you are ordering replacement parts, please refer to this Parts Catalogue and quote both part numbers and part names correctly.

1. Modifications or additions which have been made after the issue of the Parts Catalogue will be announced in the Parts News.

It is advisable that you make the necessary corrections to the Parts Catalogue according to the Parts News.

2. Abbreviations

The following abbreviations are used in this Parts Catalogue.

“UR” Use specified parts number.

“UN” Use as many as needed.

“AP” Alternate Parts

“LM” Locally Made (Parts need to be ordered locally)

“F#” Frame No. (Applicable machine No.)

“O/S” Over Size

3. The number of components for assembly

- Parts, which are to be supplied in an assembly, are listed with a dot (.) in front of the part name as shown below.
- The numeral appearing to the right of each component part indicates the quantity of parts for each assembly unit.

PART NO.	DESCRIPTION	Q'TY	REMARKS
2F5-83310-60	FRONT FLASHER LIGHT ASSY	2	
115-83311-60	.BULB (6V-18W)	1	

4. Applicable colours of graphics are represented in the “REMARKS” as shown below.

PART NO.	DESCRIPTION	Q'TY	REMARKS
2N4-24110-00-X5	FUEL TANK COMP.	2	MXR
3J1-24240-10	.GRAPHIC, FUEL TANK	1	FOR MXR

5. Note that the illustrations for reference in finding parts numbers are not to be used for assembling. When assembling, please use the applicable service manual.

6. The asterisk (*) before a reference number indicates modified items after the first edition.
7. A part with “YMUS” in the remarks column can be obtained from YMUS (USA) and not from YAMAHA MOTOR CO.,LTD (JAPAN).

PART NO.	DESCRIPTION	Q'TY	REMARKS
EW2-U5160-00	ENGINE HATCH COMP	2	YMUS
90601-168U7	BAND,HOSE	1	YMUS

ADDRESS:

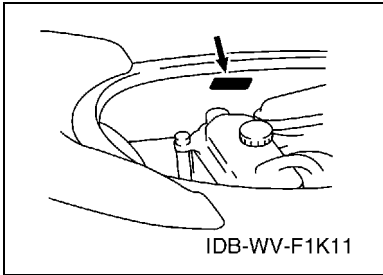
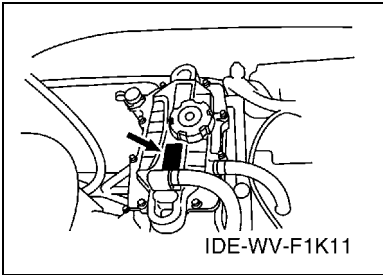
YAMAHA MOTOR CORPORATION U.S.A.
PARTS & ACCESSORY DIV.
6555 KATELLA AVENUE
CYPRESS, CALIFORNIA 90630 U.S.A.

FOREWORD

8. Applicable Serial No.

Engine Serial No.

Hull Serial No.



9. Applicable Colour Code (The (*) mark shows Model colour.)

Abbreviation	Colour Name	Colour Code
DPBMT	DEEP PURPLISH BLUE METALLIC T	0978
PURW(*)	PURE WHITE	0240
RM4	RED METALLIC 4	0923
SS4(*)	BLACK SOLID 4	008P

10. Quantity Column Information

Column No.	Name Of Q'ty Column	Destination
1	USA	USA
2	CAN	CAN
3	GENE	EXCEPT USA, CAN

11. Applicable Starting Serial No.

Engine Serial No.

Serial No.	Name Of Q'ty Column	Model Code
6D3-1000001	USA	6D3A/6D3B
6D3-1000001	CAN	6D3A/6D3B
6D3-1000001	GENE	6D3A/6D3C

Hull Serial No.

Serial No.	Name Of Q'ty Column	Model Code
F1K-800101	USA	F1K1
F1K-800401		F1K4
F1K-800101	CAN	F1K1
F1K-800401		F1K4
F1K-800301	GENE	F1K2
F1K-800201		F1K5

CONTENTS

<u>SHEET1/2</u>	
CYLINDER	A7
CRANKCASE	B2
CRANKSHAFT & PISTON	B4
VALVE	B6
INTAKE	C1
INTAKE 2	C2
OIL PUMP	C3
OIL COOLER	C5
EXHAUST 1	C7
EXHAUST 2	D2
JET UNIT 1	D4
JET UNIT 2	D6
JET UNIT 3	D7
GENERATOR	E1
STARTING MOTOR	E2
ELECTRICAL 1	E3
ELECTRICAL 2	E5
ELECTRICAL 3	E6
ENGINE HATCH 1	F1
ENGINE HATCH 2	F2
HULL & DECK	F3
GUNWALE & MAT	F5
VENTILATION	F6
SEAT & UNDER LOCKER	F7

INDEX

NUMERICAL INDEX	G1
-----------------------	----

<u>SHEET2/2</u>	
FUEL TANK	A7*
EXHAUST 3	B2*
CONTROL CABLE	B3*
STEERING 1	B5*
STEERING 2	B7*
GRAPHICS	C1*
IMPORTANT LABELS	C3*
IMPORTANT LABELS 2	C4*
REPAIR KIT 1	C5*

INDEX

NUMERICAL INDEX	G1*
-----------------------	-----

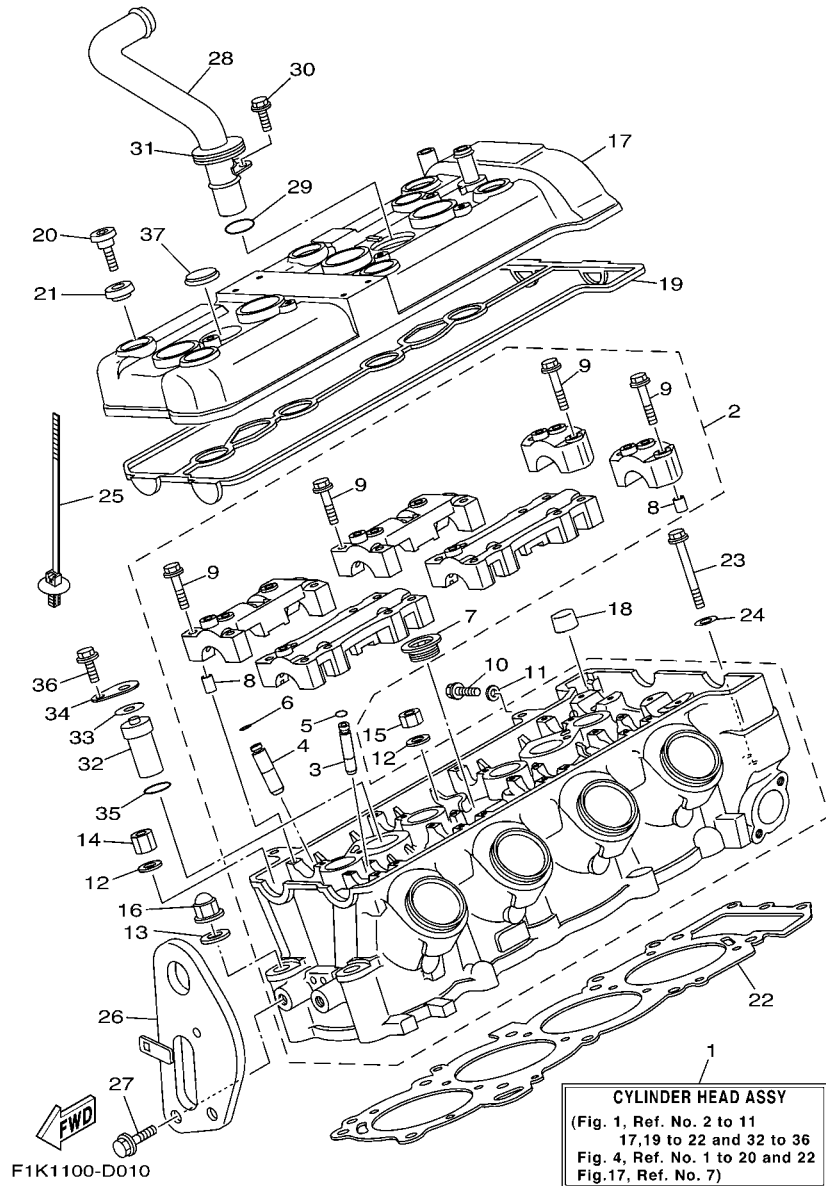
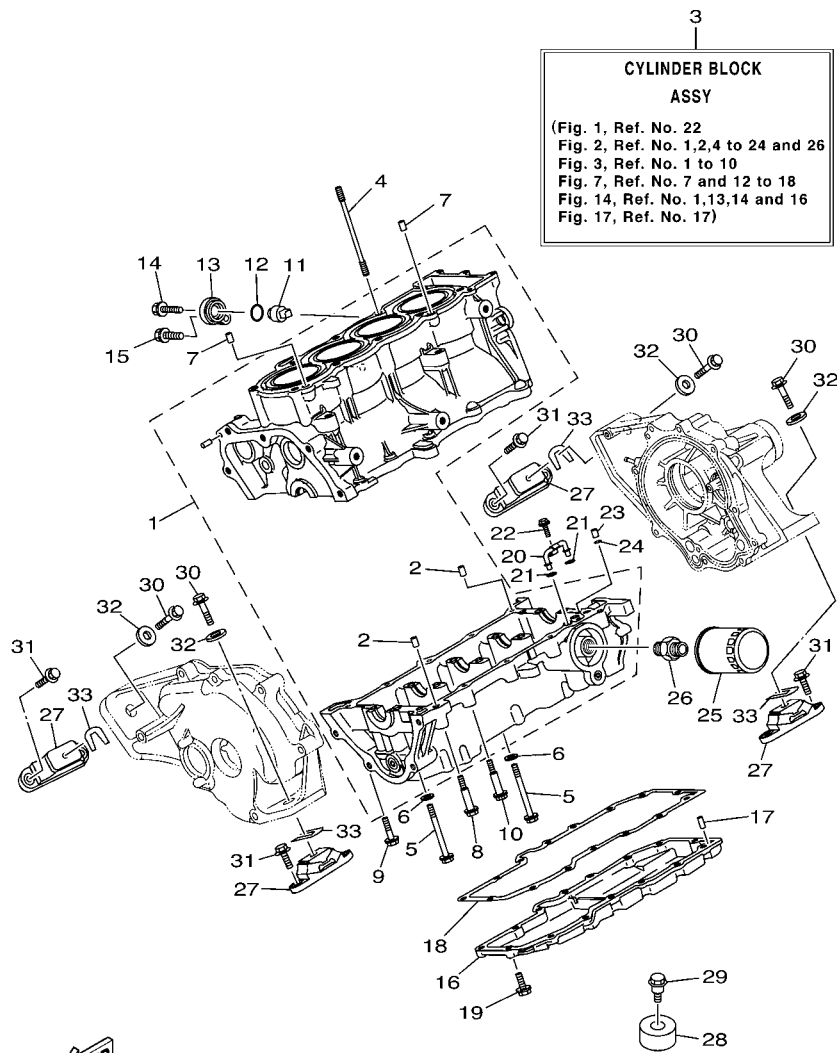


FIG. 1 CYLINDER

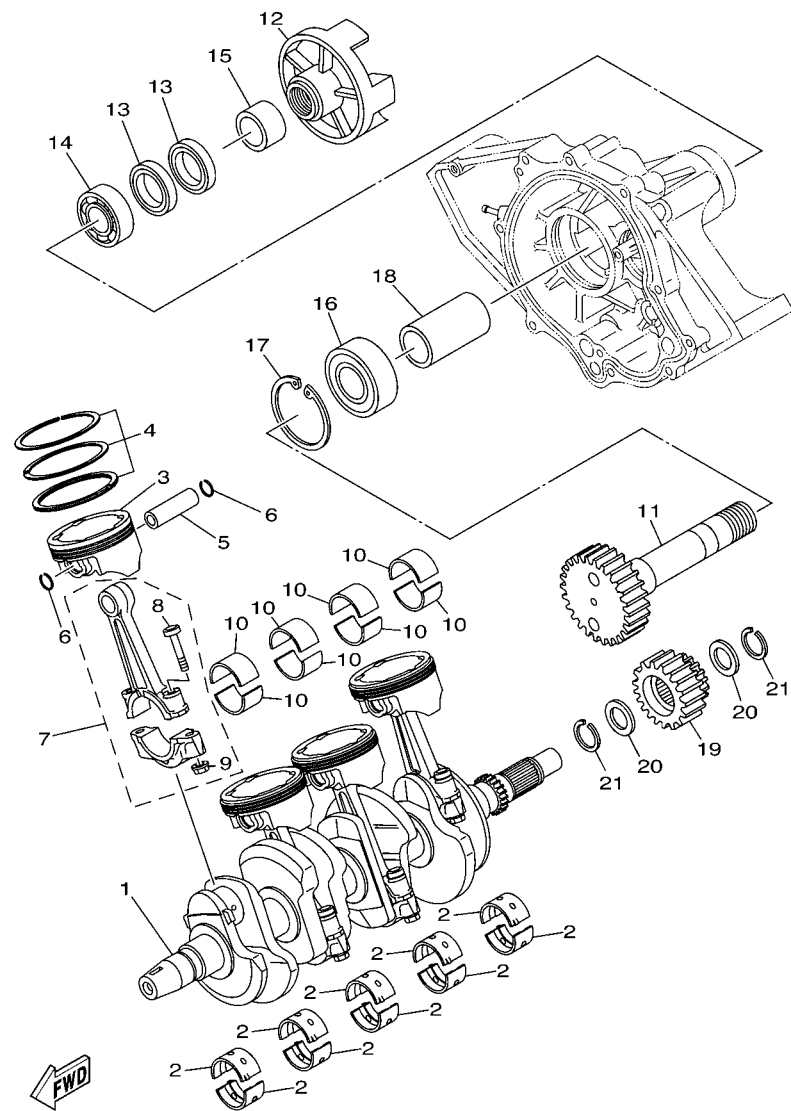
REF. NO.	PART NO.	DESCRIPTION	USA	CAN	GENE	REMARKS
1	6D3-W009A-00-94	CYLINDER HEAD ASSY	1	1	1	
2	6D3-11102-00-94	CYLINDER HEAD ASSY	1	1	1	
3	3TJ-11133-10	.GUIDE, VALVE	12	12	12	
4	1WG-11133-11	.GUIDE, VALVE	8	8	8	
5	93440-07149	.CIRCLIP	12	12	12	
6	93440-10153	.CIRCLIP	8	8	8	
7	90340-27001	.PLUG, STRAIGHT SCREW	1	1	1	
8	91808-16023	.PIN, DOWEL	12	12	12	
9	90105-06026	.BOLT, FLANGE	28	28	28	
10	95023-06012	BOLT	1	1	1	
11	90430-06014	GASKET	1	1	1	
12	90201-10013	WASHER, PLATE	8	8	8	
13	90201-10019	WASHER, PLATE	2	2	2	
14	90179-10006	NUT	3	3	3	
15	90179-10414	NUT	5	5	5	
16	90176-10001	NUT, CROWN	2	2	2	
17	6D3-11191-00-94	COVER, CYLINDER HEAD 1	1	1	1	
18	6D3-1118A-00	COVER	1	1	1	
19	60E-11193-01	GASKET, HEAD COVER 1	1	1	1	
20	90109-066F0	BOLT	6	6	6	
21	4KG-1111G-00	RUBBER, MOUNT 1	6	6	6	
22	6D3-11181-00	GASKET, CYLINDER HEAD 1	1	1	1	
23	97013-06055	BOLT	3	3	3	
24	92903-06600	WASHER, PLATE	3	3	3	
25	90464-31001	CLAMP	1	1	1	
26	6D3-85132-00	BRACKET, REFLECTOR 1	1	1	1	
27	97513-08520	BOLT, WITH WASHER	2	2	2	



F1K1100-D020

FIG. 2 CRANKCASE

REF. NO.	PART NO.	DESCRIPTION	USA	CAN	GENE	REMARKS
1	6D3-15100-00-94	CRANKCASE ASSY	1	1	1	
2	99530-10014	.PIN, DOWEL	2	2	2	
3	6D3-W009B-00-94	CYLINDER BLOCK ASSY	1	1	1	
4	90116-10619	BOLT, STUD	10	10	10	
5	90105-093A5	BOLT, FLANGE	10	10	10	
6	90201-096J9	WASHER, PLATE	10	10	10	
7	99530-10014	PIN, DOWEL	2	2	2	
8	90109-06051	BOLT	2	2	2	
9	90105-06033	BOLT, FLANGE	1	1	1	
10	90105-06M17	BOLT, FLANGE	7	7	7	
11	67F-11325-00	ANODE	1	1	1	
12	67F-11328-00	GROMMET, ANODE	1	1	1	
13	69J-11327-00-94	COVER, ANODE	1	1	1	
14	97595-06520	BOLT, WITH WASHER	1	1	1	
15	97595-08540	BOLT, WITH WASHER	1	1	1	
16	6B6-1310A-00-94	PAN, OIL	1	1	1	
17	93603-14M15	PIN, DOWEL	2	2	2	
18	6B6-13557-00	GASKET	1	1	1	
19	97513-06520	BOLT, WITH WASHER	15	15	15	
20	60E-13161-00	PIPE, DELIVERY 1	1	1	1	
21	93210-06667	O-RING	2	2	2	
22	95027-06010	BOLT, FLANGE	1	1	1	
23	99530-08012	PIN, DOWEL	1	1	1	
24	93210-08001	O-RING	1	1	1	
25	5GH-13440-00	ELEMENT ASSY, OIL CLEANER	1	1	1	
26	90401-20145	BOLT, UNION	1	1	1	
27	67X-44517-10-94	MOUNT RUBBER	4	4	4	

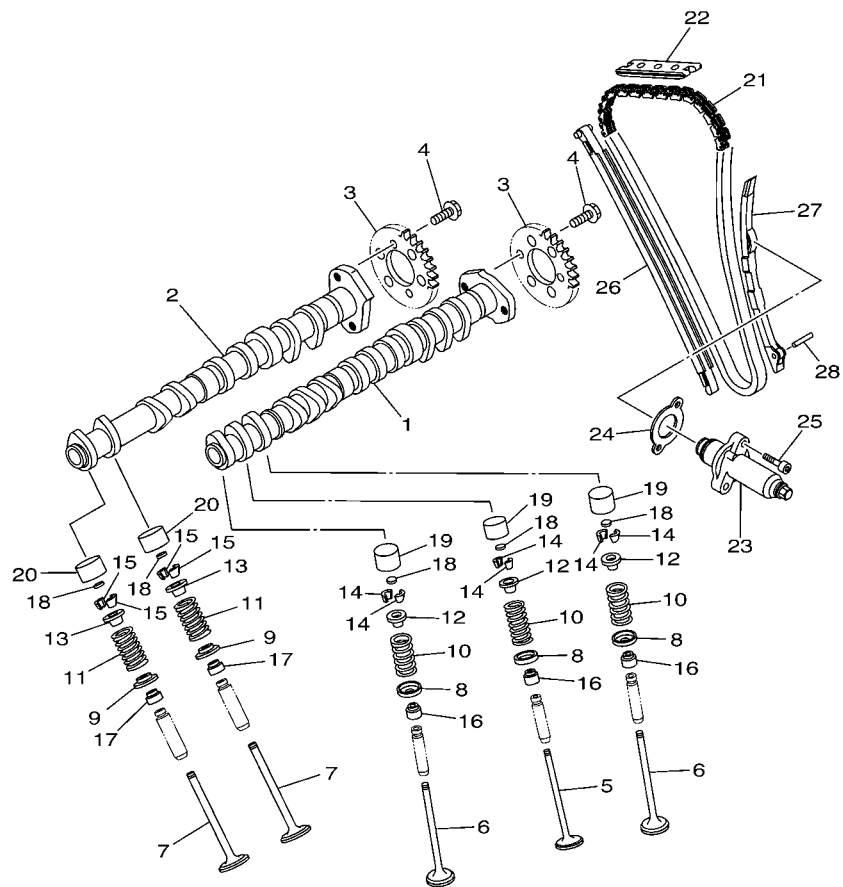


F1K1100-D030

FIG. 3 CRANKSHAFT & PISTON

REF. NO.	PART NO.	DESCRIPTION	USA	CAN	GENE	REMARKS
1	60E-11411-11	CRANKSHAFT	1	1	1	
2	6D3-11416-00	PLANE BEARING, CRANKSHAFT 1	10	10	10	UR BROWN
	6D3-11416-10	PLANE BEARING, CRANKSHAFT 1	10	10	10	UR BLACK
	6D3-11416-20	PLANE BEARING, CRANKSHAFT 1	10	10	10	UR BLUE
	6D3-11416-30	PLANE BEARING, CRANKSHAFT 1	10	10	10	UR GREEN
	6D3-11416-40	PLANE BEARING, CRANKSHAFT 1	10	10	10	UR YELLOW
3	6D3-11631-00-B0	PISTON (STD)	4	4	4	
4	6D3-11603-00	PISTON RING SET (STD)	4	4	4	
5	6D3-11633-00	PIN, PISTON	4	4	4	
6	90468-12069	CLIP	8	8	8	
7	6D3-11650-00	CONNECTING ROD ASSY	4	4	4	
8	5JW-11654-00	.BOLT, CONNECTING ROD	2	2	2	
9	90179-08327	.NUT	2	2	2	
10	60E-11656-00	PLANE BEARING, CONNECTING ROD	8	8	8	UR BROWN
	60E-11656-10	PLANE BEARING, CONNECTING ROD	8	8	8	UR BLACK
	60E-11656-20	PLANE BEARING, CONNECTING ROD	8	8	8	UR BLUE
	60E-11656-30	PLANE BEARING, CONNECTING ROD	8	8	8	UR GREEN
11	6D3-17572-00	SHAFT, TRANSFER	1	1	1	
12	6D3-45813-00-94	FLANGE, COUPLING	1	1	1	
13	93101-35004	OIL SEAL	2	2	2	
14	93306-07801	BEARING	1	1	1	
15	6B6-11478-00	COLLAR	1	1	1	
16	93306-30610	BEARING	1	1	1	
17	99009-72500	CIRCLIP	1	1	1	
18	6B6-17585-00	COLLAR, GEAR	1	1	1	
19	6B6-17586-00	GEAR, TRANSFER DRIVE	1	1	1	
20	90209-25008	WASHER	2	2	2	

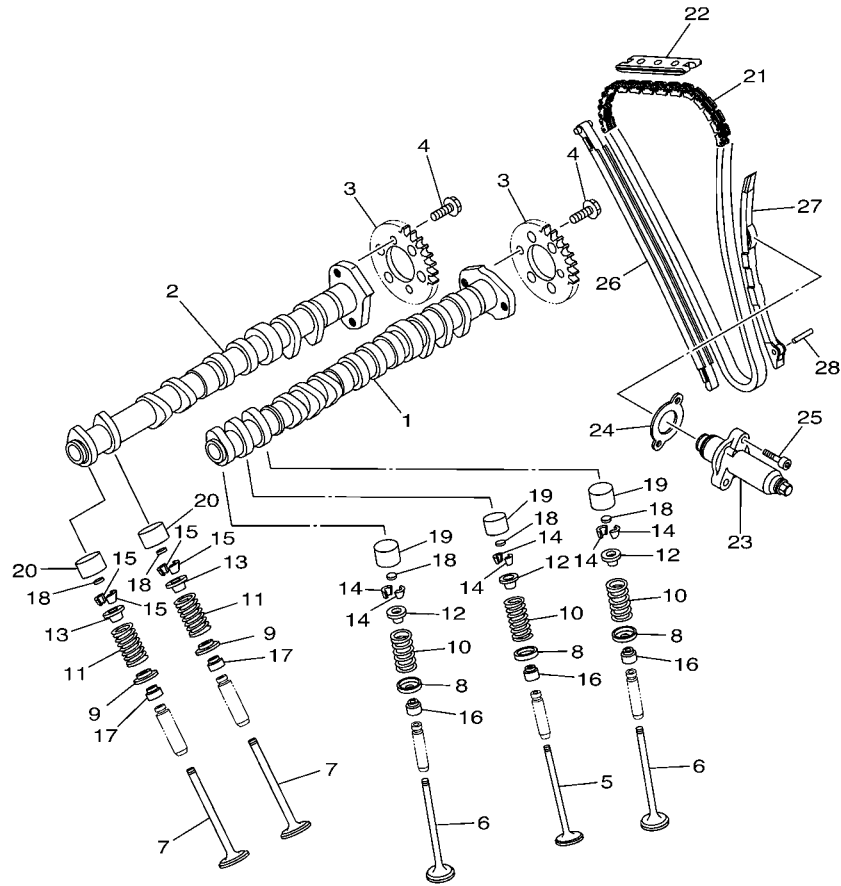
FIG. 4 VALVE



FWD
F1K1100-D040

REF. NO.	PART NO.	DESCRIPTION	USA	CAN	GENE	REMARKS
1	6D3-12171-00	CAMSHAFT 1	1	1	1	
2	6D3-12181-00	CAMSHAFT 2	1	1	1	
3	6D3-12176-00	SPROCKET, CAM CHAIN	2	2	2	
4	90105-07004	BOLT, FLANGE	4	4	4	
5	4XV-12111-00	VALVE, INTAKE	4	4	4	
6	4XV-12112-00	VALVE, INTAKE 2	8	8	8	
7	5LV-12121-00	VALVE, EXHAUST	8	8	8	
8	1HX-12116-01	SEAT, VALVE SPRING	12	12	12	
9	3GM-12126-00	SEAT, VALVE SPRING 2	8	8	8	
10	4XV-12113-00	SPRING, VALVE INNER	12	12	12	
11	4XV-12114-00	SPRING, VALVE OUTER	8	8	8	
12	1HX-12117-00	RETAINER, VALVE SPRING	12	12	12	
13	1WG-12117-00	RETAINER, VALVE SPRING	8	8	8	
14	1HX-12118-00	COTTER, VALVE	24	24	24	
15	1WG-12118-00	COTTER, VALVE	16	16	16	
16	4TV-12119-00	SEAL, VALVE STEM	12	12	12	
17	4SV-12119-00	SEAL, VALVE STEM	8	8	8	
18	1HX-12168-00	PAD, ADJUSTING 2 (1.20)	20	20	20	UR
	1HX-12168-20	PAD, ADJUSTING 2 (1.25)	20	20	20	UR
	1HX-12168-40	PAD, ADJUSTING 2 (1.30)	20	20	20	UR
	1HX-12168-60	PAD, ADJUSTING 2 (1.35)	20	20	20	UR
	1HX-12168-80	PAD, ADJUSTING 2 (1.40)	20	20	20	UR
	1HX-12168-A0	PAD, ADJUSTING 2 (1.45)	20	20	20	UR
	1HX-12168-F0	PAD, ADJUSTING 2 (1.50)	20	20	20	UR
	1HX-12168-H1	PAD, ADJUSTING 2 (1.55)	20	20	20	UR
	1HX-12168-K1	PAD, ADJUSTING 2 (1.60)	20	20	20	UR
	1HX-12168-M1	PAD, ADJUSTING 2 (1.65)	20	20	20	UR

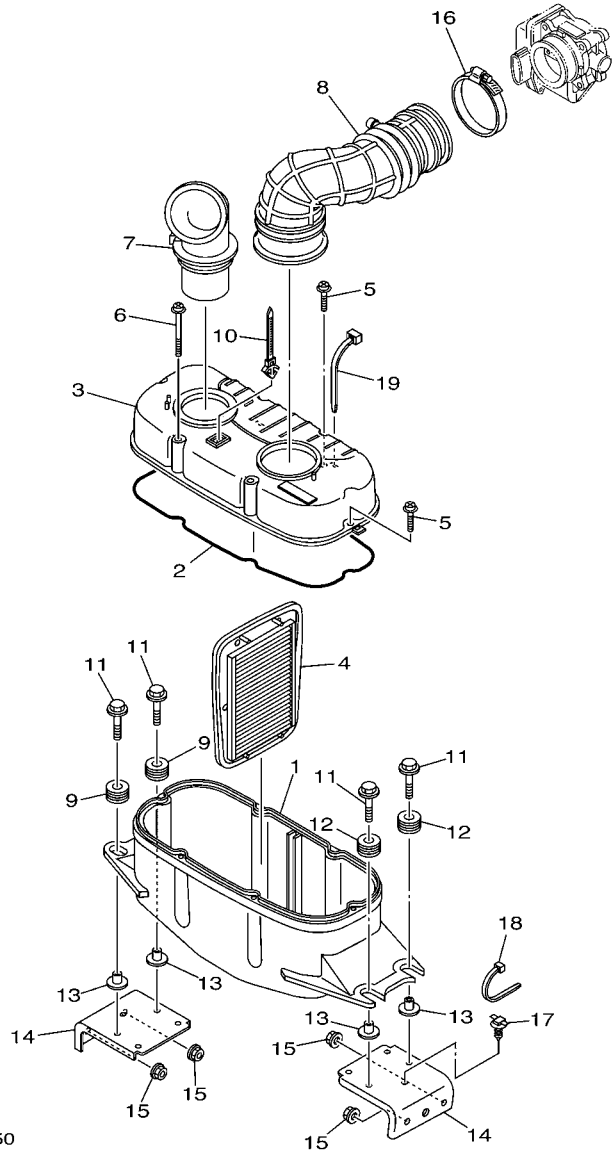
B6



F1K1100-D040

FIG. 4 VALVE

REF. NO.	PART NO.	DESCRIPTION	USA	CAN	GENE	REMARKS
18	1HX-12168-R1	PAD, ADJUSTING 2 (1.70)	20	20	20	UR
	1HX-12168-U1	PAD, ADJUSTING 2 (1.75)	20	20	20	UR
	1HX-12168-W1	PAD, ADJUSTING 2 (1.80)	20	20	20	UR
	1HX-12168-Y1	PAD, ADJUSTING 2 (1.85)	20	20	20	UR
	1HX-12169-11	PAD, ADJUSTING 2 (1.90)	20	20	20	UR
	1HX-12169-31	PAD, ADJUSTING 2 (1.95)	20	20	20	UR
	1HX-12169-50	PAD, ADJUSTING 2 (2.00)	20	20	20	UR
	1HX-12169-70	PAD, ADJUSTING 2 (2.05)	20	20	20	UR
	1HX-12169-90	PAD, ADJUSTING 2 (2.10)	20	20	20	UR
	1HX-12169-E0	PAD, ADJUSTING 2 (2.15)	20	20	20	UR
	1HX-12169-G0	PAD, ADJUSTING 2 (2.20)	20	20	20	UR
	1HX-12169-J0	PAD, ADJUSTING 2 (2.25)	20	20	20	UR
	1HX-12169-L0	PAD, ADJUSTING 2 (2.30)	20	20	20	UR
	1HX-12169-N0	PAD, ADJUSTING 2 (2.35)	20	20	20	UR
	1HX-12169-T0	PAD, ADJUSTING 2 (2.40)	20	20	20	UR
19	3LN-12153-10	LIFTER, VALVE	12	12	12	YELLOW
20	3FV-12153-10	LIFTER, VALVE	8	8	8	YELLOW
21	94591-49130	CHAIN	1	1	1	
22	5BE-12241-00	GUIDE, STOPPER 2	1	1	1	
23	60E-12210-00	TENSIONER ASSY, CAM CHAIN	1	1	1	
24	4FM-12213-00	GASKET, TENSIONER CASE	1	1	1	
25	91380-06025	BOLT	2	2	2	
26	6D3-12251-00	DAMPER, CHAIN 1	1	1	1	
27	4XV-12252-00	DAMPER, CHAIN 2	1	1	1	
28	93607-54002	PIN, DOWEL	1	1	1	

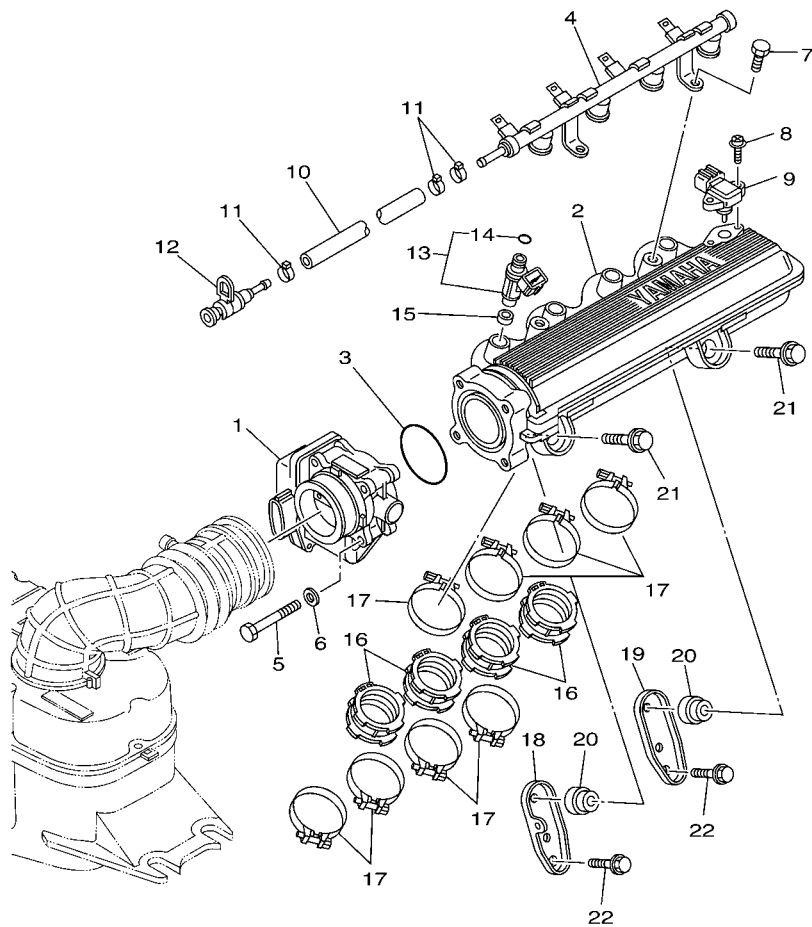


F1K1100-D050

FIG. 5 INTAKE

REF. NO.	PART NO.	DESCRIPTION	USA	CAN	GENE	REMARKS
1	6D3-14411-00	CASE, AIR CLEANER 1	1	1	1	
2	4XV-14452-00	SEAL	1	1	1	
3	6D3-14421-00	CASE, AIR CLEANER 2	1	1	1	
4	6D3-14451-00	ELEMENT, AIR CLEANER	1	1	1	
5	90159-05013	SCREW, WITH WASHER	4	4	4	
6	90159-05014	SCREW, WITH WASHER	2	2	2	
7	6D3-14437-00	DUCT	1	1	1	
8	6D3-14419-00	PIPE	1	1	1	
9	90480-22M15	GROMMET	2	2	2	
10	90464-12089	CLAMP	1	1	1	
11	90119-08M22	BOLT, WITH WASHER	4	4	4	
12	90480-22M15	GROMMET	2	2	2	
13	6D3-14495-00	COLLAR	4	4	4	
14	F1K-U8572-01	BRACKET 2	2	2	2	YMUS
15	9572R-08300	NUT, FLANGE	4	4	4	YMUS
16	90601-175UR	BAND, HOSE 75	1	1	1	YMUS
17	F1K-U043H-00	CLAMP,CABLE	1	1	1	YMUS
18	90464-40825	CLAMP	1	1	1	YMUS
19	90464-40825	CLAMP	2	2	2	YMUS

FIG. 6 INTAKE 2




F1K1100-D060

REF. NO.	PART NO.	DESCRIPTION	USA	CAN	GENE	REMARKS
1	6D3-13750-00	THROTTLE BODY ASSY	1	1	1	
2	6D3-13641-00	MANIFOLD 1	1	1	1	
3	6D3-14457-00	SEAL	1	1	1	
4	6D3-12880-00	DELIVERY PIPE	1	1	1	
5	68V-13573-00	BOLT 1	4	4	4	
6	68V-14475-00	WASHER	4	4	4	
7	63P-14446-00	BOLT	2	2	2	
8	68V-81147-00	SCREW 3	2	2	2	
9	68F-83688-00	SENSOR ASSY	1	1	1	
10	6D3-14294-00	HOSE (L600)	1	1	1	
11	90450-17M17	HOSE CLAMP ASSY	3	3	3	
12	60E-24300-01	FUEL PIPE JOINT	1	1	1	
13	60E-13761-10	INJECTOR ASSY	4	4	4	
14	60E-14147-00	.O-RING	1	1	1	
15	90430-09002	GASKET	4	4	4	
16	6D3-13795-00	JOINT, THROTTLE BODY 1	4	4	4	
17	90450-57006	HOSE CLAMP ASSY	8	8	8	
18	6D3-14413-00	STAY	1	1	1	
19	6D3-14414-00	STAY 2	1	1	1	
20	60E-14449-00	COLLAR	2	2	2	
21	90119-08050	BOLT, WITH WASHER	2	2	2	
22	90119-08074	BOLT, WITH WASHER	2	2	2	

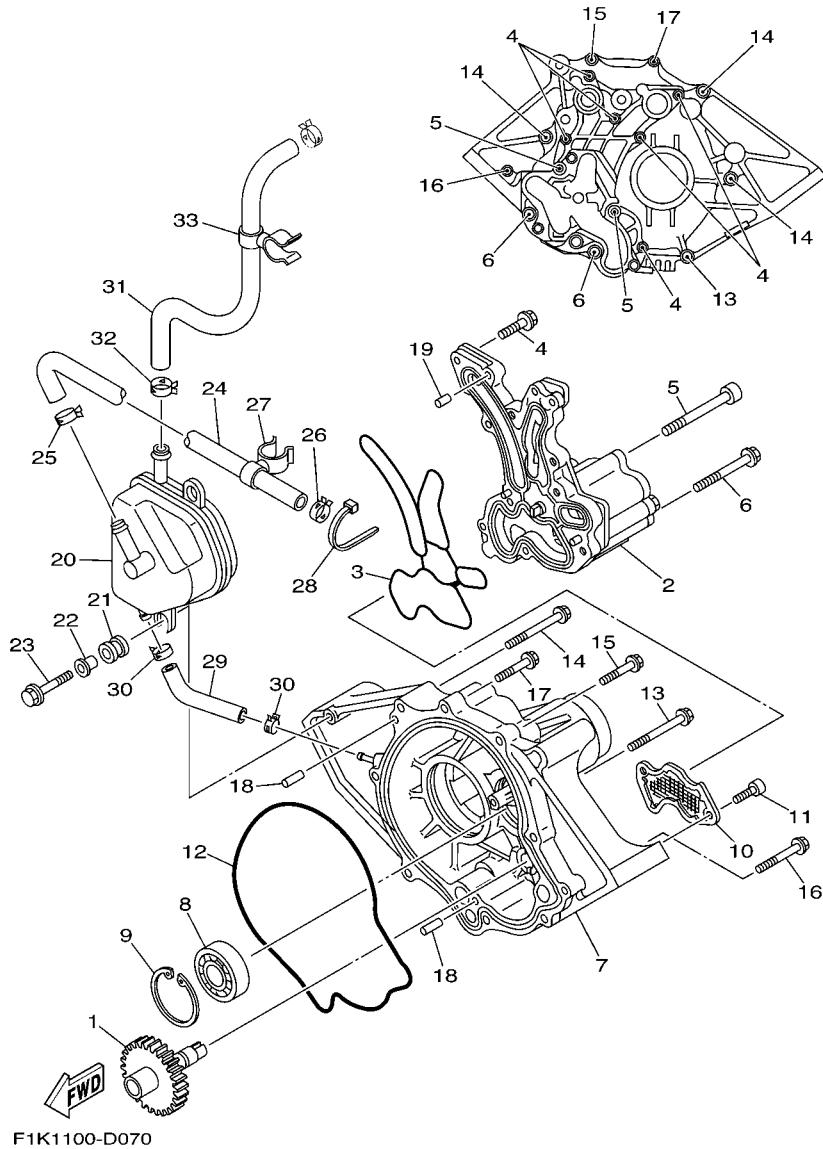
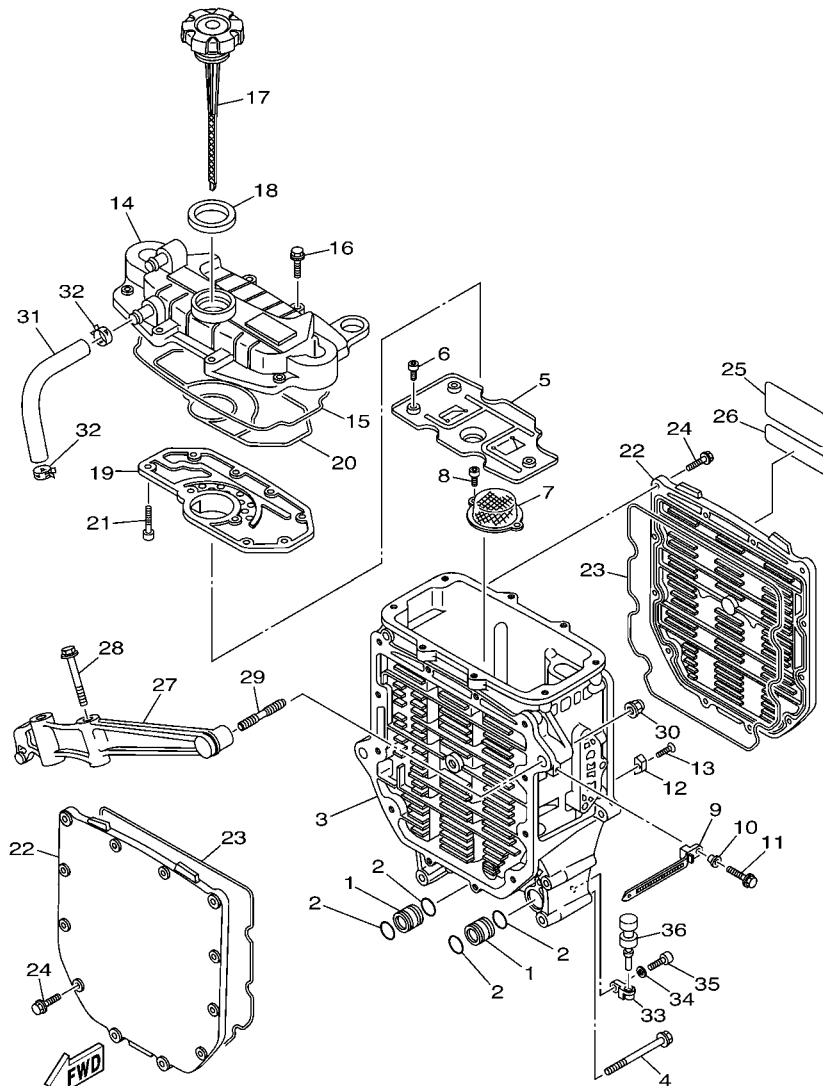


FIG. 7 OIL PUMP

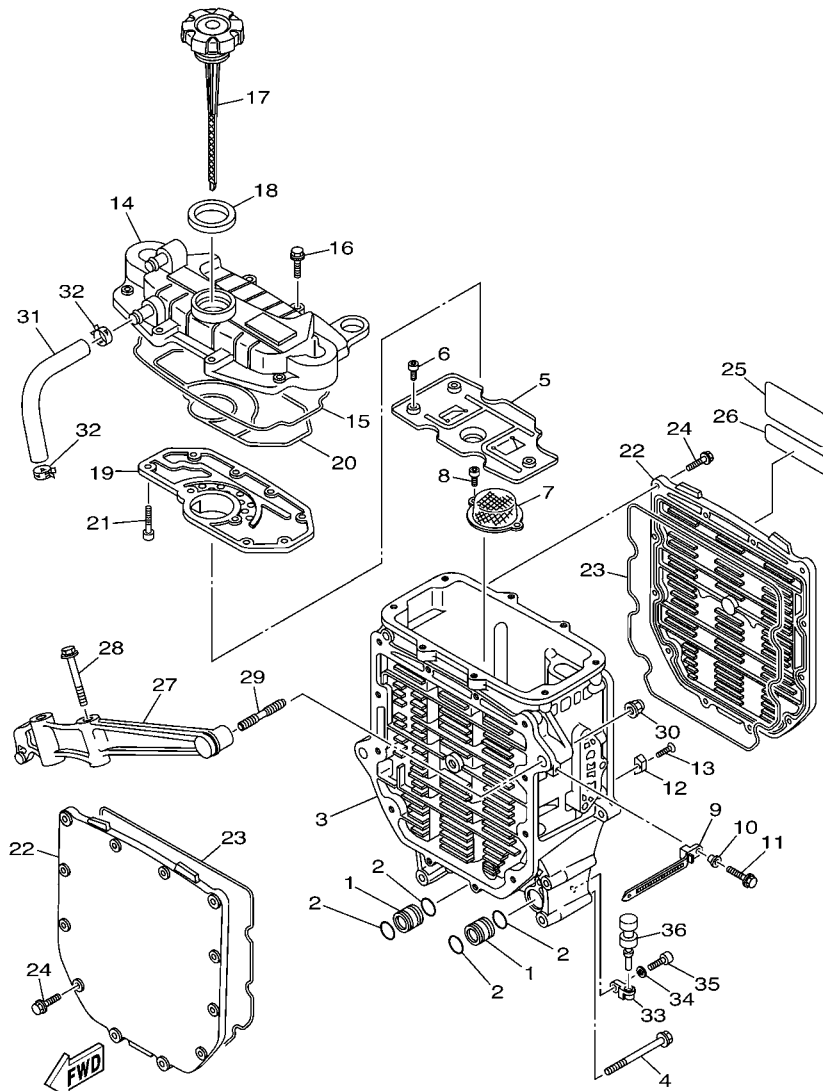
REF. NO.	PART NO.	DESCRIPTION	USA	CAN	GENE	REMARKS
1	6B6-13360-00	DRIVEN GEAR ASSY	1	1	1	
2	6D3-13300-00	OIL PUMP ASSY	1	1	1	
3	6D3-13563-00	GASKET	1	1	1	
4	97513-06525	BOLT, WITH WASHER	6	6	6	
5	90110-08041	BOLT, HEXAGON SOCKET HEAD	2	2	2	
6	90119-08085	BOLT, WITH WASHER	2	2	2	
7	6B6-13327-01-94	COVER, PUMP GEAR	1	1	1	
8	93306-30441	BEARING	1	1	1	
9	99009-52500	CIRCLIP	1	1	1	
10	6B6-13411-00	STRAINER, OIL	1	1	1	
11	91317-06016	BOLT	2	2	2	
12	6B6-13475-00	GASKET	1	1	1	
13	90119-08045	BOLT, WITH WASHER	1	1	1	
14	90119-08034	BOLT, WITH WASHER	3	3	3	
15	90119-08043	BOLT, WITH WASHER	1	1	1	
16	97513-06555	BOLT, WITH WASHER	1	1	1	
17	97513-06535	BOLT, WITH WASHER	1	1	1	
18	93608-16M16	PIN, DOWEL	2	2	2	
19	93606-25M00	PIN, DOWEL	2	2	2	
20	6D3-11164-00	SEPERATOR, OIL	1	1	1	
21	6A0-82317-00	DAMPER, IGNITION COIL	2	2	2	
22	624-42542-00	PIPE	2	2	2	
23	90119-06M65	BOLT, WITH WASHER	2	2	2	
24	6D3-11126-00	PIPE, BREATHER 3	1	1	1	
25	90467-170A0	CLIP	1	1	1	
26	90467-170A0	CLIP	1	1	1	
27	90464-21001	CLAMP	1	1	1	



F1K1100-D080

FIG. 8 OIL COOLER

REF. NO.	PART NO.	DESCRIPTION	USA	CAN	GENE	REMARKS
1	60E-13446-00	CONNECTOR	2	2	2	
2	93210-18322	O-RING	4	4	4	
3	6D3-13462-00-94	CASE, OIL COOLER	1	1	1	
4	90119-10020	BOLT, WITH WASHER	5	5	5	
5	6B6-13317-00	PLATE, BAFFLE	1	1	1	
6	91317-05014	BOLT	3	3	3	
7	60E-13421-00	STRAINER 2	1	1	1	
8	91317-06014	BOLT	2	2	2	
9	90465-12M53	CLAMP	1	1	1	
10	90387-06M05	COLLAR	1	1	1	
11	97595-06520	BOLT, WITH WASHER	1	1	1	
12	6E5-11325-00	ANODE	1	1	1	
13	98780-04015	SCREW, FLAT HEAD	1	1	1	
14	6D3-13463-00-94	COVER, OIL COOLER	1	1	1	
15	60E-13475-00	GASKET	1	1	1	
16	90105-06036	BOLT, FLANGE	8	8	8	
17	60E-15362-00	PLUG, OIL LEVEL	1	1	1	
18	60E-13473-00	O-RING	1	1	1	
19	6D3-11165-00	PLATE, BREATHER	1	1	1	
20	6D3-13477-00	GASKET	1	1	1	
21	91317-05016	BOLT	9	9	9	
22	6D3-13443-00-94	COVER, OIL COOLER	2	2	2	
23	60E-13476-10	GASKET	2	2	2	
24	90105-06M07	BOLT, FLANGE	24	24	24	
25	6B6-83623-00	MARK 3	1	1	1	
26	60E-83627-00	LABEL, CAUTION 7	1	1	1	
27	6B6-13151-00-94	STAY	1	1	1	

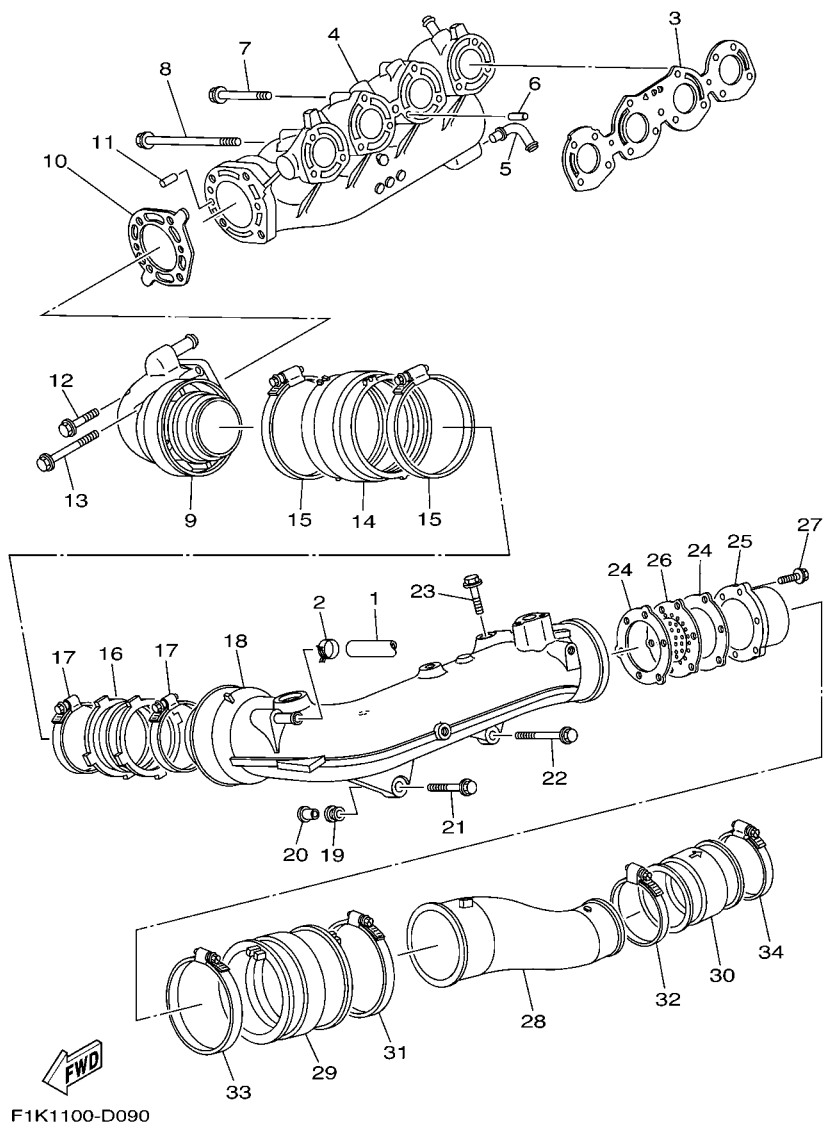


F1K1100-D080

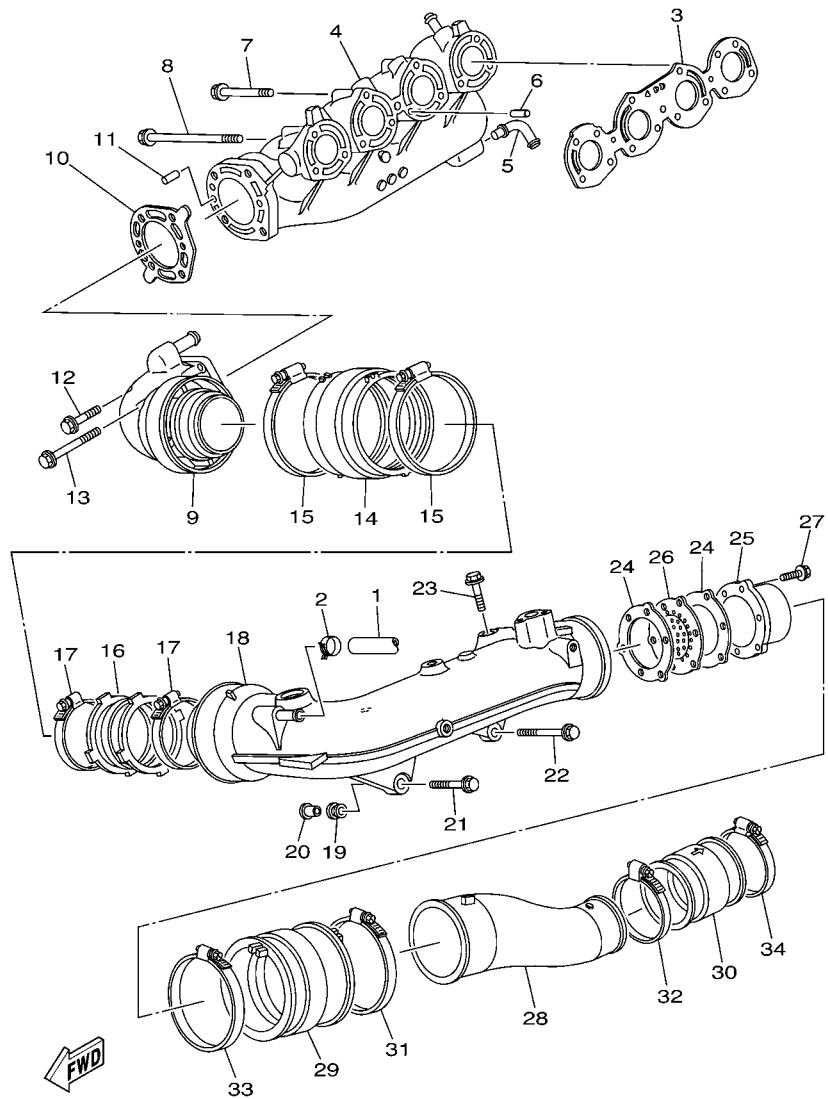
FIG. 8 OIL COOLER

REF. NO.	PART NO.	DESCRIPTION	USA	CAN	GENE	REMARKS
28	90119-10M02	BOLT, WITH WASHER	2	2	2	
29	90116-10016	BOLT, STUD	2	2	2	
30	90176-10001	NUT, CROWN	2	2	2	
31	6D3-11167-00	PIPE, BREATHER 2	1	1	1	
32	90467-170A0	CLIP	2	2	2	
33	60E-51341-00-94	BRACKET 1	2	2	2	
34	92995-06600	WASHER	2	2	2	
35	91380-06020	BOLT	2	2	2	
36	90480-06M46	GROMMET	2	2	2	

FIG. 9 EXHAUST 1



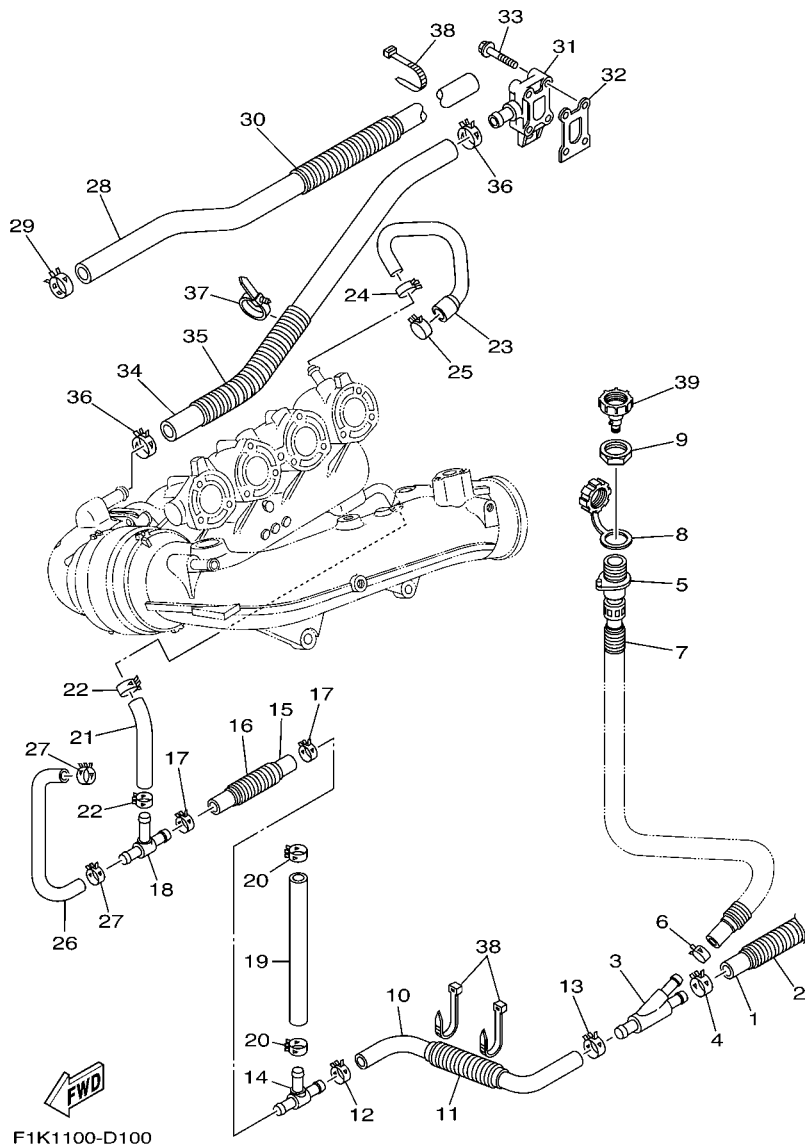
REF. NO.	PART NO.	DESCRIPTION	USA	CAN	GENE	REMARKS
1	90445-16005	HOSE (L870)	1	1	1	
2	90467-160A0	CLIP	1	1	1	
3	6D3-14613-00	GASKET, EXHAUST PIPE	1	1	1	
4	6D3-14711-00-94	MUFFLER 1	1	1	1	
5	60E-11372-10	NIPPLE, HOSE	1	1	1	
6	93608-16M16	PIN, DOWEL	2	2	2	
7	90119-08036	BOLT, WITH WASHER	5	5	5	
8	90119-08075	BOLT, WITH WASHER	6	6	6	
9	6D3-14712-00-94	RING, JOINT	1	1	1	
10	6D3-14739-00	GASKET, MUFFLER DAMPER 1	1	1	1	
11	93606-12019	PIN, DOWEL	2	2	2	
12	90119-08036	BOLT, WITH WASHER	2	2	2	
13	90119-08031	BOLT, WITH WASHER	2	2	2	
14	6D3-14615-00	JOINT, EXHAUST 1	1	1	1	
15	90450-99005	HOSE CLAMP ASSY	2	2	2	
16	6D3-14625-00	JOINT, EXHAUST 2	1	1	1	
17	90450-88M15	HOSE CLAMP ASSY	2	2	2	
18	6D3-14721-00-94	MUFFLER 2	1	1	1	
19	90480-21M63	GROMMET	1	1	1	
20	90387-11002	COLLAR	1	1	1	
21	90119-10011	BOLT, WITH WASHER	1	1	1	
22	90119-10017	BOLT, WITH WASHER	1	1	1	
23	90119-10013	BOLT, WITH WASHER	2	2	2	
24	60E-14623-00	GASKET, EXHAUST PIPE	2	2	2	
25	60E-14784-00-94	PIPE, TAIL	1	1	1	
26	6D3-1469W-00	PLATE, SILENCER 6	1	1	1	
27	90105-06790	BOLT, FLANGE	3	3	3	



F1K1100-D090

FIG. 9 EXHAUST 1

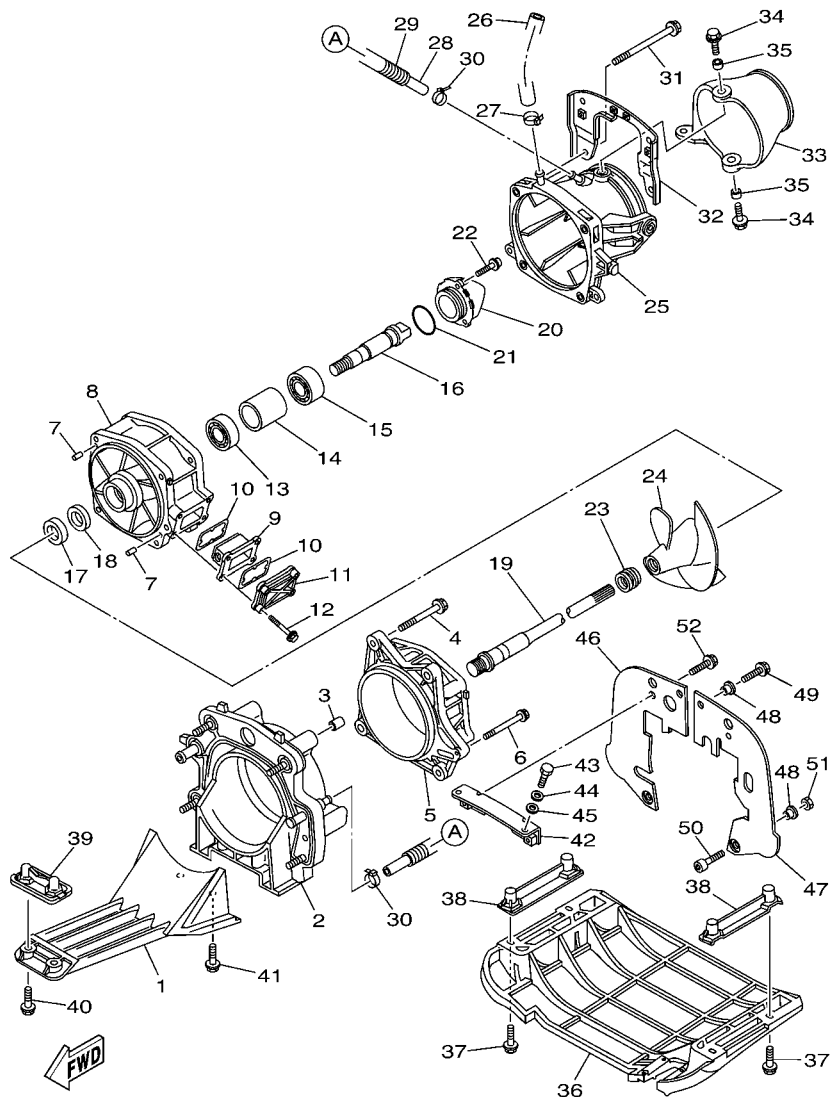
REF. NO.	PART NO.	DESCRIPTION	USA	CAN	GENE	REMARKS
28	6D3-14752-00-94	PIPE, OUTLET	1	1	1	
29	6B6-1475E-00	PIPE 2	1	1	1	
30	6D3-1475F-00	PIPE 3	1	1	1	
31	90450-99004	HOSE CLAMP ASSY	1	1	1	
32	90450-94001	HOSE CLAMP ASSY	1	1	1	
33	90450-99004	HOSE CLAMP ASSY	1	1	1	
34	90450-94001	HOSE CLAMP ASSY	1	1	1	



F1K1100-D100

FIG. 10 EXHAUST 2

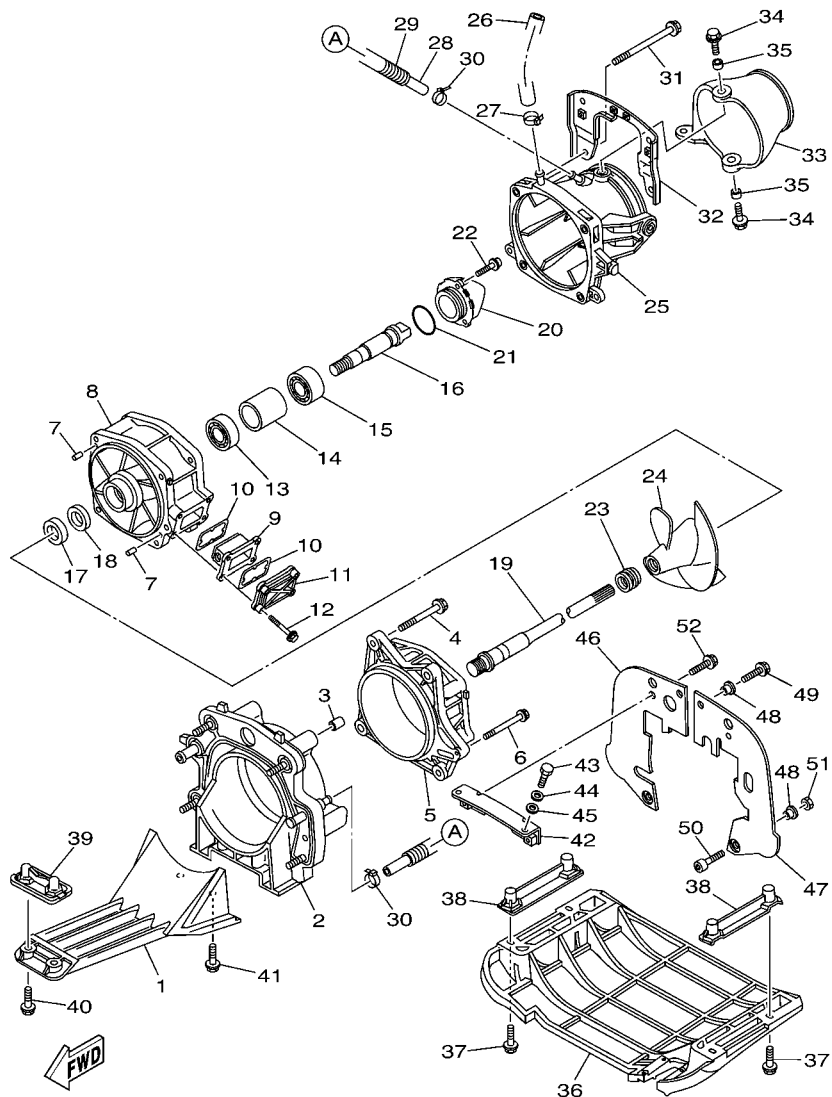
REF. NO.	PART NO.	DESCRIPTION	USA	CAN	GENE	REMARKS
1	90445-21805	HOSE (L300)	1	1	1	YMUS
2	90447-22004	HOSE, WITH SPRING (L200)	1	1	1	
3	60E-12581-00	JOINT, HOSE 1	1	1	1	
4	90467-200A0	CLIP	1	1	1	
5	63M-12580-00	JOINT ASSY	1	1	1	
6	90467-150A0	CLIP	1	1	1	
7	90446-24M79	HOSE (L230)	1	1	1	
8	682-84385-01	CAP,1	1	1	1	
9	EU0-61652-00	NUT	1	1	1	
10	6D3-1243A-00	HOSE 1	1	1	1	
11	90447-22004	HOSE, WITH SPRING (L200)	1	1	1	
12	90467-200A0	CLIP	1	1	1	
13	90467-200A0	CLIP	1	1	1	
14	60E-12584-00	JOINT, HOSE 3	1	1	1	
15	90445-21007	HOSE (L130)	1	1	1	
16	90447-22001	HOSE, WITH SPRING (L100)	1	1	1	
17	90467-200A0	CLIP	2	2	2	
18	6D3-12584-00	JOINT, HOSE 3	1	1	1	
19	90445-18007	HOSE (L180)	1	1	1	
20	90467-160A0	CLIP	2	2	2	
21	90445-18M03	HOSE (L108)	1	1	1	
22	90467-160A0	CLIP	2	2	2	
23	6D3-12577-00	HOSE 2	1	1	1	
24	90467-160A0	CLIP	1	1	1	
25	90467-200A0	CLIP	1	1	1	
26	6D3-1244G-00	HOSE, 4	1	1	1	
27	90467-160A0	CLIP	2	2	2	



F1K1100-D110

FIG. 11 JET UNIT 1

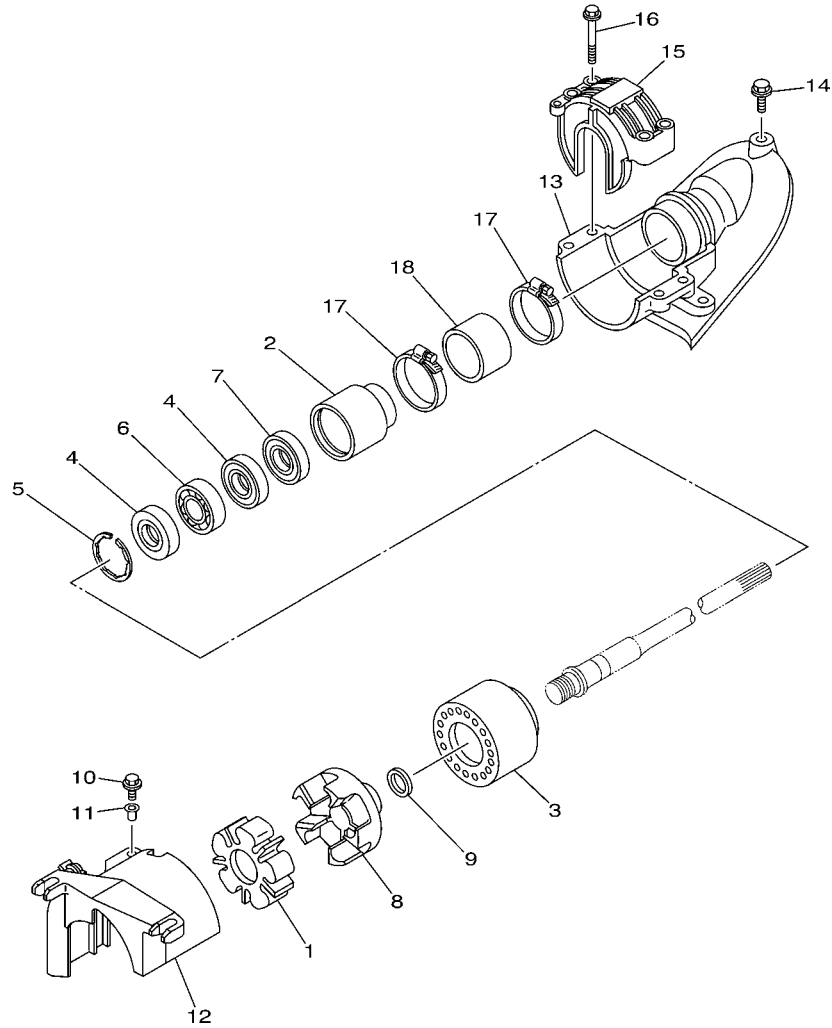
REF. NO.	PART NO.	DESCRIPTION	USA	CAN	GENE	REMARKS
1	6D3-R1333-00-94	SCREEN, INTAKE	1	1	1	YMUS
2	6D3-G5831-00	PLATE, TRANSOM	1	1	1	YMUS
3	99590-14016	PIN, DOWEL	2	2	2	
4	90119-10836	BOLT, WITH WASHER	4	4	4	YMUS
5	66V-51312-01-94	HOUSING, IMPELLER	1	1	1	
6	90119-06835	BOLT, WITH WASHER	1	1	1	YMUS
7	93606-12019	PIN, DOWEL	2	2	2	
8	6B6-51315-00-94	DUCT, IMPELLER	1	1	1	
9	66V-46882-00	FILTER	1	1	1	
10	66V-42414-00	O-RING	2	2	2	
11	66V-45214-00-94	COVER, WATER INLET 1	1	1	1	
12	90119-06800	BOLT, WITH WASHER	4	4	4	YMUS
13	93306-27211	BEARING	1	1	1	
14	65V-45538-00	SPACER 1	1	1	1	
15	93306-205U0	BEARING	1	1	1	
16	6D3-45514-00	SHAFT, DRIVE 4	1	1	1	
17	93101-21001	OIL SEAL	1	1	1	
18	93101-21002	OIL SEAL	1	1	1	
19	6D3-45511-00	SHAFT, DRIVE	1	1	1	
20	6B6-51326-10	CAP	1	1	1	
21	93210-464A3	O-RING	1	1	1	
22	90110-06822	BOLT, HEXAGON SOCKET HEAD	3	3	3	YMUS
23	6D3-R1319-00	CAP, IMPELLER	1	1	1	YMUS
24	6D3-R1321-02	IMPELLER	1	1	1	YMUS
25	6D3-R1318-00	NOZZLE	1	1	1	YMUS
26	90445-16006	HOSE (L260)	1	1	1	
27	90601-118UF	BAND, HOSE 18	1	1	1	YMUS



F1K1100-D110

FIG. 11 JET UNIT 1

REF. NO.	PART NO.	DESCRIPTION	USA	CAN	GENE	REMARKS
28	90445-14008	HOSE (L355)	1	1	1	
29	90446-20MF5	HOSE (L320)	1	1	1	
30	90465-11829	CLAMP	2	2	2	YMUS
31	90119-10837	BOLT, WITH WASHER	4	4	4	YMUS
32	6D3-R1341-00	BRACKET 1	1	1	1	YMUS
33	6D3-R1313-00	NOZZLE, DEFLECTOR	1	1	1	YMUS
34	90119-089UF	BOLT, WITH WASHER	2	2	2	YMUS
35	90387-08M06	COLLAR	2	2	2	
36	F1K-U273B-03	PLATE 2	1	1	1	YMUS
37	90119-08823	BOLT, WITH WASHER	4	4	4	YMUS
38	F1G-U8572-00	BRACKET 2	2	2	2	YMUS
39	F1K-U8577-00	BRACKET, 3	1	1	1	YMUS
40	90119-069UK	BOLT, WITH WASHER	2	2	2	YMUS
41	90119-10805	BOLT, WITH WASHER	2	2	2	YMUS
42	F1K-U7557-00	BRACKET	1	1	1	YMUS
43	90109-08041	BOLT	2	2	2	
44	90201-12017	WASHER, PLATE	2	2	2	
45	90430-12002	GASKET	2	2	2	
46	F1K-U757E-00	PLATE, RUBBER 1	1	1	1	YMUS
47	F1K-U757F-00	PLATE, RUBBER 2	1	1	1	YMUS
48	90387-06080	COLLAR	6	6	6	
49	90119-06827	BOLT, WITH WASHER	4	4	4	YMUS
50	90101-069U0	BOLT	2	2	2	YMUS
51	9572R-06300	NUT, NYLON	2	2	2	YMUS
52	90119-089U7	BOLT, WITH WASHER	2	2	2	YMUS

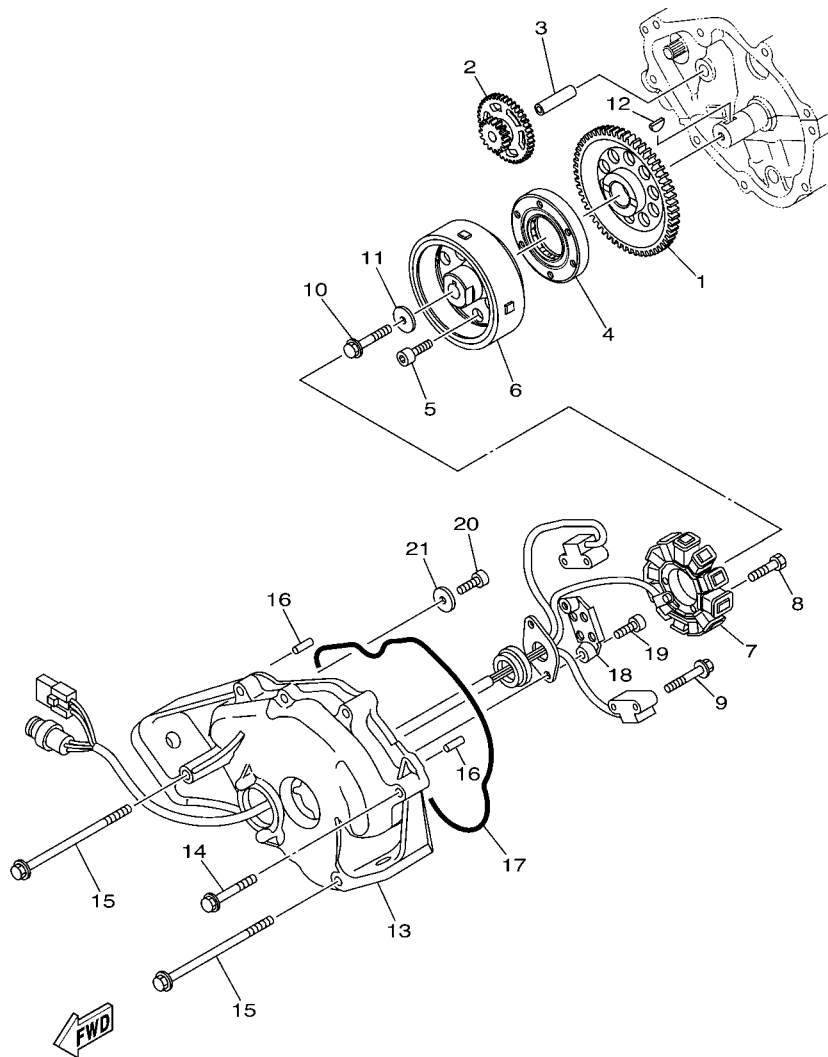



 F1K1100-D120

FIG. 12 JET UNIT 2

REF. NO.	PART NO.	DESCRIPTION	USA	CAN	GENE	REMARKS
1	6D3-4581J-00	RUBBER SHAFT COUPLING	1	1	1	
2	6D3-45332-00-94	HOUSING, BEARING	1	1	1	
3	6D3-45235-00	DAMPER	1	1	1	
4	93101-25M55	OIL SEAL	2	2	2	
5	93430-47M04	CIRCLIP	1	1	1	
6	93306-205A3	BEARING	1	1	1	
7	93101-25M56	OIL SEAL	1	1	1	
8	6D3-45593-00-94	FLANGE, COUPLING 1	1	1	1	
9	90201-248M5	WASHER, PLATE	1	1	1	YMUS
10	90119-069UD	BOLT, WITH WASHER	1	1	1	YMUS
11	90387-06M60	COLLAR	1	1	1	
12	60E-R1381-01	COVER	1	1	1	YMUS
13	F1K-U883E-00	JOINT, PIPE	1	1	1	YMUS
14	90109-06832	BOLT	3	3	3	YMUS
15	F1K-U2155-00	CAP	1	1	1	YMUS
16	90119-089UU	BOLT, WITH WASHER	4	4	4	YMUS
17	90601-162U5	BAND, HOSE 62	2	2	2	YMUS
18	F1K-U883B-00	PIPE, 1	1	1	1	YMUS

FIG. 14 GENERATOR



F1K1100-D140

REF. NO.	PART NO.	DESCRIPTION	USA	CAN	GENE	REMARKS
1	6D3-15515-00	GEAR 3	1	1	1	
2	60E-15517-00	GEAR, IDLER 2	1	1	1	
3	60E-15521-00	SHAFT 1	1	1	1	
4	4WM-15590-00	STARTER ONE-WAY ASSY	1	1	1	
5	90110-08212	BOLT, HEXAGON SOCKET HEAD	6	6	6	
6	6D3-81450-00	ROTOR ASSY	1	1	1	
7	6D3-81410-00	STATOR ASSY	1	1	1	
8	91317-06035	BOLT	3	3	3	
9	97513-05514	BOLT, WITH WASHER	2	2	2	
10	90105-105A6	BOLT, FLANGE	1	1	1	
11	90201-103U7	WASHER, PLATE	1	1	1	YMUS
12	90280-03047	KEY, WOODRUFF	1	1	1	
13	6D3-81337-00-94	COVER, FLYWHEEL	1	1	1	
14	90119-10016	BOLT, WITH WASHER	6	6	6	
15	90119-10M19	BOLT, WITH WASHER	2	2	2	
16	93608-16M16	PIN, DOWEL	2	2	2	
17	93212-04001	O-RING	1	1	1	
18	60E-81328-00	CLAMP	1	1	1	
19	91317-06014	BOLT	2	2	2	
20	91317-05010	BOLT	1	1	1	
21	90201-05014	WASHER, PLATE	1	1	1	

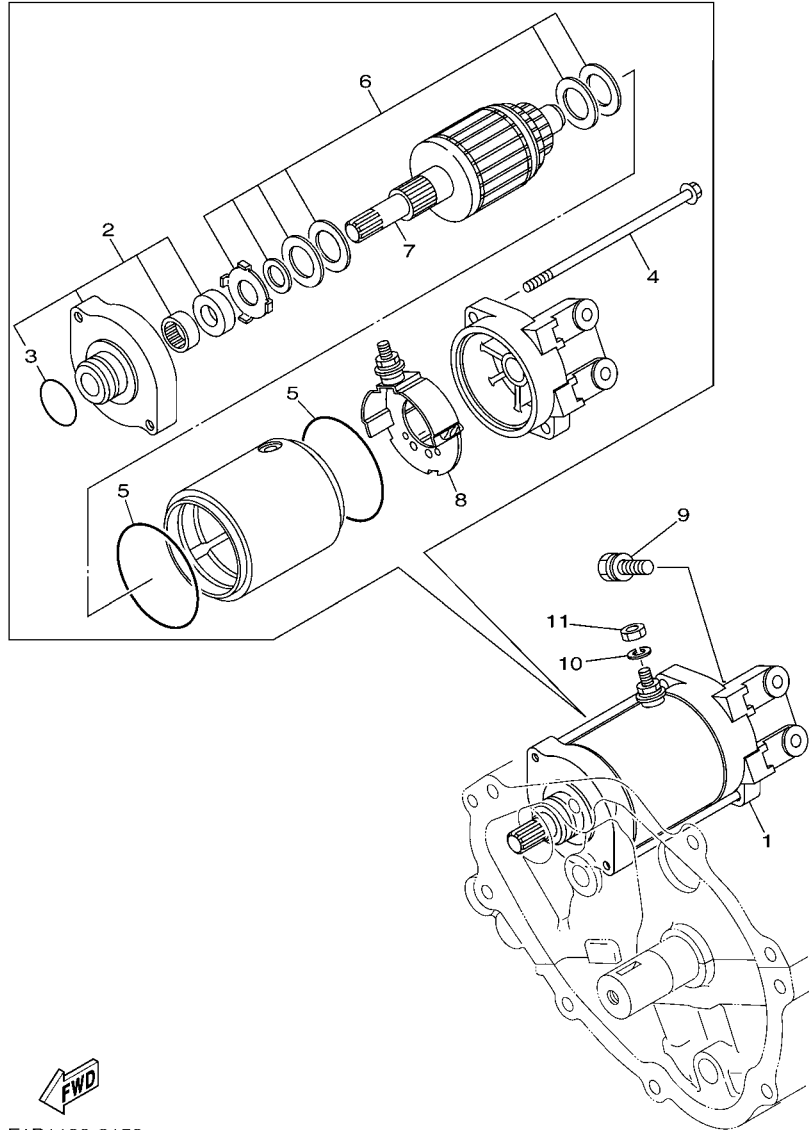


FIG. 15 STARTING MOTOR

REF. NO.	PART NO.	DESCRIPTION	USA	CAN	GENE	REMARKS
1	6D3-81800-00	STARTING MOTOR ASSY	1	1	1	
2	6M6-81830-00	.FRONT BRACKET ASSY	1	1	1	
3	1FK-81847-00	..O-RING	1	1	1	
4	6M6-81826-00	.BOLT	2	2	2	
5	11H-81844-00	.GASKET	2	2	2	
6	3AJ-81809-00	.WASHER KIT	1	1	1	
7	6M6-81850-00	.ARMATURE ASSY	1	1	1	
8	6M6-81840-10	.BRUSH HOLDER ASSY	1	1	1	
9	97513-08530	BOLT, WITH WASHER	2	2	2	
10	92990-06100	WASHER, SPRING	1	1	1	
11	95380-06700	NUT	1	1	1	

FWD
F1B1100-2150

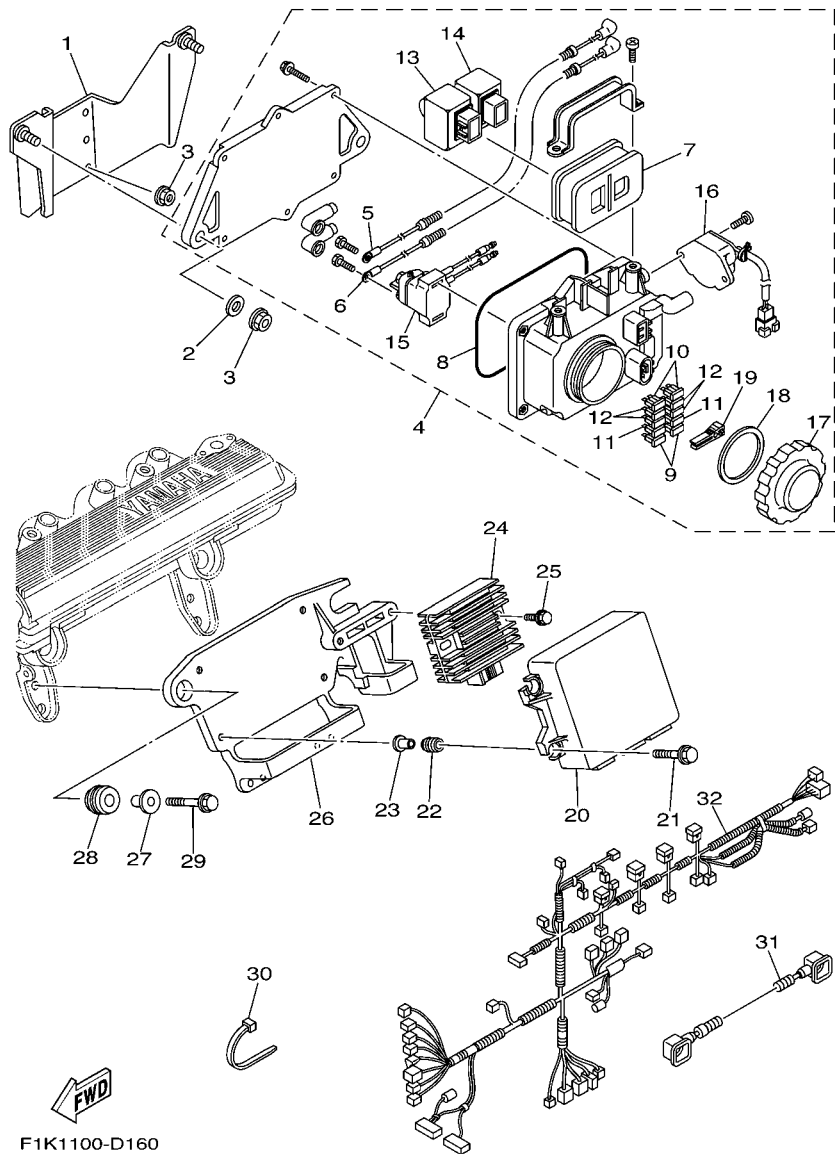


FIG. 16 ELECTRICAL 1

REF. NO.	PART NO.	DESCRIPTION	USA	CAN	GENE	REMARKS
1	F1K-U815D-00	BRACKET, ELECTRIC BOX	1	1	1	YMUS
2	90201-099U3	WASHER, PLATE	2	2	2	YMUS
3	9572R-08300	NUT, FLANGE	6	6	6	YMUS
4	6D3-82170-00	FUSE BOX ASSY	1	1	1	
5	6D3-82115-00	.WIRE, PLUS LEAD	1	1	1	
6	6D3-82117-00	.WIRE, LEAD	1	1	1	
7	6D3-82157-00	.DAMPER	1	1	1	
8	6D3-81921-00	.GASKET, TERMINAL	1	1	1	
9	67F-82151-00	.FUSE (20A)	2	2	2	
10	67F-82151-10	.FUSE (30A)	2	2	2	
11	67F-82151-30	.FUSE (3A)	2	2	2	
12	67F-82151-40	.FUSE (10A)	4	4	4	
13	60E-81950-00	.RELAY ASSY	1	1	1	
14	68V-81950-00	.RELAY ASSY	1	1	1	
15	6B6-81940-00	.STARTER RELAY ASSY	1	1	1	
16	60E-8259E-00	.SWITCH ASSY	1	1	1	
17	66V-8132W-00	.CAP	1	1	1	
18	66V-81844-00	.GASKET	1	1	1	
19	67F-2812A-00	.PULLER, FUSE	1	1	1	
20	6D3-8591A-00	ENGINE CONTROL UNIT ASSY	1	1	1	SPORT
	6D3-8591A-A0	ENGINE CONTROL UNIT ASSY	1	1	1	DELUXE
21	90119-06M35	BOLT, WITH WASHER	4	4	4	
22	6A0-82317-00	DAMPER, IGNITION COIL	4	4	4	
23	624-42542-00	PIPE	4	4	4	
24	68V-81960-00	RECTIFIER & REGULATOR ASSY	1	1	1	
25	90119-06M35	BOLT, WITH WASHER	2	2	2	
26	6D3-85991-00	BRACKET, UNIT	1	1	1	

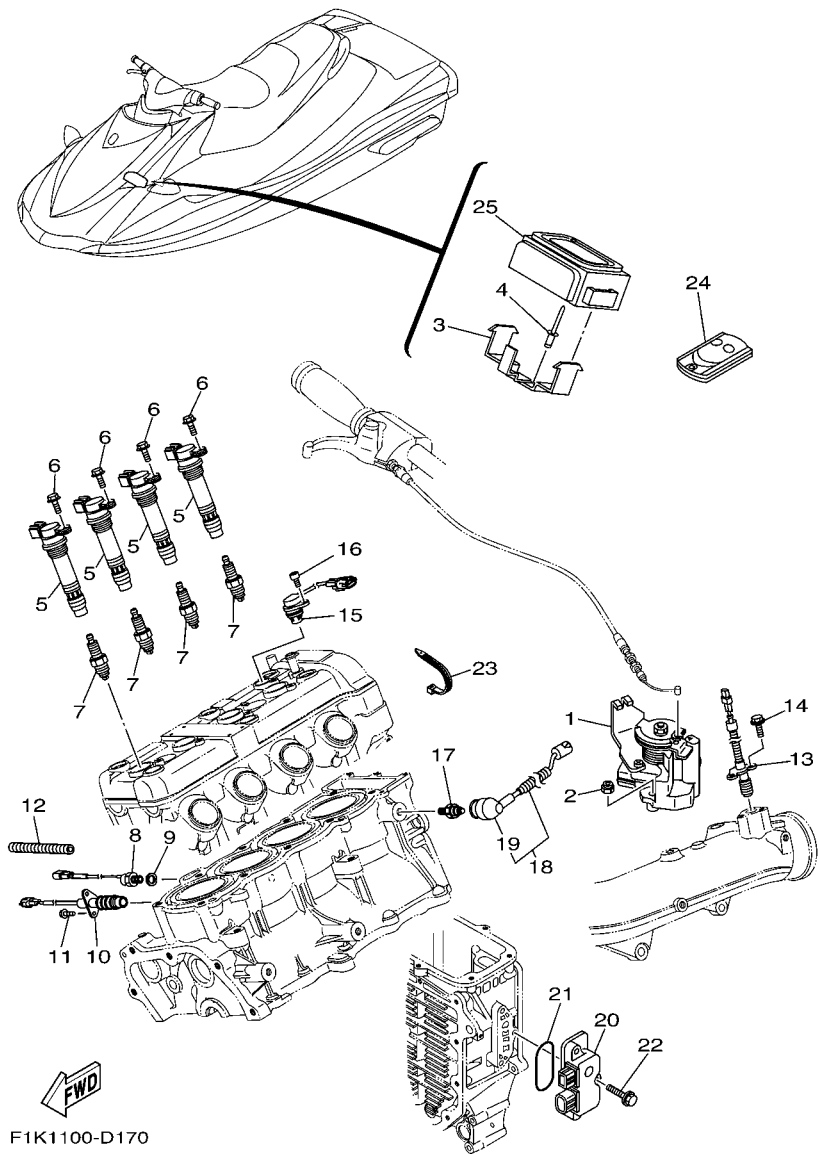
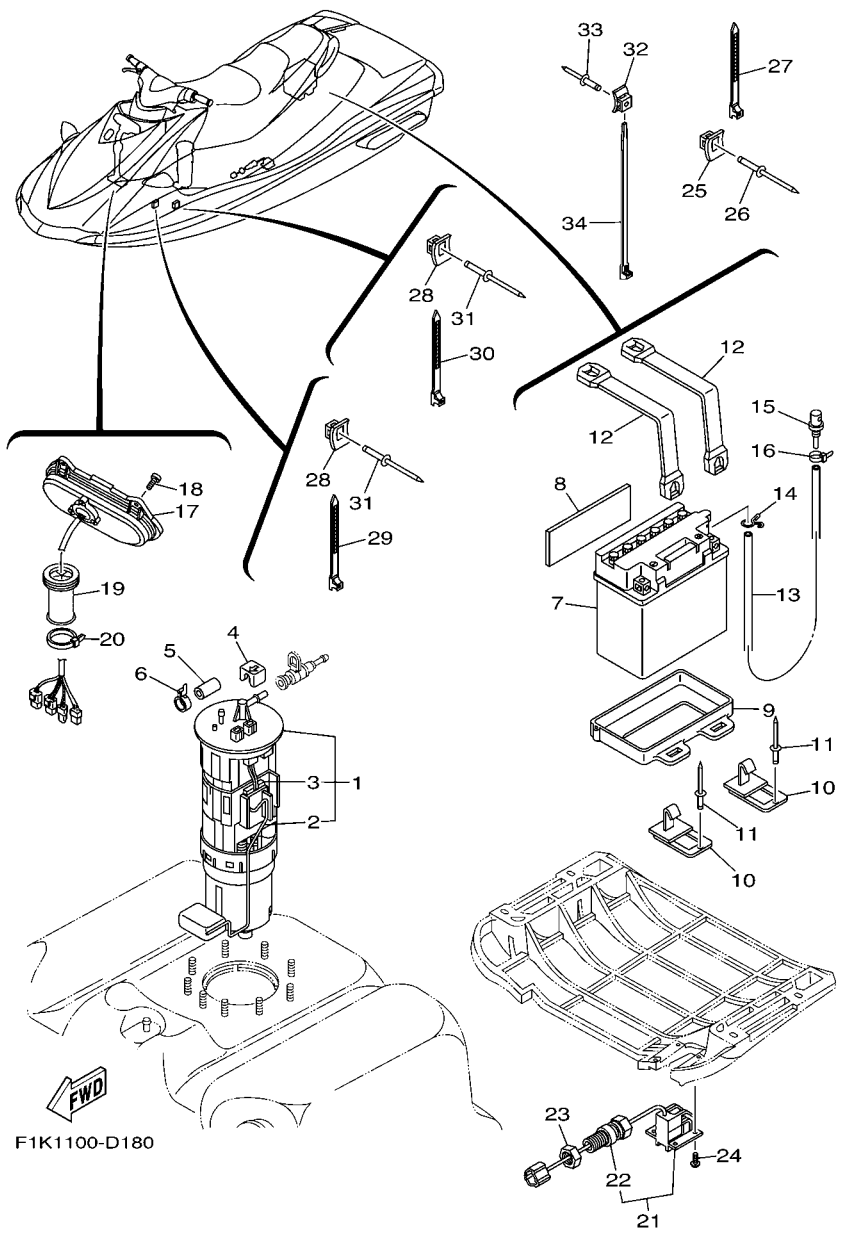


FIG. 17 ELECTRICAL 2

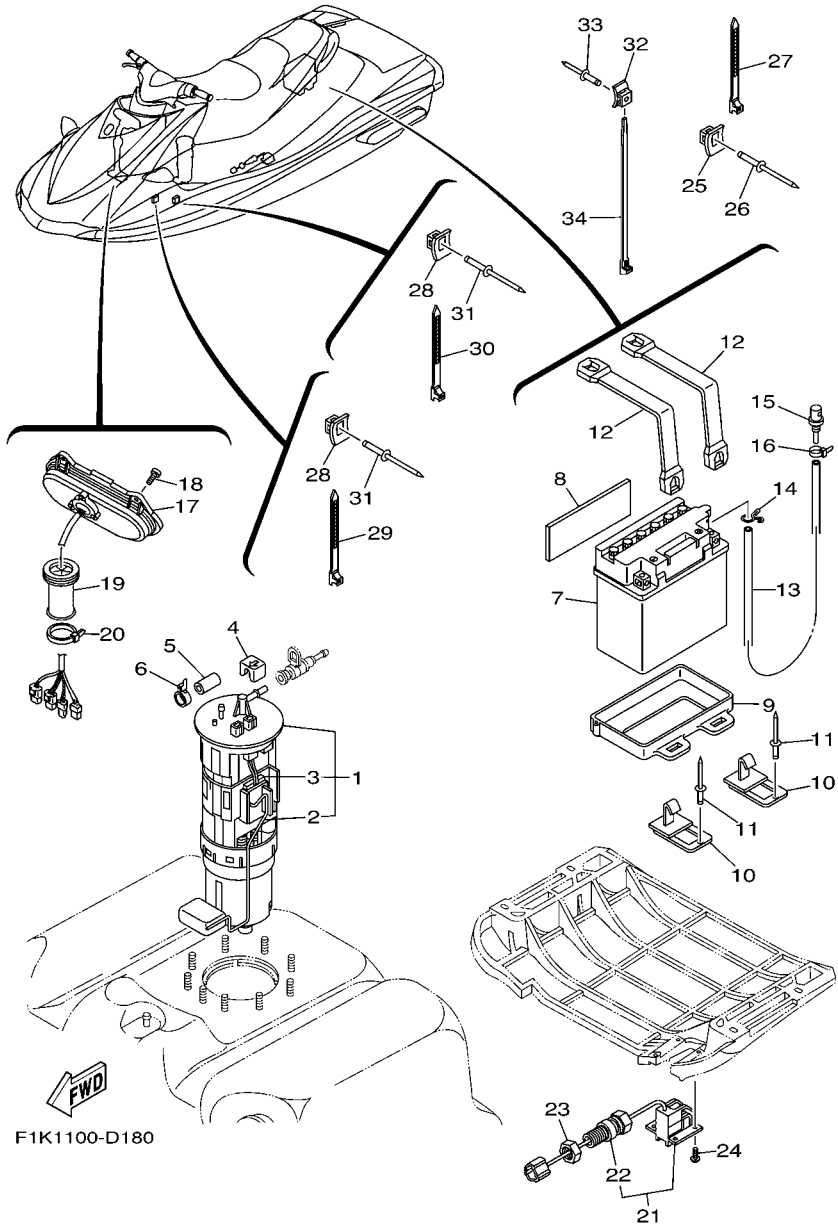
REF. NO.	PART NO.	DESCRIPTION	USA	CAN	GENE	REMARKS
1	6D3-14305-00	ACCEL. POSITON SENSOR ASSY	1	1	1	
2	9572R-08300	NUT, FLANGE	2	2	2	YMUS
3	F1S-U826C-00	BRACKET	1	1	1	YMUS
4	90267-489U9	RIVET, BLIND	2	2	2	YMUS
5	6B6-82310-00	IGNITION COIL ASSY	4	4	4	
6	95880-06016	BOLT, FLANGE	4	4	4	
7	94702-00409	PLUG, SPARK (NGK CR9EB)	4	4	4	
8	61A-85790-00	THERMOSENSOR ASSY	1	1	1	
9	92990-10600	WASHER, PLATE	1	1	1	
10	60E-82560-A0	THERMO SWITCH ASSY	1	1	1	
11	97595-06416	BOLT, WITH WASHER	2	2	2	
12	90446-14M23	HOSE	1	1	1	
13	6D3-82560-00	THERMO SWITCH ASSY	1	1	1	
14	97595-06416	BOLT, WITH WASHER	2	2	2	
15	6D3-85896-00	SENSOR, CAM POSITION	1	1	1	
16	91380-06016	BOLT	1	1	1	
17	68V-82504-00	OIL PRESSURE SWITCH ASSY	1	1	1	
18	60E-81315-00	LEAD WIRE ASSY	1	1	1	
19	60E-82532-00	.CAP	1	1	1	
20	6D3-8273J-00	EARTH PLATE COMP.	1	1	1	
21	93210-60ME8	O-RING	1	1	1	
22	90119-06048	BOLT, WITH WASHER	3	3	3	
23	90465-13M18	CLAMP	2	2	2	
24	6B6-86261-00	TRANSMITTER COMP	1	1		FOR USA, CAN
	6B6-86261-10	TRANSMITTER COMP			2	FOR GENE
25	6B6-86265-00	RECIVER COMP	1	1		FOR USA, CAN
	6B6-86265-10	RECIVER COMP			1	FOR GENE



F1K1100-D180

FIG. 18 ELECTRICAL 3

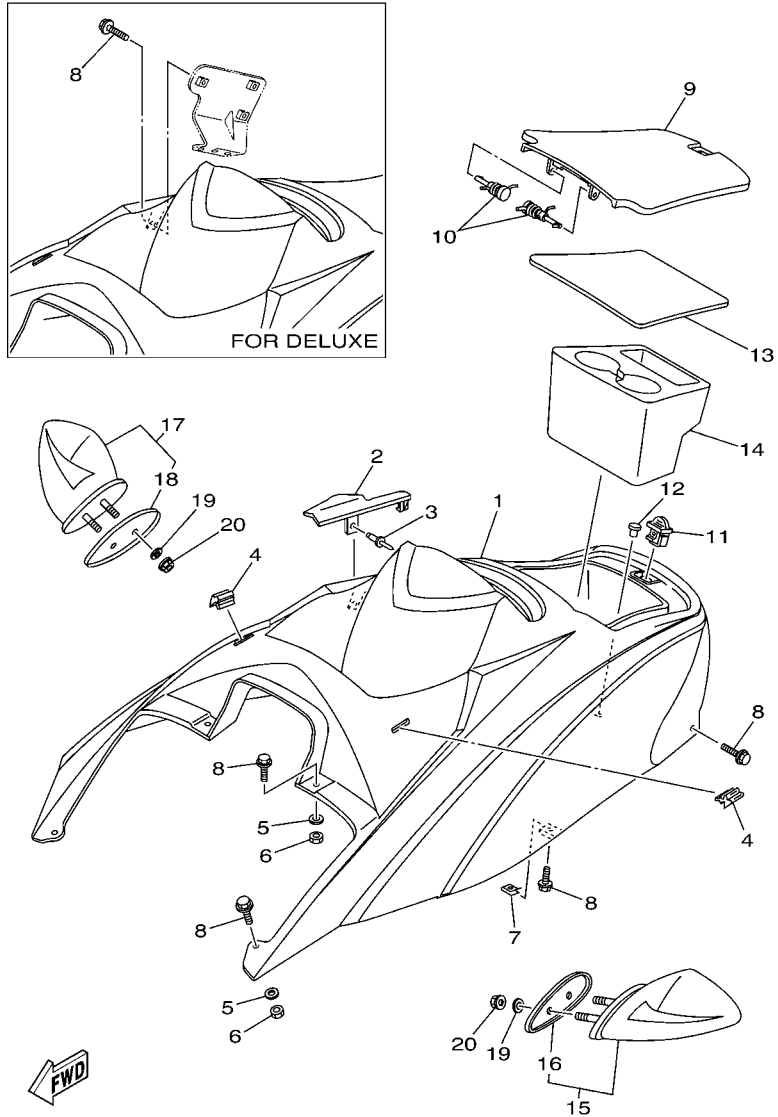
REF. NO.	PART NO.	DESCRIPTION	USA	CAN	GENE	REMARKS
1	60E-13907-01	FUEL PUMP COMP.	1	1	1	
2	60E-682E0-00	.FUEL SENDER ASSY	1	1	1	
3	60E-82556-00	.DAMPER, STOPPER	1	1	1	
4	60E-24474-00	COVER	1	1	1	
5	6D3-24481-00	PLUG	1	1	1	
6	6D3-24387-00	CLIP	1	1	1	
7	EU0-82110-09	BATTERY ASSY (YB16CL-B)	1	1	1	YUASA
8	F1K-U8221-00	PAD, BATTERY	1	1	1	
9	F1K-U8211-00	CASE, BATTERY	1	1	1	
10	F1K-U5772-01	HOOK A	4	4	4	YMUS
11	90267-489U1	RIVET,BLIND	4	4	4	YMUS
12	F1K-U821D-00	BAND, BATTERY 1	2	2	2	
13	F0D-U785G-10	HOSE, AIR VENT	1	1	1	YMUS
14	90467-089U1	CLIP	1	1	1	YMUS
15	GJ3-6215F-00	NIPPLE	1	1	1	
16	90465-11829	CLAMP	1	1	1	YMUS
17	F1K-6820A-00	METER ASSY	1	1	1	DELUXE
	F1K-6820A-10	METER ASSY	1	1	1	SPORT
18	90111-05008	BOLT	4	4	4	
19	GU2-6822E-01	GROMMET	1	1	1	
20	90601-200U1	BAND	1	1	1	YMUS
21	F1S-U8K31-01	SENSOR SPEED	1	1	1	YMUS
22	EU0-67267-20	.CONNECTOR, CABLE	1	1	1	
23	EU0-62241-30	NUT, DRAIN 1	1	1	1	
24	90150-05807	SCREW, ROUND HEAD	4	4	4	YMUS
25	90600-917U4	CLAMP COMP.	6	6	6	SPORT, YMUS
	90600-917U4	CLAMP COMP.	7	7	7	DELUXE, YMUS



F1K1100-D180

FIG. 18 ELECTRICAL 3

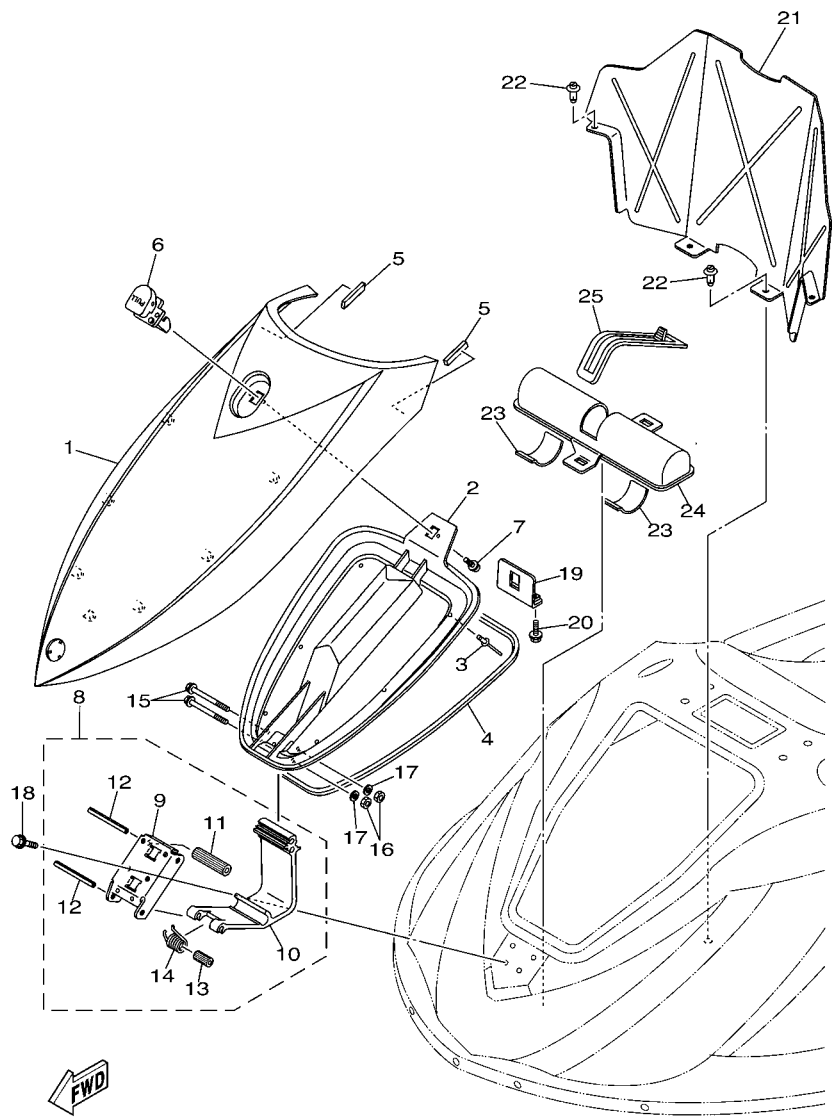
REF. NO.	PART NO.	DESCRIPTION	USA	CAN	GENE	REMARKS
26	90267-489U6	RIVET, BLIND	6	6	6	SPORT, YMUS
	90267-489U6	RIVET, BLIND	7	7	7	DELUXE, YMUS
27	90464-32801	CLAMP	6	6	6	SPORT, YMUS
	90464-32801	CLAMP	7	7	7	DELUXE, YMUS
28	90600-917U4	CLAMP COMP.	2	2	2	YMUS
29	90464-32801	CLAMP	1	1	1	YMUS
30	90601-200U2	BAND	1	1	1	YMUS
31	90267-489U6	RIVET, BLIND	2	2	2	YMUS
32	90600-917U4	CLAMP COMP.	1	1	1	YMUS
33	90267-489U6	RIVET, BLIND	1	1	1	YMUS
34	90464-32801	CLAMP	1	1	1	YMUS



F1K1100-D190

FIG. 19 ENGINE HATCH 1

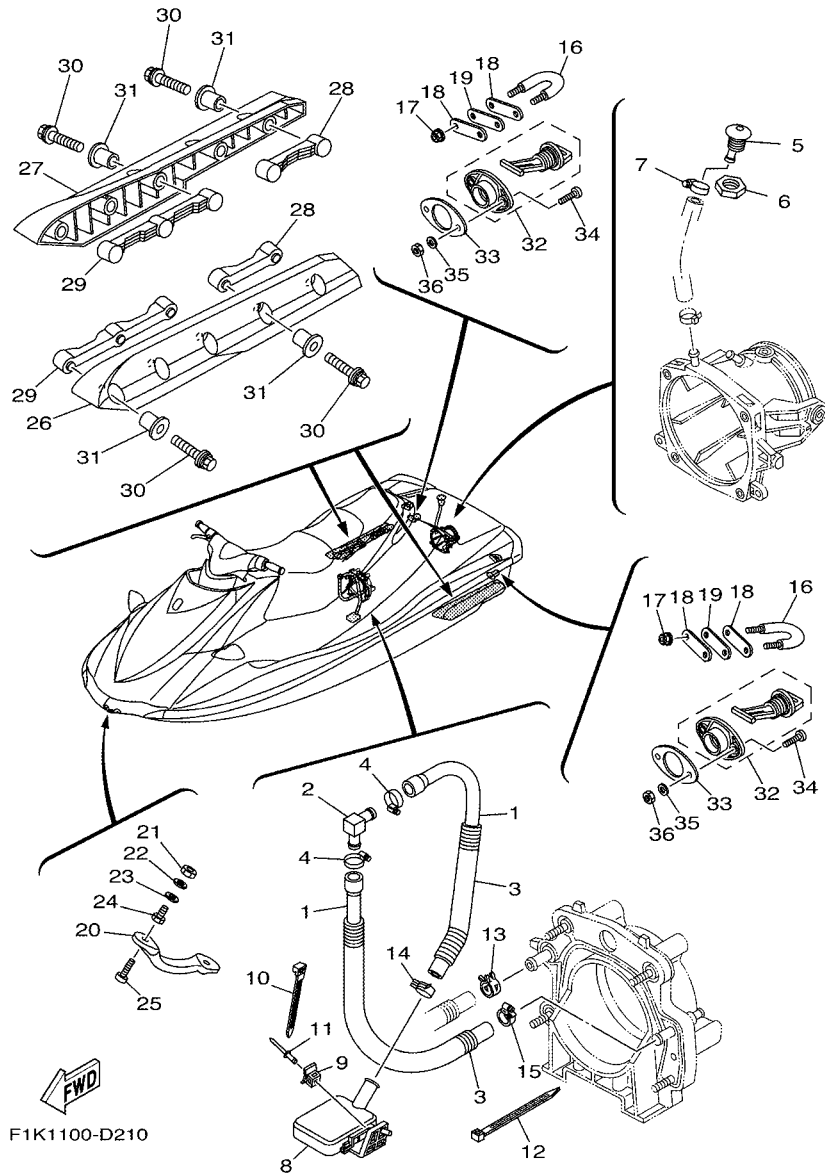
REF. NO.	PART NO.	DESCRIPTION	USA	CAN	GENE	REMARKS
1	F1K-U516N-02-P0	COVER, ENGINE HATCH	1	1	1	UR FOR RED, YMUS
	F1K-U516N-10-P0	COVER, ENGINE HATCH	1	1	1	UR FOR BLUE, YMUS
2	F1K-U2723-00	SEAL	1	1	1	SPORT, YMUS
3	90269-09805	RIVET	1	1	1	SPORT, YMUS
4	F1K-U266C-00	PACKING 4	2	2	2	YMUS
5	9299R-06200	WASHER	4	4	4	YMUS
6	9572R-06300	NUT, NYLON	4	4	4	YMUS
7	90183-06902	NUT, SPRING	2	2	2	
8	90119-06858	BOLT, WITH WASHER	8	8	8	SPORT, YMUS
	90119-06858	BOLT, WITH WASHER	9	9	9	DELUXE, YMUS
9	F1K-U517H-01	LID HATCH	1	1	1	YMUS
10	F0X-6517R-01	PIN, HINGE	2	2	2	
11	GU2-62875-01	LOCK	1	1	1	
12	90605-502U1	PLUG, BLIND	1	1	1	YMUS
13	F1K-U519D-00	PACKING CASE	1	1	1	YMUS
14	F1K-U5633-02	HOLDER, DRINK	1	1	1	YMUS
15	F1S-U596B-10	MIRROR LH	1	1	1	DELUXE, YMUS
16	F0V-U471E-00	.SPACER 1	1	1	1	DELUXE, YMUS
17	F1S-U596C-10	MIRROR RH	1	1	1	DELUXE, YMUS
18	F0V-U471F-00	.SPACER 2	1	1	1	DELUXE, YMUS
19	9299R-08200	WASHER	4	4	4	DELUXE, YMUS
20	9572R-08300	NUT, FLANGE	4	4	4	DELUXE, YMUS



FWD
F1K1100-D200

FIG. 20 ENGINE HATCH 2

REF. NO.	PART NO.	DESCRIPTION	USA	CAN	GENE	REMARKS
1	F1K-U517B-00-P0	LID, ENGINE ROOM	1	1	1	UR FOR RED, YMUS
	F1K-U517B-10-P0	LID, ENGINE ROOM	1	1	1	UR FOR BLUE, YMUS
2	F1K-U2103-00	VENTILATOR COVER COMP., 2	1	1	1	YMUS
3	90267-489U6	RIVET, BLIND	7	7	7	YMUS
4	F1K-U2663-00	PACKING 1	1	1	1	YMUS
5	F1K-U266B-00	PACKING 3	2	2	2	YMUS
6	F1K-6517C-00	LOCK, LID	1	1	1	
7	90159-059U2	SCREW, WITH WASHER	2	2	2	YMUS
8	F1K-U515A-00	HINGE ASSY.	1	1	1	YMUS
9	F1K-U518E-03	.PRATE, HINGE LID	1	1	1	YMUS
10	F1K-U517D-03	.HINGE, LID	1	1	1	YMUS
11	F1K-U135C-00	.ROLLER, DETENT	1	1	1	YMUS
12	F1K-U517R-00	.PIN, HINGE	2	2	2	YMUS
13	F1K-U471E-01	.SPACER 1	1	1	1	YMUS
14	F1K-U283B-02	.SPRING, TORSION	1	1	1	YMUS
15	90105-06826	BOLT, FLANGE	2	2	2	YMUS
16	9572R-06300	NUT, NYLON	2	2	2	YMUS
17	9299R-06200	WASHER	2	2	2	YMUS
18	90119-069UH	BOLT, WITH WASHER	4	4	4	YMUS
19	F1K-U517F-01	HOOK, LID LOCK	1	1	1	YMUS
20	90119-069UH	BOLT, WITH WASHER	2	2	2	YMUS
21	F1K-U475F-01	PLATE, LOKER BOW	1	1	1	YMUS
22	90269-08801	RIVET	4	4	4	YMUS
23	F1K-U759C-00	MAT 2	2	2	2	YMUS
24	F1K-U5983-01	BOX, FIRE EXTINGUISHER	1	1	1	YMUS
25	F1K-U828K-00	BAND, 1	1	1	1	YMUS



F1K1100-D210

FIG. 21 HULL & DECK

REF. NO.	PART NO.	DESCRIPTION	USA	CAN	GENE	REMARKS
1	90445-20805	HOSE (L710)	2	2	2	YMUS
2	61X-51162-00	JOINT, HOSE	1	1	1	
3	90446-27M55	TUBE (L400)	2	2	2	
4	90601-118UF	BAND, HOSE 18	2	2	2	YMUS
5	FN8-6269B-00	SPOUT	1	1	1	
6	EU0-61652-00	NUT	1	1	1	
7	90601-118UF	BAND, HOSE 18	1	1	1	YMUS
8	F1B-U761D-02	STRAINER, BILGE	1	1	1	YMUS
9	90600-917U4	CLAMP COMP.	1	1	1	YMUS
10	90464-32801	CLAMP	1	1	1	YMUS
11	90267-489U8	RIVET, BLIND	1	1	1	YMUS
12	90601-200U1	BAND	1	1	1	YMUS
13	90601-118UF	BAND, HOSE 18	1	1	1	YMUS
14	90467-200A0	CLIP	1	1	1	
15	90467-210A0	CLIP	1	1	1	
16	GP7-61628-00	STERN EYE	2	2	2	
17	9572R-08300	NUT, FLANGE	4	4	4	YMUS
18	GP7-U4953-10	PLATE A	4	4	4	YMUS
19	F1B-U1653-01	PACKING	2	2	2	YMUS
20	F0X-61624-00	BOWEYE 1	1	1	1	
21	99780-12600	NUT, HEX. (COARS)	2	2	2	
22	92990-12200	WASHER, PLAIN	2	2	2	
23	F0X-61637-00	WASHER	2	2	2	
24	F0X-61652-00	NUT (BOLT/NUT)	2	2	2	
25	90110-06040	BOLT, HEXAGON SOCKET HEAD	2	2	2	
26	F1S-U883N-01	STABILIZER LH	1	1	1	BL, YMUS
27	F1S-U883P-01	STABILIZER RH	1	1	1	BL, YMUS

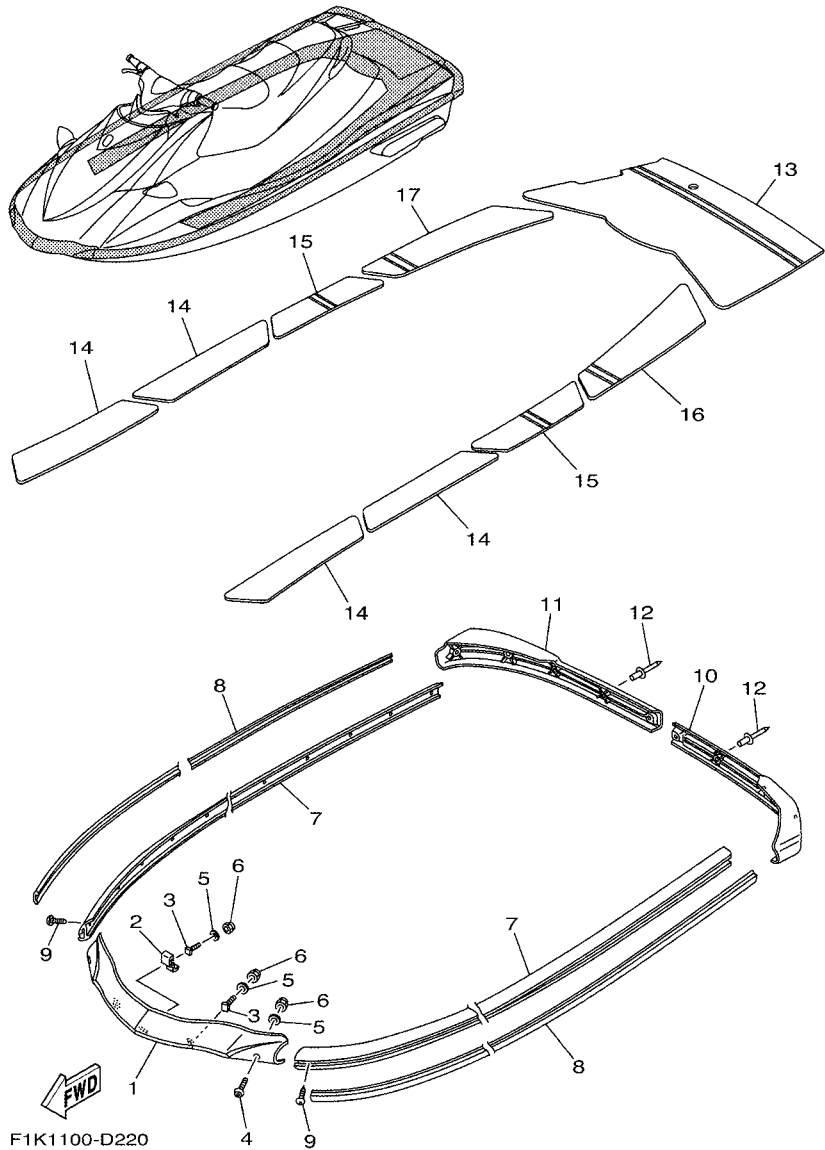
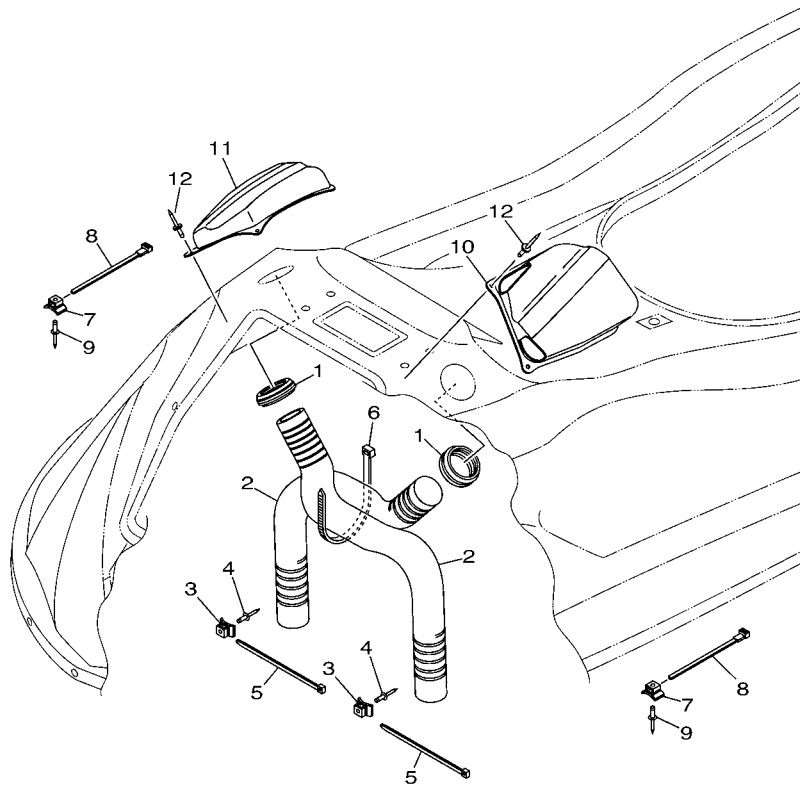


FIG. 22 GUNWALE & MAT

REF. NO.	PART NO.	DESCRIPTION	USA	CAN	GENE	REMARKS
1	F1K-U2501-01	BOW GUNWALE COMP.	1	1	1	GRAY, YMUS
2	F1K-U2521-01	PLATE	1	1	1	YMUS
3	F1K-U491K-00	BOLT, SPECIAL	3	3	3	YMUS
4	90111-06803	BOLT	2	2	2	YMUS
5	9299R-06200	WASHER	5	5	5	YMUS
6	9572R-06300	NUT, NYLON	5	5	5	YMUS
7	F1K-U2512-02	GUNWALE, SIDE	2	2	2	GRAY, YMUS
8	F1K-U2519-00	INNER, GUNWALE	2	2	2	GRAY, YMUS
9	90169-059U1	SCREW, TAPPING	28	28	28	YMUS
10	F1K-U251D-01	GUNWALE, STERN 1	1	1	1	GRAY, YMUS
11	F1K-U251E-01	GUNWALE, STERN 2	1	1	1	GRAY, YMUS
12	90267-47801	RIVET, BLIND	9	9	9	YMUS
13	F1K-U3581-10	MAT, UPPER	1	1	1	GRAY, YMUS
14	F1K-U351H-10	MAT, STEP 1	4	4	4	GRAY, YMUS
15	F1K-U351J-10	MAT, STEP 2	2	2	2	GRAY, YMUS
16	F1K-U351K-10	MAT, STEP 3	1	1	1	GRAY, YMUS
17	F1K-U351M-10	MAT, STEP 4	1	1	1	GRAY, YMUS

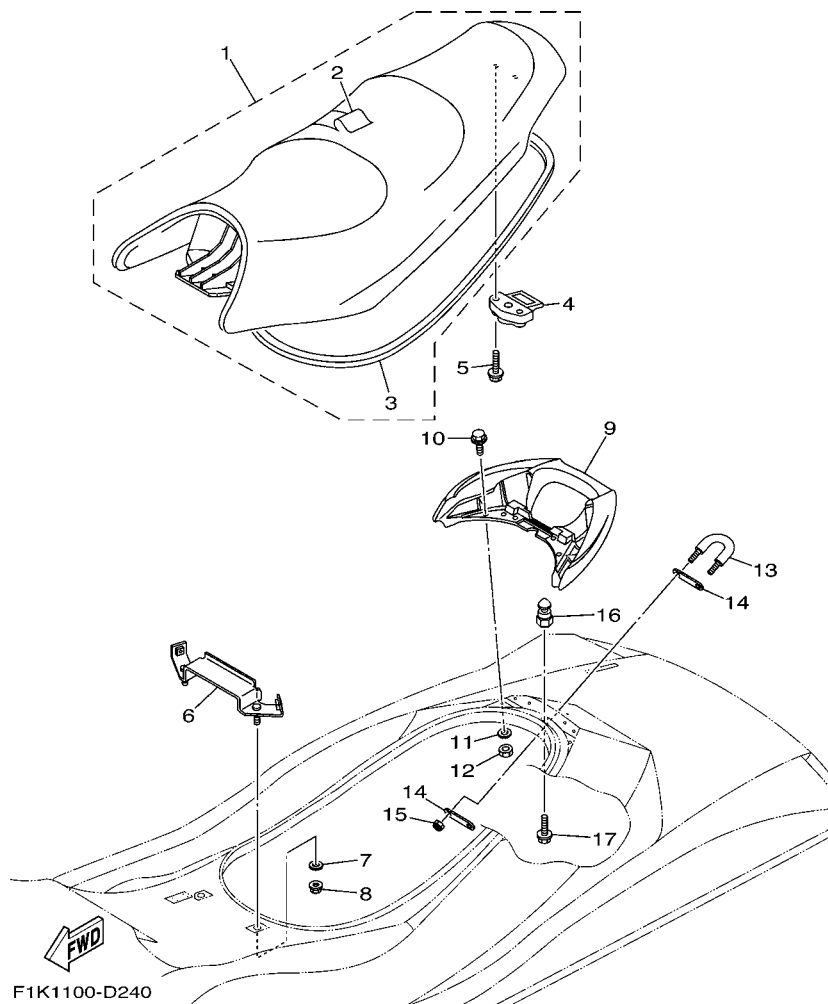
FIG. 23 VENTILATION



FWD
F1K1100-D230

REF. NO.	PART NO.	DESCRIPTION	USA	CAN	GENE	REMARKS
1	F1K-U2127-00	BASE, AIR INTAKE	2	2	2	YMUS
2	F1K-U213G-00	HOSE, VENTILATOR 2	2	2	2	YMUS
3	90600-917U4	CLAMP COMP.	2	2	2	YMUS
4	90267-489U6	RIVET, BLIND	2	2	2	YMUS
5	90464-99804	CLAMP	2	2	2	YMUS
6	90601-200U7	BAND	1	1	1	YMUS
7	90600-917U4	CLAMP COMP.	2	2	2	YMUS
8	90464-32801	CLAMP	2	2	2	YMUS
9	90267-489U6	RIVET, BLIND	2	2	2	YMUS
10	F1K-U2187-00	BOX, INDUCTION 1	1	1	1	YMUS
11	F1K-U2188-00	BOX, INDUCTION 2	1	1	1	YMUS
12	90267-48806	RIVET, BLIND	8	8	8	YMUS

FIG. 24 SEAT & UNDER LOCKER



REF. NO.	PART NO.	DESCRIPTION	USA	CAN	GENE	REMARKS
1	F1K-U371A-00	DOUBLE SEAT ASSY	1	1	1	SPORT, YMUS
	F1K-U371A-10	DOUBLE SEAT ASSY	1	1	1	DELUXE, YMUS
2	F1K-U371B-00	.COVER, SEAT 1	1	1	1	SPORT, YMUS
	F1K-U371B-10	.COVER, SEAT 1	1	1	1	DELUXE, YMUS
3	F1K-U2664-00	.PACKING	1	1	1	YMUS
4	GJ3-63850-03	SEAT LOCK ASSY	1	1	1	
5	90119-069UP	BOLT, WITH WASHER	2	2	2	YMUS
6	F1K-U378C-00	STAY, SEAT 1	1	1	1	YMUS
7	90201-099U3	WASHER, PLATE	2	2	2	YMUS
8	9572R-08300	NUT, FLANGE	2	2	2	YMUS
9	F1K-U271B-04	GRIP, HAND	1	1	1	YMUS
10	90119-06820	BOLT, WITH WASHER	4	4	4	YMUS
11	9299R-06200	WASHER	4	4	4	YMUS
12	9572R-06300	NUT, NYLON	4	4	4	YMUS
13	GP7-61628-00	STERN EYE	1	1	1	
14	GP7-U4953-10	PLATE A	2	2	2	YMUS
15	9572R-08300	NUT, FLANGE	2	2	2	YMUS
16	F1K-U3774-00	PIN	1	1	1	YMUS
17	90119-10804	BOLT, WITH WASHER	1	1	1	YMUS

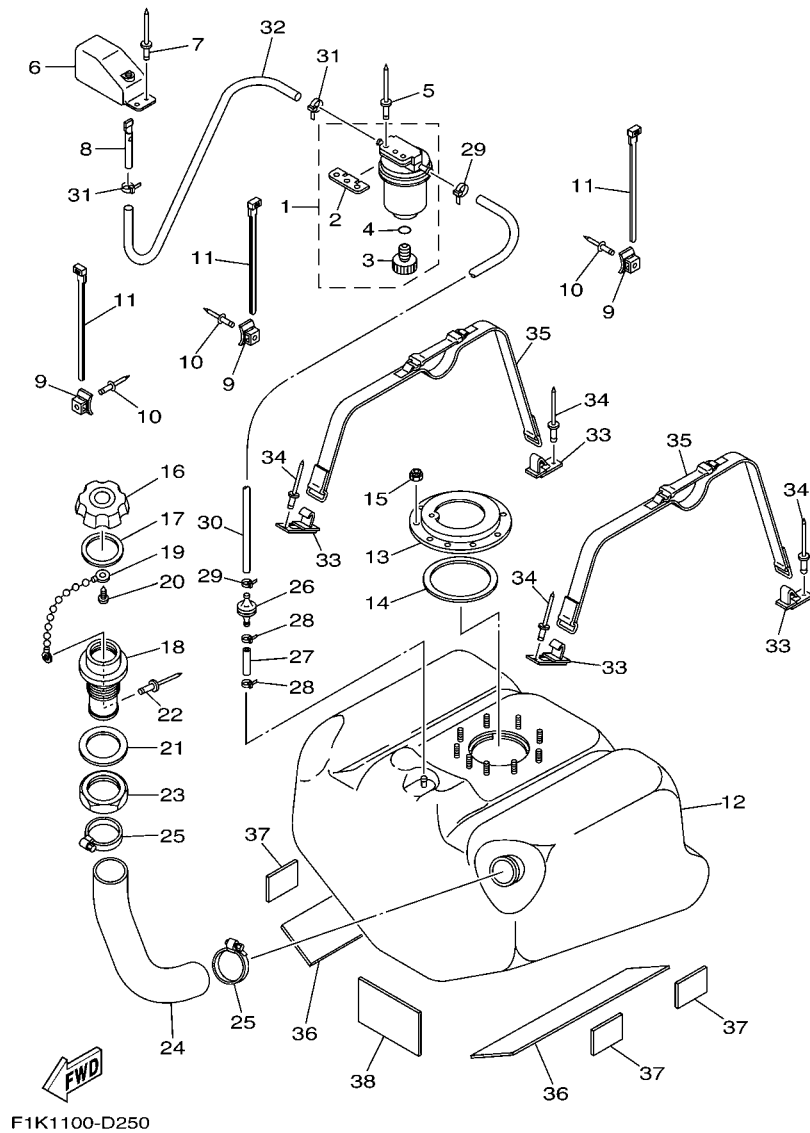
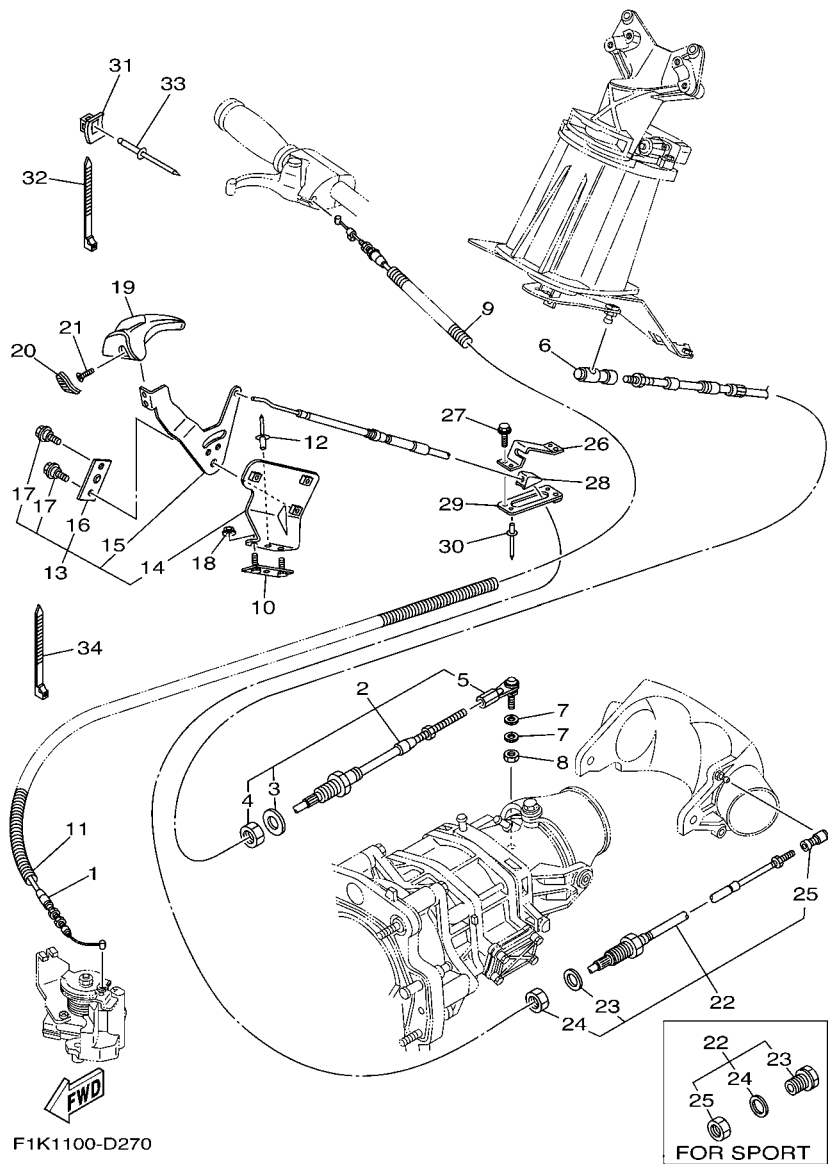


FIG. 25 FUEL TANK

REF. NO.	PART NO.	DESCRIPTION	USA	CAN	GENE	REMARKS
1	EW2-62140-00	FILTER, VENT ASSY	1	1	1	
2	EW2-62142-00	.PLATE, FILTER	1	1	1	
3	70R-24543-00	.PLUG, DRAIN	1	1	1	
4	70R-24489-00	.O-RING	1	1	1	
5	90267-489U2	RIVET, BLIND	2	2	2	YMUS
6	GP7-62159-01	SOCKET, VENTILATION	1	1	1	
7	90267-489U6	RIVET, BLIND	2	2	2	YMUS
8	EW2-62149-00	PIPE, VENTILATION 1	1	1	1	
9	90600-917U4	CLAMP COMP.	3	3	3	YMUS
10	90267-489U6	RIVET, BLIND	3	3	3	YMUS
11	90464-32801	CLAMP	3	3	3	YMUS
12	F1K-U7711-02	TANK, FUEL	1	1	1	YMUS
13	F1B-U7773-00	RING	1	1	1	YMUS
14	F1B-67747-00	PACKING, SEAL	1	1	1	
15	9572R-06300	NUT, NYLON	9	9	9	YMUS
16	GP7-U7831-01	CAP, FUEL FILLER	1	1	1	SPORT PURW, YMUS
	GP7-U7831-11	CAP, FUEL FILLER	1	1	1	DELUXE BL, YMUS
17	GP7-U7832-01	PACKING	1	1	1	YMUS
18	GP7-U7833-00	SOCKET	1	1	1	SPORT PURW, YMUS
	GP7-U7833-10	SOCKET	1	1	1	DELUXE BL, YMUS
19	GP7-U7835-00	CHAIN BALL	1	1	1	YMUS
20	90169-049U1	TAPPING SCREW	1	1	1	YMUS
21	GP7-U7834-00	PACKING FUEL FILLER	1	1	1	YMUS
22	90267-329UR	RIVET, BLIND	1	1	1	YMUS
23	GP7-U783F-00	NUT, FUEL FILLER	1	1	1	YMUS
24	F1K-U7844-01	HOSE	1	1	1	YMUS
25	90601-155U4	BAND, HOSE 55	2	2	2	YMUS

FIG. 27 CONTROL CABLE



REF. NO.	PART NO.	DESCRIPTION	USA	CAN	GENE	REMARKS
1	6D3-26311-00	CABLE, THROTTLE 1	1	1	1	
2	F1K-61481-00	CABLE, STEERING	1	1	1	
3	F1B-61438-00	.PACKING	1	1	1	
4	F1B-6151S-00	.NUT	1	1	1	
5	F1B-61461-02	.STUD, JOINT BALL	1	1	1	
6	F1B-61460-10	BALL JOINT ASSY	1	1	1	
7	90201-06906	WASHER, PLATE	2	2	2	
8	9538R-06700	NUT	1	1	1	YMUS
9	F0D-6773E-00	TUBE,2	1	1	1	
10	F1K-U826C-01	BRACKET	1	1	1	DELUXE, YMUS
11	90447-06800	HOSE, WITH SPRING	1	1	1	YMUS
12	90267-489U6	RIVET, BLIND	1	1	1	DELUXE, YMUS
13	F1K-U134A-00	REMOCON. LEVER ASSY.	1	1	1	DELUXE, YMUS
14	F1K-U1794-02	.BRACKET	1	1	1	DELUXE, YMUS
15	F1K-U151N-02	.LEVER	1	1	1	DELUXE, YMUS
16	F1K-U152N-00	.DETENT PLATE	1	1	1	DELUXE, YMUS
17	F1K-U1355-00	.BOLT	2	2	2	DELUXE, YMUS
18	9572R-08300	NUT, FLANGE	2	2	2	DELUXE, YMUS
19	F1K-U2714-02	GRIP	1	1	1	DELUXE, YMUS
20	F1K-U1336-00	DAMPER, STOPPER	1	1	1	DELUXE, YMUS
21	90151-05802	SCREW, COUNTERSUNK	2	2	2	DELUXE, YMUS
22	F1K-6149C-00	CABLE, REVERSE	1	1	1	DELUXE
	F1K-67267-00	CONNECTOR, CABLE	1	1	1	SPORT
23	F1B-61438-00	.PACKING	1	1	1	DELUXE
	F1K-61436-00	.BODY	1	1	1	SPORT
24	F1B-6151S-00	.NUT	1	1	1	DELUXE
	F1B-61438-00	.PACKING	1	1	1	SPORT

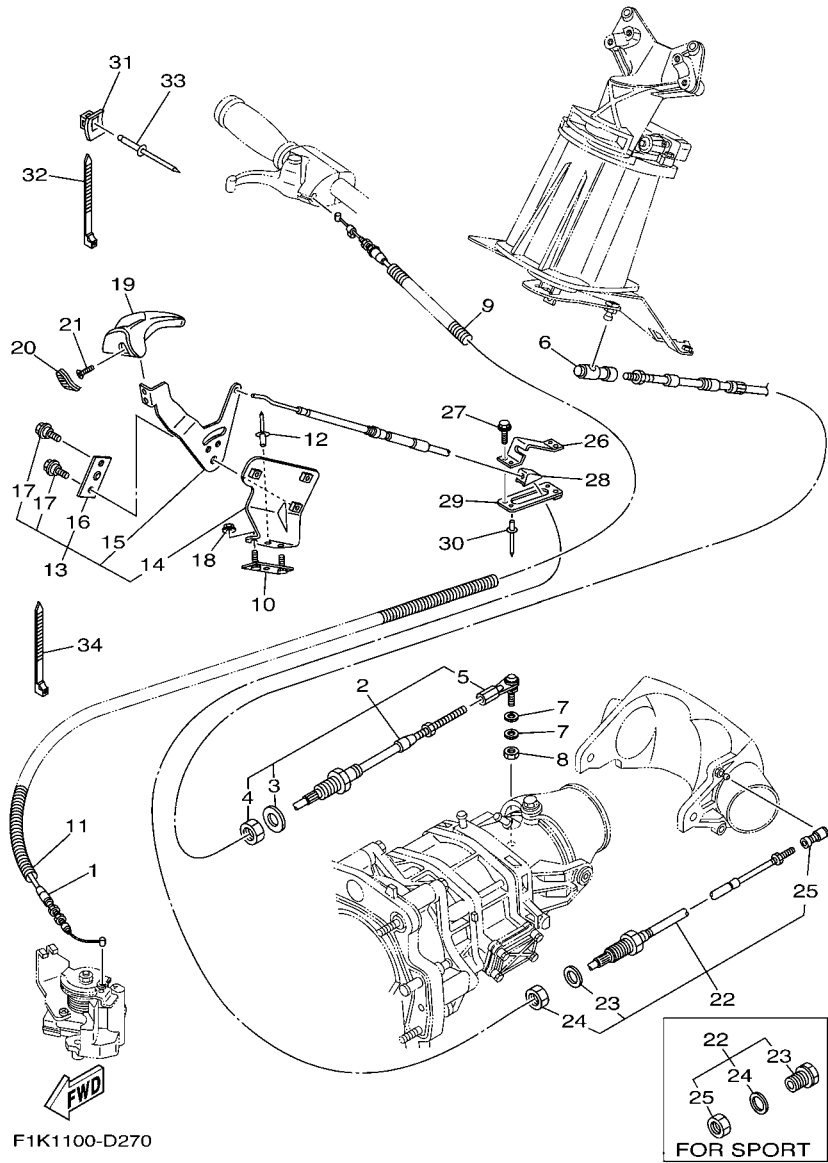


FIG. 27 CONTROL CABLE

REF. NO.	PART NO.	DESCRIPTION	USA	CAN	GENE	REMARKS
25	F1B-61460-00	.BALL JOINT ASSY	1	1	1	DELUXE
	F1B-6151S-00	.NUT	1	1	1	SPORT
26	F1K-U1467-11	BRACKET,STOPPER CABLE	1	1	1	DELUXE, YMUS
27	90119-06858	BOLT, WITH WASHER	2	2	2	DELUXE, YMUS
28	F1K-U146G-00	PACKING, CABLE	1	1	1	DELUXE, YMUS
29	F1K-U1316-01	PLATE, STOPPER	1	1	1	DELUXE, YMUS
30	90267-489U6	RIVET, BLIND	2	2	2	DELUXE, YMUS
31	90600-917U4	CLAMP COMP.	1	1	1	DELUXE, YMUS
32	90464-32801	CLAMP	1	1	1	DELUXE, YMUS
33	90267-489U6	RIVET, BLIND	1	1	1	DELUXE, YMUS
34	90464-40825	CLAMP	1	1	1	DELUXE, YMUS

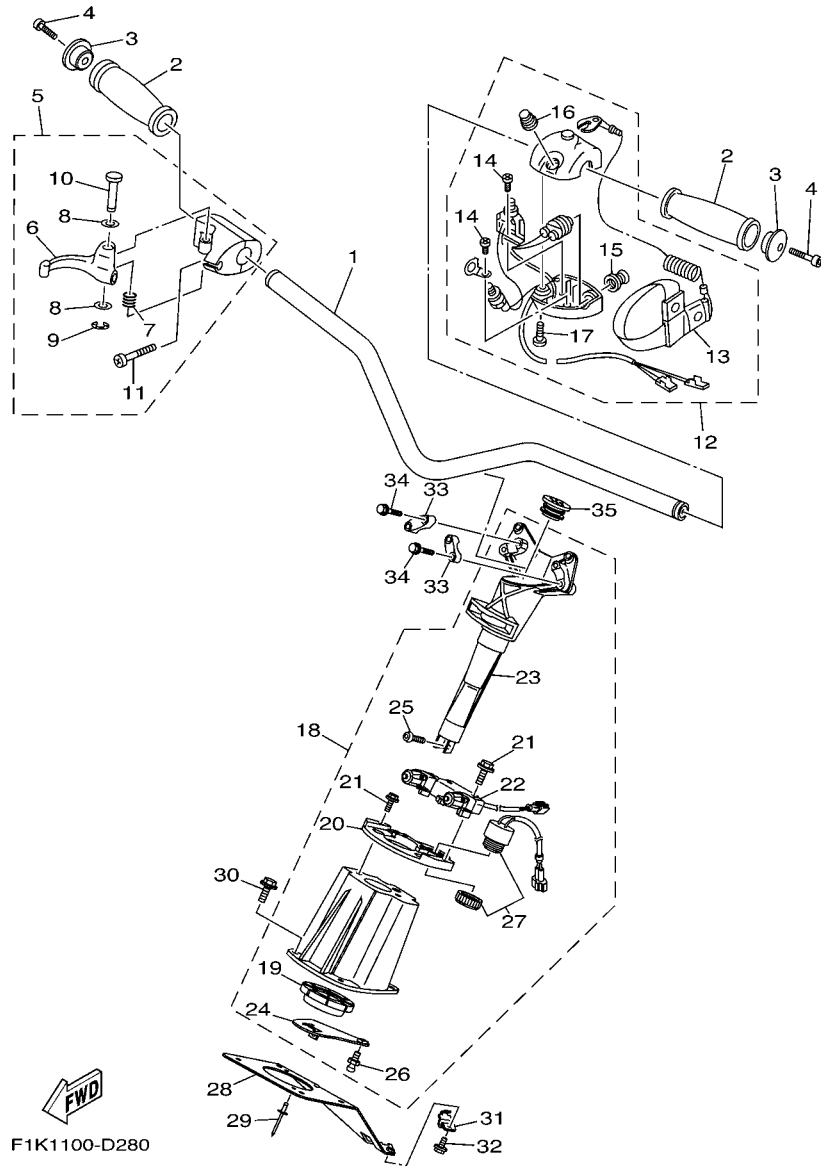
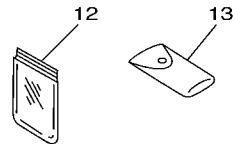
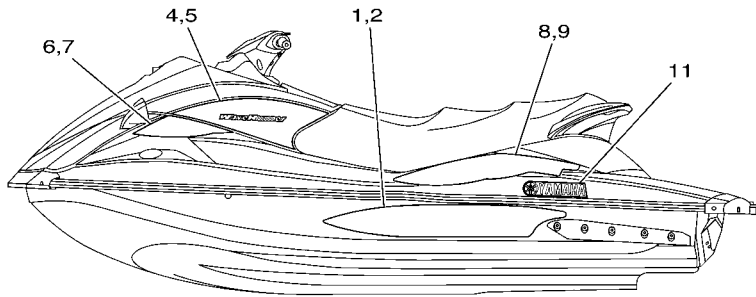
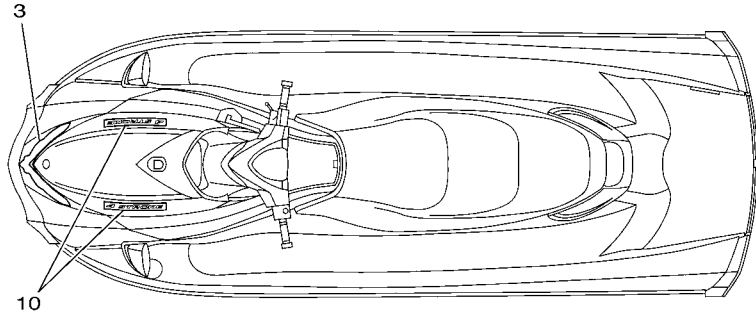


FIG. 28 STEERING 1

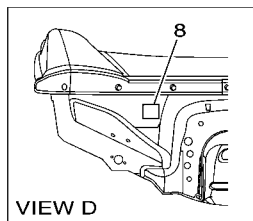
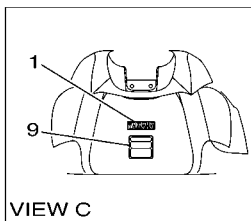
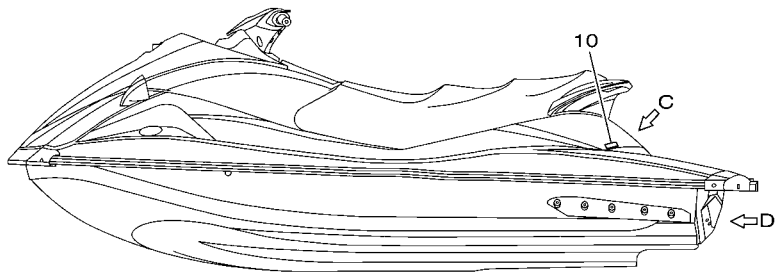
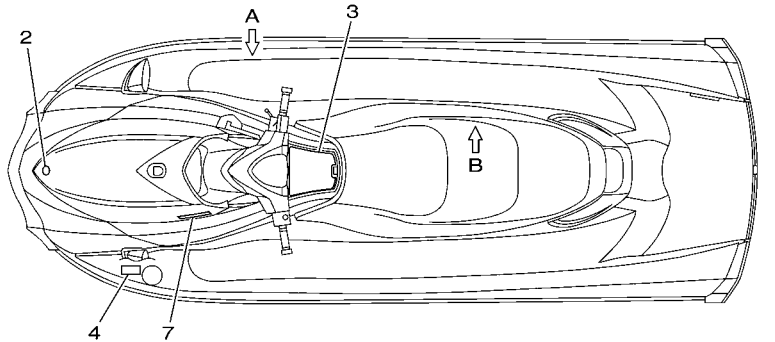
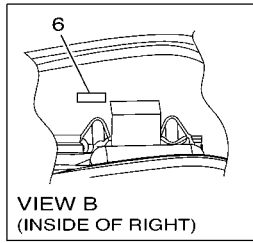
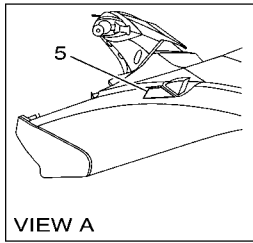
REF. NO.	PART NO.	DESCRIPTION	USA	CAN	GENE	REMARKS
1	F1K-U1552-00	HANDLE	1	1	1	YMUS
2	GP7-U155D-00	GRIP, HANDLE	2	2	2	YMUS
3	GP7-U155F-00	GRIP, END	2	2	2	YMUS
4	90110-05908	BOLT, HEXAGON SOCKET HEAD	2	2	2	
5	F0D-67250-03	THROTTLE LEVER ASSY	1	1	1	
6	F0D-67255-01	.LEVER, THROTTLE	1	1	1	
7	EW2-67256-00	.SPRING	1	1	1	
8	EW2-67258-01	.WASHER	2	2	2	
9	EW2-67259-01	.E-RING	1	1	1	
10	F0D-67257-00	.SHAFT	1	1	1	
11	98580-05025	.SCREW, PAN HEAD	2	2	2	
12	FK7-68310-07	SWITCH BOX ASSY	1	1	1	
13	EW2-68348-00	.LANYARD, STOP SWITCH	1	1	1	
14	97880-03008	.SCREW, PAN HEAD	2	2	2	
15	FK7-68312-02	.STOP BUTTON COMP	1	1	1	
16	FK7-68313-02	.START BUTTON COMP.	1	1	1	
17	97880-05025	.SCREW, PAN HEAD	2	2	2	
18	F1K-U154A-02	STEERING COLUMN COMP.	1	1	1	YMUS
19	F1K-U143C-00	.SEAL, RUBBER	1	1	1	YMUS
20	F1K-U146H-01	.SPACER, BRKT.	1	1	1	YMUS
21	90119-08826	.BOLT, WITH WASHER	7	7	7	YMUS
22	F1B-68303-10	.SENSOR ASSY	1	1	1	
23	F1K-U1541-02	.COLUMN, STEERING	1	1	1	YMUS
24	F1K-U151B-01	.ARM, STEERING	1	1	1	YMUS
25	90111-08829	.BOLT	1	1	1	YMUS
26	GH3-U146E-00	.STUD, JOINT BALL	1	1	1	YMUS
27	F1S-68341-00	.BUZZER	1	1	1	



F1K1100-D300

FIG. 30 GRAPHICS

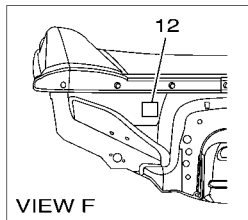
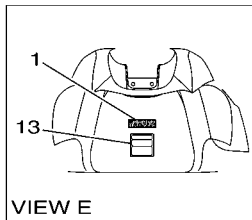
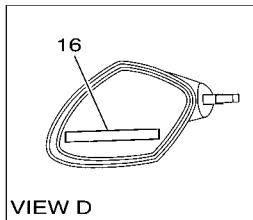
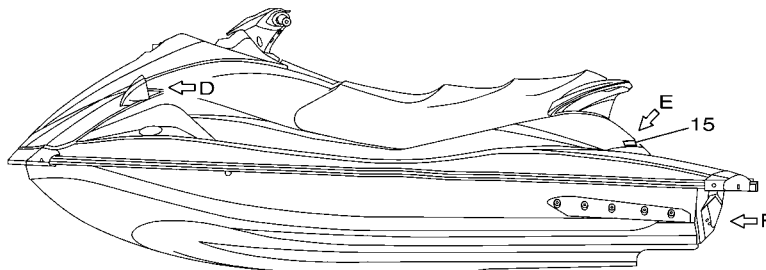
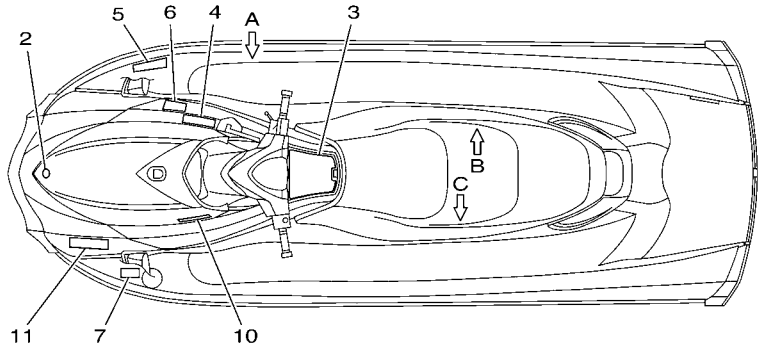
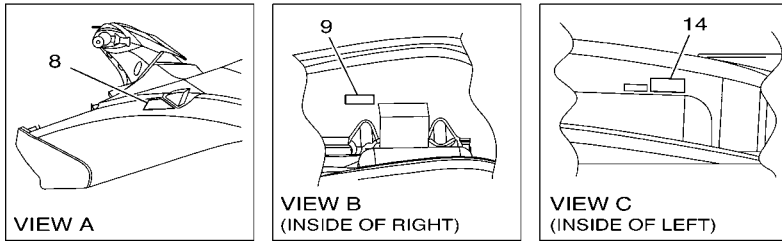
REF. NO.	PART NO.	DESCRIPTION	USA	CAN	GENE	REMARKS
1	F1K-U417B-00	GRAPHIC 1 (LH)	1	1	1	SPORT, YMUS
	F1K-U417B-10	GRAPHIC 1 (LH)	1	1	1	DELUXE RED, YMUS
	F1K-U417B-20	GRAPHIC 1 (LH)	1	1	1	DELUXE BLUE, YMUS
2	F1K-U417C-00	GRAPHIC 2 (RH)	1	1	1	SPORT, YMUS
	F1K-U417C-10	GRAPHIC 2 (RH)	1	1	1	DELUXE RED, YMUS
	F1K-U417C-20	GRAPHIC 2 (RH)	1	1	1	DELUXE BLUE, YMUS
3	F1K-U417D-00	GRAPHIC 3	1	1	1	SPORT, YMUS
	F1K-U417D-10	GRAPHIC 3	1	1	1	DELUXE RED, YMUS
	F1K-U417D-20	GRAPHIC 3	1	1	1	DELUXE BLUE, YMUS
4	F1K-U417F-00	GRAPHIC 5 (LH)	1	1	1	SPORT, YMUS
	F1K-U417F-10	GRAPHIC 5 (LH)	1	1	1	DELUXE RED, YMUS
	F1K-U417F-20	GRAPHIC 5 (LH)	1	1	1	DELUXE BLUE, YMUS
5	F1K-U417G-00	GRAPHIC 6 (RH)	1	1	1	SPORT, YMUS
	F1K-U417G-10	GRAPHIC 6 (RH)	1	1	1	DELUXE RED, YMUS
	F1K-U417G-20	GRAPHIC 6 (RH)	1	1	1	DELUXE BLUE, YMUS
6	F1K-U417H-00	GRAPHIC 7 (LH)	1	1	1	SPORT, YMUS
	F1K-U417H-10	GRAPHIC 7 (LH)	1	1	1	DELUXE RED, YMUS
	F1K-U417H-20	GRAPHIC 7 (LH)	1	1	1	DELUXE BLUE, YMUS
7	F1K-U417J-00	GRAPHIC 8 (RH)	1	1	1	SPORT, YMUS
	F1K-U417J-10	GRAPHIC 8 (RH)	1	1	1	DELUXE RED, YMUS
	F1K-U417J-20	GRAPHIC 8 (RH)	1	1	1	DELUXE BLUE, YMUS
8	F1K-U417K-00	GRAPHIC 9 (LH)	1	1	1	SPORT, YMUS
	F1K-U417K-10	GRAPHIC 9 (LH)	1	1	1	DELUXE RED, YMUS
	F1K-U417K-20	GRAPHIC 9 (LH)	1	1	1	DELUXE BLUE, YMUS
9	F1K-U417L-00	GRAPHIC B (RH)	1	1	1	SPORT, YMUS
	F1K-U417L-10	GRAPHIC B (RH)	1	1	1	DELUXE RED, YMUS
	F1K-U417L-20	GRAPHIC B (RH)	1	1	1	DELUXE BLUE, YMUS



F1K1100-D310

FIG. 31 IMPORTANT LABELS

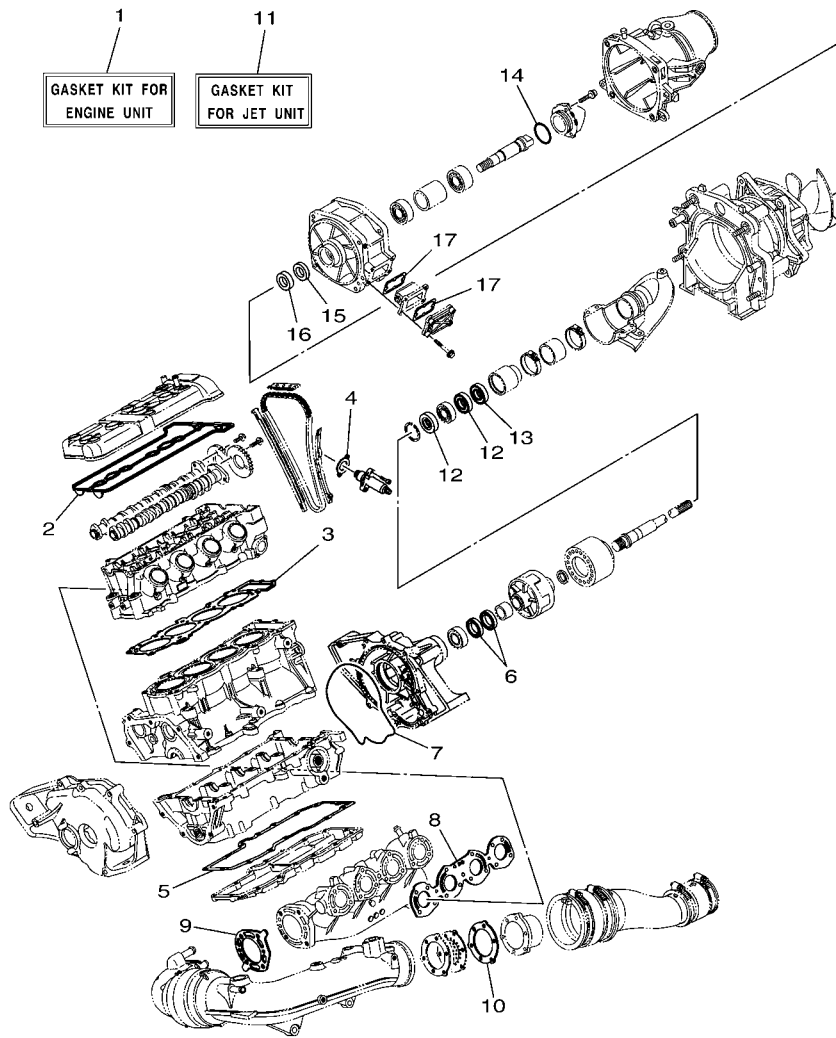
REF. NO.	PART NO.	DESCRIPTION	USA	CAN	GENE	REMARKS
1	F1B-U411C-01	EMBLEM, YAMAHA	1			SPORT, YMUS
	F1B-U411C-10	EMBLEM, YAMAHA	1			DELUXE RED, YMUS
	F1S-U411C-00	EMBLEM, YAMAHA	1			DELUXE BLUE, YMUS
2	F1K-U411H-00	EMBLEM, TUNING FORK	1			YMUS
3	F1K-U41B1-00	LABEL, WARNING JDC 1	1			YMUS
4	F1B-U415B-01	LABEL, WARNING(FUEL)	1			SPORT, YMUS
	F1S-U415B-00	LABEL, WARNING(FUEL)	1			DELUXE, YMUS
5	F0V-U41D5-20	LABEL, WARNING SHIFT LEVER	1			DELUXE, YMUS
6	F0V-U41DB-01	LABEL, WARNING BATTERY	1			YMUS
7	F0V-U41F5-00	LABEL, FIRE EXTINGUISHER 1	1			YMUS
8	GA9-U418F-00	LABEL, RIGHTING	1			YMUS
9	F1B-U41E1-20	LABEL, SET 1	1			SPORT, YMUS
	F1S-U41E1-00	LABEL, SET 1	1			DELUXE, YMUS
10	F0P-U41G1-00	LABEL, CAPACITY	1			SPORT, YMUS
	F1S-U41G1-00	LABEL, CAPACITY	1			DELUXE, YMUS



F1K1100-D320

FIG. 32 IMPORTANT LABELS 2

REF. NO.	PART NO.	DESCRIPTION	USA	CAN	GENE	REMARKS
1	F1B-U411C-01	EMBLEM, YAMAHA		1	1	SPORT, YMUS
	F1S-U411C-00	EMBLEM, YAMAHA		1	1	DELUXE BLUE, YMUS
	F1B-U411C-10	EMBLEM, YAMAHA		1	1	DELUXE RED, YMUS
2	F1K-U411H-00	EMBLEM, TUNING FORK		1	1	YMUS
3	F1K-U41B1-10	LABEL, WARNING JDC 1		1	1	YMUS
4	F1B-U41B1-20	LABEL, WARNING JDC 1		1	1	YMUS
5	F0V-U41B1-30	LABEL, WARNING JDC 1		1	1	SPORT, YMUS
	F1B-U41B1-30	LABEL, WARNING JDC 1		1	1	DELUXE, YMUS
6	F1B-U41B2-00	LABEL, WARNING JDC 2		1	1	YMUS
7	F1B-U415B-10	LABEL, WARNING(FUEL)		1	1	SPORT, YMUS
	F1S-U415B-10	LABEL, WARNING(FUEL)		1	1	DELUXE, YMUS
8	F0V-U41D5-30	LABEL, WARNING SHIFT LEVER		1	1	DELUXE, YMUS
9	F0V-U41DB-11	LABEL, WARNING BATTERY		1	1	YMUS
10	F1B-U41F5-20	LABEL, FIRE EXTINGUISHER 1		1		YMUS
	F1B-U41F5-20	LABEL, FIRE EXTINGUISHER 1		1		YMUS
11	GJ3-U416H-01	LABEL,WARNING(FRANCE)			1	SPORT, YMUS
	GP8-U416H-01	LABEL,WARNING(FRANCE)			1	DELUXE, YMUS
12	GA9-U418F-00	LABEL, RIGHTING		1	1	YMUS
13	F0V-U41E1-40	LABEL, SET 1		1	1	SPORT, YMUS
	F1S-U41E1-10	LABEL, SET 1		1	1	DELUXE, YMUS
14	F1K-U413M-00	LABEL, EPA		1		YMUS
15	GJ3-U419E-00	LABEL 4		1		SPORT, YMUS
	F1S-U419E-00	LABEL 4		1		DELUXE, YMUS
16	GJ1-U419F-21	LABEL,5		2		YMUS
	GJ1-U419F-21	LABEL,5		1		YMUS



F1S1100-C350

FIG. 33 REPAIR KIT 1

REF. NO.	PART NO.	DESCRIPTION	USA	CAN	GENE	REMARKS
1	6D3-W0001-00	GASKET KIT FOR ENGINE UNIT	1	1	1	
2	60E-11193-01	.GASKET, HEAD COVER 1	1	1	1	
3	6D3-11181-00	.GASKET, CYLINDER HEAD 1	1	1	1	
4	4FM-12213-00	.GASKET, TENSIONER CASE	1	1	1	
5	6B6-13557-00	.GASKET	1	1	1	
6	93101-35004	.OIL SEAL	2	2	2	
7	6B6-13475-00	.GASKET	1	1	1	
8	6D3-14613-00	.GASKET, EXHAUST PIPE	1	1	1	
9	6D3-14739-00	.GASKET, MUFFLER DAMPER 1	1	1	1	
10	60E-14623-00	.GASKET, EXHAUST PIPE	2	2	2	
11	6D3-W0001-20	GASKET KIT FOR JET UNIT	1	1	1	
12	93101-25M55	.OIL SEAL	2	2	2	
13	93101-25M56	.OIL SEAL	1	1	1	
14	93210-464A3	.O-RING	1	1	1	
15	93101-21002	.OIL SEAL	1	1	1	
16	93101-21001	.OIL SEAL	1	1	1	
17	66V-42414-00	.O-RING	2	2	2	

NUMERICAL INDEX

PART NO.	REF. NO.	PART NO.	REF. NO.	PART NO.	REF. NO.	PART NO.	REF. NO.	PART NO.	REF. NO.	PART NO.	REF. NO.
6D3-11102-00-94	1 - 2	5LV-12121-00	4 - 7	6D3-12577-00	10 - 23	6D3-14457-00	6 - 3	65V-45538-00	11 - 14	F1K-67267-00	27 - 22
4KG-1111G-00	1 - 21	3GM-12126-00	4 - 9	63M-12580-00	10 - 5	68V-14475-00	6 - 6	6D3-45593-00-94	12 - 8	EU0-67267-20	18 - 22
6D3-11125-00	7 - 29	3FV-12153-10	4 - 20	60E-12581-00	10 - 3	6D3-14495-00	5 - 13	6D3-45813-00-94	3 - 12	F1K-6753B-00	26 - 10
6D3-11126-00	7 - 24	3LN-12153-10	4 - 19	60E-12584-00	10 - 14	6D3-14613-00	9 - 3	6D3-4581J-00	12 - 1	F1B-67564-00	26 - 11
3TJ-11133-10	1 - 3	1HX-12168-00	4 - 18	6D3-12584-00	10 - 18		33 - 8	66V-46882-00	11 - 9	F0D-6773E-00	27 - 9
1WG-11133-11	1 - 4	1HX-12168-20	4 - 18	6D3-12880-00	6 - 4	6D3-14615-00	9 - 14	61X-51162-00	21 - 2	F1K-67743-00	25 - 35
6D3-11164-00	7 - 20	1HX-12168-40	4 - 18	6B6-1310A-00-94	2 - 16	60E-14623-00	9 - 24	66V-51312-01-94	11 - 5	F1B-67747-00	25 - 14
6D3-11165-00	8 - 19	1HX-12168-60	4 - 18	6B6-13151-00-94	8 - 27		33 - 10	6B6-51315-00-94	11 - 8	EU0-67767-31	25 - 26
6D3-11166-00	7 - 31	1HX-12168-80	4 - 18	60E-13161-00	2 - 20	6D3-14625-00	9 - 16	6B6-51326-10	11 - 20	EW2-67821-00	26 - 3
6D3-11167-00	8 - 31	1HX-12168-A0	4 - 18	6D3-13300-00	7 - 2	6D3-1469W-00	9 - 26	60E-51341-00-94	8 - 33	F1K-6820A-00	18 - 17
6D3-11181-00	1 - 22	1HX-12168-F0	4 - 18	6B6-13317-00	8 - 5	6D3-14711-00-94	9 - 4	6D3-52358-00	13 - 8	F1K-6820A-10	18 - 17
	33 - 3	1HX-12168-H1	4 - 18	6B6-13327-01-94	7 - 7	6D3-14712-00-94	9 - 9	F1K-61436-00	27 - 23	GU2-6822E-01	18 - 19
6D3-1118A-00	1 - 18	1HX-12168-K1	4 - 18	6B6-13360-00	7 - 1	6D3-14721-00-94	9 - 18	F1B-61438-00	27 - 3	60E-682E0-00	18 - 2
6D3-11191-00-94	1 - 17	1HX-12168-M1	4 - 18	6B6-13411-00	7 - 10	6D3-14739-00	9 - 10	F1B-61460-00	27 - 25	F1B-68303-10	28 - 22
60E-11193-01	1 - 19	1HX-12168-R1	4 - 18	60E-13421-00	8 - 7		33 - 9	F1B-61460-10	27 - 6	FK7-68310-07	28 - 12
	33 - 2	1HX-12168-U1	4 - 18	5GH-13440-00	2 - 25	6D3-14752-00-94	9 - 28	F1B-61461-02	27 - 5	FK7-68312-02	28 - 15
67F-11325-00	2 - 11	1HX-12168-W1	4 - 18	6D3-13443-00-94	8 - 22	6B6-1475E-00	9 - 29	F0M-61469-00	28 - 35	FK7-68313-02	28 - 16
6E5-11325-00	8 - 12	1HX-12168-Y1	4 - 18	60E-13446-00	8 - 1	6D3-1475F-00	9 - 30	F1K-61481-00	27 - 2	F1S-68341-00	28 - 27
69J-11327-00-94	2 - 13	1HX-12169-11	4 - 18	6D3-13462-00-94	8 - 3	60E-14784-00-94	9 - 25	F1K-6149C-00	27 - 22	EW2-68348-00	28 - 13
67F-11328-00	2 - 12	1HX-12169-31	4 - 18	6D3-13463-00-94	8 - 14	6D3-15100-00-94	2 - 1	F1B-6151S-00	27 - 4	68V-81147-00	6 - 8
60E-11372-10	9 - 5	1HX-12169-50	4 - 18	60E-13473-00	8 - 18	60E-15362-00	8 - 17	F0X-61624-00	21 - 20	60E-81315-00	17 - 18
60E-11411-11	3 - 1	1HX-12169-70	4 - 18	60E-13475-00	8 - 15	6D3-15515-00	14 - 1	GP7-61628-00	21 - 16	60E-81328-00	14 - 18
6D3-11416-00	3 - 2	1HX-12169-90	4 - 18	6B6-13475-00	7 - 12	60E-15517-00	14 - 2		24 - 13	66V-8132W-00	16 - 17
6D3-11416-10	3 - 2	1HX-12169-E0	4 - 18		33 - 7	60E-15521-00	14 - 3	F0X-61637-00	21 - 23	6D3-81337-00-94	14 - 13
6D3-11416-20	3 - 2	1HX-12169-G0	4 - 18	60E-13476-10	8 - 23	4WM-15590-00	14 - 4	EU0-61652-00	10 - 9	6D3-81410-00	14 - 7
6D3-11416-30	3 - 2	1HX-12169-J0	4 - 18	6D3-13477-00	8 - 20	6D3-17572-00	3 - 11		21 - 6	6D3-81450-00	14 - 6
6D3-11416-40	3 - 2	1HX-12169-L0	4 - 18	6B6-13557-00	2 - 18	6B6-17585-00	3 - 18	F0X-61652-00	21 - 24	6D3-81800-00	15 - 1
6B6-11478-00	3 - 15	1HX-12169-N0	4 - 18		33 - 5	6B6-17586-00	3 - 19	EW2-62140-00	25 - 1	3AJ-81809-00	15 - 6
6D3-11603-00	3 - 4	1HX-12169-T0	4 - 18	6D3-13563-00	7 - 3	EU0-23814-30	28 - 33	EW2-62142-00	25 - 2	6M6-81826-00	15 - 4
6D3-11631-00-BO	3 - 3	6D3-12171-00	4 - 1	68V-13573-00	6 - 5	60E-24300-01	6 - 12	EW2-62149-00	25 - 8	6M6-81830-00	15 - 2
6D3-11633-00	3 - 5	6D3-12176-00	4 - 3	6D3-13641-00	6 - 2	6D3-24387-00	18 - 6	GP7-62159-01	25 - 6	6M6-81840-10	15 - 8
6D3-11650-00	3 - 7	6D3-12181-00	4 - 2	6D3-13750-00	6 - 1	60E-24474-00	18 - 4	GJ3-6215F-00	18 - 15	11H-81844-00	15 - 5
5JW-11654-00	3 - 8	60E-12210-00	4 - 23	60E-13761-10	6 - 13	6D3-24481-00	18 - 5	EU0-62241-30	18 - 23	66V-81844-00	16 - 18
60E-11656-00	3 - 10	4FM-12213-00	4 - 24	6D3-13795-00	6 - 16	70R-24489-00	25 - 4	FN8-6269B-00	21 - 5	1FK-81847-00	15 - 3
60E-11656-10	3 - 10		33 - 4	60E-13907-01	18 - 1	70R-24543-00	25 - 3	F0X-62733-00	26 - 12	6M6-81850-00	15 - 7
60E-11656-20	3 - 10	5BE-12241-00	4 - 22	60E-14147-00	6 - 14	6D3-26311-00	27 - 1	GU2-62875-01	19 - 11	6D3-81921-00	16 - 8
60E-11656-30	3 - 10	6D3-12251-00	4 - 26	6D3-14147-00	6 - 10	67F-2812A-00	16 - 19	GJ3-63850-03	24 - 4	6B6-81940-00	16 - 15
4XV-12111-00	4 - 5	4XV-12252-00	4 - 27	6D3-14294-00	17 - 1	66V-42414-00	11 - 10	F1K-6517C-00	20 - 6	60E-81950-00	16 - 13
4XV-12112-00	4 - 6	60E-12435-00	10 - 32	6D3-14305-00	5 - 1		33 - 17	F0X-6517R-01	19 - 10	68V-81950-00	16 - 14
4XV-12113-00	4 - 10	6D3-1243A-00	10 - 10	6D3-14411-00	6 - 18	624-42542-00	7 - 22	GA7-65772-00	26 - 4	68V-81960-00	16 - 24
4XV-12114-00	4 - 11	6D3-12446-00	10 - 31	6D3-14413-00	6 - 19		16 - 23	EU0-65901-01	30 - 13	EU0-82110-09	18 - 7
1HX-12116-01	4 - 8	6D3-1244G-00	10 - 26	6D3-14414-00	6 - 19	67X-44517-10-94	2 - 27	F1B-65986-00	30 - 12	6D3-82115-00	16 - 5
1HX-12117-00	4 - 12	60E-12474-00	1 - 33	6D3-14419-00	5 - 8	6D3-44574-00	2 - 28	F0D-67250-03	28 - 5	60E-82117-00	16 - 31
1WG-12117-00	4 - 13	6D3-12482-00	1 - 28	6D3-14421-00	5 - 3	66V-45214-00-94	11 - 11	F0D-67255-01	28 - 6	6D3-82117-00	16 - 6
1HX-12118-00	4 - 14	60E-12483-10	1 - 32	6D3-14437-00	5 - 7	6D3-45235-00	12 - 3	EW2-67256-00	28 - 7	67F-82151-00	16 - 9
1WG-12118-00	4 - 15	60E-12494-00	1 - 31	63P-14446-00	6 - 7	6D3-45332-00-94	12 - 2	F0D-67257-00	28 - 10	67F-82151-10	16 - 10
4SV-12119-00	4 - 17	60E-12495-00	1 - 37	60E-14449-00	6 - 20	6D3-45511-00	11 - 19	EW2-67258-01	28 - 8	67F-82151-30	16 - 11
4TV-12119-00	4 - 16	60E-12537-00	1 - 34	6D3-14451-00	5 - 4	6D3-45514-00	11 - 16	EW2-67259-01	28 - 9	67F-82151-40	16 - 12
				4XV-14452-00	5 - 2						

NUMERICAL INDEX

PART NO.	REF. NO.	PART NO.	REF. NO.	PART NO.	REF. NO.	PART NO.	REF. NO.	PART NO.	REF. NO.	PART NO.	REF. NO.
6D3-82157-00	16 - 7	F1K-U143E-00	29 - 3	F1K-U371A-10	24 - 1	F1K-U417L-10	30 - 9	F1K-U5772-01	18 - 10	F1K-U8572-01	5 - 14
6D3-82170-00	16 - 4	EU0-U1461-02	13 - 11	F1K-U371B-00	24 - 2	F1K-U417L-20	30 - 9		25 - 33	F1K-U8577-00	11 - 39
6B6-82310-00	17 - 5	F1K-U1467-00	28 - 28	F1K-U371B-10	24 - 2	F1K-U417M-00	30 - 10		26 - 6	F1K-U883B-00	12 - 18
6A0-82317-00	7 - 21	F1K-U1467-11	27 - 26	F1K-U3774-00	24 - 16	F1K-U417M-10	30 - 10	F1S-U596B-10	19 - 15	F1K-U883E-00	12 - 13
	16 - 22	F1K-U1468-01	28 - 31	F1K-U378C-00	24 - 6	F1K-U417M-20	30 - 10	F1S-U596C-10	19 - 17	F1S-U883N-01	21 - 26
68V-82504-00	17 - 17	GH3-U146E-00	28 - 26	F1S-U411C-00	31 - 1	GA9-U418F-00	31 - 8	F1K-U5983-01	20 - 24	F1S-U883P-01	21 - 27
60E-82532-00	17 - 19	F1K-U146G-00	27 - 28		32 - 1		32 - 12	EU0-U7354-00-01	2 - 33	F1B-U883T-02	21 - 29
60E-82556-00	18 - 3	F1K-U146H-01	28 - 20	F1B-U411C-01	31 - 1	F1S-U419E-00	32 - 15	EU0-U7354-00-03	2 - 33	F1F-U883T-02	21 - 28
6D3-82560-00	17 - 13	F1K-U151B-01	28 - 24		32 - 1	GJ3-U419E-00	32 - 15	EU0-U7354-00-05	2 - 33	F1S-U8K31-01	18 - 21
60E-82560-A0	17 - 10	F1K-U151N-02	27 - 15	F0V-U411C-10	30 - 11	GJ1-U419F-21	32 - 16	EU0-U7354-00-10	2 - 33	6D3-W0001-00	33 - 1
60E-8259E-00	16 - 16	F1K-U152N-00	27 - 16	F1B-U411C-10	31 - 1	F1K-U41B1-00	31 - 3	EU0-U7354-00-20	2 - 33	6D3-W0001-20	33 - 11
6D3-8259L-00	16 - 32	F1K-U1541-02	28 - 23		32 - 1	F1K-U41B1-10	32 - 3	F1B-U751G-00	26 - 26	6D3-W009A-00-94	1 - 1
6D3-8259L-A0	16 - 32	F1K-U154A-02	28 - 18	F1S-U411C-10	30 - 11	F1B-U41B1-20	32 - 4	F1K-U7550-00	26 - 1	6D3-W009B-00-94	2 - 3
6D3-8273J-00	17 - 20	F1K-U1552-00	28 - 1	F1S-U411C-40	30 - 11	F0V-U41B1-30	32 - 5	F1K-U7555-00	26 - 8	90101-069U0	11 - 50
6B6-83623-00	8 - 25	GP7-U155D-00	28 - 2	F1K-U411H-00	31 - 2	F1B-U41B1-30	32 - 5	F1K-U7557-00	11 - 42	90105-06026	1 - 9
60E-83627-00	8 - 26	GP7-U155F-00	28 - 3		32 - 2	F1B-U41B2-00	32 - 6	F0V-U757B-00	26 - 23	90105-06033	2 - 9
68F-83688-00	6 - 9	F1K-U156E-00	29 - 1	F1K-U413M-00	32 - 14	F0V-U41D5-20	31 - 5	F1K-U7575-00	11 - 46	90105-06035	10 - 33
682-84385-01	10 - 8	F1B-U1653-01	21 - 19	F1S-U415B-00	31 - 4	F0V-U41D5-30	32 - 8	F1K-U757F-00	11 - 47	90105-06036	8 - 16
6D3-85132-00	1 - 26	F1K-U1794-02	27 - 14	F1B-U415B-01	31 - 4	F0V-U41DB-01	31 - 6	F1K-U758D-00	26 - 19	90105-06790	9 - 27
61A-85790-00	17 - 8	F1K-U2103-00	20 - 2	F1B-U415B-10	32 - 7	F0V-U41DB-11	32 - 9	F1K-U759B-00	25 - 36	90105-06826	20 - 15
6D3-85896-00	17 - 15	F1K-U2127-00	23 - 1	F1S-U415B-10	32 - 7	F1S-U41E1-00	31 - 9	F1B-U759C-00	25 - 37	90105-06M07	8 - 24
6D3-8591A-00	16 - 20	F1K-U213G-00	23 - 2	GJ3-U416H-01	32 - 11	F1S-U41E1-10	32 - 13	F1K-U759C-00	20 - 23	90105-06M17	2 - 10
6D3-8591A-A0	16 - 20	F1K-U2155-00	12 - 15	GP8-U416H-01	32 - 11	F1B-U41E1-20	31 - 9	F1B-U761D-02	21 - 8	90105-07004	4 - 4
6D3-85991-00	16 - 26	F1K-U2187-00	23 - 10	F1K-U417B-00	30 - 1	F0V-U41E1-40	32 - 13	F1K-U7711-02	25 - 12	90105-093A5	2 - 5
6B6-86261-00	17 - 24	F1K-U2188-00	23 - 11	F1K-U417B-10	30 - 1	F0V-U41F5-00	31 - 7	F1B-U7773-00	25 - 13	90105-105A6	14 - 10
6B6-86261-10	17 - 24	F1S-U2280-00	21 - 32	F1K-U417B-20	30 - 1	F1B-U41F5-20	32 - 10	GP7-U7831-01	25 - 16	90109-06051	2 - 8
6B6-86265-00	17 - 25	F1S-U2285-00	21 - 33	F1K-U417C-00	30 - 2	F0P-U41G1-00	31 - 10	GP7-U7831-11	25 - 16	90109-066F0	1 - 20
6B6-86265-10	17 - 25	F1K-U2501-01	22 - 1	F1K-U417C-10	30 - 2	F1S-U41G1-00	31 - 10	GP7-U7832-01	25 - 17	90109-06832	12 - 14
67X-E2590-00	10 - 39	F1K-U2512-02	22 - 7	F1K-U417C-20	30 - 2	F1K-U4261-00	26 - 17	GP7-U7833-00	25 - 18	90109-06M92	2 - 29
67X-E2590-10	10 - 39	F1K-U2519-00	22 - 8	F1K-U417D-00	30 - 3	F0V-U471E-00	19 - 16	GP7-U7833-10	25 - 18	90109-08041	11 - 43
6D3-G5831-00	11 - 2	F1K-U251D-01	22 - 10	F1K-U417D-10	30 - 3	F1K-U471E-01	20 - 13	GP7-U7834-00	25 - 21	90110-05908	28 - 4
6D3-R1313-00	11 - 33	F1K-U251E-01	22 - 11	F1K-U417D-20	30 - 3	F0V-U471F-00	19 - 18	GP7-U7835-00	25 - 19	90110-06040	21 - 25
6D3-R1314-00	13 - 1	F1K-U2521-01	22 - 2	F1K-U417F-00	30 - 4	F1K-U475F-01	20 - 21	GP7-U783F-00	25 - 23	90110-06822	11 - 22
6D3-R1318-00	11 - 25	F1K-U2663-00	20 - 4	F1K-U417F-10	30 - 4	F1K-U491K-00	22 - 3	F1K-U7844-01	25 - 24	90110-08041	7 - 5
6D3-R1319-00	11 - 23	F1K-U2664-00	24 - 3	F1K-U417F-20	30 - 4	GP7-U4953-10	21 - 18	F0D-U7856-10	25 - 32	90110-08212	14 - 5
6D3-R1321-02	11 - 24	F1K-U266B-00	20 - 5	F1K-U417G-00	30 - 5		24 - 14	F1K-U785G-00	25 - 30	90111-05008	18 - 18
6D3-R1333-00-94	11 - 1	F1K-U266C-00	19 - 4	F1K-U417G-10	30 - 5	F1K-U515A-00	20 - 8	F0D-U785G-10	18 - 13	90111-06803	22 - 4
6D3-R1341-00	11 - 32	F1K-U2714-02	27 - 19	F1K-U417G-20	30 - 5	F1K-U516N-02-P0	19 - 1	GP7-U785H-00	25 - 27	90111-08829	28 - 25
60E-R1381-01	12 - 12	F1K-U271B-04	24 - 9	F1K-U417H-00	30 - 6	F1K-U516N-10-P0	19 - 1	F1K-U815D-00	16 - 1	90116-06802	26 - 24
F1K-U043H-00	5 - 17	F1K-U2723-00	19 - 2	F1K-U417H-10	30 - 6	F1K-U517B-00-P0	20 - 1	F1K-U8211-00	18 - 9	90116-10016	8 - 29
F1K-U1316-01	27 - 29	F1K-U273B-03	11 - 36	F1K-U417H-20	30 - 6	F1K-U517B-10-P0	20 - 1	F1K-U821D-00	18 - 12	90116-10619	2 - 4
F1K-U1336-00	27 - 20	F1K-U283B-02	20 - 14	F1K-U417J-00	30 - 7	F1K-U517D-03	20 - 10	F1K-U8221-00	18 - 8	90119-06048	17 - 22
F1K-U134A-00	27 - 13	F1K-U351H-10	22 - 14	F1K-U417J-10	30 - 7	F1K-U517F-01	20 - 19	F1S-U8221-00	25 - 38	90119-06800	11 - 12
F1K-U1355-00	27 - 17	F1K-U351J-10	22 - 15	F1K-U417J-20	30 - 7	F1K-U517H-01	19 - 9		26 - 2	90119-06820	24 - 10
F1K-U135C-00	20 - 11	F1K-U351K-10	22 - 16	F1K-U417K-00	30 - 8	F1K-U517R-00	20 - 12	F1S-U826C-00	17 - 3	90119-06827	11 - 49
F1K-U142D-00	29 - 4	F1K-U351M-10	22 - 17	F1K-U417K-10	30 - 8	F1K-U518E-03	20 - 9	F1K-U826C-01	27 - 10	90119-06835	11 - 6
F1K-U143C-00	28 - 19	F1K-U3581-10	22 - 13	F1K-U417K-20	30 - 8	F1K-U519D-00	19 - 13	F1K-U828K-00	20 - 25	90119-06858	19 - 8
F1K-U143D-01	29 - 2	F1K-U371A-00	24 - 1	F1K-U417L-00	30 - 9	F1K-U5633-02	19 - 14	F1G-U8572-00	11 - 38		27 - 27

NUMERICAL INDEX

PART NO.	REF. NO.	PART NO.	REF. NO.	PART NO.	REF. NO.	PART NO.	REF. NO.	PART NO.	REF. NO.	PART NO.	REF. NO.
90119-069UD	12 - 10	90167-04003	29 - 7	90387-08M30	13 - 3	90465-11829	18 - 16	91380-06025	4 - 25	93608-16M16	9 - 6
90119-069UH	20 - 18	90169-049U1	25 - 20	90387-08M37	16 - 27		25 - 28	91808-16023	1 - 8		14 - 16
	28 - 32	90169-059U1	22 - 9	90387-11002	9 - 20	90465-12M53	8 - 9	92903-06600	1 - 24	94591-49130	4 - 21
90119-069UK	11 - 40	90176-10001	1 - 16	90401-20145	2 - 26	90465-13M18	17 - 23	92990-06100	15 - 10	94702-00409	17 - 7
90119-069UP	24 - 5		8 - 30	90430-06014	1 - 11	90467-089U1	18 - 14	92990-10600	17 - 9	95023-06012	1 - 10
90119-069UX	13 - 4	90179-08327	3 - 9	90430-09002	6 - 15	90467-110A1	7 - 30	92990-12200	21 - 22	95027-06010	2 - 22
90119-06M35	16 - 21	90179-10006	1 - 14	90430-12002	11 - 45	90467-150A0	10 - 6	92995-06600	8 - 34	95380-06700	15 - 11
90119-06M65	7 - 23	90179-10414	1 - 15	90445-14008	11 - 28	90467-160A0	9 - 2	92999-05200	21 - 35	9538R-06600	13 - 7
90119-08031	9 - 13	90183-06902	19 - 7	90445-16005	9 - 1		10 - 20	92999R-06200	19 - 5	9538R-06700	27 - 8
90119-08034	7 - 14	90201-05014	14 - 21	90445-16006	11 - 26	90467-170A0	7 - 25		20 - 17	9572R-05300	21 - 36
90119-08036	9 - 7	90201-06801	13 - 6	90445-18007	10 - 19		8 - 32		22 - 5	9572R-06300	11 - 51
90119-08043	7 - 15	90201-06906	27 - 7	90445-18M03	10 - 21	90467-200A0	10 - 4		24 - 11		19 - 6
90119-08045	7 - 13	90201-096J9	2 - 6	90445-20805	21 - 1		21 - 14		26 - 25		20 - 16
90119-08050	6 - 21	90201-099U3	2 - 32	90445-21004	10 - 34	90467-210A0	10 - 29	92999R-08200	19 - 19		22 - 6
90119-08074	6 - 22		16 - 2	90445-21007	10 - 15		21 - 15	93101-21001	11 - 17		24 - 12
90119-08075	9 - 8		24 - 7	90445-21805	10 - 1	90468-12069	3 - 6		33 - 16		25 - 15
90119-08085	7 - 6	90201-10013	1 - 12	90445-22003	10 - 28	90480-06M46	8 - 36	93101-21002	11 - 18		26 - 27
90119-08823	2 - 31	90201-10019	1 - 13	90446-14M23	17 - 12	90480-21M63	9 - 19		33 - 15	9572R-08300	5 - 15
	11 - 37	90201-103U7	14 - 11	90446-20MF5	11 - 29	90480-22M15	5 - 9	93101-25M55	12 - 4		16 - 3
90119-08826	28 - 21	90201-12017	11 - 44	90446-24M79	10 - 7		16 - 28		33 - 12		17 - 2
90119-08827	21 - 30	90201-248M5	12 - 9	90446-27M55	21 - 3	90600-917U4	18 - 25	93101-25M56	12 - 7		19 - 20
90119-08836	28 - 30	90209-25008	3 - 20	90447-06800	27 - 11		21 - 9		33 - 13		21 - 17
90119-089U7	11 - 52	90267-329UR	25 - 22	90447-22001	10 - 16		23 - 3	93101-35004	3 - 13		24 - 8
90119-089UF	11 - 34	90267-47801	22 - 12	90447-22004	10 - 2		25 - 9		33 - 6		27 - 18
	13 - 2	90267-48806	23 - 12	90447-22005	10 - 30		26 - 13	93210-06667	2 - 21	95880-06016	17 - 6
90119-089UR	2 - 30		28 - 29	90450-17M17	6 - 11		27 - 31	93210-08001	2 - 24	97013-06055	1 - 23
90119-089UU	12 - 16	90267-489U1	18 - 11	90450-57006	6 - 17	90601-118UF	11 - 27	93210-18322	8 - 2	97513-05514	14 - 9
	28 - 34		25 - 34	90450-88M15	9 - 17		21 - 4	93210-18417	1 - 29	97513-06520	2 - 19
90119-08M22	5 - 11		26 - 5	90450-94001	9 - 32		26 - 16	93210-464A3	11 - 21	97513-06525	7 - 4
	16 - 29	90267-489U2	25 - 5	90450-99004	9 - 31	90601-155U4	25 - 25		33 - 14	97513-06535	7 - 17
90119-10011	9 - 21	90267-489U6	18 - 26	90450-99005	9 - 15	90601-162U5	12 - 17	93210-60ME8	17 - 21	97513-06555	7 - 16
90119-10013	9 - 23		20 - 3	90464-12089	5 - 10	90601-175UR	5 - 16	93212-04001	14 - 17	97513-08520	1 - 27
90119-10016	14 - 14		23 - 4	90464-18006	7 - 28		26 - 9	93306-07801	3 - 14	97513-08530	15 - 9
90119-10017	9 - 22		25 - 7	90464-21001	7 - 27	90601-200U1	18 - 20	93306-205A3	12 - 6	97595-06416	17 - 11
90119-10020	8 - 4		26 - 14	90464-31001	1 - 25		21 - 12	93306-205U0	11 - 15	97595-06520	2 - 14
90119-10804	24 - 17		27 - 12		10 - 37	90601-200U2	18 - 30	93306-27211	11 - 13		8 - 11
90119-10805	11 - 41	90267-489U8	21 - 11	90464-32801	18 - 27	90601-200U7	23 - 6	93306-30441	7 - 8	97595-08540	2 - 15
90119-10836	11 - 4	90267-489U9	17 - 4		21 - 10	90605-502U1	19 - 12	93306-30610	3 - 16	97880-03008	28 - 14
90119-10837	11 - 31	90269-08801	20 - 22		23 - 8	91317-05010	14 - 20	93430-47M04	12 - 5	97880-05025	28 - 17
90119-10M02	8 - 28	90269-09805	19 - 3		25 - 11	91317-05014	8 - 6	93440-07149	1 - 5	9788R-05025	21 - 34
90119-10M19	14 - 15	90280-03047	14 - 12		26 - 15	91317-05016	8 - 21	93440-10153	1 - 6	98580-05025	28 - 11
90149-05903	29 - 6	90340-27001	1 - 7		27 - 32	91317-06014	8 - 8	93440-28062	3 - 21	98780-04015	8 - 13
90150-05807	18 - 24	90387-06080	11 - 48	90464-35132	10 - 38		14 - 19	93603-14M15	2 - 17	99009-52500	7 - 9
90151-05802	27 - 21	90387-06M05	8 - 10		16 - 30	91317-06016	1 - 30	93606-12019	9 - 11	99009-72500	3 - 17
90154-06017	29 - 5	90387-06M30	13 - 5	90464-40825	5 - 18		7 - 11		11 - 7	99530-08012	2 - 23
90159-05013	5 - 5	90387-06M60	12 - 11		27 - 34	91317-06035	14 - 8	93606-25M00	7 - 19	99530-10014	2 - 2
90159-05014	5 - 6	90387-08816	21 - 31	90464-99804	23 - 5	91380-06016	17 - 16	93607-54002	4 - 28	99590-14016	11 - 3
90159-059U2	20 - 7	90387-08M06	11 - 35	90465-11829	11 - 30	91380-06020	8 - 35	93608-16M16	7 - 18	99780-12600	21 - 21