

PARTS CATALOGUE

WaveRunner VX Cruiser/Deluxe

VX1100A-G (F1KM,F1KN,F1KP/6D3M,6D3N,6D3P/6D32)

VX1100B-G (F1KR,F1KS,F1KT/6D3M,6D3N,6D3P/6D32)

MJ-VX1100 '08 (F1KM,F1KR/6D3M/6D32)



1GF1K-100E1

(2GF1K-100E1)

2009/2/27

NEWS NO.	DATE	COMMENT
PE0-WV-080001	Feb.,26,2008	MOD:VX1100(A/B/C)-G(F1K*) FIG.28 STEERING 1 LIST/ILLUSTRATION REVISION
PE0-WV-080004	Mar.,17,2008	FIG.15 STARTING MOTOR LIST/ILLUST REVISION
PE0-WV-090003	Feb.,18,2009	IMPORTANT LABELS LIST CORRECTION
PE0-WV-090004	Feb.,18,2009	IMPORTANT LABELS LIST CORRECTION
PE0-WV-090006	Feb.,18,2009	IMPORTANT LABELS LIST CORRECTION

VX1100A-G/VX1100B-G
PARTS CATALOGUE
©2007 by Yamaha Motor Co., Ltd.
1st edition, August 2007
All rights reserved.
Any reprinting or unauthorized use
without the written permission of
Yamaha Motor Co., Ltd.
is expressly prohibited.
Printed in Japan.

A3

FOREWORD

This Parts Catalogue is related to the parts for the model(s) on the cover page. When you are ordering replacement parts, please refer to this Parts Catalogue and quote both part numbers and part names correctly.

1. Modifications or additions which have been made after the issue of the Parts Catalogue will be announced in the Parts News.

It is advisable that you make the necessary corrections to the Parts Catalogue according to the Parts News.

2. Abbreviations

The following abbreviations are used in this Parts Catalogue.

“UR” Use specified parts number.

“UN” Use as many as needed.

“AP” Alternate Parts

“LM” Locally Made (Parts need to be ordered locally)

“F#” Frame No. (Applicable machine No.)

“O/S” Over Size

3. The number of components for assembly

- Parts, which are to be supplied in an assembly, are listed with a dot (.) in front of the part name as shown below.
- The numeral appearing to the right of each component part indicates the quantity of parts for each assembly unit.

PART NO.	DESCRIPTION	Q'TY	REMARKS
2F5-83310-60	FRONT FLASHER LIGHT ASSY	2	
115-83311-60	.BULB (6V-18W)	1	

4. Applicable colours of graphics are represented in the “REMARKS” as shown below.

PART NO.	DESCRIPTION	Q'TY	REMARKS
2N4-24110-00-X5	FUEL TANK COMP.	2	MXR
3J1-24240-10	.GRAPHIC, FUEL TANK	1	FOR MXR

5. Note that the illustrations for reference in finding parts numbers are not to be used for assembling. When assembling, please use the applicable service manual.

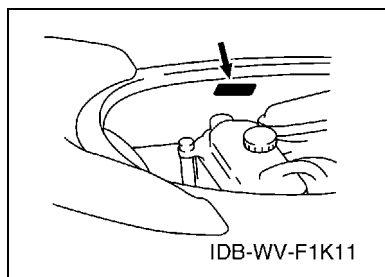
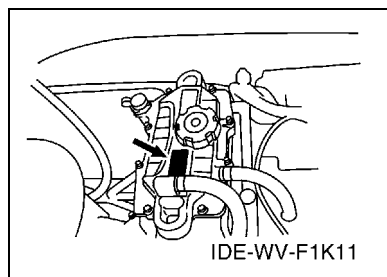
6. The asterisk (*) before a reference number indicates modified items after the first edition.

FOREWORD

7. Applicable Serial No.

Engine Serial No.

Hull Serial No.



8. Applicable Colour Code (The (*) mark shows Model colour.)

Abbreviation	Colour Name	Colour Code
DPBSP(*)	DEEP PURPLISH BLUE SOLID P	0931
PURW(*)	PURE WHITE	0240
SS4(*)	BLACK SOLID 4	008P
SSA(*)	BLACK SOLID A	1000
LYNM	LIGHT YELLOWISH GRAY ME C	1079
NME	GRAY METALLIC E	1049
DPBMT	DEEP PURPLISH BLUE METALLIC T	0978

9. Quantity Column Information

Column No.	Name Of Q'ty Column	Destination
1	USA	U.S.A.
2	CAN	CANADA
3	GENE	EXCEPT U.S.A., CANADA, JAPAN
4	JPN	JAPAN

10. Applicable Starting Serial No.

Engine Serial No.

Serial No.	Name Of Q'ty Column	Model Code
6D3-1054001	USA	6D3M
6D3-1054001	CAN	6D3M
6D3-1054001	GENE	6D3N
6D3-1054001		6D3P
6D3-1054001	JPN	6D3M

Hull Serial No.

Serial No.	Name Of Q'ty Column	Model Code
F1K-854102	USA	F1KM
F1K-854301		F1KR
F1K-854101	CAN	F1KM
F1K-855201		F1KR
F1K-854701	GENE	F1KN
F1K-855101		F1KP
F1K-854801		F1KS
F1K-854901		F1KT
F1K-854102	JPN	F1KM
F1K-854301		F1KR

CONTENTS

CYLINDER	B2
CRANKCASE	B4
CRANKSHAFT & PISTON	B6
VALVE	B8
INTAKE	B10
INTAKE 2	B11
OIL PUMP	B12
OIL COOLER	B14
EXHAUST 1	C2
EXHAUST 2	C4
JET UNIT 1	C6
JET UNIT 2	C8
JET UNIT 3	C9
GENERATOR	C10
STARTING MOTOR	C11
ELECTRICAL 1	C12
ELECTRICAL 2	C14
ELECTRICAL 3	D2
ENGINE HATCH 1	D4
ENGINE HATCH 2	D5
HULL & DECK	D6
GUNWALE & MAT	D8
VENTILATION	D9
SEAT & UNDER LOCKER	D10
FUEL TANK	D11
EXHAUST 3	D13
CONTROL CABLE	D14
STEERING 1	E2
STEERING 2	E4
GRAPHICS	E5
IMPORTANT LABELS	E7
IMPORTANT LABELS 2	E8
IMPORTANT LABELS 3	E9
IMPORTANT LABELS 4	E10
REPAIR KIT 1	E11

INDEX

NUMERICAL INDEX	M1
-----------------------	----

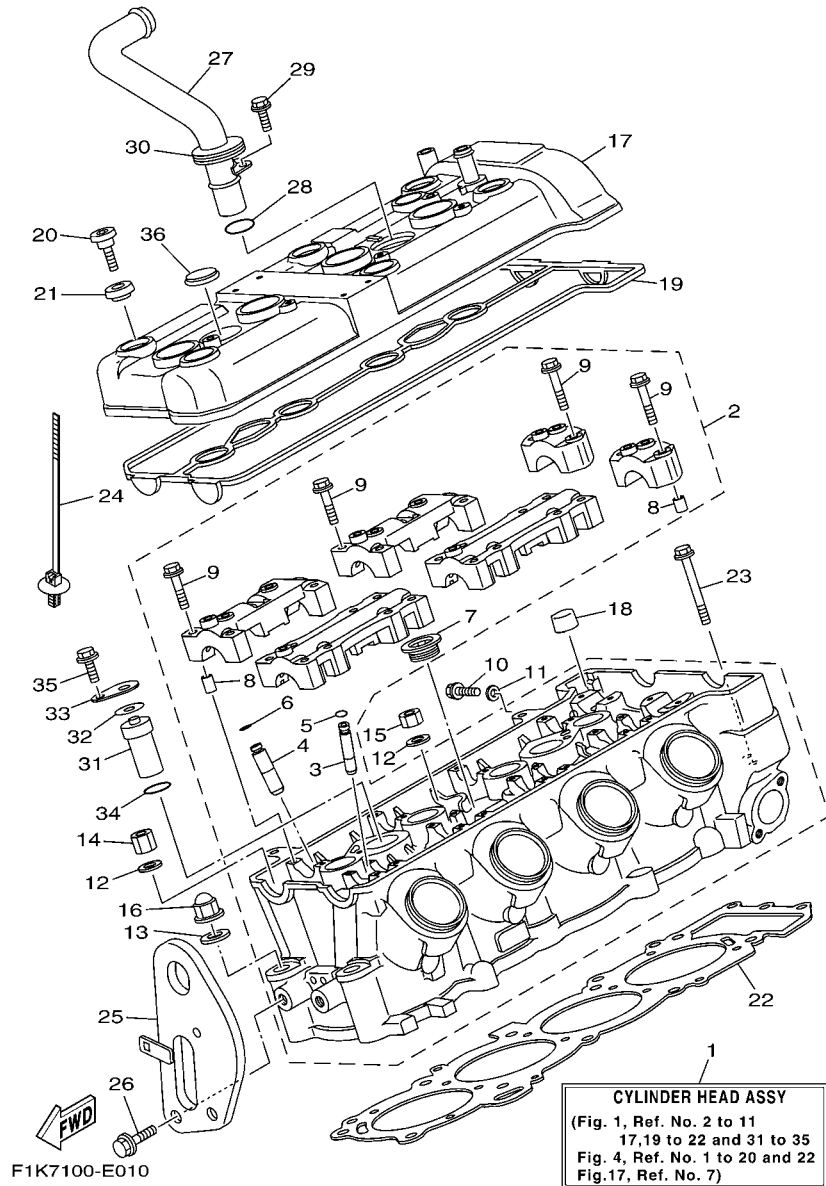
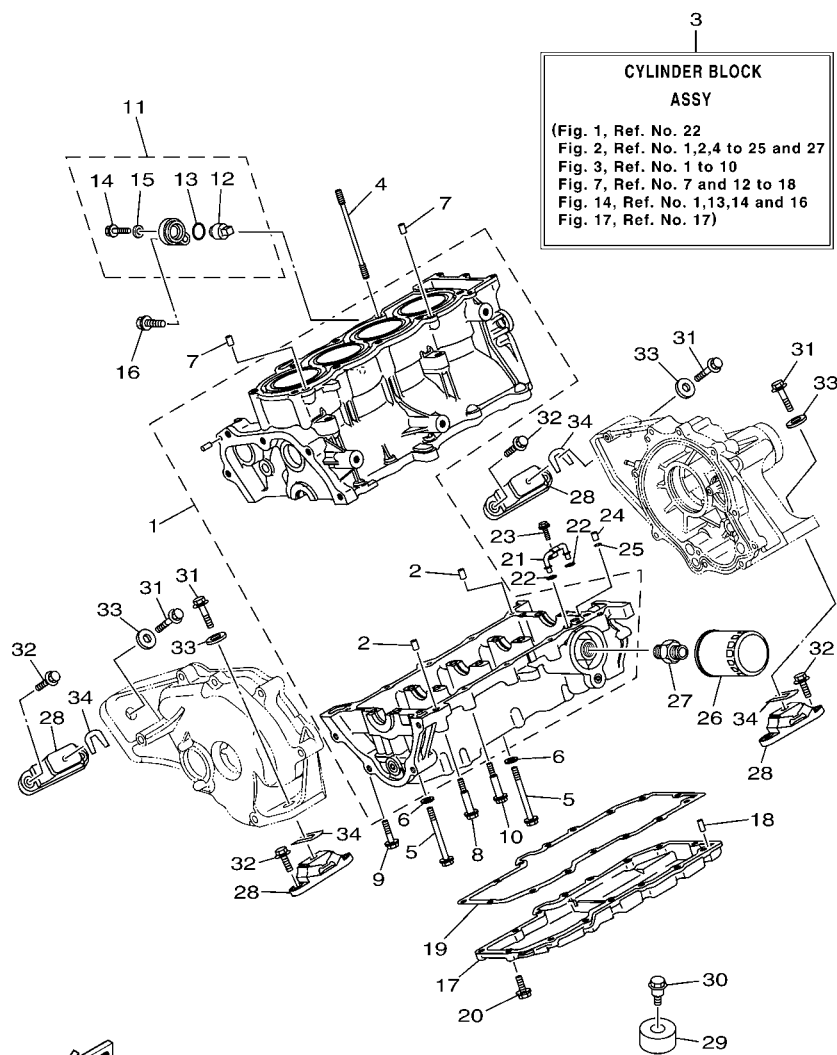


FIG. 1 CYLINDER

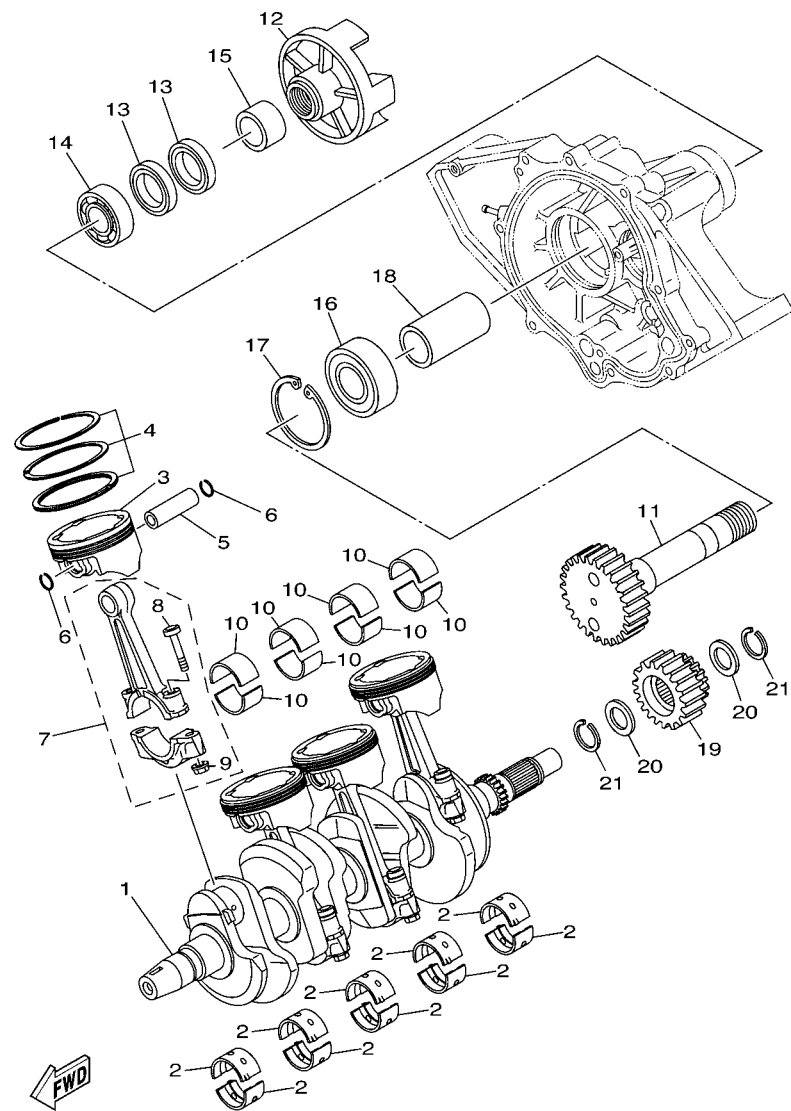
REF. NO.	PART NO.	DESCRIPTION	USA	CAN	GENE	JPN	REMARKS
1	6D3-W009A-10-94	CYLINDER HEAD ASSY	1	1	1	1	
2	6D3-11102-00-94	CYLINDER HEAD ASSY	1	1	1	1	
3	3TJ-11133-10	.GUIDE, VALVE	12	12	12	12	
4	1WG-11133-11	.GUIDE, VALVE	8	8	8	8	
5	93440-07149	.CIRCLIP	12	12	12	12	
6	93440-10153	.CIRCLIP	8	8	8	8	
7	90340-27001	.PLUG, STRAIGHT SCREW	1	1	1	1	
8	91808-16023	.PIN, DOWEL	12	12	12	12	
9	90105-06026	.BOLT, FLANGE	28	28	28	28	
10	95023-06012	BOLT	1	1	1	1	
11	90430-06014	GASKET	1	1	1	1	
12	90201-10013	WASHER, PLATE	8	8	8	8	
13	90201-10019	WASHER, PLATE	2	2	2	2	
14	90179-10006	NUT	3	3	3	3	
15	90179-10414	NUT	5	5	5	5	
16	90176-10001	NUT, CROWN	2	2	2	2	
17	6D3-11191-01-94	COVER, CYLINDER HEAD 1	1	1	1	1	
18	6D3-1118A-00	COVER	1	1	1	1	
19	60E-11193-01	GASKET, HEAD COVER 1	1	1	1	1	
20	90109-066F0	BOLT	6	6	6	6	
21	4KG-1111G-00	RUBBER, MOUNT 1	6	6	6	6	
22	6D3-11181-00	GASKET, CYLINDER HEAD 1	1	1	1	1	
23	97513-06555	BOLT, WITH WASHER	3	3	3	3	
24	90464-31001	CLAMP	1	1	1	1	
25	6D3-85132-00	BRACKET, REFLECTOR 1	1	1	1	1	
26	97513-08520	BOLT, WITH WASHER	2	2	2	2	
27	6D3-12482-00	PIPE 2	1	1	1	1	



FWD
F1KD100-F020

FIG. 2 CRANKCASE

REF. NO.	PART NO.	DESCRIPTION	USA	CAN	GENE	JPN	REMARKS
1	6D3-15100-00-94	CRANKCASE ASSY	1	1	1	1	
2	99530-10014	.PIN, DOWEL	2	2	2	2	
3	6D3-W009B-10-94	CYLINDER BLOCK ASSY	1	1	1	1	
4	90116-10619	BOLT, STUD	10	10	10	10	
5	90105-093A5	BOLT, FLANGE	10	10	10	10	
6	90201-096J9	WASHER, PLATE	10	10	10	10	
7	99530-10014	PIN, DOWEL	2	2	2	2	
8	90109-06051	BOLT	2	2	2	2	
9	90105-06033	BOLT, FLANGE	1	1	1	1	
10	90105-06M17	BOLT, FLANGE	7	7	7	7	
11	69J-11301-00	ANODE COVER ASSY	1	1	1	1	EXCEPT EUR,OCE
	69J-11301-10	ANODE COVER ASSY			1		FOR EUR,OCE
12	67F-11325-01	.ANODE	1	1	1	1	EXCEPT EUR,OCE
	68V-11325-02	.ANODE			1		FOR EUR,OCE
13	67F-11328-00	.GROMMET, ANODE	1	1	1	1	
14	90105-06M07	.BOLT, FLANGE	1	1	1	1	
15	90430-06M03	.GASKET	1	1	1	1	
16	97595-08540	BOLT, WITH WASHER	1	1	1	1	
17	6B6-1310A-00-94	PAN, OIL	1	1	1	1	
18	93603-14M15	PIN, DOWEL	2	2	2	2	
19	6B6-13557-01	GASKET	1	1	1	1	
20	97513-06520	BOLT, WITH WASHER	15	15	15	15	
21	60E-13161-00	PIPE, DELIVERY 1	1	1	1	1	
22	93210-06667	O-RING	2	2	2	2	
23	95027-06010	BOLT, FLANGE	1	1	1	1	
24	99530-08012	PIN, DOWEL	1	1	1	1	
25	93210-08001	O-RING	1	1	1	1	

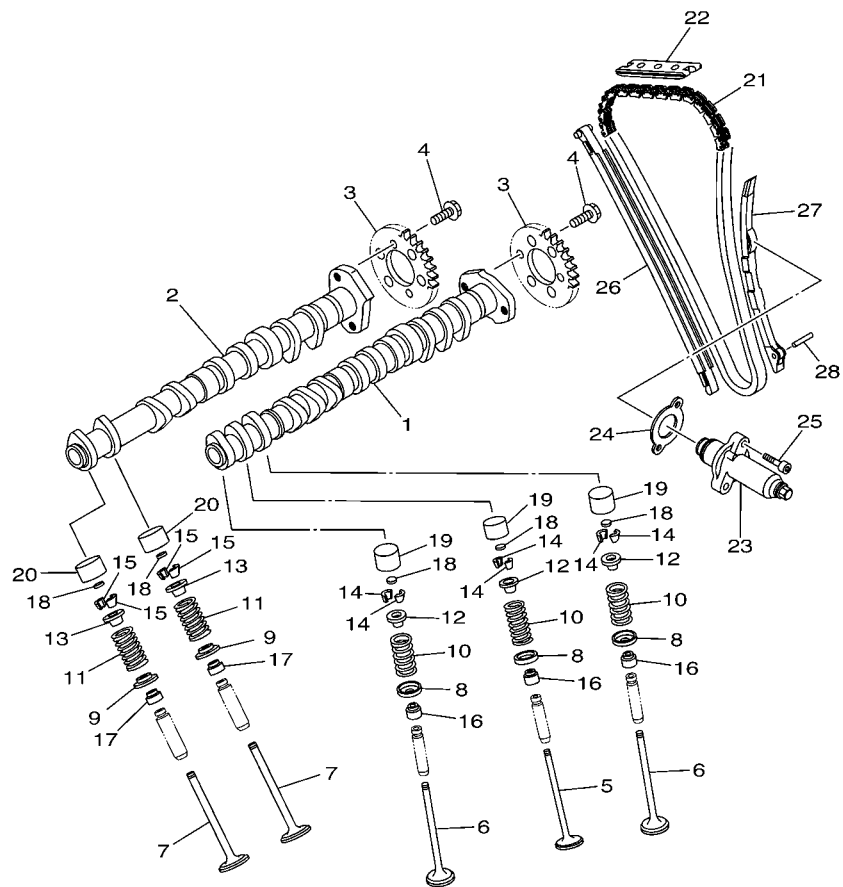


F1K1100-D030

FIG. 3 CRANKSHAFT & PISTON

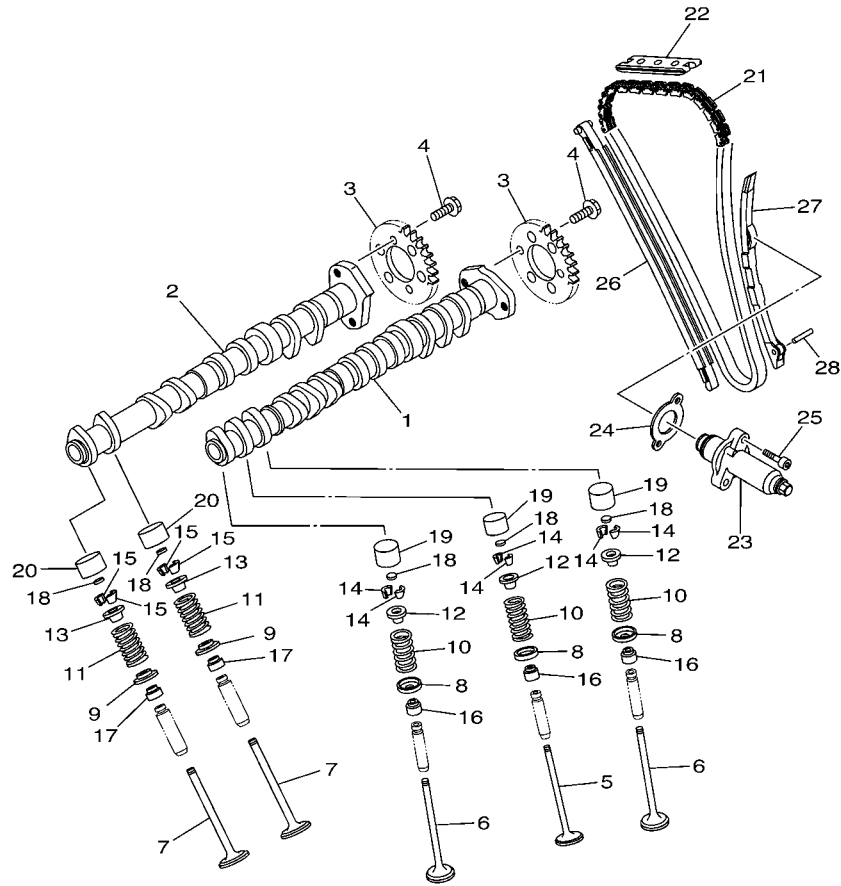
REF. NO.	PART NO.	DESCRIPTION	USA	CAN	GENE	JPN	REMARKS
1	60E-11411-11	CRANKSHAFT	1	1	1	1	
2	6D3-11416-A0	PLANE BEARING, CRANKSHAFT 1	10	10	10	10	UR RED
	6D3-11416-00	PLANE BEARING, CRANKSHAFT 1	10	10	10	10	UR BROWN
	6D3-11416-10	PLANE BEARING, CRANKSHAFT 1	10	10	10	10	UR BLACK
	6D3-11416-20	PLANE BEARING, CRANKSHAFT 1	10	10	10	10	UR BLUE
	6D3-11416-30	PLANE BEARING, CRANKSHAFT 1	10	10	10	10	UR GREEN
3	6D3-11631-00-B0	PISTON (STD)	4	4	4	4	
4	6D3-11603-00	PISTON RING SET (STD)	4	4	4	4	
5	4XV-11633-00	PIN, PISTON	4	4	4	4	
6	90468-12069	CLIP	8	8	8	8	
7	6D3-11650-00	CONNECTING ROD ASSY	4	4	4	4	
8	5JW-11654-00	.BOLT, CONNECTING ROD	2	2	2	2	
9	90179-08327	.NUT	2	2	2	2	
10	60E-11656-00	PLANE BEARING, CONNECTING ROD	8	8	8	8	UR BROWN
	60E-11656-10	PLANE BEARING, CONNECTING ROD	8	8	8	8	UR BLACK
	60E-11656-20	PLANE BEARING, CONNECTING ROD	8	8	8	8	UR BLUE
	60E-11656-30	PLANE BEARING, CONNECTING ROD	8	8	8	8	UR GREEN
11	6D3-17572-00	SHAFT, TRANSFER	1	1	1	1	
12	6D3-45813-00-94	FLANGE, COUPLING	1	1	1	1	
13	93101-35004	OIL SEAL	2	2	2	2	
14	93306-07801	BEARING	1	1	1	1	
15	6B6-11478-00	COLLAR	1	1	1	1	
16	93306-30610	BEARING	1	1	1	1	
17	99009-72500	CIRCLIP	1	1	1	1	
18	6B6-17585-00	COLLAR, GEAR	1	1	1	1	
19	6B6-17586-00	GEAR, TRANSFER DRIVE	1	1	1	1	
20	90209-25008	WASHER	2	2	2	2	

FIG. 4 VALVE



FWD
F1K1100-D040

REF. NO.	PART NO.	DESCRIPTION	USA	CAN	GENE	JPN	REMARKS
1	6D3-12171-11	CAMSHAFT 1	1	1	1	1	
2	6D3-12181-00	CAMSHAFT 2	1	1	1	1	
3	6D3-12176-00	SPROCKET, CAM CHAIN	2	2	2	2	
4	90105-07004	BOLT, FLANGE	4	4	4	4	
5	4XV-12111-00	VALVE, INTAKE	4	4	4	4	
6	4XV-12112-00	VALVE, INTAKE 2	8	8	8	8	
7	5LV-12121-00	VALVE, EXHAUST	8	8	8	8	
8	1HX-12116-01	SEAT, VALVE SPRING	12	12	12	12	
9	3GM-12126-00	SEAT, VALVE SPRING 2	8	8	8	8	
10	4XV-12113-00	SPRING, VALVE INNER	12	12	12	12	
11	4XV-12114-00	SPRING, VALVE OUTER	8	8	8	8	
12	1HX-12117-00	RETAINER, VALVE SPRING	12	12	12	12	
13	1WG-12117-00	RETAINER, VALVE SPRING	8	8	8	8	
14	1HX-12118-00	COTTER, VALVE	24	24	24	24	
15	1WG-12118-00	COTTER, VALVE	16	16	16	16	
16	4TV-12119-00	SEAL, VALVE STEM	12	12	12	12	
17	4SV-12119-00	SEAL, VALVE STEM	8	8	8	8	
18	1HX-12168-00	PAD, ADJUSTING 2 (1.20)	20	20	20	20	UR
	1HX-12168-20	PAD, ADJUSTING 2 (1.25)	20	20	20	20	UR
	1HX-12168-40	PAD, ADJUSTING 2 (1.30)	20	20	20	20	UR
	1HX-12168-60	PAD, ADJUSTING 2 (1.35)	20	20	20	20	UR
	1HX-12168-80	PAD, ADJUSTING 2 (1.40)	20	20	20	20	UR
	1HX-12168-A0	PAD, ADJUSTING 2 (1.45)	20	20	20	20	UR
	1HX-12168-F0	PAD, ADJUSTING 2 (1.50)	20	20	20	20	UR
	1HX-12168-H1	PAD, ADJUSTING 2 (1.55)	20	20	20	20	UR
	1HX-12168-K1	PAD, ADJUSTING 2 (1.60)	20	20	20	20	UR
	1HX-12168-M1	PAD, ADJUSTING 2 (1.65)	20	20	20	20	UR



F1K1100-D040

FIG. 4 VALVE

REF. NO.	PART NO.	DESCRIPTION	USA	CAN	GENE	JPN	REMARKS
18	1HX-12168-R1	PAD, ADJUSTING 2 (1.70)	20	20	20	20	UR
	1HX-12168-U1	PAD, ADJUSTING 2 (1.75)	20	20	20	20	UR
	1HX-12168-W1	PAD, ADJUSTING 2 (1.80)	20	20	20	20	UR
	1HX-12168-Y1	PAD, ADJUSTING 2 (1.85)	20	20	20	20	UR
	1HX-12169-11	PAD, ADJUSTING 2 (1.90)	20	20	20	20	UR
	1HX-12169-31	PAD, ADJUSTING 2 (1.95)	20	20	20	20	UR
	1HX-12169-50	PAD, ADJUSTING 2 (2.00)	20	20	20	20	UR
	1HX-12169-70	PAD, ADJUSTING 2 (2.05)	20	20	20	20	UR
	1HX-12169-90	PAD, ADJUSTING 2 (2.10)	20	20	20	20	UR
	1HX-12169-E0	PAD, ADJUSTING 2 (2.15)	20	20	20	20	UR
	1HX-12169-G0	PAD, ADJUSTING 2 (2.20)	20	20	20	20	UR
	1HX-12169-J0	PAD, ADJUSTING 2 (2.25)	20	20	20	20	UR
	1HX-12169-L0	PAD, ADJUSTING 2 (2.30)	20	20	20	20	UR
	1HX-12169-N0	PAD, ADJUSTING 2 (2.35)	20	20	20	20	UR
	1HX-12169-T0	PAD, ADJUSTING 2 (2.40)	20	20	20	20	UR
19	3LN-12153-10	LIFTER, VALVE	12	12	12	12	YELLOW
20	3FV-12153-10	LIFTER, VALVE	8	8	8	8	YELLOW
21	94591-49130	CHAIN	1	1	1	1	
22	5BE-12241-00	GUIDE, STOPPER 2	1	1	1	1	
23	6D3-12210-00	TENSIONER ASSY, CAM CHAIN	1	1	1	1	
24	4FM-12213-00	GASKET, TENSIONER CASE	1	1	1	1	
25	91380-06025	BOLT	2	2	2	2	
26	6D3-12251-00	DAMPER, CHAIN 1	1	1	1	1	
27	4XV-12252-00	DAMPER, CHAIN 2	1	1	1	1	
28	93607-54002	PIN, DOWEL	1	1	1	1	

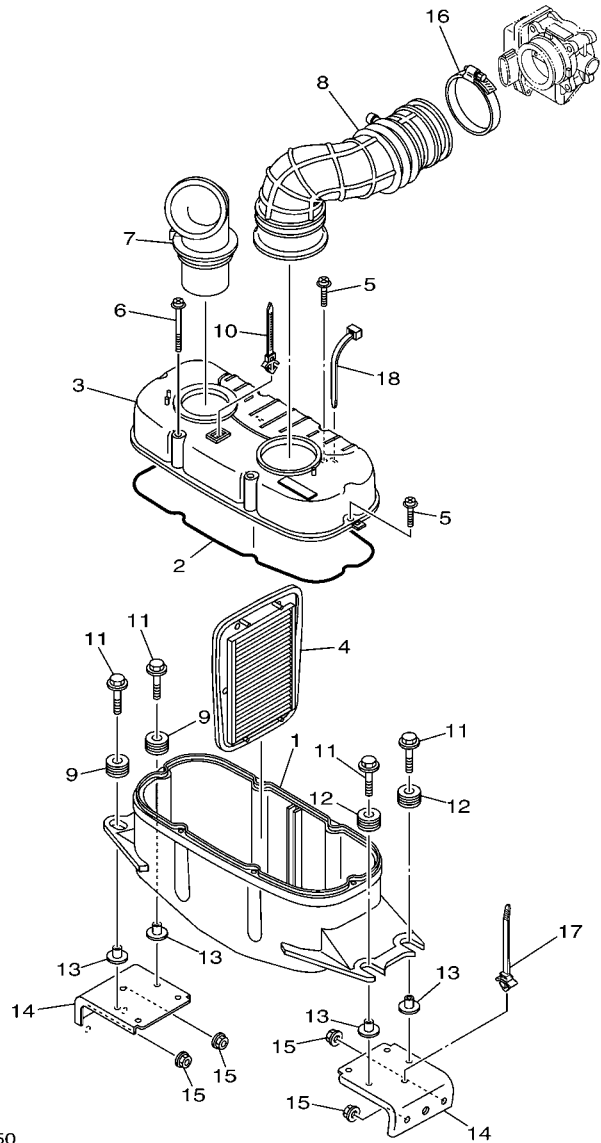
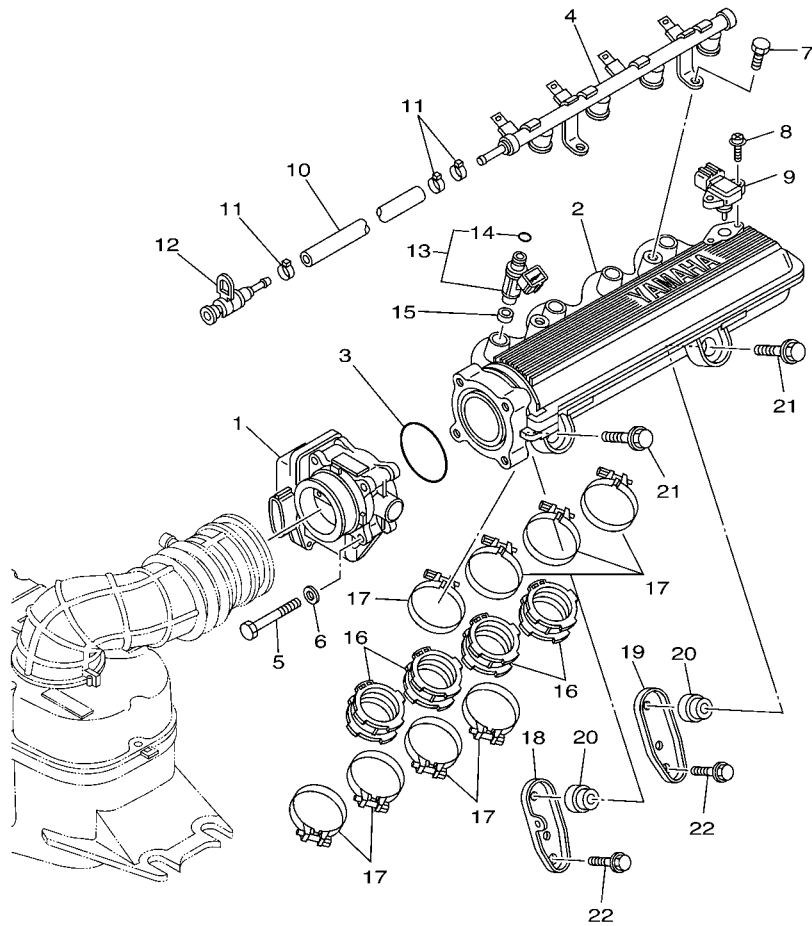


FIG. 5 INTAKE

REF. NO.	PART NO.	DESCRIPTION	USA	CAN	GENE	JPN	REMARKS
1	6D3-14411-00	CASE, AIR CLEANER 1	1	1	1	1	
2	4XV-14452-00	SEAL	1	1	1	1	
3	6D3-14421-02	CASE, AIR CLEANER 2	1	1	1	1	
4	6D3-14451-00	ELEMENT, AIR CLEANER	1	1	1	1	
5	90159-05013	SCREW, WITH WASHER	4	4	4	4	
6	90159-05014	SCREW, WITH WASHER	2	2	2	2	
7	6D3-14437-00	DUCT	1	1	1	1	
8	6D3-14419-01	PIPE	1	1	1	1	
9	90480-22M15	GROMMET	2	2	2	2	
10	90464-12089	CLAMP	1	1	1	1	
11	90119-08M22	BOLT, WITH WASHER	4	4	4	4	
12	90480-22M15	GROMMET	2	2	2	2	
13	6D3-14495-00	COLLAR	4	4	4	4	
14	F1K-U8572-02	BRACKET 2	2	2	2	2	
15	9572R-08300	NUT, FLANGE	4	4	4	4	
16	90601-175UR	BAND, HOSE 75	1	1	1	1	
17	90464-38800	CLAMP	1	1	1	1	
18	90464-40825	CLAMP	2	2	2	2	



FWD
F1K1100-D060

FIG. 6 INTAKE 2

REF. NO.	PART NO.	DESCRIPTION	USA	CAN	GENE	JPN	REMARKS
1	6D3-13750-00	THROTTLE BODY ASSY	1	1	1	1	
2	6D3-13641-00	MANIFOLD 1	1	1	1	1	
3	6D3-14457-00	SEAL	1	1	1	1	
4	6D3-12880-00	DELIVERY PIPE	1	1	1	1	
5	68V-13573-00	BOLT 1	4	4	4	4	
6	68V-14475-00	WASHER	4	4	4	4	
7	63P-14446-00	BOLT	2	2	2	2	
8	6D3-81147-00	SCREW 3	2	2	2	2	
9	68F-83688-00	SENSOR ASSY	1	1	1	1	
10	6D3-14294-00	HOSE (L600)	1	1	1	1	
11	90450-17M17	HOSE CLAMP ASSY	3	3	3	3	
12	60E-24300-01	FUEL PIPE JOINT	1	1	1	1	
13	60E-13761-10	INJECTOR	4	4	4	4	
14	60E-14147-00	.O-RING	1	1	1	1	
15	90430-09002	GASKET	4	4	4	4	
16	6D3-13795-01	JOINT, THROTTLE BODY 1	4	4	4	4	
17	90450-57006	HOSE CLAMP ASSY	8	8	8	8	
18	6D3-14413-00	STAY	1	1	1	1	
19	6D3-14414-00	STAY 2	1	1	1	1	
20	60E-14449-00-94	COLLAR	2	2	2	2	
21	90119-08050	BOLT, WITH WASHER	2	2	2	2	
22	90119-08074	BOLT, WITH WASHER	2	2	2	2	

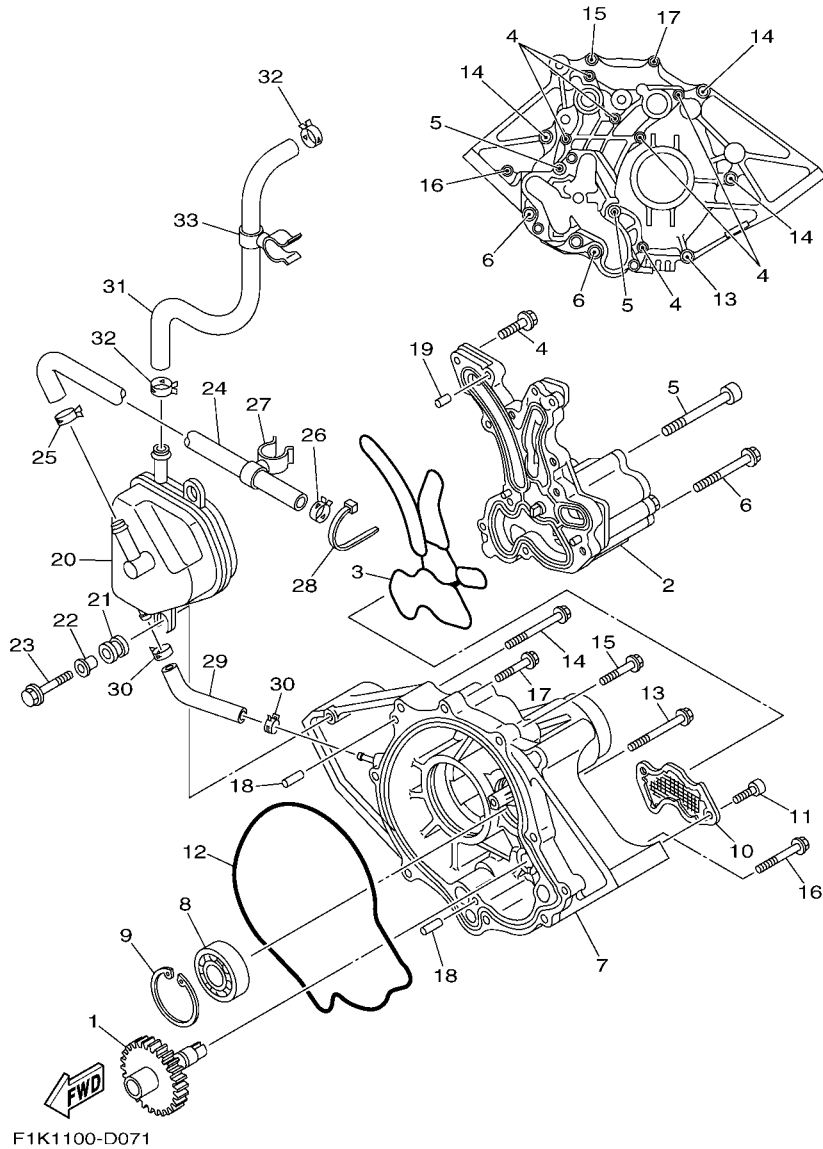
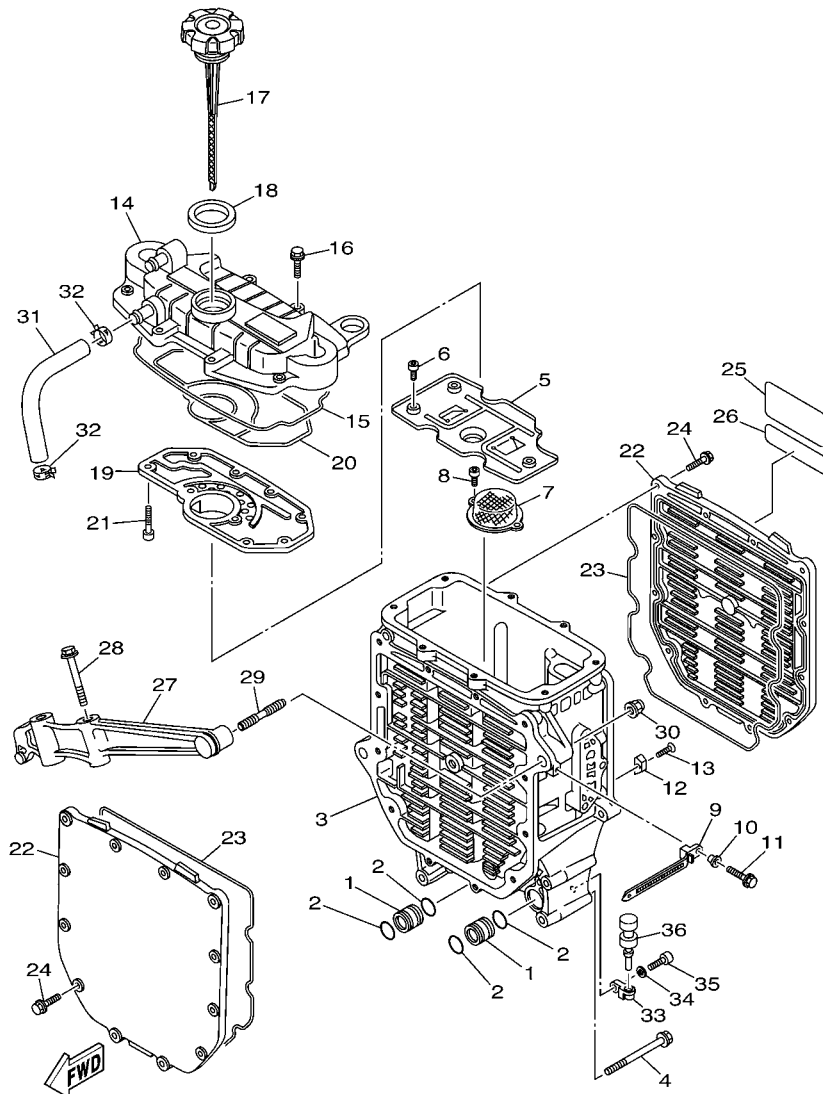


FIG. 7 OIL PUMP

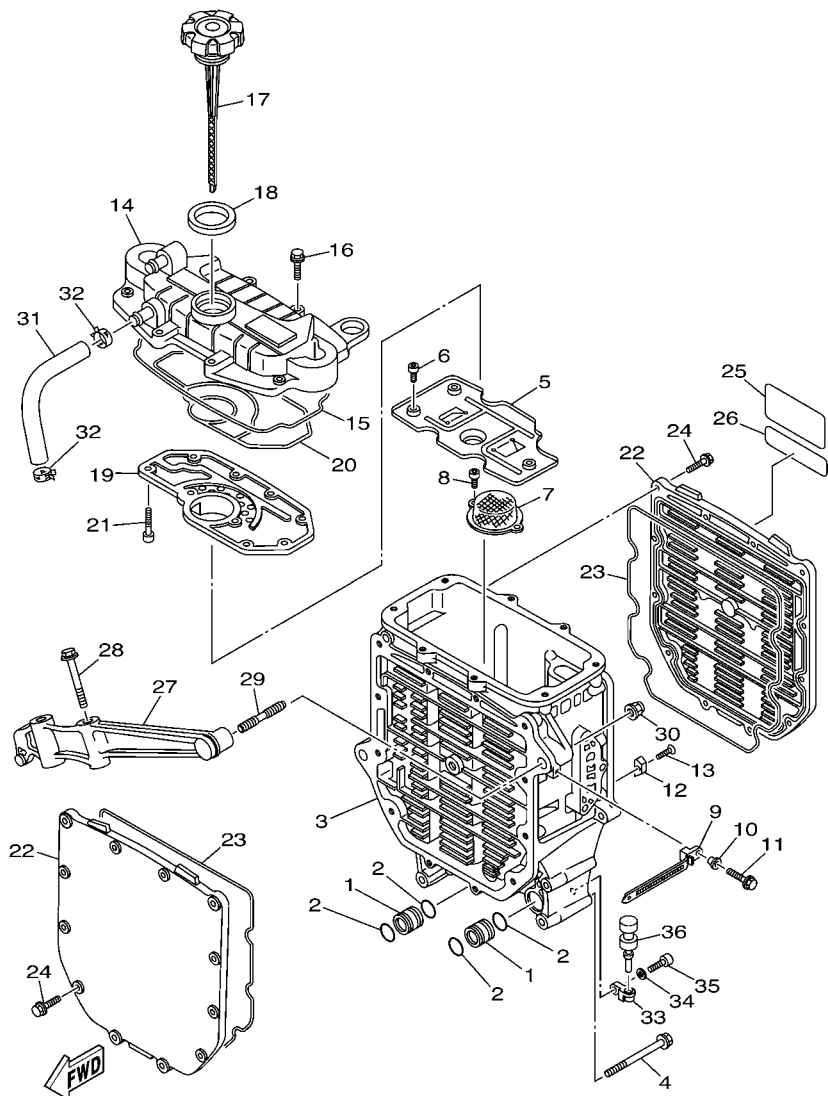
REF. NO.	PART NO.	DESCRIPTION	USA	CAN	GENE	JPN	REMARKS
1	6B6-13360-00	DRIVEN GEAR ASSY	1	1	1	1	
2	6D3-13300-01	OIL PUMP ASSY	1	1	1	1	
3	6D3-13563-00	GASKET	1	1	1	1	
4	97513-06525	BOLT, WITH WASHER	6	6	6	6	
5	90110-08041	BOLT, HEXAGON SOCKET HEAD	2	2	2	2	
6	90119-08085	BOLT, WITH WASHER	2	2	2	2	
7	6B6-13327-01-94	COVER, PUMP GEAR	1	1	1	1	
8	93306-30441	BEARING	1	1	1	1	
9	99009-52500	CIRCLIP	1	1	1	1	
10	6B6-13411-00	STRAINER, OIL	1	1	1	1	
11	91317-06016	BOLT	2	2	2	2	
12	6B6-13475-01	GASKET	1	1	1	1	
13	90119-08045	BOLT, WITH WASHER	1	1	1	1	
14	90119-08034	BOLT, WITH WASHER	3	3	3	3	
15	90119-08043	BOLT, WITH WASHER	1	1	1	1	
16	97513-06555	BOLT, WITH WASHER	1	1	1	1	
17	97513-06535	BOLT, WITH WASHER	1	1	1	1	
18	93608-16M16	PIN, DOWEL	2	2	2	2	
19	93606-25M00	PIN, DOWEL	2	2	2	2	
20	6D3-11164-00	SEPERATOR, OIL	1	1	1	1	
21	6A0-82317-00	DAMPER, IGNITION COIL	2	2	2	2	
22	90387-06119	COLLAR	2	2	2	2	
23	90119-06M65	BOLT, WITH WASHER	2	2	2	2	
24	6D3-11126-00	PIPE, BREATHER 3	1	1	1	1	
25	90467-170A0	CLIP	1	1	1	1	
26	90467-170A0	CLIP	1	1	1	1	
27	90464-21001	CLAMP	1	1	1	1	



F1K1100-D080

FIG. 8 OIL COOLER

REF. NO.	PART NO.	DESCRIPTION	USA	CAN	GENE	JPN	REMARKS
1	60E-13446-00	CONNECTOR	2	2	2	2	
2	93210-18322	O-RING	4	4	4	4	
3	6D3-13462-00-94	CASE, OIL COOLER	1	1	1	1	
4	90119-10020	BOLT, WITH WASHER	5	5	5	5	
5	6B6-13317-00	PLATE, BAFFLE	1	1	1	1	
6	91317-05014	BOLT	3	3	3	3	
7	60E-13421-00	STRAINER 2	1	1	1	1	
8	91317-06014	BOLT	2	2	2	2	
9	90465-12M53	CLAMP	1	1	1	1	
10	90387-06M05	COLLAR	1	1	1	1	
11	97595-06520	BOLT, WITH WASHER	1	1	1	1	
12	6E5-11325-00	ANODE	1	1	1	1	
13	98780-04015	SCREW, FLAT HEAD	1	1	1	1	
14	6D3-13463-00-94	COVER, OIL COOLER	1	1	1	1	
15	60E-13475-00	GASKET	1	1	1	1	
16	90105-06036	BOLT, FLANGE	8	8	8	8	
17	60E-15362-00	PLUG, OIL LEVEL	1	1	1	1	
18	60E-13473-00	O-RING	1	1	1	1	
19	6D3-11165-00	PLATE, BREATHER	1	1	1	1	
20	6D3-13477-00	GASKET	1	1	1	1	
21	91317-05016	BOLT	9	9	9	9	
22	6D3-13443-00-94	COVER, OIL COOLER	2	2	2	2	
23	60E-13476-10	GASKET	2	2	2	2	
24	90105-06M07	BOLT, FLANGE	24	24	24	24	
25	6B6-83623-00	MARK 3	1	1	1	1	
26	60E-83627-00	LABEL, CAUTION 7	1	1	1	1	
27	6B6-13151-00-94	STAY	1	1	1	1	



F1K1100-D080

FIG. 8 OIL COOLER

REF. NO.	PART NO.	DESCRIPTION	USA	CAN	GENE	JPN	REMARKS
28	90119-10M02	BOLT, WITH WASHER	2	2	2	2	
29	90116-10016	BOLT, STUD	2	2	2	2	
30	90176-10001	NUT, CROWN	2	2	2	2	
31	6D3-11167-00	PIPE, BREATHER 2	1	1	1	1	
32	90467-170A0	CLIP	2	2	2	2	
33	60E-51341-00-94	BRACKET 1	2	2	2	2	
34	92995-06600	WASHER	2	2	2	2	
35	91380-06020	BOLT	2	2	2	2	
36	90480-06M46	GROMMET	2	2	2	2	

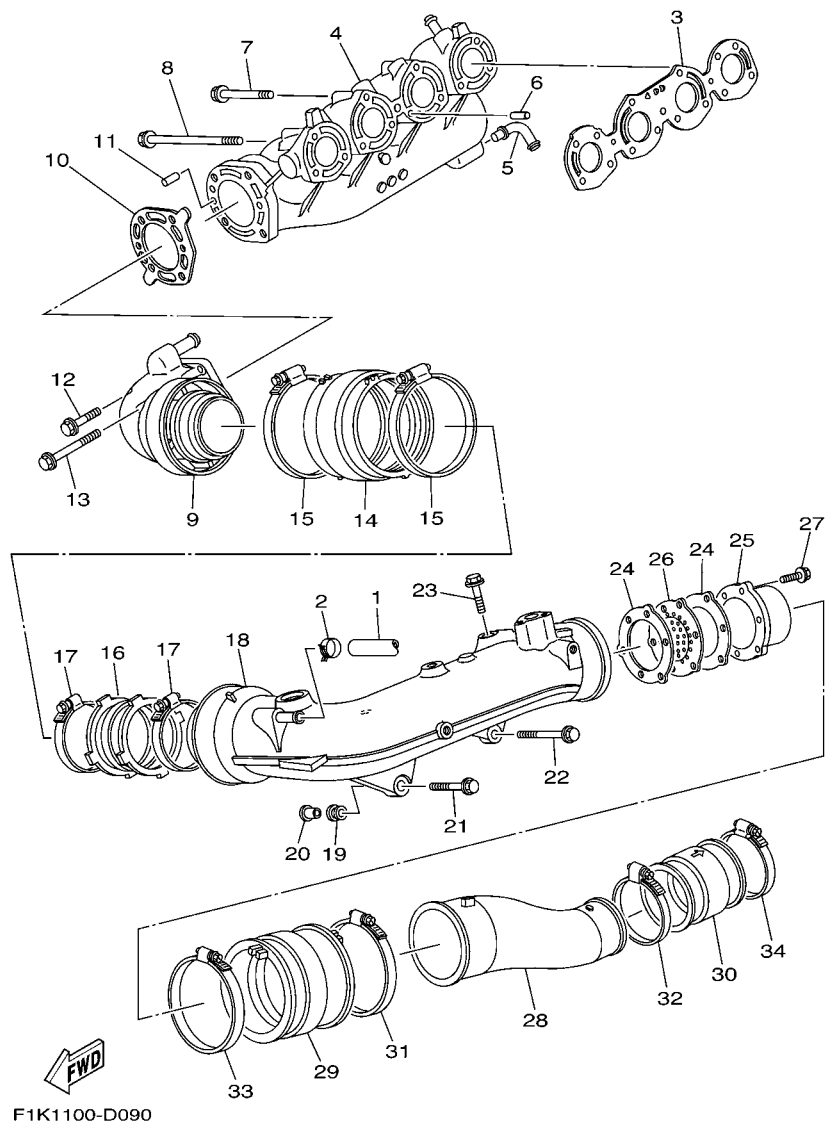


FIG. 9 EXHAUST 1

REF. NO.	PART NO.	DESCRIPTION	USA	CAN	GENE	JPN	REMARKS
1	90445-16005	HOSE (L870)	1	1	1	1	
2	90467-160A0	CLIP	1	1	1	1	
3	6D3-14613-00	GASKET, EXHAUST PIPE	1	1	1	1	
4	6D3-14711-00-94	MUFFLER 1	1	1	1	1	
5	60E-11372-10	NIPPLE, HOSE	1	1	1	1	
6	93608-16M16	PIN, DOWEL	2	2	2	2	
7	90119-08036	BOLT, WITH WASHER	5	5	5	5	
8	90119-08075	BOLT, WITH WASHER	6	6	6	6	
9	6D3-14712-00-94	RING, JOINT	1	1	1	1	
10	6D3-14739-00	GASKET, MUFFLER DAMPER 1	1	1	1	1	
11	93606-12019	PIN, DOWEL	2	2	2	2	
12	90119-08036	BOLT, WITH WASHER	2	2	2	2	
13	90119-08031	BOLT, WITH WASHER	2	2	2	2	
14	6D3-14615-00	JOINT, EXHAUST 1	1	1	1	1	
15	90450-99005	HOSE CLAMP ASSY	2	2	2	2	
16	6D3-14625-00	JOINT, EXHAUST 2	1	1	1	1	
17	90450-90001	HOSE CLAMP ASSY	2	2	2	2	
18	6D3-14721-00-94	MUFFLER 2	1	1	1	1	
19	90480-21M63	GROMMET	1	1	1	1	
20	90387-11002	COLLAR	1	1	1	1	
21	90119-10011	BOLT, WITH WASHER	1	1	1	1	
22	90119-10017	BOLT, WITH WASHER	1	1	1	1	
23	90119-10013	BOLT, WITH WASHER	2	2	2	2	
24	60E-14623-00	GASKET, EXHAUST PIPE	2	2	2	2	
25	60E-14784-00-94	PIPE, TAIL	1	1	1	1	
26	6D3-1469W-00	PLATE, SILENCER 6	1	1	1	1	
27	90105-06790	BOLT, FLANGE	3	3	3	3	

FOR EUROPE/OCEANIA

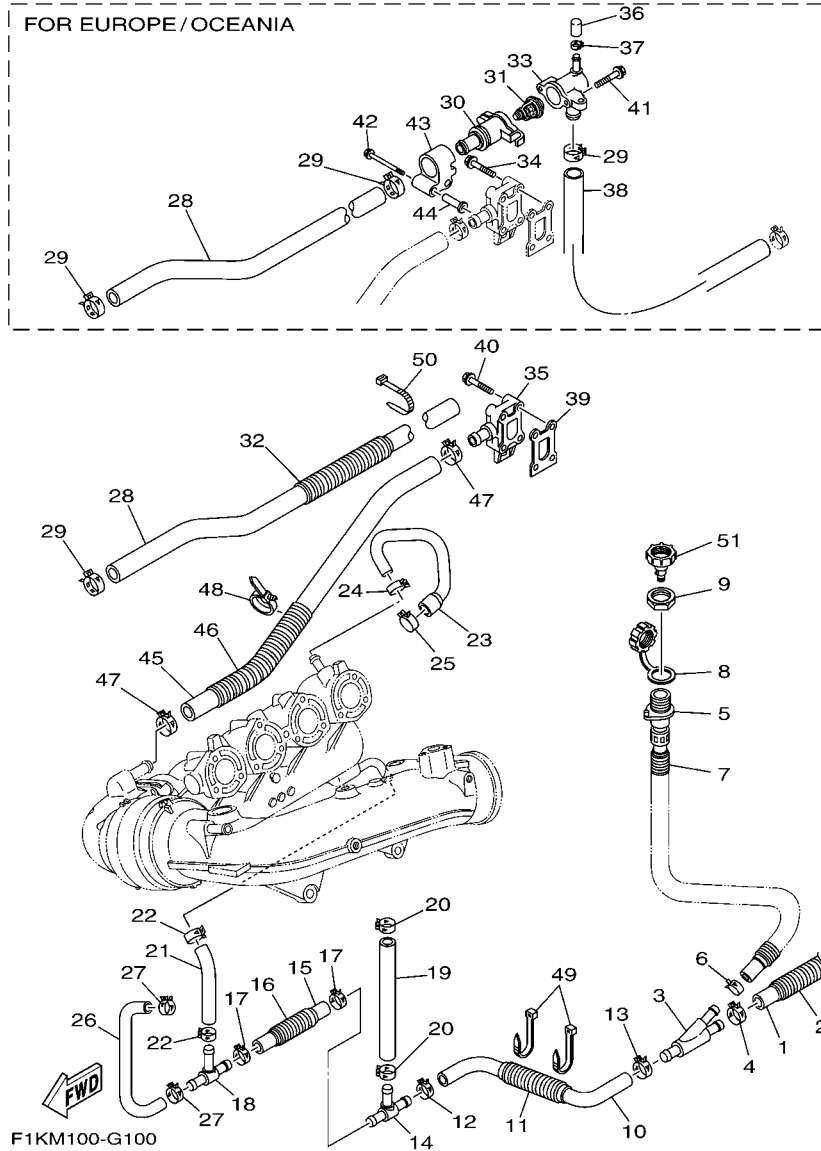


FIG. 10 EXHAUST 2

REF. NO.	PART NO.	DESCRIPTION	USA	CAN	GENE	JPN	REMARKS
1	90445-21805	HOSE (L300)	1	1	1	1	
2	90447-22004	HOSE, WITH SPRING (L200)	1	1	1	1	
3	60E-12581-00	JOINT, HOSE 1	1	1	1	1	
4	90467-200A0	CLIP	1	1	1	1	
5	63M-12580-00	JOINT ASSY	1	1	1	1	
6	90467-150A0	CLIP	1	1	1	1	
7	90446-24M79	HOSE (L230)	1	1	1	1	
8	682-84385-01	CAP,1	1	1	1	1	
9	EU0-61652-00	NUT	1	1	1	1	
10	6D3-1243A-10	HOSE 1	1	1	1	1	
11	90447-22004	HOSE, WITH SPRING (L200)	1	1	1	1	
12	90467-200A0	CLIP	1	1	1	1	
13	90467-200A0	CLIP	1	1	1	1	
14	60E-12584-00	JOINT, HOSE 3	1	1	1	1	
15	6D3-1243E-10	HOSE 2	1	1	1	1	
16	90447-22001	HOSE, WITH SPRING (L100)	1	1	1	1	
17	90467-200A0	CLIP	2	2	2	2	
18	6D3-12584-00	JOINT, HOSE 3	1	1	1	1	
19	90445-18007	HOSE (L180)	1	1	1	1	
20	90467-160A0	CLIP	2	2	2	2	
21	90445-18M03	HOSE (L108)	1	1	1	1	
22	90467-160A0	CLIP	2	2	2	2	
23	6D3-12577-00	HOSE 2	1	1	1	1	
24	90467-160A0	CLIP	1	1	1	1	
25	90467-200A0	CLIP	1	1	1	1	
26	6D3-1244G-00	HOSE, 4	1	1	1	1	
27	90467-160A0	CLIP	2	2	2	2	

FOR EUROPE/OCEANIA

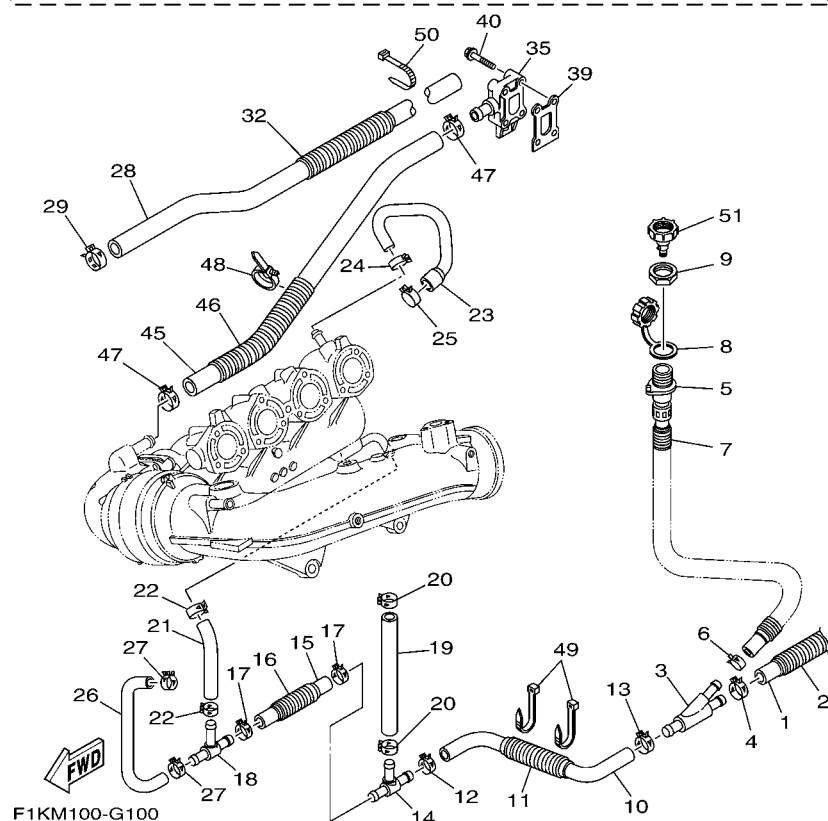
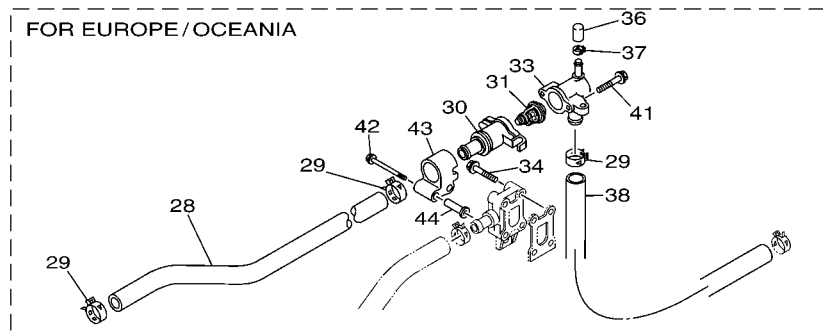
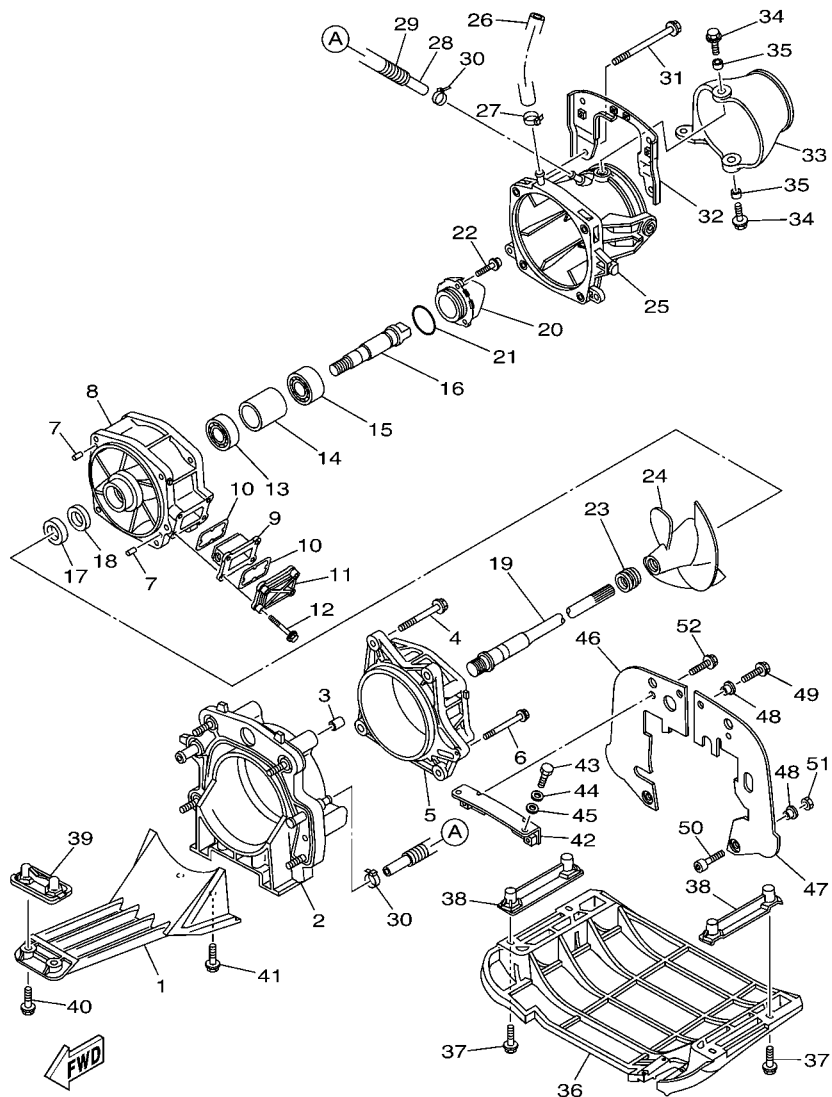


FIG. 10 EXHAUST 2

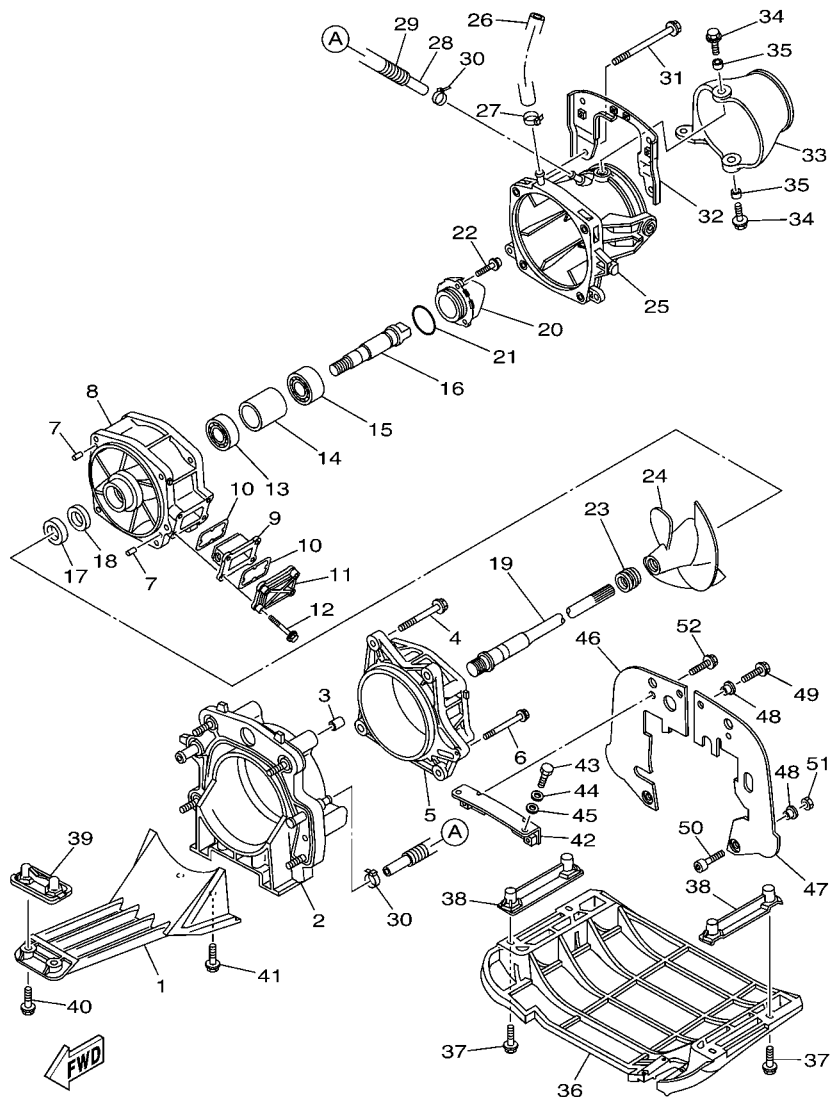
REF. NO.	PART NO.	DESCRIPTION	USA	CAN	GENE	JPN	REMARKS
28	90445-22003	HOSE (L1010)	1	1	1	1	EXCEPT EUR,OCE
	90445-26004	HOSE (L375)			1		FOR EUR,OCE
29	90467-210A0	CLIP	1	1	1	1	EXCEPT EUR,OCE
	90467-240A0	CLIP			3		FOR EUR,OCE
30	60E-12417-10-94	HOUSING, THERMOSTAT			1		FOR EUR,OCE
31	6D3-12411-00	THERMOSTAT			1		FOR EUR,OCE
32	90447-22005	HOSE, WITH SPRING (L200)	1	1	1	1	EXCEPT EUR,OCE
33	60E-12413-10-94	COVER, THERMOSTAT			1		FOR EUR,OCE
34	90105-06035	BOLT, FLANGE			2		FOR EUR,OCE
35	6D3-12446-00	JOINT	1	1	1	1	
36	6D3-12494-00	SEAL, PIPE 1			1		FOR EUR,OCE
37	90467-120A0	CLIP			1		FOR EUR,OCE
38	90445-25004	HOSE (L670)			1		FOR EUR,OCE
39	60E-12435-00	GASKET	1	1	1	1	
40	90105-06035	BOLT, FLANGE	4	4	4	4	EXCEPT EUR,OCE
41	90105-06035	BOLT, FLANGE			2		FOR EUR,OCE
42	90105-06054	BOLT, FLANGE			2		FOR EUR,OCE
43	6B6-12499-00	JOINT			1		FOR EUR,OCE
44	90387-06083	COLLAR			2		FOR EUR,OCE
45	90445-21004	HOSE (L530)	1	1	1	1	
46	90447-22005	HOSE, WITH SPRING (L200)	1	1	1	1	
47	90467-200A0	CLIP	2	2	2	2	
48	90464-31001	CLAMP	1	1	1	1	
49	90464-35132	CLAMP	2	2	2	2	
50	90464-35132	CLAMP	1	1	1	1	EXCEPT EUR,OCE
51	67X-E2590-00	CONDUCTION ASSY	1				FOR USA
	67X-E2590-10	CONDUCTION ASSY		1	1	1	EXCEPT USA



F1K1100-D110

FIG. 11 JET UNIT 1

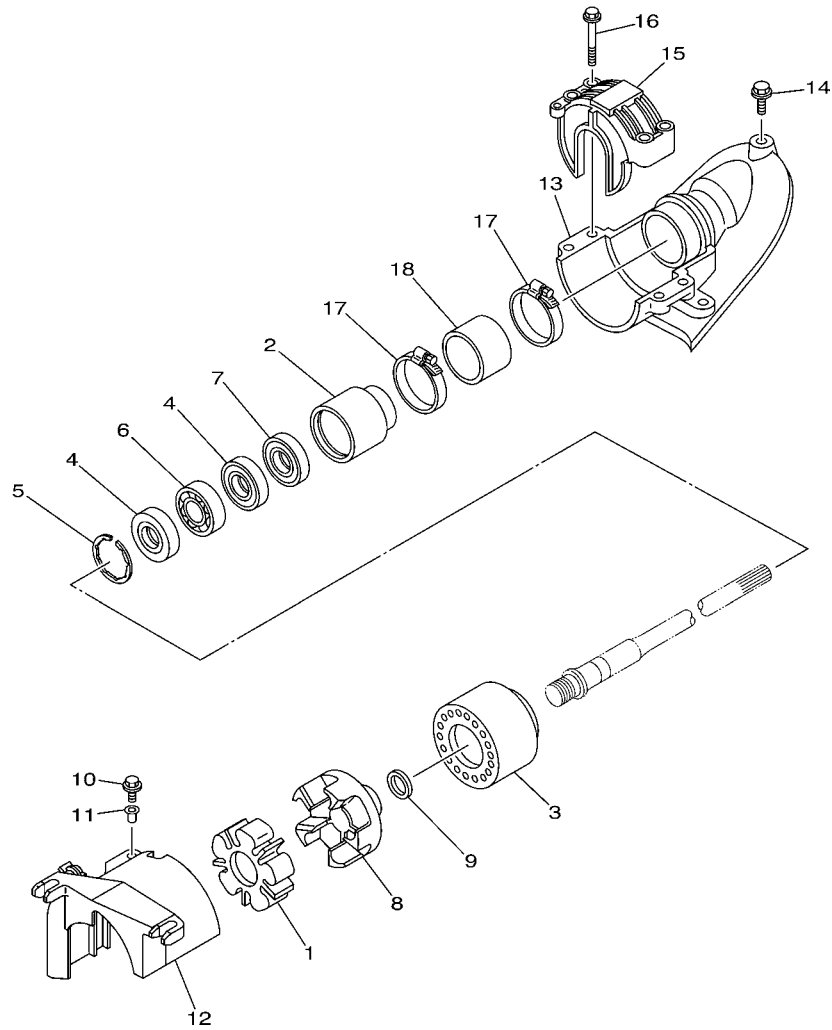
REF. NO.	PART NO.	DESCRIPTION	USA	CAN	GENE	JPN	REMARKS
1	6D3-R1333-00-94	SCREEN, INTAKE	1	1	1	1	
2	6D3-G5831-00	PLATE, TRANSOM	1	1	1	1	
3	99590-14016	PIN, DOWEL	2	2	2	2	
4	90119-10836	BOLT, WITH WASHER	4	4	4	4	
5	66V-51312-01-94	HOUSING, IMPELLER	1	1	1	1	
6	90119-06835	BOLT, WITH WASHER	1	1	1	1	
7	93606-12019	PIN, DOWEL	2	2	2	2	
8	6B6-51315-01-94	DUCT, IMPELLER	1	1	1	1	
9	66V-46882-00	FILTER	1	1	1	1	
10	66V-42414-00	O-RING	2	2	2	2	
11	66V-45214-00-94	COVER, WATER INLET 1	1	1	1	1	
12	90119-06800	BOLT, WITH WASHER	4	4	4	4	
13	93306-27211	BEARING	1	1	1	1	
14	65V-45538-00	SPACER 1	1	1	1	1	
15	93306-205U0	BEARING	1	1	1	1	
16	6D3-45514-00	SHAFT, DRIVE 4	1	1	1	1	
17	93101-21001	OIL SEAL	1	1	1	1	
18	93101-21002	OIL SEAL	1	1	1	1	
19	6D3-45511-00	SHAFT, DRIVE	1	1	1	1	
20	6B6-51326-10	CAP	1	1	1	1	
21	93210-464A3	O-RING	1	1	1	1	
22	90110-06822	BOLT, HEXAGON SOCKET HEAD	3	3	3	3	
23	6D3-R1319-00	CAP, IMPELLER	1	1	1	1	
24	6D3-R1321-02	IMPELLER	1	1	1	1	
25	6D3-R1318-00	NOZZLE	1	1	1	1	
26	90445-16006	HOSE (L260)	1	1	1	1	
27	90601-118UF	BAND, HOSE 18	1	1	1	1	



F1K1100-D110

FIG. 11 JET UNIT 1

REF. NO.	PART NO.	DESCRIPTION	USA	CAN	GENE	JPN	REMARKS
28	90445-14008	HOSE (L355)	1	1	1	1	
29	90446-20MF5	HOSE (L320)	1	1	1	1	
30	90465-11829	CLAMP	2	2	2	2	
31	90119-10837	BOLT, WITH WASHER	4	4	4	4	
32	6D3-R1341-00	BRACKET 1	1	1	1	1	
33	6D3-R1313-00	NOZZLE, DEFLECTOR	1	1	1	1	
34	90119-08840	BOLT, WITH WASHER	2	2	2	2	
35	90387-08M06	COLLAR	2	2	2	2	
36	F1K-U273B-03	PLATE 2	1	1	1	1	
37	90119-08823	BOLT, WITH WASHER	4	4	4	4	
38	F1G-U8572-00	BRACKET 2	2	2	2	2	
39	F1K-U8577-00	BRACKET, 3	1	1	1	1	
40	90119-069UK	BOLT, WITH WASHER	2	2	2	2	
41	90119-10805	BOLT, WITH WASHER	2	2	2	2	
42	F1K-U7557-00	BRACKET	1	1	1	1	
43	90109-08041	BOLT	2	2	2	2	
44	92990-12200	WASHER, PLAIN	2	2	2	2	
45	90430-12002	GASKET	2	2	2	2	
46	F1K-U757E-01	PLATE, RUBBER 1	1	1	1	1	
47	F1K-U757F-01	PLATE, RUBBER 2	1	1	1	1	
48	90387-06080	COLLAR	6	6	6	6	
49	90119-06827	BOLT, WITH WASHER	4	4	4	4	
50	90101-069U0	BOLT	2	2	2	2	
51	9572R-06300	NUT, NYLON	2	2	2	2	
52	90119-089U7	BOLT, WITH WASHER	2	2	2	2	

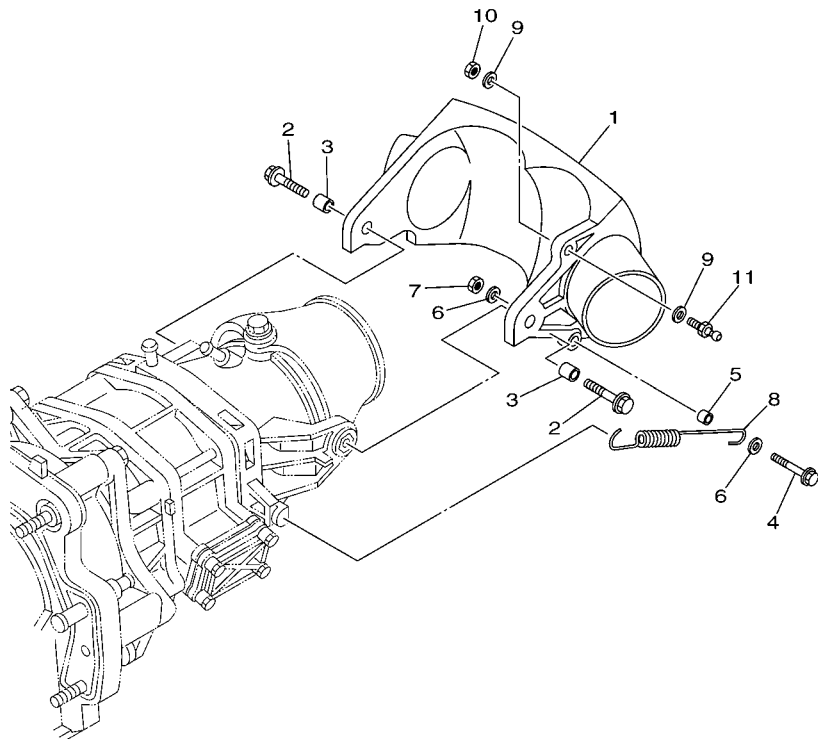


F1K1100-D120

FIG. 12 JET UNIT 2

REF. NO.	PART NO.	DESCRIPTION	USA	CAN	GENE	JPN	REMARKS
1	6D3-4581J-00	RUBBER SHAFT COUPLING	1	1	1	1	
2	6D3-45332-00-94	HOUSING, BEARING	1	1	1	1	
3	6D3-45235-00	DAMPER	1	1	1	1	
4	93101-25M55	OIL SEAL	2	2	2	2	
5	93430-47M04	CIRCLIP	1	1	1	1	
6	93306-205A3	BEARING	1	1	1	1	
7	93101-25M56	OIL SEAL	1	1	1	1	
8	6D3-45593-00-94	FLANGE, COUPLING 1	1	1	1	1	
9	90201-248M5	WASHER, PLATE	1	1	1	1	
10	90119-069UD	BOLT, WITH WASHER	1	1	1	1	
11	90387-06M60	COLLAR	1	1	1	1	
12	60E-R1381-01	COVER	1	1	1	1	
13	F1K-U883E-00	JOINT, PIPE	1	1	1	1	
14	90109-06832	BOLT	3	3	3	3	
15	F1K-U2155-00	CAP	1	1	1	1	
16	90119-089UU	BOLT, WITH WASHER	4	4	4	4	
17	90601-162U5	BAND, HOSE 62	2	2	2	2	
18	F1K-U883B-00	PIPE, 1	1	1	1	1	

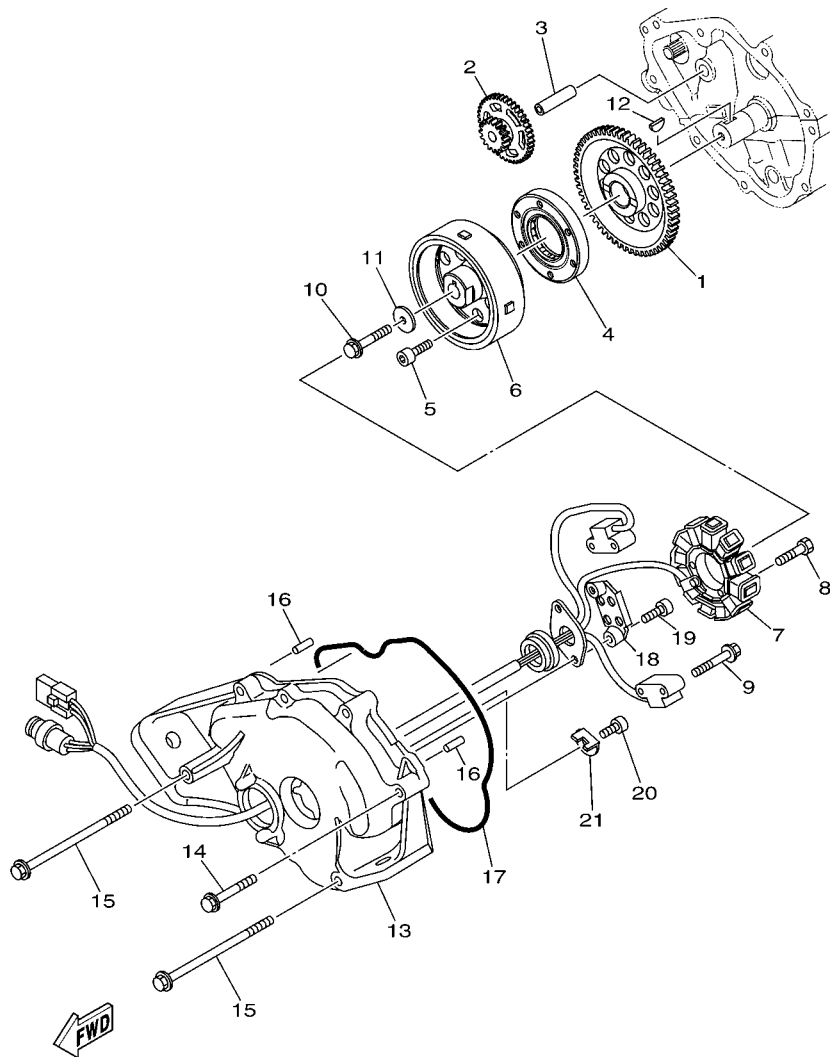
FIG. 13 JET UNIT 3



REF. NO.	PART NO.	DESCRIPTION	USA	CAN	GENE	JPN	REMARKS
1	6D3-R1314-00	GATE, REVERSE	1	1	1	1	
2	90119-08840	BOLT, WITH WASHER	2	2	2	2	
3	90387-08M30	COLLAR	2	2	2	2	
4	90119-069UX	BOLT, WITH WASHER	1	1	1	1	
5	90387-06M30	COLLAR	1	1	1	1	
6	90201-06801	WASHER, PLATE	2	2	2	2	
7	9538R-06600	NUT	1	1	1	1	
8	6D3-52358-00	SPRING, RETAINER	1	1	1	1	
9	90201-06801	WASHER, PLATE	2	2	2	2	
10	9538R-06600	NUT	1	1	1	1	
11	EU0-U1461-02	STUD, JOINT BALL	1	1	1	1	

 F1KD100-F130

FIG. 14 GENERATOR



F1K7100-E140

REF. NO.	PART NO.	DESCRIPTION	USA	CAN	GENE	JPN	REMARKS
1	6D3-15515-00	GEAR 3	1	1	1	1	
2	60E-15517-00	GEAR, IDLER 2	1	1	1	1	
3	60E-15521-00	SHAFT 1	1	1	1	1	
4	4WM-15590-00	STARTER ONE-WAY ASSY	1	1	1	1	
5	90110-08212	BOLT, HEXAGON SOCKET HEAD	6	6	6	6	
6	6D3-81450-00	ROTOR ASSY	1	1	1	1	
7	6D3-81410-01	STATOR ASSY	1	1	1	1	
8	91317-06035	BOLT	3	3	3	3	
9	97513-05514	BOLT, WITH WASHER	2	2	2	2	
10	90105-105A6	BOLT, FLANGE	1	1	1	1	
11	90201-103U7	WASHER, PLATE	1	1	1	1	
12	90280-03047	KEY, WOODRUFF	1	1	1	1	
13	6D3-81337-00-94	COVER, FLYWHEEL	1	1	1	1	
14	90119-10016	BOLT, WITH WASHER	6	6	6	6	
15	90119-10M19	BOLT, WITH WASHER	2	2	2	2	
16	93608-16M16	PIN, DOWEL	2	2	2	2	
17	93212-04001	O-RING	1	1	1	1	
18	60E-81328-00	CLAMP	1	1	1	1	
19	91317-06014	BOLT	2	2	2	2	
20	91317-05010	BOLT	1	1	1	1	
21	6D3-81845-00	PLATE	1	1	1	1	

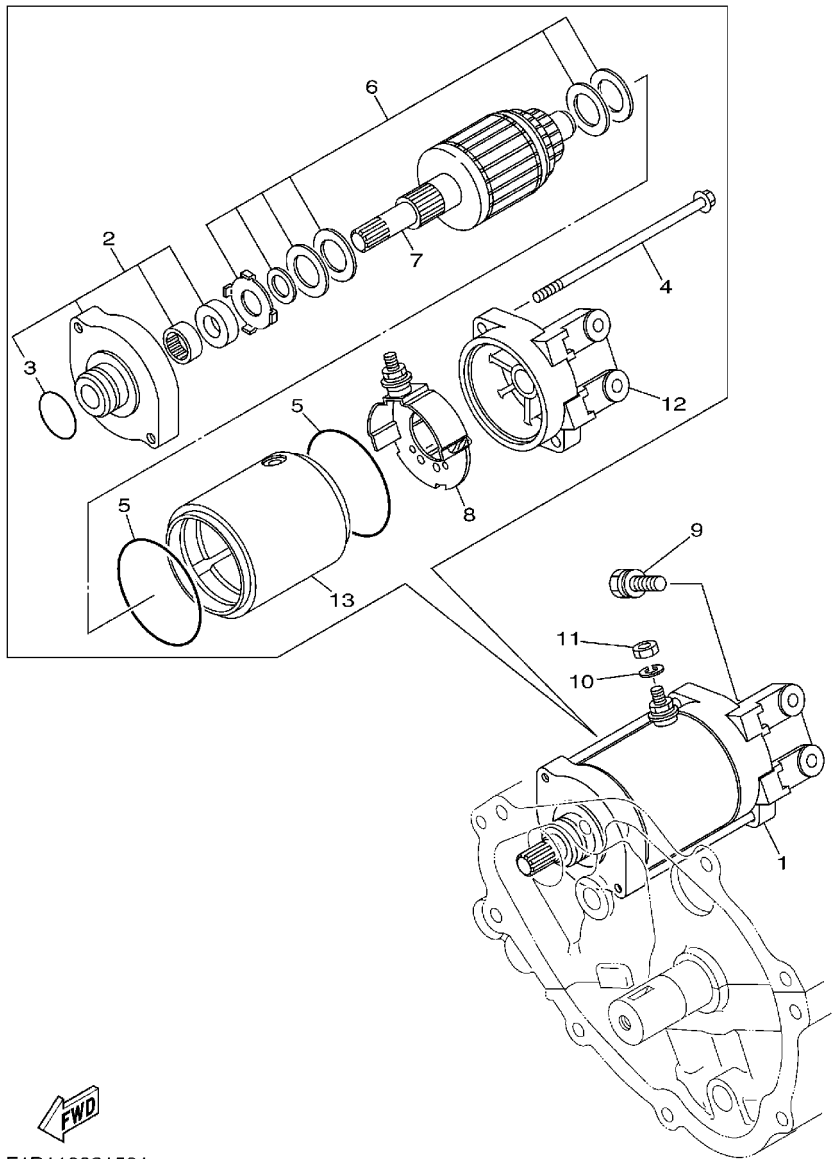


FIG. 15 STARTING MOTOR

REF. NO.	PART NO.	DESCRIPTION	USA	CAN	GENE	JPN	REMARKS
1	6D3-81800-00	STARTING MOTOR ASSY	1	1	1	1	
2	6M6-81830-00	.FRONT BRACKET ASSY	1	1	1	1	
3	1FK-81847-00	..O-RING	1	1	1	1	
4	6M6-81826-00	.BOLT	2	2	2	2	
5	11H-81844-00	.GASKET	2	2	2	2	
6	3AJ-81809-00	.WASHER KIT	1	1	1	1	
7	6M6-81850-00	.ARMATURE ASSY	1	1	1	1	
8	6M6-81840-10	.BRUSH HOLDER ASSY	1	1	1	1	
9	97513-08530	BOLT, WITH WASHER	2	2	2	2	
10	92990-06100	WASHER, SPRING	1	1	1	1	
11	95380-06700	NUT	1	1	1	1	
12	6D3-81820-00	.REAR BRACKET ASSY	1	1	1	1	
13	60E-81810-00	.STATOR ASSY	1	1	1	1	


F1B110021501

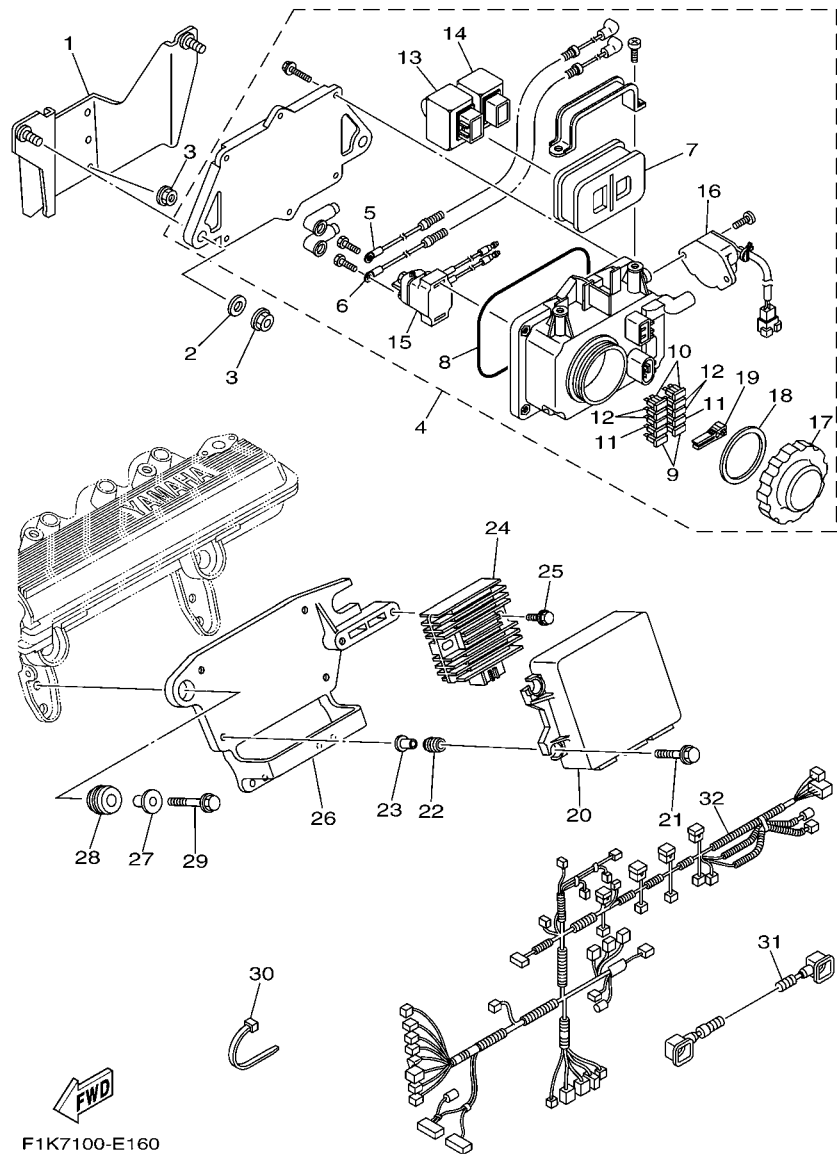


FIG. 16 ELECTRICAL 1

REF. NO.	PART NO.	DESCRIPTION	USA	CAN	GENE	JPN	REMARKS
1	F1K-U815D-00	BRACKET, ELECTRIC BOX	1	1	1	1	
2	90201-099U3	WASHER, PLATE	2	2	2	2	
3	9572R-08300	NUT, FLANGE	6	6	6	6	
4	6D3-82170-00	FUSE BOX ASSY	1	1	1	1	
5	6D3-82115-00	.WIRE, PLUS LEAD	1	1	1	1	
6	6D3-82117-00	.WIRE, LEAD	1	1	1	1	
7	6D3-82157-00	.DAMPER	1	1	1	1	
8	6D3-81921-00	.GASKET, TERMINAL	1	1	1	1	
9	67F-82151-00	.FUSE (20A)	2	2	2	2	
10	67F-82151-10	.FUSE (30A)	2	2	2	2	
11	67F-82151-30	.FUSE (3A)	2	2	2	2	
12	67F-82151-40	.FUSE (10A)	4	4	4	4	
13	60E-81950-00	.RELAY ASSY	1	1	1	1	
14	68V-81950-00	.RELAY ASSY	1	1	1	1	
15	6B6-81940-00	.STARTER RELAY ASSY	1	1	1	1	
16	60E-8259E-00	.SWITCH ASSY	1	1	1	1	
17	66V-8132W-00	.CAP	1	1	1	1	
18	66V-81844-00	.GASKET	1	1	1	1	
19	67F-2812A-00	.PULLER, FUSE	1	1	1	1	
20	6D3-8591A-C0	ENGINE CONTROL UNIT ASSY	1	1	1	1	EXCEPT EUR,OCE
	6D3-8591A-B0	ENGINE CONTROL UNIT ASSY			1		FOR EUR,OCE
21	90119-06M35	BOLT, WITH WASHER	4	4	4	4	
22	6A0-82317-00	DAMPER, IGNITION COIL	4	4	4	4	
23	90387-06119	COLLAR	4	4	4	4	
24	6D3-81960-00	RECTIFIER & REGULATOR ASSY	1	1	1	1	
25	90119-06M35	BOLT, WITH WASHER	2	2	2	2	
26	6D3-85991-01	BRACKET, UNIT	1	1	1	1	

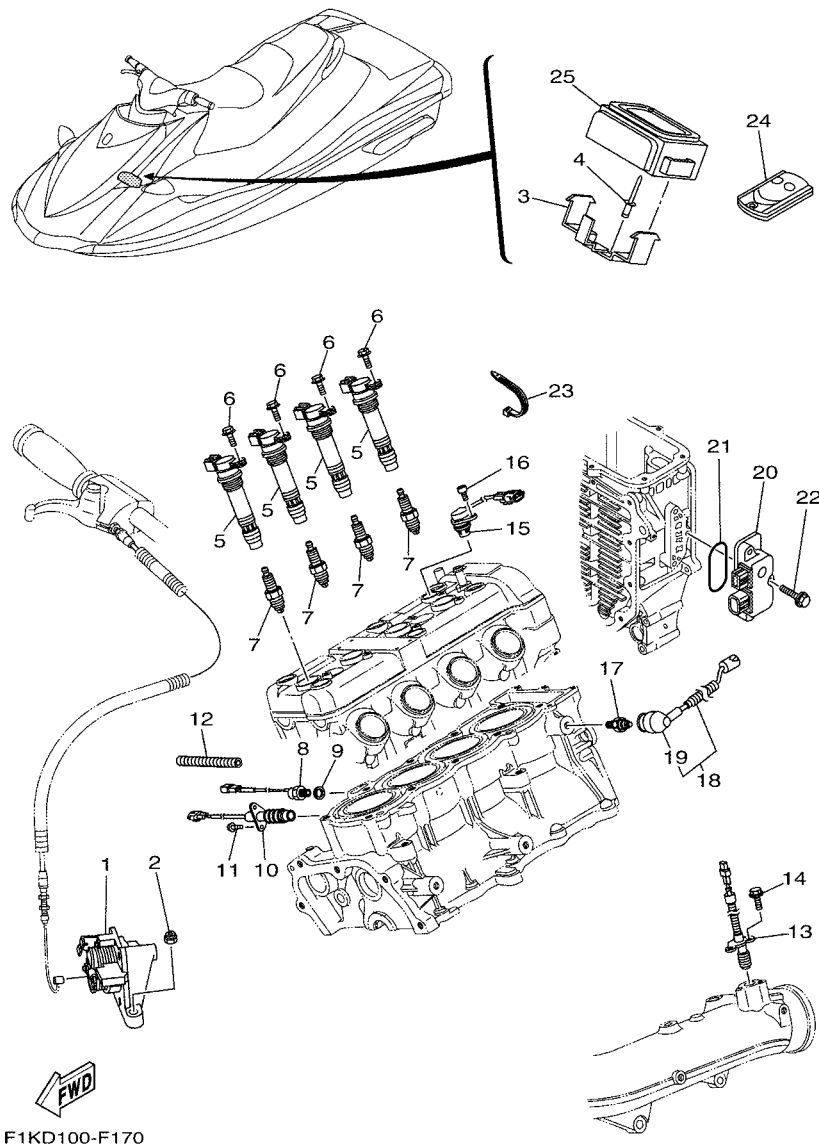
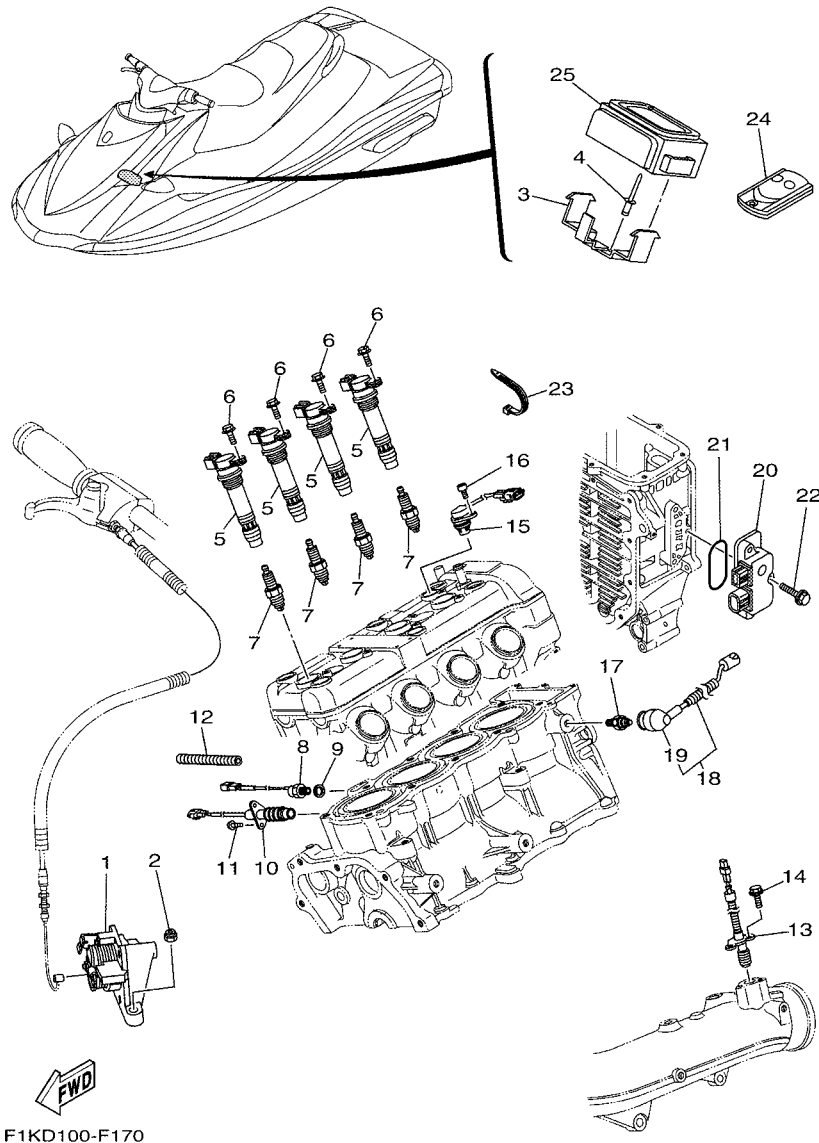


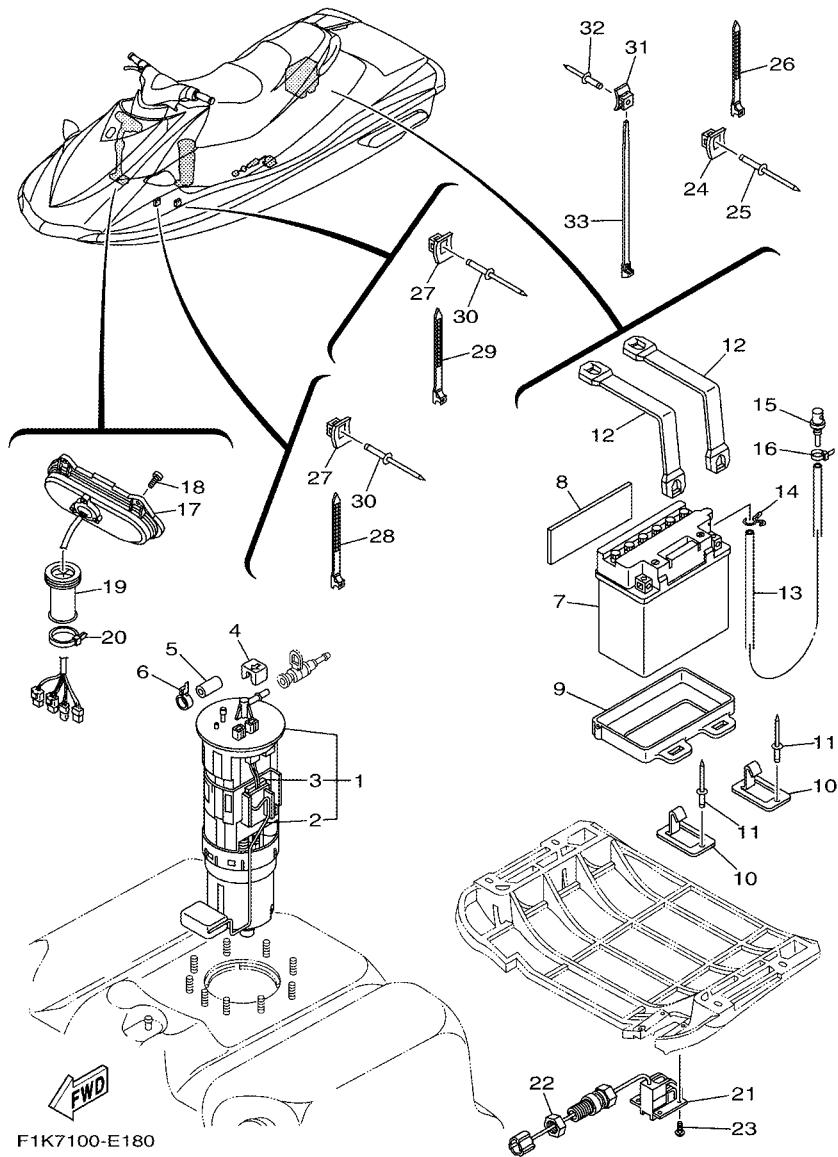
FIG. 17 ELECTRICAL 2

REF. NO.	PART NO.	DESCRIPTION	USA	CAN	GENE	JPN	REMARKS
1	6D3-14305-20	ACCEL. POSITON SENSOR ASSY	1	1	1	1	
2	95780-08300	NUT, FLANGE	2	2	2	2	
3	F1S-U826C-01	BRACKET	1	1	1	1	
4	90267-489U9	RIVET, BLIND	2	2	2	2	
5	6D3-82310-00	IGNITION COIL ASSY	4	4	4	4	
6	95880-06016	BOLT, FLANGE	4	4	4	4	
7	94702-00409	PLUG, SPARK (NGK CR9EB)	4	4	4		EXCEPT JPN
	94709-00409	PLUG, SPARK (NGK CR9EB)				4	FOR JPN
8	61A-85790-00	THERMOSENSOR ASSY	1	1	1	1	
9	92990-10600	WASHER, PLATE	1	1	1	1	
10	60E-82560-A1	THERMO SWITCH ASSY	1	1	1	1	
11	97595-06416	BOLT, WITH WASHER	2	2	2	2	
12	90446-14M23	HOSE (L180)	1	1	1	1	
13	6D3-82560-01	THERMO SWITCH ASSY	1	1	1	1	
14	97595-06416	BOLT, WITH WASHER	2	2	2	2	
15	6D3-85896-00	SENSOR, CAM POSITION	1	1	1	1	
16	91380-06016	BOLT	1	1	1	1	
17	68V-82504-00	OIL PRESSURE SWITCH ASSY	1	1	1	1	
18	60E-81315-00	LEAD WIRE ASSY	1	1	1	1	
19	60E-82532-00	.CAP	1	1	1	1	
20	6D3-8273J-01	EARTH PLATE COMP.	1	1	1	1	
21	93210-60ME8	O-RING	1	1	1	1	
22	90119-06048	BOLT, WITH WASHER	3	3	3	3	
23	90465-13M18	CLAMP	2	2	2	2	
24	6B6-86261-00	TRANSMITTER COMP	1	1		1	EXCEPT GENE
	6B6-86261-10	TRANSMITTER COMP			2		FOR GENE
25	6B6-86265-00	RECIVER COMP	1	1		1	EXCEPT GENE

FIG. 17 ELECTRICAL 2



REF. NO.	PART NO.	DESCRIPTION	USA	CAN	GENE	JPN	REMARKS
25	6B6-86265-10	RECIVER COMP			1		FOR GENE



F1K7100-E180

FIG. 18 ELECTRICAL 3

REF. NO.	PART NO.	DESCRIPTION	USA	CAN	GENE	JPN	REMARKS
1	60E-13907-02	FUEL PUMP COMP.	1	1	1	1	
2	60E-682E0-00	.FUEL SENDER ASSY	1	1	1	1	
3	60E-82556-00	.DAMPER, STOPPER	1	1	1	1	
4	60E-24474-00	COVER	1	1	1	1	
5	6D3-24481-00	PLUG	1	1	1	1	
6	6D3-24387-00	CLIP	1	1	1	1	
7	EU0-82110-09	BATTERY ASSY (YB16CL-B)	1	1	1	1	YUASA
8	F1K-U8221-00	PAD, BATTERY	1	1	1	1	
9	F1K-U8211-01	CASE, BATTERY	1	1	1	1	
10	F1K-U5772-02	HOOK A	4	4	4	4	
11	90267-489U1	RIVET,BLIND	4	4	4	4	
12	F1K-U821D-00	BAND, BATTERY 1	2	2	2	2	
13	F0D-U785G-10	HOSE, AIR VENT	1	1	1	1	
14	90467-089U1	CLIP	1	1	1	1	
15	GJ3-6215F-00	NIPPLE	1	1	1	1	
16	90465-11829	CLAMP	1	1	1	1	
17	F1K-6820A-01	METER ASSY	1	1	1	1	
18	90111-05008	BOLT,HEX. SOCKET BUTTON	4	4	4	4	
19	GU2-6822E-01	GROMMET	1	1	1	1	
20	90464-32801	CLAMP	1	1	1	1	
21	F1S-U8K31-02	SENSOR SPEED	1	1	1	1	
22	EU0-62241-30	NUT, DRAIN 1	1	1	1	1	
23	90150-05807	SCREW, ROUND HEAD	4	4	4	4	
24	90600-91736	CLAMP COMP.	7	7	7	7	
25	90267-489U6	RIVET, BLIND	7	7	7	7	
26	90464-32801	CLAMP	7	7	7	7	
27	90600-91736	CLAMP COMP.	2	2	2	2	

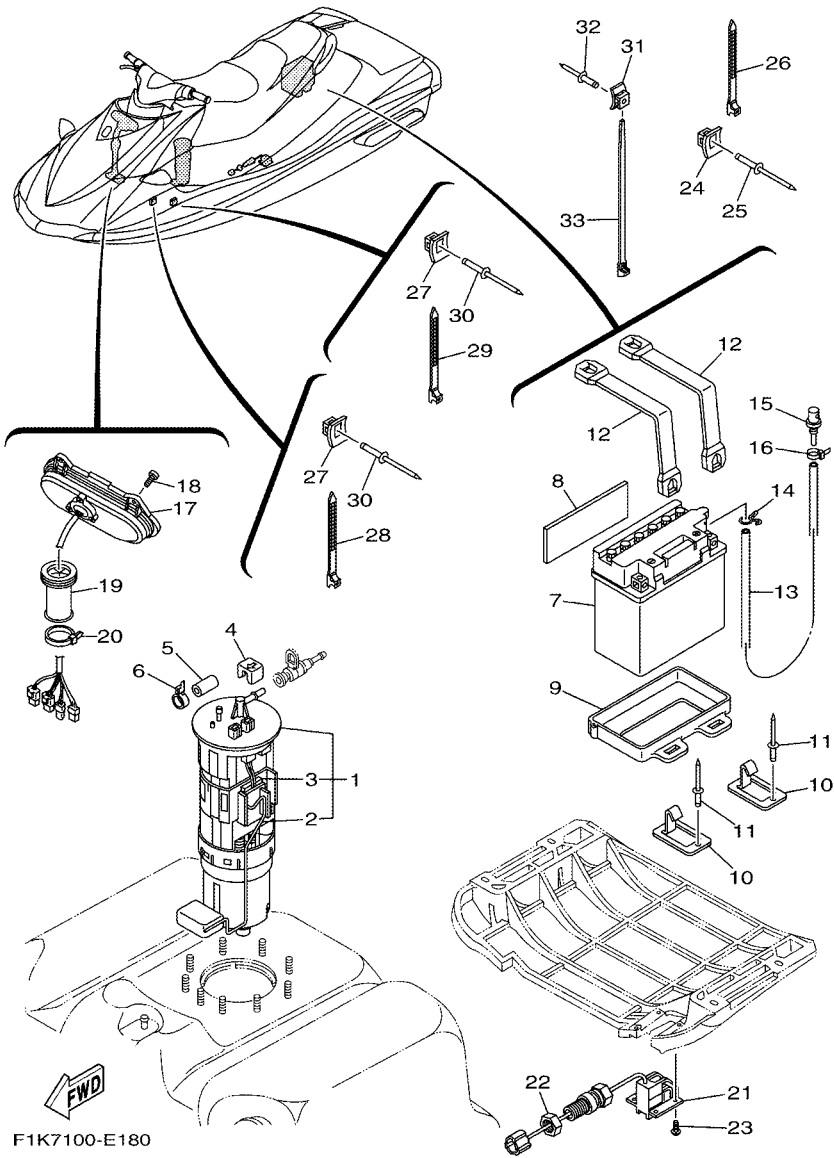
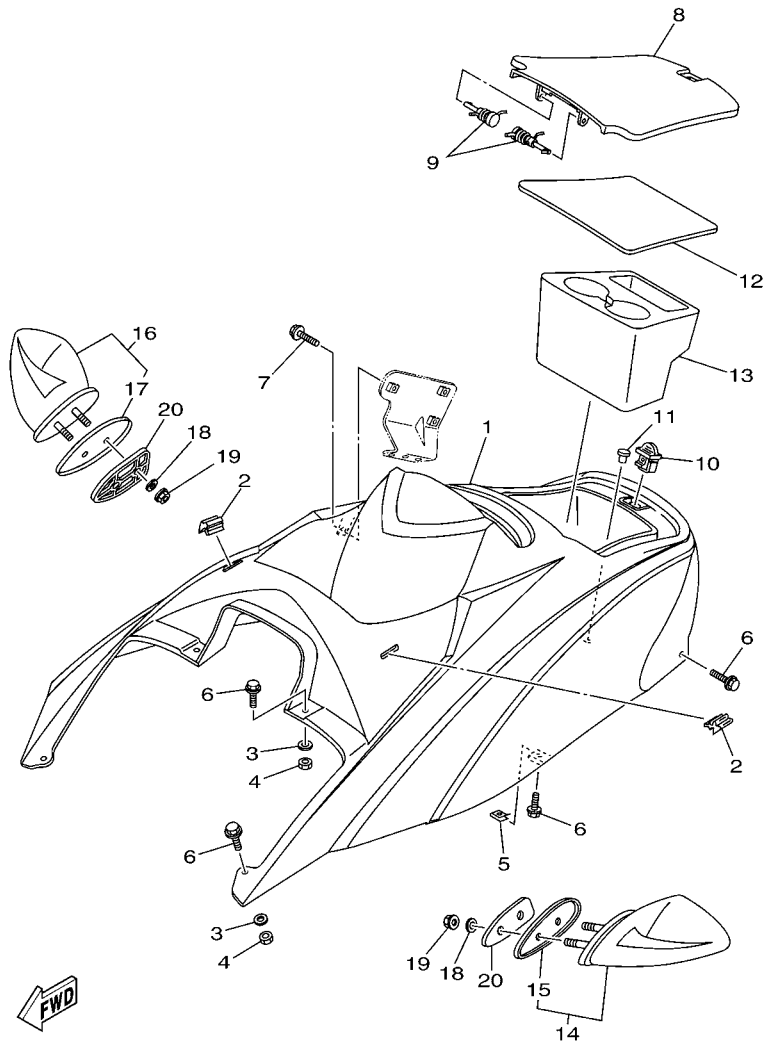


FIG. 18 ELECTRICAL 3

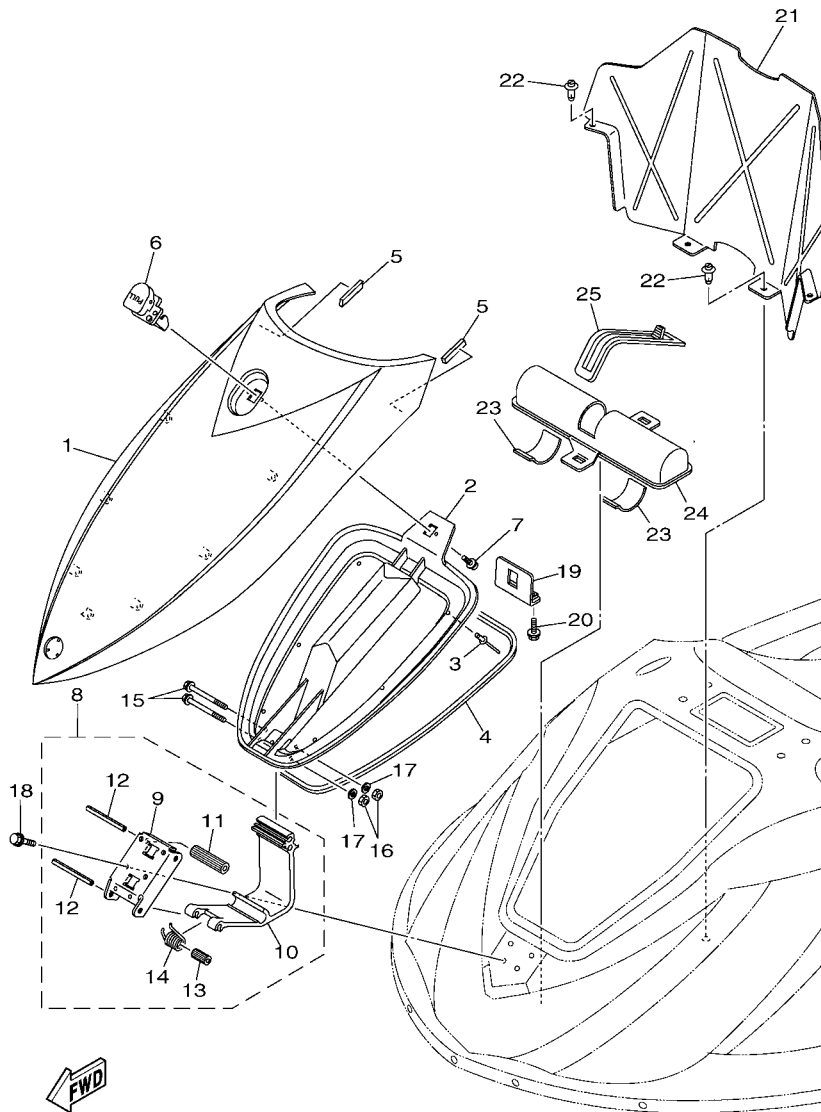
REF. NO.	PART NO.	DESCRIPTION	USA	CAN	GENE	JPN	REMARKS
28	90464-32801	CLAMP	1	1	1	1	
29	90601-200U2	BAND	1	1	1	1	
30	90267-489U6	RIVET, BLIND	2	2	2	2	
31	90600-91736	CLAMP COMP.	1	1	1	1	
32	90267-489U6	RIVET, BLIND	1	1	1	1	
33	90464-32801	CLAMP	1	1	1	1	



F1KM100-G190

FIG. 19 ENGINE HATCH 1

REF. NO.	PART NO.	DESCRIPTION	USA	CAN	GENE	JPN	REMARKS
1	F1K-U516N-50-P0	COVER, ENGINE HATCH	1	1	1	1	LYNM,CRUISER
	F1K-U516N-41-P0	COVER, ENGINE HATCH	1	1	1	1	NME,DELUXE BLACK
	F1K-U516N-11-P0	COVER, ENGINE HATCH	1	1	1	1	DPBMT,DELUXE BLUE
2	F1K-U266C-00	PACKING 4	2	2	2	2	
3	9299R-06200	WASHER	4	4	4	4	
4	9572R-06300	NUT, NYLON	4	4	4	4	
5	90183-06902	NUT, SPRING	2	2	2	2	
6	90119-06882	BOLT, WITH WASHER	8	8	8	8	
7	90119-069US	BOLT, WITH WASHER	1	1	1	1	
8	F1K-U517H-01	LID HATCH	1	1	1	1	
9	F0X-6517R-01	PIN, HINGE	2	2	2	2	
10	GU2-62875-01	LOCK	1	1	1	1	
11	90605-502U1	PLUG, BLIND	1	1	1	1	
12	F1K-U519D-00	PACKING CASE	1	1	1	1	
13	F1K-U5633-02	HOLDER, DRINK	1	1	1	1	
14	F1S-U596B-10	MIRROR LH	1	1	1	1	
15	F0V-U471E-00	.SPACER 1	1	1	1	1	
16	F1S-U596C-10	MIRROR RH	1	1	1	1	
17	F0V-U471F-00	.SPACER 2	1	1	1	1	
18	9299R-08200	WASHER	4	4	4	4	
19	9572R-08300	NUT, FLANGE	4	4	4	4	
20	F1B-U5646-00	PLATE	2	2	2	2	



F1K1100-D200

FIG. 20 ENGINE HATCH 2

REF. NO.	PART NO.	DESCRIPTION	USA	CAN	GENE	JPN	REMARKS
1	F1K-U517B-50-P0	LID, ENGINE ROOM	1	1	1	1	LYNM,CRUISER
	F1K-U517B-40-P0	LID, ENGINE ROOM	1	1	1	1	NME,DELUXE BLACK
	F1K-U517B-10-P0	LID, ENGINE ROOM	1	1	1	1	DPBMT,DELUXE BLUE
2	F1K-U2103-00	VENTILATOR COVER COMP., 2	1	1	1	1	
3	90267-48809	RIVET, BLIND	7	7	7	7	
4	F1K-U2663-00	PACKING 1	1	1	1	1	
5	F1K-U266B-00	PACKING 3	2	2	2	2	
6	F1K-6517C-00	LOCK, LID	1	1	1	1	
7	90159-059U2	SCREW, WITH WASHER	2	2	2	2	
8	F1K-U515A-00	HINGE ASSY.	1	1	1	1	
9	F1K-U518E-04	.PLATE, HINGE LID	1	1	1	1	
10	F1K-U517D-05	.HINGE, LID	1	1	1	1	
11	F1K-U135C-00	.ROLLER, DETENT	1	1	1	1	
12	F1K-U517R-00	.PIN, HINGE	2	2	2	2	
13	F1K-U471E-03	.SPACER 1	1	1	1	1	
14	F1K-U283B-02	.SPRING, TORSION	1	1	1	1	
15	90105-06826	BOLT, FLANGE	2	2	2	2	
16	9572R-06300	NUT, NYLON	2	2	2	2	
17	9299R-06200	WASHER	2	2	2	2	
18	90119-069UH	BOLT, WITH WASHER	4	4	4	4	
19	F1K-U517F-01	HOOK,LID LOCK	1	1	1	1	
20	90119-069UH	BOLT, WITH WASHER	2	2	2	2	
21	F1K-U475F-01	PLATE, LOKER BOW	1	1	1	1	
22	90269-08801	RIVET	4	4	4	4	
23	F1K-U759C-00	MAT 2	2	2	2	2	
24	F1K-U5983-01	BOX, FIRE EXTINGUISHER	1	1	1	1	
25	F1K-U828K-00	BAND, 1	1	1	1	1	

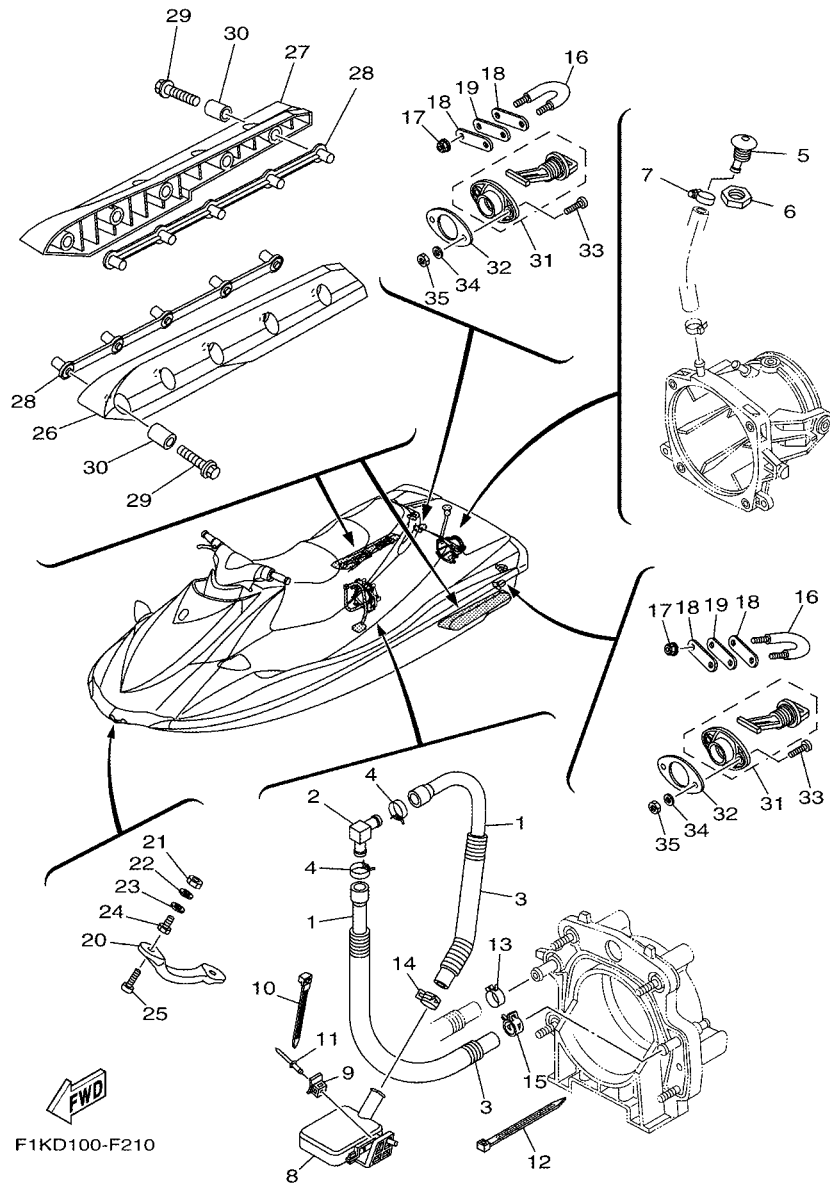


FIG. 21 HULL & DECK

REF. NO.	PART NO.	DESCRIPTION	USA	CAN	GENE	JPN	REMARKS
1	90445-20805	HOSE (L710)	2	2	2	2	
2	61X-51162-00	JOINT, HOSE	1	1	1	1	
3	90446-27M55	TUBE (L400)	2	2	2	2	
4	90467-18804	CLIP	2	2	2	2	
5	FN8-6269B-00	SPOUT	1	1	1	1	
6	EU0-61652-00	NUT	1	1	1	1	
7	90601-118UF	BAND, HOSE 18	1	1	1	1	
8	F1B-U761D-02	STRAINER, BILGE	1	1	1	1	
9	90600-91736	CLAMP COMP.	1	1	1	1	
10	90464-32801	CLAMP	1	1	1	1	
11	90267-489U8	RIVET, BLIND	1	1	1	1	
12	90601-200U1	BAND	1	1	1	1	
13	90467-21800	CLIP	1	1	1	1	
14	90467-200A0	CLIP	1	1	1	1	
15	90467-210A0	CLIP	1	1	1	1	EXCEPT EUR,OCE
	90467-250A0	CLIP			1		FOR EUR,OCE
16	F1K-61628-00	STERN EYE	2	2	2	2	
17	9572R-08300	NUT, FLANGE	4	4	4	4	
18	GP7-U4953-10	PLATE A	4	4	4	4	
19	F1B-U1653-01	PACKING	2	2	2	2	
20	F1K-61624-00	BOWEYE 1	1	1	1	1	
21	99780-12600	NUT.HEX.(COARS)	2	2	2	2	
22	92990-12200	WASHER, PLAIN	2	2	2	2	
23	F0X-61637-00	WASHER	2	2	2	2	
24	F0X-61652-00	NUT (BOLT/NUT)	2	2	2	2	
25	90110-06040	BOLT, HEXAGON SOCKET HEAD	2	2	2	2	
26	F1S-U883N-01	STABILIZER LH	1	1	1	1	BLACK

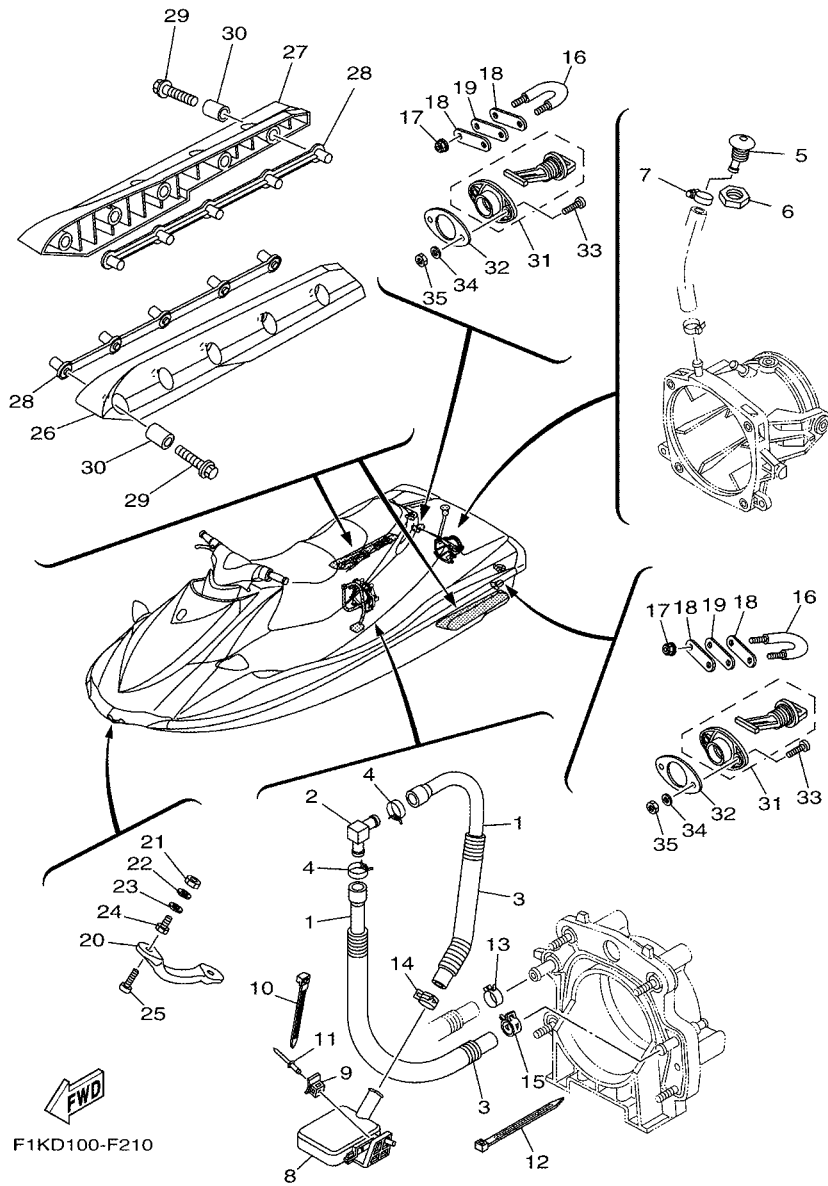


FIG. 21 HULL & DECK

REF. NO.	PART NO.	DESCRIPTION	USA	CAN	GENE	JPN	REMARKS
27	F1S-U883P-01	STABILIZER RH	1	1	1	1	BLACK
28	F1X-U883T-00	BRACKET,STABILIZER	2	2	2	2	
29	90105-08860	BOLT, FLANGE	10	10	10	10	
30	F1K-U8169-00	SPACER	10	10	10	10	
31	F1S-U2280-00	DRAIN PLUG ASSY.	2	2	2	2	
32	F1S-U2285-00	PACKING, DRAIN	2	2	2	2	
33	9788R-05025	SCREW, PAN HEAD	4	4	4	4	
34	9299R-05200	WASHER	4	4	4	4	
35	9572R-05300	NUT, FLANGE	4	4	4	4	

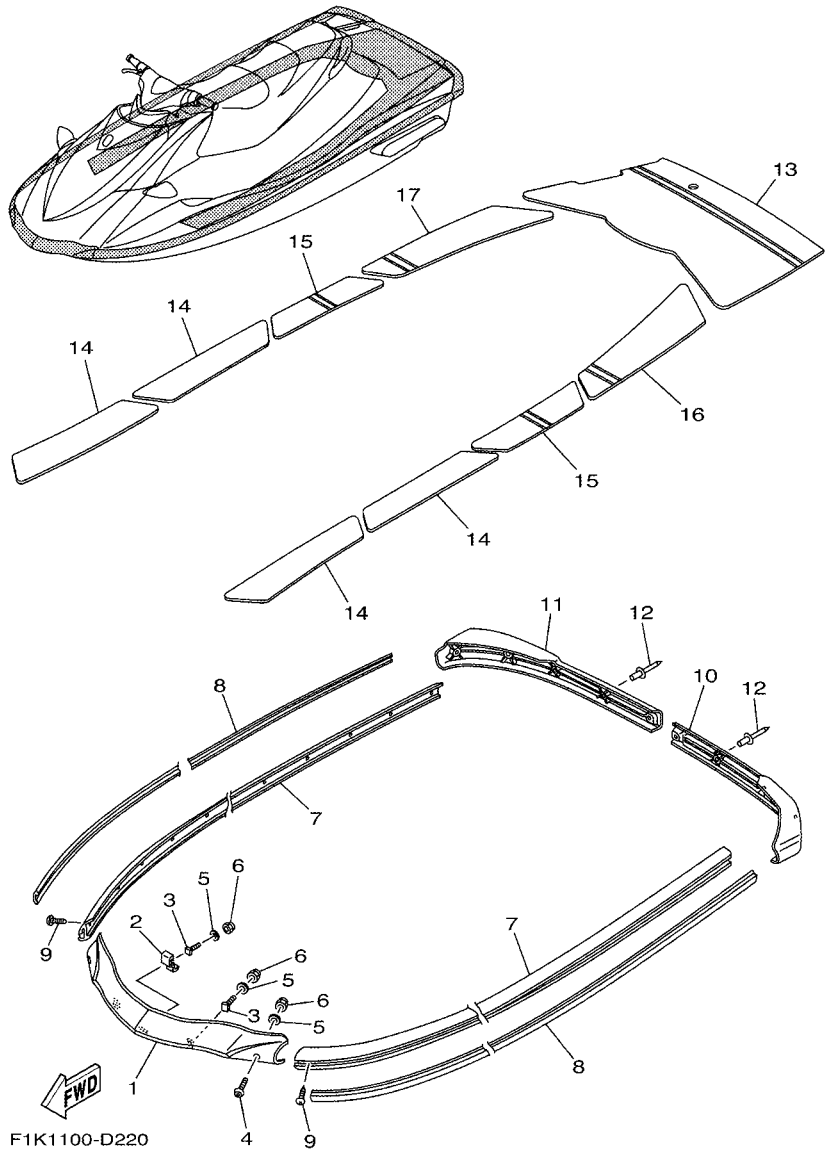
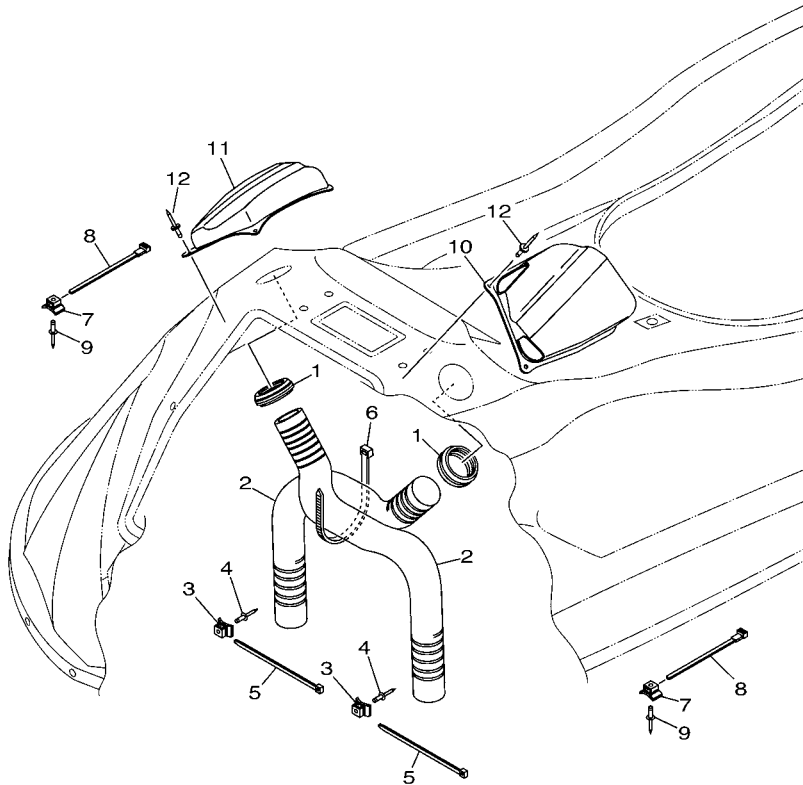


FIG. 22 GUNWALE & MAT

REF. NO.	PART NO.	DESCRIPTION	USA	CAN	GENE	JPN	REMARKS
1	F1K-U2501-10	BOW GUNWALE COMP.	1	1	1	1	GRAY,CRUISER
	F1K-U2501-02	BOW GUNWALE COMP.	1	1	1	1	GRAY,DELUXE
2	F1K-U2521-02	PLATE	1	1	1	1	
3	F1K-U491K-00	BOLT, SPECIAL	3	3	3	3	
4	90111-06803	BOLT,HEX. SOCKET BUTTON	2	2	2	2	
5	9299R-06200	WASHER	5	5	5	5	
6	9572R-06300	NUT, NYLON	5	5	5	5	
7	F1K-U2512-10	GUNWALE, SIDE	2	2	2	2	GRAY,CRUISER
	F1K-U2512-03	GUNWALE, SIDE	2	2	2	2	GRAY,DELUXE
8	F1K-U2519-20	INNER,GUNWALE	2	2	2	2	YAMAHA BLACK
	F1K-U2519-02	INNER,GUNWALE	2	2	2		GRAY,DELUXE BLUE
9	90169-059U1	SCREW,TAPPING	30	30	30	30	
10	F1K-U251D-10	GUNWALE, STERN 1	1	1	1	1	GRAY,CRUISER
	F1K-U251D-01	GUNWALE, STERN 1	1	1	1	1	GRAY,DELUXE
11	F1K-U251E-10	GUNWALE, STERN 2	1	1	1	1	GRAY,CRUISER
	F1K-U251E-01	GUNWALE, STERN 2	1	1	1	1	GRAY,DELUXE
12	90267-47801	RIVET, BLIND	9	9	9	9	
13	F1K-U3581-20	MAT, UPPER	1	1	1	1	GRAY,CRUISER
	F1K-U3581-10	MAT, UPPER	1	1	1	1	GRAY,DELUXE
14	F1K-U351H-20	MAT, STEP 1	4	4	4	4	GRAY,CRUISER
	F1K-U351H-10	MAT, STEP 1	4	4	4	4	GRAY,DELUXE
15	F1K-U351J-20	MAT, STEP 2	2	2	2	2	GRAY,CRUISER
	F1K-U351J-10	MAT, STEP 2	2	2	2	2	GRAY,DELUXE
16	F1K-U351K-20	MAT, STEP 3	1	1	1	1	GRAY,CRUISER
	F1K-U351K-10	MAT, STEP 3	1	1	1	1	GRAY,DELUXE
17	F1K-U351M-20	MAT, STEP 4	1	1	1	1	GRAY,CRUISER
	F1K-U351M-10	MAT, STEP 4	1	1	1	1	GRAY,DELUXE

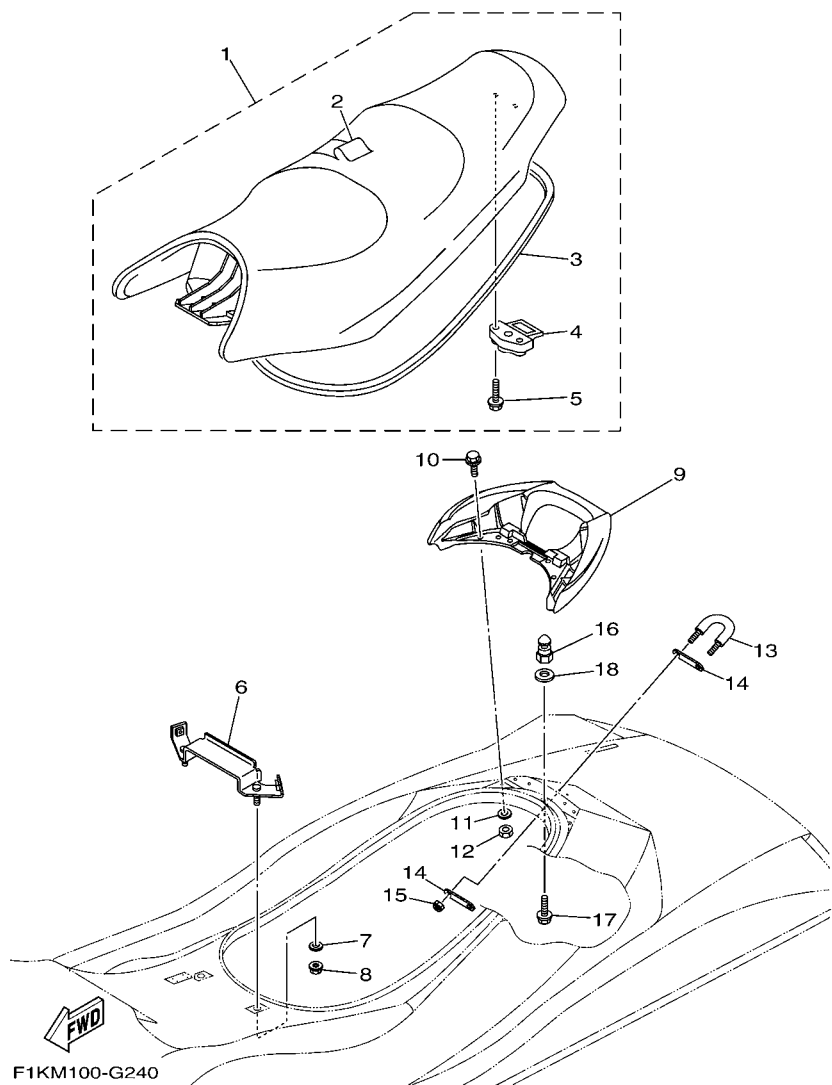
FIG. 23 VENTILATION



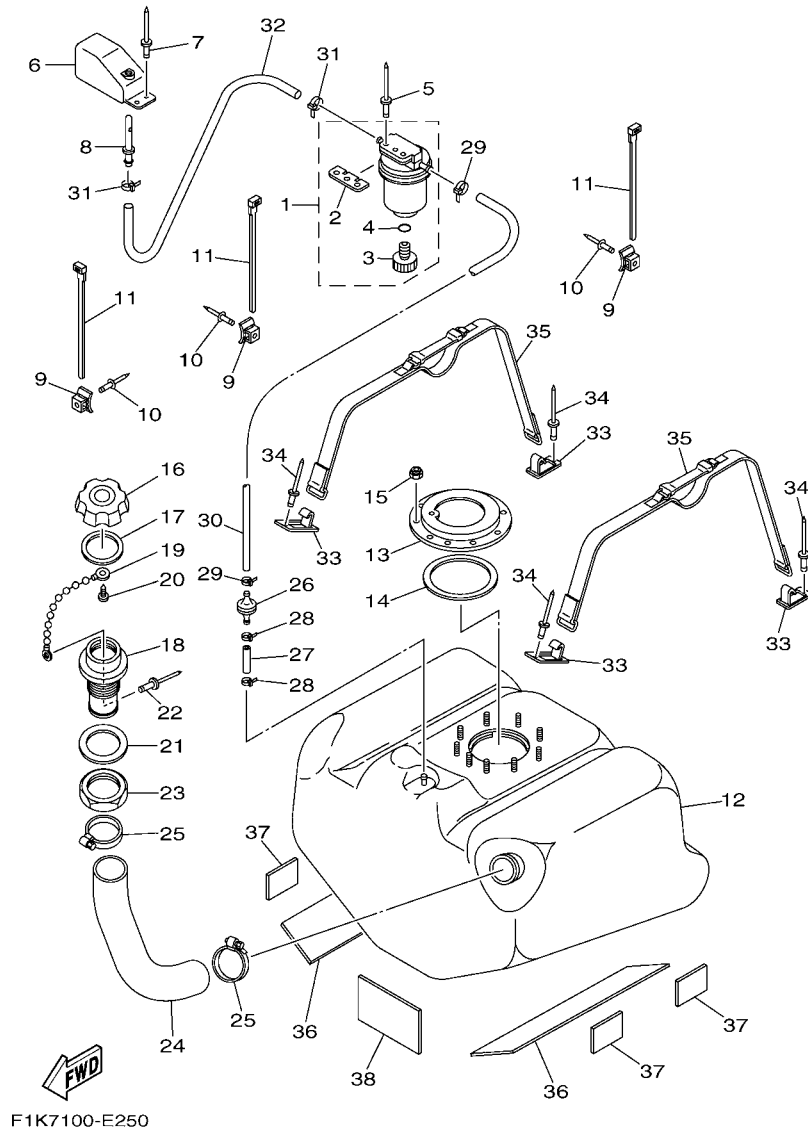
REF. NO.	PART NO.	DESCRIPTION	USA	CAN	GENE	JPN	REMARKS
1	F1K-U2127-00	BASE, AIR INTAKE	2	2	2	2	
2	F1K-U213G-00	HOSE, VENTILATOR 2	2	2	2	2	
3	90600-91736	CLAMP COMP.	2	2	2	2	
4	90267-489U6	RIVET, BLIND	2	2	2	2	
5	90464-99804	CLAMP	2	2	2	2	
6	90601-200U7	BAND	1	1	1	1	
7	90600-91736	CLAMP COMP.	2	2	2	2	
8	90464-32801	CLAMP	2	2	2	2	
9	90267-489U6	RIVET, BLIND	2	2	2	2	
10	F1K-U2187-00	BOX, INDUCTION 1	1	1	1	1	
11	F1K-U2188-00	BOX, INDUCTION 2	1	1	1	1	
12	90267-48806	RIVET, BLIND	8	8	8	8	


F1K1100-D230

FIG. 24 SEAT & UNDER LOCKER



REF. NO.	PART NO.	DESCRIPTION	USA	CAN	GENE	JPN	REMARKS
1	F1K-U371A-50	DOUBLE SEAT ASSY	1	1	1	1	CRUISER
	F1K-U371A-12	DOUBLE SEAT ASSY	1	1	1	1	DELUXE
2	F1K-U371B-50	.COVER, SEAT 1	1	1	1	1	CRUISER
	F1K-U371B-10	.COVER, SEAT 1	1	1	1	1	DELUXE
3	F1K-U2664-01	.PACKING	1	1	1	1	
4	F1B-U3850-02	.SEAT LOCK ASSY	1	1	1	1	
5	90119-069UP	.BOLT, WITH WASHER	2	2	2	2	
6	F1K-U378C-00	STAY, SEAT 1	1	1	1	1	
7	90201-099U3	WASHER, PLATE	2	2	2	2	
8	9572R-08300	NUT, FLANGE	2	2	2	2	
9	F1K-U271B-04	GRIP, HAND	1	1	1	1	
10	90119-06820	BOLT, WITH WASHER	4	4	4	4	
11	9299R-06200	WASHER	4	4	4	4	
12	9572R-06300	NUT, NYLON	4	4	4	4	
13	F1K-61628-00	STERN EYE	1	1	1	1	
14	GP7-U4953-10	PLATE A	2	2	2	2	
15	9572R-08300	NUT, FLANGE	2	2	2	2	
16	F1K-U3774-00	PIN	1	1	1	1	
17	90119-10804	BOLT, WITH WASHER	1	1	1	1	
18	9299R-10200	WASHER	1	1	1	1	



F1K7100-E250

FIG. 25 FUEL TANK

REF. NO.	PART NO.	DESCRIPTION	USA	CAN	GENE	JPN	REMARKS
1	F2F-6214A-00	FILTER, VENT ASSY	1	1	1	1	
2	EW2-62142-00	.PLATE, FILTER	1	1	1	1	
3	70R-24543-00	.PLUG, DRAIN	1	1	1	1	
4	70R-24489-00	.O-RING	1	1	1	1	
5	90267-489U2	RIVET, BLIND	2	2	2	2	
6	GP7-62159-02	SOCKET, VENTILATION	1	1	1	1	
7	90267-489U6	RIVET, BLIND	2	2	2	2	
8	F1G-62149-00	PIPE, VENTILATION	1	1	1	1	
9	90600-91736	CLAMP COMP.	3	3	3	3	
10	90267-489U6	RIVET, BLIND	3	3	3	3	
11	90464-32801	CLAMP	3	3	3	3	
12	F1K-U7711-02	TANK, FUEL	1	1	1	1	
13	F1B-U7773-00	RING	1	1	1	1	
14	F1B-67747-00	PACKING, SEAL	1	1	1	1	
15	9572R-06300	NUT, NYLON	9	9	9	9	
16	GP7-U7831-01	CAP, FUEL FILLER	1	1	1	1	UR CRUISER WHITE
	GP7-U7831-11	CAP, FUEL FILLER	1	1	1	1	UR BLACK
17	GP7-U7832-01	PACKING	1	1	1	1	
18	GP7-U7833-00	SOCKET	1	1	1	1	UR CRUISER WHITE
	GP7-U7833-10	SOCKET	1	1	1	1	UR BLACK
19	GP7-U7835-00	CHAIN BALL	1	1	1	1	
20	90169-049U1	TAPPING SCREW	1	1	1	1	
21	GP7-U7834-00	PACKING FUEL FILLER	1	1	1	1	
22	90267-329UR	RIVET, BLIND	1	1	1	1	
23	GP7-U783F-00	NUT, FUEL FILLER	1	1	1	1	
24	F1K-U7844-01	HOSE	1	1	1	1	
25	90601-155U4	BAND, HOSE 55	2	2	2	2	

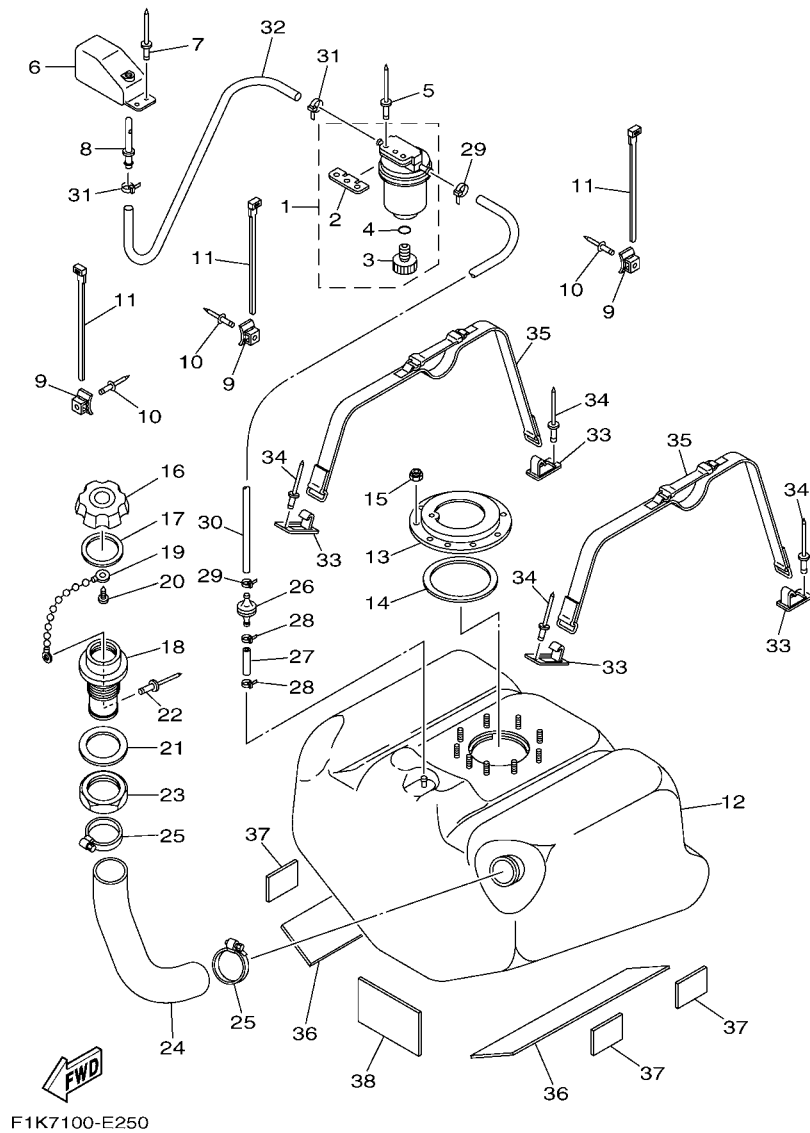
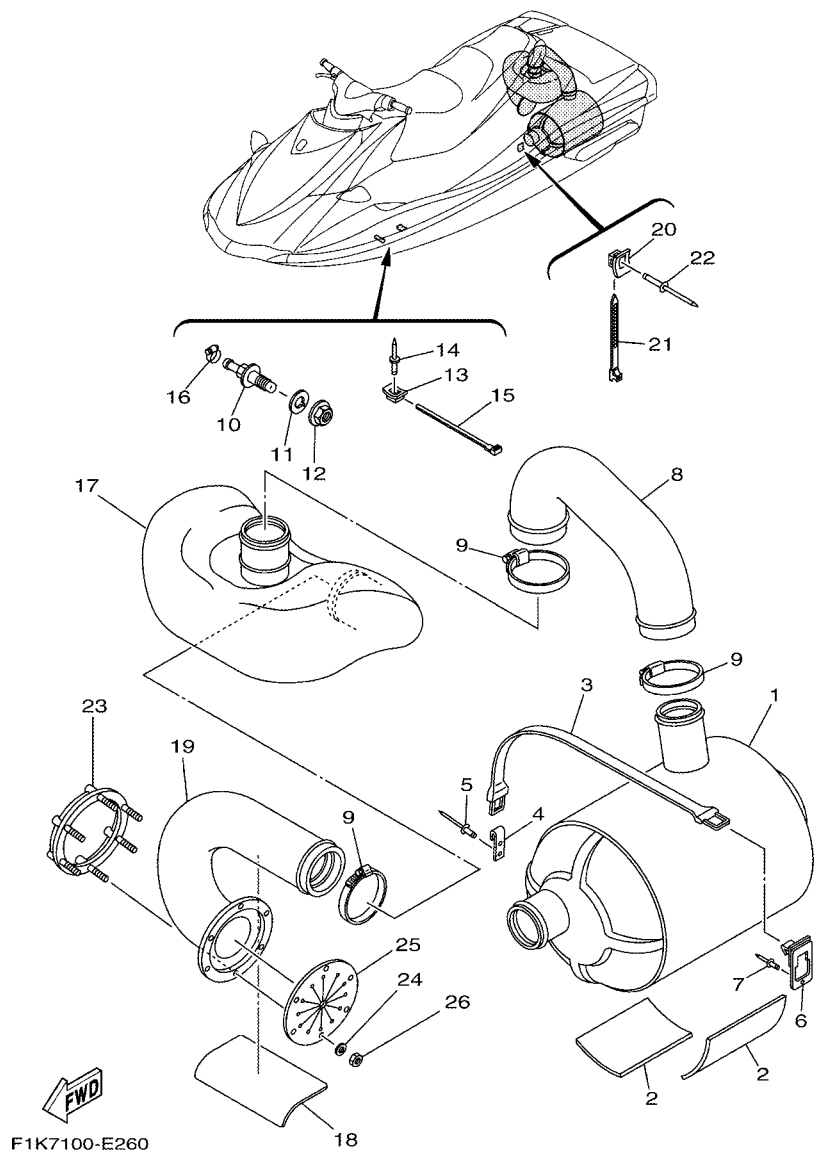


FIG. 25 FUEL TANK

REF. NO.	PART NO.	DESCRIPTION	USA	CAN	GENE	JPN	REMARKS
26	EU0-67767-31	CHECK VALVE	1	1	1	1	
27	GP7-U785H-00	HOSE, AIR VENT 3	1	1	1	1	
28	90465-11829	CLAMP	2	2	2	2	
29	90465-11829	CLAMP	2	2	2	2	
30	F1K-U785G-00	HOSE, AIR VENT	1	1	1	1	
31	90465-11829	CLAMP	2	2	2	2	
32	F0D-U7856-10	HOSE, AIR VENT 3	1	1	1	1	
33	F1K-U5772-02	HOOK A	4	4	4	4	
34	90267-489U1	RIVET,BLIND	4	4	4	4	
35	F1K-67743-00	BELT, TANK 1	2	2	2	2	
36	F1K-U759B-00	MAT 1	2	2	2	2	
37	F1B-U759C-00	MAT 2	4	4	4	4	
38	F1S-U8221-00	PAD, BATTERY	1	1	1	1	

FIG. 26 EXHAUST 3



REF. NO.	PART NO.	DESCRIPTION	USA	CAN	GENE	JPN	REMARKS
1	F1K-U7550-01	WATER LOCK COMP.	1	1	1	1	
2	F1S-U8221-00	PAD, BATTERY	2	2	2	2	
3	EW2-67821-00	BAND, FUEL TANK	1	1	1	1	
4	GA7-65772-00	HOOK A	1	1	1	1	
5	90267-489U1	RIVET,BLIND	2	2	2	2	
6	F1K-U5772-02	HOOK A	1	1	1	1	
7	90267-489U1	RIVET,BLIND	1	1	1	1	
8	F1K-U7555-00	HOSE, EXHAUST	1	1	1	1	
9	90601-175UR	BAND, HOSE 75	3	3	3	3	
10	F1K-6753B-00	PILOT, WATER	1	1	1	1	
11	F1B-67564-00	GASKET	1	1	1	1	
12	F0X-62733-00	NUT	1	1	1	1	
13	90600-91736	CLAMP COMP.	1	1	1	1	
14	90267-489U6	RIVET, BLIND	1	1	1	1	
15	90464-32801	CLAMP	1	1	1	1	
16	90601-118UF	BAND, HOSE 18	1	1	1	1	
17	F1K-U4261-00	TANK, WATER	1	1	1	1	
18	F1S-U8221-00	PAD, BATTERY	1	1	1	1	
19	F1K-U758D-00	HOSE,EXHAUST 3	1	1	1	1	
20	90600-91736	CLAMP COMP.	1	1	1	1	
21	90464-32801	CLAMP	1	1	1	1	
22	90267-489U6	RIVET, BLIND	1	1	1	1	
23	F1S-U757B-00	PLATE	1	1	1	1	
24	9299R-06200	WASHER	6	6	6	6	
25	F1B-U751G-00	VALVE, EXHAUST	1	1	1	1	
26	9572R-06300	NUT, NYLON	6	6	6	6	

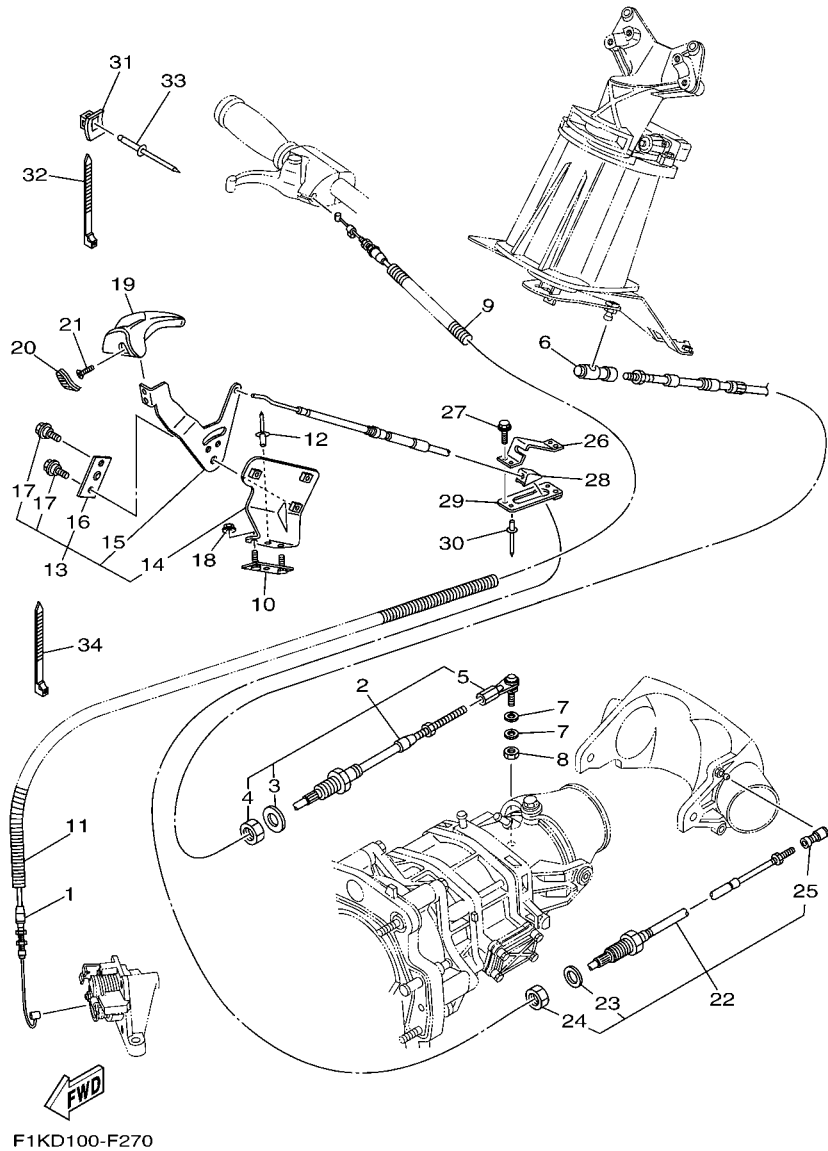


FIG. 27 CONTROL CABLE

REF. NO.	PART NO.	DESCRIPTION	USA	CAN	GENE	JPN	REMARKS
1	6D3-26311-01	CABLE, THROTTLE 1	1	1	1	1	
2	F1K-61481-01	CABLE, STEERING	1	1	1	1	
3	F1B-61438-00	.PACKING	1	1	1	1	
4	F1B-6151S-00	.NUT	1	1	1	1	
5	F1B-61461-02	.STUD, JOINT BALL	1	1	1	1	
6	GK5-U146F-00	SHAFT, JOINT BALL	1	1	1	1	
7	90201-06906	WASHER, PLATE	2	2	2	2	
8	9538R-06700	NUT	1	1	1	1	
9	90447-06802	TUBE	1	1	1	1	
10	F1K-U826C-02	BRACKET	1	1	1	1	
11	90447-06800	TUBE	1	1	1	1	
12	90267-489U6	RIVET, BLIND	1	1	1	1	
13	F1K-U134A-00	REMOCON. LEVER ASSY.	1	1	1	1	
14	F1K-U1794-02	.BRACKET	1	1	1	1	
15	F1K-U151N-02	.LEVER	1	1	1	1	
16	F1K-U152N-00	.DETENT PLATE	1	1	1	1	
17	F1K-U1355-00	.BOLT	2	2	2	2	
18	9572R-08300	NUT, FLANGE	2	2	2	2	
19	F1K-U2714-02	GRIP	1	1	1	1	
20	F1K-U1336-00	DAMPER, STOPPER	1	1	1	1	
21	90151-05802	SCREW, COUNTERSUNK	2	2	2	2	
22	F1K-6149C-00	CABLE, REVERSE	1	1	1	1	
23	F1B-61438-00	.PACKING	1	1	1	1	
24	F1B-6151S-00	.NUT	1	1	1	1	
25	F1B-61460-00	.BALL JOINT ASSY	1	1	1	1	
26	F1K-U1467-11	BRACKET, STOPPER CABLE	1	1	1	1	
27	90119-06878	BOLT, WITH WASHER	2	2	2	2	

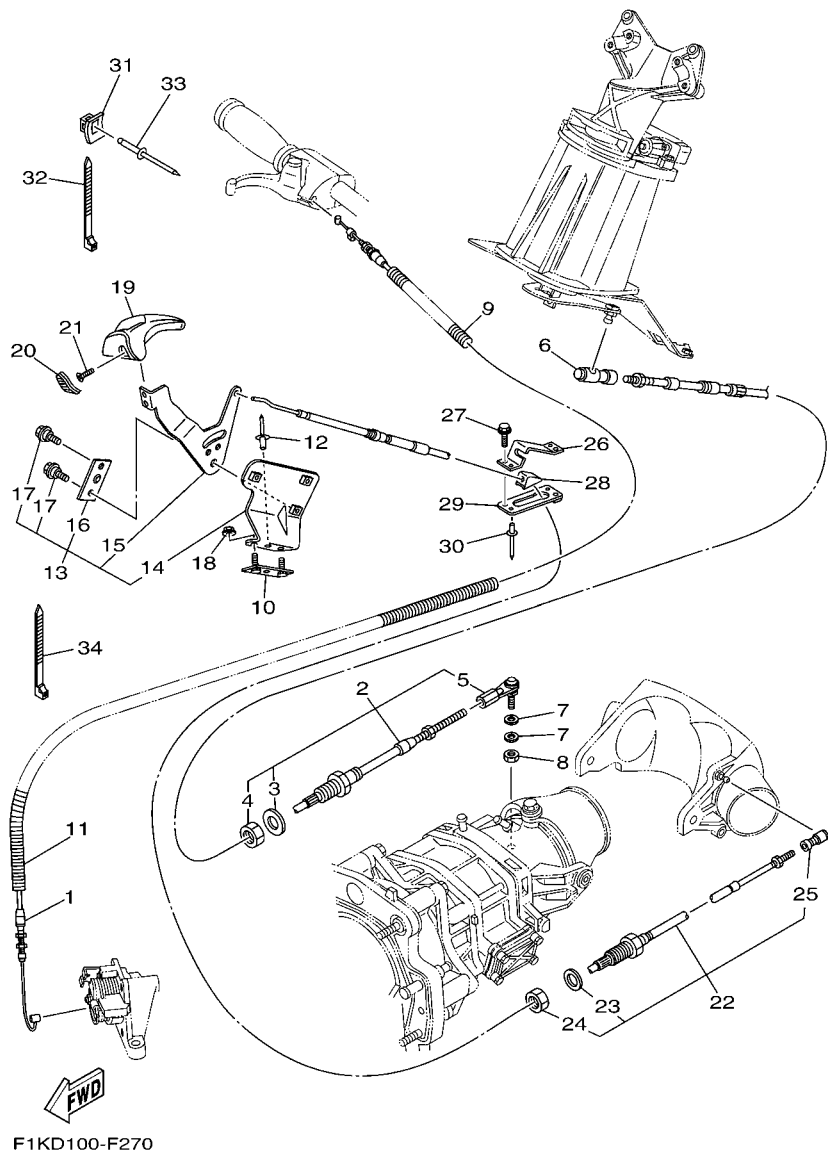


FIG. 27 CONTROL CABLE

REF. NO.	PART NO.	DESCRIPTION	USA	CAN	GENE	JPN	REMARKS
28	F1K-U146G-01	PACKING, CABLE	1	1	1	1	
29	F1K-U1316-02	PLATE, STOPPER	1	1	1	1	
30	90267-489U6	RIVET, BLIND	2	2	2	2	
31	90600-91736	CLAMP COMP.	1	1	1	1	
32	90464-32801	CLAMP	1	1	1	1	
33	90267-489U6	RIVET, BLIND	1	1	1	1	
34	90464-40825	CLAMP	1	1	1	1	

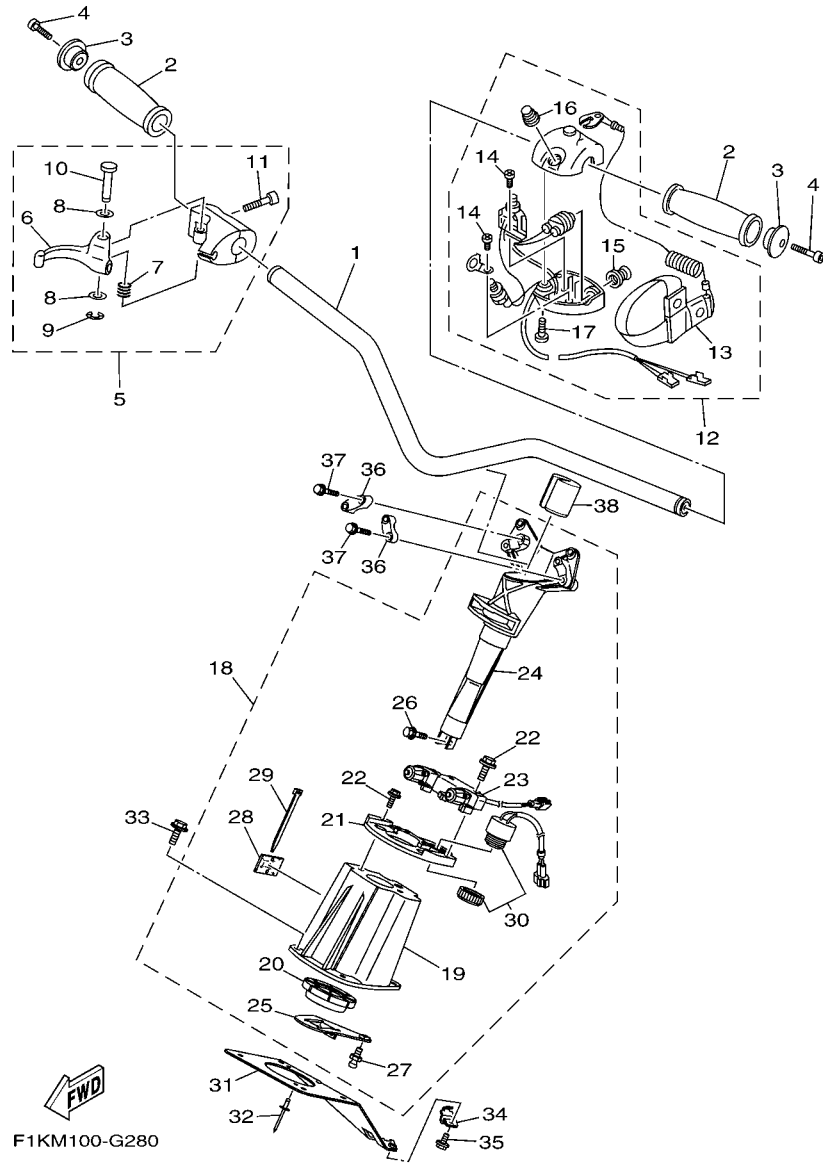
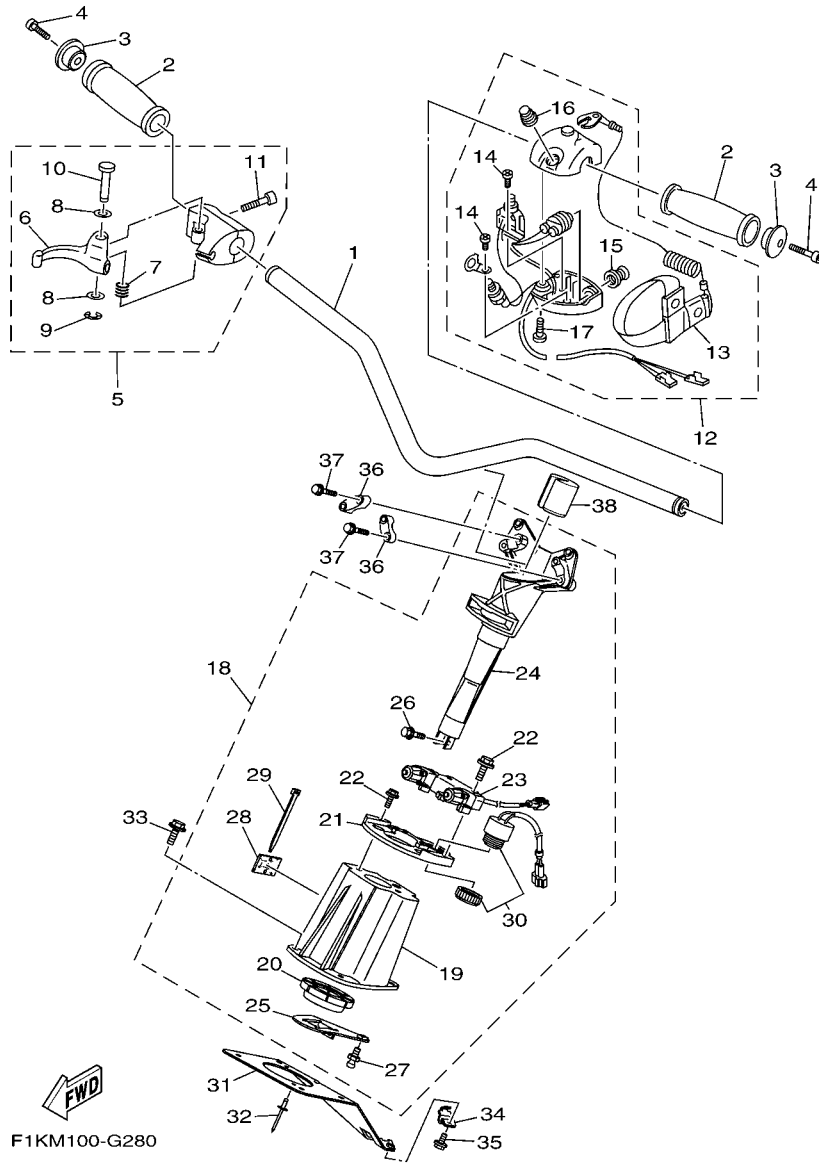


FIG. 28 STEERING 1

REF. NO.	PART NO.	DESCRIPTION	USA	CAN	GENE	JPN	REMARKS
1	F1K-U1552-00	HANDLE	1	1	1	1	
2	GP7-U155D-01	GRIP, HANDLE	2	2	2	2	
3	GP7-U155F-00	GRIP, END	2	2	2	2	
4	90110-05908	BOLT, HEXAGON SOCKET HEAD	2	2	2	2	
5	F0D-67250-10	THROTTLE LEVER ASSY	1	1	1	1	
6	F0D-67255-02	.LEVER, THROTTLE	1	1	1	1	
7	EW2-67256-00	.SPRING	1	1	1	1	
8	EW2-67258-01	.WASHER	2	2	2	2	
9	EW2-67259-01	.E-RING	1	1	1	1	
10	F0D-67257-00	.SHAFT	1	1	1	1	
11	F1X-6725F-01	.BOLT, THROTTLE	2	2	2	2	
12	FK7-68310-07	SWITCH BOX ASSY	1	1	1	1	
13	EW2-68348-00	.LANYARD, STOP SWITCH	1	1	1	1	
14	97880-03008	.SCREW, PAN HEAD	2	2	2	2	
15	FK7-68312-02	.STOP BUTTON COMP	1	1	1	1	
16	FK7-68313-02	.START BUTTON COMP.	1	1	1	1	
17	97880-05025	.SCREW, PAN HEAD	2	2	2	2	
18	F1K-U154A-04	STEERING COLUMN COMP.	1	1	1	1	Go to P/N : PE0-WV-080001
19	F1K-U152M-00	.HOUSING ASSY	1	1	1	1	
20	F1K-U143C-00	.SEAL, RUBBER	1	1	1	1	
21	F1K-U146H-01	.SPACER, BRKT.	1	1	1	1	
22	90119-08826	.BOLT, WITH WASHER	7	7	7	7	
23	F1B-68303-10	.SENSOR ASSY	1	1	1	1	
24	F1K-U1541-02	.COLUMN, STEERING	1	1	1	1	
25	F1K-U151B-02	.ARM, STEERING	1	1	1	1	
26	90119-08826	.BOLT, WITH WASHER	1	1	1	1	
27	GH3-U146E-00	.STUD, JOINT BALL	1	1	1	1	



F1KM100-G280

FIG. 28 STEERING 1

REF. NO.	PART NO.	DESCRIPTION	USA	CAN	GENE	JPN	REMARKS
28	90600-900U6	.BASE, CLAMP	1	1	1	1	
29	90601-200U1	.BAND	1	1	1	1	
30	F1S-68341-00	.BUZZER	1	1	1	1	
31	F1K-U1467-00	BRACKET, STOPPER CABLE	1	1	1	1	
32	90267-48806	RIVET, BLIND	2	2	2	2	
33	90119-08836	BOLT, WITH WASHER	4	4	4	4	
34	F1K-U1468-03	STOPPER, CABLE	1	1	1	1	
35	90119-069UH	BOLT, WITH WASHER	1	1	1	1	
36	EU0-23814-30	HOLDER, HANDLE UPPER	2	2	2	2	
37	90119-089UU	BOLT, WITH WASHER	4	4	4	4	
38	F1K-U1949-00	PLUG	1	1	1	1	

PARTS NEWS



Date: 2008/02/26

News No. PE0-WV-080001

Signature: K . Otsuka

Cause Revision Notice Correction Sales Unit Change Others

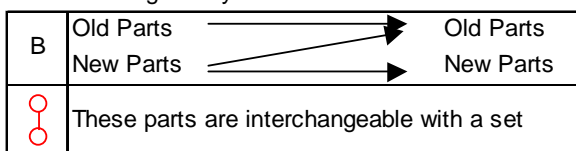
Model	See the "List of Models and CATALOGUE No's below."
Subject	PARTS CATALOGUE CORRECTIONS
CATALOGUE NO.	See the "List of Models and CATALOGUE No's below."
Time of YPEC Revision Text, Illustration --> Mar./17/2008 PDF Replace --> Mar./17/2008 (YPEC = Yamaha Parts Electrical Catalogue = Website parts catalogue)	

FIG.27or 28 STEERING 1 SECTION

1. LIST CORRECTION

Ref.No.	OLD Part No.	NEW Part No.	PART NAME	Q'TY	*1	NOTE
18	F1K-U154A-04	F1K-61400-00	STEERING COLUMN COMP. STEERING MASTER ASSY	1	B ○	
19	F1K-U152M-00	-	.HOUSING ASSY	1		
20	F1K-U143C-00	-	.SEAL, RUBBER	1		
21	F1K-U146H-01	-	.SPACER, BRKT.	1		
22	90119-08826	-	.BOLT, WITH WASHER	7		
23	F1B-68303-10	-	.SENSOR ASSY	1		
24	F1K-U1541-02	-	.COLUMN, STEERING	1		
25	F1K-U151B-02	-	.ARM STEERING	1		
26	90119-08826	-	.BOLT, WITH WASHER	1		
27	GH3-U146E-00	-	.STUD, JOINT BALL	1		
28	90600-900U6	-	.BASE, CLAMP	1		
29	90601-200U1	-	.BAND	1		
30	F1S-68341-00	-	.BUZZER	1		
39	-	F1K-6152M-00	.HOUSING ASSY	1	○	Parts Revision
40	-	F1K-6134M-00	.BUSH	1	○	
41	-	F1K-6828M-00	.BASE, CLAMP	1	○	
42	-	F1K-6146H-00	.SPACER, BRKT.	1	○	
43	-	F1B-613C1-00	.SCREW	2	○	
44	-	F1K-67410-00	.SHAFT ASSY	1	○	
45	-	F1K-6153R-00	.ARM ASSY	1	○	
46	-	EU0-61461-02	..STUD, JOINT BALL	1	○	
47	-	95720-06300	..NUT	1	○	
48	-	F1K-61355-00	.BOLT	1	○	
49	-	F1K-6142B-00	.PLATE	1	○	
50	-	95720-08300	.NUT	1	○	
51	-	F1S-68341-00	.BUZZER	1	○	
52	-	F1W-68303-00	.SENSOR ASSY	1	○	
53	-	F1W-61516-00	.BOLT	4	○	
54	-	F1K-6143C-00	.SEAL, RUBBER	1	○	
55	-	90601-200U1	.BAND	1	○	

*1: Interchangeability



Parts Manager Check

Service Manager Check

Parts Manager File

YAMAHA MOTOR CO.,LTD
2500 Shingai Iwata Shizuoka 438-8501 Japan
Technical Publication Dept.



PARTS NEWS

News No. PE0-WV-080001

Date: 2008/02/26

Signature: K . Otsuka

Cause Revision Notice Correction Sales Unit Change Others

Model	See the "List of Models and CATALOGUE No's below."
Subject	PARTS CATALOGUE CORRECTIONS
CATALOGUE NO.	See the "List of Models and CATALOGUE No's below."
Time of YPEC Revision Text, Illustration --> Mar./17/2008 PDF Replace --> Mar./17/2008 (YPEC = Yamaha Parts Electrical Catalogue = Website parts catalogue)	

2. LIST of Models and CATALOGUE No's.

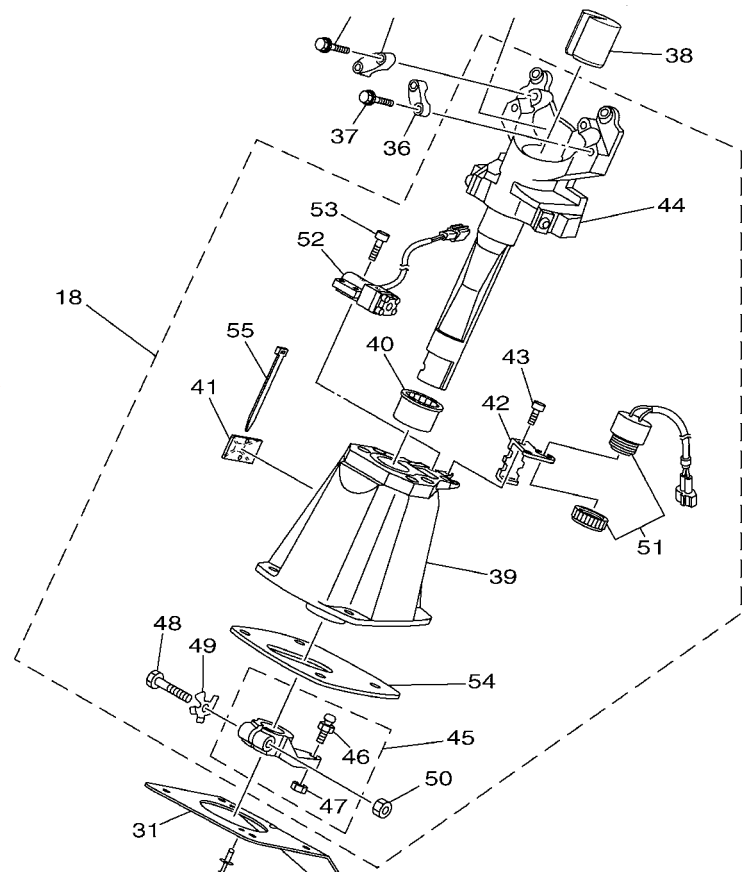
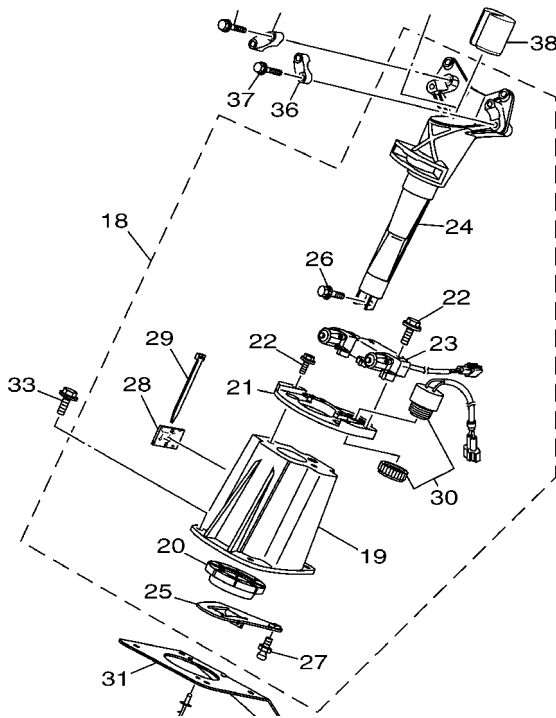
The applicable MODELS, MODEL CODES, CATALOGUE No's, and Starting Serial No. are as follows.

CATALOGUE NO.	MODEL	MODEL CODE	Starting Serial No.
1GF1K-100E1 1GF1K-300E1	VX1100A-G	F1KM	F1K-857901 and following
		F1KN	F1K-861301 and following
		F1KP	F1K-857101 and following
	VX1100B-G	F1KR	F1K-858001 and following
		F1KS	F1K-861401 and following
		F1KT	F1K-857001 and following
1GF1K-100EA 1GF1K-300EA	VX1100C-G	F1KU	F1K-858401 and following
	VX1100-G	F1KV	F1K-858101 and following
		F1KW	F1K-856701 and following
		F1KX	F1K-860001 and following

3. ILLUSTRATION CORRECTION

(NEW)

(OLD)



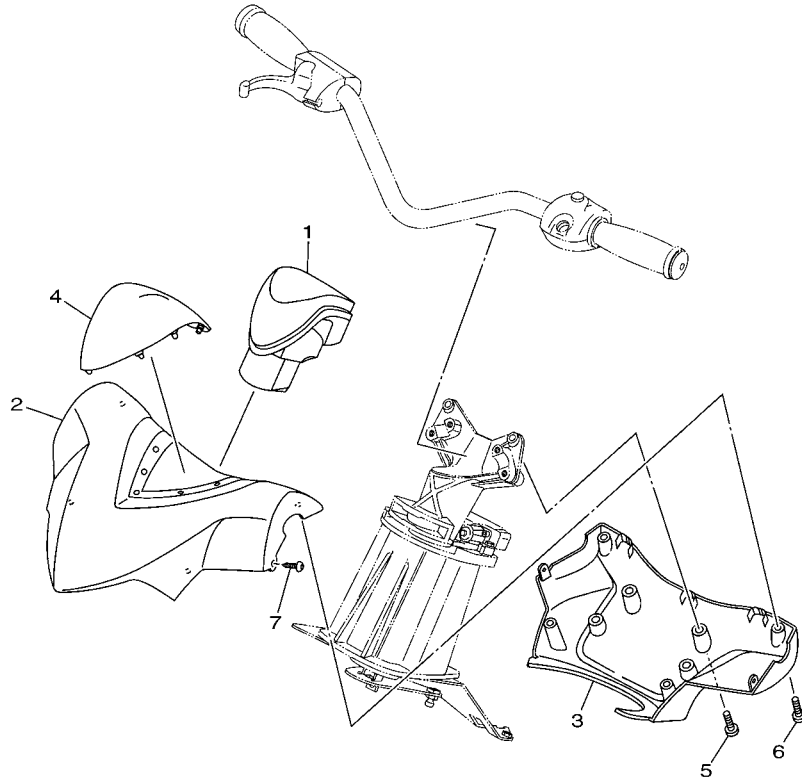
Parts Manager Check

Service Manager Check

Parts Manager File

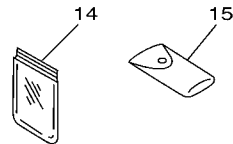
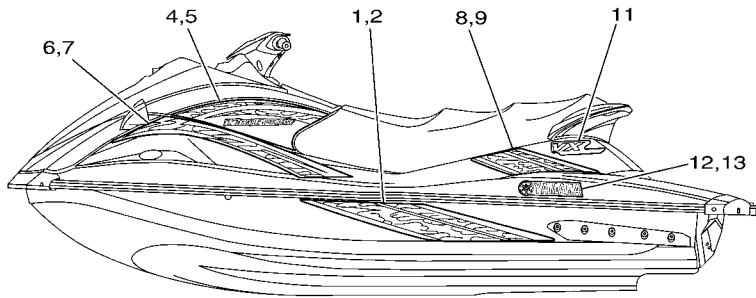
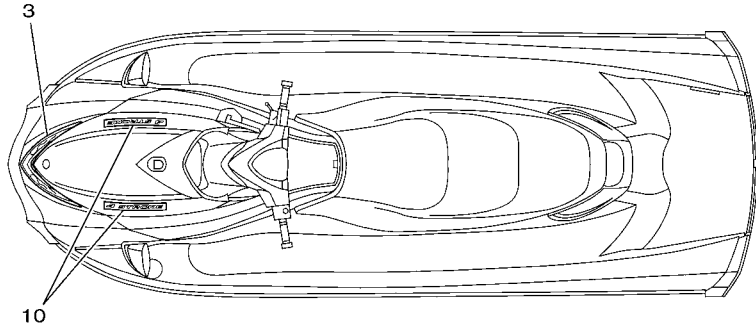
YAMAHA MOTOR CO.,LTD
2500 Shingai Iwata Shizuoka 438-8501 Japan
Technical Publication Dept.

FIG. 29 STEERING 2



REF. NO.	PART NO.	DESCRIPTION	USA	CAN	GENE	JPN	REMARKS
1	F1K-U156E-01	PAD 1	1	1	1	1	
2	F1K-U143D-01	PAD, STEERING 1	1	1	1	1	
3	F1K-U143E-01	PAD, STEERING 2	1	1	1	1	
4	F1K-U142D-00	COVER, PAD	1	1	1	1	
5	90154-06017	SCREW, BINDING	4	4	4	4	
6	90149-05903	SCREW	4	4	4	4	
7	90167-04003	SCREW, TAPPING	2	2	2	2	

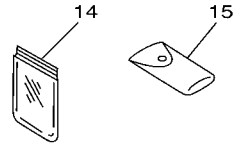
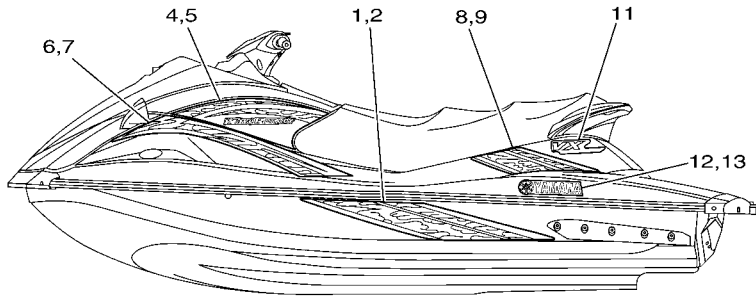
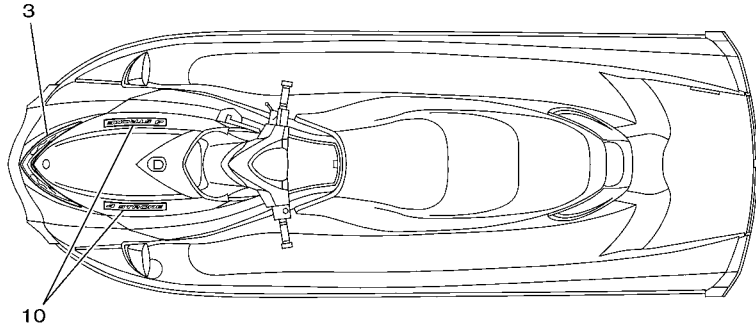

F1KM100-G290



F1KM100-G300

FIG. 30 GRAPHICS

REF. NO.	PART NO.	DESCRIPTION	USA	CAN	GENE	JPN	REMARKS
1	F1K-U417B-A0	GRAPHIC, 1 (LH)	1	1	1	1	CRUISER WHITE
	F1K-U417B-B0	GRAPHIC, 1 (LH)	1	1	1	1	CRUISER BLACK
	F1K-U417B-C0	GRAPHIC, 1 (LH)	1	1	1	1	DELUXE BLACK
	F1K-U417B-D0	GRAPHIC, 1 (LH)	1	1	1		DELUXE BLUE
2	F1K-U417C-A0	GRAPHIC, 2 (RH)	1	1	1	1	CRUISER WHITE
	F1K-U417C-B0	GRAPHIC, 2 (RH)	1	1	1	1	CRUISER BLACK
	F1K-U417C-C0	GRAPHIC, 2 (RH)	1	1	1	1	DELUXE BLACK
	F1K-U417C-D0	GRAPHIC, 2 (RH)	1	1	1		DELUXE BLUE
3	F1K-U417D-A0	GRAPHIC 3	1	1	1	1	CRUISER
	F1K-U417D-C0	GRAPHIC 3	1	1	1	1	DELUXE BLACK
	F1K-U417D-D0	GRAPHIC 3	1	1	1		DELUXE BLUE
4	F1K-U417F-A0	GRAPHIC, 5 (LH)	1	1	1	1	CRUISER WHITE
	F1K-U417F-B0	GRAPHIC, 5 (LH)	1	1	1	1	CRUISER BLACK
	F1K-U417F-C0	GRAPHIC, 5 (LH)	1	1	1	1	DELUXE BLACK
	F1K-U417F-D0	GRAPHIC, 5 (LH)	1	1	1		DELUXE BLUE
5	F1K-U417G-A0	GRAPHIC, 6 (RH)	1	1	1	1	CRUISER WHITE
	F1K-U417G-B0	GRAPHIC, 6 (RH)	1	1	1	1	CRUISER BLACK
	F1K-U417G-C0	GRAPHIC, 6 (RH)	1	1	1	1	DELUXE BLACK
	F1K-U417G-D0	GRAPHIC, 6 (RH)	1	1	1		DELUXE BLUE
6	F1K-U417H-A0	GRAPHIC, 7 (LH)	1	1	1	1	CRUISER WHITE
	F1K-U417H-B0	GRAPHIC, 7 (LH)	1	1	1	1	CRUISER BLACK
	F1K-U417H-C0	GRAPHIC, 7 (LH)	1	1	1	1	DELUXE BLACK
	F1K-U417H-D0	GRAPHIC, 7 (LH)	1	1	1		DELUXE BLUE
7	F1K-U417J-A0	GRAPHIC 8 (RH)	1	1	1	1	CRUISER WHITE
	F1K-U417J-B0	GRAPHIC 8 (RH)	1	1	1	1	CRUISER BLACK
	F1K-U417J-C0	GRAPHIC 8 (RH)	1	1	1	1	DELUXE BLACK
	F1K-U417J-D0	GRAPHIC 8 (RH)	1	1	1		DELUXE BLUE

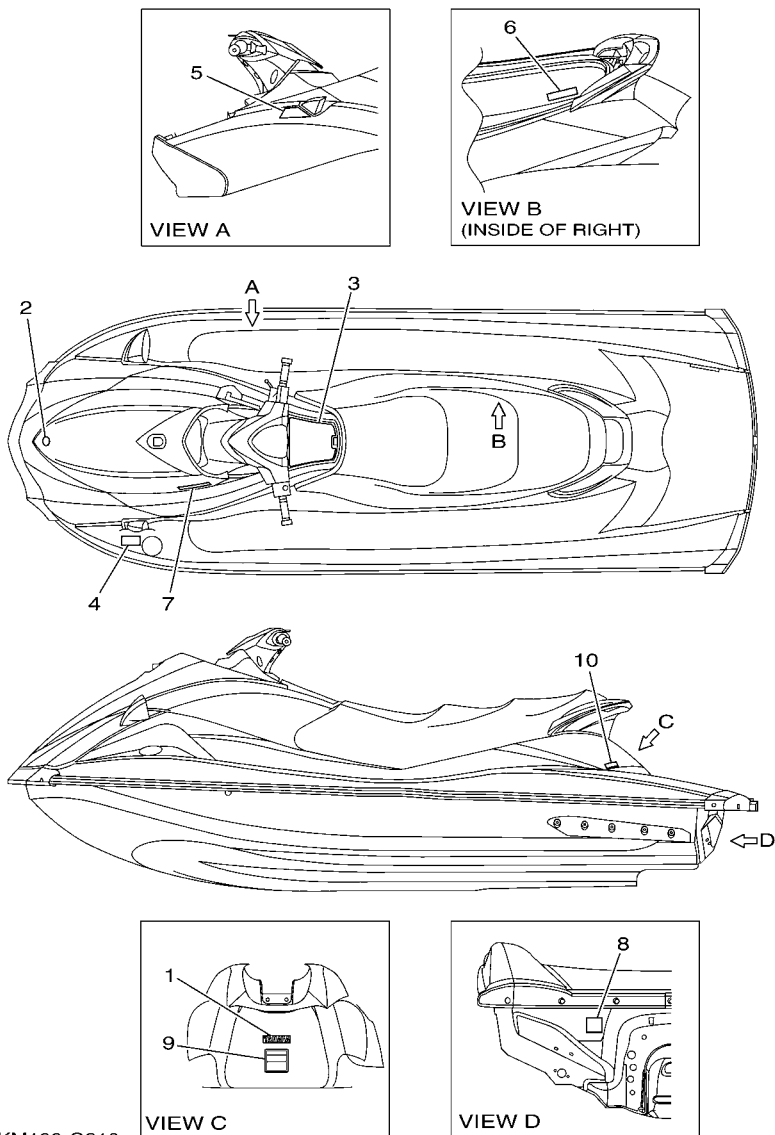


F1KM100-G300

FIG. 30 GRAPHICS

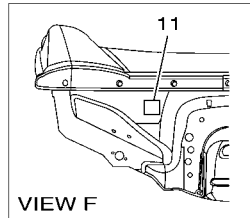
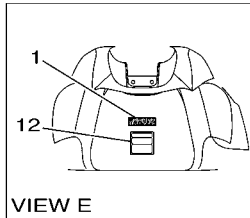
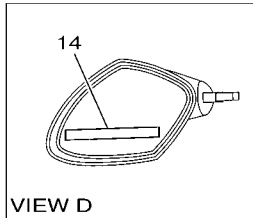
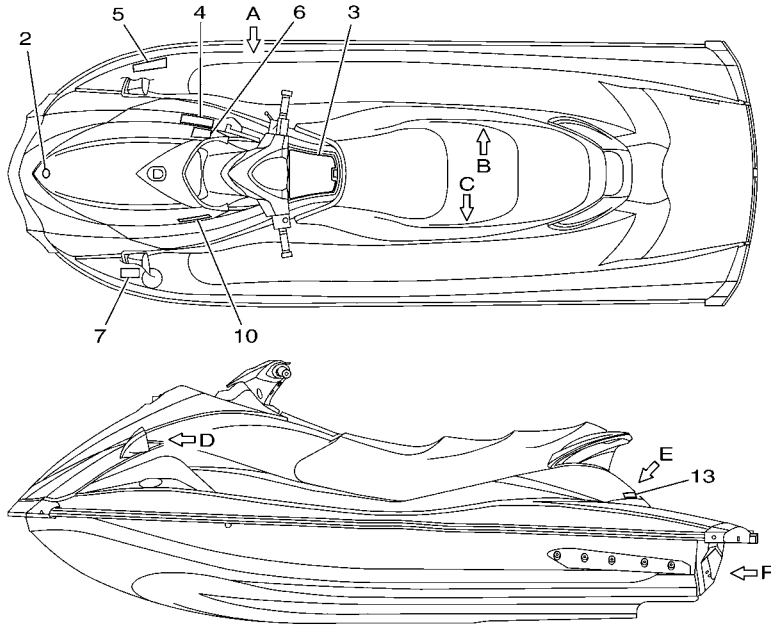
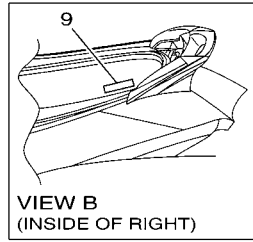
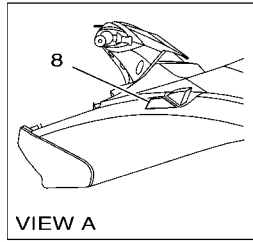
REF. NO.	PART NO.	DESCRIPTION	USA	CAN	GENE	JPN	REMARKS
8	F1K-U417K-A0	GRAPHIC 9 (LH)	1	1	1	1	CRUISER WHITE
	F1K-U417K-B0	GRAPHIC 9 (LH)	1	1	1	1	CRUISER BLACK
	F1K-U417K-C0	GRAPHIC 9 (LH)	1	1	1	1	DELUXE BLACK
	F1K-U417K-D0	GRAPHIC 9 (LH)	1	1	1		DELUXE BLUE
9	F1K-U417L-A0	GRAPHIC, B (RH)	1	1	1	1	CRUISER WHITE
	F1K-U417L-B0	GRAPHIC, B (RH)	1	1	1	1	CRUISER BLACK
	F1K-U417L-C0	GRAPHIC, B (RH)	1	1	1	1	DELUXE BLACK
	F1K-U417L-D0	GRAPHIC, B (RH)	1	1	1		DELUXE BLUE
10	F1K-U417M-A0	GRAPHIC C	2	2	2	2	CRUISER
	F1K-U417M-C0	GRAPHIC C	2	2	2	2	DELUXE BLACK
	F1K-U417M-D0	GRAPHIC C	2	2	2		DELUXE BLUE
11	F1K-U417N-A0	GRAPHIC D	2	2	2	2	CRUISER WHITE
	F1K-U417N-B0	GRAPHIC D	2	2	2	2	CRUISER BLACK
	F1K-U417N-C0	GRAPHIC D	2	2	2	2	DELUXE BLACK
	F1K-U417N-D0	GRAPHIC D	2	2	2		DELUXE BLUE
12	F0V-U411C-10	EMBLEM, YAMAHA	2	2	2	2	CRUISER WHITE
	F1X-U411C-10	EMBLEM, YAMAHA	2	2	2	2	CRUISER BLACK
13	F1X-U411C-10	EMBLEM, YAMAHA	2	2	2	2	DELUXE BLACK
	F1S-U411C-10	EMBLEM, YAMAHA	2	2	2		DELUXE BLUE
14	F1B-65986-00	TOOL SET	1	1	1	1	
15	EU0-65901-01	TOOL BAG	1	1	1	1	

FIG. 31 IMPORTANT LABELS



F1KM100-G310

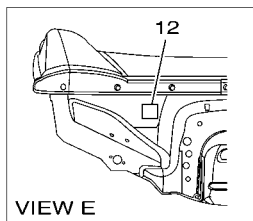
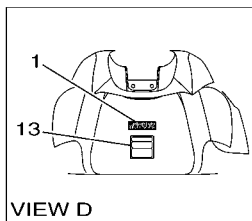
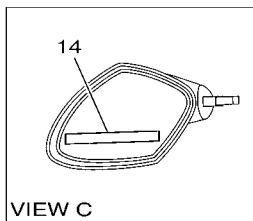
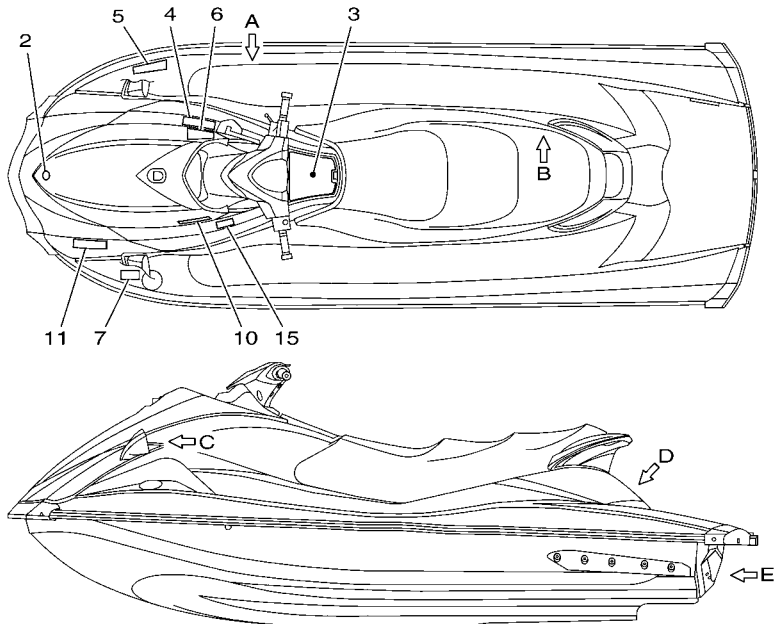
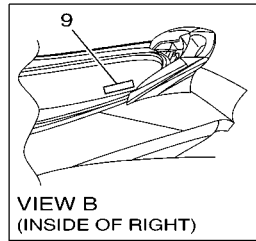
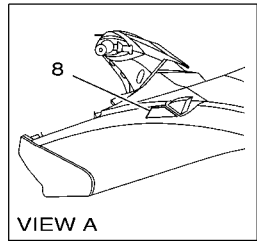
REF. NO.	PART NO.	DESCRIPTION	USA	CAN	GENE	JPN	REMARKS
1	F1B-U411C-02	EMBLEM, YAMAHA	1				CRUISER WHITE
	F1X-U411C-20	EMBLEM, YAMAHA	1				CRUISER BLACK
	F1X-U411C-20	EMBLEM, YAMAHA	1				DELUXE BLACK
	F1S-U411C-00	EMBLEM, YAMAHA	1				DELUXE BLUE
2	F1K-U411H-00	EMBLEM, TUNING FORK	1				
3	F1K-U41B1-01	LABEL, WARNING UNIFORM 1	1				
4	F1B-U415B-02	LABEL, WARNING(FUEL)	1				CRUISER WHITE
	F1S-U415B-01	LABEL, WARNING(FUEL)	1				CRUISER BLACK
	F1S-U415B-01	LABEL, WARNING(FUEL)	1				DELUXE
5	F0V-U41D5-21	LABEL, WARNING SHIFT LEVER	1				
6	F0V-U41DB-02	LABEL, WARNING BATTERY	1				
7	F0V-U41F5-01	LABEL, FIRE EXTINGUISHER 1	1				
8	F1G-U418F-00	LABEL, RIGHTING	1				
9	F1B-U41E1-21	LABEL, SET 1	1				CRUISER WHITE
	F1S-U41E1-01	LABEL, SET 1	1				CRUISER BLACK
	F1S-U41E1-01	LABEL, SET 1	1				DELUXE
10	F0P-U41G1-01	LABEL, CAPACITY	1				CRUISER WHITE
	F1S-U41G1-01	LABEL, CAPACITY	1				CRUISER BLACK
	F1S-U41G1-01	LABEL, CAPACITY	1				DELUXE



F1KD100-F320

FIG. 32 IMPORTANT LABELS 2

REF. NO.	PART NO.	DESCRIPTION	USA	CAN	GENE	JPN	REMARKS
1	F1B-U411C-02	EMBLEM, YAMAHA		1			CRUISER WHITE
	F1X-U411C-20	EMBLEM, YAMAHA		1			CRUISER BLACK
	F1X-U411C-20	EMBLEM, YAMAHA		1			DELUXE BLACK
	F1S-U411C-00	EMBLEM, YAMAHA		1			DELUXE BLUE
2	F1K-U411H-00	EMBLEM, TUNING FORK		1			
3	F1K-U41B1-11	LABEL, WARNING UNIFORM 1		1			
4	F1B-U41B1-21	LABEL, WARNING UNIFORM 1		1			
5	F0V-U41B1-31	LABEL, WARNING UNIFORM 1		1			CRUISER WHITE
	F1B-U41B1-31	LABEL, WARNING UNIFORM 1		1			CRUISER BLACK
	F1B-U41B1-31	LABEL, WARNING UNIFORM 1		1			DELUXE
6	F1B-U41B2-01	LABEL, WARNING UNIFORM 2		1			
7	F1B-U415B-11	LABEL, WARNING(FUEL)		1			CRUISER WHITE
	F1S-U415B-11	LABEL, WARNING(FUEL)		1			CRUISER BLACK
	F1S-U415B-11	LABEL, WARNING(FUEL)		1			DELUXE
8	F0V-U41D5-31	LABEL, WARNING SHIFT LEVER		1			
9	F0V-U41DB-12	LABEL, WARNING BATTERY		1			
10	F1B-U41F5-21	LABEL, FIRE EXTINGUISHER 1		1			
11	F1G-U418F-00	LABEL, RIGHTING		1			
12	F0V-U41E1-41	LABEL, SET 1		1			CRUISER WHITE
	F1S-U41E1-11	LABEL, SET 1		1			CRUISER BLACK
	F1S-U41E1-11	LABEL, SET 1		1			DELUXE
13	GJ3-U419E-00	LABEL 4		1			CRUISER WHITE
	F1S-U419E-01	LABEL 4		1			CRUISER BLACK
	F1S-U419E-01	LABEL 4		1			DELUXE
14	GJ1-U419F-21	LABEL,5		2			

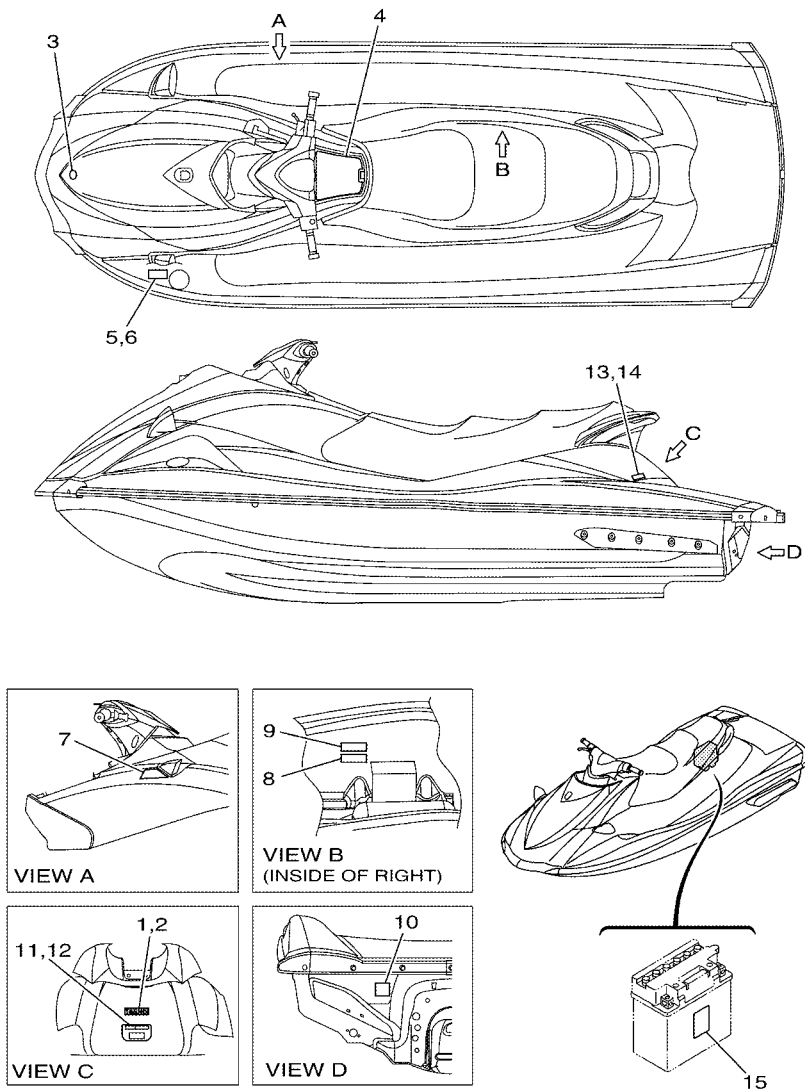


F1KM100-G330

FIG. 33 IMPORTANT LABELS 3

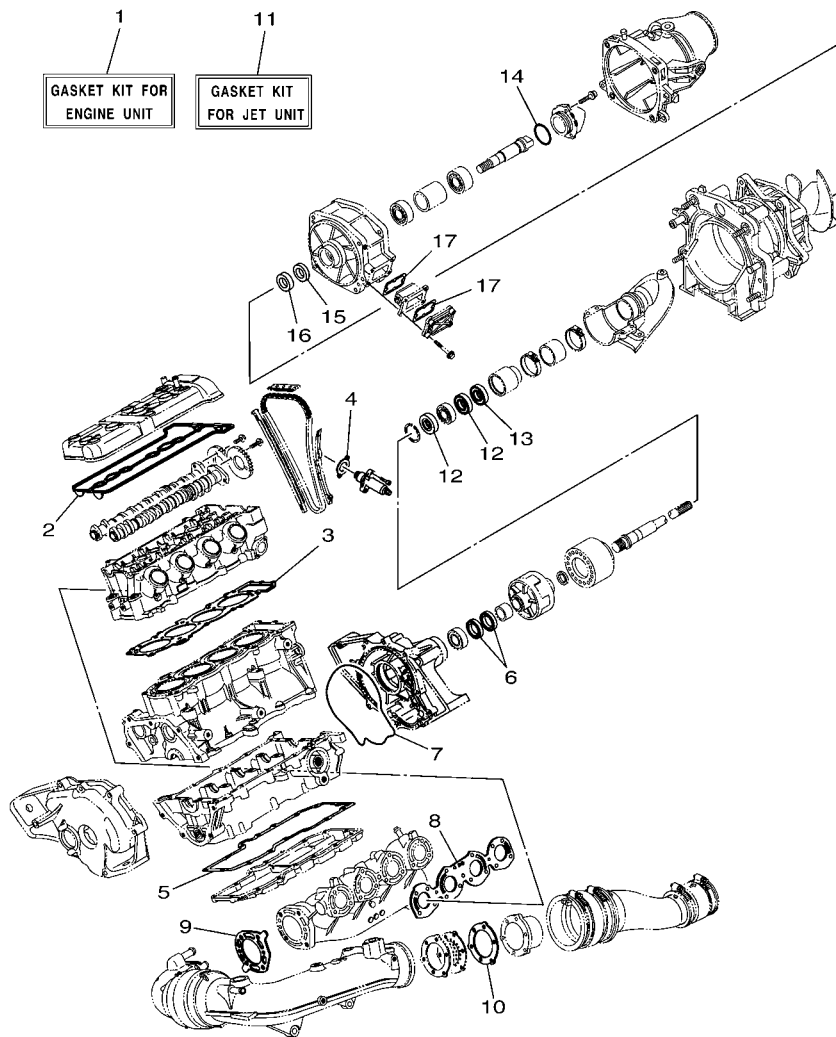
REF. NO.	PART NO.	DESCRIPTION	USA	CAN	GENE	JPN	REMARKS
1	F1B-U411C-02	EMBLEM, YAMAHA			1		CRUISER WHITE
	F1X-U411C-20	EMBLEM, YAMAHA			1		CRUISER BLACK
	F1X-U411C-20	EMBLEM, YAMAHA			1		DELUXE BLACK
	F1S-U411C-00	EMBLEM, YAMAHA			1		DELUXE BLUE
2	F1K-U411H-00	EMBLEM, TUNING FORK			1		
3	F1K-U41B1-11	LABEL, WARNING UNIFORM 1			1		
4	F1B-U41B1-21	LABEL, WARNING UNIFORM 1			1		
5	F0V-U41B1-31	LABEL, WARNING UNIFORM 1			1		CRUISER WHITE
	F1B-U41B1-31	LABEL, WARNING UNIFORM 1			1		CRUISER BLACK
	F1B-U41B1-31	LABEL, WARNING UNIFORM 1			1		DELUXE
6	F1B-U41B2-01	LABEL, WARNING UNIFORM 2			1		
7	F1B-U415B-11	LABEL, WARNING(FUEL)			1		CRUISER WHITE
	F1S-U415B-11	LABEL, WARNING(FUEL)			1		CRUISER BLACK
	F1S-U415B-11	LABEL, WARNING(FUEL)			1		DELUXE
8	F0V-U41D5-31	LABEL, WARNING SHIFT LEVER			1		
9	F0V-U41DB-12	LABEL, WARNING BATTERY			1		
10	F1B-U41F5-21	LABEL, FIRE EXTINGUISHER 1			1		
11	GJ3-U416H-01	LABEL,WARNING(FRANCE)			1		CRUISER WHITE EUR
	GP8-U416H-01	LABEL,WARNING(FRANCE)			1		CRUISER BLACK EUR
	GP8-U416H-01	LABEL,WARNING(FRANCE)			1		DELUXE EUR
12	F1G-U418F-00	LABEL, RIGHTING			1		
13	F0V-U41E1-41	LABEL, SET 1			1		CRUISER WHITE
	F1S-U41E1-11	LABEL, SET 1			1		CRUISER BLACK
	F1S-U41E1-11	LABEL, SET 1			1		DELUXE
14	GJ1-U419F-21	LABEL,5			2		
15	F1X-U413P-02	LABEL, BUILDERS PLATE			1		EXCEPT DELUXE OTH

FIG. 34 IMPORTANT LABELS 4



F1KM100-G340

REF. NO.	PART NO.	DESCRIPTION	USA	CAN	GENE	JPN	REMARKS
1	F1B-U411C-02	EMBLEM, YAMAHA				1	CRUISER WHITE
	F1X-U411C-20	EMBLEM, YAMAHA				1	CRUISER BLACK
2	F1X-U411C-20	EMBLEM, YAMAHA				1	DELUXE
3	F1K-U411H-00	EMBLEM, TUNING FORK				1	
4	F1K-641B1-21	LABEL, WARNING UNIFORM 1				1	
5	F1B-6415B-20	LABEL, WARNING(FUEL)				1	CRUISER WHITE
	F1S-6415B-20	LABEL, WARNING(FUEL)				1	CRUISER BLACK
6	F1S-6415B-20	LABEL, WARNING(FUEL)				1	DELUXE
7	F0V-641D5-40	LABEL, WARNING SHIFT LEVER				1	
8	F0V-U41DB-02	LABEL, WARNING BATTERY				1	
9	F0V-641DB-20	LABEL, WARNING BATTERY				1	
10	F1G-U418F-00	LABEL, RIGHTING				1	
11	F1F-641E2-20	LABEL, SET 2				1	CRUISER WHITE
	F1S-641E2-20	LABEL, SET 2				1	CRUISER BLACK
12	F1S-641E2-20	LABEL, SET 2				1	DELUXE
13	F0P-U41G1-01	LABEL, CAPACITY				1	CRUISER WHITE
	F1S-U41G1-01	LABEL, CAPACITY				1	CRUISER BLACK
14	F1S-U41G1-01	LABEL, CAPACITY				1	DELUXE
15	F0V-U412G-10	LABEL, BATTERY				1	



F1K1100-D330

FIG. 35 REPAIR KIT 1

REF. NO.	PART NO.	DESCRIPTION	USA	CAN	GENE	JPN	REMARKS
1	6D3-W0001-00	GASKET KIT FOR ENGINE UNIT	1	1	1	1	
2	60E-11193-01	.GASKET, HEAD COVER 1	1	1	1	1	
3	6D3-11181-00	.GASKET, CYLINDER HEAD 1	1	1	1	1	
4	4FM-12213-00	.GASKET, TENSIONER CASE	1	1	1	1	
5	6B6-13557-01	.GASKET	1	1	1	1	
6	93101-35004	.OIL SEAL	2	2	2	2	
7	6B6-13475-01	.GASKET	1	1	1	1	
8	6D3-14613-00	.GASKET, EXHAUST PIPE	1	1	1	1	
9	6D3-14739-00	.GASKET, MUFFLER DAMPER 1	1	1	1	1	
10	60E-14623-00	.GASKET, EXHAUST PIPE	2	2	2	2	
11	6D3-W0001-20	GASKET KIT FOR JET UNIT	1	1	1	1	
12	93101-25M55	.OIL SEAL	2	2	2	2	
13	93101-25M56	.OIL SEAL	1	1	1	1	
14	93210-464A3	.O-RING	1	1	1	1	
15	93101-21002	.OIL SEAL	1	1	1	1	
16	93101-21001	.OIL SEAL	1	1	1	1	
17	66V-42414-00	.O-RING	2	2	2	2	

NUMERICAL INDEX

PART NO.	GRID NO.	PART NO.	GRID NO.	PART NO.	GRID NO.	PART NO.	GRID NO.	PART NO.	GRID NO.	PART NO.	GRID NO.
6D3-11102-00-94	B - 2	4SV-12119-00	B - 8	60E-12474-00	B - 3	6D3-14414-00	B - 11	6D3-44574-00	B - 5	GA7-65772-00	D - 13
4KG-1111G-00	B - 2	4TV-12119-00	B - 8	6D3-12482-00	B - 2	6D3-14419-01	B - 10	66V-45214-00-94	C - 6	EU0-65901-01	E - 6
6D3-11125-00	B - 13	5LV-12121-00	B - 8	60E-12483-10	B - 3	6D3-14421-02	B - 10	6D3-45235-00	C - 8	F1B-65986-00	E - 6
6D3-11126-00	B - 12	3GM-12126-00	B - 8	60E-12494-00	B - 3	6D3-14437-00	B - 10	6D3-45332-00-94	C - 8	F0D-67250-10	E - 2
3TJ-11133-10	B - 2	3FV-12153-10	B - 9	6D3-12494-00	C - 5	63P-14446-00	B - 11	6D3-45511-00	C - 6	F0D-67255-02	E - 2
1WG-11133-11	B - 2	3LN-12153-10	B - 9	60E-12495-00	B - 3	60E-14449-00-94	B - 11	6D3-45514-00	C - 6	EW2-67256-00	E - 2
6D3-11164-00	B - 12	1HX-12168-00	B - 8	6B6-12499-00	C - 5	6D3-14451-00	B - 10	65V-45538-00	C - 6	F0D-67257-00	E - 2
6D3-11165-00	B - 14	1HX-12168-20	B - 8	60E-12537-00	B - 3	4XV-14452-00	B - 10	6D3-45593-00-94	C - 8	EW2-67258-01	E - 2
6D3-11166-00	B - 13	1HX-12168-40	B - 8	6D3-12577-00	C - 4	6D3-14457-00	B - 11	6D3-45813-00-94	B - 6	EW2-67259-01	E - 2
6D3-11167-00	B - 15	1HX-12168-60	B - 8	63M-12580-00	C - 4	68V-14475-00	B - 11	6D3-4581J-00	C - 8	F1X-6725F-01	E - 2
6D3-11181-00	B - 2	1HX-12168-80	B - 8	60E-12581-00	C - 4	6D3-14495-00	B - 10	66V-46882-00	C - 6	F1K-6753B-00	D - 13
	E - 11	1HX-12168-A0	B - 8	60E-12584-00	C - 4	6D3-14613-00	C - 2	61X-51162-00	D - 6	F1B-67564-00	D - 13
6D3-1118A-00	B - 2	1HX-12168-F0	B - 8	6D3-12584-00	C - 4		E - 11	66V-51312-01-94	C - 6	F1K-67743-00	D - 12
6D3-11191-01-94	B - 2	1HX-12168-H1	B - 8	6D3-12880-00	B - 11	6D3-14615-00	C - 2	6B6-51315-01-94	C - 6	F1B-67747-00	D - 11
60E-11193-01	B - 2	1HX-12168-K1	B - 8	6B6-1310A-00-94	B - 4	60E-14623-00	C - 2	6B6-51326-10	C - 6	EU0-67767-31	D - 12
	E - 11	1HX-12168-M1	B - 8	6B6-13151-00-94	B - 14		E - 11	60E-51341-00-94	B - 15	EW2-67821-00	D - 13
69J-11301-00	B - 4	1HX-12168-R1	B - 9	60E-13161-00	B - 4	6D3-14625-00	C - 2	6D3-52358-00	C - 9	F1K-6820A-01	D - 2
69J-11301-10	B - 4	1HX-12168-U1	B - 9	6D3-13300-01	B - 12	6D3-1469W-00	C - 2	F1B-61438-00	D - 14	GU2-6822E-01	D - 2
6E5-11325-00	B - 14	1HX-12168-W1	B - 9	6B6-13317-00	B - 14	6D3-14711-00-94	C - 2	F1B-61460-00	D - 14	60E-682E0-00	D - 2
67F-11325-01	B - 4	1HX-12168-Y1	B - 9	6B6-13327-01-94	B - 12	6D3-14712-00-94	C - 2	F1B-61461-02	D - 14	F1B-68303-10	E - 2
68V-11325-02	B - 4	1HX-12169-11	B - 9	6B6-13360-00	B - 12	6D3-14721-00-94	C - 2	F1K-61481-01	D - 14	FK7-68310-07	E - 2
67F-11328-00	B - 4	1HX-12169-31	B - 9	6B6-13411-00	B - 12	6D3-14739-00	C - 2	F1K-6149C-00	D - 14	FK7-68312-02	E - 2
60E-11372-10	C - 2	1HX-12169-50	B - 9	60E-13421-00	B - 14		E - 11	F1B-6151S-00	D - 14	FK7-68313-02	E - 2
60E-11411-11	B - 6	1HX-12169-70	B - 9	5GH-13440-20	B - 5	6D3-14752-00-94	C - 3	F1S-68341-00	D - 6	F1S-68341-00	E - 3
6D3-11416-00	B - 6	1HX-12169-90	B - 9	6D3-13443-00-94	B - 14	6B6-1475E-00	C - 3	F1K-61628-00	D - 6	EW2-68348-00	E - 2
6D3-11416-10	B - 6	1HX-12169-E0	B - 9	60E-13446-00	B - 14	6D3-1475F-00	C - 3		D - 10	6D3-81147-00	B - 11
6D3-11416-20	B - 6	1HX-12169-G0	B - 9	6D3-13462-00-94	B - 14	60E-14784-00-94	C - 2	F0X-61637-00	D - 6	60E-81315-00	C - 14
6D3-11416-30	B - 6	1HX-12169-J0	B - 9	6D3-13463-00-94	B - 14	6D3-15100-00-94	B - 4	EU0-61652-00	C - 4	60E-81328-00	C - 10
6D3-11416-A0	B - 6	1HX-12169-L0	B - 9	60E-13473-00	B - 14	60E-15362-00	B - 14		D - 6	66V-8132W-00	C - 12
6B6-11478-00	B - 6	1HX-12169-N0	B - 9	60E-13475-00	B - 14	6D3-15515-00	C - 10	F0X-61652-00	D - 6	6D3-81337-00-94	C - 10
6D3-11603-00	B - 6	1HX-12169-T0	B - 9	6B6-13475-01	B - 12	60E-15517-00	C - 10	EW2-62142-00	D - 11	6D3-81410-01	C - 10
6D3-11631-00-B0	B - 6	6D3-12171-11	B - 8		E - 11	60E-15521-00	C - 10	F1G-62149-00	D - 11	6D3-81450-00	C - 10
4XV-11633-00	B - 6	6D3-12176-00	B - 8	60E-13476-10	B - 14	4WM-15590-00	C - 10	F2F-6214A-00	D - 11	6D3-81800-00	C - 11
6D3-11650-00	B - 6	6D3-12181-00	B - 8	6D3-13477-00	B - 14	6D3-17572-00	B - 6	GP7-62159-02	D - 11	3AJ-81809-00	C - 11
5JW-11654-00	B - 6	6D3-12210-00	B - 9	6B6-13557-01	B - 4	6B6-17585-00	B - 6	GJ3-6215F-00	D - 2	6M6-81826-00	C - 11
60E-11656-00	B - 6	4FM-12213-00	B - 9		E - 11	6B6-17586-00	B - 6	EU0-62241-30	D - 2	6M6-81830-00	C - 11
60E-11656-10	B - 6		E - 11	6D3-13563-00	B - 12	EU0-23814-30	E - 3	FN8-6269B-00	D - 6	6M6-81840-10	C - 11
60E-11656-20	B - 6	5BE-12241-00	B - 9	68V-13573-00	B - 11	60E-24300-01	B - 11	F0X-62733-00	D - 13	11H-81844-00	C - 11
60E-11656-30	B - 6	6D3-12251-00	B - 9	6D3-13641-00	B - 11	6D3-24387-00	D - 2	GU2-62875-01	D - 4	66V-81844-00	C - 12
4XV-12111-00	B - 8	4XV-12252-00	B - 9	6D3-13750-00	B - 11	60E-24474-00	D - 2	F1B-6415B-20	E - 10	6D3-81845-00	C - 10
4XV-12112-00	B - 8	6D3-12411-00	C - 5	60E-13761-10	B - 11	6D3-24481-00	D - 2	F1S-6415B-20	E - 10	1FK-81847-00	C - 11
4XV-12113-00	B - 8	60E-12413-10-94	C - 5	6D3-13795-01	B - 11	70R-24489-00	D - 11	F1K-641B1-21	E - 10	6M6-81850-00	C - 11
4XV-12114-00	B - 8	60E-12417-10-94	C - 5	60E-13907-02	D - 2	70R-24543-00	D - 11	F0V-641D5-40	E - 10	6D3-81921-00	C - 12
1HX-12116-01	B - 8	60E-12435-00	C - 5	60E-14147-00	B - 11	6D3-26311-01	D - 14	F0V-641DB-20	E - 10	6B6-81940-00	C - 12
1HX-12117-00	B - 8	6D3-1243A-10	C - 4	6D3-14294-00	B - 11	67F-2812A-00	C - 12	F1F-641E2-20	E - 10	60E-81950-00	C - 12
1WG-12117-00	B - 8	6D3-1243E-10	C - 4	6D3-14305-20	C - 14	66V-42414-00	C - 6	F1S-641E2-20	E - 10	68V-81950-00	C - 12
1HX-12118-00	B - 8	6D3-12446-00	C - 5	6D3-14411-00	B - 10		E - 11	F1K-6517C-00	D - 5	6D3-81960-00	C - 12
1WG-12118-00	B - 8	6D3-1244G-00	C - 4	6D3-14413-00	B - 11	67X-44517-10-94	B - 5	F0X-6517R-01	D - 4	EU0-82110-09	D - 2

NUMERICAL INDEX

PART NO.	GRID NO.	PART NO.	GRID NO.	PART NO.	GRID NO.	PART NO.	GRID NO.	PART NO.	GRID NO.	PART NO.	GRID NO.
6D3-82115-00	C - 12	F1K-U1355-00	D - 14	F1K-U266B-00	D - 5	F1S-U415B-11	E - 8	F1G-U418F-00	E - 9	F1K-U516N-50-P0	D - 4
6D3-82116-00	C - 13	F1K-U135C-00	D - 5	F1K-U266C-00	D - 4		E - 9		E - 10	F1K-U517B-10-P0	D - 5
6D3-82117-00	C - 12	F1K-U142D-00	E - 4	F1K-U2714-02	D - 14	GJ3-U416H-01	E - 9	GJ3-U419E-00	E - 8	F1K-U517B-40-P0	D - 5
67F-82151-00	C - 12	F1K-U143C-00	E - 2	F1K-U271B-04	D - 10	GP8-U416H-01	E - 9	F1S-U419E-01	E - 8	F1K-U517B-50-P0	D - 5
67F-82151-10	C - 12	F1K-U143D-01	E - 4	F1K-U273B-03	C - 7	F1K-U417B-A0	E - 5	GJ1-U419F-21	E - 8	F1K-U517D-05	D - 5
67F-82151-30	C - 12	F1K-U143E-01	E - 4	F1K-U283B-02	D - 5	F1K-U417B-B0	E - 5		E - 9	F1K-U517F-01	D - 5
67F-82151-40	C - 12	EU0-U1461-02	C - 9	F1K-U351H-10	D - 8	F1K-U417B-C0	E - 5	F1K-U41B1-01	E - 7	F1K-U517H-01	D - 4
6D3-82157-00	C - 12	F1K-U1467-00	E - 3	F1K-U351H-20	D - 8	F1K-U417B-D0	E - 5	F1K-U41B1-11	E - 8	F1K-U517R-00	D - 5
6D3-82170-00	C - 12	F1K-U1467-11	D - 14	F1K-U351J-10	D - 8	F1K-U417C-A0	E - 5		E - 9	F1K-U518E-04	D - 5
6D3-82310-00	C - 14	F1K-U1468-03	E - 3	F1K-U351J-20	D - 8	F1K-U417C-B0	E - 5	F1B-U41B1-21	E - 8	F1K-U519D-00	D - 4
6A0-82317-00	B - 12	GH3-U146E-00	E - 2	F1K-U351K-10	D - 8	F1K-U417C-C0	E - 5		E - 9	F1K-U5633-02	D - 4
	C - 12	GK5-U146F-00	D - 14	F1K-U351K-20	D - 8	F1K-U417C-D0	E - 5	F0V-U41B1-31	E - 8	F1B-U5646-00	D - 4
68V-82504-00	C - 14	F1K-U146G-01	D - 15	F1K-U351M-10	D - 8	F1K-U417D-A0	E - 5		E - 9	F1K-U5772-02	D - 2
60E-82532-00	C - 14	F1K-U146H-01	E - 2	F1K-U351M-20	D - 8	F1K-U417D-C0	E - 5	F1B-U41B1-31	E - 8		D - 12
60E-82556-00	D - 2	F1K-U151B-02	E - 2	F1K-U3581-10	D - 8	F1K-U417D-D0	E - 5		E - 9		D - 13
6D3-82560-01	C - 14	F1K-U151N-02	D - 14	F1K-U3581-20	D - 8	F1K-U417F-A0	E - 5	F1B-U41B2-01	E - 8	F1S-U596B-10	D - 4
60E-82560-A1	C - 14	F1K-U152M-00	E - 2	F1K-U371A-12	D - 10	F1K-U417F-B0	E - 5		E - 9	F1S-U596C-10	D - 4
60E-8259E-00	C - 12	F1K-U152N-00	D - 14	F1K-U371A-50	D - 10	F1K-U417F-C0	E - 5	F0V-U41D5-21	E - 7	F1K-U5983-01	D - 5
6D3-8259L-A3	C - 13	F1K-U1541-02	E - 2	F1K-U371B-10	D - 10	F1K-U417F-D0	E - 5	F0V-U41D5-31	E - 8	EU0-U7354-00-01	B - 5
6D3-8273J-01	C - 14	F1K-U154A-04	E - 2	F1K-U371B-50	D - 10	F1K-U417G-A0	E - 5		E - 9	EU0-U7354-00-03	B - 5
6B6-83623-00	B - 14	F1K-U1552-00	E - 2	F1K-U3774-00	D - 10	F1K-U417G-B0	E - 5	F0V-U41DB-02	E - 7	EU0-U7354-00-05	B - 5
60E-83627-00	B - 14	GP7-U155D-01	E - 2	F1K-U378C-00	D - 10	F1K-U417G-C0	E - 5		E - 10	EU0-U7354-00-10	B - 5
68F-83688-00	B - 11	GP7-U155F-00	E - 2	F1B-U3850-02	D - 10	F1K-U417G-D0	E - 5	F0V-U41DB-12	E - 8	EU0-U7354-00-20	B - 5
682-84385-01	C - 4	F1K-U156E-01	E - 4	F1S-U411C-00	E - 7	F1K-U417H-A0	E - 5		E - 9	F1B-U751G-00	D - 13
6D3-85132-00	B - 2	F1B-U1653-01	D - 6		E - 8	F1K-U417H-B0	E - 5	F1S-U41E1-01	E - 7	F1K-U7550-01	D - 13
61A-85790-00	C - 14	F1K-U1794-02	D - 14		E - 9	F1K-U417H-C0	E - 5	F1S-U41E1-11	E - 8	F1K-U7555-00	D - 13
6D3-85896-00	C - 14	F1K-U1949-00	E - 3		E - 10	F1K-U417H-D0	E - 5		E - 9	F1K-U7557-00	C - 7
6D3-8591A-B0	C - 12	F1K-U2103-00	D - 5	F1B-U411C-02	E - 7	F1K-U417J-A0	E - 5	F1B-U41E1-21	E - 7	F1S-U757B-00	D - 13
6D3-8591A-C0	C - 12	F1K-U2127-00	D - 9		E - 8	F1K-U417J-B0	E - 5	F0V-U41E1-41	E - 8	F1K-U757E-01	C - 7
6D3-85991-01	C - 12	F1K-U213G-00	D - 9		E - 9	F1K-U417J-C0	E - 5		E - 9	F1K-U757F-01	C - 7
6B6-86261-00	C - 14	F1K-U2155-00	C - 8		E - 10	F1K-U417J-D0	E - 5	F0V-U41F5-01	E - 7	F1K-U758D-00	D - 13
6B6-86261-10	C - 14	F1K-U2187-00	D - 9	F0V-U411C-10	E - 6	F1K-U417K-A0	E - 6	F1B-U41F5-21	E - 8	F1K-U759B-00	D - 12
6B6-86265-00	C - 14	F1K-U2188-00	D - 9	F1S-U411C-10	E - 6	F1K-U417K-B0	E - 6		E - 9	F1B-U759C-00	D - 12
6B6-86265-10	C - 15	F1S-U2280-00	D - 7	F1X-U411C-10	E - 6	F1K-U417K-C0	E - 6	F0P-U41G1-01	E - 7	F1K-U759C-00	D - 5
67X-E2590-00	C - 5	F1S-U2285-00	D - 7	F1X-U411C-20	E - 7	F1K-U417K-D0	E - 6		E - 10	F1B-U761D-02	D - 6
67X-E2590-10	C - 5	F1K-U2501-02	D - 8		E - 8	F1K-U417L-A0	E - 6	F1S-U41G1-01	E - 7	F1K-U7711-02	D - 11
6D3-G5831-00	C - 6	F1K-U2501-10	D - 8		E - 9	F1K-U417L-B0	E - 6		E - 10	F1B-U7773-00	D - 11
6D3-R1313-00	C - 7	F1K-U2512-03	D - 8		E - 10	F1K-U417L-C0	E - 6	F1K-U4261-00	D - 13	GP7-U7831-01	D - 11
6D3-R1314-00	C - 9	F1K-U2512-10	D - 8	F1K-U411H-00	E - 7	F1K-U417L-D0	E - 6	F0V-U471E-00	D - 4	GP7-U7831-11	D - 11
6D3-R1318-00	C - 6	F1K-U2519-02	D - 8		E - 8	F1K-U417M-A0	E - 6	F1K-U471E-03	D - 5	GP7-U7832-01	D - 11
6D3-R1319-00	C - 6	F1K-U2519-20	D - 8		E - 9	F1K-U417M-C0	E - 6	F0V-U471F-00	D - 4	GP7-U7833-00	D - 11
6D3-R1321-02	C - 6	F1K-U251D-01	D - 8		E - 10	F1K-U417M-D0	E - 6	F1K-U475F-01	D - 5	GP7-U7833-10	D - 11
6D3-R1333-00-94	C - 6	F1K-U251D-10	D - 8	F0V-U412G-10	E - 10	F1K-U417N-A0	E - 6	F1K-U491K-00	D - 8	GP7-U7834-00	D - 11
6D3-R1341-00	C - 7	F1K-U251E-01	D - 8	F1X-U413P-02	E - 9	F1K-U417N-B0	E - 6	GP7-U4953-10	D - 6	GP7-U7835-00	D - 11
60E-R1381-01	C - 8	F1K-U251E-10	D - 8	F1S-U415B-01	E - 7	F1K-U417N-C0	E - 6		D - 10	GP7-U783F-00	D - 11
F1K-U1316-02	D - 15	F1K-U2521-02	D - 8	F1B-U415B-02	E - 7	F1K-U417N-D0	E - 6	F1K-U515A-00	D - 5	F1K-U7844-01	D - 11
F1K-U1336-00	D - 14	F1K-U2663-00	D - 5	F1B-U415B-11	E - 8	F1G-U418F-00	E - 7	F1K-U516N-11-P0	D - 4	F0D-U7856-10	D - 12
F1K-U134A-00	D - 14	F1K-U2664-01	D - 10		E - 9		E - 8	F1K-U516N-41-P0	D - 4	F1K-U785G-00	D - 12

NUMERICAL INDEX

PART NO.	GRID NO.	PART NO.	GRID NO.	PART NO.	GRID NO.	PART NO.	GRID NO.	PART NO.	GRID NO.	PART NO.	GRID NO.
F0D-U785G-10	D - 2	90110-08041	B - 12	90119-10804	D - 10	90267-489U9	C - 14	90464-21001	B - 12	90601-118UF	C - 6
GP7-U785H-00	D - 12	90110-08212	C - 10	90119-10805	C - 7	90269-08801	D - 5	90464-31001	B - 2		D - 6
F1K-U815D-00	C - 12	90111-05008	D - 2	90119-10836	C - 6	90280-03047	C - 10		C - 5		D - 13
F1K-U8169-00	D - 7	90111-06803	D - 8	90119-10837	C - 7	90340-27001	B - 2	90464-32801	D - 2	90601-155U4	D - 11
F1K-U8211-01	D - 2	90116-10016	B - 15	90119-10M02	B - 15	90387-06080	C - 7		D - 6	90601-162U5	C - 8
F1K-U821D-00	D - 2	90116-10619	B - 4	90119-10M19	C - 10	90387-06083	C - 5		D - 9	90601-175UR	B - 10
F1K-U8221-00	D - 2	90119-06048	C - 14	90149-05903	E - 4	90387-06119	B - 12		D - 11		D - 13
F1S-U8221-00	D - 12	90119-06800	C - 6	90150-05807	D - 2		C - 12		D - 13	90601-200U1	D - 6
	D - 13	90119-06820	D - 10	90151-05802	D - 14	90387-06M05	B - 14		D - 15		E - 3
F1S-U826C-01	C - 14	90119-06827	C - 7	90154-06017	E - 4	90387-06M30	C - 9	90464-35132	C - 5	90601-200U2	D - 3
F1K-U826C-02	D - 14	90119-06835	C - 6	90159-05013	B - 10	90387-06M60	C - 8		C - 13	90601-200U7	D - 9
F1K-U828K-00	D - 5	90119-06878	D - 14	90159-05014	B - 10	90387-08M06	C - 7	90464-38800	B - 10	90605-502U1	D - 4
F1G-U8572-00	C - 7	90119-06882	D - 4	90159-059U2	D - 5	90387-08M30	C - 9	90464-40825	B - 10	91317-05010	C - 10
F1K-U8572-02	B - 10	90119-069UD	C - 8	90167-04003	E - 4	90387-08M37	C - 13		D - 15	91317-05014	B - 14
F1K-U8577-00	C - 7	90119-069UH	D - 5	90169-049U1	D - 11	90387-11002	C - 2	90464-99804	D - 9	91317-05016	B - 14
F1K-U883B-00	C - 8		E - 3	90169-059U1	D - 8	90401-20145	B - 5	90465-11829	C - 7	91317-06014	B - 14
F1K-U883E-00	C - 8	90119-069UK	C - 7	90176-10001	B - 2	90430-06014	B - 2		D - 2		C - 10
F1S-U883N-01	D - 6	90119-069UP	D - 10		B - 15	90430-06M03	B - 4		D - 12	91317-06016	B - 3
F1S-U883P-01	D - 7	90119-069US	D - 4	90179-08327	B - 6	90430-09002	B - 11	90465-12M53	B - 14		B - 12
F1X-U883T-00	D - 7	90119-069UX	C - 9	90179-10006	B - 2	90430-12002	C - 7	90465-13M18	C - 14	91317-06035	C - 10
F1S-U8K31-02	D - 2	90119-06M35	C - 12	90179-10414	B - 2	90445-14008	C - 7	90467-089U1	D - 2	91380-06016	C - 14
6D3-W0001-00	E - 11	90119-06M65	B - 12	90183-06902	D - 4	90445-16005	C - 2	90467-110A1	B - 13	91380-06020	B - 15
6D3-W0001-20	E - 11	90119-08031	C - 2	90201-06801	C - 9	90445-16006	C - 6	90467-120A0	C - 5	91380-06025	B - 9
6D3-W009A-10-94	B - 2	90119-08034	B - 12	90201-06906	D - 14	90445-18007	C - 4	90467-150A0	C - 4	91808-16023	B - 2
6D3-W009B-10-94	B - 4	90119-08036	C - 2	90201-096J9	B - 4	90445-18M03	C - 4	90467-160A0	C - 2	92990-06100	C - 11
90101-069U0	C - 7	90119-08043	B - 12	90201-099U3	B - 5	90445-20805	D - 6		C - 4	92990-10600	C - 14
90105-06026	B - 2	90119-08045	B - 12		C - 12	90445-21004	C - 5	90467-170A0	B - 12	92990-12200	C - 7
90105-06033	B - 4	90119-08050	B - 11		D - 10	90445-21805	C - 4		B - 15		D - 6
90105-06035	C - 5	90119-08074	B - 11	90201-10013	B - 2	90445-22003	C - 5	90467-18804	D - 6	92995-06600	B - 15
90105-06036	B - 14	90119-08075	C - 2	90201-10019	B - 2	90445-25004	C - 5	90467-200A0	C - 4	9299R-05200	D - 7
90105-06054	C - 5	90119-08085	B - 12	90201-103U7	C - 10	90445-26004	C - 5		D - 6	9299R-06200	D - 4
90105-06790	C - 2	90119-08823	B - 5	90201-248M5	C - 8	90446-14M23	C - 14	90467-210A0	C - 5		D - 5
90105-06826	D - 5		C - 7	90209-25008	B - 6	90446-20MF5	C - 7		D - 6		D - 8
90105-06M07	B - 4	90119-08826	E - 2	90267-329UR	D - 11	90446-24M79	C - 4	90467-21800	D - 6		D - 10
	B - 14	90119-08836	E - 3	90267-47801	D - 8	90446-27M55	D - 6	90467-240A0	C - 5		D - 13
90105-06M17	B - 4	90119-08840	C - 7	90267-48806	D - 9	90447-06800	D - 14	90467-250A0	D - 6	9299R-08200	D - 4
90105-07004	B - 8		C - 9		E - 3	90447-06802	D - 14	90468-12069	B - 6	9299R-10200	D - 10
90105-08860	D - 7	90119-089U7	C - 7	90267-48809	D - 5	90447-22001	C - 4	90480-06M46	B - 15	93101-21001	C - 6
90105-093A5	B - 4	90119-089UR	B - 5	90267-489U1	D - 2	90447-22004	C - 4	90480-21M63	C - 2		E - 11
90105-105A6	C - 10	90119-089UU	C - 8		D - 12	90447-22005	C - 5	90480-22M15	B - 10	93101-21002	C - 6
90109-06051	B - 4		E - 3		D - 13	90450-17M17	B - 11		C - 13		E - 11
90109-066F0	B - 2	90119-08M22	B - 10	90267-489U2	D - 11	90450-57006	B - 11	90600-900U6	E - 3	93101-25M55	C - 8
90109-06832	C - 8		C - 13	90267-489U6	D - 2	90450-90001	C - 2	90600-91736	D - 2		E - 11
90109-06M92	B - 5	90119-10011	C - 2		D - 9	90450-94001	C - 3		D - 6	93101-25M56	C - 8
90109-08041	C - 7	90119-10013	C - 2		D - 11	90450-99004	C - 3		D - 9		E - 11
90110-05908	E - 2	90119-10016	C - 10		D - 13	90450-99005	C - 2		D - 11	93101-35004	B - 6
90110-06040	D - 6	90119-10017	C - 2		D - 14	90464-12089	B - 10		D - 13		E - 11
90110-06822	C - 6	90119-10020	B - 14	90267-489U8	D - 6	90464-18006	B - 13		D - 15	93210-06667	B - 4

NUMERICAL INDEX

PART NO.	GRID NO.	PART NO.	GRID NO.	PART NO.	GRID NO.	PART NO.	GRID NO.	PART NO.	GRID NO.	PART NO.	GRID NO.
93210-08001	B - 4	95880-06016	C - 14								
93210-18322	B - 14	97513-05514	C - 10								
93210-18417	B - 3	97513-06520	B - 4								
93210-464A3	C - 6	97513-06525	B - 12								
	E - 11	97513-06535	B - 12								
93210-60ME8	C - 14	97513-06555	B - 2								
93212-04001	C - 10		B - 12								
93306-07801	B - 6	97513-08520	B - 2								
93306-205A3	C - 8	97513-08530	C - 11								
93306-205U0	C - 6	97595-06416	C - 14								
93306-27211	C - 6	97595-06520	B - 14								
93306-30441	B - 12	97595-08540	B - 4								
93306-30610	B - 6	97880-03008	E - 2								
93430-47M04	C - 8	97880-05025	E - 2								
93440-07149	B - 2	9788R-05025	D - 7								
93440-10153	B - 2	98780-04015	B - 14								
93440-28062	B - 7	99009-52500	B - 12								
93603-14M15	B - 4	99009-72500	B - 6								
93606-12019	C - 2	99530-08012	B - 4								
	C - 6	99530-10014	B - 4								
93606-25M00	B - 12	99590-14016	C - 6								
93607-54002	B - 9	99780-12600	D - 6								
93608-16M16	B - 12										
	C - 2										
	C - 10										
94591-49130	B - 9										
94702-00409	C - 14										
94709-00409	C - 14										
95023-06012	B - 2										
95027-06010	B - 4										
95380-06700	C - 11										
9538R-06600	C - 9										
9538R-06700	D - 14										
9572R-05300	D - 7										
9572R-06300	C - 7										
	D - 4										
	D - 5										
	D - 8										
	D - 10										
	D - 11										
	D - 13										
9572R-08300	B - 10										
	C - 12										
	D - 4										
	D - 6										
	D - 10										
	D - 14										
95780-08300	C - 14										