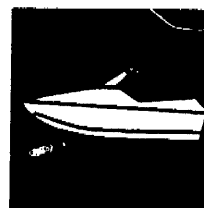


YAMAHA



**PARTS
CATALOGUE**

XL760W (GU21, GU22, GU24)
MJ-760XL'98 (GU23)

YAMAHA
GENUINE
Parts & Accessories

28GU2-300E1

A1

FOREWORD

This Parts Catalogue is related to the parts for the model(s) in the below frame. When you are ordering replacement parts, please refer to this Parts Catalogue and quote both part numbers and part names correctly.

XL760W(GU21, GU22, GU24), MJ-760XL*98(GU23)

1. Modifications or additions which have been made after issue of the Parts Catalogue will be announced in the Yamaha Parts News. It is advisable that you make necessary corrections to the Parts Catalogue according to the Yamaha Parts News.

2. Abbreviations

The following abbreviations are used in this Parts Catalogue.

- *UR* Use specified parts number.
- *UN* Use as many as needed.
- *AP* Alternate Parts
- *LM* Local Made (Parts need to be ordered locally)
- *F#* Frame No. (Applicable machine No.)

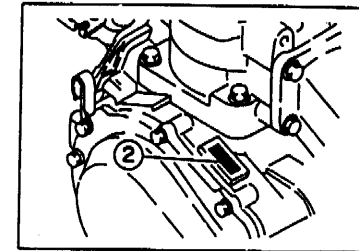
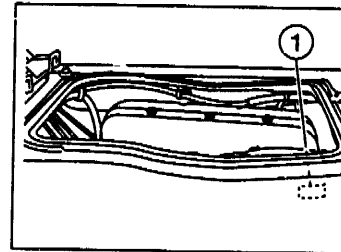
3. Parts, which are to be supplied in an assembly, are listed with a dot (.) in front of the part name as shown below.
The numeral appearing to the right of each component part indicates the quantity of parts for each assembly unit.

EXAMPLE

PART NO.	DESCRIPTION	Q'TY	REMARKS
EU0-62280-00	DRAIN PLUG ASSY	2	
EU0-62282-00	. PLUG, DRAIN	1	

4. Applicable Serial No. and Color Code

① Hull Serial No.	(GU21)	GU2-800101	~
	(GU22)	GU2-800101	~
	(GU23)	GU2-100101	~
	(GU24)	GU2-800101	~
② Engine Serial No.		66D-000101	~



Color Code	Color Name	Abbreviation
0240	PURE WHITE	PURW

5. Note that the illustrations are for reference in finding parts numbers, not to be used for assembling. When assembling, please use the applicable service manual.
6. A part with "YMUS" in the remarks column can be obtained from YMUS(USA) and not from YAMAHA MOTOR CO.,LTD (JAPAN).

EXAMPLE

PART NO.	DESCRIPTION	QTY	REMARKS
EW2-U5160-00	ENGINE HATCH COMP.	1	YMUS
90601-168U7	BAND, HOSE	1	YMUS

ADDRESS:

YAMAHA MOTOR CORPORATION U.S.A.
PARTS & ACCESSORY DIV.
6555 KATELLA AVENUE
CYPRESS, CALIFORNIA 90630, U.S.A.

CONTENTS

Sheet 1/2 (Fig. 1 to Fig. 23)

FIG. 1	CYLINDER, CRANKCASE	A4, A5
FIG. 2	CRANKSHAFT, PISTON	A6
FIG. 3	INTAKE	A7, B1
FIG. 4	CARBURETOR	B2, B3
FIG. 5	OIL PUMP	B4
FIG. 6	EXHAUST 1	B5 ~ B7
FIG. 7	FUEL	C1, C2
FIG. 8	JET UNIT 1	C3, C4
FIG. 9	JET UNIT 2	C5, C6
FIG. 10	JET UNIT 3	C7
FIG. 11	GENERATOR	D1, D2
FIG. 12	STARTING MOTOR	D3
FIG. 13	ELECTRICAL 1	D4, D5
FIG. 14	ELECTRICAL 2	D6
FIG. 15	ENGINE HATCH 1	D7, E1
FIG. 16	ENGINE HATCH 2	E2, E3
FIG. 17	HULL, DECK	E4, E5
FIG. 18	GUNWALE, MAT	E6, E7
FIG. 19	VENTILATION	F1
FIG. 20	SEAT, UNDER LOCKER	F2, F3
FIG. 21	OIL TANK	F4
FIG. 22	FUEL TANK	F5, F6
FIG. 23	EXHAUST 2	F7
	NUMERICAL INDEX	

Sheet 2/2 (Fig. 24 to Fig. 30)

FIG. 24	CONTROL CABLE	A4, A5
FIG. 25	STEERING 1	A6, A7
FIG. 26	STEERING 2	B1
FIG. 27	GRAPHIC, TOOL	B2
FIG. 28	IMPORTANT LABELS	B3, B4
FIG. 29	REPAIR KIT 1	B5
FIG. 30	REPAIR KIT 2	B6
	NUMERICAL INDEX	

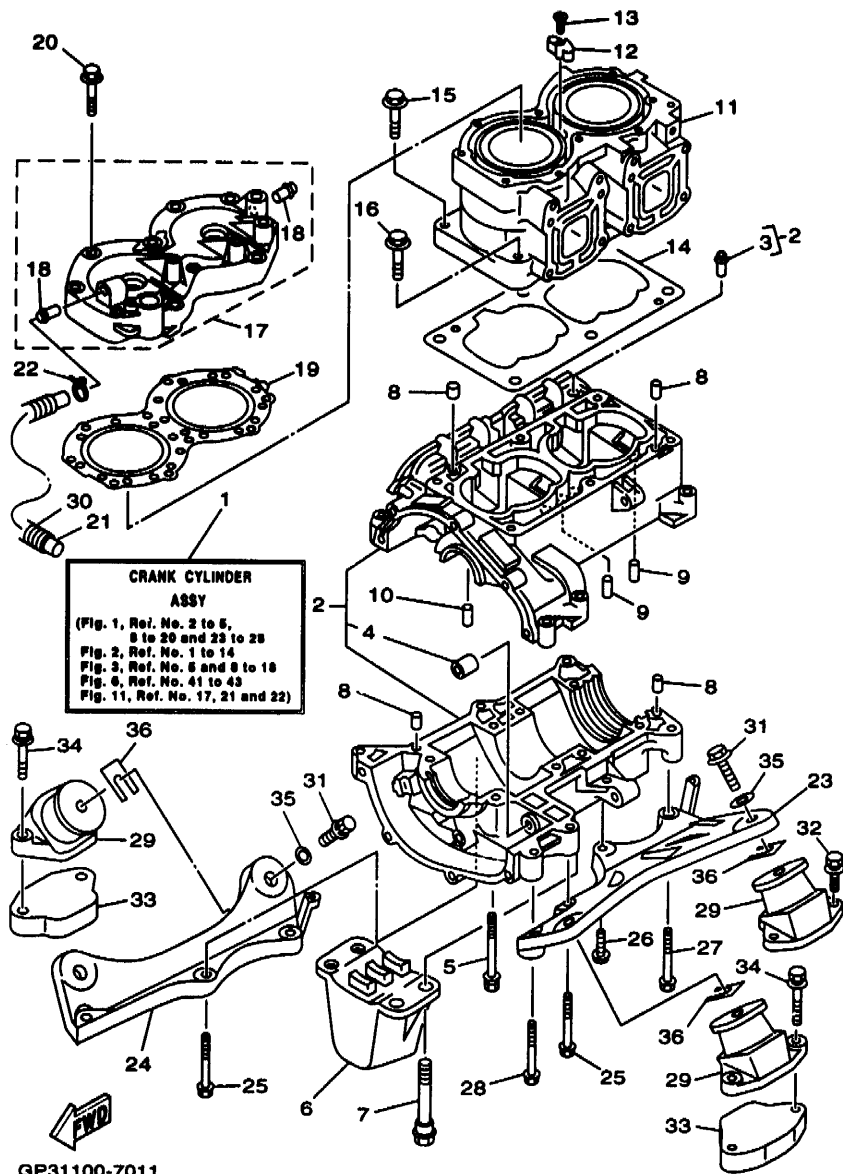


FIG. 1 CYLINDER, CRANKCASE

REF. NO.	PART NO.	DESCRIPTION	GL2*	REMARKS
1	66D-W0090-00-8P	CRANK CYLINDER ASSY	1	
2	64X-15100-00-94	CRANKCASE ASSY	1	
3	62T-14251-00	.NIPPLE	2	
4	90380-12M29	.BUSH, SOLID	1	
5	90119-08M55	BOLT, WITH WASHER	4	
6	63N-44532-01	STOPPER, UPPER MOUNT	1	
7	90109-08M56	BOLT	4	
8	93606-12019	PIN, DOWEL	4	
9	93603-10049	PIN, DOWEL	4	
10	93604-07141	PIN, DOWEL	1	
11	64X-11311-00-94	CYLINDER 1	1	
12	6E5-11325-00	ANODE	1	
13	98780-04015	SCREW, FLAT HEAD	1	
14	6M6-11351-A2	GASKET, CYLINDER	1	
15	90119-10M56	BOLT, WITH WASHER	4	
16	90119-10M07	BOLT, WITH WASHER	2	
17	64X-11111-00-94	HEAD, CYLINDER 1	1	
18	6K8-51129-00	.NIPPLE	2	
19	64X-11181-00	GASKET, CYLINDER HEAD 1	1	
20	90119-08M19	BOLT, WITH WASHER	10	
21	90445-14M07	HOSE	1	
22	90465-11M10	CLAMP	1	
23	6R7-21415-01-94	BRACKET, FRONT UPPER 1	1	
24	6R7-21425-01-94	BRACKET, REAR UPPER 1	1	
25	90119-10M02	BOLT, WITH WASHER	4	
26	90119-10M00	BOLT, WITH WASHER	1	
27	90119-10M03	BOLT, WITH WASHER	1	

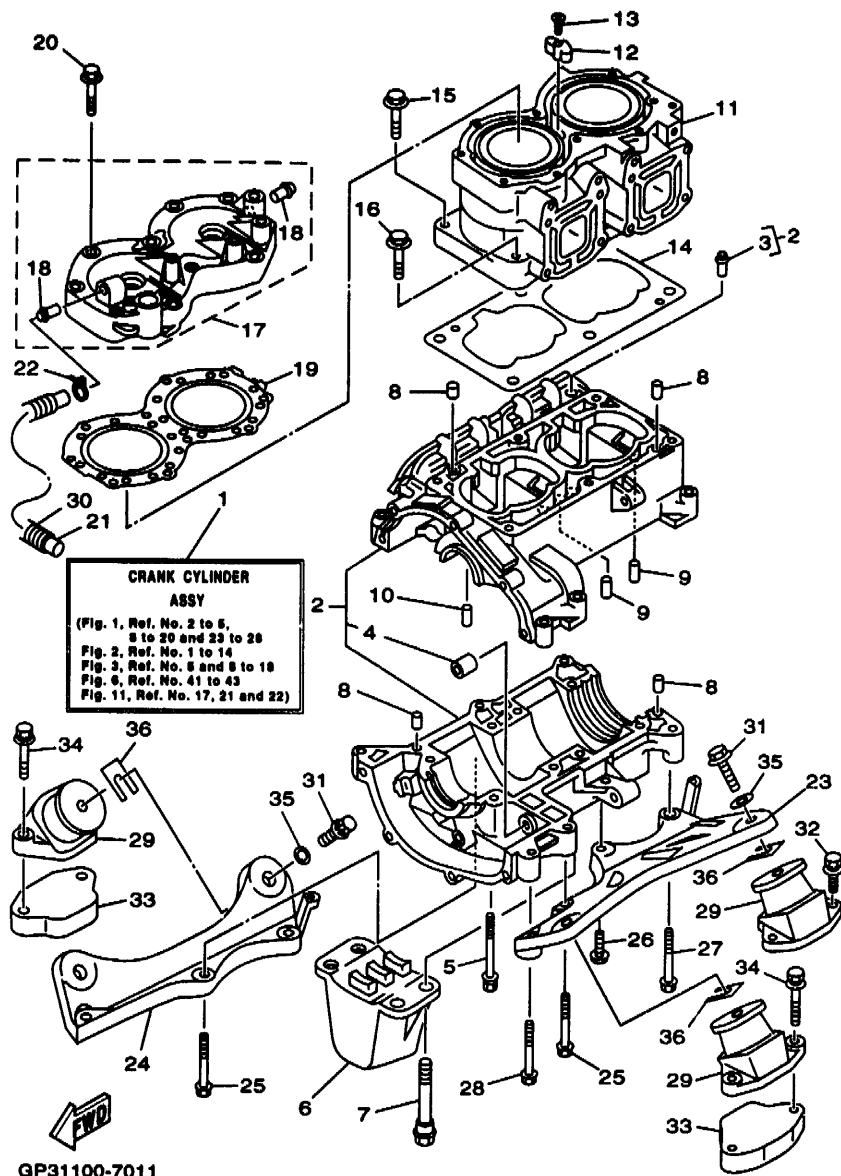


FIG. 1 CYLINDER, CRANKCASE

REF. NO.	PART NO.	DESCRIPTION	QTY*		REMARKS
28	90119-10M01	BOLT, WITH WASHER	1		
29	63M-44517-01-5B	MOUNT RUBBER	4		
30	90446-20M70	HOSE	1		
31	90119-08943	BOLT, WITH WASHER	4		YMUS
32	90119-089U1	BOLT, WITH WASHER	4		YMUS
33	GJ1-6721B-00	SPACER, ENGINE MOUNT	2		
34	90119-089UR	BOLT, WITH WASHER	4		YMUS
35	EU0-67324-00	PLATE	4		
36	EU0-U7354-00-01	SHIM (T=0.1)	10		UR YMUS
	EU0-U7354-00-03	SHIM (T=0.3)	10		UR YMUS
	EU0-U7354-00-05	SHIM (T=0.5)	10		UR YMUS
	EU0-U7354-00-10	SHIM (T=1.0)	10		UR YMUS
	EU0-U7354-00-20	SHIM (T=2.0)	10		UR YMUS

A5

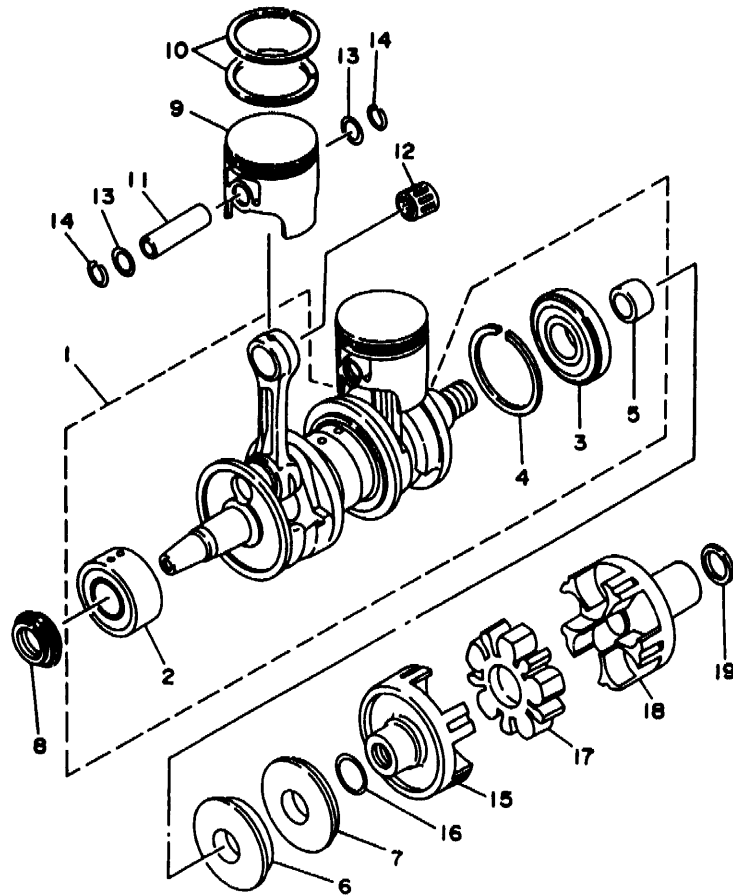
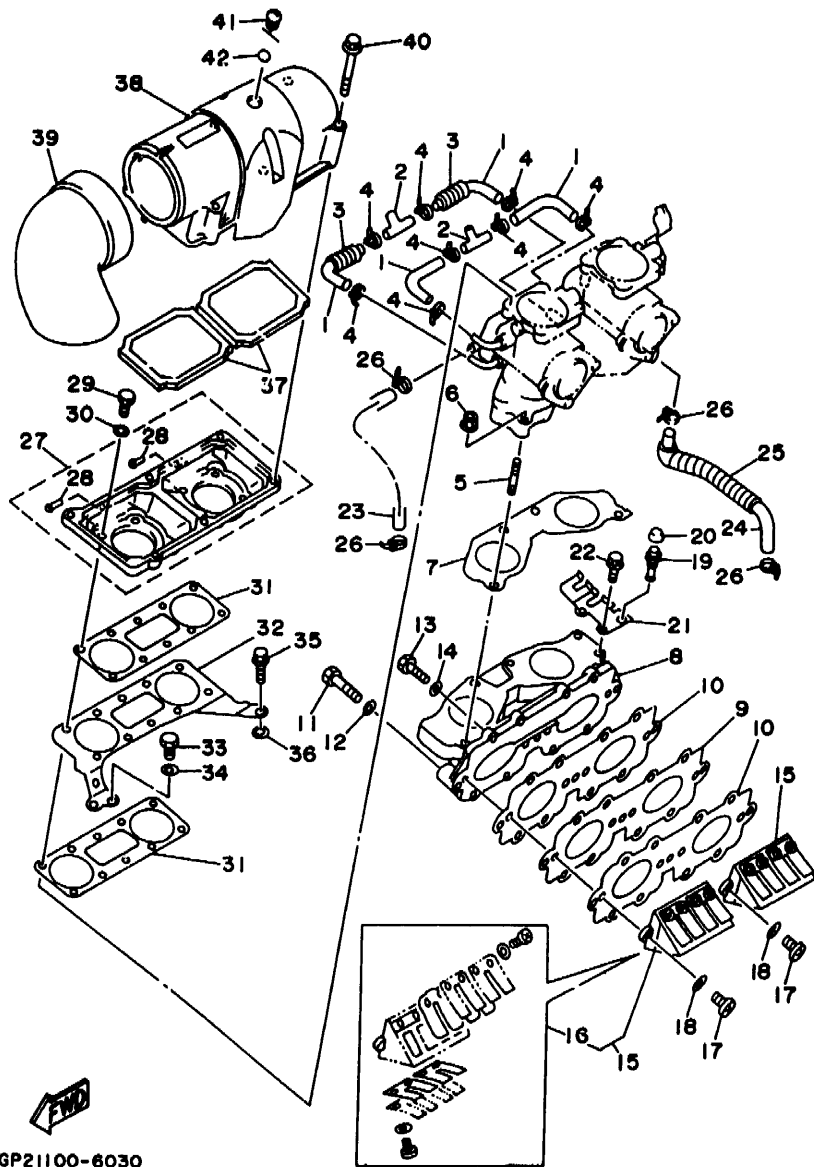


FIG. 2 CRANKSHAFT. PISTON

REF. NO.	PART NO.	DESCRIPTION	QTY*				REMARKS
1	64X-11400-01	CRANKSHAFT ASSY	1				
2	93305-30601	.BEARING	1				
3	93306-307U3	.BEARING	1				
4	93440-80023	.CIRCLIP	1				
5	62T-45526-00	.COLLAR, DRIVE SHAFT	1				
6	93102-36M33	OIL SEAL	1				
7	93101-36M46	OIL SEAL	1				
8	93103-32M01	OIL SEAL	1				
9	64X-11631-00-91	PISTON (STD)	2				
	64X-11635-00	PISTON (0.25MM O/S)	2				AP
	64X-11636-00	PISTON (0.50MM O/S)	2				AP
10	64X-11603-00	PISTON RING SET (STD)	2				
	64X-11604-00	PISTON RING SET (0.25MM O/S)	2				AP
	64X-11605-00	PISTON RING SET (0.50MM O/S)	2				AP
11	62T-11633-00	PIN, PISTON	2				
12	93310-320U2	BEARING	2				
13	90201-20M04	WASHER, PLATE	4				
14	93450-21053	CIRCLIP	4				
15	63M-45813-01-8P	FLANGE, COUPLING	1				
16	62T-45127-00	SEAL	1				
17	63M-4581J-00	RUBBER SHAFT COUPLING	1				
18	64X-45813-00-8P	FLANGE, COUPLING	1				
19	90201-248M5	WASHER, PLATE	1				


GP31100-7021

A6

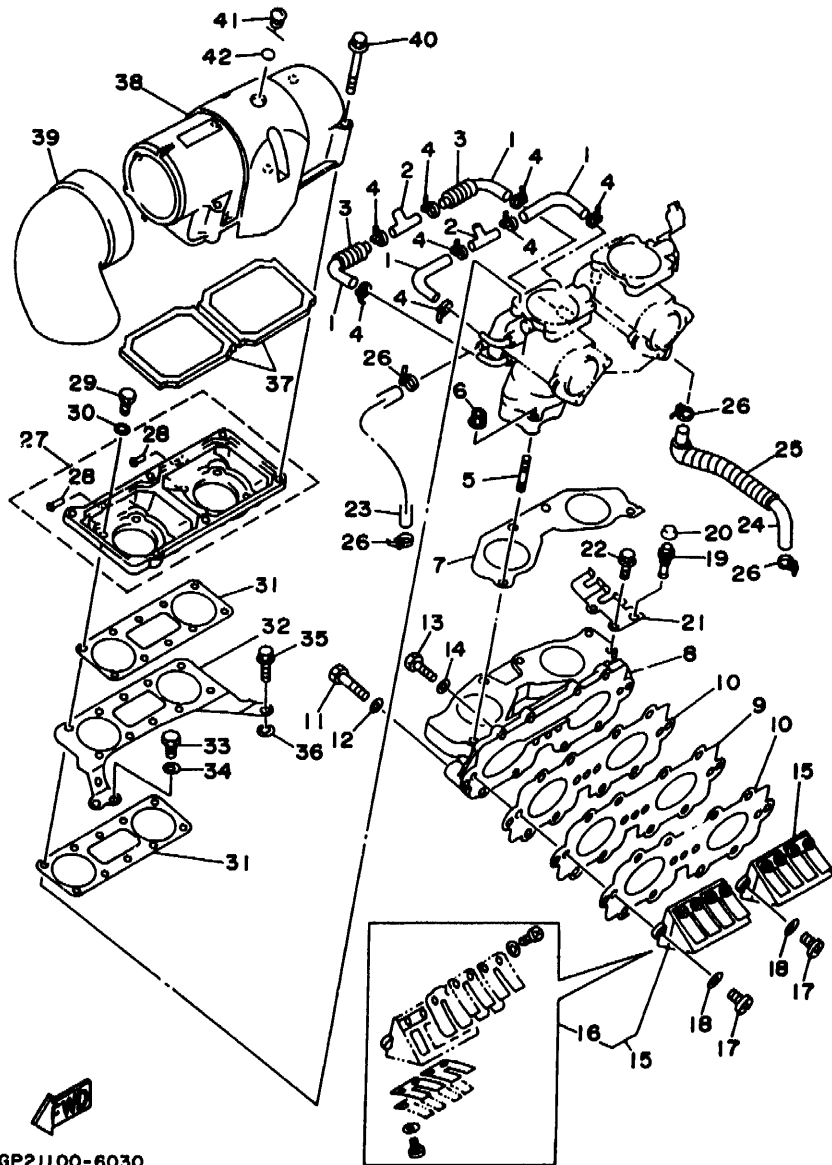


GP21100-6030

FIG. 3 INTAKE

REF. NO.	PART NO.	DESCRIPTION	QUANTITY	REMARKS
1	64X-24313-01	PIPE 3	4	
2	688-24378-00	PIPE, JOI	2	
3	90446-14M66	HOSE	2	
4	90465-11M10	CLAMP	8	
5	90116-08M60	BOLT, STUD	4	
6	90179-08M15	NUT	4	
7	64X-13556-00	GASKET, MANIFOLD	1	
8	64X-13555-00-8P	MANIFOLD, INTAKE	1	
9	62T-13624-00	PLATE, REED VALVE	1	
10	62T-13566-00	GASKET	2	
11	97013-06035	BOLT	3	
12	92903-06600	WASHER, PLATE	3	
13	97013-06025	BOLT	8	
14	92903-06600	WASHER, PLATE	8	
15	64X-13610-01	REED VALVE ASSY	2	
16	64X-W0004-01	.REED SET	1	
17	97880-05016	SCREW, PAN HEAD	4	
18	92990-05600	WASHER, PLATE	4	
19	61L-5169A-00	NIPPLE, GREASE	1	
20	663-45119-00	CAP, GREASE NIPPLE	1	
21	64X-14527-00	PLATE	1	
22	97513-06516	BOLT, WITH WASHER	2	
23	90445-10MF4	HOSE	1	
24	64X-24314-01	PIPE 4	1	
25	90446-14M67	HOSE	1	
26	90465-11M10	CLAMP	4	
27	64X-14284-00-8P	COVER, CARBURETOR 2	1	

A7

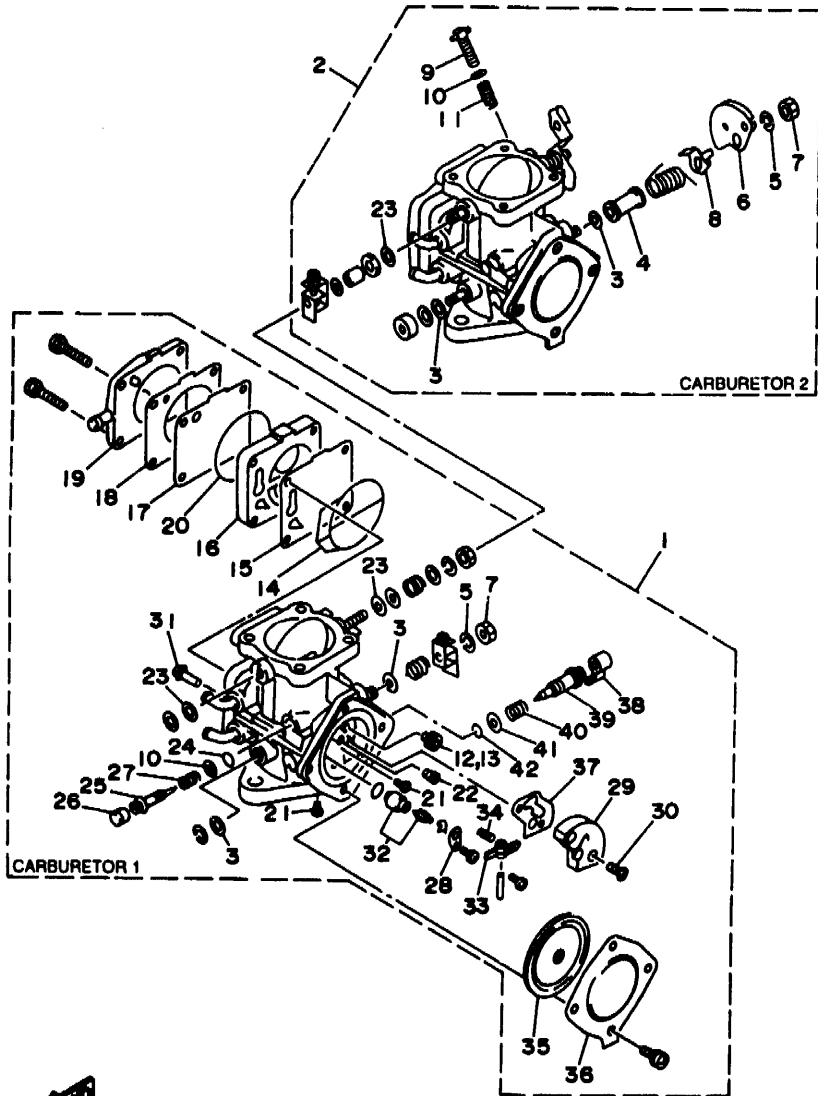


GP21100-6030

FIG. 3 INTAKE

REF. NO.	PART NO.	DESCRIPTION	QUANTITY	REMARKS
28	6E5-11372-00	.NIPPLE, HOSE	2	
29	97013-06020	BOLT	8	
30	92903-06600	WASHER, PLATE	8	
31	64X-13674-00	GASKET, AIR COOLER COVER 1	2	
32	64X-14255-00	PLATE	1	
33	97013-06012	BOLT	1	
34	92903-06600	WASHER, PLATE	1	
35	90109-06M66	BOLT	1	
36	90201-06M31	WASHER, PLATE	1	
37	62T-14451-00	ELEMENT, AIR CLEANER	2	
38	64X-14283-00	COVER, CARBURETOR 1	1	
39	62T-14419-00	PIPE	1	
40	90119-05M02	BOLT, WITH WASHER	6	
41	62T-14435-00	GROMMET	1	
42	93210-13M63	O-RING	1	

B1



GP31100-7040

FIG. 4 CARBURETOR

REF. NO.	PART NO.	DESCRIPTION	QUANTITY	REMARKS
1	64X-14301-00	CARBURETOR ASSY 1	1	
2	64X-14302-00	CARBURETOR ASSY 2	1	
3	6R7-14596-01	.WASHER	4	
4	6K8-14534-10	.COLLAR	1	
5	92990-08100	.WASHER, SPRING	2	
6	6K8-14930-00	.THROTTLE SHAFT ASSY	1	
7	95380-06700	.NUT	2	
8	6K8-14926-10	.BRACKET, THROTTLE 1	1	
9	6M6-14521-00	.SCREW, ADJUST	1	
10	812-14235-00	.WASHER, NEEDLE	3	
11	47X-14133-00	.SPRING, THROTTLE STOP	1	
12	3G2-14231-27	.JET, MAIN (#135)	1	
13	3G2-1423A-78	.JET, MAIN (#137.5)	1	
14	6K8-14564-00	.O-RING	2	
15	6K8-24411-20	.DIAPHRAGM	2	
16	6M6-24413-00	.BODY 2	2	
17	6K8-24421-10	.VALVE, CHECK	2	
18	6K8-24431-20	.GASKET, FUEL PUMP 1	2	
19	6K8-24452-10	.COVER	1	
20	6K8-14563-00	.O-RING	2	
21	6K8-14521-10	.SCREW	4	
22	830-14231-23	.JET, MAIN (#115)	2	
23	6K8-14597-11	.WASHER	4	
24	812-14147-00	.O-RING	2	
25	6K8-14946-10	.METERING NEEDLE	2	
26	6K8-14471-10	.CAP, CARBURETOR	2	
27	3KW-14932-00	.SPRING, THROTTLE 2	2	

B2

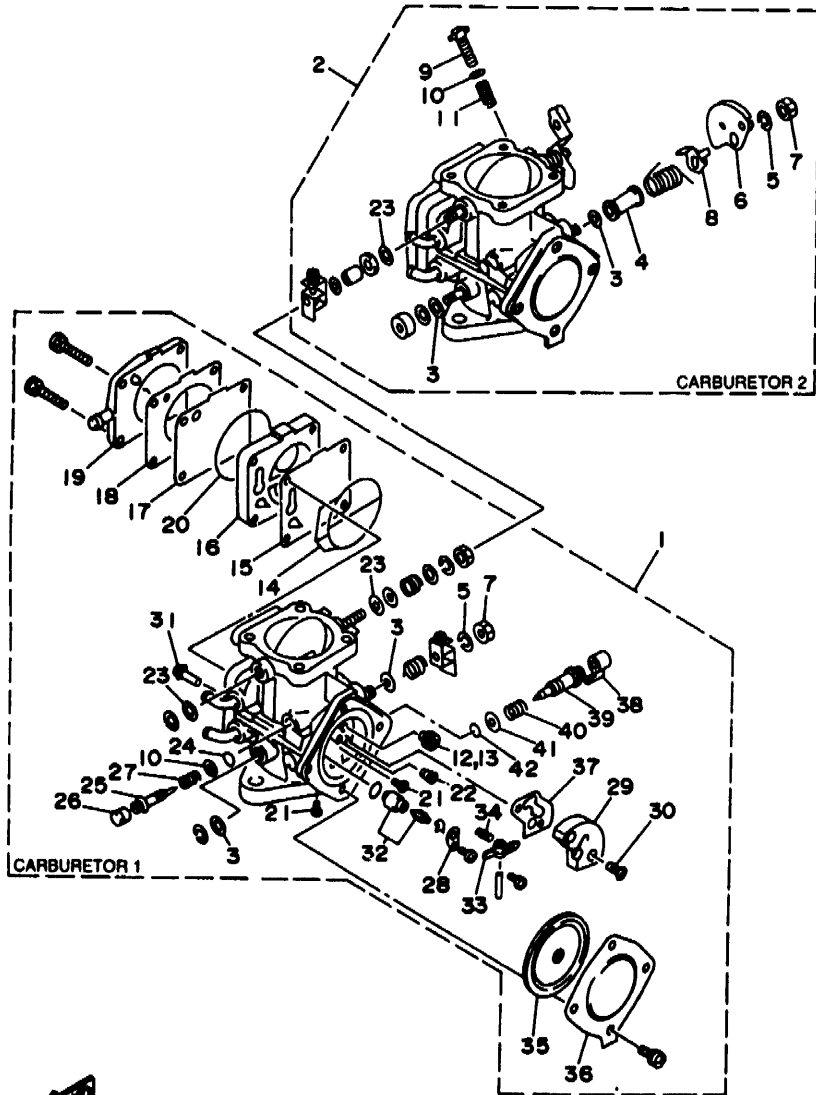
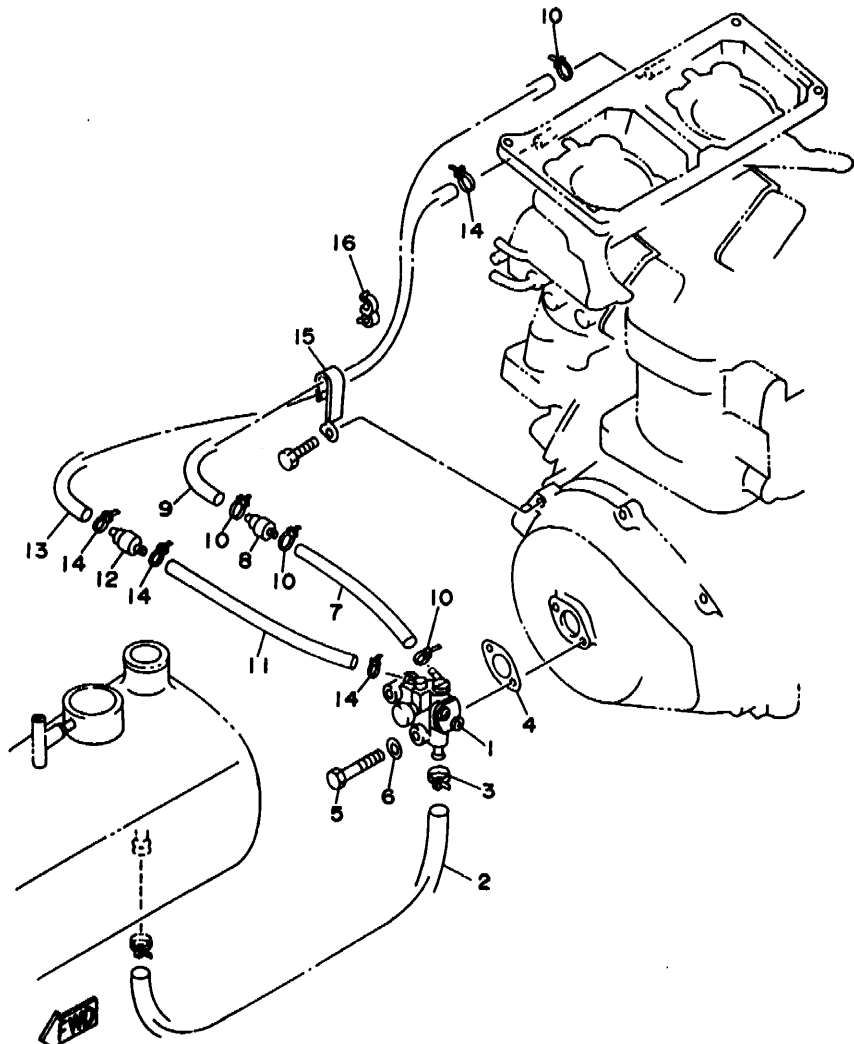


FIG. 4 CARBURETOR

REF. NO.	PART NO.	DESCRIPTION	QTY *	REMARKS
28	6K8-14527-11	.PLATE	2	
29	6R7-24412-01	.BODY 1	2	
30	6K8-14523-11	.SCREW, STOP	4	
31	6R7-14589-00	.STRAINER	2	
32	61X-14916-15	.NEEDLE	2	
33	6K8-14547-01	.ARM, FLOAT	2	
34	6R7-14253-00	.SPRING	2	
35	6R7-14541-00	.DIAPHRAGM, PUMP	2	
36	6R7-14542-00	.BODY, PUMP 1	2	
37	6K8-14536-11	.GASKET	2	
38	6K8-14481-10	.CAP, CARBURETOR	2	
39	6M6-14923-10	.SCREW, PILOT	2	
40	6K8-14589-00	.SPRING	2	
41	822-14235-00	.WASHER, NEEDLE	2	
42	583-14561-00	.O-RING	2	

GP31100-7040

B3



GP21100-6050

FIG. 5 OIL PUMP

REF. NO.	PART NO.	DESCRIPTION	QUANTITY	REMARKS
1	62T-13200-13	OIL INJECTION PUMP ASSY	1	
2	90445-11M33	HOSE	1	
3	90465-11M10	CLAMP	1	
4	6R8-13118-A0	GASKET, PUMP CASE	1	
5	97095-08035	BOLT	2	
6	92995-06600	WASHER	2	
7	90446-07M14	HOSE	1	
8	6R3-13183-00	VALVE, CHECK	1	
9	90446-07M35	HOSE	1	
10	90465-11M10	CLAMP	4	
11	90446-07M17	HOSE	1	
12	6R3-13183-00	VALVE, CHECK	1	
13	90446-07M38	HOSE	1	
14	90465-11M10	CLAMP	4	
15	90465-08M69	CLAMP	1	
16	90464-07M20	CLAMP	1	

B4

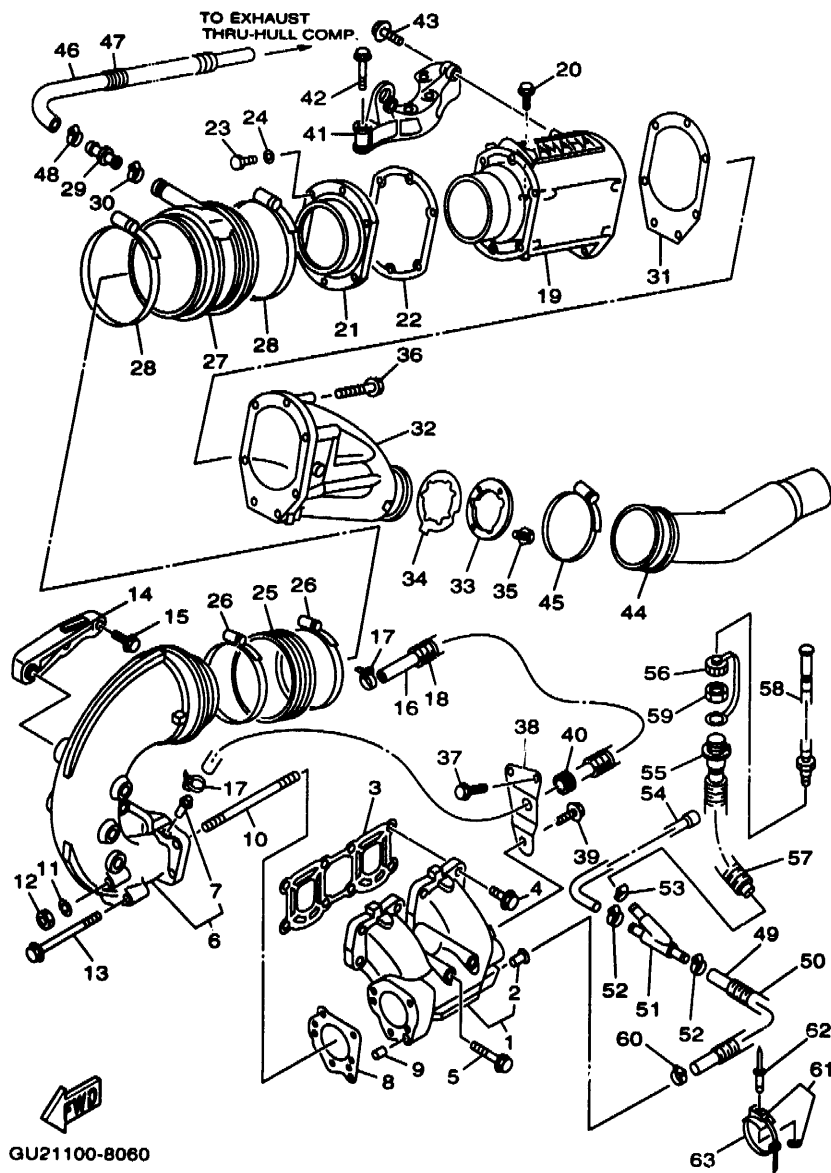


FIG. 6 EXHAUST 1

REF. NO.	PART NO.	DESCRIPTION	GU2*	REMARKS
1	64X-14711-00-9P	MUFFLER 1	1	
2	6K8-51129-00	.NIPPLE	1	
3	62T-14613-00	GASKET, EXHAUST PIPE	1	
4	90105-10M60	BOLT, WASHER BASED	6	
5	90105-10M72	BOLT, WASHER BASED	2	
6	64X-14712-00-9P	RING, JOINT	1	
7	6K8-51129-00	.NIPPLE	1	
8	64X-14749-00	GASKET, MUFFLER DAMPER 2	1	
9	93605-12M21	PIN, DOWEL	2	
10	90116-08M59	BOLT, STUD	2	
11	92990-08100	WASHER, SPRING	2	
12	95380-08600	NUT	2	
13	90119-08M11	BOLT, WITH WASHER	2	
14	64X-14781-00-94	STAY, MUFFLER 2	1	
15	90105-10M73	BOLT, WASHER BASED	3	
16	63M-12577-00	HOSE 2	1	
17	90465-11M10	CLAMP	2	
18	90446-20M31	HOSE	1	
19	64X-14721-00-94	MUFFLER 2	1	
20	90105-10M60	BOLT, WASHER BASED	2	
21	62T-41113-00-9M	OUTER COVER, EXHAUST	1	
22	62T-41114-01	GASKET, EXHAUST OUTER COVER	1	
23	97013-06025	BOLT	6	
24	92903-06600	WASHER, PLATE	6	
25	62T-14625-00	JOINT, EXHAUST 2	1	
26	90450-99M06	HOSE CLAMP ASSY	2	
27	64X-14615-00	JOINT, EXHAUST 1	1	

B5

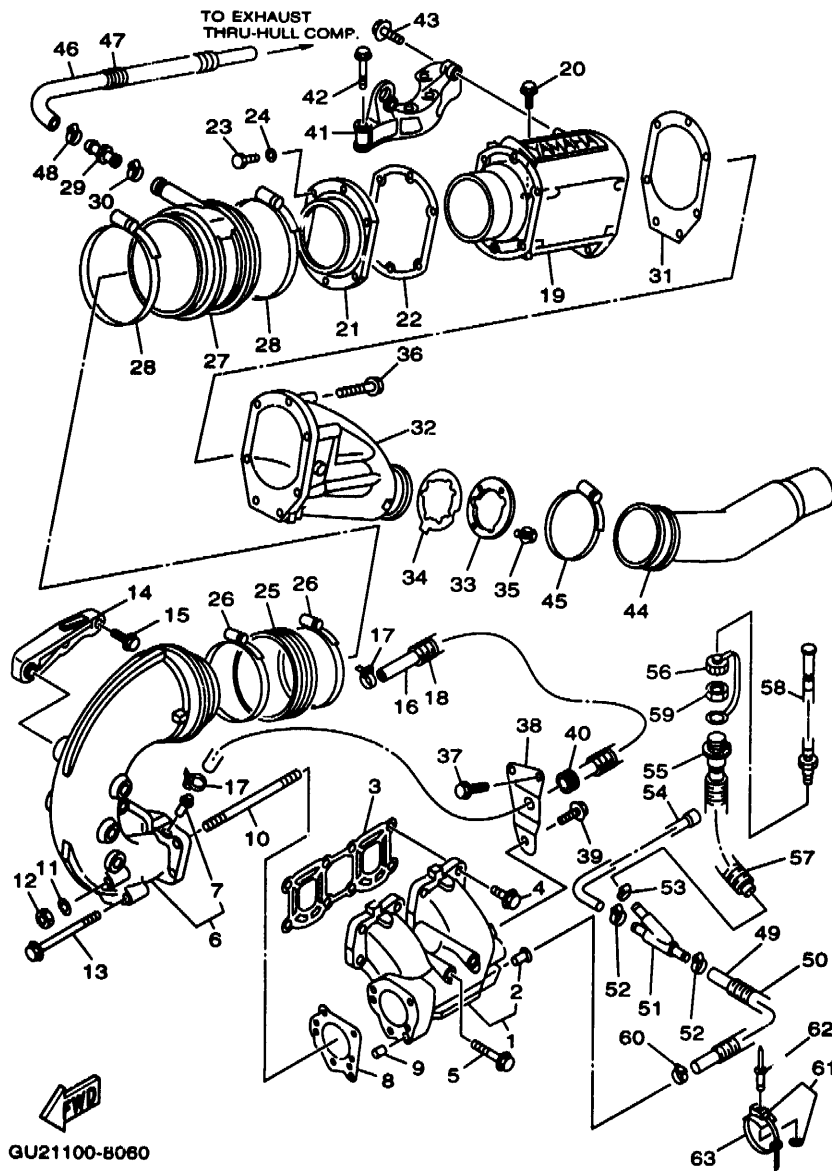
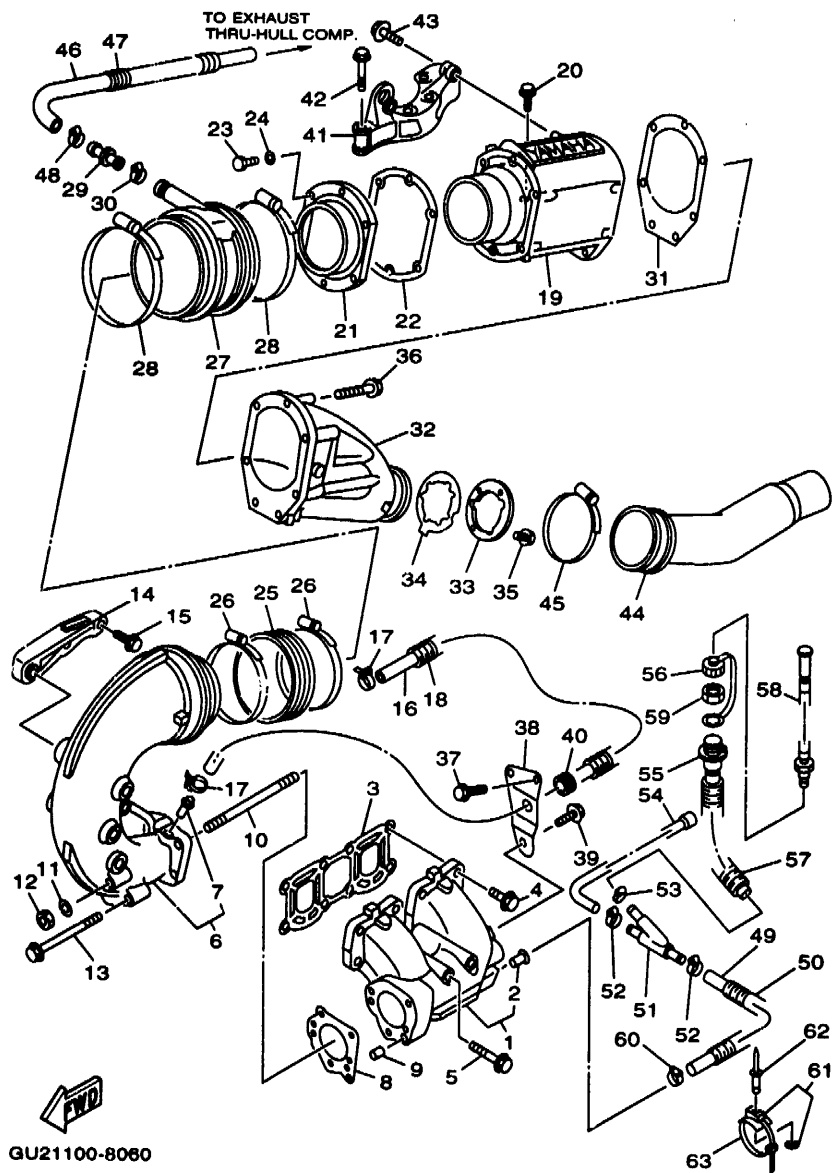


FIG. 6 EXHAUST 1

REF. NO.	PART NO.	DESCRIPTION	QTY*	REMARKS
28	90450-99M16	HOSE CLAMP ASSY	2	
29	64X-12582-00	JOINT, HOSE 2	1	
30	90450-22M14	HOSE CLAMP ASSY	1	
31	64X-41124-00	GASKET, EXHAUST OUTER COVER	1	
32	64X-41123-00-9M	OUTER COVER, EXHAUST	1	
33	64X-14763-00-94	SPACER	1	
34	64X-14623-00	GASKET, EXHAUST PIPE	1	
35	97985-06220	SCREW, WITH WASHER	3	
36	90105-08M70	BOLT, WASHER BASED	5	
37	90105-08M71	BOLT, WASHER BASED	2	
38	64X-14717-01	PLATE, STOPPER	1	
39	90119-08M37	BOLT, WITH WASHER	1	
40	90480-20M05	GROMMET	1	
41	62T-14771-00-94	STAY, MUFFLER 1	1	
42	90119-10M72	BOLT, WITH WASHER	4	
43	90105-10M45	BOLT, WASHER BASED	2	
44	65R-14752-00	PIPE, OUTLET	1	
45	90450-88M15	HOSE CLAMP ASSY	1	
46	64X-12578-01	HOSE 3	1	
47	90446-27M55	HOSE	1	
48	90450-22M14	HOSE CLAMP ASSY	1	
49	90445-14M10	HOSE	1	
50	90446-20M65	HOSE	1	
51	64X-12581-00	JOINT, HOSE 1	1	
52	90450-14M05	HOSE CLAMP ASSY	2	
53	90450-18M09	HOSE CLAMP ASSY	1	
54	65R-12564-00	PIPE, WATER	1	

B6

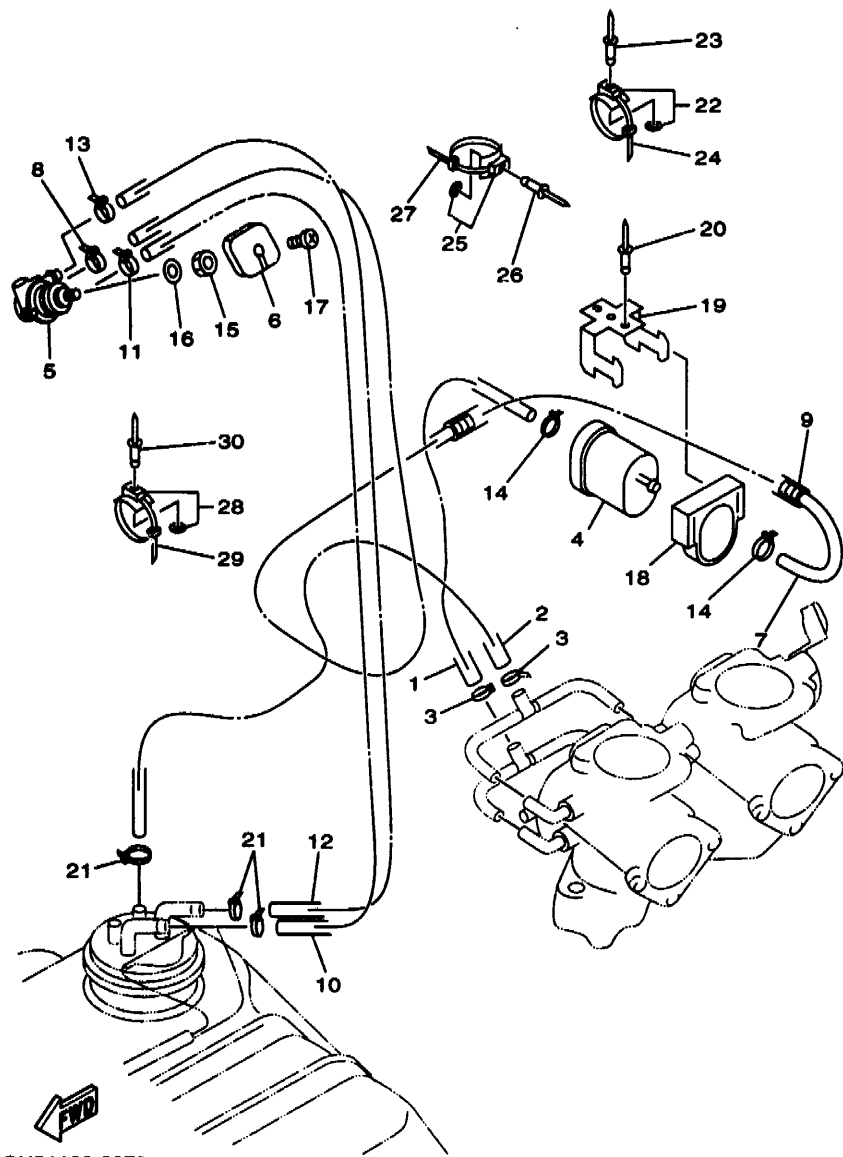


GU21100-8080

FIG. 6 EXHAUST 1

REF. NO.	PART NO.	DESCRIPTION	QUANTITY	REMARKS
55	64T-12580-00	JOINT ASSY	1	
56	682-84385-01	CAP,1	1	
57	90446-24M89	HOSE	1	
58	63M-12590-00	CONDUCTION ASSY	1	UR USA
	63M-12590-10	CONDUCTION ASSY	1	UR JPN
	63M-12590-20	CONDUCTION ASSY	1	UR EXCEPT USA,JPN
59	EU0-61652-00	NUT	1	
60	90601-118UF	NYLON CLIP	1	YMUS
61	90600-91736	CLAMP COMP.	1	
62	90267-48925	RIVET, BLIND	1	
63	90601-20006	BAND	1	

B7

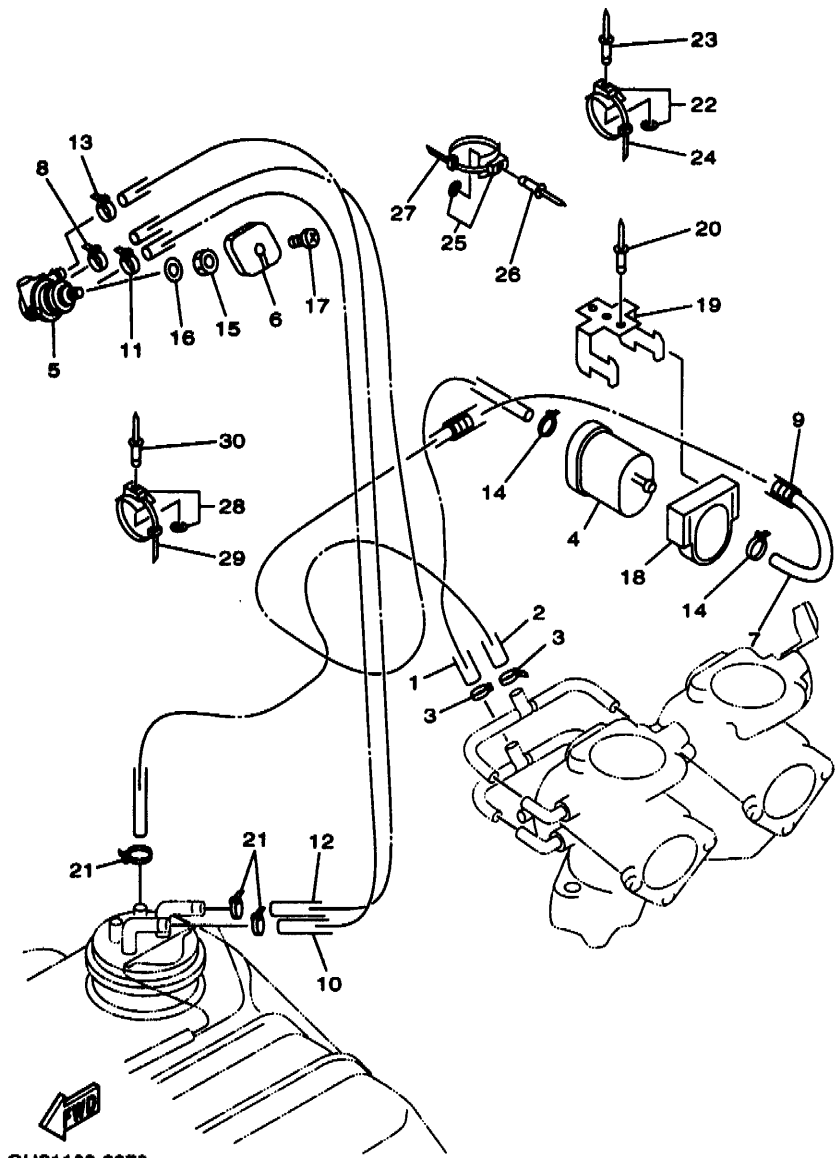


GU21100-8070

FIG. 7 FUEL

REF. NO.	PART NO.	DESCRIPTION	QUANTITY	REMARKS
1	90445-10MA6	HOSE	1	
2	90445-10MA1	HOSE	1	
3	90465-11M10	CLAMP	2	
4	6K8-24560-10	FILTER ASSY	1	
5	65U-24500-00	FUEL COCK ASSY 1	1	
6	6R7-24524-00	LEVER, COCK	1	
7	90445-10MG2	HOSE	1	
8	90465-11M10	CLAMP	1	
9	90446-14M62	HOSE	1	
10	90445-10MG1	HOSE	1	
11	90465-11M10	CLAMP	1	
12	90445-10MG3	HOSE	1	
13	90465-11M10	CLAMP	1	
14	90465-11M10	CLAMP	2	
15	90170-22187	NUT	1	
16	90202-229U1	WASHER, PLATE	1	YMUS
17	98980-04008	SCREW, BIND	1	
18	EU0-67817-00	HOLDER	1	
19	EU0-67816-30	BRACKET, FUEL FILTER	1	
20	90267-489U1	RIVET, BLIND	2	YMUS
21	90465-11829	CLAMP	3	
22	90600-91736	CLAMP COMP.	6	
23	90267-48925	RIVET, BLIND	6	
24	90601-20006	BAND	6	
25	90600-91736	CLAMP COMP.	1	
26	90267-48925	RIVET, BLIND	1	
27	90601-20006	BAND	1	

C1

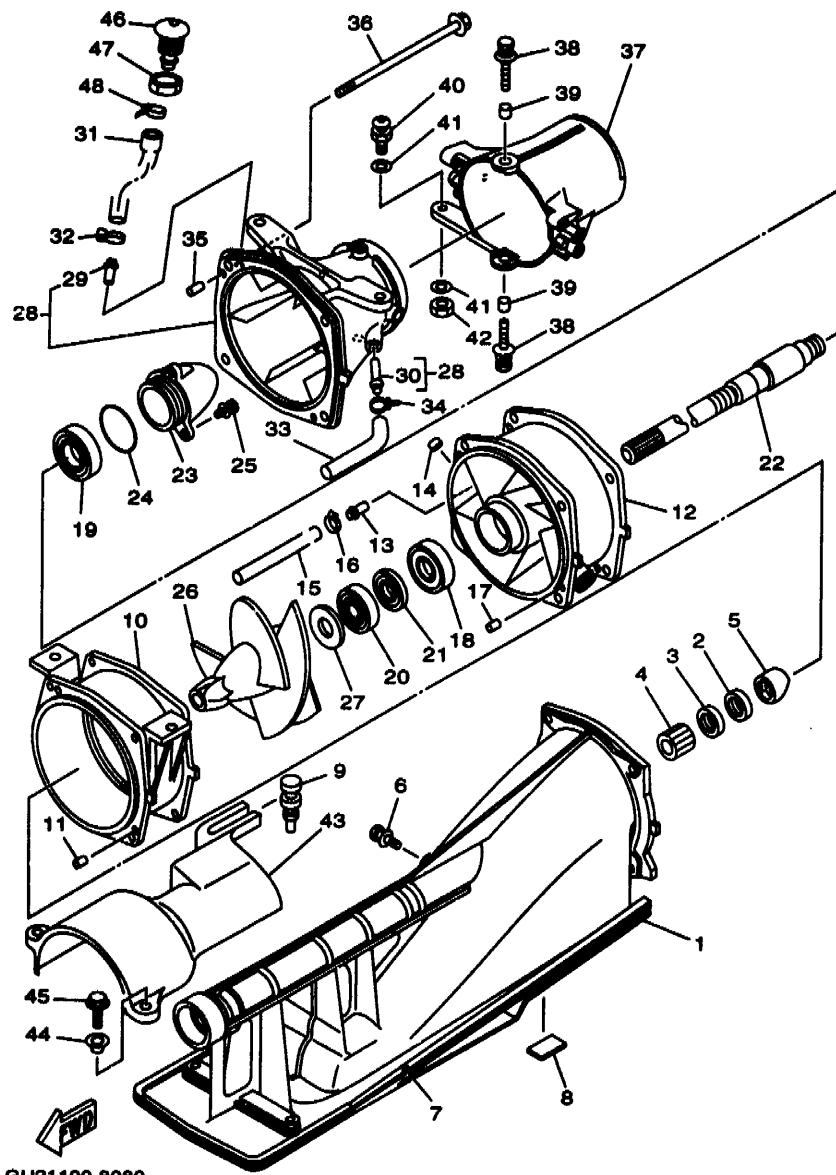


GU21100-8070

FIG. 7 FUEL

REF. NO.	PART NO.	DESCRIPTION	QUANTITY	REMARKS
28	90600-81736	CLAMP COMP.	1	
29	90601-20006	BAND	1	
30	90267-48925	HIVET, BLIND	1	

C2

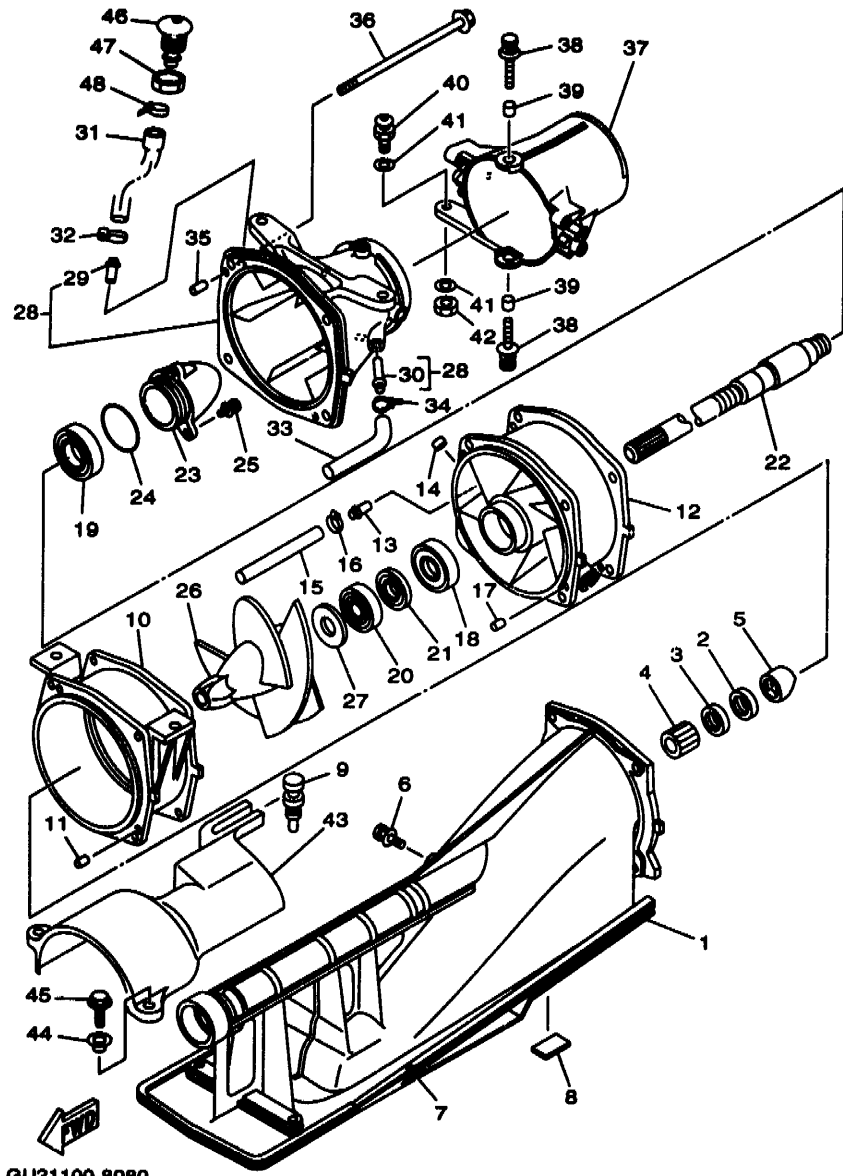


GU21100-8080

FIG. 8 JET UNIT 1

REF. NO.	PART NO.	DESCRIPTION	QUANTITY	REMARKS
1	65U-R1311-01	DUCT, INTAKE	1	YMUS
2	93102-17M49	OIL SEAL	1	
3	93102-17M50	OIL SEAL	1	
4	65V-45318-00	BUSHING, DRIVE SHAFT	1	
5	65U-R1348-00	SPACER	1	YMUS
6	90119-069UD	BOLT, WITH WASHER	1	YMUS
7	6R8-51367-01	FELT, PACKING	2	
8	63M-51368-00	FELT, PACKING	2	
9	90480-06M46	GROMMET	1	
10	65A-R1312-00	HOUSING, IMPELLER	1	YMUS
11	93606-12019	PIN, DOWEL	2	
12	65A-R1315-00	DUCT, IMPELLER	1	YMUS
13	65A-R1129-10	NIPPLE	1	YMUS
14	90331-12M05	PLUG	1	
15	90445-18M03	HOSE	1	
16	90601-118UF	BAND, HOSE 18	1	YMUS
17	93606-12019	PIN, DOWEL	2	
18	93305-205U1	BEARING	1	
19	93306-205U0	BEARING	1	
20	93102-25M34	OIL SEAL	1	
21	93101-25M50	OIL SEAL	1	
22	65R-45511-00	SHAFT, DRIVE	1	
23	65A-R1326-00	CAP	1	YMUS
24	93210-46M16	O-RING	1	
25	90119-069UB	BOLT, WITH WASHER	3	YMUS
26	65R-R1321-10	IMPELLER	1	YMUS
27	62T-51348-00	SPACER	1	

C3

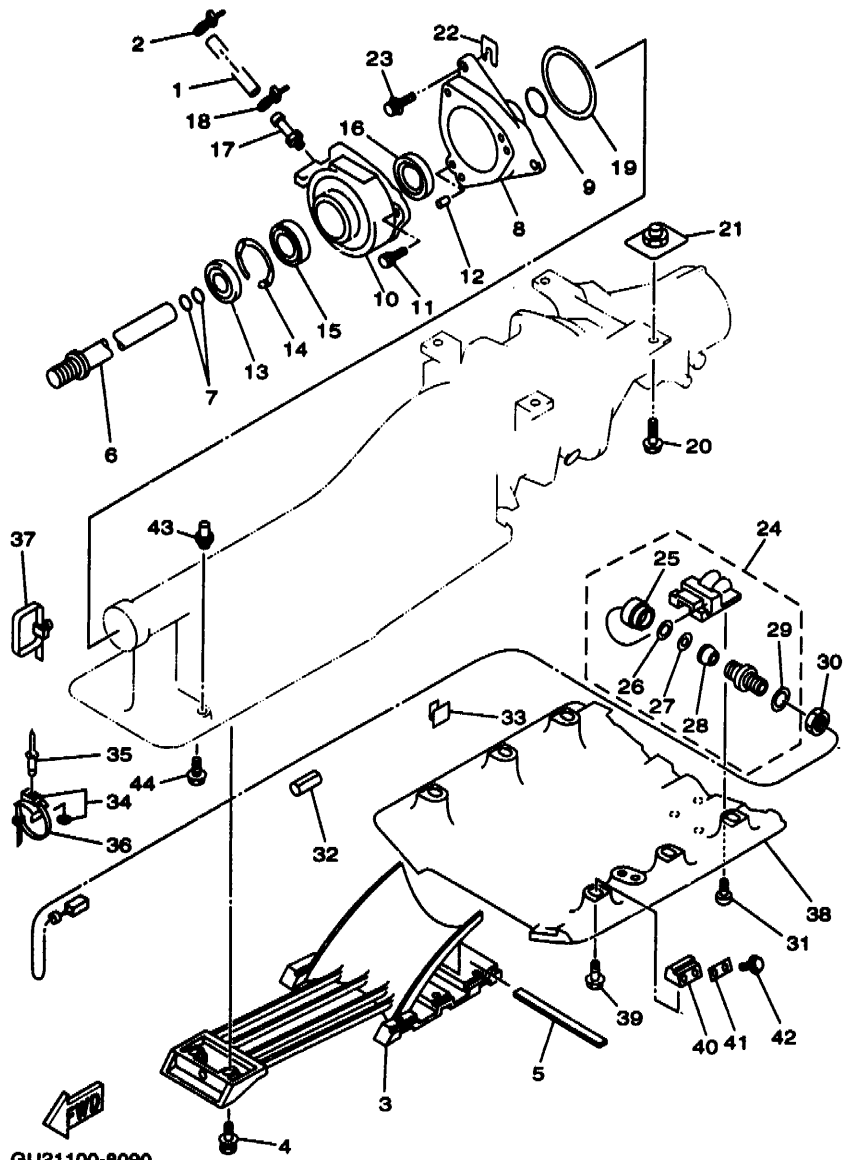


GU21100-8080

FIG. 8 JET UNIT 1

REF. NO.	PART NO.	DESCRIPTION	QUANTITY	REMARKS
28	65R-R1318-00	NOZZLE	1	YMUS
29	65A-R1129-00	.NIPPLE	1	YMUS
30	65A-R1334-01	.NIPPLE,HOSE	1	YMUS
31	62E-51673-00	PIPE 1	1	
32	90601-118UF	BAND, HOSE 18	1	YMUS
33	90445-14898	HOSE	1	
34	90485-11829	CLAMP	1	
35	93606-12019	PIN, DOWEL	2	
36	90105-089U1	BOLT, WASHER BASED	4	YMUS
37	65R-R1313-01	NOZZLE,DEFLECTOR	1	YMUS
38	90119-089UE	BOLT, WITH WASHER	2	YMUS
39	90387-08M08	COLLAR	2	
40	GH3-U148E-00	STUD, JOINT BALL	1	YMUS
41	90201-088M4	WASHER, PLATE	2	YMUS
42	95380-06700	NUT	1	
43	65R-R1381-00	COVER	1	YMUS
44	90387-06M60	COLLAR	2	
45	90119-089UD	BOLT, WITH WASHER	2	YMUS
46	FN8-6269B-00	SPOUT	1	
47	EU0-61652-00	NUT	1	
48	90600-91755	CLIP	1	

C4

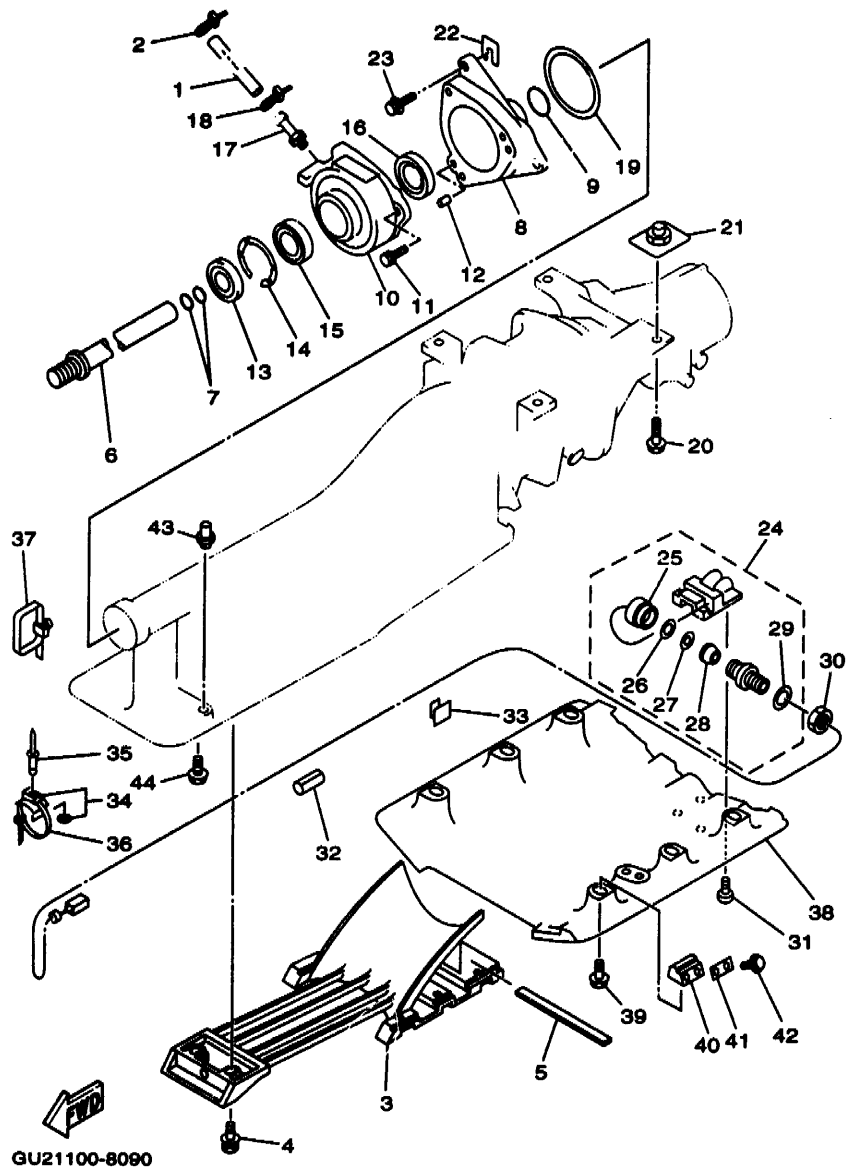


GU21100-8090

FIG. 9 JET UNIT 2

REF. NO.	PART NO.	DESCRIPTION	QU2*	REMARKS
1	90445-09M21	HOSE	1	
2	90465-11M10	CLAMP	1	
3	65R-R1333-00	SCREEN, INTAKE	1	YMUS
4	90119-089UC	BOLT, WITH WASHER	8	YMUS
5	63M-51367-00	FELT, PACKING	1	
6	63N-51323-10	SHAFT, COUPLOR	1	
7	93210-17MA4	O-RING	2	
8	65A-G5331-00	HOUSING, BEARING	1	YMUS
9	93210-35M72	O-RING	1	
10	65U-45332-00-94	HOUSING, BEARING	1	
11	90119-089UF	BOLT, WITH WASHER	3	YMUS
12	93606-12019	PIN, DOWEL	2	
13	93101-25M55	OIL SEAL	1	
14	93430-47M04	CIRCLIP	1	
15	93306-205U6	BEARING	1	
16	93101-25M56	OIL SEAL	1	
17	61L-45378-00	NIPPLE, HOSE	1	
18	90465-11829	CLAMP	1	
19	6KB-45127-00	SEAL	1	
20	90119-108U8	BOLT, WITH WASHER	4	YMUS
21	90179-10925	NUT	4	
22	GDO-U7249-00-05	SHIM (T=0.5)	2	UR YMUS
	GDO-U7249-00-10	SHIM (T=1.0)	2	UR YMUS
23	90119-08907	BOLT, WITH WASHER	3	
24	GJ1-U8K31-01	SENSOR, SPEED	1	YMUS
25	EU0-62694-00	.CAP	1	
26	EU0-61446-00	.WASHER 30	1	

C5



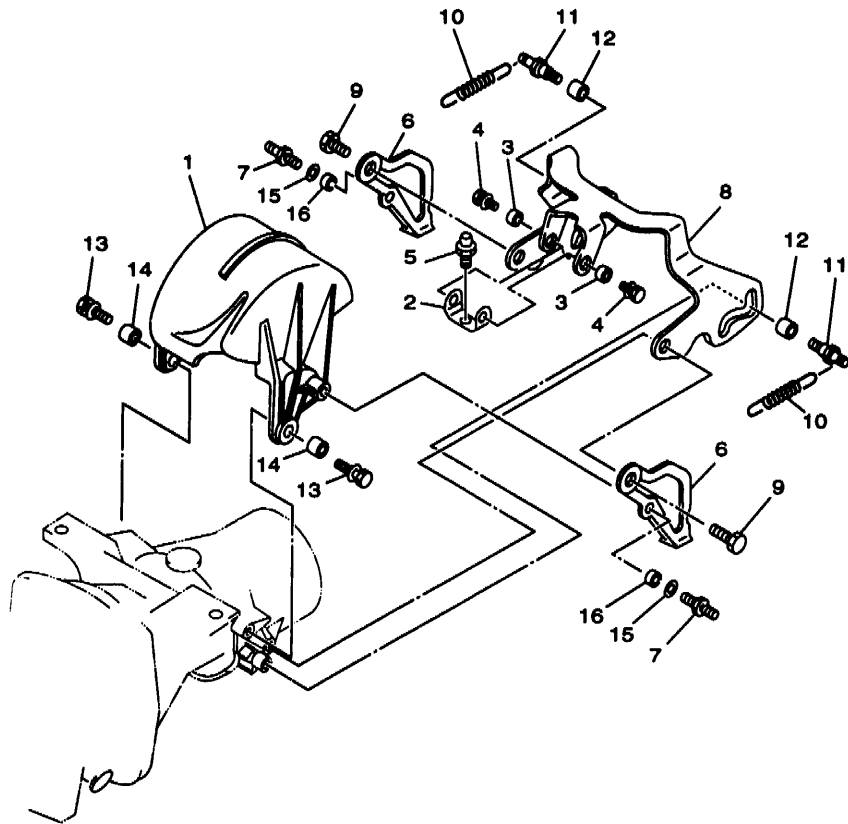
GU21100-8090

FIG. 9 JET UNIT 2

REF. NO.	PART NO.	DESCRIPTION	QUANTITY	REMARKS
27	EU0-61486-00	.STOPPER	1	
28	EU0-61435-00	.SEAL, PIPE 30	1	
29	EU0-61438-00	.PACKING (C)	1	
30	EU0-62241-30	NUT, DRAIN 1	1	
31	90149-05904	SCREW	4	
32	GJ1-6822E-00	GRMMET	1	
33	90600-90361	CLAMP	3	
34	90600-91736	CLAMP COMP.	4	
35	90267-48925	RIVET, BLIND	4	
36	90601-20006	BAND	4	
37	90600-944U8	CLAMP	1	
38	GJ3-U273B-00	PLATE 2	1	YMUS
39	90119-089U8	BOLT, WITH WASHER	6	YMUS
40	GJ1-62733-00	PACKING	6	
41	GJ1-62363-00	PACKING 1	6	
42	90119-089U5	BOLT, WITH WASHER	12	YMUS
43	90179-06947	NUT	2	
44	90119-069UK	BOLT, WITH WASHER	2	YMUS

C6

FIG. 10 JET UNIT 3

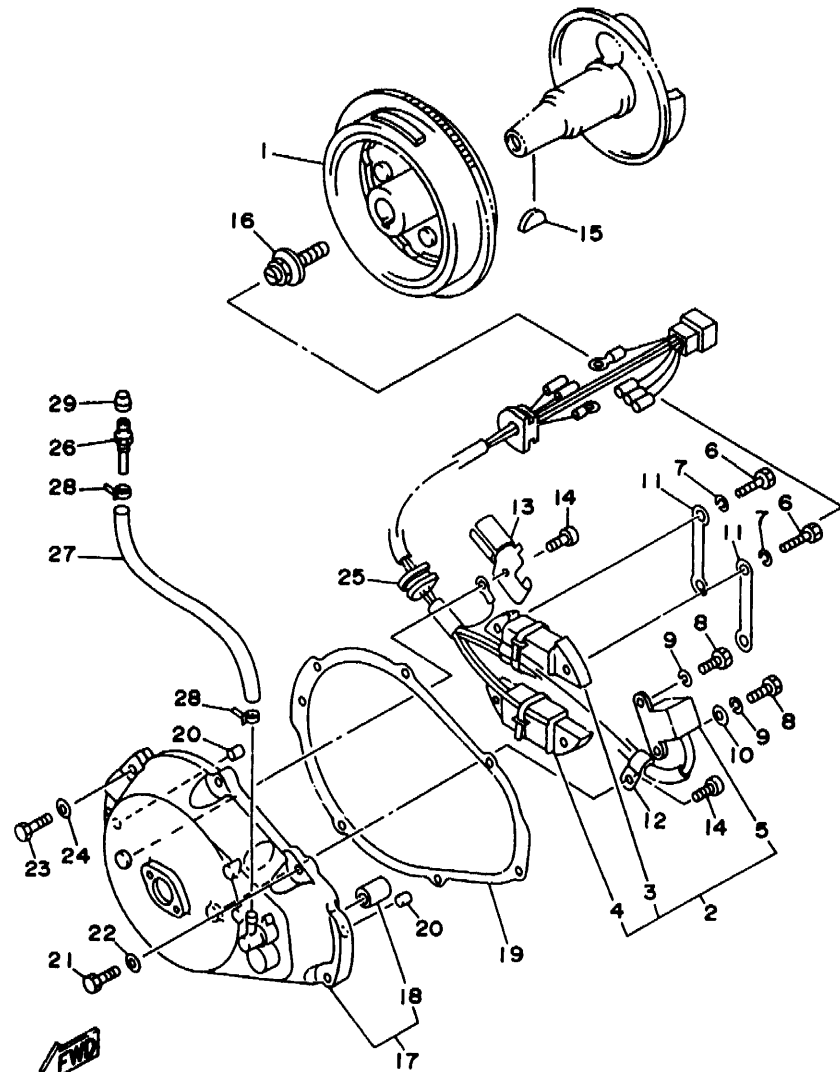


REF. NO.	PART NO.	DESCRIPTION	GL2*			REMARKS
1	65A-R1314-00	GATE, REVERSE	1			YMUS
2	6R8-44125-00	LEVER, SHIFT ROD	1			
3	90387-08M24	COLLAR	2			
4	90119-089UA	BOLT, WITH WASHER	2			YMUS
5	GH3-U146E-10	STUD, JOINT BALL	1			YMUS
6	64T-51345-00	PLATE 1	2			
7	65A-G4184-00	PIN	2			YMUS
8	64T-44121-00	LEVER, SHIFT ROD	1			
9	90109-089U1	BOLT	2			YMUS
10	90506-12M35	SPRING, TENSION	2			
11	65A-G4137-00	PIN	2			YMUS
12	90387-08M26	COLLAR	2			
13	90119-089UF	BOLT, WITH WASHER	2			YMUS
14	90387-08M27	COLLAR	2			
15	90201-068M4	WASHER, PLATE	2			YMUS
16	90387-06M30	COLLAR	2			


GP31100-7100

C7

FIG. 11 GENERATOR

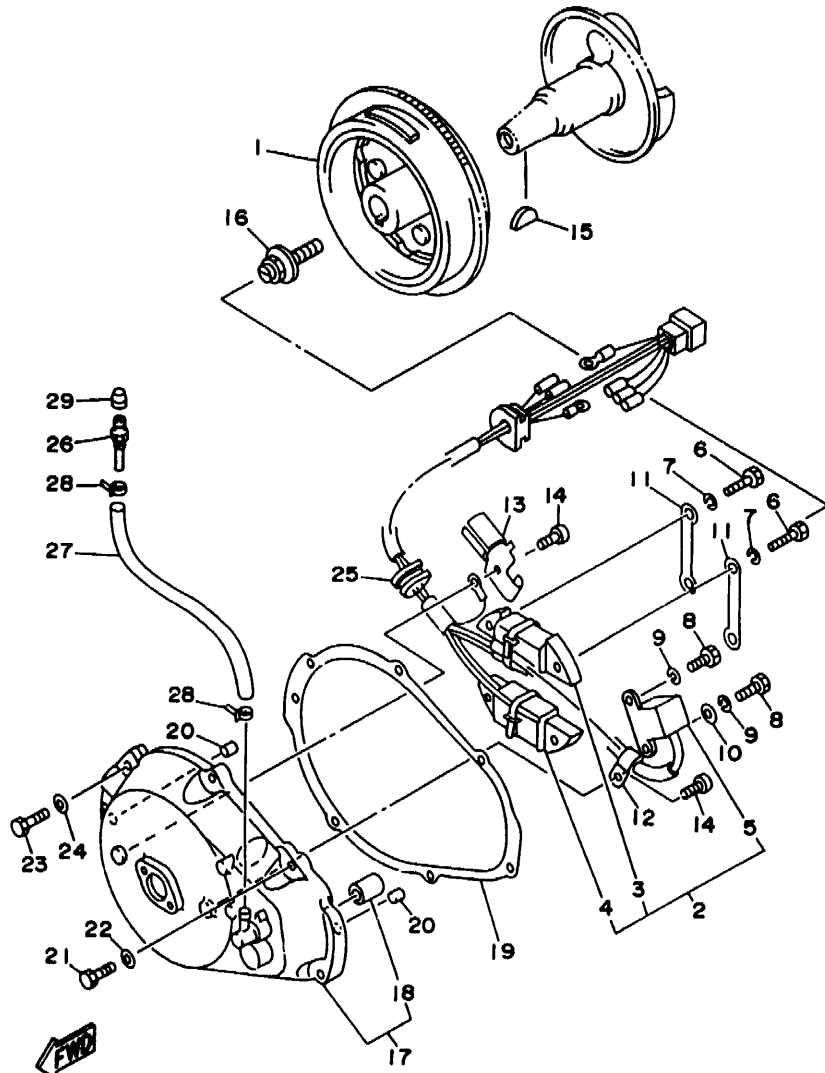


GP21100-6100

REF. NO.	PART NO.	DESCRIPTION	QU2*				REMARKS
1	64X-85550-00	ROTOR ASSY	1				
2	64X-85521-01	COIL ASSY	1				
3	64X-85520-00	.COIL, CHARGE	1				
4	62T-85533-00	.COIL, LIGHTING	1				
5	64X-85580-00	.COIL, PULSER	1				
6	97013-05020	BOLT	4				
7	92903-05100	WASHER, SPRING	4				
8	97013-05012	BOLT	2				
9	92903-05100	WASHER, SPRING	2				
10	90201-05M09	WASHER, PLATE	1				
11	64X-85525-00	COVER	2				
12	90465-06M28	CLAMP	1				
13	90465-06M65	CLAMP	1				
14	97880-06010	SCREW, PAN HEAD	2				
15	90280-05013	KEY, WOODRUFF	1				
16	90109-10M72	BOLT	1				
17	64X-81337-00-8P	COVER, FLYWHEEL	1				
18	90380-12M29	.BUSH, SOLID	1				
19	6M6-81365-A0	GASKET, HOLE COVER	1				
20	93806-12019	PIN, DOWEL	2				
21	97095-06025	BOLT	5				
22	92995-06600	WASHER	5				
23	97095-06030	BOLT	2				
24	92995-06600	WASHER	2				
25	90480-23M69	GROMMET	1				
26	61L-5169A-00	NIPPLE, GREASE	1				
27	90445-09M24	HOSE	1				

D1

FIG. 11 GENERATOR



GP21100-6100

REF. NO.	PART NO.	DESCRIPTION	QUANTITY	REMARKS
28	90465-11M10	CLAMP	2	
29	663-45119-00	CAP, GREASE NIPPLE	1	

D2

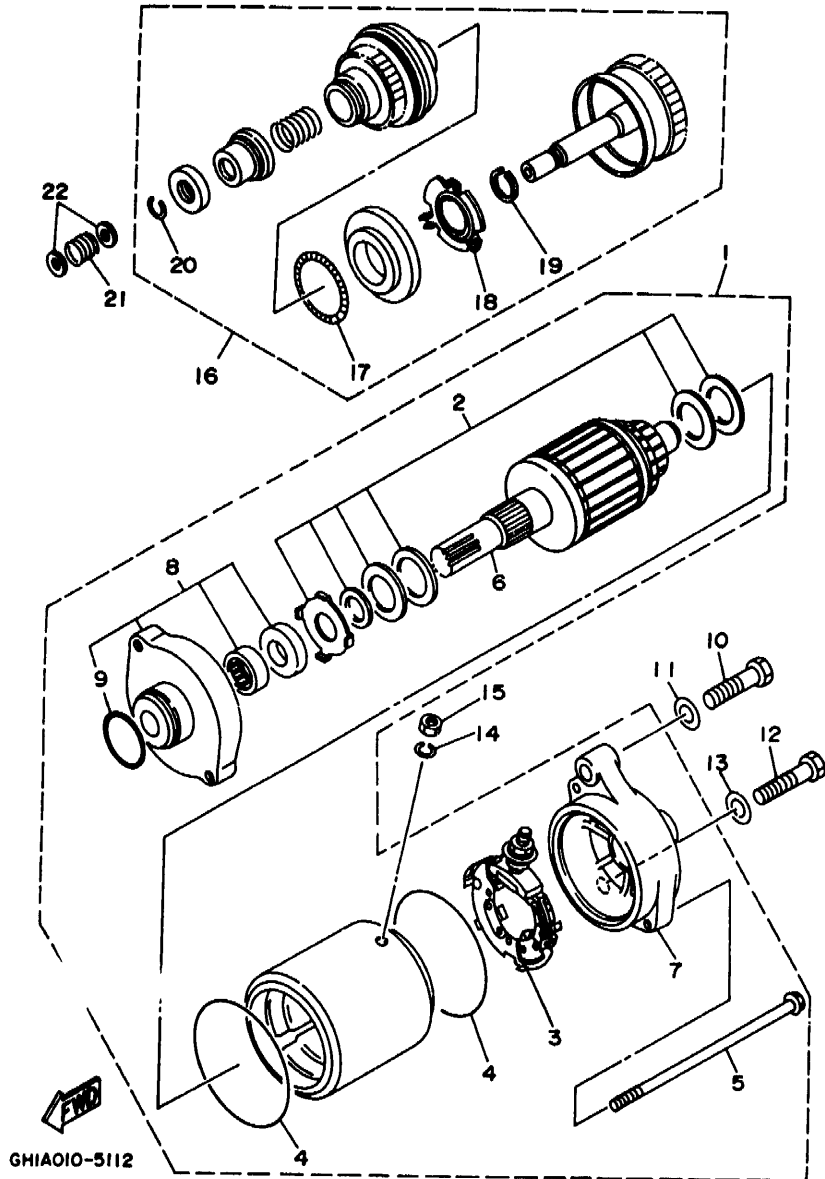


FIG. 12 STARTING MOTOR

REF. NO.	PART NO.	DESCRIPTION	QUANTITY	REMARKS
1	64X-81800-00	STARTING MOTOR ASSY	1	
2	3AJ-81809-00	.WASHER KIT	1	
3	6M6-81840-10	.BRUSH HOLDER ASSY	1	
4	11H-81844-00	.GASKET	2	
5	6M6-81826-00	.BOLT	2	
6	6M6-81850-00	.ARMATURE ASSY	1	
7	64X-81820-00	.REAR BRACKET ASSY	1	
8	6M6-81830-00	.FRONT BRACKET ASSY	1	
9	1FK-81847-00	.O-RING	1	
10	97013-08040	BOLT	1	
11	92903-08600	WASHER, PLATE	1	
12	97013-08035	BOLT	1	
13	92903-08600	WASHER, PLATE	1	
14	92990-06100	WASHER, SPRING	1	
15	95380-06700	NUT	1	
16	6M6-8183E-00	IDLE GEAR COMP	1	
17	6M6-81866-00	.WEIGHT SPRING	1	
18	6M6-81865-00	.WEIGHT HOLDER	1	
19	93440-25M08	.CIRCLIP	1	
20	93450-18M08	.CIRCLIP	1	
21	90501-14M73	SPRING, COMPRESSION	1	
22	92903-06600	WASHER, PLATE	2	

D3

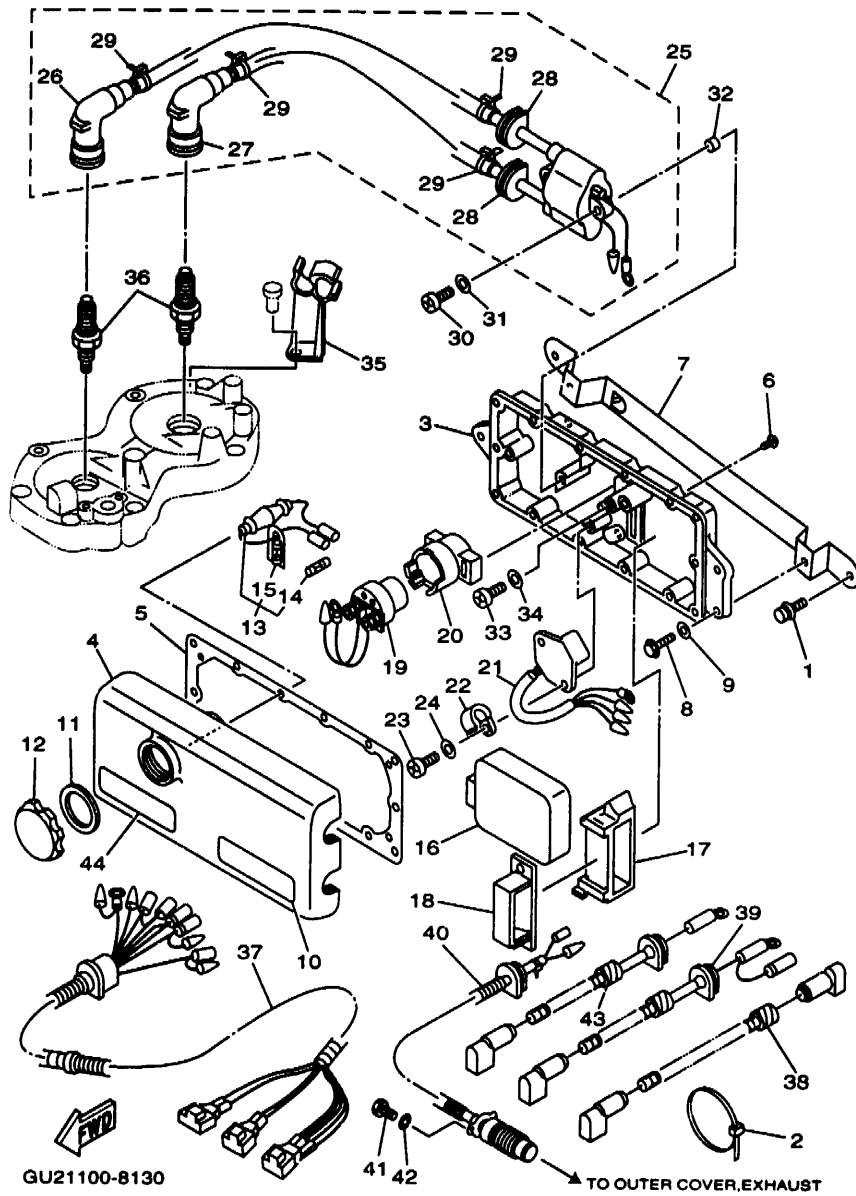


FIG. 13 ELECTRICAL 1

REF. NO.	PART NO.	DESCRIPTION	QUANTITY	REMARKS
1	90119-089U5	BOLT, WITH WASHER	2	YMUS
2	90601-20009	BAND	2	
3	65R-8552A-00-8P	HOUSING	1	
4	6M6-8552E-01	COVER, CASE	1	
5	6M6-81921-00	GASKET, TERMINAL	1	
6	97780-60525	SCREW, TAPPING	14	
7	66D-85542-00	BRACKET	1	
8	97095-08025	BOLT	2	
9	92995-08800	WASHER	2	
10	63N-83623-00	MARK 3	1	UR JAPANESE
	6R7-83623-40	MARK 3	1	UR ENGLISH
11	6M6-81844-00	GASKET	1	
12	6M6-8132W-00	CAP	1	
13	6K8-82150-01	FUSE HOLDER ASSY	1	
14	6G1-82151-00	.FUSE	1	
15	6K8-82159-00	.FUSE SPEAR	1	
16	64X-85540-01	C.D.I. UNIT ASSY	1	
17	64X-85546-00	BAND	1	
18	90464-06M29	CLAMP	1	
19	6G1-81941-10	STARTER RELAY ASSY	1	
20	6M6-81952-01	HOLDER, RELAY	1	
21	6M6-81960-A0	RECTIFIER & REGULATOR ASSY	1	
22	90465-08M75	CLAMP	1	
23	97880-06016	SCREW, PAN HEAD	1	
24	92990-06600	WASHER, PLATE	1	
25	64X-85570-01	IGNITION COIL ASSY	1	
26	62E-82371-11	.CAP, PLUG	1	

D4

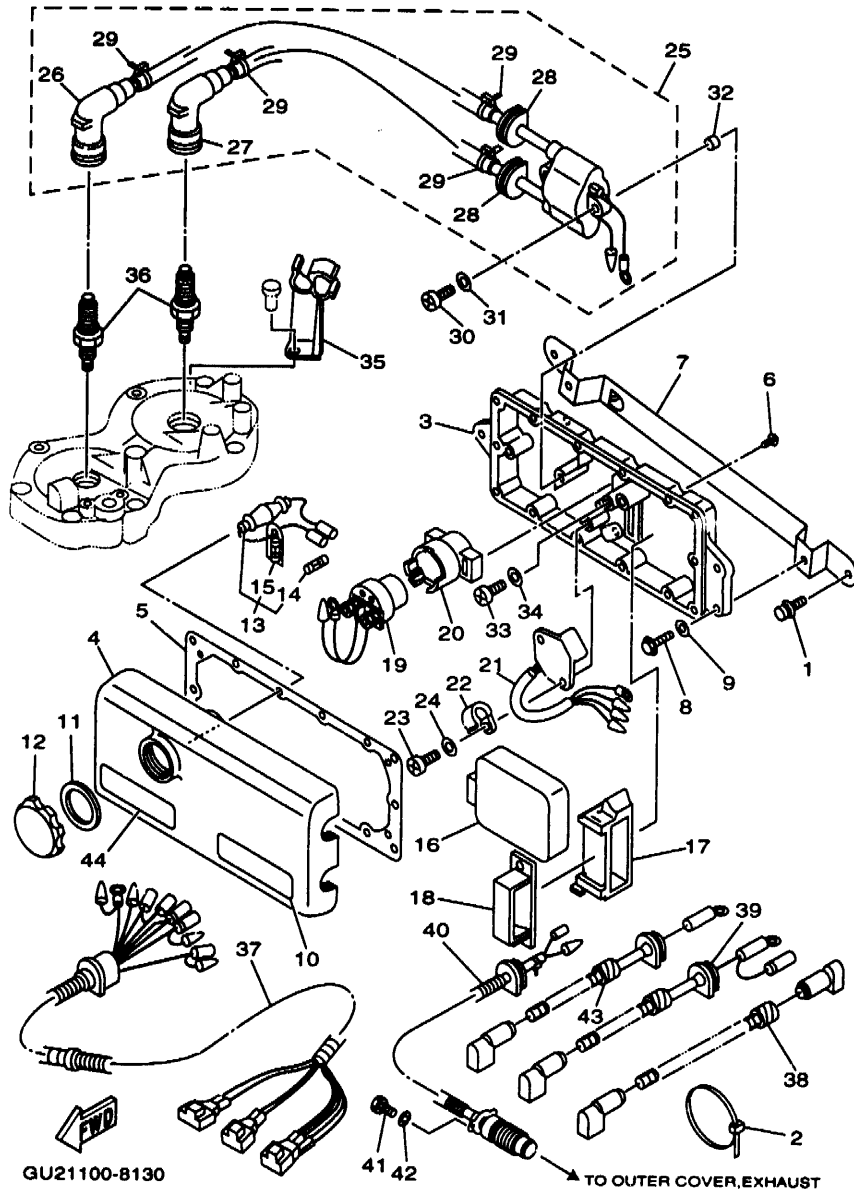
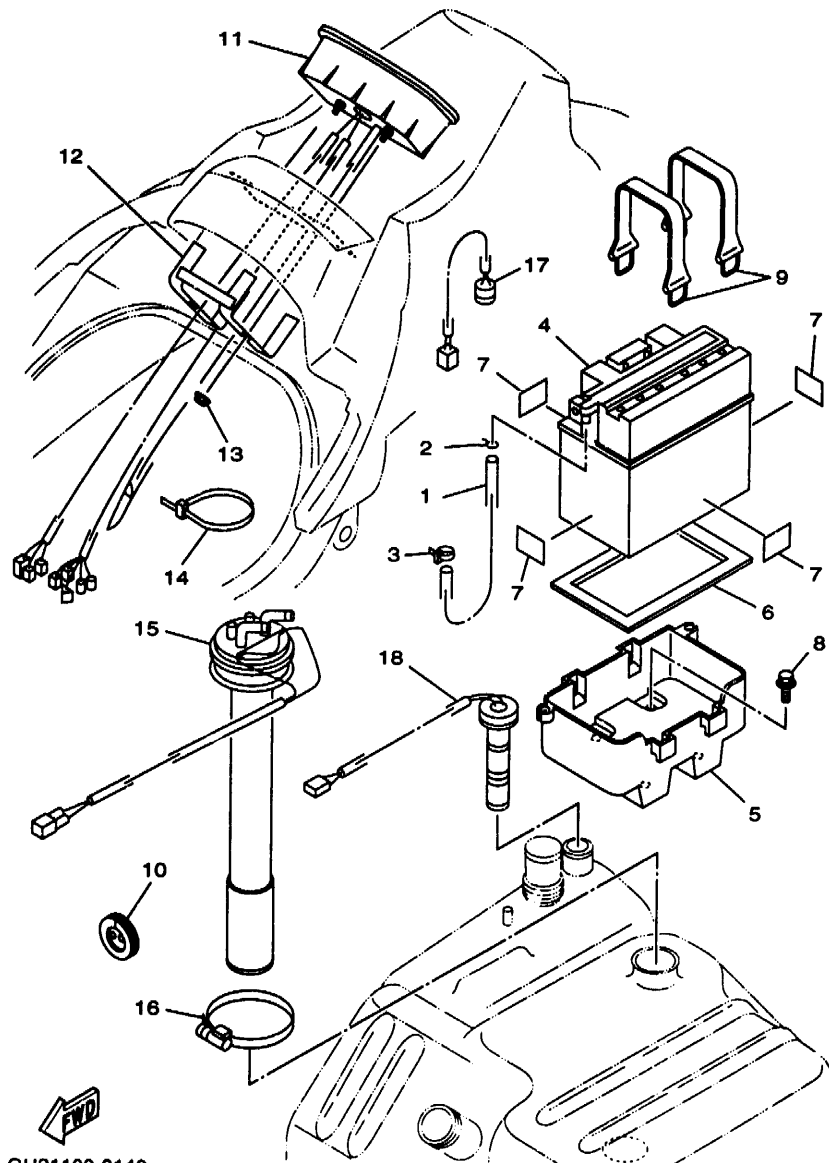


FIG. 13 ELECTRICAL 1

REF. NO.	PART NO.	DESCRIPTION	QUANTITY	REMARKS
27	62E-82371-11	.CAP, PLUG	1	
28	90480-06M43	.GROMMET	2	
29	90465-11M10	.CLAMP	4	
30	97880-06030	SCREW, PAN HEAD	2	
31	92990-06600	WASHER, PLATE	2	
32	90387-06M30	COLLAR	1	
33	97880-06016	SCREW, PAN HEAD	2	
34	92990-06600	WASHER, PLATE	2	
35	62T-82361-00	CLAMP, CORD	1	
36	94702-00195	PLUG, SPARK (NGK BR8HS)	2	UR EXCEPT JPN
	94709-00195	PLUG, SPARK(51X) NGK BR8HS	2	UR JPN
37	63N-82553-00	EXTENSION, WIRE LEAD	1	
38	63N-82117-00	WIRE, LEAD	1	
39	63N-82117-10	WIRE, LEAD	1	
40	64X-82560-00	THERMO SWITCH ASSY	1	
41	97095-06016	BOLT	2	
42	92995-06100	WASHER, SPRING	2	
43	6M6-82117-21	WIRE, LEAD	1	
44	6R7-83623-50	MARK 3	1	FOR FRENCH

D5



GU21100-8140

FIG. 14 ELECTRICAL 2

REF. NO.	PART NO.	DESCRIPTION	QUANTITY	REMARKS
1	EU0-U7856-40	HOSE, AIR VENT 3	1	YMUS
2	90467-069U1	CLIP	1	YMUS
3	90600-91060	CLAMP	1	
4	EU0-82110-09	BATTERY	1	
5	GP7-U8211-00	CASE, BATTERY	1	YMUS
6	EU0-U8221-00	PAD, BATTERY 1	1	YMUS
7	EU0-U8221-30	PAD, BATTERY 2	4	YMUS
8	90119-06920	BOLT, WITH WASHER	4	
9	EU0-U821D-00	BAND, BATTERY 2	2	YMUS
10	FJ0-68222-01	GROMMET	1	
11	GP7-6820A-22	METER ASSY	1	UR USA
	GP7-6820A-32	METER ASSY	1	UR EXCEPT USA
12	GP7-68238-01	BRACKET, METER	1	
13	95720-05300	NUT, FLANGE	2	
14	90601-20006	BAND	1	
15	GP7-U824B-01	SENDER, FUEL	1	YMUS
16	90601-162U5	BAND, HOSE 62	1	YMUS
17	GP7-U8341-00	BUZZER	1	YMUS
18	GP7-U824C-01	SENDER, OIL	1	YMUS

D6

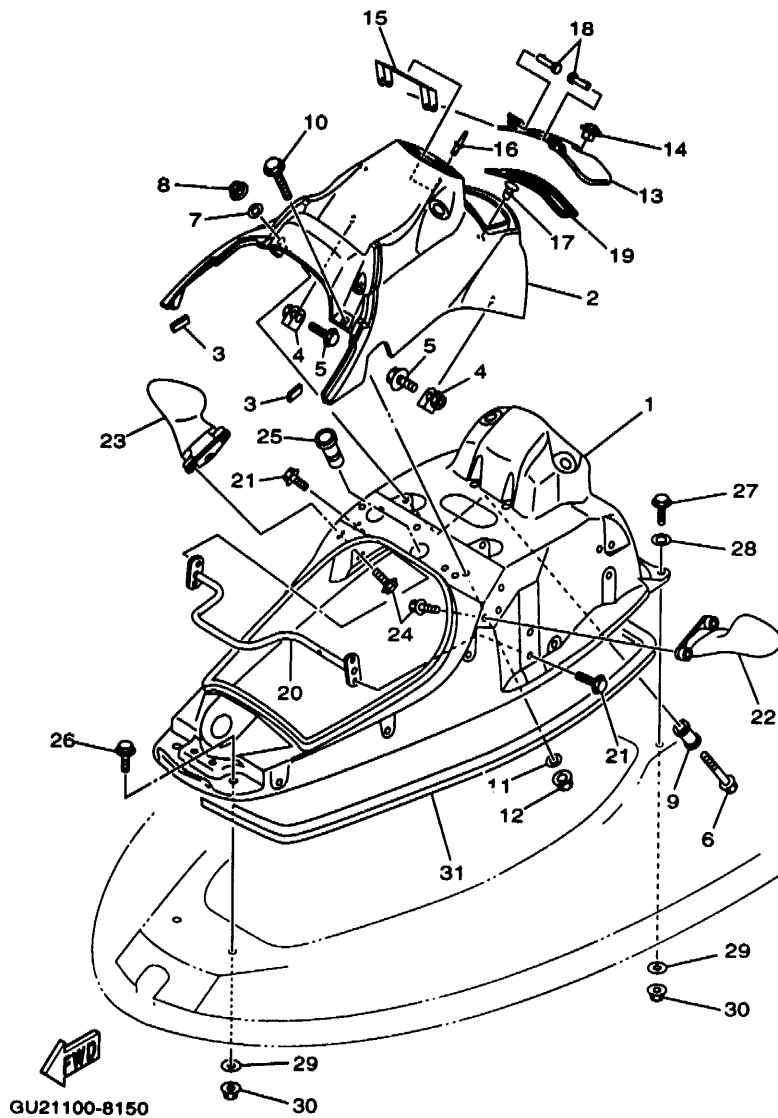
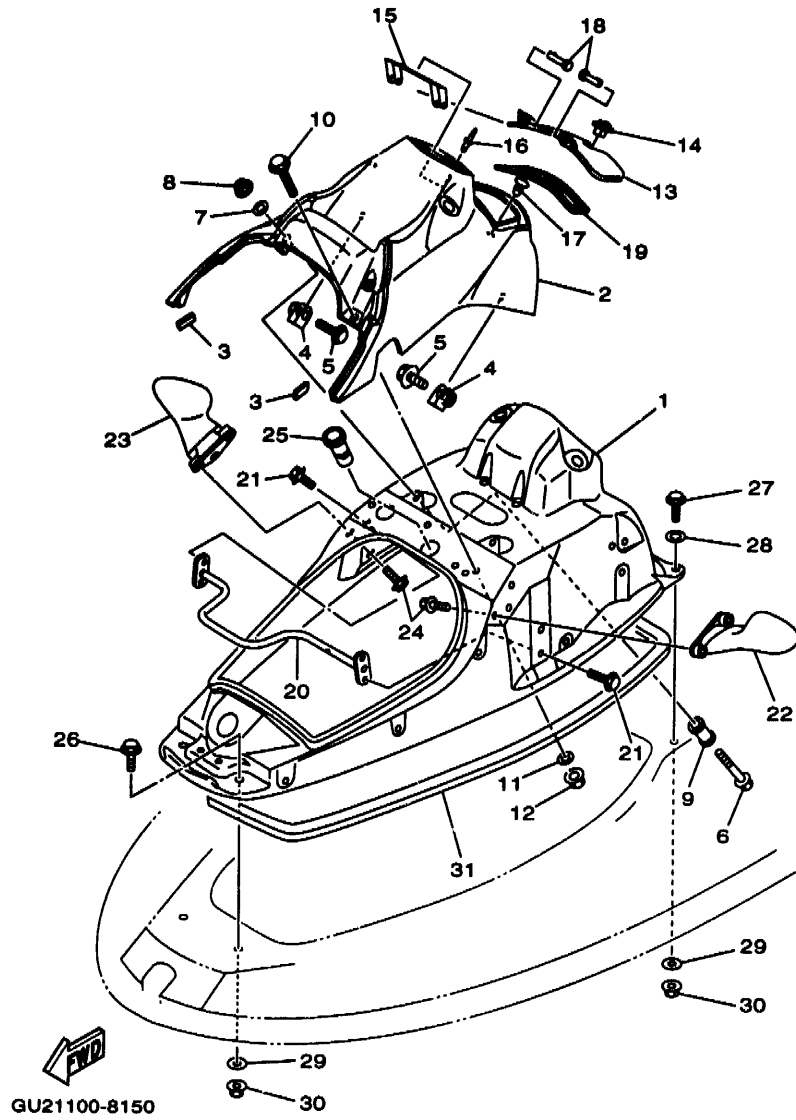


FIG. 15 ENGINE HATCH 1

REF. NO.	PART NO.	DESCRIPTION	QUANTITY	REMARKS
1	GU2-U516A-00	ENGINE HATCH COMP.	1	YMUS
2	GU2-U516N-00-P0	COVER, ENGINE HATCH	1	YMUS
3	GU2-U517M-00	PAD,HATCH 1	2	YMUS
4	90183-06902	NUT, SPRING	2	
5	90119-069UH	BOLT, WITH WASHER	2	YMUS
6	90119-06914	BOLT, WITH WASHER	1	
7	92990-06200	WASHER, PLAIN	1	
8	95720-06300	NUT, SELF-LOCKING	1	
9	90387-06922	COLLAR	1	
10	90119-06900	BOLT, WITH WASHER	1	
11	92990-06200	WASHER, PLAIN	1	
12	95720-06300	NUT, SELF-LOCKING	1	
13	GU2-U517H-00-P0	LID HATCH	1	YMUS
14	GU2-62875-00	LOCK	1	
15	GU2-U517G-00	HINGE, HATCH	1	YMUS
16	90267-40937	RIVET, BLIND	3	
17	90605-502U2	HOSE JOINT	1	YMUS
18	GU2-6517R-00	PIN, HINGE	2	
19	GU2-U519D-00	PACKING CASE	1	YMUS
20	GU2-6516L-00	BEAM, ENGINE HATCH	1	
21	90119-069UH	BOLT, WITH WASHER	6	YMUS
22	GU2-U596B-00	MIRROR LH	1	YMUS
23	GU2-U596C-00	MIRROR (RH)	1	YMUS
24	90119-069UH	BOLT, WITH WASHER	6	YMUS
25	GU2-6822E-00	GROMMET	1	
26	90119-089U9	BOLT, WITH WASHER	2	YMUS
27	90119-089U6	BOLT, WITH WASHER	2	YMUS

D7

FIG. 15 ENGINE HATCH 1



REF. NO.	PART NO.	DESCRIPTION	QUANTITY	REMARKS
28	90201-099U1	WASHER, PLATE	2	YMUS
29	90201-08929	WASHER, PLATE	4	
30	95720-08300	NUT, SELF-LOCKING	4	
31	GJ3-U2663-01	PACKING 1	1	YMUS

E1

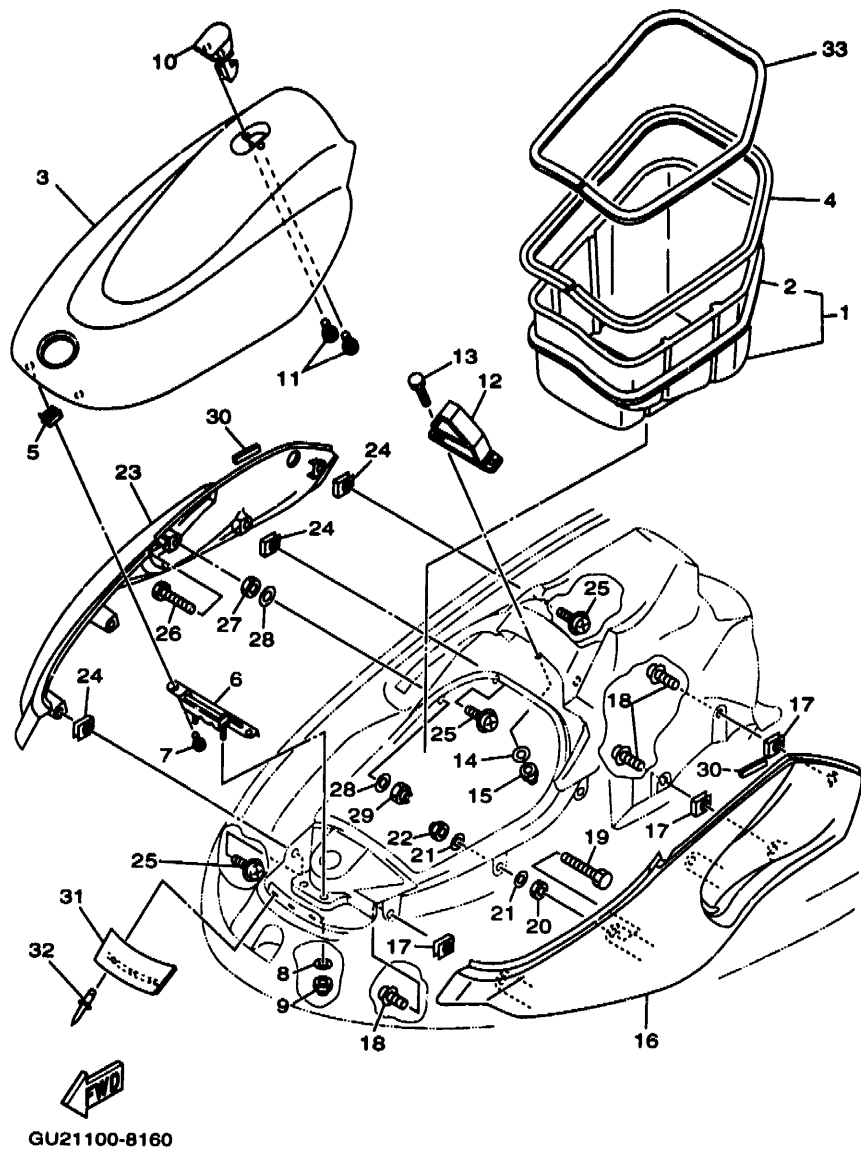
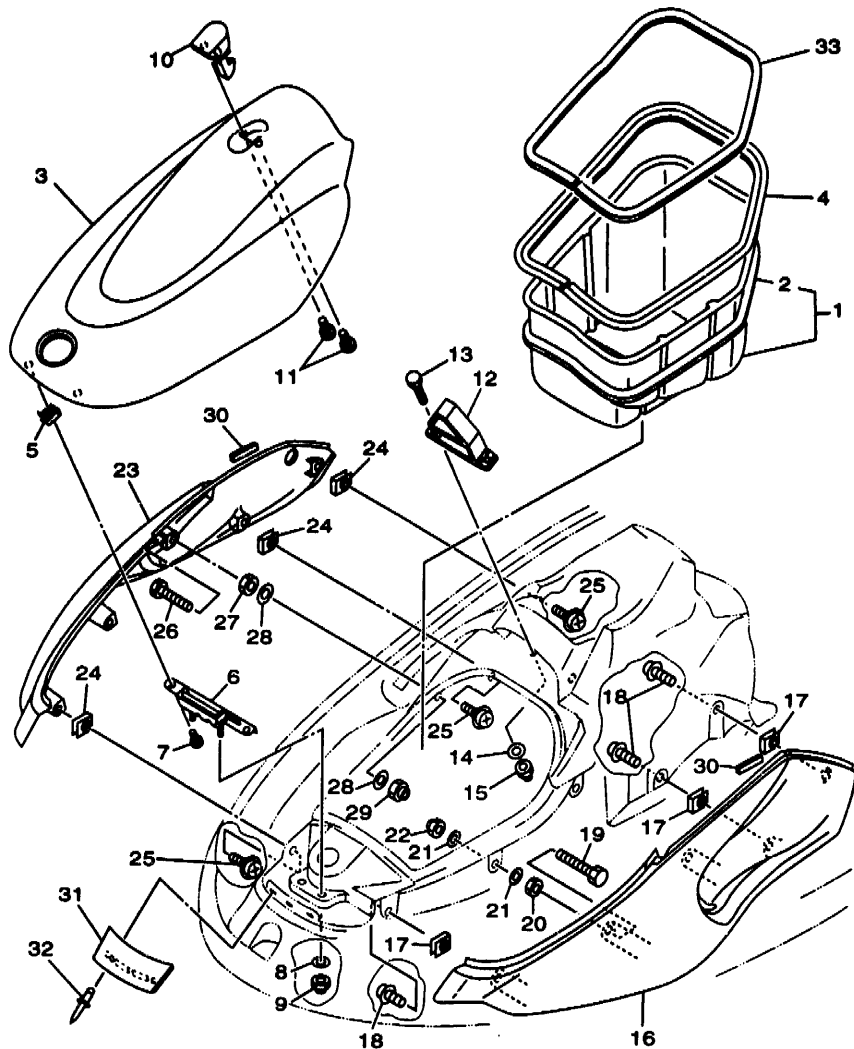


FIG. 16 ENGINE HATCH 2

REF. NO.	PART NO.	DESCRIPTION	QUANTITY	REMARKS
1	GU2-U475A-00	BOWLOCKER ASSY	1	YMUS
2	GJ3-U266C-32	.PACKING 4	1	YMUS
3	GU2-U517B-00-P0	LID, ENGINE ROOM	1	YMUS
4	GU2-U266B-30	PACKING 3	1	YMUS
5	90183-06902	NUT, SPRING	2	
6	GU2-6517D-00	HINGE, LID	1	
7	90119-069UJ	BOLT, WITH WASHER	2	YMUS
8	92990-06200	WASHER, PLAIN	2	
9	95720-06300	NUT, SELF-LOCKING	2	
10	GP7-6517C-00	LOCK, LID	1	
11	90159-058U2	SCREW, WITH WASHER	2	YMUS
12	GU2-6517F-00	HOOK, LID LOCK	1	
13	97080-06020	BOLT	2	
14	92990-06200	WASHER, PLAIN	2	
15	95720-06300	NUT, SELF-LOCKING	2	
16	GU2-U370F-00-P0	SIDE COVER COMP. 1	1	YMUS
17	90183-06902	NUT, SPRING	3	
18	90119-069UH	BOLT, WITH WASHER	3	YMUS
19	97080-06025	BOLT	2	
20	95380-06700	NUT	2	
21	92990-06200	WASHER, PLAIN	4	
22	95720-06300	NUT, SELF-LOCKING	2	
23	GU2-U370G-00-P0	SIDE COVER COMP. 2	1	YMUS
24	90183-06902	NUT, SPRING	3	
25	90119-069UH	BOLT, WITH WASHER	3	YMUS
26	97080-06025	BOLT	2	
27	95380-06700	NUT	2	

E2



GU21100-8160

FIG. 16 ENGINE HATCH 2

REF. NO.	PART NO.	DESCRIPTION	QUANTITY	REMARKS
28	92990-06200	WASHER, PLAIN	4	
29	95720-06300	NUT, SELF-LOCKING	2	
30	GU2-65162-00	TRIM	2	
31	GU2-U513M-00-P0	COVER, FRONT	1	YMUS
32	90267-48925	RIVET, BLIND	3	
33	GJ3-U2664-01	PACKING	1	YMUS

E3

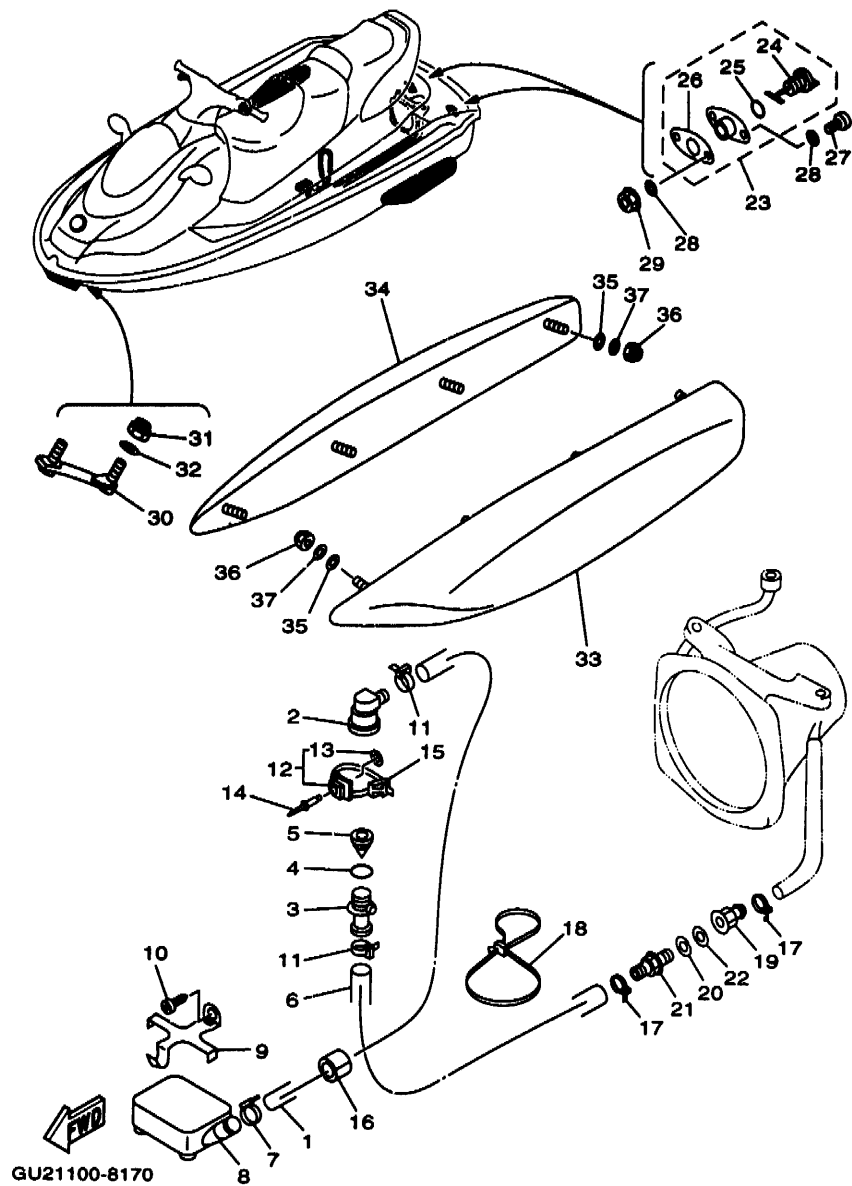


FIG. 17 HULL. DECK

REF. NO.	PART NO.	DESCRIPTION	QUANTITY	REMARKS
1	90445-19895	HOSE	1	
2	63M-51162-00	JOINT, HOSE	1	
3	63M-51165-00	JOINT HOSE 2	1	
4	93210-22ME5	O-RING	1	
5	63M-5316M-00	VALVE 1	1	
6	90445-19898	HOSE	1	
7	90601-200U1	BAND	2	YMUS
8	GD0-U761D-00	STRAINER, BILGE	1	YMUS
9	EW2-67618-00	BASE, STRAINER BLIGE	1	
10	97780-50112	SCREW, TAPPING	1	
11	90601-200U1	BAND	2	YMUS
12	90600-91736	CLAMP COMP.	1	
13	90201-05925	.WASHER, PLATE	1	
14	90267-489U7	RIVET, BLIND	1	YMUS
15	90601-20006	BAND	1	
16	GJ1-U7578-11	PACKING, HOSE 2	1	YMUS
17	90601-200U1	BAND	2	YMUS
18	90601-20016	BAND	1	
19	90604-80759	CONNECTION, THRU-HULL 1/4	1	
20	90430-13909	GASKET	1	
21	90604-80775	THROUGH, HULL CONNECTION	1	
22	90430-13909	GASKET	1	
23	EU0-62280-00	DRAIN PLUG ASSY	2	
24	EU0-62282-00	.PLUG, DRAIN	1	
25	EU0-62283-00	.O-RING	1	
26	EU0-62285-01	.PACKING DRAIN (EU0)	1	
27	97880-05025	SCREW, PAN HEAD	4	

E4

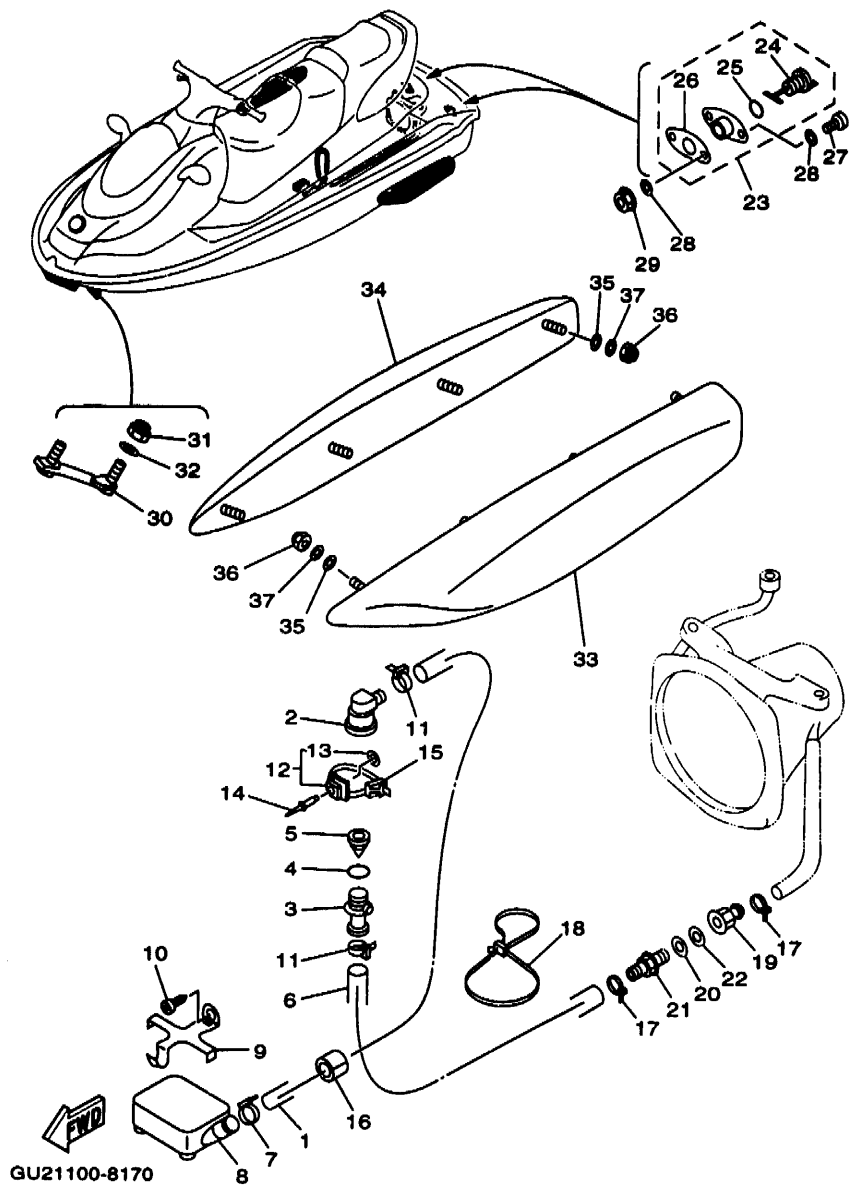


FIG. 17 HULL. DECK

REF. NO.	PART NO.	DESCRIPTION	QUANTITY	REMARKS
28	92990-05200	WASHER, PLAIN	8	
29	95720-05300	NUT, FLANGE	4	
30	FN8-U1624-00	BOWEYE 1 (S)	1	YMUS
31	95720-06300	NUT, SELF-LOCKING	2	
32	92990-06200	WASHER, PLAIN	2	
33	GU2-U883N-00	STABILIZER LH	1	YMUS
34	GU2-U883P-00	STABILIZER RH	1	YMUS
35	GU2-U883U-00	PACKING,STABILIZER	8	YMUS
36	95720-06300	NUT, SELF-LOCKING	8	
37	92990-06200	WASHER, PLAIN	8	

E5

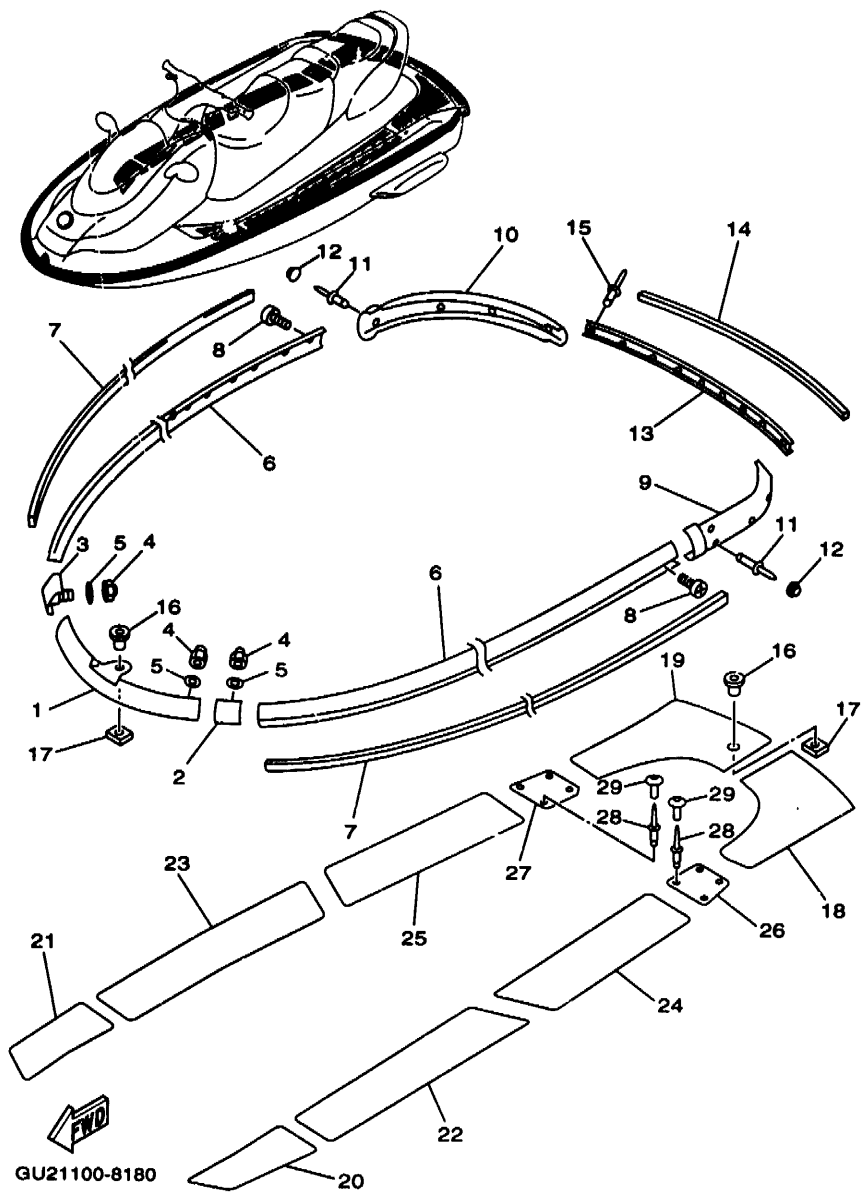


FIG. 18 GUNWALE. MAT

REF. NO.	PART NO.	DESCRIPTION	QUANTITY	REMARKS
1	GJ3-U2501-20	BOW GUNWALE COMP.	1	YMUS
2	GU2-6252E-10	JOINT, GUNWALE LH	1	
3	GU2-6252F-10	JOINT, GUNWALE RH	1	
4	95720-06300	NUT, SELF-LOCKING	6	
5	92990-06200	WASHER, PLAIN	6	
6	GH3-U2512-20	GUNWALE, SIDE	2	YMUS
7	GJ3-U2519-40	INNER, GUNWALE	2	YMUS
8	90169-059U1	SCREW, TAPPING	28	YMUS
9	GJ3-U251D-20	GUNWALE, STERN 1	1	YMUS
10	GJ3-U251E-20	GUNWALE, STERN 2	1	YMUS
11	90267-489U8	RIVET, BLIND	10	YMUS
12	GJ3-U354D-30	CAP, HEAD	10	YMUS
13	GJ3-U252C-20	COVER, GUNWALE 1	1	YMUS
14	GJ3-U252D-40	COVER, GUNWALE 2	1	YMUS
15	90267-489U8	RIVET, BLIND	9	YMUS
16	FN8-61651-00	ROPE HOLE	2	
17	EU0-61652-00	NUT	2	
18	GU2-U358F-00	MAT, UPPER LH	1	YMUS
19	GU2-U358G-00	MAT, UPPER RH	1	YMUS
20	GU2-U351H-00	MAT, STEP 1	1	YMUS
21	GU2-U351J-00	MAT, STEP 2	1	YMUS
22	GU2-U351N-00	MAT, STEP 5	1	YMUS
23	GU2-U351P-00	MAT, STEP 6	1	YMUS
24	GU2-U351R-00	MAT, STEP 7	1	YMUS
25	GU2-U351S-00	MAT, STEP 8	1	YMUS
26	GH3-U351M-50	MAT, STEP 4	1	YMUS
27	GH3-U351M-60	MAT, STEP 4	1	YMUS

E6

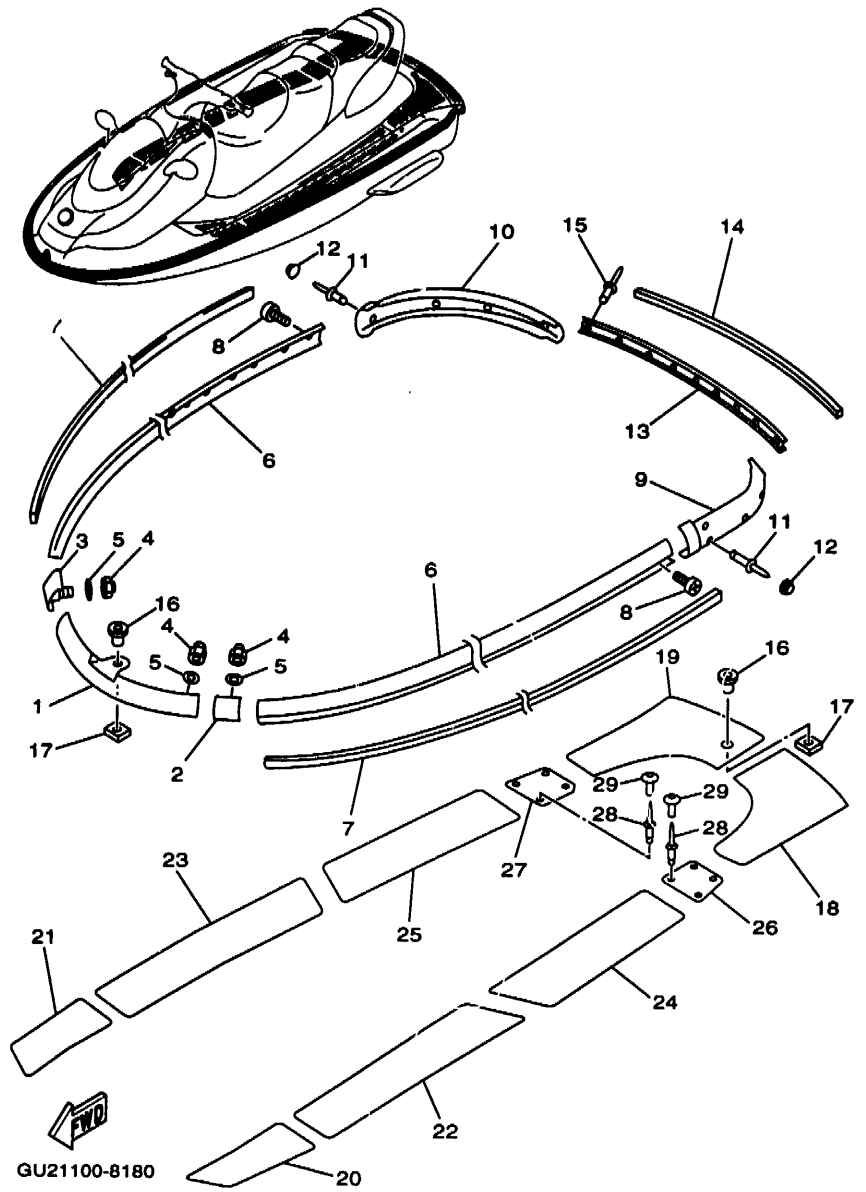


FIG. 18 GUNWALE. MAT

REF. NO.	PART NO.	DESCRIPTION	QUANTITY	REMARKS
28	90267-48925	RIVET, BLIND	8	
29	GJ3-U352E-50	MAT, BOW	8	YMUS

E7

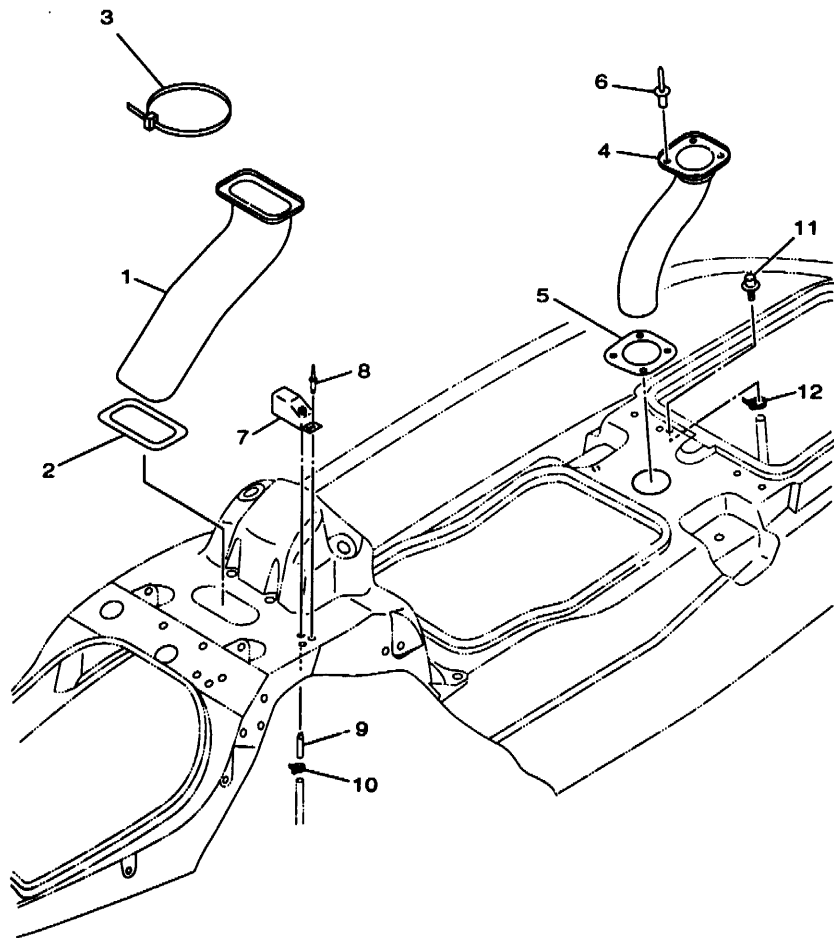
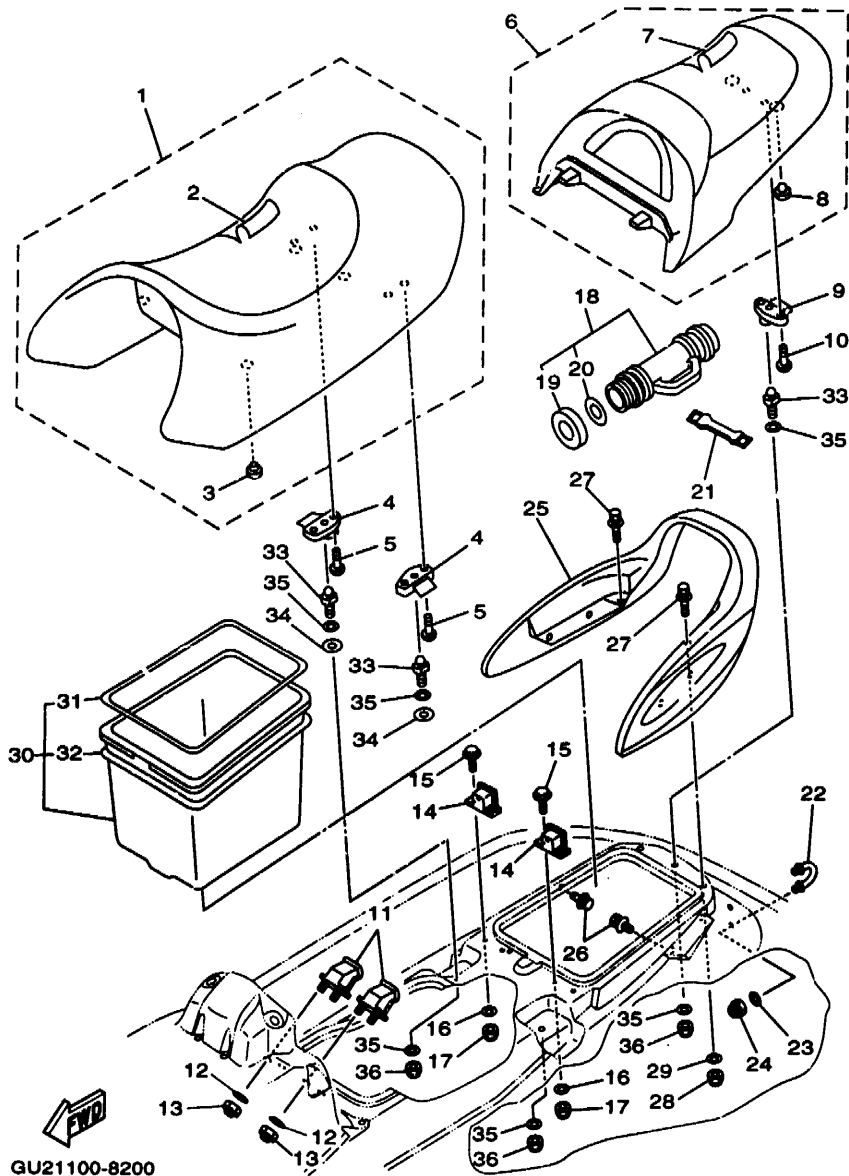


FIG. 19 VENTILATION

REF. NO.	PART NO.	DESCRIPTION	QUANTITY	REMARKS
1	GU2-U213F-00	HOSE, VENTILATOR 1	1	YMUS
2	GU2-U2117-00	SEAL, AIRINTAKE 1	1	YMUS
3	90601-200U7	BAND	1	
4	GU2-U213G-00	HOSE, VENTILATOR 2	1	YMUS
5	GU2-U2118-00	SEAL, AIRINTAKE 2	1	YMUS
6	90269-07923	RIVET	2	
7	GP7-62159-01	SOCKET, VENTILATION	1	
8	90267-48925	RIVET, BLIND	2	
9	EW2-62149-00	PIPE, VENTILATION 1	1	
10	90465-11829	CLAMP	1	
11	GJ3-6215F-00	NIPPLE	1	
12	90465-11829	CLAMP	1	


 GU21100-8190

F1



GU21100-8200

FIG. 20 SEAT • UNDER LOCKER

REF. NO.	PART NO.	DESCRIPTION	QUANTITY	REMARKS
1	GU2-U371A-00	DOUBLE SEAT ASSY	1	YMUS
2	GU2-U371B-00	.COVER, SEAT 1	1	YMUS
3	278-27114-00	.STOPPER, MAIN STAND	4	
4	GJ3-63850-02	SEAT LOCK ASSY	2	
5	98980-06040	SCREW, BIND	4	
6	GU2-U372A-00	SINGLE SEAT ASSY	1	YMUS
7	GU2-U372B-00	.COVER, SEAT	1	YMUS
8	278-27114-00	.STOPPER, MAIN STAND	2	
9	GJ3-63850-02	SEAT LOCK ASSY	1	
10	98980-06040	SCREW, BIND	2	
11	GU2-6378C-00	STAY, SEAT 1	2	
12	92990-06200	WASHER, PLAIN	4	
13	95720-06300	NUT, SELF-LOCKING	4	
14	GU2-6378D-00	STAY, SEAT 2	2	
15	97080-06020	BOLT	4	
16	92990-06200	WASHER, PLAIN	4	
17	95720-06300	NUT, SELF-LOCKING	4	
18	EW2-U5920-00	CASE 2 ASSY.	1	YMUS
19	EW2-U5912-00	.CAP, CASE	1	YMUS
20	EW2-U5913-00	.PACKING, CASE	1	YMUS
21	EU0-U756E-0C	BAND, WATER LOCK	2	YMUS
22	A00-61624-60	BOWEYE 1 (S)	1	
23	92990-06200	WASHER, PLAIN	2	
24	95720-06300	NUT, SELF-LOCKING	2	
25	GU2-U271B-00	GRIP, HAND	1	YMUS
26	90119-06920	BOLT, WITH WASHER	4	
27	90119-06924	BOLT, WITH WASHER	2	

F2

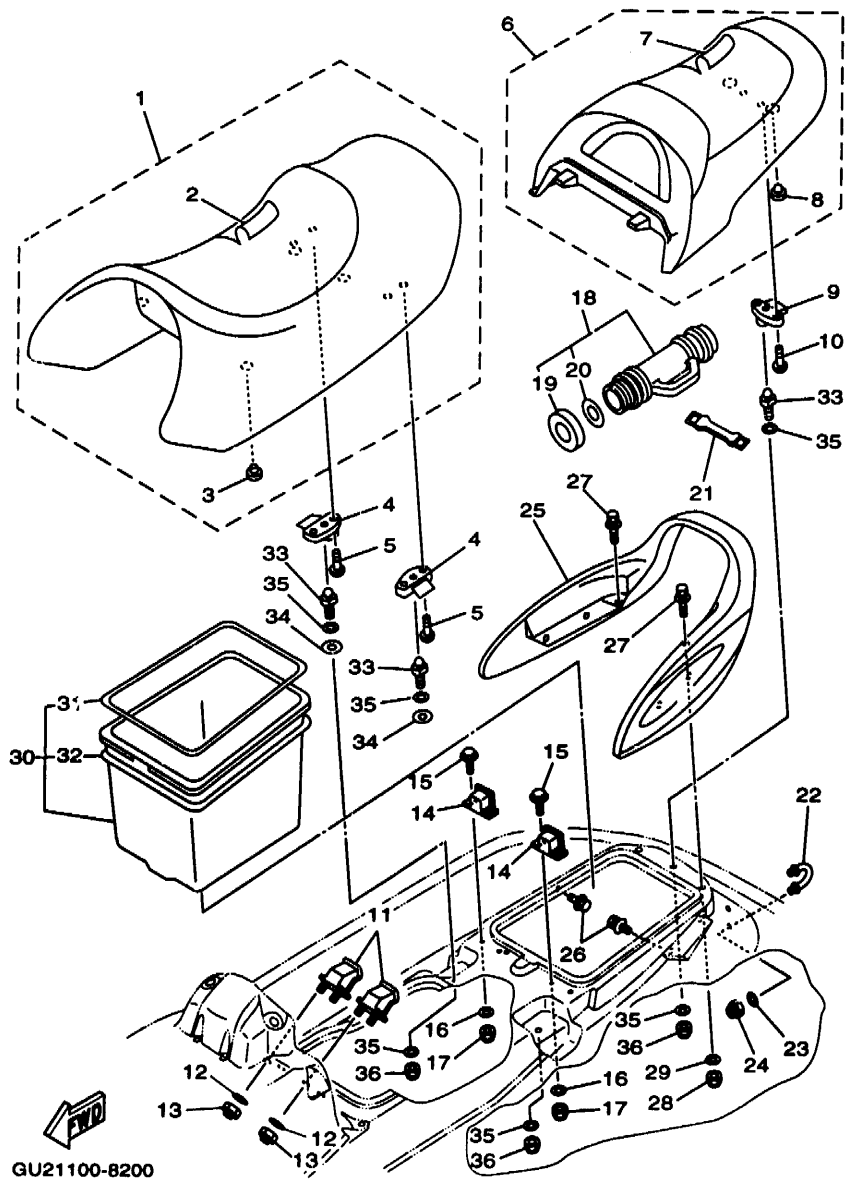


FIG. 20 SEAT • UNDER LOCKER

REF. NO.	PART NO.	DESCRIPTION	QUANTITY	REMARKS
28	95720-06300	NUT, SELF-LOCKING	2	
29	92990-06200	WASHER, PLAIN	2	
30	GJ3-U474A-01	UNDER LOCKER ASSY	1	YMUS
31	GJ3-U266B-01	.PACKING 3	1	YMUS
32	GJ3-U266C-02	.PACKING 4	1	YMUS
33	GH1-63774-01	PIN	3	
34	GJ3-U5578-00	TAPE	2	YMUS
35	92990-10200	WASHER, PLAIN	6	
36	95720-10300	NUT	3	

F3

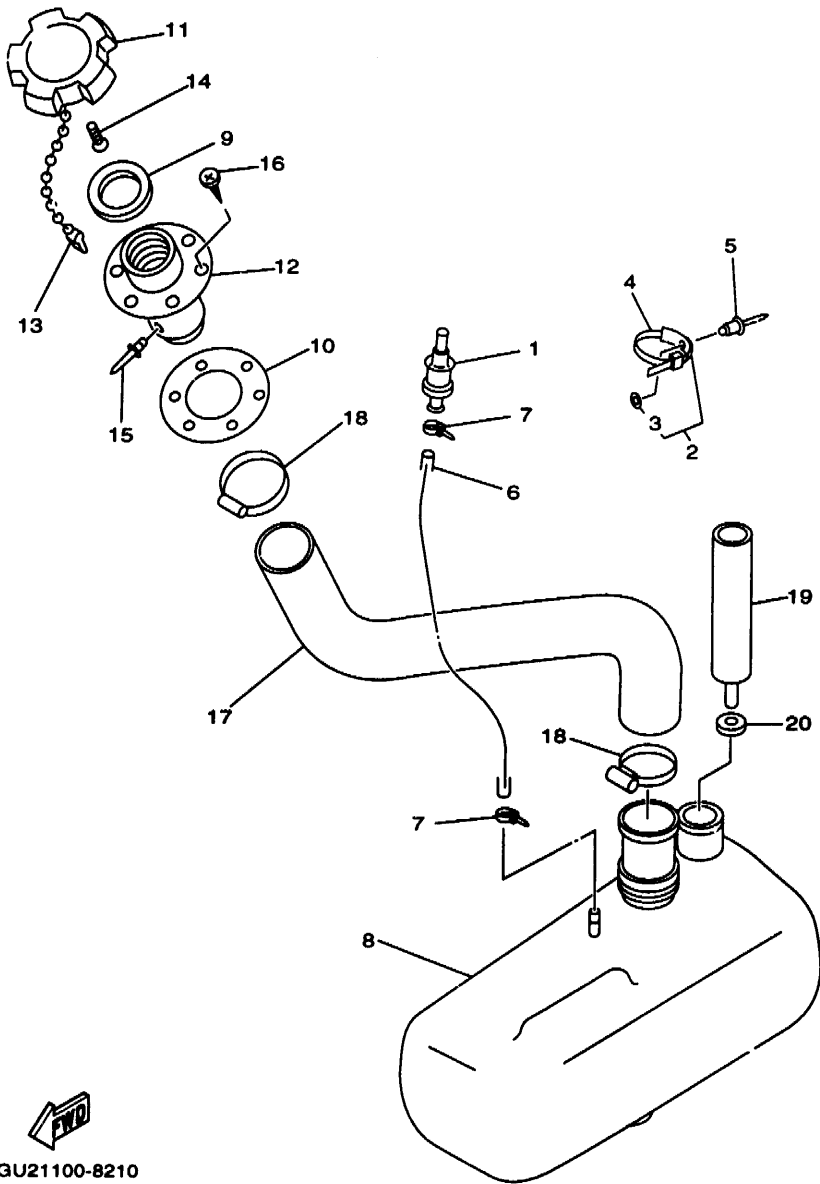
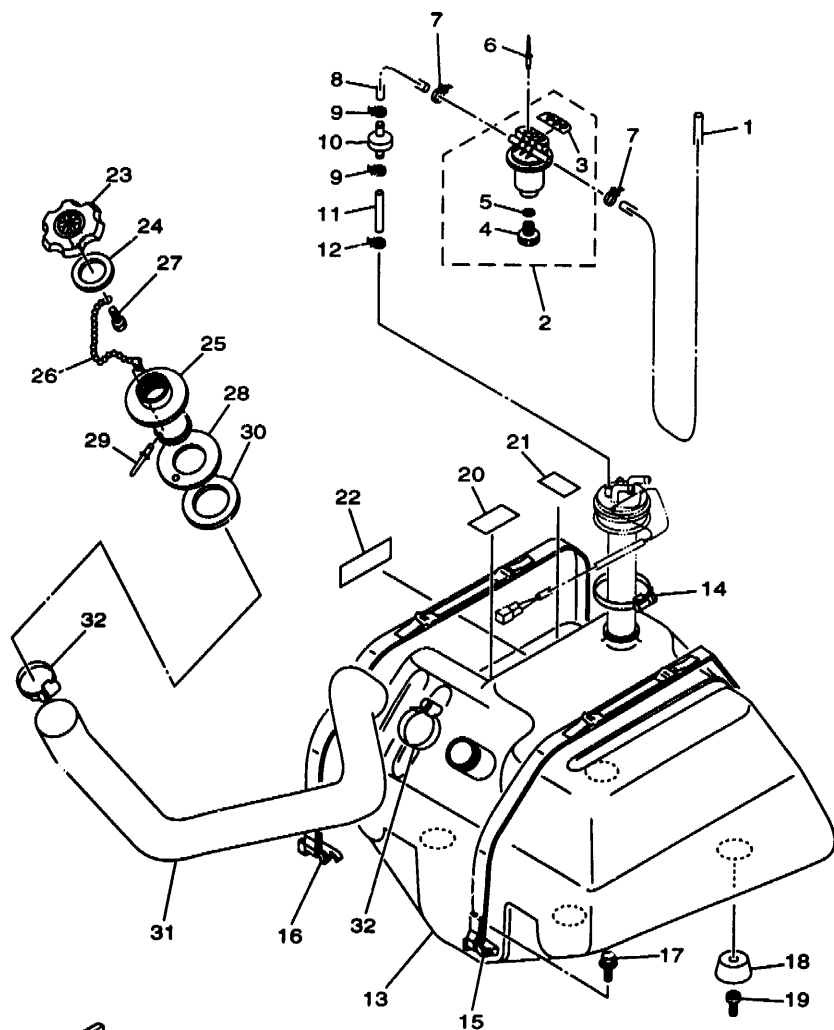


FIG. 21 OIL TANK

REF. NO.	PART NO.	DESCRIPTION	GU2*				REMARKS
1	FJ0-67766-00	ROLL OVER VALVE	1				
2	90300-91736	CLAMP COMP.	1				
3	90201-05925	WASHER, PLATE	1				
4	90601-20006	BAND	1				
5	90267-48925	RIVET, BLIND	1				
6	GJ3-U7856-20	HOSE, AIR VENT 3	1				YMUS
7	90465-11829	CLAMP	2				
8	GJ3-U775B-01	TANK, OIL	1				YMUS
9	GJ3-U778C-00	PACKING,OIL CAP	1				YMUS
10	GJ3-U778E-00	PACKING,OIL FILLER	1				YMUS
11	GJ3-U778B-00	CAP,OIL FILLER	1				YMUS
12	GJ3-U778D-00	SOCKET,OIL FILLER	1				YMUS
13	EU0-U7835-00	CHAIN BALL	1				YMUS
14	97780-04110	SCREW, TAPPING	1				
15	90267-40935	RIVET, BLIND	1				
16	FX1-67869-00	SCREW, FLAT HEAD TAPPING	6				
17	GU2-U776C-00	HOSE,OIL FILLER	1				YMUS
18	90601-152U3	BAND, HOSE 52	2				YMUS
19	6J8-13411-00	STRAINER, OIL	1				
20	6J8-13414-00	GASKET, STRAINER COVER	1				


GU21100-8210

F4

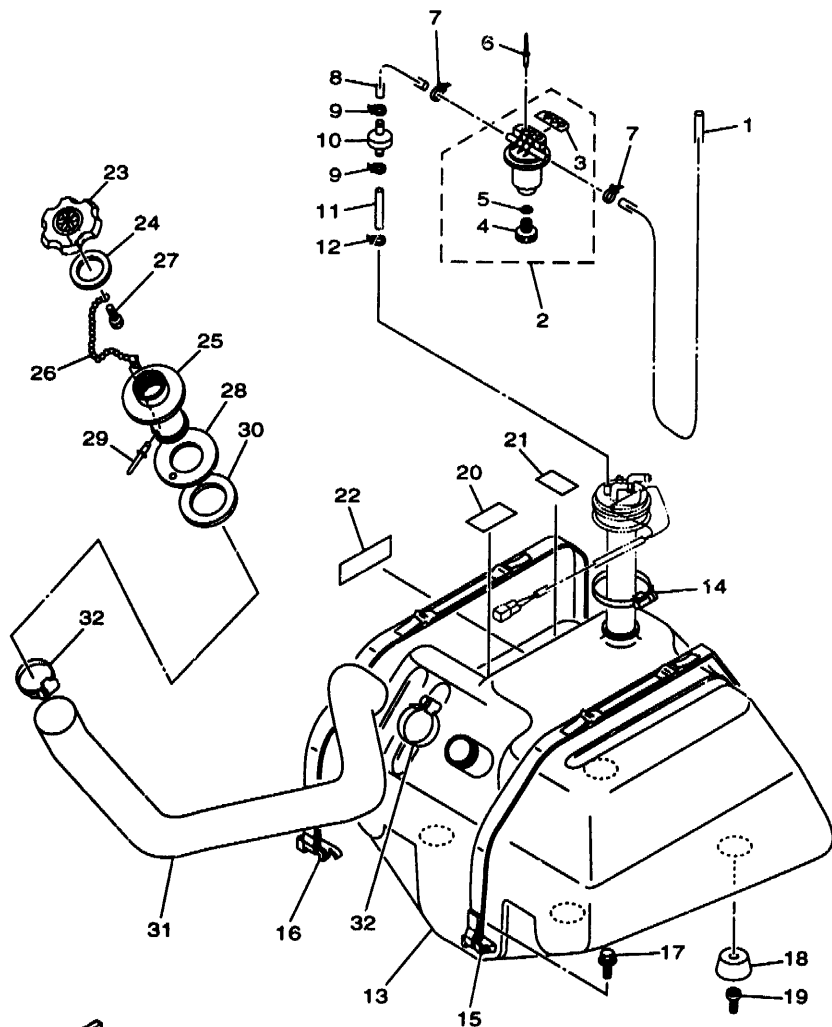


GU21100-8220

FIG. 22 FUEL TANK

REF. NO.	PART NO.	DESCRIPTION	QUANTITY	REMARKS
1	GJ3-U7856-10	HOSE, AIR VENT 3	1	YMUS
2	EW2-62140-00	FILTER, VENT ASSY	1	
3	EW2-62142-00	.PLATE, FILTER	1	
4	70R-24543-00	.PLUG, DRAIN	1	
5	70R-24489-00	.O-RING	1	
6	90267-489U2	RIVET, BLIND	2	YMUS
7	90465-11829	CLAMP	2	
8	GU2-U785H-00	HOSE, AIR VENT 3	1	YMUS
9	90465-11829	CLAMP	2	
10	EU0-67767-31	CHECK VALVE	1	
11	GA7-U785G-00	HOSE, AIR VENT	1	YMUS
12	90465-11829	CLAMP	1	
13	GU2-U7711-00	TANK, FUEL	1	YMUS
14	90601-162U5	BAND, HOSE 62	1	YMUS
15	GJ1-67743-00	BELT, TANK 1	1	
16	GH3-67743-00	BELT, TANK 1	1	
17	90119-089U7	BOLT, WITH WASHER	4	YMUS
18	GH1-U782B-00	DAMPER, FUEL TANK	4	YMUS
19	90110-089U1	BOLT, HEXAGON SOCKET HEAD	4	YMUS
20	GJ1-U759B-00	MAT 1	2	YMUS
21	GJ1-U759C-00	MAT 2	1	YMUS
22	GH1-U759D-00	MAT 3	1	YMUS
23	GP7-U7831-10	CAP, FUEL FILLER	1	YMUS
24	GP7-U7832-00	PACKING	1	YMUS
25	GP7-U7833-10	SOCKET	1	YMUS
26	GP7-U7835-00	CHAIN BALL	1	YMUS
27	90169-049U1	TAPPING SCREW	1	YMUS

F5



GU21100-8220

FIG. 22 FUEL TANK

REF. NO.	PART NO.	DESCRIPTION	QUANTITY	REMARKS
28	GP7-U7834-10	PACKING FUEL FILLER	1	YMUS
29	90267-329UR	RIVET, BLIND	1	YMUS
30	GP7-U783F-00	NUT, FUEL FILLER	1	YMUS
31	GP3-U7844-00	HOSE	1	YMUS
32	90601-155U4	BAND, HOSE 55	2	YMUS

F6

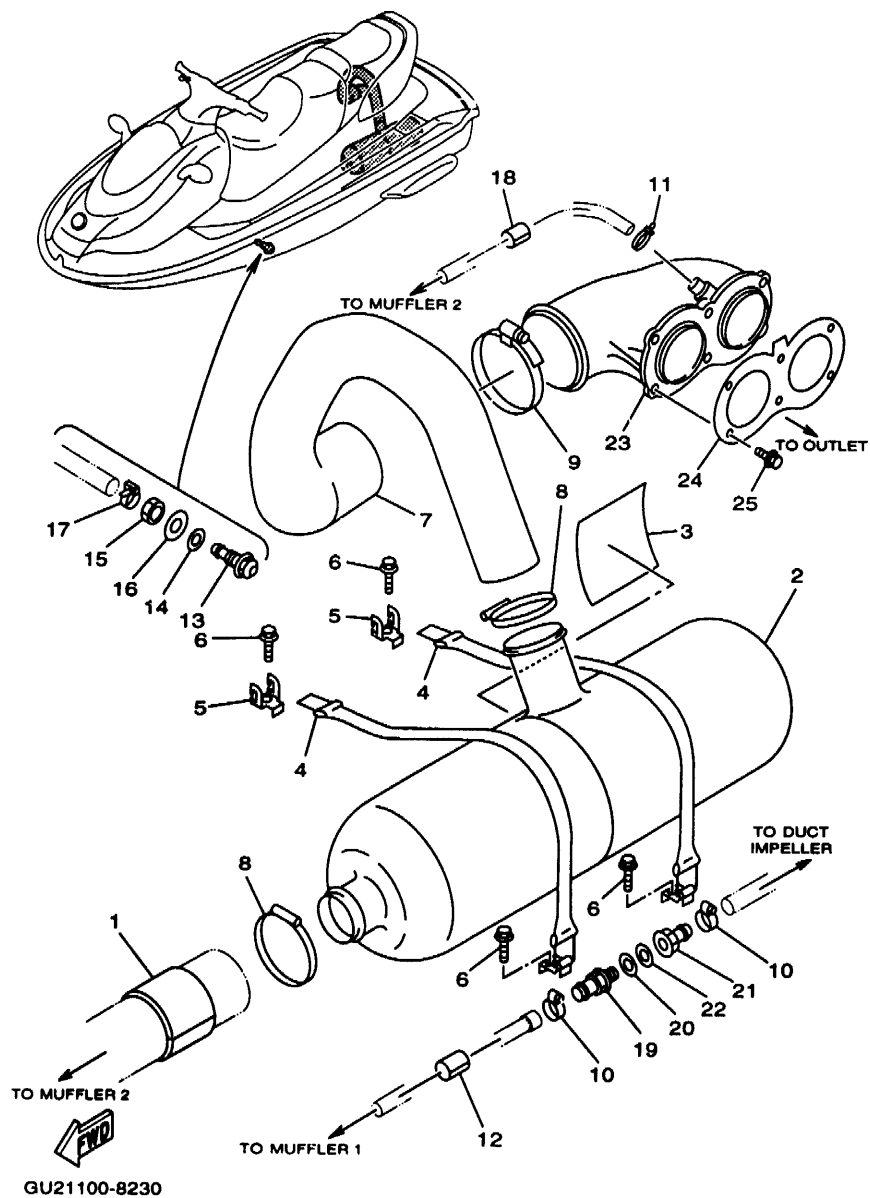


FIG. 23 EXHAUST 2

REF. NO.	PART NO.	DESCRIPTION	GJ2*		REMARKS
1	GH6-67577-01	PACKING, HOSE 1	1		
2	GJ3-U7550-00	WATER LOCK COMP.	1		YMUS
3	GJ3-U755J-00	MAT, WATER LOCK	1		YMUS
4	GJ3-U7570-00	C HOOK COMP.	2		YMUS
5	EW2-65772-00	HOOK A	2		
6	90119-069UJ	BOLT, WITH WASHER	4		YMUS
7	GP3-U7555-00	HOSE	1		YMUS
8	90601-170UG	BAND, HOSE 70	2		YMUS
9	90601-195UD	BAND, HOSE 95	1		YMUS
10	90601-118UF	BAND, HOSE 18	2		YMUS
11	90601-118UF	BAND, HOSE 18	1		YMUS
12	GJ1-U7578-11	PACKING, HOSE 2	1		YMUS
13	GJ1-6753B-02	PILOT, WATER	1		
14	GP3-U1438-00	PACKING	1		YMUS
15	GP7-61652-00	NUT	1		
16	92990-14200	WASHER, PLAIN	1		
17	90465-11M10	CLAMP	1		
18	GJ1-U7578-11	PACKING, HOSE 2	1		YMUS
19	90604-80793	THROGUH-HULL CONNECTION 3/8	1		
20	90430-16910	GASKET	1		
21	90604-80794	THROGUH-HULL CONNECTION 3/8	1		
22	90430-16910	GASKET	1		
23	GJ1-U7580-00	EXHAUST, THRU-HALL COMP.	1		YMUS
24	GJ1-U7525-00	PACKING	1		YMUS
25	90119-059U4	BOLT, WITH WASHER	6		YMUS

F7

NUMERICAL INDEX

PART NO.	REF NO.	PART NO.	REF NO.	PART NO.	REF NO.	PART NO.	REF NO.	PART NO.	REF NO.	PART NO.	REF NO.
65A-G4137-00	10-11	GJ3-U2664-01	16-33	GU2-U417G-00	27- 6	EU0-U7354-00-05	1- 36	GU2-U883P-00	17-34	62T-13624-00	3- 9
65A-G4184-00	10- 7	GU2-U271B-00	20-25	GU2-U417H-00	27- 7	EU0-U7354-00-10	1- 36	GU2-U883U-00	17-35		29-13
65A-G5331-00	9- 8	GJ3-U273B-00	9- 38	GU2-U417J-00	27- 8	EU0-U7354-00-20	1- 36	66D-W0001-00	29- 1	64X-13674-00	3- 31
65A-R1129-00	8- 29	GU2-U351H-00	18-20	GU2-U417K-00	27- 9	GJ1-U7525-00	23-24	66D-W0001-20	29-19		29-15
65A-R1129-10	8- 13	GU2-U351J-00	18-21	GU2-U417L-00	27-10	GJ3-U755J-00	23- 3	64X-W0004-01	3- 16	47X-14133-00	4- 11
65U-R1311-01	8- 1	GH3-U351M-50	18-26	GU2-U417M-00	27-11	GJ3-U7550-00	23- 2	66D-W0090-00-8P	1- 1	812-14147-00	4- 24
65A-R1312-00	8- 10	GH3-U351M-60	18-27	GU2-U417N-00	27-12	GP3-U7555-00	23- 7	64X-W0093-00	30- 1		30- 3
65R-R1313-01	8- 37	GU2-U351N-00	18-22	EU0-U418B-00	28-12	EU0-U756E-00	20-21	64X-11111-00-94	1- 17	3G2-1423A-78	4- 13
65A-R1314-00	10- 1	GU2-U351P-00	18-23	EU0-U418B-10	28-14	GJ1-U7560-00	23-23	64X-11181-00	1- 19	3G2-14231-27	4- 12
65A-R1315-00	8- 12	GU2-U351R-00	18-24	GA9-U418C-10	28-17	GJ3-U7570-00	23- 4		29- 3	830-14231-23	4- 22
65R-R1318-00	8- 28	GU2-U351S-00	18-25	GJ1-U418C-10	28-16	GJ1-U7578-01	24-31	64X-11311-00-94	1- 11	812-14235-00	4- 10
65R-R1321-10	8- 26	GJ3-U352E-50	18-29	GA9-U418F-00	28-11	GJ1-U7578-11	17-16	6E5-11325-00	1- 12		30- 2
65A-R1326-00	8- 23	GJ3-U354D-30	18-12	GA9-U418G-00	28-18		23-12	6M6-11351-A2	1- 14	822-14235-00	4- 41
65R-R1333-00	9- 3	GU2-U358F-00	18-18	GA9-U418G-10	28-18		23-18		29- 2		30-13
65A-R1334-01	8- 30	GU2-U358G-00	18-19	GJ3-U418H-10	28-19	GJ1-U759B-00	22-20	6E5-11372-00	3- 28	62T-14251-00	1- 3
65U-R1348-00	8- 5	GU2-U370F-00-PO	16-16	GJ3-U418J-10	28-20	GJ1-U759C-00	22-21	64X-11400-01	2- 1	6R7-14253-00	4- 34
65R-R1381-00	8- 43	GU2-U370G-00-PO	16-23	GJ3-U419B-00	28-21	GH1-U7590-00	22-22	64X-11603-00	2- 10	64X-14255-00	3- 32
GP7-U142A-10	26- 1	GU2-U371A-00	20- 1	GJ3-U419B-10	28-21	GDO-U761D-00	17- 8	64X-11604-00	2- 10	64X-14283-00	3- 38
GP7-U142K-00	26- 2	GU2-U371B-00	20- 2	GU2-U419C-01	28-22	GU2-U7711-00	22-13	64X-11605-00	2- 10	64X-14284-00-8P	3- 27
GH1-U143C-30	25-25	GU2-U372A-00	20- 6	GJ3-U419E-00	28-23	GJ3-U775B-01	21- 8	64X-11631-00-91	2- 9	64X-14301-00	4- 1
GP3-U1438-00	23-14	GU2-U372B-00	20- 7	GJ1-U419F-20	28-25	GU2-U776C-00	21-17	62T-11633-00	2- 11	64X-14302-00	4- 2
GH3-U146E-00	8- 40	GH3-U411A-00	28- 8	GU2-U419G-00	28-24	GJ3-U778B-00	21-11	64X-11635-00	2- 9	64X-14398-00	30-15
GH3-U146E-10	10- 5	GH3-U411A-10	28-11	GJ3-U474A-01	20-30	GJ3-U778C-00	21- 9	64X-11636-00	2- 9	62T-14419-00	3- 39
EU0-U1461-01	24-27	GJ3-U411A-00	28-16	GU2-U475A-00	16- 1	GJ3-U778D-00	21-12	65R-12564-00	6- 54	62T-14435-00	3- 41
EU0-U1461-30	24-19	GA9-U411B-00	28-28	GU2-U513M-00-PO	16-31	GJ3-U778E-00	21-10	63M-12577-00	6- 16	62T-14451-00	3- 37
GH1-U1469-00	25-43	GJ3-U4114-51	27-13	GU2-U516A-00	15- 1	GH1-U782B-00	22-18	64X-12578-01	6- 46	6K8-14471-10	4- 26
GU2-U1481-00	24-25	GJ3-U4122-10	27-14	GU2-U516N-00-PO	15- 2	GP7-U783F-00	22-30	64T-12580-00	6- 55	6K8-14481-10	4- 38
GP3-U149C-00	24-18	GU2-U4125-00	27-15	GU2-U517B-00-PO	16- 3	GP7-U7831-10	22-23	64X-12581-00	6- 51	6K8-14521-10	4- 21
GP7-U155D-00	25- 2	GJ3-U415E-12	28-13	GU2-U517G-00	15-15	GP7-U7832-00	22-24	64X-12582-00	6- 29	6M6-14521-00	4- 9
GP7-U155F-00	25- 3	GJ3-U415E-20	28-26	GU2-U517H-00-PO	15-13	GP7-U7833-10	22-25	63M-12590-00	6- 58	6K8-14523-11	4- 30
GU2-U1552-00	25- 1	GJ1-U415F-01	28-15	GU2-U517M-00	15- 3	GP7-U7834-10	22-28	63M-12590-10	6- 58	6K8-14527-11	4- 28
FN8-U1624-00	17-30	GJ1-U415F-10	28-15	GU2-U519D-00	15-19	EU0-U7835-00	21-13	63M-12590-20	6- 58	64X-14527-00	3- 21
GU2-U2117-00	19- 2	GP7-U416B-00	28- 2	GJ3-U5578-00	20-34	GP7-U7835-00	22-26	6R8-13116-A0	5- 4	6K8-14534-10	4- 4
GU2-U2118-00	19- 5	GP7-U416B-11	28- 2	EW2-U5912-00	20-19	GP3-U7844-00	22-31		29-16	6K8-14536-11	4- 37
GU2-U213F-00	19- 1	GU2-U416C-00	28- 3	EW2-U5913-00	20-20	GA7-U785G-00	22-11	6R3-13183-00	5- 8		30-12
GU2-U213G-00	19- 4	GU2-U416C-10	28- 3	EW2-U5920-00	20-18	GU2-U785H-00	22- 8		5- 12	6R7-14541-00	4- 35
GJ3-U2501-20	18- 1	GU2-U416C-20	28- 4	GU2-U596B-00	15-22	EU0-U7856-40	14- 1	62T-13200-13	5- 1		30-11
GJ3-U251D-20	18- 9	GU2-U416C-40	28- 5	GU2-U596C-00	15-23	GJ3-U7856-10	22- 1	6J8-13411-00	21-19	6R7-14542-00	4- 36
GJ3-U251E-20	18-10	GJ3-U416E-00	28- 7	GP7-U724C-00	24-36	GJ3-U7856-20	21- 6	6J8-13414-00	21-20	6K8-14547-01	4- 33
GH3-U2512-20	18- 6	GJ3-U416E-10	28- 7	GP7-U724D-00	24-37	GJ1-U8K31-01	9- 24	6R8-13444-00	28- 1	583-14561-00	4- 42
GJ3-U2519-40	18- 7	GJ3-U416F-10	28- 9	GP7-U724E-00	24-38	EU0-U821D-00	14- 9	6R8-13444-20	28- 1		30-14
GJ3-U252C-20	18-13	GA9-U416G-10	28-10	GA9-U724F-01	24-39	GP7-U8211-00	14- 5	63N-13444-00	28- 1	6K8-14563-00	4- 20
GJ3-U252D-40	18-14	GJ3-U416H-00	28- 6	GU2-U7242-00	24-35	EU0-U8221-00	14- 6	64X-13555-00-8P	3- 8		30- 9
GJ3-U266B-01	20-31	GU2-U417B-00	27- 1	GDO-U7249-00-05	9- 22	EU0-U8221-30	14- 7	64X-13556-00	3- 7	6K8-14564-00	4- 14
GU2-U266B-30	16- 4	GU2-U417C-00	27- 2	GDO-U7249-00-10	9- 22	GP7-U824B-01	14-15		29-12		30- 5
GJ3-U266C-02	20-32	GU2-U417D-00	27- 3	GP2-U7252-00	24-34	GP7-U824C-01	14-18	62T-13566-00	3- 10	6R7-14569-00	4- 31
GJ3-U266C-32	16- 2	GU2-U417E-00	27- 4	EU0-U7354-00-01	1- 36	GP7-U8341-00	14-17		29-14	6K8-14589-00	4- 40
GJ3-U2663-01	15-31	GU2-U417F-00	27- 5	EU0-U7354-00-03	1- 36	GU2-U883N-00	17-33	64X-13610-01	3- 15	6R7-14596-01	4- 3

NUMERICAL INDEX

PART NO.	REF NO.	PART NO.	REF NO.	PART NO.	REF NO.	PART NO.	REF NO.	PART NO.	REF NO.	PART NO.	REF NO.
6K8-14597-11	4- 23	278-27114-00	20- 8	FJ0-61351-00	24- 4	GU2-62875-00	15-14	GP7-6820A-22	14-11	6M6-8552E-01	13- 4
62T-14613-00	6- 3	62T-41113-00-9M	6- 21	FJ0-61352-00	24- 6	GH1-63774-01	20-33	GP7-6820A-32	14-11	64X-85520-00	11- 3
	29- 7	62T-41114-01	6- 22	FJ0-61353-00	24- 8	GU2-6378C-00	20-11	GJ1-6822E-00	9- 32	64X-85521-01	11- 2
64X-14615-00	6- 27		29- 9	FJ0-61354-00	24- 9	GU2-6378D-00	20-14	GU2-6822E-00	15-25	64X-85525-00	11-11
64X-14623-00	6- 34	64X-41123-00-9M	6- 32	GH1-6141B-00	25-24	GJ3-63850-02	20- 4	FJ0-68222-01	14-10	62T-85533-00	11- 4
	29-11	64X-41124-00	6- 31	GH1-6141D-01	25-30		20- 9	GP7-68238-01	14-12	64X-85540-01	13-16
62T-14625-00	6- 25		29-10	GU2-6143G-00	25-17	GP7-6415B-00	28- 2	GP7-68310-00	25- 5	66D-85542-00	13- 7
64X-14711-00-9P	6- 1	64T-44121-00	10- 8	GU2-61433-00	25-33	GL3-6415D-00	28- 7	FK7-68312-02	25- 8	64X-85546-00	13-17
64X-14712-00-9P	6- 6	6R8-44125-01	10- 2	EU0-61435-00	9- 28	GK5-6415E-20	28-29	FK7-68313-01	25- 9	64X-85550-00	11- 1
64X-14717-01	6- 38	63M-44517-01-5B	1- 29		24-44	GK5-6415F-20	28-30	EW2-68348-00	25- 6	64X-85570-01	13-25
64X-14721-00-94	6- 19	63N-44532-01	1- 6	EU0-61438-00	9- 29	GL3-6415G-01	28-10	6M6-8132W-00	13-12	64X-85580-00	11- 5
64X-14749-00	6- 8	663-45119-00	3- 20		24-45	GU2-6416C-30	28- 3	64X-81337-00-8P	11-17	90105-08M70	6- 36
	29- 8		11-29	EU0-61446-00	9- 26	GL3-6416F-00	28- 9	6M6-81365-A0	11-19	90105-08M71	6- 37
65R-14752-00	6- 44	6K8-45127-00	9- 19		24-42	FT4-64178-00	28-17		29-17	90105-089U1	8- 36
64X-14763-00-94	6- 33	62T-45127-00	2- 16	GU2-6146D-00	24-21	GL3-6418B-00	28-12	64X-81800-00	12- 1	90105-10M45	6- 43
62T-14771-00-94	6- 41		29-18	GK5-6146F-00	24-28	GL3-6418C-00	28-16	3AJ-81809-00	12- 2	90105-10M60	6- 4
64X-14781-00-94	6- 14	65V-45318-00	8- 4	GU2-61467-00	25-35	GL3-6418G-00	28-18	64X-81820-00	12- 7		6- 20
61X-14916-15	4- 32	65U-45332-00-94	9- 10	GH3-61468-00	25-38	GL3-6418H-01	28-19	6M6-81826-00	12- 5	90105-10M72	6- 5
	30-10	61L-45378-00	9- 17	GJ3-61468-01	24-20	GA7-6418J-10	28-20	6M6-8183E-00	12-16	90105-10M73	6- 15
6M6-14923-10	4- 39	65R-45511-00	8- 22	EU0-61486-00	9- 27	FJ1-64197-00	28-27	6M6-81830-00	12- 8	90109-06M66	3- 35
6K8-14926-10	4- 8	62T-45526-00	2- 5		24-43	GU2-6516L-00	15-20	6M6-81840-10	12- 3	90109-08M56	1- 7
6K8-14930-00	4- 6	63M-4581J-00	2- 17	GU2-61541-00	25-23	GU2-65162-00	16-30	11H-81844-00	12- 4	90109-089U1	10- 9
3KW-14932-00	4- 27	63M-45813-01-8P	2- 15	EU0-61588-00	25-31	GP7-6517C-00	16-10	6M6-81844-00	13-11	90109-10M72	11-16
6K8-14946-10	4- 25	64X-45813-00-8P	2- 18	A00-61624-60	20-22	GU2-6517D-00	16- 6	1FK-81847-00	12- 9	90110-089U1	22-19
	30- 4	6K8-51129-00	1- 18	FN8-61651-00	18-16	GU2-6517F-00	16-12	6M6-81850-00	12- 6	90116-08M59	6- 10
64X-15100-00-94	1- 2		6- 2	EU0-61652-00	6- 59	GU2-6517R-00	15-18	6M6-81865-00	12-18	90116-08M60	3- 5
6R7-21415-01-94	1- 23		6- 7		8- 47	EW2-65772-00	23- 5	6M6-81866-00	12-17	90119-05M02	3- 40
6R7-21425-01-94	1- 24	63M-51162-00	17- 2		18-17	EU0-65901-01	27-17	6M6-81921-00	13- 5	90119-059U4	23-25
EU0-23814-01	25-20	63M-51165-00	17- 3	GP7-61652-00	23-15	EU0-65986-00	27-16	6G1-81941-10	13-19	90119-069UA	10- 4
EU0-23814-30	25-21	63N-51323-10	9- 6	EW2-62140-00	22- 2	GJ1-6721B-00	1- 33	6M6-81952-01	13-20	90119-069UB	8- 25
64X-24313-01	3- 1	64T-51345-00	10- 6	EW2-62142-00	22- 3	GJ1-67250-01	25-11	6M6-81960-A0	13-21	90119-069UC	9- 4
64X-24314-01	3- 24	62T-51348-00	8- 27	EW2-62149-00	19- 9	GJ1-67255-00	25-12	EU0-82110-09	14- 4	90119-069UD	8- 6
688-24378-00	3- 2	6R8-51367-01	8- 7	GJ3-6215F-00	19-11	EW2-67256-00	25-13	6M6-82117-21	13-43		8- 45
6K8-24411-20	4- 15	63M-51367-00	9- 5	GP7-62159-01	19- 7	EW2-67257-01	25-14	63N-82117-00	13-38	90119-069UH	15- 5
	30- 6	63M-51368-00	8- 8	EU0-62241-30	9- 30	EW2-67258-01	25-15	63N-82117-10	13-39		15-21
6R7-24412-01	4- 29	62E-51673-00	8- 31		24-26	EW2-67259-01	25-16	6K8-82150-01	13-13		15-24
6M6-24413-00	4- 16	61L-5169A-00	3- 19		24-46	EU0-67267-00	24-40	6G1-82151-00	13-14		16-18
6K8-24421-10	4- 17		11-26	EU0-62280-00	17-23	EU0-67324-00	1- 35	6K8-82159-00	13-15		16-25
	30- 7	63M-5316M-00	17- 5	EU0-62282-00	17-24	GJ1-6753B-02	23-13	62T-82361-00	13-35	90119-069UJ	16- 7
6K8-24431-20	4- 18	FN8-6131B-00	25-40	EU0-62283-00	17-25	GH6-67577-01	23- 1	62E-82371-11	13-26		23- 6
	30- 8	GJ3-6134B-01	24- 1	EU0-62285-01	17-26	EW2-67618-00	17- 9		13-27	90119-069UK	9- 44
6K8-24452-10	4- 19	GU2-6134C-00	24-16	GU2-6252E-10	18- 2	GH3-67743-00	22-16	63N-82553-00	13-37	90119-06900	15-10
70R-24489-00	22- 5	GJ3-6134N-01	24-10	GU2-6252F-10	18- 3	GJ1-67743-00	22-15	64X-82560-00	13-40	90119-06914	15- 6
65U-24500-00	7- 5	FJ0-61344-00	24-12	GJ1-62663-00	9- 41	FJ0-67766-00	21- 1	6R7-83623-40	13-10	90119-06920	14- 8
6R7-24524-00	7- 6	FJ0-61347-00	24-11	FN8-6269B-00	8- 46	EU0-67767-31	22-10	6R7-83623-50	13-44		20-26
70R-24543-00	22- 4	FJ0-61348-01	24- 2	EU0-62694-00	9- 25	EU0-67816-30	7- 19	63N-83623-00	13-10	90119-06924	20-27
6K8-24560-10	7- 4	FJ0-61349-00	24- 3		24-41	EU0-67817-00	7- 18	682-84385-01	6- 56	90119-08M11	6- 13
278-27114-00	20- 3	GU2-61356-00	24-17	GJ1-62733-00	9- 40	FX1-67869-00	21-16	65R-8552A-00-8P	13- 3	90119-08M19	1- 20

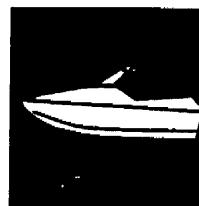
NUMERICAL INDEX

PART NO.	REF NO.	PART NO.	REF NO.	PART NO.	REF NO.	PART NO.	REF NO.	PART NO.	REF NO.	PART NO.	REF NO.
90119-08M37	6- 39	90201-099U1	15-28	90445-14M10	6- 49	90465-11829	9- 18	90601-20006	14-14	92990-10200	25-41
90119-08M55	1- 5	90201-20M04	2- 13	90445-14898	8- 33		19-10		17-15	92990-14200	23-16
90119-089UE	8- 38	90201-248M5	2- 19	90445-18M03	8- 15		19-12		21- 4	92995-06100	13-42
90119-089UF	9- 11	90202-229U1	7- 16	90445-19895	17- 1		21- 7	90601-20009	13- 2	92995-06600	5- 6
	10-13	90267-329UR	22-29	90445-19896	17- 6		22- 7	90601-20016	17-18		11-22
90119-089UR	1- 34	90267-40935	21-15	90446-07M14	5- 7		22- 9	90604-80759	17-19		11-24
90119-089U1	1- 32	90267-40937	15-16	90446-07M17	5- 11		22-12	90604-80775	17-21	92995-08600	13- 9
90119-089U5	9- 42	90267-489U1	7- 20	90446-07M35	5- 9	90467-089U1	14- 2	90604-80793	23-19	93101-25M50	8- 21
	13- 1	90267-489U2	22- 6	90446-07M36	5- 13	90480-06M43	13-28	90604-80794	23-21		29-26
90119-089U6	9- 39	90267-489U7	17-14	90446-14M62	7- 9	90480-06M46	8- 9	90605-502U2	15-17	93101-25M55	9- 13
	15-27	90267-489U8	18-11	90446-14M66	3- 3	90480-20M05	6- 40	90699-38U03	24-30		29-23
90119-089U7	22-17		18-15	90446-14M67	3- 25	90480-23M69	11-25	91380-05035	25- 4	93101-25M56	9- 16
	25-32	90267-48925	6- 62	90446-20M31	6- 18	90501-14M73	12-21	92903-05100	11- 7		29-24
	25-34		7- 23	90446-20M65	6- 50	90506-12M35	10-10		11- 9	93101-36M46	2- 7
90119-089U9	15-26		7- 26	90446-20M70	1- 30	90560-22281	25-18	92903-06600	3- 12		29- 5
90119-08907	9- 23		7- 30	90446-24M89	6- 57	90600-90361	9- 33		3- 14	93102-17M49	8- 2
90119-08925	25-22		9- 35	90446-27M55	6- 47	90600-91060	14- 3		3- 30		29-20
90119-08943	1- 31		16-32	90450-14M05	6- 52	90600-91736	6- 61		3- 34	93102-17M50	8- 3
90119-10M00	1- 26		18-28	90450-18M09	6- 53		7- 22		6- 24		29-21
90119-10M01	1- 28		19- 8	90450-22M14	6- 30		7- 25		12-22	93102-25M34	8- 20
90119-10M02	1- 25		21- 5		6- 48		7- 28	92903-08600	12-11		29-25
90119-10M03	1- 27	90269-07923	19- 6	90450-88M15	6- 45		9- 34		12-13	93102-36M33	2- 6
90119-10M07	1- 16	90280-05013	11-15	90450-99M06	6- 26		17-12	92990-05200	17-28		29- 4
90119-10M56	1- 15	90331-12M05	8- 14	90450-99M16	6- 28		21- 2	92990-05600	3- 18	93103-32M01	2- 8
90119-10M72	6- 42	90380-12M29	1- 4	90464-06M29	13-18	90600-91755	8- 48	92990-06100	12-14		29- 6
90119-109U8	9- 20		11-18	90464-07M20	5- 16	90600-918U3	24-32	92990-06200	15- 7	93210-13M63	3- 42
90149-05904	9- 31	90387-06M24	10- 3	90465-06M28	11-12	90600-944U8	9- 37		15-11	93210-17M44	9- 7
90149-069U9	26- 3	90387-06M30	10-16	90465-06M65	11-13	90601-118LF	6- 60		16- 8		29-22
90159-059U2	16-11		13-32	90465-08M69	5- 15		8- 16		16-14	93210-22ME5	17- 4
	25-19	90387-06M60	8- 44	90465-08M75	13-22		8- 32		16-21	93210-35M72	9- 9
90159-069U1	26- 4	90387-06922	15- 9	90465-11M10	1- 22		23-10		16-28	93210-46M16	8- 24
90169-049U1	22-27	90387-08M08	8- 39		3- 4		23-11		17-37		29-27
90169-059U1	18- 8	90387-08M26	10-12		3- 26	90601-142U6	25-29		18- 5	93305-205U1	8- 18
90170-22187	7- 15	90387-08M27	10-14		5- 3	90601-152U3	21-18		20-12	93305-30601	2- 2
90179-06947	9- 43	90430-13909	17-20		5- 10	90601-155U4	22-32		20-16	93306-205U0	8- 19
90179-08M15	3- 6		17-22		5- 14	90601-162U5	14-16		20-29	93306-205U6	9- 15
90179-10925	9- 21	90430-16910	23-20		6- 17		22-14		24-15	93306-307U3	2- 3
90183-06902	15- 4		23-22		7- 3	90601-170UG	23- 8		24-22	93310-320U2	2- 12
	16- 5	90445-09M21	9- 1		7- 8	90601-195UD	23- 9		25-27	93430-47M04	9- 14
	16-17	90445-09M24	11-27		7- 11	90601-200U1	17- 7		25-36	93440-25M08	12-19
	16-24	90445-10M1	7- 2		7- 13		17-11	92990-06600	13-24	93440-80023	2- 4
90201-05M09	11-10	90445-10M16	7- 1		7- 14		17-17		13-31	93450-18M06	12-20
90201-05925	17-13	90445-10MF4	3- 23		9- 2	90601-200U7	19- 3		13-34	93450-21053	2- 14
	21- 3	90445-10M1	7- 10		11-28	90601-20006	6- 63	92990-08100	4- 5	93603-10049	1- 9
90201-06M31	3- 36	90445-10M12	7- 7		13-29		7- 24		6- 11	93604-07141	1- 10
90201-068M4	8- 41	90445-10M13	7- 12		23-17		7- 27	92990-08200	17-32	93605-12M21	6- 9
	10-15	90445-11M33	5- 2	90465-11829	7- 21		7- 29		20-23	93606-12019	1- 8
90201-08929	15-29	90445-14M07	1- 21		8- 34		9- 36	92990-10200	20- 35		8- 11

NUMERICAL INDEX

PART NO.	REF NO.	PART NO.	REF NO.	PART NO.	REF NO.	PART NO.	REF NO.	PART NO.	REF NO.	PART NO.	REF NO.
93606-12019	8- 17	97080-06025	16-19								
	8- 35		16-26								
	9- 12	97080-06030	25-26								
	11-20	97080-06035	24-14								
94702-00195	13-36	97095-06016	13-41								
94709-00195	13-36	97095-06025	11-21								
95380-06700	8- 42	97095-06030	11-23								
	12-15	97095-06035	5- 5								
	16-20	97095-08025	13- 8								
	16-27	97513-06516	3- 22								
95380-08600	6- 12	97780-04110	21-14								
95380-08700	4- 7	97780-50112	17-10								
95720-05300	14-13	97780-60116	24-33								
	17-29	97780-60525	13- 6								
95720-06300	15- 8	97880-03008	25- 7								
	15-12	97880-05016	3- 17								
	16- 9	97880-05025	17-27								
	16-15		25-10								
	16-22	97880-06010	11-14								
	16-29	97880-06016	13-23								
	17-36		13-33								
	18- 4	97880-06030	13-30								
	20-13	97985-06220	6- 35								
	20-17	98580-05012	24- 5								
	20-28	98780-04015	1- 13								
	24-24	98780-05025	24-13								
	25-28	98980-04008	7- 17								
	25-39	98980-06040	20- 5								
95720-08300	15-30		20-10								
	17-31										
	20-24										
95720-10300	20-36										
	25-42										
95780-06300	24-23										
	24-29										
	25-37										
97013-05012	11- 8										
97013-05020	11- 6										
97013-06012	3- 33										
97013-06020	3- 29										
97013-06025	3- 13										
	6- 23										
97013-06035	3- 11										
97013-08035	12-12										
97013-08040	12-10										
97080-06014	24- 7										
97080-06020	16-13										
	20-15										

YAMAHA



**PARTS
CATALOGUE**

XL760W (GU21, GU22, GU24)
MJ-760XL'98 (GU23)

YAMAHA
GENUINE
Parts & Accessories

28GU2-300E1

A1

FOREWORD

This Parts Catalogue is related to the parts for the model(s) in the below frame. When you are ordering replacement parts, please refer to this Parts Catalogue and quote both part numbers and part names correctly.

XL760W(GU21, GU22, GU24), MJ-760XL'98(GU23)

1. Modifications or additions which have been made after issue of the Parts Catalogue will be announced in the Yamaha Parts News. It is advisable that you make necessary corrections to the Parts Catalogue according to the Yamaha Parts News.

2. Abbreviations

The following abbreviations are used in this Parts Catalogue.

- "UR" Use specified parts number.
- "UN" Use as many as needed.
- "AP" Alternate Parts
- "LM" Local Made (Parts need to be ordered locally)
- "F#" Frame No. (Applicable machine No.)

3. Parts, which are to be supplied in an assembly, are listed with a dot (.) in front of the part name as shown below.

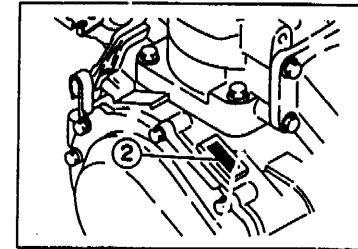
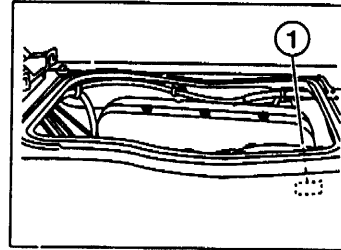
The numeral appearing to the right of each component part indicates the quantity of parts for each assembly unit.

EXAMPLE

PART NO.	DESCRIPTION	Q'TY	REMARKS
EU0-62280-00	DRAIN PLUG ASSY	2	
EU0-62282-00	. PLUG, DRAIN	1	

4. Applicable Serial No. and Color Code

① Hull Serial No.	(GU21)	GU2-800101	~
	(GU22)	GU2-800101	~
	(GU23)	GU2-100101	~
	(GU24)	GU2-800101	~
② Engine Serial No.		66D-000101	~



Color Code	Color Name	Abbreviation
0240	PURE WHITE	PURW

5. Note that the illustrations are for reference in finding parts numbers, not to be used for assembling. When assembling, please use the applicable service manual.
6. A part with "YMUS" in the remarks column can be obtained from YMUS(USA) and not from YAMAHA MOTOR CO.,LTD (JAPAN).

EXAMPLE

PART NO.	DESCRIPTION	QTY	REMARKS
EW2-U5160-00	ENGINE HATCH COMP.	1	YMUS
90601-168U7	BAND, HOSE	1	YMUS

ADDRESS:

YAMAHA MOTOR CORPORATION U.S.A.
PARTS & ACCESSORY DIV.
6555 KATELLA AVENUE
CYPRESS, CALIFORNIA 90630, U.S.A.

CONTENTS

Sheet 1/2 (Fig. 1 to Fig. 23)

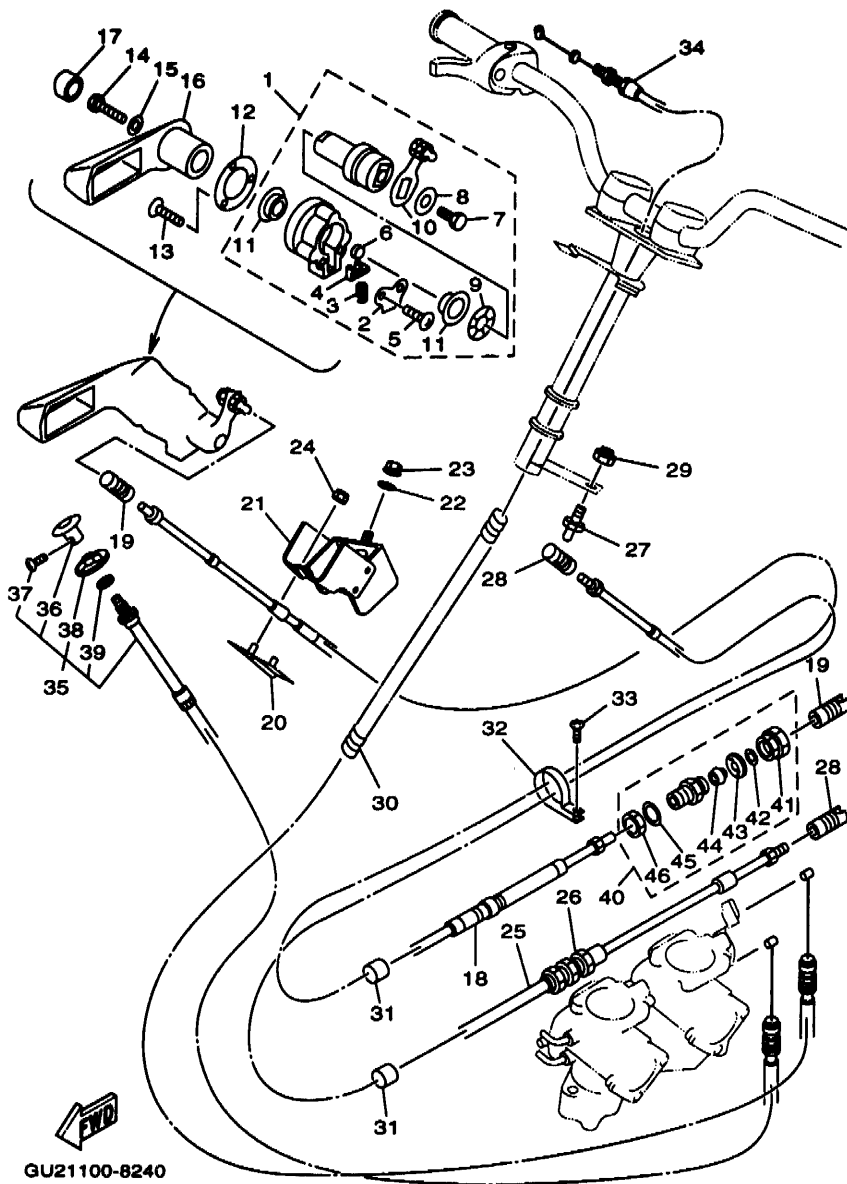
FIG. 1	CYLINDER, CRANKCASE	A4, A5
FIG. 2	CRANKSHAFT, PISTON	A6
FIG. 3	INTAKE	A7, B1
FIG. 4	CARBURETOR	B2, B3
FIG. 5	OIL PUMP	B4
FIG. 6	EXHAUST 1	B5 ~ B7
FIG. 7	FUEL	C1, C2
FIG. 8	JET UNIT 1	C3, C4
FIG. 9	JET UNIT 2	C5, C6
FIG. 10	JET UNIT 3	C7
FIG. 11	GENERATOR	D1, D2
FIG. 12	STARTING MOTOR	D3
FIG. 13	ELECTRICAL 1	D4, D5
FIG. 14	ELECTRICAL 2	D6
FIG. 15	ENGINE HATCH 1	D7, E1
FIG. 16	ENGINE HATCH 2	E2, E3
FIG. 17	HULL, DECK	E4, E5
FIG. 18	GUNWALE, MAT	E6, E7
FIG. 19	VENTILATION	F1
FIG. 20	SEAT, UNDER LOCKER	F2, F3
FIG. 21	OIL TANK	F4
FIG. 22	FUEL TANK	F5, F6
FIG. 23	EXHAUST 2	F7

NUMERICAL INDEX

Sheet 2/2 (Fig. 24 to Fig. 30)

FIG. 24	CONTROL CABLE	A4, A5
FIG. 25	STEERING 1	A6, A7
FIG. 26	STEERING 2	B1
FIG. 27	GRAPHIC, TOOL	B2
FIG. 28	IMPORTANT LABELS	B3, B4
FIG. 29	REPAIR KIT 1	B5
FIG. 30	REPAIR KIT 2	B6

NUMERICAL INDEX

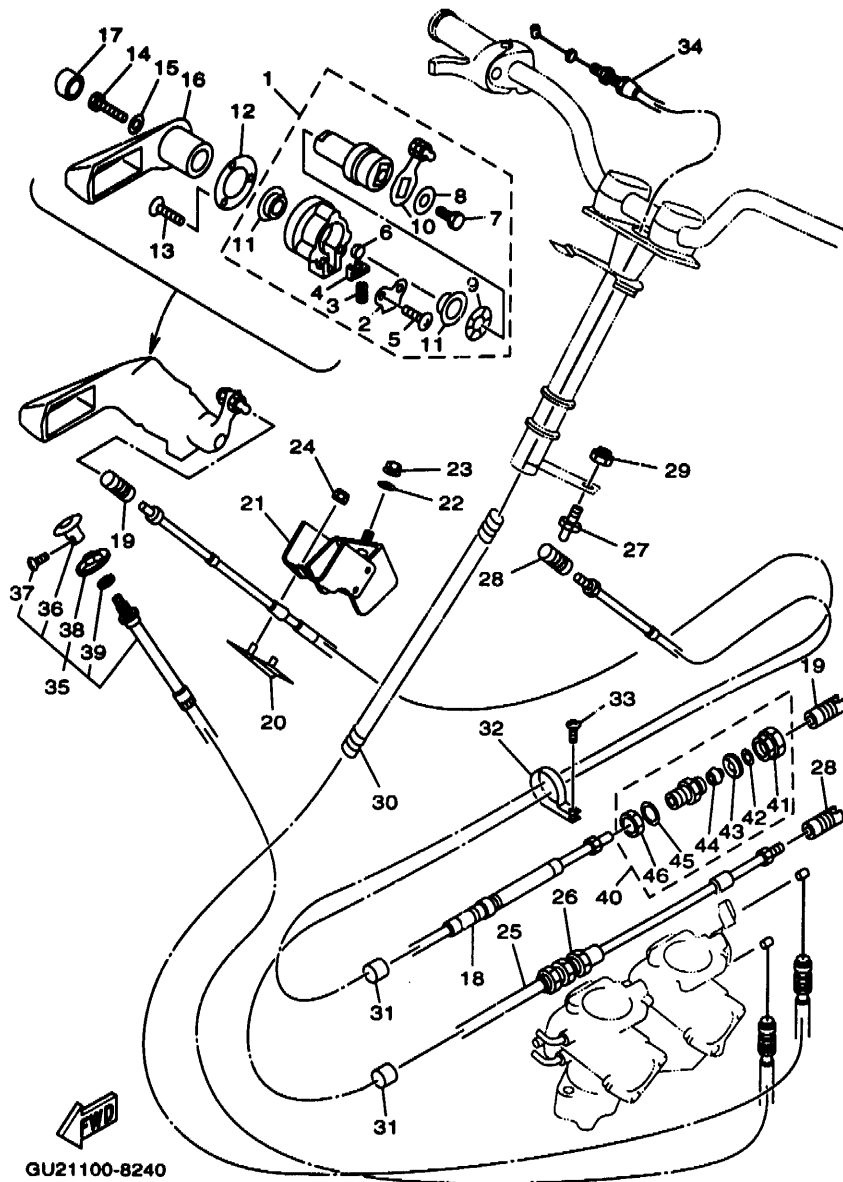


GU21100-8240

FIG. 24 CONTROL CABLE

REF. NO.	PART NO.	DESCRIPTION	QU2*		REMARKS
1	GJ3-6134B-01	LEVER SUB-ASSY	1		
2	FJ0-61348-01	.PLATE	1		
3	FJ0-61349-00	.SPRING	1		
4	FJ0-61351-00	.DETENT ROLLER SET	1		
5	98580-05012	.SCREW, PAN HEAD	2		
6	FJ0-61352-00	.DETENT ROLLER	1		
7	97080-06014	.BOLT	1		
8	FJ0-61353-00	.WASHER	1		
9	FJ0-61354-00	.WAVE WASHER	1		
10	GJ3-6134N-01	.ARM	1		
11	FJ0-61347-00	.BEARING	2		
12	FJ0-61344-00	WASHER	1		
13	98780-05025	SCREW, FLAT HEAD	3		
14	97080-06035	BOLT	1		
15	92990-06200	WASHER, PLAIN	1		
16	GU2-6134C-00	LEVER,1	1		
17	GU2-6135G-00	CAP,REMOCON.LEVER	1		
18	GP3-U149C-00	CABLE,REVERSE	1		YMUS
19	EU0-U1481-30	SHAFT, JOINT BALL	2		YMUS
20	GJ3-61468-01	STOPPER, CABLE	1		
21	GU2-6146D-00	BRACKET,CABLE STOPPER 2	1		
22	92990-06200	WASHER, PLAIN	2		
23	95780-06300	NUT, FLANGE	2		
24	95720-06300	NUT, SELF-LOCKING	2		
25	GU2-U1481-00	CABLE, STEERING	1		YMUS
26	EU0-62241-30	NUT, DRAIN 1	1		
27	EU0-U1481-01	STOOD, JOINT BALL	1		YMUS

A4

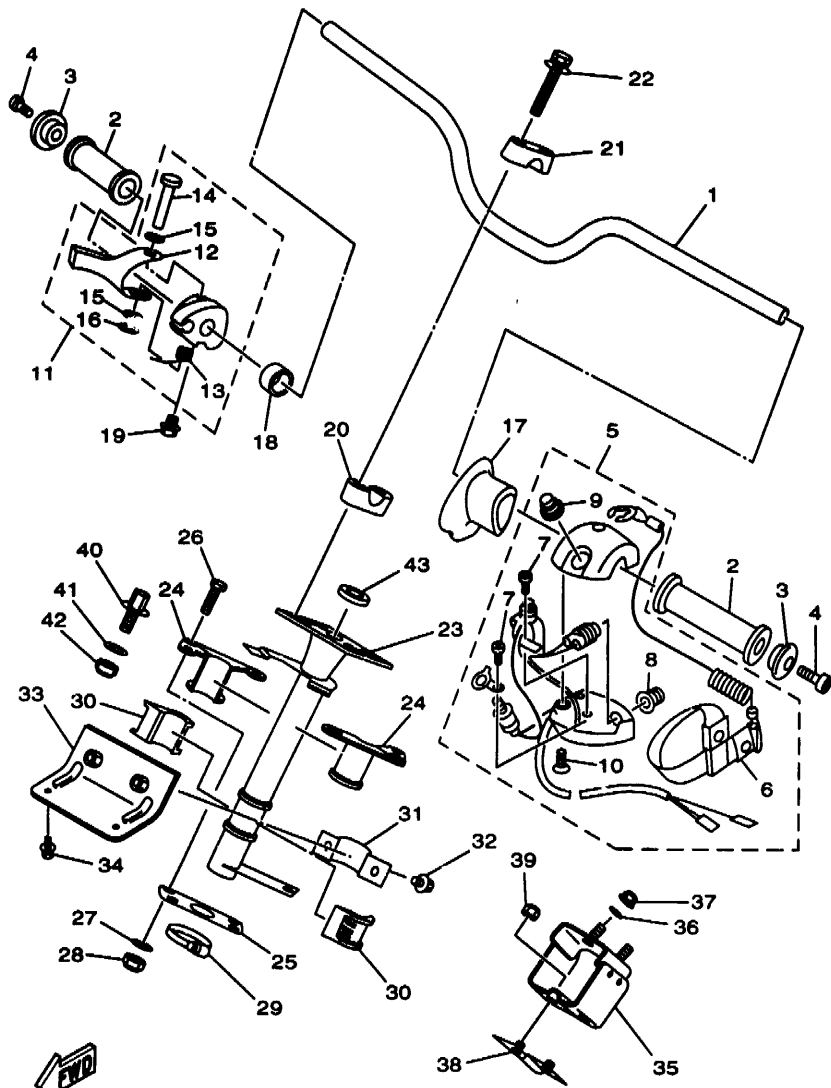


GU21100-8240

FIG. 24 CONTROL CABLE

REF. NO.	PART NO.	DESCRIPTION	QUANTITY	REMARKS
28	GK5-6146F-00	SHAFT, JOINT BALL	2	
29	95780-06300	NUT, FLANGE	1	
30	90699-38U03	SPI-WRAP 25	1	YMUS
31	GJ1-U7578-01	PACKING, HOSE 2	2	YMUS
32	90600-918U3	CLIP, NYLON 18	1	YMUS
33	97780-60116	SCREW, TAPPING	1	
34	GP2-U7252-00	CABLE, THROTTLE	1	YMUS
35	GU2-U7242-00	CABLE, CHOKE	1	YMUS
36	GP7-U724C-00	.KNOB, CHOKE	1	YMUS
37	GP7-U724D-00	.SCREW, KNOB	1	YMUS
38	GP7-U724E-00	.NUT, COMPRESSION	1	YMUS
39	GA9-U724F-01	.NUT	1	YMUS
40	EU0-67267-00	CONNECTOR, CABLE	1	
41	EU0-62694-00	.CAP	1	
42	EU0-61446-00	.WASHER 30	1	
43	EU0-61486-00	.STOPPER	1	
44	EU0-61435-00	.SEAL, PIPE 30	1	
45	EU0-61438-00	.PACKING (C)	1	
46	EU0-62241-30	.NUT, DRAIN 1	1	

A5

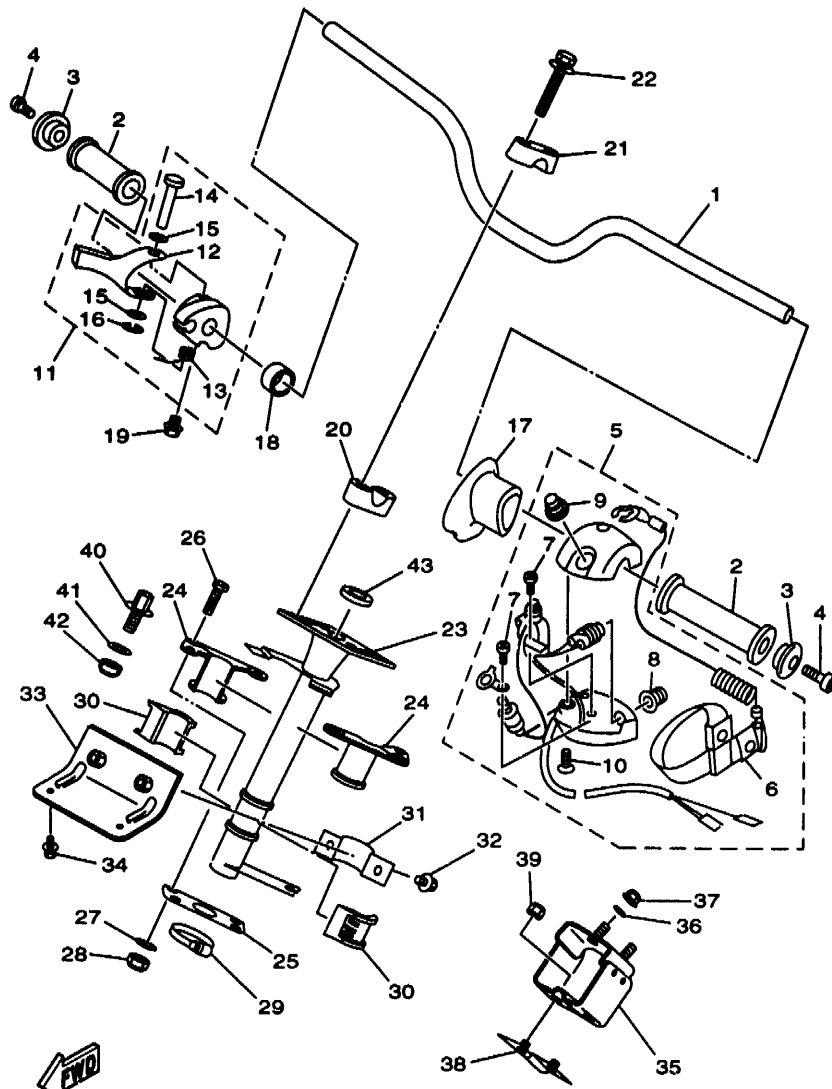


GU21100-8250

FIG. 25 STEERING 1

REF. NO.	PART NO.	DESCRIPTION	* QTY			REMARKS
1	GU2-U1552-00	HANDLE	1			YMUS
2	GP7-U155D-00	GRIP, HANDLE	2			YMUS
3	GP7-U155F-00	GRIP, END	2			YMUS
4	91380-C5035	BOLT	2			
5	GP7-68310-00	SWITCH BOX ASSY	1			
6	EW2-68348-00	.LANYARD, STOP SWITCH	1			
7	97880-03008	.SCREW PAN HEAD	2			
8	FK7-68312-02	.STOP BUTTON COMP	1			
9	FK7-68313-01	.START BUTTON COMP	1			
10	97880-05025	.SCREW, PAN HEAD	2			
11	GJ1-67250-01	THROTTLE LEVER ASSY	1			
12	GJ1-67255-00	.LEVER, THROTTLE	1			
13	EW2-67256-00	.SPRING	1			
14	EW2-67257-01	.SHAFT	1			
15	EW2-67258-01	.WASHER	2			
16	EW2-67259-01	.E RING	1			
17	GU2-6143G-00	SPACER	1			
18	90560-22281	SPACER	1			
19	90159-059U2	SCREW, WITH WASHER	1			YMUS
20	EU0-23814-01	HOLDER, HANDLE LOWER	2			
21	EU0-23814-30	HOLDER, HANDLE UPPER	2			
22	90119-08925	BOLT, WITH WASHER	4			
23	GU2-61541-00	COLUMN, STEERING	1			
24	GH1-6141B-00	BEARING, COLUMN	2			
25	GH1-U143C-30	SEAL, RUBBER	1			YMUS
26	97080-06030	BOLT	4			
27	92990-06200	WASHER, PLAIN	4			

A6



GU21100-8250

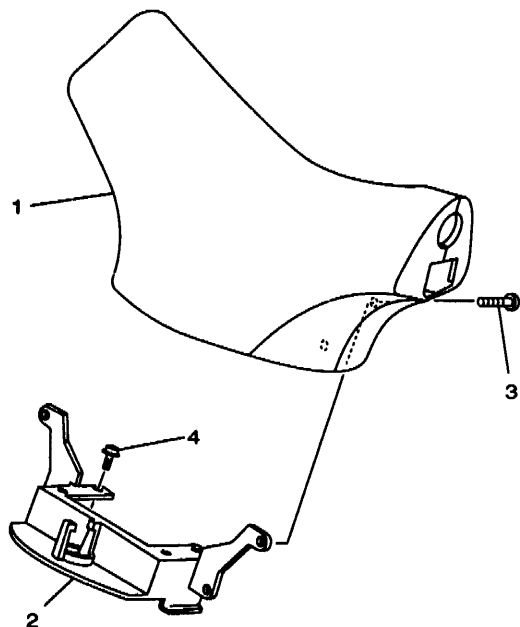
FIG. 25 STEERING 1

REF. NO.	PART NO.	DESCRIPTION	QUANTITY	REMARKS
28	95720-06300	NUT, SELF-LOCKING	4	
29	90601-142U6	BAND, HOSE 42	1	YMUS
30	GH1-6141D-01	BEARING, STEERING	2	
31	EU0-61588-00	JOINT, BEARING	1	
32	90119-089U7	BOLT, WITH WASHER	2	YMUS
33	GU2-61433-00	BRACKET, BEARING	1	
34	90119-089U7	BOLT, WITH WASHER	2	YMUS
35	GU2-61467-00	BRACKET, STOPPER CABLE	1	
36	92990-06200	WASHER, PLAIN	3	
37	95780-06300	NUT, FLANGE	3	
38	GH3-6148P-00	STOPPER, CABLE	1	
39	95720-06300	NUT, SELF-LOCKING	2	
40	FN8-6131B-00	PIN, STOPPER	1	
41	92990-10200	WASHER, PLAIN	1	
42	95720-10300	NUT	1	
43	GH1-U1469-00	PACKING, STEERING COLUMN	1	YMUS

A7

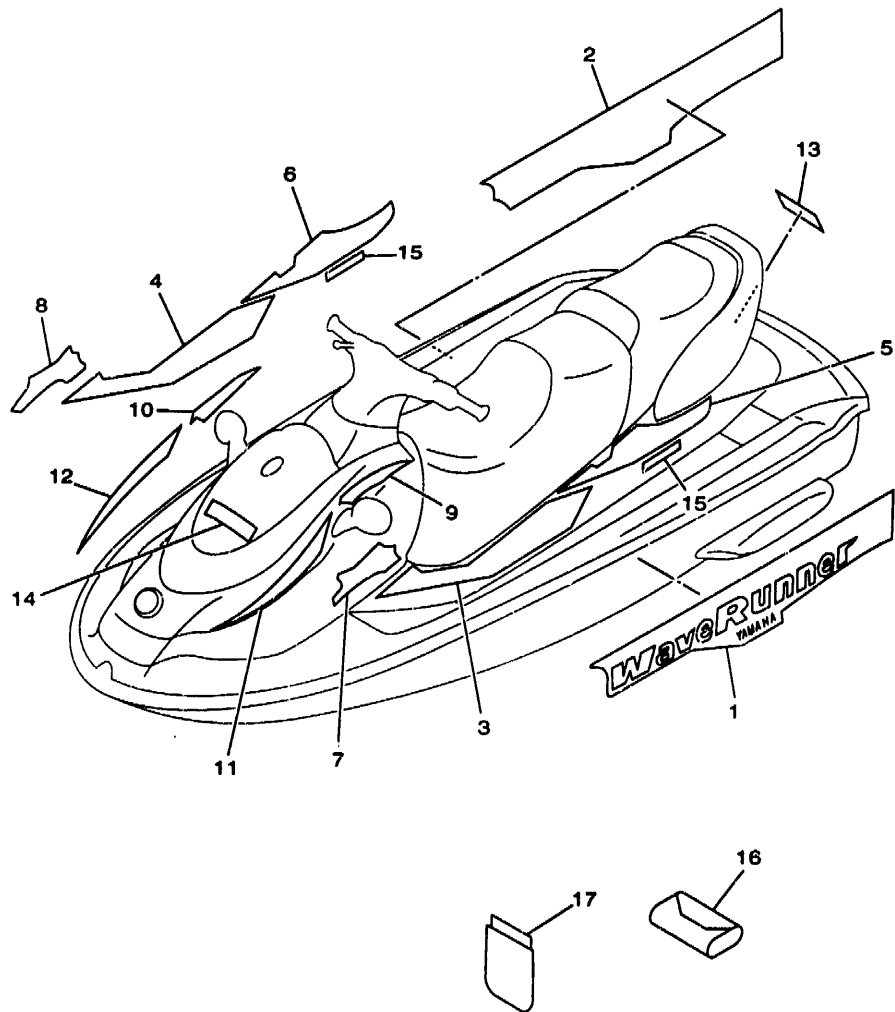
FIG. 26 STEERING 2

REF. NO.	PART NO.	DESCRIPTION	QUANTITY				REMARKS
1	GP7-U142A-10	STEERING PAD COMP	1				YMUS
2	GP7-U142K-00	FIX, STEERING PAD	1				YMUS
3	90149-069U9	SCREW	4				YMUS
4	90159-069U1	SCREW, WITH WASHER	4				YMUS



GU21100-8280

B1



GU21100-8270

FIG. 27 GRAPHIC TOOL

REF. NO.	PART NO.	DESCRIPTION	GU2*			REMARKS
1	GU2-U417B-00	GRAPHIC 1	1			YMUS
2	GU2-U417C-00	GRAPHIC 2	1			YMUS
3	GU2-U417D-00	GRAPHIC 3	1			YMUS
4	GU2-U417E-00	GRAPHIC 4	1			YMUS
5	GU2-U417F-00	GRAPHIC 5	1			YMUS
6	GU2-U417G-00	GRAPHIC 6	1			YMUS
7	GU2-U417H-00	GRAPHIC 7	1			YMUS
8	GU2-U417J-00	GRAPHIC 8	1			YMUS
9	GU2-U417K-00	GRAPHIC 9	1			YMUS
10	GU2-U417L-00	GRAPHIC B	1			YMUS
11	GU2-U417M-00	GRAPHIC C	1			YMUS
12	GU2-U417N-00	GRAPHIC D	1			YMUS
13	GJ3-U4114-51	MARK, YAMAHA A	1			YMUS
14	GJ3-U4122-10	EMBLEM 2	1			YMUS
15	GU2-U4125-00	EMBLEM	2			FOR JPN (ONLY) YMUS
16	EU0-65986-00	TOOL SET	1			
17	EU0-65901-01	TOOL BAG	1			

B2

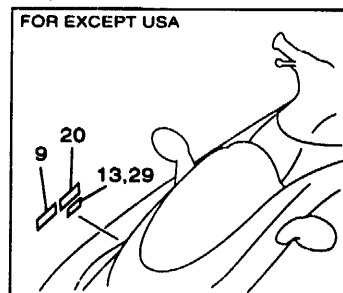
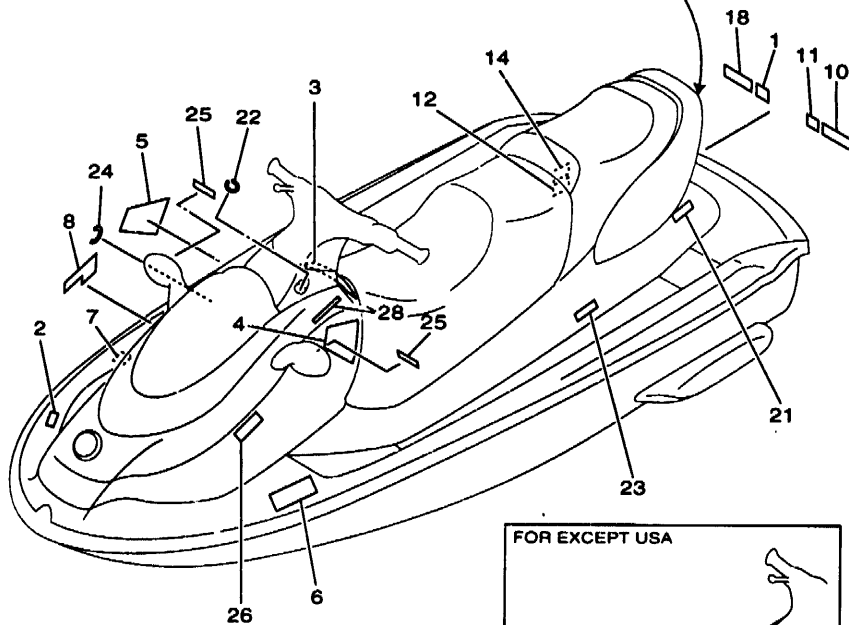
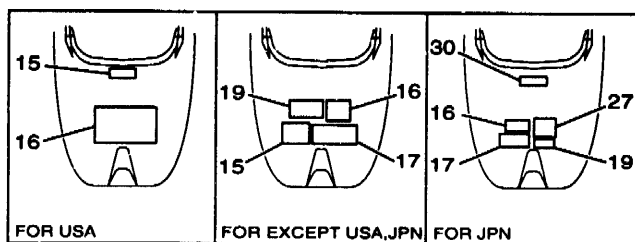


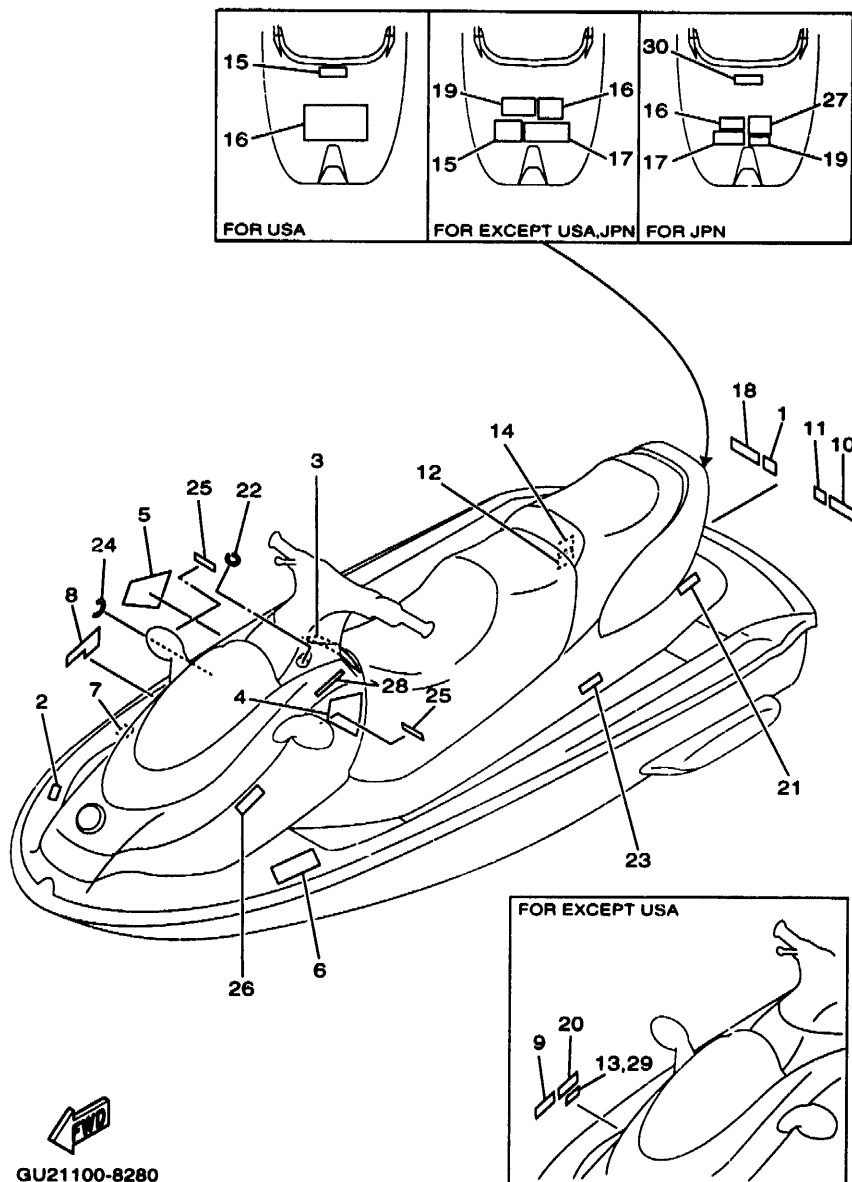
FIG. 28 IMPORTANT LABELS

REF. NO.	PART NO.	DESCRIPTION	GU2*	REMARKS
1	63N-13444-00	MARK	1	UR JPN
	6R8-13444-00	MARK	1	UR USA
	6R8-13444-20	MARK	1	UR EXCEPT USA/JPN
2	GP7-6415B-00	LABEL, WARNING(FUEL)	1	UR JPN
	GP7-U416B-00	LABEL, WARNING	1	UR USA YMUS
	GP7-U416B-11	LABEL, WARNING	1	UR EXCEPT USA, JPN YMUS
3	GU2-6416C-30	LABEL, WARNING 1	1	UR JPN
	GU2-U416C-00	LABEL, WARNING 1	1	UR USA YMUS
	GU2-U416C-10	LABEL, WARNING 1	1	UR EXCEPT USA, JPN YMUS
4	GU2-U416C-20	LABEL, WARNING 1	1	EXCEPT USA, JPN YMUS
5	GU2-U416C-40	LABEL, WARNING 1	1	EXCEPT USA, JPN YMUS
6	GJ3-U416H-00	LABEL, WARNING(FRANCE)	1	EUR YMUS
7	GJ3-U416E-00	LABEL, WARNING 3	1	UR USA YMUS
	GJ3-U416E-10	LABEL, WARNING 3	1	UR EXCEPT USA, JPN YMUS
	GL3-6415D-00	LABEL, WARNING	1	UR JPN
8	GH3-U411A-00	LABEL, CAUTION	1	USA YMUS
9	GJ3-U416F-10	LABEL, WARNING 4	1	UR EXCEPT USA, JPN YMUS
	GL3-6416F-00	LABEL, WARNING 4	1	UR JPN
10	GA9-U416G-10	LABEL, WARNING	1	UR EXCEPT USA, JPN YMUS
	GL3-6415G-01	LABEL, WARNING 5	1	UR JPN
11	GA9-U418F-00	LABEL, UP RIGHTING	1	UR EXCEPT USA YMUS
	GH3-U411A-10	LABEL, CAUTION	1	UR USA YMUS
12	EU0-U418B-00	LABEL, CAUTION	1	UR EXCEPT JPN YMUS
	GL3-6418B-00	LABEL, CAUTION	1	UR JPN
13	GJ3-U415E-12	LABEL, WARNING	1	EXCEPT USA, JPN YMUS
14	EU0-U418B-10	LABEL, CAUTION	1	EXCEPT USA, JPN YMUS
15	GJ1-U415F-01	LABEL, WARNING	1	UR USA YMUS


GU21100-8280

B3

FIG. 28 IMPORTANT LABELS



REF. NO.	PART NO.	DESCRIPTION	QTY	REMARKS
15	GJ1-U415F-10	LABEL, WARNING	1	UR EXCEPT USA, JPN YMUS
16	GJ1-U418C-10	LABEL, CAUTION	1	UR EXCEPT USA, JPN YMUS
	GJ3-U411A-00	LABEL, CAUTION	1	UR USA YMUS
	GL3-6418C-00	LABEL, CAUTION	1	UR JPN
17	FT4-64178-00	LABEL, CAUTION 1	1	UR JPN
	GA9-U418C-10	LABEL, CAUTION	1	UR EXCEPT USA, JPN YMUS
18	GA9-U418G-00	LABEL, CAUTION	1	UR USA YMUS
	GA9-U418G-10	LABEL, CAUTION	1	UR EXCEPT USA, JPN YMUS
	GL3-6418G-00	LABEL, CAUTION	1	UR JPN
19	GJ3-U418H-10	LABEL, CAUTION(CLEAT)	1	UR EXCEPT USA, JPN YMUS
	GL3-6418H-01	LABEL, CAUTION(CLEAT)	1	UR JPN
20	GA7-6418J-10	LABEL, CAUTION	1	UR JPN
	GJ3-U418J-10	LABEL, CAUTION	1	UR EXCEPT USA, JPN YMUS
21	GJ3-U419B-00	LABEL 1	1	UR USA YMUS
	GJ3-U419B-10	LABEL 1	1	UR EXCEPT USA, JPN YMUS
22	GU2-U419C-01	LABEL 2	1	YMUS
23	GJ3-U419E-00	LABEL 4	1	CAN YMUS
24	GU2-U419G-00	LABEL, F-R LEVER	1	YMUS
25	GJ1-U419F-20	LABEL 5	2	EXCEPT USA, JPN YMUS
26	GJ3-U415E-20	LABEL, WARNING	1	EXCEPT USA, JPN YMUS
27	FJ1-64197-00	PLATE, CAPACITY	1	JPN YMUS
28	GA9-U411B-00	PLATE, ASSY	1	JPN YMUS
29	GK5-6415E-20	LABEL, WARNING	1	JPN
30	GK5-6415F-20	LABEL, WARNING	1	JPN

FWD
GU21100-8280

B4

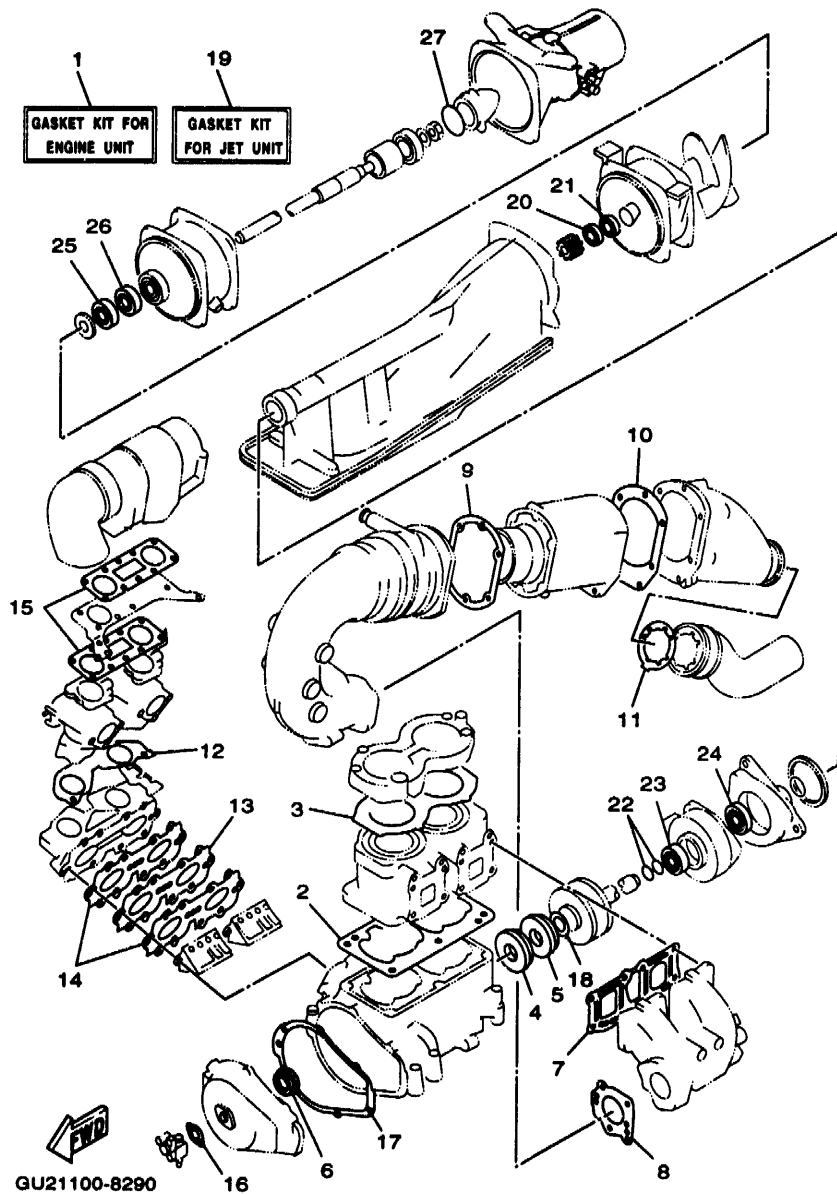
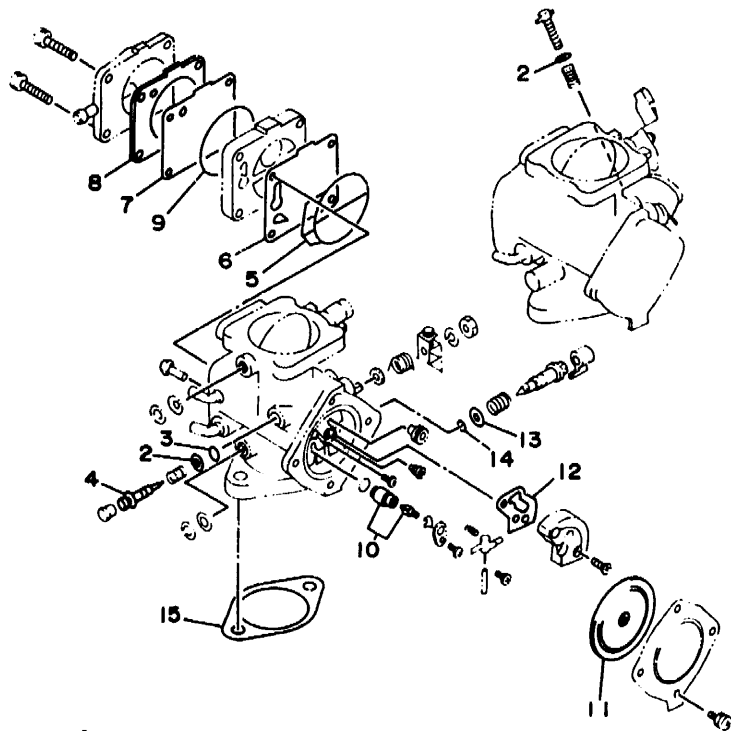


FIG. 29 REPAIR KIT 1

REF. NO.	PART NO.	DESCRIPTION	* QTY				REMARKS
1	66D-W0001-00	GASKET KIT FOR ENGINE UNIT	1				
2	6M6-11351-A2	.GASKET, CYLINDER	1				
3	64X-11181-00	.GASKET, CYLINDER HEAD 1	1				
4	93102-36M33	.OIL SEAL	1				
5	93101-36M46	.OIL SEAL	1				
6	93103-32M01	.OIL SEAL	1				
7	62T-14613-00	.GASKET, EXHAUST PIPE	1				
8	64X-14749-00	.GASKET, MUFFLER DAMPER 2	1				
9	62T-41114-01	.GASKET, EXHAUST OUTER COVER	1				
10	64X-41124-00	.GASKET, EXHAUST OUTER COVER	1				
11	64X-14623-00	.GASKET, EXHAUST PIPE	1				
12	64X-13556-00	.GASKET, MANIFOLD	1				
13	62T-13624-00	.PLATE, REED VALVE	1				
14	62T-13566-00	.GASKET	2				
15	64X-13674-00	.GASKET, AIR COOLER COVER 1	2				
16	6R8-13116-A0	.GASKET, PUMP CASE	1				
17	6M6-81365-A0	.GASKET, HOLE COVER	1				
18	62T-45127-00	.SEAL	1				
19	66D-W0001-20	GASKET KIT FOR JET UNIT	1				
20	93102-17M49	.OIL SEAL	1				
21	93102-17M50	.OIL SEAL	1				
22	93210-17MA4	.O-RING	2				
23	93101-25M55	.OIL SEAL	1				
24	93101-25M56	.OIL SEAL	1				
25	93102-25M34	.OIL SEAL	1				
26	93101-25M50	.CIL SEAL	1				
27	93210-46M16	.O-RING	1				

B5

CARBURETOR
REPAIR KIT



GP21100-6280

FIG. 30 REPAIR KIT 2

REF. NO.	PART NO.	DESCRIPTION	QTY.				REMARKS
1	64X-W0093-00	CARBURETOR REPAIR KIT	1				
2	812-14235-00	.WASHER, NEEDLE	3				
3	812-14147-00	.O-RING	2				
4	6K8-14946-10	.METERING NEEDLE	2				
5	6K8-14564-00	.O-RING	2				
6	6K8-24411-20	.DIAPHRAGM	2				
7	6K8-24421-10	.VALVE, CHECK	2				
8	6K8-24431-20	.GASKET, FUEL PUMP 1	2				
9	6K8-14563-00	.O-RING	2				
10	61X-14916-15	.NEEDLE	2				
11	6R7-14541-00	.DIAPHRAGM, PUMP	2				
12	6K8-14536-11	.GASKET	2				
13	822-14235-00	.WASHER, NEEDLE	2				
14	583-14561-00	.O-RING	2				
15	64X-14398-00	.GASKET	2				

B6

NUMERICAL INDEX

PART NO.	REF NO.	PART NO.	REF NO.	PART NO.	REF NO.	PART NO.	REF NO.	PART NO.	REF NO.	PART NO.	REF NO.
65A-G4137-00	10-11	GJ3-U2664-01	16-33	GU2-U417G-00	27- 6	EU0-U7354-00-05	1- 36	GU2-U883P-00	17-34	62T-13624-00	3- 9
65A-G4184-00	10- 7	GU2-U271B-00	20-25	GU2-U417H-00	27- 7	EU0-U7354-00-10	1- 36	GU2-U883U-00	17-35		29-13
65A-G5331-00	9- 8	GJ3-U273B-00	9- 38	GU2-U417J-00	27- 8	EU0-U7354-00-20	1- 36	66D-W0001-00	29- 1	64X-13674-00	3- 31
65A-R1129-00	8- 29	GU2-U351H-00	18-20	GU2-U417K-00	27- 9	GJ1-U7525-00	23-24	66D-W0001-20	29-19		29-15
65A-R1129-10	8- 13	GU2-U351J-00	18-21	GU2-U417L-00	27-10	GJ3-U755J-00	23- 3	64X-W0004-01	3- 16	47X-14133-00	4- 11
65U-R1311-01	8- 1	GH3-U351M-50	18-26	GU2-U417M-00	27-11	GJ3-U7550-00	23- 2	66D-W0090-00-8P	1- 1	812-14147-00	4- 24
65A-R1312-00	8- 10	GH3-U351M-60	18-27	GU2-U417N-00	27-12	GP3-U7555-00	23- 7	64X-W0093-00	30- 1		30- 3
65R-R1313-01	8- 37	GU2-U351N-00	18-22	EU0-U418B-00	28-12	EU0-U756E-00	20-21	64X-11111-00-94	1- 17	3G2-1423A-78	4- 13
65A-R1314-00	10- 1	GU2-U351P-00	18-23	EU0-U418B-10	28-14	GJ1-U7560-00	23-23	64X-11181-00	1- 19	3G2-14231-27	4- 12
65A-R1315-00	8- 12	GU2-U351R-00	18-24	GA9-U418C-10	28-17	GJ3-U7570-00	23- 4		29- 3	830-14231-23	4- 22
65R-R1318-00	8- 28	GU2-U351S-00	18-25	GJ1-U418C-10	28-16	GJ1-U7578-01	24-31	64X-11311-00-94	1- 11	812-14235-00	4- 10
65R-R1321-10	8- 26	GJ3-U352E-50	18-29	GA9-U418F-00	28-11	GJ1-U7578-11	17-16	6E5-11325-00	1- 12		30- 2
65A-R1326-00	8- 23	GJ3-U354D-30	18-12	GA9-U418G-00	28-18		23-12	6M6-11351-A2	1- 14	822-14235-00	4- 41
65R-R1333-00	9- 3	GU2-U358F-00	18-18	GA9-U418G-10	28-18		23-18		29- 2		30-13
65A-R1334-01	8- 30	GU2-U358G-00	18-19	GJ3-U418H-10	28-19	GJ1-U759B-00	22-20	6E5-11372-00	3- 28	62T-14251-00	1- 3
65U-R1348-00	8- 5	GU2-U370F-00-PO	16-16	GJ3-U418J-10	28-20	GJ1-U759C-00	22-21	64X-11400-01	2- 1	6R7-14253-00	4- 34
65R-R1381-00	8- 43	GU2-U370G-00-PO	16-23	GJ3-U419B-00	28-21	GH1-U759D-00	22-22	64X-11603-00	2- 10	64X-14255-00	3- 32
GP7-U142A-10	26- 1	GU2-U371A-00	20- 1	GJ3-U419B-10	28-21	G00-U761D-00	17- 8	64X-11604-00	2- 10	64X-14283-00	3- 38
GP7-U142K-00	26- 2	GU2-U371B-00	20- 2	GU2-U419C-01	28-22	GU2-U7711-00	22-13	64X-11605-00	2- 10	64X-14284-00-8P	3- 27
GH1-U143C-30	25-25	GU2-U372A-00	20- 6	GJ3-U419E-00	28-23	GJ3-U775B-01	21- 8	64X-11631-00-91	2- 9	64X-14301-00	4- 1
GP3-U1438-00	23-14	GU2-U372B-00	20- 7	GJ1-U419F-20	28-25	GU2-U776C-00	21-17	62T-11633-00	2- 11	64X-14302-00	4- 2
GH3-U146E-00	8- 40	GH3-U411A-00	28- 8	GU2-U419G-00	28-24	GJ3-U778B-00	21-11	64X-11635-00	2- 9	64X-14398-00	30-15
GH3-U146E-10	10- 5	GH3-U411A-10	28-11	GJ3-U474A-01	20-30	GJ3-U778C-00	21- 9	64X-11636-00	2- 9	62T-14419-00	3- 39
EU0-U1461-01	24-27	GJ3-U411A-00	28-16	GU2-U475A-00	16- 1	GJ3-U778D-00	21-12	65R-12564-00	6- 54	62T-14435-00	3- 41
EU0-U1461-30	24-19	GA9-U411B-00	28-28	GU2-U513M-00-PO	16-31	GJ3-U778E-00	21-10	63M-12577-00	6- 16	62T-14451-00	3- 37
GH1-U1469-00	25-43	GJ3-U4114-51	27-13	GU2-U516A-00	15- 1	GH1-U782B-00	22-18	64X-12578-01	6- 46	6K8-14471-10	4- 26
GU2-U1481-00	24-25	GJ3-U4122-10	27-14	GU2-U516N-00-PO	15- 2	GP7-U783F-00	22-30	64T-12580-00	6- 55	6K8-14481-10	4- 38
GP3-U149C-00	24-18	GU2-U4125-00	27-15	GU2-U517B-00-PO	16- 3	GP7-U7831-10	22-23	64X-12581-00	6- 51	6K8-14521-10	4- 21
GP7-U155D-00	25- 2	GJ3-U415E-12	28-13	GU2-U517G-00	15-15	GP7-U7832-00	22-24	64X-12582-00	6- 29	6M6-14521-00	4- 9
GP7-U155F-00	25- 3	GJ3-U415E-20	28-26	GU2-U517H-00-PO	15-13	GP7-U7833-10	22-25	63M-12590-00	6- 58	6K8-14523-11	4- 30
GU2-U1552-00	25- 1	GJ1-U415F-01	28-15	GU2-U517M-00	15- 3	GP7-U7834-10	22-28	63M-12590-10	6- 58	6K8-14527-11	4- 28
FN8-U1624-00	17-30	GJ1-U415F-10	28-15	GU2-U519D-00	15-19	EU0-U7835-00	21-13	63M-12590-20	6- 58	64X-14527-00	3- 21
GU2-U2117-00	19- 2	GP7-U416B-00	28- 2	GJ3-U5578-00	20-34	GP7-U7835-00	22-26	6R8-13116-A0	5- 4	6K8-14534-10	4- 4
GU2-U2118-00	19- 5	GP7-U416B-11	28- 2	EW2-U5912-00	20-19	GP3-U7844-00	22-31		29-16	6K8-14536-11	4- 37
GU2-U213F-00	19- 1	GU2-U416C-00	28- 3	EW2-U5913-00	20-20	GA7-U785G-00	22-11	6R3-13183-00	5- 8		30-12
GU2-U213G-00	19- 4	GU2-U416C-10	28- 3	EW2-U5920-00	20-18	GU2-U785H-00	22- 8		5- 12	6R7-14541-00	4- 35
GJ3-U2501-20	18- 1	GU2-U416C-20	28- 4	GU2-U596B-00	15-22	EU0-U785E-40	14- 1	62T-13200-13	5- 1		30-11
GJ3-U251D-20	18- 9	GU2-U416C-40	28- 5	GU2-U596C-00	15-23	GJ3-U7856-10	22- 1	6J8-13411-00	21-19	6R7-14542-00	4- 36
GJ3-U251E-20	18-10	GJ3-U416E-00	28- 7	GP7-U724C-00	24-36	GJ3-U7856-20	21- 6	6J8-13414-00	21-20	6K8-14547-01	4- 33
GH3-U2512-20	18- 6	GJ3-U416E-10	28- 7	GP7-U724D-00	24-37	GJ1-U8K31-01	9- 24	6R8-13444-00	28- 1	583-14561-00	4- 42
GJ3-U2519-40	18- 7	GJ3-U416F-10	28- 9	GP7-U724E-00	24-38	EU0-U821D-00	14- 9	6R8-13444-20	28- 1		30-14
GJ3-U252C-20	19-13	GA9-U416G-10	28-10	GA9-U724F-01	24-39	GP7-U8211-00	14- 5	63N-13444-00	28- 1	6K8-14563-00	4- 20
GJ3-U252D-40	18-14	GJ3-U416H-00	28- 6	GU2-U7242-00	24-35	EU0-U8221-00	14- 6	64X-13555-00-8P	3- 8		30- 9
GJ3-U266B-01	20-31	GU2-U417B-00	27- 1	G00-U7249-00-05	9- 22	EU0-U8221-30	14- 7	64X-13556-00	3- 7	6K8-14564-00	4- 14
GU2-U266B-30	16- 4	GU2-U417C-00	27- 2	G00-U7249-00-10	9- 22	GP7-U824E-01	14-15		29-12		30- 5
GJ3-U266C-02	20-32	GU2-U417D-00	27- 3	GP2-U7252-00	24-34	GP7-U824C-01	14-18	62T-13566-00	3- 10	6R7-14569-00	4- 31
GJ3-U266C-32	16- 2	GU2-U417E-00	27- 4	EU0-U7354-00-01	1- 36	GP7-U8341-00	14-17		29-14	6K8-14589-00	4- 40
GJ3-U2663-01	15-31	GU2-U417F-00	27- 5	EU0-U7354-00-03	1- 36	GU2-U883N-00	17-33	64X-13610-01	3- 15	6R7-14596-01	4- 3

NUMERICAL INDEX

PART NO.	REF NO.	PART NO.	REF NO.	PART NO.	REF NO.	PART NO.	REF NO.	PART NO.	REF NO.	PART NO.	REF NO.
6K8-14597-11	4- 23	278-27114-00	20- 8	FJ0-61351-00	24- 4	GU2-62875-00	15-14	GP7-6820A-22	14-11	6M6-8552E-01	13- 4
62T-14613-00	6- 3	62T-41113-00-9M	6- 21	FJ0-61352-00	24- 6	GH1-63774-01	20-33	GP7-6820A-32	14-11	64X-85520-00	11- 3
	29- 7	62T-41114-01	6- 22	FJ0-61353-00	24- 8	GU2-6378C-00	20-11	GJ1-6822E-00	9- 32	64X-85521-01	11- 2
64X-14615-00	6- 27		29- 9	FJ0-61354-00	24- 9	GU2-6378D-00	20-14	GU2-6822E-00	15-25	64X-85525-00	11-11
64X-14623-00	6- 34	64X-41123-00-9M	6- 32	GH1-6141B-00	25-24	GJ3-63850-02	20- 4	FJ0-68222-01	14-10	62T-85533-00	11- 4
	29-11	64X-41124-00	6- 31	GH1-6141D-01	25-30		20- 9	GP7-68238-01	14-12	64X-85540-01	13-16
62T-14625-00	6- 25		29-10	GU2-6143G-00	25-17	GP7-6415B-00	28- 2	GP7-68310-00	25- 5	66D-85542-00	13- 7
64X-14711-00-9P	6- 1	64T-44121-00	10- 8	GU2-61433-00	25-33	GL3-6415D-00	28- 7	FK7-68312-02	25- 8	64X-85546-00	13-17
64X-14712-00-9P	6- 6	6R8-44125-00	10- 2	EU0-61435-00	9- 28	GK5-6415E-20	28-29	FK7-68313-01	25- 9	64X-85550-00	11- 1
64X-14717-01	6- 38	63M-44517-01-5B	1- 29		24-44	GK5-6415F-20	28-30	EW2-68348-00	25- 6	64X-85570-01	13-25
64X-14721-00-94	6- 19	63N-44532-01	1- 6	EU0-61438-00	9- 29	GL3-6415G-01	28-10	6M6-8132W-00	13-12	64X-85580-00	11- 5
64X-14749-00	6- 8	663-45119-00	3- 20		24-45	GU2-6416C-30	28- 3	64X-81337-00-8P	11-17	90105-08M70	6- 36
	29- 8		11-29	EU0-61446-00	9- 26	GL3-6416F-00	28- 9	6M6-81365-A0	11-19	90105-08M71	6- 37
65R-14752-00	5- 44	6K8-45127-00	9- 19		24-42	FT4-64178-00	28-17		29-17	90105-089U1	8- 36
64X-14763-00-94	6- 33	62T-45127-00	2- 16	GU2-6146D-00	24-21	GL3-6418B-00	28-12	64X-81800-00	12- 1	90105-10M45	6- 43
62T-14771-00-94	6- 41		29-18	GK5-6146F-00	24-28	GL3-6418C-00	28-16	3AJ-81809-00	12- 2	90105-10M60	6- 4
64X-14781-00-94	6- 14	65V-45318-00	8- 4	GU2-61467-00	25-35	GL3-6418G-00	28-18	64X-81820-00	12- 7		6- 20
61X-14916-15	4- 32	65U-45332-00-94	9- 10	GH3-61468-00	25-38	GL3-6418H-01	28-19	6M6-81826-00	12- 5	90105-10M72	6- 5
	30-10	61L-45378-00	9- 17	GU3-61468-01	24-20	GA7-6418J-10	28-20	6M6-8183E-00	12-16	90105-10M73	6- 15
6M6-14923-10	4- 39	65R-45511-00	8- 22	EU0-61486-00	9- 27	FJ1-64197-00	28-27	6M6-81830-00	12- 8	90109-06M66	3- 35
6K8-14926-10	4- 8	62T-45526-00	2- 5		24-43	GU2-6516L-00	15-20	6M6-81840-10	12- 3	90109-08M56	1- 7
6K8-14930-00	4- 6	63M-4581J-00	2- 17	GU2-61541-00	25-23	GU2-65162-00	16-30	11H-81844-00	12- 4	90109-089U1	10- 9
3KW-14932-00	4- 27	63M-45813-01-8P	2- 15	EU0-61588-00	25-31	GP7-6517C-00	16-10	6M6-81844-00	13-11	90109-10M72	11-16
6K8-14946-10	4- 25	64X-45813-00-8P	2- 18	A00-61624-R0	20-22	GU2-6517D-00	16- 6	1FK-81847-00	12- 9	90110-089U1	22-19
	30- 4	6K8-51129-00	1- 18	FN8-61651-00	18-16	GU2-6517F-00	16-12	6M6-81850-00	12- 6	90116-08M59	6- 10
64X-15100-00-94	1- 2		6- 2	EU0-61652-00	6- 59	GU2-6517R-00	15-18	6M6-81865-00	12-18	90116-08M60	3- 5
6R7-21415-01-94	1- 23		6- 7		8- 47	EW2-65772-00	23- 5	6M6-81866-00	12-17	90119-05M02	3- 40
6R7-21425-01-94	1- 24	63M-51162-00	17- 2		18-17	EU0-65901-01	27-17	6M6-81921-00	13- 5	90119-059U4	23-25
EU0-23814-01	25-20	63M-51165-00	17- 3	GP7-61652-00	23-15	EU0-65986-00	27-16	6G1-81941-10	13-19	90119-069UA	10- 4
EU0-23814-30	25-21	63N-51323-10	5- 6	EW2-62140-00	22- 2	GJ1-6721B-00	1- 33	6M6-81952-01	13-20	90119-069UB	8- 25
64X-24313-01	3- 1	64T-51345-00	10- 6	EW2-62142-00	22- 3	GJ1-67250-01	25-11	6M6-81960-A0	13-21	90119-069UC	9- 4
64X-24314-01	3- 24	62T-51348-00	8- 27	EW2-62149-00	19- 9	GJ1-67255-00	25-12	EU0-82110-09	14- 4	90119-069UD	8- 6
688-24378-00	3- 2	6R8-51367-01	8- 7	GU3-6215F-00	19-11	EW2-67256-00	25-13	6M6-82117-21	13-43		8- 45
6K8-24411-20	4- 15	63M-51367-00	9- 5	GP7-62159-01	19- 7	EW2-67257-01	25-14	63N-82117-00	13-38	90119-069UH	15- 5
	30- 6	63M-51368-00	8- 8	EU0-62241-30	9- 30	EW2-67258-01	25-15	63N-82117-10	13-39		15-21
6R7-24412-01	4- 29	62E-51673-00	8- 31		24-26	EW2-67259-01	25-16	6K8-82150-01	13-13		15-24
6M6-24413-00	4- 16	61L-5169A-00	3- 19		24-46	EU0-67267-00	24-40	6G1-82151-00	13-14		16-18
6K8-24421-10	4- 17		11-26	EU0-62280-00	17-23	EU0-67324-00	1- 35	6K8-82159-00	13-15		16-25
	30- 7	63M-5316M-00	17- 5	EU0-62282-00	17-24	GJ1-6753B-02	23-13	62T-82361-00	13-35	90119-069UJ	16- 7
6K8-24431-20	4- 18	FN8-6131B-00	25-40	EU0-62283-00	17-25	GH6-67577-01	23- 1	62E-82371-11	13-26		23- 6
	30- 8	GJ3-6134B-01	24- 1	EU0-62285-01	17-26	EW2-67618-00	17- 9		13-27	90119-069UK	9- 44
6K8-24452-10	4- 19	GU2-6134C-00	24-16	GU2-6252E-10	18- 2	GH3-67743-00	22-16	63N-82553-00	13-37	90119-06900	15-10
70R-24489-00	22- 5	GJ3-6134N-01	24-10	GU2-6252F-10	18- 3	GJ1-67743-00	22-15	64X-82560-00	13-40	90119-06914	15- 6
65U-24500-00	7- 5	FJ0-61344-00	24-12	GJ1-62663-00	9- 41	FJ0-67766-00	21- 1	6R7-83623-40	13-10	90119-06920	14- 8
6R7-24524-00	7- 6	FJ0-61347-00	24-11	FN8-62698-00	8- 46	EU0-67767-31	22-10	6R7-83623-50	13-44		20-26
70R-24543-00	22- 4	FJ0-61348-01	24- 2	EU0-62694-00	9- 25	EU0-67816-30	7- 19	63N-83623-00	13-10	90119-06924	20-27
6K8-24560-10	7- 4	FJ0-61349-00	24- 3		24-41	FJ0-67817-00	7- 18	682-84385-01	6- 56	90119-08M11	6- 13
278-27114-00	20- 3	GU2-6135G-00	24-17	GJ1-62733-00	9- 40	FX1-67869-00	21-16	65R-8552A-00-8P	13- 3	90119-08M19	1- 20

NUMERICAL INDEX

PART NO.	REF NO.	PART NO.	REF NO.	PART NO.	REF NO.	PART NO.	REF NO.	PART NO.	REF NO.	PART NO.	REF NO.
90119-08M37	6- 39	90201-099U1	15-28	90445-14M10	6- 49	90465-11829	9- 18	90601-20006	14-14	92990-10200	25-41
90119-08M55	1- 5	90201-20M04	2- 13	90445-14898	8- 33		19-10		17-15	92990-14200	23-16
90119-089UE	8- 38	90201-248M5	2- 19	90445-18M03	8- 15		19-12		21- 4	92995-06100	13-42
90119-089UF	9- 11	90202-229U1	7- 16	90445-19895	17- 1		21- 7	90601-20009	13- 2	92995-06600	5- 6
	10-13	90267-329UR	22-29	90445-19896	17- 6		22- 7	90601-20016	17-18		11-22
90119-089UR	1- 34	90267-40935	21-15	90446-07M14	5- 7		22- 9	90604-80759	17-19		11-24
90119-089U1	1- 32	90267-40937	15-16	90446-07M17	5- 11		22-12	90604-80775	17-21	92995-08600	13- 9
90119-089U5	9- 42	90267-489U1	7- 20	90446-07M35	5- 9	90467-089U1	14- 2	90604-80793	23-19	93101-25M50	8- 21
	13- 1	90267-489U2	22- 6	90446-07M36	5- 13	90480-06M43	13-28	90604-80794	23-21		29-26
90119-089U6	9- 39	90267-489U7	17-14	90446-14M62	7- 9	90480-06M46	8- 9	90605-502U2	15-17	93101-25M55	9- 13
	15-27	90267-489U8	18-11	90446-14M66	3- 3	90480-20M05	6- 40	90699-38U03	24-30		29-23
90119-089U7	22-17		18-15	90446-14M67	3- 25	90480-23M69	11-25	91380-05035	25- 4	93101-25M56	9- 16
	25-32	90267-48925	6- 62	90446-20M31	6- 18	90501-14M73	12-21	92903-05100	11- 7		29-24
	25-34		7- 23	90446-20M65	6- 50	90506-12M35	10-10		11- 9	93101-36M46	2- 7
90119-089U9	15-26		7- 26	90446-20M70	1- 30	90560-22281	25-18	92903-06600	3- 12		29- 5
90119-08907	9- 23		7- 30	90446-24M89	6- 57	90600-90361	9- 33		3- 14	93102-17M49	8- 2
90119-08925	25-22		9- 35	90446-27M55	6- 47	90600-91060	14- 3		3- 30		29-20
90119-08943	1- 31		16-32	90450-14M05	6- 52	90600-91736	6- 61		3- 34	93102-17M50	8- 3
90119-10M00	1- 26		18-28	90450-18M09	6- 53		7- 22		6- 24		29-21
90119-10M01	1- 28		19- 8	90450-22M14	6- 30		7- 25		12-22	93102-25M34	8- 20
90119-10M02	1- 25		21- 5		6- 48		7- 28	92903-08600	12-11		29-25
90119-10M03	1- 27	90269-07923	19- 6	90450-88M15	6- 45		9- 34		12-13	93102-36M33	2- 6
90119-10M07	1- 16	90280-05013	11-15	90450-99M06	6- 26		17-12	92990-05200	17-28		29- 4
90119-10M56	1- 15	90331-12M05	8- 14	90450-99M16	6- 28		21- 2	92990-05600	3- 18	93103-32M01	2- 8
90119-10M72	6- 42	90380-12M29	1- 4	90464-06M29	13-18	90600-91755	8- 48	92990-06100	12-14		29- 6
90119-109U8	9- 20		11-18	90464-07M20	5- 16	90600-918U3	24-32	92990-06200	15- 7	93210-13M63	3- 42
90149-05904	9- 31	90387-06M24	10- 3	90465-06M28	11-12	90600-944U8	9- 37		15-11	93210-17MA4	9- 7
90149-069U9	26- 3	90387-06M30	10-16	90465-06M65	11-13	90601-118UF	6- 60		16- 8		29-22
90159-059U2	16-11		13-32	90465-08M69	5- 15		8- 16		16-14	93210-22ME5	17- 4
	25-19	90387-06M60	8- 44	90465-08M75	13-22		8- 32		16-21	93210-25M72	9- 9
90159-069U1	26- 4	90387-06922	15- 9	90465-11M10	1- 22		23-10		16-28	93210- 6M16	8- 24
90169-049U1	22-27	90387-08M08	8- 39		3- 4		23-11		17-37		29-27
90169-059U1	18- 8	90387-08M26	10-12		3- 26	90601-142U6	25-29		18- 5	93305-205U1	8- 18
90170-22187	7- 15	90387-08M27	10-14		5- 3	90601-152U3	21-18		20-12	93305-30601	2- 2
90179-06947	9- 43	90430-13909	17-20		5- 10	90601-155U4	22-32		20-16	93306-205U0	8- 19
90179-08M15	3- 6		17-22		5- 14	90601-162U5	14-16		20-29	93306-205U6	9- 15
90179-10925	9- 21	90430-16910	23-20		6- 17		22-14		24-15	93306-307U3	2- 3
90183-06902	15- 4		23-22		7- 3	90601-170UG	23- 8		24-22	93310-320U2	2- 12
	16- 3	90445-09M21	9- 1		7- 8	90601-195UD	23- 9		25-27	93430-47M04	9- 14
	16-17	90445-09M24	11-27		7- 11	90601-200U1	17- 7		25-36	93440-25M08	12-19
	16-24	90445-10MA1	7- 2		7- 13		17-11	92990-06600	13-24	93440-80023	2- 4
90201-05M09	11-10	90445-10MA6	7- 1		7- 14		17-17		13-31	93450-18M06	12-20
90201-05925	17-13	90445-10MF4	3- 23		9- 2	90601-200U7	19- 3		13-34	93450-21053	2- 14
	21- 3	90445-10MG1	7- 10		11-28	90601-20006	6- 63	92990-08100	4- 5	93603-10049	1- 9
90201-06M31	3- 36	90445-10MG2	7- 7		13-29		7- 24		6- 11	93604-07141	1- 10
90201-068M4	8- 41	90445-10MG3	7- 12		23-17		7- 27	92990-08200	17-32	93605-12M21	6- 9
	10-15	90445-11M33	5- 2	90465-11829	7- 21		7- 29		20-23	93606-12019	1- 8
90201-08929	15-29	90445-14M07	1- 21		8- 34		9- 36	92990-10200	20-35		8- 11

NUMERICAL INDEX

PART NO.	REF NO.	PART NO.	REF NO.	PART NO.	REF NO.	PART NO.	REF NO.	PART NO.	REF NO.	PART NO.	REF NO.
93606-12019	8- 17	97080-06025	16-19								
	8- 35		16-26								
	9- 12	97080-06030	25-26								
	11-20	97080-06035	24-14								
94702-00195	13-36	97095-06016	13-41								
94709-00195	13-36	97095-06025	11-21								
95380-06700	8- 42	97095-06030	11-23								
	12-15	97095-06035	5- 5								
	16-20	97095-08025	13- 8								
	16-27	97513-06516	3- 22								
95380-08600	6- 12	97780-04110	21-14								
95380-08700	4- 7	97780-50112	17-10								
95720-05300	14-13	97780-60116	24-33								
	17-29	97780-60525	13- 6								
95720-06300	15- 8	97880-03008	25- 7								
	15-12	97880-05016	3- 17								
	16- 9	97880-05025	17-27								
	16-15		25-10								
	16-22	97880-06010	11-14								
	16-29	97880-06016	13-23								
	17-36		13-33								
	18- 4	97880-06030	13-30								
	20-13	97985-06220	6- 35								
	20-17	98580-05012	24- 5								
	20-28	98780-04015	1- 13								
	24-24	98780-05025	24-13								
	25-28	98980-04008	7- 17								
	25-39	98980-06040	20- 5								
95720-08300	15-30		20-10								
	17-31										
	20-24										
95720-10300	20-36										
	25-42										
95780-06300	24-23										
	24-29										
	25-37										
97013-05012	11- 8										
97013-05020	11- 6										
97013-06012	3- 33										
97013-06020	3- 29										
97013-06025	3- 13										
	6- 23										
97013-06035	3- 11										
97013-08035	12-12										
97013-08040	12-10										
97080-06014	24- 7										
97080-06020	16-13										
	20-15										