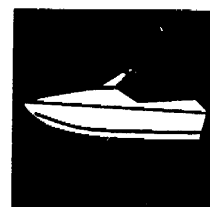


**YAMAHA**



**PARTS  
CATALOGUE**

**XL1200W**

(GU31, GU32, GU34)

**MJ-1200XL'98**

(GU33)

**YAMAHA**  
**GENUINE**  
Parts & Accessories

26GU3-300E1

**A1**

## FOREWORD

This Parts Catalogue is related to the parts for the model(s) in the below frame. When you are ordering replacement parts, please refer to this Parts Catalogue and quote both part numbers and part names correctly.

XL1200W(GU31, GU32, GU34), MJ-1200XL'98(GU33)

1. Modifications or additions which have been made after issue of the Parts Catalogue will be announced in the Yamaha Parts News. It is advisable that you make necessary corrections to the Parts Catalogue according to the Yamaha Parts News.

### 2. Abbreviations

The following abbreviations are used in this Parts Catalogue.

- "UR" Use specified parts number.
- "UN" Use as many as needed.
- "AP" Alternate Parts
- "LM" Local Made (Parts need to be ordered locally)
- "F#" Frame No. (Applicable machine No.)

3. Parts, which are to be supplied in an assembly, are listed with a dot (.) in front of the part name as shown below.

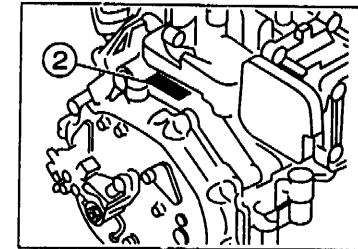
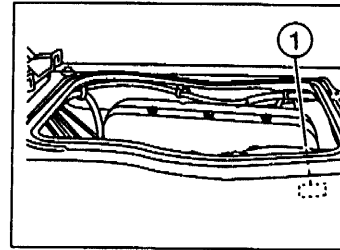
The numeral appearing to the right of each component part indicates the quantity of parts for each assembly unit.

#### EXAMPLE

PART NO.	DESCRIPTION	Q'TY	REMARKS
EU0-62280-00	DRAIN PLUG ASSY	2	
EU0-62282-00	. PLUG, DRAIN	1	

### 4. Applicable Serial No. and Color Code

① Hull Serial No.	(GU31)	GU3-800101	~
	(GU32)	GU3-800101	~
	(GU33)	GU3-100101	~
	(GU34)	GU3-800101	~
② Engine Serial No.		66F-000101	~



Color Code	Color Name	Abbreviation
0240	PURE WHITE	PURW

5. Note that the illustrations are for reference in finding parts numbers, not to be used for assembling. When assembling, please use the applicable service manual.
6. A part with "YMUS" in the remarks column can be obtained from YMUS(USA) and not from YAMAHA MOTOR CO.,LTD (JAPAN).

#### EXAMPLE

PART NO.	DESCRIPTION	QTY	REMARKS
EW2-US160-00	ENGINE HATCH COMP.	1	YMUS
90601-168U7	BAND, HOSE	1	YMUS

#### ADDRESS:

YAMAHA MOTOR CORPORATION U.S.A.  
PARTS & ACCESSORY DIV.  
6555 KATELLA AVENUE  
CYPRESS, CALIFORNIA 90630, U.S.A.

# CONTENTS

Sheet 1/2 (Fig. 1 to Fig. 24)

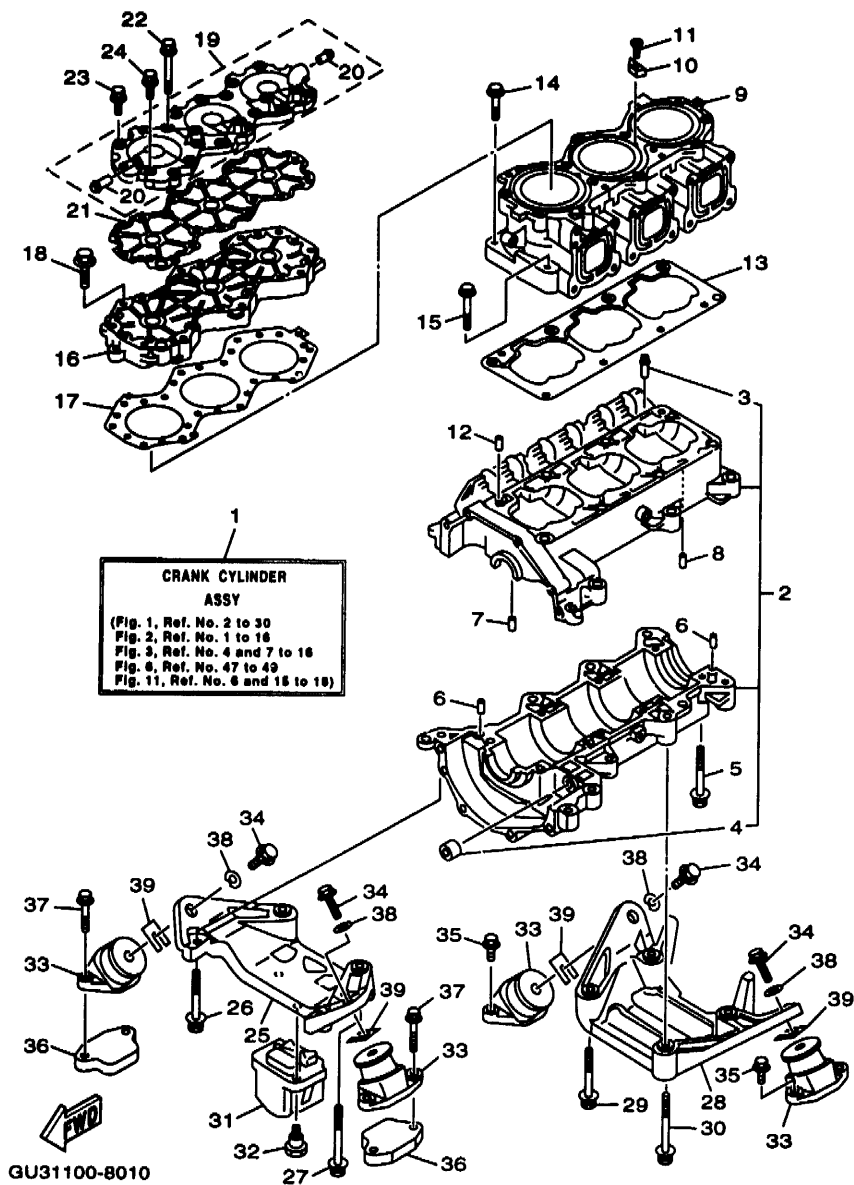
FIG. 1 CYLINDER, CRANKCASE .....	A4, A5
FIG. 2 CRANKSHAFT, PISTON .....	A6
FIG. 3 INTAKE .....	A7, B1
FIG. 4 CARBURETOR .....	B2, B3
FIG. 5 OIL PUMP .....	B4
FIG. 6 EXHAUST 1 .....	B5 ~ B7
FIG. 7 FUEL .....	C1, C2
FIG. 8 JET UNIT 1 .....	C3, C4
FIG. 9 JET UNIT 2 .....	C5, C6
FIG. 10 JET UNIT 3 .....	C7
FIG. 11 GENERATOR .....	D1
FIG. 12 STARTING MOTOR .....	D2
FIG. 13 ELECTRICAL 1 .....	D3, D4
FIG. 14 ELECTRICAL 2 .....	D5
FIG. 15 ENGINE HATCH 1 .....	D6, D7
FIG. 16 ENGINE HATCH 2 .....	E1, E2
FIG. 17 HULL, DECK .....	E3, E4
FIG. 18 GUNWALE, MAT .....	E5, E6
FIG. 19 VENTILATION .....	E7
FIG. 20 SEAT, UNDER LOCKER .....	F1, F2
FIG. 21 OIL TANK .....	F3
FIG. 22 FUEL TANK .....	F4, F5
FIG. 23 EXHAUST 2 .....	F6
FIG. 24 CONTROL CABLE .....	F7

NUMERICAL INDEX

Sheet 2/2 (Fig. 24 to Fig. 30)

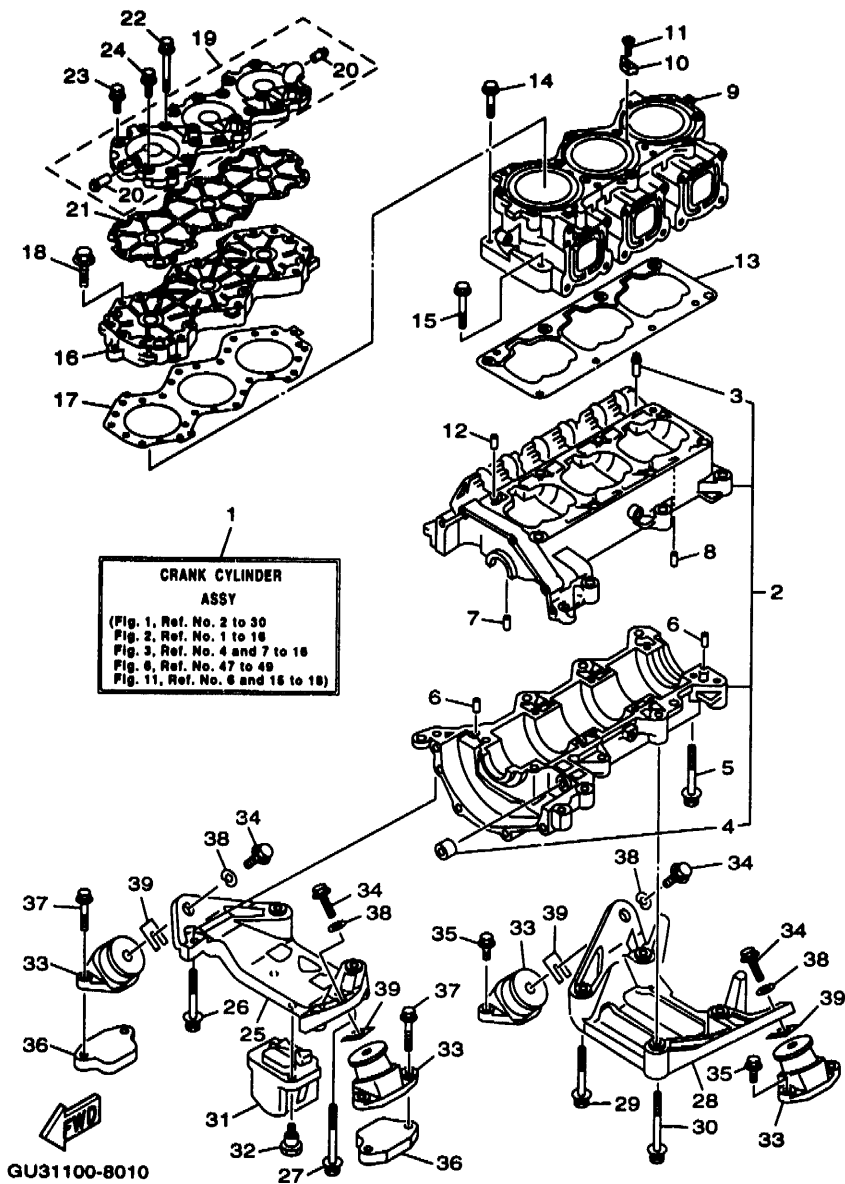
FIG. 24 CONTROL CABLE .....	A4
FIG. 25 STEERING 1 .....	A5, A6
FIG. 26 STEERING 2 .....	A7
FIG. 27 GRAPHIC, TOOL .....	B1
FIG. 28 IMPORTANT LABELS .....	B2, B3
FIG. 29 REPAIR KIT 1 .....	B4, B5
FIG. 30 REPAIR KIT 2 .....	B6

NUMERICAL INDEX



**FIG. 1 CYLINDER, CRANKCASE**

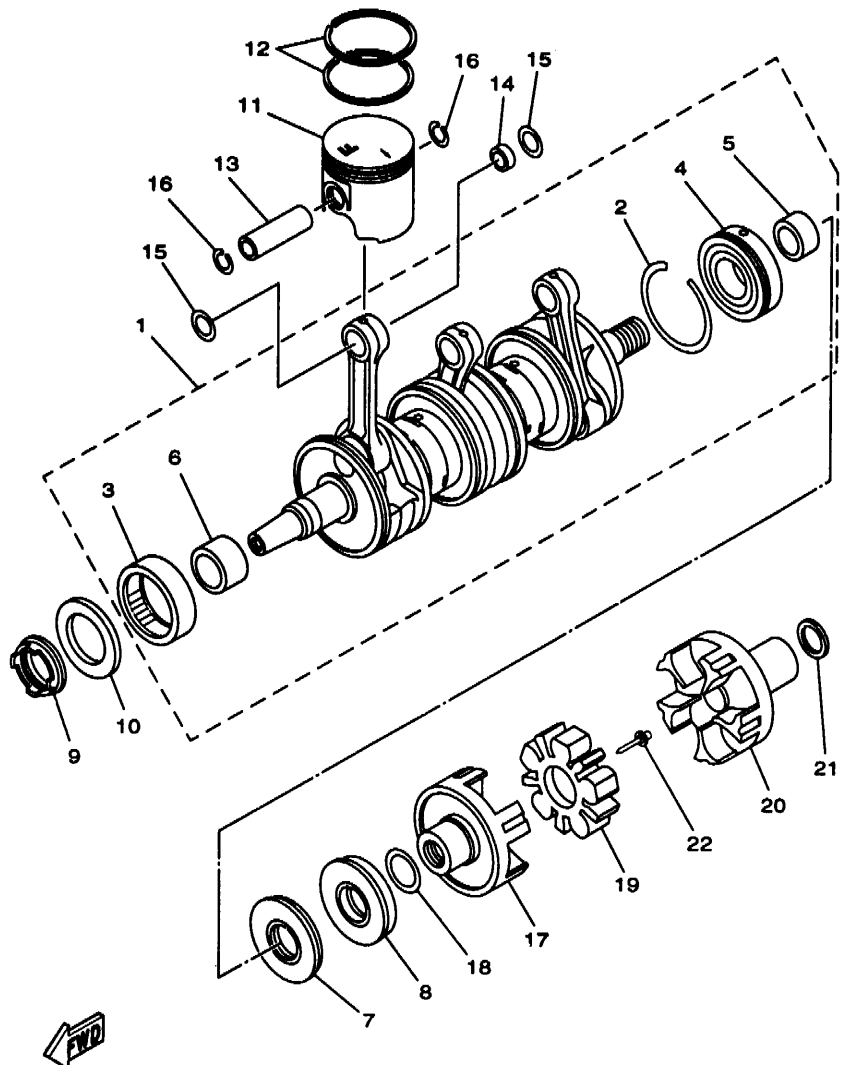
REF. NO.	PART NO.	DESCRIPTION	QTY	REMARKS
1	66F-W0090-00-8P	CRANK CYLINDER ASSY	1	
2	65U-15100-00-94	CRANKCASE ASSY	1	
3	62T-14251-00	.NIPPLE	3	
4	90380-12M29	.BUSH, SOLID	1	
5	90119-08M55	BOLT, WITH WASHER	12	
6	93606-12019	PIN, DOWEL	2	
7	93603-10049	PIN, DOWEL	7	
8	93604-07141	PIN, DOWEL	1	
9	65U-11311-00-94	CYLINDER 1	1	
10	6E5-11325-00	ANODE	2	
11	98780-04015	SCREW, FLAT HEAD	2	
12	93606-12019	PIN, DOWEL	2	
13	63M-11351-01	GASKET, CYLINDER	1	
14	90119-10M56	BOLT, WITH WASHER	6	
15	90119-10M07	BOLT, WITH WASHER	2	
16	65U-11111-00-94	HEAD, CYLINDER 1	1	
17	65U-11181-00	GASKET, CYLINDER HEAD 1	1	
18	90119-08M19	BOLT, WITH WASHER	10	
19	63M-11191-00-94	COVER, CYLINDER HEAD 1	1	
20	6K8-51129-00	.NIPPLE	2	
21	63M-11193-00	GASKET, HEAD COVER 1	1	
22	90119-08M29	BOLT, WITH WASHER	4	
23	97513-08630	BOLT, WITH WASHER	13	
24	97513-06630	BOLT, WITH WASHER	2	
25	63M-21415-02-94	BRACKET, FRONT UPPER 1	1	
26	90119-10M02	BOLT, WITH WASHER	4	
27	90119-10M72	BOLT, WITH WASHER	1	



**FIG. 1 CYLINDER. CRANKCASE**

REF. NO.	PART NO.	DESCRIPTION	GU3*	REMARKS
28	63M-21425-00-94	BRACKET, REAR UPPER 1	1	
29	90119-10M02	BOLT, WITH WASHER	2	
30	90119-10M03	BOLT, WITH WASHER	2	
31	66F-44532-00	STOPPER, UPPER MOUNT	1	
32	90109-08M30	BOLT	2	
33	6M6-44517-A1-5B	MOUNT RUBBER	4	
34	90119-089UT	BOLT, WITH WASHER	4	YMUS
35	90119-089UU	BOLT, WITH WASHER	4	YMUS
36	GJ1-6721B-00	SPACER, ENGINE MOUNT	2	
37	90119-089UR	BOLT, WITH WASHER	4	YMUS
38	EU0-67324-00	PLATE	4	
39	EU0-U7354-00-01	SHIM (T=0.1)	10	UR YMUS
	EU0-U7354-00-03	SHIM (T=0.3)	10	UR YMUS
	EU0-U7354-00-05	SHIM (T=0.5)	10	UR YMUS
	EU0-U7354-00-10	SHIM (T=1.0)	10	UR YMUS
	EU0-U7354-00-20	SHIM (T=2.0)	10	UR YMUS

**A5**



GU31100-8020

FIG. 2 CRANKSHAFT. PISTON

REF. NO.	PART NO.	DESCRIPTION	GU3 #	REMARKS
1	65U-11400-00	CRANKSHAFT ASSY	1	
2	93440-80023	.CIRCLIP	1	
3	93390-000U4	.BEARING	1	
4	93306-307U3	.BEARING	1	
5	62T-45526-00	.COLLAR, DRIVE SHAFT	1	
6	90387-32M02	.COLLAR	1	
7	92102-36M33	OIL SEAL	1	
8	93101-36M46	OIL SEAL	1	
9	93103-32M01	OIL SEAL	1	
10	65U-11445-00	SPACER	1	
11	65U-11631-00-89	PISTON (STD)	3	
	65U-11635-00	PISTON (0.25MM O/S)	3	AP
	65U-11636-00	PISTON (0.50MM O/S)	3	AP
12	65U-11603-00	PISTON RING SET (STD)	3	
	65U-11604-00	PISTON RING SET (0.25MM O/S)	3	AP
	65U-11605-00	PISTON RING SET (0.50MM O/S)	3	AP
13	62T-11633-00	PIN, PISTON	3	
14	93310-320U2	BEARING	3	
15	90201-20M04	WASHER, PLATE	6	
16	93450-21053	CIRCLIP	6	
17	63M-45813-01-8P	FLANGE, COUPLING	1	
18	62T-45127-00	SEAL	1	
19	63M-4581J-00	RUBBER SHAFT COUPLING	1	
20	64T-45813-01-8P	FLANGE, COUPLING	1	
21	90201-248M5	WASHER, PLATE	1	
22	90267-489UG	RIVET, BLIND	1	YMUS

A6

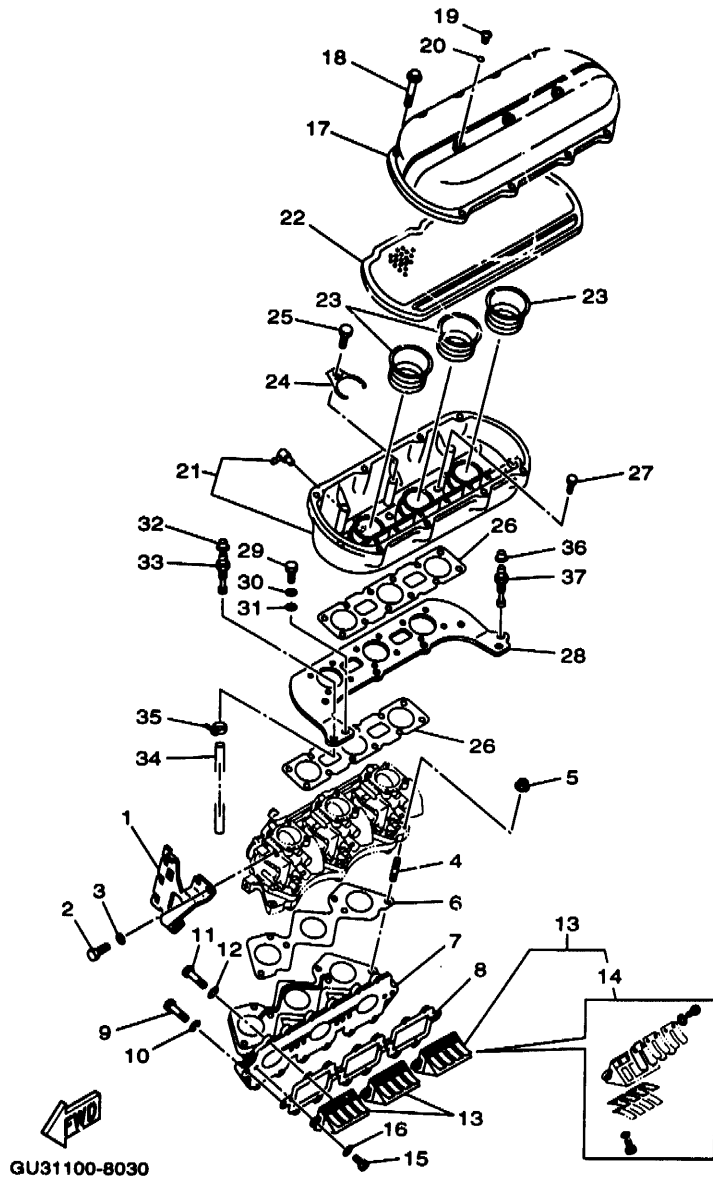
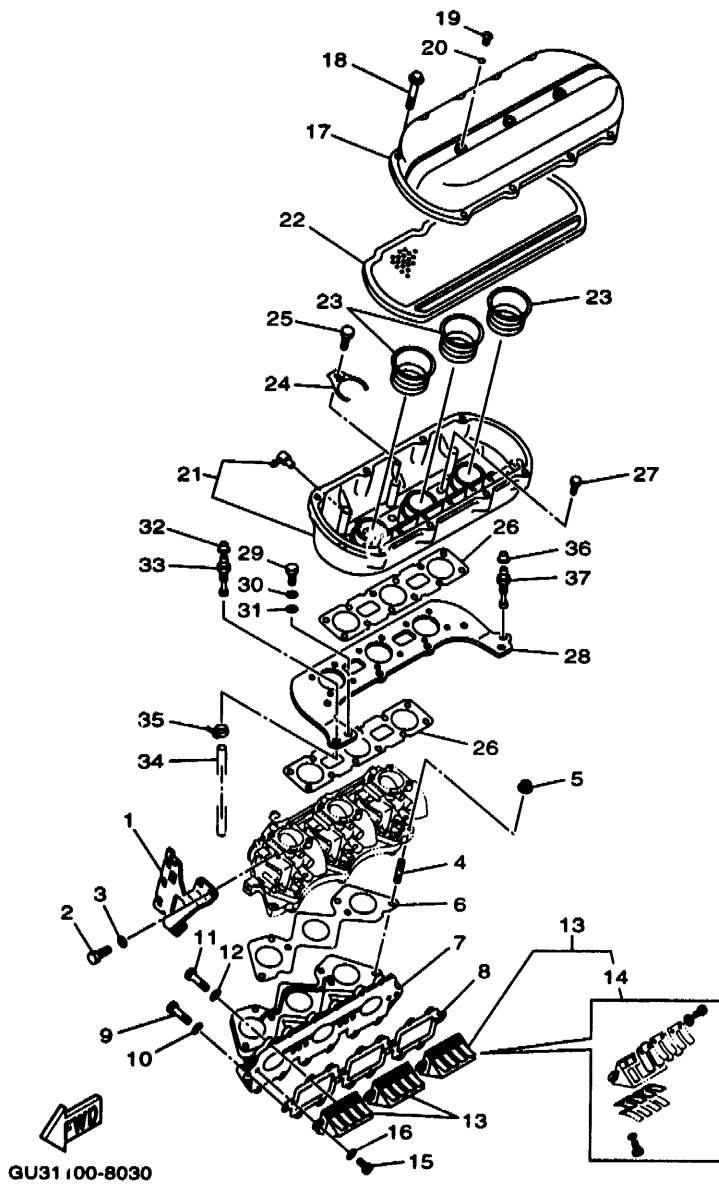


FIG. 3 INTAKE

REF. NO.	PART NO.	DESCRIPTION	GU3*	REMARKS
1	65U-14527-00	PLATE	1	
2	97013-06016	BOLT	3	
3	92903-06800	WASHER, PLATE	3	
4	90116-08M60	BOLT, STUD	6	
5	90179-08M15	NUT	6	
6	65U-13558-00	GASKET, MANIFOLD	1	
7	65U-13555-00-8P	MANIFOLD, INTAKE	1	
8	65U-13566-00	GASKET	1	
9	97013-06035	BOLT	4	
10	92903-06800	WASHER, PLATE	4	
11	97013-06025	BOLT	12	
12	92903-06800	WASHER, PLATE	12	
13	65U-13610-00	REED VALVE ASSY	3	
14	65U-W0004-00	.REED SET	1	
15	97880-05016	SCREW, PAN HEAD	6	
16	92990-05600	WASHER, PLATE	6	
17	65U-14283-00	COVER, CARBURETOR 1	1	
18	90109-05M75	BOLT	8	
19	62T-14435-00	GROMMET	3	
20	93210-13M63	O-RING	3	
21	65U-14284-01-8P	COVER, CARBURETOR 2	1	
22	65U-14451-00	ELEMENT, AIR CLEANER	1	
23	65U-14469-00	FUNNEL, AIR	3	
24	65U-14477-00	PLATE	3	
25	97595-05510	BOLT, HEX. HEAD	3	
26	65U-13674-00	GASKET, AIR COOLER COVER 1	2	
27	90109-06M76	BOLT	12	

A7

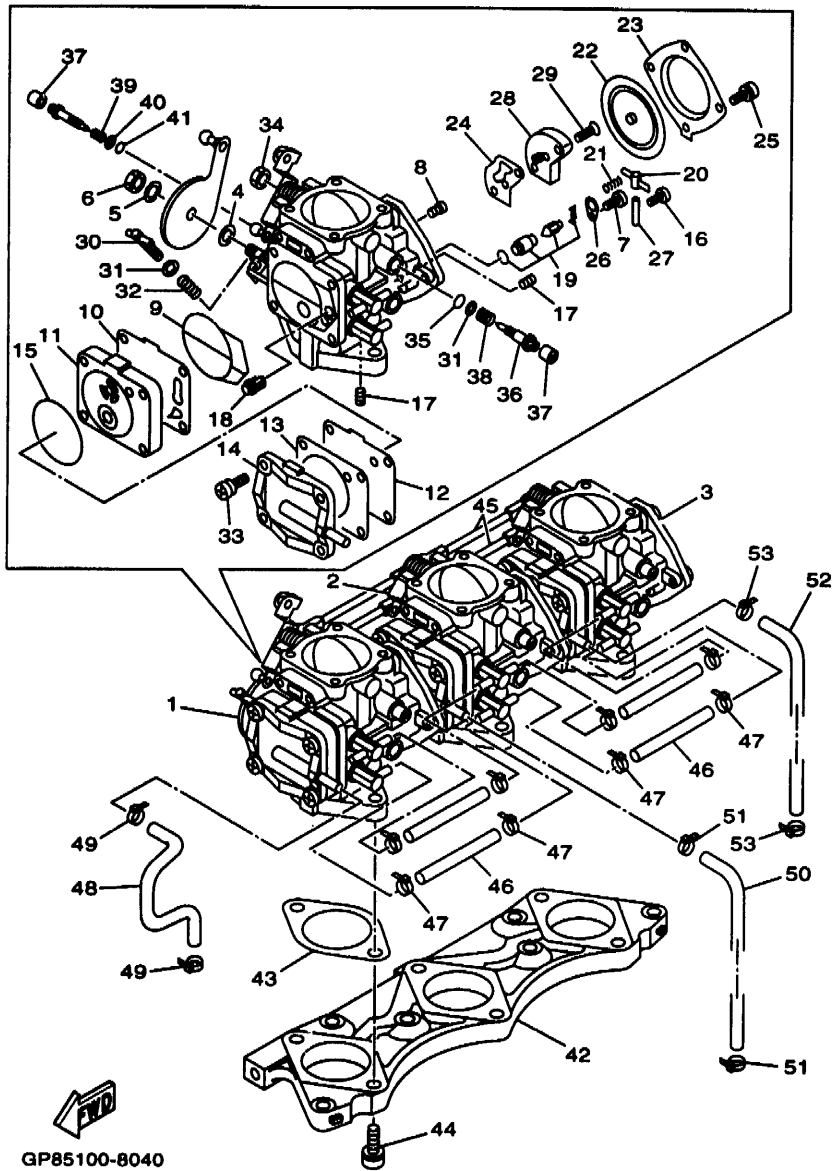


**FIG. 3 INTAKE**

REF. NO.	PART NO.	DESCRIPTION	GU3*	REMARKS
28	65U-14255-00	PLATE	1	
29	97013-06014	BOLT	2	
30	92903-06600	WASHER, PLATE	2	
31	90201-06M31	WASHER, PLATE	2	
32	663-45119-00	CAP, GREASE NIPPLE	1	
33	61L-5169A-00	NIPPLE, GREASE	1	
34	90445-09M31	HOSE	1	
35	90465-11M10	CLAMP	2	
36	663-45119-00	CAP, GREASE NIPPLE	1	
37	61L-5169A-00	NIPPLE, GREASE	1	

**B1**

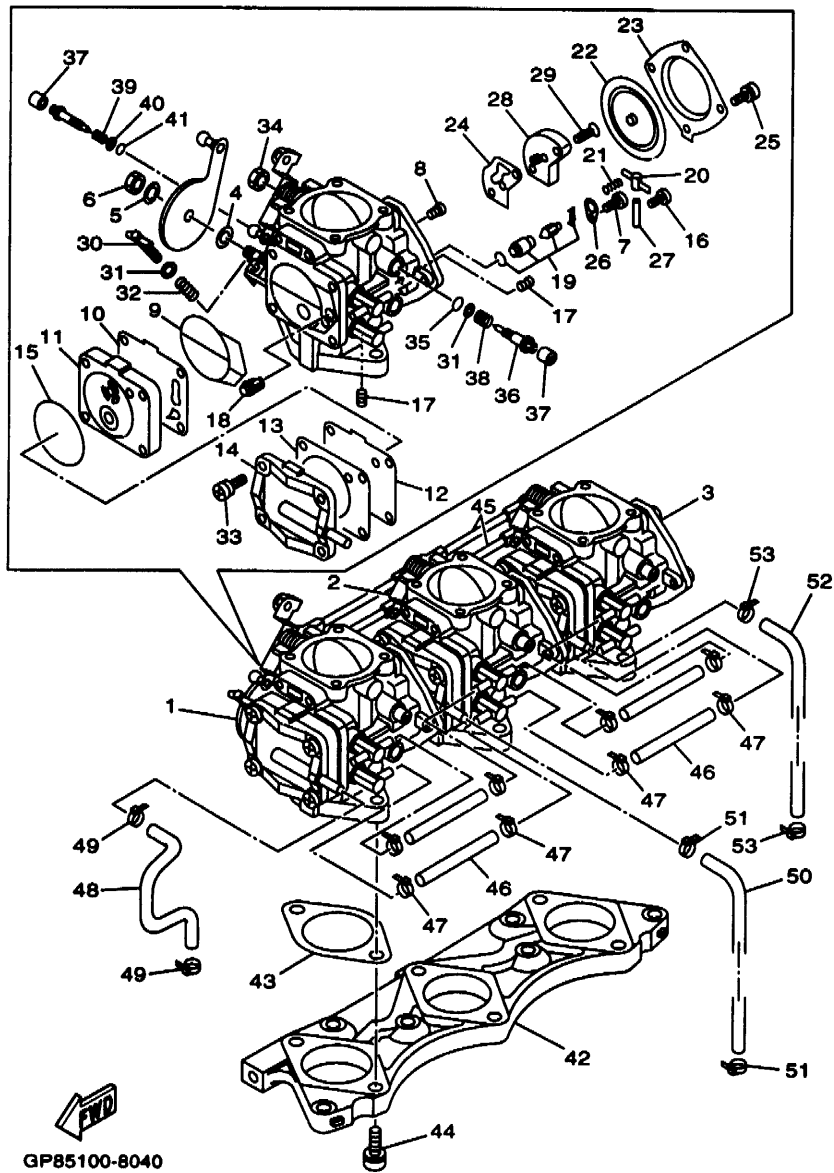




**FIG. 4 CARBURETOR**

REF. NO.	PART NO.	DESCRIPTION	QUANTITY	REMARKS
1	65U-14301-00	CARBURETOR ASSY 1	1	
2	65U-14302-00	CARBURETOR ASSY 2	1	
3	65U-14303-00	CARBURETOR ASSY 3	1	
4	6K8-14534-10	.COLLAR	3	
5	92990-08100	.WASHER, SPRING	3	
6	95380-08700	.NUT	3	
7	6M6-14503-00	.SCREW	9	
8	3G2-14231-27	.JET, MAIN (#135)	3	
9	6K8-14584-00	.O-RING	3	
10	6K8-24411-20	.DIAPHRAGM	3	
11	6M6-24413-00	.BODY 2	3	
12	6K8-24421-10	.VALVE, CHECK	3	
13	6K8-24431-20	.GASKET, FUEL PUMP 1	3	
14	6K8-24452-10	.COVER	3	
15	6K8-14583-00	.O-RING	3	
16	6K8-14503-02	.SCREW	9	
17	6K8-14521-10	.SCREW	6	
18	6R7-14569-00	.STRAINER	3	
19	64T-14916-00	.NEEDLE	3	
20	6K8-14547-01	.ARM, FLOAT	3	
21	63M-14253-00	.SPRING	3	
22	6R7-14541-00	.DIAPHRAGM, PUMP	3	
23	6R7-14542-00	.BODY, PUMP 1	3	
24	6K8-14536-11	.GASKET	3	
25	6K8-14591-10	.SCREW	12	
26	6K8-14527-11	.PLATE	3	
27	439-14186-00	.PIN, FLOAT	3	

**B2**

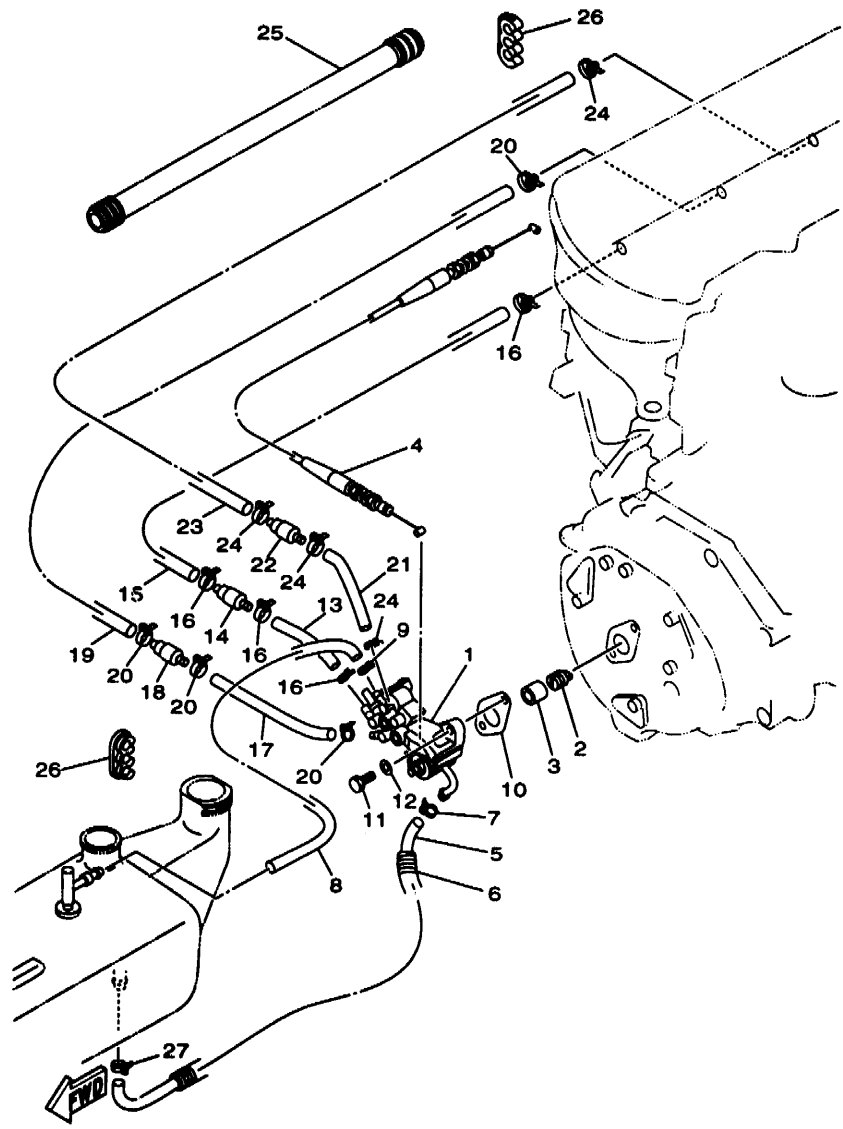


GP85100-8040

FIG. 4 CARBURETOR

REF. NO.	PART NO.	DESCRIPTION	QUANTITY	REMARKS
28	6R7-24412-01	.BODY 1	3	
29	6K8-14523-11	.SCREW, STOP	6	
30	6M6-14521-00	.SCREW, ADJUST	1	
31	812-14235-00	.WASHER, NEEDLE	4	
32	47X-14133-00	.SPRING, THROTTLE STOP	1	
33	97980-05330	.SCREW, WITH WASHER	12	
34	95382-06700	.NUT	3	
35	812-14147-00	.O-RING	3	
36	6K8-14946-10	.METERING NEEDLE	3	
37	6K8-14481-10	.CAP, CARBURETOR	6	
38	3KW-14932-00	.SPRING, THROTTLE 2	3	
39	6K8-14589-00	.SPRING	3	
40	822-14235-00	.WASHER, NEEDLE	3	
41	583-14561-00	.O-RING	3	
42	65U-14243-00	PLATE	1	
43	64X-14398-00	GASKET	3	
44	64X-14162-00	BOLT, HOLDING	6	
45	65U-41217-00	ROD, ACCEL LEVER	2	
46	90445-10MA7	HOSE	4	
47	90465-11M10	CLAMP	8	
48	65U-24315-01	PIPE 5	1	
49	90465-11M10	CLAMP	2	
50	65U-24314-01	PIPE 4	1	
51	90465-11M10	CLAMP	2	
52	65U-24314-01	PIPE 4	1	
53	90465-11M10	CLAMP	2	

B3



GU31100-8050

FIG. 5 OIL PUMP

REF. NO.	PART NO.	DESCRIPTION	GU3#	REMARKS
1	65U-13200-00	OIL INJECTION PUMP ASSY	1	
2	65U-13132-00	JOINT	1	
3	65U-13554-00	RING, RUBBER	1	
4	65U-26320-00	PUMP CABLE ASSY	1	
5	90445-11M33	HOSE	1	
6	90446-17M75	HOSE	1	
7	90465-11M10	CLAMP	1	
8	90445-07M82	HOSE	1	
9	90465-11M10	CLAMP	1	
10	63M-13116-00	GASKET, PUMP CASE	1	
11	97095-06020	BOLT	2	
12	92995-06600	WASHER	2	
13	90446-07M77	HOSE	1	
14	6R3-13183-00	VALVE, CHECK	1	
15	90446-07M35	HOSE	1	
16	90465-11M10	CLAMP	4	
17	90446-07M77	HOSE	1	
18	6R3-13183-00	VALVE, CHECK	1	
19	90446-07M36	HOSE	1	
20	90465-11M10	CLAMP	4	
21	90446-07M77	HOSE	1	
22	6R3-13183-00	VALVE, CHECK	1	
23	90446-07M74	HOSE	1	
24	90465-11M10	CLAMP	4	
25	90446-24M79	HOSE	1	
26	90464-07M05	CLAMP	1	
27	90465-11829	CLAMP	1	

B4

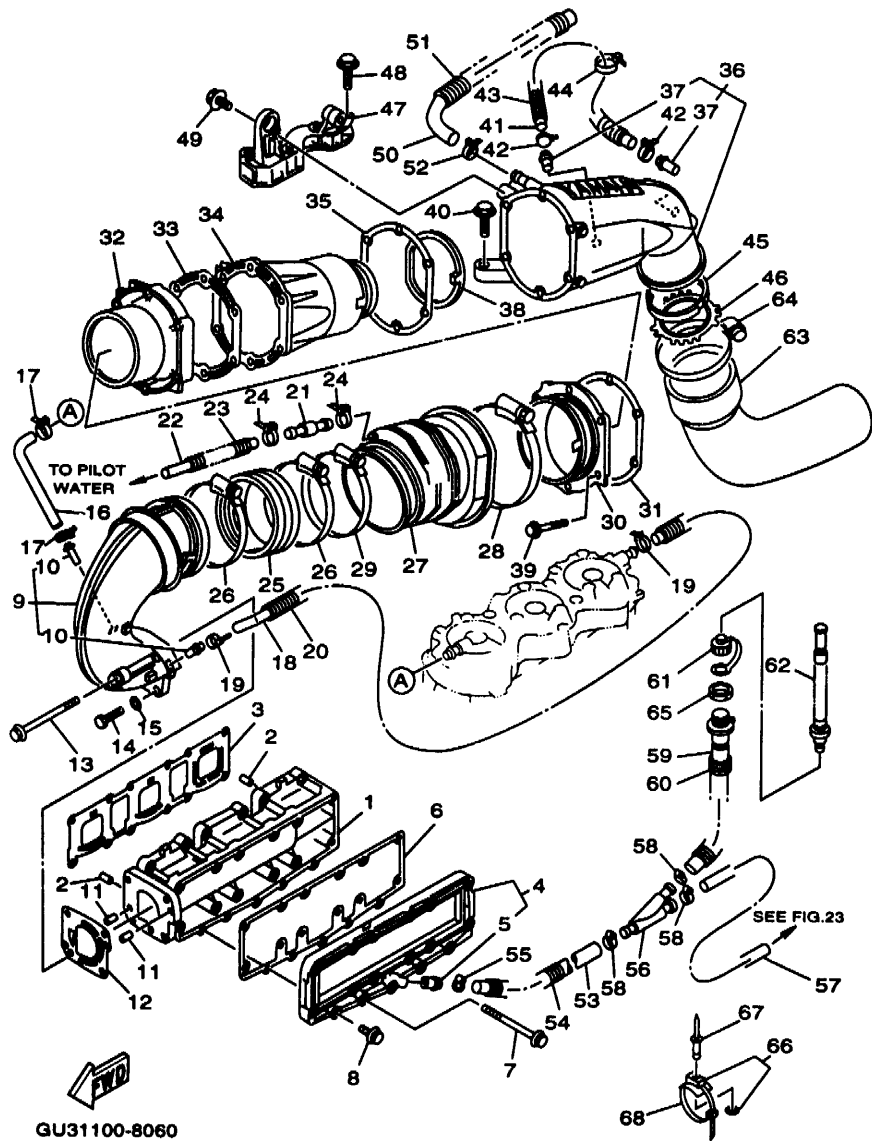
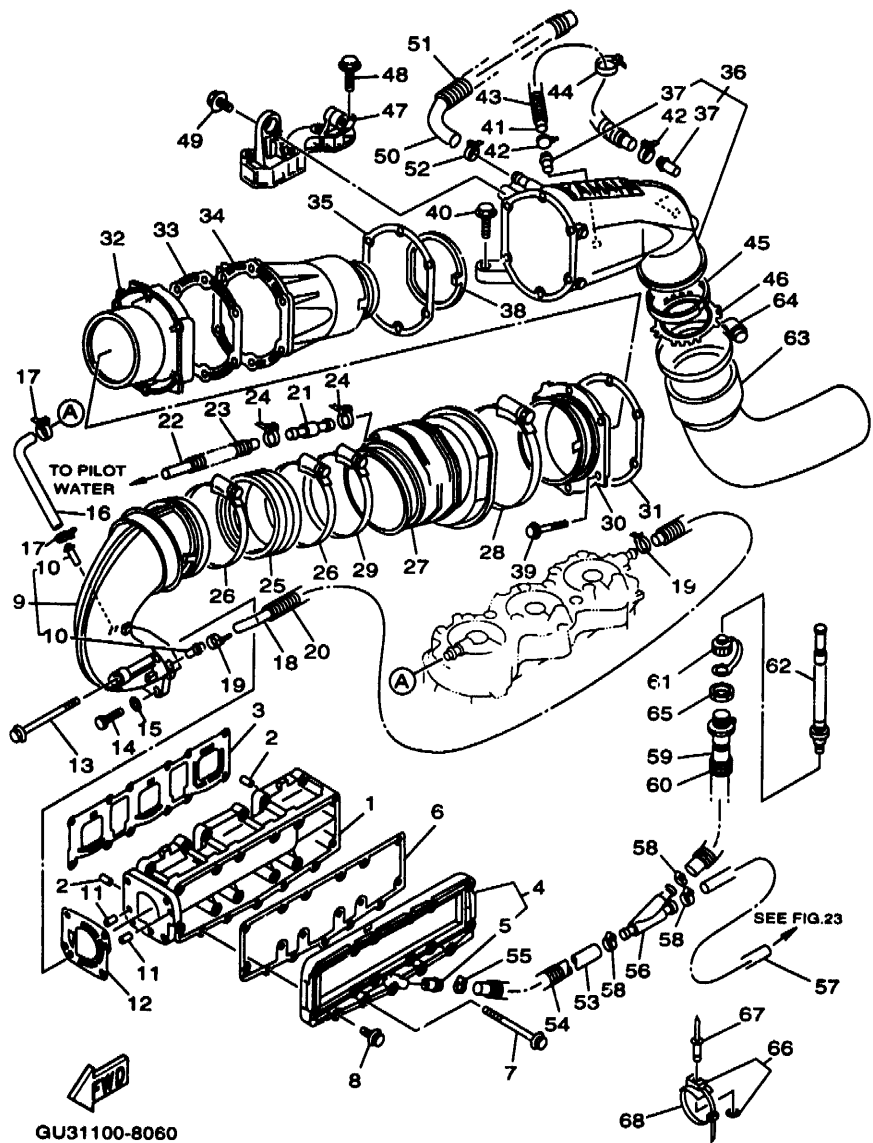


FIG. 6 EXHAUST 1

REF. NO.	PART NO.	DESCRIPTION	GU3*	REMARKS
1	63M-14711-00-94	MUFFLER 1	1	
2	93605-12M21	PIN, DOWEL	2	
3	65U-14613-00	GASKET, EXHAUST PIPE	1	
4	63M-14718-00-9P	PROTECTOR, MUFFLER 1	1	
5	63M-51129-00	.NIPPLE	1	
6	63M-14739-00	GASKET, MUFFLER DAMPER 1	1	
7	90119-08M36	BOLT, WITH WASHER	12	
8	97513-06530	BOLT, WITH WASHER	5	
9	63M-14712-00-9P	RING, JOINT	1	
10	6K8-51129-00	.NIPPLE	2	
11	93605-12M21	PIN, DOWEL	2	
12	63M-14749-00	GASKET, MUFFLER DAMPER 2	1	
13	90119-08M02	BOLT, WITH WASHER	2	
14	97013-08030	BOLT	2	
15	92903-08600	WASHER, PLATE	2	
16	63M-12576-00	HOSE 1	1	
17	90465-11M10	CLAMP	2	
18	63M-12577-00	HOSE 2	1	
19	90465-11M10	CLAMP	2	
20	90446-20M53	HOSE	1	
21	6R3-24377-00	PIPE, JOINT 3	1	
22	90445-14M16	HOSE	1	
23	90446-20M31	HOSE	1	
24	90465-11M10	CLAMP	2	
25	62T-14625-00	JOINT, EXHAUST 2	1	
26	90450-99M06	HOSE CLAMP ASSY	2	
27	63M-14615-00	JOINT, EXHAUST 1	1	

B5



**FIG. 6 EXHAUST 1**

REF. NO.	PART NO.	DESCRIPTION	QU3#	REMARKS
28	90450-99M16	HOSE CLAMP ASSY	1	
29	90450-99M02	HOSE CLAMP ASSY	1	
30	63M-41113-00-94	OUTER COVER, EXHAUST	1	
31	63M-41114-00	GASKET, EXHAUST OUTER COVER	1	
32	63M-14721-00-94	MUFFLER 2	1	
33	63M-41122-00	GASKET, EXHAUST INNER COVER	1	
34	65U-41121-00-94	INNER COVER, EXHAUST	1	
35	63M-41114-00	GASKET, EXHAUST OUTER COVER	1	
36	65U-41123-00-94	OUTER COVER, EXHAUST	1	
37	65U-14251-00	.NIPPLE	2	
38	63M-15761-00	SEAL, RUBBER 1	1	
39	90105-08M66	BOLT, WASHER BASED	6	
40	90105-10M60	BOLT, WASHER BASED	2	
41	90445-09M37	HOSE	1	
42	90465-11M10	CLAMP	2	
43	90446-14M61	HOSE	1	
44	90465-13M24	CLAMP	1	
45	63M-41138-00	SEAL, EXT. 1	1	
46	63M-14680-00	STOPPER	1	
47	63M-14771-00-94	STAY, MUFFLER 1	1	
48	90119-10M72	BOLT, WITH WASHER	4	
49	90105-10M45	BOLT, WASHER BASED	2	
50	64X-12578-01	HOSE 3	1	
51	90446-27M55	HOSE	1	
52	90450-22M14	HOSE CLAMP ASSY	1	
53	90445-18M02	HOSE	1	
54	90446-24M52	HOSE	1	

**B6**

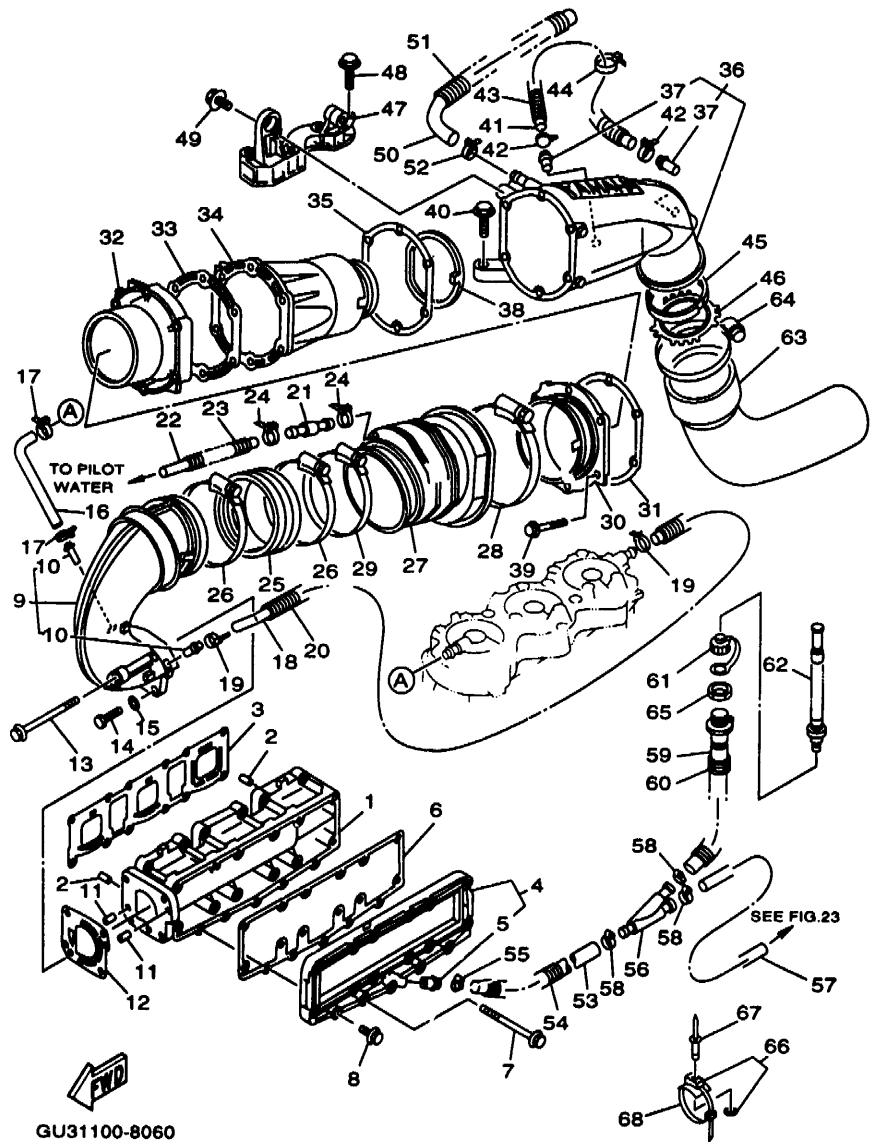
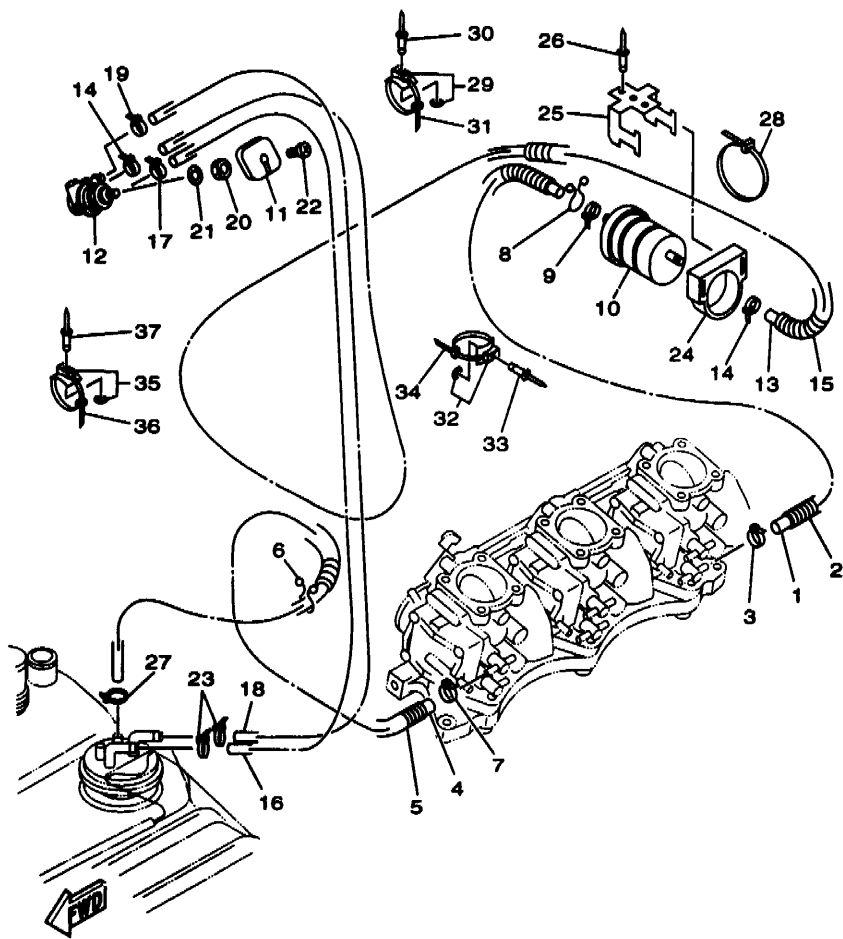


FIG. 6 EXHAUST 1

REF. NO.	PART NO.	DESCRIPTION	QUANTITY	REMARKS
55	90450-18M09	HOSE CLAMP ASSY	1	
56	63M-12581-00	JOINT, HOSE 1	1	
57	90445-18M00	HOSE	1	
58	90450-18M09	HOSE CLAMP ASSY	3	
59	64T-12580-00	JOINT ASSY	1	
60	90446-24M89	HOSE	1	
61	682-84385-01	CAP 1	1	
62	63M-12590-00	CONDUCTION ASSY	1	UR USA
	63M-12590-10	CONDUCTION ASSY	1	UR JPN
	63M-12590-20	CONDUCTION ASSY	1	UR EXCEPT USA/JPN
63	64T-14752-00	PIPE, OUTLET	1	
64	90450-99M02	HOSE CLAMP ASSY	1	
65	EU0-61652-00	NUT	1	
66	90600-91736	CLAMP COMP.	1	
67	90267-48925	RIVET, BLIND	1	
68	90601-20006	BAND	1	

B7

FIG. 7 FUEL

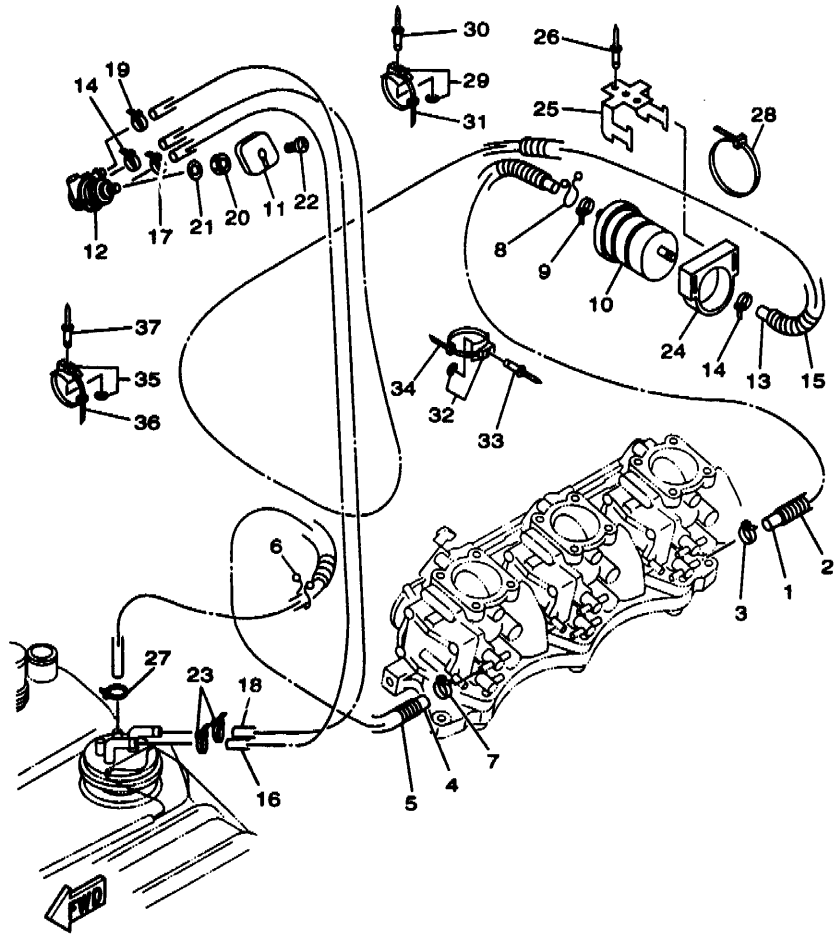


GU31100-8070

REF. NO.	PART NO.	DESCRIPTION	QUANTITY	REMARKS
1	90445-10MG0	HOSE	1	
2	90446-14M28	HOSE	1	
3	90465-11M10	CLAMP	1	
4	90445-10M99	HOSE	1	
5	90446-14M84	HOSE	1	
6	90464-08M07	CLAMP	1	
7	90465-11M10	CLAMP	1	
8	90464-08M07	CLAMP	1	
9	90465-11M10	CLAMP	1	
10	6K8-24560-10	FILTER ASSY	1	
11	6R7-24524-00	LEVER, COCK	1	
12	65U-24500-00	FUEL COCK ASSY 1	1	
13	90445-10MG2	HOSE	1	
14	90465-11M10	CLAMP	2	
15	90446-14M62	HOSE	1	
16	90445-10MG1	HOSE	1	
17	90465-11M10	CLAMP	1	
18	90445-10MG3	HOSE	1	
19	90465-11M10	CLAMP	1	
20	90170-22187	NUT	1	
21	90202-229U1	WASHER, PLATE	1	YMUS
22	98980-04008	SCREW, BIND	1	
23	90465-11829	CLAMP	2	
24	EU0-67817-00	HOLDER	1	
25	EU0-67816-30	BRACKET, FUEL FILTER	1	
26	90267-489U1	RIVET, BLIND	2	YMUS
27	90601-20006	BAND	1	

C1

FIG. 7 FUEL



GU31100-8070

REF. NO.	PART NO.	DESCRIPTION	QUANTITY	REMARKS
28	90465-11820	CLAMP	3	
29	90600-91736	CLAMP COMP.	6	
30	90267-48925	RIVET, BLIND	6	
31	90601-20006	BAND	6	
32	90600-91736	CLAMP COMP.	1	
33	90267-48925	RIVET, BLIND	1	
34	90601-20006	BAND	1	
35	90600-91736	CLAMP COMP.	1	
36	90601-20006	BAND	1	
37	90267-48925	RIVET, BLIND	1	

C2



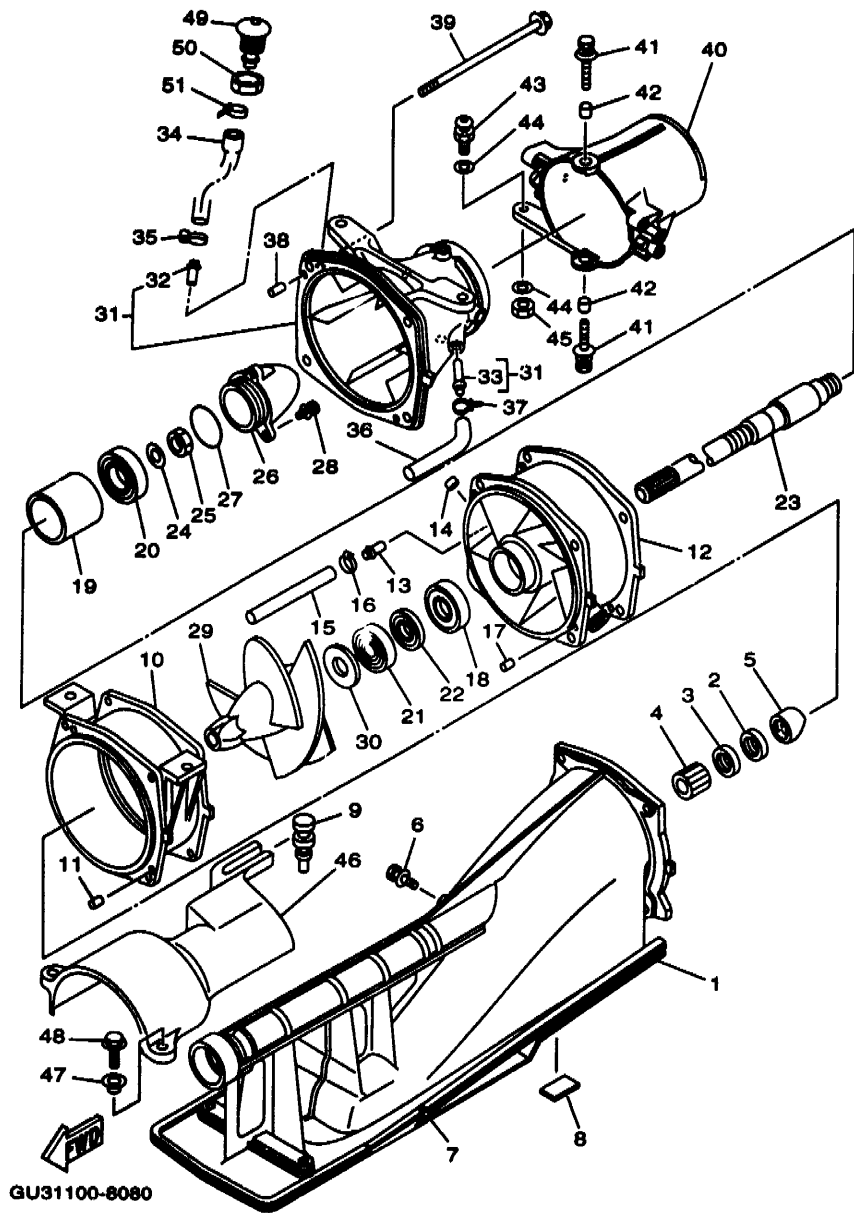
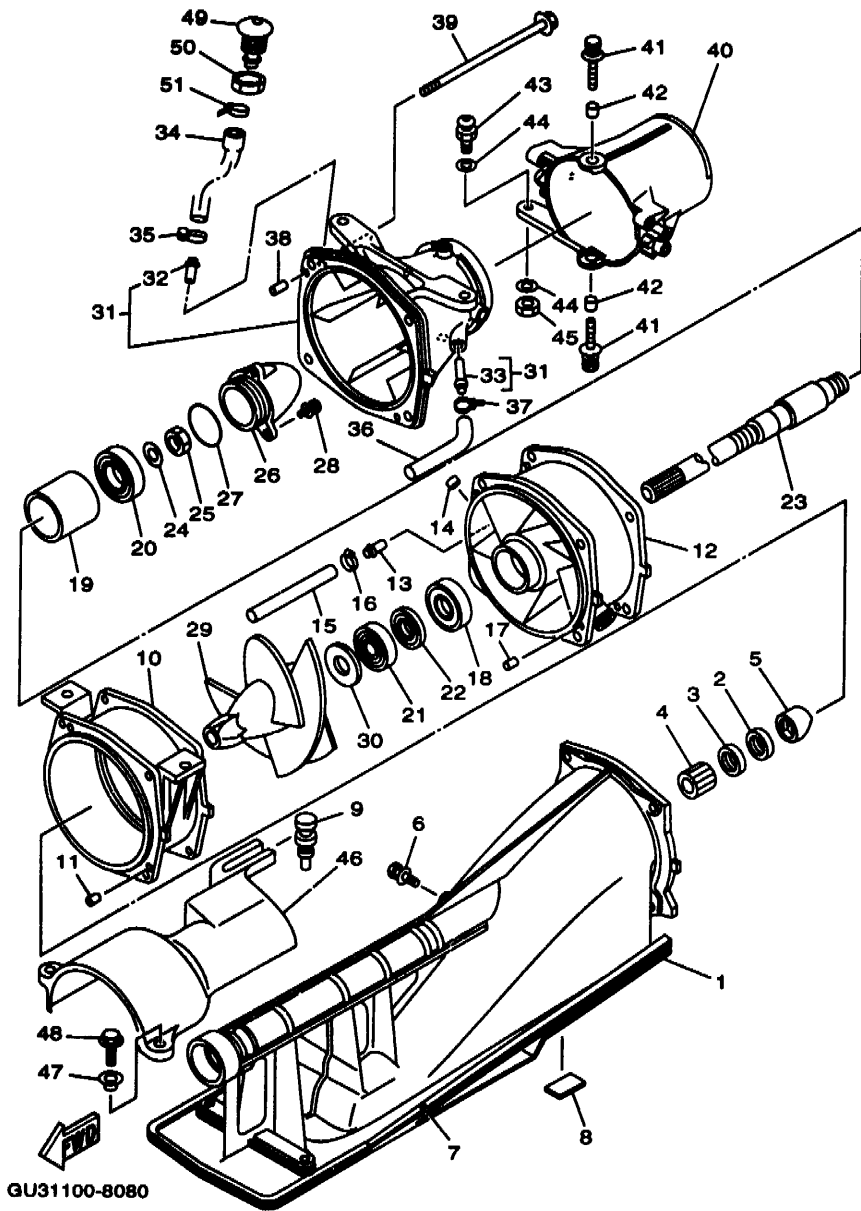


FIG. 8 JET UNIT 1

REF. NO.	PART NO.	DESCRIPTION	GU3*			REMARKS
1	65U-R1311-00	DUCT, INTAKE	1			YMUS
2	93102-17M49	OIL SEAL	1			
3	93102-17M50	OIL SEAL	1			
4	65V-45318-00	BUSHING, DRIVE SHAFT	1			
5	65U-R1348-01	SPACER	1			YMUS
6	90119-069UD	BOLT, WITH WASHER	1			YMUS
7	6R8-51367-01	FELT, PACKING	2			
8	63M-51368-00	FELT, PACKING	2			
9	90430-06M48	GROMMET	1			
10	65A-R1312-00	HOUSING, IMPELLER	1			YMUS
11	93606-12019	PIN, DOWEL	2			
12	65A-R1315-00	DUCT, IMPELLER	1			YMUS
13	65A-R1129-10	NIPPLE	1			YMUS
14	90331-12M05	PLUG	1			
15	90445-18M03	HOSE	1			
16	90601-118UF	BAND, HOSE 18	1			YMUS
17	93606-12019	PIN, DOWEL	2			
18	93306-205U0	BEARING	1			
19	65V-45538-00	SPACER 1	1			
20	93306-304U1	BEARING	1			
21	93102-25M34	OIL SEAL	1			
22	93101-25M50	OIL SEAL	1			
23	65U-45511-00	SHAFT, DRIVE	1			
24	92990-16600	WASHER	1			
25	95317-16700	NUT	1			
26	65A-R1326-00	CAP	1			YMUS
27	93210-46M16	O-RING	1			

C3



GU31100-8080

FIG. 8 JET UNIT 1

REF. NO.	PART NO.	DESCRIPTION	QUANTITY	REMARKS
28	90119-069UB	BOLT, WITH WASHER	3	YMUS
29	66F-R1321-00	IMPELLER	1	YMUS
30	62T-51348-00	SPACER	1	
31	65R-R1318-00	NOZZLE	1	YMUS
32	65A-R1129-00	.NIPPLE	1	YMUS
33	65A-R1334-01	.NIPPLE, HOSE	1	YMUS
34	62E-51673-00	PIPE 1	1	
35	90601-118UF	BAND, HOSE 18	1	YMUS
36	90445-14898	HOSE	1	
37	90465-11829	CLAMP	1	
38	93806-12019	PIN, DOWEL	2	
39	90105-089U1	BOLT, WASHER BASED	4	YMUS
40	65R-R1313-01	NOZZLE, DEFLECTOR	1	YMUS
41	90119-089UE	BOLT, WITH WASHER	2	YMUS
42	90387-08M08	COLLAR	2	
43	GH3-U148E-00	STUD, JOINT BALL	1	YMUS
44	90201-068M4	WASHER, PLATE	2	YMUS
45	95380-06700	NUT	1	
46	65A-R1381-00	COVER	1	YMUS
47	90387-08M60	COLLAR	2	
48	90119-069UD	BOLT, WITH WASHER	2	YMUS
49	FN8-6269B-00	SPOUT	1	
50	EU0-61652-00	NUT	1	
51	90600-91755	CLIP	1	

C4

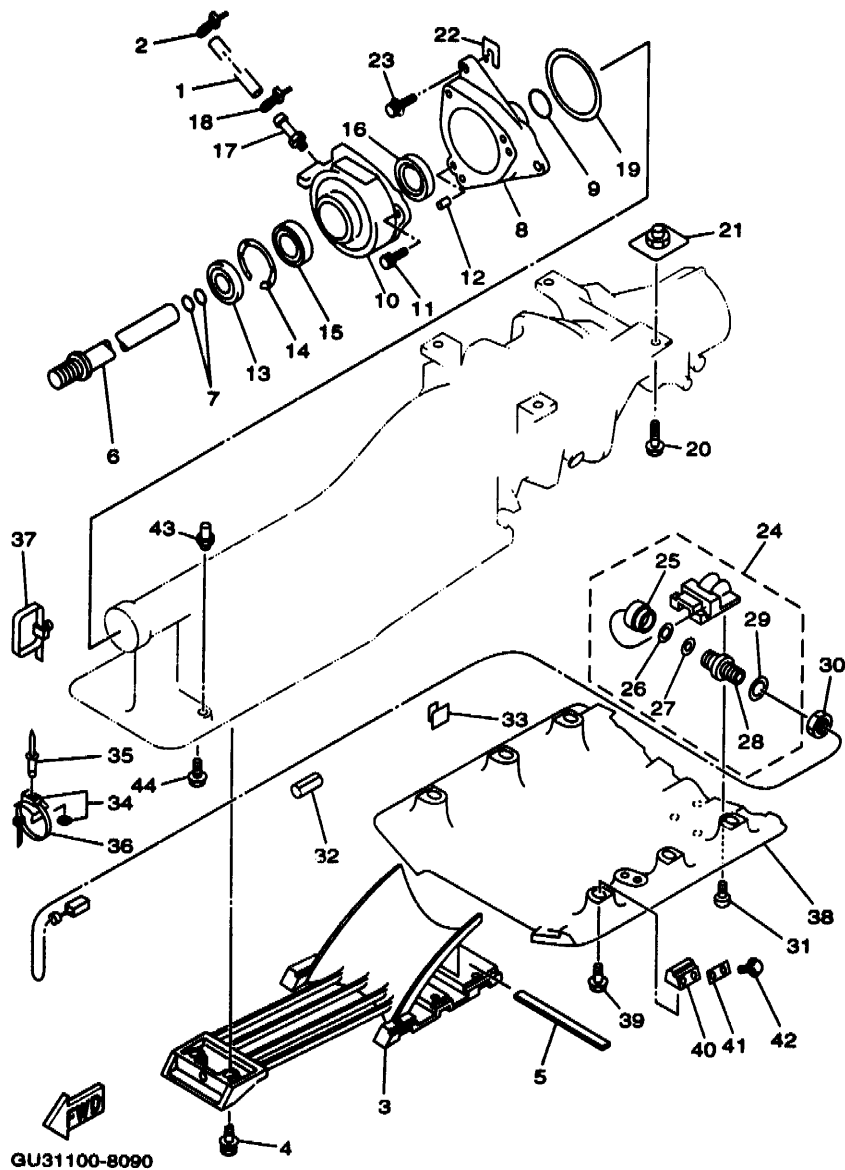


FIG. 9 JET UNIT 2

REF. NO.	PART NO.	DESCRIPTION	GU3 #	REMARKS
1	90445-09M21	HOSE	1	
2	90485-11M10	CLAMP	1	
3	65R-R1333-00	SCREEN, INTAKE	1	YMUS
4	90119-069UC	BOLT, WITH WASHER	8	YMUS
5	63M-51367-00	FELT, PACKING	1	
6	63M-51323-00	SHAFT, COUPLOR	1	
7	93210-17MA4	O-RING	2	
8	65A-G5331-00	HOUSING, BEARING	1	YMUS
9	93210-35M72	O-RING	1	
10	65U-45332-00-94	HOUSING, BEARING	1	
11	90119-089UF	BOLT, WITH WASHER	3	YMUS
12	93806-12019	PIN, DOWEL	2	
13	93101-25M55	OIL SEAL	1	
14	93430-47M04	CIRCLIP	1	
15	93306-205U6	BEARING	1	
16	93101-25M56	OIL SEAL	1	
17	61L-45378-00	NIPPLE, HOSE	1	
18	90465-11829	CLAMP	1	
19	6K8-45127-00	SEAL	1	
20	90119-109U8	BOLT, WITH WASHER	4	YMUS
21	90179-10925	NUT	4	
22	GD0-U7249-00-05	SHIM (T=0.5)	2	UR YMUS
	GD0-U7249-00-10	SHIM (T=1.0)	2	UR YMUS
23	90119-08907	BOLT, WITH WASHER	3	
24	GJ1-U8K31-02	SENSOR SPEED	1	YMUS
25	EU0-62694-00	.CAP	1	
26	EU0-61446-00	.WASHER	1	

C5

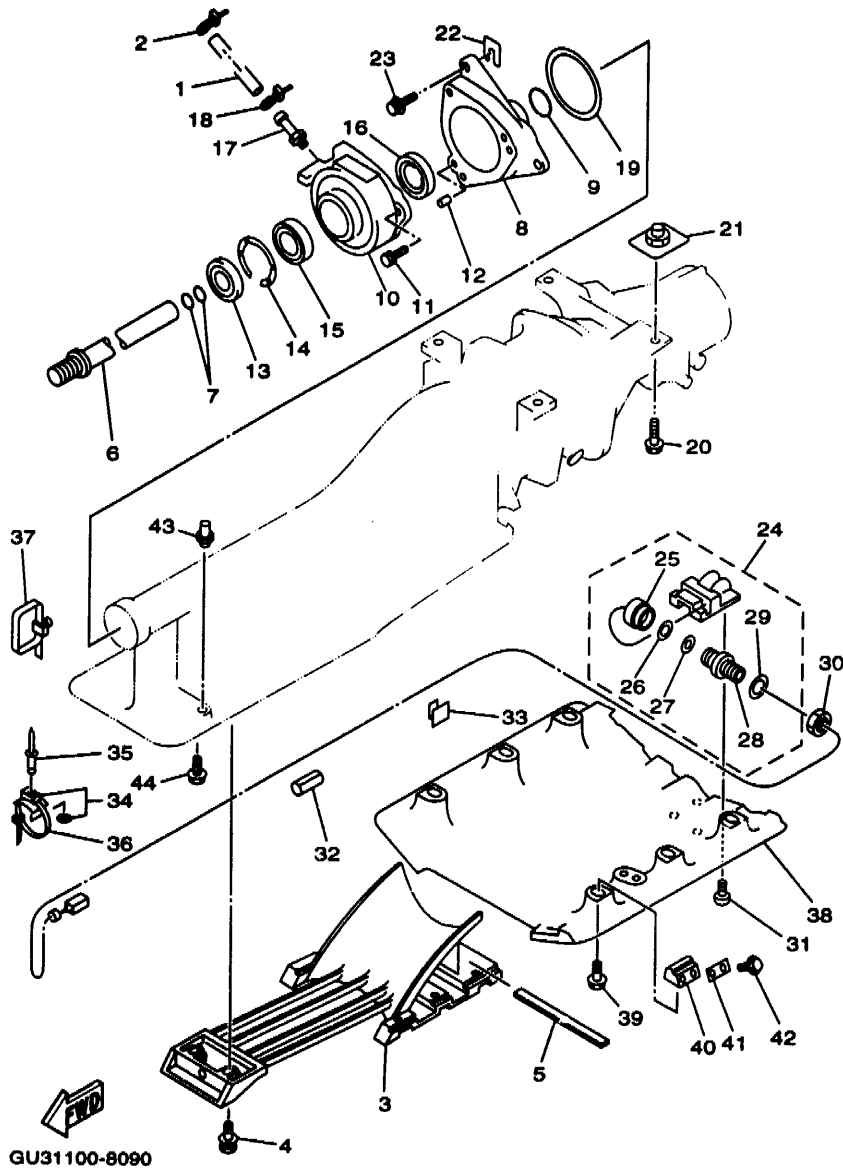
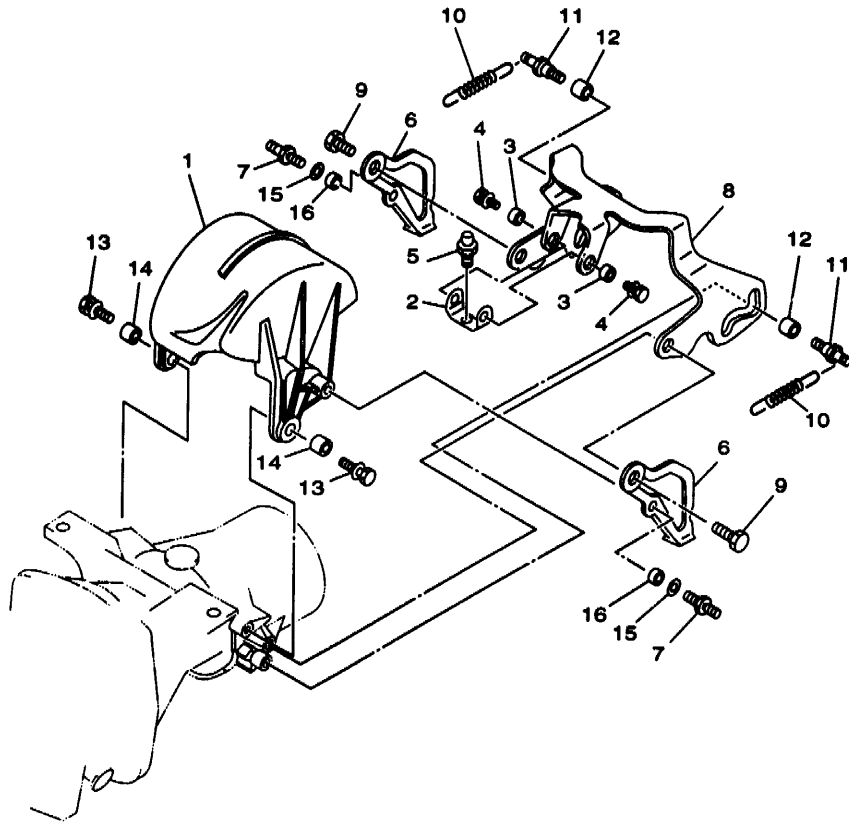


FIG. 9 JET UNIT 2

REF. NO.	PART NO.	DESCRIPTION	GU3*	REMARKS
27	EU0-61486-00	STOPPER	1	
28	EU0-61436-00	BODY, CABLE	1	
29	EU0-61438-00	PACKING, C	1	
30	EU0-62241-30	NUT, DRAIN 1	1	
31	90149-05904	SCREW	4	
32	GJ1-6822E-00	GROMMET	1	
33	90600-90361	CLAMP	3	
34	90600-91736	CLAMP COMP.	4	
35	90267-48925	RIVET, BLIND	4	
36	90601-20006	BAND	4	
37	90600-944U8	CLAMP	1	YMUS
38	GJ3-U273B-00	PLATE 2	1	YMUS
39	90119-089U6	BOLT, WITH WASHER	6	YMUS
40	GJ1-62733-00	PACKING	6	
41	GJ1-62663-00	PACKING 1	6	
42	90119-089U5	BOLT, WITH WASHER	12	YMUS
43	90179-08947	NUT	2	
44	90119-089UK	BOLT, WITH WASHER	2	YMUS

C6

**FIG. 10 JET UNIT 3**

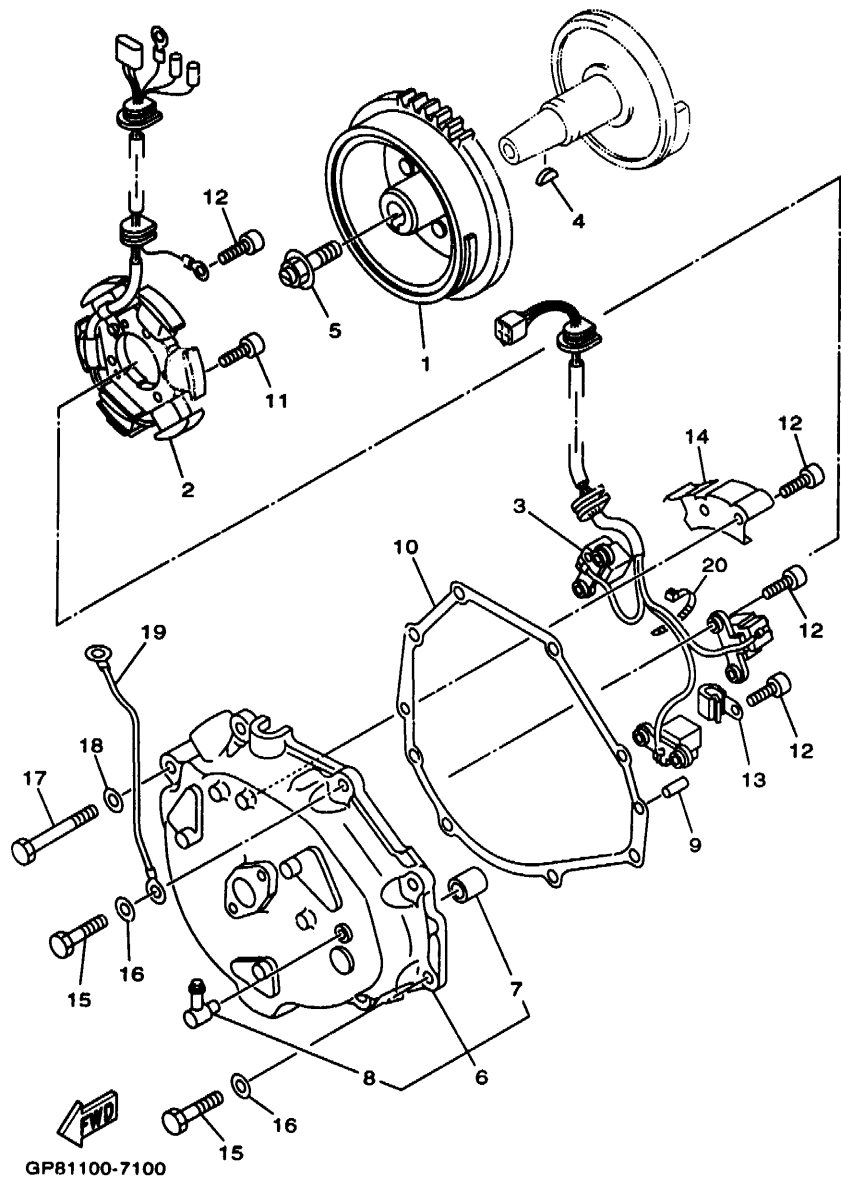


REF. NO.	PART NO.	DESCRIPTION	GU3*	REMARKS
1	85A-R1314-00	GATE, REVERSE	1	YMUS
2	6R8-44125-00	LEVER, SHIFT ROD	1	
3	90387-06M24	COLLAR	2	
4	90119-089UA	BOLT, WITH WASHER	2	YMUS
5	GHC-U148E-10	STUD, JOINT BALL	1	YMUS
6	64T-51345-00	PLATE 1	2	
7	65A G4184-00	PIN	2	YMUS
8	64T-44121-00	LEVER, SHIFT ROD	1	
9	90109-089U1	BOLT	2	YMUS
10	90506-12M35	SPRING, TENSION	2	
11	65A-G4137-00	PIN	2	YMUS
12	90387-08M28	COLLAR	2	
13	90119-089UF	BOLT, WITH WASHER	2	YMUS
14	90387-08M27	COLLAR	2	
15	90201-068M4	WASHER, PLATE	2	YMUS
16	90387-06M30	COLLAR	2	



GP31100-7100

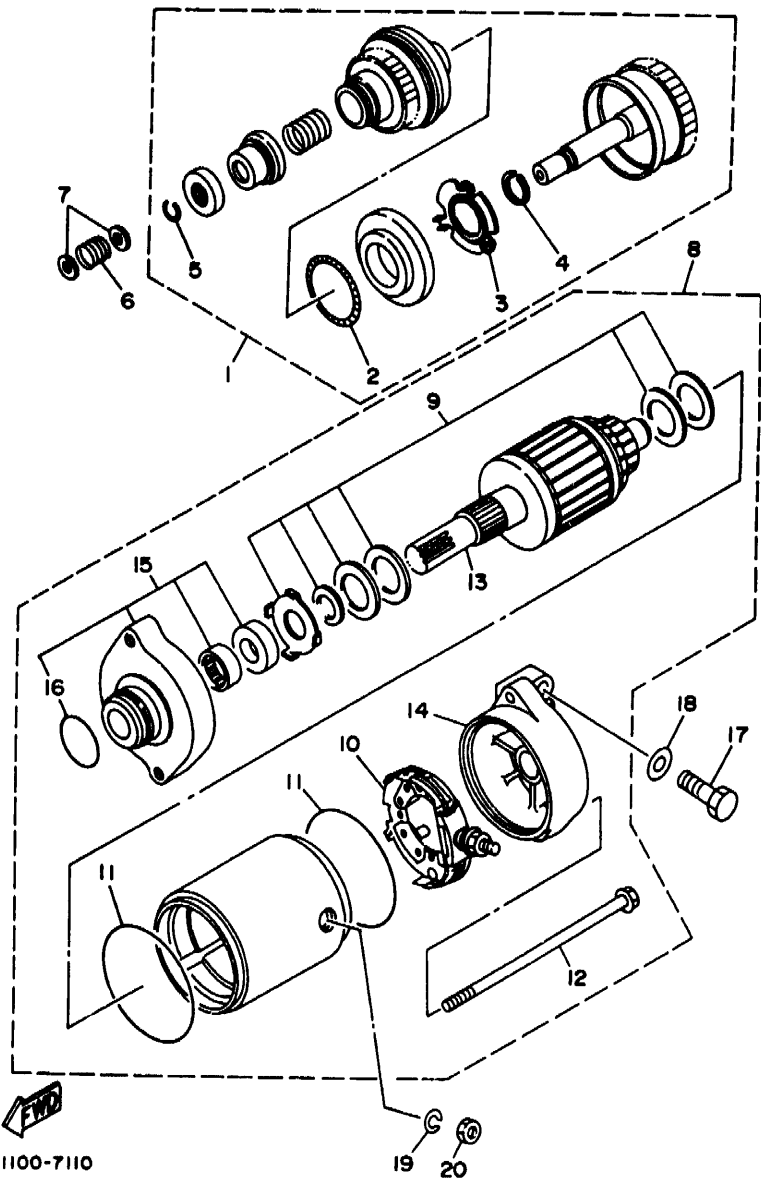
**C7**



**FIG. 11 GENERATOR**

REF. NO.	PART NO.	DESCRIPTION	QTY	REMARKS
1	65U-85550-00	ROTOR ASSY	1	
2	65U-85510-00	STATOR ASSY	1	
3	65U-85580-00	COIL, PULSER	1	
4	90280-05013	KEY, WOODRUFF	1	
5	90109-10M72	BOLT	1	
6	65U-81337-00-8P	COVER, FLYWHEEL	1	
7	90380-12M29	.BUSH, SOLID	1	
8	676-11372-00	.NIPPLE, HOSE	1	
9	93606-12019	PIN, DOWEL	2	
10	63M-81365-00	GASKET, HOLE COVER	1	
11	91318-06025	BOLT	3	
12	91318-06014	BOLT	13	
13	90465-08M67	CLAMP	4	
14	65U-81328-00	CLAMP	1	
15	97095-08030	BOLT	7	
16	92995-08600	WASHER	7	
17	97095-08055	BOLT	1	
18	92995-08600	WASHER	1	
19	6H5-82127-00	WIRE, LEAD 2	1	
20	90465-11M10	CLAMP	1	

**D1**



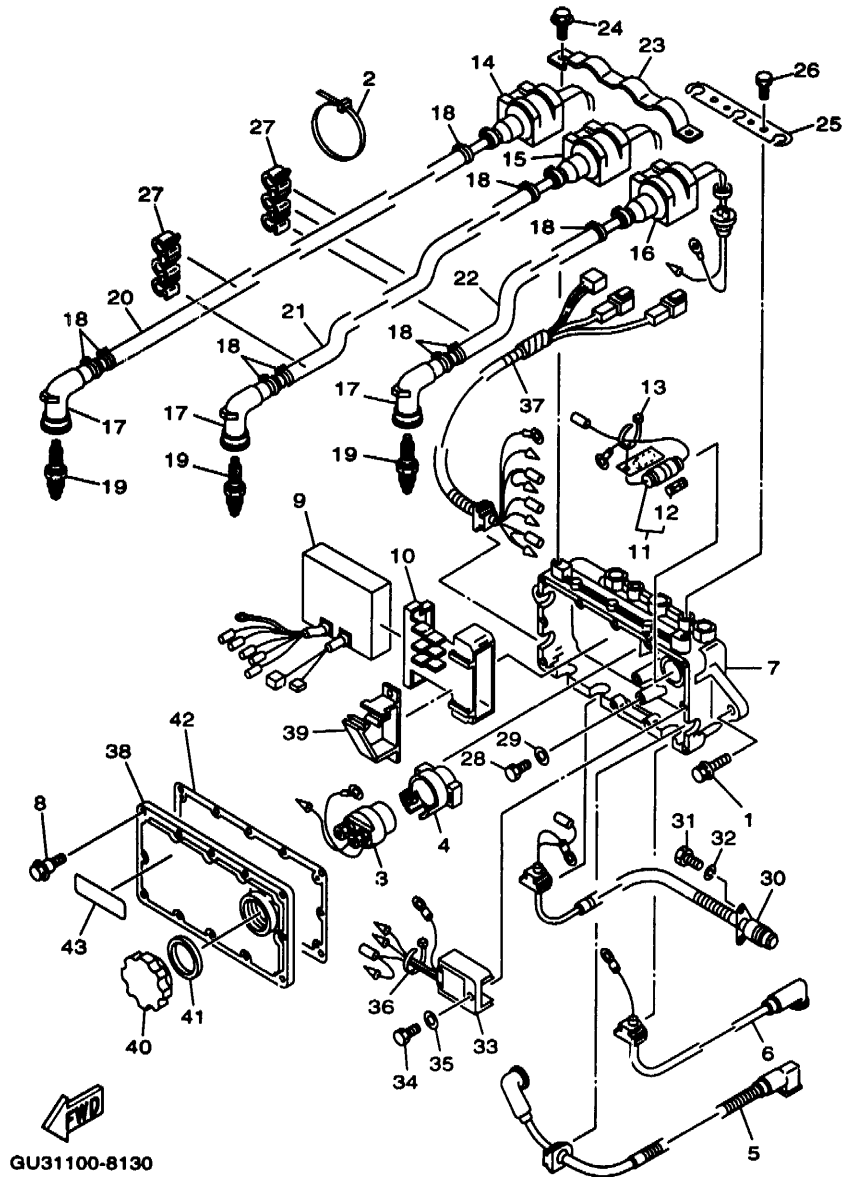
GP81100-7110

FIG. 12 STARTING MOTOR

REF. NO.	PART NO.	DESCRIPTION	QU3*	REMARKS
1	6M6-8183E-00	IDLE GEAR COMP	1	
2	6M6-81868-00	.WEIGHT SPRING	1	
3	6M6-81865-00	.WEIGHT HOLDER	1	
4	93440-25M08	.CIRCLIP	1	
5	93450-18M06	.CIRCLIP	1	
6	90501-14M73	SPRING, COMPRESSION	1	
7	92903-06600	WASHER, PLATE	2	
8	63M-81800-00	STARTING MOTOR ASSY	1	
9	3AJ-81809-00	.WASHER KIT	1	
10	6M6-81840-10	.BRUSH HOLDER ASSY	1	
11	11H-81844-00	.GASKET	2	
12	6M6-81826-00	.BOLT	2	
13	6M6-81850-00	.ARMATURE ASSY	1	
14	63M-81830-00	.FRONT BRACKET ASSY	1	
15	6M6-81830-00	.FRONT BRACKET ASSY	1	
16	1FK-81847-00	.O-RING	1	
17	97013-08025	BOLT	2	
18	92903-08600	WASHER, PLATE	2	
19	92990-06100	WASHER, SPRING	1	
20	95380-06700	NUT	1	

D2

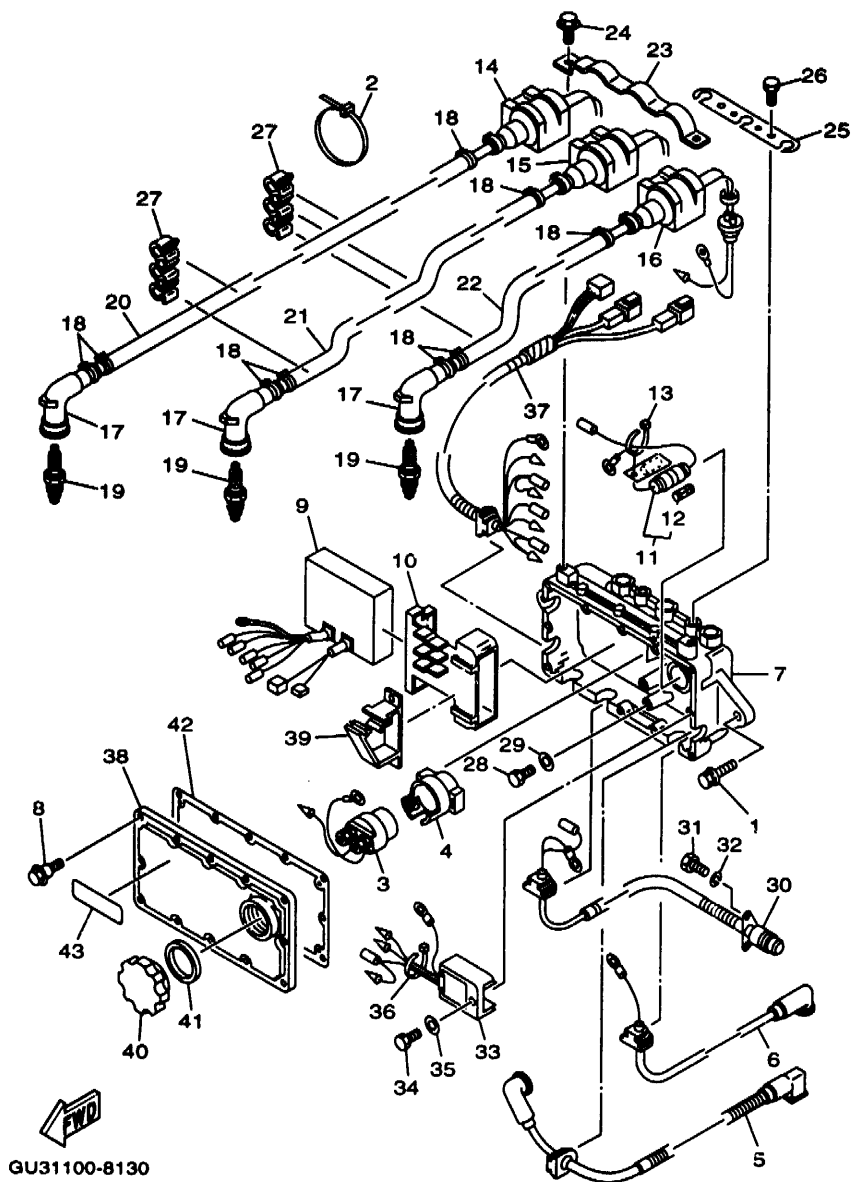
FIG. 13 ELECTRICAL 1



REF. NO.	PART NO.	DESCRIPTION	QU3 #	REMARKS
1	90119-089U5	BOLT, WITH WASHER	2	YMUS
2	90601-20009	BAND	2	
3	6G1-81941-10	STARTER RELAY ASSY	1	
4	6M6-81952-01	HOLDER, RELAY	1	
5	66F-82117-10	WIRE, LEAD	1	
6	6M6-82117-21	WIRE, LEAD	1	
7	65U-8552A-00-5B	HOUSING	1	
8	90109-05M75	BOLT	12	
9	65U-85540-00	C.D.I. UNIT ASSY	1	
10	65U-85546-00	BAND	1	
11	65U-82150-00	FUSE HOLDER ASSY	1	
12	6G1-82151-00	FUSE	1	
13	90465-11M10	CLAMP	1	
14	65U-85570-00	IGNITION COIL ASSY	1	
15	65U-85570-10	IGNITION COIL ASSY	1	
16	65U-85570-20	IGNITION COIL ASSY	1	
17	63M-82370-01	PLUG CAP ASSY	3	
18	90465-11M10	CLAMP	9	
19	94702-00195	PLUG, SPARK (NGK BR8HS)	3	UR EXCEPT JPN
	94709-00195	PLUG, SPARK(51X) NGK BR8HS	3	UR JPN
20	6R7-82352-00	TUBE, CORD 2	1	
21	65U-82351-00	TUBE, CORD	1	
22	65U-82351-10	TUBE, CORD	1	
23	65U-85542-00	BRACKET	1	
24	97513-08516	BOLT, WITH WASHER	2	
25	65U-85525-00	COVER	1	
26	97095-06012	BOLT	2	

D3



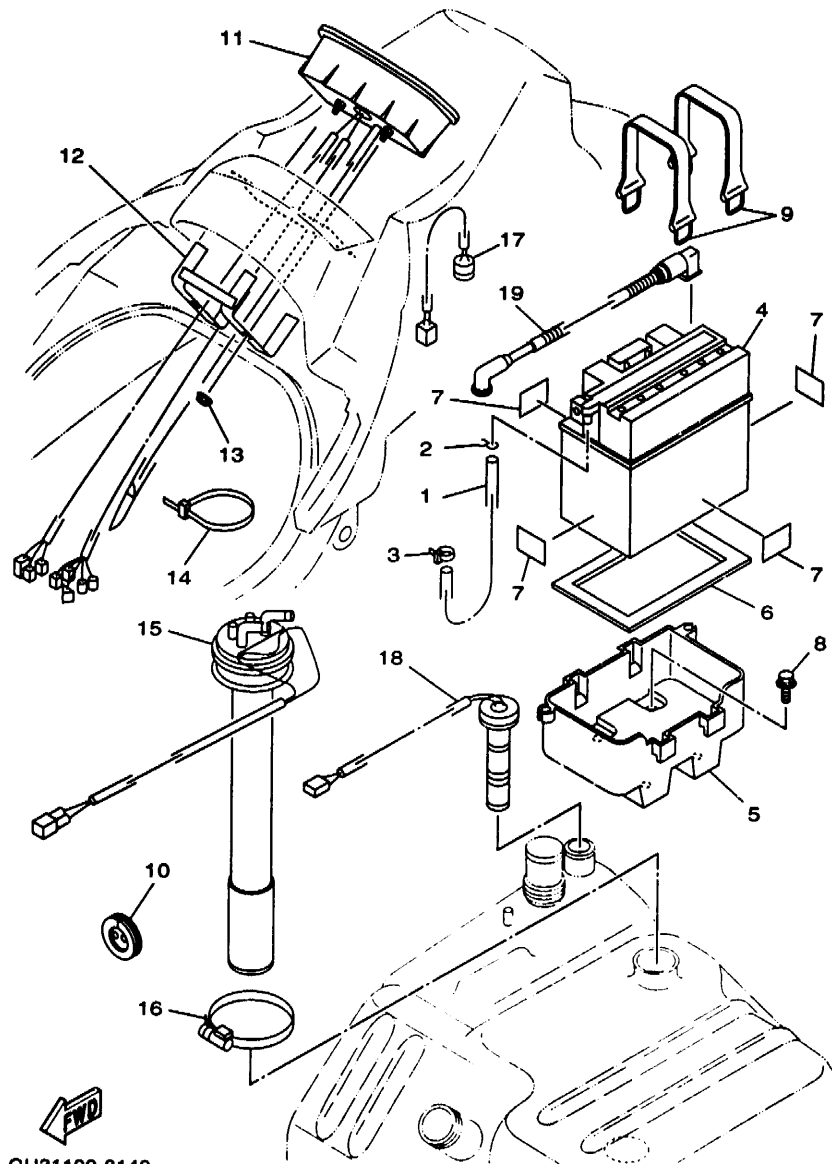


GU31100-8130

FIG. 13 ELECTRICAL 1

REF. NO.	PART NO.	DESCRIPTION	GU3 #	REMARKS
27	65U-81317-00	CLAMP, CORD	2	
28	97095-06012	BOLT	3	
29	92995-06600	WASHER	3	
30	65U-82560-00	THERMO SWITCH ASSY	1	
31	97095-06016	BOLT	2	
32	92995-06100	WASHER, SPRING	2	
33	6H2-81960-00	RECTIFIER & REGULATOR ASSY	1	
34	97095-06020	BOLT	1	
35	92995-06600	WASHER	1	
36	90465-11M10	CLAMP	1	
37	66F-82553-00	EXTENSION, WIRE LEAD	1	
38	65U-8552E-00	COVER, CASE	1	
39	90464-06M29	CLAMP	1	
40	6M6-8132W-00	CAP	1	
41	6M6-81844-00	GASKET	1	
42	65U-81921-00	GASKET, TERMINAL	1	
43	63N-83623-00	MARK 3	1	UR JAPANESE
	6R7-83623-40	MARK 3	1	UR ENGLISH
	6R7-83623-50	MARK 3	1	UR FRENCH

D4



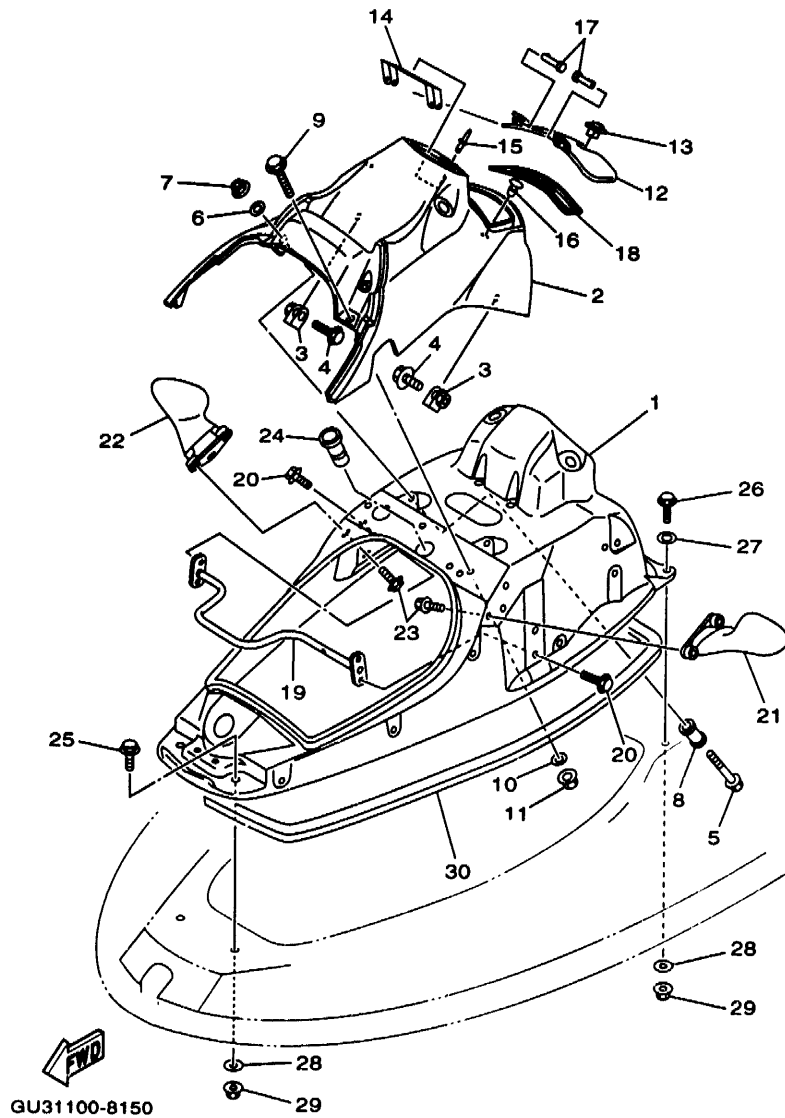
GU31100-8140

FIG. 14 ELECTRICAL 2

REF. NO.	PART NO.	DESCRIPTION	GU3*	REMARKS
1	EU0-U7856-40	HOSE, AIR VENT 3	1	YMUS
2	90467-089U1	CLIP	1	YMUS
3	90600-91060	CLAMP	1	
4	EU0-82110-09	BATTERY	1	
5	GP7-U8211-00	CASE, BATTERY	1	YMUS
6	EU0-U8221-00	PAD, BATTERY 1	1	YMUS
7	EU0-U8221-30	PAD, BATTERY 2	4	YMUS
8	90119-069US	BOLT, WITH WASHER	4	YMUS
9	EU0-U821D-00	BAND, BATTERY 2	2	YMUS
10	FJ0-68222-01	GROMMET	1	
11	GP8-6820A-22	METER ASSY	1	UR USA
	GP8-6820A-32	METER ASSY	1	UR EXCEPT USA
12	GP7-68238-01	BRACKET, METER	1	
13	95720-05300	NUT, FLANGE	2	
14	90601-20006	BAND	1	
15	GP7-U824B-01	SENDER, FUEL	1	YMUS
16	90601-162U5	BAND, HOSE 62	1	YMUS
17	GP7-U8341-00	BUZZER	1	YMUS
18	GP7-U824C-01	SENDER, OIL	1	YMUS
19	64T-82117-00	WIRE, LEAD	1	

D5

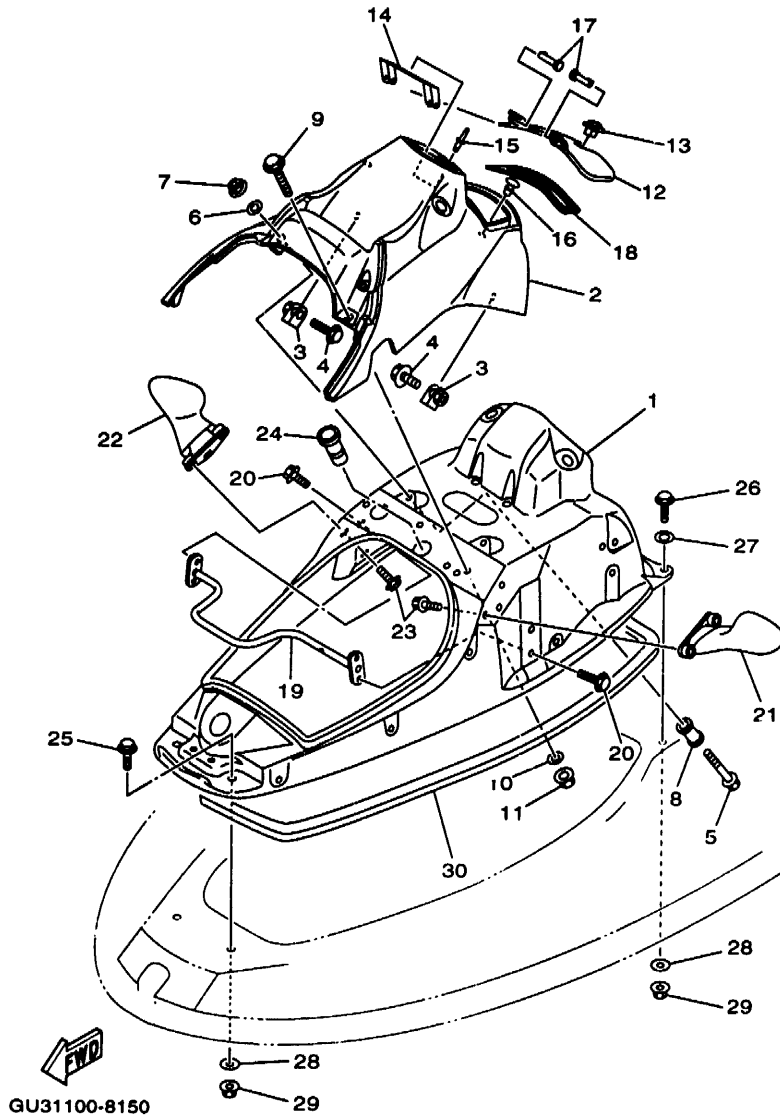
**FIG. 15 ENGINE HATCH 1**



REF. NO.	PART NO.	DESCRIPTION	GU3*	REMARKS
1	GU2-U516A-00	ENGINE HATCH COMP.	1	YMUS
2	GU2-U516N-10-P0	COVER, ENGINE HATCH	1	YMUS
3	90183-06902	NUT, SPRING	2	
4	90119-069UH	BOLT, WITH WASHER	2	YMUS
5	90119-06914	BOLT, WITH WASHER	1	
6	92990-06200	WASHER, PLAIN	1	
7	95720-06300	NUT, SELF-LOCKING	1	
8	90387-06922	COLLAR	1	
9	90119-06900	BOLT, WITH WASHER	1	
10	92990-06200	WASHER, PLAIN	1	
11	95720-06300	NUT, SELF-LOCKING	1	
12	GU2-U517H-10-P0	LID HATCH	1	YMUS
13	GU2-62875-00	LOCK	1	
14	GU2-U517G-00	HINGE, HATCH	1	YMUS
15	90267-40937	RIVET, BLIND	3	
16	90605-502U2	HOSE JOINT	1	YMUS
17	GU2-6517R-00	PIN, HINGE	2	
18	GU2-U519D-00	PACKING CASE	1	YMUS
19	GU2-6516L-00	BEAM, ENGINE HATCH	1	
20	90119-069UH	BOLT, WITH WASHER	6	YMUS
21	GU2-U596B-10	MIRROR LH	1	YMUS
22	GU2-U596C-10	MIRROR (RH)	1	YMUS
23	90119-069UH	BOLT, WITH WASHER	6	YMUS
24	GU2-6822E-00	GROMMET	1	
25	90119-089U9	BOLT, WITH WASHER	2	YMUS
26	90119-089U6	BOLT, WITH WASHER	2	YMUS
27	90201-099U1	WASHER, PLATE	4	YMUS

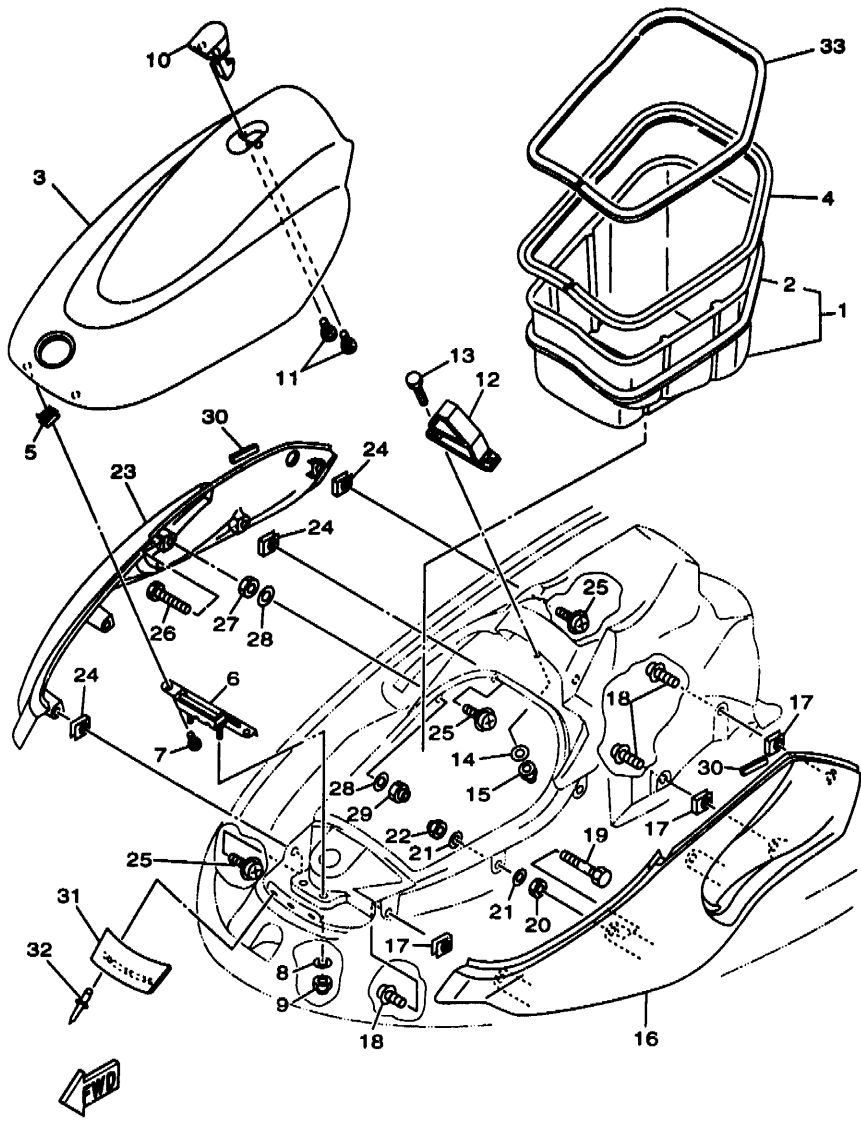
**D6**

**FIG. 15 ENGINE HATCH 1**



REF. NO.	PART NO.	DESCRIPTION	QUANTITY	REMARKS
28	90201-08929	WASHER, PLATE	2	
29	95720-08300	NUT, SELF-LOCKING	4	
30	GJ3-U2663-01	PACKING 1	1	YMUS

**D7**

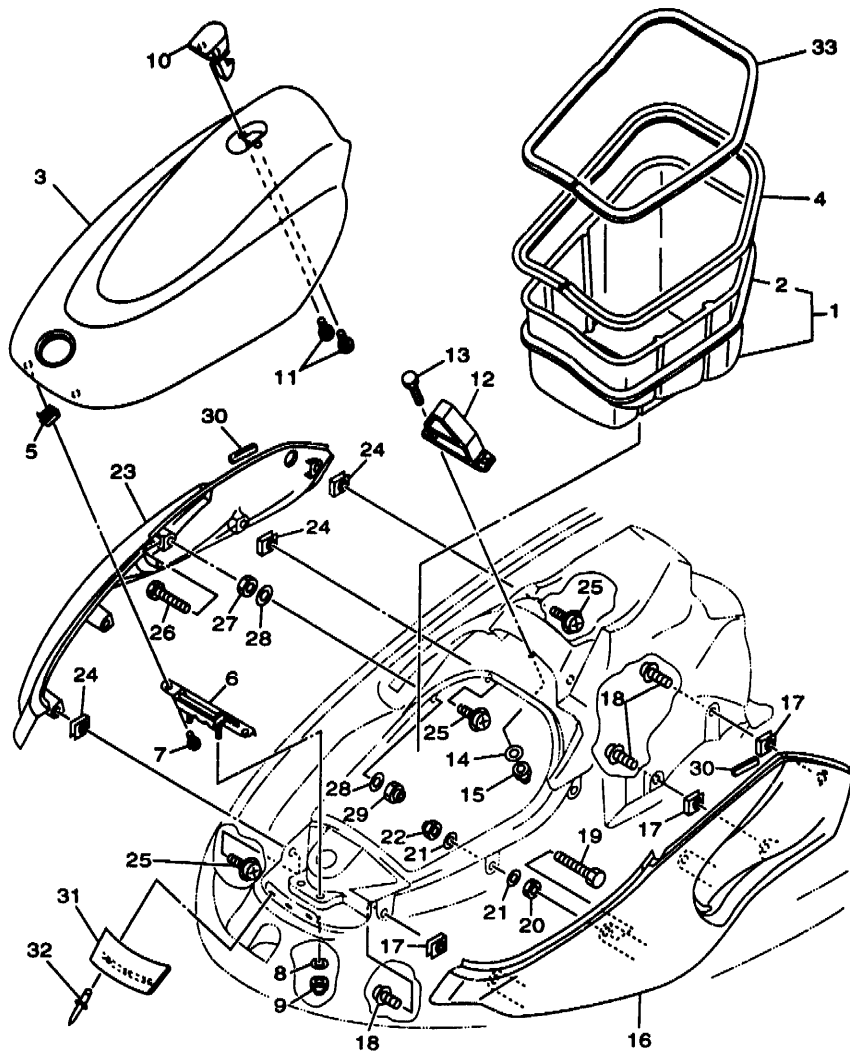


GU21100-8160

FIG. 16 ENGINE HATCH 2

REF. NO.	PART NO.	DESCRIPTION	QUANTITY	REMARKS
1	GU2-U475A-00	BOWLOCKER ASSY	1	YMUS
2	GJ3-U268C-31	.PACKING 4	1	YMUS
3	GU2-U517B-10-P0	LID, ENGINE ROOM	1	YMUS
4	GU2-U268B-30	PACKING 3	1	YMUS
5	90183-06902	NUT, SPRING	2	
6	GU2-6517D-00	HINGE, LID	1	
7	90119-069UJ	BOLT, WITH WASHER	2	YMUS
8	92990-06200	WASHER, PLAIN	2	
9	95720-06300	NUT, SELF-LOCKING	2	
10	GP7-6517C-00	LOCK, LID	1	
11	90159-059U2	SCREW, WITH WASHER	2	YMUS
12	GU2-6517F-00	HOOK, LID LOCK	1	
13	97080-06020	BOLT	2	
14	92990-06200	WASHER, PLAIN	2	
15	95720-06300	NUT, SELF-LOCKING	2	
16	GU2-U370F-10-P0	SIDE COVER COMP. 1	1	YMUS
17	90183-06902	NUT, SPRING	3	
18	90119-069UH	BOLT, WITH WASHER	3	YMUS
19	97080-06025	BOLT	2	
20	95380-06700	NUT	2	
21	92990-06200	WASHER, PLAIN	2	
22	95720-06300	NUT, SELF-LOCKING	2	
23	GU2-U370G-10-P0	SIDE COVER COMP. 2	1	YMUS
24	90183-06902	NUT, SPRING	3	
25	90119-069UH	BOLT, WITH WASHER	3	YMUS
26	97080-06025	BOLT	2	
27	95380-06700	NUT	2	

E1



GU21100-8160

**FIG. 16 ENGINE HATCH 2**

REF. NO.	PART NO.	DESCRIPTION	GU3 #	REMARKS
28	92990-06200	WASHER, PLAIN	2	
29	95720-06300	NUT, SELF-LOCKING	2	
30	GU2-65162-00	TRIM	2	
31	GU2-U513M-10-P0	COVER, FRONT	1	YMUS
32	90267-48925	RIVET, BLIND	3	
33	GJ3-U2664-01	PACKING	1	YMUS

**E2**

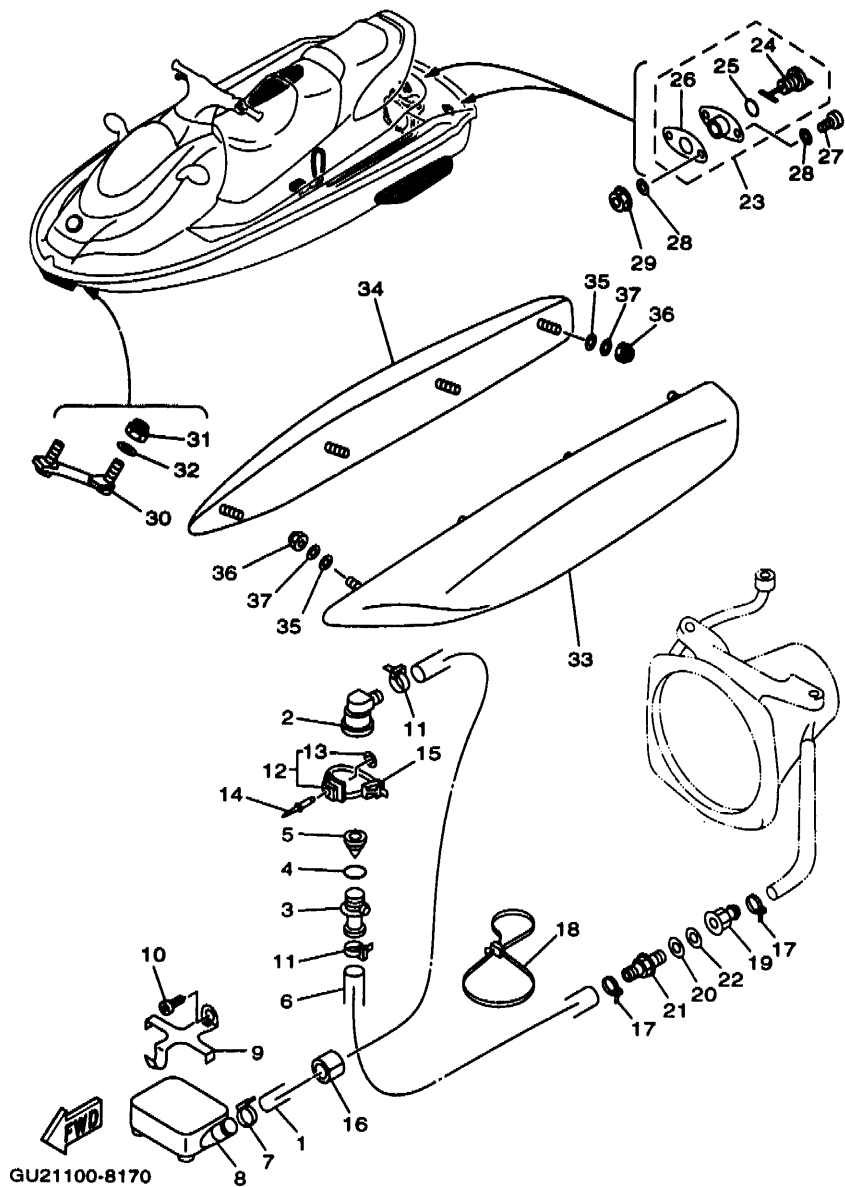
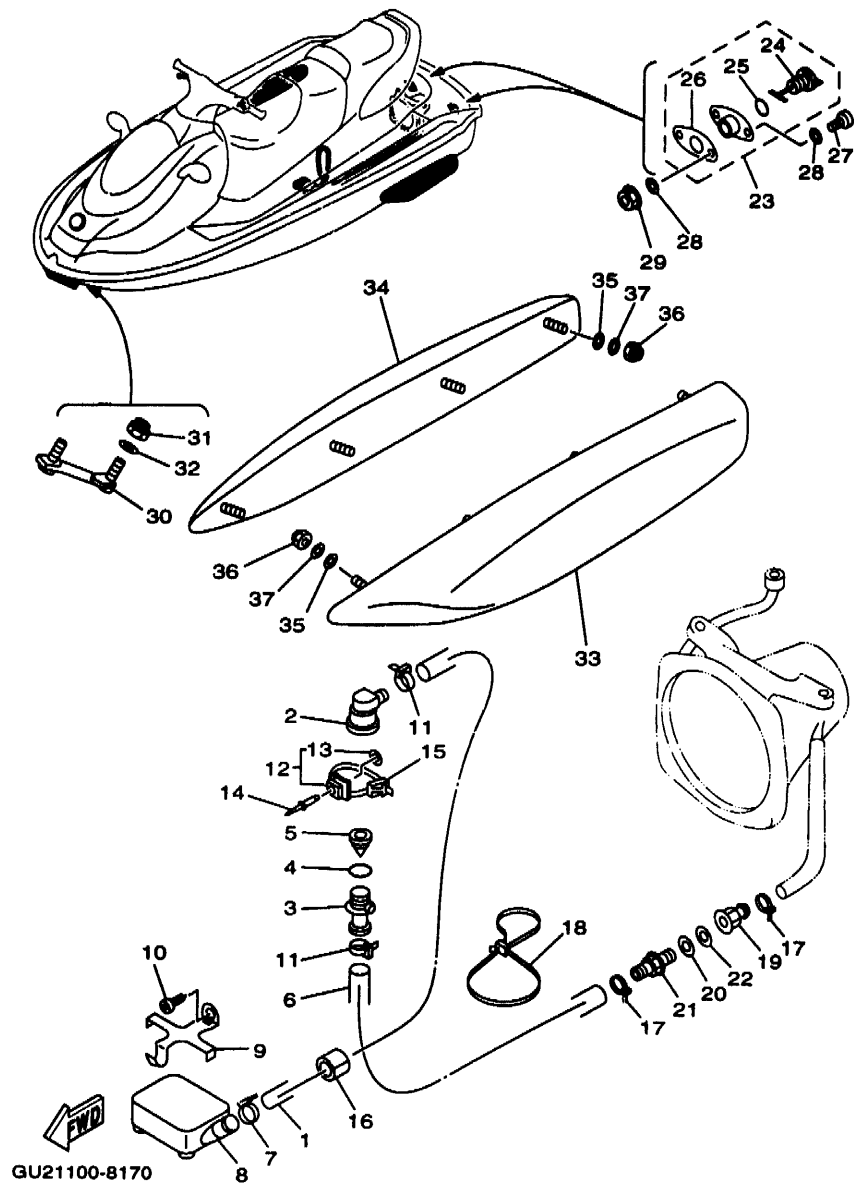


FIG. 17 HULL. DECK

REF. NO.	PART NO.	DESCRIPTION	GU3#	REMARKS
1	90445-19895	HOSE	1	
2	63M-51162-00	JOINT, HOSE	1	
3	63M-51165-00	JOINT HOSE 2	1	
4	93210-22ME5	O-RING	1	
5	63M-5316M-00	VALVE 1	1	
6	90445-19896	HOSE	1	
7	90601-200U1	BAND	2	YMUS
8	GD0-U761D-00	STRAINER, BILGE	1	YMUS
9	EW2-67618-00	BASE, STRAINER BLIGE	1	
10	97780-50112	SCREW, TAPPING	1	
11	90601-200U1	BAND	3	YMUS
12	90600-91736	CLAMP COMP.	1	
13	90201-05925	.WASHER, PLATE	1	
14	90267-489U7	RIVET, BLIND	1	YMUS
15	90601-20006	BAND	1	
16	GJ1-U7578-11	PACKING, HOSE 2	1	YMUS
17	90601-200U1	BAND	2	YMUS
18	90601-20016	BAND	1	
19	90604-80759	CONNECTION, THRU-HULL 1/4	1	
20	90430-13909	GASKET	1	
21	90604-80775	THROUGH, HULL CONNECTION	1	
22	90430-13909	GASKET	1	
23	EU0-62280-00	DRAIN PLUG ASSY	2	
24	EU0-62282-00	.PLUG, DRAIN	1	
25	EU0-62283-00	.O-RING	1	
26	EU0-62285-01	.PACKING DRAIN (EU0)	1	
27	97880-05025	SCREW, PAN HEAD	4	

E3

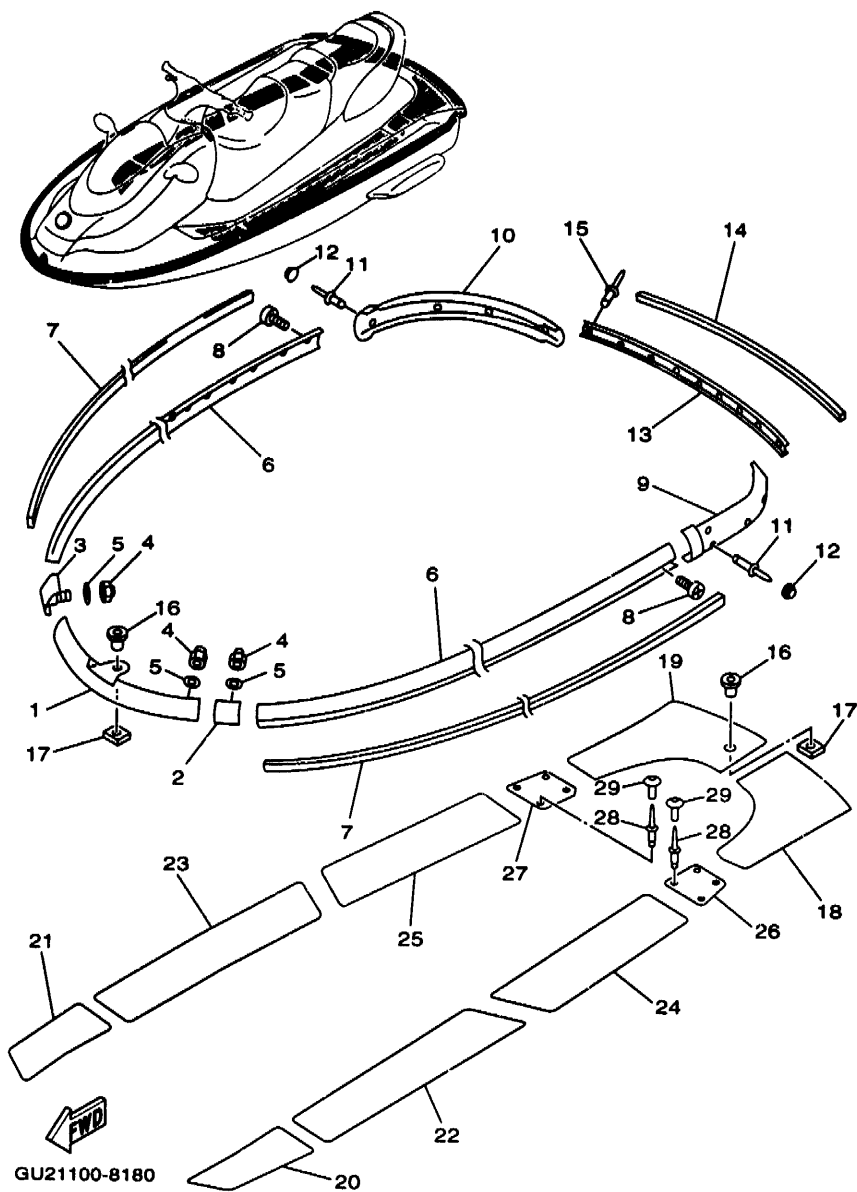


**FIG. 17 HULL DECK**

REF. NO.	PART NO.	DESCRIPTION	QTY*	REMARKS
28	92990-05200	WASHER, PLAIN	8	
29	95720-05300	NUT, FLANGE	4	
30	FN8-U1624-00	BOWEYE 1 (S)	1	YMUS
31	95720-08300	NUT, SELF-LOCKING	2	
32	92990-06200	WASHER, PLAIN	2	
33	GU2-U883N-00	STABILIZER LH	1	YMUS
34	GU2-U883P-00	STABILIZER RH	1	YMUS
35	GU2-U883U-00	PACKING, STABILIZER	8	YMUS
36	95720-06300	NUT, SELF-LOCKING	8	
37	92990-06200	WASHER, PLAIN	8	

**E4**

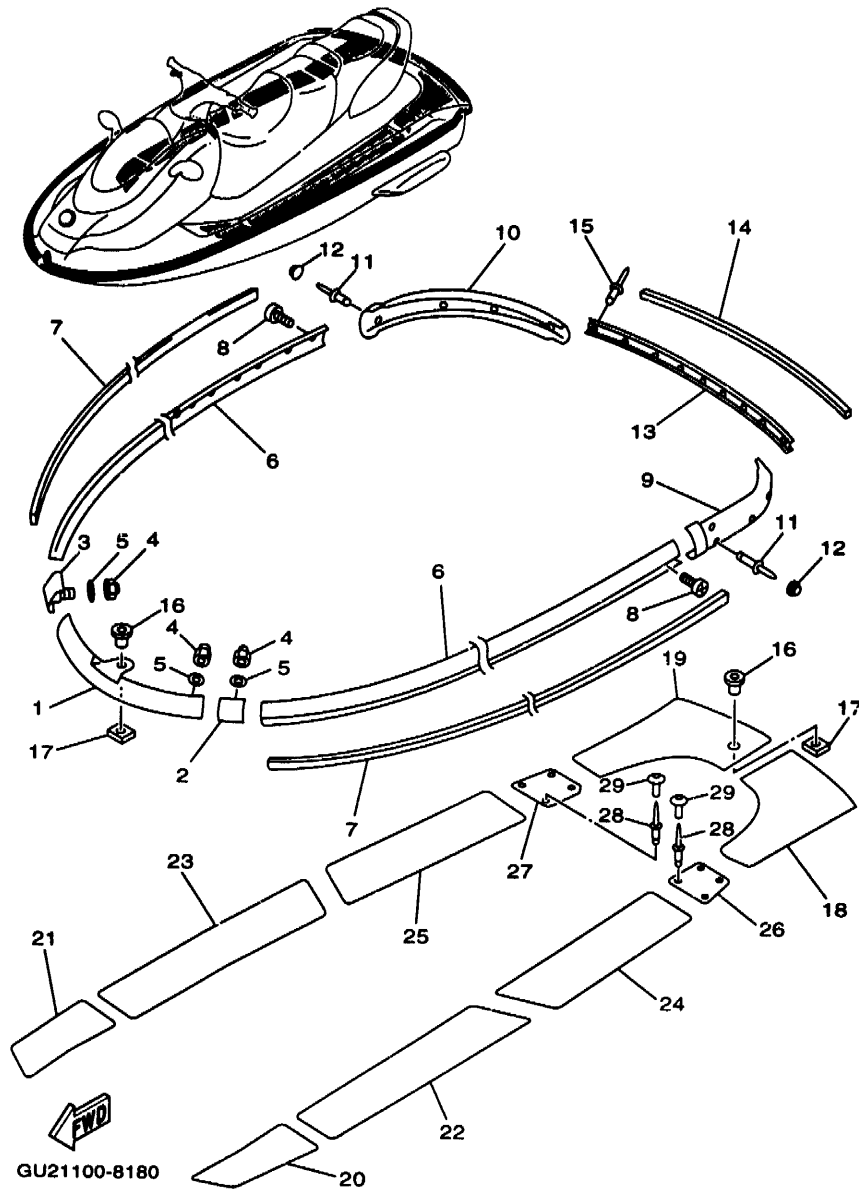




**FIG. 18 GUNWALE. MAT**

REF. NO.	PART NO.	DESCRIPTION	QUANTITY	REMARKS
1	GJ3-U2501-20	BOW GUNWALE COMP.	1	YMUS
2	GU2-6252E-10	JOINT, GUNWALE LH	1	
3	GU2-6252F-10	JOINT, GUNWALE RH	1	
4	95720-06300	NUT, SELF-LOCKING	6	
5	92990-06200	WASHER, PLAIN	6	
6	GH3-U2512-20	GUNWALE, SIDE	2	YMUS
7	GJ3-U2519-50	INNER, GUNWALE	2	YMUS
8	90169-059U1	SCREW, TAPPING	28	YMUS
9	GJ3-U251D-20	GUNWALE, STERN 1	1	YMUS
10	GJ3-U251E-20	GUNWALE, STERN 2	1	YMUS
11	90267-489U8	RIVET, BLIND	10	YMUS
12	GJ3-U354D-30	CAP, HEAD	10	YMUS
13	GJ3-U252C-20	COVER, GUNWALE 1	1	YMUS
14	GJ3-U252D-50	COVER, GUNWALE 2	1	YMUS
15	90267-489U8	RIVET, BLIND	9	YMUS
16	FN8-61651-00	ROPE HOLE	2	
17	EU0-61652-00	NUT	2	
18	GU2-U358F-00	MAT, UPPER LH	1	YMUS
19	GU2-U358G-00	MAT, UPPER RH	1	YMUS
20	GU2-U351H-00	MAT, STEP 1	1	YMUS
21	GU2-U351J-00	MAT, STEP 2	1	YMUS
22	GU2-U351N-00	MAT, STEP 5	1	YMUS
23	GU2-U351P-00	MAT, STEP 6	1	YMUS
24	GU2-U351R-00	MAT, STEP 7	1	YMUS
25	GU2-U351S-00	MAT, STEP 8	1	YMUS
26	GH3-U351M-50	MAT, STEP 4	1	YMUS
27	GH3-U351M-60	MAT, STEP 4	1	YMUS

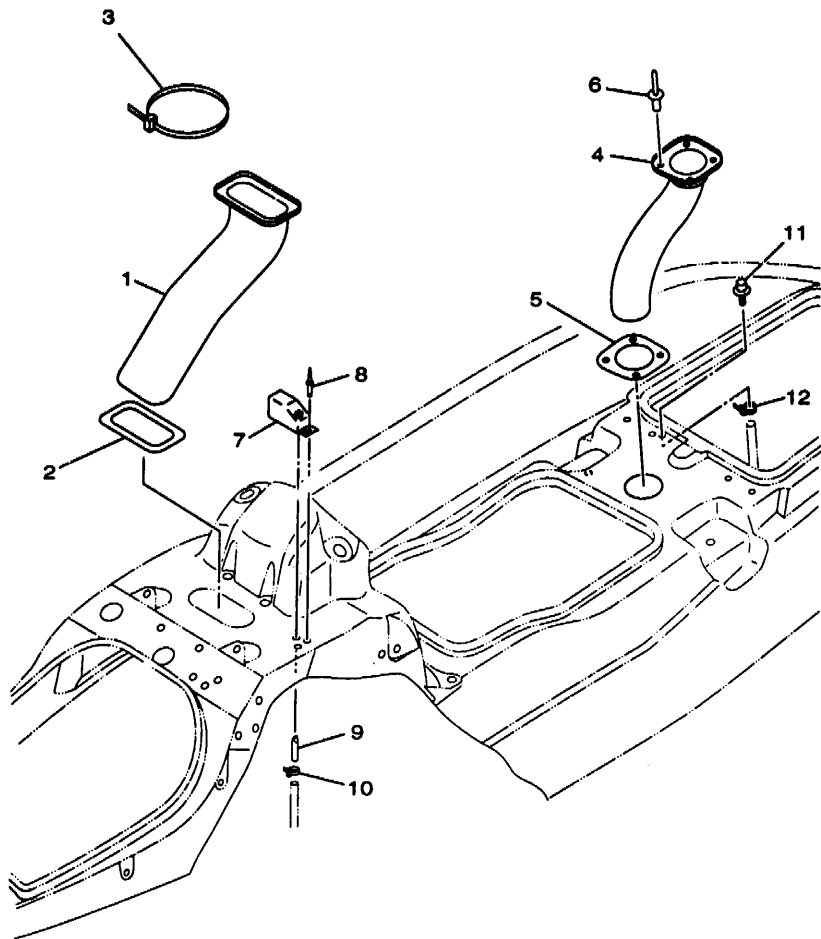
**E5**



**FIG. 18 GUNWALE. MAT**

REF. NO.	PART NO.	DESCRIPTION	GU3#	REMARKS
28	90267-48925	RIVET, BLIND	8	
29	GJ3-U352E-50	MAT. BOW	8	YMUS

**E6**

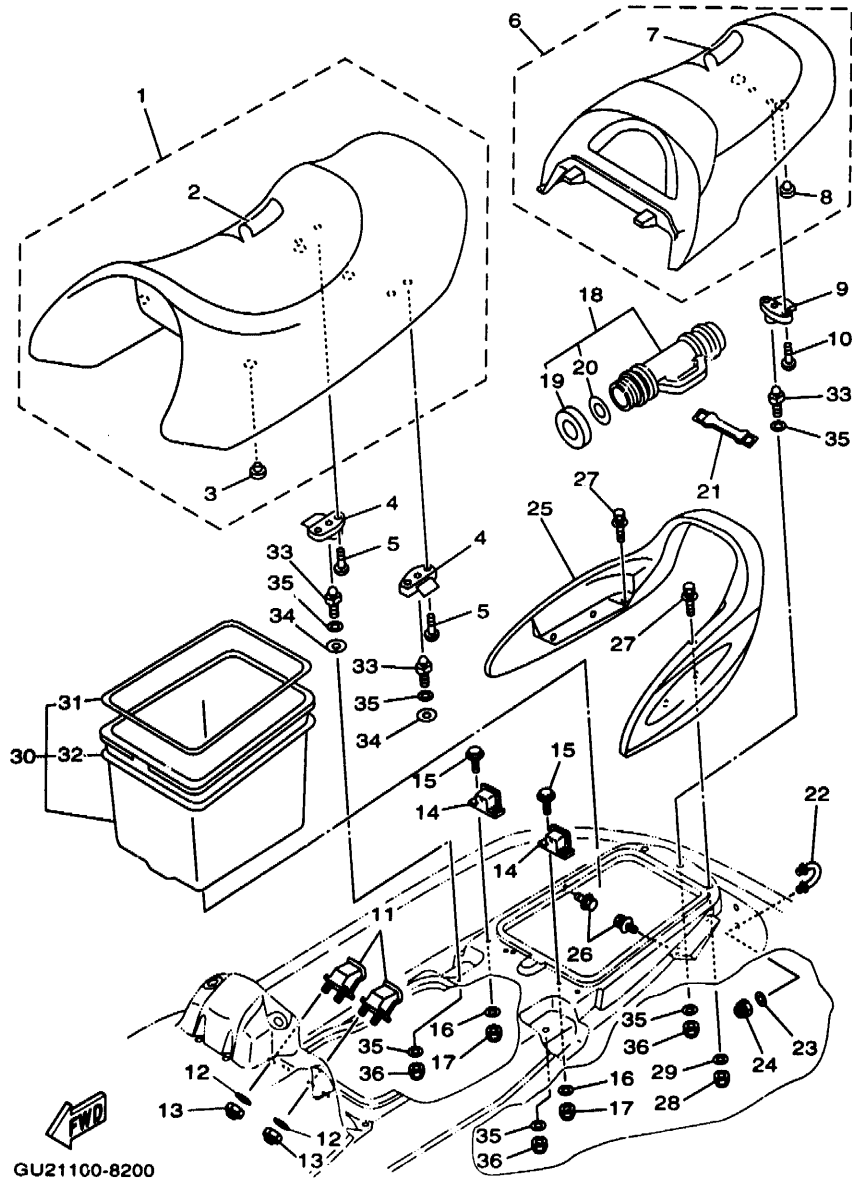


GU21100-8190

**FIG. 19 VENTILATION**

REF. NO.	PART NO.	DESCRIPTION	GU3#	REMARKS
1	GU2-U213F-00	HOSE, VENTILATOR 1	1	YMUS
2	GU2-U2117-00	SEAL, AIRINTAKE 1	1	YMUS
3	90601-200U7	BAND	1	YMUS
4	GU2-U213G-00	HOSE, VENTILATOR 2	1	YMUS
5	GU2-U2118-00	SEAL, AIRINTAKE 2	1	YMUS
6	90269-07923	RIVET	2	
7	GP7-62159-01	SOCKET, VENTILATION	1	
8	90267-48925	RIVET, BLIND	2	
9	EW2-62149-00	PIPE, VENTILATION 1	1	
10	90465-11829	CLAMP	1	
11	GJ3-6215F-00	HIPPLE	1	
12	90465-11829	CLAMP	1	

**E7**



GU21100-8200

FIG. 20 SEAT • UNDER LOCKER

REF. NO.	PART NO.	DESCRIPTION	GU3*	REMARKS
1	GU2-U371A-10	DOUBLE SEAT ASSY	1	YMUS
2	GU2-U371B-10	.COVER, SEAT 1	1	YMUS
3	278-27114-00	.STOPPER, MAIN STAND	4	
4	GJ3-63850-02	SEAT LOCK ASSY	2	
5	98980-06040	SCREW, BIND	4	
6	GU2-U372A-10	SINGLE SEAT ASSY	1	YMUS
7	GU2-U372B-10	.COVER, SEAT	1	YMUS
8	278-27114-00	.STOPPER, MAIN STAND	2	
9	GJ3-63850-02	SEAT LOCK ASSY	1	
10	98980-06040	SCREW, BIND	2	
11	GU2-6378C-00	STAY, SEAT 1	2	
12	92990-06200	WASHER, PLAIN	4	
13	95720-06300	NUT, SELF-LOCKING	4	
14	GU2-6378D-00	STAY, SEAT 2	2	
15	97080-06020	BOLT	4	
16	92990-06200	WASHER, PLAIN	4	
17	95720-06300	NUT, SELF-LOCKING	4	
18	EW2-U5920-00	CASE 2 ASSY.	1	YMUS
19	EW2-U5912-00	.CAP, CASE	1	YMUS
20	EW2-U5913-00	.PACKING, CASE	1	YMUS
21	EU0-U756E-00	BAND, WATER LOCK	2	YMUS
22	A00-61624-60	BOWEYE 1 (S)	1	
23	92990-08200	WASHER, PLAIN	2	
24	95720-08300	NUT, SELF-LOCKING	2	
25	GU2-U271B-00	GRIP, HAND	1	YMUS
26	90119-06920	BOLT, WITH WASHER	4	
27	90119-06924	BOLT, WITH WASHER	2	

F1

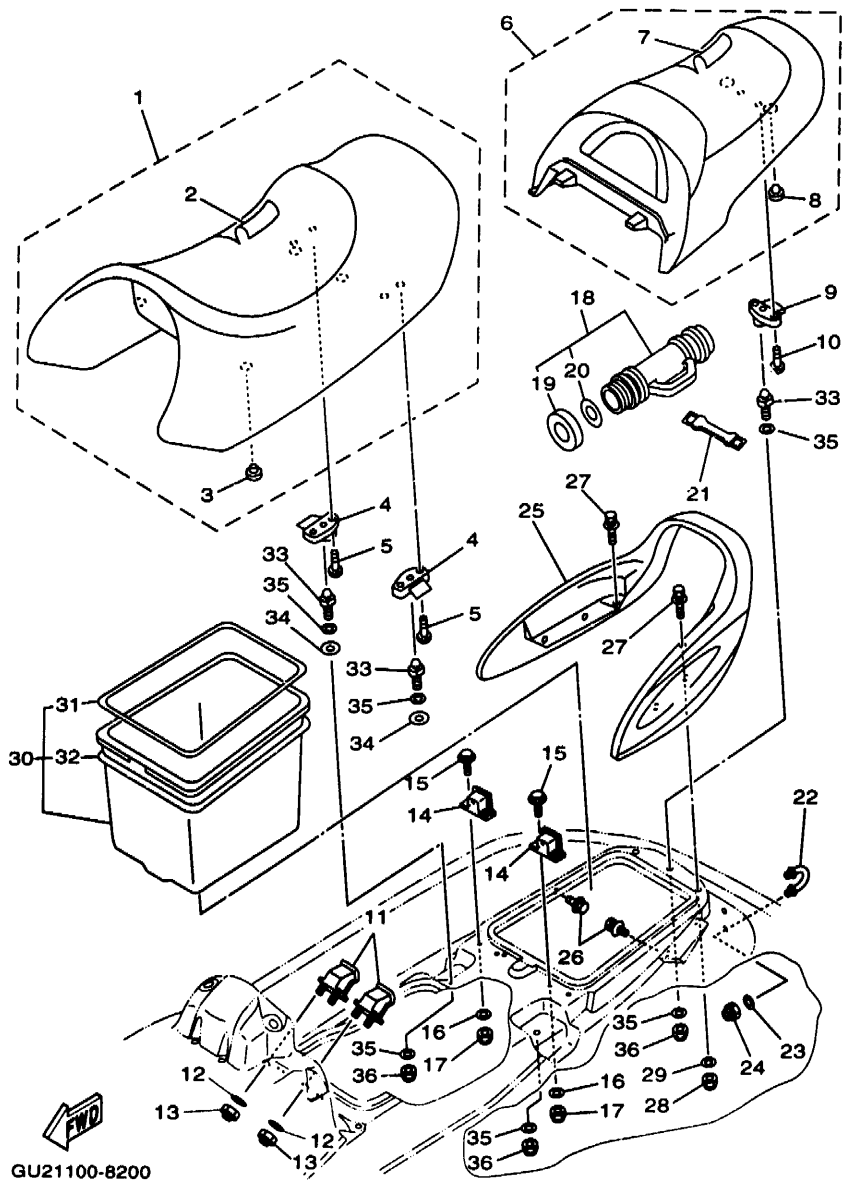


FIG. 20 SEAT • UNDER LOCKER

REF. NO.	PART NO.	DESCRIPTION	GUS #	REMARKS
28	95720-06300	NUT, SELF-LOCKING	2	
29	92990-06200	WASHER, PLAIN	2	
30	GJ3-U474A-01	UNDER LOCKER ASSY	1	YMUS
31	GJ3-U266B-01	.PACKING 3	1	YMUS
32	GJ3-U266C-02	.PACKING 4	1	YMUS
33	GH1-63774-01	PIN	3	
34	GJ3-U5578-00	TAPE	2	YMUS
35	92990-10200	WASHER, PLAIN	6	
36	95720-10300	NUT	3	

F2

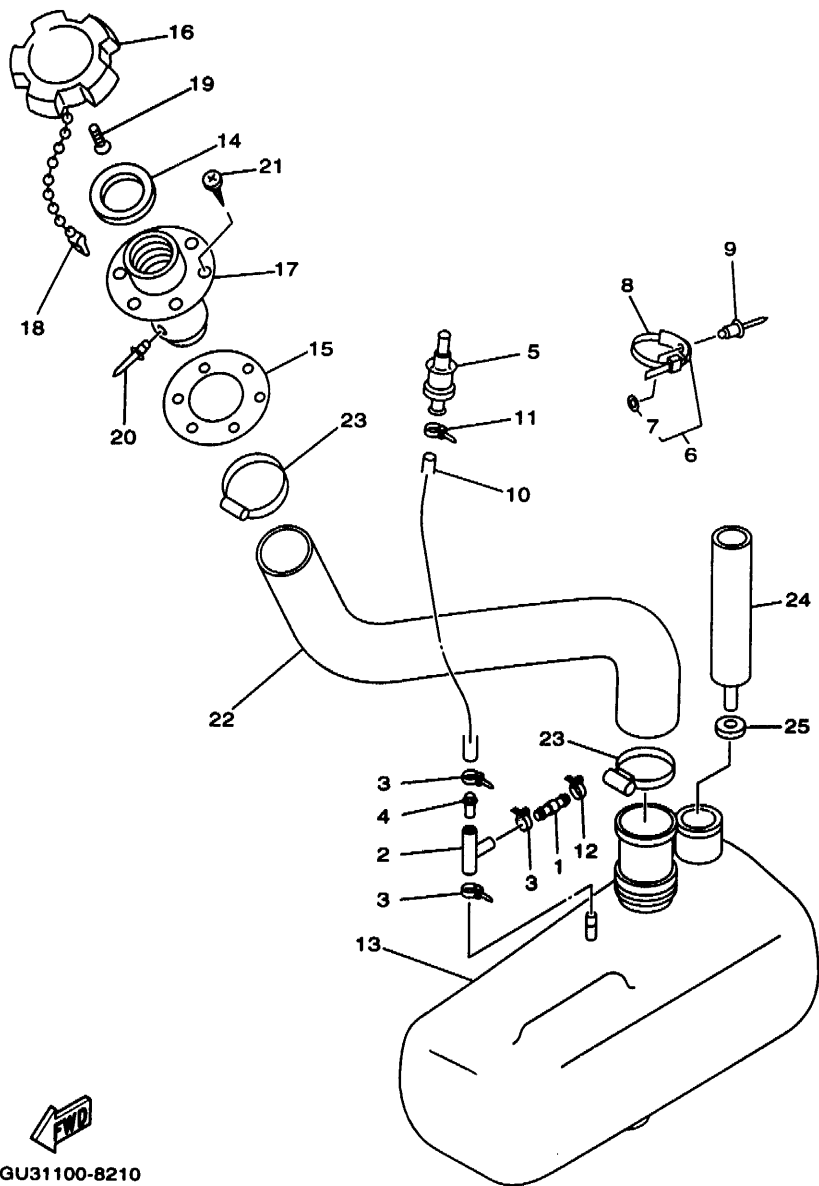


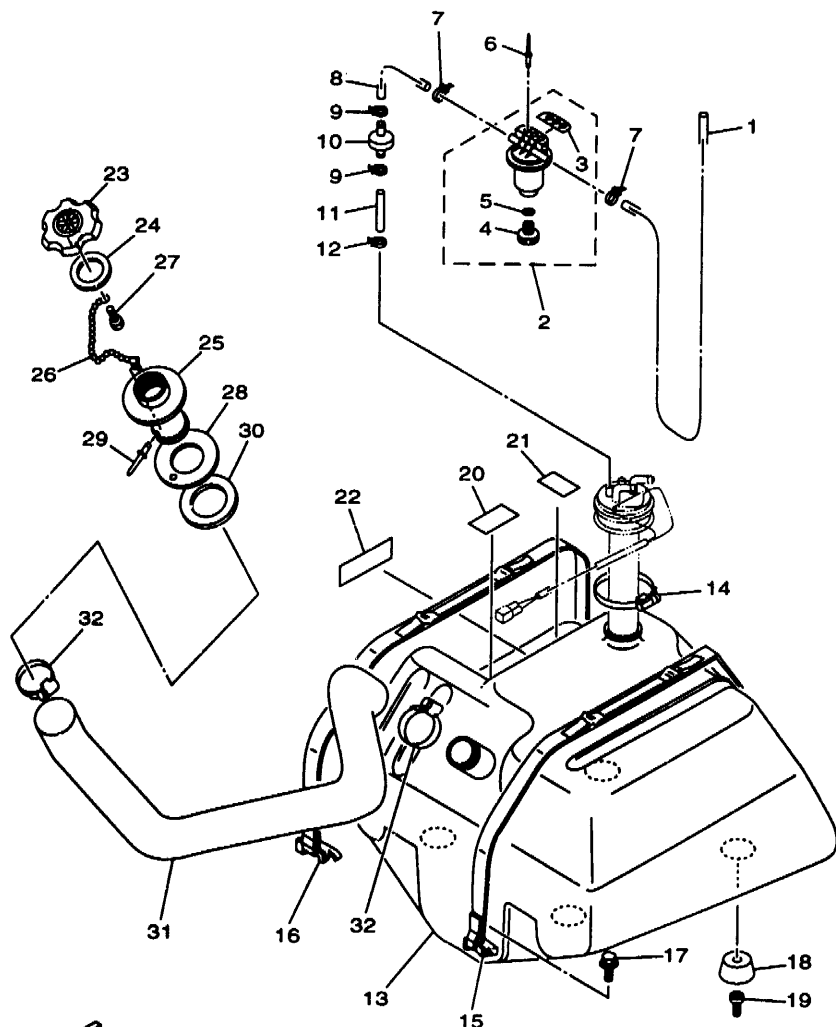
FIG. 21 OIL TANK

REF. NO.	PART NO.	DESCRIPTION	GU3*				REMARKS
1	63M-13132-00	JOINT	1				
2	63M-24378-00	PIPE, JOINT 4	1				
3	90465-11M10	CLAMP	3				
4	6G8-24376-00	PIPE, JOINT	1				
5	FJ0-67786-00	ROLL OVER VALVE	1				
6	90600-91736	CLAMP COMP.	1				
7	90201-05925	.WASHER, PLATE	1				
8	90601-20006	BAND	1				
9	90267-48925	RIVET, BLIND	1				
10	GJ3-U7856-20	HOSE, AIR VENT 3	1				YMUS
11	90465-11829	CLAMP	2				
12	90465-11829	CLAMP	1				
13	GJ3-U775B-01	TANK, OIL	1				YMUS
14	GJ3-U778C-00	PACKING, OIL CAP	1				YMUS
15	GJ3-U778E-00	PACKING, OIL FILLER	1				YMUS
16	GJ3-U778B-00	CAP, OIL FILLER	1				YMUS
17	GJ3-U778D-00	SOCKET, OIL FILLER	1				YMUS
18	EU0-U7835-00	CHAIN BALL	1				YMUS
19	97780-04110	SCREW, TAPPING	1				
20	90267-40935	RIVET, BLIND	1				
21	FX1-67869-00	SCREW, FLAT HEAD TAPPING	6				
22	GU2-U776C-00	HOSE, OIL FILLER	1				YMUS
23	90601-152U3	BAND, HOSE 52	2				YMUS
24	6J8-13411-00	STRAINER, OIL	1				
25	6J8-13414-00	GASKET, STRAINER COVER	1				



GU31100-8210

F3

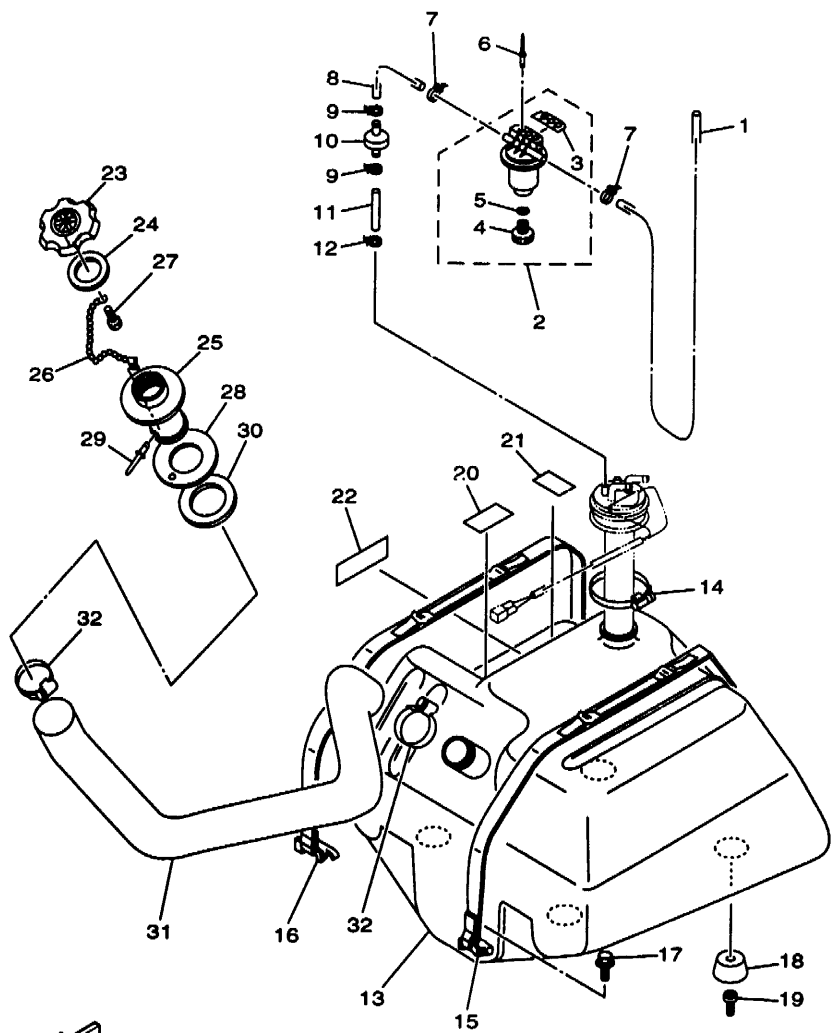


GU21100-8220

FIG. 22 FUEL TANK

REF. NO.	PART NO.	DESCRIPTION	QUANTITY	REMARKS
1	GP7-U785J-00	HOSE AIR VENT	1	YMUS
2	EW2-62140-00	FILTER, VENT ASSY	1	
3	EW2-62142-00	.PLATE, FILTER	1	
4	70R-24543-00	.PLUG, DRAIN	1	
5	70R-24489-00	.O-RING	1	
6	90267-489U2	RIVET, BLIND	2	YMUS
7	90465-11829	CLAMP	2	
8	GU2-U785H-00	HOSE, AIR VENT 3	1	YMUS
9	90465-11829	CLAMP	2	
10	EU0-67767-31	CHECK VALVE	1	
11	GA7-U785G-00	HOSE, AIR VENT	1	YMUS
12	90465-11829	CLAMP	1	
13	GU2-U7711-00	TANK, FUEL	1	YMUS
14	90601-162U5	BAND, HOSE 62	1	YMUS
15	GJ1-67743-00	BELT, TANK 1	1	
16	GH3-67743-00	BELT, TANK 1	1	
17	90119-089U7	BOLT, WITH WASHER	4	YMUS
18	GH1-U782B-00	DAMPER, FUEL TANK	4	YMUS
19	90110-089U1	BOLT, HEXAGON SOCKET HEAD	4	YMUS
20	GJ1-U759B-00	MAT 1	2	YMUS
21	GJ1-U759C-00	MAT 2	1	YMUS
22	GH1-U759D-00	MAT 3	1	YMUS
23	GP7-U7831-10	CAP, FUEL FILLER	1	YMUS
24	GP7-U7832-00	PACKING	1	YMUS
25	GP7-U7833-10	SOCKET	1	YMUS
26	GP7-U7835-00	CHAIN BALL	1	YMUS
27	90169-049U1	TAPPING SCREW	1	YMUS

F4



**FIG. 22 FUEL TANK**

REF. NO.	PART NO.	DESCRIPTION	QU3*	REMARKS
28	GP7-U7834-10	PACKING FUEL FILLER	1	YMUS
29	90267-329UR	RIVET, BLIND	1	YMUS
30	GP7-U783F-00	NUT, FUEL FILLER	1	YMUS
31	GP3-U7844-00	HOSE	1	YMUS
32	90601-155U4	BAND, HOSE 55	2	YMUS

  
 GU21100-8220

**F5**



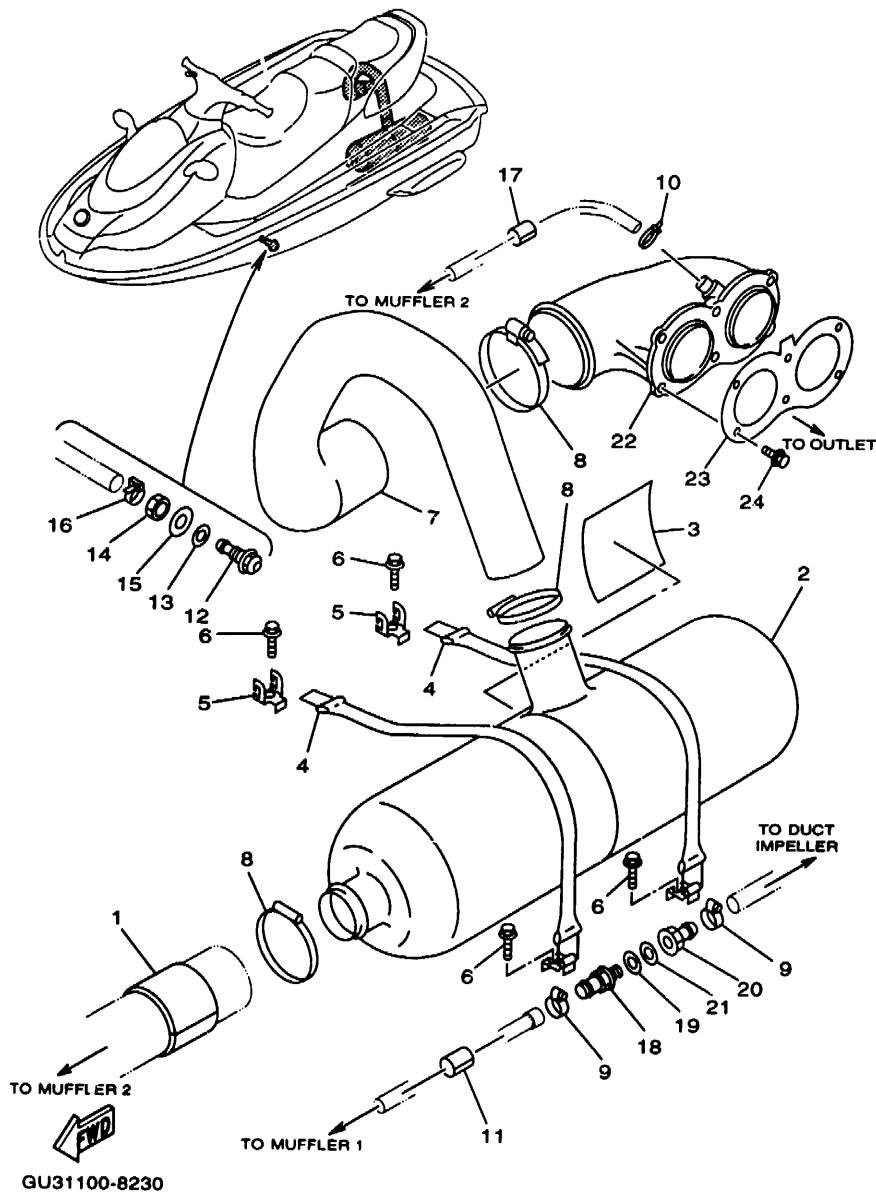
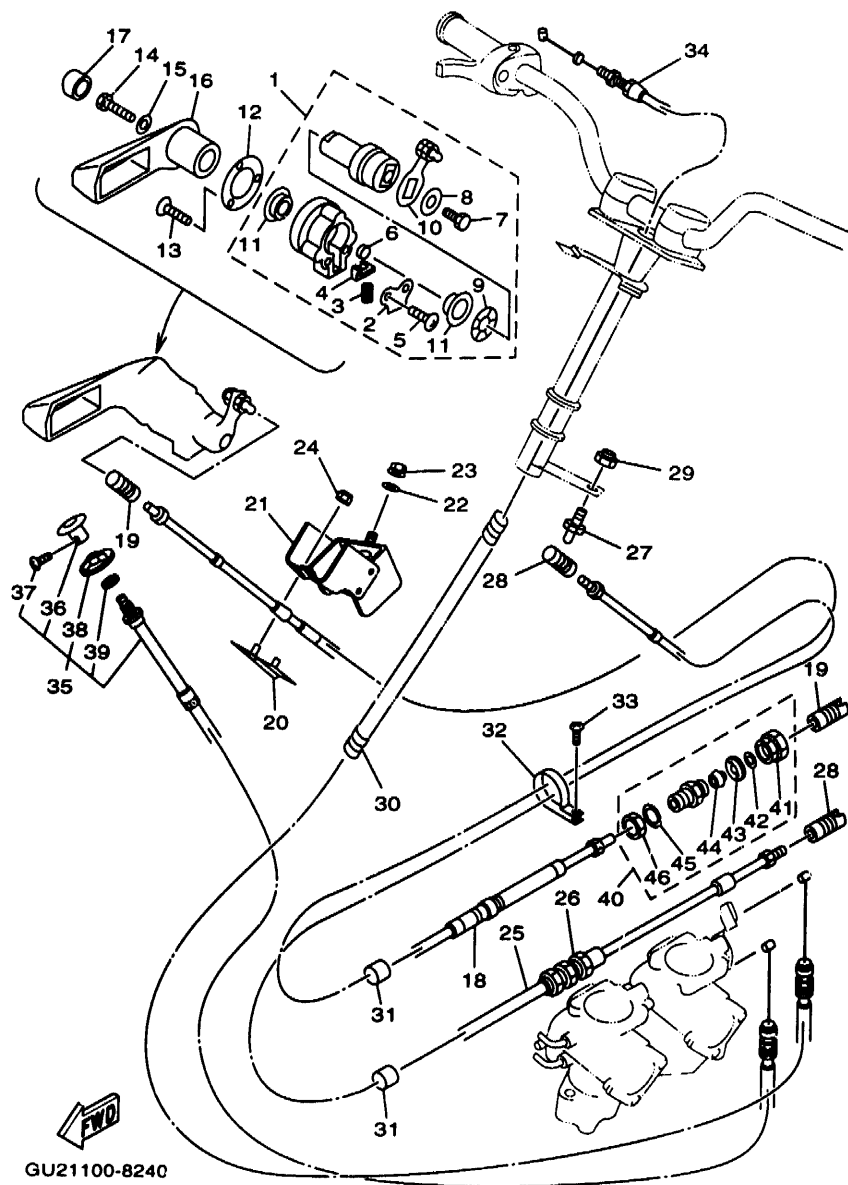


FIG. 23 EXHAUST 2

REF. NO.	PART NO.	DESCRIPTION	QUANTITY	REMARKS
1	GJ1-67577-00	PACKING, HOSE 1	1	
2	GH3-U7550-00	WATER LOCK COMP.	1	YMUS
3	GJ3-U755J-00	MAT, WATER LOCK	1	YMUS
4	GJ3-U7570-00	C HOOK COMP.	2	YMUS
5	EW2-65772-00	HOOK A	2	
6	90119-069UJ	BOLT, WITH WASHER	4	YMUS
7	GH3-U7555-00	HOSE	1	YMUS
8	90601-195UD	BAND, HOSE 9"	3	YMUS
9	90601-118UF	BAND, HOSE 18"	2	YMUS
10	90601-118UF	BAND, HOSE 18"	1	YMUS
11	GJ1-U7578-11	PACKING, HOSE 2	1	YMUS
12	GJ1-6753B-02	PILOT, WATER	1	
13	GP3-U1438-00	PACKING	1	YMUS
14	GP7-61652-00	NUT	1	
15	92990-14200	WASHER, PLAIN	1	
16	90465-11829	CLAMP	1	
17	GJ1-U7578-11	PACKING, HOSE 2	1	YMUS
18	90604-80793	THROGUH-HULL CONNECTION 3/8"	1	
19	90430-16910	GASKET	1	
20	90604-80794	THROGUH-HULL CONNECTION 3/8"	1	
21	90430-16910	GASKET	1	
22	GJ1-U7560-00	EXHAUST, THRU-HALL COMP.	1	YMUS
23	GJ1-U7525-00	PACKING	1	YMUS
24	90119-059U4	BOLT, WITH WASHER	6	YMUS

F6



GU21100-8240

FIG. 24 CONTROL CABLE

REF. NO.	PART NO.	DESCRIPTION	GU3*	REMARKS
1	GJ3-6134B-01	LEVER SUB-ASSY	1	
2	FJ0-61348-01	.PLATE	1	
3	FJ0-61349-00	.SPRING	1	
4	FJ0-61351-00	.DETENT ROLLER SET	1	
5	98580-05012	.SCREW, PAN HEAD	2	
6	FJ0-61352-00	.DETENT ROLLER	1	
7	97080-06014	.BOLT	1	
8	FJ0-61353-00	.WASHER	1	
9	FJ0-61354-00	.WAVE WASHER	1	
10	GJ3-6134N-01	.ARM	1	
11	FJ0-61347-00	.BEARING	2	
12	FJ0-61344-00	WASHER	1	
13	98780-05025	SCREW, FLAT HEAD	3	
14	97080-06035	BOLT	1	
15	92990-06200	WASHER, PLAIN	1	
16	GU2-6134C-00	LEVER 1	1	
17	GU2-6135G-00	CAP. REMOCON.LEVER	1	
18	GP3-U149C-00	CABLE, REVERSE	1	YMUS
19	EU0-U1461-30	SHAFT, JOINT BALL	2	YMUS
20	GJ3-61468-01	STOPPER, CABLE	1	
21	GU2-6146D-00	BRACKET, CABLE STOPPER 2	1	
22	92990-06200	WASHER, PLAIN	2	
23	95780-06300	NUT, FLANGE	2	
24	95720-06300	NUT, SELF-LOCKING	2	
25	GU2-U1481-01	CABLE, STEERING	1	YMUS
26	EU0-62241-30	NUT, DRAIN 1	1	
27	EU0-U1461-01	STOOD, JOINT BALL	1	YMUS

F7

NUMERICAL INDEX

PART NO.	REF NO.	PART NO.	REF NO.	PART NO.	REF NO.	PART NO.	REF NO.	PART NO.	REF NO.	PART NO.	REF NO.
65A-G4137-00	10-11	GJ3-U2663-01	15-30	GU3-U417F-00	27- 5	EU0-U7354-00-05	1- 39	GU2-U883P-00	17-34	65U-13554-00	5- 3
65A-G4184-00	10- 7	GJ3-U2664-01	16-33	GU3-U417G-00	27- 6	EU0-U7354-00-10	1- 39	GU2-U883U-00	17-35	65U-13555-00-8P	3- 7
65A-G5331-00	9- 8	GU2-U271B-00	20-25	GU3-U417H-00	27- 7	EU0-U7354-00-20	1- 39	66F-W0001-00	29- 1	65U-13556-00	3- 6
65A-R1129-00	8- 32	GJ3-U273B-00	9- 38	GU3-U417J-00	27- 8	GJ1-U7525-00	23-23	66F-W0001-20	29-20		29-15
65A-R1129-10	8- 13	GU2-U351H-00	18-20	GU3-U417K-00	27- 9	GJ3-U755J-00	23- 3	65U-W0004-00	3- 14	65U-13566-00	3- 8
65U-R1311-00	8- 1	GU2-U351J-00	18-21	GU3-U417L-00	27-10	GH3-U7550-00	23- 2	66F-W0090-00-8P	1- 1		29-16
65A-R1312-00	8- 10	GH3-U351M-50	18-26	GU3-U417M-00	27-11	GH3-U7555-00	23- 7	65U-W0093-00	30- 1	65U-13610-00	3- 13
65R-R1313-01	8- 40	GH3-U351M-60	18-27	GU3-U417N-00	27-12	EU0-U756E-00	20-21	65U-11111-00-94	1- 16	65U-13674-00	3- 26
65A-R1314-00	10- 1	GU2-U351N-00	18-22	EU0-U418B-00	28-12	GJ1-U7560-00	23-22	65U-11181-00	1- 17		29-17
65A-R1315-00	8- 12	GU2-U351P-00	18-23	EU0-U418B-10	28-14	GJ3-U7570-00	23- 4		29- 3	47X-14133-00	4- 32
65R-R1318-00	8- 31	GU2-U351R-00	18-24	GA9-U418C-10	28-17	GJ1-U7578-01	24-31	63M-11191-00-94	1- 19	812-14147-00	4- 35
66F-R1321-00	8- 29	GU2-U351S-00	18-25	GJ1-U418C-10	28-16	GJ1-U7578-11	17-16	63M-11193-00	1- 21		30- 7
65A-R1326-00	8- 26	GJ3-U352E-50	18-29	GA9-U418F-00	28-11		23-11		29- 4	64X-14162-00	4- 44
65R-R1333-00	9- 3	GJ3-U354D-30	18-12	GA9-U418G-00	28-18		23-17	65U-11311-00-94	1- 9	439-14186-00	4- 27
65A-R1334-01	8- 33	GU2-U358F-00	18-18	GA9-U418G-10	28-18	GJ1-U759B-00	22-20	6E5-11325-00	1- 10	3G2-14231-27	4- 8
65U-R1348-01	8- 5	GU2-U358G-00	18-19	GJ3-U418H-10	28-19	GJ1-U759C-00	22-21	63M-11351-01	1- 13	812-14235-00	4- 31
65A-R1381-00	8- 46	GU2-U370F-10-PO	16-16	GJ3-U418J-10	28-20	GH1-U759D-00	22-22		29- 2		30- 6
GP7-U142A-10	26- 1	GU2-U370G-10-PO	16-23	GJ3-U419B-00	28-21	GJ1-U759E-00	22-22		29- 2		30- 6
GP7-U142K-00	26- 2	GU2-U371A-10	20- 1	GJ3-U419B-10	28-21	GJ1-U759E-00	22-22		29- 2		30- 6
GH1-U143C-30	25-25	GU2-U371B-10	20- 2	GU2-U419C-01	28-22	GJ3-U775B-01	21-13	676-11372-00	11- 8	822-14235-00	4- 40
GP3-U1438-00	23-13	GU2-U372A-10	20- 6	GJ3-U419E-00	28-23	GU2-U776C-00	21-22	65U-11400-00	2- 1		30- 9
GH3-U146E-00	8- 43	GU2-U372B-10	20- 7	GJ1-U419F-21	28-25	GJ3-U778B-00	21-16	65U-11445-00	2- 10	65U-14243-00	4- 42
GH3-U146E-10	10- 5	GH3-U411A-00	28- 8	GU2-U419G-00	28-24	GJ3-U778C-00	21-14	65U-11603-00	2- 12	62T-14251-00	1- 3
GK5-U146F-00	24-28	GH3-U411A-10	28-11	GJ3-U474A-01	20-30	GJ3-U778D-00	21-17	65U-11604-00	2- 12	65U-14251-00	6- 37
EU0-U1461-01	24-27	GJ3-U411A-00	28-16	GU2-U475A-00	16- 1	GJ3-U778E-00	21-15	65U-11605-00	2- 12	63M-14253-00	4- 21
EU0-U1461-30	24-19	GA9-U411B-00	28-28	GU2-U513M-10-PO	16-31	GH1-U778E-00	22-18	65U-11631-00-89	2- 11	65U-14255-00	3- 28
GH1-U1469-00	25-43	GJ3-U4114-51	27-13	GU2-U516A-00	15- 1	GP7-U783F-00	22-30	62T-11633-00	2- 13	65U-14283-00	3- 17
GU2-U1481-01	24-25	GJ3-U4122-10	27-14	GU2-U516N-10-PO	15- 2	GP7-U7831-10	22-23	65U-11635-00	2- 11	65U-14284-01-8P	3- 21
GP3-U149C-00	24-18	GU3-U4125-00	27-15	GU2-U517B-10-PO	16- 3	GP7-U7832-00	22-24	65U-11636-00	2- 11	65U-14301-00	4- 1
GP7-U155D-00	25- 2	GJ3-U415E-12	28-13	GU2-U517G-00	15-14	GP7-U7833-10	22-25	63M-12576-00	6- 16	65U-14302-00	4- 2
GP7-U155F-00	25- 3	GJ3-U415E-20	28-26	GU2-U517H-10-PO	15-12	GP7-U7834-10	22-28	63M-12577-00	6- 18	65U-14303-00	4- 3
GU2-U1552-00	25- 1	GJ1-U415F-01	28-15	GU2-U519D-00	15-18	EU0-U7834-10	22-28	64X-12578-01	6- 50	64X-14398-00	4- 43
FN8-U1624-00	17-30	GJ1-U415F-10	28-15	GJ3-U5578-00	20-34	GP7-U7835-00	22-26	64T-12580-00	6- 59		30-11
GU2-U2117-00	19- 2	GP7-U416B-00	28- 2	EW2-U5912-00	20-19	GP3-U7844-00	22-31	63M-12581-00	6- 56	62T-14435-00	3- 19
GU2-U2118-00	19- 5	GP7-U416B-11	28- 2	EW2-U5913-00	20-20	GA7-U785G-00	22-11	63M-12590-10	6- 62	65U-14451-00	3- 22
GU2-U213F-00	19- 1	GU2-U416C-00	28- 3	EW2-U5920-00	20-18	GU2-U785H-00	22- 8	63M-12590-20	6- 62	65U-14469-00	3- 23
GU2-U213G-00	19- 4	GU2-U416C-10	28- 3	GU2-U596B-10	15-21	GP7-U785J-00	22- 1	63M-13116-00	5- 10	65U-14477-00	3- 24
GJ3-U2501-20	18- 1	GU2-U416C-20	28- 4	GU2-U596C-10	15-22	EU0-U785J-00	14- 1		29-18	6K8-14481-10	4- 37
GJ3-U251D-20	18- 9	GU2-U416C-40	28- 5	GA9-U724C-00	24-36	GJ3-U7856-20	21-10	63M-13132-00	21- 1	6K8-14503-02	4- 16
GJ3-U251E-20	18-10	GJ3-U416E-00	28- 7	GP7-U724D-00	24-37	GJ1-U8K31-02	9- 24	65U-13132-00	5- 2	6M6-14503-00	4- 7
GH3-U2512-20	18- 6	GJ3-U416E-10	28- 7	GP7-U724E-00	24-38	EU0-U821D-00	14- 9	6R3-13183-00	5- 14	6K8-14521-10	4- 17
GJ3-U2519-50	18- 7	GJ3-U416F-10	28- 9	GA9-U724F-01	24-39	GP7-U8211-00	14- 5		5- 18	6M6-14521-00	4- 30
GJ3-U252C-20	18-13	GA9-U416G-10	28-10	GU3-U7242-01	24-35	EU0-U8221-00	14- 6		5- 18	6K8-14523-11	4- 29
GJ3-U252D-50	18-14	GJ3-U416H-00	28- 6	GJ3-U7242-01	24-35	EU0-U8221-00	14- 6	65U-13200-00	5- 22	6K8-14527-11	4- 26
GJ3-U266B-01	20-31	GU3-U417B-00	27- 1	GJ3-U7242-01	24-35	EU0-U8221-00	14- 6	65U-13200-00	5- 1	65U-14527-00	3- 1
GU2-U266B-30	16- 4	GU3-U417C-00	27- 2	GJ3-U7242-01	24-35	EU0-U8221-00	14- 7	6J8-13411-00	21-24	6K8-14534-10	4- 4
GJ3-U266C-02	20-32	GU3-U417D-00	27- 3	GJ3-U7242-01	24-35	EU0-U8221-00	14- 7	6J8-13414-00	21-25	6K8-14536-11	4- 24
GJ3-U266C-31	16- 2	GU3-U417E-00	27- 4	EU0-U7354-00-01	1- 39	GP7-U824C-01	14-18	6R8-13444-00	28- 1		30- 5
				EU0-U7354-00-03	1- 39	GP7-U8341-00	14-17	6R8-13444-20	28- 1	6R7-14541-00	4- 22
						GU2-U883N-00	17-33	63N-13444-00	28- 1		30- 4

NUMERICAL INDEX

PART NO.	REF NO.	PART NO.	REF NO.	PART NO.	REF NO.	PART NO.	REF NO.	PART NO.	REF NO.	PART NO.	REF NO.
6R7-4542-00	4-23	70R-24489-00	22-5	63M-51367-00	29-24	GP7-62159-01	19-7	EW2-67257-01	25-14	EU0-82110-09	14-4
6K8-14547-01	4-20	65U-24500-00	7-12	63M-51368-00	8-8	EU0-62241-30	9-30	EW2-67258-01	25-15	6M6-82117-21	13-6
583-14561-00	4-41	6R7-24524-00	7-11		29-25			EW2-67259-01	25-16	64T-82117-00	14-19
	30-10	70R-24543-00	22-4	62E-51673-00	8-34			EU0-67267-00	24-40	66F-82117-10	13-5
6K8-14563-00	4-15	6K8-24560-10	7-10	61L-5169A-00	3-33	EU0-62280-00	17-23	EU0-67324-00	1-38	6H5-82127-00	11-19
6K8-14564-00	4-9	65U-26320-00	5-4		3-37	EU0-62282-00	17-24	GJ1-6753B-02	23-12	65U-82150-00	13-11
	30-2	278-27114-00	20-3	63M-5316M-00	17-5	EU0-62283-00	17-25	GJ1-67577-00	23-1	6G1-82151-00	13-12
6R7-14569-00	4-18		20-8	FN8-6131B-00	25-40	EU0-62285-01	17-26	EW2-67618-00	17-9	65U-82351-00	13-21
6K8-14589-00	4-39	63M-41113-00-94	6-30	GJ3-6134B-01	24-1	GU2-6252E-10	18-2	GH3-67743-00	22-16	65U-82351-10	13-22
6K8-14591-10	4-25	63M-41114-00	6-31	GU2-6134C-00	24-16	GU2-6252F-10	18-3	GJ1-67743-00	22-15	6R7-82352-00	13-20
65U-14613-00	6-3		6-35	GJ3-6134N-01	24-10	GJ1-62663-00	9-41	FJ0-67766-00	21-5	63M-82370-01	13-17
	29-9		29-12	FJ0-61344-00	24-12	FN8-6269B-00	8-49	EU0-67767-31	22-10	66F-82553-00	13-37
63M-14615-00	6-27		29-14	FJ0-61347-00	24-11	EU0-62694-00	9-25	EU0-67816-30	7-25	65U-82560-00	13-30
62T-14625-00	6-25	65U-41121-00-94	6-34	FJ0-61348-01	24-2		24-41	EU0-67817-00	7-24	6R7-83623-40	13-43
63M-14680-00	6-46	63M-41122-00	6-33	FJ0-61349-00	24-3	GJ1-62733-00	9-40	FX1-67869-00	21-21	6R7-83623-50	13-43
63M-14711-00-94	6-1		29-13	GU2-6135G-00	24-17	GU2-62875-00	15-13	GP8-6820A-22	14-11	63N-83623-00	13-43
63M-14712-00-9P	6-9	65U-41123-00-94	6-36	FJ0-61351-00	24-4	GH1-63774-01	20-33	GP8-6820A-32	14-11	682-84385-01	6-61
63M-14718-00-9P	6-4	63M-41138-00	6-45	FJ0-61352-00	24-6	GU2-6378C-00	20-11	GJ1-6822E-00	9-32	65U-85510-00	11-2
63M-14721-00-94	6-32	65U-41217-00	4-45	FJ0-61353-00	24-8	GU2-6378D-00	20-14	GU2-6822E-00	15-24	65U-8552A-00-5B	13-7
63M-14739-00	6-6	64T-44121-00	10-8	FJ0-61354-00	24-9	GJ3-63850-02	20-4	FJ0-68222-01	14-10	65U-8552E-00	13-38
	29-10	6R8-44125-00	10-2	GH1-6141B-00	25-24		20-9	GP7-68238-01	14-12	65U-85525-00	13-25
63M-14749-00	6-12	6M6-44517-A1-5B	1-33	GH1-6141D-01	25-30	GP7-6415B-00	28-2	GP7-68310-00	25-5	65U-85540-00	13-9
	29-11	66F-44532-00	1-31	GU2-6143G-00	25-17	GL3-6415D-00	28-7	FK7-68312-02	25-8	65U-85542-00	13-23
64T-14752-00	6-63	663-45119-00	3-32	GU2-61433-00	25-33	GK5-6415E-20	28-29	FK7-68313-01	25-9	65U-85546-00	13-10
63M-14771-00-94	6-47		3-36	EU0-61435-00	24-44	GK5-6415F-20	28-30	EW2-68348-00	25-6	65U-85550-00	11-1
64T-14916-00	4-19	6K8-45127-00	9-19	EU0-61436-00	9-28	GL3-6415G-01	28-10	65U-81317-00	13-27	65U-85570-00	13-14
	30-3	62T-45127-00	2-18	EU0-61438-00	9-29	GU2-6416C-30	28-3	6M6-8132W-00	13-40	65U-85570-10	13-15
3KW-14932-00	4-38		29-8		24-45	GL3-6416F-00	28-9	65U-81328-00	11-14	65U-85570-20	13-16
6K8-14946-10	4-36	65V-45318-00	8-4	EU0-61446-00	9-26	FT4-64178-00	28-17	65U-81337-00-8P	11-6	65U-85580-00	11-3
	30-8	65U-45332-00-94	9-10		24-42	GL3-6418B-00	28-12	63M-81365-00	11-10	90105-08M66	6-39
65U-15100-00-94	1-2	61L-45378-00	9-17	GU2-6146D-00	24-21	GL3-6418C-00	28-16		29-19	90105-089U1	8-39
63M-15761-00	6-38	65U-45511-00	8-23	GU2-61467-00	25-35	GL3-6418G-00	28-18	63M-81800-00	12-8	90105-10M45	6-49
63M-21415-02-94	1-25	62T-45526-00	2-5	GH3-61468-00	25-38	GL3-6418H-01	28-19	3AJ-81809-00	12-9	90105-10M60	6-40
63M-21425-00-94	1-28	65V-45538-00	8-19	GJ3-61468-01	24-20	GA7-6418J-10	28-20	6M6-81826-00	12-12	90109-05M75	3-18
EU0-23814-01	25-20	63M-4581J-00	2-19	EU0-61486-00	9-27	FJ1-64197-00	28-27	6M6-8183E-00	12-1		13-8
EU0-23814-30	25-21	63M-45813-01-8P	2-17		24-43	GU2-6516L-00	15-19	6M6-81830-00	12-15	90109-06M30	1-32
65U-24314-01	4-50	64T-45813-01-8P	2-20	GU2-61541-00	25-23	GU2-65162-00	16-30	63M-81830-00	12-14	90109-06M76	3-27
	4-52	6K8-51129-00	1-20	EU0-61588-00	25-31	GP7-6517C-00	16-10	6M6-81840-10	12-10	90109-089U1	10-9
65U-24315-01	4-48		6-10	A00-61624-60	20-22	GU2-6517D-00	16-6	11H-81844-00	12-11	90109-10M72	11-5
6G8-24376-00	21-4	63M-51129-00	6-5	FN8-61651-00	18-16	GU2-6517F-00	16-12	6M6-81844-00	13-41	90110-089U1	22-19
6R3-24377-00	6-21	63M-51162-00	17-2	EU0-61652-00	6-65	GU2-6517R-00	15-17	1FK-81847-00	12-16	90116-08M60	3-4
63M-24378-00	21-2	63M-51165-00	17-3		8-50	EW2-65772-00	23-5	6M6-81850-00	12-13	90119-059U4	23-24
6K8-24411-20	4-10	63M-51323-00	9-6		18-17	EU0-65901-01	27-17	6M6-81865-00	12-3	90119-069UA	10-4
6R7-24412-01	4-28	64T-51345-00	10-6	GP7-61652-00	23-14	EU0-65986-00	27-16	6M6-81866-00	12-2	90119-069UB	8-28
6M6-24413-00	4-11	62T-51348-00	8-30	EW2-62140-00	22-2	GJ1-67218-00	1-36	65U-81921-00	13-42	90119-069UC	9-4
6K8-24421-10	4-12	6R8-51367-01	8-7	EW2-62142-00	22-3	GJ1-67250-01	25-11	6G1-81941-10	13-3	90119-069UD	8-6
6K8-24431-20	4-13		29-23	EW2-62149-00	19-9	GJ1-67255-00	25-12	6M6-81952-01	13-4		8-48
6K8-24452-10	4-14	63M-51367-00	9-5	GJ3-6215F-00	19-11	EW2-67256-00	25-13	6H2-81960-00	13-33	90119-069UH	15-4



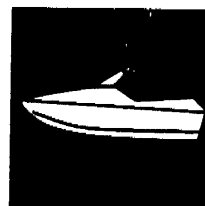
NUMERICAL INDEX

PART NO.	REF NO.	PART NO.	REF NO.	PART NO.	REF NO.	PART NO.	REF NO.	PART NO.	REF NO.	PART NO.	REF NO.
90119-069UM	15-20	90170-22187	7- 20	90387-32M02	2- 6	90464-07M05	5- 26	90560-22281	25-18	92903-06600	3- 10
	15-23	90179-06947	9- 43	90430-13909	17-20	90464-08M07	7- 6	90600-90361	9- 33		3- 12
	16-18	90179-08M15	3- 5		17-22		7- 8	90600-91060	14- 3		3- 30
	16-25	90179-10925	9- 21	90430-16910	23-19	90465-06M67	11-13	90600-91736	6- 66		12- 7
90119-069UJ	16- 7	90183-06902	15- 3		23-21	90465-11M10	3- 35		7- 29	92903-08600	6- 15
	23- 6		16- 5	90445-07M82	5- 8		4- 47		7- 32		12-18
90119-069UK	9- 44		16-17	90445-09M21	9- 1		4- 49		7- 35	92990-05200	17-28
90119-069US	14- 8		16-24	90445-09M31	3- 34		4- 51		9- 34	92990-05600	3- 16
90119-06900	15- 9	90201-05925	17-13	90445-09M37	6- 41		4- 53		17-12	92990-06100	12-19
90119-06914	15- 5		21- 7	90445-10MA7	4- 46		5- 7		21- 6	92990-06200	15- 6
90119-06920	20-26	90201-06M31	3- 31	90445-10MG0	7- 1		5- 9	90600-91755	8- 51		15-10
90119-06924	20-27	90201-068M4	8- 44	90445-10MG1	7- 16		5- 16	90600-918U3	24-32		16- 8
90119-08M02	6- 13		10-15	90445-10MG2	7- 13		5- 20	90600-944U8	9- 37		16-14
90119-08M19	1- 18	90201-08929	15-28	90445-10MG3	7- 18		5- 24	90601-118UF	8- 16		16-21
90119-08M29	1- 22	90201-099U1	15-27	90445-10M99	7- 4		6- 17		8- 35		16-28
90119-08M36	6- 7	90201-20M04	2- 15	90445-11M33	5- 5		6- 19		23- 9		17-37
90119-08M55	1- 5	90201-248M5	2- 21	90445-14M16	6- 22		6- 24		23-10		18- 5
90119-089UE	8- 41	90202-229U1	7- 21	90445-14898	8- 36		6- 42	90601-142U6	25-29		20-12
90119-089UF	9- 11	90267-329UR	22-29	90445-18M00	6- 57		7- 3	90601-152U3	21-23		20-16
	10-13	90267-40935	21-20	90445-18M02	6- 53		7- 7	90601-155U4	22-32		20-29
90119-089UR	1- 37	90267-40937	15-15	90445-18M03	8- 15		7- 9	90601-162U5	14-16		24-15
90119-089UT	1- 34	90267-489UG	2- 22	90445-19895	17- 1		7- 14		22-14		24-22
90119-089UU	1- 35	90267-489U1	7- 26	90445-19896	17- 6		7- 17	90601-195UD	23- 8		25-27
90119-089U5	9- 42	90267-489U2	22- 6	90446-07M35	5- 15		7- 19	90601-200U1	17- 7		25-36
	13- 1	90267-489U7	17-14	90446-07M36	5- 19		9- 2		17-11	92990-08100	4- 5
90119-089U6	9- 39	90267-489U8	18-11	90446-07M74	5- 23		11-20		17-17	92990-08200	17-32
	15-26		18-15	90446-07M77	5- 13		13-13	90601-200U7	19- 3		20-23
90119-089U7	22-17	90267-48925	6- 67		5- 17		13-18	90601-200U6	6- 68	92990-10200	20-35
	25-32		7- 30		5- 21		13-36		7- 27		25-41
	25-34		7- 33	90446-14M28	7- 2		21- 3		7- 31	92990-14200	23-15
90119-089U9	15-25		7- 37	90446-14M61	6- 43	90465-11829	5- 27		7- 34	92990-16600	8- 24
90119-08907	9- 23		9- 35	90446-14M62	7- 15		7- 23		7- 36	92995-06100	13-32
90119-08925	25-22		16-32	90446-14M84	7- 5		7- 28		9- 36	92995-06600	5- 12
90119-10M02	1- 26		18-28	90446-17M75	5- 6		8- 37		14-14		13-29
	1- 29		19- 8	90446-20M31	6- 23		9- 18		17-15		13-35
90119-10M03	1- 30		21- 9	90446-20M53	6- 20		19-10		21- 8	92995-08600	11-16
90119-10M07	1- 15	90269-07923	19- 6	90446-24M52	6- 54		19-12	90601-20009	13- 2		11-18
90119-10M56	1- 14	90280-05013	11- 4	90446-24M79	5- 25		21-11	90601-20016	17-18	93101-25M50	8- 22
90119-10M72	1- 27	90331-12M05	8- 14	90446-24M89	6- 60		21-12	90604-80759	17-19		29-31
	6- 48	90380-12M29	1- 4	90446-27M55	6- 51		22- 7	90604-80775	17-21	93101-25M55	9- 13
90119-109U8	9- 20		11- 7	90450-18M09	6- 55		22- 9	90604-80793	23-18		29-28
90149-05904	9- 31	90387-06M24	10- 3		6- 58		22-12	90604-80794	23-20	93101-25M56	9- 16
90149-069U9	26- 3	90387-06M30	10-16	90450-22M14	6- 52		23-16	90605-502U2	15-16		29-29
90159-059U2	16-11	90387-06M60	8- 47	90450-99M02	6- 29	90465-13M24	6- 44	90699-38U03	24-30	93101-36M46	2- 8
	25-19	90387-06922	15- 8		6- 64	90467-089U1	14- 2	91318-06014	11-12		29- 6
90159-069U1	26- 4	90387-08M08	8- 42	90450-99M06	6- 26	90480-06M46	8- 9	91318-06025	11-11	93102-17M49	8- 2
90169-049U1	22-27	90387-08M26	10-12	90450-99M16	6- 28	90501-14M73	12- 6	91380-05035	25- 4		29-21
90169-059U1	18- 8	90387-08M27	10-14	90464-06M29	13-39	90506-12M35	10-10	92903-06600	3- 3	93102-17M50	8- 3

NUMERICAL INDEX

PART NO.	REF NO.	PART NO.	REF NO.	PART NO.	REF NO.	PART NO.	REF NO.	PART NO.	REF NO.	PART NO.	REF NO.
93102-17M50	29-22	95720-06300	15- 7	97780-50112	17-10						
93102-25M34	8- 21		15-11	97780-60116	24-33						
	29-30		16- 9	97880-03008	25- 7						
93102-36M33	2- 7		16-15	97880-05016	3- 15						
	29- 5		16-22	97880-05025	17-27						
93103-32M01	2- 9		16-29		25-10						
	29- 7		17-36	97980-05330	4- 33						
93210-13M63	3- 20		18- 4	98580-05012	24- 5						
93210-17MA4	9- 7		20-13	98780-04015	1- 11						
	29-26		20-17	98780-05025	24-13						
93210-22ME5	17- 4		20-28	98980-04008	7- 22						
93210-35M72	9- 9		24-24	98980-06040	20- 5						
	29-27		25-28		20-10						
93210-46M16	8- 27		25-39								
	29-32	95720-08300	15-29								
93306-205U0	8- 18		17-31								
93306-205U6	9- 15		20-24								
93306-304U1	8- 20	95720-10300	20-36								
93306-307U3	2- 4		25-42								
93310-320U2	2- 14	95780-06300	24-23								
93390-000U4	2- 3		24-29								
93430-47M04	9- 14		25-37								
93440-25M08	12- 4	97013-06014	3- 29								
93440-80023	2- 2	97013-06016	3- 2								
93450-18M06	12- 5	97013-06025	3- 11								
93450-21053	2- 16	97013-06035	3- 9								
93603-10049	1- 7	97013-08025	12-17								
93604-07141	1- 8	97013-08030	6- 14								
93605-12M21	6- 2	97080-06014	24- 7								
	6- 11	97080-06020	16-13								
93606-12J19	1- 6		20-15								
	1- 12	97080-06025	16-19								
	8- 11		16-26								
	8- 17	97080-06030	25-26								
	8- 38	97080-06035	24-14								
	9- 12	97095-06012	13-26								
	11- 9		13-28								
94702-00195	13-19	97095-06016	13-31								
94709-00195	13-19	97095-06020	5- 11								
95317-16700	8- 25		13-34								
95380-06700	8- 45	97095-08030	11-15								
	12-20	97095-08055	11-17								
	16-20	97513-06530	6- 8								
	16-27	97513-06630	1- 24								
95380-08700	4- 6	97513-08516	13-24								
95382-06700	4- 34	97513-08630	1- 23								
95720-05300	14-13	97595-05510	3- 25								
	17-29	97780-04110	21-19								

**YAMAHA**



**PARTS  
CATALOGUE**

**XL1200W**

(GU31, GU32, GU34)

**MJ-1200XL'98**

(GU33)

**YAMAHA**  
**GENUINE**  
Parts & Accessories

28GU3-300E1

**A1**

## FOREWORD

This Parts Catalogue is related to the parts for the model(s) in the below frame. When you are ordering replacement parts, please refer to this Parts Catalogue and quote both part numbers and part names correctly.

XL1200W(GU31, GU32, GU34), MJ-1200XL'98(GU33)

1. Modifications or additions which have been made after issue of the Parts Catalogue will be announced in the Yamaha Parts News. It is advisable that you make necessary corrections to the Parts Catalogue according to the Yamaha Parts News.

2. Abbreviations

The following abbreviations are used in this Parts Catalogue.

- "UR" Use specified parts number.
- "UN" Use as many as needed.
- "AP" Alternate Parts
- "LM" Local Made (Parts need to be ordered locally)
- "F#" Frame No. (Applicable machine No.)

3. Parts, which are to be supplied in an assembly, are listed with a dot (.) in front of the part name as shown below.

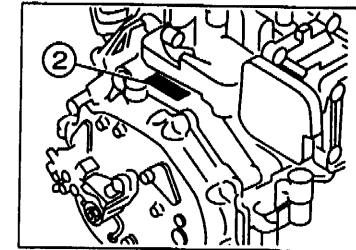
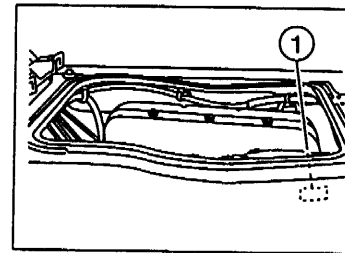
The numeral appearing to the right of each component part indicates the quantity of parts for each assembly unit.

EXAMPLE

PART NO.	DESCRIPTION	Q'TY	REMARKS
EU0-62280-00	DRAIN PLUG ASSY	2	
EU0-52282-00	. PLUG, DRAIN	1	

4. Applicable Serial No. and Color Code

① Hull Serial No.	(GU31)	GU3-800101	~
	(GU32)	GU3-800101	~
	(GU33)	GU3-100101	~
	(GU34)	GU3-800101	~
② Engine Serial No.		66F-000101	~



Color Code	Color Name	Abbreviation
0240	PURE WHITE	PURW

5. Note that the illustrations are for reference in finding parts numbers, not to be used for assembling. When assembling, please use the applicable service manual.
6. A part with "YMUS" in the remarks column can be obtained from YMUS(USA) and not from YAMAHA MOTOR CO.,LTD (JAPAN).

EXAMPLE

PART NO.	DESCRIPTION	QTY	REMARKS
EW2-U5160-00	ENGINE HATCH COMP.	1	YMUS
90601-168U7	BAND, HOSE	1	YMUS

ADDRESS:

YAMAHA MOTOR CORPORATION U.S.A.  
PARTS & ACCESSORY DIV.  
6555 KATELLA AVENUE  
CYPRESS, CALIFORNIA 90630, U.S.A.



# CONTENTS

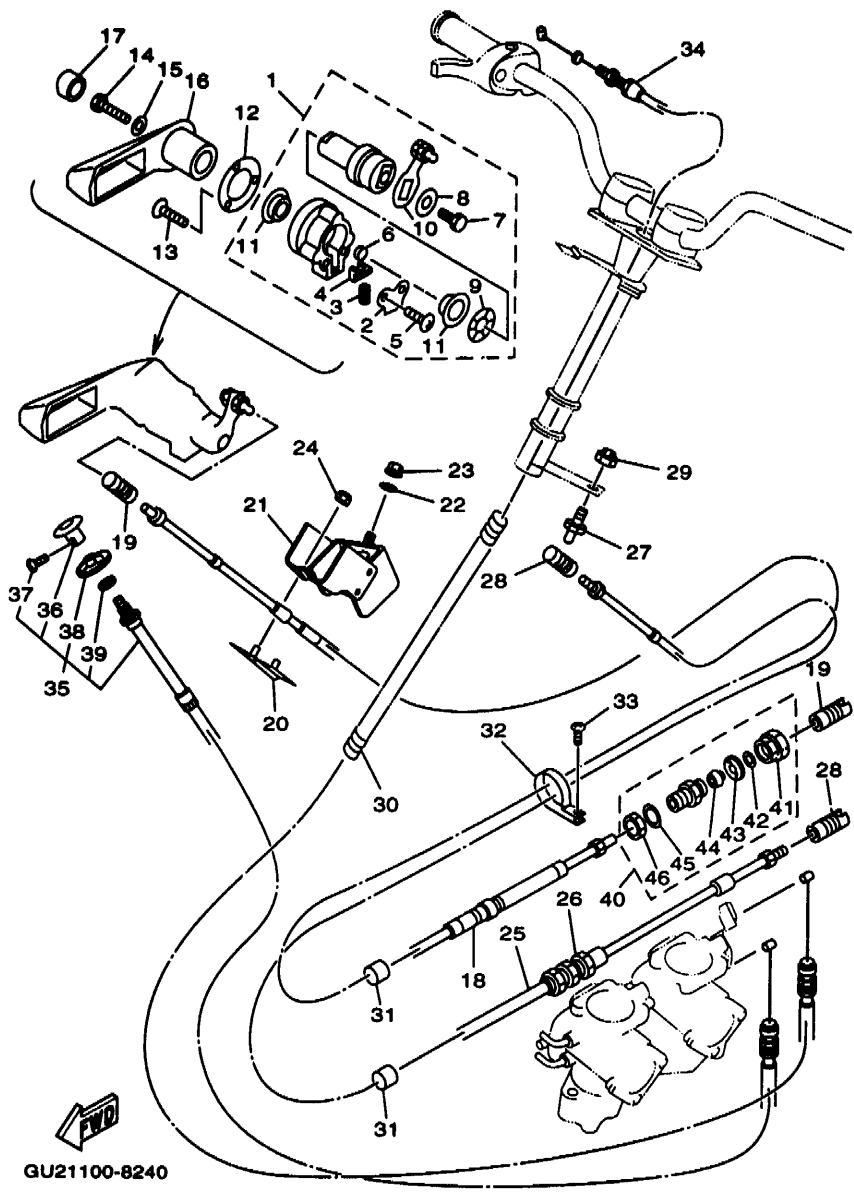
Sheet 1/2 (Fig. 1 to Fig. 24)

FIG. 1	CYLINDER, CRANKCASE.....	A4, A5
FIG. 2	CRANKSHAFT, PISTON.....	A6
FIG. 3	INTAKE.....	A7, B1
FIG. 4	CARBURETOR.....	B2, B3
FIG. 5	OIL PUMP.....	B4
FIG. 6	EXHAUST 1.....	B5 ~ B7
FIG. 7	FUEL.....	C1, C2
FIG. 8	JET UNIT 1.....	C3, C4
FIG. 9	JET UNIT 2.....	C5, C6
FIG. 10	JET UNIT 3.....	C7
FIG. 11	GENERATOR.....	D1
FIG. 12	STARTING MOTOR.....	D2
FIG. 13	ELECTRICAL 1.....	D3, D4
FIG. 14	ELECTRICAL 2.....	D5
FIG. 15	ENGINE HATCH 1.....	D6, D7
FIG. 16	ENGINE HATCH 2.....	E1, E2
FIG. 17	HULL, DECK.....	E3, E4
FIG. 18	GUNWALE, MAT.....	E5, E6
FIG. 19	VENTILATION.....	E7
FIG. 20	SEAT, UNDER LOCKER.....	F1, F2
FIG. 21	OIL TANK.....	F3
FIG. 22	FUEL TANK.....	F4, F5
FIG. 23	EXHAUST 2.....	F6
FIG. 24	CONTROL CABLE.....	F7
	NUMERICAL INDEX	

Sheet 2/2 (Fig. 24 to Fig. 30)

FIG. 24	CONTROL CABLE.....	A4
FIG. 25	STEERING 1.....	A5, A6
FIG. 26	STEERING 2.....	A7
FIG. 27	GRAPHIC, TOOL.....	B1
FIG. 28	IMPORTANT LABELS.....	B2, B3
FIG. 29	REPAIR KIT 1.....	B4, B5
FIG. 30	REPAIR KIT 2.....	B6

NUMERICAL INDEX

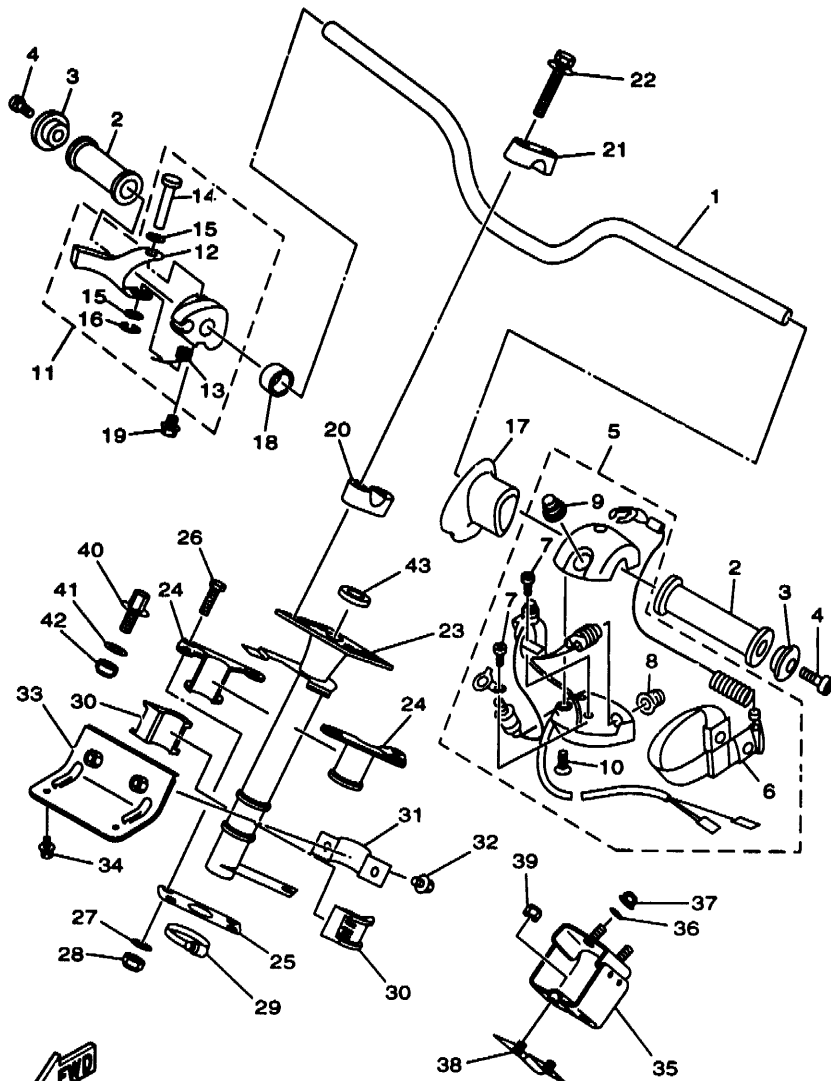


GU21100-8240

FIG. 24 CONTROL CABLE

REF. NO.	PART NO.	DESCRIPTION	GU3#	REMARKS
28	GK5-U148F-00	SHAFT, JOINT BALL	1	YMUS
29	95780-06300	NUT, FLANGE	1	
30	90699-38U03	SPI-WRAP 25	1	YMUS
31	GJ1-U7578-01	PACKING, HOSE 2	2	YMUS
32	90800-918U3	CLIP, NYLON 18	1	YMUS
33	97780-60118	SCREW, TAPPING	1	
34	GP8-U7252-00	CABLE, THROTTLE	1	YMUS
35	GU3-U7242-01	CABLE, CHOKE	1	YMUS
36	GA9-U724C-00	.KNOB	1	YMUS
37	GP7-U724D-00	.SCREW, KNOB	1	YMUS
38	GP7-U724E-00	.NUT, COMPRESSION	1	YMUS
39	GA9-U724F-01	.NUT	1	YMUS
40	EU0-17267-00	CONNECTOR, CABLE	1	
41	EU0-62694-00	.CAP	1	
42	EU0-61446-00	.WASHER 30	1	
43	EU0-61486-00	.STOPPER	1	
44	EU0-61435-00	.SEAL, PIPE 30	1	
45	EU0-61438-00	.PACKING (C)	1	
46	EU0-62241-30	.NUT, DRAIN 1	1	

A4

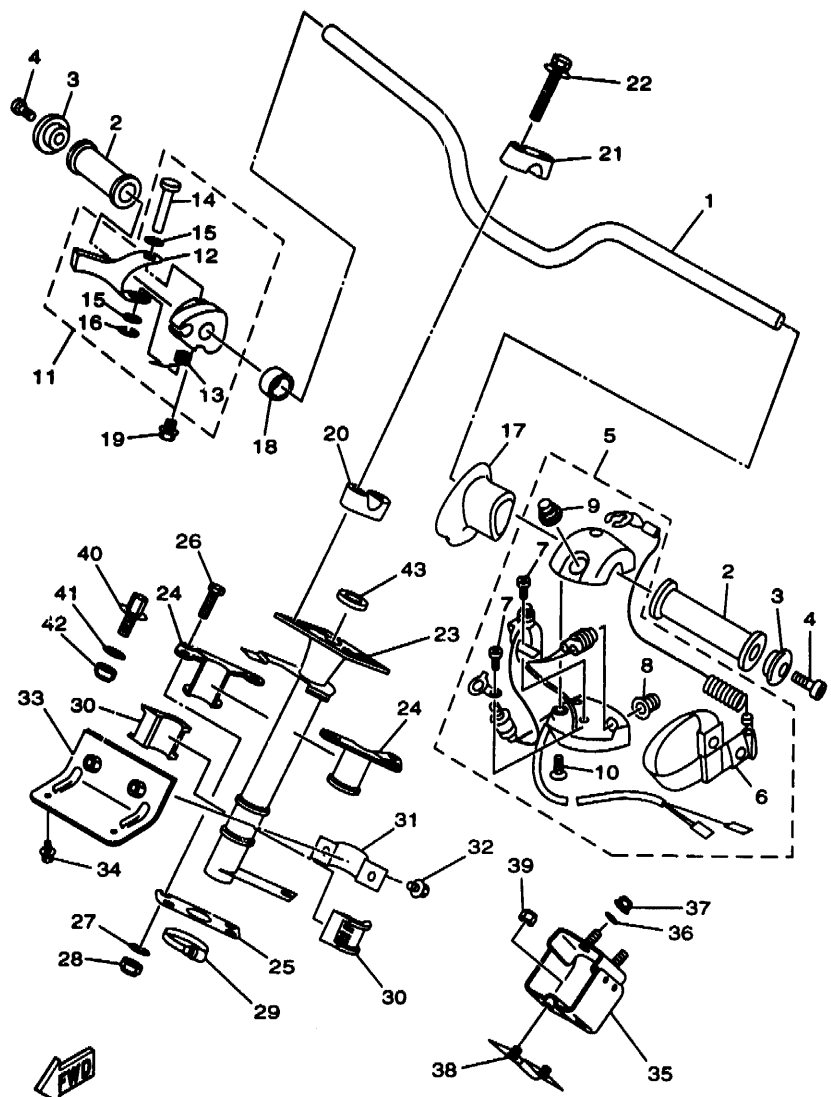


GU21100-8250

FIG. 25 STEERING 1

REF. NO.	PART NO.	DESCRIPTION	QU3#	REMARKS
1	GU2-U1552-00	HANDLE	1	YMUS
2	GP7-U155D-00	GRIP, HANDLE	2	YMUS
3	GP7-U155F-00	GRIP, END	2	YMUS
4	91380-05035	BOLT	2	
5	GP7-68310-00	SWITCH BOX ASSY	1	
6	EW2-68348-00	LANYARD, STOP SWITCH	1	
7	97880-03008	SCREW, PAN HEAD	2	
8	FK7-68312-02	STOP BUTTON COMP	1	
9	FK7-68313-01	START BUTTON COMP	1	
10	97880-05025	SCREW, PAN HEAD	2	
11	GJ1-67250-01	THROTTLE LEVER ASSY	1	
12	GJ1-67255-00	LEVER, THROTTLE	1	
13	EW2-67256-00	SPRING	1	
14	EW2-67257-01	SHAFT	1	
15	EW2-67258-01	WASHER	2	
16	EW2-67259-01	E RING	1	
17	GU2-6143G-00	SPACER	1	
18	90560-22281	SPACER	1	
19	90159-059U2	SCREW, WITH WASHER	1	YMUS
20	EU0-23814-01	HOLDER, HANDLE LOWER	2	
21	EU0-23814-30	HOLDER, HANDLE UPPER	2	
22	90119-08925	BOLT, WITH WASHER	4	
23	GU2-61541-00	COLUMN, STEERING	1	
24	GH1-6141B-00	BEARING, COLUMN	2	
25	GH1-U143C-30	SEAL, RUBBER	1	YMUS
26	97080-06030	BOLT	4	
27	92990-06200	WASHER, PLAIN	4	

A5



GU21100-8250

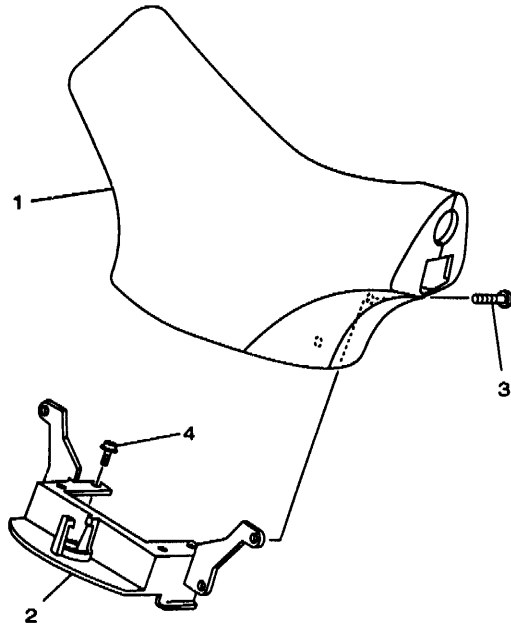
FIG. 25 STEERING 1

REF. NO.	PART NO.	DESCRIPTION	GU3 #	REMARKS
28	95720-06300	NUT, SELF-LOCKING	4	
29	90601-142U6	BAND, HOSE 42	1	YMUS
30	GH1-6141D-01	BEARING, STEERING	2	
31	EU0-61588-00	JOINT, BEARING	1	
32	90119-089U7	BOLT, WITH WASHER	2	YMUS
33	GU2-61433-00	BRACKET, BEARING	1	
34	90119-089U7	BOLT, WITH WASHER	2	YMUS
35	GU2-61467-00	BRACKET, STOPPER CABLE	1	
36	92990-06200	WASHER, PLAIN	3	
37	95780-06300	NUT, FLANGE	3	
38	GH3-61468-00	STOPPER, CABLE	1	
39	95720-06300	NUT, SELF-LOCKING	2	
40	FN8-6131B-00	PIN, STOPPER	1	
41	92990-10200	WASHER, PLAIN	1	
42	95720-10300	NUT	1	
43	GH1-U1469-00	PACKING, STEERING COLUMN	1	YMUS

A6

**FIG. 26 STEERING 2**

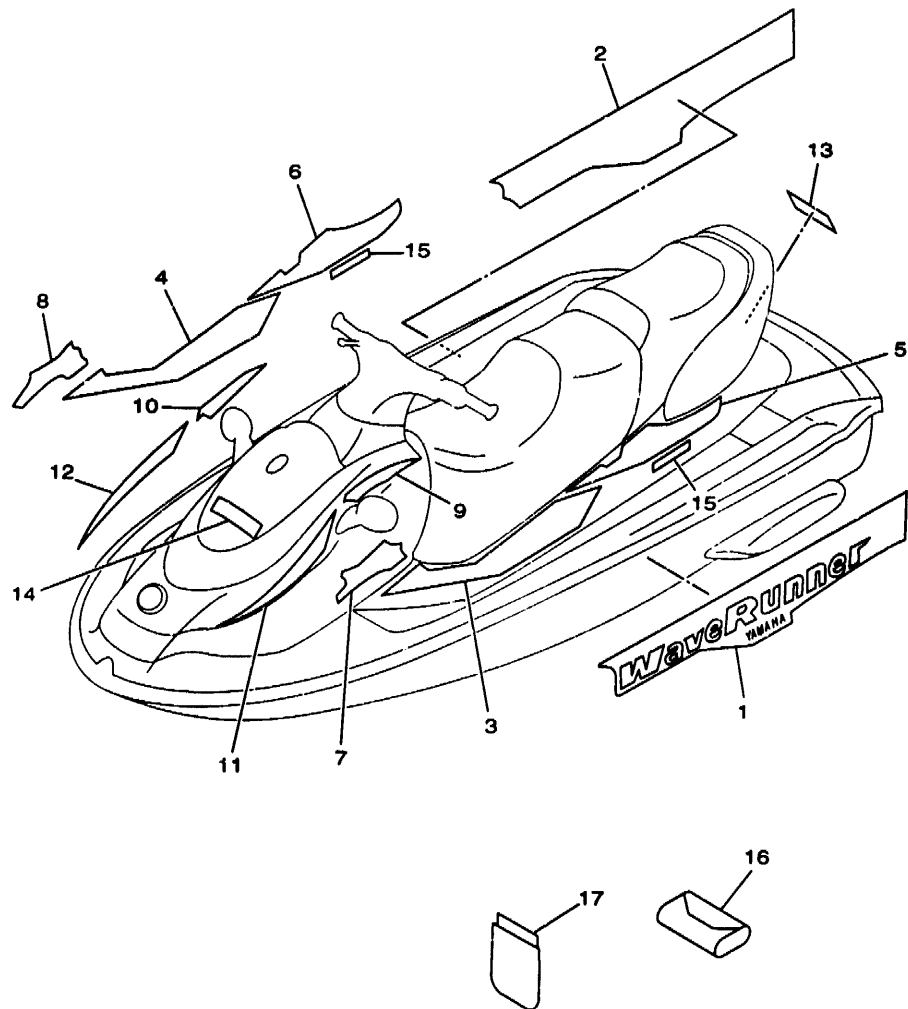
REF. NO.	PART NO.	DESCRIPTION	QTY*					REMARKS
1	GP7-U142A-10	STEERING PAD COMP	1					YMUS
2	GP7-U142K-00	FIX, STEERING PAD	1					YMUS
3	90149-069U9	SCREW	4					YMUS
4	90159-069U1	SCREW, WITH WASHER	4					YMUS



GU21100-8260

**A7**

FIG. 27 GRAPHIC TOOL



REF. NO.	PART NO.	DESCRIPTION	GU3*				REMARKS
1	GU3-U417B-00	GRAPHIC 1	1				YMUS
2	GU3-U417C-00	GRAPHIC 2	1				YMUS
3	GU3-U417D-00	GRAPHIC 3	1				YMUS
4	GU3-U417E-00	GRAPHIC 4	1				YMUS
5	GU3-U417F-00	GRAPHIC 5	1				YMUS
6	GU3-U417G-00	GRAPHIC 6	1				YMUS
7	GU3-U417H-00	GRAPHIC 7	1				YMUS
8	GU3-U417J-00	GRAPHIC 8	1				YMUS
9	GU3-U417K-00	GRAPHIC 9	1				YMUS
10	GU3-U417L-00	GRAPHIC B	1				YMUS
11	GU3-U417M-00	GRAPHIC C	1				YMUS
12	GU3-U417N-00	GRAPHIC D	1				YMUS
13	GJ3-U4114-51	MARK, YAMAHA A	1				YMUS
14	GJ3-U4122-10	EMBLEM 2	1				YMUS
15	GU3-U4125-00	EMBLEM	2				FOR JPN (ONLY) YMUS
16	EU0-65986-00	TOOL SET	1				
17	EU0-65901-01	TOOL BAG	1				

  
 GU21100-8270

**B1**

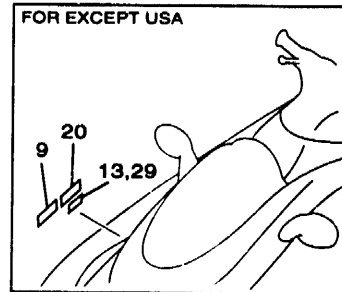
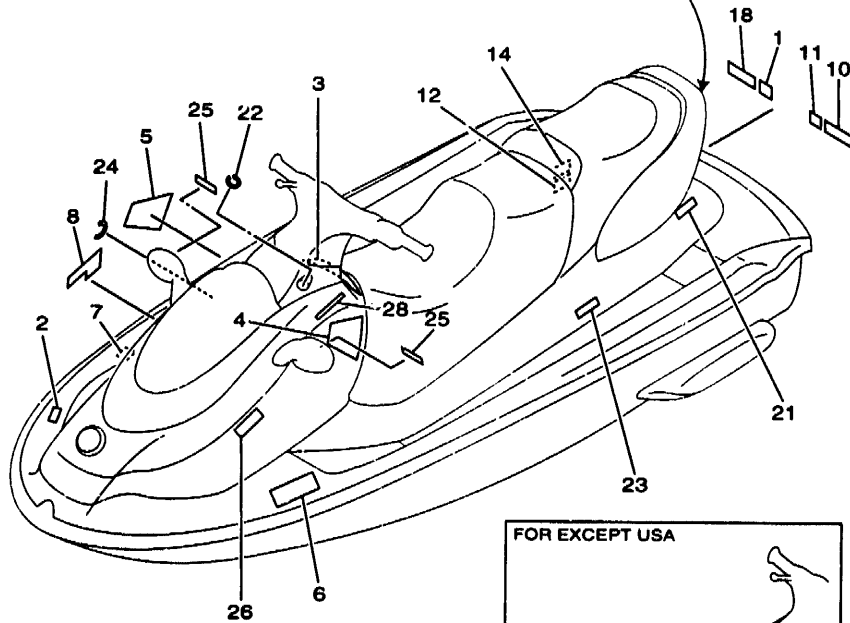
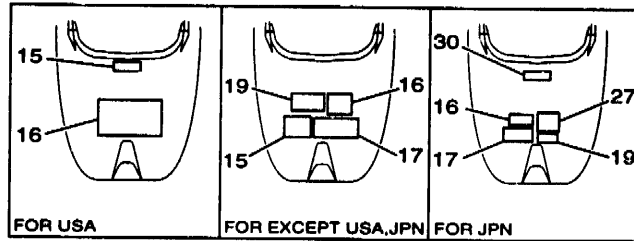


FIG. 28 IMPORTANT LABELS

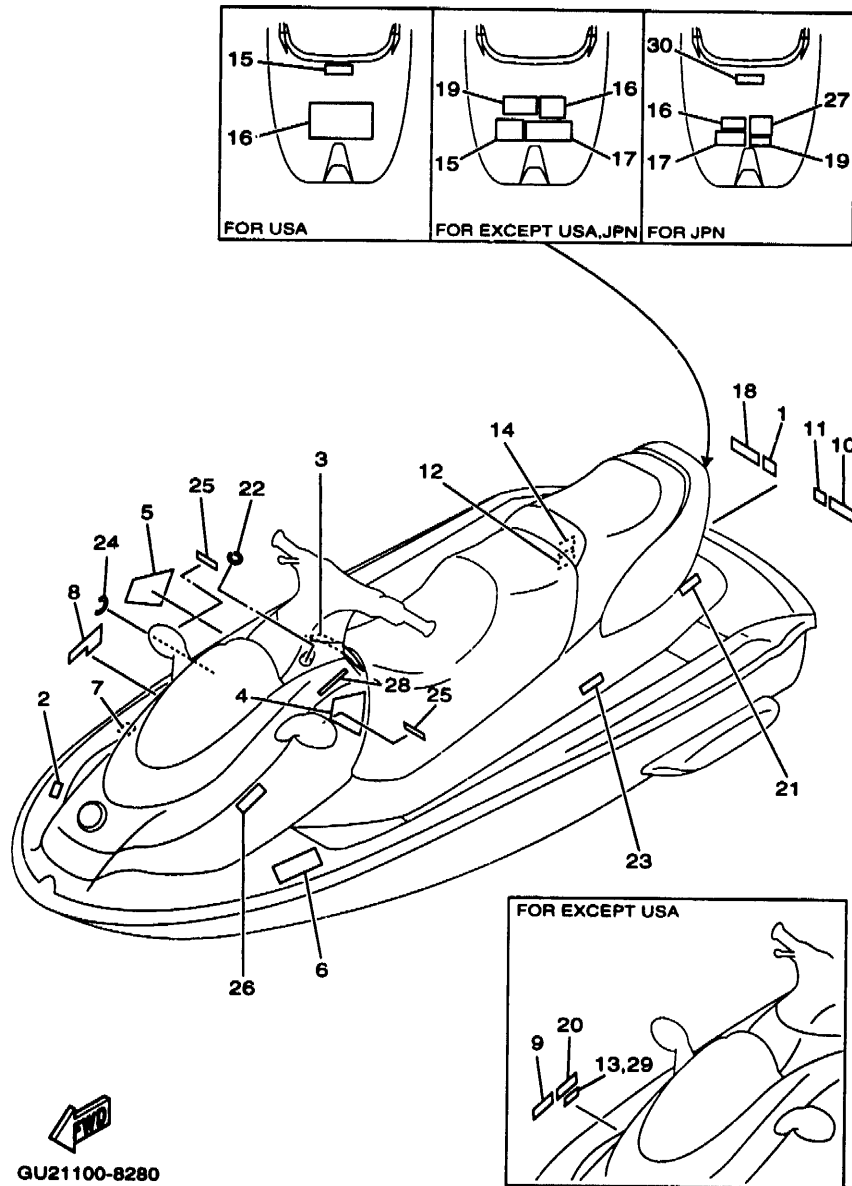
REF. NO.	PART NO.	DESCRIPTION	GUS #	REMARKS
1	63N-13444-00	MARK	1	UR JPN
	6R8-13444-00	MARK	1	UR USA
	6R8-13444-20	MARK	1	UR EXCEPT USA, JPN
2	GP7-6415B-00	LABEL, WARNING(FUEL)	1	UR JPN
	GP7-U416B-00	LABEL, WARNING	1	UR USA YMUS
	GP7-U416B-11	LABEL, WARNING	1	UR EXCEPT USA, JPN YMUS
3	GU2-6416C-30	LABEL, WARNING 1	1	UR JPN
	GU2-U416C-00	LABEL, WARNING 1	1	UR USA YMUS
	GU2-U416C-10	LABEL, WARNING 1	1	UR EXCEPT USA, JPN YMUS
4	GU2-U416C-20	LABEL, WARNING 1	1	EXCEPT USA, JPN YMUS
5	GU2-U416C-40	LABEL, WARNING 1	1	EXCEPT USA, JPN YMUS
6	GJ3-U416H-00	LABEL, WARNING(FRANCE)	1	EUR YMUS
7	GJ3-U416E-00	LABEL, WARNING3	1	UR USA YMUS
	GJ3-U416E-10	LABEL, WARNING3	1	UR EXCEPT USA, JPN YMUS
	GL3-6415D-00	LABEL, WARNING	1	UR JPN
8	GH3-U411A-00	LABEL, CAUTION	1	USA YMUS
9	GJ3-U416F-10	LABEL, WARNING 4	1	UR EXCEPT USA, JPN YMUS
	GL3-6416F-00	LABEL, WARNING 4	1	UR JPN
10	GA9-U416G-10	LABEL, WARNING	1	UR EXCEPT USA, JPN YMUS
	GL3-6415G-01	LABEL, WARNING 5	1	UR JPN
11	GA9-U418F-00	LABEL, UP RIGHING	1	UR EXCEPT USA YMUS
	GH3-U411A-10	LABEL, CAUTION	1	UR USA YMUS
12	EU0-U418B-00	LABEL, CAUTION	1	UR EXCEPT JPN YMUS
	GL3-6418B-00	LABEL, CAUTION	1	UR JPN
13	GJ3-U415E-12	LABEL, WARNING	1	EXCEPT USA, JPN YMUS
14	EU0-U418B-10	LABEL, CAUTION	1	EXCEPT USA, JPN YMUS
15	GJ1-U415F-01	LABEL, WARNING	1	UR USA YMUS



GU21100-8280

**B2**

FIG. 28 IMPORTANT LABELS



REF. NO.	PART NO.	DESCRIPTION	GUS #	REMARKS
15	GJ1-U415F-10	LABEL, WARNING	1	UR EXCEPT USA, JPN YMUS
16	GJ1-U418C-10	LABEL, CAUTION	1	UR EXCEPT USA, JPN YMUS
	GJ3-U411A-00	LABEL, CAUTION	1	UR USA YMUS
	GL3-6418C-00	LABEL, CAUTION	1	UR JPN
17	FT4-64178-00	LABEL, CAUTION 1	1	UR JPN
	GA9-U418C-10	LABEL, CAUTION	1	UR EXCEPT USA, JPN YMUS
18	GA9-U418G-00	LABEL, CAUTION	1	UR USA YMUS
	GA9-U418G-10	LABEL, CAUTION	1	UR EXCEPT USA, JPN YMUS
	GL3-6418G-00	LABEL, CAUTION	1	UR JPN
19	GJ3-U418H-10	LABEL, CAUTION(CLEAT)	1	UR EXCEPT USA, JPN YMUS
	GL3-6418H-01	LABEL, CAUTION(CLEAT)	1	UR JPN
20	GA7-6418J-10	LABEL, CAUTION	1	UR JPN
	GJ3-U418J-10	LABEL, CAUTION	1	UR EXCEPT USA, JPN YMUS
21	GJ3-U419B-00	LABEL 1	1	UR USA YMUS
	GJ3-U419B-10	LABEL 1	1	UR EXCEPT USA, JPN YMUS
22	GU2-U419C-01	LABEL 2	1	YMUS
23	GJ3-U419E-00	LABEL 4	1	CAN YMUS
24	GU2-U419G-00	LABEL, F-R LEVER	1	YMUS
25	GJ1-U419F-21	LABEL 5	2	UR EXCEPT USA, JPN YMUS
26	GJ3-U415E-20	LABEL, WARNING	1	UR EXCEPT USA, JPN YMUS
27	FJ1-64197-00	PLATE, CAPACITY	1	JPN
28	GA9-U411B-00	PLATE, ASSY	1	JPN YMUS
29	GK5-6415E-20	LABEL, WARNING	1	JPN
30	GK5-6415F-20	LABEL, WARNING	1	JPN

GU21100-8280

B3



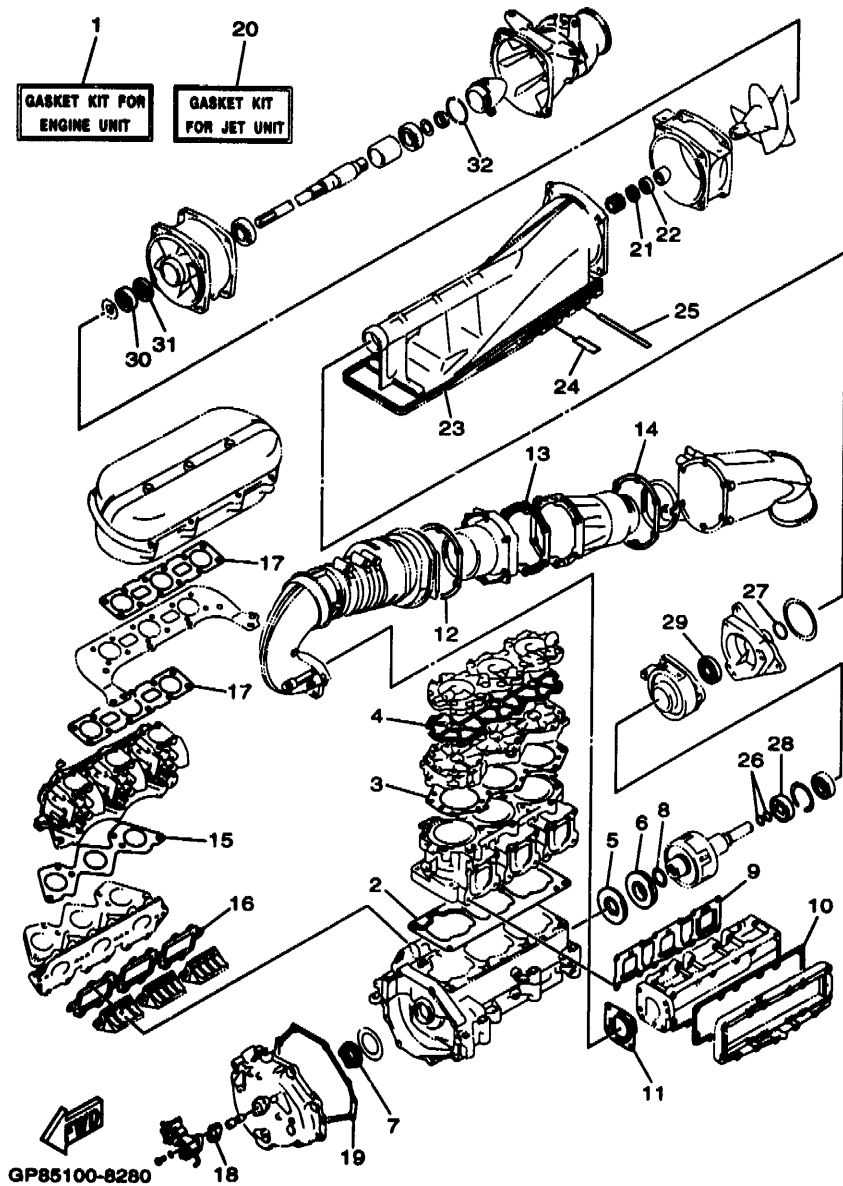


FIG. 29 REPAIR KIT 1

REF. NO.	PART NO.	DESCRIPTION	QTY	REMARKS
1	66F-W0001-00	GASKET KIT FOR ENGINE UNIT	1	
2	63M-11351-01	.GASKET, CYLINDER	1	
3	65U-11181-00	.GASKET, CYLINDER HEAD 1	1	
4	63M-11193-00	.GASKET, HEAD COVER 1	1	
5	93102-36M33	.OIL SEAL	1	
6	93101-36M46	.OIL SEAL	1	
7	93103-32M01	.OIL SEAL	1	
8	62T-45127-00	.SEAL	1	
9	65U-14613-00	.GASKET, EXHAUST PIPE	1	
10	63M-14739-00	.GASKET, MUFFLER DAMPER 1	1	
11	63M-14749-00	.GASKET, MUFFLER DAMPER 2	1	
12	63M-41114-00	.GASKET, EXHAUST OUTER COVER	1	
13	63M-41122-00	.GASKET, EXHAUST INNER COVER	1	
14	63M-41114-00	.GASKET, EXHAUST OUTER COVER	1	
15	65U-13556-00	.GASKET, MANIFOLD	1	
16	65U-13566-00	.GASKET	1	
17	65U-13674-00	.GASKET, AIR COOLER COVER 1	2	
18	63M-13116-00	.GASKET, PUMP CASE	1	
19	63M-81365-00	.GASKET, HOLE COVER	1	
20	66F-W0001-20	GASKET KIT FOR JET UNIT	1	
21	93102-17M49	.OIL SEAL	1	
22	93102-17M50	.OIL SEAL	1	
23	6R8-51367-01	.FELT, PACKING	2	
24	63M-51367-00	.FELT, PACKING	1	
25	63M-51366-00	.FELT, PACKING	2	
26	93210-17MA4	.O-RING	2	
27	93210-35M72	.O-RING	1	

B4

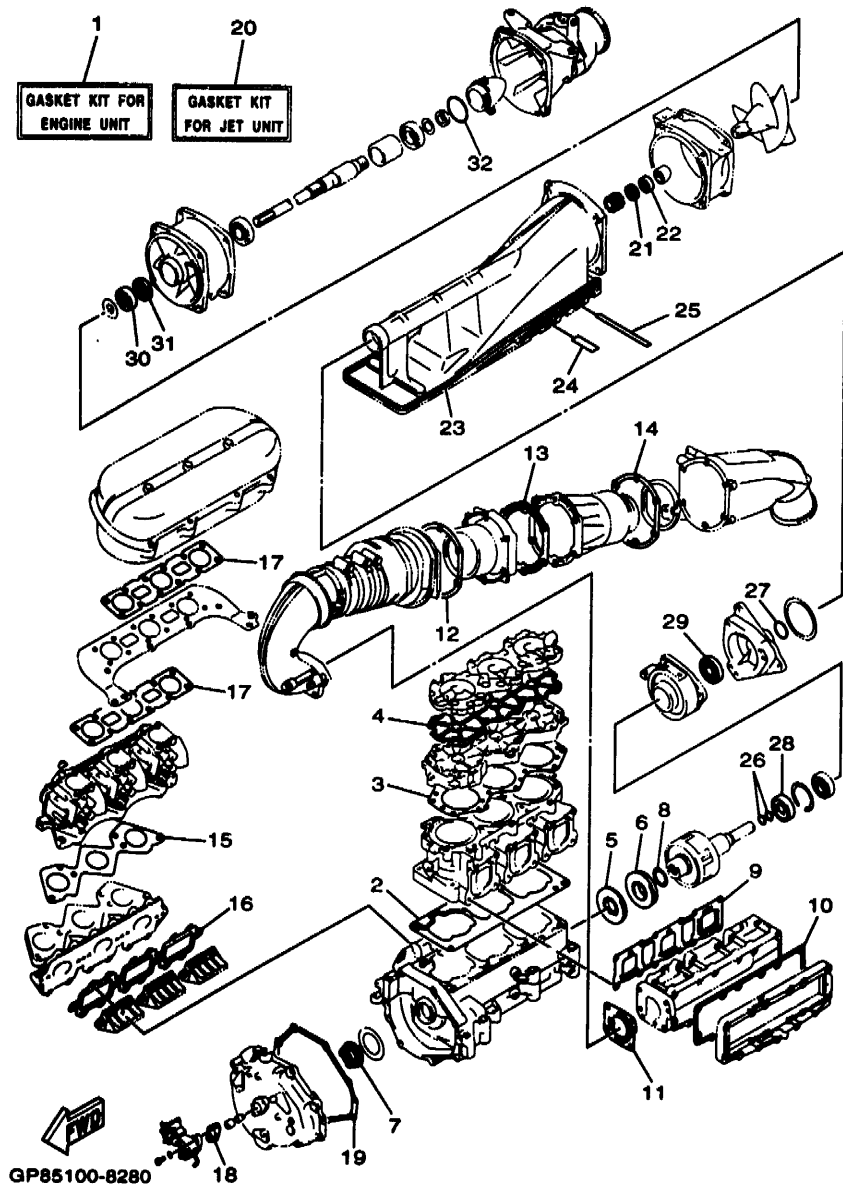
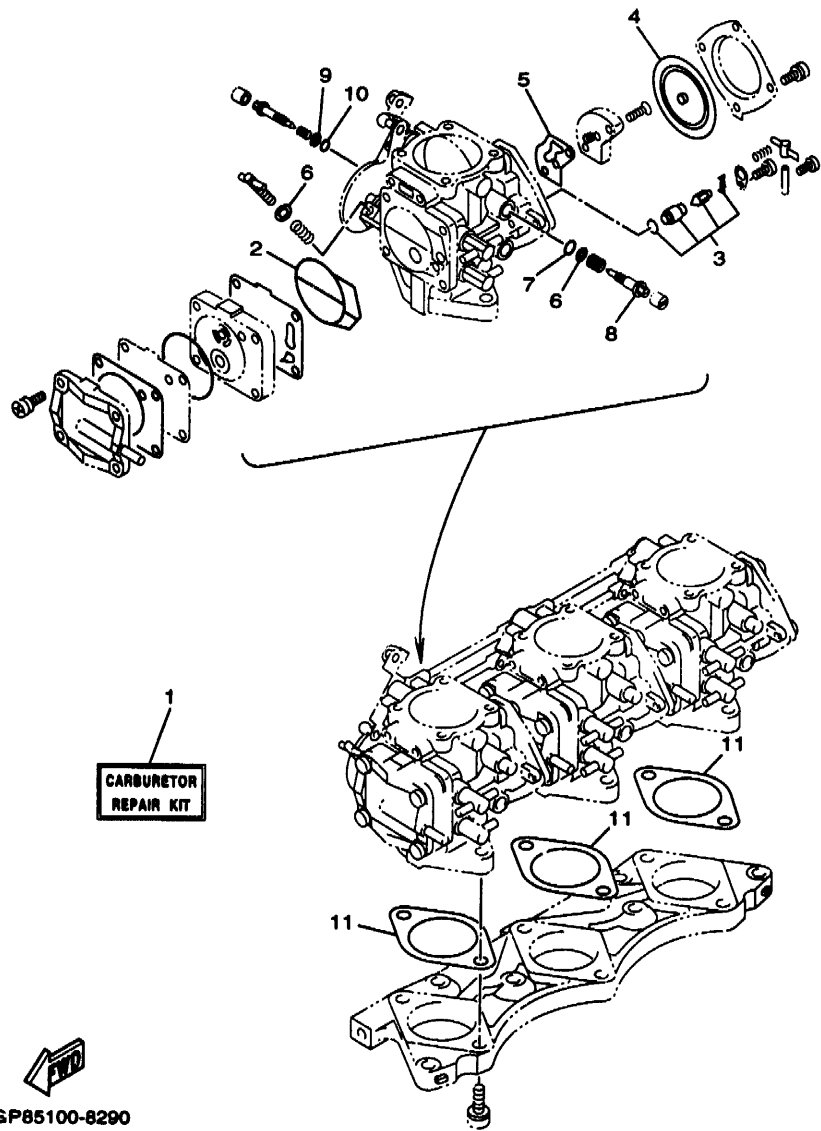


FIG. 29 REPAIR KIT 1

REF. NO.	PART NO.	DESCRIPTION	QTY	REMARKS
28	93101-25M55	.OIL SEAL	1	
29	93101-25M56	.OIL SEAL	1	
30	93102-25M34	.OIL SEAL	1	
31	93101-25M50	.OIL SEAL	1	
32	93210-46M16	.O-RING	1	

B5



**FIG. 30 REPAIR KIT 2**

REF. NO.	PART NO.	DESCRIPTION	GL3*				REMARKS
1	65U-W0093-00	CARBURETOR REPAIR KIT	1				
2	6K8-14564-00	.O-RING	3				
3	64T-14918-00	.NEEDLE	3				
4	6R7-14541-00	.DIAPHRAGM, PUMP	3				
5	6K8-14536-11	.GASKET	3				
6	812-14235-00	.WASHER, NEEDLE	4				
7	812-14147-00	.O-RING	3				
8	6K8-14948-10	.METERING NEEDLE	3				
9	822-14235-00	.WASHER, NEEDLE	3				
10	583-14581-00	.O-RING	3				
11	64X-14398-00	.GASKET	3				

**B6**

NUMERICAL INDEX

PART NO.	REF NO.	PART NO.	REF NO.	PART NO.	REF NO.	PART NO.	REF NO.	PART NO.	REF NO.	PART NO.	REF NO.
65A-G4137-00	10-11	GJ3-U2663-01	15-30	GU3-U417F-00	27- 5	EU0-U7354-00-05	1- 39	GU2-U883P-00	17-34	65U-13554-00	5- 3
65A-G4184-00	10- 7	GJ3-U2664-01	16-33	GU3-U417G-00	27- 6	EU0-U7354-00-10	1- 39	GU2-U883U-00	17-35	65U-13555-00-8P	3- 7
65A-G5331-00	9- 8	GU2-U271B-00	20-25	GU3-U417H-00	27- 7	EU0-U7354-00-20	1- 39	66F-W0001-00	29- 1	65U-13556-00	3- 6
65A-R1129-00	8- 32	GJ3-U273B-00	9- 38	GU3-U417J-00	27- 8	GJ1-U7525-00	23-23	66F-W0001-20	29-20		29-15
65A-R1129-10	8- 13	GU2-U351H-00	18-20	GU3-U417K-00	27- 9	GJ3-U755J-00	23- 3	65U-W0004-00	3- 14	65U-13566-00	3- 8
65U-R1311-00	8- 1	GU2-U351J-00	18-21	GU3-U417L-00	27-10	GH3-U7550-00	23- 2	66F-W0090-00-8P	1- 1		29-16
65A-R1312-00	8- 10	GH3-U351M-50	18-26	GU3-U417M-00	27-11	GH3-U7555-00	23- 7	65U-W0093-00	30- 1	65U-13610-00	3- 13
65R-R1313-01	8- 40	GH3-U351M-60	18-27	GU3-U417N-00	27-12	EU0-U756E-00	20-21	65U-11111-00-94	1- 16	65U-13674-00	3- 26
65A-R1314-00	10- 1	GU2-U351N-00	18-22	EU0-U418B-00	28-12	GJ1-U7560-00	23-22	65U-11181-00	1- 17		29-17
65A-R1315-00	8- 12	GU2-U351P-00	18-23	EU0-U418B-10	28-14	GJ3-U7570-00	23- 4		29- 3	47X-14133-00	4- 32
65R-R1318-00	8- 31	GU2-U351R-00	18-24	GA9-U418C-10	28-17	GJ1-U7578-01	24-31	63M-11191-00-94	1- 19	812-14147-00	4- 35
66F-R1321-00	8- 29	GU2-U351S-00	18-25	GJ1-U418C-10	28-16	GJ1-U7578-11	17-16	63M-11193-00	1- 21		30- 7
65A-R1326-00	8- 26	GJ3-U352E-50	18-29	GA9-U418F-00	28-11		23-11		29- 4	64X-14162-00	4- 44
65R-R1333-00	9- 3	GJ3-U354D-30	18-12	GA9-U418G-00	28-18		23-17	65U-11311-00-94	1- 9	439-14186-00	4- 27
65A-R1334-01	8- 33	GU2-U358F-00	18-18	GA9-U418G-10	28-18	GJ1-U759B-00	22-20	6E5-11325-00	1- 10	362-14231-27	4- 8
65U-R1348-01	8- 5	GU2-U358G-00	18-19	GJ3-U418H-10	28-19	GJ1-U759C-00	22-21	63M-11351-01	1- 13	812-14235-00	4- 31
65A-R1381-00	8- 46	GU2-U370F-10-PO	16-16	GU3-U418J-10	28-20	GH1-U759D-00	22-22		29- 2		30- 6
GP7-U142A-10	26- 1	GU2-U370G-10-PO	16-23	GU3-U419B-00	28-21	G00-U761D-00	17- 8	676-11372-00	11- 8	822-14235-00	4- 40
GP7-U142K-00	26- 2	GU2-U371A-10	20- 1	GJ3-U419B-10	28-21	GU2-U7711-00	22-13	65U-11400-00	2- 1		30- 9
GH1-U143C-30	25-25	GU2-U371B-10	20- 2	GU2-U419C-01	28-22	GJ3-U775B-01	21-13	65U-11445-00	2- 10	65U-14243-00	4- 42
GP3-U1438-00	23-13	GU2-U372A-10	20- 6	GU3-U419E-00	28-23	GU2-U776C-00	21-22	65U-11603-00	2- 12	62T-14251-00	1- 3
GH3-U146E-00	8- 43	GU2-U372B-10	20- 7	GJ1-U419F-21	28-25	GJ3-U778B-00	21-16	65U-11604-00	2- 12	65U-14251-00	6- 37
GH3-U146E-10	10- 5	GH3-U411A-00	28- 8	GU2-U419G-00	28-24	GU3-U778C-00	21-14	65U-11605-00	2- 12	63M-14253-00	4- 21
GK5-U146F-00	24-28	GH3-U411A-10	28-11	GJ3-U474A-01	20-30	GJ3-U778D-00	21-17	65U-11631-00-89	2- 11	65U-14255-00	3- 28
EU0-U1461-01	24-27	GJ3-U411A-00	28-16	GU2-U475A-00	16- 1	GJ3-U778E-00	21-15	62T-11633-00	2- 13	65U-14283-00	3- 17
EU0-U1461-30	24-19	GA9-U411B-00	28-28	GU2-U513M-10-PO	16-31	GH1-U782B-00	22-18	65U-11635-00	2- 11	65U-14284-01-8P	3- 21
GH1-U1469-00	25-43	GJ3-U4114-51	27-13	GU2-U516A-00	15- 1	GP7-U783F-00	22-30	65U-11636-00	2- 11	65U-14301-00	4- 1
GU2-U1481-01	24-25	GU3-U4122-10	27-14	GU2-U516N-10-PO	15- 2	GP7-U7831-10	22-23	63M-12576-00	6- 16	65U-14302-00	4- 2
GP3-U149C-00	24-18	GU3-U4125-00	27-15	GU2-U517B-10-PO	16- 3	GP7-U7832-00	22-24	63M-12577-00	6- 18	65U-14303-00	4- 3
GP7-U155D-00	25- 2	GJ3-U415E-12	28-13	GU2-U517G-00	15-14	GP7-U7833-10	22-25	64X-12578-01	6- 50	64X-14398-00	4- 43
GP7-U155F-00	25- 3	GJ3-U415E-20	28-26	GU2-U517H-10-PO	15-12	GP7-U7834-10	22-28	64T-12580-00	6- 59		30-11
GU2-U1552-00	25- 1	GJ1-U415F-01	28-15	GU2-U519D-00	15-18	EU0-U7835-00	21-18	63M-12581-00	6- 56	62T-14435-00	3- 19
FN8-U1624-00	17-30	GJ1-U415F-10	28-15	GJ3-U5578-00	20-34	GP7-U7835-00	22-26	63M-12590-00	6- 62	65U-14451-00	3- 22
GU2-U2117-00	19- 2	GP7-U416B-00	28- 2	EW2-U5912-00	20-19	GP3-U7844-00	22-31	63M-12590-10	6- 62	65U-14469-00	3- 23
GU2-U2118-00	19- 5	GP7-U416B-11	28- 2	EW2-U5913-00	20-20	GA7-U785G-00	22-11	63M-12590-20	6- 62	65U-14477-00	3- 24
GU2-U213F-00	19- 1	GU2-U416C-00	28- 3	EW2-U5920-00	20-18	GU2-U785H-00	22- 8	63M-13116-00	5- 10	6K8-14481-10	4- 37
GU2-U213G-00	19- 4	GU2-U416C-10	28- 3	GU2-U596B-10	15-21	GP7-U785J-00	22- 1		29-18	6K8-14503-02	4- 16
GJ3-U2501-20	18- 1	GU2-U416C-20	28- 4	GU2-U596C-10	15-22	EU0-U7856-40	14- 1	63M-13132-00	21- 1	6M6-14503-00	4- 7
GJ3-U251D-20	18- 9	GU2-U416C-40	28- 5	GA9-U724C-00	24-36	GJ3-U7856-20	21-10	65U-13132-00	5- 2	6K8-14521-10	4- 17
GJ3-U251E-20	18-10	GJ3-U416E-00	28- 7	GP7-U724D-00	24-37	GJ1-U8K31-02	9- 24	6R3-13183-00	5- 14	6M6-14521-00	4- 30
GH3-U2512-20	18- 6	GJ3-U416E-10	28- 7	GP7-U724E-00	24-38	EU0-U821D-00	14- 9		5- 18	6K8-14523-11	4- 29
GJ3-U2519-50	18- 7	GJ3-U416F-10	28- 9	GA9-U724F-01	24-39	GP7-U8211-00	14- 5		5- 22	6K8-14527-11	4- 26
GJ3-U252C-20	18-13	GA9-U416G-10	28-10	GU3-U7242-01	24-35	EU0-U8221-00	14- 6	65U-13200-00	5- 1	65U-14527-00	3- 1
GJ3-U252D-50	18-14	GJ3-U416H-00	28- 6	G00-U7249-00-05	9- 22	EU0-U8221-30	14- 7	6J8-13411-00	21-24	6K8-14534-10	4- 4
GJ3-U266B-01	20-31	GU3-U417B-00	27- 1	G00-U7249-00-10	9- 22	GP7-U824B-01	14-15	6J8-13414-00	21-25	6K8-14536-11	4- 24
GU2-U266B-30	16- 4	GU3-U417C-00	27- 2	GP8-U7252-00	24-34	GP7-U824C-01	14-18	6R8-13444-00	28- 1		30- 5
GJ3-U266C-02	20-32	GU3-U417D-00	27- 3	EU0-U7354-00-01	1- 39	GP7-U8341-00	14-17	6R8-13444-20	28- 1	6R7-14541-00	4- 22
GJ3-U266C-31	16- 2	GU3-U417E-00	27- 4	EU0-U7354-00-03	1- 39	GU2-U883N-00	17-33	63N-13444-00	28- 1		30- 4

NUMERICAL INDEX

PART NO.	REF NO.	PART NO.	REF NO.	PART NO.	REF NO.	PART NO.	REF NO.	PART NO.	REF NO.	PART NO.	REF NO.
6R7-14542-00	4- 23	70R-24489-00	22- 5	63M-51367-00	29-24	GP7-62159-01	19- 7	EW2-67257-01	25-14	EU0-82110-09	14- 4
6K8-14547-01	4- 20	65U-24500-00	7- 12	63M-51368-00	8- 8	EU0-62241-30	9- 30	EW2-67258-01	25-15	6M6-82117-21	13- 6
583-14561-00	4- 41	6R7-24524-00	7- 11		29-25		24-26	EW2-67259-01	25-16	64T-82117-00	14-19
	30-10	70R-24543-00	22- 4	62E-51673-00	8- 34		24-46	EU0-67267-00	24-40	66F-82117-10	13- 5
6K8-14563-00	4- 15	6K8-24560-10	7- 10	61L-5169A-00	3- 33	EU0-62280-00	17-23	EU0-67324-00	1- 38	6H5-82127-00	11-19
6K8-14564-00	4- 9	65U-26320-00	5- 4		3- 37	EU0-62282-00	17-24	GJ1-6753B-02	23-12	65U-82150-00	13-11
	30- 2	278-27114-00	20- 3	63M-5316M-00	17- 5	EU0-62283-00	17-25	GJ1-67577-00	23- 1	6G1-82151-00	13-12
6R7-14569-00	4- 18		20- 8	FN8-6131B-00	25-40	EU0-62285-01	17-26	EW2-67618-00	17- 9	65U-82351-00	13-21
6K8-14589-00	4- 39	63M-41113-00-94	6- 30	GJ3-6134B-01	24- 1	GU2-6252E-10	18- 2	GH3-67743-00	22-16	65U-8235i-10	13-22
6K8-14591-10	4- 25	63M-41114-00	6- 31	GU2-6134C-00	24-16	GU2-6252F-10	18- 3	GJ1-67743-00	22-15	6R7-82352-00	13-20
65U-14613-00	6- 3		6- 35	GJ3-6134N-01	24-10	GJ1-62663-00	9- 41	FJ0-67766-00	21- 5	63M-82370-01	13-17
	29- 9		29-12	FJ0-61344-00	24-12	FN8-6269B-00	8- 49	EU0-67767-31	22-10	66F-82553-00	13-37
63M-14615-00	6- 27		29-14	FJ0-61347-00	24-11	EU0-62694-00	9- 25	EU0-67816-00	7- 25	65U-82560-00	13-30
62T-14625-00	6- 25	65U-41121-00-94	6- 34	FJ0-61348-01	24- 2		24-41	EU0-67817-00	7- 24	6R7-83623-40	13-43
63M-14680-00	6- 46	63M-41122-00	6- 33	FJ0-61349-00	24- 3	GJ1-62733-00	9- 40	FX1-67869-00	21-21	6R7-83623-50	13-43
63M-14711-00-94	6- 1		29-13	GU2-6135G-00	24-17	GU2-62875-00	15-13	GP8-6820A-22	14-11	63N-83623-00	13-43
63M-14712-00-9P	6- 9	65U-41123-00-94	6- 36	FJ0-61351-00	24- 4	GH1-63774-01	20-33	GP8-6820A-32	14-11	682-84385-01	6- 61
63M-14718-00-9P	6- 4	63M-41138-00	6- 45	FJ0-61352-00	24- 6	GU2-6378C-00	20-11	GJ1-6822E-00	9- 32	65U-85510-00	11- 2
63M-14721-00-94	6- 32	65U-41217-00	4- 45	FJ0-61353-00	24- 8	GU2-6378D-00	20-14	GU2-6822E-00	15-24	65U-9552A-00-5B	13- 7
63M-14739-00	6- 6	64T-44121-00	10- 8	FJ0-61354-00	24- 9	GJ3-63850-02	20- 4	FJ0-68222-01	14-10	65U-8552E-00	13-38
	29-10	6R8-44125-00	10- 2	GH1-6141B-00	25-24		20- 9	GP7-68238-01	14-12	65U-85525-00	13-25
63M-14749-00	6- 12	6M6-44517-A1-5B	1- 33	GH1-6141D-01	25-30	GP7-6415B-00	28- 2	GP7-68310-00	25- 5	65U-85540-00	13- 9
	29-11	66F-44532-00	1- 31	GU2-6143G-00	25-17	GL3-6415D-00	28- 7	FK7-68312-02	25- 8	65U-85542-00	13-23
64T-14752-00	6- 63	663-45119-00	3- 32	GU2-61433-00	25-33	GK5-6415E-20	28-29	FK7-68313-01	25- 9	65U-85546-00	13-10
63M-14771-00-94	6- 47		3- 36	EU0-61435-00	24-44	GK5-6415F-20	28-30	EW2-68348-00	25- 6	65U-85550-00	11- 1
64T-14916-00	4- 19	6K8-45127-00	9- 19	EU0-61436-00	9- 28	GL3-6415G-01	28-10	65U-81317-00	13-27	65U-85570-00	13-14
	30- 3	62T-45127-00	2- 18	EU0-61438-00	9- 29	GU2-6416C-30	28- 3	6M6-8132W-00	13-40	65U-85570-10	13-15
3KW-14932-00	4- 38		29- 8		24-45	GL3-6416F-00	28- 9	65U-81328-00	11-14	65U-85570-20	13-16
6K8-14946-10	4- 36	65V-45318-00	8- 4	EU0-61446-00	9- 26	FT4-64178-00	28-17	65U-81337-00-8P	11- 6	65U-85580-00	11- 3
	30- 8	65U-45332-00-94	9- 10		24-42	GL3-6418B-00	28-12	63M-81365-00	11-10	90105-08M66	6- 39
65U-15100-00-94	1- 2	61L-45378-00	9- 17	GU2-6146D-00	24-21	GL3-6418C-00	28-16		29-19	90105-089U1	8- 39
63M-15761-00	6- 38	65U-45511-00	8- 23	GU2-61467-00	25-35	GL3-6418G-00	28-18	63M-81800-00	12- 8	90105-10M45	6- 49
63M-21415-02-94	1- 25	62T-45526-00	2- 5	GH3-61468-00	25-38	GL3-6418H-01	28-19	3AJ-81809-00	12- 9	90105-10M60	6- 40
63M-21425-00-94	1- 28	65V-45538-00	8- 19	GJ3-61468-01	24-20	GA7-6418J-10	28-20	6M6-81826-00	12-12	90109-05M75	3- 18
EU0-23814-01	25-20	63M-4581J-00	2- 19	EU0-61486-00	9- 27	FJ1-64197-00	28-27	6M6-8183E-00	12- 1		13- 8
EU0-23814-30	25-21	63M-45813-01-8P	2- 17		24-43	GU2-6516L-00	15-19	6M6-81830-00	12-15	90109-06M30	1- 32
65U-24314-01	4- 50	64T-45813-01-8P	2- 20	GU2-61541-00	25-23	GU2-65162-00	16-30	63M-81830-00	12-14	90109-06M76	3- 27
	4- 52	6K8-51129-00	1- 20	EU0-61588-00	25-31	GP7-6517C-00	16-10	6M6-81840-10	12-10	90109-089U1	10- 9
65U-24315-01	4- 48		6- 10	A00-61624-60	20-22	GU2-6517D-00	16- 6	11H-81844-00	12-11	90109-10M72	11- 5
6G8-24376-00	21- 4	63M-51129-00	6- 5	FN8-61651-00	18-16	GU2-6517F-00	16-12	6M6-81844-00	13-41	90110-089U1	22-19
6R3-24377-00	6- 21	63M-51162-00	17- 2	EU0-61652-00	6- 65	GU2-6517R-00	15-17	1FK-81847-00	12-16	90116-08M60	3- 4
63M-24378-0C	21- 2	63M-51165-00	17- 3		8- 50	EW2-65772-00	23- 5	6M6-81850-00	12-13	90119-059U4	23-24
6K8-24411-20	4- 10	63M-51323-00	9- 6		18-17	EU0-65901-01	27-17	6M6-81865-00	12- 3	90119-069UA	10- 4
6R7-24412-01	4- 28	64T-51345-00	10- 6	GP7-61652-00	23-14	EU0-65986-00	27-16	6M6-81866-00	12- 2	90119-069UB	8- 28
6M6-24413-00	4- 11	62T-51348-00	8- 30	EW2-62140-00	22- 2	GJ1-6721B-00	1- 36	65U-81921-00	13-42	90119-069UC	9- 4
6K8-24421-10	4- 12	6R8-51367-01	8- 7	EW2-62142-00	22- 3	GJ1-67250-01	25-11	6G1-81941-10	13- 3	90119-069UD	8- 6
6K8-24431-20	4- 13		29-23	EW2-62149-00	19- 9	GJ1-67255-00	25-12	6M6-81952-01	13- 4		8- 48
6K8-24452-10	4- 14	63M-51367-00	9- 5	GJ3-6215F-00	19-11	EW2-67256-00	25-13	6H2-81960-00	13-33	90119-069UH	15- 4

NUMERICAL INDEX

PART NO.	REF NO.	PART NO.	REF NO.	PART NO.	REF NO.	PART NO.	REF NO.	PART NO.	REF NO.	PART NO.	REF NO.
90119-069UH	15-20	90170-22187	7- 20	90387-32M02	2- 6	90464-07M05	5- 26	90560-22281	25-18	92903-06600	3- 10
	15-23	90179-06947	9- 43	90430-13909	17-20	90464-08M07	7- 6	90600-90361	9- 33		3- 12
	16-18	90179-08M15	3- 5		17-22			90600-91060	14- 3		3- 30
	16-25	90179-10925	9- 21	90430-16910	23-19	90465-06M67	11-13	90600-91736	6- 66		12- 7
90119-069UJ	16- 7	90183-06902	15- 3		23-21	90465-11M10	3- 35		7- 29	92903-08600	6- 15
	23- 5		16- 5	90445-07M82	5- 8		4- 47		7- 32		12-18
90119-069UK	9- 44		16-17	90445-09M21	9- 1		4- 49		7- 35	92990-05200	17-28
90119-069US	14- 8		16-24	90445-09M31	3- 34		4- 51		9- 34	92990-05600	3- 16
90119-06900	15- 9	90201-05925	17-13	90445-09M37	6- 41		4- 53		17-12	92990-06100	12-19
90119-06914	15- 5		21- 7	90445-10MA7	4- 46		5- 7		21- 6	92990-06200	15- 6
90119-06920	20-26	90201-06M31	3- 31	90445-10MGO	7- 1		5- 9	90600-91755	8- 51		15-10
90119-06924	20-27	90201-068M4	8- 44	90445-10MG1	7- 16		5- 16	90600-918U3	24-32		16- 8
90119-08M02	6- 13		10-15	90445-10MG2	7- 13		5- 20	90600-944U8	9- 37		16-14
90119-08M19	1- 18	90201-08929	15-28	90445-10MG3	7- 18		5- 24	90601-118UF	8- 16		16-21
90119-08M29	1- 22	90201-099U1	15-27	90445-10M99	7- 4		6- 17		8- 35		16-28
90119-08M36	6- 7	90201-20M04	2- 15	90445-11M33	5- 5		6- 19		23- 9		17-37
90119-08M55	1- 5	90201-248M5	2- 21	90445-14M16	6- 22		6- 24		23-10		18- 5
90119-089UE	8- 41	90202-229U1	7- 21	90445-14898	8- 36		6- 42	90601-142U6	25-29		20-12
90119-089UF	9- 11	90267-329UR	22-29	90445-18M00	6- 57		7- 3	90601-152U3	21-23		20-16
	10-13	90267-40935	21-20	90445-18M02	6- 53		7- 7	90601-155U4	22-32		20-29
90119-089UR	1- 37	90267-40937	15-15	90445-18M03	8- 15		7- 9	90601-162U5	14-16		24-15
90119-089UT	1- 34	90267-489UG	2- 22	90445-19895	17- 1		7- 14		22-14		24-22
90119-089UU	1- 35	90267-489U1	7- 26	90445-19896	17- 6		7- 17	90601-195UD	23- 8		25-27
90119-089U5	9- 42	90267-489U2	22- 6	90446-07M35	5- 15		7- 19	90601-200U1	17- 7		25-36
	13- 1	90267-489U7	17-14	90446-07M36	5- 13		9- 2		17-11	92990-08100	4- 5
90119-089U6	9- 39	90267-489U8	18-11	90446-07M74	5- 23		11-20		17-17	92990-08200	17-32
	15-26		18-15	90446-07M77	5- 13		13-13	90601-200U7	19- 3		20-23
90119-089U7	22-17	90267-48925	6- 67		5- 17		13-18	90601-200U6	6- 68	92990-10200	20-35
	25-32		7- 30		5- 21		13-36		7- 27		25-41
	25-34		7- 33	90446-14M28	7- 2		21- 3		7- 31	92990-14200	23-15
90119-089U9	15-25		7- 37	90446-14M61	6- 43	90465-11829	5- 27		7- 34	92990-16600	8- 24
90119-08907	9- 23		9- 35	90446-14M62	7- 15		7- 23		7- 36	92995-06100	13-32
90119-08925	25-22		16-32	90446-14M84	7- 5		7- 28		9- 36	92995-06600	5- 12
90119-10M02	1- 26		18-28	90446-17M75	5- 6		8- 37		14-14		13-29
	1- 29		19- 8	90446-20M31	6- 23		9- 18		17-15		13-35
90119-10M03	1- 30		21- 9	90446-20M53	6- 20		19-10		21- 8	92995-08600	11-16
90119-10M07	1- 15	90269-07923	19- 6	90446-24M52	6- 54		19-12	90601-20009	13- 2		11-18
90119-10M56	1- 14	90280-05013	11- 4	90446-24M79	5- 25		21-11	90601-20016	17-18	93101-25M50	8- 22
90119-10M72	1- 27	90331-12M05	8- 14	90446-24M89	6- 60		21-12	90604-80759	17-19		29-31
	6- 48	90380-12M29	1- 4	90446-27M55	6- 51		22- 7	90604-80775	17-21	93101-25M55	9- 13
90119-109U8	9- 20		11- 7	90450-18M09	6- 55		22- 9	90604-80793	23-18		29-28
90149-05904	9- 31	90387-06M24	10- 3		6- 58		22-12	90604-80794	23-20	93101-25M56	9- 16
90149-069U9	26- 3	90387-06M30	10-16	90450-22M14	6- 52		23-16	90605-502U2	15-16		29-29
90159-059U2	16-11	90387-06M60	8- 47	90450-99M02	6- 29	90465-13M24	6- 44	90699-38U03	24-30	93101-36M46	2- 8
	25-19	90387-06922	15- 8		6- 64	90467-089U1	14- 2	91318-06014	11-12		29- 6
90159-069U1	26- 4	90387-08M08	8- 42	90450-99M06	6- 26	90480-06M46	8- 9	91318-06025	11-11	93102-17M49	8- 2
90169-049U1	22-27	90387-08M26	10-12	90450-99M16	6- 28	90501-14M73	12- 6	91380-05035	25- 4		29-21
90169-059U1	18- 8	90387-08M27	10-14	90464-06M29	13-39	90506-12M35	10-10	92903-06600	3- 3	93102-17M50	8- 3

NUMERICAL INDEX

PART NO.	REF NO.	PART NO.	REF NO.	PART NO.	REF NO.	PART NO.	REF NO.	PART NO.	REF NO.	PART NO.	REF NO.
93102-17M50	29-22	95720-06300	15- 7	97780-50112	17-10						
93102-25M34	8- 21		15-11	97780-60116	24-33						
	29-30		16- 9	97880-03008	25- 7						
93102-36M33	2- 7		16-15	97880-05016	3- 15						
	29- 5		16-22	97880-05025	17-27						
93103-32M01	2- 9		16-29		25-10						
	29- 7		17-36	97980-05330	4- 33						
93210-13M63	3- 20		18- 4	98580-05012	24- 5						
93210-17MA4	9- 7		20-13	98780-04015	1- 11						
	29-26		20-17	98780-05025	24-13						
93210-22ME5	17- 4		20-28	98980-04008	7- 22						
93210-35M72	9- 9		24-24	98980-06040	20- 5						
	29-27		25-28		20-10						
93210-46M16	8- 27		25-39								
	29-32	95720-08300	15-29								
93306-205U0	8- 18		17-31								
93306-205U6	9- 15		20-24								
93306-304U1	8- 20	95720-10300	20-36								
93306-307U3	2- 4		25-42								
93310-320U2	2- 14	95780-06300	24-23								
93390-000U4	2- 3		24-29								
93430-47M04	9- 14		25-37								
93440-25M08	12- 4	97013-06014	3- 29								
93440-80023	2- 2	97013-06016	3- 2								
93450-18M06	12- 5	97013-06025	3- 11								
93450-21053	2- 16	97013-06035	3- 9								
93603-10049	1- 7	97013-08025	12-17								
93604-07141	1- 8	97013-08030	6- 14								
93605-12M21	6- 2	97080-06014	24- 7								
	6- 11	97080-06020	16-13								
93606-12019	1- 6		20-15								
	1- 12	97080-06025	16-19								
	8- 11		16-26								
	8- 17	97080-06030	25-26								
	8- 38	97080-06035	24-14								
	9- 12	97095-06012	13-26								
	11- 9		13-28								
94702-00195	13-19	97095-06016	13-31								
94709-00195	13-19	97095-06020	5- 11								
95317-16700	8- 25		13-34								
95380-06700	8- 45	97095-08030	11-15								
	12-20	97095-08055	11-17								
	16-20	97513-06530	6- 8								
	16-27	97513-06630	1- 24								
95380-08700	4- 6	97513-08516	13-24								
95382-06700	4- 34	97513-08630	1- 23								
95720-05300	14-13	97595-05510	3- 25								
	17-29	97780-04110	21-19								