

# PARTS CATALOGUE

## TDM900 (5PSC) EUROPE,SOUTH AFRICA

---



2009/6/16

1F5PS-300E1

( 2F5PS-300E1 )

NEWS NO.	DATE	COMMENT
PE0-MC-090050	Jun.,5,2009	COR:FIG.44 ELECTRICAL 1 LIST CORRECTION

TDM900  
PARTS CATALOGUE  
©2006 by Yamaha Motor Co., Ltd.  
1st edition, August 2006  
All rights reserved.  
Any reprinting or unauthorized use  
without the written permission of  
Yamaha Motor Co., Ltd.  
is expressly prohibited.

**A3**



**A4**

# FOREWORD

This Parts Catalogue is related to the parts for the model(s) on the cover page. When you are ordering replacement parts, please refer to this Parts Catalogue and quote both part numbers and part names correctly.

1. Modifications or additions which have been made after the issue of the Parts Catalogue will be announced in the Parts News.

It is advisable that you make the necessary corrections to the Parts Catalogue according to the Parts News.

2. Abbreviations

The following abbreviations are used in this Parts Catalogue.

“UR” Use specified parts number.

“UN” Use as many as needed.

“AP” Alternate Parts

“LM” Locally Made (Parts need to be ordered locally)

“F#” Frame No. (Applicable machine No.)

“O/S” Over Size

3. The number of components for assembly

- Parts, which are to be supplied in an assembly, are listed with a dot (.) in front of the part name as shown below.
- The numeral appearing to the right of each component part indicates the quantity of parts for each assembly unit.

PART NO.	DESCRIPTION	Q'TY	REMARKS
2F5-83310-60	FRONT FLASHER LIGHT ASSY	2	
115-83311-60	.BULB (6V-18W)	1	

4. Applicable colours of graphics are represented in the “REMARKS” as shown below.

PART NO.	DESCRIPTION	Q'TY	REMARKS
2N4-24110-00-X5	FUEL TANK COMP.	2	MXR
3J1-24240-10	.GRAPHIC, FUEL TANK	1	FOR MXR

5. Note that the illustrations for reference in finding parts numbers are not to be used for assembling. When assembling, please use the applicable service manual.

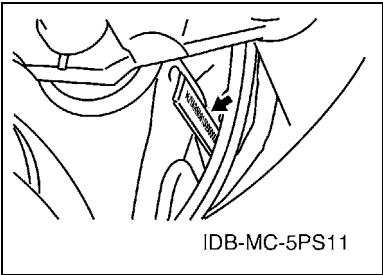
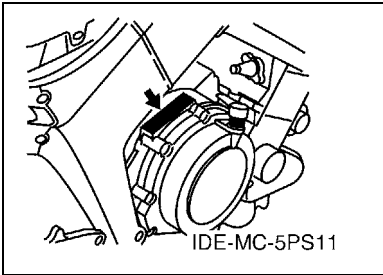
6. The asterisk (\*) before a reference number indicates modified items after the first edition.

# FOREWORD

7. Applicable Serial No.

Engine Serial No.

Frame Serial No.



8. Applicable Colour Code (The (\*) mark shows Model colour.)

Abbreviation	Colour Name	Colour Code
BWC1(*)	BLUISH WHITE COCKTAIL 1	0390
DRMK(*)	DEEP RED METALLIC K	0918
LGB	LOW GLOSS BLACK	0098
SMX(*)	BLACK METALLIC X	0903



# CONTENTS

## ENGINE

CYLINDER HEAD .....	B2
CYLINDER .....	B4
CRANKSHAFT & PISTON .....	B5
VALVE .....	B6
CAMSHAFT & CHAIN .....	B8
WATER PUMP .....	B9
RADIATOR & HOSE .....	B10
OIL PUMP .....	B12
INTAKE .....	B15
INTAKE 2 .....	C3
EXHAUST .....	C5
CRANKCASE .....	C6
CRANKCASE COVER 1 .....	C8
STARTER CLUTCH .....	C10
CLUTCH .....	C11
TRANSMISSION .....	C13
SHIFT CAM & FORK .....	C15
SHIFT SHAFT .....	D2

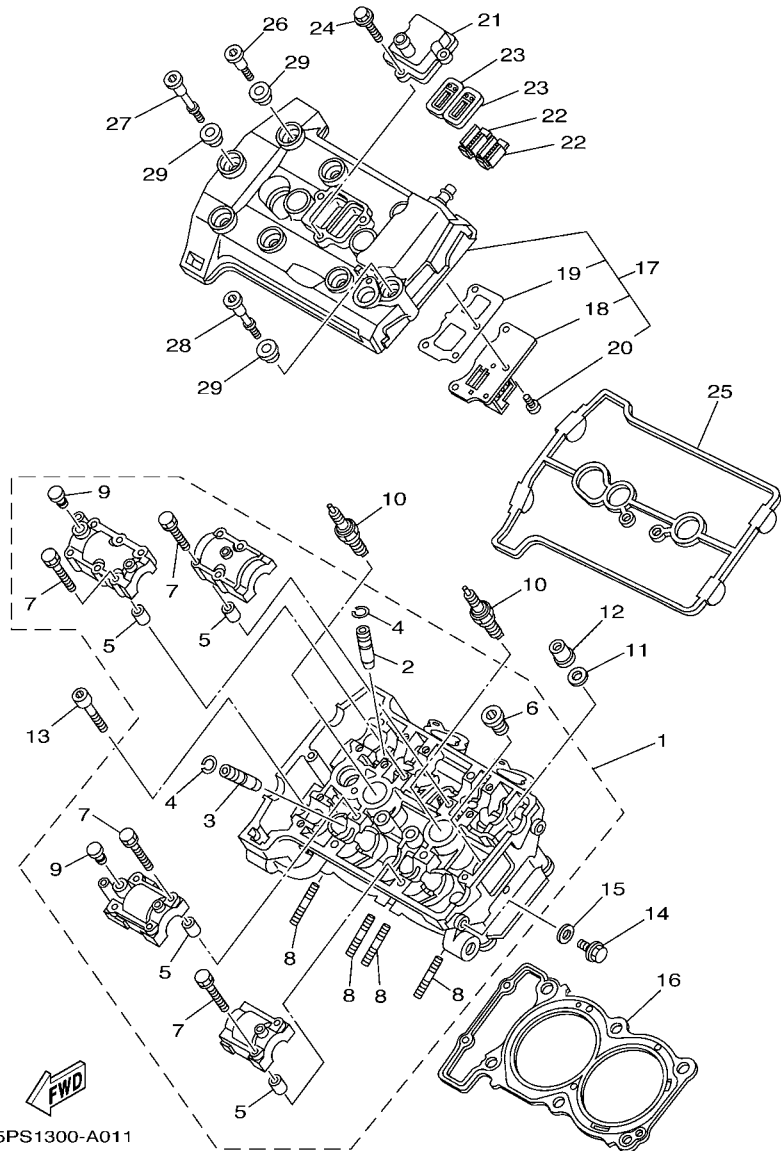
## CHASSIS

FRAME .....	D3
FENDER .....	D5
SIDE COVER .....	D7
REAR ARM .....	D8
REAR SUSPENSION .....	D10
STEERING .....	D11
FRONT FORK .....	D12
FUEL TANK .....	D14
SEAT .....	E2
FRONT WHEEL .....	E3
FRONT BRAKE CALIPER .....	E4
REAR WHEEL .....	E5
REAR BRAKE CALIPER .....	E7
STEERING HANDLE & CABLE .....	E8
FRONT MASTER CYLINDER .....	E9
STAND & FOOTREST .....	E10
REAR MASTER CYLINDER .....	E12
COWLING 1 .....	E14
GENERATOR .....	F3
STARTING MOTOR .....	F4
FLASHER LIGHT .....	F5

METER .....	F6
HEADLIGHT .....	F7
TAILLIGHT .....	F8
HANDLE SWITCH & LEVER .....	F9
ELECTRICAL 1 .....	F10
ELECTRICAL 2 .....	F12

## INDEX

NUMERICAL INDEX .....	M1
-----------------------	----



5PS1300-A011

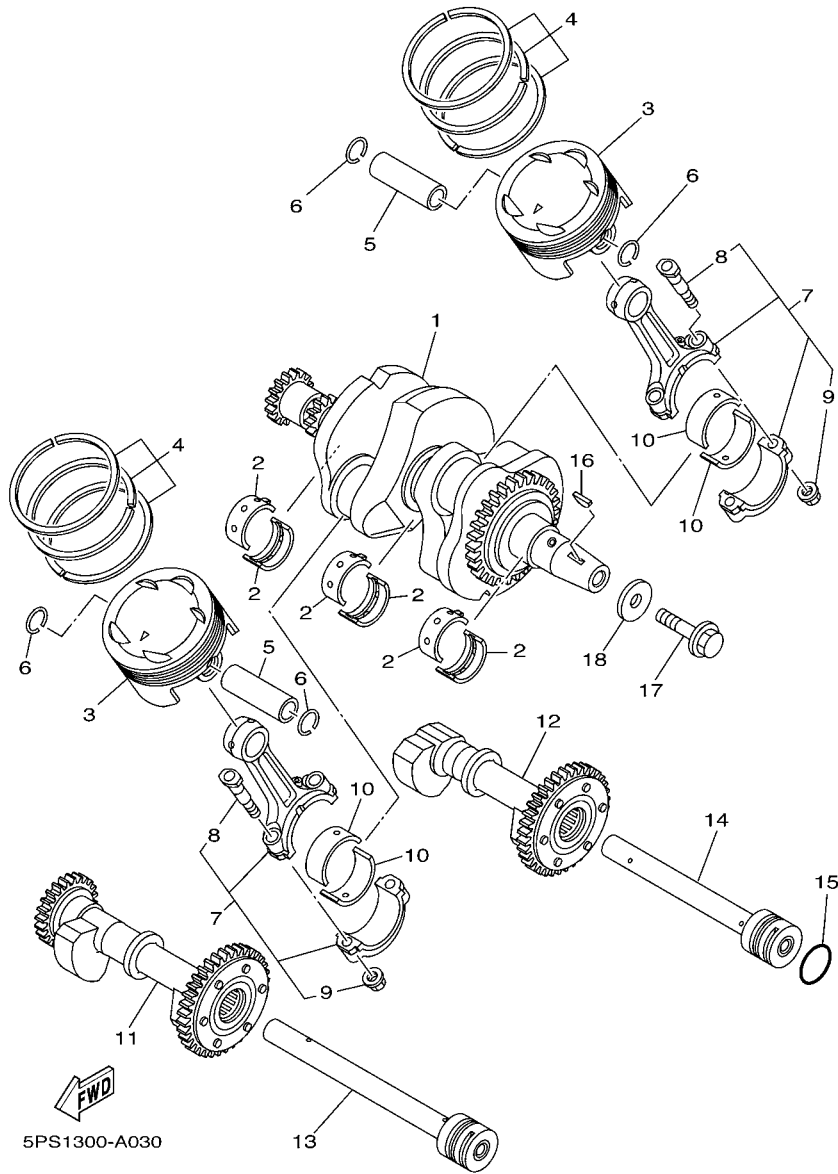
FIG. 1 CYLINDER HEAD

REF. NO.	PART NO.	DESCRIPTION	QTY	REMARKS
1	5PS-11101-10	CYLINDER HEAD ASSY	1	
2	3LD-11133-10	.GUIDE, VALVE 1	6	
3	3LD-11134-10	.GUIDE, VALVE 2	4	
4	93440-10109	.CIRCLIP	10	
5	91808-16023	.PIN, DOWEL	8	
6	90340-18101	.PLUG, STRAIGHT SCREW	2	
7	90105-06153	.BOLT, FLANGE	16	
8	95617-08625	.BOLT, STUD	4	
9	90338-10150	.PLUG	2	
10	94701-00241	PLUG, SPARK (NGK DPR8EA-9)	2	UR
	94701-00242	PLUG, SPARK (ND X24EPR-U9)	2	UR
11	90201-103M4	WASHER, PLATE	6	
12	90179-10414	NUT	6	
13	91317-06150	BOLT	2	
14	95024-08012	BOLT, FLANGE	1	
15	90430-08119	GASKET	1	
16	5PS-11181-00	GASKET, CYLINDER HEAD 1	1	
17	5PS-11190-10	COVER, CYLINDER HEAD 1	1	
18	5PS-11165-00	.PLATE, BREATHER	1	
19	5PS-11169-00	.GASKET, BREATHER COVER	1	
20	90149-05009	.SCREW	3	
21	5PS-14899-00	CAP, CASE	1	
22	5PS-1482K-00	PLATE	2	
23	5PS-14890-00	REED VALVE ASSY	2	
24	95027-06020	BOLT, FLANGE	3	
25	5PS-11193-00	GASKET, HEAD COVER 1	1	
26	90109-066F0	BOLT	6	



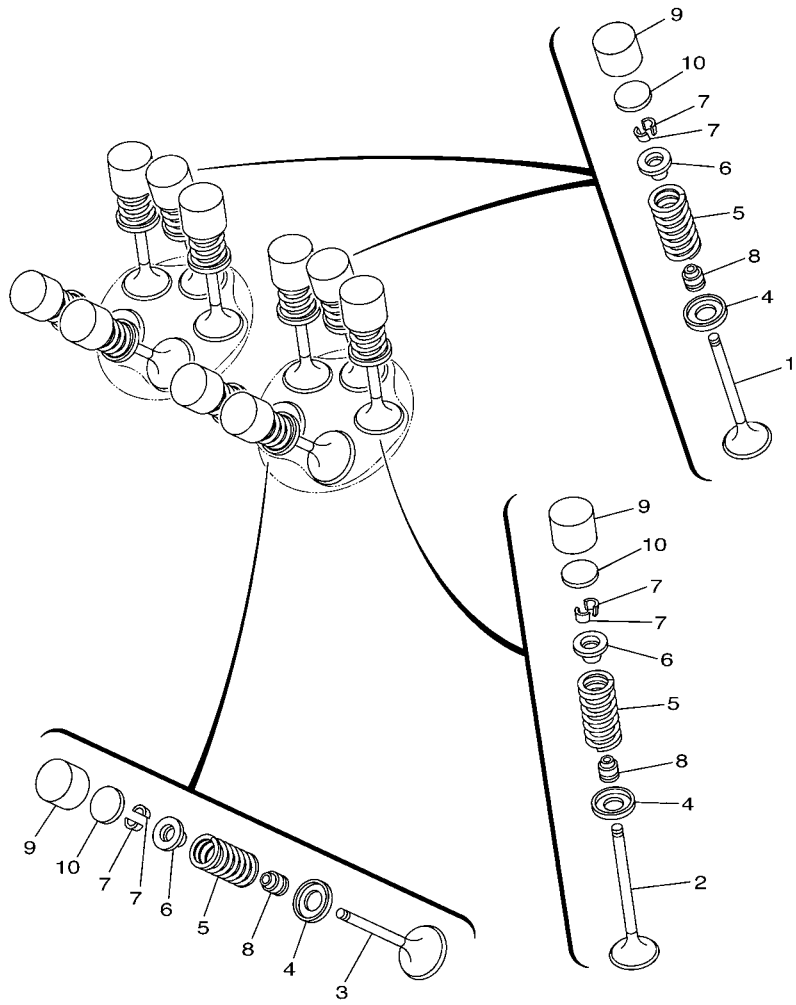






**FIG. 3 CRANKSHAFT & PISTON**

REF. NO.	PART NO.	DESCRIPTION	SFSC				REMARKS
1	5PS-11400-00	CRANKSHAFT ASSY	1				
2	3LD-11416-00	PLANE BEARING, CRANKSHAFT 1	6				UR BLUE
	3LD-11416-10	PLANE BEARING, CRANKSHAFT 1	6				UR BLACK
	3LD-11416-20	PLANE BEARING, CRANKSHAFT 1	6				UR BROWN
	3LD-11416-30	PLANE BEARING, CRANKSHAFT 1	6				UR GREEN
	3LD-11416-40	PLANE BEARING, CRANKSHAFT 1	6				UR YELLOW
	3LD-11416-50	PLANE BEARING, CRANKSHAFT 1	6				UR PINK
	3LD-11416-60	PLANE BEARING, CRANKSHAFT 1	6				UR RED
3	5PS-11631-00	PISTON (STD)	2				
4	5BE-11603-00	PISTON RING SET (STD)	2				
5	5PS-11633-00	PIN, PISTON	2				
6	93450-22146	CIRCLIP	4				
7	5PS-11650-00	CONNECTING ROD ASSY	2				
8	3LD-11654-00	.BOLT, CONNECTING ROD	2				
9	90179-09379	.NUT	2				
10	3LD-11656-00	PLANE BEARING, CONNECTING ROD	4				UR BLUE
	3LD-11656-10	PLANE BEARING, CONNECTING ROD	4				UR BLACK
	3LD-11656-20	PLANE BEARING, CONNECTING ROD	4				UR BROWN
	3LD-11656-30	PLANE BEARING, CONNECTING ROD	4				UR GREEN
11	4NX-11500-01	BALANCER ASSY	1				
12	4NX-11510-01	BALANCER ASSY, 2	1				
13	3LD-11583-00	SHAFT, BALANCER 1	1				
14	3LD-11584-00	SHAFT, BALANCER 2	1				
15	93210-30660	O-RING	1				
16	90280-05029	KEY, WOODRUFF	1				
17	90105-12584	BOLT, FLANGE	1				
18	90201-121H0	WASHER, PLATE	1				

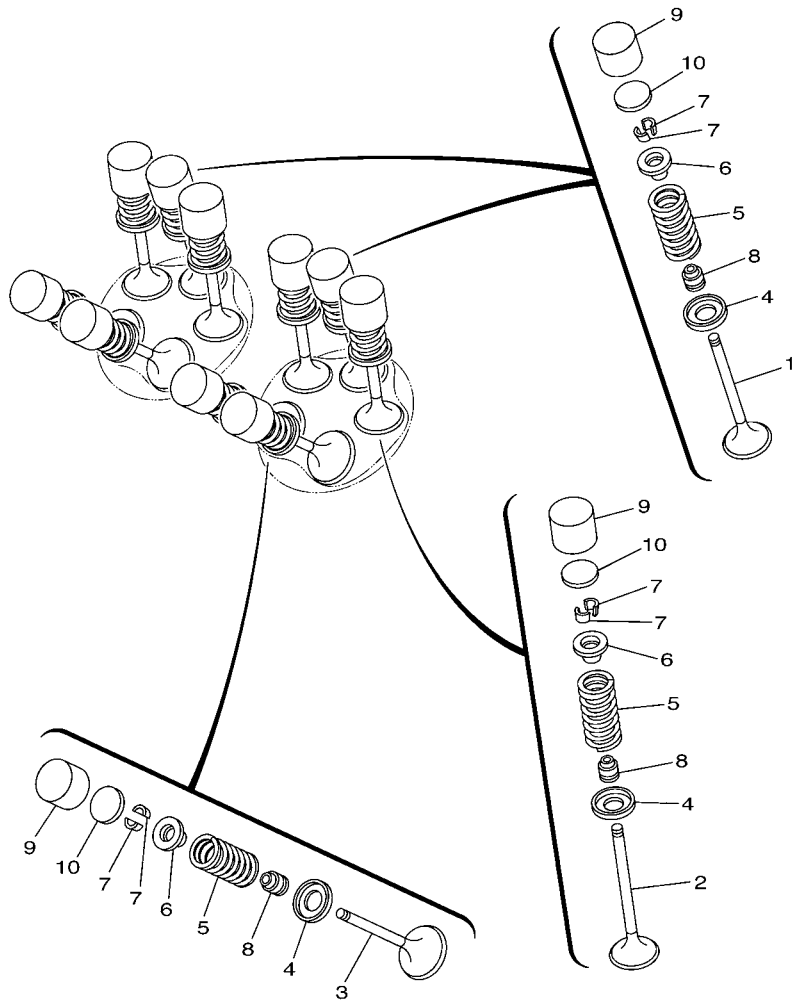


5PS1300-A040

FIG. 4 VALVE

REF. NO.	PART NO.	DESCRIPTION	9FSC				REMARKS
1	3LD-12111-02	VALVE, INTAKE	2				
2	3LD-12112-02	VALVE, INTAKE 2	4				
3	5PS-12121-00	VALVE, EXHAUST	4				
4	1WG-12116-00	SEAT, VALVE SPRING	10				
5	3LD-12113-00	SPRING, VALVE INNER	10				BLUE
6	3LD-12117-00	RETAINER, VALVE SPRING	10				
7	3LD-12118-00	COTTER, VALVE	20				
8	51Y-12119-00	SEAL, VALVE STEM	10				
9	1WG-12153-21	LIFTER, VALVE	10				UR BLUE
	1WG-12153-31	LIFTER, VALVE	10				UR RED
10	3LD-12168-00	PAD, ADJUSTING (1.20)	10				UR
	3LD-12168-20	PAD, ADJUSTING (1.25)	10				UR
	3LD-12168-40	PAD, ADJUSTING (1.30)	10				UR
	3LD-12168-60	PAD, ADJUSTING (1.35)	10				UR
	3LD-12168-80	PAD, ADJUSTING (1.40)	10				UR
	3LD-12168-A0	PAD, ADJUSTING (1.45)	10				UR
	3LD-12168-F0	PAD, ADJUSTING (1.50)	10				UR
	3LD-12168-H1	PAD, ADJUSTING (1.55)	10				UR
	3LD-12168-K1	PAD, ADJUSTING (1.60)	10				UR
	3LD-12168-M1	PAD, ADJUSTING (1.65)	10				UR
	3LD-12168-R1	PAD, ADJUSTING (1.70)	10				UR
	3LD-12168-U1	PAD, ADJUSTING (1.75)	10				UR
	3LD-12168-W1	PAD, ADJUSTING (1.80)	10				UR
	3LD-12168-Y1	PAD, ADJUSTING (1.85)	10				UR
	3LD-12169-11	PAD, ADJUSTING (1.90)	10				UR
	3LD-12169-31	PAD, ADJUSTING (1.95)	10				UR
	3LD-12169-50	PAD, ADJUSTING (2.00)	10				UR

**B6**

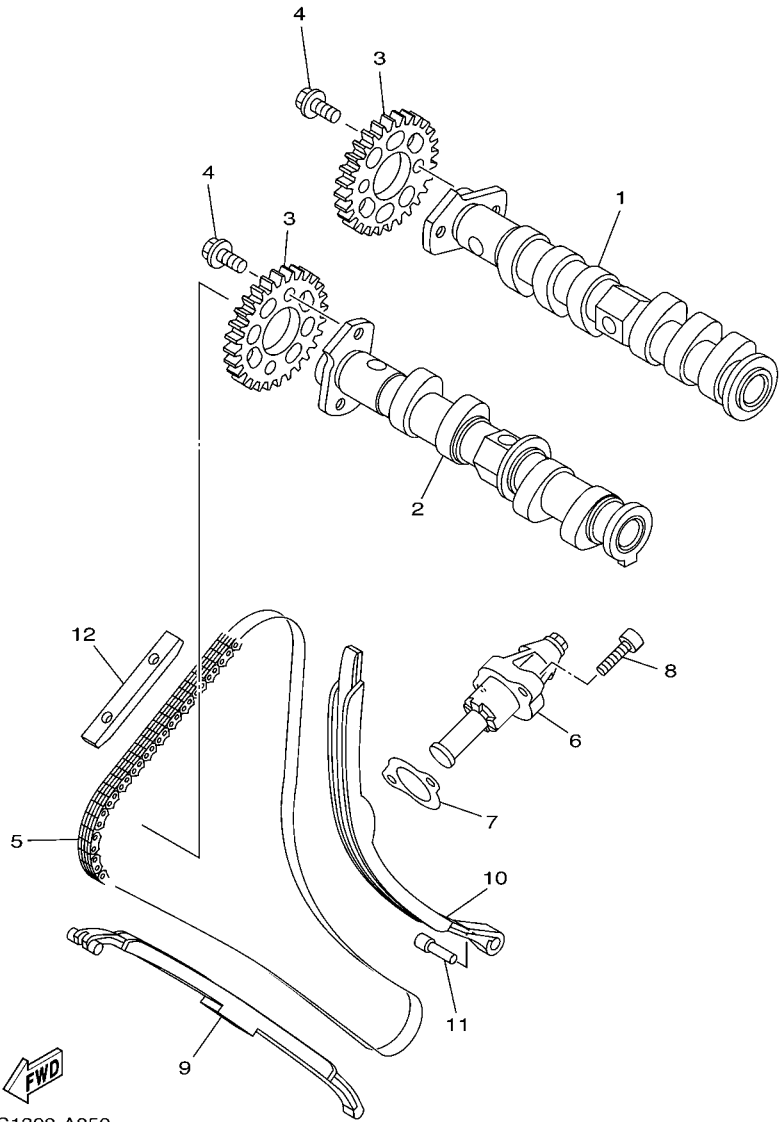


5PS1300-A040

FIG. 4 VALVE

REF. NO.	PART NO.	DESCRIPTION	SFSC				REMARKS
10	3LD-12169-70	PAD, ADJUSTING (2.05)	10				UR
	3LD-12169-90	PAD, ADJUSTING (2.10)	10				UR
	3LD-12169-E0	PAD, ADJUSTING (2.15)	10				UR
	3LD-12169-G0	PAD, ADJUSTING (2.20)	10				UR
	3LD-12169-J0	PAD, ADJUSTING (2.25)	10				UR
	3LD-12169-L0	PAD, ADJUSTING (2.30)	10				UR
	3LD-12169-N0	PAD, ADJUSTING (2.35)	10				UR
	3LD-12169-T0	PAD, ADJUSTING (2.40)	10				UR

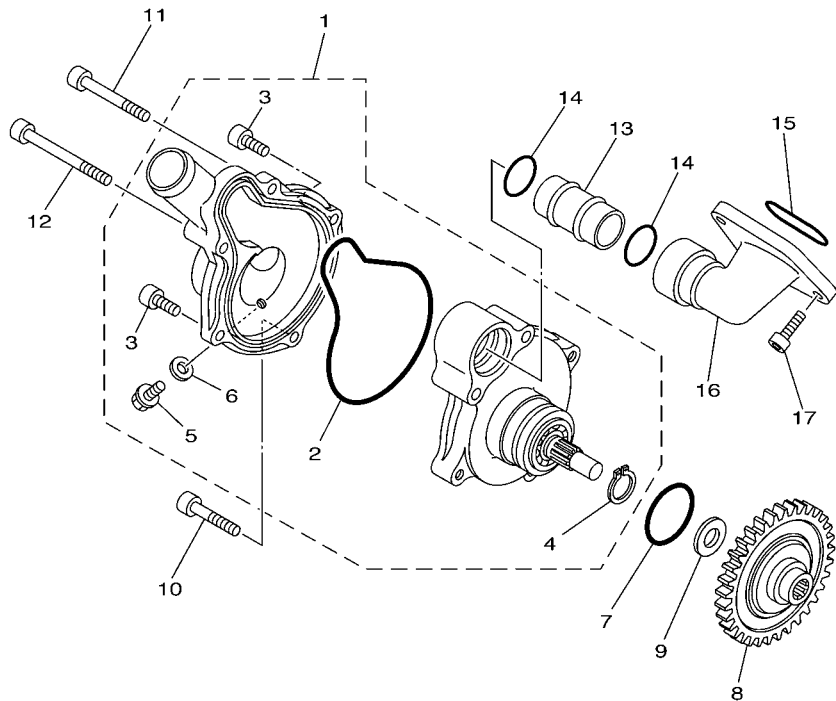
**FIG. 5 CAMSHAFT & CHAIN**



5PS1300-A050

REF. NO.	PART NO.	DESCRIPTION	SPSC				REMARKS
1	5PS-12171-00	CAMSHAFT 1	1				
2	5PS-12180-00	CAMSHAFT ASSY 2	1				
3	3LD-12176-00	SPROCKET, CAM CHAIN	2				
4	90105-07004	BOLT, FLANGE	4				
5	94591-40138	CHAIN (82RH2015-138L)	1				
6	5PS-12210-20	TENSIONER ASSY, CAM CHAIN	1				
7	5JW-12213-00	GASKET, TENSIONER CASE	1				
8	91314-06020	BOLT	2				
9	3LD-12251-00	DAMPER, CHAIN 1	1				
10	5PS-12252-00	DAMPER, CHAIN 2	1				
11	3LD-12247-00	SHAFT, TENSIONER	1				
12	5BE-12241-00	GUIDE, STOPPER 2	1				

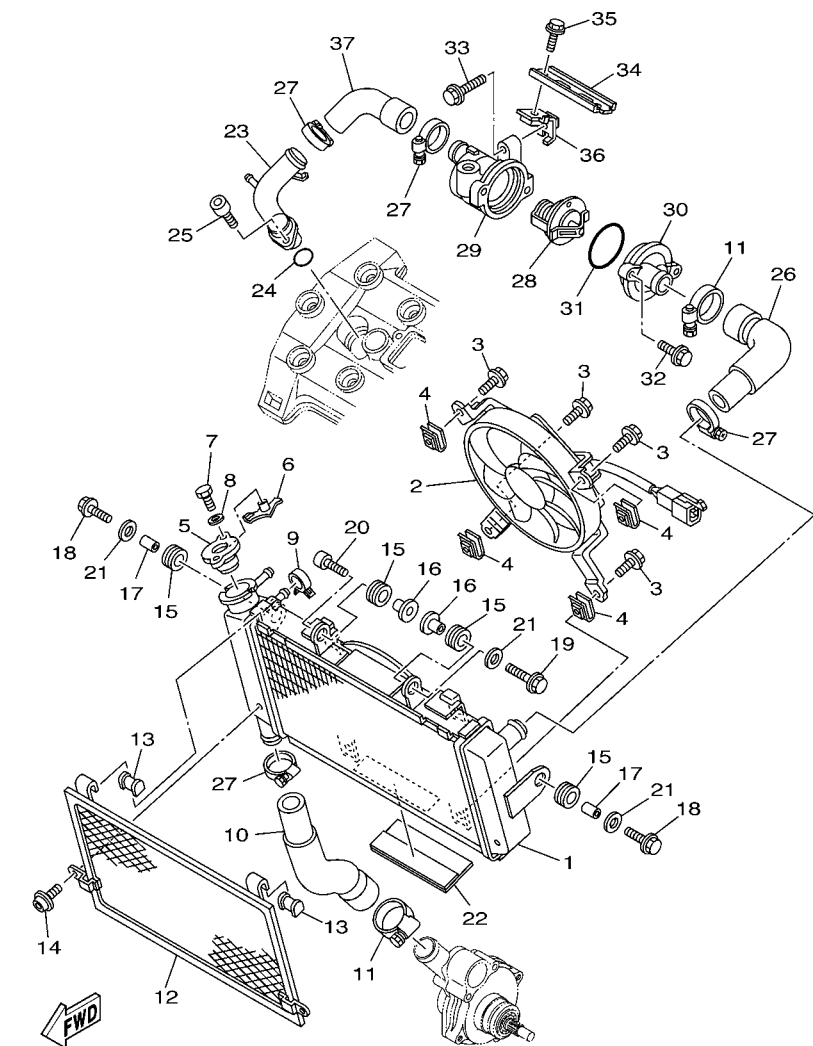
FIG. 6 WATER PUMP



REF. NO.	PART NO.	DESCRIPTION	QTY	REMARKS
1	5PS-12420-10	WATER PUMP ASSY	1	
2	3LD-12439-00	.O-RING	1	
3	91314-06020	.BOLT	2	
4	99009-12400	.CIRCLIP	1	
5	95024-06012	.BOLT, FLANGE	1	
6	90430-06014	.GASKET	1	
7	93210-33133	O-RING	1	
8	3VD-12459-00	GEAR, IMPELLER SHAFT	1	
9	90201-127E1	WASHER, PLATE	1	
10	91314-06030	BOLT	1	
11	91314-06045	BOLT	1	
12	91314-06060	BOLT	1	
13	3LD-12481-00	PIPE 1	1	
14	93210-21190	O-RING	2	
15	93210-357A2	O-RING	1	
16	5PS-12469-10	JOINT 1	1	
17	91314-06016	BOLT	2	

  
5PS1300-A060

**FIG. 7 RADIATOR & HOSE**

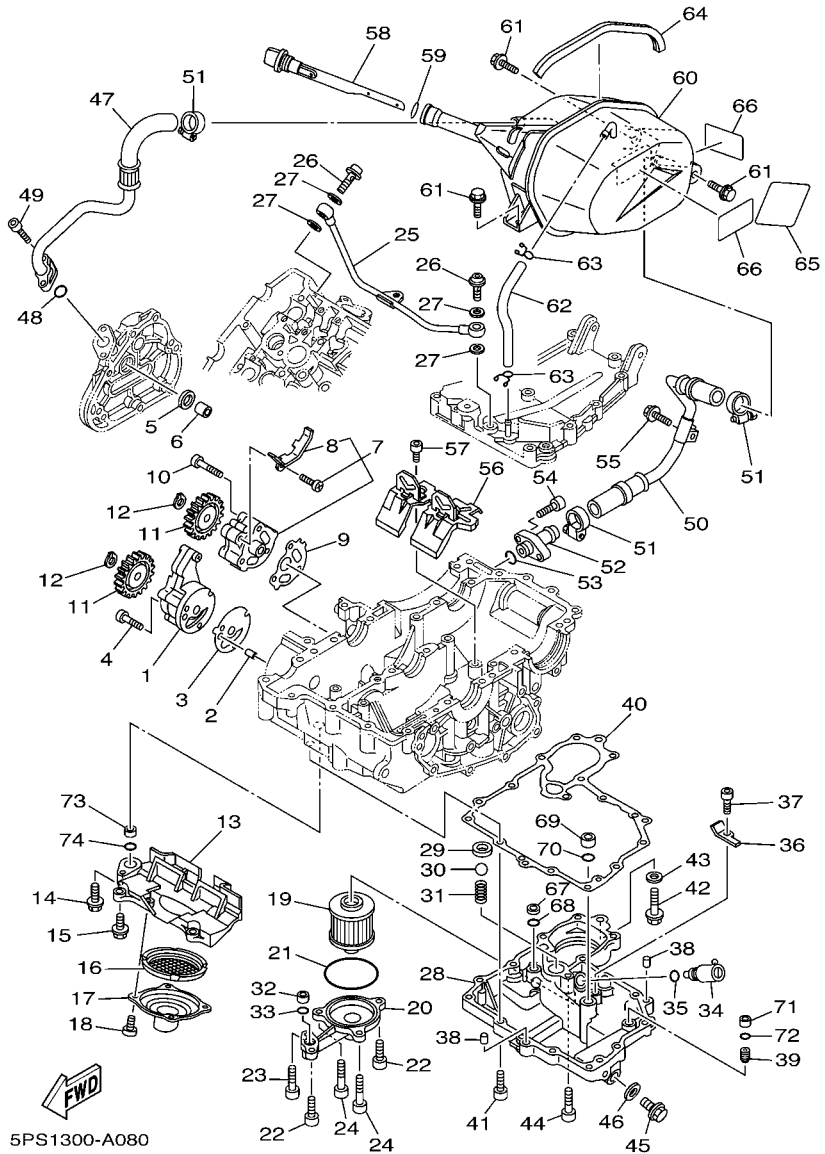


5PS1300-A070

REF. NO.	PART NO.	DESCRIPTION	SFSC				REMARKS
1	5PS-12461-00	RADIATOR ASSY	1				
2	5PS-12405-00	BLOWER ASSY	1				
3	90119-06044	BOLT, WITH WASHER	4				
4	1AA-12535-00	PLATE	4				
5	4FL-12462-00	CAP, RADIATOR	1				
6	1KT-12437-00	STOPPER	1				
7	97007-05012	BOLT	1				
8	92907-05600	WASHER, PLATE	1				
9	90467-10038	CLIP	1				
10	5PS-12578-00	HOSE 3	1				
11	90450-38040	HOSE CLAMP ASSY	2				
12	5PS-12467-00	COVER, RADIATOR	1				
13	1UF-12435-00	GASKET	2				
14	90111-06037	BOLT, HEX. SOCKET BUTTON	2				
15	90480-15363	GROMMET	4				
16	90387-0614M	COLLAR	2				
17	90387-0714B	COLLAR	2				
18	95807-06025	BOLT, FLANGE	2				
19	95807-06030	BOLT, FLANGE	1				
20	91317-06025	BOLT	1				
21	90201-06071	WASHER, PLATE	3				
22	5PS-12465-00	DAMPER, RADIATOR	1				
23	4NX-12482-00	PIPE 2	1				
24	93210-18417	O-RING	1				
25	91317-06016	BOLT	1				
26	5PS-12576-00	HOSE 1	1				
27	90450-32015	HOSE CLAMP ASSY	4				



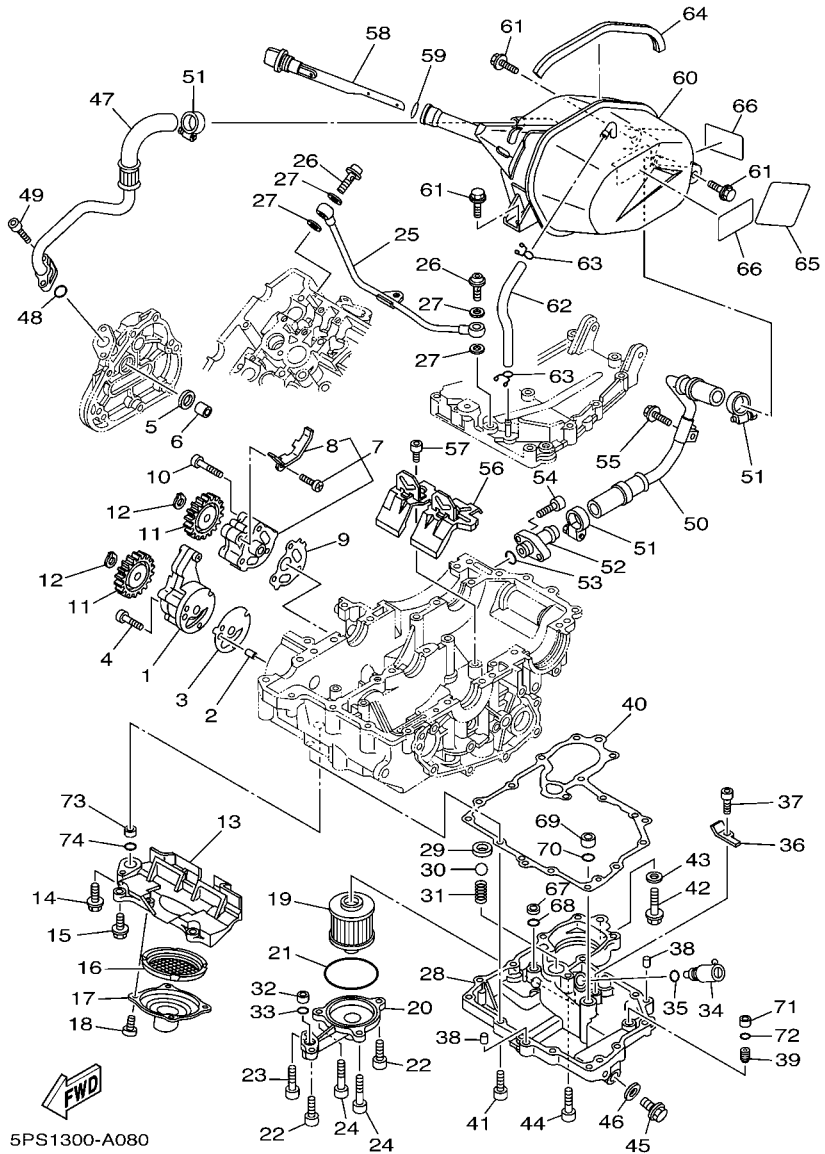




5PS1300-A080

FIG. 8 OIL PUMP

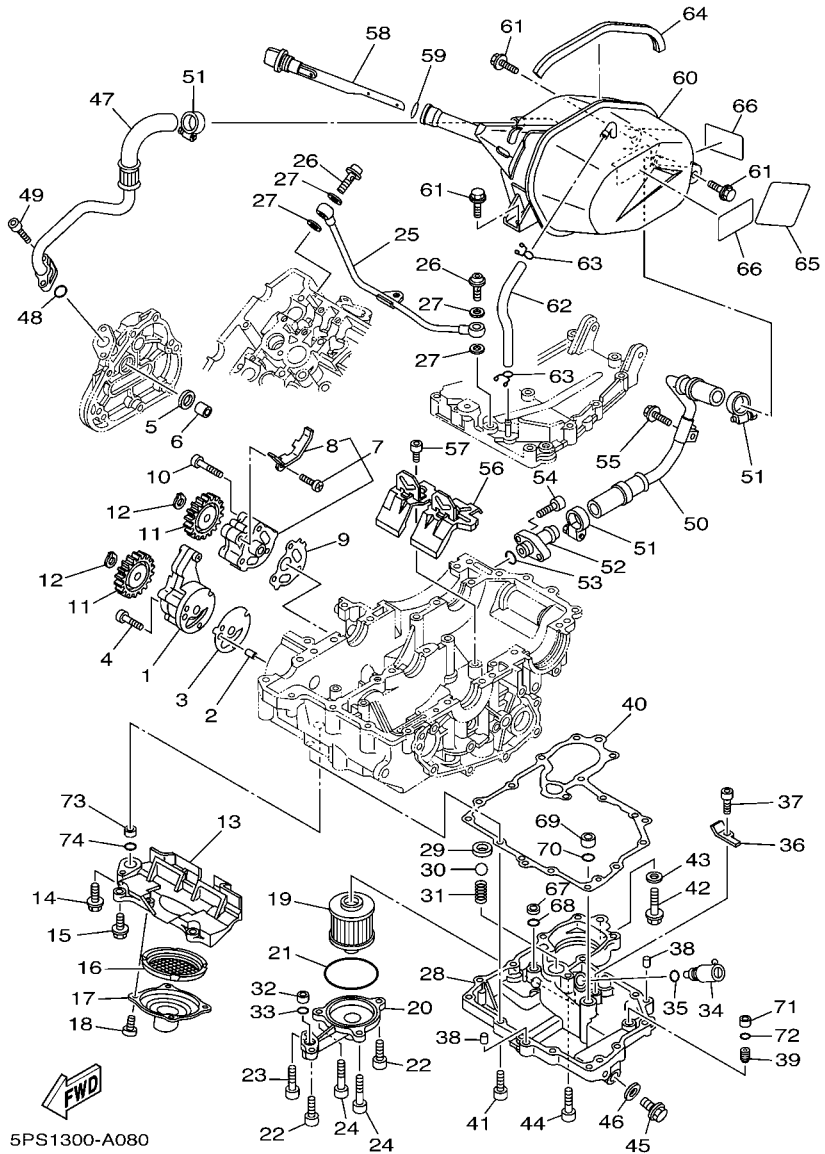
REF. NO.	PART NO.	DESCRIPTION	SFSC				REMARKS
1	3LD-13300-00	OIL PUMP ASSY	1				
2	99530-08012	PIN, DOWEL	1				
3	5PS-13329-00	GASKET, PUMP COVER	1				
4	98507-06045	SCREW, PAN HEAD	3				
5	90430-14131	GASKET	1				
6	90387-120W5	COLLAR	1				
7	4NX-13303-00	OIL PUMP ASSY, 2	1				
8	3LD-13371-00	.PLATE	1				
9	3LD-13339-00	GASKET, PUMP COVER	1				
10	98507-06035	SCREW, PAN HEAD	3				
11	3VD-13325-00	GEAR, PUMP DRIVEN	2				
12	99009-11400	CIRCLIP	2				
13	3VD-13412-00	HOUSING, STRAINER	1				
14	95027-06025	BOLT, FLANGE	1				
15	95027-06020	BOLT, FLANGE	4				
16	3VD-13415-00	SEAL, OIL STRAINER	1				
17	5PS-13411-00	STRAINER, OIL	1				
18	90110-06018	BOLT, HEXAGON SOCKET HEAD	4				
19	5JX-13440-00	ELEMENT ASSY, OIL CLEANER	1				
20	5PS-13447-10	COVER, OIL ELEMENT	1				
21	93210-64297	O-RING	1				
22	91314-06020	BOLT	2				
23	91314-06030	BOLT	1				
24	91314-06040	BOLT	2				
25	5PS-13161-00	PIPE, DELIVERY 1	1				
26	90401-10002	BOLT, UNION	2				
27	90430-10188	GASKET	4				



**FIG. 8 OIL PUMP**

REF. NO.	PART NO.	DESCRIPTION	QTY	REMARKS
28	5PS-13417-10	COVER, STRAINER	1	
29	3LD-13113-00	SEAT, CHECK BALL	1	
30	93505-08030	BALL	1	
31	90501-104F9	SPRING, COMPRESSION	1	
32	90387-106W6	COLLAR	1	
33	93210-12790	O-RING	1	
34	11H-13490-00	RELIEF VALVE ASSY	1	
35	93210-10096	O-RING	1	
36	3LD-13151-00	STAY	1	
37	90110-06018	BOLT, HEXAGON SOCKET HEAD	1	
38	99530-08016	PIN, DOWEL	2	
39	4H7-15138-00	NOZZLE 1	1	
40	5PS-13414-02	GASKET, STRAINER COVER	1	
41	91314-06025	BOLT	13	
42	95024-10040	BOLT, FLANGE	1	
43	90430-10188	GASKET	1	
44	91314-06035	BOLT	1	
45	90340-14132	PLUG, STRAIGHT SCREW	1	
46	214-11198-01	GASKET	1	
47	5PS-13464-00	HOSE, OIL 1	1	
48	93210-13657	O-RING	1	
49	91314-06020	BOLT	2	
50	5PS-13465-00	HOSE, OIL 2	1	
51	90450-25037	HOSE CLAMP ASSY	3	
52	3VD-13416-00	PIPE, OIL 1	1	
53	93210-13657	O-RING	1	
54	90110-06093	BOLT, HEXAGON SOCKET HEAD	2	

FIG. 8 OIL PUMP



REF. NO.	PART NO.	DESCRIPTION	QTY	REMARKS
55	90109-06056	BOLT	1	
56	5PS-13317-00	PLATE, BAFFLE	1	
57	90110-06018	BOLT, HEXAGON SOCKET HEAD	2	
58	5PS-21761-00	GAUGE, LEVEL	1	
59	93210-21190	O-RING	1	
60	5PS-21750-10	OIL TANK ASSY	1	
61	95827-06014	BOLT, FLANGE	3	
62	90445-11026	HOSE	1	
63	90467-10008	CLIP	2	
64	5JX-24188-00	MOLD, FUEL TANK	1	
65	5BM-21652-00	PROTECTOR	1	
66	5BM-21268-00	SEAL	2	
67	90387-085N0	COLLAR	1	
68	93210-10096	O-RING	1	
69	90387-106W6	COLLAR	1	
70	93210-12790	O-RING	1	
71	90387-06761	COLLAR	1	
72	93210-07135	O-RING	1	
73	90387-130W6	COLLAR	1	
74	93210-15566	O-RING	1	

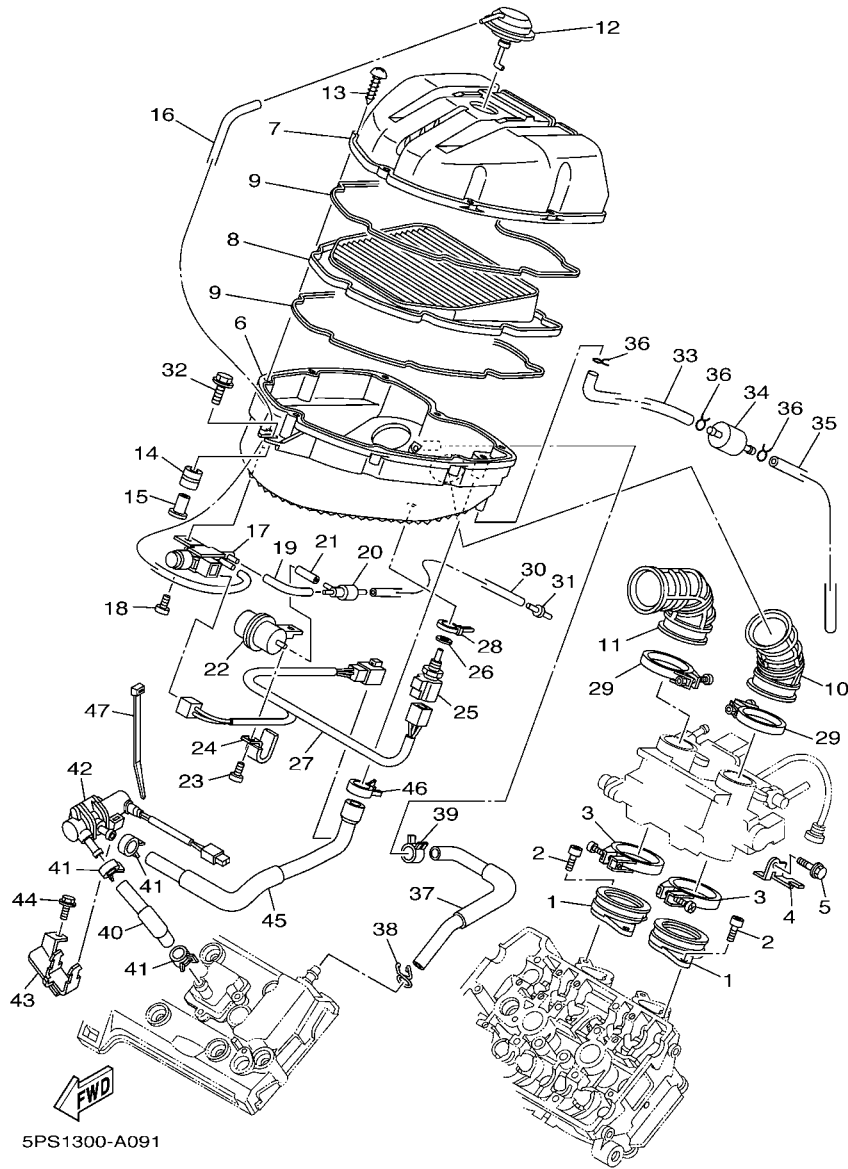


FIG. 9 INTAKE

REF. NO.	PART NO.	DESCRIPTION	SFSC				REMARKS
1	5PS-13586-00	JOINT, CARBURETOR 1	2				
2	91317-06020	BOLT	4				
3	90450-63001	HOSE CLAMP ASSY	2				
4	5PS-14414-00	STAY 2	1				
5	95027-06010	BOLT, FLANGE	1				
6	5PS-14411-00	CASE, AIR CLEANER 1	1				
7	5PS-14421-00	CASE, AIR CLEANER 2	1				
8	5PS-14451-00	ELEMENT, AIR CLEANER	1				
9	5PS-14452-00	SEAL	2				
10	5PS-14453-00	JOINT, AIR CLEANER 1	1				
11	5PS-14463-00	JOINT, AIR CLEANER 2	1				
12	5PS-14545-00	DIAPHRAGM	1				
13	97707-50020	SCREW, TAPPING	8				
14	5PS-14435-00	GROMMET	1				
15	5PS-14264-00	COLLAR	1				
16	5PS-14419-00	PIPE	1				
17	5PS-1410H-00	FUEL CUT SOLENOID VALVE	1				
18	98907-05012	SCREW, BIND	1				
19	5PS-14148-00	PIPE	1				
20	5PS-14552-00	VALVE, CHECK	1				
21	90445-08010	HOSE	1				
22	5PS-1446E-00	TANK, SURGE	1				
23	98907-05016	SCREW, BIND	1				
24	90462-05005	CLAMP	1				
25	4BH-83591-00	THERMO UNIT	1				
26	90430-12202	GASKET	1				
27	5PS-82386-00	EXTENSION, WIRE HARNESS	1				

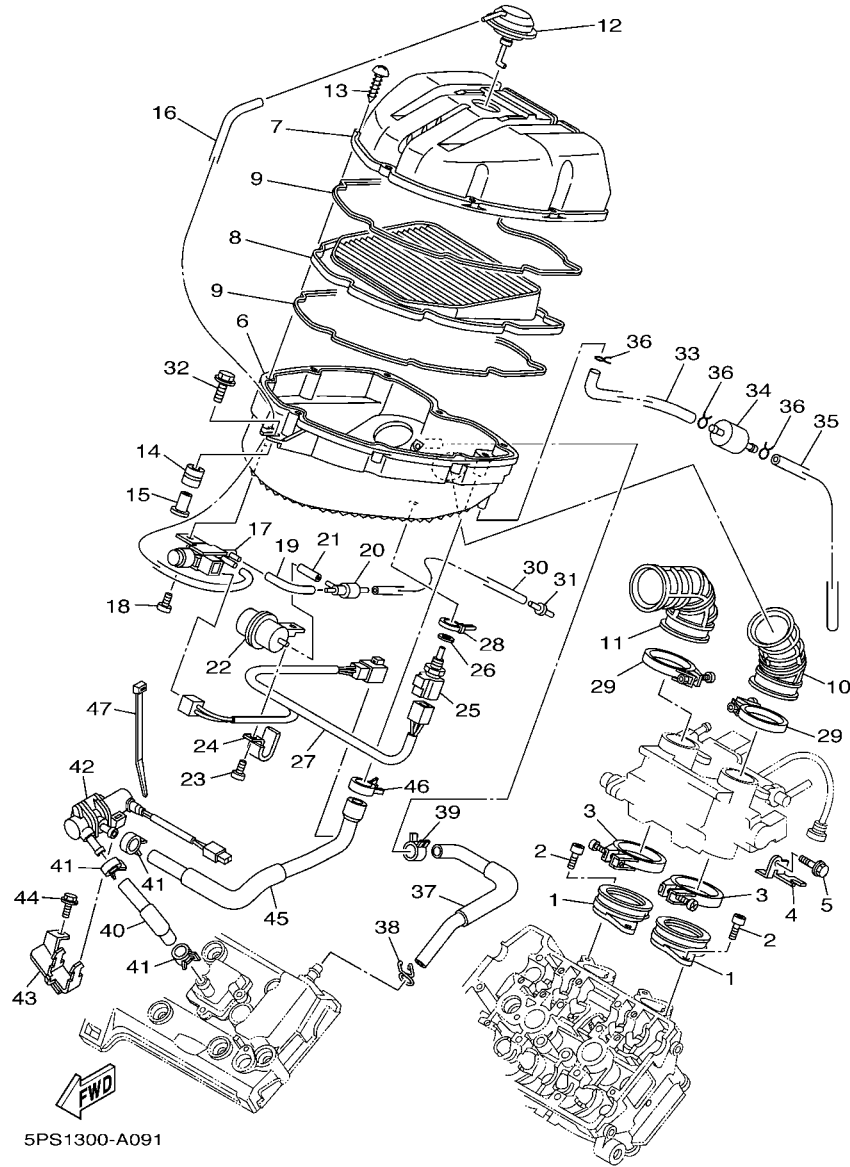


FIG. 9 INTAKE

REF. NO.	PART NO.	DESCRIPTION	9FSC				REMARKS
28	5Y9-12491-00	CLAMP 1	1				
29	90450-52002	HOSE CLAMP ASSY	2				
30	90445-08024	HOSE	1				
31	5PS-14568-00	JOINT	1				
32	90119-06214	BOLT, WITH WASHER	1				
33	5PS-1443E-00	PIPE, DRAIN	1				
34	4X7-2149Y-00	FILTER ASSY	1				
35	90445-116H6	HOSE (L570)	1				
36	90467-11106	CLIP	3				
37	5PS-11166-10	PIPE, BREATHER 1	1				
38	90467-14015	CLIP	1				
39	90468-08104	CLIP	1				
40	5PS-14881-00	HOSE, BEND 1	1				
41	90467-17003	CLIP	3				
42	5PS-14840-00	AIR CUT VALVE ASSY	1				
43	5PS-14834-00	STAY	1				
44	95027-06010	BOLT, FLANGE	1				
45	5PS-14882-10	HOSE, BEND 2	1				
46	90467-20086	CLIP	1				
47	90465-10098	CLAMP	1				

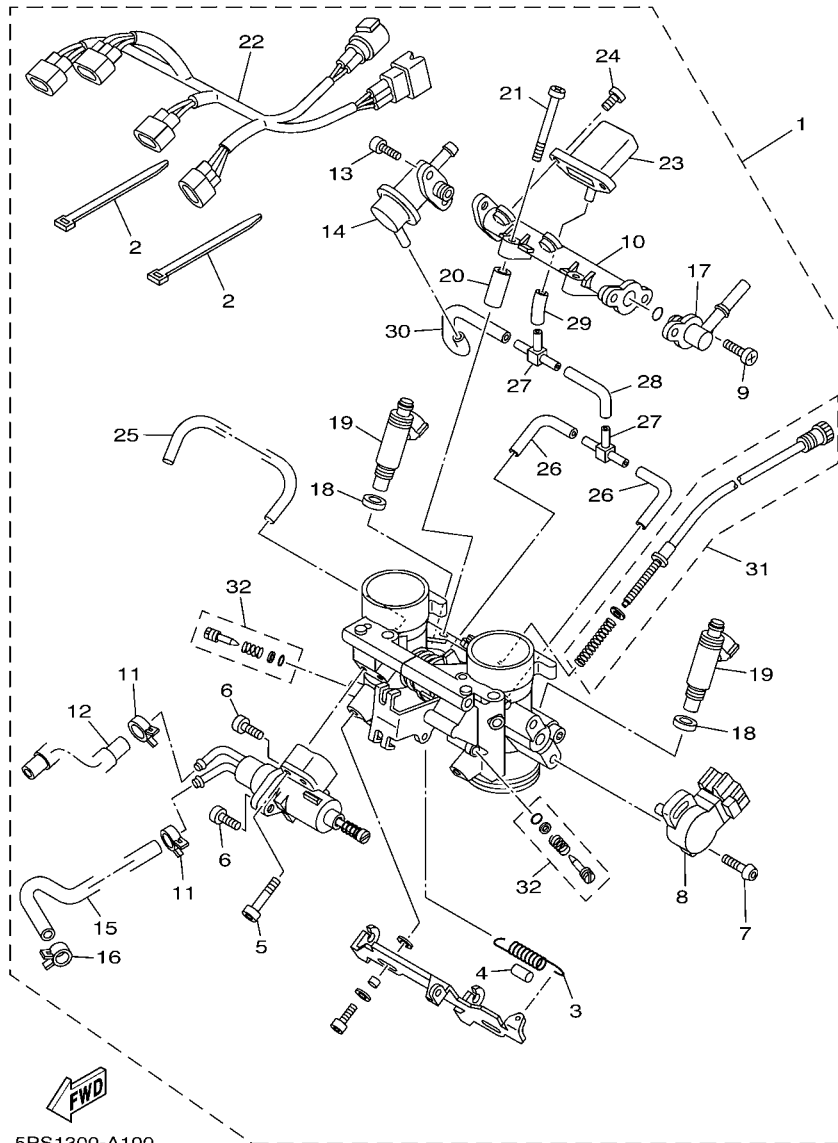
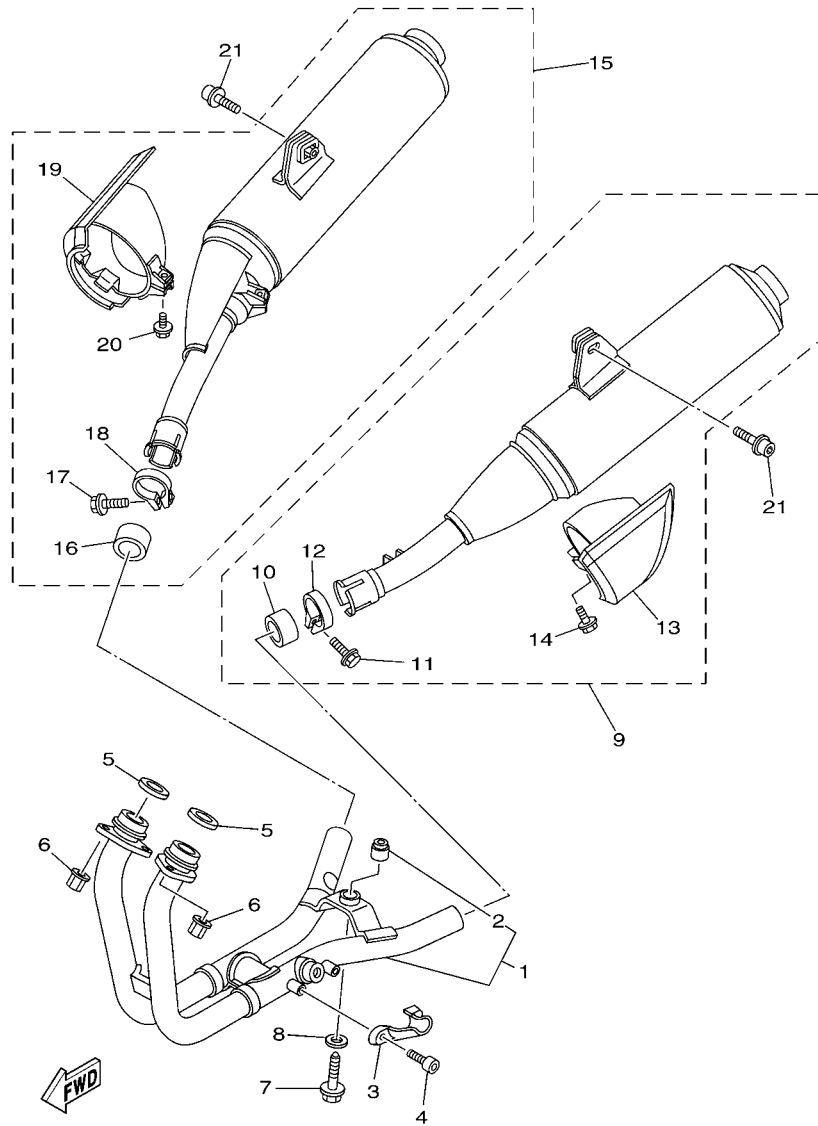


FIG. 10 INTAKE 2

REF. NO.	PART NO.	DESCRIPTION	SPSC				REMARKS
1	5PS-13750-20	THROTTLE BODY ASSY	1				
2	5Y9-12491-00	.CLAMP 1	2				
3	5JW-14589-00	.SPRING	1				
4	5DM-14936-00	.SEAT, SPRING	1				
5	98507-05030	.SCREW, PAN HEAD	2				
6	98507-05014	.SCREW, PAN HEAD	2				
7	8CC-14216-10	.SCREW	2				
8	5PS-85885-01	.THROTTLE SENSOR ASSY	1				
9	98507-05010	.SCREW, PAN HEAD	2				
10	5PS-13938-00	.PIPE	1				
11	90467-11090	.CLIP	2				
12	5PS-1243E-00	.HOSE 2	1				
13	98507-05010	.SCREW, PAN HEAD	2				
14	5PS-13906-00	.REGULATOR, PRESSURE	1				
15	5PS-1243A-00	.HOSE 1	1				
16	90467-09037	.CLIP	1				
17	5PS-12881-00	.PIPE, FUEL INJECTION 1	1				
18	90430-09002	.GASKET	2				
19	5PS-13761-00	.INJECTOR ASSY	2				
20	5PS-14996-00	.PIPE	2				
21	98507-06045	.SCREW, PAN HEAD	2				
22	5PS-82509-01	.WIRE, SUB LEAD	1				
23	1C7-82380-00	.SENSOR, PRESSURE	1				
24	92507-06014	.SCREW, PAN HEAD	2				
25	5PS-14349-01	.PIPE	1				
26	5PS-14987-00	.HOSE	2				
27	68V-24376-00	.PIPE, JOINT 1	2				





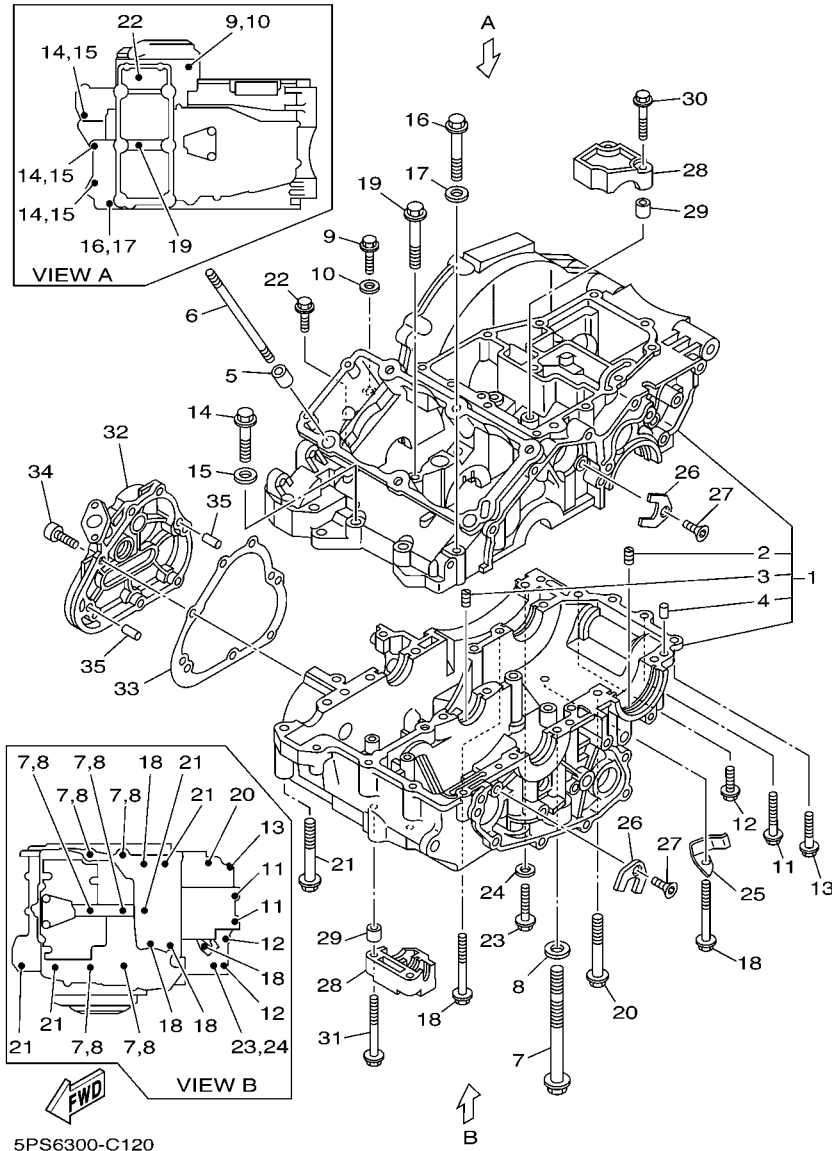


5PSD700-F110

FIG. 11 EXHAUST

REF. NO.	PART NO.	DESCRIPTION	QTY	REMARKS
1	5PS-14610-10	EXHAUST PIPE ASSY 1	1	
2	36Y-27414-00	.DAMPER, FOOTREST	1	
3	5PS-14628-00	PROTECTOR, EXHAUST PIPE	1	
4	91380-06010	BOLT	2	
5	3VD-14613-01	GASKET, EXHAUST PIPE	2	
6	90179-08410	NUT	4	
7	90109-08170	BOLT	1	
8	90201-08753	WASHER, PLATE	1	
9	2B0-14710-00	MUFFLER ASSY 1	1	
10	5PX-14755-00	.GASKET, SILENCER	1	
11	95024-08025	.BOLT, FLANGE	1	
12	5PS-14715-00	.BAND, MUFFLER	1	
13	2B0-14738-00	.PROTECTOR, MUFFLER 3	1	
14	95024-06012	.BOLT, FLANGE	1	
15	2B0-14720-00	MUFFLER ASSY 2	1	
16	5PX-14755-00	.GASKET, SILENCER	1	
17	95024-08025	.BOLT, FLANGE	1	
18	5PS-14725-00	.BAND, MUFFLER	1	
19	2B0-14748-00	.PROTECTOR, MUFFLER 4	1	
20	95024-06012	.BOLT, FLANGE	1	
21	90109-087F1	BOLT	2	

FIG. 12 CRANKCASE



5PS6300-C120

REF. NO.	PART NO.	DESCRIPTION	SFSC				REMARKS
1	5PS-15100-10	CRANKCASE ASSY	1				
2	4XV-15138-00	.NOZZLE 1	1				
3	4G0-15138-00	.NOZZLE 1	1				
4	99530-10114	.PIN, DOWEL	1				
5	99530-14016	PIN, DOWEL	2				
6	3LD-11361-00	BOLT, CYLINDER HOLDING 1	6				
7	90105-10560	BOLT, FLANGE	6				
8	90201-11597	WASHER, PLATE	6				
9	95814-06040	BOLT, FLANGE	1				
10	90201-066F0	WASHER, PLATE	1				
11	95817-06055	BOLT, FLANGE	2				
12	95817-06020	BOLT, FLANGE	2				
13	95817-06030	BOLT, FLANGE	1				
14	95814-08050	BOLT, FLANGE	3				
15	90201-08087	WASHER, PLATE	3				
16	95814-08060	BOLT, FLANGE	1				
17	90201-08087	WASHER, PLATE	1				
18	95817-06070	BOLT, FLANGE	4				
19	95817-08065	BOLT, FLANGE	1				
20	95814-08070	BOLT, FLANGE	1				
21	95817-08075	BOLT, FLANGE	4				
22	95817-06025	BOLT, FLANGE	1				
23	95814-06040	BOLT, FLANGE	1				
24	90201-066F0	WASHER, PLATE	1				
25	90465-10028	CLAMP	1				
26	3LD-15191-00	PLATE	2				
27	90151-06008	SCREW, COUNTERSUNK	2				

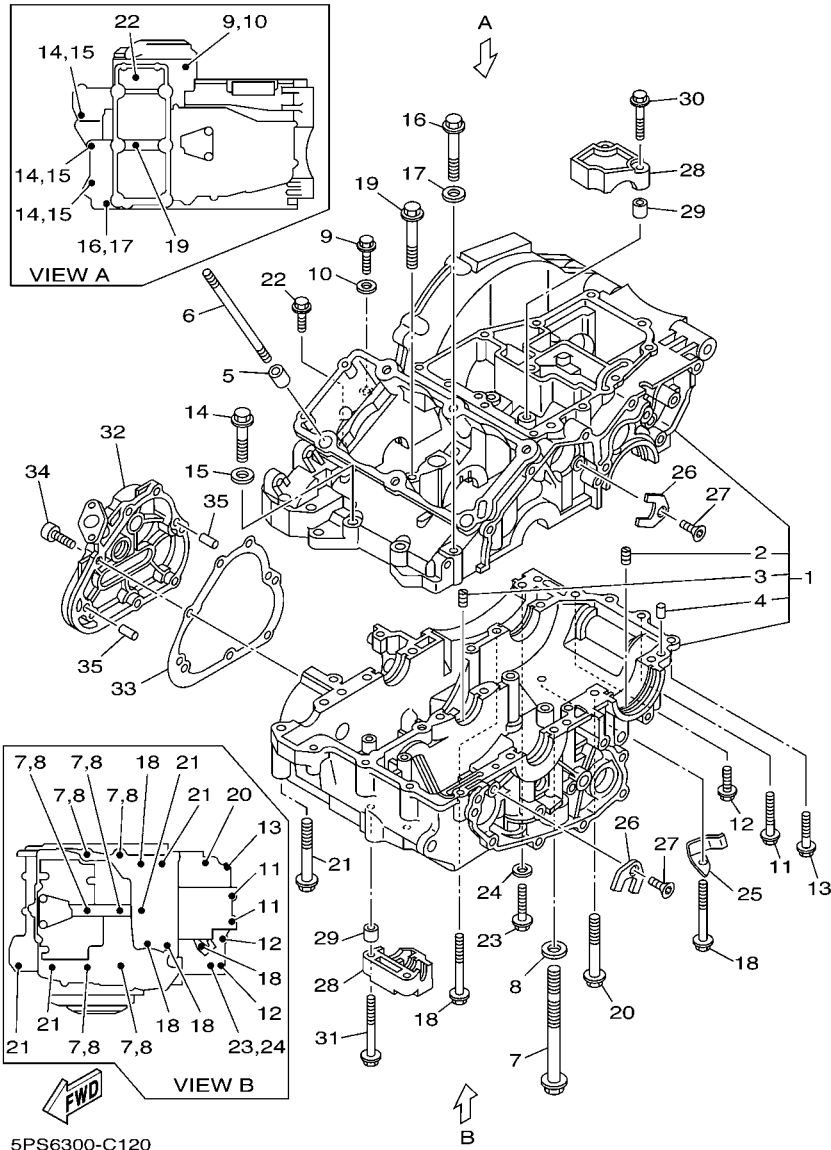


FIG. 12 CRANKCASE

REF. NO.	PART NO.	DESCRIPTION	QTY	REMARKS
28	3LD-15118-00	HOLDER	2	
29	99530-08016	PIN, DOWEL	4	
30	95817-06045	BOLT, FLANGE	2	
31	95817-06070	BOLT, FLANGE	2	
32	5PS-15416-10	COVER, OIL PUMP	1	
33	5PS-15456-02	GASKET, OIL PUMP COVER 1	1	
34	91314-06020	BOLT	7	
35	99530-08012	PIN, DOWEL	2	

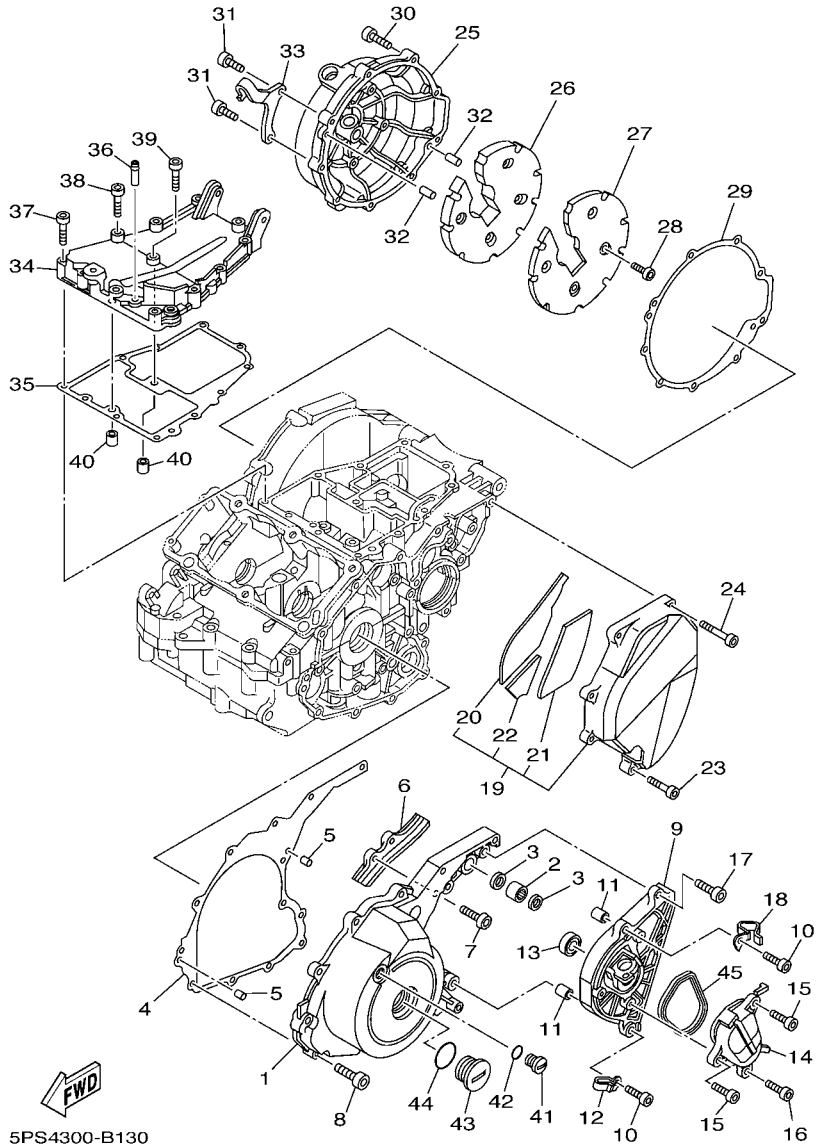
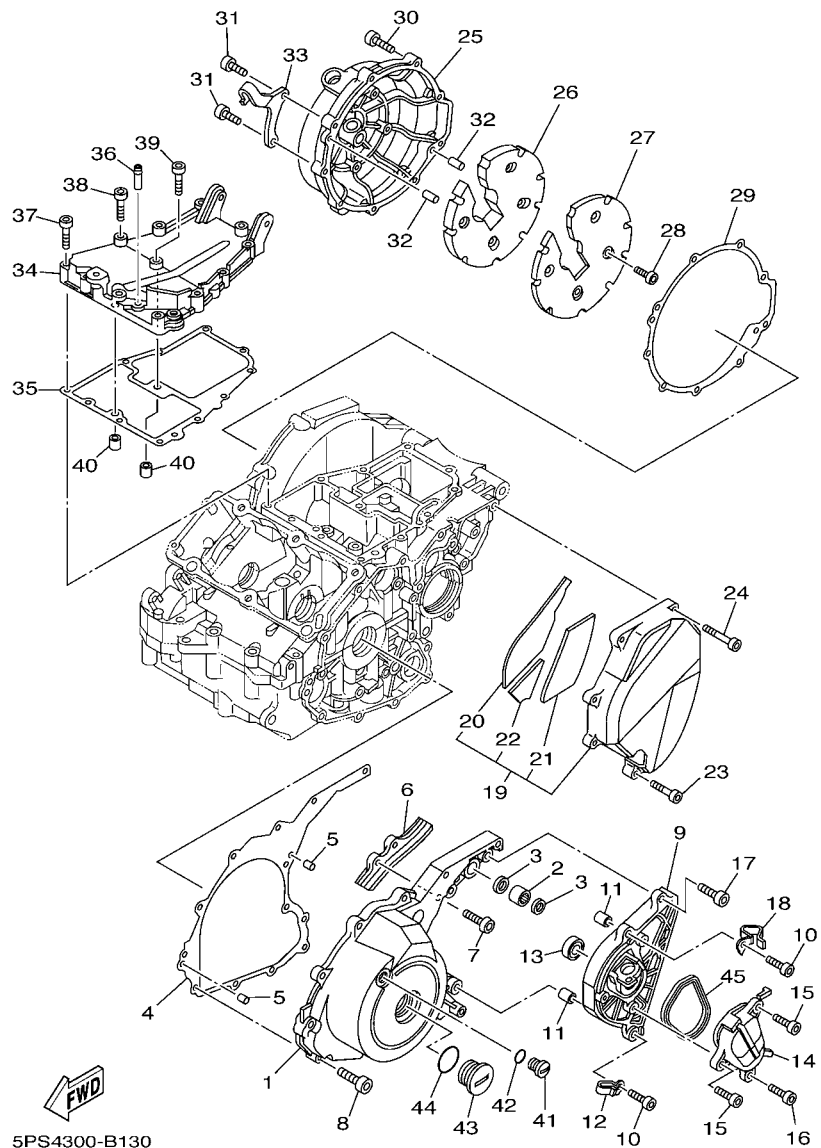


FIG. 13 CRANKCASE COVER 1

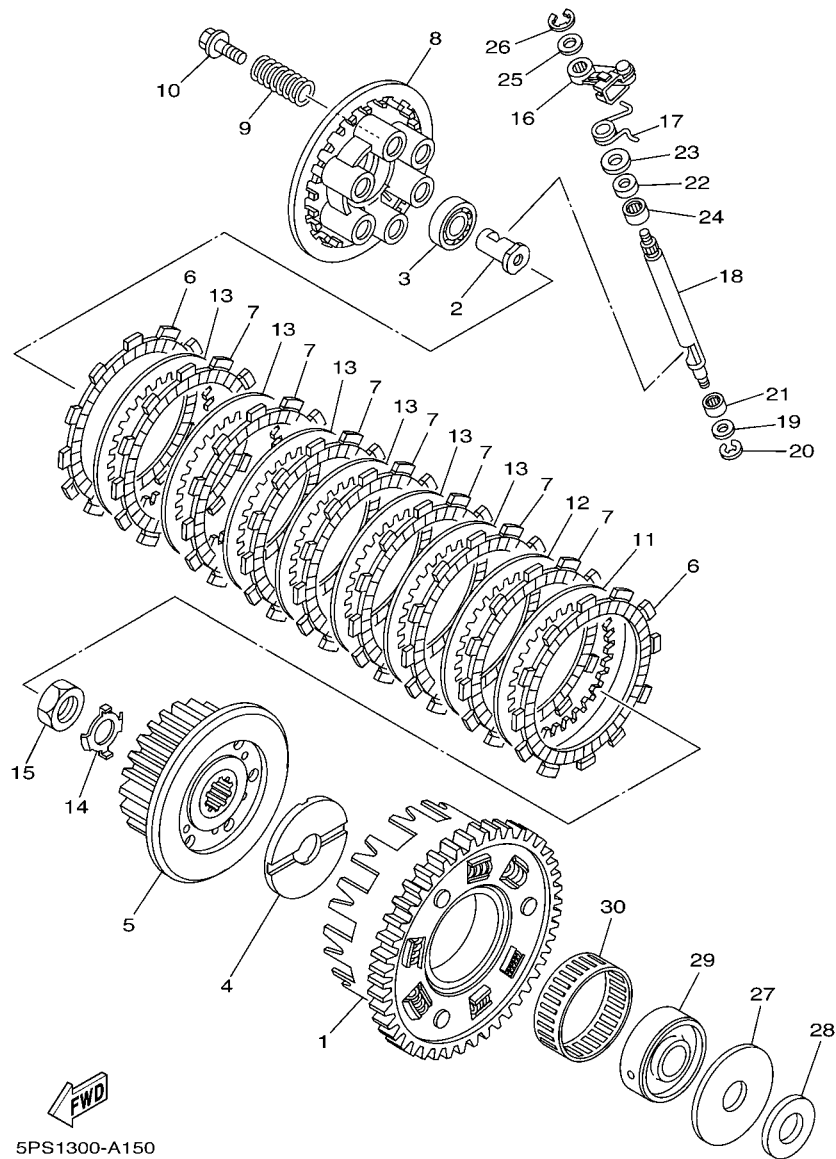
REF. NO.	PART NO.	DESCRIPTION	QTY	REMARKS
1	5PS-15411-10	COVER, CRANKCASE 1	1	
2	93317-21288	BEARING	1	
3	93109-12075	OIL SEAL	2	
4	5PS-15451-02	GASKET, CRANKCASE COVER 1	1	
5	99530-08012	PIN, DOWEL	2	
6	5PS-17653-00	SLIDER	1	
7	90109-065A8	BOLT	2	
8	91314-06025	BOLT	9	
9	5PS-1541E-00	STAY, COVER	1	
10	91317-06030	BOLT	2	
11	99530-10114	PIN, DOWEL	2	
12	90465-08125	CLAMP	1	
13	93106-15034	OIL SEAL	1	
14	5PS-15419-00	COVER, SHIFTER 1	1	
15	91317-06014	BOLT	2	
16	91317-06010	BOLT	1	
17	91317-06020	BOLT	1	
18	90465-08034	CLAMP	1	
19	5PS-15420-10	CRANKCASE COVER ASSY 2	1	
20	5PS-15326-00	.DAMPER, ENGINE MOUNT 2	1	
21	5PS-15335-00	.DAMPER 3	1	
22	5PS-15337-00	.DAMPER 4	1	
23	91314-06025	BOLT	1	
24	91314-06050	BOLT	4	
25	5PS-15431-10	COVER, CRANKCASE 3	1	
26	5PS-15316-00	DAMPER, ENGINE MOUNT 1	1	
27	5PS-15427-00	COVER, CAP 2	1	

FIG. 13 CRANKCASE COVER 1



REF. NO.	PART NO.	DESCRIPTION	QTY	REMARKS
28	90149-05009	SCREW	4	
29	5PS-15462-02	GASKET, CRANKCASE COVER 3	1	
30	91314-06025	BOLT	7	
31	91314-06030	BOLT	2	
32	99530-08012	PIN, DOWEL	2	
33	5PS-15441-00	HOLDER, CLUTCH CABLE	1	
34	5PS-15425-10	COVER, GENERATOR 2	1	
35	5PS-15463-02	GASKET, COVER PINION 2	1	
36	583-11126-00	PIPE, BREATHER 3	1	
37	91380-06035	BOLT	10	
38	90110-06006	BOLT, HEXAGON SOCKET HEAD	1	
39	91317-06045	BOLT	1	
40	99530-10114	PIN, DOWEL	2	
41	90340-14013	PLUG, STRAIGHT SCREW	1	
42	93210-14369	O-RING	1	
43	90340-32004	PLUG, STRAIGHT SCREW	1	
44	93210-32172	O-RING	1	
45	5PS-8338L-00	GASKET	1	





**FIG. 15 CLUTCH**

REF. NO.	PART NO.	DESCRIPTION	SFSC				REMARKS
1	4TX-16150-02	PRIMARY DRIVEN GEAR COMP.	1				
2	5PS-16356-00	ROD, PUSH 1	1				
3	93306-00304	BEARING	1				
4	4H7-16154-00	PLATE, THRUST 1	1				
5	4TX-16371-00	BOSS, CLUTCH	1				
6	4H7-16321-02	PLATE, FRICTION	2				
7	4TX-16321-00	PLATE, FRICTION	7				
8	5EB-16351-01	PLATE, PRESSURE 1	1				
9	90501-230E4	SPRING, COMPRESSION	6				
10	90159-06123	SCREW, WITH WASHER	6				
11	3J2-16324-00	PLATE, CLUTCH 1 (T=2.0)	1				UR
	168-16325-00	PLATE, CLUTCH 2 (T=1.6)	1				UR
	168-16324-00	PLATE, CLUTCH 1 (T=2.3)	1				UR
12	3J2-16324-00	PLATE, CLUTCH 1 (T=2.0)	1				UR
	168-16324-00	PLATE, CLUTCH 1 (T=2.3)	1				UR
13	3J2-16324-00	PLATE, CLUTCH 1 (T=2.0)	6				
14	90215-20004	WASHER, LOCK	1				
15	90170-20008	NUT	1				
16	5PS-16340-00	PUSH LEVER ASSY	1				
17	90508-14012	SPRING, TORSION	1				
18	5PS-16382-00	AXLE, PUSH LEVER	1				
19	92907-08600	WASHER, PLATE	1				
20	99001-07600	CIRCLIP	1				
21	93317-11020	BEARING	1				
22	93102-12106	OIL SEAL (SD 12-22-5 HS)	1				
23	90201-12163	WASHER, PLATE	1				
24	93317-11287	BEARING	1				





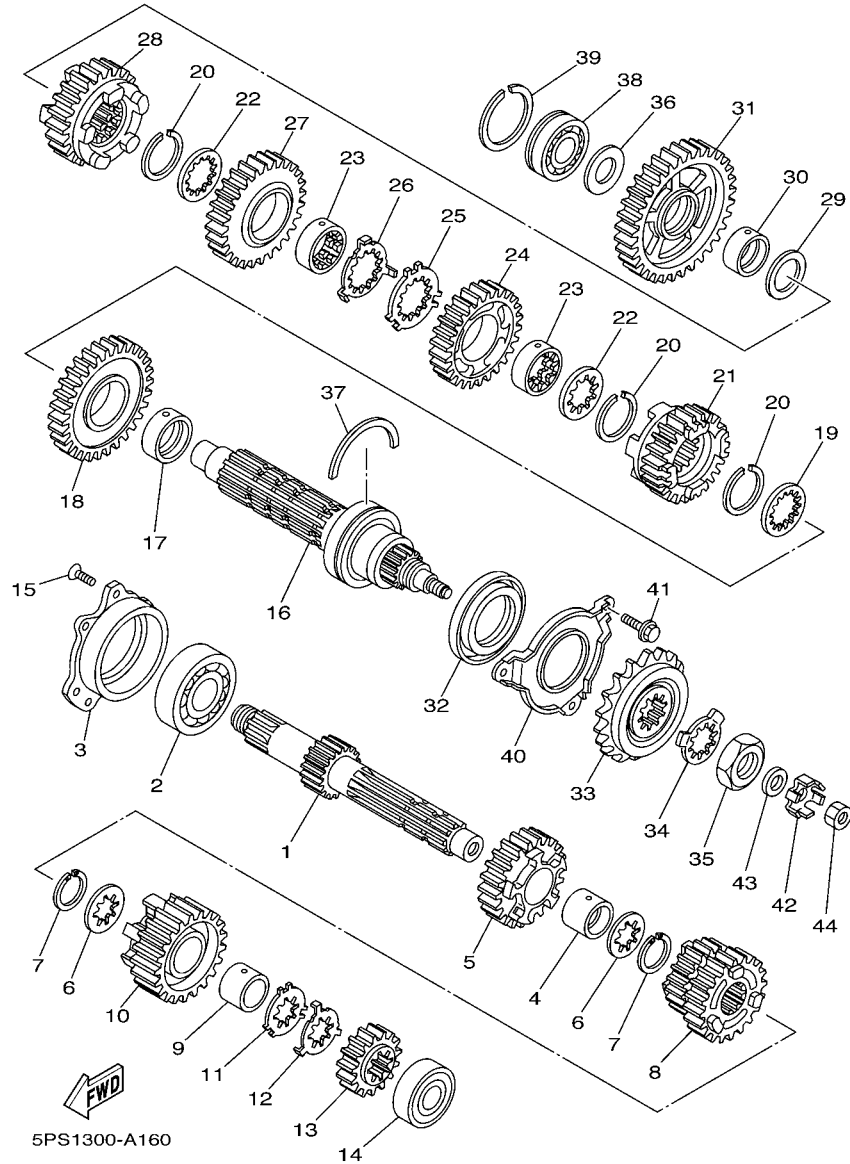


FIG. 16 TRANSMISSION

REF. NO.	PART NO.	DESCRIPTION	QTY	REMARKS
1	5PS-17401-00	MAIN AXLE ASSY (12T)	1	
2	93306-30534	BEARING	1	
3	5PS-15163-00	HOUSING, BEARING 1	1	
4	90387-25004	COLLAR	1	
5	5PS-17151-00	GEAR, 5TH PINION (25T)	1	
6	90209-21332	WASHER	2	
7	93440-25084	CIRCLIP	2	
8	5PS-17131-00	GEAR, 3RD/4TH PINION (22T/25T)	1	
9	90387-2513E	COLLAR	1	
10	5PS-17161-00	GEAR, 6TH PINION (26T)	1	
11	90209-22352	WASHER	1	
12	90209-21351	WASHER	1	
13	5PS-17121-00	GEAR, 2ND PINION (13T)	1	
14	93306-20464	BEARING	1	
15	90151-06011	SCREW, COUNTERSUNK	3	
16	5PS-17402-00	DRIVE AXLE ASSY	1	
17	90387-32003	COLLAR	1	
18	5PS-17221-00	GEAR, 2ND WHEEL (37T)	1	
19	90209-28331	WASHER	1	
20	93440-31183	CIRCLIP	3	
21	5PS-17261-00	GEAR, 6TH WHEEL (24T)	1	
22	90209-28331	WASHER	2	
23	90387-2802W	COLLAR	2	
24	5PS-17241-00	GEAR, 4TH WHEEL (31T)	1	
25	90209-29329	WASHER	1	
26	90209-28330	WASHER	1	
27	5PS-17231-00	GEAR, 3RD WHEEL(34T)	1	

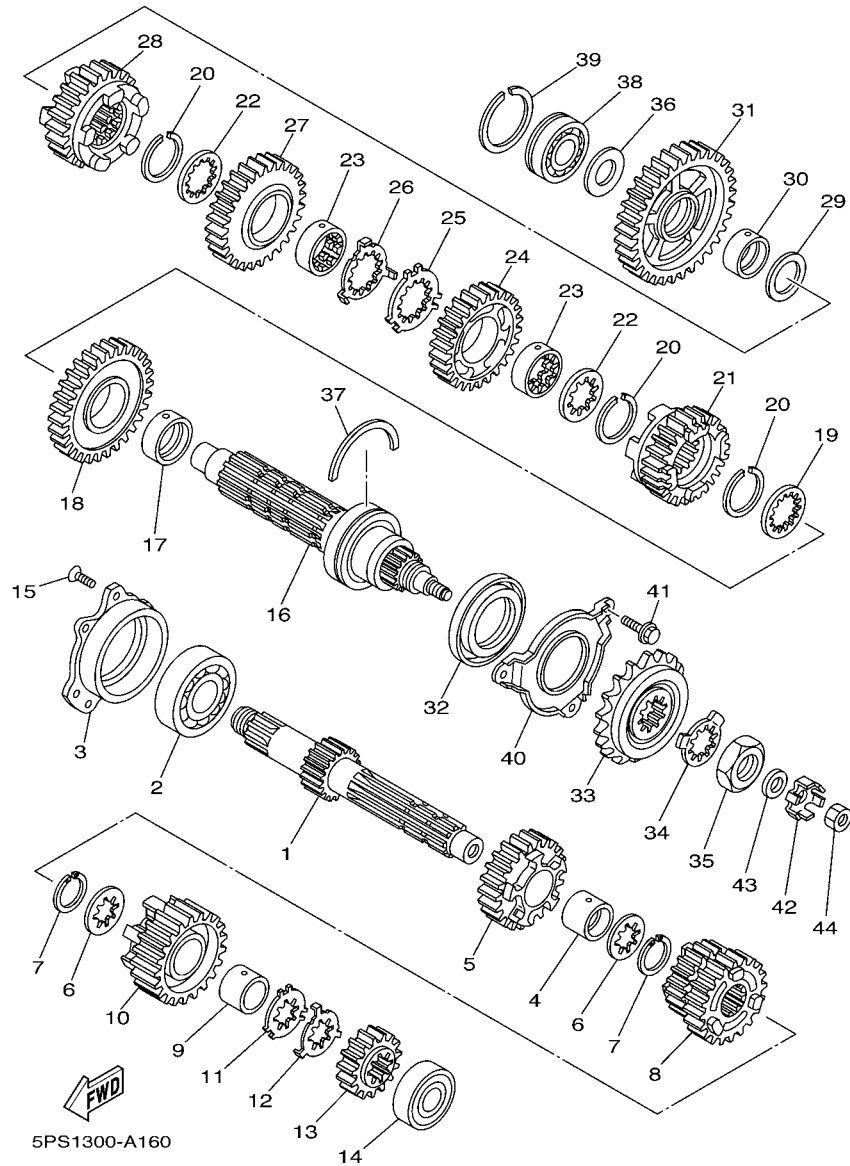
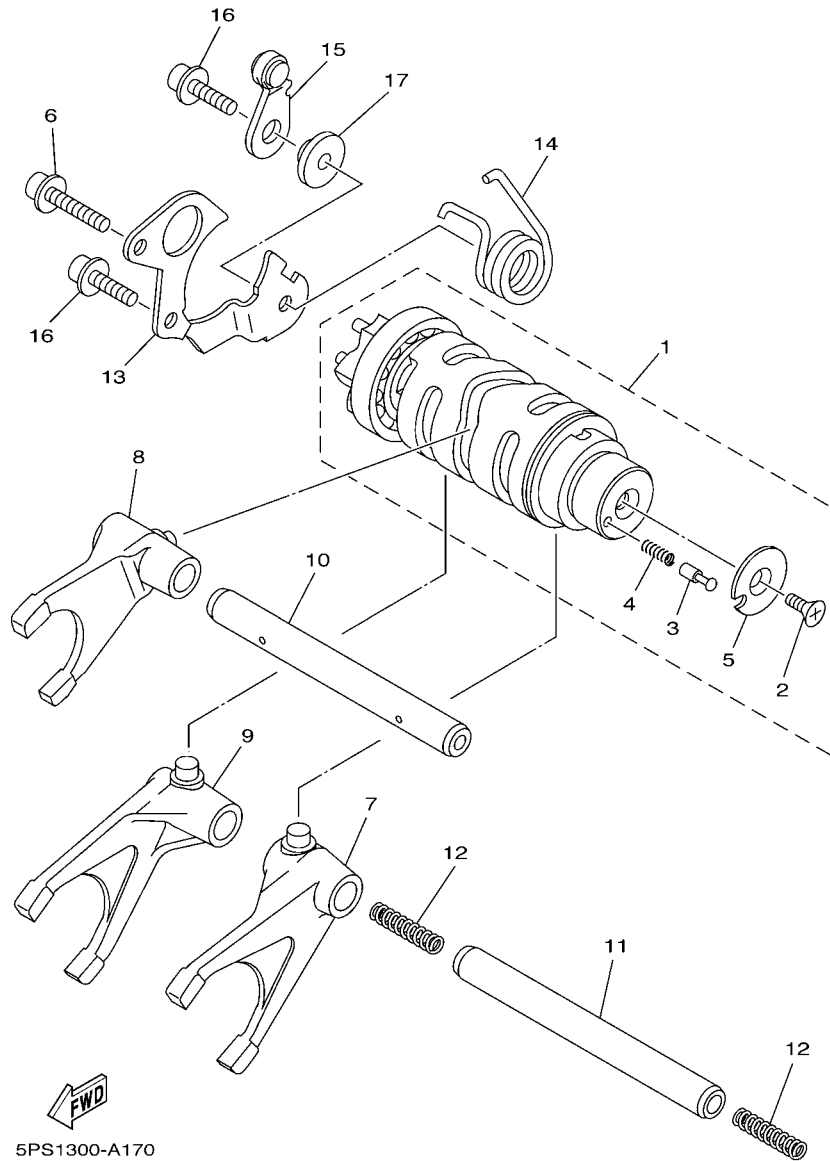


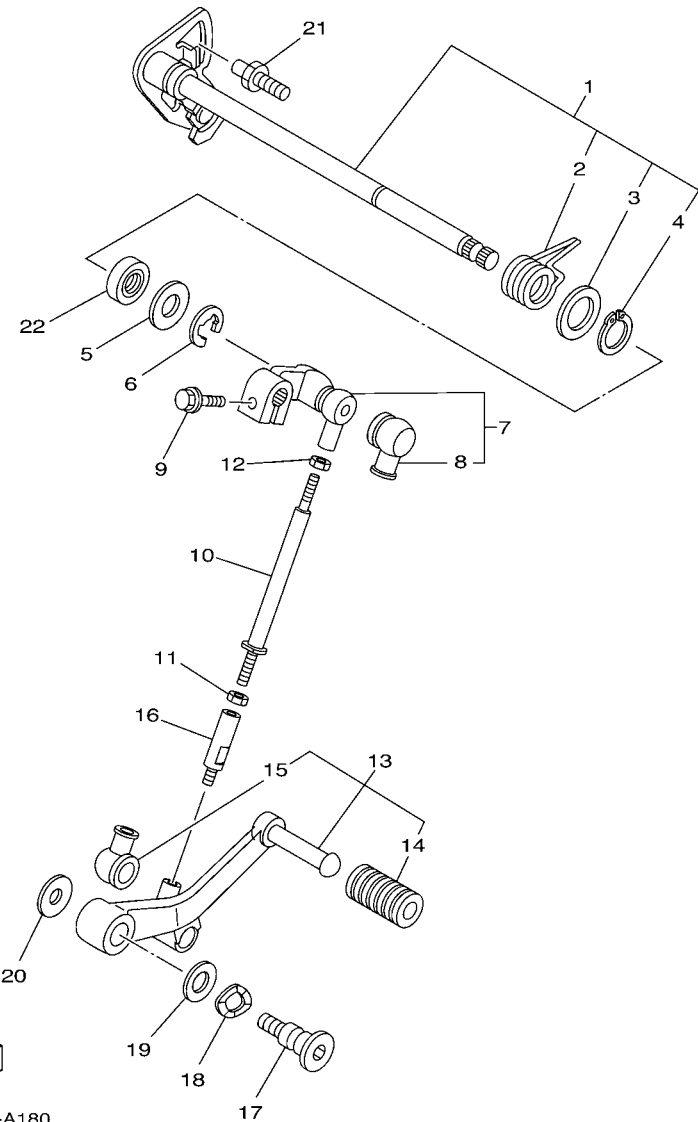
FIG. 16 TRANSMISSION

REF. NO.	PART NO.	DESCRIPTION	QTY	REMARKS
28	5PS-17251-00	GEAR, 5TH WHEEL(26T)	1	
29	90201-25M72	WASHER, PLATE	1	
30	90387-2511A	COLLAR	1	
31	5PS-17211-00	GEAR, 1ST WHEEL (33T)	1	
32	93102-40008	OIL SEAL	1	
33	5PS-17460-00	SPROCKET, DRIVE (16T)	1	
34	90215-30233	WASHER, LOCK	1	
35	90179-22003	NUT	1	
36	90201-20008	WASHER, PLATE	1	
37	278-17424-01	CIRCLIP 1	1	
38	93306-20455	BEARING	1	
39	93440-45144	CIRCLIP	1	
40	5PS-17471-00	PLATE, COVER	1	
41	95827-06012	BOLT, FLANGE	3	
42	5PS-17446-00	PLATE	1	
43	90201-10N12	WASHER, PLATE	1	
44	95307-10700	NUT	1	



**FIG. 17 SHIFT CAM & FORK**

REF. NO.	PART NO.	DESCRIPTION	QTY	REMARKS
1	5PS-18540-00	SHIFT CAM ASSY	1	
2	90149-05321	.SCREW	1	
3	4UN-18542-00	.POINT, NEUTRAL	1	
4	90501-06022	.SPRING, COMPRESSION	1	
5	4UN-18566-00	.PLATE, SIDE 2	1	
6	90110-06060	BOLT, HEXAGON SOCKET HEAD	1	
7	5PS-18511-00	FORK, SHIFT 1	1	
8	5PS-18512-00	FORK, SHIFT 2	1	
9	5PS-18513-00	FORK, SHIFT 3	1	
10	5PS-18531-00	BAR, SHIFT FORK GUIDE 1	1	
11	4XV-18531-00	BAR, SHIFT FORK GUIDE 1	1	
12	90501-064L1	SPRING, COMPRESSION	2	
13	3LD-18536-00	STOPPER, SHIFT BAR	1	
14	90508-29016	SPRING, TORSION	1	
15	4SV-18140-00	STOPPER LEVER ASSY	1	
16	90110-06027	BOLT, HEXAGON SOCKET HEAD	2	
17	4NX-18175-00	SPACER	1	



5PS1300-A180

FIG. 18 SHIFT SHAFT

REF. NO.	PART NO.	DESCRIPTION	SFSC				REMARKS
1	5PS-18101-00	SHIFT SHAFT ASSY	1				
2	90508-32682	.SPRING, TORSION	1				
3	90201-191J4	.WASHER, PLATE	1				
4	99009-19400	.CIRCLIP	1				
5	90201-12575	WASHER, PLATE	1				
6	99001-10600	CIRCLIP	1				
7	5PS-18130-00	SHIFT SHAFT ASSY	1				
8	2H9-18154-00	.COVER, DUST	1				
9	95827-06020	BOLT, FLANGE	1				
10	2H9-18115-00	ROD, SHIFT	1				
11	90170-06228	NUT(COUNTER CLOCKWISE)	1				
12	95304-06700	NUT	1				
13	5PS-18110-00	SHIFT PEDAL ASSY	1				
14	5EB-18113-00	.COVER, SHIFT PEDAL	1				
15	2H9-18154-00	.COVER, DUST	1				
16	5PS-18116-00	JOINT, ROD 1	1				
17	5JW-27434-00	BOLT	1				
18	90206-12074	WASHER, WAVE	1				
19	90201-12013	WASHER, PLATE	1				
20	90201-080H1	WASHER, PLATE	1				
21	5SL-18127-00	STOPPER, SCREW	1				
22	93101-12004	OIL SEAL	1				

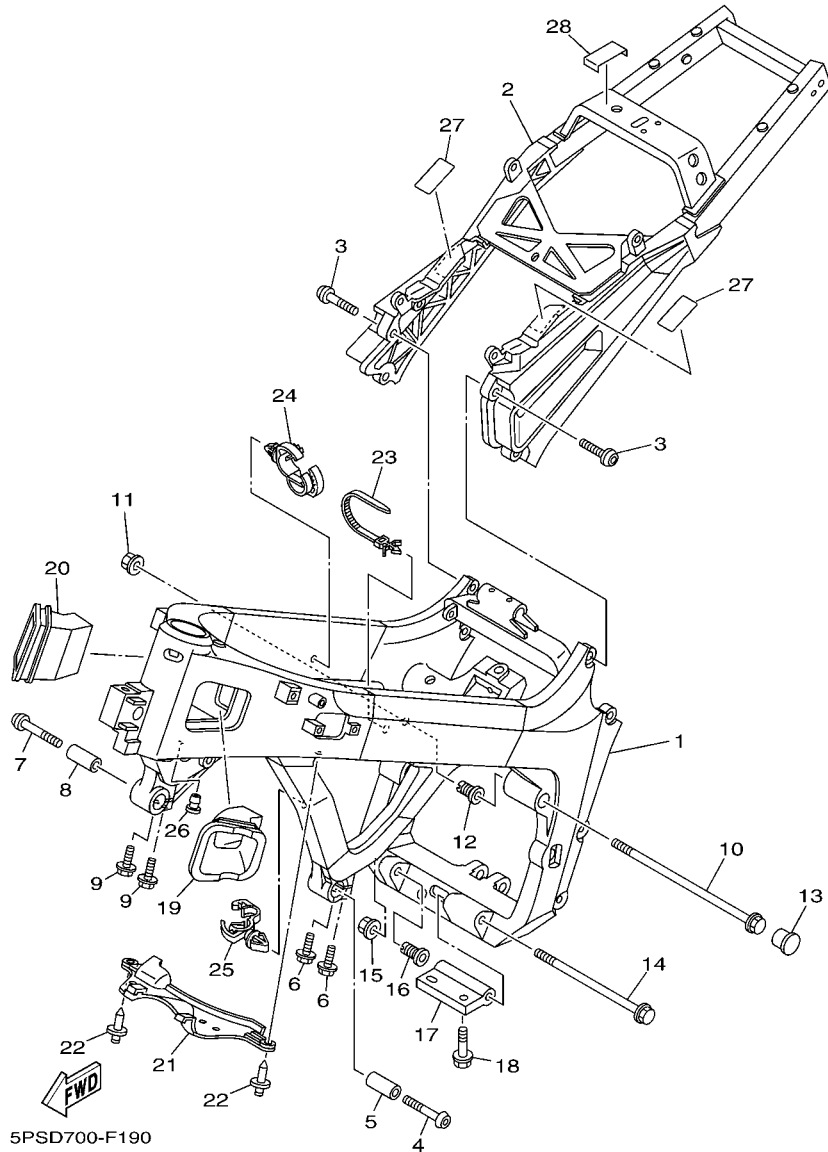


FIG. 19 FRAME

REF. NO.	PART NO.	DESCRIPTION	SFSC				REMARKS
1	5PS-21110-20	FRAME COMP.	1				
2	5PS-21190-11	REAR FRAME COMP.	1				
3	90149-10002	SCREW	4				
4	90111-12001	BOLT,HEX. SOCKET BUTTON	1				
5	90387-14003	COLLAR	1				
6	90105-08047	BOLT, FLANGE	2				
7	90111-12001	BOLT,HEX. SOCKET BUTTON	1				
8	90387-14003	COLLAR	1				
9	90105-08047	BOLT, FLANGE	2				
10	90105-10032	BOLT, FLANGE	1				
11	90179-10002	NUT	1				
12	5EB-21495-00	BOLT, ENGINE ADJUSTING	1				
13	90338-24112	PLUG	1				
14	90105-10113	BOLT, FLANGE	1				
15	90179-10696	NUT	1				
16	5EB-21495-00	BOLT, ENGINE ADJUSTING	1				
17	5PS-21489-00	BRACKET, ENGINE LOWER	1				
18	95817-08030	BOLT, FLANGE	2				
19	5PS-2117V-00	COVER 7	1				
20	5PS-2117W-00	COVER 8	1				
21	5PS-2117M-00	COVER 2	1				
22	90269-07001	RIVET	2				
23	90464-12089	CLAMP	1				
24	90464-20181	CLAMP	1				
25	90464-13249	CLAMP	1				
26	90338-08008	PLUG	1				
27	1JK-21268-00	SEAL	2				

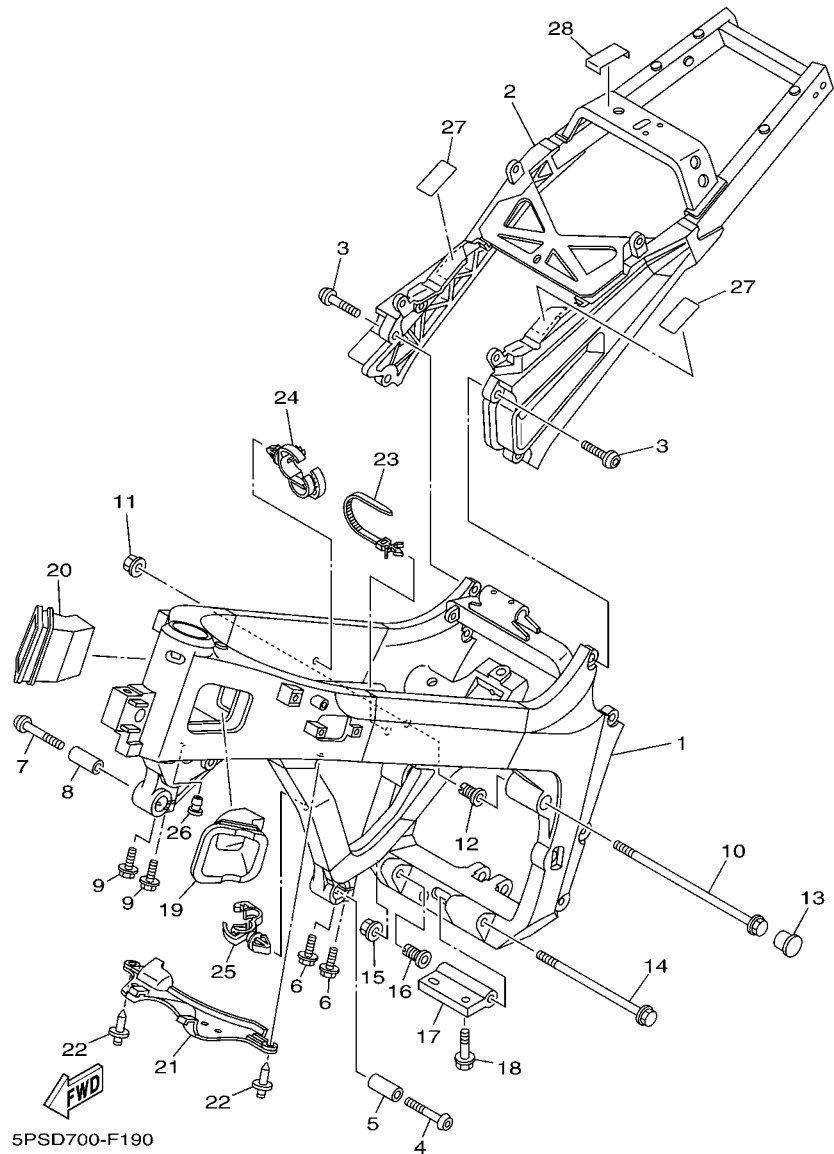
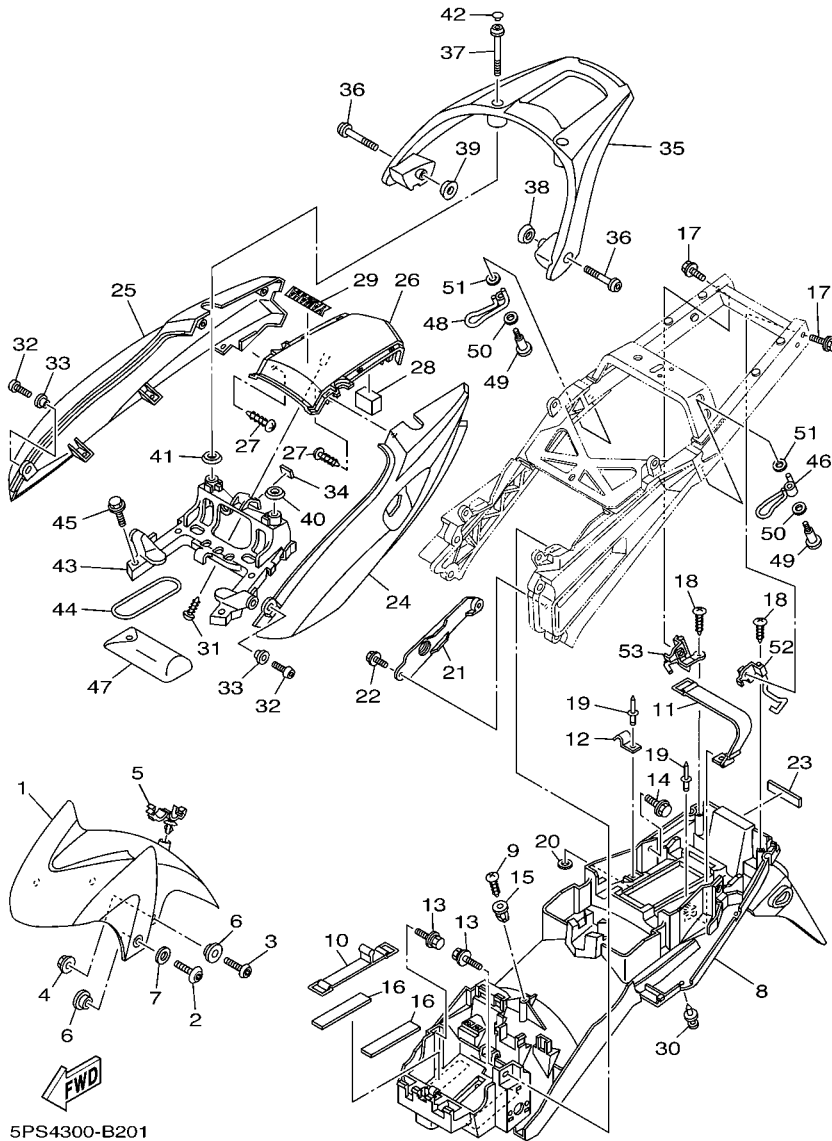


FIG. 19 FRAME

REF. NO.	PART NO.	DESCRIPTION	QTY	REMARKS
28	1B3-2117G-00	PROTECTOR	2	
-----				
-----				
-----				
-----				
-----				
-----				
-----				
-----				
-----				



5PS4300-B201

FIG. 20 FENDER

REF. NO.	PART NO.	DESCRIPTION	SFSC				REMARKS
1	5PS-21511-00-P6	FENDER, FRONT	1				FOR SMX
2	90110-06200	BOLT, HEXAGON SOCKET HEAD	2				
3	92014-06020	BOLT, BUTTON HEAD	2				
4	90179-06009	NUT	2				
5	90464-18002	CLAMP	1				
6	90387-065T2	COLLAR	4				
7	90202-06170	WASHER, PLATE	2				
8	5PS-21611-00	FENDER, REAR	1				
9	97707-60020	SCREW, TAPPING	1				
10	3VD-82131-00	BAND, BATTERY	1				
11	5JW-21647-01	BAND	1				
12	5PS-2162A-00	HOOK	1				
13	90119-06108	BOLT, WITH WASHER	2				
14	90119-06118	BOLT, WITH WASHER	2				
15	90338-08226	PLUG	1				
16	1AE-2834E-00	DAMPER 1	2				
17	90105-06020	BOLT, FLANGE	2				
18	97707-50020	SCREW, TAPPING	2				
19	90267-40110	RIVET, BLIND	2				
20	90201-04018	WASHER, PLATE	1				
21	5PS-2163A-00	COVER, REAR FENDER 1	1				
22	90119-05062	BOLT, WITH WASHER	2				
23	5PS-21639-00	DAMPER 2	1				
24	5PS-2471K-00-P6	COVER, TAIL 1	1				FOR SMX
25	5PS-2472K-00-P6	COVER, TAIL 2	1				FOR SMX
26	5PS-21651-00-P6	COVER, REAR FENDER	1				FOR SMX
27	97707-50012	SCREW, TRUSS HEAD TAPPING	4				

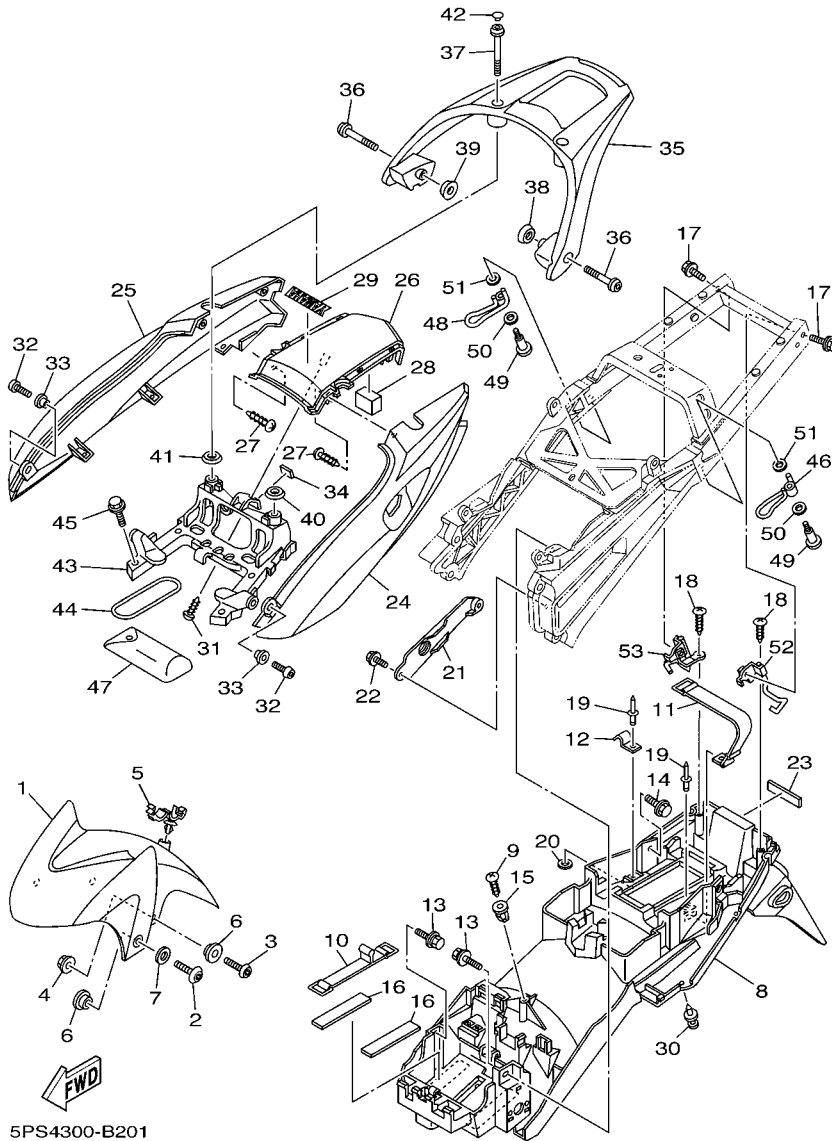
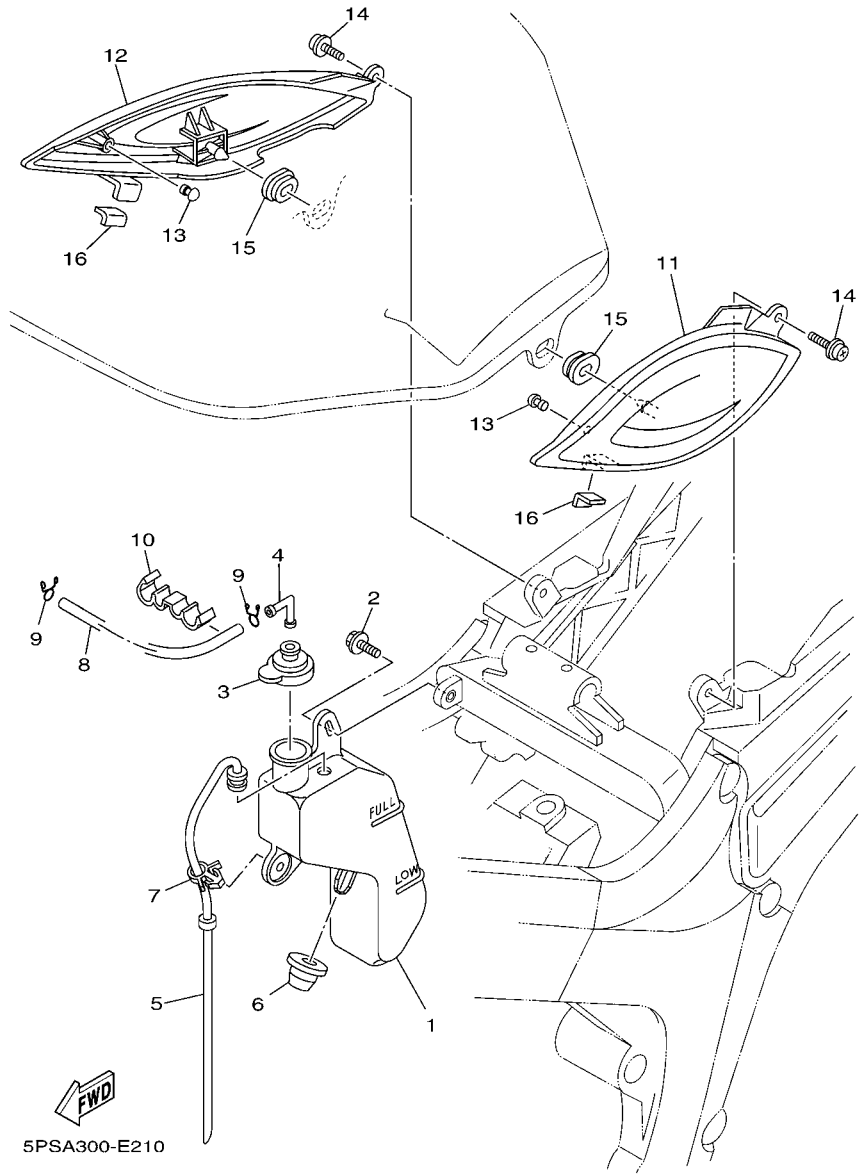


FIG. 20 FENDER

REF. NO.	PART NO.	DESCRIPTION	QTY	REMARKS
28	5PS-21649-00	DAMPER	1	
29	99247-00080	EMBLEM, YAMAHA	1	
30	90269-06081	RIVET	6	
31	97707-50014	SCREW, TRUSS HEAD TAPPING	1	
32	92017-06014	BOLT, BUTTON HEAD	2	
33	90387-06048	COLLAR	2	
34	51Y-21639-00	DAMPER 2	1	
35	5PS-24773-10	HANDLE, SEAT	1	
36	90111-08005	BOLT, HEX. SOCKET BUTTON	2	
37	90111-08006	BOLT, HEX. SOCKET BUTTON	2	
38	5PS-24723-00	DAMPER, SEAT	1	
39	5PS-24724-00	DAMPER, SEAT	1	
40	5PS-24723-10	DAMPER, SEAT	1	
41	5PS-24724-10	DAMPER, SEAT	1	
42	90338-08163	PLUG	2	
43	5PS-2117E-00	BRACKET, TAILLIGHT	1	
44	4XV-21376-00	BAND, TOOL	1	
45	95827-08035	BOLT, FLANGE	4	
46	5PS-21654-00	WIRE	1	
47	5PS-28100-01	TOOL KIT	1	
48	5PS-21654-10	WIRE	1	
49	90109-06046	BOLT	2	
50	90206-08051	WASHER, WAVE	2	
51	90201-06043	WASHER, PLATE	2	
52	5PS-2132F-00	HOOK	1	
53	5PS-2139E-00	HOOK 2	1	





**FIG. 21 SIDE COVER**

REF. NO.	PART NO.	DESCRIPTION	QTY	REMARKS
1	5PS-21871-00	TANK, RECOVERY	1	
2	90119-06117	BOLT, WITH WASHER	1	
3	5EB-21875-00	CAP	1	
4	26H-21828-00	ELBOW	1	
5	5PS-21816-00	PIPE 1	1	
6	2B0-21719-00	GROMMET	1	
7	90464-15157	CLAMP	1	
8	90445-083J5	HOSE (L600)	1	
9	90467-08075	CLIP	2	
10	90464-10233	CLAMP	2	
11	5PS-21711-00	COVER, SIDE 1	1	
12	5PS-21721-00	COVER, SIDE 2	1	
13	1J7-21717-00	DAMPER	2	
14	90159-06033	SCREW, WITH WASHER	2	
15	90480-01558	GROMMET	2	
16	3TB-28217-00	DAMPER 1	2	

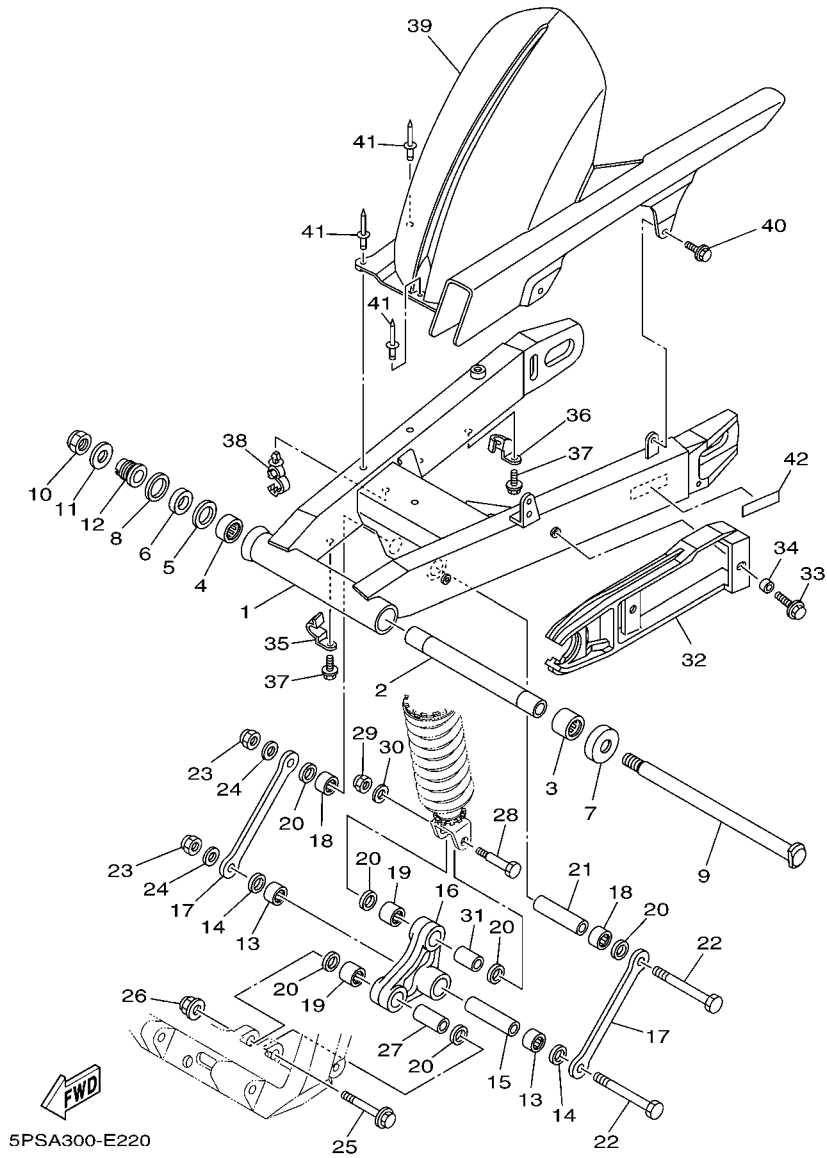
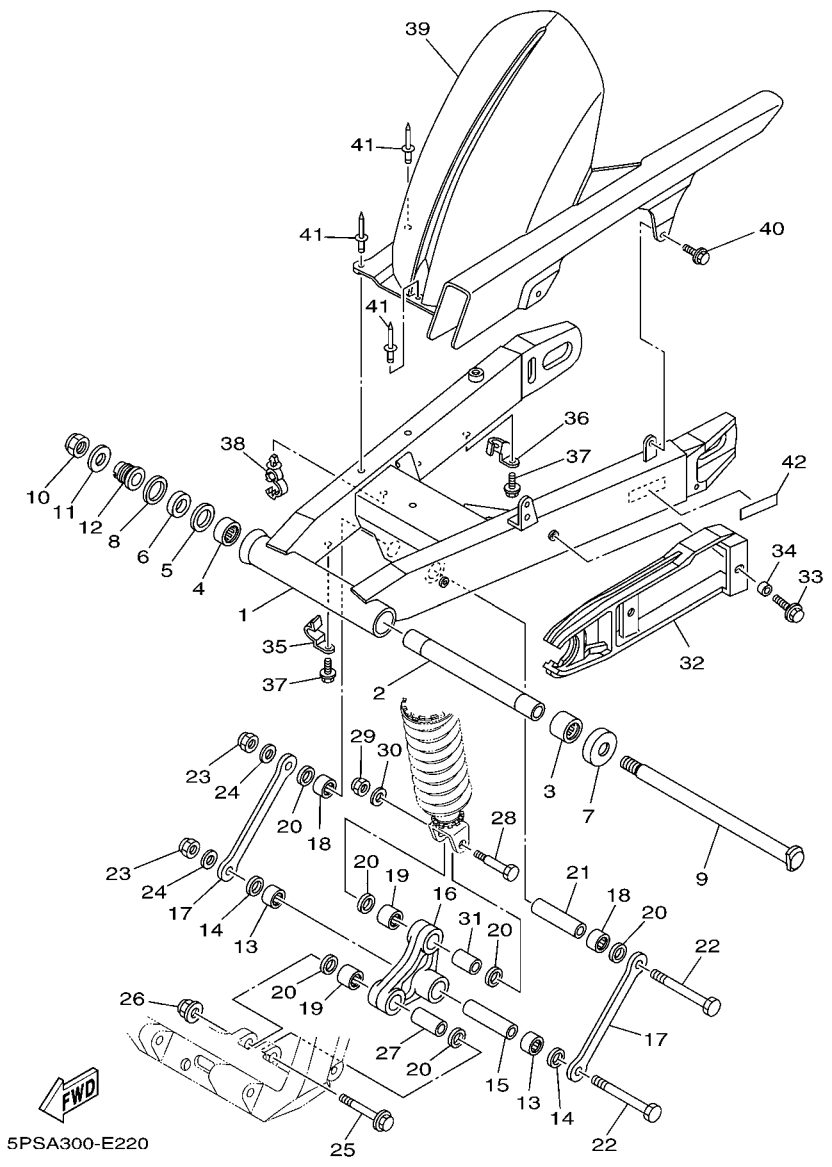


FIG. 22 REAR ARM

REF. NO.	PART NO.	DESCRIPTION	QTY	REMARKS
1	5PS-22110-10	REAR ARM COMP.	1	
2	5PS-22184-00	BUSH	1	
3	93315-42523	BEARING	1	
4	93315-42536	BEARING	1	
5	5EB-22127-00	SHIM	1	
6	5EB-22123-00	BUSH 1	1	
7	3FV-22128-00	COVER, THRUST 1	1	
8	93109-33049	OIL SEAL	1	
9	5PS-22141-00	SHAFT, PIVOT	1	
10	90185-18167	NUT, SELF-LOCKING	1	
11	90201-186M4	WASHER, PLATE	1	
12	5PS-22125-00	BOLT	1	
13	93317-21746	BEARING	2	
14	93109-17071	OIL SEAL	2	
15	90387-126Y1	COLLAR	1	
16	5PS-2217A-00	ARM, RELAY	1	
17	5PS-2217M-00	ARM 1	2	
18	93317-21746	BEARING	2	
19	93317-31771	BEARING	2	
20	93109-17071	OIL SEAL	6	
21	90387-126Y1	COLLAR	1	
22	90101-12749	BOLT	2	
23	90185-12119	NUT, SELF-LOCKING	2	
24	92907-12600	WASHER, PLATE	2	
25	90105-10323	BOLT, FLANGE	1	
26	95607-10200	NUT, U FLANGE	1	
27	90387-1012B	COLLAR	1	



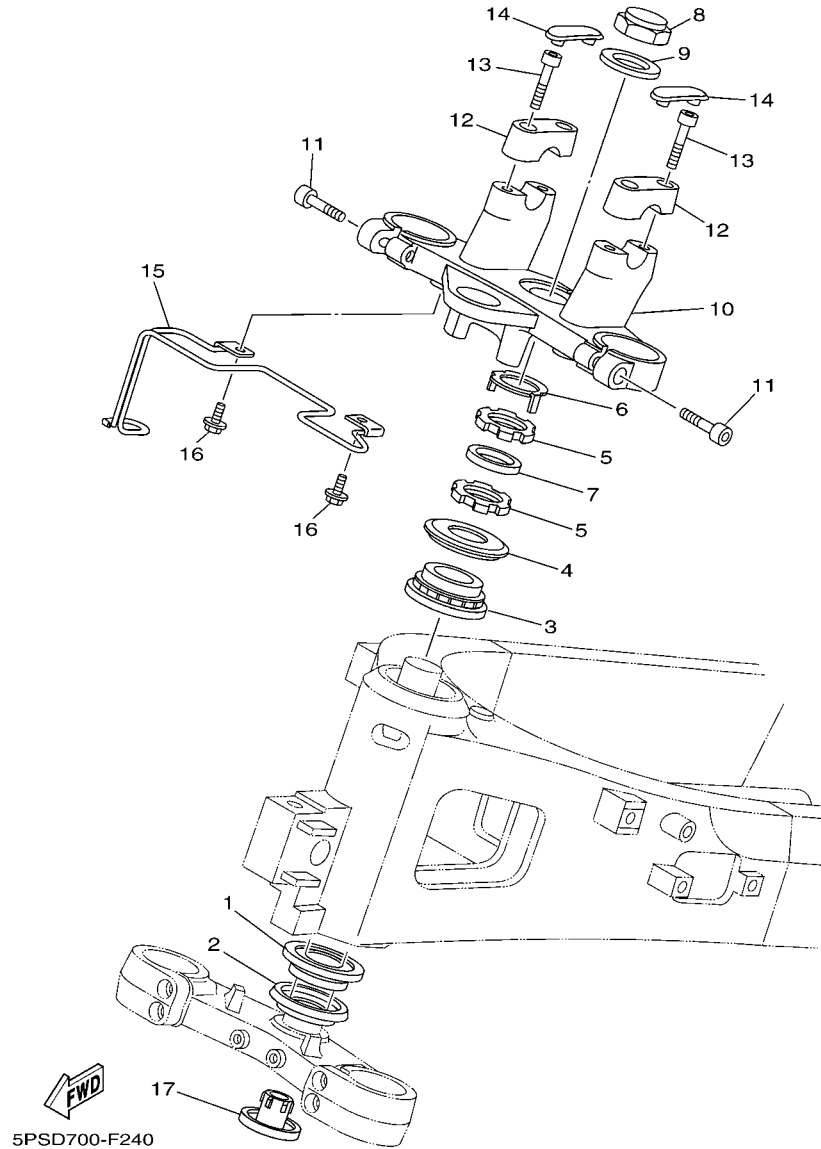
5PSA300-E220

FIG. 22 REAR ARM

REF. NO.	PART NO.	DESCRIPTION	QTY	REMARKS
28	90101-10659	BOLT	1	
29	95617-10100	NUT, U	1	
30	90201-101J1	WASHER, PLATE	1	
31	90387-127W0	COLLAR	1	
32	5PS-22151-00	SEAL, GUARD	1	
33	90119-06096	BOLT, WITH WASHER	2	
34	90387-06372	COLLAR	2	
35	5PS-25875-00	HOLDER, BRAKE HOSE 1	1	
36	4NK-25876-00	HOLDER, BRAKE HOSE 2	1	
37	95027-06016	BOLT, FLANGE	2	
38	90464-18002	CLAMP	2	
39	5PS-21650-00	REAR FENDER COMP.	1	
40	90119-06117	BOLT, WITH WASHER	2	
41	90269-08001	RIVET	3	
42	5PS-21668-00	LABEL, TIRE	1	

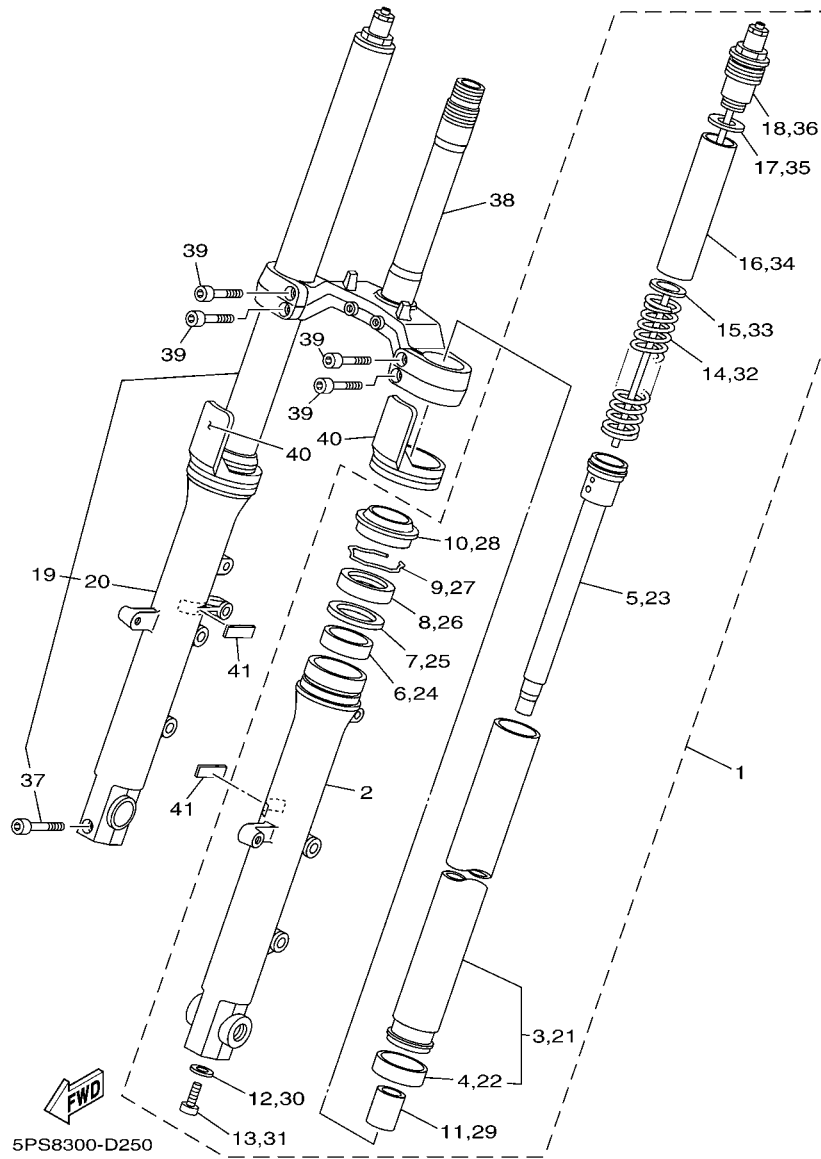


FIG. 24 STEERING



REF. NO.	PART NO.	DESCRIPTION	QTY	REMARKS
1	93399-99932	BEARING	1	
2	3FV-23462-00	SEAL, STEERING	1	
3	93399-99932	BEARING	1	
4	4XV-23415-01	COVER, BALL RACE 1	1	
5	90179-30691	NUT	2	
6	5VY-23418-00	WASHER, SPECIAL	1	
7	90202-30235	WASHER, PLATE	1	
8	90176-28083	NUT, CROWN	1	
9	90201-281U8	WASHER, PLATE	1	
10	5PS-23435-20	CROWN, HANDLE	1	
11	91314-08030	BOLT	2	
12	4H7-23441-01-98	HOLDER, HANDLE UPPER	2	FOR LGB
13	91314-08030	BOLT	4	
14	12R-23469-00	CAP, BOLT	2	
15	5PS-23389-01	GUIDE, CABLE	1	
16	90119-06228	BOLT, WITH WASHER	2	
17	4KM-23123-01	COVER, LOWER 1	1	

D11



**FIG. 25 FRONT FORK**

REF. NO.	PART NO.	DESCRIPTION	QTY	REMARKS
1	5PS-23102-30	FRONT FORK ASSY (L.H)	1	
2	5PS-23126-30	.TUBE, OUTER (LEFT)	1	
3	5PS-23110-10	.INNER TUBE COMP.1	1	
4	3GM-23171-00	..PISTON, FRONT FORK	1	
5	5PS-23170-10	.CYLINDER COMP., FRONT FORK	1	
6	3GM-23125-00	.METAL, SLIDE 1	1	
7	4V4-23146-L0	.WASHER, OIL SEAL	1	
8	4PU-23145-01	.OIL SEAL	1	
9	4V4-23153-L0	.RING, SNAP	1	
10	4PU-23144-00	.SEAL, DUST	1	
11	5PS-23173-00	.SPINDLE, TAPER	1	
12	509-23158-L0	.GASKET	1	
13	278-23181-50	.BOLT, HEXAGON SOCKET HEAD	1	
14	5PS-23141-10	.SPRING, FRONT FORK	1	
15	3LR-23149-00	.WASHER, SPRING UPPER	1	
16	4GY-23118-10	.SPACER	1	
17	3FV-23149-00	.WASHER, SPRING UPPER	1	
18	5PS-23111-00	.BOLT, CAP	1	
19	5PS-23103-30	FRONT FORK ASSY (R.H)	1	
20	5PS-23136-30	.TUBE, OUTER (RIGHT)	1	
21	5PS-23110-10	.INNER TUBE COMP.1	1	
22	3GM-23171-00	..PISTON, FRONT FORK	1	
23	5PS-23170-10	.CYLINDER COMP., FRONT FORK	1	
24	3GM-23125-00	.METAL, SLIDE 1	1	
25	4V4-23146-L0	.WASHER, OIL SEAL	1	
26	4PU-23145-01	.OIL SEAL	1	
27	4V4-23153-L0	.RING, SNAP	1	

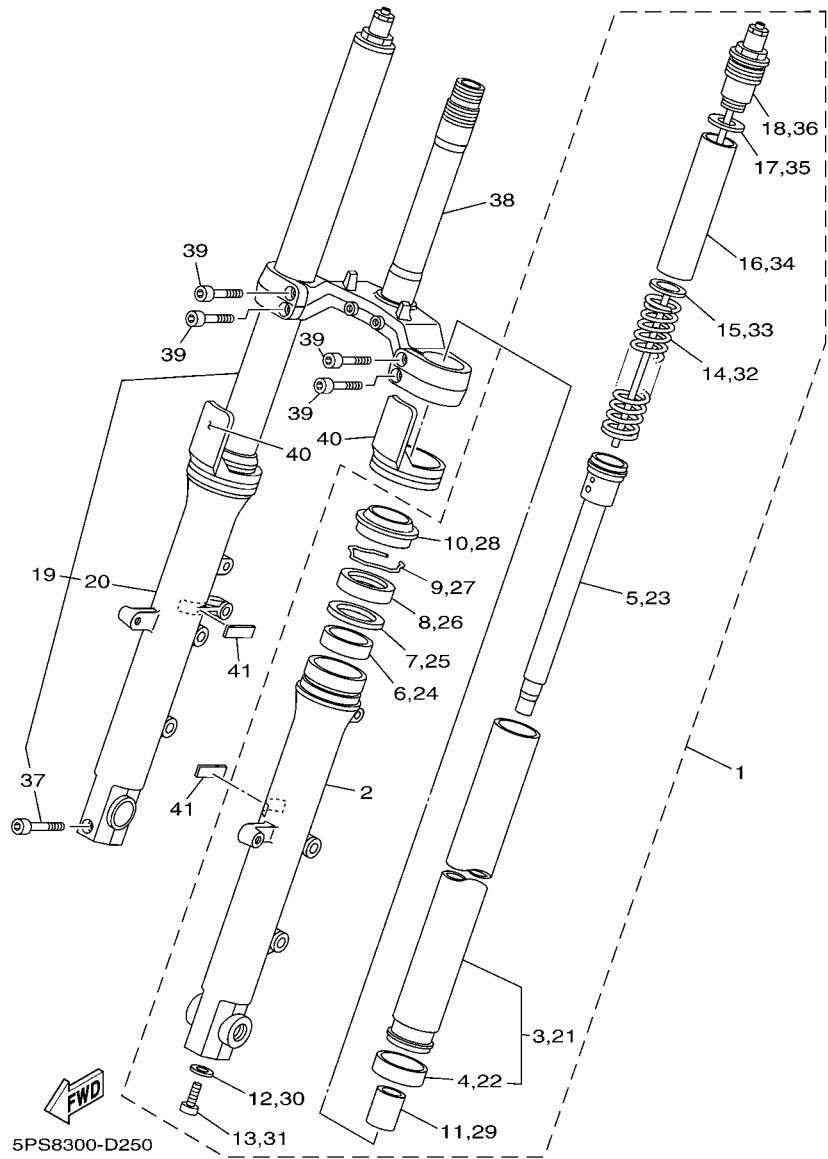


FIG. 25 FRONT FORK

REF. NO.	PART NO.	DESCRIPTION	QTY	REMARKS
28	4PU-23144-00	.SEAL, DUST	1	
29	5PS-23173-00	.SPINDLE, TAPER	1	
30	509-23158-L0	.GASKET	1	
31	278-23181-50	.BOLT, HEXAGON SOCKET HEAD	1	
32	5PS-23141-10	.SPRING, FRONT FORK	1	
33	3LR-23149-00	.WASHER, SPRING UPPER	1	
34	4GY-23118-10	.SPACER	1	
35	3FV-23149-00	.WASHER, SPRING UPPER	1	
36	5PS-23111-00	.BOLT, CAP	1	
37	91314-08040	.BOLT	1	
38	5PS-23340-20	UNDER BRACKET COMP.	1	
39	91317-08025	BOLT	4	
40	4PU-2331G-00	COVER	2	
41	4NX-21541-00	DAMPER 1	2	

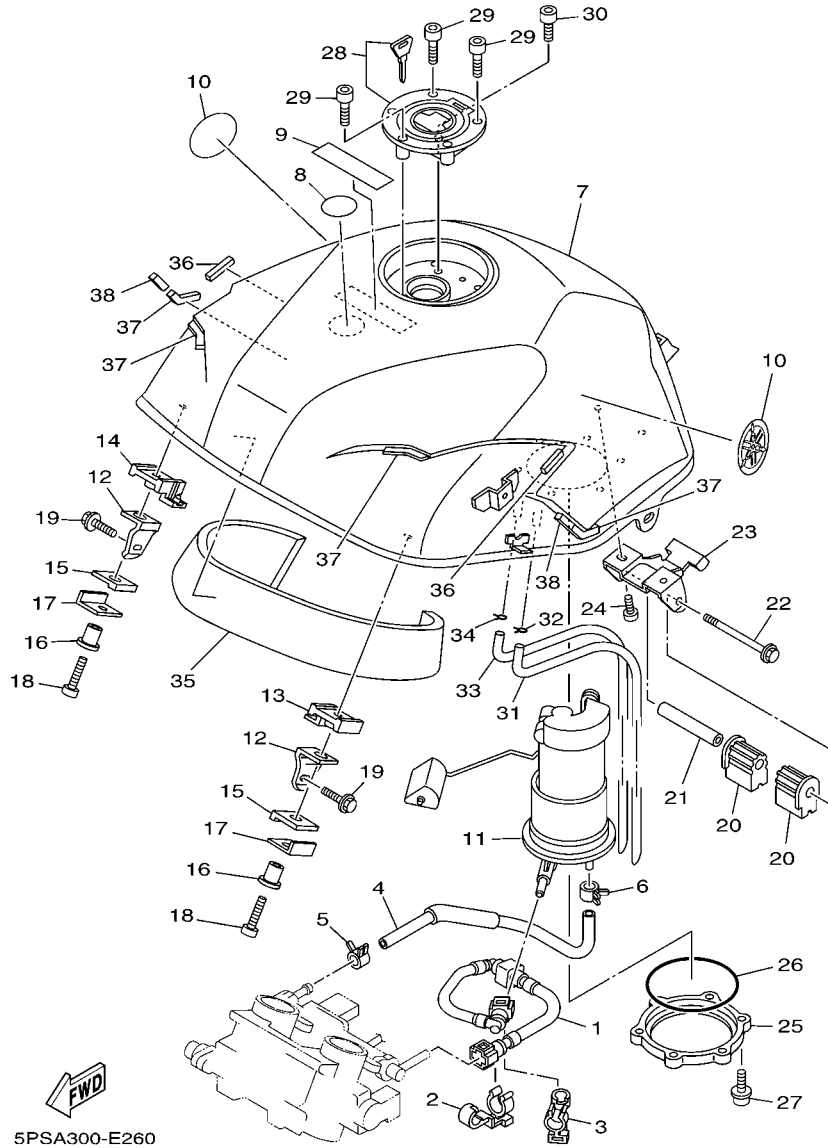
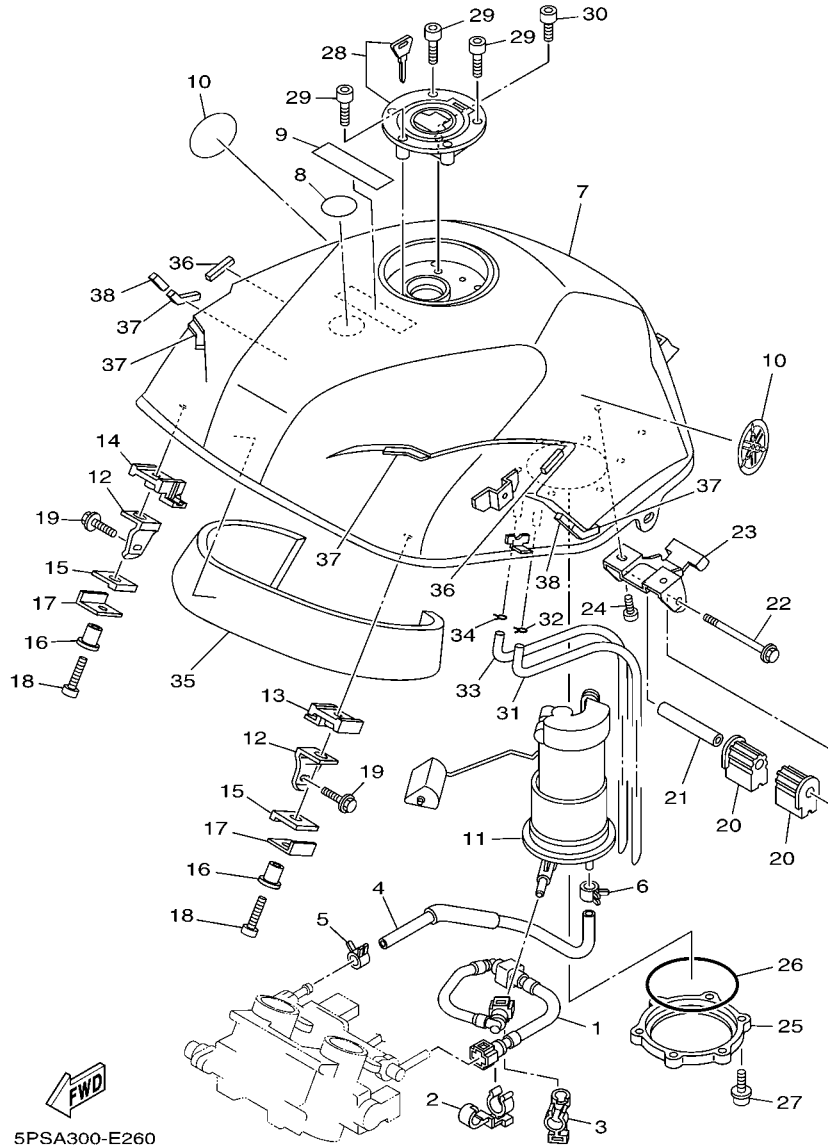


FIG. 26 FUEL TANK

REF. NO.	PART NO.	DESCRIPTION	SFSC				REMARKS
1	5PS-13971-00	PIPE, FUEL 1	1				
2	90464-16007	CLAMP	1				
3	90464-16005	CLAMP	1				
4	5PS-13972-00	PIPE, FUEL 2	1				
5	90467-12003	CLIP	1				
6	90467-12003	CLIP	1				
7	5PS-YK241-10-P8	FUEL TANK COMP.	1				UR FOR DRMK
	5PS-YK241-10-P9	FUEL TANK COMP.	1				UR FOR SMX
	5PS-YK241-10-PA	FUEL TANK COMP.	1				UR FOR BWC1
8	3ME-2415E-01	LABEL, CAUTION	1				
9	5PA-21568-00	LABEL, WARNING	1				
10	5PW-2413B-00	EMBLEM	2				
11	5PS-13907-01	FUEL PUMP COMP.	1				
12	5PS-24191-00	BRACKET, FUEL TANK 1	2				
13	5PS-24181-00	DAMPER, LOCATING 1	1				
14	5PS-24181-10	DAMPER, LOCATING 1	1				
15	5PS-24183-00	DAMPER, LOCATING 3	2				
16	90387-0602Y	COLLAR	2				
17	5PS-24186-00	WASHER, SPECIAL	2				
18	92017-06025	BOLT, BUTTON HEAD	2				
19	95807-08016	BOLT, FLANGE	2				
20	5EB-24183-00	DAMPER, LOCATING 3	2				
21	90387-061W6	COLLAR	1				
22	95027-06090	BOLT, FLANGE	1				
23	5PS-24192-00	BRACKET, FUEL TANK 2	1				
24	92017-06010	BOLT, BUTTON HEAD	2				
25	5JW-24491-00	BRACKET, FUEL PUMP	1				





**FIG. 26 FUEL TANK**

REF. NO.	PART NO.	DESCRIPTION	5PSC				REMARKS
26	5JW-24486-00	O-RING	1				
27	90110-05014	BOLT, HEXAGON SOCKET HEAD	6				
28	5JJ-24602-00	CAP ASSY	1				
29	90110-05112	BOLT, HEXAGON SOCKET HEAD	3				
30	91317-05010	BOLT	1				
31	5PS-24318-00	PIPE, OVERFLOW	1				
32	90467-09006	CLIP	1				
33	5PS-24318-00	PIPE, OVERFLOW	1				
34	90467-09006	CLIP	1				
35	5PS-2414H-10	DAMPER, PLATE 1	1				
36	5PS-28217-00	DAMPER 1	2				
37	5PS-2139X-00	DAMPER	4				
38	5PS-28372-00	DAMPER	2				

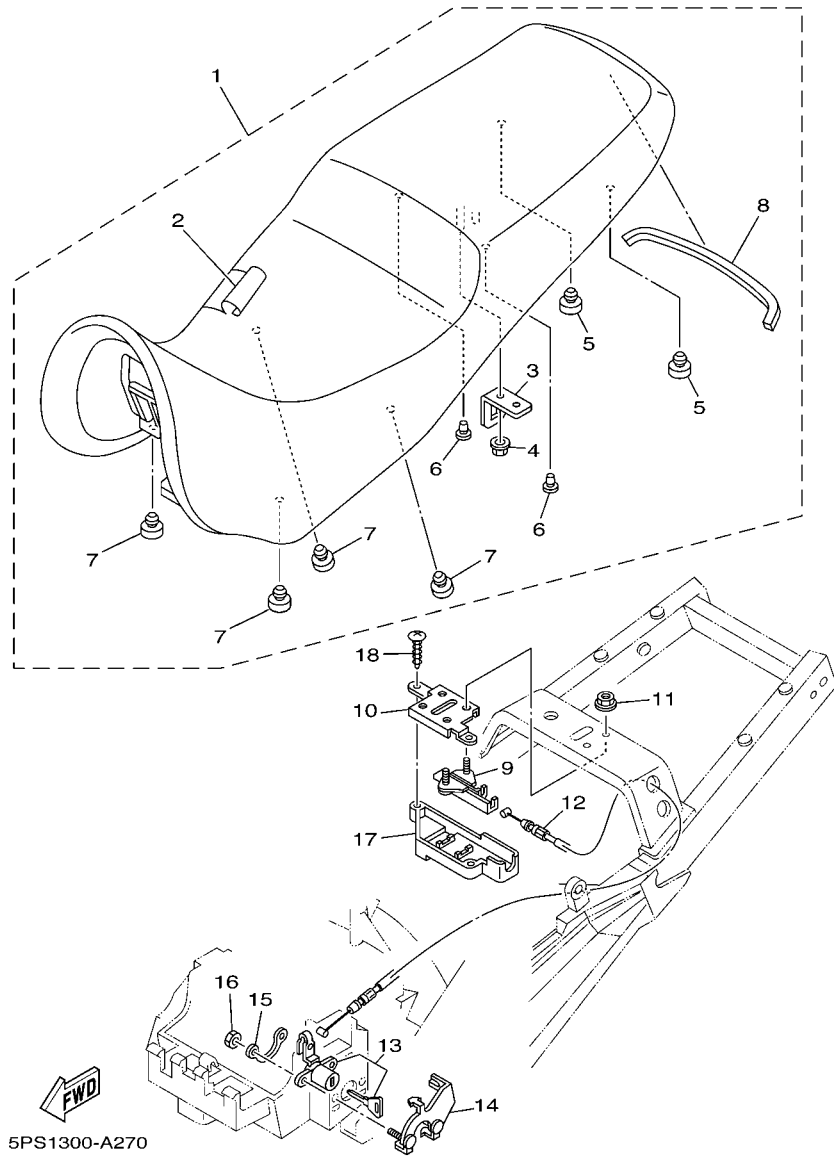
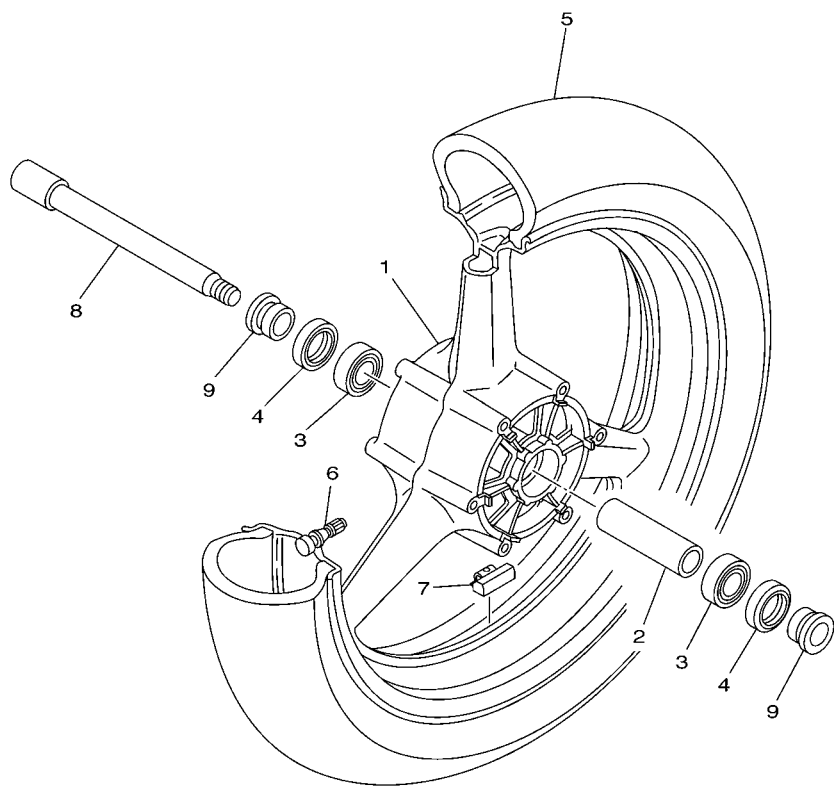


FIG. 27 SEAT

REF. NO.	PART NO.	DESCRIPTION	QTY	REMARKS
1	5PS-24730-20	DOUBLE SEAT ASSY	1	
2	5PS-2470F-20	.SEAT COVER COMP.	1	
3	4HM-24728-00	.BRACKET, SEAT	1	
4	90179-06635	.NUT	1	
5	22W-24741-00	.PAD, SEAT	2	
6	90338-06018	.PLUG	2	
7	5PS-24741-00	.PAD, SEAT	4	
8	5LV-24737-00	.DAMPER, SEAT	1	
9	4BP-24780-00	SEAT LOCK ASSY	1	
10	5PS-24792-00	PLATE	1	
11	95707-06500	NUT, FLANGE	2	
12	5PS-2478E-00	CABLE, SEAT LOCK	1	
13	2TV-W2470-00	SEAT LOCK ASSY	1	
14	5PS-2117K-00	STAY, LOCK	1	
15	5PS-24746-00	WASHER, SEAT	1	
16	90170-06183	NUT	2	
17	5JJ-2475X-01	COVER,2	1	
18	97707-40012	SCREW, TAPPING	2	

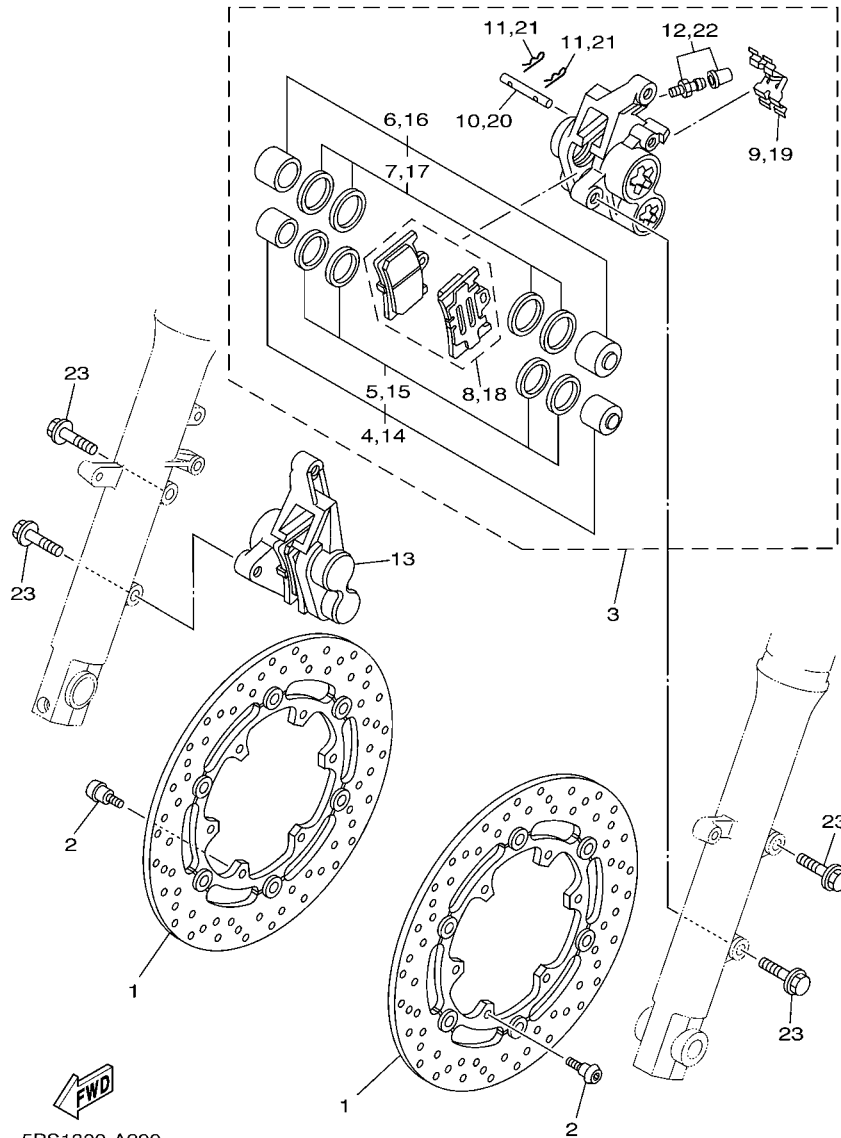
**FIG. 28 FRONT WHEEL**



REF. NO.	PART NO.	DESCRIPTION	9FSC				REMARKS
1	5PS-25168-00-98	CAST WHEEL, FRONT	1				LGB FOR DRMK,SMX
	5PS-25168-00-0X	CAST WHEEL, FRONT	1				LGB/HTR FOR BWC1
2	4XV-25117-00	SPACER, BEARING	1				
3	93306-00420	BEARING	2				
4	93106-28043	OIL SEAL	2				
5	94112-18019	TIRE (120/70ZR18 M/C(59W))	1				UR DUNLOP
	*	TIRE (120/70ZR18 M/C(59W))MEZ4	1				UR LM METZELER
6	93900-00030	VALVE, RIM (TR412)	1				TAIHEIYO
7	5MT-25398-00	BALANCER, WHEEL (10G)	1				UN
	5MT-25398-10	BALANCER, WHEEL (20G)	1				UN
	5MT-25398-20	BALANCER, WHEEL (30G)	1				UN
8	4XV-25181-10	AXLE, WHEEL	1				
9	90387-2200T	COLLAR	2				



5PS1300-A280



**FIG. 29 FRONT BRAKE CALIPER**

REF. NO.	PART NO.	DESCRIPTION	SFSC				REMARKS
1	5PX-2581T-00	DISK BRAKE ASSY	2				
2	90109-064G6	BOLT	12				
3	5SL-2580T-00	CALIPER ASSY (LEFT)	1				
4	4SV-W0057-00	.PISTON ASSY, CALIPER	1				
5	3MA-W0047-10	..CALIPER SEAL KIT	1				
6	4SV-W0057-10	.PISTON ASSY, CALIPER	1				
7	3GM-W0047-10	..CALIPER SEAL KIT	1				
8	5SL-W0045-00	.BRAKE PAD KIT	1				
9	4SV-25919-00	.SUPPORT, PAD	1				
10	4SV-25924-00	.PIN, PAD	1				
11	3GM-25925-00	.CLIP	2				
12	1J3-W0048-00	.BLEED SCREW KIT	1				
13	5SL-2580U-00	CALIPER ASSY (RIGHT)	1				
14	4SV-W0057-00	.PISTON ASSY, CALIPER	1				
15	3MA-W0047-10	..CALIPER SEAL KIT	1				
16	4SV-W0057-10	.PISTON ASSY, CALIPER	1				
17	3GM-W0047-10	..CALIPER SEAL KIT	1				
18	5SL-W0045-00	.BRAKE PAD KIT	1				
19	4SV-25919-00	.SUPPORT, PAD	1				
20	4SV-25924-00	.PIN, PAD	1				
21	3GM-25925-00	.CLIP	2				
22	1J3-W0048-00	.BLEED SCREW KIT	1				
23	90105-105A7	BOLT, FLANGE	4				

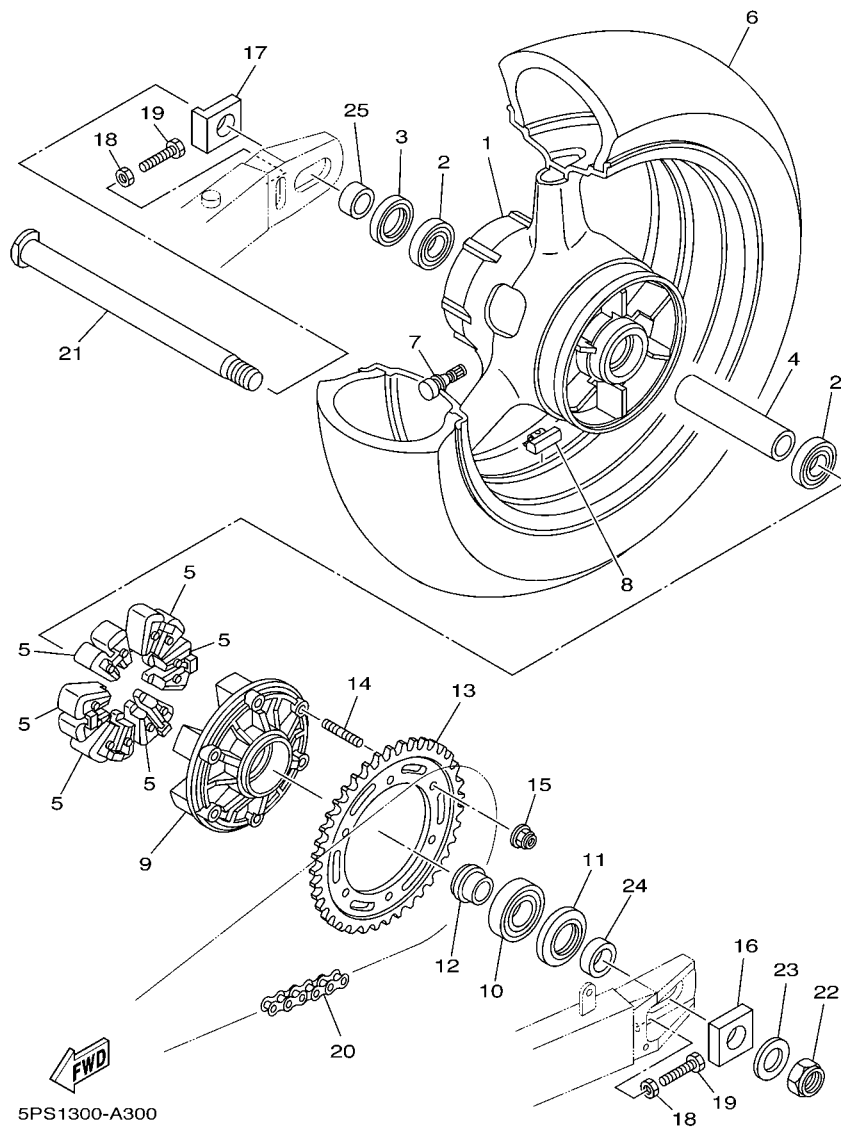
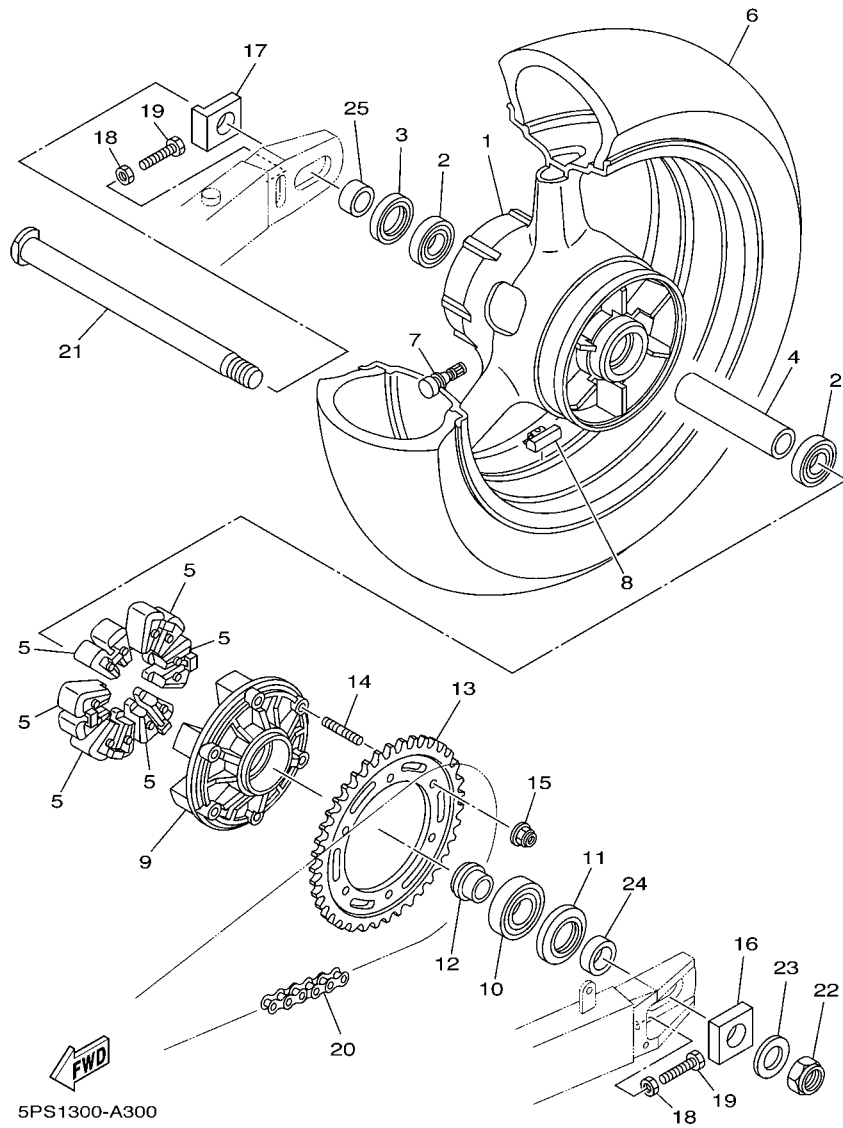


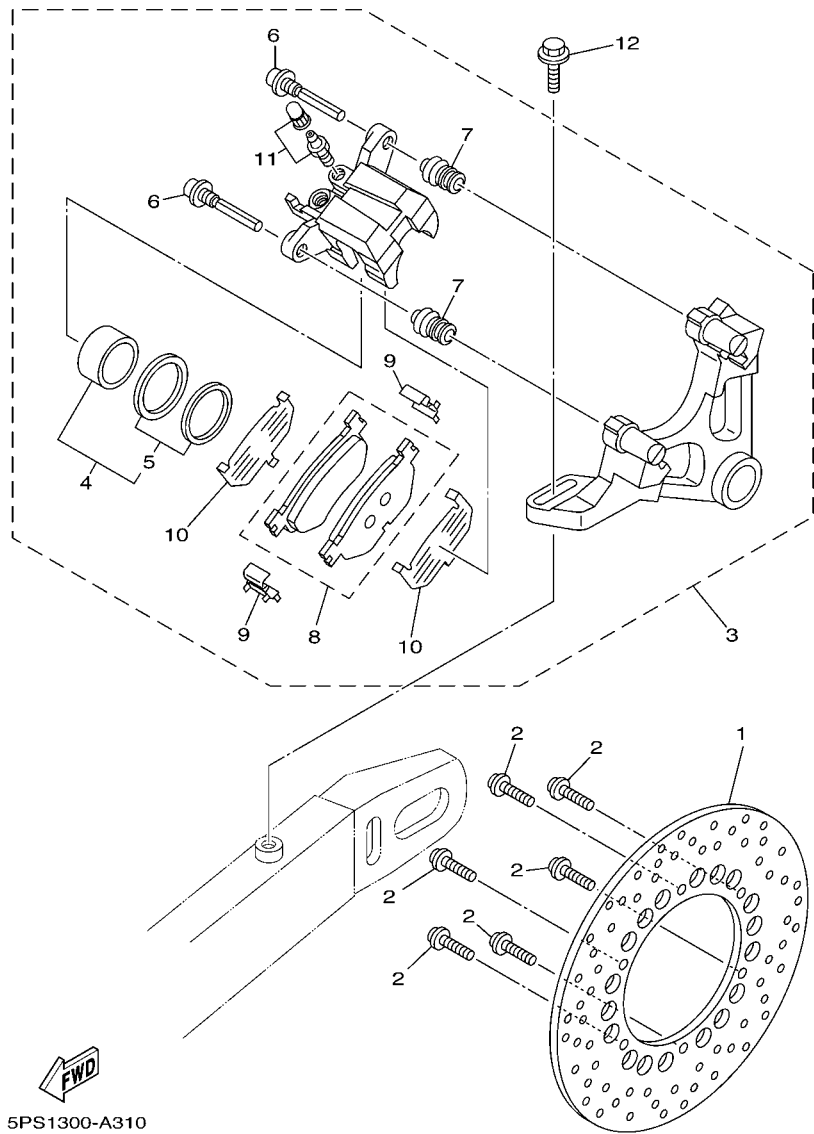
FIG. 30 REAR WHEEL

REF. NO.	PART NO.	DESCRIPTION	SFSC				REMARKS
1	5PS-25338-00-98	CAST WHEEL, REAR	1				LGB FOR DRMK,SMX
	5PS-25338-00-0X	CAST WHEEL, REAR	1				LGB/HTR FOR BWC1
2	93306-07806	BEARING	2				
3	93106-35042	OIL SEAL	1				
4	5PS-25317-00	SPACER, BEARING	1				
5	5EA-25364-00	DAMPER	6				
6	94116-17008	TIRE (160/60ZR17 M/C(69W))	1				UR DUNLOP
	*	TIRE (160/60ZR17 M/C(69W))MEZ4	1				UR LM METZELER
7	93900-00030	VALVE, RIM (TR412)	1				TAIHEIYO
8	5MT-25398-00	BALANCER, WHEEL (10G)	1				UN
	5MT-25398-10	BALANCER, WHEEL (20G)	1				UN
	5MT-25398-20	BALANCER, WHEEL (30G)	1				UN
9	5PS-25366-00	CLUTCH, HUB	1				
10	93306-20644	BEARING	1				
11	93106-40041	OIL SEAL	1				
12	4FM-25377-00	COLLAR, WHEEL	1				
13	5PS-25442-00	SPROCKET, DRIVEN (42T)	1				
14	90116-10575	BOLT, STUD	6				
15	95607-10200	NUT, U FLANGE	6				
16	5EB-25388-00	PULLER, CHAIN 1	1				
17	5PS-25389-00	PULLER, CHAIN 2	1				
18	95307-08600	NUT	2				
19	90101-08766	BOLT (L=55 P=1.25)	2				
20	94581-46118	CHAIN (D.I.D.525HV-118LE)	1				
21	4FM-25381-10	AXLE, WHEEL	1				
22	90185-24007	NUT, SELF-LOCKING	1				
23	90201-25020	WASHER, PLATE	1				



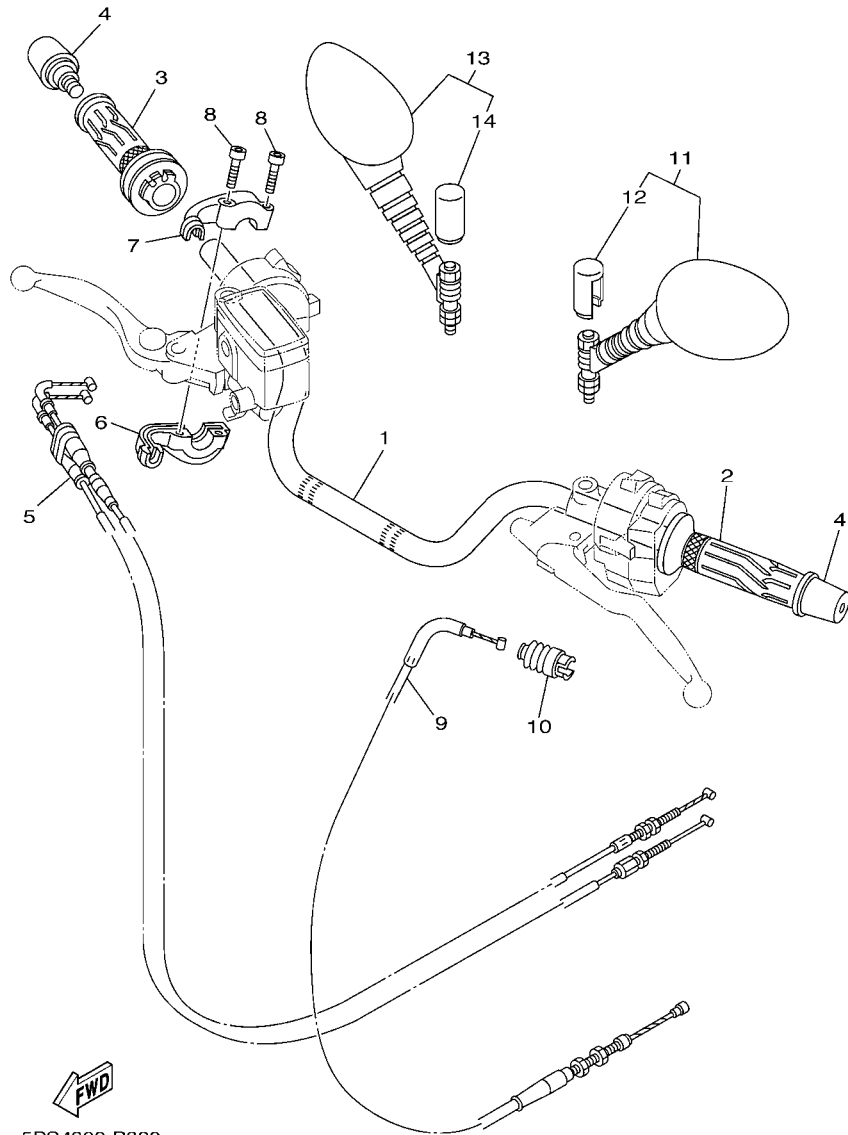
**FIG. 30 REAR WHEEL**

REF. NO.	PART NO.	DESCRIPTION	QTY	REMARKS
24	5PS-25376-00	COLLAR, WHEEL	1	
25	5EB-25377-00	COLLAR, WHEEL	1	



**FIG. 31 REAR BRAKE CALIPER**

REF. NO.	PART NO.	DESCRIPTION	QTY	REMARKS
1	4JH-2582W-00	DISK, REAR BRAKE 2	1	
2	90109-083G4	BOLT	6	
3	5PS-2580W-01	CALIPER ASSY, REAR 2	1	
4	5JW-W0057-00	.PISTON ASSY, CALIPER	1	
5	5JW-W0047-00	..CALIPER SEAL KIT	1	
6	5JW-25914-10	.PIN, SLIDE	2	
7	4TT-25937-00	.BOOT 2	2	
8	5PS-W0046-00	.BRAKE PAD KIT 2	1	
9	5JW-25919-00	.SUPPORT, PAD	2	
10	5GJ-25827-00	.SHIM, CALIPER	2	
11	51L-W0048-00	.BLEED SCREW KIT	1	
12	90105-08386	BOLT, FLANGE	1	

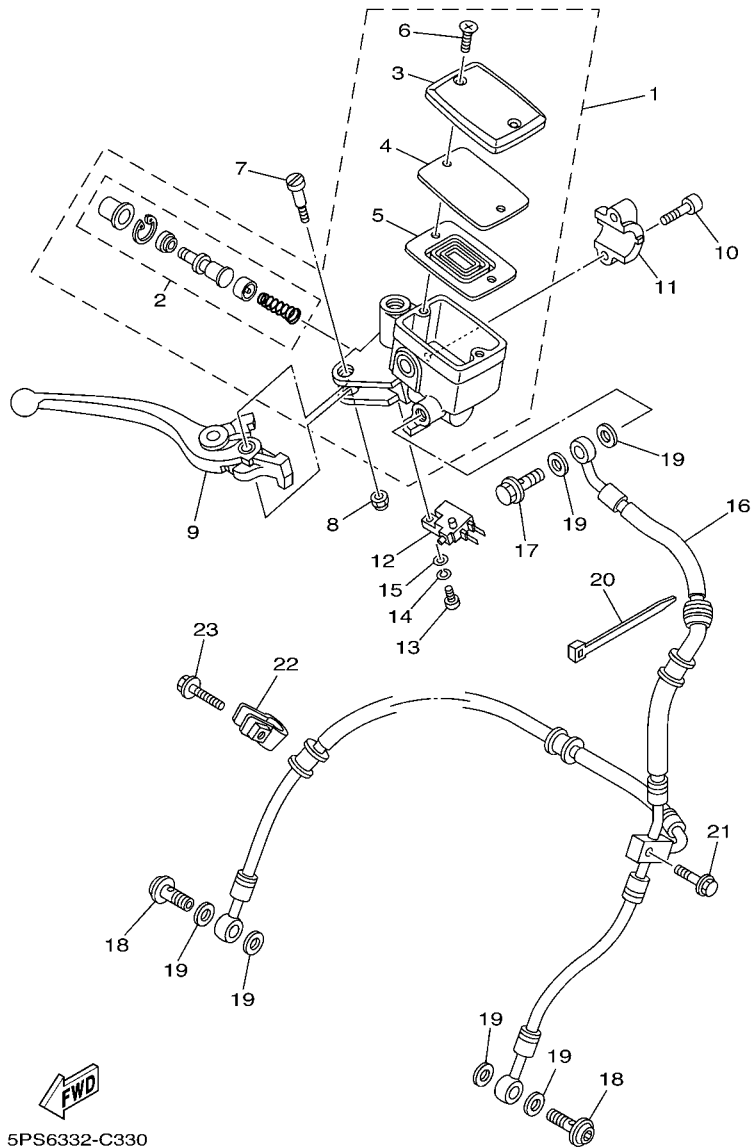


**FIG. 32 STEERING HANDLE & CABLE**

REF. NO.	PART NO.	DESCRIPTION	QTY	REMARKS
1	5PS-26111-10	HANDLEBAR	1	
2	5JW-26241-00	GRIP	1	
3	5PS-26240-00	GRIP ASSY	1	
4	51J-26246-01	END, GRIP	2	
5	5PS-26302-00	THROTTLE CABLE ASSY	1	
6	4KG-26281-00	CAP, GRIP UPPER	1	
7	3XW-26282-01	CAP, GRIP LOWER	1	
8	91317-05035	BOLT	2	
9	5PS-26335-01	CABLE, CLUTCH	1	
10	1E6-26342-00	BOOT, CABLE	1	
11	4TX-26280-50	REAR VIEW MIRROR ASSY (LEFT)	1	
12	5PS-26133-20	.CAP	1	
13	4TX-26290-50	REAR VIEW MIRROR ASSY (RIGHT)	1	
14	5PS-26133-20	.CAP	1	

5PS4300-B320

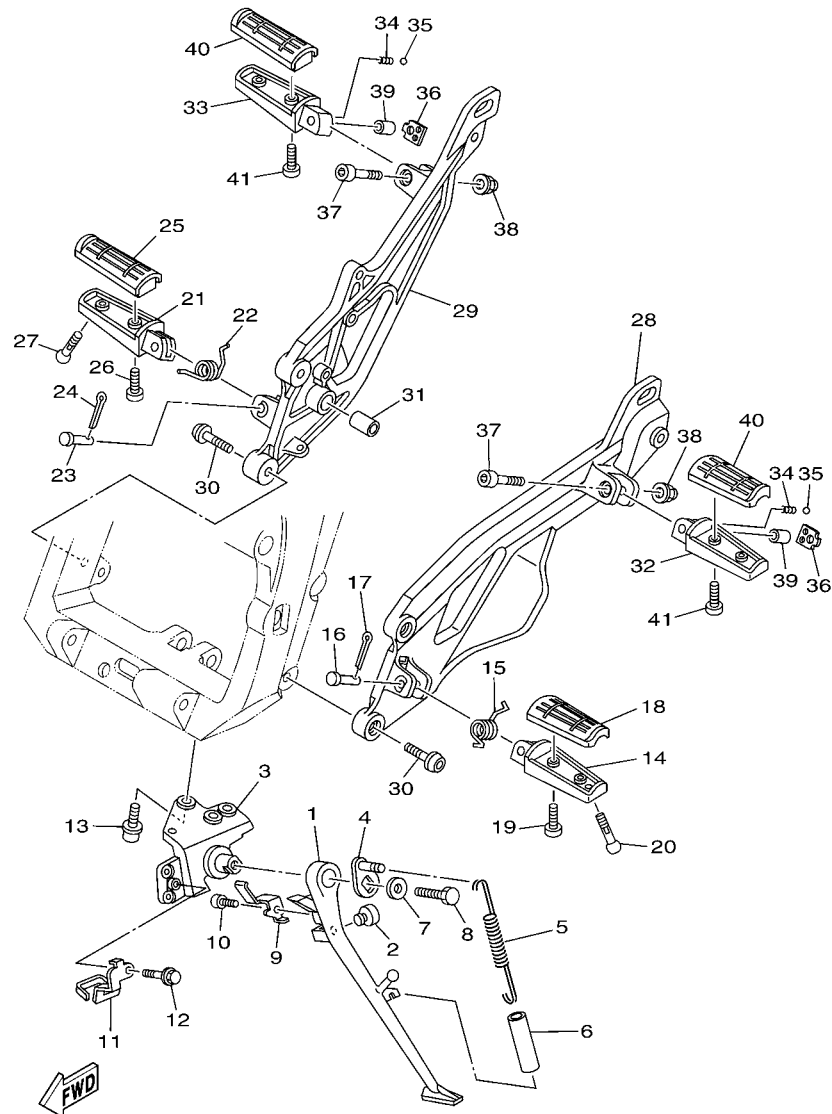




5PS6332-C330

FIG. 33 FRONT MASTER CYLINDER

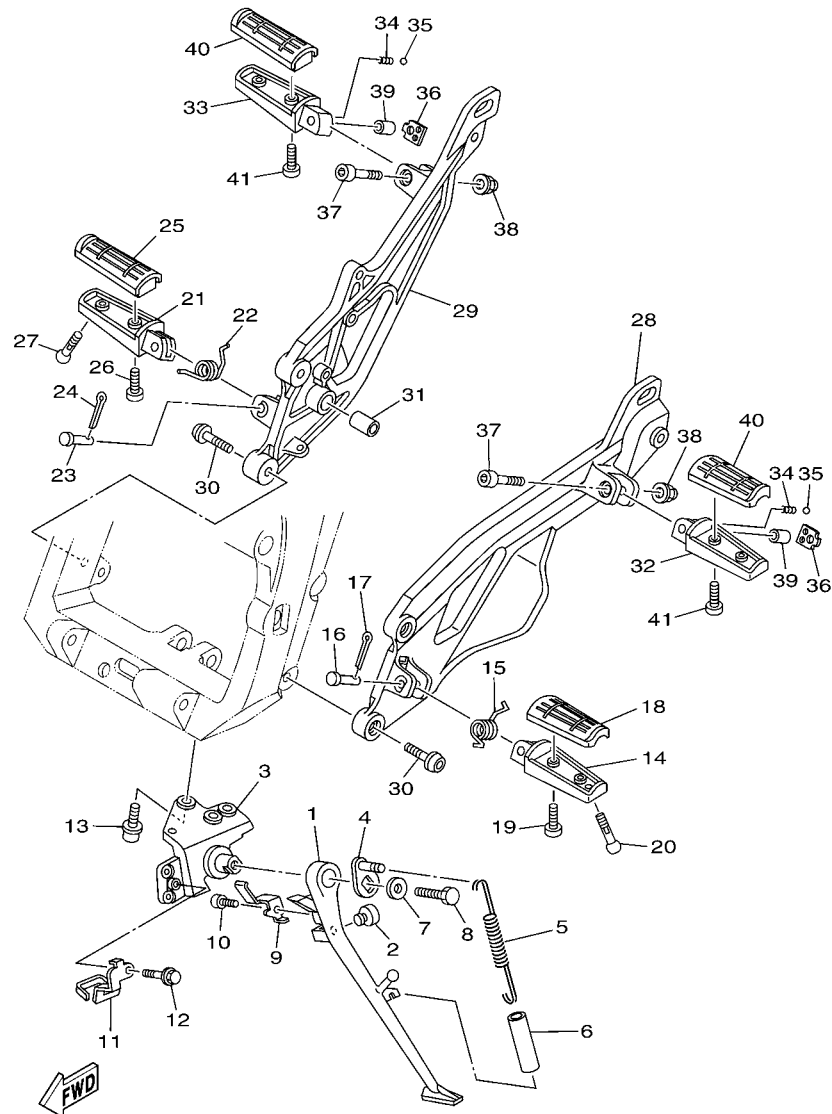
REF. NO.	PART NO.	DESCRIPTION	SFSC				REMARKS
1	5PS-W2587-00	MASTER CYLINDER SUB ASSY	1				
2	5VS-W0041-00	.CYLINDER KIT, MASTER	1				
3	5VS-25852-00	.CAP, RESERVOIR	1				
4	5VS-25855-00	.BUSH,DIAPHRAGM	1				
5	5VS-25854-00	.DIAPHRAGM, RESERVOIR	1				
6	5VS-2589H-00	.SCREW	2				
7	5VS-2589F-00	BOLT, LEVER	1				
8	95617-06100	NUT, U	1				
9	5VS-83922-00	LEVER 2	1				
10	5VS-26332-00	BOLT	2				
11	5VS-25867-00	BRACKET, MASTER CYLINDER	1				
12	4HM-83980-00	FRONT STOP SWITCH ASSY	1				
13	98502-04012	SCREW, PAN HEAD	1				
14	92902-04100	WASHER, SPRING	1				
15	92902-04600	WASHER, PLATE	1				
16	5PS-25872-11	HOSE, BRAKE 1	1				
17	90401-10020	BOLT, UNION	1				
18	90401-10020	BOLT, UNION	2				
19	90430-10005	GASKET	6				
20	1UA-82591-00	BAND	1				
21	90105-06790	BOLT, FLANGE	1				
22	2R8-25876-20	HOLDER, BRAKE HOSE 2	1				
23	90105-06790	BOLT, FLANGE	1				



5PSA300-E340

FIG. 34 STAND & FOOTREST

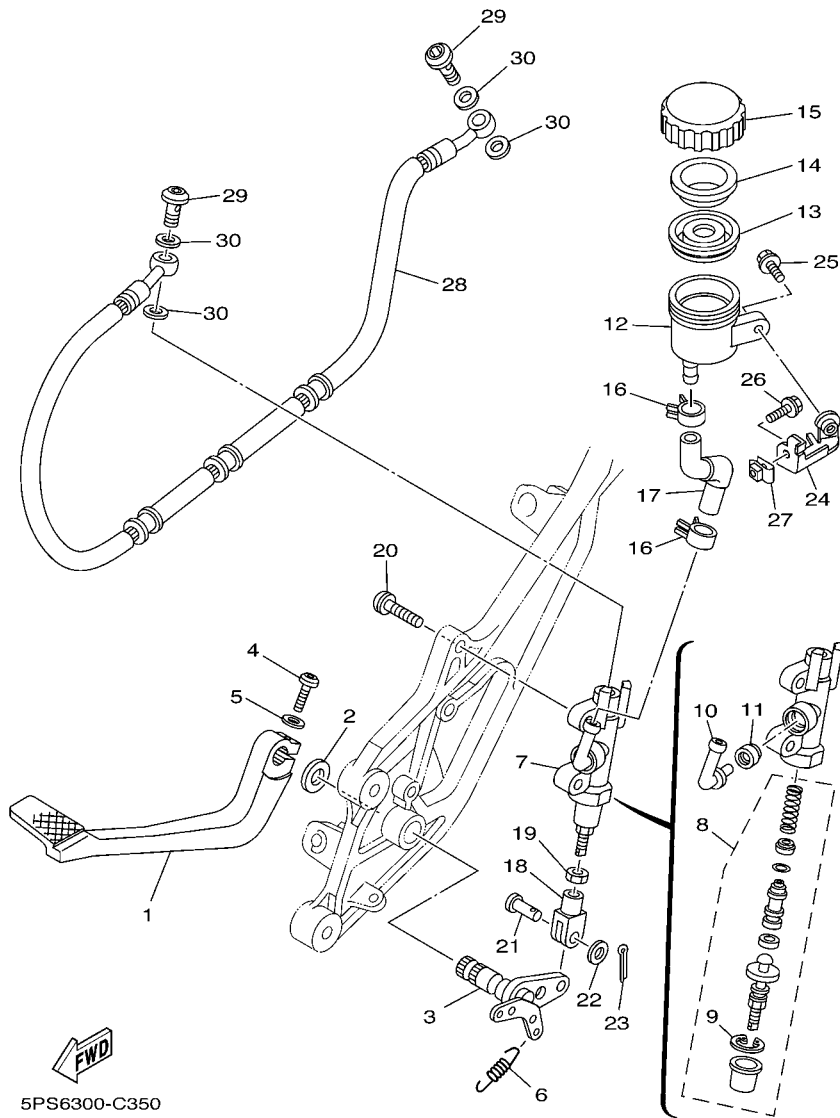
REF. NO.	PART NO.	DESCRIPTION	SFSC				REMARKS
1	5PS-27311-00	STAND, SIDE	1				
2	128-27114-00	STOPPER, MAIN STAND	1				
3	5PS-27321-00	BRACKET, SIDE STAND	1				
4	5PS-27352-00	HOOK, SIDE STAND	1				
5	90506-20008	SPRING, TENSION	1				
6	90445-197J2	HOSE (L60)	1				
7	90201-081R9	WASHER, PLATE	1				
8	90101-08662	BOLT	1				
9	5JJ-27315-00	LINK, SIDE STAND	1				
10	90110-06226	BOLT, HEXAGON SOCKET HEAD	1				
11	5PS-27323-00	BRACKET 1	1				
12	95027-06010	BOLT, FLANGE	1				
13	90109-082F5	BOLT	3				
14	4BH-27451-01	FOOTREST	1				
15	90508-20572	SPRING, TORSION	1				
16	90240-08084	PIN, CLEVIS	1				
17	91401-25015	PIN, COTTER	1				
18	3YX-27413-00	COVER, FOOTREST	1				
19	90157-05079	SCREW, PAN HEAD	2				
20	90109-08174	BOLT	1				
21	4BH-27461-01	FOOTREST	1				
22	90508-20572	SPRING, TORSION	1				
23	90240-08084	PIN, CLEVIS	1				
24	91401-25015	PIN, COTTER	1				
25	3YX-27413-00	COVER, FOOTREST	1				
26	90157-05079	SCREW, PAN HEAD	2				
27	90109-08174	BOLT	1				



5PSA300-E340

FIG. 34 STAND & FOOTREST

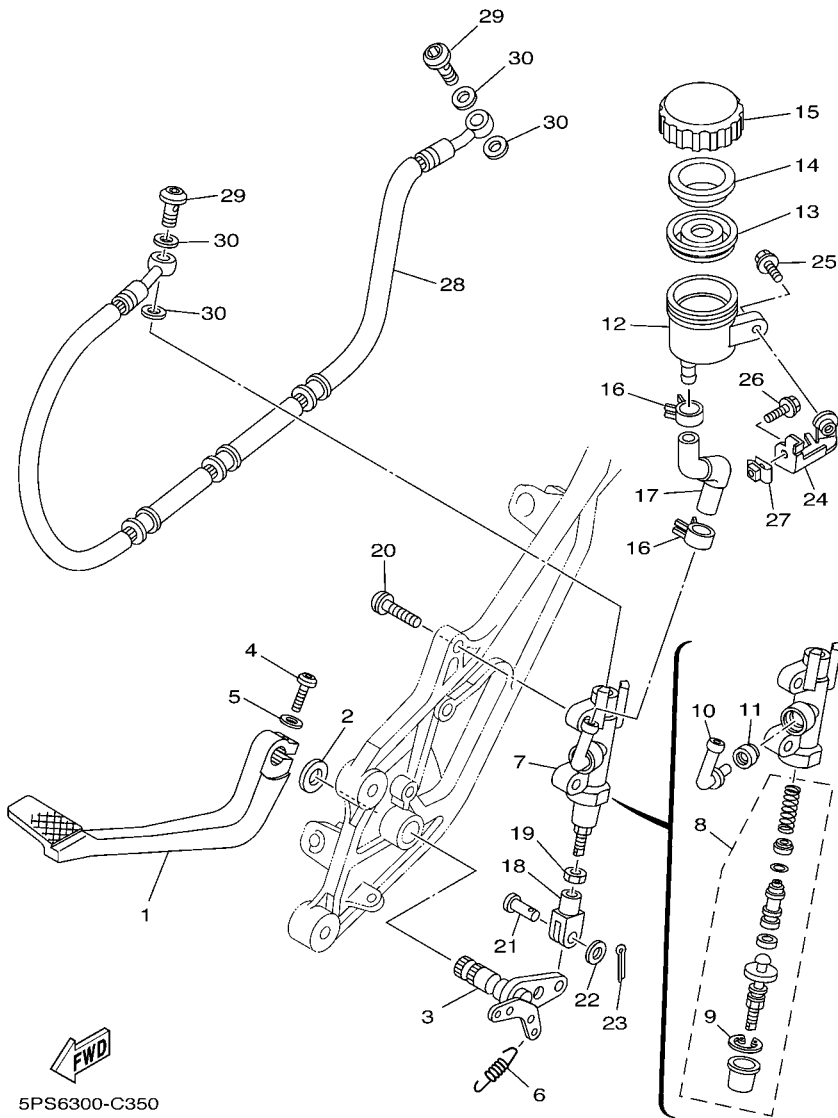
REF. NO.	PART NO.	DESCRIPTION	QTY	REMARKS
28	5PS-27442-00	BRACKET 2	1	
29	5PS-27443-00	BRACKET 3	1	
30	90110-08220	BOLT, HEXAGON SOCKET HEAD	4	
31	90383-14001	BUSH, FORMED	1	
32	5LV-27431-01	FOOTREST, REAR 1	1	
33	5LV-27441-01	FOOTREST, REAR 2	1	
34	90501-15001	SPRING, COMPRESSION	2	
35	93501-04011	BALL	2	
36	5JJ-27437-01	WASHER, SPECIAL	2	
37	91314-06040	BOLT	2	
38	95604-06200	NUT, U FLANGE	2	
39	90387-06014	COLLAR	2	
40	3YX-27413-00	COVER, FOOTREST	2	
41	90157-05134	SCREW, PAN HEAD	4	



5PS6300-C350

FIG. 35 REAR MASTER CYLINDER

REF. NO.	PART NO.	DESCRIPTION	SFSC				REMARKS
1	5PS-27211-00	PEDAL, BRAKE	1				
2	90201-14215	WASHER, PLATE	1				
3	5PS-27212-00	SHAFT, BRAKE PEDAL	1				
4	92014-06025	BOLT, BUTTON HEAD	1				
5	92990-06600	WASHER, PLATE	1				
6	90506-20223	SPRING, TENSION	1				
7	5PS-2583V-00	RR. MASTER CYLINDER ASSY.	1				
8	5PS-W0042-50	.CYLINDER KIT, MASTER	1				
9	3LN-2585G-00	..CIRCLIP	1				
10	5VX-2582A-00	.JOINT	1				
11	4BP-2585F-00	.BUSH	1				
12	5VS-25894-00	TANK, RESERVOIR	1				
13	5SL-25854-00	DIAPHRAGM, RESERVOIR	1				
14	5SL-25855-00	BUSH,DIAPHRAGM	1				
15	5SL-25852-00	CAP, RESERVOIR	1				
16	90467-090A1	CLIP	2				
17	5PS-25895-10	HOSE, RESERVOIR	1				
18	47X-27222-00	JOINT	1				
19	95307-08700	NUT	1				
20	92014-08030	BOLT, BUTTON HEAD	2				
21	90240-08013	PIN, CLEVIS	1				
22	90201-08083	WASHER, PLATE	1				
23	91401-20012	PIN, COTTER	1				
24	5PS-21228-00	BRACKET, RESERVE TANK	1				
25	90119-06044	BOLT, WITH WASHER	1				
26	95807-06014	BOLT, FLANGE	1				
27	90183-06023	NUT, SPRING	1				



5PS6300-C350

FIG. 35 REAR MASTER CYLINDER

REF. NO.	PART NO.	DESCRIPTION	SPSC				REMARKS
28	5PS-25874-10	HOSE, BRAKE	1				
29	90401-10020	BOLT, UNION	2				
30	90430-10005	GASKET	4				

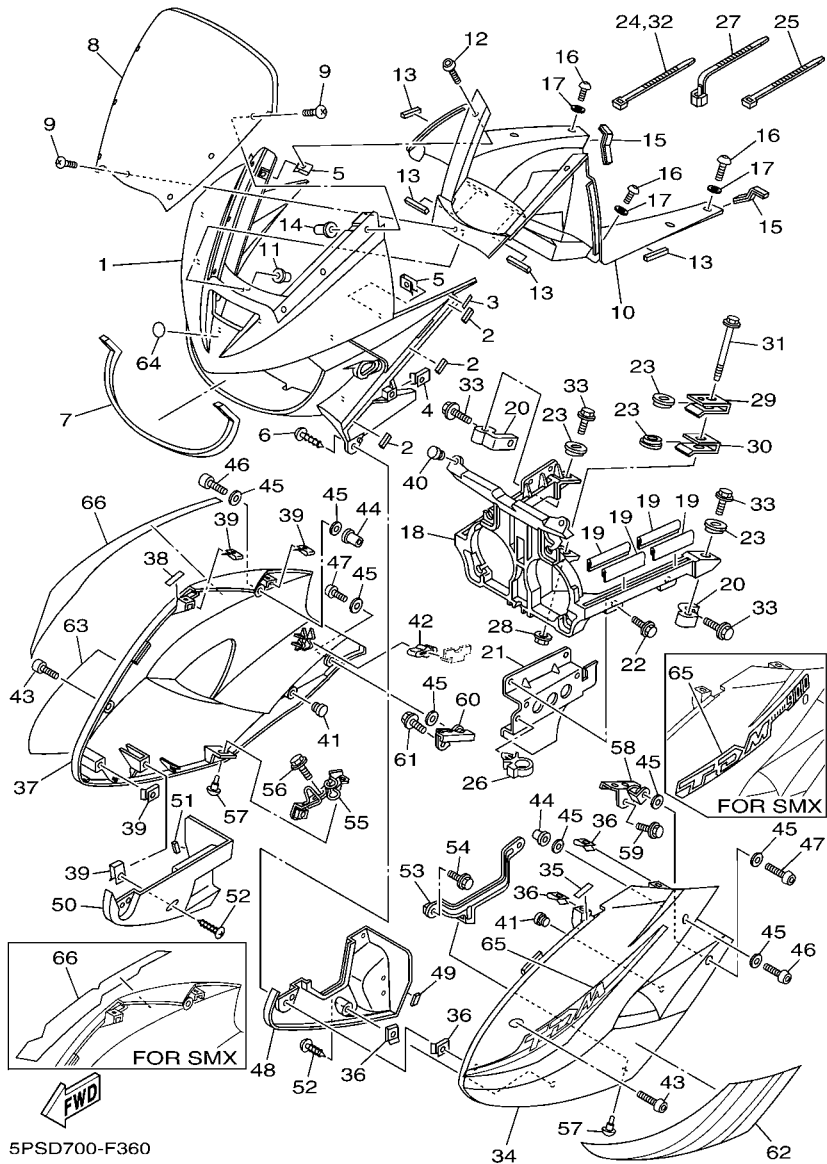


FIG. 36 COWLING 1

REF. NO.	PART NO.	DESCRIPTION	SFSC			REMARKS
1	5PS-2835G-00-P6	BODY, FRONT UPPER 1	1			UR FOR DRMK
	5PS-2835G-00-P4	BODY, FRONT UPPER 1	1			UR FOR SMX,BWC1
2	4TX-21717-00	DAMPER	6			
3	5PS-2178A-00	LABEL	2			
4	90183-05061	NUT, SPRING	2			
5	90183-05042	NUT, SPRING	4			
6	90167-05080	SCREW, TAPPING	2			
7	5PS-84163-00	DAMPER	1			
8	5PS-28381-01	WINDSHIELD	1			
9	90150-05024	SCREW, ROUND HEAD	7			
10	5PS-2836K-00	PANEL, INNER 1	1			
11	90179-05523	NUT	1			
12	90167-05080	SCREW, TAPPING	2			
13	5PS-28217-00	DAMPER 1	4			
14	90179-05523	NUT	6			
15	5PS-28345-00	MOLE 1	2			
16	90167-05076	SCREW, TAPPING	6			
17	90202-05224	WASHER, PLATE	6			
18	5PS-28356-01	STAY 1	1			
19	52W-2117G-00	PROTECTOR	4			
20	5PS-28332-00	STAY, LEG SHIELD	2			
21	5PS-28336-00	PLATE	1			
22	90119-06044	BOLT, WITH WASHER	2			
23	5PS-28373-00	COLLAR	4			
24	90465-10098	CLAMP	1			
25	90464-35132	CLAMP	1			
26	90464-07209	CLAMP	1			

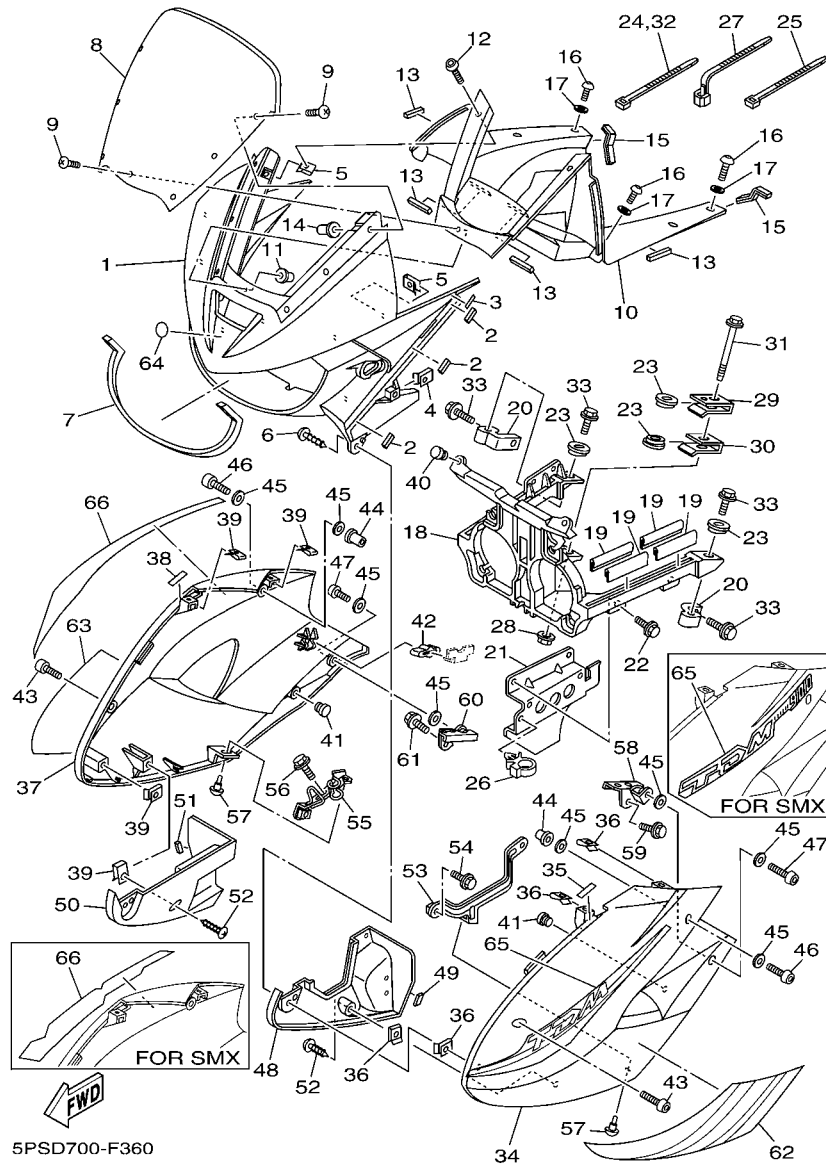


FIG. 36 COWLING 1

REF. NO.	PART NO.	DESCRIPTION	SFSC				REMARKS
27	90464-15195	CLAMP	3				
28	95707-08500	NUT, FLANGE	1				
29	5PS-28396-00	PLATE 1	1				
30	5PS-28397-00	PLATE 2	1				
31	5PS-28331-00	BOLT, LEG SHIELD	1				
32	90465-10098	CLAMP	1				
33	95817-08025	BOLT, FLANGE	4				
34	5PS-2835U-00-P9	PANEL 1	1				UR FOR DRMK
	5PS-2835U-00-PA	PANEL 1	1				UR FOR SMX
	5PS-2835U-00-PB	PANEL 1	1				UR FOR BWC1
35	5PS-2178A-00	LABEL	1				
36	90183-05042	NUT, SPRING	4				
37	5PS-2835V-00-P9	PANEL 2	1				UR FOR DRMK
	5PS-2835V-00-PA	PANEL 2	1				UR FOR SMX
	5PS-2835V-00-PB	PANEL 2	1				UR FOR BWC1
38	5PS-2178A-00	LABEL	1				
39	90183-05042	NUT, SPRING	4				
40	90338-10132	PLUG	2				
41	90338-11125	PLUG	2				
42	15A-21717-00	DAMPER	2				
43	90110-05201	BOLT, HEXAGON SOCKET HEAD	2				
44	90179-05523	NUT	2				
45	90202-05224	WASHER, PLATE	8				
46	90149-05299	SCREW	2				
47	90110-05201	BOLT, HEXAGON SOCKET HEAD	2				
48	5PS-2837N-01	GRILL, AIR INTAKE 1	1				
49	4TX-21717-00	DAMPER	1				

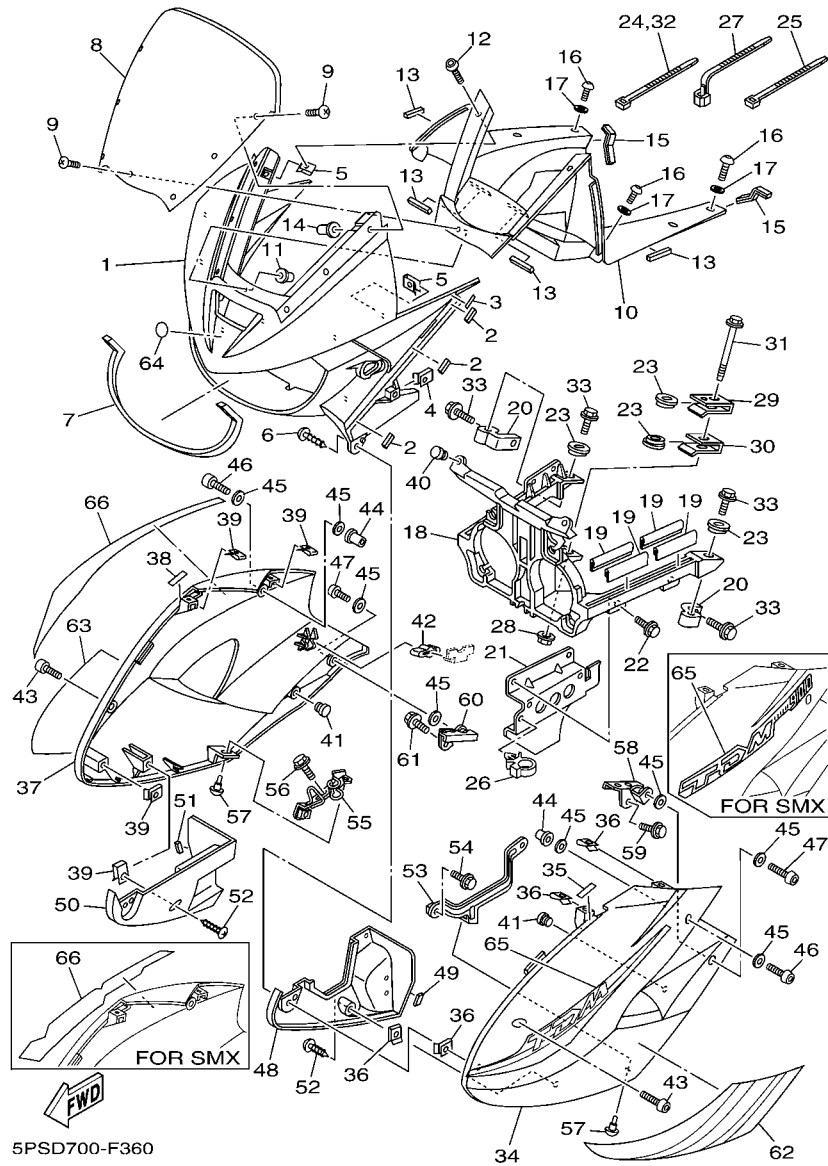
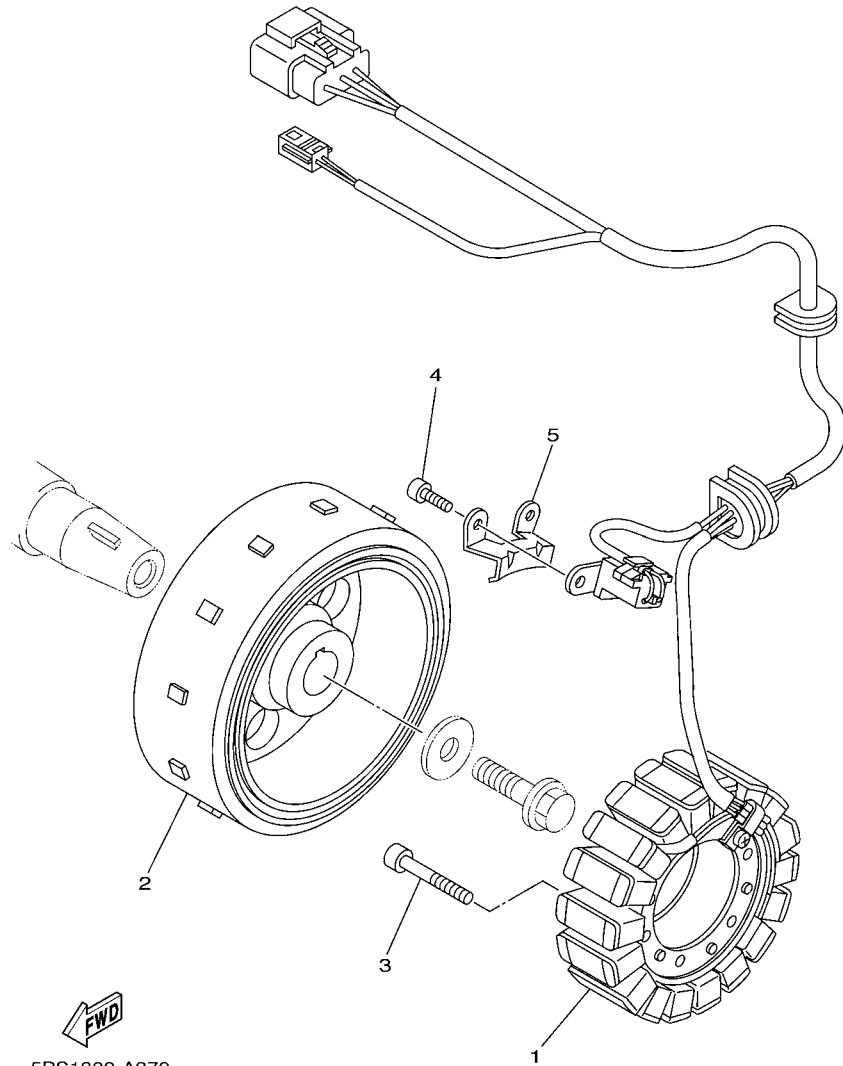


FIG. 36 COWLING 1

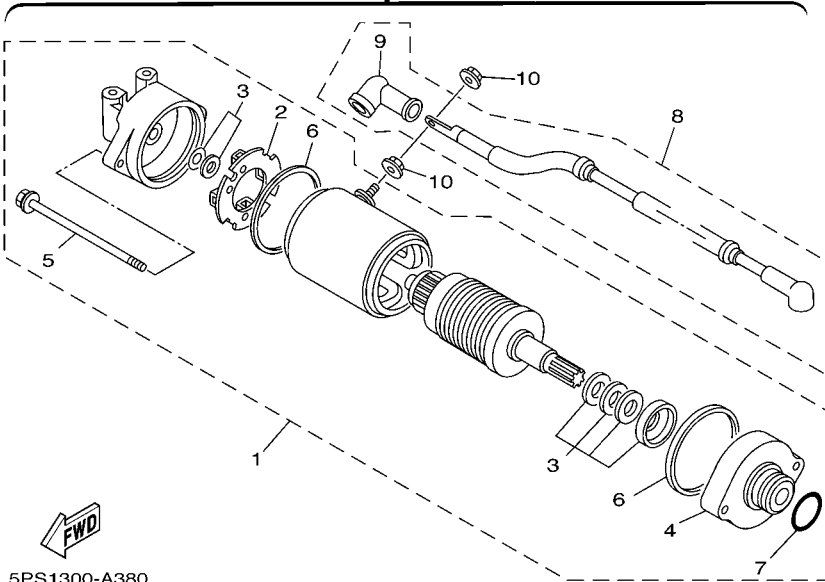
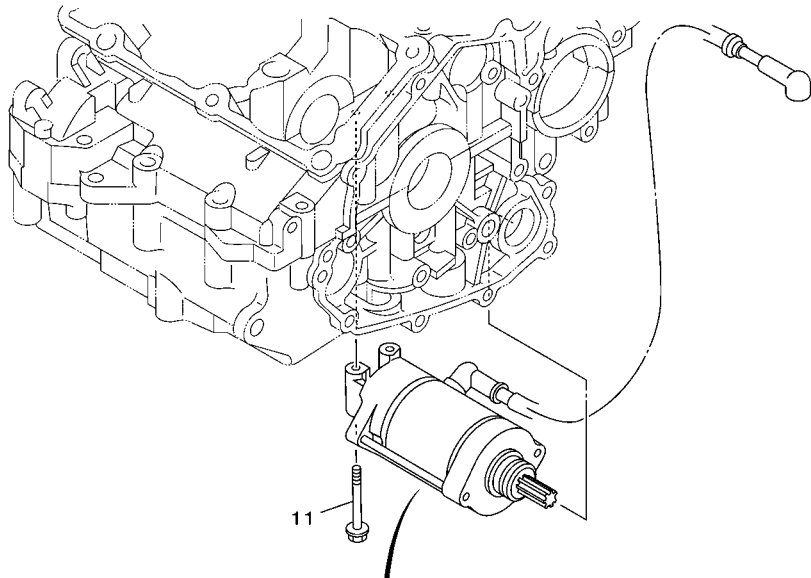
REF. NO.	PART NO.	DESCRIPTION	QTY	REMARKS
50	5PS-2837R-00	GRILL, AIR INTAKE 2	1	
51	4TX-21717-00	DAMPER	1	
52	97707-50016	SCREW, TRUSS HEAD TAPPING	2	
53	5PS-28321-00	STAY 1	1	
54	95807-06020	BOLT, FLANGE	1	
55	5PS-28357-01	STAY 2	1	
56	95807-06020	BOLT, FLANGE	2	
57	90269-07077	RIVET	2	
58	5PS-2836A-00	BRACKET 1	1	
59	95807-06012	BOLT, FLANGE	1	
60	5PS-2836E-00	BRACKET 2	1	
61	95807-06012	BOLT, FLANGE	1	
62	5PS-28393-40	GRAPHIC 3	1	UR FOR DRMK
	5PS-28393-50	GRAPHIC 3	1	UR FOR BWC1
63	5PS-28394-40	GRAPHIC 4	1	UR FOR DRMK
	5PS-28394-50	GRAPHIC 4	1	UR FOR BWC1
64	5LV-2836B-01	TUNING FORK MARK	1	
65	5PS-28391-B0	GRAPHIC 1	1	UR FOR DRMK
	5PS-28391-A0	GRAPHIC 1	1	UR FOR SMX
	5PS-28391-C0	GRAPHIC 1	1	UR FOR BWC1
66	5PS-28392-B0	GRAPHIC 2	1	UR FOR DRMK
	5PS-28392-A0	GRAPHIC 2	1	UR FOR SMX
	5PS-28392-C0	GRAPHIC 2	1	UR FOR BWC1



**FIG. 37 GENERATOR**



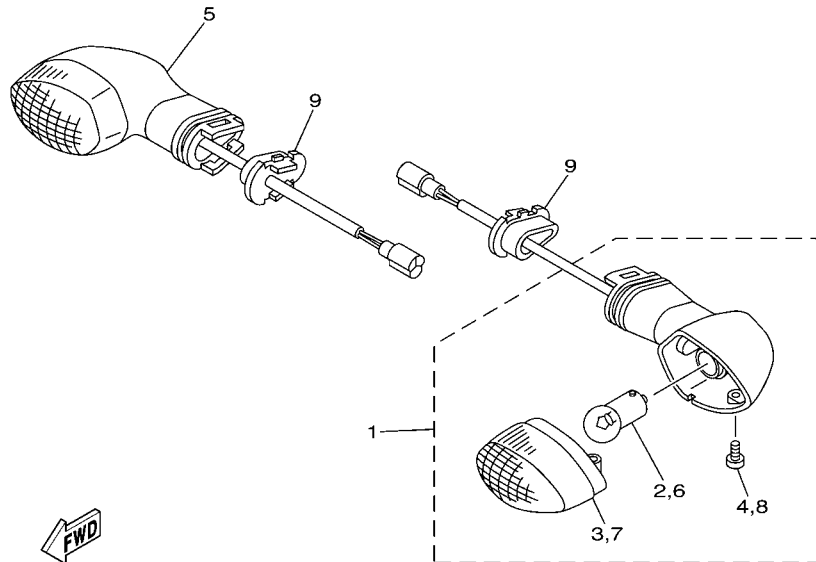
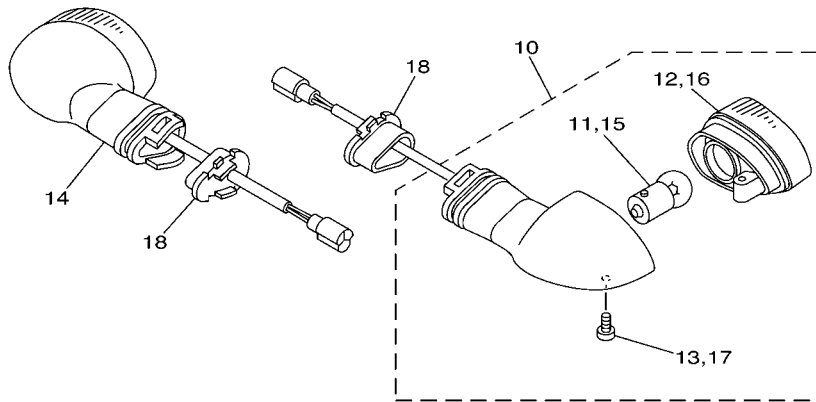
REF. NO.	PART NO.	DESCRIPTION	QTY	REMARKS
1	5PS-81410-00	STATOR ASSY	1	
2	5PS-81450-00	ROTOR ASSY	1	
3	90110-06042	BOLT, HEXAGON SOCKET HEAD	3	
4	90110-05011	BOLT, HEXAGON SOCKET HEAD	2	
5	90465-08380	CLAMP	1	
-----				
-----				
-----				
-----				
-----				
-----				
-----				
-----				
-----				
-----				



5PS1300-A380

FIG. 38 STARTING MOTOR

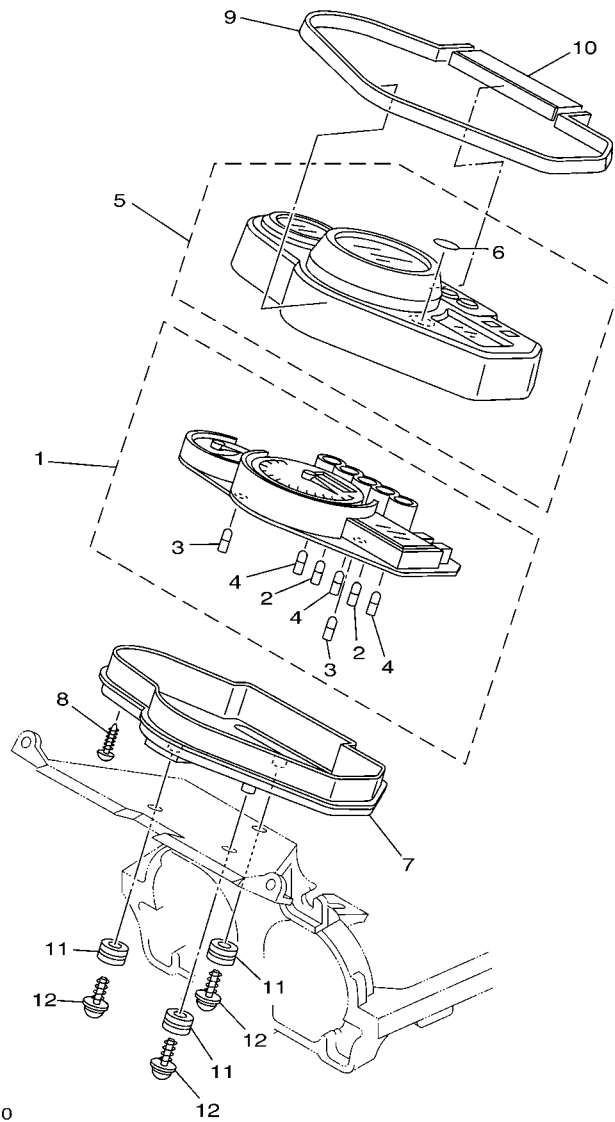
REF. NO.	PART NO.	DESCRIPTION	QTY	REMARKS
1	3LD-81890-00	MOTOR ASSY	1	
2	3AJ-81801-00	.BRUSH SET	1	
3	3AJ-81809-00	.WASHER KIT	1	
4	3AJ-81830-00	.FRONT BRACKET ASSY	1	
5	3AJ-81826-00	.BOLT	2	
6	11H-81844-00	.GASKET	2	
7	1FK-81847-00	.O-RING	1	
8	1HX-81815-00	CORD, STARTER MOTOR	1	
9	4G0-81871-00	.CAP	1	
10	4XV-8182A-00	NUT	2	
11	95817-06050	BOLT, FLANGE	2	



5PS1300-A390

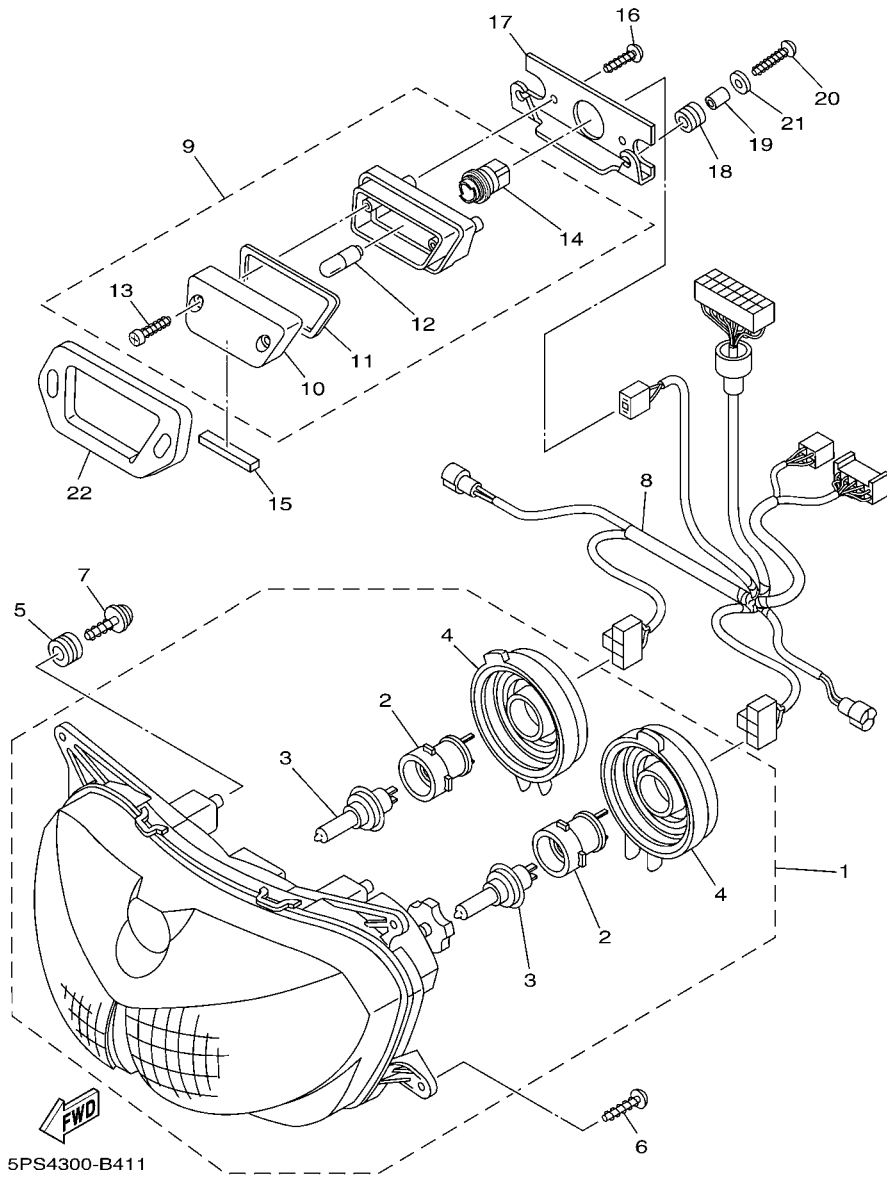
FIG. 39 FLASHER LIGHT

REF. NO.	PART NO.	DESCRIPTION	QTY	REMARKS
1	5PW-83310-01	FRONT FLASHER LIGHT ASSY 1	1	
2	1KH-83311-00	.BULB (12V-10W)	1	
3	5PW-8333A-00	.LENS COMP	1	
4	97706-04012	.SCREW, TAPPING	1	
5	5PW-83320-01	FRONT FLASHER LIGHT ASSY 2	1	
6	1KH-83311-00	.BULB (12V-10W)	1	
7	5PW-8334A-00	.LENS COMP	1	
8	97706-04012	.SCREW, TAPPING	1	
9	5PW-83318-00	STAY, FLASHER 1	2	
10	5PS-83330-01	REAR FLASHER LIGHT ASSY 1	1	
11	1KH-83311-00	.BULB (12V-10W)	1	
12	5PW-8334A-00	.LENS COMP	1	
13	97706-04012	.SCREW, TAPPING	1	
14	5PS-83340-01	REAR FLASHER LIGHT ASSY 2	1	
15	1KH-83311-00	.BULB (12V-10W)	1	
16	5PW-8333A-00	.LENS COMP	1	
17	97706-04012	.SCREW, TAPPING	1	
18	5PW-83318-00	STAY, FLASHER 1	2	



**FIG. 40 METER**

REF. NO.	PART NO.	DESCRIPTION	SFSC				REMARKS
1	5PS-83570-40	SPEEDOMETER ASSY (KM/H)	1				UR EXCEPT FOR GBR
	5PS-83570-50	SPEEDOMETER ASSY (MPH)	1				UR FOR GBR
2	4YR-83517-00	.BULB (12V-1.4W T5)	2				
3	4YR-83517-10	.BULB (12V-2W T5)	2				
4	5PS-83517-00	.BULB (12V-1.2W T5)	3				
5	5PS-8353E-00	CASE, METER UPPER	1				
6	5GT-2836B-00	.TUNING FORK MARK	1				
7	5PS-83572-00	CASE, SPEEDOMETER LOWER	1				
8	97707-40016	SCREW, TAPPING	8				
9	5PS-83523-00	DAMPER	1				
10	5PS-83541-00	DAMPER	1				
11	5PS-83513-00	DAMPER	3				
12	90164-05014	SCREW, TAPPING	3				

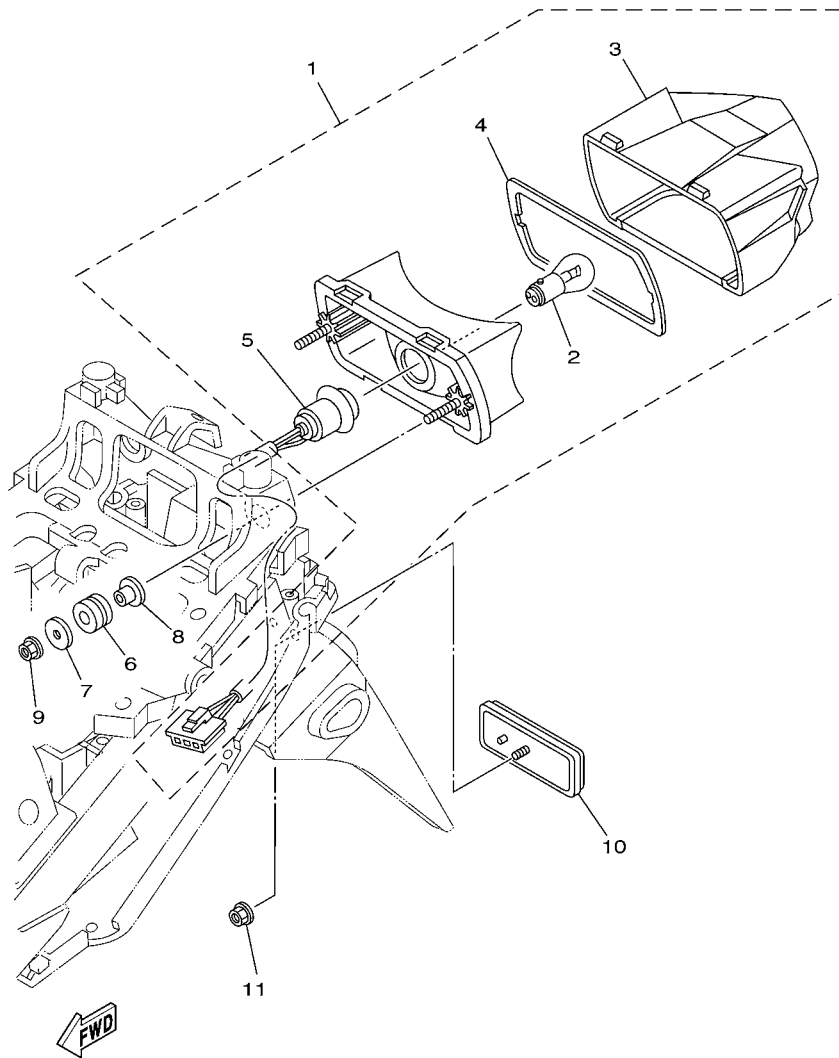


5PS4300-B411

FIG. 41 HEADLIGHT

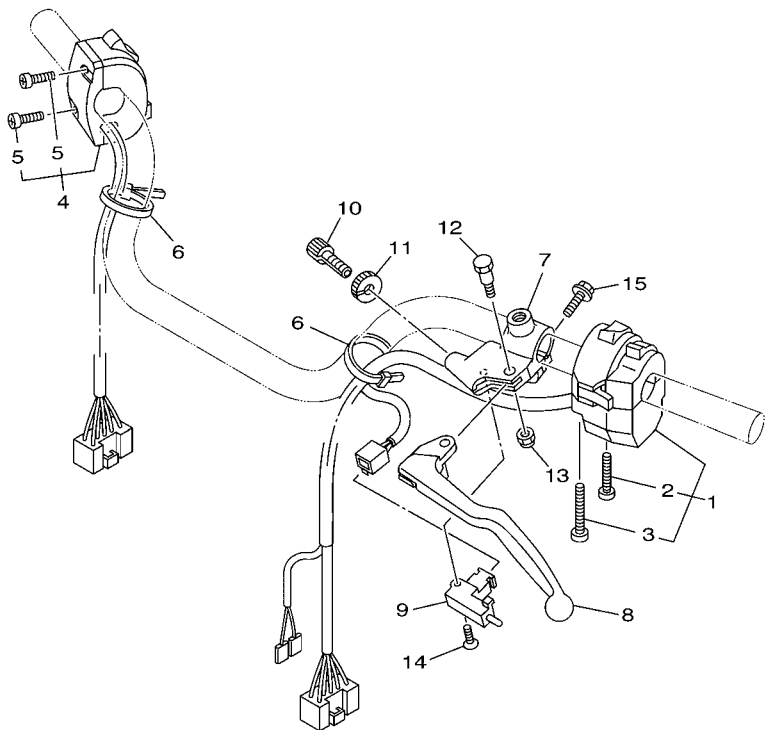
REF. NO.	PART NO.	DESCRIPTION	SFSC				REMARKS
1	5PS-84310-00	HEADLIGHT UNIT ASSY	1				UR
	5PS-84310-10	HEADLIGHT UNIT ASSY	1				UR GBR,IRL,ZAF
2	5PS-8411W-00	.SOCKET COMP.	2				
3	*	.BULB (12V-55W H7)	2				LM HALOGEN
4	4TV-84397-00	.COVER, SOCKET	2				
5	5PS-83513-00	DAMPER	4				
6	97707-50016	SCREW, TRUSS HEAD TAPPING	4				
7	90164-05014	SCREW, TAPPING	4				
8	5PS-84359-10	CORD, HEADLIGHT	1				
9	3GM-84301-01	PILOT LIGHT ASSY 1	1				
10	3GM-84321-00	.LENS ASSY	1				
11	3GM-84322-00	.GASKET, LENS	1				
12	47G-85353-00	.BULB (12V-5W)	1				
13	3GM-84192-10	.SCREW, SPECIAL	2				
14	3GM-84346-00	.SOCKET, PILOT LIGHT	1				
15	4XV-2834E-00	DAMPER 1	1				
16	90167-05025	SCREW, TAPPING	2				
17	4TX-8431R-00	STAY, SETTING	1				
18	90480-10517	GROMMET	2				
19	90387-052U5	COLLAR	2				
20	90167-05037	SCREW, TAPPING	2				
21	90201-054K4	WASHER, PLATE	2				
22	3GM-84367-50	DAMPER, HEADLIGHT 2	1				

FIG. 42 TAILLIGHT



5PS1300-A420

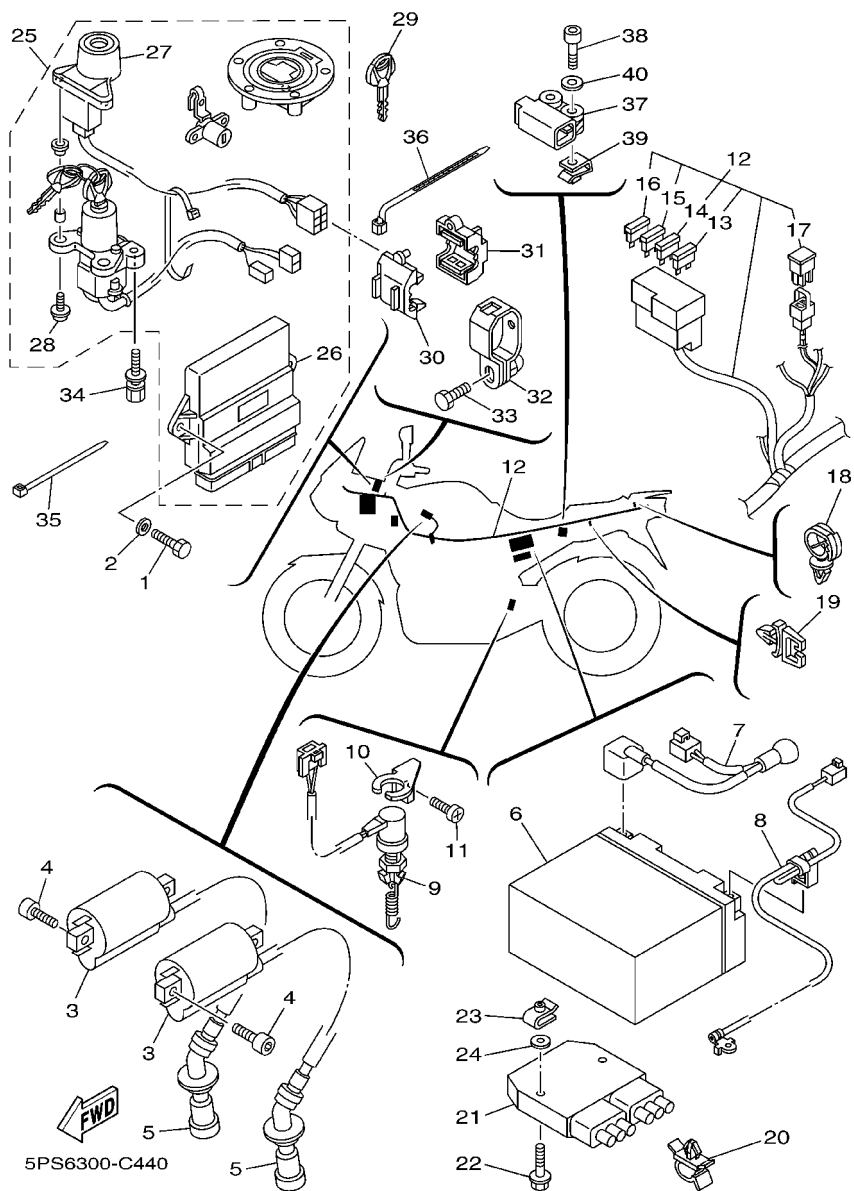
REF. NO.	PART NO.	DESCRIPTION	QTY	REMARKS
1	5PS-84710-00	TAILLIGHT UNIT ASSY	1	
2	1A2-84714-41	.BULB (12V-21/5W)	1	
3	5PS-84721-00	.LENS, TAILLIGHT	1	
4	47X-84723-00	.GASKET, TAIL LENS	1	
5	5PS-84735-00	.CORD ASSY	1	
6	90480-14323	GROMMET	2	
7	90201-06071	WASHER, PLATE	2	
8	90387-066Y6	COLLAR	2	
9	95307-06600	NUT	2	
10	3Y6-85130-02	REAR REFLECTOR ASSY	1	
11	95707-05500	NUT, FLANGE	1	



**FIG. 43 HANDLE SWITCH & LEVER**

REF. NO.	PART NO.	DESCRIPTION	QTY	REMARKS
1	5PS-83969-10	SWITCH, HANDLE 5	1	
2	98507-05030	.SCREW, PAN HEAD	1	
3	98507-05040	.SCREW, PAN HEAD	1	
4	5RT-83975-00	SWITCH, HANDLE 2	1	
5	98507-05022	.SCREW, PAN HEAD	2	
6	437-83936-01	BAND, SWITCH CORD	2	
7	3YX-82911-01	HOLDER, LEVER 1	1	
8	3YX-83912-11	LEVER 1	1	
9	3YX-82917-01	SWITCH	1	
10	90123-08096	BOLT	1	
11	90179-08148	NUT	1	
12	3YX-83945-00	BOLT, LEVER	1	
13	95607-06100	NUT, U	1	
14	98707-03020	SCREW, FLAT HEAD	1	
15	95027-06020	BOLT, FLANGE	1	

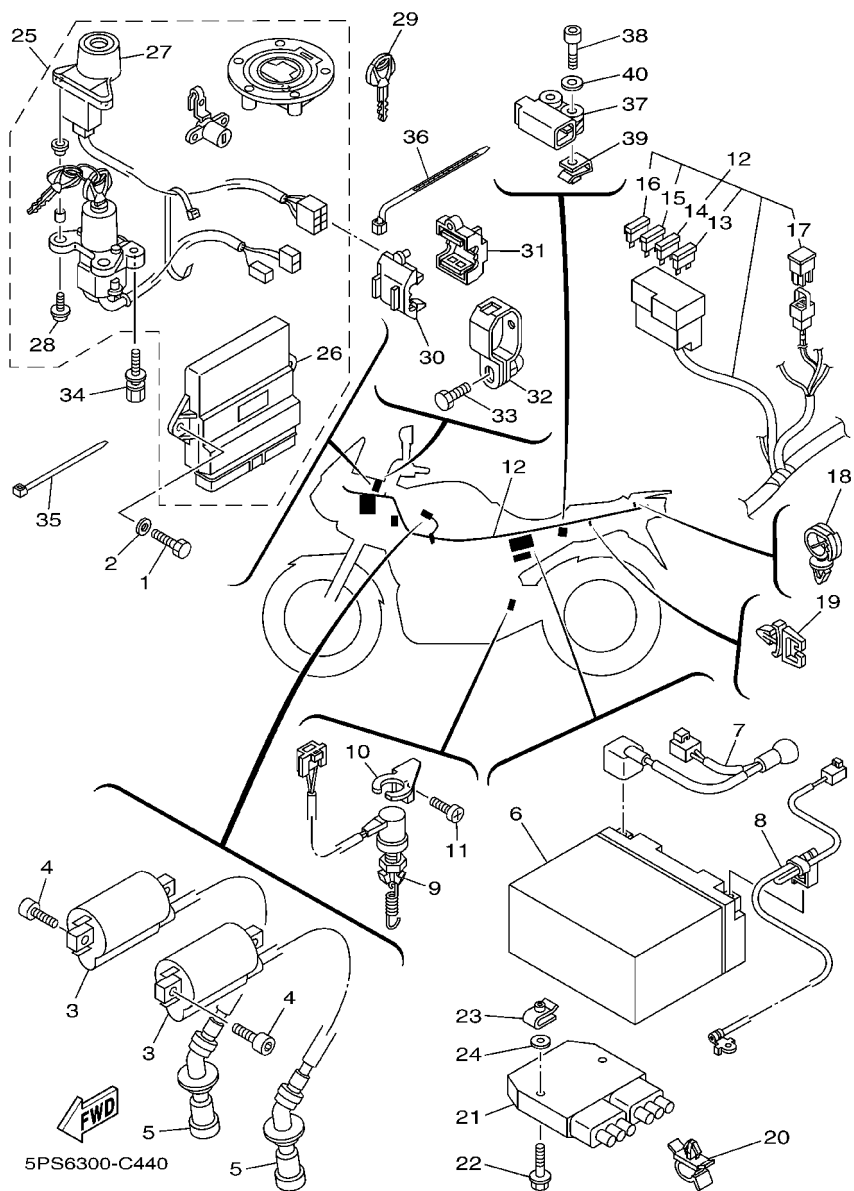
  
5PS6300-C430



**FIG. 44 ELECTRICAL 1**

REF. NO.	PART NO.	DESCRIPTION	SFSC				REMARKS
1	97024-06016	BOLT	2				
2	92904-06600	WASHER	2				
3	2UJ-82310-01	IGNITION COIL ASSY	2				
4	91317-05016	BOLT	4				
5	5JW-82370-00	PLUG CAP ASSY	2				
6	4TX-82100-02	BATTERY ASSY (GS GT12B-4)	1				
7	5PS-82115-00	WIRE, PLUS LEAD	1				
8	5PS-82116-00	WIRE, MINUS LEAD	1				
9	5PS-82530-00	STOP SWITCH ASSY	1				
10	5PS-2144G-00	STAY, STOP SWITCH	1				
11	98507-06008	SCREW, PAN HEAD	1				
12	5PS-82590-41	WIRE HARNESS ASSY	1				
13	5JJ-82151-30	.FUSE (10A-BL)	4				
14	5JJ-82151-10	.FUSE (15A-BL)	2				
15	5JJ-82151-20	.FUSE (20A-BL)	2				
16	5JJ-82151-90	.FUSE (5A-BL)	2				
17	5PS-82151-00	.FUSE (40A)	1				
18	90464-13249	CLAMP	1				
19	90464-07M56	CLAMP	1				
20	90464-14001	CLAMP	1				
21	5JW-81960-00	RECTIFIER & REGULATOR ASSY	1				
22	95807-06030	BOLT, FLANGE	2				
23	90183-06053	NUT, SPRING	2				
24	90202-05187	WASHER, PLATE	2				
25	2B0-W8250-10	MAIN SW. IMMOBILIZER KIT	1				
26	2B0-8591A-10	.ENGINE CONTROL UNIT ASSY	1				
27	5VS-8255P-00	.IMMOBILIZER. UNIT COMP.	1				

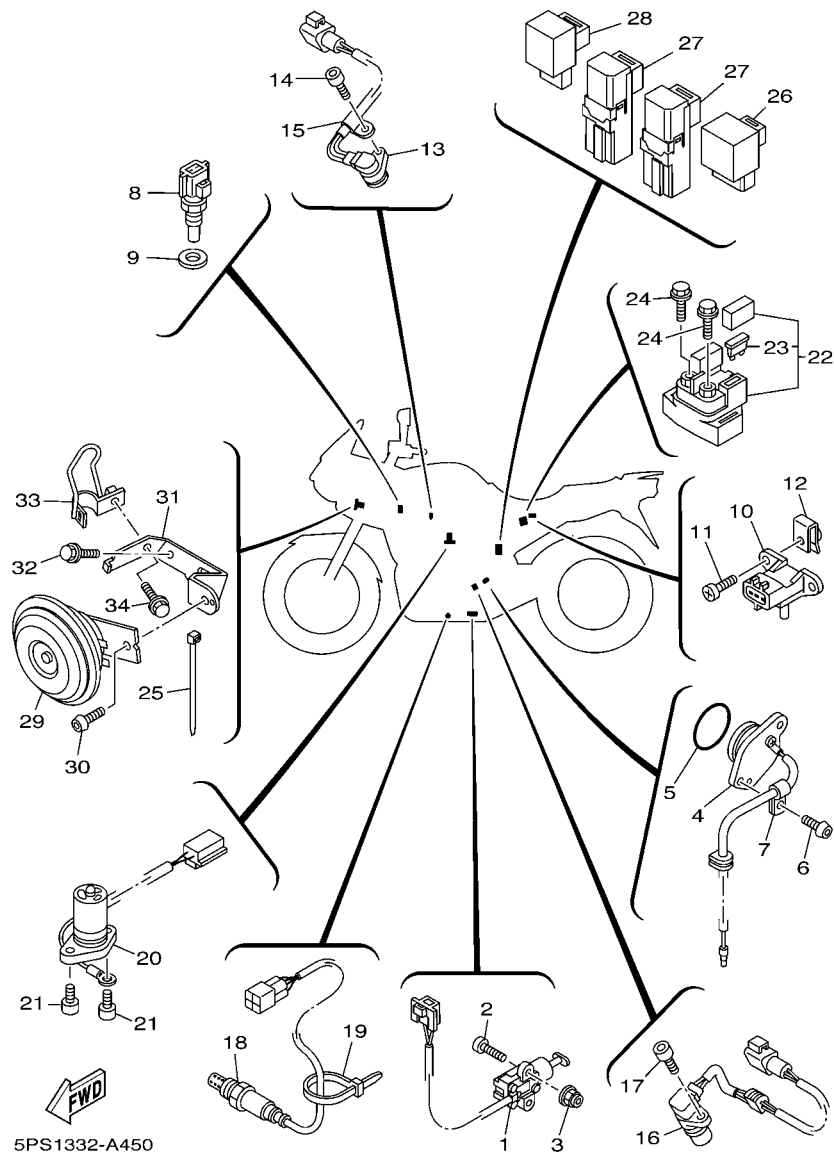




**FIG. 44 ELECTRICAL 1**

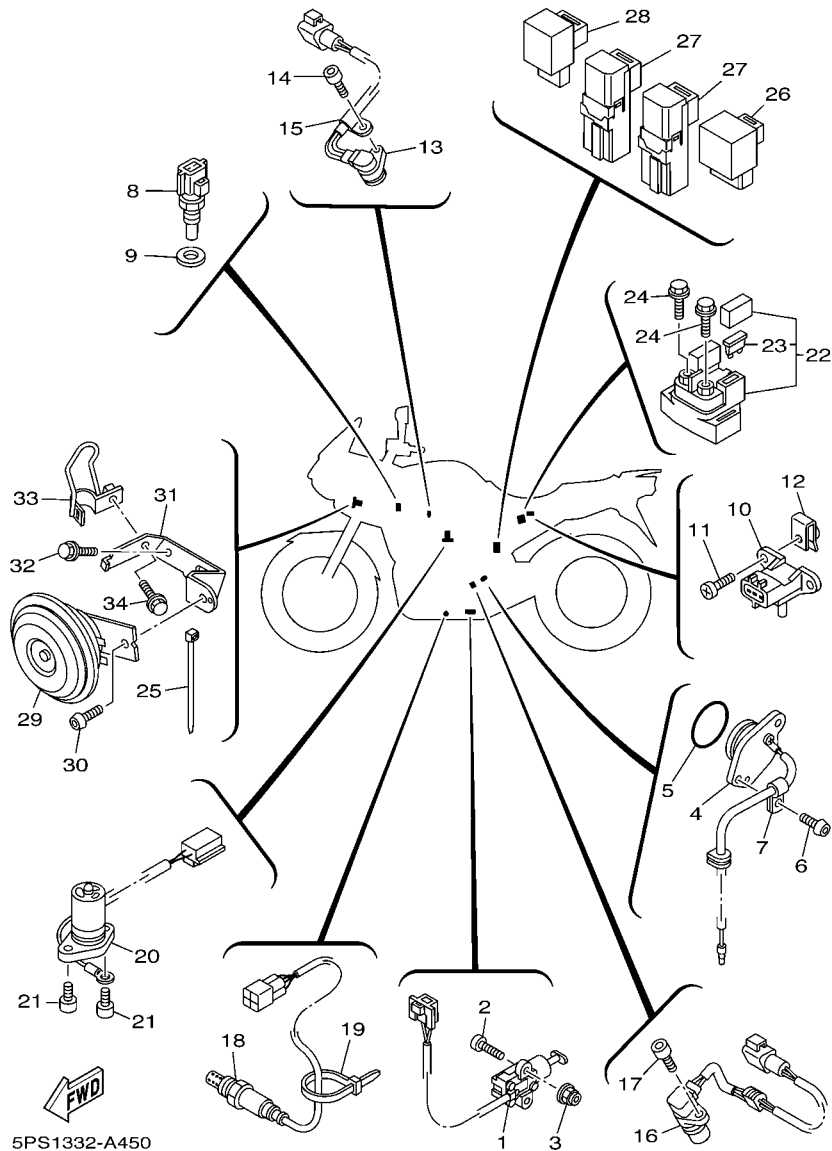
REF. NO.	PART NO.	DESCRIPTION	QTY	REMARKS
28	5SL-82113-00	.SCREW	2	
29	5SL-82511-08	BLANK KEY	1	AP
30	5VS-8258J-00	HOUSING, CONNECTEUR 1	1	
31	5VS-8259J-00	HOUSING, CONNECTEUR 2	1	
32	5VS-82729-00	BRACKET, LOCK	1	
33	90101-06664	BOLT	1	
34	90109-080G5	BOLT	2	
35	90465-10098	CLAMP	1	
36	90464-25003	CLAMP	1	
37	5PS-82576-01	LEAN ANGLE SENSOR	1	
38	91317-04025	BOLT	2	
39	90183-04039	NUT, SPRING	2	
40	90201-047A2	WASHER, PLATE	2	

FIG. 45 ELECTRICAL 2



REF. NO.	PART NO.	DESCRIPTION	QTY	REMARKS
1	5RT-82566-60	SWITCH, SIDE STAND	1	
2	98507-05020	SCREW, PAN HEAD	2	
3	95607-05200	NUT, U FLANGE	2	
4	5PS-82540-00	NEUTRAL SWITCH ASSY	1	
5	93210-29196	O-RING	1	
6	90149-06018	SCREW	2	
7	90462-08017	CLAMP	1	
8	5PS-85790-00	THERMOSENSOR ASSY	1	
9	90430-12202	GASKET	1	
10	1C7-82380-00	SENSOR, PRESSURE	1	
11	95027-06014	BOLT, FLANGE	2	
12	90183-06053	NUT, SPRING	2	
13	5PS-85896-10	SENSOR, CAM POSITION	1	
14	90110-06124	BOLT, HEXAGON SOCKET HEAD	1	
15	90465-08028	CLAMP	1	
16	5PS-83755-01	SENSOR, SPEED	1	
17	91317-06010	BOLT	1	
18	5PS-8592A-10	SENSOR	1	
19	1UA-82591-00	BAND	1	
20	5PS-85720-00	OIL LEVEL GAUGE ASSY	1	
21	91317-06012	BOLT	2	
22	3EL-81940-12	STARTER RELAY ASSY	1	
23	42X-82151-00	.FUSE (10A-BL)	2	
24	95027-06008	BOLT, FLANGE	2	
25	1UA-82591-00	BAND	2	
26	5PX-81950-00	RELAY ASSY	1	
27	5EA-81950-20	RELAY ASSY	2	

FIG. 45 ELECTRICAL 2



REF. NO.	PART NO.	DESCRIPTION	QTY	REMARKS
28	3XV-83350-21	FLASHER RELAY ASSY	1	
29	5PS-83371-00	HORN	1	
30	92017-06010	BOLT, BUTTON HEAD	1	
31	5PS-2317E-00	STAY	1	
32	95027-06010	BOLT, FLANGE	2	
33	5PS-23378-20	BRACKET, HORN	1	
34	95827-06010	BOLT, FLANGE	1	

NUMERICAL INDEX

PART NO.	GRID NO.	PART NO.	GRID NO.	PART NO.	GRID NO.	PART NO.	GRID NO.	PART NO.	GRID NO.	PART NO.	GRID NO.
5PS-11101-10	B - 2	3LD-12168-40	B - 6	5PS-12467-00	B - 10	5PS-14349-01	C - 3	5PS-15416-10	C - 7	5PS-17653-00	C - 8
4KG-1111G-00	B - 3	3LD-12168-60	B - 6	5PS-12469-10	B - 9	5PS-14411-00	B - 15	5PS-15419-00	C - 8	5PS-18101-00	D - 2
583-11126-00	C - 9	3LD-12168-80	B - 6	3LD-12481-00	B - 9	5PS-14414-00	B - 15	5PS-1541E-00	C - 8	5PS-18110-00	D - 2
3LD-11133-10	B - 2	3LD-12168-A0	B - 6	4NX-12482-00	B - 10	5PS-14419-00	B - 15	5PS-15420-10	C - 8	5EB-18113-00	D - 2
3LD-11134-10	B - 2	3LD-12168-F0	B - 6	5Y9-12491-00	C - 2	5PS-14421-00	B - 15	5PS-15425-10	C - 9	2H9-18115-00	D - 2
5PS-11165-00	B - 2	3LD-12168-H1	B - 6		C - 3	5PS-14435-00	B - 15	5PS-15427-00	C - 8	5PS-18116-00	D - 2
5PS-11166-10	C - 2	3LD-12168-K1	B - 6	1AA-12535-00	B - 10	5PS-1443E-00	C - 2	5PS-15431-10	C - 8	5SL-18127-00	D - 2
5PS-11169-00	B - 2	3LD-12168-M1	B - 6	5PS-12576-00	B - 10	5PS-14451-00	B - 15	5PS-15441-00	C - 9	5PS-18130-00	D - 2
5PS-11181-00	B - 2	3LD-12168-R1	B - 6	5PS-12578-00	B - 10	5PS-14452-00	B - 15	5PS-15451-02	C - 8	4SV-18140-00	C - 15
5PS-11190-10	B - 2	3LD-12168-U1	B - 6	5PS-12579-00	B - 11	5PS-14453-00	B - 15	5PS-15456-02	C - 7	2H9-18154-00	D - 2
5PS-11193-00	B - 2	3LD-12168-W1	B - 6	5PS-12881-00	C - 3	5PS-14463-00	B - 15	5PS-15462-02	C - 9	4NX-18175-00	C - 15
214-11198-01	B - 13	3LD-12168-Y1	B - 6	3LD-13113-00	B - 13	5PS-1446E-00	B - 15	5PS-15463-02	C - 9	5PS-18511-00	C - 15
5PS-11311-10	B - 4	3LD-12169-11	B - 6	3LD-13151-00	B - 13	5PS-14545-00	B - 15	3LD-15512-00	C - 10	5PS-18512-00	C - 15
5PS-11351-00	B - 4	3LD-12169-31	B - 6	5PS-13161-00	B - 12	5PS-14552-00	B - 15	5PS-15515-00	C - 10	5PS-18513-00	C - 15
3LD-11361-00	C - 6	3LD-12169-50	B - 6	3LD-13300-00	B - 12	5PS-14568-00	C - 2	3LD-15517-00	C - 10	4XV-18531-00	C - 15
5PS-11400-00	B - 5	3LD-12169-70	B - 7	4NX-13303-00	B - 12	5JW-14589-00	C - 3	26H-15521-00	C - 10	5PS-18531-00	C - 15
3LD-11416-00	B - 5	3LD-12169-90	B - 7	5PS-13317-00	B - 14	5PS-14610-10	C - 5	3LD-15590-02	C - 10	3LD-18536-00	C - 15
3LD-11416-10	B - 5	3LD-12169-E0	B - 7	3VD-13325-00	B - 12	3VD-14613-01	C - 5	4TX-16150-02	C - 11	5PS-18540-00	C - 15
3LD-11416-20	B - 5	3LD-12169-G0	B - 7	5PS-13329-00	B - 12	5PS-14628-00	C - 5	3VD-16154-00	C - 12	4UN-18542-00	C - 15
3LD-11416-30	B - 5	3LD-12169-J0	B - 7	3LD-13339-00	B - 12	2B0-14710-00	C - 5	4H7-16154-00	C - 11	4UN-18566-00	C - 15
3LD-11416-40	B - 5	3LD-12169-L0	B - 7	3LD-13371-00	B - 12	5PS-14715-00	C - 5	3VD-16164-00	C - 12	5PS-21110-20	D - 3
3LD-11416-50	B - 5	3LD-12169-N0	B - 7	5PS-13411-00	B - 12	2B0-14720-00	C - 5	4NX-16181-00	C - 12	5PS-2117E-00	D - 6
3LD-11416-60	B - 5	3LD-12169-T0	B - 7	3VD-13412-00	B - 12	5PS-14725-00	C - 5	4TX-16321-00	C - 11	1B3-2117G-00	D - 4
4NX-11500-01	B - 5	5PS-12171-00	B - 8	5PS-13414-02	B - 13	2B0-14738-00	C - 5	4H7-16321-02	C - 11	52W-2117G-00	E - 14
4NX-11510-01	B - 5	3LD-12176-00	B - 8	3VD-13415-00	B - 12	2B0-14748-00	C - 5	168-16324-00	C - 11	5PS-2117K-00	E - 2
3LD-11583-00	B - 5	5PS-12180-00	B - 8	3VD-13416-00	B - 13	5PX-14755-00	C - 5	3J2-16324-00	C - 11	5PS-2117M-00	D - 3
3LD-11584-00	B - 5	5PS-12210-20	B - 8	5PS-13417-10	B - 13	5PS-1482K-00	B - 2	168-16325-00	C - 11	5PS-2117V-00	D - 3
5BE-11603-00	B - 5	5JW-12213-00	B - 8	5JX-13440-00	B - 12	5PS-14834-00	C - 2	5PS-16340-00	C - 11	5PS-2117W-00	D - 3
5PS-11631-00	B - 5	5BE-12241-00	B - 8	5PS-13447-10	B - 12	5PS-14840-00	C - 2	5EB-16351-01	C - 11	5PS-21190-11	D - 3
5PS-11633-00	B - 5	3LD-12247-00	B - 8	5PS-13464-00	B - 13	5PS-14881-00	C - 2	5PS-16356-00	C - 11	5PS-21228-00	E - 12
5PS-11650-00	B - 5	3LD-12251-00	B - 8	5PS-13465-00	B - 13	5PS-14882-10	C - 2	4TX-16371-00	C - 11	1JK-21268-00	D - 3
3LD-11654-00	B - 5	5PS-12252-00	B - 8	11H-13490-00	B - 13	5PS-14890-00	B - 2	5PS-16382-00	C - 11	5BM-21268-00	B - 14
3LD-11656-00	B - 5	5PS-12405-00	B - 10	5PS-13586-00	B - 15	5PS-14899-00	B - 2	5PS-17121-00	C - 13	5PS-2132F-00	D - 6
3LD-11656-10	B - 5	1AE-12410-00	B - 11	5PS-13750-20	C - 3	5DM-14936-00	C - 3	5PS-17131-00	C - 13	4XV-21376-00	D - 6
3LD-11656-20	B - 5	4NX-12413-00	B - 11	5PS-13761-00	C - 3	5PS-14987-00	C - 3	5PS-17151-00	C - 13	5PS-2139E-00	D - 6
3LD-11656-30	B - 5	5PS-12417-00	B - 11	5PS-13906-00	C - 3	5PS-14996-00	C - 3	5PS-17161-00	C - 13	5PS-2139X-00	D - 15
3LD-12111-02	B - 6	5PS-12420-10	B - 9	5PS-13907-01	D - 14	5PS-15100-10	C - 6	5PS-17211-00	C - 14	5PS-2144G-00	F - 10
3LD-12112-02	B - 6	1UF-12435-00	B - 10	5PS-13938-00	C - 3	3LD-15118-00	C - 7	5PS-17221-00	C - 13	5PS-21489-00	D - 3
3LD-12113-00	B - 6	1KT-12437-00	B - 10	5PS-13971-00	D - 14	4G0-15138-00	C - 6	5PS-17231-00	C - 13	5EB-21495-00	D - 3
1WG-12116-00	B - 6	3LD-12439-00	B - 9	5PS-13972-00	D - 14	4H7-15138-00	B - 13	5PS-17241-00	C - 13	4X7-2149Y-00	C - 2
3LD-12117-00	B - 6	5PS-1243A-00	C - 3	5PS-14103-00	C - 4	4XV-15138-00	C - 6	5PS-17251-00	C - 14	5PS-21511-00-P6	D - 5
3LD-12118-00	B - 6	5PS-1243E-00	C - 3	5JW-14104-00	C - 4	5PS-15163-00	C - 13	5PS-17261-00	C - 13	4NX-21541-00	D - 13
51Y-12119-00	B - 6	5PS-1244E-00	B - 11	5PS-1410H-00	B - 15	3LD-15191-00	C - 6	5PS-17401-00	C - 13	5PA-21568-00	D - 14
5PS-12121-00	B - 6	5PS-1244F-00	B - 11	5PS-14148-00	B - 15	5PS-15316-00	C - 8	5PS-17402-00	C - 13	5PS-21611-00	D - 5
1WG-12153-21	B - 6	3VD-12459-00	B - 9	8CC-14216-10	C - 3	5PS-15326-00	C - 8	278-17424-01	C - 14	5PS-2162A-00	D - 5
1WG-12153-31	B - 6	5PS-12461-00	B - 10	5PS-14264-00	B - 15	5PS-15335-00	C - 8	5PS-17446-00	C - 14	51Y-21639-00	D - 6
3LD-12168-00	B - 6	4FL-12462-00	B - 10	5FL-14348-00	C - 4	5PS-15337-00	C - 8	5PS-17460-00	C - 14	5PS-21639-00	D - 5
3LD-12168-20	B - 6	5PS-12465-00	B - 10	5FL-14348-10	C - 4	5PS-15411-10	C - 8	5PS-17471-00	C - 14	5PS-2163A-00	D - 5

NUMERICAL INDEX

PART NO.	GRID NO.	PART NO.	GRID NO.	PART NO.	GRID NO.	PART NO.	GRID NO.	PART NO.	GRID NO.	PART NO.	GRID NO.
5JW-21647-01	D - 5	3LR-23149-00	D - 12	5JJ-2475X-01	E - 2	2R8-25876-20	E - 9	5PS-28331-00	E - 15	4G0-81871-00	F - 4
5PS-21649-00	D - 6	4V4-23153-L0	D - 12	5PS-24773-10	D - 6	5VS-25894-00	E - 12	5PS-28332-00	E - 14	3LD-81890-00	F - 4
5PS-21650-00	D - 9	509-23158-L0	D - 12	4BP-24780-00	E - 2	5PS-25895-10	E - 12	5PS-28336-00	E - 14	3EL-81940-12	F - 12
5PS-21651-00-P6	D - 5	5PS-23170-10	D - 12	5PS-2478E-00	E - 2	5VS-2589F-00	E - 9	5PS-28345-00	E - 14	5PX-81950-00	F - 12
5BM-21652-00	B - 14	3GM-23171-00	D - 12	5PS-24792-00	E - 2	5VS-2589H-00	E - 9	1AE-81950-00	D - 5	5EA-81950-20	F - 12
5PS-21654-00	D - 6	5PS-23173-00	D - 12	4XV-25117-00	E - 3	5JW-25914-10	E - 7	4XV-2834E-00	F - 7	5JW-81960-00	F - 10
5PS-21654-10	D - 6	5PS-2317E-00	F - 13	5PS-25168-00-0X	E - 3	4SV-25919-00	E - 4	5PS-28356-01	E - 14	4TX-82100-02	F - 10
5PS-21668-00	D - 9	278-23181-50	D - 12	5PS-25168-00-98	E - 3	5JW-25919-00	E - 7	5PS-28357-01	F - 2	5SL-82113-00	F - 11
5PS-21711-00	D - 7	4PU-2331G-00	D - 13	4XV-25181-10	E - 3	4SV-25924-00	E - 4	5PS-2835G-00-P4	E - 14	5PS-82115-00	F - 10
15A-21717-00	E - 15	5PS-23340-20	D - 13	5PS-25317-00	E - 5	3GM-25925-00	E - 4	5PS-2835G-00-P6	E - 14	5PS-82116-00	F - 10
1J7-21717-00	D - 7	5PS-23378-20	F - 13	5PS-25338-00-0X	E - 5	4TT-25937-00	E - 7	5PS-2835U-00-P9	E - 15	5PS-82131-00	D - 5
4TX-21717-00	E - 14	5PS-23389-01	D - 11	5PS-25338-00-98	E - 5	5PS-26111-10	E - 8	5PS-2835U-00-PA	E - 15	42X-82151-00	F - 12
2B0-21719-00	D - 7	4XV-23415-01	D - 11	5EA-25364-00	E - 5	5PS-26133-20	E - 8	5PS-2835U-00-PB	E - 15	5PS-82151-00	F - 10
5PS-21721-00	D - 7	5VY-23418-00	D - 11	5PS-25366-00	E - 5	5PS-26240-00	E - 8	5PS-2835V-00-P9	E - 15	5JJ-82151-10	F - 10
5PS-21750-10	B - 14	5PS-23435-20	D - 11	5PS-25376-00	E - 6	5JW-26241-00	E - 8	5PS-2835V-00-PA	E - 15	5JJ-82151-20	F - 10
5PS-21761-00	B - 14	4H7-23441-01-98	D - 11	4FM-25377-00	E - 5	51J-26246-01	E - 8	5PS-2835V-00-PB	E - 15	5JJ-82151-30	F - 10
5PS-2178A-00	E - 14	3FV-23462-00	D - 11	5EB-25377-00	E - 6	4TX-26280-50	E - 8	5PS-2835A-00	F - 2	5JJ-82151-90	F - 10
5PS-21816-00	D - 7	12R-23469-00	D - 11	4FM-25381-10	E - 5	4KG-26281-00	E - 8	5GT-2836B-00	F - 6	2UJ-82310-01	F - 10
26H-21828-00	D - 7	5PW-2413B-00	D - 14	5EB-25388-00	E - 5	3XW-26282-01	E - 8	5LV-2836B-01	F - 2	5JW-82370-00	F - 10
5PS-21871-00	D - 7	5PS-2414H-10	D - 15	5PS-25389-00	E - 5	4TX-26290-50	E - 8	5PS-2836E-00	F - 2	1C7-82380-00	C - 3
5EB-21875-00	D - 7	3ME-2415E-01	D - 14	5MT-25398-00	E - 3	5PS-26302-00	E - 8	5PS-2836K-00	E - 14		F - 12
5PS-22110-10	D - 8	5PS-24181-00	D - 14		E - 5	5VS-26332-00	E - 9	5PS-28372-00	D - 15	5PS-82386-00	B - 15
5EB-22123-00	D - 8	5PS-24181-10	D - 14	5MT-25398-10	E - 3	5PS-26335-01	E - 8	5PS-28373-00	E - 14	5PS-82509-01	C - 3
5PS-22125-00	D - 8	5EB-24183-00	D - 14		E - 5	1E6-26342-00	E - 8	5PS-2837N-01	E - 15	5SL-82511-08	F - 11
5EB-22127-00	D - 8	5PS-24183-00	D - 14	5MT-25398-20	E - 3	128-27114-00	E - 10	5PS-2837R-00	F - 2	5PS-82530-00	F - 10
3FV-22128-00	D - 8	5PS-24186-00	D - 14		E - 5	5PS-27211-00	E - 12	5PS-28381-01	E - 14	5PS-82540-00	F - 12
5PS-22141-00	D - 8	5JX-24188-00	B - 14	5PS-25442-00	E - 5	5PS-27212-00	E - 12	5PS-28391-A0	F - 2	5VS-8255P-00	F - 10
5PS-22151-00	D - 9	5PS-24191-00	D - 14	5SL-2580T-00	E - 4	47X-27222-00	E - 12	5PS-28391-B0	F - 2	5RT-82566-60	F - 12
5PS-2217A-00	D - 8	5PS-24192-00	D - 14	5SL-2580U-00	E - 4	5PS-27311-00	E - 10	5PS-28391-C0	F - 2	5PS-82576-01	F - 11
5PS-2217M-00	D - 8	5JW-24311-00	C - 4	5PS-2580W-01	E - 7	5JJ-27315-00	E - 10	5PS-28392-A0	F - 2	5VS-8258J-00	F - 11
5PS-22184-00	D - 8	5PS-24318-00	D - 15	5PX-2581T-00	E - 4	5PS-27321-00	E - 10	5PS-28392-B0	F - 2	5PS-82590-41	F - 10
5PS-22210-10	D - 10	68V-24376-00	C - 3	5GJ-25827-00	E - 7	5PS-27323-00	E - 10	5PS-28392-C0	F - 2	1UA-82591-00	E - 9
4GY-22216-30	D - 10	5JW-24486-00	D - 15	5VX-2582A-00	E - 12	5PS-27352-00	E - 10	5PS-28393-40	F - 2		F - 12
5PS-22219-01	D - 10	5JW-24491-00	D - 14	4JH-2582W-00	E - 7	3YX-27413-00	E - 10	5PS-28393-50	F - 2	5VS-8259J-00	F - 11
5PS-23102-30	D - 12	5JJ-24602-00	D - 15	5PS-2583V-00	E - 12	36Y-27414-00	C - 5	5PS-28394-40	F - 2	5VS-82729-00	F - 11
5PS-23103-30	D - 12	5PS-2470F-20	E - 2	5SL-25852-00	E - 12	5LV-27431-01	E - 11	5PS-28394-50	F - 2	3YX-82911-01	F - 9
5PS-23110-10	D - 12	5PS-2471K-00-P6	D - 5	5VS-25852-00	E - 9	5JW-27434-00	D - 2	5PS-28396-00	E - 15	3YX-82917-01	F - 9
5PS-23111-00	D - 12	5PS-24723-00	D - 6	5SL-25854-00	E - 12	5J-27437-01	E - 11	5PS-28397-00	E - 15	5PW-83310-01	F - 5
4GY-23118-10	D - 12	5PS-24723-10	D - 6	5VS-25854-00	E - 9	5LV-27441-01	E - 11	5PS-81410-00	F - 3	1KH-83311-00	F - 5
4KM-23123-01	D - 11	5PS-24724-00	D - 6	5SL-25855-00	E - 12	5PS-27442-00	E - 11	5PS-81450-00	F - 3	5PW-83318-00	F - 5
3GM-23125-00	D - 12	5PS-24724-10	D - 6	5VS-25855-00	E - 9	5PS-27443-00	E - 11	3AJ-81801-00	F - 4	5PW-83320-01	F - 5
5PS-23126-30	D - 12	4HM-24728-00	E - 2	4BP-2585F-00	E - 12	4BH-27451-01	E - 10	3AJ-81809-00	F - 4	5PS-83330-01	F - 5
5PS-23136-30	D - 12	5PS-2472K-00-P6	D - 5	3LN-2585G-00	E - 12	4BH-27461-01	E - 10	1HX-81815-00	F - 4	5PW-8333A-00	F - 5
5PS-23141-10	D - 12	5PS-24730-20	E - 2	5VS-25867-00	E - 9	5PS-28100-01	D - 6	3AJ-81826-00	F - 4	5PS-83340-01	F - 5
4PU-23144-00	D - 12	5LV-24737-00	E - 2	5PS-25872-11	E - 9	3TB-28217-00	D - 7	4XV-8182A-00	F - 4	5PW-8334A-00	F - 5
4PU-23145-01	D - 12	22W-24741-00	E - 2	5PS-25874-10	E - 13	5PS-28217-00	D - 15	3AJ-81830-00	F - 4	3XV-83350-21	F - 13
4V4-23146-L0	D - 12	5PS-24741-00	E - 2	5PS-25875-00	D - 9		E - 14	11H-81844-00	F - 4	5PS-83371-00	F - 13
3FV-23149-00	D - 12	5PS-24746-00	E - 2	4NK-25876-00	D - 9	5PS-28321-00	F - 2	1FK-81847-00	F - 4	5PS-8338L-00	C - 9

NUMERICAL INDEX

PART NO.	GRID NO.	PART NO.	GRID NO.	PART NO.	GRID NO.	PART NO.	GRID NO.	PART NO.	GRID NO.	PART NO.	GRID NO.
5PS-83513-00	F - 6	5SL-W0045-00	E - 4	90110-05014	D - 15	90167-05037	F - 7	90201-12575	D - 2	90387-06048	D - 6
	F - 7	5PS-W0046-00	E - 7	90110-05112	D - 15	90167-05076	E - 14	90201-127E1	B - 9	90387-0614M	B - 10
4YR-83517-00	F - 6	5JW-W0047-00	E - 7	90110-05201	E - 15	90167-05080	E - 14	90201-14215	E - 12	90387-061W6	D - 14
5PS-83517-00	F - 6	3GM-W0047-10	E - 4	90110-06006	C - 9	90170-06183	E - 2	90201-186M4	D - 8	90387-06372	D - 9
4YR-83517-10	F - 6	3MA-W0047-10	E - 4	90110-06018	B - 12	90170-06228	D - 2	90201-191J4	D - 2	90387-065T2	D - 5
5PS-83523-00	F - 6	1J3-W0048-00	E - 4	90110-06027	C - 15	90170-20008	C - 11	90201-20008	C - 14	90387-066Y6	F - 8
5PS-8353E-00	F - 6	51L-W0048-00	E - 7	90110-06042	F - 3	90176-28083	D - 11	90201-25020	E - 5	90387-06761	B - 14
5PS-83541-00	F - 6	4SV-W0057-00	E - 4	90110-06060	C - 15	90179-05523	E - 14	90201-25M72	C - 14	90387-0714B	B - 10
5PS-83570-40	F - 6	5JW-W0057-00	E - 7	90110-06093	B - 13	90179-06009	D - 5	90201-281U8	D - 11	90387-085N0	B - 14
5PS-83570-50	F - 6	4SV-W0057-10	E - 4	90110-06124	F - 12	90179-06635	E - 2	90201-30008	C - 10	90387-1012B	D - 8
5PS-83572-00	F - 6	2TV-W2470-00	E - 2	90110-06200	D - 5	90179-08148	F - 9	90202-05187	F - 10	90387-106W6	B - 13
4BH-83591-00	B - 15	5PS-W2587-00	E - 9	90110-06226	E - 10	90179-08410	C - 5	90202-05224	E - 14	90387-120W5	B - 12
5PS-83755-01	F - 12	5PS-W8250-20	F - 10	90110-08220	E - 11	90179-09379	B - 5	90202-06170	D - 5	90387-126Y1	D - 8
3YX-83912-11	F - 9	5PS-YK241-10-P8	D - 14	90111-06037	B - 10	90179-10002	D - 3	90202-30235	D - 11	90387-127W0	D - 9
5VS-83922-00	E - 9	5PS-YK241-10-P9	D - 14	90111-08005	D - 6	90179-10414	B - 2	90206-08051	D - 6	90387-130W6	B - 14
437-83936-01	F - 9	5PS-YK241-10-PA	D - 14	90111-08006	D - 6	90179-10696	D - 3	90206-12074	D - 2	90387-14003	D - 3
3YX-83945-00	F - 9	90101-06664	F - 11	90111-12001	D - 3	90179-22003	C - 14	90209-21332	C - 13	90387-2200T	E - 3
5PS-83969-10	F - 9	90101-08662	E - 10	90116-10575	E - 5	90179-30691	D - 11	90209-21351	C - 13	90387-25004	C - 13
5RT-83975-00	F - 9	90101-08766	E - 5	90119-05062	D - 5	90183-04039	F - 11	90209-22352	C - 13	90387-2511A	C - 14
4HM-83980-00	E - 9	90101-10659	D - 9	90119-06044	B - 10	90183-05042	E - 14	90209-28330	C - 13	90387-2513E	C - 13
5PS-8411W-00	F - 7	90101-12749	D - 8			90183-05061	E - 14	90209-28331	C - 13	90387-2802W	C - 13
5PS-84163-00	E - 14	90105-06020	D - 5	90119-06096	D - 9	90183-06023	E - 12	90209-29329	C - 13	90387-32003	C - 13
3GM-84192-10	F - 7	90105-06153	B - 2	90119-06108	D - 5	90183-06053	F - 10	90215-20004	C - 11	90401-10002	B - 12
3GM-84301-01	F - 7	90105-06790	E - 9	90119-06117	D - 7			90215-30233	C - 14	90401-10020	E - 9
5PS-84310-00	F - 7	90105-07004	B - 8			90185-12119	D - 8	90240-08013	E - 12		E - 13
5PS-84310-10	F - 7	90105-08047	D - 3	90119-06118	D - 9	90185-18167	D - 8	90240-08084	E - 10	90430-06014	B - 4
4TX-8431R-00	F - 7	90105-08386	E - 7	90119-06214	D - 5	90185-24007	E - 5	90267-40110	D - 5		B - 9
3GM-84321-00	F - 7	90105-10032	D - 3	90119-06228	C - 2	90201-04018	D - 5	90269-06081	D - 6	90430-08119	B - 2
3GM-84322-00	F - 7	90105-10113	D - 3	90119-06228	D - 11	90201-047A2	F - 11	90269-07001	D - 3	90430-09002	C - 3
3GM-84346-00	F - 7	90105-10323	D - 8	90123-08096	F - 9	90201-054K4	F - 7	90269-07077	F - 2	90430-10005	E - 9
5PS-84359-10	F - 7	90105-10402	D - 10	90149-05009	B - 2	90201-06043	D - 6	90269-08001	D - 9		E - 13
3GM-84367-50	F - 7	90105-10560	C - 6			90201-06071	B - 10	90280-05029	B - 5	90430-10188	B - 12
4TV-84397-00	F - 7	90105-105A7	E - 4	90149-05299	E - 15		F - 8	90338-06018	E - 2	90430-12202	B - 15
5PS-84710-00	F - 8	90105-12584	B - 5	90149-05321	C - 15	90201-066F0	C - 6	90338-08008	D - 3		F - 12
1A2-84714-41	F - 8	90109-06044	B - 3	90149-06018	F - 12	90201-08083	E - 12	90338-08163	D - 6	90430-14131	B - 12
5PS-84721-00	F - 8	90109-06045	B - 3	90149-06026	C - 10	90201-08087	C - 6	90338-08226	D - 5	90445-08010	B - 15
47X-84723-00	F - 8	90109-06046	D - 6	90149-10002	D - 3	90201-080H1	D - 2	90338-10132	E - 15	90445-08024	C - 2
5PS-84735-00	F - 8	90109-06056	B - 14	90150-05024	E - 14	90201-081R9	E - 10	90338-10150	B - 2	90445-083J5	D - 7
3Y6-85130-02	F - 8	90109-064G6	E - 4	90151-06008	C - 6	90201-08753	C - 5	90338-11125	E - 15	90445-11026	B - 14
47G-85353-00	F - 7	90109-065A8	C - 8	90151-06011	C - 13	90201-10119	C - 12	90338-24112	D - 3	90445-116H6	C - 2
5PS-85720-00	F - 12	90109-066F0	B - 2	90153-06029	B - 4	90201-101J1	D - 9	90340-14013	C - 9	90445-197J2	E - 10
5PS-85790-00	F - 12	90109-080G5	F - 11	90157-05079	E - 10		D - 10	90340-14132	B - 13	90450-25037	B - 13
5PS-85885-01	C - 3	90109-08170	C - 5	90157-05134	E - 11	90201-103M4	B - 2	90340-18101	B - 2	90450-32015	B - 10
5PS-85896-10	F - 12	90109-08174	E - 10	90159-06033	D - 7	90201-10N12	C - 14	90340-32004	C - 9	90450-38040	B - 10
5PS-8591A-20	F - 10	90109-082F5	E - 10	90159-06123	C - 11	90201-11597	C - 6	90383-14001	E - 11	90450-52002	C - 2
5PS-8592A-10	F - 12	90109-083G4	E - 7	90164-05014	F - 6	90201-12013	D - 2	90387-052U5	F - 7	90450-63001	B - 15
5VS-W0041-00	E - 9	90109-087F1	C - 5			90201-12163	C - 11	90387-06014	E - 11	90462-05005	B - 15
5PS-W0042-50	E - 12	90110-05011	F - 3	90167-05025	F - 7	90201-121H0	B - 5	90387-0602Y	D - 14	90462-08017	F - 12

NUMERICAL INDEX

PART NO.	GRID NO.	PART NO.	GRID NO.	PART NO.	GRID NO.	PART NO.	GRID NO.	PART NO.	GRID NO.	PART NO.	GRID NO.
90464-07209	E - 14	90508-14012	C - 11	92017-06014	D - 6	93317-21288	C - 8	95607-14200	D - 10	98507-05010	C - 3
90464-07M56	F - 10	90508-20572	E - 10	92017-06025	D - 14	93317-21746	D - 8	95617-06100	E - 9	98507-05014	C - 3
90464-10233	D - 7	90508-29016	C - 15	92507-06014	C - 3	93317-31771	D - 8	95617-08625	B - 2	98507-05020	F - 12
90464-12089	D - 3	90508-32682	D - 2	92902-04100	E - 9	93399-99932	D - 11	95617-10100	D - 9	98507-05022	F - 9
90464-13249	D - 3	91314-06016	B - 9	92902-04600	E - 9	93440-10109	B - 2		D - 10	98507-05030	C - 3
	F - 10	91314-06020	B - 8	92904-06600	F - 10	93440-25084	C - 13	95707-05500	F - 8		F - 9
90464-14001	F - 10		B - 9	92907-05600	B - 10	93440-31183	C - 13	95707-06500	E - 2	98507-05040	F - 9
90464-15157	D - 7		B - 12	92907-08600	C - 11	93440-45144	C - 14	95707-08500	E - 15	98507-06008	F - 10
90464-15195	E - 15		C - 7	92907-12600	D - 8	93450-22146	B - 5	95807-06012	F - 2	98507-06035	B - 12
90464-16005	D - 14	91314-06025	B - 13	92990-06600	E - 12	93501-04011	E - 11	95807-06014	E - 12	98507-06045	B - 12
90464-16007	D - 14		C - 8	93101-12004	D - 2	93505-08030	B - 13	95807-06020	F - 2		C - 3
90464-18002	D - 5	91314-06030	B - 9	93102-12106	C - 11	93900-00030	E - 3	95807-06025	B - 10	98707-03020	F - 9
	D - 9		B - 12	93102-40008	C - 14		E - 5	95807-06030	B - 10	98907-05012	B - 15
90464-20181	D - 3		C - 9	93106-15034	C - 8	94112-18019	E - 3		F - 10	98907-05016	B - 15
90464-25003	F - 11	91314-06035	B - 13	93106-28043	E - 3	94116-17008	E - 5	95807-08016	D - 14	99001-07600	C - 11
90464-35132	E - 14	91314-06040	B - 12	93106-35042	E - 5	94581-46118	E - 5	95814-06040	C - 6	99001-10600	D - 2
90465-08028	F - 12		E - 11	93106-40041	E - 5	94591-40041	B - 8	95814-08050	C - 6	99009-10400	C - 12
90465-08034	C - 8	91314-06045	B - 9	93109-12075	C - 8	94701-00241	B - 2	95814-08060	C - 6	99009-11400	B - 12
90465-08125	C - 8	91314-06050	C - 8	93109-17071	D - 8	94701-00242	B - 2	95814-08070	C - 6	99009-12400	B - 9
90465-08380	F - 3	91314-06060	B - 9	93109-33049	D - 8	95024-06012	B - 9	95817-06020	C - 6	99009-19400	D - 2
90465-10028	C - 6	91314-08030	D - 11	93210-07135	B - 14		C - 5	95817-06025	C - 6	99247-00080	D - 6
90465-10098	C - 2	91314-08040	D - 13	93210-10096	B - 13	95024-08012	B - 2	95817-06030	C - 6	99530-08012	B - 12
	E - 14	91317-04025	F - 11	93210-12790	B - 13	95024-08025	C - 5	95817-06045	C - 7		C - 7
	F - 11	91317-05010	D - 15	93210-13657	B - 13	95024-10040	B - 13	95817-06050	F - 4		C - 8
90467-08075	D - 7	91317-05016	F - 10	93210-14369	C - 9	95027-06008	F - 12	95817-06055	C - 6	99530-08016	B - 13
90467-09006	D - 15	91317-05035	E - 8	93210-15566	B - 14	95027-06010	B - 11	95817-06070	C - 6		C - 7
90467-09037	C - 3	91317-06010	C - 8	93210-18417	B - 10		B - 15	95817-08025	E - 15	99530-10114	C - 6
90467-090A1	E - 12		F - 12	93210-21190	B - 9		E - 10	95817-08030	D - 3		C - 8
90467-10008	B - 14	91317-06012	F - 12		B - 14		F - 13	95817-08065	C - 6	99530-14016	B - 4
90467-10038	B - 10	91317-06014	C - 8	93210-29196	F - 12	95027-06014	F - 12	95817-08075	C - 6		C - 6
90467-11090	C - 3	91317-06016	B - 10	93210-30660	B - 5	95027-06016	D - 9	95827-06010	F - 13		B - 13
90467-11106	C - 2	91317-06020	B - 15	93210-32172	C - 9	95027-06020	B - 2	95827-06012	C - 14		C - 8
90467-12003	D - 14		C - 8	93210-33133	B - 9		B - 11	95827-06014	B - 14		C - 6
90467-14015	C - 2	91317-06025	B - 10	93210-357A2	B - 9		B - 12	95827-06020	D - 2		C - 7
90467-17003	C - 2	91317-06030	C - 8	93210-49046	B - 11		F - 9	95827-08035	D - 6		C - 8
90467-20086	C - 2	91317-06045	C - 9	93210-64297	B - 12	95027-06025	B - 11	97007-05012	B - 10		C - 7
90468-08104	C - 2	91317-06150	B - 2	93306-00304	C - 11		B - 12	97024-06016	F - 10		C - 8
90480-01558	D - 7	91317-08025	D - 13	93306-00420	E - 3	95027-06090	D - 14	97706-04012	F - 5		C - 6
90480-10517	F - 7	91380-06010	C - 5	93306-07806	E - 5	95304-06700	D - 2	97707-40012	E - 2		C - 7
90480-14323	F - 8	91380-06035	C - 9	93306-20455	C - 14	95307-06600	F - 8	97707-40016	F - 6		C - 8
90480-15363	B - 10	91401-20012	E - 12	93306-20464	C - 13	95307-08600	E - 5	97707-50012	D - 5		C - 9
90501-06022	C - 15	91401-25015	E - 10	93306-20644	E - 5	95307-08700	E - 12	97707-50014	D - 6		C - 10
90501-064L1	C - 15	91808-16023	B - 2	93306-30534	C - 13	95307-10700	C - 14	97707-50016	F - 2		C - 11
90501-104F9	B - 13	92014-06020	D - 5	93310-365B8	C - 12	95604-06200	E - 11		F - 7		C - 12
90501-15001	E - 11	92014-06025	E - 12	93315-42523	D - 8	95607-05200	F - 12	97707-50020	B - 15		C - 13
90501-230E4	C - 11	92014-08030	E - 12	93315-42536	D - 8	95607-06100	F - 9		D - 5		C - 14
90506-20008	E - 10	92017-06010	D - 14	93317-11020	C - 11	95607-10200	D - 8	97707-60020	D - 5		C - 15
90506-20223	E - 12		F - 13	93317-11287	C - 11		E - 5	98502-04012	E - 9		C - 16