

**PARTS
CATALOGUE
CATALOGO
DE REPUESTOS**

| | |
|----------------------|----------------------------|
| CY50'98(4MN5) | C&SOUTH AMERICA |
| CY50'98(4MT3) | COLOMBIA |
| CY50'98(4MS4) | BRAZIL |

FOREWORD

This Parts Catalogue is related to the parts for the model(s) in the below frame. When you are ordering replacement parts, please refer to this Parts Catalogue and quote both part numbers and part names correctly.

CY50'98(4MN5/4MT3/4MS4)

1. Modifications or additions which have been made after issue of the Parts Catalogue will be announced in the Yamaha Parts News. It is advisable that you make necessary corrections to the Parts Catalogue according to the Yamaha Parts News.

2. Abbreviations
The Following abbreviations are used in this Parts Catalogue.

"UR" Use specified parts number.
 "UN" Use as many as needed.
 "AP" Alternate Parts
 "UM" Local Made (Parts need to be ordered locally)
 "F#" Frame No. (Applicable machine No.)

3. Parts, which are to be supplied in an assembly, are listed with a dot(.) in front of the part name as shown below.

EXAMPLE

CARBURETOR ASSY
 .JET, PILOT
 .NOZZLE, MAIN

4. Number of component for assembly
The numeral appearing to the right of each component part indicates the quantity of parts for each assembly unit.

EXAMPLE

| PART NO. | DESCRIPTION | Q'TY | REMARKS |
|--------------|--------------------------|------|---------|
| 2F5-83310-60 | FRONT FLASHER LIGHT ASSY | 2 | |
| 115-83311-60 | .BULB (6V-18W) | 1 | |
| 1M1-83309-60 | .REFLECTOR | 1 | |

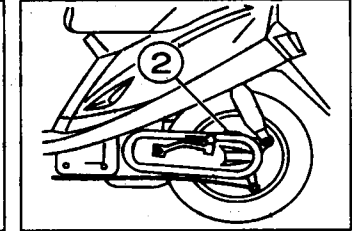
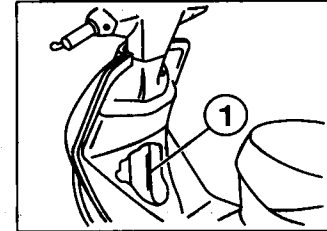
5. Applicable colors of graphics are represented in the "REMARKS" as shown below.

| PART NO. | DESCRIPTION | Q'TY | REMARKS |
|-----------------|---------------------|------|---------|
| 2N4-24110-00-X5 | .FUEL TANK COMP. | 2 | MXR |
| 3J1-24240-10 | .GRAPHIC, FUEL TANK | 1 | for MXR |

6. Applicable Serial No.

① Frame Serial No.

② Engine Serial No.



7. Note that the illustrations for reference in finding parts numbers, not to be used for assembling. When assembling, please use the applicable service manual.

8. The asterisk (*) before a reference number indicates modification items after the first edition.

PROLOGO

Este Catálogo de Repuestos corresponde a las piezas para el(los) modelo(s) del recuadro siguiente. Al formular el pedido de repuestos, se ruega citar este Catálogo de Repuestos y especificar correctamente los números de parte y los nombres de parte.

CY50'98(4MN5/4MT3/4MS4)

1. Las modificaciones y agregados que se hayan realizado después de la edición de este Catálogo de Repuestos, serán anunciados en las Informaciones de Recambios Yamaha.
2. Abreviaciones
En este Catálogo de Repuestos se emplean las siguientes abreviaciones.
 "UR" Usar el número de partes especificado
 "UN" Usar la cantidad necesaria
 "AP" Piezas sustitutivas
 "UM" Fabricación local (Partes necesarias que se pedirán localmente)
 "F#" No. de bastidor aplicable
3. Las piezas suministradas como conjunto se describen con un punto (.) que precede al nombre de la pieza como se indica a continuación.

EJEMPLO

CONJUNTO CARBURADOR

.INYECTOR, piloto

.BOQUILLA, principal

4. Cantidad de componentes de un conjunto
La numeración que aparece a la derecha de cada descripción, indica la cantidad de piezas por cada unidad de conjunto.

EJEMPLO

| PIEZAS NO. | DESCRIPCION | CANT. | OBSERVACION |
|--------------|----------------------|-------|-------------|
| 2F5-83310-60 | ENSAMBLAJE DE LA LUZ | 2 | |
| 115-83311-60 | .BOMBILLA (6V-1 8W) | 1 | |
| 1M1-83309-60 | .REFLECTOR | 1 | |

5. Los colores de los componentes se indican como sigue en la columna de "OBSERVACIONES".

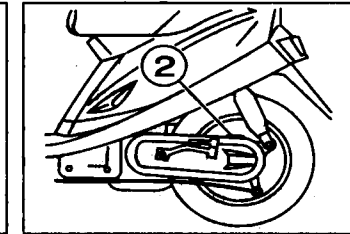
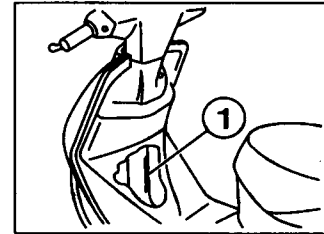
EJEMPLO

| PIEZAS NO. | DESCRIPCION | CANT. | OBSERVACION |
|-----------------|----------------------|-------|-------------|
| 2N4-24110-00-X5 | .COMP. DEL TANQUE | 2 | MXR |
| 3J1-24240-10 | .GRAFICO, DEL TANQUE | 1 | para MXR |

6. Números de Serie

① No. de Serie del bastidor

② No. de Serie del motor

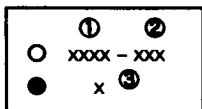


7. Debe tenerse en cuenta que las ilustraciones sirven como guía para la búsqueda de las referencias y no deben usarse para el montaje. Durante el montaje, se recomienda usar el manual de Taller correspondiente.
8. EL asterisco (*) antes del número de referencia indica los elementos modificados después de la primera edición.

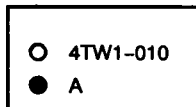
MODEL LABEL

(1) A label called "Model Label" is affixed in the location as indicated in (3) below.
When using this parts catalogue, please be sure to cross-refer the "model code - production code No." in the catalogue to the "model code - production code No." indicated on the Model Label affixed onto the product concerned.

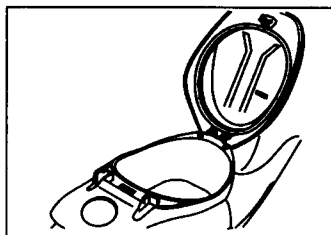
(2) "Model Label" Indication



- ① Model Type Code
- ② Production Code No.
- ③ Colouring Type



(3) Model Label Affixing Location



(4) Model Code - Production Code Number of Model Listed in This Parts Catalog

| Model Code | Production Code No. | Country (destination) | Model Code | Production Code No. | Country (destination) |
|------------|---------------------|-----------------------|------------|---------------------|-----------------------|
| 4MN5 | 010 | ARGENTINE | | | |
| | | BERMUDA | | | |
| | | MEXICO | | | |
| | | URGUAY | | | |
| | | VENEZUELA | | | |
| | | S.AFRICA | | | |
| 4MT3 | 010 | COLOMBIA | | | |
| 4MS4 | 010 | BRAZIL | | | |
| | | | | | |
| | | | | | |
| | | | | | |
| | | | | | |
| | | | | | |
| | | | | | |
| | | | | | |
| | | | | | |

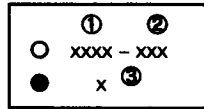
(5) Colouring Information

| Model Code | Colouring type code | Colour code | Colour Name | Abbreviation |
|------------|---------------------|-------------|-------------------------------|--------------|
| 4MN5 | A | 0121 | VIVD RED COCKTAIL 1 | VRC1 |
| 4MT3 | B | 0564 | DEEP PURPLISH BLUE METALLIC C | DPBMC |
| 4MS4 | C | 0521 | CYAN METALLIC 3 | CM3 |
| | D | 0251 | REDDISH YELLOW COCKTAIL 1 | RYC1 |

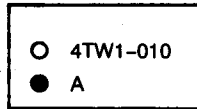
ROTULO DE MODELO

(1) El rótulo llamada "Rótulo de Modelo" está en la ubicación indicada abajo en el (3). Cuando se utilice este catálogo de partes, se ruega cotejar entre el "código de modelo-número de código de producción" del catálogo y el "código de modelo-número de código de producción" indicado en el Rótulo de Modelo fijado en el producto correspondiente.

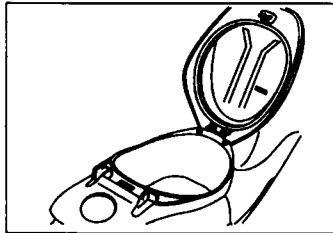
(2) Indicación del "Rótulo de Modelo"



① Código de tipo de Modelo
 ② Número de código de Producción
 ③ Tipo de color



(3) Ubicación de fijación del Rótulo de Modelo



(4) Código de Modelo-Número de código de Producción del Modelo Listado en este Catálogo de Partes

| Código de Modelo | Número de Código de Producción | Pais(destine) | Código de Modelo | Número de Código de Producción | Pais(destine) |
|------------------|--------------------------------|---------------|------------------|--------------------------------|---------------|
| 4MN5 | 010 | ARGENTINE | | | |
| | | BERMUDA | | | |
| | | MEXICO | | | |
| | | URGUAY | | | |
| | | VENEZUELA | | | |
| | | S.AFRICA | | | |
| 4MT3 | 010 | COLOMBIA | | | |
| 4MS4 | 010 | BRAZIL | | | |
| | | | | | |
| | | | | | |
| | | | | | |
| | | | | | |
| | | | | | |
| | | | | | |
| | | | | | |
| | | | | | |

(5) Información de Color

| Código de Modelo | Código de tipo de color | Código de color | Nombre de color | Abreviatura |
|------------------|-------------------------|-----------------|-------------------------------|-------------|
| 4MN5 | A | 0121 | VIVID RED COCKTAIL 1 | VRC1 |
| | B | 0564 | DEEP PURPLISH BLUE METALLIC C | DPBMC |
| 4MT3 | C | 0521 | CYAN METALLIC 3 | CM3 |
| 4MS4 | D | 0251 | REDDISH YELLOW COCKTAIL 1 | RYC1 |

CONTENTS

ENGINE

| | |
|--------------------------|-----|
| CYLINDER | B2 |
| CRANKSHAFT. PISTON | B3 |
| AIR SHROUD. FAN | B4 |
| OIL PUMP | B5 |
| INTAKE | B6 |
| CARBURETOR | B7 |
| EXHAUST | B9 |
| CRANKCASE | B10 |
| STARTER | B12 |
| CLUTCH | B13 |
| TRANSMISSION | B15 |

CHASSIS

| | |
|------------------------------|-----|
| FRAME | C2 |
| FENDER | C3 |
| SIDE COVER | C5 |
| OIL TANK | C6 |
| REAR SUSPENSION | C7 |
| FRONT FORK | C8 |
| FUEL TANK | C9 |
| SEAT. CARRIER | C10 |
| FRONT WHEEL | C11 |
| REAR WHEEL | C13 |
| STEERING HANDLE. CABLE | C14 |
| STAND. FOOTREST | D2 |
| LEG SHIELD | D3 |
| COWLING 1 | D4 |
| GENERATOR | D5 |
| FLASHER LIGHT | D6 |
| METER | D7 |
| HEADLIGHT | D8 |
| TAILLIGHT | D9 |

| | |
|----------------------------|-----|
| HANDLE SWITCH. LEVER | D10 |
| ELECTRICAL 1 | D11 |
| ELECTRICAL 2 | D12 |

INDEX

| | |
|-----------------------|----|
| NUMERICAL INDEX | M1 |
|-----------------------|----|

CONTENIDO

MOTOR

| | |
|------------------------------------|-----|
| CILINDRO | B2 |
| CIGUENAL. PISTON | B3 |
| CUBIERTA DE AIRE. VENTILADOR | B4 |
| BOMBA DE ACEITE | B5 |
| ADMISION | B6 |
| CARBURADOR | B7 |
| DESCARGA | B9 |
| CARTER | B10 |
| ARRANQUE | B12 |
| EMBRAGUE | B13 |
| TRANSMISION | B15 |

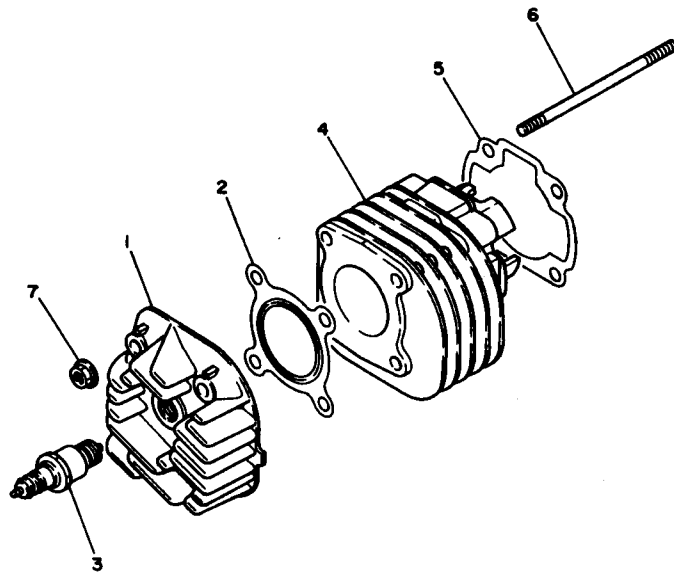
CHASSIS

| | |
|-------------------------------|-----|
| CUADRO | C2 |
| GUARDABARRO | C3 |
| CUBIERTA LATERAL | C5 |
| DEPOSITO DE ACEITE | C6 |
| SUSPENSION TRASERO | C7 |
| HORQUILLA DELANTERA | C8 |
| DEPOSITO DE COMBUSTIBLE | C9 |
| ASIENTO. PORTAEQUIPAJE | C10 |
| RUEDA DELANTERA | C11 |
| RUEDA TRASERA | C13 |
| MANUBRIO. CABLE | C14 |
| SOPORTE. APOYAPIE | D2 |
| PATA PROTEGIDA | D3 |
| BOVEDA 1 | D4 |
| GENERADOR | D5 |
| LUZ DE DESTELLADOR | D6 |
| MEDIDOR | D7 |
| FARO DELANTERO | D8 |
| LUZ DE COLA | D9 |

| | |
|--------------------------------------|-----|
| INTERRUPTOR DE MANIJA. PALANCA | D10 |
| EQUIPO ELECTRICO 1 | D11 |
| EQUIPO ELECTRICO 2 | D12 |

INDEX

| | |
|-----------------------|----|
| NUMERICAL INDEX | M1 |
|-----------------------|----|

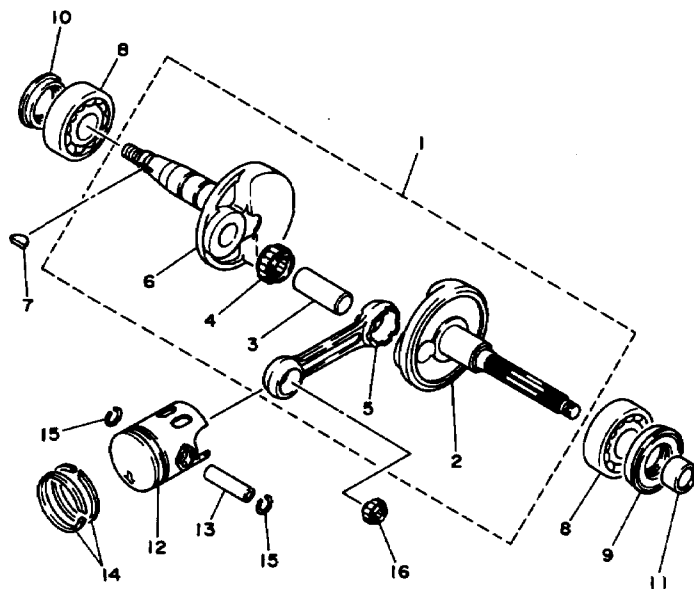



3KJ1010-9010

FIG. 1 CYLINDER

CILINDRO

| REF. NO. | PART NO. CODIGO NO. | DESCRIPTION DESCRIPTION | 4MNS | 4MT3 | 4MS4 | REMARKS OBSERVACION |
|----------|---------------------|-----------------------------------------------|------|------|------|---------------------|
| 1 | 3KJ-11111-10 | HEAD, CYLINDER 1 CULATA CILINDRO 1 | 1 | 1 | 1 | |
| 2 | 3KJ-11181-00 | GASKET, CYLINDER HEAD 1 JUNTA, DE CULATA 1 | 1 | 1 | 1 | |
| 3 | 94701-00227 | PLUG, SPARK (NGK BPR7HS) BUJIA | 1 | 1 | 1 | |
| 4 | 3KJ-11311-10 | CYLINDER 1 CILINDRO 1 | 1 | 1 | 1 | |
| 5 | 4FB-11351-00 | GASKET, CYLINDER JUNTA, DE CILINDRO | 1 | 1 | 1 | |
| 6 | 90116-07353 | BOLT, STUD ESPARRAGO | 4 | 4 | 4 | |
| 7 | 90179-07381 | NUT TUERCA | 4 | 4 | 4 | |

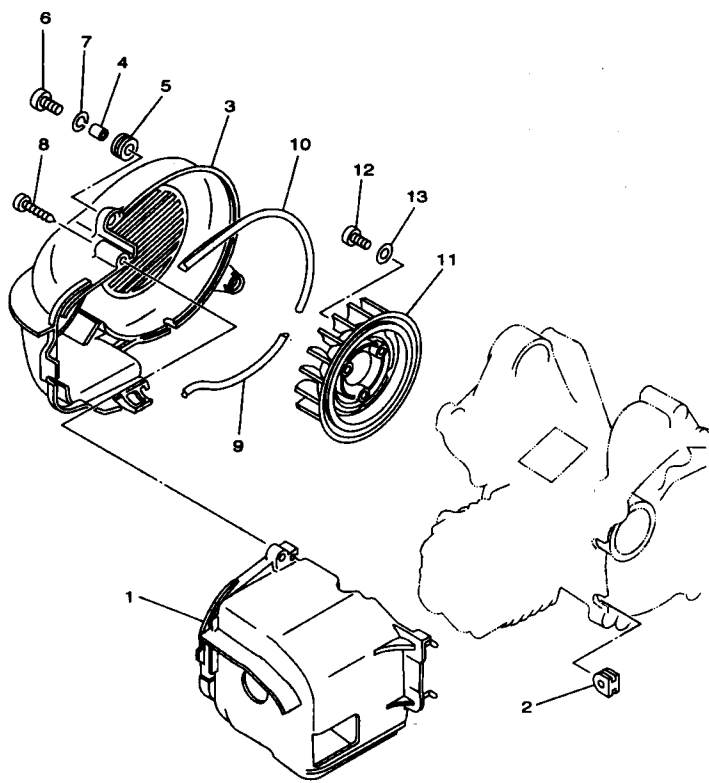



 3KJ1010-9020

FIG. 2 CRANKSHAFT. PISTON CIGUENAL. PISTON

| REF. NO. | PART NO. CODIGO NO. | DESCRIPTION DESCRIPTION | 4MMS | 4MT3 | 4MS4 | REMARKS OBSERVACION |
|----------|---------------------|------------------------------------------------------------|------|------|------|---------------------|
| 1 | 3KJ-11400-01 | CRANKSHAFT ASSY CIGUENAL COMPLETO | 1 | 1 | 1 | |
| 2 | 3KJ-11412-01 | .CRANK 1 .MANIVELA 1 | 1 | 1 | 1 | |
| 3 | 1YU-11681-00 | .PIN, CRANK 1 .PASADOR MANIVELA 1 | 1 | 1 | 1 | |
| 4 | 93310-416N7 | .BEARING .COJINETE | 1 | 1 | 1 | |
| 5 | 2E9-11651-00 | .ROD, CONNECTING .BIELA | 1 | 1 | 1 | |
| 6 | 3KJ-11422-01 | .CRANK 2 .MANIVELA 2 | 1 | 1 | 1 | |
| 7 | 90280-03017 | KEY, WOODRUFF CUNA WOODRUFF | 1 | 1 | 1 | |
| 8 | 93306-20458 | BEARING COJINETE | 2 | 2 | 2 | |
| 9 | 93102-20425 | OIL SEAL SELLO ACEITE | 1 | 1 | 1 | |
| 10 | 93101-20138 | OIL SEAL SELLO ACEITE | 1 | 1 | 1 | |
| 11 | 90387-158U0 | COLLAR CASQUILLO CON VALONA | 1 | 1 | 1 | |
| 12 | 3CP-11631-00-96 | PISTON (STD) PISTON (STD) | 1 | 1 | 1 | |
| | 3CP-11636-00 | PISTON (0.50MM O/S) PISTON (0.50MM O/S) | 1 | 1 | 1 | AP |
| 13 | 27V-11633-00 | PIN, PISTON PASADOR, PISTON | 1 | 1 | 1 | |
| 14 | 260-11610-02 | PISTON RING SET (STD) JUEGO DE AROS (NORMA) | 1 | 1 | 1 | |
| | 260-11610-22 | PISTON RING SET (0.50MM O/S) JUEGO DE AROS (0.50MM O/S) | 1 | 1 | 1 | AP |
| 15 | 93450-11120 | CIRCLIP BOLA | 2 | 2 | 2 | |
| 16 | 93310-210M0 | BEARING COJINETE | 1 | 1 | 1 | |

B3




 4MN5200-8030

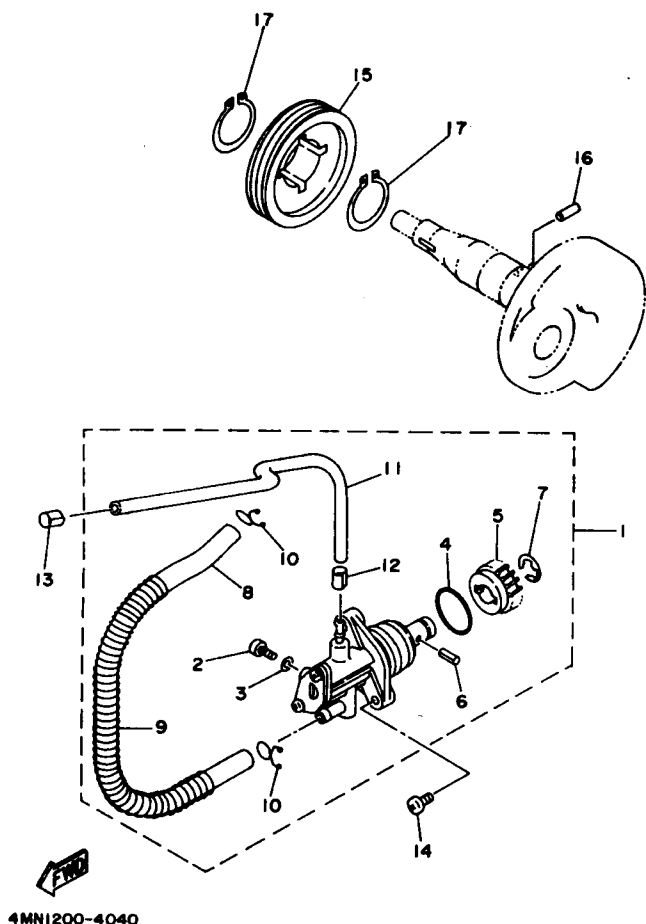
FIG. 3 AIR SHROUD. FAN CUBIERTA DE AIRE. VENTILADOR

| REF. NO. | PART NO. CODIGO NO. | DESCRIPTION | 4MN5 | 4MT3 | 4MS4 | REMARKS OBSERVACION |
|----------|---------------------|------------------------------------------------------|------|------|------|---------------------|
| 1 | 3KJ-12651-11 | AIR SHROUD, CYLINDER 1 CUBIERTA DE PASO DE AIRE 1 | 1 | 1 | 1 | |
| 2 | 90480-10488 | GROMMET TAPON | 2 | 2 | 2 | |
| 3 | 3YJ-12653-01 | AIR SHROUD, CYLINDER 3 CUBIERTA DE PASO DE AIRE 3 | 1 | 1 | 1 | |
| 4 | 90387-067V1 | COLLAR CASQUILLO CON VALONA | 2 | 2 | 2 | |
| 5 | 90480-12497 | GROMMET TAPON | 2 | 2 | 2 | |
| 6 | 98507-08020 | SCREW, PAN HEAD TORNILLO DE CABEZA CON PLANA | 2 | 2 | 2 | |
| 7 | 92907-06600 | WASHER, PLATE ARANDELA | 2 | 2 | 2 | |
| 8 | 97707-60540 | SCREW, TAPPING TORNILLO ROSCA HEMBRA | 1 | 1 | 1 | |
| 9 | 4FW-12658-00 | DAMPER, AIR SHROUD 1 AMORTIGUADOR DE CUBIERTA 1 | 1 | 1 | 1 | |
| 10 | 4FW-12659-00 | DAMPER, AIR SHROUD 2 AMORTIGUADOR DE CUBIERTA 2 | 1 | 1 | 1 | |
| 11 | 3KJ-12611-00 | FAN VENTILADOR | 1 | 1 | 1 | |
| 12 | 98507-06014 | SCREW, PAN HEAD TORNILLO DE CABEZA CON PLANA | 3 | 3 | 3 | |
| 13 | 92907-06600 | WASHER, PLATE ARANDELA | 3 | 3 | 3 | |

B4

FIG. 4 OIL PUMP

BOMBA DE ACEITE



| REF. NO. | PART NO. CODIGO NO. | DESCRIPTION DESCRIPTION | 4MN5 | 4MT3 | 4MS4 | REMARKS OBSERVACION |
|----------|---------------------|---------------------------------------------------------|------|------|------|---------------------|
| 1 | 4MN-13100-00 | OIL PUMP ASSY BOMBA DE ACEITE COMPLETA | 1 | 1 | 1 | |
| 2 | 1YU-13185-00 | BOLT, BREATHER .PERNO DE RESPIRADERO | 1 | 1 | 1 | |
| 3 | 1YU-13187-00 | GASKET, BREATHER BOLT .EMPAQUE TORNILLO P/RESPIRADER | 1 | 1 | 1 | |
| 4 | 1YU-13473-00 | O-RING .ANILLO O | 1 | 1 | 1 | |
| 5 | 3AA-13124-00 | GEAR WORM WHEEL (40T) .ENGREJE ROSCA SINFIN (40T) | 1 | 1 | 1 | |
| 6 | 1YU-13516-00 | PIN, DOWEL .PASADOR, DE ESPIGA | 1 | 1 | 1 | |
| 7 | 1YU-13577-00 | CLIP .PRESILLA | 1 | 1 | 1 | |
| 8 | 90445-09268 | HOSE .TUBO | 1 | 1 | 1 | |
| 9 | 90501-08430 | SPRING, COMPRESSION .RESORTE DE COMPRESION | 1 | 1 | 1 | |
| 10 | 90467-08003 | CLIP .PRESILLA | 2 | 2 | 2 | |
| 11 | 90445-05431 | HOSE .TUBO | 1 | 1 | 1 | |
| 12 | 90468-02033 | CLIP .PRESILLA | 1 | 1 | 1 | |
| 13 | 90468-02033 | CLIP .PRESILLA | 1 | 1 | 1 | |
| 14 | 98507-05014 | SCREW, PAN HEAD TORNILLO DE CABEZA CON PLANA | 2 | 2 | 2 | |
| 15 | 2GM-13178-00 | GEAR, PUMP DRIVE ENGRANAJE TRACC.DE BOMBA | 1 | 1 | 1 | |
| 16 | 93603-12007 | PIN, DOWEL PASADOR DE CLAVIJA | 1 | 1 | 1 | |
| 17 | 99009-19400 | CIRCLIP PRESILLA REDONDA | 2 | 2 | 2 | |

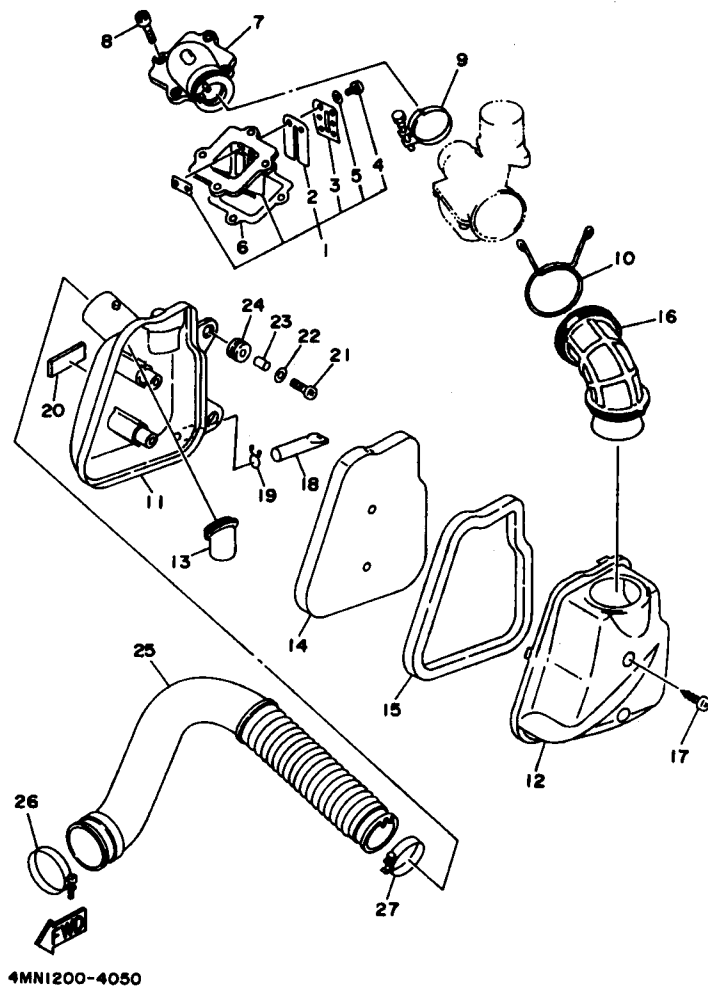


FIG. 5 INTAKE

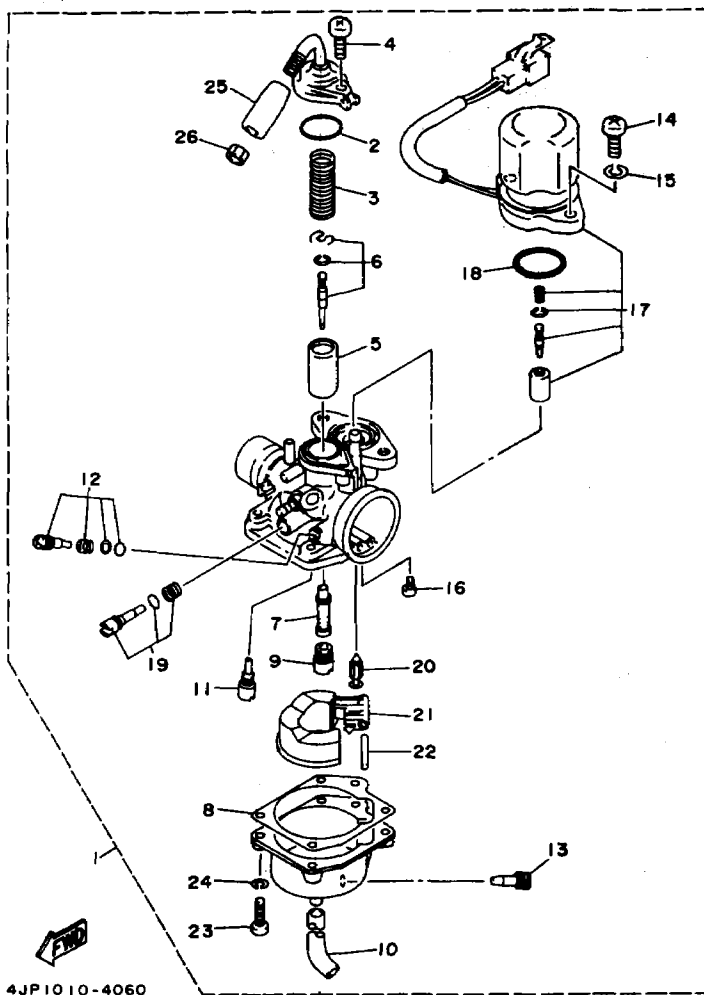
ADMISION

| REF. NO. | PART NO. CODIGO NO. | DESCRIPTION DESCRIPTION | 4MNS | 4MT3 | 4MS4 | REMARKS OBSERVACION |
|----------|---------------------|------------------------------------------------------|------|------|------|---------------------|
| 1 | 3KJ-13610-00 | REED VALVE ASSY VALVULA DE LAMINAS COMPLETA | 1 | 1 | 1 | |
| 2 | 3KJ-13613-00 | .REED, VALVE .VALVULA DE LAMINAS | 2 | 2 | 2 | |
| 3 | 3KJ-13616-00 | .STOPPER, REED VALVE .TOPE DE VALVULA DE LAMINAS | 2 | 2 | 2 | |
| 4 | 98507-03008 | .SCREW, PAN HEAD .TORNILLO DE CABEZA CON PLANA | 4 | 4 | 4 | |
| 5 | 92907-03600 | .WASHER .ARANDELA | 4 | 4 | 4 | |
| 6 | 4FB-13621-00 | GASKET, VALVE SEAT JUNTA, DE VALV.DE EMPAQUE | 1 | 1 | 1 | |
| 7 | 4FK-13555-00 | MANIFOLD, INTAKE CONECTOR | 1 | 1 | 1 | |
| 8 | 91318-06020 | BOLT PERNO | 4 | 4 | 4 | |
| 9 | 90450-32081 | HOSE CLAMP ASSY BRIDA, MANGUERA | 1 | 1 | 1 | |
| 10 | 90467-24140 | CLIP PRESILLA | 1 | 1 | 1 | |
| 11 | 4MN-14411-00 | CASE, AIR CLEANER 1 CAJA FILTRO DEL AIRE 1 | 1 | 1 | 1 | |
| 12 | 4MN-14412-00 | CAP, CLEANER CASE 1 TAPA CAJA DEL FILTRO 1 | 1 | 1 | 1 | |
| 13 | 4MN-14437-00 | DUCT CONDUCTO | 1 | 1 | 1 | |
| 14 | 4MN-14451-00 | ELEMENT, AIR CLEANER ELEMENTO DEL FILTRO DEL AIRE | 1 | 1 | 1 | |
| 15 | 4MN-14452-00 | SEAL SELLO | 1 | 1 | 1 | |
| 16 | 3YJ-14453-00 | JOINT, AIR CLEANER 1 UNION DEL FILTRO DEL AIRE 1 | 1 | 1 | 1 | |
| 17 | 97707-50125 | SCREW, TAPPING TORNILLO ROSCA HEMBRA | 2 | 2 | 2 | |
| 18 | 34X-1443E-00 | PIPE, DRAIN TUBO, DRENAJE | 1 | 1 | 1 | |
| 19 | 90467-11032 | CLIP PRESILLA | 1 | 1 | 1 | |
| 20 | 3XV-21717-00 | DAMPER AMORTIGUADOR | 1 | 1 | 1 | |
| 21 | 98507-06020 | SCREW, PAN HEAD TORNILLO DE CABEZA CON PLANA | 2 | 2 | 2 | |
| 22 | 92907-06600 | WASHER, PLATE ARANDELA | 2 | 2 | 2 | |
| 23 | 90387-067V1 | COLLAR CASQUILLO CON VALONA | 2 | 2 | 2 | |
| 24 | 90480-12497 | GROMMET TAPON | 2 | 2 | 2 | |
| 25 | 4MN-21557-00 | DUCT, AIR PINON CONTROL | 1 | 1 | 1 | |
| 26 | 90460-41191 | CLAMP, HOSE BRIDA, DE UNION | 1 | 1 | 1 | |
| 27 | 90460-33087 | CLAMP, HOSE BRIDA, DE UNION | 1 | 1 | 1 | |

B6

FIG. 6 CARBURETOR

CARBURADOR



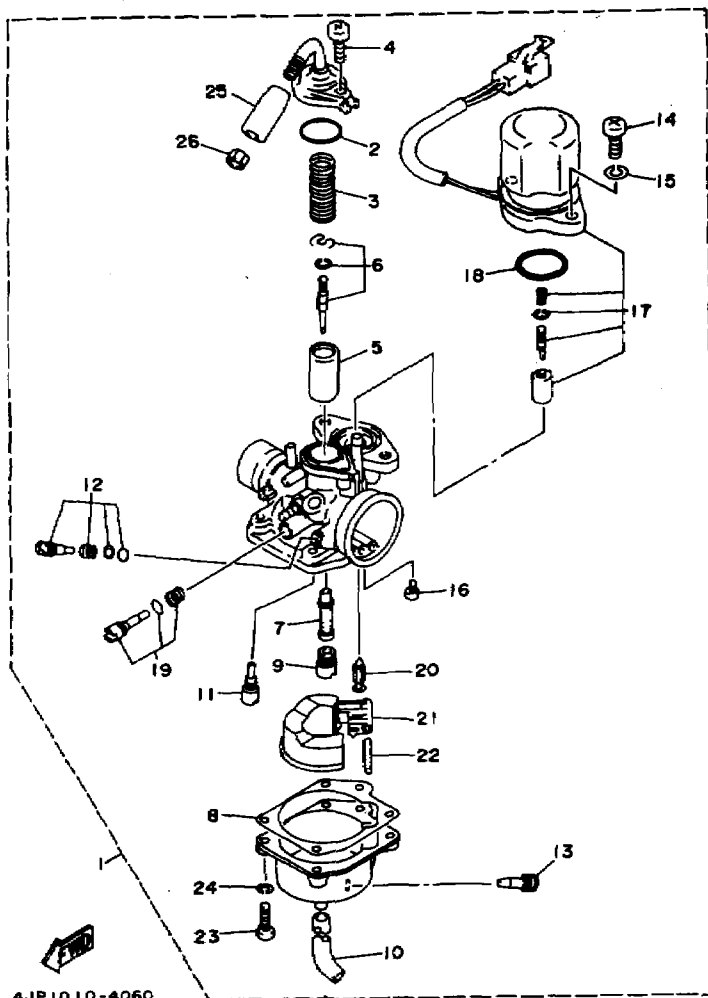
4JP1010-4060

| REF. NO. | PART NO. CODIGO NO. | DESCRIPTION DESCRIPTION | 4MNS | 4MT3 | 4MS4 | REMARKS OBSERVACION |
|----------|---------------------|------------------------------------------------------|------|------|------|---------------------|
| 1 | 4MN-14301-01 | CARBURETOR ASSY 1 CARBURADOR COMPLETO 1 | 1 | 1 | | |
| | 4MS-14301-11 | CARBURETOR ASSY 1 CARBURADOR COMPLETO 1 | | | 1 | |
| 2 | 4JP-14561-00 | O-RING ANILLO O | 1 | 1 | 1 | |
| 3 | 1YU-14331-00 | SPRING, THROTTLE VALVE RESORTE VALVULA ACELERADOR | 1 | 1 | 1 | |
| 4 | 97801-05014 | SCREW, PAN HEAD TORNILLO DE CABEZA CON PLANA | 1 | 1 | 1 | |
| 5 | 3KJ-14312-25 | VALVE, THROTTLE 1 VALVULA DE OBTURADOR 1 | 1 | 1 | 1 | |
| 6 | 4MN-1490J-00 | NEEDLE SET CJTO. AGUJA | 1 | 1 | | |
| | 4MS-1490J-00 | NEEDLE SET CJTO. AGUJA | | | 1 | |
| 7 | 3VR-14341-00 | NOZZLE, MAIN BOQUILLA PRINCIPAL | 1 | 1 | 1 | |
| 8 | 14T-14384-00 | GASKET, FLOAT CHAMBER EMPAQUE DE CAMARA DE BOIA | 1 | 1 | 1 | |
| 9 | 14T-14343-33 | JET, MAIN (# 86) INYECTOR PRINCIPAL (# 66) | 1 | 1 | | |
| | 14T-14343-34 | JET, MAIN (# 88) INYECTOR PRINCIPAL (# 68) | | | 1 | |
| 10 | 3KJ-14349-01 | PIPE TUBO | 1 | 1 | 1 | |
| 11 | 3KJ-14353-22 | JET, PILOT (# 44) INYECTOR DE PILOTO (# 44) | 1 | 1 | | |
| | 3KJ-14353-23 | JET, PILOT (# 46) INYECTOR DE PILOTO (# 46) | | | 1 | |
| 12 | 4JP-14104-00 | AIR SCREW SET CJTO. TORNILLO DE AIRE | 1 | 1 | 1 | |
| 13 | 14T-14323-00 | SCREW, AIR ADJUSTING TORNILLO DE AJUSTE DE AIRE | 1 | 1 | 1 | |
| 14 | 92580-08016 | SCREW TORNILLO CABEZA CONICA PLANA | 2 | 2 | 2 | |
| 15 | 92901-06100 | WASHER, SPRING ARANDELA | 2 | 2 | 2 | |
| 16 | 98501-03006 | SCREW, PAN HEAD TORNILLO DE CABEZA CON PLANA | 1 | 1 | 1 | |
| 17 | 4MN-1410A-00 | STARTER SET JUEGO DE ARRANQUE | 1 | 1 | 1 | |
| 18 | 1HV-14147-00 | O-RING ANILLO O | 1 | 1 | 1 | |
| 19 | 3YJ-14103-00 | THROTTLE SCREW SET CJTO. TORNILLO DEL RALENTI | 1 | 1 | 1 | |
| 20 | 4GF-14392-00 | VALVE, NEEDLE VALVULA DE AGUJA | 1 | 1 | 1 | |
| 21 | 1HV-14385-01 | FLOAT BOIA | 1 | 1 | 1 | |
| 22 | 367-14386-00 | PIN, FLOAT PASADOR DE BOIA | 1 | 1 | 1 | |
| 23 | 97801-04016 | SCREW, PAN HEAD TORNILLO DE CABEZA CON PLANA | 4 | 4 | 4 | |

B7

FIG. 6 CARBURETOR

CARBURADOR

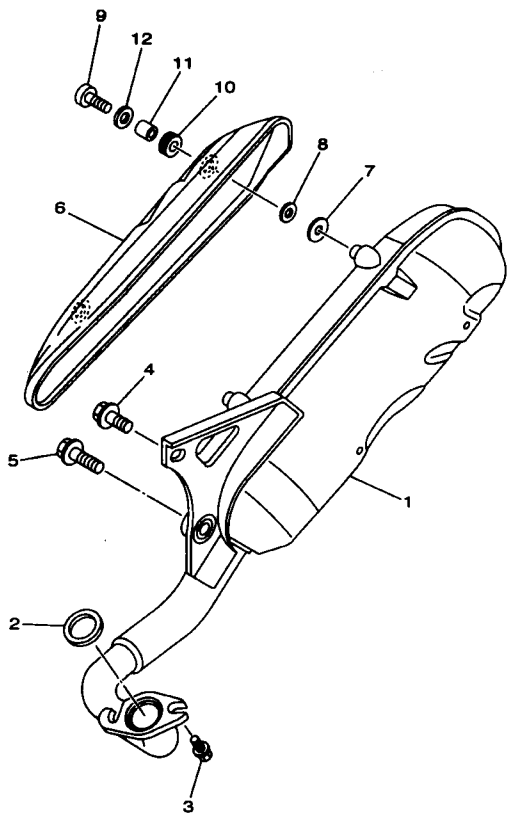


| REF. NO. | PART NO. CODIGO NO. | DESCRIPTION DESCRIPTION | 4MS | 4MT3 | 4MS4 | REMARKS OBSERVACION |
|----------|---------------------|------------------------------------------------|-----|------|------|---------------------|
| 24 | 92901-04100 | WASHER, SPRING ARANDELA | 4 | 4 | 4 | |
| 25 | 3KJ-26329-00 | CAP, RUBBER TAPA DE ANILLO PROTECTOR | 1 | 1 | 1 | |
| 26 | 288-14161-00 | NUT, CABLE ADJUSTING TUERCA AJUSTADOR DE CABLE | 1 | 1 | 1 | |

B8

FIG. 7 EXHAUST

DESCARGA

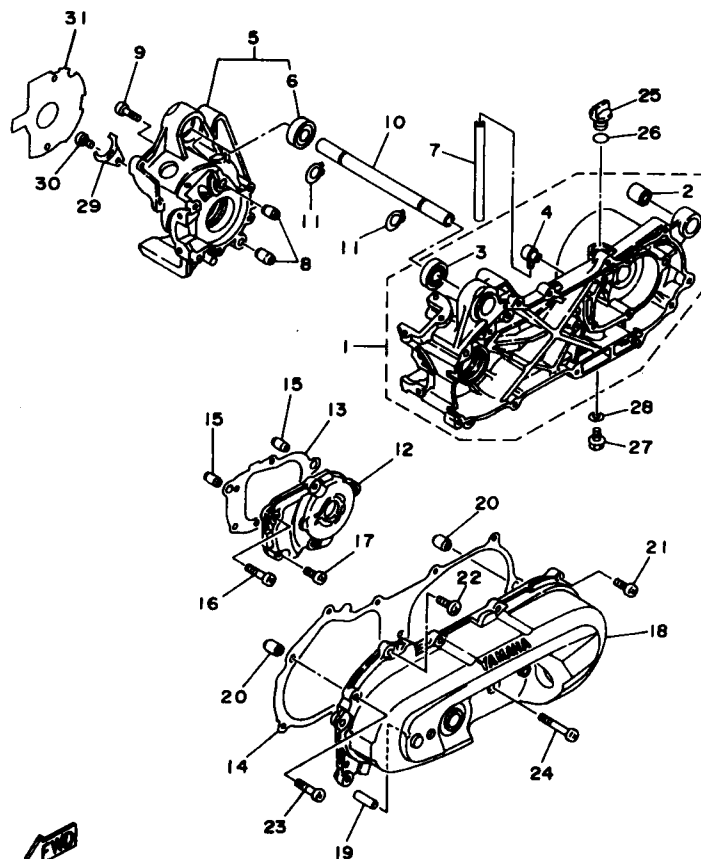



4MN5200-8070

| REF. NO. | PART NO. CODIGO NO. | DESCRIPTION DESCRIPTION | 4MN5 | 4MT3 | 4MS4 | REMARKS OBSERVACION |
|----------|---------------------|----------------------------------------------------|------|------|------|---------------------|
| 1 | 3KJ-14810-15 | EXHAUST PIPE ASSY 1 TUBO DE ESCAPE COMPLETO 1 | 1 | 1 | 1 | |
| 2 | 3HK-14813-00 | GASKET, EXHAUST PIPE JUNTA, TUBO DE ESCAPE | 1 | 1 | 1 | |
| 3 | 90153-06061 | SCREW, HEXAGON TORNILLO HEXAGONAL | 2 | 2 | 2 | |
| 4 | 95817-08020 | BOLT, FLANGE TUERCA DE REBORDE | 1 | 1 | 1 | |
| 5 | 95817-08030 | BOLT, FLANGE TUERCA DE REBORDE | 1 | 1 | 1 | |
| 6 | 2JA-14718-00 | PROTECTOR, MUFFLER 1 PROTECTOR DE SILENCIADOR 1 | 1 | 1 | 1 | |
| 7 | 3HK-14766-01 | WASHER, PROTECTOR ARANDELA DE PROTECTOR | 2 | 2 | 2 | |
| 8 | 92907-06200 | WASHER ARANDELA | 2 | 2 | 2 | |
| 9 | 98907-06016 | SCREW, BIND TORNILLO DE LIGAR | 2 | 2 | 2 | |
| 10 | 90480-12237 | GROMMET TAPON | 2 | 2 | 2 | |
| 11 | 90387-060G7 | COLLAR CASQUILLO CON VALONA | 2 | 2 | 2 | |
| 12 | 4FB-14766-00 | WASHER, PROTECTOR ARANDELA DE PROTECTOR | 2 | 2 | 2 | |

B9

FIG. 8 CRANKCASE CARTER

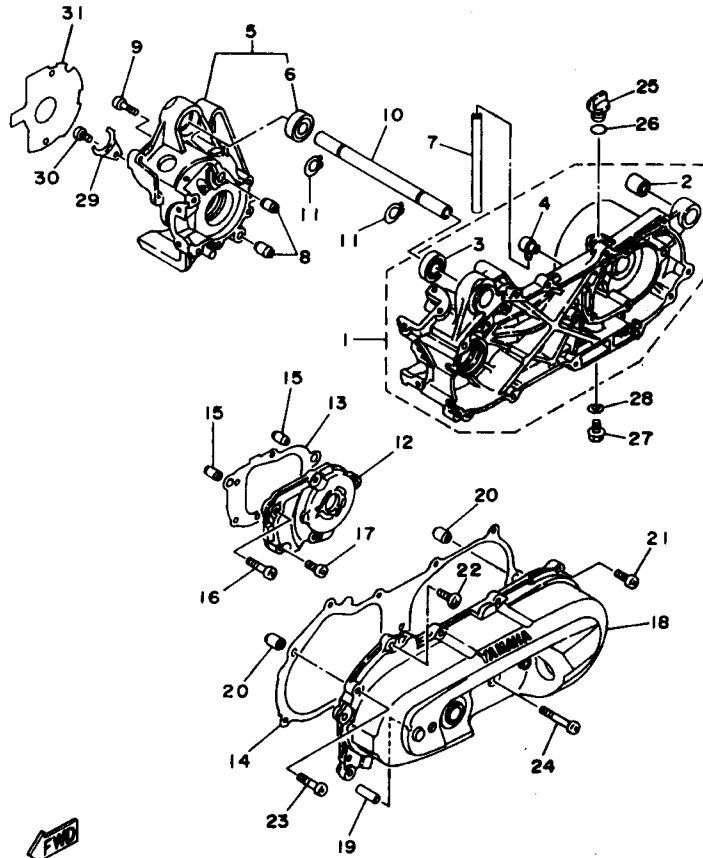


4MN7200-6080

| REF. NO. | PART NO. CODIGO NO. | DESCRIPTION DESCRIPTION | 4MN5 | 4MT3 | 4MS4 | REMARKS OBSERVACION |
|----------|---------------------|--------------------------------------------------------------|------|------|------|---------------------|
| 1 | 3KJ-15110-02 | CRANKCASE ASSY 1 CARTER COMPLETO 1 | 1 | 1 | 1 | |
| 2 | 164-22216-00 | .BUSH, REAR SHOCK ABSORBER .BUJE DEL AMORTIGUADOR TRASERO | 1 | 1 | 1 | |
| 3 | 93306-00319 | .BEARING .COJINETE | 1 | 1 | 1 | |
| 4 | 3YJ-15371-00 | .BREATHER .RESPIRADERO | 1 | 1 | 1 | |
| 5 | 3KJ-15120-01 | CRANKCASE ASSY 2 CARTER COMPLETO 2 | 1 | 1 | 1 | |
| 6 | 93306-00319 | .BEARING .COJINETE | 1 | 1 | 1 | |
| 7 | 90446-11347 | HOSE TUBO RESEIRADERO | 1 | 1 | 1 | |
| 8 | 99530-12016 | PIN, DOWEL PASADOR, DE ESPIGA | 2 | 2 | 2 | |
| 9 | 98507-08035 | SCREW, PAN HEAD TORNILLO DE CABEZA CON PLANA | 6 | 6 | 6 | |
| 10 | 3KJ-15317-00 | SPACER, ENGINE MOUNT SEPARADPR, MONTANTE DE MOTOR | 1 | 1 | 1 | |
| 11 | 99009-17400 | CIRCLIP PRESILLA REDONDA | 2 | 2 | 2 | |
| 12 | 3KJ-15421-00 | COVER, CRANKCASE 2 TAPA DE CARTER DERECHA | 1 | 1 | 1 | |
| 13 | 4FB-15461-00 | GASKET, CRANKCASE COVER 2 JUNTA TAPA CARTER DRCHO | 1 | 1 | 1 | |
| 14 | 4FB-15451-00 | GASKET, CRANKCASE COVER 1 EMPAQ DE CUBIERTA DE CARTER | 1 | 1 | 1 | |
| 15 | 99530-10114 | PIN, DOWEL PASADOR, DE ESPIGA | 2 | 2 | 2 | |
| 16 | 98507-08035 | SCREW, PAN HEAD TORNILLO DE CABEZA CON PLANA | 2 | 2 | 2 | |
| 17 | 98507-08020 | SCREW, PAN HEAD TORNILLO DE CABEZA CON PLANA | 3 | 3 | 3 | |
| 18 | 3WG-15411-00 | COVER, CRANKCASE 1 CUBIERTA DE CARTER 1 | 1 | 1 | 1 | |
| 19 | 3KJ-15659-00 | SHAFT EJE | 1 | 1 | 1 | |
| 20 | 99530-10114 | PIN, DOWEL PASADOR, DE ESPIGA | 2 | 2 | 2 | |
| 21 | 98507-08025 | SCREW, PAN HEAD TORNILLO DE CABEZA CON PLANA | 7 | 7 | 7 | |
| 22 | 97880-08025 | SCREW, PAN HEAD TORNILLO DE CABEZA CON PLANA | 1 | 1 | 1 | |
| 23 | 98507-08035 | SCREW, PAN HEAD TORNILLO DE CABEZA CON PLANA | 2 | 2 | 2 | |
| 24 | 98507-08085 | SCREW, PAN HEAD TORNILLO DE CABEZA CON PLANA | 1 | 1 | 1 | |
| 25 | 2T4-15363-00 | PLUG, OIL TAPON DE ACEITE | 1 | 1 | 1 | |
| 26 | 93210-14104 | O-RING ANILLO O | 1 | 1 | 1 | |
| 27 | 95807-08016 | BOLT, FLANGE TUERCA DE REBORDE | 1 | 1 | 1 | |

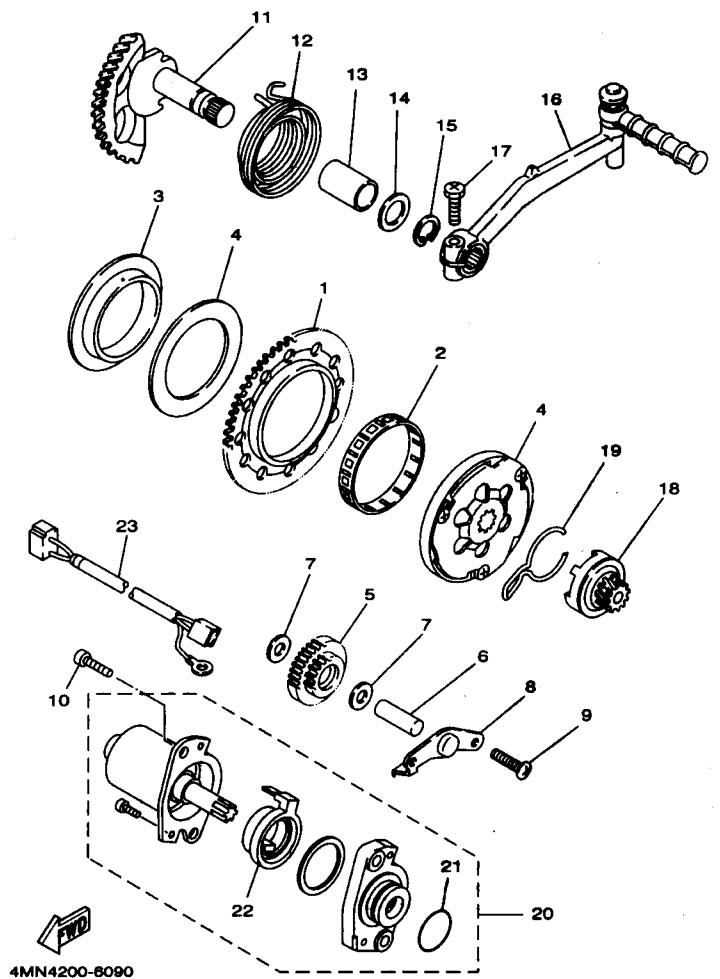
B10

FIG. 8 CRANKCASE CARTER




4MN7200-6080

| REF. NO. | PART NO. CODIGO NO. | DESCRIPTION DESCRIPTION | 4MN5 | 4MT3 | 4MS4 | REMARKS OBSERVACION |
|----------|---------------------|--------------------------------------------------------|------|------|------|---------------------|
| 28 | 90430-08119 | GASKET JUNTA | 1 | 1 | 1 | |
| 29 | 1HV-15128-00 | HOLDER SOPORTE | 1 | 1 | 1 | |
| 30 | 98507-06012 | SCREW, PAN HEAD TORNILLO DE CABEZA CON PLANA | 1 | 1 | 1 | |
| 31 | 4FB-15462-00 | GASKET, CRANKCASE COVER 3 EMPAQUE CUBIERTA DE CARTER 3 | 1 | 1 | 1 | |



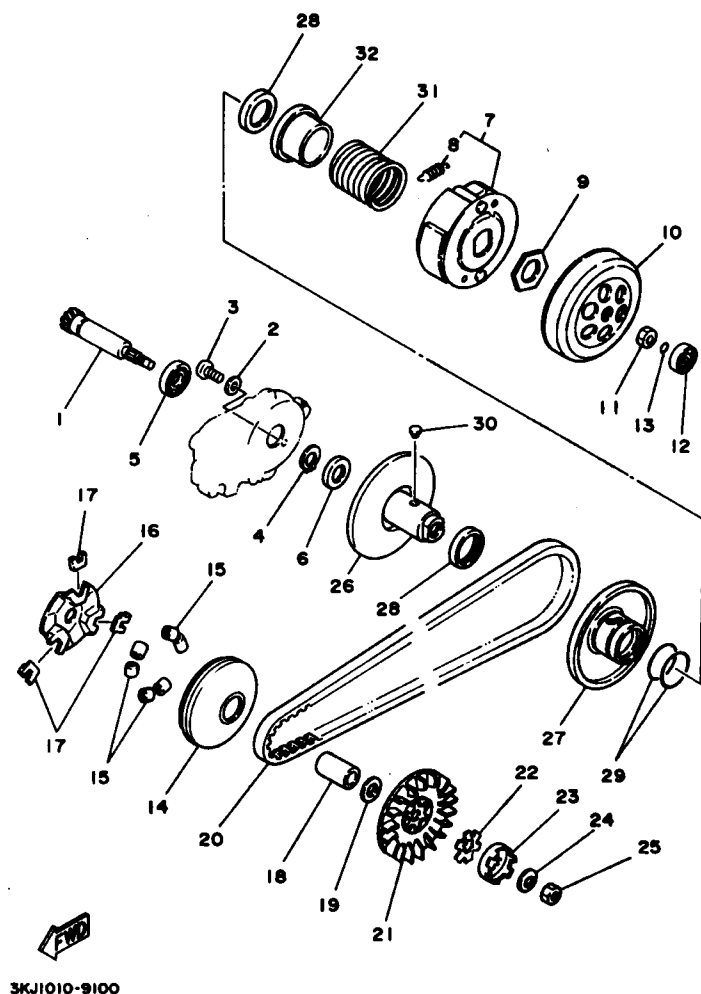
4MN4200-8090

FIG. 9 STARTER

ARRANQUE

| REF. NO. | PART NO. CODIGO NO. | DESCRIPTION DESCRIPTION | 4MN5 | 4MT3 | 4MS4 | REMARKS OBSERVACION |
|----------|---------------------|-----------------------------------------------------------|------|------|------|---------------------|
| 1 | 4JP-15513-00 | GEAR 1 ENGRANAJE 1 | 1 | 1 | 1 | |
| 2 | 93310-257R1 | BEARING COJINETE | 1 | 1 | 1 | |
| 3 | 3KJ-15528-00 | BOSS, GEAR COPA | 1 | 1 | 1 | |
| 4 | 3KJ-15570-01 | STARTER CLUTCH ASSY EMBRAGUE DEL ARRANQUE COMPLETA | 1 | 1 | 1 | |
| 5 | 4JP-15650-00 | IDLE GEAR ASSY ENGRANAJE NEUTRO COMPLETO | 1 | 1 | 1 | |
| 6 | 50M-13342-00 | SHAFT, IDLE GEAR EJE DE ENGRANAJE NEUTRO | 1 | 1 | 1 | |
| 7 | 90201-08088 | WASHER, PLATE ARANDELA PLANA | 2 | 2 | 2 | |
| 8 | 3KJ-15532-00 | PLATE, IDLE GEAR PLACA DE ENGRANAJE NEUTRO | 1 | 1 | 1 | |
| 9 | 98507-06012 | SCREW, PAN HEAD TORNILLO DE CABEZA CON PLANA | 2 | 2 | 2 | |
| 10 | 91318-06020 | BOLT PERNO | 2 | 2 | 2 | |
| 11 | 5BM-15601-00 | KICK SHAFT ASSY EJE DE ARR. DE PIE COMPL | 1 | 1 | 1 | |
| 12 | 90508-32609 | SPRING, TORSION RESORTE DE TORSION | 1 | 1 | 1 | |
| 13 | 90380-15240 | BUSH, SOLID CASQUILLO SOLIDO | 1 | 1 | 1 | |
| 14 | 90201-155G5 | WASHER, PLATE ARANDELA PLANA | 1 | 1 | 1 | |
| 15 | 99009-15400 | CIRCLIP PRESILLA REDONDA | 1 | 1 | 1 | |
| 16 | 3KJ-15620-02 | KICK CRANK ASSY MANIVELA DE PEDAL COMPLETA | 1 | 1 | 1 | |
| 17 | 90153-06008 | SCREW, HEXAGON TORNILLO HEXAGONAL | 1 | 1 | 1 | |
| 18 | 3AA-15631-00 | GEAR, KICK PINION (10T) ENGRANAJE DE PINON DE PEDAL(10 | 1 | 1 | 1 | |
| 19 | 32N-15673-00 | CLIP PRESILLA | 1 | 1 | 1 | |
| 20 | 3KJ-81800-02 | STARTING MOTOR ASSY MOTOR DE ARRANQUE COMPLETO | 1 | 1 | 1 | |
| 21 | 93210-23614 | O-RING ANILLO O | 1 | 1 | 1 | |
| 22 | 1YU-81801-M0 | BRUSH SET JUEGO DE ESCOBILLA | 1 | 1 | 1 | |
| 23 | 3KJ-82541-00 | WIRE, LEAD CABLE CONDUCTOR | 1 | 1 | 1 | |

B12



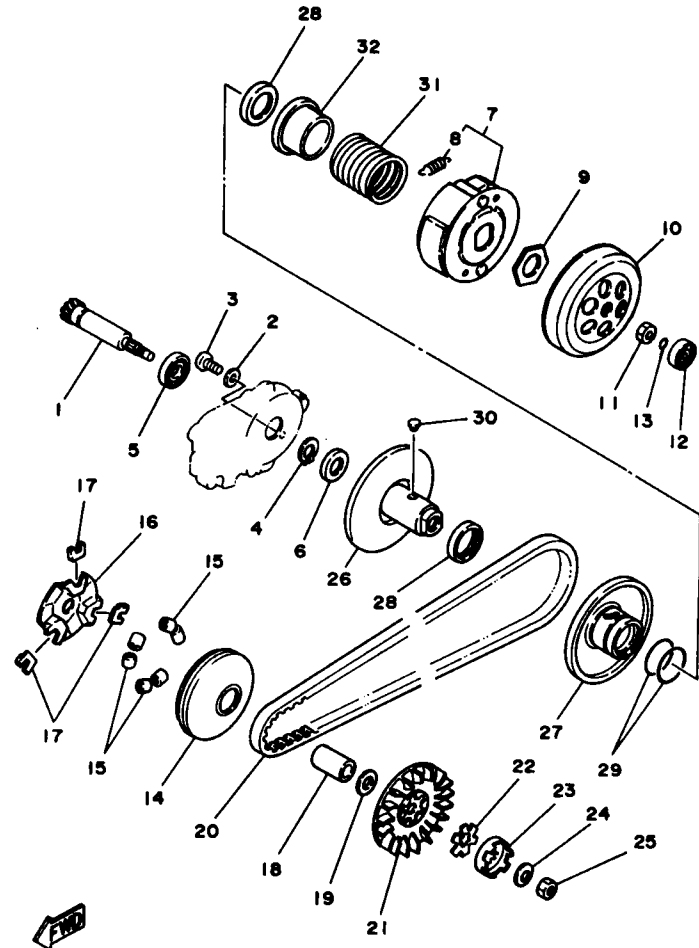
3KJ1010-9100

FIG. 10 CLUTCH EMBRAGUE

| REF. NO. | PART NO. CODIGO NO. | DESCRIPTION DESCRIPTION | AMS | AMT3 | AMS4 | REMARKS OBSERVACION |
|----------|---------------------|----------------------------------------------------------------|-----|------|------|---------------------|
| 1 | 3KJ-16111-00 | GEAR, PRIMARY DRIVE (13T) ENGRENAJE TRACC.PRIMARIA(13T) | 1 | 1 | 1 | |
| 2 | 90201-06412 | WASHER, PLATE ARANDELA PLANA | 1 | 1 | 1 | |
| 3 | 98507-06010 | SCREW, PAN HEAD TORNILLO DE CABEZA CON PLANA | 1 | 1 | 1 | |
| 4 | 99009-17400 | CIRCLIP PRESILLA REDONDA | 1 | 1 | 1 | |
| 5 | 93306-00308 | BEARING (B6003) COJINETE | 1 | 1 | 1 | |
| 6 | 93102-17342 | OIL SEAL SELLO ACEITE | 1 | 1 | 1 | |
| 7 | 2VK-16620-01 | CLUTCH CARRIER ASSY PORTADOR DE EMBRAGUE COMPLETO | 1 | 1 | 1 | |
| 8 | 24G-16626-00 | .SPRING, CLUTCH WEIGHT 1 .RESORTE CONTRAPESO EMBRAGUE | 2 | 2 | 2 | |
| 9 | 90179-28415 | NUT TUERCA | 1 | 1 | 1 | |
| 10 | 24G-16611-03 | CLUTCH HOUSING COMP. CAJA DE EMBRAGUE COMPLETO | 1 | 1 | 1 | |
| 11 | 90170-10317 | NUT TUERCA | 1 | 1 | 1 | |
| 12 | 93300-63813 | BEARING COJINETE | 1 | 1 | 1 | |
| 13 | 93210-06550 | O-RING ANILLO O | 1 | 1 | 1 | |
| 14 | 2EX-17620-02 | PRIMARY SLIDING SHEAVE COMP. ROLDANA PRIMARIA MOVIL | 1 | 1 | 1 | |
| 15 | 52W-17632-01 | WEIGHT CONTRAPESO | 6 | 6 | 6 | |
| 16 | 3AA-17623-00 | CAM LEVA | 1 | 1 | 1 | |
| 17 | 23Y-17653-00 | SLIDER CORREDERA | 3 | 3 | 3 | |
| 18 | 90387-132W6 | COLLAR CASQUILLO CON VALONA | 1 | 1 | 1 | |
| 19 | 90201-133M8 | WASHER, PLATE ARANDELA PLANA | 1 | 1 | 1 | |
| 20 | 3KJ-17641-00 | V-BELT CORREA EN V | 1 | 1 | 1 | |
| 21 | 3KJ-17611-00 | SHEAVE, PRIMARY FIXED PISCO FIXADOR DE POREA | 1 | 1 | 1 | |
| 22 | 90214-13055 | WASHER, CLAW ARANDELA DE POSICION | 1 | 1 | 1 | |
| 23 | 3KJ-15657-00 | CLUTCH, ONEWAY EMBRAGUE SIN RETORNO | 1 | 1 | 1 | |
| 24 | 90208-10012 | WASHER, CONICAL SPRING ARANDELA DE RESORTE CONICO | 1 | 1 | 1 | |
| 25 | 90170-10219 | NUT TUERCA | 1 | 1 | 1 | |
| 26 | 3AA-17660-03 | SECONDARY FIXED SHEAVE COMP. ROLDANA SECUNDARIA FIJA COMPL. | 1 | 1 | 1 | |
| 27 | 3AA-17670-00 | SECONDARY SLIDING SHEAVE ROLDANA SECUNDARIA CORREDIZA | 1 | 1 | 1 | |

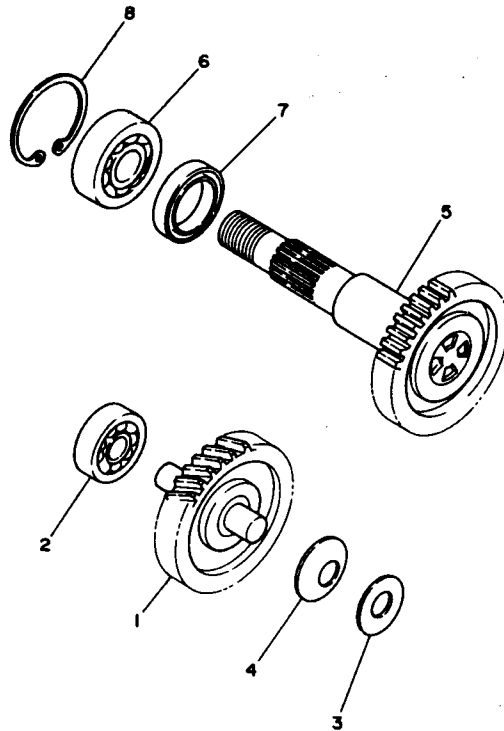
FIG. 10 CLUTCH

EMBRAGUE



3KJ1010-9100

| REF. NO. | PART NO. CODIGO NO. | DESCRIPTION DESCRIPTION | EMBRAGUE | | | REMARKS OBSERVACION |
|----------|---------------------|---------------------------------------------------------|----------|------|------|---------------------|
| | | | 4MS | 4MT3 | 4MS4 | |
| 28 | 93109-33049 | OIL SEAL SELLO ACEITE | 2 | 2 | 2 | |
| 29 | 93210-38687 | O-RING ANILLO O | 2 | 2 | 2 | |
| 30 | 24G-17664-00 | PIN, GUIDE PASADOR DE GUIA | 2 | 2 | 2 | |
| 31 | 90501-357F3 | SPRING, COMPRESSION RESORTE DE COMPRESION | 1 | 1 | 1 | |
| 32 | 3XG-17664-00 | SEAT, SECONDARY SPRING ASIENTO DE RESORTE SECUNDARIO | 1 | 1 | 1 | |



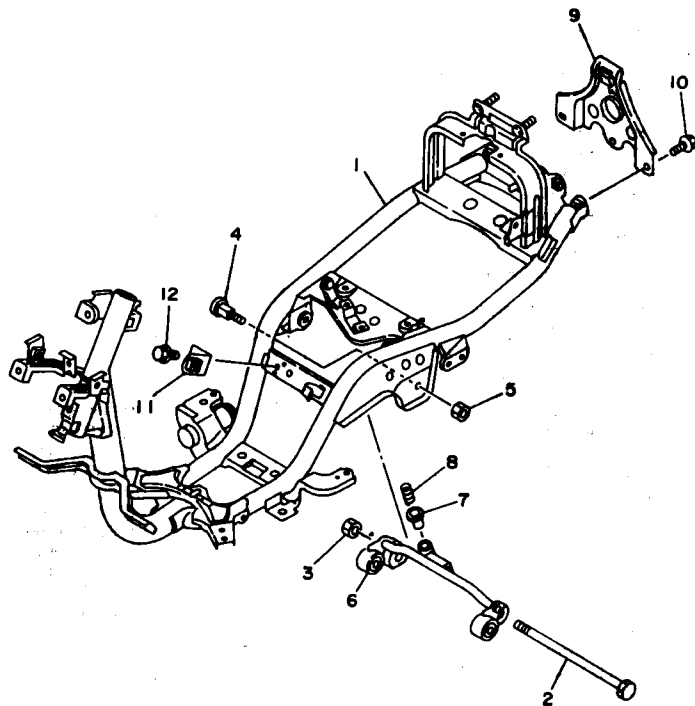
3KJ1010-9110

FIG. 11 TRANSMISION

TRANSMISION

| REF. NO. | PART NO. CODIGO NO. | DESCRIPTION DESCRIPTION | 4MNS | 4MT3 | 4MS4 | REMARKS OBSERVACION |
|----------|---------------------|------------------------------------------------------|------|------|------|---------------------|
| 1 | 3YJ-17410-00 | MAIN AXLE ASSY (12/48T) EJE PRINCIPAL COMPLETO | 1 | 1 | 1 | |
| 2 | 93306-20006 | BEARING (B6200) COJINETE (B6200) | 1 | 1 | 1 | UR NTN |
| | 93306-20010 | BEARING (6200) COJINETE (6200) | 1 | 1 | 1 | UR NMB |
| 3 | 90201-123K4 | WASHER, PLATE ARANDELA PLANA | 1 | 1 | 1 | |
| 4 | 90208-12049 | WASHER, CONICAL SPRING ARANDELA DE RESORTE CONICO | 1 | 1 | 1 | |
| 5 | 4JP-17420-00 | DRIVE AXLE ASSY (36/16T) EJE DE TRACCION COMPLETO | 1 | 1 | 1 | |
| 6 | 93306-20314 | BEARING (B6203) COJINETE | 1 | 1 | 1 | |
| 7 | 93102-22082 | OIL SEAL SELLO ACEITE | 1 | 1 | 1 | |
| 8 | 93420-40064 | CIRCLIP BOLA | 1 | 1 | 1 | |

B15



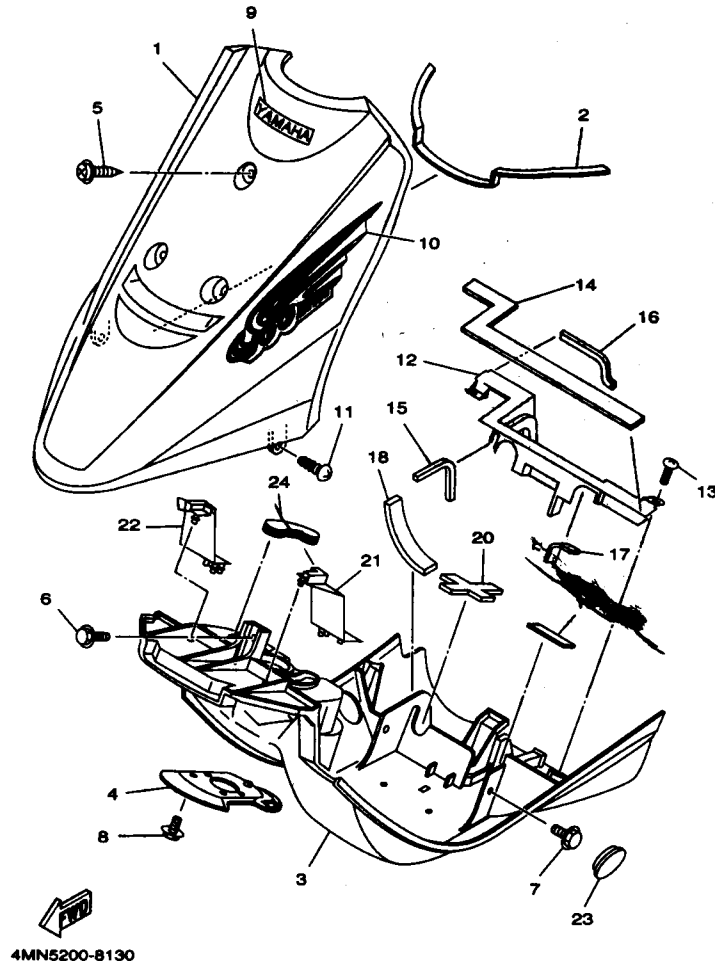

4MN4200-6120

FIG. 12 FRAME

CUADRO

| REF. NO. | PART NO. CODIGO NO. | DESCRIPTION DESCRIPTION | 4MN5 | 4MT3 | 4MS4 | REMARKS OBSERVACION |
|----------|---------------------|-----------------------------------------------------|------|------|------|---------------------|
| 1 | 4MN-21110-00 | FRAME COMP. ARMAZON COMPLETO | 1 | | | |
| | 4MT-F1110-10 | FRAME COMP. ARMAZON COMPLETO | | 1 | | |
| | 4MS-F1110-00 | FRAME COMP. ARMAZON COMPLETO | | | 1 | |
| 2 | 3KJ-21481-00 | BOLT, ENGINE MOUNTING 1 PERNO DE MONTAJE DE MOTOR 1 | 1 | 1 | 1 | |
| 3 | 95807-12200 | NUT, SELF-LOCKING TUERCA DE AUTO-CIERRE | 1 | 1 | 1 | |
| 4 | 2T4-21481-01 | BOLT, ENGINE MOUNTING 1 PERNO DE MONTAJE DE MOTOR 1 | 2 | 2 | 2 | |
| 5 | 90185-10154 | NUT, SELF-LOCKING TUERCA AUTOBLOCANTE | 2 | 2 | 2 | |
| 6 | 3KJ-21410-10 | ENGINE BRACKET COMP. SOPORTE DE MOTOR COMPLETO | 1 | 1 | | |
| | 4MS-F1410-00 | ENGINE BRACKET COMP. SOPORTE DE MOTOR COMPLETO | | | 1 | |
| 7 | 2T4-2139X-00 | DAMPER AMORTIGUADOR | 1 | 1 | 2 | |
| 8 | 90501-290K2 | SPRING, COMPRESSION RESORTE DE COMPRESION | 1 | 1 | | |
| | 90501-29517 | SPRING, COMPRESSION RESORTE DE COMPRESION | | | 2 | |
| 9 | 3KJ-21232-03 | REINFORCEMENT, TAIL REFUERZO. TRASERO | 1 | 1 | | |
| | 4MS-F1232-00 | REINFORCEMENT, TAIL REFUERZO. TRASERO | | | 1 | |
| 10 | 95827-06012 | BOLT, FLANGE TUERCA DE REBORDE | 3 | 3 | | |
| | 95807-06012 | BOLT, FLANGE TUERCA DE REBORDE | | | 3 | |
| 11 | 4MN-21158-01 | BRACKET SOPORTE | 1 | 1 | 1 | |
| 12 | 95807-06012 | BOLT, FLANGE TUERCA DE REBORDE | 1 | 1 | 1 | |

FIG. 13 FENDER GUARDABARRO

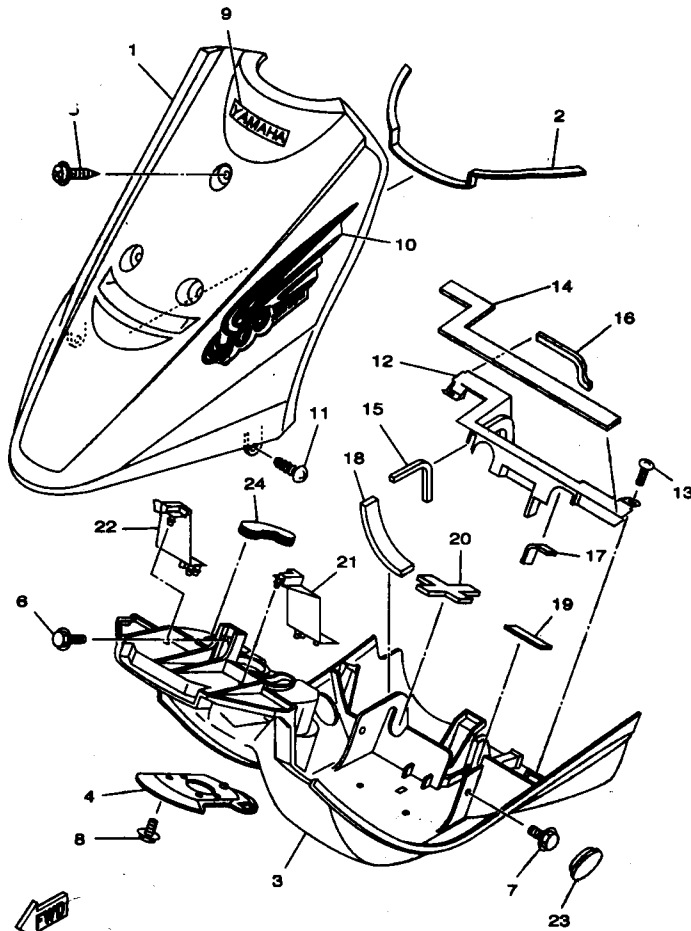


| REF. NO. | PART NO. CODIGO NO. | DESCRIPTION DESCRIPTION | 4MN5 | 4MT3 | 4MS4 | REMARKS OBSERVACION |
|----------|---------------------|-----------------------------------------|------|------|------|----------------------------------------|
| 1 | 3KJ-21511-00-P1 | FENDER, FRONT GUARDABARRO DELANTERO | 1 | 1 | 1 | VRC1 |
| | 3KJ-21511-00-P7 | FENDER, FRONT GUARDABARRO DELANTERO | 1 | 1 | 1 | DPBMC |
| | 3KJ-21511-00-P8 | FENDER, FRONT GUARDABARRO DELANTERO | 1 | 1 | 1 | CM3 |
| | 3KJ-21511-00-P9 | FENDER, FRONT GUARDABARRO DELANTERO | 1 | 1 | 1 | RYC1 |
| 2 | 4MN-28218-00 | SEAL 1 SELLO 1 | 1 | 1 | 1 | |
| 3 | 3KJ-21552-03 | FENDER, INNER GUARDABARRO | 1 | 1 | 1 | |
| 4 | 27V-21553-03 | FENDER, INNER 2 GUARDABARRO | 1 | 1 | 1 | |
| 5 | 90159-06178 | SCREW, WITH WASHER TORNILLO CON VALONA | 3 | 3 | 3 | |
| 6 | 95807-06012 | BOLT, FLANGE TUERCA DE REBORDE | 1 | 1 | 1 | |
| 7 | 95807-06012 | BOLT, FLANGE TUERCA DE REBORDE | 2 | 2 | 2 | |
| 8 | 90119-06018 | BOLT, WITH WASHER TORNILLO CON ARANDELA | 2 | 2 | | |
| | 90119-06018 | BOLT, WITH WASHER TORNILLO CON ARANDELA | | | 1 | |
| 9 | 3WF-2153E-60 | EMBLEM, YAMAHA EMBLEMA, YAMAHA | 1 | 1 | 1 | UR FOR VRC1,DPBMC UR PARA VRC1,DPBM |
| | 3WF-2153E-40 | EMBLEM, YAMAHA EMBLEMA, YAMAHA | 1 | 1 | 1 | UR FOR RYC1 UR PARA RYC1 |
| 10 | 4MN-21578-20 | EMBLEM EMBLEMA | 1 | 1 | 1 | UR FOR VRC1 UR PARA VRC1 |
| | 4MN-21578-30 | EMBLEM EMBLEMA | 1 | 1 | 1 | UR FOR DPBMC UR PARA DPBMC |
| | 4MN-21578-40 | EMBLEM EMBLEMA | 1 | 1 | 1 | UR FOR CM3 UR PARA CM3 |
| | 4MN-21578-50 | EMBLEM EMBLEMA | 1 | 1 | 1 | UR FOR RYC1 UR PARA RYC1 |
| 11 | 90167-05025 | SCREW, TAPPING TORNILLO DE ROSCA HEMBRA | 2 | 2 | 2 | |
| 12 | 4MN-21523-00 | PLATE 1 PLACA 1 | 1 | 1 | 1 | |
| 13 | 97707-50016 | SCREW, TAPPING TORNILLO ROSCA HEMBRA | 2 | 2 | 2 | |
| 14 | 4MN-28268-00 | SEAL 4 SELLO 4 | 1 | 1 | 1 | |
| 15 | 4MN-28278-00 | SEAL 5 SELLO 5 | 1 | 1 | 1 | |
| 16 | 4MN-2848F-00 | SEAL 6 SELLO 6 | 1 | 1 | 1 | |
| 17 | 4MN-28307-00 | SEAL SELLO | 2 | 2 | 2 | |
| 18 | 4MN-2849F-00 | SEAL 7 SELLO 7 | 1 | 1 | 1 | |
| 19 | 4MN-28307-00 | SEAL SELLO | 1 | 1 | 1 | |

C3

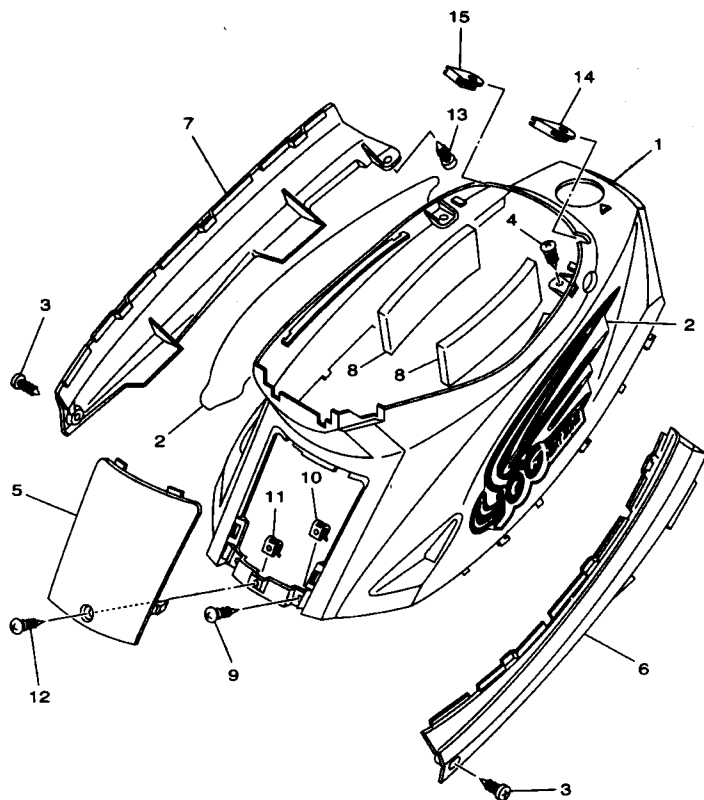
FIG. 13 FENDER

GUARDABARRO



| REF. NO. | PART NO. CODIGO NO. | DESCRIPTION DESCRIPTION | 4MN5 | 4MT3 | 4MS4 | REMARKS OBSERVACION |
|----------|---------------------|-------------------------|------|------|------|---------------------|
| 20 | 4MN-28428-00 | SEAL 1 SELLO 1 | 1 | 1 | 1 | |
| 21 | 4MN-21575-00 | SEAL 1 SELLO 1 | 1 | 1 | 1 | |
| 22 | 4MN-21578-00 | SEAL 2 SELLO 2 | 1 | 1 | 1 | |
| 23 | 4MN-28245-00 | CAP TAPA | 2 | | 2 | |
| | 4MT-F8245-00 | CAP TAPA | | 2 | | |
| 24 | 4MN-2834J-00 | CAP 2 TAPA 2 | 1 | | 1 | |
| | 4MT-F834J-00 | CAP 2 TAPA 2 | | 1 | | |

C4




 4MN5200-8140

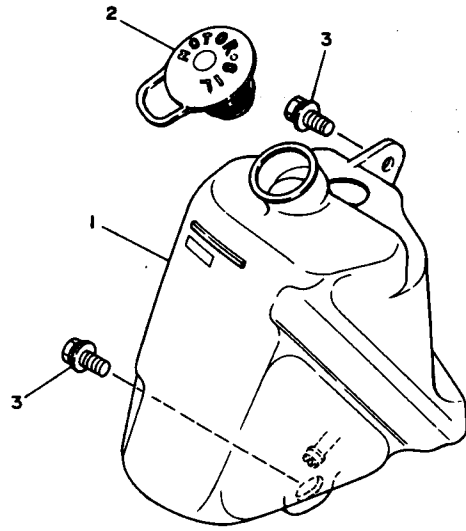
FIG. 14 SIDE COVER

CUBIERTA LATERAL

| REF. NO. | PART NO. CODIGO NO. | DESCRIPTION DESCRIPTION | 4MN5 | 4MT3 | 4MS4 | REMARKS OBSERVACION |
|----------|---------------------|--------------------------------------------------|------|------|------|-------------------------------|
| | | | | | | |
| 1 | 3KJ-21711-00-P1 | COVER, SIDE 1 TAPA LATERAL 1 | 1 | 1 | 1 | VRC1 |
| | 3KJ-21711-00-PD | COVER, SIDE 1 TAPA LATERAL 1 | 1 | 1 | 1 | DPBMC |
| | 3KJ-21711-00-PE | COVER, SIDE 1 TAPA LATERAL 1 | 1 | 1 | 1 | CM3 |
| | 3KJ-21711-00-PF | COVER, SIDE 1 TAPA LATERAL 1 | 1 | 1 | 1 | RYC1 |
| 2 | 4MN-2173G-20 | EMBLEM SET 1 JUEGO DE EMBLEMA 1 | 1 | 1 | 1 | UR FOR VRC1 UR PARA VRC1 |
| | 4MN-2173G-30 | EMBLEM SET 1 JUEGO DE EMBLEMA 1 | 1 | 1 | 1 | UR FOR DPBMC UR PARA DPBMC |
| | 4MN-2173G-40 | EMBLEM SET 1 JUEGO DE EMBLEMA 1 | 1 | 1 | 1 | UR FOR CM3 UR PARA CM3 |
| | 4MN-2173G-50 | EMBLEM SET 1 JUEGO DE EMBLEMA 1 | 1 | 1 | 1 | UR FOR RYC1 UR PARA RYC1 |
| 3 | 90149-06184 | SCREW TORNILLO DE REGLAJE | 2 | 2 | 2 | |
| 4 | 90167-05025 | SCREW, TAPPING TORNILLO DE ROSCA HEMBRA | 2 | 2 | 2 | |
| 5 | 3KJ-21721-00-P1 | COVER, SIDE 2 TAPA LATERAL 2 | 1 | 1 | 1 | VRC1 |
| | 3KJ-21721-00-PD | COVER, SIDE 2 TAPA LATERAL 2 | 1 | 1 | 1 | DPBMC |
| | 3KJ-21721-00-PE | COVER, SIDE 2 TAPA LATERAL 2 | 1 | 1 | 1 | CM3 |
| | 3KJ-21721-00-PF | COVER, SIDE 2 TAPA LATERAL 2 | 1 | 1 | 1 | RYC1 |
| 6 | 3KJ-2171L-20 | MOLE, SIDE COVER 1 MUELLE, CUBIERTA LATERAL 1 | 1 | 1 | 1 | YAMAHA BLACK |
| 7 | 3KJ-2171M-20 | MOLE, SIDE COVER 2 MUELLE, CUBIERTA LATERAL 2 | 1 | 1 | 1 | YAMAHA BLACK |
| 8 | 3KJ-21778-00 | DAMPER, LOCATING 1 AMORTIGUADOR DE MONTAJE | 2 | 2 | 2 | |
| 9 | 90167-05025 | SCREW, TAPPING TORNILLO DE ROSCA HEMBRA | 2 | 2 | 2 | |
| 10 | 90183-05042 | NUT, SPRING TUERCA DE RESORTE | 2 | 2 | 2 | |
| 11 | 90183-05042 | NUT, SPRING TUERCA DE RESORTE | 1 | 1 | 1 | |
| 12 | 90167-05055 | SCREW, TAPPING TORNILLO DE ROSCA HEMBRA | 1 | 1 | 1 | |
| 13 | 90167-05025 | SCREW, TAPPING TORNILLO DE ROSCA HEMBRA | 2 | 2 | 2 | |
| 14 | 3KJ-24845-00 | COVER 1 CUBIERTA 1 | 1 | 1 | 1 | |
| 15 | 3KJ-24846-00 | COVER 2 CUBIERTA 2 | 1 | 1 | 1 | |

FIG. 15 OIL TANK

DEPOSITO DE ACEITE

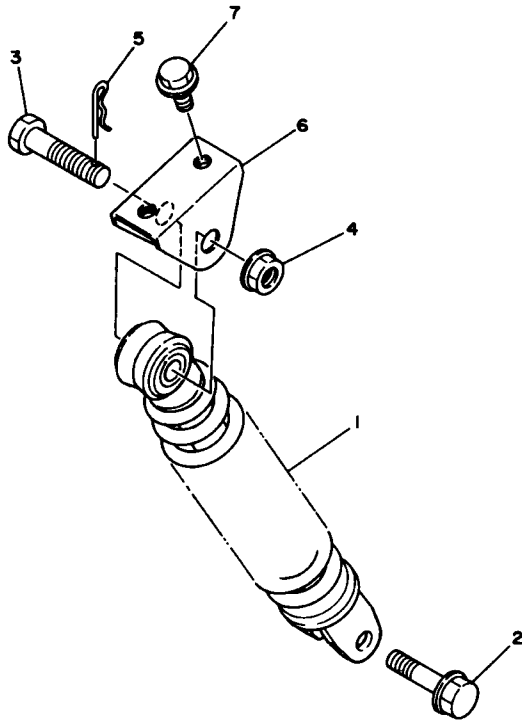


| REF. NO. | PART NO. CODIGO NO. | DESCRIPTION DESCRIPTION | 4MN5 | 4MT3 | 4MS4 | REMARKS OBSERVACION |
|----------|---------------------|--------------------------------------------|------|------|------|---------------------|
| 1 | 4MN-21751-00 | TANK, OIL DEPOSITO DE ACEITE | 1 | 1 | 1 | |
| 2 | 2N3-21771-01 | BODY, CAP TAPON DEPOSITO ACEITE | 1 | 1 | 1 | |
| 3 | 90119-06117 | BOLT, WITH WASHER TORNILLO CON ARANDELA | 2 | 2 | 2 | |



3KJ1010-9150

C6



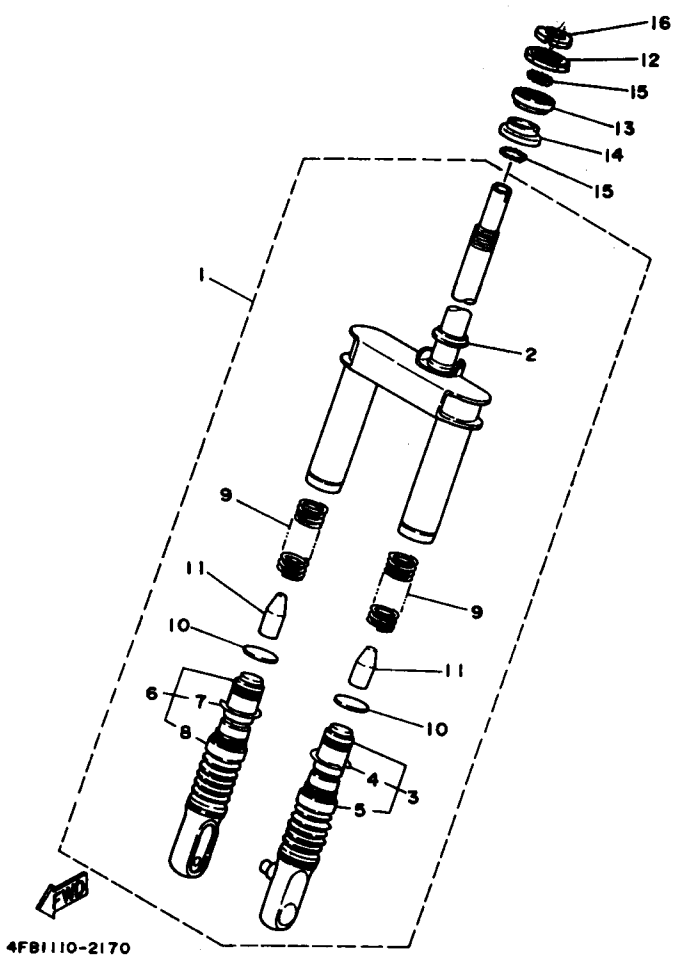
3KJ1010-9160

FIG. 16 REAR SUSPENSION

SUSPENSION TRASERO

| REF. NO. | PART NO. CODIGO NO. | DESCRIPTION DESCRIPTION | 4MN5 | 4MT3 | 4MS4 | REMARKS OBSERVACION |
|----------|---------------------|--------------------------------------------------------------|------|------|------|---------------------|
| 1 | 4MN-22210-00 | SHOCK ABSORBER ASSY, REAR AMORTIGUADOR TRASERO COMPLETO | 1 | 1 | 1 | |
| 2 | 90105-08121 | BOLT, WASHER BASED TORNILLO CON ARANDELA | 1 | 1 | 1 | |
| 3 | 90102-10031 | BOLT, WITH HOLE PERNO CON ORIFICIO | 1 | 1 | 1 | |
| 4 | 95707-10500 | NUT, FLANGE TUERCA DE BRIDA | 1 | 1 | 1 | |
| 5 | 90468-12006 | CLIP PRESILLA | 1 | 1 | 1 | |
| 6 | 3KJ-21381-00 | BRACKET, REAR SHOCK ABSORBER SOPORTE AMORTIGUADOR TRASERO | 1 | 1 | | |
| | 4MS-F1381-00 | BRACKET, REAR SHOCK ABSORBER SOPORTE AMORTIGUADOR TRASERO | | | 1 | |
| 7 | 95827-08012 | BOLT, FLANGE TUERCA DE REBORDE | 2 | 2 | 2 | |

C7



4FB1110-2170

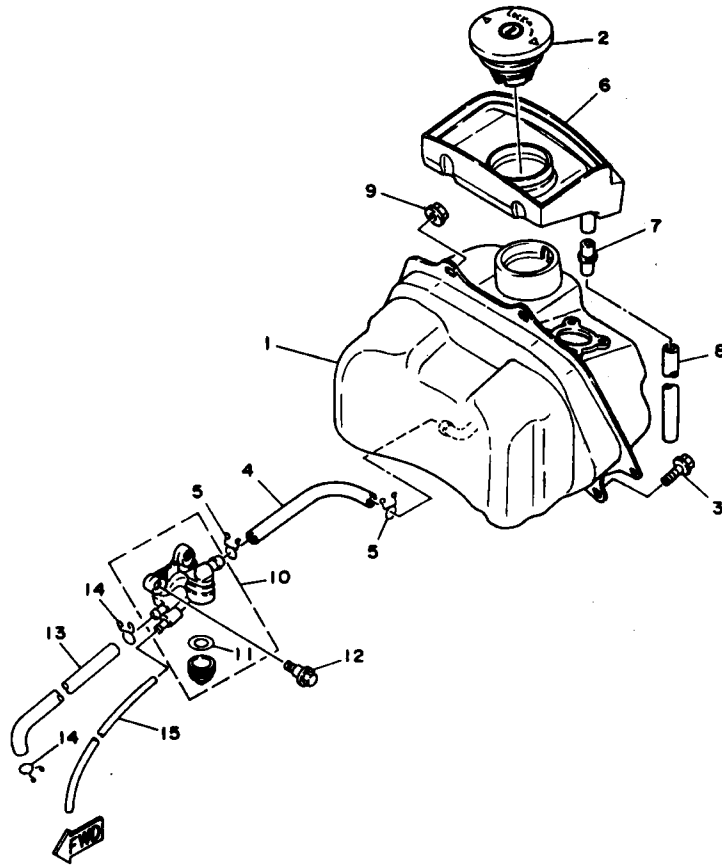
FIG. 17 FRONT FORK

HORQUILLA DELANTERA

| REF. NO. | PART NO. CODIGO NO. | DESCRIPTION DESCRIPTION | 4MNS | 4MT3 | 4MS4 | REMARKS OBSERVACION |
|----------|---------------------|-----------------------------------------------------|------|------|------|---------------------|
| 1 | 4MN-23100-00 | FRONT FORK ASSY HORQUILLA DELANTERA COMPLETA | 1 | 1 | | |
| | 4MN-23100-10 | FRONT FORK ASSY HORQUILLA DELANTERA COMPLETA | | | 1 | |
| 2 | 3YJ-23414-00 | .RACE, BALL 4 .BASE DE BOLA 4 | 1 | 1 | 1 | |
| 3 | 4MN-23110-00 | .INNER TUBE COMP.1 .TUBO INTERIOR COMPLETO 1 | 1 | 1 | 1 | |
| 4 | 93450-30057 | ..CIRCLIP ..BOLA | 1 | 1 | 1 | |
| 5 | 4MN-23191-00 | ..BOOT ..FUNDA | 1 | 1 | 1 | |
| 6 | 4MN-23120-00 | .INNER TUBE COMP.2 .TUBO INTERIOR COMPLETO 2 | 1 | 1 | 1 | |
| 7 | 93450-30057 | ..CIRCLIP ..BOLA | 1 | 1 | 1 | |
| 8 | 4MN-23191-00 | ..BOOT ..FUNDA | 1 | 1 | 1 | |
| 9 | 4MN-23141-00 | .SPRING, FRONT FORK .RESORTE HORQUILLA DELANT. | 1 | 1 | 1 | |
| 10 | 2E9-23143-00 | .SEAT, SPRING LOWER .ASIENTO DE RESORTE INFERIOR | 1 | 1 | 1 | |
| 11 | 1RN-23195-00 | .RUBBER .GOMA | 2 | 2 | 2 | |
| 12 | 3KJ-23411-01 | RACE, BALL 1 PISTA DE BOLAS 1 | 1 | 1 | 1 | |
| 13 | 2E9-23412-00 | RACE, BALL 2 PISTA DE BOLAS 2 | 1 | 1 | 1 | |
| 14 | 2E9-23413-01 | RACE, BALL 3 BASE DE BOLA 3 | 1 | 1 | 1 | |
| 15 | 93505-32002 | BALL BOLA | 52 | 52 | 52 | |
| 16 | 2E9-23454-00 | NUT, FITTING 2 TUERCA ACCESORIA 2 | 1 | 1 | 1 | |

FIG. 18 FUEL TANK

DEPOSITO DE COMBUSTIBLE

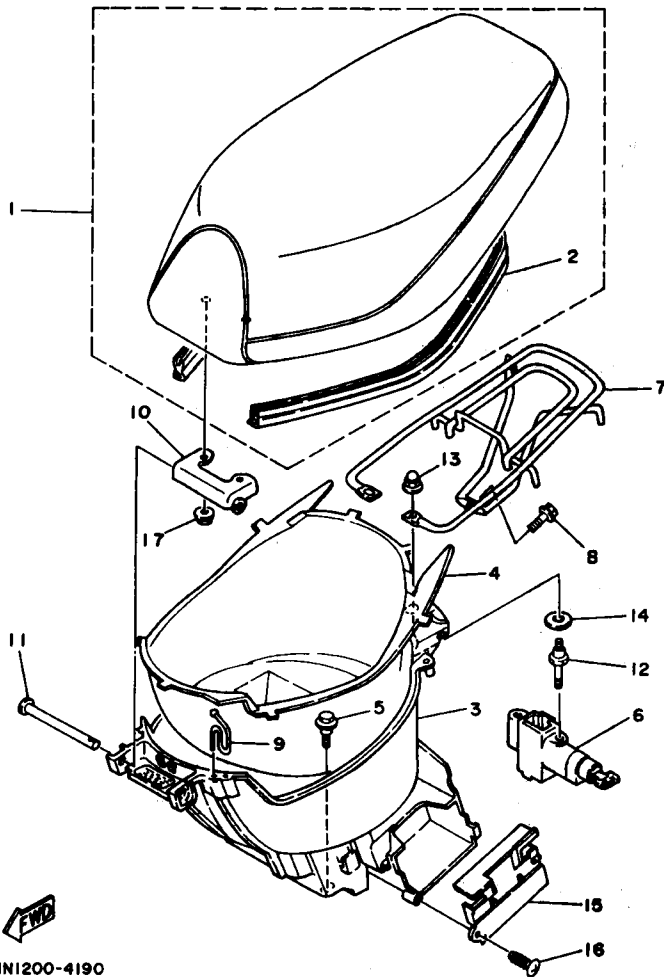


4CG3700-4180

| REF. NO. | PART NO. CODIGO NO. | DESCRIPTION DESCRIPTION | 4MNS | 4MT3 | 4MS4 | REMARKS OBSERVACION |
|----------|---------------------|-----------------------------------------------|------|------|------|---------------------|
| 1 | 3KJ-24110-01 | FUEL TANK COMP. DEPOSITO DE COMBUSTIBLE COMP. | 1 | | | |
| | 4MT-F4110-00 | FUEL TANK COMP. DEPOSITO DE COMBUSTIBLE COMP. | | 1 | | |
| | 4MS-F4110-00 | FUEL TANK COMP. DEPOSITO DE COMBUSTIBLE COMP. | | | 1 | |
| 2 | 4JP-24602-11 | CAP ASSY TAPON COMPLETO | 1 | 1 | 1 | |
| 3 | 95827-06012 | BOLT, FLANGE TUERCA DE REBORDE | 1 | 1 | 1 | |
| 4 | 90445-111G1 | HOSE TUBO | 1 | 1 | 1 | |
| 5 | 90467-10129 | CLIP PRESILLA | 2 | 2 | 2 | |
| 6 | 3KJ-2414A-10 | COVER, FILLER CUBIERTA DE LLENADOR | 1 | 1 | 1 | |
| 7 | 4JP-21753-00 | BOSS, CONNECTOR COPA DE CONECTOR | 1 | 1 | 1 | |
| 8 | 91A20-07033 | TUBE, FLEXIBLE VINYL TUBO, FLEXIBLE | 1 | 1 | 1 | |
| 9 | 95707-06500 | NUT, FLANGE TUERCA DE BRIDA | 2 | 2 | 2 | |
| 10 | 3KJ-24500-02 | FUEL COCK ASSY 1 GRIFO DE COMBUSTIBLE 1 | 1 | 1 | 1 | |
| 11 | 4X8-24565-00 | GASKET .EMPAQUE | 1 | 1 | 1 | |
| 12 | 90109-063F5 | BOLT PERNO | 2 | 2 | 2 | |
| 13 | 3KJ-24311-00 | PIPE, FUEL 1 TUBO DE COMBUSTIBLE 1 | 1 | 1 | 1 | |
| 14 | 90467-09006 | CLIP PRESILLA | 2 | 2 | 2 | |
| 15 | 90445-071G6 | HOSE TUBO | 1 | 1 | 1 | |

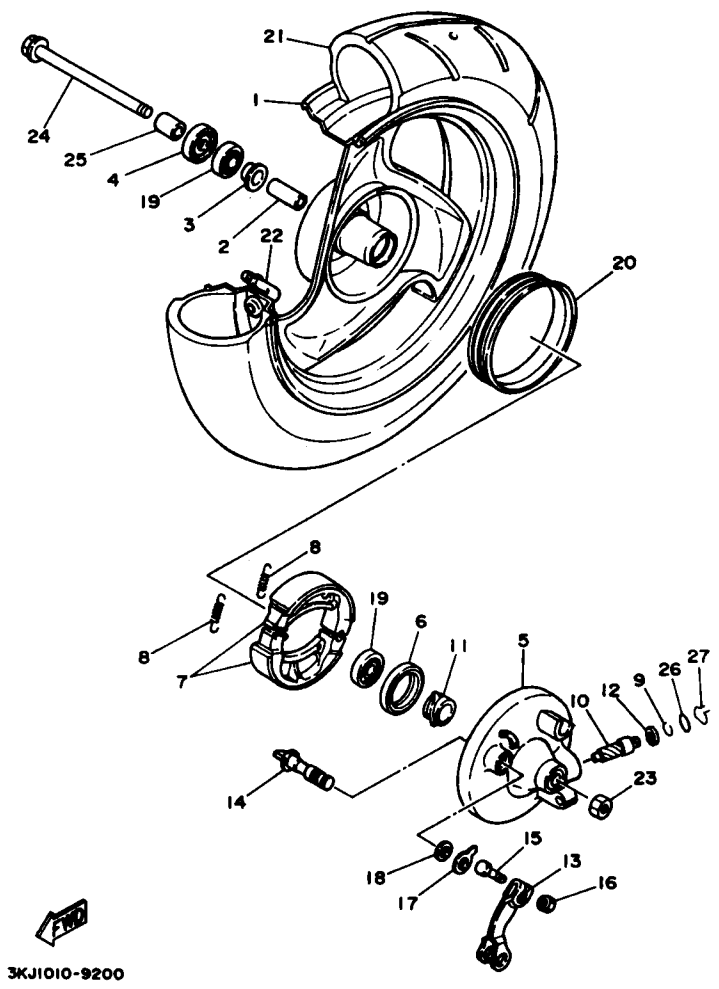
FIG. 19 SEAT CARRIER

ASIENTO. PORTAEQUIPAJE



| REF. NO. | PART NO. CODIGO NO. | DESCRIPTION DESCRIPTION | 4MN5 | 4MT3 | 4MS4 | REMARKS OBSERVACION |
|----------|---------------------|--------------------------------------------------|------|------|------|---------------------|
| 1 | 4MN-24710-00 | SINGLE SEAT ASSY ASIENTO SIMPLE COMPLETO | 1 | | 1 | |
| | 4MT-F4710-00 | SINGLE SEAT ASSY ASIENTO SIMPLE COMPLETO | | 1 | | |
| 2 | 3KJ-2475M-00 | .SEAL .SELLO | 1 | 1 | 1 | |
| 3 | 3KJ-2473R-00 | BOX 1 CAJA 1 | 1 | 1 | 1 | |
| 4 | 3KJ-24747-00 | DAMPER, SEAT AMORTIGUADOR DE ASIENTO | 1 | 1 | 1 | |
| 5 | 90109-083F1 | BOLT PERNO | 2 | 2 | 2 | |
| 6 | 3HH-24705-01 | SEAT LOCK ASSY CIERRE DE SILLIN COMPLETO | 1 | 1 | 1 | |
| 7 | 3KJ-24842-10 | CARRIER, REAR PARRILLA | 1 | | | |
| | 4MT-F4842-00 | CARRIER, REAR PARRILLA | | 1 | | |
| | 4MS-F4842-00 | CARRIER, REAR PARRILLA | | | 1 | |
| 8 | 95807-08012 | BOLT, FLANGE TUERCA DE REBORDE | 1 | 1 | 1 | |
| 9 | 3KJ-21398-00 | HANGER, HELMET COLGADOR DE CASCO | 1 | 1 | 1 | |
| 10 | 3KJ-24726-10 | HINGE, SEAT HINGE SEAT | 1 | 1 | 1 | |
| 11 | 90241-10015 | PIN PASADOR | 1 | 1 | 1 | |
| 12 | 3KJ-24717-00 | BOLT, SEAT FITTING PERNO ACCESORIO DE ASIENTO | 2 | 2 | 2 | |
| 13 | 90176-06065 | NUT, CROWN TUERCA CORONA | 2 | 2 | 2 | |
| 14 | 90201-12175 | WASHER, PLATE ARANDELA PLANA | 2 | 2 | 2 | |
| 15 | 3KJ-82129-00 | COVER, BATTERY CUBIERTA DE BATERIA | 1 | 1 | 1 | |
| 16 | 90167-05025 | SCREW, TAPPING TORNILLO DE ROSCA HEMBRA | 1 | 1 | 1 | |
| 17 | 95707-08500 | NUT, FLANGE TUERCA DE BRIDA | 2 | 2 | 2 | |

C10



3KJ1010-9200

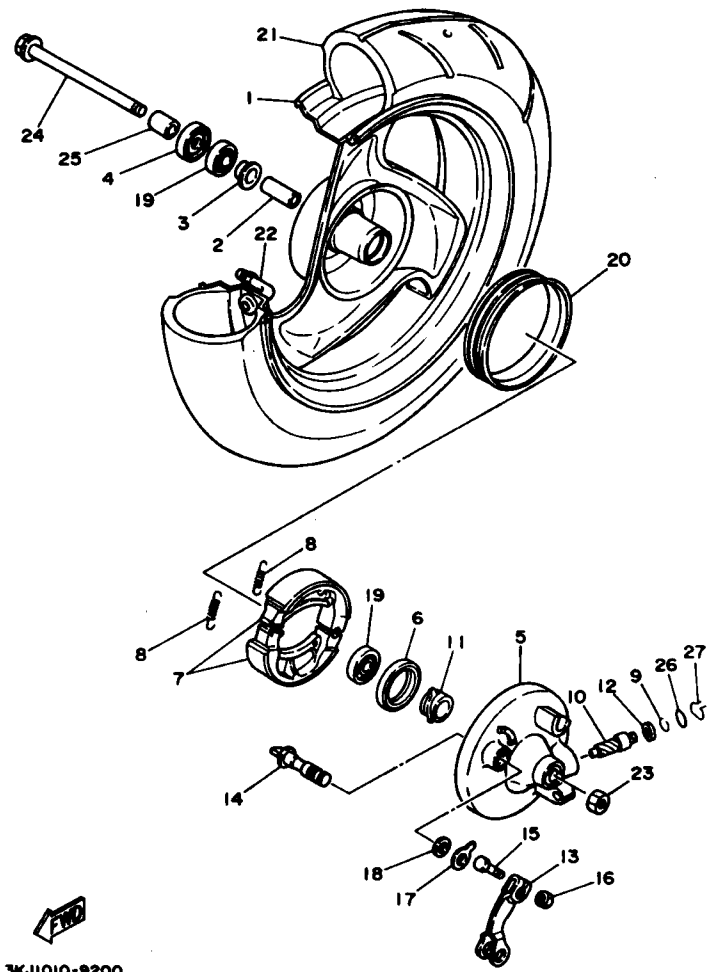
FIG. 20 FRONT WHEEL RUEDA DELANTERA

| REF. NO. | PART NO. CODIGO NO. | DESCRIPTION DESCRIPTION | 4MNS | 4MT3 | 4MS4 | REMARKS OBSERVACION |
|----------|---------------------|---------------------------------------------|------|------|------|---------------------|
| 1 | 3YJ-25180-00-35 | WHEEL COMP. RUEDA DELANTERA COMPLETA | 1 | 1 | | SL |
| | 4MS-F5180-00-35 | WHEEL COMP. RUEDA DELANTERA COMPLETA | | | 1 | SL |
| 2 | 90560-10289 | SPACER SEPARADOR | 1 | 1 | 1 | |
| 3 | 25K-25116-00 | FLANGE, SPACER 2 BRIDA DE ESPACIADOR 2 | 1 | 1 | 1 | |
| 4 | 93106-17015 | OIL SEAL SELLO ACEITE | 1 | 1 | 1 | |
| 5 | 2GM-25121-01-35 | PLATE, BRAKE SHOE PLACA DE ZAPATA DE FRENO | 1 | 1 | 1 | SL |
| 6 | 93109-34057 | OIL SEAL SELLO ACEITE | 1 | 1 | 1 | |
| 7 | 4JP-W2535-00 | BRAKE SHOE SET JUEGO DE ZAPATA DE FRENO | 1 | | | |
| | 4FB-W2535-00 | BRAKE SHOE SET JUEGO DE ZAPATA DE FRENO | | 1 | 1 | |
| 8 | 90506-14081 | SPRING, TENSION RESORTE DE TENSION | 2 | 2 | 2 | |
| 9 | 2T4-25137-00 | RING, STOP ANILLO DE TOPE | 1 | 1 | 1 | |
| 10 | 2E9-25138-00 | GEAR, METER ENGRANAJE DE MEDIDOR | 1 | 1 | 1 | |
| 11 | 2E9-25135-00 | GEAR, DRIVE (14T) ENGRANAJE DE TRACCION | 1 | 1 | 1 | |
| 12 | 90201-064L6 | WASHER, PLATE ARANDELA PLANA | 1 | 1 | 1 | |
| 13 | 2T4-25155-00 | LEVER, CAMSHAFT 1 PALANCA DE ARBOL DE LEVAS | 1 | 1 | 1 | |
| 14 | 3KJ-25151-00 | CAMSHAFT ARBOL DE LEVAS | 1 | 1 | 1 | |
| 15 | 97007-05020 | BOLT PERNO | 1 | 1 | 1 | |
| 16 | 95307-05800 | NUT TUERCA | 1 | 1 | 1 | |
| 17 | 3L8-2513A-00 | PLATE, INDICATOR PLACA DE INDICADOR | 1 | 1 | 1 | |
| 18 | 25K-25159-00 | SEAL, CAMSHAFT SELLO DE ARBOL DE LEVAS | 1 | 1 | 1 | |
| 19 | 93306-20006 | BEARING (B6200) COJINETE (B6200) | 2 | 2 | 2 | NTN |
| 20 | 3KJ-25185-00 | RING 1 ANILLO 1 | 1 | 1 | 1 | |
| 21 | 94108-1004V | TIRE (80/90-10 34J MB38) NEUMATICO | 1 | 1 | | INOUE |
| | 94108-108P2 | TIRE NEUMATICO | | | 1 | |
| 22 | 93900-00041 | VALVE, RIM VALVULA DE ARO | 1 | 1 | 1 | |
| 23 | 90185-10154 | NUT, SELF-LOCKING TUERCA AUTOBLOCANTE | 1 | 1 | 1 | |
| 24 | 3YJ-25181-00 | AXLE, WHEEL EJE DE LA RUEDA | 1 | 1 | 1 | |

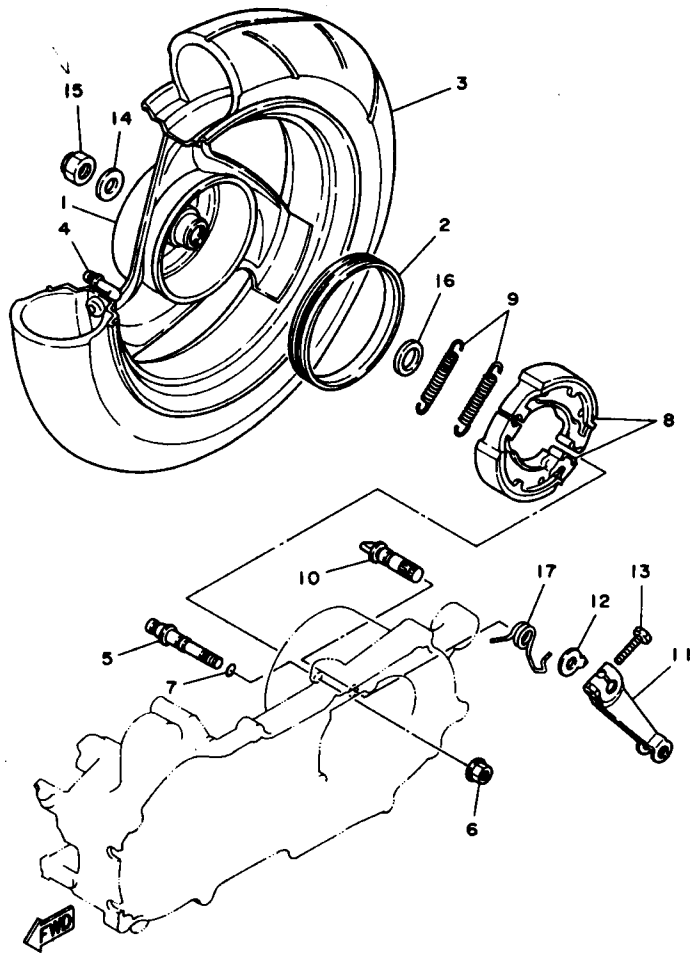
C11

FIG. 20 FRONT WHEEL

RUEDA DELANTERA



| REF. NO. | PART NO. CODIGO NO. | DESCRIPTION DESCRIPTION | 4MS6 | 4MT3 | 4MS4 | REMARKS OBSERVACION |
|----------|---------------------|---------------------------|------|------|------|---------------------|
| 25 | 90560-10360 | SPACER SEPARADOR | 1 | 1 | 1 | |
| 26 | 93210-10010 | O-RING ANILLO O | 1 | 1 | 1 | |
| 27 | 2E9-25137-01 | RING, STOP ANILLO DE TOPE | 1 | 1 | 1 | |



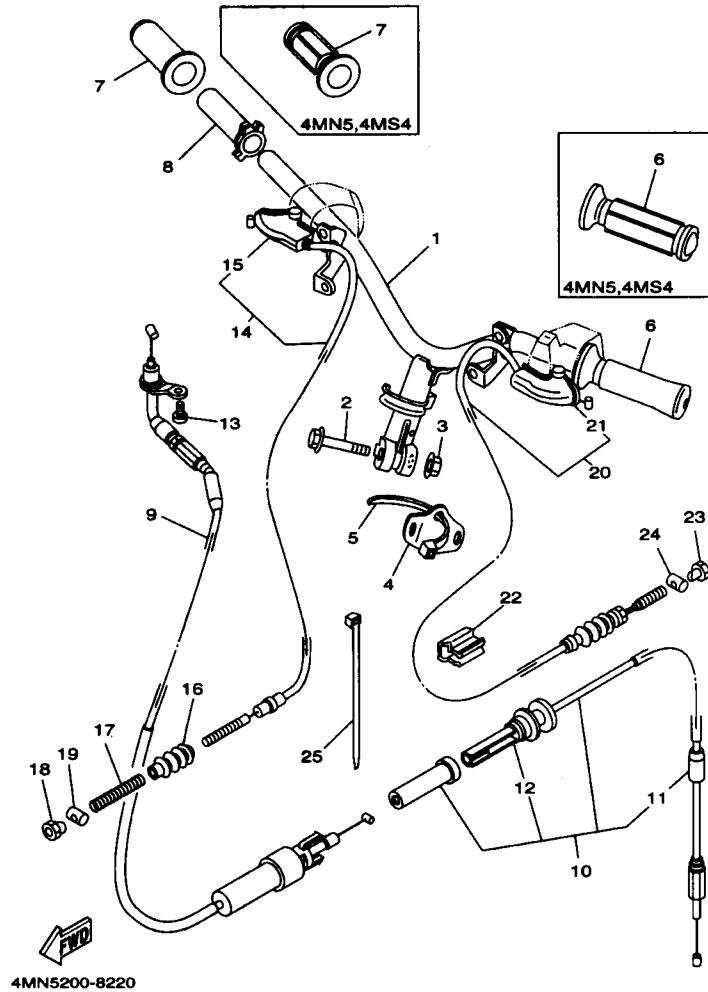
3KJ1010-9210

FIG. 21 REAR WHEEL

RUEDA TRASERA

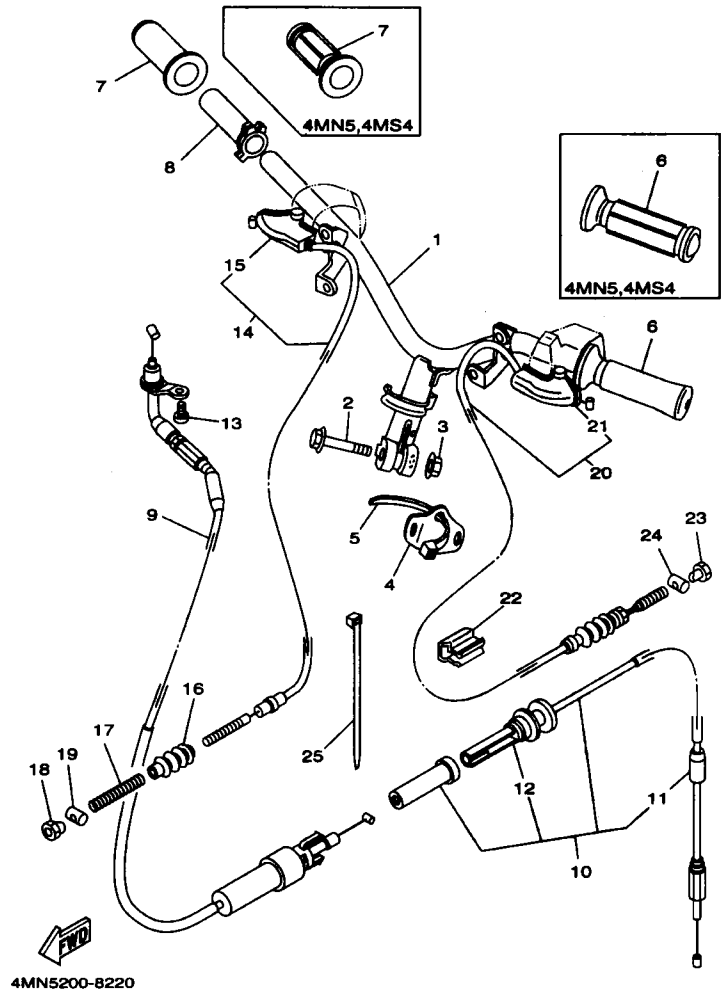
| REF. NO. | PART NO. CODIGO NO. | DESCRIPTION DESCRIPTION | 4MS5 | 4MT3 | 4MS4 | REMARKS OBSERVACION |
|----------|---------------------|----------------------------------------------------|------|------|------|---------------------|
| 1 | 3YJ-25390-00-35 | REAR WHEEL COMP. RUEDA TRASERA COMPLETA | 1 | 1 | | SL |
| | 4MS-F5390-00-35 | REAR WHEEL COMP. RUEDA TRASERA COMPLETA | | | 1 | SL |
| 2 | 3KJ-25336-00 | RING 2 RESORTE 2 | 1 | 1 | 1 | |
| 3 | 94108-1004V | TIRE (80/90-10 34J MB38) NEUMATICO | 1 | 1 | | INOUE |
| | 94108-108P2 | TIRE NEUMATICO | | | 1 | |
| 4 | 93900-00041 | VALVE, RIM VALVULA DE ARO | 1 | 1 | 1 | |
| 5 | 3KJ-25326-00 | PIN, PIVOT PASADOR PIVOTE | 1 | 1 | 1 | |
| 6 | 95707-08500 | NUT, FLANGE TUERCA DE BRIDA | 1 | 1 | 1 | |
| 7 | 93210-07540 | O-RING ANILLO O | 1 | | | |
| | 93210-07435 | O-RING ANILLO O | | 1 | 1 | |
| 8 | 4BX-W2536-10 | BRAKE SHOE SET JUEGO DE ZAPATA DE FRENO | 1 | 1 | 1 | |
| 9 | 90506-15260 | SPRING, TENSION RESORTE DE TENSION | 2 | 2 | 2 | |
| 10 | 3KJ-25351-01 | CAMSHAFT ARBOL DE LEVAS | 1 | 1 | 1 | |
| 11 | 3KJ-25355-00 | LEVER, CAMSHAFT PALANCA DE ARBOL DE LEVAS | 1 | 1 | 1 | |
| 12 | 4N0-2513A-00 | PLATE, INDICATOR PLACA DE INDICADOR | 1 | 1 | 1 | |
| 13 | 90101-06278 | BOLT TORNILLO | 1 | 1 | 1 | |
| 14 | 90201-142M6 | WASHER, PLATE ARANDELA PLANA | 1 | 1 | 1 | |
| 15 | 90185-14081 | NUT, SELF-LOCKING TUERCA AUTOBLOCANTE | 1 | 1 | 1 | |
| 16 | 90201-17255 | WASHER, PLATE ARANDELA PLANA | 1 | 1 | 1 | |
| 17 | 3KJ-25357-00 | SPRING, LEVER RETURN RESORTE DE PALANCA DE RETORNO | 1 | | 1 | |
| | 4MT-F5357-00 | SPRING, LEVER RETURN RESORTE DE PALANCA DE RETORNO | | 1 | | |

FIG. 22 STEERING HANDLE. CABLE MANUBRIO. CABLE

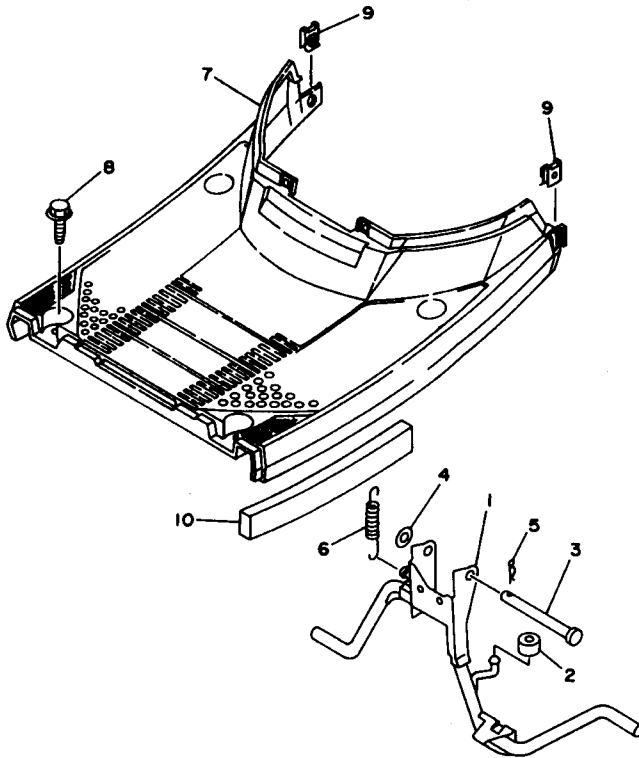


| REF. NO. | PART NO. CODIGO NO. | DESCRIPTION DESCRIPTION | 4MN5 | 4MT3 | 4MS4 | REMARKS OBSERVACION |
|----------|---------------------|------------------------------------------------------|------|------|------|---------------------|
| 1 | 3KJ-26110-00 | HANDLE COMP. MANUBRIO COMPLETE | 1 | 1 | 1 | |
| 2 | 90105-10036 | BOLT, WASHER BASED TORNILLO CON ARANDELA | 1 | 1 | 1 | |
| 3 | 90185-10154 | NUT, SELF-LOCKING TUERCA AUTOBLOCANTE | 1 | 1 | 1 | |
| 4 | 2EK-26293-00 | BAND BANDA | 1 | 1 | 1 | |
| 5 | 5Y9-12491-00 | CLAMP 1 GRAMPA 1 | 1 | 1 | 1 | |
| 6 | 3RY-26241-01 | GRIP (LEFT) EMPUNADURA (MI) | 1 | 1 | 1 | |
| | 4MT-F6241-00 | GRIP (LEFT) EMPUNADURA (MI) | | 1 | | |
| 7 | 3RY-26242-01 | GRIP (RIGHT) EMPUNADURA (MD) | 1 | 1 | 1 | |
| | 4MT-F6242-00 | GRIP (RIGHT) EMPUNADURA (MD) | | 1 | | |
| 8 | 5G3-26243-00 | TUBE, THROTTLE GUIDE TUBO DE GUIA DE OBTURADOR | 1 | 1 | 1 | |
| | 4MT-F6243-00 | TUBE, THROTTLE GUIDE TUBO DE GUIA DE OBTURADOR | | 1 | | |
| 9 | 3KJ-26311-31 | CABLE, THROTTLE 1 CABLE DE ACELERADOR 1 | 1 | 1 | 1 | |
| 10 | 3KJ-26312-41 | CABLE, THROTTLE 2 CABLE DE ACELERADOR 2 | 1 | 1 | 1 | |
| 11 | 304-26329-00 | .CAP, RUBBER .TAPA DE ANILLO PROTECTOR | 1 | 1 | 1 | |
| 12 | 4JP-26261-00 | .CONNECTOR, CABLE .CONECTOR DE CABLE | 1 | 1 | 1 | |
| 13 | 98507-05010 | SCREW, PAN HEAD TORNILLO DE CABEZA CON PLANA | 1 | 1 | 1 | |
| 14 | 3KJ-26341-00 | CABLE, BRAKE CABLE DE FRENO | 1 | 1 | 1 | |
| 15 | 3YJ-2637A-00 | .COVER, HANDLE LEVER 2 .CUBIERTA DE PALANCA DE MANUB | 1 | 1 | 1 | |
| 16 | 3KJ-26342-00 | BOOT, CABLE FUNDA DE CABLE | 1 | 1 | 1 | |
| | 4MT-F6342-00 | BOOT, CABLE FUNDA DE CABLE | | 1 | | |
| 17 | 90501-10513 | SPRING, COMPRESSION RESORTE DE COMPRESION | 1 | 1 | 1 | |
| 18 | 90179-06411 | NUT TUERCA | 1 | 1 | 1 | |
| 19 | 90249-12008 | PIN PASADOR | 1 | 1 | 1 | |
| 20 | 3KJ-26351-01 | CABLE, BRAKE CABLE DE FRENO | 1 | 1 | 1 | |
| 21 | 3YJ-26372-00 | .COVER, HANDLE LEVER 1 .CUBIERTA DE PALANCA DE MANUB | 1 | 1 | 1 | |
| 22 | 3KJ-26393-00 | HOLDER SOPORTE | 1 | 1 | 1 | |
| 23 | 90179-06411 | NUT TUERCA | 1 | 1 | 1 | |

FIG. 22 STEERING HANDLE. CABLE MANUBRIO. CABLE



| REF. NO. | PART NO. CODIGO NO. | DESCRIPTION DESCRIPTION | 4MN5 | 4MT3 | 4MS4 | REMARKS OBSERVACION |
|----------|---------------------|-------------------------|------|------|------|---------------------|
| 24 | 90249-12008 | PIN PASADOR | 1 | 1 | 1 | |
| 25 | 90465-13152 | CLAMP BRIDA | 1 | 1 | 1 | |




4MN1200-4230

FIG. 23 STAND. FOOTREST

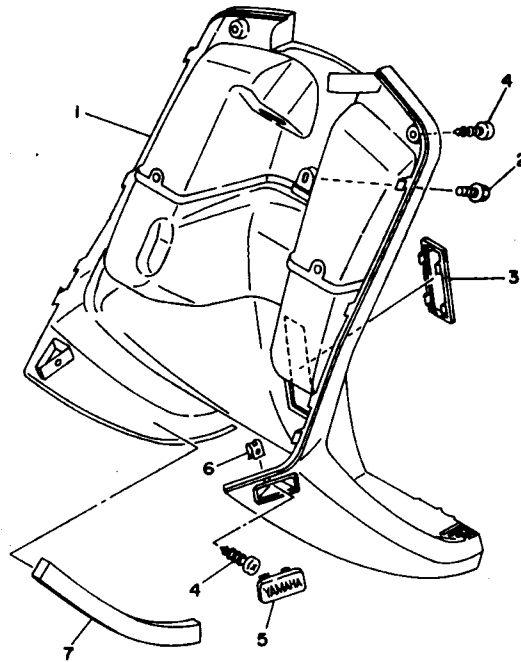
SOPORTE. APOYAPIE

| REF. NO. | PART NO. CODIGO NO. | DESCRIPTION DESCRIPTION | 4MN5 | 4MT3 | 4MS4 | REMARKS OBSERVACION |
|----------|---------------------|--------------------------------------------|------|------|------|---------------------|
| 1 | 4MN-27111-00 | STAND, MAIN PUNTAL PRINCIPAL | 1 | | | |
| | 4MT-F7111-00 | STAND, MAIN PUNTAL PRINCIPAL | | 1 | | |
| | 4MS-F7111-10 | STAND, MAIN PUNTAL PRINCIPAL | | | 1 | |
| 2 | 90387-065X4 | COLLAR CASQUILLO CON VALONA | 1 | 1 | 1 | |
| 3 | 90240-10137 | PIN, CLEVIS PASADOR CON HOYO | 1 | 1 | 1 | |
| 4 | 90202-10120 | WASHER, PLATE ARANDELA DE PLANA | 1 | 1 | 1 | |
| 5 | 90468-12006 | CLIP PRESILLA | 1 | 1 | 1 | |
| 6 | 90506-32464 | SPRING, TENSION RESORTE DE TENSION | 1 | 1 | 1 | |
| 7 | 3KJ-27481-21 | BOARD, FOOTREST TABLERO DE APOYAPIE | 1 | 1 | 1 | YAMAHA BLACK |
| 8 | 90119-06060 | BOLT, WITH WASHER TORNILLO CON ARANDELA | 4 | 4 | 4 | |
| 9 | 25G-21535-00 | NUT 1 TUERCA 1 | 2 | 2 | 2 | |
| 10 | 4MN-28228-00 | SEAL 2 SELLO 2 | 2 | 2 | 2 | |

D2

FIG. 24 LEG SHIELD

PATA PROTEGIDA



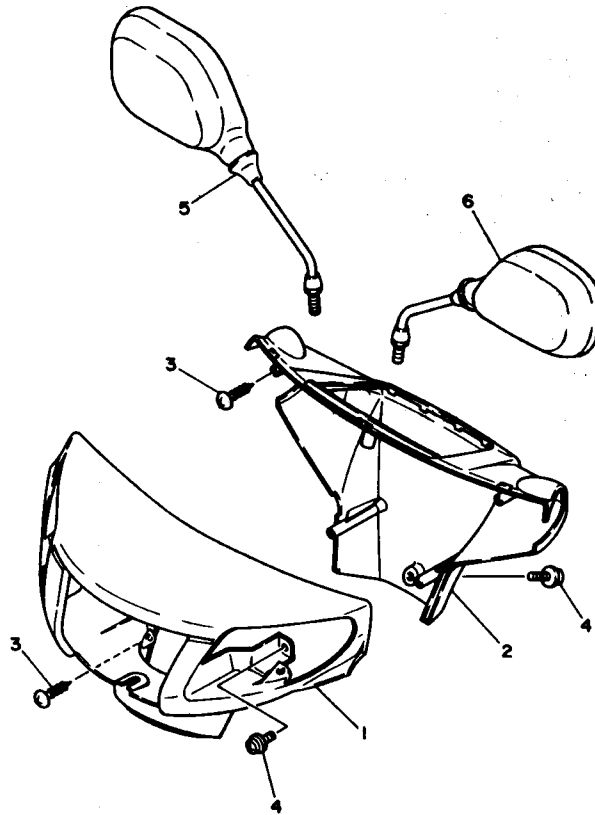

4MN1200-4240

| REF. NO. | PART NO. CODIGO NO. | DESCRIPTION DESCRIPTION | 4MNS | 4MT3 | 4MS4 | REMARKS OBSERVACION |
|----------|---------------------|------------------------------------------------|------|------|------|---------------------|
| 1 | 3KJ-28300-20 | LEG SHIELD ASSY PROTECCION DE PATA COMPLETA | 1 | 1 | 1 | YAMAHA BLACK |
| 2 | 90159-06182 | SCREW, WITH WASHER TORNILLO CON VALONA | 1 | 1 | 1 | |
| 3 | 14T-28349-40 | CAP TAPA | 1 | 1 | 1 | YAMAHA BLACK |
| 4 | 90167-05025 | SCREW, TAPPING TORNILLO DE ROSCA HEMBRA | 2 | 2 | 2 | |
| 5 | 3FC-27475-10 | CAP 1 TAPA 1 | 2 | 2 | 2 | YAMAHA BLACK |
| 6 | 90183-05042 | NUT, SPRING TUERCA DE RESORTE | 2 | 2 | 2 | |
| 7 | 4MN-28238-00 | SEAL 3 SELLO 3 | 2 | 2 | 2 | |

D3

FIG. 25 COWLING 1

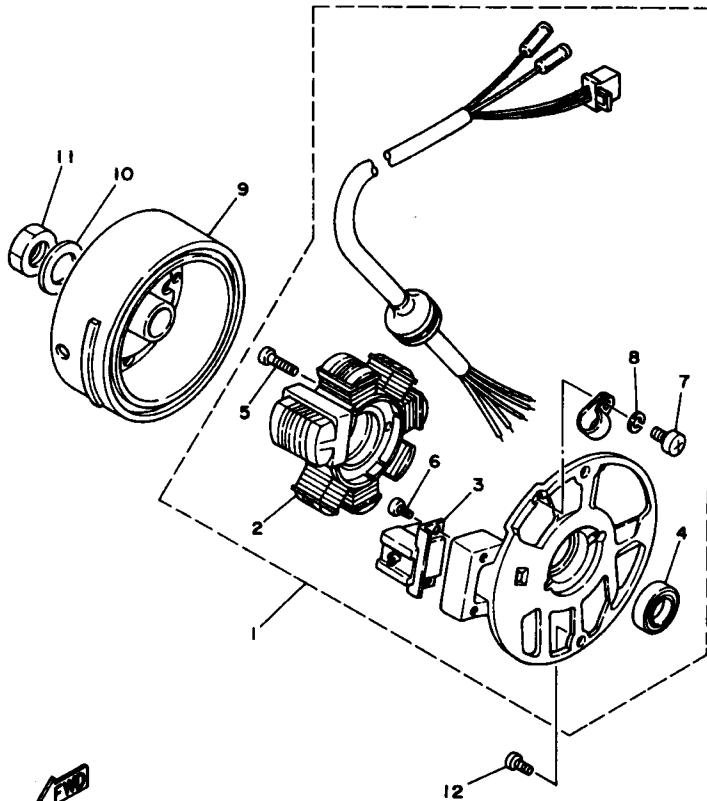
BOVEDA 1




4GF1210-2250

| REF. NO. | PART NO. CODIGO NO. | DESCRIPTION DESCRIPTION | 4MNS | 4MT3 | 4MS4 | REMARKS OBSERVACION |
|----------|---------------------|-------------------------------------------------------------|------|------|------|---------------------|
| 1 | 3KJ-26143-01-P1 | COVER, HANDLEBAR UPPER 1 CUBIERTA DE MANUBRIO SUPERIOR1 | 1 | 1 | 1 | VRC1 |
| | 3KJ-26143-01-P8 | COVER, HANDLEBAR UPPER 1 CUBIERTA DE MANUBRIO SUPERIOR1 | 1 | 1 | 1 | DPBMC |
| | 3KJ-26143-01-P9 | COVER, HANDLEBAR UPPER 1 CUBIERTA DE MANUBRIO SUPERIOR1 | 1 | 1 | 1 | CM3 |
| | 3KJ-26143-01-PA | COVER, HANDLEBAR UPPER 1 CUBIERTA DE MANUBRIO SUPERIOR1 | 1 | 1 | 1 | RYC1 |
| 2 | 3KJ-26145-22 | COVER, HANDLEBAR UPPER 2 CUBIERTA DE MANUBRIO SUPERIOR2 | 1 | 1 | 1 | BLACK |
| 3 | 97707-50012 | SCREW, TAPPING TORNILLO ROSCA HEMBRA | 4 | 4 | 4 | |
| 4 | 90159-05028 | SCREW, WITH WASHER TORNILLO CON VALONA | 3 | 3 | 3 | |
| 5 | 3AA-26290-00 | REAR VIEW MIRROR ASSY (RIGHT) ESPEJO COMPLETO (DERECHO) | 1 | 1 | | |
| | 4MT-F6290-00 | REAR VIEW MIRROR ASSY (RIGHT) ESPEJO COMPLETO (DERECHO) | | 1 | | |
| 6 | 3AA-26280-00 | REAR VIEW MIRROR ASSY (LEFT) ESPEJO COMPLETO (IZQUIERDO) | 1 | 1 | | |
| | 4MT-F6280-00 | REAR VIEW MIRROR ASSY (LEFT) ESPEJO COMPLETO (IZQUIERDO) | | 1 | | |

D4



3KJ1010-9260

FIG. 26 GENERATOR

GENERADOR

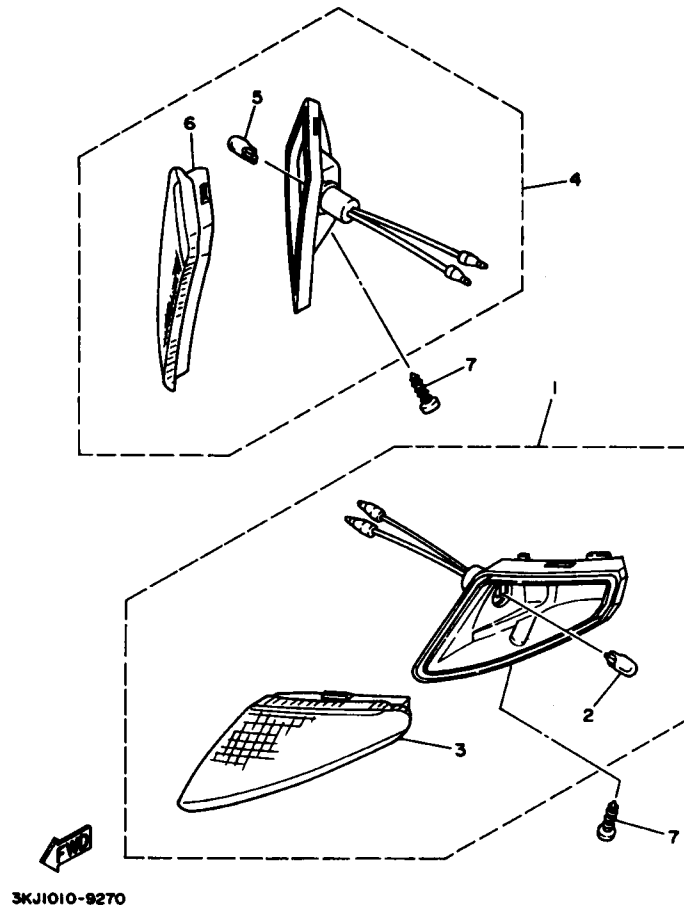
| REF. NO. | PART NO. CODIGO NO. | DESCRIPTION DESCRIPTION | 4MS | 4MT3 | 4MS4 | REMARKS OBSERVACION |
|----------|---------------------|---------------------------------------------------|-----|------|------|---------------------|
| 1 | 3KJ-85580-00 | BASE ASSY CONJUNTO BASE | 1 | 1 | 1 | |
| 2 | 2JA-81403-M0 | .STATORCOMP. .ESTATOR COMPLETO | 1 | 1 | 1 | |
| 3 | 2JA-85580-M0 | .COIL, PULSER .BOBINA DE PULSACION | 1 | 1 | 1 | |
| 4 | 93104-19097 | .OIL SEAL .SELLO ACEITE | 1 | 1 | 1 | |
| 5 | 98501-05020 | .SCREW, PAN HEAD .TORNILLO DE CABEZA CON PLANA | 2 | 2 | 2 | |
| 6 | 98501-05010 | .SCREW, PAN HEAD .TORNILLO DE CABEZA CON PLANA | 2 | 2 | 2 | |
| 7 | 98501-04008 | .SCREW, PAN HEAD .TORNILLO DE CABEZA CON PLANA | 1 | 1 | 1 | |
| 8 | 92901-04100 | .WASHER, SPRING .ARANDELA | 1 | 1 | 1 | |
| 9 | 2JA-85550-00 | ROTOR ASSY ROTOR COMPLETO | 1 | 1 | 1 | |
| 10 | 92907-10800 | WASHER, PLATE ARANDELA | 1 | 1 | 1 | |
| 11 | 90170-10219 | NUT TUERCA | 1 | 1 | 1 | |
| 12 | 98507-08016 | SCREW, PAN HEAD TORNILLO DE CABEZA CON PLANA | 2 | 2 | 2 | |

D5

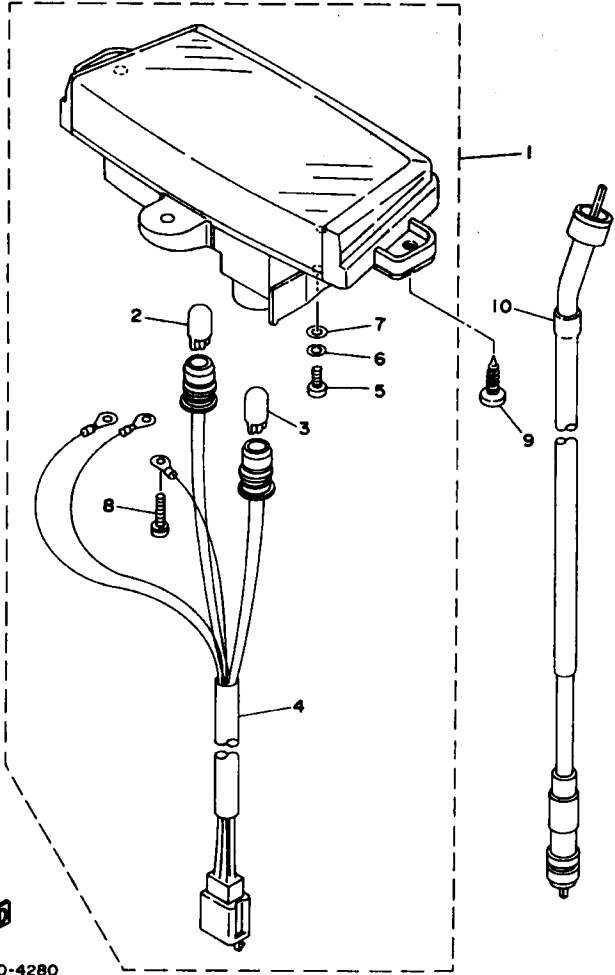
FIG. 27 FLASHER LIGHT

LUZ DE DESTELLADOR

| REF. NO. | PART NO. CODIGO NO. | DESCRIPTION DESCRIPTION | 4MNS | 4MT3 | 4MS4 | REMARKS OBSERVACION |
|----------|---------------------|----------------------------------------------------------|------|------|------|---------------------|
| 1 | 3KJ-83310-00 | FRONT FLASHER LIGHT ASSY 1 DESTELLADOR DE LUZ DELANT. | 1 | 1 | 1 | |
| 2 | 54V-83311-00 | .BULB, FLASHER (12V-8W) .BOMBILLA (12V-8W) | 1 | 1 | 1 | |
| 3 | 3KJ-83312-00 | .LENS, FLASHER .LENTE DE DESTELLADOR | 1 | 1 | 1 | |
| 4 | 3KJ-83320-00 | FRONT FLASHER LIGHT ASSY 2 DESTELLADOR DE LUZ DELANT. | 1 | 1 | 1 | |
| 5 | 54V-83311-00 | .BULB, FLASHER (12V-8W) .BOMBILLA (12V-8W) | 1 | 1 | 1 | |
| 6 | 3KJ-83322-00 | .LENS, FLASHER 2 .LENTE DE INTERMITENTE 2 | 1 | 1 | 1 | |
| 7 | 97707-50510 | SCREW, TAPPING TORNILLO ROSCA HEMBRA | 2 | 2 | 2 | |



D6

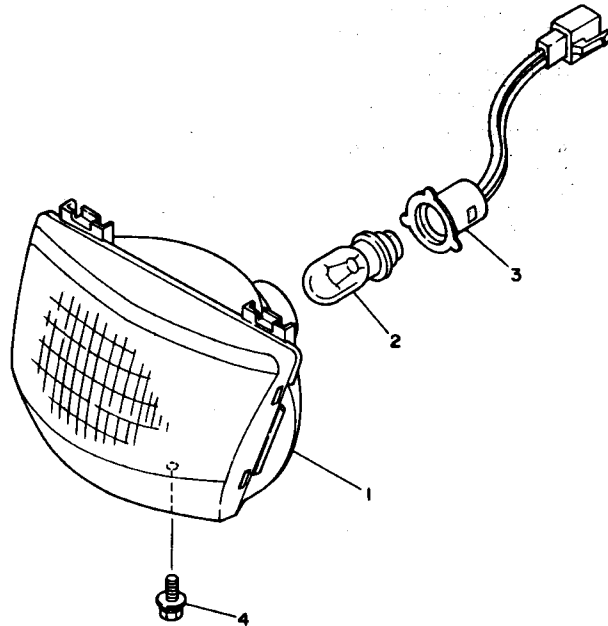


4MN1200-4280

FIG. 28 METER MEDIDOR

| REF. NO. | PART NO. CODIGO NO. | DESCRIPTION DESCRIPTION | 4MN5 | 4MT3 | 4MS4 | REMARKS OBSERVACION |
|----------|---------------------|---------------------------------------------------------|------|------|------|---------------------|
| 1 | 3WG-83510-01 | SPEEDOMETER ASSY VELOCIMETRO COMPL. | 1 | 1 | 1 | |
| 2 | 4R0-83517-00 | BULB (12V-3.4W T10) AMPOLLETA (12V-3.4W T10) | 1 | 1 | 1 | |
| 3 | 1YT-83517-00 | BULB (12V-1.7W, T10) AMPOLLETA (12V-1.7W, T10) | 1 | 1 | 1 | |
| 4 | 3UC-83509-00 | SOCKET CORD ASSY ENCASTRE DE CABLE COMPLETO | 1 | 1 | 1 | |
| 5 | 98501-04010 | SCREW, PAN HEAD TORNILLO DE CABEZA CON PLANA | 2 | 2 | 2 | |
| 6 | 92901-04100 | WASHER, SPRING ARANDELA | 2 | 2 | 2 | |
| 7 | 92901-04600 | WASHER, PLATE ARANDELA | 2 | 2 | 2 | |
| 8 | 90159-03102 | SCREW, WITH WASHER TORNILLO CON VALONA | 3 | 3 | 3 | |
| 9 | 97707-50016 | SCREW, TAPPING TORNILLO ROSCA HEMBRA | 2 | 2 | 2 | |
| 10 | 4MN-83550-00 | SPEEDOMETER CABLE ASSY CABLE DE VELOCIMETRO COMPLETO | 1 | 1 | 1 | |

D7



3KJ1010-9290

FIG. 29 HEADLIGHT

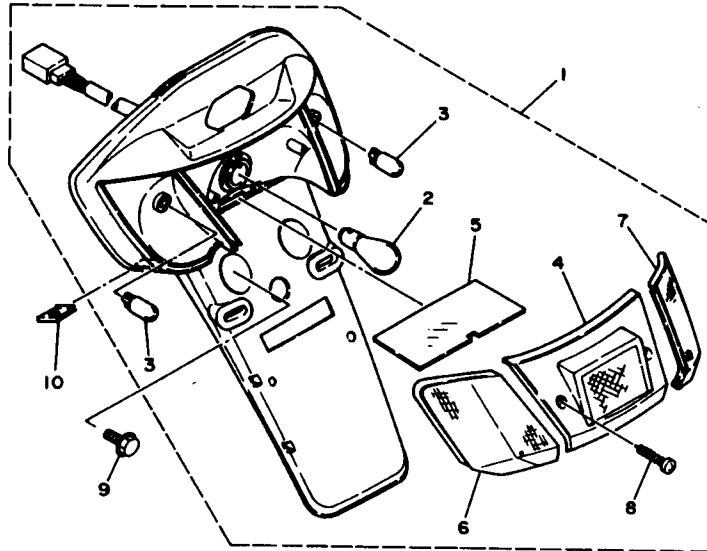
FARO DELANTERO

| REF. NO. | PART NO. CODIGO NO. | DESCRIPTION DESCRIPTION | 4MS5 | 4MT3 | 4MS4 | REMARKS OBSERVACION |
|----------|---------------------|-----------------------------------------------|------|------|------|---------------------|
| 1 | 3KJ-84320-00 | LENS ASSY LENTE COMPLETO | 1 | 1 | 1 | |
| 2 | 1YT-84314-00 | BULB(12V25/25W) BOMBILLA DE FARO DELANTERO | 1 | 1 | 1 | |
| 3 | 3KJ-84312-00 | HOLDER, SOCKET ENCASTRE | 1 | 1 | 1 | |
| 4 | 90159-05155 | SCREW, WITH WASHER TORNILLO CON VALONA | 1 | 1 | 1 | |

D8

FIG. 30 TAILLIGHT

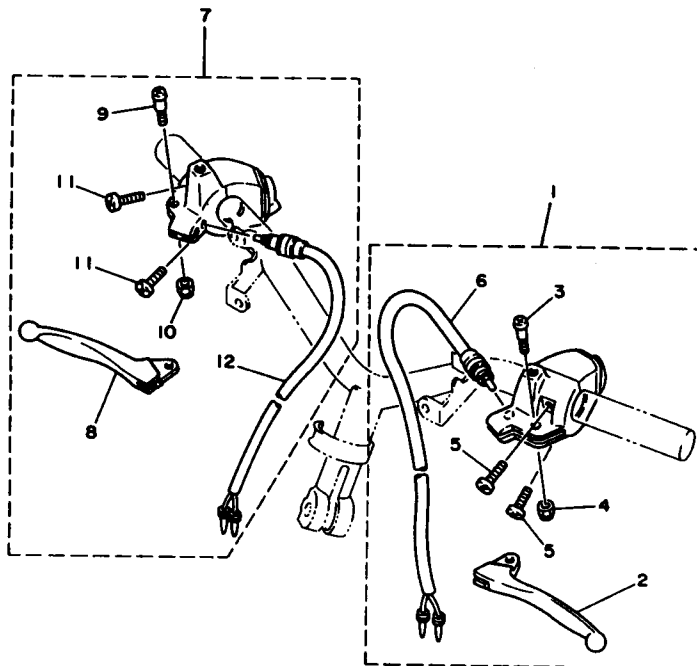
LUZ DE COLA




3KJ5010-2310

| REF. NO. | PART NO. CODIGO NO. | DESCRIPTION DESCRIPTION | 4MNS | 4MT3 | 4MS4 | REMARKS OBSERVACION |
|----------|---------------------|---------------------------------------------------|------|------|------|---------------------|
| | | | | | | |
| 1 | 3KJ-84700-02 | TAILLIGHT ASSY FARO TRASERO COMPLET. | 1 | 1 | 1 | |
| 2 | 54V-84714-00 | .BULB (12V-21/5W) .BOMBILLA | 1 | 1 | 1 | |
| 3 | 54V-83311-00 | .BULB, FLASHER (12V-8W) .BOMBILLA (12V-8W) | 2 | 2 | 2 | |
| 4 | 3KJ-84721-01 | .LENS, TAILLIGHT .LENTE DE FARO TRASERO | 1 | 1 | 1 | |
| 5 | 3KJ-84743-00 | .LENS, LICENCE LIGHT .LENTE DE LUZ DE LICENCIA | 1 | 1 | 1 | |
| 6 | 3KJ-83332-00 | .LENS, FLASHER .LENTE DE DESTELLADOR | 1 | 1 | 1 | |
| 7 | 3KJ-83342-00 | .LENS, FLASHER 2 .LENTE DE DESTELLADOR | 1 | 1 | 1 | |
| 8 | 97707-40616 | .SCREW, TAPPING .TORNILLO ROSCA HEMBRA | 2 | 2 | 2 | |
| 9 | 90109-063F1 | BOLT PERNO | 2 | 2 | 2 | |
| 10 | 90183-05042 | NUT, SPRING TUERCA DE RESORTE | 2 | 2 | 2 | |

D9

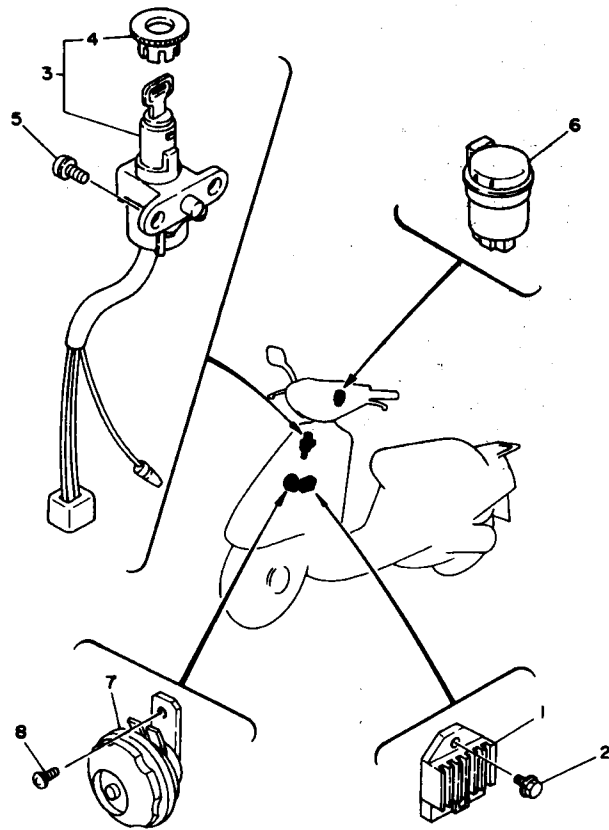


3KJ1010-9310

FIG. 31 HANDLE SWITCH. LEVER INTERRUPTOR DE MANIJA. PALANCA

| REF. NO. | PART NO. CODIGO NO. | DESCRIPTION DESCRIPTION | 4MS5 | 4MT3 | 4MS4 | REMARKS OBSERVACION |
|----------|---------------------|-------------------------------------------------------|------|------|------|---------------------|
| 1 | 3KJ-82910-01 | LEVER HOLDER ASSY (LEFT) SOPORTE DE LEVA COMPLT 1 | 1 | 1 | 1 | |
| 2 | 2T4-83912-02 | .LEVER 1 .PALANCA 1 | 1 | 1 | 1 | |
| 3 | 90149-06175 | .SCREW .TORNILLO DE REGLAJE | 1 | 1 | 1 | |
| 4 | 90185-05155 | .NUT, SELF-LOCKING .TUERCA AUTOBLOCANTE | 1 | 1 | 1 | |
| 5 | 90157-05116 | .SCREW, PAN HEAD .TORNILLO CABEZA CONICA PLANA | 2 | 2 | 2 | |
| 6 | 3E1-83980-00 | .FRONT STOP SWITCH ASSY .INTERRUP.PARADA DELANTERO | 1 | 1 | 1 | |
| 7 | 3KJ-82920-01 | LEVER HOLDER ASSY (RIGHT) SOPORTE DE LEVA COMPLT 2 | 1 | 1 | 1 | |
| 8 | 2T4-83922-02 | .LEVER 2 .PALANCA 2 | 1 | 1 | 1 | |
| 9 | 90149-06175 | .SCREW .TORNILLO DE REGLAJE | 1 | 1 | 1 | |
| 10 | 90185-05155 | .NUT, SELF-LOCKING .TUERCA AUTOBLOCANTE | 1 | 1 | 1 | |
| 11 | 90157-05116 | .SCREW, PAN HEAD .TORNILLO CABEZA CONICA PLANA | 2 | 2 | 2 | |
| 12 | 2T4-83980-00 | .FRONT STOP SWITCH ASSY .INTERRUP.PARADA DELANTERO | 1 | 1 | 1 | |

D10



4MN4200-6320

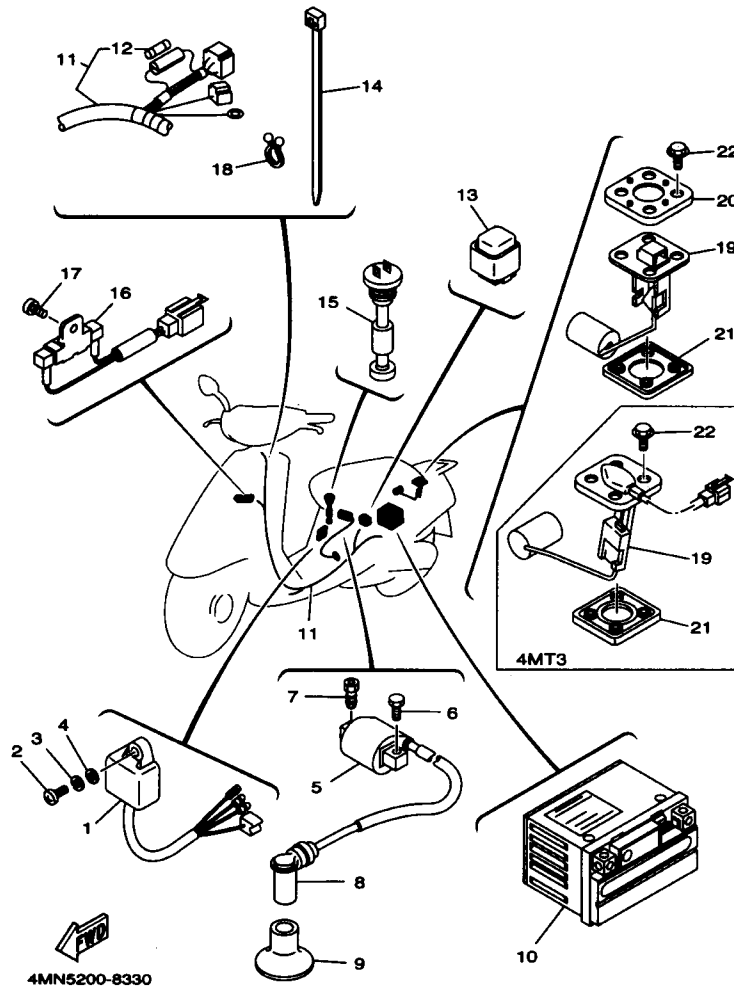
FIG. 32 ELECTRICAL 1

EQUIPO ELECTRICO 1

| REF. NO. | PART NO. CODIGO NO. | DESCRIPTION DESCRIPTION | 4MN5 | 4MT3 | 4MS4 | REMARKS OBSERVACION |
|----------|---------------------|--------------------------------------------------------|------|------|------|---------------------|
| 1 | 4CK-81960-01 | RECTIFIER & REGULATOR ASSY RECTIFICADOR Y REGULADOR | 1 | 1 | 1 | |
| 2 | 95027-06016 | BOLT, FLANGE PERNO, DE BRIDA | 1 | 1 | 1 | |
| 3 | 3KJ-82501-00 | MAIN SWITCH STEERING LOCK LLAVE DE IGNICION COMPLT | 1 | 1 | 1 | |
| 4 | 2EX-82552-20 | .CAP, SWITCH .TAPA DE INTERRUPTOR | 1 | 1 | 1 | |
| 5 | 90149-06250 | SCREW TORNILLO DE REGLAJE | 2 | 2 | 2 | |
| 6 | 3CP-83350-10 | FLASHER RELAY ASSY RELE DE DESTELLADOR COMPL. | 1 | 1 | 1 | |
| 7 | 27V-83371-20 | HORN BOCINA | 1 | 1 | 1 | |
| 8 | 95027-06012 | BOLT, FLANGE PERNO, DE BRIDA | 1 | | | |
| | 98507-06010 | SCREW, PAN HEAD TORNILLO DE CABEZA CON PLANA | | 1 | 1 | |

FIG. 33 ELECTRICAL 2

EQUIPO ELECTRICO 2



| REF. NO. | PART NO. CODIGO NO. | DESCRIPTION DESCRIPTION | 4MN5 | 4MT3 | 4MS4 | REMARKS OBSERVACION |
|----------|---------------------|-------------------------------------------------------------|------|------|------|---------------------|
| 1 | 3KJ-85540-10 | C.D.I. UNIT ASSY UNIDAD C.D.I. COMPLETA | 1 | 1 | 1 | |
| 2 | 98507-06020 | SCREW, PAN HEAD TORNILLO DE CABEZA CON PLANA | 1 | 1 | 1 | |
| 3 | 92907-06100 | WASHER, SPRING ARANDELA | 1 | 1 | | |
| 4 | 92907-06600 | WASHER, PLATE ARANDELA | 1 | 1 | 1 | |
| 5 | 3KJ-82310-10 | IGNITION COIL ASSY BOBINA DE ENCENDIDO COMPLETA | 1 | | | |
| | 3KJ-82310-01 | IGNITION COIL ASSY BOBINA DE ENCENDIDO COMPLETA | | 1 | 1 | |
| 6 | 97007-06016 | BOLT PERNO | 1 | 1 | 1 | |
| 7 | 90153-06034 | SCREW, HEXAGON TORNILLO HEXAGONAL | 1 | 1 | 1 | |
| 8 | 2VT-82370-00 | PLUG CAP ASSY TAPON DE BUJIA COMPLT | 1 | 1 | 1 | |
| 9 | 3KJ-82372-00 | SEAL, PLUG CAP SELLO DE TAPON | 1 | 1 | 1 | |
| 10 | 3UC-82100-11 | BATTERY ASSY BATERIA COMPLETA | 1 | 1 | 1 | |
| 11 | 4MN-82590-01 | WIRE HARNESS ASSY CONJUNTO DE CABLES | 1 | | 1 | |
| | 4MT-H2590-00 | WIRE HARNESS ASSY CONJUNTO DE CABLES | | 1 | | |
| 12 | 27V-82151-00 | FUSE (7A) FUSIBLE (7A) | 1 | 1 | 1 | |
| 13 | 29U-81950-93 | RELAY ASSY RELE COMPLETO | 1 | 1 | 1 | |
| 14 | 90465-13152 | CLAMP BRIDA | 4 | 4 | 4 | |
| 15 | 53L-85720-01 | OIL LEVEL GAUGE ASSY MEDIDOR DE NIVEL DE ACEITE | 1 | 1 | 1 | |
| 16 | 2JA-85370-00 | RESISTOR ASSY RESISTOR COMPLETO | 1 | 1 | 1 | |
| 17 | 95027-06012 | BOLT, FLANGE PERNO, DE BRIDA | 1 | | | |
| | 98507-06010 | SCREW, PAN HEAD TORNILLO DE CABEZA CON PLANA | | 1 | 1 | |
| 18 | 90465-18147 | CLAMP BRIDA | 1 | 1 | 1 | |
| 19 | 3KJ-85752-10 | SENDER UNIT ASSY, FUEL METER UNIDAD TRANSM. MED.COMBUST. | 1 | | 1 | |
| | 3KJ-85752-00 | SENDER UNIT ASSY, FUEL METER UNIDAD TRANSM. MED.COMBUST. | | 1 | | |
| 20 | 2JG-85757-00 | RETAINER SEGURO | 1 | | 1 | |
| 21 | 4US-85753-00 | GASKET, SENDER UNIT EMPAQUE DE UNIDAD TRANSMISORA | 1 | | 1 | |
| | 5G3-85753-00 | GASKET, SENDER UNIT EMPAQUE DE UNIDAD TRANSMISORA | | 1 | | |
| 22 | 90119-05071 | BOLT, WITH WASHER TORNILLO CON ARANDELA | 4 | 4 | 4 | |

D12

INDEX
INDICE

NUMERICAL INDEX
INDICE NUMERICO

| PART NO. CODIGO NO. | REF. NO. | PART NO. CODIGO NO. | REF. NO. | PART NO. CODIGO NO. | REF. NO. | PART NO. CODIGO NO. | REF. NO. | PART NO. CODIGO NO. | REF. NO. | PART NO. CODIGO NO. | REF. NO. |
|------------------------|-------------|------------------------|-------------|------------------------|-------------|------------------------|-------------|------------------------|-------------|------------------------|-------------|
| 4MS-F1110-00 | C-2 | 3AA-13124-00 | B-5 | 3KJ-15110-02 | B-10 | 3KJ-21511-00-P7 | C-3 | 3YJ-23414-00 | C-8 | 3AA-26280-00 | D-4 |
| 4MT-F1110-10 | C-2 | 2GM-13178-00 | B-5 | 3KJ-15120-01 | B-10 | 3KJ-21511-00-P8 | C-3 | 2E9-23454-00 | C-8 | 3AA-26290-00 | D-4 |
| 4MS-F1232-00 | C-2 | 1YU-13185-00 | B-5 | 1HV-15128-00 | B-11 | 3KJ-21511-00-P9 | C-3 | 3KJ-24110-01 | C-9 | 2EK-26293-00 | C-14 |
| 4MS-F1381-00 | C-7 | 1YU-13187-00 | B-5 | 3KJ-15317-00 | B-10 | 4MN-21523-00 | C-3 | 3KJ-2414A-10 | C-9 | 3KJ-26311-31 | C-14 |
| 4MS-F1410-00 | C-2 | 50M-13342-00 | B-12 | 2T4-15363-00 | B-10 | 3WF-2153E-40 | C-3 | 3KJ-24311-00 | C-9 | 3KJ-26312-41 | C-14 |
| 4MS-F4110-00 | C-9 | 1YU-13473-00 | B-5 | 3YJ-15371-00 | B-10 | 3WF-2153E-60 | C-3 | 3KJ-24500-02 | C-9 | 3KJ-26329-00 | B-8 |
| 4MT-F4110-00 | C-9 | 1YU-13516-00 | B-5 | 3WG-15411-00 | B-10 | 25G-21535-00 | D-2 | 4XB-24565-00 | C-9 | 304-26329-00 | C-14 |
| 4MT-F4710-00 | C-10 | 4FK-13555-00 | B-6 | 3KJ-15421-00 | B-10 | 3KJ-21552-03 | C-3 | 4JP-24602-11 | C-9 | 3KJ-26341-00 | C-14 |
| 4MS-F4842-00 | C-10 | 1YU-13577-00 | B-5 | 4FB-15451-00 | B-10 | 27V-21553-03 | C-3 | 3HH-24705-01 | C-10 | 3KJ-26342-00 | C-14 |
| 4MT-F4842-00 | C-10 | 3KJ-13610-00 | B-6 | 4FB-15461-00 | B-10 | 4MN-21557-00 | B-6 | 4MN-24710-00 | C-10 | 3KJ-26351-01 | C-14 |
| 4MS-F5180-00-35 | C-11 | 3KJ-13613-00 | B-6 | 4FB-15462-00 | B-11 | 4MN-21557-00 | C-4 | 3KJ-24717-00 | C-10 | 3YJ-2637A-00 | C-14 |
| 4MT-F5357-00 | C-13 | 3KJ-13616-00 | B-6 | 4JP-15513-00 | B-12 | 4MN-21576-00 | C-4 | 3KJ-24728-10 | C-10 | 3YJ-26372-00 | C-14 |
| 4MS-F5390-00-35 | C-13 | 4FB-13621-00 | B-6 | 3KJ-15528-00 | B-12 | 4MN-21576-20 | C-3 | 3KJ-2473R-00 | C-10 | 3KJ-26393-00 | C-14 |
| 4MT-F6241-00 | C-14 | 4MN-1410A-00 | B-7 | 3KJ-15532-00 | B-12 | 4MN-21578-30 | C-3 | 3KJ-24747-00 | C-10 | 4MN-27111-00 | D-2 |
| 4MT-F6242-00 | C-14 | 3YJ-14103-00 | B-7 | 3KJ-15570-01 | B-12 | 4MN-21578-40 | C-3 | 3KJ-2475M-00 | C-10 | 3FC-27475-10 | D-3 |
| 4MT-F6243-00 | C-14 | 4JP-14104-00 | B-7 | 5BM-15601-00 | B-12 | 4MN-21578-50 | C-3 | 3KJ-24842-10 | C-10 | 3KJ-27481-21 | D-2 |
| 4MT-F6280-00 | D-4 | 1HV-14147-00 | B-7 | 3KJ-15620-02 | B-12 | 3KJ-2171L-20 | C-5 | 3KJ-24845-00 | C-5 | 4MN-28218-00 | C-3 |
| 4MT-F6290-00 | D-4 | 288-14161-00 | B-8 | 3AA-15631-00 | B-12 | 3KJ-2171M-20 | C-5 | 3KJ-24846-00 | C-5 | 4MN-28228-00 | D-2 |
| 4MT-F6342-00 | C-14 | 4MN-14301-01 | B-7 | 4JP-15650-00 | B-12 | 3KJ-2171N-00 | C-5 | 25K-25116-00 | C-11 | 4MN-28236-00 | D-3 |
| 4MS-F7111-10 | D-2 | 4MS-14301-11 | B-7 | 3KJ-15657-00 | B-13 | 3KJ-2171P-00-PD | C-5 | 2GM-25121-01-35 | C-11 | 4MN-28245-00 | C-4 |
| 4MT-F7111-00 | D-2 | 3KJ-14312-25 | B-7 | 3KJ-15659-00 | B-10 | 3KJ-21711-00-PF | C-5 | 3LB-2513A-00 | C-11 | 4MN-28268-00 | C-3 |
| 4MT-F8245-00 | C-4 | 14T-14323-00 | B-7 | 32N-15673-00 | B-12 | 3KJ-21711-00-P1 | C-5 | 4N0-2513A-00 | C-13 | 4MN-28278-00 | C-3 |
| 4MT-F834J-00 | C-4 | 1YU-14331-00 | B-7 | 3KJ-16111-00 | B-13 | 3XV-21717-00 | B-6 | 2E9-25135-00 | C-11 | 3KJ-28300-20 | D-3 |
| 4MT-H2590-00 | D-12 | 3VR-14341-00 | B-7 | 24G-16611-03 | B-13 | 3KJ-21721-00-PD | C-5 | 2E9-25137-01 | C-12 | 4MN-28307-00 | C-3 |
| 4FB-W2535-00 | C-11 | 14T-14343-33 | B-7 | 2VK-16620-01 | B-13 | 3KJ-21721-00-PF | C-5 | 2T4-25137-00 | C-11 | 4MN-2834J-00 | C-4 |
| 4JP-W2535-00 | C-11 | 14T-14343-34 | B-7 | 24G-16626-00 | B-13 | 3KJ-21721-00-P1 | C-5 | 2E9-25138-00 | C-11 | 14T-28349-40 | D-3 |
| 4BX-W2536-10 | C-13 | 3KJ-14349-01 | B-7 | 3YJ-17410-00 | B-15 | 4MN-2173G-20 | C-5 | 3KJ-25151-00 | C-11 | 4MN-28428-00 | C-4 |
| 3KJ-11111-10 | B-2 | 3KJ-14353-22 | B-7 | 4JP-17420-00 | B-15 | 4MN-2173G-30 | C-5 | 2T4-25155-00 | C-11 | 4MN-2848F-00 | C-3 |
| 3KJ-11181-00 | B-2 | 3KJ-14353-23 | B-7 | 3KJ-17611-00 | B-13 | 4MN-2173G-40 | C-5 | 25K-25159-00 | C-11 | 4MN-2849F-00 | C-3 |
| 3KJ-11311-10 | B-2 | 14T-14384-00 | B-7 | 2EX-17620-02 | B-13 | 4MN-2173G-50 | C-5 | 3YJ-25180-00-35 | C-11 | 2JA-81403-M0 | D-5 |
| 4FB-11351-00 | B-2 | 1HV-14385-01 | B-7 | 3AA-17623-00 | B-13 | 4MN-21751-00 | C-6 | 3YJ-25181-00 | C-11 | 3KJ-81800-02 | B-12 |
| 3KJ-11400-01 | B-3 | 367-14386-00 | B-7 | 52W-17632-01 | B-13 | 4JP-21753-00 | C-9 | 3KJ-25185-00 | C-11 | 1YU-81801-M0 | B-12 |
| 3KJ-11412-01 | B-3 | 4GF-14392-00 | B-7 | 3KJ-17641-00 | B-13 | 2N3-21771-01 | C-6 | 3KJ-25326-00 | C-13 | 29U-81950-93 | D-12 |
| 3KJ-11422-01 | B-3 | 4MN-14411-00 | B-6 | 23Y-17653-00 | B-13 | 3KJ-21778-00 | C-5 | 3KJ-25336-00 | C-13 | 4CK-81960-01 | D-11 |
| 260-11610-02 | B-3 | 4MN-14412-00 | B-6 | 3AA-17660-03 | B-13 | 4MN-22210-00 | C-7 | 3KJ-25351-01 | C-13 | 3UC-82100-11 | D-12 |
| 260-11610-22 | B-3 | 34X-1443E-00 | B-6 | 24G-17664-00 | B-14 | 164-22216-00 | B-10 | 4MN-25355-00 | C-13 | 3KJ-82129-00 | C-10 |
| 3CP-11631-00-96 | B-3 | 4MN-14437-00 | B-6 | 3AA-17670-00 | B-13 | 4MN-23100-00 | C-8 | 3KJ-25357-00 | C-13 | 27V-82151-00 | D-12 |
| 27V-11633-00 | B-3 | 4MN-14451-00 | B-6 | 3XG-17684-00 | B-14 | 4MN-23100-10 | C-8 | 3YJ-25390-00-35 | C-13 | 3KJ-82310-01 | D-12 |
| 3CP-11636-00 | B-3 | 4MN-14452-00 | B-6 | 4MN-21110-00 | C-2 | 4MN-23101-00 | C-8 | 3KJ-26110-00 | C-14 | 3KJ-82310-10 | D-12 |
| 2E9-11651-00 | B-3 | 3YJ-14453-00 | B-6 | 4MN-21158-01 | C-2 | 4MN-23120-00 | C-8 | 3KJ-26143-01-PA | D-4 | 2VT-82370-00 | D-12 |
| 1YU-11681-00 | B-3 | 4JP-14561-00 | B-7 | 3KJ-21232-03 | C-2 | 4MN-23141-00 | C-8 | 3KJ-26143-01-P1 | D-4 | 3KJ-82372-00 | D-12 |
| 5Y9-12491-00 | C-14 | 3KJ-14610-15 | B-9 | 3KJ-21381-00 | C-7 | 2E9-23143-00 | C-8 | 3KJ-26143-01-P8 | D-4 | 3KJ-82501-00 | D-11 |
| 3KJ-12611-00 | B-4 | 3HK-14613-00 | B-9 | 2T4-2139X-00 | C-2 | 4MN-23191-00 | C-8 | 3KJ-26143-01-P9 | D-4 | 3KJ-82541-00 | B-12 |
| 3KJ-12651-11 | B-4 | 2JA-14718-00 | B-9 | 3KJ-21410-10 | C-2 | 1RN-23195-00 | C-8 | 3KJ-26145-22 | D-4 | 2EX-82552-20 | D-11 |
| 3YJ-12653-01 | B-4 | 3HK-14766-01 | B-9 | 2T4-21481-01 | C-2 | 3KJ-23411-01 | C-8 | 3RY-26241-01 | C-14 | 4MN-82590-01 | D-12 |
| 4FW-12658-00 | B-4 | 4FB-14766-00 | B-9 | 3KJ-21481-01 | C-2 | 2E9-23412-00 | C-8 | 3RY-26242-01 | C-14 | 3KJ-82910-01 | D-10 |
| 4FW-12659-00 | B-4 | 4MN-1490J-00 | B-7 | 3KJ-21481-01 | C-2 | 2E9-23413-01 | C-8 | 5G3-26243-00 | C-14 | 3KJ-82920-01 | D-10 |
| 4MN-13100-00 | B-5 | 4MS-1490J-00 | B-7 | 3KJ-21511-00-P1 | C-3 | | | 4JP-26261-00 | C-14 | 3KJ-83310-00 | D-8 |

M1

NUMERICAL INDEX
INDICE NUMERICO

| PART NO. CODIGO NO. | REF. NO. | PART NO. CODIGO NO. | REF. NO. | PART NO. CODIGO NO. | REF. NO. | PART NO. CODIGO NO. | REF. NO. | PART NO. CODIGO NO. | REF. NO. | PART NO. CODIGO NO. | REF. NO. |
|------------------------|-------------|------------------------|-------------|------------------------|-------------|------------------------|-------------|------------------------|-------------|------------------------|-------------|
| 54V-83311-00 | D-6 | 90149-06175 | D-10 | 90249-12008 | C-15 | 92901-04100 | B-8 | 94108-108P2 | C-13 | 98507-06020 | B-6 |
| | D-9 | 90149-06184 | C-5 | 90280-03017 | B-3 | | D-5 | 94701-00227 | B-2 | | B-10 |
| 3KJ-83312-00 | D-6 | 90149-06250 | D-11 | 90380-15240 | B-12 | | D-7 | 95027-06012 | D-11 | | D-12 |
| 3KJ-83320-00 | D-6 | 90153-06008 | B-12 | 90387-080G7 | B-9 | 92901-04600 | D-7 | | D-12 | 98507-06025 | B-10 |
| 3KJ-83322-00 | D-6 | 90153-06034 | D-12 | 90387-085X4 | D-2 | 92901-06100 | B-7 | 95027-08018 | D-11 | 98507-06035 | B-10 |
| 3KJ-83332-00 | D-9 | 90153-06061 | B-9 | 90387-067V1 | B-4 | 92907-03600 | B-6 | 95307-05600 | C-11 | 98507-06065 | B-10 |
| 3KJ-83342-00 | D-9 | 90157-05116 | D-10 | | B-6 | 92907-06100 | D-12 | 95607-12200 | C-2 | 98907-06016 | B-9 |
| 3CP-83350-10 | D-11 | 90159-03102 | D-7 | 90387-132W6 | B-13 | 92907-06200 | B-9 | 95707-06500 | C-9 | 99009-15400 | B-12 |
| 27V-83371-20 | D-11 | 90159-05028 | D-4 | 90387-158U0 | B-3 | 92907-06600 | B-4 | | C-10 | 99009-17400 | B-10 |
| 3UC-83509-00 | D-7 | 90159-05155 | D-8 | 90430-08119 | B-11 | | B-6 | 95707-08500 | C-13 | | B-13 |
| 3WG-83510-01 | D-7 | 90159-06178 | C-3 | 90445-05431 | B-5 | | D-12 | 95707-10500 | C-7 | 99009-19400 | B-5 |
| 1YT-83517-00 | D-7 | 90159-06182 | D-3 | 90445-071G6 | C-9 | 92907-10600 | D-5 | 95807-06012 | C-2 | 99530-10114 | B-10 |
| 4R0-83517-00 | D-7 | 90167-05025 | C-3 | 90445-09268 | B-5 | 93101-20138 | B-3 | | C-3 | 99530-12016 | B-10 |
| 4MN-83550-00 | D-7 | | C-5 | 90445-111G1 | C-9 | 93102-17342 | B-13 | 95807-08012 | C-10 | | |
| 2T4-83812-02 | D-10 | | C-10 | 90446-11347 | B-10 | 93102-20425 | B-3 | 95807-08016 | B-10 | | |
| 2T4-83822-02 | D-10 | | D-3 | 90450-32081 | B-6 | 93102-22082 | B-15 | 95817-08020 | B-9 | | |
| 2T4-83880-00 | D-10 | 90167-05055 | C-5 | 90460-33067 | B-6 | 93104-19097 | D-5 | 95817-08030 | B-9 | | |
| 3E1-83980-00 | D-10 | 90170-10219 | B-13 | 90460-41191 | B-8 | 93106-17015 | C-11 | 95827-08012 | C-2 | | |
| 3KJ-84312-00 | D-8 | | D-5 | 90465-13152 | C-15 | 93109-33049 | B-14 | | C-9 | | |
| 1YT-84314-00 | D-8 | 90170-10317 | B-13 | | D-12 | 93109-34057 | C-11 | 95827-08012 | C-7 | | |
| 3KJ-84320-00 | D-8 | 90176-06065 | C-10 | 90465-18147 | D-12 | 93210-06550 | B-13 | 97007-05020 | C-11 | | |
| 3KJ-84700-02 | D-9 | 90179-06411 | C-14 | 90467-08003 | B-5 | 93210-07435 | C-13 | 97007-06016 | D-12 | | |
| 54V-84714-00 | D-9 | 90179-07381 | B-2 | 90467-09006 | C-9 | 93210-07540 | C-13 | 97707-40616 | D-9 | | |
| 3KJ-84721-01 | D-9 | 90179-28415 | B-13 | 90467-10129 | C-9 | 93210-10010 | C-12 | 97707-50012 | D-4 | | |
| 3KJ-84743-00 | D-9 | 90183-05042 | C-5 | 90467-11032 | B-6 | 93210-14104 | B-10 | 97707-50016 | C-3 | | |
| 2JA-85370-00 | D-12 | | D-3 | 90467-24140 | B-6 | 93210-23614 | B-12 | | D-7 | | |
| 3KJ-85540-10 | D-12 | | D-9 | 90468-02033 | B-5 | 93210-38687 | B-14 | 97707-50125 | B-6 | | |
| 2JA-85550-00 | D-5 | 90185-05155 | D-10 | 90468-12006 | C-7 | 93300-63813 | B-13 | 97707-50510 | D-6 | | |
| 3KJ-85580-00 | D-5 | 90185-10154 | C-2 | | D-2 | 93306-00308 | B-13 | 97707-60540 | B-4 | | |
| 2JA-85580-M0 | D-5 | | C-11 | 90480-10468 | B-4 | 93306-00319 | B-10 | 97801-04016 | B-7 | | |
| 53L-85720-01 | D-12 | | C-14 | 90480-12237 | B-9 | 93306-20006 | B-15 | 97801-05014 | B-7 | | |
| 3KJ-85752-00 | D-12 | 90185-14081 | C-13 | 90480-12497 | B-4 | | C-11 | 97880-06025 | B-10 | | |
| 3KJ-85752-10 | D-12 | 90201-064L6 | C-11 | | B-6 | 93306-20010 | B-15 | 98501-03006 | B-7 | | |
| 4US-85753-00 | D-12 | 90201-06412 | B-13 | 90501-08430 | B-5 | 93306-20314 | B-15 | 98501-04006 | D-5 | | |
| 5G3-85753-00 | D-12 | 90201-08088 | B-12 | 90501-10513 | C-14 | 93306-20458 | B-3 | 98501-04010 | D-7 | | |
| 2JG-85757-00 | D-12 | 90201-12175 | C-10 | 90501-290K2 | C-2 | 93310-210M0 | B-3 | 98501-05010 | D-5 | | |
| 90101-06278 | C-13 | 90201-123K4 | B-15 | 90501-29517 | C-2 | 93310-257R1 | B-12 | 98501-05020 | D-5 | | |
| 90102-10031 | C-7 | 90201-133M8 | B-13 | 90501-357F3 | B-14 | 93310-416N7 | B-3 | 98507-03008 | B-6 | | |
| 90105-08121 | C-7 | 90201-142M6 | C-13 | 90506-14081 | C-11 | 93420-40064 | B-15 | 98507-05010 | C-14 | | |
| 90105-10036 | C-14 | 90201-155G5 | B-12 | 90506-15260 | C-13 | 93450-11120 | B-3 | 98507-05014 | B-5 | | |
| 90109-063F1 | C-10 | 90201-17255 | C-13 | 90506-32464 | D-2 | 93450-30057 | C-8 | 98507-06010 | B-13 | | |
| | D-9 | 90202-10120 | D-2 | 90506-32609 | B-12 | 93505-32002 | C-8 | | D-11 | | |
| | C-9 | 90208-10012 | B-13 | 90560-10289 | C-11 | 93603-12007 | B-5 | | D-12 | | |
| 90109-063F5 | C-9 | 90208-12049 | B-15 | 90560-10360 | C-12 | 93900-00041 | C-11 | 98507-06012 | B-11 | | |
| 90116-07353 | B-2 | 90214-13055 | B-13 | 91A20-07033 | C-9 | | C-13 | | B-12 | | |
| 90119-06071 | D-12 | 90240-10137 | D-2 | 91318-06020 | B-6 | 94108-1004V | C-11 | 98507-06014 | B-4 | | |
| 90119-06018 | C-3 | 90241-10015 | C-10 | | B-12 | | C-13 | 98507-06016 | D-5 | | |
| 90119-06060 | D-2 | 90249-12008 | C-14 | 92580-06016 | B-7 | 94108-108P2 | C-11 | 98507-06020 | B-4 | | |
| 90119-06117 | C-6 | | | | | | | | | | |

M2

*COPYRIGHT : All rights reserved. No part of this publication
may be reproduced without permission.*

PRINTED ON RECYCLED PAPER

YAMAHA
YAMAHA MOTOR CO., LTD.
2500 SHINGAI IWATA SHIZUOKA JAPAN
SERVICE INFORMATION DIV.

Printed in Japan
First edition OCT., 1997