



PARTS CATALOGUE

FZ6-S (5VXB) EUROPE, SOUTH AFRICA

FZ6-SV (5VXC) AUSTRALIA

FZ6-S/FZ6-SV
PARTS CATALOGUE
©2005 by Yamaha Motor Co., Ltd.
1st edition, September 2005
All rights reserved.
Any reprinting or unauthorized use
without the written permission of
Yamaha Motor Co., Ltd.
is expressly prohibited.
Printed in Japan.

A3

FZ6-S/FZ6-SV



A4

FOREWORD

This Parts Catalogue is related to the parts for the model(s) on the cover page. When you are ordering replacement parts, please refer to this Parts Catalogue and quote both part numbers and part names correctly.

1. Modifications or additions which have been made after the issue of the Parts Catalogue will be announced in the Parts News.

It is advisable that you make the necessary corrections to the Parts Catalogue according to the Parts News.

2. Abbreviations

The following abbreviations are used in this Parts Catalogue.

“UR” Use specified parts number.

“UN” Use as many as needed.

“AP” Alternate Parts

“LM” Locally Made (Parts need to be ordered locally)

“F#” Frame No. (Applicable machine No.)

“O/S” Over Size

3. The number of components for assembly

- Parts, which are to be supplied in an assembly, are listed with a dot (.) in front of the part name as shown below.
- The numeral appearing to the right of each component part indicates the quantity of parts for each assembly unit.

| PART NO. | DESCRIPTION | Q'TY | REMARKS |
|--------------|--------------------------|------|---------|
| 2F5-83310-60 | FRONT FLASHER LIGHT ASSY | 2 | |
| 115-83311-60 | .BULB (6V-18W) | 1 | |

4. Applicable colours of graphics are represented in the “REMARKS” as shown below.

| PART NO. | DESCRIPTION | Q'TY | REMARKS |
|-----------------|---------------------|------|---------|
| 2N4-24110-00-X5 | FUEL TANK COMP. | 2 | MXR |
| 3J1-24240-10 | .GRAPHIC, FUEL TANK | 1 | FOR MXR |

5. Note that the illustrations for reference in finding parts numbers are not to be used for assembling. When assembling, please use the applicable service manual.

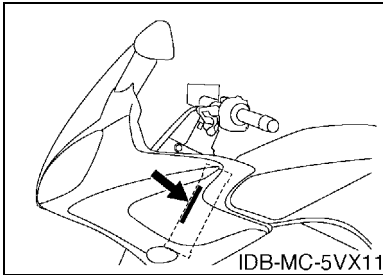
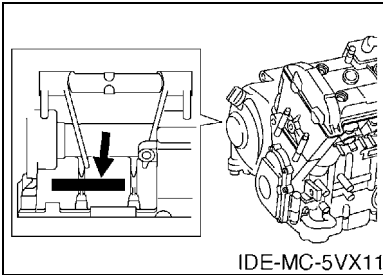
6. The asterisk (*) before a reference number indicates modified items after the first edition.

FOREWORD

7. Applicable Serial No.

Engine Serial No.

Frame Serial No.



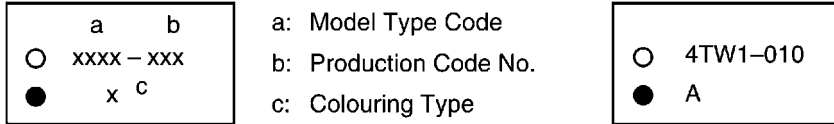
8. Applicable Colour Code (The (*) mark shows Model colour.)

| Abbreviation | Colour Name | Colour Code |
|--------------|----------------------|-------------|
| BS4(*) | BLUISH SILVER 4 | 0820 |
| DNMB(*) | DARK GRAY METALLIC B | 0853 |
| LGB | LOW GLOSS BLACK | 0098 |
| SL | SILVER | 0035 |
| | | |
| | | |
| | | |
| | | |
| | | |
| | | |

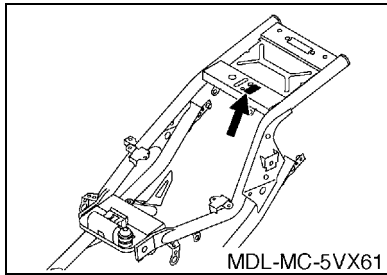
MODEL LABEL

(1) A label called "Model Label" is affixed in the location as indicated in (3) below. When using this parts catalogue, please be sure to cross-reference the "model code – production code No." in the catalogue with the "model code – production code No." indicated on the Model Label affixed onto the product concerned.

(2) "Model Label" Indication



(3) Model Label Affixing Location



(4) Colouring Information

| Model Code | Colouring Type Code | Colour Code | Colour Name | Abbreviation |
|------------|---------------------|-------------|----------------------|--------------|
| 5VXB | A | 0853 | DARK GRAY METALLIC B | DNMB |
| | C | 0820 | BLUISH SILVER 4 | BS4 |
| 5VXC | A | 0853 | DARK GRAY METALLIC B | DNMB |
| | C | 0820 | BLUISH SILVER 4 | BS4 |
| | | | | |
| | | | | |
| | | | | |
| | | | | |
| | | | | |
| | | | | |

(5) Model Code – Production Code Number of Model Listed in This Parts Catalogue

| Model Code | Production Code No. | Country (destination) | Model Code | Production Code No. | Country (destination) |
|------------|---------------------|-----------------------|------------|---------------------|-----------------------|
| 5VXB | 010 | EUROPE | | | |
| | 030 | DENMARK | | | |
| | | FINLAND | | | |
| | | NORWAY | | | |
| | | SWEDEN | | | |
| | 050 | UNITED KINGDOM | | | |
| | 060 | GREECE | | | |
| | | HUNGARY | | | |
| | 070 | IRELAND | | | |
| | | SOUTH AFRICA | | | |
| 080 | PORTUGAL | | | | |
| 090 | BELGIUM | | | | |
| 5VXC | 010 | AUSTRALIA | | | |
| | | | | | |
| | | | | | |
| | | | | | |
| | | | | | |
| | | | | | |
| | | | | | |
| | | | | | |
| | | | | | |
| | | | | | |

CONTENTS

ENGINE

| | |
|----------------------------|-----|
| CYLINDER | B2 |
| CRANKSHAFT & PISTON | B3 |
| VALVE | B4 |
| CAMSHAFT & CHAIN | B6 |
| WATER PUMP | B7 |
| RADIATOR & HOSE | B8 |
| OIL PUMP | B10 |
| OIL CLEANER | B11 |
| INTAKE | B12 |
| INTAKE 2 | B13 |
| AIR INDUCTION SYSTEM | B15 |
| EXHAUST | C2 |
| CRANKCASE | C4 |
| CRANKCASE COVER 1 | C6 |
| STARTER | C8 |
| CLUTCH | C9 |
| TRANSMISSION | C11 |
| SHIFT CAM & FORK | C13 |
| SHIFT SHAFT | C14 |

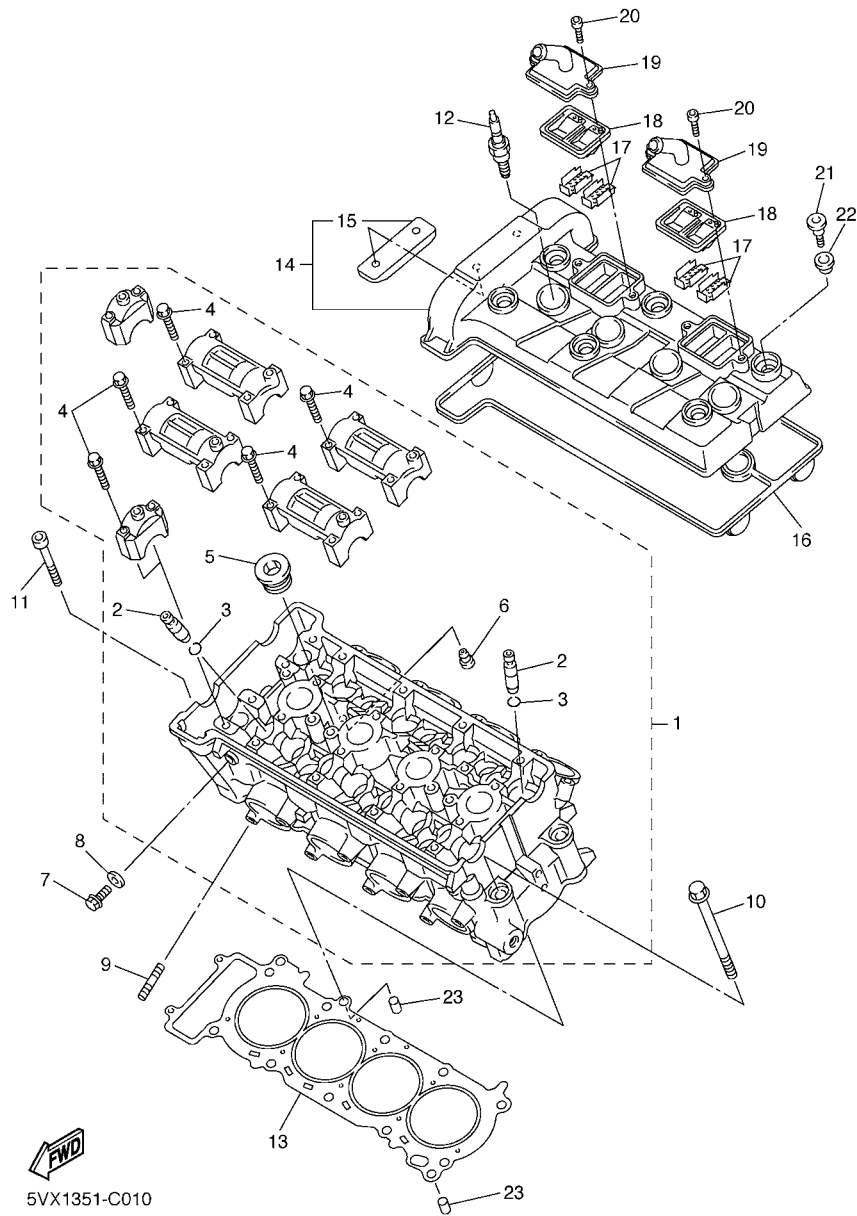
CHASSIS

| | |
|-------------------------------|-----|
| FRAME | D2 |
| FENDER | D4 |
| SIDE COVER | D7 |
| REAR ARM | D9 |
| REAR SUSPENSION | D10 |
| STEERING | D11 |
| FRONT FORK | D12 |
| FUEL TANK | D14 |
| SEAT | E2 |
| FRONT WHEEL | E3 |
| FRONT BRAKE CALIPER | E4 |
| REAR WHEEL | E5 |
| REAR BRAKE CALIPER | E7 |
| STEERING HANDLE & CABLE | E8 |
| FRONT MASTER CYLINDER | E9 |
| STAND & FOOTREST | E10 |
| REAR MASTER CYLINDER | E13 |
| COWLING 1 | E14 |
| GENERATOR | F2 |
| STARTING MOTOR | F3 |

| | |
|-----------------------------|-----|
| FLASHER LIGHT | F4 |
| METER | F5 |
| HEADLIGHT | F6 |
| TAILLIGHT | F7 |
| HANDLE SWITCH & LEVER | F8 |
| ELECTRICAL 1 | F9 |
| ELECTRICAL 2 | F10 |

INDEX

| | |
|-----------------------|----|
| NUMERICAL INDEX | M1 |
|-----------------------|----|



5VX1351-C010

FIG. 1 CYLINDER

| REF. NO. | PART NO. | DESCRIPTION | 5VXB | 5VXC | REMARKS |
|----------|--------------|-------------------------|------|------|---------|
| | | | | | |
| 1 | 5VX-11101-01 | CYLINDER HEAD ASSY | 1 | 1 | |
| 2 | 5EB-11133-10 | .GUIDE, VALVE 1 | 16 | 16 | |
| 3 | 93440-10153 | .CIRCLIP | 16 | 16 | |
| 4 | 90105-06027 | .BOLT, FLANGE | 20 | 20 | |
| 5 | 90340-20090 | .PLUG, STRAIGHT SCREW | 3 | 3 | |
| 6 | 11H-15138-00 | .NOZZLE 1 | 1 | 1 | |
| 7 | 95027-08012 | BOLT, FLANGE | 1 | 1 | |
| 8 | 90430-08119 | GASKET | 1 | 1 | |
| 9 | 95617-08625 | BOLT, STUD | 8 | 8 | |
| 10 | 90119-10003 | BOLT, WITH WASHER | 10 | 10 | |
| 11 | 91314-06060 | BOLT | 2 | 2 | |
| 12 | 94701-00403 | PLUG, SPARK (NGK CR9EK) | 4 | 4 | |
| 13 | 5VX-11181-00 | GASKET, CYLINDER HEAD 1 | 1 | 1 | |
| 14 | 5VX-11191-00 | COVER, CYLINDER HEAD 1 | 1 | 1 | |
| 15 | 5BE-12241-00 | .GUIDE, STOPPER 2 | 1 | 1 | |
| 16 | 5SL-11193-00 | GASKET, HEAD COVER 1 | 1 | 1 | |
| 17 | 5SL-1482K-00 | PLATE | 4 | 4 | |
| 18 | 5SL-14890-00 | REED VALVE ASSY | 2 | 2 | |
| 19 | 5SL-14899-00 | CAP, CASE | 2 | 2 | |
| 20 | 91317-06020 | BOLT | 4 | 4 | |
| 21 | 90109-066F0 | BOLT | 6 | 6 | |
| 22 | 4KG-1111G-00 | RUBBER, MOUNT 1 | 6 | 6 | |
| 23 | 99530-10114 | PIN, DOWEL | 2 | 2 | |

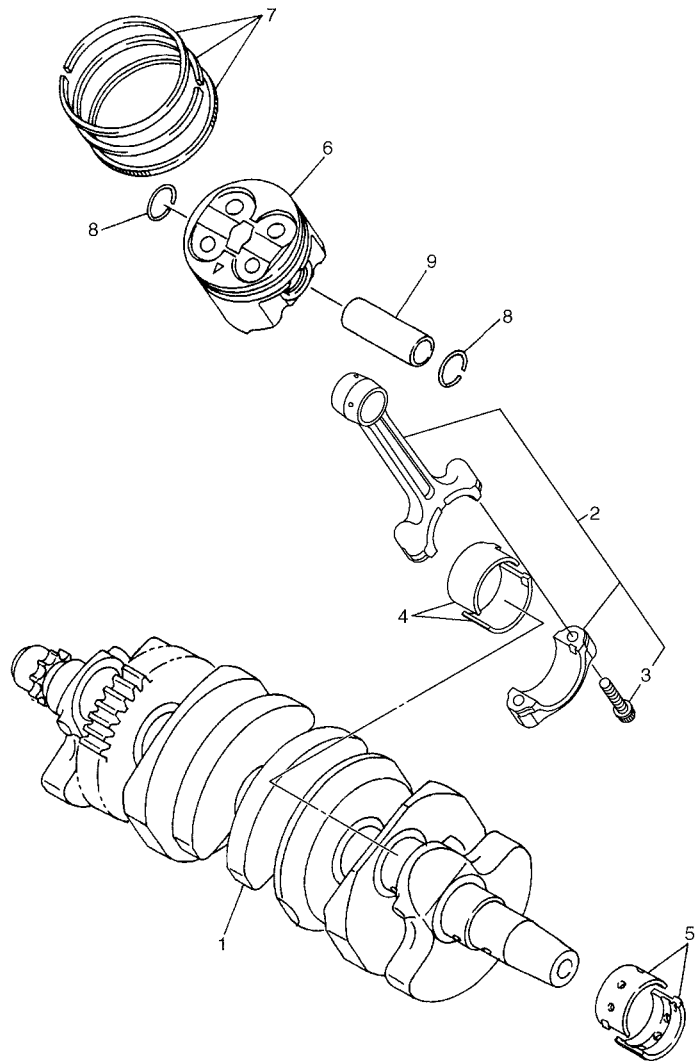


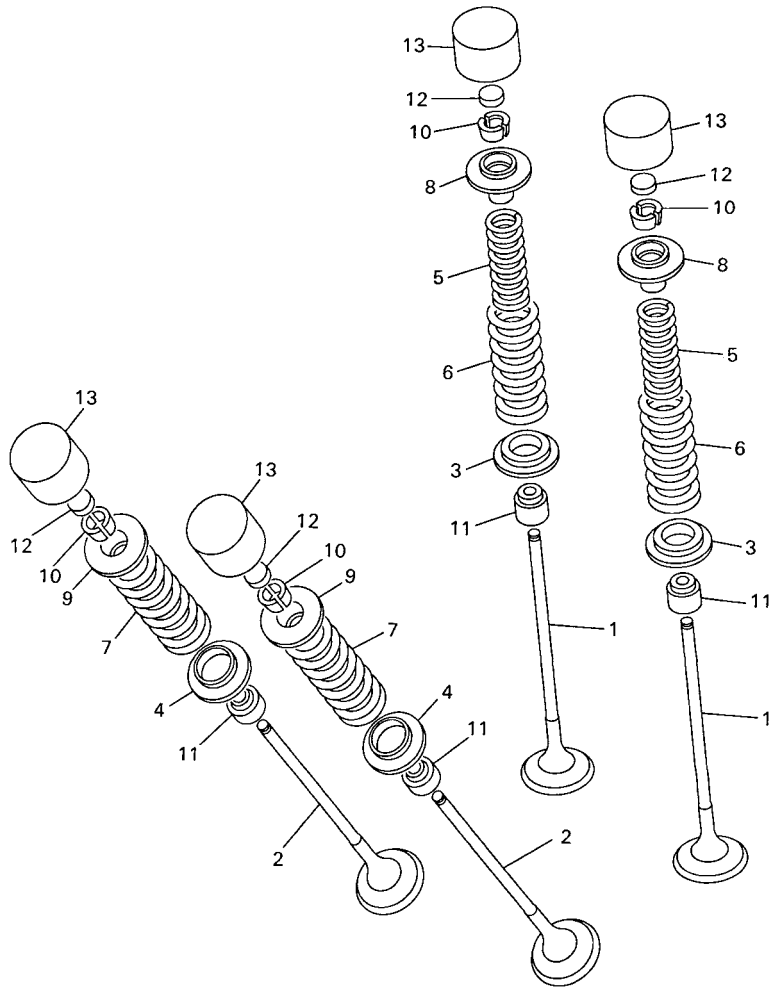
FIG. 2 CRANKSHAFT & PISTON

| REF. NO. | PART NO. | DESCRIPTION | 5VXB | 5VXC | | | | REMARKS |
|----------|--------------|-------------------------------|------|------|--|--|--|----------|
| | | | | | | | | |
| 1 | 5SL-11411-00 | CRANKSHAFT | 1 | 1 | | | | |
| 2 | 5VX-11650-00 | CONNECTING ROD ASSY | 4 | 4 | | | | |
| 3 | 5VX-11654-00 | .BOLT, CONNECTING ROD | 2 | 2 | | | | |
| 4 | 5VX-11656-00 | PLANE BEARING, CONNECTING ROD | 8 | 8 | | | | UR BLUE |
| | 5VX-11656-10 | PLANE BEARING, CONNECTING ROD | 8 | 8 | | | | UR BLACK |
| | 5VX-11656-20 | PLANE BEARING, CONNECTING ROD | 8 | 8 | | | | UR BROWN |
| | 5VX-11656-30 | PLANE BEARING, CONNECTING ROD | 8 | 8 | | | | UR GREEN |
| 5 | 5EB-11416-A0 | PLANE BEARING, CRANKSHAFT 1 | 10 | 10 | | | | UR WHITE |
| | 5EB-11416-00 | PLANE BEARING, CRANKSHAFT 1 | 10 | 10 | | | | UR BLUE |
| | 5EB-11416-10 | PLANE BEARING, CRANKSHAFT 1 | 10 | 10 | | | | UR BLACK |
| | 5EB-11416-20 | PLANE BEARING, CRANKSHAFT 1 | 10 | 10 | | | | UR BROWN |
| | 5EB-11416-30 | PLANE BEARING, CRANKSHAFT 1 | 10 | 10 | | | | UR GREEN |
| 6 | 5SL-11631-00 | PISTON (STD) | 4 | 4 | | | | |
| 7 | 5SL-11603-00 | PISTON RING SET (STD) | 4 | 4 | | | | |
| 8 | 93450-17129 | CIRCLIP | 8 | 8 | | | | |
| 9 | 5EB-11633-00 | PIN, PISTON | 4 | 4 | | | | |
| | | | | | | | | |
| | | | | | | | | |
| | | | | | | | | |



5VX6300-D020

FIG. 3 VALVE

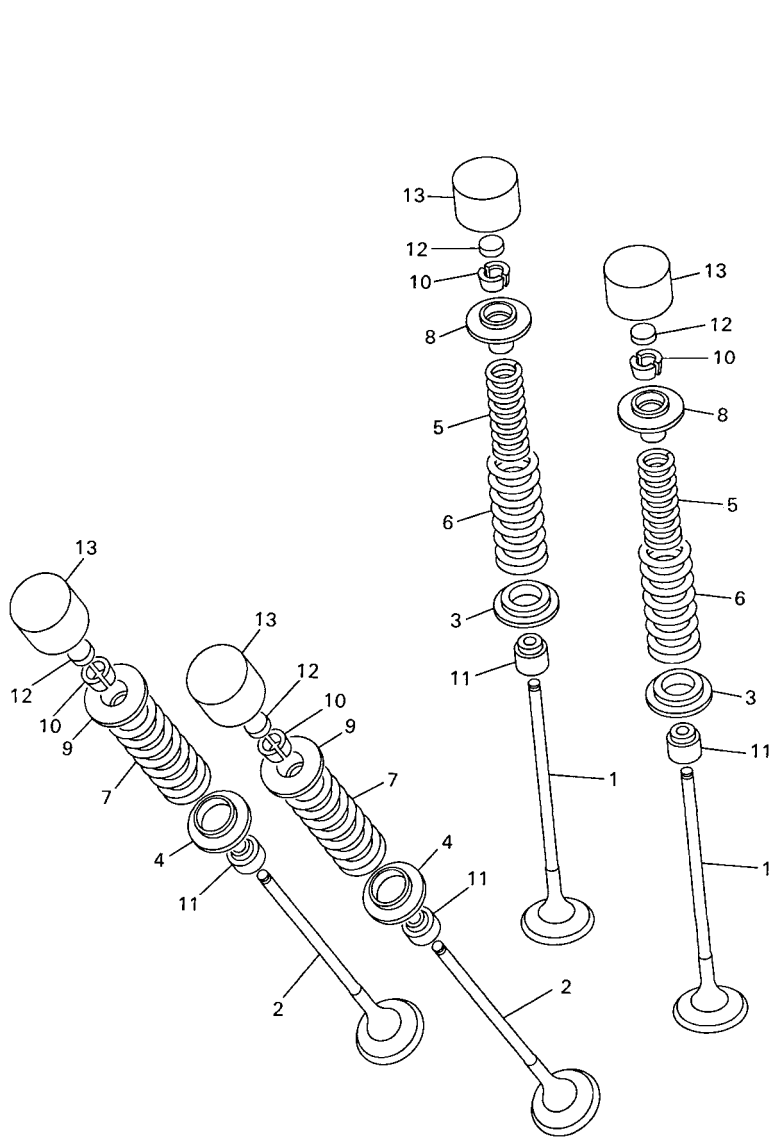


| REF. NO. | PART NO. | DESCRIPTION | 5VXB | 5VXC | REMARKS |
|----------|--------------|-------------------------|------|------|---------|
| 1 | 5SL-12111-10 | VALVE, INTAKE | 8 | 8 | |
| 2 | 5SL-12121-10 | VALVE, EXHAUST | 8 | 8 | |
| 3 | 5SL-12116-00 | SEAT, VALVE SPRING | 8 | 8 | |
| 4 | 5EB-12126-00 | SEAT, VALVE SPRING 2 | 8 | 8 | |
| 5 | 5EB-12113-00 | SPRING, VALVE INNER | 8 | 8 | |
| 6 | 5EB-12114-00 | SPRING, VALVE OUTER | 8 | 8 | |
| 7 | 5EB-12124-01 | SPRING, VALVE OUTER | 8 | 8 | |
| 8 | 5EB-12117-00 | RETAINER, VALVE SPRING | 8 | 8 | |
| 9 | 5EB-12127-00 | RETAINER, VALVE SPRING | 8 | 8 | |
| 10 | 1HX-12118-00 | COTTER, VALVE | 32 | 32 | |
| 11 | 4TV-12119-00 | SEAL, VALVE STEM | 16 | 16 | |
| 12 | 1HX-12168-00 | PAD, ADJUSTING 2 (1.20) | 16 | 16 | UR |
| | 1HX-12168-20 | PAD, ADJUSTING 2 (1.25) | 16 | 16 | UR |
| | 1HX-12168-40 | PAD, ADJUSTING 2 (1.30) | 16 | 16 | UR |
| | 1HX-12168-60 | PAD, ADJUSTING 2 (1.35) | 16 | 16 | UR |
| | 1HX-12168-80 | PAD, ADJUSTING 2 (1.40) | 16 | 16 | UR |
| | 1HX-12168-A0 | PAD, ADJUSTING 2 (1.45) | 16 | 16 | UR |
| | 1HX-12168-F0 | PAD, ADJUSTING 2 (1.50) | 16 | 16 | UR |
| | 1HX-12168-H1 | PAD, ADJUSTING 2 (1.55) | 16 | 16 | UR |
| | 1HX-12168-K1 | PAD, ADJUSTING 2 (1.60) | 16 | 16 | UR |
| | 1HX-12168-M1 | PAD, ADJUSTING 2 (1.65) | 16 | 16 | UR |
| | 1HX-12168-R1 | PAD, ADJUSTING 2 (1.70) | 16 | 16 | UR |
| | 1HX-12168-U1 | PAD, ADJUSTING 2 (1.75) | 16 | 16 | UR |
| | 1HX-12168-W1 | PAD, ADJUSTING 2 (1.80) | 16 | 16 | UR |
| | 1HX-12168-Y1 | PAD, ADJUSTING 2 (1.85) | 16 | 16 | UR |
| | 1HX-12169-11 | PAD, ADJUSTING 2 (1.90) | 16 | 16 | UR |
| | 1HX-12169-31 | PAD, ADJUSTING 2 (1.95) | 16 | 16 | UR |



5EB3351-9030

B4



5EB3351-9030

FIG. 3 VALVE

| REF. NO. | PART NO. | DESCRIPTION | 5VXB | 5VXC | REMARKS |
|----------|--------------|-------------------------|------|------|----------|
| 12 | 1HX-12169-50 | PAD, ADJUSTING 2 (2.00) | 16 | 16 | UR |
| | 1HX-12169-70 | PAD, ADJUSTING 2 (2.05) | 16 | 16 | UR |
| | 1HX-12169-90 | PAD, ADJUSTING 2 (2.10) | 16 | 16 | UR |
| | 1HX-12169-E0 | PAD, ADJUSTING 2 (2.15) | 16 | 16 | UR |
| | 1HX-12169-G0 | PAD, ADJUSTING 2 (2.20) | 16 | 16 | UR |
| | 1HX-12169-J0 | PAD, ADJUSTING 2 (2.25) | 16 | 16 | UR |
| | 1HX-12169-L0 | PAD, ADJUSTING 2 (2.30) | 16 | 16 | UR |
| | 1HX-12169-N0 | PAD, ADJUSTING 2 (2.35) | 16 | 16 | UR |
| | 1HX-12169-T0 | PAD, ADJUSTING 2 (2.40) | 16 | 16 | UR |
| 13 | 5EB-12153-20 | LIFTER, VALVE | 16 | 16 | UR BLUE |
| | 5EB-12153-30 | LIFTER, VALVE | 16 | 16 | UR RED |
| | 5EB-12153-09 | LIFTER, VALVE (O/S) | 16 | 16 | AP GREEN |
| | | | | | |
| | | | | | |
| | | | | | |
| | | | | | |

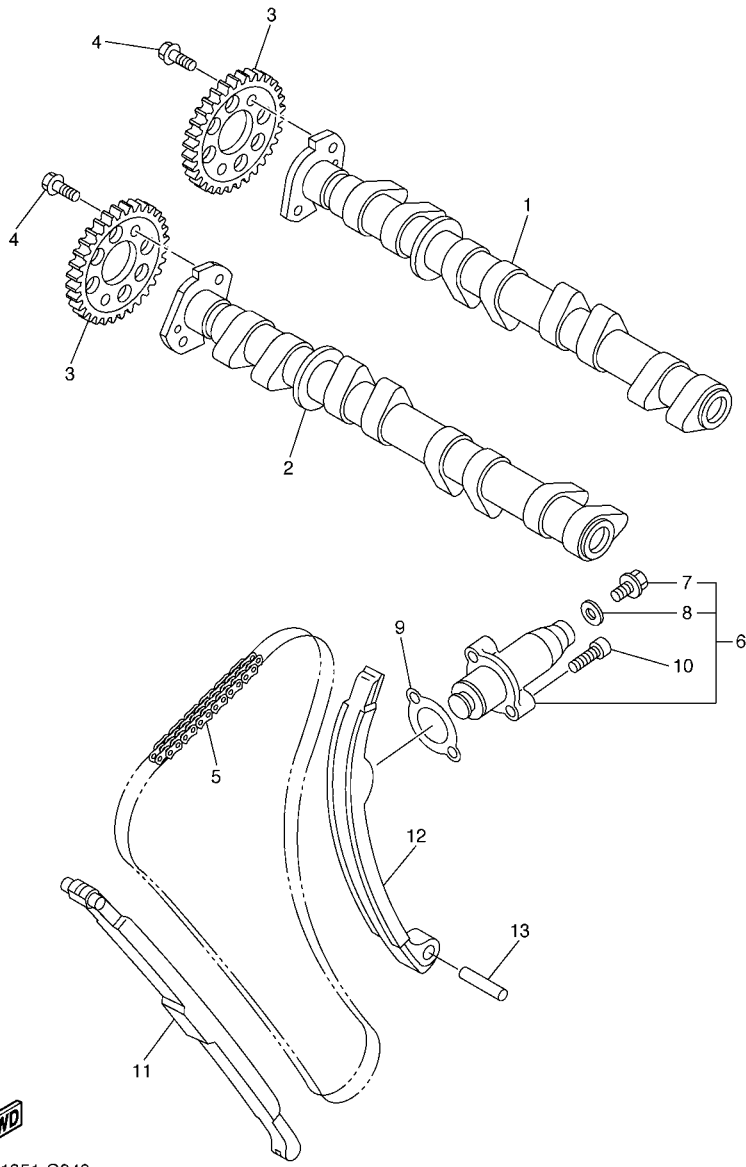
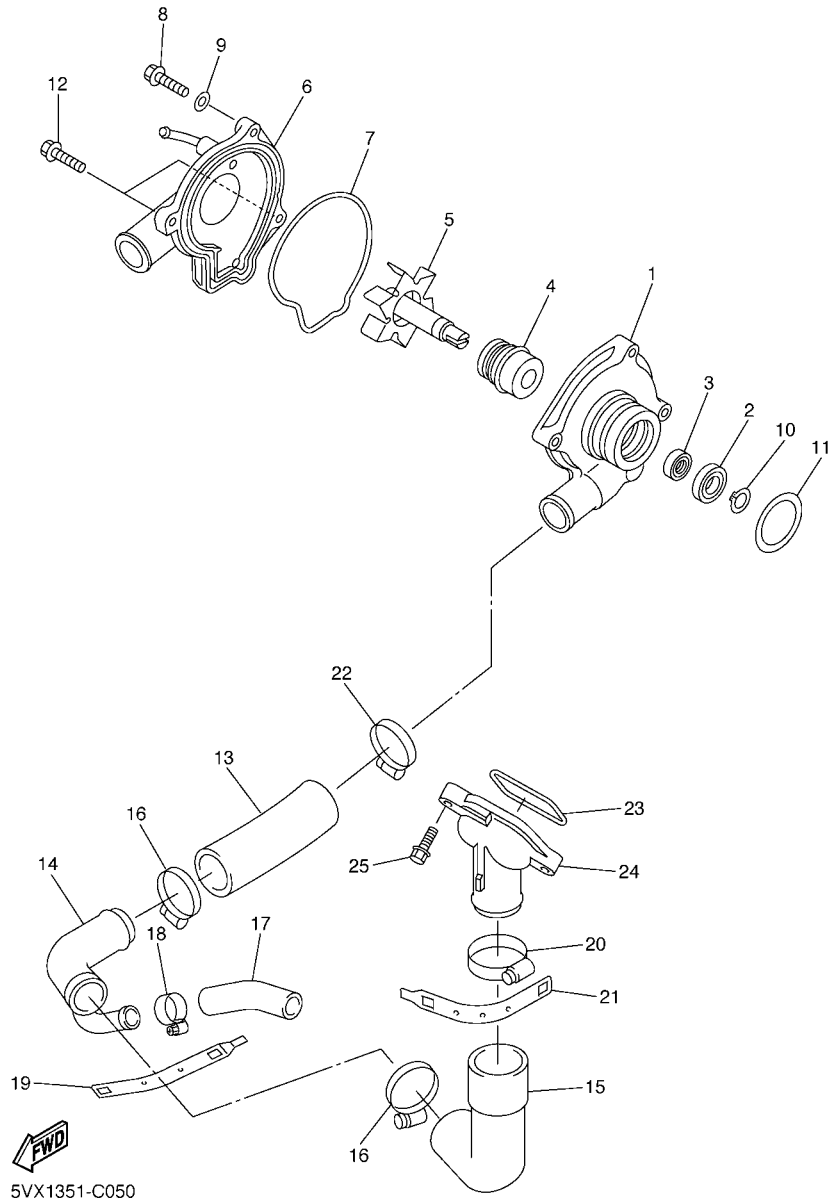


FIG. 4 CAMSHAFT & CHAIN

| REF. NO. | PART NO. | DESCRIPTION | 5VXB | 5VXC | REMARKS |
|----------|--------------|---------------------------|------|------|---------|
| | | | | | |
| 1 | 5VX-12170-00 | CAMSHAFT ASSY 1 | 1 | 1 | |
| 2 | 5VX-12180-00 | CAMSHAFT ASSY 2 | 1 | 1 | |
| 3 | 5VX-12176-00 | SPROCKET, CAM CHAIN | 2 | 2 | |
| 4 | 90105-07004 | BOLT, FLANGE | 4 | 4 | |
| 5 | 94591-49120 | CHAIN | 1 | 1 | |
| 6 | 5SL-12210-10 | TENSIONER ASSY, CAM CHAIN | 1 | 1 | |
| 7 | 5EL-12228-00 | .BOLT | 1 | 1 | |
| 8 | 5SL-12214-00 | .GASKET | 1 | 1 | |
| 9 | 4FM-12213-00 | GASKET, TENSIONER CASE | 1 | 1 | |
| 10 | 91314-06025 | BOLT | 2 | 2 | |
| 11 | 5EB-12251-00 | DAMPER, CHAIN 1 | 1 | 1 | |
| 12 | 5EB-12252-10 | DAMPER, CHAIN 2 | 1 | 1 | |
| 13 | 93607-44190 | PIN, DOWEL | 1 | 1 | |
| | | | | | |
| | | | | | |
| | | | | | |
| | | | | | |

 5VX1351-C040

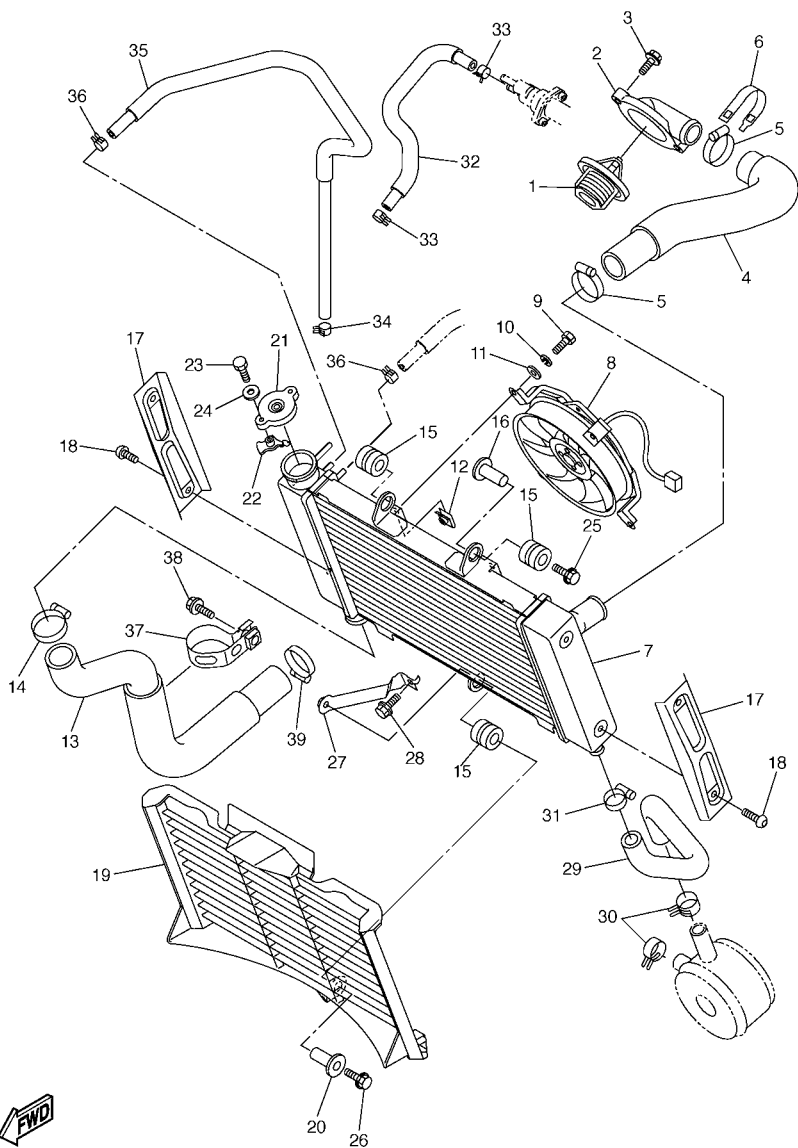


5VX1351-C050

FIG. 5 WATER PUMP

| REF. NO. | PART NO. | DESCRIPTION | 5VXB | 5VXC | REMARKS |
|----------|--------------|---------------------------|------|------|---------|
| | | | | | |
| 1 | 5VX-12421-00 | HOUSING, WATER PUMP | 1 | 1 | |
| 2 | 93306-00106 | BEARING | 1 | 1 | |
| 3 | 93101-12173 | OIL SEAL | 1 | 1 | |
| 4 | 11H-12438-10 | SEAL, MECHANICAL | 1 | 1 | |
| 5 | 5EB-12450-00 | IMPELLER SHAFT ASSY | 1 | 1 | |
| 6 | 5VX-12422-00 | COVER, HOUSING | 1 | 1 | |
| 7 | 5EB-12439-00 | O-RING | 1 | 1 | |
| 8 | 95024-06020 | BOLT, FLANGE | 2 | 2 | |
| 9 | 90430-06014 | GASKET | 1 | 1 | |
| 10 | 99009-12400 | CIRCLIP | 1 | 1 | |
| 11 | 93210-33133 | O-RING | 1 | 1 | |
| 12 | 90110-06086 | BOLT, HEXAGON SOCKET HEAD | 2 | 2 | |
| 13 | 4NK-12579-00 | HOSE 4 | 1 | 1 | |
| 14 | 5VX-12581-00 | JOINT, HOSE 1 | 1 | 1 | |
| 15 | 5EB-12577-01 | HOSE 2 | 1 | 1 | |
| 16 | 90450-35001 | HOSE CLAMP ASSY | 2 | 2 | |
| 17 | 5SL-12588-01 | HOSE 5 | 1 | 1 | |
| 18 | 90450-22017 | HOSE CLAMP ASSY | 1 | 1 | |
| 19 | 5GV-1246E-00 | COVER 2 | 1 | 1 | |
| 20 | 90450-38040 | HOSE CLAMP ASSY | 1 | 1 | |
| 21 | 5GV-1246A-00 | COVER 1 | 1 | 1 | |
| 22 | 90450-32001 | HOSE CLAMP ASSY | 1 | 1 | |
| 23 | 93210-47675 | O-RING | 1 | 1 | |
| 24 | 5EB-12469-00 | JOINT 1 | 1 | 1 | |
| 25 | 90105-06053 | BOLT, FLANGE | 2 | 2 | |

FIG. 6 RADIATOR & HOSE



5VX1351-C060

| REF. NO. | PART NO. | DESCRIPTION | 5VXB | 5VXC | REMARKS |
|----------|--------------|--------------------------|------|------|---------|
| | | | | | |
| 1 | 5SL-12410-00 | THERMOSTAT ASSY | 1 | 1 | |
| 2 | 5VX-12413-00 | COVER, THERMOSTAT | 1 | 1 | |
| 3 | 90105-06557 | BOLT, FLANGE | 2 | 2 | |
| 4 | 5VX-12578-00 | HOSE 3 | 1 | 1 | |
| 5 | 90450-35001 | HOSE CLAMP ASSY | 2 | 2 | |
| 6 | 5GV-1246E-00 | COVER 2 | 1 | 1 | |
| 7 | 5VX-12461-00 | RADIATOR ASSY | 1 | 1 | |
| 8 | 5VX-12405-00 | BLOWER ASSY | 1 | 1 | |
| 9 | 97307-06012 | BOLT | 4 | 4 | |
| 10 | 92907-06100 | WASHER, SPRING | 4 | 4 | |
| 11 | 92907-06600 | WASHER, PLATE | 4 | 4 | |
| 12 | 1AA-12535-00 | PLATE | 4 | 4 | |
| 13 | 5VX-12579-00 | HOSE 4 | 1 | 1 | |
| 14 | 90450-35001 | HOSE CLAMP ASSY | 1 | 1 | |
| 15 | 90480-15363 | GROMMET | 3 | 3 | |
| 16 | 90387-0614M | COLLAR | 1 | 1 | |
| 17 | 5VX-1240J-00 | RADIATOR COVER ASSY1 | 2 | 2 | |
| 18 | 90111-06031 | BOLT, HEX. SOCKET BUTTON | 4 | 4 | |
| 19 | 5VX-12467-00 | COVER, RADIATOR | 1 | 1 | |
| 20 | 90387-066H4 | COLLAR | 1 | 1 | |
| 21 | 4FL-12462-00 | CAP, RADIATOR | 1 | 1 | |
| 22 | 1KT-12437-00 | STOPPER | 1 | 1 | |
| 23 | 97007-05012 | BOLT | 1 | 1 | |
| 24 | 92907-05600 | WASHER, PLATE | 1 | 1 | |
| 25 | 90119-06038 | BOLT, WITH WASHER | 1 | 1 | |
| 26 | 95824-06030 | BOLT, FLANGE | 1 | 1 | |
| 27 | 5VX-1244E-00 | BRACKET 1 | 1 | 1 | |



5VX1351-C060

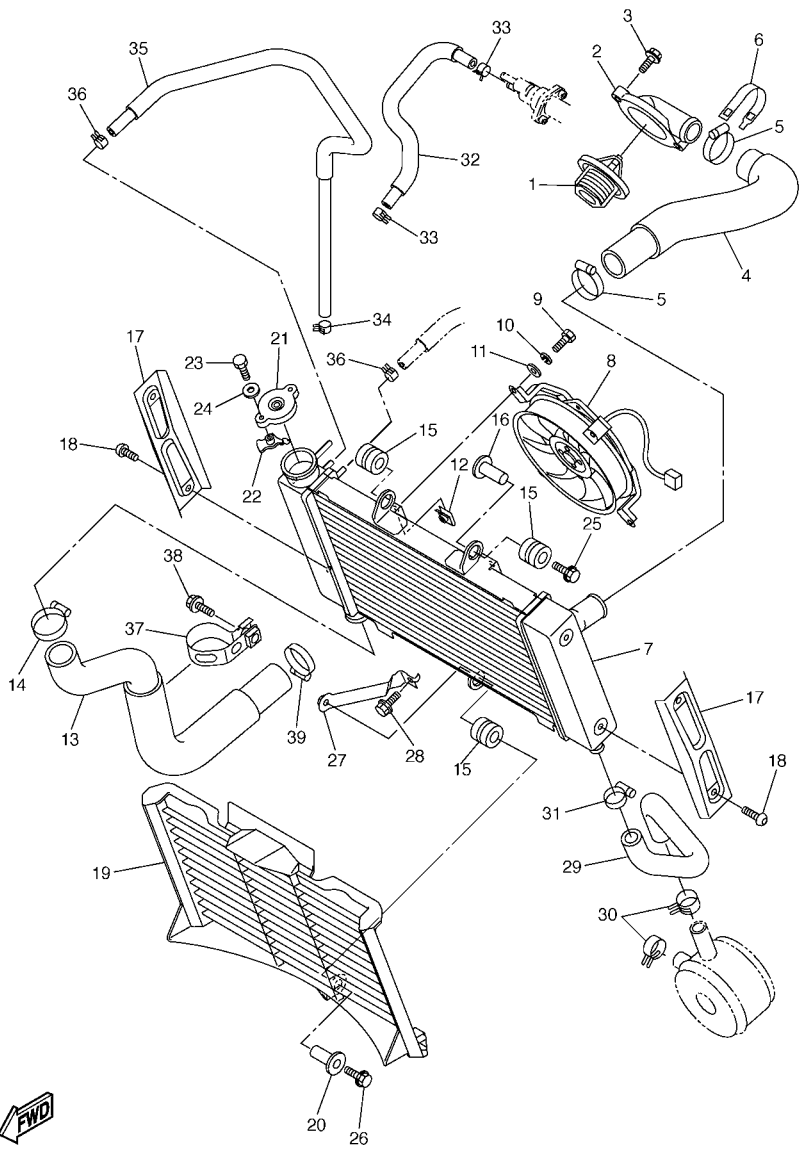
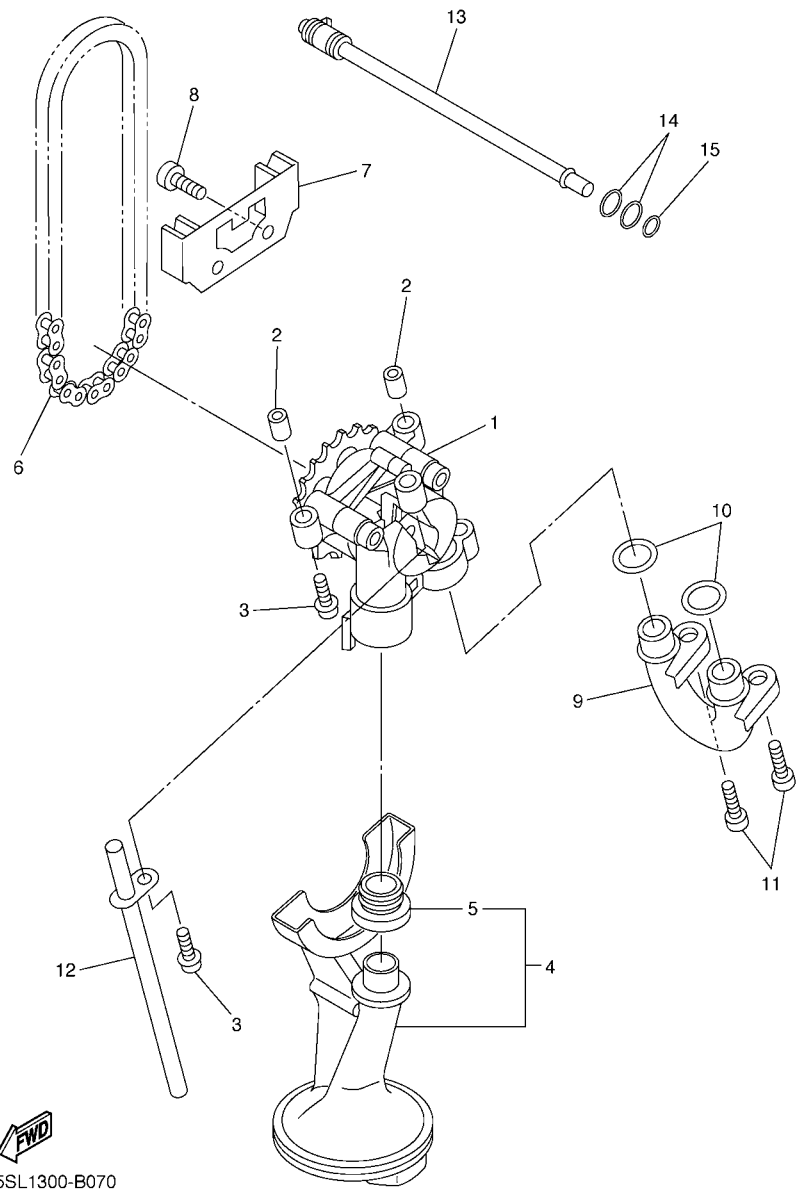


FIG. 6 RADIATOR & HOSE

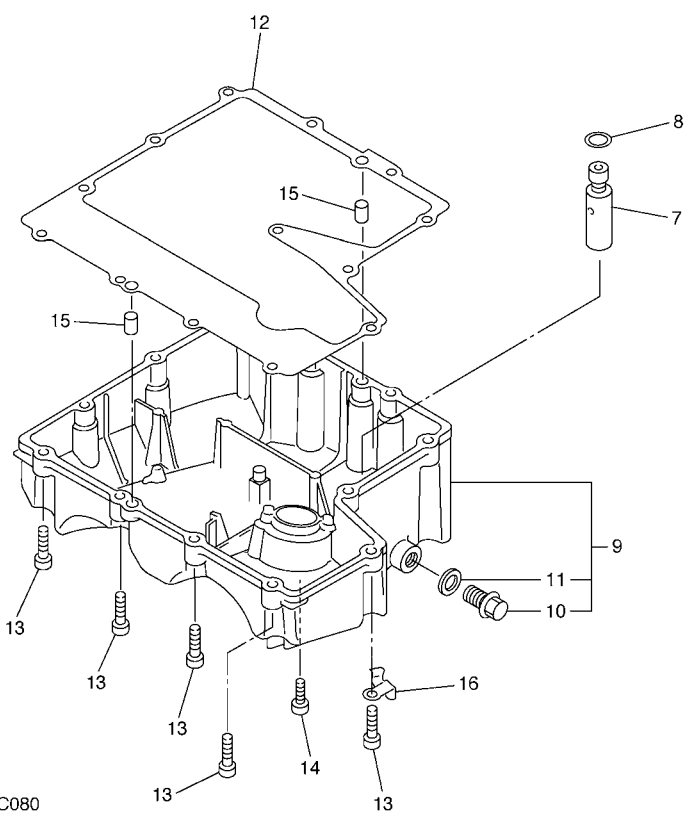
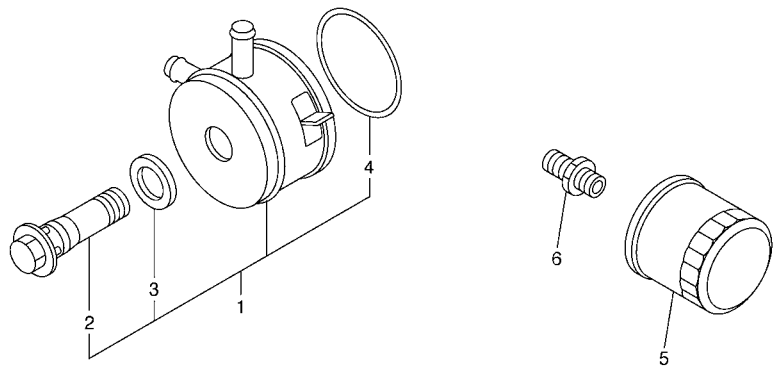
| REF. NO. | PART NO. | DESCRIPTION | 5VXB | 5VXC | REMARKS |
|----------|--------------|-----------------|------|------|---------|
| | | | | | |
| 28 | 95824-06012 | BOLT, FLANGE | 1 | 1 | |
| 29 | 5VX-12589-00 | HOSE 6 | 1 | 1 | |
| 30 | 90467-200A0 | CLIP | 2 | 2 | |
| 31 | 90450-22017 | HOSE CLAMP ASSY | 1 | 1 | |
| 32 | 5VX-1243A-00 | HOSE 1 | 1 | 1 | |
| 33 | 90467-11090 | CLIP | 2 | 2 | |
| 34 | 90467-11090 | CLIP | 1 | 1 | |
| 35 | 5VX-1244G-00 | HOSE, 4 | 1 | 1 | |
| 36 | 90467-11090 | CLIP | 2 | 2 | |
| 37 | 5VX-12491-00 | CLAMP 1 | 1 | 1 | |
| 38 | 95024-10020 | BOLT, FLANGE | 1 | 1 | |
| 39 | 90450-32001 | HOSE CLAMP ASSY | 1 | 1 | |
| | | | | | |
| | | | | | |
| | | | | | |
| | | | | | |
| | | | | | |



 5SL1300-B070

FIG. 7 OIL PUMP

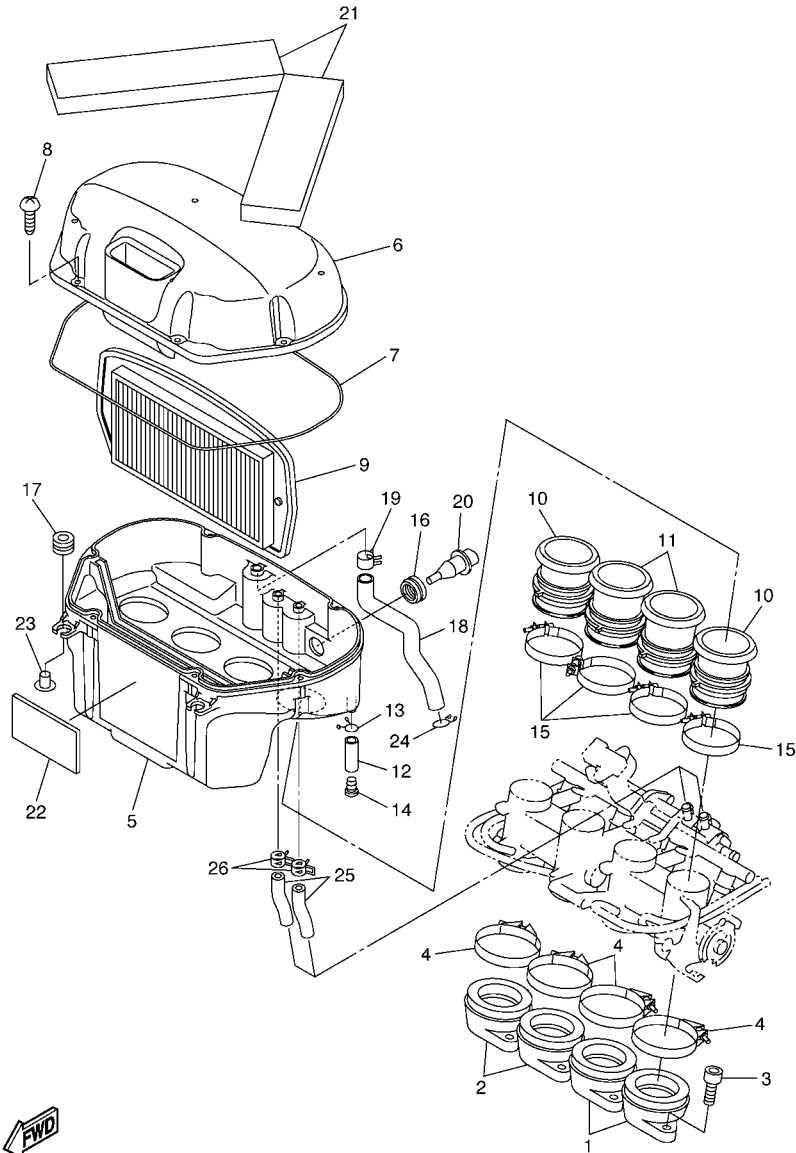
| REF. NO. | PART NO. | DESCRIPTION | 5VXB | 5VXC | REMARKS |
|----------|--------------|---------------------------|------|------|---------|
| 1 | 5MT-13300-00 | OIL PUMP ASSY | 1 | 1 | |
| 2 | 91808-17032 | PIN, DOWEL | 2 | 2 | |
| 3 | 90109-06031 | BOLT | 3 | 3 | |
| 4 | 5SL-13410-00 | STRAINER HOUSING ASSY | 1 | 1 | |
| 5 | 5EB-13415-00 | .SEAL, OIL STRAINER | 1 | 1 | |
| 6 | 94580-25080 | CHAIN | 1 | 1 | |
| 7 | 5EB-13898-00 | HOLDER | 1 | 1 | |
| 8 | 90110-06041 | BOLT, HEXAGON SOCKET HEAD | 2 | 2 | |
| 9 | 5JW-13416-00 | PIPE, OIL 1 | 1 | 1 | |
| 10 | 93210-14003 | O-RING | 2 | 2 | |
| 11 | 90110-06041 | BOLT, HEXAGON SOCKET HEAD | 2 | 2 | |
| 12 | 5EB-13161-00 | PIPE, DELIVERY 1 | 1 | 1 | |
| 13 | 5EB-1316E-00 | PIPE, DELIVERY 5 | 1 | 1 | |
| 14 | 93210-09165 | O-RING | 2 | 2 | |
| 15 | 93210-06667 | O-RING | 1 | 1 | |
| | | | | | |
| | | | | | |
| | | | | | |
| | | | | | |




5VX1351-C080

FIG. 8 OIL CLEANER

| REF. NO. | PART NO. | DESCRIPTION | 5VXB | 5VXC | REMARKS |
|----------|--------------|---------------------------|------|------|---------|
| 1 | 5EB-13470-00 | OIL COOLER ASSY | 1 | 1 | |
| 2 | 5EB-12822-00 | .BOLT, UNION | 1 | 1 | |
| 3 | 5EB-13475-00 | .GASKET | 1 | 1 | |
| 4 | 5JW-13473-00 | .O-RING | 1 | 1 | |
| 5 | 5GH-13440-10 | ELEMENT ASSY, OIL CLEANER | 1 | 1 | |
| 6 | 90401-20145 | BOLT, UNION | 1 | 1 | |
| 7 | 3KS-13490-00 | RELIEF VALVE ASSY | 1 | 1 | |
| 8 | 93210-15566 | O-RING | 1 | 1 | |
| 9 | 5VX-13417-00 | COVER, STRAINER | 1 | 1 | |
| 10 | 90340-14132 | .PLUG, STRAIGHT SCREW | 1 | 1 | |
| 11 | 214-11198-01 | .GASKET | 1 | 1 | |
| 12 | 5VX-13414-00 | GASKET, STRAINER COVER | 1 | 1 | |
| 13 | 91317-06025 | BOLT | 12 | 12 | |
| 14 | 90110-06020 | BOLT, HEXAGON SOCKET HEAD | 1 | 1 | |
| 15 | 99530-08012 | PIN, DOWEL | 2 | 2 | |
| 16 | 90465-10030 | CLAMP | 1 | 1 | |



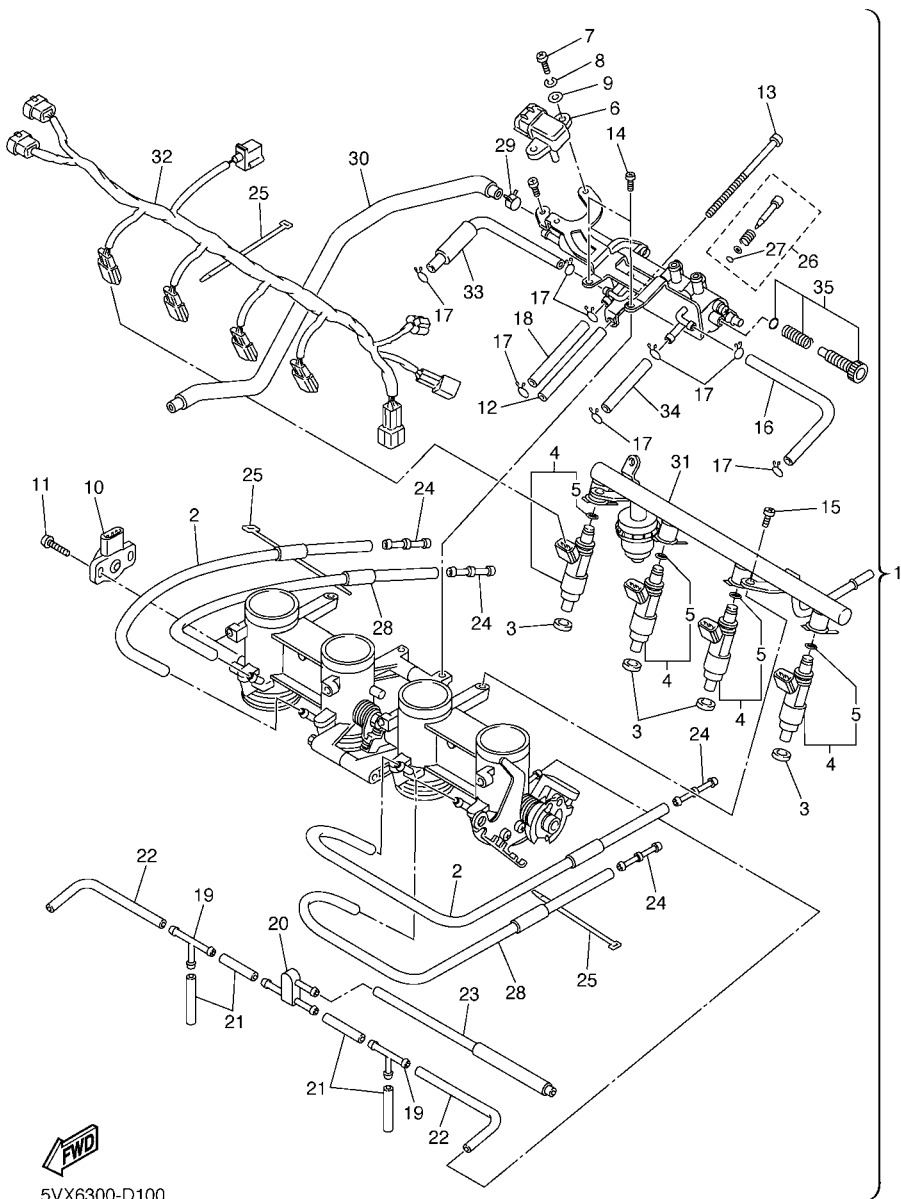
5VX3100-C090

FIG. 9 INTAKE

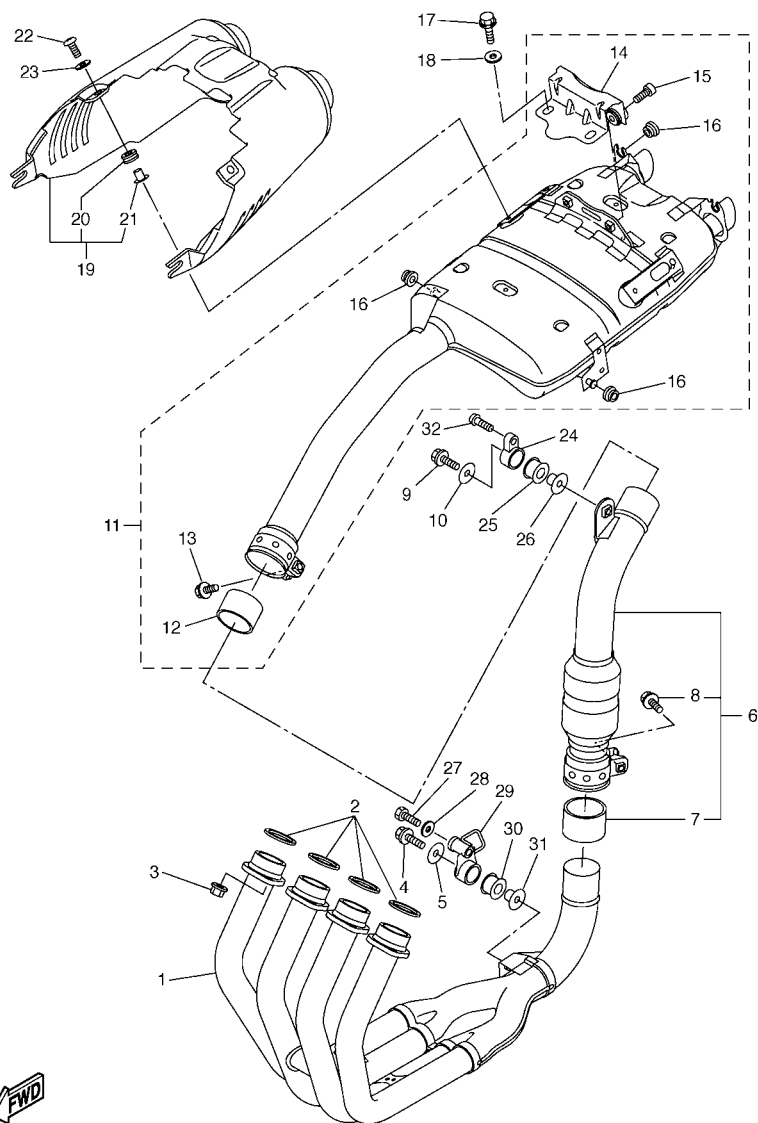
| REF. NO. | PART NO. | DESCRIPTION | 5VXB | 5VXC | REMARKS |
|----------|--------------|------------------------|------|------|---------|
| 1 | 5SL-13586-01 | JOINT, CARBURETOR 1 | 2 | 2 | |
| 2 | 5SL-13596-01 | JOINT, CARBURETOR 2 | 2 | 2 | |
| 3 | 91317-06020 | BOLT | 8 | 8 | |
| 4 | 90450-63003 | HOSE CLAMP ASSY | 4 | 4 | |
| 5 | 5VX-14411-00 | CASE, AIR CLEANER 1 | 1 | 1 | |
| 6 | 5VX-14421-00 | CASE, AIR CLEANER 2 | 1 | 1 | |
| 7 | 5VX-14452-00 | SEAL | 1 | 1 | |
| 8 | 97707-50025 | SCREW, TAPPING | 6 | 6 | |
| 9 | 5VX-14451-00 | ELEMENT, AIR CLEANER | 1 | 1 | |
| 10 | 5VX-14453-00 | JOINT, AIR CLEANER 1 | 2 | 2 | |
| 11 | 5VX-14463-00 | JOINT, AIR CLEANER 2 | 2 | 2 | |
| 12 | 90445-11795 | HOSE (L30) | 1 | 1 | |
| 13 | 90467-10041 | CLIP | 1 | 1 | |
| 14 | 90338-08174 | PLUG | 1 | 1 | |
| 15 | 90450-53002 | HOSE CLAMP ASSY | 4 | 4 | |
| 16 | 5CA-14435-00 | GROMMET | 1 | 1 | |
| 17 | 90480-12314 | GROMMET | 2 | 2 | |
| 18 | 5VX-15373-00 | PIPE, BREATHER | 1 | 1 | |
| 19 | 90467-15054 | CLIP | 1 | 1 | |
| 20 | 5CA-85886-00 | SENSOR, AIR TEMPRATURE | 1 | 1 | |
| 21 | 5VX-14409-00 | DAMPER | 2 | 2 | |
| 22 | 5EJ-2414H-00 | DAMPER, PLATE 1 | 1 | 1 | |
| 23 | 90387-06073 | COLLAR | 2 | 2 | |
| 24 | 90467-14015 | CLIP | 1 | 1 | |
| 25 | 5VX-14148-01 | PIPE | 2 | 2 | |
| 26 | 90467-17089 | CLIP | 2 | 2 | |

FIG. 10 INTAKE 2

| REF. NO. | PART NO. | DESCRIPTION | 5VXB | 5VXC | REMARKS |
|----------|--------------|-------------------------|------|------|---------|
| 1 | 5VX-13750-02 | THROTTLE BODY ASSY | 1 | 1 | |
| 2 | 5VX-14348-00 | .PIPE 1 | 2 | 2 | |
| 3 | 90430-09002 | .GASKET | 4 | 4 | |
| 4 | 5VX-13761-00 | .INJECTOR ASSY | 4 | 4 | |
| 5 | 5PS-14147-00 | ..O-RING | 1 | 1 | |
| 6 | 5VX-82380-00 | .SENSOR, PRESSURE | 1 | 1 | |
| 7 | 98507-05016 | .SCREW, PAN HEAD | 2 | 2 | |
| 8 | 92907-05100 | .WASHER, SPRING | 2 | 2 | |
| 9 | 92907-05600 | .WASHER, PLATE | 2 | 2 | |
| 10 | 5FL-85885-02 | .THROTTLE SENSOR ASSY | 1 | 1 | |
| 11 | 8CC-14216-10 | .SCREW | 2 | 2 | |
| 12 | 5VX-14149-00 | .PIPE | 1 | 1 | |
| 13 | 5VX-14565-00 | .SCREW | 1 | 1 | |
| 14 | 98507-05010 | .SCREW, PAN HEAD | 2 | 2 | |
| 15 | 98507-06012 | .SCREW, PAN HEAD | 2 | 2 | |
| 16 | 5VX-14396-00 | .PIPE | 1 | 1 | |
| 17 | 3UH-14937-00 | .CLIP | 8 | 8 | |
| 18 | 5VX-14987-00 | .HOSE | 1 | 1 | |
| 19 | 68V-24376-00 | .PIPE, JOINT 1 | 2 | 2 | |
| 20 | 3XV-14251-00 | .NIPPLE | 1 | 1 | |
| 21 | 5FL-14348-10 | .PIPE 1 | 4 | 4 | |
| 22 | 68V-13533-00 | .HOSE, VACUUM SENSING 4 | 2 | 2 | |
| 23 | 5VX-1410E-00 | .HOSE | 1 | 1 | |
| 24 | 5PW-14251-00 | .NIPPLE | 4 | 4 | |
| 25 | 4KM-14137-00 | .CLIP | 3 | 3 | |
| 26 | 5JW-14104-00 | .AIR SCREW SET | 4 | 4 | |
| 27 | 3H1-14147-00 | ..O-RING | 1 | 1 | |



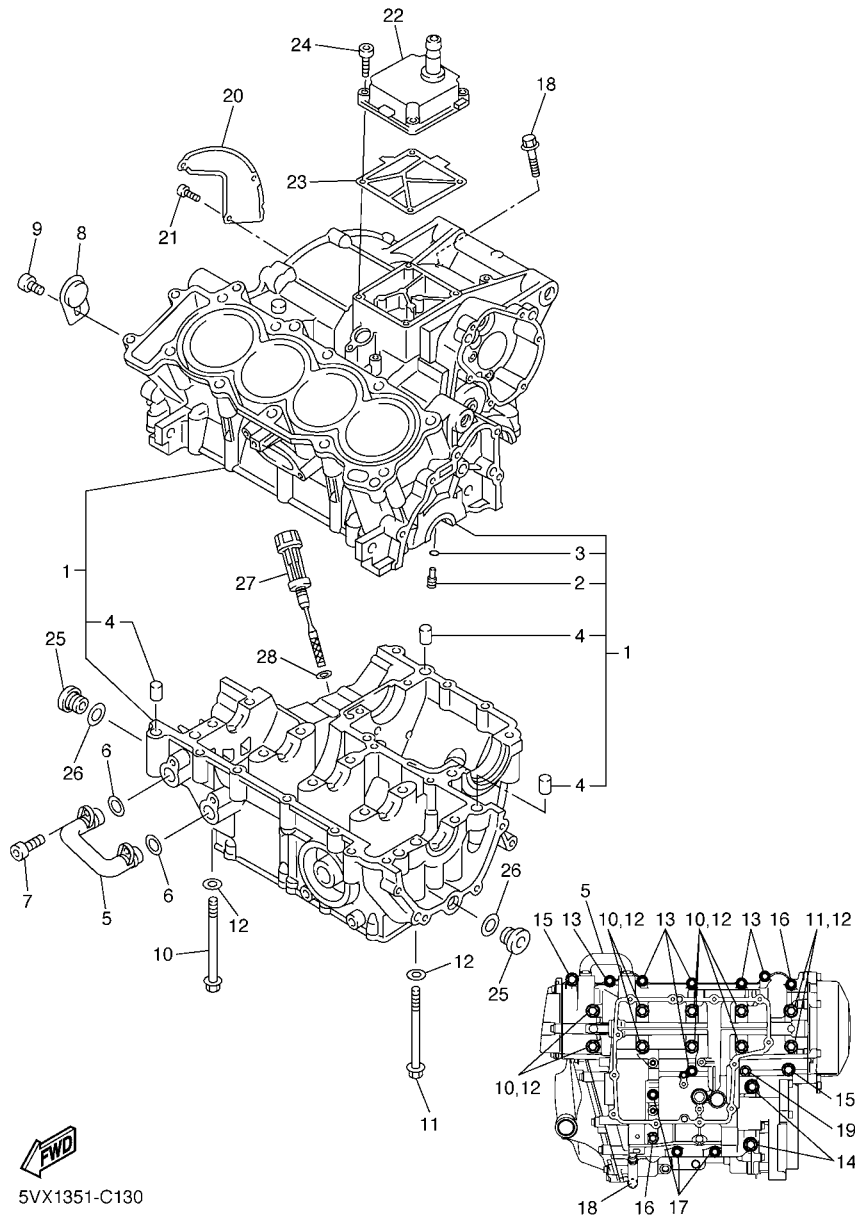
5VX6300-D100



5VX1351-C120

FIG. 12 EXHAUST

| REF. NO. | PART NO. | DESCRIPTION | 5VXB | 5VXC | REMARKS |
|----------|--------------|----------------------|------|------|---------|
| 1 | 5VX-14602-00 | EXHAUST PIPE COMP. | 1 | 1 | |
| 2 | 3YF-14613-01 | GASKET, EXHAUST PIPE | 4 | 4 | |
| 3 | 90179-08410 | NUT | 8 | 8 | |
| 4 | 95817-08035 | BOLT, FLANGE | 1 | 1 | |
| 5 | 90201-08612 | WASHER, PLATE | 1 | 1 | |
| 6 | 5VX-14740-00 | CATALYST ASSY. | 1 | 1 | |
| 7 | 3XW-14714-00 | .GASKET, MUFFLER | 1 | 1 | |
| 8 | 95814-08045 | .BOLT, FLANGE | 1 | 1 | |
| 9 | 95817-08035 | BOLT, FLANGE | 1 | 1 | |
| 10 | 90201-08612 | WASHER, PLATE | 1 | 1 | |
| 11 | 5VX-14710-00 | MUFFLER ASSY 1 | 1 | 1 | |
| 12 | 5EB-14714-01 | .GASKET, MUFFLER | 1 | 1 | |
| 13 | 95814-08045 | .BOLT, FLANGE | 1 | 1 | |
| 14 | 5VX-1467K-00 | .BRACKET, SILENCER 3 | 1 | 1 | |
| 15 | 91317-08030 | .BOLT | 2 | 2 | |
| 16 | 90480-10332 | .GROMMET | 4 | 4 | |
| 17 | 95817-08014 | BOLT, FLANGE | 2 | 2 | |
| 18 | 90201-086A3 | WASHER, PLATE | 2 | 2 | |
| 19 | 5VX-14708-10 | PROTECTOR ASSY | 1 | 1 | |
| 20 | 90480-12006 | .GROMMET | 2 | 2 | |
| 21 | 90387-061N6 | .COLLAR | 2 | 2 | |
| 22 | 98907-06020 | SCREW, BIND | 2 | 2 | |
| 23 | 4FB-14766-00 | WASHER, PROTECTOR | 2 | 2 | |
| 24 | 5VX-21446-00 | STAY, MUFFLER 2 | 1 | 1 | |
| 25 | 4XV-27424-00 | DAMPER, MUFFLER | 1 | 1 | |
| 26 | 90387-082W9 | COLLAR | 1 | 1 | |
| 27 | 90109-082A1 | BOLT | 1 | 1 | |

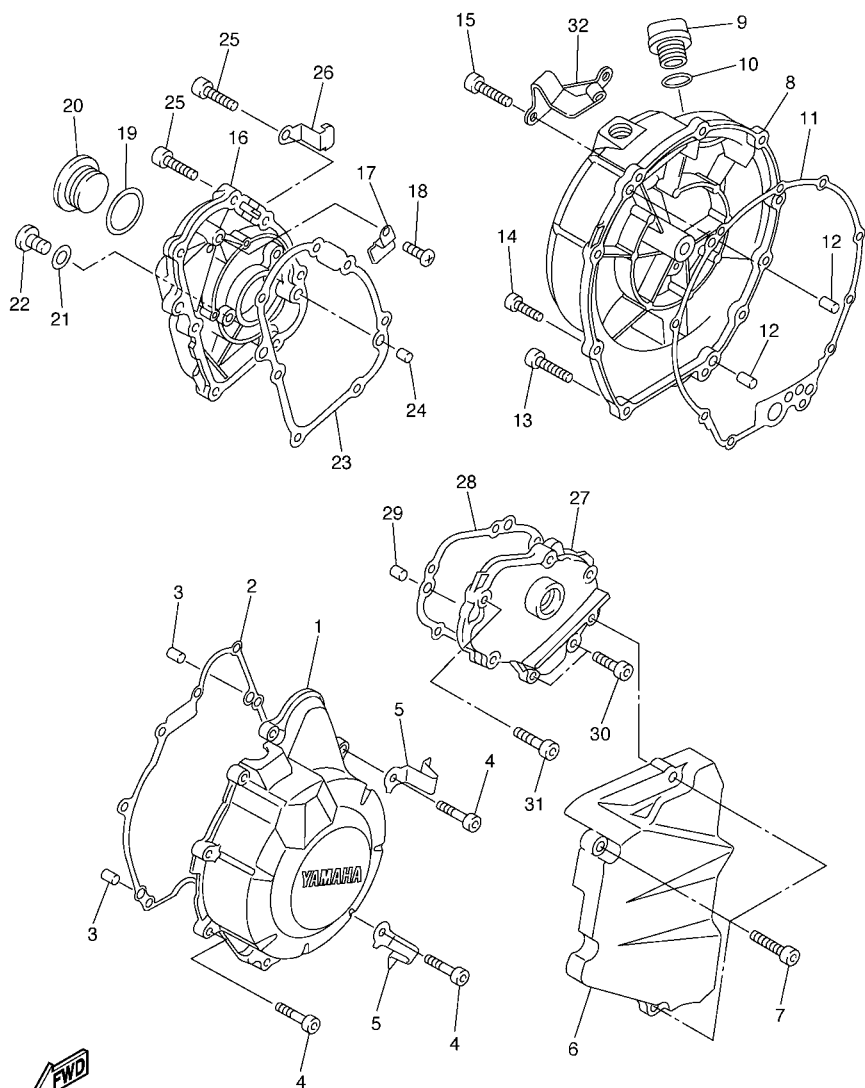


5VX1351-C130

FIG. 13 CRANKCASE

| REF. NO. | PART NO. | DESCRIPTION | 5VXB | 5VXC | REMARKS |
|----------|--------------|---------------------------|------|------|---------|
| 1 | 5VX-15100-00 | CRANKCASE ASSY | 1 | 1 | |
| 2 | 5EB-15155-00 | .NOZZLE 3 | 4 | 4 | |
| 3 | 93210-04092 | .O-RING | 4 | 4 | |
| 4 | 99530-10014 | .PIN, DOWEL | 3 | 3 | |
| 5 | 5VX-13418-00 | PIPE, OIL 2 | 1 | 1 | |
| 6 | 93210-14579 | O-RING | 2 | 2 | |
| 7 | 90110-06041 | BOLT, HEXAGON SOCKET HEAD | 2 | 2 | |
| 8 | 5SL-15189-00 | PLUG | 1 | 1 | |
| 9 | 90149-06020 | SCREW | 1 | 1 | |
| 10 | 90105-087A0 | BOLT, FLANGE | 8 | 8 | |
| 11 | 90105-086A9 | BOLT, FLANGE | 2 | 2 | |
| 12 | 90201-087K3 | WASHER, PLATE | 10 | 10 | |
| 13 | 95817-06055 | BOLT, FLANGE | 6 | 6 | |
| 14 | 95817-08065 | BOLT, FLANGE | 2 | 2 | |
| 15 | 90109-065G3 | BOLT | 2 | 2 | |
| 16 | 95817-06065 | BOLT, FLANGE | 2 | 2 | |
| 17 | 95817-06045 | BOLT, FLANGE | 3 | 3 | |
| 18 | 95817-06100 | BOLT, FLANGE | 1 | 1 | |
| 19 | 90105-06006 | BOLT, FLANGE | 1 | 1 | |
| 20 | 5SL-11165-00 | PLATE, BREATHER | 1 | 1 | |
| 21 | 90149-06020 | SCREW | 3 | 3 | |
| 22 | 5VX-15413-01 | COVER | 1 | 1 | |
| 23 | 5SL-15462-00 | GASKET, CRANKCASE COVER 3 | 1 | 1 | |
| 24 | 91314-06025 | BOLT | 4 | 4 | |
| 25 | 36Y-15189-00 | PLUG | 2 | 2 | |
| 26 | 93210-16325 | O-RING | 2 | 2 | |
| 27 | 5EB-15362-00 | PLUG, OIL LEVEL | 1 | 1 | |

FIG. 14 CRANKCASE COVER 1

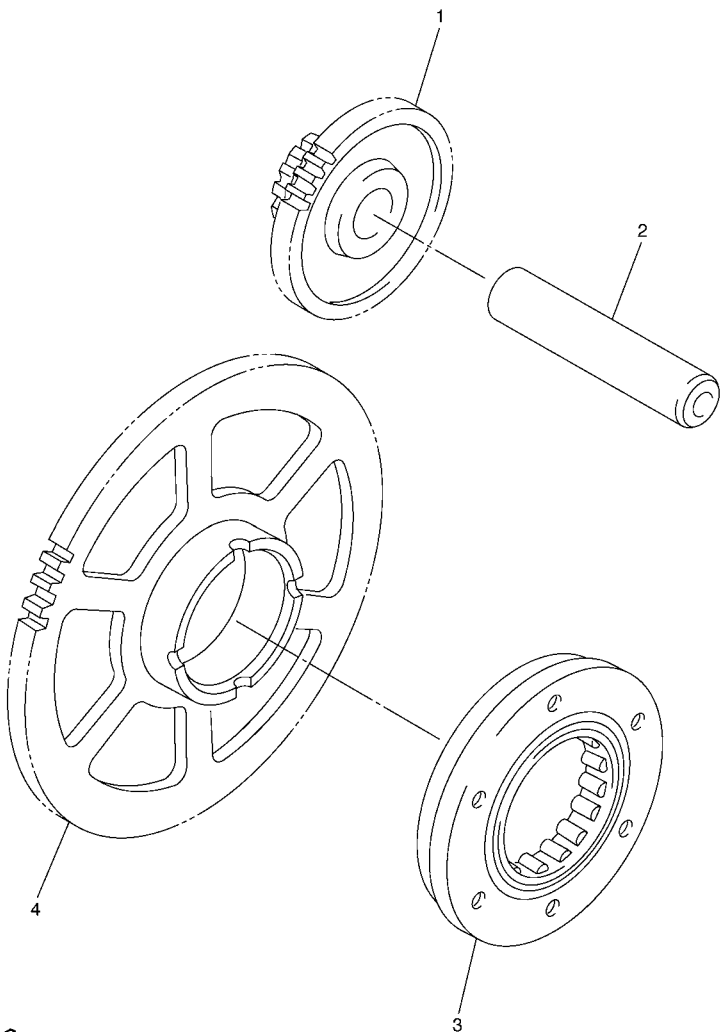


5VX1351-C140

| REF. NO. | PART NO. | DESCRIPTION | 5VXB | 5VXC | REMARKS |
|----------|--------------|---------------------------|------|------|---------|
| | | | | | |
| 1 | 5VX-15411-00 | COVER, CRANKCASE 1 | 1 | 1 | |
| 2 | 5VX-15451-00 | GASKET, CRANKCASE COVER 1 | 1 | 1 | |
| 3 | 99530-08012 | PIN, DOWEL | 2 | 2 | |
| 4 | 91314-06025 | BOLT | 9 | 9 | |
| 5 | 90465-08045 | CLAMP | 2 | 2 | |
| 6 | 5VX-15418-00 | COVER, CHAIN CASE | 1 | 1 | |
| 7 | 91314-06025 | BOLT | 3 | 3 | |
| 8 | 5VX-15421-00 | COVER, CRANKCASE 2 | 1 | 1 | |
| 9 | 3F9-15362-00 | PLUG, OIL LEVEL | 1 | 1 | |
| 10 | 93210-27194 | O-RING | 1 | 1 | |
| 11 | 5SL-15461-00 | GASKET, CRANKCASE COVER 2 | 1 | 1 | |
| 12 | 93608-17263 | PIN, DOWEL | 2 | 2 | |
| 13 | 91314-06025 | BOLT | 7 | 7 | |
| 14 | 90110-06022 | BOLT, HEXAGON SOCKET HEAD | 1 | 1 | |
| 15 | 91314-06030 | BOLT | 2 | 2 | |
| 16 | 5VX-15416-00 | COVER, OIL PUMP | 1 | 1 | |
| 17 | 90465-14011 | CLAMP | 1 | 1 | |
| 18 | 98507-06012 | SCREW, PAN HEAD | 1 | 1 | |
| 19 | 93210-32172 | O-RING | 1 | 1 | |
| 20 | 90340-32116 | PLUG, STRAIGHT SCREW | 1 | 1 | |
| 21 | 90430-08143 | GASKET | 1 | 1 | |
| 22 | 92014-08014 | BOLT, BUTTON HEAD | 1 | 1 | |
| 23 | 5SL-15456-00 | GASKET, OIL PUMP COVER 1 | 1 | 1 | |
| 24 | 99530-08012 | PIN, DOWEL | 2 | 2 | |
| 25 | 91314-06020 | BOLT | 7 | 7 | |
| 26 | 90465-10035 | CLAMP | 1 | 1 | |
| 27 | 5VX-15425-00 | COVER, GENERATOR 2 | 1 | 1 | |

FIG. 15 STARTER

| REF. NO. | PART NO. | DESCRIPTION | 5VXB | 5VXC | | | | REMARKS |
|----------|--------------|----------------------|------|------|--|--|--|---------|
| 1 | 5SL-15512-00 | GEAR, IDLER 1 | 1 | 1 | | | | |
| 2 | 5EB-15521-00 | SHAFT 1 | 1 | 1 | | | | |
| 3 | 5SL-15590-00 | STARTER ONE-WAY ASSY | 1 | 1 | | | | |
| 4 | 5MT-15515-00 | GEAR 3 | 1 | 1 | | | | |
| ----- | | | | | | | | |
| ----- | | | | | | | | |
| ----- | | | | | | | | |
| ----- | | | | | | | | |
| ----- | | | | | | | | |
| ----- | | | | | | | | |
| ----- | | | | | | | | |
| ----- | | | | | | | | |
| ----- | | | | | | | | |
| ----- | | | | | | | | |



5SL1300-B150

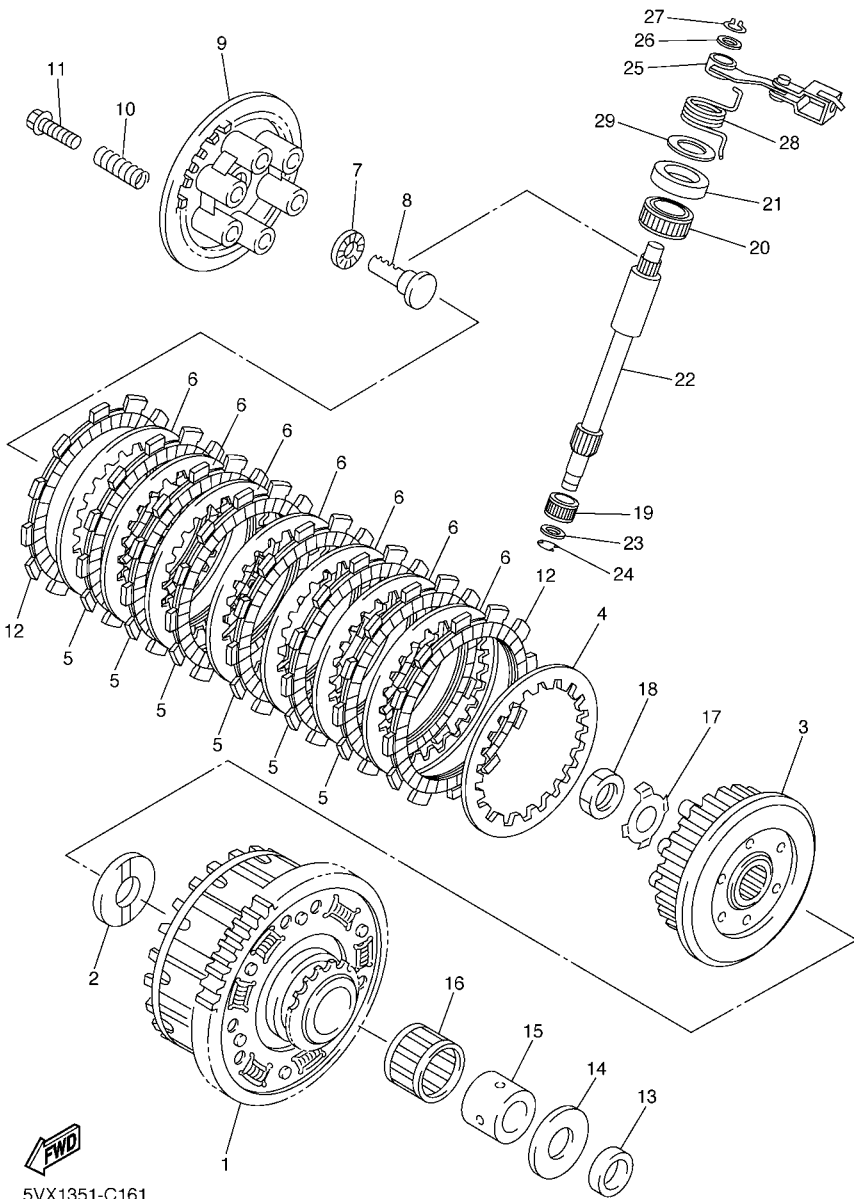
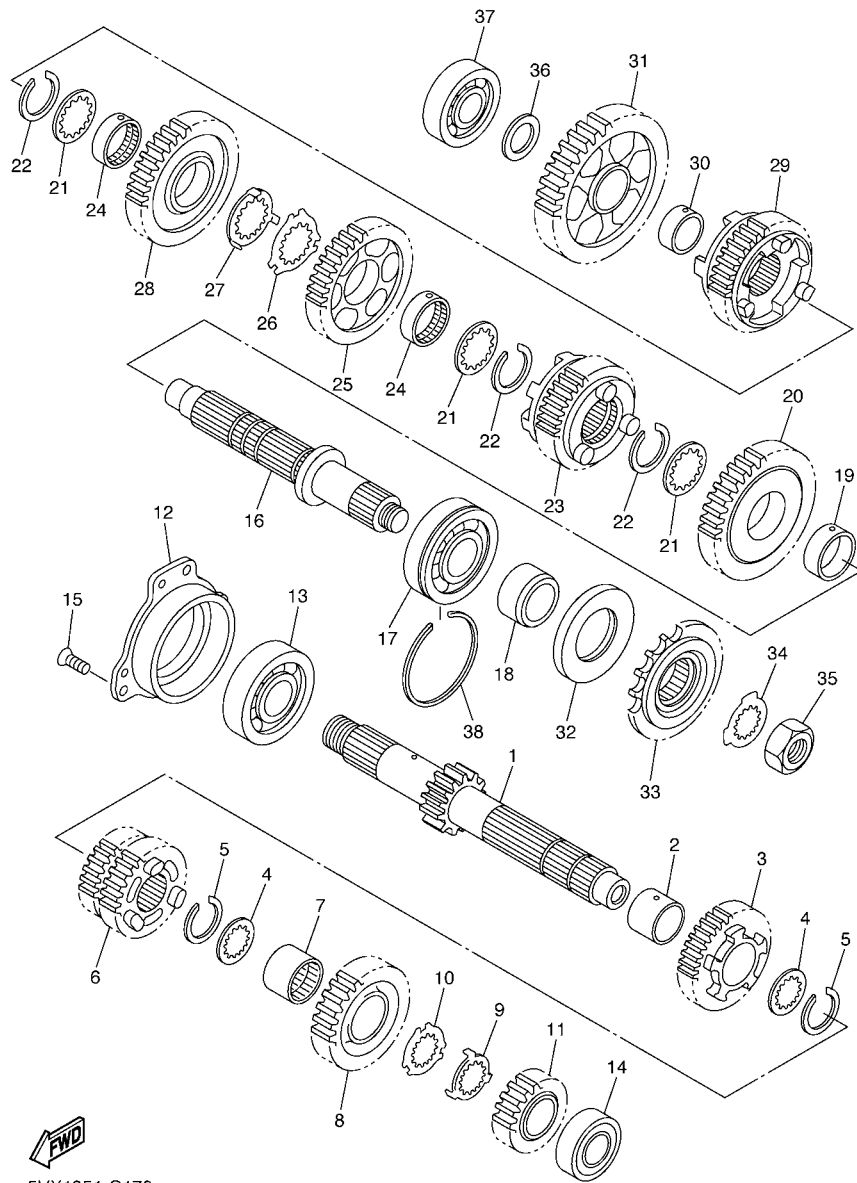


FIG. 16 CLUTCH

| REF. NO. | PART NO. | DESCRIPTION | 5VXB | 5VXC | REMARKS |
|----------|--------------|---------------------------|------|------|---------|
| 1 | 5VX-16150-00 | PRIMARY DRIVEN GEAR COMP. | 1 | 1 | |
| 2 | 5EB-16154-00 | PLATE, THRUST 1 | 1 | 1 | |
| 3 | 5VX-16371-00 | BOSS, CLUTCH | 1 | 1 | |
| 4 | 168-16324-00 | PLATE, CLUTCH 1 (T=2.3) | 1 | 1 | |
| 5 | 4FN-16321-00 | PLATE, FRICTION | 6 | 6 | |
| 6 | 3J2-16324-00 | PLATE, CLUTCH 1 (T=2.0) | 7 | 7 | |
| 7 | 93306-00304 | BEARING | 1 | 1 | |
| 8 | 5EB-16356-01 | ROD, PUSH 1 | 1 | 1 | |
| 9 | 5EB-16351-01 | PLATE, PRESSURE 1 | 1 | 1 | |
| 10 | 90501-225A9 | SPRING, COMPRESSION | 6 | 6 | |
| 11 | 90159-06002 | SCREW, WITH WASHER | 6 | 6 | |
| 12 | 4H7-16321-02 | PLATE, FRICTION | 2 | 2 | |
| 13 | 90201-255A6 | WASHER, PLATE | 1 | 1 | |
| 14 | 1AE-16164-00 | PLATE, THRUST 2 | 1 | 1 | |
| 15 | 90387-25010 | COLLAR | 1 | 1 | |
| 16 | 93310-340N8 | BEARING | 1 | 1 | |
| 17 | 90215-20004 | WASHER, LOCK | 1 | 1 | |
| 18 | 90170-20008 | NUT | 1 | 1 | |
| 19 | 93317-11020 | BEARING | 1 | 1 | |
| 20 | 93315-31502 | BEARING | 1 | 1 | |
| 21 | 93102-15212 | OIL SEAL | 1 | 1 | |
| 22 | 5VX-16382-00 | AXLE, PUSH LEVER | 1 | 1 | |
| 23 | 92907-08600 | WASHER, PLATE | 1 | 1 | |
| 24 | 99001-07600 | CIRCLIP | 1 | 1 | |
| 25 | 5VX-16340-00 | PUSH LEVER ASSY | 1 | 1 | |
| 26 | 90201-10119 | WASHER, PLATE | 1 | 1 | |
| 27 | 99009-10400 | CIRCLIP | 1 | 1 | |



5VX1351-C161

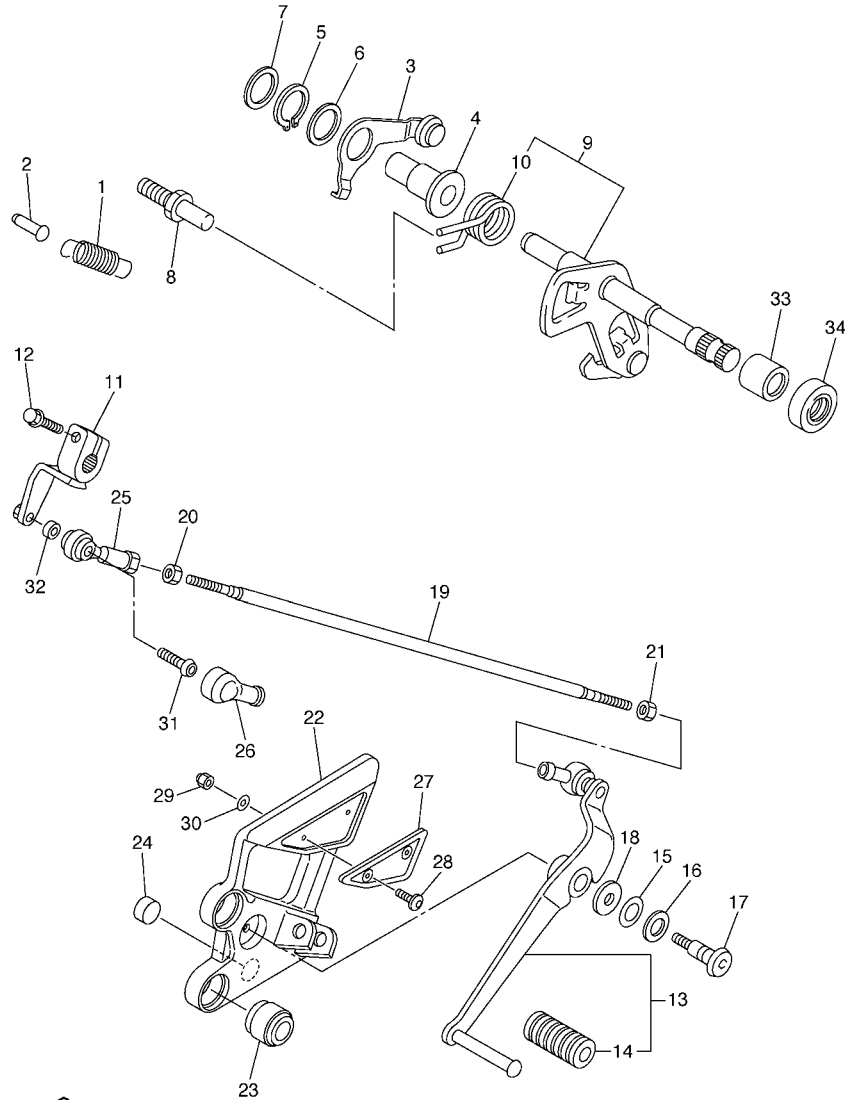


5VX1351-C170

FIG. 17 TRANSMISSION

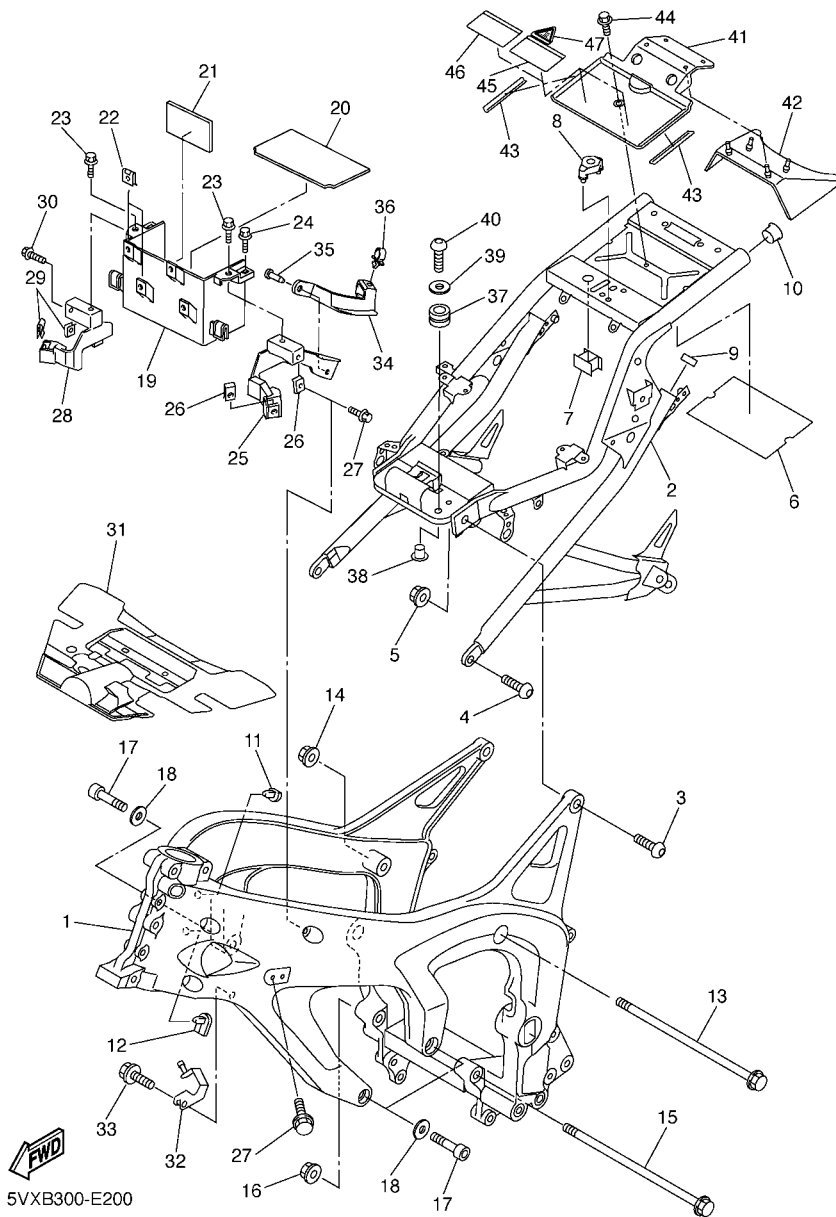
| REF. NO. | PART NO. | DESCRIPTION | 5VXB | 5VXC | REMARKS |
|----------|--------------|----------------------------|------|------|---------|
| 1 | 5SL-17411-00 | AXLE, MAIN (13T) | 1 | 1 | |
| 2 | 90387-253M6 | COLLAR | 1 | 1 | |
| 3 | 5VX-17151-00 | GEAR, 5TH PINION (21T) | 1 | 1 | |
| 4 | 90209-21332 | WASHER | 2 | 2 | |
| 5 | 93440-25186 | CIRCLIP | 2 | 2 | |
| 6 | 5SL-17131-20 | GEAR, 3RD PINION (18T/24T) | 1 | 1 | |
| 7 | 90387-2513E | COLLAR | 1 | 1 | |
| 8 | 5SL-17161-00 | GEAR, 6TH PINION (24T) | 1 | 1 | |
| 9 | 90209-22352 | WASHER | 1 | 1 | |
| 10 | 90209-21351 | WASHER | 1 | 1 | |
| 11 | 5SL-17121-00 | GEAR, 2ND PINION (19T) | 1 | 1 | |
| 12 | 5EB-15163-01 | HOUSING, BEARING 1 | 1 | 1 | |
| 13 | 93306-30525 | BEARING | 1 | 1 | |
| 14 | 93306-20464 | BEARING | 1 | 1 | |
| 15 | 90151-06008 | SCREW, COUNTERSUNK | 3 | 3 | |
| 16 | 5SL-17421-00 | AXLE, DRIVE | 1 | 1 | |
| 17 | 93306-30546 | BEARING | 1 | 1 | |
| 18 | 90387-2504A | COLLAR | 1 | 1 | |
| 19 | 90387-2813C | COLLAR | 1 | 1 | |
| 20 | 5VX-17221-00 | GEAR, 2ND WHEEL (37T) | 1 | 1 | |
| 21 | 90209-25342 | WASHER | 3 | 3 | |
| 22 | 93440-28062 | CIRCLIP | 3 | 3 | |
| 23 | 5VX-17261-00 | GEAR, 6TH WHEEL (26T) | 1 | 1 | |
| 24 | 90387-2813D | COLLAR | 2 | 2 | |
| 25 | 5SL-17241-00 | GEAR, 4TH WHEEL (32T) | 1 | 1 | |
| 26 | 90209-25349 | WASHER | 1 | 1 | |
| 27 | 90209-25350 | WASHER | 1 | 1 | |

FIG. 19 SHIFT SHAFT



5VX6300-D190

| REF. NO. | PART NO. | DESCRIPTION | 5VXB | 5VXC | REMARKS |
|----------|--------------|------------------------|------|------|---------|
| 1 | 90506-14003 | SPRING, TENSION | 1 | 1 | |
| 2 | 132-16346-00 | HOOK, SPRING | 1 | 1 | |
| 3 | 5VX-18140-00 | STOPPER LEVER ASSY | 1 | 1 | |
| 4 | 90387-127V3 | COLLAR | 1 | 1 | |
| 5 | 99009-17400 | CIRCLIP | 1 | 1 | |
| 6 | 90201-177G4 | WASHER, PLATE | 1 | 1 | |
| 7 | 90201-154E8 | WASHER, PLATE (T=1.0) | 1 | 1 | |
| 8 | 5SL-18127-00 | STOPPER, SCREW | 1 | 1 | |
| 9 | 5VX-18101-11 | SHIFT SHAFT ASSY | 1 | 1 | |
| 10 | 90508-295B2 | .SPRING, TORSION | 1 | 1 | |
| 11 | 5VX-18112-01 | ARM, SHIFT | 1 | 1 | |
| 12 | 95824-06020 | BOLT, FLANGE | 1 | 1 | |
| 13 | 5VX-18110-00 | SHIFT PEDAL ASSY | 1 | 1 | |
| 14 | 5EB-18113-00 | .COVER, SHIFT PEDAL | 1 | 1 | |
| 15 | 90201-12013 | WASHER, PLATE | 1 | 1 | |
| 16 | 90206-12074 | WASHER, WAVE | 1 | 1 | |
| 17 | 4BP-27434-01 | BOLT | 1 | 1 | |
| 18 | 90201-08784 | WASHER, PLATE | 1 | 1 | |
| 19 | 5VX-18115-01 | ROD, SHIFT | 1 | 1 | |
| 20 | 90170-06228 | NUT(COUNTER CLOCKWISE) | 1 | 1 | |
| 21 | 95304-06700 | NUT | 1 | 1 | |
| 22 | 5VX-27442-10 | BRACKET 2 | 1 | 1 | |
| 23 | 5VX-27424-00 | DAMPER, FOOTREST 2 | 2 | 2 | |
| 24 | 5VX-27114-00 | STOPPER, MAIN STAND | 1 | 1 | |
| 25 | 5VX-18116-00 | JOINT, ROD 1 | 1 | 1 | |
| 26 | 5VX-18154-00 | COVER, DUST | 1 | 1 | |
| 27 | 5VX-27445-00 | PLATE 1 | 1 | 1 | |



5VXB300-E200

FIG. 20 FRAME

| REF. NO. | PART NO. | DESCRIPTION | 5VXB | 5VXC | REMARKS |
|----------|--------------|-------------------|------|------|---------|
| | | | | | |
| 1 | 5VX-21110-08 | FRAME COMP. | 1 | | |
| | 5VX-21110-18 | FRAME COMP. | | 1 | |
| 2 | 5VX-21190-08 | REAR FRAME COMP. | 1 | 1 | |
| 3 | 90149-10006 | SCREW | 2 | 2 | |
| 4 | 90149-10012 | SCREW | 2 | 2 | |
| 5 | 95607-10200 | NUT, U FLANGE | 2 | 2 | |
| 6 | 5VX-21268-00 | SEAL | 1 | 1 | |
| 7 | 5VX-2139B-00 | SEAL | 1 | 1 | |
| 8 | 5VX-2140A-00 | DAMPER, STOPPER | 1 | 1 | |
| 9 | 3YJ-24481-00 | PLUG | 2 | 2 | |
| 10 | 90338-21145 | PLUG | 1 | 1 | |
| 11 | 5VX-21279-00 | PLUG, BLIND | 1 | 1 | |
| 12 | 5VX-21289-00 | PLUG, BLIND | 1 | 1 | |
| 13 | 90105-10032 | BOLT, FLANGE | 1 | 1 | |
| 14 | 90185-10002 | NUT, SELF-LOCKING | 1 | 1 | |
| 15 | 90105-10N53 | BOLT, FLANGE | 1 | 1 | |
| 16 | 90185-10002 | NUT, SELF-LOCKING | 1 | 1 | |
| 17 | 91314-10050 | BOLT | 3 | 3 | |
| 18 | 90201-10020 | WASHER, PLATE | 3 | 3 | |
| 19 | 5VX-2177G-00 | BOX, BATTERY | 1 | 1 | |
| 20 | 5VX-82122-00 | SEAT, BATTERY | 1 | 1 | |
| 21 | 5EJ-2414H-00 | DAMPER, PLATE 1 | 1 | 1 | |
| 22 | 90183-06053 | NUT, SPRING | 2 | 2 | |
| 23 | 90109-06060 | BOLT | 2 | 2 | |
| 24 | 95807-06025 | BOLT, FLANGE | 2 | 2 | |
| 25 | 5VX-21238-00 | BRACKET | 1 | 1 | |
| 26 | 90183-060A1 | NUT, SPRING | 2 | 2 | |

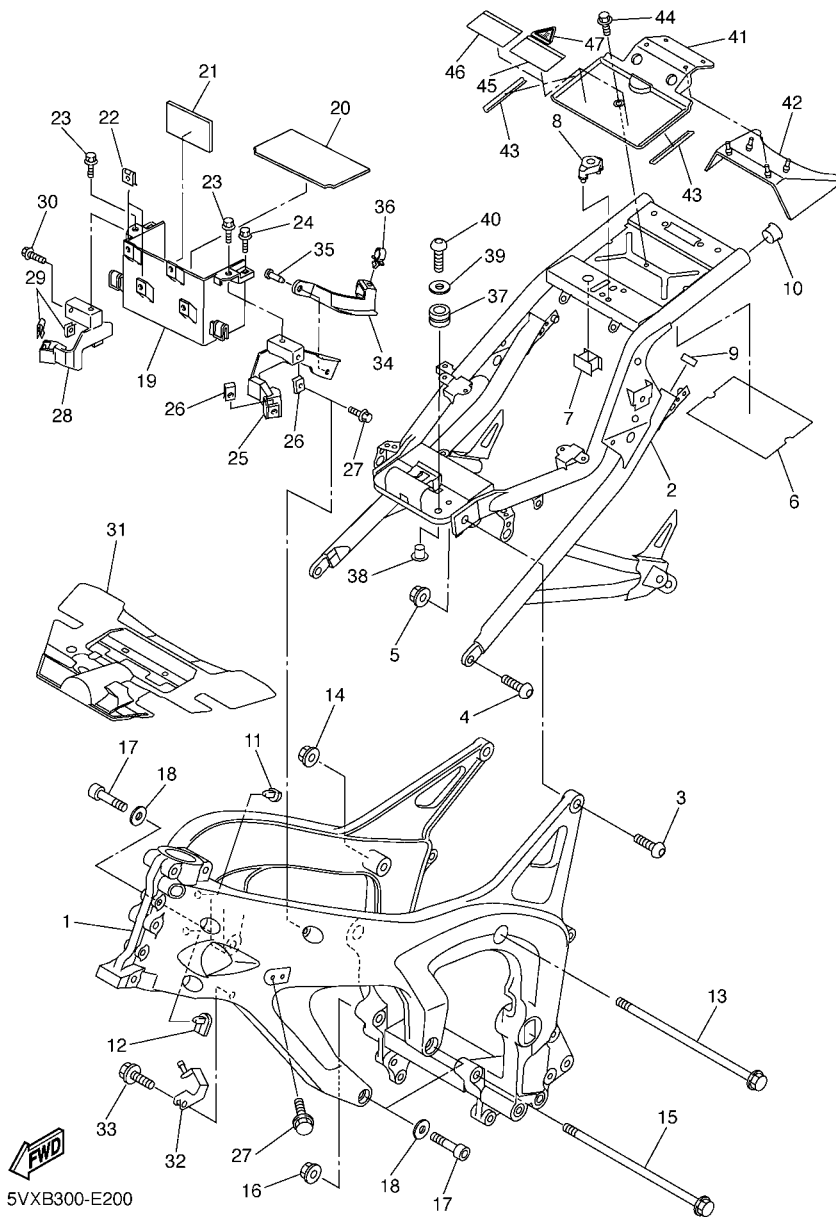
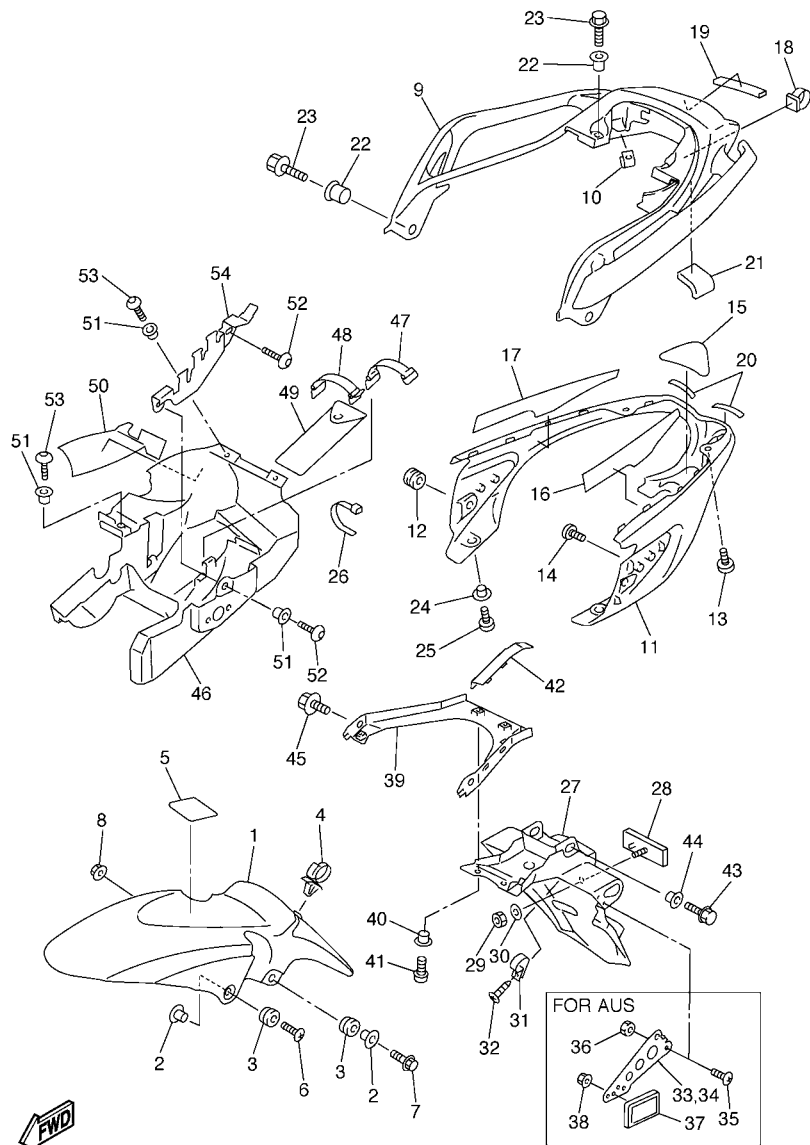


FIG. 20 FRAME

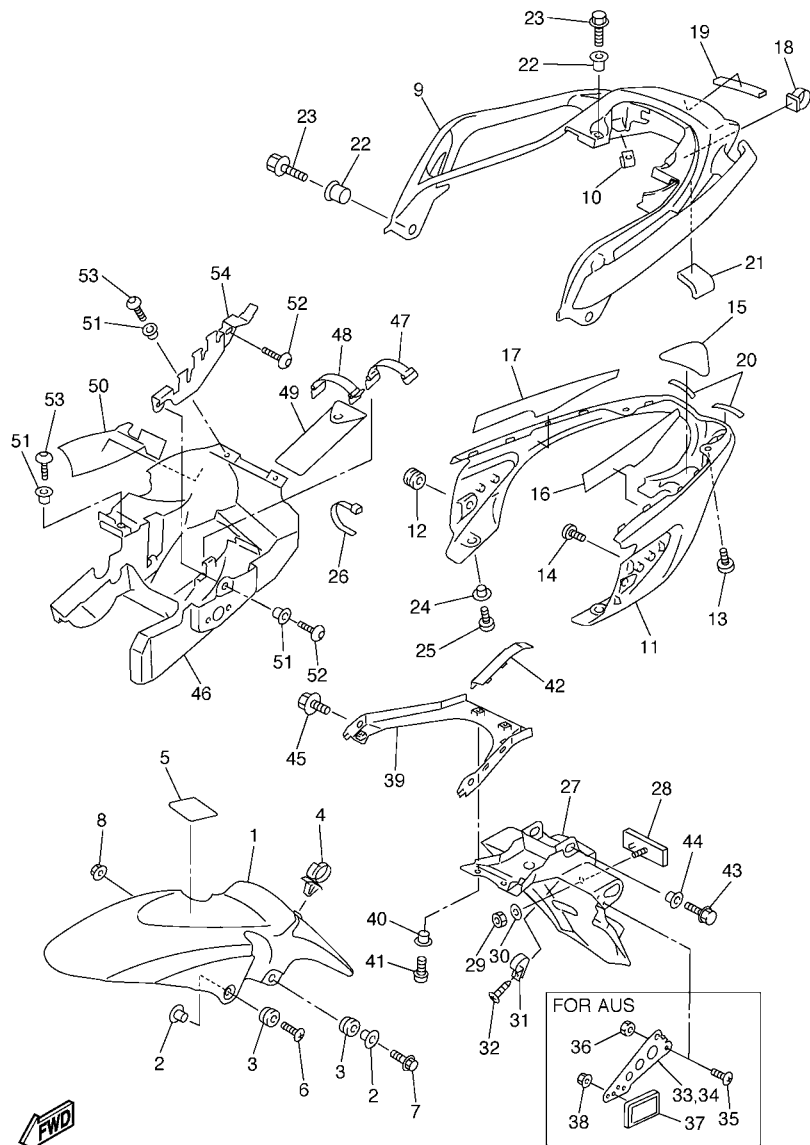
| REF. NO. | PART NO. | DESCRIPTION | 5VXB | 5VXC | REMARKS |
|----------|--------------|-------------------|------|------|---------|
| 27 | 90105-06557 | BOLT, FLANGE | 2 | 2 | |
| 28 | 5VX-21239-00 | BRACKET 2 | 1 | 1 | |
| 29 | 90183-060A1 | NUT, SPRING | 2 | 2 | |
| 30 | 90105-06557 | BOLT, FLANGE | 2 | 2 | |
| 31 | 5VX-2117M-01 | COVER 2 | 1 | 1 | |
| 32 | 5VX-21249-00 | BRACKET | 1 | 1 | |
| 33 | 95027-06012 | BOLT, FLANGE | 1 | 1 | |
| 34 | 5VX-2135F-00 | COVER | 1 | 1 | |
| 35 | 90269-08066 | RIVET | 2 | 2 | |
| 36 | 90464-15157 | CLAMP | 1 | 1 | |
| 37 | 90480-12237 | GROMMET | 2 | 2 | |
| 38 | 90387-06078 | COLLAR | 2 | 2 | |
| 39 | 90201-06055 | WASHER, PLATE | 2 | 2 | |
| 40 | 92017-06020 | BOLT, BUTTON HEAD | 2 | 2 | |
| 41 | 5VX-2139W-00 | COVER | 1 | 1 | |
| 42 | 5VX-2139R-00 | COVER 2 | 1 | 1 | |
| 43 | 5VX-21269-00 | SEAL | 2 | 2 | |
| 44 | 90109-067F4 | BOLT | 1 | 1 | |
| 45 | 5VX-2117B-31 | LABEL, WARNING | 1 | 1 | |
| 46 | 5VX-2117B-41 | LABEL, WARNING | 1 | 1 | |
| 47 | 5VX-2117B-A1 | LABEL, WARNING | 1 | 1 | |



1B37300-E210

FIG. 21 FENDER

| REF. NO. | PART NO. | DESCRIPTION | 5VXB | 5VXC | REMARKS |
|----------|-----------------|---------------------------|------|------|---------|
| 1 | 5VX-21511-10 | FENDER, FRONT | 1 | 1 | |
| 2 | 90387-065J6 | COLLAR | 4 | 4 | |
| 3 | 90480-12072 | GROMMET | 4 | 4 | |
| 4 | 90464-18002 | CLAMP | 1 | 1 | |
| 5 | 5VX-21575-00 | SEAL 1 | 1 | 1 | |
| 6 | 90154-06061 | SCREW, BINDING | 2 | 2 | |
| 7 | 95024-06025 | BOLT, FLANGE | 2 | 2 | |
| 8 | 90179-06403 | NUT | 2 | 2 | |
| 9 | 5VX-24773-00-P4 | HANDLE, SEAT | 1 | 1 | UR DNMB |
| | 5VX-24773-00-P5 | HANDLE, SEAT | 1 | 1 | UR BS4 |
| 10 | 90183-05061 | NUT, SPRING | 2 | 2 | |
| 11 | 5VX-21651-00 | COVER, REAR FENDER | 1 | 1 | |
| 12 | 90480-13398 | GROMMET | 2 | 2 | |
| 13 | 98907-05012 | SCREW, BIND | 2 | 2 | |
| 14 | 97707-50012 | SCREW, TRUSS HEAD TAPPING | 2 | 2 | |
| 15 | 5VX-21669-00 | SEAL | 1 | 1 | |
| 16 | 5VX-21732-00 | SEAL 1 | 1 | 1 | |
| 17 | 5VX-21735-01 | SEAL 2 | 1 | 1 | |
| 18 | 90464-14002 | CLAMP | 1 | 1 | |
| 19 | 5VX-88158-00 | DAMPER | 1 | 1 | |
| 20 | 5VX-21639-00 | DAMPER 2 | 2 | 2 | |
| 21 | 31A-28217-00 | DAMPER 1 | 1 | 1 | |
| 22 | 90387-09003 | COLLAR | 4 | 4 | |
| 23 | 95827-08025 | BOLT, FLANGE | 4 | 4 | |
| 24 | 90387-064J1 | COLLAR | 2 | 2 | |
| 25 | 98907-06012 | SCREW, BIND | 2 | 2 | |
| 26 | 90465-13152 | CLAMP | 2 | 2 | |

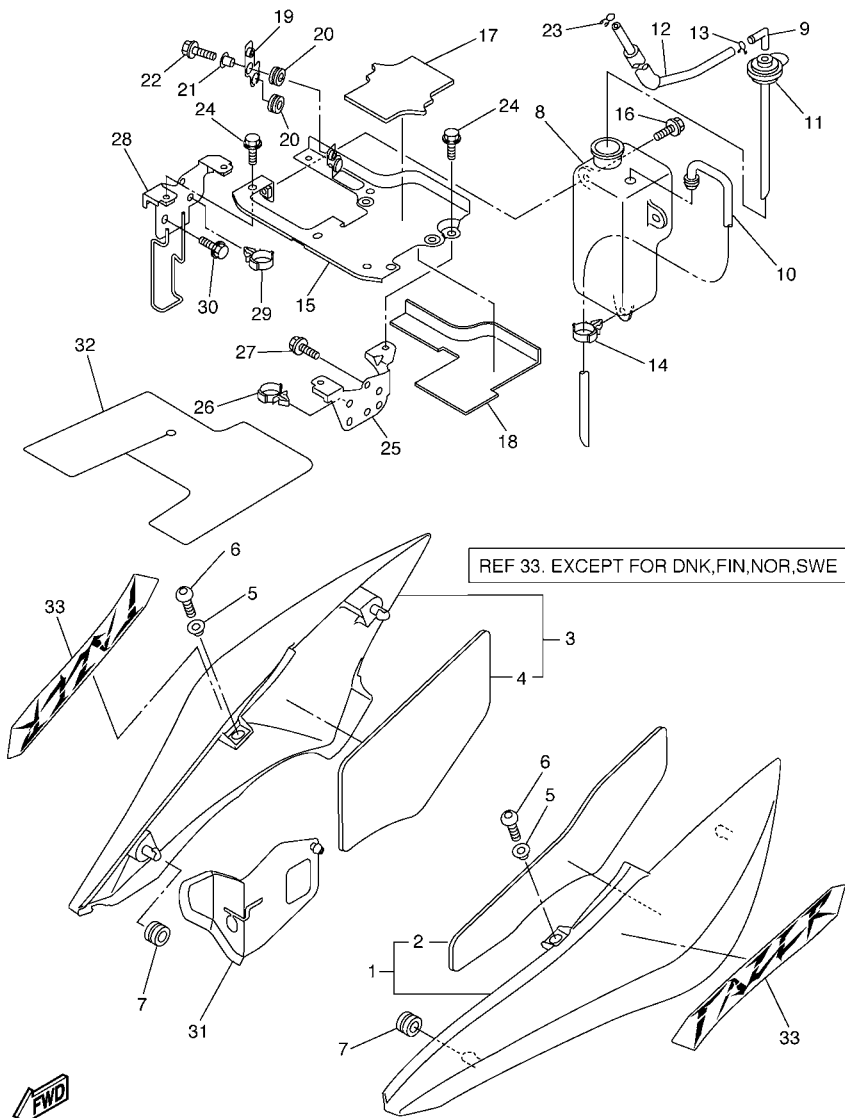


1B37300-E210

FIG. 21 FENDER

| REF. NO. | PART NO. | DESCRIPTION | 5VXB | 5VXC | REMARKS |
|----------|--------------|---------------------|------|------|---------|
| | | | | | |
| 27 | 5VX-21621-00 | FLAP | 1 | | |
| | 5VX-21621-10 | FLAP | | 1 | |
| 28 | 3Y6-85130-02 | REAR REFLECTOR ASSY | 1 | 1 | |
| 29 | 95607-05100 | NUT, U | 1 | 1 | |
| 30 | 90201-05725 | WASHER, PLATE | 1 | 1 | |
| 31 | 90464-18029 | CLAMP | 1 | 1 | |
| 32 | 97707-40012 | SCREW, TAPPING | 1 | 1 | |
| 33 | 5VX-2164H-00 | STAY 3 | | 1 | (LH) |
| 34 | 5VX-2164J-00 | STAY 4 | | 1 | (RH) |
| 35 | 90150-04041 | SCREW, ROUND HEAD | | 4 | |
| 36 | 95607-04100 | NUT, U | | 4 | |
| 37 | 5SL-85110-00 | REFLECTOR ASSY | | 2 | |
| 38 | 95707-05500 | NUT, FLANGE | | 2 | |
| 39 | 5VX-2161G-00 | BRACKET 6 | | 1 | |
| 40 | 90387-064J1 | COLLAR | | 2 | |
| 41 | 92017-06012 | BOLT, BUTTON HEAD | | 2 | |
| 42 | 5VX-21665-00 | GUIDE, MUD GUARD | | 1 | |
| 43 | 95827-06016 | BOLT, FLANGE | | 2 | |
| 44 | 90387-06075 | COLLAR | | 2 | |
| 45 | 95827-08012 | BOLT, FLANGE | | 2 | |
| 46 | 5VX-21629-00 | GUARD, MUD | | 1 | |
| 47 | 3TJ-82131-00 | BAND, BATTERY | | 1 | |
| 48 | 122-82131-00 | BAND, BATTERY | | 1 | |
| 49 | 5VX-28100-00 | TOOL KIT | | 1 | |
| 50 | 5VX-2173N-01 | SEAL 4 | | 1 | |
| 51 | 90387-064J1 | COLLAR | | 4 | |
| 52 | 92017-06016 | BOLT, BUTTON HEAD | | 2 | |

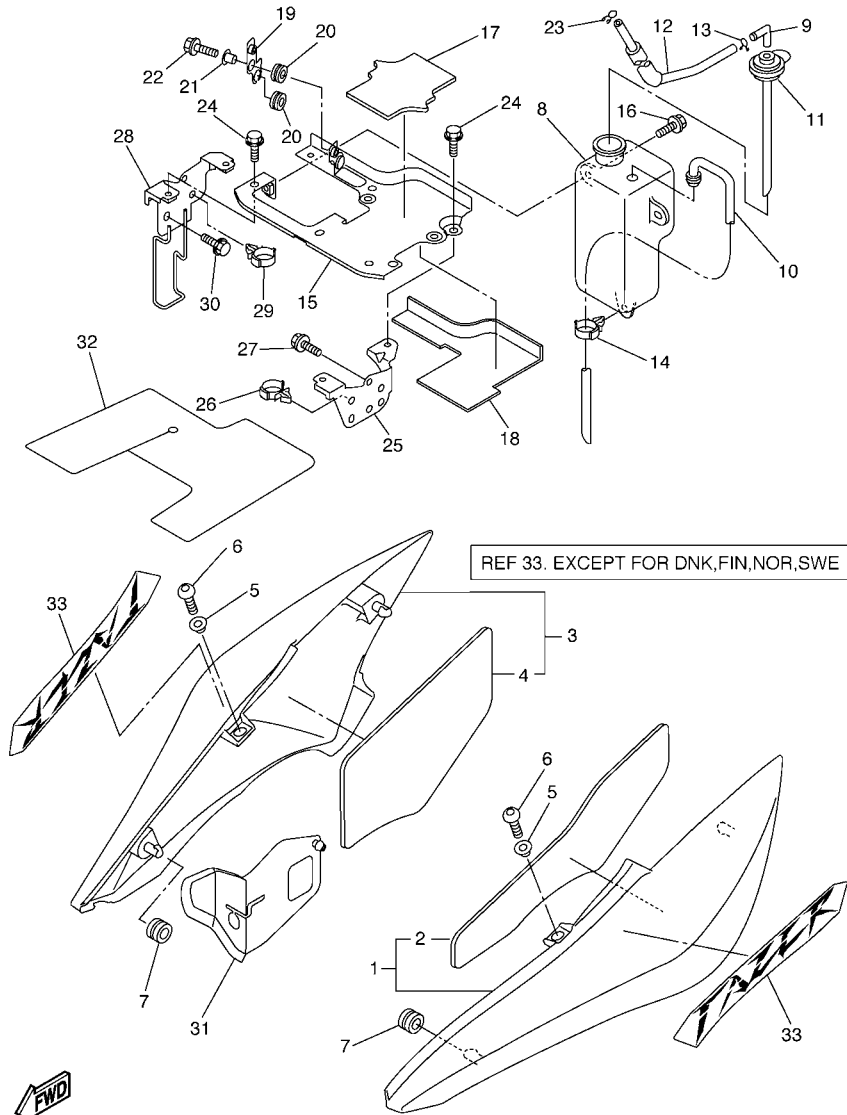
FIG. 22 SIDE COVER



5VXB300-E220

| REF. NO. | PART NO. | DESCRIPTION | 5VXB | 5VXC | REMARKS |
|----------|--------------|------------------------|------|------|---------|
| 1 | 5VX-21710-10 | SIDE COVER ASSY 1 | 1 | 1 | |
| 2 | 5VX-2174X-00 | .DAMPER | 1 | 1 | |
| 3 | 5VX-21720-10 | SIDE COVER ASSY 2 | 1 | 1 | |
| 4 | 5VX-2174Y-00 | .DAMPER | 1 | 1 | |
| 5 | 90387-064J1 | COLLAR | 2 | 2 | |
| 6 | 92017-06014 | BOLT, BUTTON HEAD | 2 | 2 | |
| 7 | 90480-01558 | GROMMET | 2 | 2 | |
| 8 | 5VX-21871-00 | TANK, RECOVERY | 1 | 1 | |
| 9 | 26H-21828-00 | ELBOW | 1 | 1 | |
| 10 | 5VX-21816-00 | PIPE 1 | 1 | 1 | |
| 11 | 5VX-21875-00 | CAP | 1 | 1 | |
| 12 | 90445-08018 | HOSE | 1 | 1 | |
| 13 | 90467-08075 | CLIP | 1 | 1 | |
| 14 | 90464-20181 | CLAMP | 1 | 1 | |
| 15 | 5VX-21873-00 | BRACKET, RECOVERY TANK | 1 | 1 | |
| 16 | 90119-06117 | BOLT, WITH WASHER | 2 | 2 | |
| 17 | 5VX-21779-00 | DAMPER, LOCATING 2 | 1 | 1 | |
| 18 | 5VX-2173M-00 | SEAL 3 | 1 | 1 | |
| 19 | 5VX-21228-00 | BRACKET, RESERVE TANK | 1 | 1 | |
| 20 | 90480-13163 | GROMMET | 2 | 2 | |
| 21 | 90560-06201 | SPACER | 1 | 1 | |
| 22 | 95807-06016 | BOLT, FLANGE | 1 | 1 | |
| 23 | 90467-08075 | CLIP | 1 | 1 | |
| 24 | 95827-06010 | BOLT, FLANGE | 4 | 4 | |
| 25 | 5VX-21843-00 | STAY, 4 | 1 | 1 | |
| 26 | 90464-20181 | CLAMP | 1 | 1 | |
| 27 | 95827-06010 | BOLT, FLANGE | 2 | 2 | |

FIG. 22 SIDE COVER



5VXB300-E220

| REF. NO. | PART NO. | DESCRIPTION | 5VXB | 5VXC | REMARKS |
|----------|--------------|----------------------|------|------|-------------|
| | | | | | |
| 28 | 5VX-22836-00 | STAY, 3 | 1 | 1 | |
| 29 | 90464-16006 | CLAMP | 1 | 1 | |
| 30 | 95827-06010 | BOLT, FLANGE | 2 | 2 | |
| 31 | 5VX-2163A-00 | COVER, REAR FENDER 1 | 1 | 1 | |
| 32 | 5VX-2177F-00 | FLAP | 1 | 1 | |
| 33 | 5VX-21781-60 | EMBLEM 1 | 2 | 2 | UR FOR DNMB |
| | 5VX-21781-70 | EMBLEM 1 | 2 | 2 | UR FOR BS4 |
| ----- | | | | | |
| ----- | | | | | |
| ----- | | | | | |
| ----- | | | | | |
| ----- | | | | | |
| ----- | | | | | |
| ----- | | | | | |
| ----- | | | | | |
| ----- | | | | | |
| ----- | | | | | |



1B37300-E230

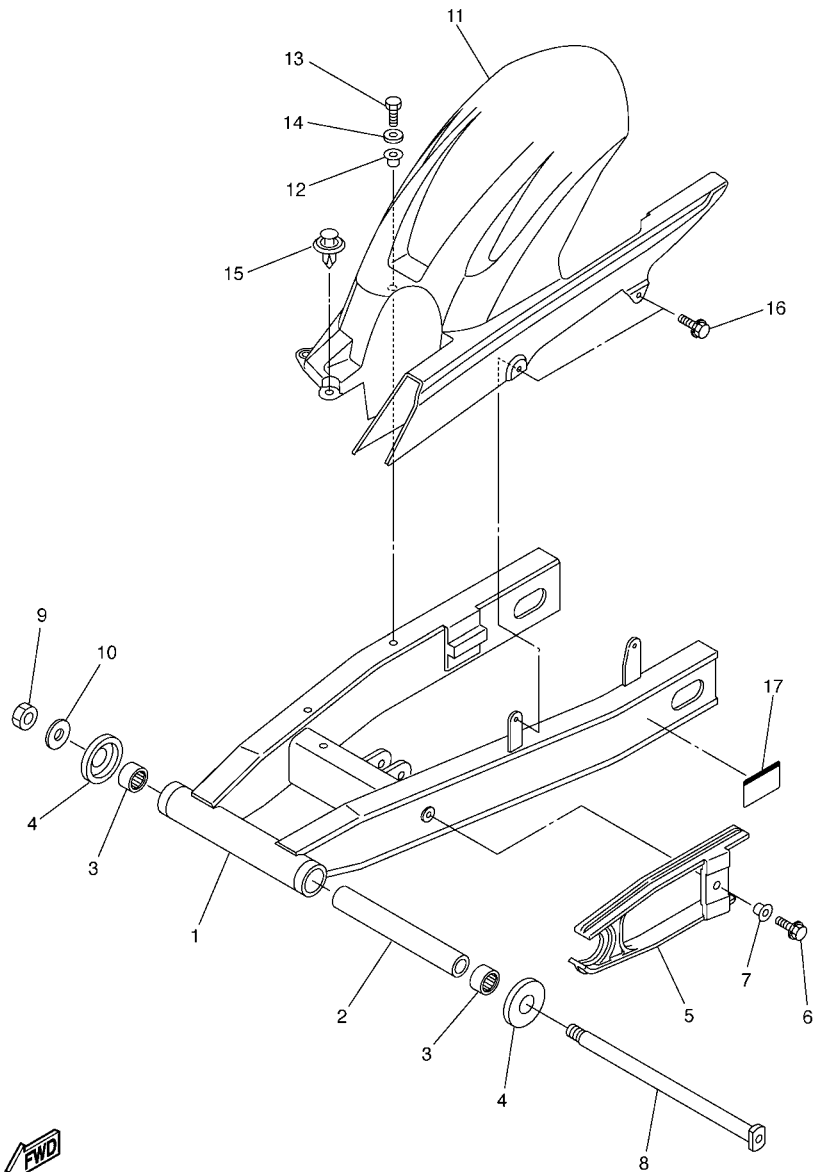
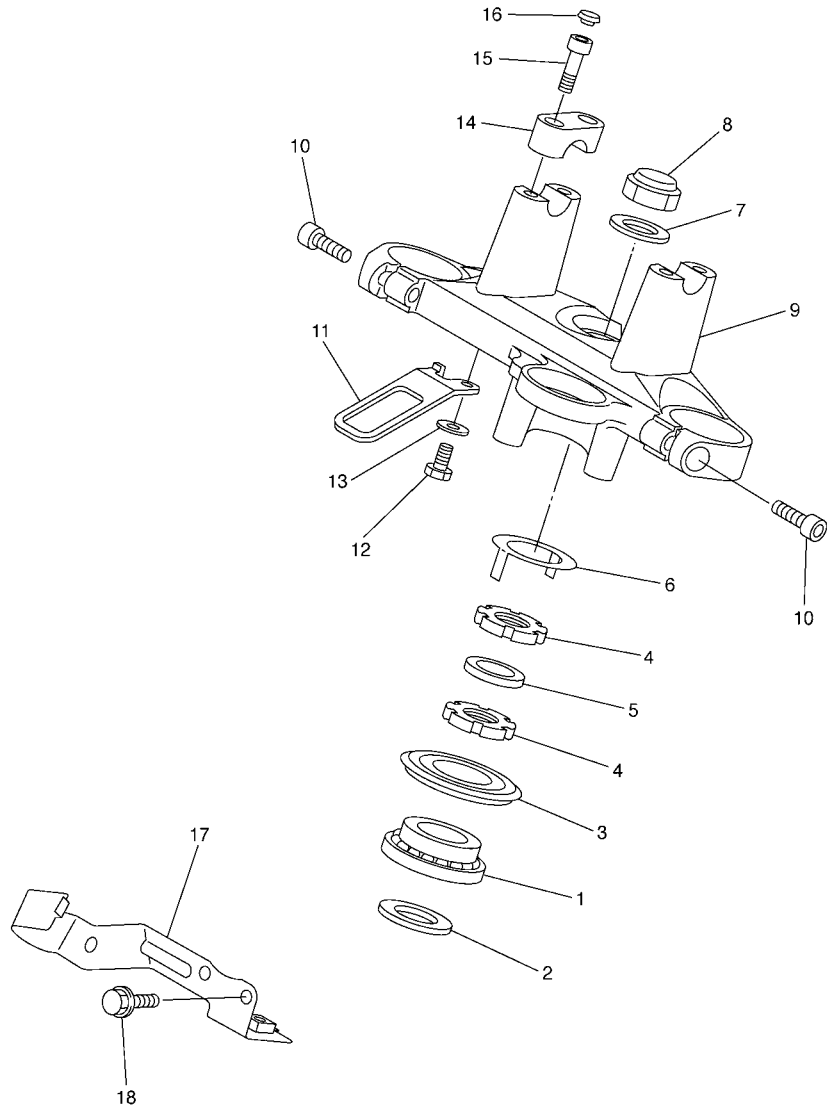


FIG. 23 REAR ARM

| REF. NO. | PART NO. | DESCRIPTION | 5VXB | 5VXC | | | REMARKS |
|----------|--------------|-------------------|------|------|--|--|---------|
| | | | | | | | |
| 1 | 5VX-22110-10 | REAR ARM COMP. | 1 | 1 | | | |
| 2 | 5EB-22184-00 | BUSH | 1 | 1 | | | |
| 3 | 93315-42523 | BEARING | 2 | 2 | | | |
| 4 | 5JJ-22128-00 | COVER, THRUST 1 | 2 | 2 | | | |
| 5 | 5VX-22151-00 | SEAL, GUARD | 1 | 1 | | | |
| 6 | 90119-06096 | BOLT, WITH WASHER | 1 | 1 | | | |
| 7 | 90387-06372 | COLLAR | 1 | 1 | | | |
| 8 | 4FN-22141-00 | SHAFT, PIVOT | 1 | 1 | | | |
| 9 | 90185-18104 | NUT, SELF-LOCKING | 1 | 1 | | | |
| 10 | 90201-186M4 | WASHER, PLATE | 1 | 1 | | | |
| 11 | 5VX-21650-00 | REAR FENDER COMP. | 1 | 1 | | | |
| 12 | 90387-064J1 | COLLAR | 2 | 2 | | | |
| 13 | 97007-06025 | BOLT | 2 | 2 | | | |
| 14 | 92907-06600 | WASHER, PLATE | 2 | 2 | | | |
| 15 | 90269-08001 | RIVET | 1 | 1 | | | |
| 16 | 90119-06117 | BOLT, WITH WASHER | 2 | 2 | | | |
| 17 | 3XW-21668-A0 | LABEL, TIRE | 1 | 1 | | | |
| | | | | | | | |
| | | | | | | | |
| | | | | | | | |

FIG. 25 STEERING

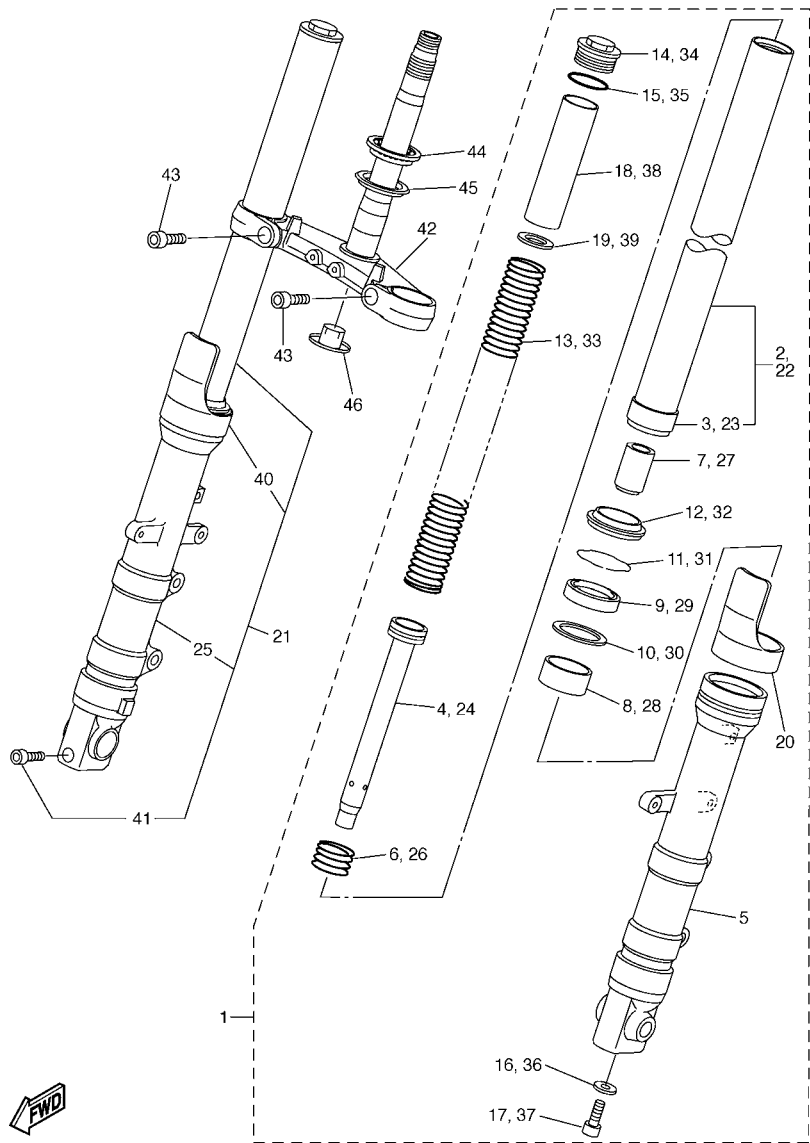


FWD
5VX1351-C250

| REF. NO. | PART NO. | DESCRIPTION | 5VXB | 5VXC | REMARKS |
|----------|-----------------|----------------------|------|------|---------|
| | | | | | |
| 1 | 93399-99931 | BEARING | 1 | 1 | |
| 2 | 90202-24190 | WASHER, PLATE | 1 | 1 | |
| 3 | 5VX-23415-00 | COVER, BALL RACE 1 | 1 | 1 | |
| 4 | 90179-25033 | NUT | 2 | 2 | |
| 5 | 90202-26142 | WASHER, PLATE | 1 | 1 | |
| 6 | 26H-23418-01 | WASHER, SPECIAL | 1 | 1 | |
| 7 | 90201-220T0 | WASHER, PLATE | 1 | 1 | |
| 8 | 90176-22081 | NUT, CROWN | 1 | 1 | |
| 9 | 5VX-23435-00 | CROWN, HANDLE | 1 | 1 | |
| 10 | 91314-08030 | BOLT | 2 | 2 | |
| 11 | 5VX-23389-00 | GUIDE, CABLE | 1 | 1 | |
| 12 | 97017-06016 | BOLT | 1 | 1 | |
| 13 | 92907-06600 | WASHER, PLATE | 1 | 1 | |
| 14 | 4H7-23441-01-35 | HOLDER, HANDLE UPPER | 2 | 2 | SL |
| 15 | 91317-08030 | BOLT | 4 | 4 | |
| 16 | 90338-06004 | PLUG | 4 | 4 | |
| 17 | 5VX-23377-00 | BRACKET, HORN | 1 | 1 | |
| 18 | 95807-06012 | BOLT, FLANGE | 2 | 2 | |

D11

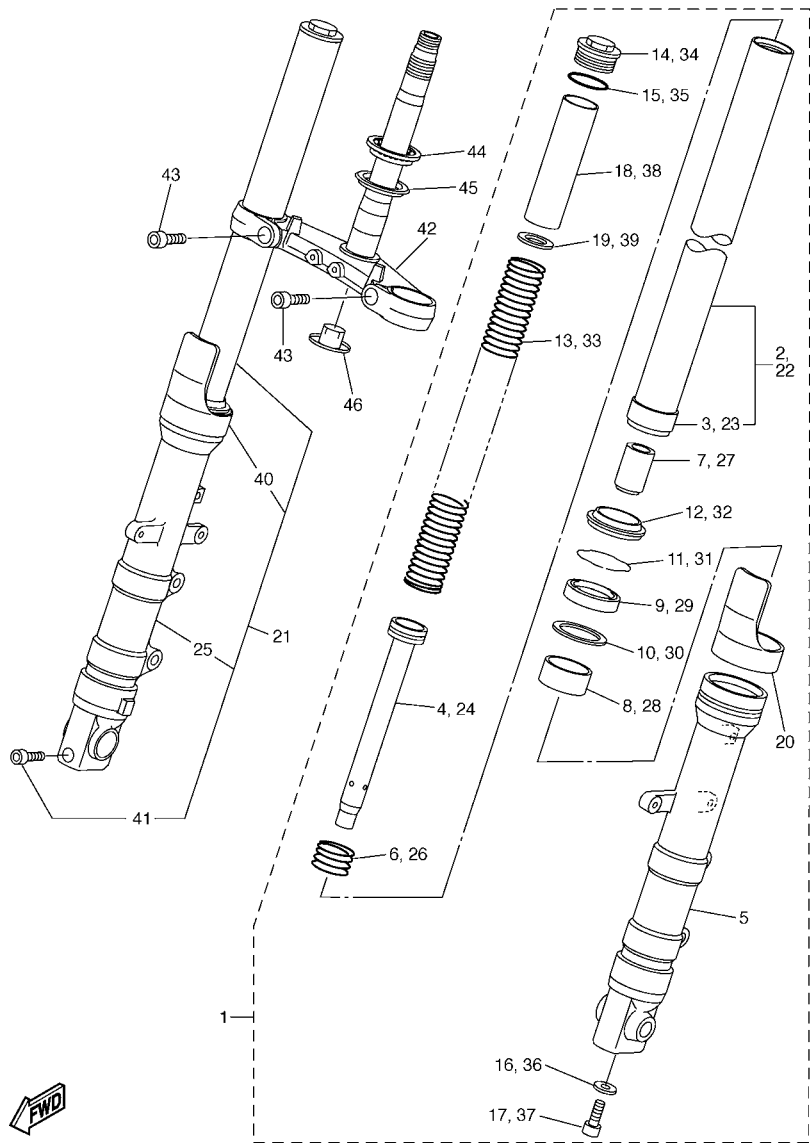
FIG. 26 FRONT FORK




5VXB300-E260

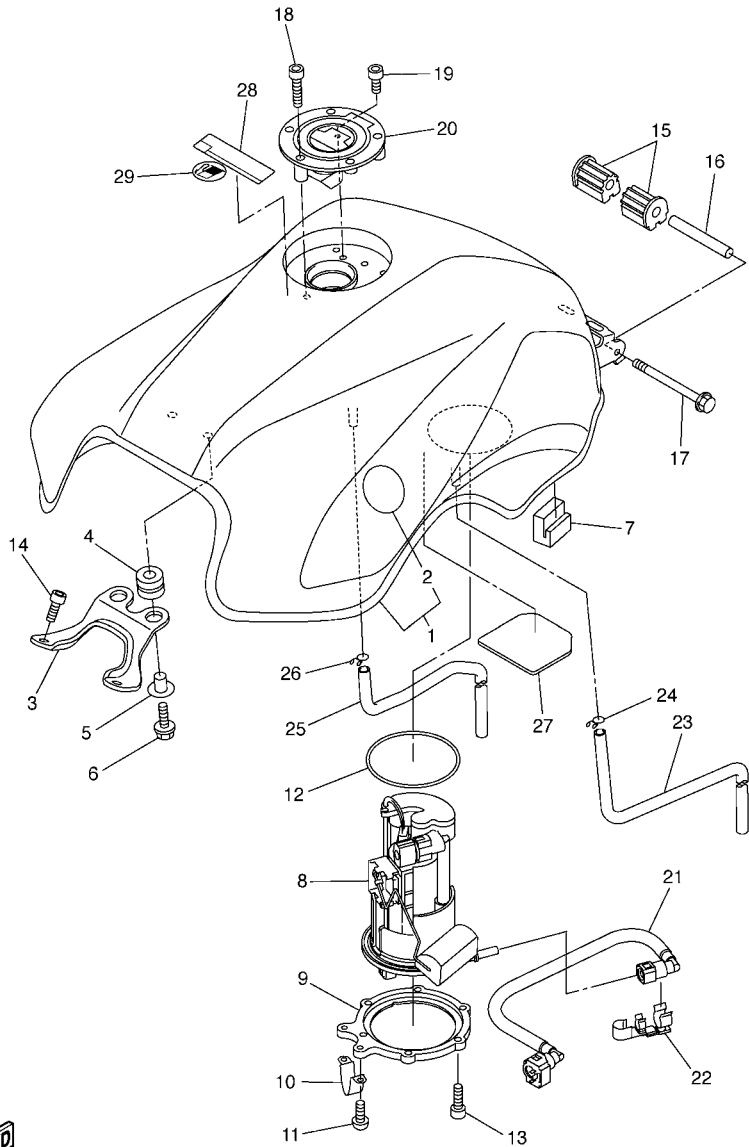
| REF. NO. | PART NO. | DESCRIPTION | 5VXB | 5VXC | REMARKS |
|----------|--------------|-----------------------------|------|------|---------|
| 1 | 5VX-23102-00 | FRONT FORK ASSY (L.H) | 1 | 1 | |
| 2 | 5VX-23110-00 | .INNER TUBE COMP.1 | 1 | 1 | |
| 3 | 4TX-23135-A0 | ..METAL, SLIDE 2 | 1 | 1 | |
| 4 | 5VX-23170-00 | .CYLINDER COMP., FRONT FORK | 1 | 1 | |
| 5 | 5VX-23126-00 | .TUBE, OUTER (LEFT) | 1 | 1 | |
| 6 | 4TX-23151-00 | .SPRING, REBOUND | 1 | 1 | |
| 7 | 4TX-23173-00 | .SPINDLE, TAPER | 1 | 1 | |
| 8 | 4TX-23125-A0 | .METAL, SLIDE 1 | 1 | 1 | |
| 9 | 5VX-23145-00 | .OIL SEAL | 1 | 1 | |
| 10 | 4TX-23115-00 | .GUIDE, COVER UPPER | 1 | 1 | |
| 11 | 4TX-23156-00 | .CLIP, OIL SEAL | 1 | 1 | |
| 12 | 4TX-23144-00 | .SEAL, DUST | 1 | 1 | |
| 13 | 5VX-23141-00 | .SPRING, FRONT FORK | 1 | 1 | |
| 14 | 5VX-2311H-00 | .FORK, BOLT | 1 | 1 | |
| 15 | 93210-34504 | .O-RING | 1 | 1 | |
| 16 | 90430-10171 | .GASKET | 1 | 1 | |
| 17 | 90110-10N52 | .BOLT, HEXAGON SOCKET HEAD | 1 | 1 | |
| 18 | 5VX-23118-00 | .SPACER | 1 | 1 | |
| 19 | 90201-231E1 | .WASHER, PLATE | 1 | 1 | |
| 20 | 4TX-2331G-00 | .COVER | 1 | 1 | |
| 21 | 5VX-23103-01 | FRONT FORK ASSY (R.H) | 1 | 1 | |
| 22 | 5VX-23110-00 | .INNER TUBE COMP.1 | 1 | 1 | |
| 23 | 4TX-23135-A0 | ..METAL, SLIDE 2 | 1 | 1 | |
| 24 | 5VX-23170-00 | .CYLINDER COMP., FRONT FORK | 1 | 1 | |
| 25 | 5VX-23136-01 | .TUBE, OUTER (RIGHT) | 1 | 1 | |
| 26 | 4TX-23151-00 | .SPRING, REBOUND | 1 | 1 | |
| 27 | 4TX-23173-00 | .SPINDLE, TAPER | 1 | 1 | |

FIG. 26 FRONT FORK




5VXB300-E260

| REF. NO. | PART NO. | DESCRIPTION | 5VXB | 5VXC | REMARKS |
|----------|--------------|----------------------------|------|------|---------|
| 28 | 4TX-23125-A0 | .METAL, SLIDE 1 | 1 | 1 | |
| 29 | 5VX-23145-00 | .OIL SEAL | 1 | 1 | |
| 30 | 4TX-23115-00 | .GUIDE, COVER UPPER | 1 | 1 | |
| 31 | 4TX-23156-00 | .CLIP, OIL SEAL | 1 | 1 | |
| 32 | 4TX-23144-00 | .SEAL, DUST | 1 | 1 | |
| 33 | 5VX-23141-00 | .SPRING, FRONT FORK | 1 | 1 | |
| 34 | 5VX-2311H-00 | .FORK, BOLT | 1 | 1 | |
| 35 | 93210-34504 | .O-RING | 1 | 1 | |
| 36 | 90430-10171 | .GASKET | 1 | 1 | |
| 37 | 90110-10N52 | .BOLT, HEXAGON SOCKET HEAD | 1 | 1 | |
| 38 | 5VX-23118-00 | .SPACER | 1 | 1 | |
| 39 | 90201-231E1 | .WASHER, PLATE | 1 | 1 | |
| 40 | 4TX-2331G-00 | .COVER | 1 | 1 | |
| 41 | 91314-08045 | .BOLT | 1 | 1 | |
| 42 | 5VX-23340-00 | UNDER BRACKET COMP. | 1 | 1 | |
| 43 | 91317-10025 | BOLT | 2 | 2 | |
| 44 | 93399-99932 | BEARING | 1 | 1 | |
| 45 | 3FV-23462-00 | SEAL, STEERING | 1 | 1 | |
| 46 | 4KM-23123-01 | COVER, LOWER 1 | 1 | 1 | |



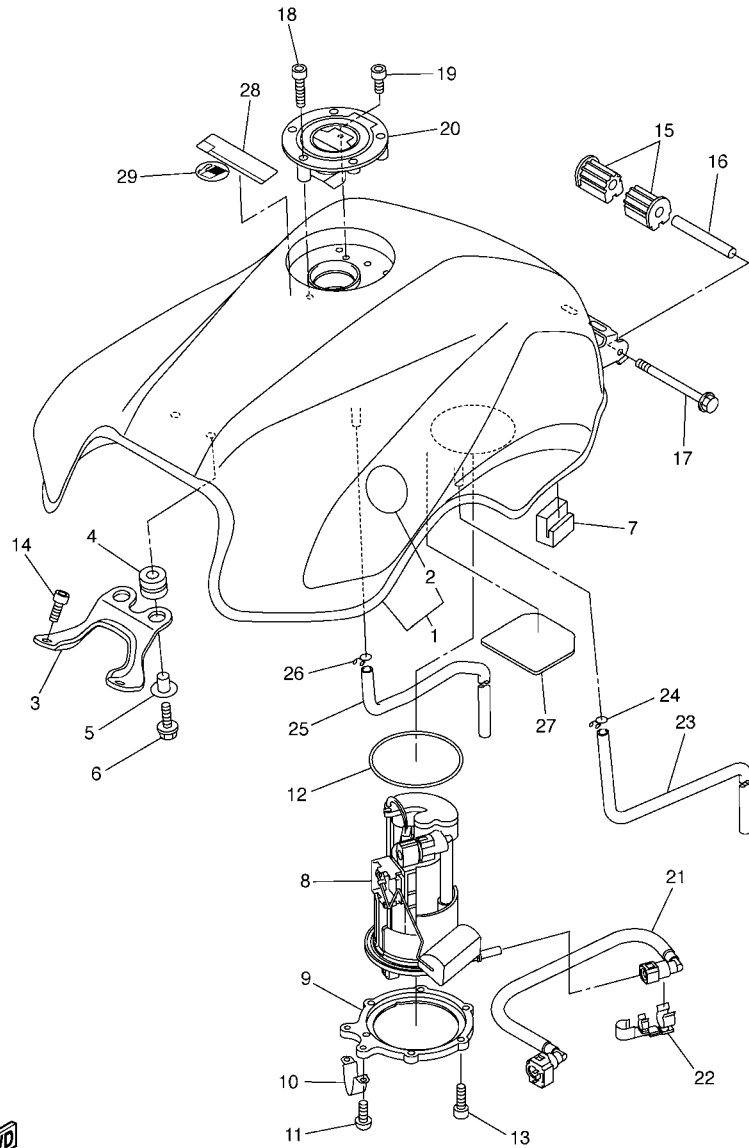
FWD

1B37300-E270

FIG. 27 FUEL TANK

| REF. NO. | PART NO. | DESCRIPTION | 5VXB | 5VXC | REMARKS |
|----------|-----------------|---------------------------|------|------|---------|
| 1 | 5VX-Y2410-30-06 | FUEL TANK COMP. | 1 | 1 | UR DNMB |
| | 5VX-Y2410-30-07 | FUEL TANK COMP. | 1 | 1 | UR BS4 |
| 2 | 5VX-2411B-00 | .TUNING FORK MARK | 2 | 2 | |
| 3 | 5VX-24191-00 | BRACKET, FUEL TANK 1 | 1 | 1 | |
| 4 | 90480-15005 | GROMMET | 2 | 2 | |
| 5 | 90387-06068 | COLLAR | 2 | 2 | |
| 6 | 90119-06062 | BOLT, WITH WASHER | 2 | 2 | |
| 7 | 5VX-24183-00 | DAMPER, LOCATING 3 | 2 | 2 | |
| 8 | 5VX-13907-01 | FUEL PUMP COMP. | 1 | 1 | |
| 9 | 5SL-24491-00 | BRACKET, FUEL PUMP | 1 | 1 | |
| 10 | 5PW-24192-00 | BRACKET, FUEL TANK 2 | 1 | 1 | |
| 11 | 98907-05008 | SCREW, BIND | 2 | 2 | |
| 12 | 5JW-24486-00 | O-RING | 1 | 1 | |
| 13 | 90110-05014 | BOLT, HEXAGON SOCKET HEAD | 6 | 6 | |
| 14 | 90110-06079 | BOLT, HEXAGON SOCKET HEAD | 2 | 2 | |
| 15 | 5VX-24181-00 | DAMPER, LOCATING 1 | 2 | 2 | |
| 16 | 90387-061W6 | COLLAR | 1 | 1 | |
| 17 | 95827-06090 | BOLT, FLANGE | 1 | 1 | |
| 18 | 90110-05112 | BOLT, HEXAGON SOCKET HEAD | 3 | 3 | |
| 19 | 91317-05010 | BOLT | 1 | 1 | |
| 20 | 5JJ-24602-00 | CAP ASSY | 1 | 1 | |
| 21 | 5VX-13971-00 | PIPE, FUEL 1 | 1 | 1 | |
| 22 | 90464-16005 | CLAMP | 1 | 1 | |
| 23 | 90445-10033 | HOSE | 1 | 1 | |
| 24 | 90467-10008 | CLIP | 1 | 1 | |
| 25 | 90445-10032 | HOSE | 1 | 1 | |
| 26 | 90467-10008 | CLIP | 1 | 1 | |

FIG. 27 FUEL TANK



| REF. NO. | PART NO. | DESCRIPTION | 5VXB | 5VXC | | | | REMARKS |
|----------|--------------|----------------------|------|------|--|--|--|---------|
| | | | | | | | | |
| 27 | 5VX-24141-00 | PROTECTOR, FUEL TANK | 1 | 1 | | | | |
| 28 | 5PA-21568-00 | LABEL, WARNING | 1 | 1 | | | | |
| 29 | 3ME-2415E-01 | LABEL, CAUTION | 1 | | | | | |
| | | | | | | | | |
| | | | | | | | | |
| | | | | | | | | |
| | | | | | | | | |
| | | | | | | | | |
| | | | | | | | | |



1B37300-E270

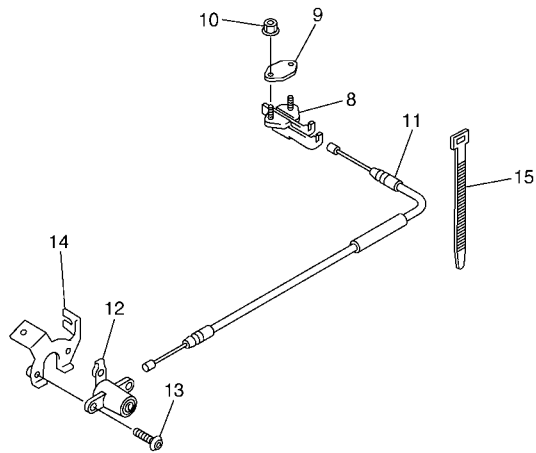
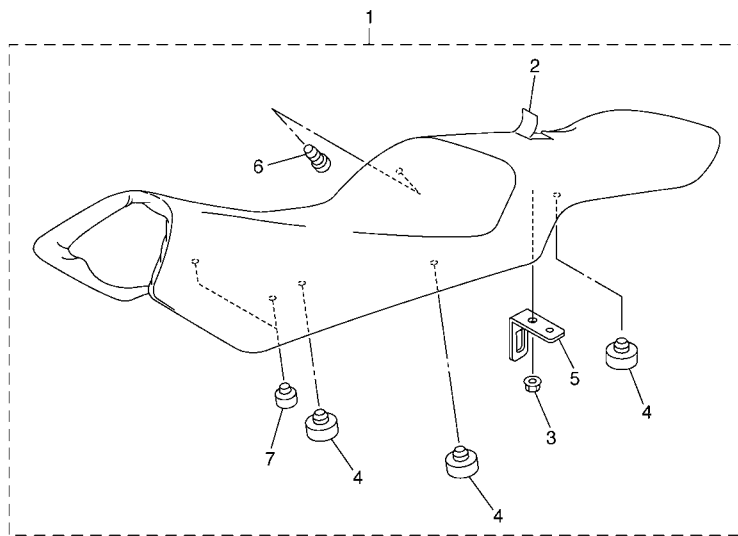


FIG. 28 SEAT

| REF. NO. | PART NO. | DESCRIPTION | 5VXB | 5VXC | | | | REMARKS |
|----------|--------------|----------------------|------|------|--|--|--|---------|
| | | | | | | | | |
| 1 | 5VX-24730-02 | DOUBLE SEAT ASSY | 1 | 1 | | | | |
| 2 | 5VX-24711-00 | .COVER, SINGLE SEAT | 1 | 1 | | | | |
| 3 | 95607-06200 | .NUT, SELF U-FLANGE | 1 | 1 | | | | |
| 4 | 371-27114-00 | .STOPPER, MAIN STAND | 6 | 6 | | | | |
| 5 | 4NK-24728-00 | .BRACKET, SEAT | 1 | 1 | | | | |
| 6 | 90338-06018 | .PLUG | 1 | 1 | | | | |
| 7 | 5VX-24724-00 | .DAMPER, SEAT | 2 | 2 | | | | |
| 8 | 4BP-24780-00 | SEAT LOCK ASSY | 1 | 1 | | | | |
| 9 | 4BP-24792-00 | PLATE | 1 | 1 | | | | |
| 10 | 95707-06500 | NUT, FLANGE | 2 | 2 | | | | |
| 11 | 5VX-2478E-00 | CABLE, SEAT LOCK | 1 | 1 | | | | |
| 12 | 2TV-W2470-00 | SEAT LOCK ASSY | 1 | 1 | | | | |
| 13 | 90149-06308 | SCREW | 2 | 2 | | | | |
| 14 | 5PW-2117K-00 | STAY, LOCK | 1 | 1 | | | | |
| 15 | 90464-16061 | CLAMP | 1 | 1 | | | | |



5VX1351-C280

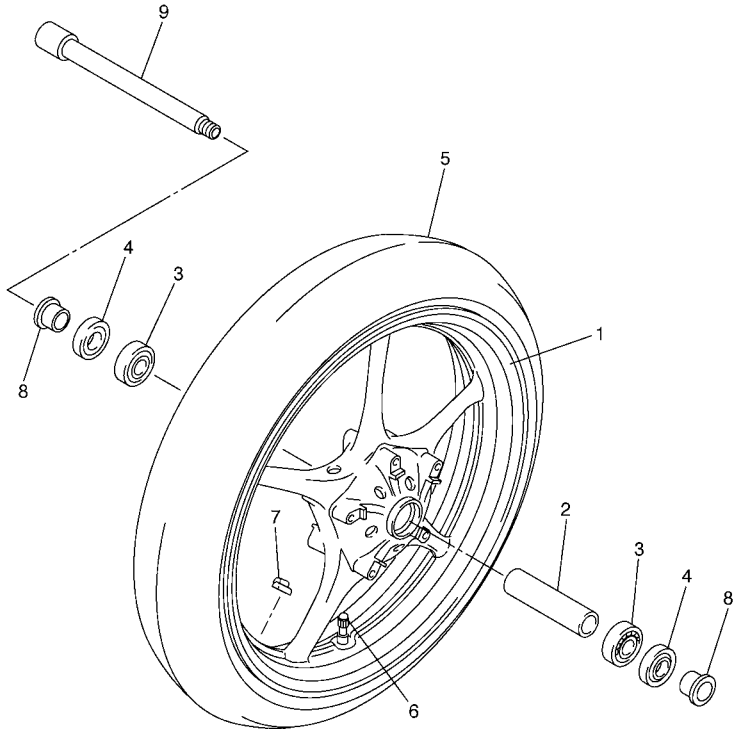


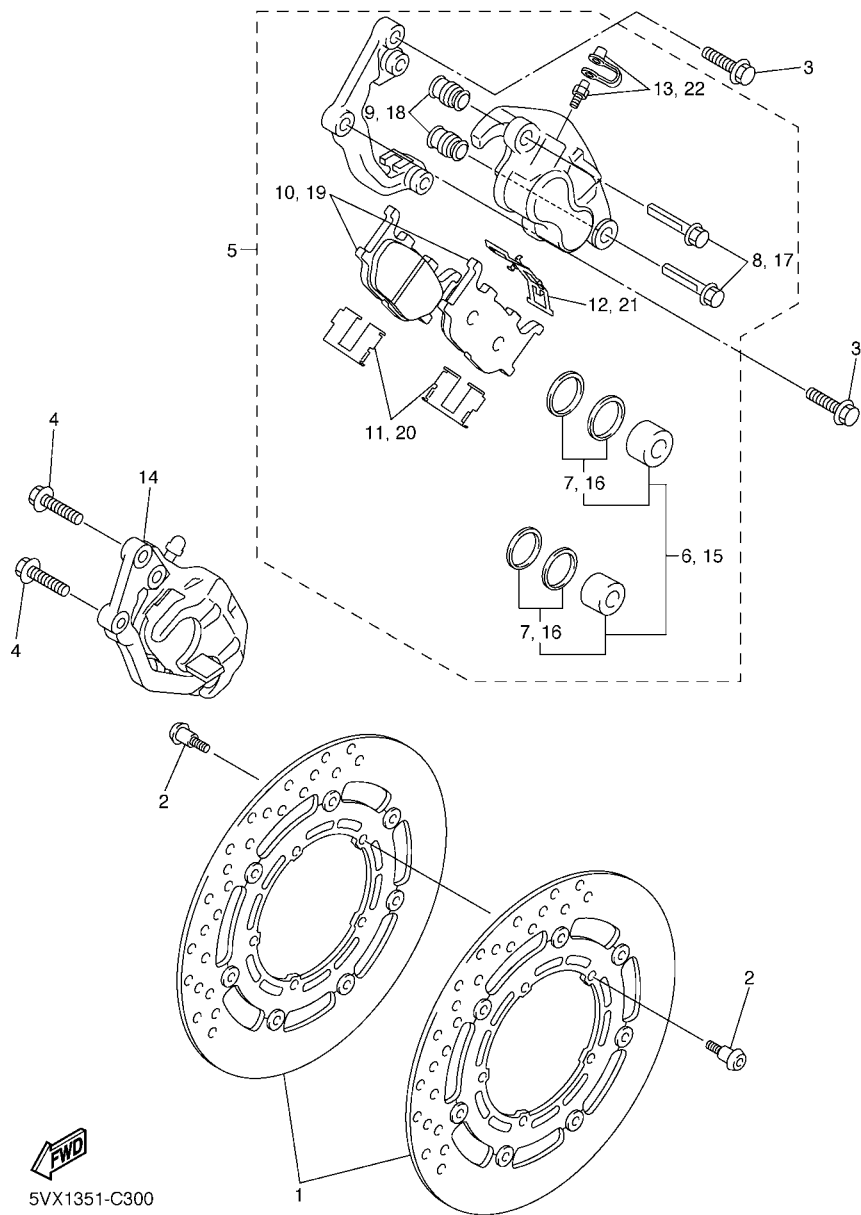
FIG. 29 FRONT WHEEL

| REF. NO. | PART NO. | DESCRIPTION | 5VXB | 5VXC | REMARKS |
|----------|-----------------|--------------------------------|------|------|----------------|
| 1 | 5SL-25168-00-98 | CAST WHEEL, FRONT | 1 | 1 | LGB |
| 2 | 4XV-25117-00 | SPACER, BEARING | 1 | 1 | |
| 3 | 93306-00420 | BEARING | 2 | 2 | |
| 4 | 93106-28043 | OIL SEAL | 2 | 2 | |
| 5 | 94112-17066 | TIRE(120/70ZR17M/C 58W BT020F) | 1 | 1 | UR BRIDGESTONE |
| | 94112-17067 | TIRE(120/70ZR17M/C 58W D252F) | 1 | 1 | UR DUNLOP |
| 6 | 93900-00030 | VALVE, RIM (TR412) | 1 | 1 | TAIHEIYO |
| 7 | 5MT-25398-00 | BALANCER, WHEEL (10G) | 1 | 1 | UR |
| | 5MT-25398-10 | BALANCER, WHEEL (20G) | 1 | 1 | UR |
| | 5MT-25398-20 | BALANCER, WHEEL (30G) | 1 | 1 | UR |
| 8 | 90387-22002 | COLLAR | 2 | 2 | |
| 9 | 4XV-25181-00 | AXLE, WHEEL | 1 | 1 | |



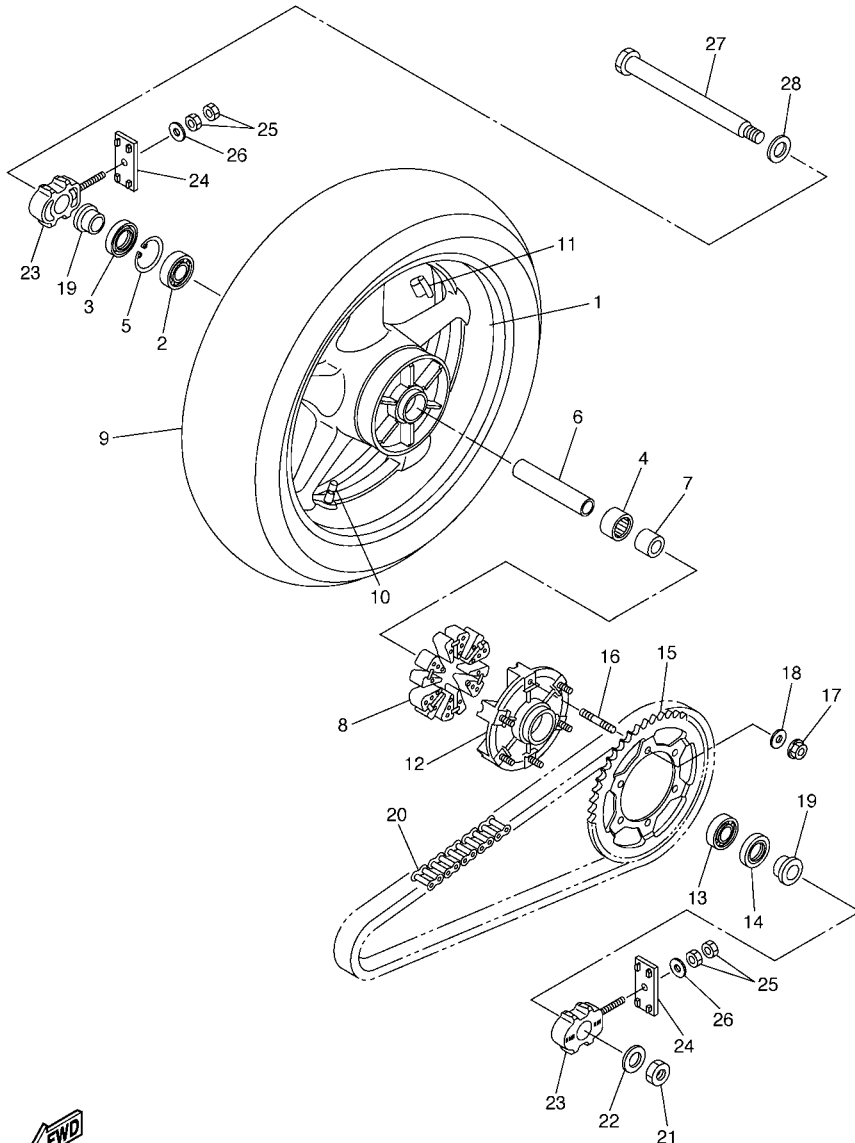
5VX1351-C290

FIG. 30 FRONT BRAKE CALIPER



5VX1351-C300

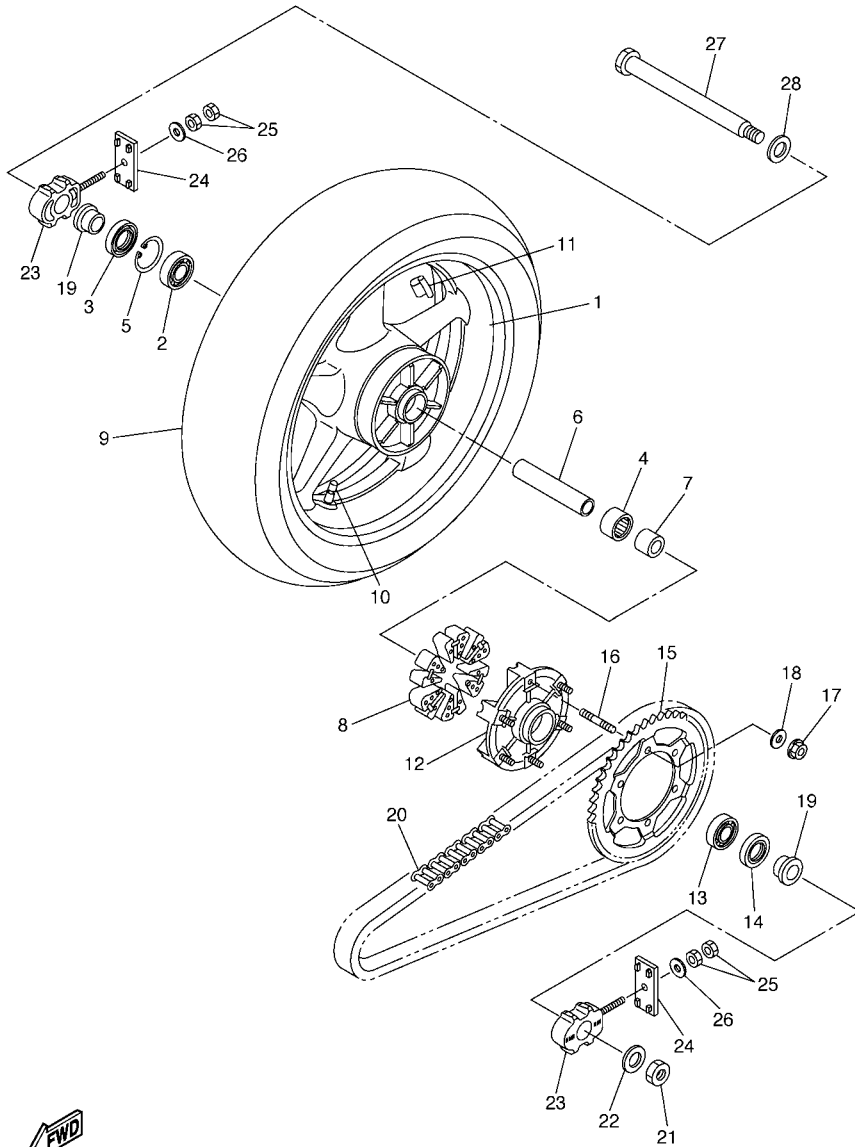
| REF. NO. | PART NO. | DESCRIPTION | 5VXB | 5VXC | REMARKS |
|----------|--------------|-----------------------|------|------|---------|
| | | | | | |
| 1 | 5VX-2581T-01 | DISK BRAKE ASSY | 2 | 2 | |
| 2 | 90109-064G6 | BOLT | 10 | 10 | |
| 3 | 90105-10638 | BOLT, FLANGE | 2 | 2 | |
| 4 | 90105-10638 | BOLT, FLANGE | 2 | 2 | |
| 5 | 5VX-2580T-00 | CALIPER ASSY (LEFT) | 1 | 1 | |
| 6 | 5KS-W0057-00 | .PISTON ASSY, CALIPER | 1 | 1 | |
| 7 | 4FU-W0047-00 | ..CALIPER SEAL KIT | 1 | 1 | |
| 8 | 5JW-25914-10 | .PIN, SLIDE | 2 | 2 | |
| 9 | 4TT-25937-00 | .BOOT 2 | 2 | 2 | |
| 10 | 5VX-W0045-00 | .BRAKE PAD KIT | 1 | 1 | |
| 11 | 4BP-25919-00 | .SUPPORT, PAD | 2 | 2 | |
| 12 | 3YX-25929-00 | .SPRING, ANTI RATTLE | 1 | 1 | |
| 13 | 51L-W0048-00 | .BLEED SCREW KIT | 1 | 1 | |
| 14 | 5VX-2580U-00 | CALIPER ASSY (RIGHT) | 1 | 1 | |
| 15 | 5KS-W0057-00 | .PISTON ASSY, CALIPER | 1 | 1 | |
| 16 | 4FU-W0047-00 | ..CALIPER SEAL KIT | 1 | 1 | |
| 17 | 5JW-25914-10 | .PIN, SLIDE | 2 | 2 | |
| 18 | 4TT-25937-00 | .BOOT 2 | 2 | 2 | |
| 19 | 5VX-W0045-00 | .BRAKE PAD KIT | 1 | 1 | |
| 20 | 4BP-25919-00 | .SUPPORT, PAD | 2 | 2 | |
| 21 | 3YX-25929-00 | .SPRING, ANTI RATTLE | 1 | 1 | |
| 22 | 51L-W0048-00 | .BLEED SCREW KIT | 1 | 1 | |



5VX3100-C310

FIG. 31 REAR WHEEL

| REF. NO. | PART NO. | DESCRIPTION | 5VXB | 5VXC | REMARKS |
|----------|-----------------|--------------------------------|------|------|----------------|
| 1 | 5SL-25338-00-98 | CAST WHEEL, REAR | 1 | 1 | LGB |
| 2 | 93306-20531 | BEARING | 1 | 1 | |
| 3 | 93106-40013 | OIL SEAL | 1 | 1 | |
| 4 | 93317-43580 | BEARING | 1 | 1 | |
| 5 | 93420-61M07 | CIRCLIP | 1 | 1 | |
| 6 | 4XV-25317-00 | SPACER, BEARING | 1 | 1 | |
| 7 | 5SL-25383-00 | COLLAR, WHEEL | 1 | 1 | |
| 8 | 5VX-25364-00 | DAMPER | 6 | 6 | |
| 9 | 94118-17041 | TIRE(180/55ZR17M/C 73W BT020R) | 1 | 1 | UR BRIDGESTONE |
| | 94118-17053 | TIRE(180/55ZR17M/C 73W D252) | 1 | 1 | UR DUNLOP |
| 10 | 93900-00030 | VALVE, RIM (TR412) | 1 | 1 | TAIHEIYO |
| 11 | 5MT-25398-00 | BALANCER, WHEEL (10G) | 1 | 1 | UR |
| | 5MT-25398-10 | BALANCER, WHEEL (20G) | 1 | 1 | UR |
| | 5MT-25398-20 | BALANCER, WHEEL (30G) | 1 | 1 | UR |
| 12 | 5SL-25366-00 | CLUTCH, HUB | 1 | 1 | |
| 13 | 93306-20531 | BEARING | 1 | 1 | |
| 14 | 93106-40013 | OIL SEAL | 1 | 1 | |
| 15 | 5VX-25446-00 | SPROCKET, DRIVEN (46T) | 1 | 1 | |
| 16 | 90116-10485 | BOLT, STUD | 6 | 6 | |
| 17 | 90185-10009 | NUT, SELF-LOCKING | 6 | 6 | |
| 18 | 90201-10021 | WASHER, PLATE | 6 | 6 | |
| 19 | 90387-28001 | COLLAR | 2 | 2 | |
| 20 | 94582-11118 | CHAIN (DID50V4-118LE) | 1 | 1 | |
| 21 | 90185-24165 | NUT, SELF-LOCKING | 1 | 1 | |
| 22 | 90201-25015 | WASHER, PLATE | 1 | 1 | |
| 23 | 5VX-25388-01 | PULLER, CHAIN 1 | 2 | 2 | |
| 24 | 2GH-25389-00 | PULLER, CHAIN 2 | 2 | 2 | |



5VX3100-C310

FIG. 31 REAR WHEEL

| REF. NO. | PART NO. | DESCRIPTION | 5VXB | 5VXC | | | | REMARKS |
|----------|--------------|---------------|------|------|--|--|--|---------|
| | | | | | | | | |
| 25 | 95307-08600 | NUT | 4 | 4 | | | | |
| 26 | 92907-08200 | WASHER | 2 | 2 | | | | |
| 27 | 5VX-25381-00 | AXLE, WHEEL | 1 | 1 | | | | |
| 28 | 90201-28014 | WASHER, PLATE | 1 | 1 | | | | |
| | | | | | | | | |
| | | | | | | | | |
| | | | | | | | | |
| | | | | | | | | |
| | | | | | | | | |
| | | | | | | | | |

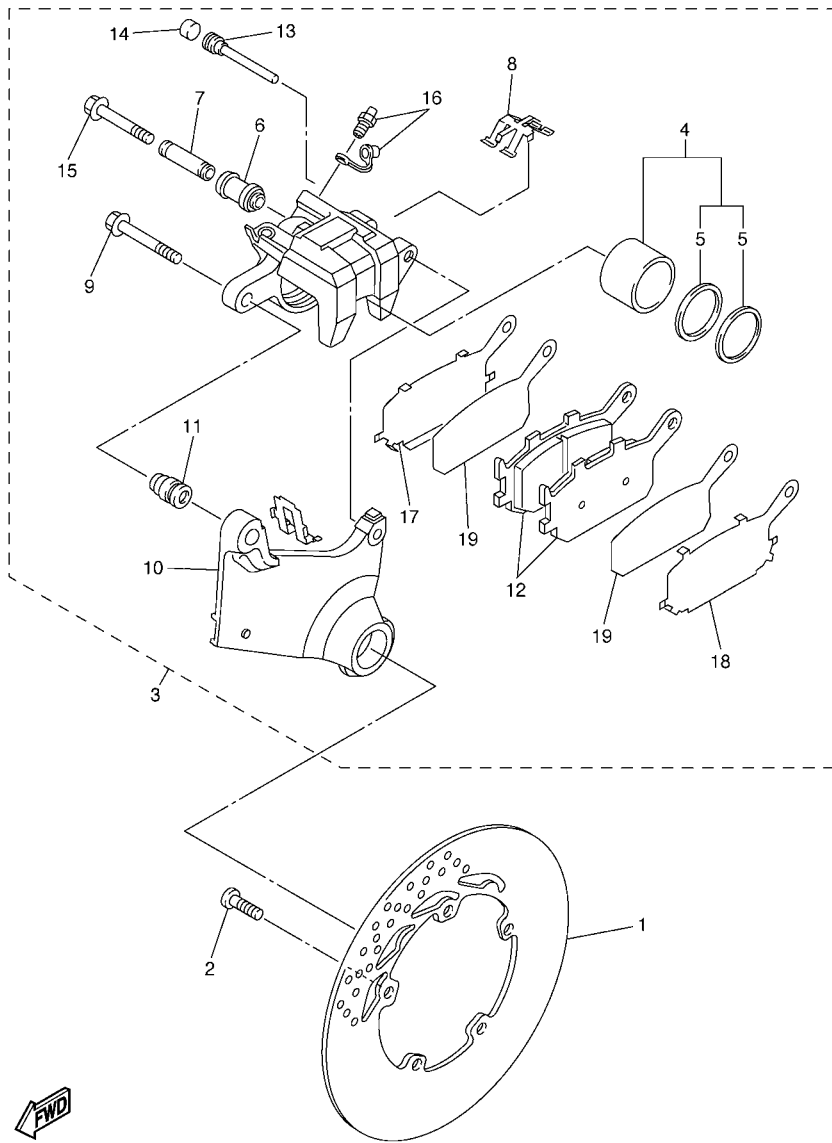


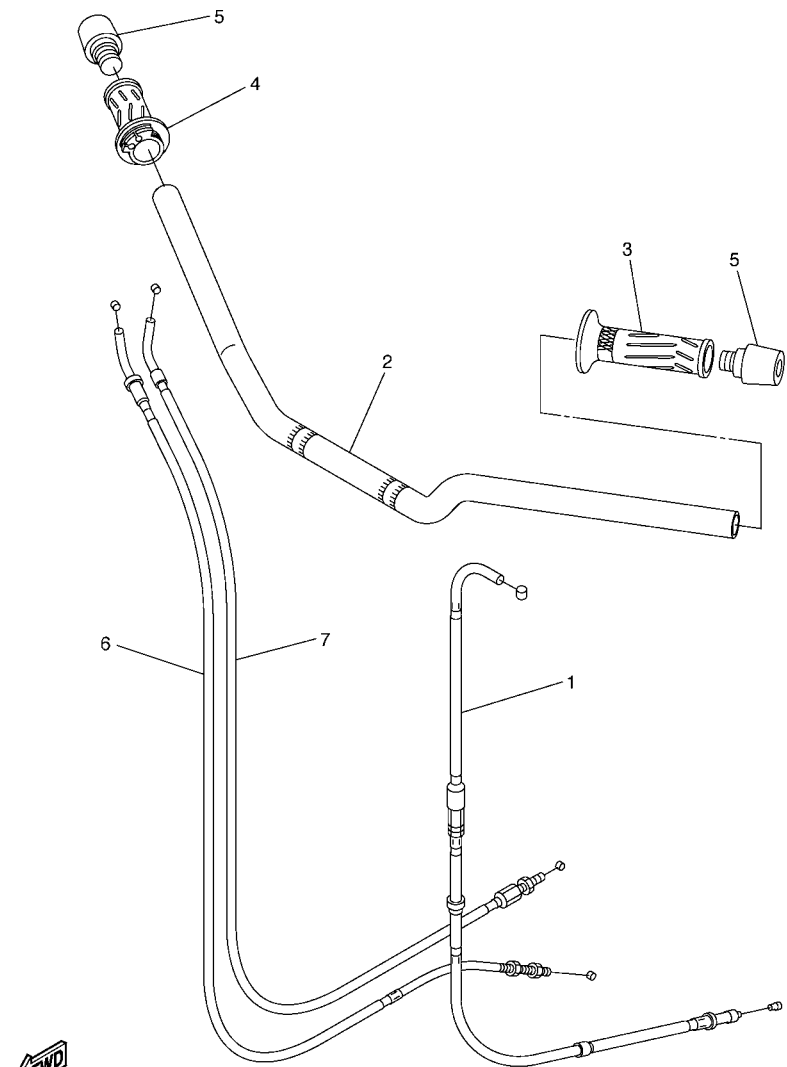
FIG. 32 REAR BRAKE CALIPER

| REF. NO. | PART NO. | DESCRIPTION | 5VXB | 5VXC | REMARKS |
|----------|--------------|-----------------------|------|------|---------|
| | | | | | |
| 1 | 5VX-2582W-00 | DISK, REAR BRAKE 2 | 1 | 1 | |
| 2 | 90109-08045 | BOLT | 5 | 5 | |
| 3 | 5VX-2580W-00 | CALIPER ASSY, REAR 2 | 1 | 1 | |
| 4 | 5SL-W0057-00 | .PISTON ASSY, CALIPER | 1 | 1 | |
| 5 | 5SL-W0047-00 | ..CALIPER SEAL KIT | 1 | 1 | |
| 6 | 5SL-25917-00 | .BOOT, CALIPER | 1 | 1 | |
| 7 | 5SL-25838-00 | .SLEEVE, CALIPER | 1 | 1 | |
| 8 | 5SL-25919-00 | .SUPPORT, PAD | 1 | 1 | |
| 9 | 5SL-25914-00 | .PIN, SLIDE | 1 | 1 | |
| 10 | 5VX-25921-50 | .BRACKET, SUPPORT | 1 | 1 | |
| 11 | 3JD-25917-00 | .BOOT, CALIPER | 1 | 1 | |
| 12 | 5VX-W0046-00 | .BRAKE PAD KIT 2 | 1 | 1 | |
| 13 | 8CR-25924-00 | .PIN, PAD | 1 | 1 | |
| 14 | 5DH-25916-00 | .PLUG | 1 | 1 | |
| 15 | 5SL-25926-00 | .BOLT | 1 | 1 | |
| 16 | 1UY-W0048-00 | .BLEED SCREW KIT | 1 | 1 | |
| 17 | 5SL-25827-00 | .SHIM, CALIPER | 1 | 1 | |
| 18 | 5SL-25827-10 | .SHIM, CALIPER | 1 | 1 | |
| 19 | 5SL-25828-00 | .SHIM, CALIPER | 2 | 2 | |
| | | | | | |
| | | | | | |
| | | | | | |
| | | | | | |



5VX1351-C320

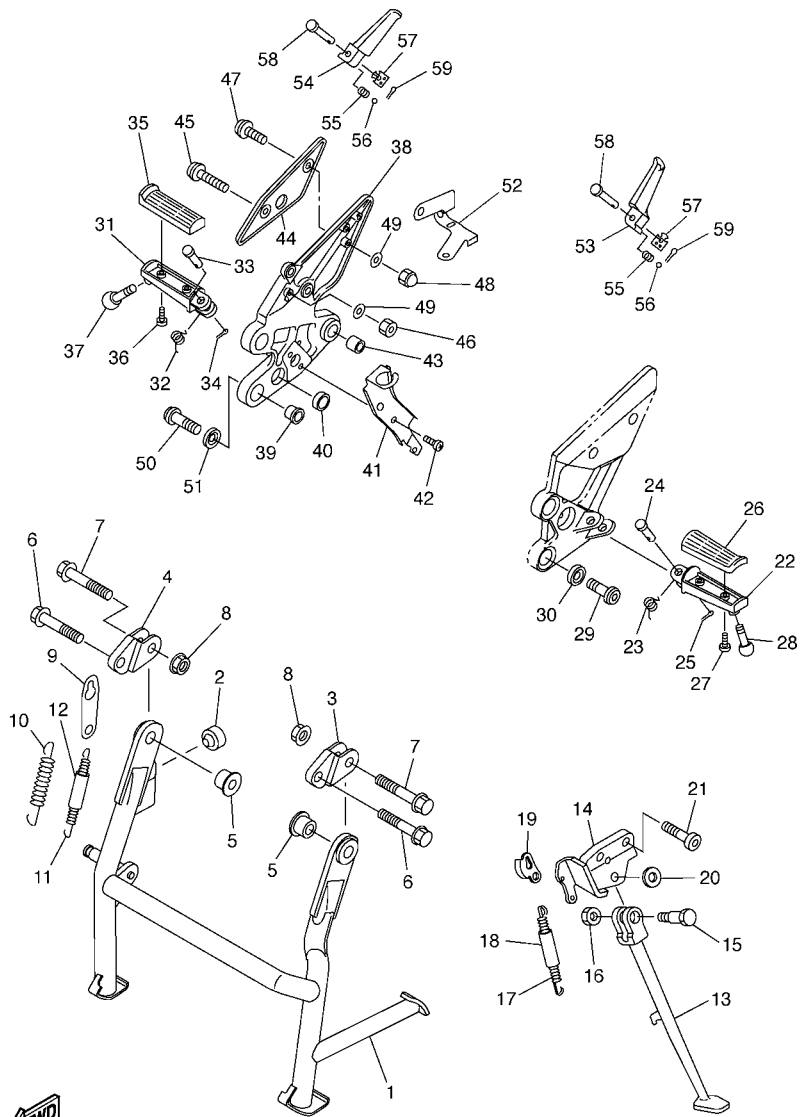
FIG. 33 STEERING HANDLE & CABLE



FWD
5VX6300-D330

| REF. NO. | PART NO. | DESCRIPTION | 5VXB | 5VXC | | | | REMARKS |
|----------|--------------|-------------------|------|------|--|--|--|---------|
| | | | | | | | | |
| 1 | 5VX-26335-00 | CABLE, CLUTCH | 1 | 1 | | | | |
| 2 | 5VX-26111-00 | HANDLEBAR | 1 | 1 | | | | |
| 3 | 4YR-26241-02 | GRIP (LEFT) | 1 | 1 | | | | |
| 4 | 4YR-26240-02 | GRIP ASSY | 1 | 1 | | | | |
| 5 | 51J-26246-01 | END, GRIP | 2 | 2 | | | | |
| 6 | 5VX-26311-00 | CABLE, THROTTLE 1 | 1 | 1 | | | | |
| 7 | 5VX-26312-00 | CABLE, THROTTLE 2 | 1 | 1 | | | | |
| | | | | | | | | |
| | | | | | | | | |
| | | | | | | | | |
| | | | | | | | | |
| | | | | | | | | |
| | | | | | | | | |
| | | | | | | | | |

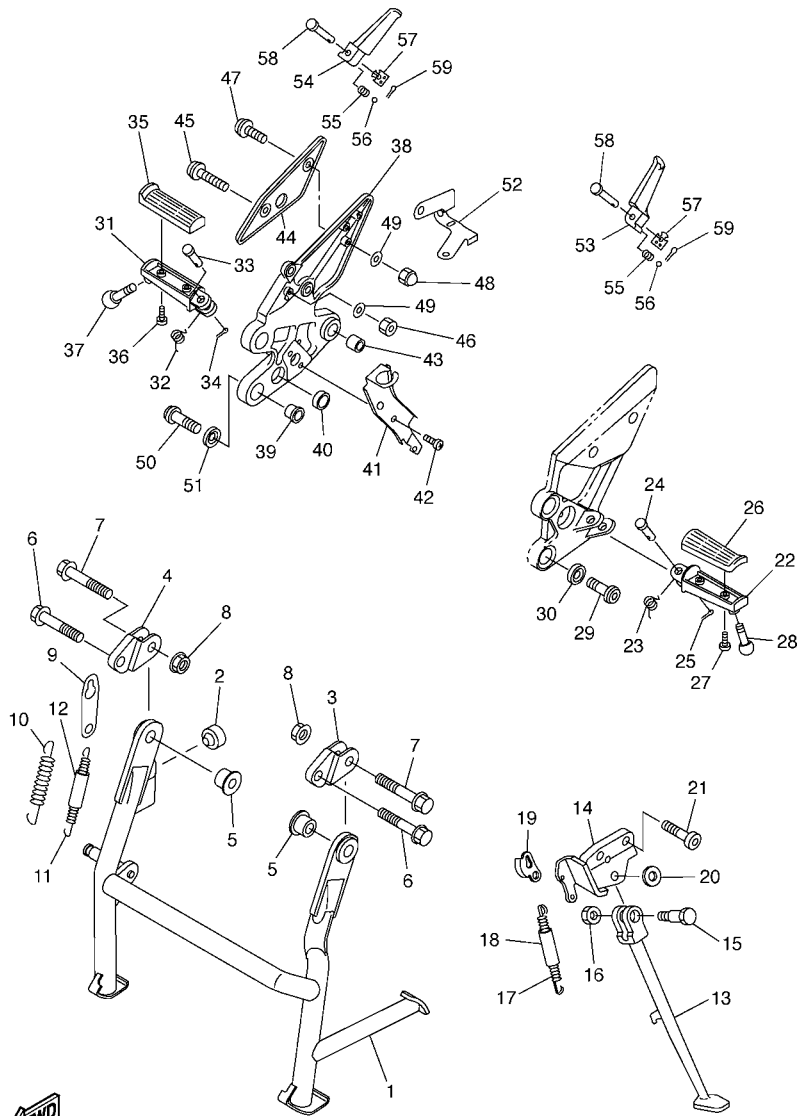
FIG. 35 STAND & FOOTREST



5VX6300-D350

| REF. NO. | PART NO. | DESCRIPTION | 5VXB | 5VXC | REMARKS |
|----------|--------------|---------------------------|------|------|---------|
| 1 | 5VX-27111-03 | STAND, MAIN | 1 | 1 | |
| 2 | 4GL-27114-00 | STOPPER, MAIN STAND | 1 | 1 | |
| 3 | 5VX-27151-02 | BRACKET, MAIN STAND | 1 | 1 | |
| 4 | 5VX-27152-02 | BRACKET, MAIN STAND 2 | 1 | 1 | |
| 5 | 5VX-27113-00 | COLLAR, MAIN STAND | 2 | 2 | |
| 6 | 90105-10088 | BOLT, FLANGE | 2 | 2 | |
| 7 | 90105-10090 | BOLT, FLANGE | 2 | 2 | |
| 8 | 95707-10500 | NUT, FLANGE | 4 | 4 | |
| 9 | 5VX-27115-00 | LINK, MAIN STAND | 1 | 1 | |
| 10 | 90506-50001 | SPRING, TENSION | 1 | 1 | |
| 11 | 90506-26008 | SPRING, TENSION | 1 | 1 | |
| 12 | 90445-170K9 | HOSE (L60) | 1 | 1 | |
| 13 | 5VX-27311-01 | STAND, SIDE | 1 | 1 | |
| 14 | 5VX-27321-02 | BRACKET, SIDE STAND | 1 | 1 | |
| 15 | 90109-10011 | BOLT | 1 | 1 | |
| 16 | 90185-10037 | NUT, SELF-LOCKING | 1 | 1 | |
| 17 | 90506-23007 | SPRING, TENSION | 1 | 1 | |
| 18 | 5VX-27351-00 | GUIDE, SIDE STAND | 1 | 1 | |
| 19 | 5VX-27315-00 | LINK, SIDE STAND | 1 | 1 | |
| 20 | 90201-12021 | WASHER, PLATE | 1 | 1 | |
| 21 | 90110-10010 | BOLT, HEXAGON SOCKET HEAD | 2 | 2 | |
| 22 | 4BH-27451-01 | FOOTREST | 1 | 1 | |
| 23 | 90508-20572 | SPRING, TORSION | 1 | 1 | |
| 24 | 91701-08040 | PIN, CLEVIS | 1 | 1 | |
| 25 | 91401-25015 | PIN, COTTER | 1 | 1 | |
| 26 | 3YX-27413-00 | COVER, FOOTREST | 1 | 1 | |
| 27 | 90157-05079 | SCREW, PAN HEAD | 2 | 2 | |

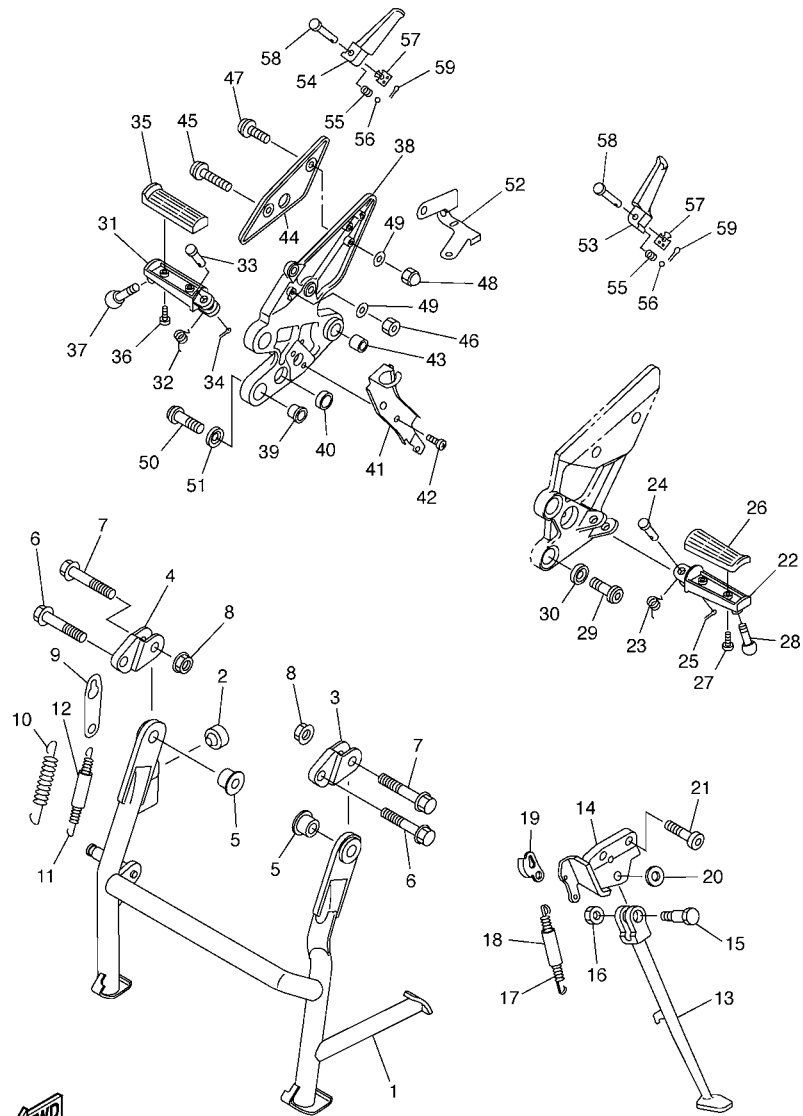
FIG. 35 STAND & FOOTREST



5VX6300-D350

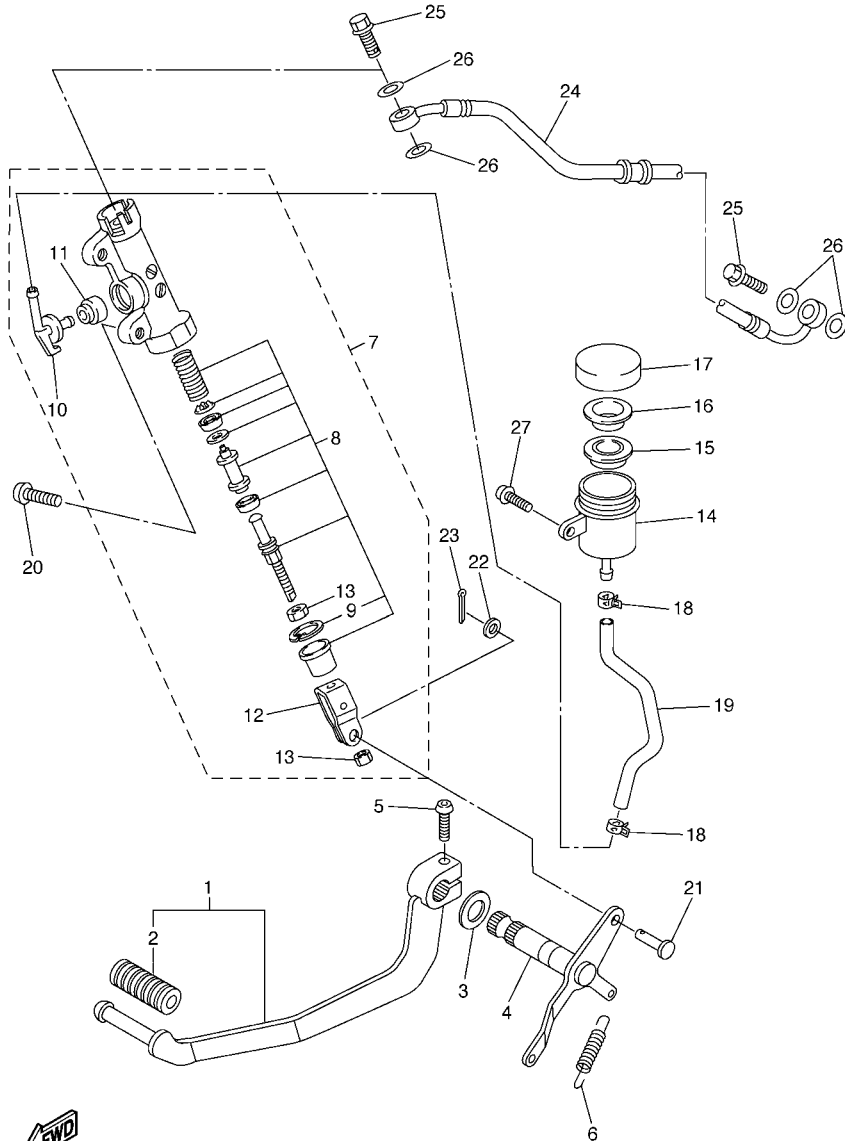
| REF. NO. | PART NO. | DESCRIPTION | 5VXB | 5VXC | REMARKS |
|----------|--------------|---------------------------|------|------|---------|
| 28 | 90109-083E2 | BOLT | 1 | 1 | |
| 29 | 90110-08220 | BOLT, HEXAGON SOCKET HEAD | 2 | 2 | |
| 30 | 90209-08295 | WASHER | 2 | 2 | |
| 31 | 4BH-27461-01 | FOOTREST | 1 | 1 | |
| 32 | 90508-20572 | SPRING, TORSION | 1 | 1 | |
| 33 | 91701-08040 | PIN, CLEVIS | 1 | 1 | |
| 34 | 91401-25015 | PIN, COTTER | 1 | 1 | |
| 35 | 3YX-27413-00 | COVER, FOOTREST | 1 | 1 | |
| 36 | 90157-05079 | SCREW, PAN HEAD | 2 | 2 | |
| 37 | 90109-083E2 | BOLT | 1 | 1 | |
| 38 | 5VX-27443-10 | BRACKET 3 | 1 | 1 | |
| 39 | 5VX-27424-00 | DAMPER, FOOTREST 2 | 2 | 2 | |
| 40 | 5VX-27114-00 | STOPPER, MAIN STAND | 1 | 1 | |
| 41 | 5VX-2144G-00 | STAY, STOP SWITCH | 1 | 1 | |
| 42 | 98507-06008 | SCREW, PAN HEAD | 2 | 2 | |
| 43 | 90383-14001 | BUSH, FORMED | 1 | 1 | |
| 44 | 5VX-27446-00 | PLATE 2 | 1 | 1 | |
| 45 | 90111-05007 | BOLT, HEX. SOCKET BUTTON | 1 | 1 | |
| 46 | 95607-05100 | NUT, U | 1 | 1 | |
| 47 | 90111-05003 | BOLT, HEX. SOCKET BUTTON | 1 | 1 | |
| 48 | 90176-05001 | NUT, CROWN | 1 | 1 | |
| 49 | 92990-05200 | WASHER, PLAIN | 2 | 2 | |
| 50 | 90110-08220 | BOLT, HEXAGON SOCKET HEAD | 2 | 2 | |
| 51 | 90209-08295 | WASHER | 2 | 2 | |
| 52 | 5VX-2587A-00 | HOLDER, BRAKE HOSE | 1 | 1 | |
| 53 | 3VR-27431-01 | FOOTREST, REAR 1 | 1 | 1 | |
| 54 | 3VR-27441-01 | FOOTREST, REAR 2 | 1 | 1 | |

FIG. 35 STAND & FOOTREST



5VX6300-D350

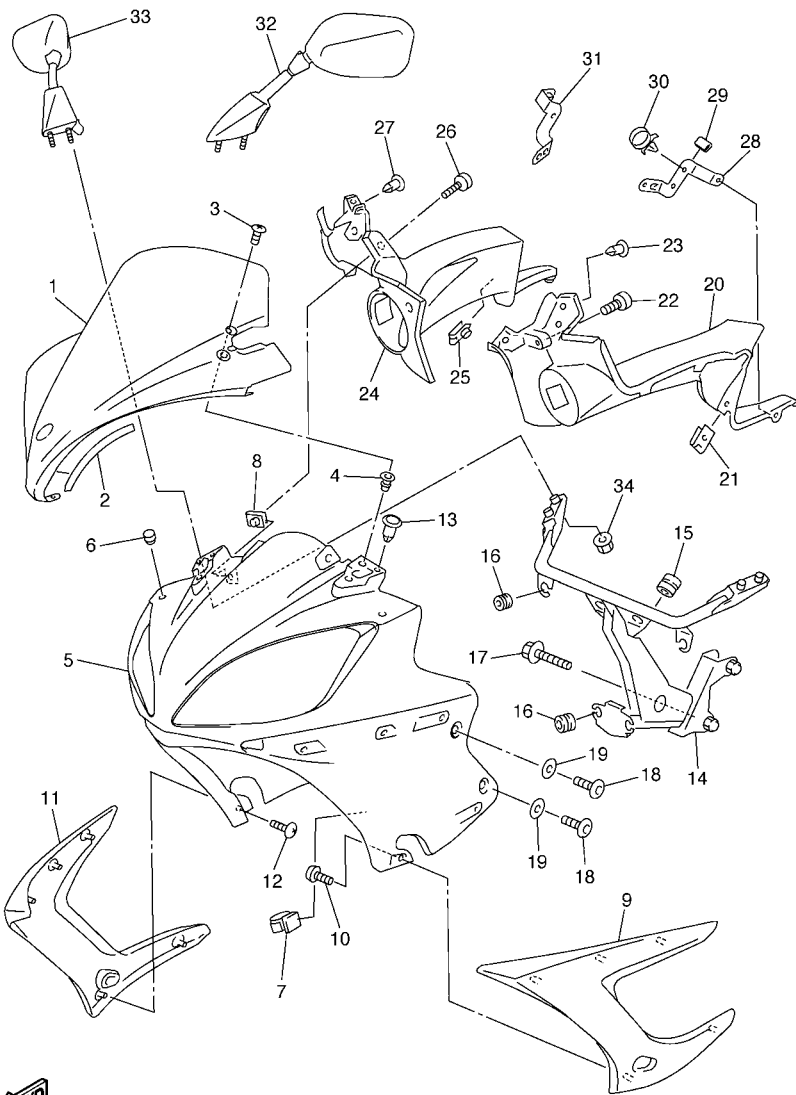
| REF. NO. | PART NO. | DESCRIPTION | 5VXB | 5VXC | | REMARKS |
|----------|--------------|---------------------|------|------|--|---------|
| 55 | 90501-12743 | SPRING, COMPRESSION | 2 | 2 | | |
| 56 | 93501-04011 | BALL | 2 | 2 | | |
| 57 | 5VX-27437-00 | WASHER, SPECIAL | 2 | 2 | | |
| 58 | 90240-08063 | PIN, CLEVIS | 2 | 2 | | |
| 59 | 91401-25015 | PIN, COTTER | 2 | 2 | | |
| ----- | | | | | | |
| ----- | | | | | | |
| ----- | | | | | | |
| ----- | | | | | | |
| ----- | | | | | | |
| ----- | | | | | | |
| ----- | | | | | | |
| ----- | | | | | | |
| ----- | | | | | | |
| ----- | | | | | | |



5VX1351-C360

FIG. 36 REAR MASTER CYLINDER

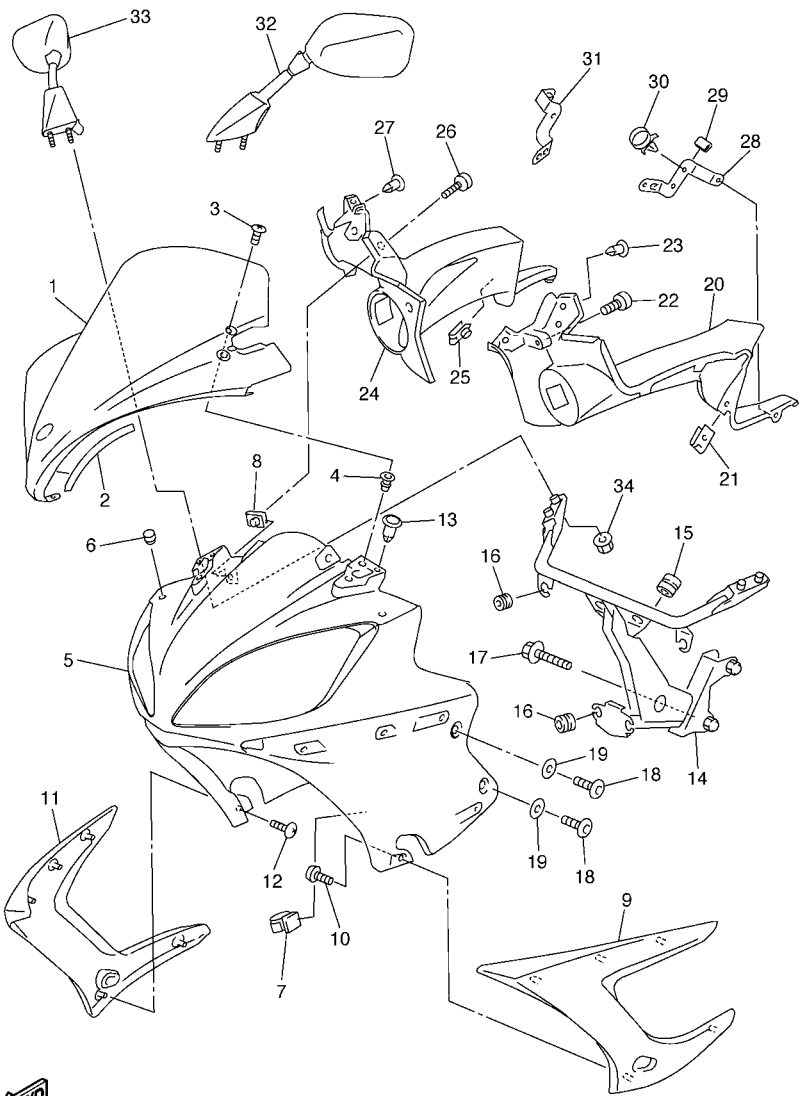
| REF. NO. | PART NO. | DESCRIPTION | 5VXB | 5VXC | REMARKS |
|----------|--------------|---------------------------|------|------|---------|
| 1 | 5VX-27200-00 | PEDAL, BRAKE | 1 | 1 | |
| 2 | 5EB-18113-00 | .COVER, SHIFT PEDAL | 1 | 1 | |
| 3 | 90201-14215 | WASHER, PLATE | 1 | 1 | |
| 4 | 5VX-27212-00 | SHAFT, BRAKE PEDAL | 1 | 1 | |
| 5 | 92014-06020 | BOLT, BUTTON HEAD | 1 | 1 | |
| 6 | 90506-20223 | SPRING, TENSION | 1 | 1 | |
| 7 | 5VX-2583V-00 | RR. MASTER CYLINDER ASSY. | 1 | 1 | |
| 8 | 5VX-W0042-50 | .CYLINDER KIT, MASTER | 1 | 1 | |
| 9 | 3LN-2585G-00 | ..CIRCLIP | 1 | 1 | |
| 10 | 5VX-2582A-00 | .JOINT | 1 | 1 | |
| 11 | 4BP-2585F-00 | .BUSH | 1 | 1 | |
| 12 | 4BP-27222-01 | .JOINT | 1 | 1 | |
| 13 | 90170-08010 | .NUT | 2 | 2 | |
| 14 | 5SL-25894-00 | TANK, RESERVOIR | 1 | 1 | |
| 15 | 5SL-25854-00 | DIAPHRAGM, RESERVOIR | 1 | 1 | |
| 16 | 5SL-25855-00 | BUSH,DIAPHRAGM | 1 | 1 | |
| 17 | 5SL-25852-00 | CAP, RESERVOIR | 1 | 1 | |
| 18 | 90467-090A1 | CLIP | 2 | 2 | |
| 19 | 5VX-25895-00 | HOSE, RESERVOIR | 1 | 1 | |
| 20 | 92014-08020 | BOLT, BUTTON HEAD | 2 | 2 | |
| 21 | 90240-08124 | PIN, CLEVIS | 1 | 1 | |
| 22 | 90201-08083 | WASHER, PLATE | 1 | 1 | |
| 23 | 91401-20012 | PIN, COTTER | 1 | 1 | |
| 24 | 5VX-2581K-01 | HOSE, BRAKE 5 | 1 | 1 | |
| 25 | 90401-10159 | BOLT, UNION | 2 | 2 | |
| 26 | 90201-10118 | WASHER, PLATE | 4 | 4 | |
| 27 | 90119-06044 | BOLT, WITH WASHER | 1 | 1 | |



5VX1351-C370

FIG. 37 COWLING 1

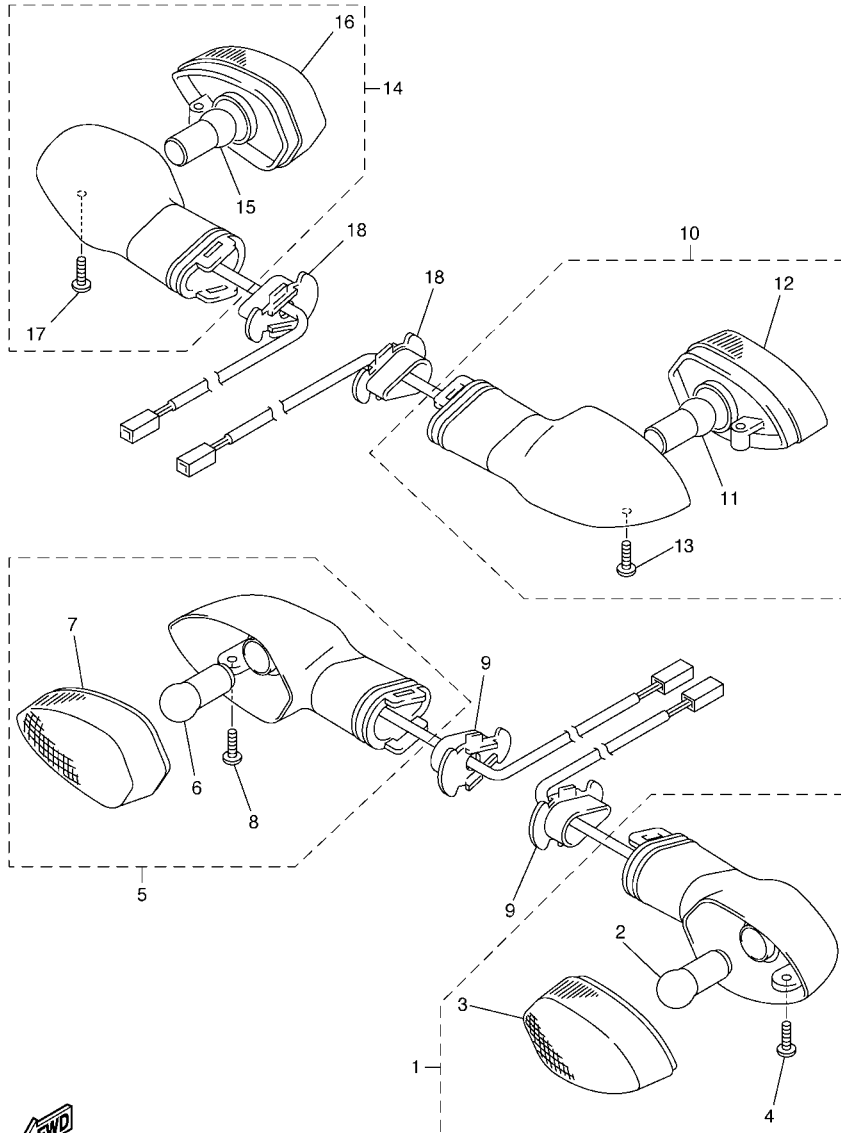
| REF. NO. | PART NO. | DESCRIPTION | 5VXB | 5VXC | REMARKS |
|----------|-----------------|---------------------------|------|------|---------|
| 1 | 5VX-28381-00 | WINDSHIELD | 1 | | |
| | 5VX-28381-30 | WINDSHIELD | | 1 | |
| 2 | 5VX-28376-00 | TRIM | 2 | 2 | |
| 3 | 90150-05023 | SCREW, ROUND HEAD | 5 | 5 | |
| 4 | 90179-05523 | NUT | 5 | 5 | |
| 5 | 5VX-2835G-10 | BODY, FRONT UPPER 1 | 1 | 1 | |
| 6 | 1J7-21717-00 | DAMPER | 2 | 2 | |
| 7 | 90464-54086 | CLAMP | 2 | 2 | |
| 8 | 90183-05074 | NUT, SPRING | 2 | 2 | |
| 9 | 5VX-2830C-00-P3 | VISOR, SIDE 1 | 1 | 1 | UR DNMB |
| | 5VX-2830C-00-P4 | VISOR, SIDE 1 | 1 | 1 | UR BS4 |
| 10 | 97707-50016 | SCREW, TRUSS HEAD TAPPING | 4 | 4 | |
| 11 | 5VX-2830D-00-P3 | VISOR, SIDE 2 | 1 | 1 | UR DNMB |
| | 5VX-2830D-00-P4 | VISOR, SIDE 2 | 1 | 1 | UR BS4 |
| 12 | 97707-50016 | SCREW, TRUSS HEAD TAPPING | 5 | 5 | |
| 13 | 90269-05049 | RIVET | 2 | 2 | |
| 14 | 5VX-28356-00 | STAY 1 | 1 | 1 | |
| 15 | 90480-14585 | GROMMET | 2 | 2 | |
| 16 | 90480-14229 | GROMMET | 4 | 4 | |
| 17 | 90119-08081 | BOLT, WITH WASHER | 2 | 2 | |
| 18 | 90110-06200 | BOLT, HEXAGON SOCKET HEAD | 4 | 4 | |
| 19 | 90202-06170 | WASHER, PLATE | 4 | 4 | |
| 20 | 5VX-2836K-10 | PANEL, INNER 1 | 1 | 1 | |
| 21 | 90183-06053 | NUT, SPRING | 1 | 1 | |
| 22 | 90110-05201 | BOLT, HEXAGON SOCKET HEAD | 1 | 1 | |
| 23 | 90269-05049 | RIVET | 1 | 1 | |
| 24 | 5VX-2836L-10 | PANEL, INNER 2 | 1 | 1 | |



5VX1351-C370

FIG. 37 COWLING 1

| REF. NO. | PART NO. | DESCRIPTION | 5VXB | 5VXC | REMARKS |
|----------|--------------|-------------------------------|------|------|---------|
| 25 | 90183-06053 | NUT, SPRING | 1 | 1 | |
| 26 | 90110-05201 | BOLT, HEXAGON SOCKET HEAD | 1 | 1 | |
| 27 | 90269-05049 | RIVET | 1 | 1 | |
| 28 | 5VX-2836A-01 | BRACKET 1 | 1 | 1 | |
| 29 | 1FK-2171M-00 | MOLE, SIDE COVER 2 | 1 | 1 | |
| 30 | 90464-16006 | CLAMP | 1 | 1 | |
| 31 | 5VX-2836E-01 | BRACKET 2 | 1 | 1 | |
| 32 | 5VX-26280-00 | REAR VIEW MIRROR ASSY (LEFT) | 1 | 1 | |
| 33 | 5VX-26290-00 | REAR VIEW MIRROR ASSY (RIGHT) | 1 | 1 | |
| 34 | 95707-06500 | NUT, FLANGE | 4 | 4 | |

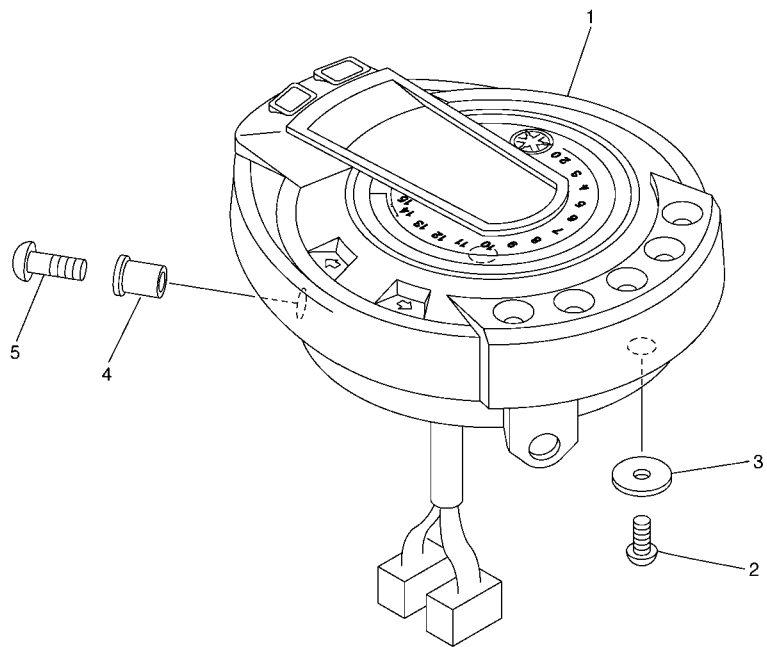


5PW1300-2410

FIG. 40 FLASHER LIGHT

| REF. NO. | PART NO. | DESCRIPTION | 5VXB | 5VXC | REMARKS |
|----------|--------------|----------------------------|------|------|---------|
| 1 | 5PW-83310-01 | FRONT FLASHER LIGHT ASSY 1 | 1 | 1 | |
| 2 | 1KH-83311-00 | .BULB (12V-10W) | 1 | 1 | |
| 3 | 5PW-8333A-00 | .LENS COMP | 1 | 1 | |
| 4 | 97706-04012 | .SCREW, TAPPING | 1 | 1 | |
| 5 | 5PW-83320-01 | FRONT FLASHER LIGHT ASSY 2 | 1 | 1 | |
| 6 | 1KH-83311-00 | .BULB (12V-10W) | 1 | 1 | |
| 7 | 5PW-8334A-00 | .LENS COMP | 1 | 1 | |
| 8 | 97706-04012 | .SCREW, TAPPING | 1 | 1 | |
| 9 | 5PW-83318-00 | STAY, FLASHER 1 | 2 | 2 | |
| 10 | 5VX-83330-00 | REAR FLASHER LIGHT ASSY 1 | 1 | 1 | |
| 11 | 1KH-83311-00 | .BULB (12V-10W) | 1 | 1 | |
| 12 | 5PW-8334A-00 | .LENS COMP | 1 | 1 | |
| 13 | 97706-04012 | .SCREW, TAPPING | 1 | 1 | |
| 14 | 5VX-83340-00 | REAR FLASHER LIGHT ASSY 2 | 1 | 1 | |
| 15 | 1KH-83311-00 | .BULB (12V-10W) | 1 | 1 | |
| 16 | 5PW-8333A-00 | .LENS COMP | 1 | 1 | |
| 17 | 97706-04012 | .SCREW, TAPPING | 1 | 1 | |
| 18 | 5PW-83318-00 | STAY, FLASHER 1 | 2 | 2 | |

FIG. 41 METER

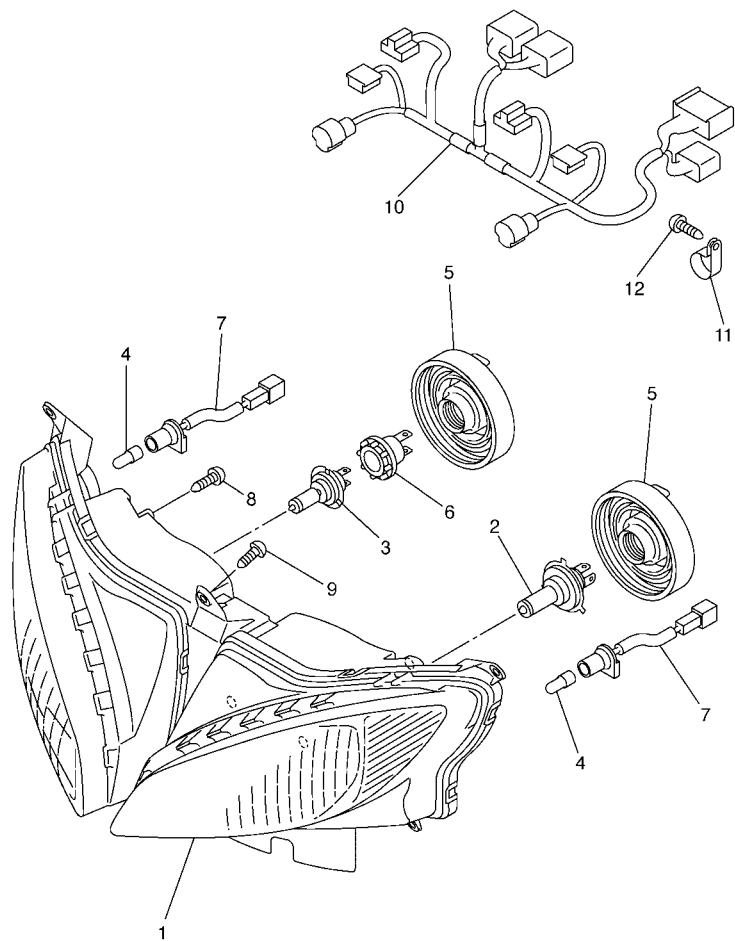


| REF. NO. | PART NO. | DESCRIPTION | 5VXB | 5VXC | | | | REMARKS |
|----------|--------------|---------------------------|------|------|--|--|--|---------|
| | | | | | | | | |
| 1 | 5VX-83500-00 | SPEEDOMETER ASSY (KM/H) | 1 | 1 | | | | |
| | 5VX-83500-10 | SPEEDOMETER ASSY (MPH) | 1 | | | | | FOR GBR |
| 2 | 97707-50016 | SCREW, TRUSS HEAD TAPPING | 2 | 2 | | | | |
| 3 | 90201-06380 | WASHER, PLATE | 2 | 2 | | | | |
| 4 | 90179-05523 | NUT | 2 | 2 | | | | |
| 5 | 90154-05042 | SCREW, BINDING | 2 | 2 | | | | |
| | | | | | | | | |
| | | | | | | | | |
| | | | | | | | | |
| | | | | | | | | |
| | | | | | | | | |
| | | | | | | | | |



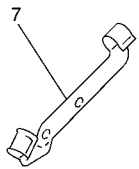
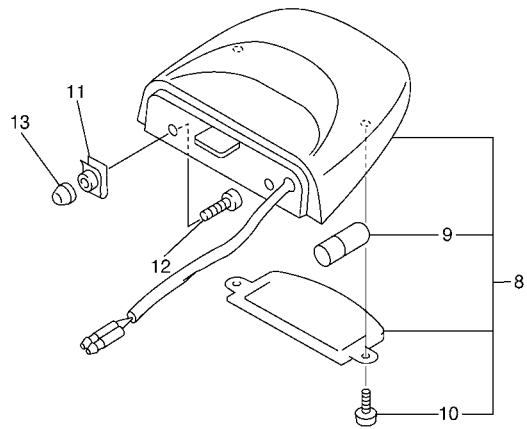
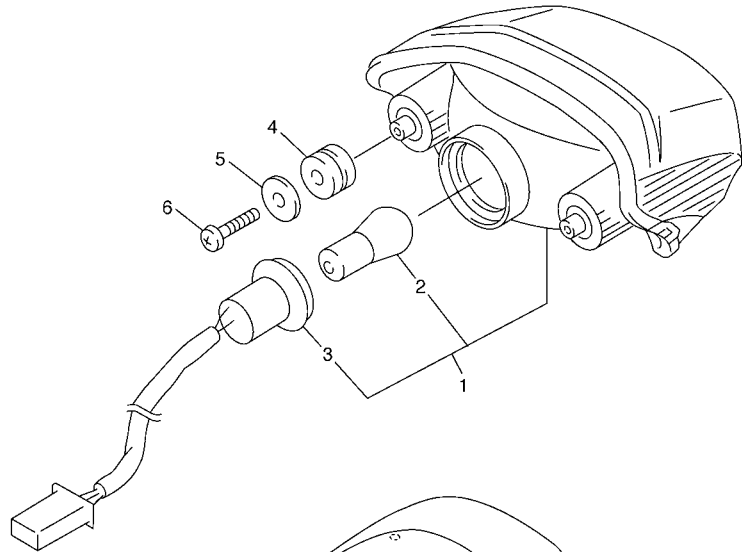
5VX1351-C410

FIG. 42 HEADLIGHT



| REF. NO. | PART NO. | DESCRIPTION | 5VXB | 5VXC | | | REMARKS |
|----------|--------------|---------------------------|------|------|--|--|-----------------|
| | | | | | | | |
| 1 | 5VX-84310-00 | HEADLIGHT UNIT ASSY | 1 | | | | |
| | 5VX-84310-10 | HEADLIGHT UNIT ASSY | 1 | 1 | | | FOR GBR,IRL,ZAF |
| 2 | 8G9-84314-00 | BULB (12V-60/55W) | 1 | 1 | | | (H4)HALOGEN |
| 3 | 4SV-84314-00 | BULB (12V-55W) | 1 | 1 | | | (H7)HALOGEN |
| 4 | 4SV-84347-00 | BULB (12V-5W) | 2 | 2 | | | |
| 5 | 5LV-84397-00 | COVER, SOCKET | 2 | 2 | | | |
| 6 | 4SV-84350-00 | SOCKET CORD ASSY 2 | 1 | 1 | | | |
| 7 | 5VX-84312-00 | HOLDER, SOCKET | 2 | 2 | | | |
| 8 | 90164-05014 | SCREW, TAPPING | 4 | 4 | | | |
| 9 | 97707-50016 | SCREW, TRUSS HEAD TAPPING | 5 | 5 | | | |
| 10 | 5VX-84359-00 | CORD, HEADLIGHT | 1 | | | | |
| | 5VX-84359-10 | CORD, HEADLIGHT | 1 | 1 | | | FOR GBR,IRL,ZAF |
| 11 | 90464-18029 | CLAMP | 1 | 1 | | | |
| 12 | 97707-50016 | SCREW, TRUSS HEAD TAPPING | 1 | 1 | | | |
| | | | | | | | |
| | | | | | | | |
| | | | | | | | |
| | | | | | | | |

 5VX1351-C420



5VX1351-C430

FIG. 43 TAILLIGHT

| REF. NO. | PART NO. | DESCRIPTION | 5VXB | 5VXC | | | | REMARKS |
|----------|--------------|-------------------------|------|------|--|--|--|---------|
| | | | | | | | | |
| 1 | 5VX-84710-00 | TAILLIGHT UNIT ASSY | 1 | 1 | | | | |
| 2 | 137-84714-60 | .BULB (12V-21/5W) | 1 | 1 | | | | |
| 3 | 5VX-84735-00 | .CORD ASSY | 1 | 1 | | | | |
| 4 | 90480-18276 | GROMMET | 2 | 2 | | | | |
| 5 | 90201-06071 | WASHER, PLATE | 2 | 2 | | | | |
| 6 | 97707-60016 | SCREW, TAPPING | 2 | 2 | | | | |
| 7 | 5VX-21637-00 | CLAMP, WIRE | 1 | 1 | | | | |
| 8 | 5VX-84745-01 | LICENCE LIGHT UNIT ASSY | 1 | 1 | | | | |
| 9 | 4HC-84744-00 | .BULB (12V-5W) | 1 | 1 | | | | |
| 10 | 97706-04012 | .SCREW, TAPPING | 2 | 2 | | | | |
| 11 | 90183-05061 | NUT, SPRING | 2 | 2 | | | | |
| 12 | 98907-05014 | SCREW, BIND | 2 | 2 | | | | |
| 13 | 5VX-13569-01 | PLUG, BLIND | 2 | 2 | | | | |
| | | | | | | | | |
| | | | | | | | | |
| | | | | | | | | |
| | | | | | | | | |

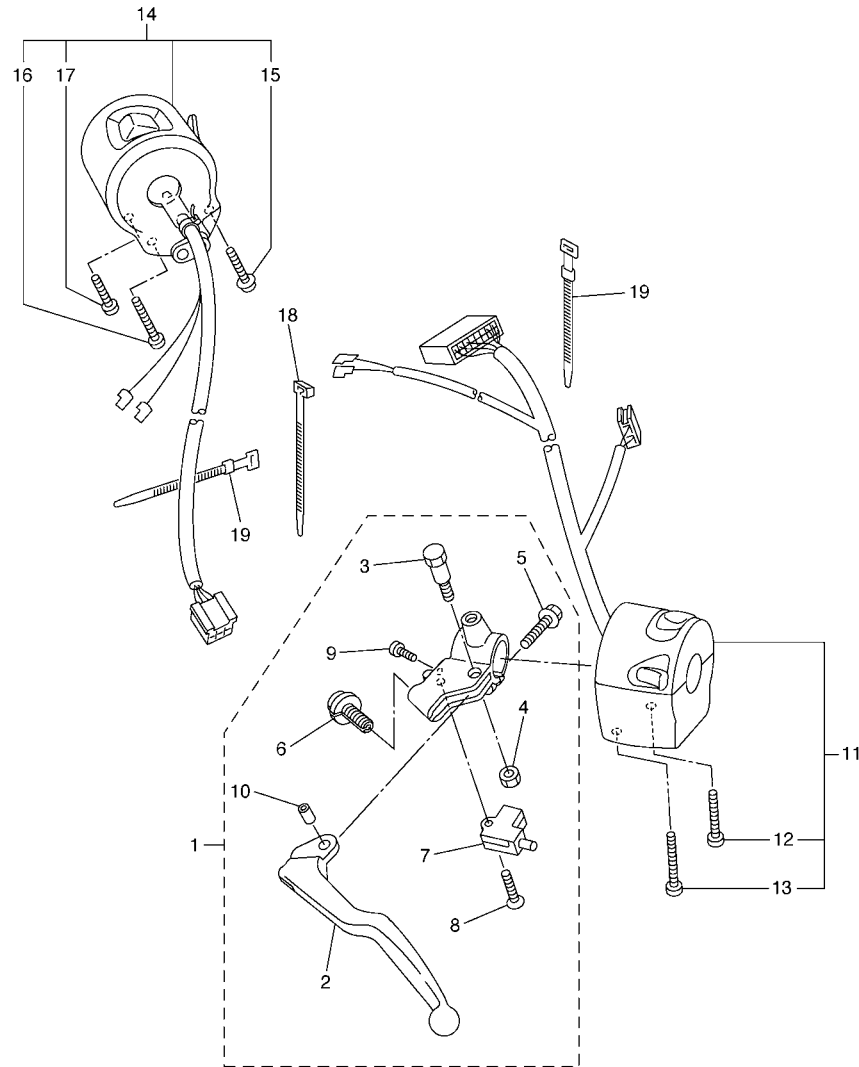
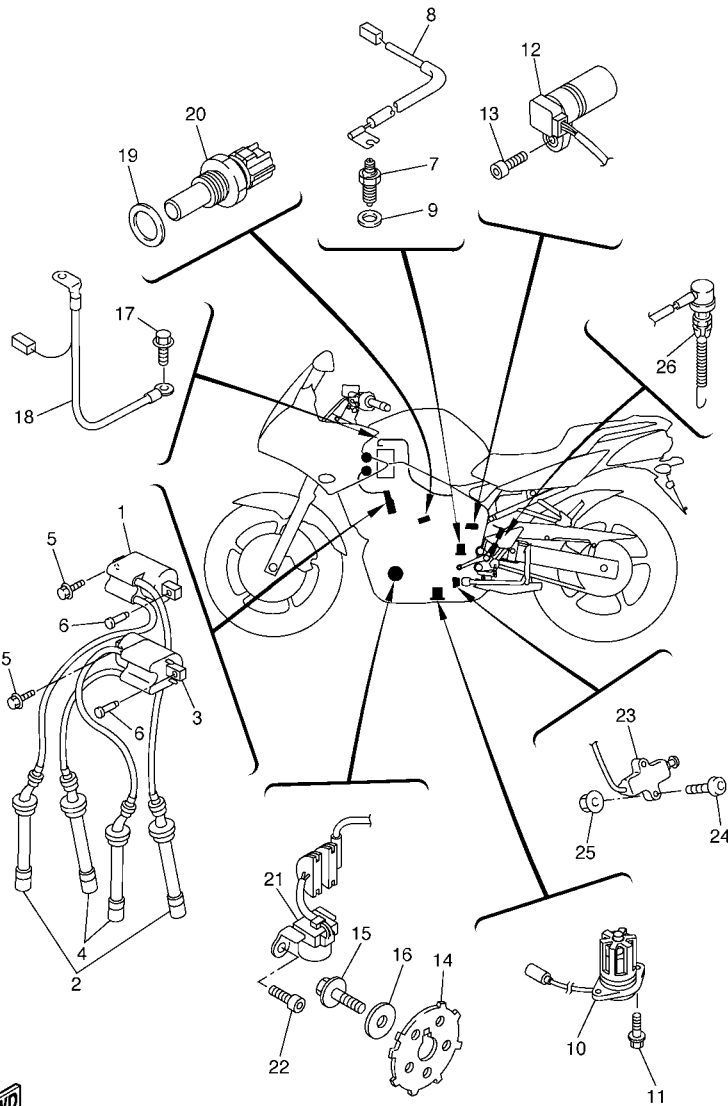


FIG. 44 HANDLE SWITCH & LEVER

| REF. NO. | PART NO. | DESCRIPTION | 5VXB | 5VXC | | | REMARKS |
|----------|--------------|--------------------------|------|------|--|--|---------|
| | | | | | | | |
| 1 | 5VX-82910-00 | LEVER HOLDER ASSY (LEFT) | 1 | 1 | | | |
| 2 | 5EB-83912-02 | .LEVER 1 | 1 | 1 | | | |
| 3 | 4XV-83945-00 | .BOLT, LEVER | 1 | 1 | | | |
| 4 | 95607-06100 | .NUT, U | 1 | 1 | | | |
| 5 | 95027-06020 | .BOLT, FLANGE | 1 | 1 | | | |
| 6 | 5LV-83951-00 | .BOLT, CABLE ADJUSTING | 1 | 1 | | | |
| 7 | 3YX-82917-01 | .SWITCH | 1 | 1 | | | |
| 8 | 98704-03020 | .SCREW, FLAT HEAD | 1 | 1 | | | |
| 9 | 98507-04010 | .SCREW, PAN HEAD | 1 | 1 | | | |
| 10 | 5JJ-83913-00 | .COLLAR, LEVER 1 | 1 | 1 | | | |
| 11 | 5VX-83969-00 | SWITCH, HANDLE 5 | 1 | 1 | | | |
| 12 | 98507-05030 | .SCREW, PAN HEAD | 1 | 1 | | | |
| 13 | 98507-05045 | .SCREW, PAN HEAD | 1 | 1 | | | |
| 14 | 5VX-83975-00 | SWITCH, HANDLE 2 | 1 | 1 | | | |
| 15 | 97607-05255 | .SCREW, WITH WASHER | 1 | 1 | | | |
| 16 | 98507-05045 | .SCREW, PAN HEAD | 1 | 1 | | | |
| 17 | 98507-05020 | .SCREW, PAN HEAD | 1 | 1 | | | |
| 18 | 1UA-82591-00 | BAND | 2 | 2 | | | |
| 19 | 437-83936-01 | BAND, SWITCH CORD | 2 | 2 | | | |
| | | | | | | | |
| | | | | | | | |
| | | | | | | | |



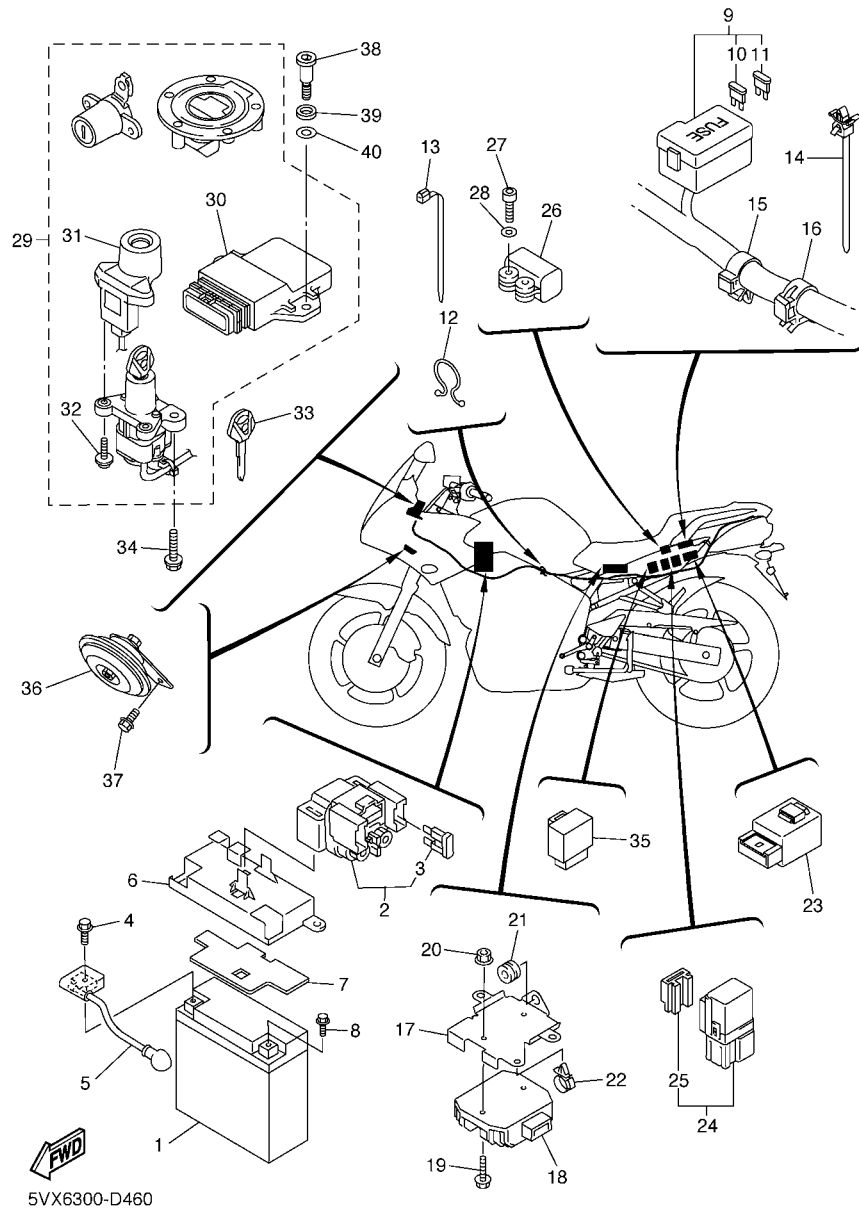
5VX1351-C440



5VX1351-C450

FIG. 45 ELECTRICAL 1

| REF. NO. | PART NO. | DESCRIPTION | 5VXB | 5VXC | | | REMARKS |
|----------|--------------|----------------------|------|------|--|--|---------|
| | | | | | | | |
| 1 | 5VX-82310-00 | IGNITION COIL ASSY | 1 | 1 | | | |
| 2 | 5VX-82370-00 | PLUG CAP ASSY | 2 | 2 | | | |
| 3 | 5VX-82320-00 | IGNITION COIL ASSY | 1 | 1 | | | |
| 4 | 5VX-82370-00 | PLUG CAP ASSY | 2 | 2 | | | |
| 5 | 90105-06557 | BOLT, FLANGE | 2 | 2 | | | |
| 6 | 90269-06010 | RIVET | 2 | 2 | | | |
| 7 | 3GB-82540-01 | NEUTRAL SWITCH ASSY | 1 | 1 | | | |
| 8 | 5VX-82541-00 | WIRE, LEAD | 1 | 1 | | | |
| 9 | 90430-10148 | GASKET | 1 | 1 | | | |
| 10 | 5VX-85720-01 | OIL LEVEL GAUGE ASSY | 1 | 1 | | | |
| 11 | 95027-06016 | BOLT, FLANGE | 2 | 2 | | | |
| 12 | 5EB-83755-01 | SENSOR, SPEED | 1 | 1 | | | |
| 13 | 91317-06016 | BOLT | 1 | 1 | | | |
| 14 | 5VX-81673-00 | ROTOR | 1 | 1 | | | |
| 15 | 90105-08386 | BOLT, FLANGE | 1 | 1 | | | |
| 16 | 90201-08753 | WASHER, PLATE | 1 | 1 | | | |
| 17 | 91380-06012 | BOLT | 1 | 1 | | | |
| 18 | 5VX-82116-00 | WIRE, MINUS LEAD | 1 | 1 | | | |
| 19 | 90201-12790 | WASHER, PLATE | 1 | 1 | | | |
| 20 | 8CC-85790-01 | THERMOSENSOR ASSY | 1 | 1 | | | |
| 21 | 5VX-81670-00 | PICK-UP ASSY | 1 | 1 | | | |
| 22 | 91317-06016 | BOLT | 2 | 2 | | | |
| 23 | 5VS-82566-60 | SWITCH, SIDE STAND | 1 | 1 | | | |
| 24 | 92017-05025 | BOLT, BUTTON HEAD | 2 | 2 | | | |
| 25 | 95607-05200 | NUT, U FLANGE | 2 | 2 | | | |
| 26 | 5VX-82530-00 | STOP SWITCH ASSY | 1 | 1 | | | |



5VX6300-D460

FIG. 46 ELECTRICAL 2

| REF. NO. | PART NO. | DESCRIPTION | 5VXB | 5VXC | REMARKS |
|----------|--------------|----------------------------|------|------|---------|
| | | | | | |
| 1 | 4TX-82100-02 | BATTERY ASSY (GS GT12B-4) | 1 | 1 | |
| 2 | 4BH-81940-02 | STARTER RELAY ASSY | 1 | 1 | |
| 3 | 1AE-82151-00 | .FUSE (30A-BL) | 2 | 2 | |
| 4 | 95027-06008 | BOLT, FLANGE | 1 | 1 | |
| 5 | 5VX-82115-00 | WIRE, PLUS LEAD | 1 | 1 | |
| 6 | 5VX-2124E-00 | COVER, BATTERY | 1 | 1 | |
| 7 | 5VX-82123-00 | SEAT, BATTERY | 1 | 1 | |
| 8 | 95027-06008 | BOLT, FLANGE | 1 | 1 | |
| 9 | 5VX-82590-00 | WIRE HARNESS ASSY | 1 | 1 | |
| 10 | 5JJ-82151-30 | .FUSE (10A-BL) | 6 | 6 | |
| 11 | 5JJ-82151-20 | .FUSE (20A-BL) | 3 | 3 | |
| 12 | 90464-14058 | CLAMP | 1 | 1 | |
| 13 | 90464-13077 | CLAMP | 1 | 1 | |
| 14 | 90464-12089 | CLAMP | 1 | 1 | |
| 15 | 90464-16006 | CLAMP | 2 | 2 | |
| 16 | 90464-15192 | CLAMP | 2 | 2 | |
| 17 | 5VX-2128A-00 | BRACKET, REGULATOR | 1 | 1 | |
| 18 | 5VX-81960-00 | RECTIFIER & REGULATOR ASSY | 1 | 1 | |
| 19 | 95807-06020 | BOLT, FLANGE | 2 | 2 | |
| 20 | 95707-06500 | NUT, FLANGE | 2 | 2 | |
| 21 | 90480-11005 | GROMMET | 1 | 1 | |
| 22 | 90464-13249 | CLAMP | 1 | 1 | |
| 23 | 5VK-81950-30 | RELAY ASSY | 1 | 1 | |
| 24 | 5EA-81950-20 | RELAY ASSY | 2 | 2 | |
| 25 | 5EA-81952-00 | .HOLDER, RELAY | 1 | 1 | |
| 26 | 5PS-82576-01 | LEAN ANGLE SENSOR | 1 | 1 | |
| 27 | 91317-04025 | BOLT | 2 | 2 | |

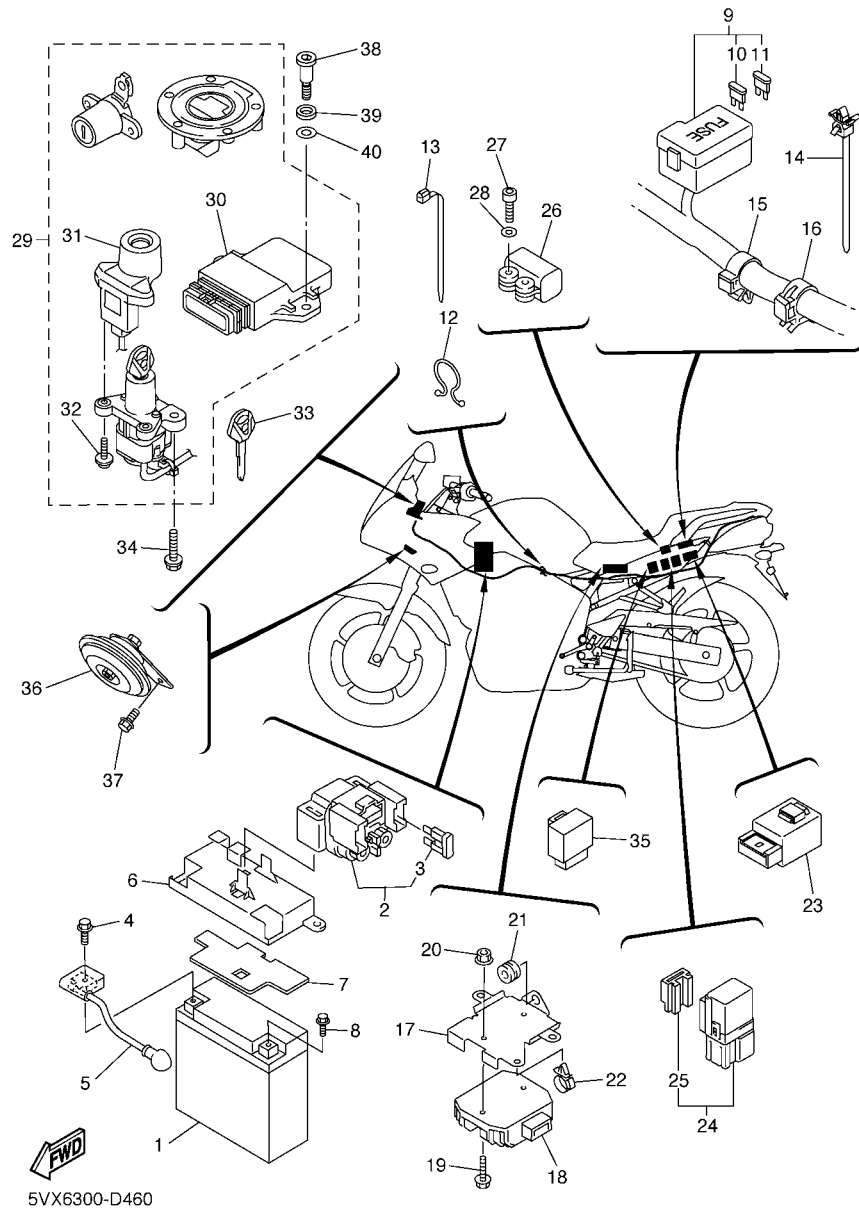


FIG. 46 ELECTRICAL 2

| REF. NO. | PART NO. | DESCRIPTION | 5VXB | 5VXC | REMARKS |
|----------|--------------|---------------------------|------|------|---------|
| | | | | | |
| 28 | 90201-047A2 | WASHER, PLATE | 2 | 2 | |
| 29 | 5VX-W8250-01 | MAIN SW. IMMOBILIZER KIT | 1 | 1 | |
| 30 | 5VX-8591A-00 | .ENGINE CONTROL UNIT ASSY | 1 | 1 | |
| 31 | 5VX-8255P-00 | .IMMOBILIZER. UNIT COMP. | 1 | 1 | |
| 32 | 5SL-82113-00 | .SCREW | 2 | 2 | |
| 33 | 5SL-82511-08 | BLANK KEY | 1 | 1 | AP |
| 34 | 90109-080G5 | BOLT | 2 | 2 | |
| 35 | 3XV-83350-21 | FLASHER RELAY ASSY | 1 | 1 | |
| 36 | 5VX-83371-01 | HORN | 1 | 1 | |
| 37 | 95807-06010 | BOLT, FLANGE | 1 | 1 | |
| 38 | 90109-06055 | BOLT | 2 | 2 | |
| 39 | 5VX-21778-00 | DAMPER, LOCATING 1 | 2 | 2 | |
| 40 | 90202-08205 | WASHER, PLATE | 2 | 2 | |

NUMERICAL INDEX

| PART NO. | GRID NO. | PART NO. | GRID NO. | PART NO. | GRID NO. | PART NO. | GRID NO. | PART NO. | GRID NO. | PART NO. | GRID NO. |
|--------------|----------|--------------|----------|--------------|----------|--------------|----------|--------------|----------|--------------|----------|
| 5VX-11101-01 | B - 2 | 1HX-12168-U1 | B - 4 | 5VX-12578-00 | B - 8 | 5VX-14421-00 | B - 12 | 5VX-15463-00 | C - 7 | 5VX-18540-00 | C - 13 |
| 4KG-1111G-00 | B - 2 | 1HX-12168-W1 | B - 4 | 4NK-12579-00 | B - 7 | 5CA-14435-00 | B - 12 | 5VX-15484-00 | F - 2 | 136-18542-00 | C - 13 |
| 5EB-11133-10 | B - 2 | 1HX-12168-Y1 | B - 4 | 5VX-12579-00 | B - 8 | 5VX-14451-00 | B - 12 | 5SL-15512-00 | C - 8 | 5VX-21110-08 | D - 2 |
| 5SL-11165-00 | C - 4 | 1HX-12169-11 | B - 4 | 5VX-12581-00 | B - 7 | 5VX-14452-00 | B - 12 | 5MT-15515-00 | C - 8 | 5VX-21110-18 | D - 2 |
| 5VX-11181-00 | B - 2 | 1HX-12169-31 | B - 4 | 5SL-12588-01 | B - 7 | 5VX-14453-00 | B - 12 | 5EB-15521-00 | C - 8 | 5VX-2117B-31 | D - 3 |
| 5VX-11191-00 | B - 2 | 1HX-12169-50 | B - 5 | 5VX-12589-00 | B - 9 | 5VX-14463-00 | B - 12 | 5SL-15590-00 | C - 8 | 5VX-2117B-41 | D - 3 |
| 5SL-11193-00 | B - 2 | 1HX-12169-70 | B - 5 | 5EB-12822-00 | B - 11 | 5VX-14503-00 | B - 14 | 5VX-16150-00 | C - 9 | 5VX-2117B-A1 | D - 3 |
| 214-11198-01 | B - 11 | 1HX-12169-90 | B - 5 | 5VX-13160-00 | B - 14 | 5VX-14565-00 | B - 13 | 5EB-16154-00 | C - 9 | 5PW-2117K-00 | E - 2 |
| 5SL-11411-00 | B - 3 | 1HX-12169-E0 | B - 5 | 5EB-13161-00 | B - 10 | 5VX-14602-00 | C - 2 | 1AE-16164-00 | C - 9 | 5VX-2117M-01 | D - 3 |
| 5EB-11416-00 | B - 3 | 1HX-12169-G0 | B - 5 | 5EB-1316E-00 | B - 10 | 3YF-14613-01 | C - 2 | 4FN-16321-00 | C - 9 | 5VX-21190-08 | D - 2 |
| 5EB-11416-10 | B - 3 | 1HX-12169-J0 | B - 5 | 5MT-13300-00 | B - 10 | 5VX-1467K-00 | C - 2 | 4H7-16321-02 | C - 9 | 5VX-21228-00 | D - 7 |
| 5EB-11416-20 | B - 3 | 1HX-12169-L0 | B - 5 | 5SL-13410-00 | B - 10 | 5VX-14708-10 | C - 2 | 168-16324-00 | C - 9 | 5VX-21238-00 | D - 2 |
| 5EB-11416-30 | B - 3 | 1HX-12169-N0 | B - 5 | 5VX-13414-00 | B - 11 | 5VX-14710-00 | C - 2 | 3J2-16324-00 | C - 9 | 5VX-21239-00 | D - 3 |
| 5EB-11416-A0 | B - 3 | 1HX-12169-T0 | B - 5 | 5EB-13415-00 | B - 10 | 3XW-14714-00 | C - 2 | 5VX-16321-00 | C - 9 | 5VX-21249-00 | D - 3 |
| 5SL-11603-00 | B - 3 | 5VX-12170-00 | B - 6 | 5JW-13416-00 | B - 10 | 5EB-14714-01 | C - 2 | 132-16346-00 | C - 14 | 5VX-2124E-00 | F - 10 |
| 5SL-11631-00 | B - 3 | 5VX-12176-00 | B - 6 | 5VX-13417-00 | B - 11 | 5JW-14723-00 | B - 15 | 5EB-16351-01 | C - 9 | 5VX-21268-00 | D - 2 |
| 5EB-11633-00 | B - 3 | 5VX-12180-00 | B - 6 | 5VX-13418-00 | C - 4 | 5VX-14740-00 | C - 2 | 5EB-16356-01 | C - 9 | 5VX-21269-00 | D - 3 |
| 5VX-11650-00 | B - 3 | 5SL-12210-10 | B - 6 | 5GH-13440-10 | B - 11 | 4FB-14766-00 | C - 2 | 5VX-16371-00 | C - 9 | 5VX-21279-00 | D - 2 |
| 5VX-11654-00 | B - 3 | 4FM-12213-00 | B - 6 | 5EB-13470-00 | B - 11 | 5VX-14807-00 | B - 14 | 5VX-16382-00 | C - 9 | 5VX-21289-00 | D - 2 |
| 5VX-11656-00 | B - 3 | 5SL-12214-00 | B - 6 | 5JW-13473-00 | B - 11 | 5SL-1482K-00 | B - 2 | 5SL-17121-00 | C - 11 | 5VX-2128A-00 | F - 10 |
| 5VX-11656-10 | B - 3 | 5EL-12228-00 | B - 6 | 5EB-13475-00 | B - 11 | 5VX-14840-00 | B - 15 | 5VX-17131-20 | C - 11 | 5VX-2135F-00 | D - 3 |
| 5VX-11656-20 | B - 3 | 5BE-12241-00 | B - 2 | 3KS-13490-00 | B - 11 | 5VX-14881-00 | B - 15 | 5VX-17151-00 | C - 11 | 5VX-2139B-00 | D - 2 |
| 5VX-11656-30 | B - 3 | 5EB-12251-00 | B - 6 | 5VX-13533-00 | B - 14 | 5VX-14882-00 | B - 15 | 5SL-17161-00 | C - 11 | 5VX-2139R-00 | D - 3 |
| 5SL-12111-10 | B - 4 | 5EB-12252-10 | B - 6 | 68V-13533-00 | B - 13 | 5VX-14883-00 | B - 15 | 5SL-17211-00 | C - 12 | 5VX-2139W-00 | D - 3 |
| 5EB-12113-00 | B - 4 | 5VX-12405-00 | B - 8 | 5VX-13569-01 | F - 7 | 5SL-14890-00 | B - 2 | 5VX-17221-00 | C - 11 | 5VX-2140A-00 | D - 2 |
| 5EB-12114-00 | B - 4 | 5VX-1240J-00 | B - 8 | 5SL-13586-01 | B - 12 | 5SL-14899-00 | B - 2 | 5SL-17231-00 | C - 12 | 5VX-21446-00 | C - 2 |
| 5SL-12116-00 | B - 4 | 5SL-12410-00 | B - 8 | 5SL-13596-01 | B - 12 | 3UH-14937-00 | B - 13 | 5SL-17241-00 | C - 11 | 5VX-21446-10 | C - 3 |
| 5EB-12117-00 | B - 4 | 5VX-12413-00 | B - 8 | 5VX-13750-02 | B - 13 | 5VX-14987-00 | B - 13 | 5VX-17251-00 | C - 12 | 5VX-2144G-00 | E - 11 |
| 1HX-12118-00 | B - 4 | 5VX-12421-00 | B - 7 | 5VX-13761-00 | B - 13 | 5VX-15100-00 | C - 4 | 5VX-17261-00 | C - 11 | 5VX-21511-10 | D - 4 |
| 4TV-12119-00 | B - 4 | 5VX-12422-00 | B - 7 | 5EB-13898-00 | B - 10 | 11H-15138-00 | B - 2 | 5SL-17411-00 | C - 11 | 5PA-21568-00 | D - 15 |
| 5SL-12121-10 | B - 4 | 1KT-12437-00 | B - 8 | 5VX-13907-01 | D - 14 | 5EB-15155-00 | C - 4 | 5SL-17421-00 | C - 11 | 5VX-21575-00 | D - 4 |
| 5EB-12124-01 | B - 4 | 11H-12438-10 | B - 7 | 5VX-13971-00 | D - 14 | 5EB-15163-01 | C - 11 | 278-17424-01 | C - 12 | 5VX-2161G-00 | D - 5 |
| 5EB-12126-00 | B - 4 | 5EB-12439-00 | B - 7 | 5JW-14104-00 | B - 13 | 36Y-15189-00 | C - 4 | 5VX-17460-00 | C - 12 | 5VX-21621-00 | D - 5 |
| 5EB-12127-00 | B - 4 | 5VX-1243A-00 | B - 9 | 5VX-1410E-00 | B - 13 | 5SL-15189-00 | C - 4 | 5VX-18101-11 | C - 14 | 5VX-21621-10 | D - 5 |
| 5EB-12153-09 | B - 5 | 5VX-1243E-00 | B - 14 | 4KM-14137-00 | B - 13 | 3F9-15362-00 | C - 6 | 5VX-18110-00 | C - 14 | 5VX-21629-00 | D - 5 |
| 5EB-12153-20 | B - 5 | 5VX-1244E-00 | B - 8 | 3H1-14147-00 | B - 13 | 5EB-15362-00 | C - 4 | 5VX-18112-01 | C - 14 | 5VX-21637-00 | F - 7 |
| 5EB-12153-30 | B - 5 | 5VX-1244G-00 | B - 9 | 5PS-14147-00 | B - 13 | 5VX-15373-00 | B - 12 | 5EB-18113-00 | C - 14 | 5VX-21639-00 | D - 4 |
| 1HX-12168-00 | B - 4 | 5EB-12450-00 | B - 7 | 5VX-14148-01 | B - 12 | 5VX-15411-00 | C - 6 | | E - 13 | 5VX-2163A-00 | D - 8 |
| 1HX-12168-20 | B - 4 | 5VX-12461-00 | B - 8 | 5VX-14149-00 | B - 13 | 5VX-15413-01 | C - 4 | 5VX-18115-01 | C - 14 | 5VX-2164F-00 | D - 6 |
| 1HX-12168-40 | B - 4 | 4FL-12462-00 | B - 8 | 8CC-14216-10 | B - 13 | 5VX-15416-00 | C - 6 | 5VX-18116-00 | C - 14 | 5VX-2164H-00 | D - 5 |
| 1HX-12168-60 | B - 4 | 5VX-12467-00 | B - 8 | 3XV-14251-00 | B - 13 | 5VX-15418-00 | C - 6 | 5SL-18127-00 | C - 14 | 5VX-2164J-00 | D - 5 |
| 1HX-12168-80 | B - 4 | 5EB-12469-00 | B - 7 | 5PW-14251-00 | B - 13 | 5VX-15421-00 | C - 6 | 5VX-18140-00 | C - 14 | 5VX-21650-00 | D - 9 |
| 1HX-12168-A0 | B - 4 | 5GV-1246A-00 | B - 7 | 5VX-14348-00 | B - 13 | 5VX-15425-00 | C - 6 | 5VX-18154-00 | C - 14 | 5VX-21651-00 | D - 4 |
| 1HX-12168-F0 | B - 4 | 5GV-1246E-00 | B - 7 | 5FL-14348-10 | B - 13 | 5VX-15441-00 | C - 7 | 5SL-18511-00 | C - 13 | 5VX-21665-00 | D - 5 |
| 1HX-12168-H1 | B - 4 | | B - 8 | 5VX-14349-00 | B - 14 | 5VX-15451-00 | C - 6 | 5MT-18512-00 | C - 13 | 3XW-21668-A0 | D - 9 |
| 1HX-12168-K1 | B - 4 | 5VX-12491-00 | B - 9 | 5VX-14396-00 | B - 13 | 5SL-15456-00 | C - 6 | 5EB-18513-00 | C - 13 | 5VX-21669-00 | D - 4 |
| 1HX-12168-M1 | B - 4 | 1AA-12535-00 | B - 8 | 5VX-14409-00 | B - 12 | 5SL-15461-00 | C - 6 | 4XV-18531-00 | C - 13 | 5VX-21710-10 | D - 7 |
| 1HX-12168-R1 | B - 4 | 5EB-12577-01 | B - 7 | 5VX-14411-00 | B - 12 | 5SL-15462-00 | C - 4 | 5EB-18536-00 | C - 13 | 1J7-21717-00 | E - 14 |

NUMERICAL INDEX

| PART NO. | GRID NO. | PART NO. | GRID NO. | PART NO. | GRID NO. | PART NO. | GRID NO. | PART NO. | GRID NO. | PART NO. | GRID NO. |
|--------------|----------|-----------------|----------|--------------|----------|-----------------|----------|--------------|----------|--------------|----------|
| 1FK-2171M-00 | E - 15 | 5VX-23377-00 | D - 11 | 5VX-2580T-00 | E - 4 | 5VX-26312-00 | E - 8 | 5VX-81410-00 | F - 2 | 5VX-83330-00 | F - 4 |
| 5VX-21720-10 | D - 7 | 5VX-23389-00 | D - 11 | 5VX-2580U-00 | E - 4 | 5VX-26332-00 | E - 9 | 5VX-81450-00 | F - 2 | 5PW-8333A-00 | F - 4 |
| 5VX-21732-00 | D - 4 | 5VX-23415-00 | D - 11 | 5VX-2580W-00 | E - 7 | 5VX-26335-00 | E - 8 | 5VX-81670-00 | F - 9 | 5VX-83340-00 | F - 4 |
| 5VX-21735-01 | D - 4 | 26H-23418-01 | D - 11 | 5VX-2581K-01 | E - 13 | 5VX-27111-03 | E - 10 | 5VX-81673-00 | F - 9 | 5PW-8334A-00 | F - 4 |
| 5VX-2173M-00 | D - 7 | 5VX-23435-00 | D - 11 | 5VX-2581T-01 | E - 4 | 5VX-27113-00 | E - 10 | 4WP-81801-00 | F - 3 | 3XV-83350-21 | F - 11 |
| 5VX-2173N-01 | D - 5 | 4H7-23441-01-35 | D - 11 | 5SL-25827-00 | E - 7 | 371-27114-00 | E - 2 | 5VX-81815-00 | F - 3 | 5VX-83371-01 | F - 11 |
| 5VX-2174X-00 | D - 7 | 3FV-23462-00 | D - 13 | 5SL-25827-10 | E - 7 | 4GL-27114-00 | E - 10 | 4WP-81826-00 | F - 3 | 5VX-83500-00 | F - 5 |
| 5VX-2174Y-00 | D - 7 | 5VX-2411B-00 | D - 14 | 5SL-25828-00 | E - 7 | 5VX-27114-00 | C - 14 | 4XV-8182A-00 | F - 3 | 5VX-83500-10 | F - 5 |
| 5VX-21778-00 | F - 11 | 5VX-24141-00 | D - 15 | 5VX-2582A-00 | E - 13 | | E - 11 | 4WP-81844-00 | F - 3 | 5EB-83755-01 | F - 9 |
| 5VX-21779-00 | D - 7 | 5EJ-2414H-00 | B - 12 | 5VX-2582W-00 | E - 7 | 5VX-27115-00 | E - 10 | 1FK-81847-00 | F - 3 | 5EB-83912-02 | F - 8 |
| 5VX-2177F-00 | D - 8 | | D - 2 | 5SL-25838-00 | E - 7 | 5VX-27151-02 | E - 10 | 5EB-81890-00 | F - 3 | 5JJ-83913-00 | F - 8 |
| 5VX-2177G-00 | D - 2 | 3ME-2415E-01 | D - 15 | 5VX-2583V-00 | E - 13 | 5VX-27152-02 | E - 10 | 4BH-81940-02 | F - 10 | 5VS-83922-00 | E - 9 |
| 5VX-21781-60 | D - 8 | 5VX-24181-00 | D - 14 | 5SL-25852-00 | E - 13 | 5VX-27200-00 | E - 13 | 5EA-81950-20 | F - 10 | 437-83936-01 | F - 8 |
| 5VX-21781-70 | D - 8 | 5VX-24183-00 | D - 14 | 5VS-25852-00 | E - 9 | 5VX-27212-00 | E - 13 | 5VK-81950-30 | F - 10 | 4XV-83945-00 | F - 8 |
| 5VX-21816-00 | D - 7 | 5VX-24191-00 | D - 14 | 5SL-25854-00 | E - 13 | 4BP-27222-01 | E - 13 | 5EA-81952-00 | F - 10 | 5LV-83951-00 | F - 8 |
| 26H-21828-00 | D - 7 | 5PW-24192-00 | D - 14 | 5VS-25854-00 | E - 9 | 5VX-27311-01 | E - 10 | 5VX-81960-00 | F - 10 | 5VX-83969-00 | F - 8 |
| 5VX-21843-00 | D - 7 | 68V-24376-00 | B - 13 | 5SL-25855-00 | E - 13 | 5VX-27315-00 | E - 10 | 4TX-82100-02 | F - 10 | 5VX-83975-00 | F - 8 |
| 5VX-21871-00 | D - 7 | 3YJ-24481-00 | D - 2 | 5VS-25855-00 | E - 9 | 5VX-27321-02 | E - 10 | 5SL-82113-00 | F - 11 | 4HM-83980-00 | E - 9 |
| 5VX-21873-00 | D - 7 | 5JW-24486-00 | D - 14 | 4BP-2585F-00 | E - 13 | 5VX-27351-00 | E - 10 | 5VX-82115-00 | F - 10 | 5VX-84310-00 | F - 6 |
| 5VX-21875-00 | D - 7 | 5SL-24491-00 | D - 14 | 3LN-2585G-00 | E - 13 | 3YX-27413-00 | E - 10 | 5VX-82116-00 | F - 9 | 5VX-84310-10 | F - 6 |
| 5VX-22110-10 | D - 9 | 5JJ-24602-00 | D - 14 | 5VS-25867-00 | E - 9 | 4XV-27424-00 | C - 2 | 5VX-82122-00 | D - 2 | 5VX-84312-00 | F - 6 |
| 5JJ-22128-00 | D - 9 | 5VX-24711-00 | E - 2 | 5VX-25872-00 | E - 9 | 5VX-27424-00 | C - 14 | 5VX-82123-00 | F - 10 | 4SV-84314-00 | F - 6 |
| 4FN-22141-00 | D - 9 | 5VX-24724-00 | E - 2 | 5VX-25875-00 | E - 9 | | E - 11 | 122-82131-00 | D - 5 | 8G9-84314-00 | F - 6 |
| 5VX-22151-00 | D - 9 | 4NK-24728-00 | E - 2 | 5SL-25876-00 | E - 9 | 3VR-27431-01 | E - 11 | 3TJ-82131-00 | D - 5 | 4SV-84347-00 | F - 6 |
| 5EB-22184-00 | D - 9 | 5VX-24730-02 | E - 2 | 5VX-2587A-00 | E - 11 | 4BP-27434-01 | C - 14 | 1AE-82151-00 | F - 10 | 4SV-84350-00 | F - 6 |
| 5VX-22210-00 | D - 10 | 5VX-24773-00-P4 | D - 4 | 5SL-25894-00 | E - 13 | 5VX-27437-00 | E - 12 | 5JJ-82151-20 | F - 10 | 5VX-84359-00 | F - 6 |
| 34L-22216-00 | D - 10 | 5VX-24773-00-P5 | D - 4 | 5VX-25895-00 | E - 13 | 3VR-27441-01 | E - 11 | 5JJ-82151-30 | F - 10 | 5VX-84359-10 | F - 6 |
| 5VX-22836-00 | D - 8 | 4BP-24780-00 | E - 2 | 5VS-2589F-00 | E - 9 | 5VX-27442-10 | C - 14 | 5VX-82310-00 | F - 9 | 5LV-84397-00 | F - 6 |
| 5VX-23102-00 | D - 12 | 5VX-2478E-00 | E - 2 | 5VS-2589H-00 | E - 9 | 5VX-27443-10 | E - 11 | 5VX-82320-00 | F - 9 | 5VX-84710-00 | F - 7 |
| 5VX-23103-01 | D - 12 | 4BP-24792-00 | E - 2 | 5SL-25914-00 | E - 7 | 5VX-27445-00 | C - 14 | 5VX-82370-00 | F - 9 | 137-84714-60 | F - 7 |
| 5VX-23110-00 | D - 12 | 4XV-25117-00 | E - 3 | 5JW-25914-10 | E - 4 | 5VX-27446-00 | E - 11 | 5VX-82380-00 | B - 13 | 5VX-84735-00 | F - 7 |
| 4TX-23115-00 | D - 12 | 5SL-25168-00-98 | E - 3 | 5DH-25916-00 | E - 7 | 4BH-27451-01 | E - 10 | 5VX-82386-00 | B - 14 | 4HC-84744-00 | F - 7 |
| 5VX-23118-00 | D - 12 | 4XV-25181-00 | E - 3 | 3JD-25917-00 | E - 7 | 4BH-27461-01 | E - 11 | 5SL-82511-08 | F - 11 | 5VX-84745-01 | F - 7 |
| 5VX-2311H-00 | D - 12 | 4XV-25317-00 | E - 5 | 5SL-25917-00 | E - 7 | 5VX-28100-00 | D - 5 | 5VX-82530-00 | F - 9 | 5SL-85110-00 | D - 5 |
| 4KM-23123-01 | D - 13 | 5SL-25338-00-98 | E - 5 | 4BP-25919-00 | E - 4 | 31A-28217-00 | D - 4 | 3GB-82540-01 | F - 9 | 3Y6-85130-02 | D - 5 |
| 4TX-23125-A0 | D - 12 | 5VX-25364-00 | E - 5 | 5SL-25919-00 | E - 7 | 5VX-2830C-00-P3 | E - 14 | 5VX-82541-00 | F - 9 | 5VX-85720-01 | F - 9 |
| 5VX-23126-00 | D - 12 | 5SL-25366-00 | E - 5 | 5VX-25921-50 | E - 7 | 5VX-2830C-00-P4 | E - 14 | 5VX-8255P-00 | F - 11 | 8CC-85790-01 | F - 9 |
| 4TX-23135-A0 | D - 12 | 5VX-25381-00 | E - 6 | 8CR-25924-00 | E - 7 | 5VX-2830D-00-P3 | E - 14 | 5VS-82566-60 | F - 9 | 5FL-85885-02 | B - 13 |
| 5VX-23136-01 | D - 12 | 5SL-25383-00 | E - 5 | 5SL-25926-00 | E - 7 | 5VX-2830D-00-P4 | E - 14 | 5PS-82576-01 | F - 10 | 5CA-85886-00 | B - 12 |
| 5VX-23141-00 | D - 12 | 5VX-25388-01 | E - 5 | 3YX-25929-00 | E - 4 | 5VX-28356-00 | E - 14 | 5VX-82590-00 | F - 10 | 5VX-8591A-00 | F - 11 |
| 4TX-23144-00 | D - 12 | 2GH-25389-00 | E - 5 | 4TT-25937-00 | E - 4 | 5VX-2835G-10 | E - 14 | 1UA-82591-00 | E - 9 | 5VX-88158-00 | D - 4 |
| 5VX-23145-00 | D - 12 | 5MT-25398-00 | E - 3 | 5VX-26111-00 | E - 8 | 5VX-2836A-01 | E - 15 | | F - 8 | 5VS-W0041-00 | E - 9 |
| 4TX-23151-00 | D - 12 | | E - 5 | 4YR-26240-02 | E - 8 | 5VX-2836E-01 | E - 15 | 5VX-82910-00 | F - 8 | 5VX-W0042-50 | E - 13 |
| 4TX-23156-00 | D - 12 | 5MT-25398-10 | E - 3 | 4YR-26241-02 | E - 8 | 5VX-2836K-10 | E - 14 | 3YX-82917-01 | F - 8 | 5VX-W0045-00 | E - 4 |
| 5VX-23170-00 | D - 12 | | E - 5 | 51J-26246-01 | E - 8 | 5VX-2836L-10 | E - 14 | 5PW-83310-01 | F - 4 | 5VX-W0046-00 | E - 7 |
| 4TX-23173-00 | D - 12 | 5MT-25398-20 | E - 3 | 5VX-26280-00 | E - 15 | 5VX-28376-00 | E - 14 | 1KH-83311-00 | F - 4 | 4FU-W0047-00 | E - 4 |
| 4TX-2331G-00 | D - 12 | | E - 5 | 5VX-26290-00 | E - 15 | 5VX-28381-00 | E - 14 | 5PW-83318-00 | F - 4 | 5SL-W0047-00 | E - 7 |
| 5VX-23340-00 | D - 13 | 5VX-25446-00 | E - 5 | 5VX-26311-00 | E - 8 | 5VX-28381-30 | E - 14 | 5PW-83320-01 | F - 4 | 1UY-W0048-00 | E - 7 |

NUMERICAL INDEX

| PART NO. | GRID NO. | PART NO. | GRID NO. | PART NO. | GRID NO. | PART NO. | GRID NO. | PART NO. | GRID NO. | PART NO. | GRID NO. |
|-----------------|----------|-------------|----------|-------------|----------|-------------|----------|-------------|----------|-------------|----------|
| 51L-W0048-00 | E - 4 | 90110-06200 | E - 14 | 90183-06053 | E - 14 | 90209-22352 | C - 11 | 90401-10159 | E - 13 | 90467-11090 | B - 9 |
| 5KS-W0057-00 | E - 4 | 90110-08220 | E - 11 | 90183-060A1 | D - 2 | 90209-25342 | C - 11 | 90401-20145 | B - 11 | | B - 14 |
| 5SL-W0057-00 | E - 7 | 90110-10010 | E - 10 | 90185-10002 | D - 2 | 90209-25349 | C - 11 | 90430-06014 | B - 7 | 90467-14015 | B - 12 |
| 2TV-W2470-00 | E - 2 | 90110-10N52 | D - 12 | 90185-10009 | E - 5 | 90209-25350 | C - 11 | 90430-08119 | B - 2 | 90467-15054 | B - 12 |
| 5VS-W2587-00 | E - 9 | 90111-05003 | C - 15 | 90185-10037 | E - 10 | 90215-20004 | C - 9 | 90430-08143 | C - 6 | 90467-17003 | B - 15 |
| 5VX-W8250-01 | F - 11 | | E - 11 | 90185-18104 | D - 9 | 90215-21290 | C - 12 | 90430-09002 | B - 13 | 90467-17089 | B - 12 |
| 5VX-Y2410-30-06 | D - 14 | 90111-05007 | E - 11 | 90185-24165 | E - 5 | 90240-08063 | E - 12 | 90430-10148 | F - 9 | | B - 15 |
| 5VX-Y2410-30-07 | D - 14 | 90111-06019 | C - 15 | 90201-047A2 | F - 11 | 90240-08124 | E - 13 | 90430-10171 | D - 12 | 90467-17128 | B - 15 |
| 90105-06006 | C - 4 | 90111-06031 | B - 8 | 90201-05725 | D - 5 | 90269-05049 | E - 14 | 90445-08018 | D - 7 | 90467-200A0 | B - 9 |
| 90105-06027 | B - 2 | 90116-10485 | E - 5 | 90201-06055 | D - 3 | 90269-06010 | F - 9 | 90445-10032 | D - 14 | 90480-01558 | D - 7 |
| 90105-06053 | B - 7 | 90119-06038 | B - 8 | 90201-06071 | F - 7 | 90269-08001 | D - 9 | 90445-10033 | D - 14 | 90480-10332 | C - 2 |
| 90105-06557 | B - 8 | 90119-06044 | E - 13 | 90201-06380 | F - 5 | 90269-08066 | D - 3 | 90445-11795 | B - 12 | 90480-11005 | F - 10 |
| | D - 3 | 90119-06062 | D - 14 | 90201-08083 | E - 13 | 90338-06004 | D - 11 | 90445-170K9 | E - 10 | 90480-12006 | C - 2 |
| | F - 9 | 90119-06096 | D - 9 | 90201-08612 | C - 2 | 90338-06018 | E - 2 | 90450-22017 | B - 7 | 90480-12072 | D - 4 |
| 90105-07004 | B - 6 | 90119-06117 | D - 7 | 90201-086A3 | C - 2 | 90338-08174 | B - 12 | | B - 9 | 90480-12237 | D - 3 |
| 90105-08386 | F - 9 | | D - 9 | 90201-086P8 | C - 3 | 90338-21145 | D - 2 | 90450-32001 | B - 7 | 90480-12314 | B - 12 |
| 90105-086A9 | C - 4 | 90119-08081 | E - 14 | 90201-08753 | F - 9 | 90340-14132 | B - 11 | | B - 9 | 90480-13163 | D - 7 |
| 90105-087A0 | C - 4 | 90119-10003 | B - 2 | 90201-08784 | C - 14 | 90340-20090 | B - 2 | 90450-35001 | B - 7 | 90480-13398 | D - 4 |
| 90105-10032 | D - 2 | 90149-06019 | F - 2 | 90201-087K3 | C - 4 | 90340-32116 | C - 6 | | B - 8 | 90480-14229 | E - 14 |
| 90105-10088 | E - 10 | 90149-06020 | C - 4 | 90201-10020 | D - 2 | 90383-14001 | E - 11 | 90450-38040 | B - 7 | 90480-14585 | E - 14 |
| 90105-10090 | E - 10 | 90149-06250 | F - 2 | 90201-10021 | E - 5 | 90387-06068 | D - 14 | 90450-53002 | B - 12 | 90480-15005 | D - 14 |
| 90105-10323 | D - 10 | 90149-06308 | E - 2 | 90201-10118 | E - 9 | 90387-06073 | B - 12 | 90450-63003 | B - 12 | 90480-15363 | B - 8 |
| 90105-10638 | E - 4 | 90149-08003 | F - 2 | | E - 13 | 90387-06075 | D - 5 | 90464-12089 | F - 10 | 90480-18276 | F - 7 |
| 90105-10N53 | D - 2 | 90149-10006 | D - 2 | 90201-10119 | C - 9 | 90387-06078 | D - 3 | 90464-13077 | F - 10 | 90501-064L1 | C - 13 |
| 90105-126A8 | F - 2 | 90149-10012 | D - 2 | 90201-101J1 | D - 10 | 90387-0614M | B - 8 | 90464-13249 | F - 10 | 90501-12743 | E - 12 |
| 90109-06031 | B - 10 | 90150-04041 | D - 5 | 90201-12008 | F - 2 | 90387-061N6 | C - 2 | 90464-14002 | D - 4 | 90501-225A9 | C - 9 |
| 90109-06055 | F - 11 | 90150-05023 | E - 14 | 90201-12013 | C - 14 | 90387-061W6 | D - 14 | 90464-14058 | F - 10 | 90506-14003 | C - 14 |
| 90109-06060 | D - 2 | 90151-06008 | C - 11 | 90201-12021 | E - 10 | 90387-06372 | C - 15 | 90464-15157 | D - 3 | 90506-20223 | E - 13 |
| 90109-064G6 | E - 4 | 90154-05042 | F - 5 | 90201-12790 | F - 9 | | D - 9 | 90464-15192 | F - 10 | 90506-23007 | E - 10 |
| 90109-065G3 | C - 4 | 90154-06061 | D - 4 | 90201-14215 | E - 13 | 90387-064J1 | D - 4 | 90464-16005 | D - 14 | 90506-26008 | E - 10 |
| 90109-066F0 | B - 2 | 90157-05079 | E - 10 | 90201-15013 | C - 10 | | D - 7 | 90464-16006 | D - 8 | 90506-50001 | E - 10 |
| 90109-067F4 | D - 3 | 90159-06002 | C - 9 | 90201-154E8 | C - 14 | | D - 9 | | E - 15 | 90508-18016 | C - 10 |
| 90109-08045 | E - 7 | 90164-05014 | F - 6 | 90201-177G4 | C - 14 | 90387-065J6 | D - 4 | | F - 10 | 90508-20572 | E - 10 |
| 90109-080G5 | F - 11 | 90170-06228 | C - 14 | 90201-186M4 | D - 9 | 90387-066H4 | B - 8 | 90464-16061 | E - 2 | 90508-295B2 | C - 14 |
| 90109-082A1 | C - 2 | 90170-08010 | E - 13 | 90201-20278 | C - 12 | 90387-082W9 | C - 2 | 90464-18002 | D - 4 | 90560-06201 | D - 7 |
| 90109-083E2 | E - 11 | 90170-20008 | C - 9 | 90201-220T0 | D - 11 | 90387-09003 | D - 4 | 90464-18029 | D - 5 | 91314-06020 | C - 6 |
| 90109-10011 | E - 10 | 90176-05001 | E - 11 | 90201-231E1 | D - 12 | 90387-1012B | D - 10 | | F - 6 | 91314-06025 | B - 6 |
| 90109-10654 | D - 10 | 90176-22081 | D - 11 | 90201-25015 | E - 5 | 90387-127V3 | C - 14 | 90464-20181 | D - 7 | | C - 4 |
| 90110-05014 | D - 14 | 90179-05523 | E - 14 | 90201-255A6 | C - 9 | 90387-22002 | E - 3 | 90464-54086 | E - 14 | | C - 6 |
| 90110-05112 | D - 14 | | F - 5 | 90201-28014 | E - 6 | 90387-2202V | C - 12 | 90465-08045 | C - 6 | 91314-06030 | C - 6 |
| 90110-05201 | E - 14 | 90179-06403 | D - 4 | 90202-06170 | E - 14 | 90387-25010 | C - 9 | 90465-10030 | B - 11 | 91314-06060 | B - 2 |
| 90110-06018 | C - 13 | 90179-08410 | C - 2 | 90202-08205 | F - 11 | 90387-2504A | C - 11 | 90465-10035 | C - 6 | 91314-08030 | D - 11 |
| 90110-06020 | B - 11 | 90179-18005 | C - 12 | 90202-24190 | D - 11 | 90387-2513E | C - 11 | 90465-13152 | D - 4 | 91314-08045 | D - 13 |
| 90110-06022 | C - 6 | 90179-25033 | D - 11 | 90202-26142 | D - 11 | 90387-253M6 | C - 11 | 90465-14011 | C - 6 | 91314-10050 | D - 2 |
| 90110-06041 | B - 10 | 90183-05061 | D - 4 | 90206-12074 | C - 14 | 90387-28001 | E - 5 | 90467-08075 | D - 7 | 91317-04025 | F - 10 |
| | C - 4 | | F - 7 | 90209-08295 | E - 11 | 90387-2813C | C - 11 | 90467-090A1 | E - 13 | 91317-05010 | D - 14 |
| 90110-06079 | D - 14 | 90183-05074 | E - 14 | 90209-21332 | C - 11 | 90387-2813D | C - 11 | 90467-10008 | D - 14 | 91317-06016 | F - 9 |
| 90110-06086 | B - 7 | 90183-06053 | D - 2 | 90209-21351 | C - 11 | 90401-10159 | E - 9 | 90467-10041 | B - 12 | 91317-06020 | B - 2 |

NUMERICAL INDEX

| PART NO. | GRID NO. | PART NO. | GRID NO. | PART NO. | GRID NO. | PART NO. | GRID NO. | PART NO. | GRID NO. | PART NO. | GRID NO. |
|-------------|----------|-------------|----------|-------------|----------|-------------|----------|----------|----------|----------|----------|
| 91317-06020 | B - 12 | 93210-32172 | C - 6 | 95304-06700 | C - 14 | 97707-40012 | D - 5 | | | | |
| 91317-06025 | B - 11 | 93210-33133 | B - 7 | 95307-08600 | E - 6 | 97707-50012 | D - 4 | | | | |
| 91317-08030 | C - 2 | 93210-34504 | D - 12 | 95607-04100 | D - 5 | 97707-50016 | E - 14 | | | | |
| | D - 11 | 93210-47675 | B - 7 | 95607-05100 | C - 15 | | F - 5 | | | | |
| 91317-10025 | D - 13 | 93306-00106 | B - 7 | | D - 5 | | F - 6 | | | | |
| 91380-06012 | F - 9 | 93306-00304 | C - 9 | | E - 11 | 97707-50025 | B - 12 | | | | |
| 91401-20012 | E - 13 | 93306-00420 | E - 3 | 95607-05200 | F - 9 | 97707-60016 | F - 7 | | | | |
| 91401-25015 | E - 10 | 93306-20464 | C - 11 | 95607-06100 | F - 8 | 98502-04012 | E - 9 | | | | |
| 91701-08040 | E - 10 | 93306-20531 | E - 5 | 95607-06200 | E - 2 | 98507-04010 | F - 8 | | | | |
| 91808-17032 | B - 10 | 93306-30525 | C - 11 | 95607-10100 | D - 10 | 98507-05010 | B - 13 | | | | |
| 92014-06020 | E - 13 | 93306-30546 | C - 11 | 95607-10200 | D - 2 | 98507-05016 | B - 13 | | | | |
| 92014-08014 | C - 6 | 93310-340N8 | C - 9 | | D - 10 | 98507-05020 | F - 8 | | | | |
| 92014-08020 | E - 13 | 93315-31502 | C - 9 | 95617-06100 | E - 9 | 98507-05030 | F - 8 | | | | |
| 92017-05025 | F - 9 | 93315-31758 | D - 10 | 95617-08625 | B - 2 | 98507-05045 | F - 8 | | | | |
| 92017-06012 | D - 5 | 93315-42523 | D - 9 | 95707-05500 | D - 5 | 98507-06008 | E - 11 | | | | |
| 92017-06014 | D - 7 | 93317-11020 | C - 9 | 95707-06500 | E - 2 | 98507-06012 | B - 13 | | | | |
| 92017-06016 | D - 5 | 93317-11287 | C - 15 | | E - 15 | | C - 6 | | | | |
| 92017-06020 | D - 3 | 93317-43580 | E - 5 | | F - 10 | 98704-03020 | F - 8 | | | | |
| 92017-08045 | C - 3 | 93399-99931 | D - 11 | 95707-10500 | E - 10 | 98907-05008 | D - 14 | | | | |
| 92902-04100 | E - 9 | 93399-99932 | D - 13 | 95807-06010 | E - 9 | 98907-05012 | D - 4 | | | | |
| 92902-04600 | E - 9 | 93420-61M07 | E - 5 | | F - 11 | 98907-05014 | F - 7 | | | | |
| 92907-05100 | B - 13 | 93440-10153 | B - 2 | 95807-06012 | D - 11 | 98907-06012 | D - 4 | | | | |
| 92907-05600 | B - 8 | 93440-25186 | C - 11 | 95807-06016 | D - 7 | 98907-06020 | C - 2 | | | | |
| | B - 13 | 93440-28062 | C - 11 | 95807-06020 | F - 10 | 99001-07600 | C - 9 | | | | |
| 92907-06100 | B - 8 | 93450-17129 | B - 3 | 95807-06025 | D - 2 | 99009-10400 | C - 9 | | | | |
| 92907-06600 | B - 8 | 93501-04011 | E - 12 | 95814-08045 | C - 2 | 99009-12400 | B - 7 | | | | |
| | D - 9 | 93607-44190 | B - 6 | 95817-06045 | C - 4 | 99009-17400 | C - 14 | | | | |
| | D - 11 | 93608-17263 | C - 6 | 95817-06055 | C - 4 | 99530-08012 | B - 11 | | | | |
| 92907-08200 | E - 6 | 93900-00030 | E - 3 | 95817-06065 | C - 4 | | C - 6 | | | | |
| 92907-08600 | C - 9 | | E - 5 | 95817-06100 | C - 4 | 99530-10014 | C - 4 | | | | |
| 92990-05200 | C - 15 | 94112-17066 | E - 3 | 95817-08014 | C - 2 | 99530-10114 | B - 2 | | | | |
| | E - 11 | 94112-17067 | E - 3 | 95817-08035 | C - 2 | | | | | | |
| 93101-12004 | C - 15 | 94118-17041 | E - 5 | 95817-08065 | C - 4 | | | | | | |
| 93101-12173 | B - 7 | 94118-17053 | E - 5 | 95824-06012 | B - 9 | | | | | | |
| 93102-15212 | C - 9 | 94580-25080 | B - 10 | 95824-06020 | C - 14 | | | | | | |
| 93102-35423 | C - 12 | 94582-11118 | E - 5 | 95824-06030 | B - 8 | | | | | | |
| 93106-28043 | E - 3 | 94591-49120 | B - 6 | 95827-06010 | D - 7 | | | | | | |
| 93106-40013 | E - 5 | 94701-00403 | B - 2 | 95827-06016 | D - 5 | | | | | | |
| 93109-17071 | D - 10 | 95024-06020 | B - 7 | 95827-06090 | D - 14 | | | | | | |
| 93210-04092 | C - 4 | 95024-06025 | D - 4 | 95827-08012 | D - 5 | | | | | | |
| 93210-06667 | B - 10 | 95024-10020 | B - 9 | 95827-08025 | D - 4 | | | | | | |
| 93210-09165 | B - 10 | 95027-06008 | F - 10 | 97007-05012 | B - 8 | | | | | | |
| | C - 5 | 95027-06012 | D - 3 | 97007-06025 | D - 9 | | | | | | |
| 93210-14003 | B - 10 | 95027-06016 | F - 9 | 97017-06016 | D - 11 | | | | | | |
| 93210-14579 | C - 4 | 95027-06020 | F - 8 | 97307-06012 | B - 8 | | | | | | |
| 93210-15566 | B - 11 | 95027-06025 | E - 9 | 97607-05255 | F - 8 | | | | | | |
| 93210-16325 | C - 4 | 95027-06040 | F - 3 | 97706-04012 | F - 4 | | | | | | |
| 93210-27194 | C - 6 | 95027-08012 | B - 2 | | F - 7 | | | | | | |