

PARTS CATALOGUE

FZS1000 (5LVF)

FZS1000S (5LVN)

EUROPE,S.AFRICA

YAMAHA
GENUINE
Parts & Accessories

2B5LV-300E1

FZS1000/FZS1000S
PARTS CATALOGUE
©2002 by Yamaha Motor Co., Ltd.
1st Edition, July 2002
All rights reserved.
Any reprinting or unauthorized use
without the written permission of
Yamaha Motor Co., Ltd.
is expressly prohibited.

A3

FZS1000



FZS1000S



A4

FOREWORD

This Parts Catalogue is related to the parts for the model(s) in the below frame. When you are ordering replacement parts, please refer to this Parts Catalogue and quote both part numbers and part names correctly.

FZS1000/FZS1000S(5LVF/5LVN)

1. Modifications or additions which have been made after issue of the Parts Catalogue will be announced in the Yamaha Parts News.
It is advisable that you make necessary corrections to the Parts Catalogue according to the Yamaha Parts News.

2. Abbreviations

The Following abbreviations are used in this Parts Catalogue.

“UR” Use specified parts number.

“UN” Use as many as needed.

“AP” Alternate Parts

“LM” Local Made (Parts need to be ordered locally)

“F#” Frame No. (Applicable machine No.)

3. Parts, which are to be supplied in an assembly, are listed with a dot(.) in front of the part name as shown below.

EXAMPLE

CARBURETOR ASSY

.JET, PILOT

.NOZZLE, MAIN

4. Number of component for assembly

The numeral appearing to the right of each component part indicates the quantity of parts for each assembly unit.

EXAMPLE

PART NO.	DESCRIPTION	Q'TY	REMARKS
2F5-83310-60	FRONT FLASHER LIGHT ASSY	2	
115-83311-60	.BULB (6V-18W)	1	
1M1-83309-60	.REFLECTOR	1	

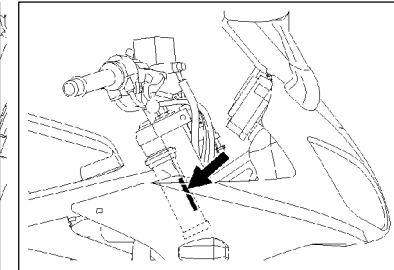
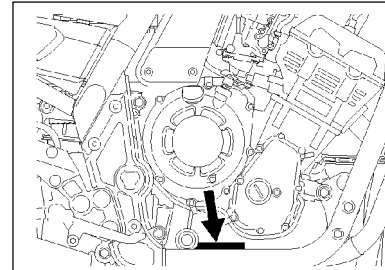
5. Applicable colors of graphics are represented in the “REMARKS” as shown below.

PART NO.	DESCRIPTION	Q'TY	REMARKS
2N4-24110-00-X5	.FUEL TANK COMP.	2	MXR
3J1-24240-10	.GRAPHIC, FUEL TANK	1	for MXR

6. Applicable Serial No.

Engine Serial No.

Frame Serial No.



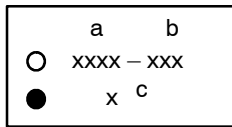
7. Note that the illustrations for reference in finding parts numbers, not to be used for assembling. When assembling, please use the applicable service manual.

8. The asterisk (*) before a reference number indicates modification items after the first edition.

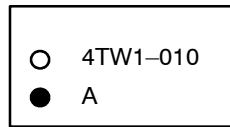
MODEL LABEL

(1) A label called "Model Label" is affixed in the location as indicated in (3) below.
When using this parts catalogue, please be sure to cross-refer the "model code – production code No." in the catalogue to the "model code – production code No." indicated on the Model Label affixed onto the product concerned.

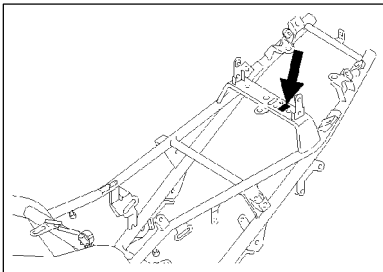
(2) "Model Label" Indication



a: Model Type Code
b: Production Code No.
c: Colouring Type



(3) Model Label Affixing Location



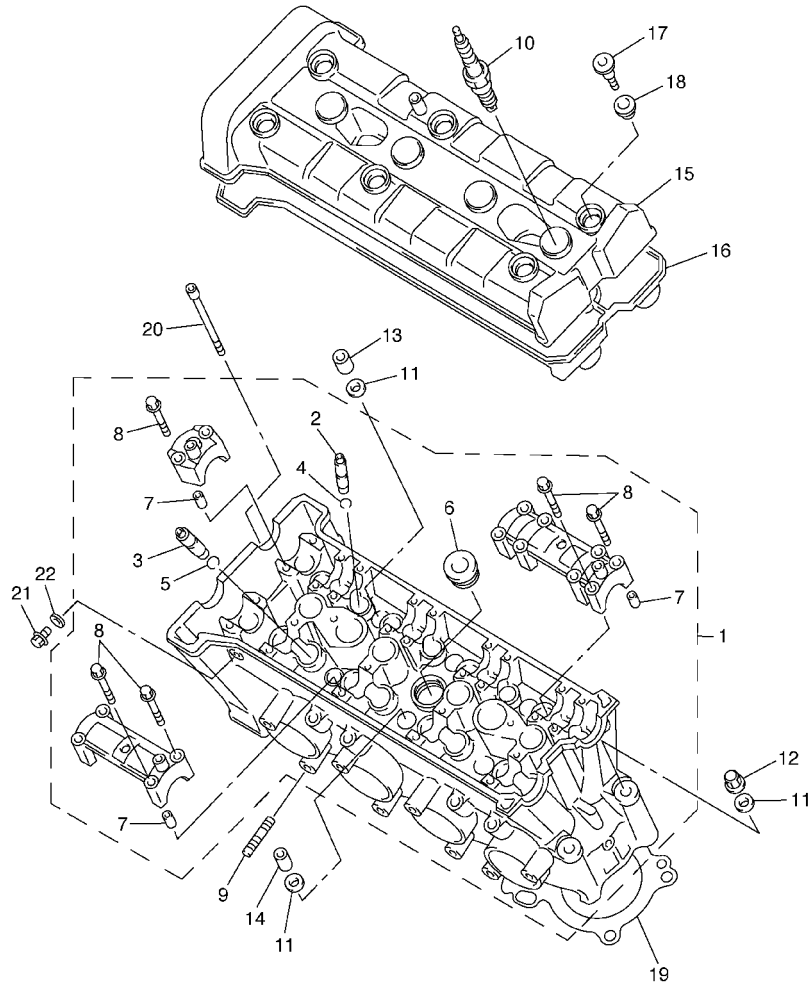
(4) Model Code – Production Code Number of Model Listed in This Parts Catalog

Model Code	Production Code No.	Country (destination)	Model Code	Production Code No.	Country (destination)	
5LVF 5LVN	010	ITALY				
	020	AUSTRIA				
	030	BELGIUM				
	040	SWITZERLAND				
	060		DENMARK			
			FINLAND			
			NORWAY			
	080	ENGLAND				
	090	GREECE				
	100	HOLLAND				
	110	PORTUGAL				
	120	SWEDEN				
130	S.AFRICA					

(5) Colouring Information

Model Code	Colouring type code	Colour code	Colour Name	Abbreviation
5LVF	A	0865	DARK PURPLISH BLUE METALLIC L	DPBML
	B	0791	SILVER 3	S3
5LVN	A	0251	REDDISH YELLOW COCKTAIL 1	RYC1

FIG. 1 CYLINDER

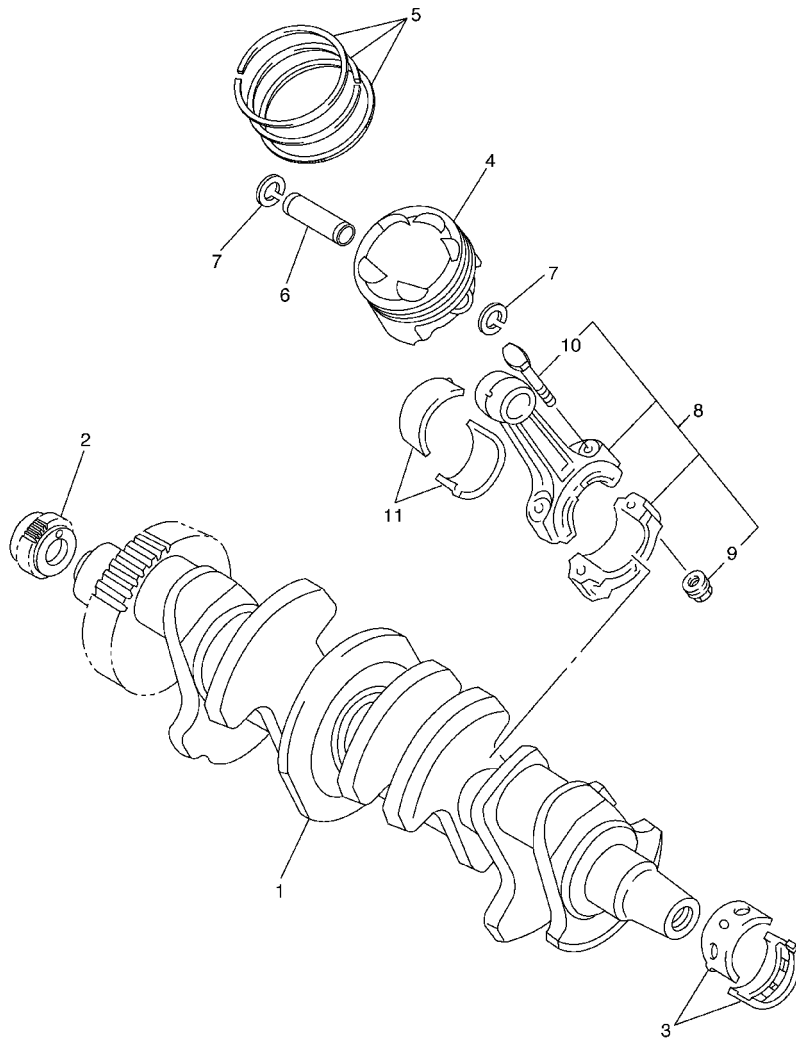


REF. NO.	PART NO.	DESCRIPTION	5LVF	5LVN		REMARKS
1	5LV-11101-01	CYLINDER HEAD ASSY	1			
	5LV-11101-10	CYLINDER HEAD ASSY		1		
2	3TJ-11133-10	.GUIDE, INTAKE VALVE	12	12		
3	1WG-11133-11	.GUIDE, INTAKE VALVE	8	8		
4	93440-07149	.CIRCLIP	12	12		
5	93440-10153	.CIRCLIP	8	8		
6	90340-27129	.PLUG, STRAIGHT SCREW	1	1		
7	91808-16023	.PIN, DOWEL	12	12		
8	90105-06026	.BOLT, FLANGE	28	28		
9	95617-08625	BOLT, STUD	8	8		
10	94701-00318	PLUG, SPARK (NGK R CR9E)	4	4		UR
	94701-00319	PLUG, SPARK (ND U27ESR-N)	4	4		UR
11	90201-10013	WASHER, PLATE	10	10		
12	90176-10075	NUT, CROWN	2	2		
13	90179-10006	NUT	3	3		
14	90179-10414	NUT	5	5		
15	5LV-11191-00	COVER, CYLINDER HEAD 1	1			
	5LV-11191-10	COVER, CYLINDER HEAD 1		1		
16	5LV-11193-00	GASKET, HEAD COVER 1	1	1		
17	90109-066F0	BOLT	6	6		
18	4KG-1111G-00	RUBBER, MOUNT 1	6	6		
19	5LV-11181-00	GASKET, CYLINDER HEAD 1	1	1		
20	91314-06060	BOLT	2	2		
21	95024-06012	BOLT, FLANGE	1	1		
22	90430-06014	GASKET	1	1		



5LV1300-1010

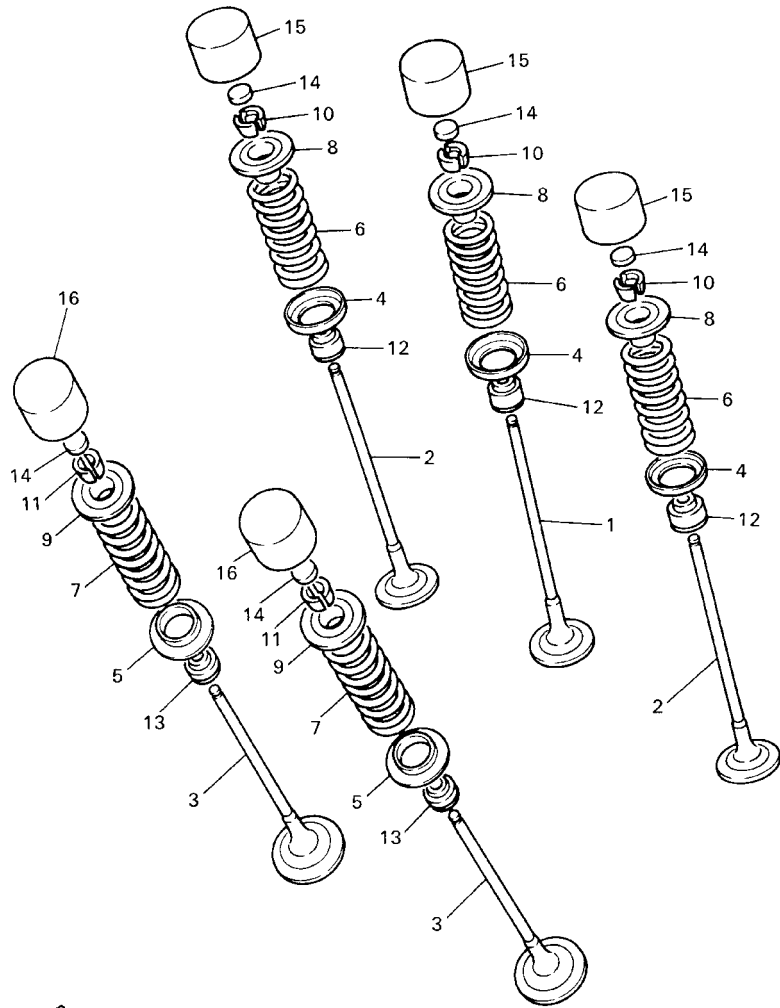
FIG. 2 CRANKSHAFT. PISTON



REF. NO.	PART NO.	DESCRIPTION	5LVF	5LVN	REMARKS
1	5LV-11411-00	CRANKSHAFT	1	1	
2	4XV-11549-00	SPROCKET, CAM CHAIN	1	1	
3	3GM-11416-B0	PLANE BEARING, CRANKSHAFT 1	10	10	UR PURPLE
	3GM-11416-A0	PLANE BEARING, CRANKSHAFT 1	10	10	UR WHITE
	3GM-11416-00	PLANE BEARING, CRANKSHAFT 1	10	10	UR BLUE
	3GM-11416-10	PLANE BEARING, CRANKSHAFT 1	10	10	UR BLACK
	3GM-11416-20	PLANE BEARING, CRANKSHAFT 1	10	10	UR BROWN
4	4XV-11631-10	PISTON (STD)	4	4	
5	5LV-11603-00	PISTON RING SET (STD)	4	4	
6	4XV-11633-00	PIN, PISTON	4	4	
7	90468-12069	CLIP	8	8	
8	5PW-11650-00	CONNECTING ROD ASSY	4	4	
9	90179-08327	.NUT	2	2	
10	5JW-11654-00	.BOLT, CONNECTING ROD	2	2	
11	3GM-11656-B0	PLANE BEARING, CONNECTING ROD	8	8	UR PURPLE
	3GM-11656-A0	PLANE BEARING, CONNECTING ROD	8	8	UR WHITE
	3GM-11656-00	PLANE BEARING, CONNECTING ROD	8	8	UR BLUE
	3GM-11656-10	PLANE BEARING, CONNECTING ROD	8	8	UR BLACK



5LV1300-1020

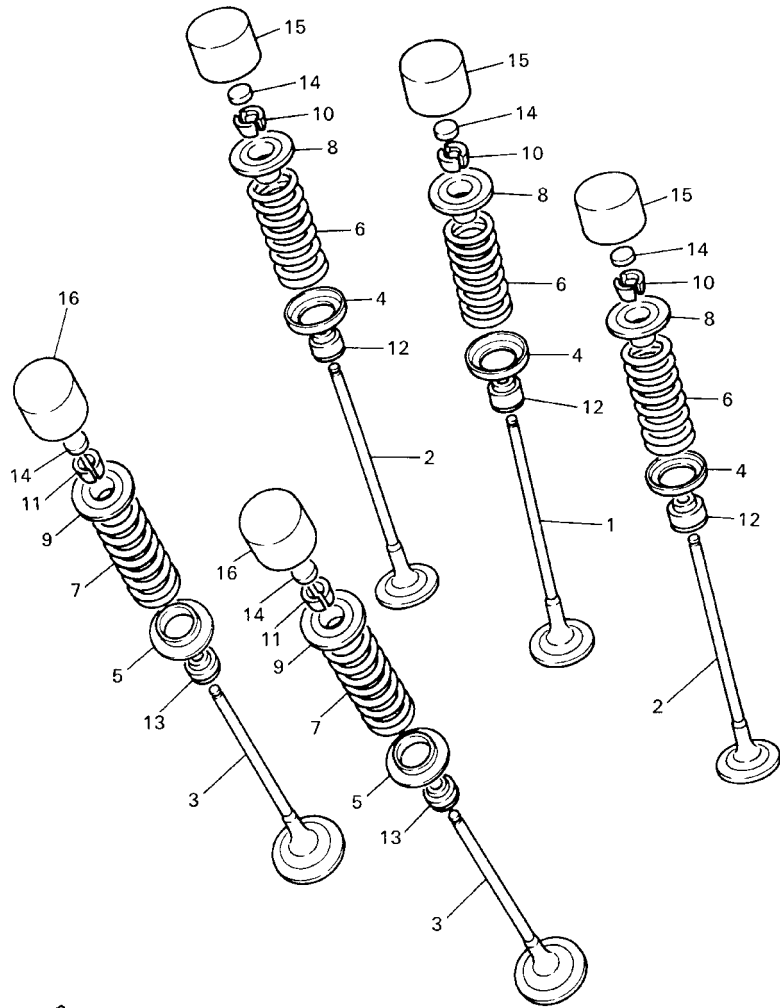


4XV352-8030

FIG. 3 VALVE

REF. NO.	PART NO.	DESCRIPTION	5LVF	5LVN	REMARKS
1	4XV-12111-00	VALVE, INTAKE	4	4	
2	4XV-12112-00	VALVE, INTAKE 2	8	8	
3	5LV-12121-00	VALVE, EXHAUST	8	8	
4	1HX-12116-01	SEAT, VALVE SPRING	12	12	
5	3GM-12126-00	SEAT, VALVE SPRING 2	8	8	
6	4XV-12113-00	SPRING, VALVE INNER	12	12	
7	4XV-12114-00	SPRING, VALVE OUTER	8	8	
8	1HX-12117-00	RETAINER, VALVE SPRING	12	12	
9	1WG-12117-00	RETAINER, VALVE SPRING	8	8	
10	1HX-12118-00	COTTER, VALVE	24	24	
11	1WG-12118-00	COTTER, VALVE	16	16	
12	4TV-12119-00	SEAL, VALVE STEM	12	12	
13	4SV-12119-00	SEAL, VALVE STEM	8	8	
14	1HX-12168-00	PAD, ADJUSTING 2 (1.20)	20	20	UR
	1HX-12168-20	PAD, ADJUSTING 2 (1.25)	20	20	UR
	1HX-12168-40	PAD, ADJUSTING 2 (1.30)	20	20	UR
	1HX-12168-60	PAD, ADJUSTING 2 (1.35)	20	20	UR
	1HX-12168-80	PAD, ADJUSTING 2 (1.40)	20	20	UR
	1HX-12168-A0	PAD, ADJUSTING 2 (1.45)	20	20	UR
	1HX-12168-F0	PAD, ADJUSTING 2 (1.50)	20	20	UR
	1HX-12168-H1	PAD, ADJUSTING 2 (1.55)	20	20	UR
	1HX-12168-K1	PAD, ADJUSTING 2 (1.60)	20	20	UR
	1HX-12168-M1	PAD, ADJUSTING 2 (1.65)	20	20	UR
	1HX-12168-R1	PAD, ADJUSTING 2 (1.70)	20	20	UR
	1HX-12168-U1	PAD, ADJUSTING 2 (1.75)	20	20	UR
	1HX-12168-W1	PAD, ADJUSTING 2 (1.80)	20	20	UR
	1HX-12168-Y1	PAD, ADJUSTING 2 (1.85)	20	20	UR

B4



4XV352-8030

FIG. 3 VALVE

REF. NO.	PART NO.	DESCRIPTION	5LVF	5LVN		REMARKS
14	1HX-12169-11	PAD, ADJUSTING 2 (1.90)	20	20		UR
	1HX-12169-31	PAD, ADJUSTING 2 (1.95)	20	20		UR
	1HX-12169-50	PAD, ADJUSTING 2 (2.00)	20	20		UR
	1HX-12169-70	PAD, ADJUSTING 2 (2.05)	20	20		UR
	1HX-12169-90	PAD, ADJUSTING 2 (2.10)	20	20		UR
	1HX-12169-E0	PAD, ADJUSTING 2 (2.15)	20	20		UR
	1HX-12169-G0	PAD, ADJUSTING 2 (2.20)	20	20		UR
	1HX-12169-J0	PAD, ADJUSTING 2 (2.25)	20	20		UR
	1HX-12169-L0	PAD, ADJUSTING 2 (2.30)	20	20		UR
	1HX-12169-N0	PAD, ADJUSTING 2 (2.35)	20	20		UR
	1HX-12169-T0	PAD, ADJUSTING 2 (2.40)	20	20		UR
15	3LN-12153-00	LIFTER, VALVE	12	12		UR BLACK
	3LN-12153-10	LIFTER, VALVE	12	12		UR YELLOW
	3LN-12153-20	LIFTER, VALVE	12	12		UR BLUE
	3LN-12153-30	LIFTER, VALVE	12	12		UR RED
16	3FV-12153-00	LIFTER, VALVE	8	8		UR BLACK
	3FV-12153-10	LIFTER, VALVE	8	8		UR YELLOW
	3FV-12153-20	LIFTER, VALVE	8	8		UR BLUE
	3FV-12153-30	LIFTER, VALVE	8	8		UR RED

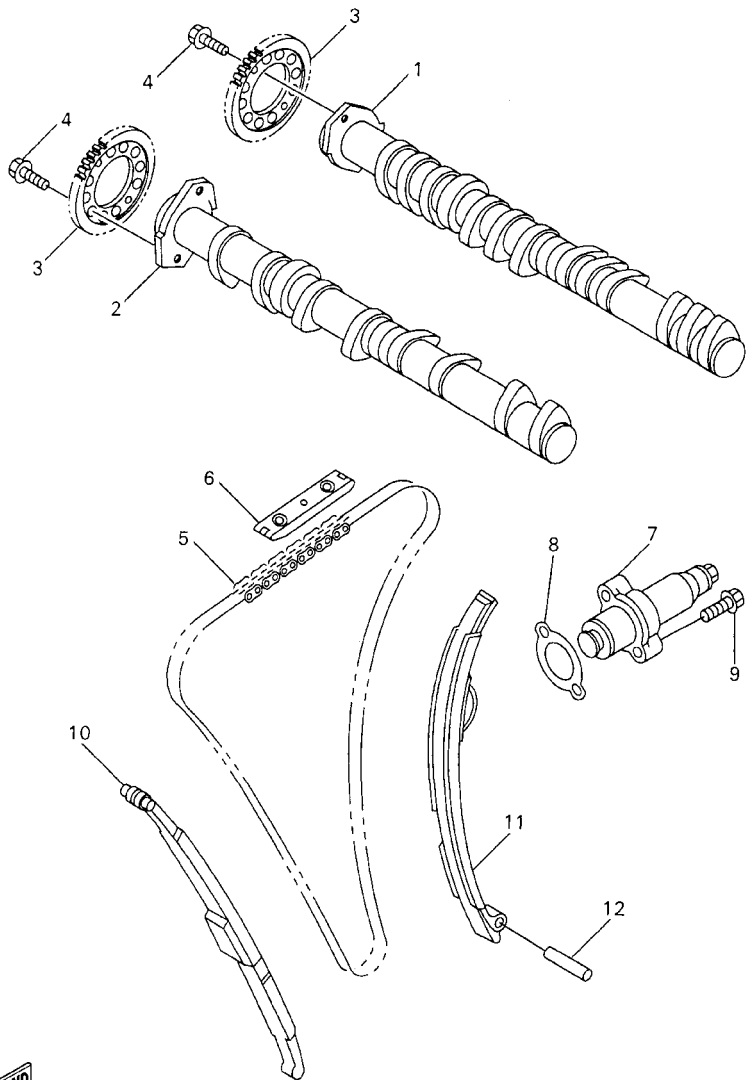


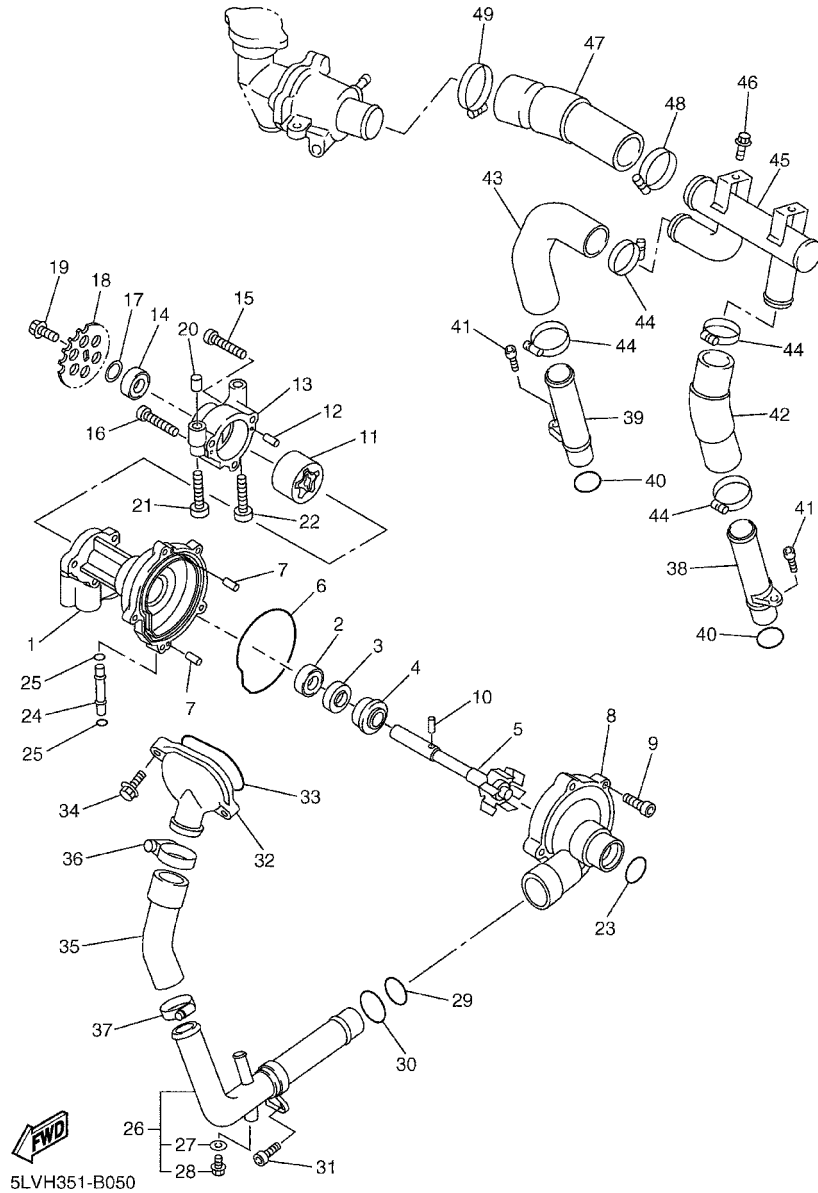
FIG. 4 CAMSHAFT. CHAIN

REF. NO.	PART NO.	DESCRIPTION	5LVF	5LVN	REMARKS
1	5JJ-12171-00	CAMSHAFT 1	1	1	
2	5JJ-12181-00	CAMSHAFT 2	1	1	
3	4XV-12176-00	SPROCKET, CAM CHAIN	2	2	
4	90105-07342	BOLT, FLANGE	4	4	
5	94591-49130	CHAIN	1	1	
6	5BE-12241-00	GUIDE, STOPPER 2	1	1	
7	5LV-12210-00	TENSIONER ASSY, CAM CHAIN	1	1	
8	4FM-12213-00	GASKET, TENSIONER CASE	1	1	
9	95024-06025	BOLT, FLANGE	2	2	
10	4XV-12251-00	DAMPER, CHAIN 1	1	1	
11	4XV-12252-00	DAMPER, CHAIN 2	1	1	
12	93607-44190	PIN, DOWEL	1	1	



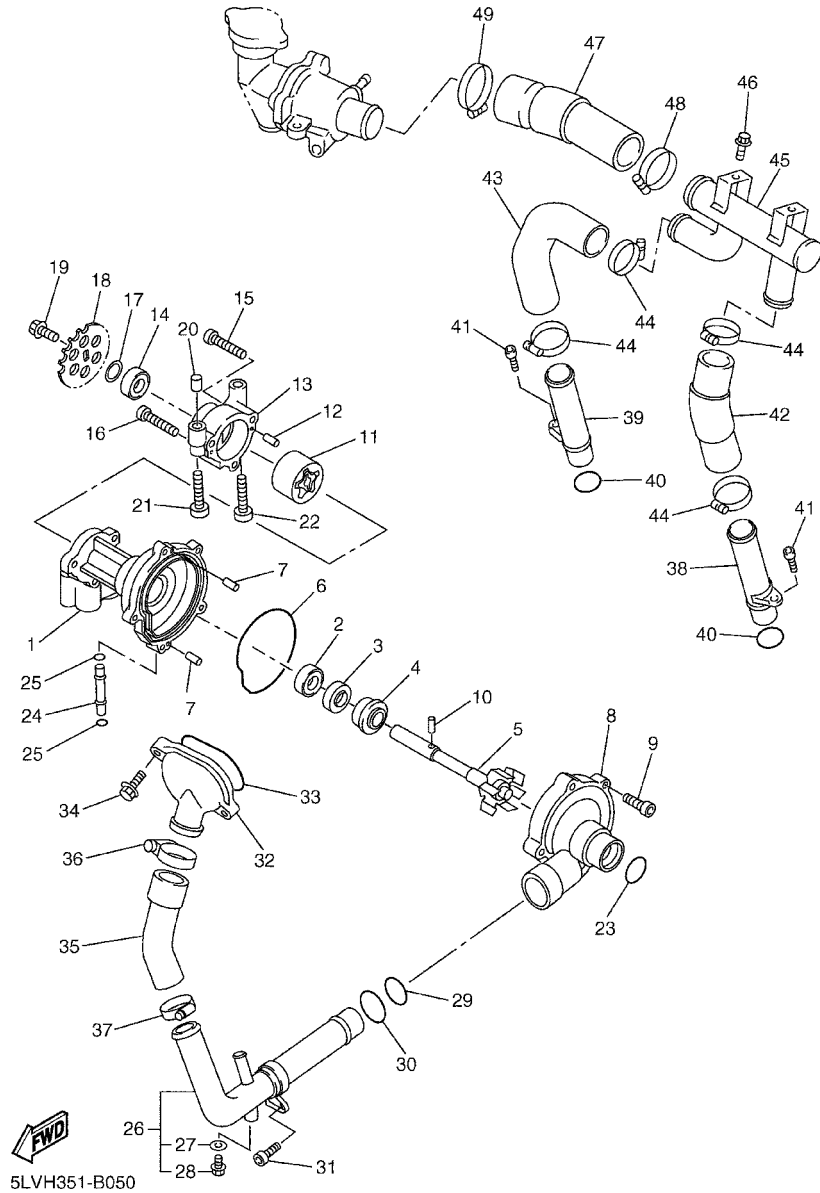
5LV1300-1040

FIG. 5 WATER PUMP



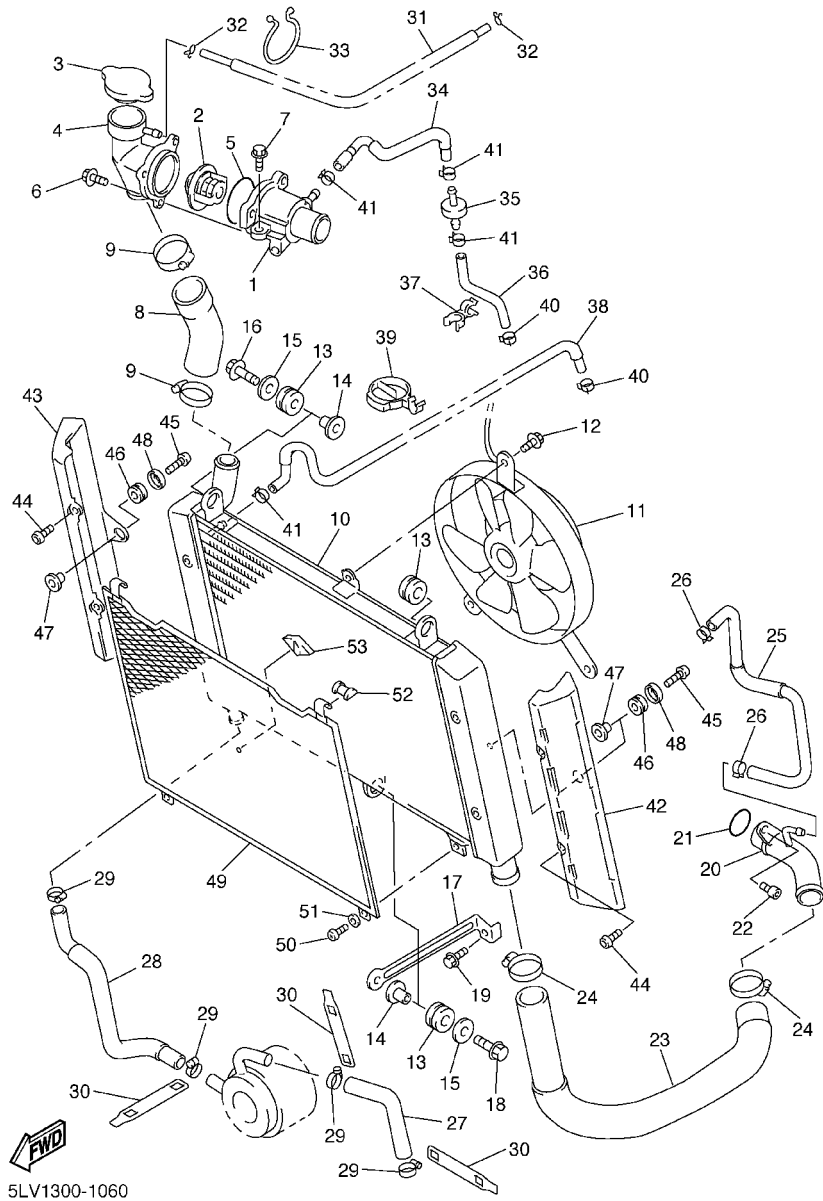
REF. NO.	PART NO.	DESCRIPTION	5LVF	5LVN	REMARKS
1	4XV-12421-00	HOUSING, WATER PUMP	1	1	
2	93306-00106	BEARING	1	1	
3	93102-12372	OIL SEAL	1	1	
4	11H-12438-10	SEAL, MECHANICAL	1	1	
5	4XV-12450-00	IMPELLER SHAFT ASSY	1	1	
6	4XV-12439-00	O-RING	1	1	
7	93604-10011	PIN, DOWEL	2	2	
8	4XV-12422-00	COVER, HOUSING	1	1	
9	91317-06025	BOLT	5	5	
10	93603-17070	PIN, DOWEL	1	1	
11	4XV-13310-00	ROTOR ASSY 1	1	1	
12	93603-12007	PIN, DOWEL	2	2	
13	4XV-13336-00	HOUSING, ROTOR	1	1	
14	93306-00106	BEARING	1	1	
15	91317-06035	BOLT	2	2	
16	91317-06040	BOLT	1	1	
17	90201-12541	WASHER, PLATE	1	1	
18	4XV-13355-00	SPROCKET, DRIVEN	1	1	
19	90105-06154	BOLT, FLANGE	1	1	
20	91808-30031	PIN, DOWEL	1	1	
21	90110-06026	BOLT, HEXAGON SOCKET HEAD	1	1	
22	90110-06063	BOLT, HEXAGON SOCKET HEAD	1	1	
23	93210-357A2	O-RING	1	1	
24	4XV-12485-00	PIPE 5	1	1	
25	93210-06667	O-RING	2	2	
26	5LV-12481-01	PIPE 1	1	1	
27	90430-06014	.GASKET	1	1	

FIG. 5 WATER PUMP



REF. NO.	PART NO.	DESCRIPTION	5LVF	5LVN	REMARKS
28	90153-06029	.SCREW, HEXAGON	1	1	
29	93210-235A1	O-RING	1	1	
30	93210-27370	O-RING	1	1	
31	90110-06226	BOLT, HEXAGON SOCKET HEAD	1	1	
32	4XV-12469-00	JOINT 1	1	1	
33	93210-47675	O-RING	1	1	
34	95024-06020	BOLT, FLANGE	2	2	
35	4XV-12576-00	HOSE 1	1	1	
36	90450-38040	HOSE CLAMP ASSY	1	1	
37	90450-35001	HOSE CLAMP ASSY	1	1	
38	5LV-12482-00	PIPE 2	1	1	
39	5LV-12483-00	PIPE 3	1	1	
40	93210-18417	O-RING	2	2	
41	91317-06016	BOLT	2	2	
42	5LV-12577-00	HOSE 2	1	1	
43	5LV-12578-00	HOSE 3	1	1	
44	90450-28014	HOSE CLAMP ASSY	4	4	
45	5LV-12485-00	PIPE 5	1	1	
46	95827-06010	BOLT, FLANGE	2	2	
47	5LV-12579-00	HOSE 4	1	1	
48	90450-35001	HOSE CLAMP ASSY	1	1	
49	90450-38040	HOSE CLAMP ASSY	1	1	

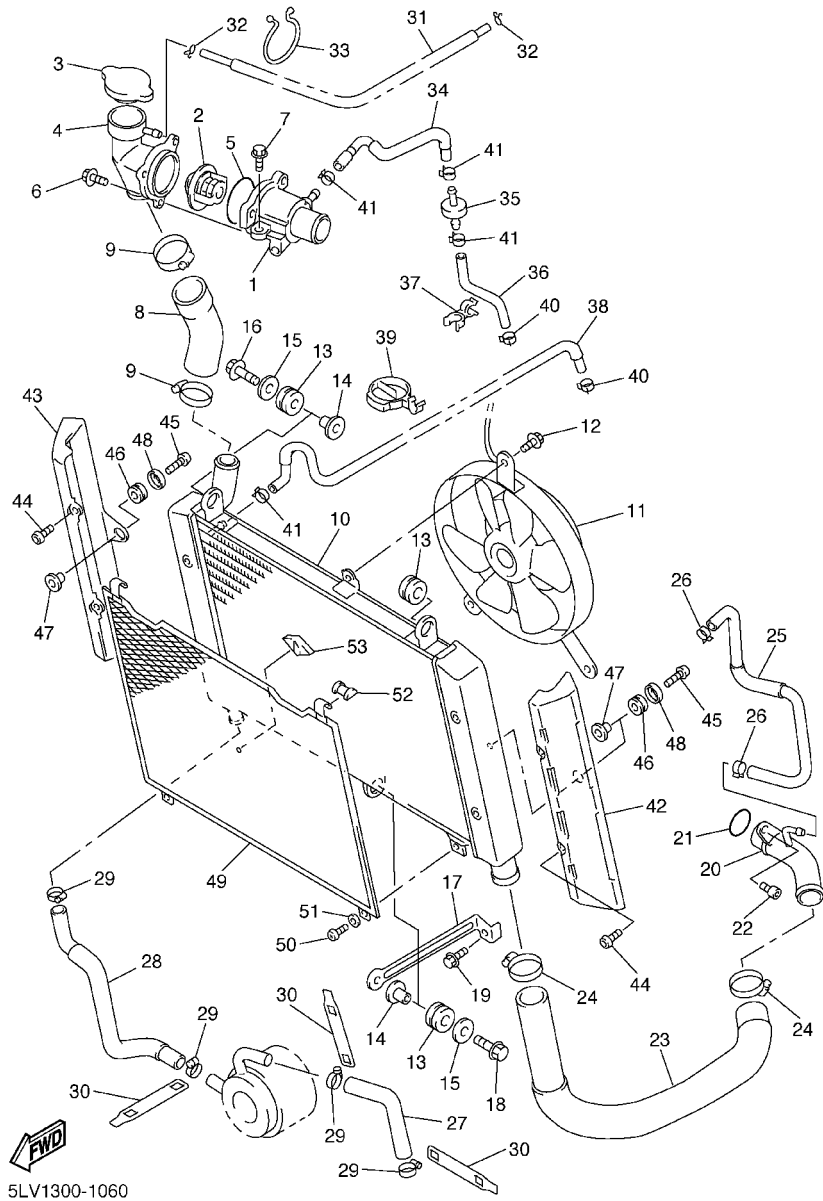
FIG. 6 RADIATOR. HOSE



5LV1300-1060

REF. NO.	PART NO.	DESCRIPTION	5LVF	5LVN	REMARKS
1	5LV-12417-00	HOUSING, THERMOSTAT	1	1	
2	5LP-12411-00	THERMOSTAT	1	1	
3	22W-12462-00	CAP, RADIATOR	1	1	
4	1AE-12591-01	SUPT, FILLER NECK	1	1	
5	93210-49046	O-RING	1	1	
6	95827-06020	BOLT, FLANGE	3	3	
7	95027-06012	BOLT, FLANGE	1	1	
8	5LV-12552-00	HOSE 8	1	1	
9	90450-38040	HOSE CLAMP ASSY	2	2	
10	5LV-12461-00	RADIATOR ASSY	1	1	
11	5LV-12405-00	BLOWER ASSY	1	1	
12	95817-06016	BOLT, FLANGE	3	3	
13	90480-15363	GROMMET	3	3	
14	90387-07391	COLLAR	2	2	
15	90201-06071	WASHER, PLATE	2	2	
16	95827-06025	BOLT, FLANGE	1	1	
17	5LV-12464-00	STAY, RADIATOR	1	1	
18	95827-06025	BOLT, FLANGE	1	1	
19	95827-06012	BOLT, FLANGE	1	1	
20	5LV-12484-00	PIPE 4	1	1	
21	93210-23787	O-RING	1	1	
22	90110-06226	BOLT, HEXAGON SOCKET HEAD	1	1	
23	5LV-12551-00	HOSE 7	1	1	
24	90450-38040	HOSE CLAMP ASSY	2	2	
25	5LV-1243A-00	HOSE 1	1	1	
26	90467-11090	CLIP	2	2	
27	5LV-12588-00	HOSE 5	1	1	

FIG. 6 RADIATOR. HOSE

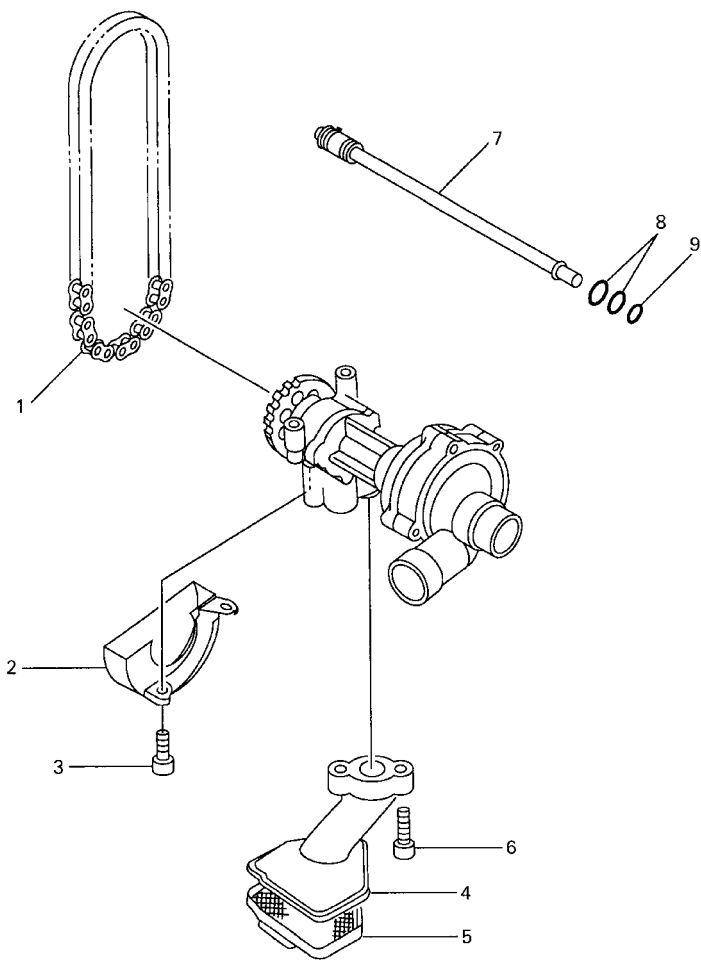


5LV1300-1060

REF. NO.	PART NO.	DESCRIPTION	5LVF	5LVN	REMARKS
28	5LV-12589-00	HOSE 6	1	1	
29	90450-22017	HOSE CLAMP ASSY	4	4	
30	5LV-1246F-00	COVER 3	3	3	
31	5LV-12576-00	HOSE 1	1	1	
32	90467-08003	CLIP	2	2	
33	90464-44109	CLAMP	1	1	
34	5LV-1243E-00	HOSE 2	1	1	
35	5LV-12470-00	STRAINER ASSY	1	1	
36	5LV-1244G-00	HOSE, 4	1	1	
37	90464-10186	CLAMP	1	1	
38	5LV-1243F-00	HOSE,3	1	1	
39	90464-36001	CLAMP	1	1	
40	90467-06194	CLIP	2	2	
41	90467-08092	CLIP	4	4	
42	5LV-1240J-00	RADIATOR COVER ASSY1	1	1	
43	5LV-1240K-00	RADIATOR COVER ASSY 2	1	1	
44	92014-06016	BOLT, BUTTON HEAD	4	4	
45	92014-06025	BOLT, BUTTON HEAD	2	2	
46	90480-12596	GROMMET	2	2	
47	90387-067W9	COLLAR	2	2	
48	90209-06008	WASHER	2	2	
49	5LV-12467-00	COVER, RADIATOR	1	1	
50	98507-06014	SCREW, PAN HEAD	2	2	
51	92907-06600	WASHER, PLATE	2	2	
52	1UF-12435-00	GASKET	2	2	
53	5LV-12465-00	DAMPÉR, RADIATOR	1	1	

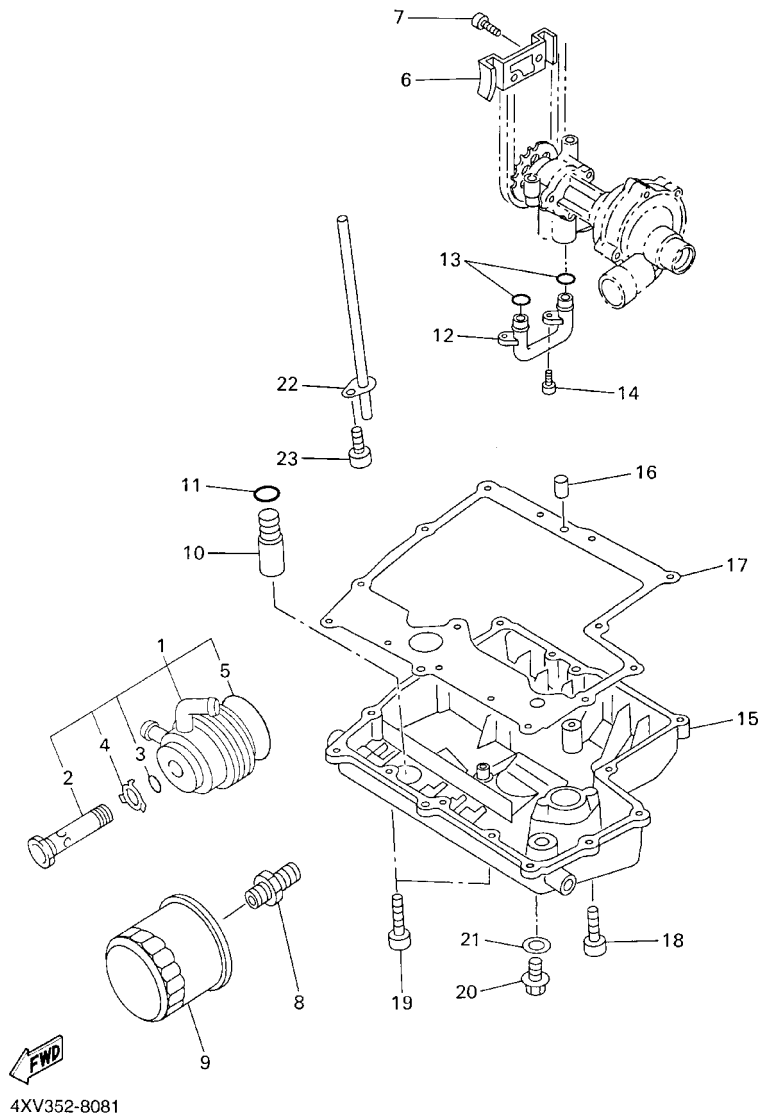
FIG. 7 OIL PUMP

REF. NO.	PART NO.	DESCRIPTION	5LVF	5LVN	REMARKS
1	94580-25078	CHAIN (DID25 78LE)	1	1	
2	4XV-13327-00	COVER, PUMP GEAR	1	1	
3	90110-06018	BOLT, HEXAGON SOCKET HEAD	1	1	
4	4XV-13412-00	HOUSING, STRAINER	1	1	
5	4XV-13411-00	STRAINER, OIL	1	1	
6	90110-06019	BOLT, HEXAGON SOCKET HEAD	2	2	
7	5JJ-1316E-00	PIPE, DELEVERY 5	1	1	
8	93210-09165	O-RING	2	2	
9	93210-06667	O-RING	1	1	

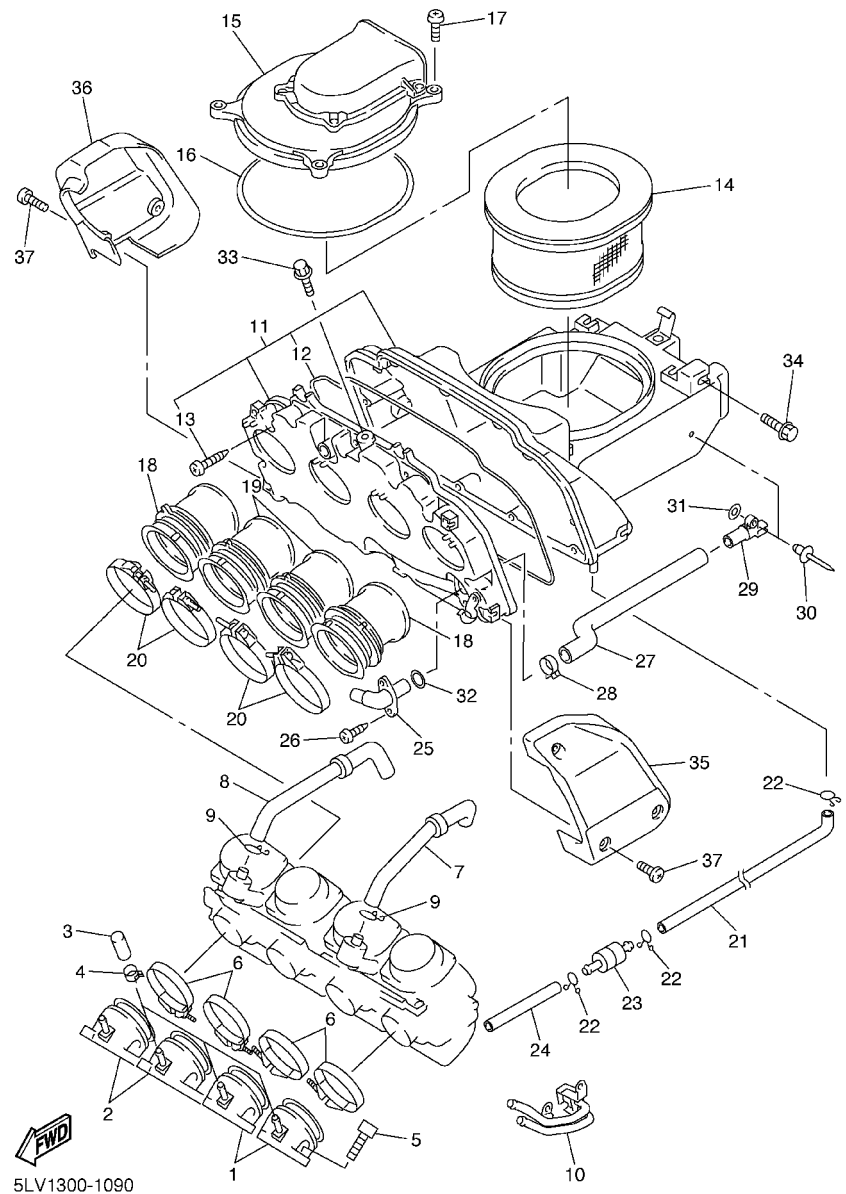


4XV352-8070

FIG. 8 OIL CLEANER



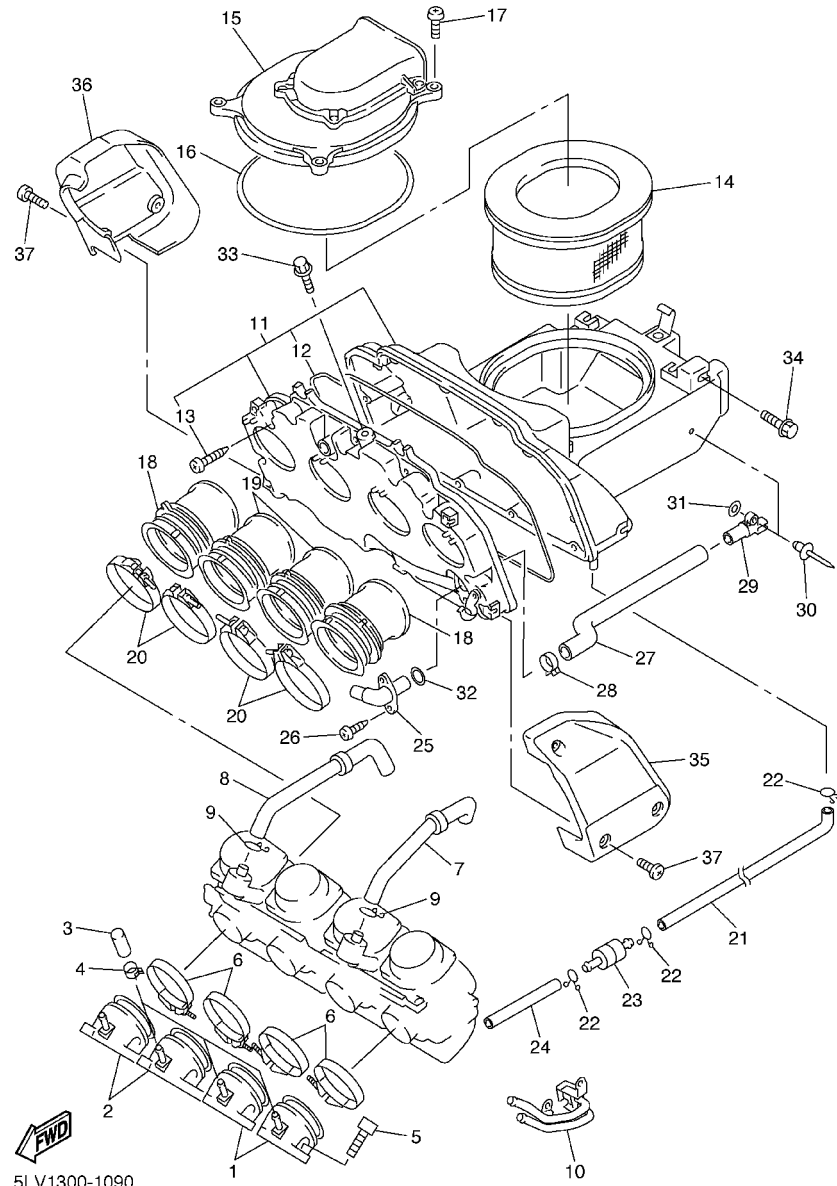
REF. NO.	PART NO.	DESCRIPTION	5LVF	5LVN		REMARKS
1	5LV-13470-00	OIL COOLER ASSY	1	1		
2	5LV-12822-00	.BOLT, UNION	1	1		
3	4XV-13473-00	.O-RING	1	1		
4	4XV-13318-00	.WASHER	1	1		
5	4XV-13475-00	.GASKET	1	1		
6	4XV-13898-00	HOLDER	1	1		
7	91317-06012	BOLT	2	2		
8	90401-20145	BOLT, UNION	1	1		
9	5GH-13440-00	ELEMENT ASSY, OIL CLEANER	1	1		
10	5PW-13490-00	RELIEF VALVE ASSY	1	1		
11	93210-15566	O-RING	1	1		
12	4XV-13416-00	PIPE, OIL 1	1	1		
13	93210-14579	O-RING	2	2		
14	91317-06012	BOLT	2	2		
15	5LV-13417-00	COVER, STRAINER	1	1		
16	99530-08012	PIN, DOWEL	2	2		
17	5LV-13414-00	GASKET, STRAINER COVER	1	1		
18	91317-06025	BOLT	13	13		
19	90110-06225	BOLT, HEXAGON SOCKET HEAD	2	2		
20	90340-14132	PLUG, STRAIGHT SCREW	1	1		
21	214-11198-01	GASKET	1	1		
22	5JJ-13161-00	PIPE, DELIVERY 1	1	1		
23	90110-06018	BOLT, HEXAGON SOCKET HEAD	1	1		



5LV1300-1090

FIG. 9 INTAKE

REF. NO.	PART NO.	DESCRIPTION	5LVF	5LVN	REMARKS
1	5LV-13586-01	JOINT, CARBURETOR 1	2	2	
2	5LV-13596-01	JOINT, CARBURETOR 2	2	2	
3	16G-13569-00	PLUG, BLIND	3	3	
4	90467-10039	CLIP	3	3	
5	91317-06020	BOLT	8	8	
6	5LV-13474-00	BAND	4	4	
7	5LV-13895-00	HOSE	1	1	
8	5LV-13892-00	HOSE	1	1	
9	90467-14015	CLIP	2	2	
10	5LV-14197-00	PIPE	1	1	
11	5LV-14401-00	AIR CLEANER CASE ASSY	1	1	
12	1AE-14457-00	.SEAL	1	1	
13	97707-50130	.SCREW, TAPPING	11	11	
14	5LV-14451-00	ELEMENT, AIR CLEANER	1	1	
15	5LV-14402-01	CAP ASSY, AIR CLEANER	1	1	
16	4XY-14452-00	SEAL	1	1	
17	98507-06020	SCREW, PAN HEAD	4	4	
18	5LV-14453-00	JOINT, AIR CLEANER 1	2	2	
19	5LV-14463-00	JOINT, AIR CLEANER 2	2	2	
20	90450-63096	HOSE CLAMP ASSY	4	4	
21	5LV-1443E-00	PIPE, DRAIN	1	1	
22	90467-10041	CLIP	3	3	
23	4X7-2149Y-00	FILTER ASSY	1	1	
24	90445-11587	HOSE (L100)	1	1	
25	5LV-14485-00	PIPE, JOINT	1	1	
26	97707-50120	SCREW, TAPPING	2	2	
27	5LV-13926-00	HOSE	1	1	

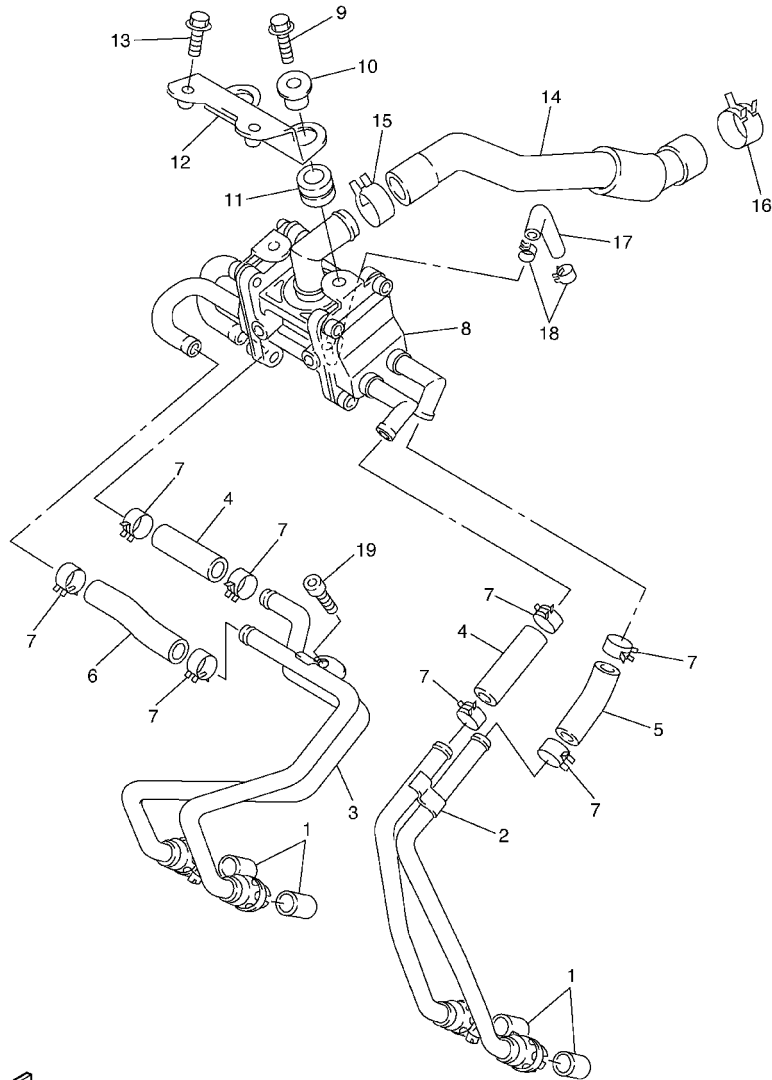


5LV1300-1090

FIG. 9 INTAKE

REF. NO.	PART NO.	DESCRIPTION	5LVF	5LVN			REMARKS
			1	1			
28	90468-08104	CLIP	1	1			
29	5LV-14419-00	PIPE	1	1			
30	90267-40029	RIVET, BLIND	1	1			
31	92907-04600	WASHER	1	1			
32	93210-13361	O-RING	1	1			
33	95807-06010	BOLT, FLANGE	1	1			
34	95807-06016	BOLT, FLANGE	2	2			
35	5LV-14417-00	COVER 1	1	1			
36	5LV-14418-00	COVER 2	1	1			
37	90154-06005	SCREW, BINDING	6	6			

FIG. 10 AIR INDUCTION SYSTEM

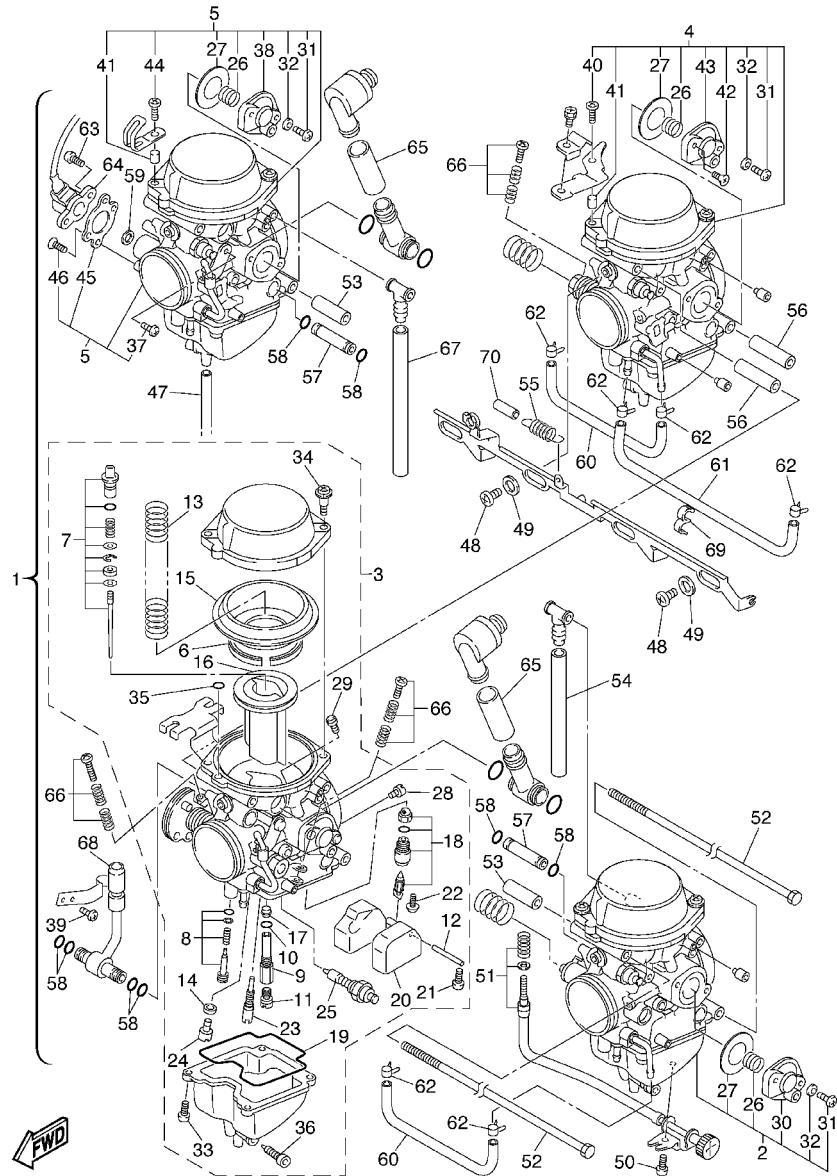


REF. NO.	PART NO.	DESCRIPTION	5LVF	5LVN	REMARKS
1	4KM-14714-01	GASKET, MUFFLER	4	4	
2	5LV-14872-00	PIPE 2	1	1	
3	5LV-14873-00	PIPE 3	1	1	
4	5JJ-14882-00	HOSE, BEND 2	2	2	
5	5LV-14882-00	HOSE, BEND 2	1	1	
6	5LV-14883-00	HOSE, BEND 3	1	1	
7	90467-15054	CLIP	8	8	
8	5LV-14803-00	AIR INDUCTION SYSTEM ASSY	1	1	
9	95827-06020	BOLT, FLANGE	2	2	
10	90387-07391	COLLAR	2	2	
11	90480-15316	GROMMET	2	2	
12	5LV-14867-00	BRACKET	1	1	
13	95827-06010	BOLT, FLANGE	2	2	
14	5LV-14881-00	HOSE, BEND 1	1	1	
15	90467-22100	CLIP	1	1	
16	90467-23177	CLIP	1	1	
17	90445-09007	HOSE	1	1	
18	90467-08092	CLIP	2	2	
19	91314-06012	BOLT	1	1	



5LV1300-1100

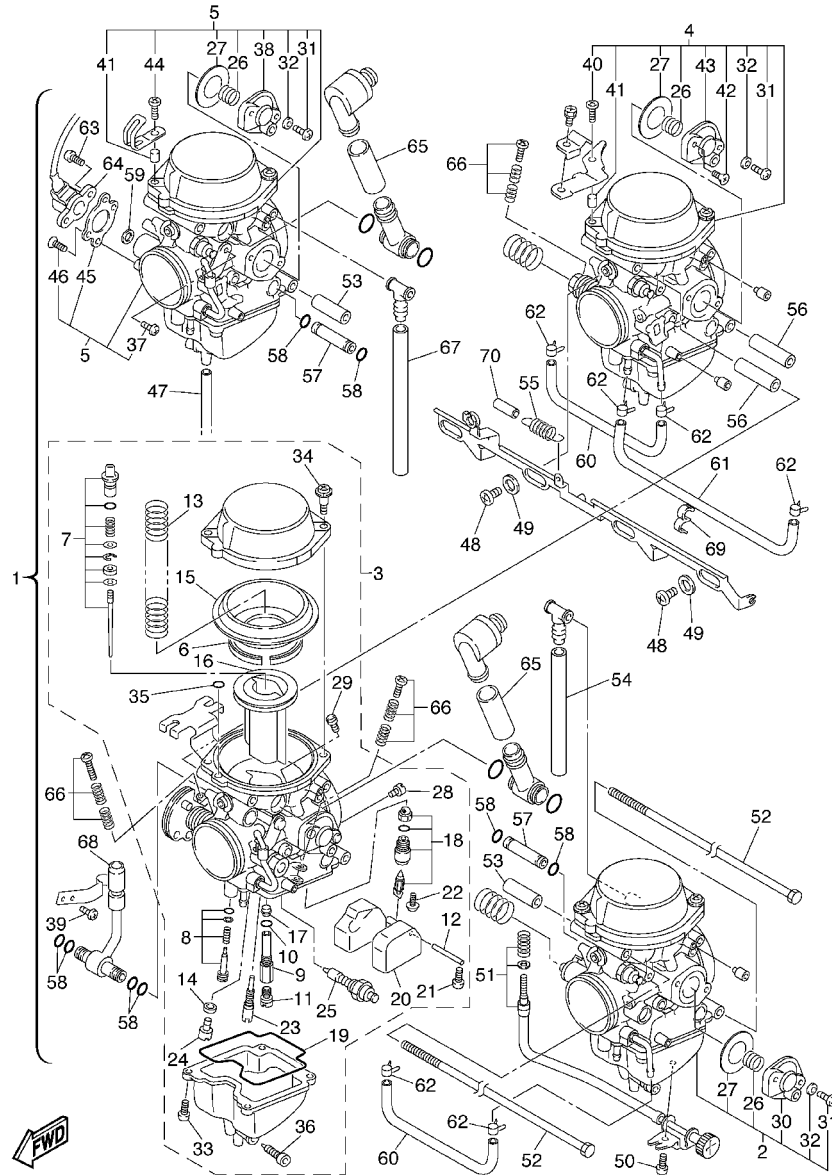
FIG. 11 CARBURETOR



5LV1300-1110

REF. NO.	PART NO.	DESCRIPTION	5LVF	5LVN	REMARKS
1	5LV-14900-00	CARBURETOR ASSY	1	1	
2	5LV-14901-00	..CARBURETOR ASSY 1	1	1	
3	5LV-14902-00	..CARBURETOR ASSY 2	1	1	
4	5LV-14903-00	..CARBURETOR ASSY 3	1	1	
5	5LV-14904-00	..CARBURETOR ASSY 4	1	1	
6	5EL-14561-00	..O-RING	1	1	
7	5LV-1490J-00	..NEEDLE SET	1	1	UR #1,4
	5LV-1490J-10	..NEEDLE SET	1	1	UR #2,3
8	5MP-14105-00	..PILOT SCREW SET	1	1	
9	5LV-14261-00	..HOLDER	1	1	
10	583-14561-00	..O-RING	1	1	
11	3G2-1423A-77	..JET, MAIN (#132.5)	1	1	UR #1,4
	3G2-14231-26	..JET, MAIN (#130)	1	1	UR #2,3
12	127-14186-00	..PIN, FLOAT	1	1	
13	5LV-14933-00	..SPRING, DIAPHRAGM	1	1	
14	5EL-14918-00	..RING	1	1	
15	5EL-24411-00	..DIAPHRAGM	1	1	
16	5LV-14112-00	..VALVE, THROTTLE 1	1	1	
17	5DM-14141-40	..NOZZLE, MAIN	1	1	
18	4KM-14107-15	..NEEDLE VALVE SET	1	1	
19	5DM-14561-00	..O-RING	1	1	
20	5DM-14985-00	..FLOAT	1	1	
21	98507-04008	..SCREW, PAN HEAD	1	1	
22	1FN-14565-00	..SCREW	1	1	
23	4KM-14142-15	..JET, PILOT (# 15)	1	1	
24	3G2-1423A-59	..JET, MAIN (# 42.5)	1	1	
25	5DM-1410A-00	..STARTER SET	1	1	

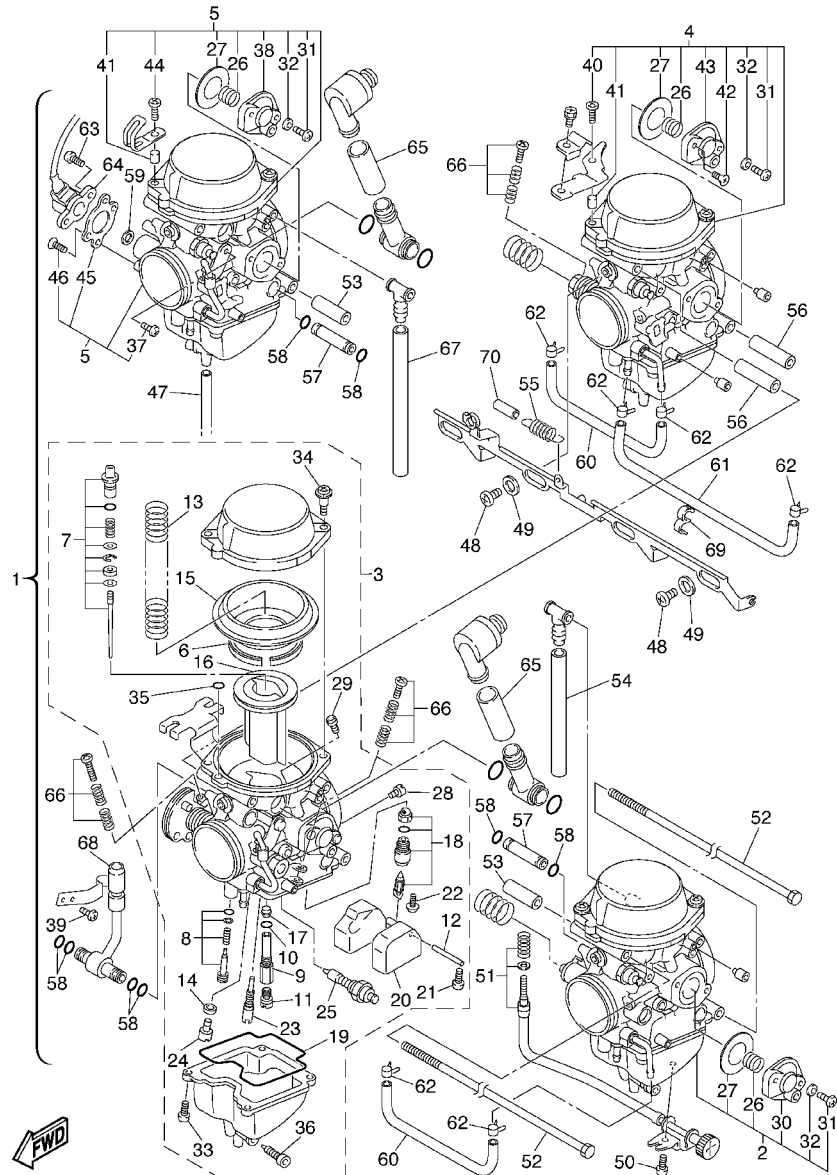
FIG. 11 CARBURETOR



5LV1300-1110

REF. NO.	PART NO.	DESCRIPTION	5LVF	5LVN	REMARKS
26	4XY-14589-00	..SPRING	1	1	
27	5AP-14940-00	..DIAPHRAGM ASSY	1	1	
28	1HX-14231-17	..JET, MAIN (# 85)	1	1	
29	1HX-14231-25	..JET, MAIN (#125)	1	1	
30	5AP-14280-00	..COVER, CARBURETOR	1	1	#1
31	98501-04014	..SCREW, PAN HEAD	2	2	UR #1,2,4
	98501-04014	..SCREW, PAN HEAD	1	1	UR #3
32	92901-04100	..WASHER, SPRING	2	2	UR #1,2,4
	92901-04100	..WASHER, SPRING	1	1	UR #3
33	98582-04010	..ELECTRONIC SIREN ASS'Y	4	4	
34	4KM-14216-00	..SCREW	2	2	UR #1,2
	4KM-14216-00	..SCREW	1	1	UR #3,4
35	354-14147-00	..O-RING	1	1	
36	4KP-14191-00	..PLUG, DRAIN	1	1	
37	98502-05008	..SCREW, PAN HEAD	1	1	#2,4
38	5EL-14480-00	..COVER	1	1	#2,4
39	98502-03005	..SCREW, PAN HEAD	2	2	#2
40	98582-05016	..ELECTRONIC SIREN ASS'Y	1	1	#3
41	4KM-14194-00	..RING	1	1	#3,4
42	98701-04014	..SCREW, FLAT HEAD	1	1	#3
43	5HK-14280-00	..COVER, CARBURETOR	1	1	#3
44	98506-05014	..SCREW, PAN HEAD	1	1	#4
45	5EA-14867-00	..BRACKET	1	1	#4
46	98701-04008	..SCREW, FLAT HEAD	2	2	#4
47	3JE-14197-00	..PIPE	4	4	
48	5DM-14565-00	..SCREW	3	3	
49	4NK-14327-00	..PACKING	3	3	

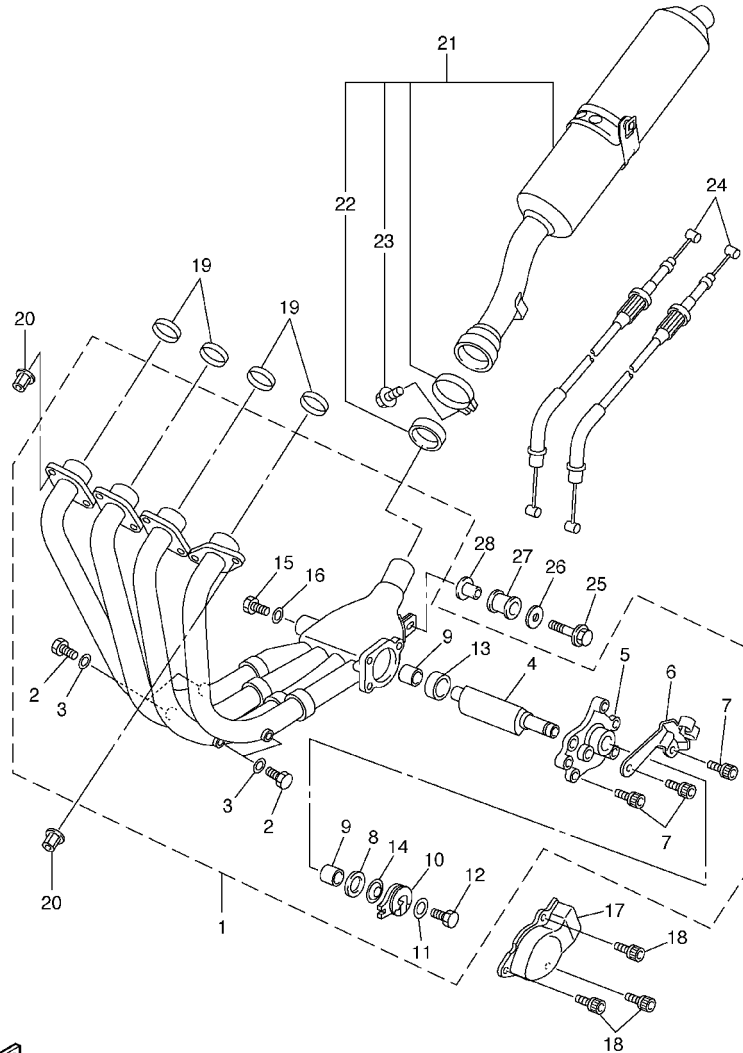
FIG. 11 CARBURETOR



5LV1300-1110

REF. NO.	PART NO.	DESCRIPTION	5LVF	5LVN	REMARKS
50	98582-05008	.ELECTRONIC SIREN ASS'Y	1	1	
51	5EA-14103-00	.THROTTLE SCREW SET	1	1	
52	4SV-14592-00	.SCREW	2	2	
53	5EA-14148-00	.PIPE	4	4	
54	4SV-14987-30	.HOSE	1	1	
55	4SV-14935-00	.SPRING	1	1	
56	5EA-14996-00	.PIPE	2	2	
57	4SV-14996-40	.PIPE	2	2	
58	36Y-14147-00	.O-RING	8	8	
59	4KG-14285-00	.WASHER	1	1	
60	5DM-14987-00	.HOSE	2	2	
61	5EL-14396-00	.PIPE	1	1	
62	5DM-14919-00	.CLIP	6	6	
63	4WM-14565-00	.SCREW	2	2	
64	4XY-85885-00	.THROTTLE SENSOR ASSY	1	1	
65	4SV-14197-00	.PIPE	2	2	
66	3EN-1490K-00	.STOP SCREW SET	3	3	
67	4SV-14987-20	.HOSE	1	1	
68	5EA-14987-10	.HOSE	1	1	
69	5LV-14919-00	.CLIP	1	1	
70	5DM-14936-00	.SEAT, SPRING	1	1	

FIG. 12 EXHAUST



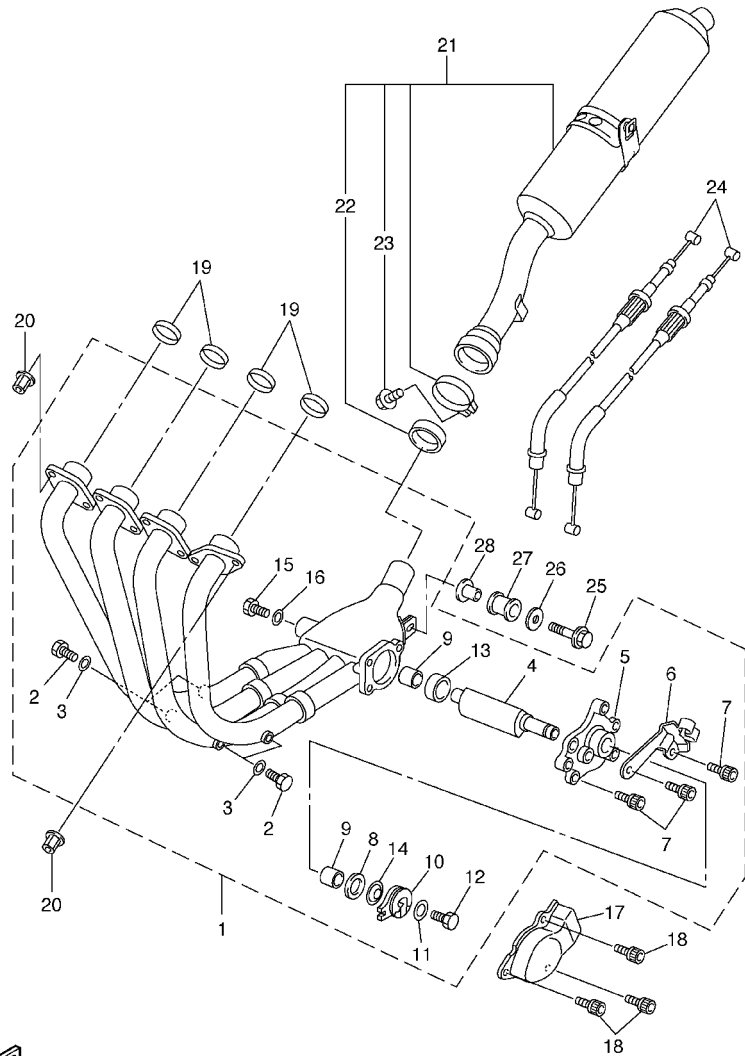
REF. NO.	PART NO.	DESCRIPTION	5LVF	5LVN	REMARKS
1	5LV-14610-00	EXHAUST PIPE ASSY 1	1	1	
2	97080-06008	.BOLT	4	4	
3	92990-06600	.WASHER, PLATE	4	4	
4	4SV-14821-00	.ARM, SHAFT (VALVE)	1	1	
5	5JJ-14811-00	.HOUSING	1	1	
6	5LV-14849-00	.BRACKET	1	1	
7	90110-06025	.BOLT, HEXAGON SOCKET HEAD	3	3	
8	90201-106M5	.WASHER, PLATE	1	1	
9	4SV-14638-00	.COLLAR	2	2	
10	2TK-14865-01	.PULLEY	1	1	
11	90201-050T4	.WASHER, PLATE	1	1	
12	97080-05012	.BOLT	1	1	
13	90387-106U7	.COLLAR	1	1	
14	5PW-14683-00	.SPRING, HOOK	1	1	
15	91380-04006	.BOLT	2	2	
16	92990-04600	.WASHER, PLATE	2	2	
17	5LV-14826-00	PROTECTOR, EXHAUST	1	1	
18	90119-06187	BOLT, WITH WASHER	3	3	
19	4FM-14613-00	GASKET, EXHAUST PIPE	4	4	
20	90179-08410	NUT	8	8	
21	5LV-14710-01	MUFFLER ASSY 1	1	1	
22	4XV-14714-00	.GASKET, MUFFLER	1	1	
23	95814-08025	.BOLT, FLANGE	1	1	
24	5LV-1130E-01	CABLE PULLEY ASSY	1	1	
25	95817-08040	BOLT, FLANGE	1	1	
26	90201-08612	.WASHER, PLATE	1	1	
27	4XV-27424-00	DAMPER, FOOTREST 2	1	1	



5LV1300-1120

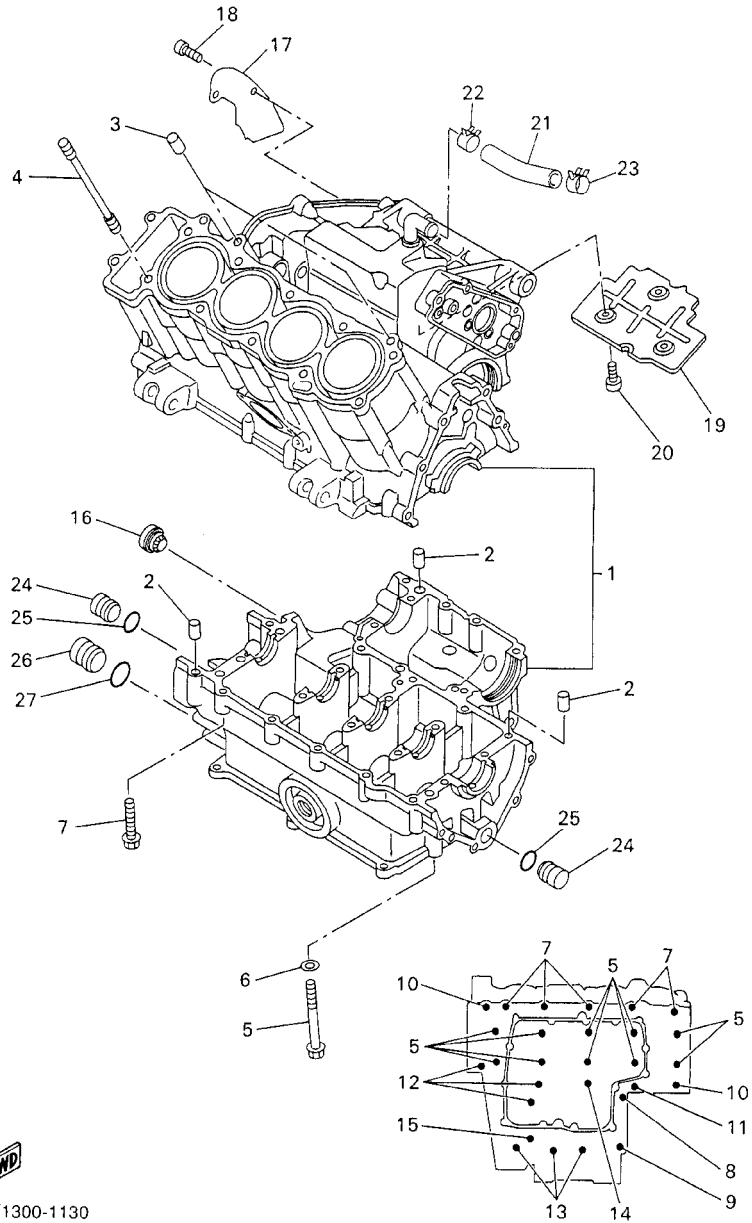
FIG. 12 EXHAUST

REF. NO.	PART NO.	DESCRIPTION	5LVF	5LVN				REMARKS
28	90387-082W9	COLLAR	1	1				



5LV1300-1120

FIG. 13 CRANKCASE

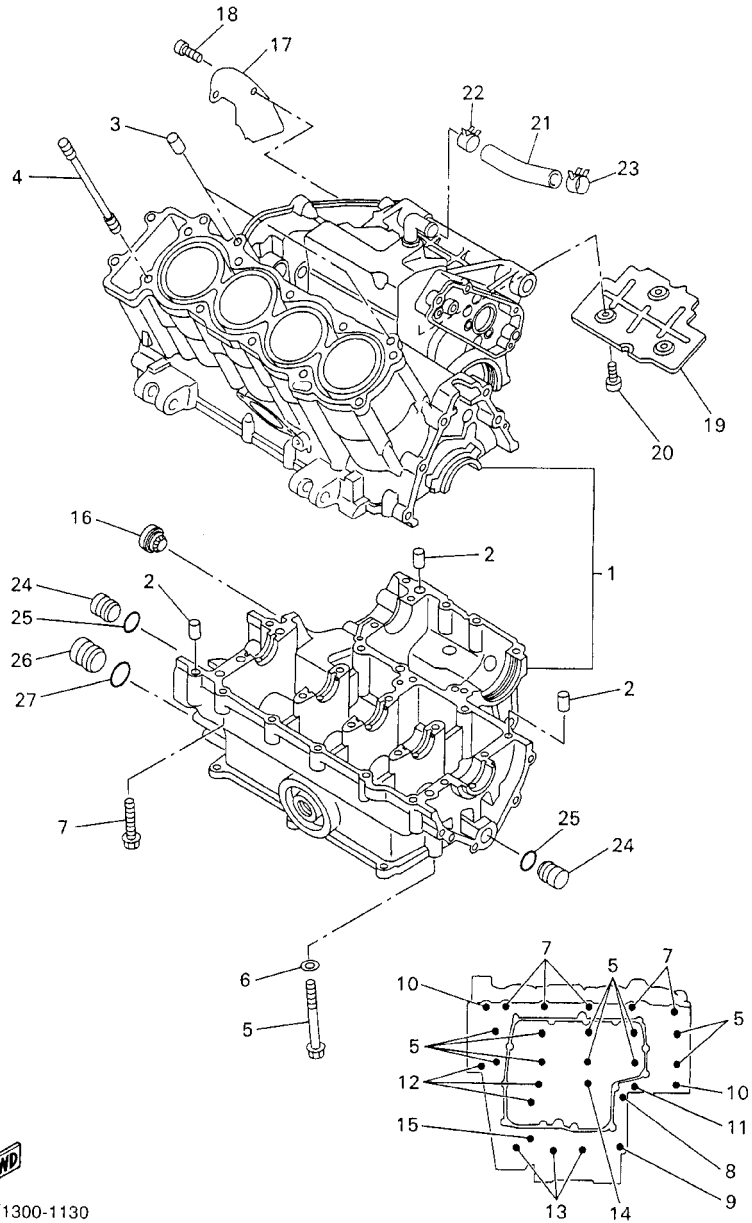



5LV1300-1130

REF. NO.	PART NO.	DESCRIPTION	5LVF	5LVN	REMARKS
1	5LV-15100-01	CRANKCASE ASSY	1		
	5LV-15100-10	CRANKCASE ASSY		1	
2	99530-10014	PIN, DOWEL	3	3	
3	99530-10114	PIN, DOWEL	2	2	
4	90116-10619	BOLT, STUD	10	10	
5	90105-093A5	BOLT, FLANGE	10	10	
6	90201-096J9	WASHER, PLATE	10	10	
7	95817-06055	BOLT, FLANGE	5	5	
8	90105-08015	BOLT, FLANGE	1	1	
9	95817-08050	BOLT, FLANGE	1	1	
10	90109-065G3	BOLT	2	2	
11	95817-06060	BOLT, FLANGE	1	1	
12	95817-06070	BOLT, FLANGE	3	3	
13	95817-06045	BOLT, FLANGE	3	3	
14	95814-06050	BOLT, FLANGE	1	1	
15	95817-06065	BOLT, FLANGE	1	1	
16	2H7-15361-00	GAUGE, LEVEL	1	1	
17	4XV-11165-00	PLATE, BREATHER	1	1	
18	90110-06018	BOLT, HEXAGON SOCKET HEAD	2	2	
19	4XV-11145-00	PLATE, BREATHER 2	1	1	
20	90110-06018	BOLT, HEXAGON SOCKET HEAD	3	3	
21	5LV-11166-00	PIPE, BREATHER 1	1	1	
22	90468-08104	CLIP	1	1	
23	90467-16009	CLIP	1	1	
24	90338-16262	PLUG	2	2	
25	93210-12790	O-RING	2	2	
26	90338-20263	PLUG	1	1	

FIG. 13 CRANKCASE

REF. NO.	PART NO.	DESCRIPTION	5LVF	5LVN				REMARKS
27	93210-16314	O-RING	1	1				




5LV1300-1130

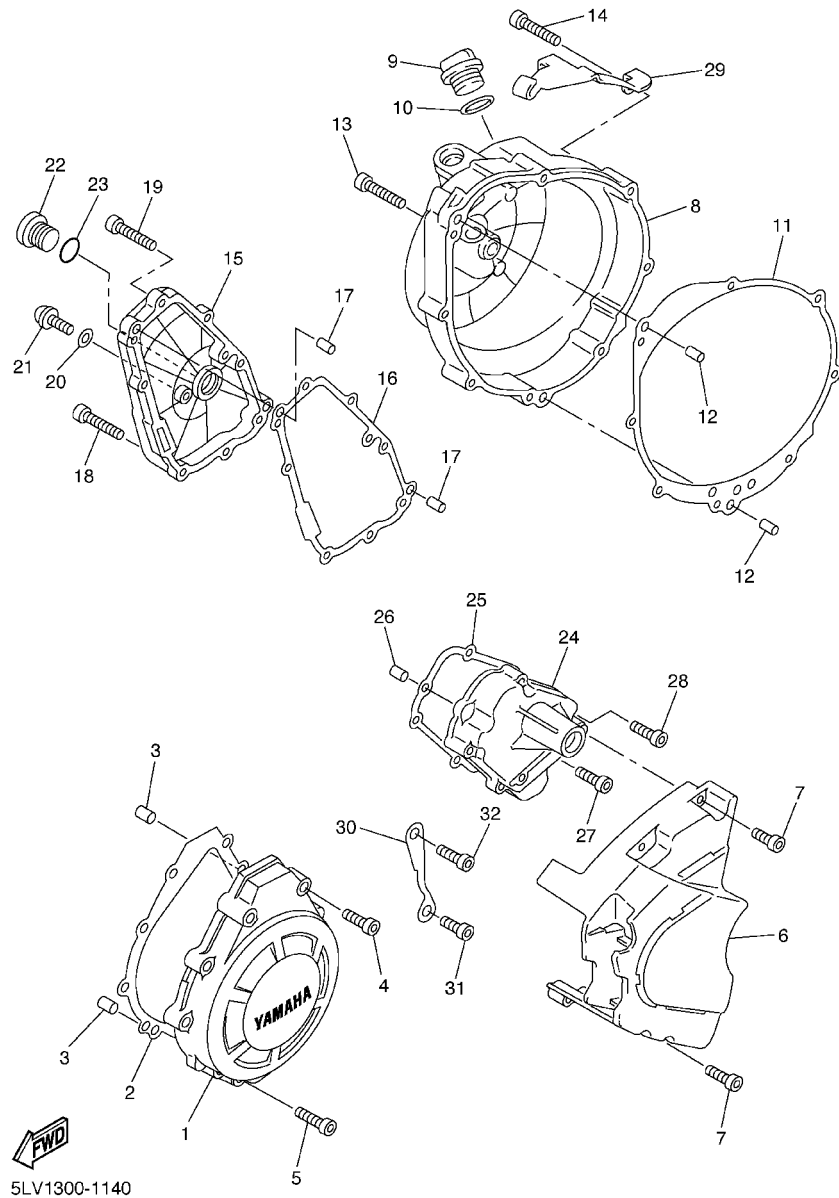
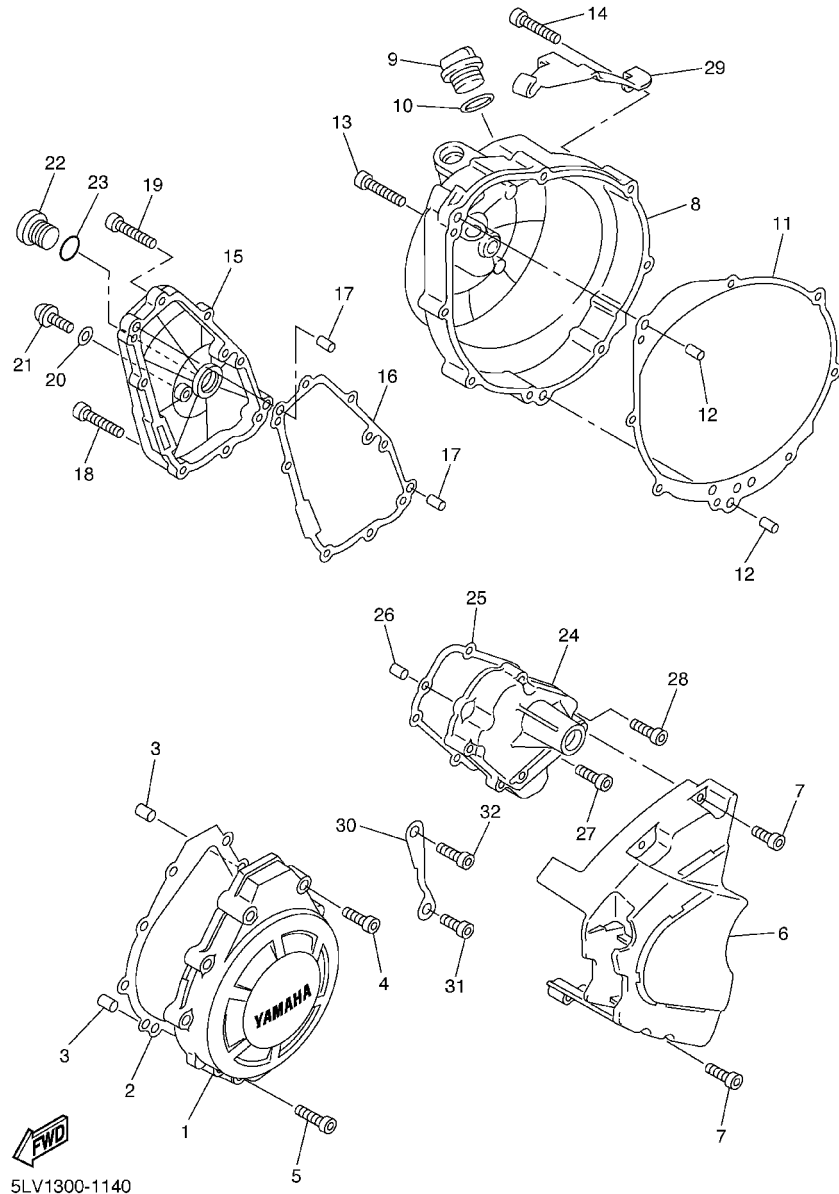


FIG. 14 CRANKCASE COVER 1

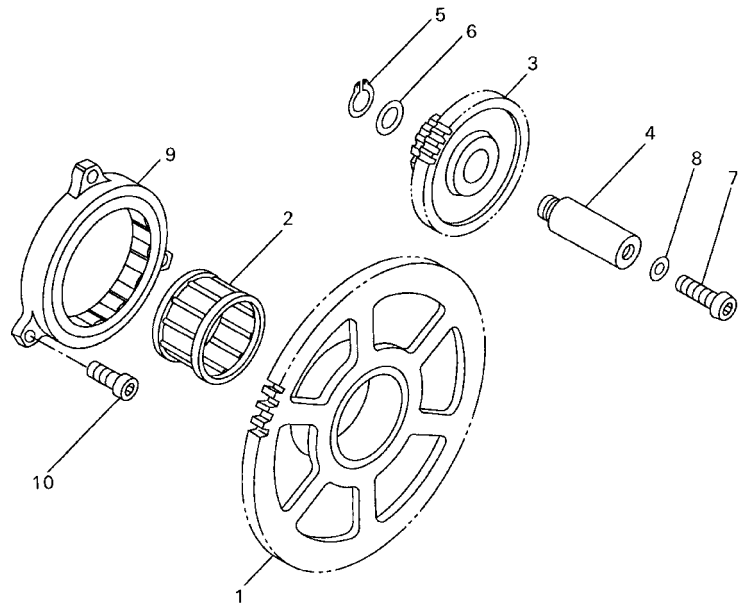
REF. NO.	PART NO.	DESCRIPTION	5LVF	5LVN	REMARKS
1	5LV-15411-00	COVER, CRANKCASE 1	1		
	5LV-15411-10	COVER, CRANKCASE 1		1	
2	4XV-15451-00	GASKET, CRANKCASE COVER 1	1	1	
3	99530-08012	PIN, DOWEL	2	2	
4	91314-06035	BOLT	8	8	
5	91314-06020	BOLT	1	1	
6	5LV-15418-00	COVER, CHAIN CASE	1		
	5LV-15418-10	COVER, CHAIN CASE		1	
7	91314-06025	BOLT	4	4	
8	5LV-15421-00	COVER, CRANKCASE 2	1		
	5LV-15421-10	COVER, CRANKCASE 2		1	
9	3F9-15362-00	PLUG, OIL LEVEL	1	1	
10	93210-27194	O-RING	1	1	
11	4XV-15461-00	GASKET, CRANKCASE COVER 2	1	1	
12	93608-21002	PIN, DOWEL	2	2	
13	91314-06040	BOLT	6	6	
14	91314-06045	BOLT	2	2	
15	4XV-15416-00	COVER, OIL PUMP	1		
	5LV-15416-00	COVER, OIL PUMP		1	
16	5LV-15456-00	GASKET, OIL PUMP COVER 1	1	1	
17	99530-08012	PIN, DOWEL	2	2	
18	91314-06020	BOLT	6	6	
19	91314-06025	BOLT	2	2	
20	90430-08143	GASKET	1	1	
21	92014-08012	BOLT, BUTTON HEAD	1	1	
22	90340-32116	PLUG, STRAIGHT SCREW	1		
	90340-32002	PLUG, STRAIGHT SCREW		1	

FIG. 14 CRANKCASE COVER 1



REF. NO.	PART NO.	DESCRIPTION	5LVF	5LVN	REMARKS
23	93210-32172	O-RING	1	1	
24	5EG-15425-00	COVER, GENERATOR 2	1		
	5LV-15425-00	COVER, GENERATOR 2		1	
25	4XV-15463-00	GASKET, COVER 2	1	1	
26	99530-08012	PIN, DOWEL	2	2	
27	91314-06020	BOLT	2	2	
28	91314-06030	BOLT	3	3	
29	5LV-15441-00	HOLDER, CLUTCH CABLE	1		
	5LV-15441-01	HOLDER, CLUTCH CABLE		1	
30	5LV-15113-00	PLATE	1	1	
31	90110-06224	BOLT, HEXAGON SOCKET HEAD	1	1	
32	90110-06124	BOLT, HEXAGON SOCKET HEAD	1	1	

FIG. 15 STARTER

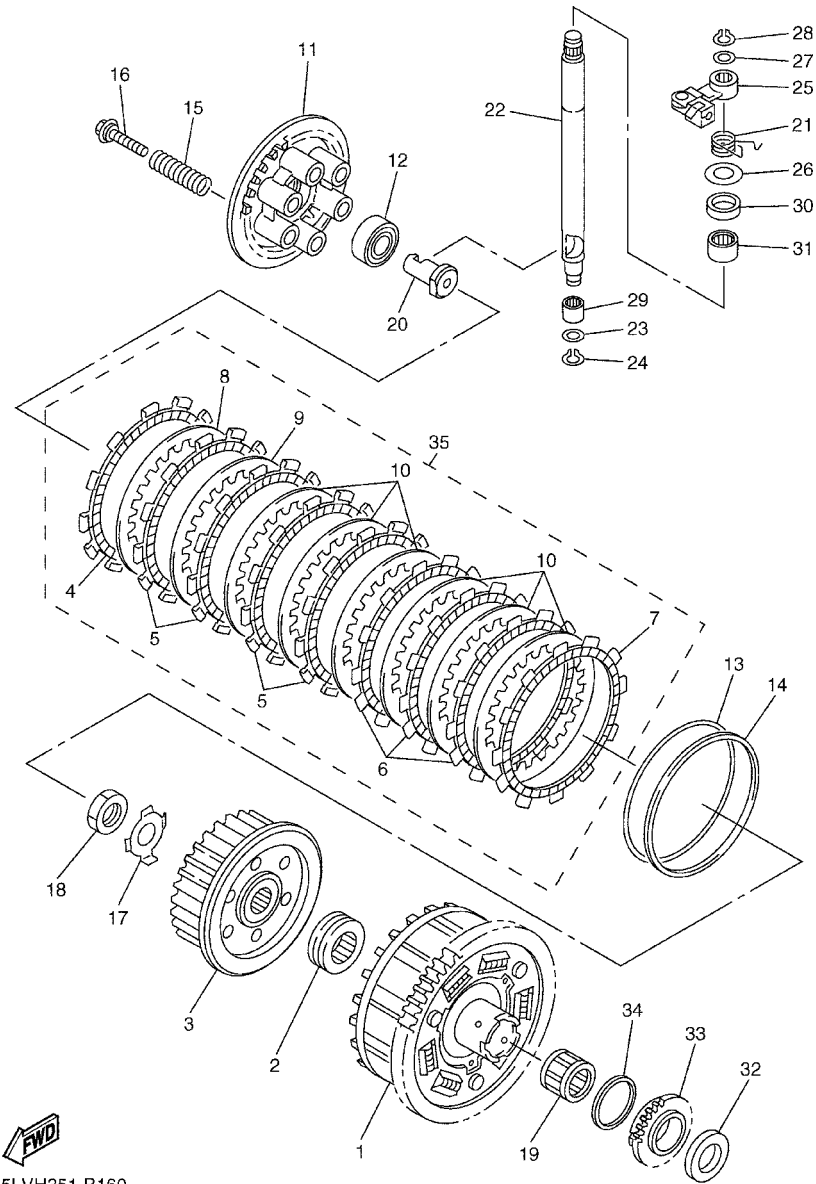


REF. NO.	PART NO.	DESCRIPTION	5LVF	5LVN				REMARKS
1	5PW-15515-00	GEAR 3	1	1				
2	93310-338S6	BEARING	1	1				
3	4XV-15517-00	GEAR, IDLER 2	1	1				
4	4XV-15521-00	SHAFT 1	1	1				
5	93410-08072	CIRCLIP	1	1				
6	90201-08089	WASHER, PLATE	1	1				
7	92017-06014	BOLT	1	1				
8	90430-06014	GASKET	1	1				
9	4XV-15570-00	STARTER CLUTCH ASSY	1	1				
10	90110-06065	BOLT, HEXAGON SOCKET HEAD	3	3				



4XV352-8140

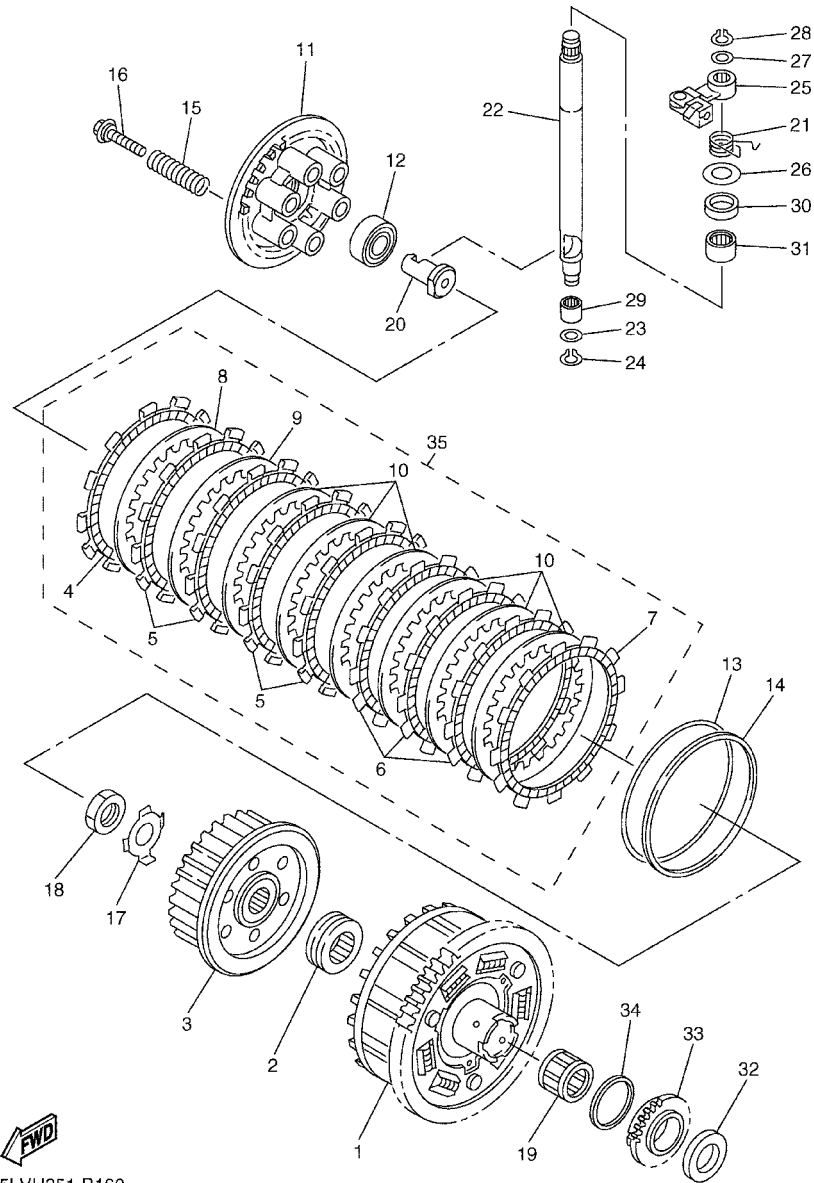
FIG. 16 CLUTCH



5LVH351-B160

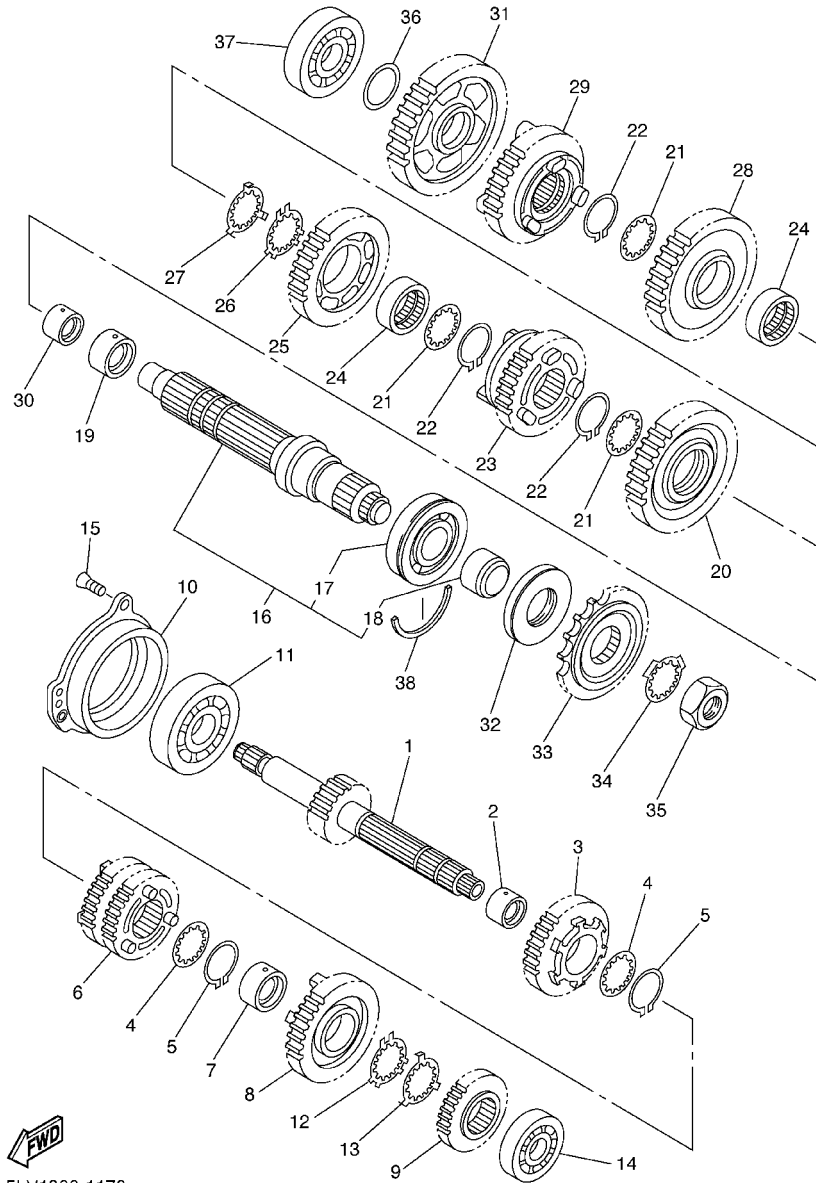
REF. NO.	PART NO.	DESCRIPTION	5LVF	5LVN	REMARKS
1	5LV-16150-00	PRIMARY DRIVEN GEAR COMP.	1	1	
2	5LV-16154-00	PLATE, THRUST 1	1	1	
3	5LV-16371-00	BOSS, CLUTCH	1	1	
4	4FN-16321-00	PLATE, FRICTION	1	1	
5	5LV-16321-20	PLATE, FRICTION	4	4	
6	5LV-16321-10	PLATE, FRICTION	3	3	
7	5LV-16321-00	PLATE, FRICTION	1	1	
8	31A-16325-00	PLATE, CLUTCH 2 (T2.0)	1	1	STD
	168-16325-00	PLATE, CLUTCH 2 (T=1.6)	1	1	UR
	168-16324-00	PLATE, CLUTCH 1 (T=2.3)	1	1	UR
9	31A-16325-00	PLATE, CLUTCH 2 (T2.0)	1	1	STD
	168-16324-00	PLATE, CLUTCH 1 (T=2.3)	1	1	UR
10	31A-16325-00	PLATE, CLUTCH 2 (T2.0)	6	6	
11	5EB-16351-01	PLATE, PRESSURE 1	1	1	
12	93306-00304	BEARING (B6003C4)	1	1	
13	5LV-16383-00	SPRING, CLUTCH BOSS	1	1	
14	5LV-16384-00	PLATE, SEAT	1	1	
15	90501-230E4	SPRING, COMPRESSION	6	6	
16	90159-06006	SCREW, WITH WASHER	6	6	
17	90215-20231	WASHER, LOCK	1	1	
18	90170-20327	NUT	1	1	
19	93310-228S5	BEARING	1	1	
20	5LV-16356-00	ROD, PUSH 1	1	1	
21	90508-13007	SPRING, TORSION	1	1	
22	5LV-16382-00	AXLE, PUSH LEVER	1	1	
23	92907-08600	WASHER, PLATE	1	1	
24	99001-07600	CIRCLIP	1	1	

FIG. 16 CLUTCH



5LVH351-B160

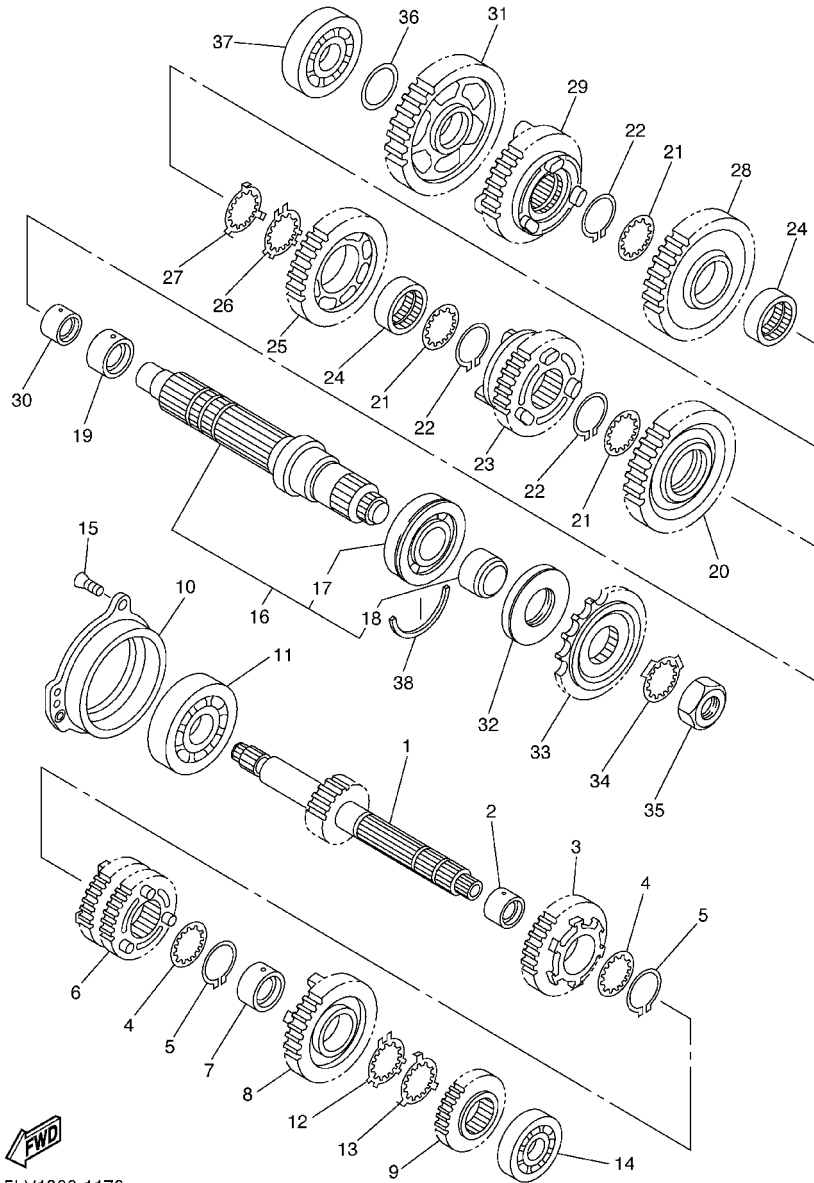
REF. NO.	PART NO.	DESCRIPTION	5LVF	5LVN	REMARKS
25	5LV-16340-00	PUSH LEVER ASSY	1	1	
26	90201-12163	WASHER, PLATE	1	1	
27	90201-10119	WASHER, PLATE	1	1	
28	99009-10400	CIRCLIP	1	1	
29	93317-11020	BEARING	1	1	
30	93102-12106	OIL SEAL (SD 12-22-5 HS)	1	1	
31	93317-11287	BEARING	1	1	
32	4XV-16154-00	PLATE, THRUST 1	1	1	
33	5PW-13354-01	SPROCKET, DRIVE	1	1	
34	90201-43008	WASHER, PLATE	1	1	
35	5LV-16309-09	PLATE SET	1	1	AP



5LV1300-1170

FIG. 17 TRANSMISSION

REF. NO.	PART NO.	DESCRIPTION	5LVF	5LVN	REMARKS
1	5LV-17411-00	AXLE, MAIN (14T)	1	1	
2	90387-2811B	COLLAR	1	1	
3	5JJ-17151-00	GEAR, 5TH PINION (25T)	1	1	
4	90209-25342	WASHER	2	2	
5	93440-28062	CIRCLIP	2	2	
6	5JJ-17131-00	GEAR, 3RD PINION (20/21T)	1	1	
7	90387-2810U	COLLAR	1	1	
8	5JJ-17161-00	GEAR, 6TH PINION (26T)	1	1	
9	5JJ-17121-01	GEAR, 2ND PINION (19T)	1	1	
10	5JJ-15163-00	HOUSING, BEARING 1	1	1	
11	93306-37807	BEARING	1	1	
12	90209-25349	WASHER	1	1	
13	90209-25350	WASHER	1	1	
14	93306-27208	BEARING	1	1	
15	90149-06286	SCREW	3	3	
16	5LV-17402-00	DRIVE AXLE ASSY	1	1	
17	93306-20705	.BEARING (B6207N)	1	1	
18	90387-30001	.COLLAR	1	1	
19	90387-3311C	COLLAR	1	1	
20	5JJ-17221-00	GEAR, 2ND WHEEL (35T)	1	1	
21	90209-30344	WASHER	3	3	
22	93440-32063	CIRCLIP	3	3	
23	5PW-17261-00	GEAR, 6TH WHEEL (29T)	1	1	
24	90387-3310V	COLLAR	2	2	
25	5JJ-17241-00	GEAR, 4TH WHEEL (28T)	1	1	
26	90209-30345	WASHER	1	1	
27	90209-30343	WASHER	1	1	

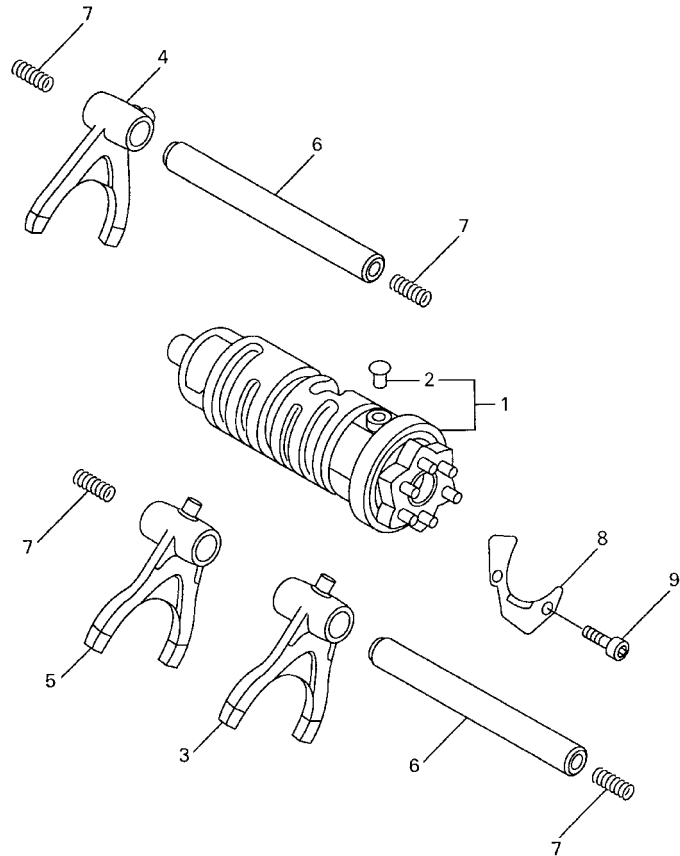


5LV1300-1170

FIG. 17 TRANSMISSION

REF. NO.	PART NO.	DESCRIPTION	5LVF	5LVN	REMARKS
28	5JJ-17231-00	GEAR, 3RD WHEEL (30T)	1	1	
29	5JJ-17251-00	GEAR, 5TH WHEEL (30T)	1	1	
30	90387-2511A	COLLAR	1	1	
31	5JJ-17211-00	GEAR, 1ST WHEEL (35T)	1	1	
32	93102-45465	OIL SEAL	1	1	
33	4XV-17460-00	SPROCKET, DRIVE (16T)	1	1	
34	90215-30233	WASHER, LOCK	1	1	
35	90179-22063	NUT	1	1	
36	90201-224L4	WASHER, PLATE	1	1	
37	93306-37209	BEARING	1	1	
38	93440-72049	CIRCLIP	1	1	

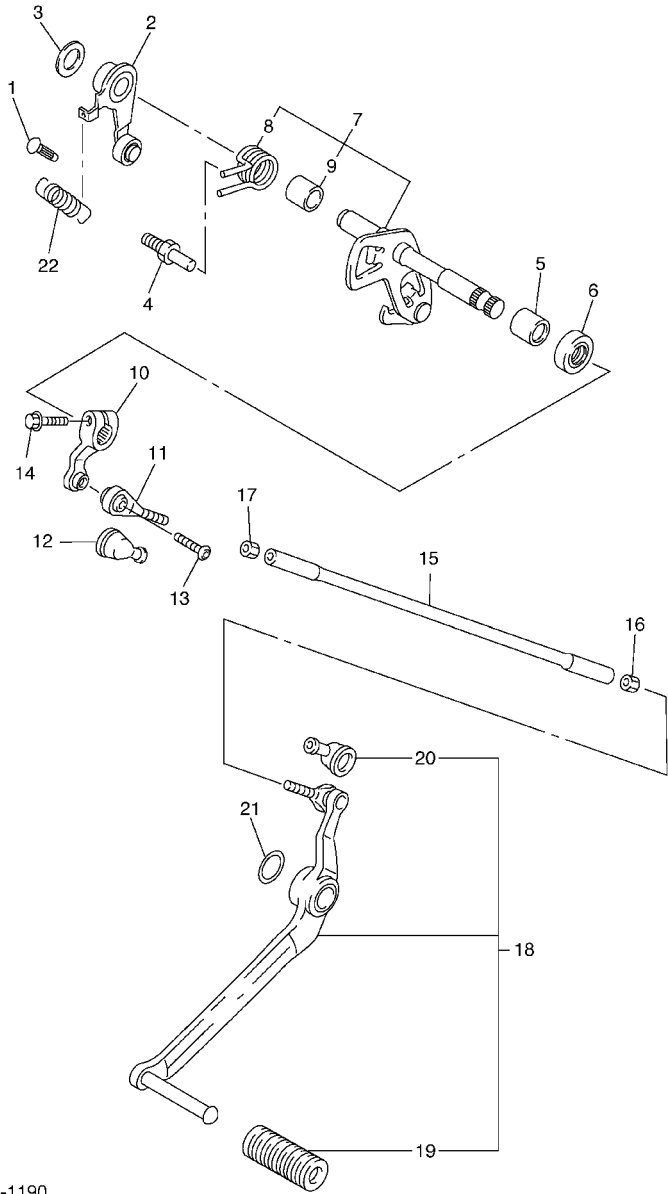
FIG. 18 SHIFT CAM. FORK



REF. NO.	PART NO.	DESCRIPTION	5LVF	5LVN				REMARKS
1	5LV-18540-00	SHIFT CAM ASSY	1	1				
2	136-18542-00	.POINT, NEUTRAL	1	1				
3	4XV-18511-00	FORK, SHIFT 1	1	1				
4	5JJ-18512-00	FORK, SHIFT 2	1	1				
5	4XV-18513-00	FORK, SHIFT 3	1	1				
6	4XV-18531-00	BAR, SHIFT FORK GUIDE 1	2	2				
7	90501-064L1	SPRING, COMPRESSION	4	4				
8	4XV-18536-00	STOPPER, SHIFT BAR	1	1				
9	90110-06226	BOLT, HEXAGON SOCKET HEAD	2	2				


4XV352-8170

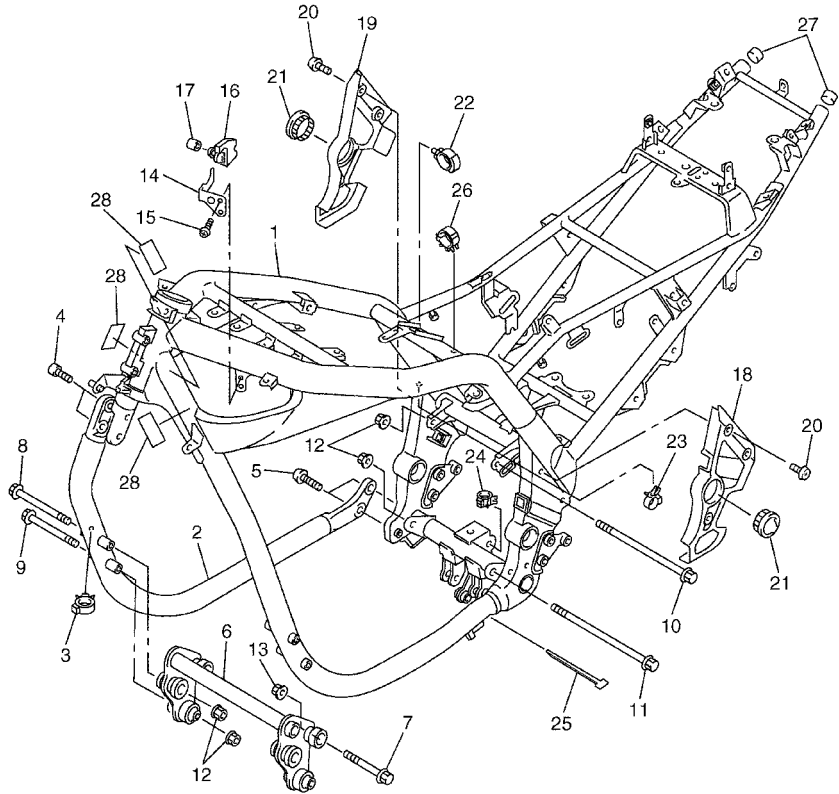
FIG. 19 SHIFT SHAFT



5LV1300-1190

REF. NO.	PART NO.	DESCRIPTION	5LVF	5LVN	REMARKS
1	132-16346-00	HOOK, SPRING	1	1	
2	5JJ-18140-00	STOPPER LEVER ASSY	1	1	
3	90201-120K4	WASHER, PLATE	1	1	
4	4XV-18127-00	STOPPER, SCREW	1	1	
5	93317-11287	BEARING	1	1	
6	93101-12004	OIL SEAL	1	1	
7	5LV-18101-00	SHIFT SHAFT ASSY	1	1	
8	90508-295B2	.SPRING, TORSION	1	1	
9	90387-1211D	.COLLAR	1	1	
10	5EB-18112-01	ARM, SHIFT	1	1	
11	5LV-18116-00	JOINT, ROD 1	1	1	
12	4XV-18154-00	COVER, DUST	1	1	
13	90111-06019	BOLT	1	1	
14	95824-06020	BOLT, FLANGE	1	1	
15	5LV-18115-00	ROD, SHIFT	1	1	
16	90170-06228	NUT(COUNTER CLOCKWISE)	1	1	
17	95304-06700	NUT	1	1	
18	5LV-18110-00	SHIFT PEDAL ASSY	1	1	
19	5EB-18113-00	.COVER, SHIFT PEDAL	1	1	
20	4XV-18154-00	.COVER, DUST	1	1	
21	90206-17084	WASHER, WAVE	1	1	
22	90506-14002	SPRING, TENSION	1	1	

FIG. 20 FRAME

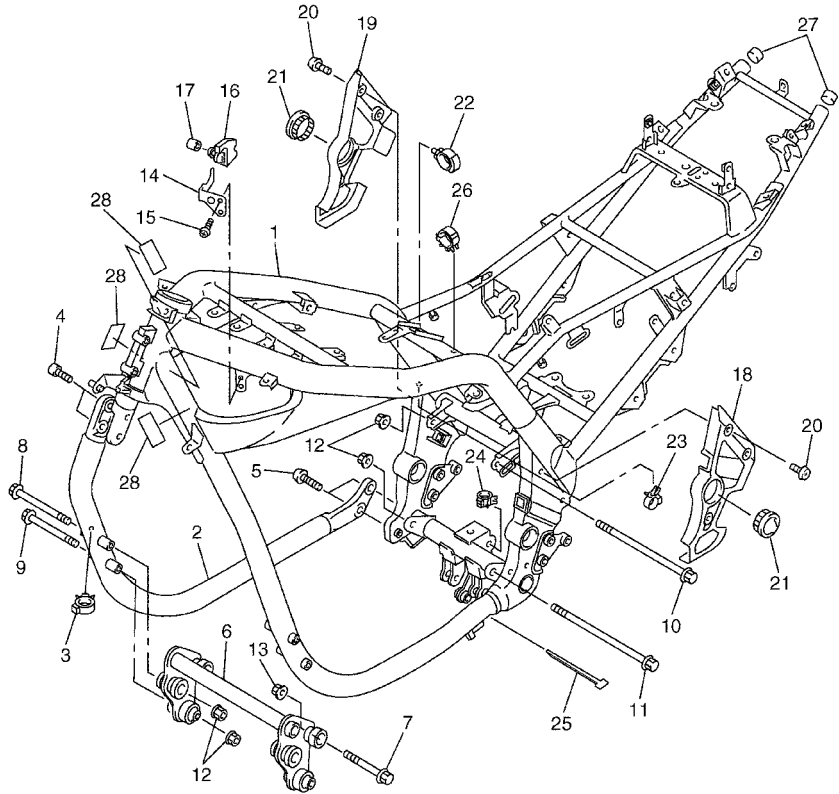


FWD
5LVH351-B200

REF. NO.	PART NO.	DESCRIPTION	5LVF	5LVN	REMARKS
1	5LV-21110-20	FRAME COMP.	1	1	
2	5LV-21150-10	DOWN TUBE COMP.2	1	1	
3	90464-25217	CLAMP	1	1	
4	90110-10191	BOLT, HEXAGON SOCKET HEAD	2	2	
5	90111-10004	BOLT	2	2	
6	5LV-21400-00	ENGINE BRACKET COMP.	1	1	
7	90105-10028	BOLT, FLANGE	2	2	
8	90105-10027	BOLT, FLANGE	2	2	
9	90105-08042	BOLT, FLANGE	2	2	
10	95817-10180	BOLT, FLANGE	1	1	
11	95817-10190	BOLT, FLANGE	1	1	
12	95607-10200	NUT, U FLANGE	6	6	
13	95607-08200	NUT, SELF-LOCKING	2	2	
14	4XV-2116J-00	BRACKET 7	1	1	
15	98907-06012	SCREW, BIND	2	2	
16	4XV-2116A-00	STAY 1	1	1	
17	90387-061K9	COLLAR	2	2	
18	5LV-2117F-00	COVER	1	1	
19	5LV-2117M-00	COVER 2	1	1	
20	90149-06298	SCREW	6	6	
21	4BH-2219X-00	COVER	2	2	
22	90464-20181	CLAMP	1	1	
23	90464-10190	CLAMP	1	1	
24	90464-08189	CLAMP	1	1	
25	90464-15195	CLAMP	1	1	
26	90464-25217	CLAMP	1	1	
27	3YX-2143A-00	CAP	2	2	

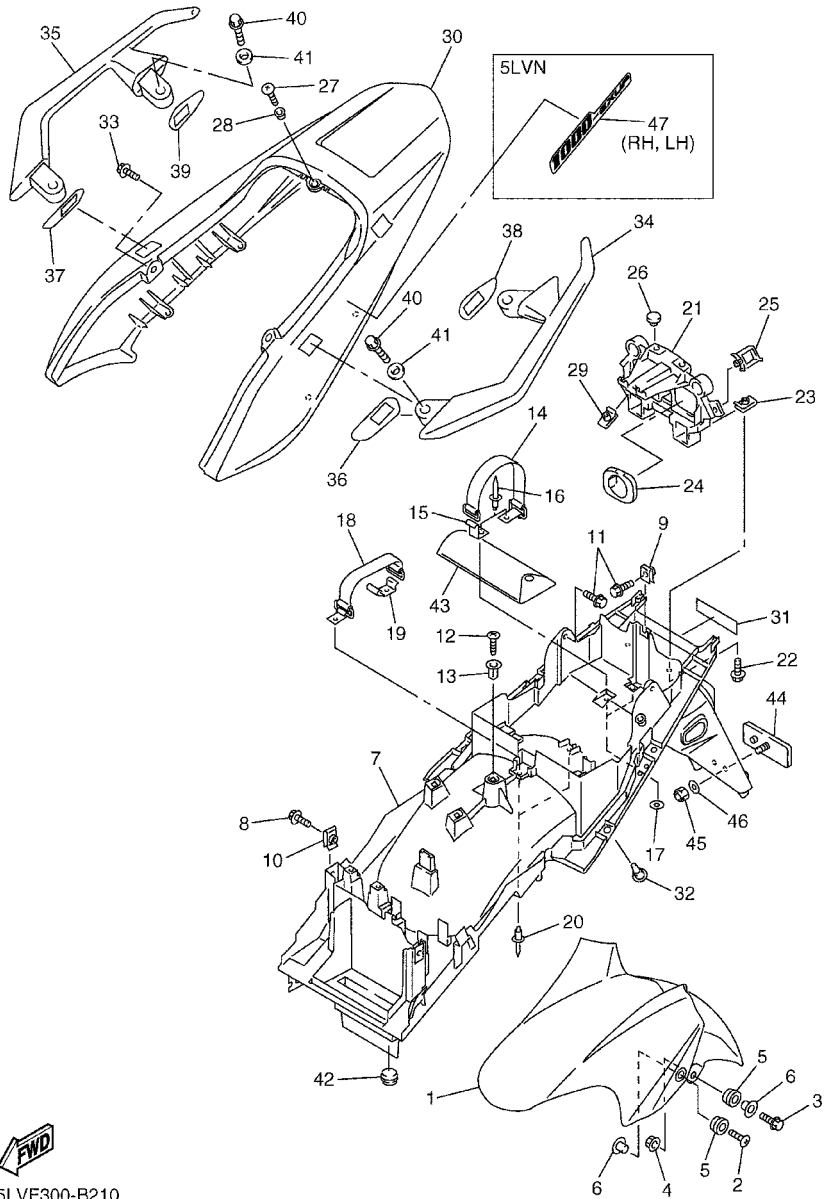
FIG. 20 FRAME

REF. NO.	PART NO.	DESCRIPTION	5LVF	5LVN	REMARKS
28	1JK-21268-00	SEAL	3	3	



5LVH351-B200

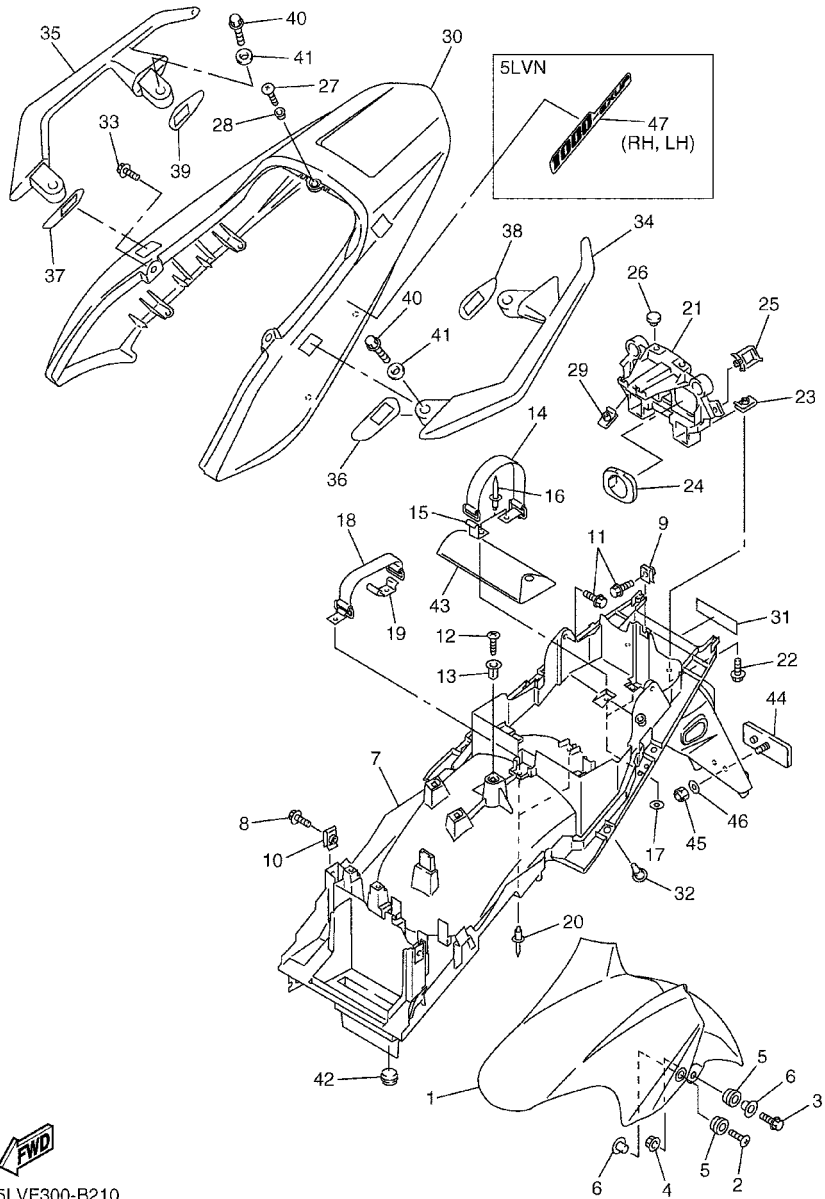
FIG. 21 FENDER



FWD
5LVF300-B210

REF. NO.	PART NO.	DESCRIPTION	5LVF	5LVN	REMARKS
1	5LV-21511-00-P3	FENDER, FRONT	1		UR DPBML
	5LV-21511-00-P2	FENDER, FRONT	1		UR S3
	5LV-21511-00-4B	FENDER, FRONT		1	BL2
2	90154-06061	SCREW, BINDING	2	2	
3	95024-06025	BOLT, FLANGE	2	2	
4	90179-06009	NUT	2	2	
5	90480-12072	GROMMET	4	4	
6	90387-065J6	COLLAR	4	4	
7	5LV-21611-00	FENDER, REAR	1	1	
8	90119-06205	BOLT, WITH WASHER	2	2	
9	90183-06053	NUT, SPRING	1	1	
10	90183-06023	NUT, SPRING	2	2	
11	90119-06205	BOLT, WITH WASHER	3	3	
12	97707-60020	SCREW, TAPPING	1	1	
13	90338-08226	PLUG	1	1	
14	4HM-21647-00	BAND	1	1	
15	4HM-2162A-00	HOOK	1	1	
16	90267-40076	RIVET, BLIND	2	2	
17	90201-04018	WASHER, PLATE	2	2	
18	4HM-82131-00	BAND, BATTERY	1	1	
19	5LV-2162A-00	HOOK	1	1	
20	90267-40076	RIVET, BLIND	2	2	
21	5LV-2117E-00	BRACKET, TAILLIGHT	1	1	
22	90119-06096	BOLT, WITH WASHER	2	2	
23	90183-06053	NUT, SPRING	2	2	
24	5JJ-2172X-00	COVER, TAILLIGHT	2	2	
25	90464-16025	CLAMP	1	1	

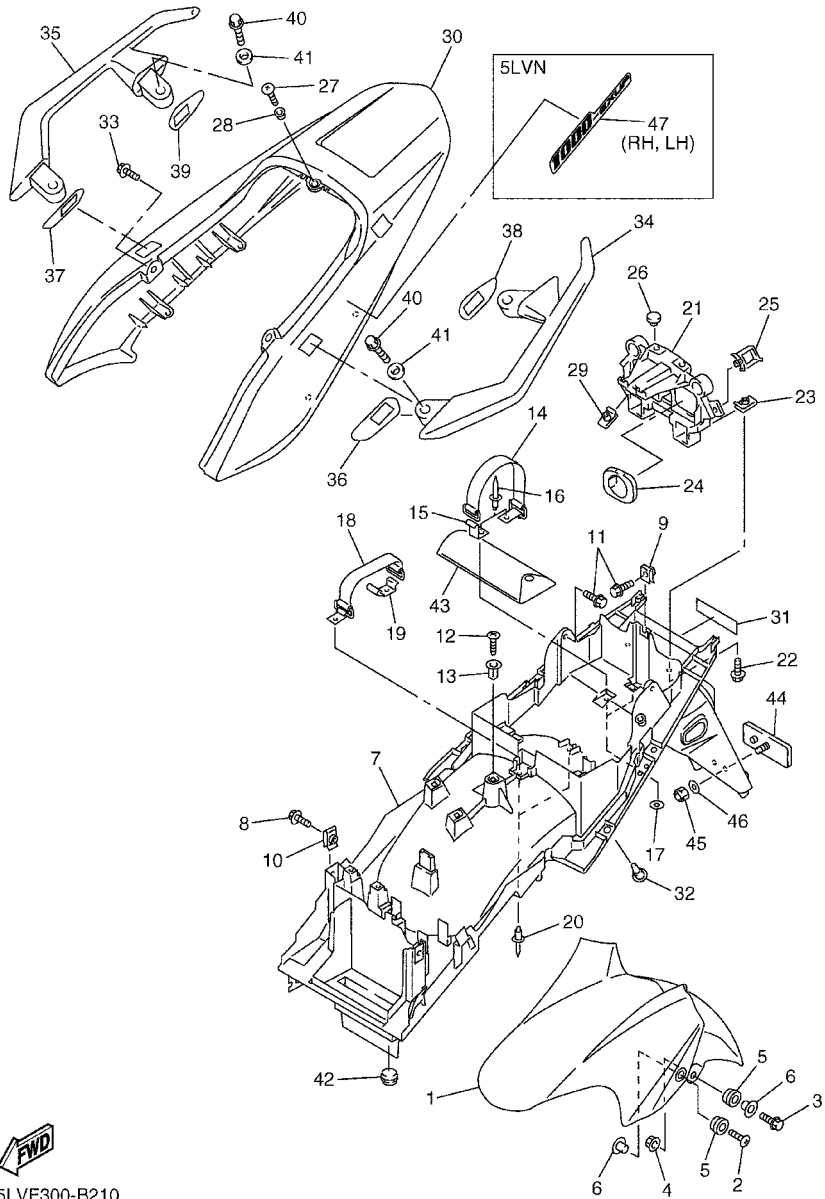
FIG. 21 FENDER



FWD
5LVF300-B210

REF. NO.	PART NO.	DESCRIPTION	5LVF	5LVN	REMARKS
26	3L7-24724-00	DAMPER, SEAT	2	2	
27	90150-05039	SCREW, ROUND HEAD	1	1	
28	90387-06008	COLLAR	1	1	
29	90183-05061	NUT, SPRING	1	1	
30	5LV-21651-00-P3	COVER, REAR FENDER	1		UR DPBML
	5LV-21651-00-P2	COVER, REAR FENDER	1		UR S3
	5LV-21651-00-4B	COVER, REAR FENDER		1	BL2
31	99246-00080	EMBLEM, YAMAHA	1	1	
32	90269-07077	RIVET	4	4	
33	90109-063F1	BOLT	2	2	
34	5LV-2474A-00-P3	ASSIST, GRIP	1		UR DPBML
	5LV-2474A-00-P2	ASSIST, GRIP	1		UR S3
	5LV-2474A-00-4B	ASSIST, GRIP		1	BL2
35	5LV-2474W-00-P3	ASSIST,GRIP 2	1		UR DPBML
	5LV-2474W-00-P2	ASSIST,GRIP 2	1		UR S3
	5LV-2474W-00-4B	ASSIST,GRIP 2		1	BL2
36	5LV-24723-00	DAMPER, SEAT	1	1	
37	5LV-24724-00	DAMPER, SEAT	1	1	
38	5LV-24723-10	DAMPER, SEAT	1	1	
39	5LV-24724-10	DAMPER, SEAT	1	1	
40	95027-08025	BOLT, FLANGE	4	4	
41	90201-087F0	WASHER, PLATE	4	4	
42	90480-14100	GROMMET	2	2	
43	5LV-28100-00	TOOL KIT	1	1	
44	3Y6-85130-02	REAR REFLECTOR ASSY	1	1	
45	95607-05200	NUT, U FLANGE	1	1	
46	90201-05725	WASHER, PLATE	1	1	

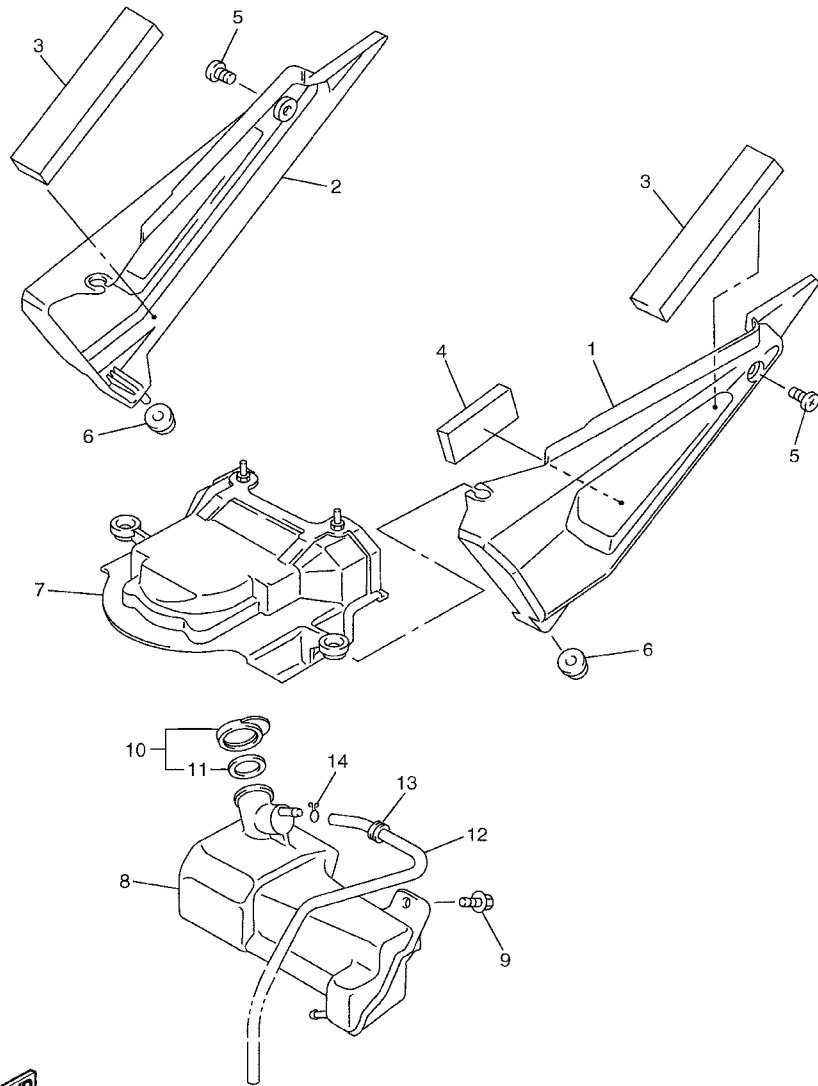
FIG. 21 FENDER



REF. NO.	PART NO.	DESCRIPTION	5LVF	5LVN	REMARKS
47	5LV-2163G-00	EMBLEM 1		2	


5LVF300-B210

FIG. 22 SIDE COVER

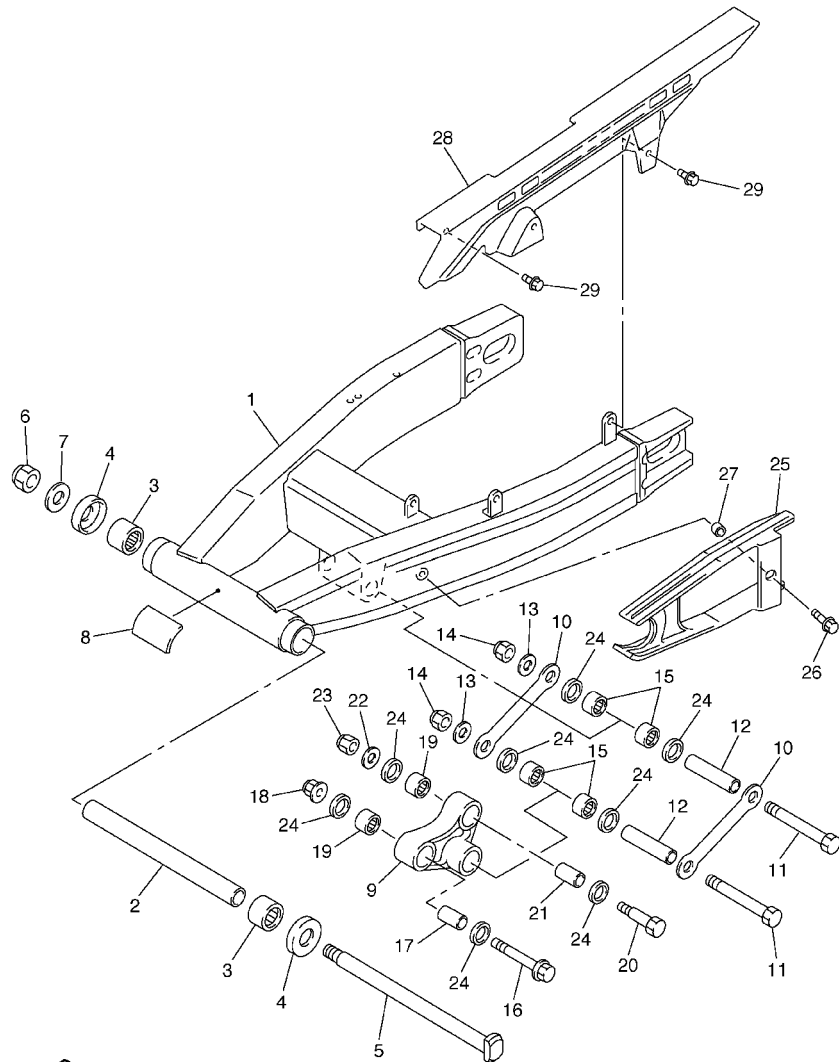


REF. NO.	PART NO.	DESCRIPTION	5LVF	5LVN	REMARKS
1	5LV-21711-00	COVER, SIDE 1	1	1	
2	5LV-21721-00	COVER, SIDE 2	1	1	
3	5LV-2174X-00	DAMPER	2	2	
4	4PT-28217-00	DAMPER 1	1	1	
5	90149-06165	SCREW	2	2	
6	90480-13567	GROMMET	2	2	
7	5LV-2172W-00	COVER	1	1	
8	5LV-21871-00	TANK, RECOVERY	1	1	
9	90119-06108	BOLT, WITH WASHER	2	2	
10	1AA-21815-00	CAP	1	1	
11	1AA-21874-00	.GASKET	1	1	
12	90445-08007	HOSE	1	1	
13	90480-12613	GROMMET	1	1	
14	90467-08003	CLIP	1	1	



5LV1300-1220

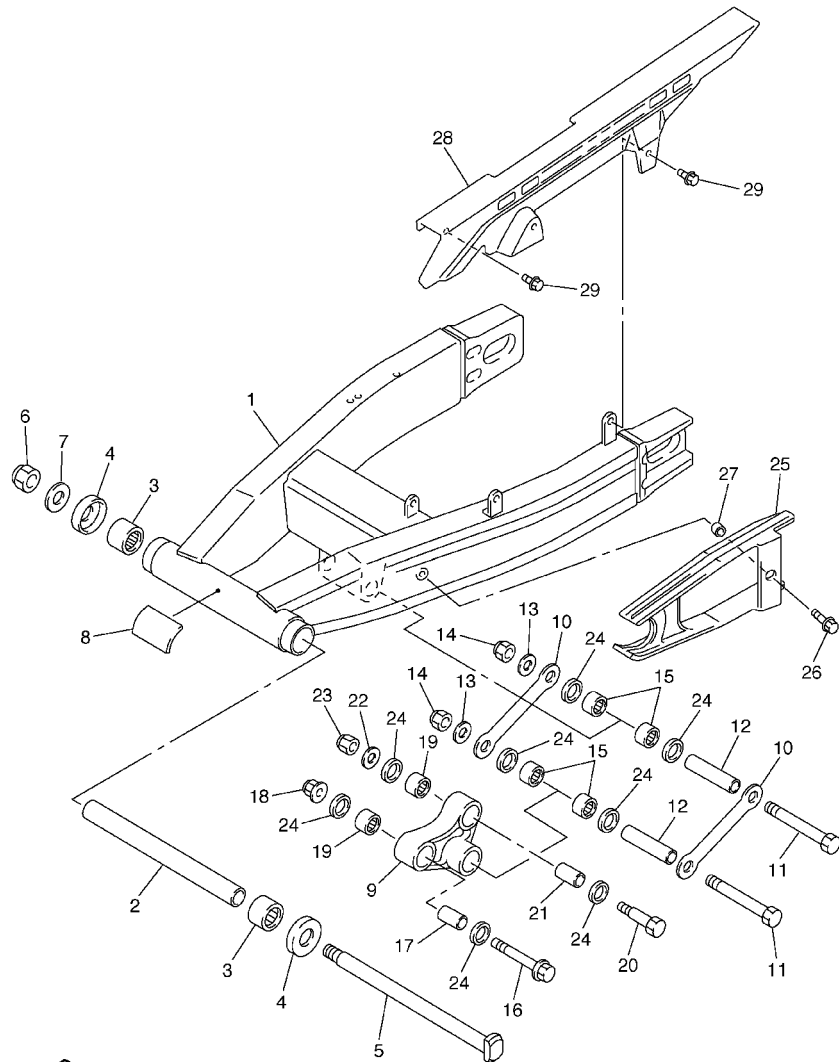
FIG. 23 REAR ARM



5LV1300-1230

REF. NO.	PART NO.	DESCRIPTION	5LVF	5LVN	REMARKS
1	5LV-22110-00	REAR ARM COMP.	1		
	5LV-22110-10	REAR ARM COMP.		1	
2	3FV-22184-00	BUSH	1	1	
3	93315-42523	BEARING	2	2	
4	5JJ-22128-00	COVER, THRUST 1	2	2	
5	3GM-22141-01	SHAFT, PIVOT	1	1	
6	90185-18104	NUT, SELF-LOCKING	1	1	
7	90201-186M4	WASHER, PLATE	1	1	
8	5LV-21732-00	SEAL 1	1	1	
9	5LV-2217A-00	ARM, RELAY	1	1	
10	5LV-2217M-00	ARM 1	2	2	
11	90101-12749	BOLT	2	2	
12	90387-126Y1	COLLAR	2	2	
13	92907-12600	WASHER	2	2	
14	90185-12119	NUT, SELF-LOCKING	2	2	
15	93317-21746	BEARING	4	4	
16	90105-10376	BOLT, FLANGE	1	1	
17	90387-102R4	COLLAR	1	1	
18	95607-10200	NUT, U FLANGE	1	1	
19	93317-31771	BEARING	2	2	
20	90101-10659	BOLT	1	1	
21	90387-127W0	COLLAR	1	1	
22	90201-101J1	WASHER, PLATE	1	1	
23	95617-10100	NUT, U	1	1	
24	93109-17071	OIL SEAL	8	8	
25	5LV-22151-01	SEAL, GUARD	1	1	
26	90119-06118	BOLT, WITH WASHER	1	1	

FIG. 23 REAR ARM



5LV1300-1230

REF. NO.	PART NO.	DESCRIPTION	5LVF	5LVN	REMARKS
27	90387-06022	COLLAR	1	1	
28	5LV-22311-00	CASE, CHAIN	1	1	
29	90119-06007	BOLT, WITH WASHER	3	3	

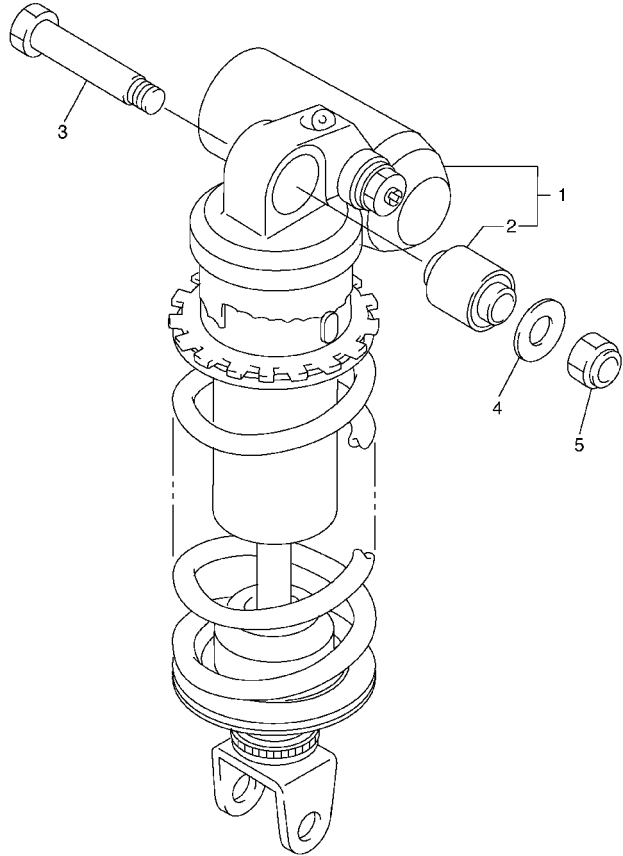
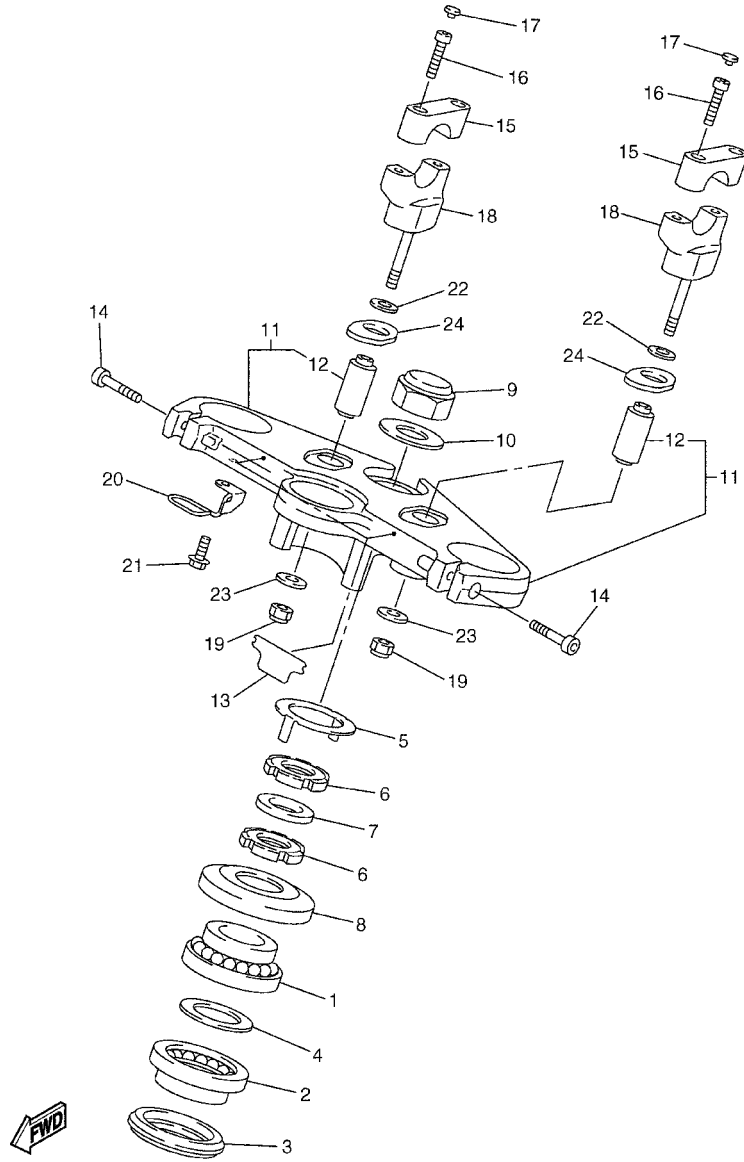


FIG. 24 REAR SUSPENSION

REF. NO.	PART NO.	DESCRIPTION	5LVF	5LVN				REMARKS
1	5LV-22210-00	SHOCK ABSORBER ASSY, REAR	1	1				
2	3YF-22216-01	.BUSH, REAR SHOCK ABSORBER	1	1				
3	90109-10662	BOLT	1	1				
4	90201-101J1	WASHER, PLATE	1	1				
5	95607-10100	NUT, U	1	1				
<hr style="border-top: 1px dashed black;"/>								
<hr style="border-top: 1px dashed black;"/>								
<hr style="border-top: 1px dashed black;"/>								
<hr style="border-top: 1px dashed black;"/>								
<hr style="border-top: 1px dashed black;"/>								
<hr style="border-top: 1px dashed black;"/>								



5LV1300-1240

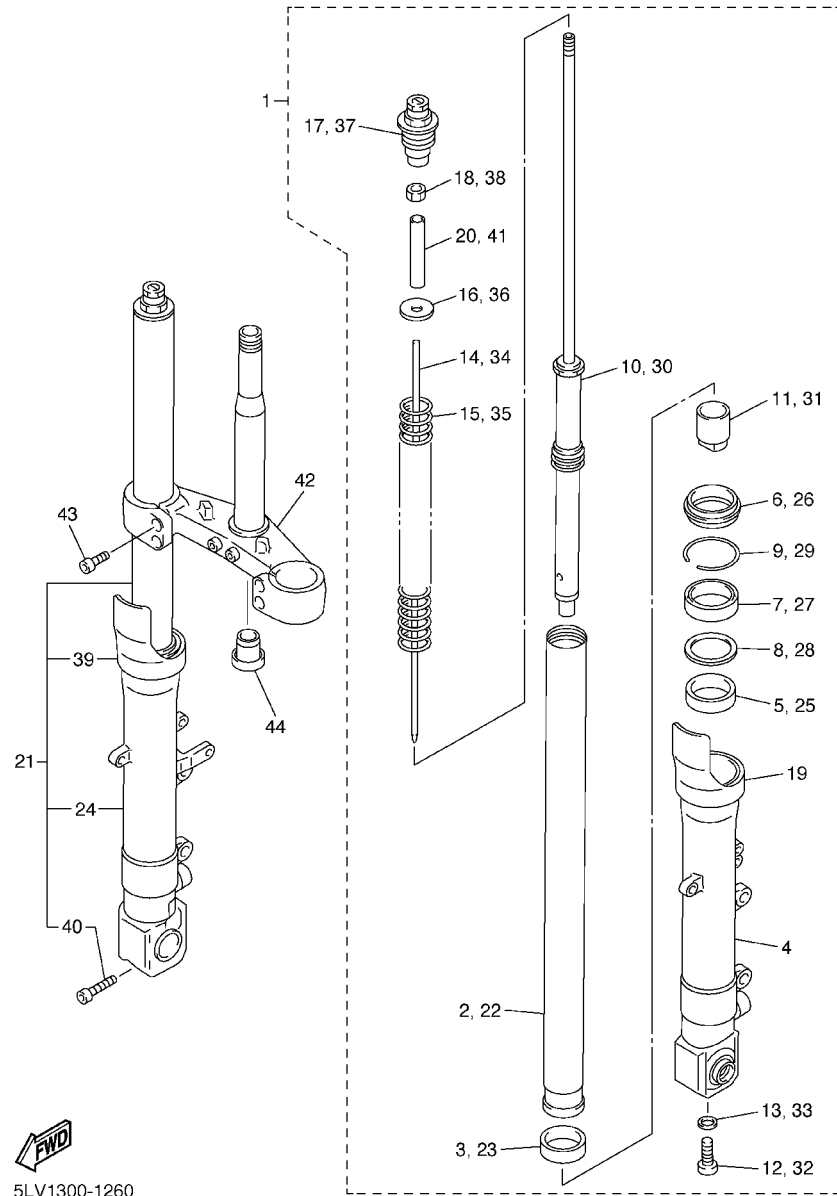


5LV8300-2250

FIG. 25 STEERING

REF. NO.	PART NO.	DESCRIPTION	5LVF	5LVN	REMARKS
1	93399-99931	BEARING	1	1	
2	93399-99932	BEARING	1	1	
3	3FV-23462-00	SEAL, STEERING	1	1	
4	90202-24190	WASHER, PLATE	1	1	
5	26H-23418-01	WASHER, SPECIAL	1	1	
6	90179-25033	NUT	2	2	
7	90202-26142	WASHER, PLATE	1	1	
8	1W1-23416-00	COVER, BALL RACE 2	1	1	
9	90176-22081	NUT, CROWN	1	1	
10	90201-220T0	WASHER, PLATE	1	1	
11	5LV-W2341-00	CROWN, HANDLE	1	1	
12	3VD-23434-00	.HOLDER, DAMPER	2	2	
13	5LV-23472-00	PROTECTOR	2	2	
14	91314-08030	BOLT	2	2	
15	4H7-23441-00-98	HOLDER, HANDLE UPPER	2	2	LGB
16	91317-08030	BOLT	4	4	
17	341-23469-00	CAP, BOLT	4	4	
18	5LV-23442-01	HOLDER, HANDLE LOWER	2	2	
19	95607-10100	NUT, U	2	2	
20	5LV-23317-01	HOLDER, CABLE	1	1	
21	95027-06010	BOLT, FLANGE	1	1	
22	92907-10200	WASHER, PLAIN	2	2	
23	90201-10141	WASHER, PLATE	2	2	
24	5LV-23445-00	DAMPER	2	2	

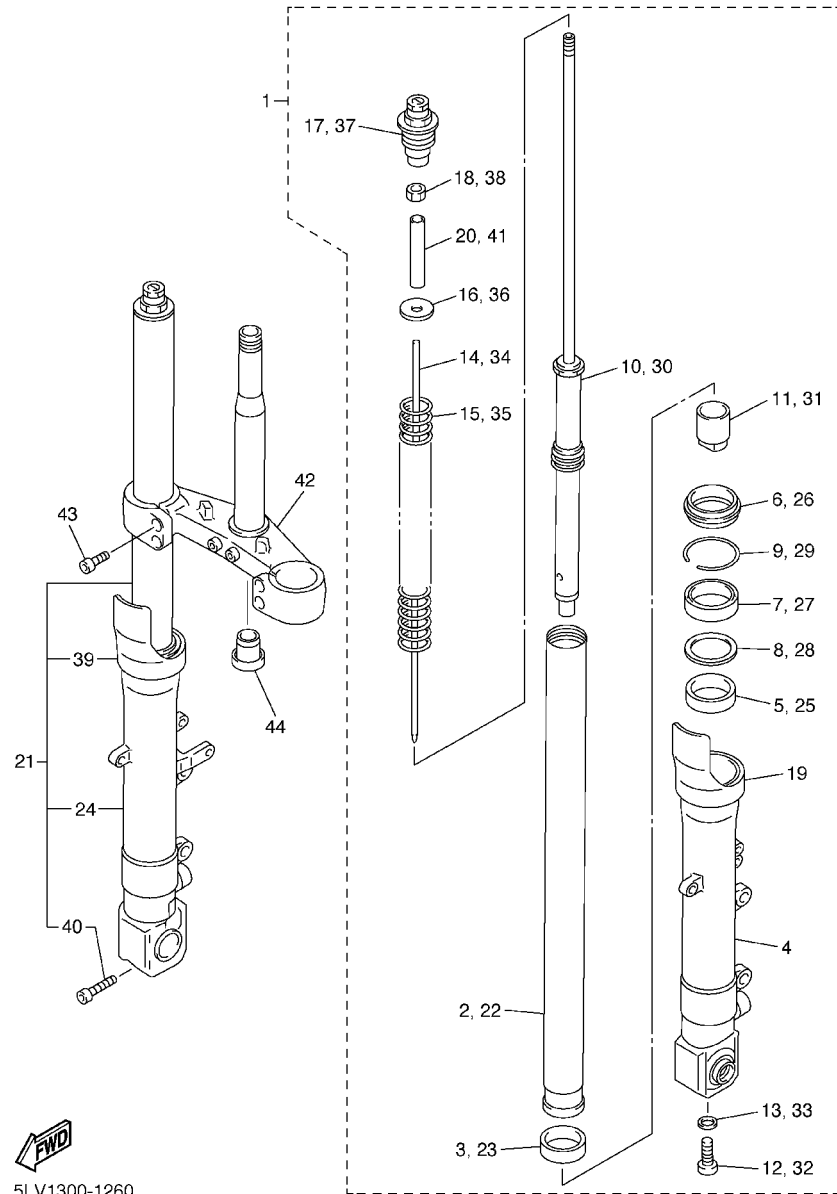
FIG. 26 FRONT FORK




5LV1300-1260

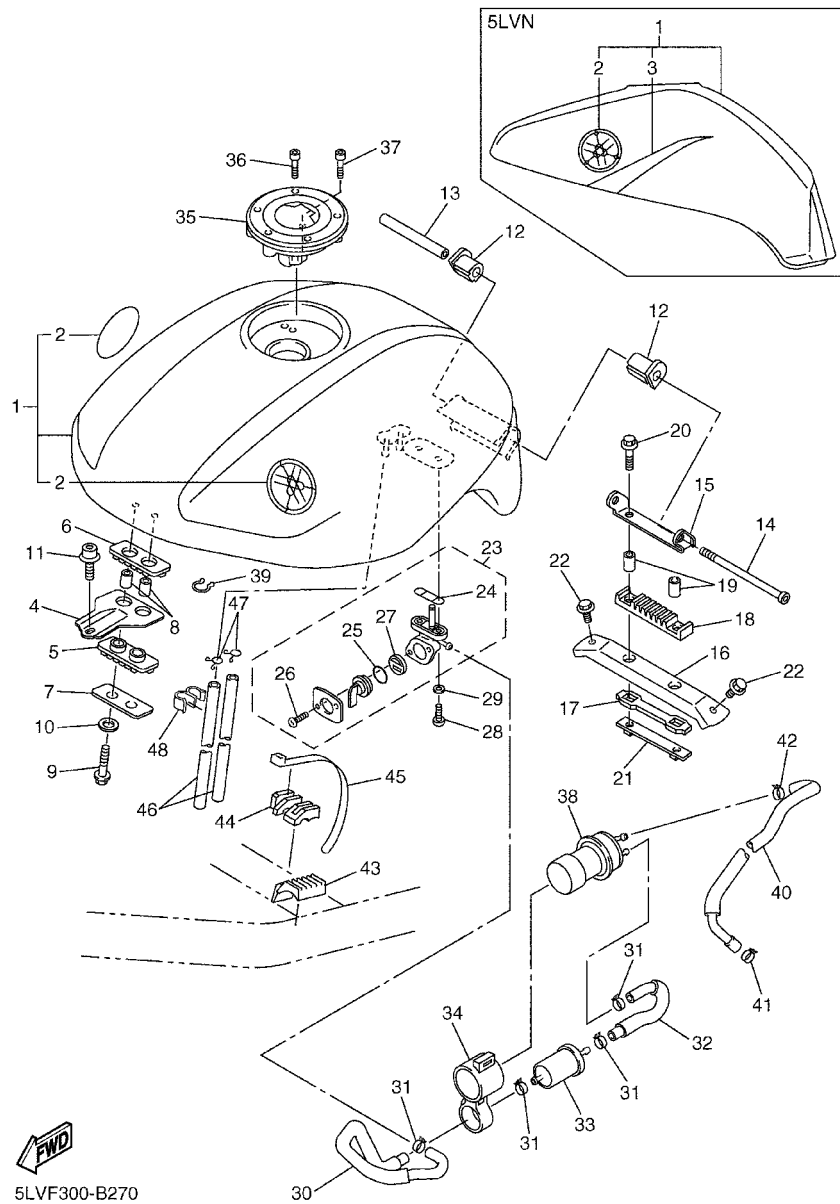
REF. NO.	PART NO.	DESCRIPTION	5LVF	5LVN				REMARKS
1	5LV-23102-00	FRONT FORK ASSY (L.H)	1	1				
2	5LV-23110-00	.INNER TUBE COMP.1	1	1				
3	4TX-23135-A0	.METAL, SLIDE 2	1	1				
4	5LV-23106-00	.OUTER TUBE COMP. (L.H)	1	1				
5	4TX-23125-A0	.METAL, SLIDE 1	1	1				
6	4TX-23144-00	.SEAL, DUST	1	1				
7	4TX-23145-00	.OIL SEAL	1	1				
8	4TX-23115-00	.GUIDE, COVER UPPER	1	1				
9	4TX-23156-00	.CLIP, OIL SEAL	1	1				
10	5LV-23170-00	.CYLINDER COMP., FRONT FORK	1	1				
11	5LV-23173-00	.SPINDLE, TAPER	1	1				
12	90110-10N52	.BOLT, HEXAGON SOCKET HEAD	1	1				
13	90430-10171	.GASKET	1	1				
14	5LV-2318Y-00	.PLUNGER	1	1				
15	5LV-23141-00	.SPRING, FRONT FORK	1	1				
16	90201-10321	.WASHER, PLATE	1	1				
17	5LV-23111-00	.BOLT, CAP	1	1				
18	95307-10600	.NUT	1	1				
19	4TX-2331G-00	.COVER	1	1				
20	5LV-23118-00	.SPACER	1	1				
21	5LV-23103-00	FRONT FORK ASSY (R.H)	1	1				
22	5LV-23110-00	.INNER TUBE COMP.1	1	1				
23	4TX-23135-A0	.METAL, SLIDE 2	1	1				
24	5LV-23107-00	.OUTER TUBE COMP. (R.H)	1	1				
25	4TX-23125-A0	.METAL, SLIDE 1	1	1				
26	4TX-23144-00	.SEAL, DUST	1	1				
27	4TX-23145-00	.OIL SEAL	1	1				

FIG. 26 FRONT FORK




5LV1300-1260

REF. NO.	PART NO.	DESCRIPTION	5LVF	5LVN	REMARKS
28	4TX-23115-00	.GUIDE, COVER UPPER	1	1	
29	4TX-23156-00	.CLIP, OIL SEAL	1	1	
30	5LV-23170-00	.CYLINDER COMP., FRONT FORK	1	1	
31	5LV-23173-00	.SPINDLE, TAPER	1	1	
32	90110-10N52	.BOLT, HEXAGON SOCKET HEAD	1	1	
33	90430-10171	.GASKET	1	1	
34	5LV-2318Y-00	.PLUNGER	1	1	
35	5LV-23141-00	.SPRING, FRONT FORK	1	1	
36	90201-10321	.WASHER, PLATE	1	1	
37	5LV-23111-00	.BOLT, CAP	1	1	
38	95307-10600	.NUT	1	1	
39	4TX-2331G-00	.COVER	1	1	
40	91314-08045	.BOLT	1	1	
41	5LV-23118-00	.SPACER	1	1	
42	5LV-23340-00	UNDER BRACKET COMP.	1	1	
43	91314-08025	BOLT	4	4	
44	4KM-23123-01	COVER, LOWER 1	1	1	

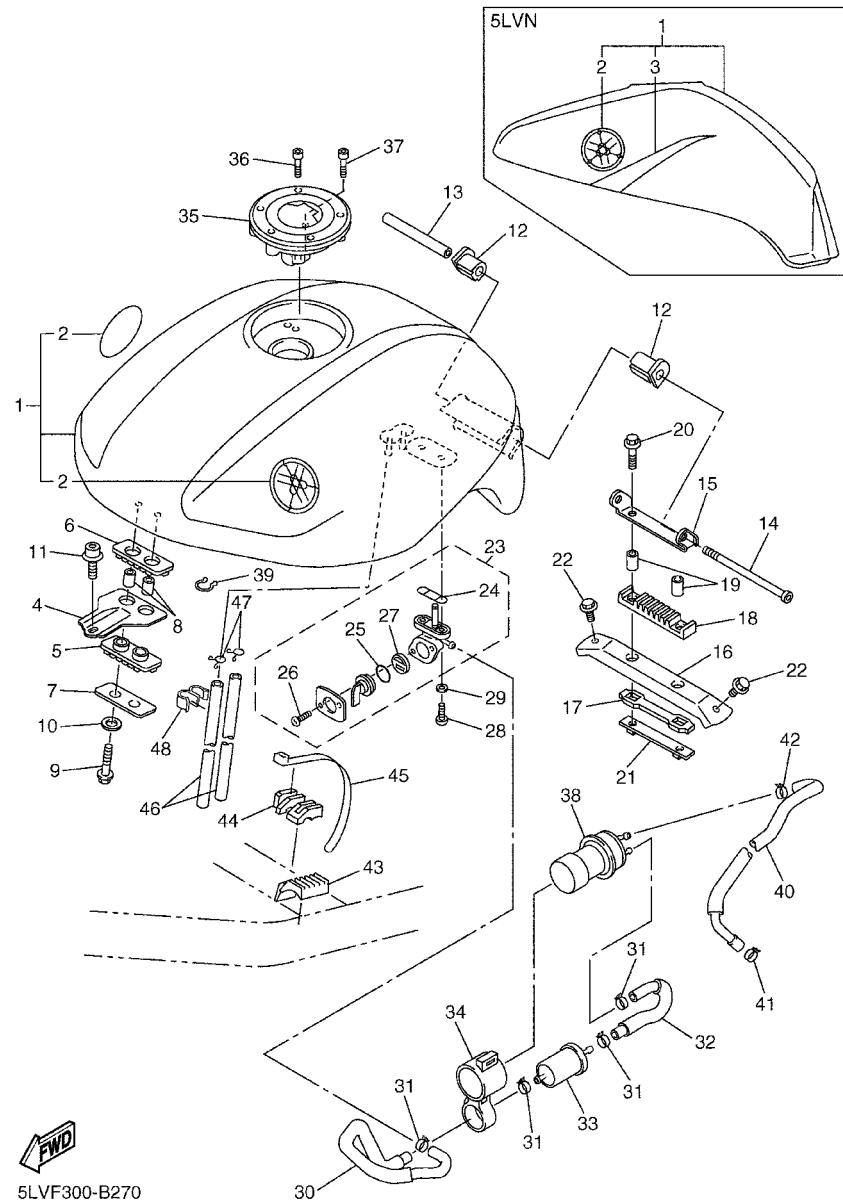


5LVF300-B270

FIG. 27 FUEL TANK

REF. NO.	PART NO.	DESCRIPTION	5LVF	5LVN	REMARKS
1	5LV-Y2410-10-07	FUEL TANK COMP.	1		UR DPBML
	5LV-Y2410-10-08	FUEL TANK COMP.	1		UR S3
	5LV-Y2410-10-X1	FUEL TANK COMP.		1	RYC1
2	5FY-2411B-00	.TUNING FORK MARK	2		UR FOR DPBML
	5FY-2411B-20	.TUNING FORK MARK	2		UR FOR S3
	5FY-2411B-50	.TUNING FORK MARK		2	FOR RYC1
3	5LV-24240-10	.GRAPHIC SET		1	FOR RYC1
4	5LV-24191-01	BRACKET, FUEL TANK 1	1	1	
5	5LV-24181-10	DAMPER, LOCATING 1	1	1	
6	5LV-24183-10	DAMPER, LOCATING 3	1	1	
7	2GH-24186-00	WASHER, SPECIAL	1	1	
8	90387-06299	COLLAR	2	2	
9	97027-06030	BOLT	2	2	
10	92907-06600	WASHER, PLATE	2	2	
11	90109-081G0	BOLT	1	1	
12	4YR-24181-00	DAMPER, LOCATING 1	2	2	
13	90387-061W9	COLLAR	1	1	
14	91317-06110	BOLT	1	1	
15	5DM-21346-00	BRACKET, TANK FITTING	1	1	
16	5LV-21346-00	BRACKET, TANK FITTING	1	1	
17	5LV-24181-00	DAMPER, LOCATING 1	1	1	
18	5DM-24181-00	DAMPER, LOCATING 1	1	1	
19	90387-06299	COLLAR	2	2	
20	95807-06025	BOLT, FLANGE	2	2	
21	5DM-21296-00	NUT	1	1	
22	95827-06010	BOLT, FLANGE	2	2	
23	2VN-24500-01	FUEL COCK ASSY 1	1	1	

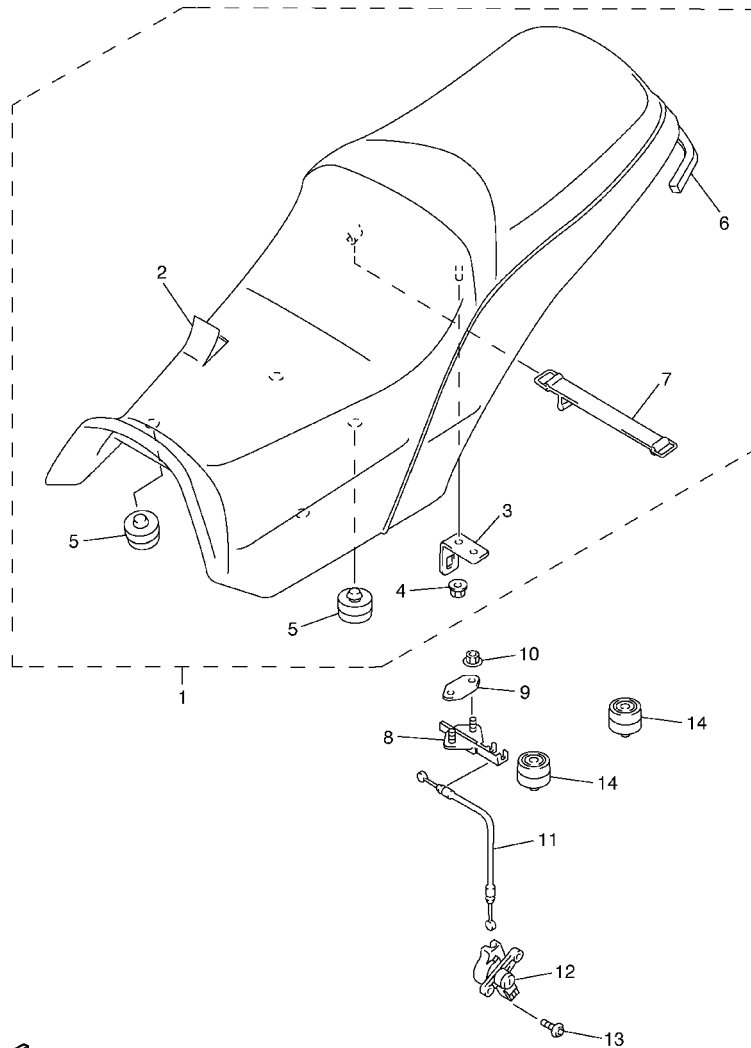
FIG. 27 FUEL TANK



5LVF300-B270

REF. NO.	PART NO.	DESCRIPTION	5LVF	5LVN	REMARKS
24	4X8-24512-00	.O-RING	1	1	
25	3AJ-24534-00	.SEAL, COCK	1	1	
26	98507-03008	.SCREW	2	2	
27	3AJ-24523-00	.VALVE PACKING	1	1	
28	90149-06011	SCREW	2	2	
29	90202-05193	WASHER, PLATE	2	2	
30	5LV-24311-00	PIPE, FUEL 1	1	1	
31	90467-12124	CLIP	4	4	
32	5LV-24312-00	PIPE 2	1	1	
33	1FK-24560-10	FILTER ASSY	1	1	
34	5LV-24398-00	BAND 1	1	1	
35	5JJ-24602-00	CAP ASSY	1	1	
36	90110-05112	BOLT, HEXAGON SOCKET HEAD	3	3	
37	91317-05010	BOLT	1	1	
38	4SV-13907-02	FUEL PUMP COMP.	1	1	
39	90464-44109	CLAMP	1	1	
40	5LV-13971-00	PIPE, FUEL 1	1	1	
41	90467-13114	CLIP	1	1	
42	90467-12124	CLIP	1	1	
43	5LV-24182-00	DAMPER, LOCATING 2	2	2	
44	5LV-24183-00	DAMPER, LOCATING 3	1	1	
45	1UA-82591-00	BAND	1	1	
46	90445-10021	HOSE	2	2	
47	90467-09006	CLIP	2	2	
48	90464-09M31	CLAMP	1	1	

FIG. 28 SEAT

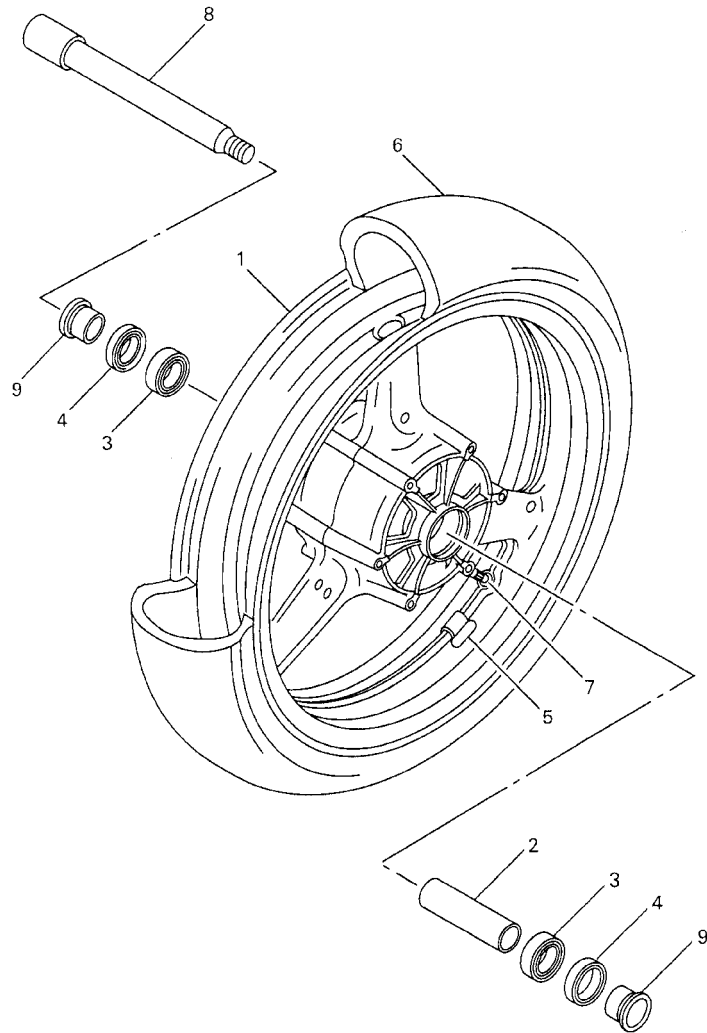


REF. NO.	PART NO.	DESCRIPTION	5LVF	5LVN	REMARKS
1	5LV-24730-10	DOUBLE SEAT ASSY	1	1	
2	5LV-2470F-10	.SEAT COVER COMP.	1	1	
3	4HM-24728-00	.BRACKET, SEAT	1	1	
4	90179-06635	.NUT	1	1	
5	1T4-24741-00	.PAD, SEAT	4	4	
6	5LV-24737-00	.DAMPER, SEAT	1	1	
7	4J2-82131-01	.BAND, BATTERY	1	1	
8	4BP-24705-00	SEAT LOCK ASSY	1	1	
9	4BP-24792-00	PLATE	1	1	
10	95707-06500	NUT, FLANGE	2	2	
11	4HM-2478E-00	CABLE, SEAT LOCK	1	1	
12	3YX-21308-00	HELMET HANGER ASSY	1	1	
13	90149-06308	SCREW	2	2	
14	1T4-24741-00	PAD, SEAT	4	4	



5LV1300-1280

FIG. 29 FRONT WHEEL

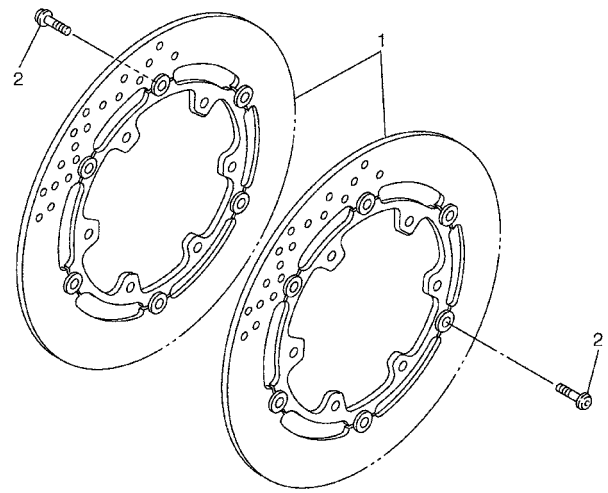
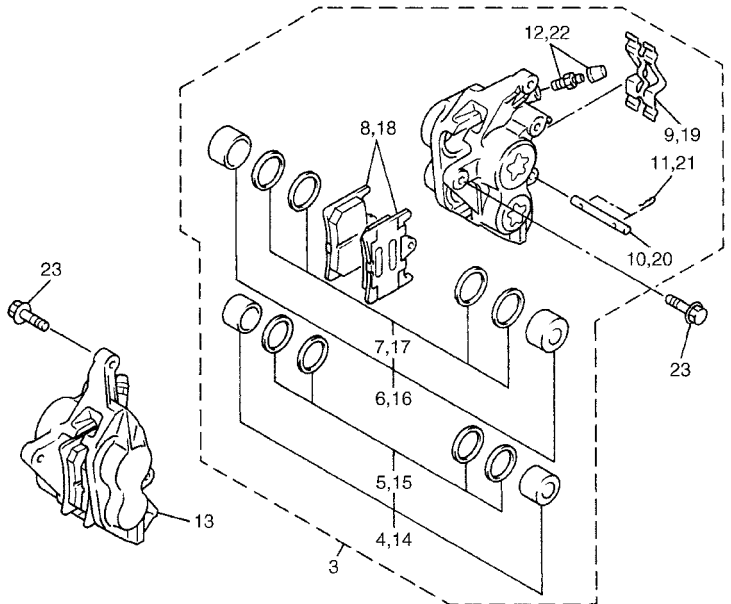


REF. NO.	PART NO.	DESCRIPTION	5LVF	5LVN		REMARKS
1	4XV-25168-01-98	CAST WHEEL, FRONT	1	1		LGB
2	4XV-25117-00	SPACER, BEARING	1	1		
3	93306-00420	BEARING (B6004)	2	2		
4	93106-28043	OIL SEAL	2	2		
5	5MT-25398-00	BALANCER, WHEEL (10G)	1	1		UN
	5MT-25398-10	BALANCER, WHEEL (20G)	1	1		UN
	5MT-25398-20	BALANCER, WHEEL (30G)	1	1		UN
6	*	TIRE (120/70ZR17M/C 58W MEZ4Y)	1	1		LM METZELER
7	93900-00030	VALVE, RIM (TR412)	1	1		
8	4XV-25181-00	AXLE, WHEEL	1	1		
9	90387-2200T	COLLAR	2	2		



5LV1300-1290

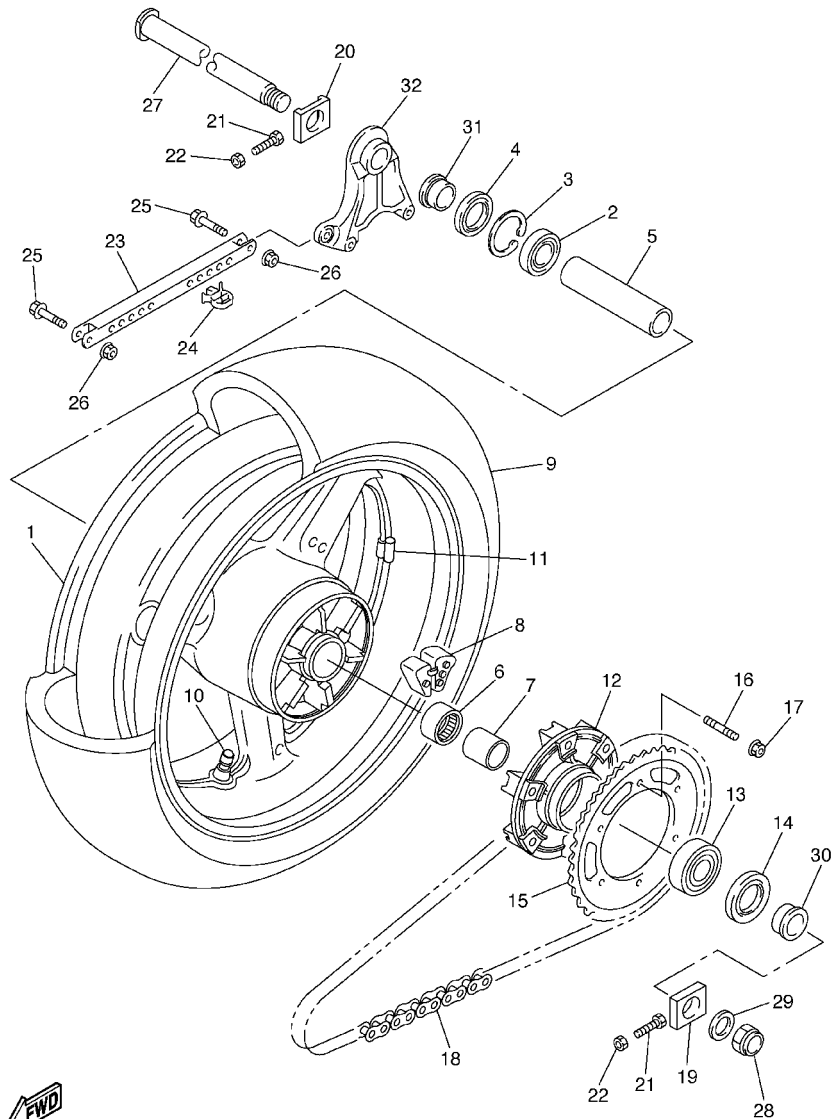
FIG. 30 FRONT BRAKE CALIPER



5LVH351-B300

REF. NO.	PART NO.	DESCRIPTION	5LVF	5LVN	REMARKS
1	5PX-2581T-00	DISC BRAKE ASSY	2	2	
2	90109-064G6	BOLT	12	12	
3	5DM-2580T-00	CALIPER ASSY (LEFT)	1	1	
4	4SV-W0057-00	.PISTON ASSY, CALIPER	1	1	
5	3MA-W0047-10	..CALIPER SEAL KIT	1	1	
6	4SV-W0057-10	.PISTON ASSY, CALIPER	1	1	
7	3GM-W0047-10	..CALIPER SEAL KIT	1	1	
8	4SV-W0045-00	.BRAKE PAD KIT	1	1	
9	4SV-25919-00	.SUPPORT, PAD	1	1	
10	4SV-25924-00	.PIN, PAD	1	1	
11	3GM-25925-00	.CLIP	2	2	
12	1J3-W0048-00	.BLEED SCREW KIT	1	1	
13	5DM-2580U-00	CALIPER ASSY (RIGHT)	1	1	
14	4SV-W0057-00	.PISTON ASSY, CALIPER	1	1	
15	3MA-W0047-10	..CALIPER SEAL KIT	1	1	
16	4SV-W0057-10	.PISTON ASSY, CALIPER	1	1	
17	3GM-W0047-10	..CALIPER SEAL KIT	1	1	
18	4SV-W0045-00	.BRAKE PAD KIT	1	1	
19	4SV-25919-00	.SUPPORT, PAD	1	1	
20	4SV-25924-00	.PIN, PAD	1	1	
21	3GM-25925-00	.CLIP	2	2	
22	1J3-W0048-00	.BLEED SCREW KIT	1	1	
23	90105-105A7	BOLT, FLANGE	4	4	

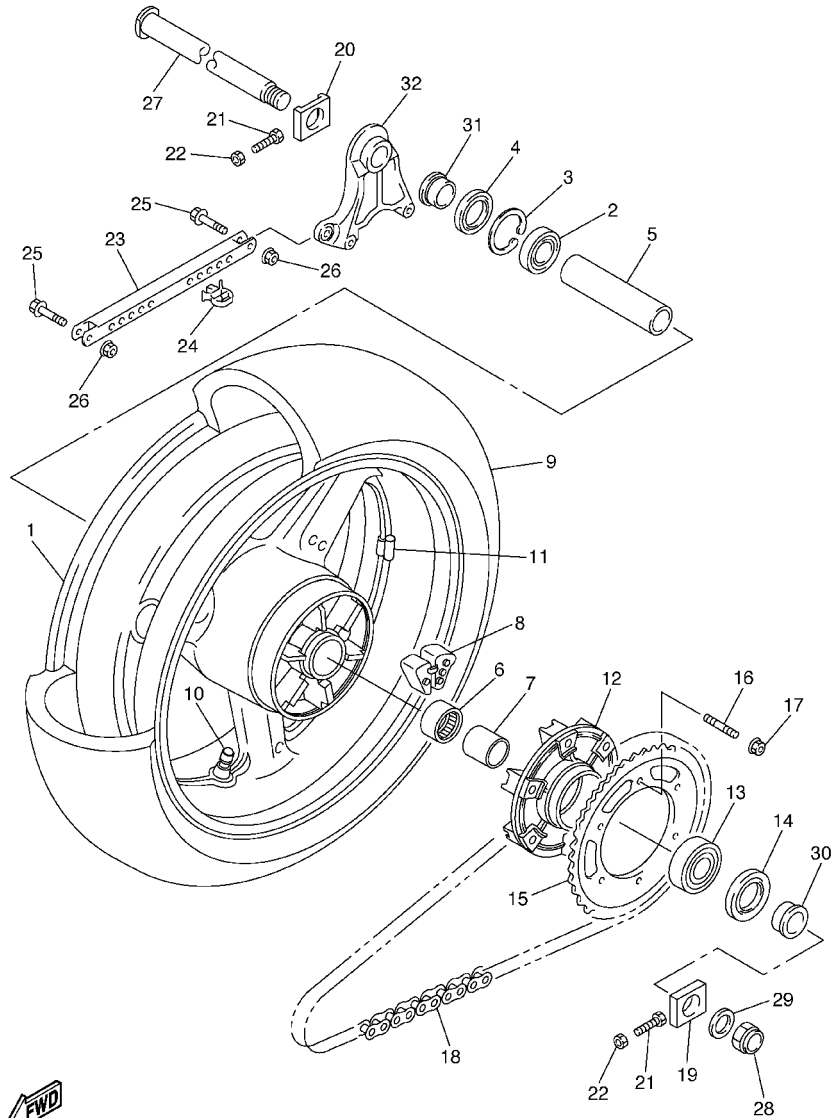
FIG. 31 REAR WHEEL



5LV1300-1310

REF. NO.	PART NO.	DESCRIPTION	5LVF	5LVN	REMARKS
1	5LV-25338-00-98	CAST WHEEL, REAR	1	1	LGB
2	93306-07806	BEARING	1	1	
3	99009-52500	CIRCLIP	1	1	
4	93106-35042	OIL SEAL	1	1	
5	5LV-25317-00	SPACER, BEARING	1	1	
6	93317-43580	BEARING	1	1	
7	4XV-25383-00	COLLAR, WHEEL	1	1	
8	5LV-25364-00	DAMPER	6	6	
9	*	TIRE (180/55ZR17M/C 73W MEZ4Y)	1	1	LM METZELER
10	93900-00030	VALVE, RIM (TR412)	1	1	
11	5MT-25398-00	BALANCER, WHEEL (10G)	1	1	UN
	5MT-25398-10	BALANCER, WHEEL (20G)	1	1	UN
	5MT-25398-20	BALANCER, WHEEL (30G)	1	1	UN
12	5JJ-25366-00	CLUTCH, HUB	1	1	
13	93306-20531	BEARING	1	1	
14	93106-40013	OIL SEAL	1	1	
15	5LV-25444-00	SPROCKET, DRIVEN (44T)	1	1	
16	90116-10485	BOLT, STUD	6	6	
17	95607-10200	NUT, U FLANGE	6	6	
18	94581-78116	CHAIN	1	1	
19	4XV-25388-00	PULLER, CHAIN 1	1	1	
20	4XV-25389-00	PULLER, CHAIN 2	1	1	
21	90101-08766	BOLT	2	2	
22	95307-08600	NUT	2	2	
23	5LV-25371-00	BAR, TENSION	1	1	
24	90464-23239	CLAMP	1	1	
25	90105-083A9	BOLT, FLANGE	2	2	

FIG. 31 REAR WHEEL



 5LV1300-1310

REF. NO.	PART NO.	DESCRIPTION	5LVF	5LVN	REMARKS
26	95607-08200	NUT, SELF-LOCKING	2	2	
27	4FM-25381-10	AXLE, WHEEL	1	1	
28	90185-24165	NUT, SELF-LOCKING	1	1	
29	90201-24013	WASHER, PLATE	1	1	
30	90387-28001	COLLAR	1	1	
31	5LV-25383-00	COLLAR, WHEEL	1	1	
32	5LV-25819-00	BRACKET, CALIPER	1	1	

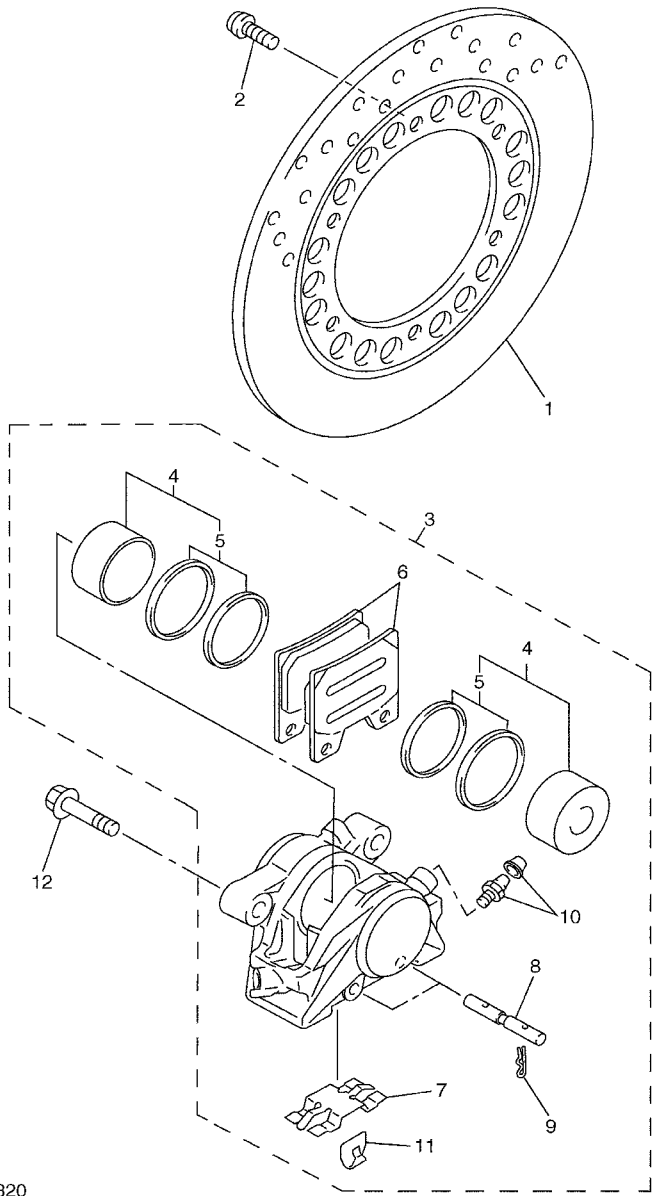


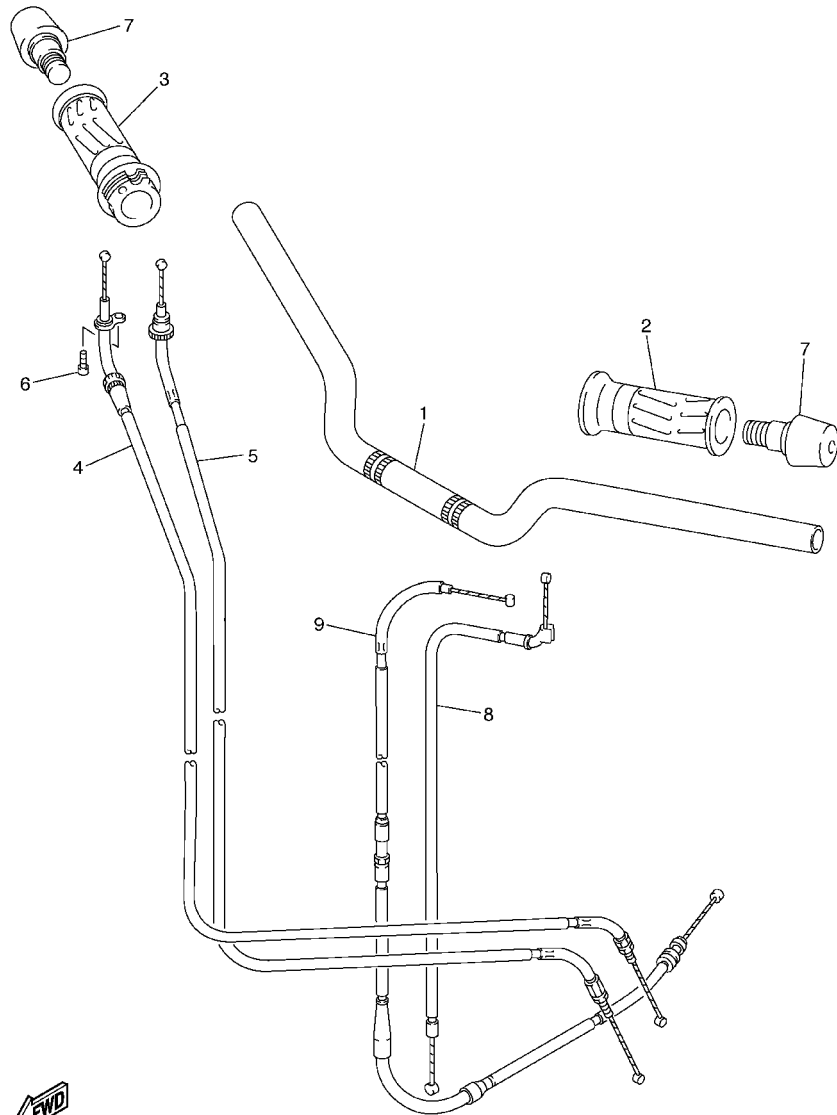
FIG. 32 REAR BRAKE CALIPER

REF. NO.	PART NO.	DESCRIPTION	5LVF	5LVN				REMARKS
1	3GM-2582W-A0	DISC, REAR BRAKE 2	1	1				
2	90109-083G4	BOLT	6	6				
3	5LV-2580W-00	CALIPER ASSY, REAR 2	1	1				
4	5EA-W0057-50	.PISTON ASSY, CALIPER	1	1				
5	5EA-W0047-50	..CALIPER SEAL KIT	1	1				
6	5LV-W0046-50	.BRAKE PAD KIT 2	1	1				
7	5LV-25919-00	.SUPPORT, PAD	1	1				
8	5LV-25924-00	.PIN, PAD	2	2				
9	3GM-25925-00	.CLIP	4	4				
10	1J3-W0048-00	.BLEED SCREW KIT	2	2				
11	5LV-25849-00	.RETAINER, CALIPER	2	2				
12	90105-105A0	BOLT, FLANGE	2	2				



5LV1300-1320

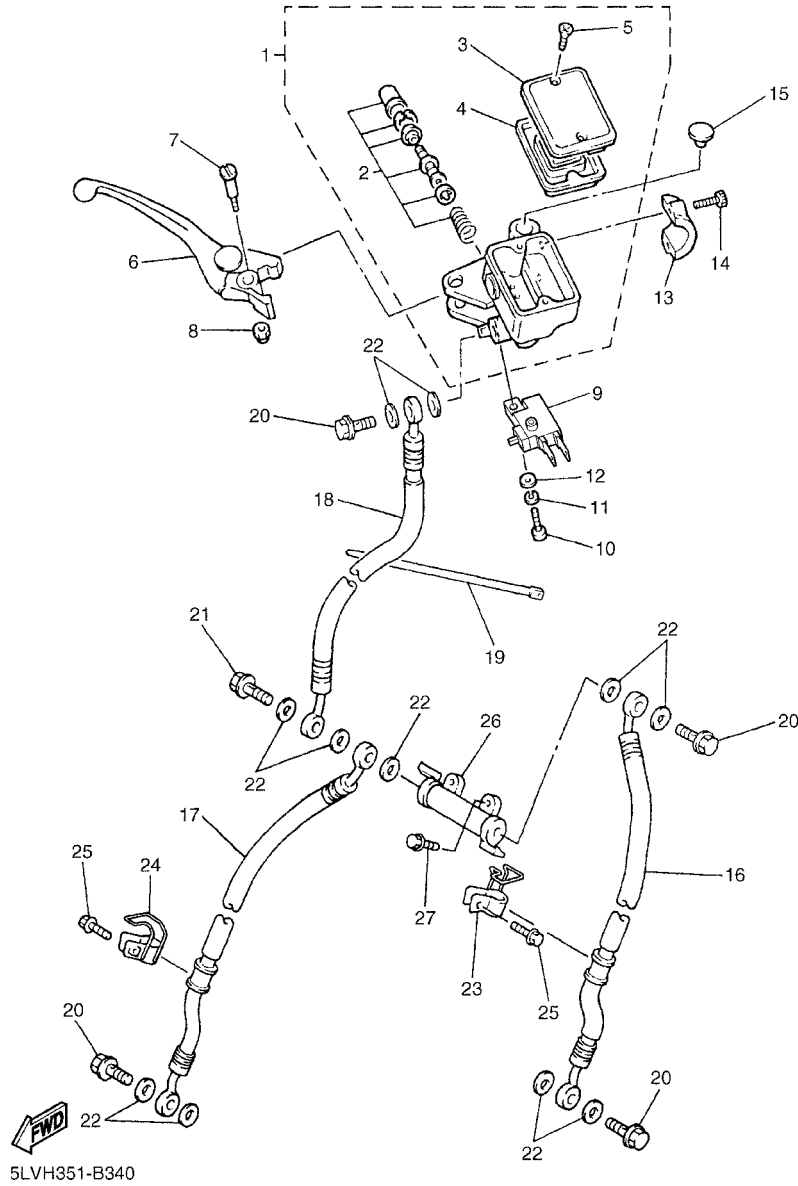
FIG. 33 STEERING HANDLE. CABLE



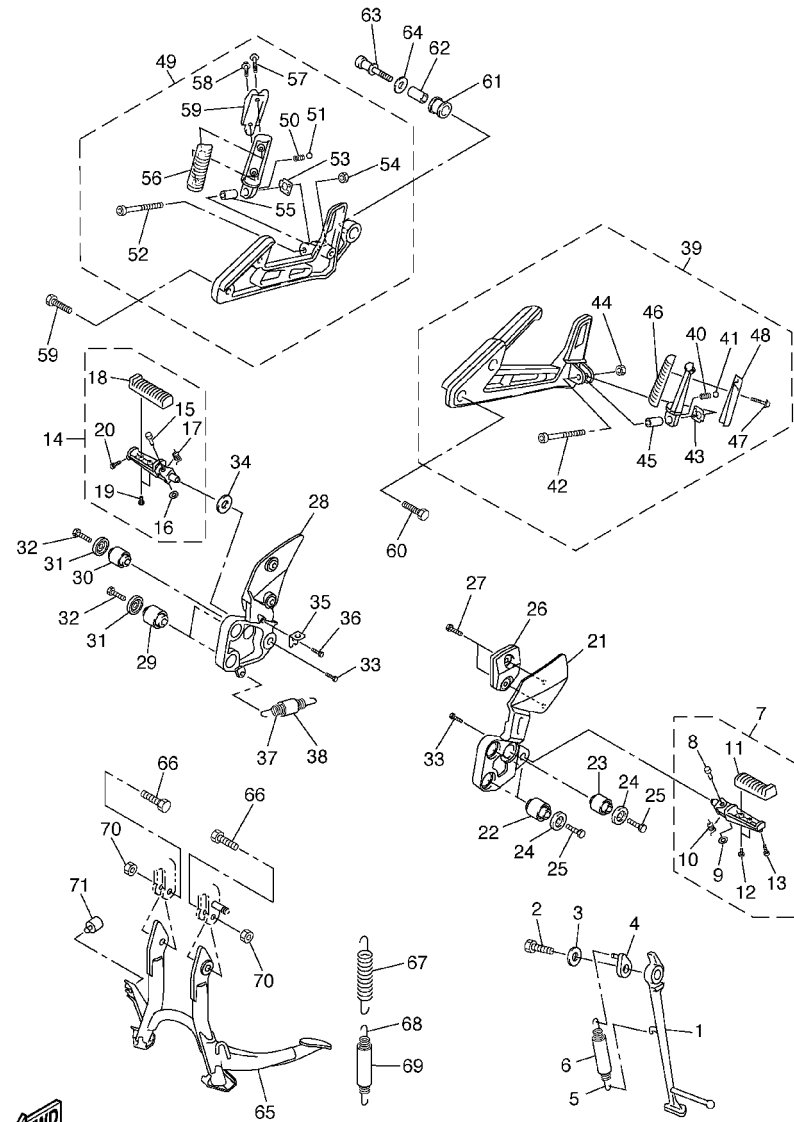

5LV1300-1330

REF. NO.	PART NO.	DESCRIPTION	5LVF	5LVN	REMARKS
1	5LV-26111-00	HANDLEBAR	1	1	
2	4YR-26241-01	GRIP (LEFT)	1	1	
3	4YR-26240-01	GRIP ASSY	1	1	
4	5LV-26311-00	CABLE, THROTTLE 1	1	1	
5	5LV-26312-00	CABLE, THROTTLE 2	1	1	
6	91317-05010	BOLT	1	1	
7	51J-26246-01	END, GRIP	2	2	
8	5LV-26330-00	STARTER CABLE ASSY	1	1	
9	5LV-26335-00	CABLE, CLUTCH	1	1	

FIG. 34 FRONT MASTER CYLINDER



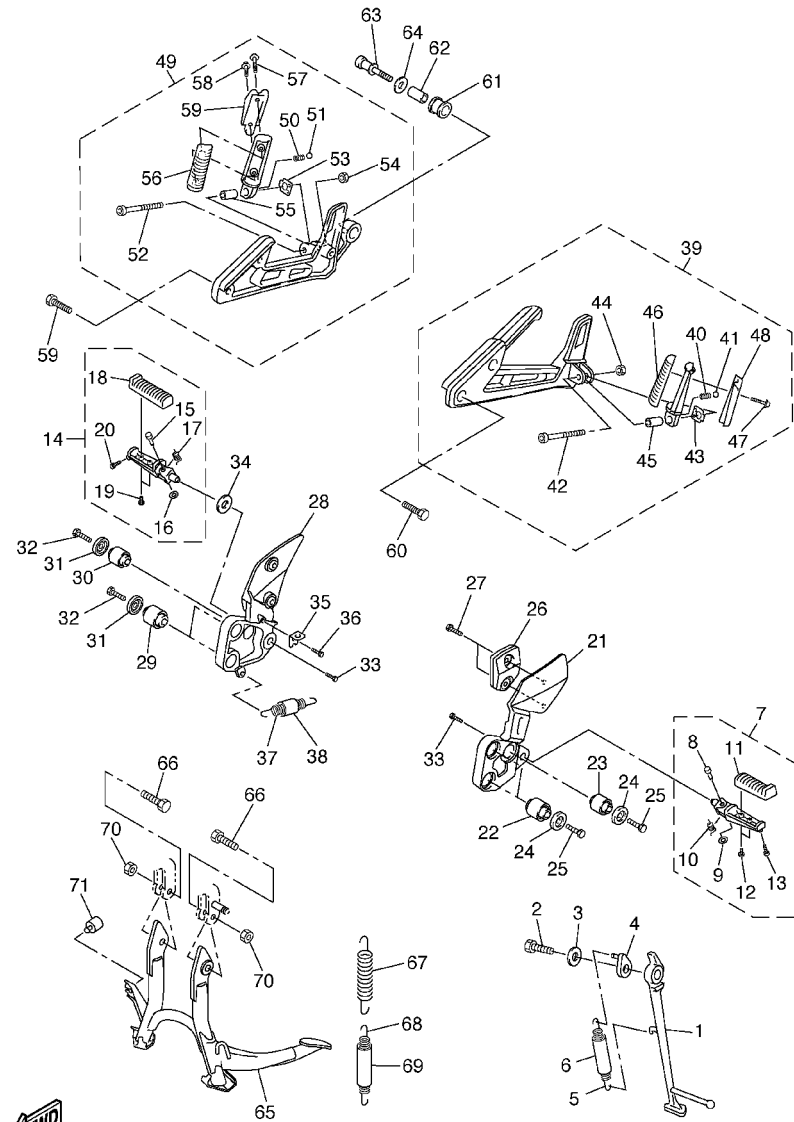
REF. NO.	PART NO.	DESCRIPTION	5LVF	5LVN	REMARKS
1	5DM-W2587-01	MASTER CYLINDER SUB ASSY	1	1	
2	5DM-W0041-50	.CYLINDER KIT, MASTER	1	1	
3	4HM-W2585-01	.RESERVOIR CAP SET	1	1	
4	4HM-25854-00	.DIAPHRAGM, RESERVOIR	1	1	
5	98706-04012	.SCREW, FLAT HEAD	2	2	
6	5EB-83922-01	LEVER 2	1	1	
7	3FV-2589F-00	BOLT, LEVER	1	1	
8	95606-06100	NUT, U	1	1	
9	4HM-83980-00	FRONT STOP SWITCH ASSY	1	1	
10	98502-04012	SCREW, PAN HEAD	1	1	
11	92902-04100	WASHER, SPRING	1	1	
12	92902-04600	WASHER, PLATE	1	1	
13	4HM-25867-00	BRACKET, MASTER CYLINDER	1	1	
14	91316-06020	BOLT	2	2	
15	90338-09012	PLUG	1	1	
16	5LV-25872-00	HOSE, BRAKE 1	1	1	
17	5LV-25873-00	HOSE, BRAKE 2	1	1	
18	5LV-25874-00	HOSE, BRAKE	1	1	
19	1UA-82591-00	BAND	1	1	
20	90401-10159	BOLT, UNION	4	4	
21	90401-10160	BOLT, UNION	1	1	
22	90201-10118	WASHER, PLATE	11	11	
23	5LV-25875-00	HOLDER, BRAKE HOSE 1	1	1	
24	5LV-25876-00	HOLDER, BRAKE HOSE 2	1	1	
25	90105-060A0	BOLT, FLANGE	2	2	
26	42H-25885-01	JOINT	1	1	
27	95027-06020	BOLT, FLANGE	2	2	



5LV1300-1350

FIG. 35 STAND, FOOTREST

REF. NO.	PART NO.	DESCRIPTION	5LVF	5LVN	REMARKS
1	5LV-27311-00	STAND, SIDE	1	1	
2	90101-08662	BOLT	1	1	
3	90201-081R9	WASHER, PLATE	1	1	
4	36Y-27352-00	HOOK, SIDE STAND	1	1	
5	90506-20006	SPRING, TENSION	1	1	
6	90445-197J2	HOSE (L60)	1	1	
7	5LV-27410-00	FRONT FOOTREST ASSY (LEFT)	1	1	
8	90243-08029	.PIN	1	1	
9	90201-06042	.WASHER, PLATE	1	1	
10	90508-20572	.SPRING, TORSION	1	1	
11	4BP-27413-00	.COVER, FOOTREST	1	1	
12	90157-05079	.SCREW, PAN HEAD	2	2	
13	90109-083E0	.BOLT	1	1	
14	5LV-27420-00	FRONT FOOTREST ASSY (RIGHT)	1	1	
15	90243-08029	.PIN	1	1	
16	90201-06042	.WASHER, PLATE	1	1	
17	90508-20572	.SPRING, TORSION	1	1	
18	4BP-27413-00	.COVER, FOOTREST	1	1	
19	90157-05079	.SCREW, PAN HEAD	2	2	
20	90109-083E0	.BOLT	1	1	
21	5LV-27442-00	BRACKET 2	1	1	
22	1NL-27424-00	DAMPER, FOOTREST 2	2	2	
23	3KJ-14737-00	DAMPER, MUFFLER	1	1	
24	90209-08295	WASHER	3	3	
25	90110-08220	BOLT, HEXAGON SOCKET HEAD	3	3	
26	5LV-2622H-00	WEIGHT	1	1	
27	90111-06005	BOLT	2	2	

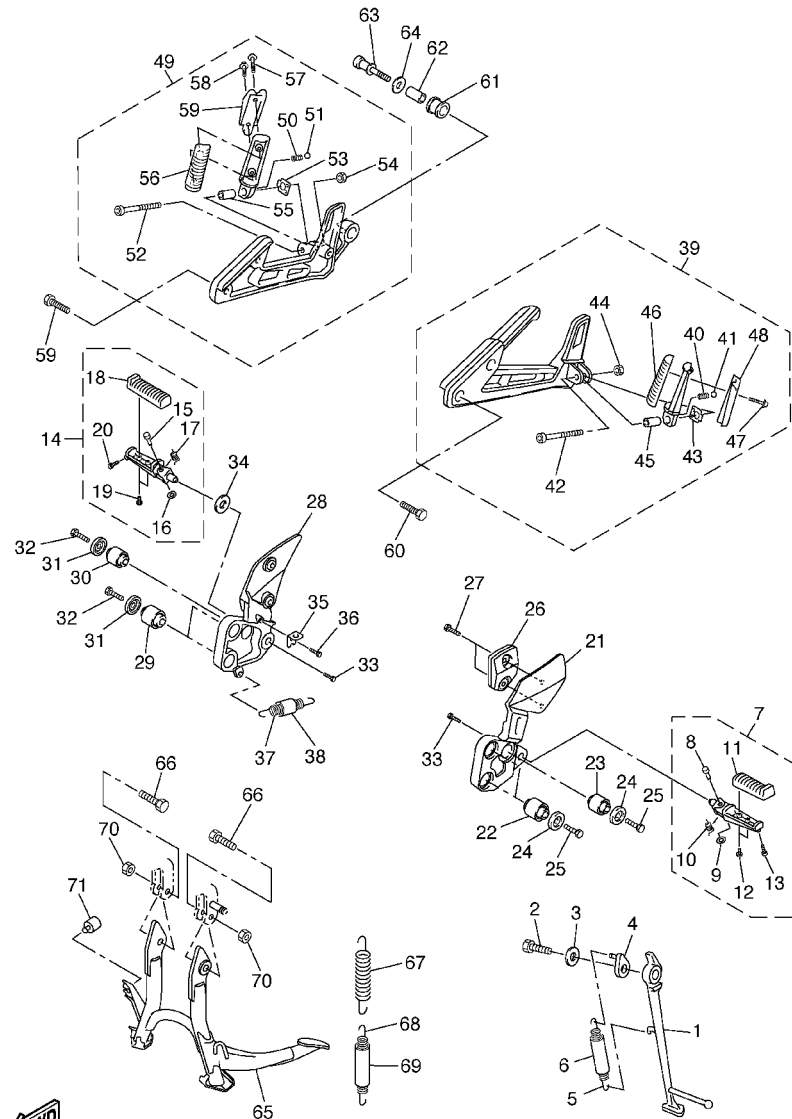


5LV1300-1350

FIG. 35 STAND FOOTREST

REF. NO.	PART NO.	DESCRIPTION	5LVF	5LVN	REMARKS
28	5LV-27443-01	BRACKET 3	1	1	
29	1NL-27424-00	DAMPER, FOOTREST 2	2	2	
30	3KJ-14737-00	DAMPER, MUFFLER	1	1	
31	90209-08295	WASHER	3	3	
32	90110-08220	BOLT, HEXAGON SOCKET HEAD	3	3	
33	90109-103A9	BOLT	2	2	
34	90206-17084	WASHER, WAVE	1	1	
35	4DN-2144G-00	STAY, STOP SWITCH	1	1	
36	98507-06008	SCREW	1	1	
37	90506-20377	SPRING, TENSION	1	1	
38	90446-17346	HOSE	1	1	
39	5LV-27430-01	REAR FOOTREST ASSY 1	1	1	
40	90501-15001	.SPRING, COMPRESSION	1	1	
41	93501-04011	.BALL	1	1	
42	91314-06040	.BOLT	1	1	
43	5JJ-27437-00	.WASHER, SPECIAL	1	1	
44	95604-06200	.NUT, U FLANGE	1	1	
45	90387-06014	.COLLAR	1	1	
46	4BP-27413-00	.COVER, FOOTREST	1	1	
47	90159-05187	.SCREW, WITH WASHER	2	2	
48	5LV-2741A-00	.ARM 1	1	1	
49	5LV-27440-01	REAR FOOTREST ASSY 2	1	1	
50	90501-15001	.SPRING, COMPRESSION	1	1	
51	93501-04011	.BALL	1	1	
52	91314-06040	.BOLT	1	1	
53	5JJ-27437-00	.WASHER, SPECIAL	1	1	
54	95604-06200	.NUT, U FLANGE	1	1	

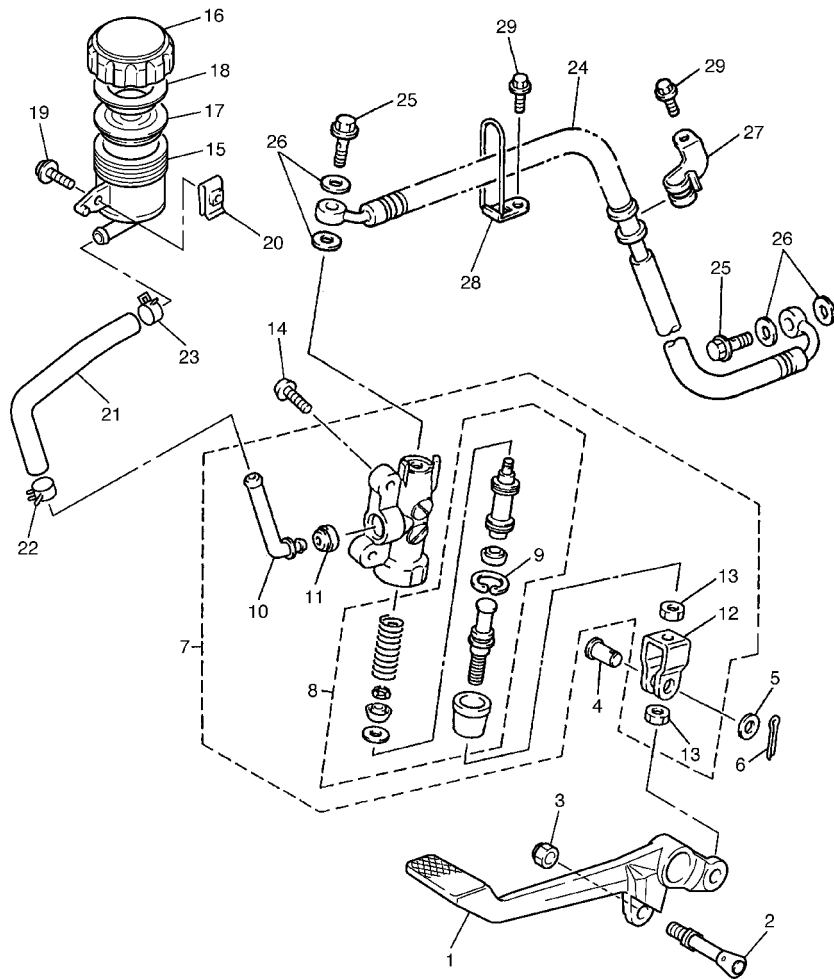
FIG. 35 STAND, FOOTREST



5LV1300-1350

REF. NO.	PART NO.	DESCRIPTION	5LVF	5LVN		REMARKS
55	90387-06014	.COLLAR	1	1		
56	4BP-27413-00	.COVER, FOOTREST	1	1		
57	90159-05187	.SCREW, WITH WASHER	1	1		
58	90159-05004	.SCREW, WITH WASHER	1	1		
59	5LV-2741E-01	.ARM 2	1	1		
60	90109-087F1	BOLT	4	4		
61	36Y-27424-00	DAMPER, FOOTREST 2	1	1		
62	90387-10636	COLLAR	1	1		
63	5LV-27217-00	BOLT	1	1		
64	90201-10669	WASHER, PLATE	1	1		
65	5LV-27111-00	STAND, MAIN	1	1		
66	90109-100E6	BOLT	2	2		
67	90506-40508	SPRING, TENSION	1	1		
68	90506-23509	SPRING, TENSION	1	1		
69	90445-170K9	HOSE (L60)	1	1		
70	90185-10060	NUT, SELF-LOCKING	2	2		
71	1A0-27114-00	STOPPER, MAIN STAND	1	1		

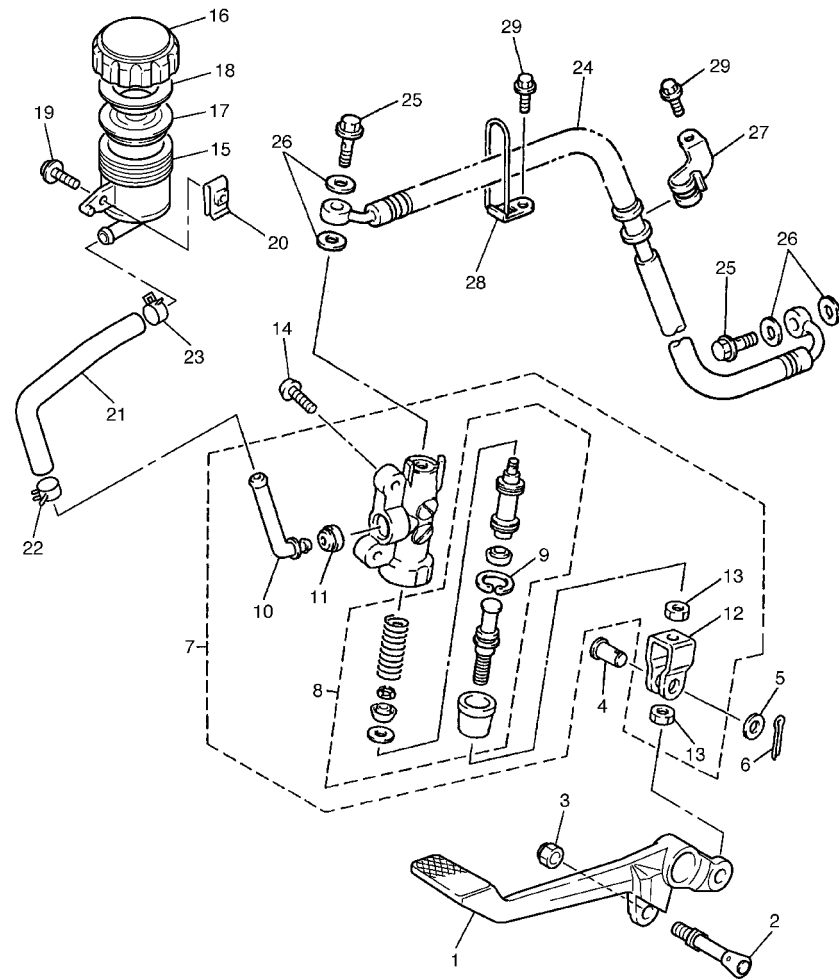
FIG. 36 REAR MASTER CYLINDER



REF. NO.	PART NO.	DESCRIPTION	5LVF	5LVN	REMARKS
1	5LV-27211-00	PEDAL, BRAKE	1	1	
2	5LV-27813-00	PIN, PEDAL CRANK	1	1	
3	95604-08100	NUT, U	1	1	
4	90240-08124	PIN, CLEVIS	1	1	
5	90201-08083	WASHER, PLATE	1	1	
6	91401-20012	PIN, COTTER	1	1	
7	4BP-2583V-01	RR. MASTER CYLINDER ASSY.	1	1	
8	4BP-W0042-50	.CYLINDER KIT, MASTER	1	1	
9	3LN-2585G-00	.CIRCLIP	1	1	
10	4BP-2582A-00	.JOINT	1	1	
11	4BP-2585F-00	.BUSH	1	1	
12	4BP-27222-01	.JOINT	1	1	
13	90170-08010	.NUT	2	2	
14	92014-08020	BOLT, BUTTON HEAD	2	2	
15	47X-25894-00	TANK, RESERVOIR	1	1	
16	2KF-25852-50	CAP, RESERVOIR	1	1	
17	360-25854-01	DIAPHRAGM, RESERVOIR	1	1	
18	2GU-25855-00	BUSH,DIAPHRAGM	1	1	
19	90159-06085	SCREW, WITH WASHER	1	1	
20	90183-06053	NUT, SPRING	1	1	
21	5LV-25895-00	HOSE, RESERVOIR	1	1	
22	90467-14057	CLIP	1	1	
23	90467-13071	CLIP	1	1	
24	5LV-2581K-00	HOSE, BRAKE 5	1	1	
25	90401-10159	BOLT, UNION	2	2	
26	90201-10118	WASHER, PLATE	4	4	
27	4FM-25876-01	HOLDER, BRAKE HOSE 2	1	1	


5LV8300-2360

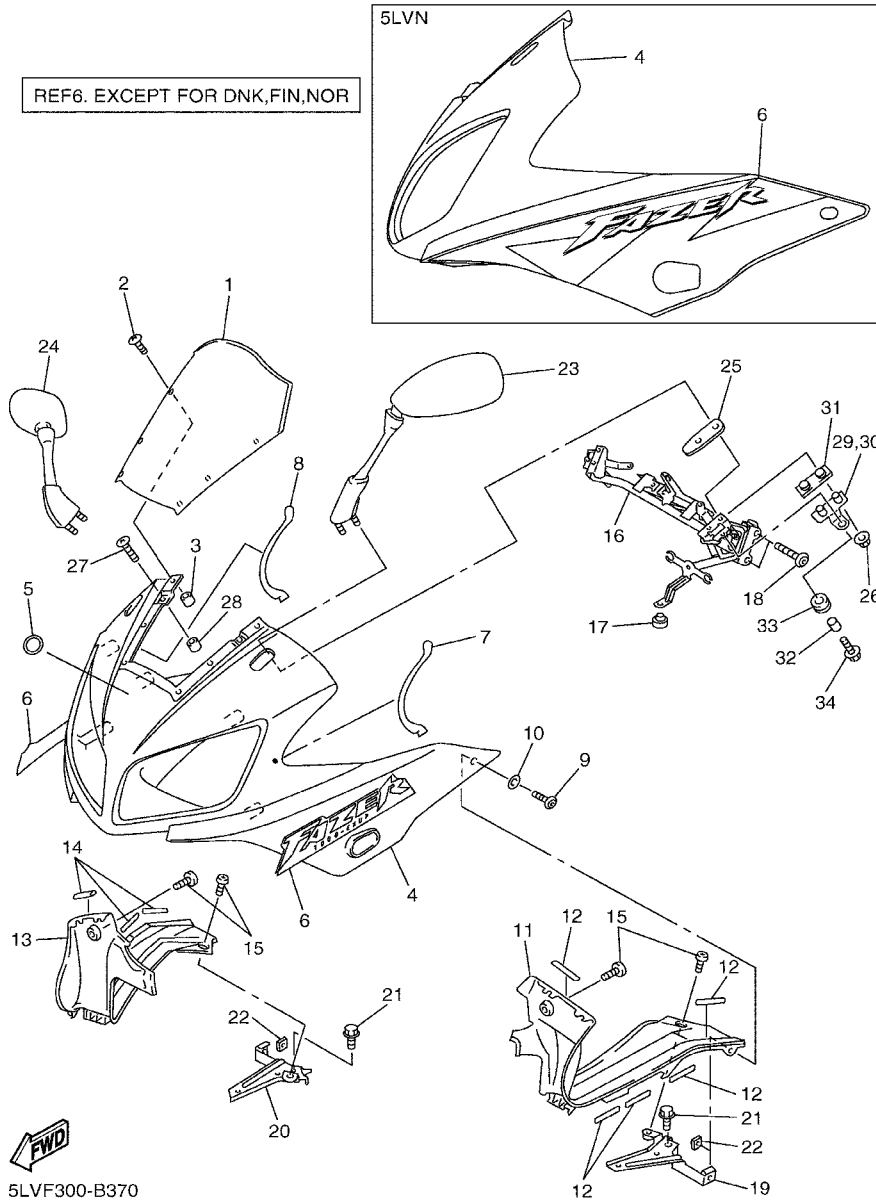
FIG. 36 REAR MASTER CYLINDER



REF. NO.	PART NO.	DESCRIPTION	5LVF	5LVN	REMARKS
28	4BH-25886-02	HOLDER, BRAKE HOSE	1	1	
29	95827-06010	BOLT, FLANGE	2	2	

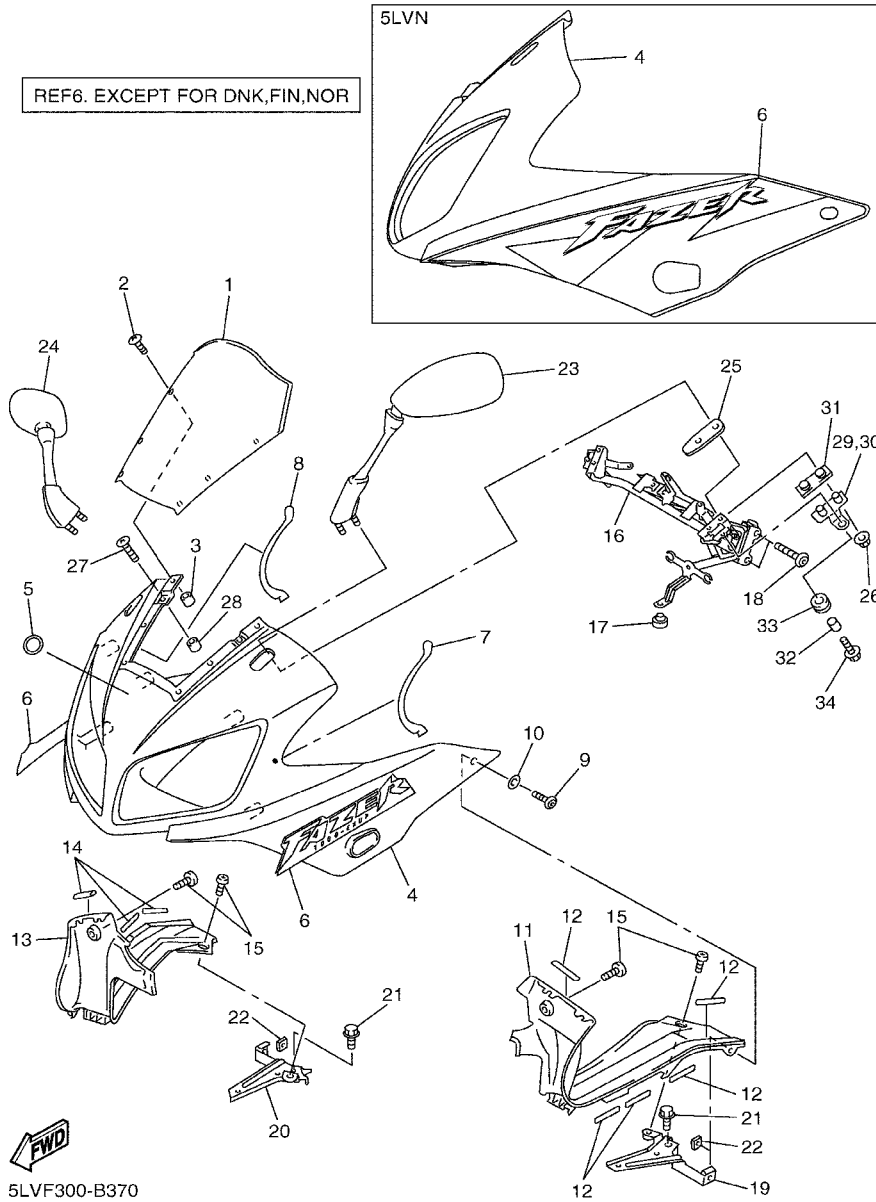

5LV8300-2360

FIG. 37 COWLING 1



REF. NO.	PART NO.	DESCRIPTION	5LVF	5LVN	REMARKS
1	5LV-28381-00	WINDSHIELD	1	1	
2	90150-05023	SCREW, ROUND HEAD	6	6	
3	90179-05523	NUT	6	6	
4	5LV-2835G-00-P3	BODY, FRONT UPPER 1	1		UR DPBML
	5LV-2835G-00-P2	BODY, FRONT UPPER 1	1		UR S3
	5LV-2835G-00-P4	BODY, FRONT UPPER 1		1	RYC1
5	5LV-2836B-01	TUNING FORK MARK	1	1	
6	5LV-28315-40	EMBLEM	2		UR FOR DPBML
	5LV-28315-30	EMBLEM	2		UR FOR S3
	5LV-28390-10	GRAPHIC SET, COWLING		1	FOR RYC1
7	5LV-28307-00	SEAL	1	1	
8	5LV-28307-10	SEAL	1	1	
9	90110-06200	BOLT, HEXAGON SOCKET HEAD	2	2	
10	90202-06170	WASHER, PLATE	2	2	
11	5LV-2836K-00	PANEL, INNER 1	1	1	
12	5LV-2834E-00	DAMPER 1	5	5	
13	5LV-2836L-00	PANEL, INNER 2	1	1	
14	5LV-2834E-00	DAMPER 1	5	5	
15	90154-05013	SCREW, BINDING	4	4	
16	5LV-28356-00	STAY 1	1	1	
17	18A-24724-00	DAMPER, SEAT	1	1	
18	90110-08071	BOLT, HEXAGON SOCKET HEAD	2	2	
19	5LV-2836A-00	BRACKET 1	1	1	
20	5LV-2836E-00	BRACKET 2	1	1	
21	95807-06010	BOLT, FLANGE	2	2	
22	90173-06017	NUT, SQUARE	2	2	
23	5LV-26280-00	REAR VIEW MIRROR ASSY (LEFT)	1	1	

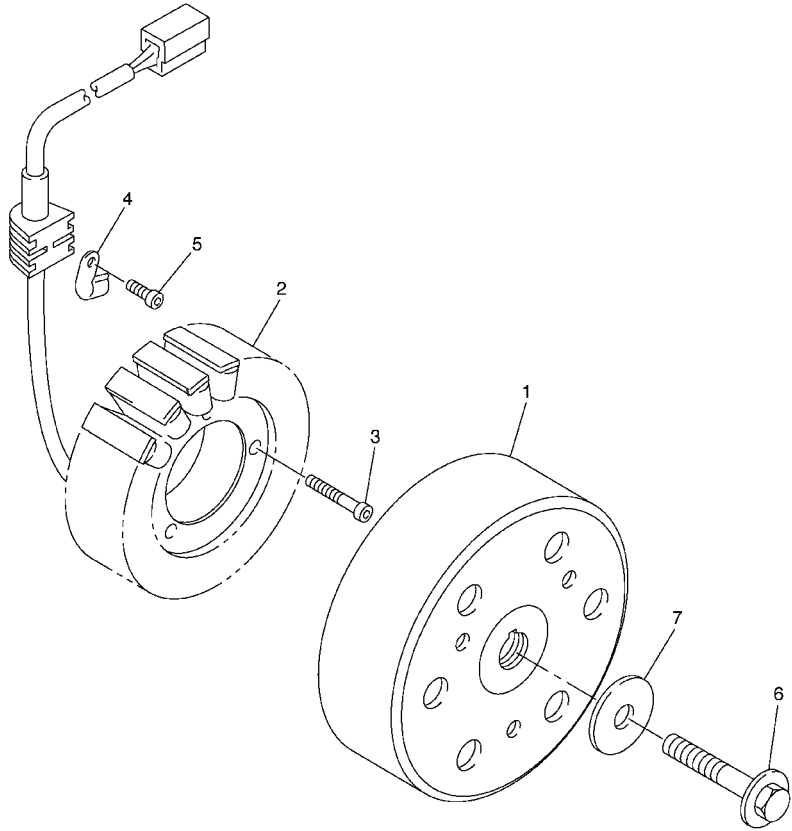
FIG. 37 COWLING 1



REF. NO.	PART NO.	DESCRIPTION	5LVF	5LVN	REMARKS
24	5LV-26290-00	REAR VIEW MIRROR ASSY (RIGHT)	1	1	
25	4SV-26298-00	PLATE, MIRROR FITTING 1	2	2	
26	95707-06500	NUT, FLANGE	4	4	
27	90154-05007	SCREW, BINDING	2	2	
28	90179-05523	NUT	2	2	
29	5LV-28336-00	PLATE	1	1	
30	5LV-28337-00	HOLDER	1	1	
31	5LV-28371-00	DAMPER	2	2	
32	90560-06201	SPACER	2	2	
33	90480-13003	GROMMET	2	2	
34	95027-06016	BOLT, FLANGE	2	2	

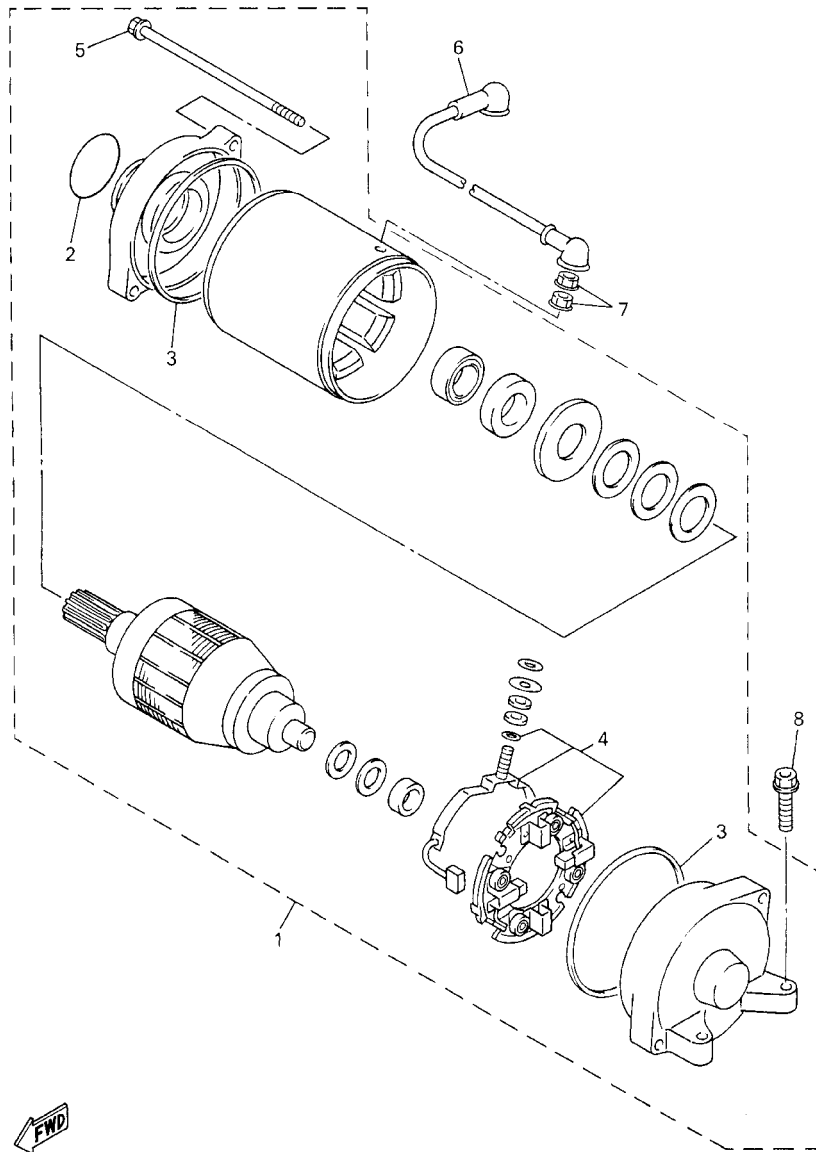
FIG. 38 GENERATOR

REF. NO.	PART NO.	DESCRIPTION	5LVF	5LVN			REMARKS
1	4XV-81450-00	ROTOR ASSY	1	1			
2	5LV-81410-00	STATOR ASSY	1	1			
3	90149-06013	SCREW	3	3			
4	90462-10182	CLAMP	1	1			
5	91317-06012	BOLT	1	1			
6	90105-105A6	BOLT, FLANGE	1	1			
7	90201-103U7	WASHER, PLATE	1	1			




5LV1300-1380

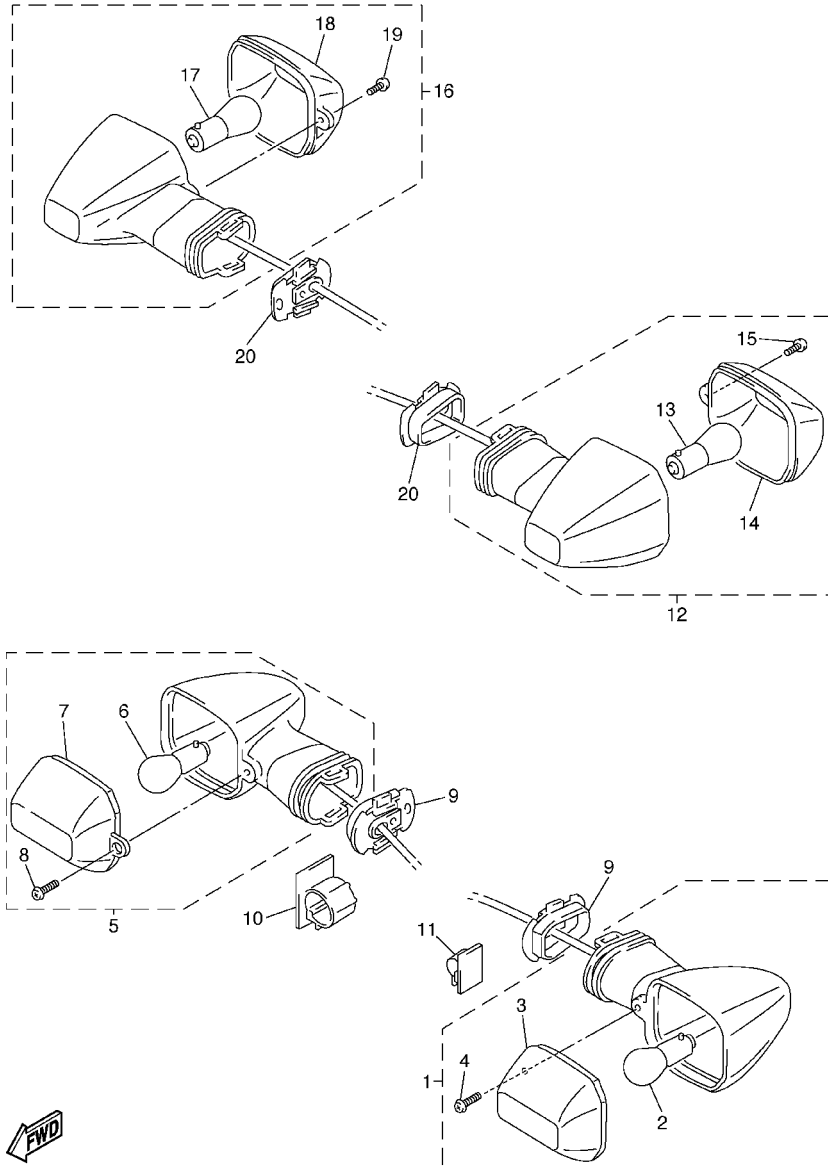
FIG. 39 STARTING MOTOR



REF. NO.	PART NO.	DESCRIPTION	5LVF	5LVN	REMARKS
1	4XV-81890-00	MOTOR ASSY	1	1	
2	1FK-81847-00	.O-RING	1	1	
3	11H-81844-00	.GASKET	2	2	
4	3AJ-81801-00	.BRUSH SET	1	1	
5	3AJ-81826-00	.BOLT	2	2	
6	5LV-81815-00	CORD, STARTER MOTOR	1	1	
7	4XV-8182A-00	NUT	2	2	
8	95024-06025	BOLT, FLANGE	2	2	

FWD
5LV1300-1390

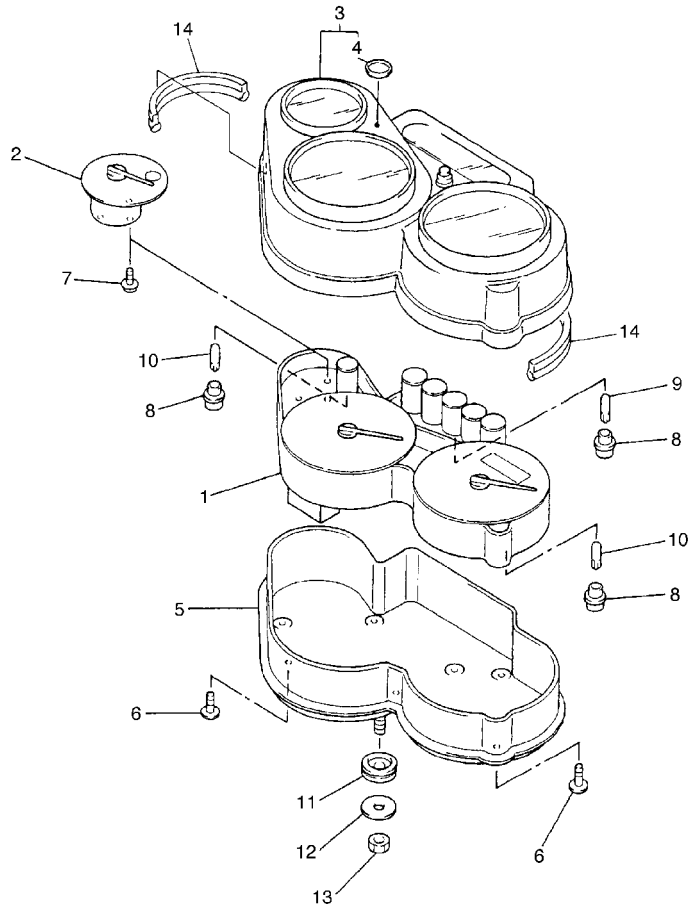
FIG. 40 FLASHER LIGHT



5LV1300-1400

REF. NO.	PART NO.	DESCRIPTION	5LVF	5LVN	REMARKS
1	5DM-83310-00	FRONT FLASHER LIGHT ASSY 1	1	1	
2	306-83311-40	.BULB, FLASHER (12V-21W)	1	1	
3	4JH-83332-00	.LENS, FLASHER	1	1	
4	97702-40610	.SCREW, TAPPING	1	1	
5	5DM-83320-00	FRONT FLASHER LIGHT ASSY 2	1	1	
6	306-83311-40	.BULB, FLASHER (12V-21W)	1	1	
7	4JH-83342-00	.LENS, FLASHER 2	1	1	
8	97702-40610	.SCREW, TAPPING	1	1	
9	5DM-8331L-00	PLATE, STOPPER	2	2	
10	90464-20003	CLAMP	1	1	
11	90464-62085	CLAMP	1	1	
12	5LV-83330-00	REAR FLASHER LIGHT ASSY 1	1	1	
13	306-83311-40	.BULB, FLASHER (12V-21W)	1	1	
14	4JH-83342-00	.LENS, FLASHER 2	1	1	
15	97702-40610	.SCREW, TAPPING	1	1	
16	5LV-83340-00	FLASHER LIGHT ASSY 2	1	1	
17	306-83311-40	.BULB, FLASHER (12V-21W)	1	1	
18	4JH-83332-00	.LENS, FLASHER	1	1	
19	97702-40610	.SCREW, TAPPING	1	1	
20	5DM-8331L-00	PLATE, STOPPER	2	2	

FIG. 41 METER

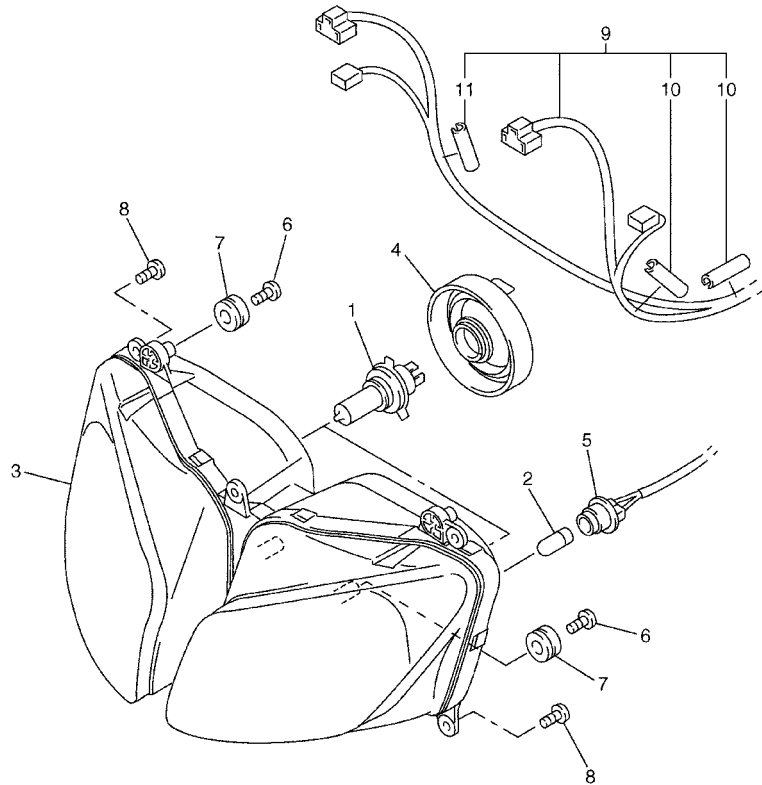


REF. NO.	PART NO.	DESCRIPTION	5LVF	5LVN	REMARKS
1	5LV-83570-30	SPEEDOMETER ASSY (MPH)	1	1	FOR GBR
	5LV-83570-40	SPEEDOMETER ASSY (KM/H)	1	1	
2	5LV-85750-00	FUEL METER ASSY	1	1	
3	5LV-8353E-00	CASE, METER UPPER	1	1	
4	5DM-2341B-00	.EMBLEM	1	1	
5	5LV-83572-00	CASE, SPEEDOMETER LOWER	1	1	
6	97707-40018	SCREW, TAPPING	7	7	
7	4YR-8362Y-00	SCREW, SPECIAL	3	3	
8	4YR-83534-00	SOCKET, NEUTRAL	9	9	
9	4YR-83517-00	BULB (12V-1.4W T5)	5	5	
10	4YR-83517-10	BULB (12V-2W T5)	4	4	
11	90480-14585	GROMMET	3	3	
12	90201-06380	WASHER, PLATE	3	3	
13	95307-06600	NUT	3	3	
14	5LV-28346-10	MOLE 2	2	2	



5LV8300-2410

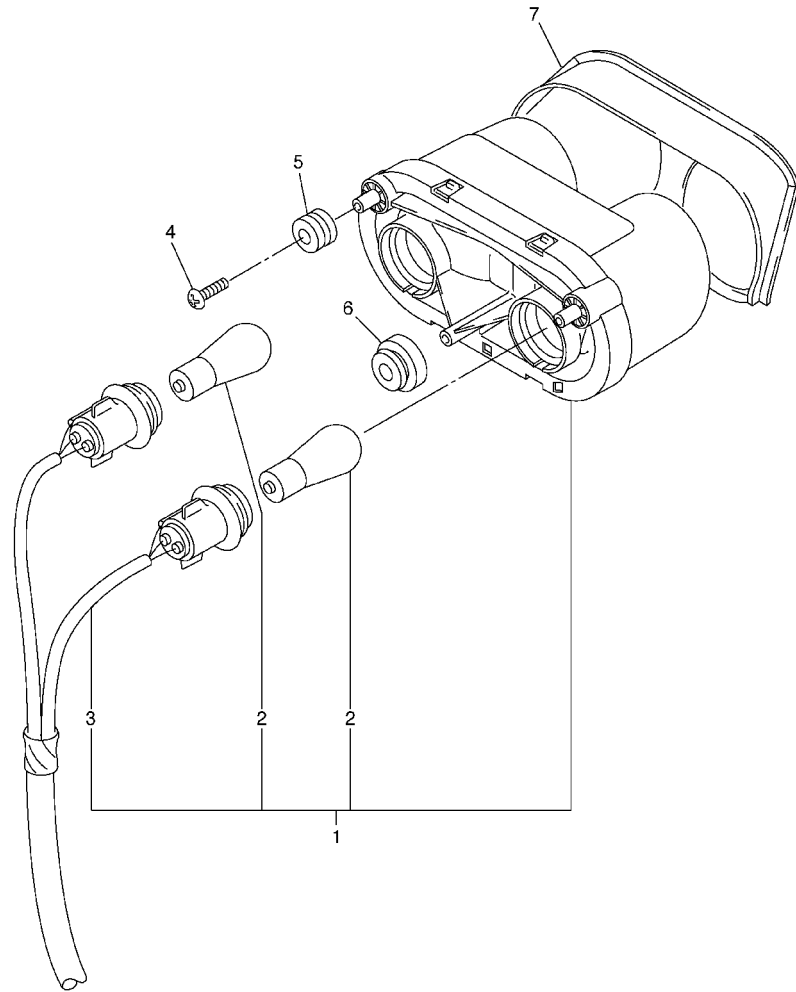
FIG. 42 HEADLIGHT



REF. NO.	PART NO.	DESCRIPTION	5LVF	5LVN		REMARKS
1	8V0-84314-10	BULB,HEADLIGHT (12V-60/55W)	2	2		
2	4SV-84347-00	BULB (12V-5W)	2	2		
3	5LV-84310-00	HEADLIGHT UNIT ASSY	1	1		
	5LV-84310-10	HEADLIGHT UNIT ASSY	1	1		FOR GBR,ZAF
4	5LV-84397-00	COVER, SOCKET	2	2		
5	5LV-84312-00	HOLDER, SOCKET	2	2		
6	90164-05014	SCREW, TAPPING	4	4		
7	90480-14229	GROMMET	4	4		
8	97707-50016	SCREW, TAPPING	5	5		
9	5LV-84359-20	CORD, HEADLIGHT	1	1		
10	5LV-84553-00	.DAMPER	2	2		
11	5LV-84559-00	.DAMPER	1	1		

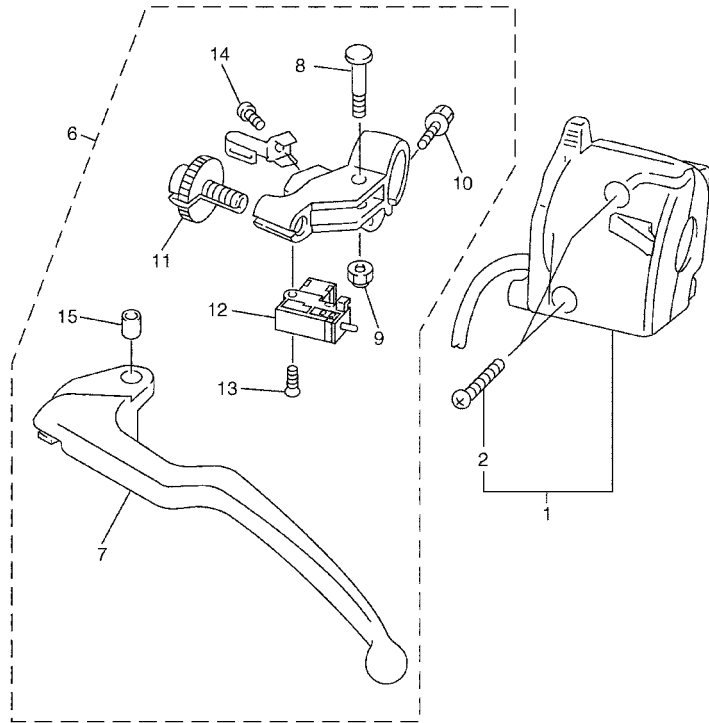
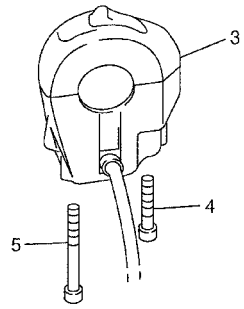

5LV8300-2420

FIG. 43 TAILLIGHT



REF. NO.	PART NO.	DESCRIPTION	5LVF	5LVN				REMARKS
1	5JJ-84710-01	TAILLIGHT UNIT ASSY	1	1				
2	1A2-84714-41	.BULB (12V-21/5W)	2	2				
3	5JJ-84735-00	.CORD ASSY	1	1				
4	90164-05014	SCREW, TAPPING	3	3				
5	4XV-83513-00	DAMPER	2	2				
6	90480-18171	GROMMET	1	1				
7	5LV-21669-00	SEAL	1	1				

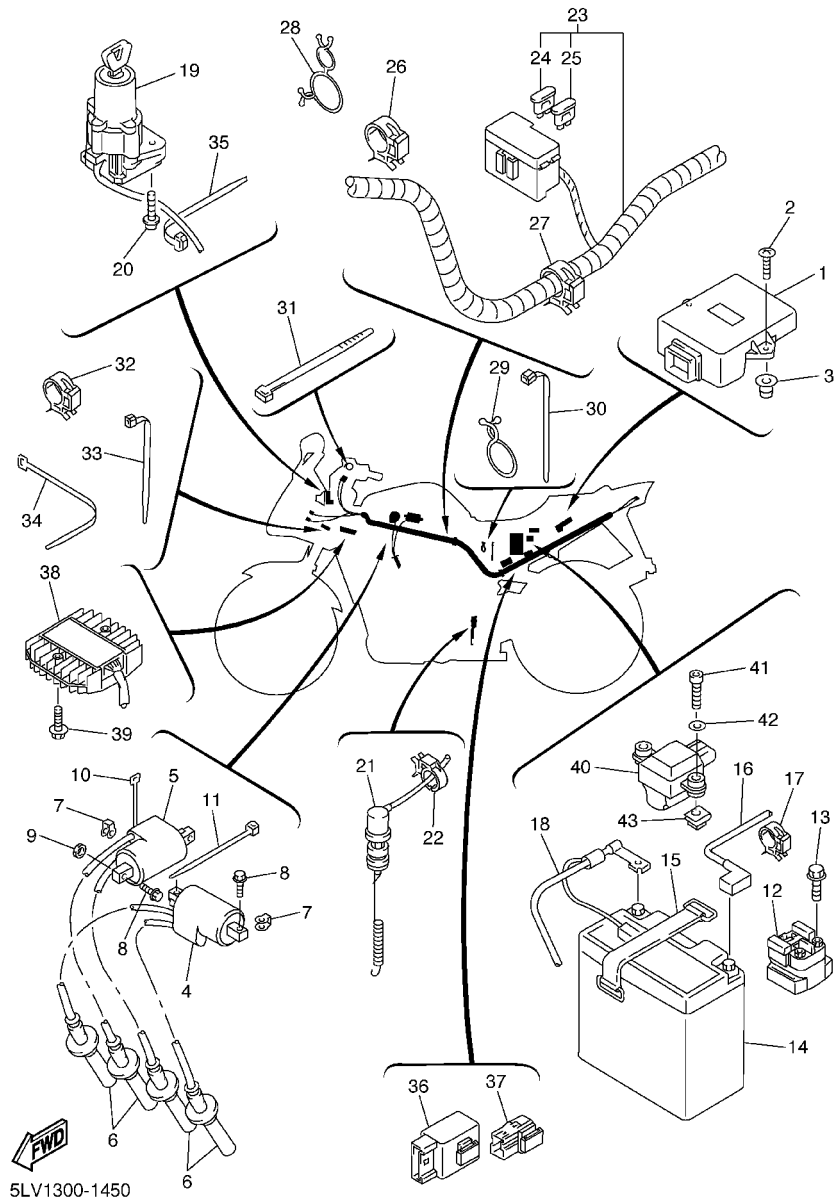
 5LV1300-1430



5LVH351-B440

FIG. 44 HANDLE SWITCH. LEVER

REF. NO.	PART NO.	DESCRIPTION	5LVF	5LVN	REMARKS
1	5LV-83969-00	SWITCH, HANDLE 5	1	1	
2	98507-05025	.SCREW	2	2	
3	5LV-83975-01	SWITCH, HANDLE 2	1	1	
4	91317-05030	BOLT	1	1	
5	91317-05050	BOLT	1	1	
6	5LV-82910-01	LEVER HOLDER ASSY (LEFT)	1	1	
7	4XV-83912-11	.LEVER 1	1	1	
8	4XV-83945-00	.BOLT, LEVER	1	1	
9	95607-06100	.NUT, U	1	1	
10	95027-06020	.BOLT, FLANGE	1	1	
11	5LV-83951-00	.BOLT, CABLE ADJUSTING	1	1	
12	3YX-82917-01	.SWITCH	1	1	
13	98704-03020	.SCREW, FLAT HEAD	1	1	
14	98507-04010	.SCREW	1	1	
15	5JJ-83913-00	.COLLAR, LEVER 1	1	1	



5LV1300-1450

FIG. 45 ELECTRICAL 1

REF. NO.	PART NO.	DESCRIPTION	5LVF	5LVN	REMARKS
1	5LV-82305-40	IGNITOR UNIT ASSY	1	1	
2	97707-50020	SCREW, TAPPING	2	2	
3	90269-08058	RIVET	2	2	
4	5LV-82310-00	IGNITION COIL ASSY	1	1	
5	5LV-82320-00	IGNITION COIL ASSY	1	1	
6	4XV-82370-01	PLUG CAP ASSY	4	4	
7	5LV-82317-00	DAMPER, IGNITION COIL	4	4	
8	97080-06020	BOLT	4	4	
9	95380-06600	NUT, HEXAGON	1	1	
10	90464-12045	CLAMP	1	1	
11	90464-13073	CLAMP	1	1	
12	4YR-81940-00	STARTER RELAY ASSY	1	1	
13	95027-06008	BOLT, FLANGE	2	2	
14	5EA-82100-11	BATTERY ASSY (GS GT14B-4)	1	1	
15	26L-82131-00	BAND, BATTERY	1	1	
16	5LV-82115-00	WIRE, PLUS LEAD	1	1	
17	90464-10190	CLAMP	1	1	
18	5LV-82116-10	WIRE, MINUS LEAD	1	1	
19	5LV-82501-20	MAIN SWITCH STEERING LOCK	1	1	
20	90109-080G5	BOLT	2	2	
21	5LV-82530-00	STOP SWITCH ASSY	1	1	
22	90464-08189	CLAMP	1	1	
23	5LV-82590-20	WIRE HARNESS ASSY	1	1	
24	5JJ-82151-30	.FUSE (10A-BL)	4	4	
25	5JJ-82151-20	.FUSE (20A-BL)	4	4	
26	90464-25217	CLAMP	2	2	
27	90464-25217	CLAMP	1	1	

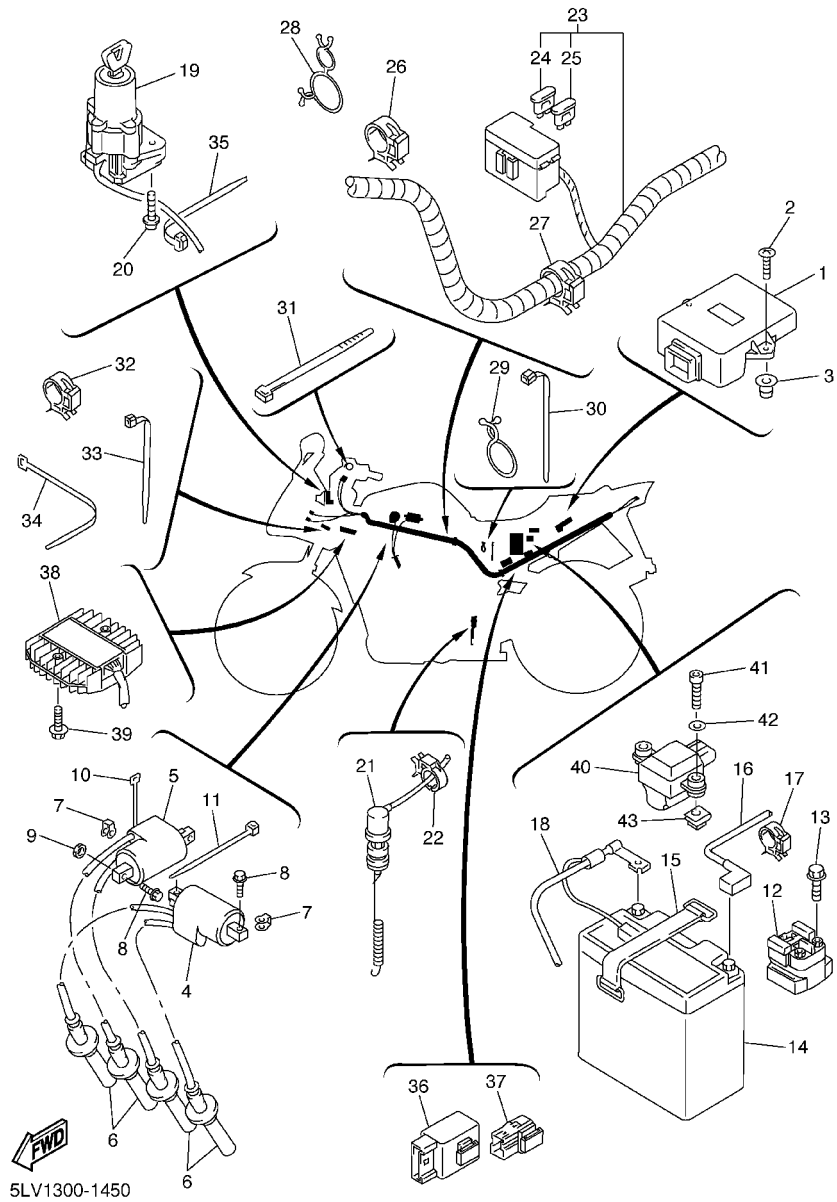
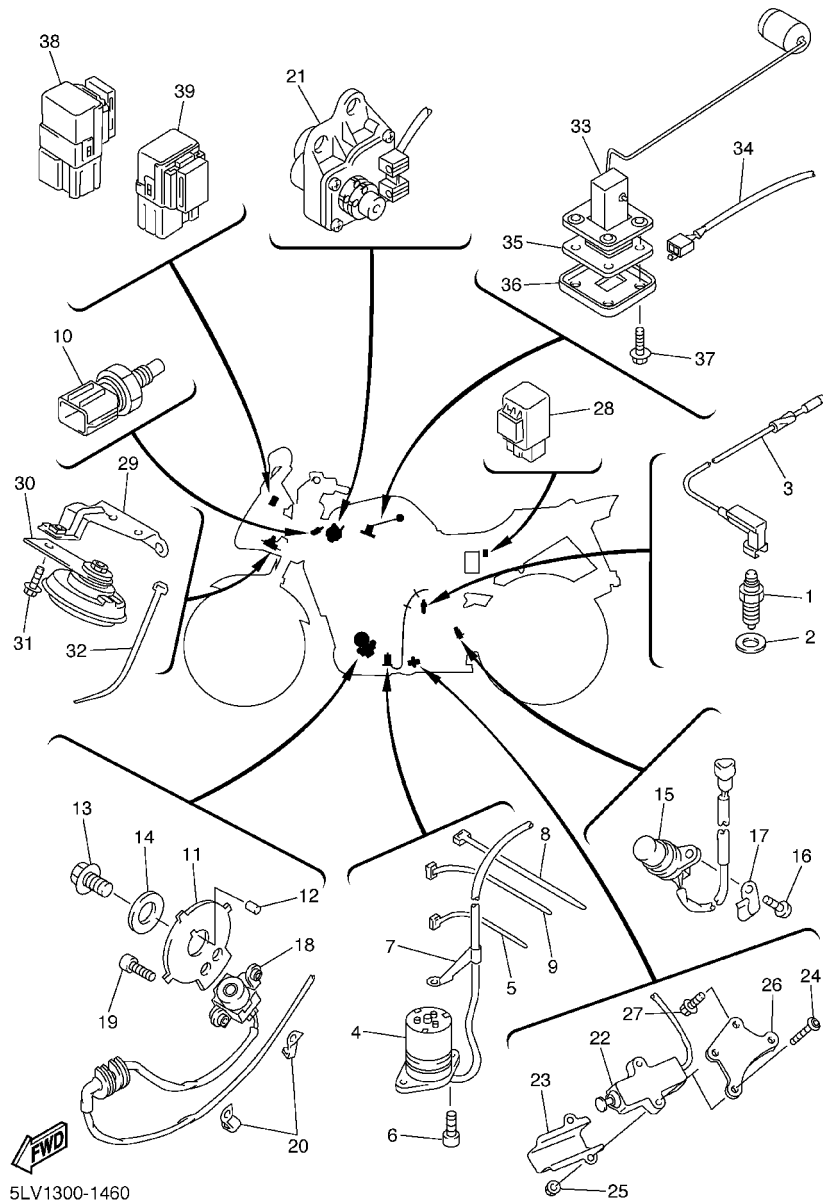


FIG. 45 ELECTRICAL 1

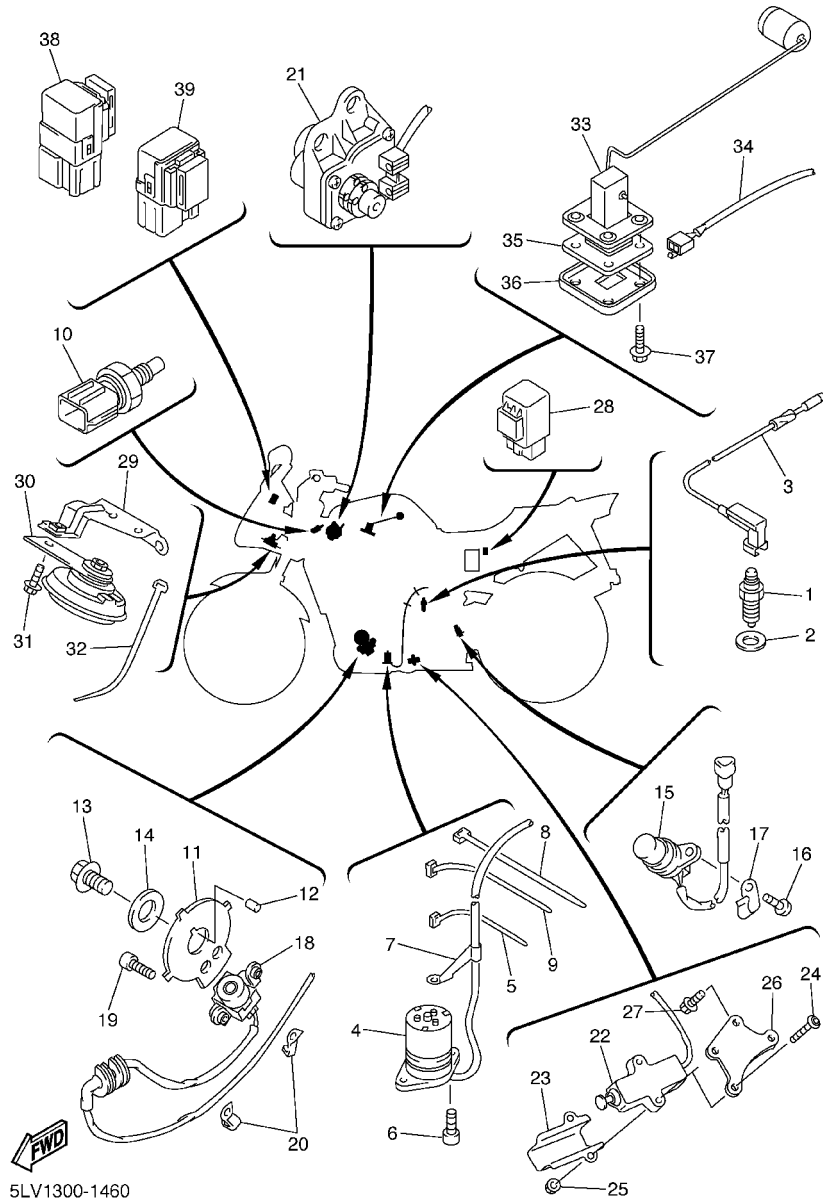
REF. NO.	PART NO.	DESCRIPTION	5LVF	5LVN	REMARKS
28	90464-25098	CLAMP	1	1	
29	90464-23041	CLAMP	2	2	
30	90464-13073	CLAMP	1	1	
31	437-83936-01	BAND, SWITCH CORD	2	2	
32	90464-15192	CLAMP	1	1	
33	90464-13077	CLAMP	2	2	
34	90464-13073	CLAMP	1	1	
35	1UA-82591-00	BAND	1	1	
36	5EB-81950-20	RELAY ASSY	1	1	
37	5JJ-81950-20	RELAY ASSY	1	1	
38	5FL-81960-00	RECTIFIER & REGULATOR ASSY	1	1	
39	95807-06020	BOLT, FLANGE	2	2	
40	5LV-82576-00	EMERGENCY STOP SWITCH ASSY	1	1	
41	91317-04025	BOLT	2	2	
42	90201-042E0	WASHER, PLATE	2	2	
43	90183-04039	NUT, SPRING	2	2	

FIG. 46 ELECTRICAL 2



5LV1300-1460

REF. NO.	PART NO.	DESCRIPTION	5LVF	5LVN	REMARKS
1	3GB-82540-01	NEUTRAL SWITCH ASSY	1	1	
2	90430-10148	GASKET	1	1	
3	5LV-82541-00	WIRE, LEAD	1	1	
4	5LV-85720-01	OIL LEVEL GAUGE ASSY	1	1	
5	5Y9-12491-00	CLAMP 1	1	1	
6	91317-06014	BOLT	2	2	
7	90465-08013	CLAMP	1	1	
8	90464-13073	CLAMP	1	1	
9	90464-13077	CLAMP	1	1	
10	5JJ-83591-00	THERMO UNIT	1	1	
11	4XV-81673-00	ROTOR	1	1	
12	93604-29151	PIN, DOWEL	1	1	
13	90105-10290	BOLT, FLANGE	1	1	
14	90201-107K6	WASHER, PLATE	1	1	
15	5LV-83755-00	SENSOR, SPEED	1	1	
16	91317-06014	BOLT	1	1	
17	90465-08028	CLAMP	1	1	
18	5LV-81670-01	PICK-UP ASSY	1	1	
19	90110-06018	BOLT, HEXAGON SOCKET HEAD	2	2	
20	90465-08191	CLAMP	2	2	
21	5LV-85820-00	SERVO MOTOR ASSY	1	1	
22	5PX-82566-70	SWITCH, SIDE STAND	1	1	
23	5JJ-82388-00	PLATE	1	1	
24	92017-05025	BOLT	2	2	
25	95607-05200	NUT, U FLANGE	2	2	
26	5LV-8252H-00	PLATE	1	1	
27	90105-06020	BOLT, FLANGE	2	2	



5LV1300-1460

FIG. 46 ELECTRICAL 2

REF. NO.	PART NO.	DESCRIPTION	5LVF	5LVN	REMARKS
28	3GM-83350-01	FLASHER RELAY ASSY	1	1	
29	5LV-23377-00	BRACKET, HORN	1	1	
30	4KM-83371-00	HORN	1	1	
31	95807-06010	BOLT, FLANGE	1	1	
32	90464-15195	CLAMP	1	1	
33	5LV-85752-00	SENDER UNIT ASSY, FUEL METER	1	1	
34	5LV-82509-00	WIRE, SUB LEAD	1	1	
35	4US-85753-00	GASKET, SENDER UNIT	1	1	
36	2JG-85757-00	RETAINER	1	1	
37	90119-05071	BOLT, WITH WASHER	4	4	
38	5JJ-81950-10	RELAY ASSY	1	1	
39	5JJ-81950-20	RELAY ASSY	1	1	

NUMERICAL INDEX

PART NO.	GRID NO.	PART NO.	GRID NO.	PART NO.	GRID NO.	PART NO.	GRID NO.	PART NO.	GRID NO.	PART NO.	GRID NO.
5DM-W0041-50	E-11	4XV-12111-00	B-4	5JJ-12181-00	B-6	5JJ-13161-00	B-12	3G2-14231-26	C-2	5JJ-14882-00	B-15
4BP-W0042-50	E-15	4XV-12112-00	B-4	5LV-12210-00	B-6	4XV-13310-00	B-7	5LV-14261-00	C-2	5LV-14882-00	B-15
4SV-W0045-00	E-6	4XV-12113-00	B-4	4FM-12213-00	B-6	4XV-13318-00	B-12	5AP-14280-00	C-3	5LV-14883-00	B-15
5LV-W0046-50	E-9	4XV-12114-00	B-4	5BE-12241-00	B-6	4XV-13327-00	B-11	5HK-14280-00	C-3	5LV-1490J-00	C-2
3GM-W0047-10	E-6	1HX-12116-01	B-4	4XV-12251-00	B-6	4XV-13336-00	B-7	4KG-14285-00	C-4	5LV-1490J-10	C-2
3MA-W0047-10	E-6	1HX-12117-00	B-4	4XV-12252-00	B-6	5PW-13354-01	C-13	4NK-14327-00	C-3	3EN-1490K-00	C-4
5EA-W0047-50	E-9	1WG-12117-00	B-4	5LV-1240J-00	B-10	4XV-13355-00	B-7	5EL-14396-00	C-4	5LV-14900-00	C-2
1J3-W0048-00	E-6	1HX-12118-00	B-4	5LV-1240K-00	B-10	4XV-13411-00	B-11	5LV-14401-00	B-13	5LV-14901-00	C-2
	E-9	1WG-12118-00	B-4	5LV-12405-00	B-9	4XV-13412-00	B-11	5LV-14402-01	B-13	5LV-14902-00	C-2
4SV-W0057-00	E-6	4SV-12119-00	B-4	5LP-12411-00	B-9	5LV-13414-00	B-12	5LV-14417-00	B-14	5LV-14903-00	C-2
4SV-W0057-10	E-6	4TV-12119-00	B-4	5LV-12417-00	B-9	4XV-13416-00	B-12	5LV-14418-00	B-14	5LV-14904-00	C-2
5EA-W0057-50	E-9	5LV-12121-00	B-4	4XV-12421-00	B-7	5LV-13417-00	B-12	5LV-14419-00	B-14	5EL-14918-00	C-2
5LV-W2341-00	D-13	3GM-12126-00	B-4	4XV-12422-00	B-7	5GH-13440-00	B-12	5LV-1443E-00	B-13	5DM-14919-00	C-4
4HM-W2585-01	E-11	3FV-12153-00	B-5	5LV-1243A-00	B-9	5LV-13470-00	B-12	5LV-14451-00	B-13	5LV-14919-00	C-4
5DM-W2587-01	E-11	3FV-12153-10	B-5	5LV-1243E-00	B-10	4XV-13473-00	B-12	4XY-14452-00	B-13	5LV-14933-00	C-2
5LV-Y2410-10-X1	E-2	3FV-12153-20	B-5	5LV-1243F-00	B-10	5LV-13474-00	B-13	5LV-14453-00	B-13	4SV-14935-00	C-4
5LV-Y2410-10-07	E-2	3FV-12153-30	B-5	1UF-12435-00	B-10	4XV-13475-00	B-12	1AE-14457-00	B-13	5DM-14936-00	C-4
5LV-Y2410-10-08	E-2	3LN-12153-00	B-5	11H-12438-10	B-7	5PW-13490-00	B-12	5LV-14463-00	B-13	5AP-14940-00	C-3
5LV-11101-01	B-2	3LN-12153-10	B-5	4XV-12439-00	B-7	16G-13569-00	B-13	5EL-14480-00	C-3	5DM-14985-00	C-2
5LV-11101-10	B-2	3LN-12153-20	B-5	5LV-1244G-00	B-10	5LV-13586-01	B-13	5LV-14485-00	B-13	4SV-14987-20	C-4
4KG-1111G-00	B-2	3LN-12153-30	B-5	5LV-12450-00	B-7	5LV-13596-01	B-13	5DM-14561-00	C-2	4SV-14987-30	C-4
1WG-11133-11	B-2	1HX-12168-A0	B-4	5LV-1246F-00	B-10	5LV-13892-00	B-13	5EL-14561-00	C-2	5DM-14987-00	C-4
3TJ-11133-10	B-2	1HX-12168-F0	B-4	5LV-12461-00	B-9	5LV-13895-00	B-13	583-14561-00	C-2	5EA-14987-10	C-4
4XV-11145-00	C-7	1HX-12168-H1	B-4	22W-12462-00	B-9	4XV-13898-00	B-12	1FN-14565-00	C-2	4SV-14996-40	C-4
4XV-11165-00	C-7	1HX-12168-K1	B-4	5LV-12464-00	B-9	4SV-13907-02	E-3	4WM-14565-00	C-4	5EA-14996-00	C-4
5LV-11166-00	C-7	1HX-12168-M1	B-4	5LV-12465-00	B-10	5LV-13926-00	B-13	5DM-14565-00	C-3	5LV-15100-01	C-7
5LV-11181-00	B-2	1HX-12168-R1	B-4	5LV-12467-00	B-10	5LV-13971-00	E-3	4XY-14589-00	C-3	5LV-15100-10	C-7
5LV-11191-00	B-2	1HX-12168-U1	B-4	4XV-12469-00	B-8	5DM-1410A-00	C-2	4SV-14592-00	C-4	5LV-15113-00	C-10
5LV-11191-10	B-2	1HX-12168-W1	B-4	5LV-12470-00	B-10	5EA-14103-00	C-4	5LV-14610-00	C-5	5JJ-15163-00	C-14
5LV-11193-00	B-2	1HX-12168-Y1	B-4	5LV-12481-01	B-7	5MP-14105-00	C-2	4FM-14613-00	C-5	2H7-15361-00	C-7
214-11198-01	B-12	1HX-12168-00	B-4	5LV-12482-00	B-8	4KM-14107-15	C-2	4SV-14638-00	C-5	3F9-15362-00	C-9
5LV-1130E-01	C-5	1HX-12168-20	B-4	5LV-12483-00	B-8	5LV-14112-00	C-2	5PW-14683-00	C-5	5LV-15411-00	C-9
5LV-11411-00	B-3	1HX-12168-40	B-4	5LV-12484-00	B-9	5DM-14141-40	C-2	5LV-14710-01	C-5	5LV-15411-10	C-9
3GM-11416-A0	B-3	1HX-12168-60	B-4	4XV-12485-00	B-7	4KM-14142-15	C-2	4KM-14714-01	B-15	4XV-15416-00	C-9
3GM-11416-B0	B-3	1HX-12168-80	B-4	5LV-12485-00	B-8	354-14147-00	C-3	4XV-14714-00	C-5	5LV-15416-00	C-9
3GM-11416-00	B-3	1HX-12169-E0	B-5	5Y9-12491-00	F-14	36Y-14147-00	C-4	3KJ-14737-00	E-12	5LV-15418-00	C-9
3GM-11416-10	B-3	1HX-12169-G0	B-5	5LV-12551-00	B-9	5EA-14148-00	C-4		E-13	5LV-15418-10	C-9
3GM-11416-20	B-3	1HX-12169-J0	B-5	5LV-12552-00	B-9	127-14186-00	C-2	5LV-14803-00	B-15	5LV-15421-00	C-9
4XV-11549-00	B-3	1HX-12169-L0	B-5	4XV-12576-00	B-8	4KP-14191-00	C-3	5JJ-14811-00	C-5	5LV-15421-10	C-9
5LV-11603-00	B-3	1HX-12169-N0	B-5	5LV-12576-00	B-10	4KM-14194-00	C-3	4SV-14821-00	C-5	5EG-15425-00	C-10
4XV-11631-10	B-3	1HX-12169-T0	B-5	5LV-12577-00	B-8	3JE-14197-00	C-3	5LV-14826-00	C-5	5LV-15425-00	C-10
4XV-11633-00	B-3	1HX-12169-11	B-5	5LV-12578-00	B-8	4SV-14197-00	C-4	5LV-14849-00	C-5	5LV-15441-00	C-10
5PW-11650-00	B-3	1HX-12169-31	B-5	5LV-12579-00	B-8	5LV-14197-00	B-13	2TK-14865-01	C-5	5LV-15441-01	C-10
5JW-11654-00	B-3	1HX-12169-50	B-5	5LV-12588-00	B-9	4KM-14216-00	C-3	5EA-14867-00	C-3	4XV-15451-00	C-9
3GM-11656-A0	B-3	1HX-12169-70	B-5	5LV-12589-00	B-10	3G2-1423A-59	C-2	5LV-14867-00	B-15	5LV-15456-00	C-9
3GM-11656-B0	B-3	1HX-12169-90	B-5	1AE-12591-01	B-9	3G2-1423A-77	C-2	5LV-14872-00	B-15	4XV-15461-00	C-9
3GM-11656-00	B-3	5JJ-12171-00	B-6	5LV-12822-00	B-12	1HX-14231-17	C-3	5LV-14873-00	B-15	4XV-15463-00	C-10
3GM-11656-10	B-3	4XV-12176-00	B-6	5JJ-1316E-00	B-11	1HX-14231-25	C-3	5LV-14881-00	B-15	5PW-15515-00	C-11

NUMERICAL INDEX

PART NO.	GRID NO.	PART NO.	GRID NO.	PART NO.	GRID NO.	PART NO.	GRID NO.	PART NO.	GRID NO.	PART NO.	GRID NO.
4XV-15517-00	C-11	4XV-18536-00	D-2	4BH-2219X-00	D-4	4YR-24181-00	E-2	4FM-25381-10	E-8	4YR-26240-01	E-10
4XV-15521-00	C-11	5LV-18540-00	D-2	5LV-22210-00	D-12	5DM-24181-00	E-2	4XV-25383-00	E-7	4YR-26241-01	E-10
4XV-15570-00	C-11	136-18542-00	D-2	3YF-22216-01	D-12	5LV-24181-00	E-2	5LV-25383-00	E-8	51J-26246-01	E-10
5LV-16150-00	C-12	5LV-21110-20	D-4	5LV-22311-00	D-11	5LV-24181-10	E-2	4XV-25388-00	E-7	5LV-26280-00	F-3
4XV-16154-00	C-13	5LV-21150-10	D-4	5LV-23102-00	D-14	5LV-24182-00	E-3	4XV-25389-00	E-7	5LV-26290-00	F-4
5LV-16154-00	C-12	4XV-2116A-00	D-4	5LV-23103-00	D-14	5LV-24183-00	E-3	5MT-25398-00	E-5	4SV-26298-00	F-4
5LV-16309-09	C-13	4XV-2116J-00	D-4	5LV-23106-00	D-14	5LV-24183-10	E-2		E-7	5LV-26311-00	E-10
4FN-16321-00	C-12	5LV-2117E-00	D-6	5LV-23107-00	D-14	2GH-24186-00	E-2	5MT-25398-10	E-5	5LV-26312-00	E-10
5LV-16321-00	C-12	5LV-2117F-00	D-4	5LV-23110-00	D-14	5LV-24191-01	E-2		E-7	5LV-26330-00	E-10
5LV-16321-10	C-12	5LV-2117M-00	D-4	5LV-23111-00	D-14	5LV-24240-10	E-2	5MT-25398-20	E-5	5LV-26335-00	E-10
5LV-16321-20	C-12	1JK-21268-00	D-5		D-15	5LV-24311-00	E-3		E-7	5LV-27111-00	E-14
168-16324-00	C-12	5DM-21296-00	E-2	4TX-23115-00	D-14	5LV-24312-00	E-3	5LV-25444-00	E-7	1A0-27114-00	E-14
168-16325-00	C-12	3YX-21308-00	E-4		D-15	5LV-24398-00	E-3	5DM-2580T-00	E-6	5LV-27211-00	E-15
31A-16325-00	C-12	5DM-21346-00	E-2	5LV-23118-00	D-14	5EL-24411-00	C-2	5DM-2580U-00	E-6	5LV-27217-00	E-14
5LV-16340-00	C-13	5LV-21346-00	E-2		D-15	2VN-24500-01	E-2	5LV-2580W-00	E-9	4BP-27222-01	E-15
132-16346-00	D-3	5LV-21400-00	D-4	4KM-23123-01	D-15	4X8-24512-00	E-3	5LV-2581K-00	E-15	5LV-27311-00	E-12
5EB-16351-01	C-12	3YX-2143A-00	D-4	4TX-23125-A0	D-14	3AJ-24523-00	E-3	5PX-2581T-00	E-6	36Y-27352-00	E-12
5LV-16356-00	C-12	4DN-2144G-00	E-13	4TX-23135-A0	D-14	3AJ-24534-00	E-3	5LV-25819-00	E-8	5LV-2741A-00	E-13
5LV-16371-00	C-12	4X7-2149Y-00	B-13	5LV-23141-00	D-14	1FK-24560-10	E-3	4BP-2582A-00	E-15	5LV-2741E-01	E-14
5LV-16382-00	C-12	5LV-21511-00-P2	D-6		D-15	5JJ-24602-00	E-3	3GM-2582W-A0	E-9	5LV-27410-00	E-12
5LV-16383-00	C-12	5LV-21511-00-P3	D-6	4TX-23144-00	D-14	5LV-2470F-10	E-4	4BP-2583V-01	E-15	4BP-27413-00	E-12
5LV-16384-00	C-12	5LV-21511-00-4B	D-6	4TX-23145-00	D-14	4BP-24705-00	E-4	5LV-25849-00	E-9		E-13
5JJ-17121-01	C-14	5LV-21611-00	D-6	4TX-23156-00	D-14	5LV-24723-00	D-7	4BP-2585F-00	E-15		E-14
5JJ-17131-00	C-14	4HM-2162A-00	D-6		D-15	5LV-24723-10	D-7	3LN-2585G-00	E-15	5LV-27420-00	E-12
5JJ-17151-00	C-14	5LV-2162A-00	D-6	5LV-23170-00	D-14	18A-24724-00	F-3	2KF-25852-50	E-15	1NL-27424-00	E-12
5JJ-17161-00	C-14	5LV-2163G-00	D-8		D-15	3L7-24724-00	D-7	360-25854-01	E-15		E-13
5JJ-17211-00	C-15	4HM-21647-00	D-6	5LV-23173-00	D-14	5LV-24724-00	D-7	4HM-25854-00	E-11	36Y-27424-00	E-14
5JJ-17221-00	C-14	5LV-21651-00-P2	D-7		D-15	5LV-24724-10	D-7	2GU-25855-00	E-15	4XV-27424-00	C-5
5JJ-17231-00	C-15	5LV-21651-00-P3	D-7	5LV-2318Y-00	D-14	4HM-24728-00	E-4	4HM-25867-00	E-11	5LV-27430-01	E-13
5JJ-17241-00	C-14	5LV-21651-00-4B	D-7		D-15	5LV-24730-10	E-4	5LV-25872-00	E-11	5JJ-27437-00	E-13
5JJ-17251-00	C-15	5LV-21669-00	F-10	4TX-2331G-00	D-14	5LV-24737-00	E-4	5LV-25873-00	E-11	5LV-27440-01	E-13
5PW-17261-00	C-14	5LV-21711-00	D-9		D-15	5LV-2474A-00-P2	D-7	5LV-25874-00	E-11	5LV-27442-00	E-12
5LV-17402-00	C-14	5LV-2172W-00	D-9	5LV-23317-01	D-13	5LV-2474A-00-P3	D-7	5LV-25875-00	E-11	5LV-27443-01	E-13
5LV-17411-00	C-14	5JJ-2172X-00	D-6	5LV-23340-00	D-15	5LV-2474A-00-4B	D-7	4FM-25876-01	E-15	5LV-27813-00	E-15
4XV-17460-00	C-15	5LV-21721-00	D-9	5LV-23377-00	F-15	5LV-2474W-00-P2	D-7	5LV-25876-00	E-11	5LV-28100-00	D-7
5LV-18101-00	D-3	5LV-21732-00	D-10	5DM-2341B-00	F-8	5LV-2474W-00-P3	D-7	42H-25885-01	E-11	4PT-28217-00	D-9
5LV-18110-00	D-3	5LV-2174X-00	D-9	1W1-23416-00	D-13	5LV-2474W-00-4B	D-7	4BH-25886-02	F-2	5LV-28307-00	F-3
5EB-18112-01	D-3	1AA-21815-00	D-9	26H-23418-01	D-13	1T4-24741-00	E-4	3FV-2589F-00	E-11	5LV-28307-10	F-3
5EB-18113-00	D-3	5LV-21871-00	D-9	3VD-23434-00	D-13	4HM-2478E-00	E-4	47X-25894-00	E-15	5LV-28315-30	F-3
5LV-18115-00	D-3	1AA-21874-00	D-9	4H7-23441-00-98	D-13	4BP-24792-00	E-4	5LV-25895-00	E-15	5LV-28315-40	F-3
5LV-18116-00	D-3	5LV-22110-00	D-10	5LV-23442-01	D-13	4XV-25117-00	E-5	4SV-25919-00	E-6	5LV-28336-00	F-4
4XV-18127-00	D-3	5LV-22110-10	D-10	5LV-23445-00	D-13	4XV-25168-01-98	E-5	5LV-25919-00	E-9	5LV-28337-00	F-4
5JJ-18140-00	D-3	5JJ-22128-00	D-10	3FV-23462-00	D-13	4XV-25181-00	E-5	4SV-25924-00	E-6	5LV-2834E-00	F-3
4XV-18154-00	D-3	3GM-22141-01	D-10	341-23469-00	D-13	5LV-25317-00	E-7	5LV-25924-00	E-9	5LV-28346-10	F-8
4XV-18511-00	D-2	5LV-22151-01	D-10	5LV-23472-00	D-13	5LV-25338-00-98	E-7	3GM-25925-00	E-6	5LV-2835G-00-P2	F-3
5JJ-18512-00	D-2	5LV-2217A-00	D-10	5FY-2411B-00	E-2	5LV-25364-00	E-7		E-9	5LV-2835G-00-P3	F-3
4XV-18513-00	D-2	5LV-2217M-00	D-10	5FY-2411B-20	E-2	5JJ-25366-00	E-7	5LV-26111-00	E-10	5LV-2835G-00-P4	F-3
4XV-18531-00	D-2	3FV-22184-00	D-10	5FY-2411B-50	E-2	5LV-25371-00	E-7	5LV-2622H-00	E-12	5LV-28356-00	F-3

NUMERICAL INDEX

PART NO.	GRID NO.	PART NO.	GRID NO.	PART NO.	GRID NO.	PART NO.	GRID NO.	PART NO.	GRID NO.	PART NO.	GRID NO.
5LV-2836A-00	F - 3	1UA-82591-00	E - 3	5LV-85720-01	F - 14	90110-06065	C - 11	90170-08010	E - 15	90201-10669	E - 14
5LV-2836B-01	F - 3		E - 11	5LV-85750-00	F - 8	90110-06124	C - 10	90170-20327	C - 12	90201-107K6	F - 14
5LV-2836E-00	F - 3		F - 13	5LV-85752-00	F - 15	90110-06200	F - 3	90173-06017	F - 3	90201-120K4	D - 3
5LV-2836K-00	F - 3	5LV-82910-01	F - 11	4US-85753-00	F - 15	90110-06224	C - 10	90176-10075	B - 2	90201-12163	C - 13
5LV-2836L-00	F - 3	3YX-82917-01	F - 11	2JG-85757-00	F - 15	90110-06225	B - 12	90176-22081	D - 13	90201-12541	B - 7
5LV-28371-00	F - 4	5DM-8331L-00	F - 7	5LV-85820-00	F - 14	90110-06226	B - 8	90179-05523	F - 3	90201-186M4	D - 10
5LV-28381-00	F - 3	5DM-83310-00	F - 7	4XY-85885-00	C - 4		B - 9		F - 4	90201-220T0	D - 13
5LV-28390-10	F - 3	306-83311-40	F - 7	90101-08662	E - 12		D - 2	90179-06009	F - 4	90201-224L4	C - 15
5LV-81410-00	F - 5	5DM-83320-00	F - 7	90101-08766	E - 7	90110-08071	F - 3	90179-06635	E - 4	90201-24013	E - 8
4XV-81450-00	F - 5	5LV-83330-00	F - 7	90101-10659	D - 10	90110-08220	E - 12	90179-08327	B - 3	90201-43008	C - 13
5LV-81670-01	F - 14	4JH-83332-00	F - 7	90101-12749	D - 10		E - 13	90179-08410	C - 5	90202-05193	E - 3
4XV-81673-00	F - 14	5LV-83340-00	F - 7	90105-060A0	E - 11	90110-10N52	D - 14	90179-10006	B - 2	90202-06170	F - 3
3AJ-81801-00	F - 6	4JH-83342-00	F - 7	90105-06020	F - 14		D - 15	90179-10414	B - 2	90202-24190	D - 13
5LV-81815-00	F - 6	3GM-83350-01	F - 15	90105-06026	B - 2	90110-10191	D - 4	90179-22063	C - 15	90202-26142	D - 13
4XV-8182A-00	F - 6	4KM-83371-00	F - 15	90105-06154	B - 7	90111-06005	E - 12	90179-25033	D - 13	90206-17084	D - 3
3AJ-81826-00	F - 6	4XV-83513-00	F - 10	90105-07342	B - 6	90111-06019	D - 3	90183-04039	F - 13		E - 13
11H-81844-00	F - 6	4YR-83517-00	F - 8	90105-08015	C - 7	90111-10004	D - 4	90183-05061	D - 7	90209-06008	B - 10
1FK-81847-00	F - 6	4YR-83517-10	F - 8	90105-08042	D - 4	90116-10485	E - 7	90183-06023	D - 6	90209-08295	E - 12
4XV-81890-00	F - 6	5LV-8353E-00	F - 8	90105-083A9	E - 7	90116-10619	C - 7	90183-06053	D - 6		E - 13
4YR-81940-00	F - 12	4YR-83534-00	F - 8	90105-093A5	C - 7	90119-05071	F - 15		E - 15	90209-25342	C - 14
5EB-81950-20	F - 13	5LV-83570-30	F - 8	90105-10027	D - 4	90119-06007	D - 11	90185-10060	E - 14	90209-25349	C - 14
5JJ-81950-10	F - 15	5LV-83570-40	F - 8	90105-10028	D - 4	90119-06096	D - 6	90185-12119	D - 10	90209-25350	C - 14
5JJ-81950-20	F - 13	5LV-83572-00	F - 8	90105-10290	F - 14	90119-06108	D - 9	90185-18104	D - 10	90209-30343	C - 14
	F - 15	5JJ-83591-00	F - 14	90105-10376	D - 10	90119-06118	D - 10	90185-24165	E - 8	90209-30344	C - 14
5FL-81960-00	F - 13	4YR-8362Y-00	F - 8	90105-105A0	E - 9	90119-06187	C - 5	90201-04018	D - 6	90209-30345	C - 14
5EA-82100-11	F - 12	5LV-83755-00	F - 14	90105-105A6	F - 5	90119-06205	D - 6	90201-042E0	F - 13	90215-20231	C - 12
5LV-82115-00	F - 12	4XV-83912-11	F - 11	90105-105A7	E - 6	90149-06011	E - 3	90201-050T4	C - 5	90215-30233	C - 15
5LV-82116-10	F - 12	5JJ-83913-00	F - 11	90109-063F1	D - 7	90149-06013	F - 5	90201-05725	D - 7	90240-08124	E - 15
26L-82131-00	F - 12	5EB-83922-01	E - 11	90109-064G6	E - 6	90149-06165	D - 9	90201-06042	E - 12	90243-08029	E - 12
4HM-82131-00	D - 6	437-83936-01	F - 13	90109-065G3	C - 7	90149-06286	C - 14	90201-06071	B - 9	90267-40029	B - 14
4J2-82131-01	E - 4	4XV-83945-00	F - 11	90109-066F0	B - 2	90149-06298	D - 4	90201-06380	F - 8	90267-40076	D - 6
5JJ-82151-20	F - 12	5LV-83951-00	F - 11	90109-080G5	F - 12	90149-06308	E - 4	90201-08083	E - 15	90269-07077	D - 7
5JJ-82151-30	F - 12	5LV-83969-00	F - 11	90109-081G0	E - 2	90150-05023	F - 3	90201-08089	C - 11	90269-08058	F - 12
5LV-82305-40	F - 12	5LV-83975-01	F - 11	90109-083E0	E - 12	90150-05039	D - 7	90201-081R9	E - 12	90338-08226	D - 6
5LV-82310-00	F - 12	4HM-83980-00	E - 11	90109-083G4	E - 9	90153-06029	B - 8	90201-08612	C - 5	90338-09012	E - 11
5LV-82317-00	F - 12	5LV-84310-00	F - 9	90109-087F1	E - 14	90154-05007	F - 4	90201-087F0	D - 7	90338-16262	C - 7
5LV-82320-00	F - 12	5LV-84310-10	F - 9	90109-100E6	E - 14	90154-05013	F - 3	90201-096J9	C - 7	90338-20263	C - 7
4XV-82370-01	F - 12	5LV-84312-00	F - 9	90109-103A9	E - 13	90154-06005	B - 14	90201-10013	B - 2	90340-14132	B - 12
5JJ-82388-00	F - 14	8V0-84314-10	F - 9	90109-10662	D - 12	90154-06061	D - 6	90201-101J1	D - 10	90340-27129	B - 2
5LV-82501-20	F - 12	4SV-84347-00	F - 9	90110-05112	E - 3	90157-05079	E - 12		D - 12	90340-32002	C - 9
5LV-82509-00	F - 15	5LV-84359-20	F - 9	90110-06018	B - 11	90159-05004	E - 14	90201-10118	E - 11	90340-32116	C - 9
5LV-8252H-00	F - 14	5LV-84397-00	F - 9		B - 12	90159-05187	E - 13		E - 15	90387-06008	D - 7
5LV-82530-00	F - 12	5LV-84553-00	F - 9		C - 7		E - 14	90201-10119	C - 13	90387-06014	E - 13
3GB-82540-01	F - 14	5LV-84559-00	F - 9		F - 14	90159-06006	C - 12	90201-10141	D - 13		E - 14
5LV-82541-00	F - 14	5JJ-84710-01	F - 10	90110-06019	B - 11	90159-06085	E - 15	90201-103U7	F - 5	90387-06022	D - 11
5PX-82566-70	F - 14	1A2-84714-41	F - 10	90110-06025	C - 5	90164-05014	F - 9	90201-10321	D - 14	90387-061K9	D - 4
5LV-82576-00	F - 13	5JJ-84735-00	F - 10	90110-06026	B - 7		F - 10		D - 15	90387-061W9	E - 2
5LV-82590-20	F - 12	3Y6-85130-02	D - 7	90110-06063	B - 7	90170-06228	D - 3	90201-106M5	C - 5	90387-06299	E - 2

NUMERICAL INDEX

PART NO.	GRID NO.	PART NO.	GRID NO.	PART NO.	GRID NO.	PART NO.	GRID NO.	PART NO.	GRID NO.	PART NO.	GRID NO.
90387-065J6	D- 6	90464-10190	D- 4	90480-12596	B- 10	91317-06035	B- 7	93210-47675	B- 8	95027-06010	D- 13
90387-067W9	B- 10		F- 12	90480-12613	D- 9	91317-06040	B- 7	93210-49046	B- 9	95027-06012	B- 9
90387-07391	B- 9	90464-12045	F- 12	90480-13003	F- 4	91317-06110	E- 2	93306-00106	B- 7	95027-06016	F- 4
	B- 15	90464-13073	F- 12	90480-13567	D- 9	91317-08030	D- 13	93306-00304	C- 12	95027-06020	E- 11
90387-082W9	C- 6		F- 13	90480-14100	D- 7	91380-04006	C- 5	93306-00420	E- 5		F- 11
90387-102R4	D- 10		F- 14	90480-14229	F- 9	91401-20012	E- 15	93306-07806	E- 7	95027-08025	D- 7
90387-106U7	C- 5	90464-13077	F- 13	90480-14585	F- 8	91808-16023	B- 2	93306-20531	E- 7	95304-06700	D- 3
90387-10636	E- 14		F- 14	90480-15316	B- 15	91808-30031	B- 7	93306-20705	C- 14	95307-06600	F- 8
90387-1211D	D- 3	90464-15192	F- 13	90480-15363	B- 9	92014-06016	B- 10	93306-27208	C- 14	95307-08600	E- 7
90387-126Y1	D- 10	90464-15195	D- 4	90480-18171	F- 10	92014-06025	B- 10	93306-37209	C- 15	95307-10600	D- 14
90387-127W0	D- 10		F- 15	90501-064L1	D- 2	92014-08012	C- 9	93306-37807	C- 14		D- 15
90387-2200T	E- 5	90464-16025	D- 6	90501-15001	E- 13	92014-08020	E- 15	93310-228S5	C- 12	95380-06600	F- 12
90387-2511A	C- 15	90464-20003	F- 7	90501-230E4	C- 12	92017-05025	F- 14	93310-338S6	C- 11	95604-06200	E- 13
90387-28001	E- 8	90464-20181	D- 4	90506-14002	D- 3	92017-06014	C- 11	93315-42523	D- 10	95604-08100	E- 15
90387-2810U	C- 14	90464-23041	F- 13	90506-20006	E- 12	92901-04100	C- 3	93317-11020	C- 13	95606-06100	E- 11
90387-2811B	C- 14	90464-23239	E- 7	90506-20377	E- 13	92902-04100	E- 11	93317-11287	C- 13	95607-05200	D- 7
90387-30001	C- 14	90464-25098	F- 13	90506-23509	E- 14	92902-04600	E- 11		D- 3		F- 14
90387-3310V	C- 14	90464-25217	D- 4	90506-40508	E- 14	92907-04600	B- 14	93317-21746	D- 10	95607-06100	F- 11
90387-3311C	C- 14		F- 12	90508-13007	C- 12	92907-06600	B- 10	93317-31771	D- 10	95607-08200	D- 4
90401-10159	E- 11	90464-36001	B- 10	90508-20572	E- 12		E- 2	93317-43580	E- 7		E- 8
	E- 15	90464-44109	B- 10	90508-295B2	D- 3	92907-08600	C- 12	93399-99931	D- 13	95607-10100	D- 12
90401-10160	E- 11		E- 3	90560-06201	F- 4	92907-10200	D- 13	93399-99932	D- 13		D- 13
90401-20145	B- 12	90464-62085	F- 7	91314-06012	B- 15	92907-12600	D- 10	93410-08072	C- 11	95607-10200	D- 4
90430-06014	B- 2	90465-08013	F- 14	91314-06020	C- 9	92990-04600	C- 5	93440-07149	B- 2		D- 10
	B- 7	90465-08028	F- 14		C- 10	92990-06600	C- 5	93440-10153	B- 2		E- 7
	C- 11	90465-08191	F- 14	91314-06025	C- 9	93101-12004	D- 3	93440-28062	C- 14	95617-08625	B- 2
90430-08143	C- 9	90467-06194	B- 10	91314-06030	C- 10	93102-12106	C- 13	93440-32063	C- 14	95617-10100	D- 10
90430-10148	F- 14	90467-08003	B- 10	91314-06035	C- 9	93102-12372	B- 7	93440-72049	C- 15	95707-06500	E- 4
90430-10171	D- 14		D- 9	91314-06040	C- 9	93102-45465	C- 15	93501-04011	E- 13		F- 4
	D- 15	90467-08092	B- 10		E- 13	93106-28043	E- 5	93603-12007	B- 7	95807-06010	B- 14
90445-08007	D- 9		B- 15	91314-06045	C- 9	93106-35042	E- 7	93603-17070	B- 7		F- 3
90445-09007	B- 15	90467-09006	E- 3	91314-06060	B- 2	93106-40013	E- 7	93604-10011	B- 7		F- 15
90445-10021	E- 3	90467-10039	B- 13	91314-08025	D- 15	93109-17071	D- 10	93604-29151	F- 14	95807-06016	B- 14
90445-11587	B- 13	90467-10041	B- 13	91314-08030	D- 13	93210-06667	B- 7	93607-44190	B- 6	95807-06020	F- 13
90445-170K9	E- 14	90467-11090	B- 9	91314-08045	D- 15		B- 11	93608-21002	C- 9	95807-06025	E- 2
90445-197J2	E- 12	90467-12124	E- 3	91316-06020	E- 11	93210-09165	B- 11	93900-00030	E- 5	95814-06050	C- 7
90446-17346	E- 13	90467-13071	E- 15	91317-04025	F- 13	93210-12790	C- 7		E- 7	95814-08025	C- 5
90450-22017	B- 10	90467-13114	E- 3	91317-05010	E- 3	93210-13361	B- 14	94580-25078	B- 11	95817-06016	B- 9
90450-28014	B- 8	90467-14015	B- 13		E- 10	93210-14579	B- 12	94581-78116	E- 7	95817-06045	C- 7
90450-35001	B- 8	90467-14057	E- 15	91317-05030	F- 11	93210-15566	B- 12	94591-49130	B- 6	95817-06055	C- 7
90450-38040	B- 8	90467-15054	B- 15	91317-05050	F- 11	93210-16314	C- 8	94701-00318	B- 2	95817-06060	C- 7
	B- 9	90467-16009	C- 7	91317-06012	B- 12	93210-18417	B- 8	94701-00319	B- 2	95817-06065	C- 7
90450-63096	B- 13	90467-22100	B- 15		F- 5	93210-235A1	B- 8	95024-06012	B- 2	95817-06070	C- 7
90462-10182	F- 5	90467-23177	B- 15	91317-06014	F- 14	93210-23787	B- 9	95024-06020	B- 8	95817-08040	C- 5
90464-08189	D- 4	90468-08104	B- 14	91317-06016	B- 8	93210-27194	C- 9	95024-06025	B- 6	95817-08050	C- 7
	F- 12		C- 7	91317-06020	B- 13	93210-27370	B- 8		D- 6	95817-10180	D- 4
90464-09M31	E- 3	90468-12069	B- 3	91317-06025	B- 7	93210-32172	C- 10		F- 6	95817-10190	D- 4
90464-10186	B- 10	90480-12072	D- 6		B- 12	93210-357A2	B- 7	95027-06008	F- 12	95824-06020	D- 3

NUMERICAL INDEX

PART NO.	GRID NO.	PART NO.	GRID NO.	PART NO.	GRID NO.	PART NO.	GRID NO.	PART NO.	GRID NO.
95827-06010	B - 8								
	B - 15								
	E - 2								
	F - 2								
95827-06012	B - 9								
95827-06020	B - 9								
	B - 15								
95827-06025	B - 9								
97027-06030	E - 2								
97080-05012	C - 5								
97080-06008	C - 5								
97080-06020	F - 12								
97702-40610	F - 7								
97707-40018	F - 8								
97707-50016	F - 9								
97707-50020	F - 12								
97707-50120	B - 13								
97707-50130	B - 13								
97707-60020	D - 6								
98501-04014	C - 3								
98502-03005	C - 3								
98502-04012	E - 11								
98502-05008	C - 3								
98506-05014	C - 3								
98507-03008	E - 3								
98507-04008	C - 2								
98507-04010	F - 11								
98507-05025	F - 11								
98507-06008	E - 13								
98507-06014	B - 10								
98507-06020	B - 13								
98582-04010	C - 3								
98582-05008	C - 4								
98582-05016	C - 3								
98701-04008	C - 3								
98701-04014	C - 3								
98704-03020	F - 11								
98706-04012	E - 11								
98907-06012	D - 4								
99001-07600	C - 12								
99009-10400	C - 13								
99009-52500	E - 7								
99246-00080	D - 7								
99530-08012	B - 12								
	C - 9								
	C - 10								
99530-10014	C - 7								
99530-10114	C - 7								

CONTENTS

ENGINE

CYLINDER	B2
CRANKSHAFT. PISTON	B3
VALVE	B4
CAMSHAFT. CHAIN	B6
WATER PUMP	B7
RADIATOR. HOSE	B9
OIL PUMP	B11
OIL CLEANER	B12
INTAKE	B13
AIR INDUCTION SYSTEM	B15
CARBURETOR	C2
EXHAUST	C5
CRANKCASE	C7
CRANKCASE COVER 1	C9
STARTER	C11
CLUTCH	C12
TRANSMISSION	C14
SHIFT CAM. FORK	D2
SHIFT SHAFT	D3

CHASSIS

FRAME	D4
FENDER	D6
SIDE COVER	D9
REAR ARM	D10
REAR SUSPENSION	D12
STEERING	D13
FRONT FORK	D14
FUEL TANK	E2
SEAT	E4
FRONT WHEEL	E5
FRONT BRAKE CALIPER	E6

REAR WHEEL	E7
REAR BRAKE CALIPER	E9
STEERING HANDLE. CABLE	E10
FRONT MASTER CYLINDER	E11
STAND. FOOTREST	E12
REAR MASTER CYLINDER	E15
COWLING 1	F3
GENERATOR	F5
STARTING MOTOR	F6
FLASHER LIGHT	F7
METER	F8
HEADLIGHT	F9
TAILLIGHT	F10
HANDLE SWITCH. LEVER	F11
ELECTRICAL 1	F12
ELECTRICAL 2	F14

INDEX

NUMERICAL INDEX	M1
-----------------------	----