

# **PARTS CATALOGUE**

YZF-R1N (5JJC) U49  
YZF-R1NC (5JJD) CALIFORNIA  
YZF-R1N (5JJE,5JJB) CANADA,AUSTRALIA

---



A3

# FOREWORD

This Parts Catalogue is related to the parts for the model(s) in the below frame. When you are ordering replacement parts, please refer to this Parts Catalogue and quote both part numbers and part names correctly.

YZF-R1N(5JJB/5JJC/5JJE),YZF-R1NC(5JJD)

1. Modifications or additions which have been made after issue of the Parts Catalogue will be announced in the Yamaha Parts News.  
It is advisable that you make necessary corrections to the Parts Catalogue according to the Yamaha Parts News.

2. Abbreviations  
The Following abbreviations are used in this Parts Catalogue.

- "UR" Use specified parts number.
- "UN" Use as many as needed.
- "AP" Alternate Parts
- "LM" Local Made (Parts need to be ordered locally)
- "F#" Frame No. (Applicable machine No.)

3. Parts, which are to be supplied in an assembly, are listed with a dot(.) in front of the part name as shown below.

EXAMPLE

CARBURETOR ASSY  
.JET, PILOT  
.NOZZLE, MAIN

4. Number of component for assembly  
The numeral appearing to the right of each component part indicates the quantity of parts for each assembly unit.

EXAMPLE

PART NO.	DESCRIPTION	Q'TY	REMARKS
2F5-83310-60	FRONT FLASHER LIGHT ASSY	2	
115-83311-60	.BULB (6V-18W)	1	
1M1-83309-60	.REFLECTOR	1	

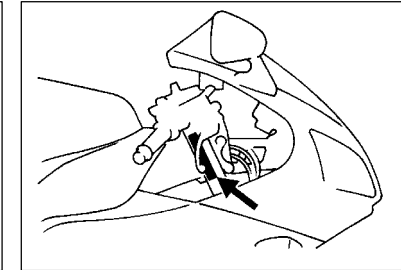
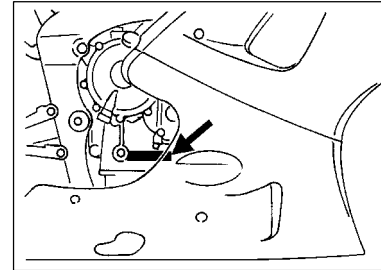
5. Applicable colors of graphics are represented in the "REMARKS" as shown below.

PART NO.	DESCRIPTION	Q'TY	REMARKS
2N4-24110-00-X5	.FUEL TANK COMP.	2	MXR
3J1-24240-10	.GRAPHIC, FUEL TANK	1	for MXR

6. Applicable Serial No.

Engine Serial No.

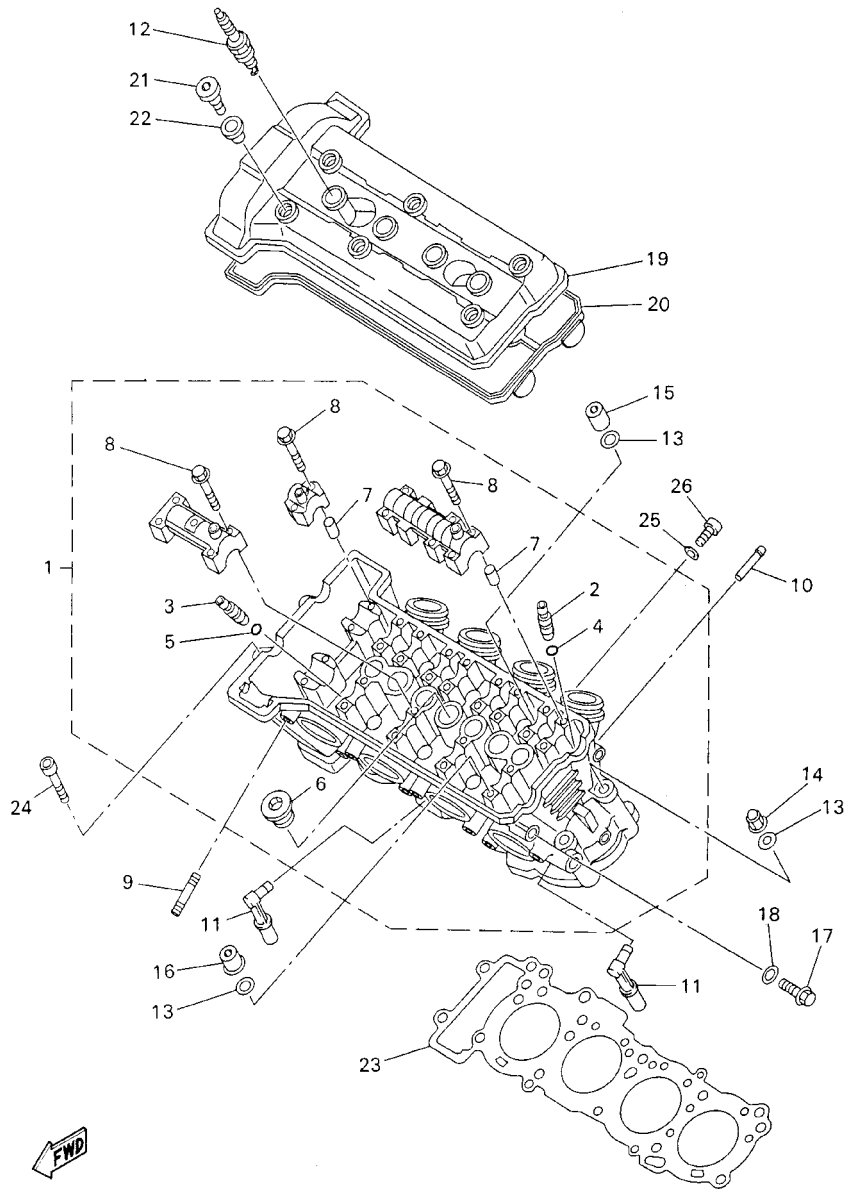
Frame Serial No.



7. Note that the illustrations for reference in funding parts numbers, not to be used for assembling. When assembling, please use the applicable service manual.
8. The asterisk (\*) before a reference number indicates modification items after the first edition.



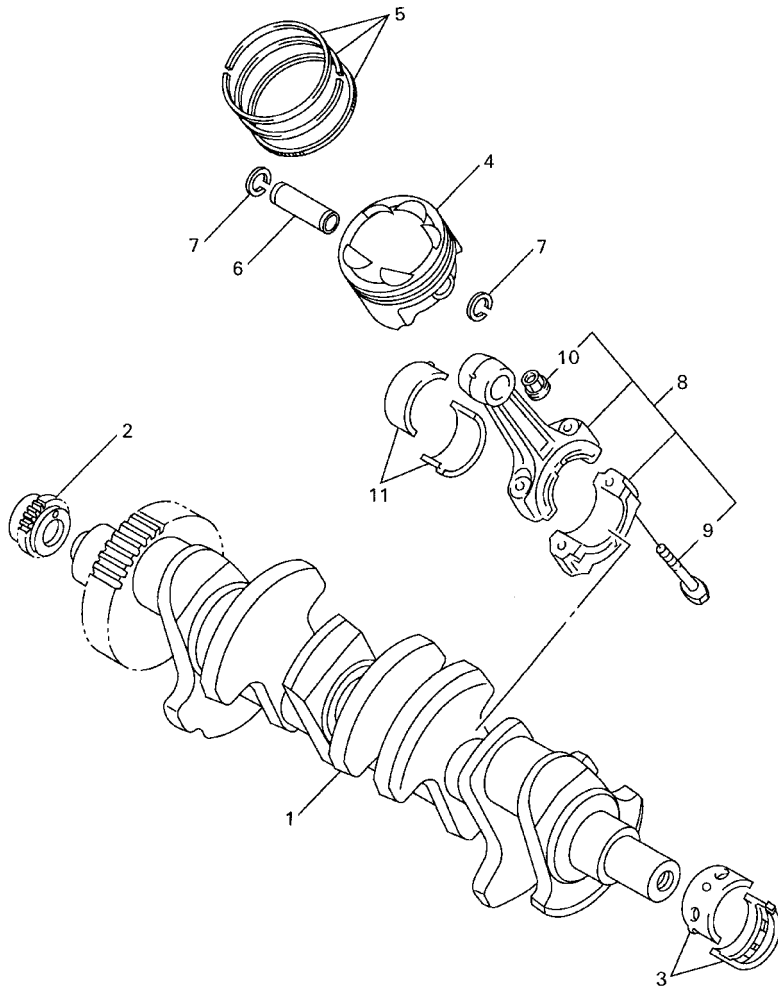
FIG. 1 CYLINDER



5JJ1300-0010

REF. NO.	PART NO.	DESCRIPTION	5JJC	5JJD	5JJE	5JJB	REMARKS
1	5JJ-11102-00	CYLINDER HEAD ASSY	1	1	1	1	
2	3TJ-11133-10	.GUIDE, INTAKE VALVE	12	12	12	12	
3	1WG-11133-11	.GUIDE, INTAKE VALVE	8	8	8	8	
4	93440-07149	.CIRCLIP	12	12	12	12	
5	93440-10153	.CIRCLIP	8	8	8	8	
6	90340-27001	.PLUG, STRAIGHT SCREW	1	1	1	1	
7	91808-16023	.PIN, DOWEL	12	12	12	12	
8	90105-06384	.BOLT, WASHER BASED	28	28	28	28	
9	95617-08625	BOLT, STUD	8	8	8	8	
10	1AE-13582-00	PIPE	1	1	1	1	
11	5JJ-14871-00	PIPE 1	4	4	4	4	
12	94701-00318	PLUG, SPARK (NGK R CR9E)	4	4	4	4	UR
	94701-00319	PLUG, SPARK (ND U27ESR-N)	4	4	4	4	UR
13	90201-10013	WASHER, PLATE	10	10	10	10	
14	90176-10075	NUT, CROWN	2	2	2	2	
15	90179-10683	NUT	3	3	3	3	
16	90179-10693	NUT	5	5	5	5	
17	95027-06012	BOLT, FLANGE	1	1	1	1	
18	90430-06014	GASKET	1	1	1	1	
19	4XV-11191-00	COVER, CYLINDER HEAD 1	1	1	1	1	
20	4XV-11193-00	GASKET, HEAD COVER 1	1	1	1	1	
21	90109-066F0	BOLT	6	6	6	6	
22	4KG-1111G-00	RUBBER, MOUNT 1	6	6	6	6	
23	4XV-11181-00	GASKET, CYLINDER HEAD 1	1	1	1	1	
24	91317-06060	BOLT	2	2	2	2	
25	90430-06014	GASKET	3	3	3	3	
26	91317-06012	BOLT	3	3	3	3	

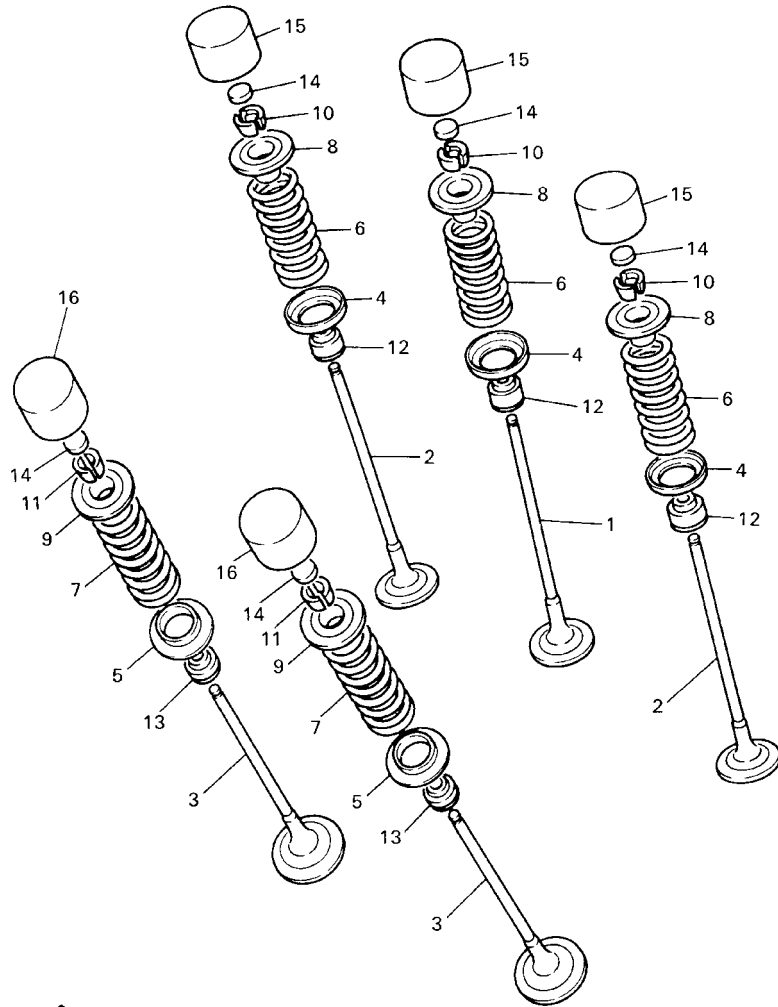
FIG. 2 CRANKSHAFT. PISTON



4XV352-8020

REF. NO.	PART NO.	DESCRIPTION	5JJC	5JJD	5JJE	5JJB	REMARKS
1	4XV-11411-00	CRANKSHAFT	1	1	1	1	
2	4XV-11549-00	SPROCKET, CAM CHAIN	1	1	1	1	
3	3GM-11416-00	PLANE BEARING, CRANKSHAFT 1	10	10	10	10	UR BLUE
	3GM-11416-10	PLANE BEARING, CRANKSHAFT 1	10	10	10	10	UR BLACK
	3GM-11416-20	PLANE BEARING, CRANKSHAFT 1	10	10	10	10	UR BROWN
	3GM-11416-A0	PLANE BEARING, CRANKSHAFT 1	10	10	10	10	UR WHITE
	3GM-11416-B0	PLANE BEARING, CRANKSHAFT 1	10	10	10	10	UR PURPLE
4	4XV-11631-00	PISTON (STD)	4	4	4	4	
5	4XV-11603-00	PISTON RING SET (STD)	4	4	4	4	
6	4XV-11633-00	PIN, PISTON	4	4	4	4	
7	90468-12069	CLIP	8	8	8	8	
8	4XV-11650-00	CONNECTING ROD ASSY	4	4	4	4	
9	4XV-11654-00	.BOLT, CONNECTING ROD	2	2	2	2	
10	90179-08327	.NUT	2	2	2	2	
11	3GM-11656-00	PLANE BEARING, CONNECTING ROD	8	8	8	8	UR BLUE
	3GM-11656-10	PLANE BEARING, CONNECTING ROD	8	8	8	8	UR BLACK
	3GM-11656-A0	PLANE BEARING, CONNECTING ROD	8	8	8	8	UR WHITE
	3GM-11656-B0	PLANE BEARING, CONNECTING ROD	8	8	8	8	UR PURPLE

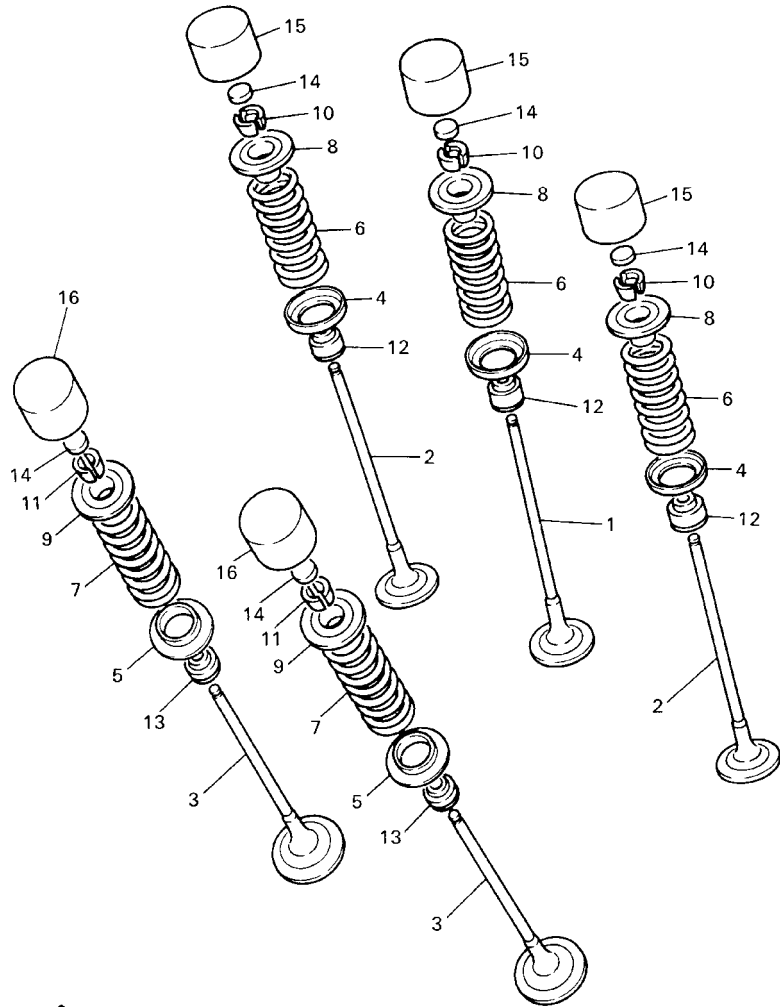
FIG. 3 VALVE



4XV352-8030

REF. NO.	PART NO.	DESCRIPTION	5JJC	5JJD	5JJE	5JJB	REMARKS
1	4XV-12111-00	VALVE, INTAKE	4	4	4	4	
2	4XV-12112-00	VALVE, INTAKE 2	8	8	8	8	
3	5JJ-12121-00	VALVE, EXHAUST	8	8	8	8	
4	1HX-12116-00	SEAT, VALVE SPRING	12	12	12	12	
5	3GM-12126-00	SEAT, VALVE SPRING 2	8	8	8	8	
6	4XV-12113-00	SPRING, VALVE INNER	12	12	12	12	
7	4XV-12114-00	SPRING, VALVE OUTER	8	8	8	8	
8	1HX-12117-00	RETAINER, VALVE SPRING	12	12	12	12	
9	1WG-12117-00	RETAINER, VALVE SPRING	8	8	8	8	
10	1HX-12118-00	COTTER, VALVE	24	24	24	24	
11	1WG-12118-00	COTTER, VALVE	16	16	16	16	
12	4TV-12119-00	SEAL, VALVE STEM	12	12	12	12	
13	4SV-12119-00	SEAL, VALVE STEM	8	8	8	8	
14	1HX-12168-00	PAD, ADJUSTING 2 (1.20)	20	20	20	20	UR
	1HX-12168-20	PAD, ADJUSTING 2 (1.25)	20	20	20	20	UR
	1HX-12168-40	PAD, ADJUSTING 2 (1.30)	20	20	20	20	UR
	1HX-12168-60	PAD, ADJUSTING 2 (1.35)	20	20	20	20	UR
	1HX-12168-80	PAD, ADJUSTING 2 (1.40)	20	20	20	20	UR
	1HX-12168-A0	PAD, ADJUSTING 2 (1.45)	20	20	20	20	UR
	1HX-12168-F0	PAD, ADJUSTING 2 (1.50)	20	20	20	20	UR
	1HX-12168-H1	PAD, ADJUSTING 2 (1.55)	20	20	20	20	UR
	1HX-12168-K1	PAD, ADJUSTING 2 (1.60)	20	20	20	20	UR
	1HX-12168-M1	PAD, ADJUSTING 2 (1.65)	20	20	20	20	UR
	1HX-12168-R1	PAD, ADJUSTING 2 (1.70)	20	20	20	20	UR
	1HX-12168-U1	PAD, ADJUSTING 2 (1.75)	20	20	20	20	UR
	1HX-12168-W1	PAD, ADJUSTING 2 (1.80)	20	20	20	20	UR
	1HX-12168-Y1	PAD, ADJUSTING 2 (1.85)	20	20	20	20	UR

FIG. 3 VALVE

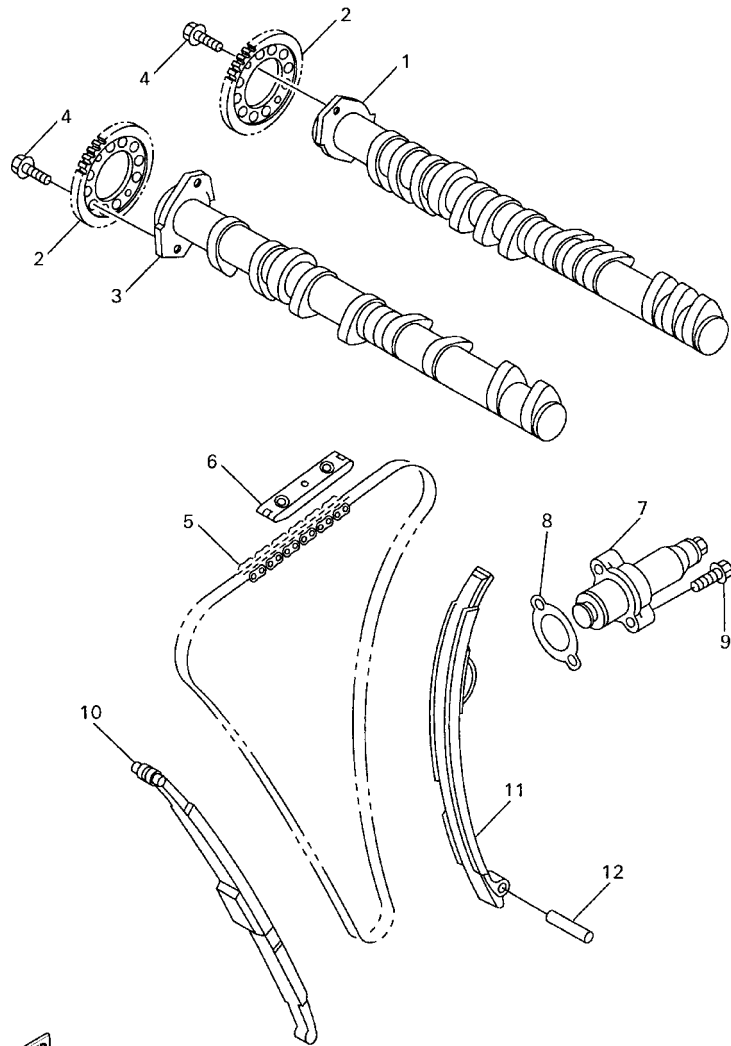


4XV352-8030

REF. NO.	PART NO.	DESCRIPTION	5JJC	5JJD	5JJE	5JJB	REMARKS
14	1HX-12169-11	PAD, ADJUSTING 2 (1.90)	20	20	20	20	UR
	1HX-12169-31	PAD, ADJUSTING 2 (1.95)	20	20	20	20	UR
	1HX-12169-50	PAD, ADJUSTING 2 (2.00)	20	20	20	20	UR
	1HX-12169-70	PAD, ADJUSTING 2 (2.05)	20	20	20	20	UR
	1HX-12169-90	PAD, ADJUSTING 2 (2.10)	20	20	20	20	UR
	1HX-12169-E0	PAD, ADJUSTING 2 (2.15)	20	20	20	20	UR
	1HX-12169-G0	PAD, ADJUSTING 2 (2.20)	20	20	20	20	UR
	1HX-12169-J0	PAD, ADJUSTING 2 (2.25)	20	20	20	20	UR
	1HX-12169-L0	PAD, ADJUSTING 2 (2.30)	20	20	20	20	UR
	1HX-12169-N0	PAD, ADJUSTING 2 (2.35)	20	20	20	20	UR
	1HX-12169-T0	PAD, ADJUSTING 2 (2.40)	20	20	20	20	UR
15	3LN-12153-20	LIFTER, VALVE	12	12	12	12	UR BLUE
	3LN-12153-09	LIFTER, VALVE (O/S)	12	12	12	12	UR GREEN
16	3FV-12153-20	LIFTER, VALVE	8	8	8	8	UR BLUE
	3FV-12153-09	LIFTER, VALVE (O/S)	8	8	8	8	UR GREEN



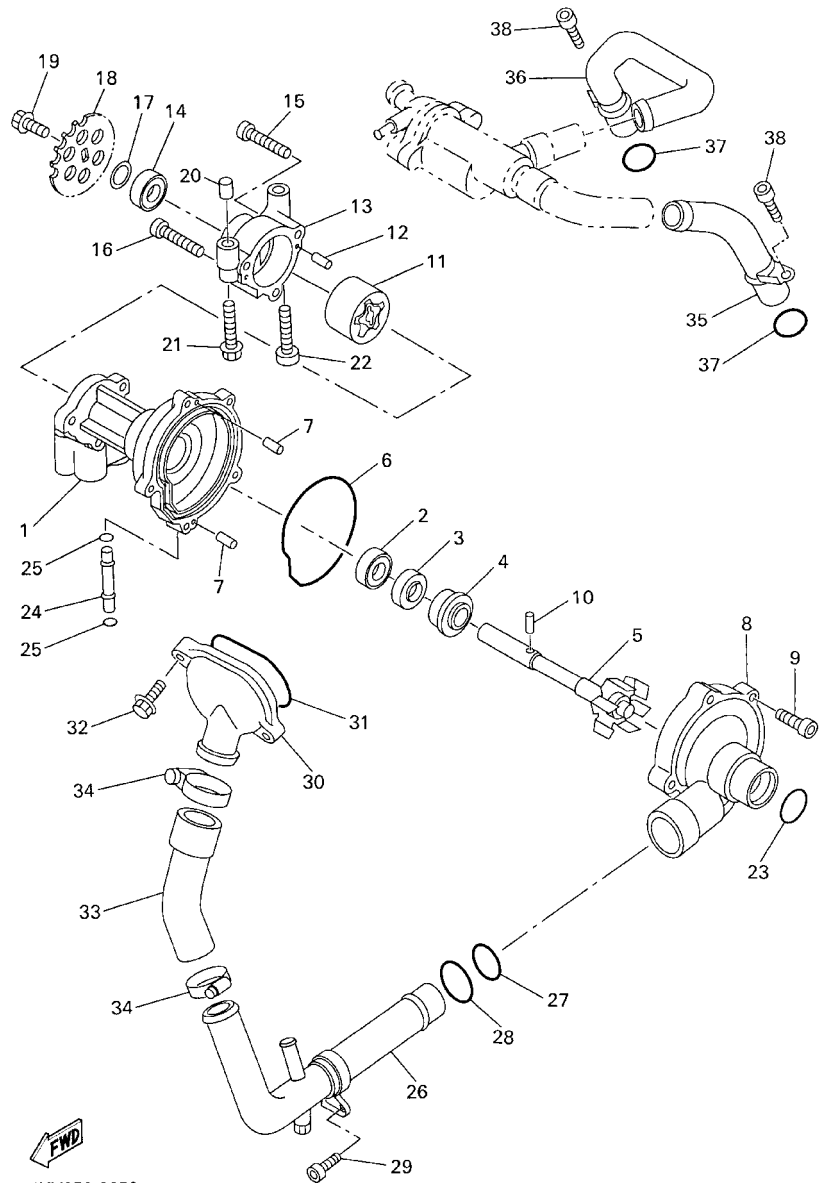
FIG. 4 CAMSHAFT. CHAIN



REF. NO.	PART NO.	DESCRIPTION	5JJC	5JJD	5JJE	5JJB	REMARKS
1	5JJ-12171-00	CAMSHAFT 1	1	1	1	1	
2	4XV-12176-00	SPROCKET, CAM CHAIN	2	2	2	2	
3	5JJ-12181-00	CAMSHAFT 2	1	1	1	1	
4	90105-07342	BOLT, WASHER BASED	4	4	4	4	
5	94591-49130	CHAIN	1	1	1	1	
6	5BE-12241-00	GUIDE, STOPPER 2	1	1	1	1	
7	4XV-12210-00	TENSIONER ASSY, CAM CHAIN	1	1	1	1	
8	4FM-12213-00	GASKET, TENSIONER CASE	1	1	1	1	
9	95027-06025	BOLT, FLANGE	2	2	2	2	
10	4XV-12251-00	DAMPER, CHAIN 1	1	1	1	1	
11	4XV-12252-00	DAMPER, CHAIN 2	1	1	1	1	
12	93607-44190	PIN, DOWEL	1	1	1	1	

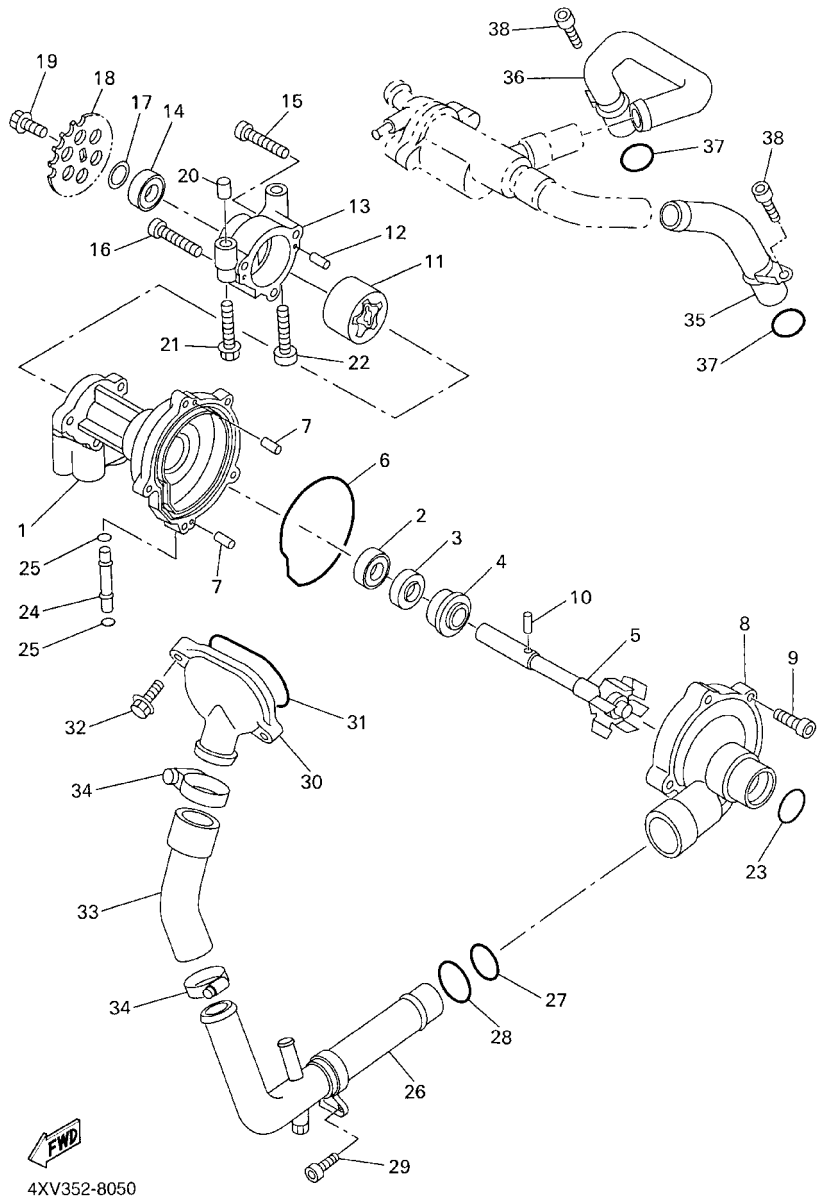
 4XV352-8040

FIG. 5 WATER PUMP



4XV352-8050

REF. NO.	PART NO.	DESCRIPTION	5JJC	5JJD	5JJE	5JJB	REMARKS
1	4XV-12421-00	HOUSING, WATER PUMP	1	1	1	1	
2	93306-00106	BEARING	1	1	1	1	
3	93102-12372	OIL SEAL	1	1	1	1	
4	11H-12438-00	SEAL, MECHANICAL	1	1	1	1	
5	4XV-12450-00	IMPELLER SHAFT ASSY	1	1	1	1	
6	4XV-12439-00	O-RING	1	1	1	1	
7	93604-10011	PIN, DOWEL	2	2	2	2	
8	4XV-12422-00	COVER, HOUSING	1	1	1	1	
9	91317-06025	BOLT	5	5	5	5	
10	93603-17070	PIN, DOWEL	1	1	1	1	
11	4XV-13310-00	ROTOR ASSY 1	1	1	1	1	
12	93603-12007	PIN, DOWEL	2	2	2	2	
13	4XV-13336-00	HOUSING, ROTOR	1	1	1	1	
14	93306-00106	BEARING	1	1	1	1	
15	91317-06035	BOLT	2	2	2	2	
16	91317-06040	BOLT	1	1	1	1	
17	90201-12541	WASHER, PLATE	1	1	1	1	
18	4XV-13355-00	SPROCKET, DRIVEN	1	1	1	1	
19	90105-06154	BOLT, WASHER BASED	1	1	1	1	
20	91808-30031	PIN, DOWEL	1	1	1	1	
21	95817-06045	BOLT, FLANGE	1	1	1	1	
22	91317-06045	BOLT	1	1	1	1	
23	93210-357A2	O-RING	1	1	1	1	
24	4XV-12485-00	PIPE 5	1	1	1	1	
25	93210-06667	O-RING	2	2	2	2	
26	5JJ-12481-00	PIPE 1	1	1	1	1	
27	93210-235A1	O-RING	1	1	1	1	

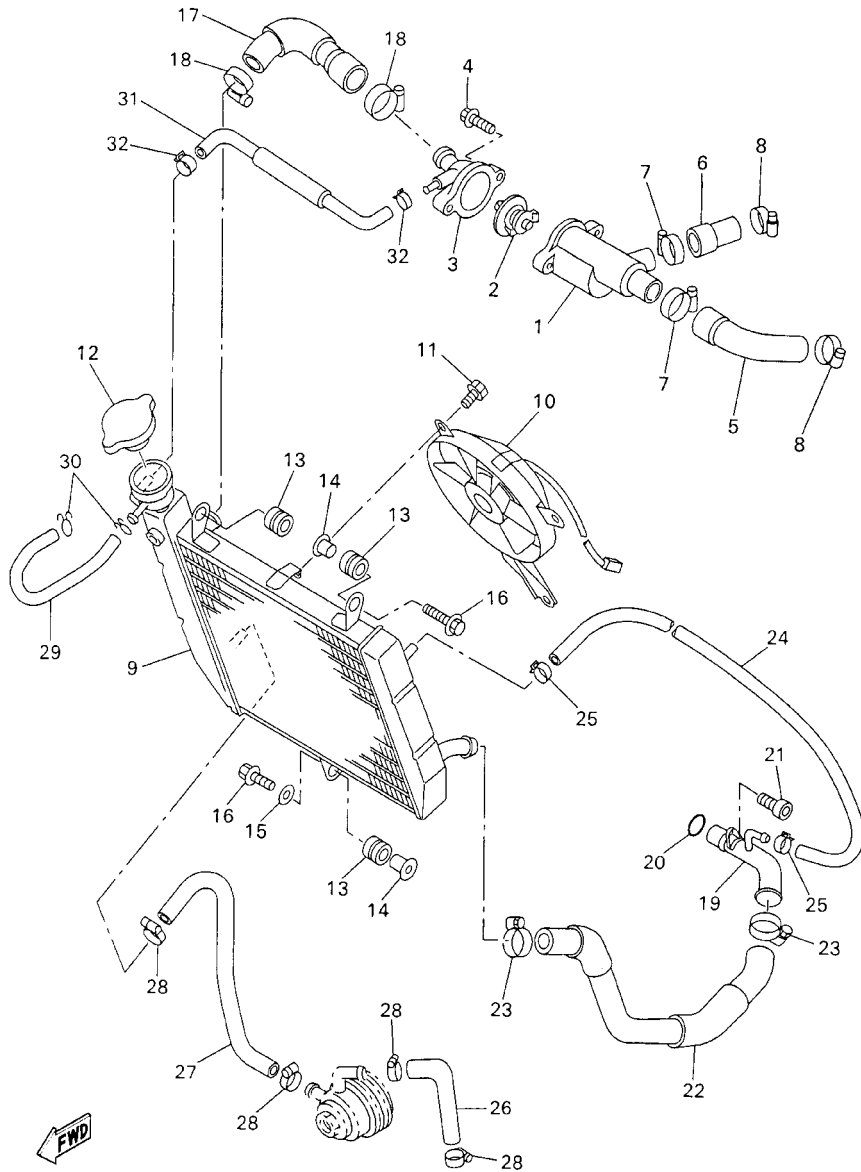


4XV352-8050

FIG. 5 WATER PUMP

REF. NO.	PART NO.	DESCRIPTION	5JJC	5JJD	5JJE	5JJB	REMARKS
28	93210-27370	O-RING	1	1	1	1	
29	90110-06226	BOLT, HEXAGON SOCKET HEAD	1	1	1	1	
30	5JJ-12469-00	JOINT 1	1	1	1	1	
31	93210-47675	O-RING	1	1	1	1	
32	95027-06020	BOLT, FLANGE	2	2	2	2	
33	5JJ-12576-00	HOSE 1	1	1	1	1	
34	90450-38040	HOSE CLAMP ASSY	2	2	2	2	
35	4XV-12482-00	PIPE 2	1	1	1	1	
36	4XV-12483-00	PIPE 3	1	1	1	1	
37	93210-18417	O-RING	2	2	2	2	
38	91317-06016	BOLT	2	2	2	2	

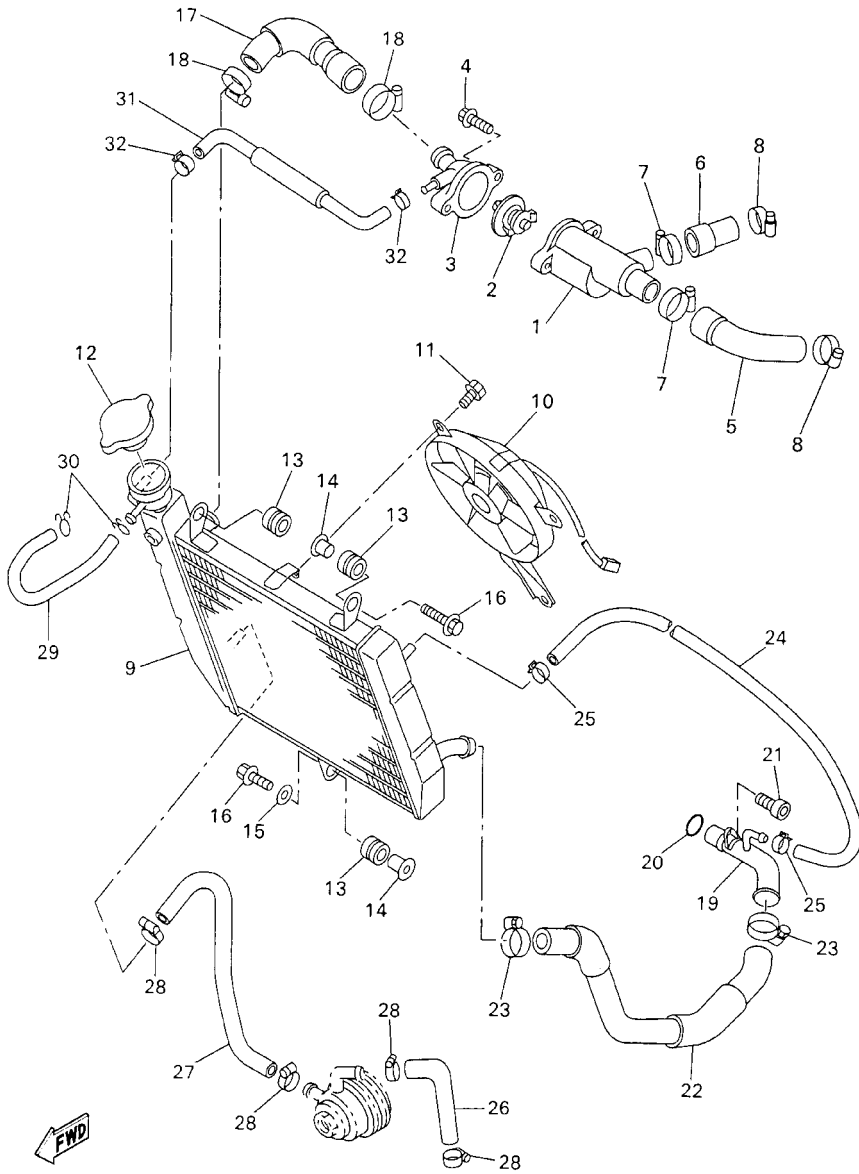
FIG. 6 RADIATOR. HOSE



5JJ1300-0060

REF. NO.	PART NO.	DESCRIPTION	5JJC	5JJJ	5JJE	5JJB	REMARKS
1	4XV-12417-00	HOUSING, THERMOSTAT	1	1	1	1	
2	4FM-12410-00	THERMOSTAT ASSY	1	1	1	1	
3	4XV-12413-00	COVER, THERMOSTAT	1	1	1	1	
4	95027-06025	BOLT, FLANGE	2	2	2	2	
5	4XV-12577-00	HOSE 2	1	1	1	1	
6	4XV-12578-00	HOSE 3	1	1	1	1	
7	90450-32015	HOSE CLAMP ASSY	2	2	2	2	
8	90450-28014	HOSE CLAMP ASSY	2	2	2	2	
9	5JJ-12461-00	RADIATOR ASSY	1	1	1	1	
10	4XV-12405-00	BLOWER ASSY	1	1	1	1	
11	95817-06010	BOLT, FLANGE	6	6	6	6	
12	4JH-12462-00	CAP, RADIATOR	1	1	1	1	
13	90480-15363	GROMMET	3	3	3	3	
14	90387-07391	COLLAR	2	2	2	2	
15	90201-06071	WASHER, PLATE	1	1	1	1	
16	95827-06025	BOLT, FLANGE	2	2	2	2	
17	4XV-12579-00	HOSE 4	1	1	1	1	
18	90450-38040	HOSE CLAMP ASSY	2	2	2	2	
19	4XV-12484-00	PIPE 4	1	1	1	1	
20	93210-23787	O-RING	1	1	1	1	
21	90110-06226	BOLT, HEXAGON SOCKET HEAD	1	1	1	1	
22	4XV-12551-00	HOSE 7	1	1	1	1	
23	90450-38040	HOSE CLAMP ASSY	2	2	2	2	
24	4XV-1243A-00	HOSE 1	1	1	1	1	
25	90467-11090	CLIP	2	2	2	2	
26	5JJ-12588-00	HOSE 5	1	1	1	1	
27	5JJ-12589-00	HOSE 6	1	1	1	1	

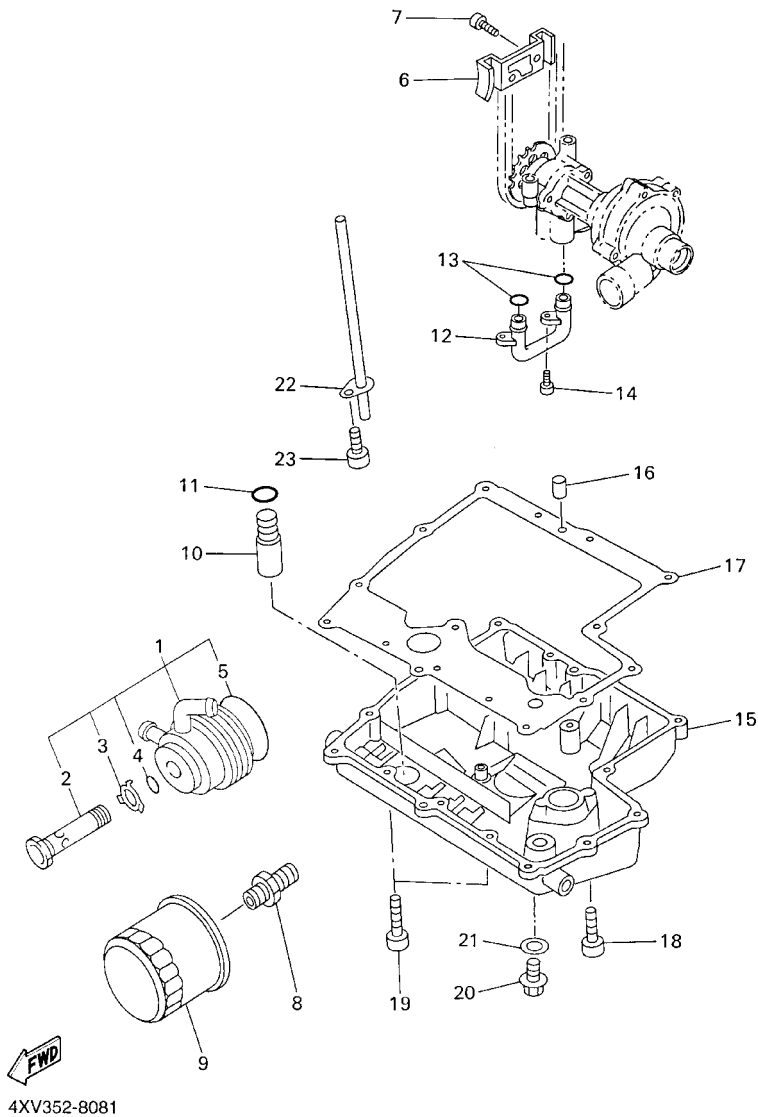
FIG. 6 RADIATOR. HOSE



REF. NO.	PART NO.	DESCRIPTION	5JJC	5JJD	5JJE	5JJB	REMARKS
28	90450-22017	HOSE CLAMP ASSY	4	4	4	4	
29	90445-09074	HOSE (L130)	1	1	1	1	
30	90467-08003	CLIP	2	2	2	2	
31	4XV-12552-00	HOSE 8	1	1	1	1	
32	90467-11090	CLIP	2	2	2	2	
-----							
-----							
-----							
-----							
-----							
-----							
-----							
-----							
-----							
-----							

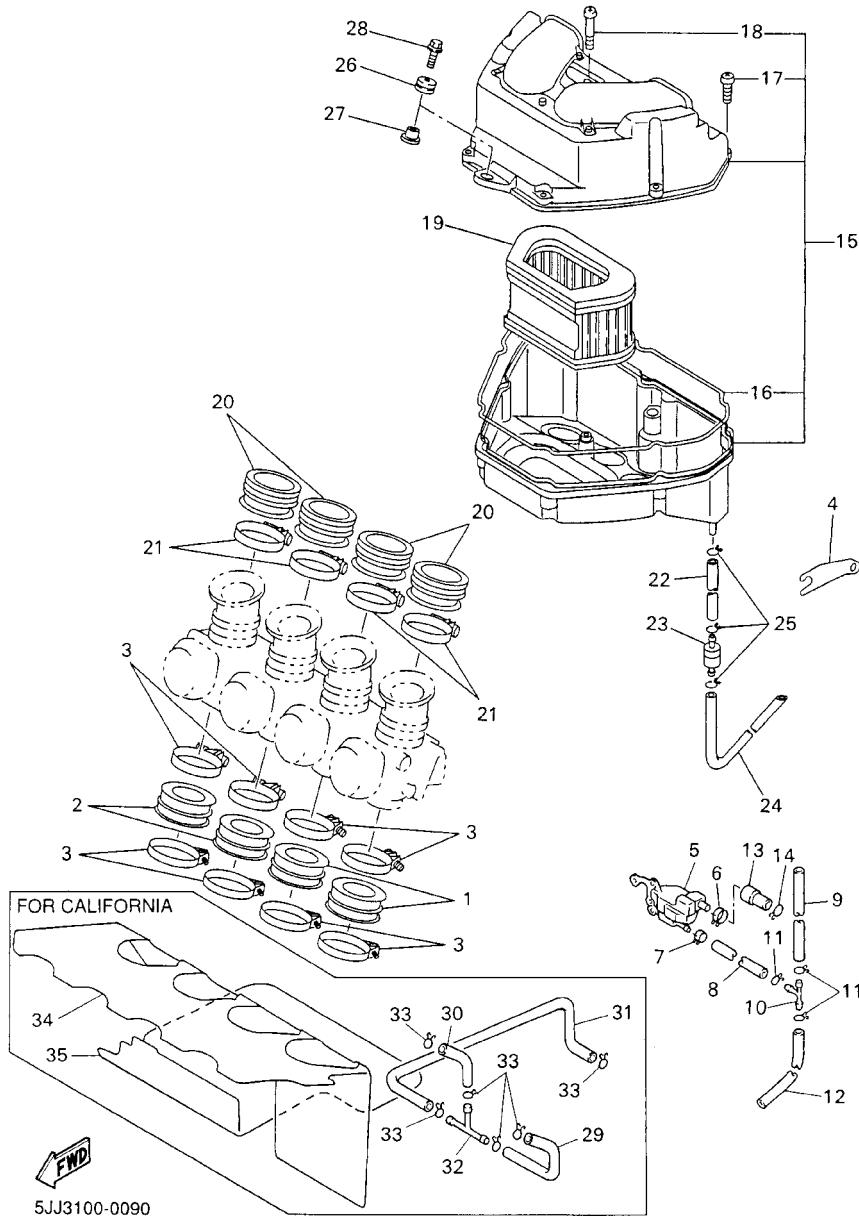


FIG. 8 OIL CLEANER



REF. NO.	PART NO.	DESCRIPTION	5JJC	5JJD	5JJE	5JJB	REMARKS
1	5JJ-13470-00	OIL COOLER ASSY	1	1	1	1	
2	4XV-12822-00	.BOLT, UNION	1	1	1	1	
3	4XV-13473-00	.O-RING	1	1	1	1	
4	4XV-13318-00	.WASHER	1	1	1	1	
5	4XV-13475-00	.GASKET	1	1	1	1	
6	4XV-13898-00	HOLDER	1	1	1	1	
7	91317-06012	BOLT	1	1	1	1	
8	90401-20145	BOLT, UNION	1	1	1	1	
9	5GH-13440-00	ELEMENT ASSY, OIL CLEANER	1	1	1	1	
10	4XV-13490-00	RELIEF VALVE ASSY	1	1	1	1	
11	93210-15566	O-RING	1	1	1	1	
12	4XV-13416-00	PIPE, OIL 1	1	1	1	1	
13	93210-14579	O-RING	2	2	2	2	
14	91317-06012	BOLT	2	2	2	2	
15	4XV-13417-01	COVER, STRAINER	1	1	1	1	
16	99530-08012	PIN, DOWEL	2	2	2	2	
17	4XV-13414-00	GASKET, STRAINER COVER	1	1	1	1	
18	91317-06025	BOLT	13	13	13	13	
19	90110-06225	BOLT, HEXAGON SOCKET HEAD	2	2	2	2	
20	90340-14132	PLUG, STRAIGHT SCREW	1	1	1	1	
21	214-11198-01	GASKET	1	1	1	1	
22	5JJ-13161-00	PIPE, DELIVERY 1	1	1	1	1	
23	91317-06012	BOLT	1	1	1	1	

FIG. 9 INTAKE

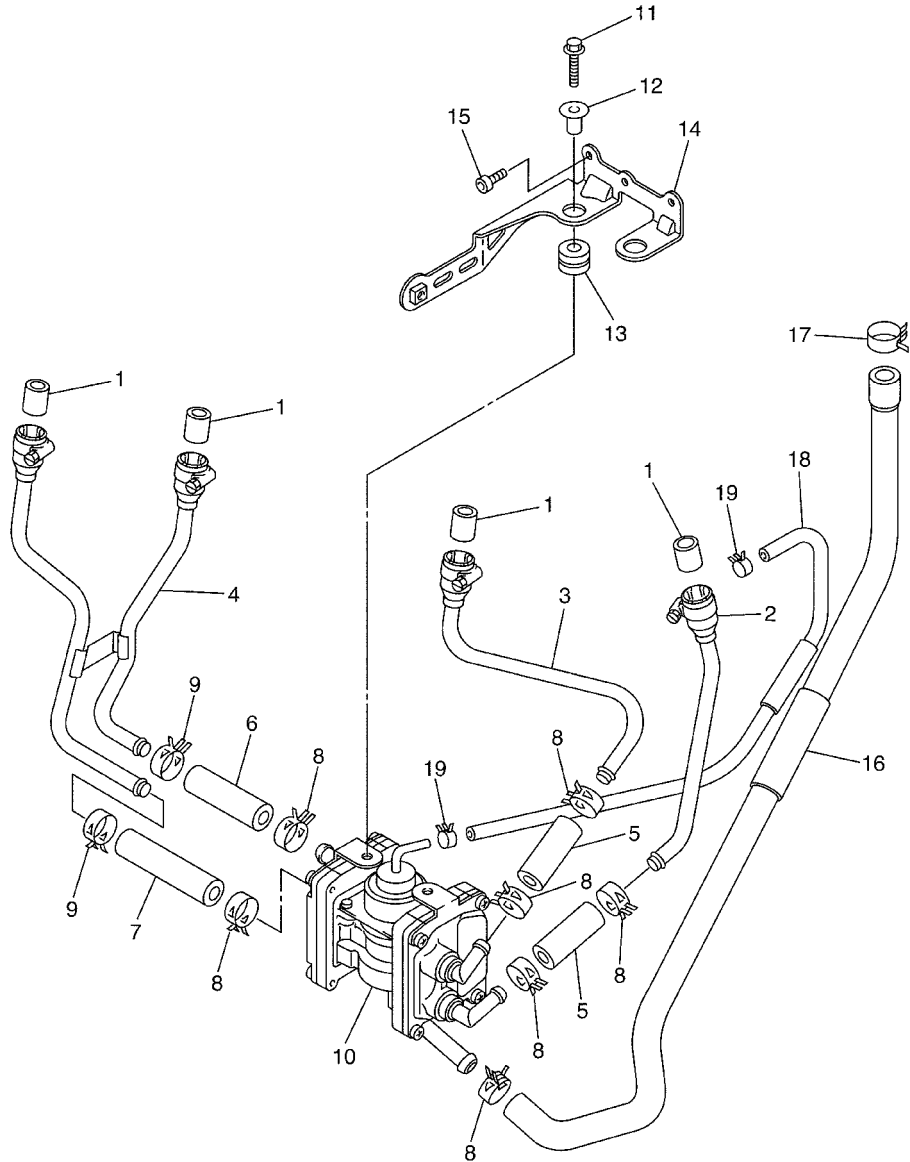


REF. NO.	PART NO.	DESCRIPTION	5JJC	5JJD	5JJE	5JJB	REMARKS
1	4XV-13597-00	JOINT, CARBURETOR 3	2	2	2	2	
2	4XV-13598-00	JOINT, CARBURETOR 4	2	2	2	2	
3	90450-57044	HOSE CLAMP ASSY	8	8	8	8	
4	5JJ-14414-00	STAY 2	1	1	1	1	
5	5JJ-1446A-00	SURGE TANK ASSY	1	1	1	1	
6	90467-16098	CLIP	1	1	1	1	
7	90467-11090	CLIP	1	1	1	1	
8	90445-11730	HOSE (L280)	1	1	1	1	
9	90445-10143	HOSE	1	1	1	1	
10	90413-07007	WAY 3	1	1	1	1	
11	90467-10041	CLIP	3	3	3	3	
12	90445-117K0	HOSE (L590)	1	1	1	1	
13	5JJ-14294-00	HOSE	1	1	1	1	
14	90467-13042	CLIP	1	1	1	1	
15	5JJ-14401-00	AIR CLEANER CASE ASSY	1	1	1	1	
16	4XV-14452-00	.SEAL	1	1	1	1	
17	98507-05025	.SCREW, PAN HEAD	7	7	7	7	
18	98507-05045	.SCREW, PAN HEAD	1	1	1	1	
19	4XV-14451-00	ELEMENT, AIR CLEANER	1	1	1	1	
20	5JJ-14453-00	JOINT, AIR CLEANER 1	4	4	4	4	
21	90450-75083	HOSE CLAMP ASSY	4	4	4	4	
22	90445-11452	HOSE (L125)	1	1	1	1	
23	4X7-2149Y-00	FILTER ASSY	1	1	1	1	
24	90445-11013	HOSE (L410)	1	1	1	1	
25	90467-10041	CLIP	3	3	3	3	
26	90480-12314	GROMMET	1	1	1	1	
27	90387-065J6	COLLAR	1	1	1	1	





FIG. 10 AIR INDUCTION SYSTEM

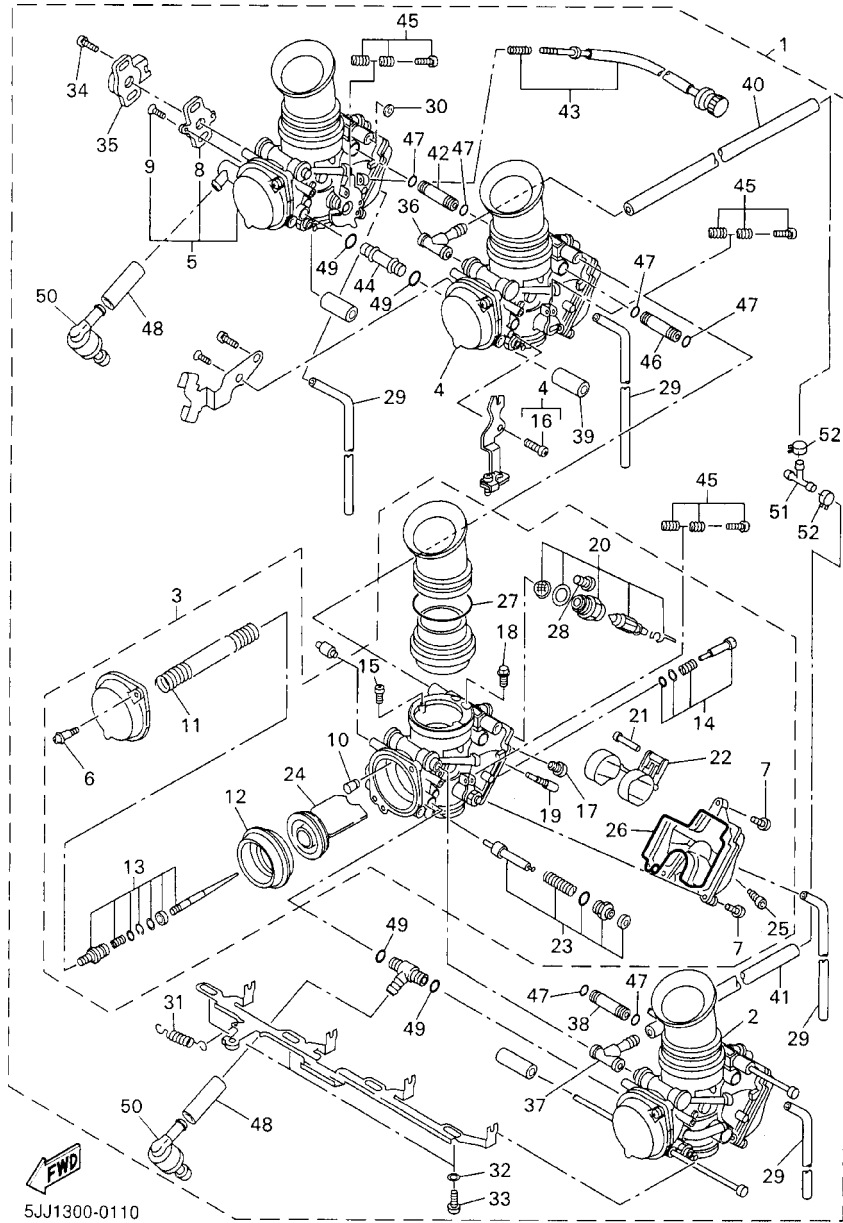


REF. NO.	PART NO.	DESCRIPTION	5JJC	5JJD	5JJE	5JJB	REMARKS
1	4KM-14714-01	GASKET, MUFFLER	4	4	4	4	
2	5JJ-14872-00	PIPE 2	1	1	1	1	
3	5JJ-14873-00	PIPE 3	1	1	1	1	
4	5JJ-14874-00	PIPE 4	1	1	1	1	
5	5JJ-14882-00	HOSE, BEND 2	2	2	2	2	
6	5JJ-14883-00	HOSE, BEND 3	1	1	1	1	
7	5JJ-14886-00	HOSE, BEND 6	1	1	1	1	
8	90467-15054	CLIP	7	7	7	7	
9	90467-15001	CLIP	2	2	2	2	
10	5JJ-14803-00	AIR INDUCTION SYSTEM ASSY	1	1	1	1	
11	95827-06020	BOLT, FLANGE	2	2	2	2	
12	90387-07391	COLLAR	2	2	2	2	
13	90480-15316	GROMMET	2	2	2	2	
14	5JJ-14867-00	BRACKET	1	1	1	1	
15	91317-06012	BOLT	3	3	3	3	
16	5JJ-14881-00	HOSE, BEND 1	1	1	1	1	
17	90467-17089	CLIP	1	1	1	1	
18	5JJ-14884-00	HOSE, BEND 4	1	1	1	1	
19	90467-08092	CLIP	2	2	2	2	



5JJ1300-0100

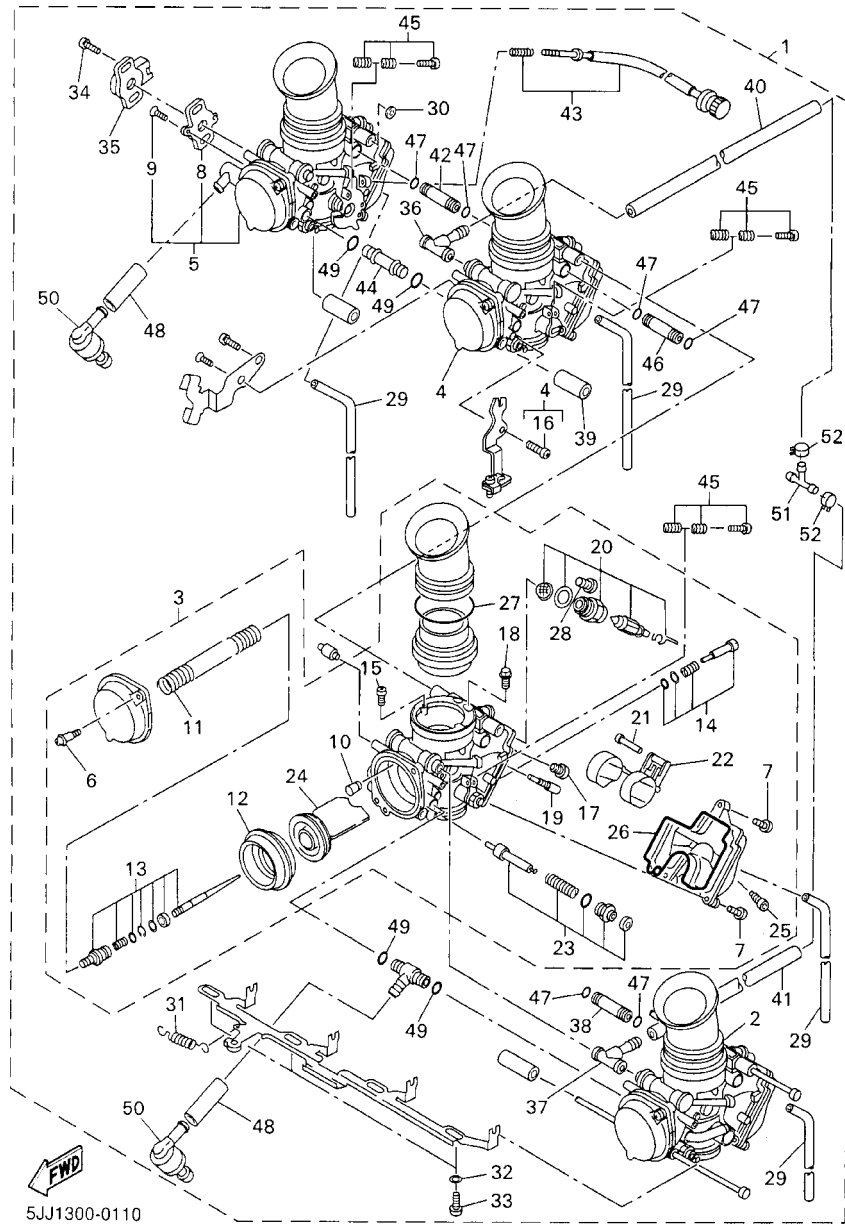
FIG. 11 CARBURETOR



5JJ1300-0110

REF. NO.	PART NO.	DESCRIPTION	5JJC	5JJJ	5JJE	5JJB	REMARKS
1	5JJ-14900-40	CARBURETOR ASSY	1		1		
	5JJ-14900-20	CARBURETOR ASSY		1			
	5JJ-14900-00	CARBURETOR ASSY				1	
2	5JJ-14901-40	.CARBURETOR ASSY 1	1		1		
	5JJ-14901-20	.CARBURETOR ASSY 1		1			
	5JJ-14901-00	.CARBURETOR ASSY 1				1	
3	5JJ-14902-40	.CARBURETOR ASSY 2	1		1		
	5JJ-14902-20	.CARBURETOR ASSY 2		1			
	5JJ-14902-00	.CARBURETOR ASSY 2				1	
4	5JJ-14903-40	.CARBURETOR ASSY 3	1		1		
	5JJ-14903-20	.CARBURETOR ASSY 3		1			
	5JJ-14903-00	.CARBURETOR ASSY 3				1	
5	5JJ-14904-40	.CARBURETOR ASSY 4	1		1		
	5JJ-14904-20	.CARBURETOR ASSY 4		1			
	5JJ-14904-00	.CARBURETOR ASSY 4				1	
6	4KM-14216-00	..SCREW	2	2	2	2	
7	98507-05012	..SCREW, PAN HEAD	3	3	3	3	
8	4KG-14995-00	..BRACKET	1	1	1	1	
9	98707-04008	..SCREW, FLAT HEAD	2	2	2	2	
10	4SV-14968-00	..CAP	1	1	1	1	
11	4SV-14933-00	..SPRING, DIAPHRAGM	1	1	1	1	
12	4SV-24411-00	..DIAPHRAGM	1	1	1	1	
13	4XV-1490J-30	..NEEDLE SET	1	1	1		
	4XV-1490J-00	..NEEDLE SET				1	
14	4SV-14105-00	..PILOT SCREW SET	1	1	1	1	
15	4SV-14216-00	..SCREW	2	2	2	2	
16	98507-05010	..SCREW, PAN HEAD	1	1	1	1	

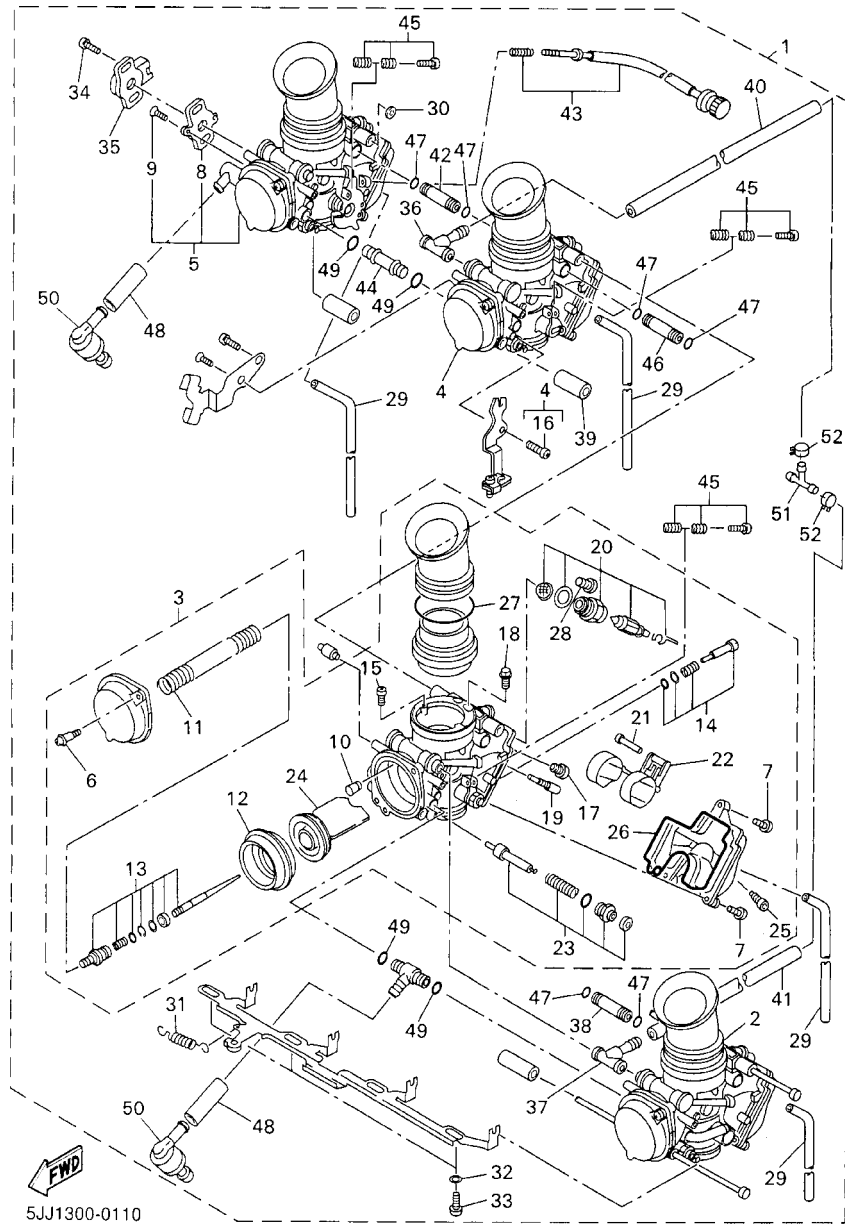
FIG. 11 CARBURETOR



5JJ1300-0110

REF. NO.	PART NO.	DESCRIPTION	5JJC	5JJD	5JJE	5JJB	REMARKS
17	3G2-14231-26	..JET, MAIN (#130)	1	1	1	1	
18	8CC-14232-24	..JET, AIR (#120)	1	1	1	1	
19	4KM-14142-15	..JET, PILOT (# 15)	1	1	1	1	
20	4KM-14107-15	..NEEDLE VALVE SET	1	1	1	1	
21	620-14186-00	..PIN, FLOAT	1	1	1	1	
22	4SV-14985-00	..FLOAT	1	1	1	1	
23	4SV-1410A-00	..STARTER SET	1	1	1	1	
24	4SV-14112-00	..VALVE, THROTTLE 1	1	1	1	1	
25	4KP-14191-00	..PLUG, DRAIN	1	1	1	1	
26	4XV-14562-00	..O-RING	1	1	1	1	
27	4XV-14275-00	..SPRING	1	1	1	1	
28	1FN-14565-00	..SCREW	1	1	1	1	
29	3JE-14197-00	..PIPE	4	4	4	4	
30	28V-14952-00	..WASHER	1	1	1	1	
31	4SV-14935-00	..SPRING	1	1	1	1	
32	4NK-14327-00	..PACKING	3		3	3	
	4NK-14327-00	..PACKING		4			
33	4XV-24453-00	..SCREW	3		3	3	
	4XV-24453-00	..SCREW		4			
34	4KM-24453-00	..SCREW	2	2	2	2	
35	4SV-85885-00	..THROTTLE POSITION SENSOR ASSY	1	1	1	1	
36	4SV-14987-00	..HOSE	1	1	1	1	
37	4XV-90445-00	..HOSE	1	1	1	1	
38	4XV-14149-30	..PIPE	1	1	1	1	
39	4XV-14149-60	..PIPE	1	1	1	1	
40	4YW-14987-00	..HOSE	1	1	1	1	
41	5JJ-14987-00	..HOSE	1	1	1	1	

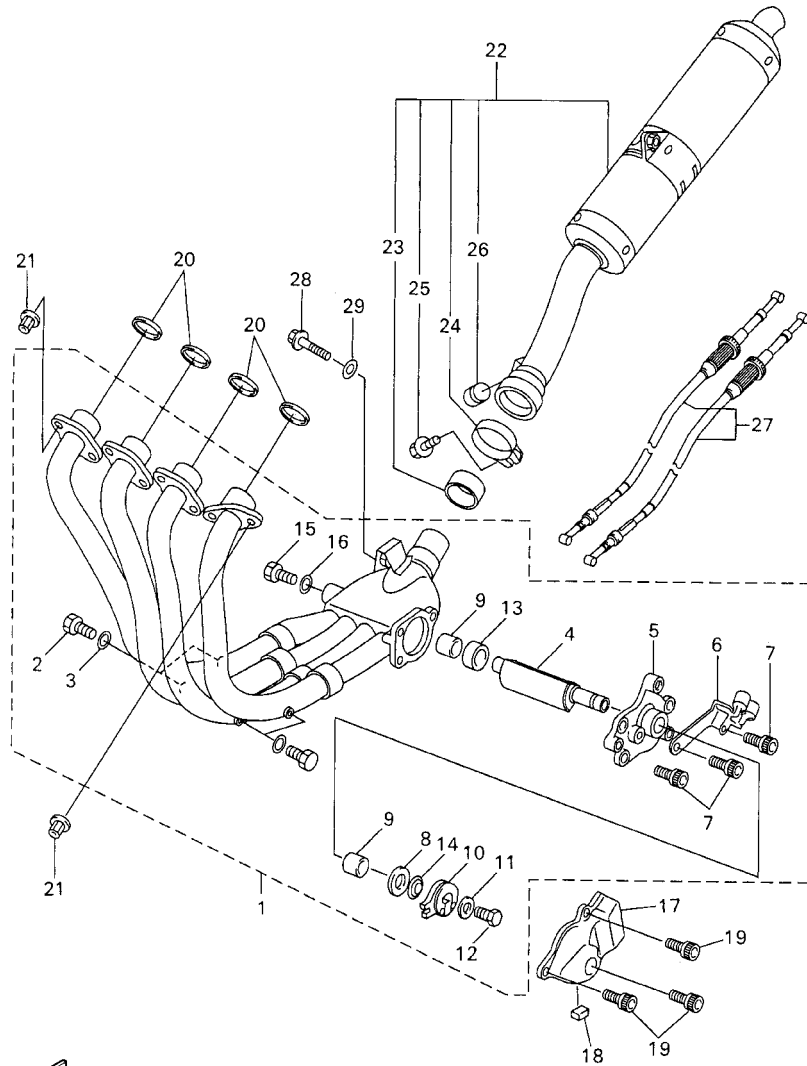
FIG. 11 CARBURETOR



5JJ1300-0110

REF. NO.	PART NO.	DESCRIPTION	5JJC	5JJD	5JJE	5JJB	REMARKS
42	4XV-14149-40	.PIPE	1	1	1	1	
43	4XV-14103-00	.THROTTLE SCREW SET	1	1	1	1	
44	4XV-14149-90	.PIPE	1	1	1	1	
45	3EN-1490K-00	.STOP SCREW SET	3	3	3	3	
46	4XV-14149-70	.PIPE	1	1	1	1	
47	36Y-14147-00	.O-RING	6	6	6	6	
48	3LN-14348-00	.PIPE 1	2	2	2	2	
49	3LN-1416A-00	.O-RING	4	4	4	4	
50	3LN-24515-00	.NET, FILTER 2	2	2	2	2	
51	90413-10016	.WAY 3	1	1	1	1	
52	90467-11090	.CLIP	2	2	2	2	

FIG. 12 EXHAUST



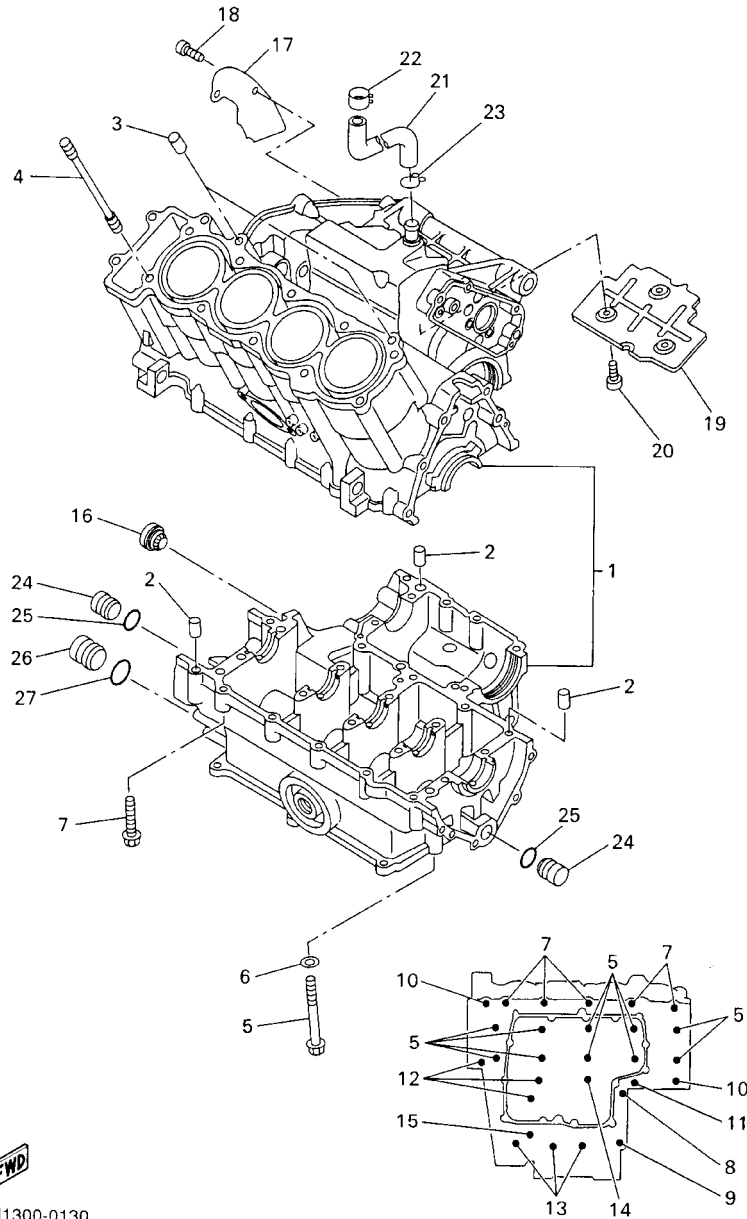
REF. NO.	PART NO.	DESCRIPTION	5JJC	5JJD	5JJE	5JJB	REMARKS
1	5JJ-14610-00	EXHAUST PIPE ASSY 1	1	1	1	1	
2	97080-06008	.BOLT	4	4	4	4	
3	92990-06600	.WASHER, PLATE	4	4	4	4	
4	4SV-14821-00	.ARM, SHAFT (VALVE)	1	1	1	1	
5	5JJ-14811-00	.HOUSING	1	1	1	1	
6	2TK-14867-01	.BRACKET	1	1	1	1	
7	90119-06115	.BOLT, WITH WASHER	3	3	3	3	
8	90201-106M5	.WASHER, PLATE	1	1	1	1	
9	4SV-14638-00	.COLLAR	2	2	2	2	
10	2TK-14865-01	.PULLEY	1	1	1	1	
11	90201-050T4	.WASHER, PLATE	1	1	1	1	
12	97080-05012	.BOLT	1	1	1	1	
13	90387-106U7	.COLLAR	1	1	1	1	
14	3GM-14683-00	.SPRING, HOOK	1	1	1	1	
15	91380-04006	.BOLT	2	2	2	2	
16	92990-04600	.WASHER, PLATE	2	2	2	2	
17	5JJ-14826-00	PROTECTOR, EXHAUST	1	1	1	1	
18	3MA-24181-00	DAMPER, LOCATING 1	1	1	1	1	
19	90119-06187	BOLT, WITH WASHER	3	3	3	3	
20	4FM-14613-00	GASKET, EXHAUST PIPE	4	4	4	4	
21	90179-08410	NUT	8	8	8	8	
22	5JJ-14710-10	MUFFLER ASSY 1	1	1	1		
	5JJ-14710-00	MUFFLER ASSY 1				1	
23	4XV-14714-00	.GASKET, MUFFLER	1	1	1	1	
24	5JJ-14715-00	.BAND, MUFFLER	1	1	1	1	
25	95817-08025	.BOLT, FLANGE	1	1	1	1	
26	4FM-24181-00	.DAMPER, LOCATING 1	1	1	1	1	



5JJ8300-1120



FIG. 13 CRANKCASE

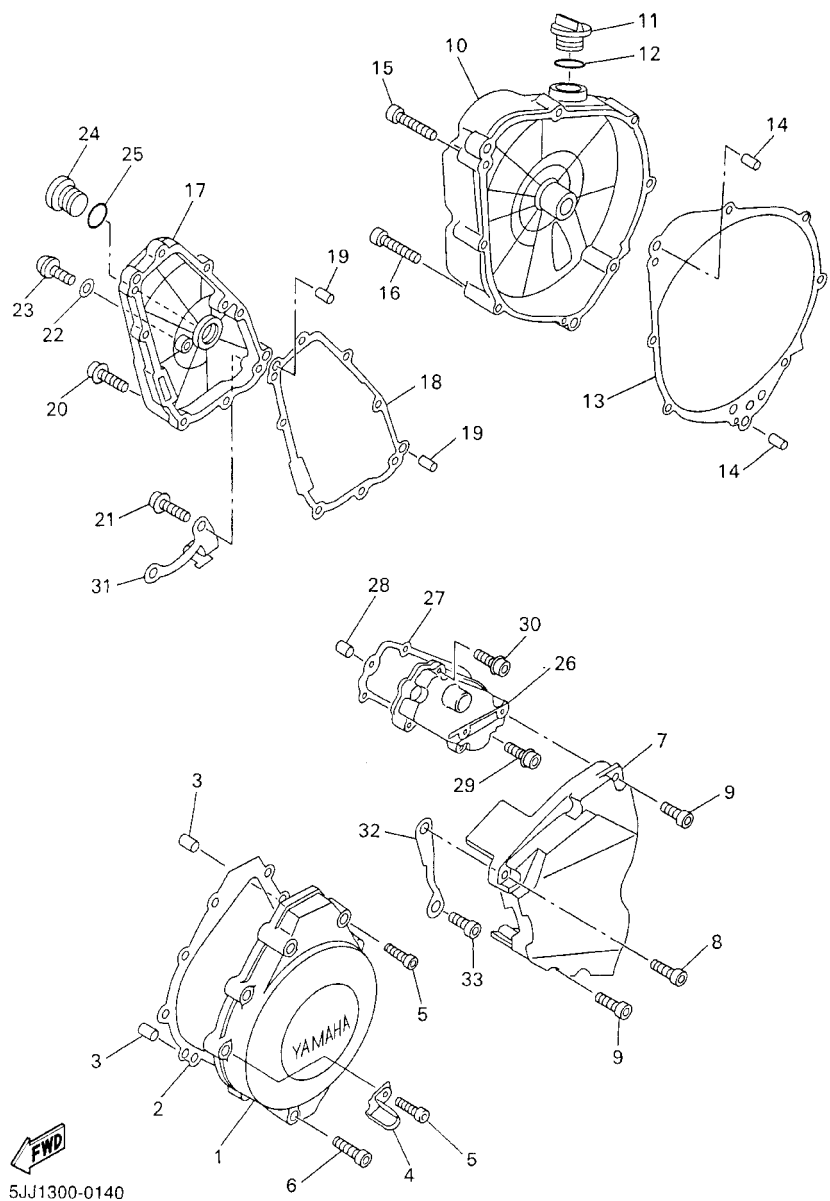


5JJ1300-0130

REF. NO.	PART NO.	DESCRIPTION	5JJC	5JJD	5JJE	5JJB	REMARKS
1	5JJ-15100-00	CRANKCASE ASSY	1	1	1	1	
2	99530-10014	PIN, DOWEL	3	3	3	3	
3	99530-10114	PIN, DOWEL	2	2	2	2	
4	90116-10619	BOLT, STUD	10	10	10	10	
5	90105-093A5	BOLT, WASHER BASED	10	10	10	10	
6	90201-096J9	WASHER, PLATE	10	10	10	10	
7	95817-06055	BOLT, FLANGE	5	5	5	5	
8	90105-08015	BOLT, WASHER BASED	1	1	1	1	
9	95817-08050	BOLT, FLANGE	1	1	1	1	
10	90109-065G3	BOLT	2	2	2	2	
11	95817-06060	BOLT, FLANGE	1	1	1	1	
12	95817-06070	BOLT, FLANGE	3	3	3	3	
13	95817-06045	BOLT, FLANGE	3	3	3	3	
14	95814-06050	BOLT, FLANGE	1	1	1	1	
15	95817-06065	BOLT, FLANGE	1	1	1	1	
16	2H7-15361-00	GAUGE, LEVEL	1	1	1	1	
17	4XV-11165-00	PLATE, BREATHER	1	1	1	1	
18	91317-06012	BOLT	2	2	2	2	
19	4XV-11145-00	PLATE, BREATHER 2	1	1	1	1	
20	91317-06012	BOLT	3	3	3	3	
21	90445-161K7	HOSE (L215)	1	1	1	1	
22	90468-08104	CLIP	1	1	1	1	
23	90467-14015	CLIP	1	1	1	1	
24	90338-16262	PLUG	2	2	2	2	
25	93210-12790	O-RING	2	2	2	2	
26	90338-20263	PLUG	1	1	1	1	
27	93210-16314	O-RING	1	1	1	1	

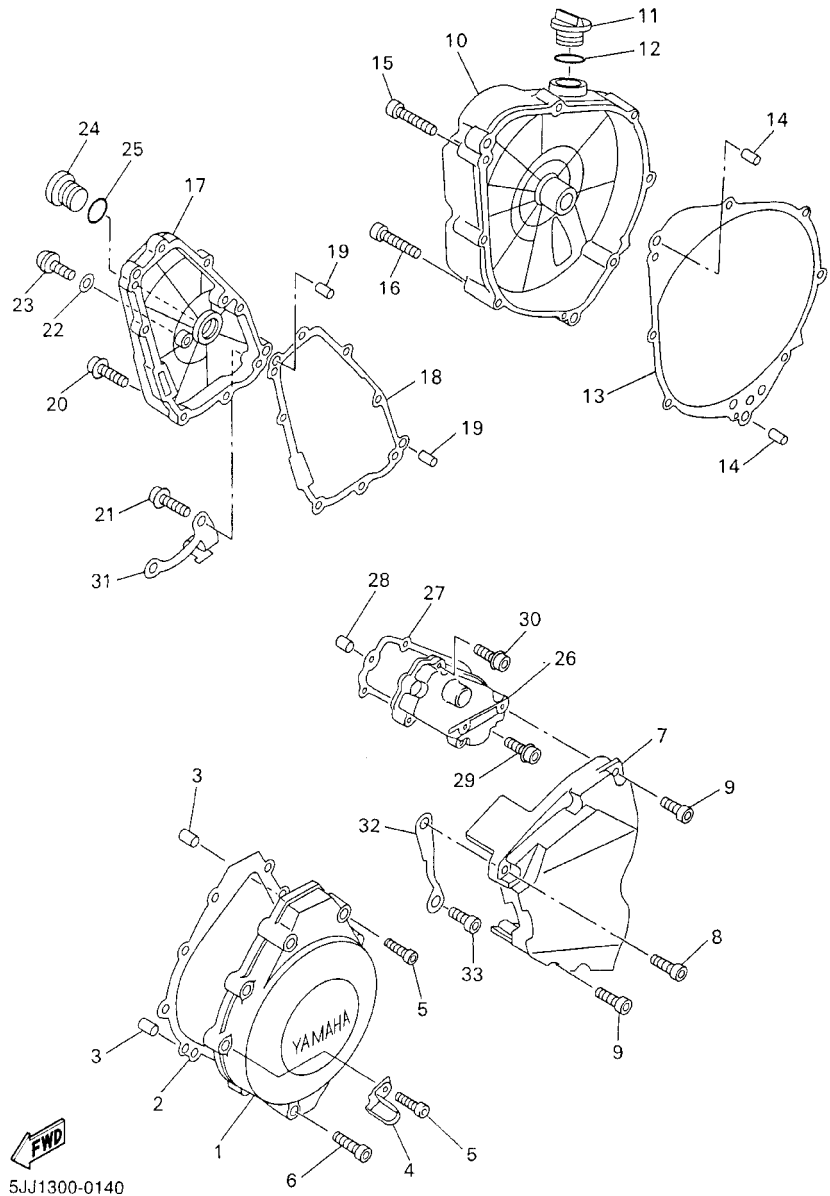


FIG. 14 CRANKCASE COVER 1



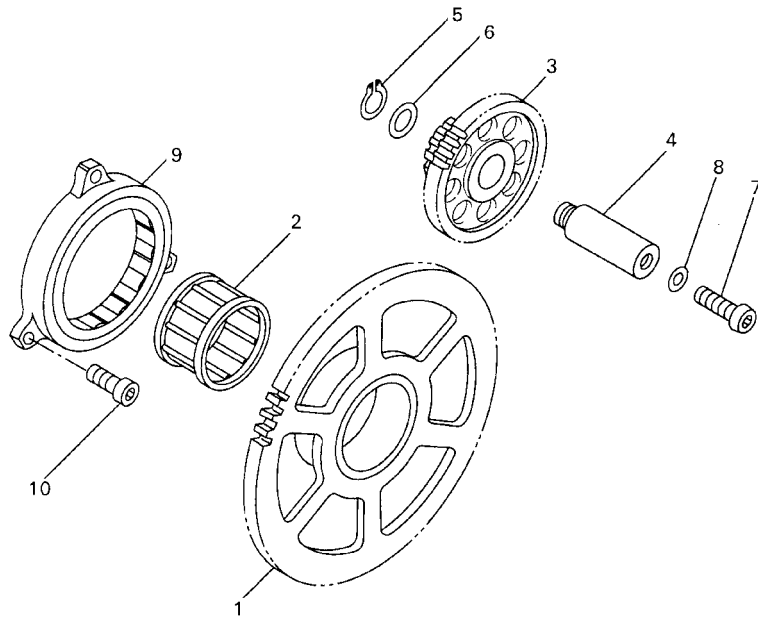
REF. NO.	PART NO.	DESCRIPTION	5JJ	5JD	5JE	5JB	REMARKS
			1	1	1	1	
1	4XV-15411-00	COVER, CRANKCASE 1	1	1	1	1	
2	4XV-15451-00	GASKET, CRANKCASE COVER 1	1	1	1	1	
3	99530-08012	PIN, DOWEL	2	2	2	2	
4	90461-10003	CLAMP	1	1	1	1	
5	91314-06035	BOLT	8	8	8	8	
6	91314-06020	BOLT	1	1	1	1	
7	4XV-15418-00	COVER, CHAIN CASE	1	1	1	1	
8	90110-06224	BOLT, HEXAGON SOCKET HEAD	1	1	1	1	
9	91314-06025	BOLT	4	4	4	4	
10	4XV-15421-00	COVER, CRANKCASE 2	1	1	1	1	
11	3F9-15362-00	PLUG, OIL LEVEL	1	1	1	1	
12	93210-27194	O-RING	1	1	1	1	
13	4XV-15461-00	GASKET, CRANKCASE COVER 2	1	1	1	1	
14	90250-08022	PIN, STRAIGHT	2	2	2	2	
15	91314-06040	BOLT	5	5	5	5	
16	91314-06050	BOLT	3	3	3	3	
17	5JJ-15416-00	COVER, OIL PUMP	1	1	1	1	
18	5JJ-15456-00	GASKET, OIL PUMP COVER 1	1	1	1	1	
19	99530-08012	PIN, DOWEL	2	2	2	2	
20	90109-06014	BOLT	4	4	4	4	
21	90109-06015	BOLT	4	4	4	4	
22	90430-08143	GASKET	1	1	1	1	
23	92014-08016	BOLT, BUTTON HEAD	1	1	1	1	
24	90340-32116	PLUG, STRAIGHT SCREW	1	1	1	1	
25	93210-32172	O-RING	1	1	1	1	
26	5JJ-15425-00	COVER 2	1	1	1	1	
27	5JJ-15463-00	GASKET, COVER 2	1	1	1	1	

FIG. 14 CRANKCASE COVER 1



REF. NO.	PART NO.	DESCRIPTION	5JJC	5JJJ	5JJE	5JJB	REMARKS
28	99530-08012	PIN, DOWEL	2	2	2	2	
29	90109-06014	BOLT	2	2	2	2	
30	90109-06015	BOLT	3	3	3	3	
31	4XV-15441-00	HOLDER, CLUTCH CABLE	1	1	1	1	
32	4XV-15113-00	PLATE	1	1	1	1	
33	90110-06136	BOLT, HEXAGON SOCKET HEAD	1	1	1	1	

FIG. 15 STARTER



REF. NO.	PART NO.	DESCRIPTION	5JJC	5JJD	5JJE	5JJB	REMARKS
1	5JJ-15515-00	GEAR 3	1	1	1	1	
2	93310-338S6	BEARING	1	1	1	1	
3	5JJ-15517-00	GEAR, IDLER 2	1	1	1	1	
4	4XV-15521-00	SHAFT 1	1	1	1	1	
5	93410-08072	CIRCLIP	1	1	1	1	
6	90201-08089	WASHER, PLATE	1	1	1	1	
7	92017-06014	BOLT, BUTTON HEAD	1	1	1	1	
8	90430-06014	GASKET	1	1	1	1	
9	4XV-15570-00	STARTER CLUTCH ASSY	1	1	1	1	
10	91317-06010	BOLT	3	3	3	3	



5JJ1300-0150

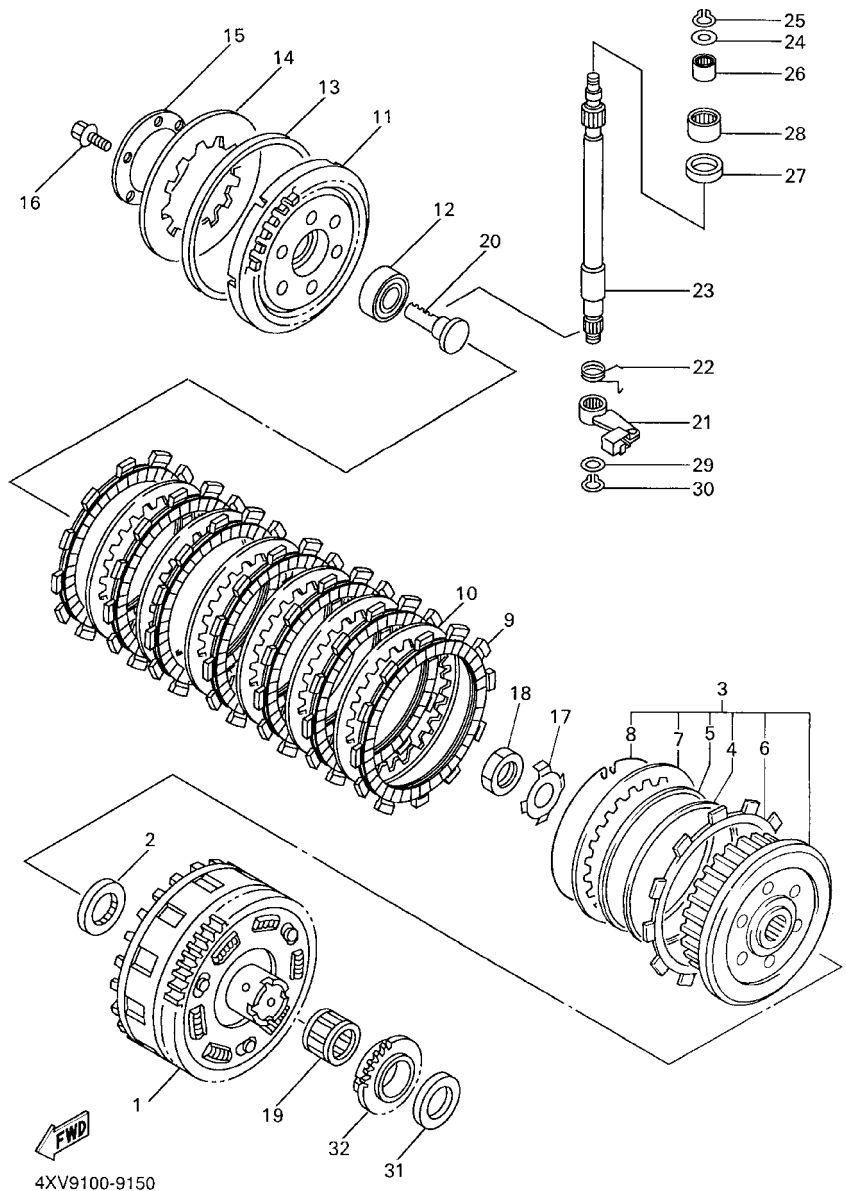


FIG. 16 CLUTCH

REF. NO.	PART NO.	DESCRIPTION	5JJC	5JJD	5JJE	5JJB	REMARKS
1	4XV-16150-02	PRIMARY DRIVEN GEAR COMP.	1	1	1	1	
2	26H-16154-00	PLATE, THRUST 1	1	1	1	1	
3	4XV-16370-00	CLUTCH BOSS ASSY	1	1	1	1	
4	4XV-16384-00	.PLATE, SEAT	1	1	1	1	
5	36Y-16383-00	.SPRING, CLUTCH BOSS	1	1	1	1	
6	4XV-16331-00	.PLATE, FRICTION 2	1	1	1	1	
7	2H7-16325-00	.PLATE, CLUTCH 2	1	1	1	1	
8	2H7-16385-00	.RING, CLUTCH BOSS	1	1	1	1	
9	341-16321-13	PLATE, FRICTION	7	7	7	7	
10	2H7-16325-00	PLATE, CLUTCH 2	6	6	6	6	
11	4XV-16351-00	PLATE, PRESSURE 1	1	1	1	1	
12	93306-00304	BEARING (B6003C4)	1	1	1	1	
13	36Y-16335-00	HOUSING, SPRING	1	1	1	1	
14	36Y-16334-00	SPRING, CLUTCH 2	1	1	1	1	
15	1TX-16352-00	PLATE, PRESSURE 2	1	1	1	1	
16	95817-06025	BOLT, FLANGE	6	6	6	6	
17	90215-25218	WASHER, LOCK	1	1	1	1	
18	90170-20323	NUT	1	1	1	1	
19	93310-228S5	BEARING	1	1	1	1	
20	4XV-16356-01	ROD, PUSH 1	1	1	1	1	
21	4XV-16340-01	PUSH LEVER ASSY	1	1	1	1	
22	90508-164B2	SPRING, TORSION	1	1	1	1	
23	4XV-16382-00	AXLE, PUSH LEVER	1	1	1	1	
24	92907-08600	WASHER, PLATE	1	1	1	1	
25	99001-07600	CIRCLIP	1	1	1	1	
26	93317-11020	BEARING	1	1	1	1	
27	93102-15212	OIL SEAL	1	1	1	1	

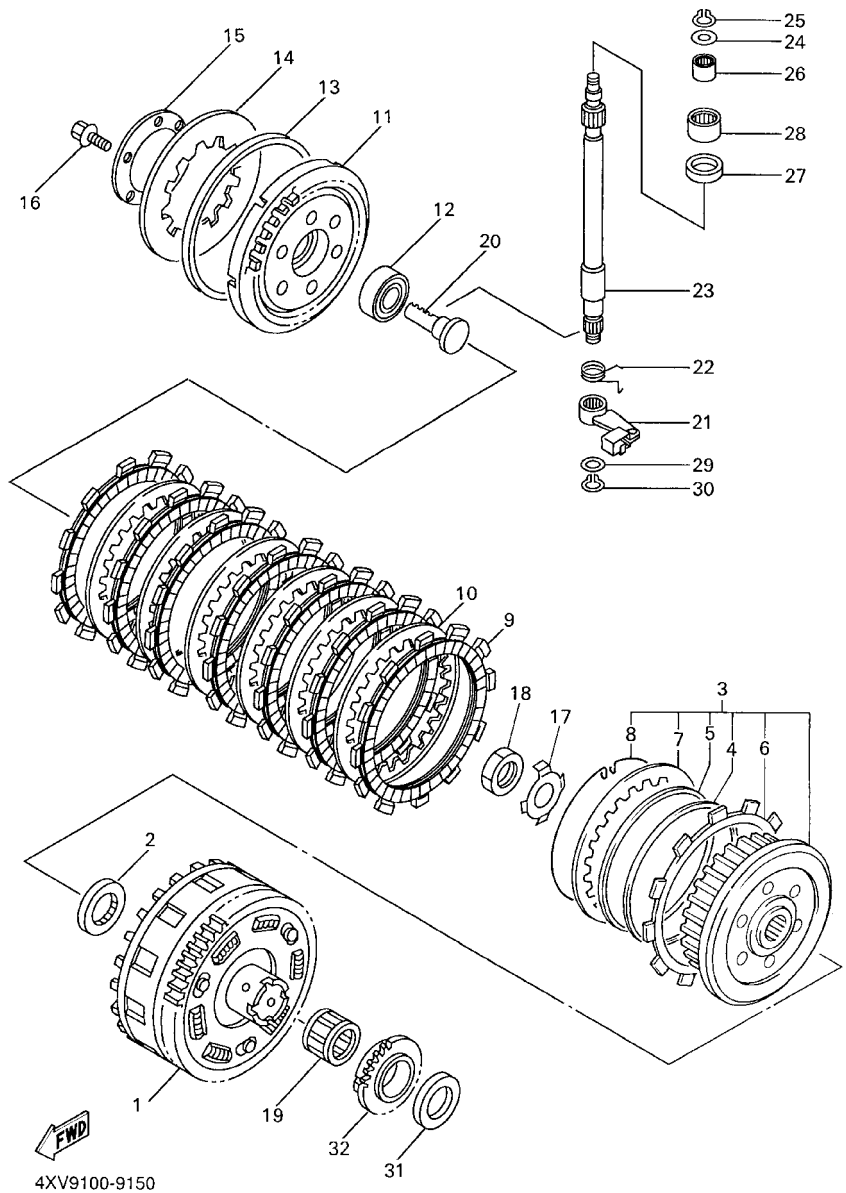
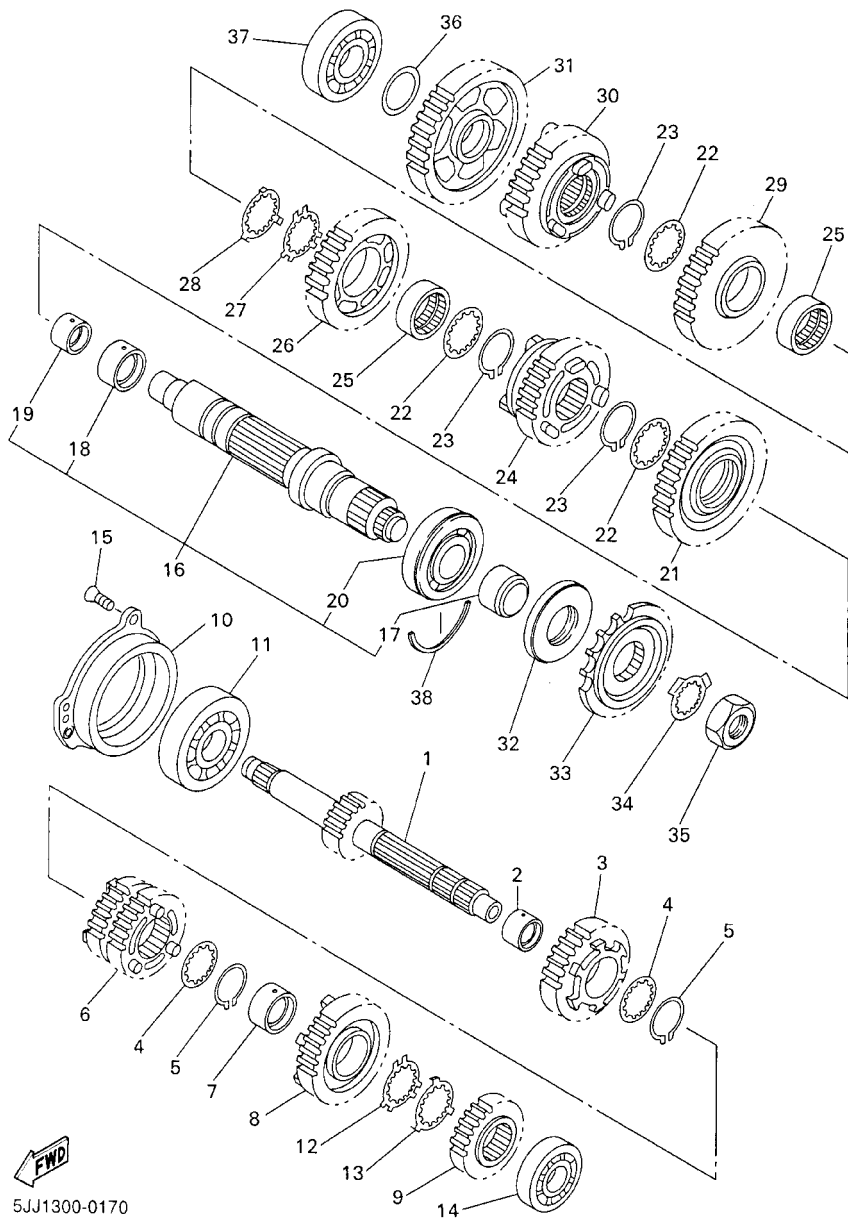


FIG. 16 CLUTCH

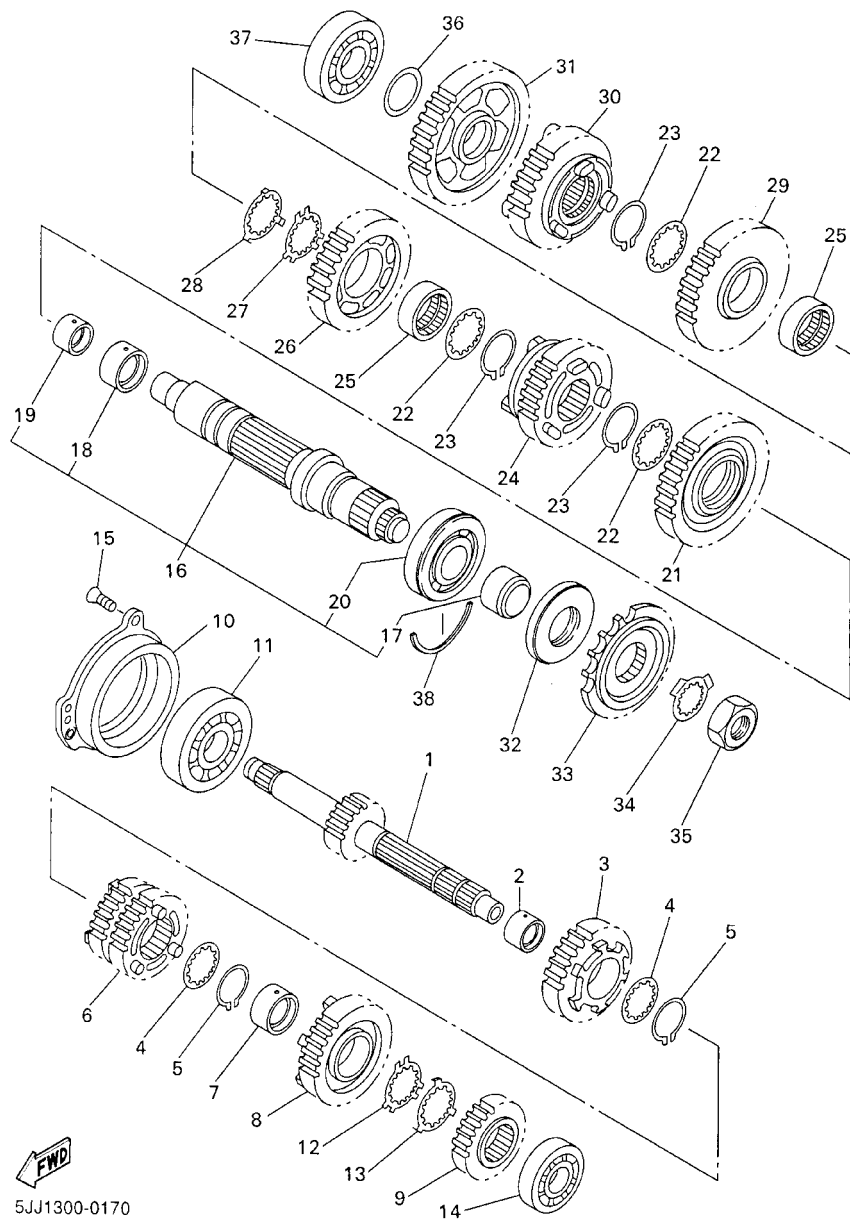
REF. NO.	PART NO.	DESCRIPTION	5JJC	5JJD	5JJE	5JJB	REMARKS
28	93315-31502	BEARING	1	1	1	1	
29	90201-10614	WASHER, PLATE	1	1	1	1	
30	99009-10400	CIRCLIP	1	1	1	1	
31	4XV-16154-00	PLATE, THRUST 1	1	1	1	1	
32	4XV-13354-00	SPROCKET, DRIVE	1	1	1	1	
<hr/>							
<hr/>							
<hr/>							
<hr/>							
<hr/>							
<hr/>							
<hr/>							
<hr/>							
<hr/>							



5JJ1300-0170

FIG. 17 TRANSMISSION

REF. NO.	PART NO.	DESCRIPTION	5JJC	5JJJ	5JJE	5JJB	REMARKS
1	5JJ-17411-00	AXLE, MAIN	1	1	1	1	
2	90387-2811B	COLLAR	1	1	1	1	
3	5JJ-17151-00	GEAR, 5TH PINION	1	1	1	1	
4	90209-25342	WASHER	2	2	2	2	
5	93440-28062	CIRCLIP	2	2	2	2	
6	5JJ-17131-00	GEAR, 3RD PINION	1	1	1	1	
7	90387-2810U	COLLAR	1	1	1	1	
8	5JJ-17161-00	GEAR, 6TH PINION	1	1	1	1	
9	5JJ-17121-00	GEAR, 2ND PINION	1	1	1	1	
10	5JJ-15163-00	HOUSING, BEARING 1	1	1	1	1	
11	93306-37807	BEARING	1	1	1	1	
12	90209-25349	WASHER	1	1	1	1	
13	90209-25350	WASHER	1	1	1	1	
14	93306-27208	BEARING	1	1	1	1	
15	90149-06286	SCREW	3	3	3	3	
16	5JJ-17402-00	DRIVE AXLE ASSY	1	1	1	1	
17	5JJ-17158-00	.COLLAR 1	1	1	1	1	
18	90387-3311C	.COLLAR	1	1	1	1	
19	90387-2511A	.COLLAR	1	1	1	1	
20	93306-20705	.BEARING (B6207N)	1	1	1	1	
21	5JJ-17221-00	GEAR, 2ND WHEEL	1	1	1	1	
22	90209-30344	WASHER	3	3	3	3	
23	93440-32063	CIRCLIP	3	3	3	3	
24	5JJ-17261-00	GEAR, 6TH WHEEL	1	1	1	1	
25	90387-3310V	COLLAR	2	2	2	2	
26	5JJ-17241-00	GEAR, 4TH WHEEL	1	1	1	1	
27	90209-30345	WASHER	1	1	1	1	

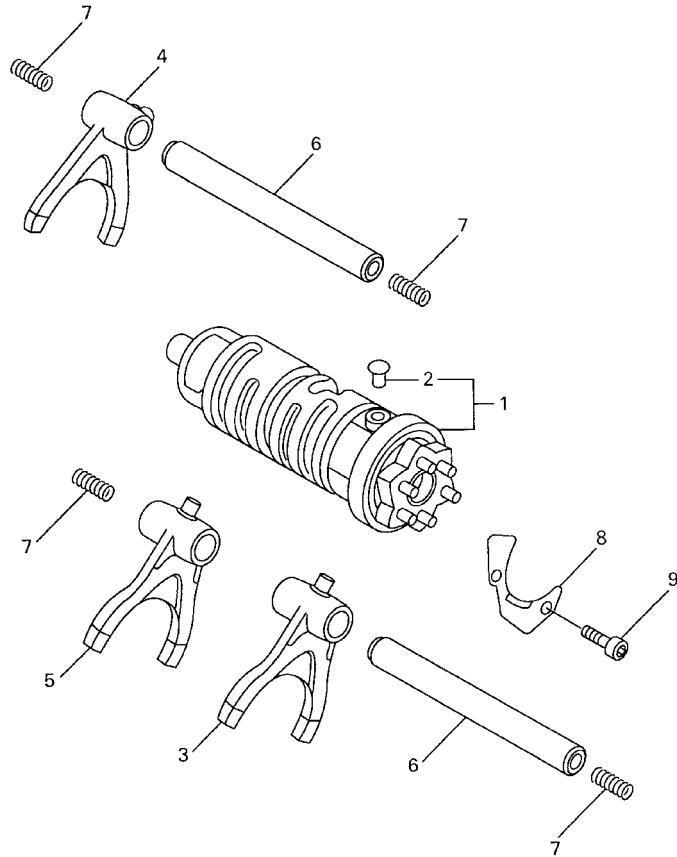


5JJ1300-0170

FIG. 17 TRANSMISSION

REF. NO.	PART NO.	DESCRIPTION	5JJC	5JJD	5JJE	5JJB	REMARKS
28	90209-30343	WASHER	1	1	1	1	
29	5JJ-17231-00	GEAR, 3RD WHEEL	1	1	1	1	
30	5JJ-17251-00	GEAR, 5TH WHEEL	1	1	1	1	
31	5JJ-17211-00	GEAR, 1ST WHEEL (34T)	1	1	1	1	
32	93102-45465	OIL SEAL	1	1	1	1	
33	4XV-17460-00	SPROCKET, DRIVE	1	1	1	1	
34	90215-30233	WASHER, LOCK	1	1	1	1	
35	90179-22063	NUT	1	1	1	1	
36	90201-224L4	WASHER, PLATE	1	1	1	1	
37	93306-37209	BEARING	1	1	1	1	
38	93440-72049	CIRCLIP	1	1	1	1	

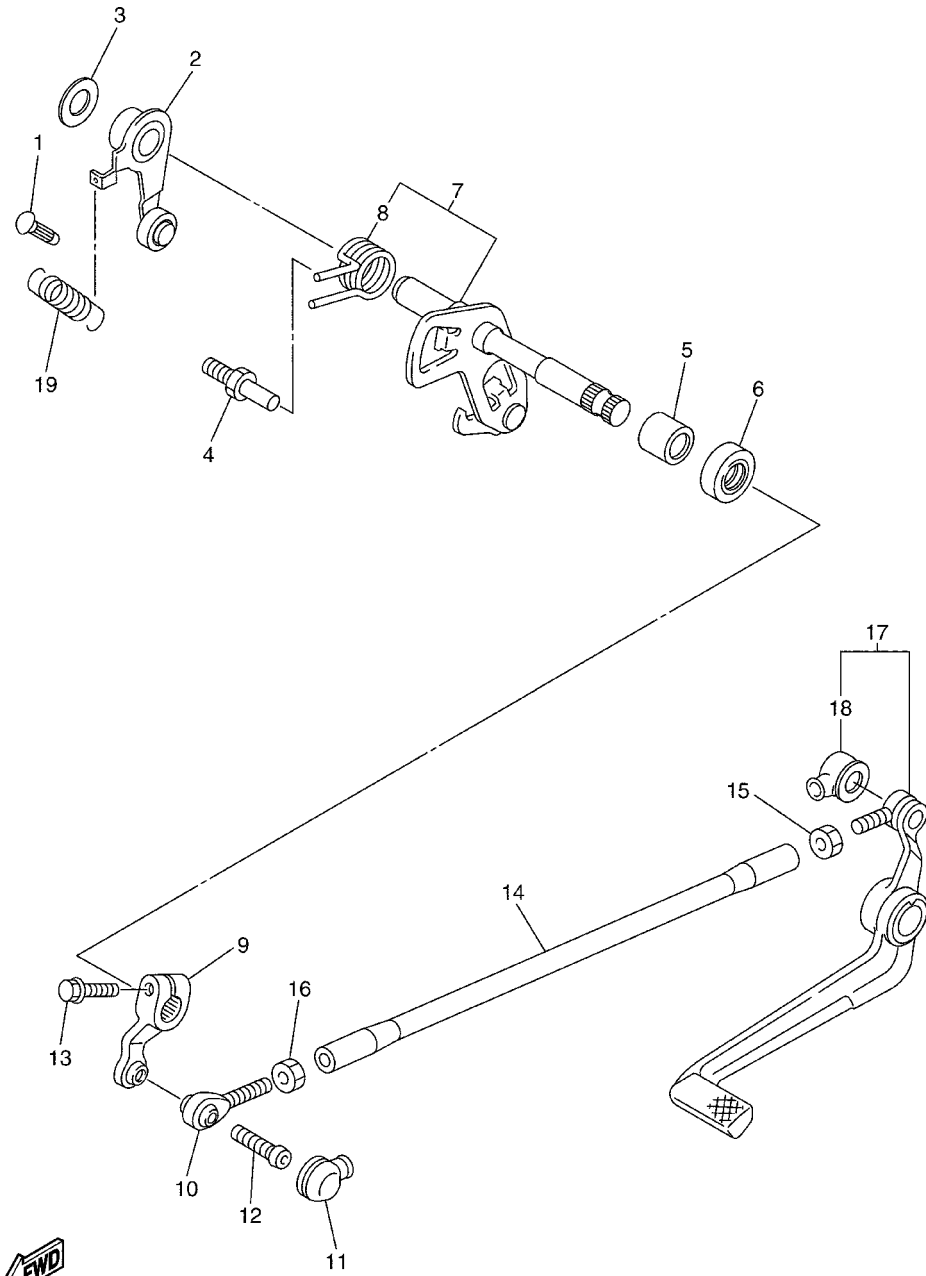
FIG. 18 SHIFT CAM. FORK



REF. NO.	PART NO.	DESCRIPTION	5JJC	5JJD	5JJE	5JJB	REMARKS
1	4XV-18540-00	SHIFT CAM ASSY	1	1	1	1	
2	136-18542-00	.POINT, NEUTRAL	1	1	1	1	
3	4XV-18511-00	FORK, SHIFT 1	1	1	1	1	
4	5JJ-18512-00	FORK, SHIFT 2	1	1	1	1	
5	4XV-18513-00	FORK, SHIFT 3	1	1	1	1	
6	4XV-18531-00	BAR, SHIFT FORK GUIDE 1	2	2	2	2	
7	90501-064L1	SPRING, COMPRESSION	4	4	4	4	
8	4XV-18536-00	STOPPER, SHIFT BAR	1	1	1	1	
9	90110-06226	BOLT, HEXAGON SOCKET HEAD	2	2	2	2	

 4XV352-8170

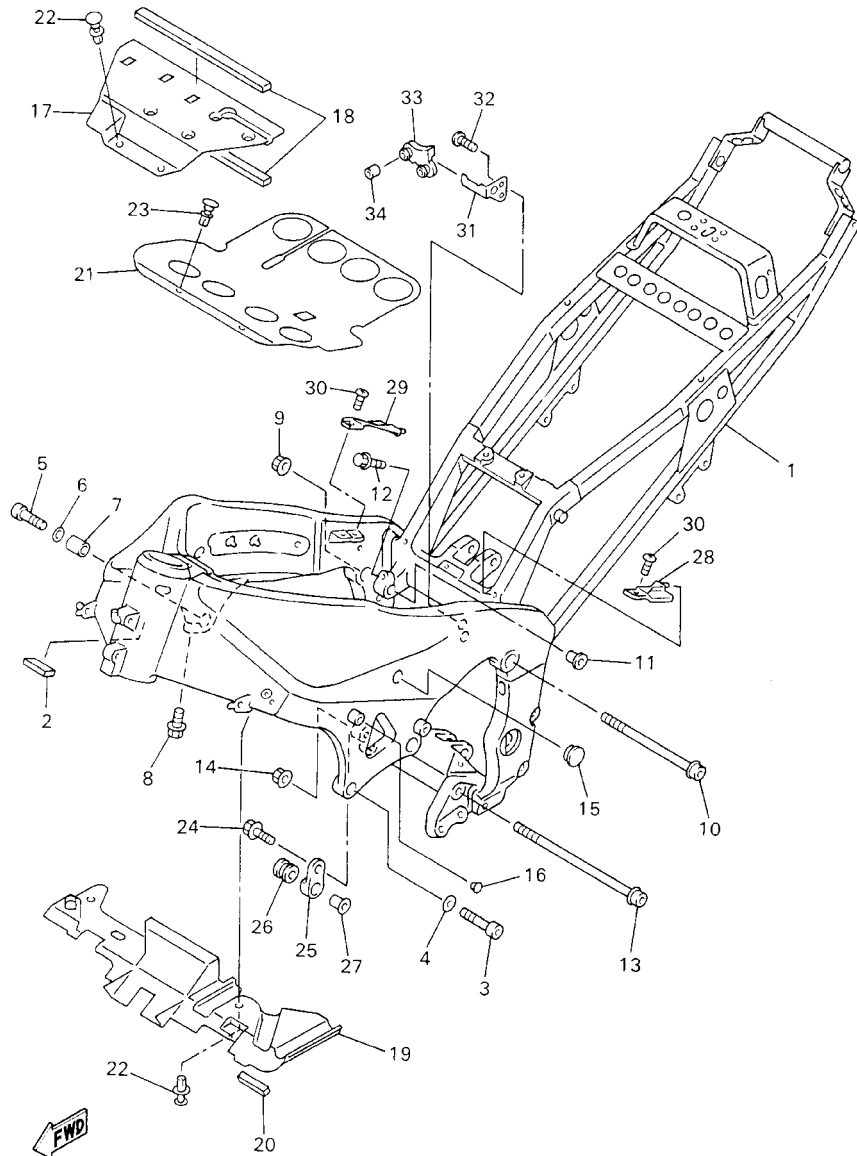




5JJ1300-0190

FIG. 19 SHIFT SHAFT

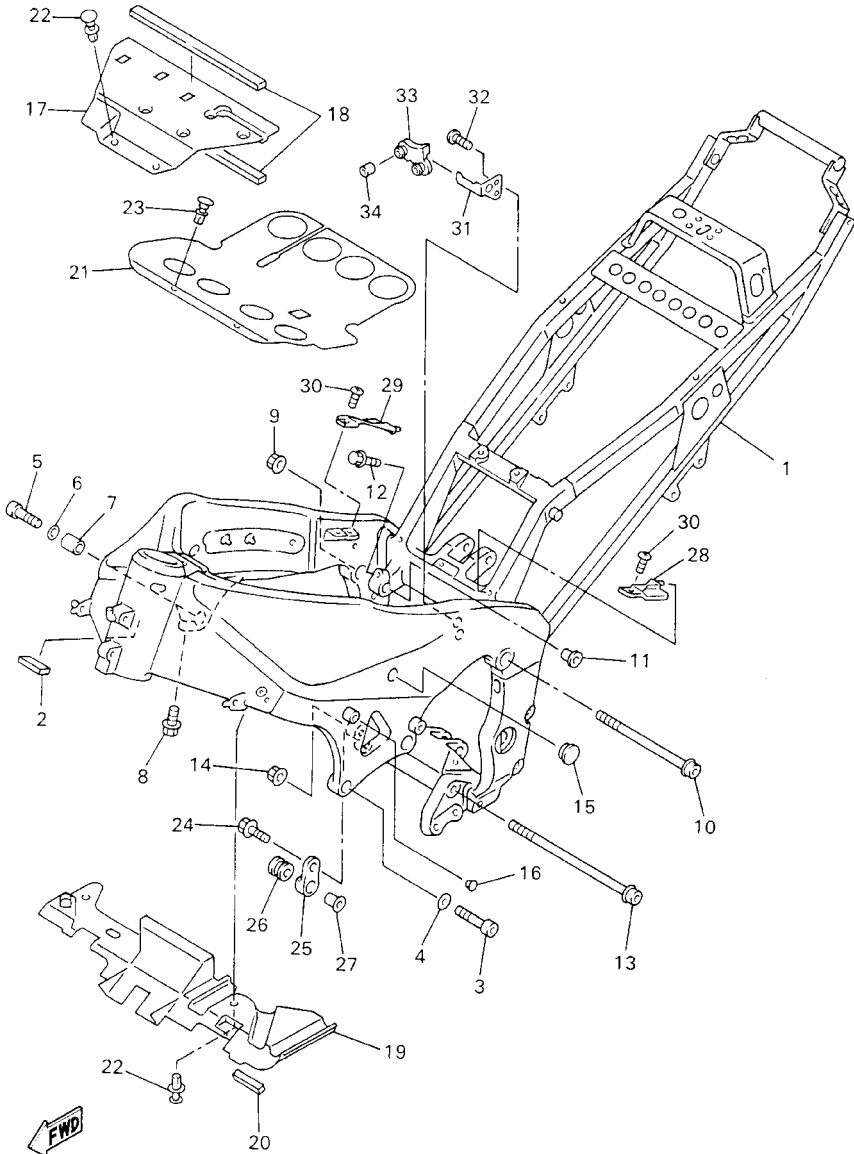
REF. NO.	PART NO.	DESCRIPTION	5JJC	5JJJ	5JJE	5JJB	REMARKS
1	132-16346-00	HOOK, SPRING	1	1	1	1	
2	5JJ-18140-00	STOPPER LEVER ASSY	1	1	1	1	
3	90201-120K4	WASHER, PLATE	1	1	1	1	
4	4XV-18127-00	STOPPER, SCREW	1	1	1	1	
5	93315-11206	BEARING	1	1	1	1	
6	93101-12004	OIL SEAL	1	1	1	1	
7	5JJ-18101-00	SHIFT SHAFT ASSY	1	1	1	1	
8	90508-29012	.SPRING, TORSION	1	1	1	1	
9	5JJ-18112-00	ARM, SHIFT	1	1	1	1	
10	5JJ-18116-00	JOINT, ROD 1	1	1	1	1	
11	4XV-18154-00	COVER, DUST	1	1	1	1	
12	90111-06019	BOLT	1	1	1	1	
13	95824-06020	BOLT, FLANGE	1	1	1	1	
14	4XV-18115-00	ROD, SHIFT	1	1	1	1	
15	90170-06228	NUT(COUNTER CLOCKWISE)	1	1	1	1	
16	95304-06700	NUT	1	1	1	1	
17	5JJ-18110-00	SHIFT PEDAL ASSY	1	1	1	1	
18	4XV-18154-00	.COVER, DUST	1	1	1	1	
19	90506-14002	SPRING, TENSION	1	1	1	1	



5JJ1300-0200

FIG. 20 FRAME

REF. NO.	PART NO.	DESCRIPTION	5JJC	5JJD	5JJE	5JJB	REMARKS
1	5JJ-21110-00	FRAME COMP.	1	1	1	1	
2	1KT-21746-00	DAMPER	1	1	1	1	
3	91314-10040	BOLT	2	2	2	2	
4	90201-10008	WASHER, PLATE	2	2	2	2	
5	91314-10050	BOLT	1	1	1	1	
6	90201-10008	WASHER, PLATE	1	1	1	1	
7	90387-12002	COLLAR	1	1	1	1	
8	95024-08035	BOLT, FLANGE	1	1	1	1	
9	90185-10002	NUT, SELF-LOCKING	1	1	1	1	
10	90109-104G5	BOLT	1	1	1	1	
11	90387-1112F	COLLAR	1	1	1	1	
12	95024-08035	BOLT, FLANGE	1	1	1	1	
13	90109-104G5	BOLT	1	1	1	1	
14	90185-10002	NUT, SELF-LOCKING	1	1	1	1	
15	90338-15202	PLUG	2	2	2	2	
16	90338-07124	PLUG	1	1	1	1	
17	4XV-2117M-00	COVER 2	1	1	1	1	
18	4XV-28371-00	DAMPER	2	2	2	2	
19	4XV-2137Y-01	GUIDE, AIR	1	1	1	1	
20	1KT-21746-00	DAMPER	1	1	1	1	
21	4XV-2117F-00	COVER	1	1	1	1	
22	90269-07077	RIVET	4	4	4	4	
23	90269-07084	RIVET	2	2	2	2	
24	95827-08025	BOLT, FLANGE	1	1	1	1	
25	4XV-21446-00	STAY, MUFFLER 2	1	1	1	1	
26	4XV-27424-00	DAMPÉR, FOOTREST 2	1	1	1	1	
27	90387-08005	COLLAR	1	1	1	1	

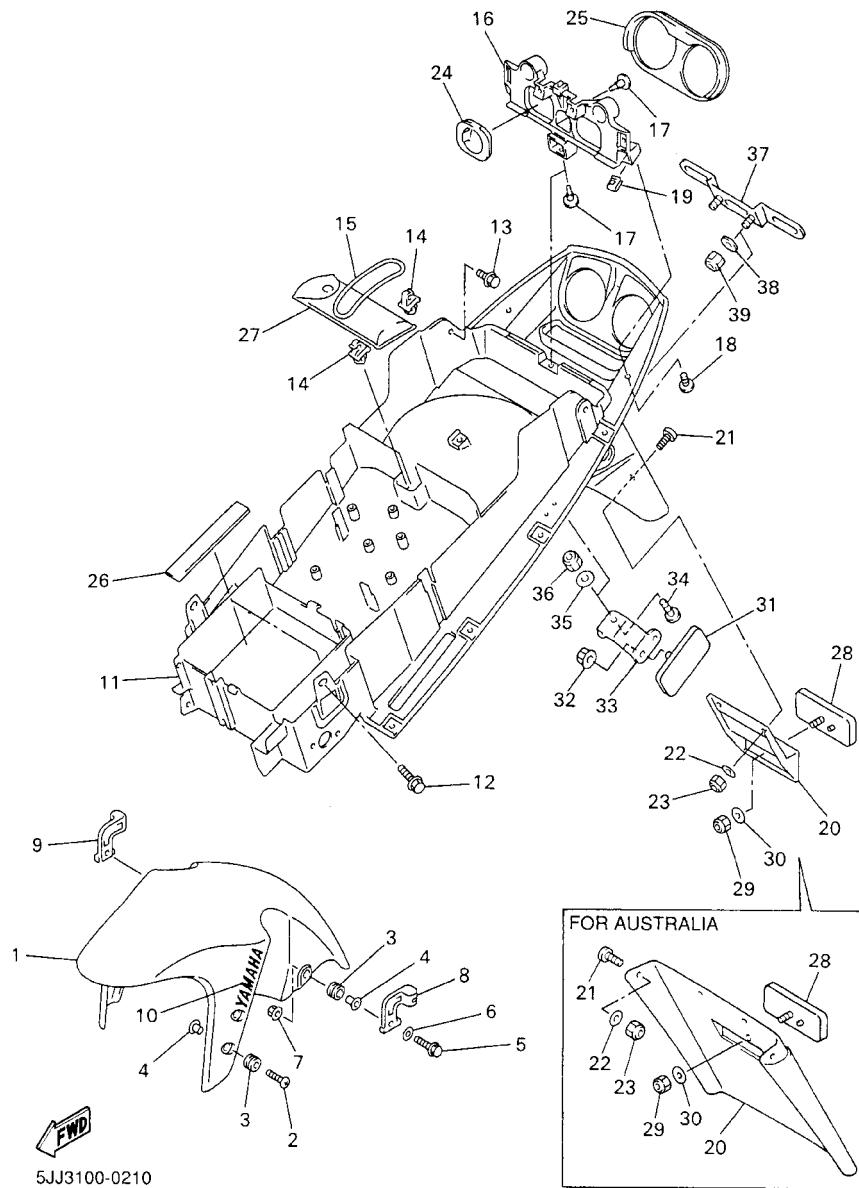


5JJ1300-0200

FIG. 20 FRAME

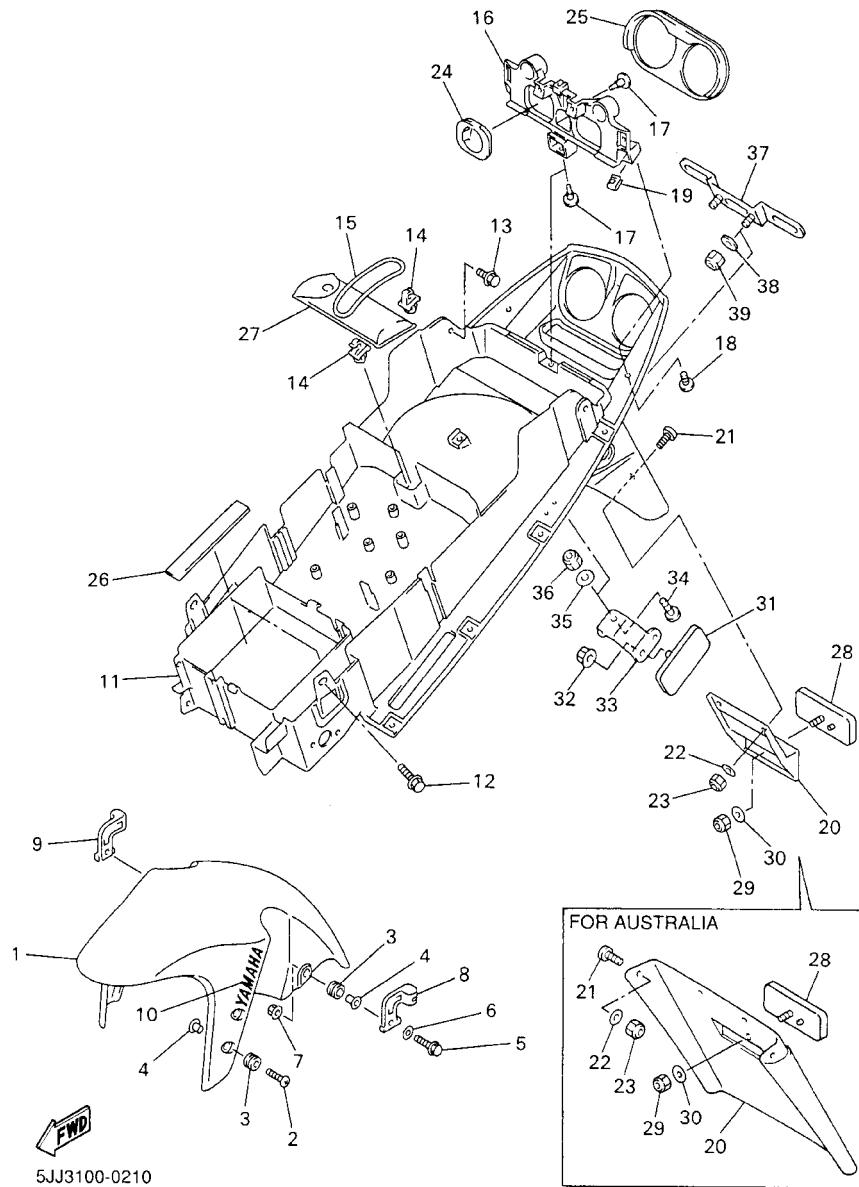
REF. NO.	PART NO.	DESCRIPTION	5JJC	5JJJ	5JJE	5JJB	REMARKS
28	4XV-2117N-00	COVER 3	1	1	1	1	
29	4XV-2117R-00	COVER 4	1	1	1	1	
30	90154-05013	SCREW, BINDING	2	2	2	2	
31	4XV-2116J-00	BRACKET 7	1	1	1	1	
32	98907-06016	SCREW, BIND	2	2	2	2	
33	4XV-2116A-00	STAY 1	1	1	1	1	
34	90387-061K9	COLLAR	2	2	2	2	

FIG. 21 FENDER



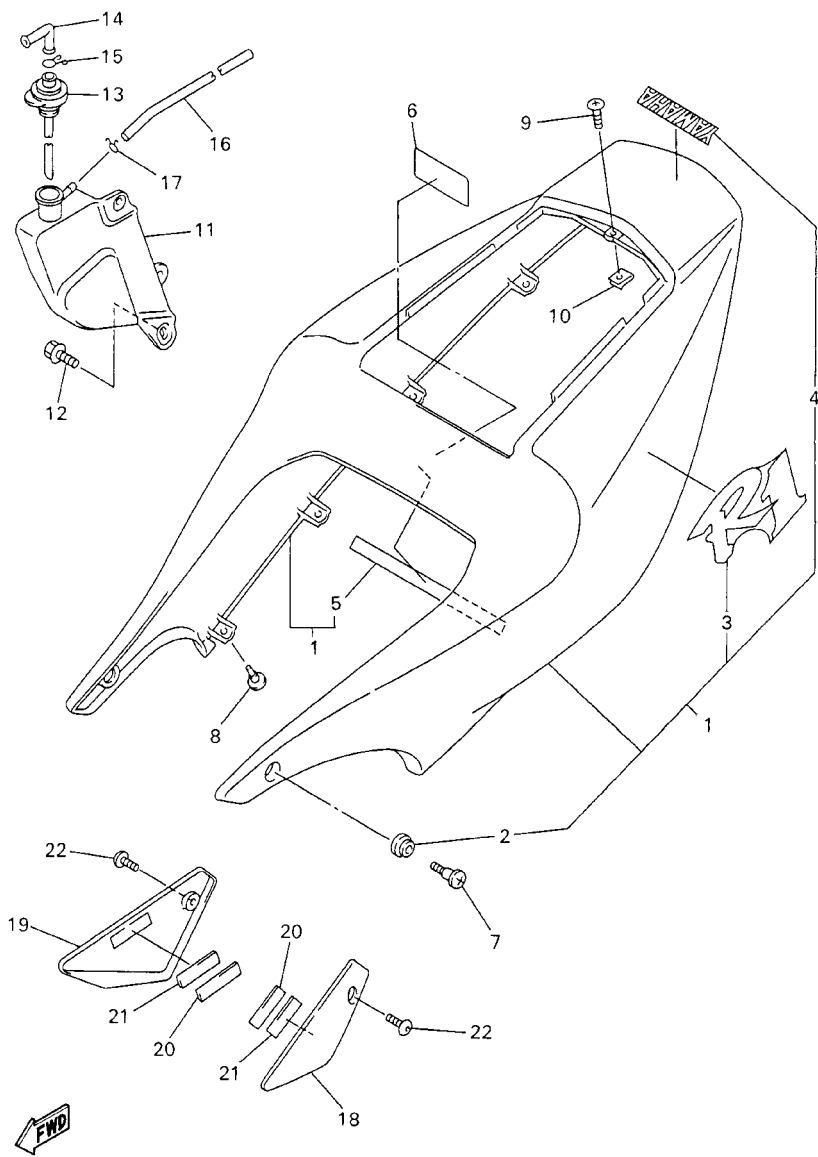
REF. NO.	PART NO.	DESCRIPTION	5JJC	5JJD	5JJE	5JJB	REMARKS
1	4XV-21511-01-P1	FENDER, FRONT	1	1	1	1	UR DPBMC
	4XV-21511-10	FENDER, FRONT	1	1	1	1	UR FOR VRC1
2	90154-06061	SCREW, BINDING	4	4	4	4	
3	90480-12072	GROMMET	6	6	6	6	
4	90387-065J6	COLLAR	6	6	6	6	
5	97007-06030	BOLT	2	2	2	2	
6	92907-06600	WASHER, PLATE	2	2	2	2	
7	95707-06500	NUT, FLANGE	2	2	2	2	
8	4XV-25875-00	HOLDER, BRAKE HOSE 1	1	1	1	1	
9	4XV-25876-00	HOLDER, BRAKE HOSE 2	1	1	1	1	
10	99241-00100	EMBLEM, YAMAHA	2	2	2	2	
11	5JJ-21611-00	FENDER, REAR	1	1	1		
	5JJ-21611-10	FENDER, REAR				1	
12	90119-06010	BOLT, WITH WASHER	2	2	2	2	
13	90119-06009	BOLT, WITH WASHER	2	2	2	2	
14	90464-07259	CLAMP	2	2	2	2	
15	4XV-21376-00	BAND, TOOL	1	1	1	1	
16	5JJ-2117E-00	BRACKET, TAILLIGHT	1	1	1	1	
17	90269-07077	RIVET	3	3	3	3	
18	90154-05013	SCREW, BINDING	2	2	2	2	
19	90183-05061	NUT, SPRING	2	2	2	2	
20	4XV-85132-00	BRACKET, REFLECTOR 1	1	1	1		
	4XV-21621-00	FLAP				1	
21	90149-04278	SCREW	2	2	2		
	90149-04278	SCREW				4	
22	90201-04018	WASHER, PLATE	2	2	2		
	90201-04018	WASHER, PLATE				4	

FIG. 21 FENDER



REF. NO.	PART NO.	DESCRIPTION	5JJC	5JJD	5JJE	5JJB	REMARKS
23	95607-04100	NUT, U	2	2	2		
	95607-04100	NUT, U				4	
24	5JJ-2172X-00	COVER, TAILLIGHT	2	2	2	2	
25	5JJ-21669-01	SEAL	1	1	1	1	
26	1AE-2834E-00	DAMPER	2	2	2	2	
27	4XV-28100-00	TOOL KIT	1	1	1	1	
28	3Y6-85130-02	REAR REFLECTOR ASSY	1	1	1	1	
29	95607-05100	NUT, U	1	1	1	1	
30	90201-05725	WASHER, PLATE	1	1	1	1	
31	3Y6-85130-02	REAR REFLECTOR ASSY	2	2	2		
32	95707-05500	NUT, FLANGE	2	2	2		
33	4XV-21688-00	BRACKET, REAR STAY	2	2	2		
34	90149-04278	SCREW	2	2	2		
35	90201-04018	WASHER, PLATE	2	2	2		
36	95607-04100	NUT, U	2	2	2		
37	5JJ-84751-00	BRACKET, LICENSE	1	1	1		
38	90201-06057	WASHER, PLATE	2	2	2		
39	95607-06100	NUT, U	2	2	2		

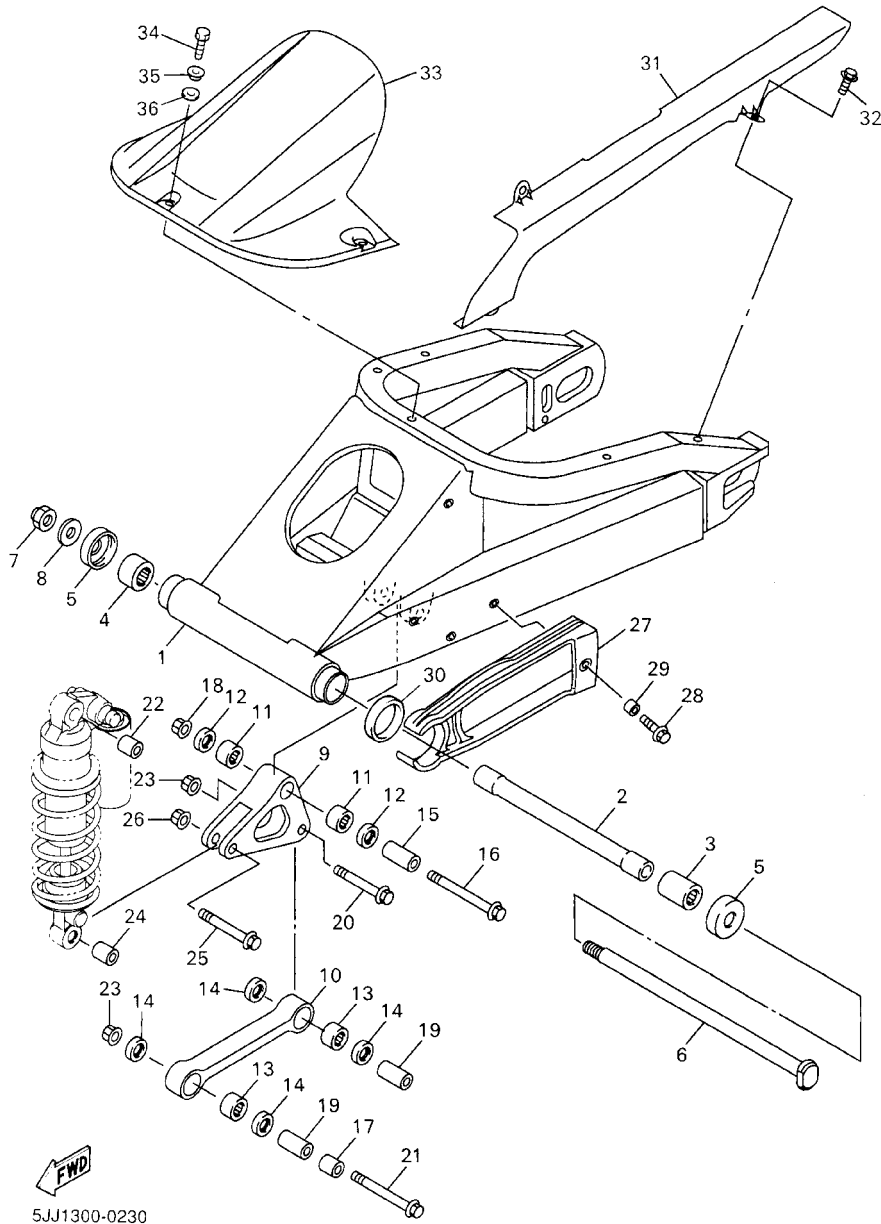
FIG. 22 SIDE COVER



5JJC100-1220

REF. NO.	PART NO.	DESCRIPTION	5JJC	5JJD	5JJE	5JJB	REMARKS
1	5JJ-Y2171-91-P1	COVER, SIDE 1	1	1	1	1	UR DPBMC
	5JJ-Y2171-81-P0	COVER, SIDE 1	1	1	1	1	UR VRC1
2	90480-13398	.GROMMET	2	2	2	2	
3	4XV-21781-60	.EMBLEM 1	2	2	2	2	UR FOR DPBMC
	4XV-21781-50	.EMBLEM 1	2	2	2	2	UR FOR VRC1
4	99241-00080	.EMBLEM, YAMAHA	1	1	1	1	
5	5JJ-21746-00	.DAMPER	1	1	1	1	
6	5JJ-2179V-10	PLATE, EPA 1(NON CALIFORNIA)	1				
	5JJ-2179R-10	PLATE, EPA 2(CALIFORNIA)		1			
7	90150-06036	SCREW, ROUND HEAD	2	2	2	2	
8	90269-07077	RIVET	8	8	8	8	
9	90150-05039	SCREW, ROUND HEAD	1	1	1	1	
10	90183-05061	NUT, SPRING	1	1	1	1	
11	4XV-21871-00	TANK, RECOVERY	1	1	1	1	
12	90119-06117	BOLT, WITH WASHER	2	2	2	2	
13	4XV-21875-00	CAP	1	1	1	1	
14	26H-21828-00	ELBOW	1	1	1	1	
15	90467-11019	CLIP	1	1	1	1	
16	90445-086J6	HOSE (L1040)	1	1	1	1	
17	90467-08003	CLIP	1	1	1	1	
18	5JJ-24129-00	COVER, SIDE 1	1	1	1	1	
19	5JJ-24139-00	COVER, SIDE 2	1	1	1	1	
20	4XV-2411G-00	HOOK, SIDE COVER	2	2	2	2	
21	4XV-2411H-00	HOOK, SIDE COVER 2	2	2	2	2	
22	90110-05201	BOLT, HEXAGON SOCKET HEAD	2	2	2	2	

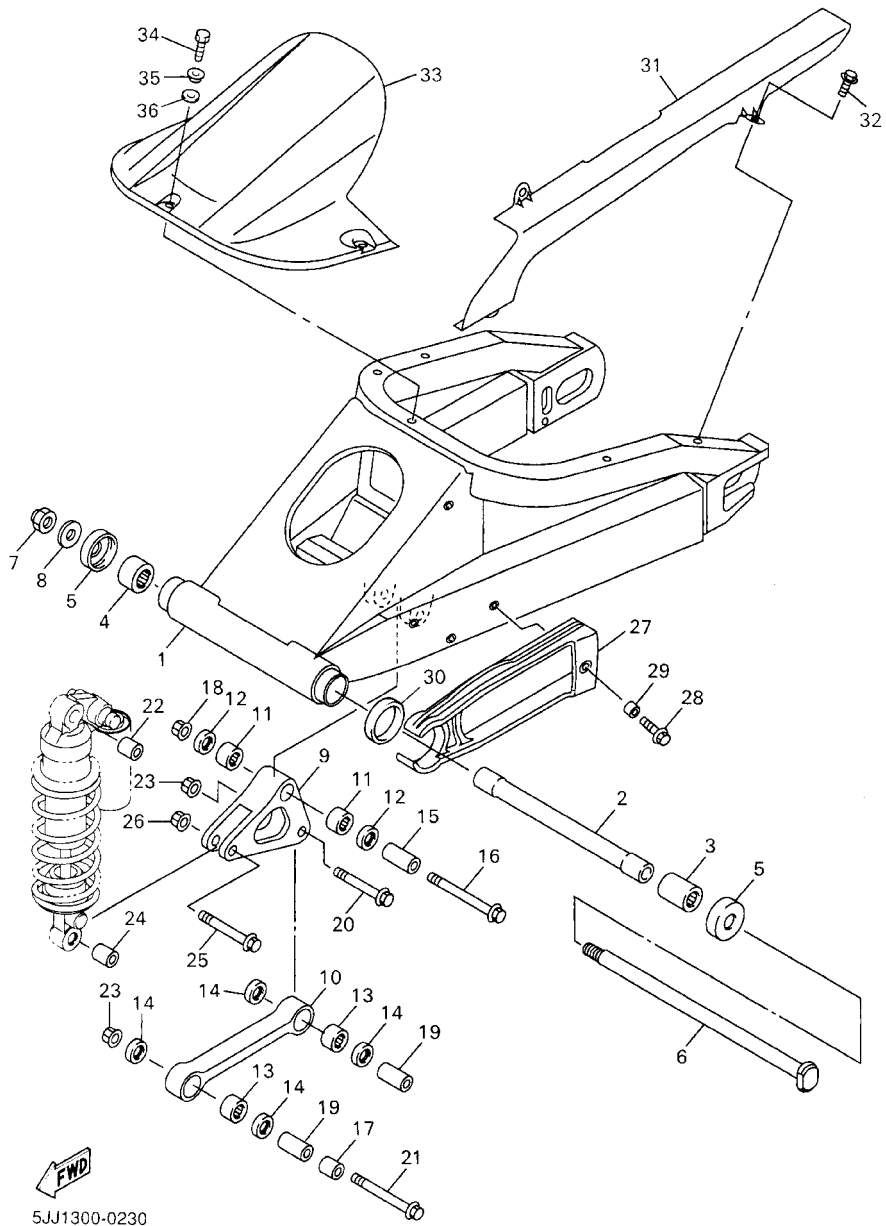
FIG. 23 REAR ARM



5JJ1300-0230

REF. NO.	PART NO.	DESCRIPTION	5JJC	5JJD	5JJE	5JJB	REMARKS
1	5JJ-22110-00	REAR ARM COMP.	1	1	1	1	
2	4XV-22184-00	BUSH	1	1	1	1	
3	93315-42523	BEARING	1	1	1	1	
4	93315-42536	BEARING	1	1	1	1	
5	5JJ-22128-00	COVER, THRUST 1	2	2	2	2	
6	4FN-22141-00	SHAFT, PIVOT	1	1	1	1	
7	90185-18167	NUT, SELF-LOCKING	1	1	1	1	
8	90201-18264	WASHER, PLATE	1	1	1	1	
9	4XV-2217A-00	ARM, RELAY	1	1	1	1	
10	4XV-2217M-00	ARM 1	1	1	1	1	
11	93315-31758	BEARING	2	2	2	2	
12	93109-17071	OIL SEAL	2	2	2	2	
13	93315-31758	BEARING	2	2	2	2	
14	93109-17071	OIL SEAL	4	4	4	4	
15	90387-1012B	COLLAR	1	1	1	1	
16	90105-10021	BOLT, WASHER BASED	1	1	1	1	
17	90387-1013U	COLLAR	1	1	1	1	
18	95607-10200	NUT, SELF-LOCKING	1	1	1	1	
19	90387-1012A	COLLAR	2	2	2	2	
20	90105-10017	BOLT, WASHER BASED	1	1	1	1	
21	90105-10018	BOLT, WASHER BASED	1	1	1	1	
22	90387-1013U	COLLAR	1	1	1	1	
23	95607-10200	NUT, SELF-LOCKING	2	2	2	2	
24	90387-1012A	COLLAR	1	1	1	1	
25	90105-10017	BOLT, WASHER BASED	1	1	1	1	
26	95607-10200	NUT, SELF-LOCKING	1	1	1	1	
27	5JJ-22151-00	SEAL, GUARD	1	1	1	1	

D8



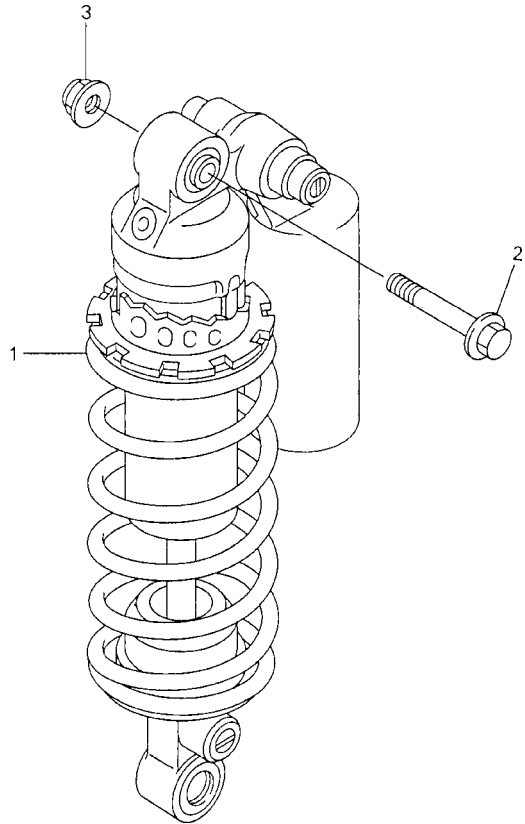
5JJ1300-0230

FIG. 23 REAR ARM

REF. NO.	PART NO.	DESCRIPTION	5JJC	5JJD	5JJE	5JJB	REMARKS
28	90119-06096	BOLT, WITH WASHER	1	1	1	1	
29	90387-06372	COLLAR	1	1	1	1	
30	5JJ-2214F-00	DAMPER 1	1	1	1	1	
31	4XV-22311-01	CASE, CHAIN	1	1	1	1	
32	90119-06052	BOLT, WITH WASHER	3	3	3	3	
33	4XV-21650-01-P1	REAR FENDER COMP.	1	1	1	1	UR DPBMC
	4XV-21650-01-4B	REAR FENDER COMP.	1	1	1	1	UR BL2 FOR VRC1
34	97007-06016	BOLT	3	3	3	3	
35	90387-0615J	COLLAR	3	3	3	3	
36	4XV-28372-00	DAMPER	3	3	3	3	



FIG. 24 REAR SUSPENSION

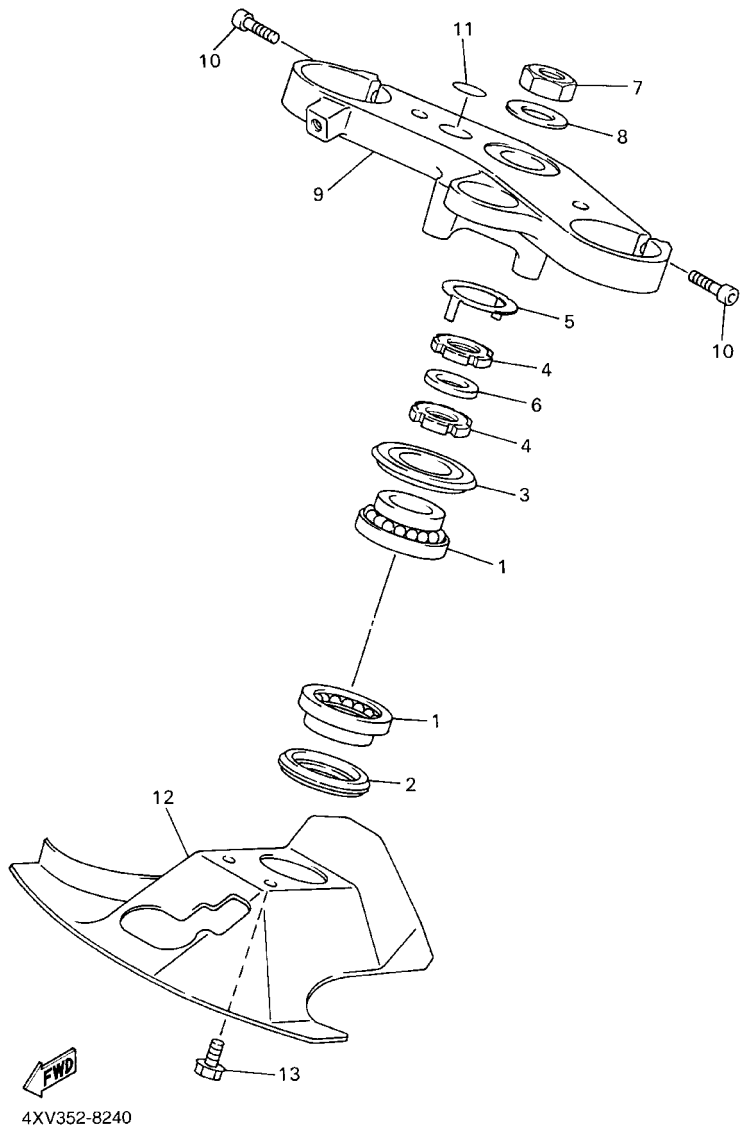


REF. NO.	PART NO.	DESCRIPTION	5JJC	5JJD	5JJE	5JJB	REMARKS
1	5JJ-22210-10	SHOCK ABSORBER ASSY, REAR	1	1			
	5JJ-22210-20	SHOCK ABSORBER ASSY, REAR			1		
	5JJ-22210-00	SHOCK ABSORBER ASSY, REAR				1	
2	90105-10020	BOLT, WASHER BASED	1	1	1	1	
3	95607-10200	NUT, SELF-LOCKING	1	1	1	1	
-----							
-----							
-----							
-----							
-----							
-----							
-----							

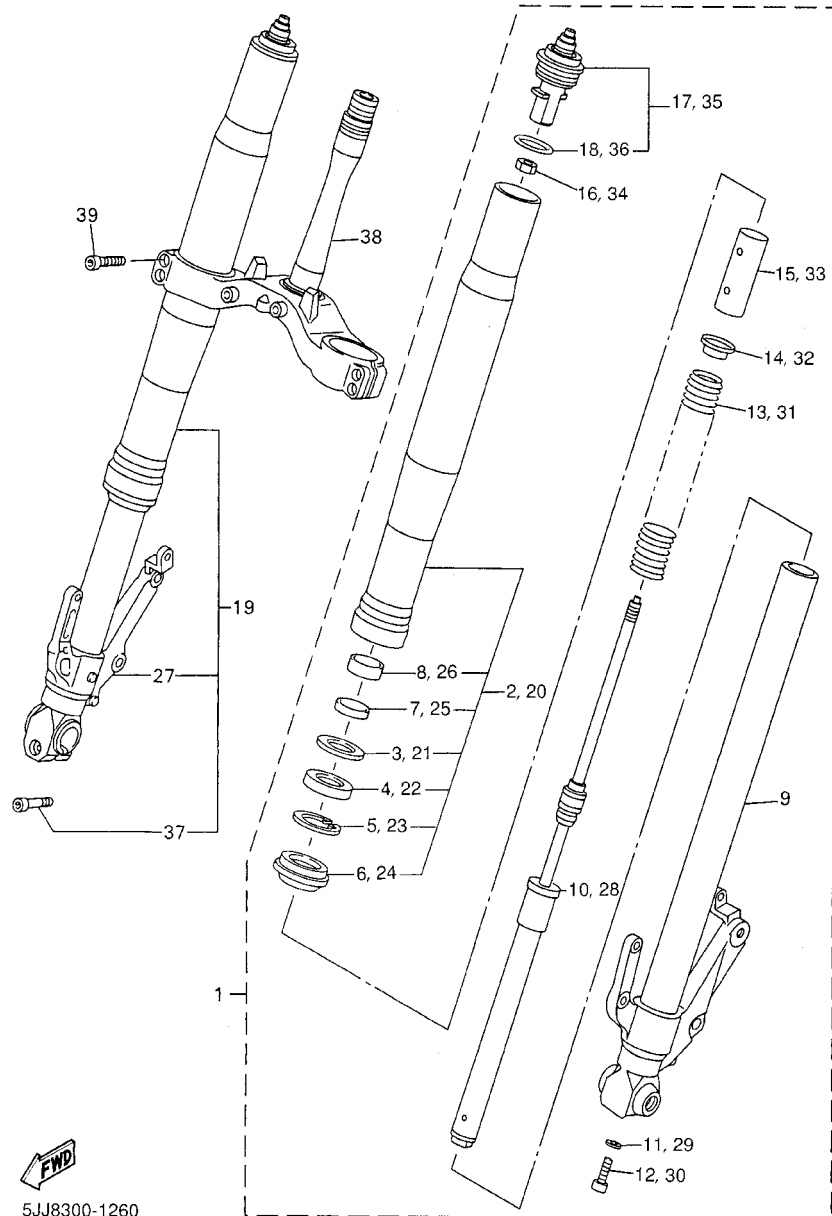


5JJ1300-0240

FIG. 25 STEERING



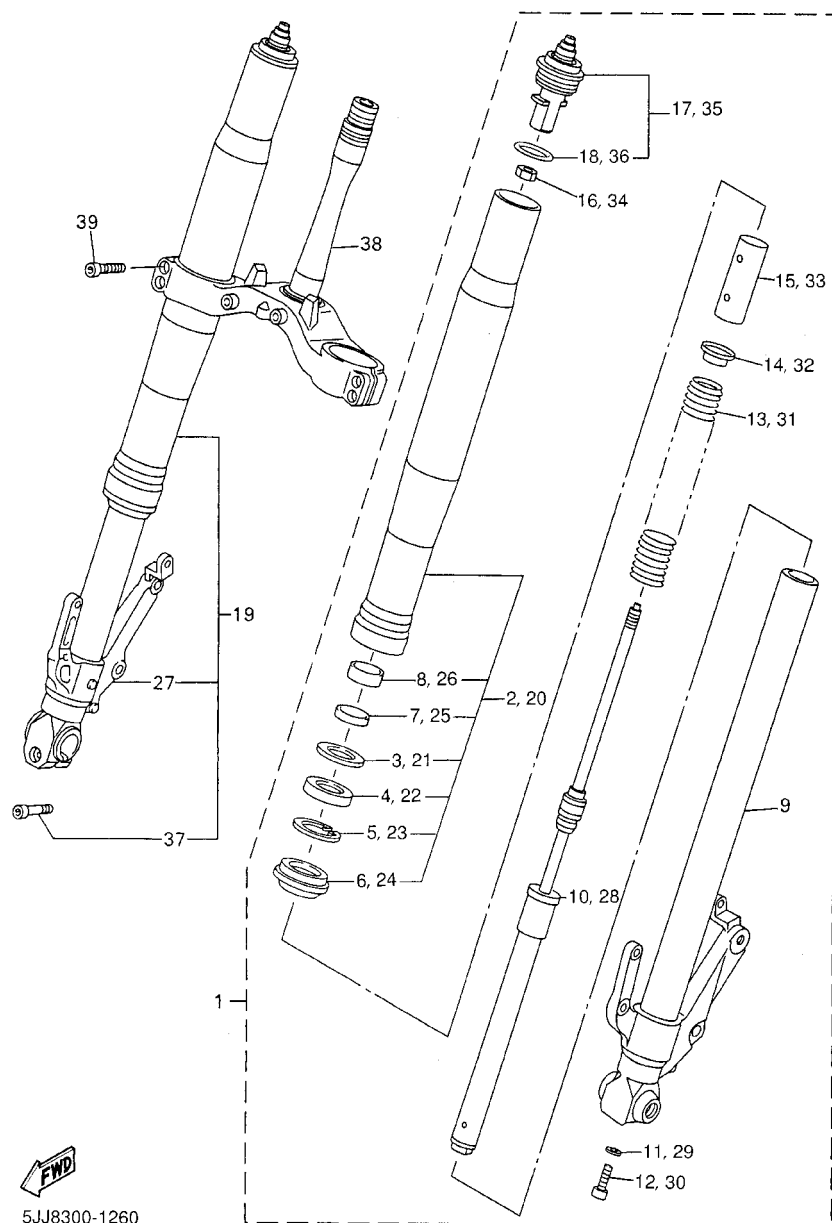
REF. NO.	PART NO.	DESCRIPTION	5JJC	5JJD	5JJE	5JJB	REMARKS
1	93399-99932	BEARING	2	2	2	2	
2	3FV-23462-00	SEAL, STEERING	1	1	1	1	
3	4XV-23415-01	COVER, BALL RACE 1	1	1	1	1	
4	90179-30691	NUT	2	2	2	2	
5	4XV-23418-00	WASHER, SPECIAL	1	1	1	1	
6	90202-30235	WASHER, PLATE	1	1	1	1	
7	90170-28419	NUT	1	1	1	1	
8	90201-281U8	WASHER, PLATE	1	1	1	1	
9	4XV-23435-00	CROWN, HANDLE	1	1	1	1	
10	91314-08030	BOLT	2	2	2	2	
11	4XV-2341B-00	EMBLEM	1	1	1	1	
12	4XV-23818-00	COVER, STEERING	1	1	1	1	
13	90119-06114	BOLT, WITH WASHER	2	2	2	2	



5JJ8300-1260

FIG. 26 FRONT FORK

REF. NO.	PART NO.	DESCRIPTION	5JJC	5JJD	5JJE	5JJB	REMARKS
1	5JJ-23102-00	FRONT FORK ASSY (L.H)	1	1	1	1	
2	5JJ-23136-00	.TUBE, OUTER (RIGHT)	1	1	1	1	
3	5JJ-23146-00	..WASHER, OIL SEAL	1	1	1	1	
4	4XV-23145-00	..OIL SEAL	1	1	1	1	
5	26H-23156-00	..CLIP, OIL SEAL	1	1	1	1	
6	4EB-23144-00	..SEAL, DUST	1	1	1	1	
7	4XV-23125-00	..METAL, SLIDE 1	1	1	1	1	
8	4XV-23135-00	..METAL, SLIDE 2	1	1	1	1	
9	4XV-23110-00	.INNER TUBE COMP.1	1	1	1	1	
10	5JJ-23170-00	.CYLINDER COMP., FRONT FORK	1	1	1	1	
11	2K8-23158-L0	.GASKET	1	1	1	1	
12	3LC-23181-00	.BOLT, HEXAGON SOCKET HEAD	1	1	1	1	
13	5JJ-23141-00	.SPRING, FRONT FORK	1	1	1	1	
14	4XV-23142-00	.SEAT, SPRING UPPER	1	1	1	1	
15	4XV-23118-00	.SPACER	1	1	1	1	
16	3LC-23357-00	.NUT	1	1	1	1	
17	4XV-23111-00	.BOLT, CAP	1	1	1	1	
18	3XJ-23147-L0	..O-RING	1	1	1	1	
19	5JJ-23103-00	FRONT FORK ASSY (R.H)	1	1	1	1	
20	5JJ-23136-00	.TUBE, OUTER (RIGHT)	1	1	1	1	
21	5JJ-23146-00	..WASHER, OIL SEAL	1	1	1	1	
22	4XV-23145-00	..OIL SEAL	1	1	1	1	
23	26H-23156-00	..CLIP, OIL SEAL	1	1	1	1	
24	4EB-23144-00	..SEAL, DUST	1	1	1	1	
25	4XV-23125-00	..METAL, SLIDE 1	1	1	1	1	
26	4XV-23135-00	..METAL, SLIDE 2	1	1	1	1	
27	4XV-23120-00	.INNER TUBE COMP.2	1	1	1	1	



5JJ8300-1260

FIG. 26 FRONT FORK

REF. NO.	PART NO.	DESCRIPTION	5JJC	5JJD	5JJE	5JJB	REMARKS
28	5JJ-23170-00	.CYLINDER COMP., FRONT FORK	1	1	1	1	
29	2K8-23158-L0	.GASKET	1	1	1	1	
30	3LC-23181-00	.BOLT, HEXAGON SOCKET HEAD	1	1	1	1	
31	5JJ-23141-00	.SPRING, FRONT FORK	1	1	1	1	
32	4XV-23142-00	.SEAT, SPRING UPPER	1	1	1	1	
33	4XV-23118-00	.SPACER	1	1	1	1	
34	3LC-23357-00	.NUT	1	1	1	1	
35	4XV-23111-00	.BOLT, CAP	1	1	1	1	
36	3XJ-23147-L0	.O-RING	1	1	1	1	
37	91314-08040	.BOLT	1	1	1	1	
38	5JJ-23340-00	UNDER BRACKET COMP.	1	1	1	1	
39	91314-08030	BOLT	4	4	4	4	

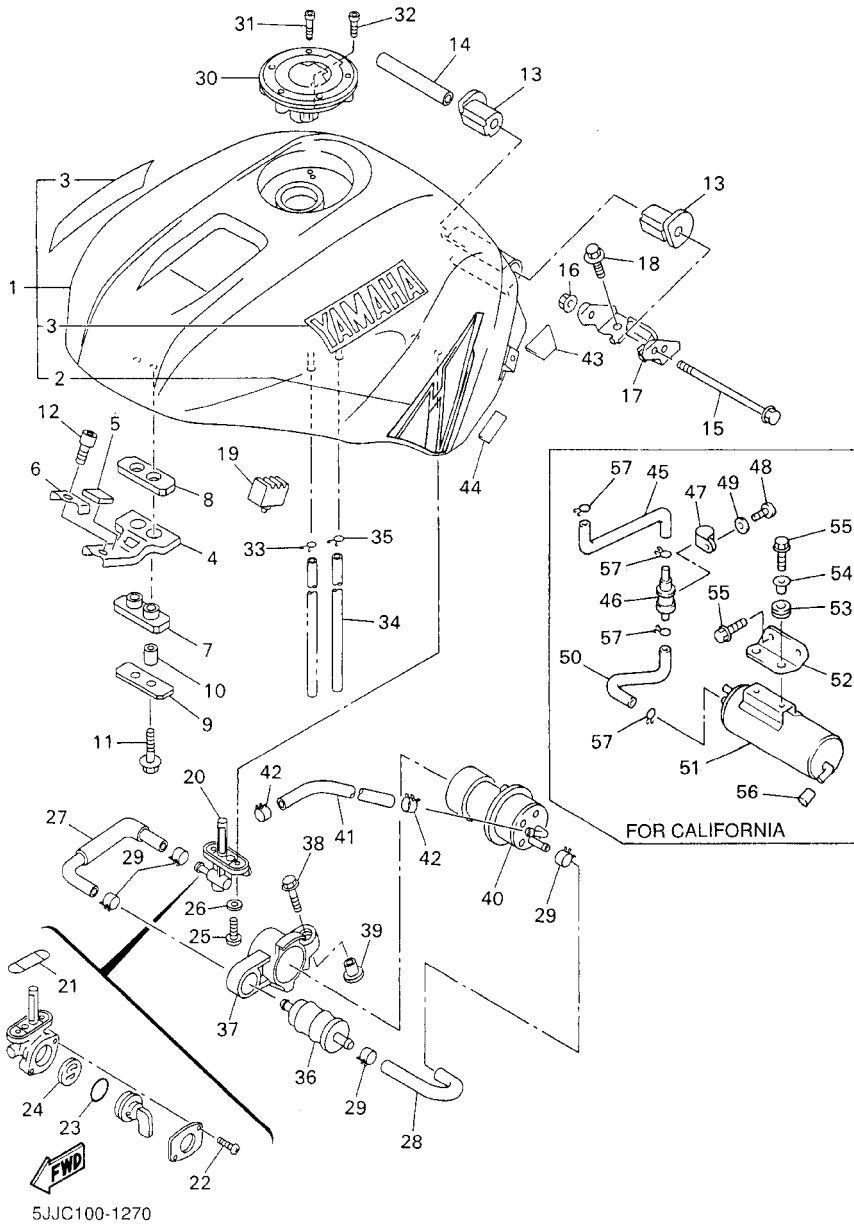


FIG. 27 FUEL TANK

REF. NO.	PART NO.	DESCRIPTION	5JJC	5JJD	5JJE	5JJB	REMARKS
1	5JJ-Y2410-30-05	FUEL TANK COMP.	1	1	1	1	UR DPBMC
	5JJ-Y2410-30-04	FUEL TANK COMP.	1	1	1	1	UR VRC1
2	5JJ-24240-20	.GRAPHIC SET	1	1	1	1	UR FOR DPBMC
	5JJ-24240-10	.GRAPHIC SET	1	1	1	1	UR FOR VRC1
3	5JJ-2153A-00	.EMBLEM, YAMAHA	2	2	2	2	
<hr/>							
4	5JJ-24191-00	BRACKET, FUEL TANK 1	1	1	1	1	
5	1AE-2837J-00	DAMPER 5	1	1	1	1	
6	5JJ-24186-00	WASHER, SPECIAL	1	1	1	1	
7	2GH-24181-00	DAMPER, LOCATING 1	1	1	1	1	
8	2GH-24183-00	DAMPER, LOCATING 3	1	1	1	1	
<hr/>							
9	5JJ-24187-00	WASHER, SPECIAL	1	1	1	1	
10	90387-06006	COLLAR	2	2	2	2	
11	90119-06190	BOLT, WITH WASHER	2	2	2	2	
12	91314-06016	BOLT	1	1	1	1	
13	4YR-24181-00	DAMPER, LOCATING 1	2	2	2	2	
<hr/>							
14	90387-06007	COLLAR	1	1	1	1	
15	95817-06110	BOLT, FLANGE	1	1	1	1	
16	95607-06200	NUT, SELF U-FLANGE	1	1	1	1	
17	5JJ-21348-00	BRACKET, TANK FITTING	1	1	1	1	
18	90119-06044	BOLT, WITH WASHER	2	2	2	2	
<hr/>							
19	4XV-24183-00	DAMPER, LOCATING 3	2	2	2	2	
20	4KM-24500-10	FUEL COCK ASSY 1	1	1	1	1	
21	4X8-24512-00	.O-RING	1	1	1	1	
22	98507-03008	.SCREW, PAN HEAD	2	2	2	2	
23	3AJ-24534-00	.SEAL, COCK	1	1	1	1	
<hr/>							
24	3AJ-24523-00	.VALVE PACKING	1	1	1	1	
25	90149-06011	SCREW	2	2	2	2	

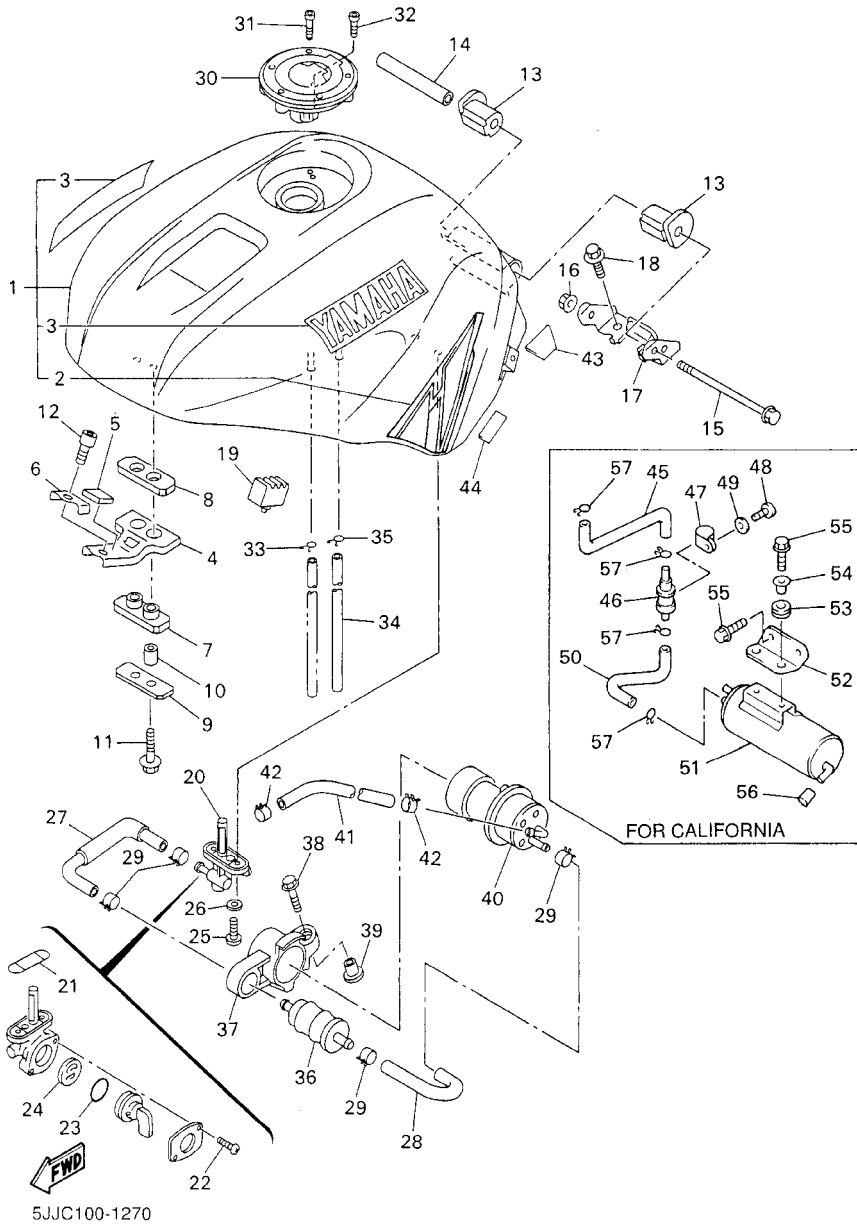
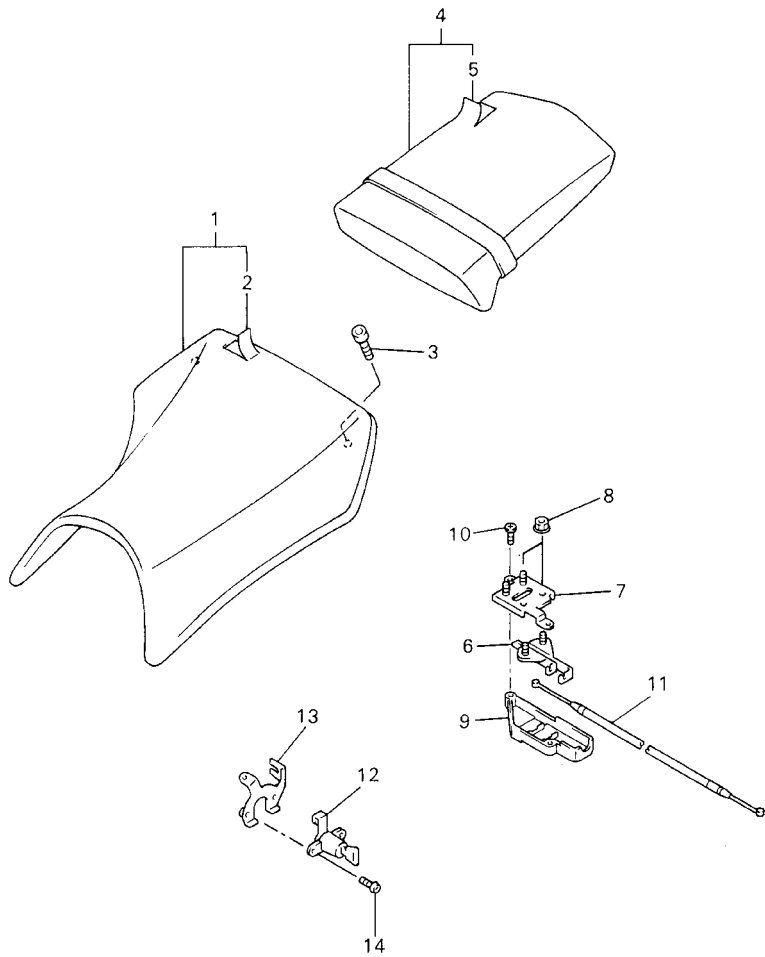


FIG. 27 FUEL TANK

REF. NO.	PART NO.	DESCRIPTION	5JJC	5JJD	5JJE	5JJB	REMARKS
26	90202-05193	WASHER, PLATE	2	2	2	2	
27	4XV-24311-00	PIPE, FUEL 1	1	1	1	1	
28	4XV-24312-00	PIPE 2	1	1	1	1	
29	90467-12124	CLIP	4	4	4	4	
30	5JJ-24602-00	CAP ASSY	1	1	1	1	
31	90110-05112	BOLT, HEXAGON SOCKET HEAD	3	3	3	3	
32	91317-05010	BOLT	1	1	1	1	
33	90467-09006	CLIP	1	1	1	1	
34	90445-10015	HOSE (L950)	1	1	1	1	
35	90467-09006	CLIP	1	1	1	1	
36	1FK-24560-00	FILTER ASSY	1	1	1	1	
37	4XV-24398-01	BAND 1	1	1	1	1	
38	90119-06096	BOLT, WITH WASHER	1	1	1	1	
39	90387-062L2	COLLAR	1	1	1	1	
40	4SV-13907-01	FUEL PUMP COMP.	1	1	1	1	
41	90445-142K2	HOSE (L200)	1	1	1	1	
42	90467-13123	CLIP	2	2	2	2	
43	3SP-21732-00	SEAL 1	2	2	2	2	
44	5H0-8235Y-M0	DAMPER	2	2	2	2	
45	4XV-24313-01	PIPE 3		1			
46	25H-24180-00	ROLL OVER VALVE ASSY		1			
47	90461-15100	CLAMP		1			
48	98507-05012	SCREW, PAN HEAD		1			
49	92907-05600	WASHER, PLATE		1			
50	4XV-24314-00	PIPE 4		1			
51	4XV-24170-00	CANISTER ASSY		1			
52	4XV-2419F-00	BRACKET, CANISTOR		1			



FIG. 28 SEAT



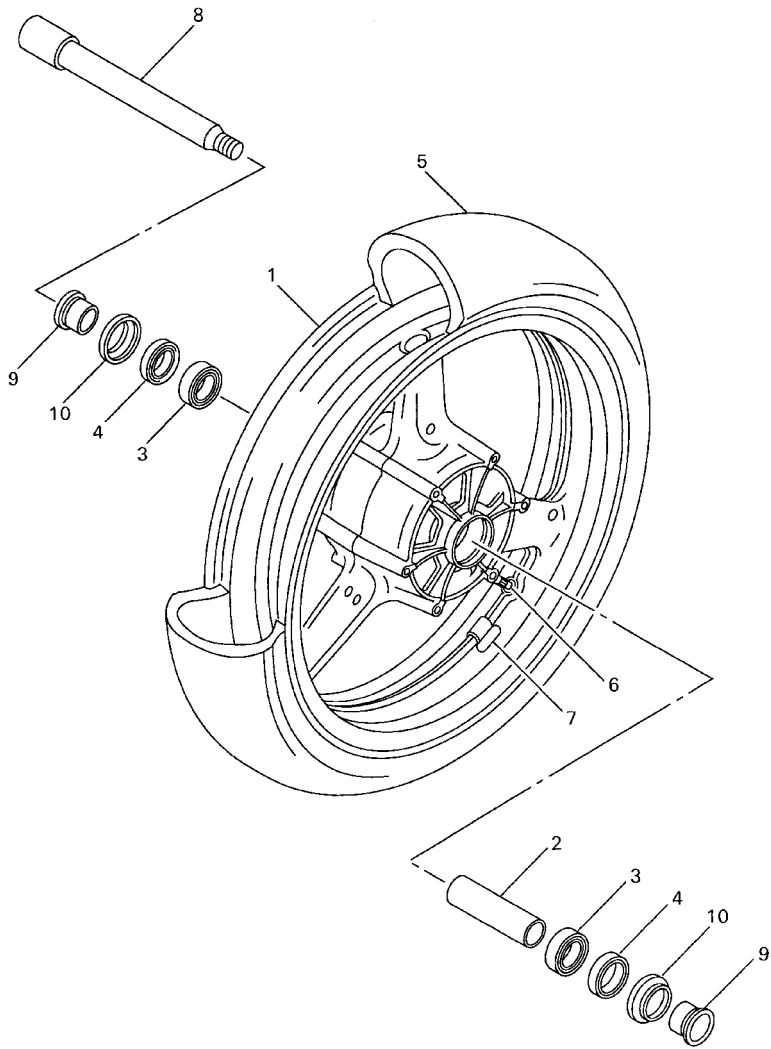
REF. NO.	PART NO.	DESCRIPTION	5JJC	5JJD	5JJE	5JJB	REMARKS
1	5JJ-24710-00	SINGLE SEAT ASSY	1	1	1	1	
2	5JJ-2470F-00	.COVER, SEAT	1	1	1	1	
3	90110-06258	BOLT, HEXAGON SOCKET HEAD	2	2	2	2	
4	5JJ-24750-00	TANDEM SEAT ASSY	1	1	1	1	
5	5JJ-24751-00	.COVER, TANDEM SEAT	1	1	1	1	
6	4BP-24780-00	SEAT LOCK ASSY	1	1	1	1	
7	5JJ-24792-00	PLATE	1	1	1	1	
8	95707-06500	NUT, FLANGE	4	4	4	4	
9	5JJ-2475X-01	COVER,2	1	1	1	1	
10	97707-40012	SCREW, TAPPING	2	2	2	2	
11	5JJ-2478E-00	CABLE, SEAT LOCK	1	1	1	1	
12	2TV-W2470-00	SEAT LOCK ASSY	1	1	1	1	
13	4XV-2117K-00	STAY, LOCK	1	1	1	1	
14	90149-06308	SCREW	2	2	2	2	



5JJ1300-0280



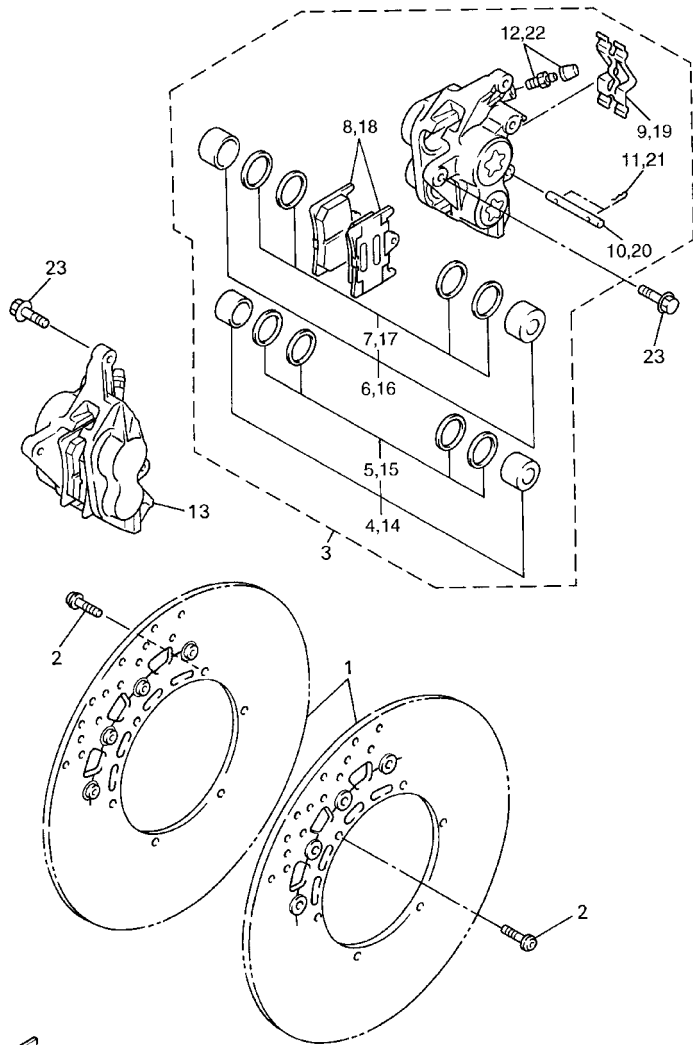
FIG. 29 FRONT WHEEL



REF. NO.	PART NO.	DESCRIPTION	5JJC	5JJD	5JJE	5JJB	REMARKS
1	4XV-25168-00-33	CAST WHEEL, FRONT	1	1	1	1	YB
2	4XV-25117-00	SPACER, BEARING	1	1	1	1	
3	93306-00420	BEARING (B6004)	2	2	2	2	
4	93106-28043	OIL SEAL	2	2	2	2	
5	94112-17012	TIRE (120/70 ZR17 D207F)	1	1	1	1	DUNLOP
6	93900-00030	VALVE, RIM	1	1	1	1	
7	29L-25398-00	BALANCER, WHEEL (10G)	1	1	1	1	UN
	29L-25398-10	BALANCER, WHEEL (20G)	1	1	1	1	UN
	29L-25398-20	BALANCER, WHEEL (30G)	1	1	1	1	UN
8	4XV-25181-00	AXLE, WHEEL	1	1	1	1	
9	4XV-25186-00	COLLAR, WHEEL	2	2	2	2	
10	4XV-25118-00	COVER, HUB DUST	2	2	2	2	

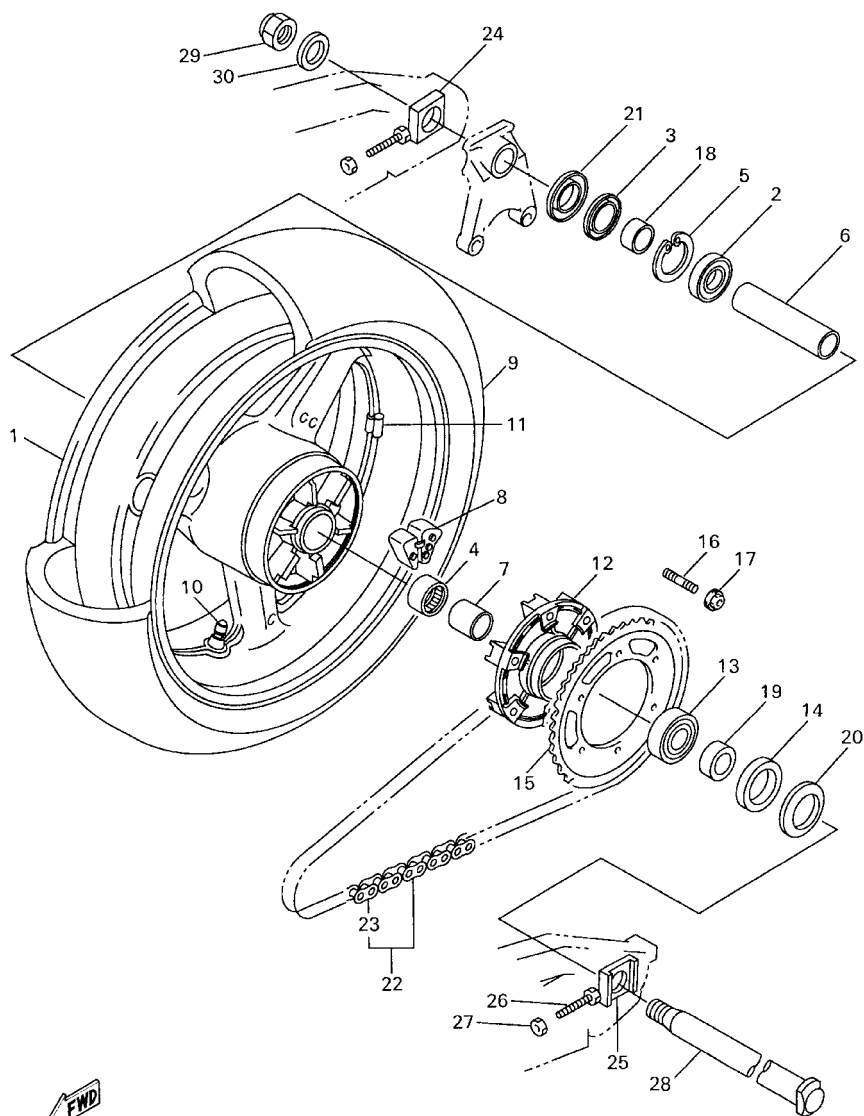
 4XV352-8280

FIG. 30 FRONT BRAKE CALIPER



4XV352-8290

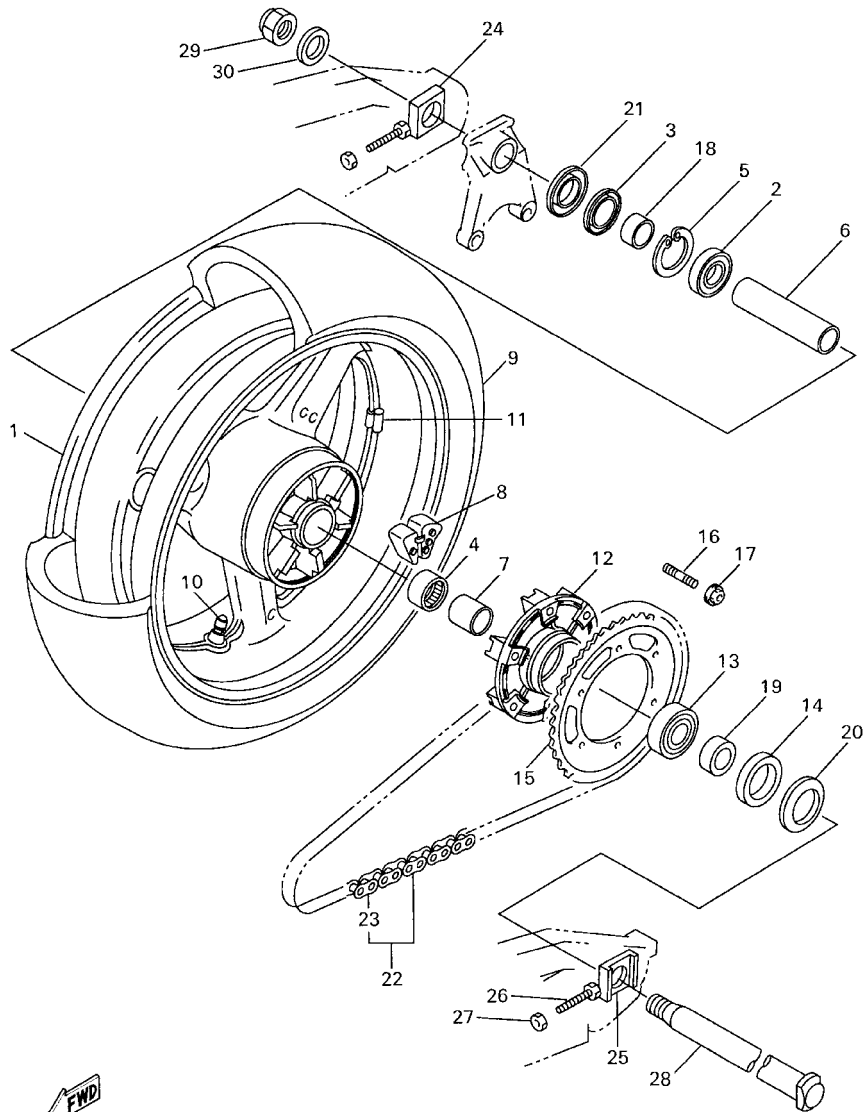
REF. NO.	PART NO.	DESCRIPTION	5JJC	5JJD	5JJE	5JJB	REMARKS
1	5JJ-2581T-10	DISC BRAKE ASSY	2	2	2	2	
2	90109-064G6	BOLT	12	12	12	12	
3	5JJ-2580T-00	CALIPER ASSY (LEFT)	1	1	1	1	
4	4SV-W0057-00	.PISTON ASSY, CALIPER	1	1	1	1	
5	3MA-W0047-10	..CALIPER SEAL KIT	1	1	1	1	
6	4SV-W0057-10	.PISTON ASSY, CALIPER	1	1	1	1	
7	3GM-W0047-10	..CALIPER SEAL KIT	1	1	1	1	
8	5JJ-W0045-00	.BRAKE PAD KIT	1	1	1	1	
9	4SV-25919-00	.SUPPORT, PAD	1	1	1	1	
10	4SV-25924-00	.PIN, PAD	1	1	1	1	
11	3GM-25925-00	.CLIP	2	2	2	2	
12	1J3-W0048-00	.BLEED SCREW KIT	1	1	1	1	
13	5JJ-2580U-00	CALIPER ASSY (RIGHT)	1	1	1	1	
14	4SV-W0057-00	.PISTON ASSY, CALIPER	1	1	1	1	
15	3MA-W0047-10	..CALIPER SEAL KIT	1	1	1	1	
16	4SV-W0057-10	.PISTON ASSY, CALIPER	1	1	1	1	
17	3GM-W0047-10	..CALIPER SEAL KIT	1	1	1	1	
18	5JJ-W0045-00	.BRAKE PAD KIT	1	1	1	1	
19	4SV-25919-00	.SUPPORT, PAD	1	1	1	1	
20	4SV-25924-00	.PIN, PAD	1	1	1	1	
21	3GM-25925-00	.CLIP	2	2	2	2	
22	1J3-W0048-00	.BLEED SCREW KIT	1	1	1	1	
23	90105-105A7	BOLT, WASHER BASED	4	4	4	4	



4XV352-8300

FIG. 31 REAR WHEEL

REF. NO.	PART NO.	DESCRIPTION	5JJC	5JJD	5JJE	5JJB	REMARKS
1	4XV-25338-00-33	CAST WHEEL, REAR	1	1	1	1	YB
2	93306-07806	BEARING	1	1	1	1	
3	93106-35042	OIL SEAL	1	1	1	1	
4	93317-43580	BEARING	1	1	1	1	
5	99009-52500	CIRCLIP	1	1	1	1	
6	4XV-25317-00	SPACER, BEARING	1	1	1	1	
7	4XV-25383-00	COLLAR, WHEEL	1	1	1	1	
8	4XV-25364-00	DAMPER	6	6	6	6	
9	94119-17009	TIRE (190/50 ZR17 D207)	1	1	1	1	DUNLOP
10	93900-00030	VALVE, RIM	1	1	1	1	
11	29L-25398-00	BALANCER, WHEEL (10G)	1	1	1	1	UN
	29L-25398-10	BALANCER, WHEEL (20G)	1	1	1	1	UN
	29L-25398-20	BALANCER, WHEEL (30G)	1	1	1	1	UN
12	5JJ-25366-00	CLUTCH, HUB	1	1	1	1	
13	93306-20531	BEARING	1	1	1	1	
14	93106-40013	OIL SEAL	1	1	1	1	
15	4XV-25443-20	SPROCKET, DRIVEN (43T)	1	1	1	1	
16	90116-10485	BOLT, STUD	6	6	6	6	
17	95604-10200	NUT, SELF-LOCKING	6	6	6	6	
18	4XV-25377-00	COLLAR, WHEEL	1	1	1	1	
19	4XV-25376-00	COLLAR, WHEEL	1	1	1	1	
20	5JJ-25367-00	COVER, HUB DUST	1	1	1	1	
21	4XV-25327-00	COVER, PLATE	1	1	1	1	
22	94581-69114	CHAIN (DID50ZVM-114LL)	1	1	1	1	
23	94681-69031	JOINT, CHAIN	1	1	1	1	
24	4XV-25388-00	PULLER, CHAIN 1	1	1	1	1	
25	4XV-25389-00	PULLER, CHAIN 2	1	1	1	1	

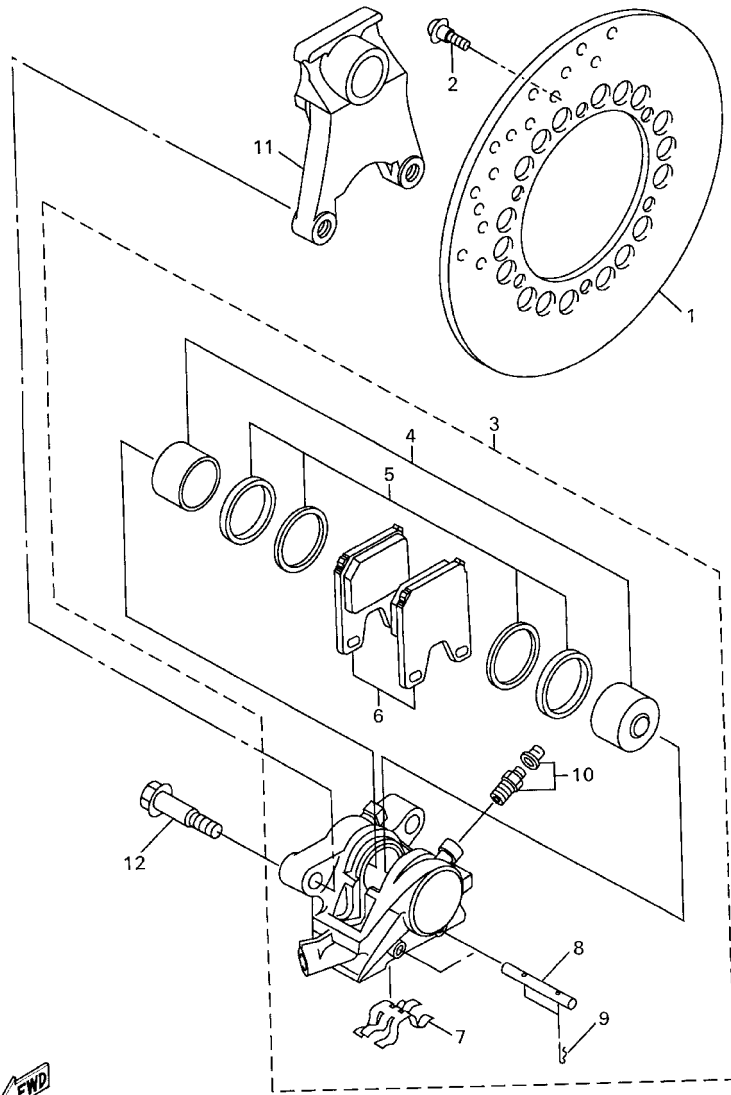


4XV352-8300

FIG. 31 REAR WHEEL

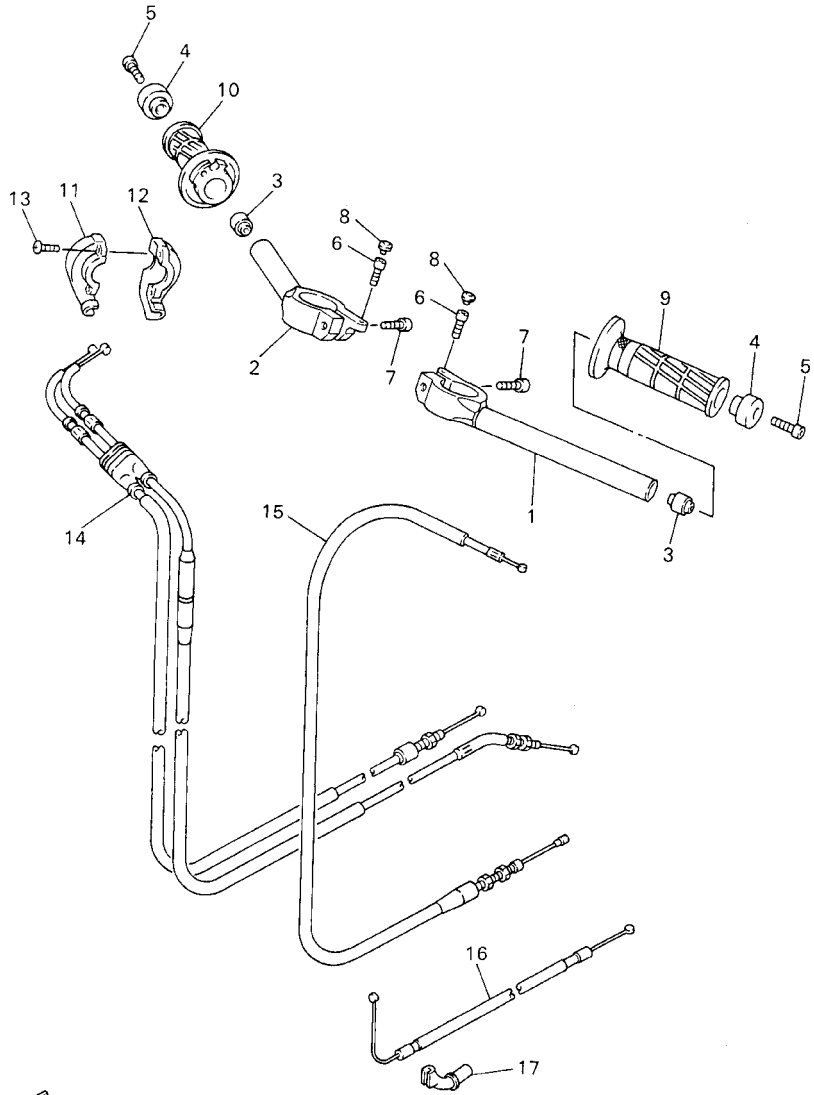
REF. NO.	PART NO.	DESCRIPTION	5JJC	5JJD	5JJE	5JJB	REMARKS
26	90101-08766	BOLT	2	2	2	2	
27	95307-08600	NUT	2	2	2	2	
28	4XV-25381-00	AXLE, WHEEL	1	1	1	1	
29	90185-24165	NUT, SELF-LOCKING	1	1	1	1	
30	90201-257R5	WASHER, PLATE	1	1	1	1	
-----							
-----							
-----							
-----							
-----							
-----							
-----							
-----							
-----							
-----							

FIG. 32 REAR BRAKE CALIPER



4XV352-8310

REF. NO.	PART NO.	DESCRIPTION	5JJC	5JJD	5JJE	5JJB	REMARKS
1	4XV-2582W-00	DISC, REAR BRAKE 2	1	1	1	1	
2	90109-064G6	BOLT	6	6	6	6	
3	5JJ-2580W-00	CALIPER ASSY, REAR 2	1	1	1	1	
4	4XV-W0057-50	.PISTON ASSY, CALIPER	1	1	1	1	
5	4XV-W0047-50	..CALIPER SEAL KIT	1	1	1	1	
6	5FL-W0046-50	.BRAKE PAD KIT 2	1	1	1	1	
7	4XV-25919-50	.SUPPORT, PAD	1	1	1	1	
8	4SV-25924-00	.PIN, PAD	2	2	2	2	
9	3GM-25925-00	.CLIP	4	4	4	4	
10	1J3-W0048-00	.BLEED SCREW KIT	2	2	2	2	
11	4XV-25819-00	BRACKET, CALIPER	1	1	1	1	
12	90105-105A0	BOLT, WASHER BASED	2	2	2	2	

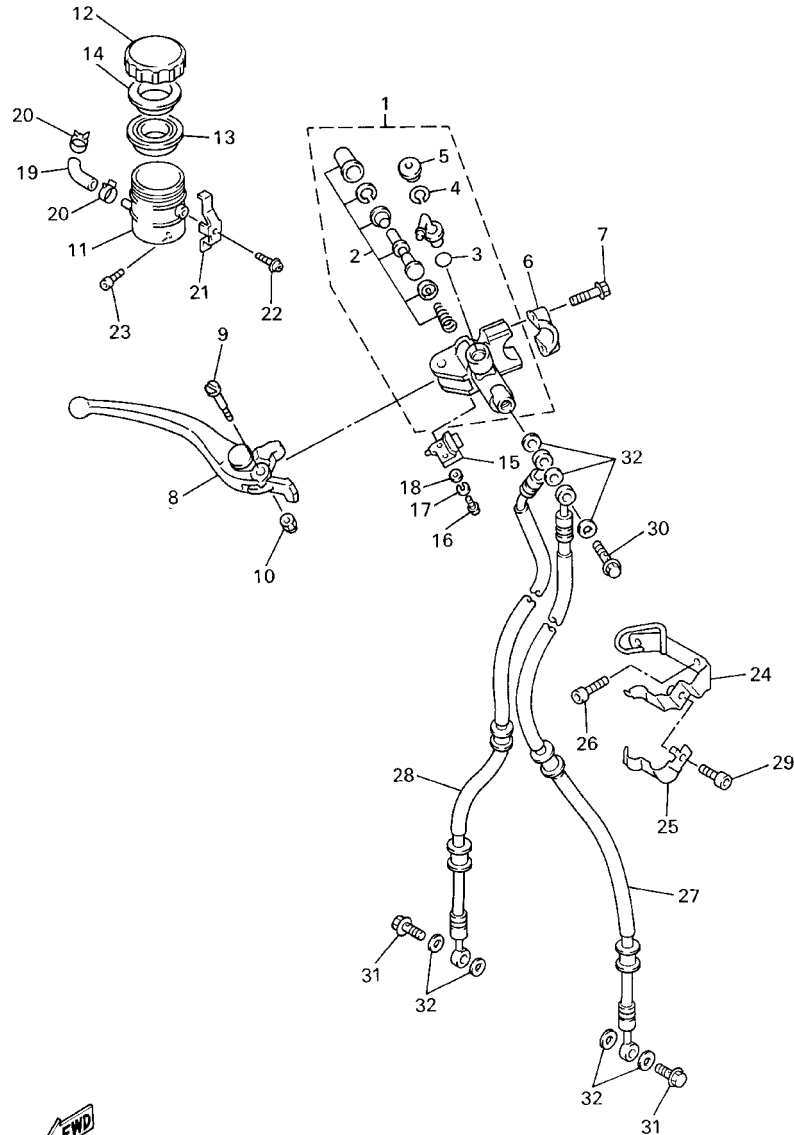


5JJ1300-0330

FIG. 33 STEERING HANDLE. CABLE

REF. NO.	PART NO.	DESCRIPTION	5JJC	5JJD	5JJE	5JJB	REMARKS
1	4XV-26121-00	HANDLEBAR (LEFT)	1	1	1	1	
2	4XV-26122-00	HANDLEBAR (RIGHT)	1	1	1	1	
3	4JH-23434-00	HOLDER, DAMPER	2	2	2	2	
4	4XV-26246-00	END, GRIP	2	2	2	2	
5	91317-06025	BOLT	2	2	2	2	
6	91317-06025	BOLT	2	2	2	2	
7	91314-08030	BOLT	2	2	2	2	
8	2H9-23469-00	CAP, BOLT	2	2	2	2	
9	4YR-26241-01	GRIP (LEFT)	1	1	1	1	
10	4YR-26240-01	GRIP ASSY	1	1	1	1	
11	3XW-26282-01	CAP, GRIP LOWER	1	1	1	1	
12	3XW-26281-01	CAP, GRIP UPPER	1	1	1	1	
13	98507-05035	SCREW, PAN HEAD	2	2	2	2	
14	4XV-26302-01	THROTTLE CABLE ASSY	1	1	1	1	
15	5JJ-26335-00	CABLE, CLUTCH	1	1	1	1	
16	5JJ-26331-00	CABLE, STARTER 1	1	1	1	1	
17	5JJ-26399-00	GUIDE, CABLE	1	1	1	1	

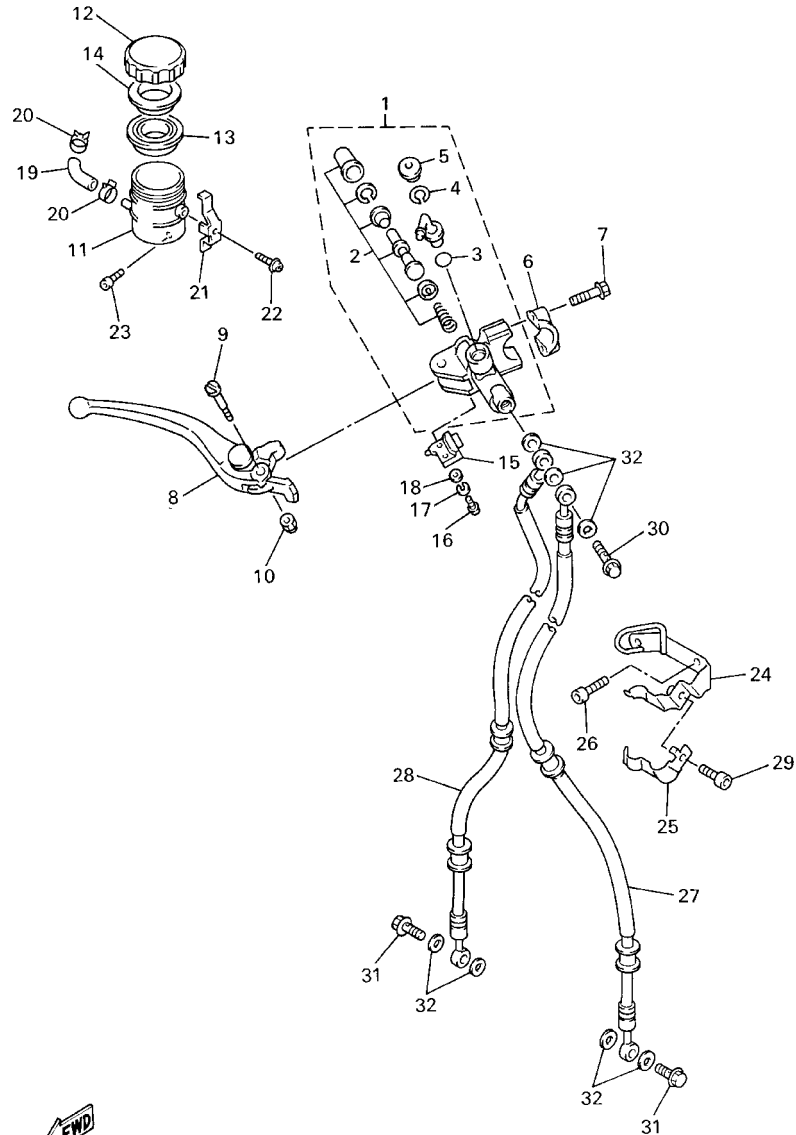
FIG. 34 FRONT MASTER CYLINDER



4XV352-8330

REF. NO.	PART NO.	DESCRIPTION	5JJC	5JJD	5JJE	5JJB	REMARKS
1	5JJ-W2587-00	MASTER CYLINDER SUB ASSY	1	1	1	1	
2	5JJ-W0041-00	.CYLINDER KIT, MASTER	1	1	1	1	
3	93210-15620	.O-RING	1	1	1	1	
4	2VN-25866-00	.CIRCLIP	1	1	1	1	
5	3FV-2589A-00	.COVER, DUST	1	1	1	1	
6	56A-25867-00	BRACKET, MASTER CYLINDER	1	1	1	1	
7	5EB-26332-00	BOLT	2	2	2	2	
8	4XV-83922-01	LEVER 2	1	1	1	1	
9	3FV-2589F-00	BOLT, LEVER	1	1	1	1	
10	95606-06100	NUT, U	1	1	1	1	
11	5JJ-25894-10	TANK, RESERVOIR	1	1	1	1	
12	3GM-25852-50	CAP, RESERVOIR	1	1	1	1	
13	3FV-25854-00	DIAPHRAGM, RESERVOIR	1	1	1	1	
14	2J2-25855-50	BUSH,DIAPHRAGM	1	1	1	1	
15	3FV-83980-00	FRONT STOP SWITCH ASSY	1	1	1	1	
16	98502-04012	SCREW, PAN HEAD	1	1	1	1	
17	92902-04100	WASHER, SPRING	1	1	1	1	
18	92902-04600	WASHER, PLATE	1	1	1	1	
19	3TJ-2582F-01	HOSE	1	1	1	1	
20	3PA-24356-00	CLIP, PIPE 1	2	2	2	2	
21	3FV-2589G-00	HOLDER	1	1	1	1	
22	3GM-2589H-00	SCREW	1	1	1	1	
23	91317-06012	BOLT	1	1	1	1	
24	4XV-25887-00	HOLDER, BRAKE HOSE	1	1	1	1	
25	4XV-2587A-00	HOLDER, BREAK HOSE	1	1	1	1	
26	91317-06012	BOLT	2	2	2	2	
27	4XV-25872-00	HOSE, BRAKE 1	1	1	1	1	

FIG. 34 FRONT MASTER CYLINDER

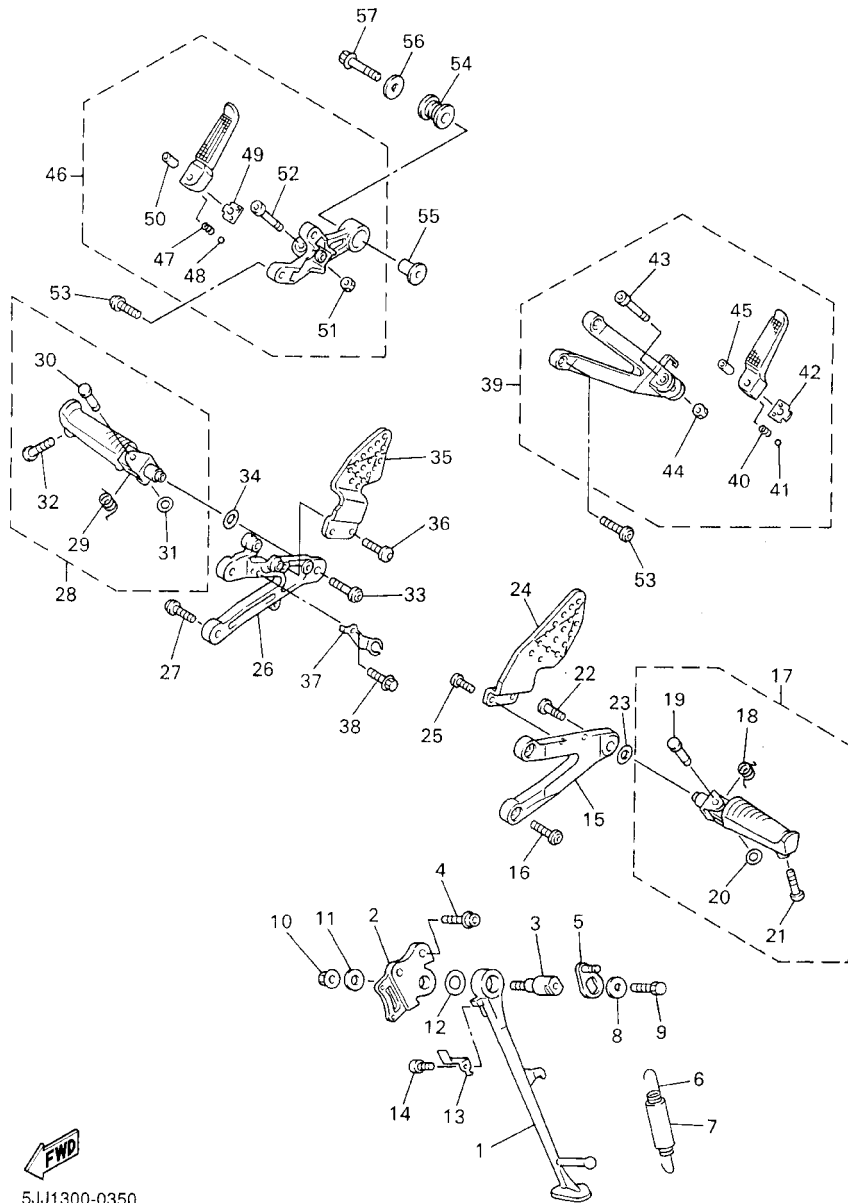


4XV352-8330

REF. NO.	PART NO.	DESCRIPTION	5JJC	5JJD	5JJE	5JJB	REMARKS
28	4XV-25873-00	HOSE, BRAKE 2	1	1	1	1	
29	91317-06010	BOLT	1	1	1	1	
30	90401-10160	BOLT, UNION	1	1	1	1	
31	90401-10172	BOLT, UNION	2	2	2	2	
32	90201-10118	WASHER, PLATE	7	7	7	7	
-----							
-----							
-----							
-----							
-----							
-----							
-----							
-----							
-----							
-----							



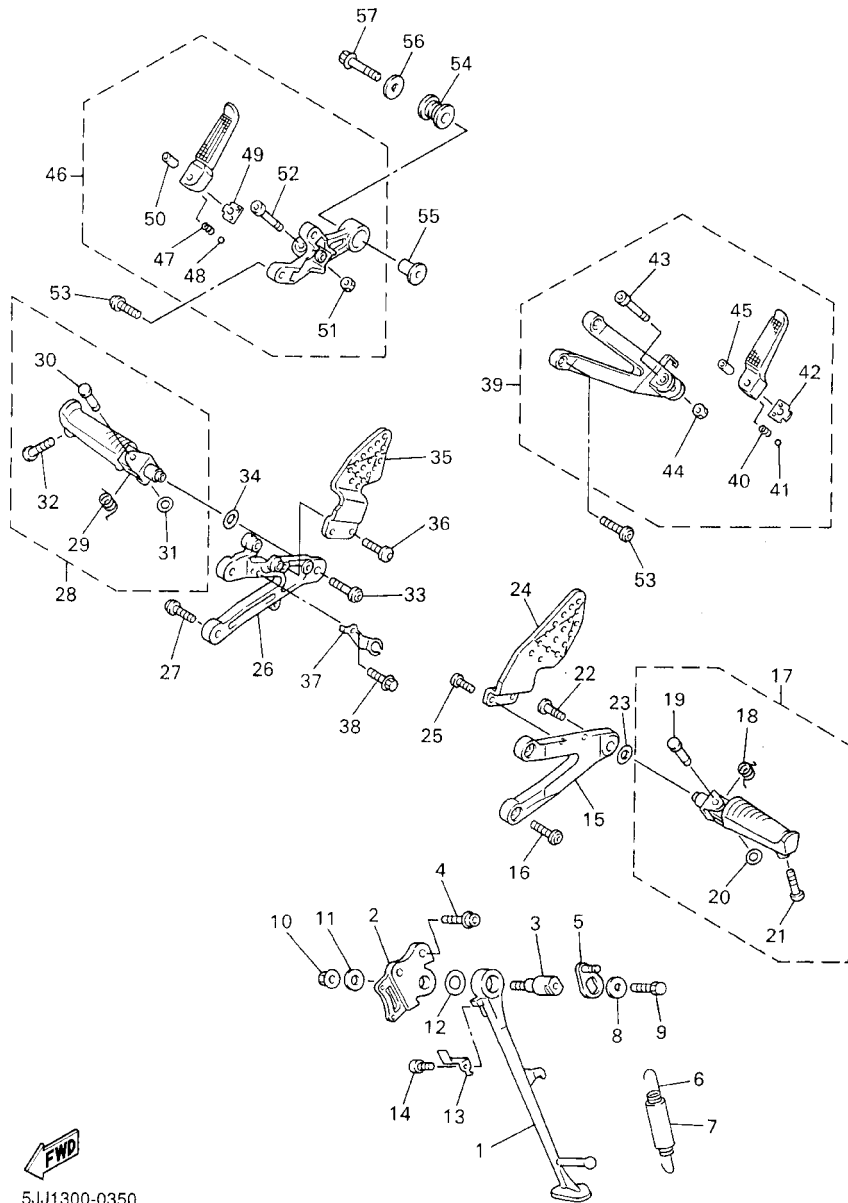
FIG. 35 STAND, FOOTREST



FWD  
5JJ1300-0350

REF. NO.	PART NO.	DESCRIPTION	5JJC	5JJJ	5JJE	5JJB	REMARKS
1	4XV-27311-00	STAND, SIDE	1	1	1	1	
2	5JJ-27321-00	BRACKET, SIDE STAND	1	1	1	1	
3	4NX-27351-00	GUIDE, SIDE STAND	1	1	1	1	
4	90109-10002	BOLT	2	2	2	2	
5	5EB-27352-00	HOOK, SIDE STAND	1	1	1	1	
6	90506-18003	SPRING, TENSION	1	1	1	1	
7	90445-19002	HOSE (L60)	1	1	1	1	
8	90201-081R9	WASHER, PLATE	1	1	1	1	
9	90101-08662	BOLT	1	1	1	1	
10	95607-10200	NUT, SELF-LOCKING	1	1	1	1	
11	90201-101J1	WASHER, PLATE	1	1	1	1	
12	90201-146F9	WASHER, PLATE	1	1	1	1	
13	5JJ-27315-00	LINK, SIDE STAND	1	1	1	1	
14	90110-06226	BOLT, HEXAGON SOCKET HEAD	1	1	1	1	
15	5JJ-27442-00	BRACKET 2	1	1	1	1	
16	90109-085G6	BOLT	2	2	2	2	
17	5JJ-27410-01	FRONT FOOTREST ASSY (LEFT)	1	1	1	1	
18	90508-18134	.SPRING, TORSION	1	1	1	1	
19	90243-08029	.PIN	1	1	1	1	
20	90201-06042	.WASHER, PLATE	1	1	1	1	
21	90109-083E0	.BOLT	1	1	1	1	
22	90149-08296	SCREW	1	1	1	1	
23	90201-13008	WASHER, PLATE	1	1	1	1	
24	5JJ-27445-00	PLATE 1	1	1	1	1	
25	90149-06233	SCREW	2	2	2	2	
26	5JJ-27443-00	BRACKET 3	1	1	1	1	
27	90109-085G6	BOLT	2	2	2	2	

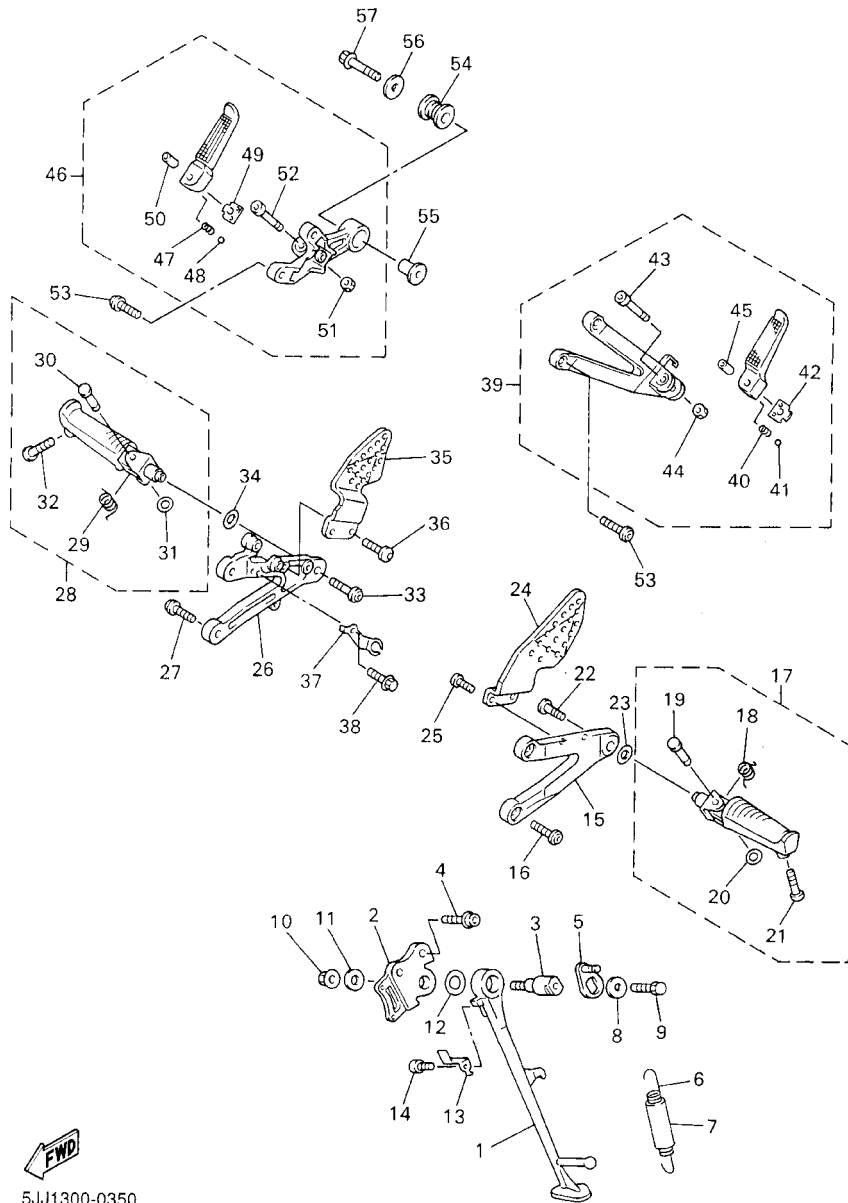
FIG. 35 STAND, FOOTREST



**FWD**  
5JJ1300-0350

REF. NO.	PART NO.	DESCRIPTION	5JJC	5JJJ	5JJE	5JJB	REMARKS
28	5JJ-27420-01	FRONT FOOTREST ASSY (RIGHT)	1	1	1	1	
29	90508-18135	.SPRING, TORSION	1	1	1	1	
30	90243-08029	.PIN	1	1	1	1	
31	90201-06042	.WASHER, PLATE	1	1	1	1	
32	90109-083E0	.BOLT	1	1	1	1	
33	90149-08296	SCREW	1	1	1	1	
34	90201-13008	WASHER, PLATE	1	1	1	1	
35	5JJ-27446-00	PLATE 2	1	1	1	1	
36	90149-06233	SCREW	2	2	2	2	
37	3XV-2144G-00	STAY, STOP SWITCH	1	1	1	1	
38	95807-06008	BOLT, FLANGE	1	1	1	1	
39	5JJ-27430-00	REAR FOOTREST ASSY 1	1	1	1	1	
40	90501-12743	.SPRING, COMPRESSION	1	1	1	1	
41	93501-04011	.BALL	1	1	1	1	
42	5JJ-27437-00	.WASHER, SPECIAL	1	1	1	1	
43	91314-06035	.BOLT	1	1	1	1	
44	95604-06200	.NUT, U FLANGE	1	1	1	1	
45	90387-06697	.COLLAR	1	1	1	1	
46	5JJ-27440-00	REAR FOOTREST ASSY 2	1	1	1	1	
47	90501-12743	.SPRING, COMPRESSION	1	1	1	1	
48	93501-04011	.BALL	1	1	1	1	
49	5JJ-27437-00	.WASHER, SPECIAL	1	1	1	1	
50	90387-06697	.COLLAR	1	1	1	1	
51	95604-06200	.NUT, U FLANGE	1	1	1	1	
52	91314-06035	.BOLT	1	1	1	1	
53	90109-085G6	.BOLT	4	4	4	4	
54	36Y-27424-00	DAMPER, FOOTREST 2	1	1	1	1	

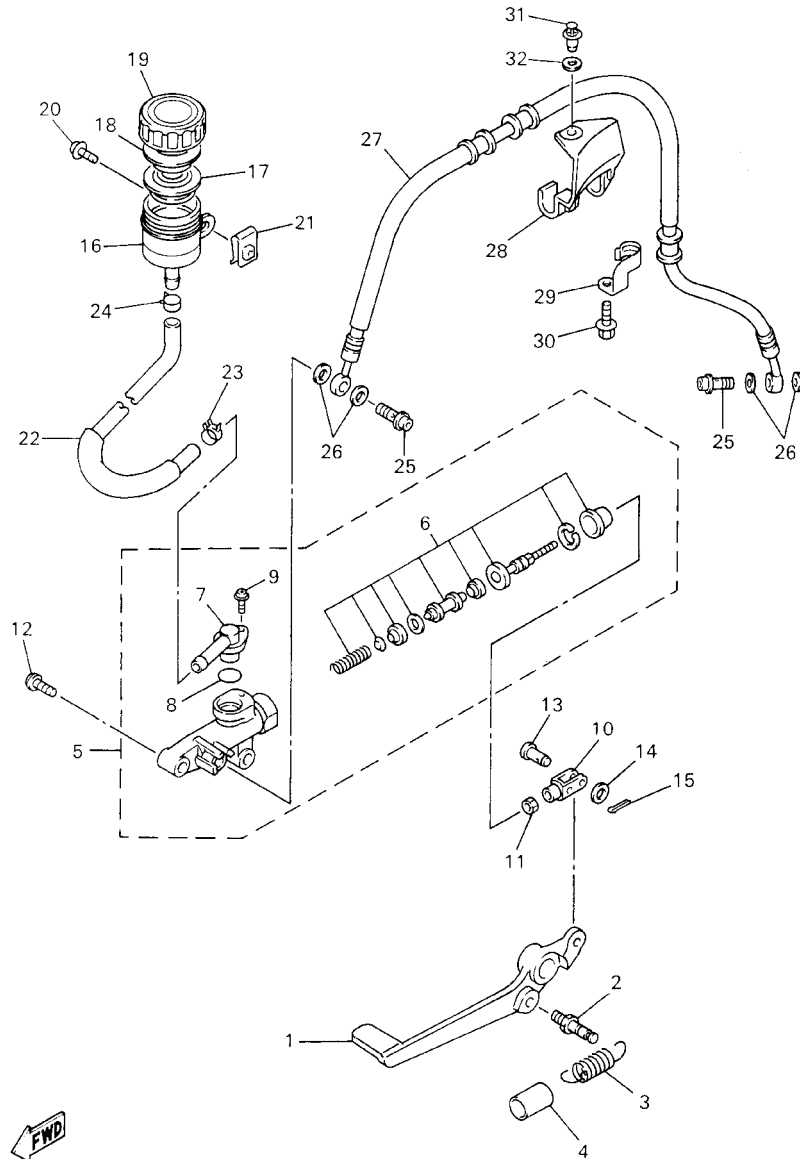
FIG. 35 STAND. FOOTREST



5JJ1300-0350

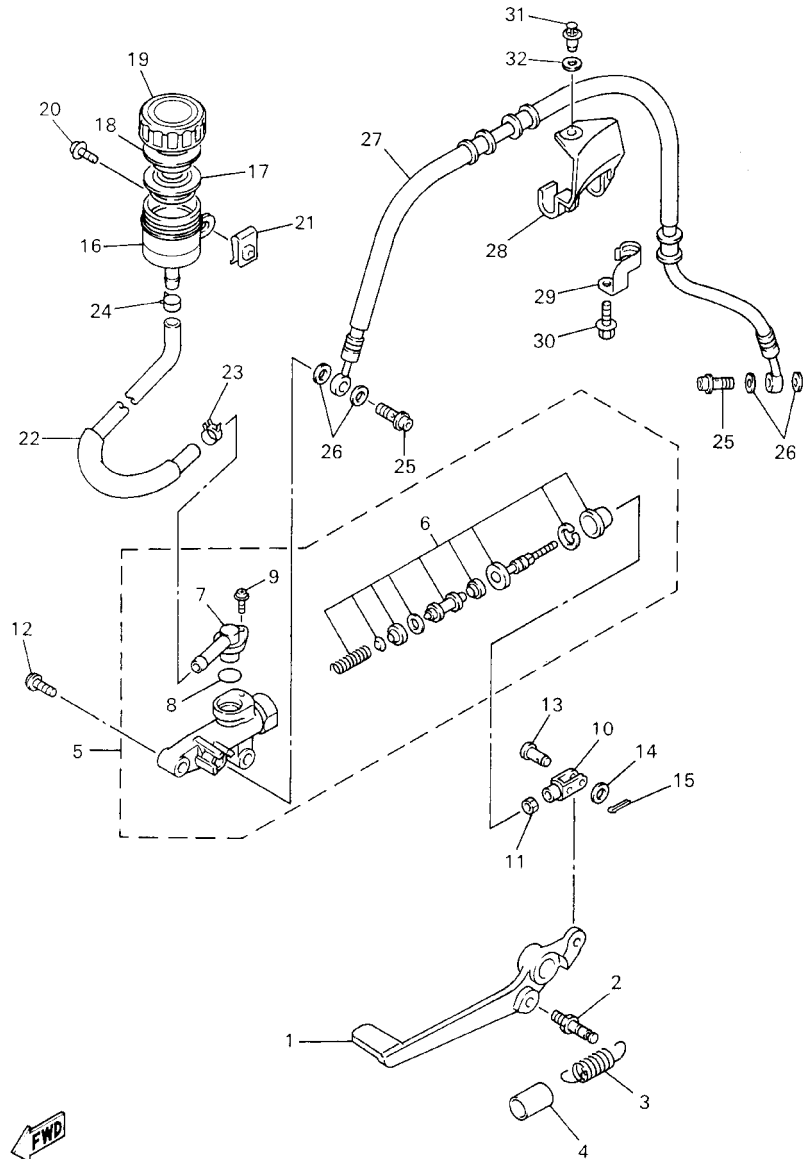
REF. NO.	PART NO.	DESCRIPTION	5JJC	5JJD	5JJE	5JJB	REMARKS
55	90387-10001	COLLAR	1	1	1	1	
56	90201-10669	WASHER, PLATE	1	1	1	1	
57	90105-10022	BOLT, WASHER BASED	1	1	1	1	

FIG. 36 REAR MASTER CYLINDER



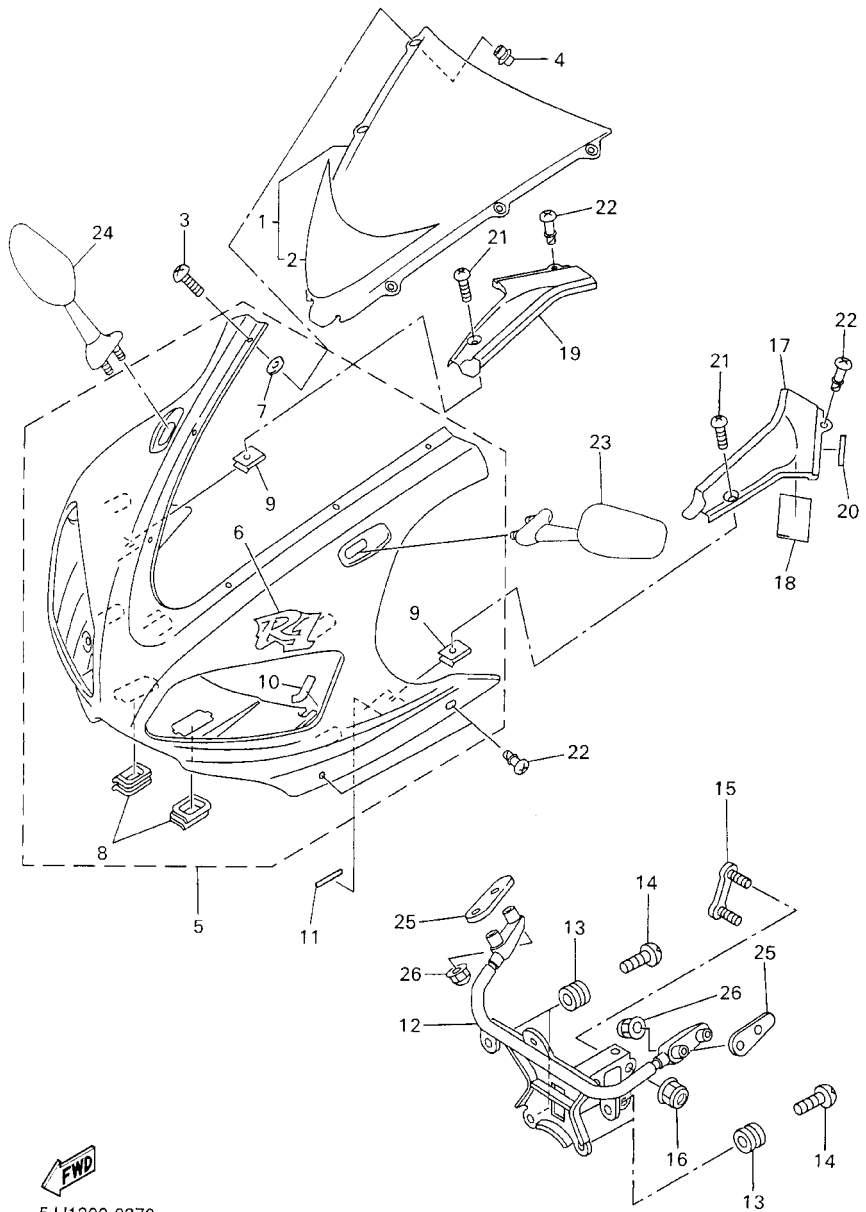
REF. NO.	PART NO.	DESCRIPTION	5JJC	5JJD	5JJE	5JJB	REMARKS
1	5JJ-27211-00	PEDAL, BRAKE	1	1	1	1	
2	5JJ-27813-00	PIN, PEDAL CRANK	1	1	1	1	
3	90506-20377	SPRING, TENSION	1	1	1	1	
4	90446-17346	HOSE	1	1	1	1	
5	3TU-2583V-01	RR. MASTER CYLINDER ASSY.	1	1	1	1	
6	3TU-W0042-51	.CYLINDER KIT, MASTER	1	1	1	1	
7	3LN-2582A-00	.JOINT	1	1	1	1	
8	3LN-2585F-00	.O-RING	1	1	1	1	
9	3LN-2585H-00	.SCREW,SET	1	1	1	1	
10	4XV-27222-01	JOINT	1	1	1	1	
11	95304-08700	NUT	1	1	1	1	
12	90109-06013	BOLT	2	2	2	2	
13	91701-06018	PIN, CLEVIS	1	1	1	1	
14	92907-06200	WASHER	1	1	1	1	
15	91401-16012	PIN, COTTER	1	1	1	1	
16	5JJ-25894-00	TANK, RESERVOIR	1	1	1	1	
17	2VN-25854-00	DIAPHRAGM, RESERVOIR	1	1	1	1	
18	2VN-25855-00	BUSH,DIAPHRAGM	1	1	1	1	
19	3XP-25852-50	CAP, RESERVOIR	1	1	1	1	
20	90159-06056	SCREW, WITH WASHER	1	1	1	1	
21	90183-06053	NUT, SPRING	1	1	1	1	
22	5JJ-25895-00	HOSE, RESERVOIR	1	1	1	1	
23	90467-14057	CLIP	1	1	1	1	
24	90467-12191	CLIP	1	1	1	1	
25	90401-10172	BOLT, UNION	2	2	2	2	
26	90201-10118	WASHER, PLATE	4	4	4	4	
27	4XV-25874-00	HOSE, BRAKE	1	1	1	1	

FIG. 36 REAR MASTER CYLINDER



REF. NO.	PART NO.	DESCRIPTION	5JJC	5JJD	5JJE	5JJB	REMARKS
28	4XV-25886-01	HOLDER, BRAKE HOSE	1	1	1	1	
29	4FM-25876-00	HOLDER, BRAKE HOSE 2	1	1	1	1	
30	95027-06010	BOLT, FLANGE	1	1	1	1	
31	90269-08001	RIVET	1	1	1	1	
32	5JJ-22332-00	DAMPER, CHAIN CASE	1	1	1	1	
-----							
-----							
-----							
-----							
-----							
-----							
-----							
-----							
-----							

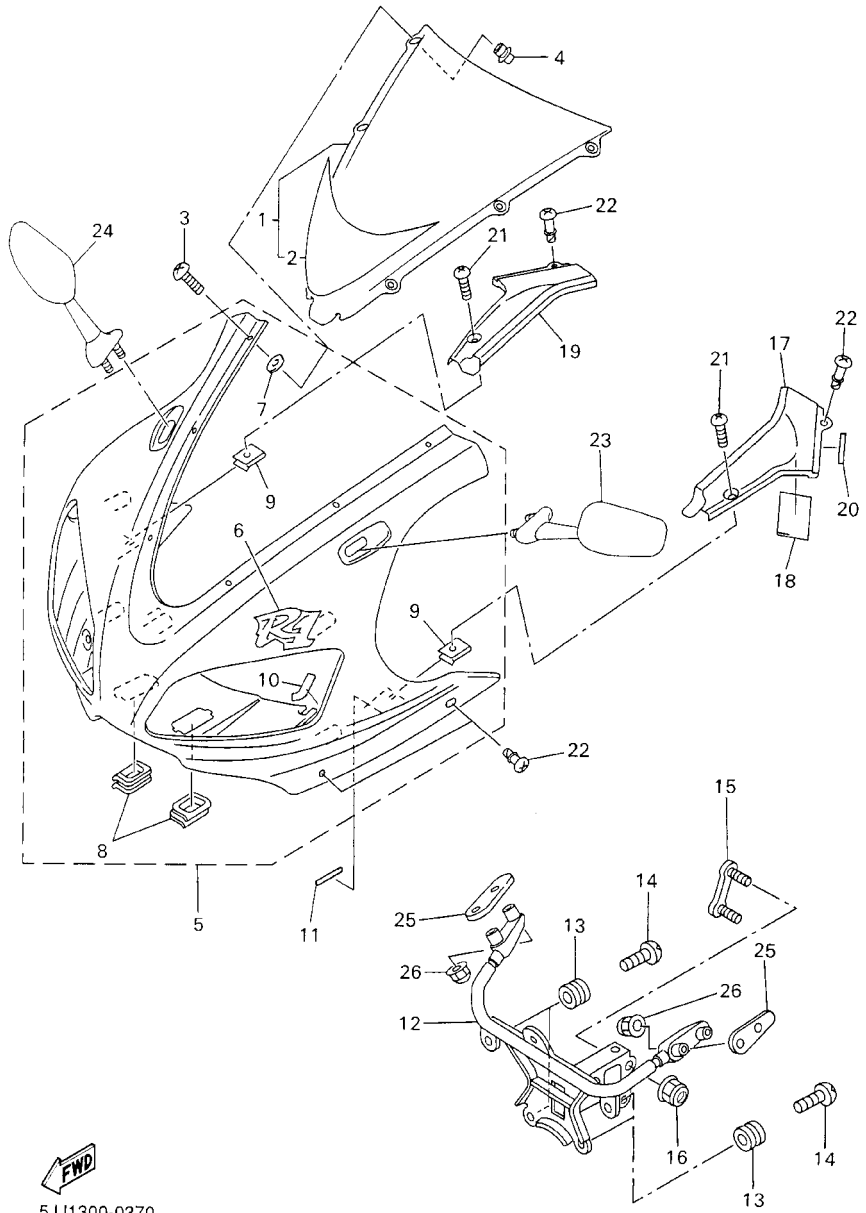
FIG. 37 COWLING 1



5JJ1300-0370

REF. NO.	PART NO.	DESCRIPTION	5JJC	5JJJ	5JJE	5JJB	REMARKS
1	5JJ-Y2881-30	WINDSHIELD	1	1	1	1	
2	5JJ-2832P-01	.GRAPHIC 18	1	1	1	1	
3	90150-05023	SCREW, ROUND HEAD	6	6	6	6	
4	90179-05523	NUT	6	6	6	6	
5	5JJ-Y283G-30-1X	BODY, FRONT UPPER 1	1	1	1	1	UR DPBMC/LGB
	5JJ-Y283G-20-2X	BODY, FRONT UPPER 1	1	1	1	1	UR VRC1/BL2/LGB
6	4XV-28315-50	.EMBLEM	1	1	1	1	UR FOR DPBMC
	4XV-28315-40	.EMBLEM	1	1	1	1	UR FOR VRC1
7	5JJ-2834W-00	.PROTECTOR 2	6	6	6	6	
8	4XV-28349-00	.CAP	2	2	2	2	
9	90183-05074	.NUT, SPRING	2	2	2	2	
10	1LJ-2414J-00	.DAMPER, PLATE 2	2	2	2	2	
11	4XV-2834E-00	DAMPER	2	2	2	2	
12	5JJ-28356-01	STAY 1	1	1	1	1	
13	4XV-83513-00	DAMPER	4	4	4	4	
14	90164-05014	SCREW, TAPPING	4	4	4	4	
15	4XV-28336-00	PLATE	1	1	1	1	
16	95607-08200	NUT, SELF-LOCKING	2	2	2	2	
17	4XV-2837L-00	PANEL, CONSOLE 1	1	1	1	1	
18	1TX-28371-00	DAMPER	1	1	1	1	
19	4XV-2837M-00	PANEL, CONSOLE 2	1	1	1	1	
20	4EU-24141-00	PROTECTOR, FUEL TANK	2	2	2	2	
21	90154-05013	SCREW, BINDING	2	2	2	2	
22	3XV-28386-00	HEAD	6	6	6	6	
23	5JJ-26280-00	REAR VIEW MIRROR ASSY(LEFT)	1	1	1	1	
24	5JJ-26290-00	REAR VIEW MIRROR ASSY(RIGHT)	1	1	1	1	
25	4SV-26298-00	PLATE, MIRROR FITTING 1	2	2	2	2	

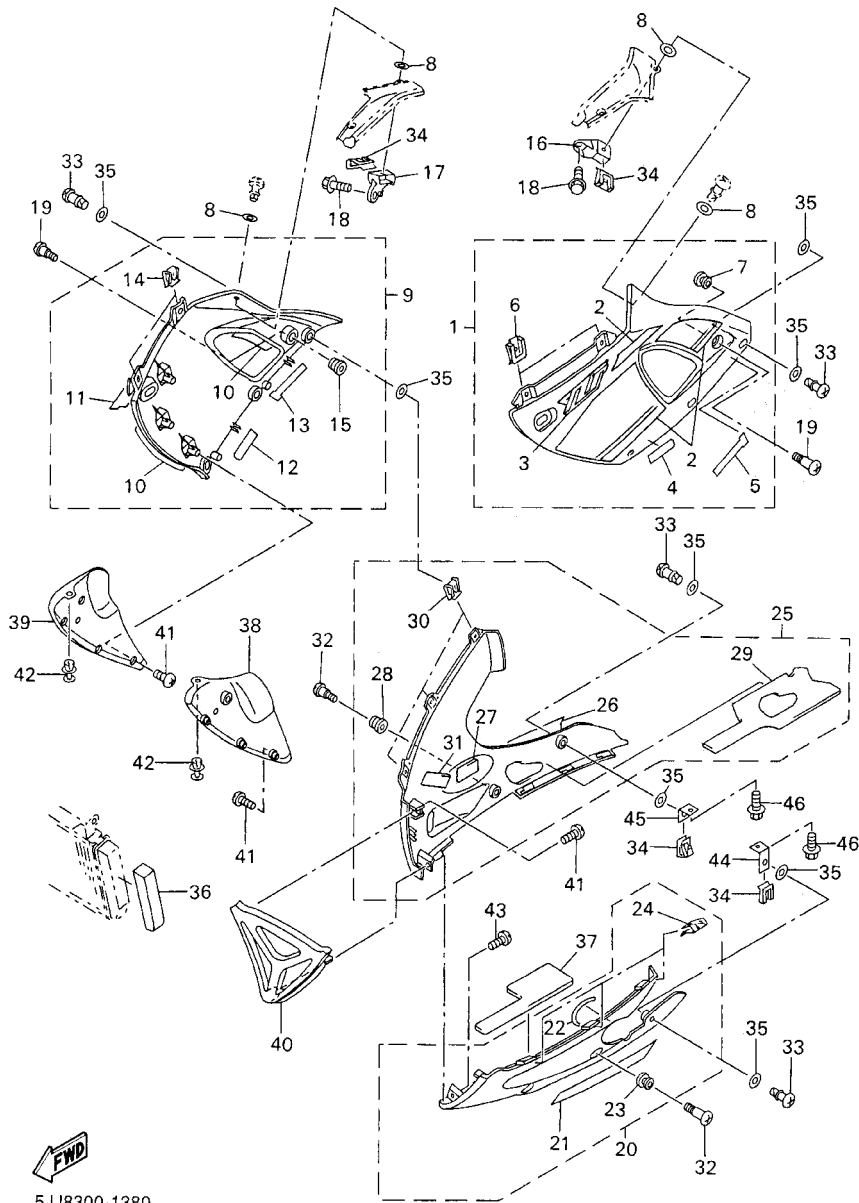
FIG. 37 COWLING 1



**FWD**  
5JJ1300-0370

REF. NO.	PART NO.	DESCRIPTION	5JJC	5JJD	5JJE	5JJB	REMARKS
26	90176-06055	NUT, CROWN	4	4	4	4	
-----							
-----							
-----							
-----							
-----							
-----							
-----							
-----							
-----							
-----							

FIG. 38 COWLING 2

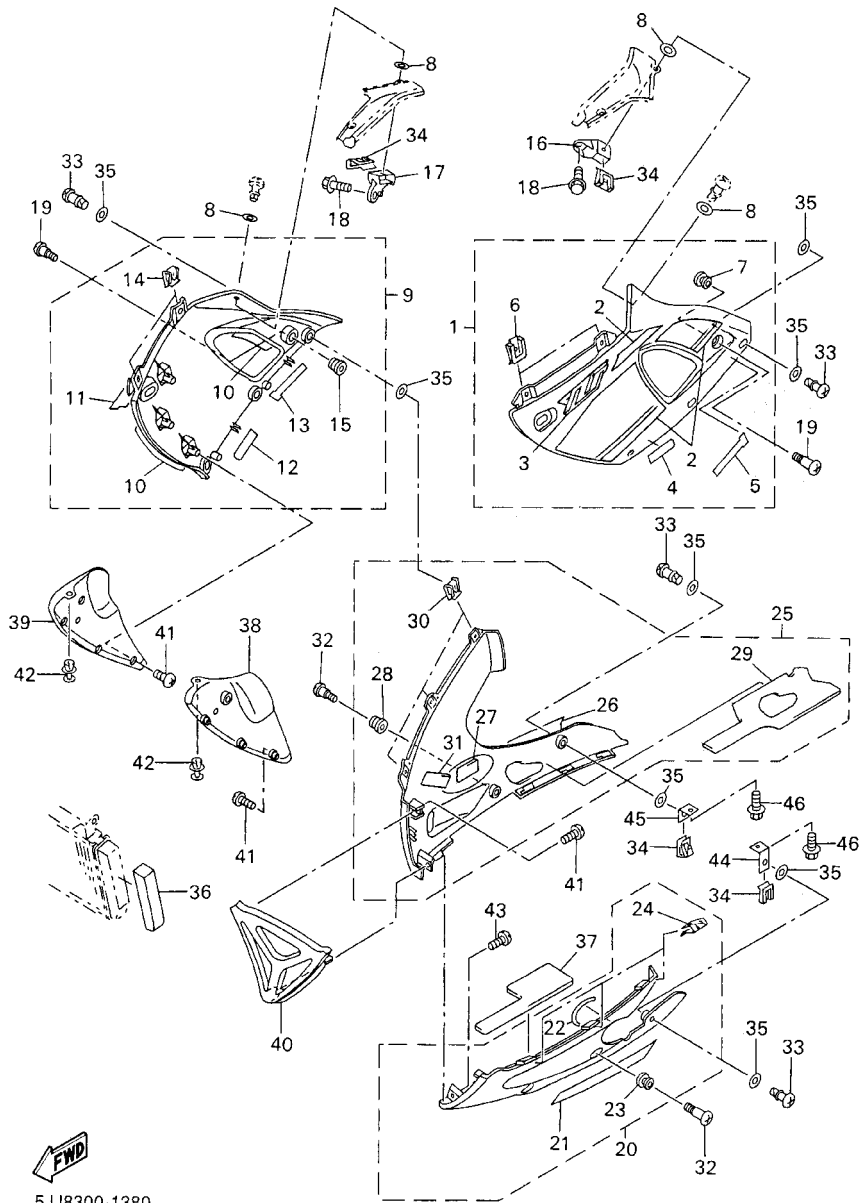


5JJ8300-1380

REF. NO.	PART NO.	DESCRIPTION	5JJC	5JJJ	5JJE	5JJB	REMARKS
1	4XV-Y283U-70-P1	PANEL ASSEMBLY 1	1	1	1	1	UR DPBMC
	4XV-Y283U-60-P2	PANEL ASSEMBLY 1	1	1	1	1	UR VRC1
2	5JJ-28301-30	.GRAPHIC SET, LOWER COVER 1	1	1	1	1	UR FOR DPBMC
	5JJ-28301-20	.GRAPHIC SET, LOWER COVER 1	1	1	1	1	UR FOR VRC1
3	5JJ-2839H-10	.EMBLEM 1	1	1	1	1	UR FOR DPBMC
	5JJ-2839H-00	.EMBLEM 1	1	1	1	1	UR FOR VRC1
4	4XV-28338-50	.EMBLEM	1	1	1	1	UR FOR DPBMC
	4XV-28328-70	.EMBLEM	1	1	1	1	
5	4XV-28328-60	.EMBLEM	1	1	1	1	UR FOR VRC1
	4XV-2177L-00	.PLATE, SPRING	3	3	3	3	
7	90480-13398	.GROMMET	1	1	1	1	
8	2TK-21757-00	WASHER, SPECIAL 1	12	12	12	12	
9	4XV-Y283V-70-P1	PANEL ASSEMBLY 2	1	1	1	1	UR DPBMC
	4XV-Y283V-60-P2	PANEL ASSEMBLY 2	1	1	1	1	UR VRC1
10	5JJ-28303-30	.GRAPHIC SET, LOWER COVER 2	1	1	1	1	UR FOR DPBMC
	5JJ-28303-20	.GRAPHIC SET, LOWER COVER 2	1	1	1	1	UR FOR VRC1
11	5JJ-2839H-10	.EMBLEM 1	1	1	1	1	UR FOR DPBMC
	5JJ-2839H-00	.EMBLEM 1	1	1	1	1	UR FOR VRC1
12	4XV-28338-50	.EMBLEM	1	1	1	1	UR FOR DPBMC
	4XV-28328-70	.EMBLEM	1	1	1	1	
13	4XV-28328-60	.EMBLEM	1	1	1	1	UR FOR VRC1
	4XV-2177L-00	.PLATE, SPRING	3	3	3	3	
15	90480-13398	.GROMMET	1	1	1	1	
16	4XV-2836A-00	BRACKET 1	1	1	1	1	
17	4XV-2836E-00	BRACKET 2	1	1	1	1	
18	90119-06052	BOLT, WITH WASHER	2	2	2	2	
19	90150-06036	SCREW, ROUND HEAD	2	2	2	2	



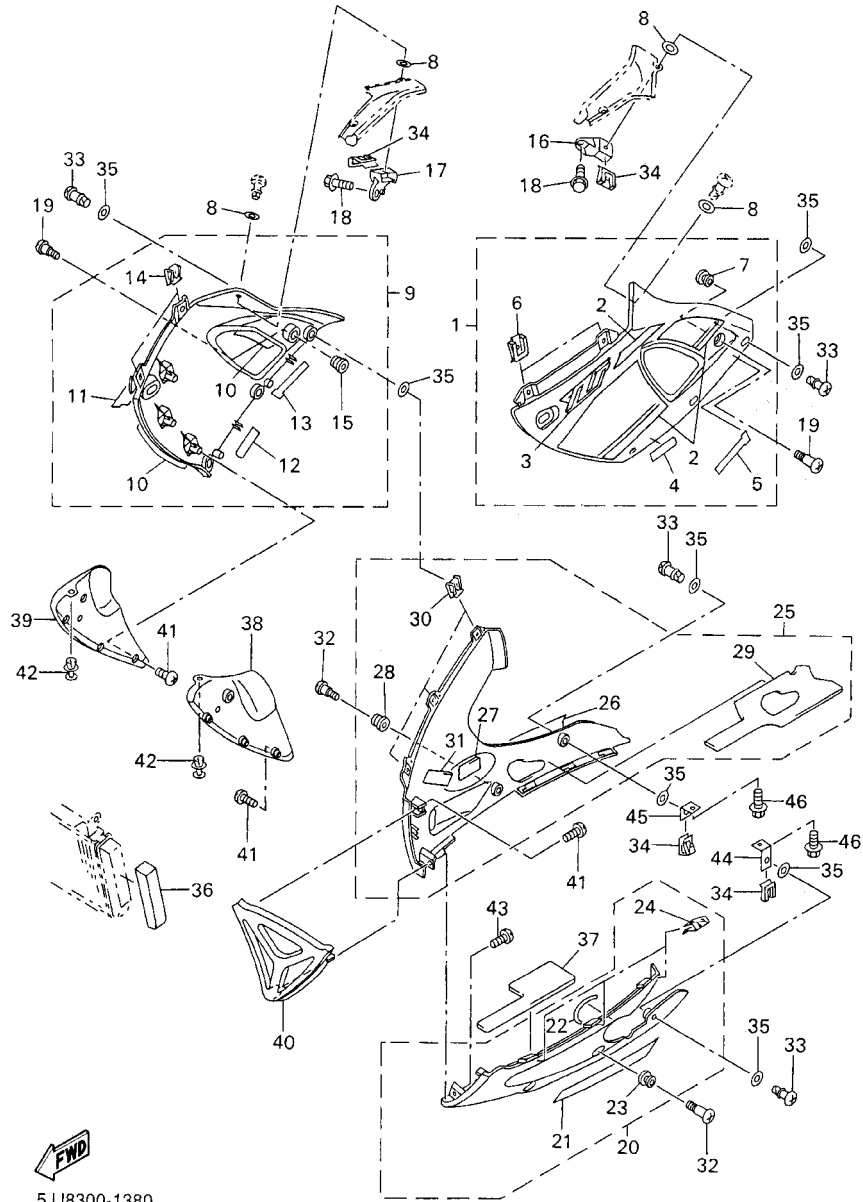
FIG. 38 COWLING 2



5JJ8300-1380

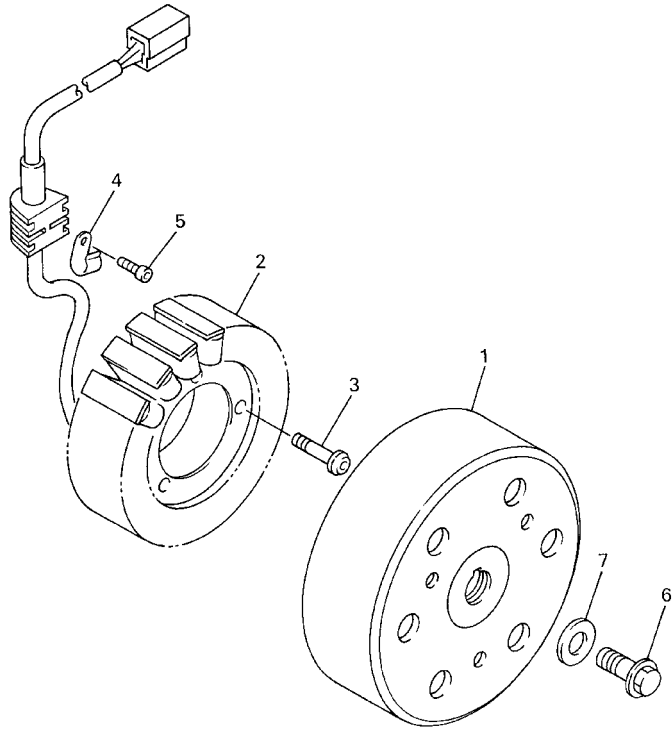
REF. NO.	PART NO.	DESCRIPTION	5JJC	5JJJ	5JJE	5JJB	REMARKS
20	5JJ-Y2808-00-P0	COVER ASSY, UNDER	1	1	1	1	UR DPBMC
	5JJ-Y2808-00-4B	COVER ASSY, UNDER	1	1	1	1	UR BL2 FOR VRC1
21	99241-00320	.EMBLEM, YAMAHA	1	1	1	1	
22	4BR-2834E-00	.DAMPER	1	1	1	1	
23	90480-13398	.GROMMET	1	1	1	1	
24	4XV-2177L-00	.PLATE, SPRING	2	2	2	2	
25	5JJ-Y2809-00-P0	COVER ASSY 2, UNDER	1	1	1	1	UR DPBMC
	5JJ-Y2809-00-4B	COVER ASSY 2, UNDER	1	1	1	1	UR BL2 FOR VRC1
26	5JJ-2153E-00	.EMBLEM, YAMAHA	1	1	1	1	
27	1TX-28371-00	.DAMPER	1	1	1	1	
28	90480-13398	.GROMMET	1	1	1	1	
29	5JJ-2848M-00	.SEAT 4	1	1	1	1	
30	4XV-2177L-00	.PLATE, SPRING	2	2	2	2	
31	1JK-21735-00	.SEAL 2	1	1	1	1	
32	90150-06036	SCREW, ROUND HEAD	2	2	2	2	
33	3XV-28386-00	HEAD	8	8	8	8	
34	4XV-2177L-00	PLATE, SPRING	4	4	4	4	
35	2TK-21757-00	WASHER, SPECIAL 1	16	16	16	16	
36	4SV-28371-00	DAMPER	1	1	1	1	
37	5JJ-2848L-00	SEAT 3	1	1	1	1	
38	4XV-2836K-10	PANEL, INNER 1	1	1	1	1	
39	4XV-2836L-10	PANEL, INNER 2	1	1	1	1	
40	4XV-2836M-10-P0	PANEL, INNER 3	1	1	1	1	UR DPBMC
	4XV-2836M-10	PANEL, INNER 3	1	1	1	1	UR FOR VRC1
41	97704-40012	SCREW, TAPPING	8	8	8	8	
42	90269-07077	RIVET	2	2	2	2	
43	97707-50016	SCREW, TAPPING	3	3	3	3	

FIG. 38 COWLING 2



REF. NO.	PART NO.	DESCRIPTION	5JJC	5JJD	5JJE	5JJB	REMARKS
44	4XV-2836F-00	BRACKET 3	1	1	1	1	
45	4XV-2836G-00	BRACKET 4	1	1	1	1	
46	95807-06012	BOLT, FLANGE	2	2	2	2	

FIG. 39 GENERATOR

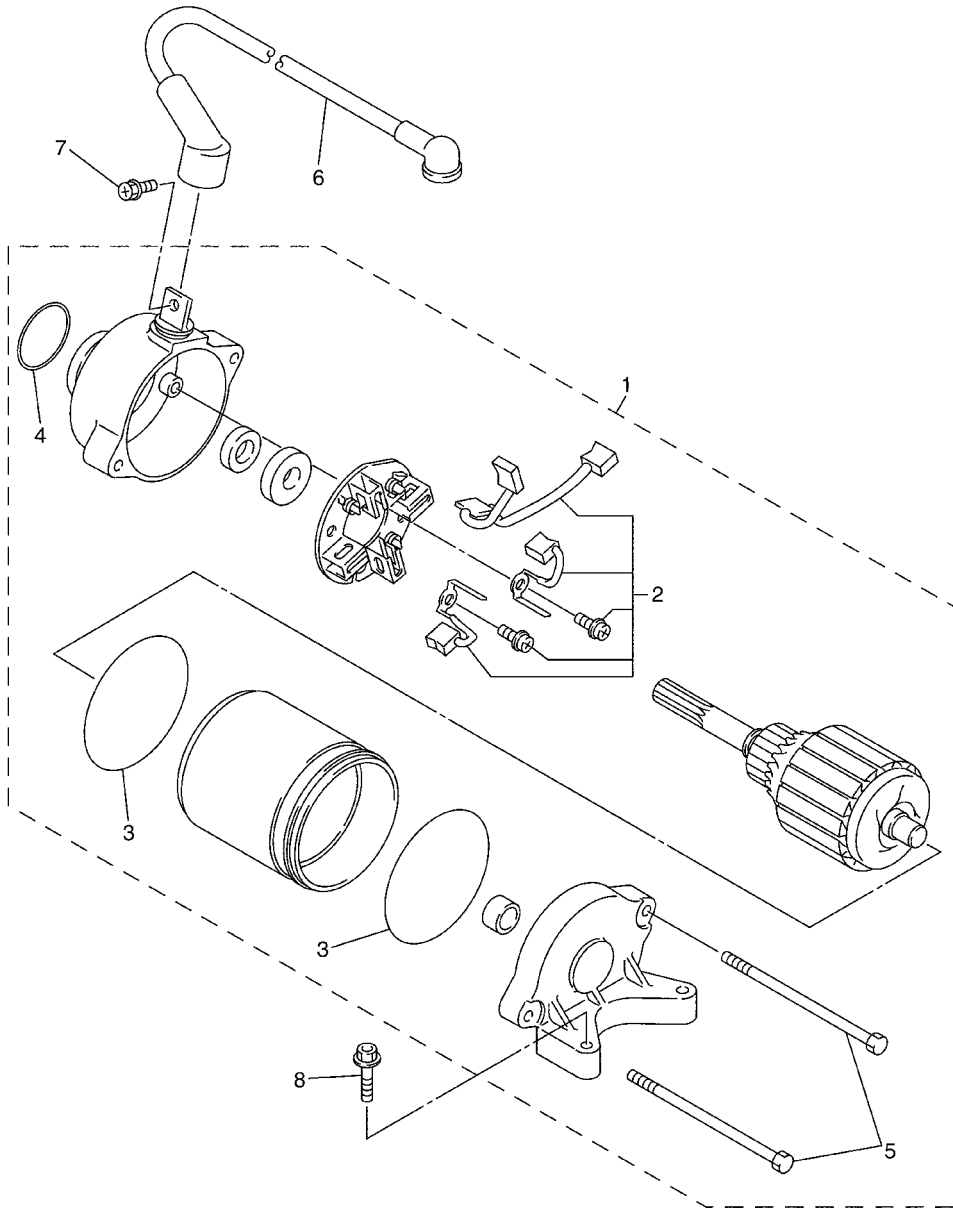


REF. NO.	PART NO.	DESCRIPTION	5JJC	5JJD	5JJE	5JJB	REMARKS
1	4XV-81450-00	ROTOR ASSY	1	1	1	1	
2	4XV-81410-01	STATOR ASSY	1	1	1	1	
3	90149-06013	SCREW	3	3	3	3	
4	90462-10182	CLAMP	1	1	1	1	
5	91317-06012	BOLT	1	1	1	1	
6	90105-105A6	BOLT, WASHER BASED	1	1	1	1	
7	90201-103U7	WASHER, PLATE	1	1	1	1	

 4XV352-8380

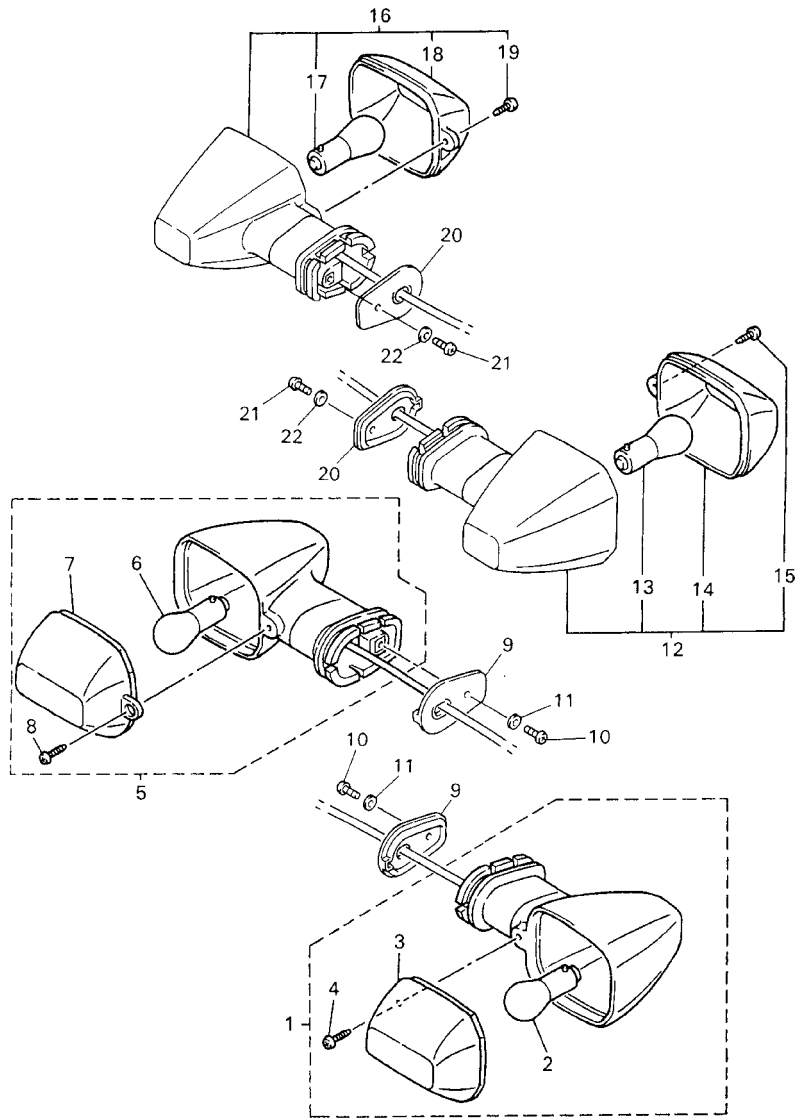
FIG. 40 STARTING MOTOR

REF. NO.	PART NO.	DESCRIPTION	5JJC	5JJD	5JJE	5JJB	REMARKS
1	5JJ-81890-00	MOTOR ASSY	1	1	1	1	
2	5JJ-81801-00	.BRUSH SET	1	1	1	1	
3	93210-55669	.O-RING	2	2	2	2	
4	93210-25711	.O-RING	1	1	1	1	
5	5JJ-81846-00	.SCREW	2	2	2	2	
6	5JJ-8183G-00	CORD COMP.	1	1	1	1	
7	5JJ-81828-00	BOLT 2	1	1	1	1	
8	95027-06025	BOLT, FLANGE	2	2	2	2	



5JJ1300-0400

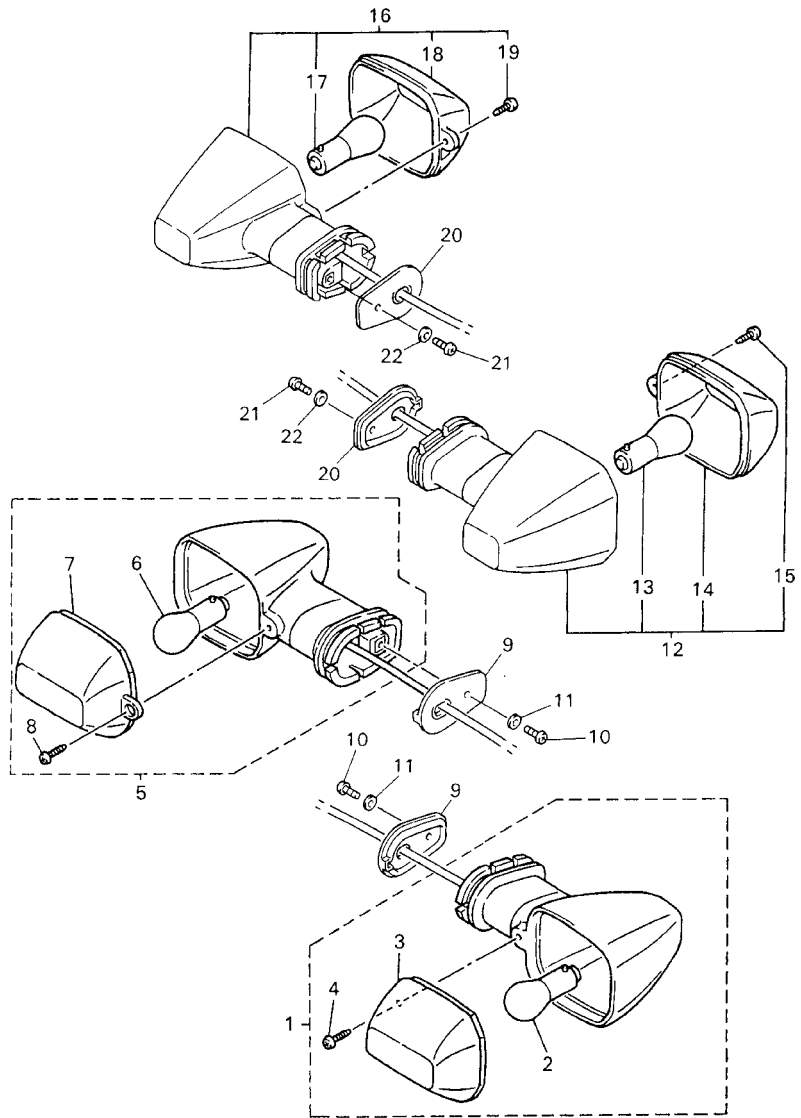
FIG. 41 FLASHER LIGHT



5JJ1300-0410

REF. NO.	PART NO.	DESCRIPTION	5JJC	5JJD	5JJE	5JJB	REMARKS
1	5JJ-83310-10	FRONT FLASHER LIGHT ASSY 1	1	1	1		
	5JJ-83310-00	FRONT FLASHER LIGHT ASSY 1				1	
2	256-84714-61	.BULB (12V-27/8W)	1	1	1		
	306-83311-40	.BULB, FLASHER (12V-21W)				1	
3	4JH-83332-10	.LENS, FLASHER	1	1	1		
	4JH-83332-00	.LENS, FLASHER				1	
4	97702-40610	.SCREW, TAPPING	1	1	1	1	
5	5JJ-83320-10	FRONT FLASHER LIGHT ASSY 2	1	1	1		
	5JJ-83320-00	FRONT FLASHER LIGHT ASSY 2				1	
6	256-84714-61	.BULB (12V-27/8W)	1	1	1		
	306-83311-40	.BULB, FLASHER (12V-21W)				1	
7	4JH-83342-10	.LENS, FLASHER 2	1	1	1		
	4JH-83342-00	.LENS, FLASHER 2				1	
8	97702-40610	.SCREW, TAPPING	1	1	1	1	
9	5JJ-83318-00	STAY, FLASHER 1	2	2	2	2	
10	98507-04008	SCREW, PAN HEAD	2	2	2	2	
11	92907-04600	WASHER	2	2	2	2	
12	5JJ-83330-10	REAR FLASHER LIGHT ASSY 1	1	1	1		
	5JJ-83330-00	REAR FLASHER LIGHT ASSY 1				1	
13	256-83311-70	.BULB (12V-27W)	1	1	1		
	306-83311-40	.BULB, FLASHER (12V-21W)				1	
14	4JH-83342-10	.LENS, FLASHER 2	1	1	1		
	4JH-83342-00	.LENS, FLASHER 2				1	
15	97702-40610	.SCREW, TAPPING	1	1	1	1	
16	5JJ-83340-10	FLASHER LIGHT ASSY 2	1	1	1		
	5JJ-83340-00	FLASHER LIGHT ASSY 2				1	
17	256-83311-70	.BULB (12V-27W)	1	1	1		

FIG. 41 FLASHER LIGHT



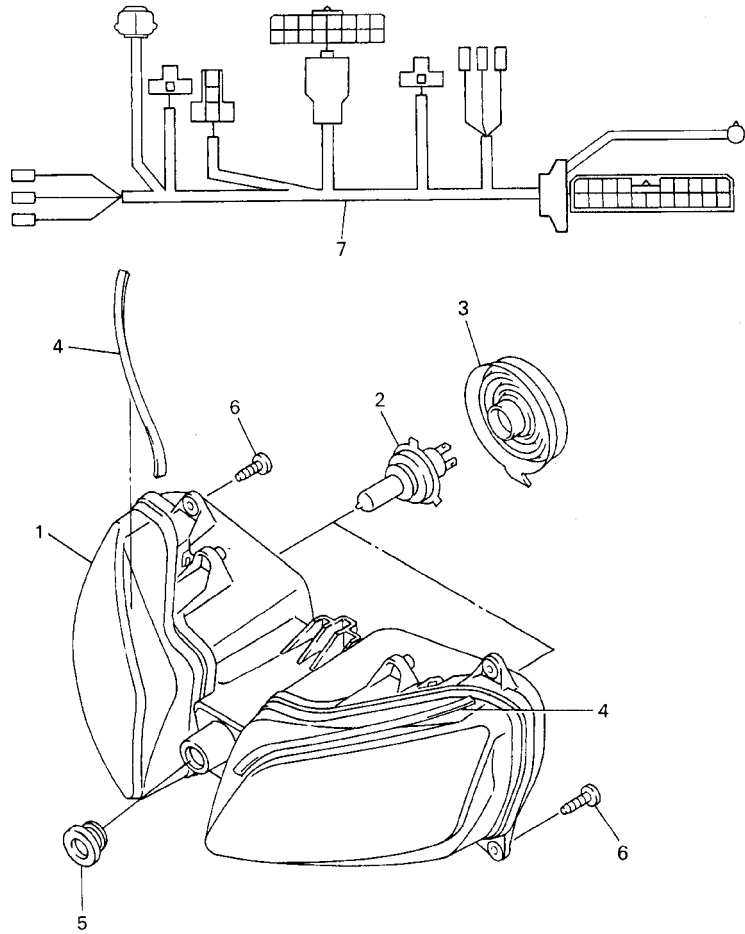
REF. NO.	PART NO.	DESCRIPTION	5JJC	5JJD	5JJE	5JJB	REMARKS
17	306-83311-40	.BULB, FLASHER (12V-21W)				1	
18	4JH-83332-10	.LENS, FLASHER	1	1	1		
	4JH-83332-00	.LENS, FLASHER				1	
19	97702-40610	.SCREW, TAPPING	1	1	1	1	
20	5JJ-83318-00	STAY, FLASHER 1	2	2	2	2	
21	98507-04008	SCREW, PAN HEAD	2	2	2	2	
22	92907-04600	WASHER	2	2	2	2	



5JJ1300-0410



FIG. 43 HEADLIGHT

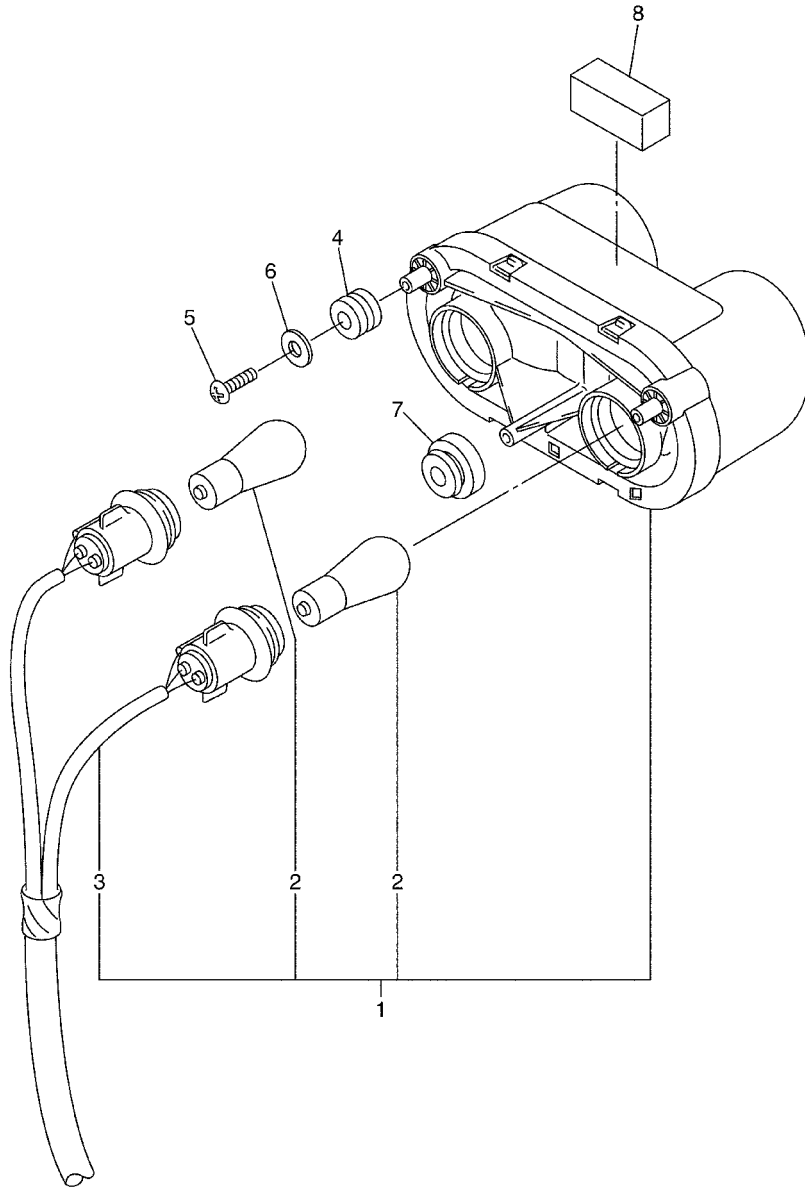


REF. NO.	PART NO.	DESCRIPTION	5JJC	5JJD	5JJE	5JJB	REMARKS
1	5JJ-84310-20	HEADLIGHT UNIT ASSY	1	1	1	1	
2	8V0-84314-00	BULB (12V-60/55W)	2	2	2	2	
3	4SV-84397-00	COVER, SOCKET	2	2	2	2	
4	5JJ-84345-00	DAMPER, HEADLIGHT	2	2	2	2	
5	90480-18171	GROMMET	1	1	1	1	
6	97707-50016	SCREW, TAPPING	4	4	4	4	
7	5JJ-84359-11	CORD, HEADLIGHT	1	1	1	1	

  
5JJC100-1430



FIG. 44 TAILLIGHT



REF. NO.	PART NO.	DESCRIPTION	5JJC	5JJD	5JJE	5JJB	REMARKS
1	5JJ-84710-11	TAILLIGHT UNIT ASSY	1	1	1		
	5JJ-84710-01	TAILLIGHT UNIT ASSY				1	
2	1A2-84714-41	.BULB (12V-21/5W)	2	2	2	2	
3	5JJ-84735-00	.CORD ASSY	1	1	1	1	
4	4XV-83513-00	DAMPER	2	2	2	2	
5	97707-50016	SCREW, TAPPING	2	2	2	2	
6	90201-05725	WASHER, PLATE	2	2	2	2	
7	90480-18171	GROMMET	1	1	1	1	
8	5JJ-21747-00	DAMPER	1	1	1	1	

  
5JJ1300-0440

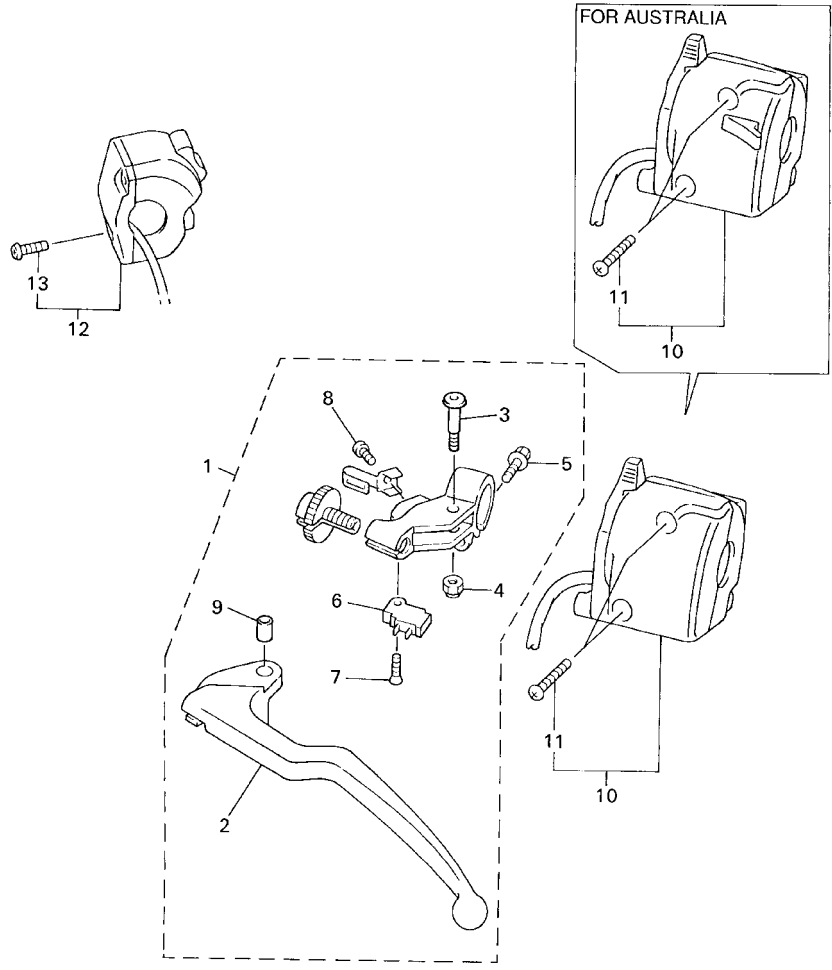


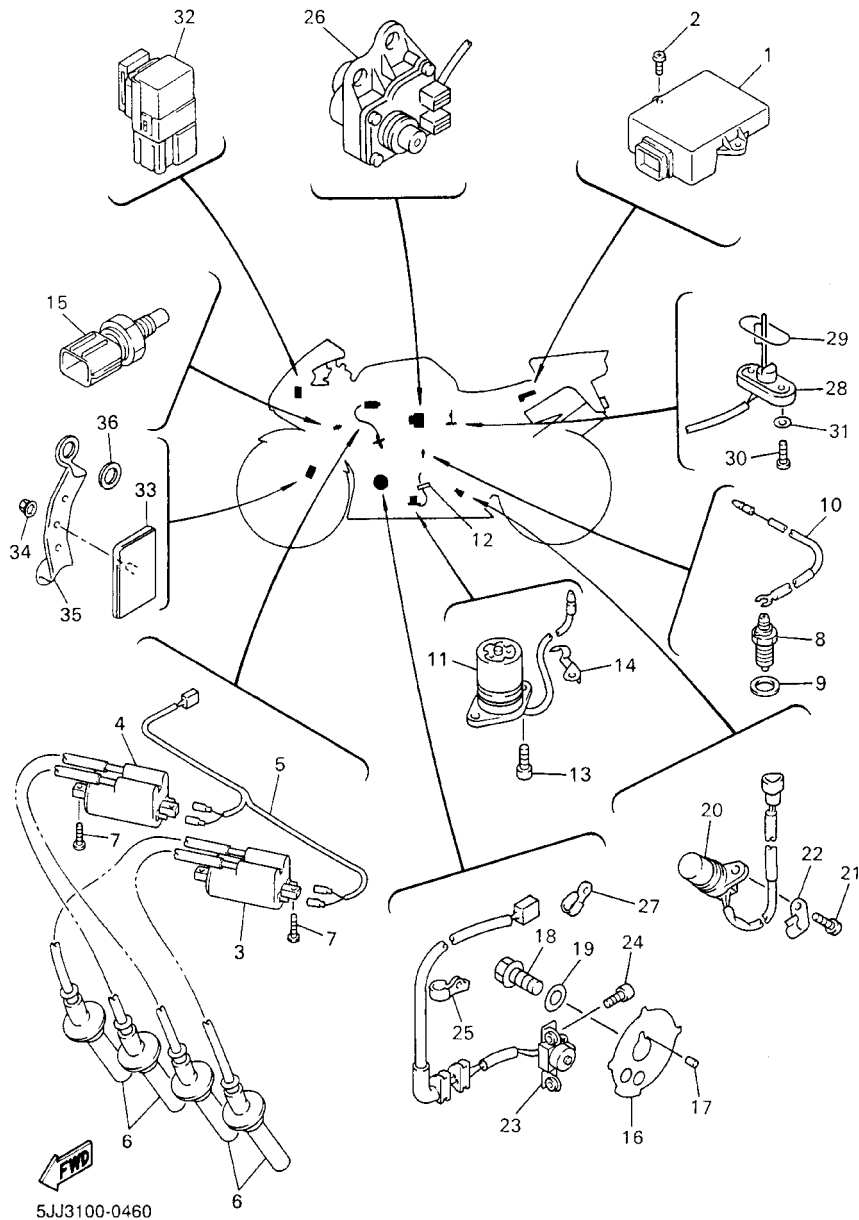
FIG. 45 HANDLE SWITCH. LEVER

REF. NO.	PART NO.	DESCRIPTION	5JJC	5JJD	5JJE	5JJB	REMARKS
1	4XV-82910-11	LEVER HOLDER ASSY (LEFT)	1	1	1	1	
2	4XV-83912-11	.LEVER 1	1	1	1	1	
3	4XV-83945-00	.BOLT, LEVER	1	1	1	1	
4	95607-06100	.NUT, U	1	1	1	1	
5	95027-06020	.BOLT, FLANGE	1	1	1	1	
6	4XV-82917-00	.SWITCH	1	1	1	1	
7	98707-03016	.SCREW, FLAT HEAD	1	1	1	1	
8	98507-04010	.SCREW, PAN HEAD	1	1	1	1	
9	5JJ-83913-00	.COLLAR, LEVER 1	1	1	1	1	
10	5JJ-83973-00	SWITCH, HANDLE 3	1	1	1		
	5JJ-83972-00	SWITCH, HANDLE 4				1	
11	98507-05025	.SCREW, PAN HEAD	2	2	2	2	
12	4UN-83975-01	SWITCH, HANDLE 2	1	1	1	1	
13	98507-05022	.SCREW, PAN HEAD	2	2	2	2	



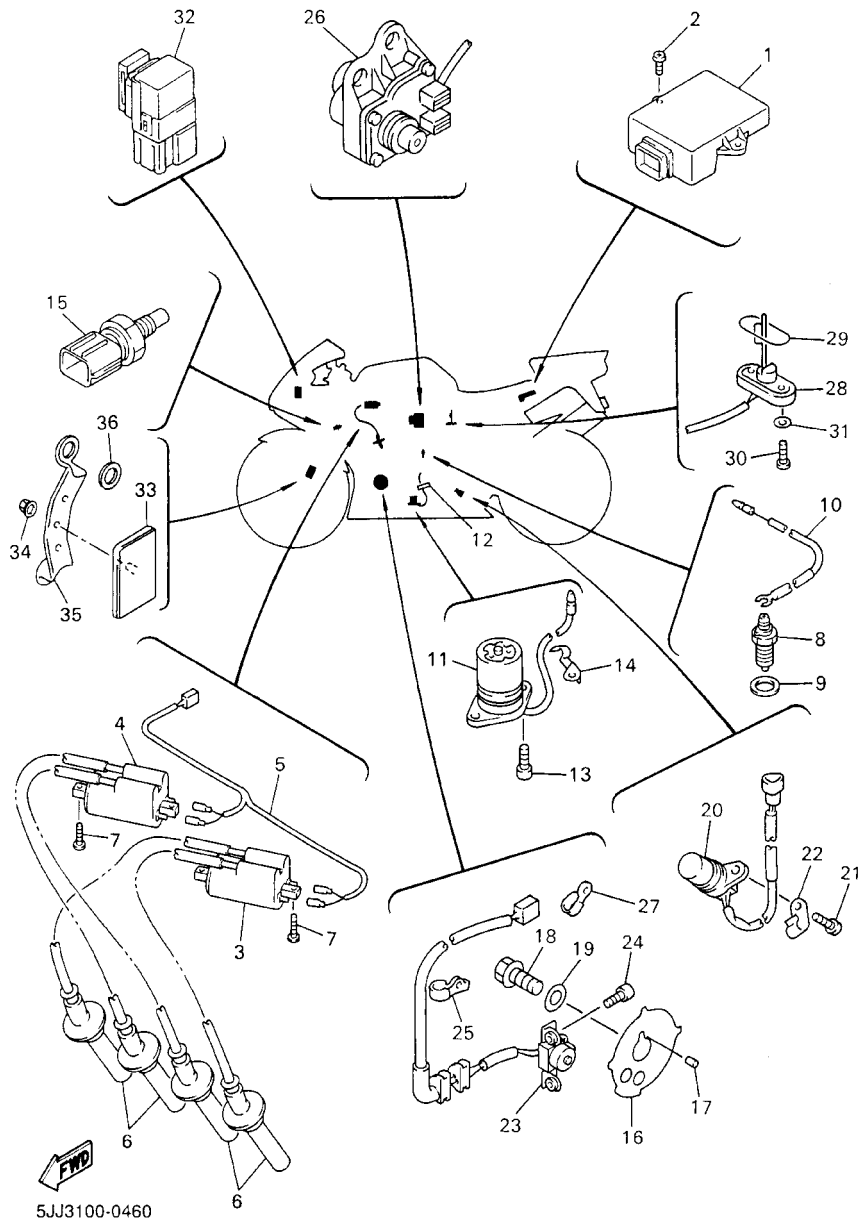
4XV9100-9440

FIG. 46 ELECTRICAL 1

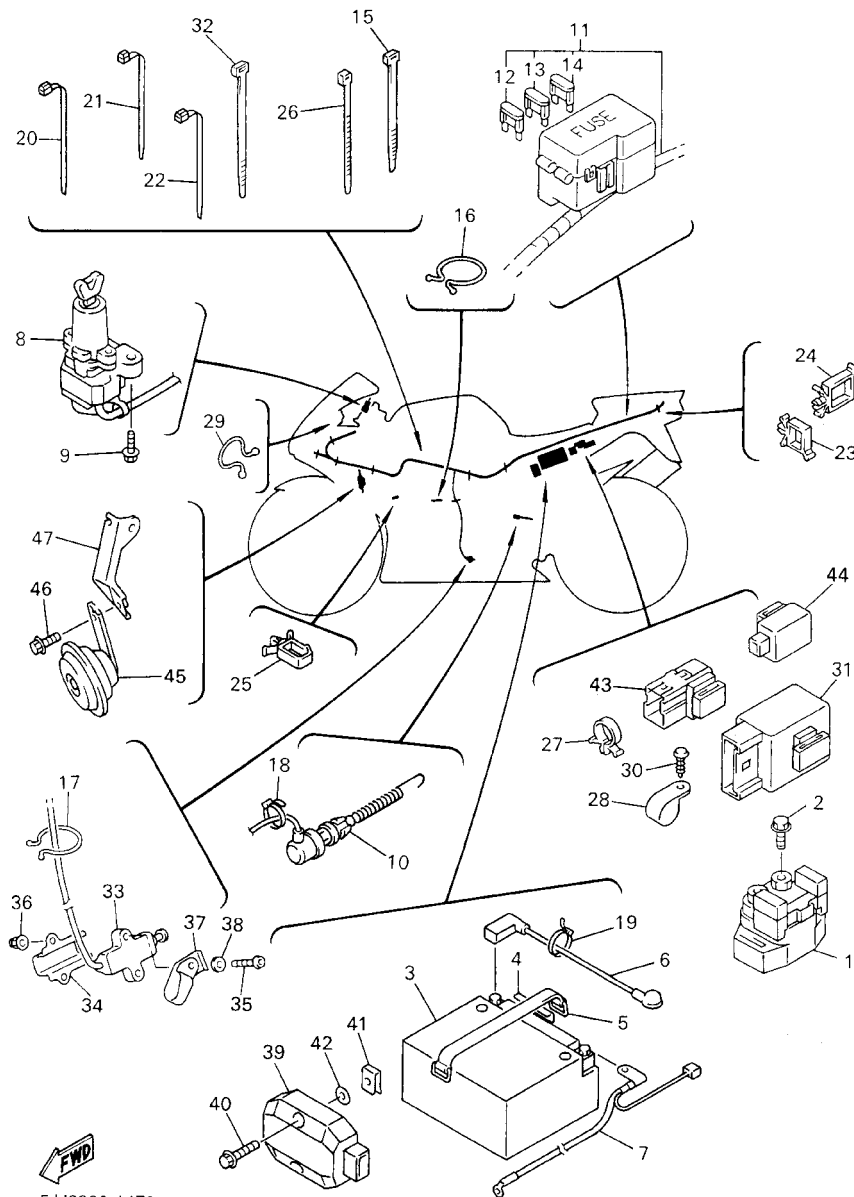


REF. NO.	PART NO.	DESCRIPTION	5JJ	5JD	5JE	5JB	REMARKS
			JJC	JJD	JJE	JJB	
1	5JJ-82305-40	IGNITOR UNIT ASSY	1		1		
	5JJ-82305-30	IGNITOR UNIT ASSY		1			
	5JJ-82305-00	IGNITOR UNIT ASSY				1	
2	97707-50016	SCREW, TAPPING	2	2	2	2	
3	4XV-82310-00	IGNITION COIL ASSY	1	1	1	1	
4	4XV-82320-00	IGNITION COIL ASSY	1	1	1	1	
5	4XV-82309-00	WIRE, SUB LEAD	1	1	1	1	
6	4XV-82370-01	PLUG CAP ASSY	4	4	4	4	
7	97707-60025	SCREW, TAPPING	4	4	4	4	
8	3GB-82540-01	NEUTRAL SWITCH ASSY	1	1	1	1	
9	90430-10148	GASKET	1	1	1	1	
10	5JJ-82541-00	WIRE, LEAD	1	1	1	1	
11	4XV-85720-01	OIL LEVEL GAUGE ASSY	1	1	1	1	
12	5Y9-12491-00	CLAMP 1	1	1	1	1	
13	91317-06014	BOLT	2	2	2	2	
14	90465-08013	CLAMP	1	1	1	1	
15	5JJ-83591-00	THERMO UNIT	1	1	1	1	
16	4XV-81673-00	ROTOR	1	1	1	1	
17	93604-29151	PIN, DOWEL	1	1	1	1	
18	90105-10290	BOLT, WASHER BASED	1	1	1	1	
19	90201-107K6	WASHER, PLATE	1	1	1	1	
20	4XV-83755-01	SENSOR, SPEED	1	1	1	1	
21	91317-06014	BOLT	1	1	1	1	
22	90465-08028	CLAMP	1	1	1	1	
23	4XV-81670-10	PICK-UP ASSY	1	1	1	1	
24	91317-06012	BOLT	2	2	2	2	
25	90465-08191	CLAMP	1	1	1	1	

FIG. 46 ELECTRICAL 1



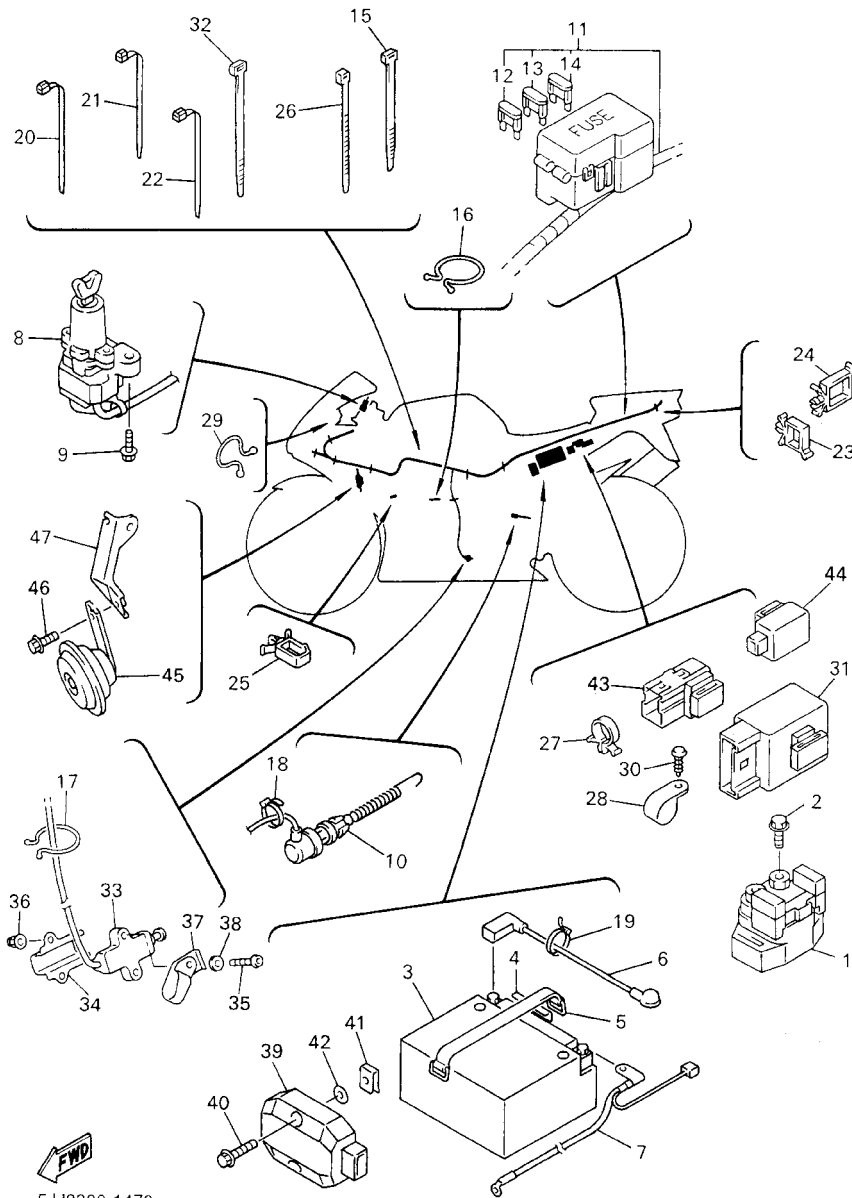
REF. NO.	PART NO.	DESCRIPTION	5JJC	5JJD	5JJE	5JJB	REMARKS
26	4FM-85820-01	SERVO MOTOR ASSY	1	1	1	1	
27	90462-08225	CLAMP	1	1	1	1	
28	1UF-85752-03	SENDER UNIT ASSY, FUEL METER	1	1	1	1	
29	42X-85753-00	GASKET, SENDER UNIT	1	1	1	1	
30	90149-06011	SCREW	2	2	2	2	
31	90202-05193	WASHER, PLATE	2	2	2	2	
32	5JJ-81950-10	RELAY ASSY	1	1	1	1	
33	20G-85110-00	REFLECTOR ASSY	2	2	2		
34	95707-05500	NUT, FLANGE	2	2	2		
35	4XV-85112-00	BRACKET, REFLECTOR 1	2	2	2		
36	90201-08759	WASHER, PLATE	4	4	4		



5JJ8300-1470

FIG. 47 ELECTRICAL 2

REF. NO.	PART NO.	DESCRIPTION	5JJC	5JJD	5JJE	5JJB	REMARKS
1	4YR-81940-00	STARTER RELAY ASSY	1	1	1	1	
2	95027-06008	BOLT, FLANGE	2	2	2	2	
3	4TX-82100-01	BATTERY ASSY (GT12B-4)	1	1	1	1	
4	2AL-84553-00	DAMPER	1	1	1	1	
5	5JJ-82131-00	BAND, BATTERY	1	1	1	1	
6	5JJ-82115-00	WIRE, PLUS LEAD	1	1	1	1	
7	5JJ-82116-00	WIRE, MINUS LEAD	1	1	1	1	
8	5JJ-82501-11	MAIN SWITCH STEERING LOCK	1	1	1	1	
9	90109-080G5	BOLT	2	2	2	2	
10	4XV-82530-01	STOP SWITCH ASSY	1	1	1	1	
11	5JJ-82590-11	WIRE HARNESS ASSY	1	1	1	1	
12	5JJ-82151-30	.FUSE (10A-BL)	3	3	3	3	
13	5JJ-82151-10	.FUSE (15A-BL)	2	2	2	2	
14	5JJ-82151-20	.FUSE (20A-BL)	3	3	3	3	
15	90464-12036	CLAMP	4	4	4	4	
16	90464-37257	CLAMP	1	1	1	1	
17	90464-16039	CLAMP	2	2	2	2	
18	5Y9-12491-00	CLAMP 1	1	1	1	1	
19	90464-13077	CLAMP	2	2	2	2	
20	90464-13073	CLAMP	4	4	4	4	
21	90464-15195	CLAMP	4	4	4	4	
22	90464-12036	CLAMP	1	1	1	1	
23	90464-16021	CLAMP	1	1	1	1	
24	90464-16025	CLAMP	1	1	1	1	
25	90464-15157	CLAMP	1	1	1	1	
26	90465-13275	CLAMP	1	1	1	1	
27	90464-13133	CLAMP	2	2	2	2	



FWD  
5JJ8300-1470

FIG. 47 ELECTRICAL 2

REF. NO.	PART NO.	DESCRIPTION	5JJC	5JJD	5JJE	5JJB	REMARKS
28	90464-18029	CLAMP	2	2	2	2	
29	90464-16039	CLAMP	1	1	1	1	
30	97707-40012	SCREW, TAPPING	2	2	2	2	
31	5EB-81950-20	RELAY ASSY	1	1	1	1	
32	1UA-82591-00	BAND	1	1	1	1	
33	5JJ-82566-00	SWITCH, SIDE STAND	1	1	1	1	
34	5JJ-82388-00	PLATE	1	1	1	1	
35	92017-05030	BOLT, BUTTON HEAD	2	2	2	2	
36	95607-05200	NUT, SELF-LOCKING	2	2	2	2	
37	90461-10002	CLAMP	1	1	1	1	
38	90201-057H5	WASHER, PLATE	1	1	1	1	
39	4JH-81960-01	RECTIFIER & REGULATOR ASSY	1	1	1	1	
40	95827-06025	BOLT, FLANGE	2	2	2	2	
41	90183-06053	NUT, SPRING	2	2	2	2	
42	90202-05187	WASHER, PLATE	2	2	2	2	
43	5JJ-81950-20	RELAY ASSY	1	1	1	1	
44	4MY-83350-01	FLASHER RELAY ASSY	1	1	1	1	
45	3TB-83371-01	HORN	1	1	1	1	
46	95807-06010	BOLT, FLANGE	1	1	1	1	
47	4XV-2134K-00	BRACKET, HORN	1	1	1	1	

NUMERICAL INDEX

PART NO.	GRID NO.	PART NO.	GRID NO.	PART NO.	GRID NO.	PART NO.	GRID NO.	PART NO.	GRID NO.	PART NO.	GRID NO.
5JJ-W0041-00	E - 10	4XV-11631-00	B - 3	1HX-12169-70	B - 5	4XV-13355-00	B - 7	4XV-14466-00	B - 14	28V-14952-00	C - 3
3TU-W0042-51	E - 15	4XV-11633-00	B - 3	1HX-12169-90	B - 5	4XV-13411-00	B - 11	4XV-14562-00	C - 3	4SV-14968-00	C - 2
5JJ-W0045-00	E - 5	4XV-11650-00	B - 3	5JJ-12171-00	B - 6	4XV-13412-00	B - 11	1FN-14565-00	C - 3	4SV-14985-00	C - 3
5FL-W0046-50	E - 8	4XV-11654-00	B - 3	4XV-12176-00	B - 6	4XV-13414-00	B - 12	5JJ-14610-00	C - 5	4SV-14987-00	C - 3
3GM-W0047-10	E - 5	3GM-11656-A0	B - 3	5JJ-12181-00	B - 6	4XV-13416-00	B - 12	4FM-14613-00	C - 5	4YW-14987-00	C - 3
3MA-W0047-10	E - 5	3GM-11656-B0	B - 3	4XV-12210-00	B - 6	4XV-13417-01	B - 12	4XV-14638-00	C - 5	4XV-14987-00	C - 3
4XV-W0047-50	E - 8	3GM-11656-00	B - 3	4FM-12213-00	B - 6	5GH-13440-00	B - 12	3GM-14683-00	C - 5	4KG-14995-00	C - 2
1J3-W0048-00	E - 5	3GM-11656-10	B - 3	5BE-12241-00	B - 6	5JJ-13470-00	B - 12	5JJ-14710-00	C - 5	5JJ-15100-00	C - 7
	E - 8	4XV-12111-00	B - 4	4XV-12251-00	B - 6	4XV-13473-00	B - 12	5JJ-14710-10	C - 5	4XV-15113-00	C - 9
	E - 5	4XV-12112-00	B - 4	4XV-12252-00	B - 6	4XV-13475-00	B - 12	4KM-14714-01	B - 15	5JJ-15163-00	C - 13
4SV-W0057-00	E - 5	4XV-12113-00	B - 4	4XV-12405-00	B - 9	4XV-13490-00	B - 12	4XV-14714-00	C - 5	2H7-15361-00	C - 7
4SV-W0057-10	E - 5	4XV-12114-00	B - 4	4FM-12410-00	B - 9	1AE-13582-00	B - 2	5JJ-14715-00	C - 5	5JJ-14987-00	C - 8
4XV-W0057-50	E - 8	1HX-12116-00	B - 4	4XV-12413-00	B - 9	4XV-13597-00	B - 13	5JJ-14803-00	B - 15	4XV-15411-00	C - 8
2TV-W2470-00	E - 3	1HX-12117-00	B - 4	4XV-12417-00	B - 9	4XV-13598-00	B - 13	5JJ-14811-00	C - 5	5JJ-15416-00	C - 8
5JJ-W2587-00	E - 10	1WG-12117-00	B - 4	4XV-12421-00	B - 7	4XV-13898-00	B - 12	4SV-15418-00	C - 5	4XV-15418-00	C - 8
5JJ-Y2171-81-P0	D - 7	1HX-12118-00	B - 4	4XV-12422-00	B - 7	4SV-13907-01	D - 15	5JJ-14826-00	C - 5	4XV-15421-00	C - 8
5JJ-Y2171-91-P1	D - 7	1WG-12118-00	B - 4	4XV-1243A-00	B - 9	4SV-1410A-00	C - 3	2TK-14865-01	C - 5	5JJ-15425-00	C - 8
5JJ-Y2410-30-04	D - 14	4SV-12119-00	B - 4	11H-12438-00	B - 7	4XV-14103-00	C - 4	2TK-14867-01	C - 5	4XV-15441-00	C - 9
5JJ-Y2410-30-05	D - 14	4TV-12119-00	B - 4	4XV-12439-00	B - 7	4SV-14105-00	C - 2	5JJ-14867-00	B - 15	4XV-15451-00	C - 8
5JJ-Y2808-00-P0	F - 6	5JJ-12121-00	B - 4	4XV-12450-00	B - 7	4KM-14107-15	C - 3	5JJ-14871-00	B - 2	5JJ-15456-00	C - 8
5JJ-Y2808-00-4B	F - 6	3GM-12126-00	B - 4	5JJ-12461-00	B - 9	4SV-14112-00	C - 3	5JJ-14872-00	B - 15	4XV-15461-00	C - 8
5JJ-Y2809-00-P0	F - 6	3FV-12153-09	B - 5	4JH-12462-00	B - 9	4KM-14142-15	C - 3	5JJ-14873-00	B - 15	5JJ-15463-00	C - 8
5JJ-Y2809-00-4B	F - 6	3FV-12153-20	B - 5	5JJ-12469-00	B - 8	36Y-14147-00	C - 4	5JJ-14874-00	B - 15	5JJ-15515-00	C - 10
5JJ-Y283G-20-2X	F - 3	3LN-12153-09	B - 5	5JJ-12481-00	B - 7	4XV-14149-30	C - 3	5JJ-14881-00	B - 15	5JJ-15517-00	C - 10
5JJ-Y283G-30-1X	F - 3	3LN-12153-20	B - 5	4XV-12482-00	B - 8	4XV-14149-40	C - 4	5JJ-14882-00	B - 15	4XV-15521-00	C - 10
4XV-Y283U-60-P2	F - 5	1HX-12168-A0	B - 4	4XV-12483-00	B - 8	4XV-14149-60	C - 3	5JJ-14883-00	B - 15	4XV-15570-00	C - 10
4XV-Y283U-70-P1	F - 5	1HX-12168-F0	B - 4	4XV-12484-00	B - 9	4XV-14149-70	C - 4	5JJ-14884-00	B - 15	4XV-16150-02	C - 11
4XV-Y283V-60-P2	F - 5	1HX-12168-H1	B - 4	4XV-12485-00	B - 7	4XV-14149-90	C - 4	5JJ-14886-00	B - 15	26H-16154-00	C - 11
4XV-Y283V-70-P1	F - 5	1HX-12168-K1	B - 4	5Y9-12491-00	G - 2	3LN-1416A-00	C - 4	4XV-1490J-00	C - 2	4XV-16154-00	C - 12
5JJ-Y2881-30	F - 3	1HX-12168-M1	B - 4		G - 4	620-14186-00	C - 3	4XV-1490J-30	C - 2	341-16321-13	C - 11
5JJ-11102-00	B - 2	1HX-12168-R1	B - 4	4XV-12551-00	B - 9	4KP-14191-00	C - 3	3EN-1490K-00	C - 4	2H7-16325-00	C - 11
4KG-1111G-00	B - 2	1HX-12168-U1	B - 4	4XV-12552-00	B - 10	3JE-14197-00	C - 3	5JJ-14900-00	C - 2	4XV-16331-00	C - 11
1WG-11133-11	B - 2	1HX-12168-W1	B - 4	5JJ-12576-00	B - 8	4KM-14216-00	C - 2	5JJ-14900-20	C - 2	36Y-16334-00	C - 11
3TJ-11133-10	B - 2	1HX-12168-Y1	B - 4	4XV-12577-00	B - 9	4SV-14216-00	C - 2	5JJ-14900-40	C - 2	36Y-16335-00	C - 11
4XV-11145-00	C - 7	1HX-12168-00	B - 4	4XV-12578-00	B - 9	3G2-14231-26	C - 3	5JJ-14901-00	C - 2	4XV-16340-01	C - 11
4XV-11165-00	C - 7	1HX-12168-20	B - 4	4XV-12579-00	B - 9	8CC-14232-24	C - 3	5JJ-14901-20	C - 2	132-16346-00	D - 2
4XV-11181-00	B - 2	1HX-12168-40	B - 4	5JJ-12588-00	B - 9	4XV-14275-00	C - 3	5JJ-14901-40	C - 2	4XV-16351-00	C - 11
4XV-11191-00	B - 2	1HX-12168-60	B - 4	5JJ-12589-00	B - 9	5JJ-14294-00	B - 13	5JJ-14902-00	C - 2	1TX-16352-00	C - 11
4XV-11193-00	B - 2	1HX-12168-80	B - 4	5JJ-12683-00	B - 14	4NK-14327-00	C - 3	5JJ-14902-20	C - 2	4XV-16356-01	C - 11
214-11198-01	B - 12	1HX-12169-E0	B - 5	5JJ-12682-00	B - 14	3LN-14348-00	C - 4	5JJ-14902-40	C - 2	4XV-16370-00	C - 11
4XV-1130E-00	C - 6	1HX-12169-G0	B - 5	4XV-12822-00	B - 12	5JJ-14401-00	B - 13	5JJ-14903-00	C - 2	4XV-16382-00	C - 11
4XV-11411-00	B - 3	1HX-12169-J0	B - 5	5JJ-1316E-00	B - 11	5JJ-14414-00	B - 13	5JJ-14903-20	C - 2	36Y-16383-00	C - 11
3GM-11416-A0	B - 3	1HX-12169-L0	B - 5	5JJ-13161-00	B - 12	4XV-1443J-00	B - 14	5JJ-14903-40	C - 2	4XV-16384-00	C - 11
3GM-11416-B0	B - 3	1HX-12169-N0	B - 5	4XV-13310-00	B - 7	4XV-14451-00	B - 13	5JJ-14904-00	C - 2	2H7-16385-00	C - 11
3GM-11416-00	B - 3	1HX-12169-T0	B - 5	4XV-13318-00	B - 12	4XV-14452-00	B - 13	5JJ-14904-20	C - 2	5JJ-17121-00	C - 13
3GM-11416-10	B - 3	1HX-12169-11	B - 5	4XV-13327-00	B - 11	5JJ-14453-00	B - 13	5JJ-14904-40	C - 2	5JJ-17131-00	C - 13
3GM-11416-20	B - 3	1HX-12169-31	B - 5	4XV-13336-00	B - 7	5JJ-1446A-00	B - 13	4SV-14933-00	C - 2	5JJ-17151-00	C - 13
4XV-11549-00	B - 3	1HX-12169-50	B - 5	4XV-13354-00	C - 12	4XV-14465-00	B - 14	4SV-14935-00	C - 3	5JJ-17158-00	C - 13
4XV-11603-00	B - 3										

NUMERICAL INDEX

PART NO.	GRID NO.	PART NO.	GRID NO.	PART NO.	GRID NO.	PART NO.	GRID NO.	PART NO.	GRID NO.	PART NO.	GRID NO.
5JJ-17161-00	C - 13	4XV-21650-01-P1	D - 9	4XV-23142-00	D - 13	3PA-24356-00	E - 10	4XV-25819-00	E - 8	5JJ-26331-00	E - 9
5JJ-17211-00	C - 14	4XV-21650-01-4B	D - 9	4EB-23144-00	D - 12	4XV-24398-01	D - 15	3LN-2582A-00	E - 15	5EB-26332-00	E - 10
5JJ-17221-00	C - 13	5JJ-21669-01	D - 6	4XV-23145-00	D - 12	4SV-24411-00	C - 2	3TJ-2582F-01	E - 10	5JJ-26335-00	E - 9
5JJ-17231-00	C - 14	4XV-21688-00	D - 6	5JJ-23146-00	D - 12	4KM-24453-00	C - 3	4XV-2582W-00	E - 8	5JJ-26399-00	E - 9
5JJ-17241-00	C - 13	5JJ-2172X-00	D - 6	3XJ-23147-L0	D - 12	4XV-24453-00	C - 3	3TU-2583V-01	E - 15	5JJ-27211-00	E - 15
5JJ-17251-00	C - 14	3SP-21732-00	D - 15		D - 13	4KM-24500-10	D - 14	3LN-2585F-00	E - 15	5JJ-27222-01	E - 15
5JJ-17261-00	C - 13	1JK-21735-00	F - 6	26H-23156-00	D - 12	4X8-24512-00	D - 14	3LN-2585H-00	E - 15	4XV-27311-00	E - 12
5JJ-17402-00	C - 13	1KT-21746-00	D - 3	2K8-23158-L0	D - 12	3LN-24515-00	C - 4	3GM-25852-50	E - 10	5JJ-27315-00	E - 12
5JJ-17411-00	C - 13	5JJ-21746-00	D - 7		D - 13	3AJ-24523-00	D - 14	3XP-25852-50	E - 15	5JJ-27321-00	E - 12
4XV-17460-00	C - 14	5JJ-21747-00	F - 14	5JJ-23170-00	D - 12	3AJ-24534-00	D - 14	2VN-25854-00	E - 15	4NX-27351-00	E - 12
5JJ-18101-00	D - 2	2TK-21757-00	F - 5		D - 13	1FK-24560-00	D - 15	3FV-25854-00	E - 10	5EB-27352-00	E - 12
5JJ-18110-00	D - 2		F - 6	3LC-23181-00	D - 12	5JJ-24602-00	D - 15	2J2-25855-50	E - 10	5JJ-27410-01	E - 12
5JJ-18112-00	D - 2	4XV-2177L-00	F - 5		D - 13	5JJ-2470F-00	E - 3	2VN-25855-00	E - 15	5JJ-27420-01	E - 13
4XV-18115-00	D - 2		F - 6	5JJ-23340-00	D - 13	5JJ-24710-00	E - 3	2VN-25866-00	E - 10	36Y-27424-00	E - 13
5JJ-18116-00	D - 2	4XV-21781-50	D - 7	3LC-23357-00	D - 12	5JJ-2475X-01	E - 3	56A-25867-00	E - 10	4XV-27424-00	D - 3
4XV-18127-00	D - 2	4XV-21781-60	D - 7		D - 13	5JJ-24750-00	E - 3	4XV-2587A-00	E - 10	5JJ-27430-00	E - 13
5JJ-18140-00	D - 2	5JJ-2179R-10	D - 7	4XV-2341B-00	D - 11	5JJ-24751-00	E - 3	4XV-25872-00	E - 10	5JJ-27437-00	E - 13
4XV-18154-00	D - 2	5JJ-2179V-10	D - 7	4XV-23415-01	D - 11	5JJ-2478E-00	E - 3	4XV-27440-00	E - 11	5JJ-27440-00	E - 13
4XV-18511-00	C - 15	26H-21828-00	D - 7	4XV-23418-00	D - 11	4BP-24780-00	E - 3	4XV-25874-00	E - 15	5JJ-27442-00	E - 12
5JJ-18512-00	C - 15	4XV-21871-00	D - 7	4JH-23434-00	E - 9	5JJ-24792-00	E - 3	4XV-25875-00	D - 5	5JJ-27443-00	E - 12
4XV-18513-00	C - 15	4XV-21875-00	D - 7	4XV-23435-00	D - 11	4XV-25117-00	E - 4	4FM-25876-00	F - 2	5JJ-27445-00	E - 12
4XV-18531-00	C - 15	5JJ-22110-00	D - 8	3FV-23462-00	D - 11	4XV-25118-00	E - 4	4XV-25876-00	D - 5	5JJ-27446-00	E - 13
4XV-18536-00	C - 15	5JJ-22128-00	D - 8	2H9-23469-00	E - 9	4XV-25168-00-33	E - 4	4XV-25886-01	F - 2	5JJ-27813-00	E - 15
4XV-18540-00	C - 15	5JJ-2214F-00	D - 9	4XV-23818-00	D - 11	4XV-25181-00	E - 4	4XV-25887-00	E - 10	4XV-28100-00	D - 6
136-18542-00	C - 15	4FN-22141-00	D - 8	4XV-2411G-00	D - 7	4XV-25186-00	E - 4	3FV-2589A-00	E - 10	5JJ-28301-20	F - 5
5JJ-21110-00	D - 3	5JJ-22151-00	D - 8	4XV-2411H-00	D - 7	4XV-25317-00	E - 6	3FV-2589F-00	E - 10	5JJ-28301-30	F - 5
4XV-2116A-00	D - 4	4XV-2217A-00	D - 8	5JJ-24129-00	D - 7	4XV-25327-00	E - 6	3FV-2589G-00	E - 10	5JJ-28303-20	F - 5
4XV-2116J-00	D - 4	4XV-2217M-00	D - 8	5JJ-24139-00	D - 7	4XV-25338-00-33	E - 6	3GM-2589H-00	E - 10	5JJ-28303-30	F - 5
5JJ-2117E-00	D - 5	4XV-22184-00	D - 8	1LJ-2414J-00	F - 3	4XV-25364-00	E - 6	5JJ-25894-00	E - 15	4XV-28315-40	F - 3
4XV-2117F-00	D - 3	5JJ-22210-00	D - 10	4EU-24141-00	F - 3	5JJ-25366-00	E - 6	5JJ-25894-10	E - 10	4XV-28315-50	F - 3
4XV-2117K-00	E - 3	5JJ-22210-10	D - 10	4XV-24170-00	D - 15	5JJ-25367-00	E - 6	5JJ-25895-00	E - 15	5JJ-2832P-01	F - 3
4XV-2117M-00	D - 3	5JJ-22210-20	D - 10	25H-24180-00	D - 15	4XV-25376-00	E - 6	4SV-25919-00	E - 5	4XV-28328-60	F - 5
4XV-2117N-00	D - 4	4XV-22311-01	D - 9	2GH-24181-00	D - 14	4XV-25377-00	E - 6	4XV-25919-50	E - 8	4XV-28328-70	F - 5
4XV-2117R-00	D - 4	5JJ-22332-00	F - 2	3MA-24181-00	C - 5	4XV-25381-00	E - 7	4SV-25924-00	E - 5	4XV-28336-00	F - 3
4XV-2134K-00	G - 5	5JJ-23102-00	D - 12	4FM-24181-00	C - 5	4XV-25383-00	E - 6		E - 8	4XV-28338-50	F - 5
5JJ-21348-00	D - 14	5JJ-23103-00	D - 12	4YR-24181-00	D - 14	4XV-25388-00	E - 6	3GM-25925-00	E - 5	1AE-2834E-00	D - 6
4XV-2137Y-01	D - 3	4XV-23110-00	D - 12	2GH-24183-00	D - 14	4XV-25389-00	E - 6		E - 8	4BR-2834E-00	F - 6
4XV-21376-00	D - 5	4XV-23111-00	D - 12	4XV-24183-00	D - 14	29L-25398-00	E - 4	4XV-26121-00	E - 9	4XV-2834E-00	F - 3
3XV-2144G-00	E - 13		D - 13	5JJ-24186-00	D - 14		E - 6	4XV-26122-00	E - 9	5JJ-2834W-00	F - 3
4XV-21446-00	D - 3	4XV-23118-00	D - 12	5JJ-24187-00	D - 14	29L-25398-10	E - 4	4YR-26240-01	E - 9	4XV-28349-00	F - 3
4X7-2149Y-00	B - 13		D - 13	4XV-2419F-00	D - 15		E - 6	4YR-26241-01	E - 9	5JJ-28356-01	F - 3
4XV-21511-01-P1	D - 5	4XV-23120-00	D - 12	5JJ-24191-00	D - 14	29L-25398-20	E - 4	4XV-26246-00	E - 9	4XV-2836A-00	F - 5
4XV-21511-10	D - 5	4XV-23125-00	D - 12	5JJ-24240-10	D - 14		E - 6	5JJ-26280-00	F - 3	4XV-2836E-00	F - 5
5JJ-2153A-00	D - 14	4XV-23135-00	D - 12	5JJ-24240-20	D - 14	4XV-25443-20	E - 6	3XW-26281-01	E - 9	4XV-2836F-00	F - 7
5JJ-2153E-00	F - 6	5JJ-23136-00	D - 12	4XV-24311-00	D - 15	5JJ-2580T-00	E - 5	3XW-26282-01	E - 9	4XV-2836G-00	F - 7
5JJ-21611-00	D - 5	5JJ-23141-00	D - 12	4XV-24312-00	D - 15	5JJ-2580U-00	E - 5	5JJ-26290-00	F - 3	4XV-2836K-10	F - 6
5JJ-21611-10	D - 5		D - 13	4XV-24313-01	D - 15	5JJ-2580W-00	E - 8	4SV-26298-00	F - 3	4XV-2836L-10	F - 6
4XV-21621-00	D - 5	4XV-23142-00	D - 12	4XV-24314-00	D - 15	5JJ-2581T-10	E - 5	4XV-26302-01	E - 9	4XV-2836M-10	F - 6



NUMERICAL INDEX

PART NO.	GRID NO.	PART NO.	GRID NO.	PART NO.	GRID NO.	PART NO.	GRID NO.	PART NO.	GRID NO.	PART NO.	GRID NO.
4XV-2836M-10-P0	F - 6	5JJ-82541-00	G - 2	5JJ-84710-01	F - 14	90110-05112	D - 15	90170-06228	D - 2	90201-13008	E - 13
1AE-2837J-00	D - 14	5JJ-82566-00	G - 5	5JJ-84710-11	F - 14	90110-05201	D - 7	90170-20323	C - 11	90201-146F9	E - 12
4XV-2837L-00	F - 3	5JJ-82590-11	G - 4	1A2-84714-41	F - 14	90110-06136	C - 9	90170-28419	D - 11	90201-18264	D - 8
4XV-2837M-00	F - 3	1UA-82591-00	G - 5	256-84714-61	F - 10	90110-06224	C - 8	90176-06055	F - 4	90201-224L4	C - 14
1TX-28371-00	F - 3	4XV-82910-11	F - 15	5JJ-84735-00	F - 14	90110-06225	B - 12	90176-10075	B - 2	90201-257R5	E - 7
	F - 6	4XV-82917-00	F - 15	5JJ-84751-00	D - 6	90110-06226	B - 8	90179-05523	F - 3	90201-281U8	D - 11
4SV-28371-00	F - 6	5JJ-83310-00	F - 10	20G-85110-00	G - 3		B - 9	90179-08327	B - 3	90202-05187	G - 5
4XV-28371-00	D - 3	5JJ-83310-10	F - 10	4XV-85112-00	G - 3		C - 15	90179-08410	C - 5	90202-05193	D - 15
4XV-28372-00	D - 9	256-83311-70	F - 10	3Y6-85130-02	D - 6		E - 12	90179-10683	B - 2		G - 3
3XV-28386-00	F - 3	306-83311-40	F - 10	4XV-85132-00	D - 5	90110-06258	E - 3	90179-10693	B - 2	90202-30235	D - 11
	F - 6		F - 11	4XV-85720-01	G - 2	90111-06019	D - 2	90179-22063	C - 14	90209-25342	C - 13
5JJ-2839H-00	F - 5	5JJ-83318-00	F - 10	1UF-85752-03	G - 3	90116-10485	E - 6	90179-30691	D - 11	90209-25349	C - 13
5JJ-2839H-10	F - 5		F - 11	42X-85753-00	G - 3	90116-10619	C - 7	90183-05061	D - 5	90209-25350	C - 13
5JJ-2848L-00	F - 6	5JJ-83320-00	F - 10	4FM-85820-01	G - 3	90119-06009	D - 5		D - 7	90209-30343	C - 14
5JJ-2848M-00	F - 6	5JJ-83320-10	F - 10	4SV-85885-00	C - 3	90119-06010	D - 5	90183-05074	F - 3	90209-30344	C - 13
4XV-81410-01	F - 8	5JJ-83330-00	F - 10	4XV-90445-00	C - 3	90119-06044	D - 14	90183-06053	E - 15	90209-30345	C - 13
4XV-81450-00	F - 8	5JJ-83330-10	F - 10	90101-08662	E - 12	90119-06052	D - 9		G - 5	90215-25218	C - 11
4XV-81670-10	G - 2	4JH-83332-00	F - 10	90101-08766	E - 7		F - 5	90185-10002	D - 3	90215-30233	C - 14
4XV-81673-00	G - 2		F - 11	90105-06154	B - 7	90119-06096	D - 15	90185-18167	D - 8	90243-08029	E - 12
5JJ-81801-00	F - 9	4JH-83332-10	F - 10	90105-06384	B - 2		D - 9	90185-24165	E - 7		E - 13
5JJ-81828-00	F - 9		F - 11	90105-07342	B - 6	90119-06114	D - 11	90201-04018	D - 5	90250-08022	C - 8
5JJ-8183G-00	F - 9	5JJ-83340-00	F - 10	90105-08015	C - 7	90119-06115	C - 5		D - 6	90269-07077	D - 3
5JJ-81846-00	F - 9	5JJ-83340-10	F - 10	90105-093A5	C - 7	90119-06117	D - 7	90201-050T4	C - 5		D - 5
5JJ-81890-00	F - 9	4JH-83342-00	F - 10	90105-10017	D - 8	90119-06187	C - 5	90201-057H5	G - 5		D - 7
4YR-81940-00	G - 4	4JH-83342-10	F - 10	90105-10018	D - 8	90119-06190	D - 14	90201-05725	D - 6		F - 6
5EB-81950-20	G - 5	4MY-83350-01	G - 5	90105-10020	D - 10	90149-04278	D - 5		F - 14	90269-07084	D - 3
5JJ-81950-10	G - 3	3TB-83371-01	G - 5	90105-10021	D - 8		D - 6	90201-06042	E - 12	90269-08001	F - 2
5JJ-81950-20	G - 5	5JJ-83500-30	F - 12	90105-10022	E - 14	90149-06011	D - 14		E - 13	90338-07124	D - 3
4JH-81960-01	G - 5	5JJ-83500-50	F - 12	90105-10290	G - 2		G - 3	90201-06057	D - 6	90338-15202	D - 3
4TX-82100-01	G - 4	4XV-83513-00	F - 12	90105-105A0	E - 8	90149-06013	F - 8	90201-06071	B - 9	90338-16262	C - 7
5JJ-82115-00	G - 4		F - 14	90105-105A6	F - 8	90149-06233	E - 12	90201-08089	C - 10	90338-20263	C - 7
5JJ-82116-00	G - 4		F - 3	90105-105A7	E - 5		E - 13	90201-081R9	E - 12	90340-14132	B - 12
5JJ-82131-00	G - 4	5JJ-83591-00	G - 2	90109-06013	E - 15	90149-06286	C - 13	90201-08612	C - 6	90340-27001	B - 2
5JJ-82151-10	G - 4	4XV-83755-01	G - 2	90109-06014	C - 8	90149-06308	E - 3	90201-08759	G - 3	90340-32116	C - 8
5JJ-82151-20	G - 4	4XV-83912-11	F - 15		C - 9	90149-08296	E - 12	90201-096J9	C - 7	90387-06006	D - 14
5JJ-82151-30	G - 4	5JJ-83913-00	F - 15	90109-06015	C - 8		E - 13	90201-10008	D - 3	90387-06007	D - 14
5JJ-82305-00	G - 2	4XV-83922-01	E - 10		C - 9	90150-05023	F - 3	90201-10013	B - 2	90387-061K9	D - 4
5JJ-82305-30	G - 2	4XV-83945-00	F - 15	90109-064G6	E - 5	90150-05039	D - 7	90201-101J1	E - 12	90387-0615J	D - 9
5JJ-82305-40	G - 2	5JJ-83972-00	F - 15		E - 8	90150-06036	D - 7	90201-10118	E - 11	90387-062L2	D - 15
4XV-82309-00	G - 2	5JJ-83973-00	F - 15	90109-065G3	C - 7		F - 5		E - 15		E - 2
4XV-82310-00	G - 2	4UN-83975-01	F - 15	90109-066F0	B - 2		F - 6	90201-103U7	F - 8	90387-06372	D - 9
4XV-82320-00	G - 2	3FV-83980-00	E - 10	90109-080G5	G - 4	90154-05013	D - 4	90201-106M5	C - 5	90387-065J6	B - 13
5H0-8235Y-M0	D - 15	5JJ-84310-20	F - 13	90109-083E0	E - 12		D - 5	90201-10614	C - 12		D - 5
4XV-82370-01	G - 2	8V0-84314-00	F - 13		E - 13		F - 3	90201-10669	E - 14	90387-06697	E - 13
5JJ-82388-00	G - 5	5JJ-84345-00	F - 13	90109-085G6	E - 12	90154-06061	D - 5	90201-107K6	G - 2	90387-07391	B - 15
5JJ-82501-11	G - 4	5JJ-84359-11	F - 13		E - 13	90159-06056	E - 15	90201-120K4	D - 2		B - 9
4XV-82530-01	G - 4	4SV-84397-00	F - 13	90109-10002	E - 12	90164-05014	F - 12	90201-12541	B - 7	90387-08005	D - 3
3GB-82540-01	G - 2	2AL-84553-00	G - 4	90109-104G5	D - 3		F - 3	90201-13008	E - 12	90387-10001	E - 14

NUMERICAL INDEX

PART NO.	GRID NO.	PART NO.	GRID NO.	PART NO.	GRID NO.	PART NO.	GRID NO.	PART NO.	GRID NO.	PART NO.	GRID NO.
90387-1012A	D - 8	90464-12036	G - 4	90480-18171	F - 13	91808-16023	B - 2	93306-37209	C - 14	95604-10200	E - 6
90387-1012B	D - 8	90464-13073	G - 4		F - 14	91808-30031	B - 7	93306-37807	C - 13	95606-06100	E - 10
90387-1013U	D - 8	90464-13077	G - 4	90501-064L1	C - 15	92014-08016	C - 8	93310-228S5	C - 11	95607-04100	D - 6
90387-106U7	C - 5	90464-13133	G - 4	90501-12743	E - 13	92017-05030	G - 5	93310-338S6	C - 10	95607-05100	D - 6
90387-1112F	D - 3	90464-15157	G - 4	90506-14002	D - 2	92017-06014	C - 10	93315-11206	D - 2	95607-05200	G - 5
90387-12002	D - 3	90464-15195	G - 4	90506-18003	E - 12	92902-04100	E - 10	93315-31502	C - 12	95607-06100	D - 6
90387-2511A	C - 13	90464-16021	G - 4	90506-20377	E - 15	92902-04600	E - 10	93315-31758	D - 8		F - 15
90387-2810U	C - 13	90464-16025	G - 4	90508-164B2	C - 11	92907-04600	F - 10	93315-42523	D - 8	95607-06200	D - 14
90387-2811B	C - 13	90464-16039	G - 4	90508-18134	E - 12		F - 11	93315-42536	D - 8	95607-08200	F - 3
90387-3310V	C - 13		G - 5	90508-18135	E - 13	92907-05600	D - 15	93317-11020	C - 11	95607-10200	D - 10
90387-3311C	C - 13	90464-18029	G - 5	90508-29012	D - 2	92907-06200	E - 15	93317-43580	E - 6		D - 8
90401-10160	E - 11	90464-37257	G - 4	91314-06016	D - 14	92907-06600	D - 5	93399-99932	D - 11		E - 12
90401-10172	E - 11	90465-08013	G - 2	91314-06020	C - 8	92907-08600	C - 11	93410-08072	C - 10	95617-08625	B - 2
	E - 15	90465-08028	G - 2	91314-06025	C - 8	92990-04600	C - 5	93440-07149	B - 2	95707-05500	D - 6
90401-20145	B - 12	90465-08191	G - 2	91314-06035	C - 8	92990-06600	C - 5	93440-10153	B - 2		G - 3
90413-07007	B - 13	90465-13275	G - 4		E - 13	93101-12004	D - 2	93440-28062	C - 13	95707-06500	D - 5
90413-08012	B - 14	90467-08003	B - 10	91314-06040	C - 8	93102-12372	B - 7	93440-32063	C - 13		E - 3
90413-10016	C - 4		D - 7	91314-06050	C - 8	93102-15212	C - 11	93440-72049	C - 14	95807-06008	E - 13
90430-06014	B - 2	90467-08092	B - 15	91314-08030	D - 11	93102-45465	C - 14	93501-04011	E - 13	95807-06010	G - 5
	C - 10	90467-09006	D - 15		D - 13	93106-28043	E - 4	93603-12007	B - 7	95807-06012	F - 7
90430-08143	C - 8	90467-10008	B - 14		E - 9	93106-35042	E - 6	93603-17070	B - 7	95814-06050	C - 7
90430-10148	G - 2		E - 2	91314-08040	D - 13	93106-40013	E - 6	93604-10011	B - 7	95817-06010	B - 9
90445-086J6	D - 7	90467-10041	B - 13	91314-10040	D - 3	93109-17071	D - 8	93604-29151	G - 2	95817-06020	B - 14
90445-09074	B - 10	90467-11019	D - 7	91314-10050	D - 3	93210-06667	B - 11	93607-44190	B - 6	95817-06025	C - 11
90445-10015	D - 15	90467-11090	B - 10	91317-05010	D - 15		B - 7	93900-00030	E - 4	95817-06045	B - 7
90445-10143	B - 13		B - 13	91317-06010	C - 10	93210-09165	B - 11		E - 6		C - 7
90445-11013	B - 13		B - 9		E - 11	93210-12790	C - 7	94112-17012	E - 4	95817-06055	C - 7
90445-11418	E - 2		C - 4	91317-06012	B - 11	93210-14579	B - 12	94119-17009	E - 6	95817-06060	C - 7
90445-11452	B - 13	90467-12124	D - 15		B - 12	93210-15566	B - 12	94580-25078	B - 11	95817-06065	C - 7
90445-117K0	B - 13	90467-12191	E - 15		B - 15	93210-15620	E - 10	94581-69114	E - 6	95817-06070	C - 7
90445-11730	B - 13	90467-13042	B - 13		B - 2	93210-16314	C - 7	94591-49130	B - 6	95817-06110	D - 14
90445-142K2	D - 15	90467-13123	D - 15		C - 7	93210-18417	B - 8	94681-69031	E - 6	95817-08025	C - 5
90445-161K7	C - 7	90467-14015	C - 7		E - 10	93210-235A1	B - 7	94701-00318	B - 2	95817-08040	C - 6
90445-19002	E - 12	90467-14057	E - 15		F - 8	93210-23787	B - 9	94701-00319	B - 2	95817-08050	C - 7
90446-17346	E - 15	90467-15001	B - 15		G - 2	93210-25711	F - 9	95024-08035	D - 3	95824-06020	D - 2
90450-22017	B - 10	90467-15054	B - 15	91317-06014	G - 2	93210-27194	C - 8	95027-06008	G - 4	95827-06020	B - 15
90450-28014	B - 9	90467-16098	B - 13	91317-06016	B - 8	93210-27370	B - 8	95027-06010	F - 2	95827-06025	B - 9
90450-32015	B - 9	90467-17089	B - 15	91317-06020	B - 11	93210-32172	C - 8	95027-06012	B - 2		G - 5
90450-38040	B - 8	90468-08104	C - 7	91317-06025	B - 12	93210-357A2	B - 7	95027-06016	E - 2	95827-08025	D - 3
	B - 9	90468-12069	B - 3		B - 7	93210-47675	B - 8	95027-06020	B - 8	97007-06016	D - 9
90450-57044	B - 13	90480-12072	D - 5		E - 9	93210-55669	F - 9		F - 15	97007-06030	D - 5
90450-75083	B - 13	90480-12314	B - 13	91317-06035	B - 7	93306-00106	B - 7	95027-06025	B - 6	97080-05012	C - 5
90461-10002	G - 5	90480-13163	E - 2	91317-06040	B - 7	93306-00304	C - 11		B - 9	97080-06008	C - 5
90461-10003	C - 8	90480-13398	D - 7	91317-06045	B - 7	93306-00420	E - 4		F - 9	97702-40610	F - 10
90461-15100	D - 15		F - 5	91317-06060	B - 2	93306-07806	E - 6	95304-06700	D - 2		F - 11
90462-08225	G - 3		F - 6	91380-04006	C - 5	93306-20531	E - 6	95304-08700	E - 15	97704-40012	F - 6
90462-10182	F - 8	90480-15316	B - 15	91401-16012	E - 15	93306-20705	C - 13	95307-08600	E - 7	97707-40012	E - 3
90464-07259	D - 5	90480-15363	B - 9	91701-06018	E - 15	93306-27208	C - 13	95604-06200	E - 13		G - 5

NUMERICAL INDEX

PART NO.	GRID NO.	PART NO.	GRID NO.	PART NO.	GRID NO.	PART NO.	GRID NO.	PART NO.	GRID NO.
97707-50016	F - 13								
	F - 14								
	F - 6								
	G - 2								
97707-60025	G - 2								
98502-04012	E - 10								
98507-03008	D - 14								
98507-04008	F - 10								
	F - 11								
98507-04010	F - 15								
98507-05010	C - 2								
98507-05012	C - 2								
	D - 15								
98507-05022	F - 15								
98507-05025	B - 13								
	F - 15								
98507-05035	E - 9								
98507-05045	B - 13								
98707-03016	F - 15								
98707-04008	C - 2								
98907-06016	D - 4								
99001-07600	C - 11								
99009-10400	C - 12								
99009-52500	E - 6								
99241-00080	D - 7								
99241-00100	D - 5								
99241-00320	F - 6								
99530-08012	B - 12								
	C - 8								
	C - 9								
99530-10014	C - 7								
99530-10114	C - 7								

# CONTENTS

## ENGINE

CYLINDER .....	B2
CRANKSHAFT. PISTON .....	B3
VALVE .....	B4
CAMSHAFT. CHAIN .....	B6
WATER PUMP .....	B7
RADIATOR. HOSE .....	B9
OIL PUMP .....	B11
OIL CLEANER .....	B12
INTAKE .....	B13
AIR INDUCTION SYSTEM .....	B15
CARBURETOR .....	C2
EXHAUST .....	C5
CRANKCASE .....	C7
CRANKCASE COVER 1 .....	C8
STARTER .....	C10
CLUTCH .....	C11
TRANSMISSION .....	C13
SHIFT CAM. FORK .....	C15
SHIFT SHAFT .....	D2

## CHASSIS

FRAME .....	D3
FENDER .....	D5
SIDE COVER .....	D7
REAR ARM .....	D8
REAR SUSPENSION .....	D10
STEERING .....	D11
FRONT FORK .....	D12
FUEL TANK .....	D14
SEAT .....	E3
FRONT WHEEL .....	E4
FRONT BRAKE CALIPER .....	E5

REAR WHEEL .....	E6
REAR BRAKE CALIPER .....	E8
STEERING HANDLE. CABLE .....	E9
FRONT MASTER CYLINDER .....	E10
STAND. FOOTREST .....	E12
REAR MASTER CYLINDER .....	E15
COWLING 1 .....	F3
COWLING 2 .....	F5
GENERATOR .....	F8
STARTING MOTOR .....	F9
FLASHER LIGHT .....	F10
METER .....	F12
HEADLIGHT .....	F13
TAILLIGHT .....	F14
HANDLE SWITCH. LEVER .....	F15
ELECTRICAL 1 .....	G2
ELECTRICAL 2 .....	G4

## INDEX

NUMERICAL INDEX .....	M1
-----------------------	----