



PARTS CATALOGUE

YZF-R1 (5VYE) EUROPE, SOUTH AFRICA

YZF-R1 (5VYF) EUROPE

YZF-R1 (5VYR) EUROPE, SOUTH AFRICA

YZF-R1 (5VYS) EUROPE

YZF-R1
PARTS CATALOGUE
©2005 by Yamaha Motor Co., Ltd.
1st edition, August 2005
All rights reserved.
Any reprinting or unauthorized use
without the written permission of
Yamaha Motor Co., Ltd.
is expressly prohibited.
Printed in Japan.

A3

YZF-R1



YZF-R1



FOREWORD

This Parts Catalogue is related to the parts for the model(s) on the cover page. When you are ordering replacement parts, please refer to this Parts Catalogue and quote both part numbers and part names correctly.

1. Modifications or additions which have been made after the issue of the Parts Catalogue will be announced in the Parts News.

It is advisable that you make the necessary corrections to the Parts Catalogue according to the Parts News.

2. Abbreviations

The following abbreviations are used in this Parts Catalogue.

“UR” Use specified parts number.

“UN” Use as many as needed.

“AP” Alternate Parts

“LM” Locally Made (Parts need to be ordered locally)

“F#” Frame No. (Applicable machine No.)

“O/S” Over Size

3. The number of components for assembly

- Parts, which are to be supplied in an assembly, are listed with a dot (.) in front of the part name as shown below.
- The numeral appearing to the right of each component part indicates the quantity of parts for each assembly unit.

PART NO.	DESCRIPTION	Q'TY	REMARKS
2F5-83310-60	FRONT FLASHER LIGHT ASSY	2	
115-83311-60	.BULB (6V-18W)	1	

4. Applicable colours of graphics are represented in the “REMARKS” as shown below.

PART NO.	DESCRIPTION	Q'TY	REMARKS
2N4-24110-00-X5	FUEL TANK COMP.	2	MXR
3J1-24240-10	.GRAPHIC, FUEL TANK	1	FOR MXR

5. Note that the illustrations for reference in finding parts numbers are not to be used for assembling. When assembling, please use the applicable service manual.

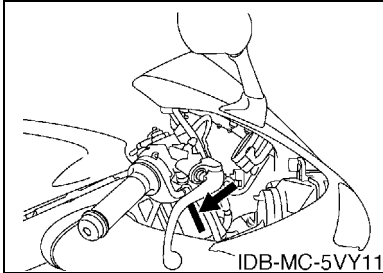
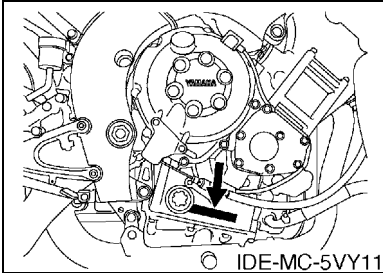
6. The asterisk (*) before a reference number indicates modified items after the first edition.

FOREWORD

7. Applicable Serial No.

Engine Serial No.

Frame Serial No.



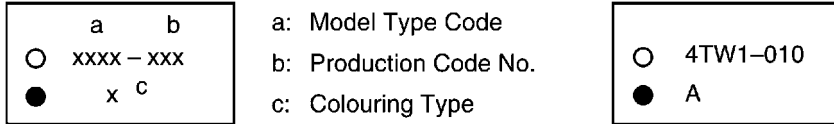
8. Applicable Colour Code (The (*) mark shows Model colour.)

Abbreviation	Colour Name	Colour Code
DPBMC(*)	DEEP PURPLISH BLUE METALLIC C	0564
DRMK(*)	DEEP RED METALLIC K	0918
LGB	LOW GLOSS BLACK	0098
MBL2	MAT BLACK 2	0582
MT2	MAT TITAN 2	0826
NMD	GRAY METALLIC D	0994
RYC1(*)	REDDISH YELLOW COCKTAIL 1	0251
S3	SILVER 3	0791
SMX(*)	BLACK METALLIC X	0903
YB	YAMAHA BLACK	0033

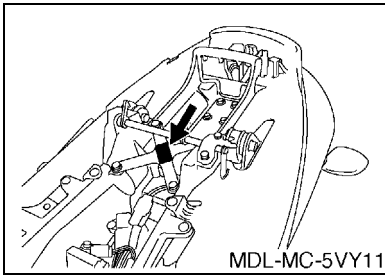
MODEL LABEL

(1) A label called "Model Label" is affixed in the location as indicated in (3) below. When using this parts catalogue, please be sure to cross-reference the "model code – production code No." in the catalogue with the "model code – production code No." indicated on the Model Label affixed onto the product concerned.

(2) "Model Label" Indication



(3) Model Label Affixing Location



(4) Colouring Information

Model Code	Colouring Type Code	Colour Code	Colour Name	Abbreviation
5VYE	A	0918	DEEP RED METALLIC K	DRMK
	B	0564	DEEP PURPLISH BLUE METALLIC C	DPBMC
	C	0903	BLACK METALLIC X	SMX
5VYF	A	0918	DEEP RED METALLIC K	DRMK
	B	0564	DEEP PURPLISH BLUE METALLIC C	DPBMC
	C	0903	BLACK METALLIC X	SMX
5VYR	A	0251	REDDISH YELLOW COCKTAIL 1	RYC1
5VYS	A	0251	REDDISH YELLOW COCKTAIL 1	RYC1

(5) Model Code – Production Code Number of Model Listed in This Parts Catalogue

Model Code	Production Code No.	Country (destination)	Model Code	Production Code No.	Country (destination)	
5VYE	010	EUROPE 1				
	040	EUROPE 2				
	050		FINLAND			
			GREECE			
			HUNGARY			
	060	UNITED KINGDOM				
	070		IRELAND			
		SOUTH AFRICA				
090	PORTUGAL					
5VYF	020	BELGIUM				
5VYR	010	EUROPE				
	050		FINLAND			
			GREECE			
			HUNGARY			
	060	UNITED KINGDOM				
	070		IRELAND			
		SOUTH AFRICA				
080	PORTUGAL					
5VYS	020	BELGIUM				

CONTENTS

ENGINE

CYLINDER HEAD	B2
CYLINDER	B3
CRANKSHAFT & PISTON	B4
VALVE	B5
CAMSHAFT & CHAIN	B7
WATER PUMP	B8
RADIATOR & HOSE	B10
OIL PUMP	B12
OIL CLEANER	B13
INTAKE	B14
INTAKE 2	C2
AIR INDUCTION SYSTEM	C4
EXHAUST	C5
CRANKCASE	C8
CRANKCASE COVER 1	C9
STARTER	C11
CLUTCH	C12
TRANSMISSION	C14
SHIFT CAM & FORK	D2
SHIFT SHAFT	D3

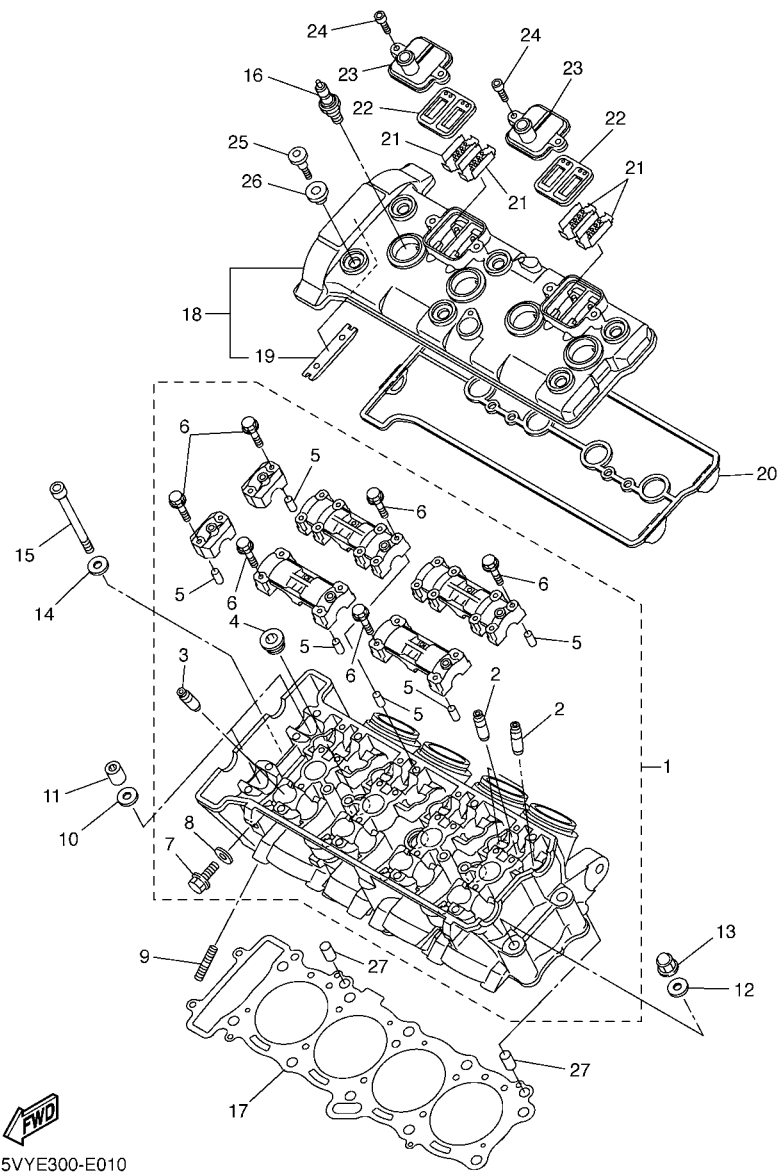
CHASSIS

FRAME	D4
FENDER	D6
SIDE COVER	D9
REAR ARM	D11
REAR SUSPENSION	D13
STEERING	D14
FRONT FORK	D15
FUEL TANK	E3
SEAT	E6
FRONT WHEEL	E7
FRONT BRAKE CALIPER	E8
REAR WHEEL	E10
REAR BRAKE CALIPER	E12
STEERING HANDLE & CABLE	E13
FRONT MASTER CYLINDER	E14
STAND & FOOTREST	F2
REAR MASTER CYLINDER	F4
COWLING 1	F5
COWLING 2	F8

GENERATOR	F12
STARTING MOTOR	F13
FLASHER LIGHT	F14
METER	F15
HEADLIGHT	G2
TAILLIGHT	G3
HANDLE SWITCH & LEVER	G4
ELECTRICAL 1	G5
ELECTRICAL 2	G7

INDEX

NUMERICAL INDEX	M1
-----------------------	----

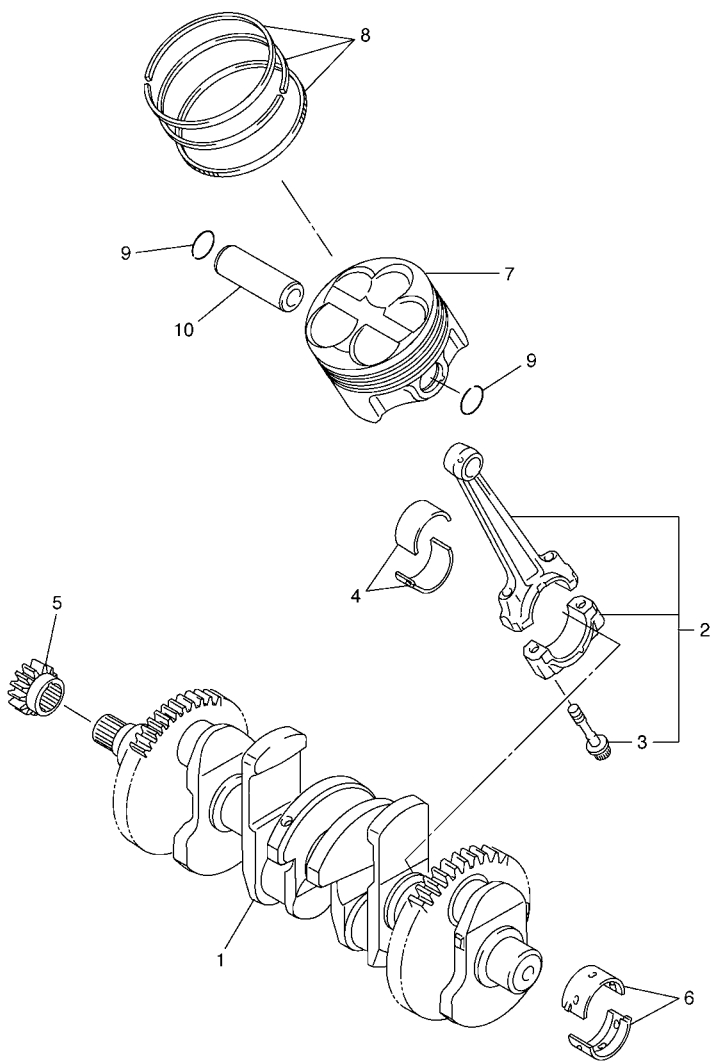


5VYE300-E010

FIG. 1 CYLINDER HEAD

REF. NO.	PART NO.	DESCRIPTION	5VYE	5VYF	5VYR	5VYS	REMARKS
1	5VY-11101-20	CYLINDER HEAD ASSY	1	1	1	1	
2	5VY-11133-10	.GUIDE, VALVE 1	12	12	12	12	
3	5VY-11134-10	.GUIDE, VALVE 2	8	8	8	8	
4	90340-18002	.PLUG, STRAIGHT SCREW	3	3	3	3	
5	91808-16023	.PIN, DOWEL	6	6	6	6	
6	90105-06026	.BOLT, FLANGE	28	28	28	28	
7	95024-06012	.BOLT, FLANGE	1	1	1	1	
8	90430-06014	.GASKET	1	1	1	1	
9	95612-08625	BOLT, STUD	8	8	8	8	
10	90201-10033	WASHER, PLATE	8	8	8	8	
11	90179-10006	NUT	8	8	8	8	
12	90201-10033	WASHER, PLATE	2	2	2	2	
13	90176-10075	NUT, CROWN	2	2	2	2	
14	90201-06034	WASHER, PLATE	2	2	2	2	
15	91314-06105	BOLT	2	2	2	2	
16	94701-00403	PLUG, SPARK (NGK CR9EK)	4	4	4	4	
17	5VY-11181-00	GASKET, CYLINDER HEAD 1	1	1	1	1	
18	5VY-11191-01	COVER, CYLINDER HEAD 1	1	1	1	1	
19	5BE-12241-00	.GUIDE, STOPPER 2	1	1	1	1	
20	5VY-11193-10	GASKET, HEAD COVER 1	1	1	1	1	
21	5VY-1482K-00	PLATE	4	4	4	4	
22	5SL-14890-00	REED VALVE ASSY	2	2	2	2	
23	5VY-14899-00	CAP, CASE	2	2	2	2	
24	90110-06178	BOLT, HEXAGON SOCKET HEAD	4	4	4	4	
25	90109-066F0	BOLT	6	6	6	6	
26	5VY-1111G-00	RUBBER, MOUNT 1	6	6	6	6	
27	99530-10114	PIN, DOWEL	2	2	2	2	

FIG. 3 CRANKSHAFT & PISTON



REF. NO.	PART NO.	DESCRIPTION	5VYE	5VYF	5VYR	5VYS	REMARKS
1	5VY-11411-01	CRANKSHAFT	1	1	1	1	
2	5VY-11650-01	CONNECTING ROD ASSY	4	4	4	4	
3	5VY-11654-01	.BOLT, CONNECTING ROD	2	2	2	2	
4	5VY-11656-00	PLANE BEARING, CONNECTING ROD	8	8	8	8	UR BLUE
	5VY-11656-10	PLANE BEARING, CONNECTING ROD	8	8	8	8	UR BLACK
	5VY-11656-20	PLANE BEARING, CONNECTING ROD	8	8	8	8	UR BROWN
	5VY-11656-30	PLANE BEARING, CONNECTING ROD	8	8	8	8	UR GREEN
5	5VY-11549-00	SPROCKET, CAM CHAIN	1	1	1	1	
6	5VY-11416-A0	PLANE BEARING, CRANKSHAFT 1	10	10	10	10	UR WHITE
	5VY-11416-00	PLANE BEARING, CRANKSHAFT 1	10	10	10	10	UR BLUE
	5VY-11416-10	PLANE BEARING, CRANKSHAFT 1	10	10	10	10	UR BLACK
	5VY-11416-20	PLANE BEARING, CRANKSHAFT 1	10	10	10	10	UR BROWN
	5VY-11416-30	PLANE BEARING, CRANKSHAFT 1	10	10	10	10	UR GREEN
7	5VY-11631-10	PISTON (STD)	4	4	4	4	
8	5VY-11603-01	PISTON RING SET (STD)	4	4	4	4	
9	90468-12069	CLIP	8	8	8	8	
10	5VY-11633-00	PIN, PISTON	4	4	4	4	



5VY1300-C030

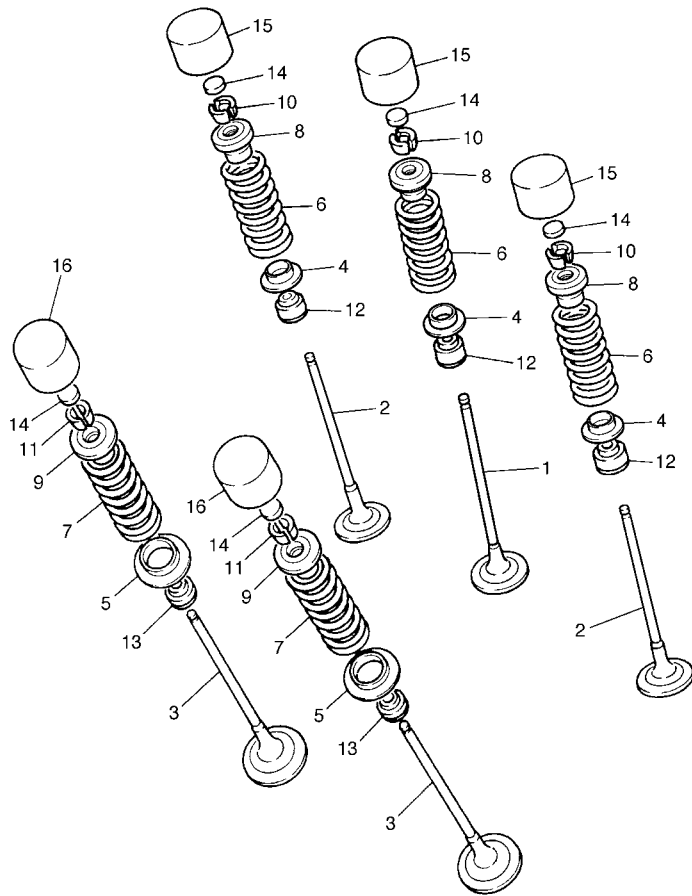


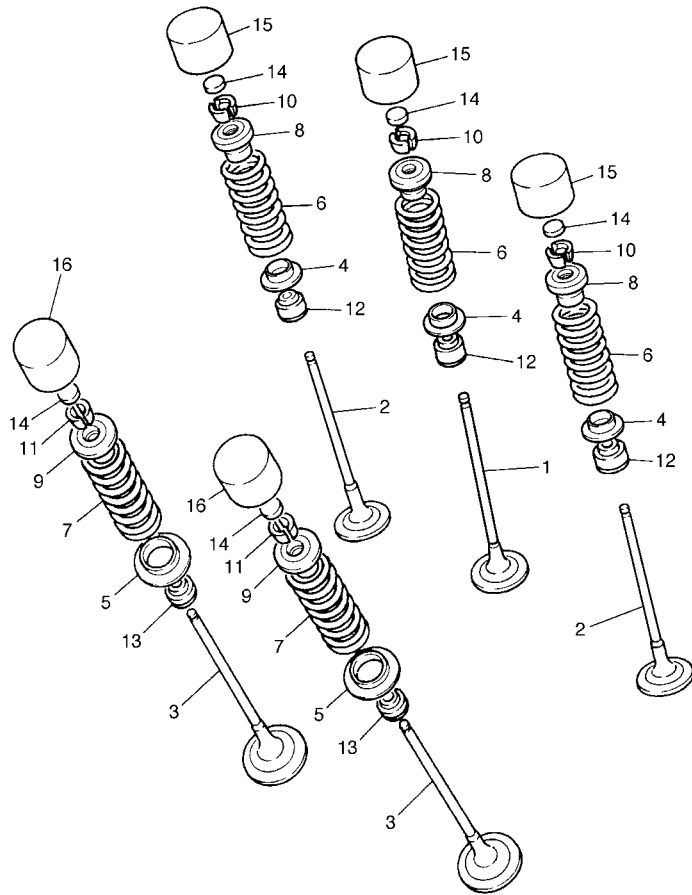
FIG. 4 VALVE

REF. NO.	PART NO.	DESCRIPTION	5VYE	5VYF	5VYR	5VYS	REMARKS
1	5VY-12111-00	VALVE, INTAKE	4	4	4	4	
2	5VY-12112-00	VALVE, INTAKE 2	8	8	8	8	
3	5VY-12121-00	VALVE, EXHAUST	8	8	8	8	
4	5NL-12116-00	SEAT, VALVE SPRING	12	12	12	12	
5	3GM-12126-00	SEAT, VALVE SPRING 2	8	8	8	8	
6	5VY-12113-00	SPRING, VALVE INNER	12	12	12	12	
7	5VY-12114-00	SPRING, VALVE OUTER	8	8	8	8	
8	5VY-12117-10	RETAINER, VALVE SPRING	12	12	12	12	
9	5VY-12127-10	RETAINER, VALVE SPRING	8	8	8	8	
10	1HX-12118-00	COTTER, VALVE	24	24	24	24	
11	1WG-12118-00	COTTER, VALVE	16	16	16	16	
12	4TV-12119-00	SEAL, VALVE STEM	12	12	12	12	
13	4SV-12119-00	SEAL, VALVE STEM	8	8	8	8	
14	1HX-12168-00	PAD, ADJUSTING 2 (1.20)	20	20	20	20	UR
	1HX-12168-20	PAD, ADJUSTING 2 (1.25)	20	20	20	20	UR
	1HX-12168-40	PAD, ADJUSTING 2 (1.30)	20	20	20	20	UR
	1HX-12168-60	PAD, ADJUSTING 2 (1.35)	20	20	20	20	UR
	1HX-12168-80	PAD, ADJUSTING 2 (1.40)	20	20	20	20	UR
	1HX-12168-A0	PAD, ADJUSTING 2 (1.45)	20	20	20	20	UR
	1HX-12168-F0	PAD, ADJUSTING 2 (1.50)	20	20	20	20	UR
	1HX-12168-H1	PAD, ADJUSTING 2 (1.55)	20	20	20	20	UR
	1HX-12168-K1	PAD, ADJUSTING 2 (1.60)	20	20	20	20	UR
	1HX-12168-M1	PAD, ADJUSTING 2 (1.65)	20	20	20	20	UR
	1HX-12168-R1	PAD, ADJUSTING 2 (1.70)	20	20	20	20	UR
	1HX-12168-U1	PAD, ADJUSTING 2 (1.75)	20	20	20	20	UR
	1HX-12168-W1	PAD, ADJUSTING 2 (1.80)	20	20	20	20	UR
	1HX-12168-Y1	PAD, ADJUSTING 2 (1.85)	20	20	20	20	UR



5VY1300-C040

FIG. 4 VALVE



REF. NO.	PART NO.	DESCRIPTION	5VYE	5VYF	5VYR	5VYS	REMARKS
14	1HX-12169-11	PAD, ADJUSTING 2 (1.90)	20	20	20	20	UR
	1HX-12169-31	PAD, ADJUSTING 2 (1.95)	20	20	20	20	UR
	1HX-12169-50	PAD, ADJUSTING 2 (2.00)	20	20	20	20	UR
	1HX-12169-70	PAD, ADJUSTING 2 (2.05)	20	20	20	20	UR
	1HX-12169-90	PAD, ADJUSTING 2 (2.10)	20	20	20	20	UR
	1HX-12169-E0	PAD, ADJUSTING 2 (2.15)	20	20	20	20	UR
	1HX-12169-G0	PAD, ADJUSTING 2 (2.20)	20	20	20	20	UR
	1HX-12169-J0	PAD, ADJUSTING 2 (2.25)	20	20	20	20	UR
	1HX-12169-L0	PAD, ADJUSTING 2 (2.30)	20	20	20	20	UR
	1HX-12169-N0	PAD, ADJUSTING 2 (2.35)	20	20	20	20	UR
	1HX-12169-T0	PAD, ADJUSTING 2 (2.40)	20	20	20	20	UR
15	3LN-12153-20	LIFTER, VALVE	12	12	12	12	UR BLUE
	3LN-12153-30	LIFTER, VALVE	12	12	12	12	UR RED
	3LN-12153-09	LIFTER, VALVE (O/S)	12	12	12	12	UR GREEN
16	3FV-12153-20	LIFTER, VALVE	8	8	8	8	UR BLUE
	3FV-12153-30	LIFTER, VALVE	8	8	8	8	UR RED
	3FV-12153-09	LIFTER, VALVE (O/S)	8	8	8	8	UR GREEN



5VY1300-C040

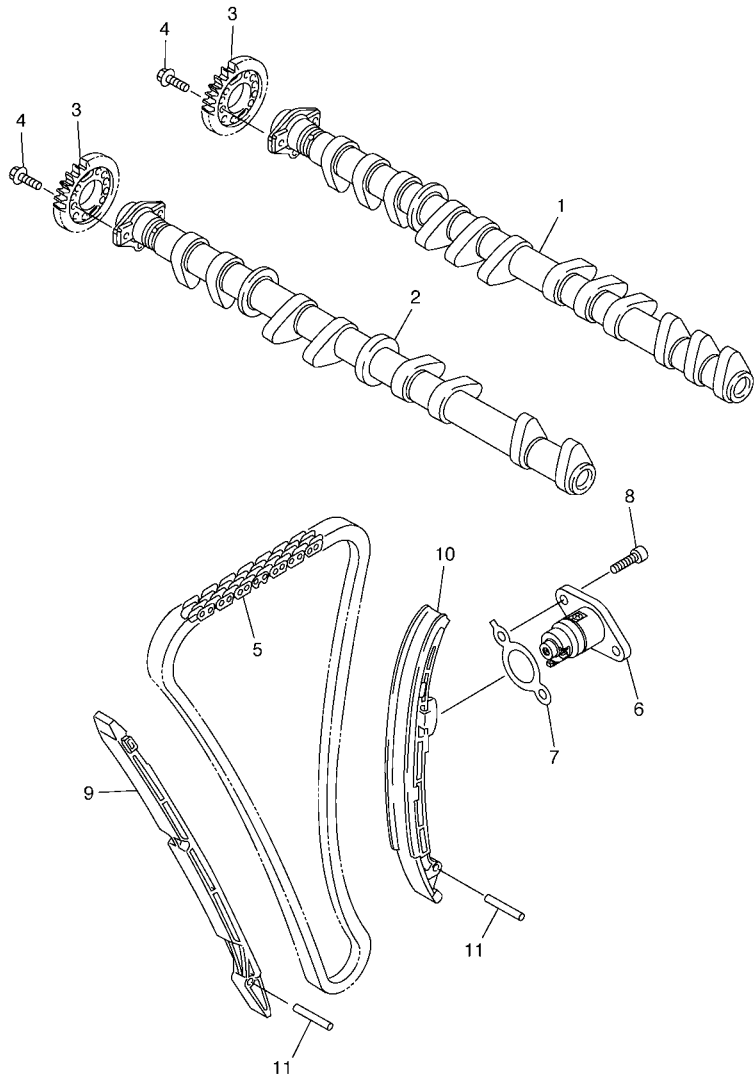
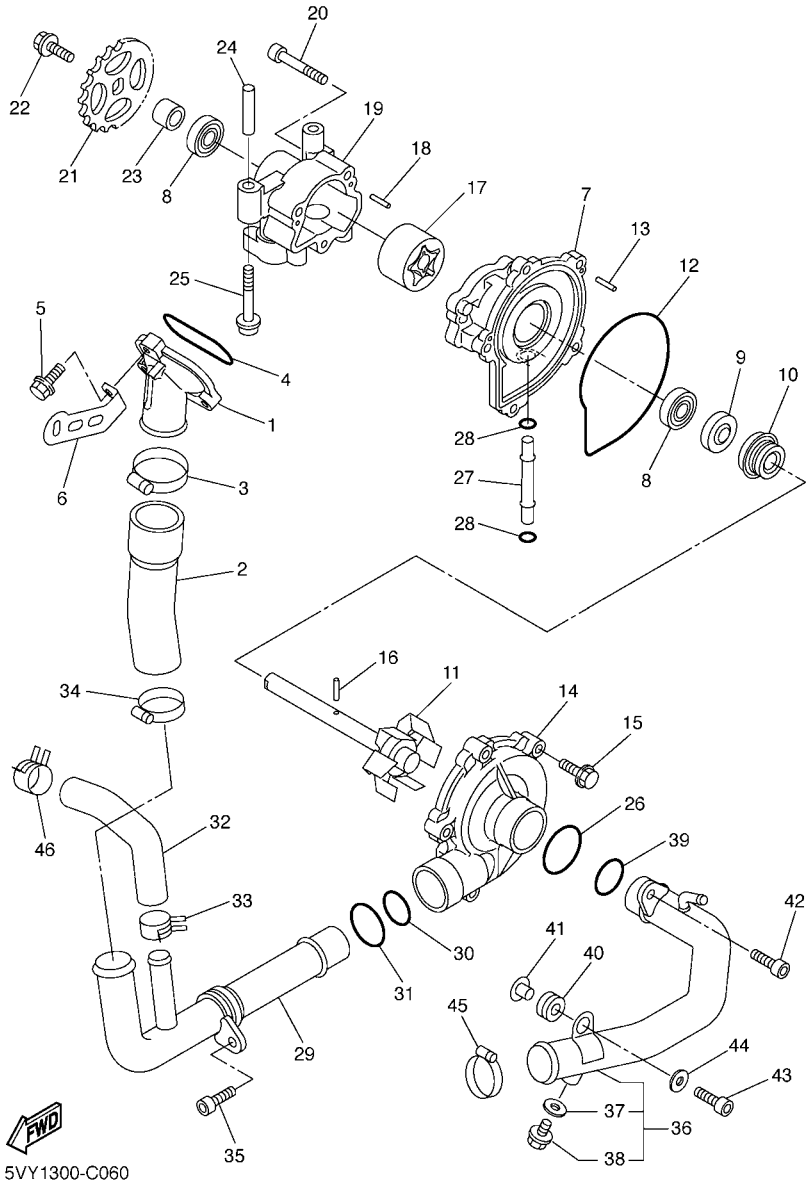


FIG. 5 CAMSHAFT & CHAIN

REF. NO.	PART NO.	DESCRIPTION	5VYE	5VYF	5VYR	5VYS	REMARKS
1	5VY-12170-10	CAMSHAFT ASSY 1	1	1	1	1	
2	5VY-12180-10	CAMSHAFT ASSY 2	1	1	1	1	
3	5VY-12176-00	SPROCKET, CAM CHAIN	2	2	2	2	
4	90105-07006	BOLT, FLANGE	4	4	4	4	
5	94591-60122	CHAIN	1	1	1	1	
6	5VY-12210-10	TENSIONER ASSY, CAM CHAIN	1	1	1	1	
7	2D1-12213-00	GASKET, TENSIONER CASE	1	1	1	1	
8	91314-06020	BOLT	2	2	2	2	
9	5VY-12251-00	DAMPER, CHAIN 1	1	1	1	1	
10	5VY-12252-00	DAMPER, CHAIN 2	1	1	1	1	
11	93607-44190	PIN, DOWEL	2	2	2	2	



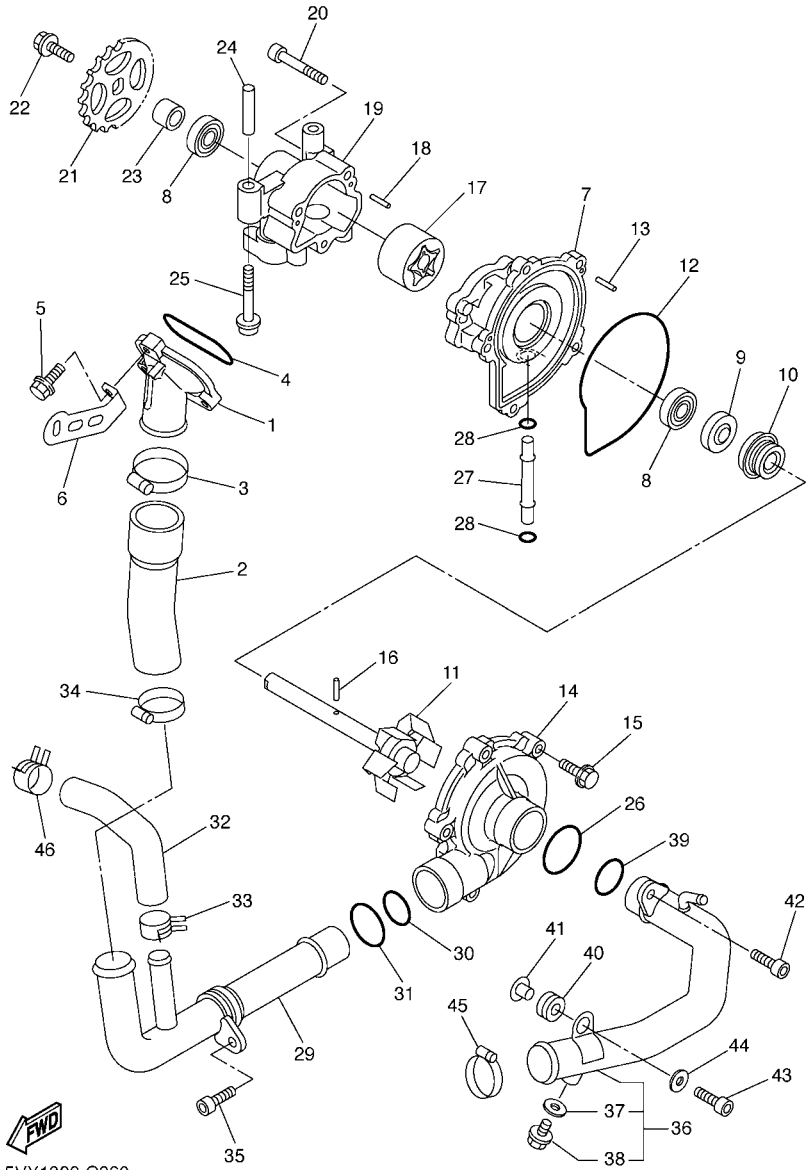
5VYE300-E050



5VY1300-C060

FIG. 6 WATER PUMP

REF. NO.	PART NO.	DESCRIPTION	5VYE	5VYF	5VYR	5VYS	REMARKS
1	5VY-12469-00	JOINT 1	1	1	1	1	
2	5VY-12576-00	HOSE 1	1	1	1	1	
3	90450-38040	HOSE CLAMP ASSY	1	1	1	1	
4	93210-47675	O-RING	1	1	1	1	
5	95024-06025	BOLT, FLANGE	3	3	3	3	
6	5VY-12637-00	STAY 1	1	1	1	1	
7	5VY-12421-00	HOUSING, WATER PUMP	1	1	1	1	
8	93306-00106	BEARING	2	2	2	2	
9	93102-12372	OIL SEAL	1	1	1	1	
10	11H-12438-10	SEAL, MECHANICAL	1	1	1	1	
11	5VY-12450-00	IMPELLER SHAFT ASSY	1	1	1	1	
12	4XV-12439-00	O-RING	1	1	1	1	
13	93603-12007	PIN, DOWEL	2	2	2	2	
14	5VY-12422-00	COVER, HOUSING	1	1	1	1	
15	90105-06065	BOLT, FLANGE	5	5	5	5	
16	93603-17070	PIN, DOWEL	1	1	1	1	
17	5VY-13310-10	ROTOR ASSY 1	1	1	1	1	
18	93603-12007	PIN, DOWEL	2	2	2	2	
19	5VY-13336-00	HOUSING, ROTOR	1	1	1	1	
20	91312-06040	BOLT	3	3	3	3	
21	5VY-13355-00	SPROCKET, DRIVEN	1	1	1	1	
22	90105-06066	BOLT, FLANGE	1	1	1	1	
23	5VY-12456-10	WASHER	1	1	1	1	
24	91808-30031	PIN, DOWEL	1	1	1	1	
25	90110-06167	BOLT, HEXAGON SOCKET HEAD	2	2	2	2	
26	93210-357A2	O-RING	1	1	1	1	
27	4XV-12485-00	PIPE 5	1	1	1	1	



5VY1300-C060

FIG. 6 WATER PUMP

REF. NO.	PART NO.	DESCRIPTION	5VYE	5VYF	5VYR	5VYS	REMARKS
28	93210-06667	O-RING	2	2	2	2	
29	5VY-12481-10	PIPE 1	1	1	1	1	
30	93210-235A1	O-RING	1	1	1	1	
31	93210-27370	O-RING	1	1	1	1	
32	5VY-12588-00	HOSE 5	1	1	1	1	
33	90467-200A0	CLIP	1	1	1	1	
34	90450-32001	HOSE CLAMP ASSY	1	1	1	1	
35	90110-06161	BOLT, HEXAGON SOCKET HEAD	1	1	1	1	
36	5VY-12484-10	PIPE 4	1	1	1	1	
37	90430-06014	.GASKET	1	1	1	1	
38	90153-06002	.SCREW, HEXAGON	1	1	1	1	
39	93210-235A1	O-RING	1	1	1	1	
40	90480-12010	GROMMET	1	1	1	1	
41	90387-06112	COLLAR	1	1	1	1	
42	90110-06161	BOLT, HEXAGON SOCKET HEAD	1	1	1	1	
43	90110-06174	BOLT, HEXAGON SOCKET HEAD	1	1	1	1	
44	90201-06079	WASHER, PLATE	1	1	1	1	
45	90450-32001	HOSE CLAMP ASSY	1	1	1	1	
46	90467-200A0	CLIP	1	1	1	1	

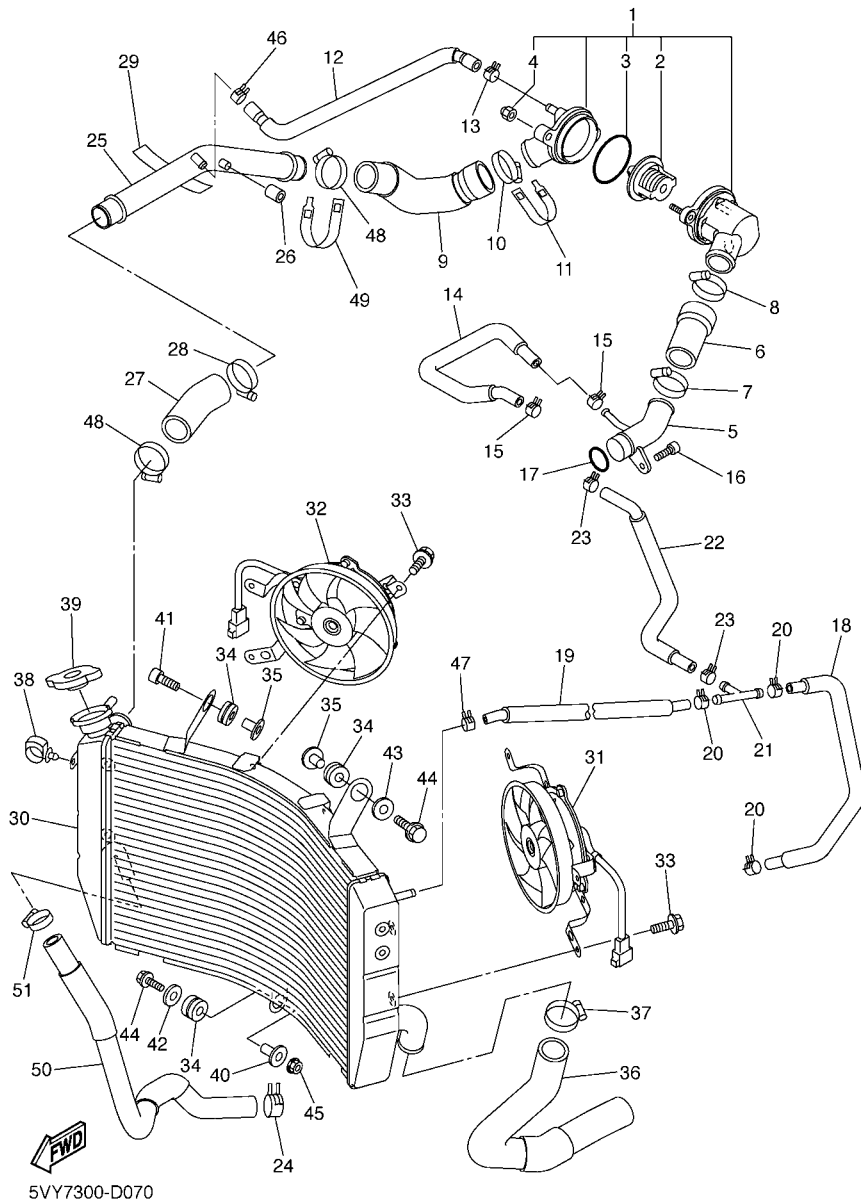
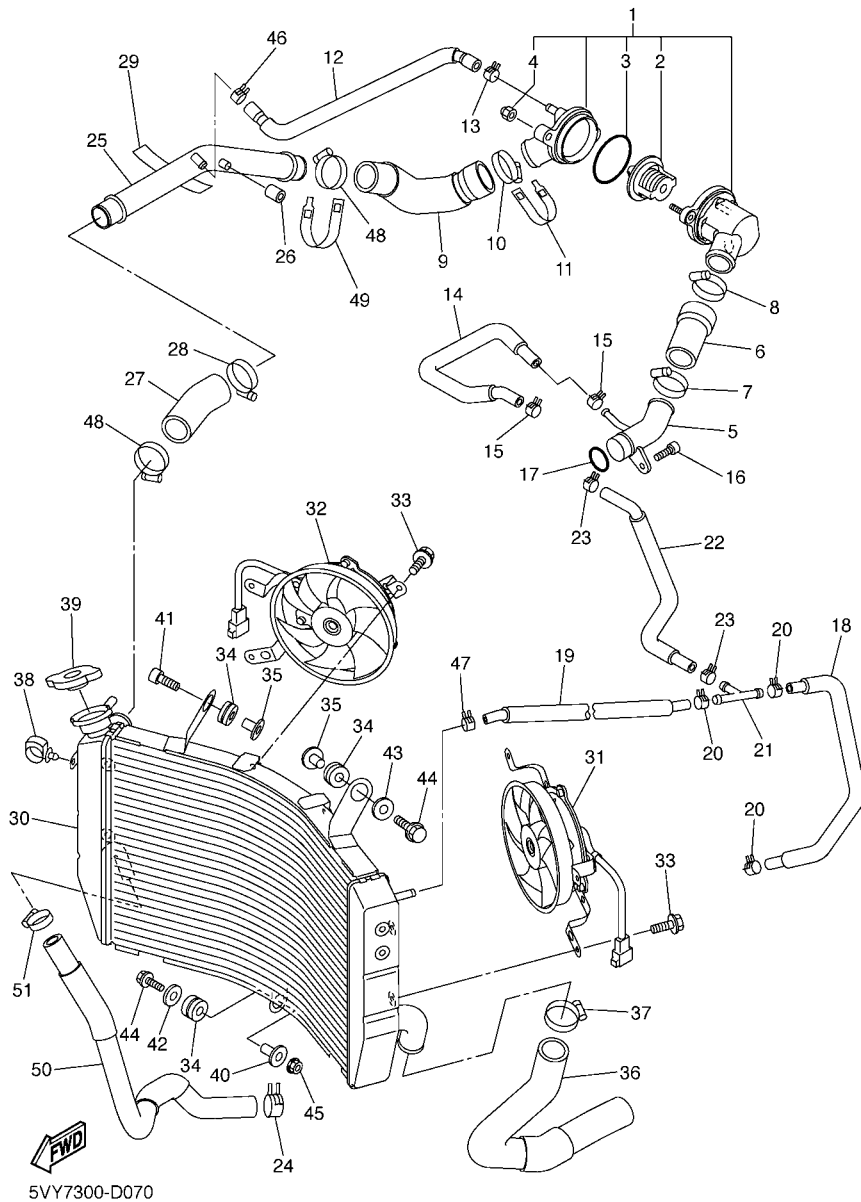


FIG. 7 RADIATOR & HOSE

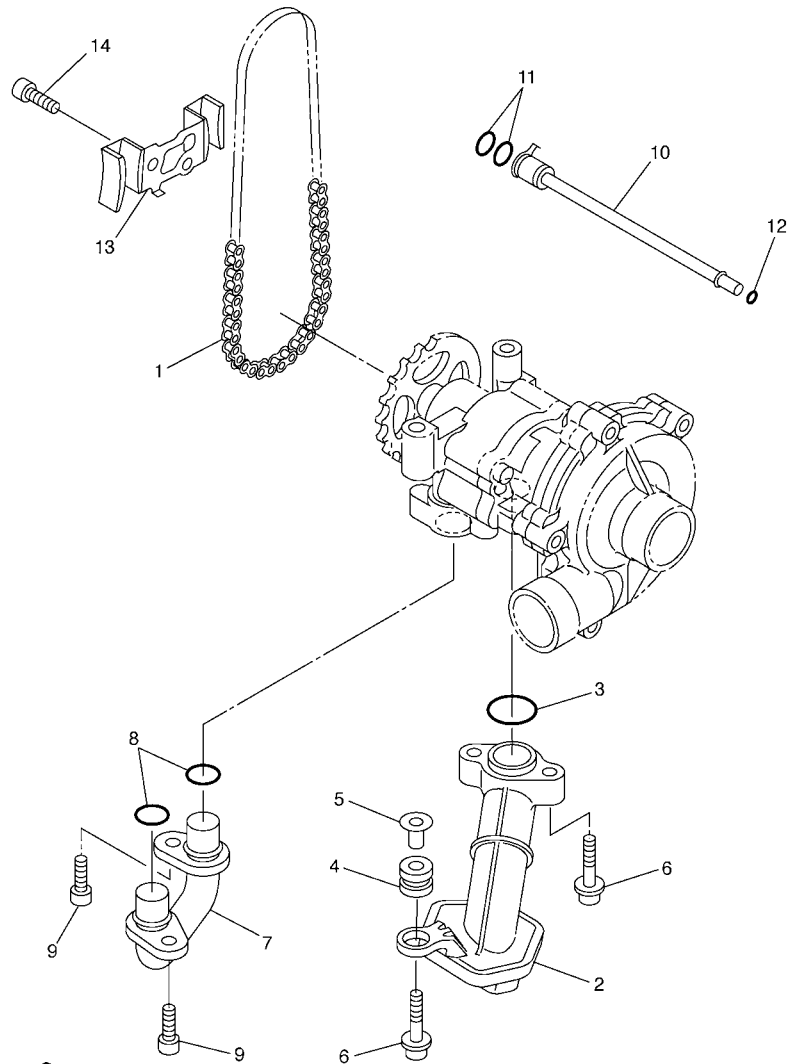
REF. NO.	PART NO.	DESCRIPTION	5VYE	5VYF	5VYR	5VYS	REMARKS
1	5VY-12410-10	THERMOSTAT ASSY	1	1	1	1	
2	5LP-12411-00	.THERMOSTAT	1	1	1	1	
3	93210-49046	.O-RING	1	1	1	1	
4	90176-06014	.NUT, CROWN	2	2	2	2	
5	5VY-12485-10	PIPE 5	1	1	1	1	
6	5VY-12579-00	HOSE 4	1	1	1	1	
7	90450-35001	HOSE CLAMP ASSY	1	1	1	1	
8	90450-38040	HOSE CLAMP ASSY	1	1	1	1	
9	5VY-12577-00	HOSE 2	1	1	1	1	
10	90450-38040	HOSE CLAMP ASSY	1	1	1	1	
11	5GV-1246A-00	COVER 1	1	1	1	1	
12	5VY-12552-00	HOSE 8	1	1	1	1	
13	90467-11044	CLIP	1	1	1	1	
14	5VY-1243F-00	HOSE,3	1	1	1	1	
15	90467-11090	CLIP	2	2	2	2	
16	90110-06168	BOLT, HEXAGON SOCKET HEAD	1	1	1	1	
17	93210-235A1	O-RING	1	1	1	1	
18	5VY-1243A-00	HOSE 1	1	1	1	1	
19	5VY-1244G-00	HOSE, 4	1	1	1	1	
20	90467-11090	CLIP	3	3	3	3	
21	90413-07023	WAY 3	1	1	1	1	
22	5VY-1243E-00	HOSE 2	1	1	1	1	
23	90467-11090	CLIP	2	2	2	2	
24	90467-200A0	CLIP	1	1	1	1	
25	5VY-12483-01	PIPE 3	1	1	1	1	
26	90445-11418	HOSE (L18)	1	1	1	1	
27	5VY-12578-00	HOSE 3	1	1	1	1	



5VY7300-D070

FIG. 7 RADIATOR & HOSE

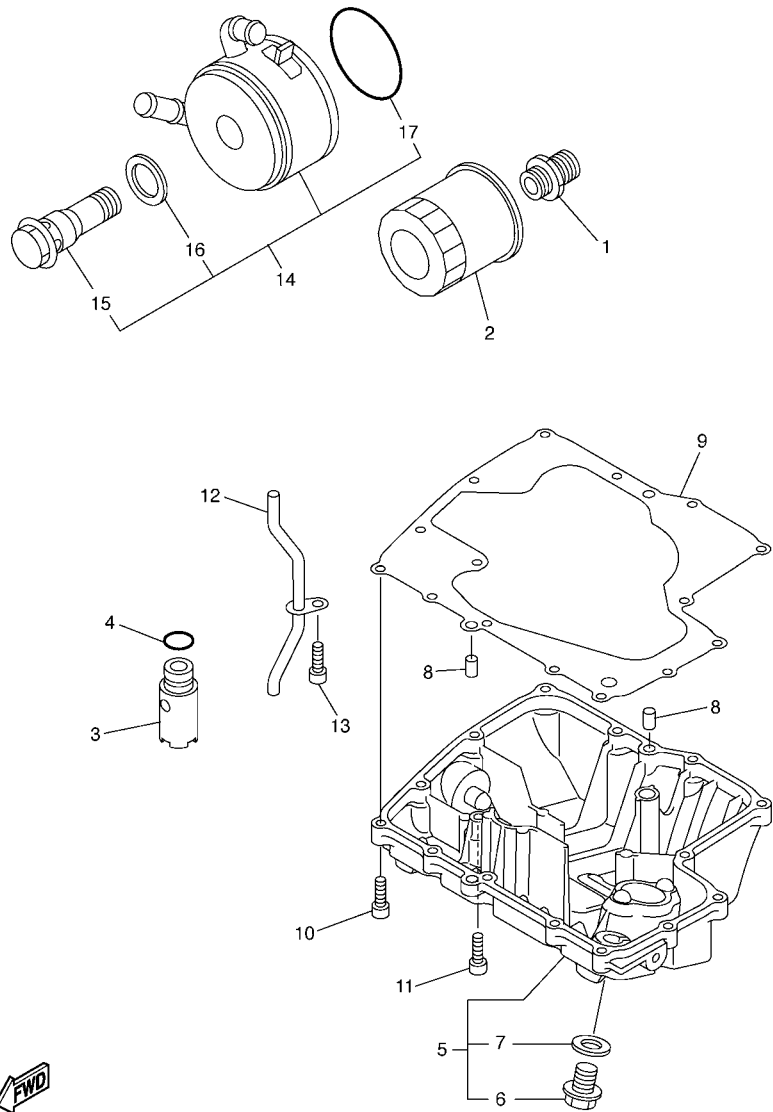
REF. NO.	PART NO.	DESCRIPTION	5VYE	5VYF	5VYR	5VYS	REMARKS
28	90450-35001	HOSE CLAMP ASSY	1	1	1	1	
29	5VY-12494-00	SEAL, PIPE 1	1	1	1	1	
30	5VY-12461-00	RADIATOR ASSY	1	1	1	1	
31	5VY-12405-00	BLOWER ASSY	1	1	1	1	
32	5VY-12405-10	BLOWER ASSY	1	1	1	1	
33	5GJ-12675-00	BOLT, BLOWER HOLDING	6	6	6	6	
34	90480-15363	GROMMET	3	3	3	3	
35	90387-0614M	COLLAR	2	2	2	2	
36	5VY-12551-00	HOSE 7	1	1	1	1	
37	90450-35001	HOSE CLAMP ASSY	1	1	1	1	
38	90464-13249	CLAMP	1	1	1	1	
39	5SL-12462-00	CAP, RADIATOR	1	1	1	1	
40	90387-0614M	COLLAR	1	1	1	1	
41	91317-06030	BOLT	1	1	1	1	
42	90201-06071	WASHER, PLATE	1	1	1	1	
43	90201-06074	WASHER, PLATE	1	1	1	1	
44	95827-06030	BOLT, FLANGE	2	2	2	2	
45	95607-06200	NUT, SELF U-FLANGE	1	1	1	1	
46	90467-12191	CLIP	1	1	1	1	
47	90467-11090	CLIP	1	1	1	1	
48	90450-35001	HOSE CLAMP ASSY	2	2	2	2	
49	5GV-1246E-00	COVER 2	1	1	1	1	
50	5VY-12589-01	HOSE 6	1	1	1	1	
51	90450-22017	HOSE CLAMP ASSY	1	1	1	1	



5VY1300-C080

FIG. 8 OIL PUMP

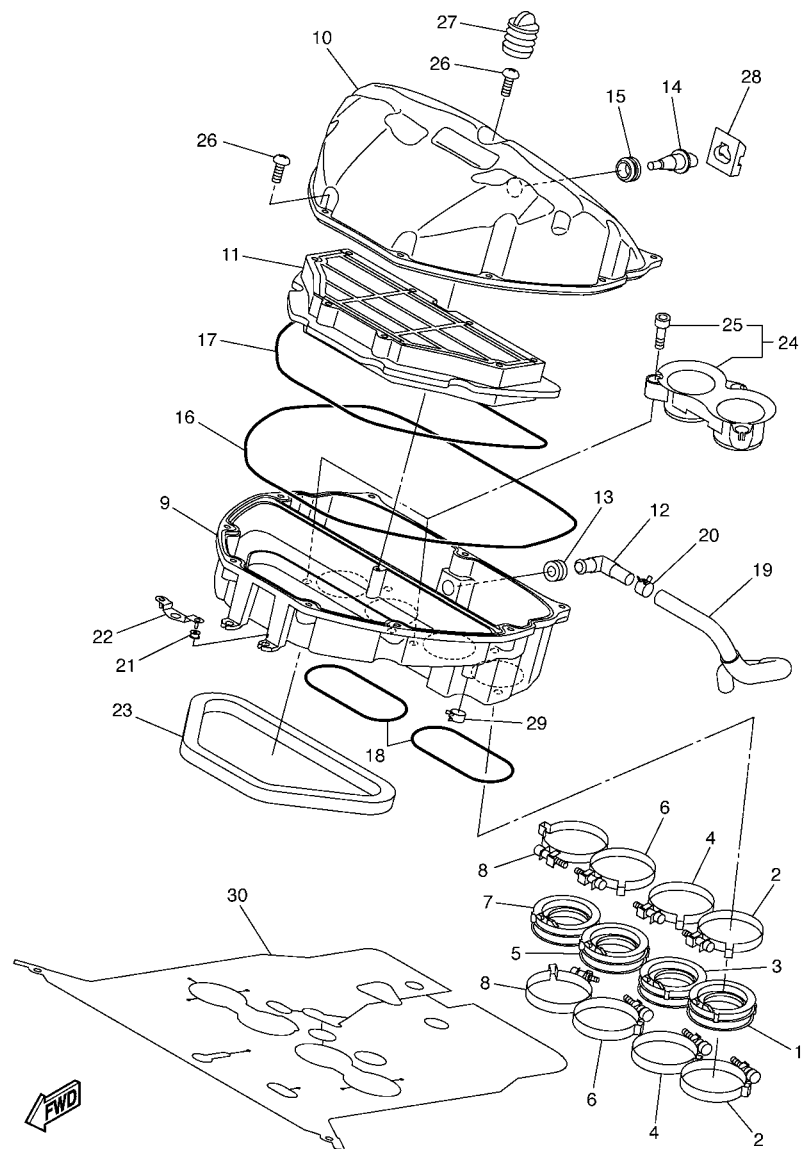
REF. NO.	PART NO.	DESCRIPTION	5VYE	5VYF	5VYR	5VYS	REMARKS
1	94580-25078	CHAIN (DID25 78LE)	1	1	1	1	
2	5VY-13410-00	STRAINER HOUSING ASSY	1	1	1	1	
3	93210-22298	O-RING	1	1	1	1	
4	90480-13010	GROMMET	1	1	1	1	
5	5VY-13117-10	COLLAR, DISTANCE	1	1	1	1	
6	90110-06173	BOLT, HEXAGON SOCKET HEAD	3	3	3	3	
7	5VY-13416-00	PIPE, OIL 1	1	1	1	1	
8	93210-14003	O-RING	2	2	2	2	
9	90110-06161	BOLT, HEXAGON SOCKET HEAD	2	2	2	2	
10	5VY-1316E-00	PIPE, DELIVERY 5	1	1	1	1	
11	93210-09165	O-RING	2	2	2	2	
12	93210-06667	O-RING	1	1	1	1	
13	5VY-13898-00	HOLDER	1	1	1	1	
14	90110-06182	BOLT, HEXAGON SOCKET HEAD	2	2	2	2	



5VY1300-C090

FIG. 9 OIL CLEANER

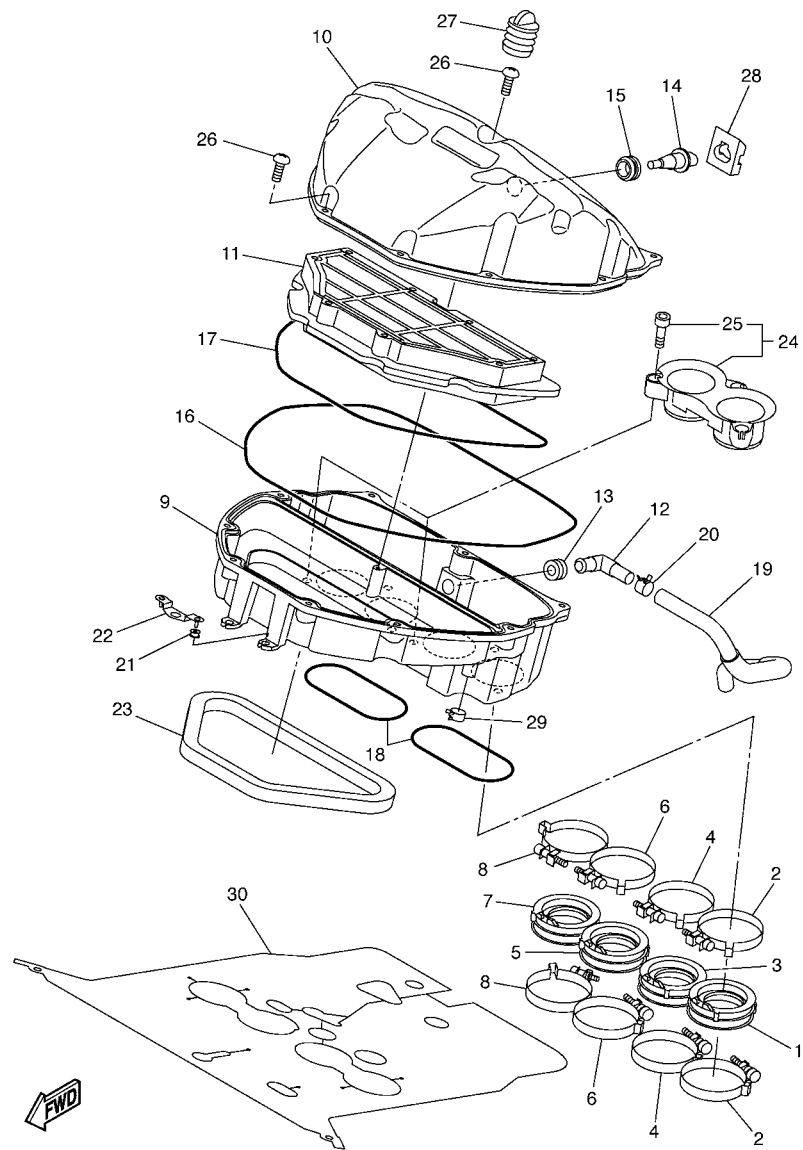
REF. NO.	PART NO.	DESCRIPTION	5VYE	5VYF	5VYR	5VYS	REMARKS
1	90401-20145	BOLT, UNION	1	1	1	1	
2	5GH-13440-00	ELEMENT ASSY, OIL CLEANER	1	1	1	1	
3	5VY-13490-00	RELIEF VALVE ASSY	1	1	1	1	
4	93210-15566	O-RING	1	1	1	1	
5	5VY-13417-10	COVER, STRAINER	1	1	1	1	
6	90340-14132	.PLUG, STRAIGHT SCREW	1	1	1	1	
7	214-11198-01	.GASKET	1	1	1	1	
8	99530-08012	PIN, DOWEL	2	2	2	2	
9	5VY-13414-01	GASKET, STRAINER COVER	1	1	1	1	
10	91312-06025	BOLT	14	14	14	14	
11	90110-06169	BOLT, HEXAGON SOCKET HEAD	1	1	1	1	
12	5VY-13161-00	PIPE, DELIVERY 1	1	1	1	1	
13	90110-06182	BOLT, HEXAGON SOCKET HEAD	1	1	1	1	
14	5VY-13470-00	OIL COOLER ASSY	1	1	1	1	
15	5EB-12822-00	.BOLT, UNION	1	1	1	1	
16	5EB-13475-00	.GASKET	1	1	1	1	
17	5JW-13473-00	.O-RING	1	1	1	1	



5VYE300-E100

FIG. 10 INTAKE

REF. NO.	PART NO.	DESCRIPTION	5VYE	5VYF	5VYR	5VYS	REMARKS
1	5VY-13595-00	JOINT	1	1	1	1	
2	90450-62002	HOSE CLAMP ASSY	2	2	2	2	
3	5VY-13596-00	JOINT, CARBURETOR 2	1	1	1	1	
4	90450-62002	HOSE CLAMP ASSY	2	2	2	2	
5	5VY-13597-00	JOINT, CARBURETOR 3	1	1	1	1	
6	90450-62002	HOSE CLAMP ASSY	2	2	2	2	
7	5VY-13598-00	JOINT, CARBURETOR 4	1	1	1	1	
8	90450-62002	HOSE CLAMP ASSY	2	2	2	2	
9	5VY-14411-00	CASE, AIR CLEANER 1	1	1	1	1	
10	5VY-14421-00	CASE, AIR CLEANER 2	1	1	1	1	
11	5VY-14451-00	ELEMENT, AIR CLEANER	1	1	1	1	
12	5VY-14419-00	PIPE	1	1	1	1	
13	31A-14435-00	GROMMET	1	1	1	1	
14	5CA-85886-00	SENSOR, AIR TEMPRATURE	1	1	1	1	
15	5VY-14435-00	GROMMET	1	1	1	1	
16	5VY-14452-00	SEAL	1	1	1	1	
17	5VY-14462-00	SEAL	1	1	1	1	
18	5VY-14457-00	SEAL	2	2	2	2	
19	5VY-15393-00	PIPE, BREATHER 2	1	1	1	1	
20	90467-160A1	CLIP	1	1	1	1	
21	90480-08264	GROMMET	2	2	2	2	
22	5VY-14498-00	STAY 1	1	1	1	1	
23	5VY-14467-00	SEAL	1	1	1	1	
24	5VY-1440B-00	JOINT ASSY	2	2	2	2	
25	90109-05005	.BOLT	3	3	3	3	
26	90154-05021	SCREW, BINDING	10	10	10	10	
27	5VY-14862-00	PLUG	1	1	1	1	

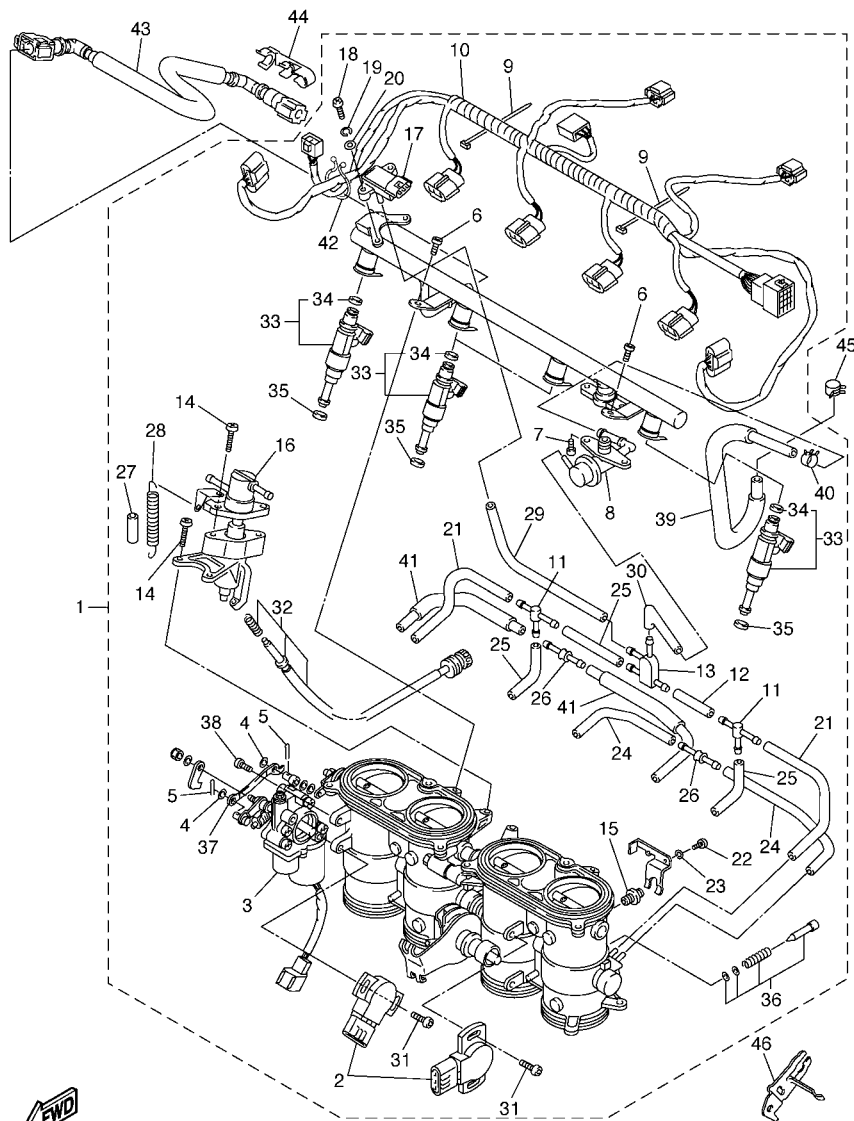


5VYE300-E100



FIG. 10 INTAKE

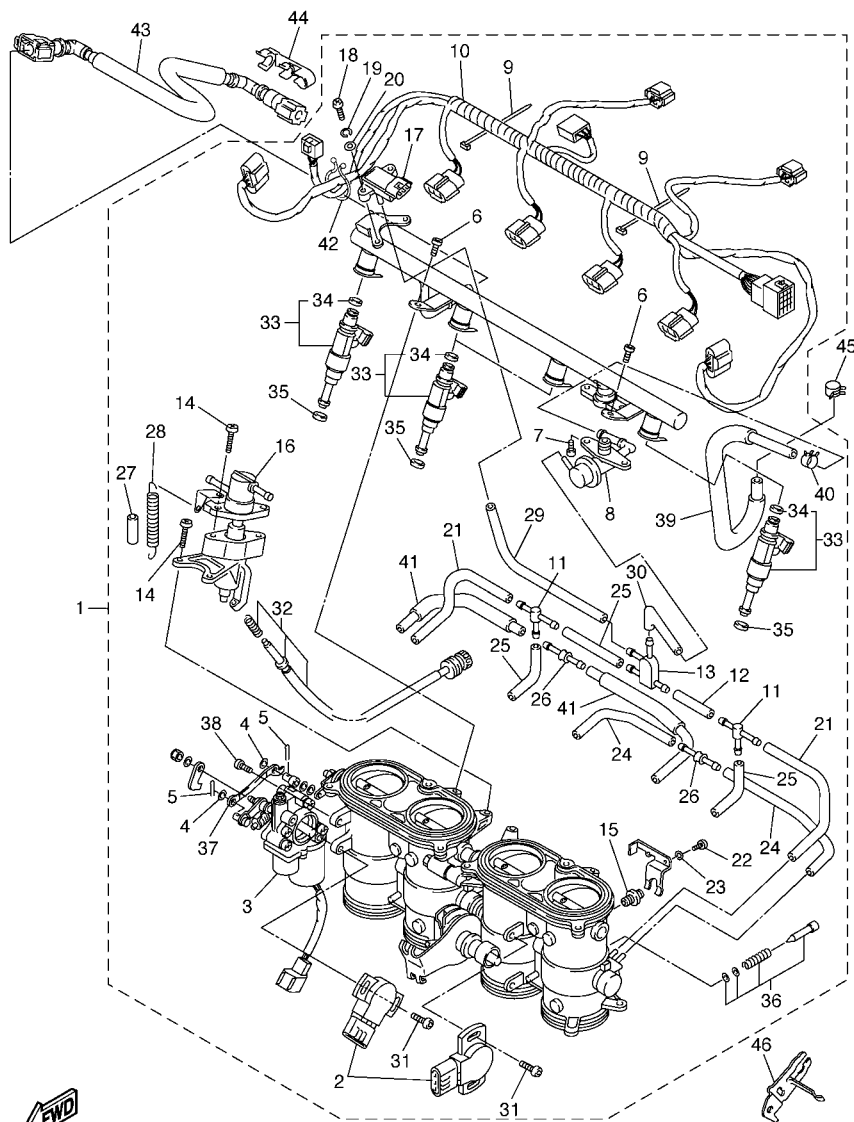
REF. NO.	PART NO.	DESCRIPTION	5VYE	5VYF	5VYR	5VYS	REMARKS
28	5VY-14425-00	DAMPER 1	1	1	1	1	
29	90467-14015	CLIP	1	1	1	1	
30	5VY-12682-00	PROTECTOR, HEAT	1	1	1	1	



5VY1300-C110

FIG. 11 INTAKE 2

REF. NO.	PART NO.	DESCRIPTION	5VYE	5VYF	5VYR	5VYS	REMARKS
1	5VY-13750-30	THROTTLE BODY ASSY	1		1		
	5VY-13750-50	THROTTLE BODY ASSY		1		1	
2	5FL-85885-02	.THROTTLE SENSOR ASSY	2	2	2	2	
3	5VY-85850-00	.GEARED MOTOR COMP.	1	1	1	1	
4	22U-14952-00	.WASHER	2	2	2	2	
5	91492-12010	.PIN, COTTER	2	2	2	2	
6	98507-06012	.SCREW, PAN HEAD	2	2	2	2	
7	98507-05008	.SCREW, PAN HEAD	2	2	2	2	
8	5VY-13906-00	.REGULATOR, PRESSURE	1	1	1	1	
9	4KM-14137-00	.CLIP	5	5	5	5	
10	5VY-82386-00	.EXTENSION, WIRE HARNESS	1	1	1	1	
11	68V-24376-00	.PIPE, JOINT 1	2	2	2	2	
12	5JW-14396-00	.PIPE	1	1	1	1	
13	5PW-1410F-00	.CONNECTOR	1	1	1	1	
14	98507-05014	.SCREW, PAN HEAD	4	4	4	4	
15	5VY-14171-00	.PLUNGER, STARTER	2	2	2	2	
16	5VY-14204-00	.CASE, STARTER	1	1	1	1	
17	5VX-82380-00	.SENSOR, PRESSURE	1	1	1	1	
18	98507-05016	.SCREW, PAN HEAD	2	2	2	2	
19	92907-05100	.WASHER, SPRING	2	2	2	2	
20	92907-05600	.WASHER, PLATE	2	2	2	2	
21	5FL-14349-10	.PIPE	2	2	2	2	
22	98507-03016	.SCREW, PAN HEAD	4	4	4	4	
23	92990-03100	.WASHER, SPRING	4	4	4	4	
24	5PW-14349-00	.PIPE	2	2	2	2	
25	5PS-14987-00	.HOSE	3	3	3	3	
26	5PW-14251-00	.NIPPLE	2	2	2	2	



5VY1300-C110

FIG. 11 INTAKE 2

REF. NO.	PART NO.	DESCRIPTION	5VYE	5VYF	5VYR	5VYS	REMARKS
27	5DM-14936-00	.SEAT, SPRING	1	1	1	1	
28	5JW-14589-00	.SPRING	1	1	1	1	
29	5SL-14349-00	.PIPE	1	1	1	1	
30	5VY-14348-00	.PIPE 1	1	1	1	1	
31	8CC-14216-10	.SCREW	4	4	4	4	
32	5PW-14103-00	.THROTTLE SCREW SET	1	1	1	1	
33	5VY-13761-00	.INJECTOR ASSY	4	4	4	4	
34	5PS-14147-00	.O-RING	1	1	1	1	
35	8FP-13556-00	.GASKET, MANIFOLD	4	4	4	4	
36	5JW-14104-00	.AIR SCREW SET	2	2	2	2	
37	5VY-14905-00	.LEVER, STARTER	1	1	1	1	
38	98507-06020	.SCREW, PAN HEAD	2	2	2	2	
39	5VY-13972-00	.PIPE, FUEL 2	1	1	1	1	
40	90467-120A1	.CLIP	1	1	1	1	
41	5VY-13543-00	.HOSE, AIR	2	2	2	2	
42	90464-30040	.CLAMP	1	1	1	1	
43	5VY-13971-00	PIPE, FUEL 1	1	1	1	1	
44	90464-16005	CLAMP	1	1	1	1	
45	90467-12003	CLIP	1	1	1	1	
46	5VY-14413-00	STAY	1	1	1	1	

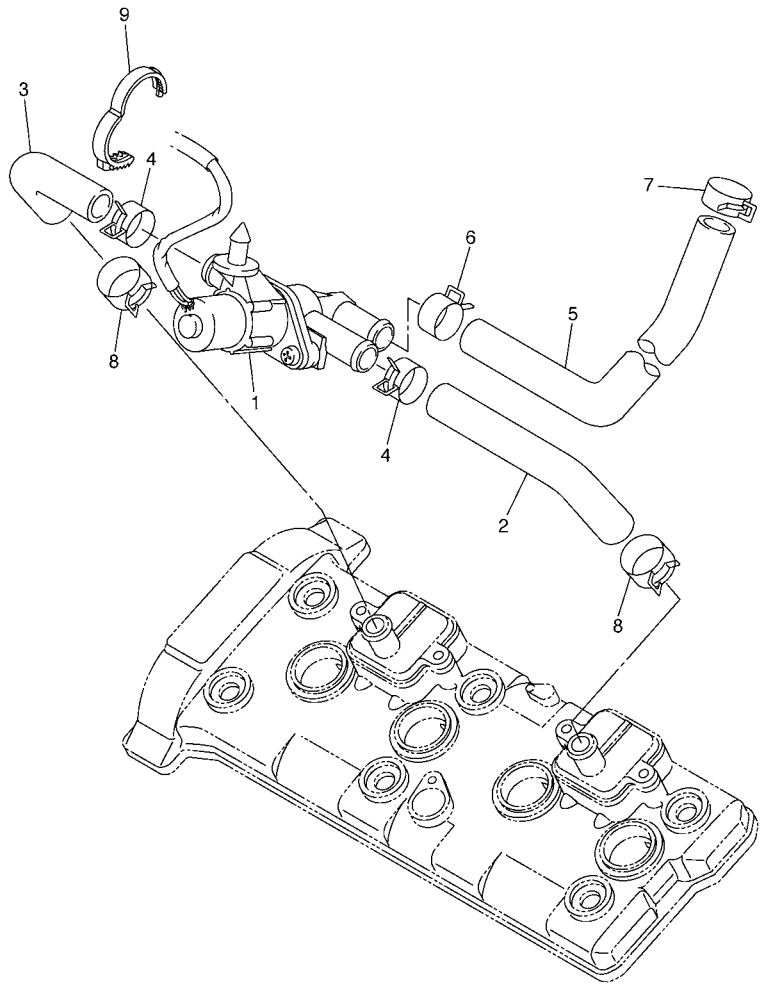
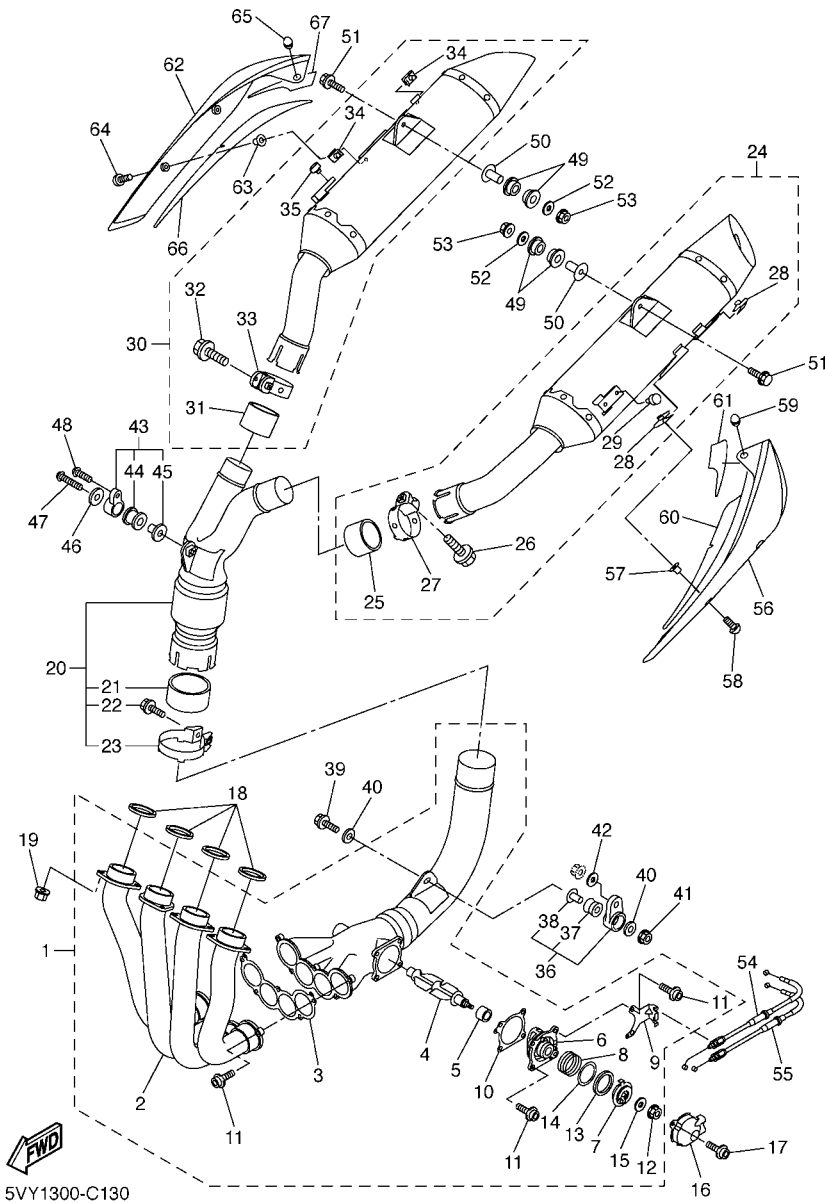


FIG. 12 AIR INDUCTION SYSTEM

REF. NO.	PART NO.	DESCRIPTION	5VYE	5VYF	5VYR	5VYS	REMARKS
1	5VY-14840-00	AIR CUT VALVE ASSY	1	1	1	1	
2	5VY-14881-00	HOSE, BEND 1	1	1	1	1	
3	5VY-14882-00	HOSE, BEND 2	1	1	1	1	
4	90467-18172	CLIP	2	2	2	2	
5	5VY-14883-00	HOSE, BEND 3	1	1	1	1	
6	90467-18172	CLIP	1	1	1	1	
7	90467-17128	CLIP	1	1	1	1	
8	90467-180A0	CLIP	2	2	2	2	
9	90464-28003	CLAMP	1	1	1	1	

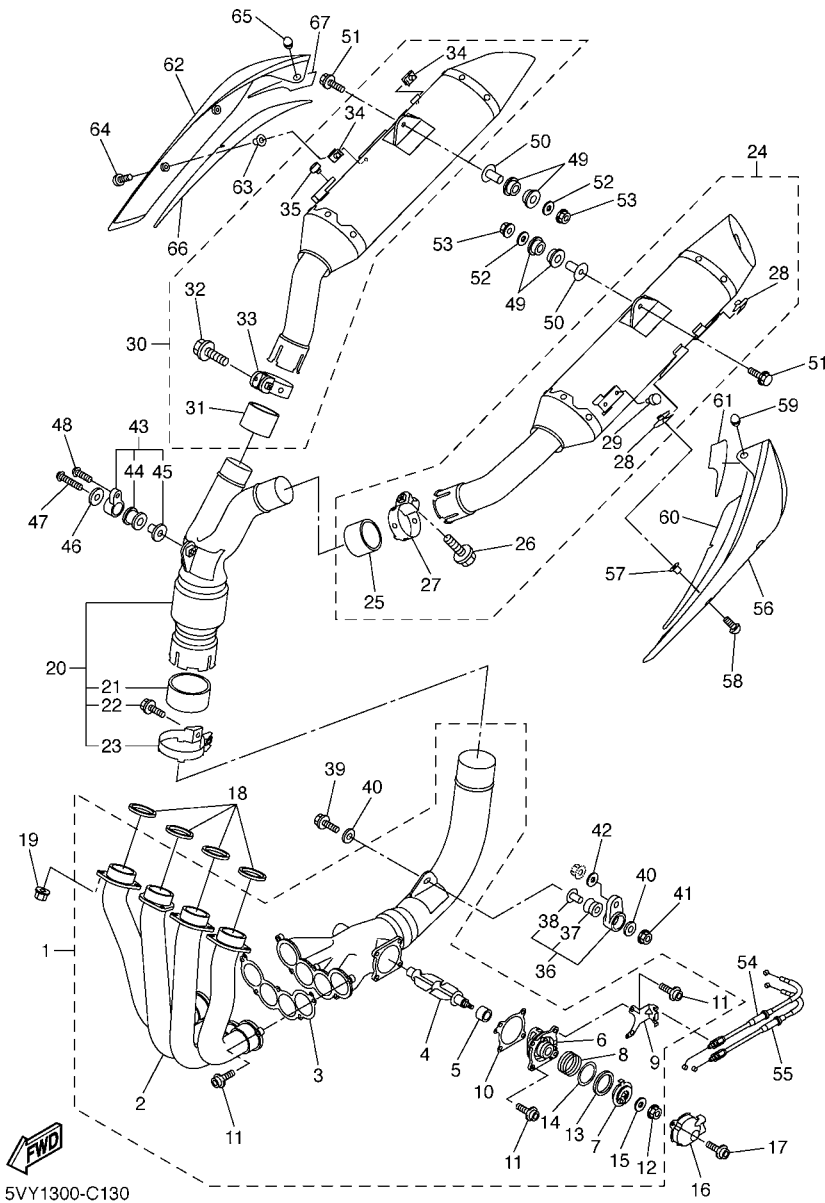
 5VYE300-E120



5VY1300-C130

FIG. 13 EXHAUST

REF. NO.	PART NO.	DESCRIPTION	5VYE	5VYF	5VYR	5VYS	REMARKS
1	5VY-14610-10	EXHAUST PIPE ASSY 1	1	1	1	1	
2	5VY-14602-00	.EXHAUST PIPE COMP.	1	1	1	1	
3	5VY-14623-00	.GASKET, EXHAUST PIPE	1	1	1	1	
4	5VY-14821-00	.ARM, SHAFT (VALVE)	1	1	1	1	
5	5VY-14638-00	.COLLAR	1	1	1	1	
6	5VY-14811-00	.HOUSING	1	1	1	1	
7	5VY-14865-10	.PULLEY	1	1	1	1	
8	5VY-14856-00	.SPRING	1	1	1	1	
9	5VY-14867-00	.BRACKET	1	1	1	1	
10	5VY-14643-00	.GASKET 3	1	1	1	1	
11	90110-06110	.BOLT, HEXAGON SOCKET HEAD	7	7	7	7	
12	90179-06M28	.NUT	1	1	1	1	
13	5VY-14648-00	.COLLAR 2	1	1	1	1	
14	5VY-14674-00	.VALVE, PLATE	1	1	1	1	
15	92990-06200	.WASHER, PLAIN	1	1	1	1	
16	5VY-14826-00	PROTECTOR, EXHAUST	1	1	1	1	
17	90110-06110	BOLT, HEXAGON SOCKET HEAD	2	2	2	2	
18	4FM-14613-00	GASKET, EXHAUST PIPE	4	4	4	4	
19	90179-08410	NUT	8	8	8	8	
20	5VY-14740-00	CATALYST ASSY.	1	1	1	1	
21	5VY-14755-00	.GASKET, SILENCER	1	1	1	1	
22	95814-08030	.BOLT, FLANGE	1	1	1	1	
23	5JJ-14715-00	.BAND, MUFFLER	1	1	1	1	
24	5VY-14710-00	MUFFLER ASSY 1	1	1	1	1	
25	5VY-14714-00	.GASKET, MUFFLER	1	1	1	1	
26	90105-08063	.BOLT, FLANGE	1	1	1	1	
27	5VY-14715-00	.BAND, MUFFLER	1	1	1	1	



5VY1300-C130

FIG. 13 EXHAUST

REF. NO.	PART NO.	DESCRIPTION	5VYE	5VYF	5VYR	5VYS	REMARKS
28	90183-060A2	.NUT, SPRING	2	2	2	2	
29	90338-06007	.PLUG	1	1	1	1	
30	5VY-14720-00	MUFFLER ASSY 2	1	1	1	1	
31	5VY-14714-00	.GASKET, MUFFLER	1	1	1	1	
32	90105-08063	.BOLT, FLANGE	1	1	1	1	
33	5VY-14715-00	.BAND, MUFFLER	1	1	1	1	
34	90183-060A2	.NUT, SPRING	2	2	2	2	
35	90338-06007	.PLUG	1	1	1	1	
36	5VY-21890-00	STAY ASSY. ,2	1	1	1	1	
37	5VY-14747-00	.DAMPER, MUFFLER	1	1	1	1	
38	90387-08021	.COLLAR	1	1	1	1	
39	95812-08040	BOLT, FLANGE	1	1	1	1	
40	90201-087G2	WASHER, PLATE	2	2	2	2	
41	95604-08200	NUT, U FLANGE	1	1	1	1	
42	90201-10054	WASHER, PLATE	1	1	1	1	
43	5VY-21880-00	STAY ASSY. ,1	1	1	1	1	
44	4XV-27424-00	.DAMPER, MUFFLER	1	1	1	1	
45	90387-08005	.COLLAR	1	1	1	1	
46	90201-08034	WASHER, PLATE	1	1	1	1	
47	92014-08040	BOLT, BUTTON HEAD	1	1	1	1	
48	90111-08016	BOLT, HEX. SOCKET BUTTON	1	1	1	1	
49	5VY-27424-00	DAMPER, FOOTREST 2	4	4	4	4	
50	90387-08020	COLLAR	2	2	2	2	
51	95814-08045	BOLT, FLANGE	2	2	2	2	
52	90201-08034	WASHER, PLATE	2	2	2	2	
53	95604-08200	NUT, U FLANGE	2	2	2	2	
54	5VY-1133E-00	CABLE, PULLEY 1	1	1	1	1	

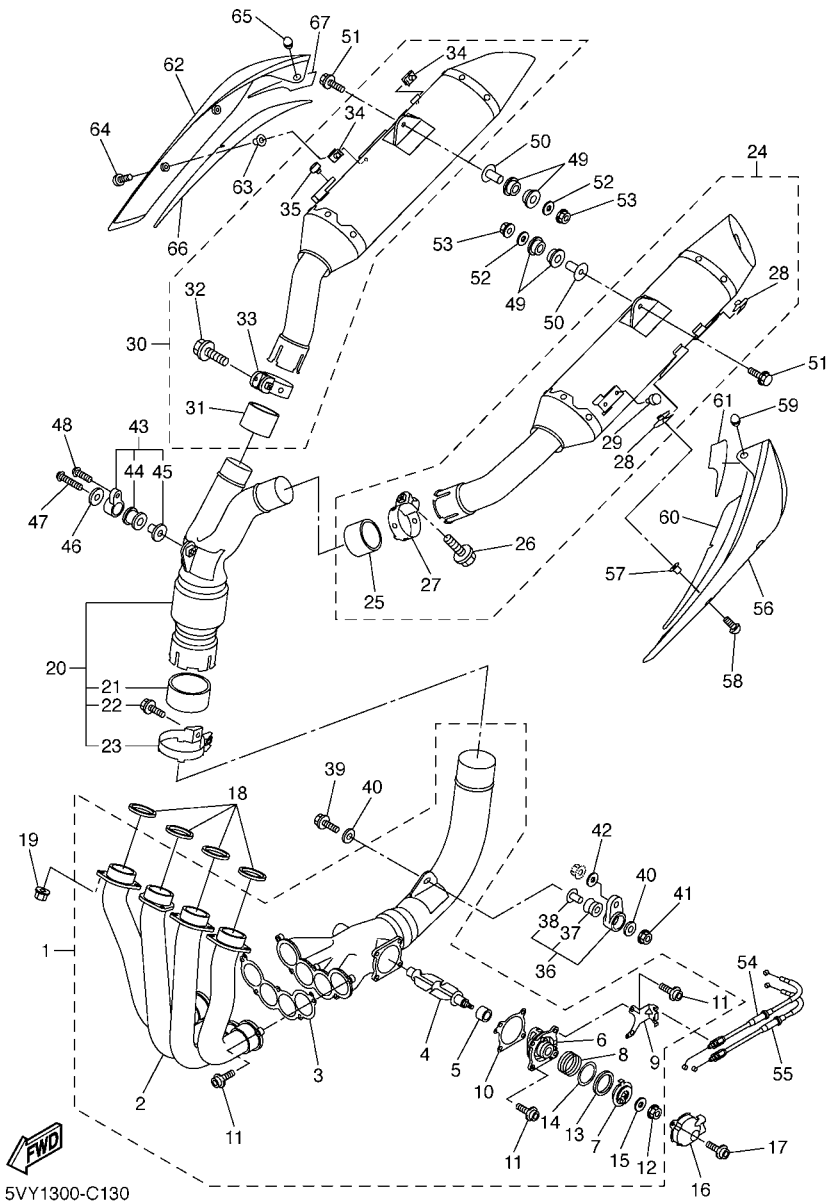
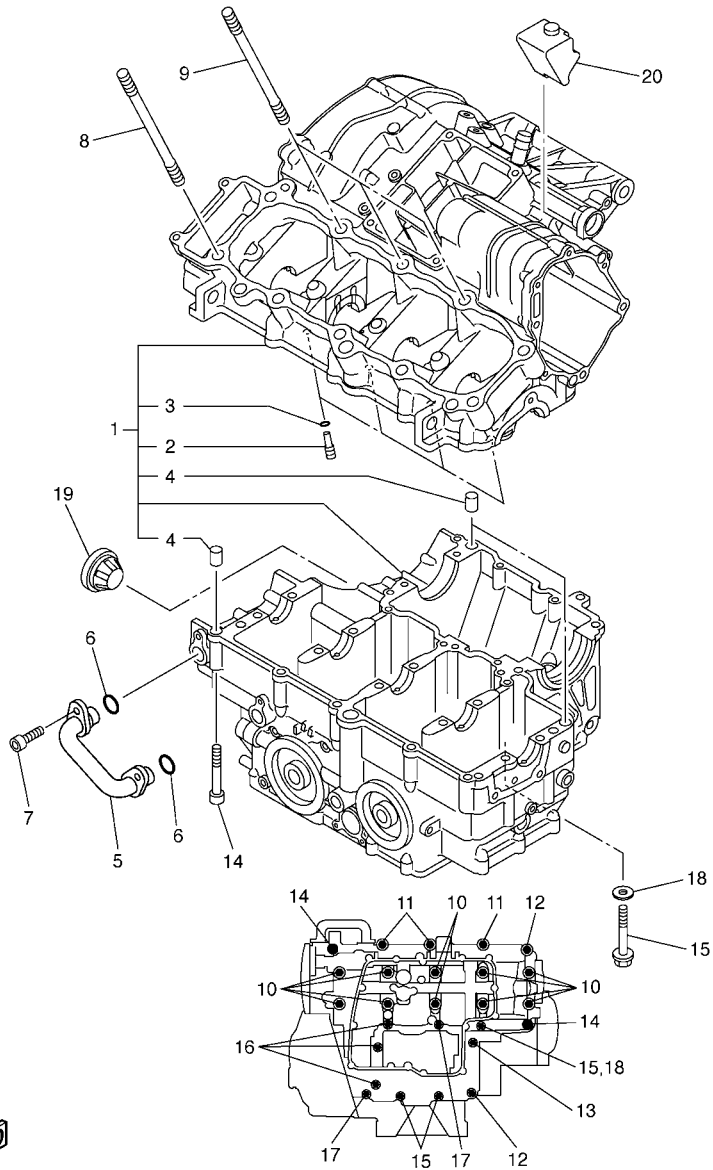


FIG. 13 EXHAUST

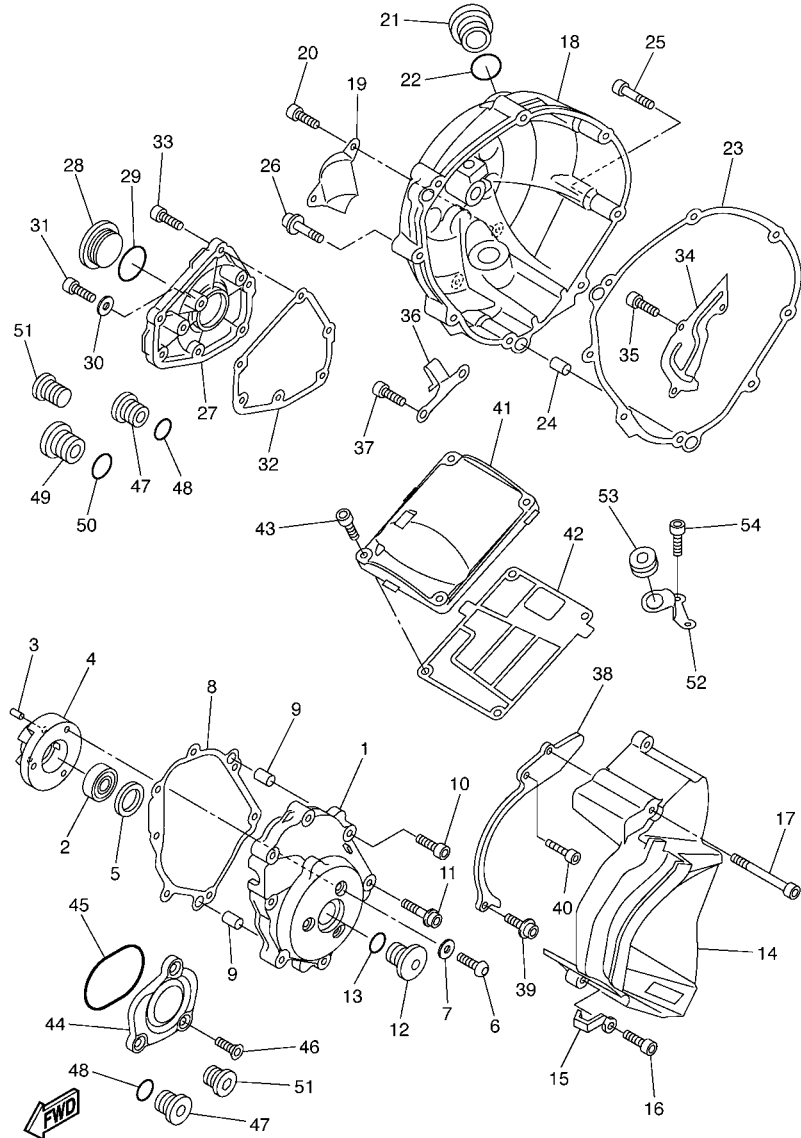
REF. NO.	PART NO.	DESCRIPTION	5VYE	5VYF	5VYR	5VYS	REMARKS
55	5VY-1133F-00	CABLE, PULLEY 2	1	1	1	1	
56	5VY-14718-01-P1	PROTECTOR, MUFFLER 1	1	1			MBL2
	5VY-14718-01-P0	PROTECTOR, MUFFLER 1			1	1	MT2
57	90387-062L2	COLLAR	2	2	2	2	
58	90111-06038	BOLT,HEX. SOCKET BUTTON	2	2	2	2	
59	5VY-14757-00	DAMPER, MUFFLER 2	1	1	1	1	
60	5VY-1475P-00	SEAT,1	1	1	1	1	
61	5VY-1477P-00	SEAT,3	1	1	1	1	
62	5VY-14728-01-P1	PROTECTOR, MUFFLER 2	1	1			MBL2
	5VY-14728-01-P0	PROTECTOR, MUFFLER 2			1	1	MT2
63	90387-062L2	COLLAR	2	2	2	2	
64	90111-06038	BOLT,HEX. SOCKET BUTTON	2	2	2	2	
65	5VY-14757-00	DAMPER, MUFFLER 2	1	1	1	1	
66	5VY-1476P-00	SEAT,2	1	1	1	1	
67	5VY-1478P-00	SEAT,4	1	1	1	1	

FIG. 14 CRANKCASE



5VY1300-C140

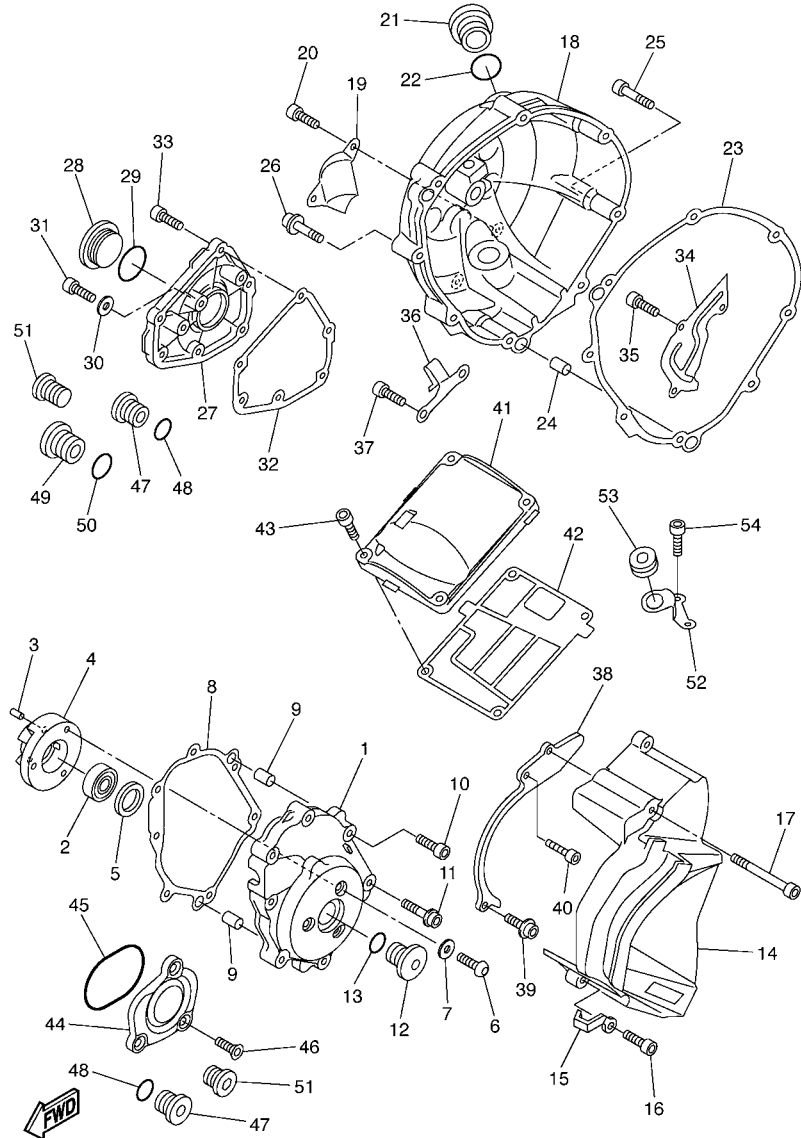
REF. NO.	PART NO.	DESCRIPTION	5VYE	5VYF	5VYR	5VYS	REMARKS
1	5VY-15100-01	CRANKCASE ASSY	1	1	1	1	
2	5EB-15155-00	.NOZZLE 3	4	4	4	4	
3	93210-04092	.O-RING	4	4	4	4	
4	99530-10014	.PIN, DOWEL	3	3	3	3	
5	5VY-13418-10	PIPE, OIL 2	1	1	1	1	
6	93210-14003	O-RING	2	2	2	2	
7	90110-06161	BOLT, HEXAGON SOCKET HEAD	2	2	2	2	
8	90116-10020	BOLT, STUD	7	7	7	7	
9	90116-10023	BOLT, STUD	3	3	3	3	
10	90119-09003	BOLT, WITH WASHER	10	10	10	10	
11	95812-08050	BOLT, FLANGE	3	3	3	3	
12	95812-08060	BOLT, FLANGE	2	2	2	2	
13	90105-08101	BOLT, FLANGE	1	1	1	1	
14	90109-06100	BOLT	2	2	2	2	
15	95812-06060	BOLT, FLANGE	3	3	3	3	
16	95812-06070	BOLT, FLANGE	3	3	3	3	
17	95812-06050	BOLT, FLANGE	2	2	2	2	
18	90430-06166	GASKET	1	1	1	1	
19	5PW-15361-00	GAUGE, LEVEL	1	1	1	1	
20	5VY-15316-00	DAMPER, ENGINE MOUNT 1	1	1	1	1	



5VYE300-E150

FIG. 15 CRANKCASE COVER 1

REF. NO.	PART NO.	DESCRIPTION	5VYE	5VYF	5VYR	5VYS	REMARKS
1	5VY-15411-00	COVER, CRANKCASE 1	1	1	1	1	
2	93306-20124	BEARING	1	1	1	1	
3	93605-10108	PIN, DOWEL	2	2	2	2	
4	5VY-15164-00	HOUSING, BEARING 2	1	1	1	1	
5	5VY-15542-00	COLLAR 2	1	1	1	1	
6	90149-06064	SCREW	3	3	3	3	
7	90201-06431	WASHER, PLATE	3	3	3	3	
8	5VY-15451-10	GASKET, CRANKCASE COVER 1	1	1	1	1	
9	99480-10018	PIN	2	2	2	2	
10	90109-06031	BOLT	4	4	4	4	
11	90110-08068	BOLT, HEXAGON SOCKET HEAD	3	3	3	3	
12	5PX-15189-00	PLUG	1	1	1	1	
13	93210-22382	O-RING	1	1	1	1	
14	5VY-15418-00	COVER, CHAIN CASE	1	1	1	1	
15	90462-08045	CLAMP	1	1	1	1	
16	90110-06169	BOLT, HEXAGON SOCKET HEAD	2	2	2	2	
17	90110-06177	BOLT, HEXAGON SOCKET HEAD	1	1	1	1	
18	5VY-15421-10	COVER, CRANKCASE 2	1	1	1	1	
19	5VY-15499-00	PROTECTOR, COVER	1	1	1	1	
20	92014-06014	BOLT, BUTTON HEAD	2	2	2	2	
21	5VY-15362-00	PLUG, OIL LEVEL	1	1	1	1	
22	93210-27370	O-RING	1	1	1	1	
23	5VY-15461-00	GASKET, CRANKCASE COVER 2	1	1	1	1	
24	93610-20189	PIN, DOWEL	2	2	2	2	
25	90109-06016	BOLT	7	7	7	7	
26	90110-06112	BOLT, HEXAGON SOCKET HEAD	1	1	1	1	
27	5VY-15416-00	COVER, OIL PUMP	1	1	1	1	



5VYE300-E150

FIG. 15 CRANKCASE COVER 1

REF. NO.	PART NO.	DESCRIPTION	5VYE	5VYF	5VYR	5VYS	REMARKS
28	90340-32004	PLUG, STRAIGHT SCREW	1	1	1	1	
29	93210-32172	O-RING	1	1	1	1	
30	90430-08143	GASKET	1	1	1	1	
31	92014-08016	BOLT, BUTTON HEAD	1	1	1	1	
32	5VY-15456-00	GASKET, OIL PUMP COVER 1	1	1	1	1	
33	90109-06014	BOLT	6	6	6	6	
34	5VY-11165-00	PLATE, BREATHER	1	1	1	1	
35	90110-06182	BOLT, HEXAGON SOCKET HEAD	3	3	3	3	
36	5VY-15441-00	HOLDER, CLUTCH CABLE	1	1	1	1	
37	91314-06014	BOLT	1	1	1	1	
38	4B1-15113-00	PLATE	1	1	1	1	
39	90110-06168	BOLT, HEXAGON SOCKET HEAD	1	1	1	1	
40	90110-06108	BOLT, HEXAGON SOCKET HEAD	1	1	1	1	
41	5VY-15413-00	COVER	1	1	1	1	
42	5VY-15462-00	GASKET, CRANKCASE COVER 3	1	1	1	1	
43	90109-06015	BOLT	4	4	4	4	
44	5VY-15431-00	COVER, CRANKCASE 3	1	1	1	1	
45	93210-57003	O-RING	1	1	1	1	
46	90151-06022	SCREW, COUNTERSUNK	3	3	3	3	
47	36Y-15189-00	PLUG	3	3	3	3	
48	93210-16325	O-RING	3	3	3	3	
49	4H7-15189-00	PLUG	1	1	1	1	
50	93210-22382	O-RING	1	1	1	1	
51	90340-12003	PLUG, STRAIGHT SCREW	2	2	2	2	
52	5VY-12443-10	STAY	1	1	1	1	
53	90480-13014	GROMMET	1	1	1	1	
54	91380-06014	BOLT	2	2	2	2	

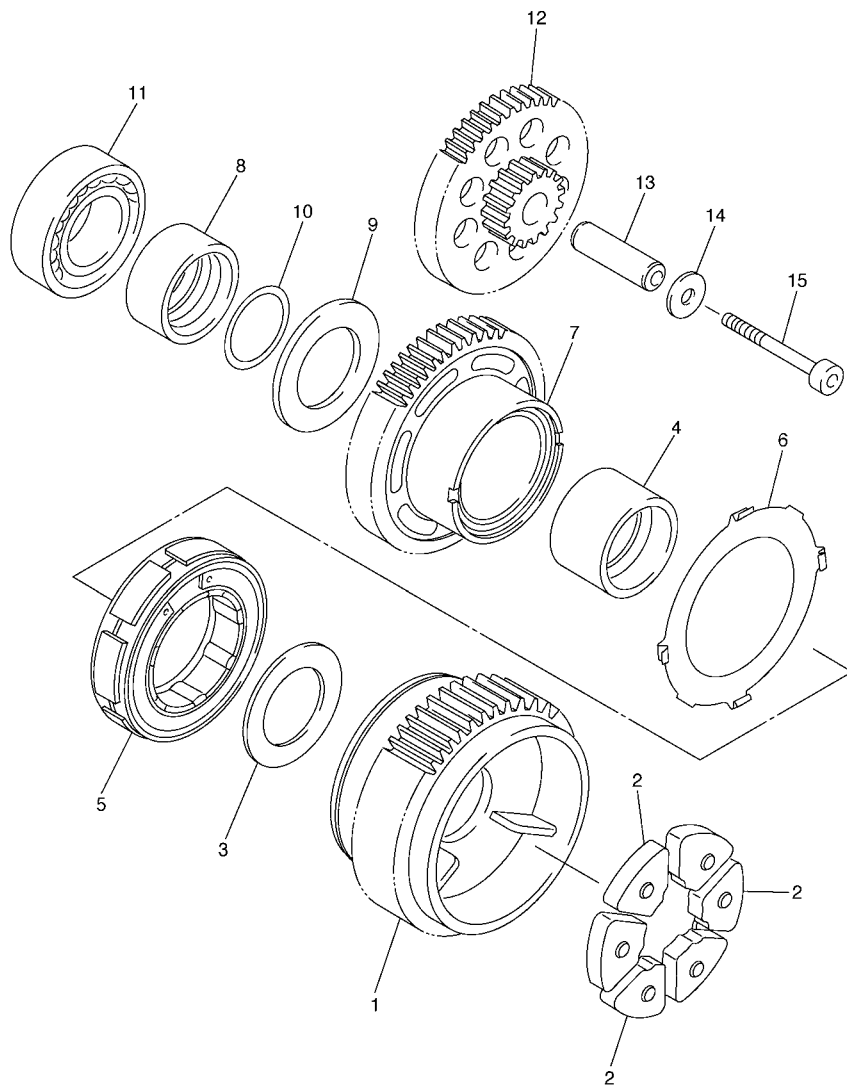


FIG. 16 STARTER

REF. NO.	PART NO.	DESCRIPTION	5VYE	5VYF	5VYR	5VYS	REMARKS
1	5VY-11537-00	GEAR, DRIVEN	1	1	1	1	
2	5VY-16155-00	ABSORBER 1	3	3	3	3	
3	90201-20016	WASHER, PLATE	1	1	1	1	
4	5VY-11478-00	COLLAR	1	1	1	1	
5	5VY-15570-00	STARTER CLUTCH ASSY	1	1	1	1	
6	5VY-15586-00	PLATE, STARTER CLUTCH ASSY	1	1	1	1	
7	5VY-15515-00	GEAR 3	1	1	1	1	
8	5VY-11445-00	SPACER	1	1	1	1	
9	90201-20017	WASHER, PLATE	1	1	1	1	
10	93210-18397	O-RING	1	1	1	1	
11	93306-20230	BEARING	1	1	1	1	
12	5VY-15517-00	GEAR, IDLER 2	1	1	1	1	
13	5VY-15521-00	SHAFT 1	1	1	1	1	
14	90201-06589	WASHER, PLATE	1	1	1	1	
15	90110-06176	BOLT, HEXAGON SOCKET HEAD	1	1	1	1	



5VY1300-C160

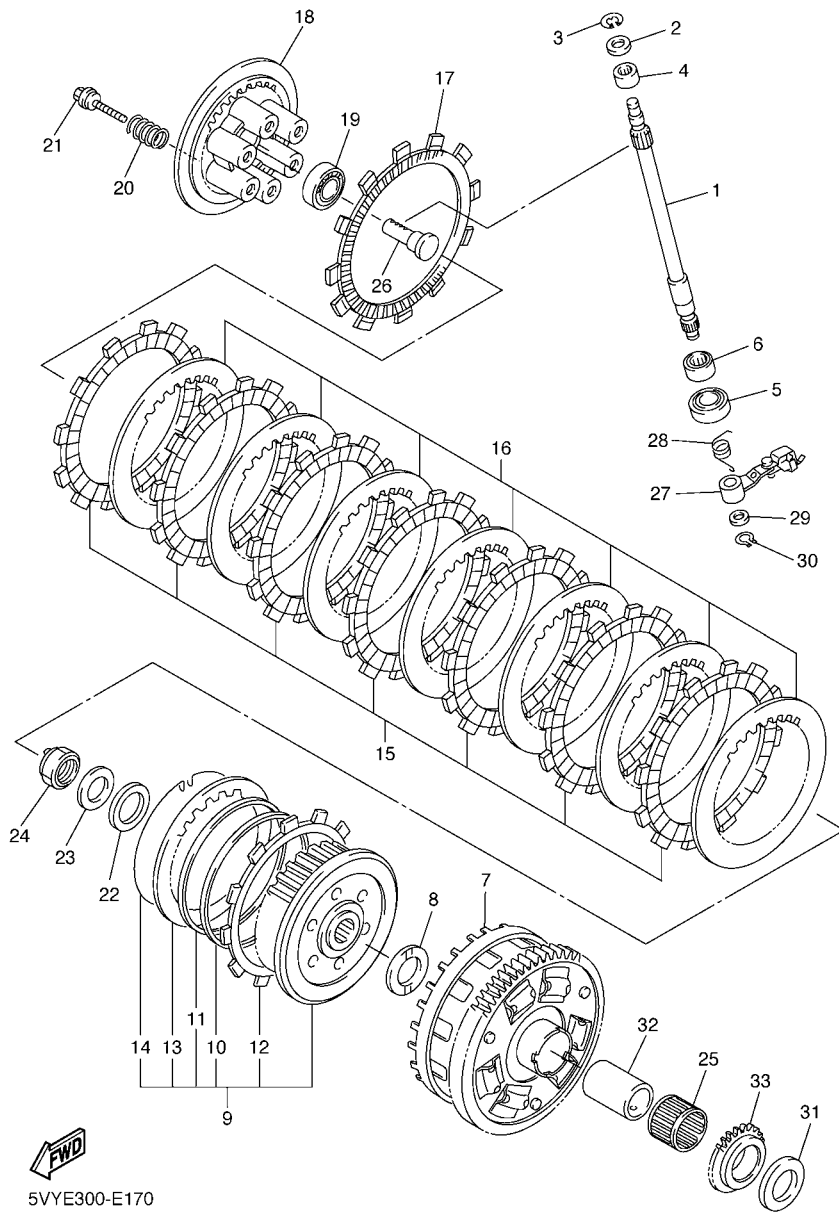
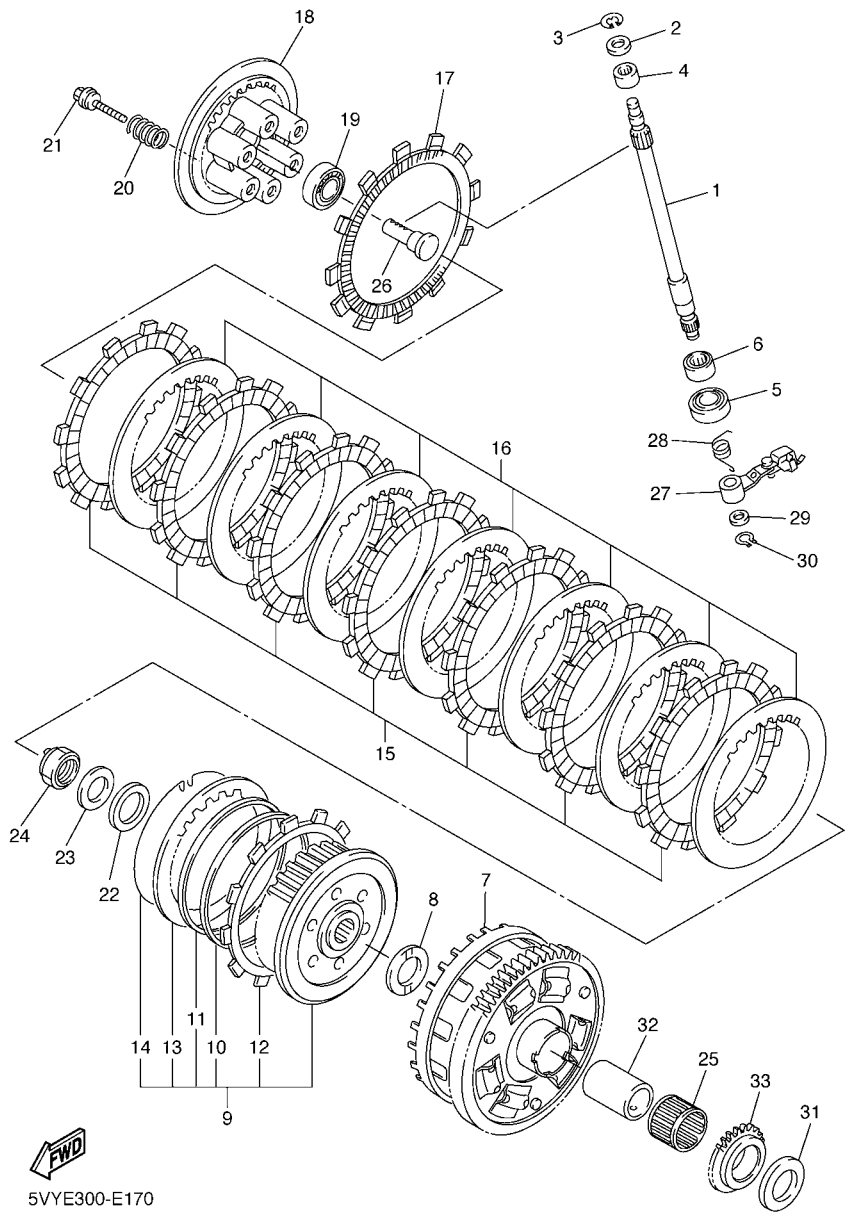


FIG. 17 CLUTCH

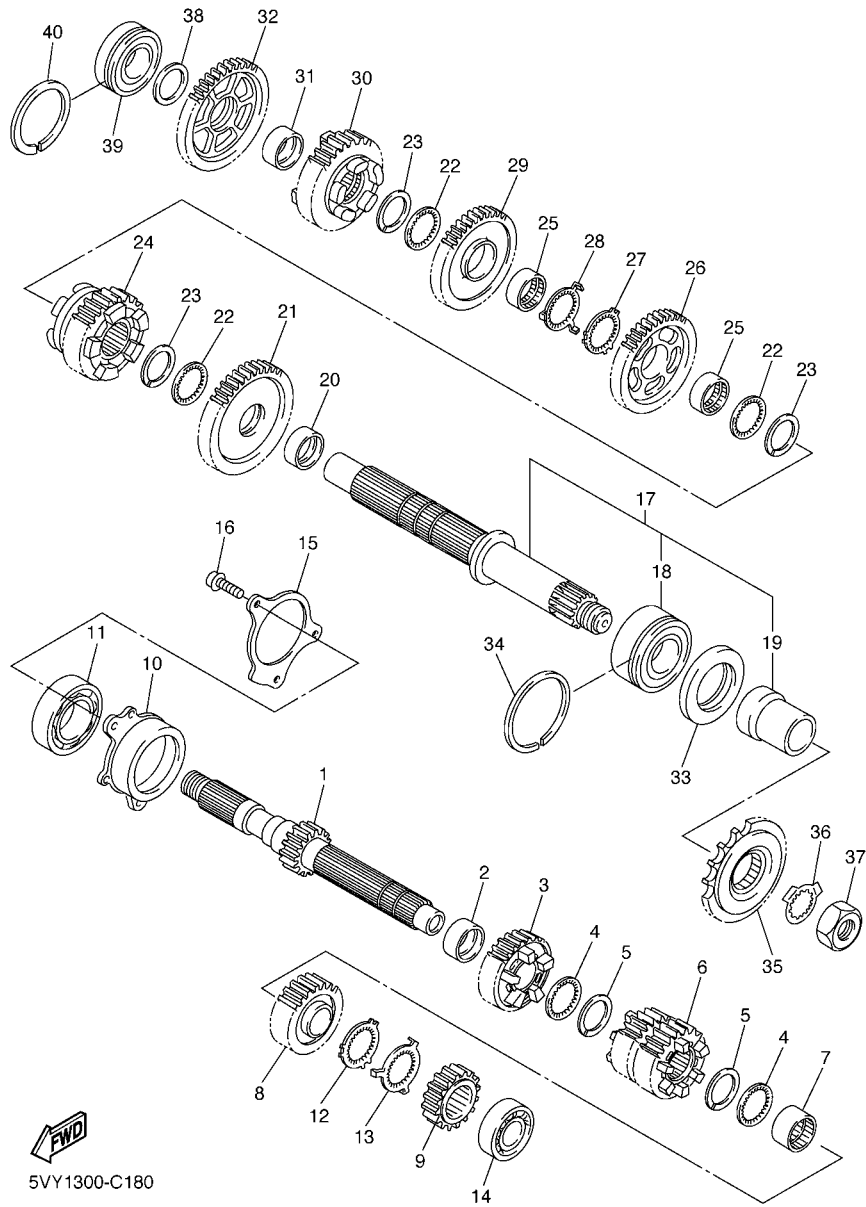
REF. NO.	PART NO.	DESCRIPTION	5VYE	5VVF	5VVR	5VVS	REMARKS
1	5VY-16382-10	AXLE, PUSH LEVER	1	1	1	1	
2	92907-08600	WASHER, PLATE	1	1	1	1	
3	99001-07600	CIRCLIP	1	1	1	1	
4	93317-11096	BEARING	1	1	1	1	
5	93102-15212	OIL SEAL	1	1	1	1	
6	93315-31502	BEARING	1	1	1	1	
7	5VY-16150-00	PRIMARY DRIVEN GEAR COMP.	1	1	1	1	
8	5VY-16154-00	PLATE, THRUST 1	1	1	1	1	
9	2D1-16370-00	CLUTCH BOSS ASSY	1	1	1	1	
10	5VY-16384-00	.PLATE, SEAT	1	1	1	1	
11	5VY-16383-00	.SPRING, CLUTCH BOSS	1	1	1	1	
12	5VY-16331-00	.PLATE, FRICTION 2	1	1	1	1	
13	5VY-16325-00	.PLATE, CLUTCH 2	1	1	1	1	
14	4X7-16385-00	.RING, CLUTCH BOSS	1	1	1	1	
15	5VY-16321-00	PLATE, FRICTION	7	7	7	7	
16	5VY-16325-00	PLATE, CLUTCH 2	7	7	7	7	
17	5VY-16330-00	PLATE, FRICTION 2	1	1	1	1	
18	5VY-16351-10	PLATE, PRESSURE 1	1	1	1	1	
19	93306-00304	BEARING	1	1	1	1	
20	90501-230A0	SPRING, COMPRESSION	6	6	6	6	
21	90159-06026	SCREW, WITH WASHER	6	6	6	6	
22	5VY-16129-00	PLATE, THRUST	1	1	1	1	
23	90208-20001	WASHER, CONICAL SPRING	1	1	1	1	
24	90179-20007	NUT	1	1	1	1	
25	93310-232R9	BEARING	1	1	1	1	
26	4XV-16356-01	ROD, PUSH 1	1	1	1	1	
27	5VY-16340-10	PUSH LEVER ASSY	1	1	1	1	



5VYE300-E170

FIG. 17 CLUTCH

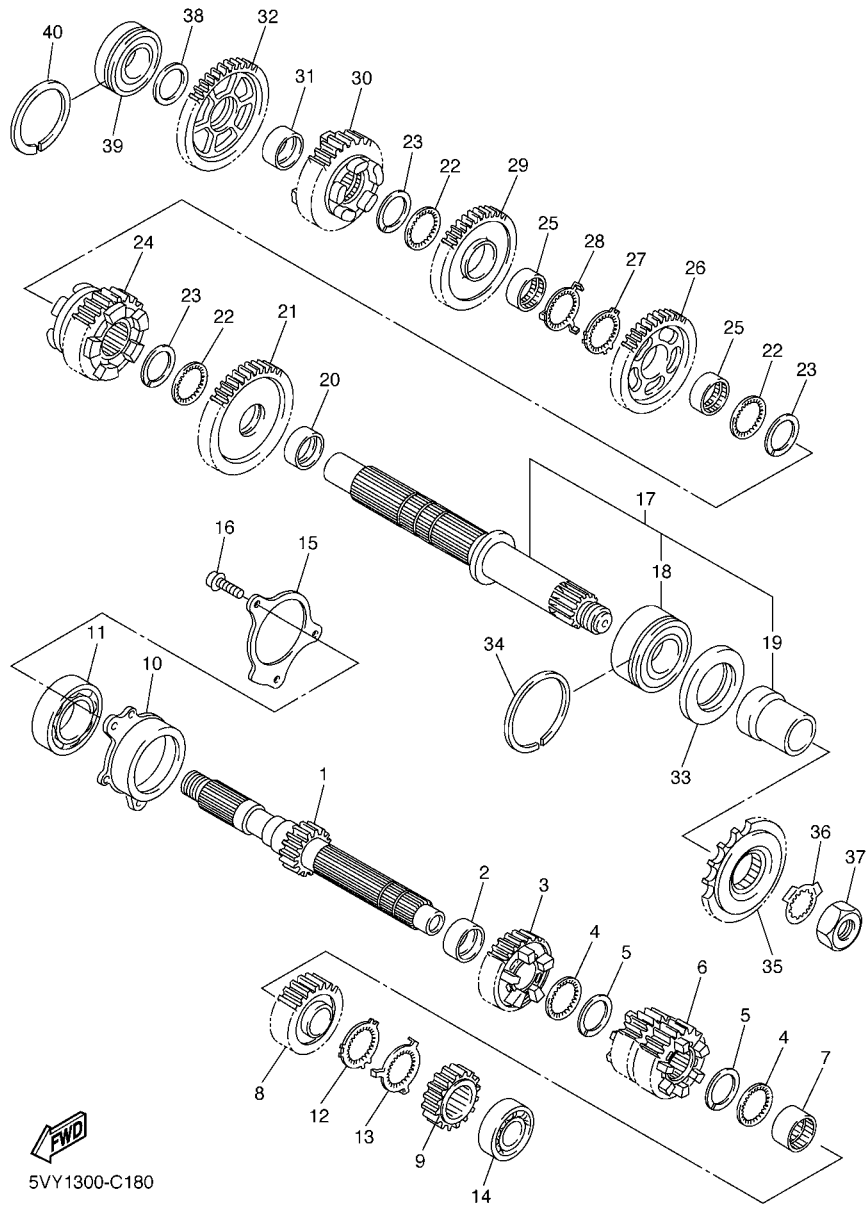
REF. NO.	PART NO.	DESCRIPTION	5VYE	5VYF	5VYR	5VYS	REMARKS
28	90508-16041	SPRING, TORSION	1	1	1	1	
29	90201-10029	WASHER, PLATE	1	1	1	1	
30	99009-10400	CIRCLIP	1	1	1	1	
31	5VY-16164-00	PLATE, THRUST 2	1	1	1	1	
32	5VY-16181-00	SPACER 1	1	1	1	1	
33	5VY-13354-00	SPROCKET, DRIVE	1	1	1	1	



5VY1300-C180

FIG. 18 TRANSMISSION

REF. NO.	PART NO.	DESCRIPTION	5VYE	5VVF	5VVR	5VVS	REMARKS
1	5VY-17411-10	AXLE, MAIN (15T)	1	1	1	1	
2	90387-28003	COLLAR	1	1	1	1	
3	5VY-17151-00	GEAR, 5TH PINION (22T)	1	1	1	1	
4	90209-25011	WASHER	2	2	2	2	
5	93440-28184	CIRCLIP	2	2	2	2	
6	5VY-17131-00	GEAR, 3RD PINION (21/23T)	1	1	1	1	
7	90387-25007	COLLAR	1	1	1	1	
8	5VY-17161-00	GEAR, 6TH PINION (26T)	1	1	1	1	
9	5VY-17121-00	GEAR, 2ND PINION (16T)	1	1	1	1	
10	5VY-15163-00	HOUSING, BEARING 1	1	1	1	1	
11	93306-20652	BEARING	1	1	1	1	
12	90214-25004	WASHER, CLAW	1	1	1	1	
13	90214-25003	WASHER, CLAW	1	1	1	1	
14	93306-27208	BEARING	1	1	1	1	
15	5VY-17446-00	PLATE	1	1	1	1	
16	90110-06164	BOLT, HEXAGON SOCKET HEAD	3	3	3	3	
17	5VY-17402-00	DRIVE AXLE ASSY	1	1	1	1	
18	93305-20605	.BEARING	1	1	1	1	
19	5VY-17442-00	.COLLAR, DISTANCE	1	1	1	1	
20	90387-31003	COLLAR	1	1	1	1	
21	5VY-17221-10	GEAR, 2ND WHEEL (33T)	1	1	1	1	
22	90209-28008	WASHER	3	3	3	3	
23	93440-31187	CIRCLIP	3	3	3	3	
24	5VY-17261-10	GEAR, 6TH WHEEL (33T)	1	1	1	1	
25	90387-28004	COLLAR	2	2	2	2	
26	5VY-17241-00	GEAR, 4TH WHEEL (35T)	1	1	1	1	
27	90214-29002	WASHER, CLAW	1	1	1	1	



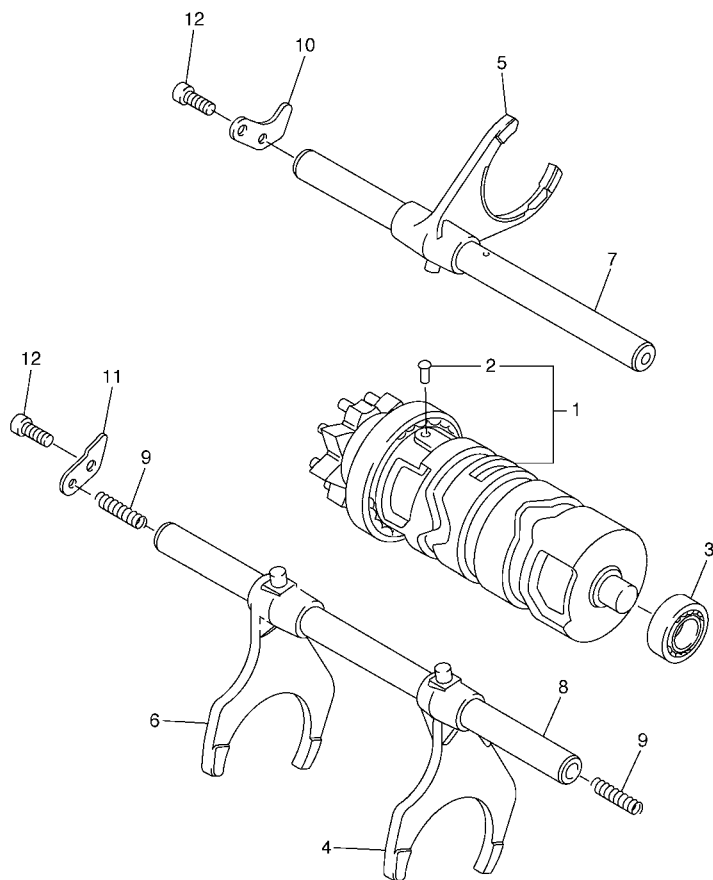
5VY1300-C180

FIG. 18 TRANSMISSION

REF. NO.	PART NO.	DESCRIPTION	5VYE	5VYF	5VYR	5VYS	REMARKS
28	90214-28002	WASHER, CLAW	1	1	1	1	
29	5VY-17231-00	GEAR, 3RD WHEEL (37T)	1	1	1	1	
30	5VY-17251-00	GEAR, 5TH WHEEL (30T)	1	1	1	1	
31	90387-25008	COLLAR	1	1	1	1	
32	5VY-17211-00	GEAR, 1ST WHEEL (38T)	1	1	1	1	
33	93102-40330	OIL SEAL	1	1	1	1	
34	93440-62032	CIRCLIP	1	1	1	1	
35	3CV-17460-00	SPROCKET, DRIVE (17T)	1	1	1	1	
36	90215-30233	WASHER, LOCK	1	1	1	1	
37	90179-22011	NUT	1	1	1	1	
38	90201-257H0	WASHER, PLATE	1	1	1	1	
39	93306-205A2	BEARING	1	1	1	1	
40	93440-52009	CIRCLIP	1	1	1	1	

C15

FIG. 19 SHIFT CAM & FORK



REF. NO.	PART NO.	DESCRIPTION	5VYE	5VVF	5VVR	5VVS	REMARKS
1	5VY-18540-00	SHIFT CAM ASSY	1	1	1	1	
2	136-18542-00	.POINT, NEUTRAL	1	1	1	1	
3	93306-00106	BEARING	1	1	1	1	
4	5VY-18511-01	FORK, SHIFT 1	1	1	1	1	
5	5VY-18512-01	FORK, SHIFT 2	1	1	1	1	
6	5VY-18513-01	FORK, SHIFT 3	1	1	1	1	
7	5VY-18531-00	BAR, SHIFT FORK GUIDE 1	1	1	1	1	
8	5VY-18535-00	BAR, SHIFT FORK GUIDE 2	1	1	1	1	
9	90501-064L1	SPRING, COMPRESSION	2	2	2	2	
10	5VY-18536-00	STOPPER, SHIFT BAR	1	1	1	1	
11	5VY-18562-00	PLATE, STOPPER 2	1	1	1	1	
12	90110-06182	BOLT, HEXAGON SOCKET HEAD	2	2	2	2	



5VY1300-C190

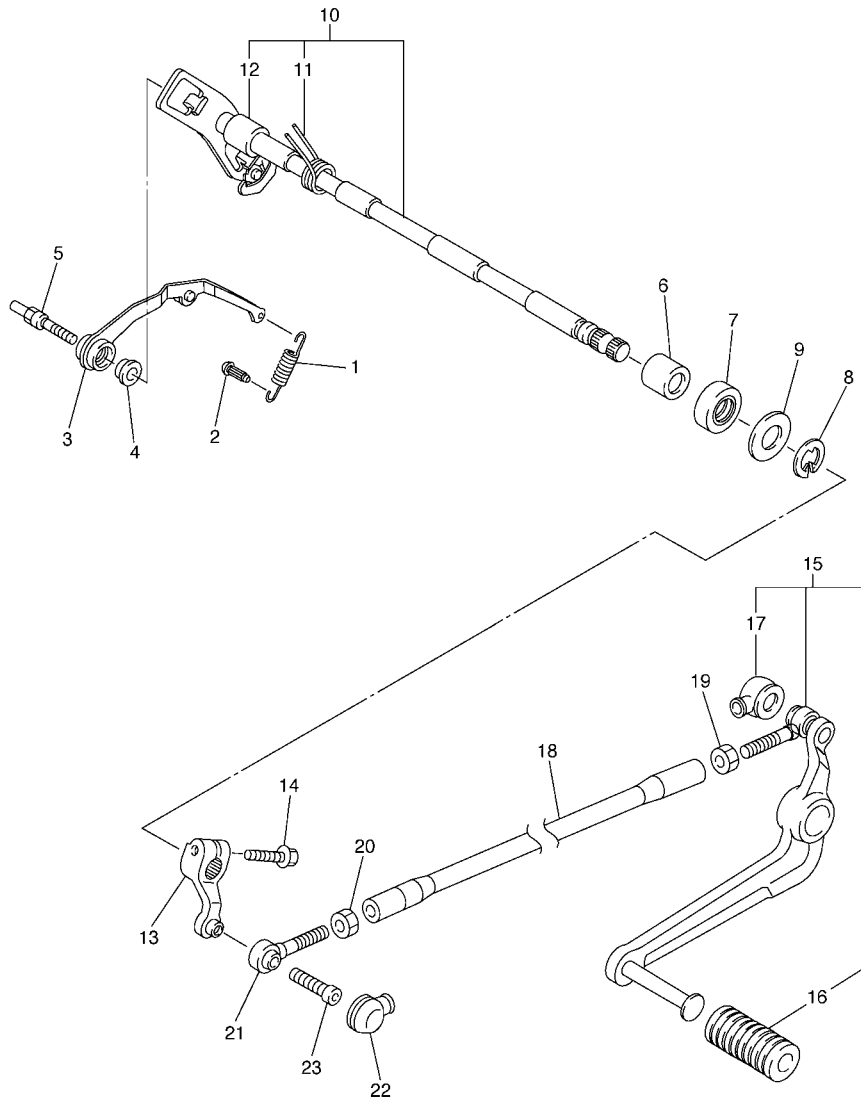
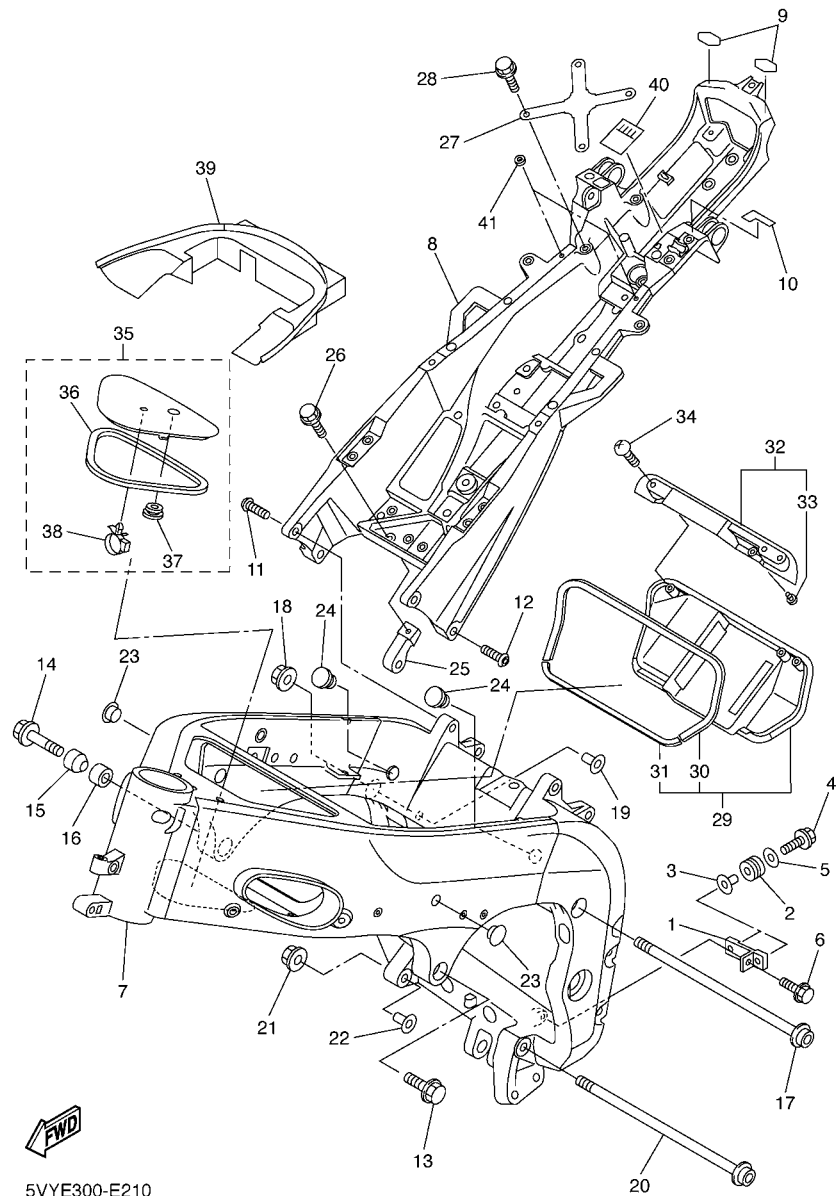


FIG. 20 SHIFT SHAFT

REF. NO.	PART NO.	DESCRIPTION	5VYE	5VVF	5VVR	5VVS	REMARKS
1	5VY-18144-00	HANGER, SPRING	1	1	1	1	
2	132-16346-00	HOOK, SPRING	1	1	1	1	
3	5VY-18140-00	STOPPER LEVER ASSY	1	1	1	1	
4	90387-0804S	COLLAR	1	1	1	1	
5	5VY-18127-10	STOPPER, SCREW	1	1	1	1	
6	93317-11287	BEARING	2	2	2	2	
7	93101-12004	OIL SEAL	1	1	1	1	
8	99002-10600	CIRCLIP	1	1	1	1	
9	90201-12575	WASHER, PLATE	2	2	2	2	
10	5VY-18101-10	SHIFT SHAFT ASSY	1	1	1	1	
11	90508-32020	.SPRING, TORSION	1	1	1	1	
12	90387-1211D	.COLLAR	1	1	1	1	
13	5VY-18112-00	ARM, SHIFT	1	1	1	1	
14	95022-06020	BOLT, FLANGE	1	1	1	1	
15	5VY-18110-00	SHIFT PEDAL ASSY	1	1	1	1	
16	5EB-18113-00	.COVER, SHIFT PEDAL	1	1	1	1	
17	4XV-18154-00	.COVER, DUST	1	1	1	1	
18	5VY-18115-00	ROD, SHIFT	1	1	1	1	
19	90170-06228	NUT(COUNTER CLOCKWISE)	1	1	1	1	
20	95304-06700	NUT	1	1	1	1	
21	5LV-18116-00	JOINT, ROD 1	1	1	1	1	
22	4XV-18154-00	COVER, DUST	1	1	1	1	
23	90111-06019	BOLT,HEX. SOCKET BUTTON	1	1	1	1	



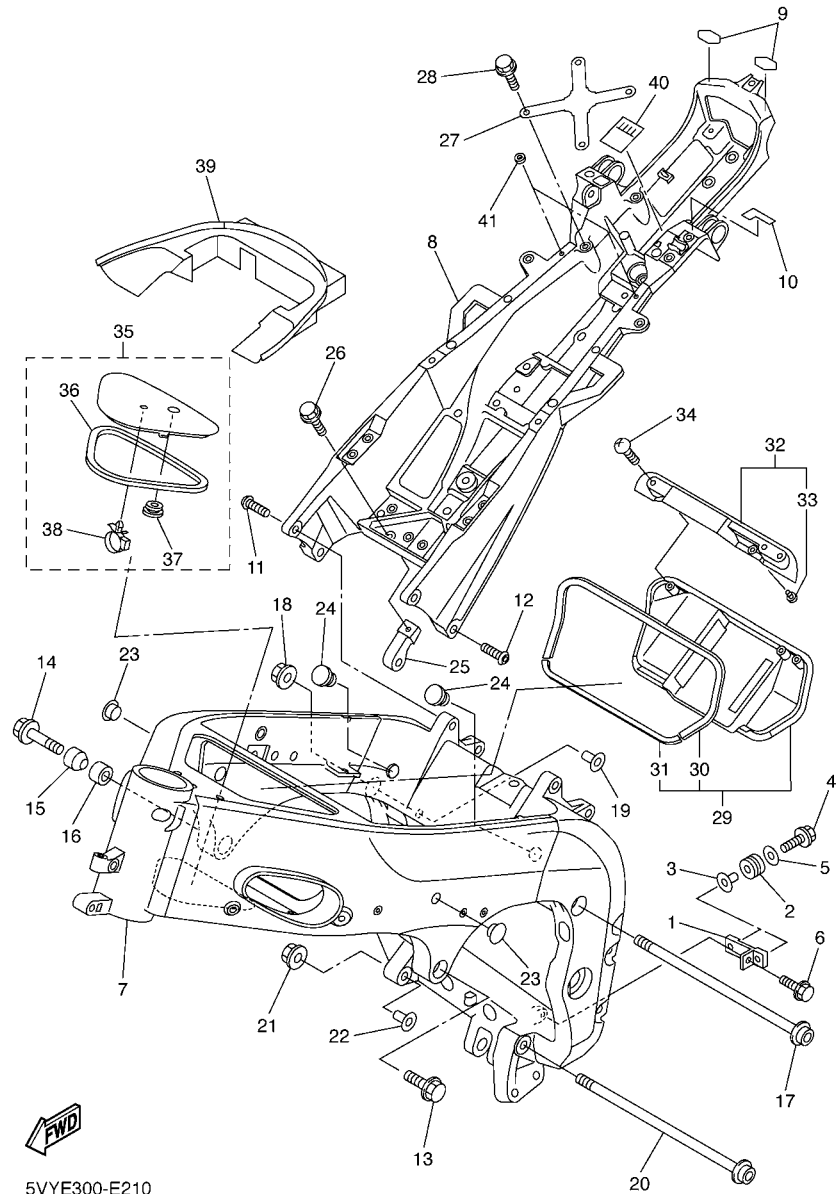
5VY1300-C200



5VYE300-E210

FIG. 21 FRAME

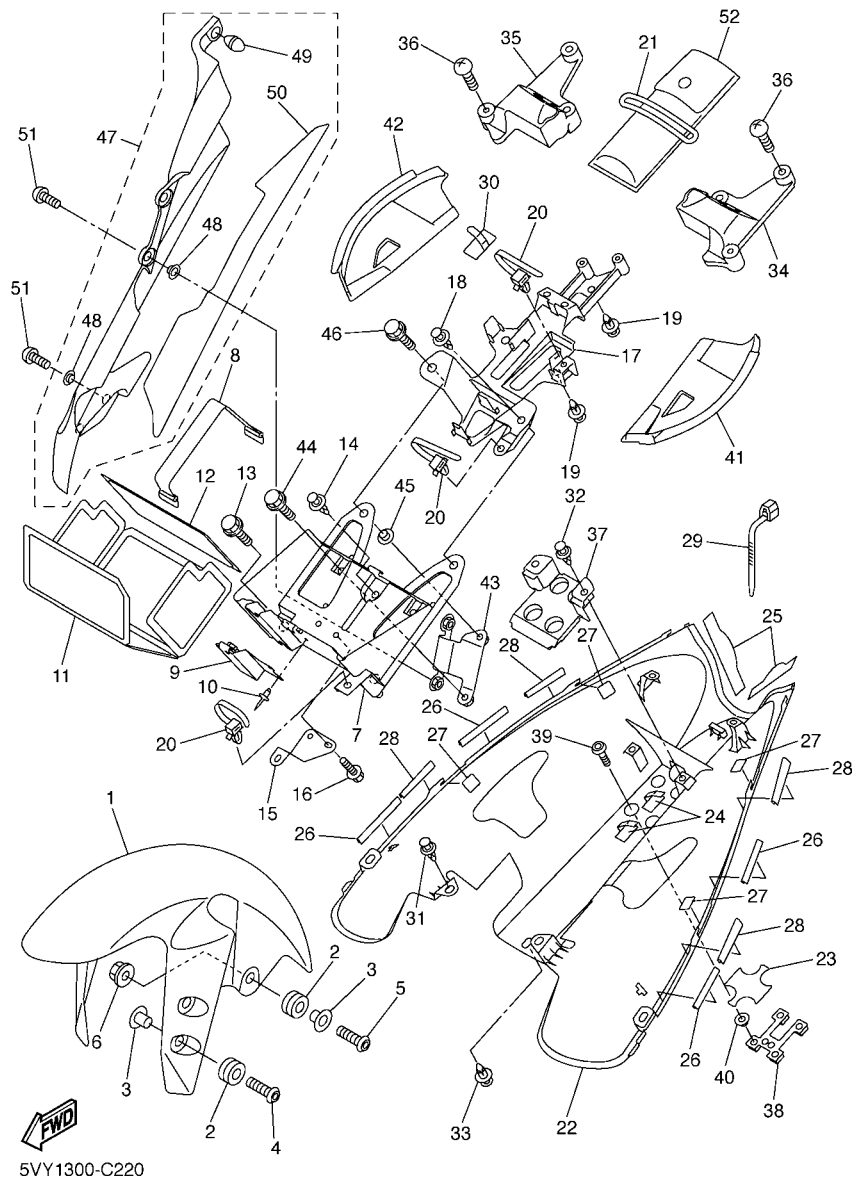
REF. NO.	PART NO.	DESCRIPTION	5VYE	5VYF	5VYR	5VYS	REMARKS
1	5VY-2116J-00	BRACKET 7	1	1	1	1	
2	90480-14005	GROMMET	2	2	2	2	
3	90387-063E6	COLLAR	2	2	2	2	
4	95022-06020	BOLT, FLANGE	2	2	2	2	
5	90201-06M31	WASHER, PLATE	2	2	2	2	
6	95024-06012	BOLT, FLANGE	1	1	1	1	
7	5VY-21110-20-P0	FRAME COMP.	1	1	1	1	MBL2
8	5VY-21190-00	REAR FRAME COMP.	1	1	1	1	
9	5VY-21268-00	SEAL	2	2	2	2	
10	5VY-21269-00	SEAL	1	1	1	1	
11	90149-10015	SCREW	2	2	2	2	
12	90149-10017	SCREW	2	2	2	2	
13	95024-10040	BOLT, FLANGE	1	1	1	1	
14	95024-10045	BOLT, FLANGE	1	1	1	1	
15	5VY-21414-00	BOSS, ENGINE MOUNT	1	1	1	1	
16	5VY-21424-00	BOSS, ENGINE MOUNT	1	1	1	1	
17	90110-10005	BOLT, HEXAGON SOCKET HEAD	1	1	1	1	
18	90179-10696	NUT	1	1	1	1	
19	5EB-21495-00	BOLT, ENGINE ADJUSTING	1	1	1	1	
20	90110-10005	BOLT, HEXAGON SOCKET HEAD	1	1	1	1	
21	90179-10696	NUT	1	1	1	1	
22	5EB-21495-00	BOLT, ENGINE ADJUSTING	1	1	1	1	
23	90338-15004	PLUG	2	2	2	2	
24	90338-23004	PLUG	2	2	2	2	
25	5VY-21435-00	BRACKET, MUFFLER 1	1	1	1	1	
26	90109-06056	BOLT	1	1	1	1	
27	5VY-21131-00	BRACKET	1	1	1	1	



5VYE300-E210

FIG. 21 FRAME

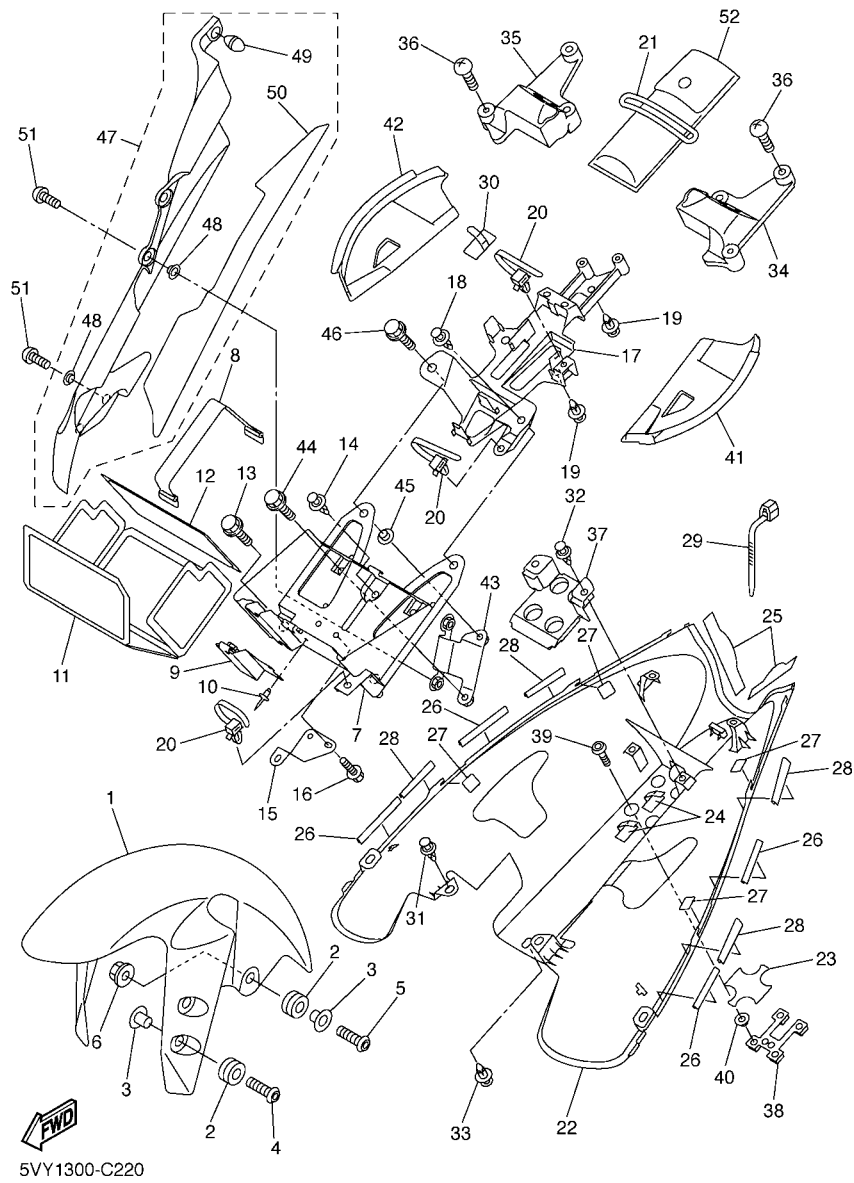
REF. NO.	PART NO.	DESCRIPTION	5VYE	5VYF	5VYR	5VYS	REMARKS
28	95827-06016	BOLT, FLANGE	4	4	4	4	
29	5VY-2110M-00	COVER ASSY	1	1	1	1	
30	5VY-2174X-00	.DAMPER	1	1	1	1	
31	5VY-21746-00	.DAMPER	1	1	1	1	
32	5VY-2131P-00	COVER PLATE COMP.	1	1	1	1	
33	90338-06018	.PLUG	1	1	1	1	
34	90167-05080	SCREW, TAPPING	3	3	3	3	
35	5VY-2110M-10	COVER ASSY	1	1	1	1	
36	5VY-2174Y-00	.DAMPER	1	1	1	1	
37	90480-01333	.GROMMET	1	1	1	1	
38	90464-16006	.CLAMP	1	1	1	1	
39	5VY-2117R-00	COVER 4	1	1	1	1	
40	5VY-2118N-10	LABEL		1		1	
41	5SL-84753-00	DAMPER	2	2	2	2	



5VY1300-C220

FIG. 22 FENDER

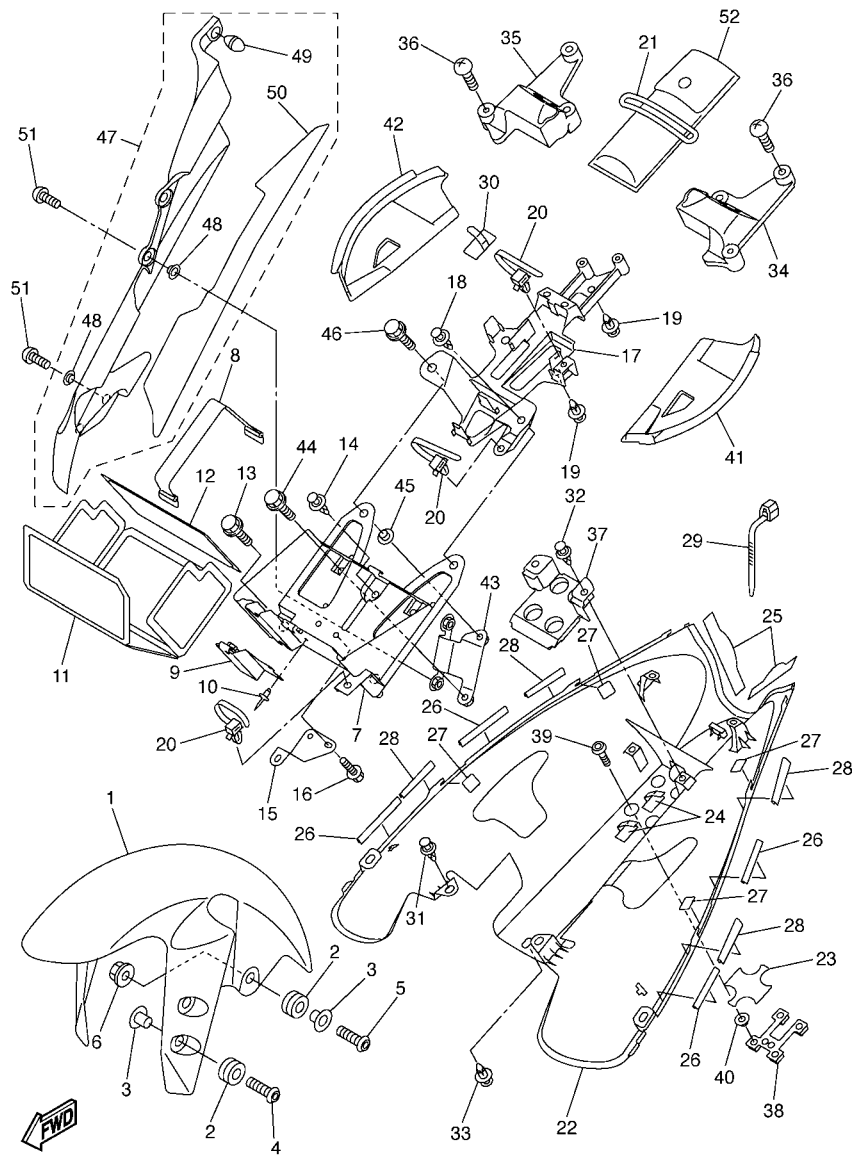
REF. NO.	PART NO.	DESCRIPTION	5VYE	5VVF	5VVR	5VVS	REMARKS
1	5PW-21511-00-P3	FENDER, FRONT	1	1			UR DRMK
	5PW-21511-00-P1	FENDER, FRONT	1	1			UR DPBMC
	5PW-21511-00-P6	FENDER, FRONT	1	1			UR SMX
	5PW-21511-00-33	FENDER, FRONT			1	1	YB
2	90480-12072	GROMMET	6	6	6	6	
3	90387-065J6	COLLAR	6	6	6	6	
4	90111-06043	BOLT,HEX. SOCKET BUTTON	4	4	4	4	
5	90111-06030	BOLT,HEX. SOCKET BUTTON	2	2	2	2	
6	95707-06500	NUT, FLANGE	2	2	2	2	
7	5VY-8212B-00	BOX, BATTERY 1	1	1	1	1	
8	133-82131-00	BAND, BATTERY	1	1	1	1	
9	5VY-21617-00	BRACKET, FENDER	1	1	1	1	
10	90267-32161	RIVET, BLIND	4	4	4	4	
11	5VY-82122-00	SEAT, BATTERY	1	1	1	1	
12	5VY-82123-00	SEAT, BATTERY	1	1	1	1	
13	90109-06043	BOLT	2	2	2	2	
14	90269-07076	RIVET	1	1	1	1	
15	5VY-2164G-00	STAY 2	1	1	1	1	
16	95827-06016	BOLT, FLANGE	2	2	2	2	
17	5VY-8212C-00	BOX, BATTERY 2	1	1	1	1	
18	90269-07076	RIVET	1	1	1	1	
19	90269-07077	RIVET	3	3	3	3	
20	90464-12036	CLAMP	3	3	3	3	
21	4XV-21376-00	BAND, TOOL	1	1	1	1	
22	5VY-21611-00-P0	FENDER, REAR	1	1			UR DRMK
	5VY-21611-00-P1	FENDER, REAR	1	1			UR DPBMC
	5VY-21611-00-P4	FENDER, REAR	1	1			UR SMX



5VY1300-C220

FIG. 22 FENDER

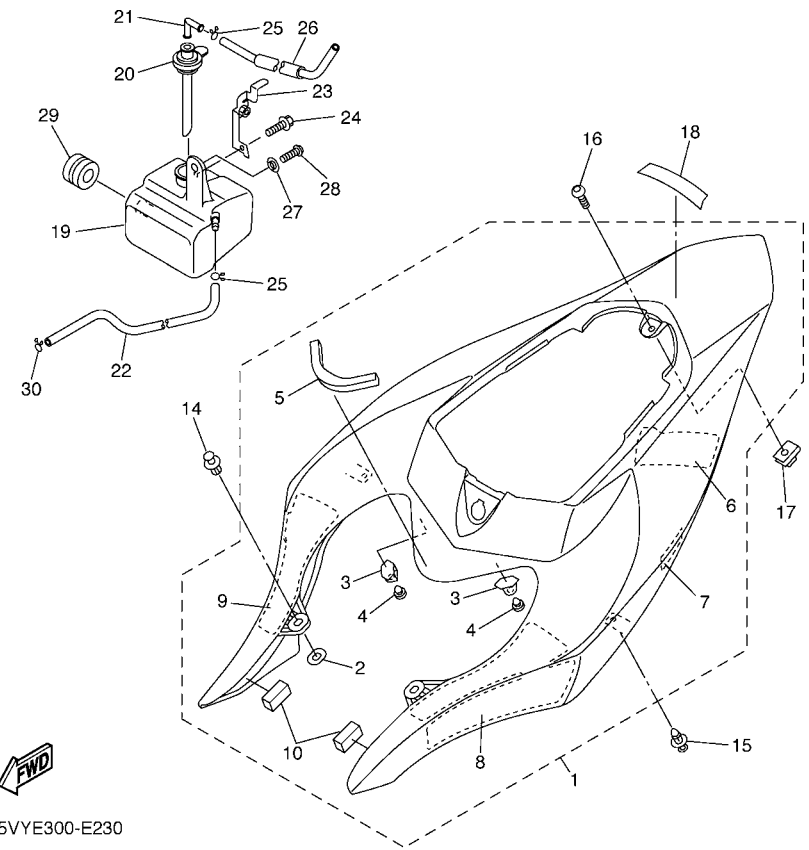
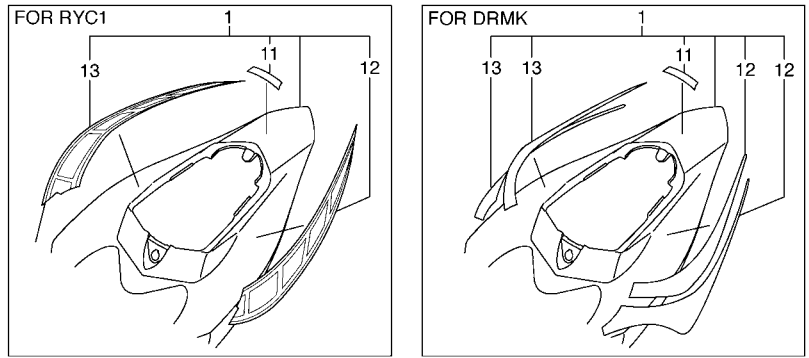
REF. NO.	PART NO.	DESCRIPTION	5VYE	5VVF	5VVR	5VVS	REMARKS
22	5VY-21611-00-P5	FENDER, REAR			1	1	RYC1
23	5VY-21669-00	SEAL	1	1	1	1	
24	90465-04020	CLAMP	2	2	2	2	
25	5VY-21639-00	DAMPER 2	2	2	2	2	
26	5PW-21732-00	SEAL 1	4	4	4	4	
27	1UF-15379-00	SEAL	4	4	4	4	
28	5VY-21732-00	SEAL 1	4	4	4	4	
29	90464-13073	CLAMP	2	2	2	2	
30	90465-04020	CLAMP	1	1	1	1	
31	90269-06081	RIVET	2	2	2	2	
32	90269-06081	RIVET	2	2	2	2	
33	90269-07077	RIVET	1	1	1	1	
34	5VY-2163A-00	COVER, REAR FENDER 1	1	1	1	1	
35	5VY-2163E-00	COVER, REAR FENDER 2	1	1	1	1	
36	97707-50014	SCREW, TAPPING	6	6	6	6	
37	5VY-21652-00	PROTECTOR	1	1	1	1	
38	5VY-2161G-00	BRACKET 6	1	1	1	1	
39	90111-06052	BOLT, HEX. SOCKET BUTTON	4	4	4	4	
40	90387-06071	COLLAR	4	4	4	4	
41	5VY-2164K-00	PATCH 5	1	1	1	1	
42	5VY-2164L-00	PATCH 6	1	1	1	1	
43	5VY-2164F-00	STAY 1	1	1	1	1	
44	90119-05011	BOLT, WITH WASHER	1	1	1	1	
45	90387-05017	COLLAR	1	1	1	1	
46	90119-05193	BOLT, WITH WASHER	1	1	1	1	
47	5VY-27490-00	PROTECTOR ASSY	1	1	1	1	
48	90387-0603J	.COLLAR	4	4	4	4	



5VY1300-C220

FIG. 22 FENDER

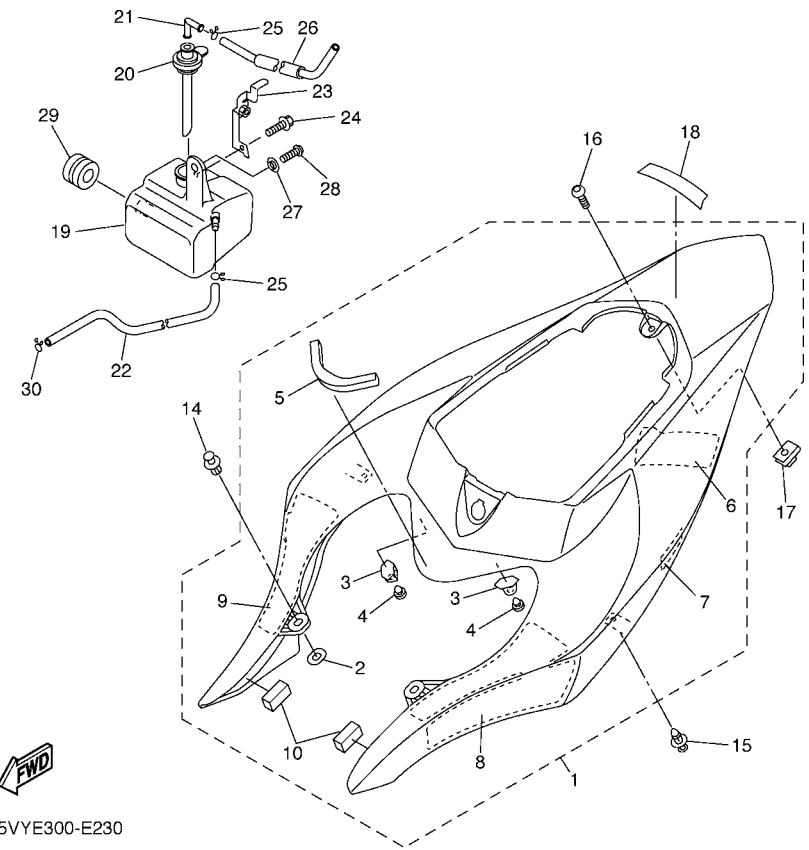
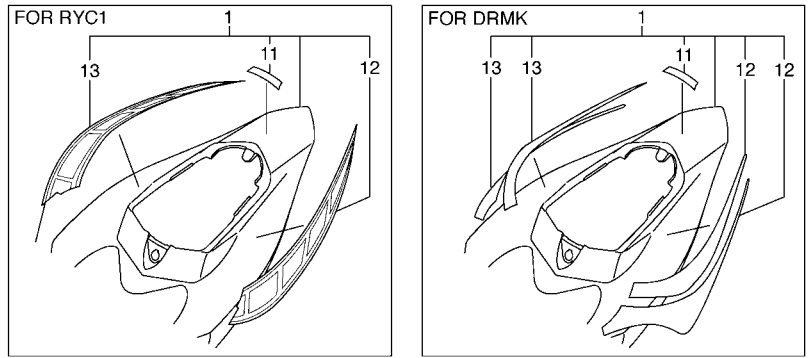
REF. NO.	PART NO.	DESCRIPTION	5VYE	5VYF	5VYR	5VYS	REMARKS
49	5VY-14757-00	.DAMPER, MUFFLER 2	1	1	1	1	
50	5VY-2838G-00	.SEAT 1	1	1	1	1	
51	90149-06298	SCREW	4	4	4	4	
52	5VY-28100-00	TOOL KIT	1	1	1	1	



5VYE300-E230

FIG. 23 SIDE COVER

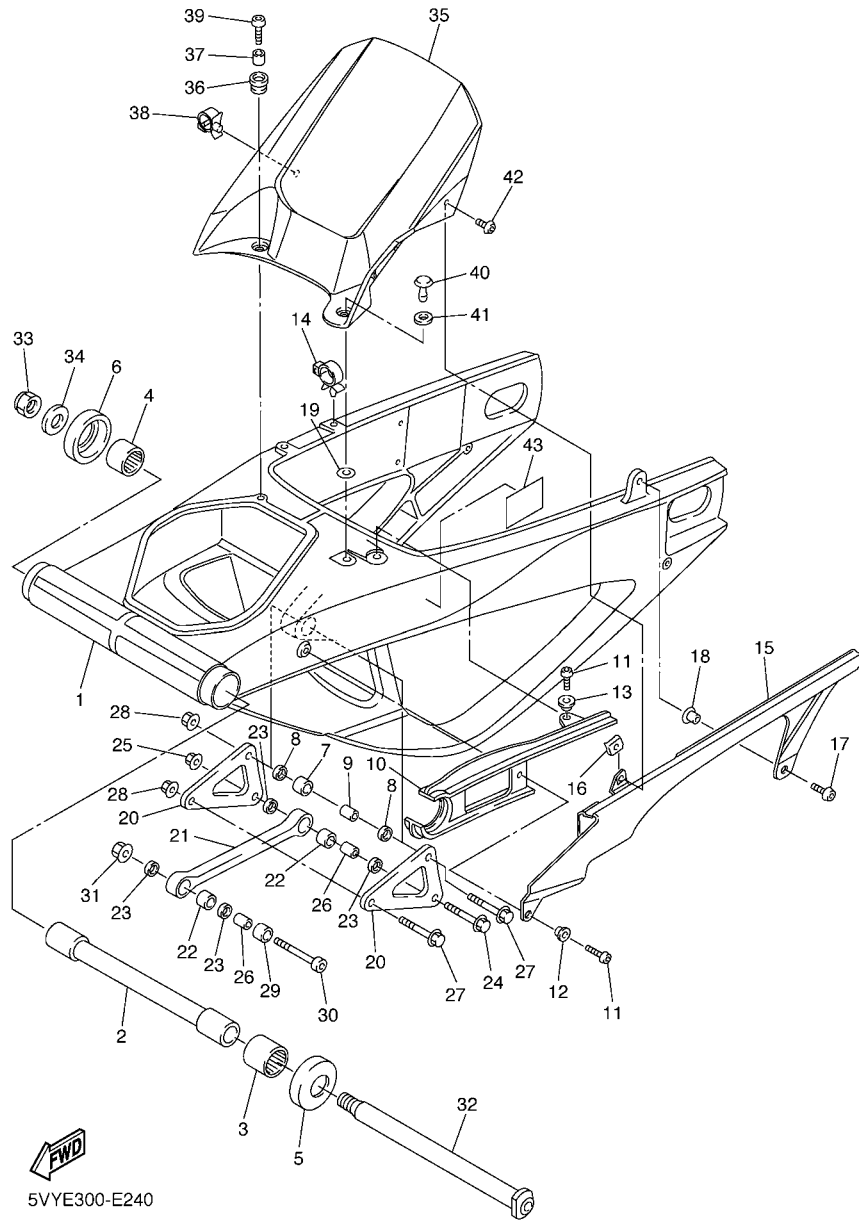
REF. NO.	PART NO.	DESCRIPTION	5VYE	5VYF	5VYR	5VYS	REMARKS
1	5VY-Y2171-71-P0	COVER, SIDE 1	1	1			UR DRMK
	5VY-21710-01-P1	SIDE COVER ASSY 1	1	1			UR DPBMC
	5VY-21710-01-P4	SIDE COVER ASSY 1	1	1			UR SMX
	5VY-Y2171-61-P5	COVER, SIDE 1			1	1	RYC1
2	5PW-2174X-00	.DAMPER	2	2	2	2	
3	5VY-2172E-00	.STAY, SIDE COVER 1	2	2	2	2	
4	90338-06018	.PLUG	2	2	2	2	
5	5VY-21747-00	.DAMPER	1	1	1	1	
6	1JK-21735-00	.SEAL 2	1	1	1	1	
7	5PW-21732-00	.SEAL 1	1	1	1	1	
8	5VY-2172P-00	.SEAT, 1	1	1	1	1	
9	5VY-2173P-00	.SEAT, 2	1	1	1	1	
10	1UJ-21717-00	.DAMPER	2	2	2	2	
11	99246-00080	.EMBLEM, YAMAHA	1	1			FOR DRMK
	99244-00080	.EMBLEM, YAMAHA			1	1	
12	5VY-2173L-11	.GRAPHIC SET 1	1	1			FOR DRMK
	5VY-2173E-00	.GRAPHIC 1			1	1	
13	5VY-2174L-11	.GRAPHIC SET 2	1	1			FOR DRMK
	5VY-2173F-00	.GRAPHIC 2			1	1	
14	90269-07076	RIVET	2	2	2	2	
15	90269-06011	RIVET	2	2	2	2	
16	90111-05007	BOLT,HEX. SOCKET BUTTON	1	1	1	1	
17	90183-05076	NUT, SPRING	1	1	1	1	
18	99241-00080	EMBLEM, YAMAHA	1	1			UR FOR DPBMC
	99247-00080	EMBLEM, YAMAHA	1	1			UR FOR SMX
19	5VY-21871-00	TANK, RECOVERY	1	1	1	1	
20	5VY-21875-00	CAP	1	1	1	1	



5VYE300-E230

FIG. 23 SIDE COVER

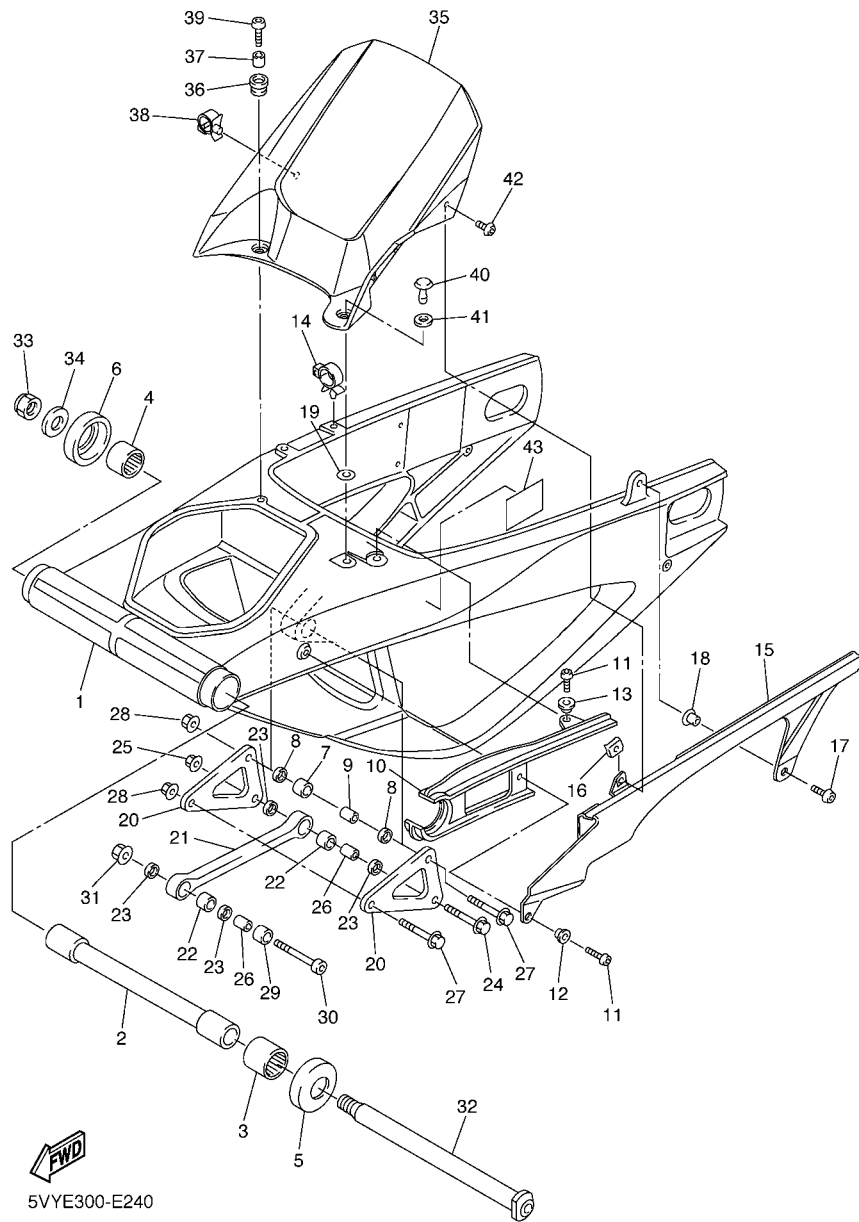
REF. NO.	PART NO.	DESCRIPTION	5VYE	5VYF	5VYR	5VYS	REMARKS
21	26H-21828-00	ELBOW	1	1	1	1	
22	90445-08022	HOSE	1	1	1	1	
23	5VY-21843-00	STAY, 4	1	1	1	1	
24	90105-06052	BOLT, FLANGE	1	1	1	1	
25	90467-08075	CLIP	2	2	2	2	
26	90445-087K6	HOSE (L700)	1	1	1	1	
27	90387-062M9	COLLAR	1	1	1	1	
28	92017-06012	BOLT, BUTTON HEAD	1	1	1	1	
29	90480-20001	GROMMET	1	1	1	1	
30	90467-08075	CLIP	1	1	1	1	



5VYE300-E240

FIG. 24 REAR ARM

REF. NO.	PART NO.	DESCRIPTION	5VYE	5VYF	5VYR	5VYS	REMARKS
1	5VY-22110-10-P0	REAR ARM COMP.	1	1	1	1	MBL2
2	5VY-22184-10	BUSH	1	1	1	1	
3	93317-52865	BEARING	1	1	1	1	
4	93317-428U8	BEARING	1	1	1	1	
5	5VY-22128-00	COVER, THRUST 1	1	1	1	1	
6	5VY-22128-10	COVER, THRUST 1	1	1	1	1	
7	93315-31758	BEARING	1	1	1	1	
8	93109-17071	OIL SEAL	2	2	2	2	
9	90387-1012A	COLLAR	1	1	1	1	
10	5VY-22151-10	SEAL, GUARD	1	1	1	1	
11	92017-06016	BOLT, BUTTON HEAD	2	2	2	2	
12	90387-062X0	COLLAR	1	1	1	1	
13	90387-06066	COLLAR	1	1	1	1	
14	90464-16011	CLAMP	1	1	1	1	
15	5VY-22311-01	CASE, CHAIN	1	1	1	1	
16	90183-05076	NUT, SPRING	1	1	1	1	
17	90149-06298	SCREW	1	1	1	1	
18	90387-07717	COLLAR	1	1	1	1	
19	5VY-22873-00	SEAL 1	1	1	1	1	
20	5VY-2217A-00	ARM, RELAY	2	2	2	2	
21	5VY-2217M-00	ARM 1	1	1	1	1	
22	93315-31758	BEARING	2	2	2	2	
23	93109-17071	OIL SEAL	4	4	4	4	
24	90105-10017	BOLT, FLANGE	1	1	1	1	
25	95607-10200	NUT, U FLANGE	1	1	1	1	
26	90387-1012A	COLLAR	2	2	2	2	
27	90105-10017	BOLT, FLANGE	2	2	2	2	

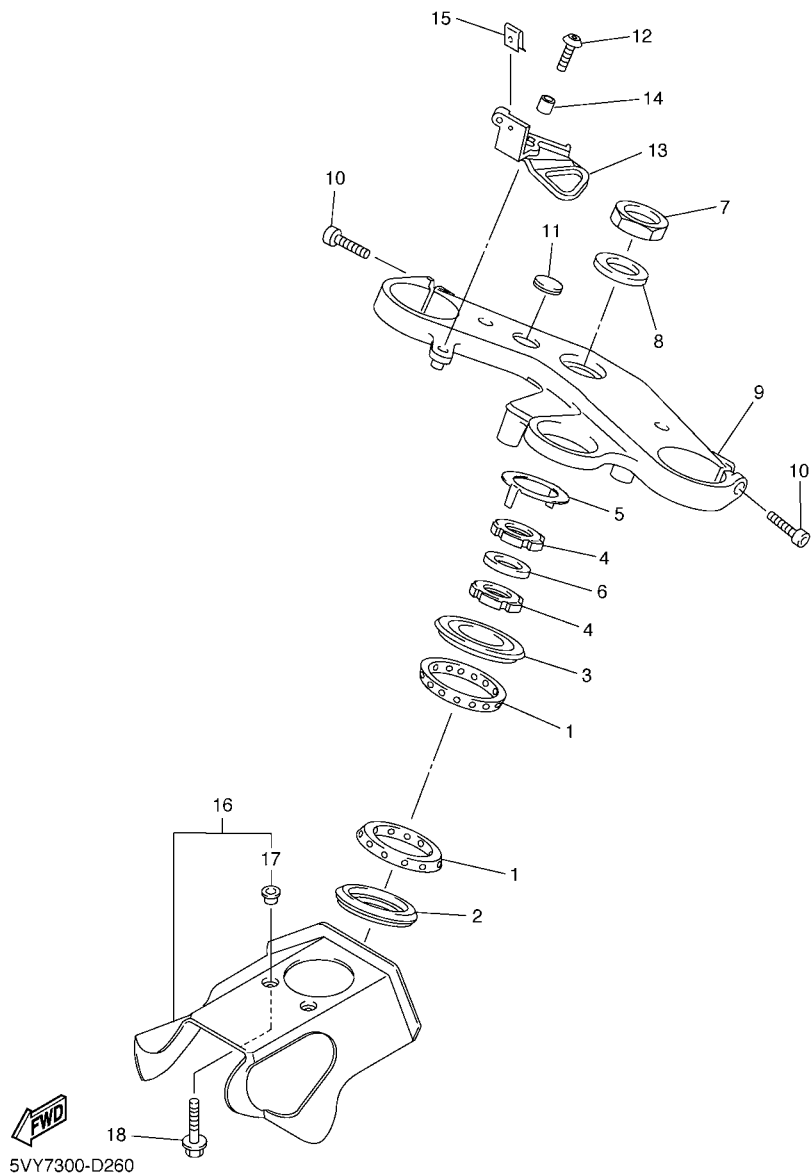


5VYE300-E240

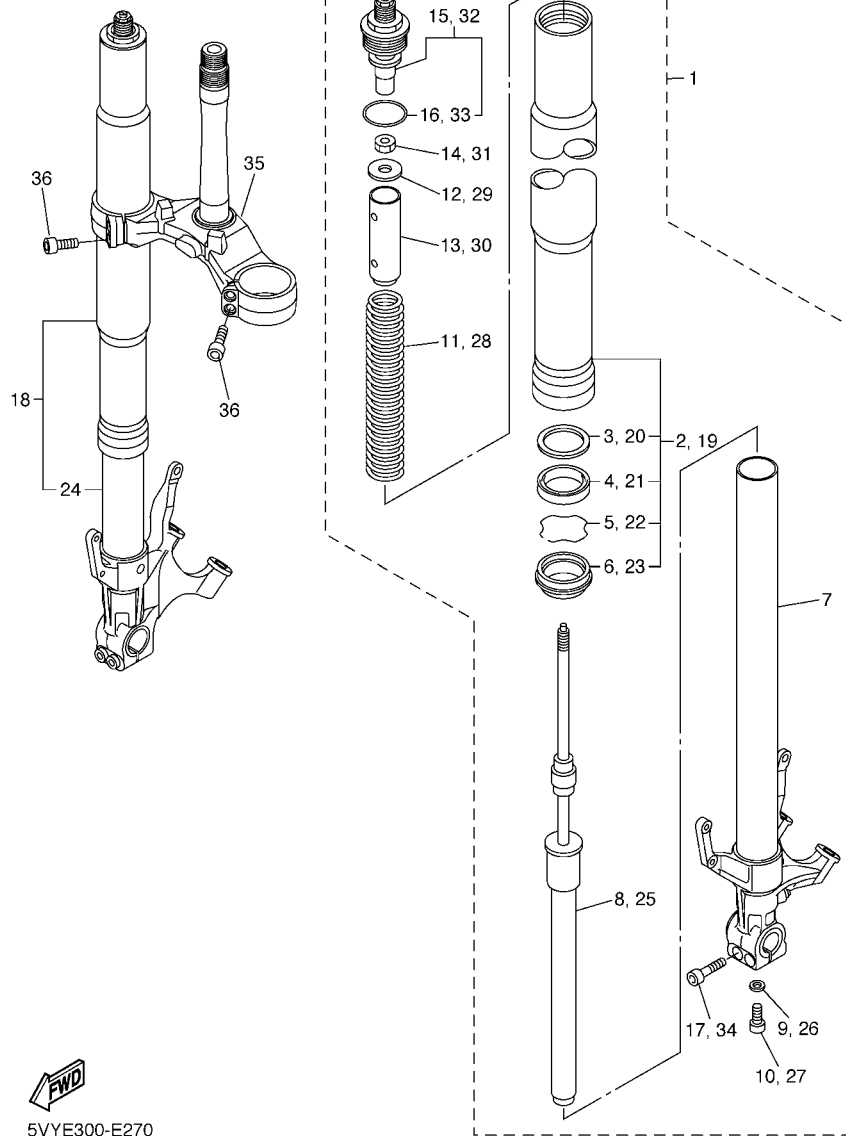
FIG. 24 REAR ARM

REF. NO.	PART NO.	DESCRIPTION	5VYE	5VYF	5VYR	5VYS	REMARKS
28	95607-10200	NUT, U FLANGE	2	2	2	2	
29	90387-1013U	COLLAR	1	1	1	1	
30	90110-10011	BOLT, HEXAGON SOCKET HEAD	1	1	1	1	
31	95607-10200	NUT, U FLANGE	1	1	1	1	
32	5VY-22141-00	SHAFT, PIVOT	1	1	1	1	
33	90185-18167	NUT, SELF-LOCKING	1	1	1	1	
34	90201-18013	WASHER, PLATE	1	1	1	1	
35	5VY-21650-00	REAR FENDER COMP.	1	1	1	1	
36	90480-12005	GROMMET	2	2	2	2	
37	90387-06057	COLLAR	2	2	2	2	
38	90464-16012	CLAMP	1	1	1	1	
39	90149-06302	SCREW	2	2	2	2	
40	90269-08002	RIVET	1	1	1	1	
41	5PW-28372-00	DAMPER	1	1	1	1	
42	90111-05003	BOLT, HEX. SOCKET BUTTON	1	1	1	1	
43	5VY-21668-00	LABEL, TIRE	1	1	1	1	

FIG. 26 STEERING



REF. NO.	PART NO.	DESCRIPTION	5VYE	5VYF	5VYR	5VYS	REMARKS
1	93399-99932	BEARING	2	2	2	2	
2	3FV-23462-00	SEAL, STEERING	1	1	1	1	
3	4XV-23415-01	COVER, BALL RACE 1	1	1	1	1	
4	90179-30691	NUT	2	2	2	2	
5	5VY-23418-00	WASHER, SPECIAL	1	1	1	1	
6	90202-30235	WASHER, PLATE	1	1	1	1	
7	90170-28419	NUT	1	1	1	1	
8	90201-281U8	WASHER, PLATE	1	1	1	1	
9	5VY-23435-01	CROWN, HANDLE	1	1	1	1	
10	91314-08030	BOLT	2	2	2	2	
11	4XV-2341B-00	EMBLEM	1	1	1	1	
12	90111-06041	BOLT,HEX. SOCKET BUTTON	1	1	1	1	
13	5VY-26292-10	STAY	1	1	1	1	
14	90387-06057	COLLAR	1	1	1	1	
15	90183-050A0	NUT, SPRING	1	1	1	1	
16	5VY-23808-00	STRG. COVER. ASSY	1	1	1	1	
17	90387-0611K	.COLLAR	2	2	2	2	
18	90109-065G4	BOLT	2	2	2	2	



5VYE300-E270

FIG. 27 FRONT FORK

REF. NO.	PART NO.	DESCRIPTION	5VYE	5VYF	5VYR	5VYS	REMARKS
1	5VY-23102-30	FRONT FORK ASSY (L.H)	1	1			UR FOR DRMK,DPBMC
	5VY-23102-50	FRONT FORK ASSY (L.H)	1	1			UR FOR SMX
	5VY-23102-30	FRONT FORK ASSY (L.H)			1	1	
2	5VY-23136-30	.TUBE, OUTER (RIGHT)	1	1			UR FOR DRMK,DPBMC
	5VY-23136-50	.TUBE, OUTER (RIGHT)	1	1			UR FOR SMX
	5VY-23136-30	.TUBE, OUTER (RIGHT)			1	1	
3	5PW-23146-00	..WASHER, OIL SEAL	1	1	1	1	
4	4PU-23145-01	..OIL SEAL	1	1	1	1	
5	4V4-23153-L0	..RING, SNAP	1	1	1	1	
6	4PU-23144-00	..SEAL, DUST	1	1	1	1	
7	5VY-23110-30	.INNER TUBE COMP.1	1	1	1	1	
8	5VY-23170-30	.CYLINDER COMP., FRONT FORK	1	1	1	1	
9	509-23158-L0	.GASKET	1	1	1	1	
10	5UX-23181-00	.BOLT, HEXAGON SOCKET HEAD	1	1	1	1	
11	5VY-23141-30	.SPRING, FRONT FORK	1	1	1	1	
12	5VY-12277-00	.WASHER	1	1	1	1	
13	5VY-23118-00	.SPACER	1	1	1	1	
14	3LC-23357-00	.NUT	1	1	1	1	
15	5VY-23111-00	.BOLT, CAP	1	1			UR FOR DRMK,DPBMC
	5VY-23111-20	.BOLT, CAP	1	1			UR FOR SMX
	5VY-23111-00	.BOLT, CAP			1	1	
16	3XJ-23147-L0	..O-RING	1	1	1	1	
17	91314-08040	.BOLT	2	2	2	2	
18	5VY-23103-30	FRONT FORK ASSY (R.H)	1	1			UR FOR DRMK,DPBMC
	5VY-23103-50	FRONT FORK ASSY (R.H)	1	1			UR FOR SMX
	5VY-23103-30	FRONT FORK ASSY (R.H)			1	1	
19	5VY-23136-30	.TUBE, OUTER (RIGHT)	1	1			UR FOR DRMK,DPBMC

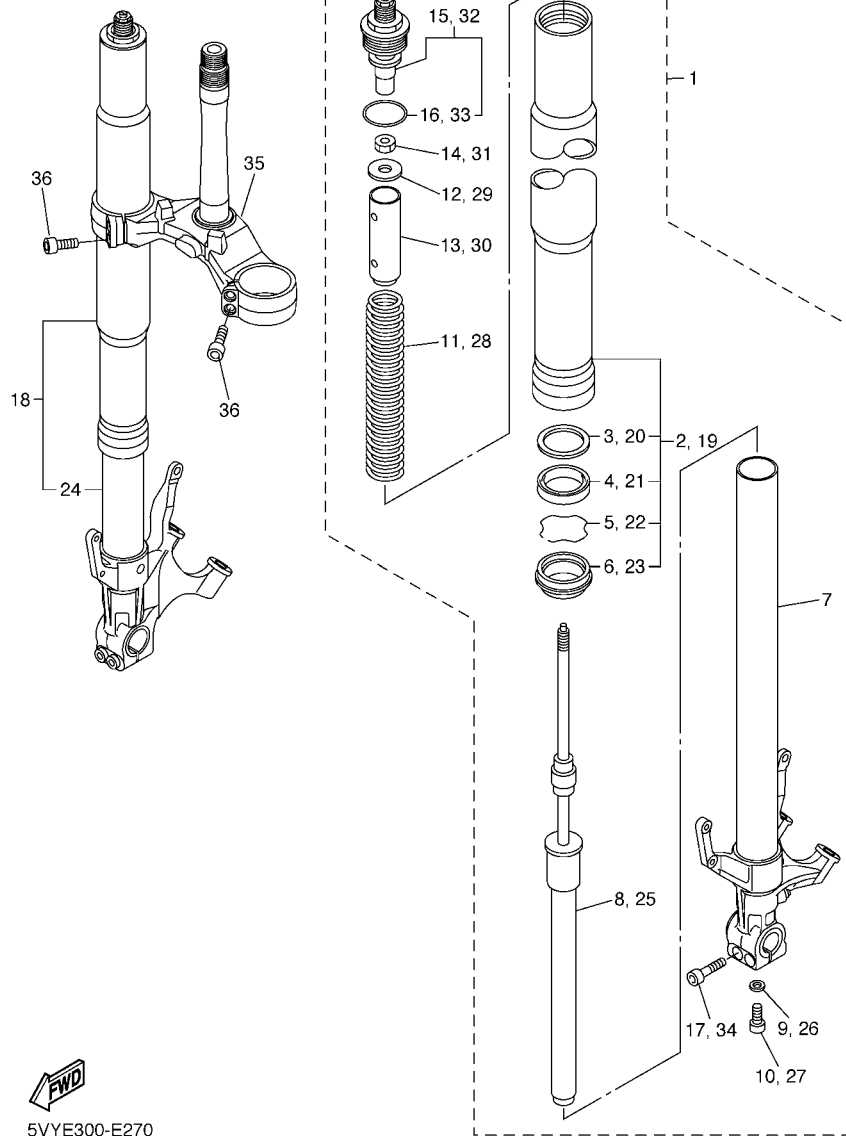


FIG. 27 FRONT FORK

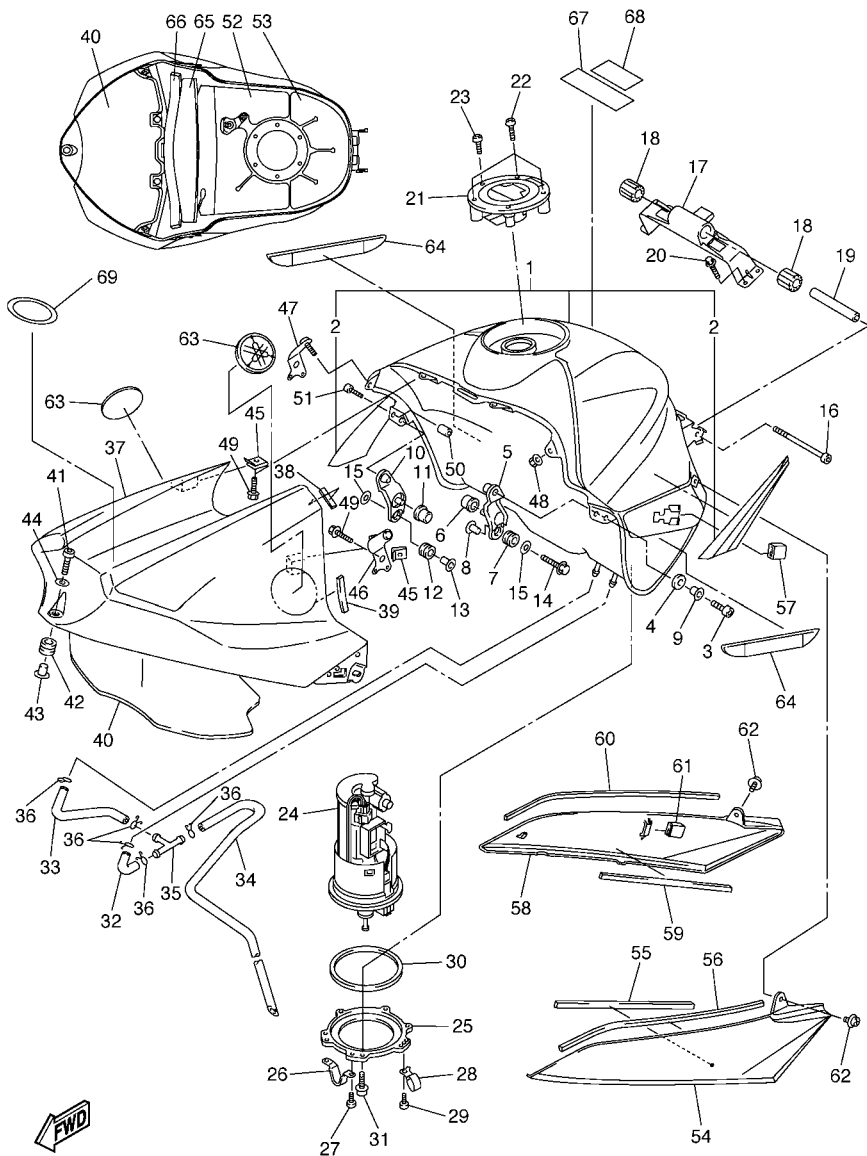
REF. NO.	PART NO.	DESCRIPTION	5VYE	5VYF	5VYR	5VYS	REMARKS
19	5VY-23136-50	.TUBE, OUTER (RIGHT)	1	1			UR FOR SMX
	5VY-23136-30	.TUBE, OUTER (RIGHT)			1	1	
20	5PW-23146-00	..WASHER, OIL SEAL	1	1	1	1	
21	4PU-23145-01	..OIL SEAL	1	1	1	1	
22	4V4-23153-L0	..RING, SNAP	1	1	1	1	
23	4PU-23144-00	..SEAL, DUST	1	1	1	1	
24	5VY-23120-30	.INNER TUBE COMP.2	1	1	1	1	
25	5VY-23170-30	.CYLINDER COMP., FRONT FORK	1	1	1	1	
26	509-23158-L0	.GASKET	1	1	1	1	
27	5UX-23181-00	.BOLT, HEXAGON SOCKET HEAD	1	1	1	1	
28	5VY-23141-30	.SPRING, FRONT FORK	1	1	1	1	
29	5VY-12277-00	.WASHER	1	1	1	1	
30	5VY-23118-00	.SPACER	1	1	1	1	
31	3LC-23357-00	.NUT	1	1	1	1	
32	5VY-23111-00	.BOLT, CAP	1	1			UR FOR DRMK,DPBMC
	5VY-23111-20	.BOLT, CAP	1	1			UR FOR SMX
	5VY-23111-00	.BOLT, CAP			1	1	
33	3XJ-23147-L0	..O-RING	1	1	1	1	
34	91314-08040	.BOLT	2	2	2	2	
35	5VY-23340-30	UNDER BRACKET COMP.	1	1	1	1	
36	91314-08030	BOLT	4	4	4	4	



5VYE300-E270

FIG. 28 FUEL TANK

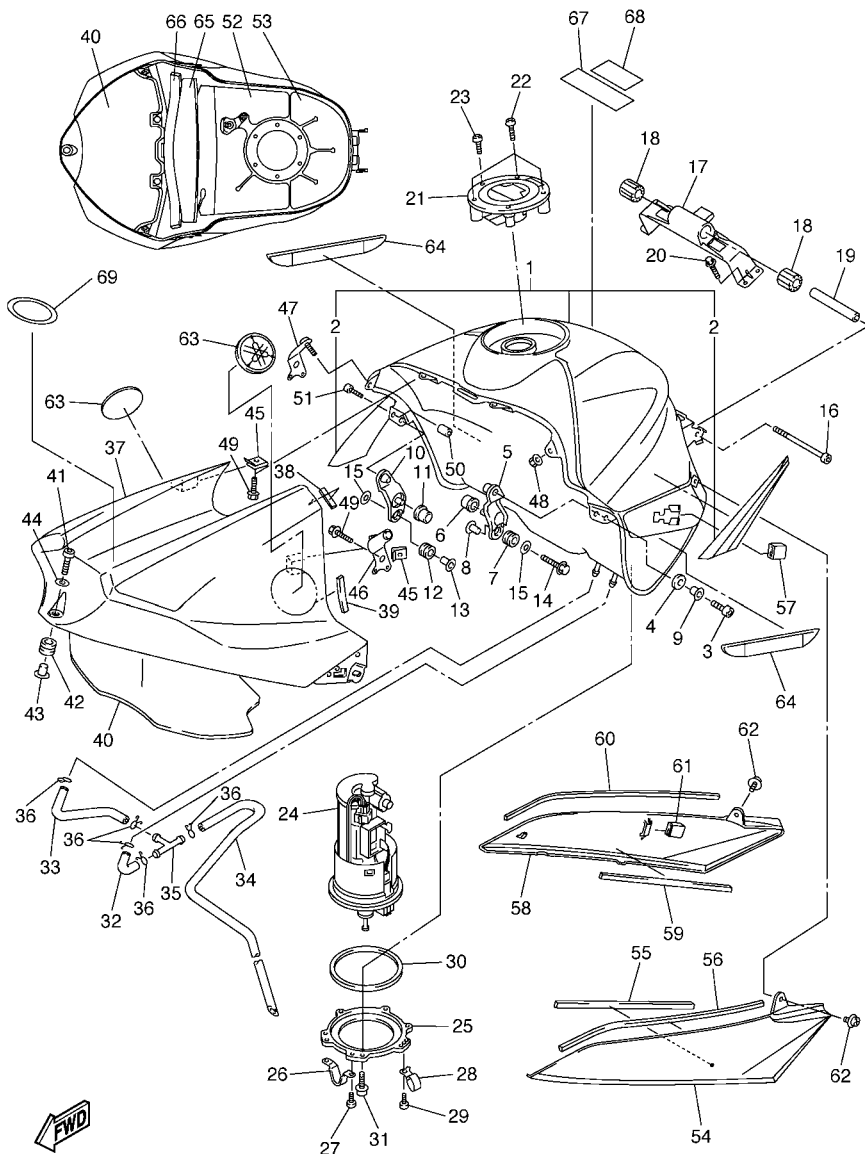
REF. NO.	PART NO.	DESCRIPTION	5VYE	5VYF	5VYR	5VYS	REMARKS
1	5VY-YK241-30-P0	FUEL TANK COMP.	1	1			UR DRMK
	5VY-Y2410-30-03	FUEL TANK COMP.	1	1			UR DPBMC
	5VY-YK241-30-P2	FUEL TANK COMP.	1	1			UR SMX
	5VY-YK241-30-P3	FUEL TANK COMP.			1	1	RYC1
2	5VY-24240-10	.GRAPHIC SET	1	1			FOR DPBMC
3	91317-06016	BOLT	2	2	2	2	
4	5VY-24183-00	DAMPER, LOCATING 3	2	2	2	2	
5	5VY-24191-00	BRACKET, FUEL TANK 1	1	1	1	1	
6	5VY-24181-00	DAMPER, LOCATING 1	1	1	1	1	
7	90480-10542	GROMMET	1	1	1	1	
8	90387-066Y6	COLLAR	1	1	1	1	
9	90387-061U9	COLLAR	2	2	2	2	
10	5VY-24192-00	BRACKET, FUEL TANK 2	1	1	1	1	
11	5VY-24181-00	DAMPER, LOCATING 1	1	1	1	1	
12	90480-10542	GROMMET	1	1	1	1	
13	90387-066Y6	COLLAR	1	1	1	1	
14	95027-06030	BOLT, FLANGE	2	2	2	2	
15	90201-06063	WASHER, PLATE	2	2	2	2	
16	91317-06090	BOLT	1	1	1	1	
17	5VY-2413Y-00	BRACKET, TANK FITTING	1	1	1	1	
18	5SL-24183-00	DAMPNER, LOCATING 3	2	2	2	2	
19	90387-06055	COLLAR	1	1	1	1	
20	95027-06020	BOLT, FLANGE	4	4	4	4	
21	5JJ-24602-00	CAP ASSY	1	1	1	1	
22	90110-05112	BOLT, HEXAGON SOCKET HEAD	3	3	3	3	
23	91317-05010	BOLT	1	1	1	1	
24	5PW-13907-01	FUEL PUMP COMP.	1	1	1	1	



5VYE300-E280

FIG. 28 FUEL TANK

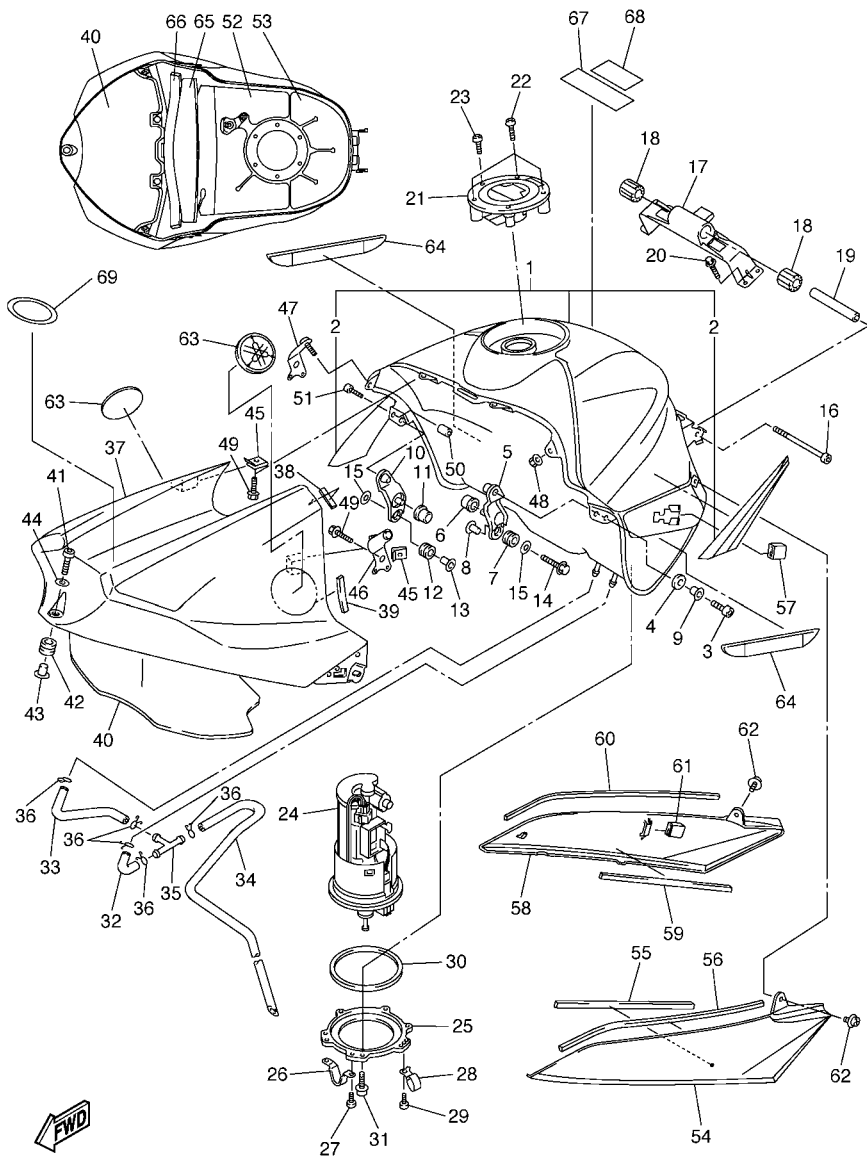
REF. NO.	PART NO.	DESCRIPTION	5VYE	5VYF	5VYR	5VYS	REMARKS
25	5VY-24491-00	BRACKET, FUEL PUMP	1	1	1	1	
26	5PW-24192-00	BRACKET, FUEL TANK 2	1	1	1	1	
27	98907-05008	SCREW, BIND	2	2	2	2	
28	90461-10010	CLAMP	1	1	1	1	
29	90154-05012	SCREW, BINDING	1	1	1	1	
30	5JW-24486-00	O-RING	1	1	1	1	
31	90110-05014	BOLT, HEXAGON SOCKET HEAD	6	6	6	6	
32	5VY-24315-00	PIPE 5	1	1	1	1	
33	5VY-24316-00	PIPE 6	1	1	1	1	
34	5VY-24317-00	PIPE 7	1	1	1	1	
35	90413-07007	WAY 3	1	1	1	1	
36	90467-09006	CLIP	5	5	5	5	
37	5VY-2171A-01-P0	COVER, TOP	1	1			UR DRMK
	5VY-2171A-01-P1	COVER, TOP	1	1			UR DPBMC
	5VY-2171A-01-P4	COVER, TOP	1	1			UR MBL2 FOR SMX
	5VY-2171A-01-P5	COVER, TOP			1	1	RYC1
38	5VY-2414J-00	DAMPER, PLATE 2	2	2	2	2	
39	4XV-2834E-00	DAMPER 1	2	2	2	2	
40	5VY-24145-00	DAMPER, SIDE COVER	1	1	1	1	
41	91314-06025	BOLT	1	1	1	1	
42	90480-12314	GROMMET	1	1	1	1	
43	90387-065J6	COLLAR	1	1	1	1	
44	90201-06M30	WASHER, PLATE	1	1	1	1	
45	90183-05074	NUT, SPRING	4	4	4	4	
46	5VY-24117-00	STAY, FUEL TANK 3	1	1	1	1	
47	5VY-24118-00	STAY, FUEL TANK 4	1	1	1	1	
48	95707-05500	NUT, FLANGE	2	2	2	2	



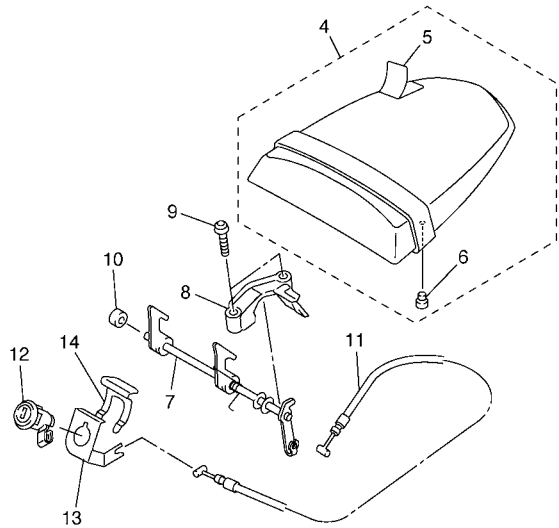
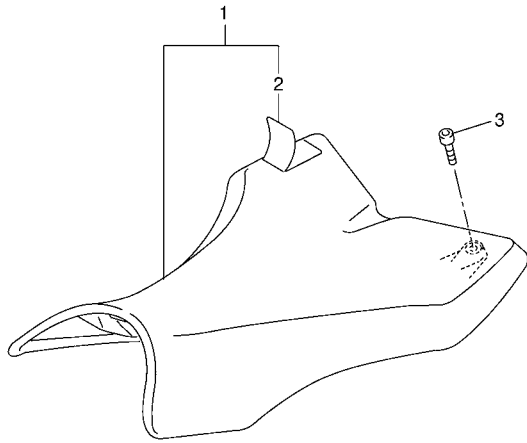
FWD
5VYE300-E280

FIG. 28 FUEL TANK

REF. NO.	PART NO.	DESCRIPTION	5VYE	5VYF	5VYR	5VYS	REMARKS
49	90105-05002	BOLT, FLANGE	4	4	4	4	
50	90179-05523	NUT	2	2	2	2	
51	98907-05014	SCREW, BIND	2	2	2	2	
52	5VY-2414N-00	DAMPER, PLATE 4	1	1	1	1	
53	5VY-2414P-00	DAMPER, PLATE 5	1	1	1	1	
54	5VY-24129-01	COVER, SIDE 1	1	1	1	1	
55	5PW-2414J-00	DAMPER, PLATE 2	1	1	1	1	
56	5PW-2414H-00	DAMPER, PLATE 1	1	1	1	1	
57	5PW-2411J-01	DAMPER, SIDE COVER	1	1	1	1	
58	5VY-24139-01	COVER, SIDE 2	1	1	1	1	
59	5PW-2414J-00	DAMPER, PLATE 2	1	1	1	1	
60	5PW-2414H-00	DAMPER, PLATE 1	1	1	1	1	
61	5PW-2411J-01	DAMPER, SIDE COVER	1	1	1	1	
62	90159-05015	SCREW, WITH WASHER	2	2	2	2	
63	5PW-2413B-00	EMBLEM	2	2	2	2	
64	5VY-2414K-00	DAMPER, PLATE 3	2	2	2	2	
65	5VY-2414R-00	DAMPER, PLATE 6	1	1	1	1	
66	5VY-2414H-00	DAMPER, PLATE 1	1	1	1	1	
67	5PA-21568-00	LABEL, WARNING	1	1	1	1	
68	5PW-2415E-01	LABEL, CAUTION	1	1	1	1	
69	5XC-2164B-00	EMBLEM,3D			1	1	



5VYE300-E280



5VY1300-C290

FIG. 29 SEAT

REF. NO.	PART NO.	DESCRIPTION	5VYE	5VYF	5VYR	5VYS	REMARKS
1	5VY-24710-00	SINGLE SEAT ASSY	1	1	1	1	
2	5VY-2470F-00	.SEAT COVER COMP.	1	1	1	1	
3	90110-06258	BOLT, HEXAGON SOCKET HEAD	2	2	2	2	
4	5VY-24750-00	TANDEM SEAT ASSY	1	1	1	1	
5	5VY-24751-00	.COVER, TANDEM SEAT	1	1	1	1	
6	5SL-24723-00	.DAMPER, SEAT	2	2	2	2	
7	5VY-24780-00	SEAT LOCK ASSY	1	1	1	1	
8	5VY-24792-00	PLATE	1	1	1	1	
9	92017-06025	BOLT, BUTTON HEAD	2	2	2	2	
10	5VY-24729-00	SPACER 2	1	1	1	1	
11	5VY-2478E-00	CABLE, SEAT LOCK	1	1	1	1	
12	5VY-W2470-00	SEAT LOCK ASSY	1	1	1	1	
13	5VY-2117K-01	STAY, LOCK	1	1	1	1	
14	5VY-2176V-00	SPRING, LOCK 2	1	1	1	1	

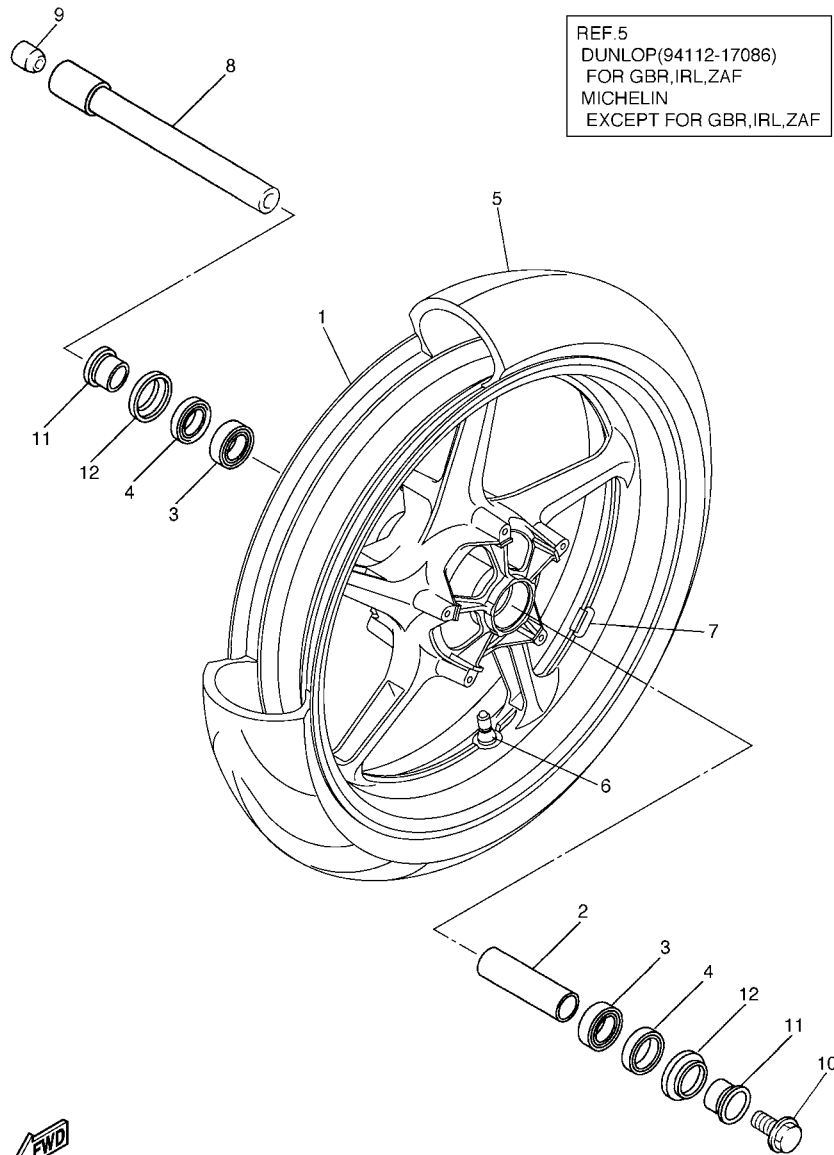


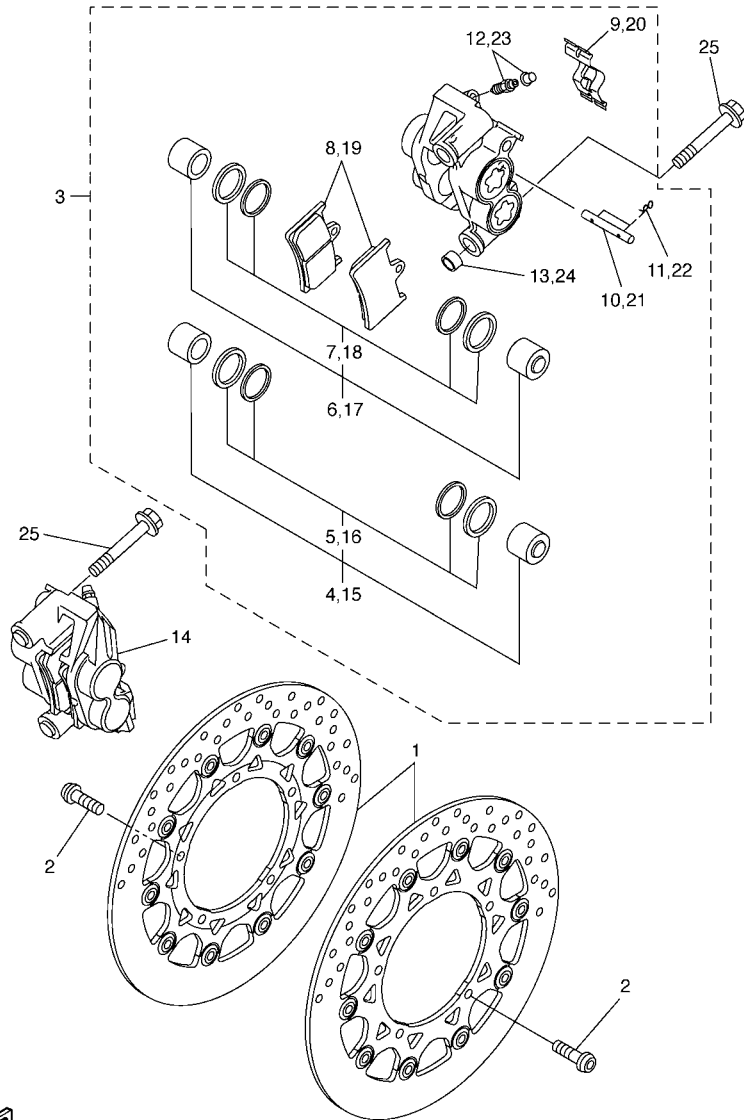
FIG. 30 FRONT WHEEL

REF. NO.	PART NO.	DESCRIPTION	5VYE	5VYF	5VYR	5VYS	REMARKS
1	5VY-25168-00-P1	CAST WHEEL, FRONT	1	1			NMD FOR DRMK
	5VY-25168-00-98	CAST WHEEL, FRONT	1	1			LGB FOR DPBMC
	5VY-25168-00-0X	CAST WHEEL, FRONT	1	1			LGB/HTR FOR SMX
	5VY-25168-00-1X	CAST WHEEL, FRONT			1	1	LGB/LRYS1
2	4XV-25117-00	SPACER, BEARING	1	1	1	1	
3	93306-00420	BEARING	2	2	2	2	
4	93106-28043	OIL SEAL	2	2	2	2	
5	94112-17086	TIRE(120/70 ZR17M/C 58W D218F)	1				UR DUNLOP
	*	TIRE(120/70 ZR17M/C 58W PILOT)	1	1	1	1	UR LM MICHELIN
6	93900-00030	VALVE, RIM (TR412)	1	1	1	1	TAIHEIYO
7	5MT-25398-00	BALANCER, WHEEL (10G)	1	1	1	1	UN
	5MT-25398-10	BALANCER, WHEEL (20G)	1	1	1	1	UN
	5MT-25398-20	BALANCER, WHEEL (30G)	1	1	1	1	UN
8	5PW-25181-00	AXLE, WHEEL	1	1	1	1	
9	5PW-25188-00	CAP	1	1	1	1	
10	90105-14002	BOLT, FLANGE	1	1	1	1	
11	4XV-25186-00	COLLAR, WHEEL	2	2	2	2	
12	4XV-25118-00	COVER, HUB DUST	2	2	2	2	



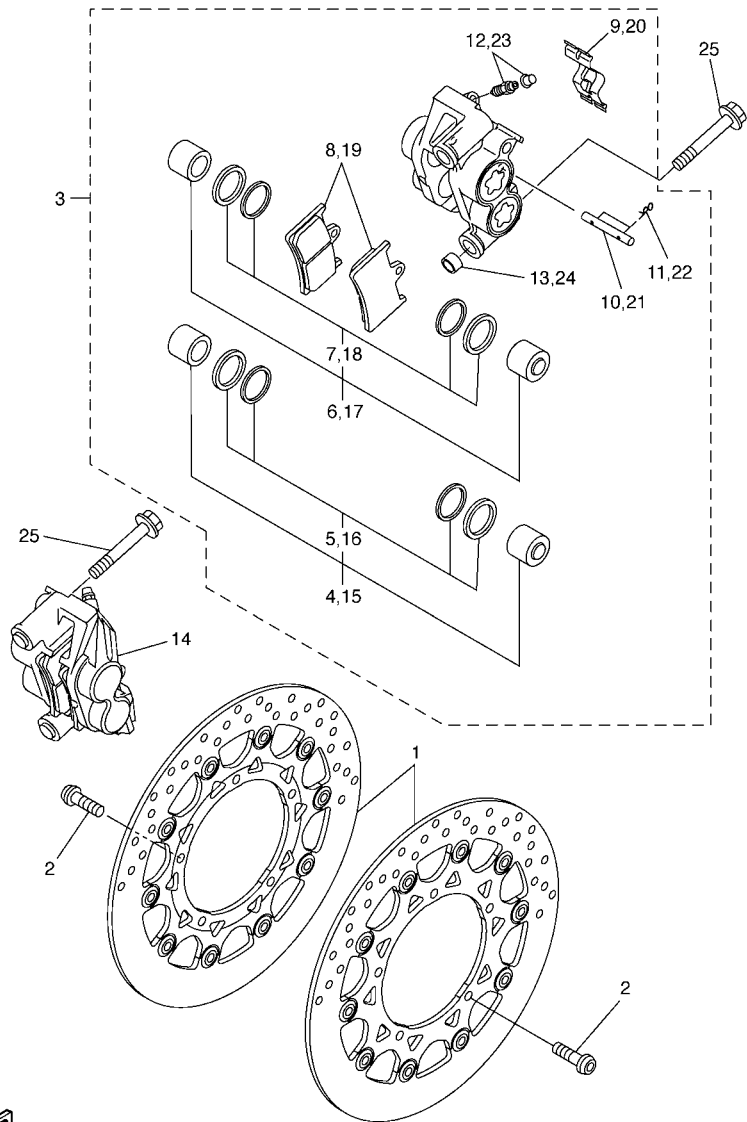
5VYE300-E300

FIG. 31 FRONT BRAKE CALIPER



5VY1300-C310

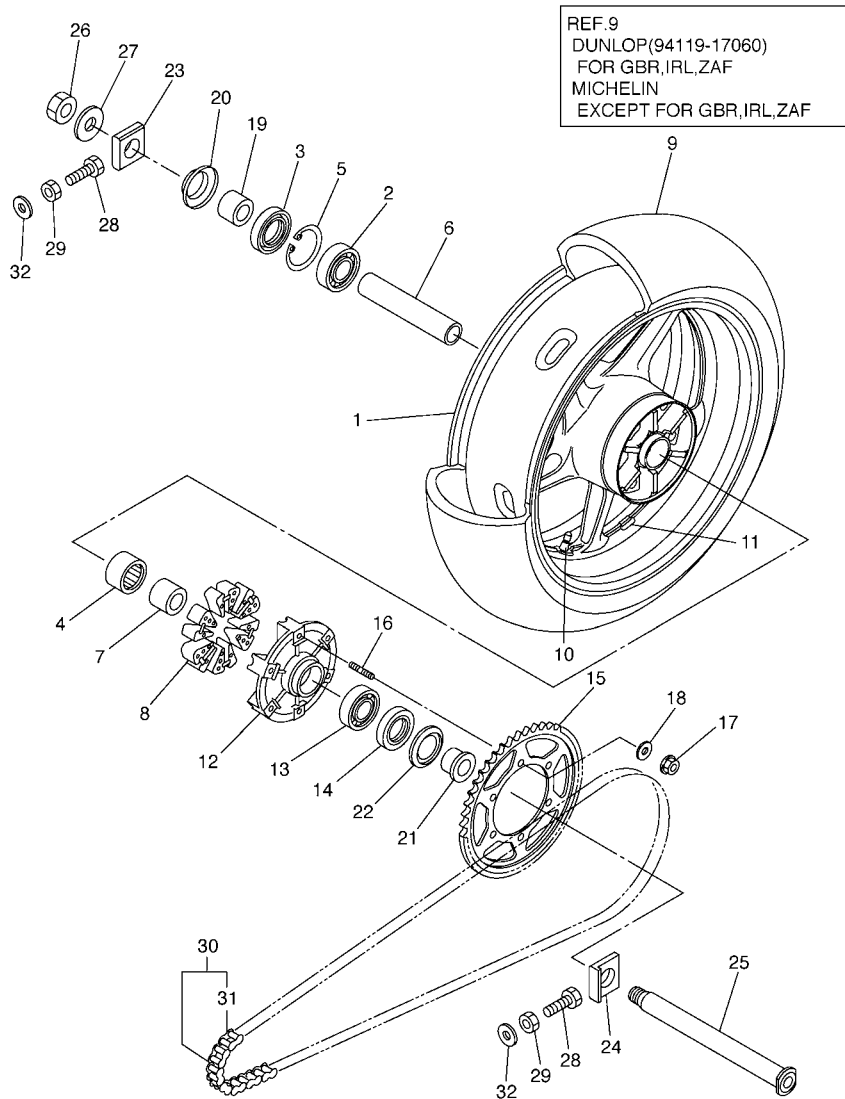
REF. NO.	PART NO.	DESCRIPTION	5VYE	5VYF	5VYR	5VYS	REMARKS
1	5VY-2581T-00	DISK BRAKE ASSY	2	2			UR FOR DRMK,DPBMC
	5VY-2581T-20	DISK BRAKE ASSY	2	2			UR FOR SMX
	5VY-2581T-00	DISK BRAKE ASSY			2	2	
2	90149-06043	SCREW	10	10	10	10	
3	5VY-2580T-00	CALIPER ASSY (LEFT)	1	1			UR FOR DRMK,DPBMC
	5VY-2580T-10	CALIPER ASSY (LEFT)	1	1			UR FOR SMX
	5VY-2580T-00	CALIPER ASSY (LEFT)			1	1	
4	5PW-W0057-00	.PISTON ASSY, CALIPER	1	1	1	1	
5	5PW-W0047-00	..CALIPER SEAL KIT	1	1	1	1	
6	5PW-W0057-10	.PISTON ASSY, CALIPER	1	1	1	1	
	5PW-W0047-10	..CALIPER SEAL KIT	1	1	1	1	
8	5VY-W0045-00	.BRAKE PAD KIT	1	1	1	1	
9	4SV-25919-00	.SUPPORT, PAD	1	1	1	1	
10	4SV-25924-00	.PIN, PAD	1	1	1	1	
11	3GM-25925-00	.CLIP	2	2	2	2	
12	1J3-W0048-00	.BLEED SCREW KIT	1	1	1	1	
13	5VY-2583B-00	.PIN, KNOCK	2	2	2	2	
14	5VY-2580U-00	CALIPER ASSY (RIGHT)	1	1			UR FOR DRMK,DPBMC
	5VY-2580U-10	CALIPER ASSY (RIGHT)	1	1			UR FOR SMX
	5VY-2580U-00	CALIPER ASSY (RIGHT)			1	1	
	5PW-W0057-00	.PISTON ASSY, CALIPER	1	1	1	1	
16	5PW-W0047-00	..CALIPER SEAL KIT	1	1	1	1	
17	5PW-W0057-10	.PISTON ASSY, CALIPER	1	1	1	1	
18	5PW-W0047-10	..CALIPER SEAL KIT	1	1	1	1	
19	5VY-W0045-00	.BRAKE PAD KIT	1	1	1	1	
	4SV-25919-00	.SUPPORT, PAD	1	1	1	1	
	4SV-25924-00	.PIN, PAD	1	1	1	1	



5VY1300-C310

FIG. 31 FRONT BRAKE CALIPER

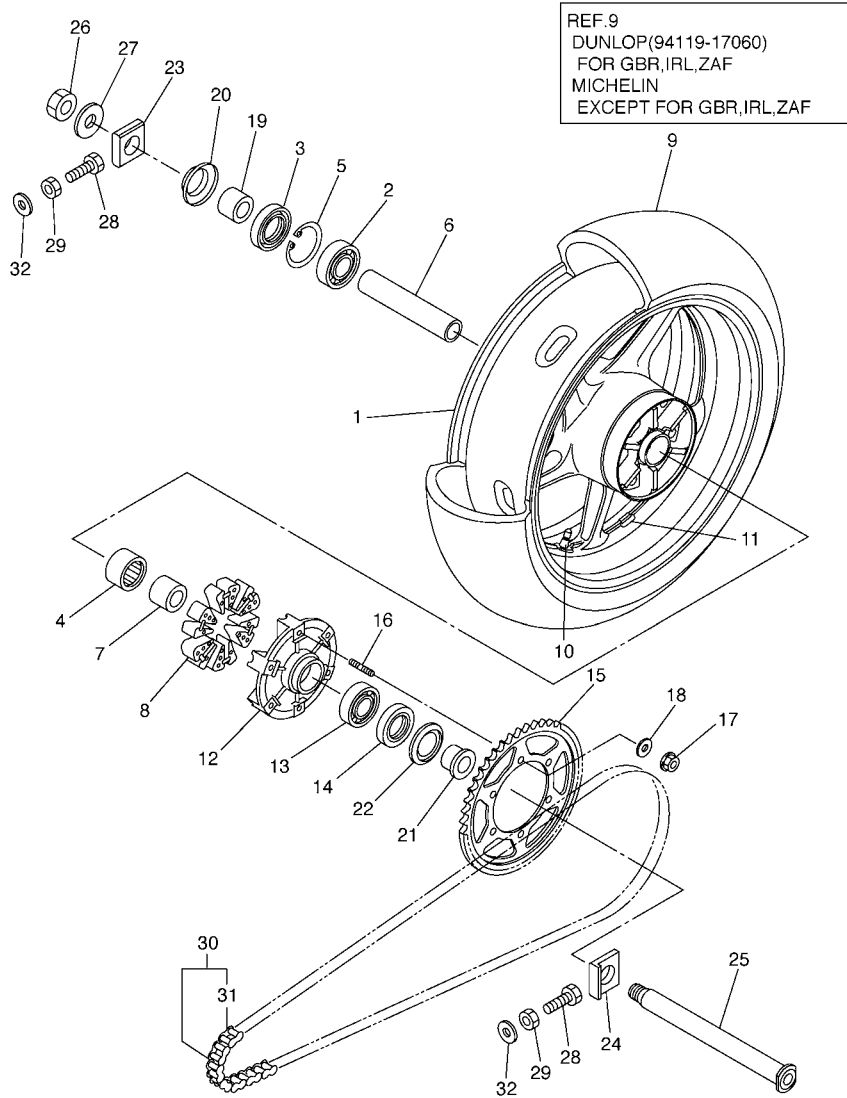
REF. NO.	PART NO.	DESCRIPTION	5VYE	5VYF	5VYR	5VYS	REMARKS
22	3GM-25925-00	.CLIP	2	2	2	2	
23	1J3-W0048-00	.BLEED SCREW KIT	1	1	1	1	
24	5VY-2583B-00	.PIN, KNOCK	2	2	2	2	
25	90401-10012	BOLT, UNION	4	4	4	4	



5VYE300-E320

FIG. 32 REAR WHEEL

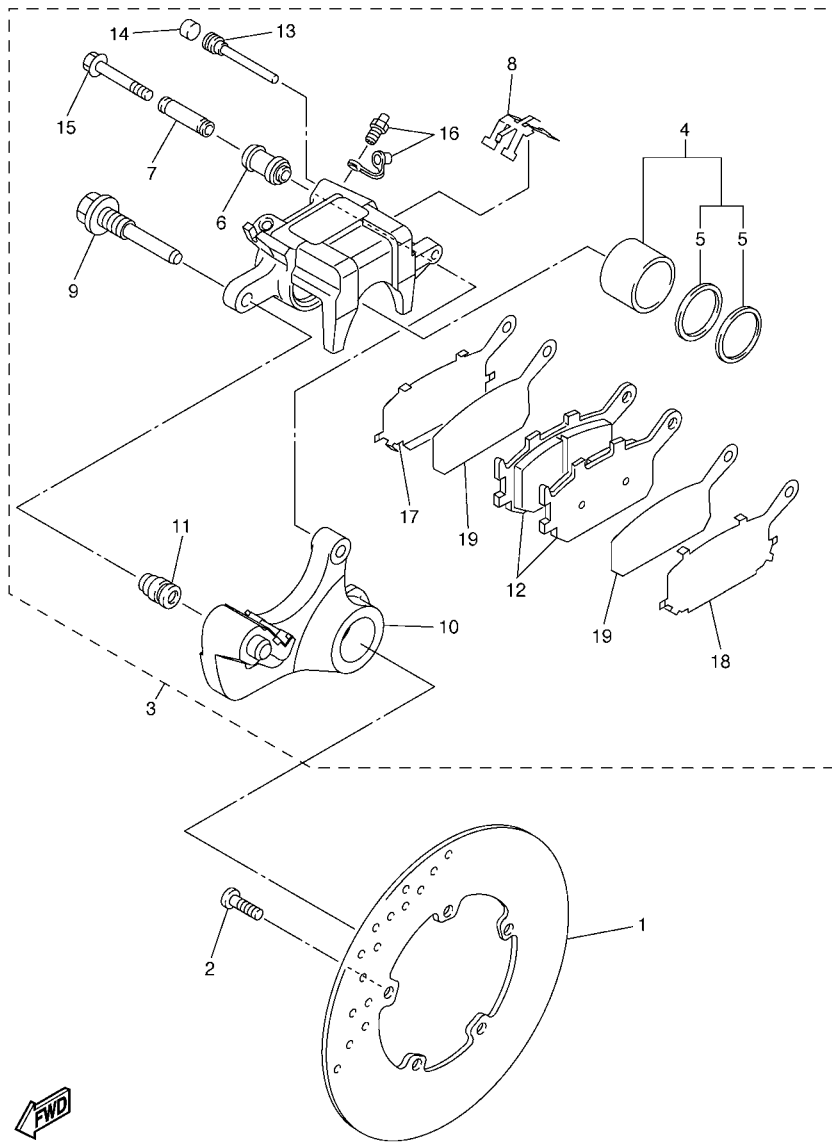
REF. NO.	PART NO.	DESCRIPTION	5VYE	5VYF	5VYR	5VYS	REMARKS
1	5VY-25338-00-P1	CAST WHEEL, REAR	1	1			NMD FOR DRMK
	5VY-25338-00-98	CAST WHEEL, REAR	1	1			LGB FOR DPBMC
	5VY-25338-00-0X	CAST WHEEL, REAR	1	1			LGB/HTR FOR SMX
	5VY-25338-00-1X	CAST WHEEL, REAR			1	1	LGB/LRYS1
2	93306-20531	BEARING	1	1	1	1	
3	93106-40013	OIL SEAL	1	1	1	1	
4	93317-43580	BEARING	1	1	1	1	
5	93420-61M07	CIRCLIP	1	1	1	1	
6	5PW-25317-00	SPACER, BEARING	1	1	1	1	
7	4XV-25383-00	COLLAR, WHEEL	1	1	1	1	
8	5VX-25364-00	DAMPER	6	6	6	6	
9	94119-17060	TIRE (190/50 ZR17M/C 73W D218)	1				UR DUNLOP
	*	TIRE(190/50 ZR17M/C 73W PILOT)	1	1	1	1	UR LM MICHELIN
10	93900-00030	VALVE, RIM (TR412)	1	1	1	1	TAIHEIYO
11	5MT-25398-00	BALANCER, WHEEL (10G)	1	1	1	1	UN
	5MT-25398-10	BALANCER, WHEEL (20G)	1	1	1	1	UN
	5MT-25398-20	BALANCER, WHEEL (30G)	1	1	1	1	UN
12	5SL-25366-00	CLUTCH, HUB	1	1	1	1	
13	93306-20531	BEARING	1	1	1	1	
14	93106-40013	OIL SEAL	1	1	1	1	
15	5VY-25445-20	SPROCKET, DRIVEN (45T)	1	1	1	1	
16	90116-10485	BOLT, STUD	6	6	6	6	
17	90185-10009	NUT, SELF-LOCKING	6	6	6	6	
18	90201-10021	WASHER, PLATE	6	6	6	6	
19	5PW-25377-00	COLLAR, WHEEL	1	1	1	1	
20	5PW-25367-00	COVER, HUB DUST	1	1	1	1	
21	5SL-25376-00	COLLAR, WHEEL	1	1	1	1	



5VYE300-E320

FIG. 32 REAR WHEEL

REF. NO.	PART NO.	DESCRIPTION	5VYE	5VYF	5VYR	5VYS	REMARKS
22	5SL-25367-00	COVER, HUB DUST	1	1	1	1	
23	5VY-25388-00	PULLER, CHAIN 1	1	1	1	1	
24	5VY-25389-00	PULLER, CHAIN 2	1	1	1	1	
25	5SL-25381-00	AXLE, WHEEL	1	1	1	1	
26	90185-24165	NUT, SELF-LOCKING	1	1	1	1	
27	90201-257R5	WASHER, PLATE	1	1	1	1	
28	90101-08015	BOLT	2	2	2	2	
29	95307-08600	NUT	2	2	2	2	
30	94582-10118	CHAIN (DID50VA8-118LL)	1	1	1	1	
31	94682-05031	.JOINT, CHAIN (DID 50VA8-ZJ)	1	1	1	1	
32	90201-086P8	WASHER, PLATE	2	2	2	2	

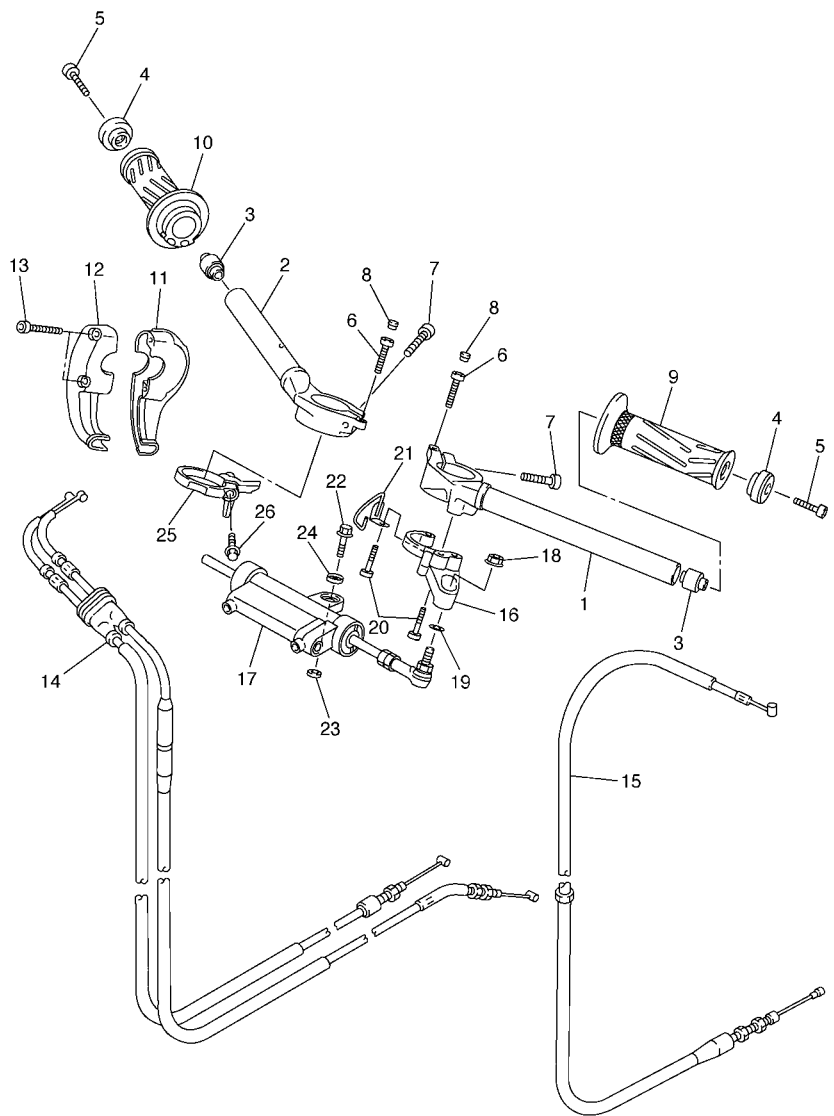


5VY1300-C330

FIG. 33 REAR BRAKE CALIPER

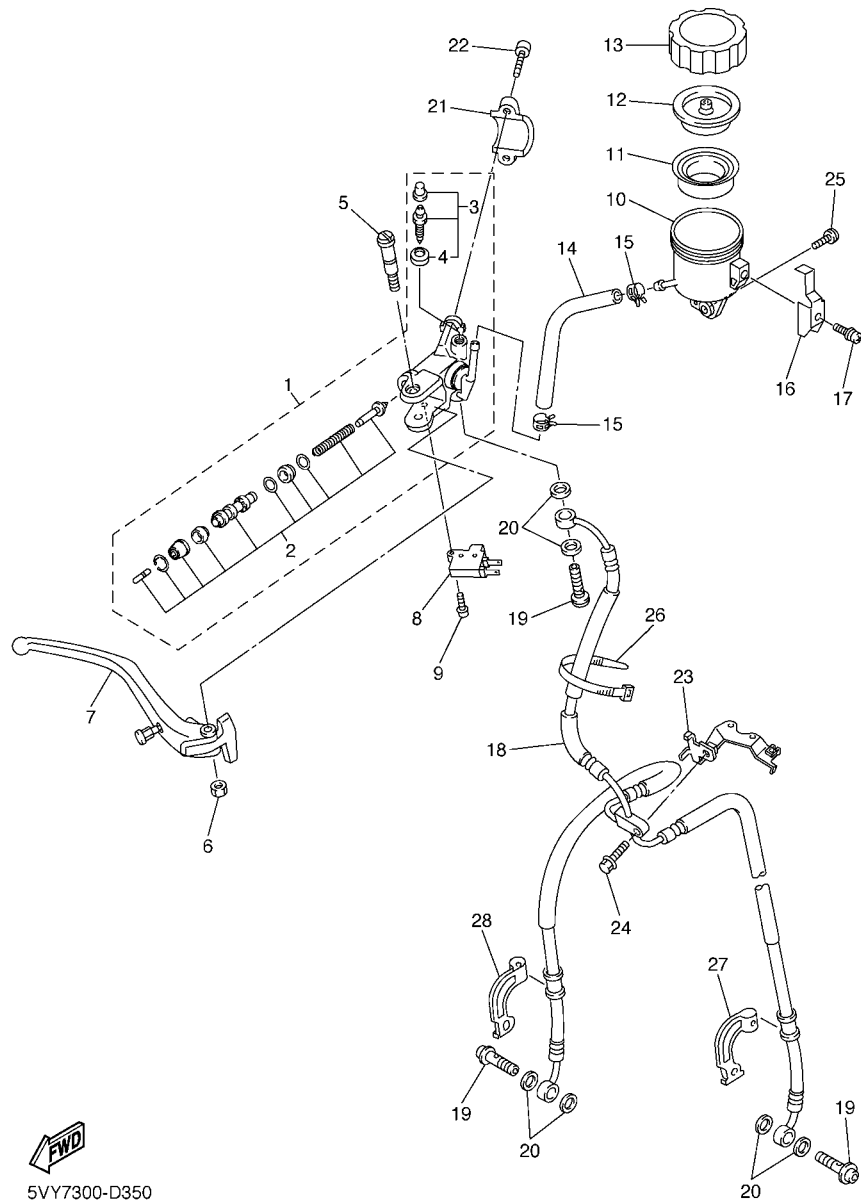
REF. NO.	PART NO.	DESCRIPTION	5VYE	5VYF	5VYR	5VYS	REMARKS
1	5SL-2582W-00	DISK, REAR BRAKE 2	1	1	1	1	
2	90149-08009	SCREW	5	5	5	5	
3	5VY-2580W-10	CALIPER ASSY, REAR 2	1	1	1	1	
4	5VY-W0057-00	.PISTON ASSY, CALIPER	1	1	1	1	
5	5SL-W0047-00	..CALIPER SEAL KIT	1	1	1	1	
6	5SL-25917-00	.BOOT, CALIPER	1	1	1	1	
7	5SL-25838-00	.SLEEVE, CALIPER	1	1	1	1	
8	5SL-25919-00	.SUPPORT, PAD	1	1	1	1	
9	5SL-25914-00	.PIN, SLIDE	1	1	1	1	
10	5VY-25921-00	.BRACKET, SUPPORT	1	1	1	1	
11	3JD-25917-00	.BOOT, CALIPER	1	1	1	1	
12	5VX-W0046-00	.BRAKE PAD KIT 2	1	1	1	1	
13	8CR-25924-00	.PIN, PAD	1	1	1	1	
14	5DH-25916-00	.PLUG	1	1	1	1	
15	5SL-25926-00	.BOLT	1	1	1	1	
16	1UY-W0048-00	.BLEED SCREW KIT	1	1	1	1	
17	5SL-25827-00	.SHIM, CALIPER	1	1	1	1	
18	5SL-25827-10	.SHIM, CALIPER	1	1	1	1	
19	5SL-25828-00	.SHIM, CALIPER	2	2	2	2	

FIG. 34 STEERING HANDLE & CABLE



5VY7300-D340

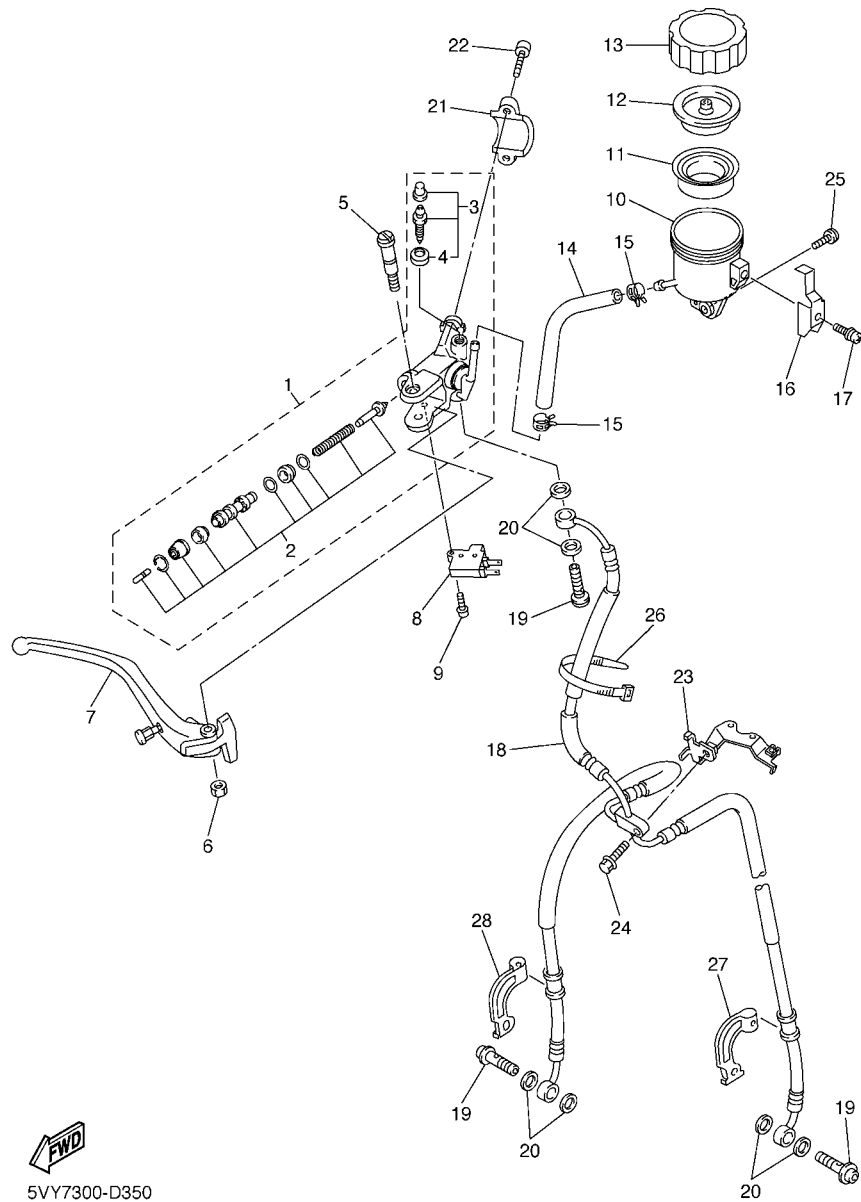
REF. NO.	PART NO.	DESCRIPTION	5VYE	5VYF	5VYR	5VYS	REMARKS
1	5VY-26121-00	HANDLEBAR (LEFT)	1	1	1	1	
2	5VY-26122-00	HANDLEBAR (RIGHT)	1	1	1	1	
3	4XV-23434-00	HOLDER, DAMPER	2	2	2	2	
4	5PW-26246-00	END, GRIP	2	2	2	2	
5	91317-06025	BOLT	2	2	2	2	
6	91317-06025	BOLT	2	2	2	2	
7	91314-08030	BOLT	2	2	2	2	
8	2H9-23469-00	CAP, BOLT	2	2	2	2	
9	4YR-26241-02	GRIP (LEFT)	1	1	1	1	
10	4YR-26240-02	GRIP ASSY	1	1	1	1	
11	5VY-26281-00	CAP, GRIP UPPER	1	1	1	1	
12	3XW-26282-01	CAP, GRIP LOWER	1	1	1	1	
13	90110-05018	BOLT, HEXAGON SOCKET HEAD	2	2	2	2	
14	5VY-26302-01	THROTTLE CABLE ASSY	1	1	1	1	
15	5VY-26335-01	CABLE, CLUTCH	1	1	1	1	
16	5VY-23495-00	STAY, DAMPER	1	1	1	1	
17	5VY-23490-00	HANDLEBAR SHIMMY DAMPER ASSY	1	1	1	1	
18	95607-08200	NUT, SELF-LOCKING	1	1	1	1	
19	90201-08M09	WASHER, PLATE	1	1	1	1	
20	90110-06181	BOLT, HEXAGON SOCKET HEAD	3	3	3	3	
21	5VY-23389-00	GUIDE, CABLE	1	1	1	1	
22	95807-08030	BOLT, FLANGE	1	1	1	1	
23	90201-08676	WASHER, PLATE	1	1	1	1	
24	5VY-26398-00	WASHER	1	1	1	1	
25	5VY-2631E-10	WIRE GUIDE ASSY.,1	1	1	1	1	
26	90110-05014	BOLT, HEXAGON SOCKET HEAD	1	1	1	1	



5VY7300-D350

FIG. 35 FRONT MASTER CYLINDER

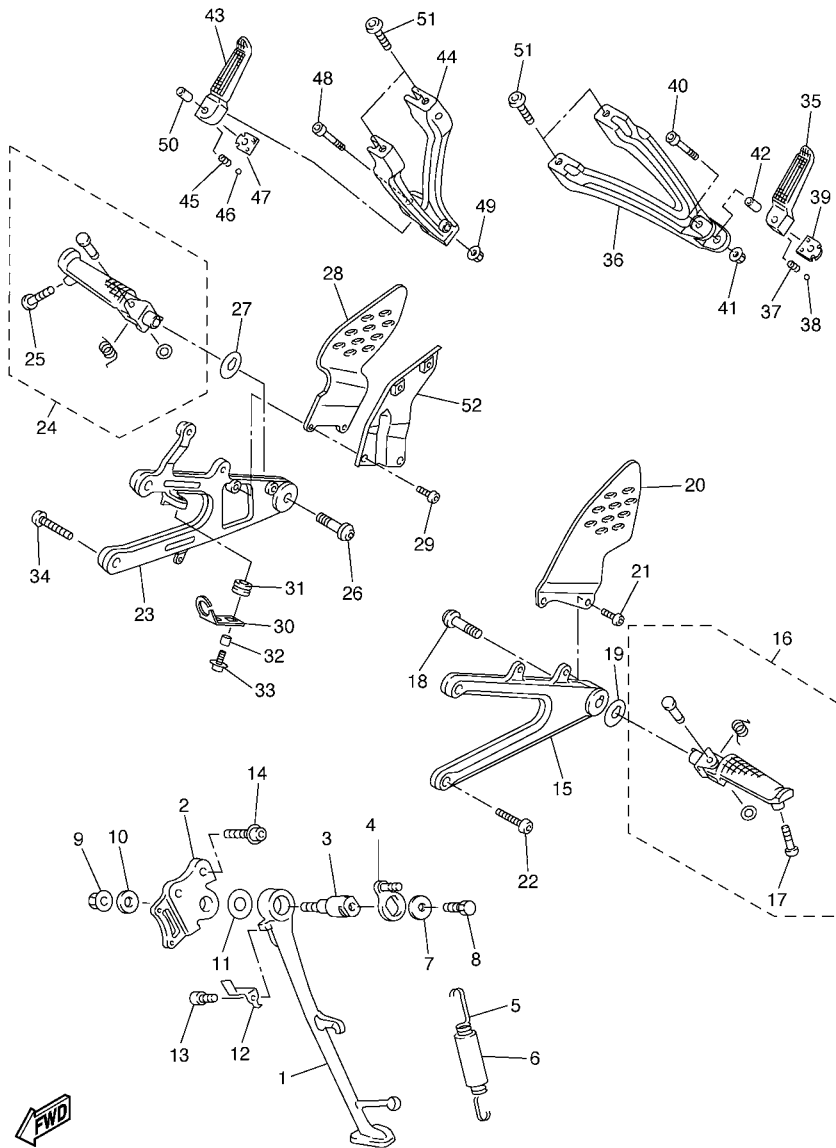
REF. NO.	PART NO.	DESCRIPTION	5VYE	5VYF	5VYR	5VYS	REMARKS
1	5VY-W2587-10	MASTER CYLINDER SUB ASSY	1	1	1	1	
2	5VY-W0041-00	.CYLINDER KIT, MASTER	1	1	1	1	
3	5VY-W0048-00	.BLEED SCREW KIT	1	1	1	1	
4	5VY-25975-00	..SEAL 1	1	1	1	1	
5	5VY-2589F-01	BOLT, LEVER	1	1	1	1	
6	5VS-2586F-00	NUT, COVER	1	1	1	1	
7	5VY-83922-00	LEVER 2	1	1	1	1	
8	4HM-83980-00	FRONT STOP SWITCH ASSY	1	1	1	1	
9	5VS-2585H-00	SCREW,SET	1	1	1	1	
10	5SL-25894-20	TANK, RESERVOIR	1	1	1	1	
11	5VY-25854-00	DIAPHRAGM, RESERVOIR	1	1	1	1	
12	5VY-25855-00	BUSH,DIAPHRAGM	1	1	1	1	
13	5VY-25852-00	CAP, RESERVOIR	1	1	1	1	
14	5VY-25895-10	HOSE, RESERVOIR	1	1	1	1	
15	90467-120A3	CLIP	2	2	2	2	
16	5VY-2589G-00	HOLDER	1	1	1	1	
17	5VY-2589H-00	SCREW	1	1	1	1	
18	5VY-25872-00	HOSE, BRAKE 1	1	1	1	1	
19	90401-10172	BOLT, UNION	3	3	3	3	
20	90201-10118	WASHER, PLATE	6	6	6	6	
21	5VS-25867-00	BRACKET, MASTER CYLINDER	1	1	1	1	
22	5VS-26332-00	BOLT	2	2	2	2	
23	5VY-23377-00	BRACKET, HORN	1	1	1	1	
24	90105-06041	BOLT, FLANGE	1	1	1	1	
25	90149-05244	SCREW	1	1	1	1	
26	3MA-82591-00	BAND	2	2	2	2	
27	5VY-25875-00	HOLDER, BRAKE HOSE 1	1	1	1	1	



5VY7300-D350

FIG. 35 FRONT MASTER CYLINDER

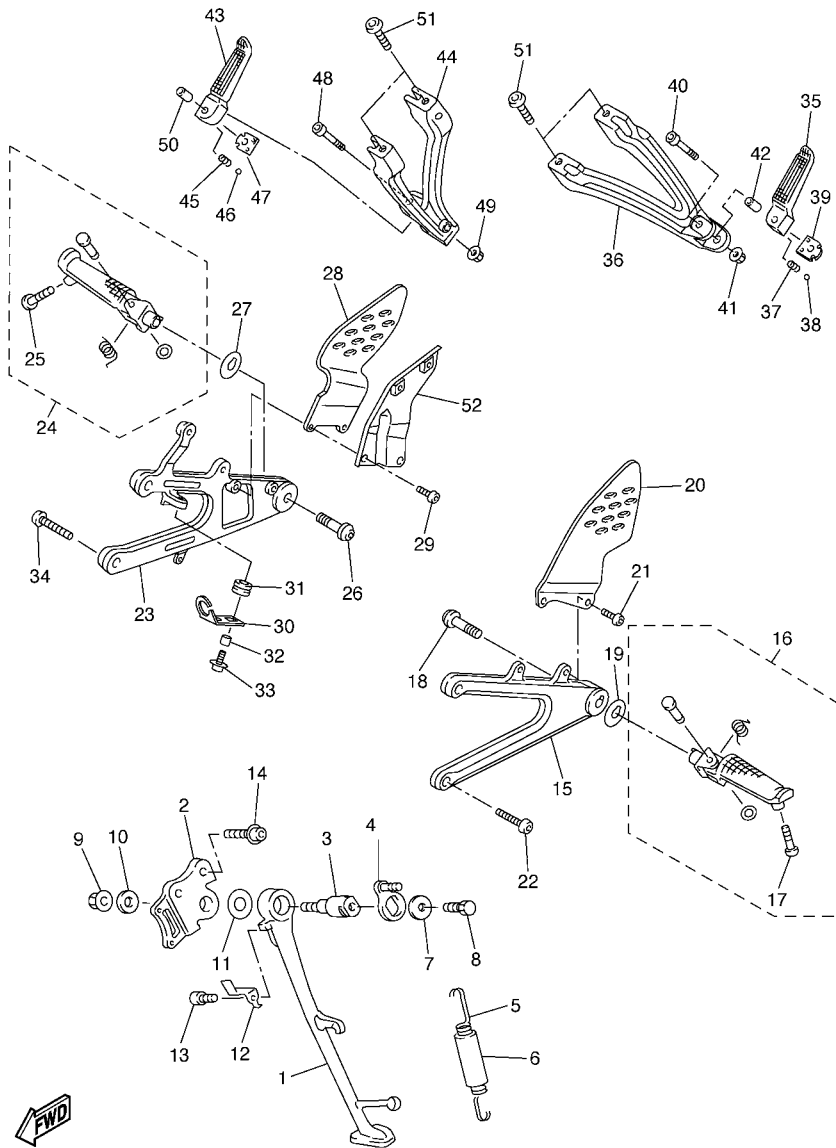
REF. NO.	PART NO.	DESCRIPTION	5VYE	5VYF	5VYR	5VYS	REMARKS
			1	1	1	1	
28	5VY-25876-00	HOLDER, BRAKE HOSE 2	1	1	1	1	



5VYE300-E360

FIG. 36 STAND & FOOTREST

REF. NO.	PART NO.	DESCRIPTION	5VYE	5VYF	5VYR	5VYS	REMARKS
1	5VY-27311-00	STAND, SIDE	1	1	1	1	
2	5JJ-27321-00	BRACKET, SIDE STAND	1	1	1	1	
3	4NX-27351-00	GUIDE, SIDE STAND	1	1	1	1	
4	5PW-27352-00	HOOK, SIDE STAND	1	1	1	1	
5	90506-18008	SPRING, TENSION	1	1	1	1	
6	90445-19002	HOSE (L60)	1	1	1	1	
7	90201-081R9	WASHER, PLATE	1	1	1	1	
8	90101-08662	BOLT	1	1	1	1	
9	95607-10200	NUT, U FLANGE	1	1	1	1	
10	90201-101J1	WASHER, PLATE	1	1	1	1	
11	90201-146F9	WASHER, PLATE	1	1	1	1	
12	5JJ-27315-00	LINK, SIDE STAND	1	1	1	1	
13	91317-06012	BOLT	1	1	1	1	
14	90109-10002	BOLT	2	2	2	2	
15	5VY-27442-01	BRACKET 2	1	1	1	1	
16	5VY-27410-00	FRONT FOOTREST ASSY (LEFT)	1	1	1	1	
17	90109-083E0	.BOLT	1	1	1	1	
18	90109-103A9	BOLT	1	1	1	1	
19	90214-10002	WASHER, CLAW	1	1	1	1	
20	5VY-27445-00	PLATE 1	1	1	1	1	
21	90111-06003	BOLT,HEX. SOCKET BUTTON	2	2	2	2	
22	90109-085G6	BOLT	2	2	2	2	
23	5VY-27443-01	BRACKET 3	1	1	1	1	
24	5VY-27420-00	FRONT FOOTREST ASSY (RIGHT)	1	1	1	1	
25	90109-083E0	.BOLT	1	1	1	1	
26	90109-103A9	BOLT	1	1	1	1	
27	90214-10002	WASHER, CLAW	1	1	1	1	

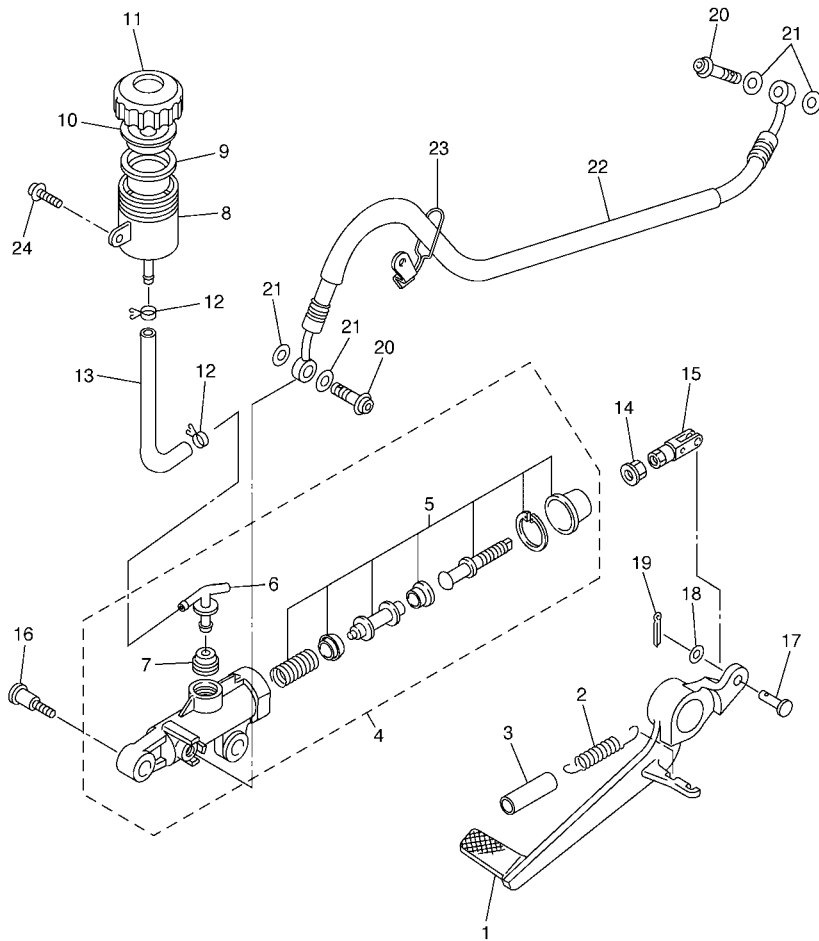


5VYE300-E360

FIG. 36 STAND & FOOTREST

REF. NO.	PART NO.	DESCRIPTION	5VYE	5VYF	5VYR	5VYS	REMARKS
28	5VY-27446-00	PLATE 2	1	1	1	1	
29	90149-06304	SCREW	2	2	2	2	
30	5VY-2144G-00	STAY, STOP SWITCH	1	1	1	1	
31	90480-12607	GROMMET	1	1	1	1	
32	90387-06023	COLLAR	1	1	1	1	
33	90159-06150	SCREW, WITH WASHER	1	1	1	1	
34	90109-085G6	BOLT	2	2	2	2	
35	5JJ-27431-00	FOOTREST, REAR 1	1	1	1	1	
36	5VY-2741L-00	BRACKET 4	1	1	1	1	
37	90501-12743	SPRING, COMPRESSION	1	1	1	1	
38	93501-04011	BALL	1	1	1	1	
39	5JJ-27437-01	WASHER, SPECIAL	1	1	1	1	
40	91314-06035	BOLT	1	1	1	1	
41	95604-06200	NUT, U FLANGE	1	1	1	1	
42	90387-06697	COLLAR	1	1	1	1	
43	5JJ-27441-00	FOOTREST, REAR 2	1	1	1	1	
44	5VY-2742L-00	BRACKET 5	1	1	1	1	
45	90501-12743	SPRING, COMPRESSION	1	1	1	1	
46	93501-04011	BALL	1	1	1	1	
47	5JJ-27437-01	WASHER, SPECIAL	1	1	1	1	
48	91314-06035	BOLT	1	1	1	1	
49	95604-06200	NUT, U FLANGE	1	1	1	1	
50	90387-06697	COLLAR	1	1	1	1	
51	92017-08020	BOLT, BUTTON HEAD	4	4	4	4	
52	5VY-27425-00	BRACKET, FOOTREST 2	1	1	1	1	

FIG. 37 REAR MASTER CYLINDER



REF. NO.	PART NO.	DESCRIPTION	5VYE	5VYF	5VYR	5VYS	REMARKS
1	5VY-27211-00	PEDAL, BRAKE	1	1	1	1	
2	90506-20193	SPRING, TENSION	1	1	1	1	
3	90446-15386	HOSE	1	1	1	1	
4	5SL-2583V-00	RR. MASTER CYLINDER ASSY.	1	1	1	1	
5	5SL-W0042-50	.CYLINDER KIT, MASTER	1	1	1	1	
6	5SL-2582A-00	.JOINT	1	1	1	1	
7	4BP-2585F-00	.BUSH	1	1	1	1	
8	5SL-25894-00	TANK, RESERVOIR	1	1	1	1	
9	5SL-25854-00	DIAPHRAGM, RESERVOIR	1	1	1	1	
10	5SL-25855-00	BUSH,DIAPHRAGM	1	1	1	1	
11	5SL-25852-00	CAP, RESERVOIR	1	1	1	1	
12	90467-010A0	CLIP	2	2	2	2	
13	5VY-25895-00	HOSE, RESERVOIR	1	1	1	1	
14	95307-08700	NUT	1	1	1	1	
15	5SL-27222-00	JOINT	1	1	1	1	
16	90109-06013	BOLT	2	2	2	2	
17	91701-06018	PIN, CLEVIS	1	1	1	1	
18	92907-06200	WASHER	1	1	1	1	
19	91401-16012	PIN, COTTER	1	1	1	1	
20	90401-10172	BOLT, UNION	2	2	2	2	
21	90201-10118	WASHER, PLATE	4	4	4	4	
22	5VY-25874-10	HOSE, BRAKE	1	1	1	1	
23	5VY-25886-00	HOLDER, BRAKE HOSE	1	1	1	1	
24	90159-06056	SCREW, WITH WASHER	1	1	1	1	



5VY1300-C370

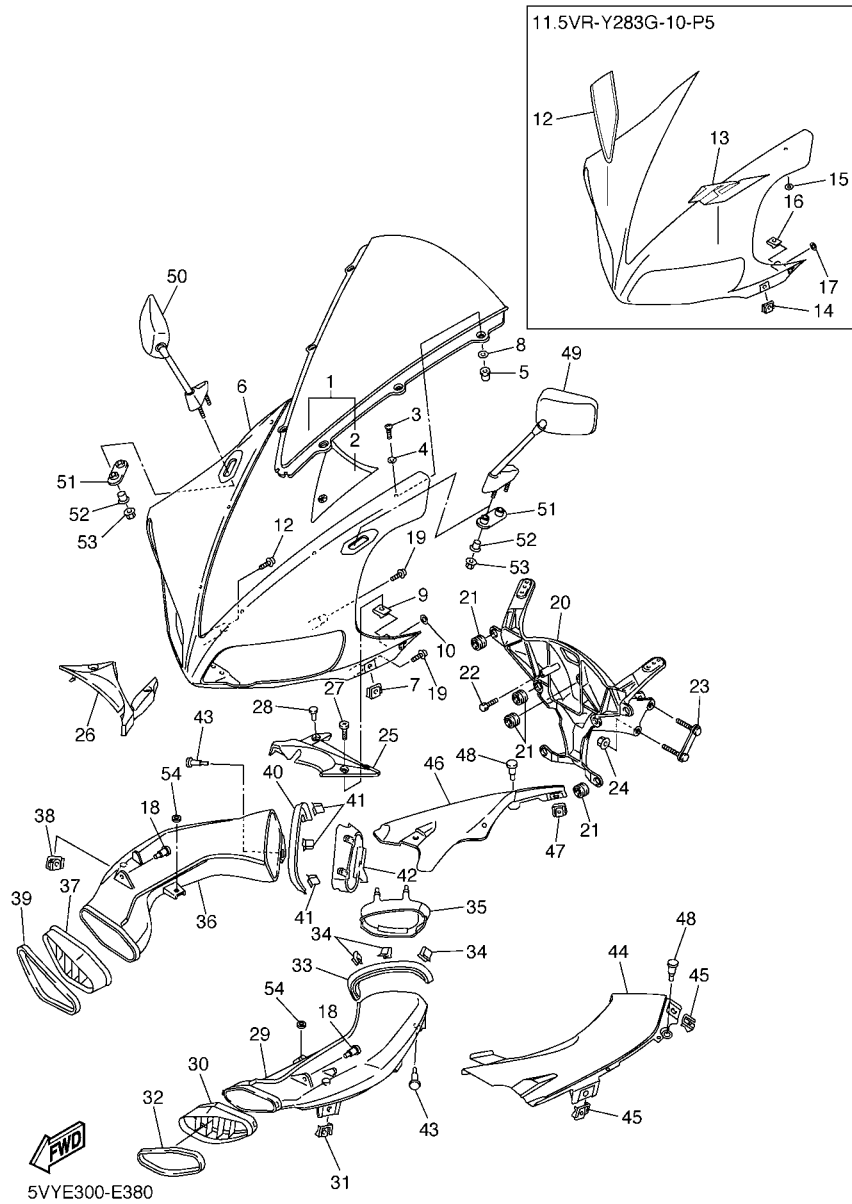
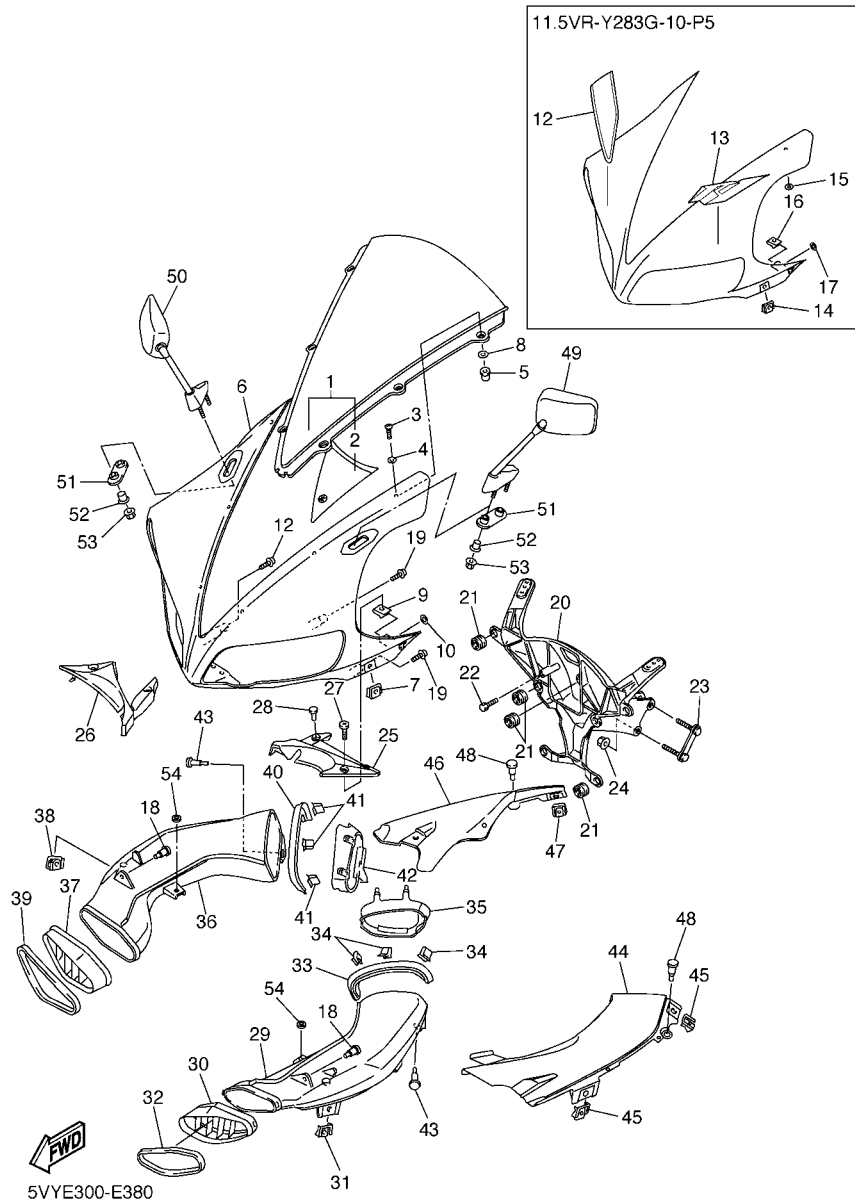


FIG. 38 COWLING 1

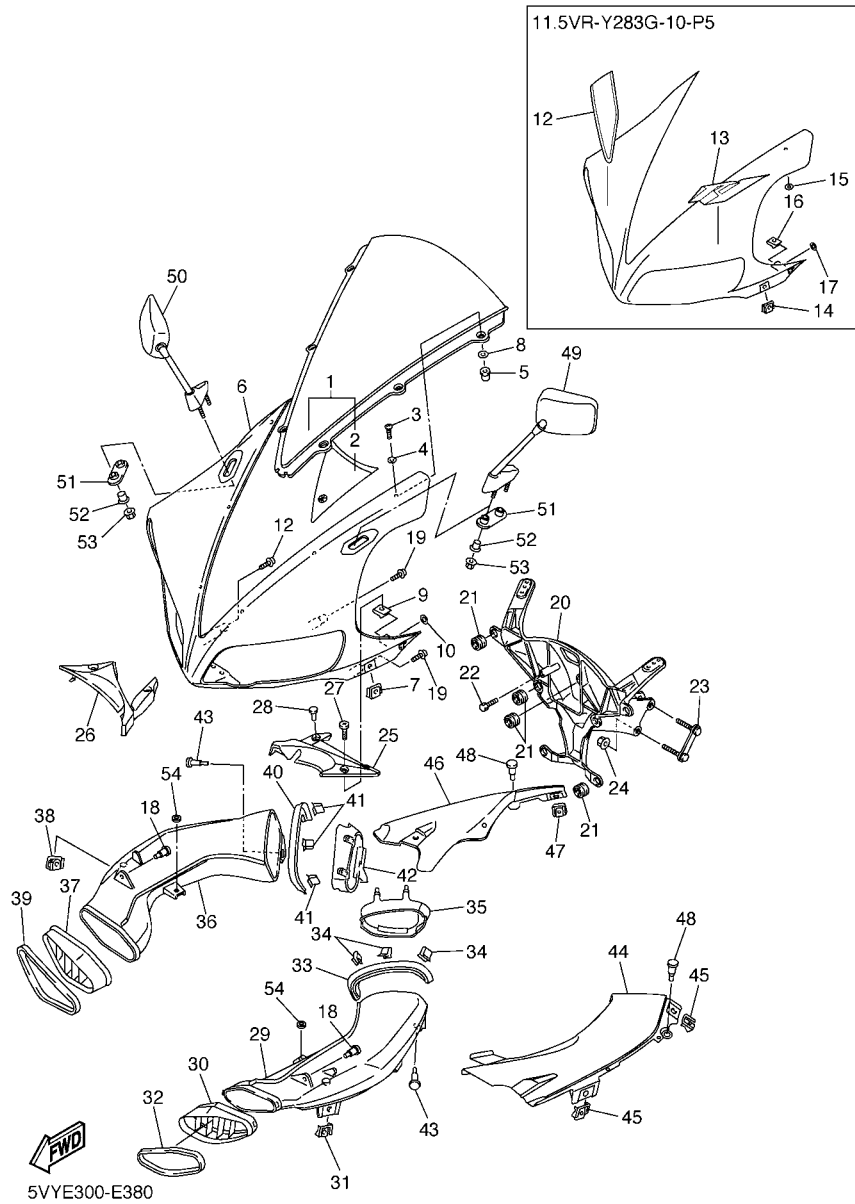
REF. NO.	PART NO.	DESCRIPTION	5VYE	5VYF	5VYR	5VYS	REMARKS
1	5VY-Y2881-00	WINDSHIELD	1	1	1	1	
2	5VY-2832P-00	.GRAPHIC 18	1	1	1	1	
3	90150-05024	SCREW, ROUND HEAD	6	6	6	6	
4	90202-05123	WASHER, PLATE	6	6	6	6	
5	90179-05523	NUT	6	6	6	6	
6	5VY-2835G-00-P0	BODY, FRONT UPPER 1	1	1			UR DRMK
	5VY-2835G-00-P1	BODY, FRONT UPPER 1	1	1			UR DPBMC
	5VY-2835G-00-P4	BODY, FRONT UPPER 1	1	1			UR SMX
7	5PW-2177L-00	PLATE, SPRING	2	2			
8	5JJ-2834W-00	PROTECTOR 2	6	6			
9	90183-05074	NUT, SPRING	2	2			
10	5VY-2834V-00	PROTECTOR 1	2	2			
11	5VY-Y283G-10-P5	BODY, FRONT UPPER 1			1	1	RYC1
12	5VY-2832L-00	.GRAPHIC 13			1	1	
13	5VY-28315-00	.EMBLEM			1	1	
14	5PW-2177L-00	.PLATE, SPRING			2	2	
15	5JJ-2834W-00	.PROTECTOR 2			6	6	
16	90183-05074	.NUT, SPRING			2	2	
17	5VY-2834V-00	.PROTECTOR 1			2	2	
18	90269-07007	RIVET	2	2	2	2	
19	90160-05007	SCREW, ROUND TAPPING	5	5	5	5	
20	5VY-28356-00	STAY 1	1	1	1	1	
21	4XV-83513-00	DAMPER	9	9	9	9	
22	91317-05012	BOLT	1	1	1	1	
23	4XV-28336-00	PLATE	1	1	1	1	
24	95607-08200	NUT, SELF-LOCKING	2	2	2	2	
25	5VY-2837L-01	PANEL, CONSOLE 1	1	1	1	1	

FIG. 38 COWLING 1

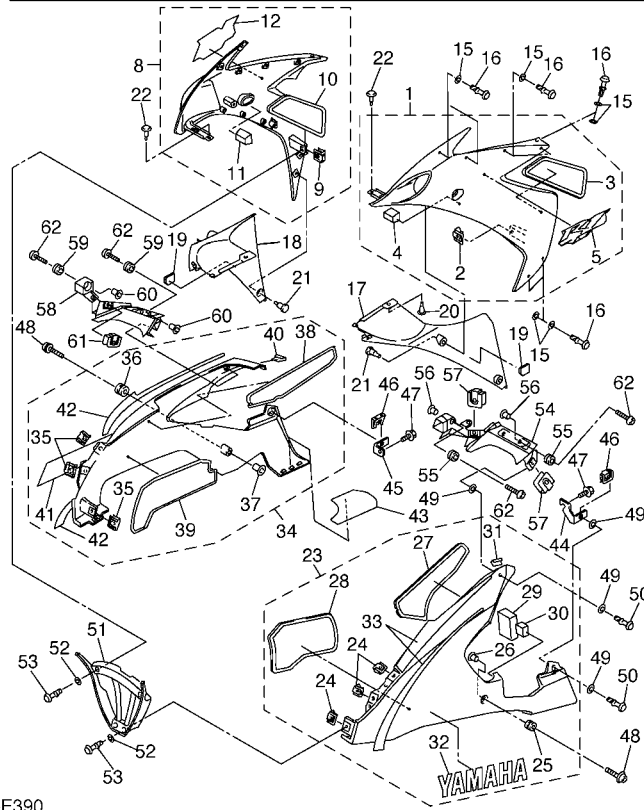
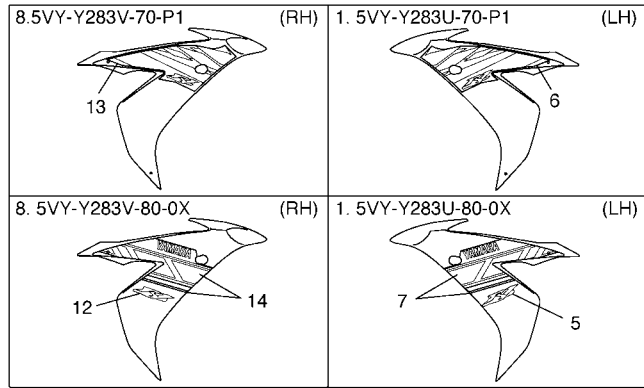


REF. NO.	PART NO.	DESCRIPTION	5VYE	5VYF	5VYR	5VYS	REMARKS
26	5VY-2837M-01	PANEL, CONSOLE 2	1	1	1	1	
27	90154-05013	SCREW, BINDING	2	2	2	2	
28	90269-06001	RIVET	2	2	2	2	
29	5VY-2838N-00-P4	DUCT 1	1	1			UR DRMK
	5VY-2838N-00-P5	DUCT 1	1	1			UR DPBMC
	5VY-2838N-00-P3	DUCT 1	1	1			UR SMX
	5VY-2838N-00-P0	DUCT 1			1	1	MBL2
30	5VY-2837N-00	GRILL, AIR INTAKE 1	1	1	1	1	
31	5PW-2177L-00	PLATE, SPRING	1	1	1	1	
32	5VY-28346-00	MOLE 2	1	1	1	1	
33	5VY-2834E-00	DAMPER 1	1	1	1	1	
34	1FK-2171H-00	GUIDE	3	3	3	3	
35	5VY-28371-00	DAMPER	1	1	1	1	
36	5VY-2838R-00-P4	DUCT 2	1	1			UR DRMK
	5VY-2838R-00-P5	DUCT 2	1	1			UR DPBMC
	5VY-2838R-00-P3	DUCT 2	1	1			UR SMX
	5VY-2838R-00-P0	DUCT 2			1	1	MBL2
37	5VY-2837R-00	GRILL, AIR INTAKE 2	1	1	1	1	
38	5PW-2177L-00	PLATE, SPRING	1	1	1	1	
39	5VY-28346-00	MOLE 2	1	1	1	1	
40	5VY-2834F-00	DAMPER	1	1	1	1	
41	1FK-2171H-00	GUIDE	3	3	3	3	
42	5VY-28372-00	DAMPER	1	1	1	1	
43	90269-07007	RIVET	2	2	2	2	
44	5VY-2837V-00	GRILL, AIR OUTLET 1	1	1	1	1	
45	5PW-2177L-00	PLATE, SPRING	2	2	2	2	
46	5VY-2837W-00	GRILL, AIR OUTLET 2	1	1	1	1	

FIG. 38 COWLING 1



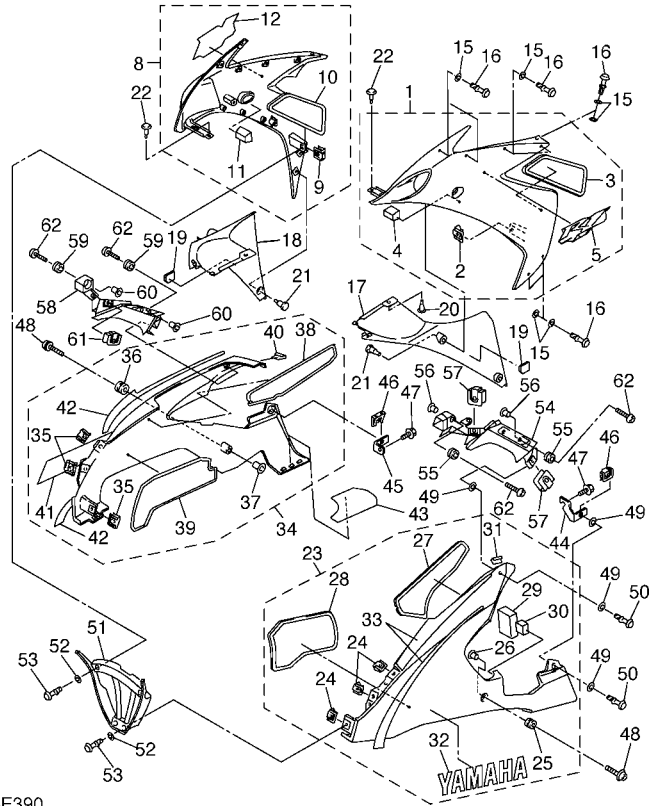
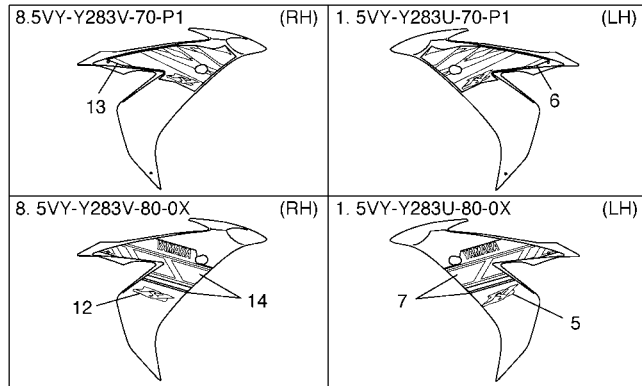
REF. NO.	PART NO.	DESCRIPTION	5VYE	5VYF	5VYR	5VYS	REMARKS
47	5PW-2177L-00	PLATE, SPRING	2	2	2	2	
48	90269-06081	RIVET	4	4	4	4	
49	5VY-26280-00	REAR VIEW MIRROR ASSY (LEFT)	1	1	1	1	
50	5VY-26290-00	REAR VIEW MIRROR ASSY (RIGHT)	1	1	1	1	
51	5VY-26298-00	PLATE, MIRROR FITTING 1	2	2	2	2	
52	90387-06372	COLLAR	4	4	4	4	
53	90176-06055	NUT, CROWN	4	4	4	4	
54	5SL-84753-00	DAMPER	2	2	2	2	



FWD
5VYE300-E390

FIG. 39 COWLING 2

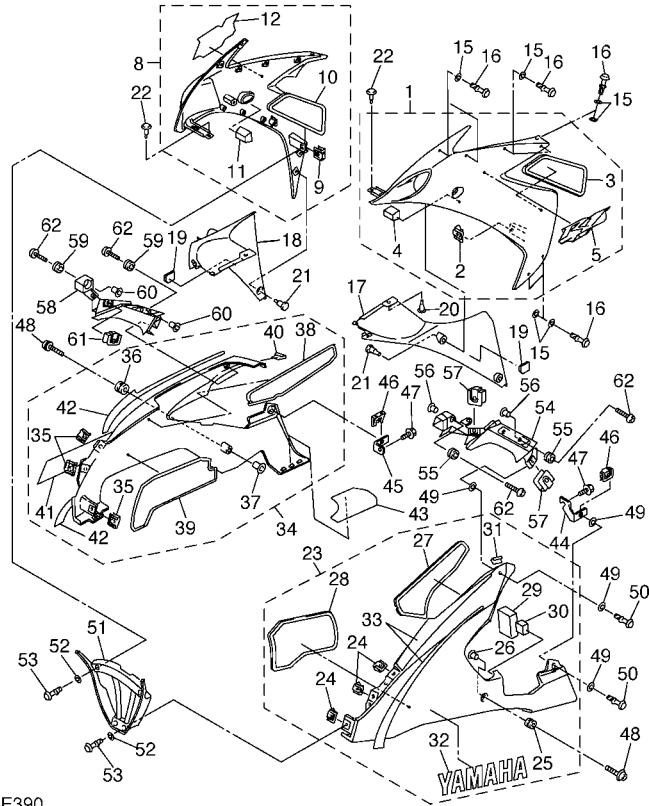
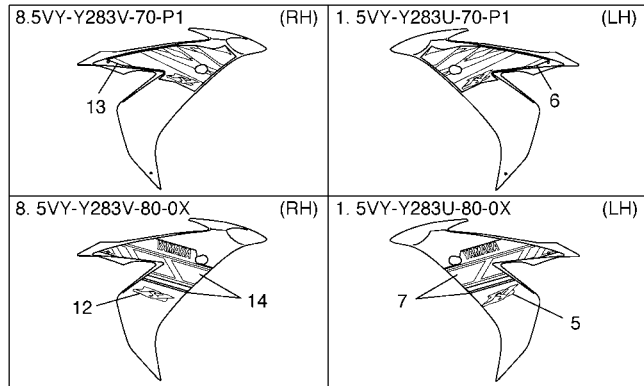
REF. NO.	PART NO.	DESCRIPTION	5VYE	5VYF	5VYR	5VYS	REMARKS
1	5VY-Y283U-60-P0	PANEL ASSEMBLY 1	1	1			UR DRMK
	5VY-Y283U-70-P1	PANEL ASSEMBLY 1	1	1			UR DPBMC
	5VY-Y283U-50-P5	PANEL ASSEMBLY 1	1	1			UR MBL2 FOR SMX
	5VY-Y283U-80-0X	PANEL ASSEMBLY 1			1	1	RYC1/BWC1
2	5PW-2177L-00	.PLATE, SPRING	1	1	1	1	
3	5VY-2848H-00	.SEAT	1	1	1	1	
4	5VY-28322-00	.STAY 2	1	1	1	1	
5	5VY-2834C-41	.EMBLEM 1	1	1			UR FOR DRMK
	5VY-2834C-30	.EMBLEM 1	1	1			UR FOR SMX
	5VY-2834C-50	.EMBLEM 1			1	1	
6	5VY-28391-20	.GRAPHIC 1	1	1			FOR DPBMC
7	5VY-283B1-10	.GRAPHIC SET			1	1	
8	5VY-Y283V-60-P0	PANEL ASSEMBLY 2	1	1			UR DRMK
	5VY-Y283V-70-P1	PANEL ASSEMBLY 2	1	1			UR DPBMC
	5VY-Y283V-50-P5	PANEL ASSEMBLY 2	1	1			UR MBL2 FOR SMX
	5VY-Y283V-80-0X	PANEL ASSEMBLY 2			1	1	RYC1/BWC1
9	5PW-2177L-00	.PLATE, SPRING	1	1	1	1	
10	5VY-2848K-00	.SEAT 2	1	1	1	1	
11	5VY-28332-00	.STAY, LEG SHIELD	1	1	1	1	
12	5VY-2835C-41	.EMBLEM 2	1	1			UR FOR DRMK
	5VY-2835C-30	.EMBLEM 2	1	1			UR FOR SMX
	5VY-2835C-50	.EMBLEM 2			1	1	
13	5VY-28392-20	.GRAPHIC 2	1	1			FOR DPBMC
14	5VY-283B2-10	.GRAPHIC SET			1	1	
15	2TK-21757-00	WASHER, SPECIAL 1	20	20	20	20	
16	5PW-28386-00	HEAD	14	14	14	14	
17	5VY-2836K-00	PANEL, INNER 1	1	1	1	1	



5VYE300-E390

FIG. 39 COWLING 2

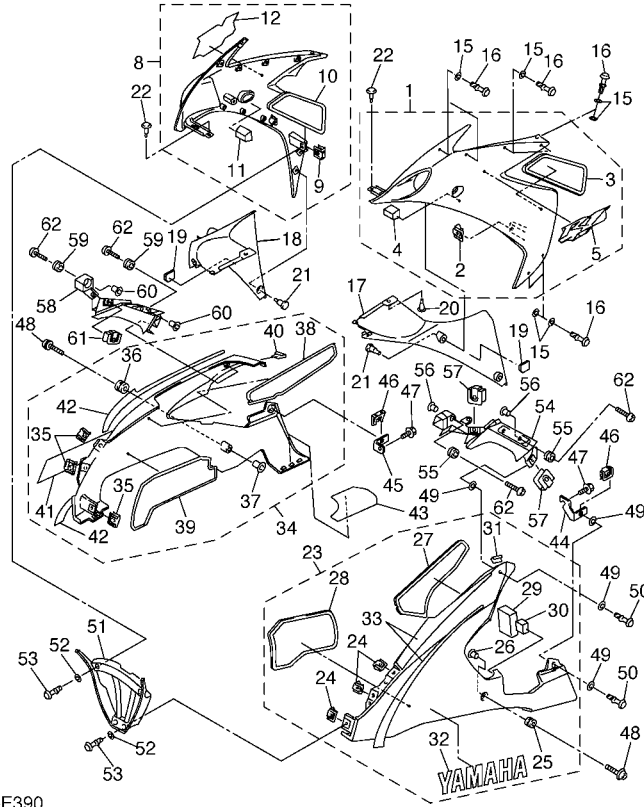
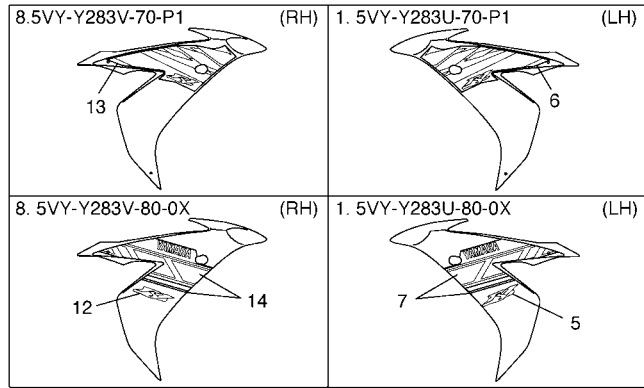
REF. NO.	PART NO.	DESCRIPTION	5VYE	5VYF	5VYR	5VYS	REMARKS
18	5VY-2836L-00	PANEL, INNER 2	1	1	1	1	
19	5VY-28494-00	HOOK 3	2	2	2	2	
20	90269-07077	RIVET	1	1	1	1	
21	90269-06081	RIVET	4	4	4	4	
22	90269-07077	RIVET	2	2	2	2	
23	5VY-Y2808-50-P6	COVER ASSY, UNDER	1	1			UR S3 FOR DRMK
	5VY-Y2808-20-P0	COVER ASSY, UNDER	1	1			UR MBL2 FOR DPBMC
	5VY-Y2808-00-P3	COVER ASSY, UNDER	1	1			UR SMX
	5VY-Y2808-20-33	COVER ASSY, UNDER			1	1	YB
24	5PW-2177L-00	.PLATE, SPRING	3	3	3	3	
25	90480-12596	.GROMMET	1	1	1	1	
26	90387-065J6	.COLLAR	1	1	1	1	
27	5VY-2848L-00	.SEAT 3	1	1	1	1	
28	5VY-2848N-00	.SEAT 5	1	1	1	1	
29	5VY-2837J-00	.DAMPER 5	1	1	1	1	
30	5VY-2837K-00	.DAMPER 6	1	1	1	1	
31	5VY-28307-00	.SEAL	1	1	1	1	
32	99244-00200	.EMBLEM, YAMAHA	1	1			UR FOR DRMK
	5JJ-2153E-00	.EMBLEM, YAMAHA	1	1			UR FOR DPBMC
	5JJ-2153E-10	.EMBLEM, YAMAHA	1	1			UR FOR SMX
	5JJ-2153E-00	.EMBLEM, YAMAHA			1	1	
33	5VY-283B1-01	.GRAPHIC SET	1	1			FOR DRMK
34	5VY-Y2809-50-P6	COVER ASSY 2, UNDER	1	1			UR S3 FOR DRMK
	5VY-Y2809-20-P0	COVER ASSY 2, UNDER	1	1			UR MBL2 FOR DPBMC
	5VY-Y2809-00-P3	COVER ASSY 2, UNDER	1	1			UR SMX
	5VY-Y2809-20-33	COVER ASSY 2, UNDER			1	1	YB
35	5PW-2177L-00	.PLATE, SPRING	3	3	3	3	



5VYE300-E390

FIG. 39 COWLING 2

REF. NO.	PART NO.	DESCRIPTION	5VYE	5VYF	5VYR	5VYS	REMARKS
36	90480-12596	.GROMMET	1	1	1	1	
37	90387-065J6	.COLLAR	1	1	1	1	
38	5VY-2848M-00	.SEAT 4	1	1	1	1	
39	5VY-2848P-00	.SEAT 6	1	1	1	1	
40	5VY-28307-00	.SEAL	1	1	1	1	
41	99244-00200	.EMBLEM, YAMAHA	1	1			UR FOR DRMK
	5JJ-2153E-00	.EMBLEM, YAMAHA	1	1			UR FOR DPBMC
	5JJ-2153E-10	.EMBLEM, YAMAHA	1	1			UR FOR SMX
	5JJ-2153E-00	.EMBLEM, YAMAHA			1	1	
42	5VY-283B2-01	.GRAPHIC SET	1	1			FOR DRMK
43	5VY-2848R-00	SEAT 7	1	1	1	1	
44	5VY-2836A-00	BRACKET 1	1	1	1	1	
45	5VY-2836E-00	BRACKET 2	1	1	1	1	
46	5PW-2177L-00	PLATE, SPRING	2	2	2	2	
47	90109-06056	BOLT	2	2	2	2	
48	90149-06302	SCREW	2	2	2	2	
49	2TK-21757-00	WASHER, SPECIAL 1	8	8	8	8	
50	5PW-28386-00	HEAD	4	4	4	4	
51	5VY-2836M-00	PANEL, INNER 3	1	1	1	1	
52	2TK-21757-00	WASHER, SPECIAL 1	4	4	4	4	
53	5PW-28386-00	HEAD	4	4	4	4	
54	5VY-2117V-00	COVER 7	1	1	1	1	
55	90480-12596	GROMMET	3	3	3	3	
56	90387-065J6	COLLAR	3	3	3	3	
57	5PW-2177L-00	PLATE, SPRING	2	2	2	2	
58	5VY-2117W-00	COVER 8	1	1	1	1	
59	90480-12596	GROMMET	3	3	3	3	

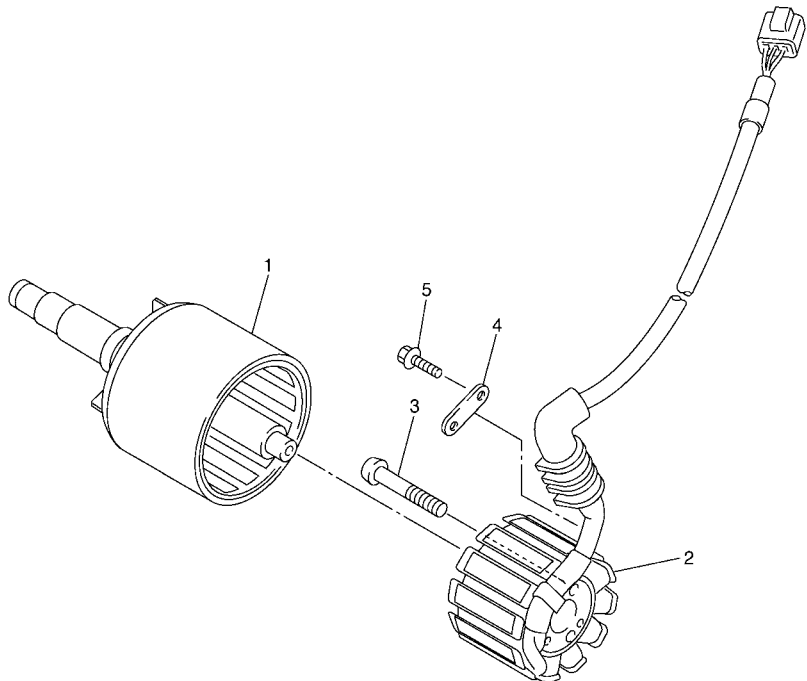


FWD
5VYE300-E390

FIG. 39 COWLING 2

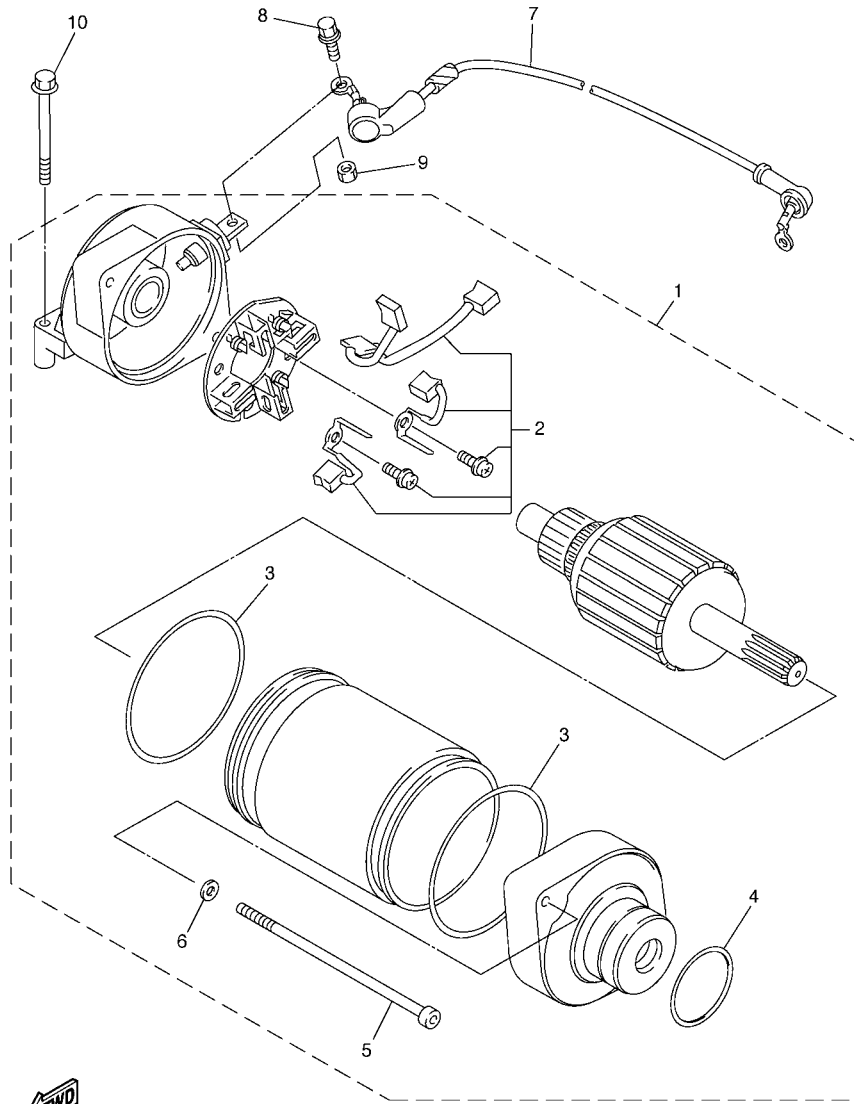
REF. NO.	PART NO.	DESCRIPTION	5VYE	5VYF	5VYR	5VYS	REMARKS
60	90387-065J6	COLLAR	3	3	3	3	
61	5PW-2177L-00	PLATE, SPRING	2	2	2	2	
62	90111-06030	BOLT, HEX. SOCKET BUTTON	6	6	6	6	

FIG. 40 GENERATOR



REF. NO.	PART NO.	DESCRIPTION	5VYE	5VYF	5VYR	5VYS	REMARKS
1	5VY-81450-00	ROTOR ASSY	1	1	1	1	
2	5VY-81410-00	STATOR ASSY	1	1	1	1	
3	90149-06067	SCREW	3	3	3	3	
4	5VY-15191-00	PLATE	1	1	1	1	
5	90105-06078	BOLT, FLANGE	1	1	1	1	

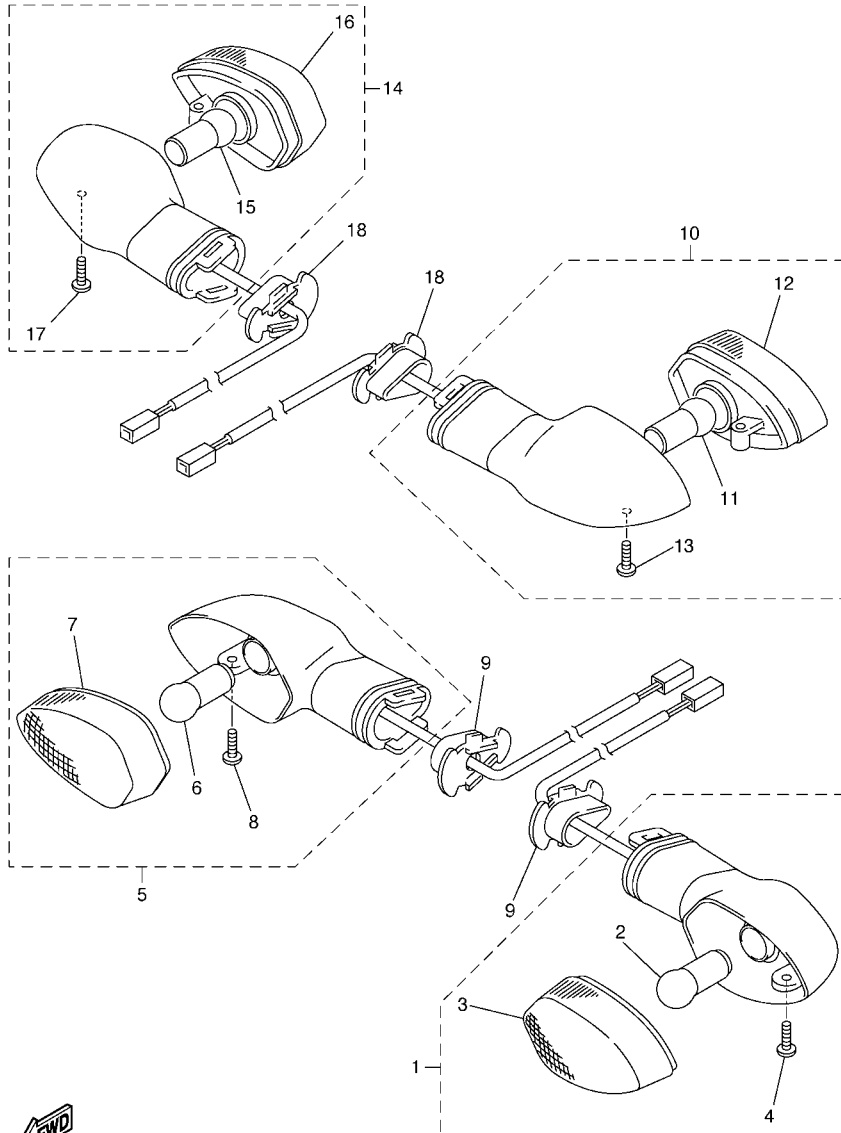
 5VY1300-C400



5VY1300-C410

FIG. 41 STARTING MOTOR

REF. NO.	PART NO.	DESCRIPTION	5VYE	5VYF	5VYR	5VYS	REMARKS
1	5VY-81890-00	MOTOR ASSY	1	1	1	1	
2	5PW-81801-00	.BRUSH SET	1	1	1	1	
3	93210-55669	.O-RING	2	2	2	2	
4	93210-25711	.O-RING	1	1	1	1	
5	5PW-81846-00	.SCREW	2	2	2	2	
6	5PW-8181L-00	.WASHER, PLAIN	2	2	2	2	
7	5VY-8183G-00	CORD COMP.	1	1	1	1	
8	5PW-81828-00	BOLT 2	1	1	1	1	
9	95380-05700	NUT	1	1	1	1	
10	95022-06040	BOLT, FLANGE	2	2	2	2	



5PW1300-2410

FIG. 42 FLASHER LIGHT

REF. NO.	PART NO.	DESCRIPTION	5VYE	5VYF	5VYR	5VYS	REMARKS
1	5PW-83310-01	FRONT FLASHER LIGHT ASSY 1	1	1	1	1	
2	1KH-83311-00	.BULB (12V-10W)	1	1	1	1	
3	5PW-8333A-00	.LENS COMP	1	1	1	1	
4	97706-04012	.SCREW, TAPPING	1	1	1	1	
5	5PW-83320-01	FRONT FLASHER LIGHT ASSY 2	1	1	1	1	
6	1KH-83311-00	.BULB (12V-10W)	1	1	1	1	
7	5PW-8334A-00	.LENS COMP	1	1	1	1	
8	97706-04012	.SCREW, TAPPING	1	1	1	1	
9	5PW-83318-00	STAY, FLASHER 1	2	2	2	2	
10	5PW-83330-00	REAR FLASHER LIGHT ASSY 1	1	1	1	1	
11	1KH-83311-00	.BULB (12V-10W)	1	1	1	1	
12	5PW-8334A-00	.LENS COMP	1	1	1	1	
13	97706-04012	.SCREW, TAPPING	1	1	1	1	
14	5PW-83340-00	REAR FLASHER LIGHT ASSY 2	1	1	1	1	
15	1KH-83311-00	.BULB (12V-10W)	1	1	1	1	
16	5PW-8333A-00	.LENS COMP	1	1	1	1	
17	97706-04012	.SCREW, TAPPING	1	1	1	1	
18	5PW-83318-00	STAY, FLASHER 1	2	2	2	2	

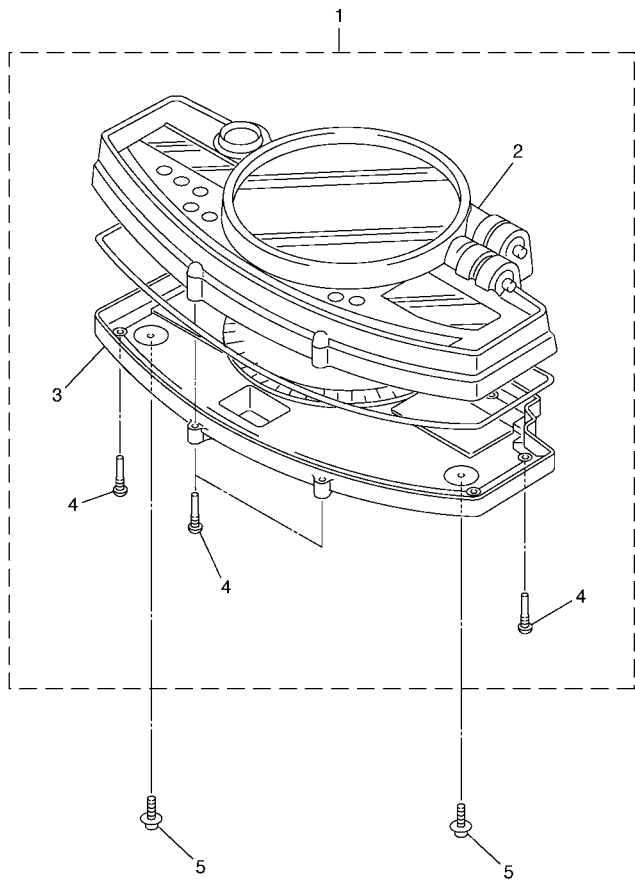
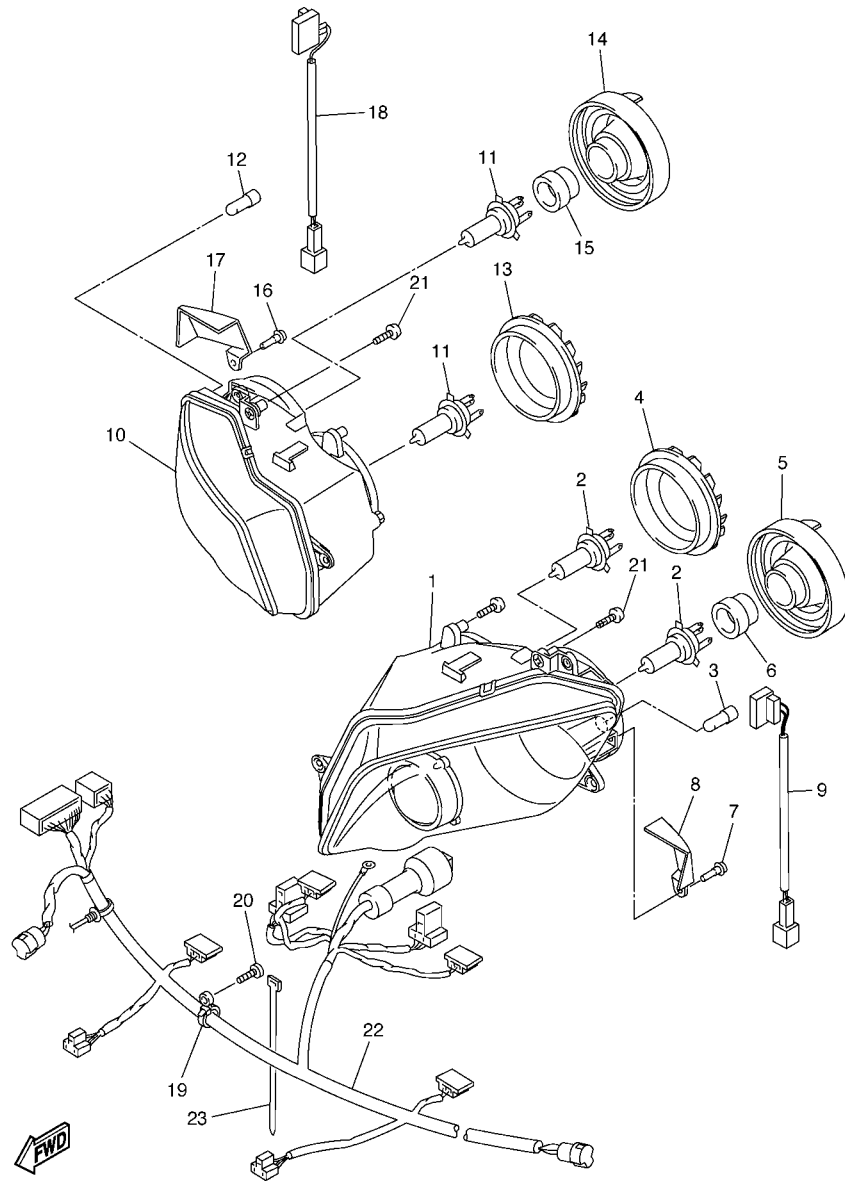


FIG. 43 METER

REF. NO.	PART NO.	DESCRIPTION	5VYE	5VYF	5VYR	5VYS	REMARKS
1	5VY-83500-40	SPEEDOMETER ASSY (KM/H)	1	1	1	1	
	5VY-83500-50	SPEEDOMETER ASSY (MPH)	1	1			FOR GBR
2	5VY-8353E-00	.CASE, METER UPPER	1	1	1	1	
3	5VY-83572-00	.CASE, SPEEDOMETER LOWER	1	1	1	1	
4	5PW-8352S-00	.SCREW, PANEL FITTING	11	11	11	11	
5	90160-05006	SCREW, ROUND TAPPING	3	3	3	3	



5VYE300-E440

FIG. 44 HEADLIGHT

REF. NO.	PART NO.	DESCRIPTION	5VYE	5VVF	5VVR	5VVS	REMARKS
1	5VY-84303-00	HEADLIGHT UNIT ASSY	1	1	1	1	
	5VY-84303-20	HEADLIGHT UNIT ASSY	1		1		FOR GBR,IRL,ZAF
2	4SV-84314-00	BULB (12V-55W)	2	2	2	2	(H7)HALOGEN
3	4SV-84347-00	BULB (12V-5W)	1	1	1	1	
4	5SL-84397-00	COVER, SOCKET	1	1	1	1	
5	5GJ-84397-00	COVER, SOCKET	1	1	1	1	
6	4SV-84350-00	SOCKET CORD ASSY 2	1	1	1	1	
7	90269-06008	RIVET	1	1	1	1	
8	5VY-84196-00	COVER (L.H)	1	1	1	1	
9	5VY-84312-00	CORD ASSY	1	1	1	1	
10	5VY-84303-10	HEADLIGHT UNIT ASSY	1	1	1	1	
	5VY-84303-30	HEADLIGHT UNIT ASSY	1		1		FOR GBR,IRL,ZAF
11	4SV-84314-00	BULB (12V-55W)	2	2	2	2	(H7)HALOGEN
12	4SV-84347-00	BULB (12V-5W)	1	1	1	1	
13	5SL-84397-00	COVER, SOCKET	1	1	1	1	
14	5GJ-84397-00	COVER, SOCKET	1	1	1	1	
15	4SV-84350-00	SOCKET CORD ASSY 2	1	1	1	1	
16	90269-06008	RIVET	1	1	1	1	
17	5VY-84396-00	COVER (R.H)	1	1	1	1	
18	5VY-84312-00	CORD ASSY	1	1	1	1	
19	90464-47001	CLAMP	1	1	1	1	
20	97707-50016	SCREW, TAPPING	1	1	1	1	
21	90160-05006	SCREW, ROUND TAPPING	6	6	6	6	
22	5VY-84359-30	CORD, HEADLIGHT	1	1	1	1	
23	90464-15195	CLAMP	1	1	1	1	



5VY1332-C450

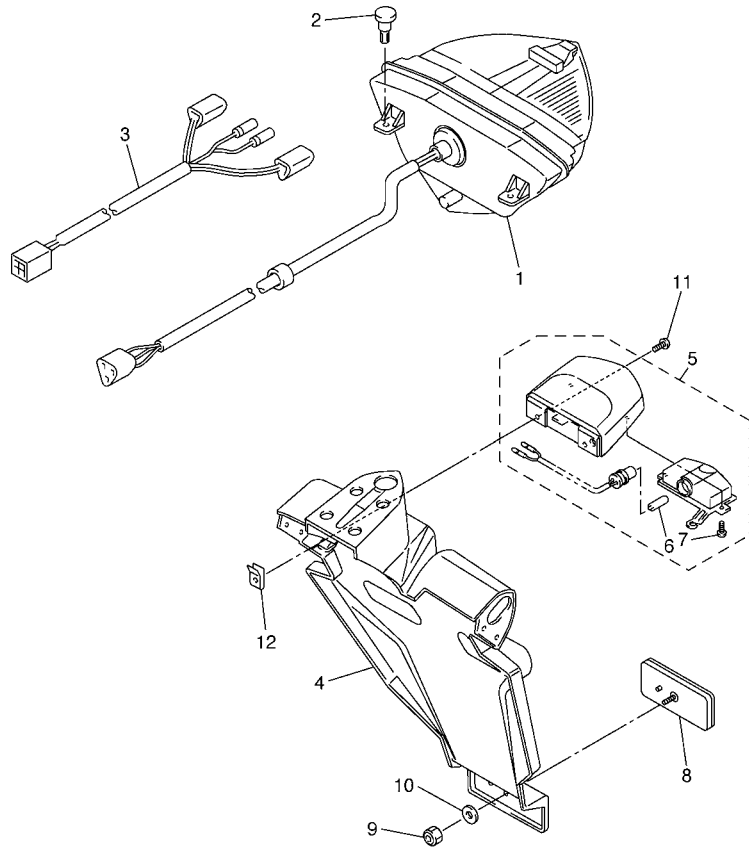


FIG. 45 TAILLIGHT

REF. NO.	PART NO.	DESCRIPTION	5VYE	5VYF	5VYR	5VYS	REMARKS
1	5VY-84710-00	TAILLIGHT UNIT ASSY	1	1	1	1	
2	90269-06081	RIVET	2	2	2	2	
3	5PW-84717-00	CORD, TAILLIGHT	1	1	1	1	
4	5VY-21629-30	GUARD, MUD	1	1	1	1	
5	5VY-84745-00	LICENCE LIGHT UNIT ASSY	1	1	1	1	
6	4HC-84744-00	.BULB (12V-5W)	1	1	1	1	
7	97706-04012	.SCREW, TAPPING	2	2	2	2	
8	3Y6-85130-02	REAR REFLECTOR ASSY	1	1	1	1	
9	95607-05100	NUT, U	1	1	1	1	
10	90201-05725	WASHER, PLATE	1	1	1	1	
11	5VY-84726-00	SCREW	2	2	2	2	
12	4KB-84117-00	NUT	2	2	2	2	

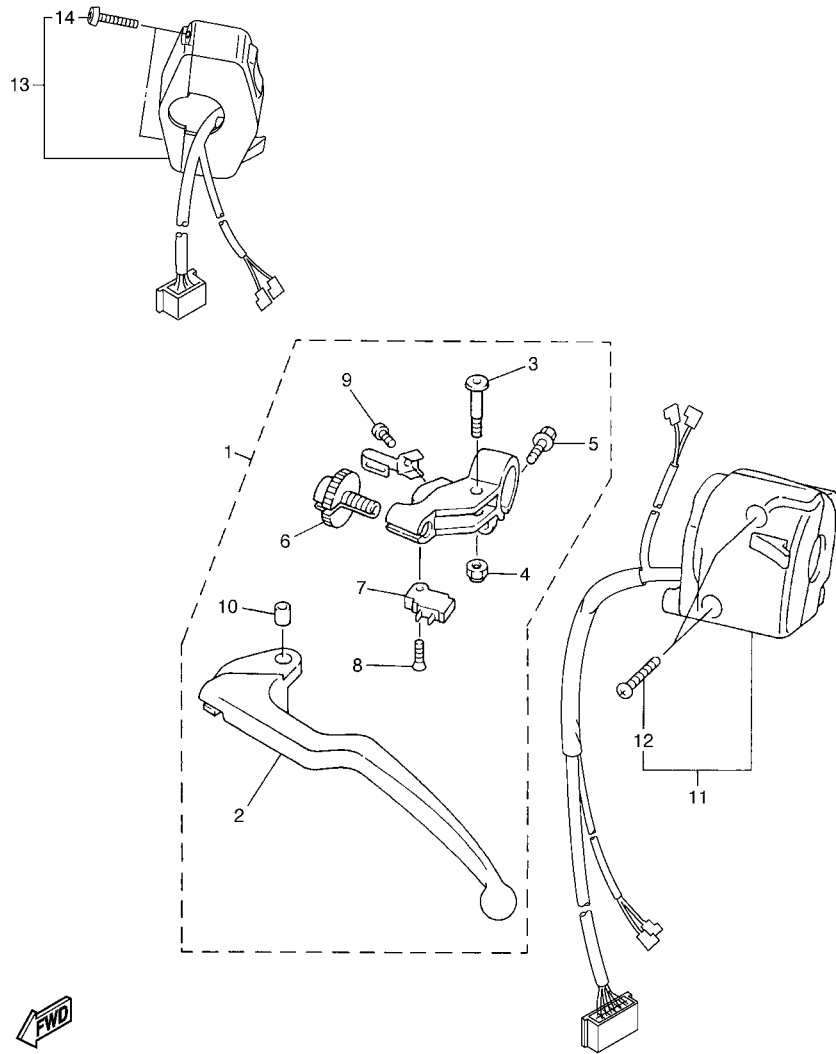
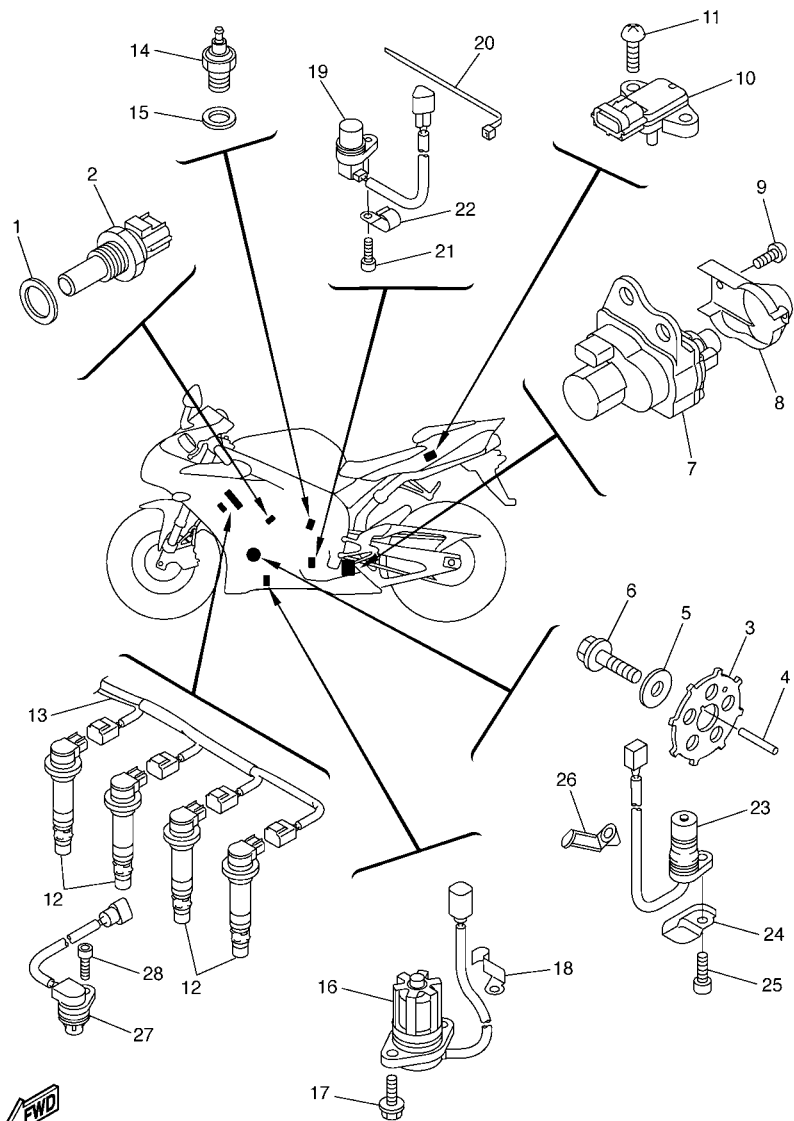


FIG. 46 HANDLE SWITCH & LEVER

REF. NO.	PART NO.	DESCRIPTION	5VYE	5VYF	5VYR	5VYS	REMARKS
1	4XV-82910-14	LEVER HOLDER ASSY (LEFT)	1	1	1	1	
2	4XV-83912-11	.LEVER 1	1	1	1	1	
3	4XV-83945-01	.BOLT, LEVER	1	1	1	1	
4	95607-06200	.NUT, SELF U-FLANGE	1	1	1	1	
5	95027-06020	.BOLT, FLANGE	1	1	1	1	
6	5LV-83951-00	.BOLT, CABLE ADJUSTING	1	1	1	1	
7	4XV-82917-01	.SWITCH	1	1	1	1	
8	98707-03016	.SCREW, FLAT HEAD	1	1	1	1	
9	98507-04010	.SCREW, PAN HEAD	1	1	1	1	
10	5JJ-83913-00	.COLLAR, LEVER 1	1	1	1	1	
11	5VY-83969-00	SWITCH, HANDLE 5	1	1	1	1	
12	98507-05025	.SCREW, PAN HEAD	2	2	2	2	
13	5PW-83975-00	SWITCH, HANDLE 2	1	1	1	1	
14	98507-05022	.SCREW, PAN HEAD	2	2	2	2	



5VY1300-C460

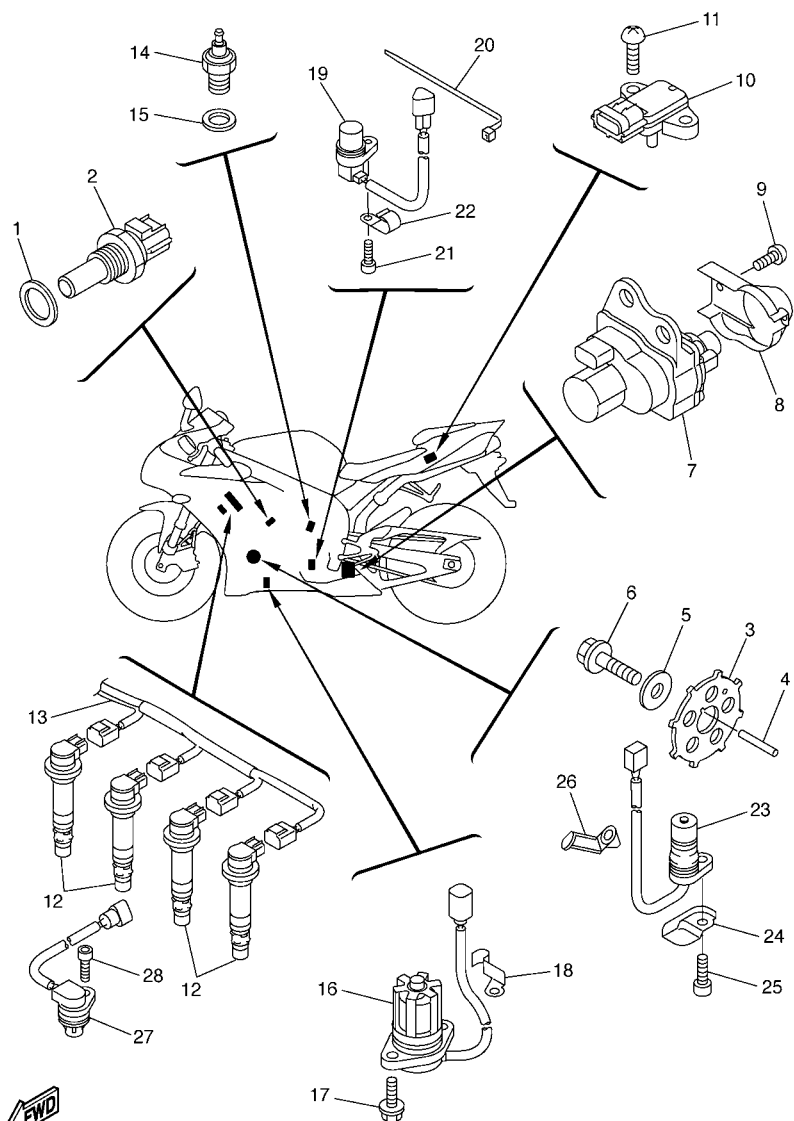


5VYE300-E470

FIG. 47 ELECTRICAL 1

REF. NO.	PART NO.	DESCRIPTION	5VYE	5VYF	5VYR	5VYS	REMARKS
1	90201-12790	WASHER, PLATE	1	1	1	1	
2	8CC-85790-01	THERMOSENSOR ASSY	1	1	1	1	
3	5VY-81673-00	ROTOR	1	1	1	1	
4	90282-03001	KEY, STRAIGHT	1	1	1	1	
5	90201-10039	WASHER, PLATE	1	1	1	1	
6	90105-10290	BOLT, FLANGE	1	1	1	1	
7	5VY-85820-10	SERVO MOTOR ASSY	1	1	1	1	
8	5VY-85829-00	COVER, SERVO MOTOR	1	1	1	1	
9	97702-50514	SCREW, TAPPING	2	2	2	2	
10	5VX-82380-00	SENSOR, PRESSURE	1	1	1	1	
11	97707-50020	SCREW, TAPPING	2	2	2	2	
12	5VY-82310-00	IGNITION COIL ASSY	4	4	4	4	
13	5VY-82309-00	WIRE, SUB LEAD	1	1	1	1	
14	3GB-82540-01	NEUTRAL SWITCH ASSY	1	1	1	1	
15	90430-10148	GASKET	1	1	1	1	
16	5VY-85720-00	OIL LEVEL GAUGE ASSY	1	1	1	1	
17	95022-06016	BOLT, FLANGE	2	2	2	2	
18	90465-08053	CLAMP	1	1	1	1	
19	4XV-83755-02	SENSOR, SPEED	1	1	1	1	
20	90464-51001	CLAMP	1	1	1	1	
21	90110-06161	BOLT, HEXAGON SOCKET HEAD	1	1	1	1	
22	90462-08039	CLAMP	1	1	1	1	
23	5VY-81670-01	PICK-UP ASSY	1	1	1	1	
24	5VY-15589-00	PLATE, CLUTCH COVER	1	1	1	1	
25	90110-06161	BOLT, HEXAGON SOCKET HEAD	1	1	1	1	
26	90465-08054	CLAMP	1	1	1	1	
27	5VY-85896-00	SENSOR, CAM POSITION	1	1	1	1	

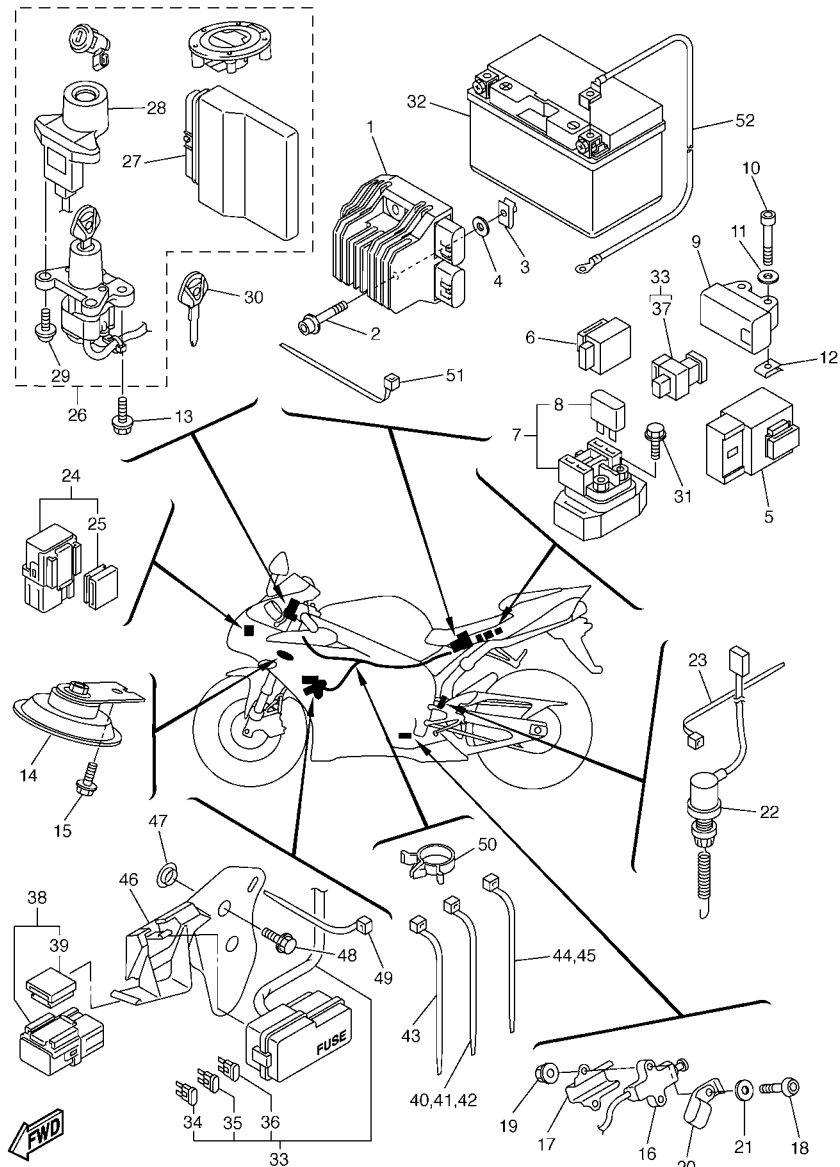
FIG. 47 ELECTRICAL 1



5VYE300-E470

REF. NO.	PART NO.	DESCRIPTION	5VYE	5VYF	5VYR	5VYS	REMARKS
28	90110-06175	BOLT, HEXAGON SOCKET HEAD	1	1	1	1	

FIG. 48 ELECTRICAL 2



5VY1300-C480

REF. NO.	PART NO.	DESCRIPTION	5VYE	5VYF	5VYR	5VYS	REMARKS
1	5VY-81960-00	RECTIFIER & REGULATOR ASSY	1	1	1	1	
2	90110-06066	BOLT, HEXAGON SOCKET HEAD	2	2	2	2	
3	90183-06053	NUT, SPRING	1	1	1	1	
4	90202-05187	WASHER, PLATE	2	2	2	2	
5	5VK-81950-40	RELAY ASSY	1	1	1	1	
6	4GY-83350-00	FLASHER RELAY ASSY	1	1	1	1	
7	5JW-81940-02	STARTER RELAY ASSY	1	1	1	1	
8	36Y-82151-00	.FUSE (15A-BL)	2	2	2	2	
9	5PS-82576-01	LEAN ANGLE SENSOR	1	1	1	1	
10	91317-04025	BOLT	2	2	2	2	
11	90201-047A2	WASHER, PLATE	2	2	2	2	
12	90183-04039	NUT, SPRING	2	2	2	2	
13	90109-080G5	BOLT	2	2	2	2	
14	4TH-83371-00	HORN	1	1	1	1	
15	95807-06012	BOLT, FLANGE	1	1	1	1	
16	5PX-82566-51	SWITCH, SIDE STAND	1	1	1	1	
17	5JJ-82388-00	PLATE	1	1	1	1	
18	92017-05030	BOLT, BUTTON HEAD	2	2	2	2	
19	95607-05200	NUT, U FLANGE	2	2	2	2	
20	90461-10002	CLAMP	1	1	1	1	
21	90201-057H5	WASHER, PLATE	1	1	1	1	
22	5PW-82530-00	STOP SWITCH ASSY	1	1	1	1	
23	5Y9-12491-00	CLAMP 1	1	1	1	1	
24	5JJ-81950-20	RELAY ASSY	2	2	2	2	
25	5JJ-81952-00	.HOLDER, RELAY	1	1	1	1	
26	5VY-W8250-60	MAIN SW. IMMOBILIZER KIT	1		1		
	5VY-W8250-A0	MAIN SW. IMMOBILIZER KIT		1		1	

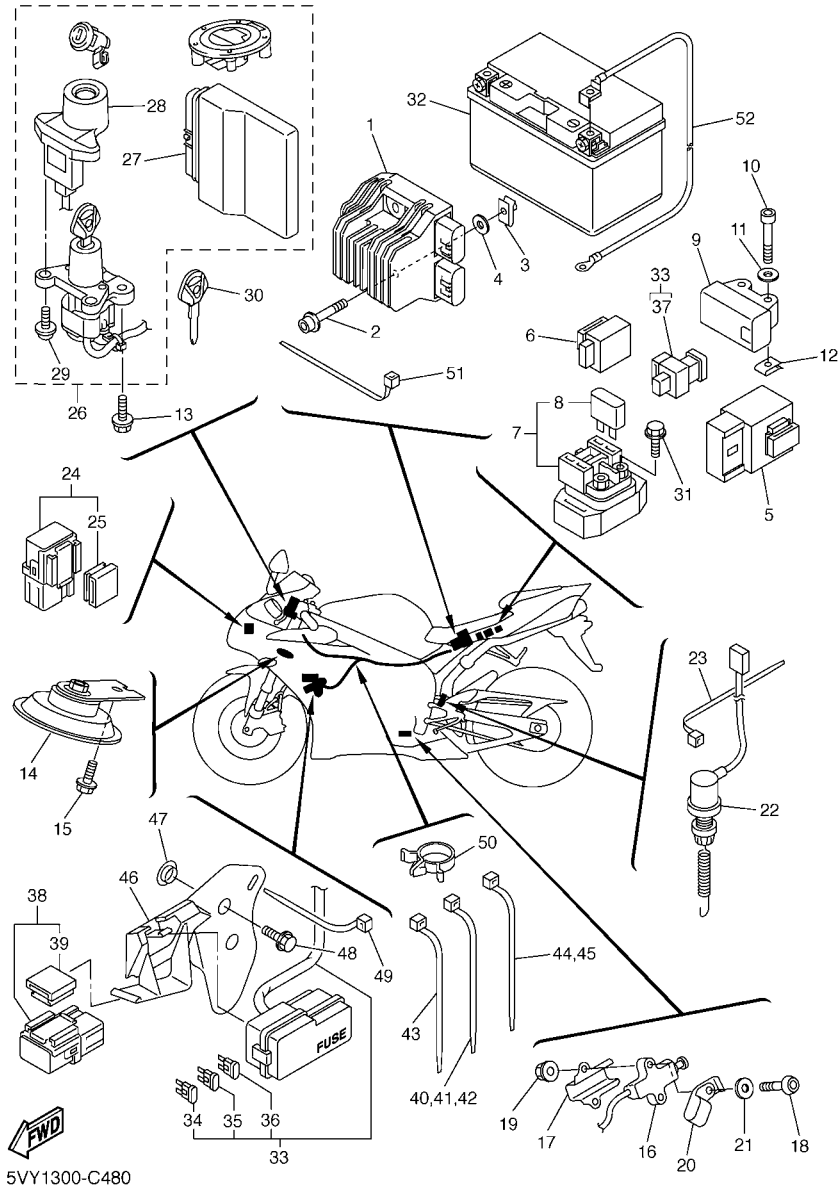


FIG. 48 ELECTRICAL 2

REF. NO.	PART NO.	DESCRIPTION	5VYE	5VVF	5VVR	5VVS	REMARKS
27	5VY-8591A-60	.ENGINE CONTROL UNIT ASSY	1		1		
	5VY-8591A-A0	.ENGINE CONTROL UNIT ASSY		1		1	
28	5VY-8255P-00	.IMMOBILIZER. UNIT COMP.	1	1	1	1	
29	5SL-82113-00	.SCREW	2	2	2	2	
30	5SL-82511-08	BLANK KEY	1	1	1	1	AP
31	95027-06008	BOLT, FLANGE	2	2	2	2	
32	5VY-82100-00	BATTERY ASSY (YUASA YTZ10S)	1	1	1	1	
33	5VY-82590-30	WIRE HARNESS ASSY	1	1	1	1	
34	5JJ-82151-10	.FUSE (15A-BL)	4	4	4	4	
35	5JJ-82151-30	.FUSE (10A-BL)	4	4	4	4	
36	5JJ-82151-70	.FUSE (25A-BL)	2	2	2	2	
37	5JW-82151-10	.FUSE (50A)	1	1	1	1	
38	5EA-81950-20	RELAY ASSY	1	1	1	1	
39	5EA-81952-00	.HOLDER, RELAY	1	1	1	1	
40	90464-15195	CLAMP	1	1	1	1	
41	90464-15195	CLAMP	1	1	1	1	
42	90464-15195	CLAMP	1	1	1	1	
43	90464-13073	CLAMP	1	1	1	1	
44	1UA-82591-00	BAND	1	1	1	1	
45	1UA-82591-00	BAND	1	1	1	1	
46	5VY-82171-00	STAY, FUSE BOX	1	1	1	1	
47	90387-06040	COLLAR	2	2	2	2	
48	90119-06228	BOLT, WITH WASHER	2	2	2	2	
49	90464-13077	CLAMP	1	1	1	1	
50	90464-15157	CLAMP	1	1	1	1	
51	90464-13073	CLAMP	2	2	2	2	
52	5VY-82116-00	WIRE, MINUS LEAD	1	1	1	1	

NUMERICAL INDEX

PART NO.	GRID NO.	PART NO.	GRID NO.	PART NO.	GRID NO.	PART NO.	GRID NO.	PART NO.	GRID NO.	PART NO.	GRID NO.
5VY-11101-20	B - 2	3LN-12153-20	B - 6	5VY-12443-10	C - 10	5VY-13596-00	B - 14	5VY-14710-00	C - 5	1UF-15379-00	D - 7
5VY-1111G-00	B - 2	3FV-12153-30	B - 6	5VY-1244G-00	B - 10	5VY-13597-00	B - 14	5VY-14714-00	C - 5	5VY-15393-00	B - 14
5VY-11133-10	B - 2	3LN-12153-30	B - 6	5VY-12450-00	B - 8	5VY-13598-00	B - 14	5JJ-14715-00	C - 5	5VY-15411-00	C - 9
5VY-11134-10	B - 2	1HX-12168-00	B - 5	5VY-12456-10	B - 8	5VY-13750-30	C - 2	5VY-14715-00	C - 5	5VY-15413-00	C - 10
5VY-11165-00	C - 10	1HX-12168-20	B - 5	5VY-12461-00	B - 11	5VY-13750-50	C - 2	5VY-14718-01-P0	C - 7	5VY-15416-00	C - 9
5VY-11181-00	B - 2	1HX-12168-40	B - 5	5SL-12462-00	B - 11	5VY-13761-00	C - 3	5VY-14718-01-P1	C - 7	5VY-15418-00	C - 9
5VY-11191-01	B - 2	1HX-12168-60	B - 5	5VY-12469-00	B - 8	5VY-13898-00	B - 12	5VY-14720-00	C - 6	5VY-15421-10	C - 9
5VY-11193-10	B - 2	1HX-12168-80	B - 5	5GV-1246A-00	B - 10	5VY-13906-00	C - 2	5VY-14728-01-P0	C - 7	5VY-15431-00	C - 10
214-11198-01	B - 13	1HX-12168-A0	B - 5	5GV-1246E-00	B - 11	5PW-13907-01	E - 3	5VY-14728-01-P1	C - 7	5VY-15441-00	C - 10
5VY-11311-00	B - 3	1HX-12168-F0	B - 5	5VY-12481-10	B - 9	5VY-13971-00	C - 3	5VY-14740-00	C - 5	5VY-15451-10	C - 9
5VY-1133E-00	C - 6	1HX-12168-H1	B - 5	5VY-12483-01	B - 10	5VY-13972-00	C - 3	5VY-14747-00	C - 6	5VY-15456-00	C - 10
5VY-1133F-00	C - 7	1HX-12168-K1	B - 5	5VY-12484-10	B - 9	5PW-14103-00	C - 3	5VY-14755-00	C - 5	5VY-15461-00	C - 9
5VY-11351-00	B - 3	1HX-12168-M1	B - 5	4XV-12485-00	B - 8	5JW-14104-00	C - 3	5VY-14757-00	C - 7	5VY-15462-00	C - 10
5VY-11411-01	B - 4	1HX-12168-R1	B - 5	5VY-12485-10	B - 10	5PW-1410F-00	C - 2		D - 8	5VY-15499-00	C - 9
5VY-11416-00	B - 4	1HX-12168-U1	B - 5	5Y9-12491-00	G - 7	4KM-14137-00	C - 2	5VY-1475P-00	C - 7	5VY-15515-00	C - 11
5VY-11416-10	B - 4	1HX-12168-W1	B - 5	5VY-12494-00	B - 11	5PS-14147-00	C - 3	5VY-1476P-00	C - 7	5VY-15517-00	C - 11
5VY-11416-20	B - 4	1HX-12168-Y1	B - 5	5VY-12551-00	B - 11	5VY-14171-00	C - 2	5VY-1477P-00	C - 7	5VY-15521-00	C - 11
5VY-11416-30	B - 4	1HX-12169-11	B - 6	5VY-12552-00	B - 10	5VY-14204-00	C - 2	5VY-1478P-00	C - 7	5VY-15542-00	C - 9
5VY-11416-A0	B - 4	1HX-12169-31	B - 6	5VY-12576-00	B - 8	8CC-14216-10	C - 3	5VY-14811-00	C - 5	5VY-15570-00	C - 11
5VY-11445-00	C - 11	1HX-12169-50	B - 6	5VY-12577-00	B - 10	5PW-14251-00	C - 2	5VY-14821-00	C - 5	5VY-15586-00	C - 11
5VY-11478-00	C - 11	1HX-12169-70	B - 6	5VY-12578-00	B - 10	5VY-14348-00	C - 3	5VY-14826-00	C - 5	5VY-15589-00	G - 5
5VY-11537-00	C - 11	1HX-12169-90	B - 6	5VY-12579-00	B - 10	5PW-14349-00	C - 2	5VY-1482K-00	B - 2	5VY-16129-00	C - 12
5VY-11549-00	B - 4	1HX-12169-E0	B - 6	5VY-12588-00	B - 9	5SL-14349-00	C - 2	5VY-14840-00	C - 4	5VY-16150-00	C - 12
5VY-11603-01	B - 4	1HX-12169-G0	B - 6	5VY-12589-01	B - 11	5FL-14349-10	C - 2	5VY-14856-00	C - 5	5VY-16154-00	C - 12
5VY-11631-10	B - 4	1HX-12169-J0	B - 6	5VY-12637-00	B - 8	5JW-14396-00	C - 2	5VY-14862-00	B - 14	5VY-16155-00	C - 11
5VY-11633-00	B - 4	1HX-12169-L0	B - 6	5GJ-12675-00	B - 11	5VY-1440B-00	B - 14	5VY-14865-10	C - 5	5VY-16164-00	C - 13
5VY-11650-01	B - 4	1HX-12169-N0	B - 6	5VY-12682-00	B - 15	5VY-14411-00	B - 14	5VY-14867-00	C - 5	5VY-16181-00	C - 13
5VY-11654-01	B - 4	1HX-12169-T0	B - 6	5EB-12822-00	B - 13	5VY-14413-00	C - 3	5VY-14881-00	C - 4	5VY-16321-00	C - 12
5VY-11656-00	B - 4	5VY-12170-10	B - 7	5VY-13117-10	B - 12	5VY-14419-00	B - 14	5VY-14882-00	C - 4	5VY-16325-00	C - 12
5VY-11656-10	B - 4	5VY-12176-00	B - 7	5VY-13161-00	B - 13	5VY-14421-00	B - 14	5VY-14883-00	C - 4	5VY-16330-00	C - 12
5VY-11656-20	B - 4	5VY-12180-10	B - 7	5VY-1316E-00	B - 12	5VY-14425-00	B - 15	5SL-14890-00	B - 2	5VY-16331-00	C - 12
5VY-11656-30	B - 4	5VY-12210-10	B - 7	5VY-13310-10	B - 8	31A-14435-00	B - 14	5VY-14899-00	B - 2	5VY-16340-10	C - 12
5VY-12111-00	B - 5	2D1-12213-00	B - 7	5VY-13336-00	B - 8	5VY-14435-00	B - 14	5VY-14905-00	C - 3	132-16346-00	D - 3
5VY-12112-00	B - 5	5BE-12241-00	B - 2	5VY-13354-00	C - 13	5VY-14451-00	B - 14	5DM-14936-00	C - 3	5VY-16351-10	C - 12
5VY-12113-00	B - 5	5VY-12251-00	B - 7	5VY-13355-00	B - 8	5VY-14452-00	B - 14	22U-14952-00	C - 2	4XV-16356-01	C - 12
5VY-12114-00	B - 5	5VY-12252-00	B - 7	5VY-13410-00	B - 12	5VY-14457-00	B - 14	5PS-14987-00	C - 2	2D1-16370-00	C - 12
5NL-12116-00	B - 5	5VY-12277-00	D - 15	5VY-13414-01	B - 13	5VY-14462-00	B - 14	5VY-15100-01	C - 8	5VY-16382-10	C - 12
5VY-12117-10	B - 5	5VY-12405-00	B - 11	5VY-13416-00	B - 12	5VY-14467-00	B - 14	4B1-15113-00	C - 10	5VY-16383-00	C - 12
1HX-12118-00	B - 5	5VY-12405-10	B - 11	5VY-13417-10	B - 13	5VY-14498-00	B - 14	5EB-15155-00	C - 8	5VY-16384-00	C - 12
1WG-12118-00	B - 5	5VY-12410-10	B - 10	5VY-13418-10	C - 8	5JW-14589-00	C - 3	5VY-15163-00	C - 14	4X7-16385-00	C - 12
4SV-12119-00	B - 5	5LP-12411-00	B - 10	5GH-13440-00	B - 13	5VY-14602-00	C - 5	5VY-15164-00	C - 9	5VY-17121-00	C - 14
4TV-12119-00	B - 5	5VY-12421-00	B - 8	5VY-13470-00	B - 13	5VY-14610-10	C - 5	36Y-15189-00	C - 10	5VY-17131-00	C - 14
5VY-12121-00	B - 5	5VY-12422-00	B - 8	5JW-13473-00	B - 13	4FM-14613-00	C - 5	4H7-15189-00	C - 10	5VY-17151-00	C - 14
3GM-12126-00	B - 5	11H-12438-10	B - 8	5EB-13475-00	B - 13	5VY-14623-00	C - 5	5PX-15189-00	C - 9	5VY-17161-00	C - 14
5VY-12127-10	B - 5	4XV-12439-00	B - 8	5VY-13490-00	B - 13	5VY-14638-00	C - 5	5VY-15191-00	F - 12	5VY-17211-00	C - 15
3FV-12153-09	B - 6	5VY-1243A-00	B - 10	5VY-13543-00	C - 3	5VY-14643-00	C - 5	5VY-15316-00	C - 8	5VY-17221-10	C - 14
3LN-12153-09	B - 6	5VY-1243E-00	B - 10	8FP-13556-00	C - 3	5VY-14648-00	C - 5	5PW-15361-00	C - 8	5VY-17231-00	C - 15
3FV-12153-20	B - 6	5VY-1243F-00	B - 10	5VY-13595-00	B - 14	5VY-14674-00	C - 5	5VY-15362-00	C - 9	5VY-17241-00	C - 14

NUMERICAL INDEX

PART NO.	GRID NO.	PART NO.	GRID NO.	PART NO.	GRID NO.	PART NO.	GRID NO.	PART NO.	GRID NO.	PART NO.	GRID NO.
5VY-17251-00	C - 15	5PW-21511-00-P3	D - 6	2TK-21757-00	F - 8	4XV-2341B-00	D - 14	4XV-25117-00	E - 7	5SL-25854-00	F - 4
5VY-17261-10	C - 14	5PW-21511-00-P6	D - 6	5VY-2176V-00	E - 6	4XV-23434-00	E - 13	4XV-25118-00	E - 7	5VY-25854-00	E - 14
5VY-17402-00	C - 14	5JJ-2153E-00	F - 9	5PW-2177L-00	F - 5	5VY-23435-01	D - 14	5VY-25168-00-0X	E - 7	5SL-25855-00	F - 4
5VY-17411-10	C - 14	5JJ-2153E-10	F - 9		F - 8	3FV-23462-00	D - 14	5VY-25168-00-1X	E - 7	5VY-25855-00	E - 14
5VY-17442-00	C - 14	5PA-21568-00	E - 5	26H-21828-00	D - 10	2H9-23469-00	E - 13	5VY-25168-00-98	E - 7	4BP-2585F-00	F - 4
5VY-17446-00	C - 14	5VY-21611-00-P0	D - 6	5VY-21843-00	D - 10	5VY-23490-00	E - 13	5VY-25168-00-P1	E - 7	5VS-2585H-00	E - 14
3CV-17460-00	C - 15	5VY-21611-00-P1	D - 6	5VY-21871-00	D - 9	5VY-23495-00	E - 13	5PW-25181-00	E - 7	5VS-25867-00	E - 14
5VY-18101-10	D - 3	5VY-21611-00-P4	D - 6	5VY-21875-00	D - 9	5VY-23808-00	D - 14	4XV-25186-00	E - 7	5VS-2586F-00	E - 14
5VY-18110-00	D - 3	5VY-21611-00-P5	D - 7	5VY-21880-00	C - 6	5VY-24117-00	E - 4	5PW-25188-00	E - 7	5VY-25872-00	E - 14
5VY-18112-00	D - 3	5VY-21617-00	D - 6	5VY-21890-00	C - 6	5VY-24118-00	E - 4	5PW-25317-00	E - 10	5VY-25874-10	F - 4
5EB-18113-00	D - 3	5VY-2161G-00	D - 7	5VY-22110-10-P0	D - 11	5PW-2411J-01	E - 5	5VY-25338-00-0X	E - 10	5VY-25875-00	E - 14
5VY-18115-00	D - 3	5VY-21629-30	G - 3	5VY-22128-00	D - 11	5VY-24129-01	E - 5	5VY-25338-00-1X	E - 10	5VY-25876-00	E - 15
5LV-18116-00	D - 3	5VY-21639-00	D - 7	5VY-22128-10	D - 11	5VY-24139-01	E - 5	5VY-25338-00-98	E - 10	5VY-25886-00	F - 4
5VY-18127-10	D - 3	5VY-2163A-00	D - 7	5VY-22141-00	D - 12	5PW-2413B-00	E - 5	5VY-25338-00-P1	E - 10	5SL-25894-00	F - 4
5VY-18140-00	D - 3	5VY-2163E-00	D - 7	5VY-22151-10	D - 11	5VY-2413Y-00	E - 3	5VX-25364-00	E - 10	5SL-25894-20	E - 14
5VY-18144-00	D - 3	5XC-2164B-00	E - 5	5VY-2217A-00	D - 11	5VY-24145-00	E - 4	5SL-25366-00	E - 10	5VY-25895-00	F - 4
4XV-18154-00	D - 3	5VY-2164F-00	D - 7	5VY-2217M-00	D - 11	5PW-2414H-00	E - 5	5PW-25367-00	E - 10	5VY-25895-10	E - 14
5VY-18511-01	D - 2	5VY-2164G-00	D - 6	5VY-22184-10	D - 11	5VY-2414H-00	E - 5	5SL-25367-00	E - 11	5VY-2589F-01	E - 14
5VY-18512-01	D - 2	5VY-2164K-00	D - 7	5VY-22219-01	D - 13	5PW-2414J-00	E - 5	5SL-25376-00	E - 10	5VY-2589G-00	E - 14
5VY-18513-01	D - 2	5VY-2164L-00	D - 7	5SL-22219-00	D - 13	5VY-2414J-00	E - 4	5PW-25377-00	E - 10	5VY-2589H-00	E - 14
5VY-18531-00	D - 2	5VY-21650-00	D - 12	5VY-22311-01	D - 11	5VY-2414K-00	E - 5	5SL-25381-00	E - 11	5SL-25914-00	E - 12
5VY-18535-00	D - 2	5VY-21652-00	D - 7	5VY-22873-00	D - 11	5VY-2414N-00	E - 5	4XV-25383-00	E - 10	5DH-25916-00	E - 12
5VY-18536-00	D - 2	5VY-21668-00	D - 12	5VY-23102-30	D - 15	5VY-2414P-00	E - 5	5VY-25388-00	E - 11	3JD-25917-00	E - 12
5VY-18540-00	D - 2	5VY-21669-00	D - 7	5VY-23102-50	D - 15	5VY-2414R-00	E - 5	5VY-25389-00	E - 11	5SL-25917-00	E - 12
136-18542-00	D - 2	5VY-21710-01-P1	D - 9	5VY-23103-30	D - 15	5PW-2415E-01	E - 5	5MT-25398-00	E - 7	4SV-25919-00	E - 8
5VY-18562-00	D - 2	5VY-21710-01-P4	D - 9	5VY-23103-50	D - 15	5VY-24181-00	E - 3	5MT-25398-10	E - 10	5SL-25919-00	E - 12
5VY-2110M-00	D - 5	1UJ-21717-00	D - 9	5VY-23110-30	D - 15	5SL-24183-00	E - 3	5MT-25398-20	E - 7	5VY-25921-00	E - 12
5VY-2110M-10	D - 5	5VY-2171A-01-P0	E - 4	5VY-23111-00	D - 15	5VY-24183-00	E - 3		E - 10	4SV-25924-00	E - 8
5VY-21110-20-P0	D - 4	5VY-2171A-01-P1	E - 4	5VY-23111-20	D - 15	5VY-24191-00	E - 3	5MT-25398-20	E - 7	8CR-25924-00	E - 12
5VY-21131-00	D - 4	5VY-2171A-01-P4	E - 4	5VY-23118-00	D - 15	5PW-24192-00	E - 4		E - 10	3GM-25925-00	E - 8
5VY-2116J-00	D - 4	5VY-2171A-01-P5	E - 4	5VY-23120-30	E - 2	5VY-24192-00	E - 3	5VY-25445-20	E - 10	5SL-25926-00	E - 12
5VY-2117K-01	E - 6	1FK-2171H-00	F - 6	5VY-23136-30	D - 15	5VY-24240-10	E - 3	5VY-2580T-00	E - 8	5VY-25975-00	E - 14
5VY-2117R-00	D - 5	5VY-2172E-00	D - 9	5VY-23136-50	D - 15	5VY-24315-00	E - 4	5VY-2580T-10	E - 8	5VY-26121-00	E - 13
5VY-2117V-00	F - 10	5VY-2172P-00	D - 9	5VY-23141-30	D - 15	5VY-24316-00	E - 4	5VY-2580U-00	E - 8	5VY-26122-00	E - 13
5VY-2117W-00	F - 10	5PW-21732-00	D - 7	4PU-23144-00	D - 15	5VY-24317-00	E - 4	5VY-2580U-10	E - 8	4YR-26240-02	E - 13
5VY-2118N-10	D - 5		D - 9	4PU-23145-01	D - 15	68V-24376-00	C - 2	5VY-2580W-10	E - 12	4YR-26241-02	E - 13
5VY-21190-00	D - 4	5VY-21732-00	D - 7	5PW-23146-00	D - 15	5JW-24486-00	E - 4	5VY-2581T-00	E - 8	5PW-26246-00	E - 13
5VY-21268-00	D - 4	1JK-21735-00	D - 9	3XJ-23147-L0	D - 15	5VY-24491-00	E - 4	5VY-2581T-20	E - 8	5VY-26280-00	F - 7
5VY-21269-00	D - 4	5VY-2173E-00	D - 9	4V4-23153-L0	D - 15	5JJ-24602-00	E - 3	5SL-25827-00	E - 12	5VY-26281-00	E - 13
5VY-2131P-00	D - 5	5VY-2173F-00	D - 9	509-23158-L0	D - 15	5VY-2470F-00	E - 6	5SL-25827-10	E - 12	3XW-26282-01	E - 13
4XV-21376-00	D - 6	5VY-2173L-11	D - 9	5VY-23170-30	D - 15	5VY-24710-00	E - 6	5SL-25827-10	E - 12	5VY-26290-00	F - 7
5VY-21414-00	D - 4	5VY-2173P-00	D - 9	5UX-23181-00	D - 15	5SL-24723-00	E - 6	5SL-2582A-00	F - 4	5VY-26292-10	D - 14
5VY-21424-00	D - 4	5VY-21746-00	D - 5	5VY-23340-30	E - 2	5VY-24729-00	E - 6	5SL-2582W-00	E - 12	5VY-26298-00	F - 7
5VY-21435-00	D - 4	5VY-21747-00	D - 9	3LC-23357-00	D - 15	5VY-24750-00	E - 6	5SL-25838-00	E - 12	5VY-26302-01	E - 13
5VY-2144G-00	F - 3	5VY-2174L-11	D - 9	5VY-23377-00	E - 14	5VY-24751-00	E - 6	5VY-2583B-00	E - 8	5VY-2631E-10	E - 13
5EB-21495-00	D - 4	5PW-2174X-00	D - 9	5VY-23389-00	E - 13	5VY-24780-00	E - 6	5SL-2583V-00	F - 4	5VS-26332-00	E - 14
5PW-21511-00-33	D - 6	5VY-2174X-00	D - 5	4XV-23415-01	D - 14	5VY-2478E-00	E - 6	5SL-25852-00	F - 4	5VY-26335-01	E - 13
5PW-21511-00-P1	D - 6	5VY-2174Y-00	D - 5	5VY-23418-00	D - 14	5VY-24792-00	E - 6	5VY-25852-00	E - 14	5VY-26398-00	E - 13

NUMERICAL INDEX

PART NO.	GRID NO.	PART NO.	GRID NO.	PART NO.	GRID NO.	PART NO.	GRID NO.	PART NO.	GRID NO.	PART NO.	GRID NO.
5VY-27211-00	F - 4	5VY-2836K-00	F - 8	5JW-81940-02	G - 7	5VY-83500-40	F - 15	5SL-W0042-50	F - 4	90105-06078	F - 12
5SL-27222-00	F - 4	5VY-2836L-00	F - 9	5EA-81950-20	G - 8	5VY-83500-50	F - 15	5VY-W0045-00	E - 8	90105-07006	B - 7
5VY-27311-00	F - 2	5VY-2836M-00	F - 10	5JJ-81950-20	G - 7	4XV-83513-00	F - 5	5VX-W0046-00	E - 12	90105-08063	C - 5
5JJ-27315-00	F - 2	5VY-28371-00	F - 6	5VK-81950-40	G - 7	5PW-8352S-00	F - 15	5PW-W0047-00	E - 8	90105-08101	C - 8
5JJ-27321-00	F - 2	5PW-28372-00	D - 12	5EA-81952-00	G - 8	5VY-8353E-00	F - 15	5SL-W0047-00	E - 12	90105-10017	D - 11
4NX-27351-00	F - 2	5VY-28372-00	F - 6	5JJ-81952-00	G - 7	5VY-83572-00	F - 15	5PW-W0047-10	E - 8		D - 13
5PW-27352-00	F - 2	5VY-2837J-00	F - 9	5VY-81960-00	G - 7	4XV-83755-02	G - 5	1J3-W0048-00	E - 8	90105-10290	G - 5
5VY-27410-00	F - 2	5VY-2837K-00	F - 9	5VY-82100-00	G - 8	4XV-83912-11	G - 4	1UY-W0048-00	E - 12	90105-14002	E - 7
5VY-2741L-00	F - 3	5VY-2837L-01	F - 5	5SL-82113-00	G - 8	5JJ-83913-00	G - 4	5VY-W0048-00	E - 14	90109-05005	B - 14
5VY-27420-00	F - 2	5VY-2837M-01	F - 6	5VY-82116-00	G - 8	5VY-83922-00	E - 14	5PW-W0057-00	E - 8	90109-06013	F - 4
4XV-27424-00	C - 6	5VY-2837N-00	F - 6	5VY-82122-00	D - 6	4XV-83945-01	G - 4	5VY-W0057-00	E - 12	90109-06014	C - 10
5VY-27424-00	C - 6	5VY-2837R-00	F - 6	5VY-82123-00	D - 6	5LV-83951-00	G - 4	5PW-W0057-10	E - 8	90109-06015	C - 10
5VY-27425-00	F - 3	5VY-2837V-00	F - 6	5VY-8212B-00	D - 6	5VY-83969-00	G - 4	5VY-W2470-00	E - 6	90109-06016	C - 9
5VY-2742L-00	F - 3	5VY-2837W-00	F - 6	5VY-8212C-00	D - 6	5PW-83975-00	G - 4	5VY-W2587-10	E - 14	90109-06031	C - 9
5JJ-27431-00	F - 3	5PW-28386-00	F - 8	133-82131-00	D - 6	4HM-83980-00	E - 14	5VY-W8250-60	G - 7	90109-06043	D - 6
5JJ-27437-01	F - 3	5VY-2838G-00	D - 8	36Y-82151-00	G - 7	4KB-84117-00	G - 3	5VY-W8250-A0	G - 7	90109-06056	D - 4
5JJ-27441-00	F - 3	5VY-2838N-00-P0	F - 6	5JJ-82151-10	G - 8	5VY-84196-00	G - 2	5VY-Y2171-61-P5	D - 9		F - 10
5VY-27442-01	F - 2	5VY-2838N-00-P3	F - 6	5JW-82151-10	G - 8	5VY-84303-00	G - 2	5VY-Y2171-71-P0	D - 9	90109-06100	C - 8
5VY-27443-01	F - 2	5VY-2838N-00-P4	F - 6	5JJ-82151-30	G - 8	5VY-84303-10	G - 2	5VY-Y2410-30-03	E - 3	90109-065G4	D - 14
5VY-27445-00	F - 2	5VY-2838N-00-P5	F - 6	5JJ-82151-70	G - 8	5VY-84303-20	G - 2	5VY-Y2808-00-P3	F - 9	90109-066F0	B - 2
5VY-27446-00	F - 3	5VY-2838R-00-P0	F - 6	5VY-82171-00	G - 8	5VY-84303-30	G - 2	5VY-Y2808-20-33	F - 9	90109-080G5	G - 7
5VY-27490-00	D - 7	5VY-2838R-00-P3	F - 6	5VY-82309-00	G - 5	5VY-84312-00	G - 2	5VY-Y2808-20-P0	F - 9	90109-083E0	F - 2
5VY-28100-00	D - 8	5VY-2838R-00-P4	F - 6	5VY-82310-00	G - 5	4SV-84314-00	G - 2	5VY-Y2808-50-P6	F - 9	90109-085G6	F - 2
5VY-28307-00	F - 9	5VY-2838R-00-P5	F - 6	5VX-82380-00	C - 2	4SV-84347-00	G - 2	5VY-Y2809-00-P3	F - 9	90109-10002	F - 2
5VY-28315-00	F - 5	5VY-28391-20	F - 8		G - 5	4SV-84350-00	G - 2	5VY-Y2809-20-33	F - 9	90109-103A9	F - 2
5VY-28322-00	F - 8	5VY-28392-20	F - 8	5VY-82386-00	C - 2	5VY-84359-30	G - 2	5VY-Y2809-20-P0	F - 9	90110-05014	E - 4
5VY-2832L-00	F - 5	5VY-283B1-01	F - 9	5JJ-82388-00	G - 7	5VY-84396-00	G - 2	5VY-Y2809-50-P6	F - 9		E - 13
5VY-2832P-00	F - 5	5VY-283B1-10	F - 8	5SL-82511-08	G - 8	5GJ-84397-00	G - 2	5VY-Y283G-10-P5	F - 5	90110-05018	E - 13
5VY-28332-00	F - 8	5VY-283B2-01	F - 10	5PW-82530-00	G - 7	5SL-84397-00	G - 2	5VY-Y283U-50-P5	F - 8	90110-05112	E - 3
4XV-28336-00	F - 5	5VY-283B2-10	F - 8	3GB-82540-01	G - 5	5VY-84710-00	G - 3	5VY-Y283U-60-P0	F - 8	90110-06066	G - 7
5VY-28346-00	F - 6	5VY-2848H-00	F - 8	5VY-8255P-00	G - 8	5PW-84717-00	G - 3	5VY-Y283U-70-P1	F - 8	90110-06108	C - 10
5VY-2834C-30	F - 8	5VY-2848K-00	F - 8	5PX-82566-51	G - 7	5VY-84726-00	G - 3	5VY-Y283U-80-0X	F - 8	90110-06110	C - 5
5VY-2834C-41	F - 8	5VY-2848L-00	F - 9	5PS-82576-01	G - 7	4HC-84744-00	G - 3	5VY-Y283V-50-P5	F - 8	90110-06112	C - 9
5VY-2834C-50	F - 8	5VY-2848M-00	F - 10	5VY-82590-30	G - 8	5VY-84745-00	G - 3	5VY-Y283V-60-P0	F - 8	90110-06161	B - 9
4XV-2834E-00	E - 4	5VY-2848N-00	F - 9	1UA-82591-00	G - 8	5SL-84753-00	D - 5	5VY-Y283V-70-P1	F - 8		B - 12
5VY-2834E-00	F - 6	5VY-2848P-00	F - 10	3MA-82591-00	E - 14		F - 7	5VY-Y283V-80-0X	F - 8		C - 8
5VY-2834F-00	F - 6	5VY-2848R-00	F - 10	4XV-82910-14	G - 4	3Y6-85130-02	G - 3	5VY-Y2881-00	F - 5		G - 5
5VY-2834V-00	F - 5	5VY-28494-00	F - 9	4XV-82917-01	G - 4	5VY-85720-00	G - 5	5VY-YK241-30-P0	E - 3	90110-06164	C - 14
5JJ-2834W-00	F - 5	5VY-81410-00	F - 12	5PW-83310-01	F - 14	8CC-85790-01	G - 5	5VY-YK241-30-P2	E - 3	90110-06167	B - 8
5VY-28356-00	F - 5	5VY-81450-00	F - 12	1KH-83311-00	F - 14	5VY-85820-10	G - 5	5VY-YK241-30-P3	E - 3	90110-06168	B - 10
5VY-2835C-30	F - 8	5VY-81670-01	G - 5	5PW-83318-00	F - 14	5VY-85829-00	G - 5	90101-08015	E - 11		C - 10
5VY-2835C-41	F - 8	5VY-81673-00	G - 5	5PW-83320-01	F - 14	5VY-85850-00	C - 2	90101-08662	F - 2	90110-06169	B - 13
5VY-2835C-50	F - 8	5PW-81801-00	F - 13	5PW-83330-00	F - 14	5FL-85885-02	C - 2	90105-05002	E - 5		C - 9
5VY-2835G-00-P0	F - 5	5PW-8181L-00	F - 13	5PW-8333A-00	F - 14	5CA-85886-00	B - 14	90105-06026	B - 2	90110-06173	B - 12
5VY-2835G-00-P1	F - 5	5PW-81828-00	F - 13	5PW-83340-00	F - 14	5VY-85896-00	G - 5	90105-06041	E - 14	90110-06174	B - 9
5VY-2835G-00-P4	F - 5	5VY-8183G-00	F - 13	5PW-8334A-00	F - 14	5VY-8591A-60	G - 8	90105-06052	D - 10	90110-06175	G - 6
5VY-2836A-00	F - 10	5PW-81846-00	F - 13	4GY-83350-00	G - 7	5VY-8591A-A0	G - 8	90105-06065	B - 8	90110-06176	C - 11
5VY-2836E-00	F - 10	5VY-81890-00	F - 13	4TH-83371-00	G - 7	5VY-W0041-00	E - 14	90105-06066	B - 8	90110-06177	C - 9

NUMERICAL INDEX

PART NO.	GRID NO.	PART NO.	GRID NO.	PART NO.	GRID NO.	PART NO.	GRID NO.	PART NO.	GRID NO.	PART NO.	GRID NO.
90110-06178	B - 2	90159-06056	F - 4	90201-08M09	E - 13	90338-15004	D - 4	90413-07023	B - 10	90467-12191	B - 11
90110-06181	E - 13	90159-06150	F - 3	90201-10021	E - 10	90338-23004	D - 4	90430-06014	B - 2	90467-14015	B - 15
90110-06182	B - 12	90160-05006	F - 15	90201-10029	C - 13	90340-12003	C - 10		B - 9	90467-160A1	B - 14
	B - 13		G - 2	90201-10033	B - 2	90340-14132	B - 13	90430-06166	C - 8	90467-17128	C - 4
	C - 10	90160-05007	F - 5	90201-10039	G - 5	90340-18002	B - 2	90430-08143	C - 10	90467-180A0	C - 4
	D - 2	90167-05080	D - 5	90201-10054	C - 6	90340-32004	C - 10	90430-10148	G - 5	90467-18172	C - 4
90110-06258	E - 6	90170-06228	D - 3	90201-10118	E - 14	90387-05017	D - 7	90445-08022	D - 10	90467-200A0	B - 9
90110-08068	C - 9	90170-28419	D - 14		F - 4	90387-06023	F - 3	90445-087K6	D - 10		B - 10
90110-10005	D - 4	90176-06014	B - 10	90201-101J1	F - 2	90387-0603J	D - 7	90445-11418	B - 10	90468-12069	B - 4
90110-10011	D - 12	90176-06055	F - 7	90201-12575	D - 3	90387-06040	G - 8	90445-19002	F - 2	90480-01333	D - 5
90111-05003	D - 12	90176-10075	B - 2	90201-12790	G - 5	90387-06055	E - 3	90446-15386	F - 4	90480-08264	B - 14
90111-05007	D - 9	90179-05523	E - 5	90201-146F9	F - 2	90387-06057	D - 12	90450-22017	B - 11	90480-10542	E - 3
90111-06003	F - 2		F - 5	90201-18013	D - 12		D - 14	90450-32001	B - 9	90480-12005	D - 12
90111-06019	D - 3	90179-06M28	C - 5	90201-20016	C - 11	90387-06066	D - 11	90450-35001	B - 10	90480-12010	B - 9
90111-06030	D - 6	90179-08410	C - 5	90201-20017	C - 11	90387-06071	D - 7	90450-38040	B - 8	90480-12072	D - 6
	F - 11	90179-10006	B - 2	90201-257H0	C - 15	90387-06112	B - 9		B - 10	90480-12314	E - 4
90111-06038	C - 7	90179-10696	D - 4	90201-257R5	E - 11	90387-0611K	D - 14	90450-62002	B - 14	90480-12596	F - 9
90111-06041	D - 14	90179-20007	C - 12	90201-281U8	D - 14	90387-0614M	B - 11	90461-10002	G - 7	90480-12607	F - 3
90111-06043	D - 6	90179-22011	C - 15	90202-05123	F - 5	90387-061U9	E - 3	90461-10010	E - 4	90480-13010	B - 12
90111-06052	D - 7	90179-30691	D - 14	90202-05187	G - 7	90387-062L2	C - 7	90462-08039	F - 5	90480-13014	C - 10
90111-08016	C - 6	90183-04039	G - 7	90202-30235	D - 14	90387-062M9	D - 10	90462-08045	C - 9	90480-14005	D - 4
90116-10020	C - 8	90183-05074	E - 4	90208-20001	C - 12	90387-062X0	D - 11	90464-12036	D - 6	90480-15363	B - 11
90116-10023	C - 8		F - 5	90209-25011	C - 14	90387-06372	F - 7	90464-13073	D - 7	90480-20001	D - 10
90116-10485	E - 10	90183-05076	D - 9	90209-28008	C - 14	90387-063E6	D - 4		G - 8	90501-064L1	D - 2
90119-05011	D - 7		D - 11	90214-10002	F - 2	90387-065J6	D - 6	90464-13077	G - 8	90501-12743	F - 3
90119-05193	D - 7	90183-050A0	D - 14	90214-25003	C - 14		E - 4	90464-13249	B - 11	90501-230A0	C - 12
90119-06228	G - 8	90183-06053	G - 7	90214-25004	C - 14		F - 9	90464-15157	G - 8	90506-18008	F - 2
90119-09003	C - 8	90183-060A2	C - 6	90214-28002	C - 15	90387-06697	F - 3	90464-15195	G - 2	90506-20193	F - 4
90149-05244	E - 14	90185-10009	E - 10	90214-29002	C - 14	90387-066Y6	E - 3		G - 8	90508-16041	C - 13
90149-06043	E - 8	90185-18167	D - 12	90215-30233	C - 15	90387-07717	D - 11	90464-16005	C - 3	90508-32020	D - 3
90149-06064	C - 9	90185-24165	E - 11	90267-32161	D - 6	90387-08005	C - 6	90464-16006	D - 5	91312-06025	B - 13
90149-06067	F - 12	90201-047A2	G - 7	90269-06001	F - 6	90387-08020	C - 6	90464-16011	D - 11	91312-06040	B - 8
90149-06298	D - 8	90201-05725	G - 3	90269-06008	G - 2	90387-08021	C - 6	90464-16012	D - 12	91314-06014	C - 10
	D - 11	90201-057H5	G - 7	90269-06011	D - 9	90387-0804S	D - 3	90464-28003	C - 4	91314-06020	B - 7
90149-06302	D - 12	90201-06034	B - 2	90269-06081	D - 7	90387-1012A	D - 11	90464-30040	C - 3	91314-06025	E - 4
	F - 10	90201-06063	E - 3		F - 7		D - 13	90464-47001	G - 2	91314-06035	F - 3
90149-06304	F - 3	90201-06071	B - 11		F - 9	90387-1013U	D - 12	90464-51001	G - 5	91314-06105	B - 2
90149-08009	E - 12	90201-06074	B - 11		G - 3	90387-1211D	D - 3	90465-04020	D - 7	91314-08030	D - 14
90149-10015	D - 4	90201-06079	B - 9	90269-07007	F - 5	90387-25007	C - 14	90465-08053	G - 5		E - 2
90149-10017	D - 4	90201-06431	C - 9	90269-07076	D - 6	90387-25008	C - 15	90465-08054	G - 5		E - 13
90150-05024	F - 5	90201-06589	C - 11		D - 9	90387-28003	C - 14	90467-010A0	F - 4	91314-08040	D - 15
90151-06022	C - 10	90201-06M30	E - 4	90269-07077	D - 6	90387-28004	C - 14	90467-08075	D - 10	91317-04025	G - 7
90153-06002	B - 9	90201-06M31	D - 4		F - 9	90387-31003	C - 14	90467-09006	E - 4	91317-05010	E - 3
90154-05012	E - 4	90201-08034	C - 6	90269-08002	D - 12	90401-10012	E - 9	90467-11044	B - 10	91317-05012	F - 5
90154-05013	F - 6	90201-081R9	F - 2	90282-03001	G - 5	90401-10172	E - 14	90467-11090	B - 10	91317-06012	F - 2
90154-05021	B - 14	90201-08676	E - 13	90338-06007	C - 6		F - 4	90467-12003	C - 3	91317-06016	E - 3
90159-05015	E - 5	90201-086P8	E - 11	90338-06018	D - 5		B - 13	90467-120A1	C - 3	91317-06025	E - 13
90159-06026	C - 12	90201-087G2	C - 6		D - 9		E - 4	90467-120A3	E - 14	91317-06030	B - 11

NUMERICAL INDEX

PART NO.	GRID NO.	PART NO.	GRID NO.	PART NO.	GRID NO.	PART NO.	GRID NO.	PART NO.	GRID NO.	PART NO.	GRID NO.
91317-06090	E - 3	93210-49046	B - 10	95024-06012	B - 2	98507-04010	G - 4				
91380-06014	C - 10	93210-55669	F - 13		D - 4	98507-05008	C - 2				
91401-16012	F - 4	93210-57003	C - 10	95024-06025	B - 8	98507-05014	C - 2				
91492-12010	C - 2	93305-20605	C - 14	95024-10040	D - 4	98507-05016	C - 2				
91701-06018	F - 4	93306-00106	B - 8	95024-10045	D - 4	98507-05022	G - 4				
91808-16023	B - 2		D - 2	95027-06008	G - 8	98507-05025	G - 4				
91808-30031	B - 8	93306-00304	C - 12	95027-06020	E - 3	98507-06012	C - 2				
92014-06014	C - 9	93306-00420	E - 7		G - 4	98507-06020	C - 3				
92014-08016	C - 10	93306-20124	C - 9	95027-06030	E - 3	98707-03016	G - 4				
92014-08040	C - 6	93306-20230	C - 11	95304-06700	D - 3	98907-05008	E - 4				
92017-05030	G - 7	93306-20531	E - 10	95307-08600	E - 11	98907-05014	E - 5				
92017-06012	D - 10	93306-205A2	C - 15	95307-08700	F - 4	99001-07600	C - 12				
92017-06016	D - 11	93306-20652	C - 14	95380-05700	F - 13	99002-10600	D - 3				
92017-06025	E - 6	93306-27208	C - 14	95604-06200	F - 3	99009-10400	C - 13				
92017-08020	F - 3	93310-232R9	C - 12	95604-08200	C - 6	99241-00080	D - 9				
92907-05100	C - 2	93315-31502	C - 12	95607-05100	G - 3	99244-00080	D - 9				
92907-05600	C - 2	93315-31758	D - 11	95607-05200	G - 7	99244-00200	F - 9				
92907-06200	F - 4		D - 13	95607-06200	B - 11	99246-00080	D - 9				
92907-08600	C - 12	93317-11096	C - 12		G - 4	99247-00080	D - 9				
92990-03100	C - 2	93317-11287	D - 3	95607-08200	E - 13	99480-10018	C - 9				
92990-06200	C - 5	93317-428U8	D - 11		F - 5	99530-08012	B - 13				
93101-12004	D - 3	93317-43580	E - 10	95607-10200	D - 11	99530-10014	C - 8				
93102-12372	B - 8	93317-52865	D - 11		D - 13	99530-10114	B - 2				
93102-15212	C - 12	93399-99932	D - 14		F - 2		B - 3				
93102-40330	C - 15	93420-61M07	E - 10	95607-14200	D - 13						
93106-28043	E - 7	93440-28184	C - 14	95612-08625	B - 2						
93106-40013	E - 10	93440-31187	C - 14	95707-05500	E - 4						
93109-17071	D - 11	93440-52009	C - 15	95707-06500	D - 6						
	D - 13	93440-62032	C - 15	95807-06012	G - 7						
93210-04092	C - 8	93501-04011	F - 3	95807-08030	E - 13						
93210-06667	B - 9	93603-12007	B - 8	95812-06050	C - 8						
	B - 12	93603-17070	B - 8	95812-06060	C - 8						
93210-09165	B - 12	93605-10108	C - 9	95812-06070	C - 8						
93210-14003	B - 12	93607-44190	B - 7	95812-08040	C - 6						
	C - 8	93610-20189	C - 9	95812-08050	C - 8						
93210-15566	B - 13	93900-00030	E - 7	95812-08060	C - 8						
93210-16325	C - 10		E - 10	95814-08030	C - 5						
93210-18397	C - 11	94112-17086	E - 7	95814-08045	C - 6						
93210-22298	B - 12	94119-17060	E - 10	95827-06016	D - 5						
93210-22382	C - 9	94580-25078	B - 12		D - 6						
93210-235A1	B - 9	94582-10118	E - 11	95827-06030	B - 11						
	B - 10	94591-60122	B - 7	97702-50514	G - 5						
93210-25711	F - 13	94682-05031	E - 11	97706-04012	F - 14						
93210-27370	B - 9	94701-00403	B - 2		G - 3						
	C - 9	95022-06016	G - 5	97707-50014	D - 7						
93210-32172	C - 10	95022-06020	D - 3	97707-50016	G - 2						
93210-357A2	B - 8		D - 4	97707-50020	G - 5						
93210-47675	B - 8	95022-06040	F - 13	98507-03016	C - 2						