

PARTS CATALOGUE

YZF-R6 (5MTB) EUROPE

YZF-R6 (5MTC) AUSTRIA, FINLAND, NORWAY

YZF-R6P (5MTE) AUSTRALIA

YZF-R6/YZF-R6P
PARTS CATALOGUE
©2001 by Yamaha Motor Co., Ltd.
1st Edition, November 2001
All rights reserved.
Any reprinting or unauthorized use
without the written permission of
Yamaha Motor Co., Ltd.
is expressly prohibited.

A3



A4

FOREWORD

This Parts Catalogue is related to the parts for the model(s) in the below frame. When you are ordering replacement parts, please refer to this Parts Catalogue and quote both part numbers and part names correctly.

YZF-R6/YZF-R6P(5MTB,C/5MTE)

1. Modifications or additions which have been made after issue of the Parts Catalogue will be announced in the Yamaha Parts News.
It is advisable that you make necessary corrections to the Parts Catalogue according to the Yamaha Parts News.

2. Abbreviations

The Following abbreviations are used in this Parts Catalogue.

- "UR" Use specified parts number.
- "UN" Use as many as needed.
- "AP" Alternate Parts
- "LM" Local Made (Parts need to be ordered locally)
- "F#" Frame No. (Applicable machine No.)

3. Parts, which are to be supplied in an assembly, are listed with a dot(.) in front of the part name as shown below.

EXAMPLE

CARBURETOR ASSY
.JET, PILOT
.NOZZLE, MAIN

4. Number of component for assembly

The numeral appearing to the right of each component part indicates the quantity of parts for each assembly unit.

EXAMPLE

PART NO.	DESCRIPTION	Q'TY	REMARKS
2F5-83310-60	FRONT FLASHER LIGHT ASSY	2	
115-83311-60	.BULB (6V-18W)	1	
1M1-83309-60	.REFLECTOR	1	

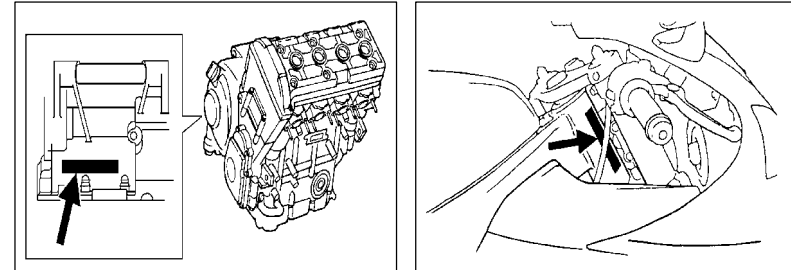
5. Applicable colors of graphics are represented in the "REMARKS" as shown below.

PART NO.	DESCRIPTION	Q'TY	REMARKS
2N4-24110-00-X5	.FUEL TANK COMP.	2	MXR
3J1-24240-10	.GRAPHIC, FUEL TANK	1	for MXR

6. Applicable Serial No.

Engine Serial No.

Frame Serial No.



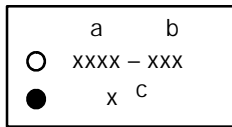
7. Note that the illustrations for reference in finding parts numbers, not to be used for assembling. When assembling, please use the applicable service manual.

8. The asterisk (*) before a reference number indicates modification items after the first edition.

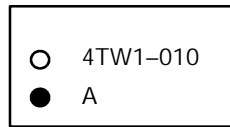
MODEL LABEL

(1) A label called "Model Label" is affixed in the location as indicated in (3) below.
When using this parts catalogue, please be sure to cross-refer the "model code – production code No." in the catalogue to the "model code – production code No." indicated on the Model Label affixed onto the product concerned.

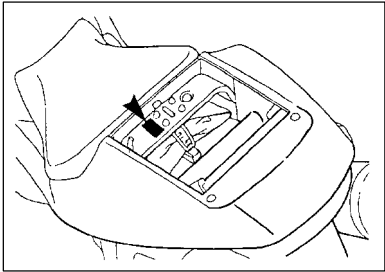
(2) "Model Label" Indication



a: Model Type Code
b: Production Code No.
c: Colouring Type



(3) Model Label Affixing Location

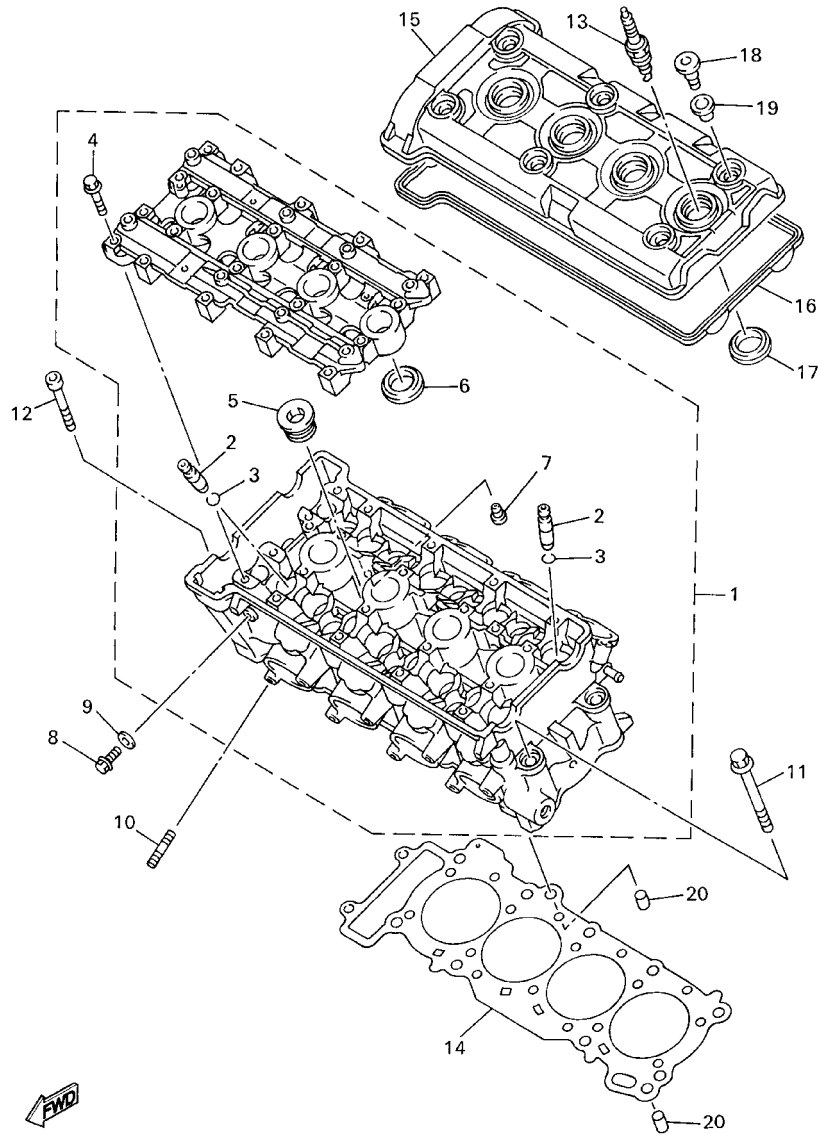


(4) Model Code – Production Code Number of Model Listed in This Parts Catalog

Model Code	Production Code No.	Country (destination)	Model Code	Production Code No.	Country (destination)
5MTB	010	ITALY	5MTC	040	NORWAY
	011	ITALY	5MTE	010	AUSTRALIA
	020	BELGIUM			
	021	BELGIUM			
	040	DENMARK			
	060	ENGLAND			
	061	ENGLAND			
	070	GREECE			
	080	HOLLAND			
	081	HOLLAND			
	090	NORWAY			
	100	PORTUGAL			
5MTC	020	AUSTRIA			
	030	FINLAND			

(5) Colouring Information

Model Code	Colouring type code	Colour code	Colour Name	Abbreviation
5MTB,C	A	0121	VIVID RED COCKTAIL 1	VRC1
	B	0564	DEEP PURPLISH BLUE METALLIC C	DPBMC
5MTE	A	0564	DEEP PURPLISH BLUE METALLIC C	DPBMC
	B	0121	VIVID RED COCKTAIL 1	VRC1

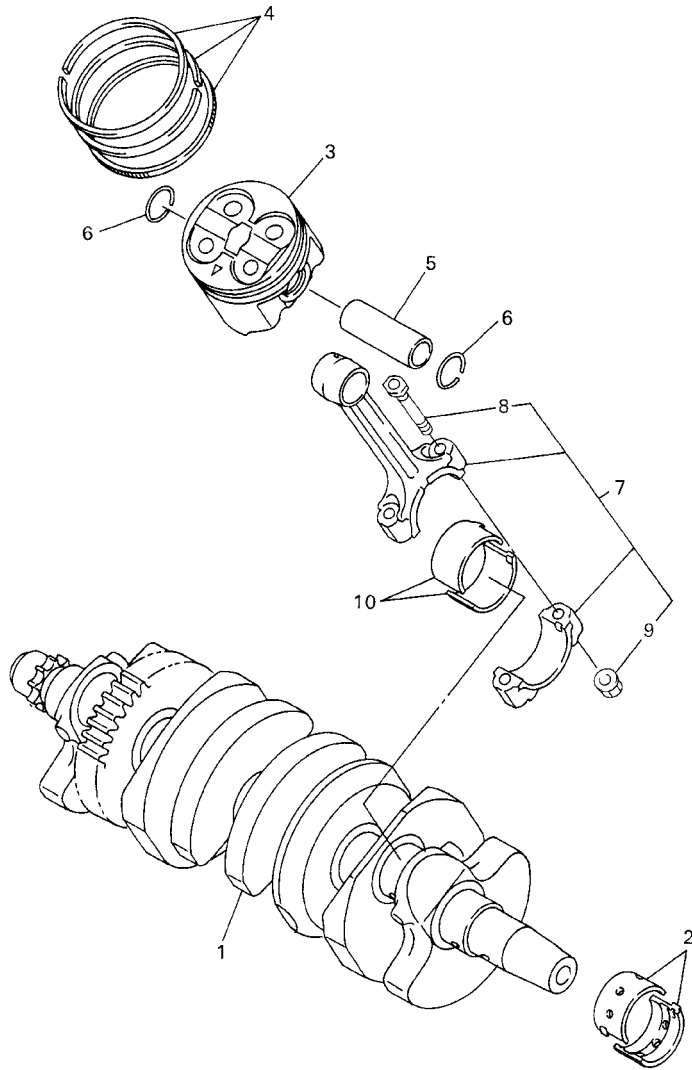


5EB3351-9010

FIG. 1 CYLINDER

REF. NO.	PART NO.	DESCRIPTION	5MTB	5MTC	5MTE	REMARKS
1	5MT-11101-00	CYLINDER HEAD ASSY	1	1	1	
2	5EB-11133-10	.GUIDE, INTAKE VALVE	16	16	16	
3	93440-10153	.CIRCLIP	16	16	16	
4	90105-067A6	.BOLT, FLANGE	20	20	20	
5	90340-27001	.PLUG, STRAIGHT SCREW	3	3	3	
6	5EB-11195-00	.GASKET	4	4	4	
7	11H-15138-00	.NOZZLE 1	1	1	1	
8	95027-08012	BOLT, FLANGE	1	1	1	
9	90430-08119	GASKET	1	1	1	
10	95617-08625	BOLT, STUD	8	8	8	
11	90119-10003	BOLT, WITH WASHER	10	10	10	
12	91317-06045	BOLT	2	2	2	
13	94701-00402	PLUG, SPARK (NGK CR10EK)	4	4	4	
14	5EB-11181-00	GASKET, CYLINDER HEAD 1	1	1	1	
15	5EB-11191-00	COVER, CYLINDER HEAD 1	1	1	1	
16	5EB-11193-00	GASKET, HEAD COVER 1	1	1	1	
17	5EB-11195-00	GASKET	4	4	4	
18	90109-066F0	BOLT	6	6	6	
19	4KG-1111G-00	RUBBER, MOUNT 1	6	6	6	
20	99530-10114	PIN, DOWEL	2	2	2	

FIG. 2 CRANKSHAFT. PISTON

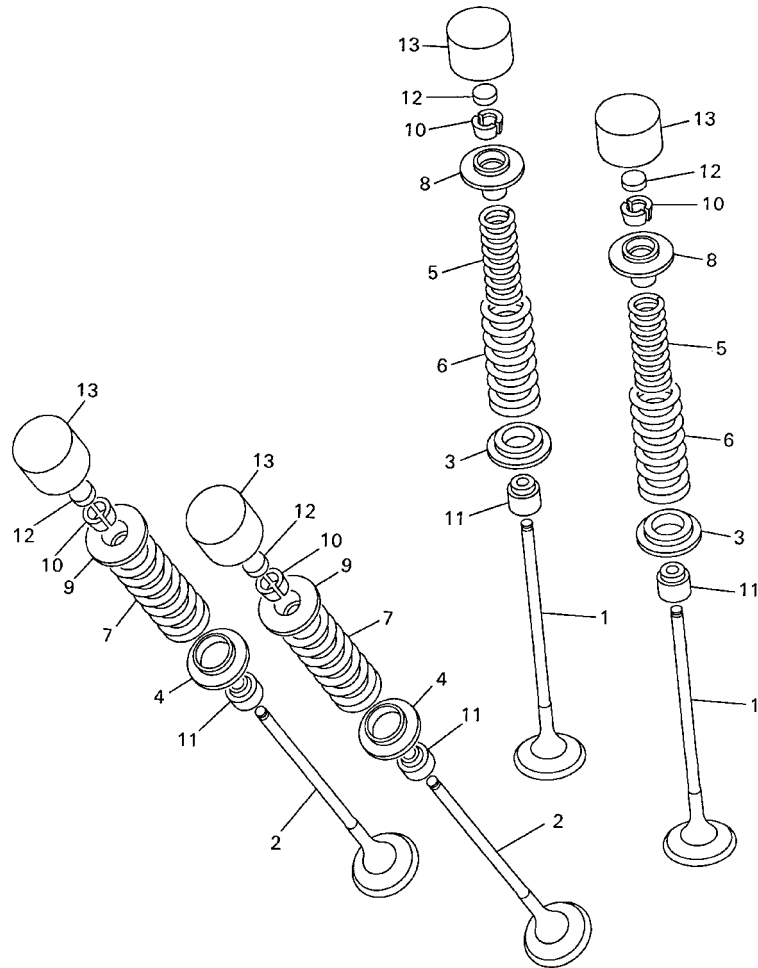


REF. NO.	PART NO.	DESCRIPTION	5MTB	5MTC	5MTE	REMARKS
1	5EB-11411-00	CRANKSHAFT	1	1	1	
2	5EB-11416-A0	PLANE BEARING, CRANKSHAFT 1	10	10	10	UR WHITE
	5EB-11416-00	PLANE BEARING, CRANKSHAFT 1	10	10	10	UR BLUE
	5EB-11416-10	PLANE BEARING, CRANKSHAFT 1	10	10	10	UR BLACK
	5EB-11416-20	PLANE BEARING, CRANKSHAFT 1	10	10	10	UR BROWN
	5EB-11416-30	PLANE BEARING, CRANKSHAFT 1	10	10	10	UR GREEN
3	5MT-11631-00	PISTON (STD)	4	4	4	
4	5EB-11603-10	PISTON RING SET (STD)	4	4	4	
5	5EB-11633-00	PIN, PISTON	4	4	4	
6	93450-17129	CIRCLIP	8	8	8	
7	5MT-11650-00	CONNECTING ROD ASSY	4	4	4	
8	5EB-11654-00	.BOLT, CONNECTING ROD	2	2	2	
9	90179-07652	.NUT	2	2	2	
10	4TV-11656-00	PLANE BEARING, CONNECTING ROD	8	8	8	UR BLUE
	4TV-11656-10	PLANE BEARING, CONNECTING ROD	8	8	8	UR BLACK
	4TV-11656-20	PLANE BEARING, CONNECTING ROD	8	8	8	UR BROWN
	4TV-11656-30	PLANE BEARING, CONNECTING ROD	8	8	8	UR GREEN



5EB3351-9020

FIG. 3 VALVE



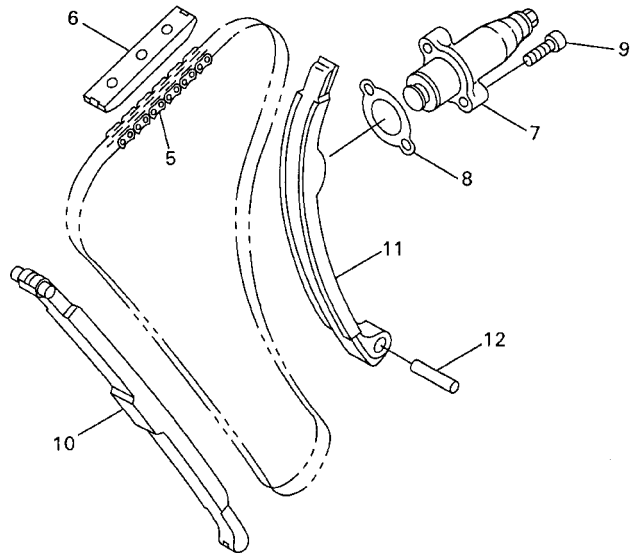
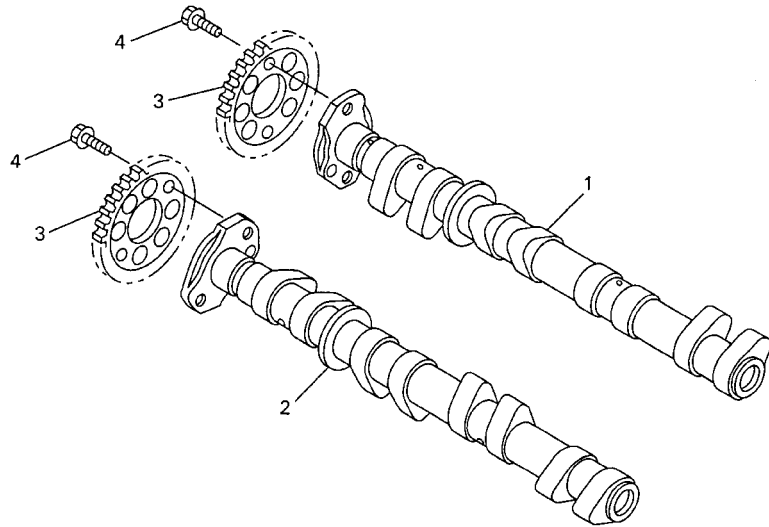
REF. NO.	PART NO.	DESCRIPTION	5MTB	5MTC	5MTE	REMARKS
1	5EB-12111-00	VALVE, INTAKE	8	8	8	
2	5EB-12121-00	VALVE, EXHAUST	8	8	8	
3	5EB-12116-00	SEAT, VALVE SPRING	8	8	8	
4	5EB-12126-00	SEAT, VALVE SPRING 2	8	8	8	
5	5EB-12113-00	SPRING, VALVE INNER	8	8	8	
6	5EB-12114-00	SPRING, VALVE OUTER	8	8	8	
7	5EB-12124-01	SPRING, VALVE OUTER	8	8	8	
8	5EB-12117-00	RETAINER, VALVE SPRING	8	8	8	
9	5EB-12127-00	RETAINER, VALVE SPRING	8	8	8	
10	1HX-12118-00	COTTER, VALVE	32	32	32	
11	4TV-12119-00	SEAL, VALVE STEM	16	16	16	
12	1HX-12168-00	PAD, ADJUSTING 2 (1.20)	16	16	16	UR
	1HX-12168-20	PAD, ADJUSTING 2 (1.25)	16	16	16	UR
	1HX-12168-40	PAD, ADJUSTING 2 (1.30)	16	16	16	UR
	1HX-12168-60	PAD, ADJUSTING 2 (1.35)	16	16	16	UR
	1HX-12168-80	PAD, ADJUSTING 2 (1.40)	16	16	16	UR
	1HX-12168-A0	PAD, ADJUSTING 2 (1.45)	16	16	16	UR
	1HX-12168-F0	PAD, ADJUSTING 2 (1.50)	16	16	16	UR
	1HX-12168-H1	PAD, ADJUSTING 2 (1.55)	16	16	16	UR
	1HX-12168-K1	PAD, ADJUSTING 2 (1.60)	16	16	16	UR
	1HX-12168-M1	PAD, ADJUSTING 2 (1.65)	16	16	16	UR
	1HX-12168-R1	PAD, ADJUSTING 2 (1.70)	16	16	16	UR
	1HX-12168-U1	PAD, ADJUSTING 2 (1.75)	16	16	16	UR
	1HX-12168-W1	PAD, ADJUSTING 2 (1.80)	16	16	16	UR
	1HX-12168-Y1	PAD, ADJUSTING 2 (1.85)	16	16	16	UR
	1HX-12169-11	PAD, ADJUSTING 2 (1.90)	16	16	16	UR
	1HX-12169-31	PAD, ADJUSTING 2 (1.95)	16	16	16	UR



5EB3351-9030

B4

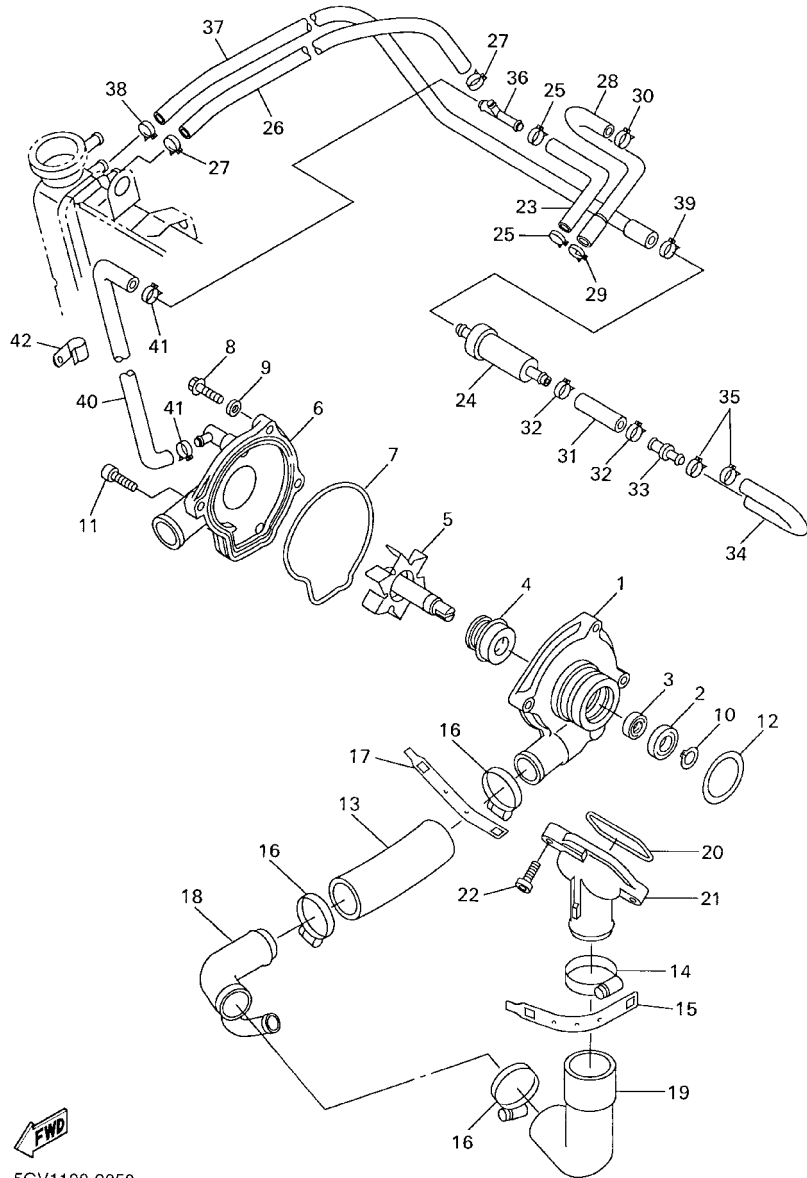
FIG. 4 CAMSHAFT. CHAIN



5MT3351-1040

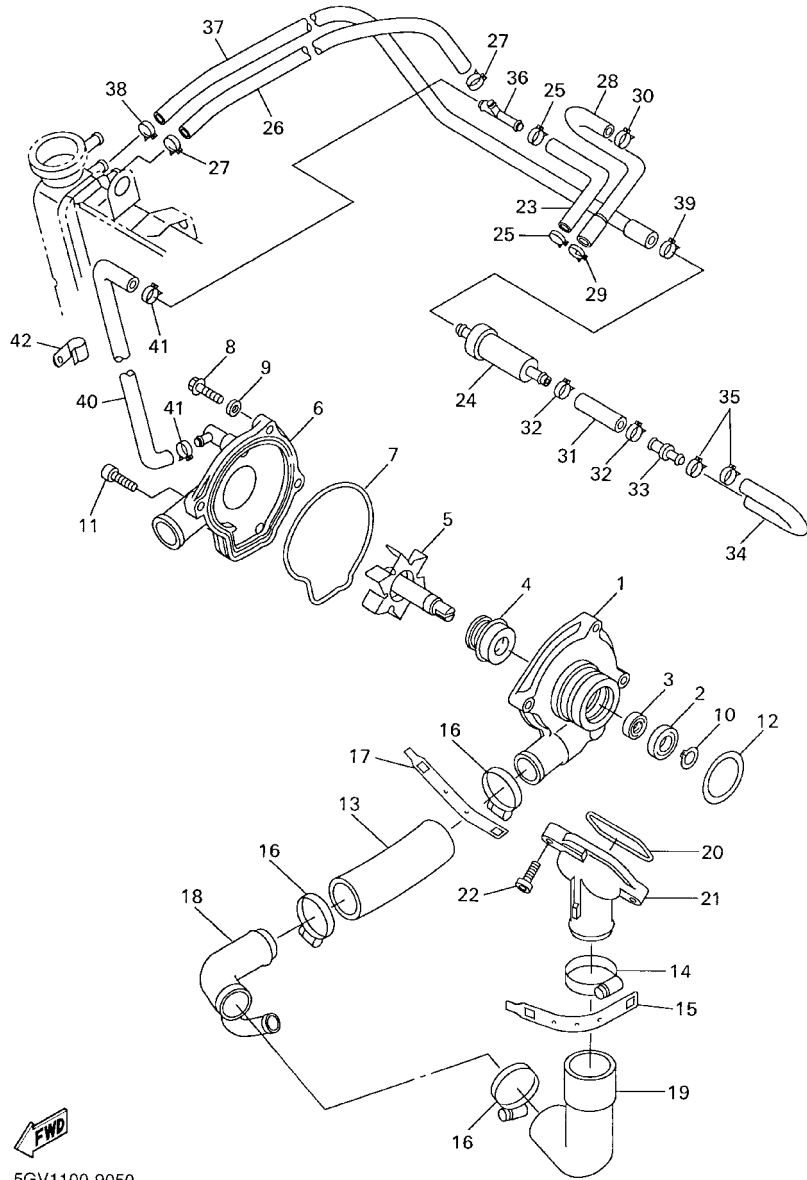
REF. NO.	PART NO.	DESCRIPTION	5MTB	5MTC	5MTE	REMARKS
1	5EB-12171-00	CAMSHAFT 1	1	1	1	
2	5EB-12181-00	CAMSHAFT 2	1	1	1	
3	5EB-12176-00	SPROCKET, CAM CHAIN	2	2	2	
4	90105-07342	BOLT, FLANGE	4	4	4	
5	94591-49120	CHAIN	1	1	1	
6	5BE-12241-00	GUIDE, STOPPER 2	1	1	1	
7	5MT-12210-00	TENSIONER ASSY, CAM CHAIN	1	1	1	
8	4FM-12213-00	GASKET, TENSIONER CASE	1	1	1	
9	91317-06025	BOLT	2	2	2	
10	5EB-12251-00	DAMPER, CHAIN 1	1	1	1	
11	5EB-12252-00	DAMPER, CHAIN 2	1	1	1	
12	93607-44190	PIN, DOWEL	1	1	1	

FIG. 5 WATER PUMP



5GV1100-9050

REF. NO.	PART NO.	DESCRIPTION	5MTB	5MTC	5MTE	REMARKS
1	5EB-12421-00	HOUSING, WATER PUMP	1	1	1	
2	93306-00106	BEARING	1	1	1	
3	93101-12173	OIL SEAL	1	1	1	
4	11H-12438-10	SEAL, MECHANICAL	1	1	1	
5	5EB-12450-00	IMPELLER SHAFT ASSY	1	1	1	
6	5EB-12422-00	COVER, HOUSING	1	1	1	
7	5EB-12439-00	O-RING	1	1	1	
8	95024-06020	BOLT, FLANGE	2	2	2	
9	90430-06014	GASKET	1	1	1	
10	99009-12400	CIRCLIP	1	1	1	
11	90110-06149	BOLT, HEXAGON SOCKET HEAD	2	2	2	
12	93210-33133	O-RING	1	1	1	
13	4NK-12579-00	HOSE 4	1	1	1	
14	90450-38040	HOSE CLAMP ASSY	1	1	1	
15	5GV-1246A-00	COVER 1	1	1	1	
16	90450-35001	HOSE CLAMP ASSY	3	3	3	
17	5GV-1246E-00	COVER 2	1	1	1	
18	5EB-12581-00	JOINT, HOSE 1	1	1	1	
19	5EB-12577-00	HOSE 2	1	1	1	
20	93210-47675	O-RING	1	1	1	
21	5EB-12469-00	JOINT 1	1	1	1	
22	91317-06020	BOLT	2	2	2	
23	5EB-1243A-00	HOSE 1	1	1	1	
24	4SV-1240G-00	THERMOSTAT ASSY	1	1	1	
25	90467-11090	CLIP	2	2	2	
26	5EB-1243E-00	HOSE 2	1	1	1	
27	90467-11090	CLIP	2	2	2	

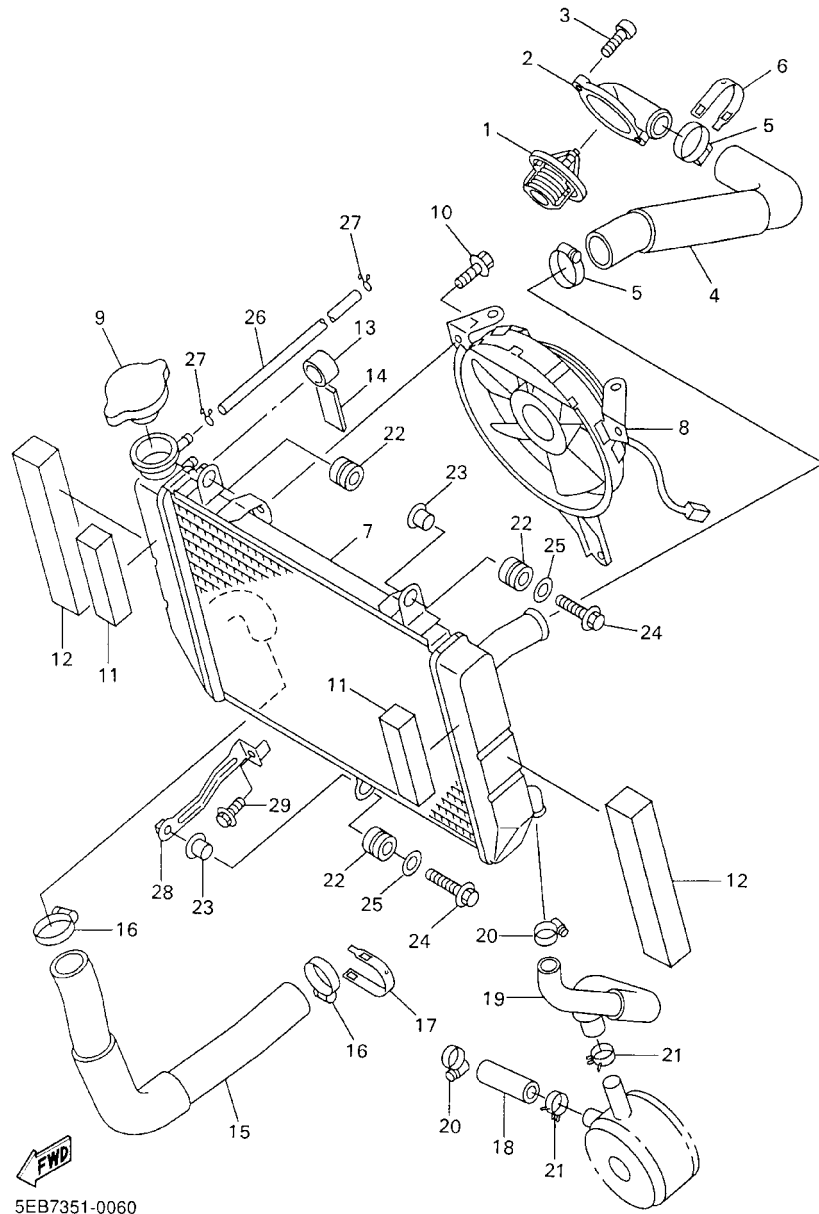


5GV1100-9050

FIG. 5 WATER PUMP

REF. NO.	PART NO.	DESCRIPTION	5MTB	5MTC	5MTE	REMARKS
28	5EB-1243F-00	HOSE,3	1	1	1	
29	90467-11090	CLIP	1	1	1	
30	90467-09037	CLIP	1	1	1	
31	90445-123G5	HOSE (L40)	1	1	1	
32	90467-11044	CLIP	2	2	2	
33	4TV-12581-00	JOINT, HOSE 1	1	1	1	
34	5EB-12551-00	HOSE 7	1	1	1	
35	90467-09037	CLIP	2	2	2	
36	90413-07023	WAY 3	1	1	1	
37	5EB-12552-00	HOSE 8	1	1	1	
38	90467-11090	CLIP	1	1	1	
39	90467-11044	CLIP	1	1	1	
40	5EB-1244G-00	HOSE, 4	1	1	1	
41	90467-11090	CLIP	2	2	2	
42	90465-08395	CLAMP	1	1	1	

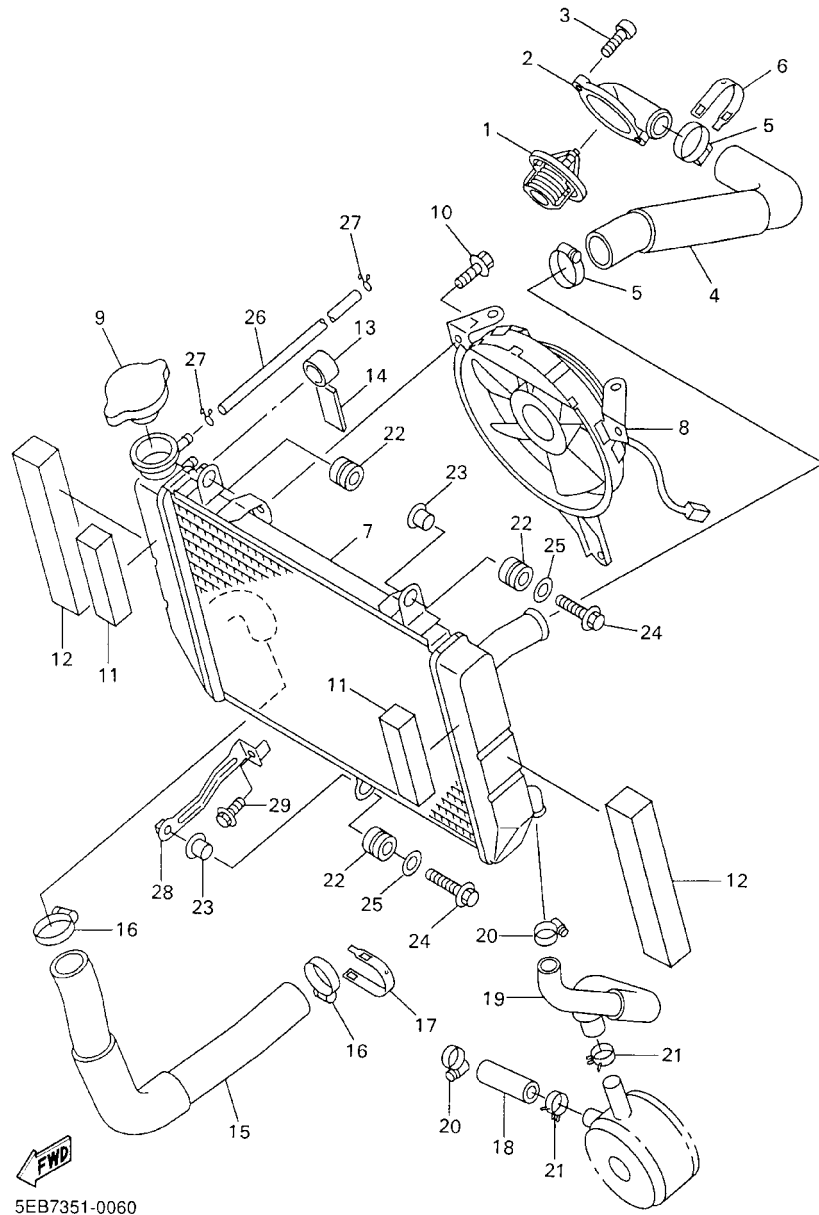
FIG. 6 RADIATOR. HOSE



5EB7351-0060

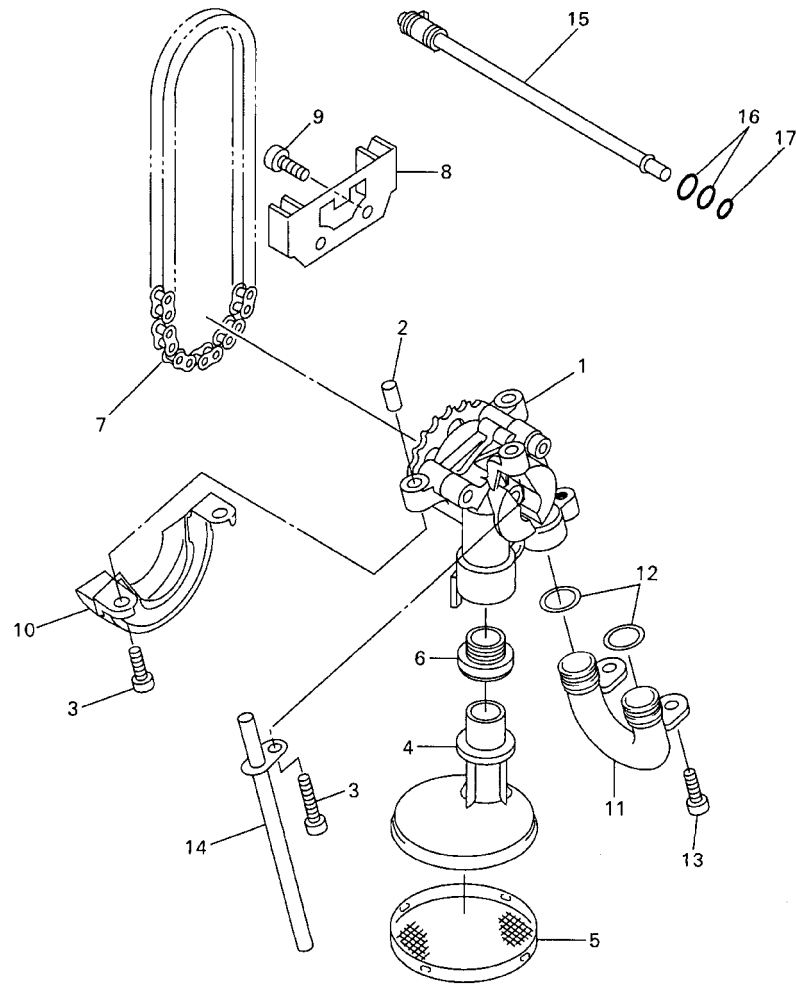
REF. NO.	PART NO.	DESCRIPTION	5MTB	5MTC	5MTE	REMARKS
1	5EB-12410-00	THERMOSTAT ASSY	1	1	1	
2	5EB-12413-00	COVER, THERMOSTAT	1	1	1	
3	91317-06020	BOLT	2	2	2	
4	5EB-12578-00	HOSE 3	1	1	1	
5	90450-35001	HOSE CLAMP ASSY	2	2	2	
6	5GV-1246E-00	COVER 2	1	1	1	
7	5EB-12461-00	RADIATOR ASSY	1	1	1	
8	5EB-12405-00	BLOWER ASSY	1	1	1	
9	4JH-12462-00	CAP, RADIATOR	1	1	1	
10	95811-06010	BOLT, FLANGE	3	3	3	
11	5EB-12659-00	DAMPER, AIR SHROUD 2	2	2	2	
12	5EB-12668-00	DAMPER, AIR SHROUD 3	2	2	2	
13	5EB-12498-00	PROTECTOR	1	1	1	
14	3XV-1246A-10	COVER 1	1	1	1	
15	5EB-12579-00	HOSE 4	1	1	1	
16	90450-35001	HOSE CLAMP ASSY	2	2	2	
17	5GV-1246E-00	COVER 2	1	1	1	
18	5EB-12588-00	HOSE 5	1	1	1	
19	5EB-12589-00	HOSE 6	1	1	1	
20	90450-25037	HOSE CLAMP ASSY	2	2	2	
21	90467-19160	CLIP	2	2	2	
22	90480-15363	GROMMET	3	3	3	
23	90387-07391	COLLAR	2	2	2	
24	95807-06025	BOLT, FLANGE	2	2	2	
25	90201-06071	WASHER, PLATE	2	2	2	
26	90445-087K6	HOSE (L700)	1	1	1	
27	90467-08075	CLIP	2	2	2	

FIG. 6 RADIATOR. HOSE



REF. NO.	PART NO.	DESCRIPTION	5MTB	5MTC	5MTE	REMARKS
28	5EB-1244E-00	BRACKET 1	1	1	1	
29	95827-06012	BOLT, FLANGE	1	1	1	

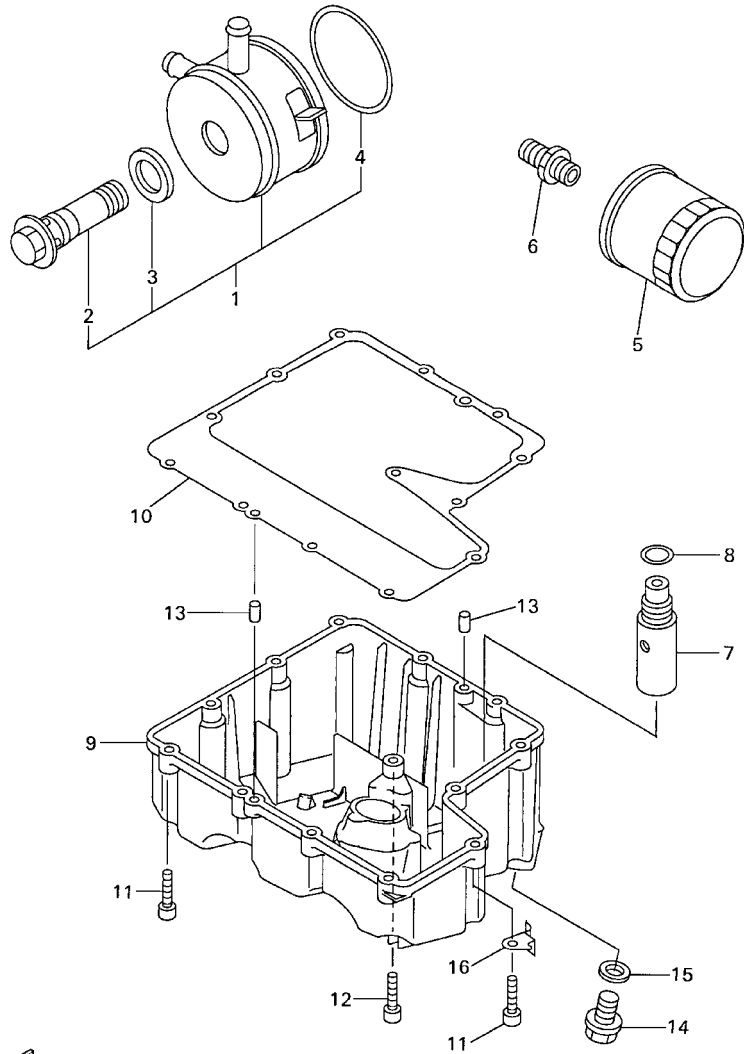
FIG. 7 OIL PUMP



REF. NO.	PART NO.	DESCRIPTION	5MTB	5MTC	5MTE	REMARKS
1	5MT-13300-00	OIL PUMP ASSY	1	1	1	
2	99530-08012	PIN, DOWEL	2	2	2	
3	91317-06030	BOLT	3	3	3	
4	5EB-13412-00	HOUSING, STRAINER	1	1	1	
5	5EB-13411-00	STRAINER, OIL	1	1	1	
6	5EB-13415-00	SEAL, OIL STRAINER	1	1	1	
7	94580-25080	CHAIN	1	1	1	
8	5EB-13898-00	HOLDER	1	1	1	
9	90110-06001	BOLT, HEXAGON SOCKET HEAD	2	2	2	
10	5MT-13327-00	COVER, PUMP GEAR	1	1	1	
11	5MT-13416-00	PIPE, OIL 1	1	1	1	
12	93210-14579	O-RING	2	2	2	
13	90110-06226	BOLT, HEXAGON SOCKET HEAD	2	2	2	
14	5EB-13161-00	PIPE, DELIVERY 1	1	1	1	
15	5EB-1316E-00	PIPE, DELEVERY 5	1	1	1	
16	93210-09165	O-RING	2	2	2	
17	93210-06667	O-RING	1	1	1	



5MT3351-1070

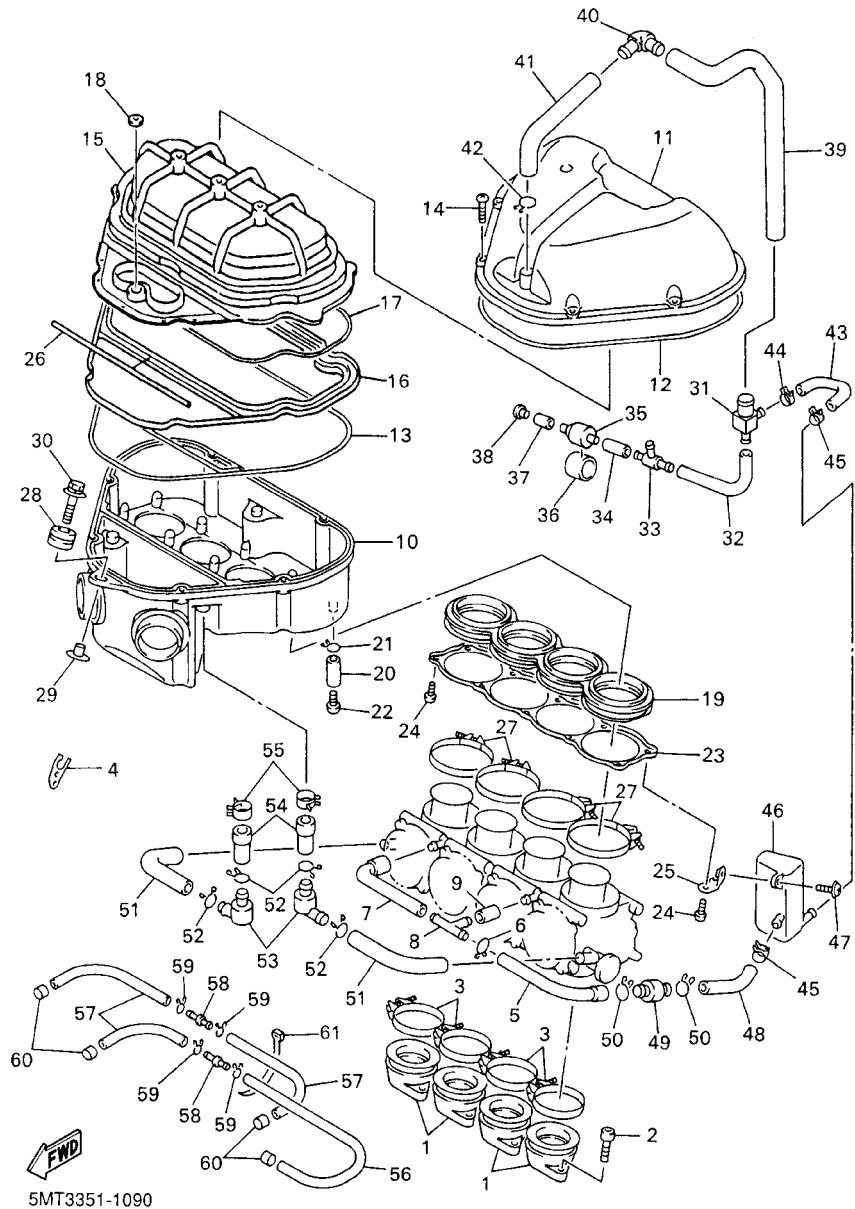


FWD
5EB3351-9080

FIG. 8 OIL CLEANER

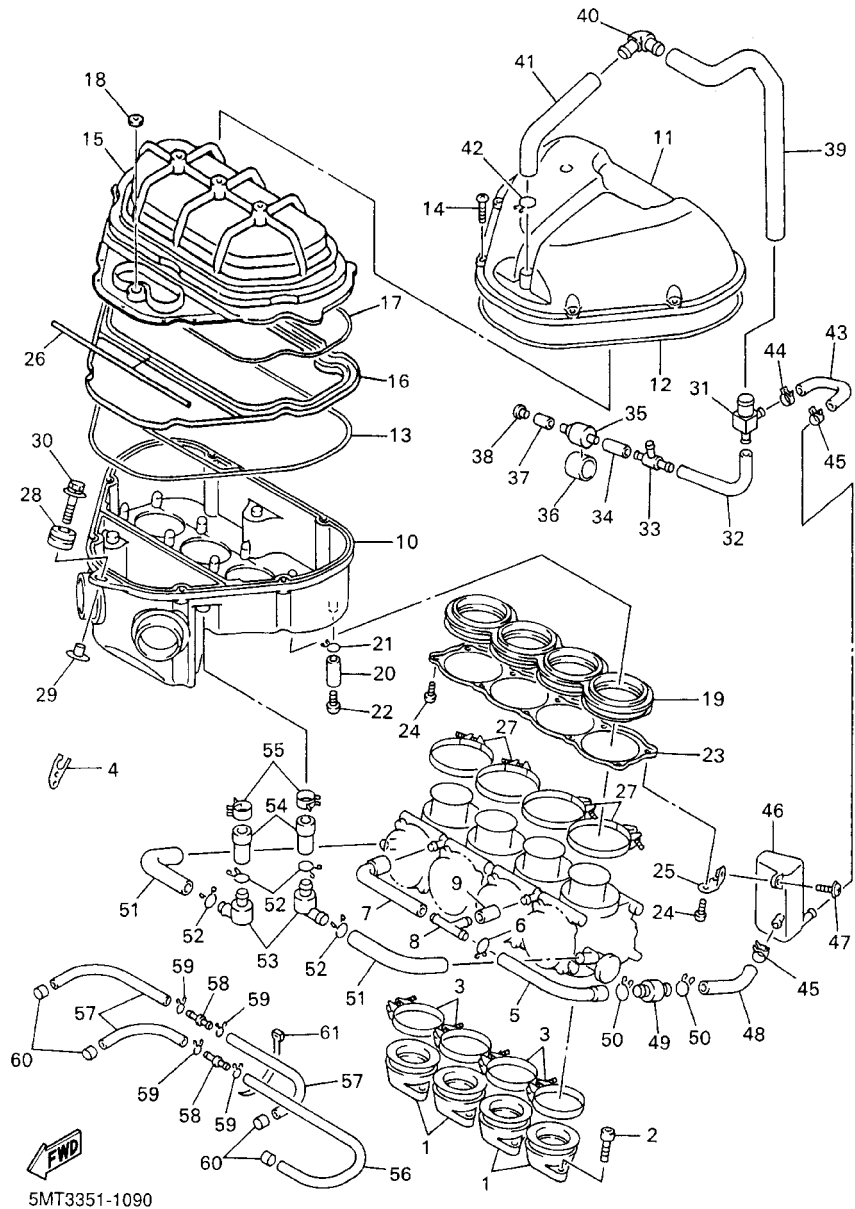
REF. NO.	PART NO.	DESCRIPTION	5MTB	5MTC	5MTE	REMARKS
1	5EB-13470-00	OIL COOLER ASSY	1	1	1	
2	5EB-12822-00	.BOLT, UNION	1	1	1	
3	5EB-13475-00	.GASKET	1	1	1	
4	4JH-13473-00	.O-RING	1	1	1	
5	5GH-13440-00	ELEMENT ASSY, OIL CLEANER	1	1	1	
6	90401-20145	BOLT, UNION	1	1	1	
7	3KS-13490-00	RELIEF VALVE ASSY	1	1	1	
8	93210-15566	O-RING	1	1	1	
9	5EB-13417-00	COVER, STRAINER	1	1	1	
10	5EB-13414-00	GASKET, STRAINER COVER	1	1	1	
11	91317-06025	BOLT	12	12	12	
12	90110-06225	BOLT, HEXAGON SOCKET HEAD	1	1	1	
13	91808-17032	PIN, DOWEL	2	2	2	
14	90340-14132	PLUG, STRAIGHT SCREW	1	1	1	
15	214-11198-01	GASKET	1	1	1	
16	90465-10020	CLAMP	1	1	1	

FIG. 9 INTAKE



REF. NO.	PART NO.	DESCRIPTION	5MTB	5MTC	5MTE	REMARKS
1	5EB-13586-00	JOINT, CARBURETOR 1	4	4	4	
2	91317-06020	BOLT	8	8	8	
3	90450-54093	HOSE CLAMP ASSY	4	4	4	
4	5EB-14413-00	STAY	1	1	1	
5	5EB-14349-00	PIPE	1	1	1	
6	90467-15197	CLIP	1	1	1	
7	5EB-14348-00	PIPE 1	1	1	1	
8	90413-10016	WAY 3	1	1	1	
9	90445-11795	HOSE (L30)	1	1	1	
10	5EB-14411-01	CASE, AIR CLEANER 1	1	1	1	
11	5EB-14421-00	CASE, AIR CLEANER 2	1	1	1	
12	5EB-14452-00	SEAL	1	1	1	
13	5EB-14462-00	SEAL	1	1	1	
14	98507-05025	SCREW, PAN HEAD	6	6	6	
15	5EB-14450-01	ELEMENT ASSY, AIR CLEANER	1	1	1	
16	5EB-1441F-01	PARTITION, AIR CLEANER CASE	1	1	1	
17	5EB-14457-00	SEAL	1	1	1	
18	5EB-1446R-10	SEAL	1	1	1	
19	5EB-14453-00	JOINT, AIR CLEANER 1	1	1	1	
20	90445-11795	HOSE (L30)	1	1	1	
21	90467-10041	CLIP	1	1	1	
22	90338-08174	PLUG	1	1	1	
23	5EB-14477-00	PLATE	1	1	1	
24	97707-50120	SCREW, TAPPING	10	10	10	
25	5EB-1441L-00	PANEL 1	1	1	1	
26	5EB-14467-00	SEAL	1	1	1	
27	90450-68094	HOSE CLAMP ASSY	4	4	4	

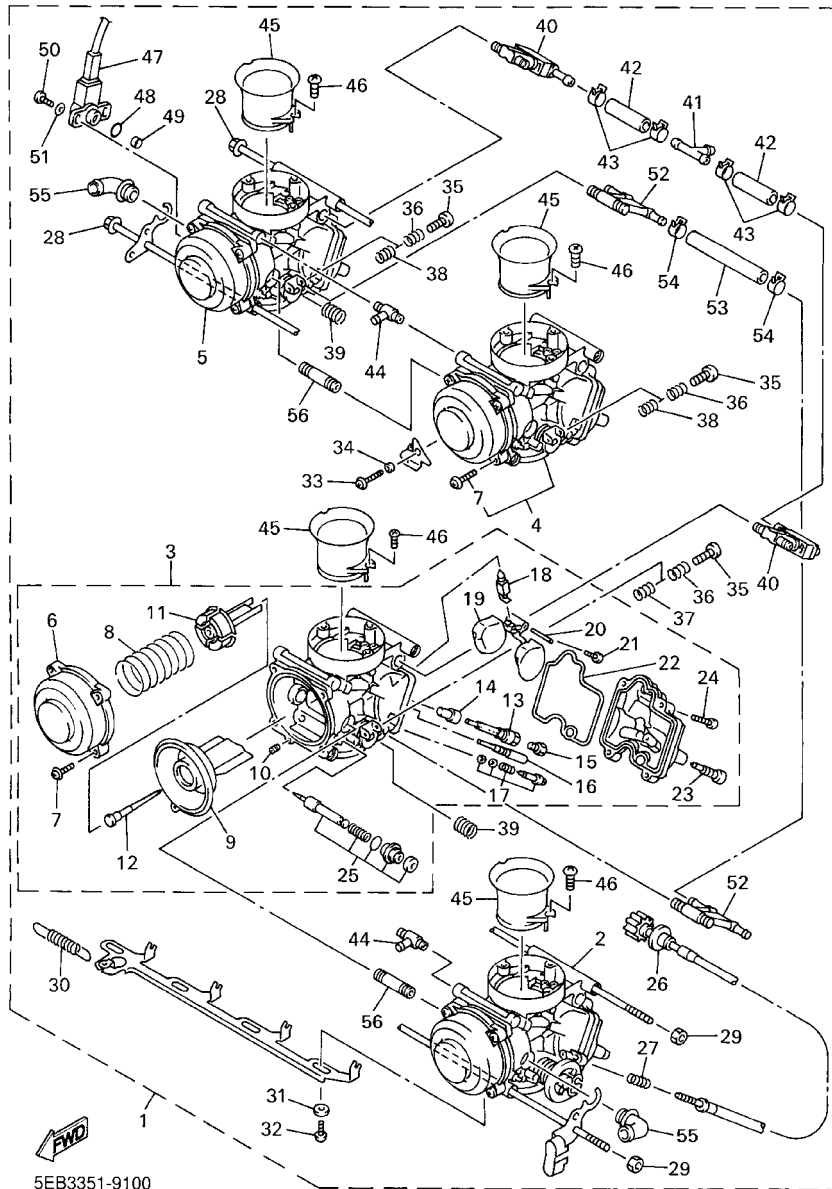
FIG. 9 INTAKE



5MT3351-1090

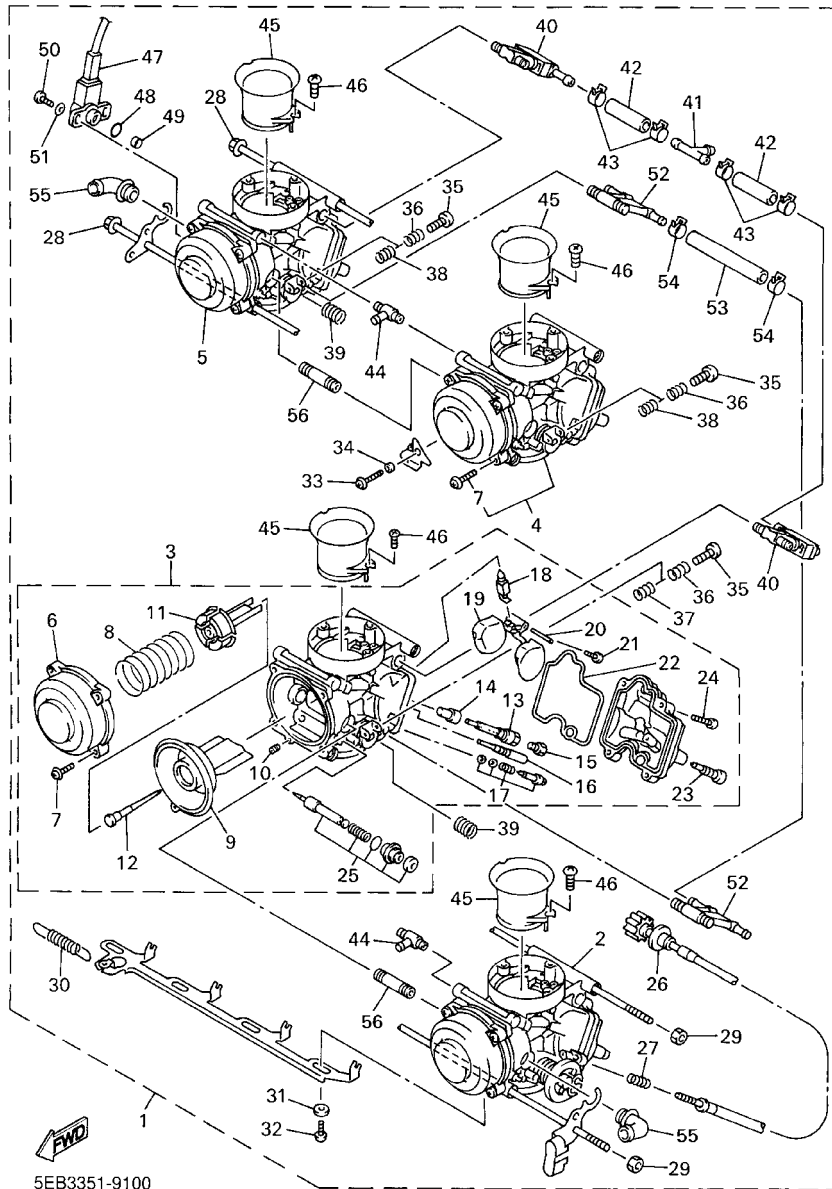
REF. NO.	PART NO.	DESCRIPTION	5MTB	5MTC	5MTE	REMARKS
28	90480-12314	GROMMET	1	1	1	
29	90387-065J6	COLLAR	1	1	1	
30	90119-06172	BOLT, WITH WASHER	1	1	1	
31	90413-18033	WAY 3	1	1	1	
32	4TV-14348-00	PIPE 1	1	1	1	
33	90413-09032	WAY 3	1	1	1	
34	90445-11147	HOSE (L50)	1	1	1	
35	4TV-14226-00	CUP, DRAIN	1	1	1	
36	90445-307K7	HOSE (L35)	1	1	1	
37	90445-11262	HOSE (L30)	1	1	1	
38	90338-08174	PLUG	1	1	1	
39	5EB-14197-00	PIPE	1	1	1	
40	5EB-14485-00	PIPE, JOINT	1	1	1	
41	5EB-14466-00	PIPE	1	1	1	
42	90467-20030	CLIP	1	1	1	
43	5EB-14419-01	PIPE	1	1	1	
44	90467-16098	CLIP	1	1	1	
45	90467-15054	CLIP	2	2	2	
46	5EB-13581-01	CHAMBER, AIR	1	1	1	
47	90159-05028	SCREW, WITH WASHER	1	1	1	
48	5EB-1444J-01	PIPE	1	1	1	
49	4X7-14467-01	SEAL	1	1	1	
50	90467-15197	CLIP	2	2	2	
51	5EB-1443J-00	PIPE	2	2	2	
52	90467-15012	CLIP	4	4	4	
53	3LN-24515-00	NET, FILTER 2	2	2	2	
54	5EB-14148-00	PIPE	2	2	2	

FIG. 10 CARBURETOR



5EB3351-9100

REF. NO.	PART NO.	DESCRIPTION	5MTB	5MTC	5MTE	REMARKS
1	5EB-14900-31	CARBURETOR ASSY	1		1	
	5EB-14900-41	CARBURETOR ASSY		1		
2	5EB-14901-31	..CARBURETOR ASSY 1	1	1		
	5EB-14901-41	..CARBURETOR ASSY 1		1		
3	5EB-14902-31	..CARBURETOR ASSY 2	1	1		
	5EB-14902-41	..CARBURETOR ASSY 2		1		
4	5EB-14903-31	..CARBURETOR ASSY 3	1	1		
	5EB-14903-41	..CARBURETOR ASSY 3		1		
5	5EB-14904-31	..CARBURETOR ASSY 4	1	1		
	5EB-14904-41	..CARBURETOR ASSY 4		1		
6	5EB-14958-00	..COVER, DIAPHRAGM	1	1		
	5EB-14958-10	..COVER, DIAPHRAGM		1		
7	4JH-14216-00	..SCREW	3	3	3	UR #3
	4JH-14216-00	..SCREW	4	4	4	UR #1,2,4
8	5EB-14933-00	..SPRING, DIAPHRAGM	1	1	1	
9	5EB-14940-00	..DIAPHRAGM ASSY	1	1	1	
10	4JH-14515-00	..JET	1	1	1	
11	5EB-14936-00	..SEAT, SPRING	1	1	1	
12	5EB-14916-01	..NEEDLE (N7RA)	1	1		UR #1,4
	5EB-14916-21	..NEEDLE (N7TA)		1		UR #1,4
	5EB-14916-11	..NEEDLE (N7SA)	1	1		UR #2,3
	5EB-14916-31	..NEEDLE (N7UA)		1		UR #2,3
13	5EB-1414G-00	..PIPE, MAIN BREED	1	1	1	
14	5EB-14244-00	..HOLDER, NOZZLE	1	1	1	
15	3TJ-14943-88	..JET, MAIN (#152)	1	1	1	UR #1,4
	3TJ-14943-87	..JET, MAIN (#148)	1	1	1	UR #2,3
16	5EB-14948-02	..JET (#38)	1	1	1	

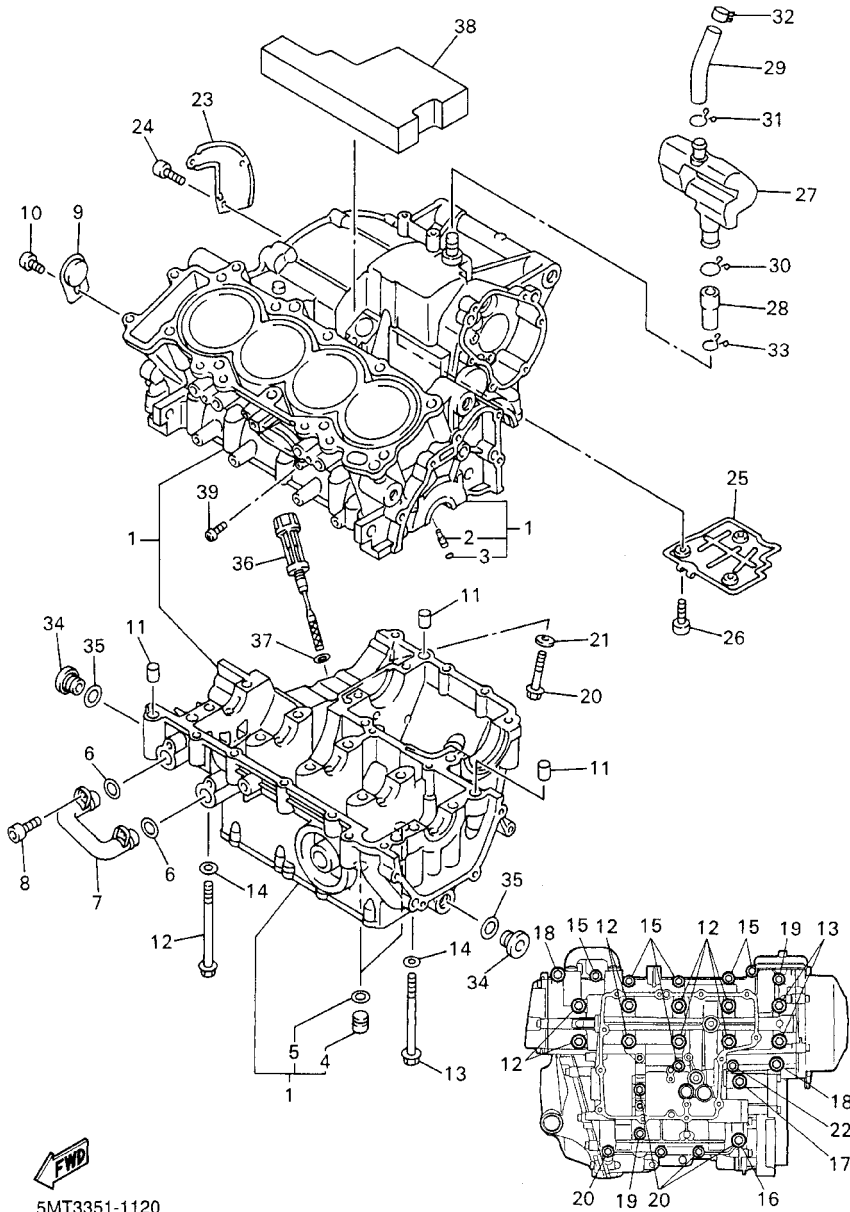


5EB3351-9100

FIG. 10 CARBURETOR

REF. NO.	PART NO.	DESCRIPTION	5MTB	5MTC	5MTE	REMARKS
17	5EB-14105-00	..PILOT SCREW SET	1	1	1	
18	5EB-14107-00	..NEEDLE VALVE SET	1	1	1	
19	5EB-14985-00	..FLOAT	1	1	1	
20	676-14548-00	..PIN, FLOAT ARM	1	1	1	
21	688-14592-00	..SCREW	1	1	1	
22	5EB-14984-00	..GASKET, FLOAT CHAMBER	1	1	1	
23	3TJ-14191-40	..PLUG, DRAIN	1	1	1	
24	98502-04014	..SCREW, PAN HEAD	4	4	4	
25	4YR-1410A-00	..STARTER SET	1	1	1	
26	5EB-14922-00	..SCREW, THROTTLE	1	1	1	
27	4JH-14934-00	..SPRING, THROTTLE STOP	1	1	1	
28	5EB-14162-00	..BOLT, HOLDING	2	2	2	
29	4JH-14358-00	..NUT	2	2	2	
30	5EB-14935-00	..SPRING	1	1	1	
31	90202-06056	..WASHER, PLATE	6	6	6	
32	3TJ-14245-40	..SCREW, GUIDE	3	3	3	
33	4JH-14565-00	..SCREW	1	1	1	
34	4JH-14264-00	..COLLAR	1	1	1	
35	5EB-14121-00	..SCREW, THROTTLE STOP	3	3	3	
36	7A9-14555-00	..SPRING	3	3	3	
37	4YR-14133-00	..SPRING, THROTTLE STOP	1	1	1	
38	4JH-14133-00	..SPRING, THROTTLE STOP	2	2	2	
39	4JH-14487-00	..SPRING	2	2	2	
40	4JH-14350-00	..PIPE ADAPTOR ASSY	2	2	2	
41	4JH-13918-00	..PIPE T	1	1	1	
42	5EB-14298-00	..PIPE	2	2	2	
43	4JH-14137-00	..CLIP	4	4	4	

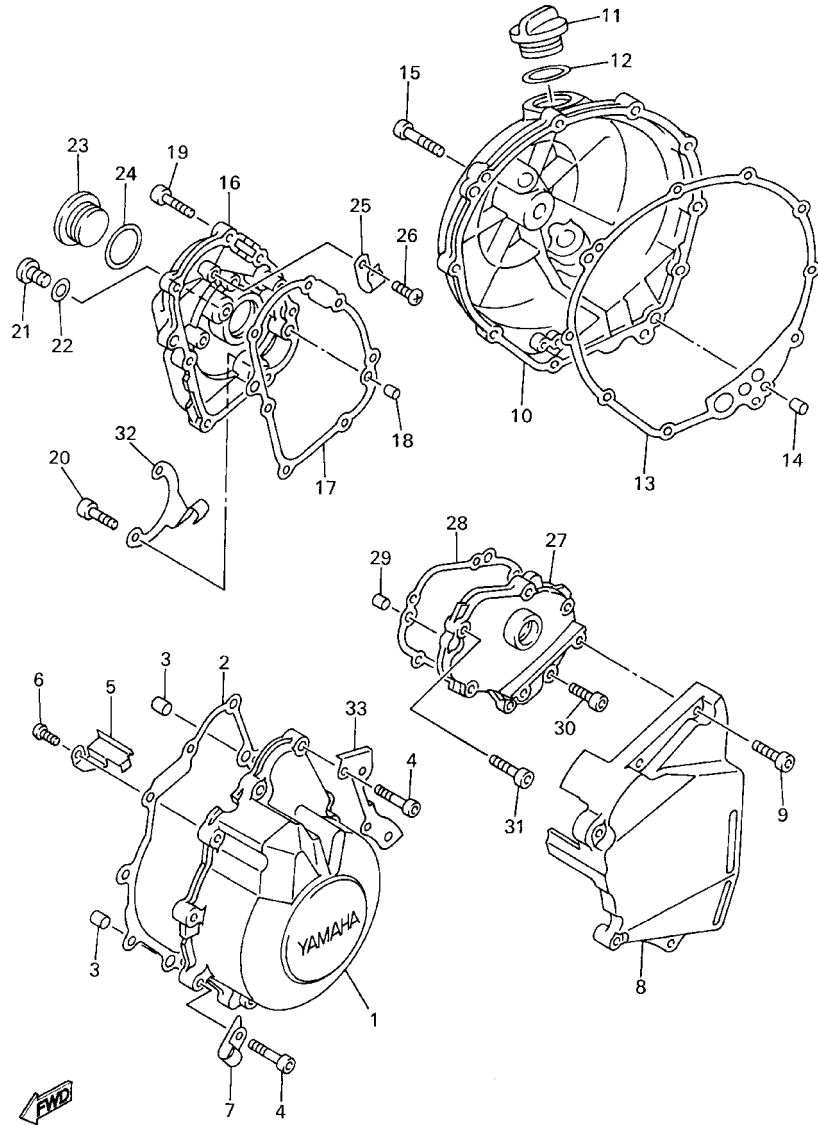
FIG. 12 CRANKCASE



5MT3351-1120

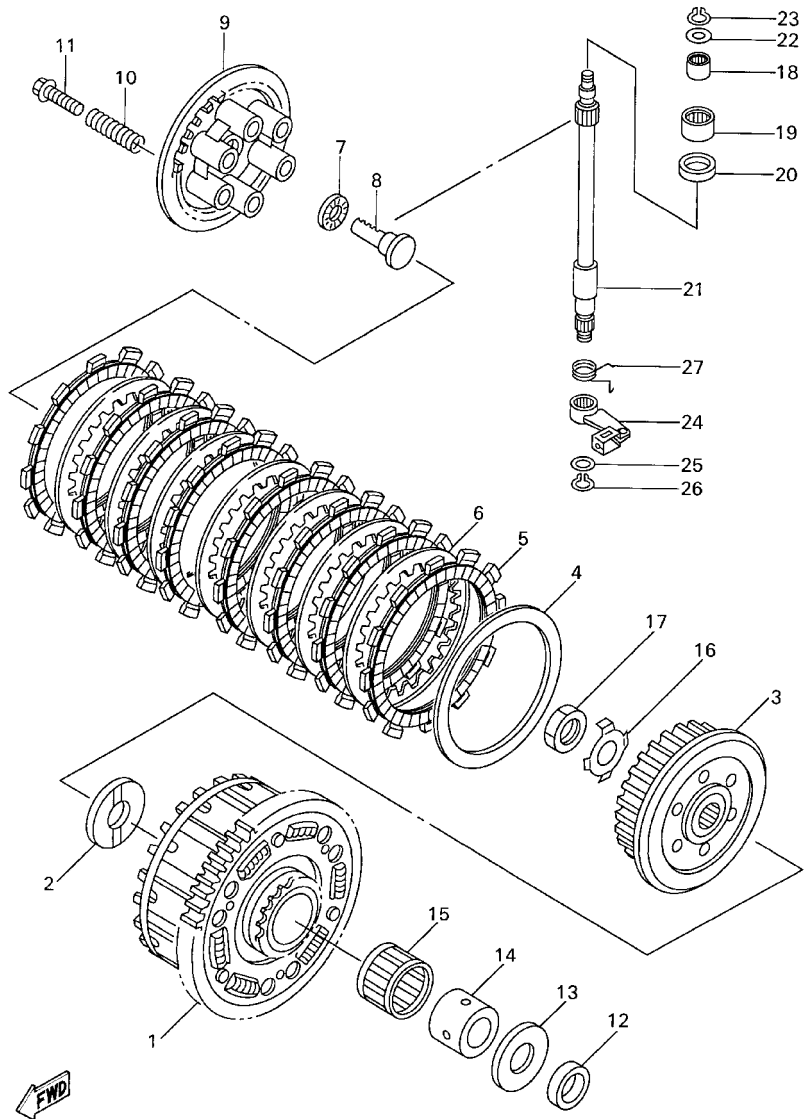
REF. NO.	PART NO.	DESCRIPTION	5MTB	5MTC	5MTE	REMARKS
1	5MT-15100-01	CRANKCASE ASSY	1	1	1	
2	5EB-15155-00	.NOZZLE 3	4	4	4	
3	93210-04092	.O-RING	4	4	4	
4	90338-16262	.PLUG	2	2	2	
5	93210-12790	.O-RING	2	2	2	
6	93210-14579	O-RING	2	2	2	
7	5EB-13418-00	PIPE, OIL 2	1	1	1	
8	90110-06091	BOLT, HEXAGON SOCKET HEAD	2	2	2	
9	5EB-15189-00	PLUG	1	1	1	
10	92017-06014	BOLT, BUTTON HEAD	1	1	1	
11	99530-10014	PIN, DOWEL	3	3	3	
12	90105-087A0	BOLT, FLANGE	8	8	8	
13	90105-086A9	BOLT, FLANGE	2	2	2	
14	90201-087K3	WASHER, PLATE	10	10	10	
15	95817-06055	BOLT, FLANGE	6	6	6	
16	95817-08065	BOLT, FLANGE	1	1	1	
17	90105-08776	BOLT, FLANGE	1	1	1	
18	90109-065G3	BOLT	2	2	2	
19	95817-06065	BOLT, FLANGE	2	2	2	
20	95817-06045	BOLT, FLANGE	4	4	4	
21	90430-06014	GASKET	1	1	1	
22	90105-06006	BOLT, FLANGE	1	1	1	
23	5EB-11165-01	PLATE, BREATHER	1	1	1	
24	90149-06001	SCREW	3	3	3	
25	5EB-11145-00	PLATE, BREATHER 2	1	1	1	
26	90110-06226	BOLT, HEXAGON SOCKET HEAD	3	3	3	
27	5EB-15371-00	BREATHER	1	1	1	

FIG. 13 CRANKCASE COVER 1



5EB3351-9130

REF. NO.	PART NO.	DESCRIPTION	5MTB	5MTC	5MTE	REMARKS
1	5EB-15411-00	COVER, CRANKCASE 1	1	1	1	
2	5EB-15451-00	GASKET, CRANKCASE COVER 1	1	1	1	
3	99530-08012	PIN, DOWEL	2	2	2	
4	91314-06025	BOLT	9	9	9	
5	5EB-15484-00	CLAMP 2	1	1	1	
6	98507-06008	SCREW, PAN HEAD	1	1	1	
7	90461-10004	CLAMP	1	1	1	
8	5EB-15418-00	COVER, CHAIN CASE	1	1	1	
9	91314-06025	BOLT	5	5	5	
10	5EB-15421-01	COVER, CRANKCASE 2	1	1	1	
11	3F9-15362-00	PLUG, OIL LEVEL	1	1	1	
12	93210-27194	O-RING	1	1	1	
13	5EB-15461-00	GASKET, CRANKCASE COVER 2	1	1	1	
14	93608-17263	PIN, DOWEL	2	2	2	
15	91314-06025	BOLT	10	10	10	
16	5EB-15416-00	COVER, OIL PUMP	1	1	1	
17	5EB-15456-00	GASKET, OIL PUMP COVER 1	1	1	1	
18	99530-08012	PIN, DOWEL	2	2	2	
19	91314-06020	BOLT	5	5	5	
20	91314-06025	BOLT	2	2	2	
21	92014-08012	BOLT, BUTTON HEAD	1	1	1	
22	90430-08143	GASKET	1	1	1	
23	90340-32116	PLUG, STRAIGHT SCREW	1	1	1	
24	93210-32172	O-RING	1	1	1	
25	90462-10182	CLAMP	1	1	1	
26	98507-06008	SCREW, PAN HEAD	1	1	1	
27	5EB-15425-00	COVER, 2	1	1	1	

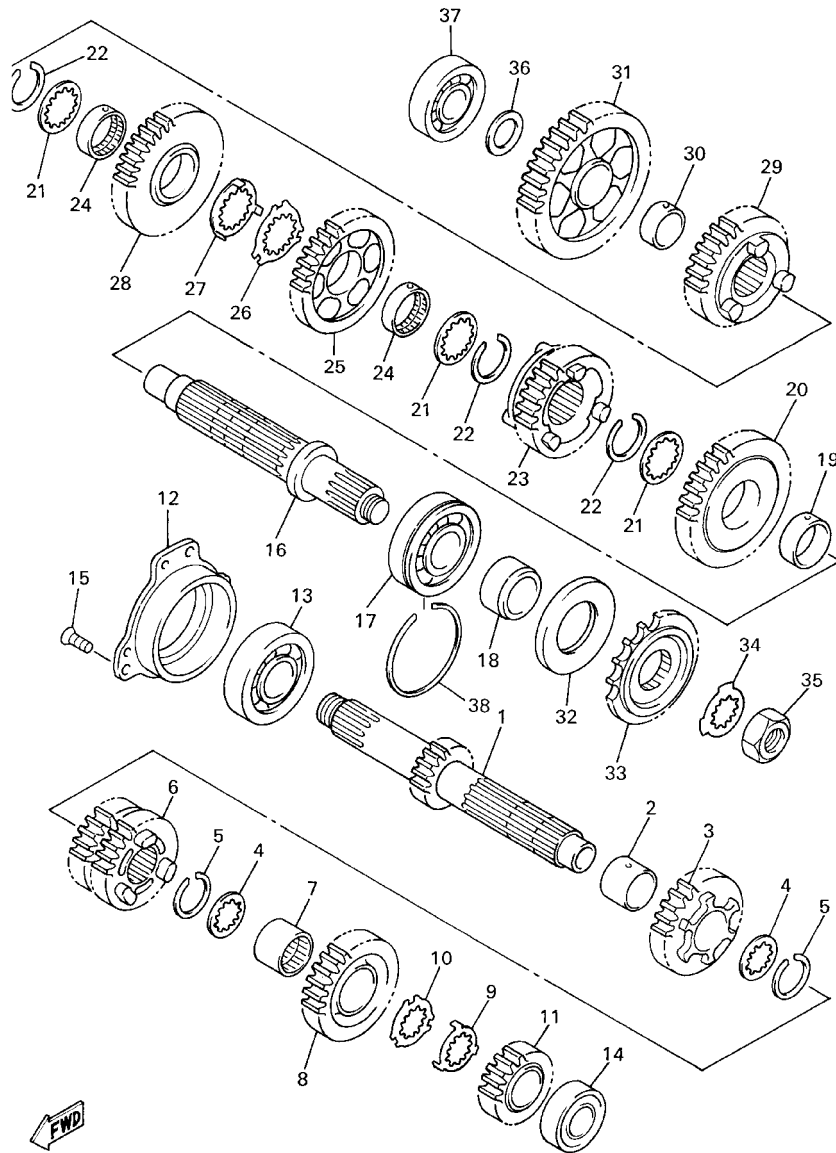


5EB3351-9150

FIG. 15 CLUTCH

REF. NO.	PART NO.	DESCRIPTION	5MTB	5MTC	5MTE	REMARKS
1	5EB-16150-01	PRIMARY DRIVEN GEAR COMP.	1	1	1	
2	5EB-16154-00	PLATE, THRUST 1	1	1	1	
3	5EB-16371-10	BOSS, CLUTCH	1	1	1	
4	168-16324-00	PLATE, CLUTCH 1 (T=2.3)	1	1	1	
5	4FN-16321-00	PLATE, FRICTION	8	8	8	
6	3J2-16324-00	PLATE, CLUTCH 1	7	7	7	
7	93306-00304	BEARING (B6003C4)	1	1	1	
8	5EB-16356-01	ROD, PUSH 1	1	1	1	
9	5EB-16351-01	PLATE, PRESSURE 1	1	1	1	
10	90501-225A9	SPRING, COMPRESSION	6	6	6	
11	90159-06002	SCREW, WITH WASHER	6	6	6	
12	90201-255A6	WASHER, PLATE	1	1	1	
13	1AE-16164-00	PLATE, THRUST 2	1	1	1	
14	90560-25270	SPACER	1	1	1	
15	93310-340N8	BEARING	1	1	1	
16	90215-20231	WASHER, LOCK	1	1	1	
17	90170-20327	NUT	1	1	1	
18	93317-11020	BEARING	1	1	1	
19	93315-31502	BEARING	1	1	1	
20	93102-15212	OIL SEAL	1	1	1	
21	5EB-16382-00	AXLE, PUSH LEVER	1	1	1	
22	92907-08600	WASHER, PLATE	1	1	1	
23	99001-07600	CIRCLIP	1	1	1	
24	5EB-16340-00	PUSH LEVER ASSY	1	1	1	
25	90201-10614	WASHER, PLATE	1	1	1	
26	99001-09600	CIRCLIP	1	1	1	
27	90508-165B1	SPRING, TORSION	1	1	1	

FIG. 16 TRANSMISSION



5EB3351-9160

REF. NO.	PART NO.	DESCRIPTION	5MTB	5MTC	5MTE	REMARKS
1	5EB-17411-00	AXLE, MAIN (13T)	1	1	1	
2	90387-253M6	COLLAR	1	1	1	
3	5MT-17151-00	GEAR, 5TH PINION (21T)	1	1	1	
4	90209-21332	WASHER	2	2	2	
5	93440-25084	CIRCLIP	2	2	2	
6	5EB-17131-00	GEAR, 3RD/4TH PINION (18T/24T)	1	1	1	
7	90387-2513E	COLLAR	1	1	1	
8	5EB-17161-00	GEAR, 6TH PINION (24T)	1	1	1	
9	90209-22352	WASHER	1	1	1	
10	90209-21351	WASHER	1	1	1	
11	5EB-17121-00	GEAR, 2ND PINION (13T)	1	1	1	
12	5EB-15163-01	HOUSING, BEARING 1	1	1	1	
13	93306-30525	BEARING (B6305)	1	1	1	
14	93306-20464	BEARING	1	1	1	
15	90149-06285	SCREW	3	3	3	
16	5EB-17421-00	AXLE, DRIVE	1	1	1	
17	93306-30546	BEARING (B6305A5 SPECIAL)	1	1	1	
18	90387-2504A	COLLAR	1	1	1	
19	90387-2813C	COLLAR	1	1	1	
20	5EB-17221-00	GEAR, 2ND WHEEL (37T)	1	1	1	
21	90209-25342	WASHER	3	3	3	
22	93440-28062	CIRCLIP	3	3	3	
23	5MT-17261-00	GEAR, 6TH WHEEL (26T)	1	1	1	
24	90387-2813D	COLLAR	2	2	2	
25	5EB-17241-00	GEAR, 4TH WHEEL (32T)	1	1	1	
26	90209-25349	WASHER	1	1	1	
27	90209-25350	WASHER	1	1	1	

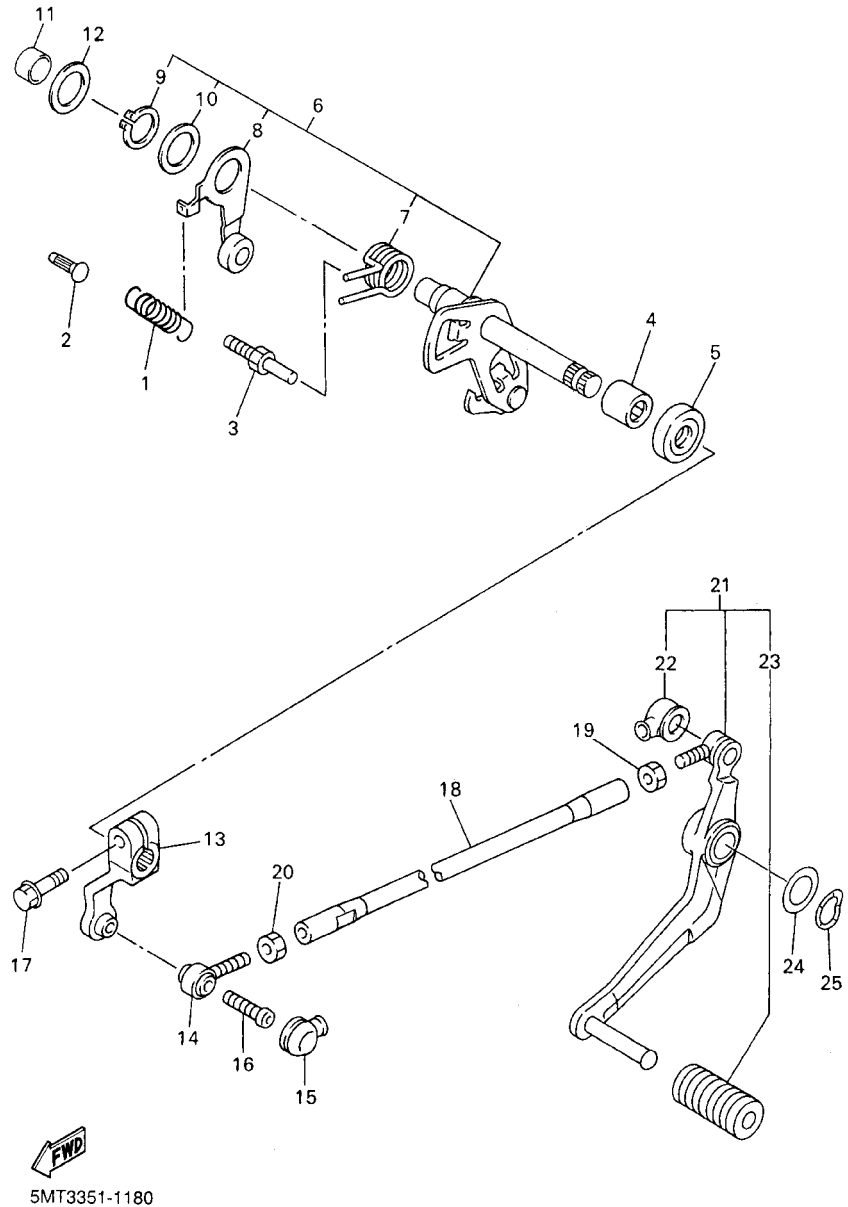
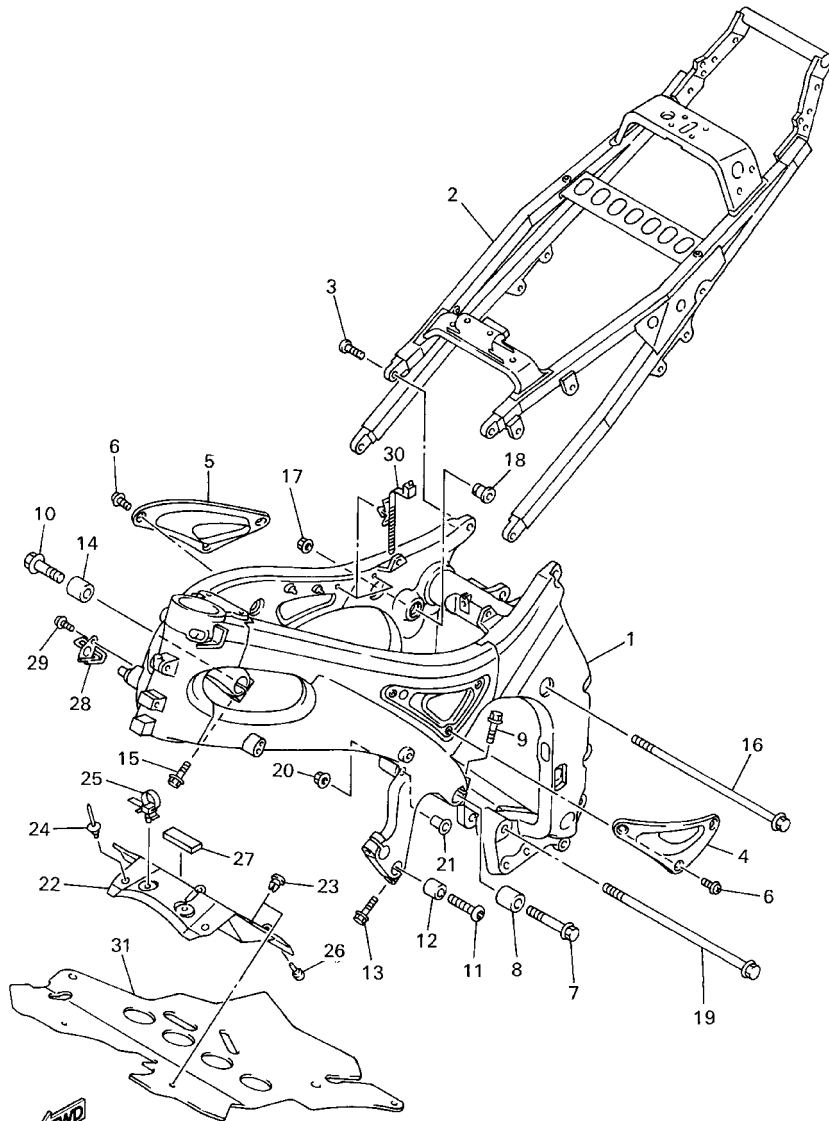


FIG. 18 SHIFT SHAFT

REF. NO.	PART NO.	DESCRIPTION	5MTB	5MTC	5MTE	REMARKS
1	90506-14003	SPRING, TENSION	1	1	1	
2	132-16346-00	HOOK, SPRING	1	1	1	
3	4XV-18127-00	STOPPER, SCREW	1	1	1	
4	93317-11287	BEARING	1	1	1	
5	93101-12004	OIL SEAL	1	1	1	
6	5MT-18101-00	SHIFT SHAFT ASSY	1	1	1	
7	90508-295B2	.SPRING, TORSION	1	1	1	
8	4XV-18140-00	.STOPPER LEVER ASSY	1	1	1	
9	99009-17400	.CIRCLIP	1	1	1	
10	90201-177G4	.WASHER, PLATE	1	1	1	
11	90387-09001	COLLAR	1	1	1	
12	90201-154E8	WASHER, PLATE (T=1.0)	1	1	1	
13	5EB-18112-01	ARM, SHIFT	1	1	1	
14	3TC-18116-00	JOINT, ROD 1	1	1	1	
15	4XV-18154-00	COVER, DUST	1	1	1	
16	90111-06019	BOLT	1	1	1	
17	95824-06020	BOLT, FLANGE	1	1	1	
18	5EB-18115-00	ROD, SHIFT	1	1	1	
19	90170-08358	NUT	1	1	1	
20	95304-06700	NUT	1	1	1	
21	5EB-18110-10	SHIFT PEDAL ASSY	1	1	1	
22	2H9-18154-00	.COVER, DUST	1	1	1	
23	5EB-18113-00	.COVER, SHIFT PEDAL	1	1	1	
24	90201-12013	WASHER, PLATE	1	1	1	
25	90206-12074	WASHER, WAVE	1	1	1	

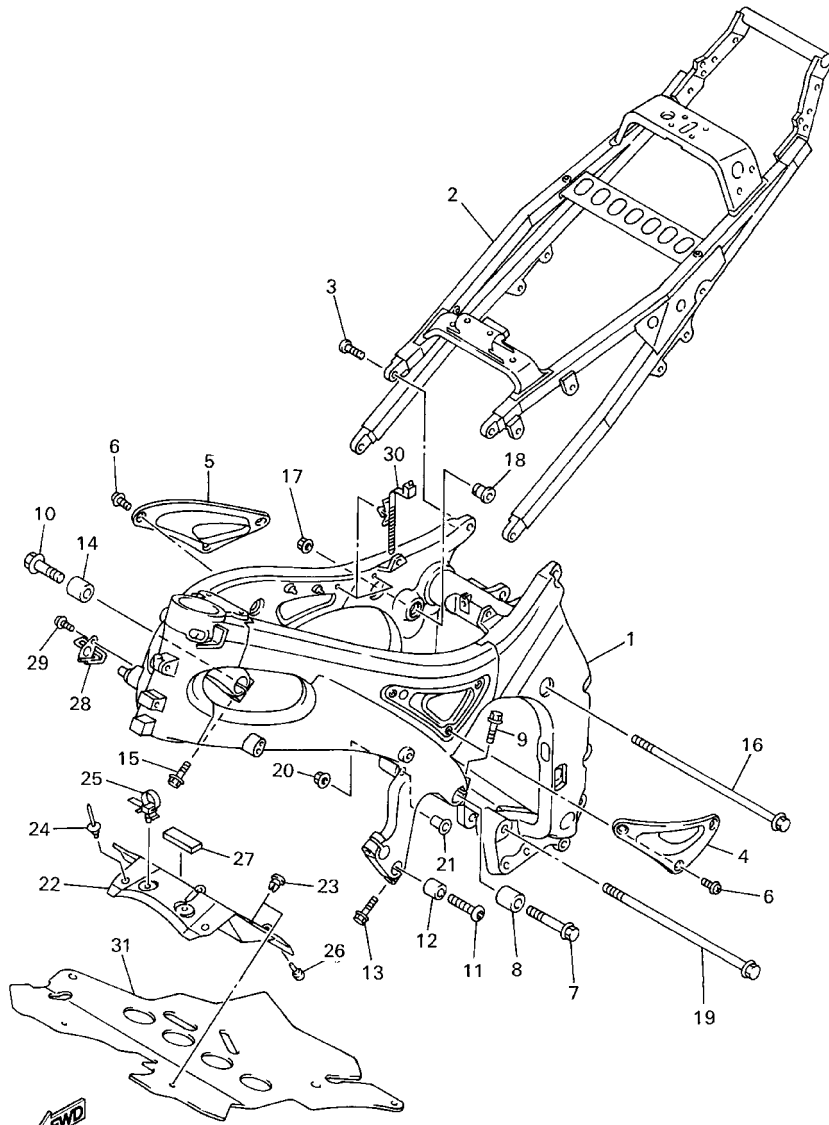
FIG. 19 FRAME



5EB3351-9190

REF. NO.	PART NO.	DESCRIPTION	5MTB	5MTC	5MTE	REMARKS
1	5EB-21110-01	FRAME COMP.	1	1	1	
2	5EB-21190-01	REAR FRAME COMP.	1	1	1	
3	90111-10018	BOLT	4	4	4	
4	5EB-2117V-00	COVER 7	1	1	1	
5	5EB-2117W-00	COVER 8	1	1	1	
6	90154-05059	SCREW, BINDING	6	6	6	
7	95027-12060	BOLT, FLANGE	1	1	1	
8	90387-1414W	COLLAR	1	1	1	
9	95027-08035	BOLT, FLANGE	1	1	1	
10	90105-12004	BOLT, FLANGE	1	1	1	
11	92017-10040	BOLT, BUTTON HEAD	2	2	2	
12	90387-1214V	COLLAR	2	2	2	
13	95027-06030	BOLT, FLANGE	2	2	2	
14	90387-1312P	COLLAR	1	1	1	
15	95027-08035	BOLT, FLANGE	1	1	1	
16	90105-10042	BOLT, FLANGE	1	1	1	
17	90179-10696	NUT	1	1	1	
18	5EB-21495-00	BOLT, ENGINE ADJUSTING	1	1	1	
19	90105-106A2	BOLT, FLANGE	1	1	1	
20	90179-10696	NUT	1	1	1	
21	5EB-21495-00	BOLT, ENGINE ADJUSTING	1	1	1	
22	5EB-2117M-00	COVER 2	1	1	1	
23	90269-07076	RIVET	3	3	3	
24	90269-07077	RIVET	2	2	2	
25	90464-12036	CLAMP	2	2	2	
26	36Y-21639-00	DAMPÉR 2	2	2	2	
27	3KJ-15337-00	DAMPER 4	1	1	1	

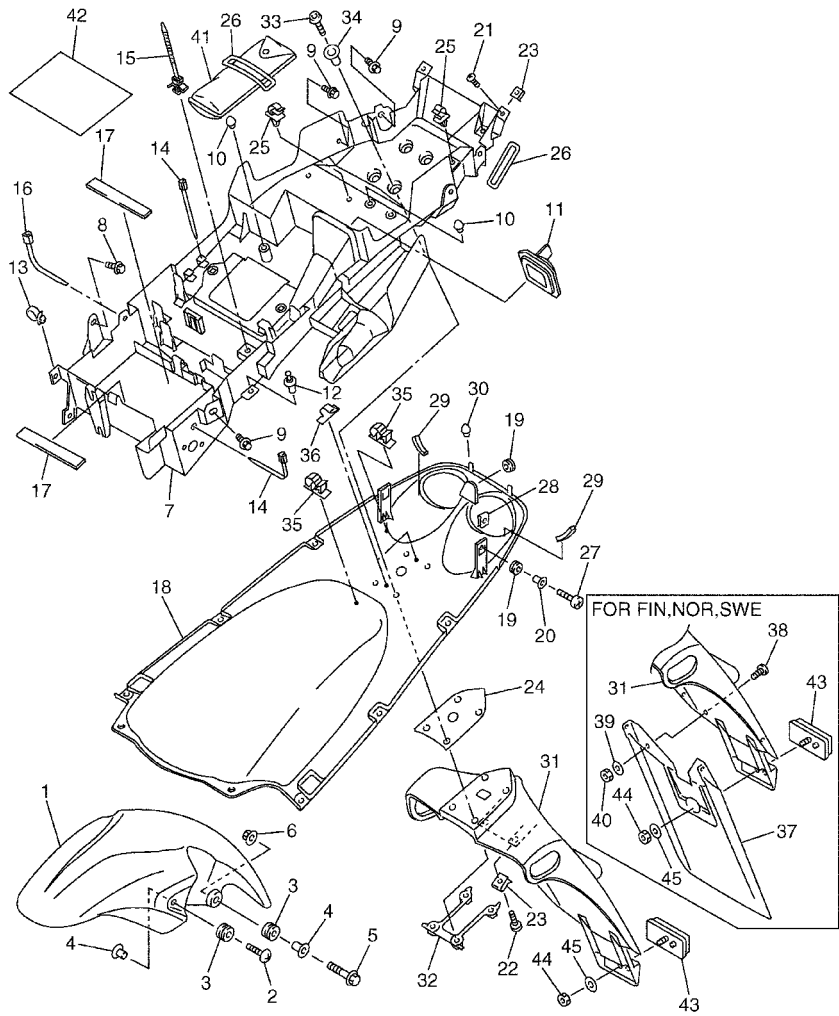
FIG. 19 FRAME



5EB3351-9190

REF. NO.	PART NO.	DESCRIPTION	5MTB	5MTC	5MTE	REMARKS
28	5EB-26132-00	GUIDE, CABLE 2	1	1	1	
29	98507-06012	SCREW, PAN HEAD	1	1	1	
30	90464-20213	CLAMP	2	2	2	
31	5EB-12682-01	PROTECTOR, HEAT	1	1	1	

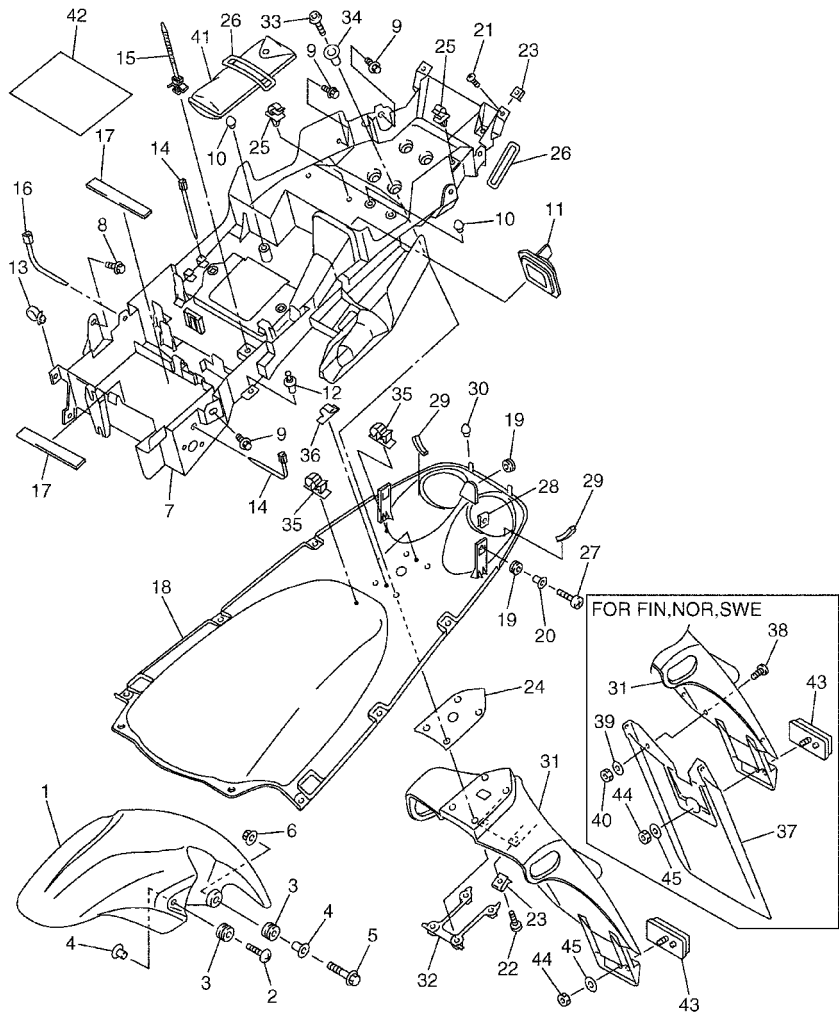
FIG. 20 FENDER




5MTB300-2200

REF. NO.	PART NO.	DESCRIPTION	5MTB	5MTC	5MTE	REMARKS
1	5EB-21511-00-P0	FENDER, FRONT	1	1	1	UR VRC1
	5EB-21511-00-P1	FENDER, FRONT	1	1	1	UR DPBMC
2	90154-06061	SCREW, BINDING	2	2	2	
3	90480-12072	GROMMET	4	4	4	
4	90387-065J6	COLLAR	4	4	4	
5	95024-06030	BOLT, FLANGE	2	2	2	
6	95707-06500	NUT, FLANGE	2	2	2	
7	5MT-8212B-00	BOX, BATTERY 1	1	1	1	
8	90119-06010	BOLT, WITH WASHER	1	1	1	
9	90119-06009	BOLT, WITH WASHER	5	5	5	
10	4G0-21639-00	DAMPER 2	3	3	3	
11	5MT-2172X-00	COVER, TAILLIGHT	1	1	1	
12	90269-07077	RIVET	2	2	2	
13	90464-13133	CLAMP	1	1	1	
14	90464-13073	CLAMP	2	2	2	
15	90464-10112	CLAMP	1	1	1	
16	90464-13077	CLAMP	1	1	1	
17	1AE-2834E-00	DAMPER	2	2	2	
18	5MT-21611-00-P0	FENDER, REAR	1	1	1	UR VRC1
	5MT-21611-00-P1	FENDER, REAR	1	1	1	UR DPBMC
19	4XV-83513-00	DAMPER	3	3	3	
20	90387-065G0	COLLAR	2	2	2	
21	90154-05041	SCREW, BINDING	2	2	2	
22	90154-05041	SCREW, BINDING	2	2	2	
23	90183-05061	NUT, SPRING	4	4	4	
24	5MT-21669-00	SEAL	1	1	1	
25	90464-07259	CLAMP	3	3	3	

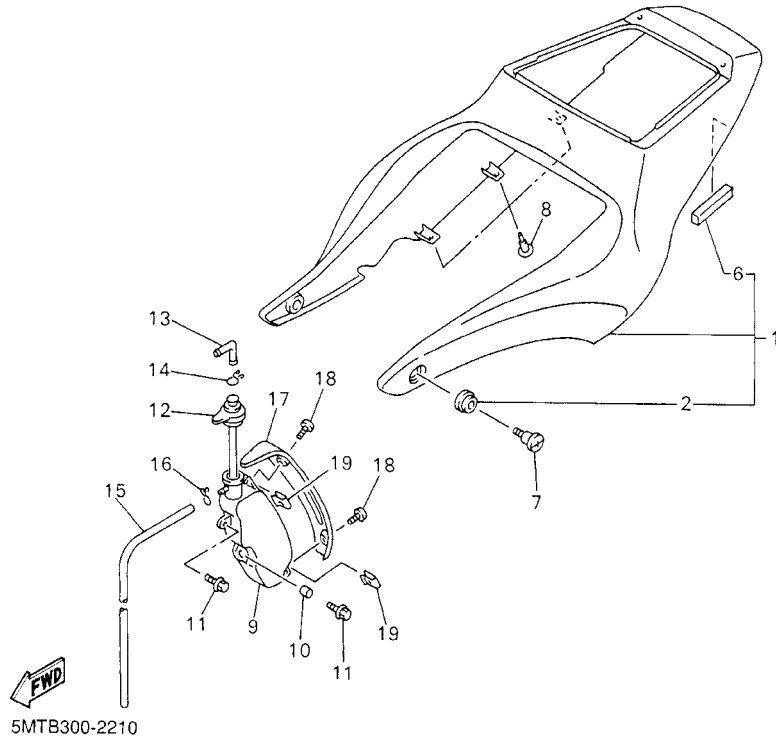
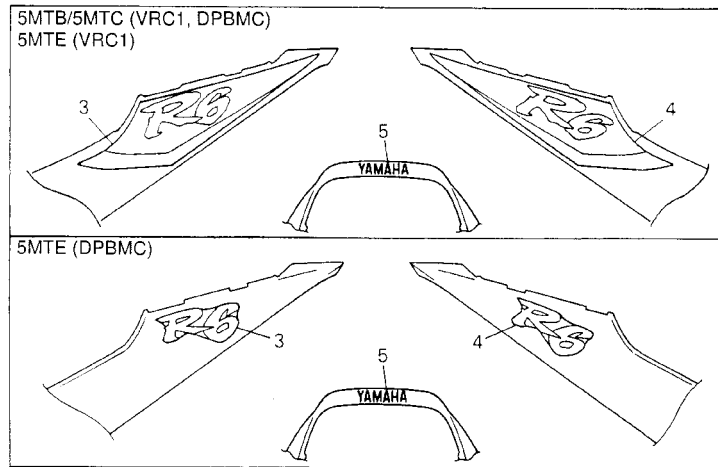
FIG. 20 FENDER



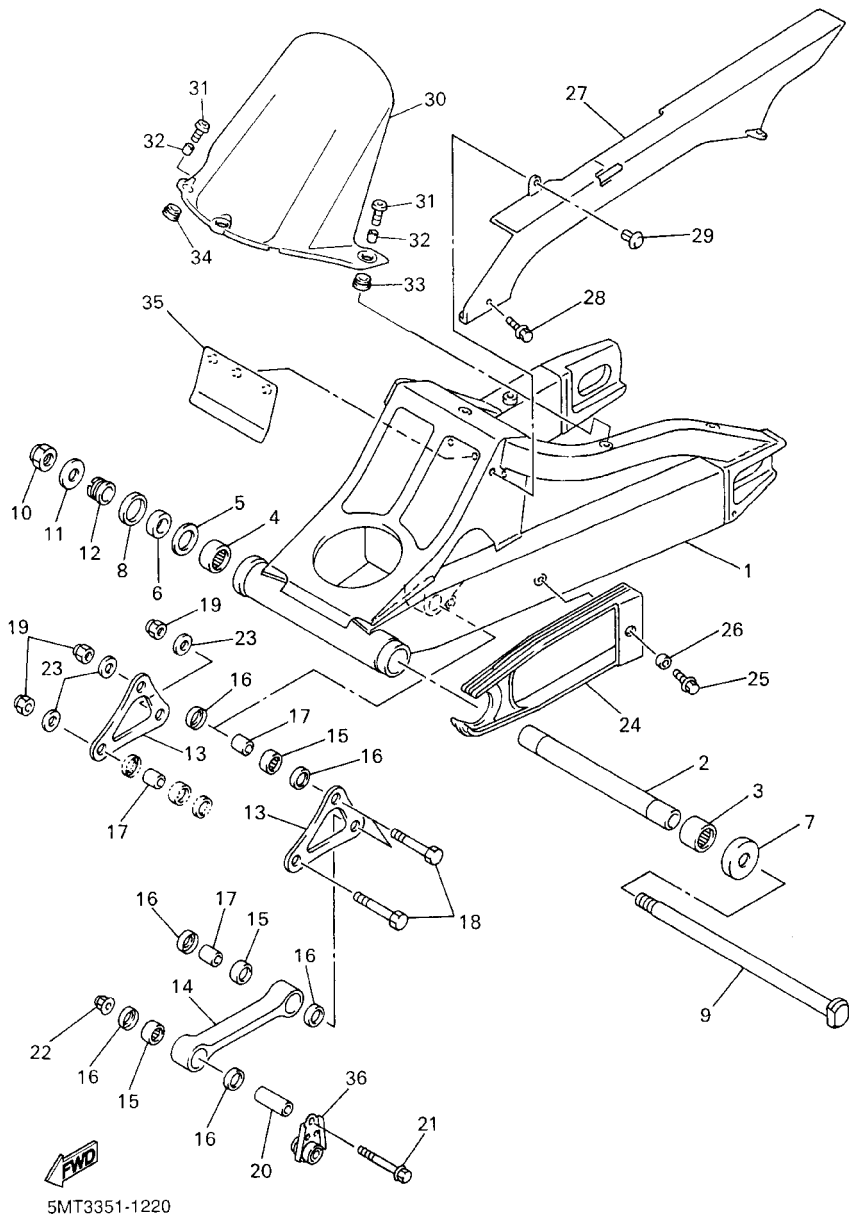

5MTB300-2200

REF. NO.	PART NO.	DESCRIPTION	5MTB	5MTC	5MTE	REMARKS
26	4XV-21376-00	BAND, TOOL	2	2	2	
27	98907-05020	SCREW, BIND	2	2	2	
28	90183-05024	NUT, SPRING	2	2	2	
29	5MT-21717-00	DAMPER	2	2	2	
30	4G0-21639-00	DAMPER 2	2	2	2	
31	5MT-21629-00	GUARD, MUD	1	1		UR
	5MT-21629-20	GUARD, MUD	1	1		UR FOR FIN,NOR,SWE
	5MT-21629-20	GUARD, MUD			1	
32	5MT-2161G-00	BRACKET 6	1	1	1	
33	92017-06020	BOLT, BUTTON HEAD	4	4	4	
34	90387-065G0	COLLAR	4	4	4	
35	90464-09009	CLAMP	2	2	2	
36	90465-04013	CLAMP	2	2	2	
37	5MT-21621-00	FLAP	1	1		FOR FIN,NOR,SWE
	5MT-21621-00	FLAP			1	
38	90149-04278	SCREW	4	4		FOR FIN,NOR,SWE
	90149-04278	SCREW			4	
39	90201-04018	WASHER, PLATE	4	4		FOR FIN,NOR,SWE
	90201-04018	WASHER, PLATE			4	
40	95607-04100	NUT, U	4	4		FOR FIN,NOR,SWE
	95607-04100	NUT, U			4	
41	5EB-28100-00	TOOL KIT	1	1	1	
42	5EB-14733-00	MAT 1	1	1	1	
43	3Y6-85130-02	REAR REFLECTOR ASSY	1	1	1	
44	95607-05100	NUT, U	1	1	1	
45	90201-05725	WASHER, PLATE	1	1	1	

FIG. 21 SIDE COVER



REF. NO.	PART NO.	DESCRIPTION	5MTB	5MTC	5MTE	REMARKS
1	5EB-Y2171-E1-P0	COVER, SIDE 1	1	1		UR VRC1
	5EB-Y2171-F1-P1	COVER, SIDE 1	1	1		UR DPBMC
	5EB-Y2171-H1-P1	COVER, SIDE 1			1	UR DPBMC
	5EB-Y2171-E1-P0	COVER, SIDE 1			1	UR VRC1
2	90480-13398	.GROMMET	2	2	2	
3	5MT-2173E-00	.GRAPHIC 1	1	1		UR FOR VRC1
	5MT-2173E-10	.GRAPHIC 1	1	1		UR FOR DPBMC
	5EB-21781-30	.EMBLEM 1			1	UR FOR DPBMC
	5MT-2173E-00	.GRAPHIC 1			1	UR FOR VRC1
4	5MT-2173F-00	.GRAPHIC 2	1	1		UR FOR VRC1
	5MT-2173F-10	.GRAPHIC 2	1	1		UR FOR DPBMC
	5EB-21781-30	.EMBLEM 1			1	UR FOR DPBMC
	5MT-2173F-00	.GRAPHIC 2			1	UR FOR VRC1
5	99241-00080	.EMBLEM, YAMAHA	1	1	1	
6	3VD-12465-00	.DAMPER, RADIATOR	2	2	2	
7	90150-06036	SCREW, ROUND HEAD	2	2	2	
8	90269-07077	RIVET	6	6	6	
9	5EB-21871-01	TANK, RECOVERY	1	1	1	
10	90387-066K1	COLLAR	1	1	1	
11	90119-06117	BOLT, WITH WASHER	2	2	2	
12	5EB-21875-00	CAP	1	1	1	
13	26H-21828-00	ELBOW	1	1	1	
14	90467-11019	CLIP	1	1	1	
15	90445-08605	HOSE	1	1	1	
16	90467-08003	CLIP	1	1	1	
17	5EB-2172W-00	COVER	1	1	1	
18	90150-05039	SCREW, ROUND HEAD	2	2	2	



5MT3351-1220

FIG. 22 REAR ARM

REF. NO.	PART NO.	DESCRIPTION	5MTB	5MTC	5MTE	REMARKS
1	5MT-22110-01	REAR ARM COMP.	1	1	1	
2	5EB-22184-00	BUSH	1	1	1	
3	93315-42523	BEARING	1	1	1	
4	93315-42536	BEARING	1	1	1	
5	5EB-22127-00	SHIM	1	1	1	
6	5EB-22123-00	BUSH 1	1	1	1	
7	3FV-22128-00	COVER, THRUST 1	1	1	1	
8	93109-33049	OIL SEAL	1	1	1	
9	4FN-22141-00	SHAFT, PIVOT	1	1	1	
10	90185-18104	NUT, SELF-LOCKING	1	1	1	
11	90201-186M4	WASHER, PLATE	1	1	1	
12	5EB-22125-00	BOLT	1	1	1	
13	5EB-2217A-00	ARM, RELAY	2	2	2	
14	5EB-2217M-00	ARM 1	1	1	1	
15	93315-31759	BEARING	3	3	3	
16	93109-17071	OIL SEAL	6	6	6	
17	90387-127W0	COLLAR	3	3	3	
18	90101-10709	BOLT	3	3	3	
19	95617-10100	NUT, U	3	3	3	
20	90387-1012B	COLLAR	1	1	1	
21	90105-10323	BOLT, FLANGE	1	1	1	
22	95607-10200	NUT, SELF-LOCKING	1	1	1	
23	90201-101J1	WASHER, PLATE	3	3	3	
24	5EB-22151-00	SEAL, GUARD	1	1	1	
25	90119-06227	BOLT, WITH WASHER	1	1	1	
26	90387-06372	COLLAR	1	1	1	
27	5EB-22311-01	CASE, CHAIN	1	1	1	

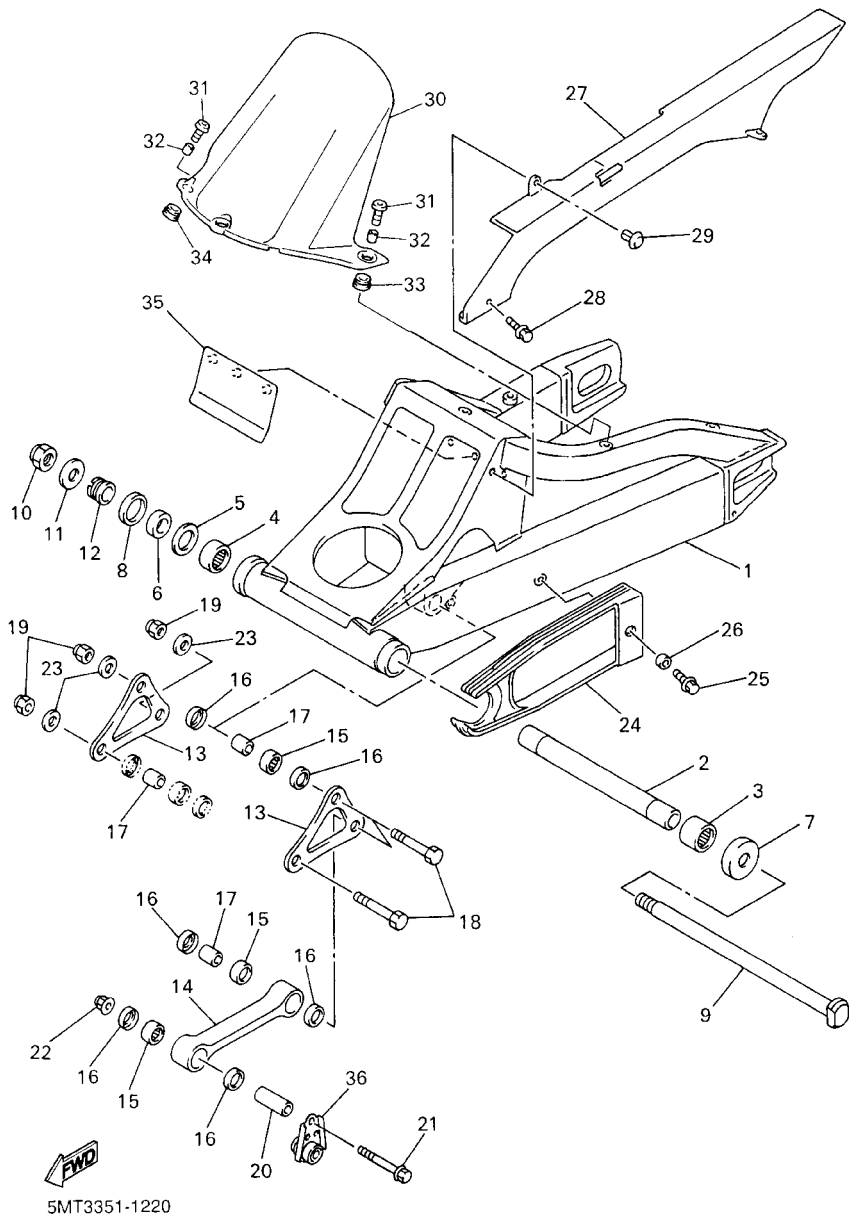
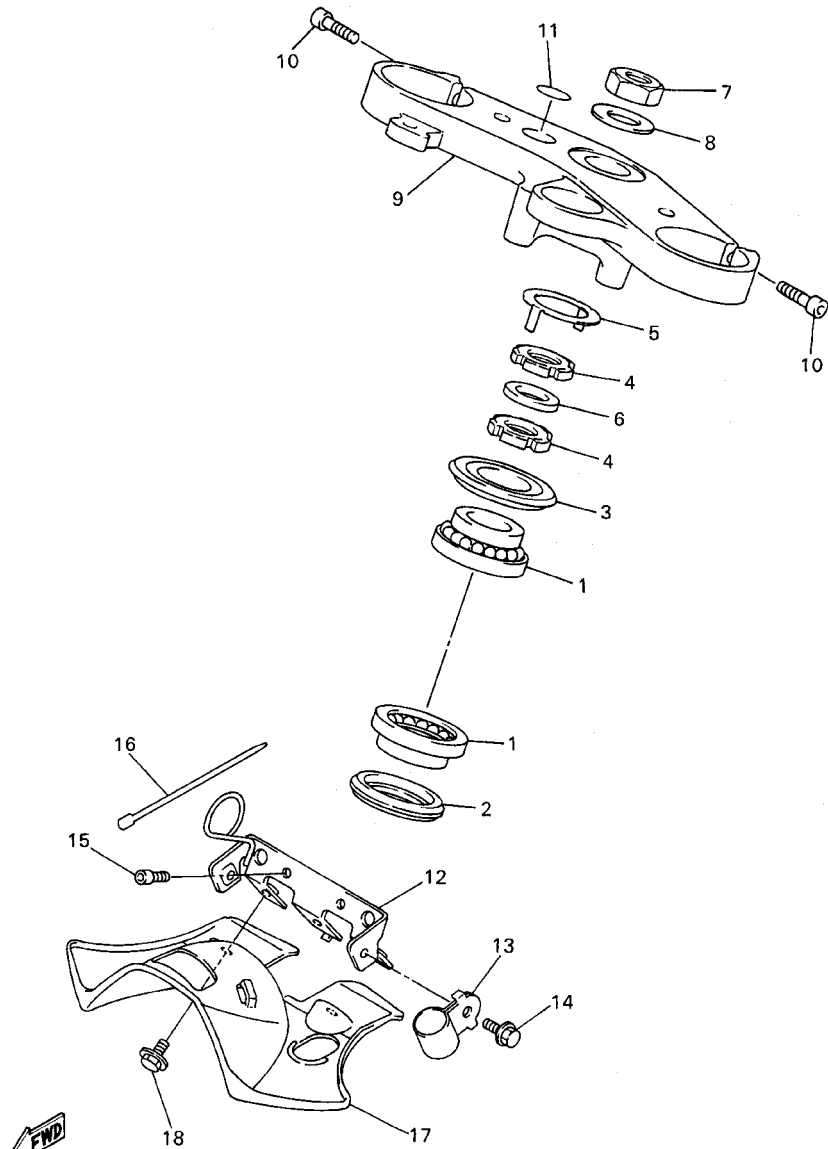


FIG. 22 REAR ARM

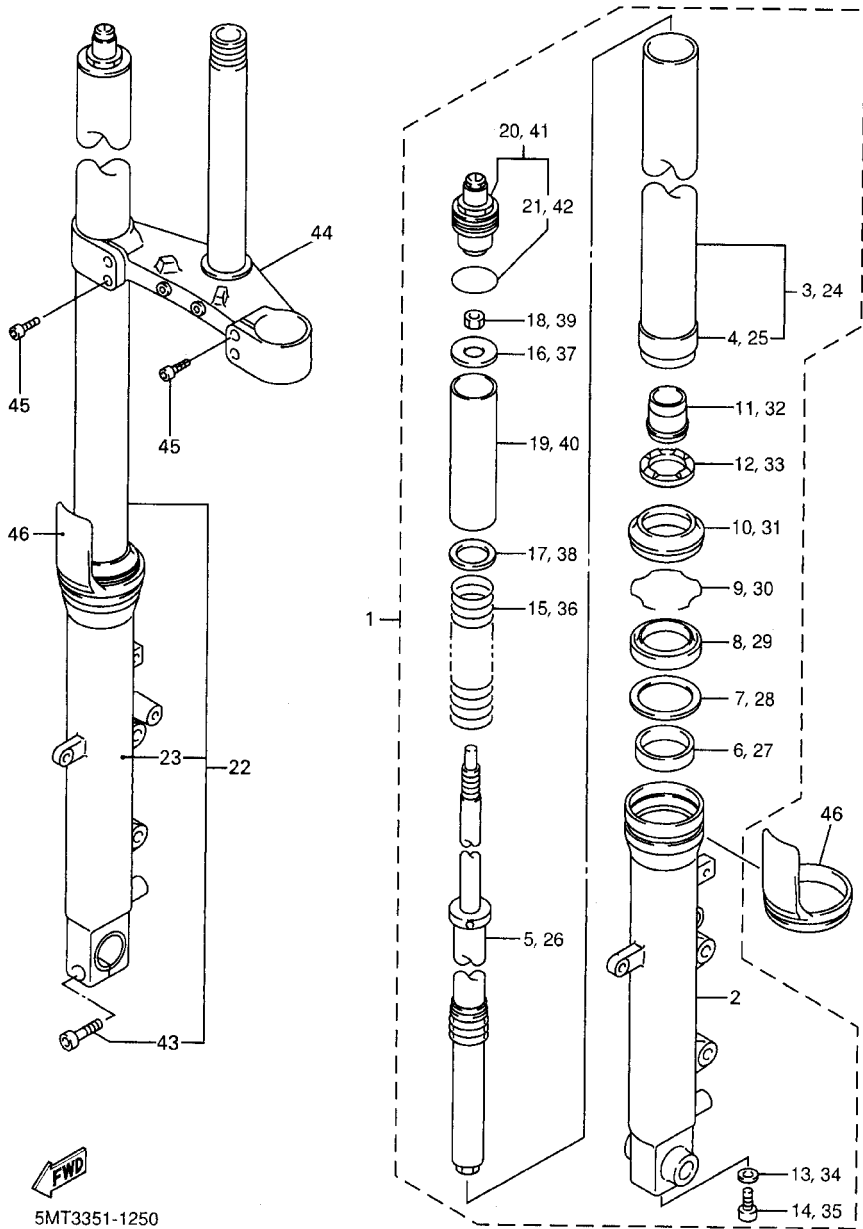
REF. NO.	PART NO.	DESCRIPTION	5MTB	5MTC	5MTE	REMARKS
28	90119-06052	BOLT, WITH WASHER	2	2	2	
29	90269-07076	RIVET	1	1	1	
30	5MT-21650-00	REAR FENDER COMP.	1	1	1	
31	90149-06302	SCREW	3	3	3	
32	90387-0600V	COLLAR	3	3	3	
33	90480-12005	GROMMET	2	2	2	
34	90480-12003	GROMMET	1	1	1	
35	30X-21621-00	FLAP	1	1	1	
36	5EB-21446-00	STAY, MUFFLER 2	1	1	1	

FIG. 24 STEERING



5MT3351-1240

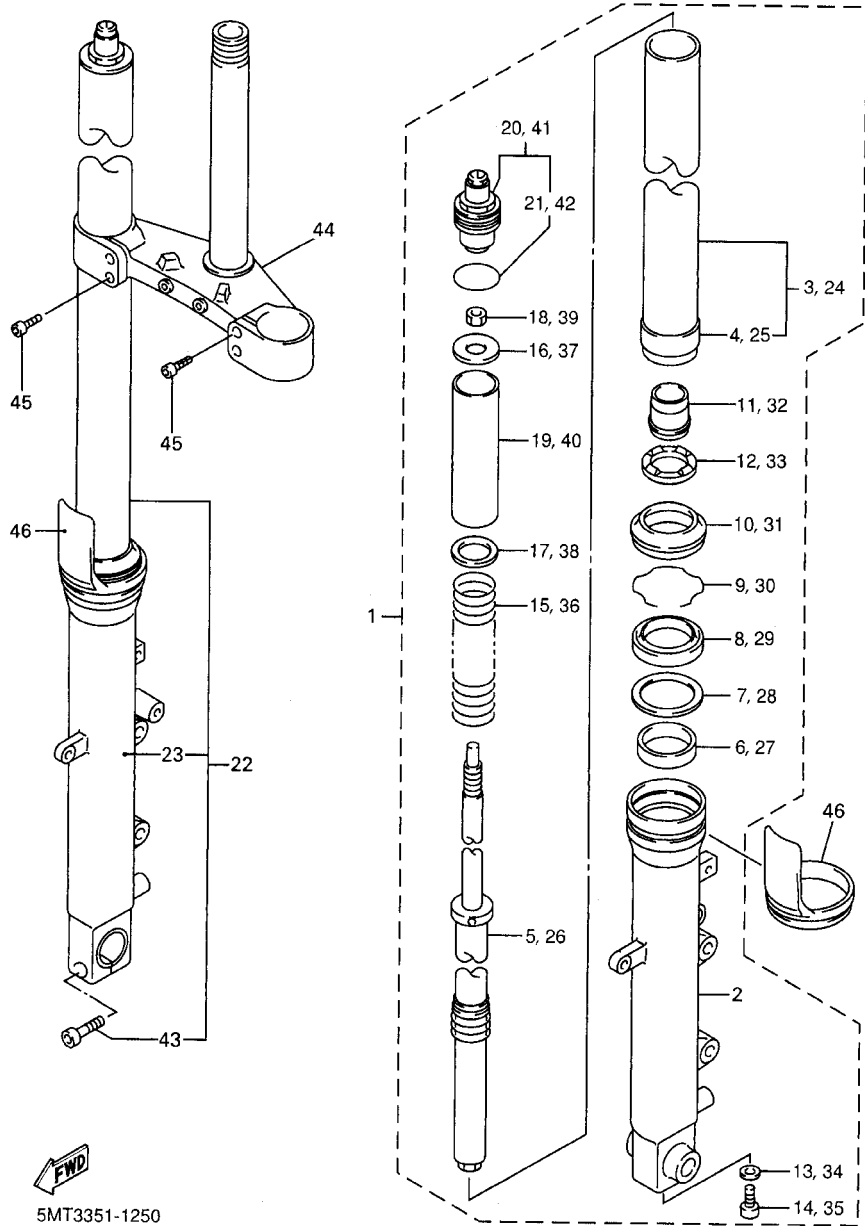
REF. NO.	PART NO.	DESCRIPTION	5MTB	5MTC	5MTE	REMARKS
1	93399-99932	BEARING	2	2	2	
2	3FV-23462-00	SEAL, STEERING	1	1	1	
3	4XV-23415-01	COVER, BALL RACE 1	1	1	1	
4	90179-30691	NUT	2	2	2	
5	4XV-23418-00	WASHER, SPECIAL	1	1	1	
6	90202-30235	WASHER, PLATE	1	1	1	
7	90170-28419	NUT	1	1	1	
8	90201-281U8	WASHER, PLATE	1	1	1	
9	5EB-23435-01	CROWN, HANDLE	1	1	1	
10	91314-08030	BOLT	2	2	2	
11	4XV-2341B-00	EMBLEM	1	1	1	
12	5EB-23377-00	BRACKET, HORN	1	1	1	
13	90461-10132	CLAMP	2	2	2	
14	95807-06012	BOLT, FLANGE	2	2	2	
15	91317-06012	BOLT	2	2	2	
16	3MA-82591-00	BAND	1	1	1	
17	5EB-23818-00	COVER, STEERING	1	1	1	
18	90119-06117	BOLT, WITH WASHER	2	2	2	



5MT3351-1250

FIG. 25 FRONT FORK

REF. NO.	PART NO.	DESCRIPTION	5MTB	5MTC	5MTE	REMARKS
1	5MT-23102-01	FRONT FORK ASSY (L.H)	1	1	1	
2	5MT-23126-00	.TUBE, OUTER (LEFT)	1	1	1	
3	5MT-23110-00	.INNER TUBE COMP.1	1	1	1	
4	5EB-23171-00	..PISTON, FRONT FORK	1	1	1	
5	5MT-23170-00	.CYLINDER COMP., FRONT FORK	1	1	1	
6	5EB-23125-00	.METAL, SLIDE 1	1	1	1	
7	4V4-23146-L0	.WASHER, OIL SEAL	1	1	1	
8	4PU-23145-01	.OIL SEAL	1	1	1	
9	4V4-23153-L0	.RING, SNAP	1	1	1	
10	4PU-23144-00	.SEAL, DUST	1	1	1	
11	5MT-23173-00	.SPINDLE, TAPER	1	1	1	
12	5MT-23195-00	.RUBBER	1	1	1	
13	2K8-23158-L0	.GASKET	1	1	1	
14	3LC-23181-00	.BOLT, HEXAGON SOCKET HEAD	1	1	1	
15	5MT-23141-00	.SPRING, FRONT FORK	1	1	1	
16	3TJ-23149-10	.WASHER, SPRING UPPER	1	1	1	
17	3LR-23149-00	.WASHER, SPRING UPPER	1	1	1	
18	3LC-23357-00	.NUT	1	1	1	
19	5MT-23118-00	.SPACER	1	1	1	
20	5MT-23111-00	.BOLT, CAP	1	1	1	
21	4V4-23188-L0	..O-RING	1	1	1	
22	5MT-23103-01	FRONT FORK ASSY (R.H)	1	1	1	
23	5MT-23136-00	.TUBE, OUTER (RIGHT)	1	1	1	
24	5MT-23110-00	.INNER TUBE COMP.1	1	1	1	
25	5EB-23171-00	..PISTON, FRONT FORK	1	1	1	
26	5MT-23170-00	.CYLINDER COMP., FRONT FORK	1	1	1	
27	5EB-23125-00	.METAL, SLIDE 1	1	1	1	

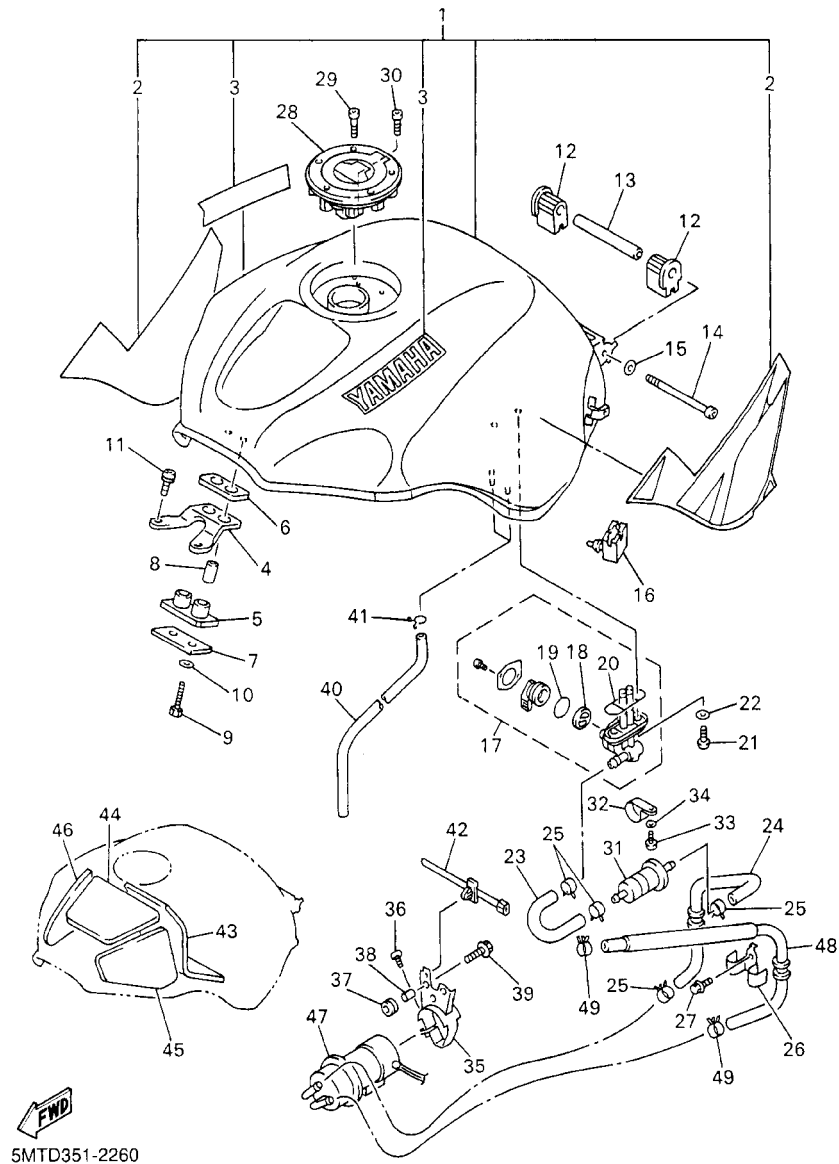


5MT3351-1250

FIG. 25 FRONT FORK

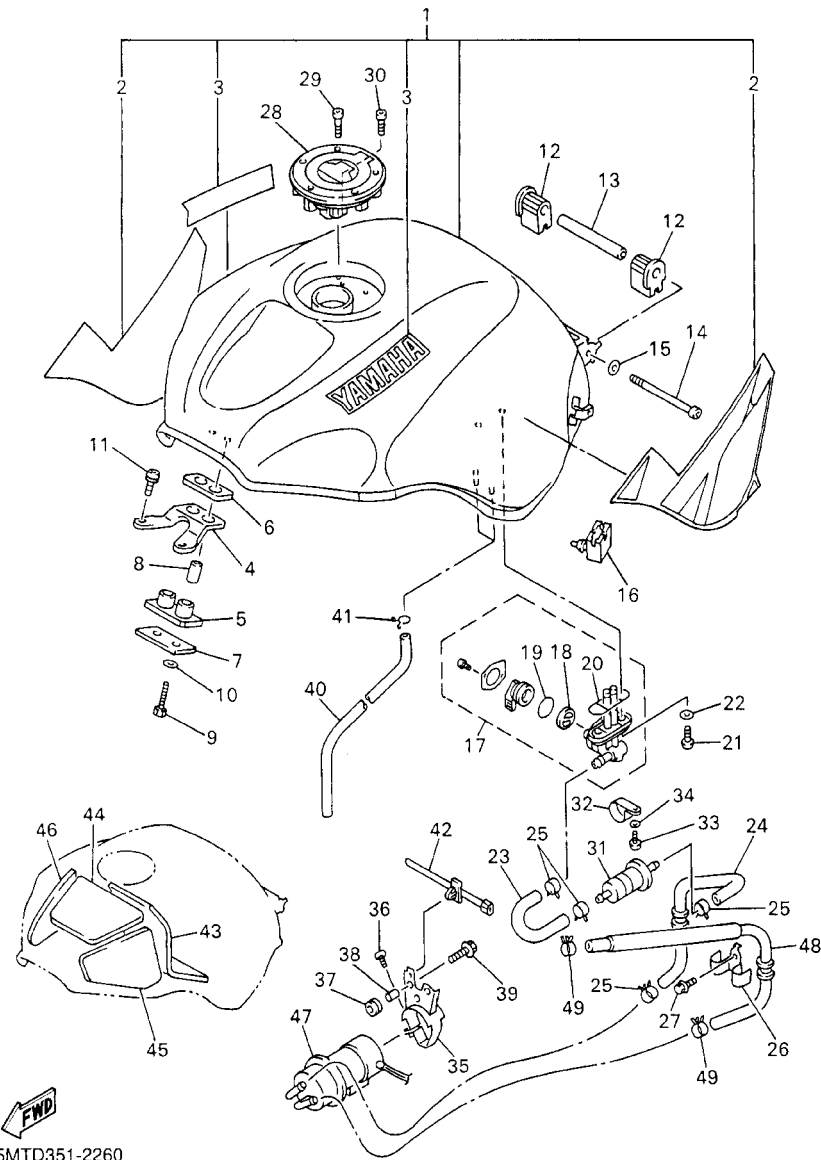
REF. NO.	PART NO.	DESCRIPTION	5MTB	5MTC	5MTE	REMARKS
28	4V4-23146-L0	.WASHER, OIL SEAL	1	1	1	
29	4PU-23145-01	.OIL SEAL	1	1	1	
30	4V4-23153-L0	.RING, SNAP	1	1	1	
31	4PU-23144-00	.SEAL, DUST	1	1	1	
32	5MT-23173-00	.SPINDLE, TAPER	1	1	1	
33	5MT-23195-00	.RUBBER	1	1	1	
34	2K8-23158-L0	.GASKET	1	1	1	
35	3LC-23181-00	.BOLT, HEXAGON SOCKET HEAD	1	1	1	
36	5MT-23141-00	.SPRING, FRONT FORK	1	1	1	
37	3TJ-23149-10	.WASHER, SPRING UPPER	1	1	1	
38	3LR-23149-00	.WASHER, SPRING UPPER	1	1	1	
39	3LC-23357-00	.NUT	1	1	1	
40	5MT-23118-00	.SPACER	1	1	1	
41	5MT-23111-00	.BOLT, CAP	1	1	1	
42	4V4-23188-L0	.O-RING	1	1	1	
43	91314-08035	.BOLT	1	1	1	
44	5MT-23340-00	UNDER BRACKET COMP.	1	1	1	
45	91314-08025	BOLT	4	4	4	
46	4PU-2331G-00	COVER	2	2	2	

FIG. 26 FUEL TANK



REF. NO.	PART NO.	DESCRIPTION	5MTB	5MTC	5MTE	REMARKS
1	5EB-Y2410-30-X1	FUEL TANK COMP.	1	1	1	UR VRC1
	5EB-Y2410-30-X2	FUEL TANK COMP.	1	1	1	UR DPBMC
2	5MT-24240-30	.GRAPHIC SET	1	1	1	UR FOR VRC1
	5MT-24240-40	.GRAPHIC SET	1	1	1	UR FOR DPBMC
3	4TV-2153A-40	.EMBLEM, YAMAHA	2	2	2	
4	5MT-24191-00	BRACKET, FUEL TANK 1	1	1	1	
5	5EB-24181-00	DAMPER, LOCATING 1	1	1	1	
6	2GH-24183-00	DAMPER, LOCATING 3	1	1	1	
7	2GH-24186-00	WASHER, SPECIAL	1	1	1	
8	90387-06027	COLLAR	2	2	2	
9	97007-06030	BOLT	2	2	2	
10	92907-06600	WASHER(6TA)	2	2	2	
11	90159-06005	SCREW, WITH WASHER	2	2	2	
12	5EB-24183-00	DAMPER, LOCATING 3	2	2	2	
13	90387-061W6	COLLAR	1	1	1	
14	91317-06090	BOLT	1	1	1	
15	90201-06050	WASHER, PLATE	1	1	1	
16	5EB-24182-00	DAMPER, LOCATING 2	2	2	2	
17	4TV-24500-00	FUEL COCK ASSY 1	1	1	1	
18	3XV-24523-00	.VALVE	1	1	1	
19	3XV-24534-00	.SEAL, COCK	1	1	1	
20	4X8-24512-00	.O-RING	1	1	1	
21	90149-06008	SCREW	2	2	2	
22	90202-05193	WASHER, PLATE	2	2	2	
23	5EB-24311-00	PIPE, FUEL 1	1	1	1	
24	5EB-24312-00	PIPE 2	1	1	1	
25	90467-14057	CLIP	4	4	4	

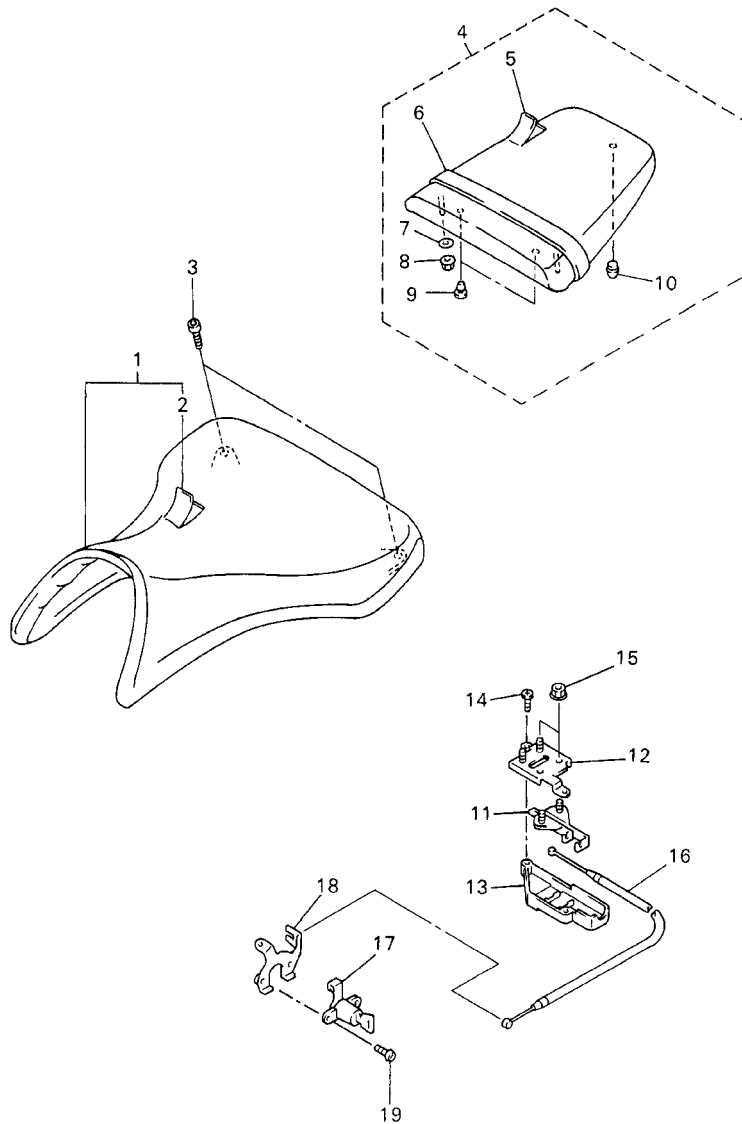
FIG. 26 FUEL TANK



5MTD351-2260

REF. NO.	PART NO.	DESCRIPTION	5MTB	5MTC	5MTE	REMARKS
26	5EB-2417H-00	CLAMP 1	1	1	1	
27	95027-06012	BOLT, FLANGE	1	1	1	
28	5JJ-24602-00	CAP ASSY	1	1	1	
29	90110-05112	BOLT, HEXAGON SOCKET HEAD	3	3	3	
30	91317-05010	BOLT	1	1	1	
31	4TV-24560-00	FILTER ASSY	1	1	1	
32	1AE-24366-00	CLAMP, FUEL PIPE 1	1	1	1	
33	98507-06012	SCREW, PAN HEAD	1	1	1	
34	92907-06600	WASHER(6TA)	1	1	1	
35	5EB-24491-00	BRACKET, FUEL PUMP	1	1	1	
36	98507-05010	SCREW, PAN HEAD	1	1	1	
37	90480-13163	GROMMET	2	2	2	
38	90387-060G7	COLLAR	2	2	2	
39	90119-06096	BOLT, WITH WASHER	2	2	2	
40	90445-102G9	HOSE (L650)	2	2	2	
41	90467-10008	CLIP	2	2	2	
42	90464-12089	CLAMP	1	1	1	
43	5EB-2414K-00	DAMPER, PLATE 3	1	1	1	
44	5EB-2414H-00	DAMPER, PLATE 1	1	1	1	
45	5EB-2411J-00	DAMPER, SIDE COVER	1	1	1	
46	5EB-2414J-00	DAMPER, PLATE 2	1	1	1	
47	5EB-13907-01	FUEL PUMP COMP.	1	1	1	
48	5EB-14294-00	HOSE	1	1	1	
49	90467-11044	CLIP	2	2	2	

FIG. 27 SEAT

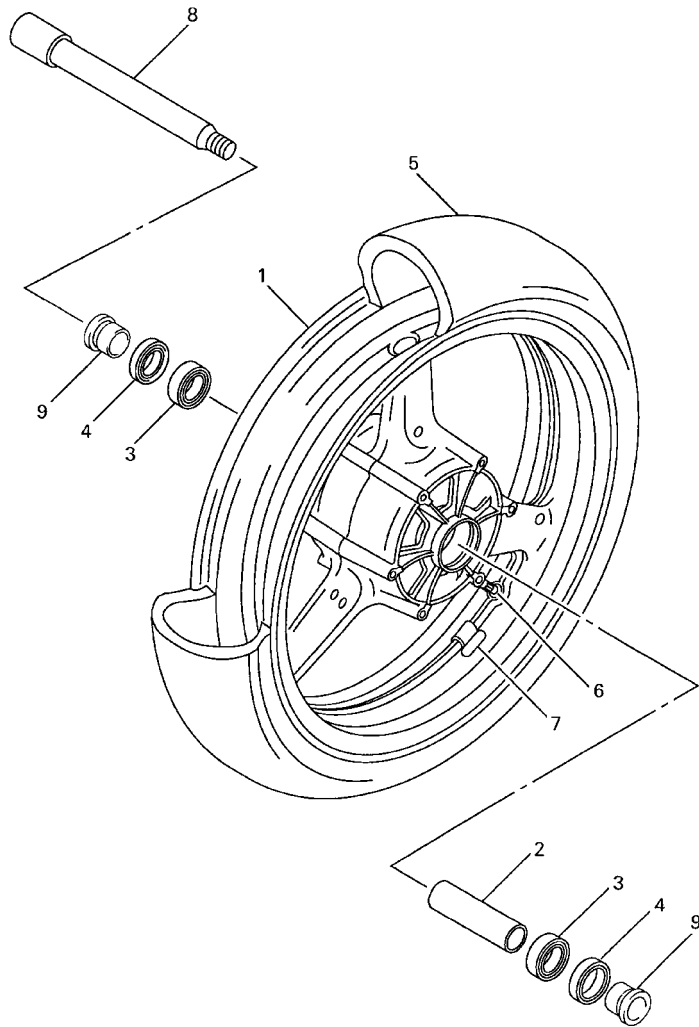


REF. NO.	PART NO.	DESCRIPTION	5MTB	5MTC	5MTE	REMARKS
1	5EB-24710-00	SINGLE SEAT ASSY	1	1	1	
2	5EB-2470F-00	.SEAT COVER COMP.	1	1	1	
3	90110-06258	BOLT, HEXAGON SOCKET HEAD	2	2	2	
4	5MT-24750-02	TANDEM SEAT ASSY	1	1	1	
5	5EB-24751-00	.COVER, TANDEM SEAT	1	1	1	
6	5MT-24720-00	.SEAT BAND ASSY	1	1	1	
7	90201-06008	.WASHER, PLATE	2	2	2	
8	90179-06635	.NUT	2	2	2	
9	90338-06018	.PLUG	2	2	2	
10	4G0-21639-00	.DAMPER 2	1	1	1	
11	4BP-24780-00	SEAT LOCK ASSY	1	1	1	
12	5JJ-24792-01	PLATE	1	1	1	
13	5JJ-2475X-01	COVER,2	1	1	1	
14	97707-40012	SCREW, TAPPING	2	2	2	
15	95707-06500	NUT, FLANGE	4	4	4	
16	5MT-2478E-00	CABLE, SEAT LOCK	1	1	1	
17	2TV-W2470-00	SEAT LOCK ASSY	1	1	1	
18	4XV-2117K-00	STAY, LOCK	1	1	1	
19	90149-06308	SCREW	2	2	2	



5MT3351-1270

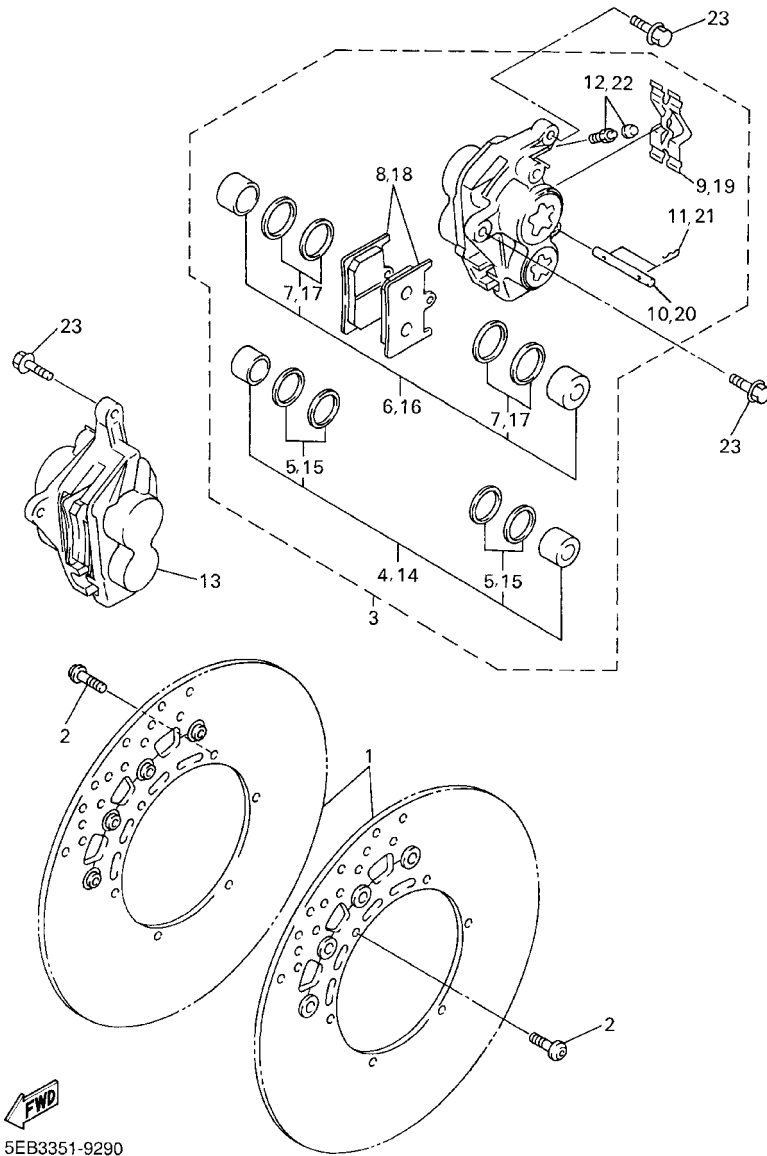
FIG. 28 FRONT WHEEL



REF. NO.	PART NO.	DESCRIPTION	5MTB	5MTC	5MTE	REMARKS
1	4XV-25168-00-33	CAST WHEEL, FRONT	1	1	1	YB
2	4XV-25117-00	SPACER, BEARING	1	1	1	
3	93306-00420	BEARING (B6004)	2	2	2	
4	93106-28043	OIL SEAL	2	2	2	
5	94112-17019	TIRE (120/60ZR17 D207FJ)	1	1	1	UR DUNLOP FOR DNK, GBR,NQR,SWE.
*		TIRE (120/60ZR17 PILOT SPORT)	1			UR LM MICHELIN
6	93900-00030	VALVE, RIM	1	1	1	
7	5MT-25398-00	BALANCER, WHEEL (10G)	1	1	1	UR
	5MT-25398-10	BALANCER, WHEEL (20G)	1	1	1	UR
	5MT-25398-20	BALANCER, WHEEL (30G)	1	1	1	UR
8	4XV-25181-00	AXLE, WHEEL	1	1	1	
9	90387-2200T	COLLAR	2	2	2	

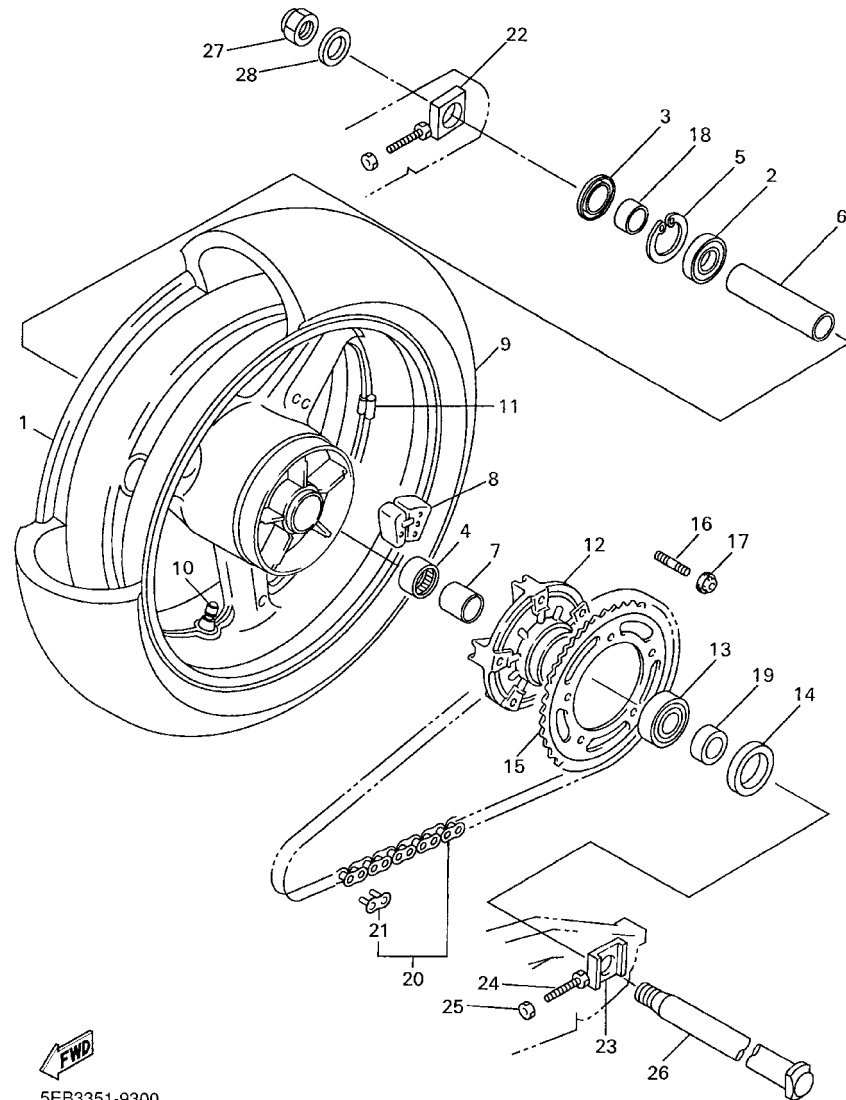

5EB3351-9280

FIG. 29 FRONT BRAKE CALIPER



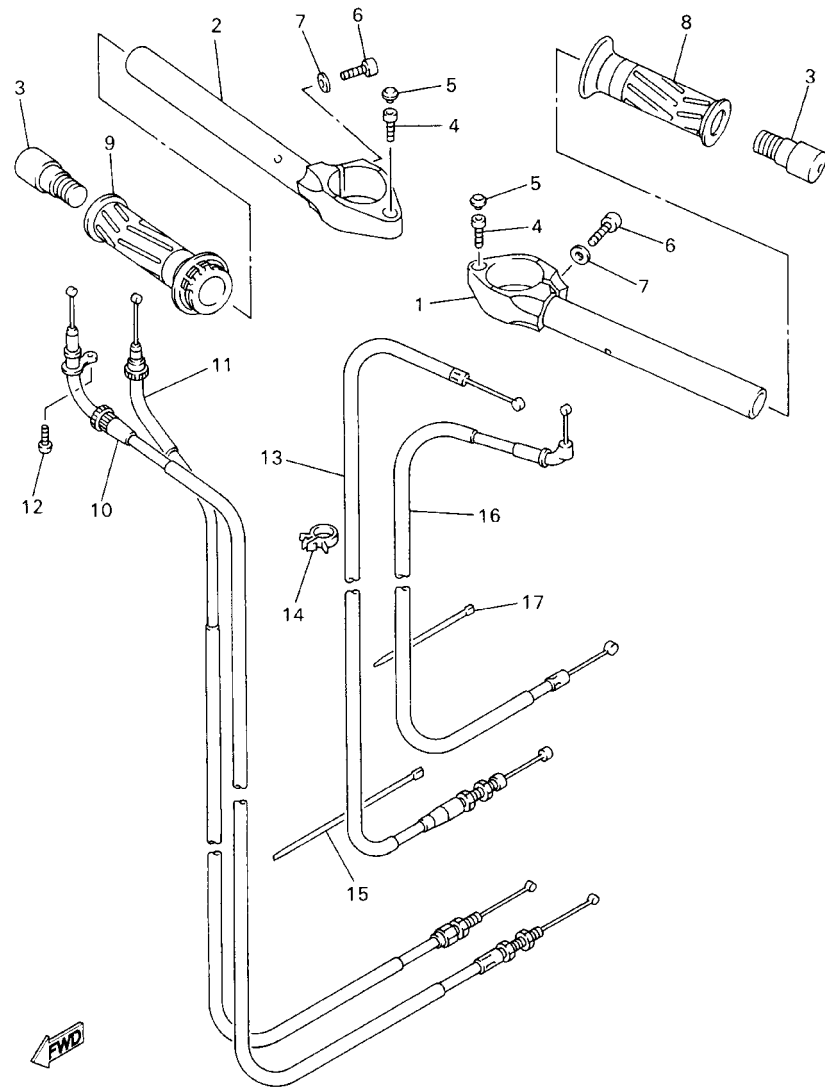
REF. NO.	PART NO.	DESCRIPTION	5MTB	5MTC	5MTE	REMARKS
1	4SV-2581T-00	DISC BRAKE ASSY	2	2	2	
2	90109-064G6	BOLT	12	12	12	
3	5DM-2580T-00	CALIPER ASSY (LEFT)	1	1	1	
4	4SV-W0057-00	.PISTON ASSY, CALIPER	1	1	1	
5	3MA-W0047-10	..CALIPER SEAL KIT	1	1	1	
6	4SV-W0057-10	.PISTON ASSY, CALIPER	1	1	1	
7	3GM-W0047-10	..CALIPER SEAL KIT	1	1	1	
8	4SV-W0045-00	.BRAKE PAD KIT	1	1	1	
9	4SV-25919-00	.SUPPORT, PAD	1	1	1	
10	4SV-25924-00	.PIN, PAD	1	1	1	
11	3GM-25925-00	.CLIP	2	2	2	
12	1J3-W0048-00	.BLEED SCREW KIT	1	1	1	
13	5DM-2580U-00	CALIPER ASSY (RIGHT)	1	1	1	
14	4SV-W0057-00	.PISTON ASSY, CALIPER	1	1	1	
15	3MA-W0047-10	..CALIPER SEAL KIT	1	1	1	
16	4SV-W0057-10	.PISTON ASSY, CALIPER	1	1	1	
17	3GM-W0047-10	..CALIPER SEAL KIT	1	1	1	
18	4SV-W0045-00	.BRAKE PAD KIT	1	1	1	
19	4SV-25919-00	.SUPPORT, PAD	1	1	1	
20	4SV-25924-00	.PIN, PAD	1	1	1	
21	3GM-25925-00	.CLIP	2	2	2	
22	1J3-W0048-00	.BLEED SCREW KIT	1	1	1	
23	90105-105A7	BOLT, FLANGE	4	4	4	

FIG. 30 REAR WHEEL



5EB3351-9300

REF. NO.	PART NO.	DESCRIPTION	5MTB	5MTC	5MTE	REMARKS
1	5EB-25338-00-33	CAST WHEEL, REAR	1	1	1	YB
2	93306-07806	BEARING	1	1	1	
3	93106-35042	OIL SEAL	1	1	1	
4	93317-43580	BEARING	1	1	1	
5	99009-52500	CIRCLIP	1	1	1	
6	4XV-25317-00	SPACER, BEARING	1	1	1	
7	4XV-25383-00	COLLAR, WHEEL	1	1	1	
8	5EB-25364-01	DAMPER	5	5	5	
9	94118-17011	TIRE (180/55ZR17 D207N)	1	1	1	UR DUNLOP FOR DNK, GBR,NOR,SWE
	*	TIRE (180/55ZR17 PILOT SPORT)	1			UR LM MICHELIN
10	93900-00030	VALVE, RIM	1	1	1	
11	5MT-25398-00	BALANCER, WHEEL (10G)	1	1	1	UR
	5MT-25398-10	BALANCER, WHEEL (20G)	1	1	1	UR
	5MT-25398-20	BALANCER, WHEEL (30G)	1	1	1	UR
12	5EB-25366-01	CLUTCH, HUB	1	1	1	
13	93306-27802	BEARING	1	1	1	
14	93106-40041	OIL SEAL	1	1	1	
15	5EB-25448-20	SPROCKET, DRIVEN (48T)	1	1	1	
16	90116-10485	BOLT, STUD	5	5	5	
17	95607-10200	NUT, SELF-LOCKING	5	5	5	
18	5EB-25377-00	COLLAR, WHEEL	1	1	1	
19	5EB-25376-00	COLLAR, WHEEL	1	1	1	
20	9Y581-55115	CHAIN (DID532ZLVKA1-L116)	1	1	1	
21	94681-55031	JOINT, CHAIN	1	1	1	
22	5EB-25388-00	PULLER, CHAIN 1	1	1	1	
23	5EB-25389-00	PULLER, CHAIN 2	1	1	1	
24	90101-08766	BOLT	2	2	2	

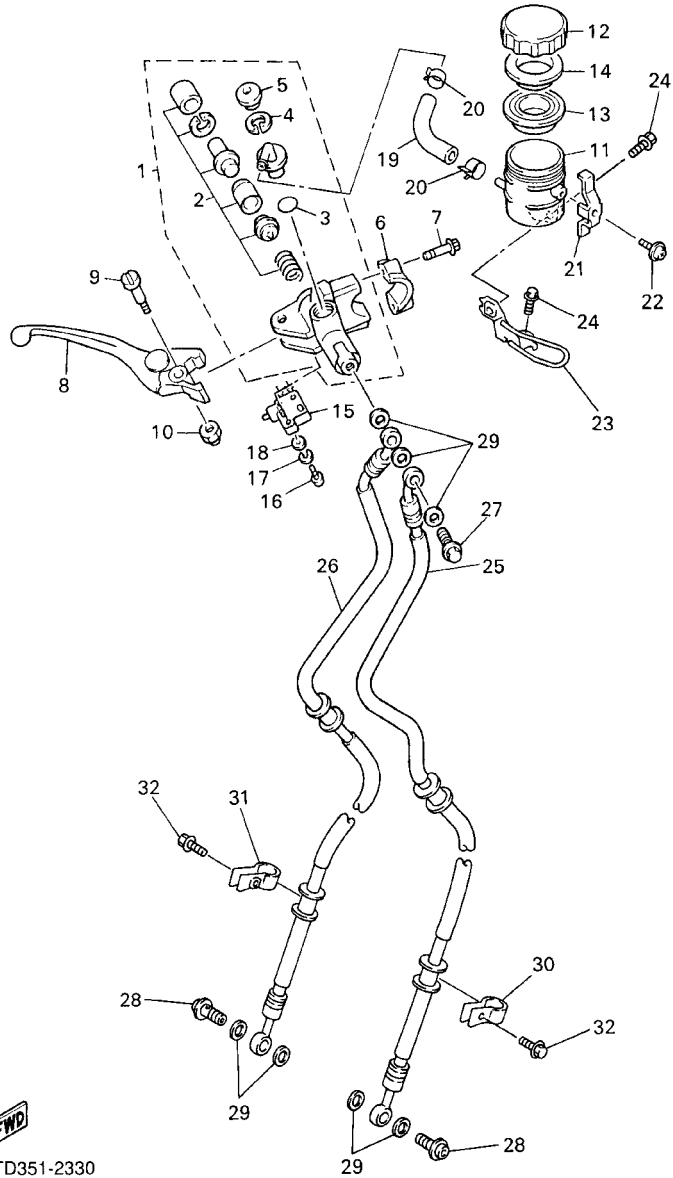


5GV3100-9350

FIG. 32 STEERING HANDLE. CABLE

REF. NO.	PART NO.	DESCRIPTION	5MTB	5MTC	5MTE	REMARKS
1	5MT-26121-00	HANDLEBAR (LEFT)	1	1	1	
2	5MT-26122-00	HANDLEBAR (RIGHT)	1	1	1	
3	5EB-26246-00	END, GRIP	2	2	2	
4	91317-06020	BOLT	2	2	2	
5	2H9-23469-00	CAP, BOLT	2	2	2	
6	91314-08030	BOLT	2	2	2	
7	90201-086J0	WASHER, PLATE	2	2	2	
8	4YR-26241-01	GRIP	1	1	1	
9	5EB-26240-00	GRIP ASSY	1	1	1	
10	5EB-26311-00	CABLE, THROTTLE 1	1	1	1	
11	5EB-26312-00	CABLE, THROTTLE 2	1	1	1	
12	98507-05010	SCREW, PAN HEAD	1	1	1	
13	5EB-26335-00	CABLE, CLUTCH	1	1	1	
14	90464-15157	CLAMP	1	1	1	
15	90464-15195	CLAMP	1	1	1	
16	5EB-26331-00	CABLE, STARTER 1	1	1	1	
17	90464-13077	CLAMP	1	1	1	

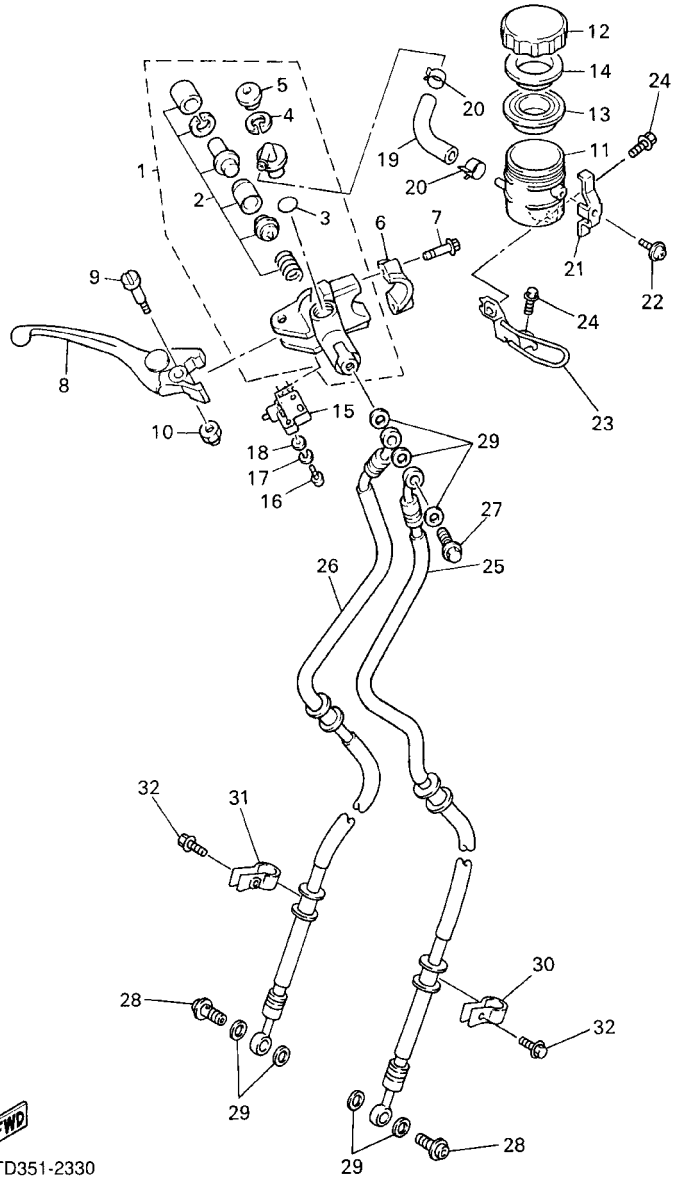
FIG. 33 FRONT MASTER CYLINDER



5MTD351-2330

REF. NO.	PART NO.	DESCRIPTION	5MTB	5MTC	5MTE	REMARKS
1	5EB-W2587-01	MASTER CYLINDER SUB ASSY	1	1	1	
2	5MT-W0041-00	.CYLINDER KIT, MASTER	1	1	1	
3	93210-15620	.O-RING	1	1	1	
4	2VN-25866-00	.CIRCLIP	1	1	1	
5	3FV-2589A-00	.COVER, DUST	1	1	1	
6	56A-25867-00	BRACKET, MASTER CYLINDER	1	1	1	
7	5EB-26332-00	BOLT	2	2	2	
8	5EB-83922-01	LEVER 2	1	1	1	
9	3FV-2589F-00	BOLT, LEVER	1	1	1	
10	95606-06100	NUT, U	1	1	1	
11	3FV-25894-00	TANK, RESERVOIR	1	1	1	
12	3GM-25852-50	CAP, RESERVOIR	1	1	1	
13	3FV-25854-00	DIAPHRAGM, RESERVOIR	1	1	1	
14	2J2-25855-50	BUSH,DIAPHRAGM	1	1	1	
15	4HM-83980-00	FRONT STOP SWITCH ASSY	1	1	1	
16	98502-04012	SCREW, PAN HEAD	1	1	1	
17	92902-04100	WASHER, SPRING	1	1	1	
18	92902-04600	WASHER, PLATE	1	1	1	
19	5EB-2582F-00	HOSE	1	1	1	
20	90467-12085	CLIP	2	2	2	
21	3FV-2589G-00	HOLDER	1	1	1	
22	3GM-2589H-00	SCREW	1	1	1	
23	5MT-26292-00	STAY	1	1	1	
24	95027-06012	BOLT, FLANGE	2	2	2	
25	5EB-25872-00	HOSE, BRAKE 1	1	1	1	
26	5EB-25873-00	HOSE, BRAKE 2	1	1	1	
27	90401-10160	BOLT, UNION	1	1	1	

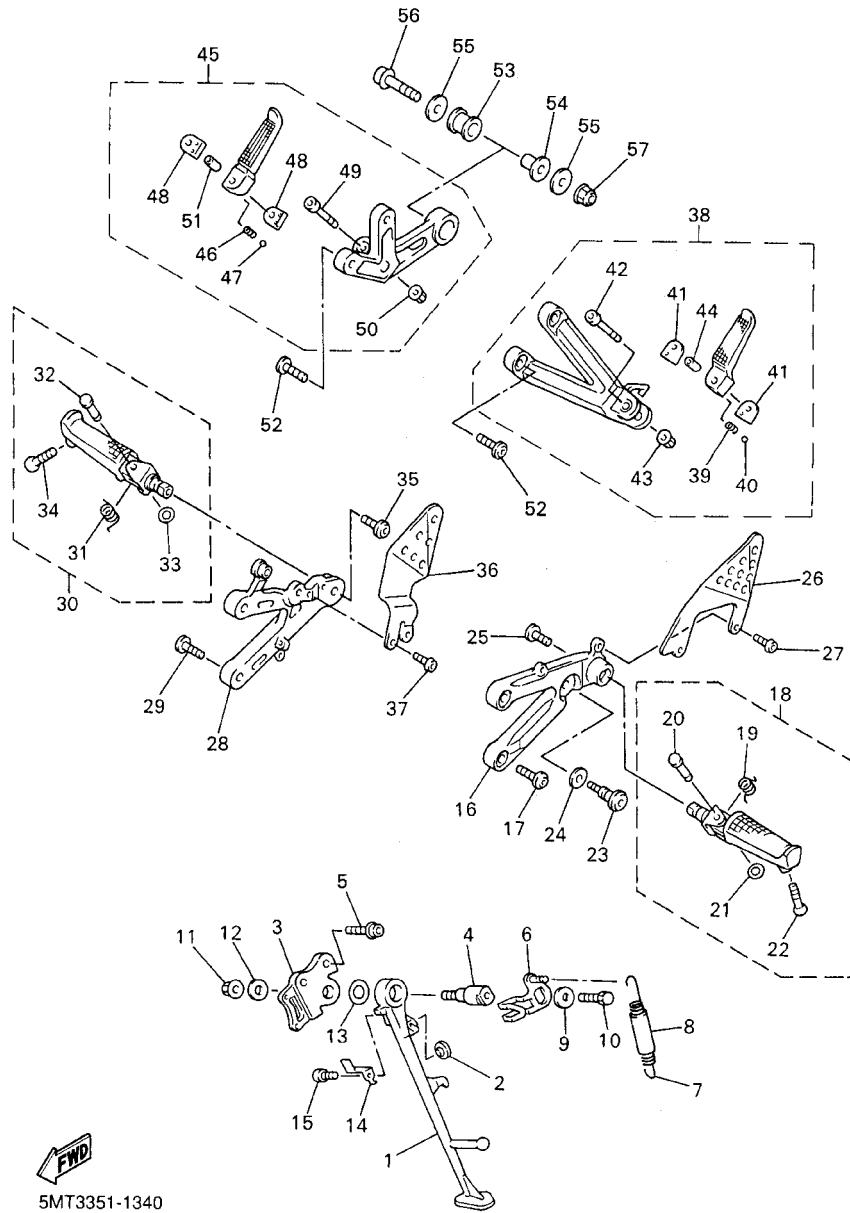
FIG. 33 FRONT MASTER CYLINDER



5MTD351-2330

REF. NO.	PART NO.	DESCRIPTION	5MTB	5MTC	5MTE	REMARKS
28	90401-10172	BOLT, UNION	2	2	2	
29	90201-10118	WASHER, PLATE	7	7	7	
30	3EN-25875-01	HOLDER, BRAKE HOSE 1	1	1	1	
31	2R8-25876-01	HOLDER, BRAKE HOSE 2	1	1	1	
32	95027-06020	BOLT, FLANGE	2	2	2	

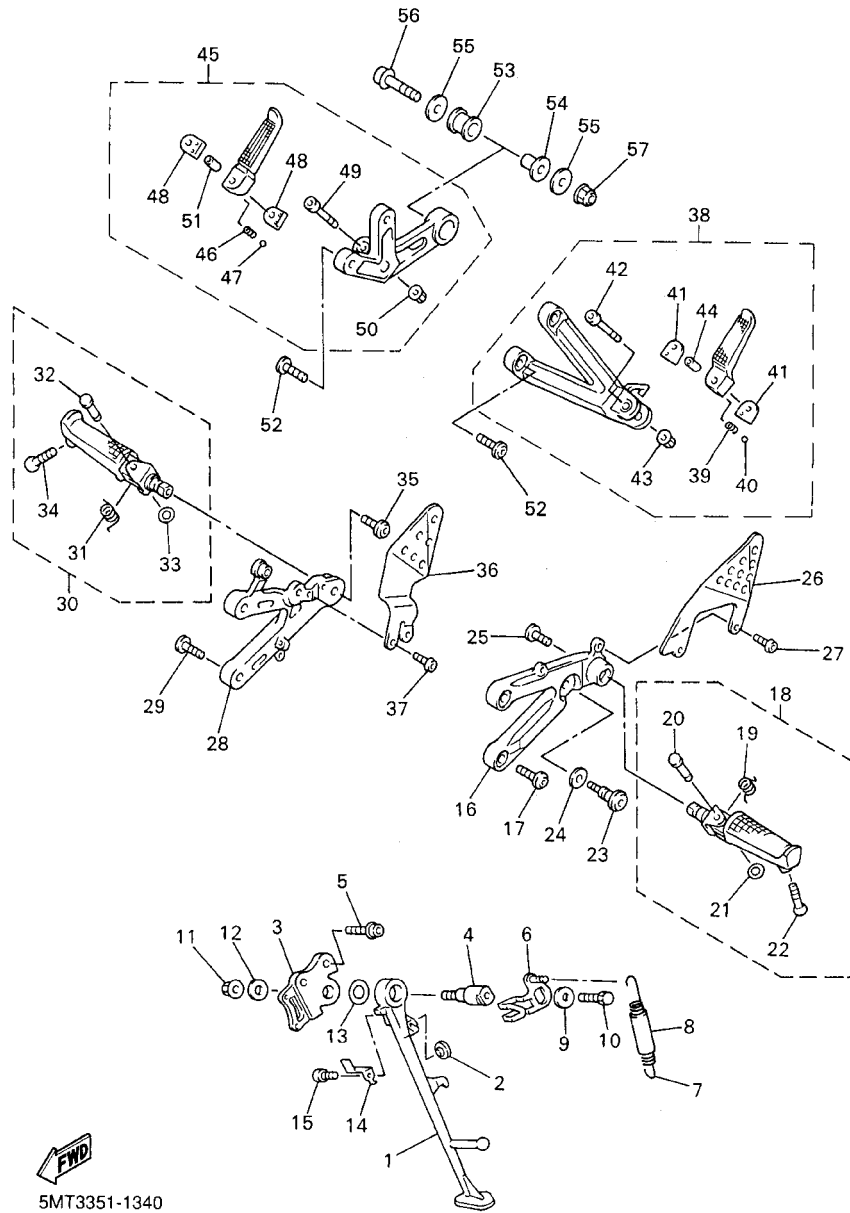
FIG. 34 STAND, FOOTREST



5MT3351-1340

REF. NO.	PART NO.	DESCRIPTION	5MTB	5MTC	5MTE	REMARKS
1	5EB-27311-00	STAND, SIDE	1	1	1	
2	128-27114-00	STOPPER, MAIN STAND	1	1	1	
3	5JJ-27321-00	BRACKET, SIDE STAND	1	1	1	
4	4NX-27351-00	GUIDE, SIDE STAND	1	1	1	
5	90109-105G7	BOLT	2	2	2	
6	5GV-27352-00	HOOK, SIDE STAND	1	1	1	
7	90506-18003	SPRING, TENSION	1	1	1	
8	90445-19002	HOSE (L60)	1	1	1	
9	90201-081R9	WASHER, PLATE	1	1	1	
10	90101-08662	BOLT	1	1	1	
11	95607-10200	NUT, SELF-LOCKING	1	1	1	
12	90201-101J1	WASHER, PLATE	1	1	1	
13	90201-146F9	WASHER, PLATE	1	1	1	
14	5JJ-27315-00	LINK, SIDE STAND	1	1	1	
15	90110-06226	BOLT, HEXAGON SOCKET HEAD	1	1	1	
16	5EB-27442-00	BRACKET 2	1	1	1	
17	90109-085G6	BOLT	2	2	2	
18	5MT-27410-00	FRONT FOOTREST ASSY (LEFT)	1	1	1	
19	90508-183B9	.SPRING, TORSION	1	1	1	
20	90243-08029	.PIN	1	1	1	
21	90201-06042	.WASHER, PLATE	1	1	1	
22	90109-08018	.BOLT	1	1	1	
23	4BP-27434-01	BOLT	1	1	1	
24	90201-08326	WASHER, PLATE	1	1	1	
25	90109-103A9	BOLT	1	1	1	
26	5EB-27445-01	PLATE 1	1	1	1	
27	90111-06003	BOLT	2	2	2	

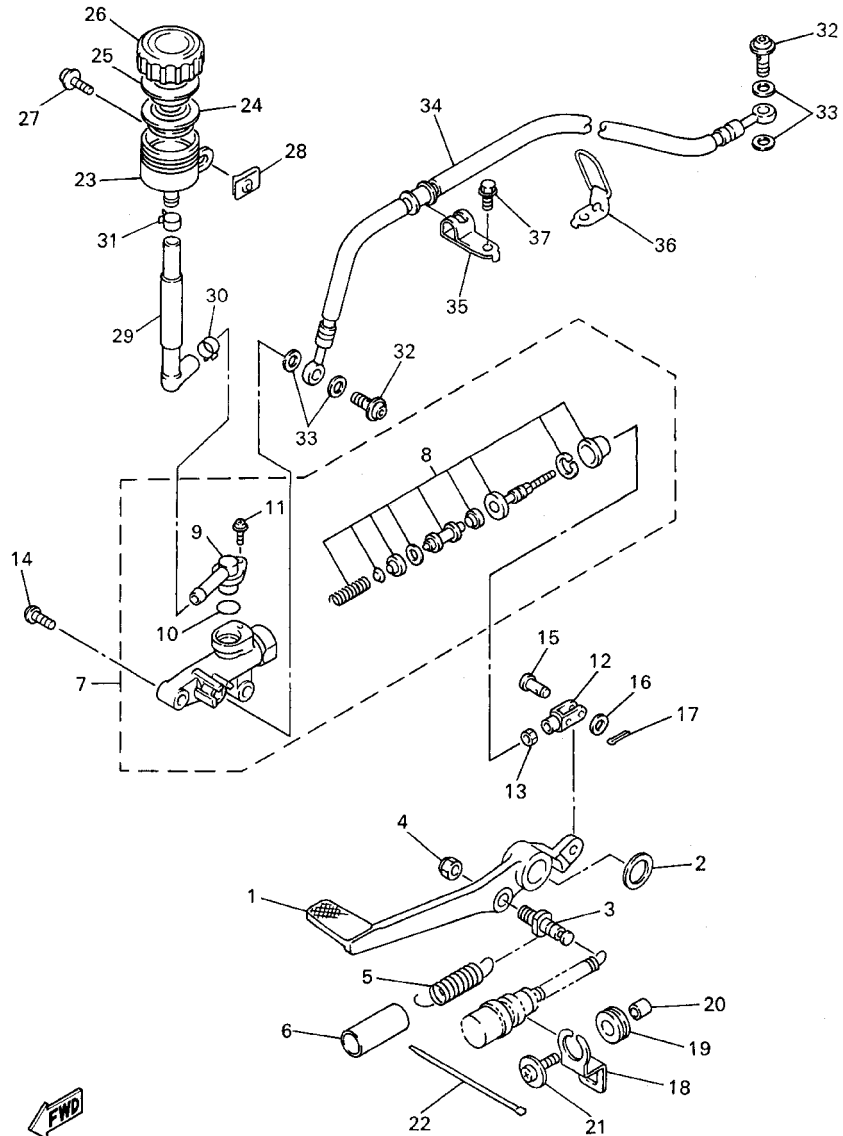
FIG. 34 STAND, FOOTREST



FWD
5MT3351-1340

REF. NO.	PART NO.	DESCRIPTION	5MTB	5MTC	5MTE	REMARKS
28	5EB-27443-00	BRACKET 3	1	1	1	
29	90109-085G6	BOLT	2	2	2	
30	5MT-27420-00	FRONT FOOTREST ASSY (RIGHT)	1	1	1	
31	90508-184B0	.SPRING, TORSION	1	1	1	
32	90243-08029	.PIN	1	1	1	
33	90201-06042	.WASHER, PLATE	1	1	1	
34	90109-08018	.BOLT	1	1	1	
35	90109-103A9	BOLT	1	1	1	
36	5EB-27446-01	PLATE 2	1	1	1	
37	90111-06003	BOLT	2	2	2	
38	5EB-27430-00	REAR FOOTREST ASSY 1	1	1	1	
39	90501-12743	.SPRING, COMPRESSION	1	1	1	
40	93501-04011	.BALL	1	1	1	
41	1HX-27437-00	.WASHER, SPECIAL	2	2	2	
42	91314-06045	.BOLT	1	1	1	
43	95604-06200	.NUT, U FLANGE	1	1	1	
44	90387-064H8	.COLLAR	1	1	1	
45	5EB-27440-00	REAR FOOTREST ASSY 2	1	1	1	
46	90501-12743	.SPRING, COMPRESSION	1	1	1	
47	93501-04011	.BALL	1	1	1	
48	1HX-27437-00	.WASHER, SPECIAL	2	2	2	
49	91314-06045	.BOLT	1	1	1	
50	95604-06200	.NUT, U FLANGE	1	1	1	
51	90387-064H8	.COLLAR	1	1	1	
52	90109-085G6	BOLT	4	4	4	
53	36Y-27424-00	DAMPÉR, FOOTREST 2	1	1	1	
54	90387-10636	COLLAR	1	1	1	

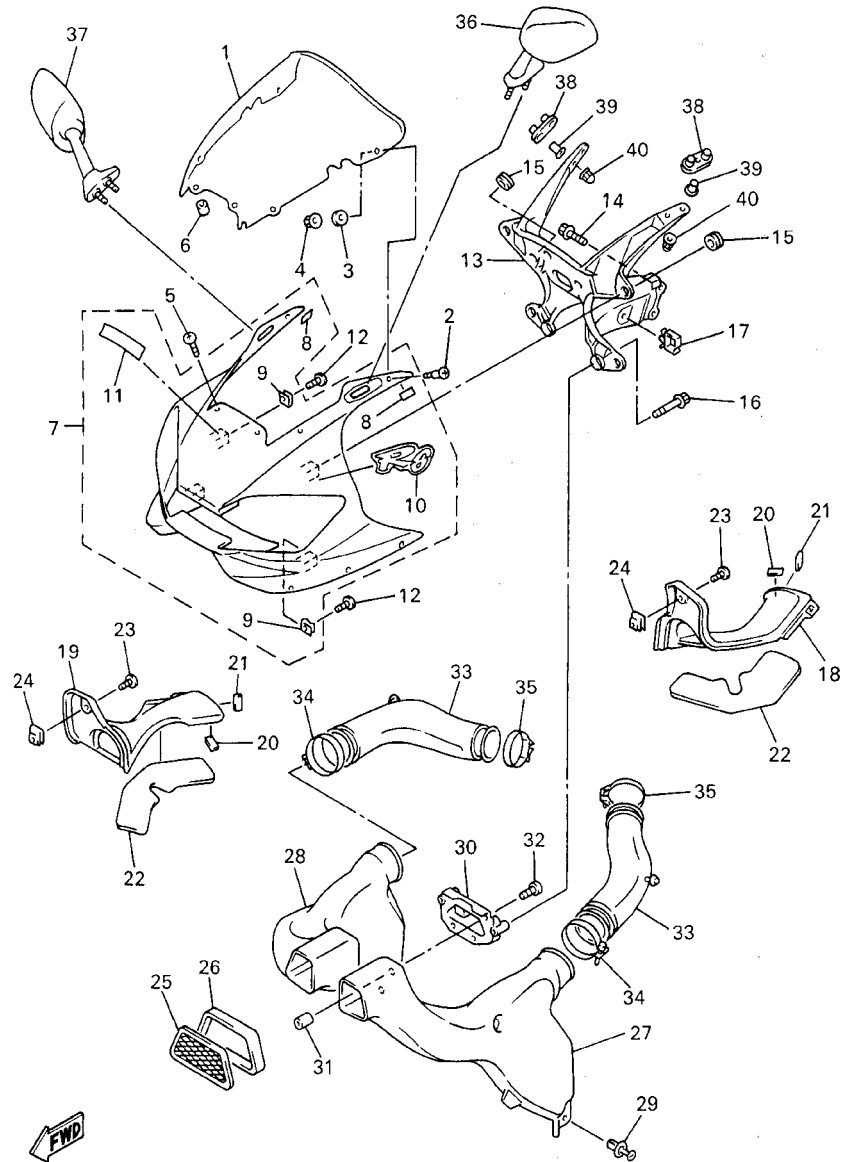
FIG. 35 REAR MASTER CYLINDER



5MT3351-1350

REF. NO.	PART NO.	DESCRIPTION	5MTB	5MTC	5MTE	REMARKS
1	5EB-27211-01	PEDAL, BRAKE	1	1	1	
2	90206-17084	WASHER, WAVE	1	1	1	
3	5EB-27813-00	PIN, PEDAL CRANK	1	1	1	
4	95604-08100	NUT, U	1	1	1	
5	90506-20193	SPRING, TENSION	1	1	1	
6	90446-15386	HOSE	1	1	1	
7	3TU-2583V-01	RR. MASTER CYLINDER ASSY.	1	1	1	
8	3TU-W0042-51	.CYLINDER KIT, MASTER	1	1	1	
9	3LN-2582A-00	.JOINT	1	1	1	
10	3LN-2585F-00	.O-RING	1	1	1	
11	3LN-2585H-00	.SCREW,SET	1	1	1	
12	4XV-27222-01	JOINT	1	1	1	
13	95307-08700	NUT	1	1	1	
14	92017-08030	BOLT, BUTTON HEAD	2	2	2	
15	91701-06018	PIN, CLEVIS	1	1	1	
16	92907-06200	WASHER(6TA)	1	1	1	
17	91401-16012	PIN, COTTER	1	1	1	
18	5EB-2144G-00	STAY, STOP SWITCH	1	1	1	
19	90480-12607	GROMMET	1	1	1	
20	90387-06023	COLLAR	1	1	1	
21	90159-06150	SCREW, WITH WASHER	1	1	1	
22	5Y9-12491-00	CLAMP 1	1	1	1	
23	5JJ-25894-00	TANK, RESERVOIR	1	1	1	
24	2VN-25854-00	DIAPHRAGM, RESERVOIR	1	1	1	
25	2VN-25855-00	BUSH,DIAPHRAGM	1	1	1	
26	3XP-25852-50	CAP, RESERVOIR	1	1	1	
27	90159-06056	SCREW, WITH WASHER	1	1	1	

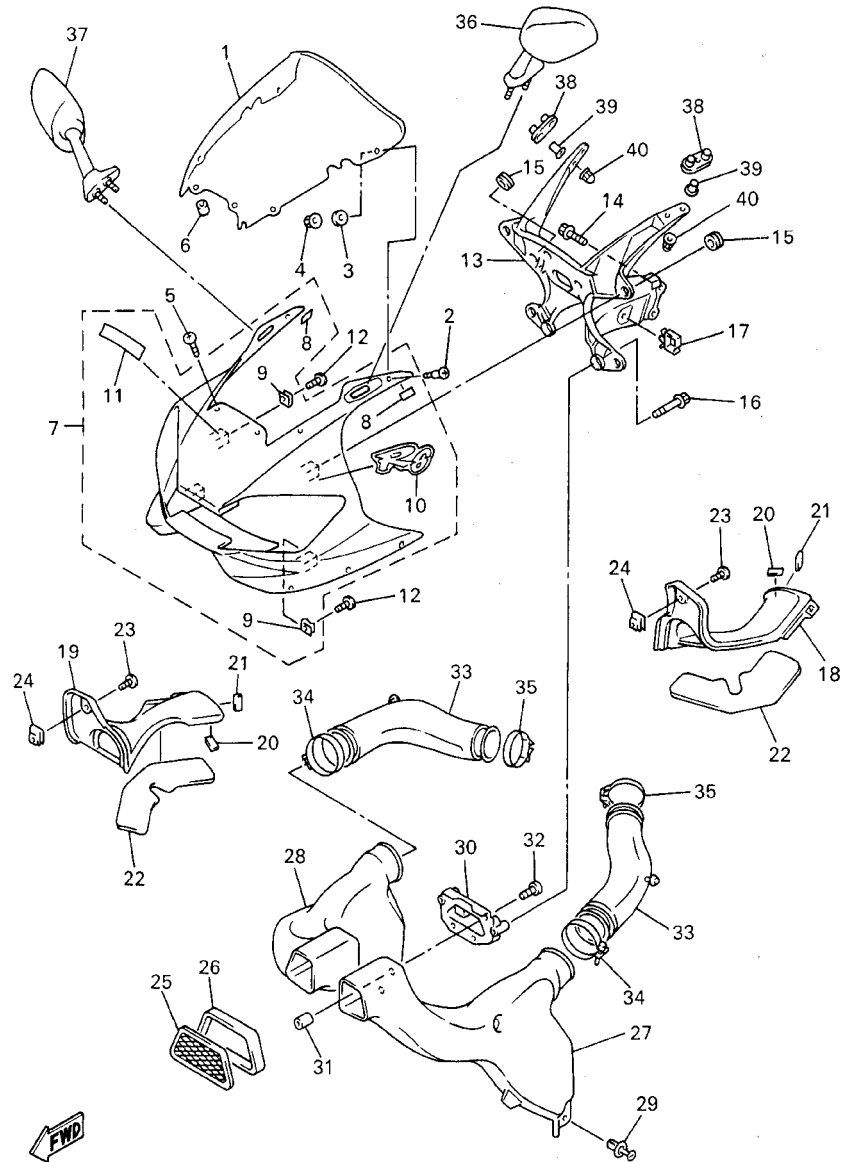
FIG. 36 COWLING 1



5MT3351-1360

REF. NO.	PART NO.	DESCRIPTION	5MTB	5MTC	5MTE	REMARKS
1	5EB-28381-00	WINDSHIELD	1	1		
	5EB-28381-10	WINDSHIELD			1	
2	90149-05273	SCREW	2	2	2	
3	4FM-28215-00	WASHER, SPECIAL	2	2	2	
4	95707-05500	NUT, FLANGE	2	2	2	
5	90150-05023	SCREW, ROUND HEAD	4	4	4	
6	90179-05523	NUT	4	4	4	
7	5EB-Y283G-50-1X	BODY, FRONT UPPER 1	1	1		UR VRC1/BL2
	5EB-Y283G-A0-3X	BODY, FRONT UPPER 1	1	1		UR DPBMC/BL2
	5EB-Y283G-B0-P0	BODY, FRONT UPPER 1			1	UR DPBMC
	5EB-Y283G-50-1X	BODY, FRONT UPPER 1			1	UR VRC1/BL2
8	3TU-2178A-00	.LABEL	2	2	2	
9	90183-05074	.NUT, SPRING	5	5	5	
10	5EB-28315-40	.EMBLEM	1	1		UR FOR VRC1
	5EB-28315-70	.EMBLEM	1	1		UR FOR DPBMC
	5EB-28315-80	.EMBLEM			1	UR FOR DPBMC
	5EB-28315-40	.EMBLEM			1	UR FOR VRC1
11	99241-00080	.EMBLEM, YAMAHA	1	1	1	
12	90154-05005	SCREW, BINDING	5	5	5	
13	5EB-28356-01	STAY 1	1	1	1	
14	95824-08025	BOLT, FLANGE	2	2	2	
15	4XV-83513-00	DAMPER	7	7	7	
16	95024-06016	BOLT, FLANGE	2	2	2	
17	90464-16025	CLAMP	1	1	1	
18	5EB-2837L-00	PANEL, CONSOLE 1	1	1	1	
19	5EB-2837M-00	PANEL, CONSOLE 2	1	1	1	
20	51Y-21639-00	DAMPER 2	2	2	2	

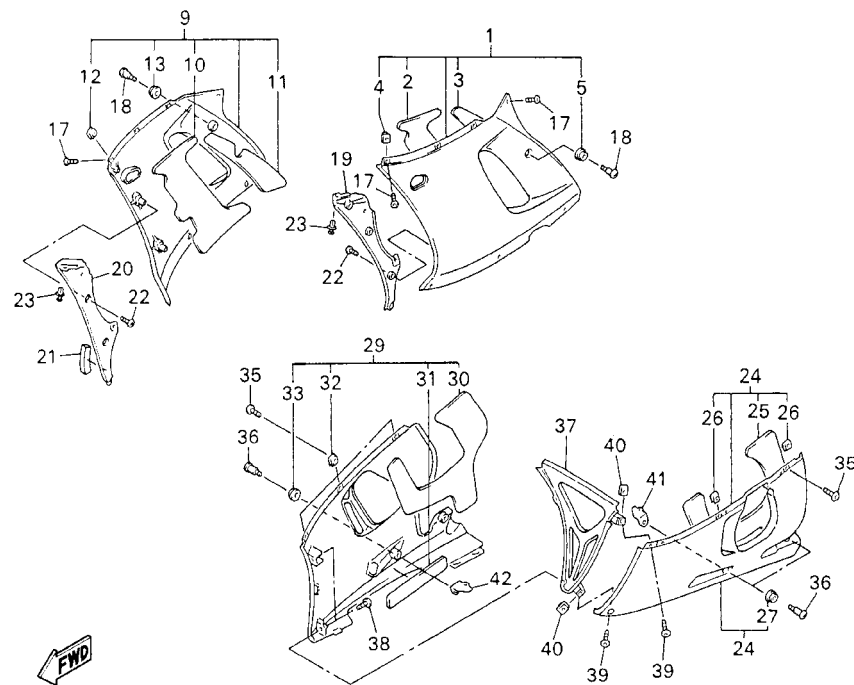
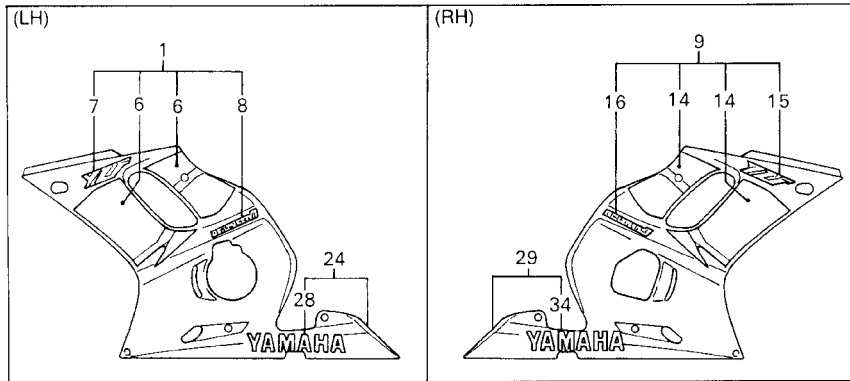
FIG. 36 COWLING 1



5MT3351-1360

REF. NO.	PART NO.	DESCRIPTION	5MTB	5MTC	5MTE	REMARKS
21	27V-24184-00	DAMPER, LOCATING 4	2	2	2	
22	5EB-2837J-00	DAMPER 5	2	2	2	
23	90150-05039	SCREW, ROUND HEAD	2	2	2	
24	90183-05024	NUT, SPRING	2	2	2	
25	5EB-2837N-00	GRILL, AIR INTAKE 1	1	1	1	
26	5EB-2837I-00	DAMPER	1	1	1	
27	5EB-2838R-00	DUCT 2	1	1	1	
28	5EB-2838T-00	DUCT 3	1	1	1	
29	90269-07076	RIVET	2	2	2	
30	5EB-28342-01	JOINT	1	1	1	
31	90179-05523	NUT	4	4	4	
32	98507-05014	SCREW, PAN HEAD	4	4	4	
33	5EB-1446F-00	JOINT, SURGE TANK 1	2	2	2	
34	4TV-13575-00	BAND	2	2	2	
35	90460-59211	CLAMP, HOSE	2	2	2	
36	5MT-26280-00	REAR VIEW MIRROR ASSY (LEFT)	1	1	1	
37	5MT-26290-00	REAR VIEW MIRROR ASSY (RIGHT)	1	1	1	
38	5EB-26298-01	PLATE, MIRROR FITTING 1	2	2	2	
39	90387-0602X	COLLAR	4	4	4	
40	90176-06055	NUT, CROWN	4	4	4	

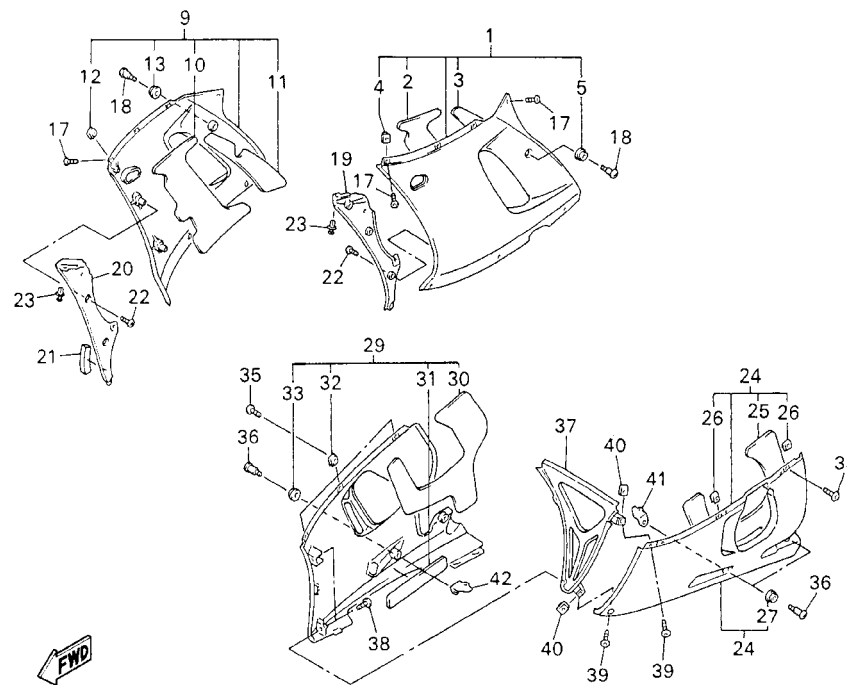
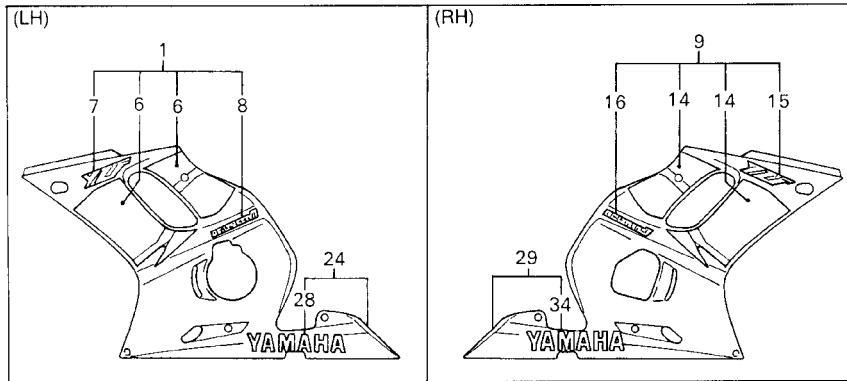
FIG. 37 COWLING 2



5MTD351-2370

REF. NO.	PART NO.	DESCRIPTION	5MTB	5MTC	5MTE	REMARKS
1	5EB-Y283U-90-P3	PANEL ASSEMBLY 1	1	1	1	UR VRC1
	5EB-Y283U-A0-P1	PANEL ASSEMBLY 1	1	1	1	UR DPBMC
2	5EB-28415-00	.DAMPER 1	1	1	1	
3	5EB-28416-00	.DAMPER 2	1	1	1	
4	90183-05024	.NUT, SPRING	3	3	3	
5	90480-13398	.GROMMET	1	1	1	
6	5MT-28301-40	.GRAPHIC SET, LOWER COVER 1	1	1	1	UR FOR VRC1
	5MT-28301-50	.GRAPHIC SET, LOWER COVER 1	1	1	1	UR FOR DPBMC
7	4XV-2839H-80	.EMBLEM 1	1	1	1	UR FOR VRC1
	4XV-2839H-70	.EMBLEM 1	1	1	1	UR FOR DPBMC
8	5EB-28328-70	.EMBLEM	1	1	1	UR FOR VRC1
	5EB-28328-60	.EMBLEM	1	1	1	UR FOR DPBMC
9	5EB-Y283V-A0-P3	PANEL ASSEMBLY 2	1	1	1	UR VRC1
	5EB-Y283V-B0-P1	PANEL ASSEMBLY 2	1	1	1	UR DPBMC
10	5EB-28415-10	.DAMPER 1	1	1	1	
11	5EB-28416-10	.DAMPER 2	1	1	1	
12	90183-05024	.NUT, SPRING	3	3	3	
13	90480-13398	.GROMMET	1	1	1	
14	5MT-28303-40	.GRAPHIC SET, LOWER COVER 2	1	1	1	UR FOR VRC1
	5MT-28303-50	.GRAPHIC SET, LOWER COVER 2	1	1	1	UR FOR DPBMC
15	4XV-2839H-80	.EMBLEM 1	1	1	1	UR FOR VRC1
	4XV-2839H-70	.EMBLEM 1	1	1	1	UR FOR DPBMC
16	5EB-28328-70	.EMBLEM	1	1	1	UR FOR VRC1
	5EB-28328-60	.EMBLEM	1	1	1	UR FOR DPBMC
17	90150-05039	SCREW, ROUND HEAD	8	8	8	
18	90150-06036	SCREW, ROUND HEAD	2	2	2	
19	5EB-2836K-00	PANEL, INNER 1	1	1	1	

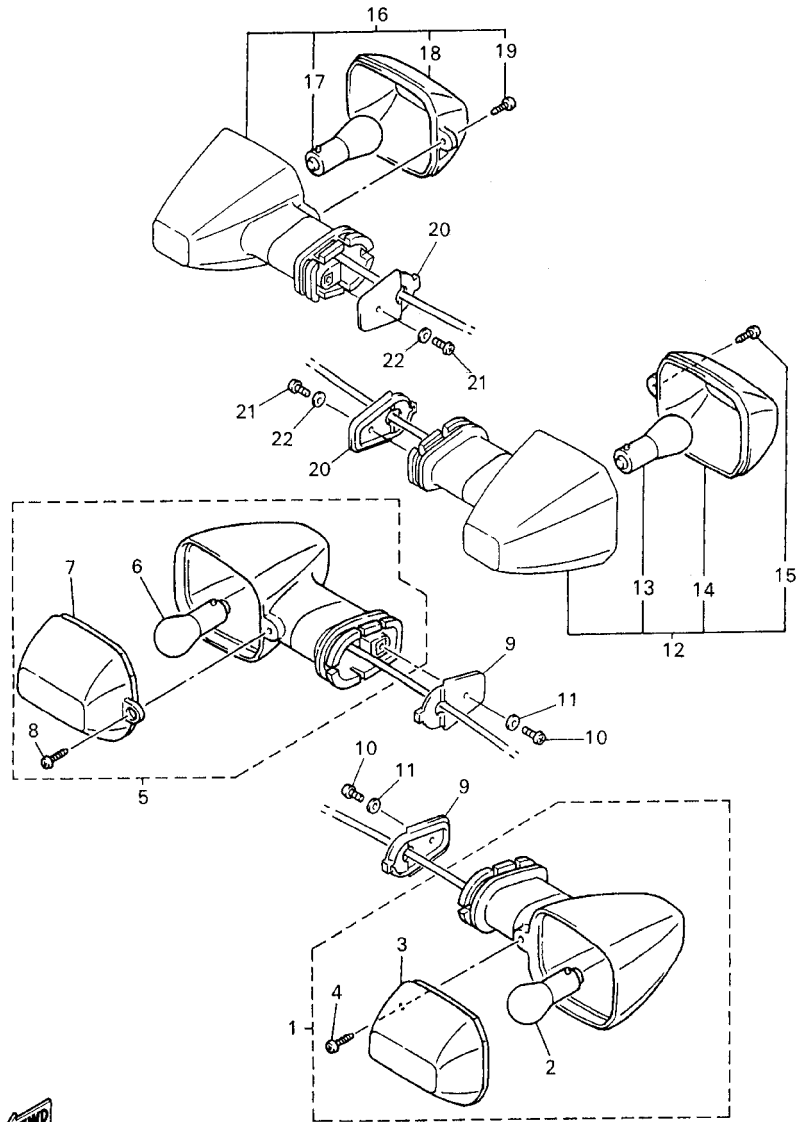
FIG. 37 COWLING 2



5MTD351-2370

REF. NO.	PART NO.	DESCRIPTION	5MTB	5MTC	5MTE	REMARKS
20	5EB-2836L-00	PANEL, INNER 2	1	1	1	
21	8U9-77268-00	LINING,SHROUD 8	1	1	1	
22	97704-40012	SCREW, TAPPING	6	6	6	
23	90269-07076	RIVET	2	2	2	
24	5EB-Y2808-70-4B	COVER ASSY, UNDER	1	1		BL2
	5EB-Y2808-70-4B	COVER ASSY, UNDER			1	UR BL2 FOR VRC1
	5EB-Y2808-70-P1	COVER ASSY, UNDER			1	UR DPBMC
25	5EB-2834E-00	.DAMPER	1	1	1	
26	90183-05024	.NUT, SPRING	2	2	2	
27	90480-13398	.GROMMET	2	2	2	
28	4XV-2153E-00	.EMBLEM, YAMAHA	1	1	1	
29	5EB-Y2809-70-4B	COVER ASSY 2, UNDER	1	1		BL2
	5EB-Y2809-70-4B	COVER ASSY 2, UNDER			1	UR BL2 FOR VRC1
	5EB-Y2809-70-P1	COVER ASSY 2, UNDER			1	UR DPBMC
30	5EB-2834F-00	.DAMPER	1	1	1	
31	5EB-2838G-00	.SEAT 1	1	1	1	
32	90183-05024	.NUT, SPRING	3	3	3	
33	90480-13398	.GROMMET	2	2	2	
34	4XV-2153E-00	.EMBLEM, YAMAHA	1	1	1	
35	90150-05039	SCREW, ROUND HEAD	5	5	5	
36	90150-06036	SCREW, ROUND HEAD	4	4	4	
37	5EB-2836M-00	PANEL, INNER 3	1	1	1	
38	97707-50016	SCREW, TAPPING	2	2	2	
39	90150-05039	SCREW, ROUND HEAD	2	2	2	
40	90183-05024	NUT, SPRING	2	2	2	
41	5EB-2836A-00	BRACKET 1	1	1	1	
42	5EB-2836E-00	BRACKET 2	1	1	1	

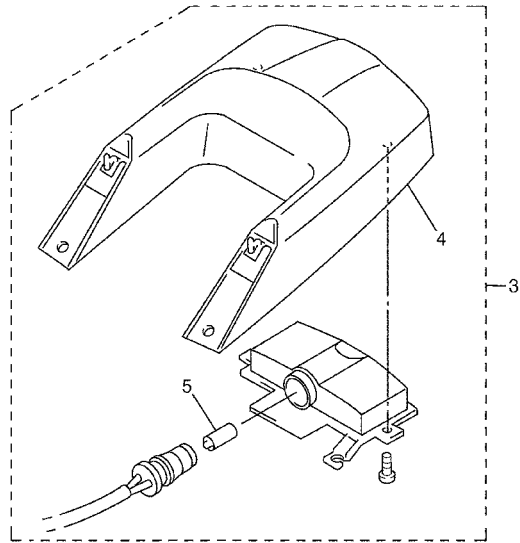
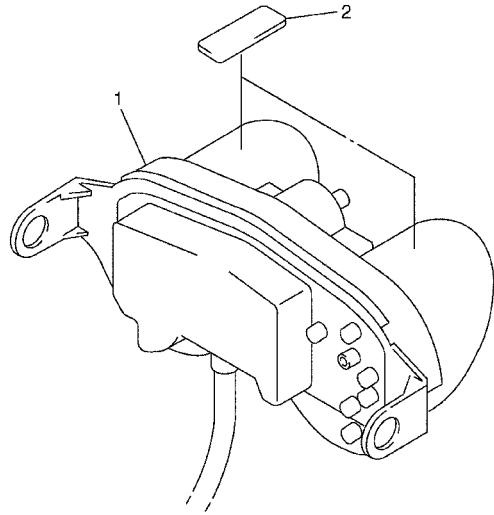
FIG. 40 FLASHER LIGHT



5MT3351-1400

REF. NO.	PART NO.	DESCRIPTION	5MTB	5MTC	5MTE	REMARKS
1	4JH-83310-01	FRONT FLASHER LIGHT ASSY 1	1	1	1	
2	306-83311-40	.BULB, FLASHER (12V-21W)	1	1	1	
3	4JH-83332-00	.LENS, FLASHER	1	1	1	
4	97702-40610	.SCREW, TAPPING	1	1	1	
5	4JH-83320-01	FRONT FLASHER LIGHT ASSY 2	1	1	1	
6	306-83311-40	.BULB, FLASHER (12V-21W)	1	1	1	
7	4JH-83342-00	.LENS, FLASHER 2	1	1	1	
8	97702-40610	.SCREW, TAPPING	1	1	1	
9	5MT-83318-00	STAY, FLASHER 1	2	2	2	
10	98507-04008	SCREW, PAN HEAD	2	2	2	
11	92907-04600	WASHER	2	2	2	
12	5MT-83330-00	REAR FLASHER LIGHT ASSY 1	1	1	1	
13	306-83311-40	.BULB, FLASHER (12V-21W)	1	1	1	
14	4JH-83342-00	.LENS, FLASHER 2	1	1	1	
15	97702-40610	.SCREW, TAPPING	1	1	1	
16	5MT-83340-00	FLASHER LIGHT ASSY 2	1	1	1	
17	306-83311-40	.BULB, FLASHER (12V-21W)	1	1	1	
18	4JH-83332-00	.LENS, FLASHER	1	1	1	
19	97702-40610	.SCREW, TAPPING	1	1	1	
20	5MT-83318-00	STAY, FLASHER 1	2	2	2	
21	98507-04008	SCREW, PAN HEAD	2	2	2	
22	92907-04600	WASHER	2	2	2	

FIG. 43 TAILLIGHT

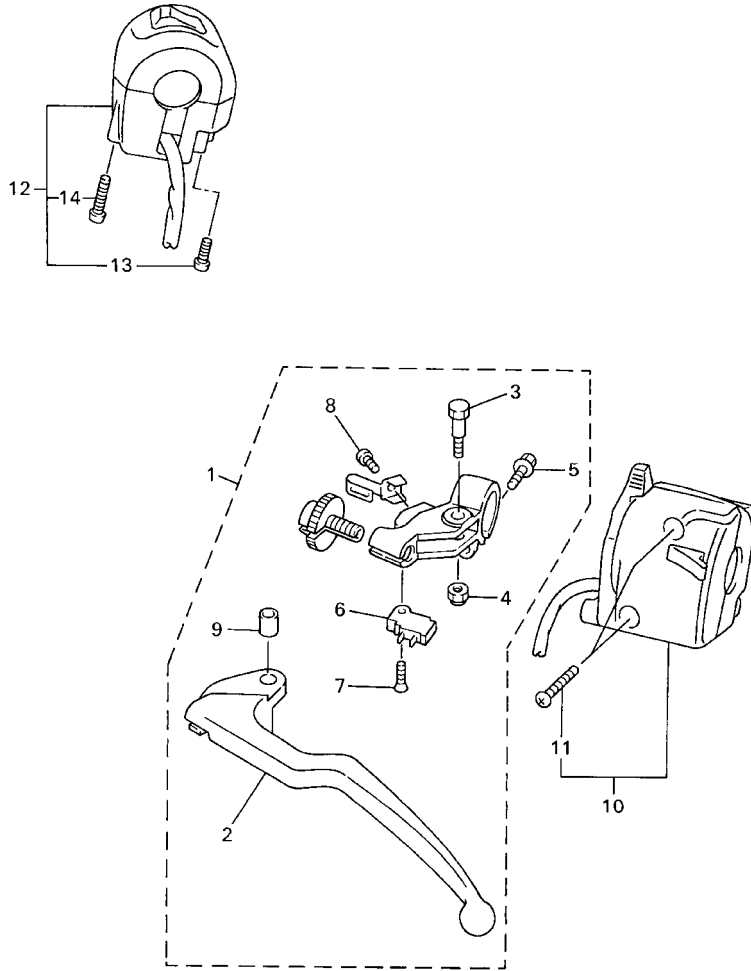


REF. NO.	PART NO.	DESCRIPTION	5MTB	5MTC	5MTE	REMARKS
1	5MT-84710-00	TAILLIGHT UNIT ASSY	1	1	1	
2	3TU-2475M-00	SEAL	2	2	2	
3	5MT-84745-00	LICENCE LIGHT UNIT ASSY	1	1	1	
4	5MT-84747-00	.COVER, LICENSE LIGHT	1	1	1	
5	4HC-84744-00	.BULB (12V-5W)	1	1	1	
<hr style="border-top: 1px dashed black;"/>						
<hr style="border-top: 1px dashed black;"/>						
<hr style="border-top: 1px dashed black;"/>						
<hr style="border-top: 1px dashed black;"/>						
<hr style="border-top: 1px dashed black;"/>						
<hr style="border-top: 1px dashed black;"/>						
<hr style="border-top: 1px dashed black;"/>						
<hr style="border-top: 1px dashed black;"/>						
<hr style="border-top: 1px dashed black;"/>						
<hr style="border-top: 1px dashed black;"/>						



5MT3351-1430

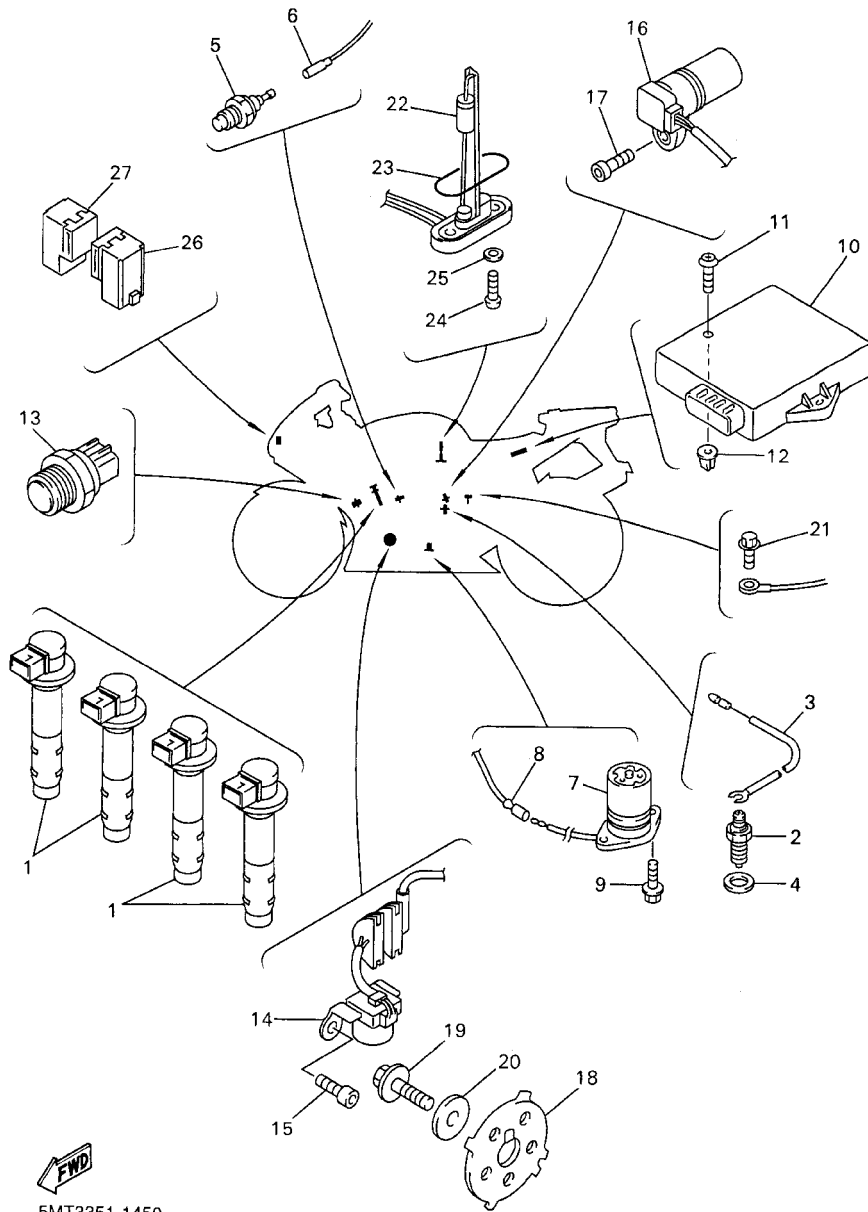
FIG. 44 HANDLE SWITCH. LEVER



5EB3351-9440

REF. NO.	PART NO.	DESCRIPTION	5MTB	5MTC	5MTE	REMARKS
1	5EB-82910-02	LEVER HOLDER ASSY (LEFT)	1	1	1	
2	5EB-83912-01	.LEVER 1	1	1	1	
3	4XV-83945-00	.BOLT, LEVER	1	1	1	
4	95607-06100	.NUT, U	1	1	1	
5	95027-06020	.BOLT, FLANGE	1	1	1	
6	4XV-82917-00	.SWITCH	1	1	1	
7	98707-03016	.SCREW, FLAT HEAD	1	1	1	
8	98507-04010	.SCREW, PAN HEAD	1	1	1	
9	4XV-83913-00	.COLLAR, LEVER 1	1	1	1	
10	5MT-83972-00	SWITCH, HANDLE 4	1	1	1	
11	98507-05025	.SCREW, PAN HEAD	2	2	2	
12	5EB-83963-01	SWITCH, HANDLE 3 (RIGHT)	1	1		
	5EB-83975-00	SWITCH, HANDLE 2			1	
13	98507-05030	.SCREW, PAN HEAD	1	1	1	
14	98507-05050	.SCREW, PAN HEAD	1	1	1	

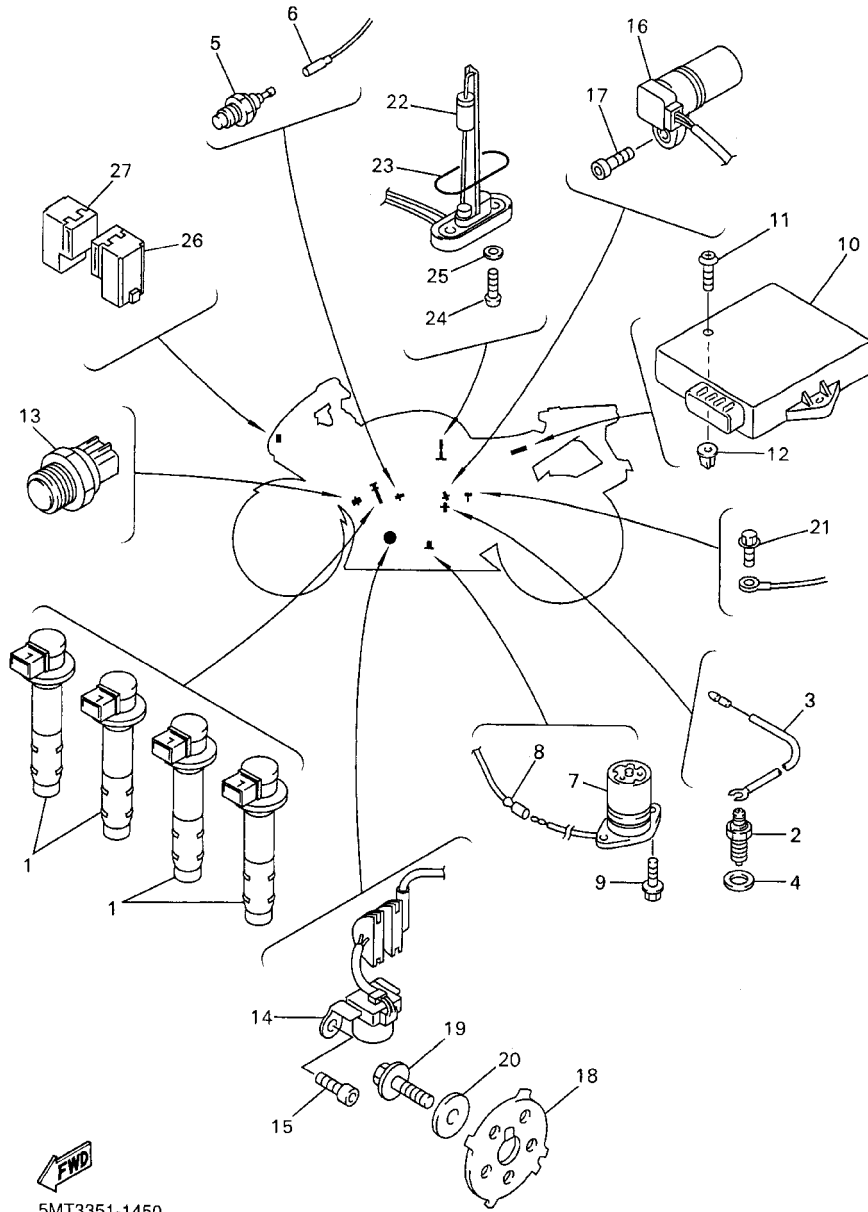
FIG. 45 ELECTRICAL 1



5MT3351-1450

REF. NO.	PART NO.	DESCRIPTION	5MTB	5MTC	5MTE	REMARKS
1	5EB-82310-00	IGNITION COIL ASSY	4	4	4	
2	3GB-82540-01	NEUTRAL SWITCH ASSY	1	1	1	
3	5MT-82541-00	WIRE, LEAD	1	1	1	
4	90430-10148	GASKET	1	1	1	
5	11H-83591-00	THERMO UNIT	1	1	1	
6	5EB-82541-21	WIRE, LEAD	1	1	1	
7	5EB-85720-00	OIL LEVEL GAUGE ASSY	1	1	1	
8	5EB-82509-00	WIRE, SUB LEAD	1	1	1	
9	95027-06014	BOLT, FLANGE	2	2	2	
10	5MT-85540-00	C.D.I. UNIT ASSY	1		1	
	5MT-85540-10	C.D.I. UNIT ASSY		1		
11	97707-60020	SCREW, TAPPING	2	2	2	
12	90338-08226	PLUG	2	2	2	
13	5EB-82560-00	THERMO SWITCH ASSY	1	1	1	
14	5MT-81670-01	PICK-UP ASSY	1	1	1	
15	91317-06012	BOLT	2	2	2	
16	5EB-83755-00	SENSOR, SPEED	1	1	1	
17	91317-06016	BOLT	1	1	1	
18	5EB-81673-00	ROTOR	1	1	1	
19	90105-08386	BOLT, FLANGE	1	1	1	
20	90201-08753	WASHER, PLATE	1	1	1	
21	95027-06014	BOLT, FLANGE	1	1	1	
22	1UF-85752-10	SENDER UNIT ASSY, FUEL METER	1	1	1	
23	42X-85753-00	GASKET, SENDER UNIT	1	1	1	
24	90149-06008	SCREW	2	2	2	
25	90202-05193	WASHER, PLATE	2	2	2	
26	5JJ-81950-10	RELAY ASSY	1	1	1	

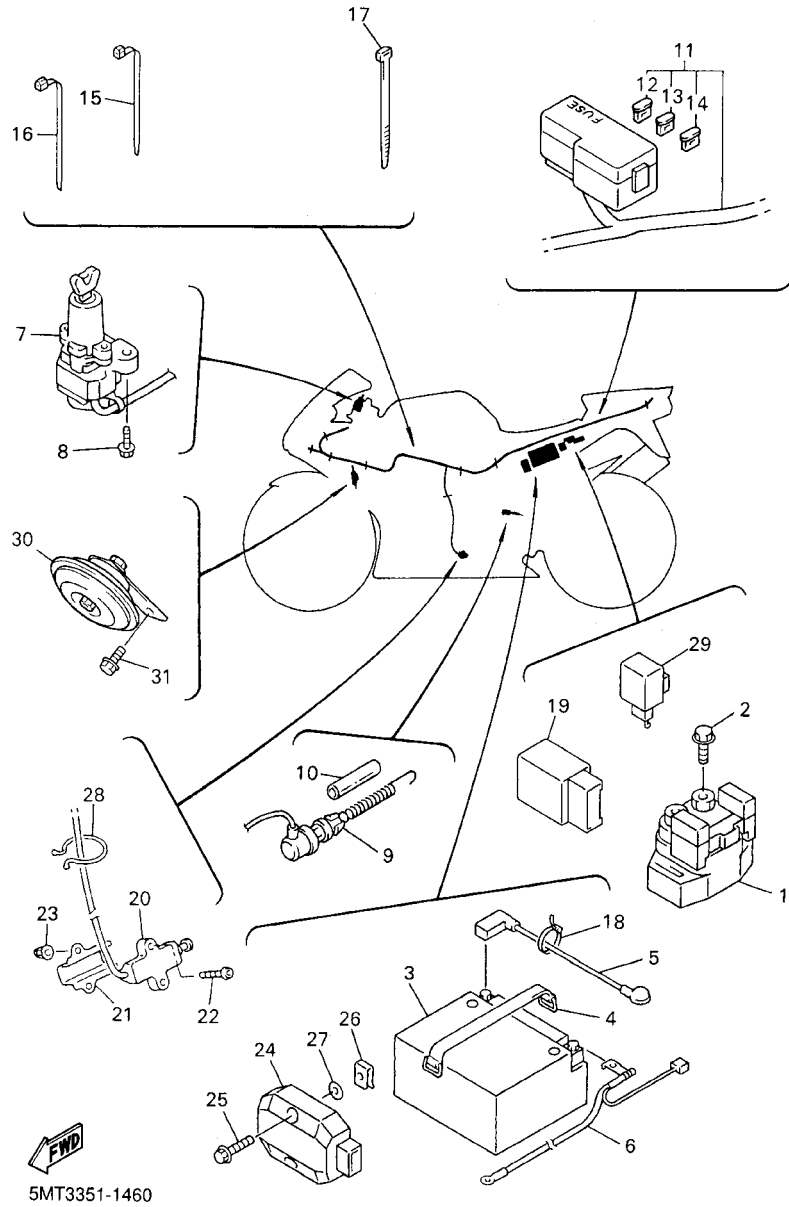
FIG. 45 ELECTRICAL 1



5MT3351-1450

REF. NO.	PART NO.	DESCRIPTION	5MTB	5MTC	5MTE	REMARKS
27	5JJ-81950-20	RELAY ASSY	1	1		

FIG. 46 ELECTRICAL 2



REF. NO.	PART NO.	DESCRIPTION	5MTB	5MTC	5MTE	REMARKS
1	4YR-81940-00	STARTER RELAY ASSY	1	1	1	
2	95027-06008	BOLT, FLANGE	2	2	2	
3	5FL-82100-00	BATTERY ASSY (GT9B-4)	1	1	1	
4	5JJ-82131-00	BAND, BATTERY	1	1	1	
5	5JJ-82115-00	WIRE, PLUS LEAD	1	1	1	
6	5MT-82116-10	WIRE, MINUS LEAD	1	1	1	
7	5EB-82501-01	MAIN SWITCH STEERING LOCK	1	1		
	5EB-82501-11	MAIN SWITCH STEERING LOCK			1	
8	90109-080G5	BOLT	2	2	2	
9	3XV-82530-01	STOP SWITCH ASSY	1	1	1	
10	90446-08001	HOSE	1	1	1	
11	5MT-82590-00	WIRE HARNESS ASSY	1	1		
	5MT-82590-10	WIRE HARNESS ASSY			1	
12	5JJ-82151-10	.FUSE (15A-BL)	3	3	3	
13	5JJ-82151-00	.FUSE (7.5A-BL)	3	3	3	
14	5JJ-82151-20	.FUSE (20A-BL)	2	2	2	
15	90464-12045	CLAMP	1	1	1	
16	90464-13073	CLAMP	1	1	1	
17	3MA-82591-00	BAND	2	2	2	
18	90464-13077	CLAMP	2	2	2	
19	5EB-81950-20	RELAY ASSY	1	1	1	
20	5EB-82566-00	SWITCH, SIDE STAND	1	1	1	
21	5JJ-82388-00	PLATE	1	1	1	
22	92017-05030	BOLT, BUTTON HEAD	2	2	2	
23	95607-05200	NUT, U FLANGE	2	2	2	
24	4JH-81960-01	RECTIFIER & REGULATOR ASSY	1	1	1	
25	95827-06025	BOLT, FLANGE	2	2	2	

NUMERICAL INDEX

PART NO.	GRID NO.	PART NO.	GRID NO.	PART NO.	GRID NO.	PART NO.	GRID NO.	PART NO.	GRID NO.	PART NO.	GRID NO.
5MT-W0041-00	E - 9	5EB-11633-00	B - 3	5MT-12210-00	B - 6	5MT-13300-00	B - 11	5EB-1440F-00	C - 4	5EB-14916-21	C - 2
3TU-W0042-51	E - 14	5MT-11650-00	B - 3	4FM-12213-00	B - 6	5MT-13327-00	B - 11	5EB-1441F-01	B - 13	5EB-14916-31	C - 2
4SV-W0045-00	E - 4	5EB-11654-00	B - 3	5BE-12241-00	B - 6	5EB-13411-00	B - 11	5EB-1441L-00	B - 13	5EB-14922-00	C - 3
5EB-W0046-00	E - 7	4TV-11656-00	B - 3	5EB-12251-00	B - 6	5EB-13412-00	B - 11	5EB-14411-01	B - 13	5EB-14933-00	C - 2
3GM-W0047-10	E - 4	4TV-11656-10	B - 3	5EB-12252-00	B - 6	5EB-13414-00	B - 12	5EB-14413-00	B - 13	4JH-14934-00	C - 3
3MA-W0047-10	E - 4	4TV-11656-20	B - 3	4SV-1240G-00	B - 7	5EB-13415-00	B - 11	5EB-14419-01	B - 14	5EB-14935-00	C - 3
4JG-W0047-00	E - 7	4TV-11656-30	B - 3	5EB-12405-00	B - 9	5MT-13416-00	B - 11	5EB-14421-00	B - 13	5EB-14936-00	C - 2
1J3-W0048-00	E - 4	5EB-12111-00	B - 4	5EB-12410-00	B - 9	5EB-13417-00	B - 12	5EB-1443J-00	B - 14	5EB-14940-00	C - 2
51L-W0048-00	E - 7	5EB-12113-00	B - 4	5EB-12413-00	B - 9	5EB-13418-00	C - 6	5EB-1444J-01	B - 14	3TJ-14943-87	C - 2
4JG-W0057-00	E - 7	5EB-12114-00	B - 4	5EB-12421-00	B - 7	5GH-13440-00	B - 12	5EB-14450-01	B - 13	3TJ-14943-88	C - 2
4SV-W0057-00	E - 4	5EB-12116-00	B - 4	5EB-12422-00	B - 7	5EB-13470-00	B - 12	5EB-14452-00	B - 13	5EB-14948-02	C - 2
4SV-W0057-10	E - 4	5EB-12117-00	B - 4	5EB-1243A-00	B - 7	4JH-13473-00	B - 12	5EB-14453-00	B - 13	5EB-14958-00	C - 2
2TV-W2470-00	E - 2	1HX-12118-00	B - 4	5EB-1243E-00	B - 7	5EB-13475-00	B - 12	5EB-14454-00	C - 4	5EB-14958-10	C - 2
5EB-W2587-01	E - 9	4TV-12119-00	B - 4	5EB-1243F-00	B - 8	3KS-13490-00	B - 12	5EB-14457-00	B - 13	5EB-14984-00	C - 3
5EB-Y2171-E1-P0	D - 6	5EB-12121-00	B - 4	11H-12438-10	B - 7	4TV-13575-00	F - 3	5EB-1446F-00	F - 3	5EB-14985-00	C - 3
5EB-Y2171-F1-P1	D - 6	5EB-12124-01	B - 4	5EB-12439-00	B - 7	5EB-13581-01	B - 14	5EB-1446R-10	B - 13	5MT-15100-01	C - 6
5EB-Y2171-H1-P1	D - 6	5EB-12126-00	B - 4	5EB-1244E-00	B - 10	5EB-13586-00	B - 13	5EB-14462-00	B - 13	11H-15138-00	B - 2
5EB-Y2410-30-X1	D - 14	5EB-12127-00	B - 4	5EB-1244G-00	B - 8	5EB-13898-00	B - 11	5EB-14466-00	B - 14	5EB-15155-00	C - 6
5EB-Y2410-30-X2	D - 14	5EB-12153-09	B - 5	5EB-12446-00	C - 4	5EB-13907-01	D - 15	4X7-14467-01	B - 14	5EB-15163-01	C - 12
5EB-Y2808-70-P1	F - 5	5EB-12153-20	B - 5	5EB-12450-00	B - 7	4JH-13918-00	C - 3	5EB-14467-00	B - 13	36Y-15189-00	C - 7
5EB-Y2808-70-4B	F - 5	1HX-12168-A0	B - 4	3XV-1246A-10	B - 9	4YR-1410A-00	C - 3	5EB-14477-00	B - 13	5EB-15189-00	C - 6
5EB-Y2809-70-P1	F - 5	1HX-12168-F0	B - 4	5GV-1246A-00	B - 7	5EB-14105-00	C - 3	5EB-14485-00	B - 14	5EB-15316-00	C - 7
5EB-Y2809-70-4B	F - 5	1HX-12168-H1	B - 4	5GV-1246E-00	B - 7	5EB-14107-00	C - 3	4JH-14487-00	C - 3	3KJ-15337-00	D - 2
5EB-Y283G-A0-3X	F - 2	1HX-12168-K1	B - 4	5EB-12461-00	B - 9	5EB-14107-00	C - 3	4JH-14515-00	C - 2	3F9-15362-00	C - 8
5EB-Y283G-B0-P0	F - 2	1HX-12168-M1	B - 4	4JH-12462-00	B - 9	4JH-14133-00	C - 3	4TV-14534-00	C - 4	5EB-15362-00	C - 7
5EB-Y283G-50-1X	F - 2	1HX-12168-R1	B - 4	3VD-12465-00	D - 6	4YR-14133-00	C - 3	676-14548-00	C - 3	5EB-15371-00	C - 6
5EB-Y283U-A0-P1	F - 4	1HX-12168-U1	B - 4	5EB-12469-00	B - 7	4JH-14137-00	C - 3	7A9-14555-00	C - 3	5EB-15373-00	C - 7
5EB-Y283U-90-P3	F - 4	1HX-12168-W1	B - 4	4TV-12486-00	C - 4	5EB-1414G-00	C - 2	4TV-14557-00	C - 4	5EB-15393-00	C - 7
5EB-Y283V-A0-P3	F - 4	1HX-12168-Y1	B - 4	5Y9-12491-00	E - 14	5EB-14148-00	B - 14	4TV-14562-00	C - 4	5EB-1541A-00	C - 9
5EB-Y283V-B0-P1	F - 4	1HX-12168-00	B - 4	5EB-12498-00	B - 9	5EB-14162-00	C - 3	4JH-14565-00	C - 3	5EB-15411-00	C - 8
5MT-11101-00	B - 2	1HX-12168-20	B - 4	5EB-12551-00	B - 8	3TJ-14191-40	C - 3	688-14592-00	C - 3	5EB-15416-00	C - 8
4KG-1111G-00	B - 2	1HX-12168-40	B - 4	5EB-12552-00	B - 8	5EB-14197-00	B - 14	5MT-14602-00	C - 5	5EB-15418-00	C - 8
5EB-11133-10	B - 2	1HX-12168-60	B - 4	5EB-12576-00	C - 4	5EB-14197-01	C - 4	3YF-14613-01	C - 5	5EB-15421-01	C - 8
5EB-11145-00	C - 6	1HX-12168-80	B - 4	5EB-12577-00	B - 7	3TJ-14216-40	C - 4	5EB-14710-00	C - 5	5EB-15425-00	C - 8
5EB-11165-01	C - 6	1HX-12169-E0	B - 5	5EB-12578-00	B - 9	4JH-14216-00	C - 2	5EB-14714-00	C - 5	5EB-15441-00	C - 9
5EB-11181-00	B - 2	1HX-12169-G0	B - 5	4NK-12579-00	B - 7	4TV-14216-00	C - 4	5EB-14733-00	D - 5	5EB-15451-00	C - 8
5EB-11191-00	B - 2	1HX-12169-J0	B - 5	5EB-12579-00	B - 9	4TV-14226-00	B - 14	5EB-14900-31	C - 2	5EB-15456-00	C - 8
5EB-11193-00	B - 2	1HX-12169-L0	B - 5	4TV-12581-00	B - 8	5EB-14244-00	C - 2	5EB-14900-41	C - 2	5EB-15461-00	C - 8
5EB-11195-00	B - 2	1HX-12169-N0	B - 5	5EB-12581-00	B - 7	3TJ-14245-40	C - 3	5EB-14901-31	C - 2	5EB-15463-00	C - 9
214-11198-01	B - 12	1HX-12169-T0	B - 5	5EB-12588-00	B - 9	5EB-14251-00	C - 4	5EB-14901-41	C - 2	5EB-15484-00	C - 8
5EB-11411-00	B - 3	1HX-12169-11	B - 4	5EB-12589-00	B - 9	4JH-14264-00	C - 3	5EB-14902-31	C - 2	5EB-15512-00	C - 10
5EB-11416-A0	B - 3	1HX-12169-31	B - 4	5EB-12659-00	B - 9	5EB-14294-00	D - 15	5EB-14902-41	C - 2	5MT-15515-00	C - 10
5EB-11416-00	B - 3	1HX-12169-50	B - 5	5EB-12668-00	B - 9	5EB-14298-00	C - 3	5EB-14903-31	C - 2	5MT-15521-00	C - 10
5EB-11416-10	B - 3	1HX-12169-70	B - 5	5EB-12682-01	D - 3	4TV-14348-00	B - 14	5EB-14903-41	C - 2	5MT-15590-00	C - 10
5EB-11416-20	B - 3	1HX-12169-90	B - 5	5EB-12822-00	B - 12	5EB-14348-00	B - 13	5EB-14904-31	C - 2	5EB-16150-01	C - 11
5EB-11416-30	B - 3	5EB-12171-00	B - 6	5EB-1316E-00	B - 11	5EB-14349-00	B - 13	5EB-14904-41	C - 2	5EB-16154-00	C - 11
5EB-11603-10	B - 3	5EB-12176-00	B - 6	5EB-13161-00	B - 11	4JH-14350-00	C - 3	5EB-14916-01	C - 2	1AE-16164-00	C - 11
5MT-11631-00	B - 3	5EB-12181-00	B - 6			4JH-14358-00	C - 3	5EB-14916-11	C - 2	4FN-16321-00	C - 11

NUMERICAL INDEX

PART NO.	GRID NO.	PART NO.	GRID NO.	PART NO.	GRID NO.	PART NO.	GRID NO.	PART NO.	GRID NO.	PART NO.	GRID NO.
168-16324-00	C - 11	5EB-21495-00	D - 2	5MT-23118-00	D - 12	4FM-24181-00	C - 5	5MT-25398-20	E - 3	5EB-26246-00	E - 8
3J2-16324-00	C - 11	5EB-21511-00-P0	D - 4		D - 13	5EB-24181-00	D - 14		E - 5	5MT-26280-00	F - 3
5EB-16340-00	C - 11	5EB-21511-00-P1	D - 4	5EB-23125-00	D - 12	5EB-24182-00	D - 14	5EB-25448-20	E - 5	5MT-26290-00	F - 3
132-16346-00	C - 15	4TV-2153A-40	D - 14	5MT-23126-00	D - 12	2GH-24183-00	D - 14	5DM-2580T-00	E - 4	5MT-26292-00	E - 9
5EB-16351-01	C - 11	4XV-2153E-00	F - 5	5MT-23136-00	D - 12	5EB-24183-00	D - 14	5DM-2580U-00	E - 4	5EB-26298-01	F - 3
5EB-16356-01	C - 11	5MT-2161G-00	D - 5	5MT-23141-00	D - 12	27V-24184-00	F - 3	5EB-2580W-00	E - 7	5EB-26311-00	E - 8
5EB-16371-10	C - 11	5MT-21611-00-P0	D - 4		D - 13	2GH-24186-00	D - 14	4SV-2581T-00	E - 4	5EB-26312-00	E - 8
5EB-16382-00	C - 11	5MT-21611-00-P1	D - 4	4PU-23144-00	D - 12	5MT-24191-00	D - 14	3LN-2582A-00	E - 14	5EB-26331-00	E - 8
5EB-17121-00	C - 12	30X-21621-00	D - 9		D - 13	5MT-24240-30	D - 14	5EB-2582F-00	E - 9	5EB-26332-00	E - 9
5EB-17131-00	C - 12	5MT-21621-00	D - 5	4PU-23145-01	D - 12	5MT-24240-40	D - 14	5EB-2582W-00	E - 7	5EB-26335-00	E - 8
5MT-17151-00	C - 12	5MT-21629-00	D - 5		D - 13	5EB-24311-00	D - 14	5CG-25828-C0	E - 7	128-27114-00	E - 11
5EB-17161-00	C - 12	5MT-21629-20	D - 5	4V4-23146-L0	D - 12	5EB-24312-00	D - 14	5EB-25828-00	E - 7	5EB-26332-00	E - 9
5EB-17211-00	C - 13	36Y-21639-00	D - 2		D - 13	1AE-24366-00	D - 15	3TU-2583V-01	E - 14	5EB-26335-00	E - 8
5EB-17221-00	C - 12	4G0-21639-00	D - 4	3LR-23149-00	D - 12	5EB-24491-00	D - 15	3LN-2585F-00	E - 14	128-27114-00	E - 11
5EB-17231-00	C - 13		D - 5		D - 13	4TV-24500-00	D - 14	3LN-2585H-00	E - 14	5EB-26332-00	E - 9
5EB-17241-00	C - 12		E - 2	3TJ-23149-10	D - 12	4X8-24512-00	D - 14	3GM-25852-50	E - 9	5EB-26335-00	E - 8
5MT-17251-00	C - 13	51Y-21639-00	F - 2		D - 13	3LN-24515-00	B - 14	3XP-25852-50	E - 14	5EB-26331-00	E - 8
5MT-17261-00	C - 12	5MT-21650-00	D - 9	4V4-23153-L0	D - 12	3XV-24523-00	D - 14	2VN-25854-00	E - 14	5EB-26332-00	E - 9
5EB-17411-00	C - 12	5MT-21669-00	D - 4		D - 13	3XV-24534-00	D - 14	3FV-25854-00	E - 9	5MT-27410-00	E - 11
5EB-17421-00	C - 12	5MT-21717-00	D - 5	2K8-23158-L0	D - 12	4TV-24560-00	D - 15	2J2-25855-50	E - 9	5MT-27420-00	E - 12
278-17424-01	C - 13	5EB-2172W-00	D - 6		D - 13	5JJ-24602-00	D - 15	2VN-25855-00	E - 14	36Y-27424-00	E - 12
2GH-17460-00	C - 13	5MT-2172X-00	D - 4	5MT-23170-00	D - 12	5EB-2470F-00	E - 2	2VN-25866-00	E - 9	5EB-27430-00	E - 12
5MT-18101-00	C - 15	5MT-2173E-00	D - 6	5EB-23171-00	D - 12	5EB-24710-00	E - 2	56A-25867-00	E - 9	4BP-27434-01	E - 11
5EB-18110-10	C - 15	5MT-2173E-10	D - 6	5MT-23173-00	D - 12	5MT-24720-00	E - 2	5EB-25872-00	E - 9	1HX-27437-00	E - 12
5EB-18112-01	C - 15	5MT-2173F-00	D - 6		D - 13	3TU-2475M-00	F - 11	5EB-25873-00	E - 9	5EB-27440-00	E - 12
5EB-18113-00	C - 15	5MT-2173F-10	D - 6	3LC-23181-00	D - 12	5JJ-2475X-01	E - 2	5EB-25874-00	E - 15	5EB-27442-00	E - 11
5EB-18115-00	C - 15	3TU-2178A-00	F - 2		D - 13	5MT-24750-02	E - 2	3EN-25875-01	E - 10	5EB-27443-00	E - 12
3TC-18116-00	C - 15	5EB-21781-30	D - 6	4V4-23188-L0	D - 12	5EB-24751-00	E - 2	2R8-25876-01	E - 10	5EB-27445-01	E - 11
4XV-18127-00	C - 15	26H-21828-00	D - 6		D - 13	5MT-2478E-00	E - 2	5EB-25886-01	E - 15	5EB-27446-01	E - 12
4XV-18140-00	C - 15	5EB-21871-01	D - 6	5MT-23195-00	D - 12	4BP-24780-00	E - 2	5MT-25887-01	E - 15	5EB-27813-00	E - 14
2H9-18154-00	C - 15	5EB-21875-00	D - 6		D - 13	5JJ-24792-01	E - 2	3FV-2589A-00	E - 9	5EB-28100-00	D - 5
4XV-18154-00	C - 15	5MT-22110-01	D - 8	4PU-2331G-00	D - 13	4XV-25117-00	E - 3	3FV-2589F-00	E - 9	4FM-28215-00	F - 2
5EB-18511-00	C - 14	5EB-22123-00	D - 8	5MT-23340-00	D - 13	4XV-25168-00-33	E - 3	3FV-2589G-00	E - 9	5MT-28301-40	F - 4
5MT-18512-00	C - 14	5EB-22125-00	D - 8	3LC-23357-00	D - 12	4XV-25181-00	E - 3	3GM-2589H-00	E - 9	5MT-28301-50	F - 4
5EB-18513-00	C - 14	5EB-22127-00	D - 8		D - 13	4XV-25317-00	E - 5	3FV-25894-00	E - 9	5MT-28303-40	F - 4
4XV-18531-00	C - 14	3FV-22128-00	D - 8	5EB-23377-00	D - 11	5EB-25338-00-33	E - 5	5JJ-25894-00	E - 14	5MT-28303-50	F - 4
5EB-18536-00	C - 14	4FN-22141-00	D - 8	4XV-2341B-00	D - 11	5EB-25364-01	E - 5	5MT-25895-00	E - 15	5EB-28315-40	F - 2
5MT-18540-00	C - 14	5EB-22151-00	D - 8	4XV-23415-01	D - 11	5EB-25366-01	E - 5	5JW-25914-00	E - 7	5EB-28315-70	F - 2
136-18542-00	C - 14	5EB-2217A-00	D - 8	4XV-23418-00	D - 11	5EB-25376-00	E - 5	4SV-25919-00	E - 4	5EB-28315-80	F - 2
5EB-21110-01	D - 2	5EB-2217M-00	D - 8	5EB-23435-01	D - 11	5EB-25377-00	E - 5	4TT-25919-00	E - 7	5EB-28328-60	F - 4
4XV-2117K-00	E - 2	5EB-22184-00	D - 8	3FV-23462-00	D - 11	4XV-25381-00	E - 6	4SV-25924-00	E - 4	5EB-28328-70	F - 4
5EB-2117M-00	D - 2	5MT-22210-00	D - 10	2H9-23469-00	E - 8	4XV-25383-00	E - 5	3GM-25925-00	E - 4	1AE-2834E-00	D - 4
5EB-2117V-00	D - 2	5EB-22311-01	D - 8	5EB-23818-00	D - 11	5EB-25388-00	E - 5	4TT-25937-00	E - 7	5EB-2834E-00	F - 5
5EB-2117W-00	D - 2	5MT-23102-01	D - 12	5EB-2411J-00	D - 15	5EB-25389-00	E - 5	5MT-26121-00	E - 8	5EB-2834F-00	F - 5
5EB-21190-01	D - 2	5MT-23103-01	D - 12	5EB-2414H-00	D - 15	5MT-25398-00	E - 3	5MT-26122-00	E - 8	5EB-28342-01	F - 3
4XV-21376-00	D - 5	5MT-23110-00	D - 12	5EB-2414J-00	D - 15		E - 5	5EB-26132-00	D - 3	5EB-28356-01	F - 2
5EB-2144G-00	E - 14	5MT-23111-00	D - 12	5EB-2414K-00	D - 15	5MT-25398-10	E - 3	5EB-26240-00	E - 8	5EB-2836A-00	F - 5
5EB-21446-00	D - 9		D - 13	5EB-2417H-00	D - 15		E - 5	4YR-26241-01	E - 8	5EB-2836E-00	F - 5

NUMERICAL INDEX

PART NO.	GRID NO.	PART NO.	GRID NO.	PART NO.	GRID NO.	PART NO.	GRID NO.	PART NO.	GRID NO.	PART NO.	GRID NO.
5EB-2836K-00	F - 4	5EB-82509-00	F - 13	5MT-84359-10	F - 10	90110-06091	C - 6	90164-05014	F - 10	90201-177G4	C - 15
5EB-2836L-00	F - 5	3XV-82530-01	F - 15	4SV-84397-00	F - 10	90110-06149	B - 7		F - 9	90201-186M4	D - 8
5EB-2836M-00	F - 5	3GB-82540-01	F - 13	5MT-84710-00	F - 11	90110-06225	B - 12	90170-08358	C - 15	90201-20278	C - 13
5EB-2837J-00	F - 3	5EB-82541-21	F - 13	4HC-84744-00	F - 11	90110-06226	B - 11	90170-20327	C - 11	90201-255A6	C - 11
5EB-2837L-00	F - 2	5MT-82541-00	F - 13	5MT-84745-00	F - 11		C - 14	90170-28419	D - 11	90201-257R5	E - 6
5EB-2837M-00	F - 2	5EB-82560-00	F - 13	5MT-84747-00	F - 11		C - 6	90176-06055	F - 3	90201-281U8	D - 11
5EB-2837N-00	F - 3	5EB-82566-00	F - 15	3Y6-85130-02	D - 5		E - 11	90179-05523	F - 2	90202-05187	G - 2
5EB-28371-00	F - 3	5MT-82590-00	F - 15	5MT-85540-00	F - 13	90110-06258	E - 2		F - 3	90202-05193	D - 14
5EB-2838G-00	F - 5	5MT-82590-10	F - 15	5MT-85540-10	F - 13	90111-06003	E - 11	90179-06635	E - 2		F - 13
5EB-2838R-00	F - 3	3MA-82591-00	D - 11	5EB-85720-00	F - 13		E - 12	90179-07652	B - 3	90202-06056	C - 3
5EB-2838T-00	F - 3		F - 15	1UF-85752-10	F - 13	90111-06019	C - 15	90179-08410	C - 5	90202-30235	D - 11
5EB-28381-00	F - 2	5EB-82910-02	F - 12	42X-85753-00	F - 13	90111-10018	D - 2	90179-10696	D - 2	90206-12074	C - 15
5EB-28381-10	F - 2	4XV-82917-00	F - 12	4TV-85885-00	C - 4	90116-10485	E - 5	90179-18020	C - 13	90206-17084	E - 14
4XV-2839H-70	F - 4	4JH-83310-01	F - 8	9Y581-55115	E - 5	90119-06009	D - 4	90179-30691	D - 11	90209-21332	C - 12
4XV-2839H-80	F - 4	306-83311-40	F - 8	90101-08662	E - 11	90101-08662	D - 4	90183-05024	D - 5	90209-21351	C - 12
5EB-28415-00	F - 4	5MT-83318-00	F - 8	90101-08766	E - 5	90119-06052	D - 9		F - 10	90209-22352	C - 12
5EB-28415-10	F - 4	4JH-83320-01	F - 8	90101-10709	D - 8	90119-06096	D - 15		F - 3	90209-25342	C - 12
5EB-28416-00	F - 4	5MT-83330-00	F - 8	90105-06006	C - 6	90119-06117	D - 11		F - 4	90209-25349	C - 12
5EB-28416-10	F - 4	4JH-83332-00	F - 8	90105-067A6	B - 2		D - 6		F - 5	90209-25350	C - 12
8U9-77268-00	F - 5	5MT-83340-00	F - 8	90105-06718	E - 15	90119-06172	B - 14	90183-05061	D - 4	90215-20231	C - 11
5EB-81410-00	F - 6	4JH-83342-00	F - 8	90105-07342	B - 6	90119-06227	D - 8		D - 7	90215-21022	C - 13
5EB-81450-00	F - 6	3GM-83350-01	G - 2	90105-08386	E - 7	90119-10003	B - 2	90183-05074	F - 2	90243-08029	E - 11
5MT-81670-01	F - 13	4TH-83371-00	G - 2		F - 13	90149-04278	D - 5	90183-06053	E - 15		E - 12
5EB-81673-00	F - 13	4XV-83513-00	D - 4	90105-086A9	C - 6	90149-05273	F - 2		G - 2	90269-07076	D - 2
4WP-81801-00	F - 7		F - 2	90105-087A0	C - 6	90149-06001	C - 6	90185-18104	D - 8		D - 9
4XV-81815-00	F - 7	4YR-83517-10	F - 9	90105-08776	C - 6	90149-06008	D - 14	90185-24165	E - 6		F - 3
4XV-8182A-00	F - 7	5MT-8353E-00	F - 9	90105-10042	D - 2		F - 13	90201-04018	D - 5		F - 5
4WP-81826-00	F - 7	4YR-83534-00	F - 9	90105-10271	E - 13	90149-06285	C - 12	90201-05725	D - 5	90269-07077	D - 2
4WP-81844-00	F - 7	5MT-83570-00	F - 9	90105-10323	D - 8	90149-06302	D - 9	90201-06008	E - 2		D - 4
1FK-81847-00	F - 7	5MT-83570-10	F - 9	90105-10376	D - 10	90149-06308	E - 2	90201-06042	E - 11		D - 6
5EB-81890-00	F - 7	4XV-83572-01	F - 9	90105-105A7	E - 4	90149-08329	C - 10		E - 12	90338-05271	B - 15
4YR-81940-00	F - 15	11H-83591-00	F - 13	90105-106A2	D - 2	90150-05023	F - 2	90201-06050	D - 14	90338-06018	E - 2
5EB-81950-20	F - 15	5EB-83755-00	F - 13	90105-12004	D - 2	90150-05039	D - 6	90201-06071	B - 9	90338-08174	B - 13
5JJ-81950-10	F - 13	5EB-83912-01	F - 12	90105-126A8	F - 6		F - 3	90201-081R9	E - 11		B - 14
5JJ-81950-20	F - 14	4XV-83913-00	F - 12	90109-064G6	E - 4		F - 4	90201-08326	E - 11	90338-08226	F - 13
4JH-81960-01	F - 15	5EB-83922-01	E - 9		E - 7		F - 5	90201-086J0	E - 8	90338-16262	C - 6
5FL-82100-00	F - 15	4XV-83945-00	F - 12	90109-065G3	C - 6	90150-06036	D - 6	90201-087K3	C - 6	90340-14132	B - 12
5JJ-82115-00	F - 15	5EB-83963-01	F - 12	90109-066F0	B - 2		F - 4	90201-08753	F - 13	90340-27001	B - 2
5MT-82116-10	F - 15	5MT-83972-00	F - 12	90109-080G5	F - 15		F - 5	90201-101J1	D - 8	90340-32116	C - 8
5MT-8212B-00	D - 4	5EB-83975-00	F - 12	90109-08018	E - 11	90154-05005	F - 2		E - 11	90387-060G7	D - 15
5JJ-82131-00	F - 15	4HM-83980-00	E - 9		E - 12	90154-05041	D - 4	90201-10118	E - 10	90387-0600V	D - 9
5JJ-82151-00	F - 15	5EB-84310-01	F - 10	90109-085G6	E - 11	90154-05059	D - 2		E - 15	90387-0602X	F - 3
5JJ-82151-10	F - 15	5EB-84310-11	F - 10		E - 12	90154-06061	D - 4	90201-10614	C - 11	90387-06023	E - 14
5JJ-82151-20	F - 15	5EB-84310-21	F - 10	90109-103A9	E - 11	90159-05028	B - 14	90201-10669	E - 13	90387-06027	D - 14
5EB-82310-00	F - 13	5MT-84312-00	F - 10		E - 12	90159-06002	C - 11	90201-12008	F - 6	90387-061W6	D - 14
5JJ-82388-00	F - 15	8V0-84314-00	F - 10	90109-105G7	E - 11	90159-06005	D - 14	90201-12013	C - 15	90387-06372	D - 8
5EB-82501-01	F - 15	4SV-84347-00	F - 10	90110-05112	D - 15	90159-06056	E - 14	90201-146F9	E - 11	90387-064H8	E - 12
5EB-82501-11	F - 15	5MT-84359-00	F - 10	90110-06001	B - 11	90159-06150	E - 14	90201-154E8	C - 15	90387-065G0	D - 4

NUMERICAL INDEX

PART NO.	GRID NO.	PART NO.	GRID NO.	PART NO.	GRID NO.	PART NO.	GRID NO.	PART NO.	GRID NO.	PART NO.	GRID NO.
90387-065G0	D - 5	90450-35001	B - 9	90467-15054	C - 7	91317-06025	B - 6	93306-00420	E - 3	95307-08700	E - 14
90387-065J6	B - 14	90450-38040	B - 7	90467-15197	B - 13	91317-06030	B - 11	93306-07806	E - 5	95604-06200	E - 12
	D - 4	90450-54093	B - 13		B - 14	91317-06035	F - 6	93306-20464	C - 12	95604-08100	E - 14
90387-066K1	D - 6	90450-68094	B - 13	90467-16098	B - 14	91317-06045	B - 2		C - 13	95606-06100	E - 9
90387-07391	B - 9	90460-59211	F - 3	90467-16195	C - 7	91317-06090	D - 14	93306-27802	E - 5	95607-04100	D - 5
90387-09001	C - 15	90461-10004	C - 8	90467-17128	B - 15	91401-16012	E - 14	93306-30525	C - 12	95607-05100	D - 5
90387-1012B	D - 8	90461-10132	D - 11	90467-18196	C - 7	91701-06018	E - 14	93306-30546	C - 12	95607-05200	F - 15
90387-1013U	D - 10	90462-10182	C - 8	90467-19160	B - 9	91808-17032	B - 12	93310-340N8	C - 11	95607-06100	F - 12
90387-10636	E - 12	90464-07259	D - 4	90467-20030	B - 14	92014-08012	C - 8	93315-31502	C - 11	95607-10200	D - 10
90387-1214V	D - 2	90464-09009	D - 5	90480-12003	D - 9	92017-05030	F - 15	93315-31759	D - 10		D - 8
90387-127W0	D - 8	90464-10112	D - 4	90480-12005	D - 9	92017-06014	C - 6		D - 8		E - 11
90387-1312P	D - 2	90464-12036	D - 2	90480-12072	D - 4	92017-06020	D - 5	93315-42523	D - 8		E - 13
90387-1414W	D - 2	90464-12045	F - 15	90480-12314	B - 14	92017-08030	E - 14	93315-42536	D - 8		E - 5
90387-2200T	E - 3	90464-12089	D - 15	90480-12607	E - 14	92017-10040	D - 2	93317-11020	C - 11	95617-08625	B - 2
90387-2202V	C - 13	90464-13073	B - 15	90480-13163	D - 15	92902-04100	E - 9	93317-11287	C - 15	95617-10100	D - 8
90387-2504A	C - 12		D - 4	90480-13398	D - 6	92902-04600	E - 9	93317-43580	E - 5	95707-05500	F - 2
90387-2513E	C - 12		F - 15		F - 4	92907-04600	F - 8	93399-99932	D - 11	95707-06500	D - 4
90387-253M6	C - 12	90464-13077	D - 4		F - 5	92907-06200	E - 14	93440-10153	B - 2		E - 2
90387-2813C	C - 12		E - 8	90480-15363	B - 9	92907-06600	D - 14	93440-25084	C - 12	95807-06010	G - 2
90387-2813D	C - 12		F - 15	90501-064L1	C - 14		D - 15	93440-28062	C - 12	95807-06012	D - 11
90401-10160	E - 9	90464-13133	D - 4	90501-12743	E - 12	92907-08600	C - 11	93450-17129	B - 3	95807-06025	B - 9
90401-10172	E - 10	90464-15157	E - 8	90501-225A9	C - 11	92990-06600	C - 5	93501-04011	E - 12	95811-06010	B - 9
	E - 15	90464-15195	E - 8	90506-14003	C - 15	93101-12004	C - 15	93607-44190	B - 6	95814-08025	C - 5
90401-20145	B - 12	90464-16025	F - 2	90506-18003	E - 11	93101-12173	B - 7	93608-17263	C - 8	95817-06045	C - 6
90413-07023	B - 8	90464-20213	D - 3	90506-20193	E - 14	93102-15212	C - 11	93900-00030	E - 3	95817-06055	C - 6
90413-09032	B - 14	90465-04013	D - 5	90508-165B1	C - 11	93102-35423	C - 13		E - 5	95817-06065	C - 6
90413-10016	B - 13	90465-08395	B - 8	90508-183B9	E - 11	93106-28043	E - 3	94112-17019	E - 3	95817-08035	C - 5
90413-18033	B - 14	90465-10020	B - 12	90508-184B0	E - 12	93106-35042	E - 5	94118-17011	E - 5	95817-08065	C - 6
90430-06014	B - 7	90465-18147	G - 2	90508-295B2	C - 15	93106-40041	E - 5	94580-25080	B - 11	95824-06020	C - 15
	C - 6	90467-08003	D - 6	90560-25270	C - 11	93109-17071	D - 10	94591-49120	B - 6	95824-08025	F - 2
90430-08119	B - 2	90467-08017	B - 15	91314-06018	C - 9		D - 8	94681-55031	E - 5	95827-06012	B - 10
90430-08143	C - 8	90467-08075	B - 9	91314-06020	C - 8	93109-33049	D - 8	94701-00402	B - 2	95827-06025	F - 15
90430-10148	F - 13	90467-09037	B - 15	91314-06025	C - 8	93210-04092	C - 6	95024-06016	F - 2	97007-06030	D - 14
90445-08605	D - 6		B - 8		C - 9	93210-06667	B - 11	95024-06020	B - 7	97080-06008	C - 5
90445-087K6	B - 9	90467-10008	D - 15	91314-06045	E - 12	93210-09165	B - 11	95024-06030	D - 4	97702-40610	F - 8
90445-09500	B - 15	90467-10041	B - 13	91314-08025	D - 13		C - 7	95027-06008	F - 15	97704-40012	F - 5
90445-09541	B - 15	90467-11019	D - 6	91314-08030	D - 11	93210-12790	C - 6	95027-06012	D - 15	97707-40012	E - 2
90445-102G9	D - 15	90467-11044	B - 8		E - 8	93210-14579	B - 11		E - 9	97707-40020	F - 9
90445-11147	B - 14		D - 15	91314-08035	D - 13		C - 6	95027-06014	F - 13	97707-50016	F - 5
90445-11262	B - 14	90467-11090	B - 7	91317-05010	D - 15	93210-15566	B - 12	95027-06020	E - 10	97707-50120	B - 13
90445-11795	B - 13		B - 8	91317-06012	D - 11	93210-15620	E - 9		D - 12	97707-60020	F - 13
90445-123G5	B - 8	90467-12085	E - 9		F - 13	93210-16325	C - 7	95027-06030	F - 2	98502-04012	E - 9
90445-19002	E - 11	90467-12191	E - 15	91317-06016	F - 13	93210-27194	C - 8	95027-06040	F - 7	98502-04014	C - 3
90445-307K7	B - 14	90467-14015	C - 7	91317-06020	B - 13	93210-32172	C - 8	95027-08012	B - 2	98507-04008	F - 8
90446-08001	F - 15	90467-14057	D - 14		B - 7	93210-33133	B - 7	95027-08035	D - 2	98507-04010	F - 12
90446-15386	E - 14		E - 15		B - 9	93210-47675	B - 7	95027-12060	D - 2	98507-05010	D - 15
90450-25037	B - 9	90467-15012	B - 14		E - 8	93306-00106	B - 7	95304-06700	C - 15		E - 8
90450-35001	B - 7	90467-15054	B - 14	91317-06025	B - 12	93306-00304	C - 11	95307-08600	E - 6	98507-05014	F - 3

NUMERICAL INDEX

PART NO.	GRID NO.	PART NO.	GRID NO.	PART NO.	GRID NO.	PART NO.	GRID NO.	PART NO.	GRID NO.
98507-05025	B - 13								
	F - 12								
98507-05030	F - 12								
98507-05050	F - 12								
98507-06008	C - 8								
98507-06012	D - 15								
	D - 3								
98707-03016	F - 12								
98907-05020	D - 5								
98907-06012	C - 7								
99001-07600	C - 11								
99001-09600	C - 11								
99009-12400	B - 7								
99009-17400	C - 15								
99009-52500	E - 5								
99241-00080	D - 6								
	F - 2								
99530-08012	B - 11								
	C - 8								
	C - 9								
99530-10014	C - 6								
99530-10114	B - 2								

CONTENTS

ENGINE

CYLINDER	B2
CRANKSHAFT. PISTON	B3
VALVE	B4
CAMSHAFT. CHAIN	B6
WATER PUMP	B7
RADIATOR. HOSE	B9
OIL PUMP	B11
OIL CLEANER	B12
INTAKE	B13
CARBURETOR	C2
EXHAUST	C5
CRANKCASE	C6
CRANKCASE COVER 1	C8
STARTER	C10
CLUTCH	C11
TRANSMISSION	C12
SHIFT CAM. FORK	C14
SHIFT SHAFT	C15

CHASSIS

FRAME	D2
FENDER	D4
SIDE COVER	D6
REAR ARM	D8
REAR SUSPENSION	D10
STEERING	D11
FRONT FORK	D12
FUEL TANK	D14
SEAT	E2
FRONT WHEEL	E3
FRONT BRAKE CALIPER	E4
REAR WHEEL	E5

REAR BRAKE CALIPER	E7
STEERING HANDLE. CABLE	E8
FRONT MASTER CYLINDER	E9
STAND. FOOTREST	E11
REAR MASTER CYLINDER	E14
COWLING 1	F2
COWLING 2	F4
GENERATOR	F6
STARTING MOTOR	F7
FLASHER LIGHT	F8
METER	F9
HEADLIGHT	F10
TAILLIGHT	F11
HANDLE SWITCH. LEVER	F12
ELECTRICAL 1	F13
ELECTRICAL 2	F15

INDEX

NUMERICAL INDEX	M1
-----------------------	----