

Continuar

YAMAHA



PARTS CATALOGUE

XVS650'98 (4VR3)

XVS650'98 (4VR4)

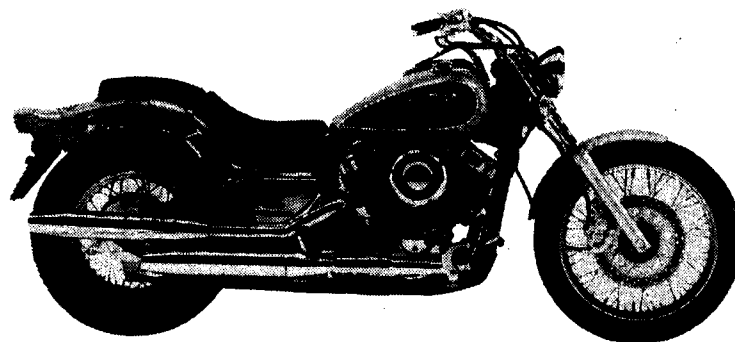
XVS650'98 (4XR3)

XVS650'98 (4XR4) EUROPE

YAMAHA
GENUINE
Parts & Accessories

184VR-300E1

[Regresar](#)



A3

FOREWORD

This Parts Catalogue is related to the parts for the model(s) in the below frame. When you are ordering replacement parts, please refer to this Parts Catalogue and quote both part numbers and part names correctly.

XVS650'98(4VR3/4VR4/4XR3/4XR4)

1. Modifications or additions which have been made after issue of the Parts Catalogue will be announced in the Yamaha Parts News.
It is advisable that you make necessary corrections to the Parts Catalogue according to the Yamaha Parts News.

2. Abbreviations

The following abbreviations are used in this Parts Catalogue.

- "UR" Use specified parts number.
- "UN" Use as many as needed.
- "AP" Alternate Parts
- "LM" Local Made (Parts need to be ordered locally)
- "F#" Frame No. (Applicable machine No.)

3. Parts, which are to be supplied in an assembly, are listed with a dot (.) in front of the part name as shown below.

EXAMPLE

- CARBURETOR ASSY
- . JET, PILOT
- . NOZZLE, MAIN

4. Number of component for assembly

The numeral appearing to the right of each component part indicates the quantity of parts for each assembly unit.

EXAMPLE

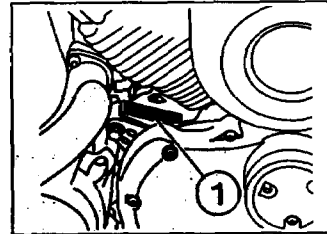
PART NO.	DESCRIPTION	Q'TY	REMARKS
2F5-83310-60	FRONT FLASHER LIGHT ASSY	2	
115-83311-60	. BULB (6V-18W)	1	

5. Applicable colors of graphics are represented in the "REMARKS" as shown below.

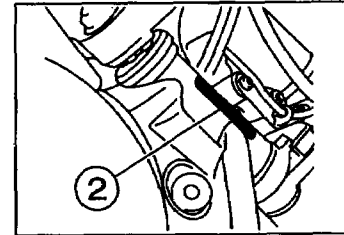
PART NO.	DESCRIPTION	Q'TY	REMARKS
2N4-24110-00-X5	FUEL TANK COMP.	1	MAXIM RED
3J1-24240-10	. GRAPHIC, FUEL TANK	1	for MXR

6. Applicable Serial No.

① Engine Serial No.



② Frame Serial No.



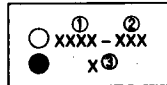
7. Note that the illustrations are for reference in finding parts numbers, not to be used for assembling. When assembling, please use the applicable service manual.

8. The asterisk (*) before a reference number indicates modification items after the first edition.

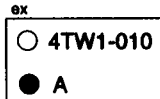
MODEL LABEL

(1) A label called "Model Label" is affixed in the location as indicated in (3) below. When using this parts catalogue, please be sure to cross-refer the "model code - production code No." in the catalogue to the "model code - production code No." indicated on the Model Label affixed onto the product concerned.

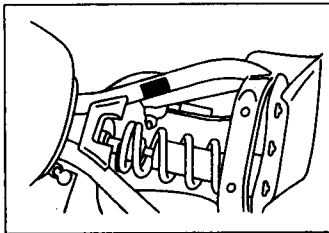
(2) "Model Label" Indication



- ① Model Type Code
- ② Production Code No.
- ③ Colouring Type



(3) Model Label Affixing Location



(4) Model Code - Production Code Number of Model Listed in This Parts Catalog

Model code	Production code No.	Country (destination)	Model code	Production code No.	Country (destination)	
4VR3	020	BELGIUM	4VR4	090	ITALY	
	040	DENMARK		100	HOLLAND	
	060	FINLAND		110	NORWAY	
	070	ENGLAND		120	PORTUGAL	
	080	GREECE		130	SWEDEN	
		090	ITALY	4XR3	040	ENGLAND
		100	HOLLAND		050	HOLLAND
		110	NORWAY	4XR4	040	ENGLAND
		120	PORTUGAL		050	HOLLAND
		130	SWEDEN			
4VR4	020	BELGIUM				
	040	DENMARK				
	060	FINLAND				
	070	ENGLAND				
	080	GREECE				

(5) Colouring Information

Model code	Colouring type code	Colour code	Colour Name	Abbreviation
4VR3	A	0552	VIVID ORANGE METALLIC 2	VOM2
4XR3	B	0372	DARK BLUE COCKTAIL 2	DBC2
4VR4	A	0033	YAMAHA BLACK	YB

CONTENTS

ENGINE

Cylinder Head	B2~B3
Cylinder	B4
Crankshaft. Piston	B5
Valve	B6
Camshaft. Chain	B7
Oil Pump	B8
Intake	B9~B10
Carburetor	B11~B12
Exhaust	B13
Crankcase	B14~B15
Crankcase Cover 1	C2~C3
Starter Clutch	C4
Clutch	C5~C6
Transmission	C7
Middle Drive Gear	C8
Shift Cam. Fork	C9
Shift Shaft	C10

CHASSIS

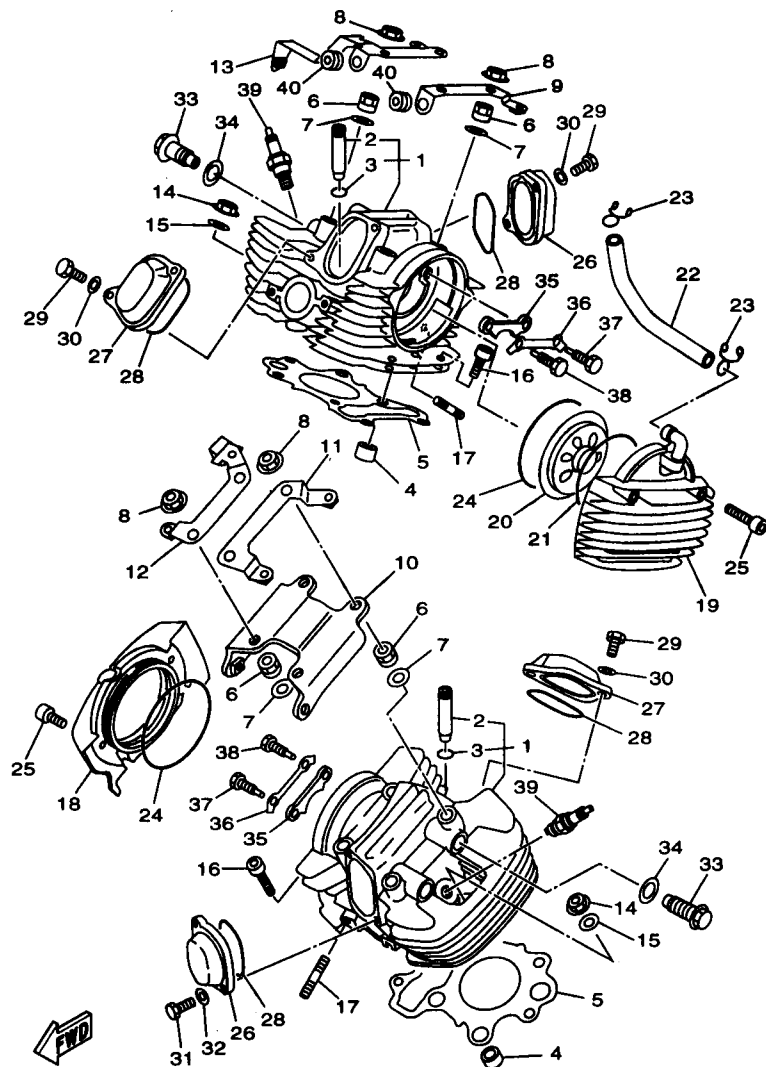
Frame	C11~C12
Fender	C13~C14
Side Cover	C15~D2
Rear Arm. Suspension	D3
Drive Shaft	D4~D5
Steering	D6
Front Fork	D7~D8
Fuel Tank	D9~D10
Seat	D11
Front Wheel	D12

Front Brake Caliper	D13
Rear Wheel	D14~D15
Steering Handle. Cable	E2
Front Master Cylinder	E3
Stand. Footrest	E4~E5
Generator	E6
Flasher Light	E7~E8
Meter	E9
Headlight	E10
Taillight	E11
Handle Switch. Lever	E12
Electrical 1	E13~E14
Electrical 2	E15

INDEX

Numerical Index	M1~M4
-----------------------	-------

FIG. 1 CYLINDER HEAD

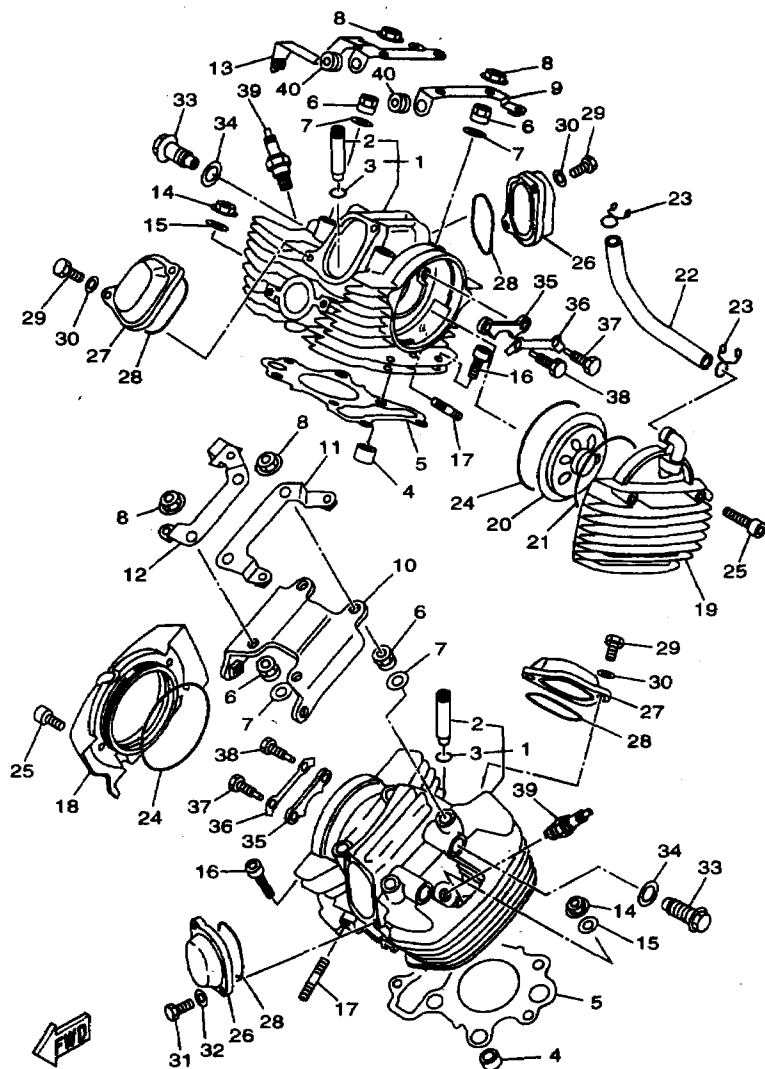


4TR1010-6010

REF. NO.	PART NO.	DESCRIPTION	4VR3	4VR4	4XR3	4XR4	REMARKS
1	4VR-11102-00	CYLINDER HEAD ASSY	2		2		
	4VR-11102-11	CYLINDER HEAD ASSY		2		2	
2	4H7-11133-10	.GUIDE, INTAKE VALVE	2	2	2	2	
3	93440-12052	.CIRCLIP	2	2	2	2	
4	99530-17016	PIN, DOWEL	4	4	4	4	
5	4VR-11181-00	GASKET, CYLINDER HEAD 1	2	2	2	2	
6	90179-10395	NUT	8	8	8	8	
7	90201-10131	WASHER, PLATE	8	8	8	8	
8	95707-10500	NUT, FLANGE	8	8	8	8	
9	4TR-11142-00	BRACKET, CYLINDER HEAD COVER 2	1	1	1	1	
10	4TR-11152-00	BRACKET, CYLINDER HEAD COVER	1	1	1	1	
11	4TR-1111F-00	PLATE	1	1	1	1	
12	4TR-1112F-00	PLATE 2	1	1	1	1	
13	4TR-1135A-00	BRACKET	1	1	1	1	
14	95707-08500	NUT, FLANGE	2	2	2	2	
15	90201-08366	WASHER, PLATE	2	2	2	2	
16	91314-08030	BOLT	4	4	4	4	
17	95617-08630	BOLT, STUD	4	4	4	4	
18	4TR-11187-00	COVER, CYLINDER HEAD SIDE 3	1		1		
	4TR-11187-11	COVER, CYLINDER HEAD SIDE 3		1		1	
19	4TR-11186-00	COVER, CYLINDER HEAD SIDE 2	1		1		
	4TR-11186-11	COVER, CYLINDER HEAD SIDE 2		1		1	
20	22U-11185-00	PLATE, BREATHER	1	1	1	1	
21	93210-89588	O-RING	1	1	1	1	
22	4TR-11186-00	PIPE, BREATHER 1	1	1	1	1	
23	90467-14015	CLIP	2	2	2	2	
24	93211-00612	O-RING	2	2	2	2	

B2

FIG. 1 CYLINDER HEAD



4TR1010-6010

REF. NO.	PART NO.	DESCRIPTION					REMARKS
			4VR3	4VR4	4XR3	4XR4	
25	91314-06035	BOLT	4	4	4	4	
26	22U-11186-00	COVER, CYLINDER HEAD SIDE 2	2	2	2	2	
27	22U-11187-00	COVER, CYLINDER HEAD SIDE 3	2	2	2	2	
28	93210-62446	O-RING	4	4	4	4	
29	97027-06016	BOLT	6	6	6	6	
30	92907-06600	WASHER, PLATE	6	6	6	6	
31	97024-06016	BOLT	2	2	2	2	
32	92904-06600	WASHER	2	2	2	2	
33	90401-16166	BOLT, UNION	4	4	4	4	
34	90430-17168	GASKET	4	4	4	4	
35	22U-1111F-01	PLATE	2	2	2	2	
36	90215-08229	WASHER, LOCK	2	2	2	2	
37	90109-08782	BOLT	2	2	2	2	
38	90109-08781	BOLT	2	2	2	2	
39	94701-00262	PLUG, SPARK (NGK DPR7EA 9)	2	2	2	2	
40	90480-13018	GROMMET	2	2	2	2	

B3

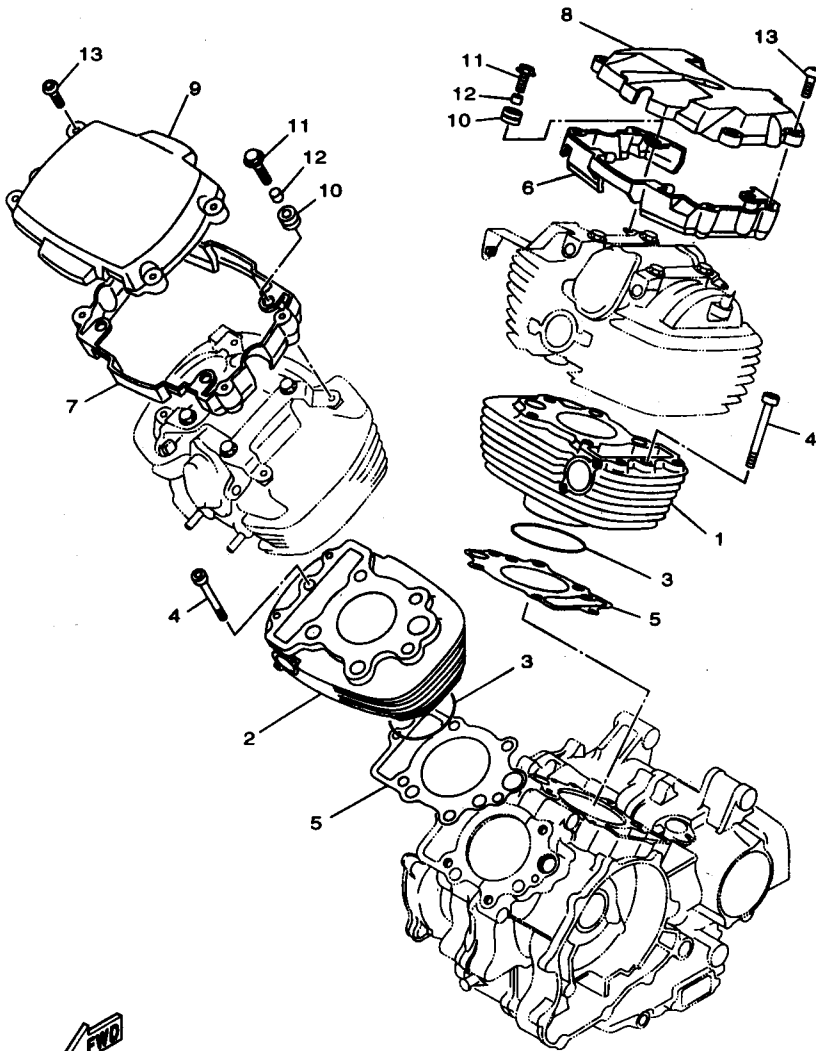


FIG. 2 CYLINDER

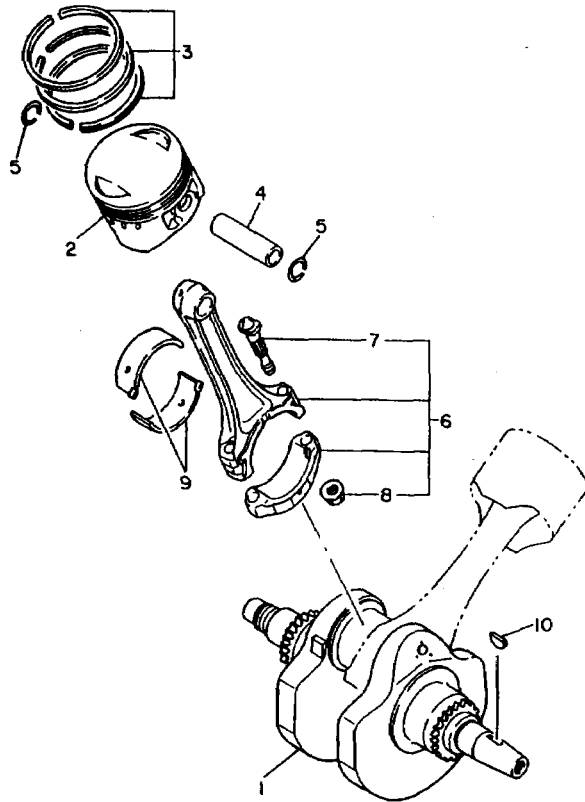
REF. NO.	PART NO.	DESCRIPTION					REMARKS
			4VR3	4VR4	4XR3	4XR4	
1	4VR-11310-00	CYLINDER	1		1		
	4VR-11310-11	CYLINDER		1		1	
2	4VR-11320-00	CYLINDER 2	1		1		
	4VR-11320-11	CYLINDER 2		1		1	
3	93210-84724	O-RING	2	2	2	2	
4	91317-06085	BOLT	2	2	2	2	
5	4VR-11351-00	GASKET, CYLINDER	2	2	2	2	
6	4VR-11191-00	COVER, CYLINDER HEAD 1	1	1	1	1	
7	4VR-11192-00	COVER, CYLINDER HEAD 2	1	1	1	1	
8	4VR-11190-00	COVER, CYLINDER HEAD 1	1	1	1	1	
9	4VR-1111N-00	COVER 2	1	1	1	1	
10	90480-13018	GROMMET	6	6	6	6	
11	90119-06118	BOLT, WITH WASHER	6	6	6	6	
12	90387-066M3	COLLAR	6	6	6	6	
13	90149-06302	SCREW	8	8	8	8	



4TR1010-6020

B4

FIG. 3 CRANKSHAFT, PISTON



REF. NO.	PART NO.	DESCRIPTION	4VR3	4VR4	4XR3	4XR4	REMARKS
1	4VR-11411-00	CRANKSHAFT	1	1	1	1	
2	4VR-11631-00-A0	PISTON (STD)	2	2	2	2	
	4VR-11636-00	PISTON (0.50MM O/S)	2	2	2	2	AP
	4VR-11638-00	PISTON (1.00MM O/S)	2	2	2	2	AP
3	4VR-11603-00	PISTON RING SET (STD)	2	2	2	2	
	4VR-11605-00	PISTON RING SET (0.50MM O/S)	2	2	2	2	AP
	4VR-11607-00	PISTON RING SET (1.00MM O/S)	2	2	2	2	AP
4	3LD-11633-00	PIN, PISTON	2	2	2	2	
5	93450-22027	CIRCLIP	4	4	4	4	
6	4VR-11650-00	CONNECTING ROD ASSY	2	2	2	2	
7	22U-11654-00	.BOLT, CONNECTING ROD	2	2	2	2	
8	90179-08327	.NUT	2	2	2	2	
9	3LD-11656-00	PLANE BEARING, CONNECTING ROD	4	4	4	4	UR BLUE
	3LD-11656-10	PLANE BEARING, CONNECTING ROD	4	4	4	4	UR BLACK
	3LD-11656-20	PLANE BEARING, CONNECTING ROD	4	4	4	4	UR BROWN
	3LD-11656-30	PLANE BEARING, CONNECTING ROD	4	4	4	4	UR GREEN
10	90280-05048	KEY, WOODRUFF	1	1	1	1	



2GV110-7030

B5

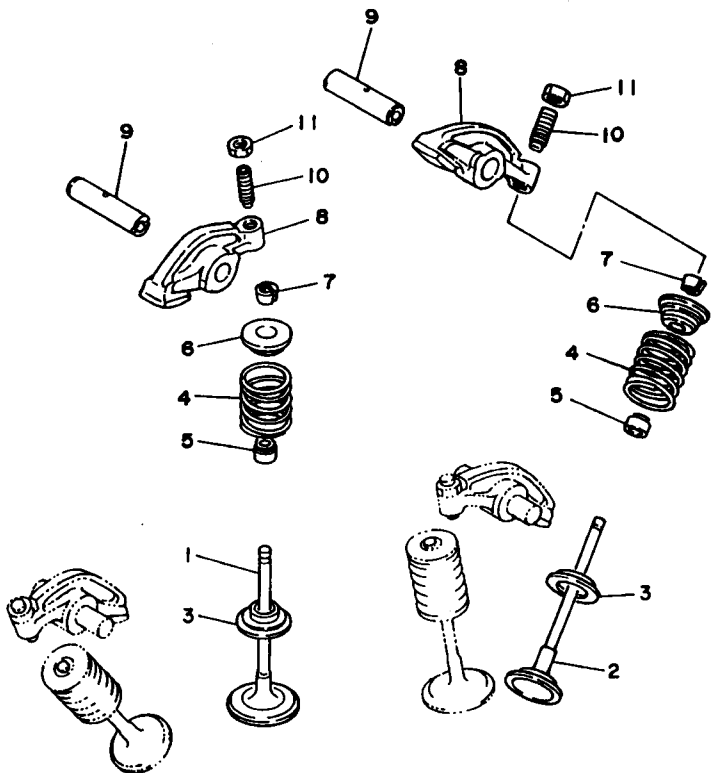


FIG. 4 VALVE

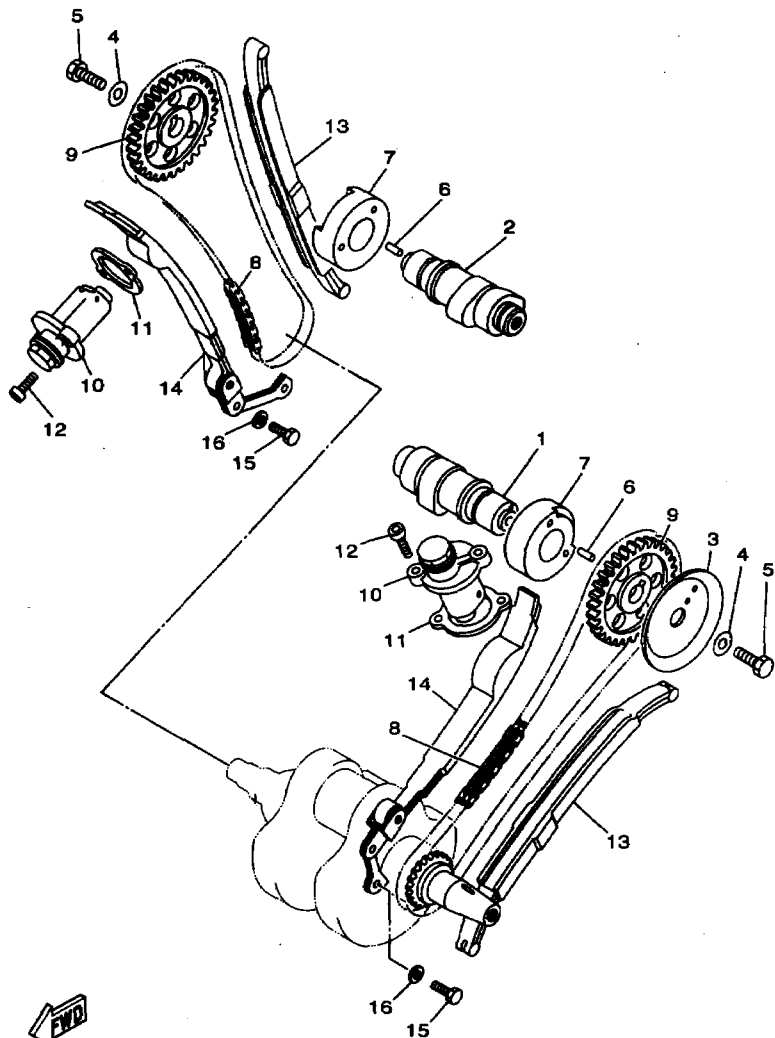
REF. NO.	PART NO.	DESCRIPTION	4VR3	4VR4	4XR3	4XR4	REMARKS
1	4VR-12111-00	VALVE, INTAKE	2	2	2	2	
2	4VR-12121-00	VALVE, EXHAUST	2	2	2	2	
3	3Y1-12118-00	SEAT, VALVE SPRING	4	4	4	4	
4	3Y1-12114-01	SPRING, VALVE OUTER	4	4	4	4	
5	1J7-12119-01	SEAL, VALVE STEM	4	4	4	4	
6	3Y1-12117-01	RETAINER, VALVE SPRING	4	4	4	4	
7	1J7-12118-00	COTTER, VALVE	8	8	8	8	
8	22U-12151-00	ARM, VALVE ROCKER	4	4	4	4	
9	22U-12156-01	SHAFT, ROCKER 2	4	4	4	4	
10	22U-12159-00	SCREW, VALVE ADJUSTING	4	4	4	4	
11	90170-06128	NUT	4	4	4	4	



4TR1010-6040

B6

FIG. 5 CAMSHAFT. CHAIN

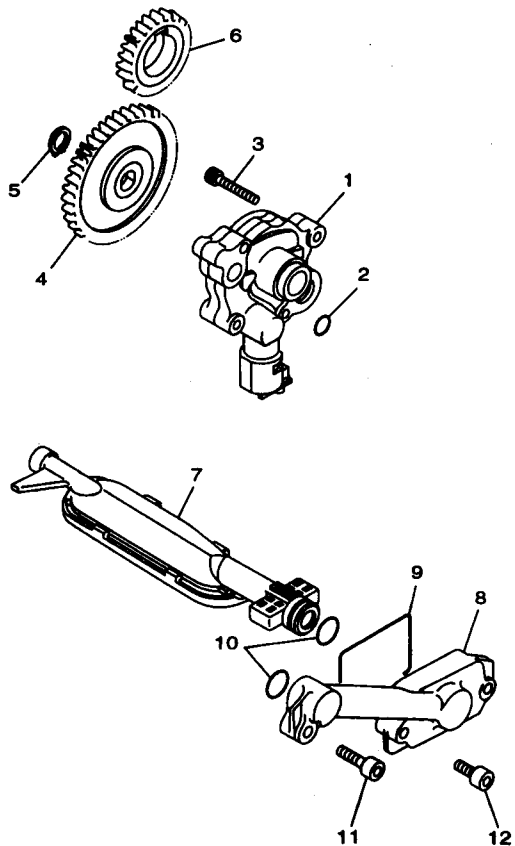


4VR1300-7050

REF. NO.	PART NO.	DESCRIPTION	4VR3	4VR4	4XR3	4XR4	REMARKS
1	4VR-12171-00	CAMSHAFT 1	1	1	1	1	
2	4VR-12181-00	CAMSHAFT 2	1	1	1	1	
3	22U-11145-00	PLATE, BREATHER 2	1	1	1	1	
4	90201-10591	WASHER, PLATE	2	2	2	2	
5	90101-10303	BOLT	2	2	2	2	
6	93605-10108	PIN, DOWEL	2	2	2	2	
7	90380-28131	BUSH, SOLID	2	2	2	2	
8	94591-41118	CHAIN	2	2	2	2	
9	22U-12178-01	SPROCKET, CAM CHAIN	2	2	2	2	
10	11H-12210-02	TENSIONER ASSY, CAM CHAIN	2	2	2	2	
11	3BT-12213-00	GASKET, TENSIONER CASE	2	2	2	2	
12	91314-08025	BOLT	4	4	4	4	
13	4VR-12231-00	GUIDE, STOPPER 1	2	2	2	2	
14	22U-12241-00	GUIDE, STOPPER 2	2	2	2	2	
15	97027-06018	BOLT	4	4	4	4	
16	92907-06600	WASHER, PLATE	4	4	4	4	

B7

FIG. 6 OIL PUMP

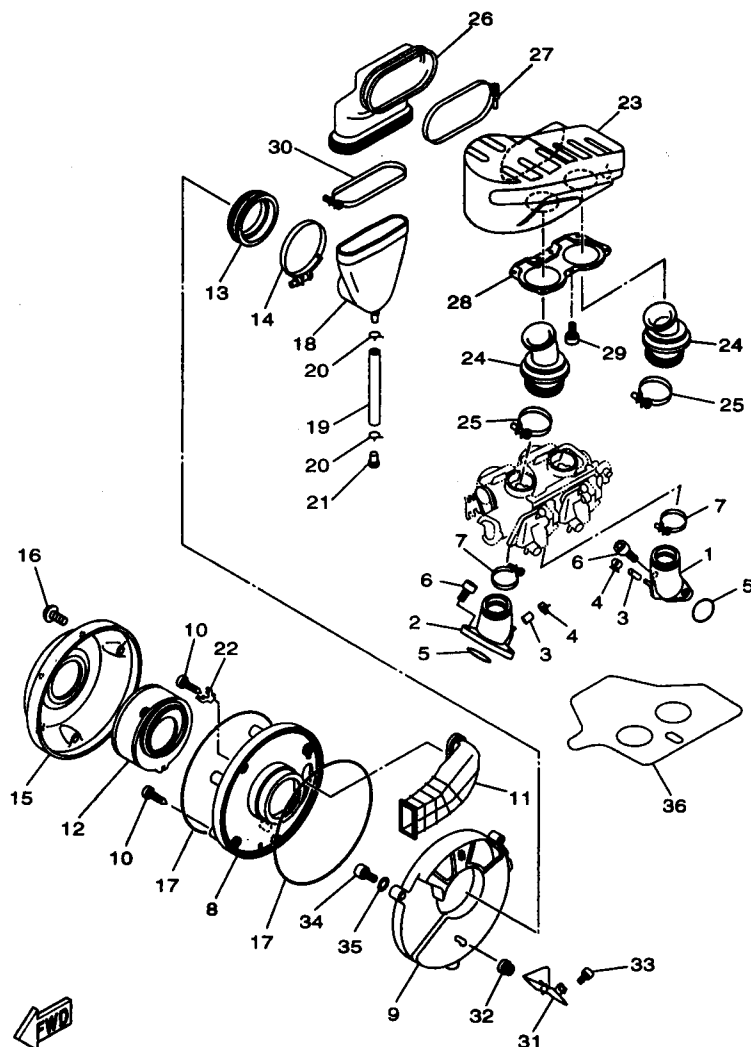


REF. NO.	PART NO.	DESCRIPTION	4VR3	4VR4	4XR3	4XR4	REMARKS
1	4VR-13300-00	OIL PUMP ASSY	1	1	1	1	
2	93210-10096	O-RING	1	1	1	1	
3	91317-08090	BOLT	3	3	3	3	
4	4VR-13325-00	GEAR, PUMP DRIVEN	1	1	1	1	
5	99009-11400	CIRCLIP	1	1	1	1	
6	22U-13324-00	GEAR, DRIVE (24T)	1	1	1	1	
7	4TR-13410-00	STRAINER HOUSING ASSY	1	1	1	1	
8	4VR-13417-00	COVER, STRAINER	1	1	1	1	
9	22U-13415-00	SEAL, OIL STRAINER	1	1	1	1	
10	93210-15151	O-RING	2	2	2	2	
11	91314-08025	BOLT	1	1	1	1	
12	91314-08020	BOLT	2	2	2	2	


4VR1300-7060

B8

FIG. 7 INTAKE

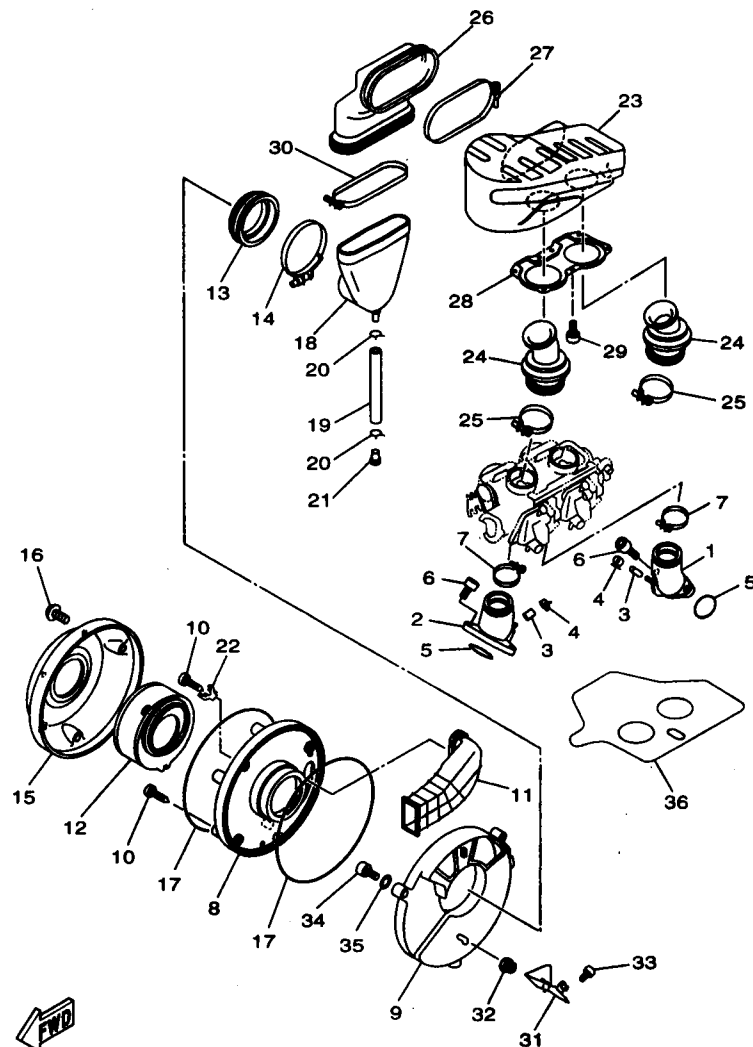


REF. NO.	PART NO.	DESCRIPTION					REMARKS
			4VR3	4VR4	4XR3	4XR4	
1	4TR-13588-01	JOINT, CARBURETOR 1	1	1	1	1	
2	4TR-13598-01	JOINT, CARBURETOR 2	1	1	1	1	
3	16G-13569-00	PLUG, BLIND	2	2	2	2	
4	90467-10039	CLIP	2	2	2	2	
5	93210-36769	O-RING	2	2	2	2	
6	91317-08020	BOLT	4	4	4	4	
7	4TR-13474-00	BAND	2	2	2	2	
8	4TR-14411-00	CASE, AIR CLEANER 1	1	1	1	1	
9	4TR-14417-00	COVER 1	1	1	1	1	
10	97707-50125	SCREW, TAPPING	4	4	4	4	
11	4TR-14437-00	DUCT	1	1	1	1	
12	4TR-14451-00	ELEMENT, AIR CLEANER	1	1	1	1	
13	4TR-14463-00	JOINT, AIR CLEANER 2	1	1	1	1	
14	4TR-14456-00	BAND	1	1	1	1	
15	4TR-14421-00	CASE, AIR CLEANER 2	1	1	1	1	
16	92014-05016	BOLT, BUTTON HEAD	3	3	3	3	
17	4TR-14452-00	SEAL	2	2	2	2	
18	4TR-1440G-00	JOINT, AIR FILTER 2	1	1	1	1	
19	90445-11587	HOSE	1	1	1	1	
20	90467-11106	CLIP	2	2	2	2	
21	90338-08174	PLUG	1	1	1	1	
22	4TR-14413-00	STAY	1	1	1	1	
23	4VR-14431-00	SILENCER, INTAKE 1	1	1	1	1	
24	4TR-14453-00	JOINT, AIR CLEANER 1	2	2	2	2	
25	90460-53200	CLAMP, HOSE	2	2	2	2	
26	4TR-1440F-00	JOINT, AIR FILTER 1	1	1	1	1	
27	4TR-13575-00	BAND	1	1	1	1	


4VR1300-7070

B9

FIG. 7 INTAKE

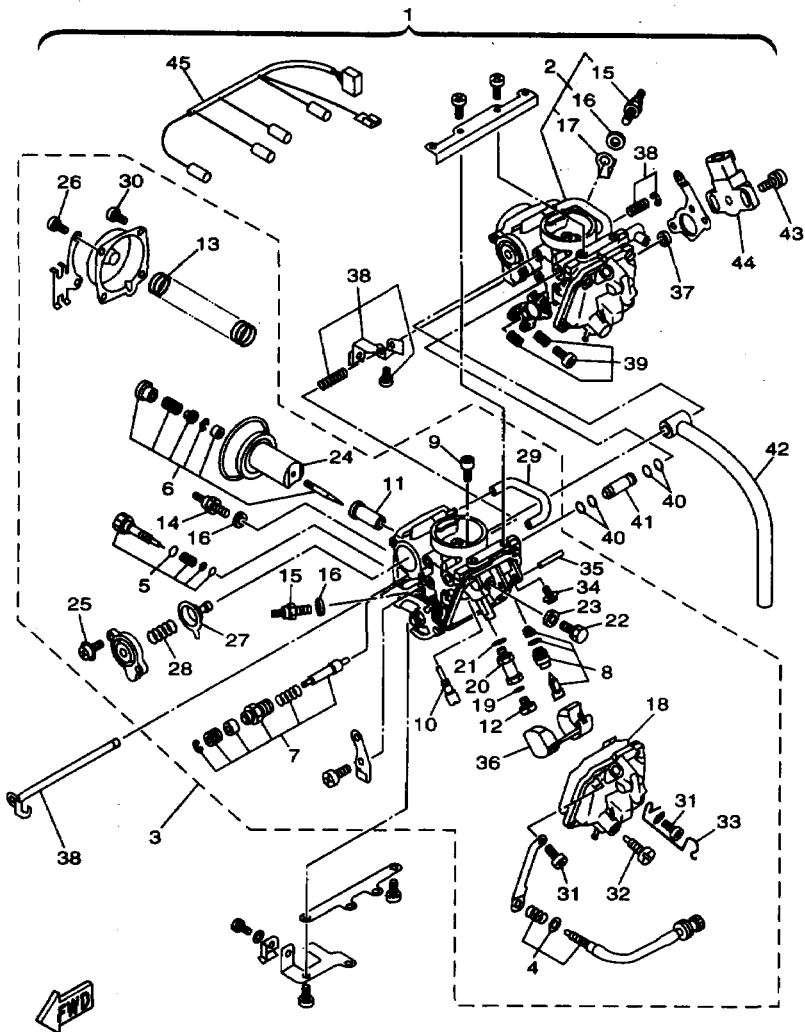



4VR1300-7070

REF. NO.	PART NO.	DESCRIPTION					REMARKS
			4VR3	4VR4	4XR3	4XR4	
28	4VR-13594-00	COVER, MANIFOLD 2	1	1	1	1	
29	97707-40106	SCREW, TAPPING	7	7	7	7	
30	4TR-14455-00	BAND	1	1	1	1	
31	4TR-14499-00	STAY 2	1	1	1	1	
32	90480-13398	GROMMET	1	1	1	1	
33	91317-06016	BOLT	2	2	2	2	
34	91317-06020	BOLT	2	2	2	2	
35	92907-06600	WASHER, PLATE	2	2	2	2	
36	4TR-12682-00	PROTECTOR, HEAT	1	1	1	1	

B10

FIG. 8 CARBURETOR

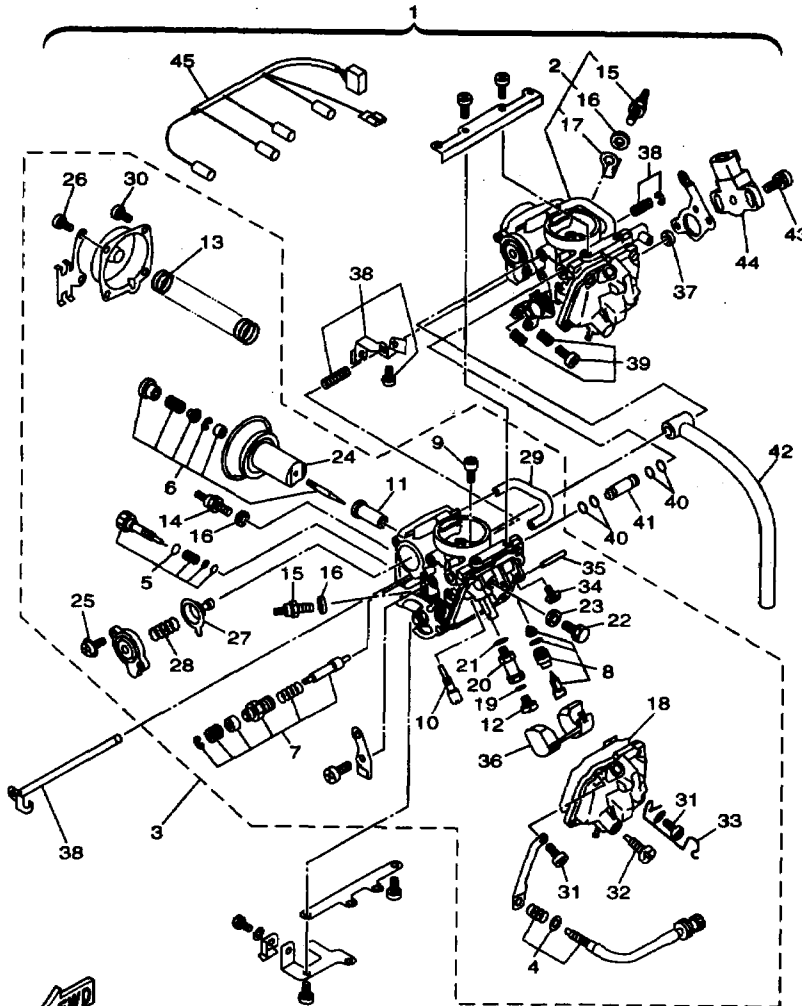


4VR3300-8080

REF. NO.	PART NO.	DESCRIPTION					REMARKS
			4VR3	4VR4	4XR3	4XR4	
1	4VR-14900-00	CARBURETOR ASSY	1	1			
	4XR-14900-00	CARBURETOR ASSY			1	1	
2	4VR-14901-00	..CARBURETOR ASSY 1	1	1			
	4XR-14901-00	..CARBURETOR ASSY 1			1	1	
3	4VR-14902-00	..CARBURETOR ASSY 2	1	1			
	4XR-14902-00	..CARBURETOR ASSY 2			1	1	
4	4TR-14103-00	..THROTTLE SCREW SET	1	1	1	1	(#2)
5	4TR-14105-00	..PILOT SCREW SET	1	1	1	1	
6	4VR-1490J-00	..NEEDLE SET	1	1			
	4XR-1490J-00	..NEEDLE SET			1	1	
7	4DN-1410A-01	..STARTER SET	1	1	1	1	
8	3CF-14107-10	..NEEDLE VALVE SET	1	1	1	1	
9	1HX-14231-14	..JET,PILOT AIR (#70)			1	1	
	1HX-14231-20	..JET,PILOT AIR(#100)	1	1			
10	4KM-14142-20	..JET, PILOT (# 20)	1	1	1	1	
11	3DM-14141-36	..NOZZLE, MAIN	1	1	1	1	
12	3G2-14231-18	..JET, MAIN (# 90)	1	1	1	1	
13	4VR-14933-00	..SPRING, DIAPHRAGM	1	1	1	1	
14	4TR-83790-00	..HEATER ASSY (15W)	1	1	1	1	
15	3BT-83790-00	..HEATER ASSY (30W)	1	1	1	1	
16	90201-085R5	..WASHER, PLATE	2	2	2	2	
17	4DH-82103-00	..TERMINAL 1	1	1	1	1	(#1)
18	1HX-14147-00	..O-RING	1	1	1	1	
19	1AE-14227-00	..O-RING	1	1	1	1	
20	1AE-14261-00	..HOLDER	1	1	1	1	
21	1AE-14237-00	..GASKET	1	1	1	1	
22	1HX-14565-00	..SCREW	1	1	1	1	

B11

FIG. 8 CARBURETOR

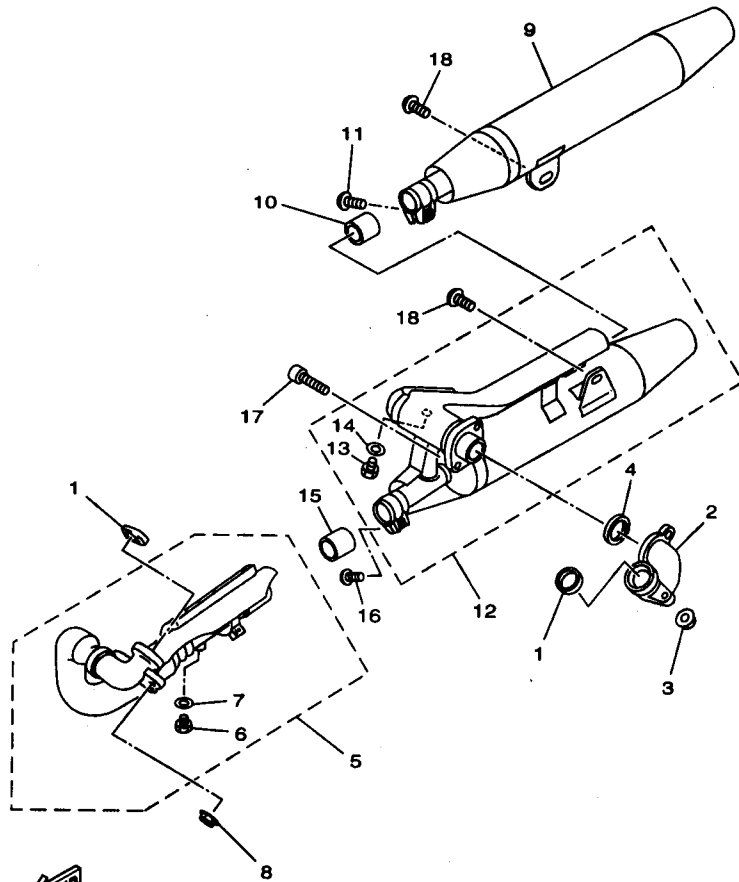


4VR3300-8080

REF. NO.	PART NO.	DESCRIPTION	4VR3	4VR4	4XR3	4XR4	REMARKS
23	137-14153-00	..WASHER, MAIN JET	1	1	1	1	
24	4TR-14940-00	..DIAPHRAGM ASSY	1	1			
	4XR-14940-00	..DIAPHRAGM ASSY			1	1	
25	1UY-14565-00	..SCREW	2	2	2	2	
26	3KW-14486-00	..SCREW, ROD	2	2	2	2	(#2)
27	22V-14940-00	..DIAPHRAGM ASSY	1	1	1	1	
28	26H-14275-00	..SPRING	1	1	1	1	
29	4TR-14348-00	..PIPE 1	1	1	1	1	
30	98507-04008	..SCREW, PAN HEAD	2	2	2	2	UR (#2)
	98507-04008	..SCREW, PAN HEAD	4	4	4	4	UR (#1)
31	98507-04014	..SCREW, PAN HEAD	4	4	4	4	
32	12R-14191-00	..PLUG, DRAIN	1	1	1	1	
33	4TR-14937-00	..CLIP	1	1	1	1	(#2)
34	1FN-14565-00	..SCREW	1	1	1	1	
35	353-14186-00	..PIN, FLOAT	1	1	1	1	
36	1HX-14985-00	..FLOAT	1	1	1	1	
37	4HM-14239-00	..SEAL	1	1	1	1	
38	4TR-1490L-00	..STARTER LEVER SET, 1	1	1	1	1	
39	3KW-1490K-00	..STOP SCREW SET	1	1	1	1	
40	36Y-14147-00	..O-RING	4	4	4	4	
41	1WG-14251-00	..NIPPLE	1	1	1	1	
42	4TR-14987-00	..HOSE	1	1	1	1	
43	4KM-24453-00	..SCREW	2	2	2	2	
44	4NK-85885-00	..THROTTLE POSITION SENSOR ASSY	1	1	1	1	
45	4TR-81517-00	..WIRE, SUB LEAD	1	1	1	1	

B12

FIG. 9 EXHAUST

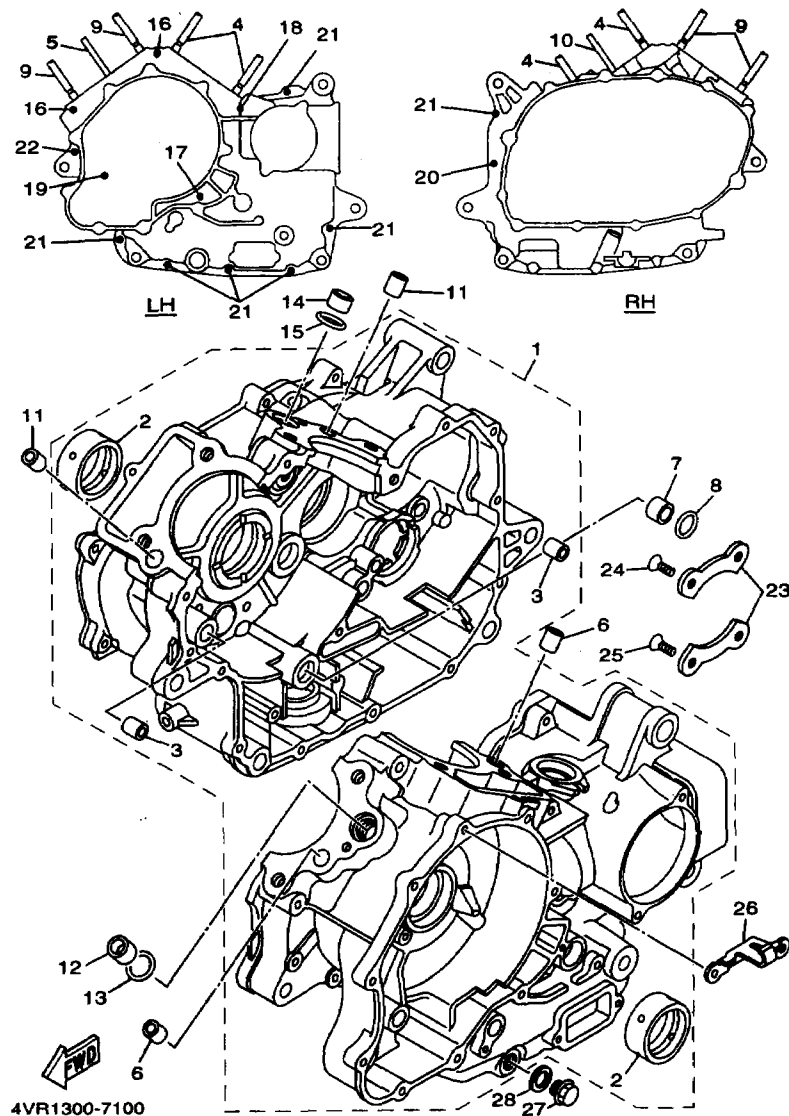


REF. NO.	PART NO.	DESCRIPTION	4VR3	4VR4	4XR3	4XR4	REMARKS
1	4TR-14613-00	GASKET, EXHAUST PIPE	2	2	2	2	
2	4TR-14615-00	JOINT, EXHAUST 1	1	1	1	1	
3	90185-08097	NUT, SELF-LOCKING	2	2	2	2	
4	4BR-14613-00	GASKET, EXHAUST PIPE	1	1	1	1	
5	4VR-14620-00	EXHAUST PIPE ASSY 2	1	1	1	1	
6	90101-06578	.BOLT	1	1	1	1	
7	92990-06600	.WASHER, PLATE	1	1	1	1	
8	90185-08097	NUT, SELF-LOCKING	2	2	2	2	
9	4VR-14703-01	MUFFLER COMP. 1	1	1	1	1	
10	4BH-14714-00	GASKET, MUFFLER	1	1	1	1	
11	92017-08025	BOLT, BUTTON HEAD	1	1	1	1	
12	4VR-14704-01	MUFFLER COMP. 2	1	1	1	1	
13	90101-06578	.BOLT	1	1	1	1	
14	92990-06600	.WASHER, PLATE	1	1	1	1	
15	4BH-14714-00	GASKET, MUFFLER	1	1	1	1	
16	92017-08025	BOLT, BUTTON HEAD	1	1	1	1	
17	91314-08035	BOLT	2	2	2	2	
18	92017-10020	BOLT, BUTTON HEAD	2	2	2	2	

4VR1300-7090

B13

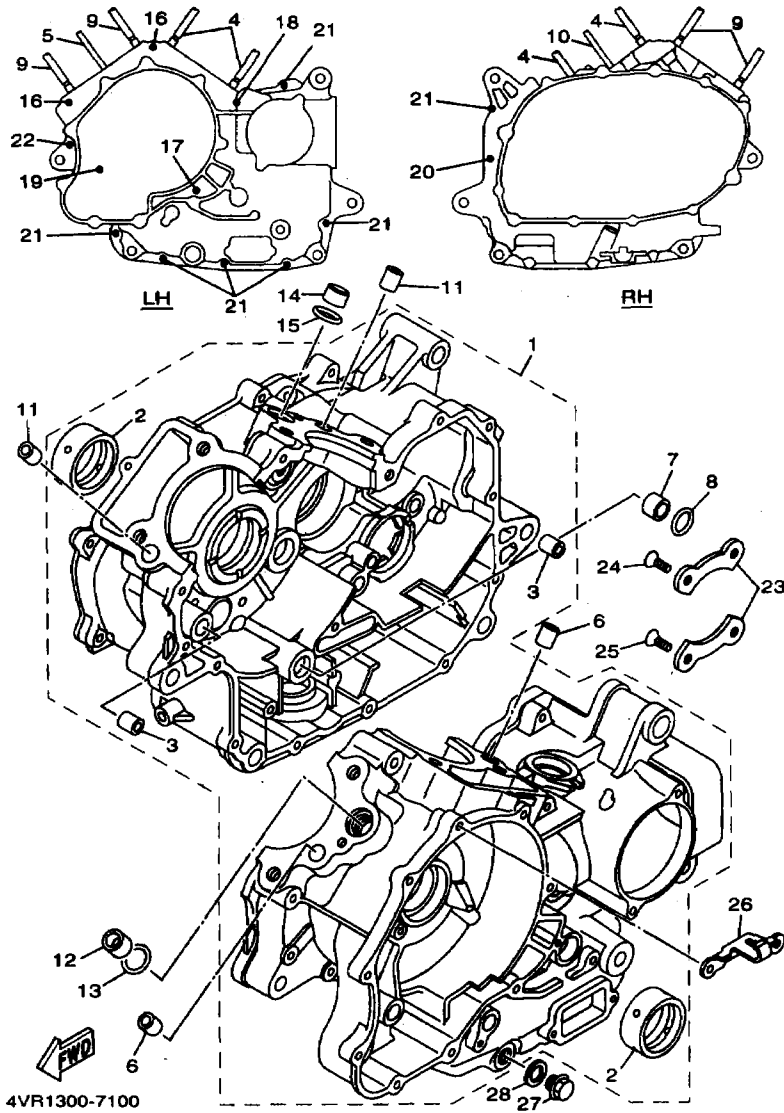
FIG. 10 CRANKCASE



REF. NO.	PART NO.	DESCRIPTION	4VR3	4VR4	4XR3	4XR4	REMARKS
1	4TR-15100-01	CRANKCASE ASSY	1	1			
	4TR-15100-11	CRANKCASE ASSY		1	1		
2	22U-11416-80	.PLANE BEARING, CRANKSHAFT 1	2	2	2	2	UR BLUE
	22U-11416-90	.PLANE BEARING, CRANKSHAFT 1	2	2	2	2	UR GREEN
3	91815-16017	.PIN, DOWEL	2	2	2	2	
4	90116-10811	BOLT, STUD	4	4	4	4	
5	90116-08404	BOLT, STUD	1	1	1	1	
6	99530-14016	PIN, DOWEL	2	2	2	2	
7	90387-16547	COLLAR	1	1	1	1	
8	93210-18322	O-RING	1	1	1	1	
9	90116-10405	BOLT, STUD	4	4	4	4	
10	90116-08404	BOLT, STUD	1	1	1	1	
11	99530-14016	PIN, DOWEL	2	2	2	2	
12	90387-16547	COLLAR	1	1	1	1	
13	93210-18322	O-RING	1	1	1	1	
14	90387-16547	COLLAR	1	1	1	1	
15	93210-18322	O-RING	1	1	1	1	
16	91314-08060	BOLT	2	2	2	2	
17	91317-08080	BOLT	1	1	1	1	
18	91314-08100	BOLT	1	1	1	1	
19	91317-06095	BOLT	1	1	1	1	
20	91380-08045	BOLT	1	1	1	1	
21	91317-08045	BOLT	7	7	7	7	
22	91314-08055	BOLT	1	1	1	1	
23	11H-15383-01	PLATE, BEARING COVER	2	2	2	2	
24	90151-08022	SCREW, COUNTERSUNK	1	1	1	1	
25	90149-08152	SCREW	3	3	3	3	

B14

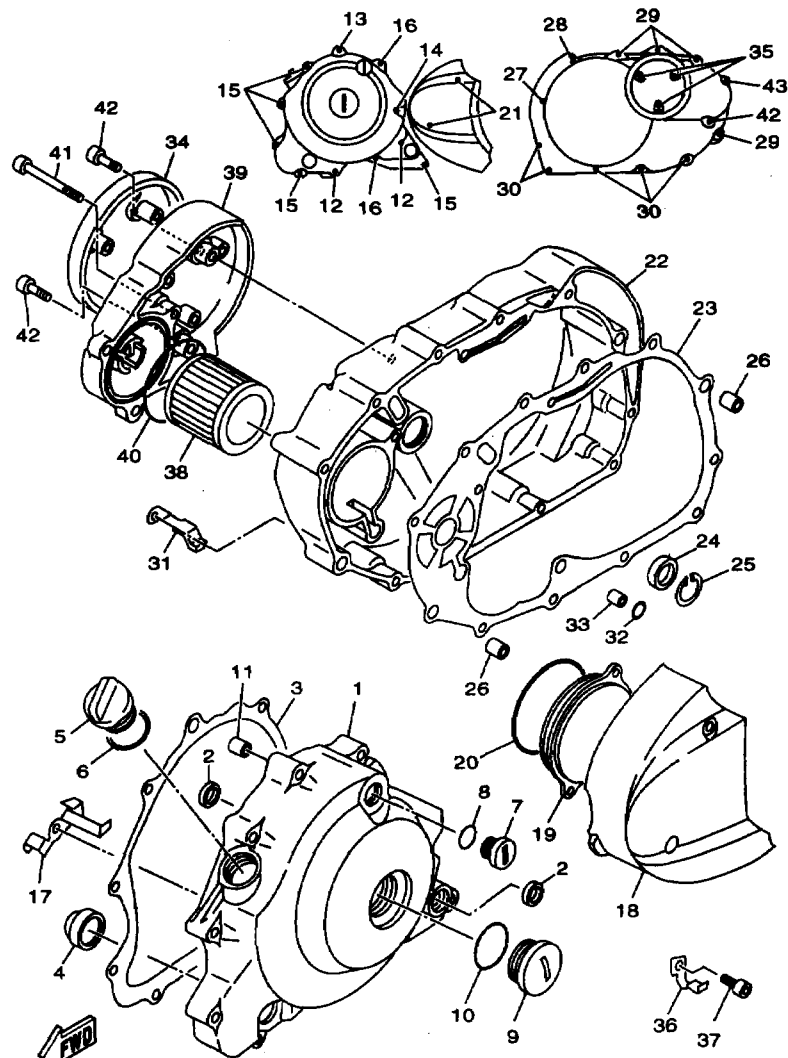
FIG. 10 CRANKCASE



REF. NO.	PART NO.	DESCRIPTION	4VR3	4VR4	4XR3	4XR4	REMARKS
26	22U-15441-01	HOLDER, CLUTCH CABLE	1	1	1	1	
27	90340-14132	PLUG, STRAIGHT SCREW	1	1	1	1	
28	214-11198-01	GASKET	1	1	1	1	

B15

FIG. 11 CRANKCASE COVER 1

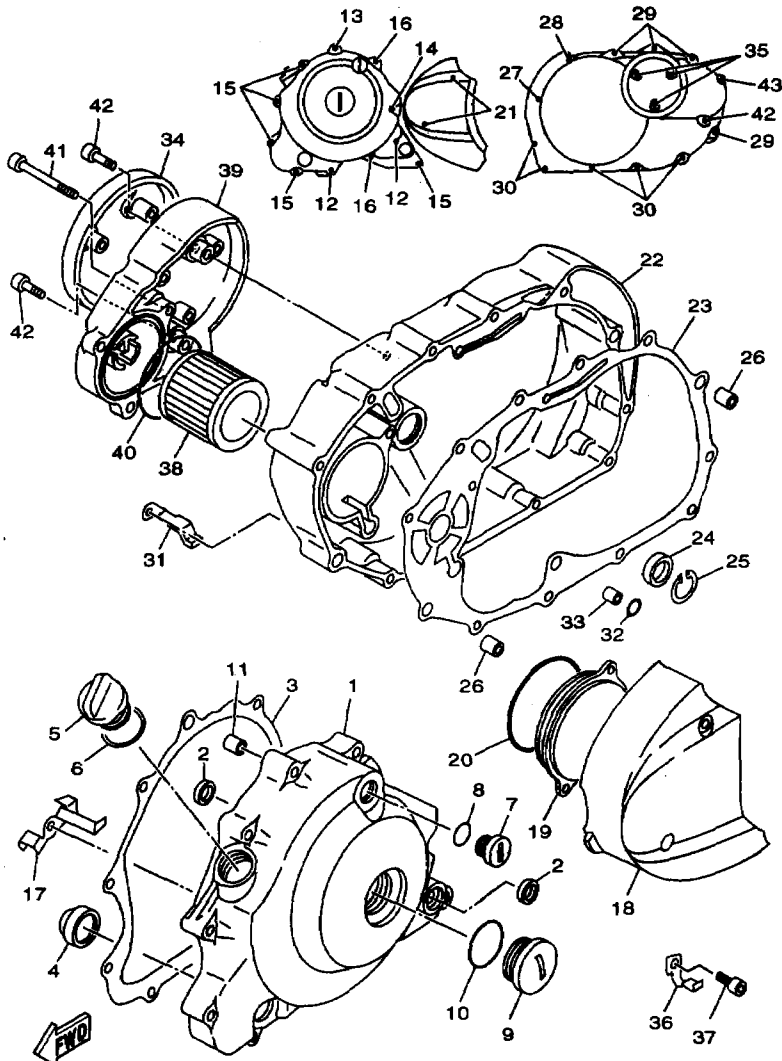


4TR1010-6110

REF. NO.	PART NO.	DESCRIPTION					REMARKS
			4VR3	4VR4	4XR3	4XR4	
1	4TR-15411-00	COVER, CRANKCASE 1	1	1	1	1	
2	93108-12053	OIL SEAL (SDO 12/18/4-1)	2	2	2	2	
3	4VR-15451-00	GASKET, CRANKCASE COVER 1	1	1	1	1	
4	2H7-15361-00	GAUGE, LEVEL	1	1	1	1	
5	3F9-15362-00	PLUG, OIL LEVEL	1	1	1	1	
6	93210-27370	O-RING	1	1	1	1	
7	90340-14139	PLUG, STRAIGHT SCREW	1	1	1	1	
8	93210-14369	O-RING	1	1	1	1	
9	90340-32140	PLUG, STRAIGHT SCREW	1	1	1	1	
10	93210-32172	O-RING	1	1	1	1	
11	99530-10114	PIN, DOWEL	2	2	2	2	
12	91314-08040	BOLT	2	2	2	2	
13	91314-08045	BOLT	1	1	1	1	
14	91314-08055	BOLT	1	1	1	1	
15	91314-08030	BOLT	5	5	5	5	
16	91314-08035	BOLT	2	2	2	2	
17	3BT-15484-00	CLAMP 2	1	1	1	1	
18	4TR-15415-00	COVER, GENERATOR	1	1	1	1	
19	4TR-15424-00	COVER 2	1	1	1	1	
20	93210-74318	O-RING	1	1	1	1	
21	91314-08025	BOLT	2	2	2	2	
22	4TR-15421-00	COVER, CRANKCASE 2	1	1	1	1	
23	4VR-15461-00	GASKET, CRANKCASE COVER 2	1	1	1	1	
24	93101-14089	OIL SEAL	1	1	1	1	
25	99009-25500	CIRCLIP	1	1	1	1	
26	99530-10120	PIN, DOWEL	2	2	2	2	
27	91314-08065	BOLT	1	1	1	1	

C2

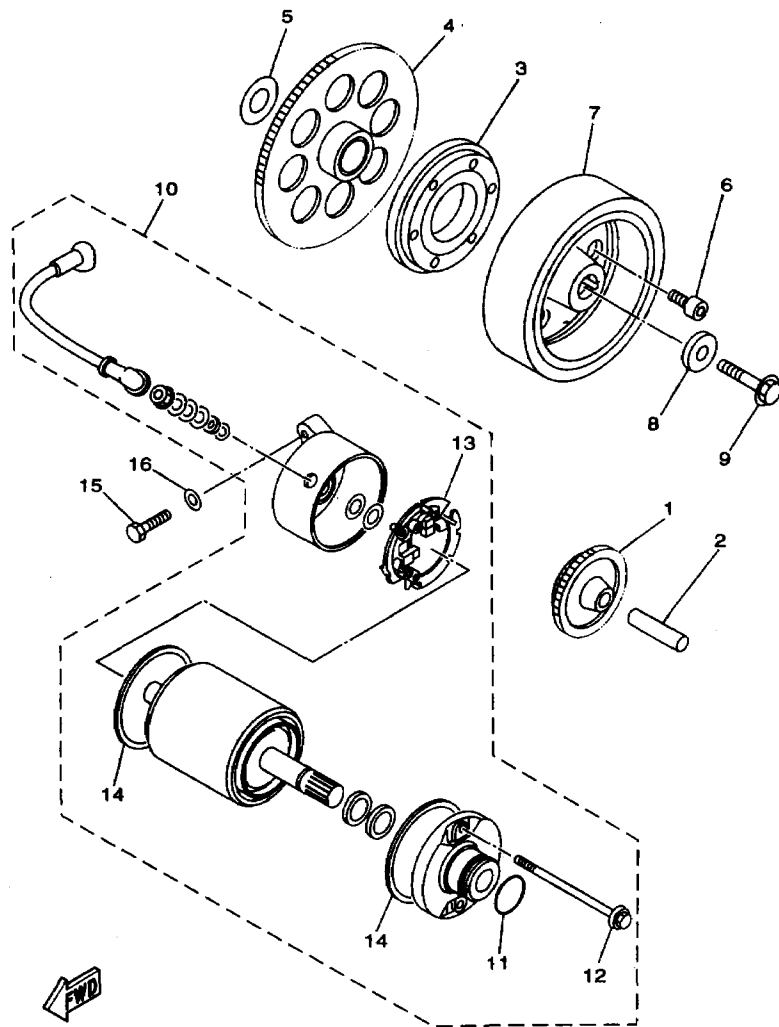
FIG. 11 CRANKCASE COVER 1



4TR1010-6110

C3

REF. NO.	PART NO.	DESCRIPTION					REMARKS
			4VR3	4VR4	4XR3	4XR4	
28	91314-06065	BOLT	1	1	1	1	
29	91314-06045	BOLT	4	4	4	4	
30	91314-06030	BOLT	5	5	5	5	
31	90462-10115	CLAMP	4	4	4	4	
32	93210-15566	O-RING	1	1	1	1	
33	91815-16017	PIN, DOWEL	1	1	1	1	
34	4VR-15423-00	COVER 2	1	1	1	1	
35	92014-06035	BOLT, BUTTON HEAD	3	3	3	3	
36	90462-06070	CLAMP	1	1	1	1	
37	91317-06012	BOLT	1	1	1	1	
38	4X7-13440-01	ELEMENT ASSY, OIL CLEANER	1	1	1	1	
39	4TR-13447-00	COVER, OIL ELEMENT	1	1	1	1	
40	93210-64297	O-RING	1	1	1	1	
41	91317-06065	BOLT	1	1	1	1	
42	91314-06025	BOLT	3	3	3	3	
43	91314-06070	BOLT	1	1	1	1	



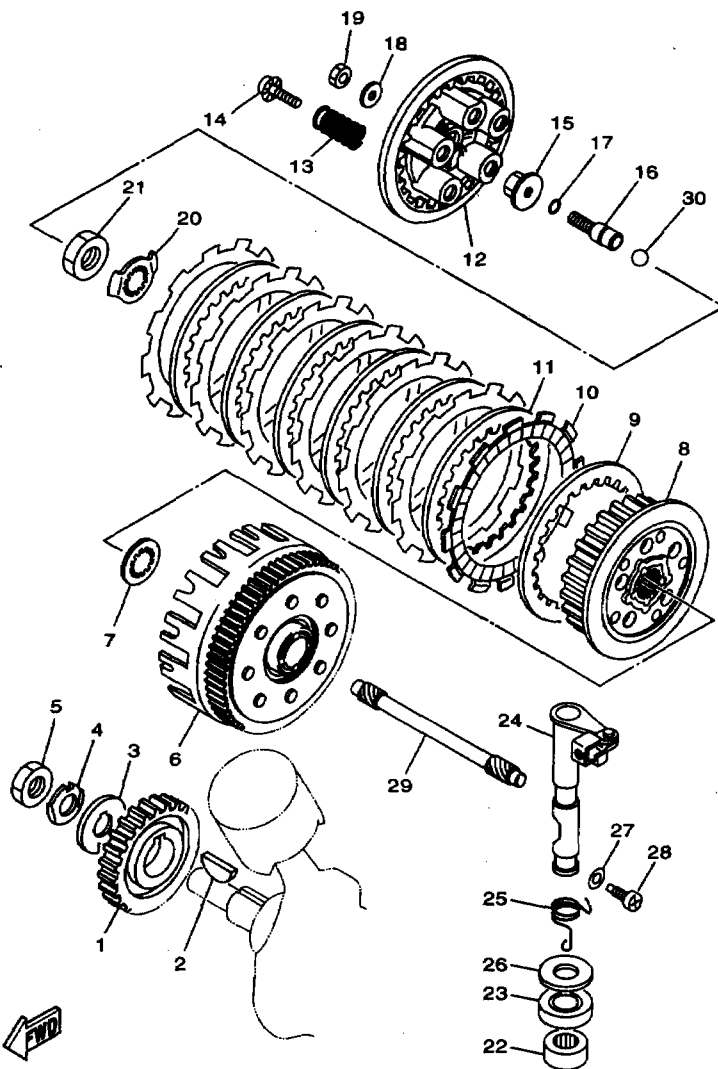
4TR1010-6120

FIG. 12 STARTER CLUTCH

REF. NO.	PART NO.	DESCRIPTION	4VR3	4VR4	4VR3	4VR4	REMARKS
1	22U-15512-00	GEAR, IDLER 1 (12T-50T)	1	1	1	1	
2	5H0-15521-00	SHAFT 1	1	1	1	1	
3	4TR-15590-00	STARTER ONE-WAY ASSY	1	1	1	1	
4	4VR-15517-00	GEAR, IDLER 2	1	1	1	1	
5	90201-25290	WASHER, PLATE	1	1	1	1	
6	90110-08212	BOLT, HEXAGON SOCKET HEAD	6	6	6	6	
7	4VR-81450-00	ROTOR ASSY	1	1	1	1	
8	90201-107E9	WASHER, PLATE	1	1	1	1	
9	90105-10152	BOLT, WASHER BASED	1	1	1	1	
10	4VR-81800-00	STARTING MOTOR ASSY	1	1	1	1	
11	1FK-81847-00	.O-RING	1	1	1	1	
12	3HE-81826-00	.BOLT	2	2	2	2	
13	3KS-81840-00	.BRUSH HOLDER ASSY	1	1	1	1	
14	11H-81844-00	.GASKET	2	2	2	2	
15	97070-06025	BOLT	2	2	2	2	
16	92990-06800	WASHER, PLATE	2	2	2	2	

C4

FIG. 13 CLUTCH

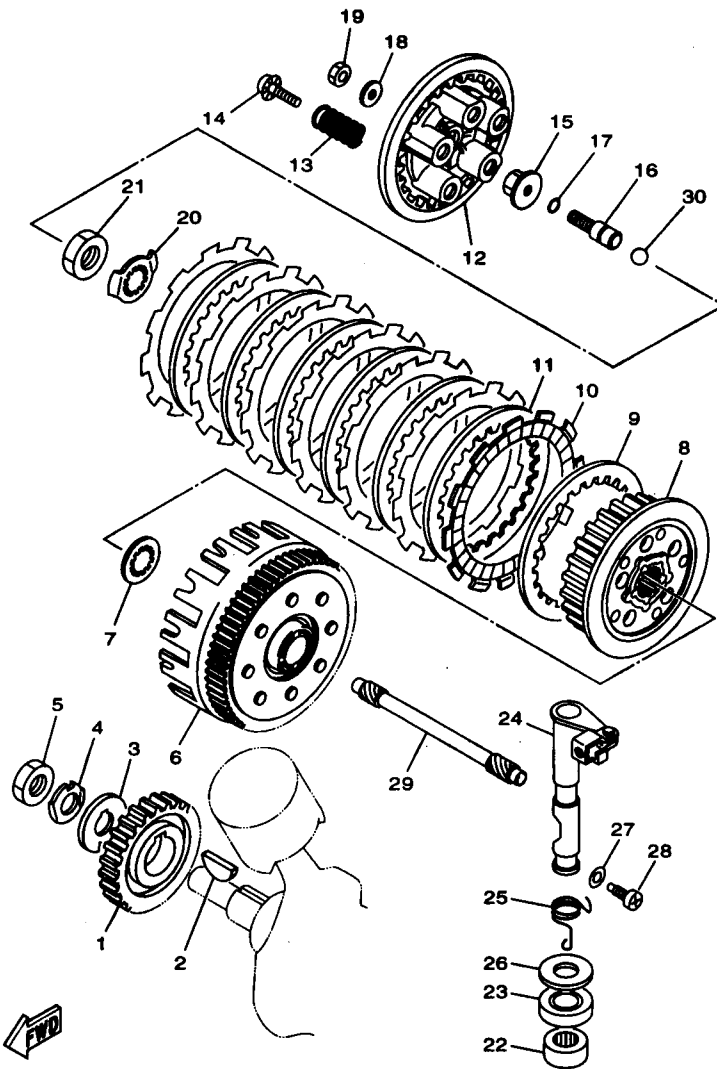


4VR1300-7130

REF. NO.	PART NO.	DESCRIPTION	4VR3	4VR4	4XR3	4XR4	REMARKS
1	4VR-16111-00	GEAR, PRIMARY DRIVE	1	1	1	1	
2	90280-07036	KEY, WOODRUFF	1	1	1	1	
3	90214-16026	WASHER, CLAW	1	1	1	1	
4	90215-16157	WASHER, LOCK	1	1	1	1	
5	90170-16256	NUT	1	1	1	1	
6	4VR-16150-00	PRIMARY DRIVEN GEAR COMP.	1	1	1	1	
7	22U-16154-00	PLATE, THRUST 1	1	1	1	1	
8	4VR-16371-00	BOSS, CLUTCH	1	1	1	1	
9	4X7-16324-00	PLATE, CLUTCH 1	1	1	1	1	
10	22U-16321-00	PLATE, FRICTION	7	7	7	7	
11	4X7-16325-00	PLATE, CLUTCH 2	6	6	6	6	
12	22U-16351-00	PLATE, PRESSURE 1	1	1	1	1	
13	90501-23738	SPRING, COMPRESSION	5	5	5	5	
14	90159-06016	SCREW, WITH WASHER	5	5	5	5	
15	1W1-16358-01	PLATE, PUSH	1	1	1	1	
16	4VR-16356-00	ROD, PUSH 1	1	1	1	1	
17	93210-09525	O-RING	1	1	1	1	
18	92907-06200	WASHER	1	1	1	1	
19	95307-06800	NUT	1	1	1	1	
20	90215-22210	WASHER, LOCK	1	1	1	1	
21	90170-20310	NUT	1	1	1	1	
22	93315-21813	BEARING	1	1	1	1	
23	93102-18278	OIL SEAL	1	1	1	1	
24	22U-16380-00	PUSH LEVER ASSY	1	1	1	1	
25	90508-16577	SPRING, TORSION	1	1	1	1	
26	90201-18262	WASHER, PLATE	1	1	1	1	
27	90430-08119	GASKET	1	1	1	1	

C5

FIG. 13 CLUTCH

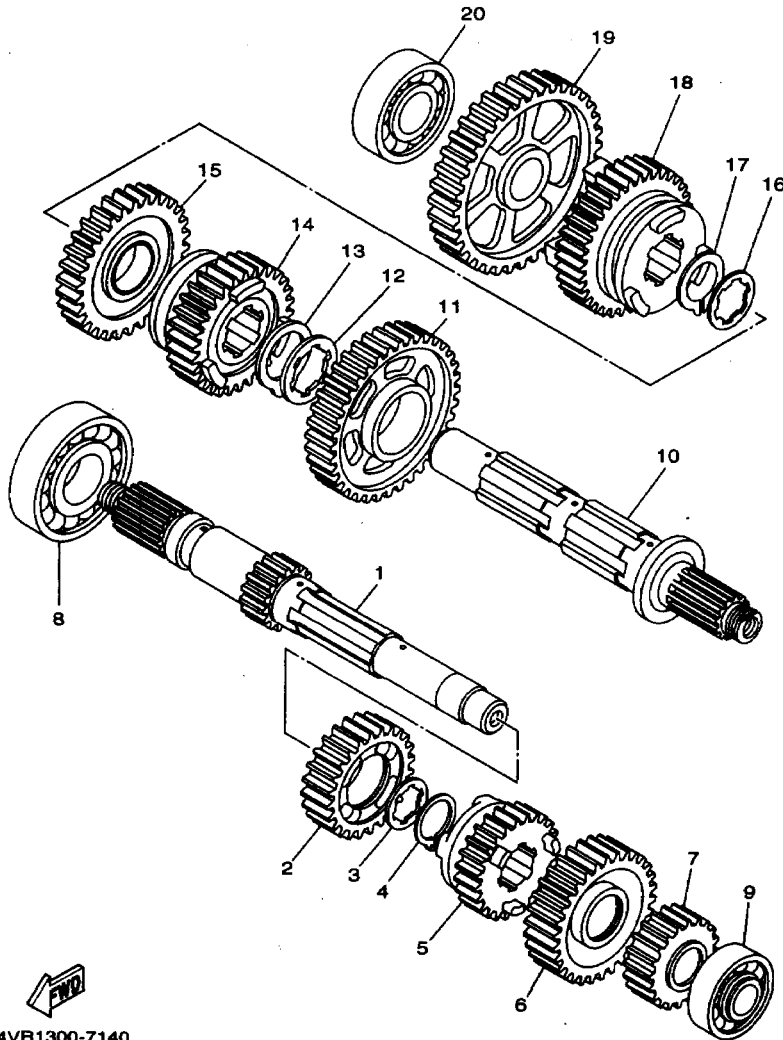


4VR1300-7130

REF. NO.	PART NO.	DESCRIPTION	4VR3	4VR4	4XR3	4XR4	REMARKS
28	90149-08067	SCREW	1	1	1	1	
29	22U-16357-00	ROD, PUSH 2	1	1	1	1	
30	93515-32029	BALL	1	1	1	1	

C6

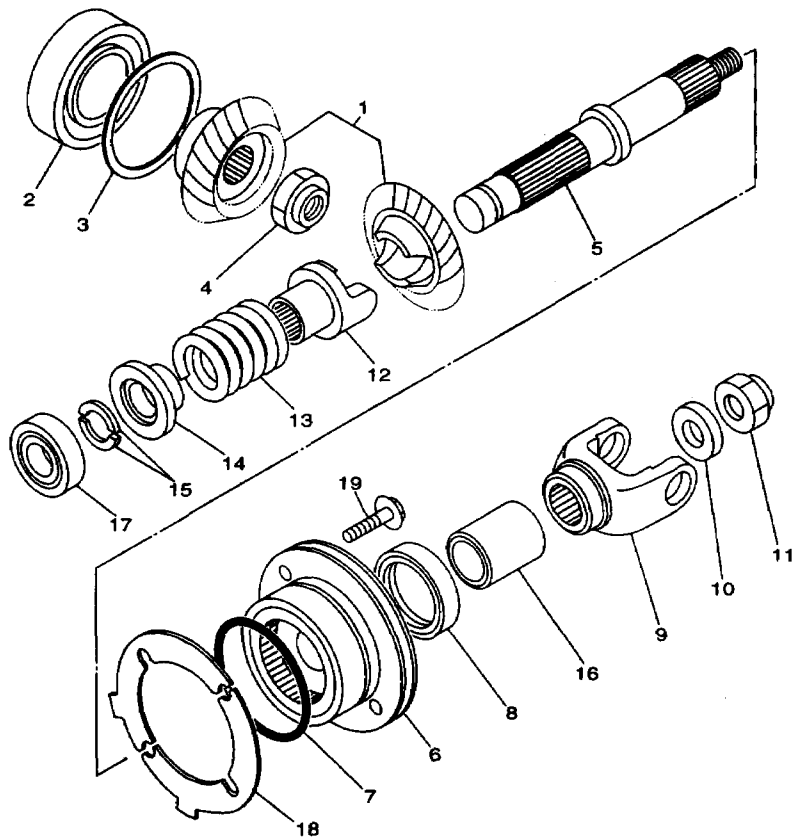
FIG. 14 TRANSMISSION



REF. NO.	PART NO.	DESCRIPTION	4VR3	4VR4	4VR3	4VR4	REMARKS
1	4VR-17411-00	AXLE, MAIN	1	1	1	1	
2	3JB-17141-00	GEAR, 4TH PINION (24T)	1	1	1	1	
3	90209-22191	WASHER	1	1	1	1	
4	93440-25084	CIRCLIP	1	1	1	1	
5	4VR-17131-00	GEAR, 3RD PINION	1	1	1	1	
6	4VR-17151-00	GEAR, 5TH PINION	1	1	1	1	
7	4KU-17121-00	GEAR, 2ND PINION (20T)	1	1	1	1	
8	93306-30525	BEARING (B6305)	1	1	1	1	
9	93306-00401	BEARING (B8004)	1	1	1	1	
10	22U-17402-00	DRIVE AXLE ASSY	1	1	1	1	
11	4KU-17221-00	GEAR, 2ND WHEEL (38T)	1	1	1	1	
12	90209-27192	WASHER	1	1	1	1	
13	93440-30077	CIRCLIP	1	1	1	1	
14	4VR-17251-00	GEAR, 5TH WHEEL	1	1	1	1	
15	4VR-17231-00	GEAR, 3RD WHEEL	1	1	1	1	
16	90209-22191	WASHER	1	1	1	1	
17	93440-25084	CIRCLIP	1	1	1	1	
18	4TR-17241-00	GEAR, 4TH WHEEL	1	1	1	1	
19	22U-17211-00	GEAR, 1ST WHEEL (38T)	1	1	1	1	
20	93306-00428	BEARING	1	1	1	1	

4VR1300-7140

C7



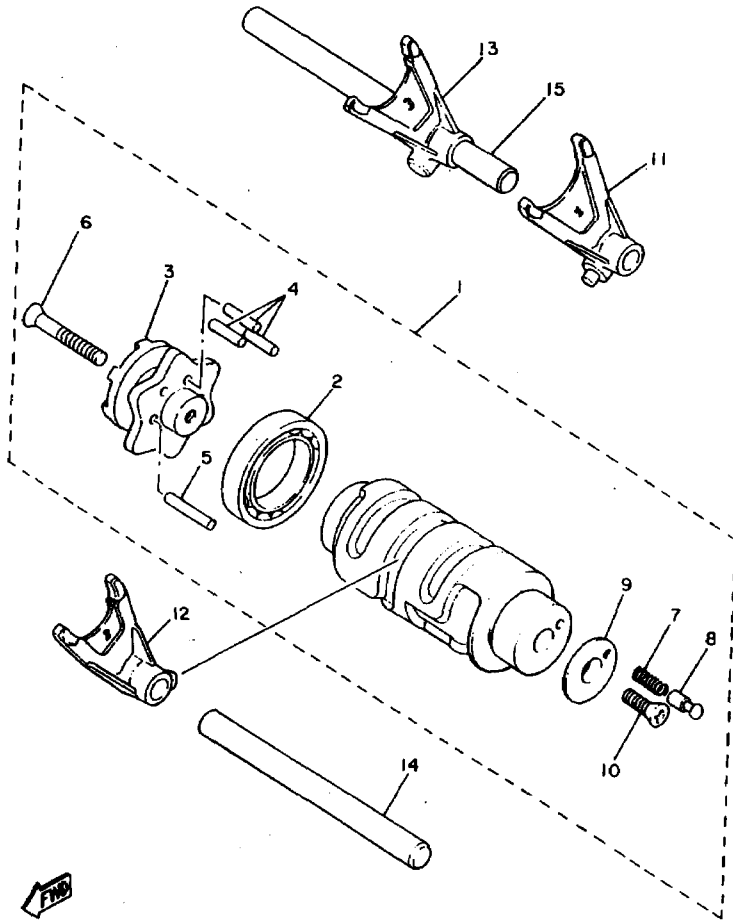

4TR1010-6150

FIG. 15 MIDDLE DRIVE GEAR

REF. NO.	PART NO.	DESCRIPTION	4VR3	4VR4	4XR3	4XR4	REMARKS
1	22U-Y1754-00	MIDDLE GEAR COMP.	1	1	1	1	
2	93306-20711	BEARING	1	1	1	1	
3	4H7-17537-00-20	SHIM, THRUST (0.20T)	1	1	1	1	UR
	4H7-17537-00-30	SHIM, THRUST (0.30T)	1	1	1	1	UR
	4H7-17537-00-40	SHIM, THRUST (0.40T)	1	1	1	1	UR
4	90179-18396	NUT	1	1	1	1	
5	4VR-17553-00	SHAFT, MIDDLE DRIVEN	1	1	1	1	
6	4VR-W1752-00	HOUSHING COMP.	1	1	1	1	
7	93210-71360	O-RING	1	1	1	1	
8	93101-35097	OIL SEAL	1	1	1	1	
9	22U-17556-00	YOKE, JOINT	1	1	1	1	
10	90201-14633	WASHER, PLATE	1	1	1	1	
11	90185-14070	NUT, SELF-LOCKING	1	1	1	1	
12	4VR-17527-00	CAM, DRIVEN	1	1	1	1	
13	90501-60718	SPRING, COMPRESSION	1	1	1	1	
14	22U-17524-00	HOLDER	1	1	1	1	
15	3H5-17529-00	WASHER, THRUST	2	2	2	2	
16	90387-2511R	COLLAR	1	1	1	1	
17	93306-00401	BEARING (B6004)	1	1	1	1	
18	3JB-17531-00	SHIM, PINION (0.10T)	2	2	2	2	UR
	3JB-17531-10	SHIM, PINION (0.15T)	2	2	2	2	UR
	3JB-17531-20	SHIM, PINION (0.20T)	2	2	2	2	UR
	3JB-17531-30	SHIM, PINION (0.30T)	2	2	2	2	UR
	3JB-17531-40	SHIM, PINION (0.40T)	2	2	2	2	UR
	3JB-17531-50	SHIM, PINION (0.50T)	2	2	2	2	UR
19	95827-08035	BOLT, FLANGE	4	4	4	4	

C8

FIG. 16 SHIFT CAM. FORK

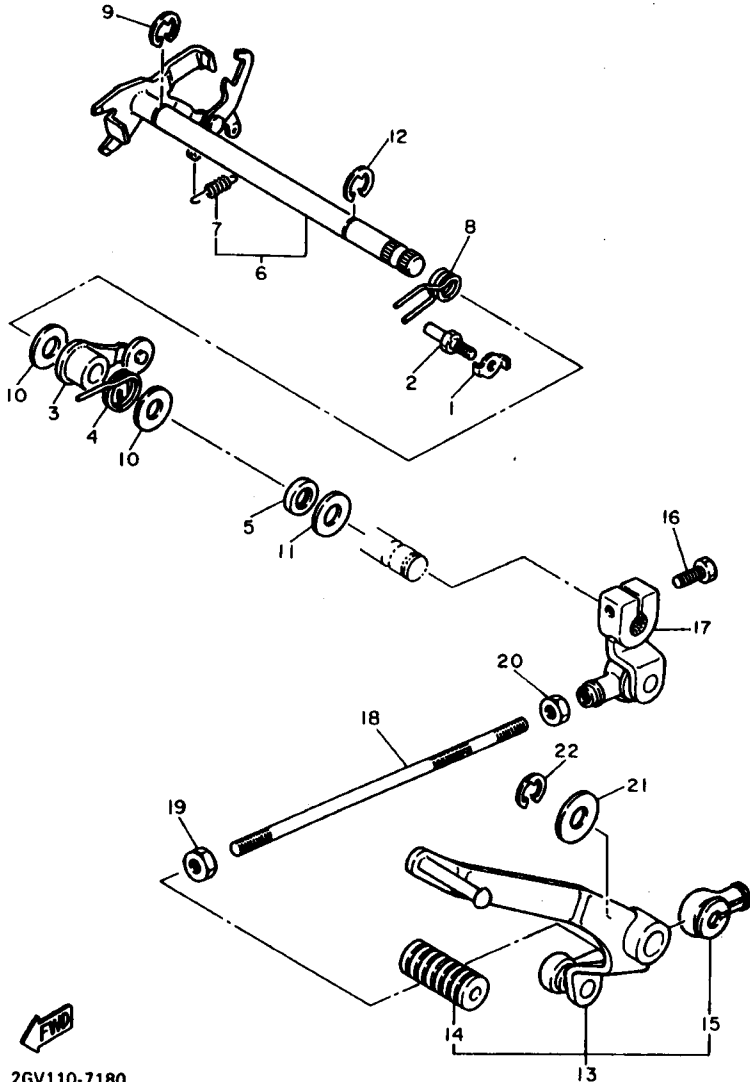


REF. NO.	PART NO.	DESCRIPTION	4VR3	4VR4	4XR3	4XR4	REMARKS
1	4TR-18540-01	SHIFT CAM ASSY	1	1	1	1	
2	93306-90602	.BEARING	1	1	1	1	
3	4H7-18185-00	.SEGMENT	1	1	1	1	
4	93604-16092	.PIN, DOWEL	3	3	3	3	
5	93604-20156	.PIN, DOWEL	1	1	1	1	
6	98707-05035	.SCREW, FLAT HEAD	1	1	1	1	
7	90501-08022	.SPRING, COMPRESSION	1	1	1	1	
8	4UN-18542-00	.POINT, NEUTRAL	1	1	1	1	
9	4UN-18566-00	.PLATE, SIDE 2	1	1	1	1	
10	98707-05016	.SCREW, FLAT HEAD	1	1	1	1	
11	4TR-18511-00	FORK, SHIFT 1	1	1	1	1	
12	4TR-18512-00	FORK, SHIFT 2	1	1	1	1	
13	4TR-18513-00	FORK, SHIFT 3	1	1	1	1	
14	3YF-18531-00	BAR, SHIFT FORK GUIDE 1	1	1	1	1	
15	4TR-18535-00	BAR, SHIFT FORK GUIDE 2	1	1	1	1	

22U110-3190

C9

FIG. 17 SHIFT SHAFT

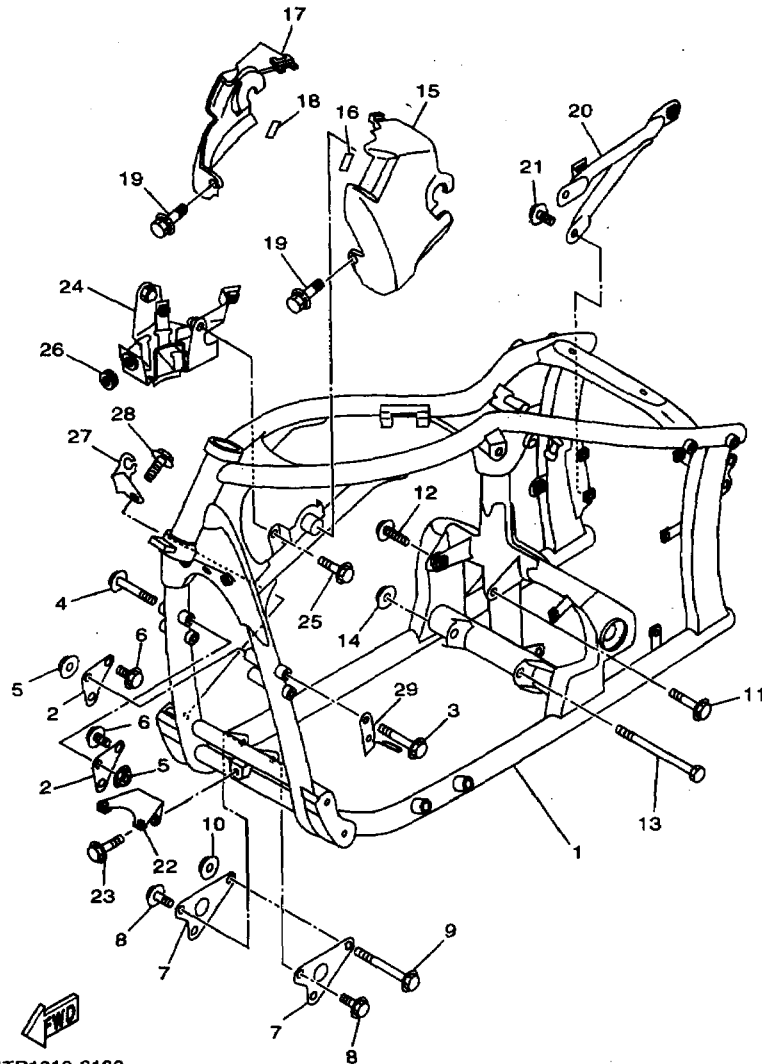


2GV110-7180

REF. NO.	PART NO.	DESCRIPTION					REMARKS
			4VFR	4VR4	4XFR	4XR4	
1	90215-18178	WASHER, LOCK	1	1	1	1	
2	4G0-18127-00	STOPPER, SCREW	1	1	1	1	
3	4TR-18140-00	STOPPER LEVER ASSY	1	1	1	1	
4	90508-290B5	SPRING, TORSION	1	1	1	1	
5	93102-12106	OIL SEAL (SD 12-22-5 HS)	1	1	1	1	
6	4TR-18120-00	SHIFT LEVER ASSY	1	1	1	1	
7	90506-08227	SPRING, TENSION	1	1	1	1	
8	90508-32538	SPRING, TORSION	1	1	1	1	
9	99001-10600	CIRCLIP	1	1	1	1	
10	90201-12588	WASHER, PLATE	2	2	2	2	
11	90201-12575	WASHER, PLATE	1	1	1	1	
12	99001-10600	CIRCLIP	1	1	1	1	
13	4TR-18110-00	SHIFT PEDAL ASSY	1	1	1	1	
14	22N-18113-00	.COVER, SHIFT PEDAL	1	1	1	1	
15	2H9-18154-00	.COVER, DUST	1	1	1	1	
16	97024-08020	BOLT	1	1	1	1	
17	4TR-18112-00	ARM, SHIFT	1	1	1	1	
18	2UJ-18115-02	ROD, SHIFT	1	1	1	1	
19	90170-06228	NUT(COUNTER CLOCKWISE)	1	1	1	1	
20	95304-08700	NUT	1	1	1	1	
21	90201-12688	WASHER, PLATE	1	1	1	1	
22	99009-12400	CIRCLIP	1	1	1	1	

C10

FIG. 18 FRAME

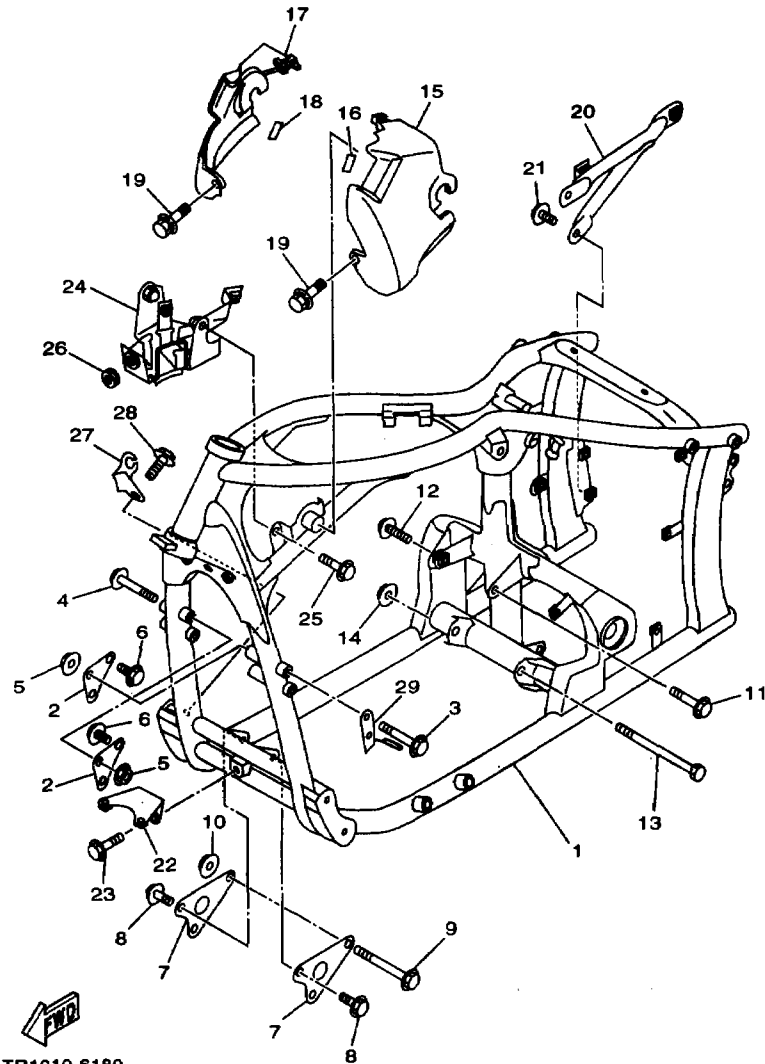


4TR1010-6180

REF. NO.	PART NO.	DESCRIPTION					REMARKS
			4VR3	4VR4	4XFR3	4XFR4	
1	4VR-21110-02	FRAME COMP.	1	1	1	1	
2	4VR-21315-00	STAY, ENGINE 2	2	2	2	2	
3	90105-082A4	BOLT, WASHER BASED	2	2	2	2	
4	90105-084A1	BOLT, WASHER BASED	2	2	2	2	
5	90179-08684	NUT	4	4	4	4	
6	95817-10025	BOLT, FLANGE	2	2	2	2	
7	4VR-21317-00	STAY, ENGINE 3	2	2	2	2	
8	90105-08307	BOLT, WASHER BASED	4	4	4	4	
9	95814-10100	BOLT, FLANGE	1	1	1	1	
10	90179-10658	NUT	1	1	1	1	
11	90105-10253	BOLT, WASHER BASED	1	1	1	1	
12	90105-10232	BOLT, WASHER BASED	1	1	1	1	
13	90101-12694	BOLT	1	1	1	1	
14	90179-12248	NUT	1	1	1	1	
15	4TR-2171E-00	COVER, SIDE 5	1	1	1	1	
16	3BN-21747-00	DAMPER	2	2	2	2	
17	4TR-2171X-00	COVER, SIDE 6	1	1	1	1	
18	3BN-21747-00	DAMPER	1	1	1	1	
19	90119-06236	BOLT, WITH WASHER	2	2	2	2	
20	4TR-21460-01	STAY, MUFFLER	1	1	1	1	
21	95817-08014	BOLT, FLANGE	2	2	2	2	
22	4VR-28356-00	STAY 1	1	1	1	1	
23	90105-062A2	BOLT, WASHER BASED	1	1	1	1	
24	4TR-24491-01	BRACKET, FUEL PUMP	1	1	1	1	
25	95807-06014	BOLT, FLANGE	2	2	2	2	
26	90480-12320	GROMMET	1	1	1	1	
27	4TR-2144G-01	STAY, STOP SWITCH	1	1	1	1	

C11

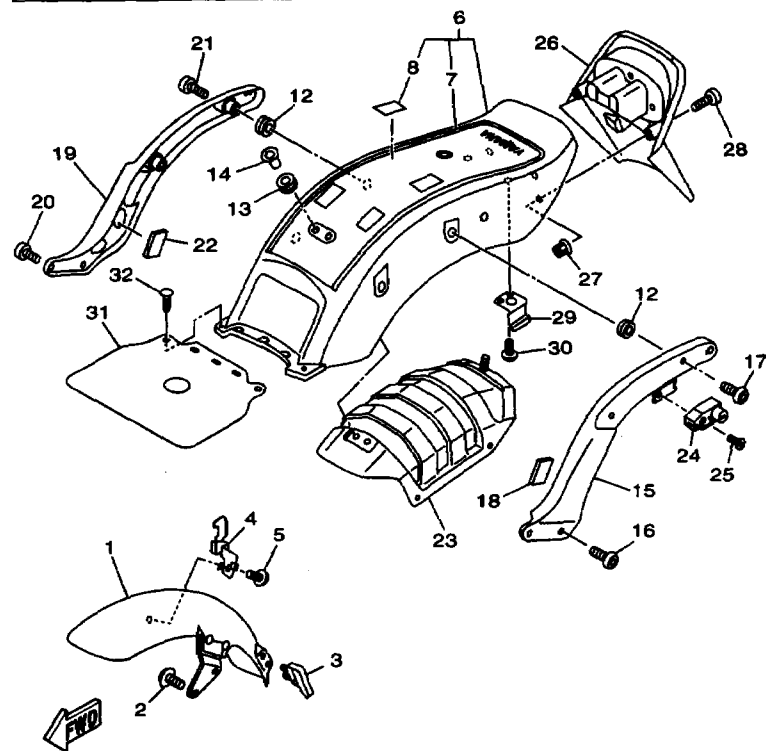
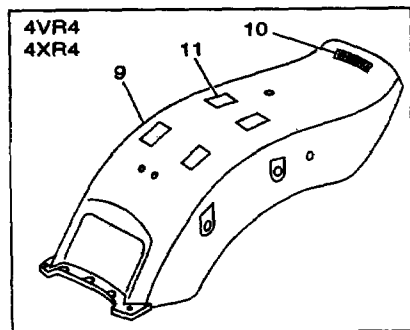
FIG. 18 FRAME



4TR1010-6180

REF. NO.	PART NO.	DESCRIPTION	4VR3	4VR4	4XR3	4XR4	REMARKS
28	95807-08012	BOLT, FLANGE	1	1	1	1	
29	4VR-21161-00	HOLDER, CABLE	1	1	1	1	

C12

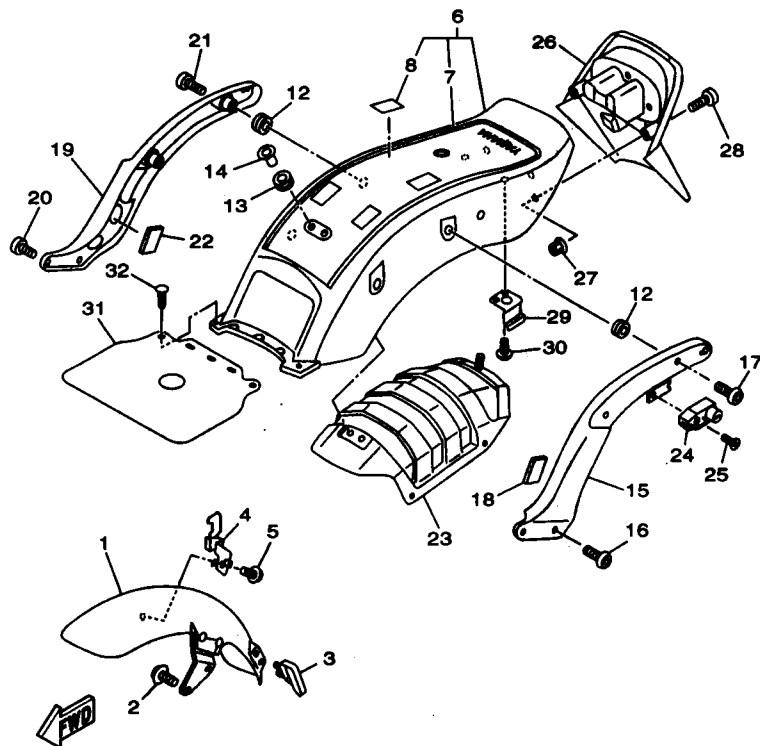
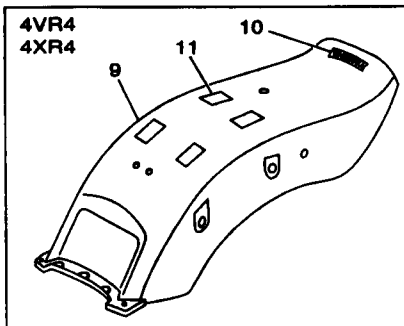


4VR3300-8190

FIG. 19 FENDER

REF. NO.	PART NO.	DESCRIPTION	4VR3	4VR4	4XR3	4XR4	REMARKS
1	4TR-21510-01-P0	FRONT FENDER COMP.	1		1		UR VOM2
	4TR-21510-01-P3	FRONT FENDER COMP.	1		1		UR DBC2
	4TR-21510-01-33	FRONT FENDER COMP.		1		1	UR YB
2	95027-06012	BOLT, FLANGE	4	4	4	4	
3	4VR-21518-00	HOLDER, CABLE	1	1	1	1	
4	4TR-21598-01	HOLDER, WIRE 2	1	1	1	1	
5	95807-06012	BOLT, FLANGE	1	1	1	1	
6	4TR-Y2161-01-P0	REAR FENDER COMP.	1		1		UR VOM2
	4TR-Y2161-81-P3	REAR FENDER COMP.	1		1		UR DBC2
7	4TR-21675-01	.GRAPHIC, REAR FENDER	1		1		UR FOR VOM2
	4TR-21675-80	.GRAPHIC, REAR FENDER	1		1		UR FOR DBC2
8	3SP-21732-00	.SEAL 1	4		4		
9	4TR-21611-01-33	FENDER, REAR		1		1	YB
10	99237-00080	EMBLEM, YAMAHA		1		1	
11	3SP-21732-00	SEAL 1		4		4	
12	90480-18418	GROMMET	4	4	4	4	
13	90480-13398	GROMMET	3	3	3	3	
14	90387-067N5	COLLAR	3	3	3	3	
15	4TR-21613-01	STAY, FENDER 1	1	1	1	1	
16	92014-10025	BOLT, BUTTON HEAD	2	2	2	2	
17	92014-08040	BOLT, BUTTON HEAD	2	2	2	2	
18	3SX-2139X-00	DAMPER	1	1	1	1	
19	4TR-21614-01	STAY, FENDER 2	1	1	1	1	
20	92014-10025	BOLT, BUTTON HEAD	2	2	2	2	
21	92014-08040	BOLT, BUTTON HEAD	2	2	2	2	
22	3SX-2139X-00	DAMPER	1	1	1	1	
23	4TR-21643-00	STAY, REAR	1	1	1	1	

FIG. 19 FENDER

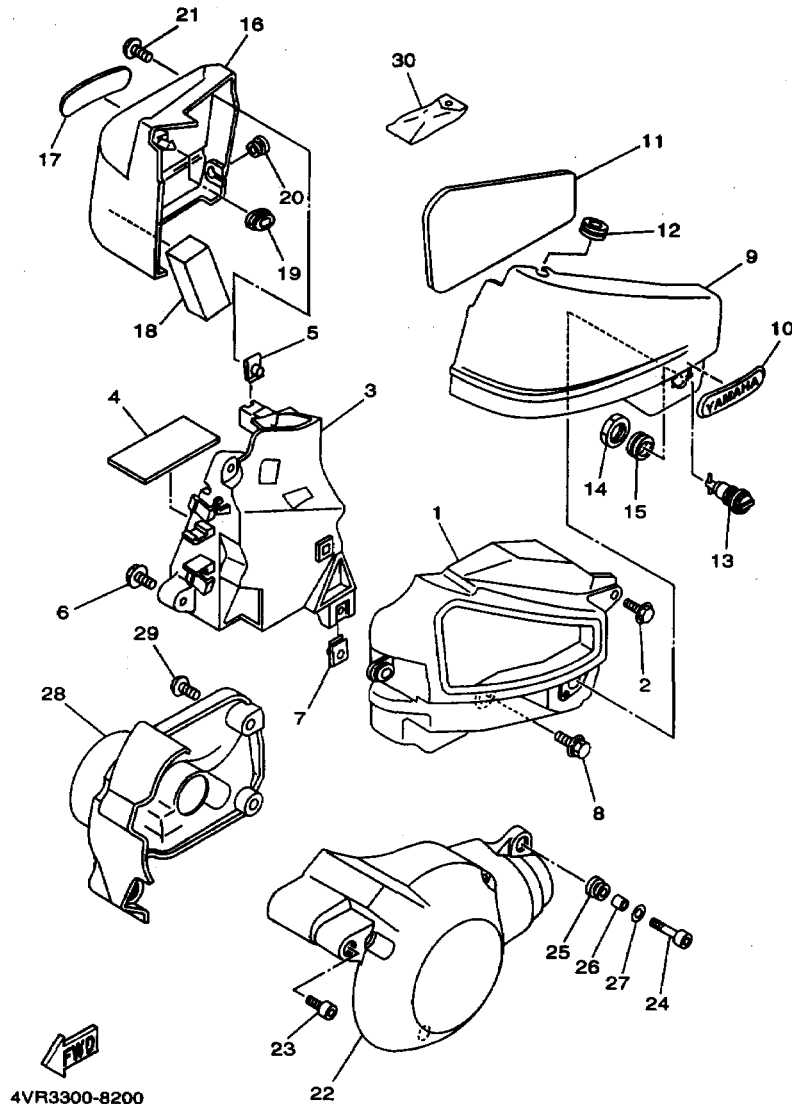


4VR3300-8190

REF. NO.	PART NO.	DESCRIPTION	4VR3	4VR4	4VR3	4VR4	REMARKS
24	4R8-21308-00	HELMET HANGER ASSY	1	1	1	1	
25	90149-06154	SCREW	1	1	1	1	
26	4TR-2182R-01	FENDER 2	1	1	1	1	
27	90179-05523	NUT	2	2	2	2	
28	90154-05011	SCREW, BINDING	2	2	2	2	
29	4TR-21679-00	HOLDER, HARNESS	2	2	2	2	
30	90167-05025	SCREW, TAPPING	2	2	2	2	
31	4TR-21829-00	GUARD, MUD	1	1	1	1	
32	90269-05039	RIVET	2	2	2	2	

C14

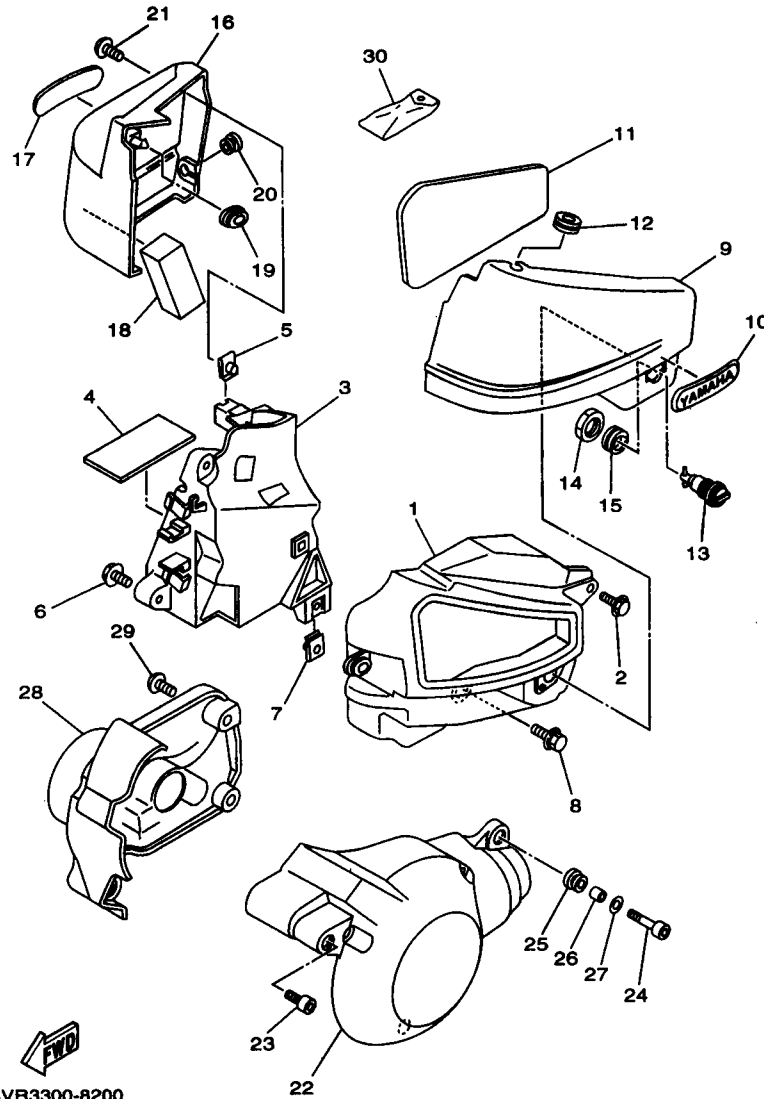
FIG. 20 SIDE COVER



REF. NO.	PART NO.	DESCRIPTION					REMARKS
			4VR3	4VR4	4XR3	4XR4	
1	4TR-2160A-00	BOX COMP.	1	1	1	1	
2	90119-06118	BOLT, WITH WASHER	1	1	1	1	
3	4TR-2177G-01	BOX, BATTERY	1	1	1	1	
4	5Y1-82122-00	SEAT, BATTERY	1	1	1	1	
5	90183-06053	NUT, SPRING	1	1	1	1	
6	90119-06118	BOLT, WITH WASHER	3	3	3	3	
7	90183-06023	NUT, SPRING	1	1	1	1	
8	90119-06097	BOLT, WITH WASHER	1	1	1	1	
9	4TR-21711-00	COVER, SIDE 1	1		1		
	4TR-21711-10	COVER, SIDE 1		1		1	
10	3LS-21781-10	EMBLEM 1	1	1	1	1	
11	4TR-21717-00	DAMPER	1	1	1	1	
12	90480-12320	GROMMET	1	1	1	1	
13	55K-21708-00	LOCK ASSY 2	1	1	1	1	
14	90170-22187	NUT	1	1	1	1	
15	90480-24186	GROMMET	1	1	1	1	
16	4TR-21721-00	COVER, SIDE 2	1		1		
	4VR-21721-10	COVER, SIDE 2		1		1	
17	3LS-21781-10	EMBLEM 1	1	1	1	1	
18	84M-77555-00	PROTECTOR 5	1	1	1	1	
19	90480-01559	GROMMET	1	1	1	1	
20	90480-12320	GROMMET	1	1	1	1	
21	90149-06302	SCREW	1	1	1	1	
22	5BN-21731-00	COVER, SIDE 3	1	1	1	1	
23	90110-06254	BOLT, HEXAGON SOCKET HEAD	2	2	2	2	
24	91314-06020	BOLT	4	4	4	4	
25	90480-10289	GROMMET	4	4	4	4	

C15

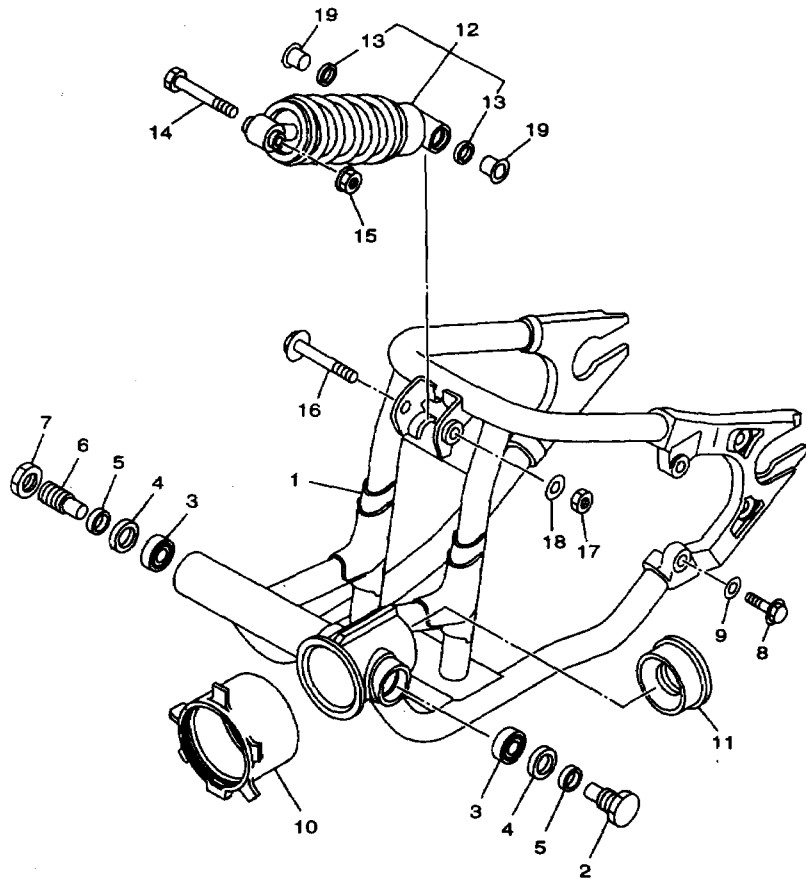
FIG. 20 SIDE COVER



REF. NO.	PART NO.	DESCRIPTION					REMARKS
			4VR3	4VR4	4XR3	4XR4	
26	90387-0600V	COLLAR	4	4	4	4	
27	90201-06062	WASHER, PLATE	4	4	4	4	
28	4VR-21741-00	COVER, SIDE 4	1	1	1	1	
29	90110-06200	BOLT, HEXAGON SOCKET HEAD	4	4	4	4	
30	4TR-28100-00	TOOL KIT	1	1	1	1	

D2

FIG. 21 REAR ARM. SUSPENSION

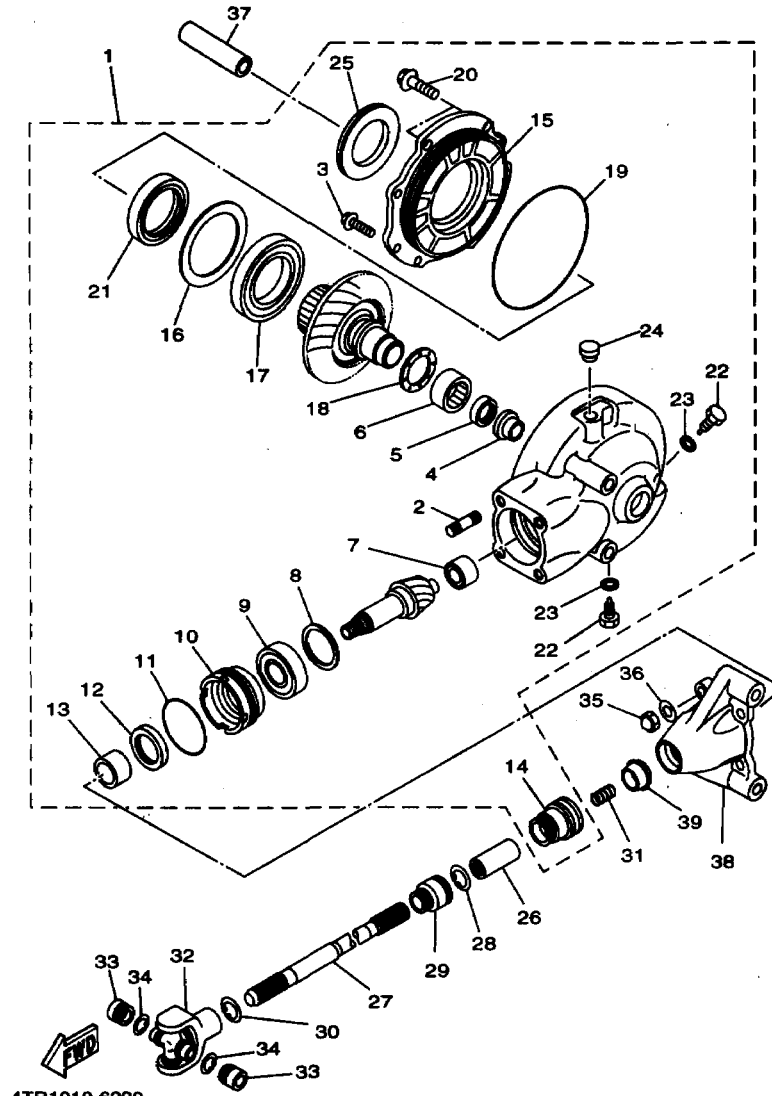


REF. NO.	PART NO.	DESCRIPTION	4VR3	4VR4	4XR3	4XR4	REMARKS
1	4VR-22110-00	REAR ARM COMP.	1	1	1	1	
2	4KM-22141-00	SHAFT, PIVOT	1	1	1	1	
3	93332-00010	BEARING	2	2	2	2	
4	93102-25017	OIL SEAL	2	2	2	2	
5	90387-17543	COLLAR	2	2	2	2	
6	1J7-22141-00	SHAFT, PIVOT	1	1	1	1	
7	1J7-22143-00	NUT	1	1	1	1	
8	90105-101A9	BOLT, WASHER BASED	4	4	4	4	
9	90201-112U0	WASHER, PLATE	4	4	4	4	
10	4TR-22189-00	BOOT, RUBBER	1	1	1	1	
11	4VR-22184-00	BUSH	1	1	1	1	
12	4VR-22210-00	SHOCK ABSORBER ASSY, REAR	1	1	1	1	
13	93109-18020	OIL SEAL	2	2	2	2	
14	90109-125F1	BOLT	1	1	1	1	
15	95607-12200	NUT, SELF-LOCKING	1	1	1	1	
16	90109-125F1	BOLT	1	1	1	1	
17	95607-12100	NUT, U	1	1	1	1	
18	90201-120E6	WASHER, PLATE	1	1	1	1	
19	90387-123X6	COLLAR	2	2	2	2	


4VR1300-7210

D3

FIG. 22 DRIVE SHAFT

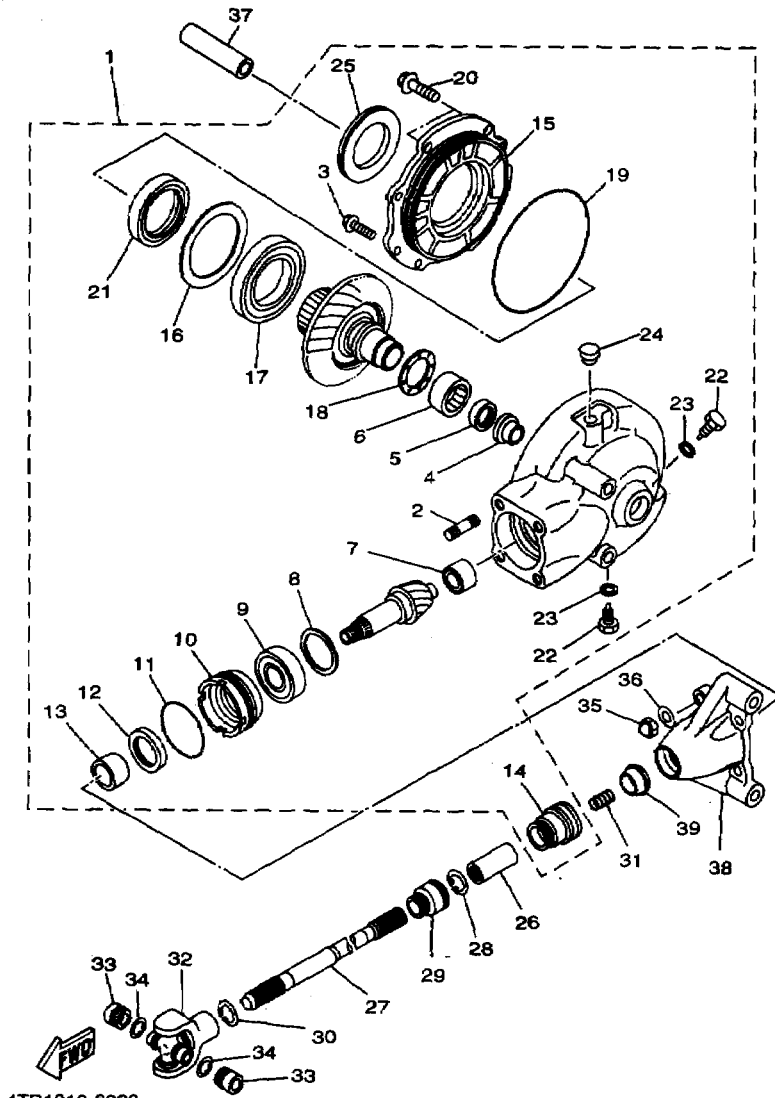


4TR1010-6220

REF. NO.	PART NO.	DESCRIPTION	4VR3	4VR4	4NR3	4NR4	REMARKS
1	4TR-46101-00	REAR AXLE GEAR CASE ASSY	1	1	1	1	
2	90116-10593	.BOLT, STUD	4	4	4	4	
3	90119-08126	.BOLT, WITH WASHER	6	6	6	6	
4	22U-46153-00	.COLLAR, GUIDE	1	1	1	1	
5	93101-30084	.OIL SEAL	1	1	1	1	
6	93311-43729	.BEARING	1	1	1	1	
7	2H7-46102-00	.BEARING ASSY	1	1	1	1	
8	1J7-17537-Y0-30	.SHIM, THRUST (0.30T)	1	1	1	1	UR
	1J7-17537-Y0-40	.SHIM, THRUST (0.40T)	1	1	1	1	UR
	1J7-17537-Y0-50	.SHIM, THRUST (0.50T)	1	1	1	1	UR
9	93306-30539	.BEARING	1	1	1	1	
10	4H7-46125-00	.RETAINER, BEARING	1	1	1	1	
11	93210-60426	.O-RING	1	1	1	1	
12	93101-38096	.OIL SEAL	1	1	1	1	
13	90387-256G9	.COLLAR	1	1	1	1	
14	22U-46136-00	.SEAL 1	1	1	1	1	
15	22U-46152-00	.HOUSING, BEARING	1	1	1	1	
16	22U-46117-00-25	.SHIM, RING GEAR (0.25T)	1	1	1	1	UR
	22U-46117-00-30	.SHIM, RING GEAR (0.30T)	1	1	1	1	UR
	22U-46117-00-40	.SHIM, RING GEAR (0.40T)	1	1	1	1	UR
17	93316-01301	.BEARING	1	1	1	1	
18	22U-46118-00-12	.SHIM, THRUST (1.2T)	1	1	1	1	UR
	22U-46118-00-14	.SHIM, THRUST (1.4T)	1	1	1	1	UR
	22U-46118-00-16	.SHIM, THRUST (1.6T)	1	1	1	1	UR
	22U-46118-00-18	.SHIM, THRUST (1.8T)	1	1	1	1	UR
	22U-46118-00-20	.SHIM, THRUST (2.0T)	1	1	1	1	UR
19	93211-39569	.O-RING	1	1	1	1	

D4

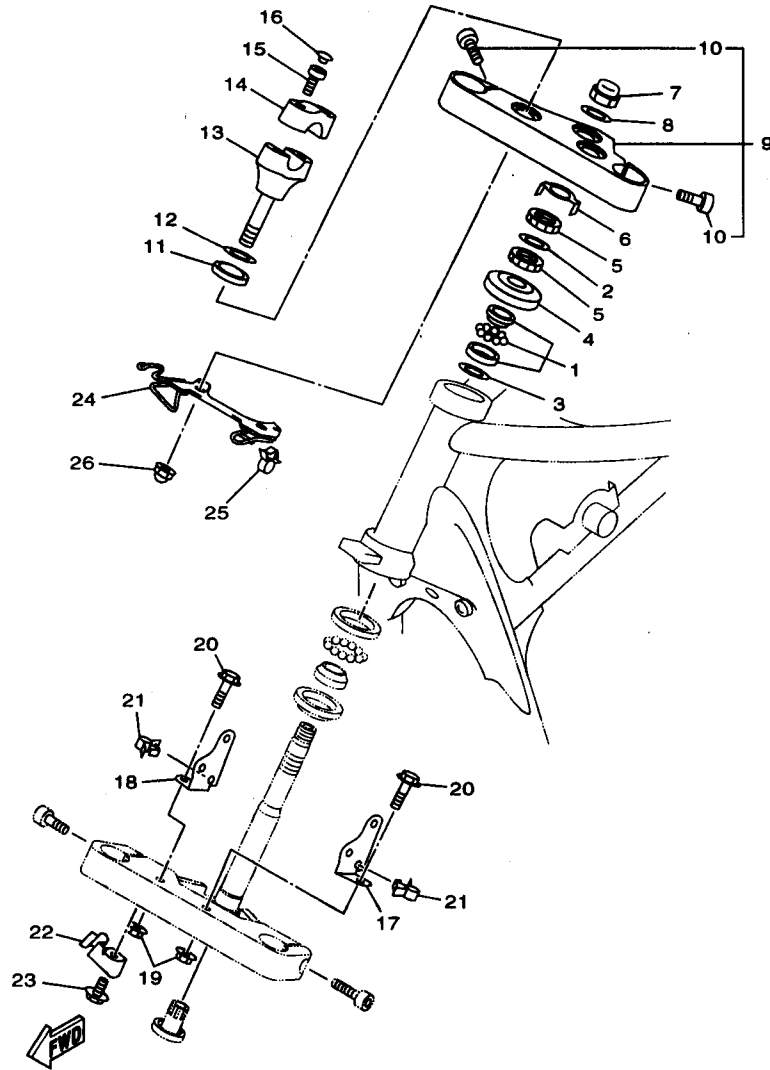
FIG. 22 DRIVE SHAFT



4TR1010-6220

REF. NO.	PART NO.	DESCRIPTION	4VR3	4VR4	4XR3	4XR4	REMARKS
20	90105-10285	.BOLT, WASHER BASED	2	2	2	2	
21	93102-65277	.OIL SEAL	1	1	1	1	
22	90340-14132	.PLUG, STRAIGHT SCREW	2	2	2	2	
23	214-11198-01	.GASKET	2	2	2	2	
24	56W-17590-00	.BREATHER COMP.	1	1	1	1	
25	1J7-25319-02	.SEAL, HUB DUST	1	1	1	1	
26	22U-46123-00	COUPLING, GEAR	1	1	1	1	
27	5BN-46171-00	SHAFT DRIVE ASSY	1	1	1	1	
28	99009-18400	CIRCLIP	1	1	1	1	
29	22U-46137-00	SEAL 2	1	1	1	1	
30	93410-22039	CIRCLIP	1	1	1	1	
31	90501-15722	SPRING, COMPRESSION	1	1	1	1	
32	4X7-46180-00	CROSS JOINT COMP.	1	1	1	1	
33	93311-21044	BEARING	2	2	2	2	
34	93440-20088	CIRCLIP	2	2	2	2	
35	90176-10075	NUT, CROWN	4	4	4	4	
36	92990-10600	WASHER, PLATE	4	4	4	4	
37	90387-1510D	COLLAR	1	1	1	1	
38	4TR-46154-00	COVER, HOUSING	1	1	1	1	
39	4TR-46297-00	COVER, DUST	1	1	1	1	

D5



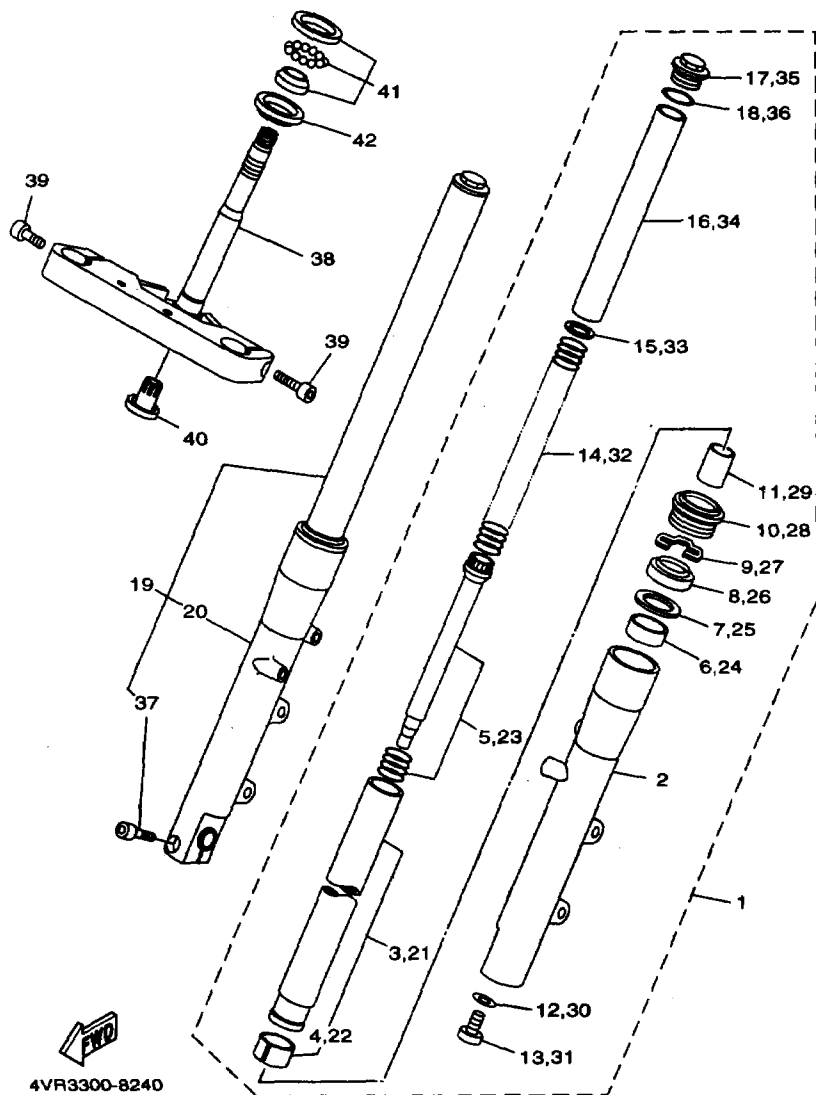
4VR3300-8230

FIG. 23 STEERING

REF. NO.	PART NO.	DESCRIPTION	4VR3	4VR4	4XFR3	4XFR4	REMARKS
1	93399-99931	BEARING	1	1	1	1	
2	90202-28142	WASHER, PLATE	1	1	1	1	
3	90202-24190	WASHER, PLATE	1	1	1	1	
4	1W1-23416-00	COVER, BALL RACE 2	1	1	1	1	
5	90179-25033	NUT	2	2	2	2	
6	26H-23418-01	WASHER, SPECIAL	1	1	1	1	
7	90176-22081	NUT, CROWN	1	1	1	1	
8	90201-22070	WASHER, PLATE	1	1	1	1	
9	4VR-Y2343-00	CROWN, HANDLE	1	1	1	1	
10	91314-08030	.BOLT	2	2	2	2	
11	3DM-23445-00	DAMPER	2	2	2	2	
12	90201-14220	WASHER, PLATE	2	2	2	2	
13	4VR-23442-00	HOLDER, HANDLE LOWER	2	2	2	2	
14	4VR-23441-00	HOLDER, HANDLE UPPER	2	2	2	2	
15	91314-08025	BOLT	4	4	4	4	
16	90338-08163	PLUG	4	4	4	4	
17	4TR-23175-00	BRACKET, HEADLIGHT STAY 1	1	1	1	1	
18	4TR-23176-00	BRACKET, HEADLIGHT STAY 2	1	1	1	1	
19	95707-06500	NUT, FLANGE	2	2	2	2	
20	95024-06025	BOLT, FLANGE	2	2	2	2	
21	90464-15157	CLAMP	2	2	2	2	
22	4TR-25886-00	HOLDER, BRAKE HOSE	1	1	1	1	
23	95027-06010	BOLT, FLANGE	1	1	1	1	
24	5BN-23389-00	GUIDE, CABLE	1	1	1	1	
25	90464-18246	CLAMP	2	2	2	2	
26	90176-12052	NUT, CROWN	2	2	2	2	

D6

FIG. 24 FRONT FORK

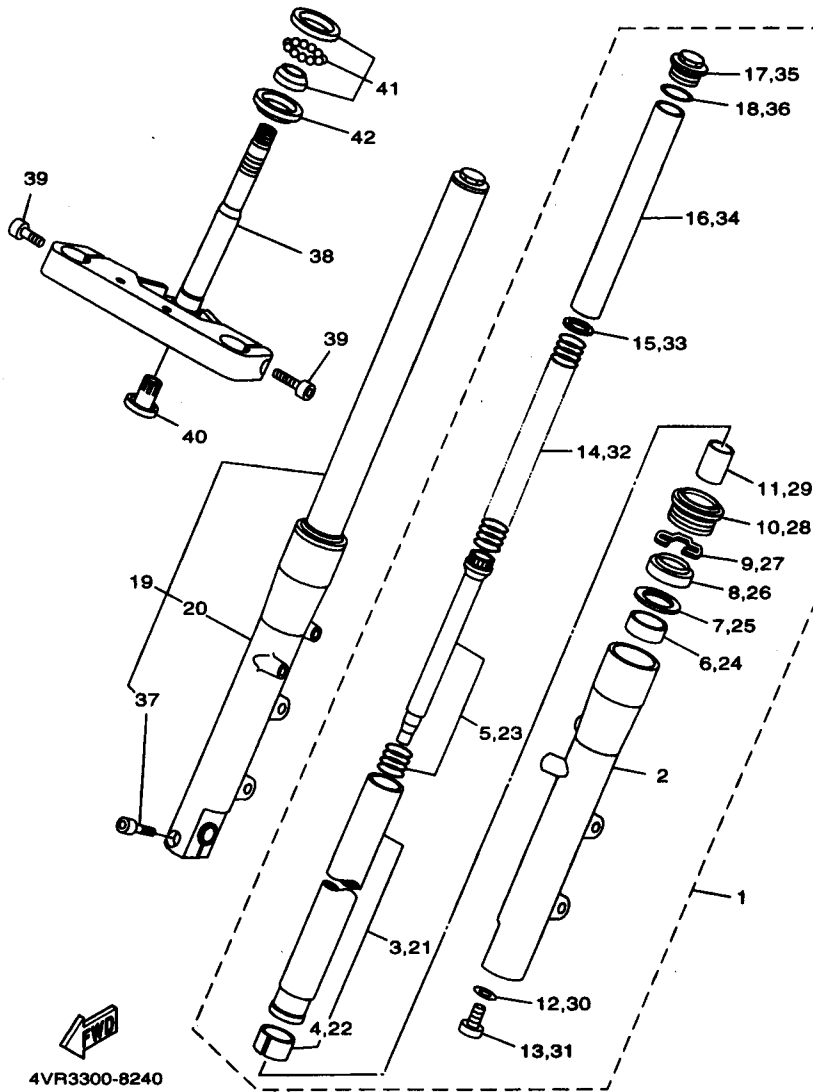


4VR3300-8240

D7

REF. NO.	PART NO.	DESCRIPTION	4VR3	4VR4	4XR3	4XR4	REMARKS
1	4VR-23102-01	FRONT FORK ASSY (L.H)	1	1	1	1	
2	4TR-23126-00	.TUBE, OUTER (LEFT)	1	1	1	1	
3	4TR-23110-00	.INNER TUBE COMP.1	1	1	1	1	
4	4FM-23171-40	.METAL, SLIDE	1	1	1	1	
5	4VR-23170-00	.CYLINDER COMP., FRONT FORK	1	1	1	1	
6	4FM-23125-40	.METAL, SLIDE 1	1	1	1	1	
7	36Y-23146-10	.WASHER, OIL SEAL	1	1	1	1	
8	4EB-23145-00	.OIL SEAL	1	1	1	1	
9	26H-23156-00	.CLIP, OIL SEAL	1	1	1	1	
10	4EB-23144-00	.SEAL, DUST	1	1	1	1	
11	4VR-23173-00	.SPINDLE, TAPER	1	1	1	1	
12	509-23158-L0	.GASKET	1	1	1	1	
13	278-23181-50	.BOLT, HEXAGON SOCKET HEAD	1	1	1	1	
14	4TR-23141-00	.SPRING, FRONT FORK	1	1	1	1	
15	4DW-23149-40	.WASHER, SPRING UPPER	1	1	1	1	
16	4TR-23118-00	.SPACER	1	1	1	1	
17	3EN-23111-50	.BOLT, CAP	1	1	1	1	
18	43F-23188-10	.O-RING	1	1	1	1	
19	4VR-23103-01	FRONT FORK ASSY (R.H)	1	1	1	1	
20	4TR-23136-00	.TUBE, OUTER (RIGHT)	1	1	1	1	
21	4TR-23110-00	.INNER TUBE COMP.1	1	1	1	1	
22	4FM-23171-40	.METAL, SLIDE	1	1	1	1	
23	4VR-23170-00	.CYLINDER COMP., FRONT FORK	1	1	1	1	
24	4FM-23125-40	.METAL, SLIDE 1	1	1	1	1	
25	36Y-23146-10	.WASHER, OIL SEAL	1	1	1	1	
26	4EB-23145-00	.OIL SEAL	1	1	1	1	
27	26H-23156-00	.CLIP, OIL SEAL	1	1	1	1	

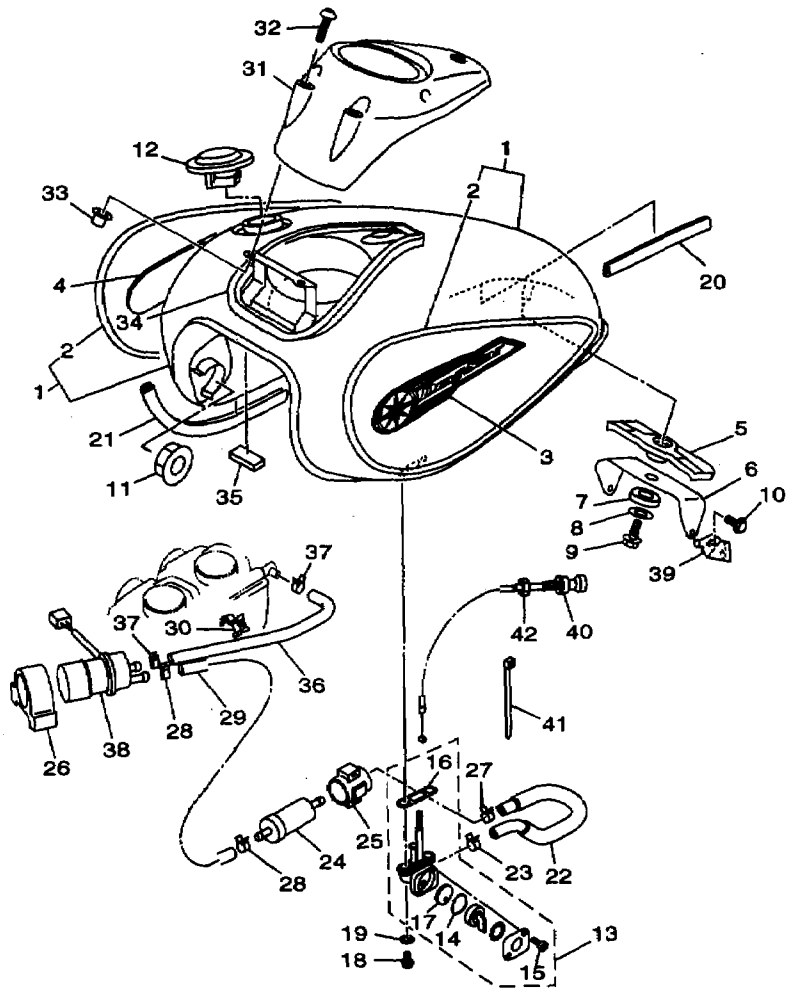
FIG. 24 FRONT FORK



REF. NO.	PART NO.	DESCRIPTION					REMARKS
			4VR3	4VR4	4XR3	4XR4	
28	4EB-23144-00	.SEAL, DUST	1	1	1	1	
29	4VR-23173-00	.SPINDLE, TAPER	1	1	1	1	
30	509-23158-L0	.GASKET	1	1	1	1	
31	278-23181-50	.BOLT, HEXAGON SOCKET HEAD	1	1	1	1	
32	4TR-23141-00	.SPRING, FRONT FORK	1	1	1	1	
33	4DW-23149-40	.WASHER, SPRING UPPER	1	1	1	1	
34	4TR-23118-00	.SPACER	1	1	1	1	
35	3EN-23111-50	.BOLT, CAP	1	1	1	1	
36	43F-23188-10	.O-RING	1	1	1	1	
37	91314-08040	.BOLT	1	1	1	1	
38	4VR-23340-00	UNDER BRACKET COMP.	1	1	1	1	
39	91314-10030	BOLT	2	2	2	2	
40	4KM-23123-01	COVER, LOWER 1	1	1	1	1	
41	93399-99932	BEARING	1	1	1	1	
42	3FV-23462-00	SEAL, STEERING	1	1	1	1	

D8

FIG. 25 FUEL TANK

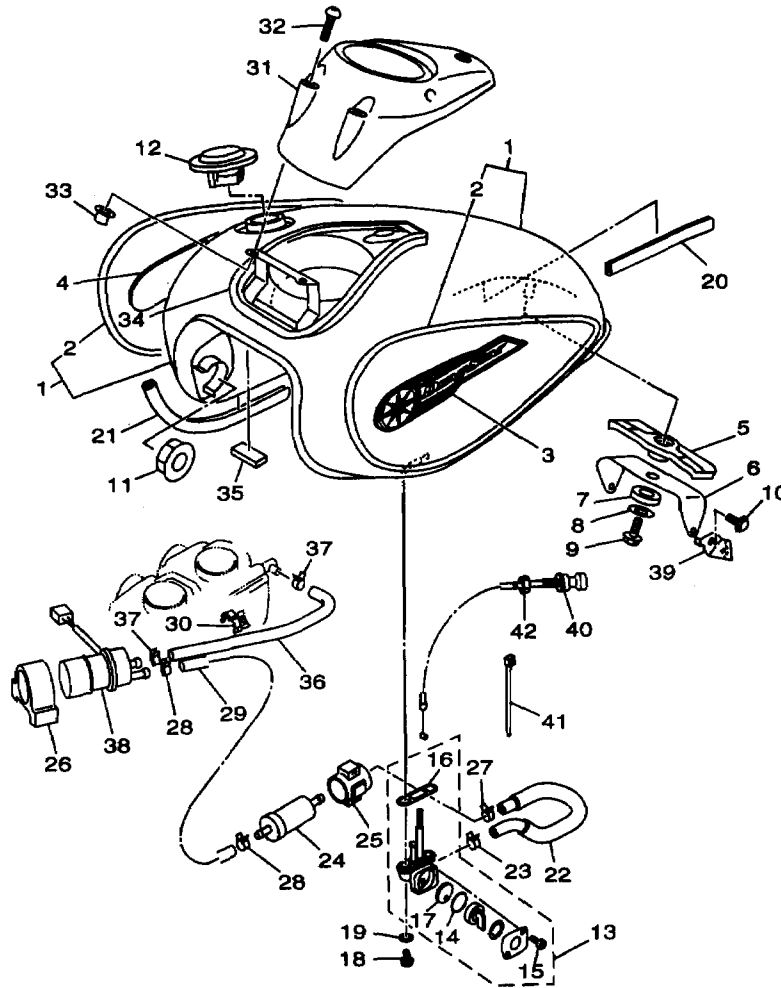


REF. NO.	PART NO.	DESCRIPTION	4VR3	4VR4	4VR5	4VR4	REMARKS
1	4TR-24110-30-06	FUEL TANK COMP.	1		1		UR VOM2/VDVC2
	4TR-24110-30-08	FUEL TANK COMP.	1		1		UR DBC2/LGM3
	4TR-24110-30-07	FUEL TANK COMP.		1		1	YB
2	4TR-24240-00	.GRAPHIC SET	1		1		UR FOR VOM2
	4TR-24240-30	.GRAPHIC SET	1		1		UR FOR DBC2
3	4VR-24161-00	EMBLEM 1	1	1	1	1	
4	4VR-24162-00	EMBLEM 2	1	1	1	1	
5	4TR-24182-00	DAMPER, LOCATING 2	1	1	1	1	
6	4TR-2413Y-00	BRACKET, TANK FITTING	1	1	1	1	
7	4TR-24183-00	DAMPER, LOCATING 3	1	1	1	1	
8	90201-060S9	WASHER, PLATE	1	1	1	1	
9	92017-06012	BOLT, BUTTON HEAD	1	1	1	1	
10	95817-08016	BOLT, FLANGE	2	2	2	2	
11	4H7-24181-00	DAMPER, LOCATING 1	2	2	2	2	
12	5BN-24602-00	CAP ASSY	1	1	1	1	
13	21V-24500-10	FUEL COCK ASSY 1	1	1	1	1	
14	3AJ-24534-00	.SEAL, COCK	1	1	1	1	
15	97801-03008	.SCREW, PAN HEAD	2	2	2	2	
16	4X8-24512-00	.O-RING	1	1	1	1	
17	3AJ-24523-00	.VALVE PACKING	1	1	1	1	
18	90149-08011	SCREW	2	2	2	2	
19	90202-05193	WASHER, PLATE	2	2	2	2	
20	1FK-2171L-00	MOLE, SIDE COVER 1	1	1	1	1	
21	48P-24188-00	MOLD, FUEL TANK	1	1	1	1	
22	4TR-24313-00	PIPE 3	1	1	1	1	
23	90467-10038	CLIP	1	1	1	1	
24	1FK-24560-00	FILTER ASSY	1	1	1	1	


4VR3300-8250

D9

FIG. 25 FUEL TANK

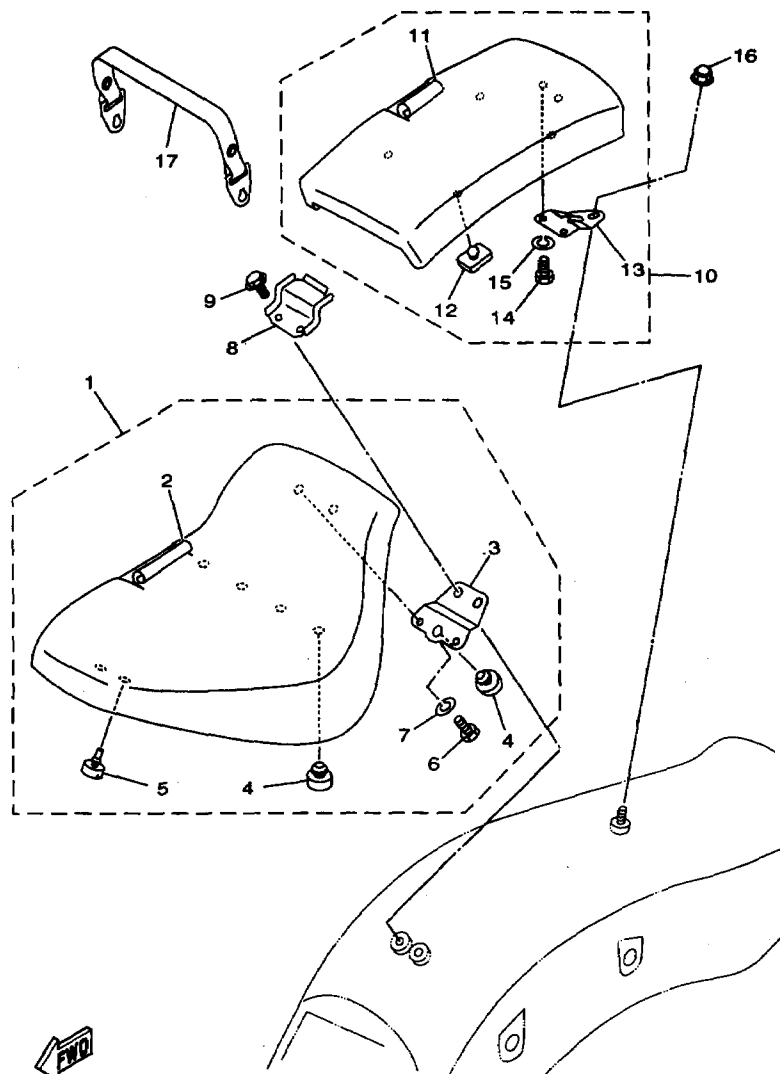


REF. NO.	PART NO.	DESCRIPTION	4VR3	4VR4	4XR3	4XR4	REMARKS
25	1FK-24588-00	BRACKET, FILTER	1	1	1	1	
26	4EB-24398-00	BAND 1	1	1	1	1	
27	90467-11032	CLIP	1	1	1	1	
28	90467-12053	CLIP	2	2	2	2	
29	4TR-24311-00	PIPE, FUEL 1	1	1	1	1	
30	90464-15192	CLAMP	1	1	1	1	
31	4TR-2171A-00	COVER, TOP	1	1	1	1	
32	90149-05299	SCREW	3	3	3	3	
33	90179-05523	NUT	3	3	3	3	
34	4TR-2414G-00	SEAL	2	2	2	2	
35	3XV-21717-00	DAMPER	1	1	1	1	
36	4TR-14294-00	HOSE	1	1	1	1	
37	90467-12053	CLIP	2	2	2	2	
38	3LN-13907-00	FUEL PUMP COMP.	1	1	1	1	
39	4TR-2637G-00	HOLDER, WIRE	1	1	1	1	
40	4TR-26331-00	CABLE, STARTER 1	1	1	1	1	
41	1UA-82591-00	BAND	1	1	1	1	
42	1VJ-26333-00	NUT	1	1	1	1	


4VR3300-8250

D10

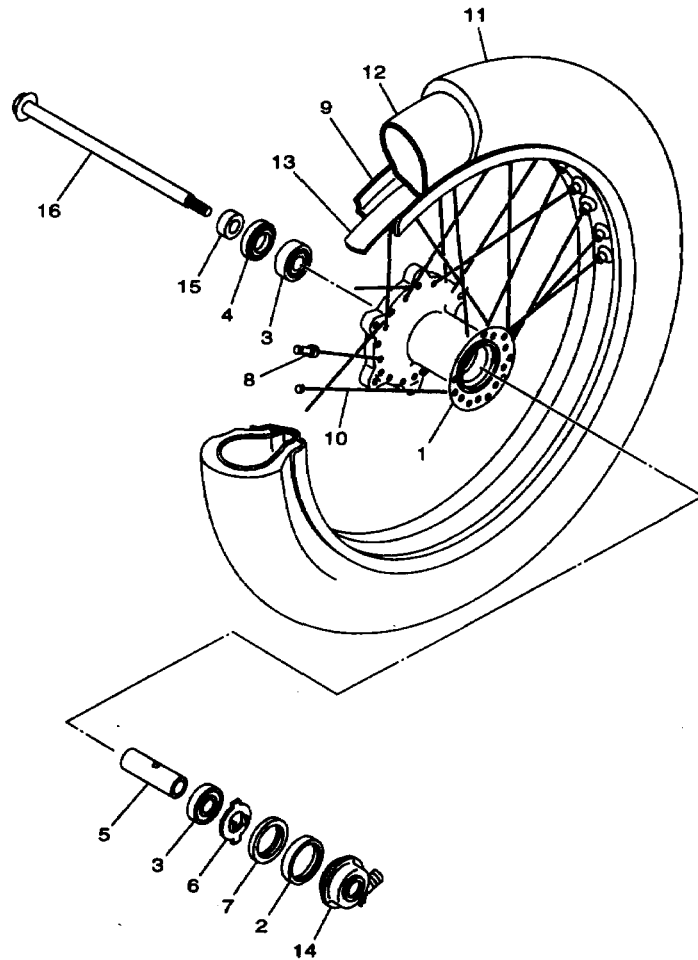
FIG. 26 SEAT



REF. NO.	PART NO.	DESCRIPTION	4VR3	4VP4	4XR3	4XR4	REMARKS
1	4VR-24710-10	SINGLE SEAT ASSY	1	1	1	1	
2	4VR-24711-00	.COVER, SINGLE SEAT	1	1	1	1	
3	4TR-2475H-00	.BRACKET, SEAT LEVER 1	1	1	1	1	
4	22W-24741-00	.PAD, SEAT	5	5	5	5	
5	35T-24724-00	.DAMPER, SEAT	2	2	2	2	
6	97007-06012	.BOLT	2	2	2	2	
7	92907-06100	.WASHER, SPRING	2	2	2	2	
8	4TR-2475K-00	BRACKET 3	1	1	1	1	
9	91317-06025	BOLT	2	2	2	2	
10	4TR-24750-00	TANDEM SEAT ASSY	1	1	1	1	
11	4TR-24751-00	.COVER, TANDEM SEAT	1	1	1	1	
12	509-24724-00	.DAMPER, SEAT	4	4	4	4	
13	4TR-2475J-00	.BRACKET, SEAT LEVER 2	1	1	1	1	
14	97007-06012	.BOLT	2	2	2	2	
15	92907-06100	.WASHER, SPRING	2	2	2	2	
16	90176-06047	NUT, CROWN	1	1	1	1	
17	4TR-24720-00	SEAT BAND ASSY	1	1	1	1	

4VR1300-7281

D11



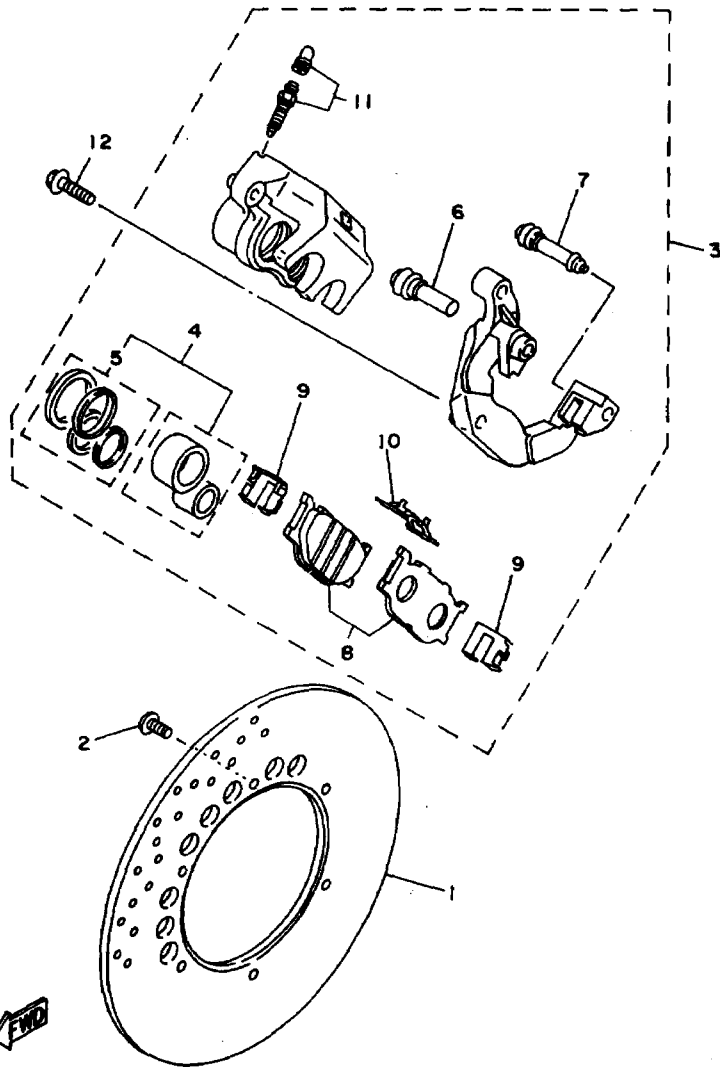

4VR1300-7271

FIG. 27 FRONT WHEEL

REF. NO.	PART NO.	DESCRIPTION	4VR3	4VR4	4XR3	4XR4	REMARKS
1	4TR-25111-00	HUB, FRONT	1	1	1	1	
2	93105-45017	OIL SEAL	1	1	1	1	
3	93306-30317	BEARING	2	2	2	2	
4	93102-28022	OIL SEAL	1	1	1	1	
5	90387-173M5	COLLAR	1	1	1	1	
6	341-25149-00	CLUTCH, METER	1	1	1	1	
7	341-25848-00	RETAINER, CLUTCH	1	1	1	1	
8	5V4-25398-00	BALANCER, WHEEL	1	1	1	1	UN
9	94425-19585	RIM (2.50-19)	1	1	1	1	
10	4VR-25104-01	SPOKE SET, FRONT	1	1	1	1	
11	94110-1908T	TIRE	1	1	1	1	UR BRIDGESTONE
	94110-1908V	TIRE	1	1	1	1	UR DUNLOP
12	94210-19222	TUBE(3.25-19)	1	1	1	1	UR BRIDGESTONE
	94210-19224	TUBE(100/90-19 TR4 BTL)	1	1	1	1	UR DUNLOP
13	94321-19135	BAND, RIM (90-100/90-19)	1	1	1	1	UR DUNLOP
	94321-19157	BAND, RIM (2.15-19)	1	1	1	1	UR BRIDGESTONE
14	4TR-25190-10	GEAR UNIT ASSY	1	1	1	1	
15	90387-173R6	COLLAR	1	1	1	1	
16	4TR-25181-00	AXLE, WHEEL	1	1	1	1	

D12

FIG. 28 FRONT BRAKE CALIPER

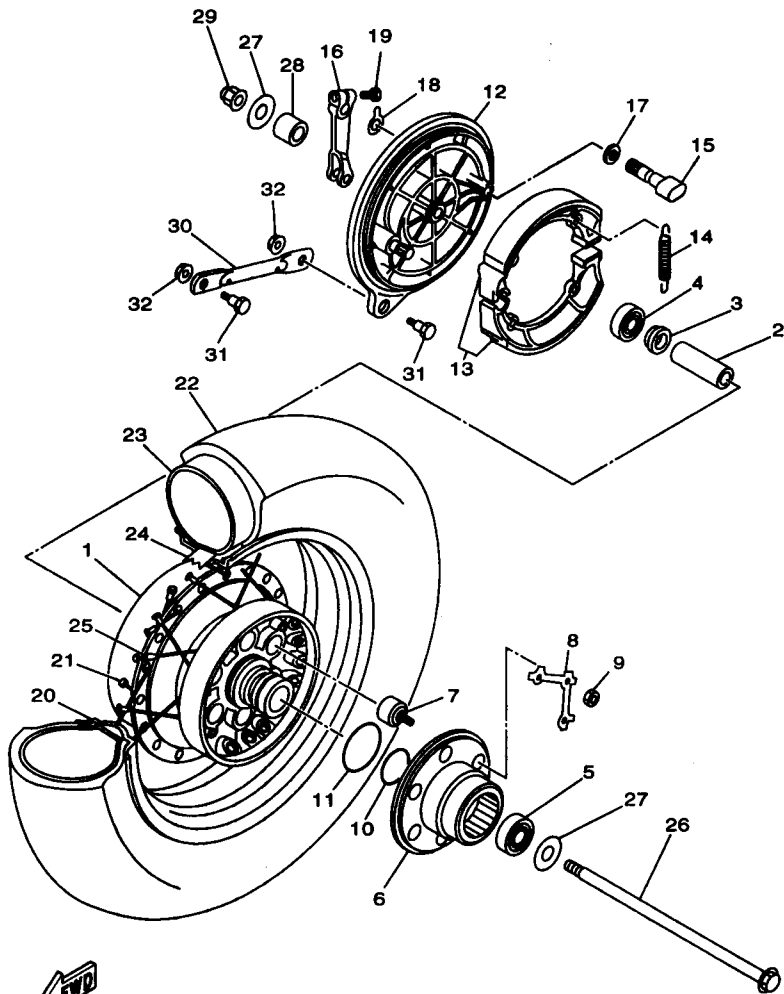


3JB7010-4300

REF. NO.	PART NO.	DESCRIPTION					REMARKS
			4WR3	4VR4	4XR3	4XR4	
1	3JB-2582U-01	DISC, BRAKE (RIGHT)	1	1	1	1	
2	90109-083G4	BOLT	6	6	6	6	
3	4TR-2580U-00	CALIPER ASSY (RIGHT)	1	1	1	1	
4	3JB-W0057-00	.PISTON ASSY, CALIPER	1	1	1	1	
5	3JB-W0047-00	..CALIPER SEAL KIT	1	1	1	1	
6	5R2-25937-00	.BOOT 2	1	1	1	1	
7	3YX-25937-00	.BOOT 2	1	1	1	1	
8	4TR-W0045-00	.BRAKE PAD KIT	1	1	1	1	
9	3YX-25919-00	.SUPPORT, PAD	2	2	2	2	
10	3YX-25929-00	.SPRING, ANTI RATTLE	1	1	1	1	
11	51L-W0048-00	.BLEED SCREW KIT	1	1	1	1	
12	90105-10638	BOLT, WASHER BASED	2	2	2	2	

D13

FIG. 29 REAR WHEEL

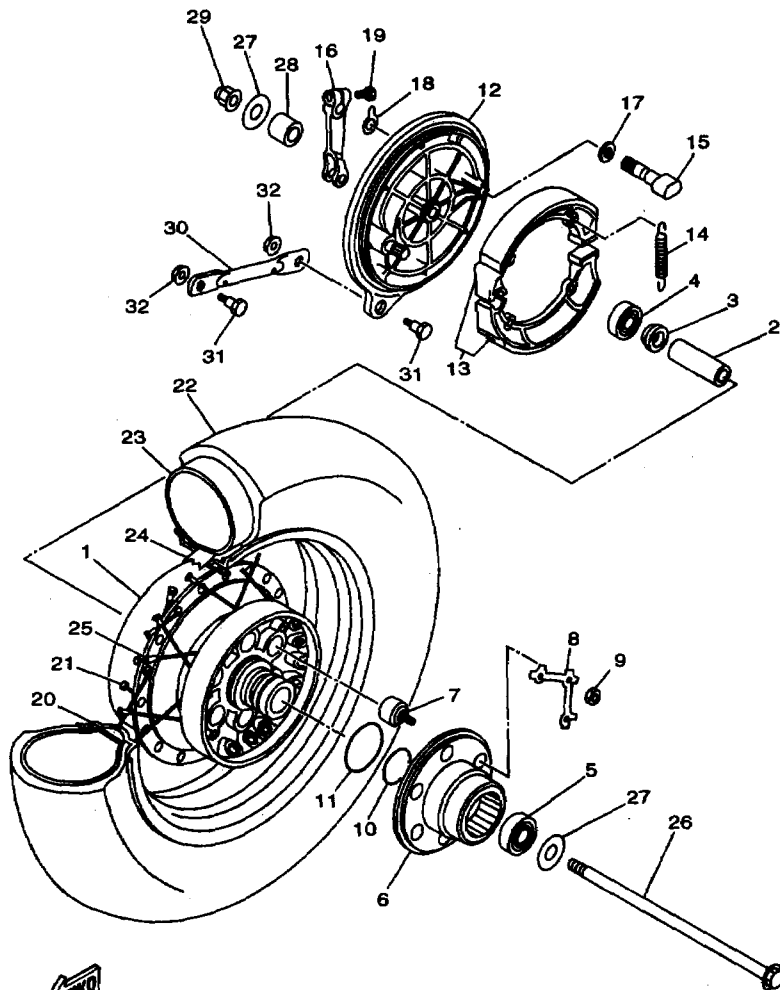



4VR3300-8290

REF. NO.	PART NO.	DESCRIPTION	4VR3	4VR4	4XR3	4XR4	REMARKS
1	3JB-25311-00-35	HUB, REAR	1	1	1	1	SL
2	2GV-25317-00	SPACER, BEARING	1	1	1	1	
3	2GV-25315-00	FLANGE, SPACER	1	1	1	1	
4	93306-30209	BEARING	1	1	1	1	
5	93306-30202	BEARING	1	1	1	1	
6	4TR-25366-00	CLUTCH, HUB	1	1	1	1	
7	4TR-25364-00	DAMPER	6	6	6	6	
8	16G-25412-00	WASHER	2	2	2	2	
9	90170-10219	NUT	6	6	6	6	
10	93210-48530	O-RING	1	1	1	1	
11	93210-61750	O-RING	1	1	1	1	
12	4TR-25321-00	PLATE, BRAKE SHOE	1	1	1	1	
13	3DR-W2536-00	BRAKE SHOE SET	1	1	1	1	
14	90507-20002	SPRING, TENSION	2	2	2	2	
15	4H7-25351-00	CAMSHAFT	1	1	1	1	
16	214-25355-00	LEVER, CAMSHAFT	1	1	1	1	
17	90201-14577	WASHER, PLATE	1	1	1	1	
18	4H7-2533A-02	PLATE, INDICATOR	1	1	1	1	
19	90101-06764	BOLT	1	1	1	1	
20	94435-15586	RIM	1	1	1	1	
21	4VR-25304-01	SPOKE SET, REAR	1	1	1	1	
22	94117-1508U	TIRE	1	1	1	1	UR BRIDGESTONE
	94117-1508W	TIRE	1	1	1	1	UR DUNLOP
23	94217-15298	TUBE	1	1	1	1	UR BRIDGESTONE
	94217-15299	TUBE	1	1	1	1	UR DUNLOP
24	94317-15172	BAND, RIM	1	1	1	1	UR BRIDGESTONE
	94317-15173	BAND, RIM	1	1	1	1	UR DUNLOP

D14

FIG. 29 REAR WHEEL

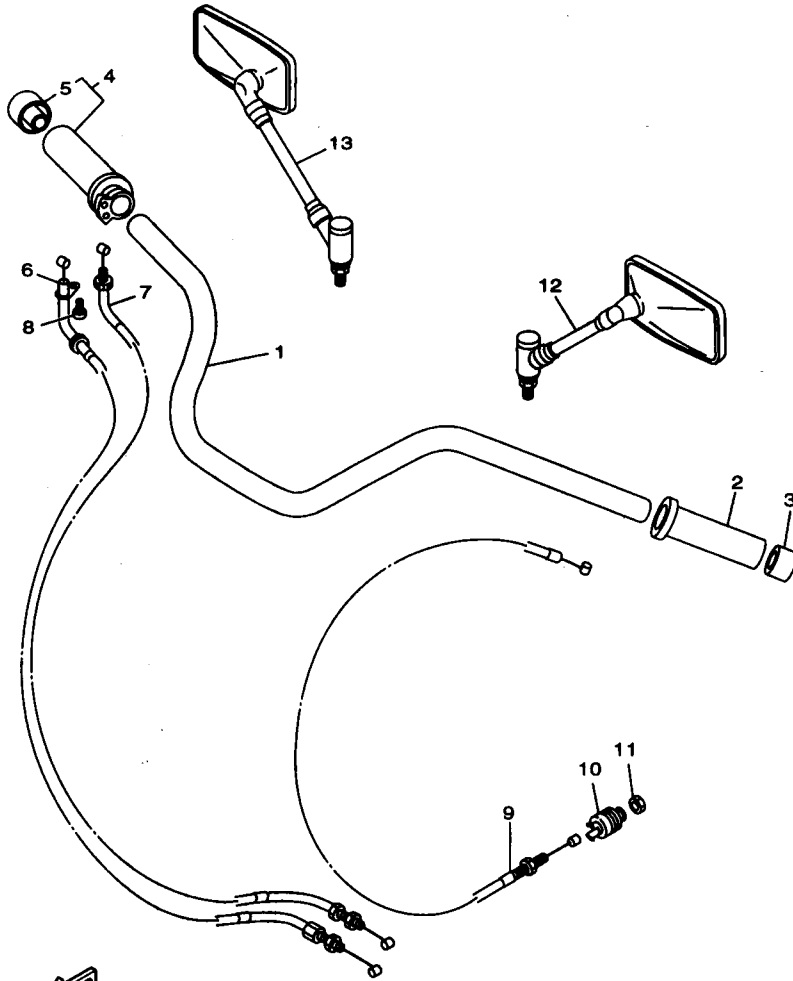


REF. NO.	PART NO.	DESCRIPTION					REMARKS
			4VR3	4VR4	4XR3	4XR4	
25	5V4-25398-00	BALANCER, WHEEL	1	1	1	1	UN
26	4TR-25381-00	AXLE, WHEEL	1	1	1	1	
27	90201-152L7	WASHER, PLATE	2	2	2	2	
28	90387-151R1	COLLAR	1	1	1	1	
29	95604-14200	NUT, SELF-LOCKING	1	1	1	1	
30	4TR-25371-00	BAR, TENSION	1	1	1	1	
31	90109-085G1	BOLT	2	2	2	2	
32	95604-08200	NUT, U FLANGE	2	2	2	2	


4VR3300-8290

D15

FIG. 30 STEERING HANDLE. CABLE

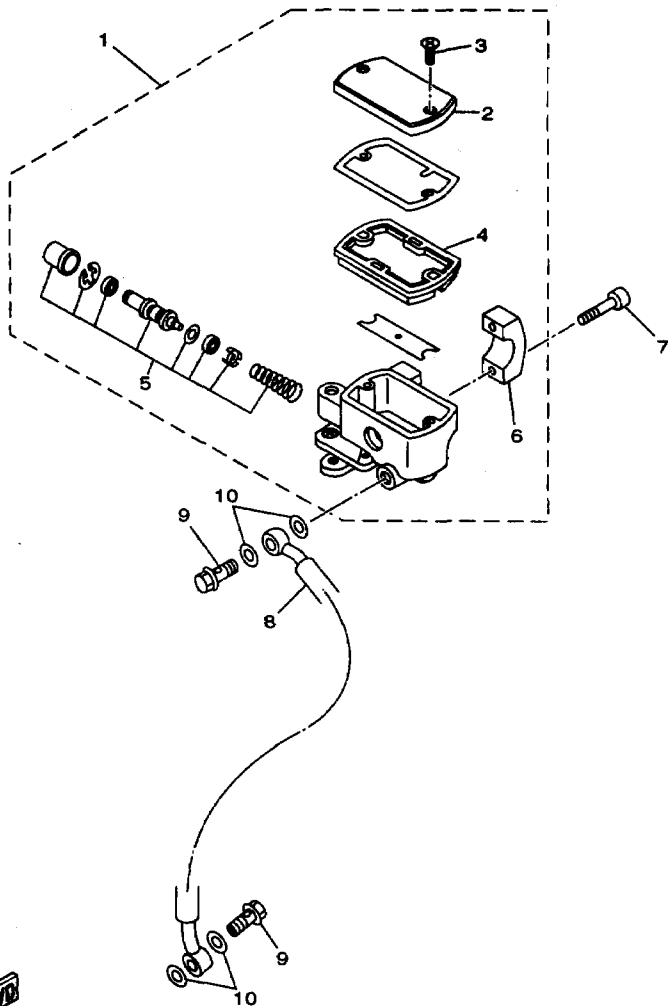


4VR1300-7300

REF. NO.	PART NO.	DESCRIPTION	4VR3	4VR4	4XR3	4XR4	REMARKS
1	4VR-26111-00	HANDLEBAR	1	1	1	1	
2	4NK-26241-00	GRIP (LEFT)	1	1	1	1	
3	4NK-2628J-00	CAP, GRIP	1	1	1	1	
4	4NK-26240-00	GRIP ASSY	1	1	1	1	
5	4NK-2635J-00	.CAP 2	1	1	1	1	
6	5BN-26311-00	CABLE, THROTTLE 1	1	1	1	1	
7	5BN-26312-00	CABLE, THROTTLE 2	1	1	1	1	
8	98507-05008	SCREW, PAN HEAD	1	1	1	1	
9	4TR-26335-00	CABLE, CLUTCH	1	1	1	1	
10	1E6-26342-00	BOOT, CABLE	1	1	1	1	
11	95304-08700	NUT	1	1	1	1	
12	4VR-26280-00	REAR VIEW MIRROR ASSY(LEFT)	1	1	1	1	
13	4VR-26290-00	REAR VIEW MIRROR ASSY(RIGHT)	1	1	1	1	

E2

FIG. 31 FRONT MASTER CYLINDER

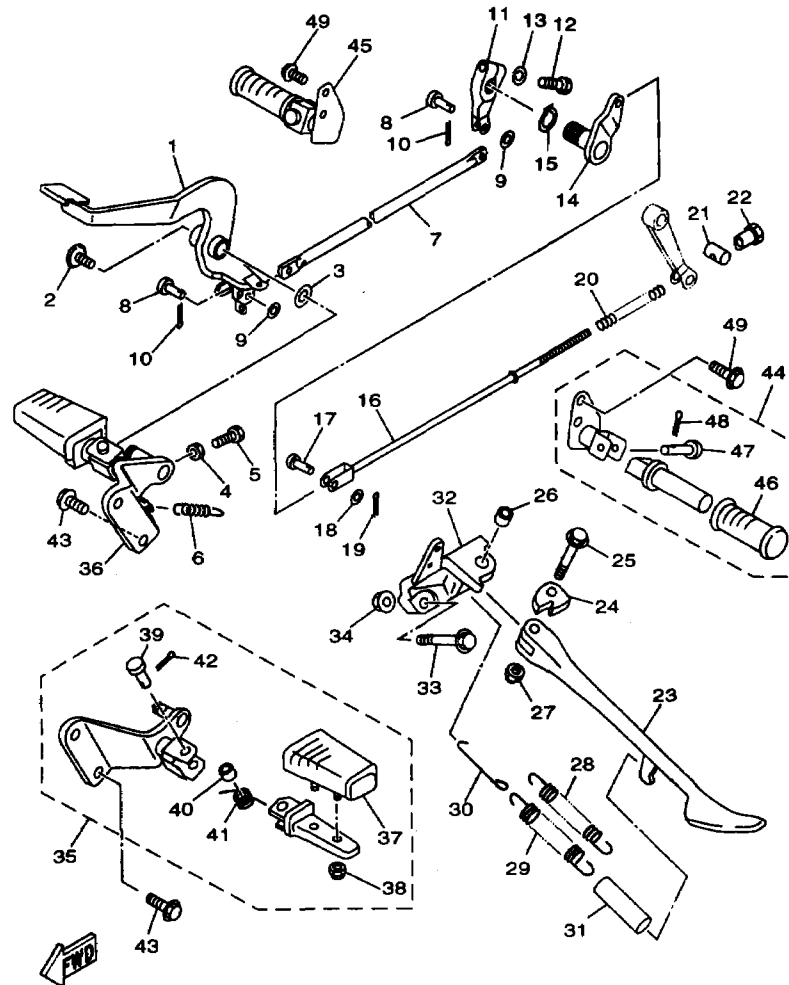


REF. NO.	PART NO.	DESCRIPTION	4VR3	4VR4	4XR3	4XR4	REMARKS
1	4VR-2583T-00	MASTER CYLINDER ASSY	1	1	1	1	
2	4TR-25852-00	.CAP, RESERVOIR	1	1	1	1	
3	98704-04012	.SCREW, FLAT HEAD	2	2	2	2	
4	4BH-25854-01	.DIAPHRAGM, RESERVOIR	1	1	1	1	
5	1JL-W0041-01	.CYLINDER KIT, MASTER	1	1	1	1	
6	4TR-25867-00	.BRACKET, MASTER CYLINDER	1	1	1	1	
7	91314-06025	BOLT	2	2	2	2	
8	4VR-25872-10	HOSE, BRAKE 1	1	1	1	1	
9	90401-10159	BOLT, UNION	2	2	2	2	
10	90201-10118	WASHER, PLATE	4	4	4	4	


4VR1300-7310

E3

FIG. 32 STAND. FOOTREST

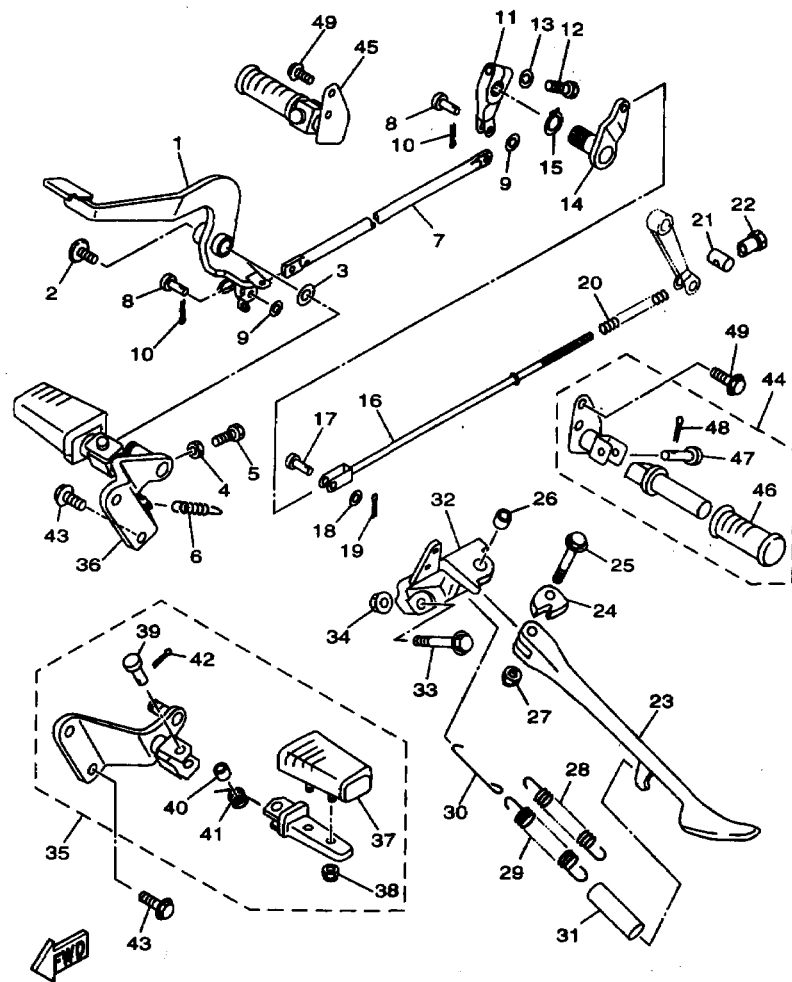


4VR1300-7321

REF. NO.	PART NO.	DESCRIPTION	4VR3	4VR4	4VR3	4VR4	REMARKS
1	4VR-27211-00	PEDAL, BRAKE	1	1	1	1	
2	90110-06249	BOLT, HEXAGON SOCKET HEAD	1	1	1	1	
3	90206-14086	WASHER, WAVE	1	1	1	1	
4	95307-06700	NUT	1	1	1	1	
5	90101-06534	BOLT	1	1	1	1	
6	90506-20369	SPRING, TENSION	1	1	1	1	
7	4TR-27247-00	ROD 1	1	1	1	1	
8	90240-06108	PIN, CLEVIS	2	2	2	2	
9	90201-062P7	WASHER, PLATE	2	2	2	2	
10	91401-20012	PIN, COTTER	2	2	2	2	
11	4TR-27243-00	BOSS, BRAKE PEDAL	1	1	1	1	
12	90109-06468	BOLT	1	1	1	1	
13	92907-06100	WASHER, SPRING	1	1	1	1	
14	4TR-27212-00	SHAFT, BRAKE PEDAL	1	1	1	1	
15	99009-19400	CIRCLIP	1	1	1	1	
16	4TR-27231-00	ROD, BRAKE	1	1	1	1	
17	90240-06108	PIN, CLEVIS	1	1	1	1	
18	90201-062P7	WASHER, PLATE	1	1	1	1	
19	91401-20012	PIN, COTTER	1	1	1	1	
20	90501-10245	SPRING, COMPRESSION	1	1	1	1	
21	90249-12008	PIN	1	1	1	1	
22	90179-06411	NUT	1	1	1	1	
23	4KU-27311-11	STAND, SIDE	1	1	1	1	
24	4VR-27322-00	WASHER	1	1	1	1	
25	90105-102A6	BOLT, WASHER BASED	1	1	1	1	
26	90387-1003G	COLLAR	1	1	1	1	
27	95617-10200	NUT, SELF-LOCKING	1	1	1	1	

E4

FIG. 32 STAND, FOOTREST



4VR1300-7321

REF. NO.	PART NO.	DESCRIPTION					REMARKS
			4VR3	4VR4	4XR3	4XR4	
28	90506-23490	SPRING, TENSION	1	1	1	1	
29	90506-29507	SPRING, TENSION	1	1	1	1	
30	4TR-27315-01	LINK, SIDE STAND	1	1	1	1	
31	90445-16841	HOSE	1	1	1	1	
32	4VR-27321-00	BRACKET, SIDE STAND	1	1	1	1	
33	90105-10727	BOLT, WASHER BASED	2	2	2	2	
34	95617-10200	NUT, SELF-LOCKING	1	1	1	1	
35	4VR-27410-00	FRONT FOOTREST ASSY (LEFT)	1	1	1	1	
36	4VR-27420-00	FRONT FOOTREST ASSY (RIGHT)	1	1	1	1	
37	4VR-27413-00	.COVER, FOOTREST	1	1	1	1	
38	95607-06100	.NUT, U	2	2	2	2	
39	90240-08084	.PIN, CLEVIS	1	1	1	1	
40	90387-087K5	.COLLAR	1	1	1	1	
41	90508-18696	.SPRING, TORSION	1	1	1	1	
42	91401-25015	.PIN, COTTER	1	1	1	1	
43	90105-102A3	BOLT, WASHER BASED	4	4	4	4	
44	4TR-27430-10	REAR FOOTREST ASSY 1	1	1	1	1	
45	4TR-27440-10	REAR FOOTREST ASSY 2	1	1	1	1	
46	120-27433-00	.COVER, REAR FOOTREST	1	1	1	1	
47	91701-06032	.PIN, CLEVIS	1	1	1	1	
48	91401-20015	.PIN, COTTER	1	1	1	1	
49	90105-082A5	BOLT, WASHER BASED	4	4	4	4	

E5

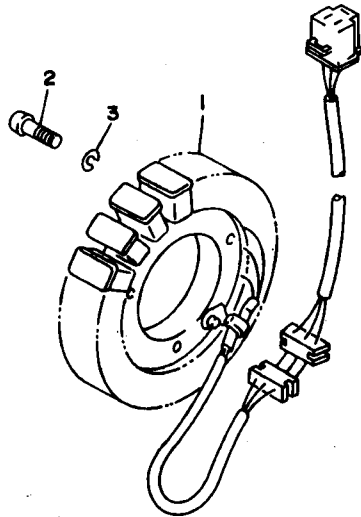
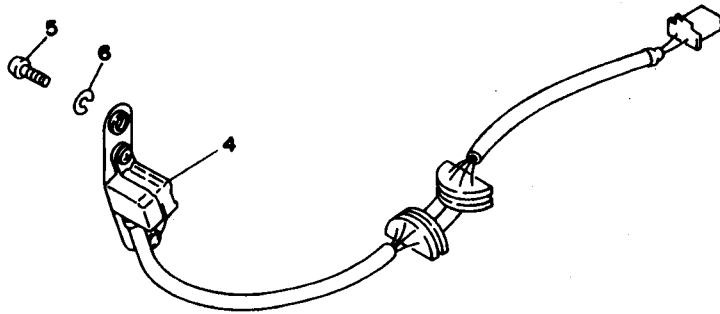


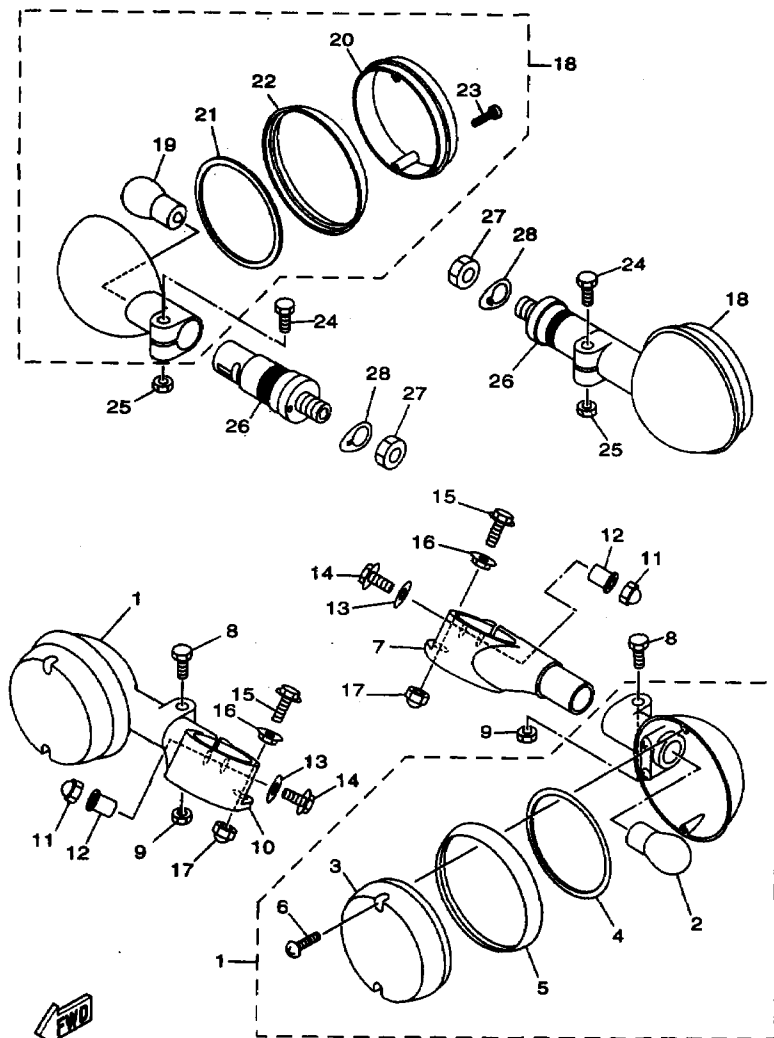
FIG. 33 GENERATOR

REF. NO.	PART NO.	DESCRIPTION	4VR3	4VR4	4XR3	4XR4	REMARKS
1	4VR-81410-00	STATOR ASSY	1	1	1	1	
2	98507-06030	SCREW, PAN HEAD	3	3	3	3	
3	92907-06600	WASHER, PLATE	3	3	3	3	
4	4TR-81670-00	PICK-UP ASSY	1	1	1	1	
5	98507-06020	SCREW, PAN HEAD	3	3	3	3	
6	92907-06600	WASHER, PLATE	3	3	3	3	

FWD
4TR1010-6330

E6

FIG. 34 FLASHER LIGHT

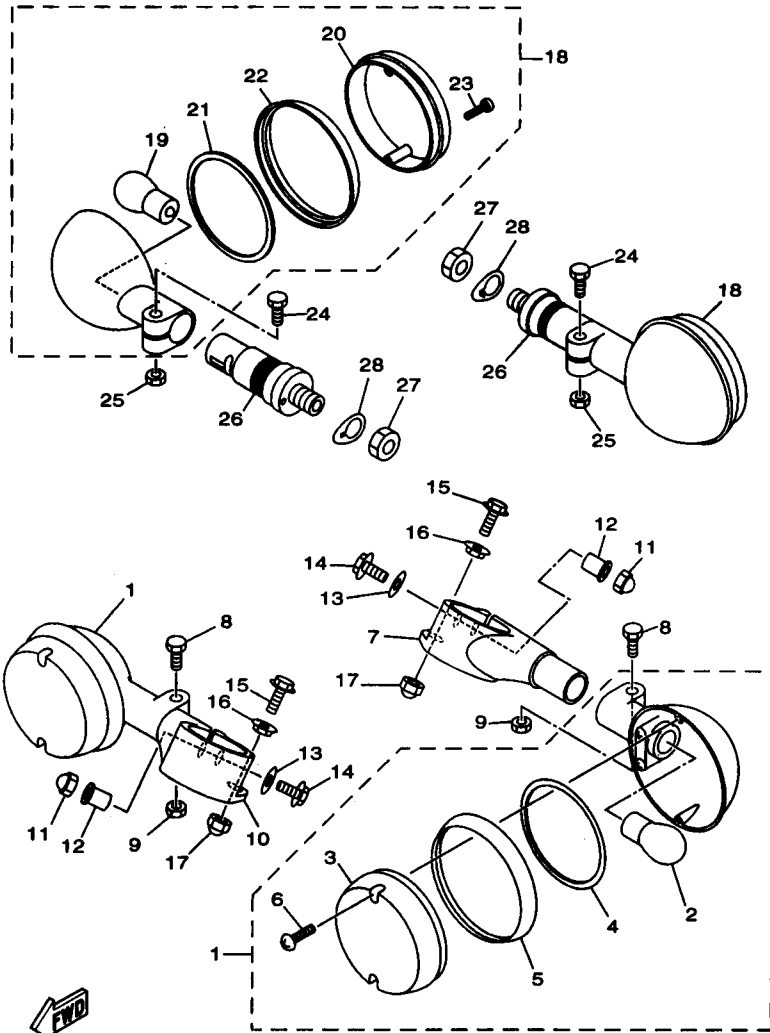


REF. NO.	PART NO.	DESCRIPTION					REMARKS
			4VR3	4VR4	4XR3	4XR4	
1	2EN-83310-00	FRONT FLASHER LIGHT ASSY 1	2	2	2	2	
2	2AE-83311-00	.BULB, FLASHER (12V-21W)	1	1	1	1	
3	42X-83312-00	.LENS, FLASHER	1	1	1	1	
4	42X-83313-00	.GASKET, FLASHER LENS	1	1	1	1	
5	42X-83363-00	.LENS, RIM	1	1	1	1	
6	57M-83358-00	.SCREW, SPECIAL	2	2	2	2	
7	4VR-83314-00	BASE, FLASHER 1	1	1	1	1	
8	95024-06030	BOLT, FLANGE	2	2	2	2	
9	95704-06500	NUT, FLANGE	2	2	2	2	
10	4VR-83324-00	BASE, FLASHER 2	1	1	1	1	
11	90176-06055	NUT, CROWN	2	2	2	2	
12	90387-063Y3	COLLAR	2	2	2	2	
13	90201-06045	WASHER, PLATE	2	2	2	2	
14	95807-06025	BOLT, FLANGE	2	2	2	2	
15	95027-06030	BOLT, FLANGE	2	2	2	2	
16	90560-06244	SPACER	2	2	2	2	
17	95304-06800	NUT, CROWN	2	2	2	2	
18	2EN-83330-00	REAR FLASHER LIGHT ASSY 1	2	2	2	2	
19	2AE-83311-00	.BULB, FLASHER (12V-21W)	1	1	1	1	
20	2AE-83312-00	.LENS, FLASHER	1	1	1	1	
21	42X-83313-00	.GASKET, FLASHER LENS	1	1	1	1	
22	42X-83363-00	.LENS, RIM	1	1	1	1	
23	57M-83358-00	.SCREW, SPECIAL	2	2	2	2	
24	95024-06030	BOLT, FLANGE	2	2	2	2	
25	95704-06500	NUT, FLANGE	2	2	2	2	
26	1AA-83318-00	STAY, FLASHER 1	2	2	2	2	
27	95307-12700	NUT	2	2	2	2	


4VR1300-7340

E7

FIG. 34 FLASHER LIGHT

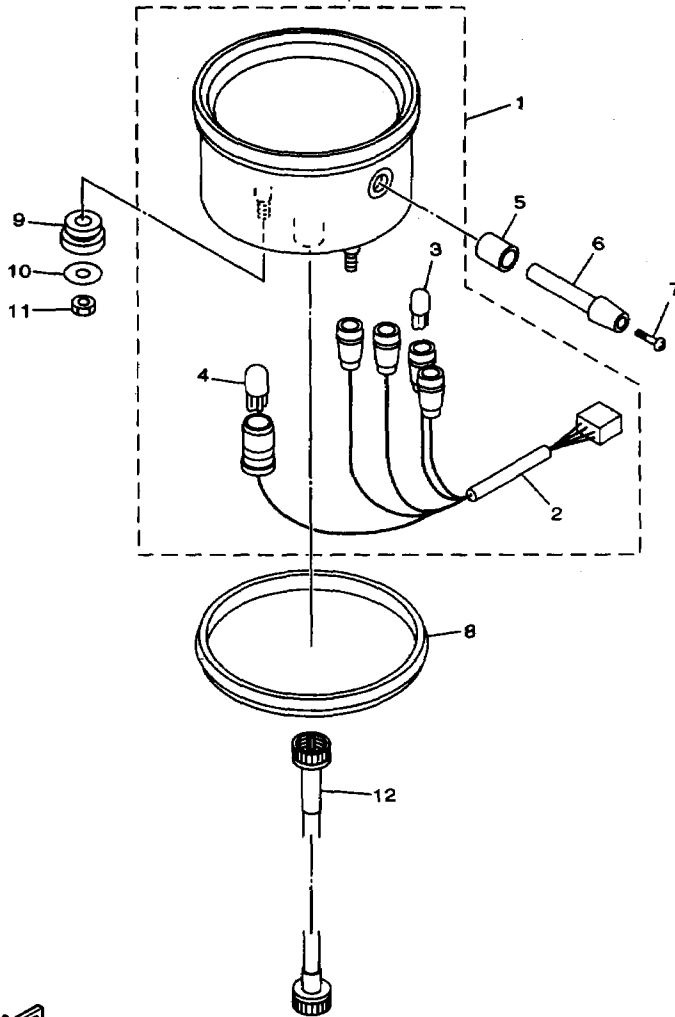



4VR1300-7340

REF. NO.	PART NO.	DESCRIPTION	4VR3	4VR4	4XR3	4XR4	REMARKS
28	4TR-83348-00	WASHER	2	2	2	2	

E8

FIG. 35 METER



REF. NO.	PART NO.	DESCRIPTION	4VR3	4VR4	4XR3	4XR4	REMARKS
1	4TR-83580-00	SPEEDOMETER ASSY	1	1	1	1	
	4TR-83580-20	SPEEDOMETER ASSY	1	1	1	1	
2	4TR-83520-00	.SOCKET CORD ASSY	1	1	1	1	
3	2GV-83517-00	.BULB (12V-1.7W, T6.5)	4	4	4	4	
4	1YT-83517-00	.BULB (12V-1.7W, T10)	1	1	1	1	
5	4TR-83535-00	TUBE	1	1	1	1	
6	1JK-83578-00	KNOB, TRIP METER	1	1	1	1	
7	90157-02031	SCREW, PAN HEAD	1	1	1	1	
8	4TR-83513-00	DAMPER	1	1	1	1	
9	4TR-83526-00	DAMPER 2	2	2	2	2	
10	90201-05033	WASHER, PLATE	2	2	2	2	
11	95307-05700	NUT	2	2	2	2	
12	4JH-83550-01	SPEEDOMETER CABLE ASSY	1	1	1	1	


4VR1300-7350

E9

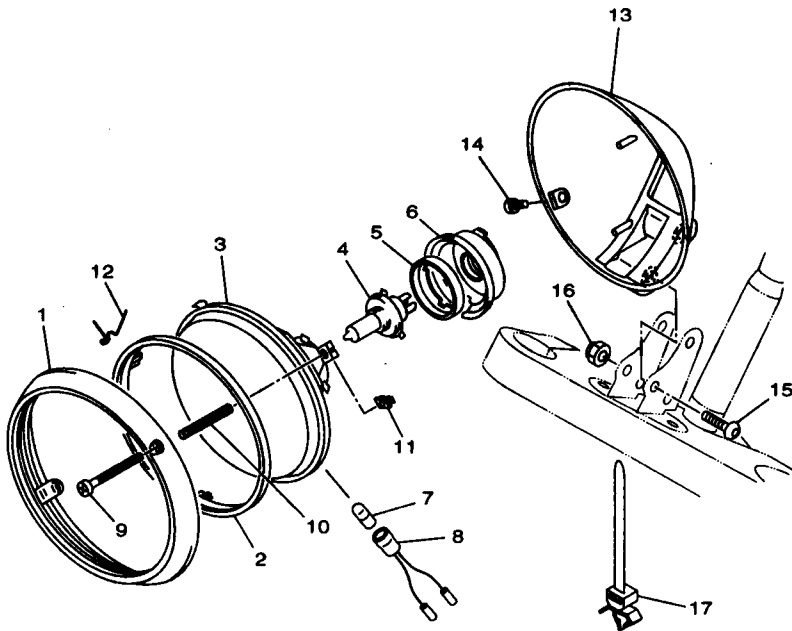


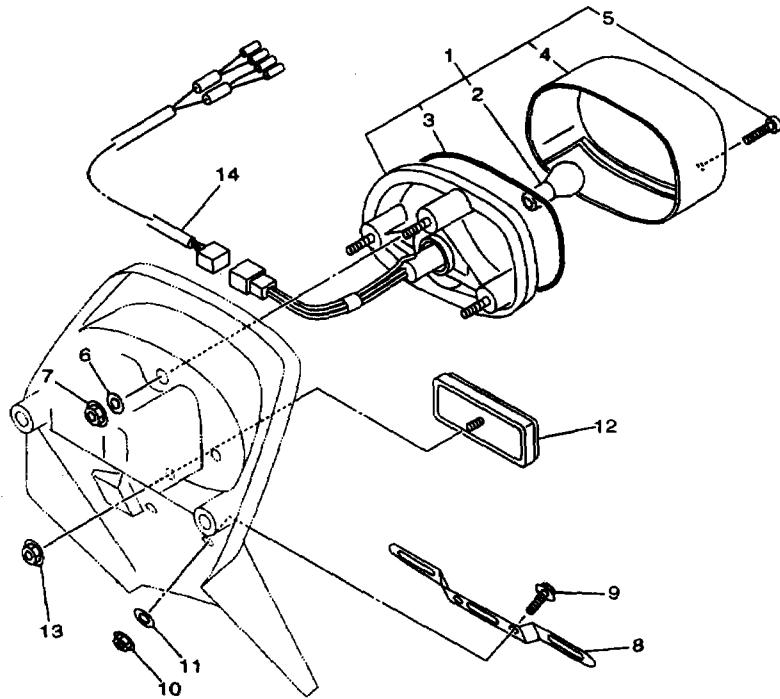
FIG. 36 HEADLIGHT

REF. NO.	PART NO.	DESCRIPTION	4VR3	4VR4	4XR3	4XR4	REMARKS
1	42X-84315-01	RIM, HEADLIGHT	1	1	1	1	
2	5Y3-84395-00	RING, RETAINING	1	1	1	1	
3	2AE-84320-G0	LENS ASSY	1	1	1	1	UR
	55R-84321-H0	LENS ASSY	1	1	1	1	UR FOR GBR
4	2F9-84314-00	BULB (12V-60/55W)	1	1	1	1	(H4)HALOGEN
5	2F9-84375-00	SETTING PLATE, BULB	1	1	1	1	
6	2F9-84397-01	COVER, SOCKET	1	1	1	1	
7	306-84347-30	BULB (12V 3.4W)	1	1	1	1	UR FOR GBR
	4E2-84347-00	BULB (12V-4W)	1	1	1	1	UR
8	306-84346-30	SOCKET, PILOT LIGHT	1	1	1	1	UR
	306-84346-30	SOCKET, PILOT LIGHT	1	1	1	1	UR FOR GBR
9	341-84331-80	SCREW, RIM ADJUSTING	2	2	2	2	
10	1A0-84332-80	SPRING, SCREW	2	2	2	2	
11	198-84334-80	NUT, ADJUSTING	2	2	2	2	
12	42X-84124-60	SPRING, SET	1	1	1	1	
13	4TR-84330-00	BODY ASSY	1	1	1	1	
14	90149-05317	SCREW	2	2	2	2	
15	92014-06045	BOLT, BUTTON HEAD	2	2	2	2	
16	90176-06047	NUT, CROWN	2	2	2	2	
17	90464-12089	CLAMP	1	1	1	1	


4VR1300-7360

E10

FIG. 37 TAILLIGHT

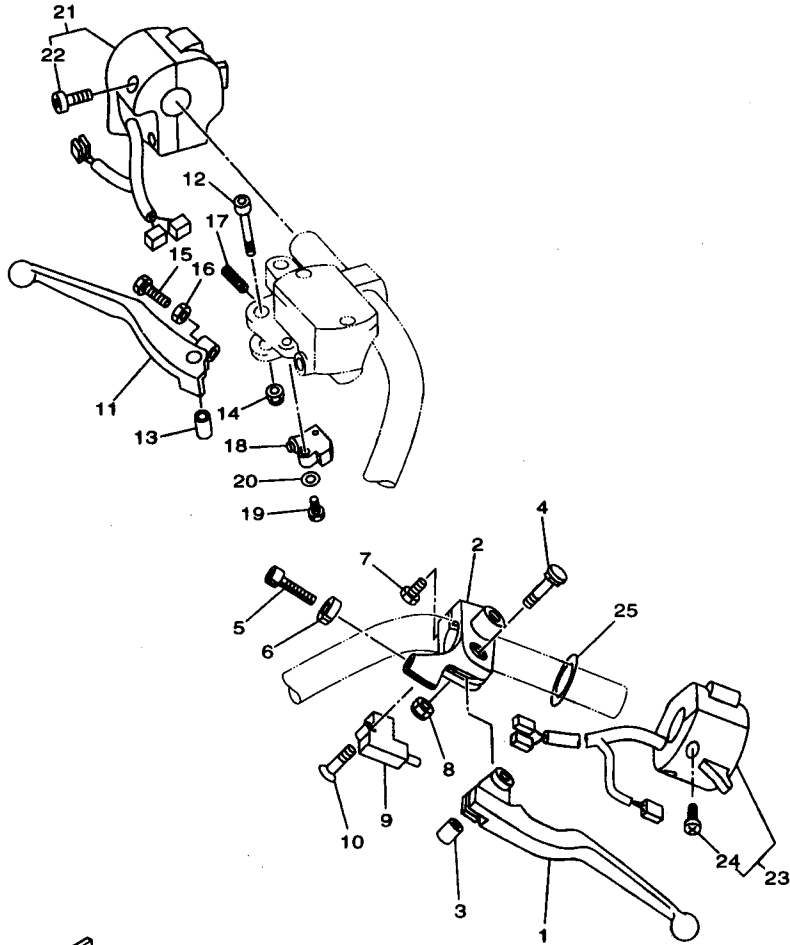


REF. NO.	PART NO.	DESCRIPTION	4VR3	4VR4	4XR3	4XR4	REMARKS
1	4TR-84700-00	TAILLIGHT ASSY	1	1	1	1	
2	31L-84714-00	.BULB, TAILLIGHT (12V-21/5W)	1	1	1	1	
3	4TR-84723-00	.GASKET, TAIL LENS	1	1	1	1	
4	4TR-84733-00	.LENS, TAILLIGHT	1	1	1	1	
5	97706-40620	.SCREW, TAPPING	2	2	2	2	
6	90201-06380	WASHER, PLATE	3	3	3	3	
7	95607-06100	NUT, U	3	3	3	3	
8	3YF-84751-00	BRACKET, LICENSE	1	1	1	1	
9	95027-06012	BOLT, FLANGE	2	2	2	2	
10	95607-06100	NUT, U	2	2	2	2	
11	90201-06063	WASHER, PLATE	2	2	2	2	
12	3Y6-85130-02	REAR REFLECTOR ASSY	1	1	1	1	
13	95707-05500	NUT, FLANGE	1	1	1	1	
14	4TR-84717-00	CORD, TAILLIGHT	1	1	1	1	


4TR1010-8370

E11

FIG. 38 HANDLE SWITCH. LEVER

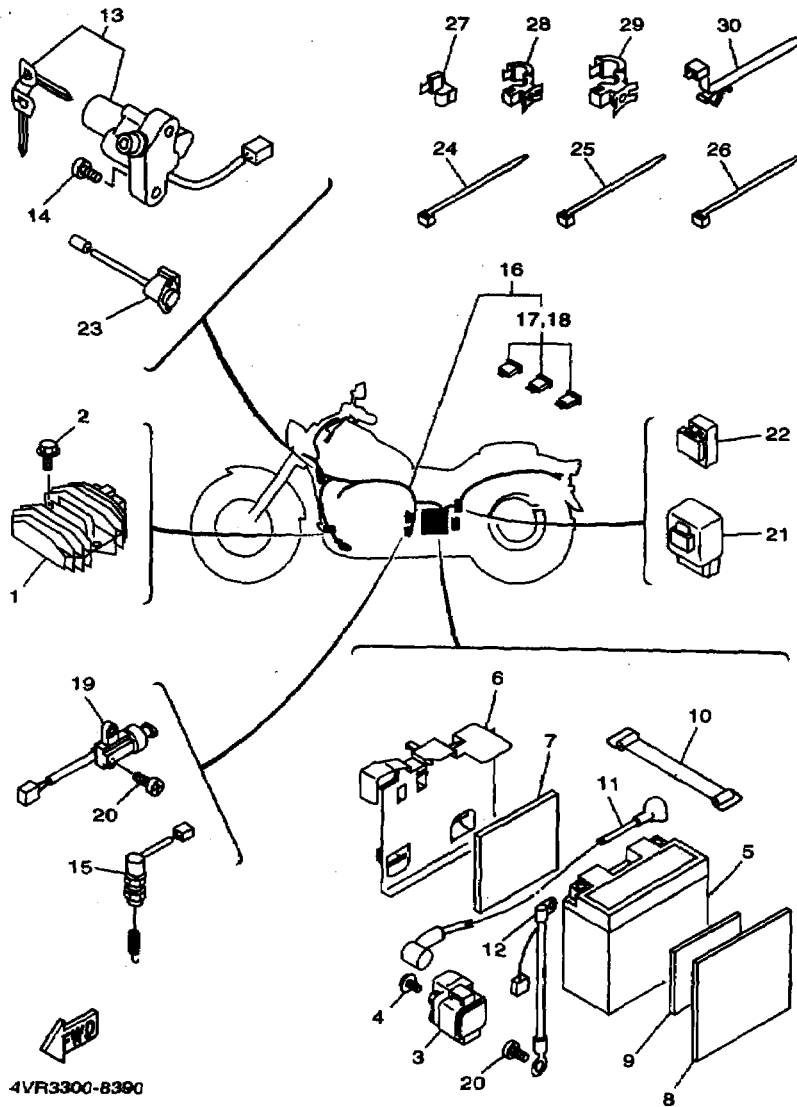


REF. NO.	PART NO.	DESCRIPTION	4VR3	4VR4	4XR3	4XR4	REMARKS
1	4TR-83912-00	LEVER 1	1	1	1	1	
2	4TR-82911-00	HOLDER, LEVER 1	1	1	1	1	
3	4TR-83913-00	COLLAR, LEVER 1	1	1	1	1	
4	4TR-83945-00	BOLT, LEVER	1	1	1	1	
5	90123-08046	BOLT	1	1	1	1	
6	90179-08148	NUT	1	1	1	1	
7	97004-06020	BOLT	1	1	1	1	
8	95604-06100	NUT, U	1	1	1	1	
9	3YX-82917-00	SWITCH	1	1	1	1	
10	98707-03020	SCREW, FLAT HEAD	1	1	1	1	
11	1FK-83922-00	LEVER 2	1	1	1	1	
12	90110-06074	BOLT, HEXAGON SOCKET HEAD	1	1	1	1	
13	36Y-83913-01	COLLAR, LEVER 1	1	1	1	1	
14	95607-06100	NUT, U	1	1	1	1	
15	90149-06131	SCREW	1	1	1	1	
16	90170-06010	NUT	1	1	1	1	
17	90501-10312	SPRING, COMPRESSION	1	1	1	1	
18	36Y-83980-01	FRONT STOP SWITCH ASSY	1	1	1	1	
19	98507-04016	SCREW, PAN HEAD	1	1	1	1	
20	92907-04600	WASHER	1	1	1	1	
21	4YP-83963-00	SWITCH, HANDLE 3 (RIGHT)	1	1	1	1	
22	98504-05025	SCREW, PAN HEAD	2	2	2	2	
23	4TR-83972-00	SWITCH, HANDLE 4	1	1	1	1	
24	98504-05025	SCREW, PAN HEAD	2	2	2	2	
25	90202-26142	WASHER, PLATE	1	1	1	1	

4TR1010-6380

E12

FIG. 39 ELECTRICAL 1

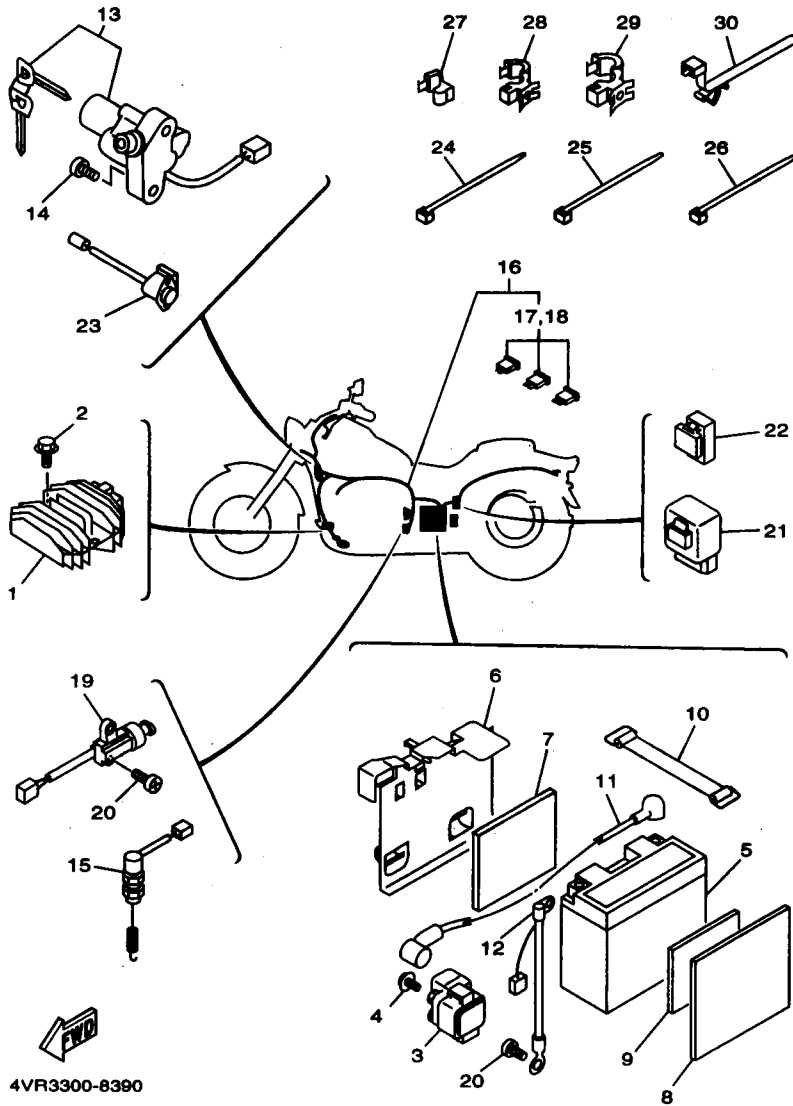


4VR3300-8390

REF. NO.	PART NO.	DESCRIPTION					REMARKS
			4VR3	4VR4	4VR3	4VR4	
1	5BN-81980-00	RECTIFIER & REGULATOR ASSY	1	1	1	1	
2	95804-08020	BOLT, FLANGE	2	2	2	2	
3	4BH-81940-00	STARTER RELAY ASSY	1	1	1	1	
4	95027-06008	BOLT, FLANGE	2	2	2	2	
5	4TX-82100-01	BATTERY ASSY	1	1	1	1	
6	5BN-82128-00	COVER, BATTERY	1	1	1	1	
7	29N-14425-00	DAMPER 1	1	1	1	1	
8	4VR-2176E-00	PLATE	1	1	1	1	
9	29N-14425-00	DAMPER 1	1	1	1	1	
10	133-82131-00	BAND, BATTERY	1	1	1	1	
11	5BN-82115-00	WIRE, PLUS LEAD	1	1	1	1	
12	5BN-82116-00	WIRE, MINUS LEAD	1	1	1	1	
13	4VR-82501-00	MAIN SWITCH STEERING LOCK	1	1	1	1	
14	92017-08020	BOLT, BUTTON HEAD	2	2	2	2	
15	3HN-82530-11	STOP SWITCH ASSY	1	1	1	1	
16	4VR-82590-10	WIRE HARNESS ASSY	1	1	1	1	
17	36Y-82151-00	.FUSE (15A-BL)	3	3	3	3	
18	42X-82151-00	.FUSE (10A-BL)	3	3	3	3	
19	3LD-82566-80	SWITCH, SIDE STAND	1	1	1	1	
20	90157-06079	SCREW, PAN HEAD	2	2	2	2	
21	3EN-81950-00	RELAY ASSY	1	1	1	1	
22	1UY-81950-92	RELAY ASSY	1	1	1	1	
23	4TR-82580-00	THERMO SWITCH ASSY	1	1	1	1	
24	1UA-82591-00	BAND	4	4	4	4	
25	1UA-82591-00	BAND	10	10	10	10	
26	1UA-82591-00	BAND	1	1	1	1	
27	90464-05188	CLAMP	2	2	2	2	

E13

FIG. 39 ELECTRICAL 1

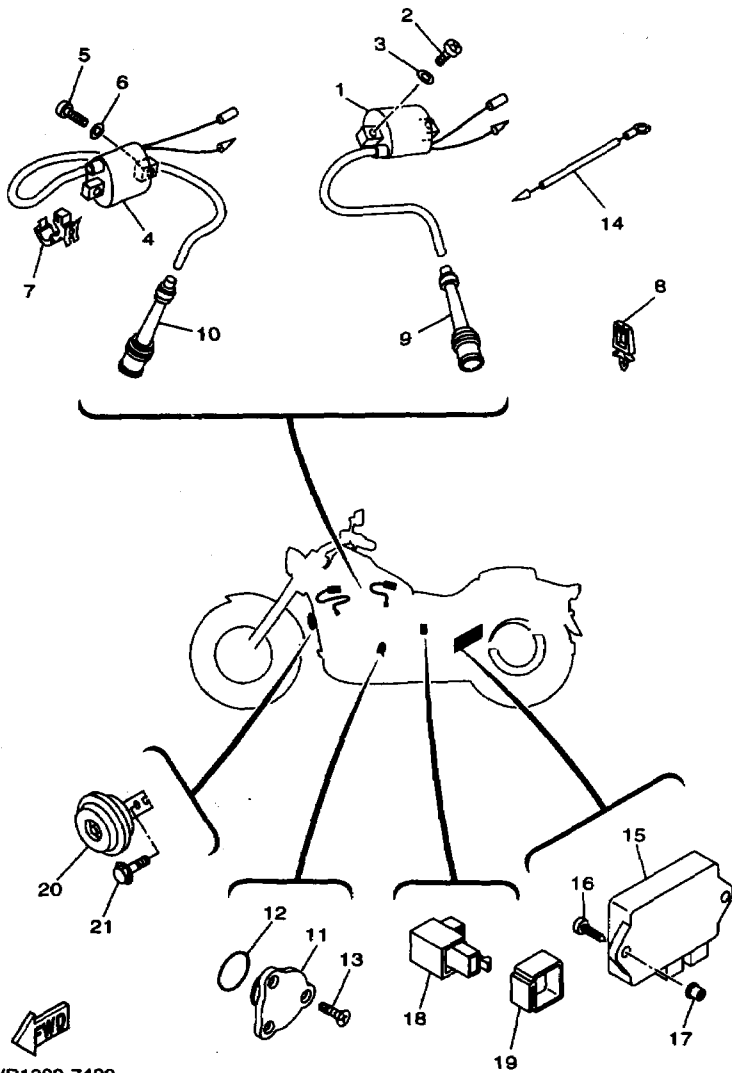


4VR3300-8390

REF. NO.	PART NO.	DESCRIPTION					REMARKS
			4VR3	4VR4	4XRS	4XRF	
28	90464-15192	CLAMP	1	1	1	1	
29	90464-20181	CLAMP	1	1	1	1	
30	90464-20213	CLAMP	1	1	1	1	

E14

FIG. 40 ELECTRICAL 2



REF. NO.	PART NO.	DESCRIPTION					REMARKS
			4VR3	4VR4	4XR3	4XR4	
1	4VR-82310-00	IGNITION COIL ASSY	1	1	1	1	
2	98507-05020	SCREW, PAN HEAD	2	2	2	2	
3	92907-05600	WASHER, PLATE	2	2	2	2	
4	4VR-82320-00	IGNITION COIL ASSY	1	1	1	1	
5	98507-05020	SCREW, PAN HEAD	2	2	2	2	
6	92907-05600	WASHER, PLATE	2	2	2	2	
7	90464-10190	CLAMP	1	1	1	1	
8	90464-05141	CLAMP	1	1	1	1	
9	1FK-82370-00	PLUG CAP ASSY	1	1	1	1	
10	4TR-82370-00	PLUG CAP ASSY	1	1	1	1	
11	1L9-82540-00	NEUTRAL SWITCH ASSY	1	1	1	1	
12	93210-29198	O-RING	1	1	1	1	
13	90149-06321	SCREW	3	3	3	3	
14	4TR-82509-00	WIRE, SUB LEAD	1	1	1	1	
15	4VR-82305-00	IGNITOR UNIT ASSY	1	1	1	1	
16	97707-60020	SCREW, TAPPING	2	2	2	2	
17	90338-08226	PLUG	2	2	2	2	
18	4VR-83350-00	FLASHER RELAY ASSY	1	1	1	1	
19	4VR-8338V-00	DAMPER	1	1	1	1	
20	55V-83371-00	HORN	1	1	1	1	
21	90105-082A5	BOLT, WASHER BASED	1	1	1	1	

4VR1300-7400

E15

INDEX

NUMERICAL INDEX

PART NO.	GRID NO.	PART NO.	GRID NO.	PART NO.	GRID NO.	PART NO.	GRID NO.	PART NO.	GRID NO.	PART NO.	GRID NO.
1JL-W0041-01	E- 3	3LD-11633-00	B- 5	1HX-14147-00	B- 11	4TR-1490L-00	B- 12	22U-17211-00	C- 7	3SX-2139X-00	C- 13
4TR-W0045-00	D- 13	4VR-11636-00	B- 5	36Y-14147-00	B- 12	4VR-14900-00	B- 11	4KU-17221-00	C- 7	4TR-2144G-01	C- 11
3JB-W0047-00	D- 13	4VR-11638-00	B- 5	137-14153-00	B- 12	4XR-14900-00	B- 11	4VR-17231-00	C- 7	4TR-21460-01	C- 11
51L-W0048-00	D- 13	4VR-11650-00	B- 5	353-14186-00	B- 12	4VR-14901-00	B- 11	4TR-17241-00	C- 7	4TR-21510-01-P0	C- 13
3JB-W0057-00	D- 13	22U-11654-00	B- 5	12R-14191-00	B- 12	4XR-14901-00	B- 11	4VR-17251-00	C- 7	4TR-21510-01-P3	C- 13
4VR-W1752-00	C- 8	3LD-11656-00	B- 5	1AE-14227-00	B- 11	4VR-14902-00	B- 11	22U-17402-00	C- 7	4TR-21510-01-33	C- 13
3DR-W2536-00	D- 14	3LD-11656-10	B- 5	1HX-14231-14	B- 11	4XR-14902-00	B- 11	4VR-17411-00	C- 7	4VR-21518-00	C- 13
22U-Y1754-00	C- 8	3LD-11656-20	B- 5	1HX-14231-20	B- 11	4XR-14933-00	B- 11	22U-17524-00	C- 8	4TR-21598-01	C- 13
4TR-Y2161-01-P0	C- 13	3LD-11656-30	B- 5	3G2-14231-18	B- 11	4TR-14937-00	B- 12	4VR-17527-00	C- 8	4TR-2160A-00	C- 15
4TR-Y2161-61-P3	C- 13	4VR-12111-00	B- 6	1AE-14237-00	B- 11	22V-14940-00	B- 12	3H5-17529-00	C- 8	4TR-21611-01-33	C- 13
4VR-Y2343-00	D- 6	3Y1-12114-01	B- 6	4HM-14239-00	B- 12	4TR-14940-00	B- 12	3JB-17531-00	C- 8	4TR-21613-01	C- 13
4VR-11102-00	B- 2	3Y1-12116-00	B- 6	1WG-14251-00	B- 12	4XR-14940-00	B- 12	3JB-17531-10	C- 8	4TR-21614-01	C- 13
4VR-11102-11	B- 2	3Y1-12117-01	B- 6	1AE-14261-00	B- 11	4VR-14985-00	B- 12	3JB-17531-20	C- 8	4TR-2162R-01	C- 14
22U-1111F-01	B- 3	1J7-12118-00	B- 6	26H-14275-00	B- 12	4TR-14987-00	B- 12	3JB-17531-30	C- 8	4TR-21629-00	C- 14
4TR-1111F-00	B- 2	1J7-12119-01	B- 6	4TR-14294-00	D- 10	4TR-15100-01	B- 14	3JB-17531-40	C- 8	4TR-21643-00	C- 14
4VR-1111N-00	B- 4	4VR-12121-00	B- 6	4TR-14348-00	B- 12	4TR-15100-11	B- 14	3JB-17531-50	C- 8	4TR-21675-01	C- 13
4TR-1112F-00	B- 2	22U-12151-00	B- 6	4TR-1440F-00	B- 9	2H7-15361-00	C- 2	1J7-17537-Y0-30	D- 4	4TR-21675-60	C- 13
4H7-11133-10	B- 2	22U-12156-01	B- 6	4TR-1440G-00	B- 9	3F9-15382-00	C- 2	1J7-17537-Y0-40	D- 4	4TR-21679-00	C- 14
4TR-11142-00	B- 2	22U-12159-00	B- 6	4TR-14411-00	B- 9	11H-15383-01	B- 14	1J7-17537-Y0-50	D- 4	55K-21708-00	C- 15
22U-11145-00	B- 7	4VR-12171-00	B- 7	4TR-14413-00	B- 9	4TR-15411-00	C- 2	4H7-17537-00-20	C- 8	4TR-2171A-00	D- 10
4TR-11152-00	B- 2	22U-12176-01	B- 7	4TR-14417-00	B- 9	4TR-15415-00	C- 2	4H7-17537-00-30	C- 8	4TR-2171E-00	C- 11
22U-11165-00	B- 2	4VR-12181-00	B- 7	4TR-14421-00	B- 9	4TR-15421-00	C- 2	4H7-17537-00-40	C- 8	1FK-2171L-00	D- 9
4TR-11166-00	B- 2	11H-12210-02	B- 7	29N-14425-00	E- 13	4VR-15423-00	C- 3	4VR-17553-00	C- 8	4TR-2171X-00	C- 11
4VR-11181-00	B- 2	3ST-12213-00	B- 7		E- 13	4TR-15424-00	C- 2	22U-17556-00	C- 8	4TR-21711-00	C- 15
22U-11186-00	B- 3	4VR-12231-00	B- 7	4VR-14431-00	B- 9	22U-15441-01	B- 15	56R-17590-00	D- 5	4TR-21711-10	C- 15
4TR-11186-00	B- 2	22U-12241-00	B- 7	4TR-14437-00	B- 9	4VR-15451-00	C- 2	4TR-18110-00	C- 10	3KV-21717-00	D- 10
4TR-11186-11	B- 2	4TR-12682-00	B- 10	4TR-14451-00	B- 9	4VR-15461-00	C- 2	4TR-18112-00	C- 10	4TR-21717-00	C- 15
22U-11187-00	B- 3	4VR-13300-00	B- 8	4TR-14452-00	B- 9	3BT-15484-00	C- 2	22N-18113-00	C- 10	4TR-21721-00	C- 15
4TR-11187-00	B- 2	22U-13324-00	B- 8	4TR-14453-00	B- 9	22U-15512-00	C- 4	2UJ-18115-02	C- 10	4VR-21721-10	C- 15
4TR-11187-11	B- 2	4VR-13325-00	B- 8	4TR-14455-00	B- 10	4VR-15517-00	C- 4	4TR-18120-00	C- 10	58N-21731-00	C- 15
4VR-11190-00	B- 4	4TR-13410-00	B- 8	4TR-14456-00	B- 9	5H0-15521-00	C- 4	4G0-18127-00	C- 10	3SP-21732-00	C- 13
4VR-11191-00	B- 4	22U-13415-00	B- 8	4TR-14463-00	B- 9	4TR-15590-00	C- 4	4TR-18140-00	C- 10		C- 13
4VR-11192-00	B- 4	4VR-13417-00	B- 8	3KW-14486-00	B- 12	4VR-16111-00	C- 5	2H9-18154-00	C- 10	4VR-21741-00	D- 2
214-11198-01	B- 15	4X7-13440-01	C- 3	4TR-14499-00	B- 10	4VR-16150-00	C- 5	4H7-18185-00	C- 9	3BN-21747-00	C- 11
	D- 5	4TR-13447-00	C- 3	1FN-14565-00	B- 12	22U-16154-00	C- 5	4TR-18511-00	C- 9		C- 11
4VR-11310-00	B- 4	4TR-13474-00	B- 9	1HX-14565-00	B- 11	22U-16321-00	C- 5	4TR-18512-00	C- 9	4VR-2176E-00	E- 13
4VR-11310-11	B- 4	16G-13569-00	B- 9	1UY-14565-00	B- 12	4X7-16324-00	C- 5	4TR-18513-00	C- 9	4TR-2177G-01	C- 15
4VR-11320-00	B- 4	4TR-13575-00	B- 9	4BR-14613-00	B- 13	4X7-16325-00	C- 5	3YF-18531-00	C- 9	3LS-21781-10	C- 15
4VR-11320-11	B- 4	4TR-13586-01	B- 9	4TR-14613-00	B- 13	22U-16351-00	C- 5	4TR-18535-00	C- 9		C- 15
4TR-1135A-00	B- 2	4VR-13594-00	B- 10	4TR-14615-00	B- 13	4VR-16356-00	C- 5	4TR-18540-01	C- 9	4VR-22110-00	D- 3
4TR-11351-00	B- 4	4TR-13596-01	B- 9	4VR-14620-00	B- 13	22U-16357-00	C- 6	4UN-18542-00	C- 9	1J7-22141-00	D- 3
4VR-11411-00	B- 5	3LN-13907-00	D- 10	4VR-14703-01	B- 13	1W1-16358-01	C- 5	4UN-18566-00	C- 9	4KM-22141-00	D- 3
22U-11416-80	B- 14	4DN-1410A-01	B- 11	4VR-14704-01	B- 13	4VR-16371-00	C- 5	4VR-21110-02	C- 11	1J7-22143-00	D- 3
22U-11416-90	B- 14	4TR-14103-00	B- 11	4BH-14714-00	B- 13	22U-16380-00	C- 5	4VR-21161-00	C- 12	4VR-22184-00	D- 3
4VR-11603-00	B- 5	4TR-14105-00	B- 11		B- 13	4KU-17121-00	C- 7	4R8-21308-00	C- 14	4TR-22189-00	D- 3
4VR-11605-00	B- 5	3CF-14107-10	B- 11	4VR-1490J-00	B- 11	4VR-17131-00	C- 7	4VR-21315-00	C- 11	4VR-22210-00	D- 3
4VR-11607-00	B- 5	3OM-14141-36	B- 11	4XR-1490J-00	B- 11	3JB-17141-00	C- 7	4VR-21317-00	C- 11	4VR-23102-01	D- 7
4VR-11631-00-A0	B- 5	4KM-14142-20	B- 11	3KW-1490K-00	B- 12	4VR-17151-00	C- 7	3SX-2139X-00	C- 13	4VR-23103-01	D- 7

NUMERICAL INDEX

PART NO.	GRID NO.	PART NO.	GRID NO.	PART NO.	GRID NO.	PART NO.	GRID NO.	PART NO.	GRID NO.	PART NO.	GRID NO.
4TR-23110-00	D- 7	4TR-2413Y-00	D- 9	4TR-25366-00	D- 14	4TR-28100-00	D- 2	1FK-82370-00	E- 15	4TR-83913-00	E- 12
	D- 7	4TR-2414G-00	D- 10	4TR-25371-00	D- 15	4VR-28356-00	C- 11	4TR-82370-00	E- 15	1FK-83922-00	E- 12
3EN-23111-50	D- 7	4VR-24161-00	D- 9	4TR-25381-00	D- 15	4TR-46101-00	D- 4	4VR-82501-00	E- 13	4TR-83945-00	E- 12
	D- 8	4VR-24162-00	D- 9	5V4-25398-00	D- 12	4H7-46102-00	D- 4	4TR-82509-00	E- 15	4YP-83963-00	E- 12
4TR-23118-00	D- 7	4H7-24181-00	D- 9		D- 15	22U-46117-00-25	D- 4	3HN-82530-11	E- 13	4TR-83972-00	E- 12
	D- 8	4TR-24182-00	D- 9	16G-25412-00	D- 14	22U-46117-00-30	D- 4	1L9-82540-00	E- 15	36Y-83980-01	E- 12
4KM-23123-01	D- 8	4TR-24183-00	D- 9	4TR-2580U-00	D- 13	22U-46117-00-40	D- 4	4TR-82560-00	E- 13	42X-84124-60	E- 10
4FM-23125-40	D- 7	4BP-24188-00	D- 9	3JB-2582U-01	D- 13	22U-46118-00-12	D- 4	3LD-82566-80	E- 13	2F9-84314-00	E- 10
	D- 7	4TR-24240-00	D- 9	4VR-2583T-00	E- 3	22U-46118-00-14	D- 4	4VR-82590-10	E- 13	42X-84315-01	E- 10
4TR-23126-00	D- 7	4TR-24240-30	D- 9	341-25846-00	D- 12	22U-46118-00-16	D- 4	1UA-82591-00	D- 10	2AE-84320-60	E- 10
4TR-23136-00	D- 7	4TR-24311-00	D- 10	4TR-25852-00	E- 3	22U-46118-00-18	D- 4		E- 13	55R-84321-H0	E- 10
4TR-23141-00	D- 7	4TR-24313-00	D- 9	4BH-25854-01	E- 3	22U-46118-00-20	D- 4		E- 13	4TR-84330-00	E- 10
	D- 8	4EB-24398-00	D- 10	4TR-25867-00	E- 3	22U-46123-00	D- 5		E- 13	341-84331-60	E- 10
4EB-23144-00	D- 7	4KM-24453-00	B- 12	4VR-25872-10	E- 3	4H7-46125-00	D- 4	4TR-82911-00	E- 12	1AD-84332-60	E- 10
	D- 8	4TR-24491-01	C- 11	4TR-25886-00	D- 6	22U-46136-00	D- 4	3YX-82917-00	E- 12	198-84334-60	E- 10
4EB-23145-00	D- 7	21V-24500-10	D- 9	3YX-25919-00	D- 13	22U-46137-00	D- 5	2EN-83310-00	E- 7	306-84346-30	E- 10
	D- 7	4XB-24512-00	D- 9	3YX-25929-00	D- 13	22U-46152-00	D- 4	2AE-83311-00	E- 7		E- 10
36Y-23146-10	D- 7	3AJ-24523-00	D- 9	3YX-25937-00	D- 13	22U-46153-00	D- 4		E- 7	306-84347-30	E- 10
	D- 7	3AJ-24534-00	D- 9	5R2-25937-00	D- 13	4TR-46154-00	D- 5	2AE-83312-00	E- 7	4E2-84347-00	E- 10
4DW-23149-40	D- 7	1FK-24560-00	D- 9	4VR-26111-00	E- 2	5BN-46171-00	D- 5	42X-83312-00	E- 7	2F9-84375-00	E- 10
	D- 8	1FK-24566-00	D- 10	4NK-26240-00	E- 2	4X7-46180-00	D- 5	42X-83313-00	E- 7	5Y3-84395-00	E- 10
26H-23156-00	D- 7	5BN-24602-00	D- 9	4NK-26241-00	E- 2	4TR-46297-00	D- 5		E- 7	2F9-84397-01	E- 10
	D- 7	4VR-24710-10	D- 11	4NK-2628J-00	E- 2	84W-77555-00	C- 15	4VR-83314-00	E- 7	4TR-84700-00	E- 11
509-23158-L0	D- 7	4VR-24711-00	D- 11	4VR-26280-00	E- 2	4VR-81410-00	E- 6	1AA-83318-00	E- 7	31L-84714-00	E- 11
	D- 8	4TR-24720-00	D- 11	4VR-26290-00	E- 2	4VR-81450-00	C- 4	4VR-83324-00	E- 7	4TR-84717-00	E- 11
4VR-23170-00	D- 7	35T-24724-00	D- 11	5BN-26311-00	E- 2	4TR-81517-00	B- 12	2EN-83330-00	E- 7	4TR-84723-00	E- 11
	D- 7	509-24724-00	D- 11	5BN-26312-00	E- 2	4TR-81670-00	E- 6	4TR-83348-00	E- 8	4TR-84733-00	E- 11
4FM-23171-40	D- 7	22W-24741-00	D- 11	4TR-26331-00	D- 10	4VR-81800-00	C- 4	4VR-83350-00	E- 15	3YF-84751-00	E- 11
	D- 7	4TR-2475H-00	D- 11	1VJ-26333-00	D- 10	3HE-81826-00	C- 4	57M-83358-00	E- 7	3Y6-85130-02	E- 11
4VR-23173-00	D- 7	4TR-2475J-00	D- 11	4TR-26335-00	E- 2	3KS-81840-00	C- 4		E- 7	4NK-85885-00	B- 12
	D- 8	4TR-2475K-00	D- 11	1E6-26342-00	E- 2	11H-81844-00	C- 4	42X-83363-00	E- 7	90101-06534	E- 4
4TR-23175-00	D- 6	4TR-24750-00	D- 11	4NK-2635J-00	E- 2	1FK-81847-00	C- 4		E- 7	90101-06576	B- 13
4TR-23176-00	D- 6	4TR-24751-00	D- 11	4TR-2637G-00	D- 10	4BH-81940-00	E- 13	55V-83371-00	E- 15		B- 13
278-23181-50	D- 7	4VR-25104-01	D- 12	4VR-27211-00	E- 4	1UY-81950-92	E- 13	4VR-8338V-00	E- 15	90101-06764	D- 14
	D- 8	4TR-25111-00	D- 12	4TR-27212-00	E- 4	3EN-81950-00	E- 13	4TR-83513-00	E- 9	90101-10303	B- 7
43F-23188-10	D- 7	341-25149-00	D- 12	4TR-27231-00	E- 4	5BN-81960-00	E- 13	1YT-83517-00	E- 9	90101-12694	C- 11
	D- 8	4TR-25181-00	D- 12	4TR-27243-00	E- 4	4TX-82100-01	E- 13	2GV-83517-00	E- 9	90105-06242	C- 11
4VR-23340-00	D- 8	4TR-25190-10	D- 12	4TR-27247-00	E- 4	4DH-82103-00	B- 11	4TR-83520-00	E- 9	90105-08244	C- 11
5BN-23389-00	D- 6	4VR-25304-01	D- 14	4KU-27311-11	E- 4	5BN-82115-00	E- 13	4TR-83526-00	E- 9	90105-082A5	E- 15
1W1-23416-00	D- 6	3JB-25311-00-35	D- 14	4TR-27315-01	E- 5	5BN-82116-00	E- 13	4TR-83535-00	E- 9		E- 15
26H-23418-01	D- 6	2GV-25315-00	D- 14	4VR-27321-00	E- 5	5Y1-82122-00	C- 15	4JH-83550-01	E- 9	90105-08307	C- 11
4VR-23441-00	D- 6	2GV-25317-00	D- 14	4VR-27322-00	E- 4	5BN-82129-00	E- 13	1JK-83578-00	E- 9	90105-084A1	C- 11
4VR-23442-00	D- 6	1J7-25319-02	D- 5	4VR-27410-00	E- 5	133-82131-00	E- 13	4TR-83580-00	E- 9	90105-101A9	D- 3
30M-23445-00	D- 6	4TR-25321-00	D- 14	4VR-27413-00	E- 5	36Y-82151-00	E- 13	4TR-83580-20	E- 9	90105-10152	C- 4
3FV-23462-00	D- 8	4H7-2533A-02	D- 14	4VR-27420-00	E- 5	42X-82151-00	E- 13	3BT-83790-00	B- 11	90105-102A3	E- 5
4TR-24110-30-06	D- 9	4H7-25351-00	D- 14	4TR-27430-00	E- 5	4VR-82305-00	E- 15	4TR-83790-00	B- 11	90105-102A6	E- 4
4TR-24110-30-07	D- 9	214-25355-00	D- 14	120-27433-00	E- 5	4VR-82310-00	E- 15	4TR-83912-00	E- 12	90105-10232	C- 11
4TR-24110-30-08	D- 9	4TR-25364-00	D- 14	4TR-27440-10	E- 5	4VR-82320-00	E- 15	36Y-83913-01	E- 12	90105-10253	C- 11

Continuar

Regresar

NUMERICAL INDEX

PART NO.	GRID NO.	PART NO.	GRID NO.	PART NO.	GRID NO.	PART NO.	GRID NO.	PART NO.	GRID NO.	PART NO.	GRID NO.
90105-10285	D- 5	90170-20310	C- 5	90201-220T0	D- 6	90401-16166	B- 3	90508-18696	E- 5	91815-16017	B- 14
90105-10638	D- 13	90170-22187	C- 15	90201-25290	C- 4	90430-08119	C- 5	90508-29085	C- 10		C- 3
90105-10727	E- 5	90176-06047	D- 11	90202-05193	D- 9	90430-17168	B- 3	90508-32536	C- 10	92014-05016	B- 9
90109-06468	E- 4		E- 10	90202-24190	D- 6	90445-11587	B- 9	90560-06244	E- 7	92014-06035	C- 3
90109-08364	D- 13	90176-06055	E- 7	90202-26142	D- 6	90445-16641	E- 5	91314-06020	B- 8	92014-06045	E- 10
90109-08561	D- 15	90176-10075	D- 5		E- 12	90460-53200	B- 9		C- 15	92014-08040	C- 13
90109-08781	B- 3	90176-12052	D- 6	90206-14086	E- 4	90462-08070	C- 3	91314-06025	B- 7		C- 13
90109-08782	B- 3	90176-22081	D- 6	90209-22191	C- 7	90462-10115	C- 3		B- 8	92014-10025	C- 13
90109-125F1	D- 3	90179-05523	C- 14		C- 7	90464-05141	E- 15		C- 2		C- 13
	D- 3		D- 10	90209-27192	C- 7	90464-05188	E- 13		C- 3	92017-06012	D- 9
90110-06074	E- 12	90179-06411	E- 4	90214-16026	C- 5	90464-10190	E- 15		E- 3	92017-08020	E- 13
90110-06200	D- 2	90179-08148	E- 12	90215-08229	B- 3	90464-12089	E- 10	91314-06030	C- 2	92017-08025	B- 13
90110-06249	E- 4	90179-08327	B- 5	90215-16157	C- 5	90464-15157	D- 6		C- 3		B- 13
90110-06254	C- 15	90179-08684	C- 11	90215-18178	C- 10	90464-15192	D- 10	91314-06035	B- 3	92017-10020	B- 13
90110-08212	C- 4	90179-10395	B- 2	90215-22210	C- 5		E- 14		C- 2	92904-06600	B- 3
90116-08404	B- 14	90179-10658	C- 11	90240-06108	E- 4	90464-18246	D- 6	91314-06040	C- 2	92907-04600	E- 12
	B- 14	90179-12248	C- 11		E- 4	90464-20191	E- 14	91314-06045	C- 2	92907-05600	E- 15
90116-10405	B- 14	90179-18396	C- 8	90240-08084	E- 5	90464-20213	E- 14		C- 3		E- 15
90116-10593	D- 4	90179-25033	D- 6	90249-12008	E- 4	90467-10038	D- 9	91314-06055	B- 14	92907-06100	D- 11
90116-10611	B- 14	90183-06023	C- 15	90269-05039	C- 14	90467-10039	B- 9		C- 2		D- 11
90119-06097	C- 15	90183-06053	C- 15	90280-05048	B- 5	90467-11032	D- 10		C- 3		E- 4
90119-06118	B- 4	90185-08097	B- 13	90280-07036	C- 5	90467-11106	B- 9	91314-06065	C- 2	92907-06200	C- 5
	C- 15		B- 13	90338-08163	D- 6	90467-12053	D- 10	91314-06070	D- 10	92907-06600	B- 3
	C- 15	90185-14070	C- 8	90338-08174	B- 9		D- 10	91314-08025	D- 6		B- 7
90119-06236	C- 11	90201-05033	E- 9	90338-08226	E- 15	90467-14015	B- 2	91314-08030	B- 2		B- 10
90119-08126	D- 4	90201-060S9	D- 9	90340-14132	B- 15	90480-01559	C- 15		D- 6		E- 6
90123-08046	E- 12	90201-06045	E- 7		D- 5	90480-10289	C- 15	91314-08035	B- 13		E- 6
90149-05299	D- 10	90201-06062	D- 2	90340-14139	C- 2	90480-12320	C- 11	91314-08040	D- 8	92990-06600	B- 13
90149-05317	E- 10	90201-06063	E- 11	90340-32140	C- 2		C- 15	91314-08060	B- 14		B- 13
90149-05321	E- 15	90201-062P7	E- 4	90380-28131	B- 7		C- 15	91314-08100	B- 14		C- 4
90149-06011	D- 9		E- 4	90387-0600V	D- 2	90480-13018	B- 3	91314-10030	D- 8	92990-10600	D- 5
90149-06131	E- 12	90201-06380	E- 11	90387-063Y3	E- 7		B- 4	91317-06012	C- 3	93101-14089	C- 2
90149-06154	C- 14	90201-08366	B- 2	90387-066M3	B- 4	90480-13398	B- 10	91317-06016	B- 10	93101-30084	D- 4
90149-06302	B- 4	90201-085R5	B- 11	90387-067N5	C- 13		C- 13	91317-06020	B- 9	93101-35097	C- 8
	C- 15	90201-10118	E- 3	90387-087K5	E- 5	90480-18418	C- 13		B- 10	93101-38098	D- 4
90149-08067	C- 6	90201-10131	B- 2	90387-10036	E- 4	90480-24186	C- 15	91317-06025	D- 11	93102-12106	C- 10
90149-08152	B- 14	90201-10591	B- 7	90387-123X6	D- 3	90501-06022	C- 9	91317-06030	B- 8	93102-18278	C- 5
90151-08022	B- 14	90201-107E9	C- 4	90387-151R1	D- 15	90501-10245	E- 4	91317-06045	B- 14	93102-25017	D- 3
90154-05011	C- 14	90201-112U0	D- 3	90387-1510D	D- 5	90501-10312	E- 12	91317-06065	C- 3	93102-28022	D- 12
90157-02031	E- 9	90201-120E6	D- 3	90387-16547	B- 14	90501-15722	D- 5	91317-06085	B- 4	93102-65277	D- 5
90157-05079	E- 13	90201-12575	C- 10		B- 14	90501-23738	C- 5	91317-06095	B- 14	93105-45017	D- 12
90159-06016	C- 5	90201-12588	C- 10		B- 14	90501-60716	C- 8	91317-08080	B- 14	93109-12053	C- 2
90167-05025	C- 14	90201-12688	C- 10	90387-173M5	D- 12	90506-08227	C- 10	91380-06045	B- 14	93109-18020	D- 3
90170-06010	E- 12	90201-14220	D- 6	90387-173R6	D- 12	90506-20369	E- 4	91401-20012	E- 4	93210-09525	C- 5
90170-06128	B- 6	90201-14577	D- 14	90387-17543	D- 3	90506-23490	E- 5		E- 4	93210-10096	B- 8
90170-06228	C- 10	90201-14633	C- 8	90387-2511R	C- 8	90506-29507	E- 5	91401-20015	E- 5	93210-14369	C- 2
90170-10219	D- 14	90201-152L7	D- 15	90387-25669	D- 4	90507-20002	D- 14	91401-25015	E- 5	93210-15151	B- 8
90170-16256	C- 5	90201-18262	C- 5	90401-10159	E- 3	90508-16577	C- 5	91701-06032	E- 5	93210-15566	C- 3

M3

NUMERICAL INDEX

PART NO.	GRID NO.	PART NO.	GRID NO.	PART NO.	GRID NO.	PART NO.	GRID NO.	PART NO.	GRID NO.	PART NO.	GRID NO.
93210-18322	B- 14	94117-1508U	D- 14	95807-06012	C- 12	99530-14016	B- 14				
	B- 14	94117-1508W	D- 14		C- 13	99530-17016	B- 2				
	B- 14	94210-19222	D- 12	95807-06014	C- 11						
93210-27370	C- 2	94210-19224	D- 12	95807-06025	E- 7						
93210-29196	E- 15	94217-15298	D- 14	95814-10100	C- 11						
93210-32172	C- 2	94217-15299	D- 14	95817-08014	C- 11						
93210-36769	B- 9	94317-15172	D- 14	95817-08016	D- 9						
93210-48530	D- 14	94317-15173	D- 14	95817-10025	C- 11						
93210-60426	D- 4	94321-19135	D- 12	95827-08035	C- 8						
93210-61750	D- 14	94321-19157	D- 12	97004-06020	E- 12						
93210-62446	B- 3	94425-19585	D- 12	97007-06012	D- 11						
93210-64297	C- 3	94435-15586	D- 14		D- 11						
93210-71360	C- 8	94591-41118	B- 7	97024-06016	B- 3						
93210-74316	C- 2	94701-00262	B- 3	97024-06020	C- 10						
93210-84724	B- 4	95024-06025	D- 6	97027-06016	B- 3						
93210-89568	B- 2	95024-06030	E- 7		B- 7						
93211-00612	B- 2		E- 7	97070-06025	C- 4						
93211-39569	D- 4	95027-06008	E- 13	97706-40620	E- 11						
93306-00401	C- 7	95027-06010	D- 6	97707-40106	B- 10						
	C- 8	95027-06012	E- 11	97707-50125	B- 9						
93306-00428	C- 7	95027-06030	E- 7	97707-80020	E- 15						
93306-20711	C- 8	95027-08012	C- 13	97801-03008	D- 9						
93306-30202	D- 14	95304-06700	C- 10	98504-05025	E- 12						
93306-30209	D- 14	95304-06800	E- 7		E- 12						
93306-30317	D- 12	95304-08700	E- 2	98507-04008	B- 12						
93306-30525	C- 7	95307-05700	E- 9		B- 12						
93306-30539	D- 4	95307-06600	C- 5	98507-04014	B- 12						
93306-90602	C- 9	95307-06700	E- 4	98507-04016	E- 12						
93311-21044	D- 5	95307-12700	E- 7	98507-05008	E- 2						
93311-43729	D- 4	95604-06100	E- 12	98507-05020	E- 15						
93315-21813	C- 5	95604-08200	D- 15		E- 15						
93316-01301	D- 4	95604-14200	D- 15	98507-06020	E- 6						
93332-00010	D- 3	95607-06100	E- 5	98507-06030	E- 6						
93399-99931	D- 6		E- 11	98704-04012	E- 3						
93399-99932	D- 8		E- 11	98707-03020	E- 12						
93410-22039	D- 5		E- 12	98707-05016	C- 9						
93440-12052	B- 2	95607-12100	D- 3	98707-05035	C- 9						
93440-20088	D- 5	95607-12200	D- 3	99001-10600	C- 10						
93440-25084	C- 7	95617-08630	B- 2		C- 10						
	C- 7	95617-10200	E- 4	99009-11400	B- 8						
93440-30077	C- 7		E- 5	99009-12400	C- 10						
93450-22027	B- 5	95704-06500	E- 7	99009-18400	D- 5						
93515-32029	C- 6		E- 7	99009-19400	E- 4						
93604-16092	C- 9	95707-05500	E- 11	99009-25500	C- 2						
93604-20156	C- 9	95707-06500	D- 6	99237-00080	C- 13						
93605-10108	B- 7	95707-08500	B- 2	99530-10114	C- 2						
94110-1908T	D- 12	95707-10500	B- 2	99530-10120	C- 2						
94110-1908V	D- 12	95804-06020	E- 13	99530-14016	B- 14						