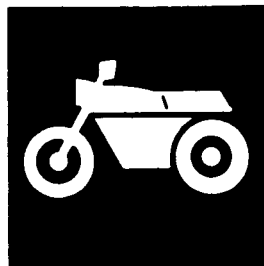


YAMAHA



PARTS CATALOGUE

XVS650'99_(4VR7)

XVS650'99_(4VR8)

XVS650'99_(4XR7)

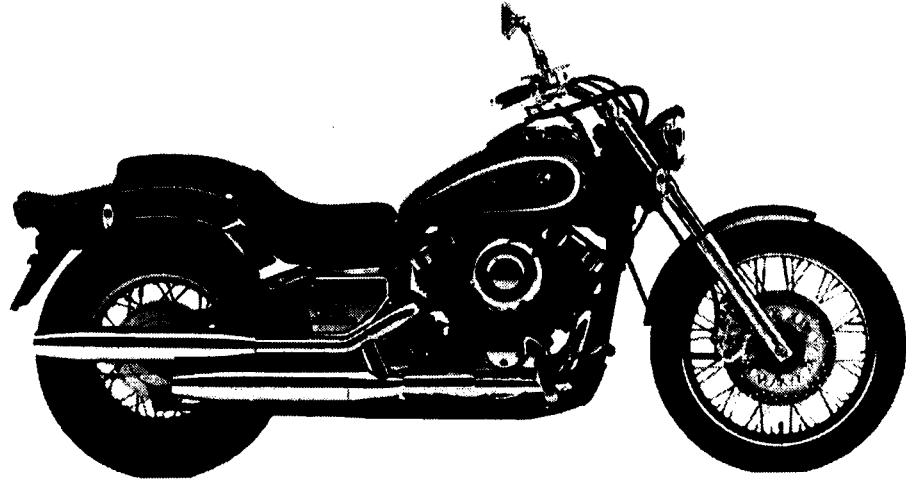
XVS650'99_(4XR8)

EUROPE

YAMAHA
GENUINE
Parts & Accessories

194VR-300E2

A2



A3

FOREWORD

This Parts Catalogue is related to the parts for the model(s) in the below frame. When you are ordering replacement parts, please refer to this Parts Catalogue and quote both part numbers and part names correctly.

XVS650'99(4VR7,8/4XR7,8)

1. Modifications or additions which have been made after issue of the Parts Catalogue will be announced in the Yamaha Parts News. It is advisable that you make necessary corrections to the Parts Catalogue according to the Yamaha Parts News.

2. Abbreviations
The Following abbreviations are used in this Parts Catalogue.

"UR" Use specified parts number.
 "UN" Use as many as needed.
 "AP" Alternate Parts
 "LM" Local Made (Parts need to be ordered locally)
 "F#" Frame No. (Applicable machine No.)

3. Parts, which are to be supplied in an assembly, are listed with a dot(.) in front of the part name as shown below.

EXAMPLE

CARBURETOR ASSY
 .JET, PILOT
 .NOZZLE, MAIN

4. Number of component for assembly
The numeral appearing to the right of each component part indicates the quantity of parts for each assembly unit.

EXAMPLE

PART NO.	DESCRIPTION	Q'TY	REMARKS
2F5-83310-60	FRONT FLASHER LIGHT ASSY	2	
115-83311-60	.BULB (6V-18W)	1	
1M1-83309-60	.REFLECTOR	1	

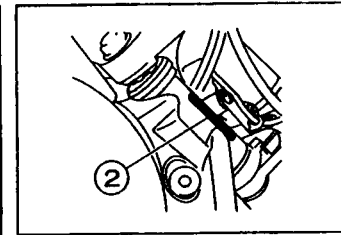
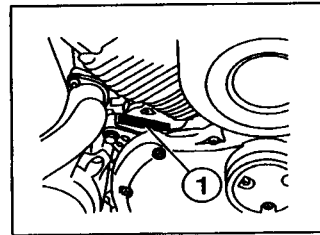
5. Applicable colors of graphics are represented in the "REMARKS" as shown below.

PART NO.	DESCRIPTION	Q'TY	REMARKS
2N4-24110-00-X5	.FUEL TANK COMP.	2	MXR
3J1-24240-10	.GRAPHIC, FUEL TANK	1	for MXR

6. Applicable Serial No.

① Engine Serial No.

② Frame Serial No.

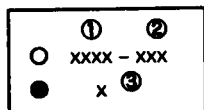


7. Note that the illustrations for reference in funding parts numbers, not to be used for assembling. When assembling, pleas use the applicable service manual.
8. The asterisk (*) before a reference number indicates modification items after the first edition.

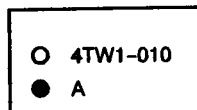
MODEL LABEL

(1) A label called "Model Label" is affixed in the location as indicated in (3) below. When using this parts catalogue, please be sure to cross-refer the "model code - production code No." in the catalogue to the "model code - production code No." indicated on the Model Label affixed onto the product concerned.

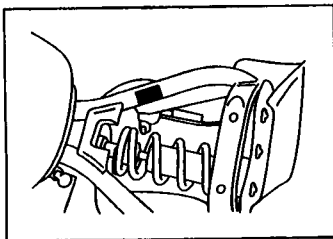
(2) "Model Label" Indication



① Model Type Code
② Production Code No.
③ Colouring Type



(3) Model Label Affixing Location



(4) Model Code - Production Code Number of Model Listed in This Parts Catalog

Model Code	Production Code No.	Country (destination)	Model Code	Production Code No.	Country (destination)
4VR7	020	BELGIUM	4VR8	090	ITALY
	040	DENMARK		100	HOLLAND
	060	FINLAND		110	NORWAY
	070	ENGLAND		120	PORTUGAL
	080	GREECE		130	SWEDEN
	090	ITALY	4XR7	040	ENGLAND
	100	HOLLAND		050	HOLLAND
	110	NORWAY	4XR8	040	ENGLAND
	120	PORTUGAL		050	HOLLAND
	130	SWEDEN			
	4VR8	020	BELGIUM		
040		DENMARK			
060		FINLAND			
070		ENGLAND			
080		GREECE			

(5) Colouring Information 1

Model Code	Colouring type code	Colour code	Colour Name	Abbreviation
4VR7/4XR7	A	0033	YAMAHA BLACK	YB
	B	0188	DEEP RED METALLIC 2	DRM2
4VR8/4XR8	A	0516	DEEP VIOLET METALLIC 6	DVM6

A5

CONTENTS

ENGINE

CYLINDER HEAD	B2
CYLINDER	B4
CRANKSHAFT. PISTON	B5
VALVE	B6
CAMSHAFT. CHAIN	B7
OIL PUMP	B8
INTAKE	B9
CARBURETOR	B11
EXHAUST	B13
CRANKCASE	B14
CRANKCASE COVER 1	C2
STARTER CLUTCH	C4
CLUTCH	C5
TRANSMISSION	C7
MIDDLE DRIVE GEAR	C8
SHIFT CAM. FORK	C9
SHIFT SHAFT	C10

CHASSIS

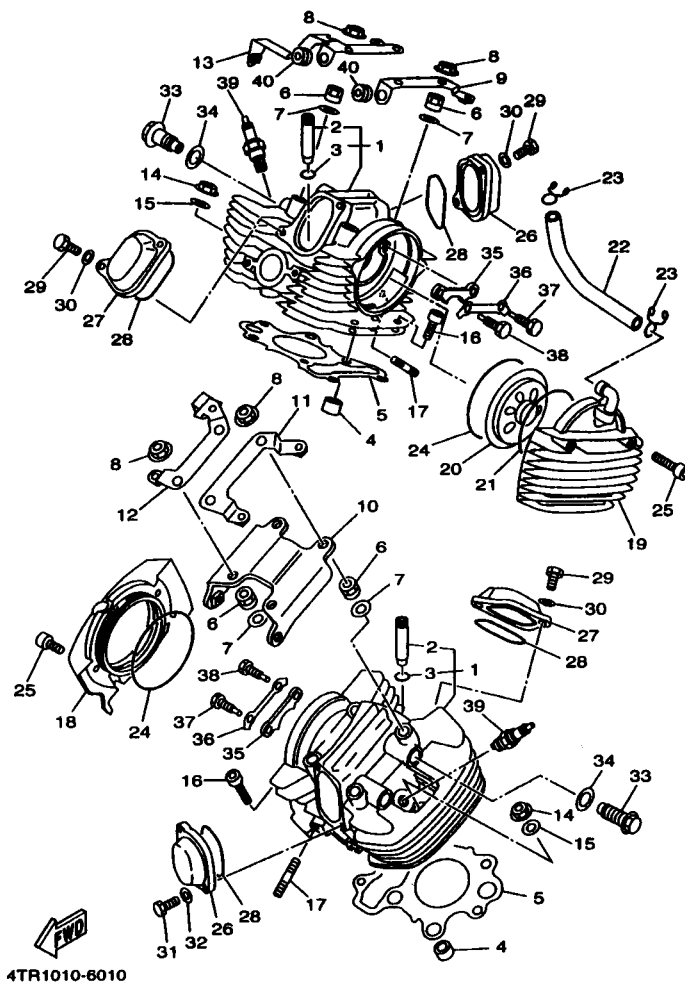
FRAME	C11
FENDER	C13
SIDE COVER	C15
REAR ARM. SUSPENSION	D3
DRIVE SHAFT	D4
STEERING	D6
FRONT FORK	D7
FUEL TANK	D9
SEAT	D11
FRONT WHEEL	D12
FRONT BRAKE CALIPER	D13
REAR WHEEL	D14
STEERING HANDLE. CABLE	E2

FRONT MASTER CYLINDER	E3
STAND. FOOTREST	E4
GENERATOR	E6
FLASHER LIGHT	E7
METER	E9
HEADLIGHT	E10
TAILLIGHT	E11
HANDLE SWITCH. LEVER	E12
ELECTRICAL 1	E13
ELECTRICAL 2	E15

INDEX

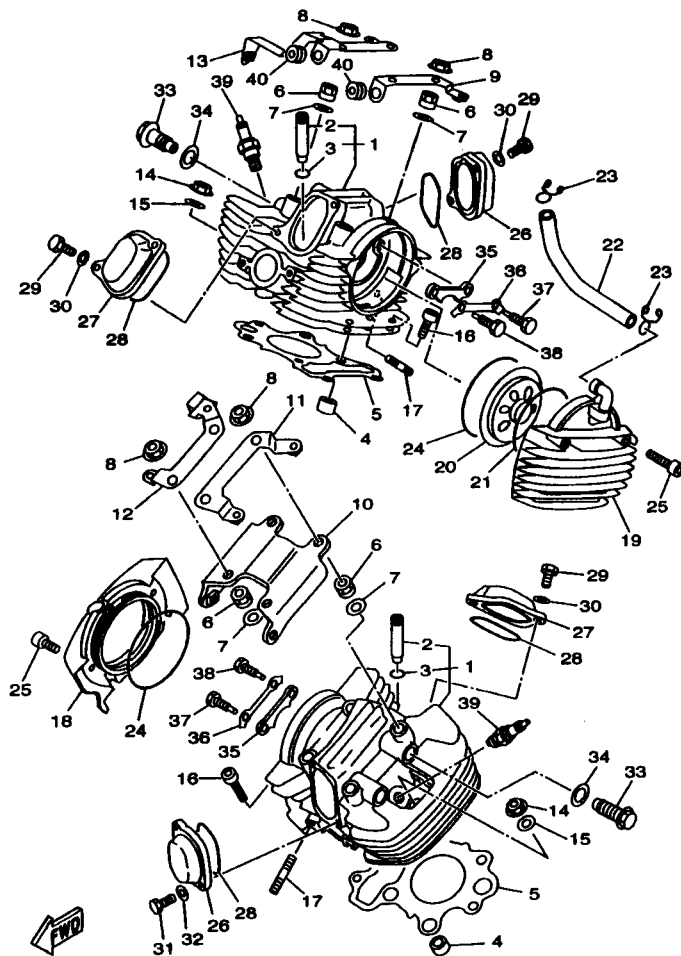
NUMERICAL INDEX	M1
-----------------------	----

FIG. 1 CYLINDER HEAD



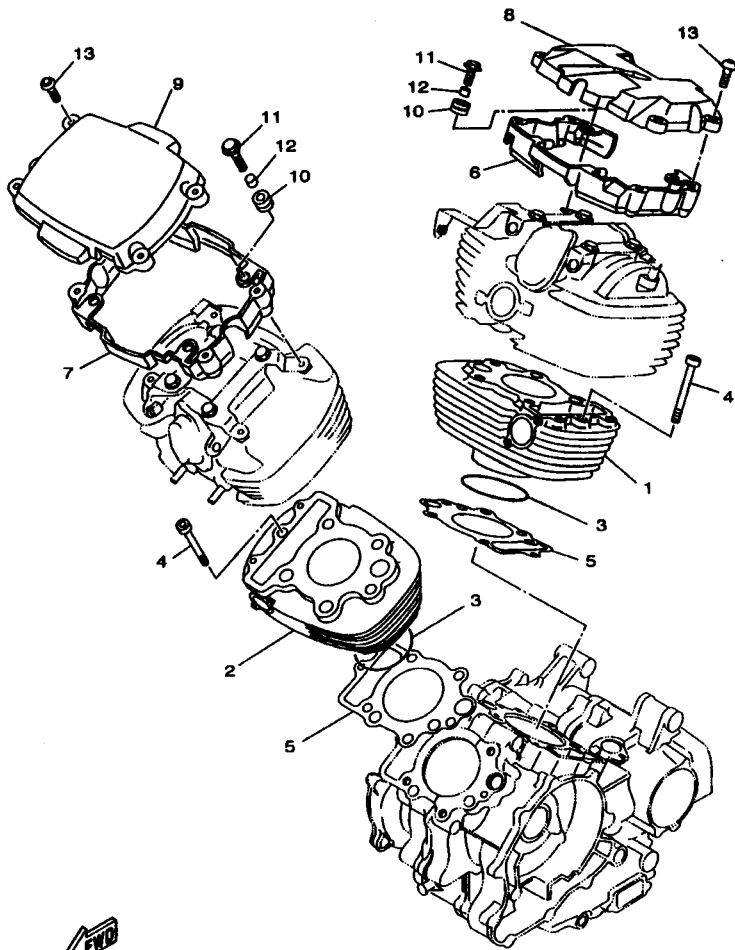
REF. NO.	PART NO.	DESCRIPTION	4V7	4V8	4X7	4X8	REMARKS
1	4VR-11102-11	CYLINDER HEAD ASSY	2	2	2	2	
2	4H7-11133-10	.GUIDE, INTAKE VALVE	2	2	2	2	
3	93440-12052	.CIRCLIP	2	2	2	2	
4	99530-17018	PIN, DOWEL	4	4	4	4	
5	4VR-11181-00	GASKET, CYLINDER HEAD 1	2	2	2	2	
6	90179-10395	NUT	8	8	8	8	
7	90201-10131	WASHER, PLATE	8	8	8	8	
8	95707-10500	NUT, FLANGE	8	8	8	8	
9	4TR-11142-00	BRACKET, CYLINDER HEAD COVER 2	1	1	1	1	
10	4TR-11152-00	BRACKET, CYLINDER HEAD COVER	1	1	1	1	
11	4TR-1111F-00	PLATE	1	1	1	1	
12	4TR-1112F-00	PLATE 2	1	1	1	1	
13	4TR-1135A-00	BRACKET	1	1	1	1	
14	95707-08500	NUT, FLANGE	2	2	2	2	
15	90201-08386	WASHER, PLATE	2	2	2	2	
16	91314-08030	BOLT	4	4	4	4	
17	95617-08630	BOLT, STUD	4	4	4	4	
18	4TR-11187-11	COVER, CYLINDER HEAD SIDE 3	1	1	1	1	
19	4TR-11186-11	COVER, CYLINDER HEAD SIDE 2	1	1	1	1	
20	22U-11165-00	PLATE, BREATHER	1	1	1	1	
21	93210-89568	O-RING	1	1	1	1	
22	4TR-11166-00	PIPE, BREATHER 1	1	1	1	1	
23	90467-14015	CLIP	2	2	2	2	
24	93211-00612	O-RING	2	2	2	2	
25	91314-06035	BOLT	4	4	4	4	
26	22U-11186-00	COVER, CYLINDER HEAD SIDE 2	2	2	2	2	
27	22U-11187-00	COVER, CYLINDER HEAD SIDE 3	2	2	2	2	

FIG. 1 CYLINDER HEAD



4TR1010-6010

REF. NO.	PART NO.	DESCRIPTION	4VR7	4VR8	4XR7	4XR8	REMARKS
28	93210-62446	O-RING	4	4	4	4	
29	97027-06016	BOLT	6	6	6	6	
30	92907-06600	WASHER, PLATE	6	6	6	6	
31	97024-06016	BOLT	2	2	2	2	
32	92904-06600	WASHER	2	2	2	2	
33	90401-16166	BOLT, UNION	4	4	4	4	
34	90430-17168	GASKET	4	4	4	4	
35	22U-1111F-01	PLATE	2	2	2	2	
36	90215-08229	WASHER, LOCK	2	2	2	2	
37	90109-06782	BOLT	2	2	2	2	
38	90109-06781	BOLT	2	2	2	2	
39	94701-00262	PLUG, SPARK (NGK DPR7EA 9)	2	2	2	2	
40	90480-13018	GROMMET	2	2	2	2	

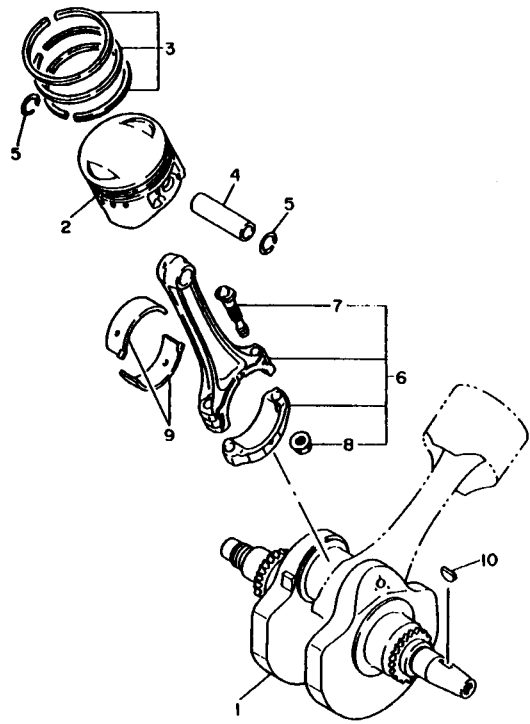



 4TR1010-8020

FIG. 2 CYLINDER

REF. NO.	PART NO.	DESCRIPTION	4VR7	4VR8	4VR7	4VR8	REMARKS
1	4VR-11310-11	CYLINDER	1	1	1	1	
2	4VR-11320-11	CYLINDER 2	1	1	1	1	
3	93210-84724	O-RING	2	2	2	2	
4	91317-06085	BOLT	2	2	2	2	
5	4VR-11351-00	GASKET, CYLINDER	2	2	2	2	
6	4VR-11191-00	COVER, CYLINDER HEAD 1	1	1	1	1	
7	4VR-11192-00	COVER, CYLINDER HEAD 2	1	1	1	1	
8	4VR-11190-00	COVER, CYLINDER HEAD 1	1	1	1	1	
9	4VR-1111N-00	COVER 2	1	1	1	1	
10	90480-13018	GROMMET	6	6	6	6	
11	90119-06118	BOLT, WITH WASHER	6	6	6	6	
12	90387-066M3	COLLAR	6	6	6	6	
13	90149-06302	SCREW	8	8	8	8	

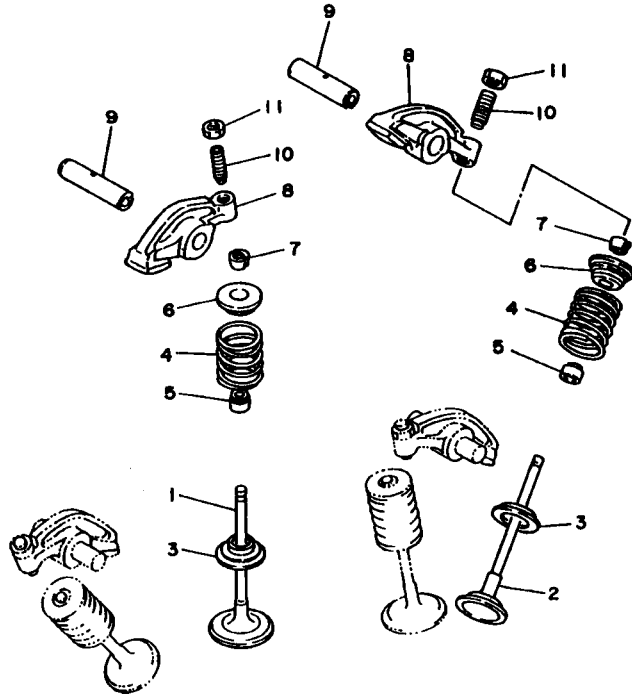
FIG. 3 CRANKSHAFT. PISTON



REF. NO.	PART NO.	DESCRIPTION	4VR7	4VR8	4XR7	4XR8	REMARKS
1	4VR-11411-00	CRANKSHAFT	1	1	1	1	
2	4VR-11631-00-A0	PISTON (STD)	2	2	2	2	
	4VR-11636-00	PISTON (0.50MM O/S)	2	2	2	2	AP
	4VR-11638-00	PISTON (1.00MM O/S)	2	2	2	2	AP
3	4VR-11603-00	PISTON RING SET (STD)	2	2	2	2	
	4VR-11605-00	PISTON RING SET (0.50MM O/S)	2	2	2	2	AP
	4VR-11607-00	PISTON RING SET (1.00MM O/S)	2	2	2	2	AP
4	3LD-11633-00	PIN, PISTON	2	2	2	2	
5	93450-22027	CIRCLIP	4	4	4	4	
6	4VR-11650-00	CONNECTING ROD ASSY	2	2	2	2	
7	22U-11654-00	.BOLT, CONNECTING ROD	2	2	2	2	
8	90179-08327	.NUT	2	2	2	2	
9	3LD-11656-00	PLANE BEARING, CONNECTING ROD	4	4	4	4	UR BLUE
	3LD-11656-10	PLANE BEARING, CONNECTING ROD	4	4	4	4	UR BLACK
	3LD-11656-20	PLANE BEARING, CONNECTING ROD	4	4	4	4	UR BROWN
	3LD-11656-30	PLANE BEARING, CONNECTING ROD	4	4	4	4	UR GREEN
10	90280-05048	KEY, WOODRUFF	1	1	1	1	


2GV110-7030

FIG. 4 VALVE

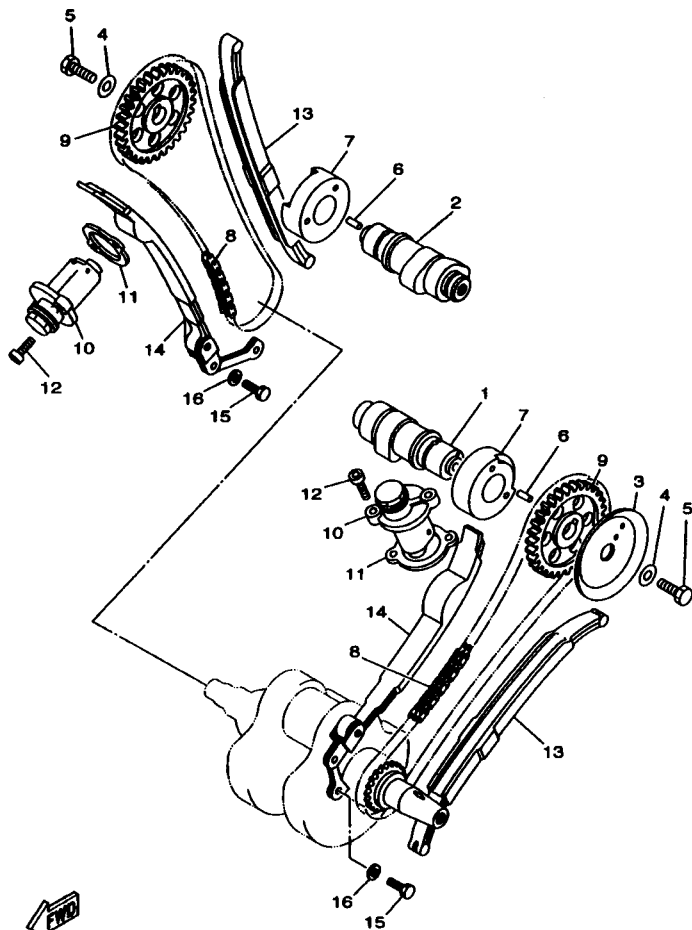


REF. NO.	PART NO.	DESCRIPTION	4VFR7	4VFR8	4VFR7	4VFR8	REMARKS
1	4VR-12111-00	VALVE, INTAKE	2	2	2	2	
2	4VR-12121-00	VALVE, EXHAUST	2	2	2	2	
3	3Y1-12116-00	SEAT, VALVE SPRING	4	4	4	4	
4	3Y1-12114-01	SPRING, VALVE OUTER	4	4	4	4	
5	1J7-12119-01	SEAL, VALVE STEM	4	4	4	4	
6	3Y1-12117-01	RETAINER, VALVE SPRING	4	4	4	4	
7	1J7-12118-00	COTTER, VALVE	8	8	8	8	
8	22U-12151-00	ARM, VALVE ROCKER	4	4	4	4	
9	22U-12156-01	SHAFT, ROCKER 2	4	4	4	4	
10	22U-12159-00	SCREW, VALVE ADJUSTING	4	4	4	4	
11	90170-06128	NUT	4	4	4	4	



4TR1010-6040

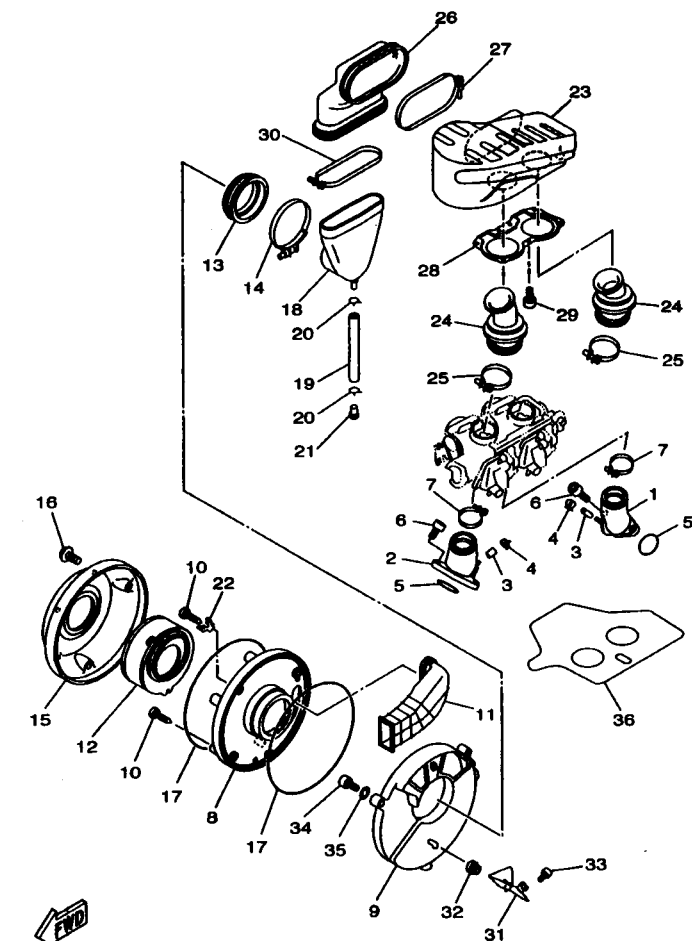
FIG. 5 CAMSHAFT. CHAIN




4VR1300-7050

REF. NO.	PART NO.	DESCRIPTION	4VR7	4VR8	4XR7	4XR8	REMARKS
1	4VR-12171-00	CAMSHAFT 1	1	1	1	1	
2	4VR-12181-00	CAMSHAFT 2	1	1	1	1	
3	22U-11145-00	PLATE, BREATHER 2	1	1	1	1	
4	90201-10591	WASHER, PLATE	2	2	2	2	
5	90101-10303	BOLT	2	2	2	2	
6	93605-10108	PIN, DOWEL	2	2	2	2	
7	90380-28131	BUSH, SOLID	2	2	2	2	
8	94591-41118	CHAIN	2	2	2	2	
9	22U-12176-01	SPROCKET, CAM CHAIN	2	2	2	2	
10	11H-12210-02	TENSIONER ASSY, CAM CHAIN	2	2	2	2	
11	3BT-12213-00	GASKET, TENSIONER CASE	2	2	2	2	
12	91314-08025	BOLT	4	4	4	4	
13	4VR-12231-00	GUIDE, STOPPER 1	2	2	2	2	
14	22U-12241-00	GUIDE, STOPPER 2	2	2	2	2	
15	97027-06018	BOLT	4	4	4	4	
16	92907-08600	WASHER, PLATE	4	4	4	4	

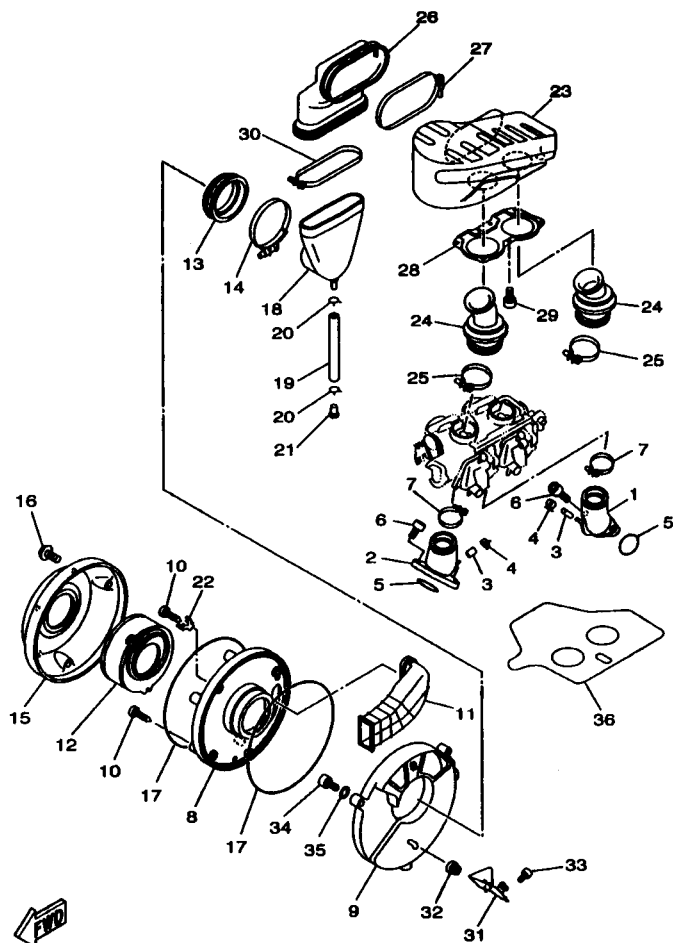
FIG. 7 INTAKE



4VR1300-7070

REF. NO.	PART NO.	DESCRIPTION	4VR7	4VR8	4XR7	4XR8	REMARKS
1	4TR-13586-01	JOINT, CARBURETOR 1	1	1	1	1	
2	4TR-13596-01	JOINT, CARBURETOR 2	1	1	1	1	
3	16G-13589-00	PLUG, BLIND	2	2	2	2	
4	90467-10039	CLIP	2	2	2	2	
5	93210-36769	O-RING	2	2	2	2	
6	91317-06020	BOLT	4	4	4	4	
7	4TR-13474-00	BAND	2	2	2	2	
8	4TR-14411-00	CASE, AIR CLEANER 1	1	1	1	1	
9	4TR-14417-00	COVER 1	1	1	1	1	
10	97707-50125	SCREW, TAPPING	4	4	4	4	
11	4TR-14437-00	DUCT	1	1	1	1	
12	4TR-14451-00	ELEMENT, AIR CLEANER	1	1	1	1	
13	4TR-14463-00	JOINT, AIR CLEANER 2	1	1	1	1	
14	4TR-14456-00	BAND	1	1	1	1	
15	4TR-14421-00	CASE, AIR CLEANER 2	1	1	1	1	
16	92014-05016	BOLT, BUTTON HEAD	3	3	3	3	
17	4TR-14452-00	SEAL	2	2	2	2	
18	4TR-1440G-00	JOINT, AIR FILTER 2	1	1	1	1	
19	90445-11587	HOSE	1	1	1	1	
20	90467-11106	CLIP	2	2	2	2	
21	90338-08174	PLUG	1	1	1	1	
22	4TR-14413-00	STAY	1	1	1	1	
23	4VR-14431-00	SILENCER, INTAKE 1	1	1	1	1	
24	4TR-14453-00	JOINT, AIR CLEANER 1	2	2	2	2	
25	90460-53200	CLAMP, HOSE	2	2	2	2	
26	4TR-1440F-00	JOINT, AIR FILTER 1	1	1	1	1	
27	4TR-13575-00	BAND	1	1	1	1	

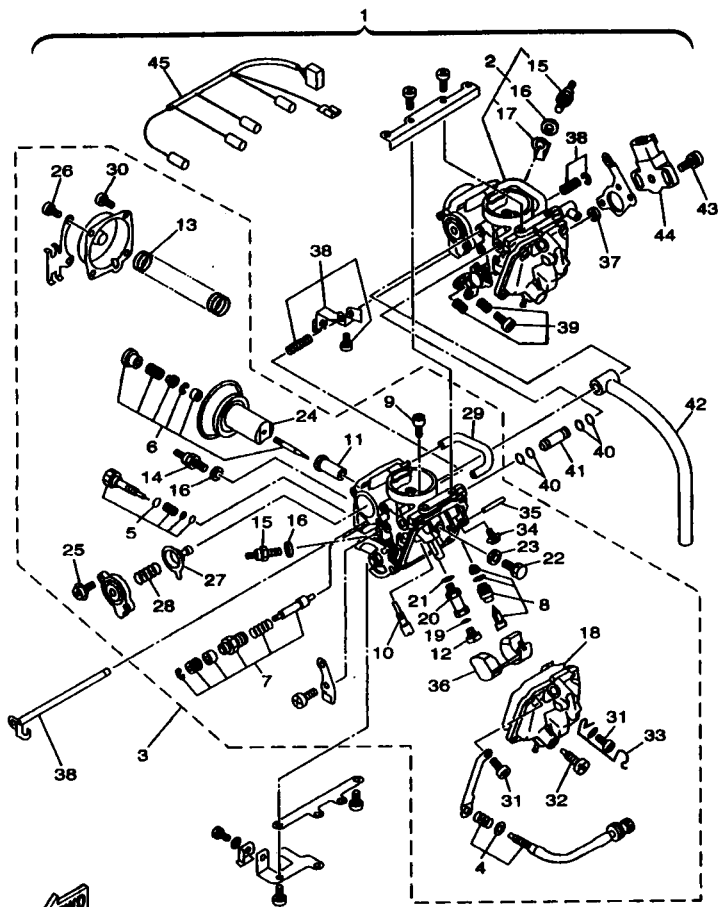
FIG. 7 INTAKE



4VR1300-7070

REF. NO.	PART NO.	DESCRIPTION	4VR7	4VP8	4XF7	4XP8	REMARKS
28	4VR-13594-00	COVER, MANIFOLD 2	1	1	1	1	
29	97707-40106	SCREW, TAPPING	7	7	7	7	
30	4TR-14455-00	BAND	1	1	1	1	
31	4TR-14499-00	STAY 2	1	1	1	1	
32	90480-13398	GROMMET	1	1	1	1	
33	91317-06016	BOLT	2	2	2	2	
34	91317-06020	BOLT	2	2	2	2	
35	92907-06600	WASHER, PLATE	2	2	2	2	
36	4TR-12682-00	PROTECTOR, HEAT	1	1	1	1	

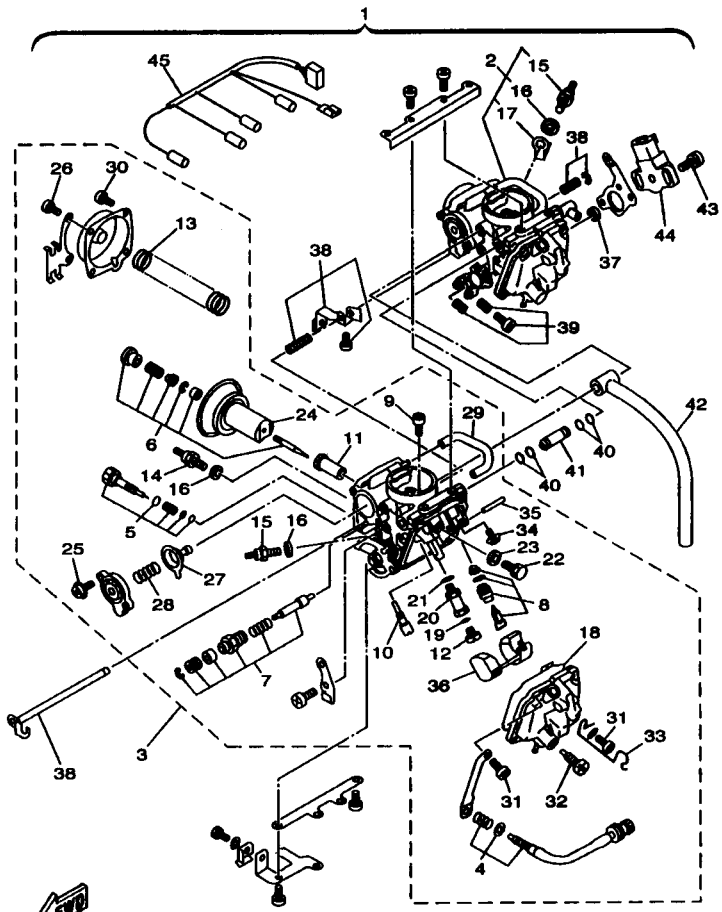
FIG. 8 CARBURETOR



4VR3300-8080

REF. NO.	PART NO.	DESCRIPTION	4VR7	4VR8	4XR7	4XR8	REMARKS
1	4VR-14900-00	CARBURETOR ASSY	1	1			
	4XR-14900-00	CARBURETOR ASSY			1	1	
2	4VR-14901-00	..CARBURETOR ASSY 1	1	1			
	4XR-14901-00	..CARBURETOR ASSY 1			1	1	
3	4VR-14902-00	..CARBURETOR ASSY 2	1	1			
	4XR-14902-00	..CARBURETOR ASSY 2				1	1
4	4TR-14103-00	..THROTTLE SCREW SET	1	1	1	1	
5	4TR-14105-00	..PILOT SCREW SET	1	1	1	1	
6	4VR-1490J-00	..NEEDLE SET	1	1			
	4XR-1490J-00	..NEEDLE SET				1	1
7	4DN-1410A-01	..STARTER SET	1	1	1	1	
8	3CF-14107-10	..NEEDLE VALVE SET	1	1	1	1	
9	1HX-14231-20	..JET,PILOT AIR(#100)	1	1			
	1HX-14231-14	..JET,PILOT AIR (#70)				1	1
10	4KM-14142-20	..JET, PILOT (# 20)	1	1	1	1	
11	3DM-14141-36	..NOZZLE, MAIN	1	1	1	1	
12	3G2-14231-18	..JET, MAIN (# 90)	1	1	1	1	
13	4VR-14933-00	..SPRING, DIAPHRAGM	1	1	1	1	
14	4TR-83780-00	..HEATER ASSY (15W)	1	1	1	1	
15	3BT-83790-00	..HEATER ASSY (30W)	1	1	1	1	
16	90201-085R5	..WASHER, PLATE	2	2	2	2	
17	4DH-82103-00	..TERMINAL 1	1	1	1	1	
18	1HX-14147-00	..O-RING	1	1	1	1	
19	1AE-14227-00	..O-RING	1	1	1	1	
20	1AE-14261-00	..HOLDER	1	1	1	1	
21	1AE-14237-00	..GASKET	1	1	1	1	
22	1HX-14565-00	..SCREW	1	1	1	1	

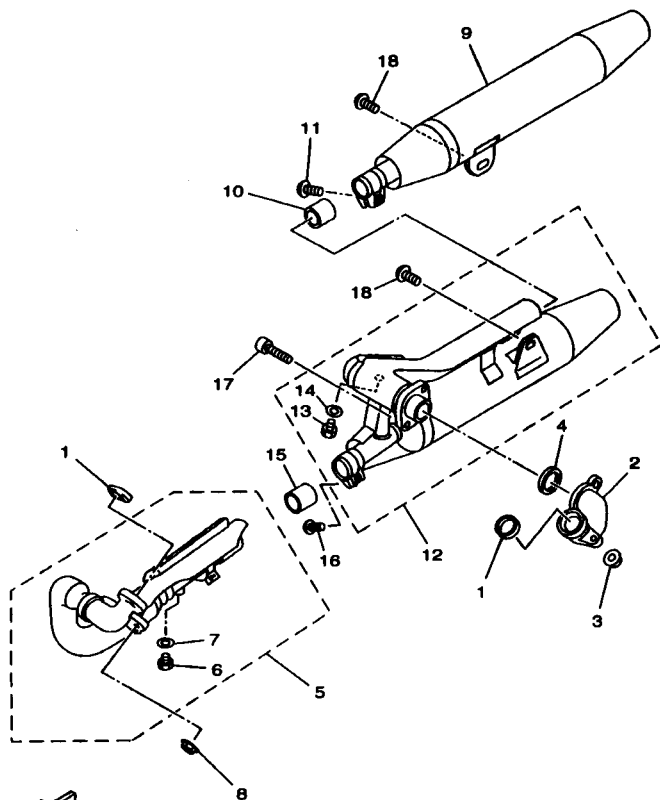
FIG. 8 CARBURETOR



4VR3300-8080

REF. NO.	PART NO.	DESCRIPTION	4VR7	4VR8	4XR7	4XR8	REMARKS
23	137-14153-00	..WASHER, MAIN JET	1	1	1	1	
24	4TR-14940-00	..DIAPHRAGM ASSY	1	1			
	4XR-14940-00	..DIAPHRAGM ASSY			1	1	
25	1UY-14565-00	..SCREW	2	2	2	2	
26	3KW-14486-00	..SCREW, ROD	2	2	2	2	(#2)
27	22V-14940-00	..DIAPHRAGM ASSY	1	1	1	1	
28	26H-14275-00	..SPRING	1	1	1	1	
29	4TR-14348-00	..PIPE 1	1	1	1	1	
30	98507-04008	..SCREW, PAN HEAD	4	4	4	4	UR (#1)
	98507-04008	..SCREW, PAN HEAD	2	2	2	2	UR (#2)
31	98507-04014	..SCREW, PAN HEAD	4	4	4	4	
32	12R-14191-00	..PLUG, DRAIN	1	1	1	1	
33	4TR-14937-00	..CLIP	1	1	1	1	(#2)
34	1FN-14565-00	..SCREW	1	1	1	1	
35	353-14186-00	..PIN, FLOAT	1	1	1	1	
36	1HX-14965-00	..FLOAT	1	1	1	1	
37	4HM-14239-00	..SEAL	1	1	1	1	
38	4TR-1490L-00	..STARTER LEVER SET, 1	1	1	1	1	
39	3KW-1490K-00	..STOP SCREW SET	1	1	1	1	
40	36Y-14147-00	..O-RING	4	4	4	4	
41	1WG-14251-00	..NIPPLE	1	1	1	1	
42	4TR-14987-00	..HOSE	1	1	1	1	
43	4KM-24453-00	..SCREW	2	2	2	2	
44	4NK-85885-00	..THROTTLE POSITION SENSOR ASSY	1	1	1	1	
45	4TR-81517-00	..WIRE, SUB LEAD	1	1	1	1	

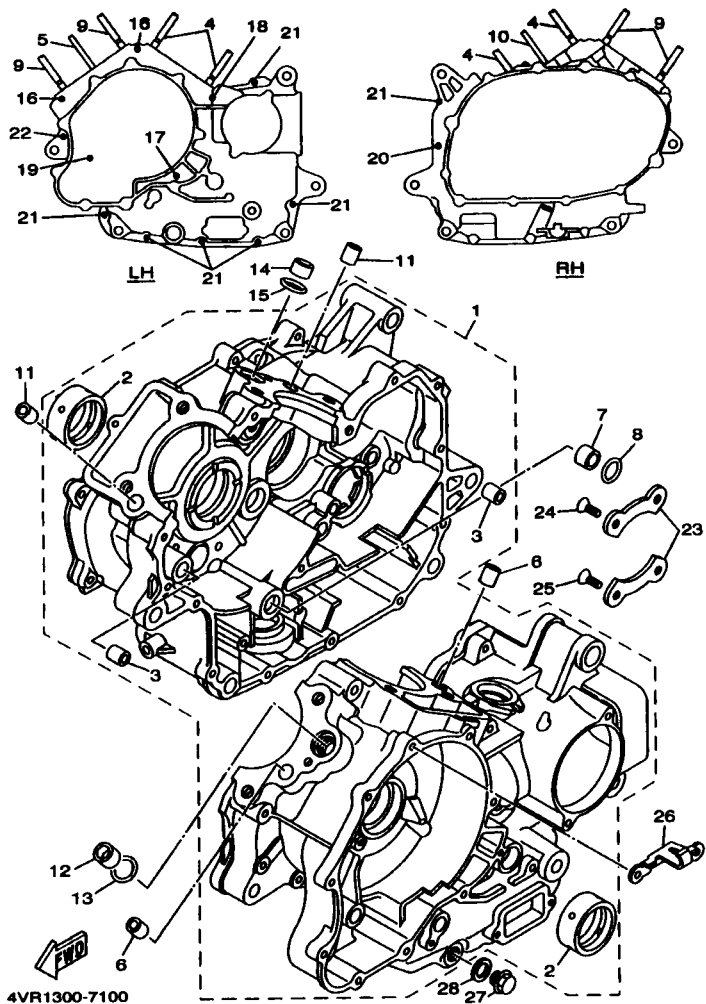
FIG. 9 EXHAUST



4VR1300-7090

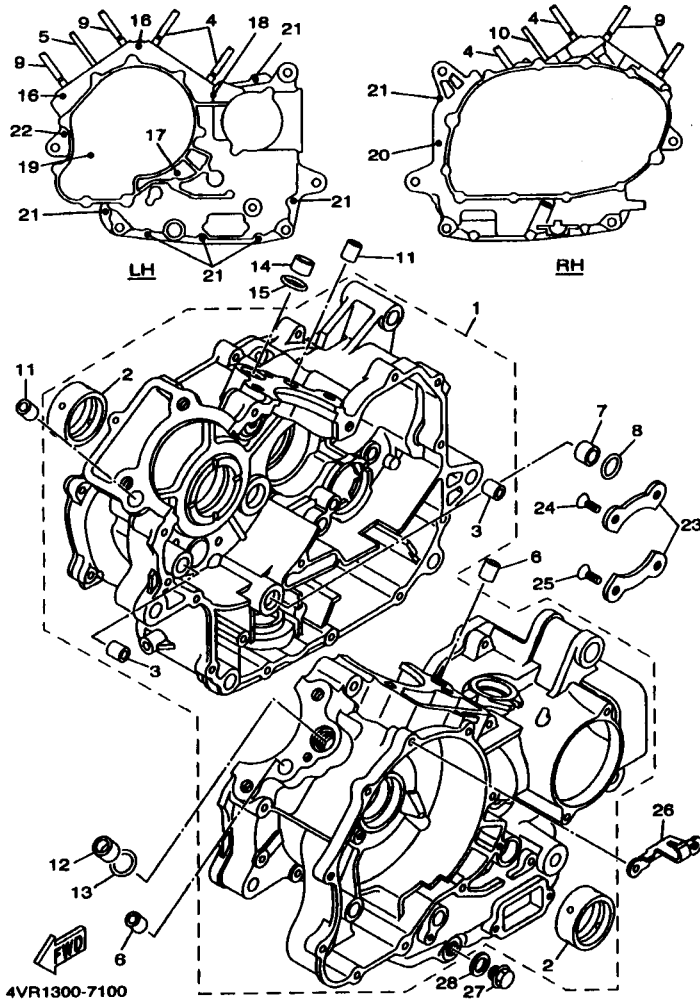
REF. NO.	PART NO.	DESCRIPTION	4VR7	4VR8	4XR7	4XR8	REMARKS
1	4TR-14813-00	GASKET, EXHAUST PIPE	2	2	2	2	
2	4TR-14815-00	JOINT, EXHAUST 1	1	1	1	1	
3	90185-08097	NUT, SELF-LOCKING	2	2	2	2	
4	4BR-14813-00	GASKET, EXHAUST PIPE	1	1	1	1	
5	4VR-14620-00	EXHAUST PIPE ASSY 2	1	1	1	1	
6	90101-06576	.BOLT	1	1	1	1	
7	92990-06800	.WASHER, PLATE	1	1	1	1	
8	90185-08097	NUT, SELF-LOCKING	2	2	2	2	
9	4VR-14703-01	MUFFLER COMP. 1	1	1	1	1	
10	4BH-14714-00	GASKET, MUFFLER	1	1	1	1	
11	92017-08025	BOLT, BUTTON HEAD	1	1	1	1	
12	4VR-14704-01	MUFFLER COMP. 2	1	1	1	1	
13	90101-06576	.BOLT	1	1	1	1	
14	92990-06800	.WASHER, PLATE	1	1	1	1	
15	4BH-14714-00	GASKET, MUFFLER	1	1	1	1	
16	92017-08025	BOLT, BUTTON HEAD	1	1	1	1	
17	91314-08035	BOLT	2	2	2	2	
18	92017-10020	BOLT, BUTTON HEAD	2	2	2	2	

FIG. 10 CRANKCASE



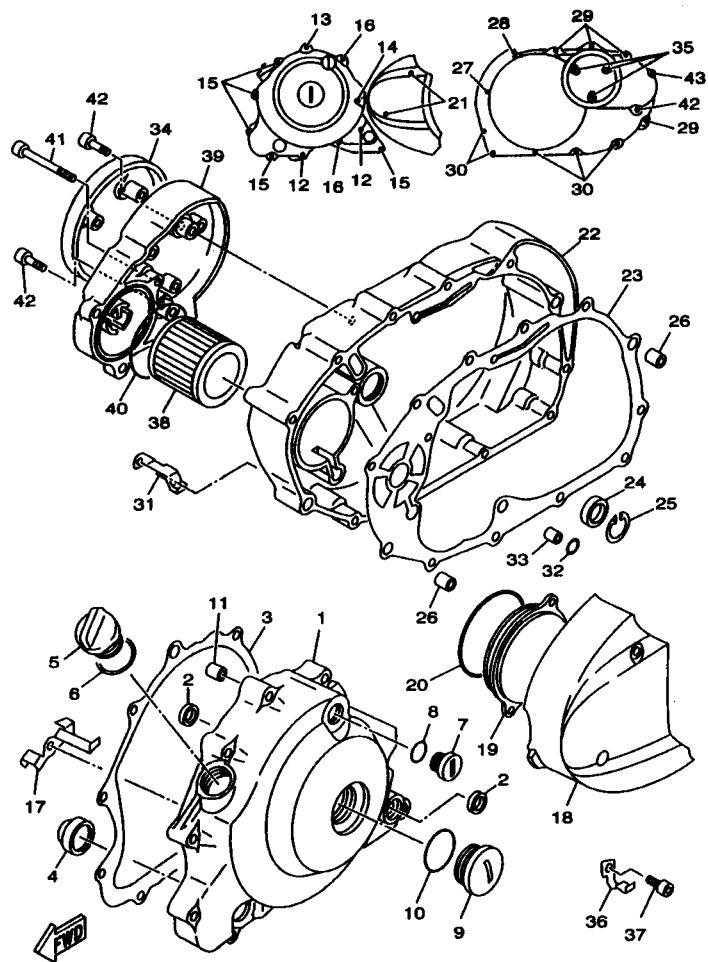
REF. NO.	PART NO.	DESCRIPTION	4VR7	4VR8	4XR7	4XR8	REMARKS
1	4TR-15100-12	CRANKCASE ASSY	1	1	1	1	
2	22U-11416-80	.PLANE BEARING, CRANKSHAFT 1	2	2	2	2	UR BLUE
	22U-11416-90	.PLANE BEARING, CRANKSHAFT 1	2	2	2	2	UR GREEN
3	91815-18017	.PIN, DOWEL	2	2	2	2	
4	90116-10811	BOLT, STUD	4	4	4	4	
5	90116-08404	BOLT, STUD	1	1	1	1	
6	99530-14016	PIN, DOWEL	2	2	2	2	
7	90387-16547	COLLAR	1	1	1	1	
8	93210-18322	O-RING	1	1	1	1	
9	90116-10405	BOLT, STUD	4	4	4	4	
10	90116-08404	BOLT, STUD	1	1	1	1	
11	99530-14016	PIN, DOWEL	2	2	2	2	
12	90387-16547	COLLAR	1	1	1	1	
13	93210-18322	O-RING	1	1	1	1	
14	90387-16547	COLLAR	1	1	1	1	
15	93210-18322	O-RING	1	1	1	1	
16	91314-08080	BOLT	2	2	2	2	
17	91317-08080	BOLT	1	1	1	1	
18	91314-08100	BOLT	1	1	1	1	
19	91317-08095	BOLT	1	1	1	1	
20	91380-06045	BOLT	1	1	1	1	
21	91317-08045	BOLT	7	7	7	7	
22	91314-06055	BOLT	1	1	1	1	
23	11H-15383-01	PLATE, BEARING COVER	2	2	2	2	
24	90151-08022	SCREW, COUNTERSUNK	1	1	1	1	
25	90149-08152	SCREW	3	3	3	3	
26	22U-15441-01	HOLDER, CLUTCH CABLE	1	1	1	1	

FIG. 10 CRANKCASE



REF. NO.	PART NO.	DESCRIPTION	4VR7	4VR8	4XR7	4XR8	REMARKS
27	90340-14132	PLUG, STRAIGHT SCREW	1	1	1	1	
28	214-11198-01	GASKET	1	1	1	1	

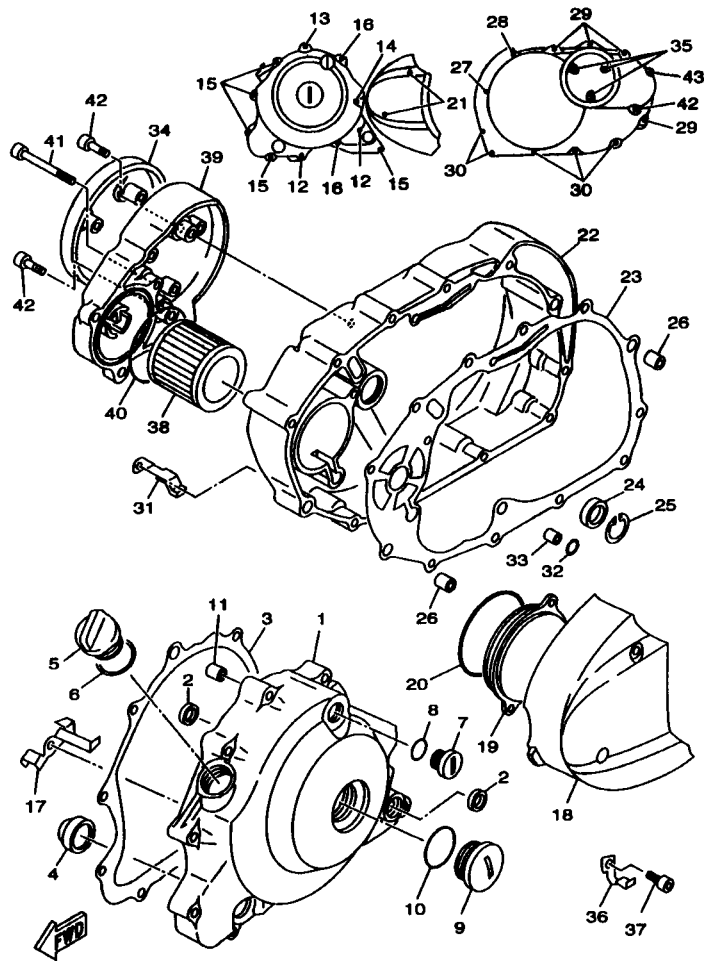
FIG. 11 CRANKCASE COVER 1



4TR1010-6110

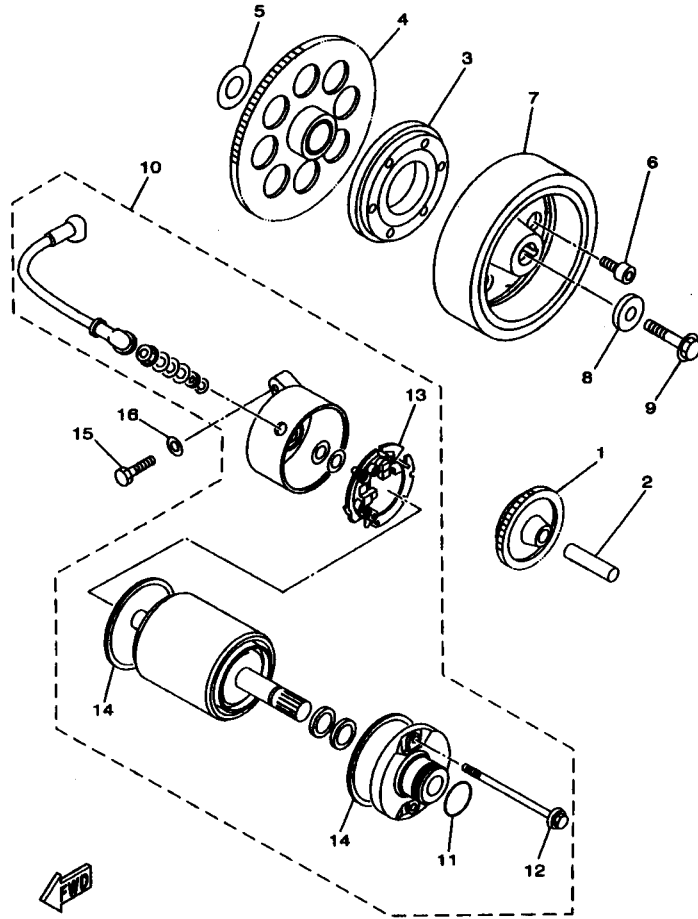
REF. NO.	PART NO.	DESCRIPTION	4VRT	4VFB	4XRT	4XFB	REMARKS
1	4TR-15411-00	COVER, CRANKCASE 1	1	1	1	1	
2	93109-12075	OIL SEAL	2	2	2	2	
3	4VR-15451-00	GASKET, CRANKCASE COVER 1	1	1	1	1	
4	2H7-15361-00	GAUGE, LEVEL	1	1	1	1	
5	3F9-15362-00	PLUG, OIL LEVEL	1	1	1	1	
6	93210-27370	O-RING	1	1	1	1	
7	90340-14139	PLUG, STRAIGHT SCREW	1	1	1	1	
8	93210-14369	O-RING	1	1	1	1	
9	90340-32140	PLUG, STRAIGHT SCREW	1	1	1	1	
10	93210-32172	O-RING	1	1	1	1	
11	99530-10114	PIN, DOWEL	2	2	2	2	
12	91314-08040	BOLT	2	2	2	2	
13	91314-08045	BOLT	1	1	1	1	
14	91314-08055	BOLT	1	1	1	1	
15	91314-08030	BOLT	5	5	5	5	
16	91314-08035	BOLT	2	2	2	2	
17	3BT-15484-00	CLAMP 2	1	1	1	1	
18	4TR-15415-00	COVER, GENERATOR	1	1	1	1	
19	4TR-15424-00	COVER 2	1	1	1	1	
20	93210-74316	O-RING	1	1	1	1	
21	91314-08025	BOLT	2	2	2	2	
22	4TR-15421-00	COVER, CRANKCASE 2	1	1	1	1	
23	4VR-15461-00	GASKET, CRANKCASE COVER 2	1	1	1	1	
24	93101-14089	OIL SEAL	1	1	1	1	
25	99009-25500	CIRCLIP	1	1	1	1	
26	99530-10120	PIN, DOWEL	2	2	2	2	
27	91314-08065	BOLT	1	1	1	1	

FIG. 11 CRANKCASE COVER 1



4TR1010-6110

REF. NO.	PART NO.	DESCRIPTION	4VR7	4VR8	4XR7	4XR8	REMARKS
28	91314-06055	BOLT	1	1	1	1	
29	91314-06045	BOLT	4	4	4	4	
30	91314-06030	BOLT	5	5	5	5	
31	90462-10115	CLAMP	4	4	4	4	
32	93210-15568	O-RING	1	1	1	1	
33	91815-16017	PIN, DOWEL	1	1	1	1	
34	4VR-15423-00	COVER 2	1	1	1	1	
35	92014-06035	BOLT, BUTTON HEAD	3	3	3	3	
36	90462-08070	CLAMP	1	1	1	1	
37	91317-08012	BOLT	1	1	1	1	
38	4X7-13440-01	ELEMENT ASSY, OIL CLEANER	1	1	1	1	
39	4TR-13447-00	COVER, OIL ELEMENT	1	1	1	1	
40	93210-64297	O-RING	1	1	1	1	
41	91317-06065	BOLT	1	1	1	1	
42	91314-06025	BOLT	3	3	3	3	
43	91314-06070	BOLT	1	1	1	1	

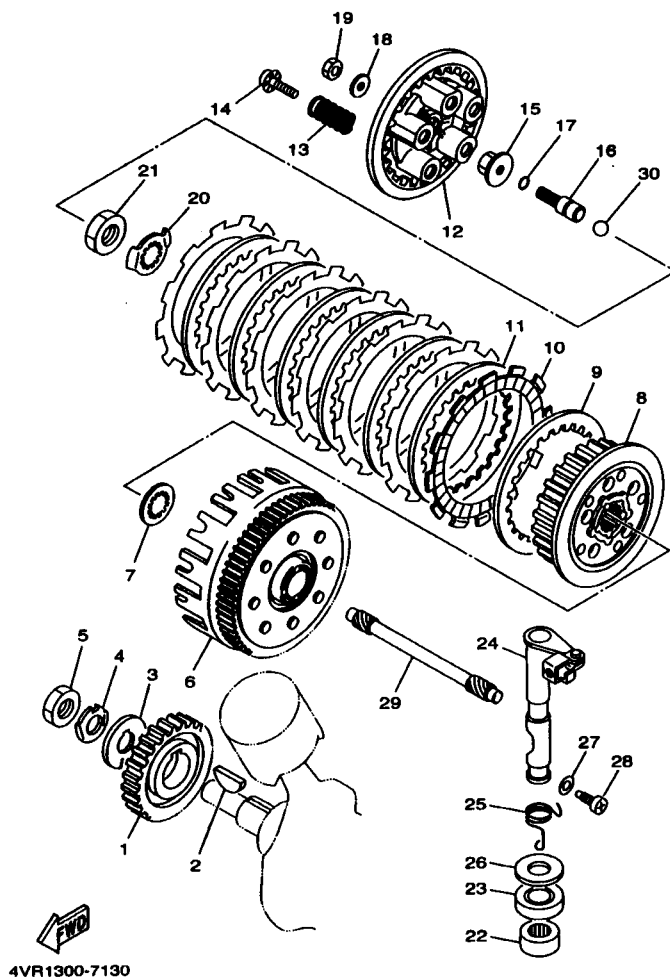


4TR1010-6120

FIG. 12 STARTER CLUTCH

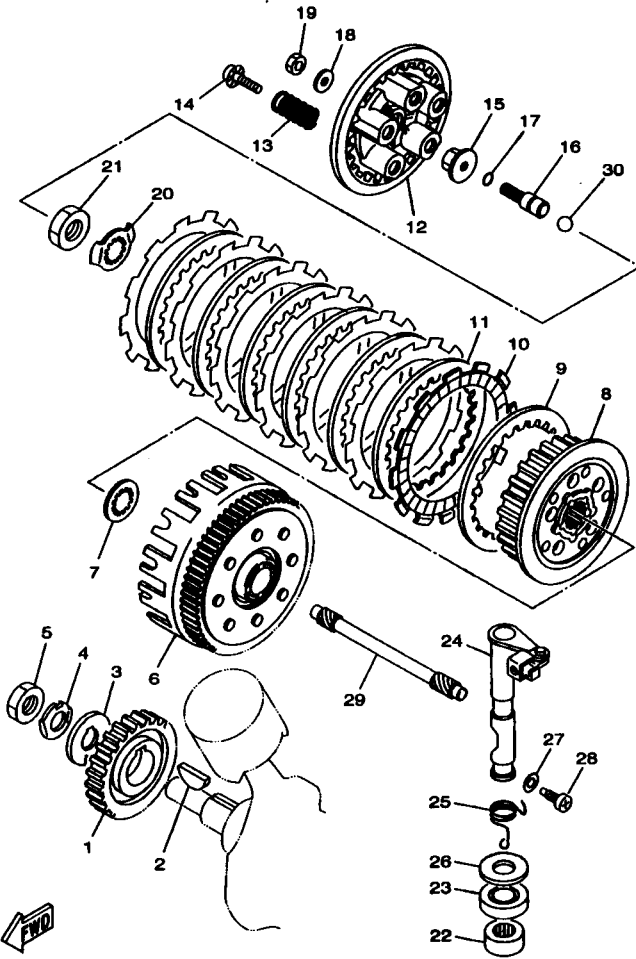
REF. NO.	PART NO.	DESCRIPTION	4VR7	4VR8	4XR7	4XR8	REMARKS
1	22U-15512-00	GEAR, IDLER 1 (12T-50T)	1	1	1	1	
2	5H0-15521-00	SHAFT 1	1	1	1	1	
3	4TR-15590-00	STARTER ONE-WAY ASSY	1	1	1	1	
4	4VR-15517-00	GEAR, IDLER 2	1	1	1	1	
5	90201-25290	WASHER, PLATE	1	1	1	1	
6	90110-08212	BOLT, HEXAGON SOCKET HEAD	6	6	6	6	
7	4VR-81450-00	ROTOR ASSY	1	1	1	1	
8	90201-107E9	WASHER, PLATE	1	1	1	1	
9	90105-10152	BOLT, WASHER BASED	1	1	1	1	
10	4VR-81800-00	STARTING MOTOR ASSY	1	1	1	1	
11	1FK-81847-00	O-RING	1	1	1	1	
12	3HE-81826-00	.BOLT	2	2	2	2	
13	3KS-81840-00	.BRUSH HOLDER ASSY	1	1	1	1	
14	11H-81844-00	.GASKET	2	2	2	2	
15	97070-06025	BOLT	2	2	2	2	
16	92990-06600	WASHER, PLATE	2	2	2	2	

FIG. 13 CLUTCH



REF. NO.	PART NO.	DESCRIPTION	4VR7	4VR8	4XR7	4XR8	REMARKS
1	4VR-18111-00	GEAR, PRIMARY DRIVE	1	1	1	1	
2	90280-07038	KEY, WOODRUFF	1	1	1	1	
3	90214-18026	WASHER, CLAW	1	1	1	1	
4	90215-18157	WASHER, LOCK	1	1	1	1	
5	90170-18258	NUT	1	1	1	1	
6	5BN-18150-00	PRIMARY DRIVEN GEAR COMP.	1	1	1	1	
7	22U-18154-00	PLATE, THRUST 1	1	1	1	1	
8	4VR-18371-00	BOSS, CLUTCH	1	1	1	1	
9	4X7-18324-00	PLATE, CLUTCH 1	1	1	1	1	
10	22U-18321-00	PLATE, FRICTION	7	7	7	7	
11	4X7-18325-00	PLATE, CLUTCH 2	6	6	6	6	
12	22U-18351-00	PLATE, PRESSURE 1	1	1	1	1	
13	90501-23738	SPRING, COMPRESSION	5	5	5	5	
14	90159-08018	SCREW, WITH WASHER	5	5	5	5	
15	1W1-18358-01	PLATE, PUSH	1	1	1	1	
16	4VR-18358-00	ROD, PUSH 1	1	1	1	1	
17	93210-09525	O-RING	1	1	1	1	
18	92907-08200	WASHER	1	1	1	1	
19	95307-06600	NUT	1	1	1	1	
20	90215-22210	WASHER, LOCK	1	1	1	1	
21	90170-20310	NUT	1	1	1	1	
22	93315-21813	BEARING	1	1	1	1	
23	93102-18278	OIL SEAL	1	1	1	1	
24	22U-18380-00	PUSH LEVER ASSY	1	1	1	1	
25	90508-18577	SPRING, TORSION	1	1	1	1	
26	90201-18262	WASHER, PLATE	1	1	1	1	
27	90430-08119	GASKET	1	1	1	1	

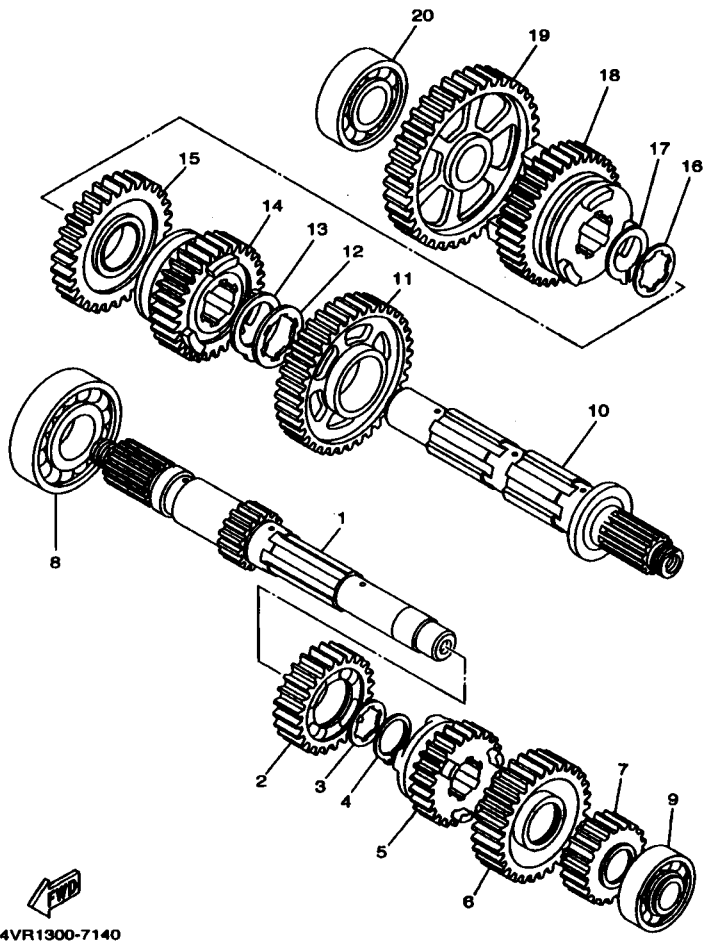
FIG. 13 CLUTCH



4VR1300-7130

REF. NO.	PART NO.	DESCRIPTION	4VR7	4VR8	4VR7	4VR8	REMARKS
28	90149-08067	SCREW	1	1	1	1	
29	22U-16357-00	ROD, PUSH 2	1	1	1	1	
30	93515-32029	BALL	1	1	1	1	

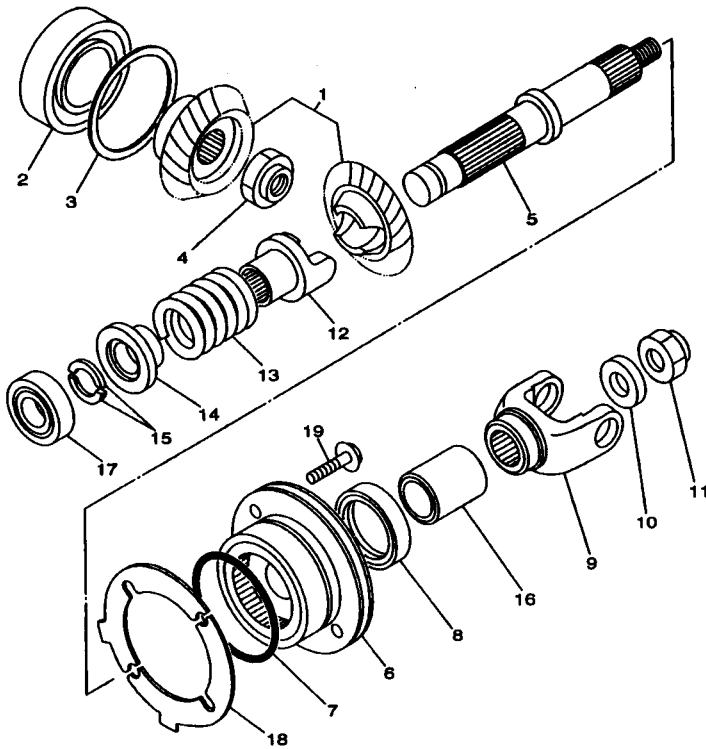
C6




 4VR1300-7140

FIG. 14 TRANSMISSION

REF. NO.	PART NO.	DESCRIPTION	4VR7	4VR8	4XR7	4XR8	REMARKS
1	4VR-17411-00	AXLE, MAIN	1	1	1	1	
2	3JB-17141-00	GEAR, 4TH PINION (24T)	1	1	1	1	
3	90209-22191	WASHER	1	1	1	1	
4	93440-25084	CIRCLIP	1	1	1	1	
5	4VR-17131-00	GEAR, 3RD PINION	1	1	1	1	
6	4VR-17151-00	GEAR, 5TH PINION	1	1	1	1	
7	4KU-17121-00	GEAR, 2ND PINION (20T)	1	1	1	1	
8	93306-30525	BEARING (B8305)	1	1	1	1	
9	93306-00401	BEARING (B8004)	1	1	1	1	
10	22U-17402-00	DRIVE AXLE ASSY	1	1	1	1	
11	4KU-17221-00	GEAR, 2ND WHEEL (38T)	1	1	1	1	
12	90209-27192	WASHER	1	1	1	1	
13	93440-30077	CIRCLIP	1	1	1	1	
14	4VR-17251-00	GEAR, 5TH WHEEL	1	1	1	1	
15	4VR-17231-00	GEAR, 3RD WHEEL	1	1	1	1	
16	90209-22191	WASHER	1	1	1	1	
17	93440-25084	CIRCLIP	1	1	1	1	
18	4TR-17241-00	GEAR, 4TH WHEEL	1	1	1	1	
19	22U-17211-00	GEAR, 1ST WHEEL (38T)	1	1	1	1	
20	93306-00428	BEARING	1	1	1	1	

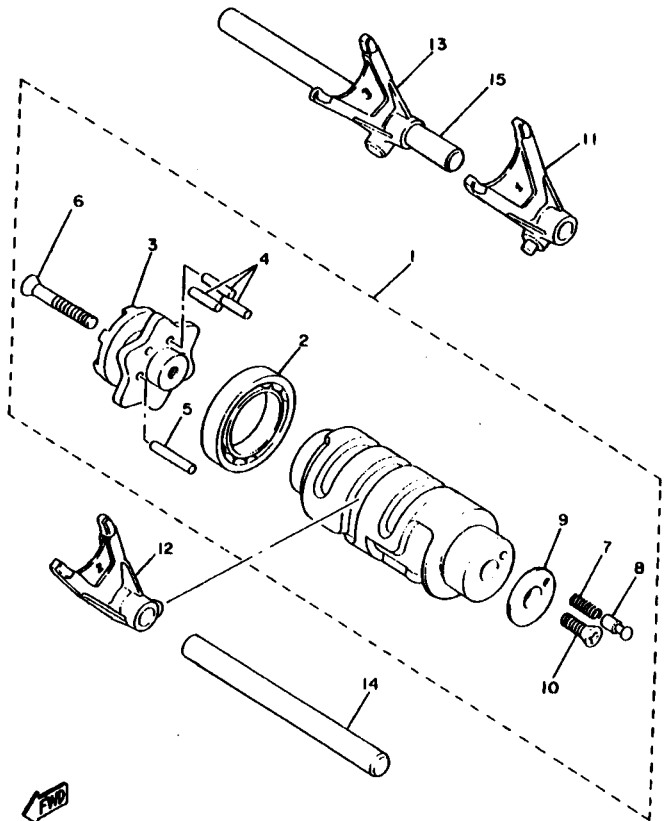


4TR1010-8150

FIG. 15 MIDDLE DRIVE GEAR

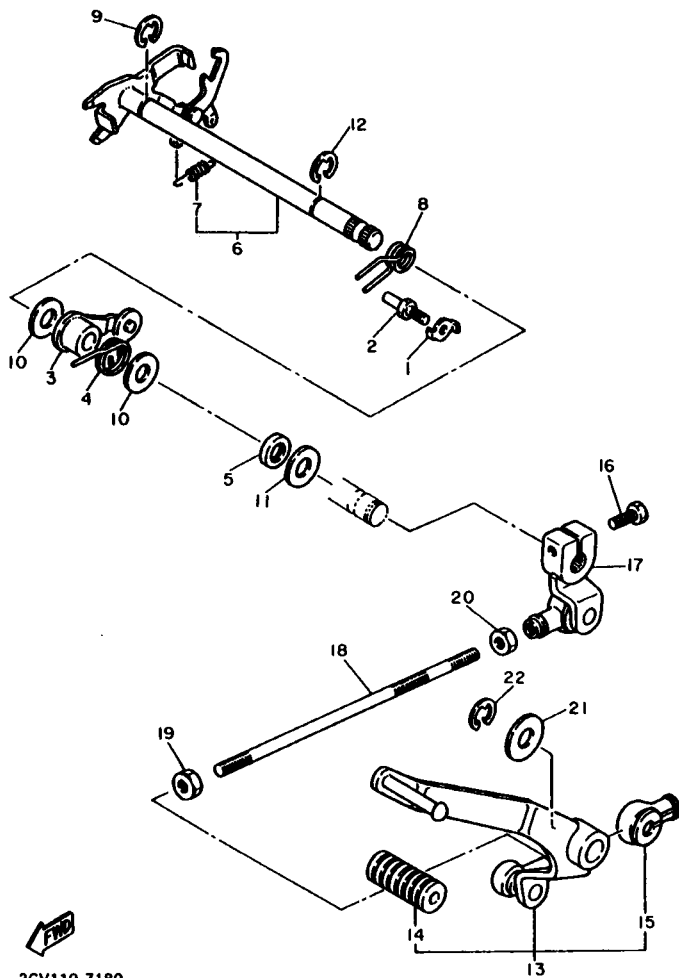
REF. NO.	PART NO.	DESCRIPTION	4VR7	4VR8	4XR7	4XR8	REMARKS
1	4VR-Y1754-00	MIDDLE GEAR COMP.	1	1	1	1	
2	93306-20711	BEARING	1	1	1	1	
3	4H7-17537-00-20	SHIM, THRUST (0.20T)	1	1	1	1	UR
	4H7-17537-00-30	SHIM, THRUST (0.30T)	1	1	1	1	UR
	4H7-17537-00-40	SHIM, THRUST (0.40T)	1	1	1	1	UR
4	90179-18396	NUT	1	1	1	1	
5	4VR-17553-00	SHAFT, MIDDLE DRIVEN	1	1	1	1	
6	4VR-W1752-00	HOUSING COMP.	1	1	1	1	
7	93210-71360	O-RING	1	1	1	1	
8	93101-35097	OIL SEAL	1	1	1	1	
9	22U-17556-00	YOKE, JOINT	1	1	1	1	
10	90201-14633	WASHER, PLATE	1	1	1	1	
11	90185-14070	NUT, SELF-LOCKING	1	1	1	1	
12	4VR-17527-00	CAM, DRIVEN	1	1	1	1	
13	90501-60716	SPRING, COMPRESSION	1	1	1	1	
14	22U-17524-00	HOLDER	1	1	1	1	
15	3H5-17529-00	WASHER, THRUST	2	2	2	2	
16	90387-2511R	COLLAR	1	1	1	1	
17	93306-00401	BEARING (B6004)	1	1	1	1	
18	3JB-17531-00	SHIM, PINION (0.10T)	2	2	2	2	UR
	3JB-17531-10	SHIM, PINION (0.15T)	2	2	2	2	UR
	3JB-17531-20	SHIM, PINION (0.20T)	2	2	2	2	UR
	3JB-17531-30	SHIM, PINION (0.30T)	2	2	2	2	UR
	3JB-17531-40	SHIM, PINION (0.40T)	2	2	2	2	UR
	3JB-17531-50	SHIM, PINION (0.50T)	2	2	2	2	UR
19	95827-08035	BOLT, FLANGE	4	4	4	4	

FIG. 16 SHIFT CAM. FORK



FWD
22U110-3190

REF. NO.	PART NO.	DESCRIPTION	4VR7	4VR8	4XR7	4XR8	REMARKS
1	4TR-18540-02	SHIFT CAM ASSY	1	1	1	1	
2	93306-90802	.BEARING	1	1	1	1	
3	4H7-18185-00	.SEGMENT	1	1	1	1	
4	93604-16092	.PIN, DOWEL	3	3	3	3	
5	93604-20156	.PIN, DOWEL	1	1	1	1	
6	98707-05035	.SCREW, FLAT HEAD	1	1	1	1	
7	90501-06022	.SPRING, COMPRESSION	1	1	1	1	
8	4UN-18542-00	.POINT, NEUTRAL	1	1	1	1	
9	4UN-18568-00	.PLATE, SIDE 2	1	1	1	1	
10	90149-05321	.SCREW	1	1	1	1	
11	4TR-18511-00	FORK, SHIFT 1	1	1	1	1	
12	4TR-18512-00	FORK, SHIFT 2	1	1	1	1	
13	4TR-18513-00	FORK, SHIFT 3	1	1	1	1	
14	3YF-18531-00	BAR, SHIFT FORK GUIDE 1	1	1	1	1	
15	4TR-18535-00	BAR, SHIFT FORK GUIDE 2	1	1	1	1	

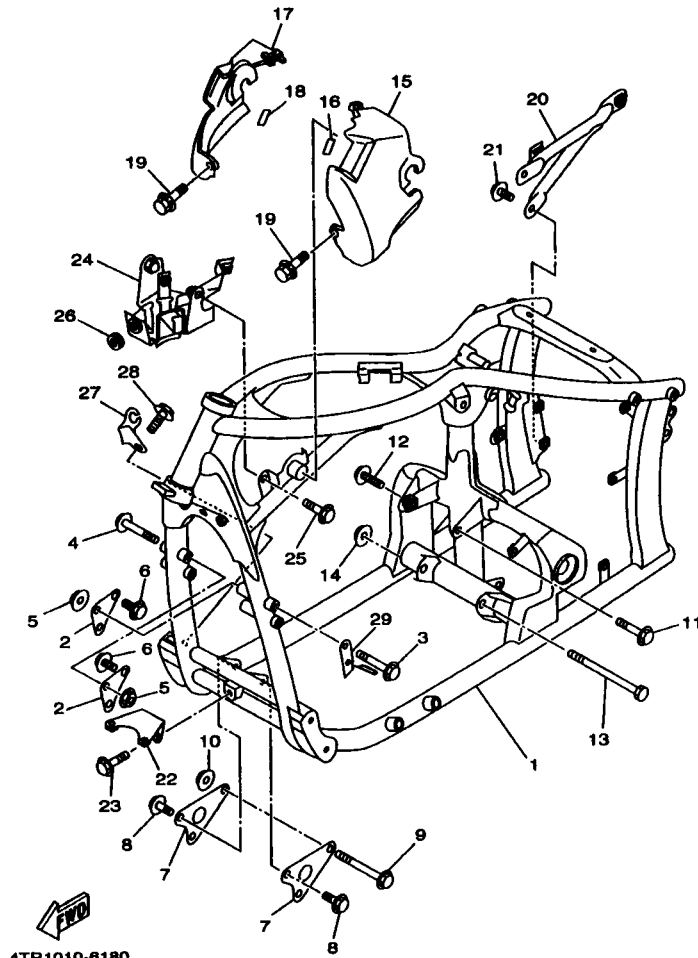


2GV110-7180

FIG. 17 SHIFT SHAFT

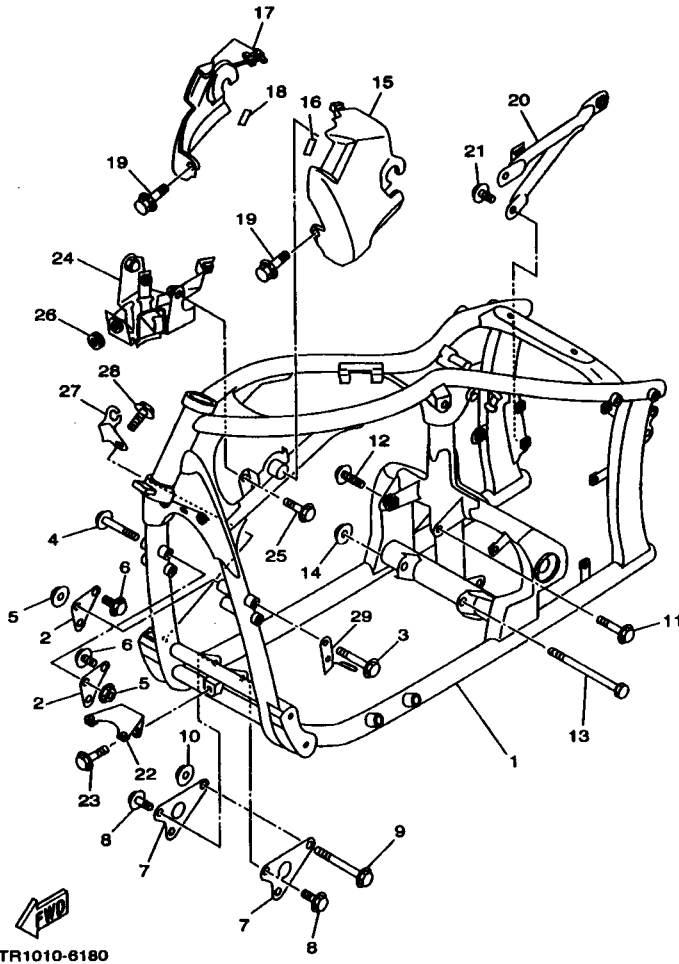
REF. NO.	PART NO.	DESCRIPTION	4VR7	4VFB	4XF7	4XFB	REMARKS
1	90215-18178	WASHER, LOCK	1	1	1	1	
2	4G0-18127-00	STOPPER, SCREW	1	1	1	1	
3	4TR-18140-00	STOPPER LEVER ASSY	1	1	1	1	
4	90508-290B5	SPRING, TORSION	1	1	1	1	
5	93102-12108	OIL SEAL (SD 12-22-5 HS)	1	1	1	1	
6	4TR-18120-00	SHIFT LEVER ASSY	1	1	1	1	
7	90508-08227	.SPRING, TENSION	1	1	1	1	
8	90508-32536	SPRING, TORSION	1	1	1	1	
9	99001-10600	CIRCLIP	1	1	1	1	
10	90201-12588	WASHER, PLATE	2	2	2	2	
11	90201-12575	WASHER, PLATE	1	1	1	1	
12	99001-10600	CIRCLIP	1	1	1	1	
13	4TR-18110-00	SHIFT PEDAL ASSY	1	1	1	1	
14	22N-18113-00	.COVER, SHIFT PEDAL	1	1	1	1	
15	2H9-18154-00	.COVER, DUST	1	1	1	1	
16	97024-06020	BOLT	1	1	1	1	
17	4TR-18112-00	ARM, SHIFT	1	1	1	1	
18	2UJ-18115-02	ROD, SHIFT	1	1	1	1	
19	90170-06228	NUT(COUNTER CLOCKWISE)	1	1	1	1	
20	95304-06700	NUT	1	1	1	1	
21	90201-12888	WASHER, PLATE	1	1	1	1	
22	99009-12400	CIRCLIP	1	1	1	1	

FIG. 18 FRAME



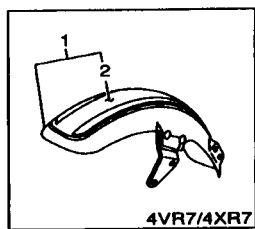
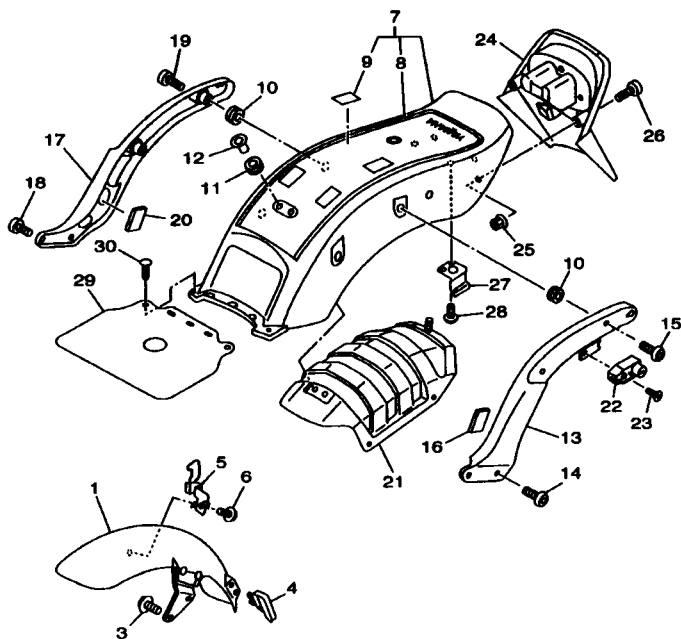
REF. NO.	PART NO.	DESCRIPTION	4VR7	4VR8	4XR7	4XR8	REMARKS
1	4VR-21110-02	FRAME COMP.	1	1	1	1	
2	4VR-21315-00	STAY, ENGINE 2	2	2	2	2	
3	90105-082A4	BOLT, WASHER BASED	2	2	2	2	
4	90105-084A1	BOLT, WASHER BASED	2	2	2	2	
5	90179-08684	NUT	4	4	4	4	
6	95817-10025	BOLT, FLANGE	2	2	2	2	
7	4VR-21317-00	STAY, ENGINE 3	2	2	2	2	
8	90105-08307	BOLT, WASHER BASED	4	4	4	4	
9	95814-10100	BOLT, FLANGE	1	1	1	1	
10	90179-10858	NUT	1	1	1	1	
11	90105-10253	BOLT, WASHER BASED	1	1	1	1	
12	90105-10232	BOLT, WASHER BASED	1	1	1	1	
13	90101-12694	BOLT	1	1	1	1	
14	90179-12248	NUT	1	1	1	1	
15	4TR-2171E-00	COVER, SIDE 5	1	1	1	1	
16	3BN-21747-00	DAMPER	2	2	2	2	
17	4TR-2171X-00	COVER, SIDE 6	1	1	1	1	
18	3BN-21747-00	DAMPER	1	1	1	1	
19	90119-06236	BOLT, WITH WASHER	2	2	2	2	
20	4TR-21480-01	STAY, MUFFLER	1	1	1	1	
21	95817-08014	BOLT, FLANGE	2	2	2	2	
22	4VR-28358-00	STAY 1	1	1	1	1	
23	90105-062A2	BOLT, WASHER BASED	1	1	1	1	
24	4TR-24491-01	BRACKET, FUEL PUMP	1	1	1	1	
25	95807-06014	BOLT, FLANGE	2	2	2	2	
26	90480-12320	GROMMÉT	1	1	1	1	
27	4TR-2144G-01	STAY, STOP SWITCH	1	1	1	1	

FIG. 18 FRAME



REF. NO.	PART NO.	DESCRIPTION	4VR7	4VR8	4XR7	4XR8	REMARKS
28	85807-06012	BOLT, FLANGE	1	1	1	1	
29	4VR-21161-00	HOLDER, CABLE	1	1	1	1	

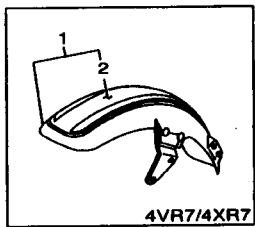
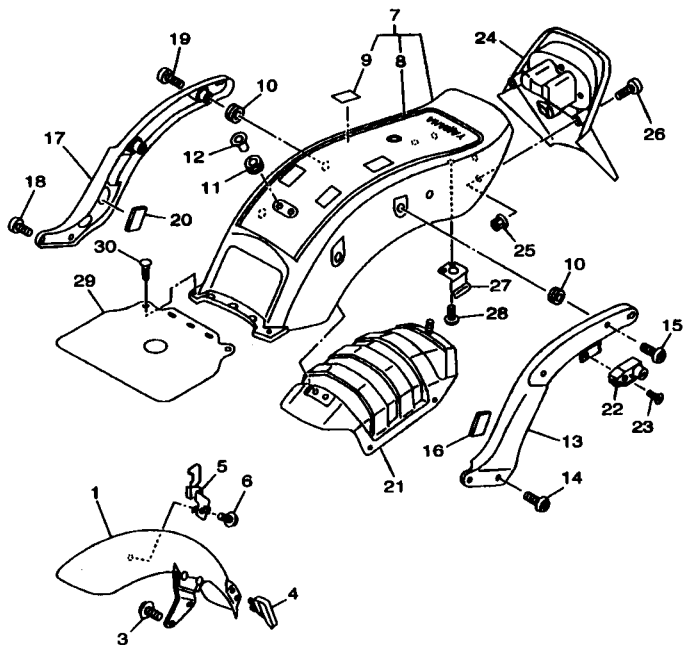
FIG. 19 FENDER




4VR7332-9190

REF. NO.	PART NO.	DESCRIPTION	4VR7	4VR8	4XR7	4XR8	REMARKS
1	4TR-21510-01-33	FRONT FENDER COMP.	1		1		UR YB
	4TR-Y2150-21-P5	FRONT FENDER ASSY	1		1		UR DRM2
	4TR-21510-01-P4	FRONT FENDER COMP.			1	1	UR DVM6
2	4VR-21589-00	.GRAPHIC 1	1		1		FOR DRM2
3	95027-08012	BOLT, FLANGE	4	4	4	4	
4	4VR-21518-00	HOLDER, CABLE	1	1	1	1	
5	4TR-21598-01	HOLDER, WIRE 2	1	1	1	1	
6	95807-06012	BOLT, FLANGE	1	1	1	1	
7	4TR-Y2161-B1-33	REAR FENDER COMP.	1		1		UR YB
	4TR-Y2161-E1-P5	REAR FENDER COMP.	1		1		UR DRM2
	4TR-Y2161-C1-P4	REAR FENDER COMP.			1	1	UR DVM6
8	4TR-21675-B0	.GRAPHIC, REAR FENDER	1		1		UR FOR YB
	4VR-21675-00	.GRAPHIC, REAR FENDER	1		1		UR FOR DRM2
	4VR-21675-10	.GRAPHIC, REAR FENDER			1	1	UR FOR DVM6
9	3SP-21732-00	.SEAL 1	4	4	4	4	
10	90480-18418	GROMMET	4	4	4	4	
11	90480-13398	GROMMET	3	3	3	3	
12	90387-087N5	COLLAR	3	3	3	3	
13	4TR-21613-01	STAY, FENDER 1	1	1	1	1	
14	92014-10025	BOLT, BUTTON HEAD	2	2	2	2	
15	92014-08040	BOLT, BUTTON HEAD	2	2	2	2	
16	3SX-2139X-00	DAMPER	1	1	1	1	
17	4TR-21614-01	STAY, FENDER 2	1	1	1	1	
18	92014-10025	BOLT, BUTTON HEAD	2	2	2	2	
19	92014-08040	BOLT, BUTTON HEAD	2	2	2	2	
20	3SX-2139X-00	DAMPER	1	1	1	1	
21	4TR-21643-00	STAY, REAR	1	1	1	1	

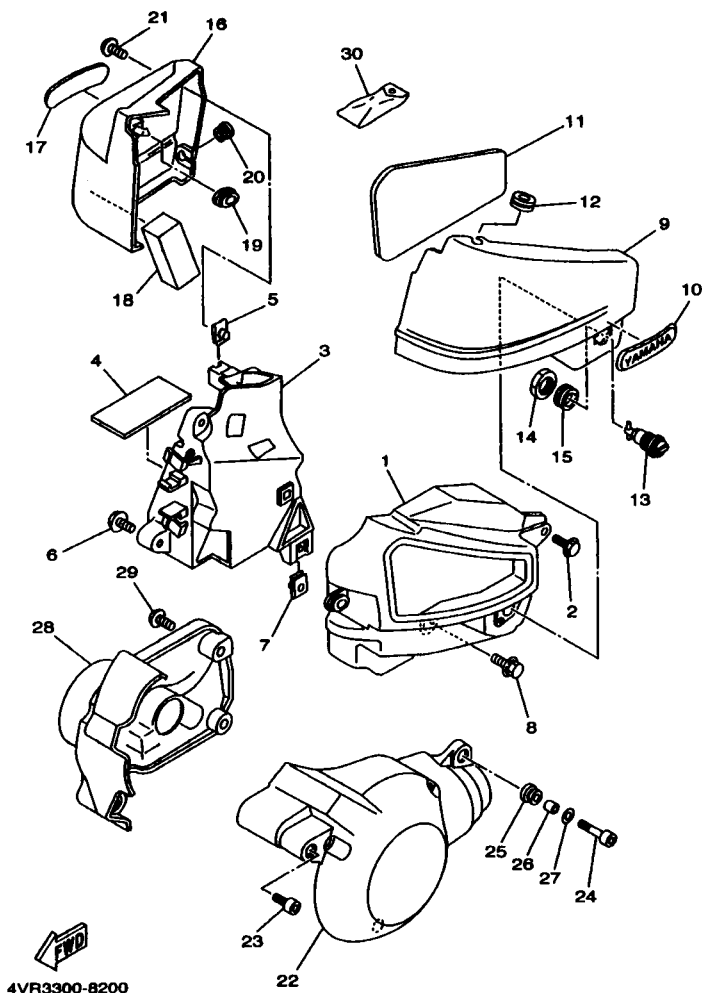
FIG. 19 FENDER



4VR7332-9190

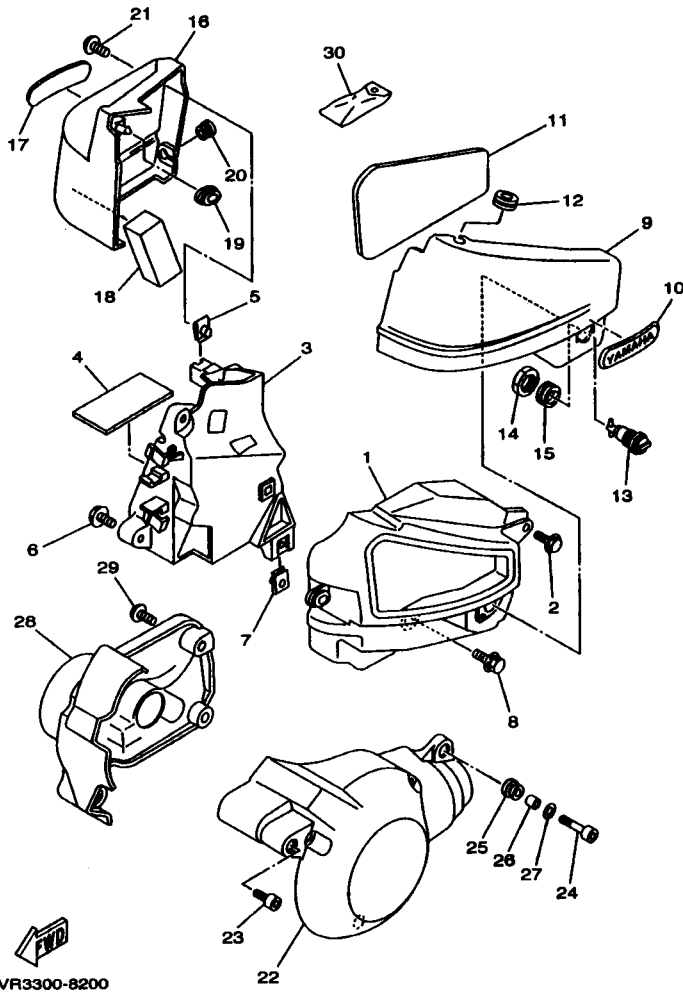
REF. NO.	PART NO.	DESCRIPTION	4VR7	4VR8	4XR7	4XR8	REMARKS
22	4R8-21308-00	HELMET HANGER ASSY	1	1	1	1	
23	90149-06154	SCREW	1	1	1	1	
24	4TR-2162R-01	FENDER 2	1	1	1	1	
25	90179-05523	NUT	2	2	2	2	
26	90154-05011	SCREW, BINDING	2	2	2	2	
27	4TR-21679-00	HOLDER, HARNESS	2	2	2	2	
28	90167-05025	SCREW, TAPPING	2	2	2	2	
29	4TR-21629-00	GUARD, MUD	1	1	1	1	
30	90269-05039	RIVET	2	2	2	2	

FIG. 20 SIDE COVER



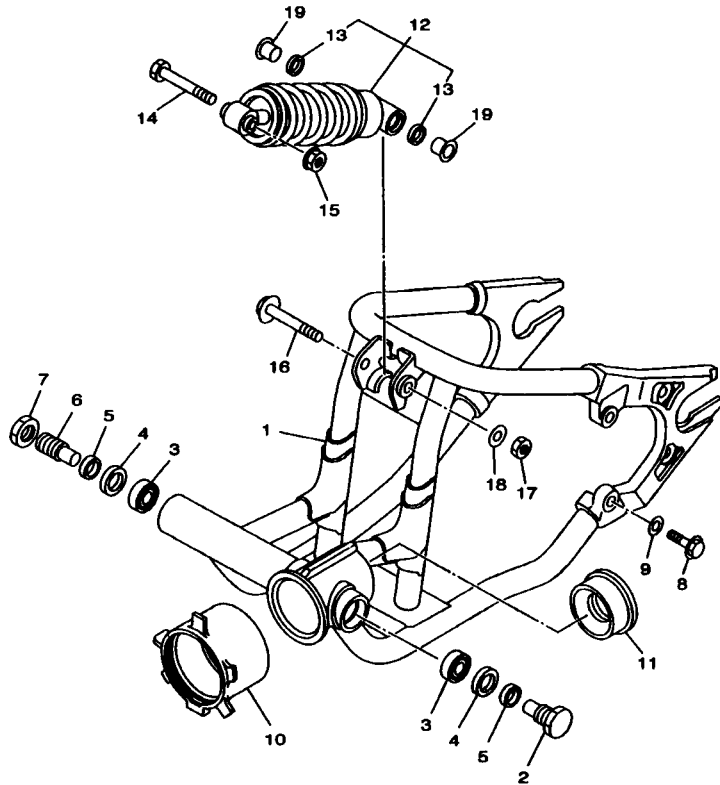
REF. NO.	PART NO.	DESCRIPTION	4VR7	4VR8	4XR7	4XR8	REMARKS
1	4TR-2180A-00	BOX COMP.	1	1	1	1	
2	90119-06118	BOLT, WITH WASHER	1	1	1	1	
3	4TR-2177G-01	BOX, BATTERY	1	1	1	1	
4	5Y1-82122-00	SEAT, BATTERY	1	1	1	1	
5	90183-06053	NUT, SPRING	1	1	1	1	
6	90119-06118	BOLT, WITH WASHER	3	3	3	3	
7	90183-06023	NUT, SPRING	1	1	1	1	
8	90119-06097	BOLT, WITH WASHER	1	1	1	1	
9	4TR-21711-00	COVER, SIDE 1	1	1	1	1	
10	3LS-21781-10	EMBLEM 1	1	1	1	1	
11	4TR-21717-00	DAMPER	1	1	1	1	
12	90480-12320	GROMMET	1	1	1	1	
13	55K-21708-00	LOCK ASSY 2	1	1	1	1	
14	90170-22187	NUT	1	1	1	1	
15	90480-24186	GROMMET	1	1	1	1	
16	4TR-21721-00	COVER, SIDE 2	1	1	1	1	
17	3LS-21781-10	EMBLEM 1	1	1	1	1	
18	84M-77555-00	PROTECTOR 5	1	1	1	1	
19	90480-01559	GROMMET	1	1	1	1	
20	90480-12320	GROMMET	1	1	1	1	
21	90149-06302	SCREW	1	1	1	1	
22	5BN-21731-00	COVER, SIDE 3	1	1	1	1	
23	90110-06254	BOLT, HEXAGON SOCKET HEAD	2	2	2	2	
24	91314-06020	BOLT	4	4	4	4	
25	90480-10289	GROMMET	4	4	4	4	
26	90387-0600V	COLLAR	4	4	4	4	
27	90201-06062	WASHER, PLATE	4	4	4	4	

FIG. 20 SIDE COVER



REF. NO.	PART NO.	DESCRIPTION	4VRT	4VRB	4XRT	4XRB	REMARKS
28	4VR-21741-00	COVER, SIDE 4	1	1	1	1	
29	90110-08200	BOLT, HEXAGON SOCKET HEAD	4	4	4	4	
30	4TR-28100-00	TOOL KIT	1	1	1	1	

FIG. 21 REAR ARM. SUSPENSION

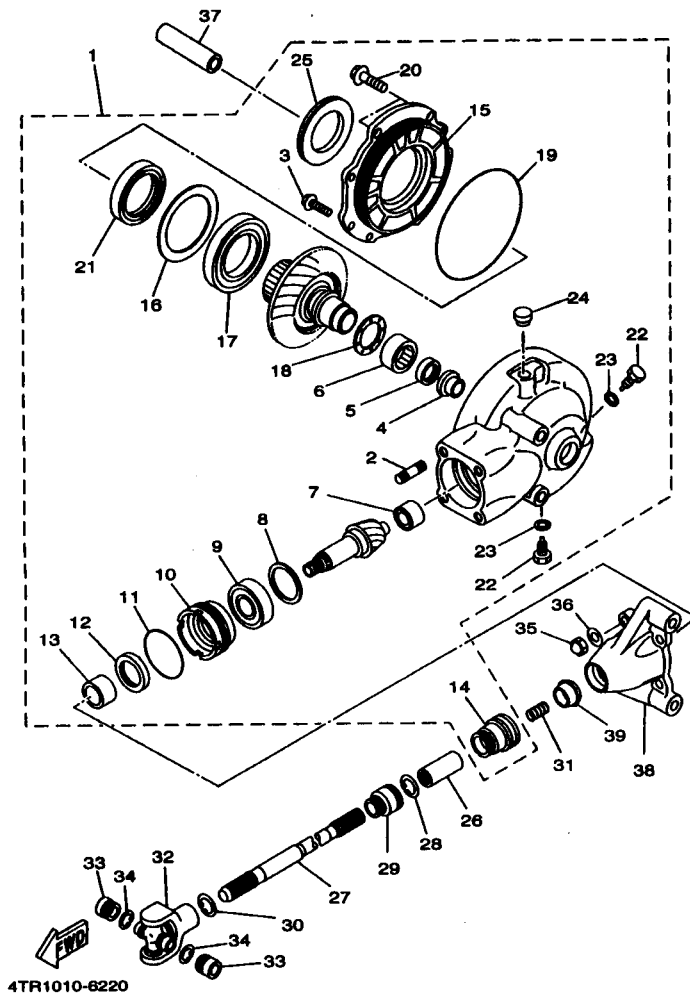



4VR1300-7210

REF. NO.	PART NO.	DESCRIPTION	4VR7	4VR8	4XR7	4XR8	REMARKS
1	4VR-22110-00	REAR ARM COMP.	1	1	1	1	
2	4KM-22141-00	SHAFT, PIVOT	1	1	1	1	
3	93332-00010	BEARING	2	2	2	2	
4	93102-25017	OIL SEAL	2	2	2	2	
5	90387-17543	COLLAR	2	2	2	2	
6	1J7-22141-00	SHAFT, PIVOT	1	1	1	1	
7	1J7-22143-00	NUT	1	1	1	1	
8	90105-101A9	BOLT, WASHER BASED	4	4	4	4	
9	90201-112U0	WASHER, PLATE	4	4	4	4	
10	4TR-22189-00	BOOT, RUBBER	1	1	1	1	
11	4VR-22184-00	BUSH	1	1	1	1	
12	4VR-22210-00	SHOCK ABSORBER ASSY, REAR	1	1	1	1	
13	93109-18020	OIL SEAL	2	2	2	2	
14	90109-125F1	BOLT	1	1	1	1	
15	95607-12200	NUT, SELF-LOCKING	1	1	1	1	
16	90109-125F1	BOLT	1	1	1	1	
17	95607-12100	NUT, U	1	1	1	1	
18	90201-120E6	WASHER, PLATE	1	1	1	1	
19	90387-123X8	COLLAR	2	2	2	2	

D3

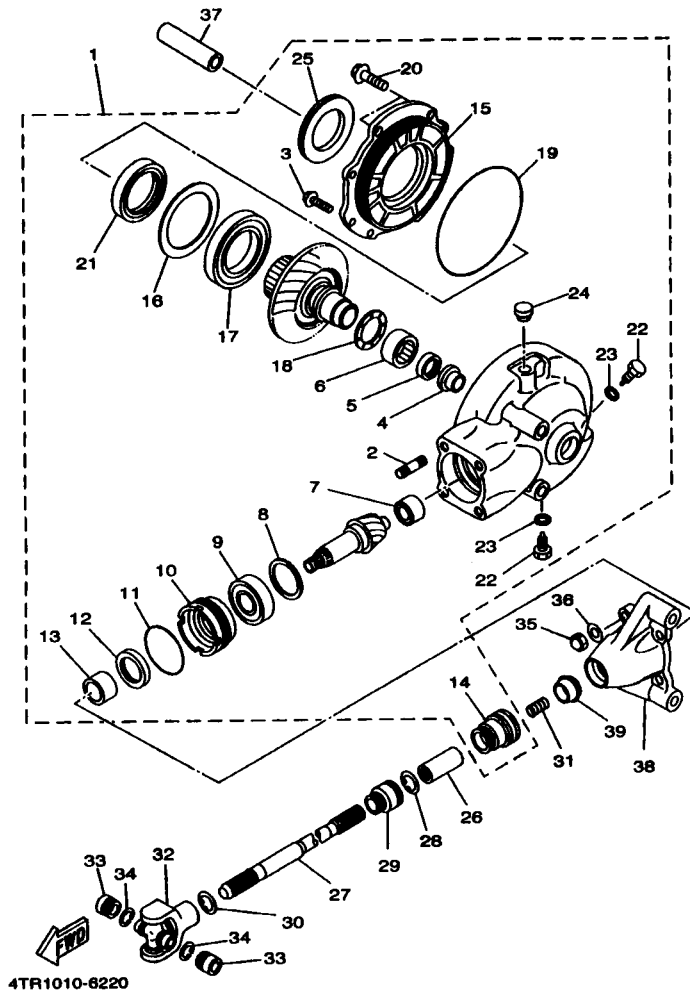
FIG. 22 DRIVE SHAFT



4TR1010-6220

REF. NO.	PART NO.	DESCRIPTION	4VRT	4VFB	4XRT	4XFB	REMARKS
1	4TR-46101-00	REAR AXLE GEAR CASE ASSY	1	1	1	1	
2	90116-10593	.BOLT, STUD	4	4	4	4	
3	90119-08128	.BOLT, WITH WASHER	6	6	6	6	
4	22U-46153-00	.COLLAR, GUIDE	1	1	1	1	
5	93101-30084	.OIL SEAL	1	1	1	1	
6	93311-43729	.BEARING	1	1	1	1	
7	2H7-46102-00	.BEARING ASSY	1	1	1	1	
8	1J7-17537-Y0-30	.SHIM, THRUST (0.30T)	1	1	1	1	UR
	1J7-17537-Y0-40	.SHIM, THRUST (0.40T)	1	1	1	1	UR
	1J7-17537-Y0-50	.SHIM, THRUST (0.50T)	1	1	1	1	UR
9	93306-30539	.BEARING	1	1	1	1	
10	4H7-46125-00	.RETAINER, BEARING	1	1	1	1	
11	93210-60428	.O-RING	1	1	1	1	
12	93101-38098	.OIL SEAL	1	1	1	1	
13	90387-258G9	.COLLAR	1	1	1	1	
14	22U-46136-00	.SEAL 1	1	1	1	1	
15	22U-46152-00	.HOUSING, BEARING	1	1	1	1	
16	22U-46117-00-25	.SHIM, RING GEAR (0.25T)	1	1	1	1	UR
	22U-46117-00-30	.SHIM, RING GEAR (0.30T)	1	1	1	1	UR
	22U-46117-00-40	.SHIM, RING GEAR (0.40T)	1	1	1	1	UR
17	93316-01301	.BEARING	1	1	1	1	
18	22U-46118-00-12	.SHIM, THRUST (1.2T)	1	1	1	1	UR
	22U-46118-00-14	.SHIM, THRUST (1.4T)	1	1	1	1	UR
	22U-46118-00-16	.SHIM, THRUST (1.6T)	1	1	1	1	UR
	22U-46118-00-18	.SHIM, THRUST (1.8T)	1	1	1	1	UR
	22U-46118-00-20	.SHIM, THRUST (2.0T)	1	1	1	1	UR
19	93211-39569	.O-RING	1	1	1	1	

FIG. 22 DRIVE SHAFT



REF. NO.	PART NO.	DESCRIPTION	4VR7	4VR8	4XR7	4XR8	REMARKS
20	90105-10285	.BOLT, WASHER BASED	2	2	2	2	
21	93102-85277	.OIL SEAL	1	1	1	1	
22	90340-14132	.PLUG, STRAIGHT SCREW	2	2	2	2	
23	214-11198-01	.GASKET	2	2	2	2	
24	56W-17590-00	.BREATHER COMP.	1	1	1	1	
25	1J7-25319-02	.SEAL, HUB DUST	1	1	1	1	
26	22U-46123-00	COUPLING, GEAR	1	1	1	1	
27	5BN-46171-00	SHAFT DRIVE ASSY	1	1	1	1	
28	99009-18400	CIRCLIP	1	1	1	1	
29	22U-46137-00	SEAL 2	1	1	1	1	
30	93410-22039	CIRCLIP	1	1	1	1	
31	90501-15722	SPRING, COMPRESSION	1	1	1	1	
32	4X7-46180-00	CROSS JOINT COMP.	1	1	1	1	
33	93311-21044	BEARING	2	2	2	2	
34	93440-20088	CIRCLIP	2	2	2	2	
35	90176-10075	NUT, CROWN	4	4	4	4	
36	92990-10600	WASHER, PLATE	4	4	4	4	
37	90387-1510D	COLLAR	1	1	1	1	
38	4TR-46154-00	COVER, HOUSING	1	1	1	1	
39	4TR-46297-00	COVER, DUST	1	1	1	1	

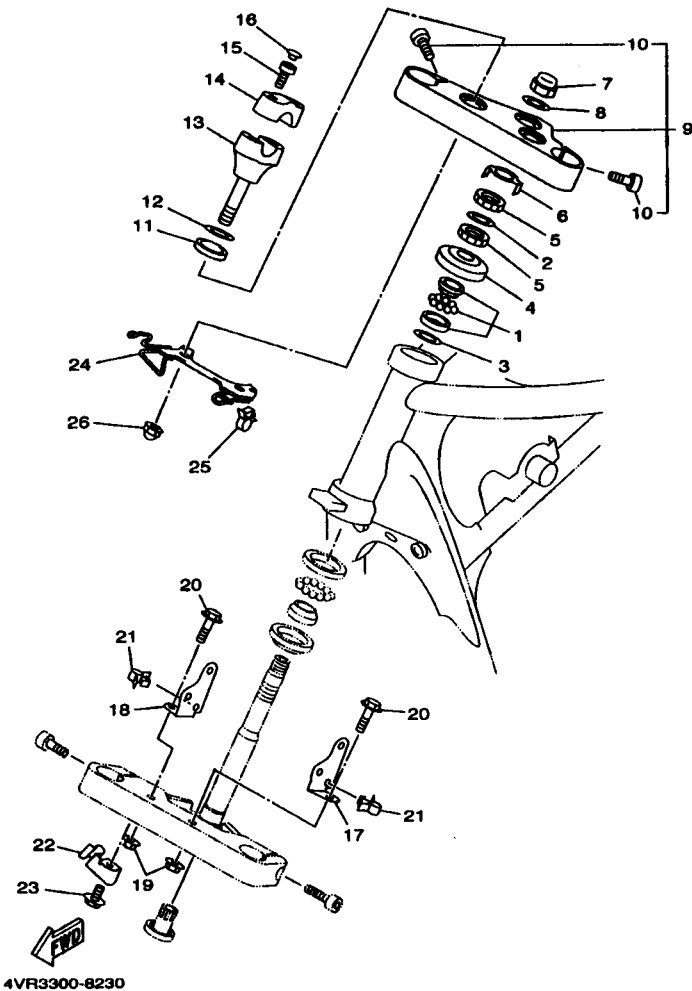
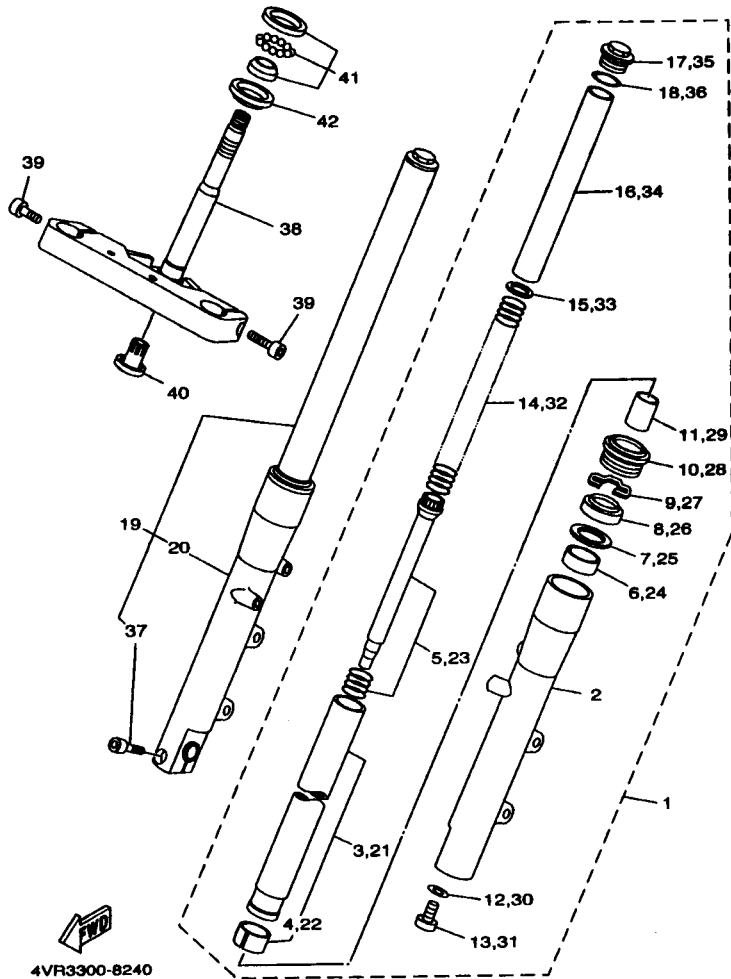


FIG. 23 STEERING

REF. NO.	PART NO.	DESCRIPTION	4VR7	4VR6	4XR7	4XR6	REMARKS
1	93399-99931	BEARING	1	1	1	1	
2	90202-28142	WASHER, PLATE	1	1	1	1	
3	90202-24190	WASHER, PLATE	1	1	1	1	
4	1W1-23418-00	COVER, BALL RACE 2	1	1	1	1	
5	90179-25033	NUT	2	2	2	2	
6	26H-23418-01	WASHER, SPECIAL	1	1	1	1	
7	90176-22081	NUT, CROWN	1	1	1	1	
8	90201-220T0	WASHER, PLATE	1	1	1	1	
9	4VR-Y2343-00	CROWN, HANDLE	1	1	1	1	
10	91314-08030	BOLT	2	2	2	2	
11	3DM-23445-00	DAMPER	2	2	2	2	
12	90201-14220	WASHER, PLATE	2	2	2	2	
13	4VR-23442-00	HOLDER, HANDLE LOWER	2	2	2	2	
14	4VR-23441-00	HOLDER, HANDLE UPPER	2	2	2	2	
15	91314-08025	BOLT	4	4	4	4	
16	90338-08163	PLUG	4	4	4	4	
17	4TR-23175-00	BRACKET, HEADLIGHT STAY 1	1	1	1	1	
18	4TR-23176-00	BRACKET, HEADLIGHT STAY 2	1	1	1	1	
19	95707-08500	NUT, FLANGE	2	2	2	2	
20	95024-08025	BOLT, FLANGE	2	2	2	2	
21	90484-15157	CLAMP	2	2	2	2	
22	4TR-25886-00	HOLDER, BRAKE HOSE	1	1	1	1	
23	95027-08010	BOLT, FLANGE	1	1	1	1	
24	5BN-23389-00	GUIDE, CABLE	1	1	1	1	
25	90484-18246	CLAMP	2	2	2	2	
26	90176-12052	NUT, CROWN	2	2	2	2	

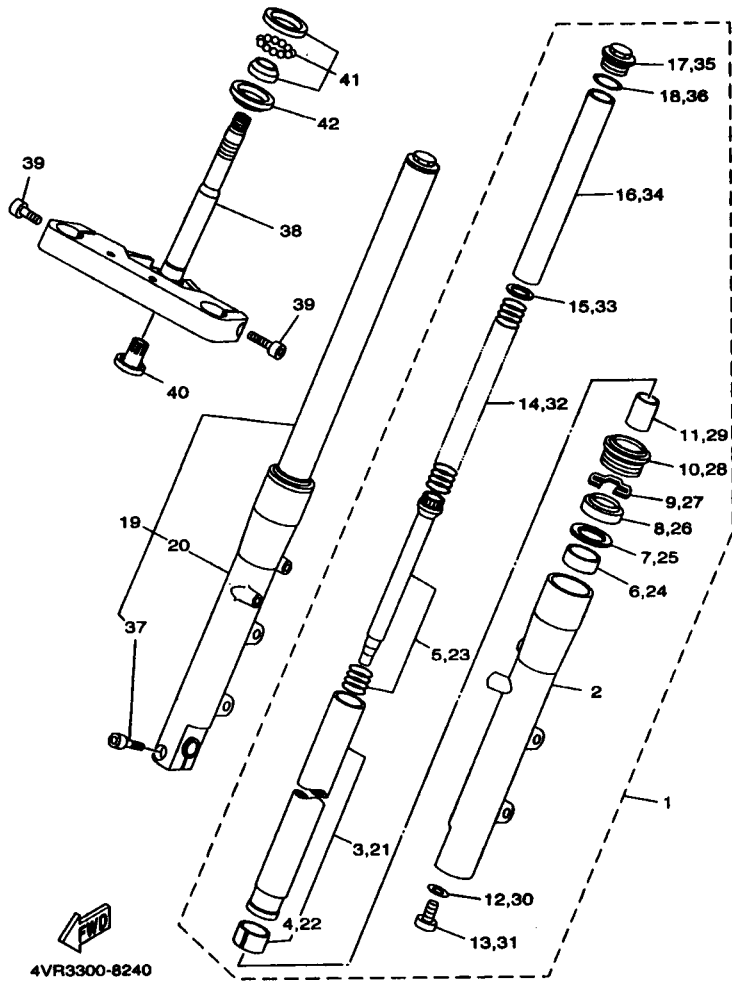
D6

FIG. 24 FRONT FORK



REF. NO.	PART NO.	DESCRIPTION	4VR7	4VR8	4XR7	4XR8	REMARKS
1	4VR-23102-01	FRONT FORK ASSY (L.H)	1	1	1	1	
2	4TR-23126-00	.TUBE, OUTER (LEFT)	1	1	1	1	
3	4TR-23110-00	.INNER TUBE COMP.1	1	1	1	1	
4	4FM-23171-40	.METAL, SLIDE	1	1	1	1	
5	4VR-23170-00	.CYLINDER COMP., FRONT FORK	1	1	1	1	
6	4FM-23125-40	.METAL, SLIDE 1	1	1	1	1	
7	36Y-23146-10	.WASHER, OIL SEAL	1	1	1	1	
8	4EB-23145-00	.OIL SEAL	1	1	1	1	
9	28H-23156-00	.CLIP, OIL SEAL	1	1	1	1	
10	4EB-23144-00	.SEAL, DUST	1	1	1	1	
11	4VR-23173-00	.SPINDLE, TAPER	1	1	1	1	
12	509-23158-L0	.GASKET	1	1	1	1	
13	278-23181-50	.BOLT, HEXAGON SOCKET HEAD	1	1	1	1	
14	4TR-23141-00	.SPRING, FRONT FORK	1	1	1	1	
15	4DW-23149-40	.WASHER, SPRING UPPER	1	1	1	1	
16	4TR-23118-00	.SPACER	1	1	1	1	
17	3EN-23111-50	.BOLT, CAP	1	1	1	1	
18	43F-23188-10	.O-RING	1	1	1	1	
19	4VR-23103-01	FRONT FORK ASSY (R.H)	1	1	1	1	
20	4TR-23136-00	.TUBE, OUTER (RIGHT)	1	1	1	1	
21	4TR-23110-00	.INNER TUBE COMP.1	1	1	1	1	
22	4FM-23171-40	.METAL, SLIDE	1	1	1	1	
23	4VR-23170-00	.CYLINDER COMP., FRONT FORK	1	1	1	1	
24	4FM-23125-40	.METAL, SLIDE 1	1	1	1	1	
25	36Y-23146-10	.WASHER, OIL SEAL	1	1	1	1	
26	4EB-23145-00	.OIL SEAL	1	1	1	1	
27	28H-23156-00	.CLIP, OIL SEAL	1	1	1	1	

FIG. 24 FRONT FORK

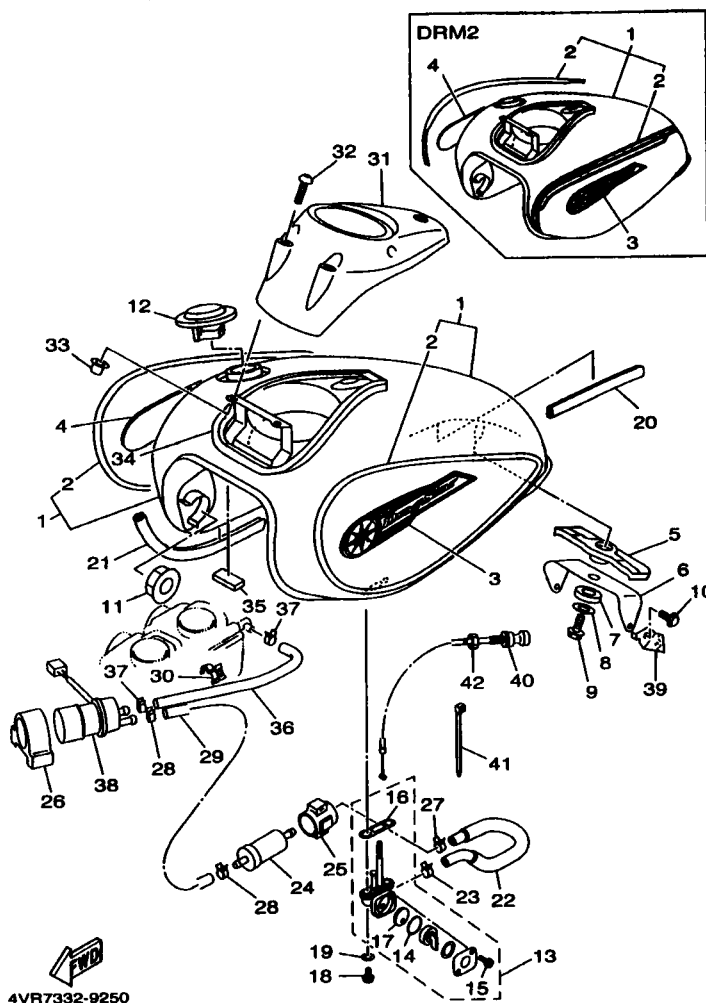


4VR3300-8240

REF. NO.	PART NO.	DESCRIPTION	4VR7	4VR8	4XR7	4XR8	REMARKS
28	4EB-23144-00	.SEAL, DUST	1	1	1	1	
29	4VR-23173-00	.SPINDLE, TAPER	1	1	1	1	
30	509-23158-L0	.GASKET	1	1	1	1	
31	278-23181-50	.BOLT, HEXAGON SOCKET HEAD	1	1	1	1	
32	4TR-23141-00	.SPRING, FRONT FORK	1	1	1	1	
33	4DW-23149-40	.WASHER, SPRING UPPER	1	1	1	1	
34	4TR-23118-00	.SPACER	1	1	1	1	
35	3EN-23111-50	.BOLT, CAP	1	1	1	1	
36	43F-23188-10	.O-RING	1	1	1	1	
37	91314-08040	.BOLT	1	1	1	1	
38	4VR-23340-00	UNDER BRACKET COMP.	1	1	1	1	
39	91314-10030	BOLT	2	2	2	2	
40	4KM-23123-01	COVER, LOWER 1	1	1	1	1	
41	93399-99932	BEARING	1	1	1	1	
42	3FV-23462-00	SEAL, STEERING	1	1	1	1	

D8

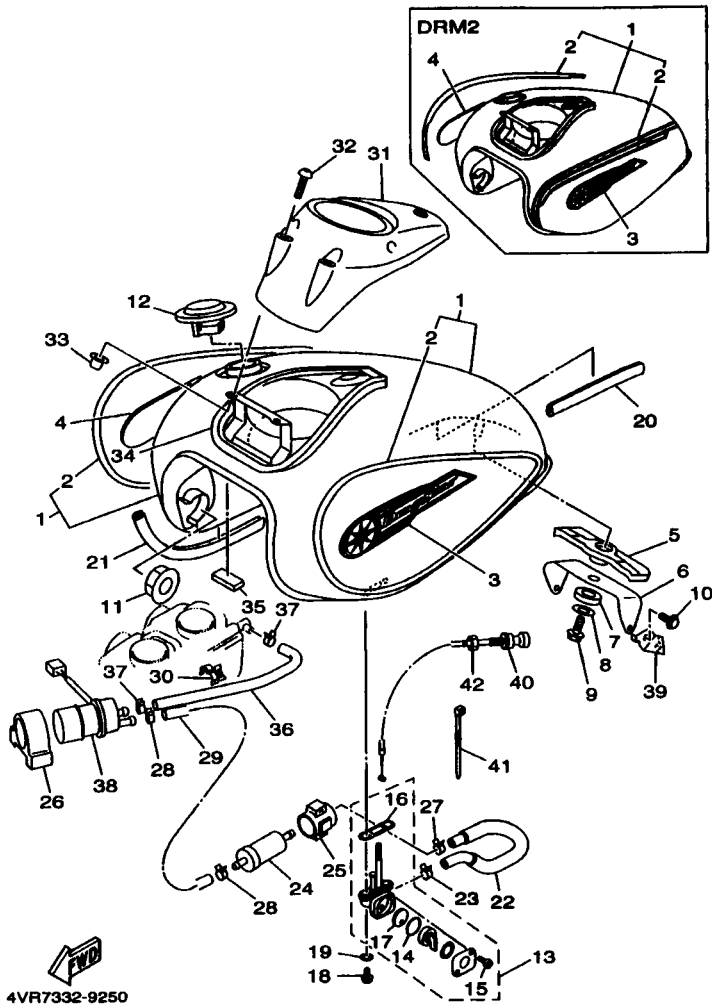
FIG. 25 FUEL TANK



4VR7332-9250

REF. NO.	PART NO.	DESCRIPTION	4VR7	4VR8	4XR7	4XR8	REMARKS
1	4TR-Y2410-31-W1	FUEL TANK COMP.	1		1		YB
	4TR-Y2410-31-W3	FUEL TANK COMP.	1		1		DRM2/LGNM6
	4TR-Y2410-31-W2	FUEL TANK COMP.		1		1	DVM6
2	4TR-24240-80	.GRAPHIC SET	1		1		UR FOR YB
	4VR-24240-10	.GRAPHIC SET	1		1		UR FOR DRM2
	4VR-24240-20	.GRAPHIC SET		1		1	UR FOR DVM6
3	4VR-24161-00	EMBLEM 1	1	1	1	1	
4	4VR-24182-00	EMBLEM 2	1	1	1	1	
5	4TR-24182-00	DAMPER, LOCATING 2	1	1	1	1	
6	4TR-2413Y-00	BRACKET, TANK FITTING	1	1	1	1	
7	4TR-24183-00	DAMPER, LOCATING 3	1	1	1	1	
8	90201-080S9	WASHER, PLATE	1	1	1	1	
9	92017-06012	BOLT, BUTTON HEAD	1	1	1	1	
10	95817-08016	BOLT, FLANGE	2	2	2	2	
11	4H7-24181-00	DAMPER, LOCATING 1	2	2	2	2	
12	5BN-24602-00	CAP ASSY	1	1	1	1	
13	21V-24500-10	FUEL COCK ASSY 1	1	1	1	1	
14	3AJ-24534-00	.SEAL, COCK	1	1	1	1	
15	97801-03008	.SCREW, PAN HEAD	2	2	2	2	
16	4X8-24512-00	.O-RING	1	1	1	1	
17	3AJ-24523-00	.VALVE PACKING	1	1	1	1	
18	90149-06011	SCREW	2	2	2	2	
19	90202-05193	WASHER, PLATE	2	2	2	2	
20	1FK-2171L-00	MOLE, SIDE COVER 1	1	1	1	1	
21	4BP-24188-00	MOLD, FUEL TANK	1	1	1	1	
22	4TR-24313-00	PIPE 3	1	1	1	1	
23	90467-10038	CLIP	1	1	1	1	

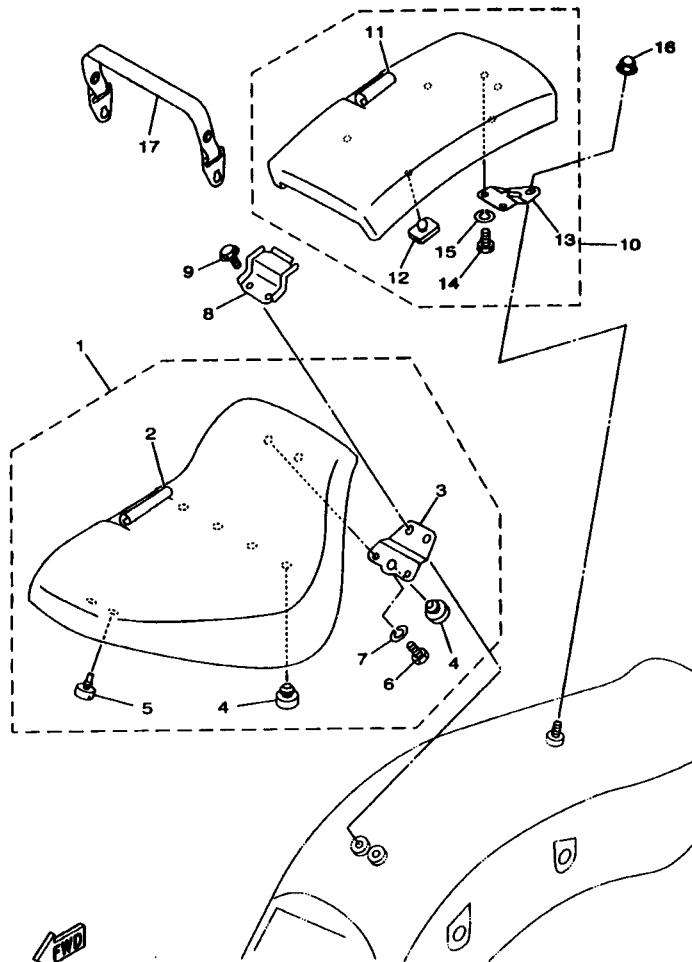
FIG. 25 FUEL TANK



4VR7332-9250

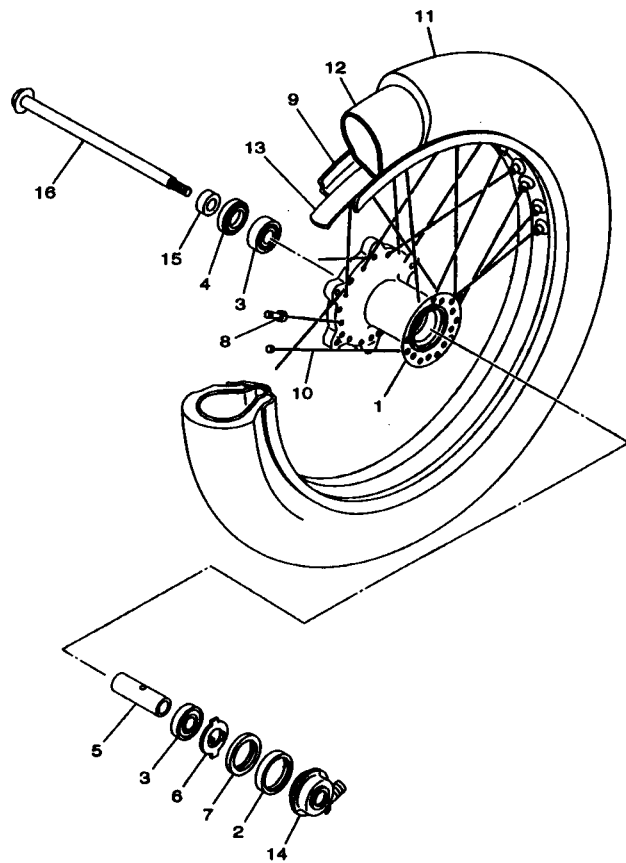
REF. NO.	PART NO.	DESCRIPTION	4VR7	4VR8	4XR7	4XR8	REMARKS
24	1FK-24580-00	FILTER ASSY	1	1	1	1	
25	1FK-24586-00	BRACKET, FILTER	1	1	1	1	
26	4EB-24398-00	BAND 1	1	1	1	1	
27	90487-11032	CLIP	1	1	1	1	
28	90487-12053	CLIP	2	2	2	2	
29	4TR-24311-00	PIPE, FUEL 1	1	1	1	1	
30	90464-15192	CLAMP	1	1	1	1	
31	4TR-2171A-00	COVER, TOP	1	1	1	1	
32	90149-05299	SCREW	3	3	3	3	
33	90179-05523	NUT	3	3	3	3	
34	4TR-2414G-00	SEAL	2	2	2	2	
35	3XV-21717-00	DAMPER	1	1	1	1	
36	4TR-14294-00	HOSE	1	1	1	1	
37	90487-12053	CLIP	2	2	2	2	
38	3LN-13907-00	FUEL PUMP COMP.	1	1	1	1	
39	4TR-2637G-00	HOLDER, WIRE	1	1	1	1	
40	4TR-26331-00	CABLE, STARTER 1	1	1	1	1	
41	1UA-82591-00	BAND	1	1	1	1	
42	1VJ-26333-00	NUT	1	1	1	1	

FIG. 26 SEAT



4VR1300-7261

REF. NO.	PART NO.	DESCRIPTION	AVR7	AVR8	AXR7	AXR8	REMARKS
1	4VR-24710-10	SINGLE SEAT ASSY	1	1	1	1	
2	4VR-24711-00	.COVER, SINGLE SEAT	1	1	1	1	
3	4TR-2475H-00	.BRACKET, SEAT LEVER 1	1	1	1	1	
4	22W-24741-00	.PAD, SEAT	5	5	5	5	
5	35T-24724-00	.DAMPER, SEAT	2	2	2	2	
6	97007-06012	.BOLT	2	2	2	2	
7	92907-06100	.WASHER, SPRING	2	2	2	2	
8	4TR-2475K-00	BRACKET 3	1	1	1	1	
9	91317-06025	BOLT	2	2	2	2	
10	4TR-24750-00	TANDEM SEAT ASSY	1	1	1	1	
11	4TR-24751-00	.COVER, TANDEM SEAT	1	1	1	1	
12	509-24724-00	.DAMPER, SEAT	4	4	4	4	
13	4TR-2475J-00	.BRACKET, SEAT LEVER 2	1	1	1	1	
14	97007-06012	.BOLT	2	2	2	2	
15	92907-06100	.WASHER, SPRING	2	2	2	2	
16	90176-06047	NUT, CROWN	1	1	1	1	
17	4TR-24720-00	SEAT BAND ASSY	1	1	1	1	

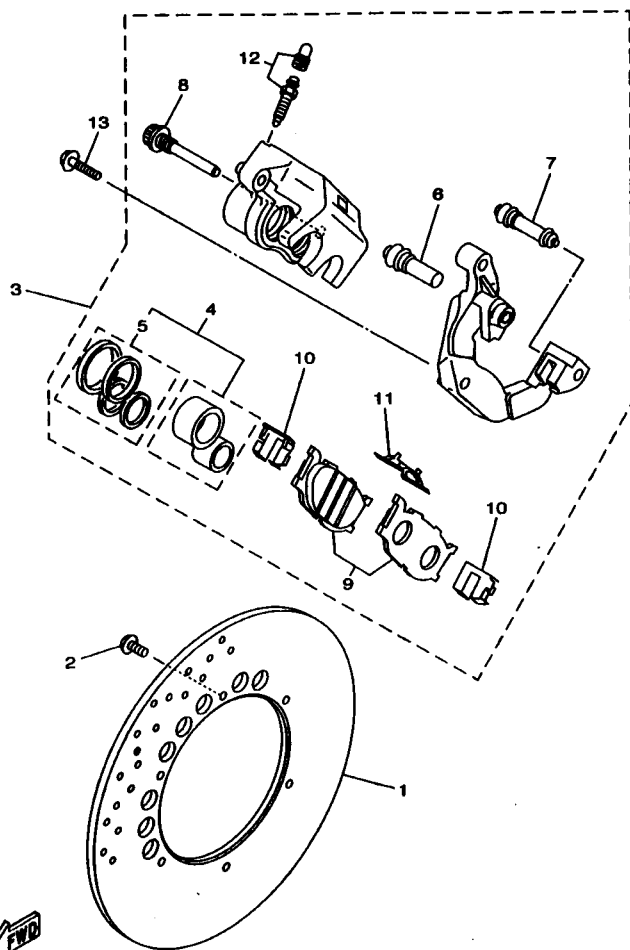



4VR1300-7271

FIG. 27 FRONT WHEEL

REF. NO.	PART NO.	DESCRIPTION	4VR7	4VR8	4XR7	4XR8	REMARKS
1	4TR-25111-00	HUB, FRONT	1	1	1	1	
2	93105-46017	OIL SEAL	1	1	1	1	
3	93306-30317	BEARING	2	2	2	2	
4	93102-28022	OIL SEAL	1	1	1	1	
5	90387-173M5	COLLAR	1	1	1	1	
6	341-25149-00	CLUTCH, METER	1	1	1	1	
7	341-25846-00	RETAINER, CLUTCH	1	1	1	1	
8	5V4-25398-00	BALANCER, WHEEL	1	1	1	1	UN
9	94425-19585	RIM (2.50-19)	1	1	1	1	
10	4VR-25104-01	SPOKE SET, FRONT	1	1	1	1	
11	94110-1908T	TIRE (100/90-19 57S L309)	1	1	1	1	UR BRIDGESTONE
	94110-1908V	TIRE (100/90-19 57S F24)	1	1	1	1	UR DUNLOP
12	94210-19222	TUBE(3.25-19)	1	1	1	1	UR BRIDGESTONE
	94210-19224	TUBE(100/90-19 TR4 BTL)	1	1	1	1	UR DUNLOP
13	94321-19135	BAND, RIM (90-100/90-19)	1	1	1	1	UR DUNLOP
	94321-19157	BAND, RIM (2.15-19)	1	1	1	1	UR BRIDGESTONE
14	4TR-25190-10	GEAR UNIT ASSY	1	1	1	1	
15	90387-173R6	COLLAR	1	1	1	1	
16	4TR-25181-00	AXLE, WHEEL	1	1	1	1	

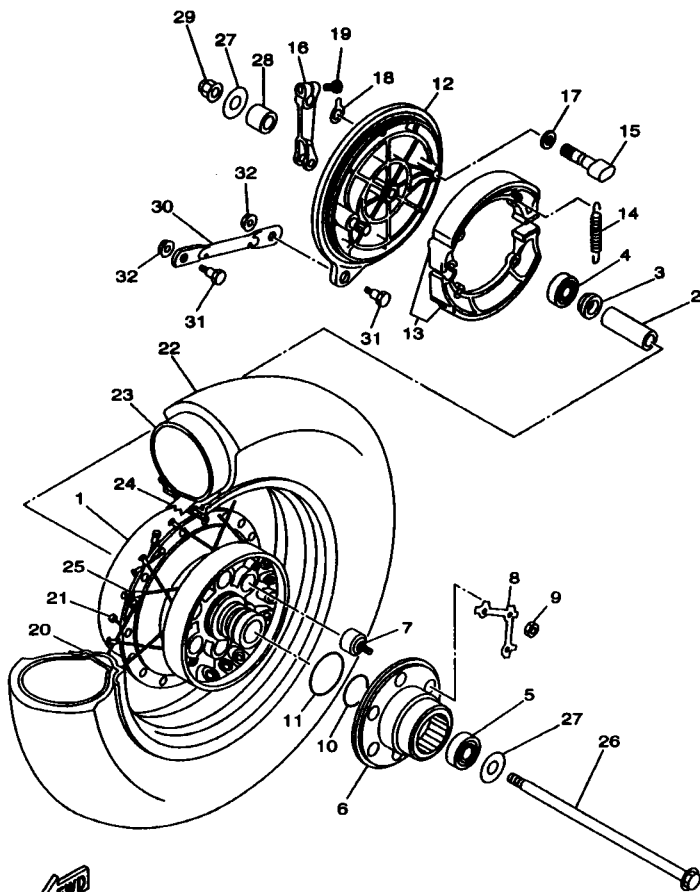
FIG. 28 FRONT BRAKE CALIPER



4VR7332-9280

REF. NO.	PART NO.	DESCRIPTION	4VR7	4VR6	4XR7	4XR6	REMARKS
1	3JB-2582U-01	DISC, BRAKE (RIGHT)	1	1	1	1	
2	90109-083G4	BOLT	6	6	6	6	
3	4TR-2580U-00	CALIPER ASSY (RIGHT)	1	1	1	1	
4	3JB-W0057-00	.PISTON ASSY, CALIPER	1	1	1	1	
5	3JB-W0047-00	..CALIPER SEAL KIT	1	1	1	1	
6	5R2-25937-00	.BOOT 2	1	1	1	1	
7	3YX-25937-00	.BOOT 2	1	1	1	1	
8	3YX-25928-00	.BOLT	1	1	1	1	
9	4TR-W0045-00	.BRAKE PAD KIT	1	1	1	1	
10	3YX-25919-00	.SUPPORT, PAD	2	2	2	2	
11	3YX-25929-00	.SPRING, ANTI RATTLE	1	1	1	1	
12	51L-W0048-00	.BLEED SCREW KIT	1	1	1	1	
13	90105-10638	BOLT, WASHER BASED	2	2	2	2	

FIG. 29 REAR WHEEL

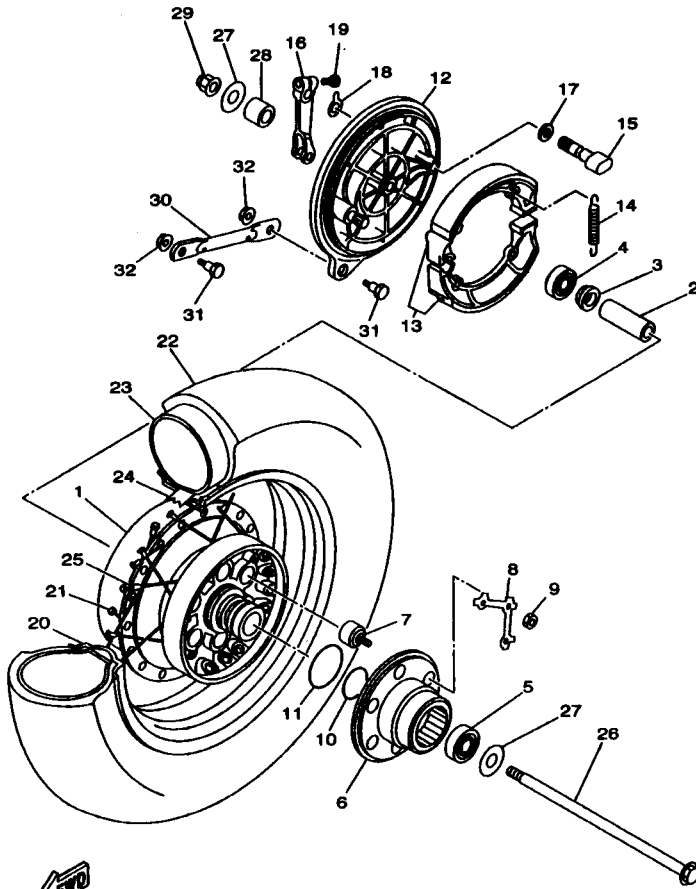



 4VR3300-8290

REF. NO.	PART NO.	DESCRIPTION	4VR7	4VR8	4XR7	4XR8	REMARKS
1	3JB-25311-00-35	HUB, REAR	1	1	1	1	SL
2	2GV-25317-00	SPACER, BEARING	1	1	1	1	
3	2GV-25315-00	FLANGE, SPACER	1	1	1	1	
4	93306-30209	BEARING	1	1	1	1	
5	93306-30202	BEARING	1	1	1	1	
6	4TR-25368-00	CLUTCH, HUB	1	1	1	1	
7	4TR-25364-00	DAMPER	6	6	6	6	
8	16G-25412-00	WASHER	2	2	2	2	
9	90170-10219	NUT	6	6	6	6	
10	93210-48530	O-RING	1	1	1	1	
11	93210-61750	O-RING	1	1	1	1	
12	4TR-25321-00	PLATE, BRAKE SHOE	1	1	1	1	
13	3DR-W2536-00	BRAKE SHOE SET	1	1	1	1	
14	90507-20002	SPRING, TENSION	2	2	2	2	
15	4H7-25351-00	CAMSHAFT	1	1	1	1	
16	214-25355-00	LEVER, CAMSHAFT	1	1	1	1	
17	90201-14577	WASHER, PLATE	1	1	1	1	
18	4H7-2533A-02	PLATE, INDICATOR	1	1	1	1	
19	90101-06764	BOLT	1	1	1	1	
20	94435-15586	RIM	1	1	1	1	
21	4VR-25304-01	SPOKE SET, REAR	1	1	1	1	
22	94117-1508U	TIRE (170/80-15M/C 77S G546)	1	1	1	1	UR BRIDGESTONE
	94117-1508W	TIRE (170/80-15M/C 77S K555)	1	1	1	1	UR DUNLOP
23	94217-15298	TUBE(170/80-15)	1	1	1	1	UR BRIDGESTONE
	94217-15299	TUBE(100/170-90/80-15)	1	1	1	1	UR DUNLOP
24	94317-15172	BAND, RIM	1	1	1	1	UR BRIDGESTONE
	94317-15173	BAND, RIM	1	1	1	1	UR DUNLOP

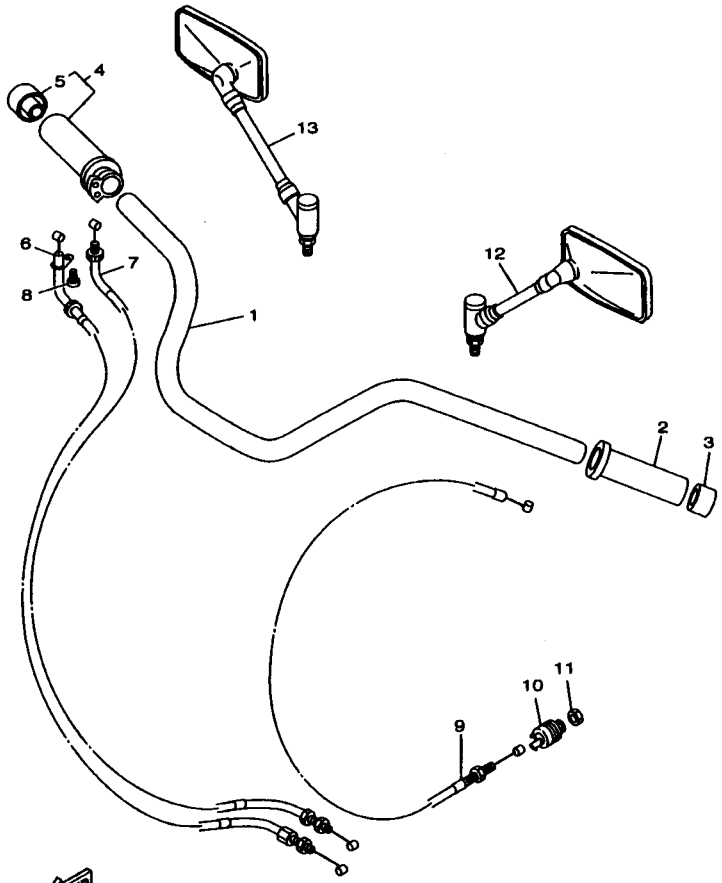
D14

FIG. 29 REAR WHEEL




4VR3300-8290

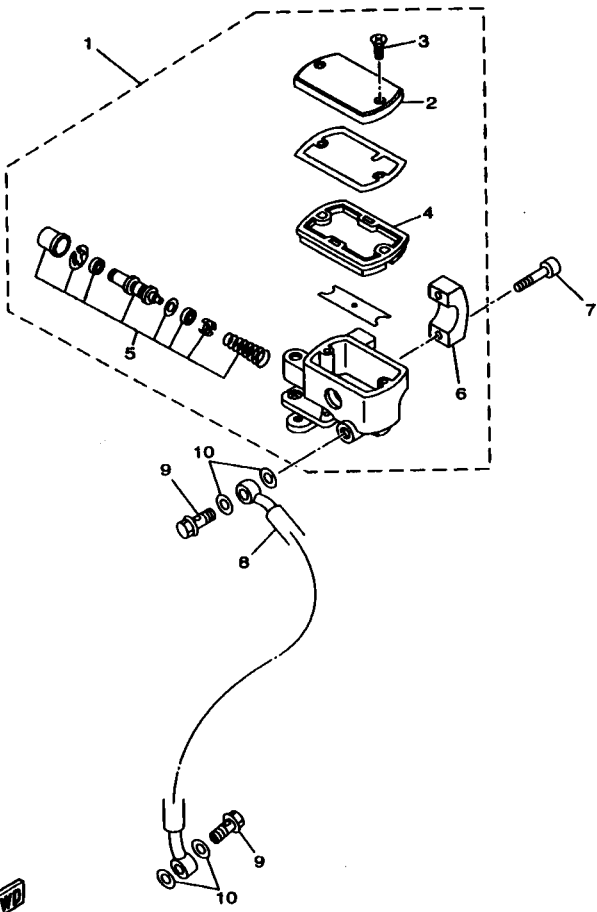
REF. NO.	PART NO.	DESCRIPTION	4VF7	4VFB	4XF7	4XFB	REMARKS
25	5V4-25398-00	BALANCER, WHEEL	1	1	1	1	UN
26	4TR-25381-00	AXLE, WHEEL	1	1	1	1	
27	90201-152L7	WASHER, PLATE	2	2	2	2	
28	90387-151R1	COLLAR	1	1	1	1	
29	95604-14200	NUT, SELF-LOCKING	1	1	1	1	
30	4TR-25371-00	BAR, TENSION	1	1	1	1	
31	90109-085G1	BOLT	2	2	2	2	
32	95604-08200	NUT, U FLANGE	2	2	2	2	




4VR1300-7300

FIG. 30 STEERING HANDLE. CABLE

REF. NO.	PART NO.	DESCRIPTION	4VR7	4VR8	4XR7	4XR8	REMARKS
1	4VR-28111-00	HANDLEBAR	1	1	1	1	
2	4NK-28241-00	GRIP (LEFT)	1	1	1	1	
3	4NK-2828J-00	CAP, GRIP	1	1	1	1	
4	4NK-28240-00	GRIP ASSY	1	1	1	1	
5	4NK-2835J-00	.CAP 2	1	1	1	1	
6	5BN-28311-00	CABLE, THROTTLE 1	1	1	1	1	
7	5BN-28312-00	CABLE, THROTTLE 2	1	1	1	1	
8	98507-05008	SCREW, PAN HEAD	1	1	1	1	
9	4TR-28335-00	CABLE, CLUTCH	1	1	1	1	
10	1E6-28342-00	BOOT, CABLE	1	1	1	1	
11	95304-08700	NUT	1	1	1	1	
12	4VR-28280-00	REAR VIEW MIRROR ASSY(LEFT)	1	1	1	1	
13	4VR-28290-00	REAR VIEW MIRROR ASSY(RIGHT)	1	1	1	1	

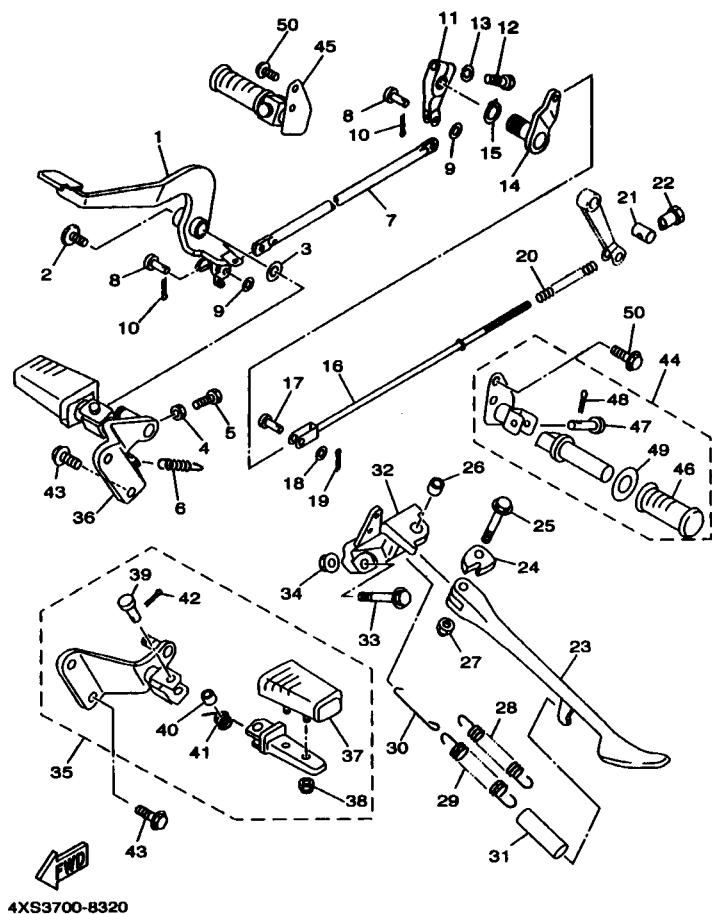



4VR1300-7310

FIG. 31 FRONT MASTER CYLINDER

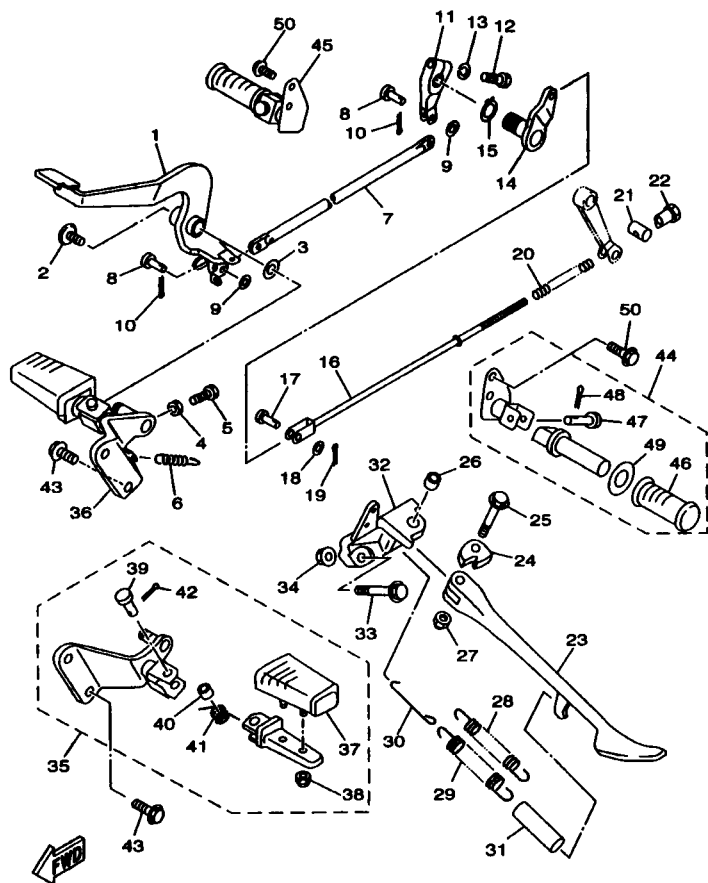
REF. NO.	PART NO.	DESCRIPTION	4VR7	4VR8	4XR7	4XR8	REMARKS
1	4VR-2583T-00	MASTER CYLINDER ASSY	1	1	1	1	
2	4TR-25852-00	.CAP, RESERVOIR	1	1	1	1	
3	98704-04012	.SCREW, FLAT HEAD	2	2	2	2	
4	4BH-25854-01	.DIAPHRAGM, RESERVOIR	1	1	1	1	
5	1JL-W0041-01	.CYLINDER KIT, MASTER	1	1	1	1	
6	4TR-25867-00	.BRACKET, MASTER CYLINDER	1	1	1	1	
7	91314-06025	BOLT	2	2	2	2	
8	4VR-25872-10	HOSE, BRAKE 1	1	1	1	1	
9	90401-10159	BOLT, UNION	2	2	2	2	
10	90201-10118	WASHER, PLATE	4	4	4	4	

FIG. 32 STAND, FOOTREST



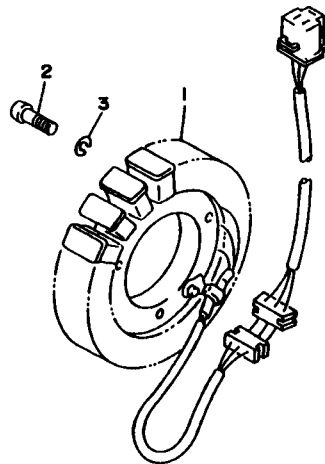
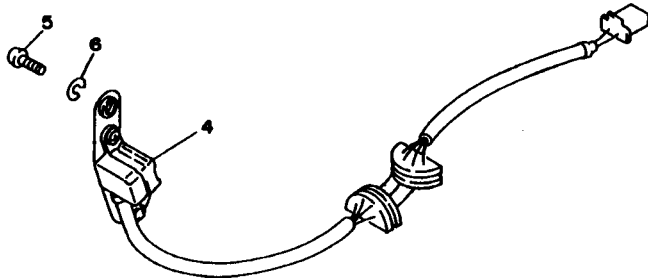
REF. NO.	PART NO.	DESCRIPTION	4VR7	4VR8	4XR7	4XR8	REMARKS
1	4VR-27211-01	PEDAL, BRAKE	1	1	1	1	
2	90110-06249	BOLT, HEXAGON SOCKET HEAD	1	1	1	1	
3	90206-14086	WASHER, WAVE	1	1	1	1	
4	95307-06700	NUT	1	1	1	1	
5	90101-06534	BOLT	1	1	1	1	
6	90506-20369	SPRING, TENSION	1	1	1	1	
7	4TR-27247-00	ROD 1	1	1	1	1	
8	90240-06108	PIN, CLEVIS	2	2	2	2	
9	90201-062P7	WASHER, PLATE	2	2	2	2	
10	91401-20012	PIN, COTTER	2	2	2	2	
11	4TR-27243-00	BOSS, BRAKE PEDAL	1	1	1	1	
12	90109-06468	BOLT	1	1	1	1	
13	92907-06100	WASHER, SPRING	1	1	1	1	
14	4TR-27212-00	SHAFT, BRAKE PEDAL	1	1	1	1	
15	99009-19400	CIRCLIP	1	1	1	1	
16	4TR-27231-00	ROD, BRAKE	1	1	1	1	
17	90240-06108	PIN, CLEVIS	1	1	1	1	
18	90201-062P7	WASHER, PLATE	1	1	1	1	
19	91401-20012	PIN, COTTER	1	1	1	1	
20	90501-10245	SPRING, COMPRESSION	1	1	1	1	
21	90249-12008	PIN	1	1	1	1	
22	90179-06411	NUT	1	1	1	1	
23	4KU-27311-11	STAND, SIDE	1	1	1	1	
24	4VR-27322-00	WASHER	1	1	1	1	
25	90105-102A6	BOLT, WASHER BASED	1	1	1	1	
26	90387-1003G	COLLAR	1	1	1	1	
27	95807-10200	NUT, SELF-LOCKING	1	1	1	1	

FIG. 32 STAND, FOOTREST



4XS3700-8320

REF. NO.	PART NO.	DESCRIPTION					REMARKS
			4VR7	4VR8	4XR7	4XR8	
28	90506-23490	SPRING, TENSION	1	1	1	1	
29	90506-29507	SPRING, TENSION	1	1	1	1	
30	4TR-27315-01	LINK, SIDE STAND	1	1	1	1	
31	90445-16641	HOSE	1	1	1	1	
32	4VR-27321-00	BRACKET, SIDE STAND	1	1	1	1	
33	90105-10727	BOLT, WASHER BASED	2	2	2	2	
34	95607-10200	NUT, SELF-LOCKING	2	2	2	2	
35	4VR-27410-00	FRONT FOOTREST ASSY (LEFT)	1	1	1	1	
36	4VR-27420-00	FRONT FOOTREST ASSY (RIGHT)	1	1	1	1	
37	4VR-27413-00	.COVER, FOOTREST	1	1	1	1	
38	95607-08100	.NUT, U	2	2	2	2	
39	90240-08084	.PIN, CLEVIS	1	1	1	1	
40	90387-087K5	.COLLAR	1	1	1	1	
41	90506-18606	.SPRING, TORSION	1	1	1	1	
42	91401-25015	.PIN, COTTER	1	1	1	1	
43	90105-102A3	BOLT, WASHER BASED	4	4	4	4	
44	4TR-27430-10	REAR FOOTREST ASSY 1	1	1	1	1	
45	4TR-27440-10	REAR FOOTREST ASSY 2	1	1	1	1	
46	120-27433-00	.COVER, REAR FOOTREST	1	1	1	1	
47	91701-06032	.PIN, CLEVIS	1	1	1	1	
48	91401-20015	.PIN, COTTER	1	1	1	1	
49	90201-20279	.WASHER, PLATE	1	1	1	1	
50	90105-082A5	BOLT, WASHER BASED	4	4	4	4	

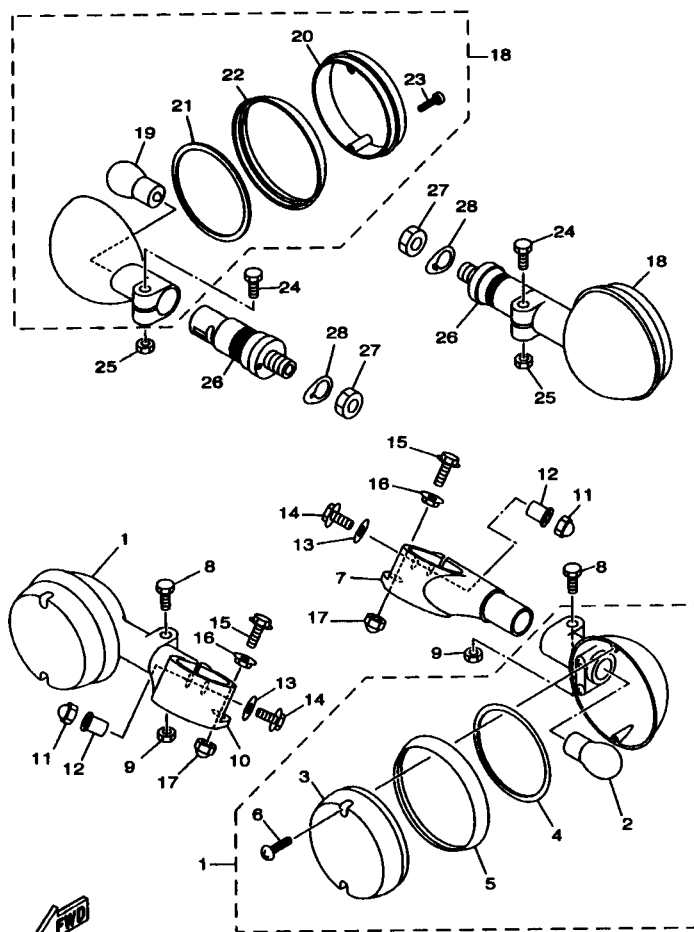


FWD
4TR1010-6330

FIG. 33 GENERATOR

REF. NO.	PART NO.	DESCRIPTION	4VR7	4VR8	4XR7	4XR8	REMARKS
1	4VR-81410-00	STATOR ASSY	1	1	1	1	
2	98507-06030	SCREW, PAN HEAD	3	3	3	3	
3	92907-06600	WASHER, PLATE	3	3	3	3	
4	4TR-81670-00	PICK-UP ASSY	1	1	1	1	
5	98507-06020	SCREW, PAN HEAD	3	3	3	3	
6	92907-06600	WASHER, PLATE	3	3	3	3	

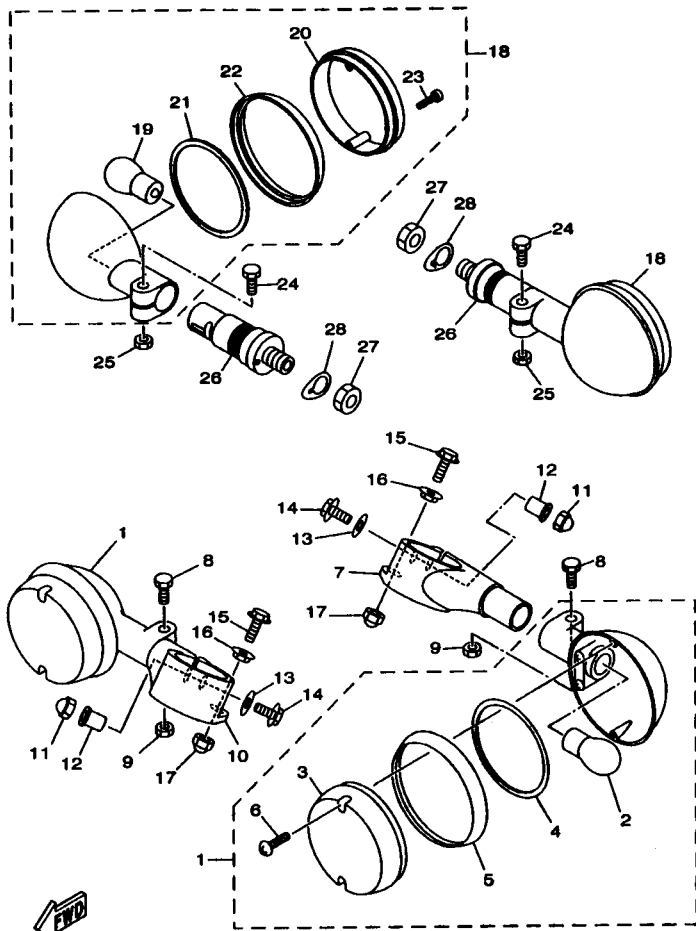
FIG. 34 FLASHER LIGHT



4VR1300-7340

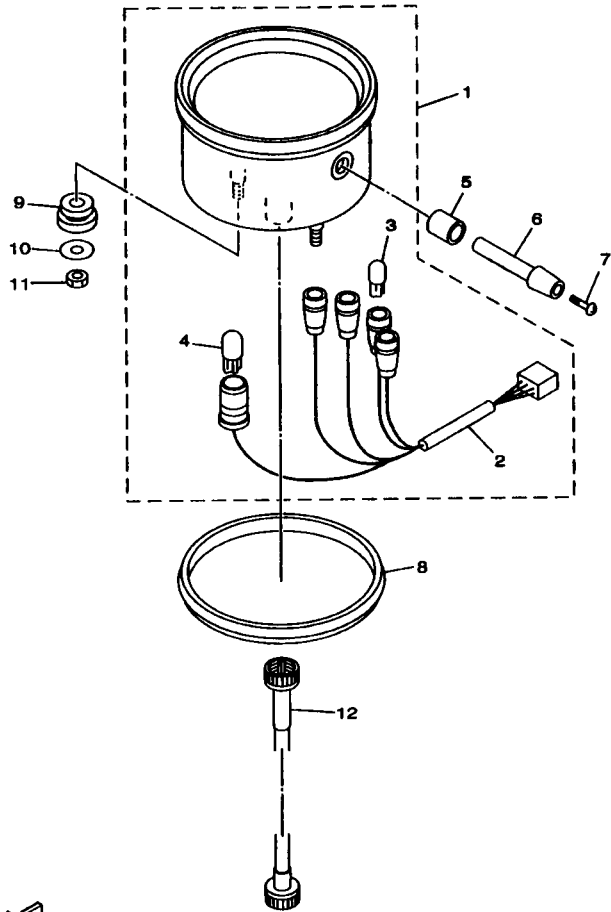
REF. NO.	PART NO.	DESCRIPTION	4VRT	4VRB	4VRT	4VRB	REMARKS
			2	2	2	2	
1	2EN-83310-00	FRONT FLASHER LIGHT ASSY 1	2	2	2	2	
2	2AE-83311-00	.BULB, FLASHER (12V-21W)	1	1	1	1	
3	42X-83312-00	.LENS, FLASHER	1	1	1	1	
4	42X-83313-00	.GASKET, FLASHER LENS	1	1	1	1	
5	42X-83363-00	.LENS, RIM	1	1	1	1	
6	57M-83358-00	.SCREW, SPECIAL	2	2	2	2	
7	4VR-83314-00	BASE, FLASHER 1	1	1	1	1	
8	95024-06030	BOLT, FLANGE	2	2	2	2	
9	95704-06500	NUT, FLANGE	2	2	2	2	
10	4VR-83324-00	BASE, FLASHER 2	1	1	1	1	
11	90176-06055	NUT, CROWN	2	2	2	2	
12	90387-063Y3	COLLAR	2	2	2	2	
13	90201-06045	WASHER, PLATE	2	2	2	2	
14	95807-06025	BOLT, FLANGE	2	2	2	2	
15	95027-06030	BOLT, FLANGE	2	2	2	2	
16	90580-06244	SPACER	2	2	2	2	
17	95304-06800	NUT, CROWN	2	2	2	2	
18	2EN-83330-00	REAR FLASHER LIGHT ASSY 1	2	2	2	2	
19	2AE-83311-00	.BULB, FLASHER (12V-21W)	1	1	1	1	
20	2AE-83312-00	.LENS, FLASHER	1	1	1	1	
21	42X-83313-00	.GASKET, FLASHER LENS	1	1	1	1	
22	42X-83363-00	.LENS, RIM	1	1	1	1	
23	57M-83358-00	.SCREW, SPECIAL	2	2	2	2	
24	95024-06030	BOLT, FLANGE	2	2	2	2	
25	95704-06500	NUT, FLANGE	2	2	2	2	
26	1AA-83318-00	STAY, FLASHER 1	2	2	2	2	
27	95307-12700	NUT	2	2	2	2	

FIG. 34 FLASHER LIGHT



4VR1300-7340

REF. NO.	PART NO.	DESCRIPTION	4VR7	4VR8	4XR7	4XR8	REMARKS
28	4TR-83348-00	WASHER	2	2	2	2	




 4VR1300-7350

FIG. 35 METER

REF. NO.	PART NO.	DESCRIPTION	4VR7	4VR8	4XR7	4XR8	REMARKS
1	4TR-83580-00	SPEEDOMETER ASSY	1	1	1	1	FOR GBR
	4TR-83580-20	SPEEDOMETER ASSY	1	1	1	1	
2	4TR-83520-00	.SOCKET CORD ASSY	1	1	1	1	
3	2GV-83517-00	.BULB (12V-1.7W, T6.5)	4	4	4	4	
4	1YT-83517-00	.BULB (12V-1.7W, T10)	1	1	1	1	
5	4TR-83535-00	TUBE	1	1	1	1	
6	1JK-83578-00	KNOB, TRIP METER	1	1	1	1	
7	90157-02031	SCREW, PAN HEAD	1	1	1	1	
8	4TR-83513-00	DAMPER	1	1	1	1	
9	4TR-83526-00	DAMPER 2	2	2	2	2	
10	90201-05033	WASHER, PLATE	2	2	2	2	
11	95307-05700	NUT	2	2	2	2	
12	4JH-83550-01	SPEEDOMETER CABLE ASSY	1	1	1	1	


4VR1300-7360

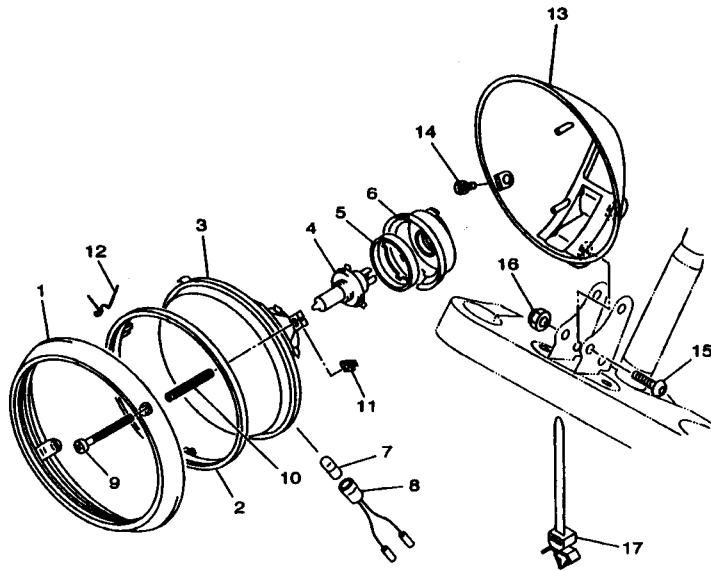
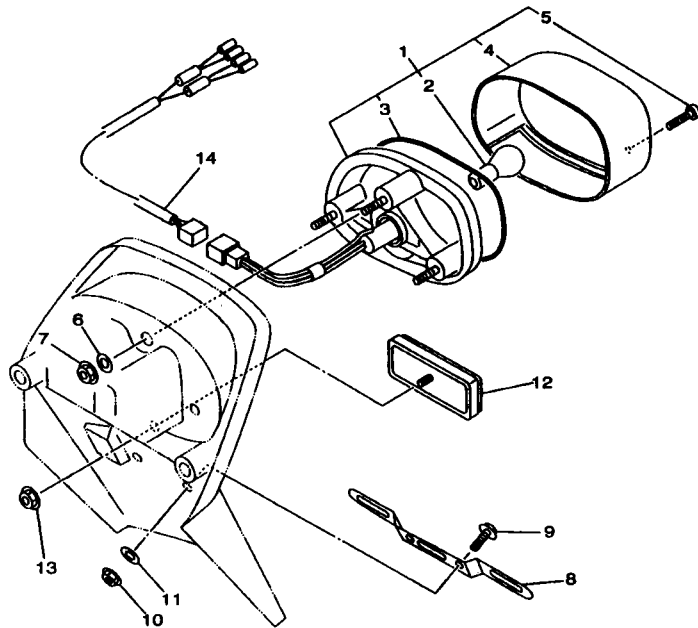


FIG. 36 HEADLIGHT

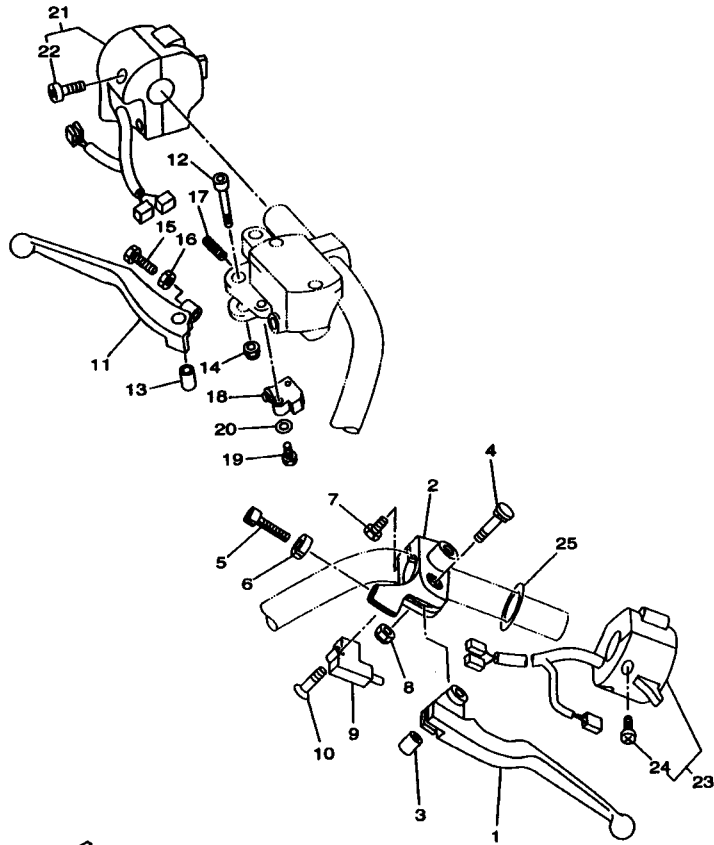
REF. NO.	PART NO.	DESCRIPTION	4VR7	4VR8	4XR7	4XR8	REMARKS
1	42X-84315-01	RIM, HEADLIGHT	1	1	1	1	
2	5Y3-84395-00	RING, RETAINING	1	1	1	1	
3	2AE-84320-G0	LENS ASSY	1	1	1	1	
	55R-84321-H0	LENS ASSY	1	1	1	1	FOR GBR
4	2F9-84314-00	BULB (12V-60/55W)	1	1	1	1	(H4)HALOGEN
5	2F9-84375-00	SETTING PLATE, BULB	1	1	1	1	
6	2F9-84397-01	COVER, SOCKET	1	1	1	1	
7	4E2-84347-00	BULB (12V-4W)	1	1	1	1	
	306-84347-30	BULB (12V 3.4W)	1	1	1	1	FOR GBR
8	306-84346-30	SOCKET, PILOT LIGHT	1	1	1	1	
	306-84346-40	SOCKET, PILOT LIGHT	1	1	1	1	FOR GBR
9	341-84331-80	SCREW, RIM ADJUSTING	2	2	2	2	
10	1A0-84332-60	SPRING, SCREW	2	2	2	2	
11	198-84334-60	NUT, ADJUSTING	2	2	2	2	
12	42X-84124-60	SPRING, SET	1	1	1	1	
13	4TR-84330-00	BODY ASSY	1	1	1	1	
14	90149-05317	SCREW	2	2	2	2	
15	92014-06045	BOLT, BUTTON HEAD	2	2	2	2	
16	90176-06047	NUT, CROWN	2	2	2	2	
17	90464-12089	CLAMP	1	1	1	1	

FIG. 37 TAILLIGHT




4TR1010-6370

REF. NO.	PART NO.	DESCRIPTION	AVR7	AVR8	AXR7	AXR8	REMARKS
1	4TR-84700-00	TAILLIGHT ASSY	1	1	1	1	
2	31L-84714-00	.BULB, TAILLIGHT (12V-21/5W)	1	1	1	1	
3	4TR-84723-00	.GASKET, TAIL LENS	1	1	1	1	
4	4TR-84733-00	.LENS, TAILLIGHT	1	1	1	1	
5	97706-40820	.SCREW, TAPPING	2	2	2	2	
6	90201-06380	WASHER, PLATE	3	3	3	3	
7	95607-08100	NUT, U	3	3	3	3	
8	3YF-84751-00	BRACKET, LICENSE	1	1	1	1	
9	95027-06012	BOLT, FLANGE	2	2	2	2	
10	95607-08100	NUT, U	2	2	2	2	
11	90201-06063	WASHER, PLATE	2	2	2	2	
12	3Y6-85130-02	REAR REFLECTOR ASSY	1	1	1	1	
13	95707-05500	NUT, FLANGE	1	1	1	1	
14	4TR-84717-00	CORD, TAILLIGHT	1	1	1	1	

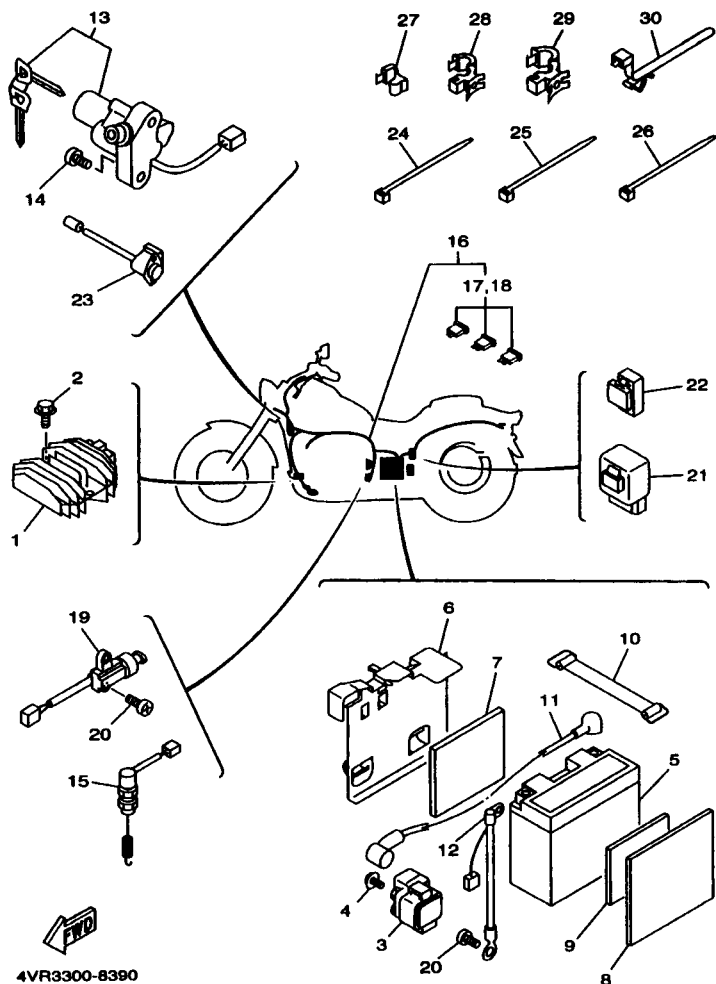


4TR1010-8380

FIG. 38 HANDLE SWITCH. LEVER

REF. NO.	PART NO.	DESCRIPTION	AVR7	AVR8	AVR7	AVR8	REMARKS
1	4TR-83912-00	LEVER 1	1	1	1	1	
2	4TR-82911-00	HOLDER, LEVER 1	1	1	1	1	
3	4TR-83913-00	COLLAR, LEVER 1	1	1	1	1	
4	4TR-83945-00	BOLT, LEVER	1	1	1	1	
5	90123-08048	BOLT	1	1	1	1	
6	90179-08148	NUT	1	1	1	1	
7	97004-08020	BOLT	1	1	1	1	
8	95604-06100	NUT, U	1	1	1	1	
9	3YX-82917-00	SWITCH	1	1	1	1	
10	98707-03020	SCREW, FLAT HEAD	1	1	1	1	
11	1FK-83922-00	LEVER 2	1	1	1	1	
12	90110-06074	BOLT, HEXAGON SOCKET HEAD	1	1	1	1	
13	36Y-83913-01	COLLAR, LEVER 1	1	1	1	1	
14	95807-06100	NUT, U	1	1	1	1	
15	90149-06131	SCREW	1	1	1	1	
16	90170-06010	NUT	1	1	1	1	
17	90501-10312	SPRING, COMPRESSION	1	1	1	1	
18	36Y-83980-01	FRONT STOP SWITCH ASSY	1	1	1	1	
19	98507-04016	SCREW, PAN HEAD	1	1	1	1	
20	92907-04600	WASHER	1	1	1	1	
21	4YP-83963-00	SWITCH, HANDLE 3 (RIGHT)	1	1	1	1	
22	98504-05025	.SCREW, PAN HEAD	2	2	2	2	
23	4TR-83972-00	SWITCH, HANDLE 4	1	1	1	1	
24	98504-05025	.SCREW, PAN HEAD	2	2	2	2	
25	90202-26142	WASHER, PLATE	1	1	1	1	

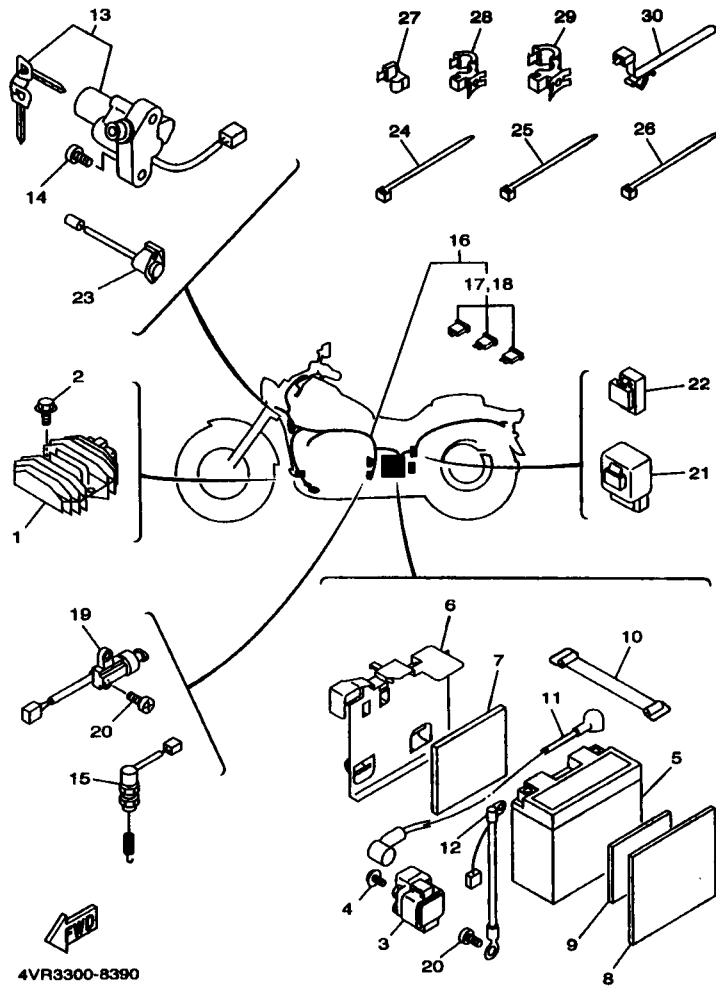
FIG. 39 ELECTRICAL 1



4VR3300-8390

REF. NO.	PART NO.	DESCRIPTION	4VR7	4VR8	4XR7	4XR8	REMARKS
1	5BN-81960-00	RECTIFIER & REGULATOR ASSY	1	1	1	1	
2	95804-06020	BOLT, FLANGE	2	2	2	2	
3	4BH-81940-00	STARTER RELAY ASSY	1	1	1	1	
4	95027-06008	BOLT, FLANGE	2	2	2	2	
5	4TX-82100-01	BATTERY ASSY (GT12B-4)	1	1	1	1	
6	5BN-82129-00	COVER, BATTERY	1	1	1	1	
7	29N-14425-00	DAMPER 1	1	1	1	1	
8	4VR-2176E-00	PLATE	1	1	1	1	
9	29N-14425-00	DAMPER 1	1	1	1	1	
10	133-82131-00	BAND, BATTERY	1	1	1	1	
11	5BN-82115-00	WIRE, PLUS LEAD	1	1	1	1	
12	5BN-82116-00	WIRE, MINUS LEAD	1	1	1	1	
13	4VR-82501-00	MAIN SWITCH STEERING LOCK	1	1	1	1	
14	92017-08020	BOLT, BUTTON HEAD	2	2	2	2	
15	3HN-82530-11	STOP SWITCH ASSY	1	1	1	1	
16	4VR-82590-10	WIRE HARNESS ASSY	1	1	1	1	
17	36Y-82151-00	.FUSE (15A-BL)	3	3	3	3	
18	42X-82151-00	.FUSE (10A-BL)	3	3	3	3	
19	3LD-82566-80	SWITCH, SIDE STAND	1	1	1	1	
20	90157-05079	SCREW, PAN HEAD	2	2	2	2	
21	3EN-81950-00	RELAY ASSY	1	1	1	1	
22	1UY-81950-92	RELAY ASSY	1	1	1	1	
23	4TR-82580-00	THERMO SWITCH ASSY	1	1	1	1	
24	1UA-82591-00	BAND	4	4	4	4	
25	1UA-82591-00	BAND	11	11	11	11	
26	1UA-82591-00	BAND	1	1	1	1	
27	90464-05188	CLAMP	2	2	2	2	

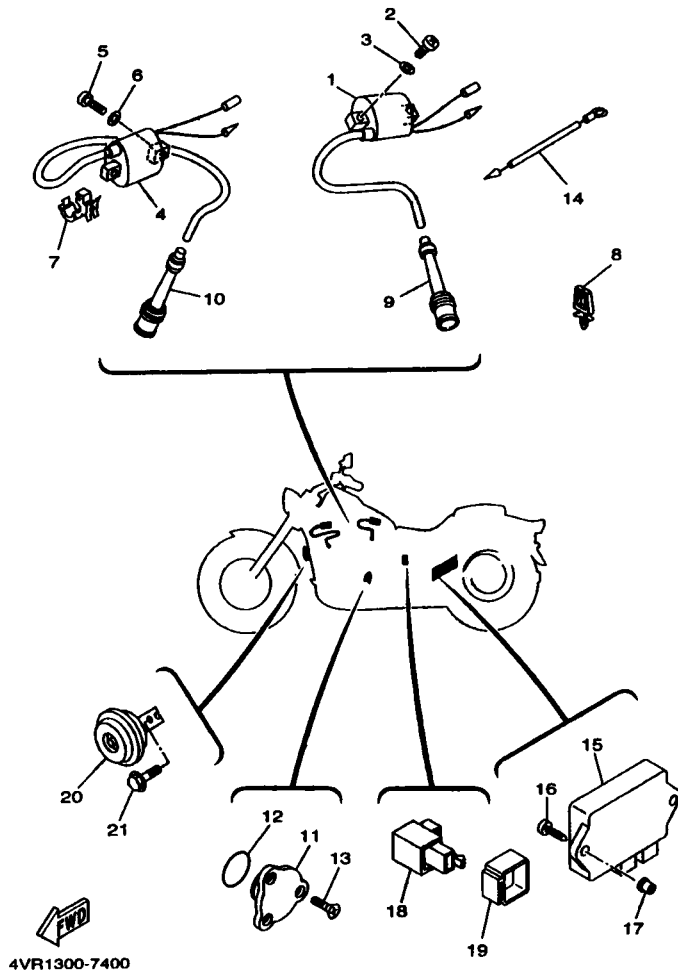
FIG. 39 ELECTRICAL 1



4VR3300-8390

REF. NO.	PART NO.	DESCRIPTION	4VRT	4VRB	4XRT	4XRB	REMARKS
28	90464-15192	CLAMP	1	1	1	1	
29	90464-20191	CLAMP	1	1	1	1	
30	90464-20213	CLAMP	1	1	1	1	

FIG. 40 ELECTRICAL 2



REF. NO.	PART NO.	DESCRIPTION	4VR7	4VR8	4XR7	4XR8	REMARKS
1	4VR-82310-00	IGNITION COIL ASSY	1	1	1	1	
2	98507-05020	SCREW, PAN HEAD	2	2	2	2	
3	92907-05800	WASHER, PLATE	2	2	2	2	
4	4VR-82320-00	IGNITION COIL ASSY	1	1	1	1	
5	98507-05020	SCREW, PAN HEAD	2	2	2	2	
6	92907-05800	WASHER, PLATE	2	2	2	2	
7	90464-10190	CLAMP	1	1	1	1	
8	90464-05141	CLAMP	1	1	1	1	
9	1FK-82370-00	PLUG CAP ASSY	1	1	1	1	
10	4TR-82370-00	PLUG CAP ASSY	1	1	1	1	
11	1L9-82540-00	NEUTRAL SWITCH ASSY	1	1	1	1	
12	93210-29196	O-RING	1	1	1	1	
13	90149-05321	SCREW	3	3	3	3	
14	4TR-82509-00	WIRE, SUB LEAD	1	1	1	1	
15	4VR-82305-00	IGNITOR UNIT ASSY	1	1	1	1	
16	97707-80020	SCREW, TAPPING	2	2	2	2	
17	90338-06226	PLUG	2	2	2	2	
18	4VR-83350-00	FLASHER RELAY ASSY	1	1	1	1	
19	4VR-8338V-00	DAMPER	1	1	1	1	
20	55V-83371-00	HORN	1	1	1	1	
21	90105-082A5	BOLT, WASHER BASED	1	1	1	1	

NUMERICAL INDEX

PARTNO.	GRID NO.	PARTNO.	GRID NO.	PARTNO.	GRID NO.	PARTNO.	GRID NO.	PARTNO.	GRID NO.	PARTNO.	GRID NO.
1JL-W0041-01	E-3	3LD-11633-00	B-5	1HX-14147-00	B-11	4XR-14900-00	B-11	4TR-17241-00	C-7	4TR-21510-01-33	C-13
4TR-W0045-00	D-13	4VR-11636-00	B-5	3BY-14147-00	B-12	4VR-14901-00	B-11	4VR-17251-00	C-7	4VR-21518-00	C-13
3JB-W0047-00	D-13	4VR-11638-00	B-5	137-14153-00	B-12	4XR-14901-00	B-11	22U-17402-00	C-7	4VR-21589-00	C-13
51L-W0048-00	D-13	4VR-11650-00	B-5	353-14186-00	B-12	4VR-14902-00	B-11	4VR-17411-00	C-7	4TR-21598-01	C-13
3JB-W0057-00	D-13	22U-11654-00	B-5	12R-14191-00	B-12	4XR-14902-00	B-11	22U-17524-00	C-8	4TR-2160A-00	C-15
4VR-W1752-00	C-8	3LD-11656-00	B-6	1AE-14227-00	B-11	4VR-14933-00	B-11	4VR-17527-00	C-8	4TR-21613-01	C-13
3DR-W2536-00	D-14	3LD-11656-10	B-5	1HX-14231-14	B-11	4TR-14937-00	B-12	3H5-17529-00	C-8	4TR-21614-01	C-13
22U-Y1754-00	C-8	3LD-11656-20	B-5	1HX-14231-20	B-11	22V-14940-00	B-12	3JB-17531-00	C-8	4TR-2162R-01	C-14
4TR-Y2150-21-P5	C-13	3LD-11656-30	B-5	3G2-14231-18	B-11	4TR-14940-00	B-12	3JB-17531-10	C-8	4TR-21629-00	C-14
4TR-Y2161-B1-33	C-13	4VR-12111-00	B-6	1AE-14237-00	B-11	4XR-14940-00	B-12	3JB-17531-20	C-8	4TR-21643-00	C-13
4TR-Y2161-C1-P4	C-13	3Y1-12114-01	B-6	4HM-14239-00	B-12	1HX-14985-00	B-12	3JB-17531-30	C-8	4TR-21675-B0	C-13
4TR-Y2161-E1-P5	C-13	3Y1-12116-00	B-6	1WG-14251-00	B-12	4TR-14987-00	B-12	3JB-17531-40	C-8	4VR-21675-00	C-13
4VR-Y2343-00	D-6	3Y1-12117-01	B-6	1AE-14261-00	B-11	4TR-15100-12	B-14	3JB-17531-50	C-8	4VR-21675-10	C-13
4TR-Y2410-31-W1	D-9	1J7-12118-00	B-6	26H-14275-00	B-12	2H7-15361-00	C-2	1J7-17537-Y0-30	D-4	4TR-21679-00	C-14
4TR-Y2410-31-W2	D-9	1J7-12119-01	B-6	4TR-14294-00	D-10	3F9-15362-00	C-2	1J7-17537-Y0-40	D-4	55K-21708-00	C-15
4TR-Y2410-31-W3	D-9	4VR-12121-00	B-6	4TR-14346-00	B-12	11H-15383-01	B-14	1J7-17537-Y0-50	D-4	4TR-2171A-00	D-10
4VR-11102-11	B-2	22U-12151-00	B-6	4TR-1440F-00	B-9	4TR-15411-00	C-2	4H7-17537-00-20	C-8	4TR-2171E-00	C-11
22U-1111F-01	B-3	22U-12156-01	B-6	4TR-1440G-00	B-9	4TR-15415-00	C-2	4H7-17537-00-30	C-8	1FK-2171L-00	D-9
4TR-1111F-00	B-2	22U-12159-00	B-6	4TR-14411-00	B-9	4TR-15421-00	C-2	4H7-17537-00-40	C-8	4TR-2171X-00	C-11
4VR-1111N-00	B-4	4VR-12171-00	B-7	4TR-14413-00	B-9	4VR-15423-00	C-3	4VR-17553-00	C-8	4TR-21711-00	C-15
4TR-1112F-00	B-2	22U-12176-01	B-7	4TR-14417-00	B-9	4TR-15424-00	C-2	22U-17556-00	C-8	3XV-21717-00	D-10
4H7-11133-10	B-2	4VR-12181-00	B-7	4TR-14421-00	B-9	22U-15441-01	B-14	56W-17590-00	D-5	4TR-21717-00	C-15
4TR-11142-00	B-2	11H-12210-02	B-7	4TR-14425-00	E-13	4VR-15451-00	C-2	4TR-18110-00	C-10	4TR-21721-00	C-15
22U-11145-00	B-7	3BT-12213-00	B-7	4VR-14431-00	B-9	4VR-15461-00	C-2	4TR-18112-00	C-10	5BN-21731-00	C-15
4TR-11152-00	B-2	4VR-12231-00	B-7	4TR-14437-00	B-9	3BT-15484-00	C-2	22N-18113-00	C-10	3SP-21732-00	C-13
22U-11165-00	B-2	22U-12241-00	B-7	4TR-14451-00	B-9	22U-15512-00	C-4	2UJ-18115-02	C-10	4VR-21741-00	D-2
4TR-11168-00	B-2	4TR-12682-00	B-10	4TR-14452-00	B-9	4VR-15517-00	C-4	4TR-18120-00	C-10	3BN-21747-00	C-11
4VR-11181-00	B-2	4VR-13300-00	B-8	4TR-14453-00	B-9	5H0-15521-00	C-4	4G0-18127-00	C-10	4VR-2176E-00	E-13
22U-11186-00	B-2	22U-13324-00	B-8	4TR-14455-00	B-9	4TR-15590-00	C-4	4TR-18140-00	C-10	4TR-2177G-01	C-15
4TR-11186-11	B-2	4VR-13325-00	B-8	4TR-14456-00	B-9	4VR-16111-00	C-5	2H9-18154-00	C-10	3LS-21781-10	C-15
22U-11187-00	B-2	4TR-13410-00	B-8	4TR-14463-00	B-9	5BN-16150-00	C-5	4H7-18185-00	C-9	4VR-22110-00	D-3
4TR-11187-11	B-2	22U-13415-00	B-8	3KW-14486-00	B-12	22U-16154-00	C-5	4TR-18511-00	C-9	1J7-22141-00	D-3
4VR-11190-00	B-4	4VR-13417-00	B-8	4TR-14499-00	B-10	22U-16321-00	C-5	4TR-18512-00	C-9	4KM-22141-00	D-3
4VR-11191-00	B-4	4X7-13440-01	C-3	1FN-14565-00	B-11	4X7-16324-00	C-5	4TR-18513-00	C-9	1J7-22143-00	D-3
4VR-11192-00	B-4	4TR-13447-00	C-3	1HX-14585-00	B-11	22U-16357-00	C-6	3YF-18531-00	C-9	4VR-22184-00	D-3
214-11198-01	B-15	4TR-13474-00	B-9	1UY-14585-00	B-12	4VR-16356-00	C-5	4TR-18535-00	C-9	4TR-22189-00	D-3
		16G-13569-00	B-9	4BR-14613-00	B-13	22U-16357-00	C-6	4TR-18540-02	C-9	4VR-22210-00	D-3
		4TR-13575-00	B-9	4TR-14613-00	B-13	1W1-16358-01	C-5	4UN-18542-00	C-9	4VR-23102-01	D-7
4VR-11310-11	B-4	4TR-13586-01	B-9	4TR-14615-00	B-13	4VR-16371-00	C-5	4UN-18566-00	C-9	4VR-23103-01	D-7
4VR-11320-11	B-4	4VR-13594-00	B-10	4VR-14620-00	B-13	22U-16380-00	C-5	4VR-21110-02	C-11	4TR-23110-00	D-7
4TR-1135A-00	B-2	4TR-13596-01	B-9	4VR-14703-01	B-13	4VR-21161-00	C-12	4R8-21308-00	C-14	4TR-23111-50	D-7
4VR-11351-00	B-4	3LN-13907-00	D-10	4VR-14704-01	B-13	4R8-21308-00	C-14	4RU-17121-00	C-7	4TR-23118-00	D-8
4VR-11411-00	B-5	4DN-1410A-01	B-11	4BH-14714-00	B-13	4VR-17131-00	C-7	3JB-17141-00	C-7	4TR-23118-00	D-8
22U-11416-80	B-14	4TR-14103-00	B-11	4VR-1490J-00	B-11	3JB-17141-00	C-7	4VR-21317-00	C-11	4TR-23118-00	D-8
22U-11418-90	B-14	4TR-14105-00	B-11	4XR-1490J-00	B-11	4VR-17151-00	C-7	3SX-2139X-00	C-13	4KM-23123-01	D-8
4VR-11893-00	B-5	3CF-14107-10	B-11	3KW-1490K-00	B-12	22U-17211-00	C-7	4TR-2144G-01	C-11	4FM-23125-40	D-7
4VR-11895-00	B-5	3DM-14141-36	B-11	4TR-1490L-00	B-12	4TR-17221-00	C-7	4TR-21460-01	C-11	4TR-23126-00	D-7
4VR-11897-00	B-5	4KM-14142-20	B-11	4VR-14900-00	B-11	4TR-17231-00	C-7	4TR-21510-01-P4	C-13	4TR-23136-00	D-7
4VR-11891-00-A0	B-5										

NUMERICAL INDEX

PARTNO.	GRID NO.	PARTNO.	GRID NO.	PARTNO.	GRID NO.	PARTNO.	GRID NO.	PARTNO.	GRID NO.	PARTNO.	GRID NO.
4TR-23141-00	D-7	3AJ-24534-00	D-9	3YX-25937-00	D-13	22U-46153-00	D-4	42X-83313-00	E-7	31L-84714-00	E-11
	D-8	1FK-24580-00	D-10	5R2-25937-00	D-13	4TR-46154-00	D-5	4VR-83314-00	E-7	4TR-84717-00	E-11
4EB-23144-00	D-7	1FK-24586-00	D-10	4VR-26111-00	E-2	5BN-46171-00	D-5	1AA-83318-00	E-7	4TR-84723-00	E-11
	D-8	5BN-24602-00	D-9	4NK-26240-00	E-2	4X7-46180-00	D-5	4VR-83324-00	E-7	4TR-84733-00	E-11
4EB-23145-00	D-7	4VR-24710-10	D-11	4NK-26241-00	E-2	4TR-46297-00	D-5	2EN-83330-00	E-7	3YF-84751-00	E-11
36Y-23146-10	D-7	4VR-24711-00	D-11	4NK-2628J-00	E-2	84M-77555-00	C-15	4TR-83348-00	E-8	3Y6-85130-02	E-11
4DW-23149-40	D-7	4TR-24720-00	D-11	4VR-26280-00	E-2	4VR-81410-00	E-6	4VR-83350-00	E-15	4NK-85885-00	B-12
	D-8	35T-24724-00	D-11	4VR-26290-00	E-2	4VR-81450-00	C-4	57M-83358-00	E-7	90101-06534	E-4
26H-23156-00	D-7	509-24724-00	D-11	5BN-26311-00	E-2	4TR-81517-00	B-12	42X-83363-00	E-7	90101-06576	B-13
509-23158-LO	D-7	22W-24741-00	D-11	5BN-26312-00	E-2	4TR-81670-00	E-6	55V-83371-00	E-15	90101-06784	D-14
	D-8	4TR-2475H-00	D-11	4TR-26331-00	D-10	4VR-81800-00	C-4	4VR-8338V-00	E-15	90101-10303	B-7
4VR-23170-00	D-7	4TR-2475J-00	D-11	1VJ-26333-00	D-10	3HE-81826-00	C-4	4TR-83513-00	E-9	90101-12694	C-11
4FM-23171-40	D-7	4TR-2475K-00	D-11	4TR-26335-00	E-2	3K5-81840-00	C-4	1YT-83517-00	E-9	90105-062A2	C-11
4VR-23173-00	D-7	4TR-24750-00	D-11	1E6-26342-00	E-2	11H-81844-00	C-4	2GV-83517-00	E-9	90105-062A4	C-11
	D-8	4TR-24751-00	D-11	4NK-2635J-00	E-2	1FK-81847-00	C-4	4TR-83520-00	E-9	90105-062A5	E-5
4TR-23175-00	D-6	4VR-25104-01	D-12	4TR-2637G-00	D-10	4BH-81940-00	E-13	4TR-83526-00	E-9		E-15
4TR-23176-00	D-6	4TR-25111-00	D-12	4VR-27211-01	E-4	1UY-81950-92	E-13	4TR-83535-00	E-9	90105-06307	C-11
278-23181-50	D-7	341-25149-00	D-12	4TR-27212-00	E-4	3EN-81950-00	E-13	4JH-83550-01	E-9	90105-064A1	C-11
	D-8	4TR-25181-00	D-12	4TR-27231-00	E-4	5BN-81980-00	E-13	1JK-83578-00	E-9	90105-101A9	D-3
43F-23188-10	D-7	4TR-25190-10	D-12	4TR-27243-00	E-4	4TX-82100-01	E-13	4TR-83580-00	E-9	90105-10152	C-4
	D-8	4VR-25304-01	D-14	4TR-27247-00	E-4	4DH-82103-00	B-11	4TR-83580-20	E-9	90105-102A3	E-5
4VR-23340-00	D-8	3JB-25311-00-35	D-14	4KU-27311-11	E-4	5BN-82115-00	E-13	3BT-83790-00	B-11	90105-102A6	E-4
5BN-23389-00	D-6	2GV-25315-00	D-14	4TR-27315-01	E-5	5BN-82116-00	E-13	4TR-83790-00	B-11	90105-10232	C-11
1W1-23416-00	D-6	2GV-25317-00	D-14	4VR-27321-00	E-5	5Y1-82122-00	C-15	4TR-83912-00	E-12	90105-10253	C-11
26H-23418-01	D-6	1J7-25319-02	D-5	4VR-27322-00	E-4	5BN-82129-00	E-13	36Y-83913-01	E-12	90105-10285	D-5
4VR-23441-00	D-6	4TR-25321-00	D-14	4VR-27410-00	E-5	133-82131-00	E-13	4TR-83913-00	E-12	90105-10638	D-13
4VR-23442-00	D-6	4H7-2533A-02	D-14	4VR-27413-00	E-5	36Y-82151-00	E-13	1FK-83922-00	E-12	90105-10727	E-5
3DM-23445-00	D-6	4H7-25351-00	D-14	4VR-27420-00	E-5	42X-82151-00	E-13	4TR-83945-00	E-12	90109-06468	E-4
3FV-23462-00	D-8	214-25355-00	D-14	4TR-27430-10	E-5	4VR-82305-00	E-15	4YP-83963-00	E-12	90109-063G4	D-13
4TR-2413Y-00	D-9	4TR-25364-00	D-14	120-27433-00	E-5	4VR-82310-00	E-15	4TR-83972-00	E-12	90109-065G1	D-15
4TR-2414G-00	D-10	4TR-25366-00	D-14	4TR-27440-10	E-5	4VR-82320-00	E-15	36Y-83980-01	E-12	90109-06781	B-3
4VR-24161-00	D-9	4TR-25371-00	D-15	4TR-28100-00	D-2	1FR-82370-00	E-15	42X-84124-00	E-10	90109-06782	B-3
4VR-24162-00	D-9	4TR-25381-00	D-15	4VR-28356-00	C-11	4TR-82370-00	E-15	2F9-84314-00	E-10	90109-125F1	D-3
4H7-24181-00	D-9	5V4-25398-00	D-12	4TR-46101-00	D-4	4VR-82501-00	E-13	42X-84315-01	E-10	90110-08074	E-12
4TR-24182-00	D-9		D-15	2H7-46102-00	D-4	4TR-82509-00	E-15	2AE-84320-G0	E-10	90110-08200	D-2
4TR-24183-00	D-9	16G-25412-00	D-14	22U-46117-00-25	D-4	3HN-82530-11	E-13	55R-84321-H0	E-10	90110-08249	E-4
4BP-24188-00	D-9	4TR-2580U-00	D-13	22U-46117-00-30	D-4	1L9-82540-00	E-15	4TR-84330-00	E-10	90110-08254	C-15
4TR-24240-80	D-9	3JB-2582U-01	D-13	22U-46117-00-40	D-4	4TR-82560-00	E-13	341-84331-80	E-10	90110-08212	C-4
4VR-24240-10	D-9	4VR-2583T-00	E-3	22U-46118-00-12	D-4	3LD-82566-80	E-13	1A0-84332-80	E-10	90116-08404	B-14
4VR-24240-20	D-9	341-25846-00	D-12	22U-46118-00-14	D-4	4VR-82590-10	E-13	198-84334-80	E-10	90116-10405	B-14
4TR-24311-00	D-10	4TR-25852-00	E-3	22U-46118-00-16	D-4	1UA-82591-00	D-10	306-84346-30	E-10	90116-10593	D-4
4TR-24313-00	D-9	4BH-25854-01	E-3	22U-46118-00-18	D-4		E-13	306-84346-40	E-10	90116-10611	B-14
4EB-24398-00	D-10	4TR-25867-00	E-3	22U-46118-00-20	D-4	4TR-82911-00	E-12	306-84347-30	E-10	90119-08097	C-15
4KM-24453-00	B-12	4VR-25872-10	E-3	22U-46118-00-20	D-4	3YX-82917-00	E-12	4E2-84347-00	E-10	90119-08118	B-4
4TR-24491-01	C-11	4TR-25886-00	D-6	22U-46118-00-20	D-4	2EN-83310-00	E-7	2F9-84375-00	E-10		C-15
4TR-24500-10	D-9	3YX-25919-00	D-13	22U-46118-00-20	D-4	2AE-83311-00	E-7	5Y3-84395-00	E-10	90119-06236	C-11
4X6-24512-00	D-9	3YX-25926-00	D-13	22U-46118-00-20	D-4	2AE-83312-00	E-7	2F9-84397-01	E-10	90119-08126	D-4
3AJ-24523-00	D-9	3YX-25929-00	D-13	22U-46152-00	D-4	42X-83312-00	E-7	4TR-84700-00	E-11	90123-08046	E-12

NUMERICAL INDEX

PARTNO.	GRID NO.	PARTNO.	GRID NO.	PARTNO.	GRID NO.	PARTNO.	GRID NO.	PARTNO.	GRID NO.	PARTNO.	GRID NO.
90149-05299	D-10	90201-08062	C-15	90380-28131	B-7	90480-13398	C-13	91317-08020	B-9	93109-12075	C-2
90149-05317	E-10	90201-08063	E-11	90387-0800V	C-15	90480-18418	C-13		B-10	93109-18020	D-3
90149-05321	C-9	90201-082P7	E-4	90387-083Y3	E-7	90480-24186	C-15	91317-08026	D-11	93210-08525	C-5
	E-15	90201-08380	E-11	90387-086M3	B-4	90501-08022	C-9	91317-08030	B-8	93210-10098	B-8
90149-08011	D-9	90201-08368	B-2	90387-087N6	C-13	90501-10245	E-4	91317-08045	B-14	93210-14369	C-2
90149-08131	E-12	90201-085R5	B-11	90387-087K5	E-5	90501-10312	E-12	91317-08065	C-3	93210-15151	B-8
90149-08154	C-14	90201-10118	E-3	90387-1003G	E-4	90501-15722	D-5	91317-08095	B-4	93210-15568	C-3
90149-08302	B-4	90201-10131	B-2	90387-123X8	D-3	90501-23738	C-5	91317-08095	B-14	93210-18322	B-14
	C-15	90201-10591	B-7	90387-151R1	D-15	90501-60716	C-8	91317-08080	B-14	93210-27370	C-2
90149-08067	C-6	90201-107E9	C-4	90387-1510D	D-5	90506-08227	C-10	91380-08045	B-14	93210-29198	E-15
90149-08152	B-14	90201-112U0	D-3	90387-16547	B-14	90506-20389	E-4	91401-20012	E-4	93210-32172	C-2
90151-08022	B-14	90201-120E6	D-3	90387-173M5	D-12	90506-23490	E-5	91401-20015	E-5	93210-36789	B-9
90154-05011	C-14	90201-12575	C-10	90387-173R8	D-12	90506-29507	E-5	91401-25015	E-5	93210-48530	D-14
90157-02031	E-9	90201-12588	C-10	90387-17543	D-3	90507-20002	D-14	91701-08032	E-5	93210-60426	D-4
90157-05079	E-13	90201-12688	C-10	90387-2511R	C-8	90508-18577	C-5	91815-16017	B-14	93210-61750	D-14
90159-06016	C-5	90201-14220	D-6	90387-259G9	D-4	90508-18698	E-5		C-3	93210-62446	B-3
90167-05025	C-14	90201-14577	D-14	90401-10159	E-3	90508-290B5	C-10	92014-05016	B-9	93210-64297	C-3
90170-08010	E-12	90201-14633	C-8	90401-16168	B-3	90508-32536	C-10	92014-08036	C-3	93210-71360	C-8
90170-08128	B-6	90201-152L7	D-15	90430-08119	C-5	90560-08244	E-7	92014-08045	E-10	93210-74316	C-2
90170-08228	C-10	90201-18262	C-5	90430-17168	B-3	91314-08020	B-8	92014-08040	C-13	93210-84724	B-4
90170-10219	D-14	90201-20279	E-5	90445-11587	B-9		C-15	92014-10025	C-13	93210-89568	B-2
90170-16256	C-5	90201-22070	D-6	90445-16841	E-5	91314-08025	B-8	92017-08012	D-9	93211-00812	B-2
90170-20310	C-5	90201-25290	C-4	90480-53200	B-9		C-2	92017-08020	E-13	93211-39569	D-4
90170-22187	C-15	90202-05193	D-9	90482-08070	C-3		C-2	92017-08025	B-13	93306-00401	C-7
90176-08047	D-11	90202-24190	D-6	90482-10115	C-3		C-3	92017-10020	B-13		C-8
	E-10	90202-26142	D-6	90484-05141	E-15		E-3	92904-08800	B-3	93306-00428	C-7
90176-08055	E-7		E-12	90484-05188	E-13	91314-08030	C-2	92907-04800	E-12	93306-20711	C-8
90176-10075	D-5	90206-14086	E-4	90484-10190	E-15		C-3	92907-05800	E-15	93306-30202	D-14
90176-12052	D-6	90206-22191	C-7	90484-12089	E-10	91314-08035	B-2	92907-06100	D-11	93306-30209	D-14
90176-22081	D-6	90206-27192	C-7	90484-15157	D-6		C-2		E-4	93306-30317	D-12
90179-05523	C-14	90214-18026	C-5	90484-15192	D-10	91314-08040	C-2	92907-08200	C-5	93306-30525	C-7
	D-10	90215-08229	B-3		E-14	91314-08045	C-2	92907-08800	B-3	93306-30539	D-4
90179-08411	E-4	90215-16157	C-5	90484-18246	D-6		C-3		B-7	93306-90802	C-9
90179-08148	E-12	90215-18178	C-10	90484-20191	E-14	91314-08055	B-14		B-10	93311-21044	D-5
90179-08327	B-5	90215-22210	C-5	90484-20213	E-14		C-2		E-6	93311-43729	D-4
90179-08684	C-11	90240-08108	E-4	90487-10038	D-9		C-3	92990-08600	B-13	93315-21813	C-5
90179-10395	B-2	90240-08084	E-5	90487-10039	B-9	91314-08065	C-2		C-4	93316-01301	D-4
90179-10858	C-11	90249-12098	E-4	90487-11032	D-10	91314-08070	C-3	92990-10800	D-5	93332-00010	D-3
90179-12248	C-11	90269-05039	C-14	90487-11106	B-9	91314-08025	D-6	93101-14089	C-2	93399-99931	D-8
90179-18396	C-8	90280-05048	B-5	90487-12053	D-10	91314-08030	B-2	93101-30084	D-4	93399-99932	D-8
90179-25033	D-6	90280-07036	C-5	90487-14015	B-2		D-6	93101-35097	C-8	93410-22039	D-5
90183-08023	C-15	90338-08163	D-6	90480-01559	C-15	91314-08035	B-13	93101-38098	D-4	93440-12052	B-2
90183-08053	C-15	90338-08174	B-9	90480-10289	C-15	91314-08040	D-8	93102-12108	C-10	93440-20088	D-5
90185-08097	B-13	90338-08226	E-15	90480-12320	C-11	91314-08060	B-14	93102-18278	C-5	93440-25084	C-7
90185-14070	C-8	90340-14132	B-15		C-15	91314-08100	B-14	93102-25017	D-3	93440-30077	C-7
90201-05033	E-9		D-5	90480-13018	B-3	91314-10030	D-8	93102-28022	D-12	93450-22027	B-5
90201-080S9	D-9	90340-14139	C-2		B-4	91317-08012	C-3	93102-65277	D-5	93515-32029	C-8
90201-08045	E-7	90340-32140	C-2	90480-13398	B-10	91317-08018	B-10	93105-45017	D-12	93604-18092	C-8

NUMERICAL INDEX

PARTNO.	GRID NO.	PARTNO.	GRID NO.	PARTNO.	GRID NO.	PARTNO.	GRID NO.	PARTNO.	GRID NO.
93804-20158	C- 9	95804-08020	E- 13						
93805-10108	B- 7	95807-08012	C- 12						
94110-1908T	D- 12		C- 13						
94110-1908V	D- 12	95807-08014	C- 11						
94117-1508U	D- 14	95807-08025	E- 7						
94117-1508W	D- 14	95814-10100	C- 11						
94210-18222	D- 12	95817-08014	C- 11						
94210-18224	D- 12	95817-08016	D- 9						
94217-15298	D- 14	95817-10025	C- 11						
94217-15299	D- 14	95827-08035	C- 8						
94317-15172	D- 14	97004-08020	E- 12						
94317-15173	D- 14	97007-08012	D- 11						
94321-19135	D- 12	97024-08018	B- 3						
94321-19157	D- 12	97024-08020	C- 10						
94425-19585	D- 12	97027-08016	B- 3						
94435-15588	D- 14		B- 7						
94591-41118	B- 7	97070-08025	C- 4						
94701-00262	B- 3	97706-40620	E- 11						
95024-08025	D- 8	97707-40108	B- 10						
95024-08030	E- 7	97707-50125	B- 9						
95027-06008	E- 13	97707-80020	E- 15						
95027-06010	D- 6	97801-03008	D- 9						
95027-08012	E- 11	98504-05025	E- 12						
95027-08030	E- 7	98507-04008	B- 12						
95027-08012	C- 13	98507-04014	B- 12						
95304-06700	C- 10	98507-04018	E- 12						
95304-06800	E- 7	98507-05008	E- 2						
95304-06700	E- 2	98507-05020	E- 15						
95307-05700	E- 9	98507-06020	E- 6						
95307-06800	C- 5	98507-08030	E- 6						
95307-06700	E- 4	98704-04012	E- 3						
95307-12700	E- 7	98707-03020	E- 12						
95604-06100	E- 12	98707-05035	C- 9						
95604-08200	D- 15	99001-10800	C- 10						
95604-14200	D- 15	99009-11400	B- 8						
95607-06100	E- 5	99009-12400	C- 10						
	E- 11	99009-18400	D- 5						
	E- 12	99009-19400	E- 4						
95607-10200	E- 4	99009-25500	C- 2						
	E- 5	99530-10114	C- 2						
95607-12100	D- 3	99530-10120	C- 2						
95607-12200	D- 3	99530-14018	B- 14						
95617-08630	B- 2	99530-17018	B- 2						
95704-08500	E- 7								
95707-05500	E- 11								
95707-08500	D- 8								
95707-08500	B- 2								
95707-10500	B- 2								