

YAMAHA

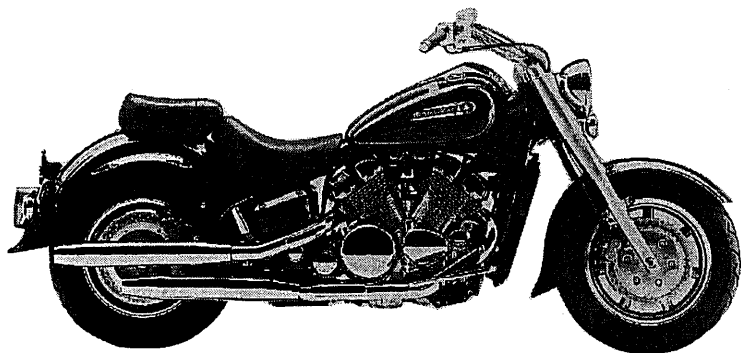


**PARTS
CATALOGUE**

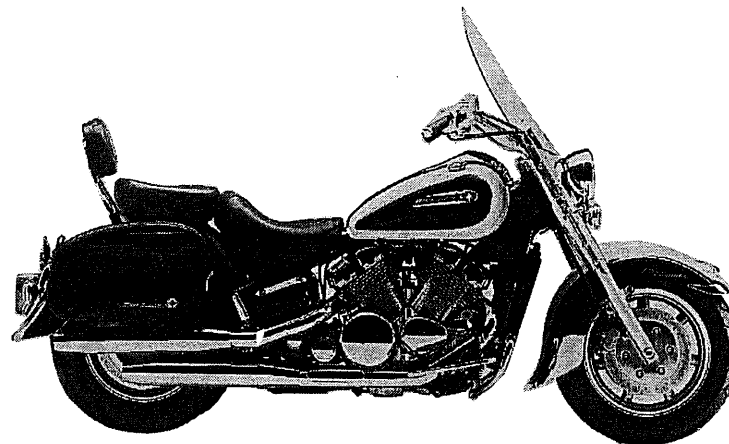
XVZ13AH (4NK1) XVZ13ATH (4NL1) U49
XVZ13AHC (4NK2) XVZ13ATHC (4NL2) CALIFORNIA
XVZ13AH (4NK3) XVZ13ATH (4NL3) CANADA

164NK-100E2

YAMAHA
GENUINE
Parts & Accessories



XVZ13AH (4NK1)
YAMAHA BLACK (0033)



XVZ13ATH (4NL1)
MILKY BROWN (003G)

FOREWORD

This Parts Catalogue is related to the parts for the model(s) in the below frame. When you are ordering replacement parts, please refer to this Parts Catalogue and quote both part numbers and part names correctly.

XVZ13AH(4NK1,4NK3), XVZ13AHC(4NK2), XVZ13ATH(4NL1,4NL3), XVZ13ATHC(4NL2)

1. Modifications or additions which have been made after issue of the Parts Catalogue will be announced in the Yamaha Parts News.
It is advisable that you make necessary corrections to the Parts Catalogue according to the Yamaha Parts News.

2. Abbreviations
The following abbreviations are used in this Parts Catalogue.

"UR" Use specified parts number.
 "UN" Use as many as needed.
 "AP" Alternate Parts
 "LM" Local Made (Parts need to be ordered locally)
 "F#" Frame No. (Applicable machine No.)

3. Parts, which are to be supplied in an assembly, are listed with a dot (.) in front of the part name as shown below.

EXAMPLE
 CARBURETOR ASSY
 . JET, PILOT
 . NOZZLE, MAIN

4. Number of component for assembly
The numeral appearing to the right of each component part indicates the quantity of parts for each assembly unit.

EXAMPLE

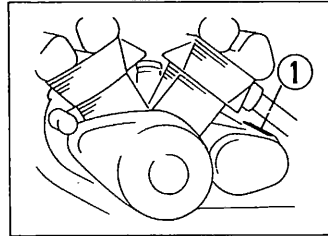
PART NO.	DESCRIPTION	Q'TY	REMARKS
2F5-83310-60	FRONT FLASHER LIGHT ASSY	2	
115-83311-60	. BULB (6V-18W)	1	

5. Applicable colors of graphics are represented in the "REMARKS" as shown below.

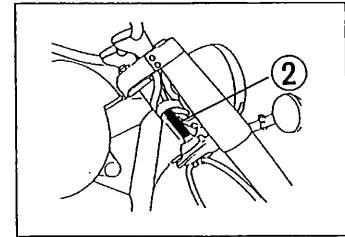
PART NO.	DESCRIPTION	Q'TY	REMARKS
2N4-24110-00-X5	FUEL TANK COMP.	1	MAXIM RED
3J1-24240-10	. GRAPHIC, FUEL TANK	1	for MXR

6. Applicable Serial No.

① Engine Serial No.



② Frame Serial No.



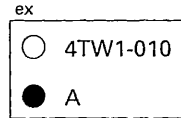
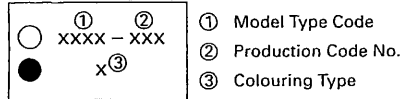
7. Note that the illustrations are for reference in finding parts numbers, not to be used for assembling. When assembling, please use the applicable service manual.

8. The asterisk (*) before a reference number indicates modification items after the first edition.

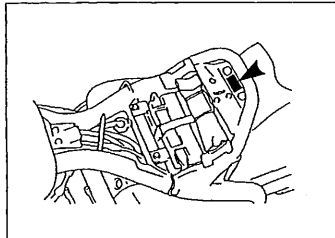
MODEL LABEL

(1) A label called "Model Label" is affixed in the location as indicated in (3) below. When using this parts catalogue, please be sure to cross-refer the "model code - production code No." in the catalogue to the "model code - production code No." indicated on the Model Label affixed onto the product concerned.

(2) "Model Label" Indication



(3) Model Label Affixing Location



(4) Model Code - Production Code Number of Model Listed in This Parts Catalog

Model code	Production code No.	Country (destination)	Model code	Production code No.	Country (destination)
4NK1	010	U49			
4NK2	010	CALIFORNIA			
4NK3	010	CANADA			
4NL1	010	U49			
4NL2	010	CALIFORNIA			
4NL3	010	CANADA			

(5) Colouring Information

Model code	Colouring type code	Colour code	Colour Name	Abbreviation
4NK1	A	00FE	MATURE RED	MRE
4NK2	B	008E	STAR BLUE METALLIC	SMB
4NK3	C	0033	YAMAHA BLACK	YB

Model code	Colouring type code	Colour code	Colour Name	Abbreviation
4NL1	A	0372	DARK BLUE COCKTAIL 2	DBC2
4NL2	B	003G	MILKY BROWN	MKB
4NL3				

CONTENTS

ENGINE

Cylinder Head	B2 ~ B3
Crankshaft · Piston	B4
Valve	B5 ~ B6
Camshaft · Chain	B7
Water Pump	B8 ~ B9
Radiator · Hose	B10 ~ B12
Oil Pump	B13
Oil Cleaner	B14 ~ B15
Intake	C2
Carburetor (For U.S.A.)	C3 ~ C5
Carburetor 2 (For CANADA)	C6 ~ C8
Exhaust	C9
Crankcase	C10 ~ C11
Crankcase Cover 1	C12
Starter Clutch	C13
Clutch	C14 ~ C15
Transmission	D2
Middle Drive Gear	D3 ~ D4
Shift Cam · Fork	D5
Shift Shaft	D6 ~ D7

CHASSIS

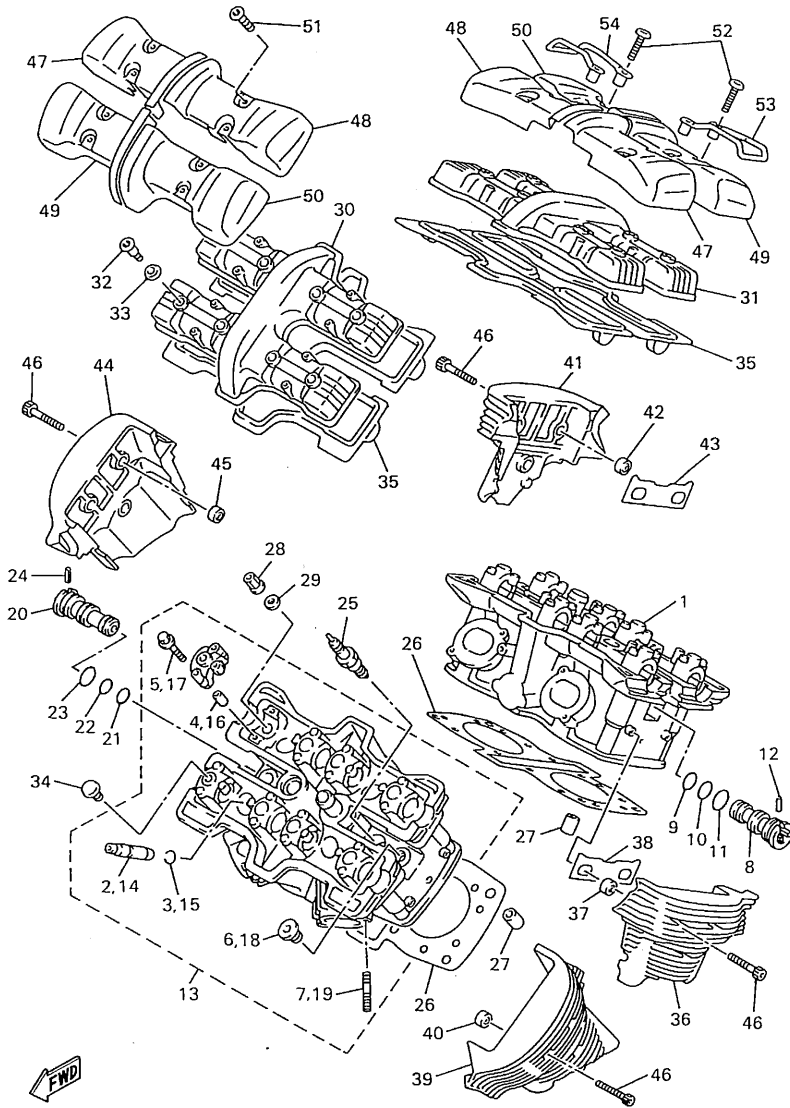
Frame	D8 ~ D9
Fender	D10 ~ D12
Side Cover	D13 ~ D14
Rear Arm	D15
Drive Shaft	E2 ~ E3
Rear Suspension	E4

Steering	E5
Front Fork	E6 ~ E7
Fuel Tank	E8 ~ E10
Seat	E11 ~ E12
Front Wheel	E13
Front Brake Caliper	E14
Rear Wheel	E15
Rear Brake Caliper	F2
Steering Handle · Cable	F3
Front Master Cylinder	F4
Front Master Cylinder 2	F5
Stand · Footrest	F6 ~ F7
Rear Master Cylinder	F8 ~ F9
Cowling 1 (For XVZ13ATH)	F10 ~ F11
Saddlebag 1 (For XVZ13ATH)	F12 ~ F13
Generator	F14
Starting Motor	F15
Flasher Light	G2
Meter	G3
Headlight	G4
Taillight	G5
Handle Switch · Lever	G6
Electrical 1	G7 ~ G8
Electrical 2	G9

INDEX

NUMERICAL INDEX	L1 ~ L5
-----------------------	---------

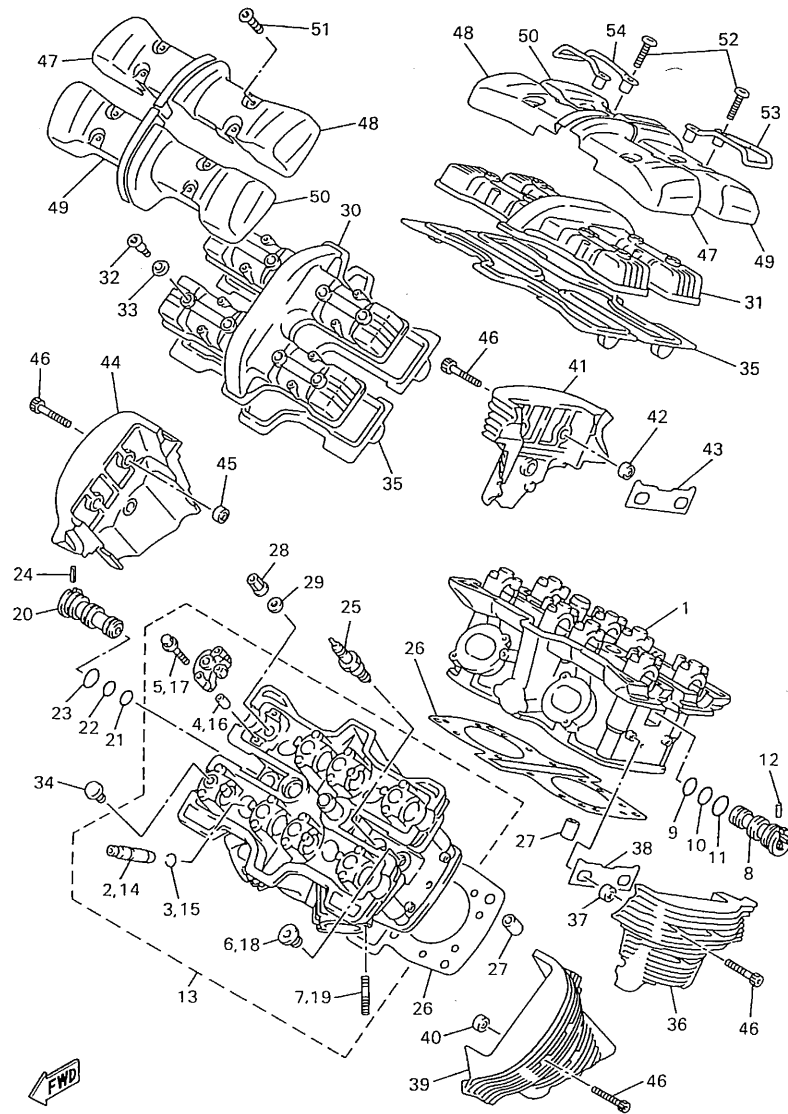
FIG. 1 CYLINDER HEAD



REF. NO.	PART NO.	DESCRIPTION	Q'TY	REMARKS
1	4NK-11110-00	CYLINDER HEAD ASSY	1	
* 2	26H-11133-10	.GUIDE, INTAKE VALVE	8	
3	93440-12117	.CIRCLIP	8	
4	99510-08016	.PIN, DOWEL	16	
5	90105-06153	.BOLT, WASHER BASED	16	
6	90340-18101	.PLUG, STRAIGHT SCREW	3	
7	95617-08620	.BOLT, STUD	4	
8	26H-12469-01	JOINT 1	1	
9	93210-16629	O-RING	1	
10	93210-18322	O-RING	1	
11	93210-21631	O-RING	1	
12	90254-03008	PIN, SPRING	1	
13	4NK-11120-00	CYLINDER HEAD ASSY 2	1	
* 14	26H-11133-10	.GUIDE, INTAKE VALVE	8	
15	93440-12117	.CIRCLIP	8	
16	99510-08016	.PIN, DOWEL	16	
17	90105-06153	.BOLT, WASHER BASED	16	
18	90340-18101	.PLUG, STRAIGHT SCREW	3	
19	95617-08620	.BOLT, STUD	4	
20	26H-12469-01	JOINT 1	1	
21	93210-16629	O-RING	1	
22	93210-18322	O-RING	1	
23	93210-21631	O-RING	1	
24	90254-03008	PIN, SPRING	1	
25	94701-00262	PLUG, SPARK (NGK DPR7EA 9)	4	UR
	94701-00379	PLUG, SPARK (ND X22EPR-U9)	4	UR
26	1NL-11181-00	GASKET, CYLINDER HEAD 1	2	
27	99530-14016	PIN, DOWEL	4	

4NK110-6010

FIG. 1 CYLINDER HEAD



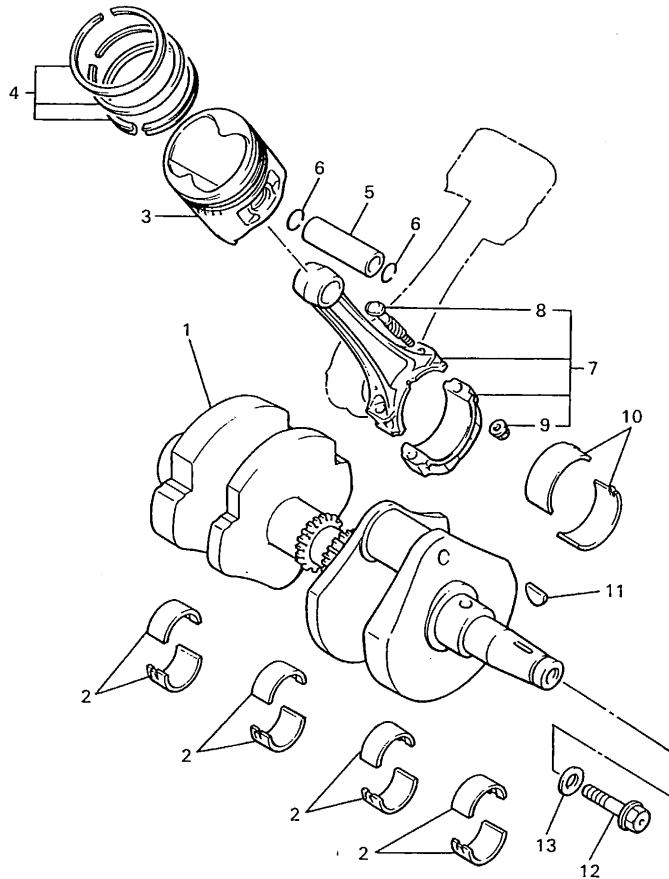
REF. NO.	PART NO.	DESCRIPTION	Q'TY	REMARKS
28	90179-10414	NUT	16	
29	90201-102G9	WASHER, PLATE	16	
30	4NK-11191-00	COVER, CYLINDER HEAD 1	1	
31	4NK-11191-00	COVER, CYLINDER HEAD 1	1	
32	90109-066F0	BOLT	16	
33	4KG-1111G-00	RUBBER, MOUNT 1	16	
34	90338-10150	PLUG	16	
35	4NK-11193-00	GASKET, HEAD COVER 1	2	
36	4NK-11186-00	COVER, CYLINDER HEAD SIDE 2	1	
37	4NK-15316-00	DAMPER, ENGINE MOUNT 1	3	
38	4NK-11195-00	GASKET	1	
39	4NK-11187-00	COVER, CYLINDER HEAD SIDE 3	1	
40	4NK-15316-00	DAMPER, ENGINE MOUNT 1	3	
41	4NK-11185-00	COVER, CYLINDER HEAD SIDE 1	1	
42	4NK-15316-00	DAMPER, ENGINE MOUNT 1	3	
43	4NK-11195-00	GASKET	1	
44	4NK-1111H-00	COVER, CYLINDER HEAD SIDE 4	1	
45	4NK-15316-00	DAMPER, ENGINE MOUNT 1	3	
46	91314-06020	BOLT	12	
47	4NK-1111M-00	COVER 1	2	
48	4NK-1111N-00	COVER 2	2	
49	4NK-1111P-00	COVER 3	2	
50	4NK-1111R-00	COVER 4	2	
51	92014-06014	BOLT, BUTTON HEAD	12	
52	92014-06030	BOLT, BUTTON HEAD	4	
53	4NK-11152-00	BRACKET, CYLINDER HEAD COVER	1	
54	4NK-11142-00	BRACKET, CYLINDER HEAD COVER 2	1	



4NK110-6010

B₃

FIG. 2 CRANKSHAFT • PISTON



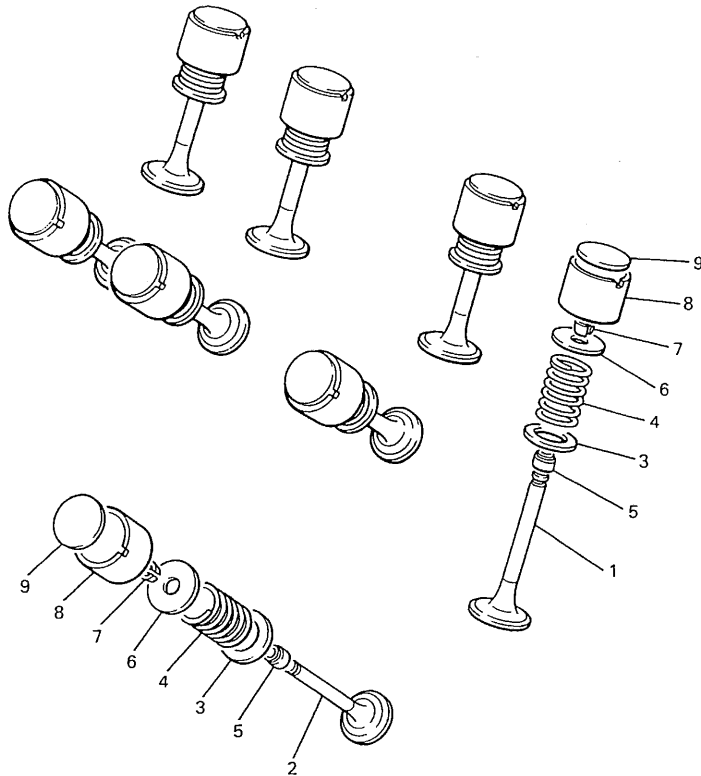
REF. NO.	PART NO.	DESCRIPTION	Q'TY	REMARKS
1	4NK-11400-00	CRANKSHAFT ASSY	1	
2	1FK-11416-01	PLANE BEARING, CRANKSHAFT 1	8	UR BLUE
	1FK-11416-11	PLANE BEARING, CRANKSHAFT 1	8	UR BLACK
	1FK-11416-21	PLANE BEARING, CRANKSHAFT 1	8	UR BROWN
	1FK-11416-31	PLANE BEARING, CRANKSHAFT 1	8	UR GREEN
	1FK-11416-41	PLANE BEARING, CRANKSHAFT 1	8	UR YELLOW
	1FK-11416-51	PLANE BEARING, CRANKSHAFT 1	8	UR PINK
	1FK-11416-61	PLANE BEARING, CRANKSHAFT 1	8	UR RED
3	4NK-11631-00-A0	PISTON (STD)	4	
	4NK-11635-00	PISTON (0.25MM O/S)	4	AP
	4NK-11636-00	PISTON (0.50MM O/S)	4	AP
4	1NL-11610-00	PISTON RING SET (STD)	4	
	1NL-11610-10	PISTON RING SET (0.25MM O/S)	4	AP
	1NL-11610-20	PISTON RING SET (0.50MM O/S)	4	AP
5	1FK-11633-00	PIN, PISTON	4	
6	93450-19095	CIRCLIP	8	
7	26H-11650-00	CONNECTING ROD ASSY	4	
8	26H-11654-00	.BOLT, CONNECTING ROD	2	
9	90179-08327	.NUT	2	
10	1FK-11656-00	PLANE BEARING, CONNECTING ROD	8	UR BLUE
	1FK-11656-10	PLANE BEARING, CONNECTING ROD	8	UR BLACK
	1FK-11656-20	PLANE BEARING, CONNECTING ROD	8	UR BROWN
	1FK-11656-30	PLANE BEARING, CONNECTING ROD	8	UR GREEN
	1FK-11656-40	PLANE BEARING, CONNECTING ROD	8	UR YELLOW
	1FK-11656-50	PLANE BEARING, CONNECTING ROD	8	UR PINK
11	90280-05029	KEY, WOODRUFF	1	
12	90105-12584	BOLT, WASHER BASED	1	
13	90201-121H0	WASHER, PLATE	1	



4NK110-6020

B4

FIG. 3 VALVE



REF. NO.	PART NO.	DESCRIPTION	Q'TY	REMARKS
1	26H-12111-10	VALVE, INTAKE	8	
2	26H-12121-10	VALVE, EXHAUST	8	
3	26H-12116-00	SEAT, VALVE SPRING	16	
4	4NK-12114-00	SPRING, VALVE OUTER	16	
5	4KM-12119-00	SEAL, VALVE STEM	16	
6	26H-12117-00	RETAINER, VALVE SPRING	16	
7	4G0-12118-00	COTTER, VALVE	32	
8	26H-12153-00-Y0	LIFTER, VALVE	16	UR
	26H-12153-00-J0	LIFTER, VALVE (O/S)	16	UR
9	26H-12168-00	PAD, ADJUSTING (2.00)	16	UR
	26H-12168-20	PAD, ADJUSTING (2.05)	16	UR
	26H-12168-40	PAD, ADJUSTING (2.10)	16	UR
	26H-12168-60	PAD, ADJUSTING (2.15)	16	UR
	26H-12168-80	PAD, ADJUSTING (2.20)	16	UR
	26H-12168-A0	PAD, ADJUSTING (2.25)	16	UR
	26H-12168-F0	PAD, ADJUSTING (2.30)	16	UR
	26H-12168-H0	PAD, ADJUSTING (2.35)	16	UR
	26H-12168-K0	PAD, ADJUSTING (2.40)	16	UR
	26H-12168-M0	PAD, ADJUSTING (2.45)	16	UR
	26H-12168-R0	PAD, ADJUSTING (2.50)	16	UR
	26H-12168-U0	PAD, ADJUSTING (2.55)	16	UR
	26H-12168-W0	PAD, ADJUSTING (2.60)	16	UR
	26H-12168-Y0	PAD, ADJUSTING (2.65)	16	UR
	26H-12169-10	PAD, ADJUSTING (2.70)	16	UR
	26H-12169-30	PAD, ADJUSTING (2.75)	16	UR
	26H-12169-50	PAD, ADJUSTING (2.80)	16	UR
	26H-12169-70	PAD, ADJUSTING (2.85)	16	UR
	26H-12169-90	PAD, ADJUSTING (2.90)	16	UR

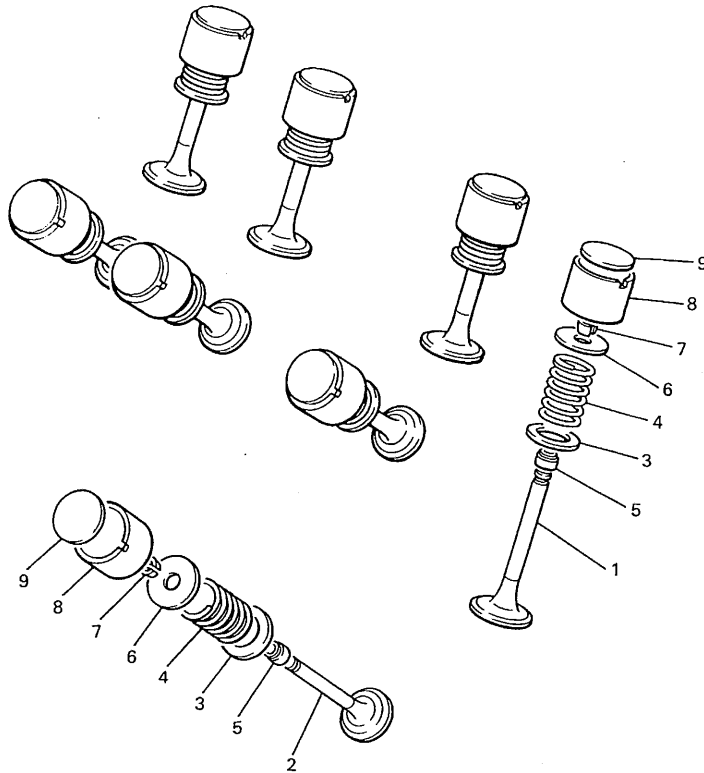


4NK110-6030

B5

FIG. 3 VALVE

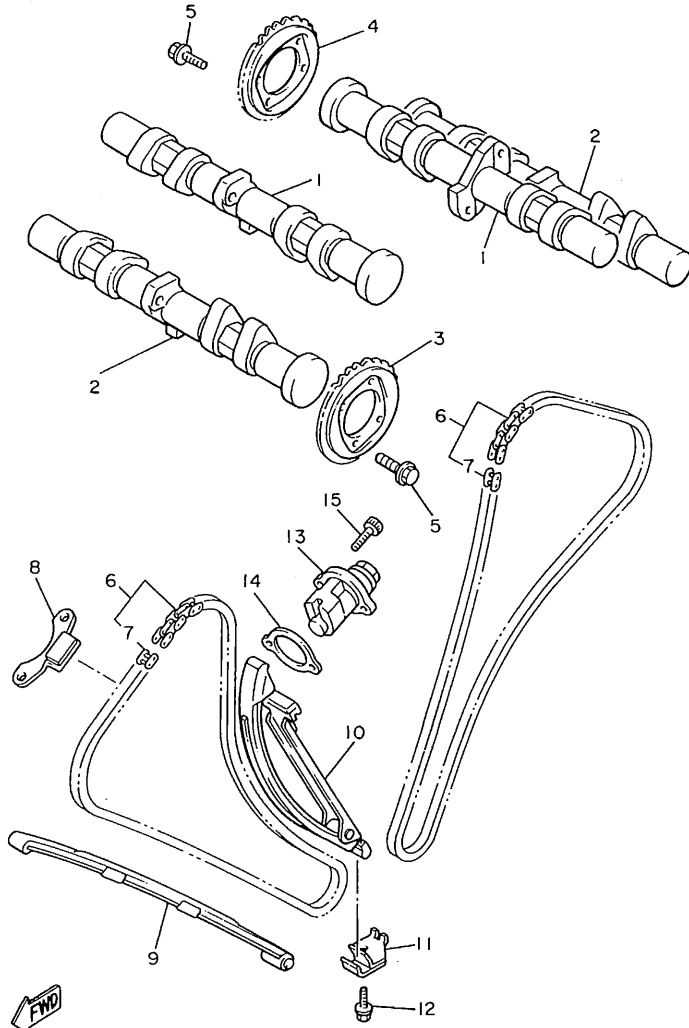
REF. NO.	PART NO.	DESCRIPTION	Q'TY	REMARKS
9	26H-12169-E0	PAD, ADJUSTING (2.95)	16	UR
	26H-12169-G0	PAD, ADJUSTING (3.00)	16	UR
	26H-12169-J0	PAD, ADJUSTING (3.05)	16	UR
	26H-12169-L0	PAD, ADJUSTING (3.10)	16	UR
	26H-12169-N0	PAD, ADJUSTING (3.15)	16	UR
	26H-12169-T0	PAD, ADJUSTING (3.20)	16	UR



4NK110-6030

B6

FIG. 4 CAMSHAFT • CHAIN

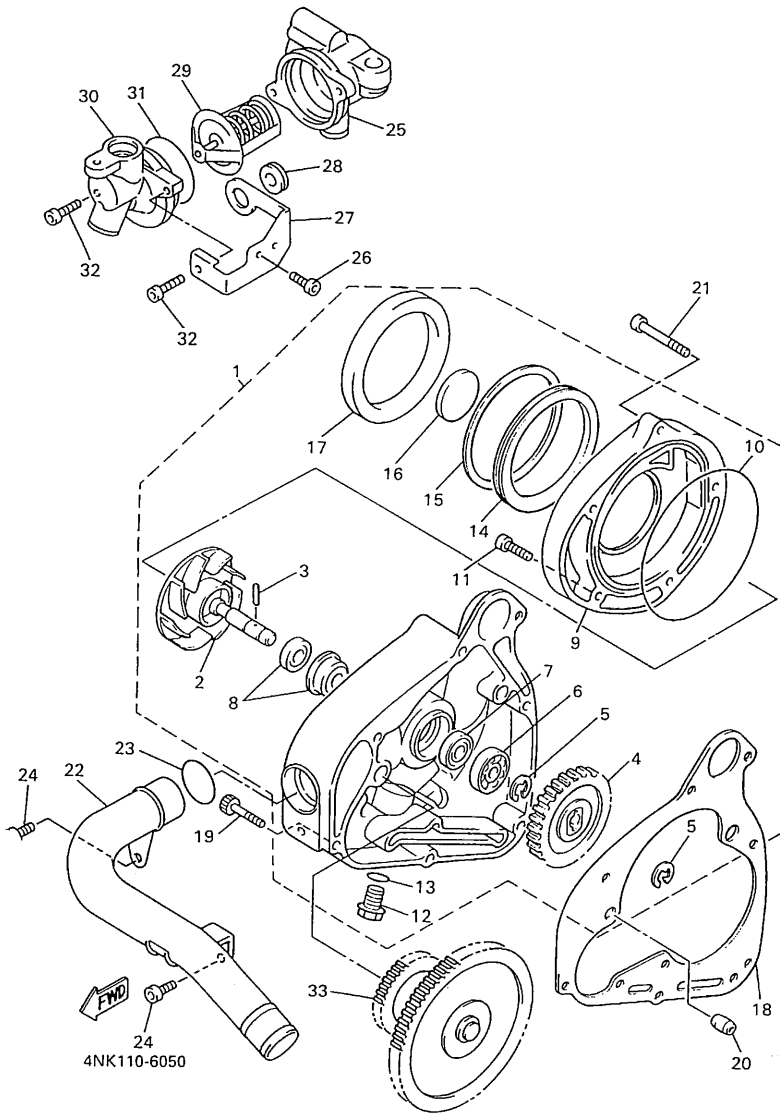


26H110-3030

REF. NO.	PART NO.	DESCRIPTION	Q'TY	REMARKS
1	2WT-12171-00	CAMSHAFT 1	2	
2	1NL-12181-00	CAMSHAFT 2	2	
3	26H-12177-01	SPROCKET, CAM CHAIN	2	
4	26H-12176-02	SPROCKET, CAM CHAIN	2	
5	90105-07342	BOLT, WASHER BASED	8	
6	94580-81118	CHAIN (D.I.D 219FTS118LL)	2	
7	94600-02001	JOINT, CHAIN (BF05M)	2	TSUBAKIMOTO
8	26H-12241-00	GUIDE, STOPPER 2	2	
9	26H-12251-00	DAMPER, CHAIN 1	2	
10	26H-12252-00	DAMPER, CHAIN 2	2	
11	26H-12233-00	PLATE, GUIDE STOPPER 1	1	
12	95817-08025	BOLT, FLANGE	1	
13	26H-12210-03	TENSIONER ASSY, CAM CHAIN	2	
14	3JP-12213-01	GASKET, TENSIONER CASE	2	
15	91317-06020	BOLT, SOCKET HEAD	4	

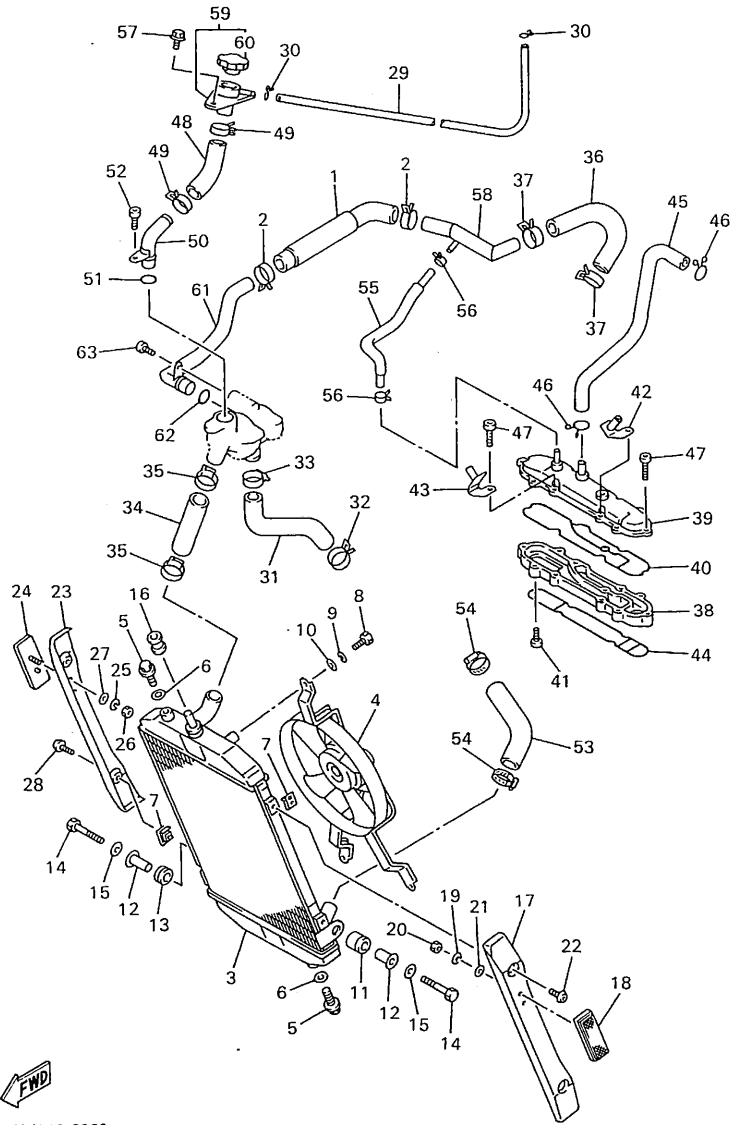
FIG. 5 WATER PUMP

REF. NO.	PART NO.	DESCRIPTION	Q'TY	REMARKS
29	1AE-12410-00	THERMOSTAT ASSY	1	
30	4NK-12413-00	COVER, THERMOSTAT	1	
31	93210-49046	O-RING	1	
32	91317-06020	BOLT, SOCKET HEAD	2	
33	4NK-12450-00	IMPELLER SHAFT ASSY	1	



B9

FIG. 6 RADIATOR • HOSE

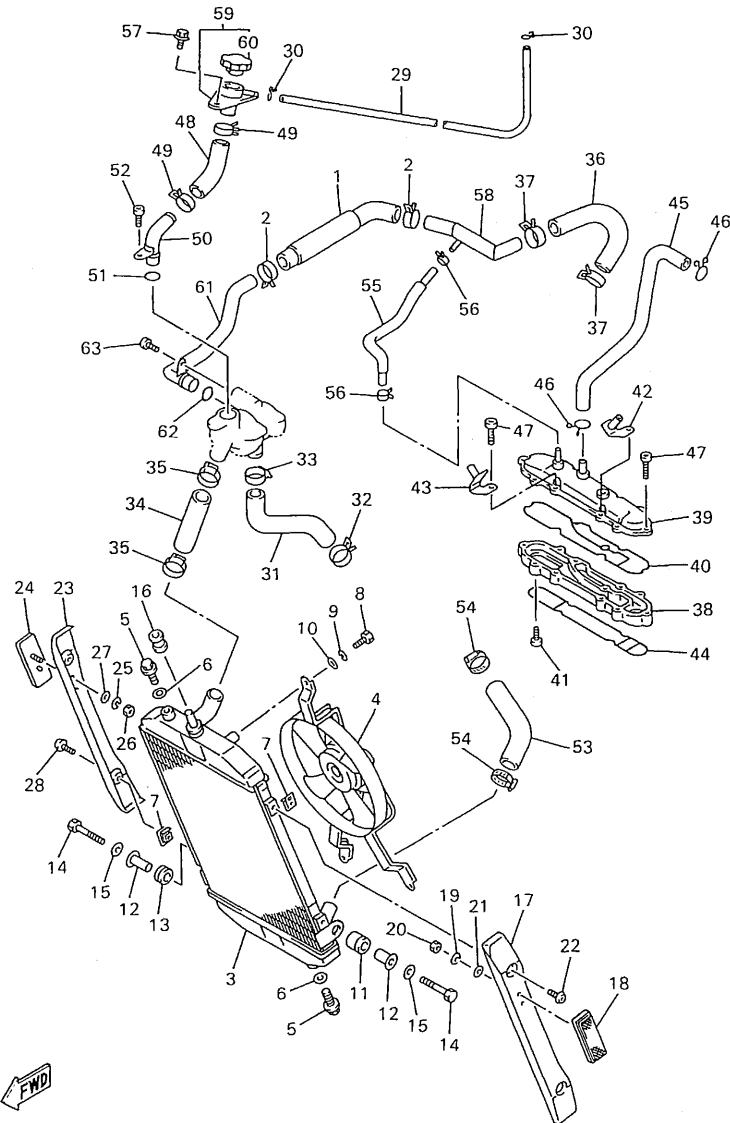


4NK110-6060

REF. NO.	PART NO.	DESCRIPTION	Q'TY	REMARKS
1	4NK-12578-00	HOSE 3	1	
2	90467-23109	CLIP	2	
3	4NK-12461-00	RADIATOR ASSY	1	
4	4NK-12405-00	BLOWER ASSY	1	
5	1AA-12561-00	PLUG, DRAIN COCK	2	
6	1AA-12435-00	GASKET	2	
7	4NK-12671-00	NUT 1	4	
8	97027-06012	BOLT	3	
9	92907-06100	WASHER, SPRING	3	
10	92907-06600	WASHER, PLATE	3	
11	4NK-12465-00	DAMPER, RADIATOR	1	
12	90387-0609L	COLLAR	2	
13	90480-19283	GROMMET	1	
14	97017-06040	BOLT	2	
15	92907-06600	WASHER, PLATE	2	
16	90480-16284	GROMMET	1	
17	4NK-1240J-00	RADIATOR COVER ASSY1	1	
18	11H-85110-01	REFLECTOR ASSY	1	
19	92990-05100	WASHER, SPRING	1	
20	95307-05700	NUT	1	
21	92990-05200	WASHER, PLAIN	1	
22	92017-06010	SCREW	2	
23	4NK-1240K-00	RADIATOR COVER ASSY 2	1	
24	11H-85110-01	REFLECTOR ASSY	1	
25	92990-05100	WASHER, SPRING	1	
26	95307-05700	NUT	1	
27	92990-05200	WASHER, PLAIN	1	
28	92017-06010	SCREW	2	

B10

FIG. 6 RADIATOR • HOSE



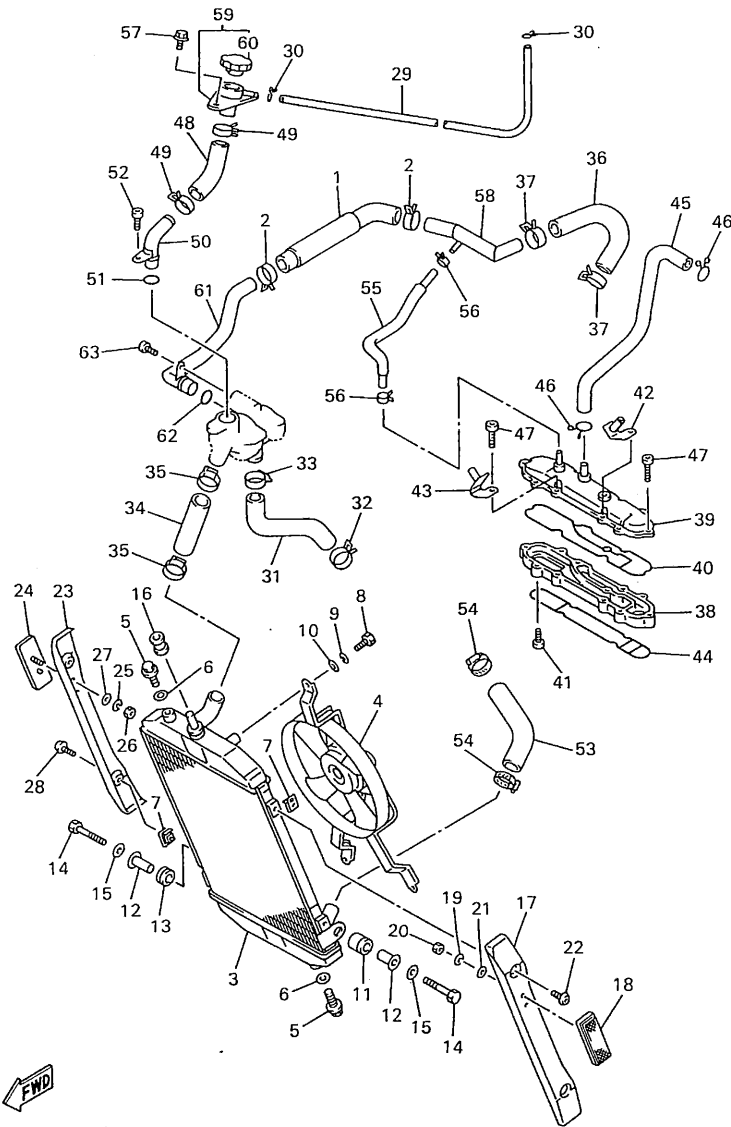
REF. NO.	PART NO.	DESCRIPTION	Q'TY	REMARKS
29	90445-097F7	HOSE	1	
30	90467-08003	CLIP	2	
31	4NK-12576-00	HOSE 1	1	
32	90467-23109	CLIP	1	
33	90450-32051	HOSE CLAMP ASSY	1	
34	4NK-12579-00	HOSE 4	1	
35	90450-38040	HOSE CLAMP ASSY	2	
36	4NK-12577-00	HOSE 2	1	
37	90467-23109	CLIP	2	
38	26H-1246A-03	COVER 1	1	
39	26H-1246E-03	COVER 2	1	
40	26H-12428-00	GASKET, HOUSING COVER 2	1	
41	91314-06016	BOLT	4	
42	4NK-14413-00	STAY	1	
43	4NK-14414-00	STAY 2	1	
44	26H-12427-00	GASKET, HOUSING COVER 1	1	
45	4NK-11166-00	PIPE, BREATHER 1	1	
46	90467-14015	CLIP	2	
47	91314-06040	BOLT	6	
48	4NK-12589-00	HOSE 6	1	
49	90467-23109	CLIP	2	
50	4NK-12484-00	PIPE 4	1	
51	93210-18417	O-RING	1	
52	91317-06010	BOLT, SOCKET HEAD	1	
53	4NK-12588-00	HOSE 5	1	
54	90450-38040	HOSE CLAMP ASSY	2	
55	4NK-12551-00	HOSE 7	1	
56	90467-11090	CLIP	2	

FWD

4NK110-6060

B11

FIG. 6 RADIATOR • HOSE

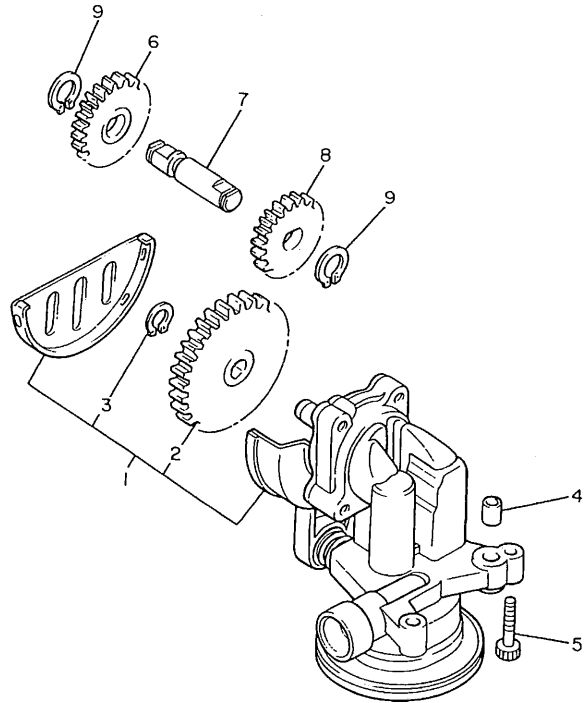


REF. NO.	PART NO.	DESCRIPTION	Q'TY	REMARKS
57	95817-06012	BOLT, FLANGE	2	
58	4NK-12481-00	PIPE 1	1	
59	4NK-12590-00	CONDUCTION ASSY	1	
60	3XP-12462-00	•CAP, RADIATOR	1	
61	4NK-12482-00	PIPE 2	1	
62	93210-18417	O-RING	1	
63	91317-06012	BOLT, SOCKET HEAD	1	



4NK110-6060

FIG. 7 OIL PUMP

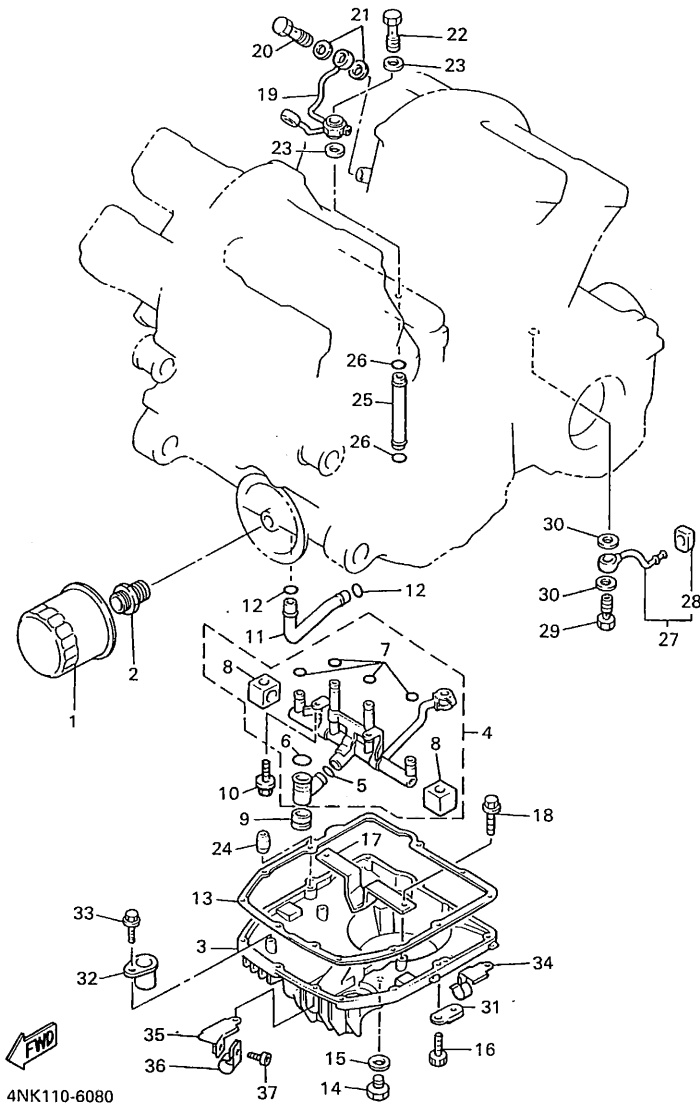


REF. NO.	PART NO.	DESCRIPTION	Q'TY	REMARKS
1	26H-13300-02	OIL PUMP ASSY	1	
2	26H-13325-00	GEAR, PUMP DRIVEN (28T)	1	
3	99009-11400	CIRCLIP	1	
4	99530-10014	PIN, DOWEL	2	
5	91317-06025	BOLT, SOCKET HEAD	3	
6	26H-13351-01	GEAR, PUMP IDLE 1 (16T)	1	
7	26H-13342-00	SHAFT, IDLE GEAR	1	
8	26H-13361-00	GEAR, PUMP IDLE 2 (15T)	1	
9	99009-12400	CIRCLIP	2	



26H110-3070

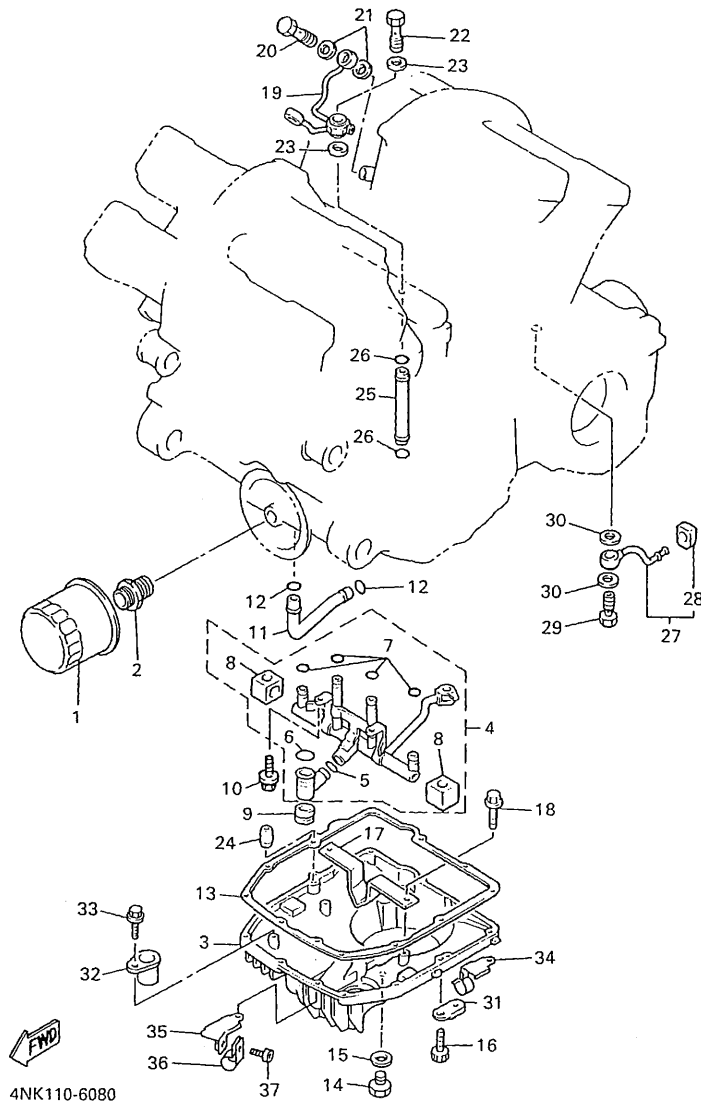
FIG. 8 OIL CLEANER



4NK110-6080

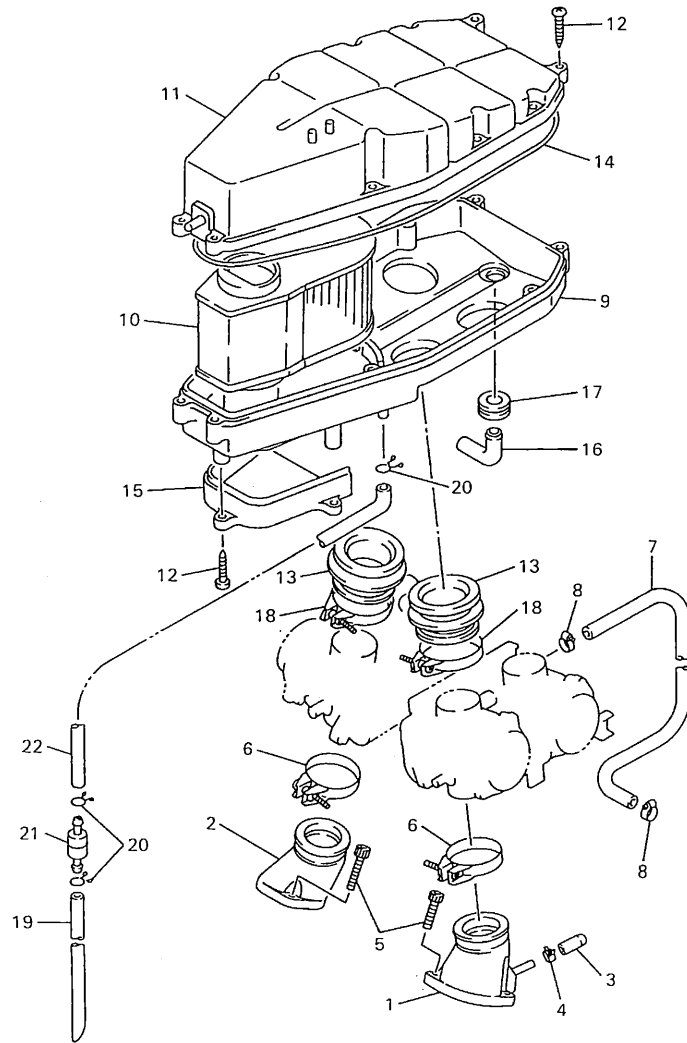
REF. NO.	PART NO.	DESCRIPTION	Q'TY	REMARKS
1	3FV-13440-00	ELEMENT ASSY, OIL CLEANER	1	
2	90401-20145	BOLT, UNION	1	
3	26H-13417-01	COVER, STRAINER	1	
4	26H-Y1319-10	DELIVERY PIPE ASS'Y	1	
5	93210-13361	•O-RING	1	
6	93210-14637	•O-RING	1	
7	93210-06667	•O-RING	4	
8	26H-15365-00	•GROMMET	2	
9	26H-15366-01	GROMMET	1	
10	95817-06012	BOLT, FLANGE	2	
11	26H-13161-00	PIPE, DELIVERY 1	1	
12	93210-14579	O-RING	2	
13	3JP-13414-01	GASKET, STRAINER COVER	1	
14	3VD-13455-00	PLUG	1	
15	214-11198-01	GASKET	1	
16	91317-06030	BOLT, SOCKET HEAD	12	
17	26H-13337-01	PLATE, BAFFLE LOWER	1	
18	95817-06012	BOLT, FLANGE	2	
19	26H-13181-03	PIPE, DELIVERY 3	1	
20	90401-08038	BOLT, UNION	2	
21	90201-08087	WASHER, PLATE	4	
22	90401-10108	BOLT, UNION	1	
23	90201-11723	WASHER, PLATE	2	
24	99510-08016	PIN, DOWEL	2	
25	26H-13171-00	PIPE, DELIVERY 2	1	
26	93210-06667	O-RING	2	
27	26H-13416-01	PIPE, OIL 1	1	
28	26H-13476-00	•GASKET	1	

FIG. 8 OIL CLEANER



REF. NO.	PART NO.	DESCRIPTION	Q'TY	REMARKS
29	90401-08093	BOLT, UNION	1	
30	90201-08087	WASHER, PLATE	2	
31	90465-08193	CLAMP	1	
32	1FK-13151-00	STAY	1	
33	95817-06012	BOLT, FLANGE	1	
34	90462-10226	CLAMP	1	
35	4NK-13782-00	STAY	1	
36	90461-15100	CLAMP	1	
37	91317-05010	BOLT, SOCKET HEAD	1	

FIG. 9 INTAKE

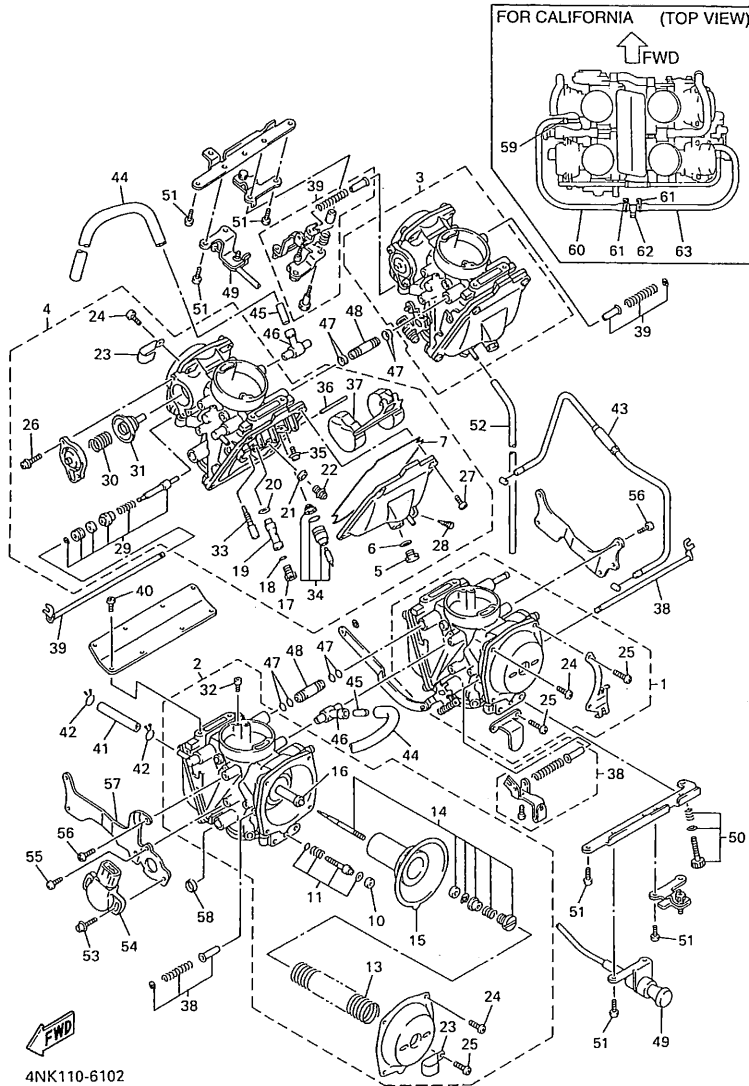


REF. NO.	PART NO.	DESCRIPTION	Q'TY	REMARKS
1	4NK-13586-00	JOINT, CARBURETOR 1	2	
2	4NK-13596-00	JOINT, CARBURETOR 2	2	
3	16G-13569-00	PLUG, BLIND	4	
4	90467-10039	CLIP	4	
5	91317-06020	BOLT, SOCKET HEAD	8	
6	4DN-13575-00	BAND	4	
7	90445-124J5	HOSE	1	
8	90467-13123	CLIP	2	
9	4NK-14411-00	CASE, AIR CLEANER 1	1	
10	4NK-14451-00	ELEMENT, AIR CLEANER	1	
11	4NK-14421-00	CASE, AIR CLEANER 2	1	
12	97707-50130	SCREW, TAPPING	13	
13	4NK-14453-00	JOINT, AIR CLEANER 1	4	
14	4NK-14452-00	SEAL	1	
15	4NK-14437-00	DUCT	1	
16	31A-14419-00	PIPE	1	
17	31A-14435-00	GROMMET	1	
18	90460-54137	CLAMP, HOSE	4	
19	90445-115J9	HOSE	1	
20	90467-11106	CLIP	3	
21	4X7-2149Y-00	FILTER ASSY	1	
22	4NK-14419-00	PIPE	1	



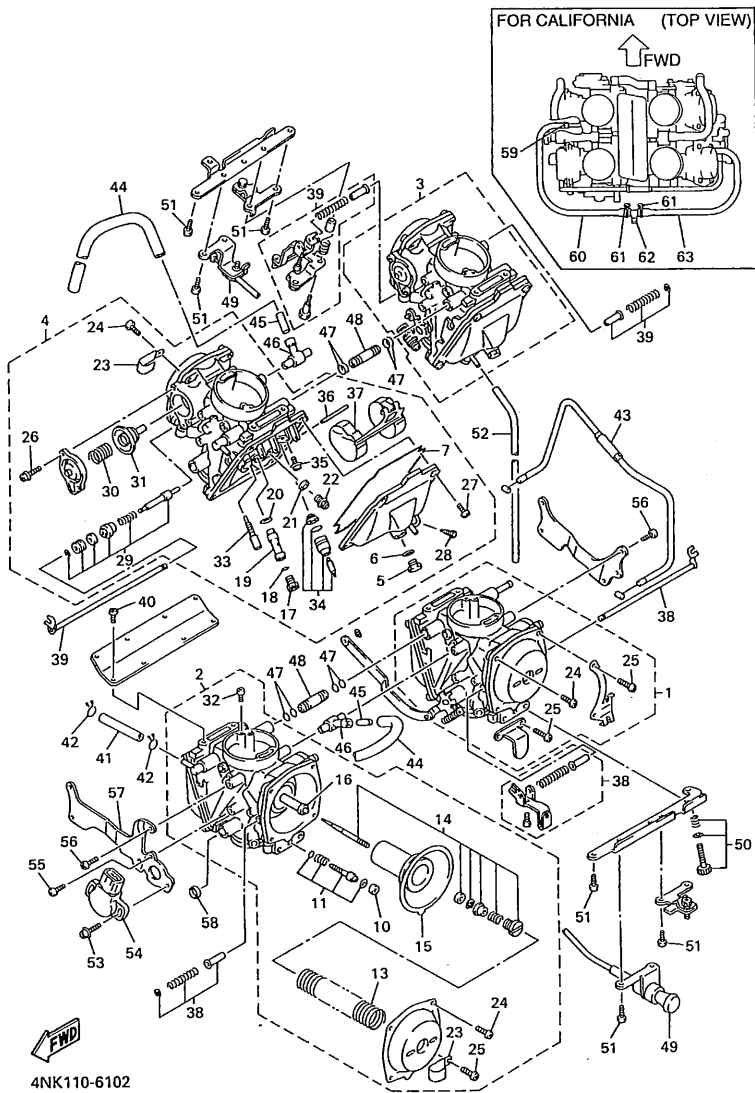
4NK110-6090

FIG. 10 CARBURETOR (FOR U.S.A.)



REF. NO.	PART NO.	DESCRIPTION	Q'TY	REMARKS
1	4NK-14901-00	CARBURETOR ASSY 1	1	UR
	4NK-14901-10	CARBURETOR ASSY 1	1	UR FOR CALIFORNIA
2	4NK-14902-00	CARBURETOR ASSY 2	1	UR
	4NK-14902-10	CARBURETOR ASSY 2	1	UR FOR CALIFORNIA
3	4NK-14903-00	CARBURETOR ASSY 3	1	UR
	4NK-14903-10	CARBURETOR ASSY 3	1	UR FOR CALIFORNIA
4	4NK-14904-00	CARBURETOR ASSY 4	1	UR
	4NK-14904-10	CARBURETOR ASSY 4	1	UR FOR CALIFORNIA
5	22U-14115-00	•PLUG, SCREW	1	
6	22U-14561-00	•O-RING	1	
7	1HX-14147-00	•O-RING	1	
10	3F9-14118-00	•CAP	1	
* 11	3KW-14105-00	•PILOT SCREW SET	1	
13	4NK-14933-00	•SPRING, DIAPHRAGM	1	
14	4NK-1490J-00	•NEEDLE SET	1	
15	4NK-14940-00	•DIAPHRAGM ASSY	1	
16	3DM-14141-30	•MAIN NOZZLE(0-0)	1	
17	3G2-14231-19	•JET, POWER (# 95)	1	
18	1AE-14227-00	•O-RING	1	
19	1AE-14261-00	•HOLDER	1	
20	1AE-14237-00	•GASKET	1	
21	137-14153-00	•WASHER, MAIN JET	1	
22	1HX-14565-00	•SCREW	1	
23	3XV-14243-00	•PLATE	1	#2, 4
24	98580-04008	•SCREW, PAN HEAD	1	UR #1
	98580-04008	•SCREW, PAN HEAD	3	UR #2
	98580-04008	•SCREW, PAN HEAD	4	UR #3, 4
25	98580-04010	•SCREW, PAN HEAD	3	UR #1

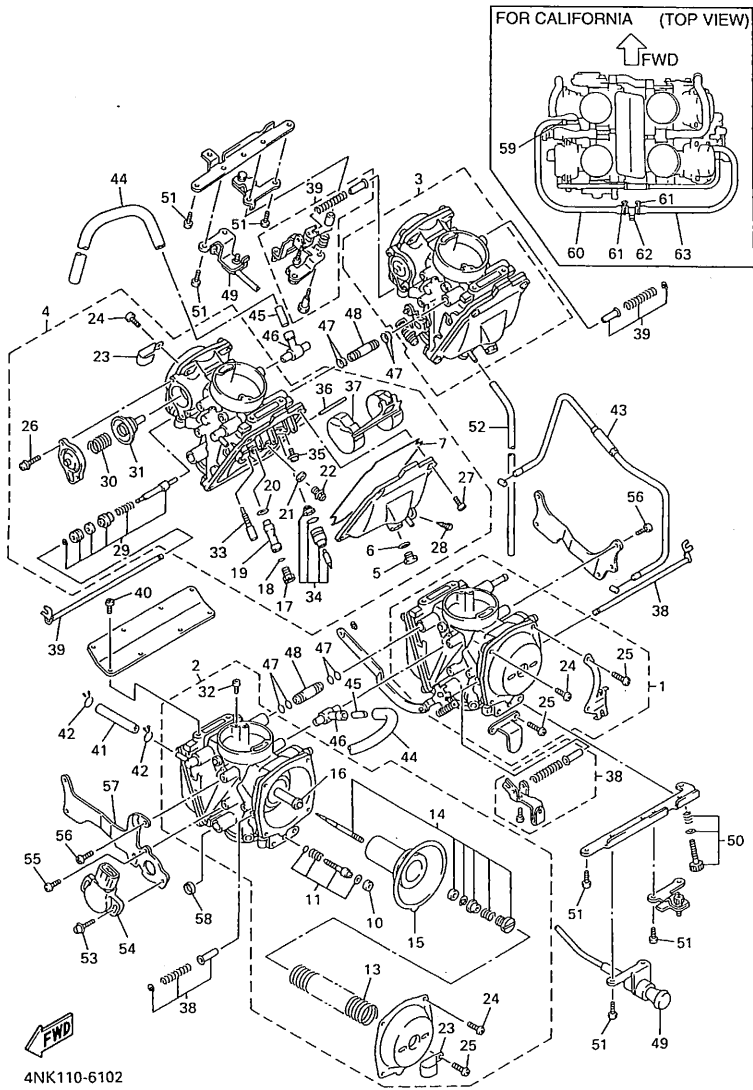
FIG. 10 CARBURETOR (FOR U.S.A.)



4NK110-6102

REF. NO.	PART NO.	DESCRIPTION	Q'TY	REMARKS
25	98580-04010	.SCREW, PAN HEAD	1	UR #2
26	97607-04312	.SCREW, PAN HEAD WITH WASHER	2	
27	98580-04014	.SCREW, PAN HEAD	4	
28	12R-14191-00	.PLUG, DRAIN	1	
29	4DN-1410A-01	.STARTER SET	1	
30	4NK-14935-00	.SPRING	1	
31	22V-14940-00	.DIAPHRAGM ASSY	1	
32	1HX-14231-23	.JET, MAIN (#115)	1	
33	22F-14142-20	.JET, PILOT (# 20)	1	
34	3CF-14107-15	.NEEDLE VALVE SET	1	
35	1FN-14565-00	.SCREW	1	
36	353-14186-00	.PIN, FLOAT	1	
37	1HX-14985-00	.FLOAT	1	
38	4NK-1490L-00	STARTER LEVER SET, 1	1	
39	4NK-1490L-10	STARTER LEVER SET, 1	1	
40	98507-05010	SCREW, PAN HEAD	8	
41	4NK-14396-00	PIPE	1	
42	4NK-14137-00	CLIP	2	
43	4NK-14130-00	CABLE	1	
44	4NK-14349-00	PIPE	2	
45	1FN-14918-00	RING	2	
46	1AE-14197-00	PIPE	2	
47	36Y-14147-00	O-RING	8	
48	1WG-14251-00	NIPPLE	2	
49	4NK-14130-10	CABLE	1	
50	4NK-14103-00	THROTTLE SCREW SET	1	
51	98517-05012	SCREW, PAN HEAD	9	
52	3JD-14197-00	PIPE	4	

FIG. 10 CARBURETOR (FOR U.S.A.)

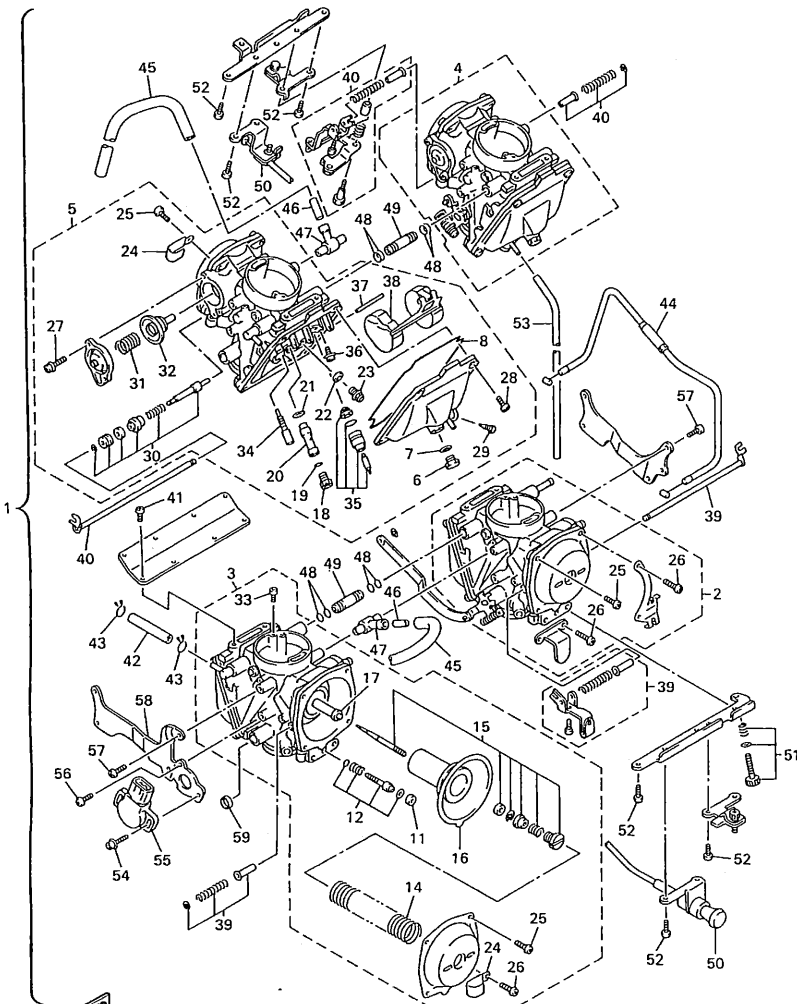


4NK110-6102

REF. NO.	PART NO.	DESCRIPTION	Q'TY	REMARKS
53	4HM-14216-00	SCREW	2	
54	4NK-85885-00	THROTTLE POSITION SENSOR ASSY	1	
55	98707-05008	SCREW, FLAT HEAD	1	
56	98507-05010	SCREW, PAN HEAD	7	
57	4NK-14867-00	BRACKET	1	
58	4HM-14239-00	SEAL	1	
59	55X-14937-00	CLIP	2	FOR CALIFORNIA
60	4NK-14987-00	HOSE	1	FOR CALIFORNIA
61	90467-10008	CLIP	2	FOR CALIFORNIA
62	3H3-24376-00	PIPE, JOINT 1	1	FOR CALIFORNIA
63	4NK-14987-10	HOSE	1	FOR CALIFORNIA

FIG. 11 CARBURETOR 2 (FOR CANADA)

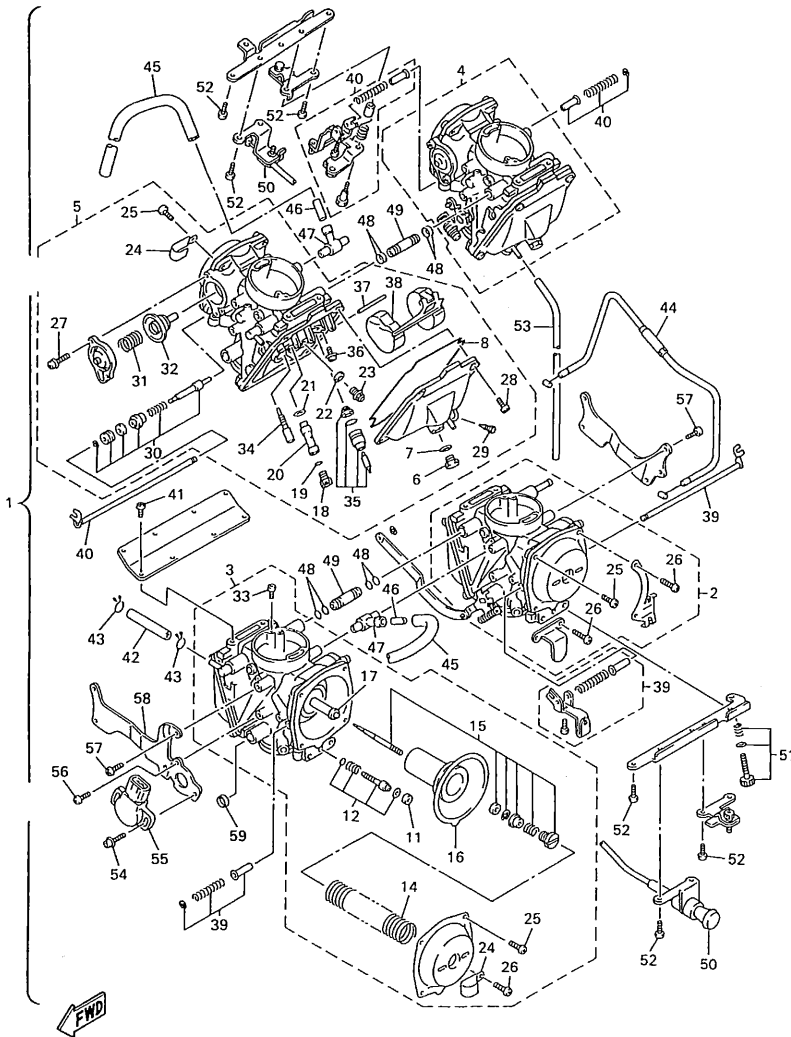
REF. NO.	PART NO.	DESCRIPTION	Q'TY	REMARKS
1	4NK-14900-00	CARBURETOR ASSY	1	
2	4NK-14901-00	..CARBURETOR ASSY 1	1	
3	4NK-14902-00	..CARBURETOR ASSY 2	1	
4	4NK-14903-00	..CARBURETOR ASSY 3	1	
5	4NK-14904-00	..CARBURETOR ASSY 4	1	
6	22U-14115-00	..PLUG, SCREW	1	
7	22U-14561-00	..O-RING	1	
8	1HX-14147-00	..O-RING	1	
11	3F9-14118-00	..CAP	1	
* 12	3KW-14105-00	..PILOT SCREW SET	1	
14	4NK-14933-00	..SPRING, DIAPHRAGM	1	
15	4NK-1490J-00	..NEEDLE SET	1	
16	4NK-14940-00	..DIAPHRAGM ASSY	1	
17	3DM-14141-30	..MAIN NOZZLE(0-0)	1	
18	3G2-14231-19	..JET, POWER (# 95)	1	
19	1AE-14227-00	..O-RING	1	
20	1AE-14261-00	..HOLDER	1	
21	1AE-14237-00	..GASKET	1	
22	137-14153-00	..WASHER, MAIN JET	1	
23	1HX-14565-00	..SCREW	1	
24	3XV-14243-00	..PLATE	1	#2, 4
25	98580-04008	..SCREW, PAN HEAD	1	UR #1
	98580-04008	..SCREW, PAN HEAD	3	UR #2
	98580-04008	..SCREW, PAN HEAD	4	UR #3, 4
26	98580-04010	..SCREW, PAN HEAD	3	UR #1
26	98580-04010	..SCREW, PAN HEAD	1	UR #2
27	97607-04312	..SCREW, PAN HEAD WITH WASHER	2	
28	98580-04014	..SCREW, PAN HEAD	4	



4NK110-6112

FIG. 11 CARBURETOR 2 (FOR CANADA)

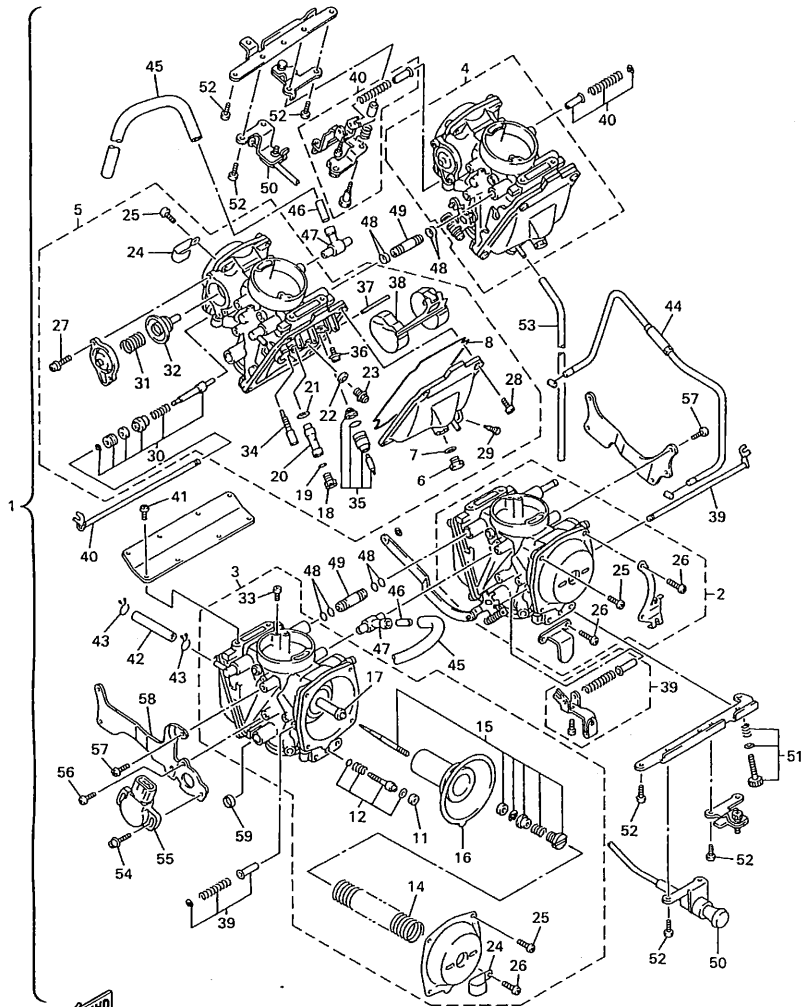
REF. NO.	PART NO.	DESCRIPTION	Q'TY	REMARKS
29	12R-14191-00	..PLUG, DRAIN	1	
30	4DN-1410A-01	..STARTER SET	1	
31	4NK-14935-00	..SPRING	1	
32	22V-14940-00	..DIAPHRAGM ASSY	1	
33	1HX-14231-23	..JET, MAIN (#115)	1	
34	22F-14142-20	..JET, PILOT (# 20)	1	
35	3CF-14107-15	..NEEDLE VALVE SET	1	
36	1FN-14565-00	..SCREW	1	
37	353-14186-00	..PIN, FLOAT	1	
38	1HX-14985-00	..FLOAT	1	
39	4NK-1490L-00	..STARTER LEVER SET, 1	1	
40	4NK-1490L-10	..STARTER LEVER SET, 1	1	
41	98507-05010	..SCREW, PAN HEAD	8	
42	4NK-14396-00	..PIPE	1	
43	4NK-14137-00	..CLIP	2	
44	4NK-14130-00	..CABLE	1	
45	4NK-14349-00	..PIPE	2	
46	1FN-14918-00	..RING	2	
47	1AE-14197-00	..PIPE	2	
48	36Y-14147-00	..O-RING	8	
49	1WG-14251-00	..NIPPLE	2	
50	4NK-14130-10	..CABLE	1	
51	4NK-14103-00	..THROTTLE SCREW SET	1	
52	98517-05012	..SCREW, PAN HEAD	9	
53	3JD-14197-00	..PIPE	4	
54	4HM-14216-00	..SCREW	2	
55	4NK-85885-00	..THROTTLE POSITION SENSOR ASSY	1	
56	98707-05008	..SCREW, FLAT HEAD	1	



4NK110-6112

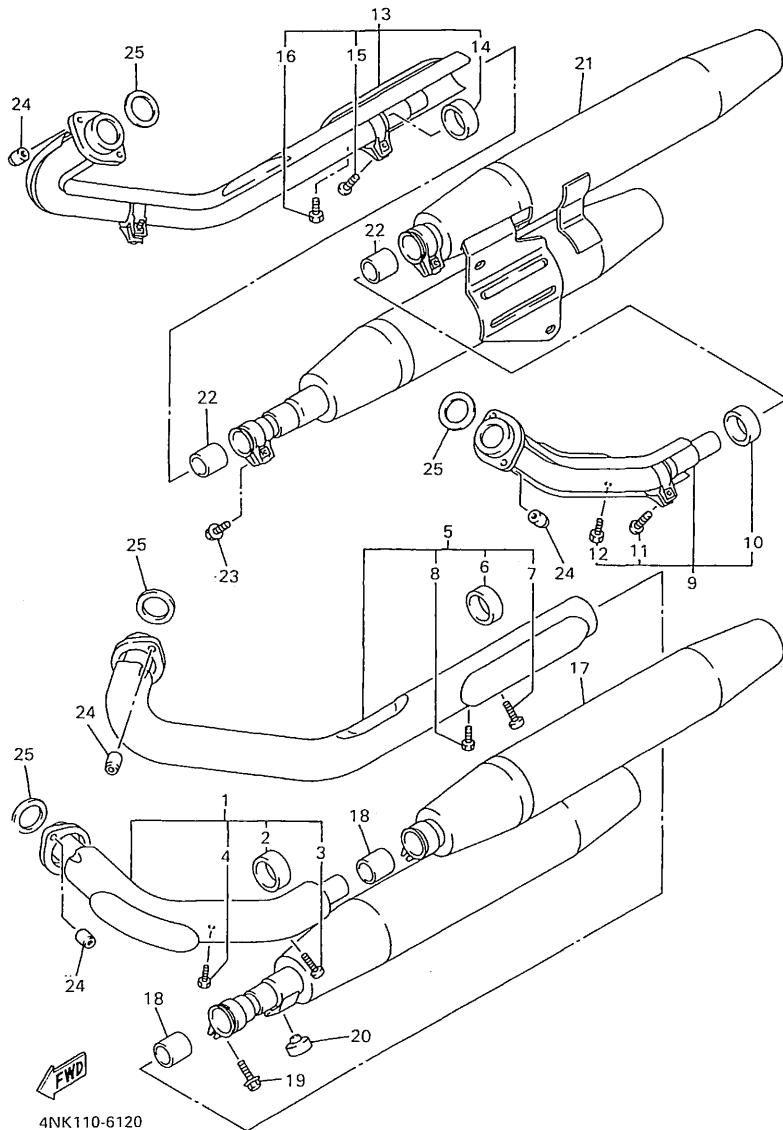
FIG. 11 CARBURETOR 2 (FOR CANADA)

REF. NO.	PART NO.	DESCRIPTION	Q'TY	REMARKS
57	98507-05010	•SCREW, PAN HEAD	7	
58	4NK-14867-00	•BRACKET	1	
59	4HM-14239-00	•SEAL	1	



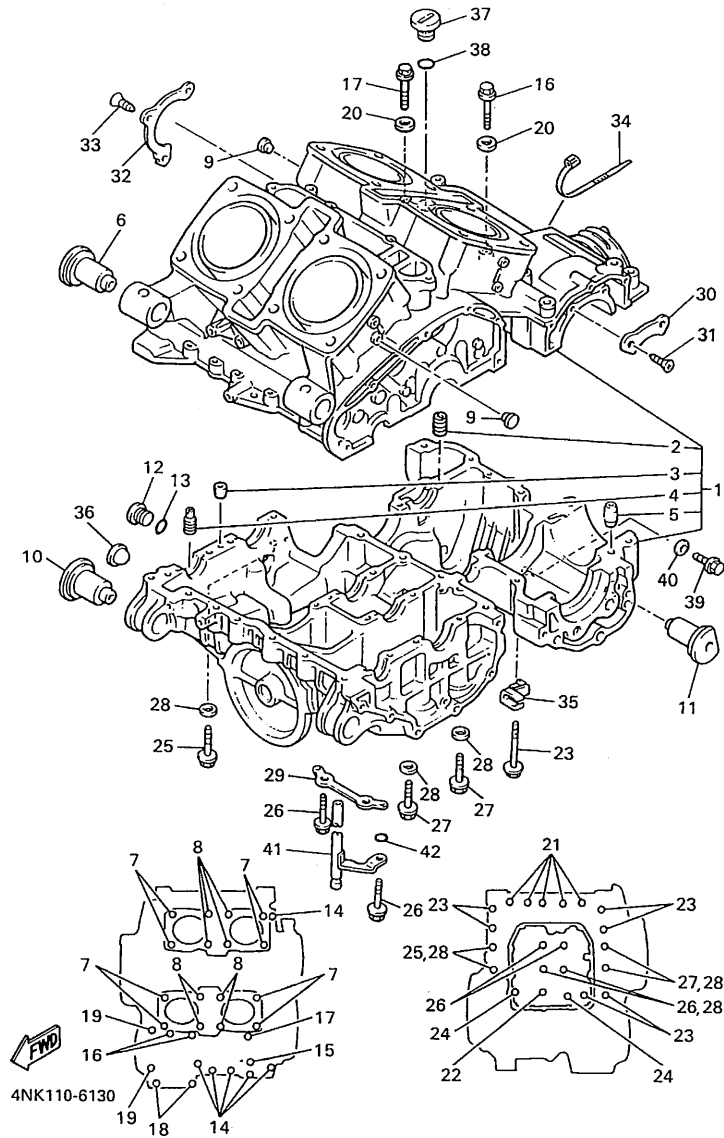
4NK110-6112

FIG. 12 EXHAUST



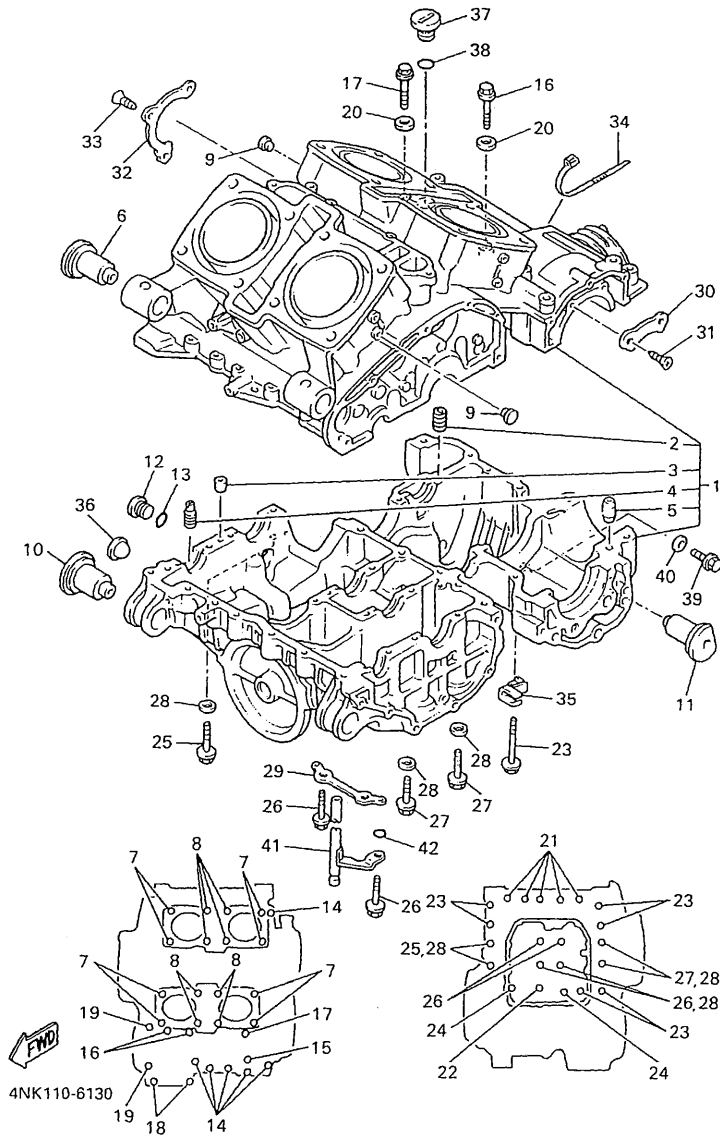
REF. NO.	PART NO.	DESCRIPTION	Q'TY	REMARKS
1	4NK-14610-00	EXHAUST PIPE ASSY 1	1	
2	4NK-14714-00	.GASKET, MUFFLER	1	
3	92017-08020	.SCREW	1	
4	90101-06576	.BOLT	1	
5	4NK-14620-00	EXHAUST PIPE ASSY 2	1	
6	4NK-14714-00	.GASKET, MUFFLER	2	
7	92017-08025	.SCREW	2	
8	90101-06576	.BOLT	1	
9	4NK-14630-00	EXHAUST PIPE ASSY 3	1	
10	4NK-14714-00	.GASKET, MUFFLER	1	
11	92017-08020	.SCREW	1	
12	90101-06576	.BOLT	1	
13	4NK-14650-00	EXHAUST PIPE ASSY 4	1	
14	4NK-14714-00	.GASKET, MUFFLER	2	
15	92017-08025	.SCREW	2	
16	90101-06576	.BOLT	1	
17	4NK-14703-00	MUFFLER COMP. 1	1	
18	4BH-14714-00	GASKET, MUFFLER	2	
19	95027-08020	BOLT, FLANGE	2	
20	116-27114-00	STOPPER, MAIN STAND	1	
21	4NK-14704-00	MUFFLER COMP. 2	1	
22	4BH-14714-00	GASKET, MUFFLER	2	
23	95027-08020	BOLT, FLANGE	2	
24	90179-08599	NUT	8	
25	3GD-14613-00	GASKET, EXHAUST PIPE	4	

FIG. 13 CRANKCASE



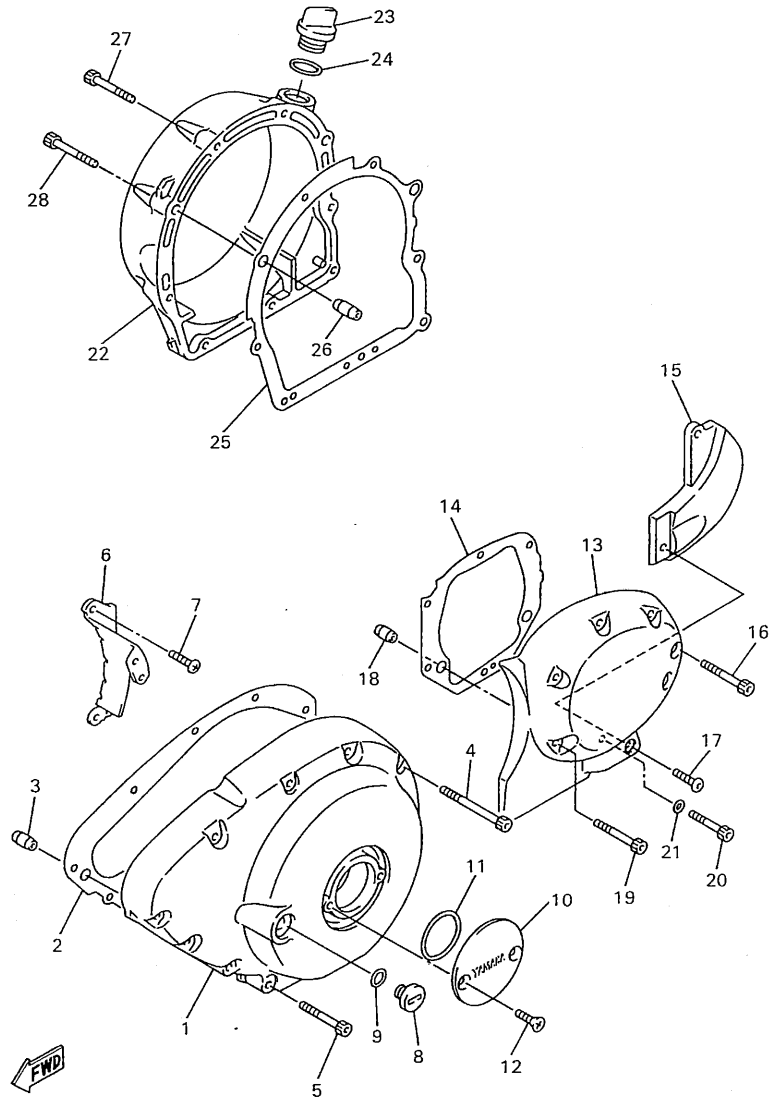
REF. NO.	PART NO.	DESCRIPTION	Q'TY	REMARKS
1	4NK-15100-00	CRANKCASE ASSY	1	
2	26H-15138-00	•NOZZLE 1	1	
3	26H-15148-00	•NOZZLE 2	1	
4	4NK-15138-00	•NOZZLE 1	1	
5	99530-10014	•PIN, DOWEL	1	
6	1AA-15336-00	DAMPER, ENGINE MOUNT 3	2	
7	90116-10411	BOLT, STUD	8	
8	90116-10411	BOLT, STUD	8	
9	90338-11152	PLUG	4	
10	1AA-15336-00	DAMPER, ENGINE MOUNT 3	2	
11	1AA-15326-00	DAMPER, ENGINE MOUNT 2	2	
12	4H7-15189-00	PLUG	1	
13	93210-20573	O-RING	1	
14	95814-06045	BOLT, FLANGE	6	
15	95814-06070	BOLT, FLANGE	1	
16	95814-06090	BOLT, FLANGE	2	
17	95817-06095	BOLT, FLANGE	1	
18	95814-08045	BOLT, FLANGE	2	
19	95814-08080	BOLT, FLANGE	2	
20	90430-06166	GASKET	2	
21	95817-08050	BOLT, FLANGE	5	
22	95817-08065	BOLT, FLANGE	1	
23	95814-08080	BOLT, FLANGE	6	
24	95817-08095	BOLT, FLANGE	2	
25	90109-103G0	BOLT	2	
26	90105-10248	BOLT, WASHER BASED	4	
27	90105-10249	BOLT, WASHER BASED	2	
28	90201-10131	WASHER, PLATE	6	

FIG. 13 CRANKCASE



REF. NO.	PART NO.	DESCRIPTION	Q'TY	REMARKS
29	26H-15113-00	PLATE	1	
30	26H-15381-00	PLATE, BEARING COVER	2	
31	90149-08152	SCREW	4	
32	26H-15383-00	PLATE, BEARING COVER	1	
33	90151-06041	SCREW, COUNTERSUNK	3	
34	90464-13073	CLAMP	1	
35	90465-08233	CLAMP	1	
36	2H7-15361-00	GAUGE, LEVEL	1	
37	4NK-15363-00	PLUG, OIL	1	
38	93210-27778	O-RING	1	
39	95807-12016	BOLT, FLANGE	1	
40	90201-12790	WASHER, PLATE	1	
41	26H-15373-00	PIPE, BREATHER	1	
42	93210-06667	O-RING	1	

FIG. 14 CRANKCASE COVER 1

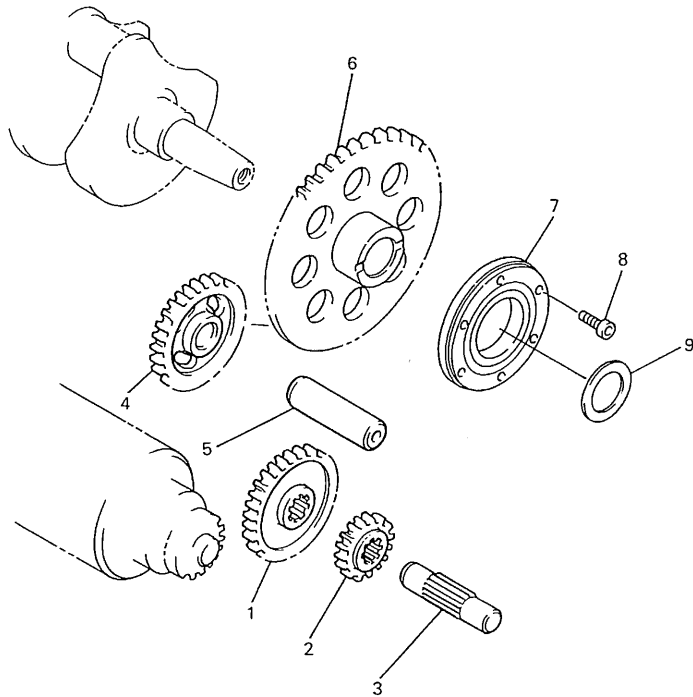


4NK110-6140

REF. NO.	PART NO.	DESCRIPTION	Q'TY	REMARKS
1	4NK-15411-00	COVER, CRANKCASE 1	1	
2	4NK-15451-00	GASKET, CRANKCASE COVER 1	1	
3	99530-10014	PIN, DOWEL	2	
4	91314-06060	BOLT	4	
5	91314-06045	BOLT	7	
6	4NK-15191-00	PLATE	1	
7	98507-06016	SCREW, PAN HEAD	1	
8	90340-14139	PLUG, STRAIGHT SCREW	1	
9	93210-14369	O-RING	1	
10	4NK-15427-00	COVER, CAP 2	1	
11	93210-45150	O-RING	1	
12	98704-06016	SCREW, FLAT HEAD	2	
13	4NK-15421-00	COVER, CRANKCASE 2	1	
14	4NK-15461-00	GASKET, CRANKCASE COVER 2	1	
15	4NK-15423-00	COVER, CARBURATOR 2	1	
16	91314-06025	BOLT	1	
17	92014-06014	BOLT, BUTTON HEAD	1	
18	99530-10014	PIN, DOWEL	2	
19	91314-06045	BOLT	3	
20	91314-06035	BOLT	3	
21	90430-06014	GASKET	1	
22	4NK-15431-00	COVER, CRANKCASE 3	1	
23	2H7-15363-00	PLUG, OIL	1	
24	93210-27778	O-RING	1	
25	4NK-15462-00	GASKET, CRANKCASE COVER 3	1	
26	99530-10014	PIN, DOWEL	2	
27	91314-06025	BOLT	7	
28	91314-06035	BOLT	2	

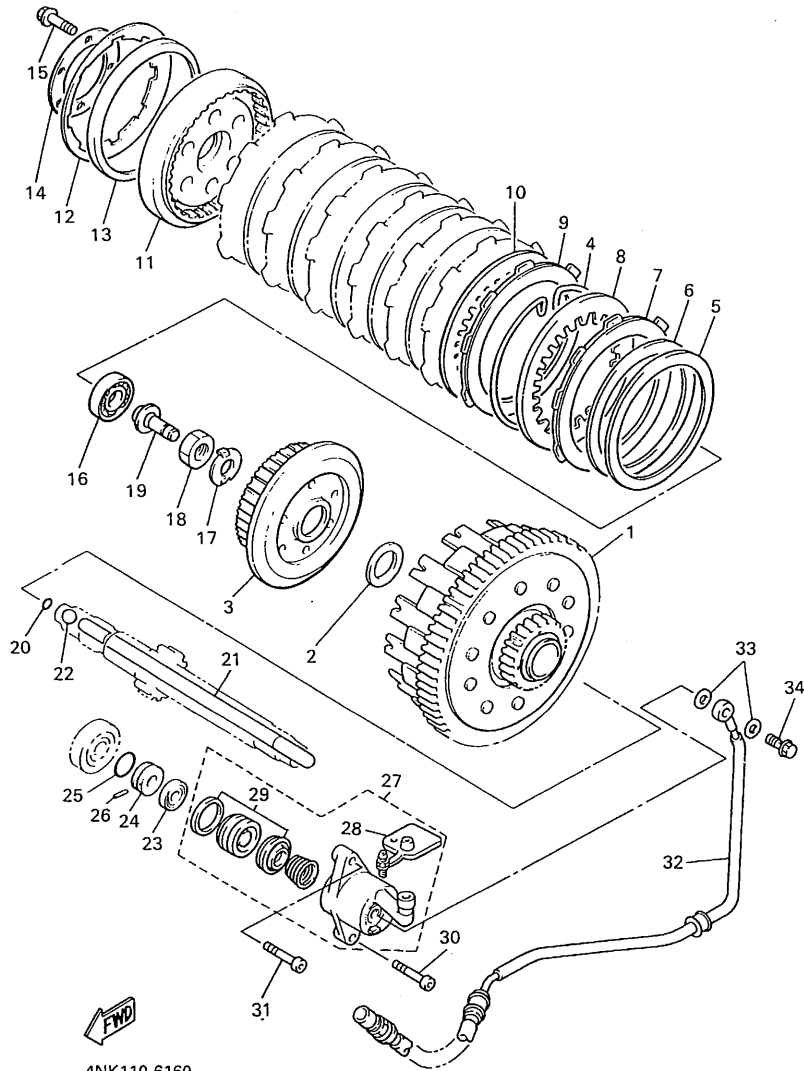
FIG. 15 STARTER CLUTCH

REF. NO.	PART NO.	DESCRIPTION	Q'TY	REMARKS
1	26H-15514-00	GEAR 2 (42T)	1	
2	26H-15515-00	GEAR 3 (13T)	1	
3	26H-15522-00	SHAFT 2	1	
4	26H-15512-00	GEAR, IDLER 1 (27T)	1	
5	26H-15521-00	SHAFT 1	1	
6	4NK-15517-00	GEAR, IDLER 2 (76T)	1	
7	4NK-15590-00	STARTER ONE-WAY ASSY	1	
8	90110-08193	BOLT, HEXAGON SOCKET HEAD	6	
9	90201-350F3	WASHER, PLATE	1	



4NK110-6150

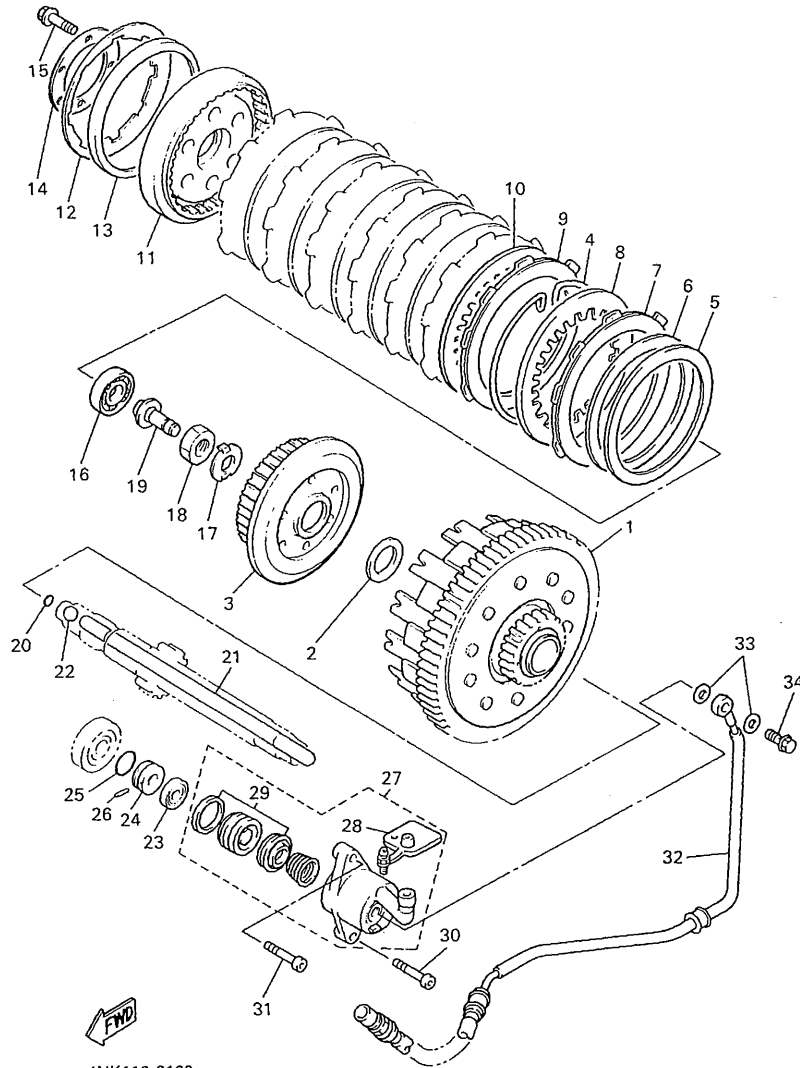
FIG. 16 CLUTCH



4NK110-6160

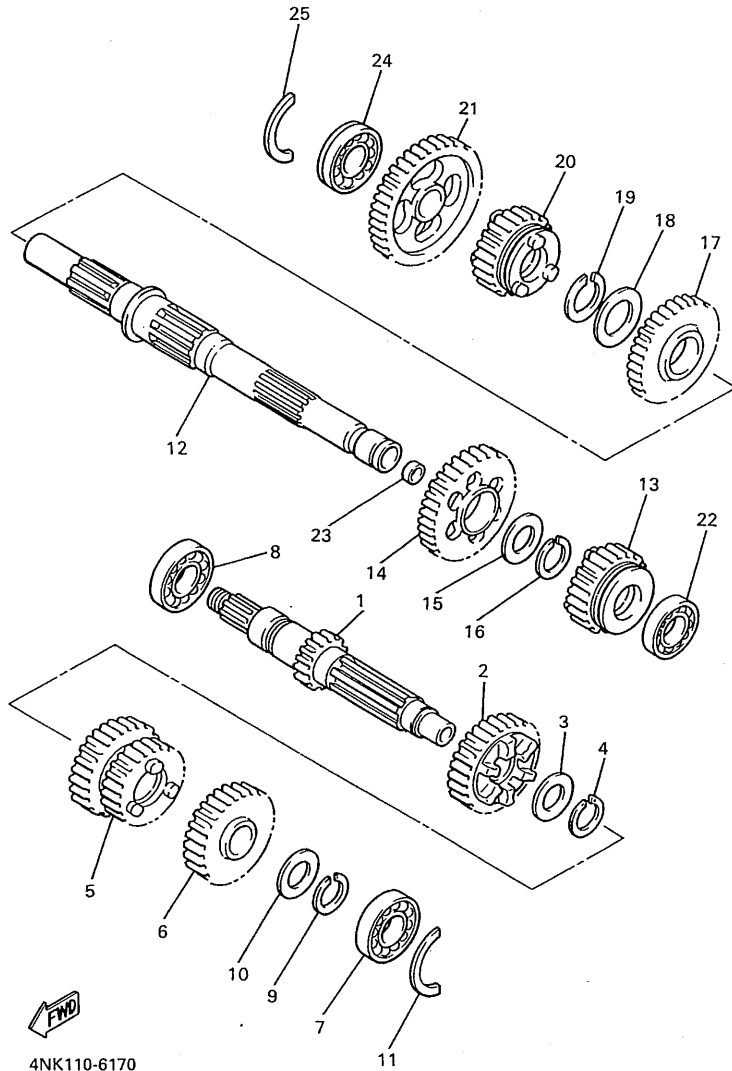
REF. NO.	PART NO.	DESCRIPTION	Q'TY	REMARKS
1	4NK-16150-01	PRIMARY DRIVEN GEAR COMP.	1	
2	26H-16154-00	PLATE, THRUST 1	1	
3	1FK-16371-00	BOSS, CLUTCH	1	
4	26H-16385-00	RING, CLUTCH BOSS	1	
5	26H-16384-00	PLATE, SEAT	1	
6	1FK-16383-00	SPRING, CLUTCH BOSS	1	
7	26H-16321-00	PLATE, FRICTION	1	
8	26H-16324-00	PLATE, CLUTCH 1	1	
9	26H-16307-00	PLATE, FRICTION 3	7	
10	26H-16324-00	PLATE, CLUTCH 1	6	
11	1FK-16351-00	PLATE, PRESSURE 1	1	
12	4NK-16334-00	SPRING, CLUTCH 2	1	
13	1FK-16335-00	HOUSING, SPRING	1	
14	1FK-16352-00	PLATE, PRESSURE 2	1	
15	97017-06025	BOLT	6	
16	93306-00315	BEARING (6003SH2C4)	1	
17	90215-25218	WASHER, LOCK	1	
18	90170-20323	NUT	1	
19	4KG-16356-00	ROD, PUSH 1	1	
20	93210-06632	O-RING	1	
21	4NK-16357-00	ROD, PUSH 2	1	
22	93511-32027	BALL	1	
23	93109-08061	OIL SEAL	1	
24	26H-16399-00	GUIDE, PUSH ROD	1	
25	93210-18322	O-RING	1	
26	93603-07073	PIN, DOWEL	1	
27	1FK-16381-11	PUSH LEVER COMP.	1	
28	1NL-W0048-00	.BLEED SCREW KIT	1	

FIG. 16 CLUTCH



REF. NO.	PART NO.	DESCRIPTION	Q'TY	REMARKS
29	26H-W0098-00	.PUSH LEVER SEAL KIT	1	
30	90110-06035	BOLT, HEXAGON SOCKET HEAD	1	
31	90110-06243	BOLT, HEXAGON SOCKET HEAD	1	
32	4NK-1638A-00	PIPE, CLUTCH 1	1	
33	90201-10118	WASHER, PLATE	2	
34	90401-10159	BOLT, UNION	1	

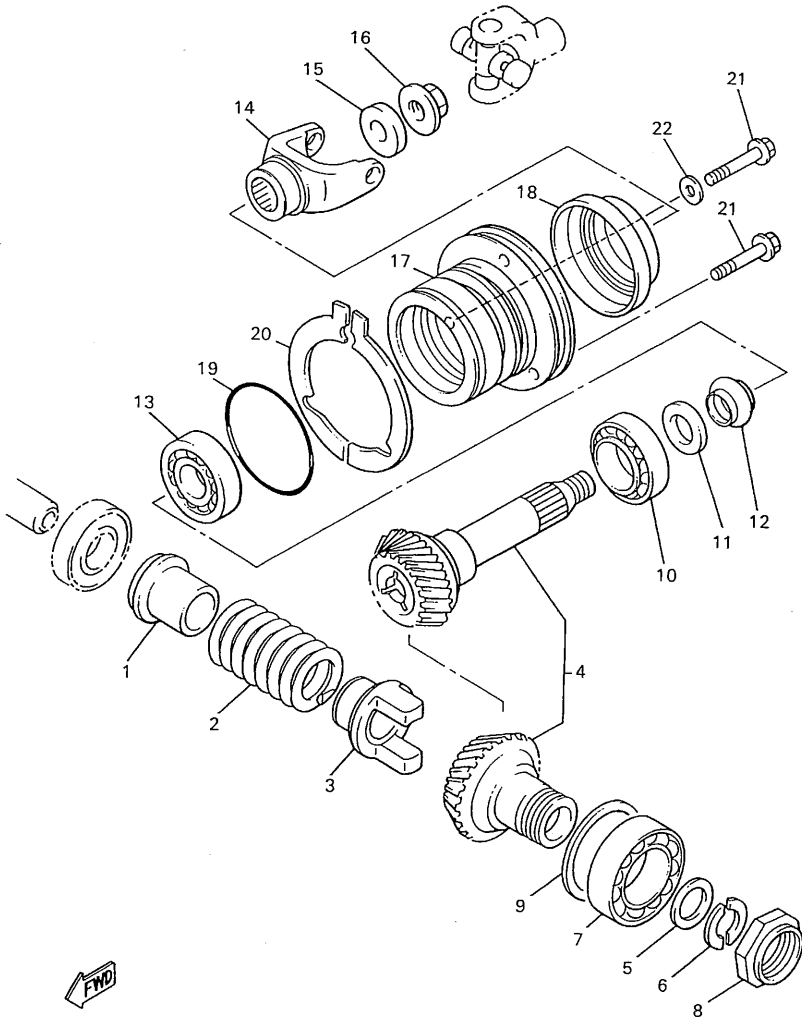
FIG. 17 TRANSMISSION



4NK110-6170

REF. NO.	PART NO.	DESCRIPTION	Q'TY	REMARKS
1	4NK-17411-01	AXLE, MAIN (16T)	1	
2	4NK-17141-01	GEAR, 4TH PINION (32T)	1	
3	90209-25196	WASHER	1	
4	93440-28062	CIRCLIP	1	
5	4NK-17121-01	GEAR, 2ND/3RD PINION (19/25T)	1	
6	4NK-17151-00	GEAR, 5TH PINION (28T)	1	
7	93306-30430	BEARING	1	
8	93306-36401	BEARING	1	
9	93410-23056	CIRCLIP	1	
10	90201-232K5	WASHER, PLATE	1	
11	93440-52118	CIRCLIP	1	
12	4NK-17421-00	AXLE, DRIVE	1	
13	4NK-17251-00	GEAR, 5TH WHEEL (21T)	1	
14	4NK-17221-01	GEAR, 2ND WHEEL (30T)	1	
15	90209-32231	WASHER	1	
16	93440-34025	CIRCLIP	1	
17	4NK-17231-01	GEAR, 3RD WHEEL (29T)	1	
18	90209-27192	WASHER	1	
19	93440-30077	CIRCLIP	1	
20	4NK-17241-01	GEAR, 4TH WHEEL (29T)	1	
21	4NK-17211-01	GEAR, 1ST WHEEL (39T)	1	
22	93306-20645	BEARING	1	
23	90331-15039	PLUG	1	
24	93306-20555	BEARING	1	
25	93440-52118	CIRCLIP	1	

FIG. 18 MIDDLE DRIVE GEAR



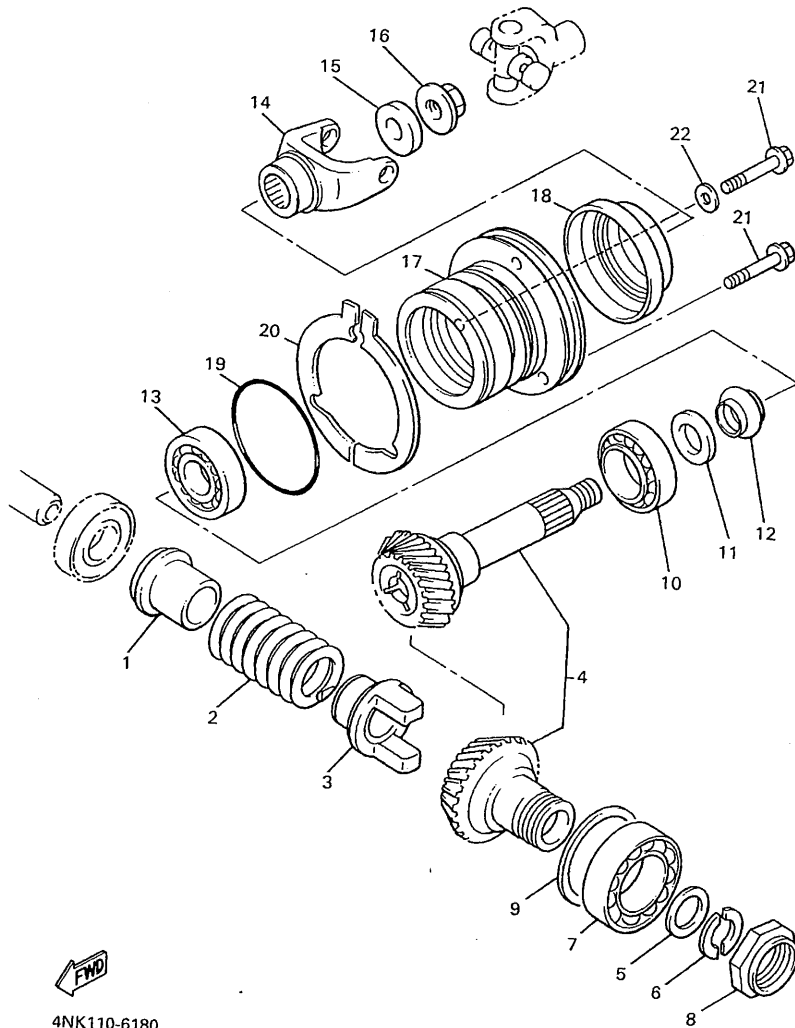
REF. NO.	PART NO.	DESCRIPTION	Q'TY	REMARKS
1	2WE-17524-00	HOLDER	1	
2	90501-75638	SPRING, COMPRESSION	1	
3	2WE-17527-00	CAM, DRIVEN	1	
4	26H-W1751-01	MIDDLE GEAR COMP.	1	
5	90201-252K4	WASHER, PLATE	1	
6	90209-21281	WASHER	2	
7	93306-20901	BEARING (B6209RSH2-C2)	1	
8	90179-44328	NUT	1	
9	4X7-17531-00-15	SHIM, PINION (0.15T)	1	UR
	4X7-17531-00-30	SHIM, PINION (0.30T)	1	UR
	4X7-17531-00-50	SHIM, PINION (0.50T)	1	UR
10	93332-00028	BEARING	1	
11	90201-25634	WASHER, PLATE	1	
12	2H7-17571-01	SPACER, EXPANSION	1	
13	93332-00024	BEARING	1	
14	26H-17556-00	YOKE, JOINT	1	
15	90201-166R6	WASHER, PLATE	1	
16	90179-16662	NUT	1	
17	26H-17551-00	HOUSING, BEARING	1	
18	93101-35085	OIL SEAL	1	
19	93210-71360	O-RING	1	
20	3UF-17531-00	SHIM, PINION (0.10T)	2	UR
	3UF-17531-10	SHIM, PINION (0.15T)	2	UR
	3UF-17531-20	SHIM, PINION (0.20T)	2	UR
	3UF-17531-30	SHIM, PINION (0.30T)	2	UR
	3UF-17531-40	SHIM, PINION (0.40T)	2	UR
	3UF-17531-50	SHIM, PINION (0.50T)	2	UR
21	95817-08030	BOLT, FLANGE	3	



4NK110-6180

D3

FIG. 18 MIDDLE DRIVE GEAR

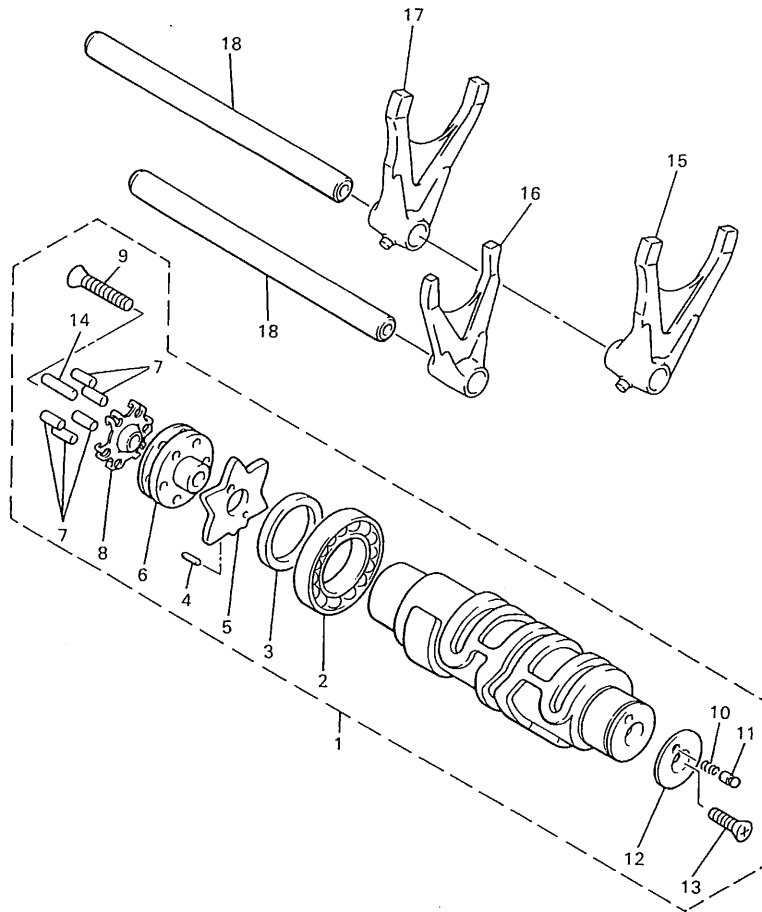


REF. NO.	PART NO.	DESCRIPTION	Q'TY	REMARKS
22	90201-08086	WASHER, PLATE	1	

← FWD
4NK110-6180

D4

FIG. 19 SHIFT CAM • FORK

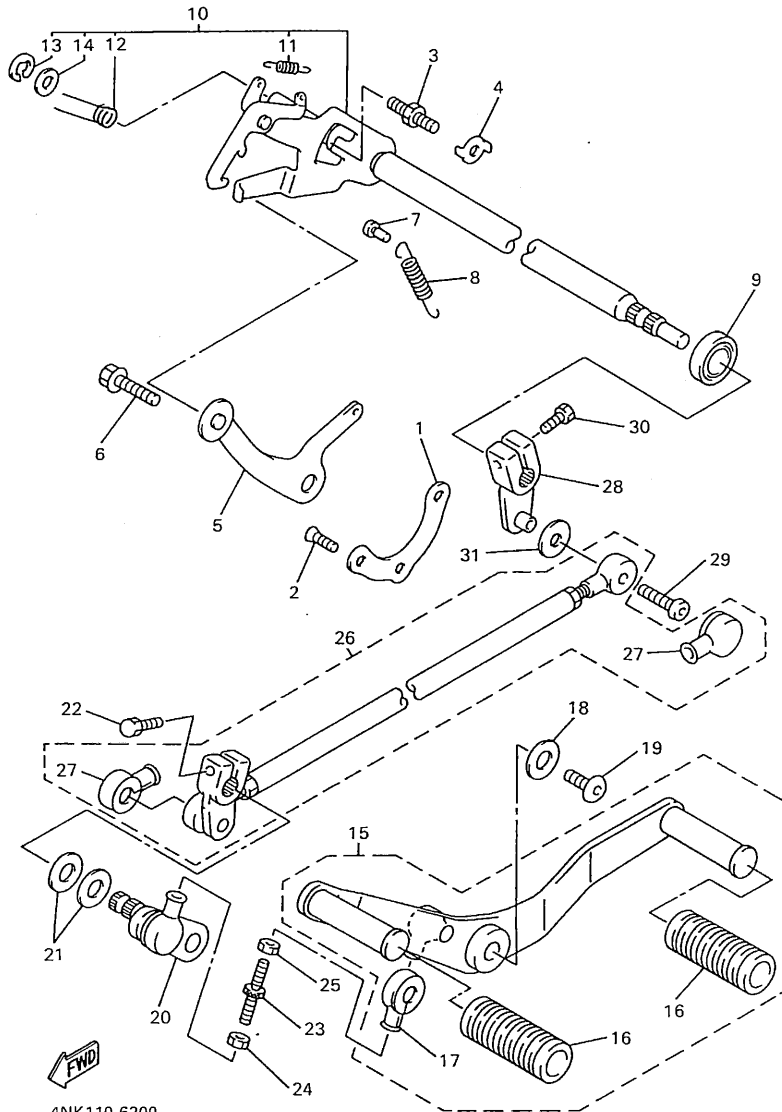


REF. NO.	PART NO.	DESCRIPTION	Q'TY	REMARKS
1	4NK-18540-00	SHIFT CAM ASSY	1	
2	93306-90602	•BEARING	1	
3	90560-30234	•SPACER	1	
4	93603-10049	•PIN, DOWEL	1	
5	4NK-18141-00	•PLATE, STOPPER	1	
6	26H-18185-00	•SEGMENT	1	
7	93604-17198	•PIN, DOWEL	5	
8	26H-18561-01	•PLATE, SIDE 1	1	
9	90151-06013	•SCREW, COUNTERSUNK	1	
10	90501-06022	•SPRING, COMPRESSION	1	
11	278-18542-00	•POINT, NEUTRAL	1	
12	278-18566-00	•PLATE, SIDE 2	1	
13	98707-05016	•SCREW, FLAT HEAD	1	
14	93604-21197	•PIN, DOWEL	1	
15	4NK-18511-00	FORK, SHIFT 1	1	
16	4NK-18512-00	FORK, SHIFT 2	1	
17	4NK-18513-00	FORK, SHIFT 3	1	
18	4NK-18531-00	BAR, SHIFT FORK GUIDE 1	2	



4NK110-6190

FIG. 20 SHIFT SHAFT



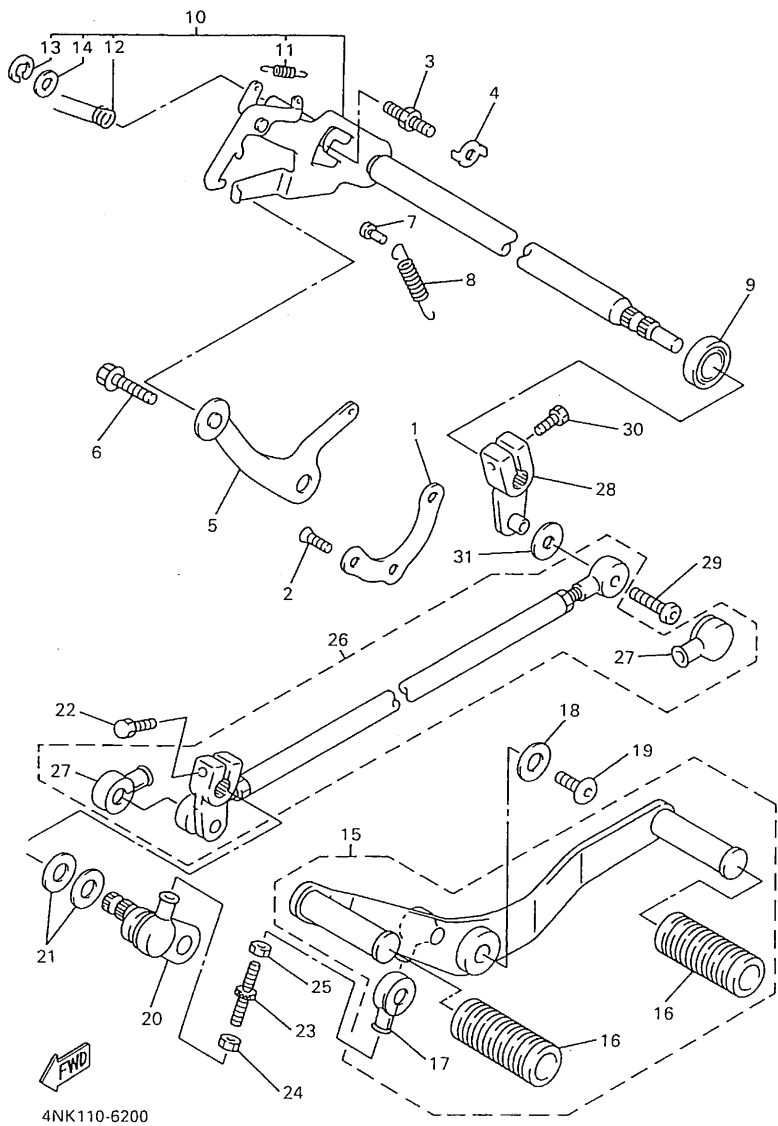
4NK110-6200

REF. NO.	PART NO.	DESCRIPTION	Q'TY	REMARKS
1	26H-18536-00	STOPPER, SHIFT BAR	1	
2	90151-06041	SCREW, COUNTERSUNK	3	
3	90109-08441	BOLT	1	
4	90215-08115	WASHER, LOCK	1	
5	26H-18140-01	STOPPER LEVER ASSY	1	
6	90109-063F8	BOLT	1	
7	132-16346-00	HOOK, SPRING	1	
8	90507-14064	SPRING, TENSION	1	
9	93102-14209	OIL SEAL	1	
10	4NK-18101-00	SHIFT SHAFT ASSY	1	
11	90506-08227	•SPRING, TENSION	1	
12	90508-32588	•SPRING, TORSION	1	
13	99006-10600	•CIRCLIP	1	
14	90201-127E1	•WASHER, PLATE	1	
15	4NK-18110-00	SHIFT PEDAL ASSY	1	
16	4NK-18113-00	•COVER, SHIFT PEDAL	2	
17	2H9-18154-00	•COVER, DUST	1	
18	90201-06697	WASHER, PLATE	1	
19	90149-06280	SCREW	1	
20	4NK-18197-00	SHAFT	1	
21	90201-124E4	WASHER, PLATE	2	
22	97024-06020	BOLT	1	
23	4NK-18115-00	ROD, SHIFT	1	
24	95304-06700	NUT	1	
25	90170-06228	NUT(COUNTER CLOCKWISE)	1	
26	4NK-18150-00	SHIFT LEVER ASSY	1	
27	2H9-18154-00	•COVER, DUST	2	
28	4NK-18151-00	LEVER, SHIFT 3	1	

D6

FIG. 20 SHIFT SHAFT

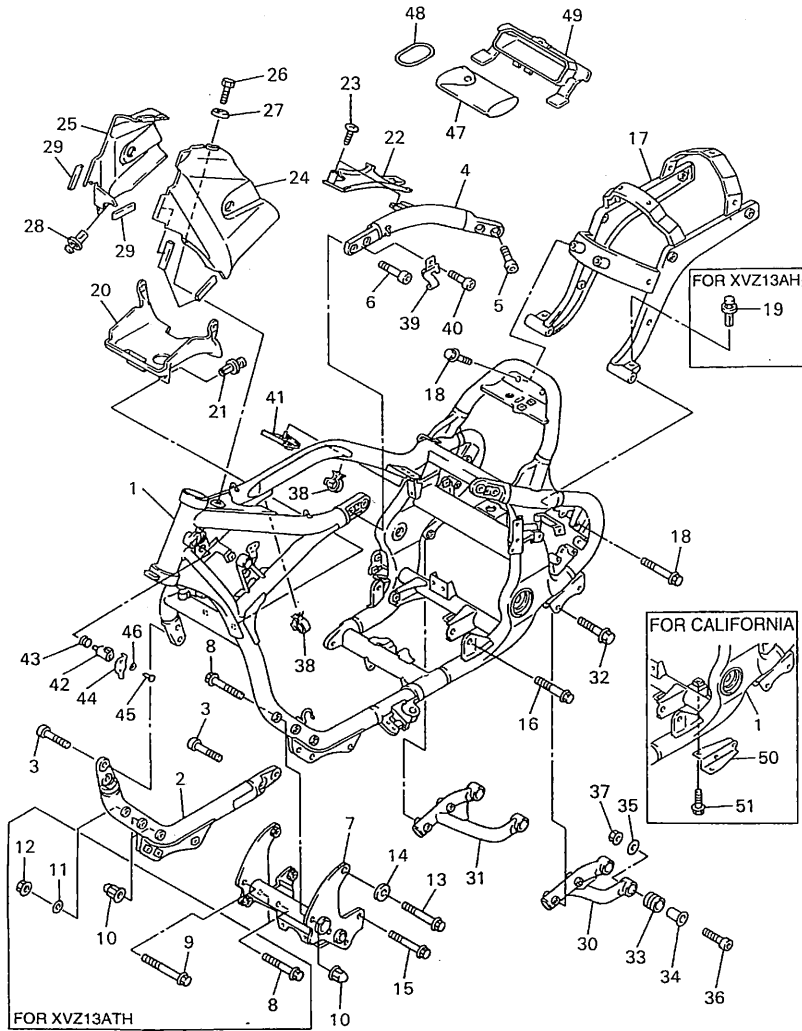
REF. NO.	PART NO.	DESCRIPTION	Q'TY	REMARKS
29	90149-06229	SCREW	1	
30	97017-06020	BOLT	.1	
31	90201-06589	WASHER, PLATE	1	



4NK110-6200

D7

FIG. 21 FRAME



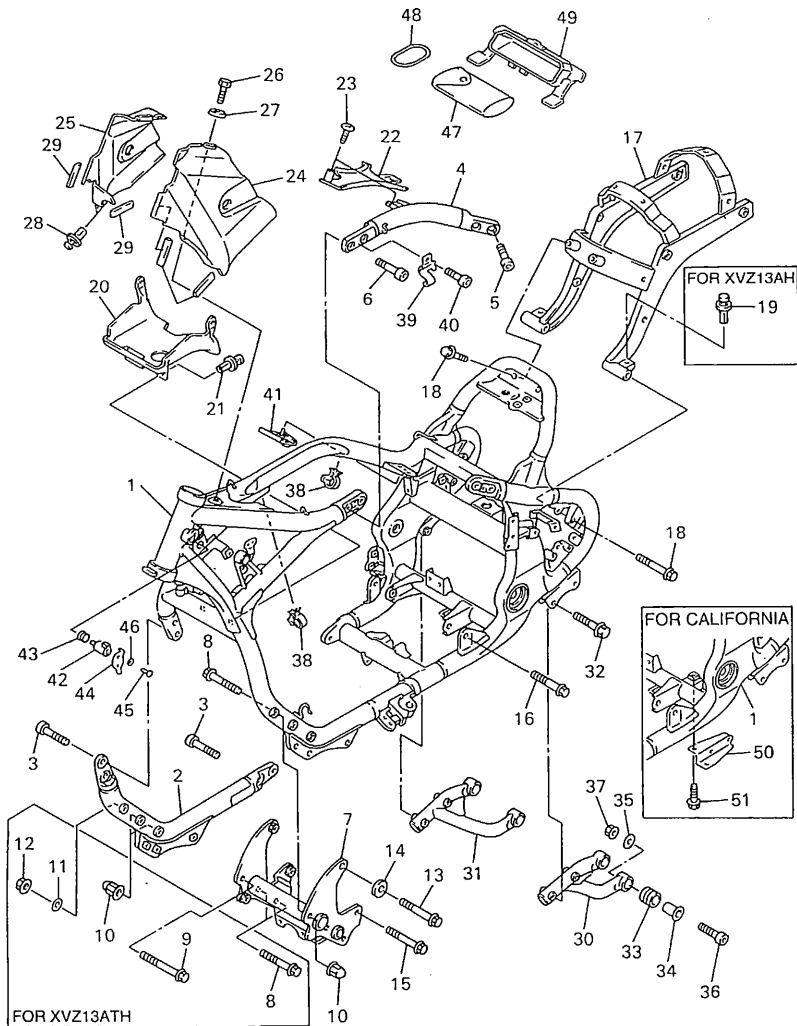
FOR XVZ13ATH



4NK110-6210

REF. NO.	PART NO.	DESCRIPTION	Q'TY	REMARKS
1	4NK-21110-00-33	FRAME COMP.	1	UR YAMAHA BLACK
	4NK-21110-10-33	FRAME COMP.	1	UR YAMAHA BLACK FOR CALIFORNIA YAMAHA BLACK
2	4NK-21150-00-33	DOWN TUBE COMP.2	1	
3	90110-10126	BOLT, HEXAGON SOCKET HEAD	4	
4	4NK-21120-00-33	FRAME, REAR	1	YAMAHA BLACK
5	90110-10126	BOLT, HEXAGON SOCKET HEAD	2	
6	90110-10191	BOLT, HEXAGON SOCKET HEAD	2	
7	4NK-2141V-00	CROSS BAR COMPLETE	1	
8	95827-10070	BOLT, FLANGE	6	UR FOR XVZ13AH
	95827-10070	BOLT, FLANGE	4	UR FOR XVZ13ATH
9	95827-10080	BOLT, FLANGE	2	FOR XVZ13ATH
10	90176-10075	NUT, CROWN	6	UR FOR XVZ13AH
	90176-10075	NUT, CROWN	4	UR FOR XVZ13ATH
11	92907-10600	WASHER, PLATE	2	FOR XVZ13ATH
12	95707-10500	NUT, FLANGE	2	FOR XVZ13ATH
13	90105-10788	BOLT, WASHER BASED	2	
14	90209-12341	WASHER	2	
15	90105-10788	BOLT, WASHER BASED	2	
16	90105-12252	BOLT, WASHER BASED	2	
17	4NK-21190-00	REAR FRAME COMP.	1	
18	95817-10035	BOLT, FLANGE	4	
19	90269-07076	RIVET	2	FOR XVZ13AH
20	4NK-2117F-00	COVER	1	
21	90269-05049	RIVET	2	
22	4NK-2117M-01	COVER 2	1	
23	97707-60016	SCREW, TAPPING	1	
24	4NK-2171E-00-33	COVER, SIDE 5	1	YAMAHA BLACK
25	4NK-2171X-00-33	COVER, SIDE 6	1	YAMAHA BLACK

FIG. 21 FRAME



FOR XVZ13ATH

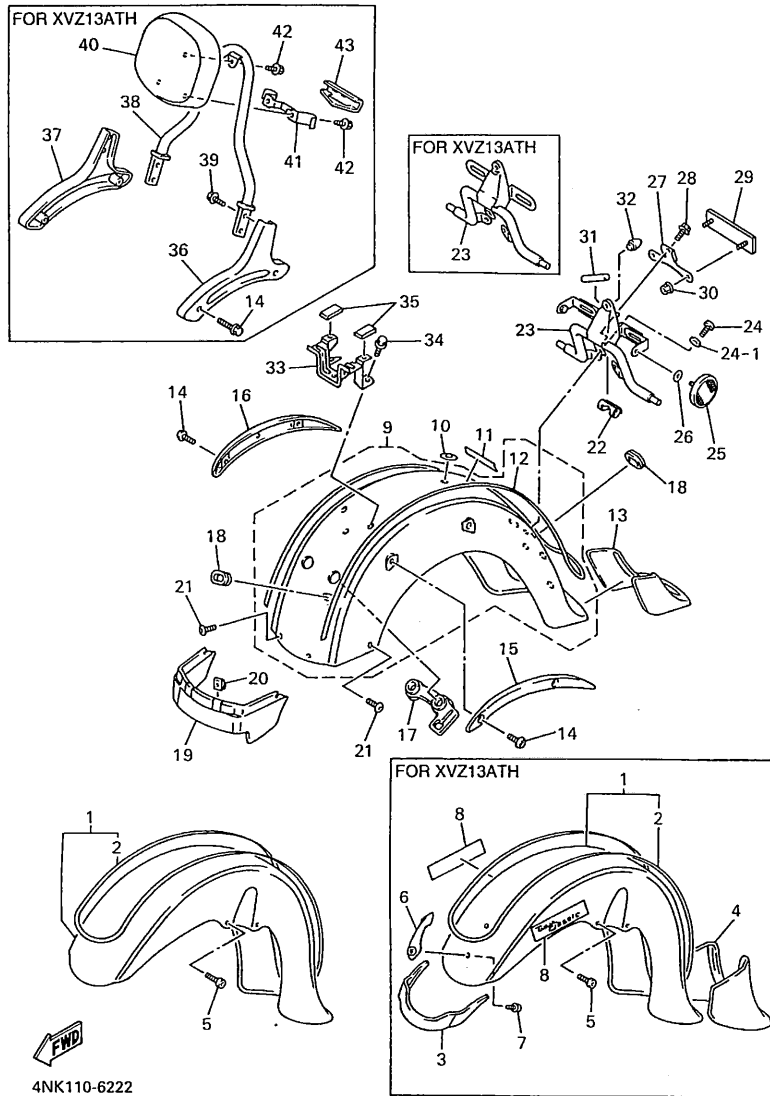


4NK110-6210

REF. NO.	PART NO.	DESCRIPTION	Q'TY	REMARKS
26	97007-05016	BOLT	1	
27	90209-06174	WASHER	-1	
28	90269-07076	RIVET	2	
29	1LJ-2414J-00	DAMPER, PLATE 2	4	
30	4NK-21445-00	STAY, MUFFLER 1	1	
31	4NK-21446-00	STAY, MUFFLER 2	1	
32	90105-08310	BOLT, WASHER BASED	4	
33	36Y-27424-00	DAMPER, FOOTREST 2	4	
34	90387-104L8	COLLAR	4	
35	90201-105A2	WASHER, PLATE	4	
36	91317-10040	BOLT, SOCKET HEAD	4	
37	95317-10600	NUT	4	
38	90464-20191	CLAMP	2	
39	4NK-82594-00	CLAMP	1	
40	91317-06010	BOLT, SOCKET HEAD	1	
41	4NK-2117G-00	PROTECTOR	1	
42	2A6-23408-00	STEERING LOCK ASSY	1	
43	90502-09024	SPRING, CONICAL	1	
44	584-23484-01	CAP, HANDLE LOCK	1	
45	90269-04003	RIVET	1	
46	90208-04029	WASHER, CONICAL SPRING	1	
47	4NK-28100-00	TOOL KIT	1	
48	93210-54534	O-RING	1	
49	4NK-28173-00	BOX, TOOL	1	
50	4NK-2134X-00	BRACKET, CANISTER	1	FOR CALIFORNIA
51	95817-06012	BOLT, FLANGE	2	FOR CALIFORNIA

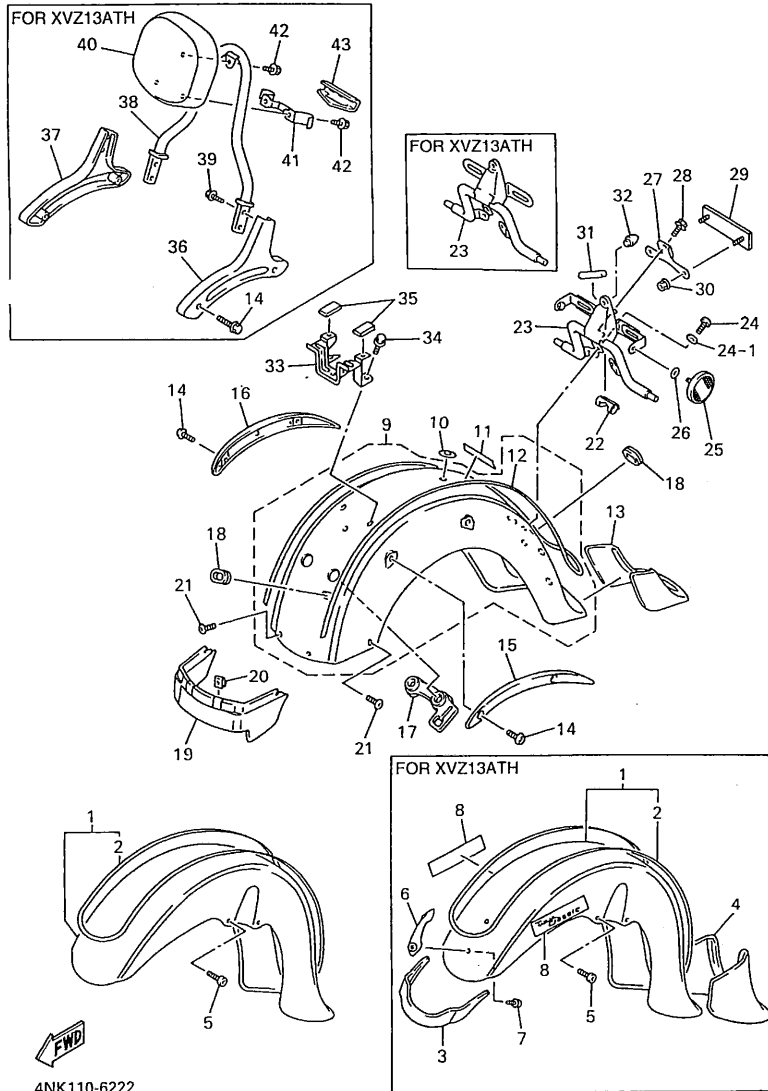
D9

FIG. 22 FENDER



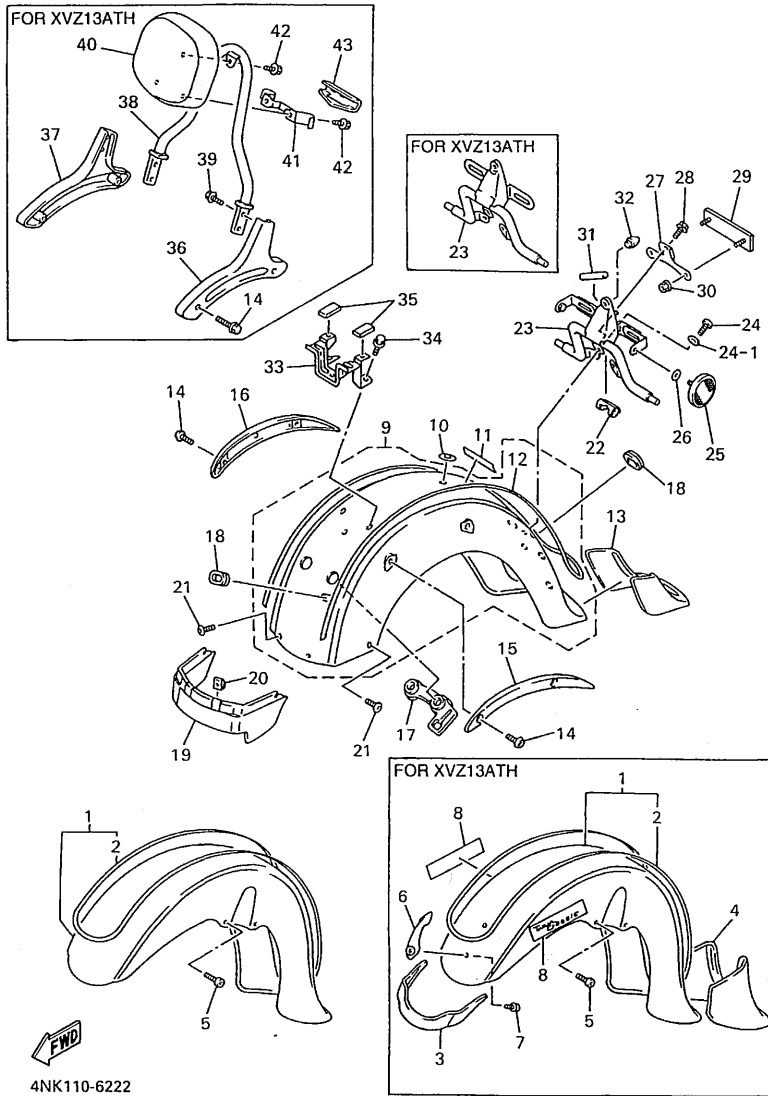
REF. NO.	PART NO.	DESCRIPTION	Q'TY	REMARKS
1	4NK-Y2150-30-0X	FRONT FENDER ASSY	1	UR MATURE RED/NEW WHITE FOR XVZ13AH
	4NK-Y2150-40-1X	FRONT FENDER ASSY	1	UR STAR BLUE METALLIC/BLUISH WHITE COCKTAIL 1 FOR XVZ13AH
	4NK-Y2150-50-33	FRONT FENDER ASSY	1	UR YAMAHA BLACK FOR XVZ13AH
	4NL-Y2150-20-0X	FRONT FENDER ASSY	1	UR DARK BLUE COCKTAIL 2/BLUISH WHITE COCKTAIL 1 FOR XVZ13ATH
	4NL-Y2150-30-1X	FRONT FENDER ASSY	1	UR MILKY BROWN/YAMAHA BLACK FOR XVZ13ATH
* 2	4NK-21570-01	•GRAPHIC SET, FRONT FENDER	1	UR FOR MRE (XVZ13AH)
	4NK-21570-11	•GRAPHIC SET, FRONT FENDER	1	UR FOR SMB (XVZ13AH)
	4NK-21570-21	•GRAPHIC SET, FRONT FENDER	1	UR FOR YB (XVZ13AH)
	4NL-21570-01	•GRAPHIC SET, FRONT FENDER	1	UR FOR DBC2 (XVZ13ATH)
	4NL-21570-10	•GRAPHIC SET, FRONT FENDER	1	UR FOR MKB (XVZ13ATH)
* 3	4NL-21561-00	FLAP 2	1	FOR XVZ13ATH
* 4	4NL-21521-00	FLAP, FRONT FENDER	1	FOR XVZ13ATH
5	91314-08025	BOLT	4	
6	4NL-21577-00	MASCOT	1	FOR XVZ13ATH
7	90159-06107	SCREW, WITH WASHER	1	FOR XVZ13ATH
8	4NL-21578-00	EMBLEM	2	FOR XVZ13ATH
9	4NK-Y2161-50-0X	REAR FENDER COMP.	1	UR MATURE RED/NEW WHITE FOR XVZ13AH
	4NK-Y2161-60-33	REAR FENDER COMP.	1	UR YAMAHA BLACK FOR XVZ13AH
	4NK-Y2161-70-1X	REAR FENDER COMP.	1	UR STAR BLUE METALLIC/BLUISH WHITE COCKTAIL 1 FOR XVZ13AH
	4NK-Y2161-80-2X	REAR FENDER COMP.	1	UR DARK BLUE COCKTAIL 2/BLUISH WHITE COCKTAIL 1 FOR XVZ13ATH
	4NK-Y2161-90-3X	REAR FENDER COMP.	1	UR MILKY BROWN/YAMAHA BLACK FOR XVZ13ATH
* 10	4NK-21735-00	SEAL 2	1	
* 11	99237-00080	EMBLEM, YAMAHA	1	UR FOR MRE (XVZ13AH), DBC2 (XVZ13ATH)
	99236-00080	EMBLEM, YAMAHA	1	UR FOR YB (XVZ13AH)
	99234-00080	EMBLEM, YAMAHA	1	UR FOR SMB (XVZ13AH), MKB (XVZ13ATH)
* 12	4NK-2165A-01	•GRAPHIC SET, REAR FENDER	1	UR FOR MRE (XVZ13AH)
	4NK-2165A-11	•GRAPHIC SET, REAR FENDER	1	UR FOR SMB (XVZ13AH)
	4NK-2165A-21	•GRAPHIC SET, REAR FENDER	1	UR FOR YB (XVZ13AH)

FIG. 22 FENDER



REF. NO.	PART NO.	DESCRIPTION	Q'TY	REMARKS
12	4NL-2165A-01	.GRAPHIC SET, REAR FENDER	1	UR FOR DBC2 (XVZ13ATH)
	4NL-2165A-10	.GRAPHIC SET, REAR FENDER	1	UR FOR MK8 (XVZ13ATH)
* 13	4NL-21621-00	FLAP	1	FOR XVZ13ATH
14	92014-08025	BOLT, BUTTON HEAD	4	UR FOR XVZ13AH
	90119-08186	BOLT, WITH WASHER	4	UR FOR XVZ13ATH
15	4NK-2164F-00	STAY 1	1	FOR XVZ13AH
16	4NK-2164G-00	STAY 2	1	FOR XVZ13AH
17	4NK-21649-00	DAMPER	1	
18	90480-15061	GROMMET	3	
19	4NK-21621-00-FE	FLAP	1	UR MATURE RED FOR MRE (XVZ13AH)
	4NK-21621-00-P0	FLAP	1	UR DARK BLUE COCKTAIL 2 FOR DBC2 (XVZ13ATH)
	4NK-21621-00-33	FLAP	1	UR YAMAHA BLACK FOR YB (XVZ13AH), MK8 (XVZ13ATH)
	4NK-21621-00-8E	FLAP	1	UR STAR BLUE METALLIC FOR SMB (XVZ13AH)
20	90183-06053	NUT, SPRING	2	
21	90110-06200	BOLT, HEXAGON SOCKET HEAD	4	
22	4NK-83345-00	PLUG, BLIND	1	
23	4NK-2317W-00	STAY, 9	1	UR FOR XVZ13AH
	4NL-2317W-00	STAY, 9	1	UR FOR XVZ13ATH
24	92014-06012	BOLT, BUTTON HEAD	3	
* 24-1	90201-06043	WASHER	1	
25	449-85131-02	REFLECTOR, REAR 1	2	FOR XVZ13AH
26	90201-05033	WASHER, PLATE	2	FOR XVZ13AH
27	4NK-21641-00	BRACKET, REFLECTOR	1	
28	95024-06010	BOLT, FLANGE	1	
29	1FK-85130-00	REAR REFLECTOR ASSY	1	
30	95707-05500	NUT, FLANGE	2	
31	90446-11018	HOSE	1	
32	5A8-21639-00	DAMPER 2	1	

FIG. 22 FENDER



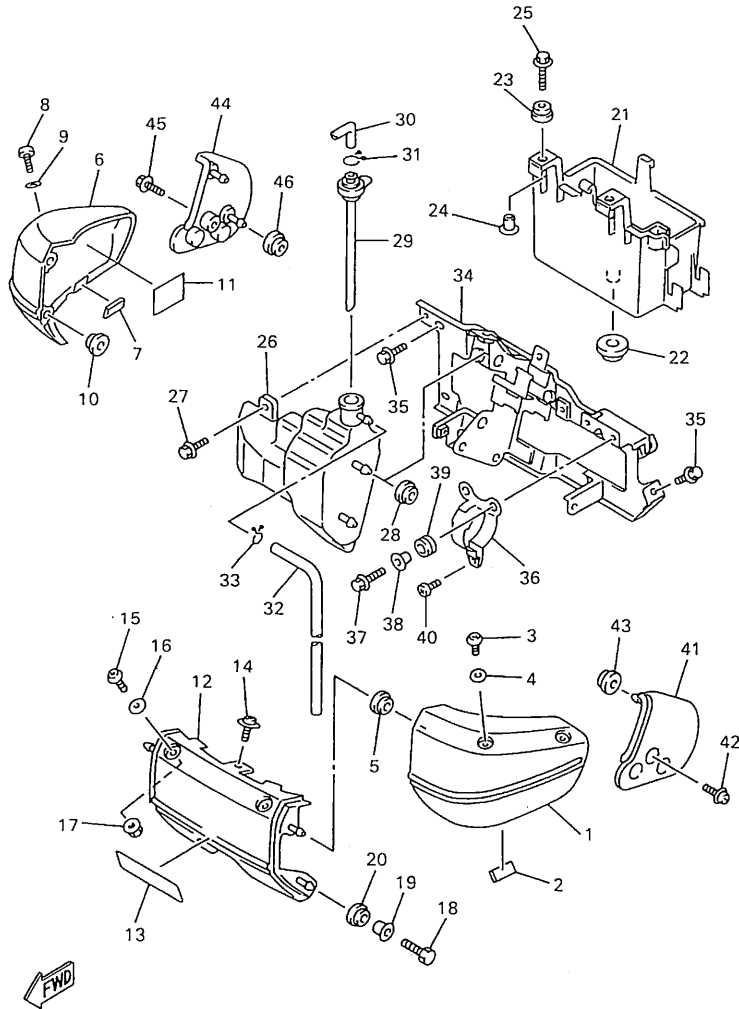
REF. NO.	PART NO.	DESCRIPTION	Q'TY	REMARKS
33	4NK-2475H-00	BRACKET, SEAT LEVEL 1	1	
34	95027-06012	BOLT, FLANGE	3	
35	509-24724-00	DAMPER, SEAT	2	
36	4NL-F164A-00	GRIP 1	1	FOR XVZ13ATH
37	4NL-F164E-00	GRIP 2	1	FOR XVZ13ATH
38	4NL-F164F-00	STAY 1	1	FOR XVZ13ATH
39	95024-08016	BOLT, FLANGE	4	FOR XVZ13ATH
40	4NL-2840F-00	BACK REST ASSY	1	FOR XVZ13ATH
41	4NL-F164G-00	STAY 2	1	FOR XVZ13ATH
42	95024-06010	BOLT, FLANGE	3	FOR XVZ13ATH
43	4NL-24786-00	EMBLEM	1	FOR XVZ13ATH



4NK110-6222

D12

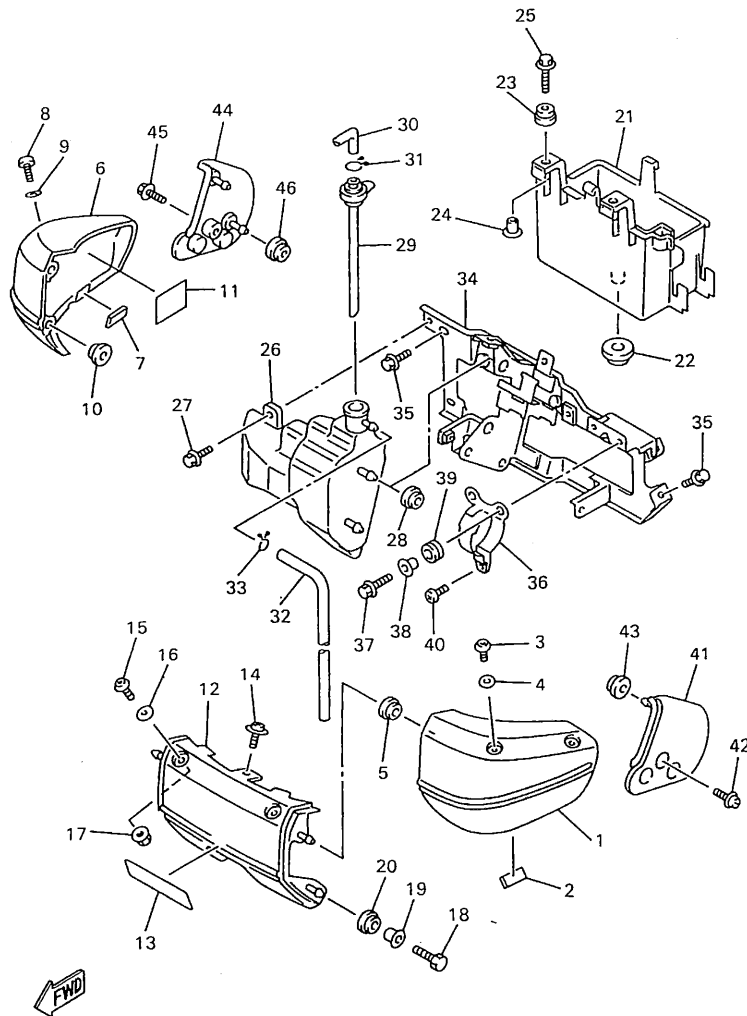
FIG. 23 SIDE COVER



4NK110-6230

REF. NO.	PART NO.	DESCRIPTION	Q'TY	REMARKS
1	4NK-21711-00-FE	COVER, SIDE 1	1	UR MATURE RED FOR MRE (XVZ13AH)
	4NK-21711-00-P0	COVER, SIDE 1	1	UR DARK BLUE COCKTAIL 2 FOR DBC2 (XVZ13ATH)
	4NK-21711-00-33	COVER, SIDE 1	1	UR YAMAHA BLACK FOR YB (XVZ13AH), MKB (XVZ13ATH)
	4NK-21711-00-8E	COVER, SIDE 1	1	UR STAR BLUE METALLIC FOR SMB (XVZ13AH)
2	51Y-21639-00	DAMPER 2	1	
3	90149-06298	SCREW	2	
4	90202-06172	WASHER, PLATE	2	
5	90480-13567	GROMMET	2	
6	4NK-21721-00-FE	COVER, SIDE 2	1	UR MATURE RED FOR MRE (XVZ13AH)
	4NK-21721-00-P0	COVER, SIDE 2	1	UR DARK BLUE COCKTAIL 2 FOR DBC2 (XVZ13ATH)
	4NK-21721-00-33	COVER, SIDE 2	1	UR YAMAHA BLACK FOR YB (XVZ13AH), MKB (XVZ13ATH)
	4NK-21721-00-8E	COVER, SIDE 2	1	UR STAR BLUE METALLIC FOR SMB (XVZ13AH)
7	51Y-21639-00	DAMPER 2	1	
8	90149-06298	SCREW	2	
9	90202-06172	WASHER, PLATE	2	
10	90480-13567	GROMMET	2	
11	1JK-21735-00	SEAL 2	1	
12	4NK-2117X-00-FE	COVER 9	1	UR MATURE RED FOR MRE (XVZ13AH)
	4NK-2117X-00-P0	COVER 9	1	UR DARK BLUE COCKTAIL 2 FOR DBC2 (XVZ13ATH)
	4NK-2117X-00-33	COVER 9	1	UR YAMAHA BLACK FOR YB (XVZ13AH), MKB (XVZ13ATH)
	4NK-2117X-00-8E	COVER 9	1	UR STAR BLUE METALLIC FOR SMB (XVZ13AH)
13	52W-2117G-00	PROTECTOR	1	
14	90159-06084	SCREW, WITH WASHER	1	
15	90149-06298	SCREW	2	
16	90202-06172	WASHER, PLATE	2	
17	95707-06500	NUT, FLANGE	2	
18	97017-06020	BOLT	2	
19	90387-067N5	COLLAR	2	

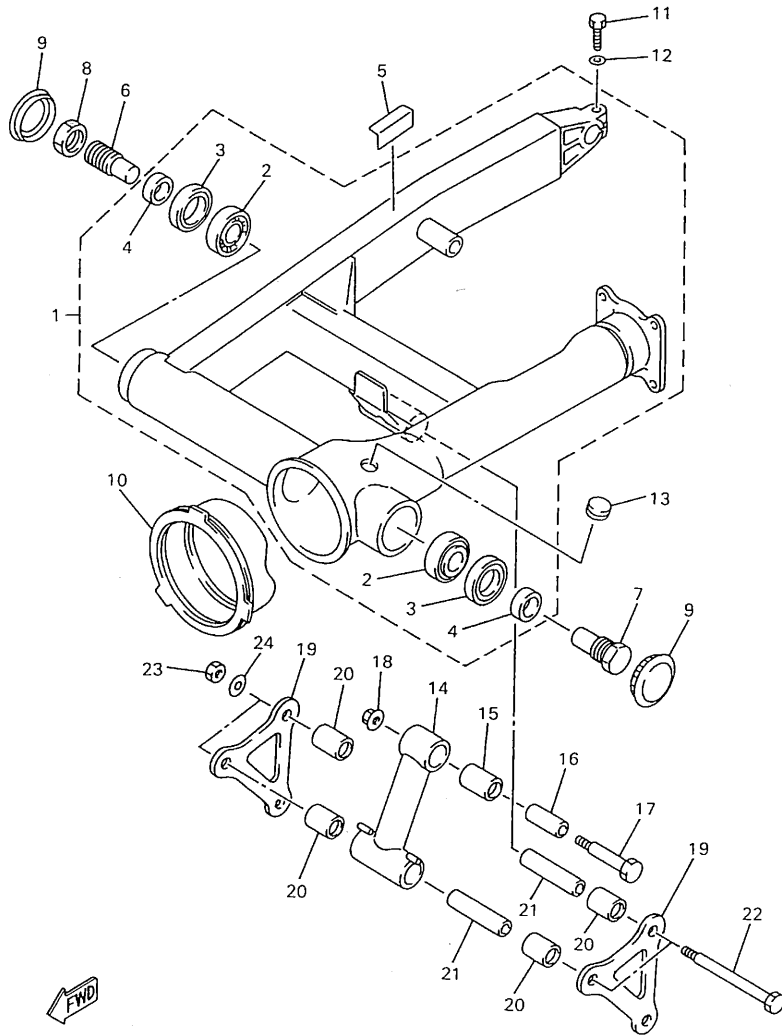
FIG. 23 SIDE COVER



4NK110-6230

REF. NO.	PART NO.	DESCRIPTION	Q'TY	REMARKS
20	90480-13398	GROMMET	2	
21	4NK-2177G-00	BOX, BATTERY	1	
22	90480-20384	GROMMET	1	
23	90480-13398	GROMMET	2	
24	90387-067N5	COLLAR	2	
25	90119-06096	BOLT, WITH WASHER	2	
26	4NK-21871-00	TANK, RECOVERY	1	
27	90119-06044	BOLT, WITH WASHER	1	
28	90480-13567	GROMMET	2	
29	4NK-21875-00	CAP	1	
30	26H-21828-00	ELBOW	1	
31	90467-11019	CLIP	1	
32	90445-09361	HOSE	1	
33	90467-09006	CLIP	1	
34	4NK-21243-00	PLATE, BRIDGE	1	
35	95817-06010	BOLT, FLANGE	4	
36	3CV-24491-10	BRACKET, FUEL PUMP	1	
37	95817-06016	BOLT, FLANGE	2	
38	90387-062L2	COLLAR	2	
39	90480-13163	GROMMET	2	
40	98907-05010	SCREW, BIND	1	
41	4NK-21731-00	COVER, SIDE 3	1	
42	90159-06071	SCREW, WITH WASHER	1	
43	90480-13567	GROMMET	2	
44	4NK-21741-00	COVER, SIDE 4	1	
45	90159-06071	SCREW, WITH WASHER	1	
46	90480-13567	GROMMET	2	

FIG. 24 REAR ARM

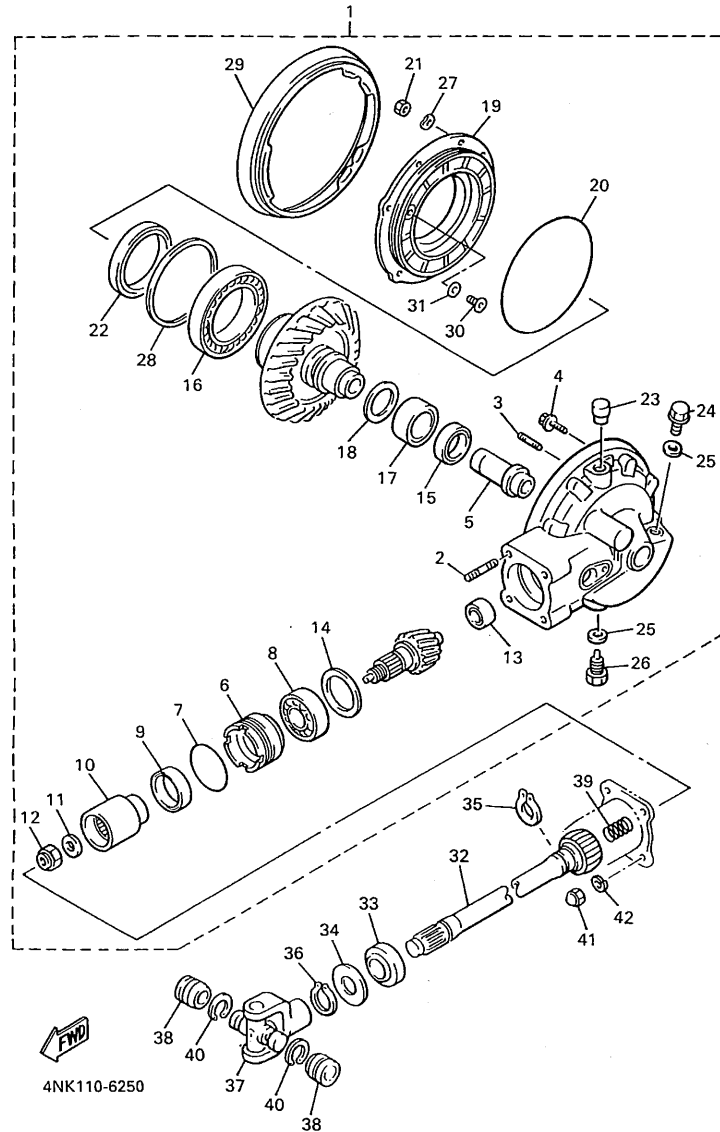


REF. NO.	PART NO.	DESCRIPTION	Q'TY	REMARKS
1	4NK-W2211-00-35	REAR ARM COMP.	1	SILVER
2	93332-00050	•BEARING (HR30204J)	2	UR
	93332-00051	•BEARING (HI-CAP3 0204JR)	2	UR
3	93106-28023	•OIL SEAL	2	
4	90387-204H5	•COLLAR	2	
5	2AL-84553-00	DAMPER	1	
6	4NK-2214H-00	SHAFT, PIVOT 2	1	
7	4NK-22141-00	SHAFT, PIVOT	1	
8	26H-22143-00	NUT	1	
9	2H7-2219X-00	COVER	2	
10	26H-22189-00	BOOT, RUBBER	1	
11	97013-08025	BOLT	1	
12	92990-08600	WASHER, PLATE	1	
13	90338-20113	PLUG	1	
14	4NK-2217A-00	ARM, RELAY	1	
15	93317-42060	BEARING, CYLINDRICAL	1	
16	90387-122J6	COLLAR	1	
17	90109-104E4	BOLT	1	
18	95617-10200	NUT, SELF-LOCKING	1	
19	4NK-2217M-00	ARM 1	2	
20	93317-41761	BEARING, CYLINDRICAL	4	
21	90387-126Y1	COLLAR	2	
22	90101-12749	BOLT	2	
23	90185-12119	NUT, SELF-LOCKING	2	
24	90201-126A7	WASHER, PLATE	2	



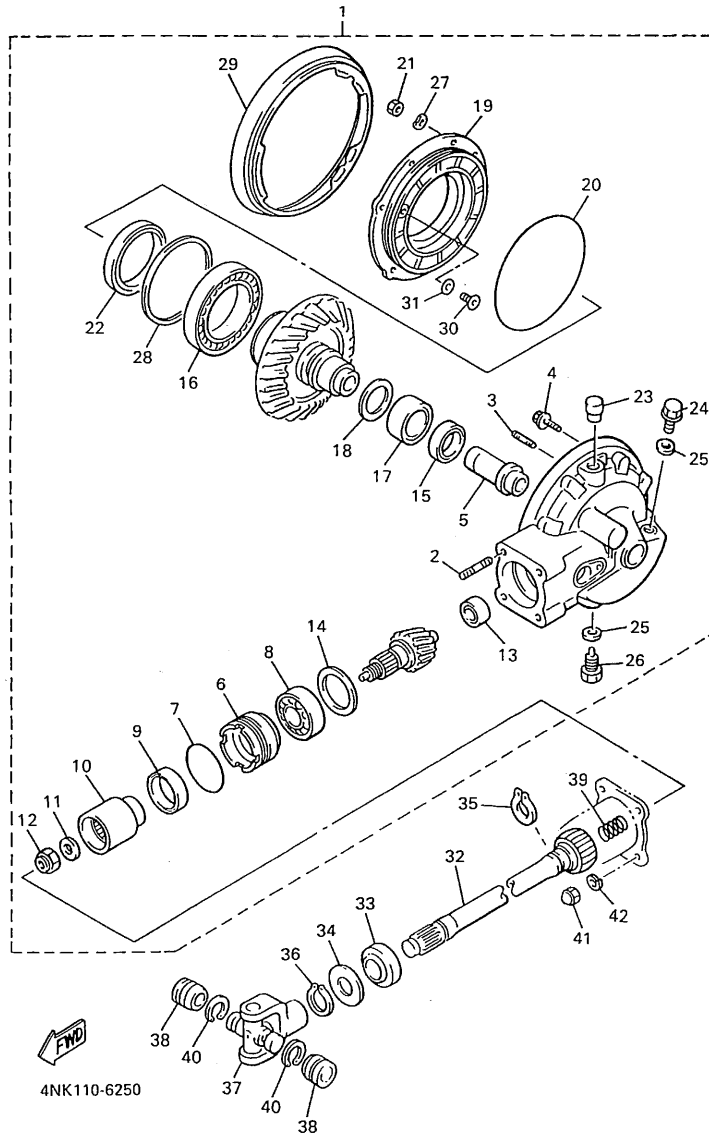
4NK110-6240

FIG. 25 DRIVE SHAFT



REF. NO.	PART NO.	DESCRIPTION	Q'TY	REMARKS
1	4NK-46101-00	REAR AXLE GEAR CASE ASSY	1	
2	90116-10593	.BOLT, STUD	4	
3	90116-08427	.BOLT, STUD	6	
4	90105-100A4	.BOLT, WASHER BASED	2	
5	1FK-46153-00	.COLLAR, GUIDE	1	
6	4H7-46125-00	.RETAINER, BEARING	1	
7	93210-60426	.O-RING	1	
8	93306-30533	.BEARING (B6305RB1 SPECIAL)	1	
9	93101-38098	.OIL SEAL	1	
10	4H7-46123-01	.COUPLING, GEAR	1	
11	90201-166R5	.WASHER, PLATE	1	
12	90179-16661	.NUT	1	
13	2H7-46102-00	.BEARING ASSY	1	
14	1J7-17537-Y0-30	.SHIM, THRUST (0.30T)	1	UR
	1J7-17537-Y0-40	.SHIM, THRUST (0.40T)	1	UR
	1J7-17537-Y0-50	.SHIM, THRUST (0.50T)	1	UR
15	93101-30084	.OIL SEAL	1	
16	93316-01403	.BEARING, CYLINDRICAL	1	
17	93311-43729	.BEARING, CYLINDRICAL	1	
18	22U-46118-00-12	.SHIM, THRUST (1.2T)	1	UR
	22U-46118-00-14	.SHIM, THRUST (1.4T)	1	UR
	22U-46118-00-16	.SHIM, THRUST (1.6T)	1	UR
	22U-46118-00-18	.SHIM, THRUST (1.8T)	1	UR
	22U-46118-00-20	.SHIM, THRUST (2.0T)	1	UR
19	1FK-46152-01	.HOUSING, BEARING	1	
20	93211-54698	.O-RING	1	
21	95337-08600	.NUT	6	
22	93102-70167	.OIL SEAL	1	

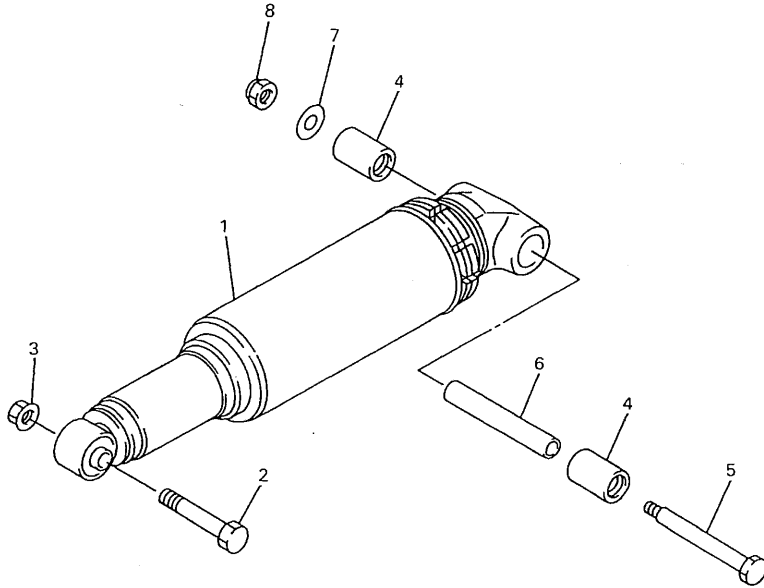
FIG. 25 DRIVE SHAFT



REF. NO.	PART NO.	DESCRIPTION	Q'TY	REMARKS
23	56W-17590-00	.BREATHER COMP.	1	
24	90340-14132	.PLUG, STRAIGHT SCREW	1	
25	214-11198-01	.GASKET	2	
* 26	90340-14135	.PLUG, STRAIGHT SCREW	1	
27	92907-08700	.WASHER	6	
28	1J7-46117-Y0-30	.SHIM, RING GEAR (0.30T)	1	UR
	1J7-46117-Y0-40	.SHIM, RING GEAR (0.40T)	1	UR
	1J7-46117-Y0-50	.SHIM, RING GEAR (0.50T)	1	UR
29	1FK-46154-00	.COVER, HOUSING	1	
30	1FK-46156-00	.STOPPER, RING GEAR	1	
31	1FK-46157-00-15	.SHIM, STOPPER (T=0.15)	1	UR
	1FK-46157-00-20	.SHIM, STOPPER (T=0.20)	1	UR
32	4NK-46172-00	SHAFT, DRIVE	1	
33	93108-23007	OIL SEAL	1	
34	90201-231A2	WASHER, PLATE	1	
35	93410-23056	CIRCLIP	1	
36	93410-22039	CIRCLIP	1	
37	4X7-46180-00	CROSS JOINT COMP.	1	
38	93399-99926	BEARING	2	
39	90501-16491	SPRING, COMPRESSION	1	
40	93440-20088	CIRCLIP	2	
41	90176-10075	NUT, CROWN	4	
42	92990-10100	WASHER, SPRING	4	

FIG. 26 REAR SUSPENSION

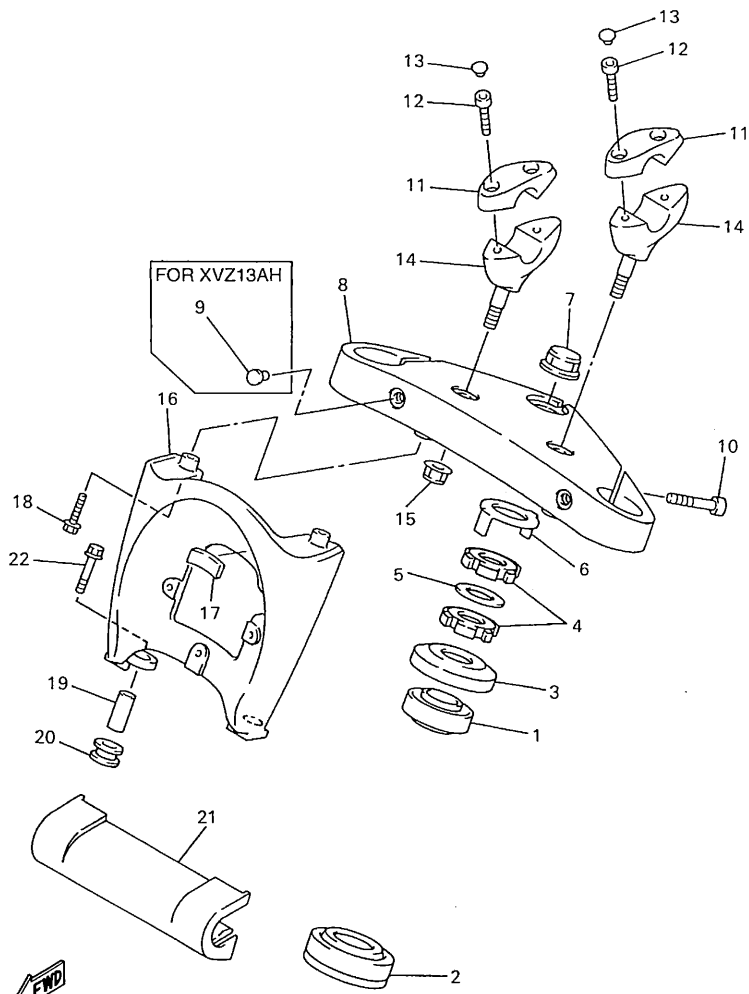
REF. NO.	PART NO.	DESCRIPTION	Q'TY	REMARKS
1	4NK-22210-00	SHOCK ABSORBER ASSY, REAR	1	UR
	4NK-22210-10	SHOCK ABSORBER ASSY, REAR	1	UR FOR CANADA
2	90101-12498	BOLT	1	
3	95617-12200	NUT, SELF-LOCKING	1	
4	93317-41761	BEARING, CYLINDRICAL	2	
5	90101-12749	BOLT	1	
6	90387-126Y1	COLLAR	1	
7	90201-126A7	WASHER, PLATE	1	
8	90185-12119	NUT, SELF-LOCKING	1	



4NK110-6260

E4

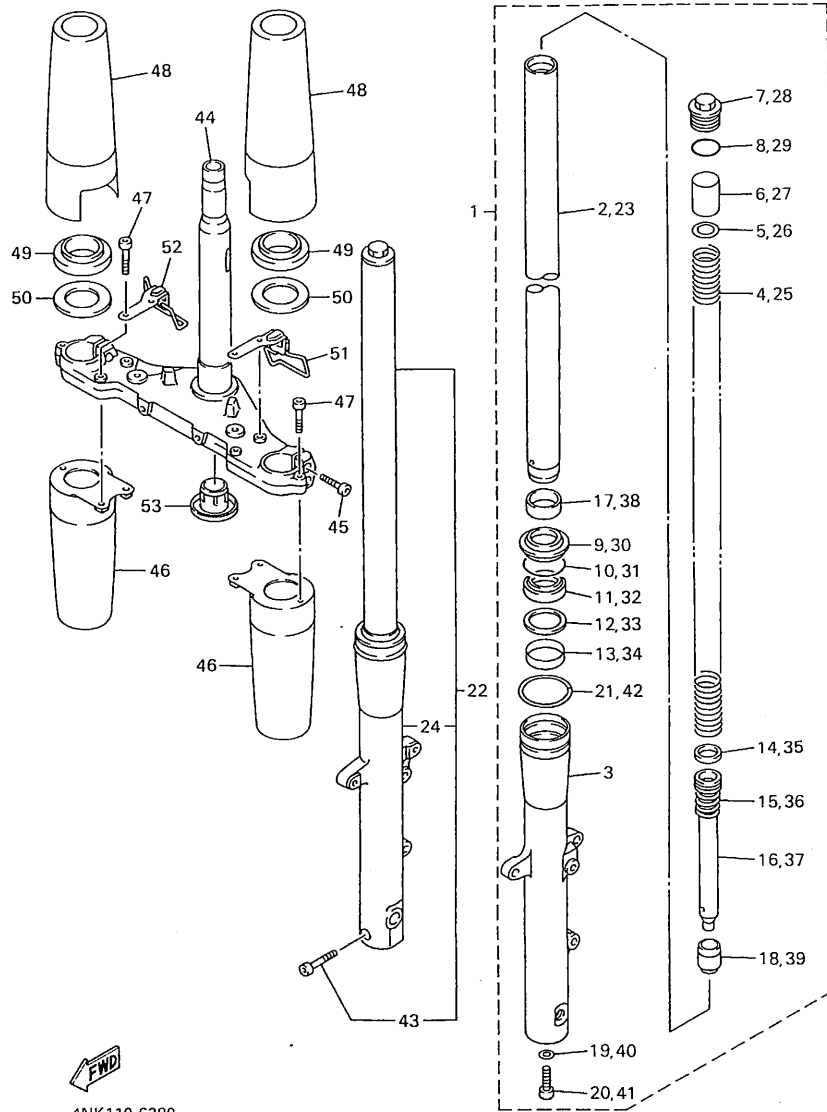
FIG. 27 STEERING



4NK110-6272

REF. NO.	PART NO.	DESCRIPTION	Q'TY	REMARKS
1	93332-00079	BEARING	1	
2	93332-00008	BEARING	1	
3	1W1-23416-00	COVER, BALL RACE 2	1	
4	90179-25033	NUT	2	
5	90202-26142	WASHER, PLATE	1	
6	26H-23418-01	WASHER, SPECIAL	1	
7	90176-22050	NUT, CROWN	1	
8	4NK-23435-00	CROWN, HANDLE	1	
9	90338-09012	PLUG	2	FOR XVZ13AH
10	91314-06030	BOLT	4	
11	4NK-23441-00	HOLDER, HANDLE UPPER	2	
12	91314-08025	BOLT	4	
13	90338-08163	PLUG	4	
14	4NK-23442-00	HOLDER, HANDLE LOWER	2	
15	95617-12200	NUT, SELF-LOCKING	2	
16	4NK-23437-00	COVER, CROWN	1	
17	1KT-21541-00	DAMPER 1	1	
18	95804-06025	BOLT, FLANGE	2	
19	90387-06605	COLLAR	2	
20	90480-16284	GROMMET	2	
21	4NK-23122-00	COVER, OUTER 1	1	
* 22	95804-06035	BOLT, FLANGE	2	

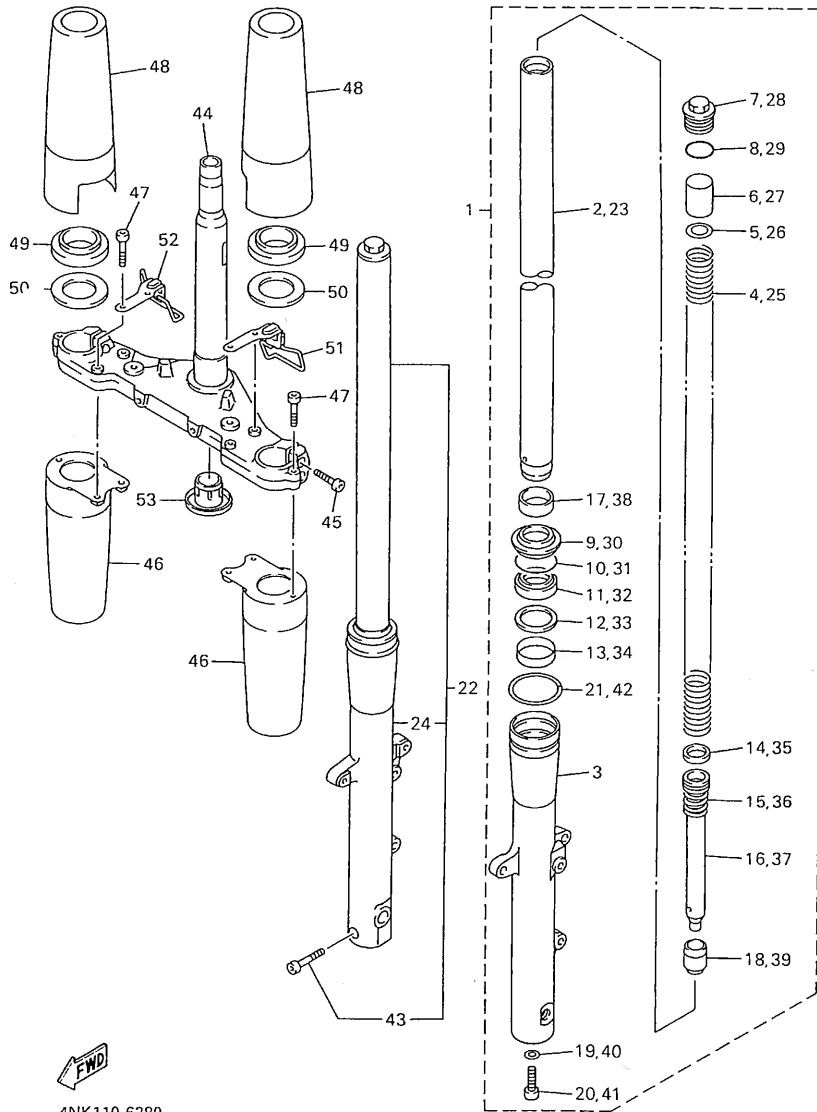
FIG. 28 FRONT FORK



4NK110-6280

REF. NO.	PART NO.	DESCRIPTION	Q'TY	REMARKS
1	4NK-23102-00	FRONT FORK ASSY (L.H)	1	
2	4NK-23110-00	.INNER TUBE COMP.1	1	
3	4NK-23126-00	.TUBE, OUTER (LEFT)	1	
4	4NK-23141-00	.SPRING, FRONT FORK	1	
5	4NK-23142-00	.SEAT, SPRING UPPER	1	
6	4NK-23118-00	.SPACER	1	
7	4NK-23111-00	.BOLT, CAP	1	
8	4NK-23147-00	.O-RING	1	
9	4NK-23144-00	.SEAL, DUST	1	
10	34L-23153-00	.RING, SNAP	1	
11	4NK-23145-00	.OIL SEAL	1	
12	4NK-23146-00	.WASHER, OIL SEAL	1	
13	4NK-23125-00	.METAL, SLIDE 1	1	
14	4NK-23157-00	.RING, PISTON	1	
15	4NK-23151-00	.SPRING, REBOUND	1	
16	4NK-23171-00	.PISTON, FRONT FORK	1	
17	4NK-23135-00	.METAL, SLIDE 2	1	
18	4NK-23166-00	.SPACER, OIL LOCK	1	
19	3MA-23163-10	.GASKET	1	
20	4NK-23181-00	.BOLT, HEXAGON SOCKET HEAD	1	
21	4NK-23193-00	.GUIDE, BOOT	1	
22	4NK-23103-00	FRONT FORK ASSY (R.H)	1	
23	4NK-23110-00	.INNER TUBE COMP.1	1	
24	4NK-23136-00	.TUBE, OUTER (RIGHT)	1	
25	4NK-23141-00	.SPRING, FRONT FORK	1	
26	4NK-23142-00	.SEAT, SPRING UPPER	1	
27	4NK-23118-00	.SPACER	1	
28	4NK-23111-00	.BOLT, CAP	1	

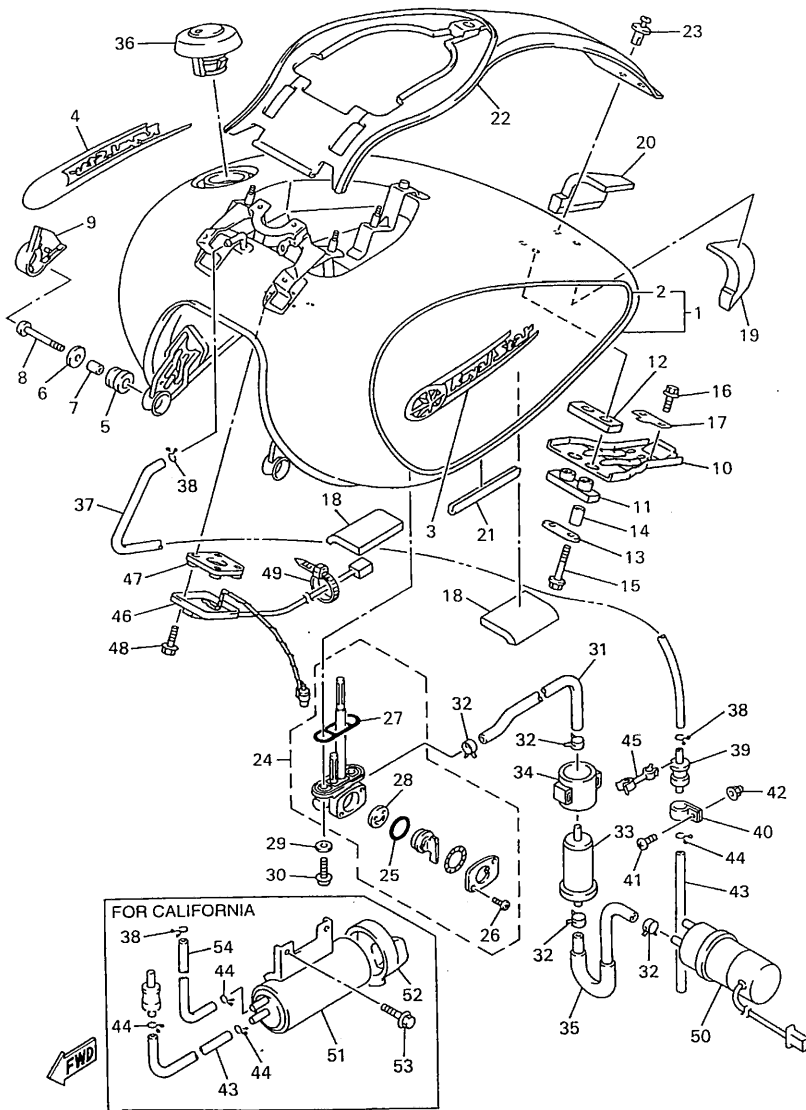
FIG. 28 FRONT FORK



REF. NO.	PART NO.	DESCRIPTION	Q'TY	REMARKS
29	4NK-23147-00	•O-RING	1	
30	4NK-23144-00	•SEAL, DUST	1	
31	34L-23153-00	•RING, SNAP	1	
32	4NK-23145-00	•OIL SEAL	1	
33	4NK-23146-00	•WASHER, OIL SEAL	1	
34	4NK-23125-00	•METAL, SLIDE 1	1	
35	4NK-23157-00	•RING, PISTON	1	
36	4NK-23151-00	•SPRING, REBOUND	1	
37	4NK-23171-00	•PISTON, FRONT FORK	1	
38	4NK-23135-00	•METAL, SLIDE 2	1	
39	4NK-23166-00	•SPACER, OIL LOCK	1	
40	3MA-23163-10	•GASKET	1	
41	4NK-23181-00	•BOLT, HEXAGON SOCKET HEAD	1	
42	4NK-23193-00	•GUIDE, BOOT	1	
43	1KT-23181-00	•BOLT, HEXAGON SOCKET HEAD	1	
44	4NK-23340-00	UNDER BRACKET COMP.	1	
45	38W-23181-00	BOLT, HEXAGON SOCKET HEAD	4	
46	4NK-23123-00	COVER, LOWER 1	2	
47	4NK-23181-10	BOLT, HEXAGON SOCKET HEAD	6	
48	4NK-23121-00	COVER, UPPER 1	2	
49	4NK-23163-00	GASKET	2	
50	4NK-23165-00	WASHER, FELT	2	
51	4NK-2331E-00	GUIDE, CABLE	1	
52	4NK-23389-00	GUIDE, CABLE	1	
53	4KM-23123-01	COVER, LOWER 1	1	

FWD
4NK110-6280

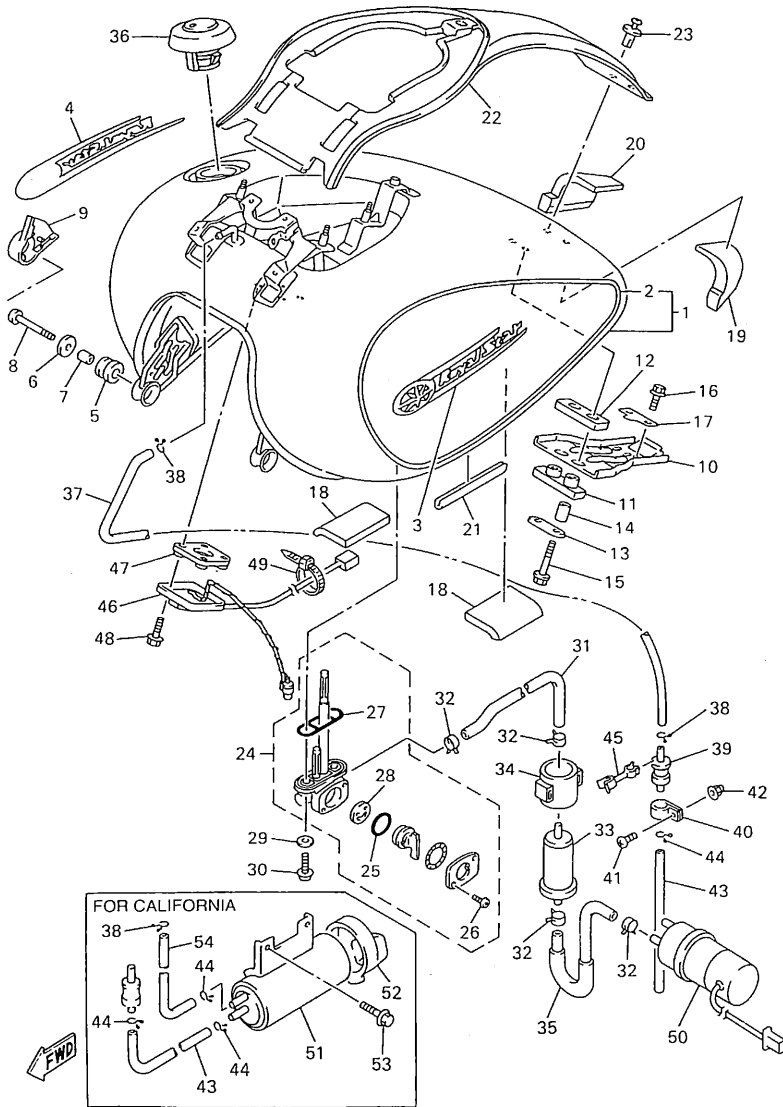
FIG. 29 FUEL TANK



4NK110-6290

REF. NO.	PART NO.	DESCRIPTION	Q'TY	REMARKS
1	4NK-24110-10-01	FUEL TANK COMP.	1	UR MATURE RED/NEW WHITE FOR XVZ13AH
	4NK-24110-10-02	FUEL TANK COMP.	1	UR STAR BLUE METALLIC/BLUISH
	4NK-24110-10-03	FUEL TANK COMP.	1	WHITE COCKTAIL 1 FOR XVZ13AH UR YAMAHA BLACK FOR XVZ13AH
	4NK-24110-10-04	FUEL TANK COMP.	1	UR DARK BLUE COCKTAIL 2/BLUISH WHITE COCKTAIL 1 FOR XVZ13ATH
	4NK-24110-10-05	FUEL TANK COMP.	1	UR MILKY BROWN/YAMAHA BLACK FOR XVZ13ATH
2	4NK-24240-01	.GRAPHIC SET	1	UR FOR MRE (XVZ13AH)
	4NK-24240-10	.GRAPHIC SET	1	UR FOR SMB (XVZ13AH)
	4NK-24240-21	.GRAPHIC SET	1	UR FOR YB (XVZ13AH)
	4NL-24240-01	.GRAPHIC SET	1	UR FOR DBC2 (XVZ13ATH)
	4NL-24240-10	.GRAPHIC SET	1	UR FOR MKB (XVZ13ATH)
3	4NK-24161-00	EMBLEM 1	1	
4	4NK-24162-00	EMBLEM 2	1	
5	90480-18549	GROMMET	2	
6	90201-06697	WASHER, PLATE	2	
7	90387-06027	COLLAR	2	
8	92017-06035	SCREW	2	
9	4NK-24129-00	COVER, SIDE 1	2	
10	4NK-24191-00	BRACKET, FUEL TANK 1	1	
11	2GH-24181-00	DAMPER, LOCATING 1	1	
12	2GH-24183-00	DAMPER, LOCATING 3	1	
13	2GH-24186-00	WASHER, SPECIAL	1	
14	90387-06299	COLLAR	2	
15	95817-06025	BOLT, FLANGE	2	
16	95817-06014	BOLT, FLANGE	2	
17	4NK-24186-00	WASHER, SPECIAL	1	
18	4NK-24181-00	DAMPER, LOCATING 1	2	
19	4NK-24182-00	DAMPER, LOCATING 2	1	
20	4NK-24183-00	DAMPER, LOCATING 3	1	

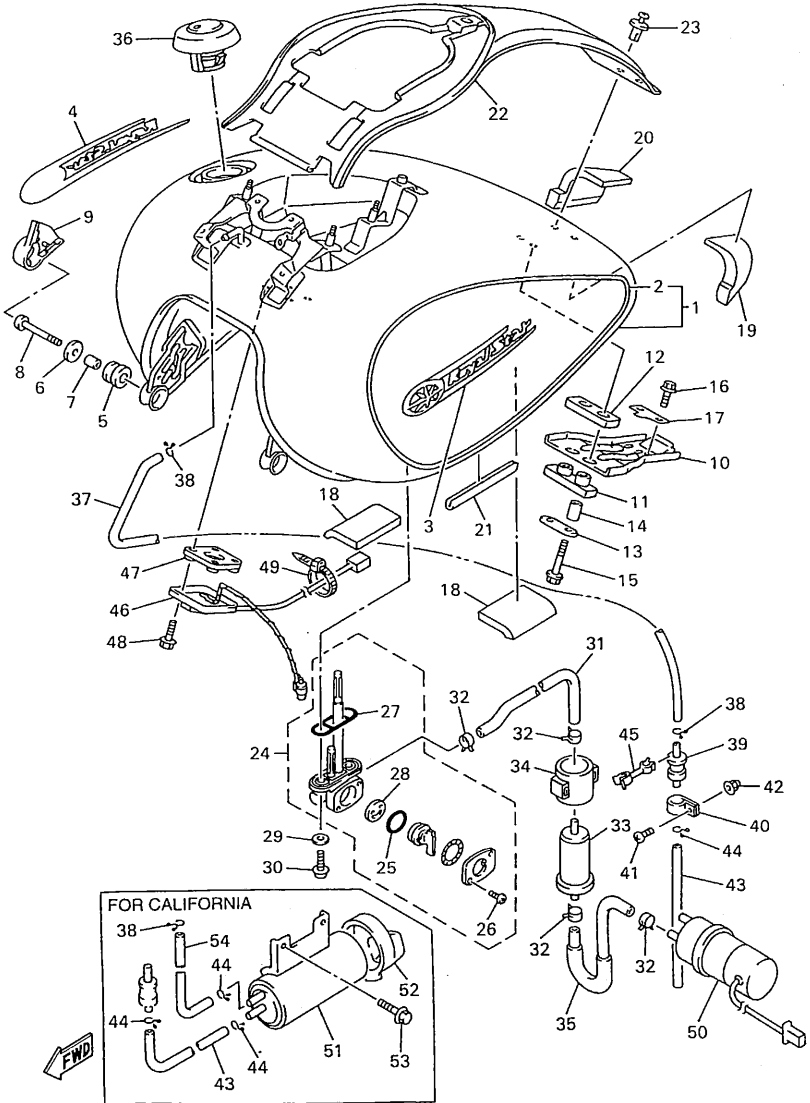
FIG. 29 FUEL TANK



4NK110-6290

REF. NO.	PART NO.	DESCRIPTION	Q'TY	REMARKS
21	31A-24188-01	MOLD, FUEL TANK	1	
22	4NK-2171A-00	COVER, TOP	1	
23	90269-07076	RIVET	2	
24	2GU-24500-01	FUEL COCK ASSY 1	1	
25	3AJ-24534-00	SEAL, COCK	1	
26	98580-03008	SCREW, PAN HEAD	2	
27	4X8-24512-00	O-RING	1	
28	3AJ-24523-00	VALVE PACKING	1	
29	90202-05187	WASHER, PLATE	2	
30	90149-06011	SCREW	2	
31	4NK-24311-00	PIPE, FUEL 1	1	
32	90467-11044	CLIP	4	
33	1FK-24560-00	FILTER ASSY	1	
34	1FK-24566-00	BRACKET, FILTER	1	
35	4NK-24312-00	PIPE 2	1	
36	4NK-24602-10	CAP ASSY	1	
37	4NK-24321-00	PIPE 10	1	
38	90467-10008	CLIP	2	UR
	90467-10008	CLIP	3	UR FOR CALIFORNIA
39	25H-24180-00	ROLL OVER VALVE ASSY	1	
40	90461-15100	CLAMP	1	
41	98907-05012	SCREW, BIND	1	
42	90176-05054	NUT, CROWN	1	
43	90445-10272	HOSE	1	UR
	90445-11696	HOSE	1	UR FOR CALIFORNIA
44	90467-09006	CLIP	1	UR
	90467-10008	CLIP	3	UR FOR CALIFORNIA
45	90464-13103	CLAMP	2	

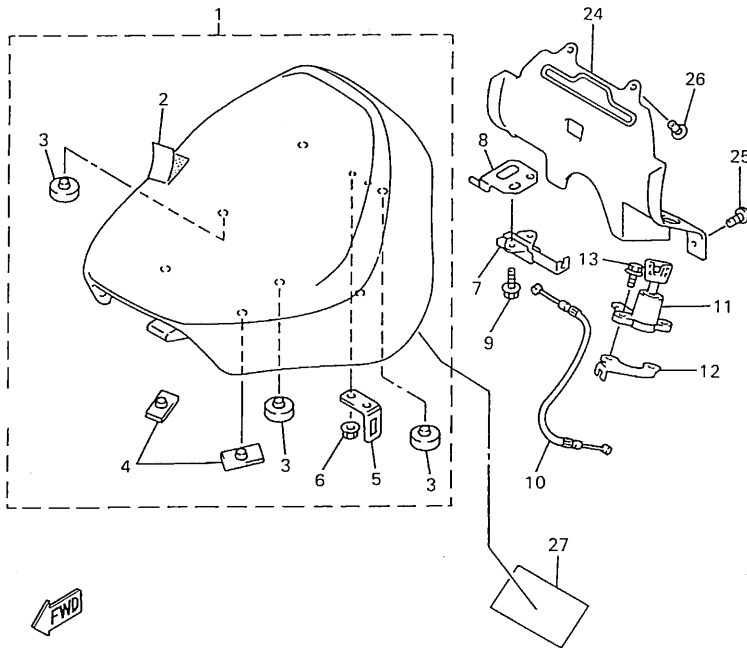
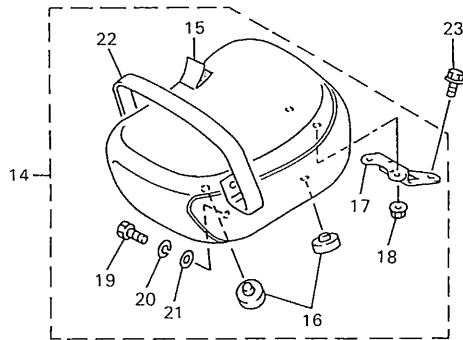
FIG. 29 FUEL TANK



4NK110-6290

REF. NO.	PART NO.	DESCRIPTION	Q'TY	REMARKS
46	4NK-85752-00	SENDER UNIT ASSY, FUEL METER	1	
47	5G3-85753-00	GASKET, SENDER UNIT	1	
48	90119-05071	BOLT, WITH WASHER	4	
49	90464-13073	CLAMP	1	
50	4NK-13907-00	FUEL PUMP COMP.	1	
51	1UL-24170-00	CANISTER ASSY	1	FOR CALIFORNIA
52	2JU-2419E-00	COVER, CANISTER	1	FOR CALIFORNIA
53	95817-06010	BOLT, FLANGE	2	FOR CALIFORNIA
54	90445-110G5	HOSE	1	FOR CALIFORNIA

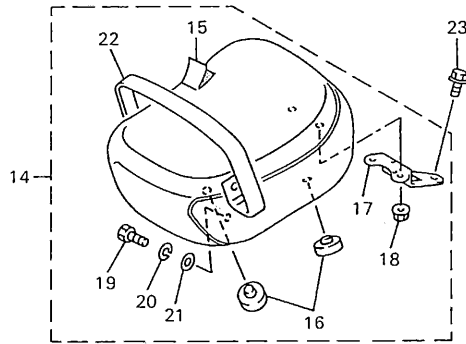
FIG. 30 SEAT



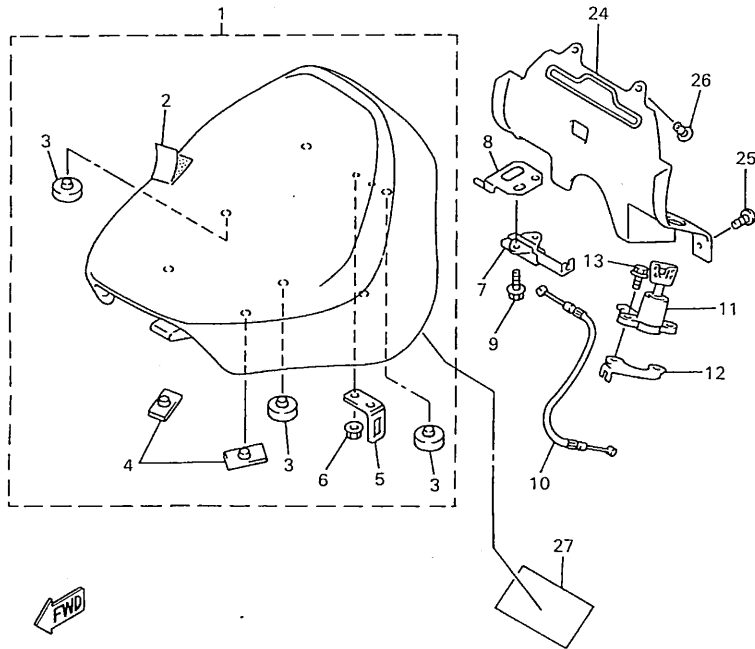
4NK110-6300

REF. NO.	PART NO.	DESCRIPTION	Q'TY	REMARKS
1	4NK-24710-00	SINGLE SEAT ASSY	1	UR FOR XVZ13AH
	4NL-24710-00	SINGLE SEAT ASSY	1	UR FOR XVZ13ATH
2	4NK-24711-00	.COVER, SINGLE SEAT	1	UR FOR XVZ13AH
	4NL-24711-00	.COVER, SINGLE SEAT	1	UR FOR XVZ13ATH
3	22W-24741-00	.PAD, SEAT	5	
4	509-24724-00	.DAMPER, SEAT	2	
5	4NK-24728-00	.BRACKET, SEAT	1	
6	95707-06500	.NUT, FLANGE	2	
7	50W-W247E-00	SEAT LOCK ASSY	1	
8	4NK-24792-00	PLATE	1	
9	95807-06014	BOLT, FLANGE	2	
10	4NK-2478E-00	CABLE, SEAT LOCK	1	
11	3CK-W2470-00	SEAT LOCK ASSY	1	
12	4NK-2478X-00	BRACKET, SEAT LOCK	1	
13	95027-06012	BOLT, FLANGE	2	
14	4NK-24750-00	TANDEM SEAT ASSY	1	UR FOR XVZ13AH
	4NL-24750-00	TANDEM SEAT ASSY	1	UR FOR XVZ13ATH
15	4NK-24751-00	.COVER, TANDEM SEAT	1	UR FOR XVZ13AH
	4NL-24751-00	.COVER, TANDEM SEAT	1	UR FOR XVZ13ATH
16	22W-24741-00	.PAD, SEAT	3	
17	4NK-2471A-00	.STAY, SEAT	1	
18	95707-06500	.NUT, FLANGE	2	
19	97017-06020	.BOLT	2	
20	92907-06100	.WASHER, SPRING	2	
21	90201-065F3	.WASHER, PLATE	2	
22	4NK-24754-00	.HOOK, SEAT	1	
23	95024-08012	BOLT, FLANGE	1	
24	4NK-24796-00	COVER	1	

FIG. 30 SEAT

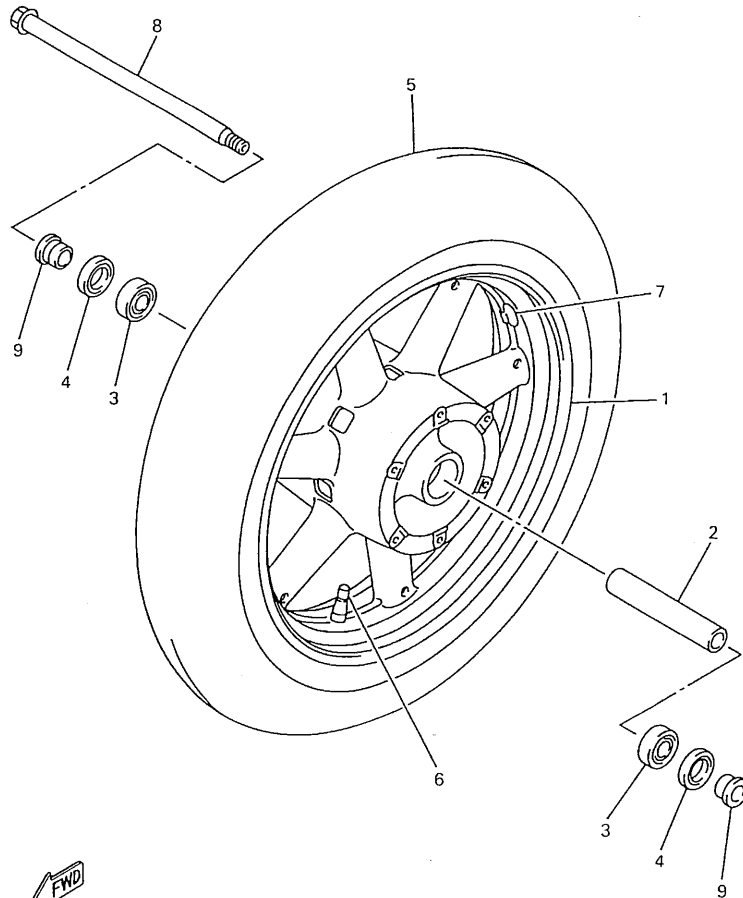


REF. NO.	PART NO.	DESCRIPTION	Q'TY	REMARKS
25	90110-05201	BOLT, HEXAGON SOCKET HEAD	2	
26	90269-06046	RIVET	2	
27	4NK-2179V-01	PLATE, EPA 1(NON CALIFORNIA)	1	UR FOR USA
	4NK-2179R-01	PLATE, EPA 2(CALIFORNIA)	1	UR FOR USA



4NK110-6300

FIG. 31 FRONT WHEEL

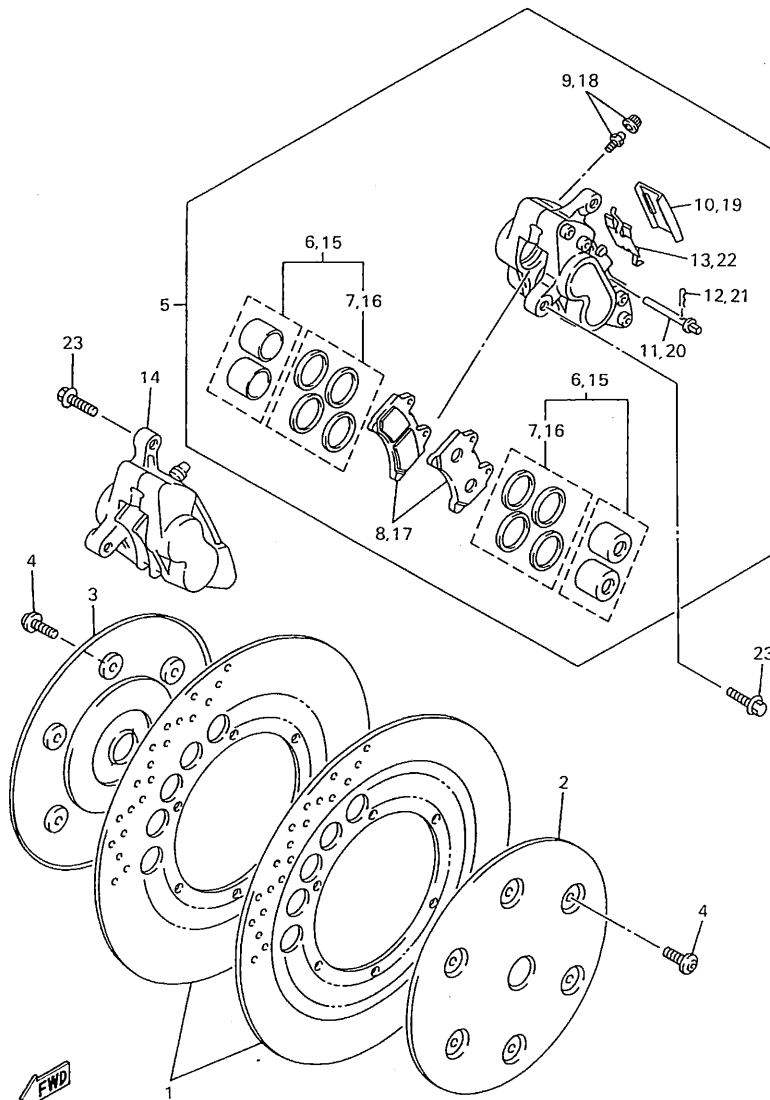


REF. NO.	PART NO.	DESCRIPTION	Q'TY	REMARKS
1	4NK-25168-00-WG	CAST WHEEL, FRONT	1	HI TECH SILVER
2	90387-2208J	COLLAR	-1	
3	93306-00420	BEARING (B6004)	2	
4	93102-28021	OIL SEAL	2	
5	94115-1608L	TIRE (150/80-16 71H D404F)	1	UR DUNLOP FOR XVZ13AH/XVZ13ATH
	94115-1609V	TIRE (150/80-16 71H EXEDRA G703)	1	UR BRIDGESTONE FOR XVZ13AH
6	93900-00030	VALVE, RIM	1	
7	29L-25398-00	BALANCER, WHEEL (10G)	1	UR
	29L-25398-10	BALANCER, WHEEL (20G)	1	UR
	29L-25398-20	BALANCER, WHEEL (30G)	1	UR
8	4NK-25181-00	AXLE, WHEEL	1	
9	90387-2200T	COLLAR	2	



4NK110-6310

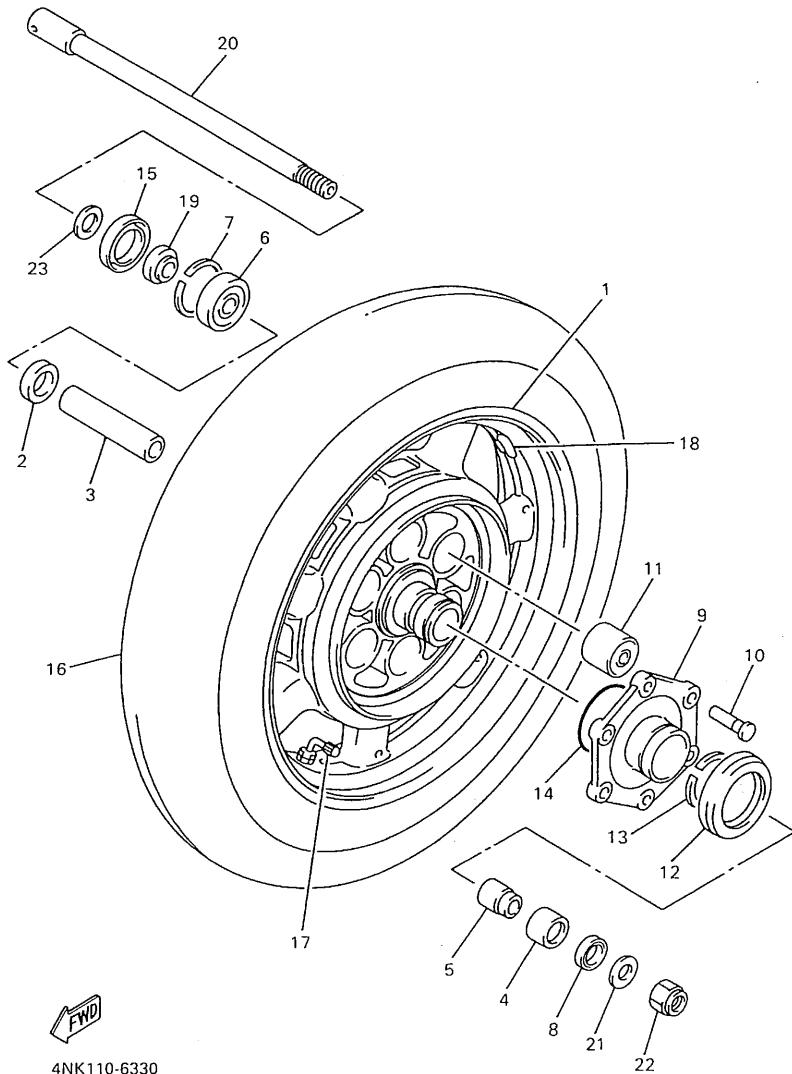
FIG. 32 FRONT BRAKE CALIPER



REF. NO.	PART NO.	DESCRIPTION	Q'TY	REMARKS
1	3JB-2582U-01	DISC, BRAKE (RIGHT)	2	
2	4NK-2514A-00	RING, WHEEL 1 (LEFT)	1	
3	4NK-2515A-00	RING, WHEEL 2 (RIGHT)	1	
4	90109-083G4	BOLT	12	
5	4NK-2580T-00	CALIPER ASSY (LEFT)	1	
6	1NL-W0057-00	PISTON ASSY, CALIPER	2	
7	1NL-W0047-00	CALIPER SEAL KIT	1	
8	4NK-W0045-00	BRAKE PAD KIT	1	
9	1J3-W0048-00	BLEED SCREW KIT	1	
10	1KT-25836-00	COVER, DUST	1	
11	3HE-25924-00	PIN, PAD	2	
12	3GM-25925-00	CLIP	2	
13	2GH-25919-00	SUPPORT, PAD	1	
14	4NK-2580U-00	CALIPER ASSY (RIGHT)	1	
15	1NL-W0057-00	PISTON ASSY, CALIPER	2	
16	1NL-W0047-00	CALIPER SEAL KIT	1	
17	4NK-W0045-00	BRAKE PAD KIT	1	
18	1J3-W0048-00	BLEED SCREW KIT	1	
19	1KT-25836-00	COVER, DUST	1	
20	3HE-25924-00	PIN, PAD	2	
21	3GM-25925-00	CLIP	2	
22	2GH-25919-00	SUPPORT, PAD	1	
23	90105-10638	BOLT, WASHER BASED	4	

4NK110-6320

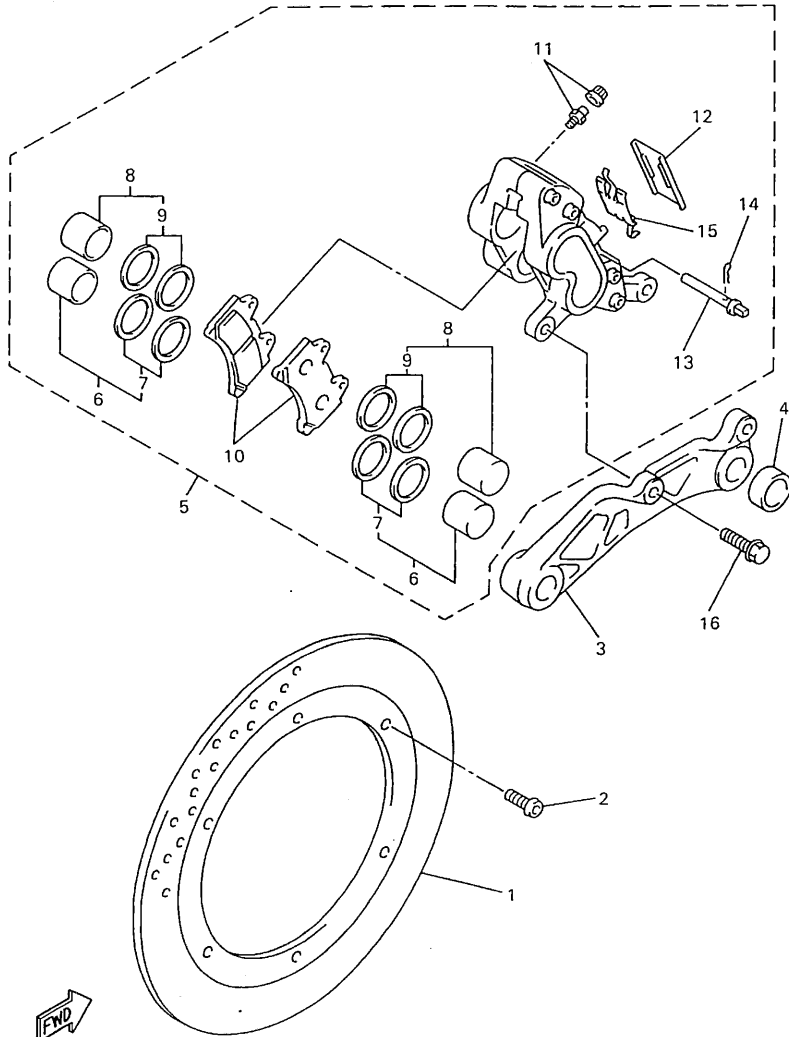
FIG. 33 REAR WHEEL



4NK110-6330

REF. NO.	PART NO.	DESCRIPTION	Q'TY	REMARKS
1	4NK-25338-00-WG	CAST WHEEL, REAR	1	HI TECH SILVER
2	2H7-25315-00	FLANGE, SPACER	1	
3	90387-2008H	COLLAR	1	
4	93317-32677	BEARING, CYLINDRICAL	1	
5	90387-2007J	COLLAR	1	
6	93306-30437	BEARING	1	
7	99009-52500	CIRCLIP	1	
8	93102-25064	OIL SEAL	1	
9	26H-25366-00	CLUTCH, HUB	1	
10	90249-12167	PIN	6	
11	1FK-25364-00	DAMPER	6	
12	1J7-25319-01	SEAL, HUB DUST	1	
13	93440-45022	CIRCLIP	1	
14	93210-68347	O-RING	1	
15	93106-40027	OIL SEAL	1	
16	94115-1508M	TIRE (150/90-15M/C 74H D404)	1	UR DUNLOP FOR
	94115-1509W	TIRE (150/90-15M/C 74H EXEDRA G702)	1	XVZ13AH/XVZ13ATH
				UR BRIDGESTONE
				FOR XVZ13AH
				BRIDGESTONE
17	93900-00016	VALVE, RIM	1	
18	29L-25398-00	BALANCER, WHEEL (10G)	1	UR
	29L-25398-10	BALANCER, WHEEL (20G)	1	UR
	29L-25398-20	BALANCER, WHEEL (30G)	1	UR
19	90387-200J2	COLLAR	1	
20	4NK-25381-00	AXLE, WHEEL	1	
21	90201-185R7	WASHER, PLATE	1	
22	90185-18167	NUT, SELF-LOCKING	1	
23	92903-20600	WASHER	1	

FIG. 34 REAR BRAKE CALIPER



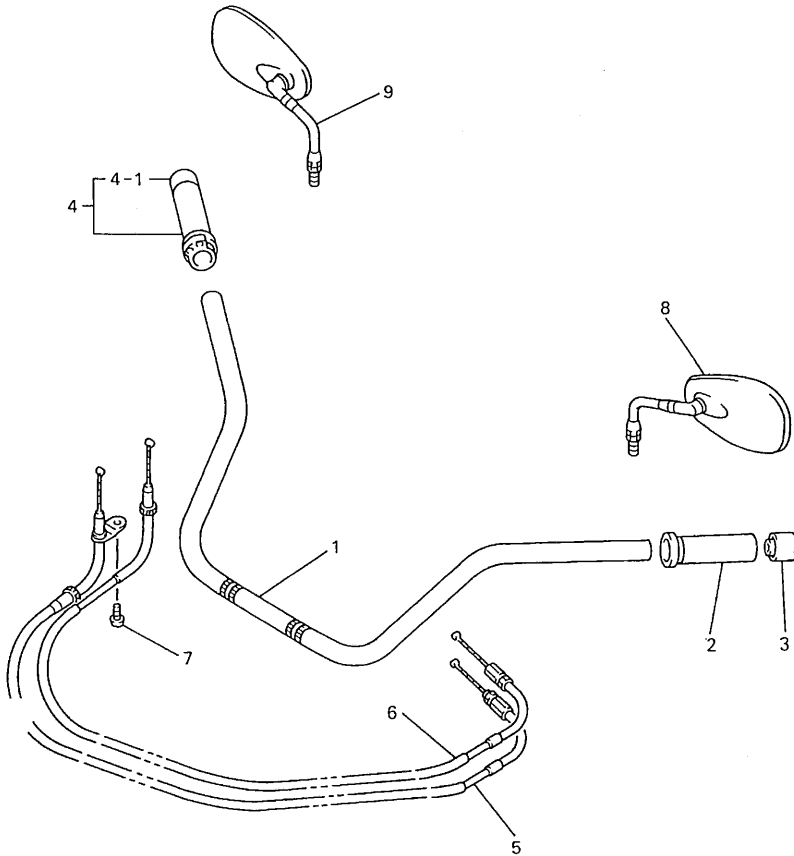
REF. NO.	PART NO.	DESCRIPTION	Q'TY	REMARKS
1	4NK-2582W-00	DISC, REAR BRAKE 2	1	
2	90109-083G4	BOLT	6	
3	4NK-25819-00	BRACKET, CALIPER	1	
4	4NK-25673-00	DAMPER, BRAKE	1	
5	4NK-2580W-00	CALIPER ASSY, REAR 2	1	
6	1KT-W0057-00	PISTON ASSY, CALIPER	1	
7	1KT-W0047-00	CALIPER SEAL KIT	1	
8	4NK-W0057-00	PISTON ASSY, CALIPER	1	
9	4NK-W0047-00	CALIPER SEAL KIT	1	
10	4NK-W0046-00	BRAKE PAD KIT 2	1	
11	1J3-W0048-00	BLEED SCREW KIT	1	
12	1NL-25836-00	COVER, DUST	1	
13	3HE-25924-00	PIN, PAD	2	
14	3GM-25925-00	CLIP	2	
15	1NL-25919-00	SUPPORT, PAD	1	
16	90105-10638	BOLT, WASHER BASED	2	



4NK110-6340

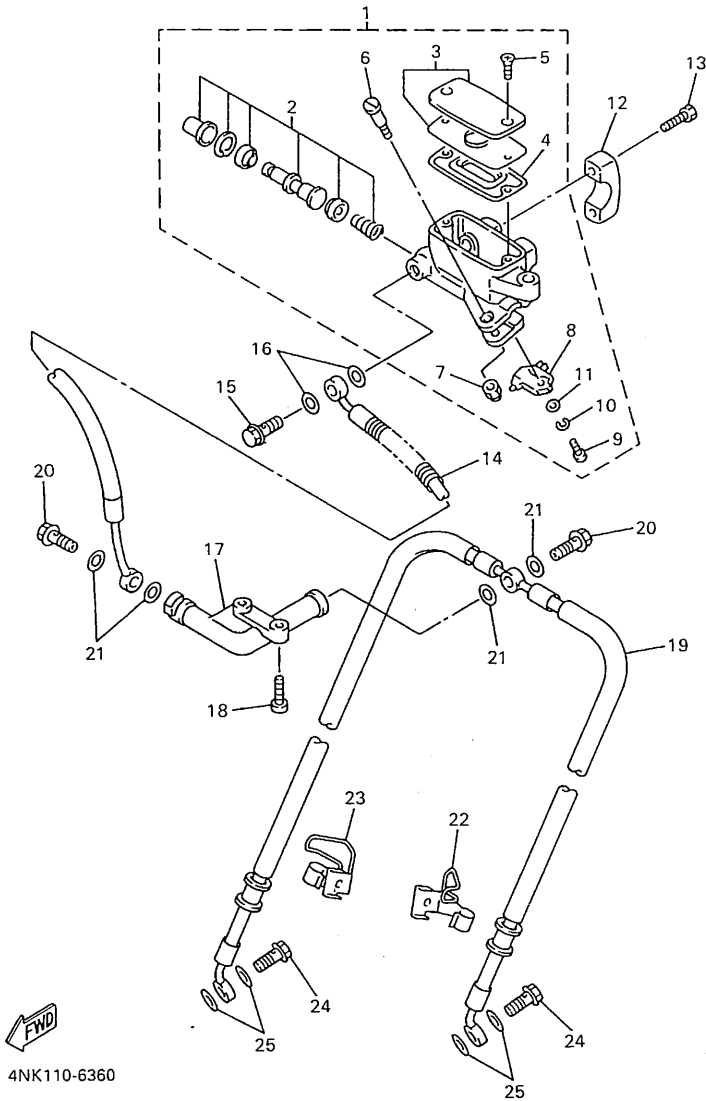
FIG. 35 STEERING HANDLE • CABLE

REF. NO.	PART NO.	DESCRIPTION	Q'TY	REMARKS
1	4NK-26111-00	HANDLEBAR	1	
2	4NK-26241-00	GRIP (LEFT)	1	
3	4NK-2628J-00	CAP, GRIP	1	
4	4NK-26240-00	GRIP ASSY	1	
* 4-1	4NK-2635J-00	•CAP, GRIP	1	
5	4NK-26311-00	CABLE, THROTTLE 1	1	
6	4NK-26312-00	CABLE, THROTTLE 2	1	
7	98507-05008	SCREW, PAN HEAD	1	
8	4NK-26280-00	REAR VIEW MIRROR ASSY(LEFT)	1	
9	4NK-26290-00	REAR VIEW MIRROR ASSY(RIGHT)	1	



4NK110-6352

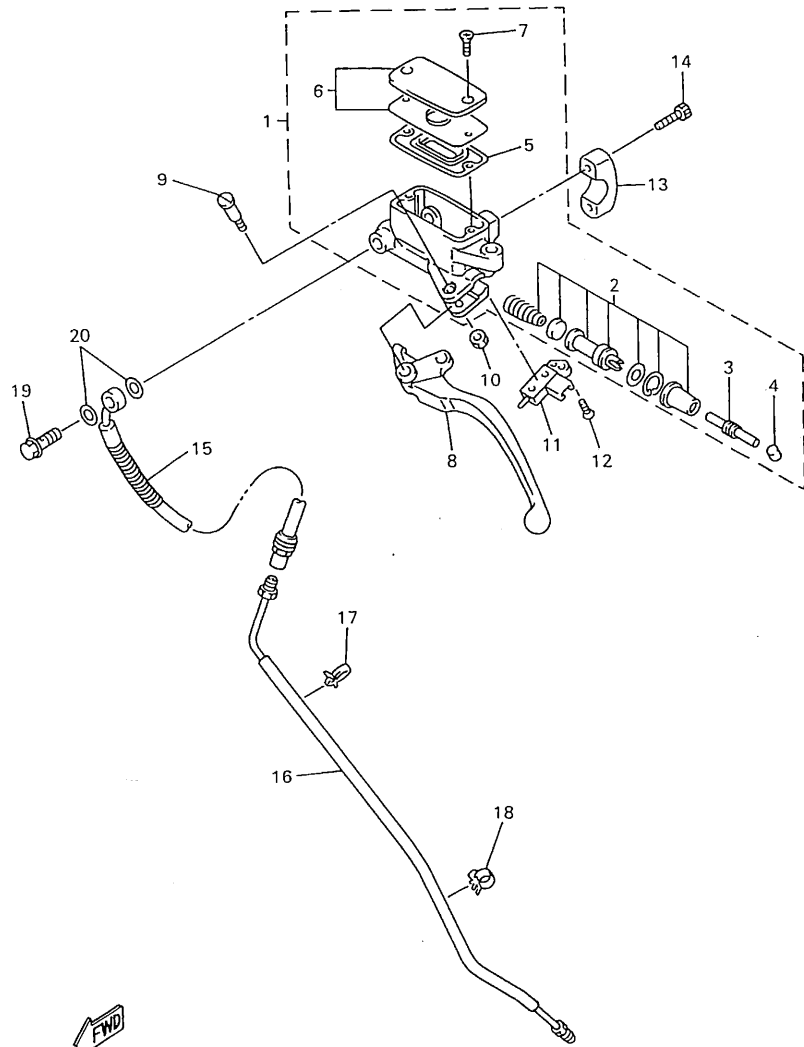
FIG. 36 FRONT MASTER CYLINDER



4NK110-6360

REF. NO.	PART NO.	DESCRIPTION	Q'TY	REMARKS
1	4NK-25870-00	MASTER CYLINDER SUB ASSY	1	
2	4K0-W0041-50	.CYLINDER KIT, MASTER	1	
3	4NK-W2585-00	.RESERVOIR CAP SET	1	
4	4NK-25854-00	.DIAPHRAGM, RESERVOIR	1	
5	4NK-2589H-00	.SCREW	2	
6	4NK-2589F-00	.BOLT, LEVER	1	
7	95604-06100	.NUT, U	1	
8	3FV-83980-00	.FRONT STOP SWITCH ASSY	1	
9	98517-04012	.SCREW, PAN HEAD	1	
10	92990-04100	.WASHER, SPRING	1	
11	92901-04600	.WASHER, PLATE	1	
12	4NK-25867-00	BRACKET, MASTER CYLINDER	1	
13	91314-06025	BOLT	2	
14	4NK-25872-00	HOSE, BRAKE 1	1	
15	90401-10159	BOLT, UNION	1	
16	90201-10118	WASHER, PLATE	2	
17	4NK-25885-00	JOINT	1	
18	91317-06020	BOLT, SOCKET HEAD	2	
19	4NK-25873-00	HOSE, BRAKE 2	1	
20	90401-10159	BOLT, UNION	2	
21	90201-10118	WASHER, PLATE	4	
22	4NK-25875-00	HOLDER, BRAKE HOSE 1	1	
23	4NK-25886-00	HOLDER, BRAKE HOSE	1	
24	90401-10159	BOLT, UNION	2	
25	90201-10118	WASHER, PLATE	4	

FIG. 37 FRONT MASTER CYLINDER 2

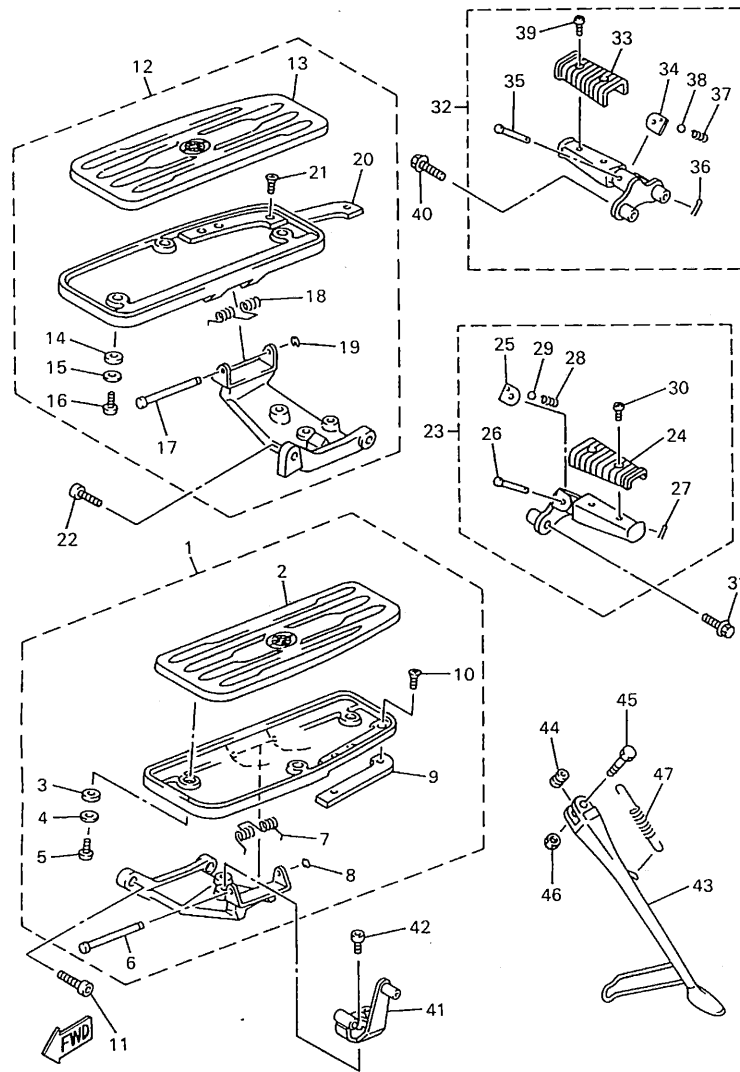


REF. NO.	PART NO.	DESCRIPTION	Q'TY	REMARKS
1	4NK-W2645-00	MASTER CYLINDER SUB ASSY	1	
2	3GM-W0099-00	.CYLINDER KIT, MASTER (CLUTCH)	1	
3	3GM-26464-00	.ROD, PUSH	1	
4	3GM-26455-00	.BUSH	1	
5	4NK-25854-00	.DIAPHRAGM, RESERVOIR	1	
6	4NK-W2585-00	.RESERVOIR CAP SET	1	
7	4NK-2589H-00	.SCREW, WITH WASHER	2	
8	4NK-83912-00	LEVER 1	1	
9	4NK-83945-00	BOLT, LEVER	1	
10	95604-06100	NUT, U	1	
11	3GM-83980-00	FRONT STOP SWITCH ASSY	1	
12	98706-04016	SCREW, FLAT HEAD	1	
13	4NK-25867-00	BRACKET, MASTER CYLINDER	1	
14	91314-06025	BOLT	2	
15	4NK-26472-00	HOSE, CLUTCH 1	1	
16	4NK-26471-00	PIPE	1	
17	90464-13133	CLAMP	1	
18	90464-10190	CLAMP	1	
19	90401-10159	BOLT, UNION	1	
20	90201-10118	WASHER, PLATE	2	



4NK110-6370

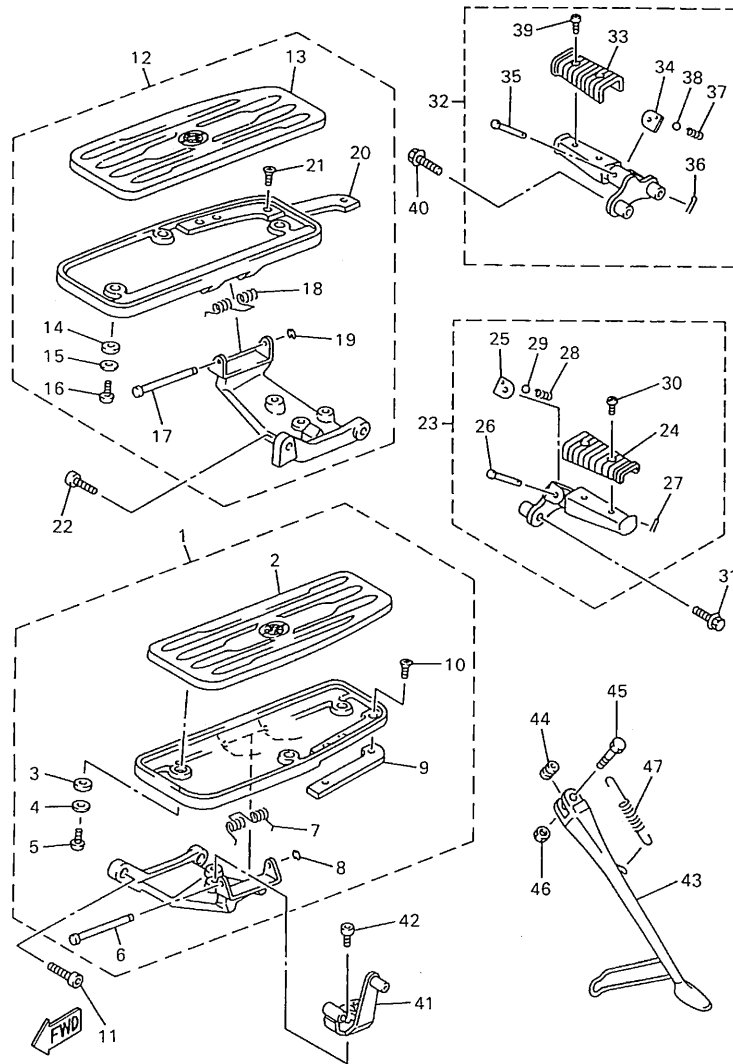
FIG. 38 STAND • FOOTREST



4NK110-6380

REF. NO.	PART NO.	DESCRIPTION	Q'TY	REMARKS
1	4NK-27410-00	FRONT FOOTREST ASSY (LEFT)	1	
2	4NK-27413-00	.COVER, FOOTREST	1	
3	4NK-27414-00	.DAMPER, FOOTREST	3	
4	90201-05660	.WASHER, PLATE	3	
5	92014-05010	.BOLT, BUTTON HEAD	3	
6	4NK-27427-00	.SHAFT	1	
7	4NK-27426-00	.SPRING, RETURN	1	
8	99009-06600	.CIRCLIP	1	
9	4NK-27496-00	.MOLE 1	1	
10	98780-05010	.SCREW, FLAT HEAD	2	
11	91314-10030	BOLT	2	
12	4NK-27420-00	FRONT FOOTREST ASSY (RIGHT)	1	
13	4NK-27423-00	.COVER, FOOTREST	1	
14	4NK-27414-00	.DAMPER, FOOTREST	3	
15	90201-05660	.WASHER, PLATE	3	
16	92014-05010	.BOLT, BUTTON HEAD	3	
17	4NK-27427-00	.SHAFT	1	
18	4NK-27426-00	.SPRING, RETURN	1	
19	99009-06600	.CIRCLIP	1	
20	4NK-27497-00	.MOLE 2	1	
21	98780-05010	.SCREW, FLAT HEAD	2	
22	91314-10030	BOLT	2	
23	4NK-27430-00	REAR FOOTREST ASSY 1	1	
24	1NH-27433-00	.COVER, REAR FOOTREST	1	
25	2NT-27437-00	.WASHER, SPECIAL	1	
26	91701-06032	.PIN, CLEVIS	1	
27	91490-16020	.PIN, COTTER	1	
28	90501-12743	.SPRING, COMPRESSION	1	

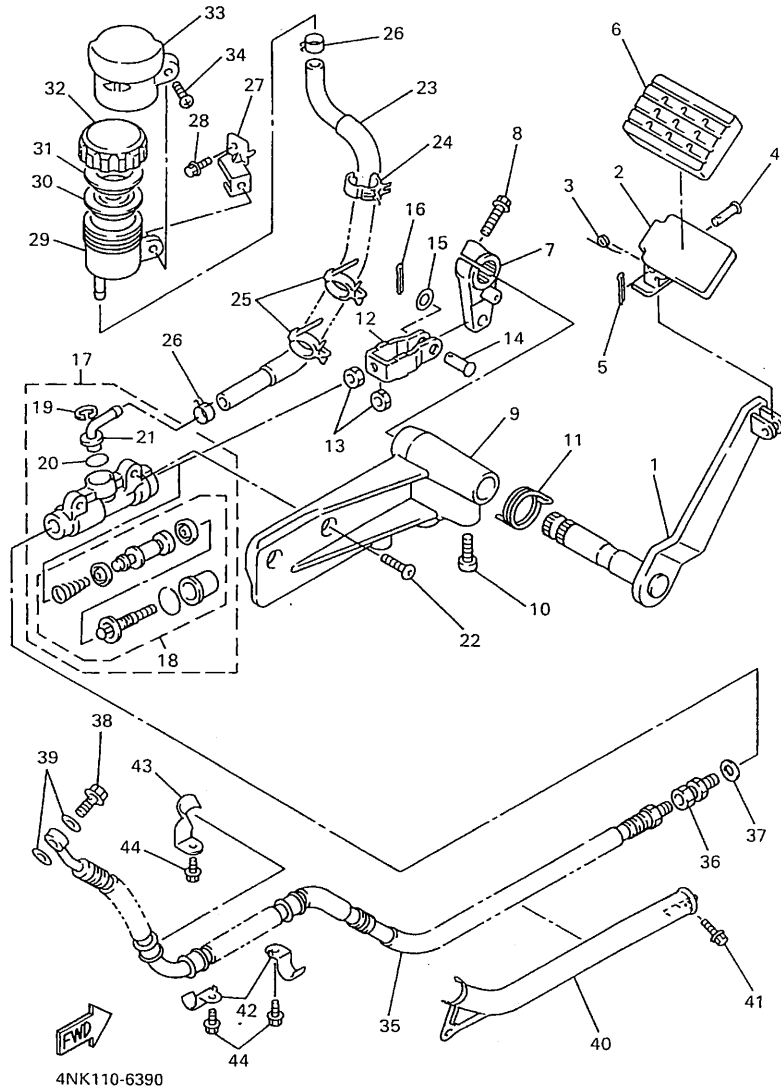
FIG. 38 STAND • FOOTREST



4NK110-6380

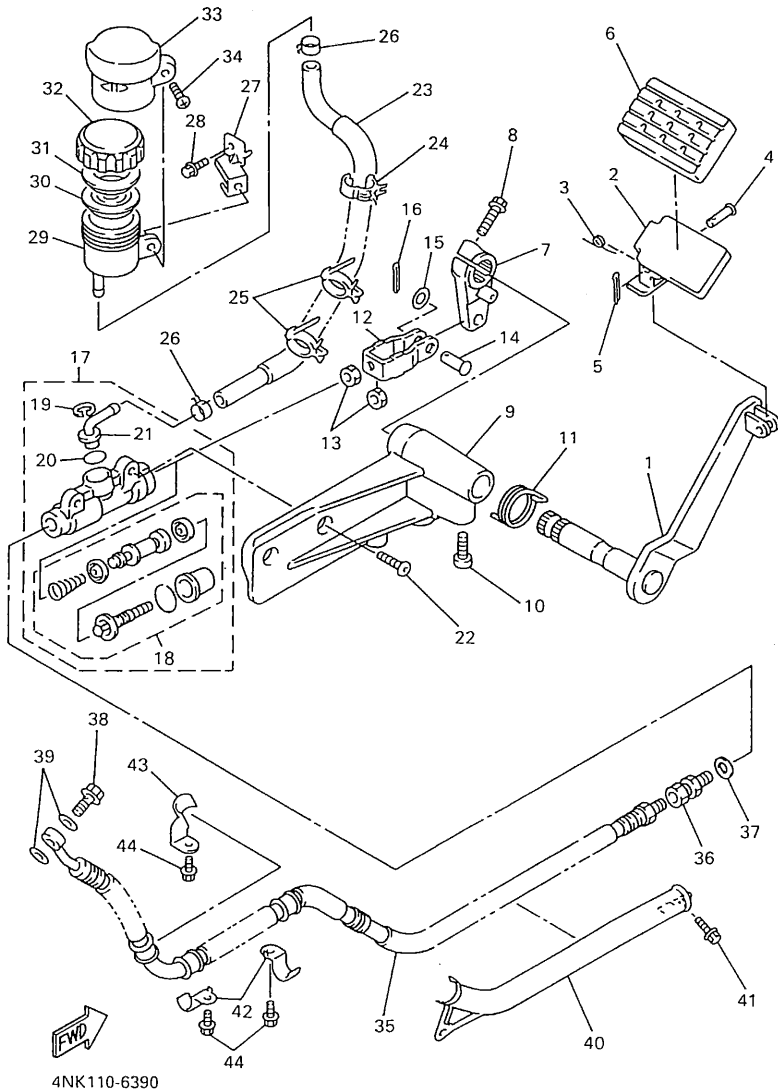
REF. NO.	PART NO.	DESCRIPTION	Q'TY	REMARKS
29	93501-04011	•BALL	1	
30	98517-06012	•SCREW, PAN HEAD	2	
31	95024-08030	BOLT, FLANGE	2	
32	4NK-27440-00	REAR FOOTREST ASSY 2	1	
33	1NH-27433-00	•COVER, REAR FOOTREST	1	
34	2NT-27437-00	•WASHER, SPECIAL	1	
35	91701-06032	•PIN, CLEVIS	1	
36	91490-16020	•PIN, COTTER	1	
37	90501-12743	•SPRING, COMPRESSION	1	
38	93501-04011	•BALL	1	
39	98517-06012	•SCREW, PAN HEAD	2	
40	95024-08030	BOLT, FLANGE	2	
41	4NK-27443-00	BRACKET 3	1	
42	91317-08014	BOLT, SOCKET HEAD	2	
43	4NK-27311-00	STAND, SIDE	1	
44	90387-1007K	COLLAR	1	
45	90101-10776	BOLT	1	
46	90185-10037	NUT, SELF-LOCKING	1	
47	90506-29358	SPRING, TENSION	1	

FIG. 39 REAR MASTER CYLINDER



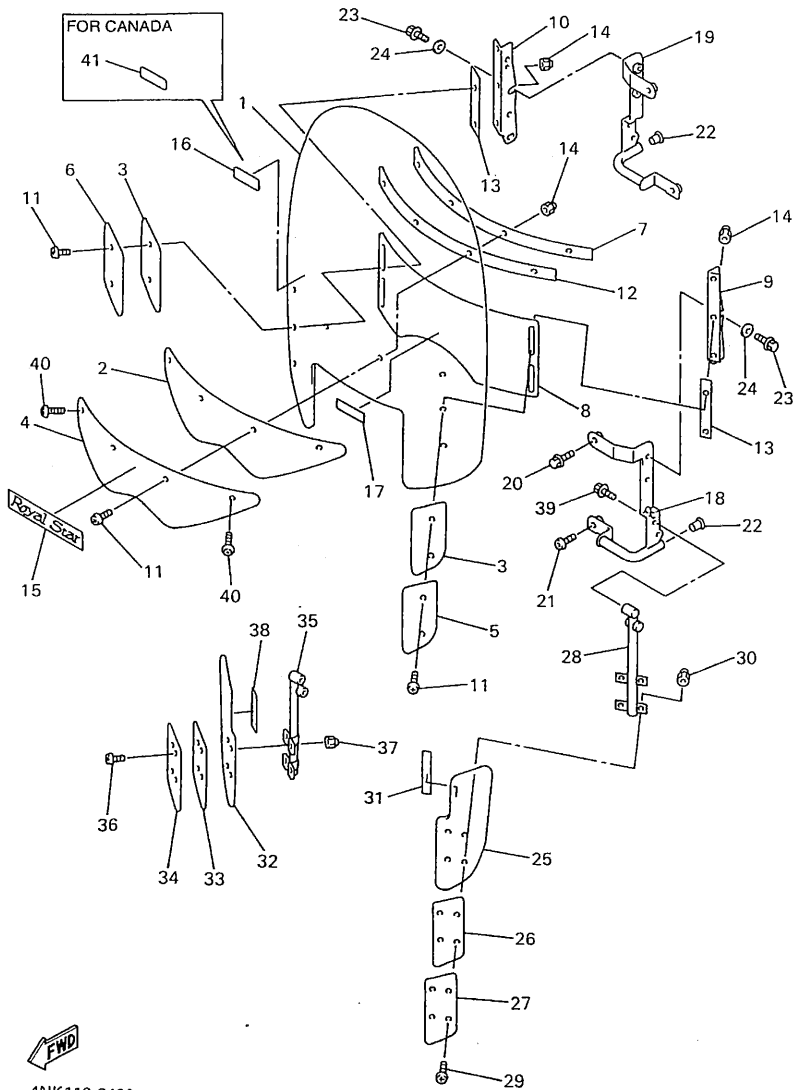
REF. NO.	PART NO.	DESCRIPTION	Q'TY	REMARKS
1	4NK-27211-00	PEDAL, BRAKE	1	
2	4NK-27242-00	PEDAL, BRAKE	1	
3	90508-140B8	SPRING, TORSION	1	
4	91701-06022	PIN, CLEVIS	1	
5	91490-20025	PIN, COTTER	1	
6	4NK-27285-00	CAP	1	
7	4NK-27262-00	LEVER	1	
8	95024-06025	BOLT, FLANGE	1	
9	4NK-2741L-00	BRACKET 4	1	
10	91317-08014	BOLT, SOCKET HEAD	3	
11	4NK-27316-00	SPRING, SIDE STAND	1	
12	4NK-27222-00	JOINT	1	
13	95317-08700	NUT	2	
14	90240-08013	PIN, CLEVIS	1	
15	90201-08083	WASHER, PLATE	1	
16	91490-16020	PIN, COTTER	1	
17	4NK-2583V-00	RR. MASTER CYLINDER ASSY.	1	
18	1FK-W0042-50	.CYLINDER KIT, MASTER	1	
19	2VN-25866-00	.CIRCLIP	1	
20	93210-15620	.O-RING	1	
21	3LD-2582A-00	.JOINT	1	
22	92014-08020	BOLT, BUTTON HEAD	2	
23	4NK-25895-00	HOSE, RESERVOIR	1	
24	90464-20191	CLAMP	1	
25	90464-20213	CLAMP	2	
26	90467-14057	CLIP	2	
27	4NK-21228-00	BRACKET, RESERVE TANK	1	
28	95027-06010	BOLT, FLANGE	1	

FIG. 39 REAR MASTER CYLINDER



REF. NO.	PART NO.	DESCRIPTION	Q'TY	REMARKS
29	31A-25894-01	TANK, RESERVOIR	1	
30	360-25854-00	DIAPHRAGM, RESERVOIR	1	
31	2GU-25855-00	BUSH, DIAPHRAGM	1	
32	2KF-25852-50	CAP, RESERVOIR	1	
33	4NK-25888-00	COVER, RESERVOIR TANK	1	
34	92014-06016	BOLT, BUTTON HEAD	1	
35	4NK-2581J-00	HOSE, BRAKE 4	1	
36	3LC-25885-00	JOINT	1	
37	90201-10118	WASHER, PLATE	1	
38	90401-10159	BOLT, UNION	1	
39	90201-10118	WASHER, PLATE	2	
40	4NK-25887-00	HOLDER, BRAKE HOSE	1	
41	95024-06012	BOLT, FLANGE	2	
42	3XV-25876-00	HOLDER, BRAKE HOSE 2	2	
43	4NK-25876-00	HOLDER, BRAKE HOSE 2	1	
44	95027-06016	BOLT, FLANGE	3	

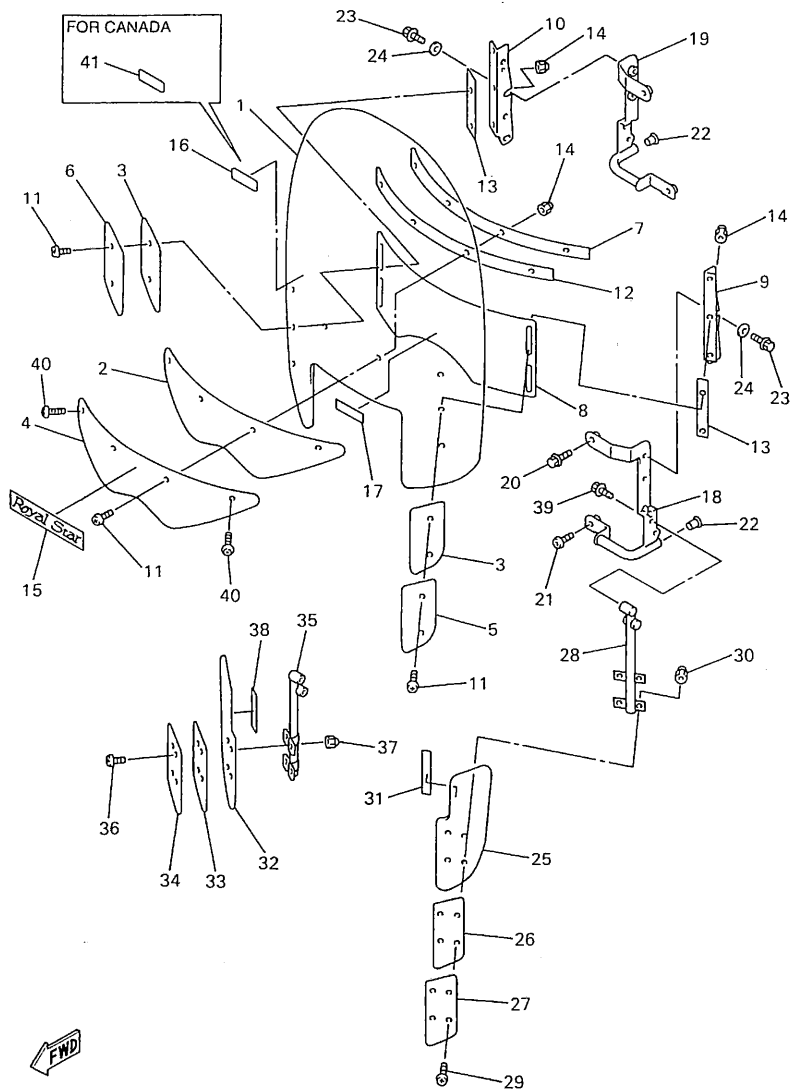
FIG. 40 COWLING 1 (FOR XVZ13ATH)



4NK110-6400

REF. NO.	PART NO.	DESCRIPTION	Q'TY	REMARKS
1	4NL-F837U-00	SCREEN	1	
2	4NL-F837J-00	DAMPER 5	1	
3	4NL-F837K-00	DAMPER 6	2	
4	4NL-F8336-00	PLATE	1	
5	4NL-F8397-00	PLATE 2	1	
6	4NL-F8396-00	PLATE 1	1	
7	4NL-F8337-00	HOLDER	1	
8	4NL-F838E-00	COVER, HEADLIGHT	1	
9	4NL-F836A-00	BRACKET 1	1	
10	4NL-F836E-00	BRACKET 2	1	
11	4NL-F8354-00	SCREW, COWLING 1	6	
12	4NL-F8345-00	MOLE 1	1	
13	4NL-F8346-00	MOLE 2	2	
14	4NL-F8362-00	NUT	8	
15	4NL-F8315-00	EMBLEM	1	
16	4NL-F835Y-00	LABEL, CAUTION	1	
17	4NL-F8307-00	SEAL	1	
18	4NL-F8356-00	STAY 1	1	
19	4NL-F8357-00	STAY 2	1	
20	95804-10025	BOLT, FLANGE	2	
21	92014-08035	BOLT, BUTTON HEAD	2	
22	90338-12081	PLUG	2	
23	95814-08016	BOLT, FLANGE	4	
24	90201-08772	WASHER, PLATE	4	
25	4NL-F834V-00	PROTECTOR 1	1	
26	4NL-F834E-00	DAMPER	1	
27	4NL-F833A-00	BRACET 7	1	
28	4NL-F831G-00	STAY, GUIDE 3	1	

FIG. 40 COWLING 1 (FOR XVZ13ATH)



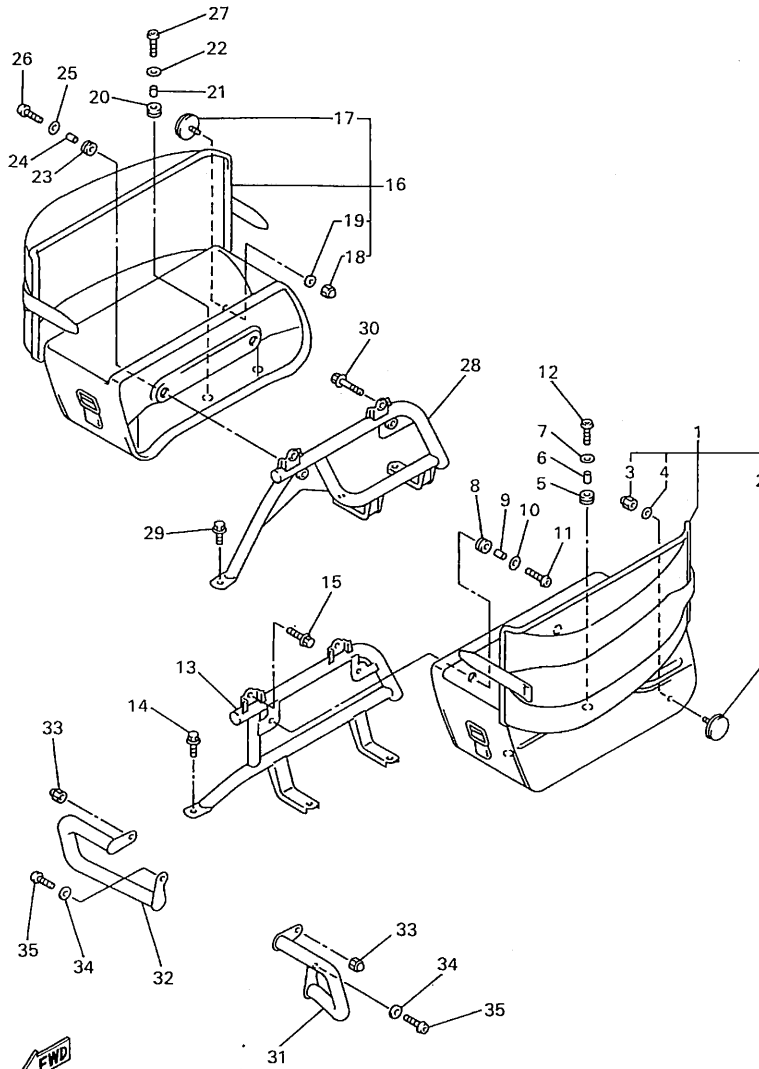
REF. NO.	PART NO.	DESCRIPTION	Q'TY	REMARKS
29	4NL-F8354-00	SCREW, COWLING 1	4	
30	4NL-F8362-00	NUT	4	
31	4NL-F8307-00	SEAL	1	
32	4NL-F834W-00	PROTECTOR 2	1	
33	4NL-F834E-00	DAMPER	1	
34	4NL-F833E-00	BRACET 8	1	
35	4NL-F831H-00	STAY, GUIDE 4	1	
36	4NL-F8354-00	SCREW, COWLING 1	4	
37	4NL-F8362-00	NUT	4	
38	4NL-F8307-00	SEAL	1	
39	95024-08016	BOLT, FLANGE	4	
40	4NL-F8355-00	SCREW, COWLING 2	2	
41	4NL-F835Y-10	LABEL, CAUTION	1	FOR CANADA



4NK110-6400

F11

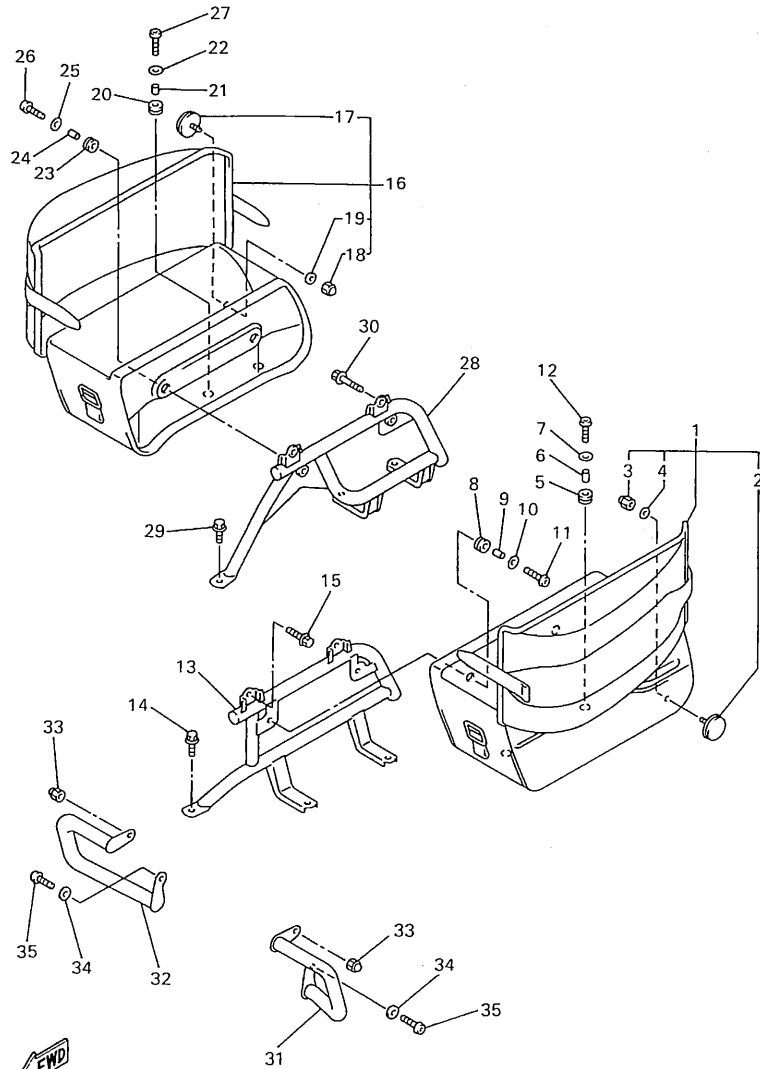
FIG. 41 SADDLEBAG 1 (FOR XVZ13ATH)



4NK110-6410

REF. NO.	PART NO.	DESCRIPTION	Q'TY	REMARKS
1	4NL-F8430-00	SADDLEBAG COMP. 1	1	UR FOR U.S.A.
	4NL-F8430-10	SADDLEBAG COMP. 1	1	UR FOR CANADA
2	4NL-H5131-00	REFLECTOR, REAR 1	1	
* 3	90176-05059	NUT, CROWN	1	
4	92907-05600	WASHER, PLATE	1	
5	90480-20132	GROMMET	2	
6	90387-061Y7	COLLAR	2	
7	90201-06074	WASHER, PLATE	2	
8	90480-20338	GROMMET	2	
9	90387-06518	COLLAR	2	
10	90201-060A3	WASHER, PLATE	2	
11	92017-06025	SCREW	2	
12	92017-06030	SCREW	2	
13	4NL-F8473-00	FRAME, SADDLEBAG 1	1	
14	95817-08012	BOLT, FLANGE	1	
15	95817-08050	BOLT, FLANGE	2	
16	4NL-F8440-00	SIDE BAG COMP.	1	UR FOR U.S.A.
	4NL-F8440-10	SIDE BAG COMP.	1	UR FOR CANADA
17	4NL-H5131-00	REFLECTOR, REAR 1	1	
* 18	90176-05059	NUT, CROWN	1	
19	92907-05600	WASHER, PLATE	1	
20	90480-20132	GROMMET	2	
21	90387-061Y7	COLLAR	2	
22	90201-06074	WASHER, PLATE	2	
23	90480-20338	GROMMET	2	
24	90387-06518	COLLAR	2	
25	90201-060A3	WASHER, PLATE	2	
26	92017-06025	SCREW	2	

FIG. 41 SADDLEBAG 1 (FOR XVZ13ATH)

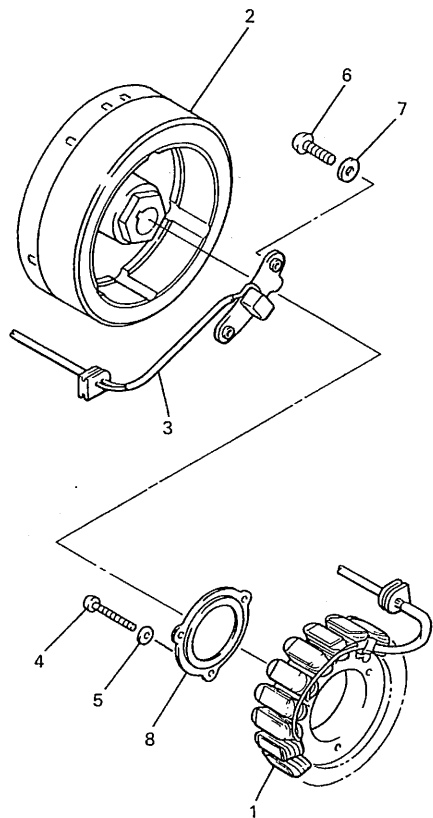


REF. NO.	PART NO.	DESCRIPTION	Q'TY	REMARKS
27	92017-06030	SCREW	2	
28	4NL-F8474-00	FRAME, SADDLEBAG 2	1	
30	95817-08050	BOLT, FLANGE	2	
31	4NL-F8418-00	GUARD, ENGINE 1	1	
32	4NL-F8419-00	GUARD, ENGINE 2	1	
33	90176-10075	NUT, CROWN	2	
34	92907-10600	WASHER, PLATE	2	
35	92017-10030	SCREW	2	
* 29	95817-08012	BOLT, FLANGE	1	

4NK110-6410

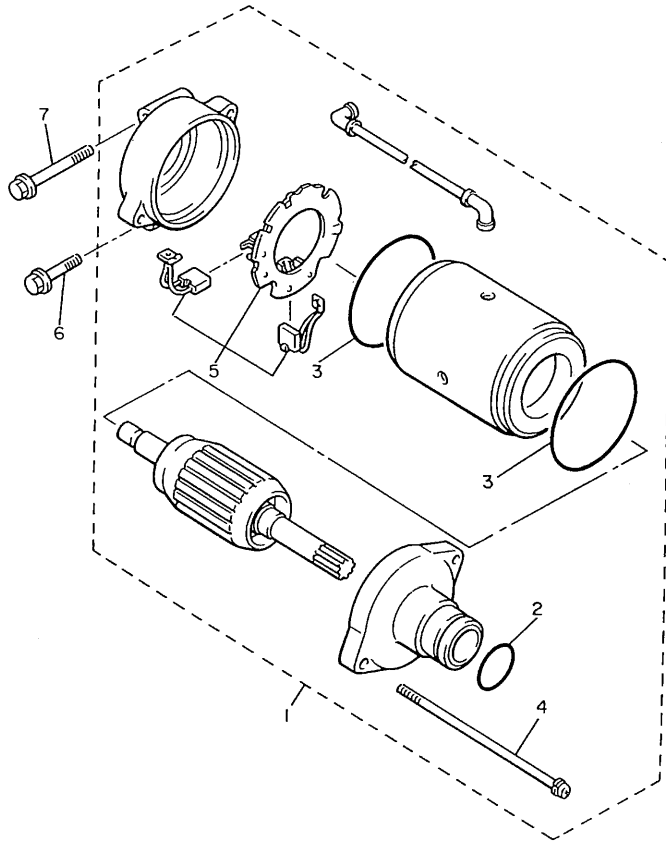
FIG. 42 GENERATOR

REF. NO.	PART NO.	DESCRIPTION	Q'TY	REMARKS
1	4NK-81410-00	STATOR ASSY	1	
2	4NK-81450-00	ROTOR ASSY	1	
3	4NK-81670-00	PICK-UP ASSY	1	
4	98517-06030	SCREW, PAN HEAD	3	
5	92907-06600	WASHER, PLATE	3	
6	98507-06016	SCREW, PAN HEAD	2	
7	90201-06643	WASHER, PLATE	2	
8	4NK-15113-00	PLATE	1	



4NK110-6420

FIG. 43 STARTING MOTOR

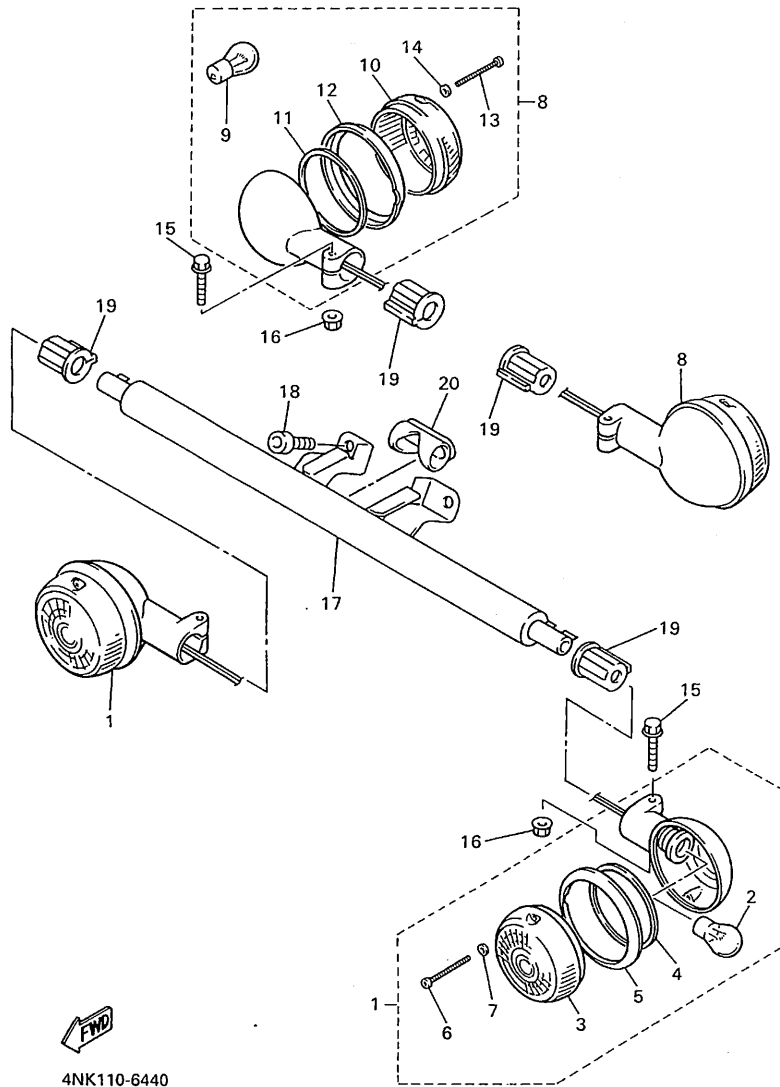


REF. NO.	PART NO.	DESCRIPTION	Q'TY	REMARKS
1	4NK-81800-00	STARTING MOTOR ASSY	1	
2	26H-81847-00	•O-RING	1	
3	11H-81844-00	•GASKET	2	
4	3AJ-81826-00	•BOLT	2	
5	3AJ-81801-00	•BRUSH SET	1	
6	95827-06025	BOLT, FLANGE	1	
7	95817-06055	BOLT, FLANGE	1	



3LR351-0400

FIG. 44 FLASHER LIGHT

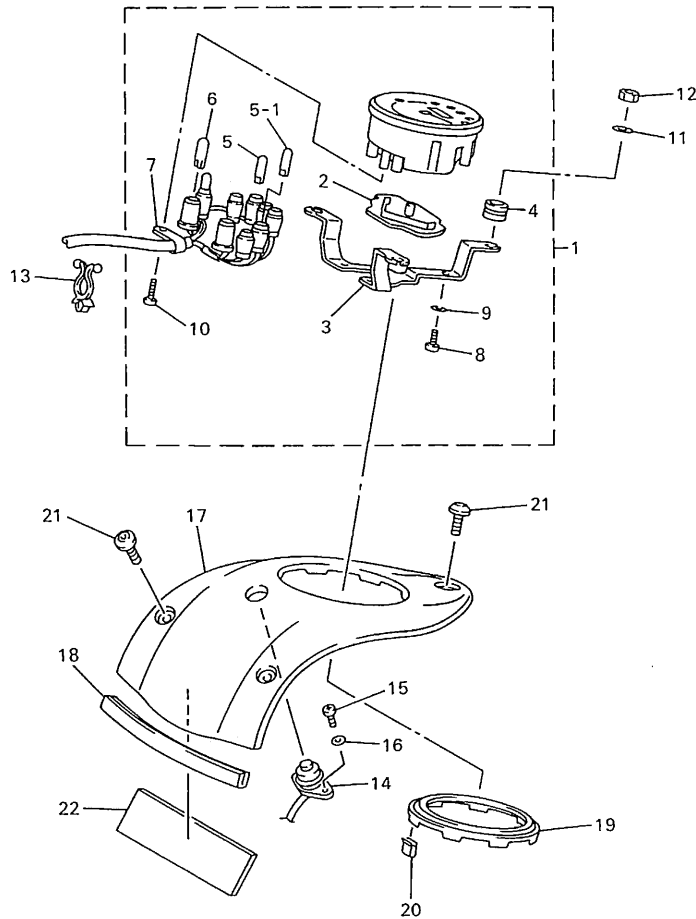


REF. NO.	PART NO.	DESCRIPTION	Q'TY	REMARKS
1	4NK-83310-00	FRONT FLASHER LIGHT ASSY 1	2	
2	256-84714-61	.BULB (12V-27/8W)	1	
3	42X-83312-00	.LENS, FLASHER	1	
4	42X-83313-00	.GASKET, FLASHER LENS	1	
5	42X-83363-00	.LENS, RIM	1	
6	98507-03020	.SCREW, PAN HEAD	2	
7	42X-83359-00	.WASHER, SPECIAL	2	
8	1AA-83330-K0	REAR FLASHER LIGHT ASSY 1	2	
9	256-83311-70	.BULB (12V-27W)	1	
10	42X-83312-00	.LENS, FLASHER	1	
11	42X-83313-00	.GASKET, FLASHER LENS	1	
12	42X-83363-00	.LENS, RIM	1	
13	341-83333-70	.SCREW, LENS FITTING	2	
14	42X-83359-00	.WASHER, SPECIAL	2	
15	95024-06030	BOLT, FLANGE	4	
16	95704-06500	NUT, FLANGE	4	
17	4NK-2317V-00	STAY, 8	1	
* 18	91314-08016	BOLT	2	FOR XVZ13AH
19	4NK-83321-00	DAMPER, FLASHER 1	4	
20	4NK-83345-00	PLUG, BLIND	1	



4NK110-6440

FIG. 45 METER



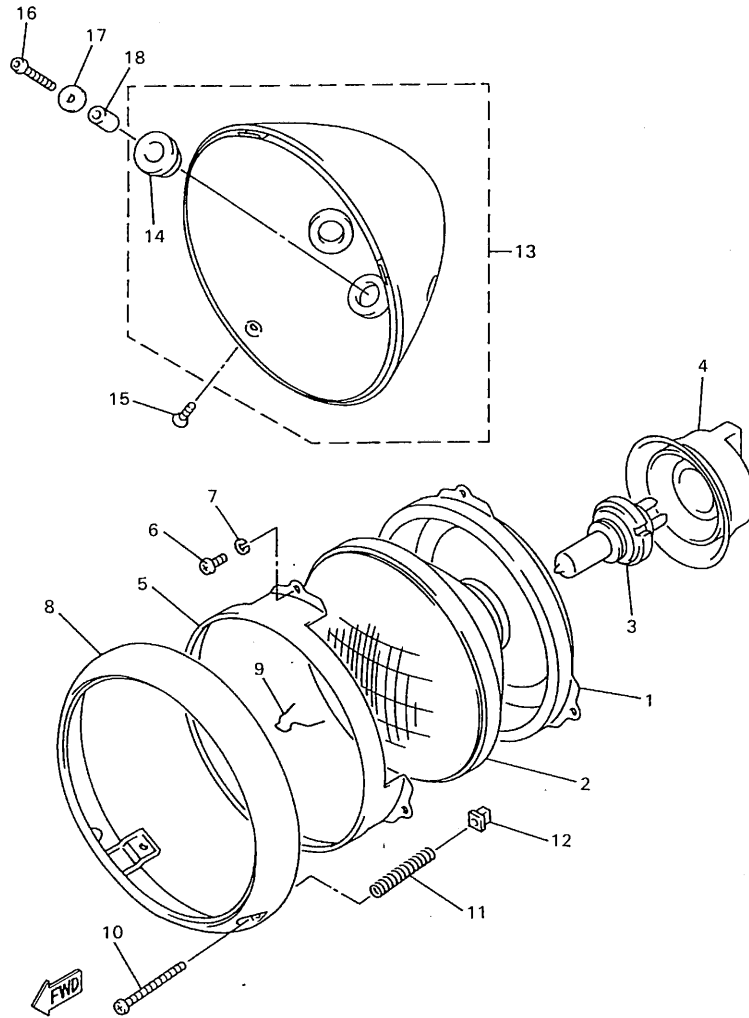
REF. NO.	PART NO.	DESCRIPTION	Q'TY	REMARKS
* 1	4NK-83500-01	SPEEDOMETER ASSY	1	UR FOR U.S.A.
	4NK-83500-11	SPEEDOMETER ASSY	1	UR FOR CANADA
2	4NK-83579-00	•COVER, METER 2	1	
3	4NK-83519-00	•BRACKET, METER	1	
4	4NK-83523-00	•DAMPER	3	
* 5	3FV-83517-00	•BULB (12V-1.7W)	6	
* 5-1	42X-83517-00	•BULB (T6.5 12V-3W)	1	FOR FUEL
* 6	4NK-83517-00	•BULB (12V-1.7W)	2	FOR ILLUMI
7	4NK-8357E-00	•CLAMP	1	
8	98507-04010	•SCREW, PAN HEAD	3	
9	92907-04100	•WASHER, SPRING	3	
10	97707-40012	•SCREW, TAPPING	1	
11	90201-05036	WASHER, PLATE	3	
12	95307-05600	NUT	3	
13	90464-13066	CLAMP	1	
14	4NK-8358J-00	SWITCH, METER CONTROL	1	
15	98517-05012	SCREW, PAN HEAD	2	
16	92907-05600	WASHER, PLATE	2	
17	4NK-83559-00	COVER, METER	1	
18	4NK-28345-00	MOLE 1	1	
19	4NK-28346-00	MOLE 2	1	
20	1FK-2171H-00	GUIDE	8	
21	90149-06264	SCREW	3	
22	11H-21747-00	DAMPER	1	



4NK110-6452

G3

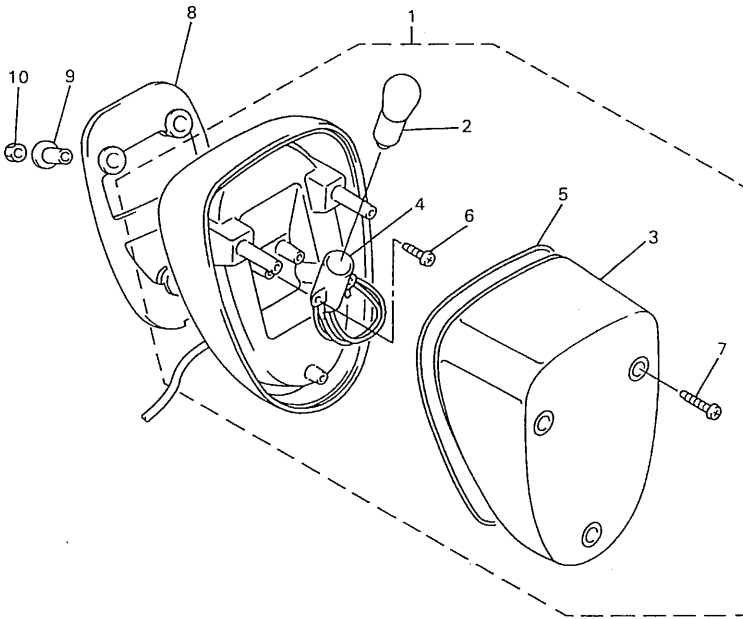
FIG. 46 HEADLIGHT



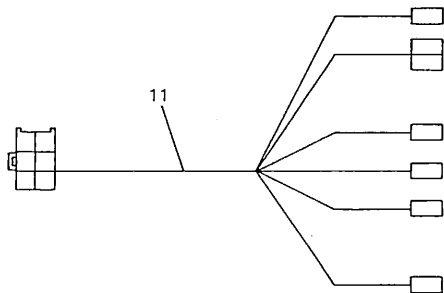
4NK110-6460

REF. NO.	PART NO.	DESCRIPTION	Q'TY	REMARKS
1	4NK-84394-00	RING, MOUNTING	1	
2	4NK-84320-00	LENS ASSY	1	
3	2F9-84314-00	BULB (12V-60/55W)	1	(H4)HALOGEN
4	3SX-84397-00	COVER, SOCKET	1	
5	2F9-84395-00	RING, RETAINING	1	
6	98580-04008	SCREW, PAN HEAD	3	
7	92990-04100	WASHER, SPRING	3	
8	4NK-84315-00	RIM, HEADLIGHT	1	
9	290-84124-21	SPRING, SET	1	
10	90157-04001	SCREW, PAN HEAD	2	
11	1A0-84332-60	SPRING, SCREW	2	
12	198-84334-60	NUT, ADJUSTING	2	
13	4NK-84330-00	BODY ASSY	1	
14	42X-84366-00	DAMPER, HEADLIGHT 1	3	
15	98704-05012	SCREW, FLAT HEAD	2	
16	92017-06025	SCREW	3	
17	90201-06073	WASHER, PLATE	3	
18	90387-0610J	COLLAR	3	

FIG. 47 TAILLIGHT



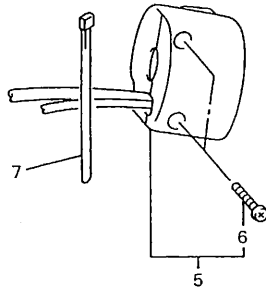
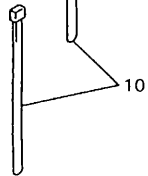
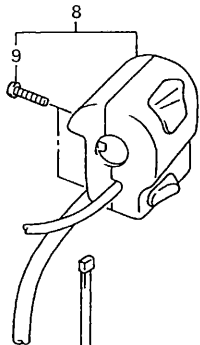
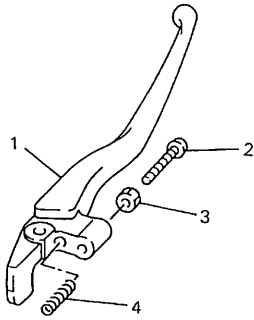
REF. NO.	PART NO.	DESCRIPTION	Q'TY	REMARKS
1	4NK-84700-00	TAILLIGHT ASSY	1	
2	256-84714-61	.BULB (12V-27/8W)	1	
3	4NK-84721-00	.LENS, TAILLIGHT	1	
4	4NK-84735-00	.CORD ASSY	1	
5	4NK-84702-00	.GASKET, TAILLENS	1	
* 6	97707-40616	.SCREW, TAPPING	2	
* 7	97780-40525	.SCREW, TAPPING	3	
8	4NK-84527-00	DAMPER	1	
9	90387-06388	COLLAR	3	
10	95317-06600	NUT	3	
11	4NK-84717-00	CORD, TAILLIGHT	1	



4NK110-6470

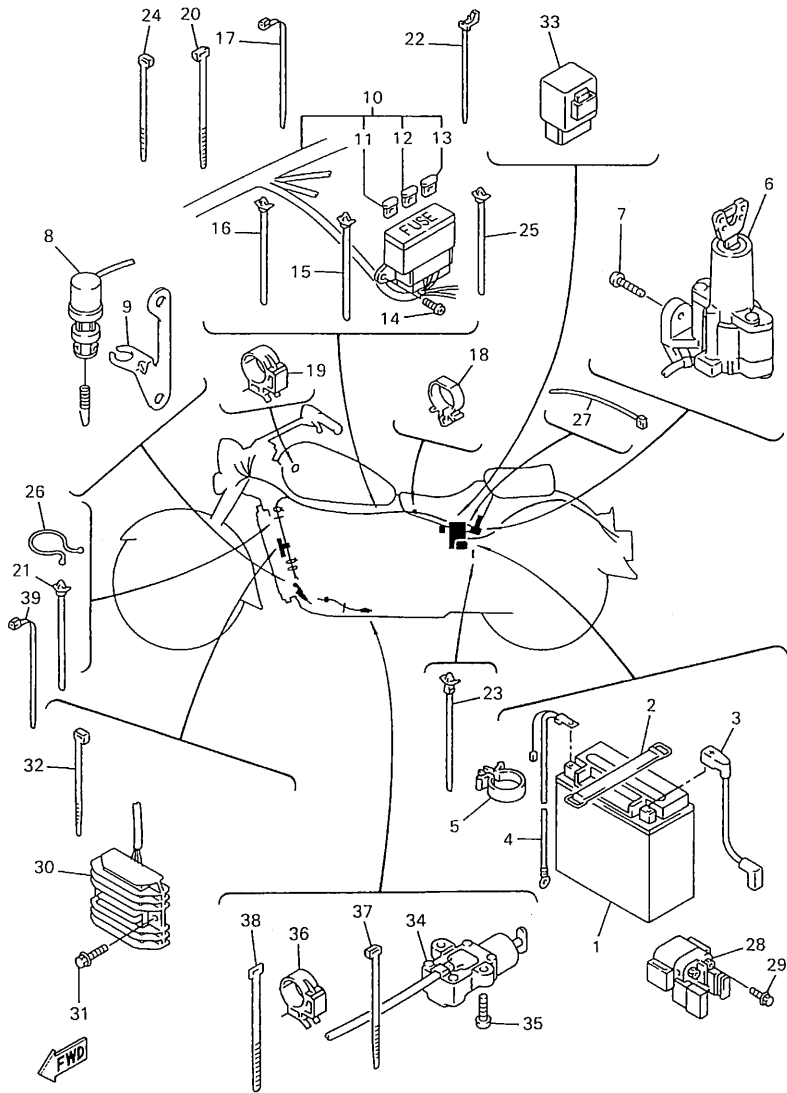
FIG. 48 HANDLE SWITCH • LEVER

REF. NO.	PART NO.	DESCRIPTION	Q'TY	REMARKS
1	4NK-83922-00	LEVER 2	1	
2	90149-06131	SCREW	1	
3	90170-06010	NUT	1	
4	90501-10312	SPRING, COMPRESSION	1	
5	4NK-83973-00	SWITCH, HANDLE 3	1	
6	98504-05025	•SCREW, PAN HEAD	2	
7	1UA-82591-00	BAND	2	
8	4NK-83975-00	SWITCH, HANDLE 2	1	
9	98504-05025	•SCREW, PAN HEAD	2	
10	1UA-82591-00	BAND	2	



4NK110-6480

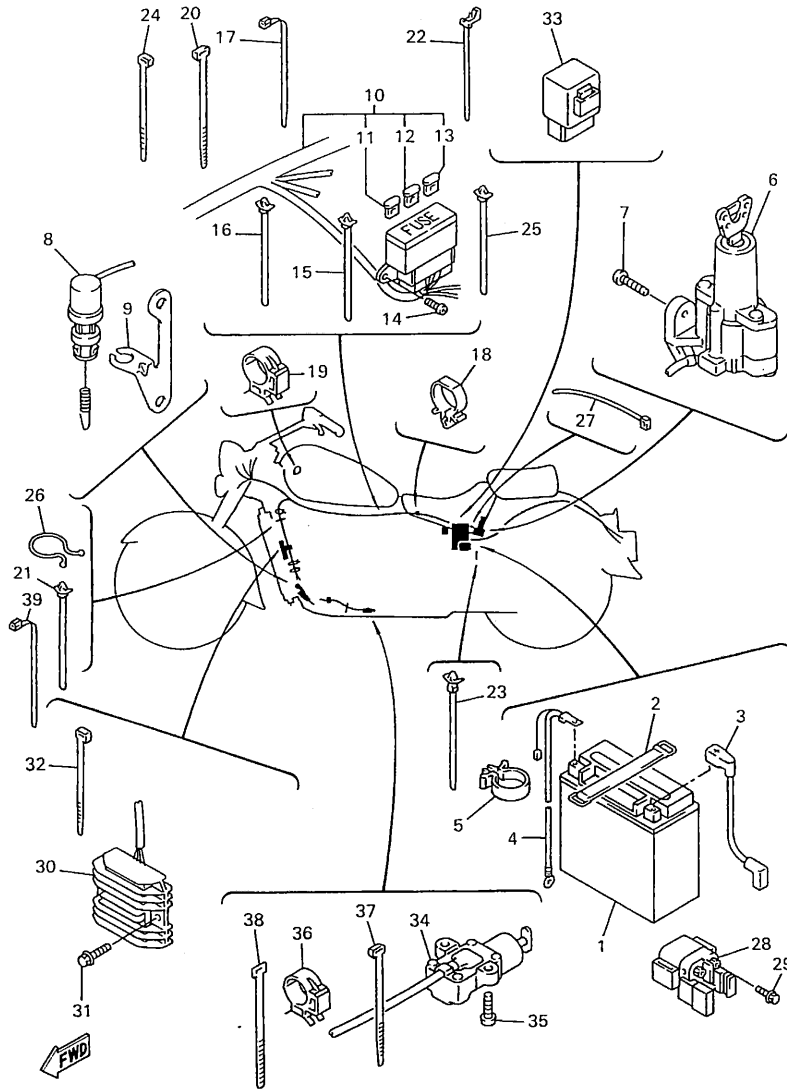
FIG. 49 ELECTRICAL 1



4NK110-6490

REF. NO.	PART NO.	DESCRIPTION	Q'TY	REMARKS
1	4SH-82100-00	BATTERY ASSY (YTX20L-BS)	1	UR FOR U.S.A.
	4SH-82100-20	BATTERY ASSY (YTX20L-BS)	1	UR FOR CANADA
2	7H3-82131-00	BAND, BATTERY	1	
3	4NK-82115-00	WIRE, PLUS LEAD	1	
4	4NK-82116-00	WIRE, MINUS LEAD	1	
5	90464-13133	CLAMP	1	
6	4NK-82510-00	MAIN SWITCH ASSY	1	
7	90149-06308	SCREW	2	
8	4NK-82530-00	STOP SWITCH ASSY	1	
9	4NK-82539-00	STAY, STOP SWITCH	1	
10	4NK-82590-00	WIRE HARNESS ASSY	1	
11	42X-82151-00	•FUSE (10A-BL)	4	
12	36Y-82151-00	•FUSE (15A-BL)	2	
13	1NL-82151-00	•FUSE (5A-BL)	2	
14	98907-06012	SCREW, BIND	2	
15	90464-12089	CLAMP	1	
16	90464-12089	CLAMP	1	
17	90464-13073	CLAMP	1	
18	90464-24230	CLAMP	1	
19	90464-10190	CLAMP	1	
20	1UA-82591-00	BAND	1	
21	90464-12089	CLAMP	2	
22	90464-15200	CLAMP	1	
23	90464-10112	CLAMP	2	
24	12R-82591-00	BAND	2	
25	90464-12036	CLAMP	1	
26	90464-30040	CLAMP	2	
27	12R-82591-00	BAND	1	

FIG. 49 ELECTRICAL 1

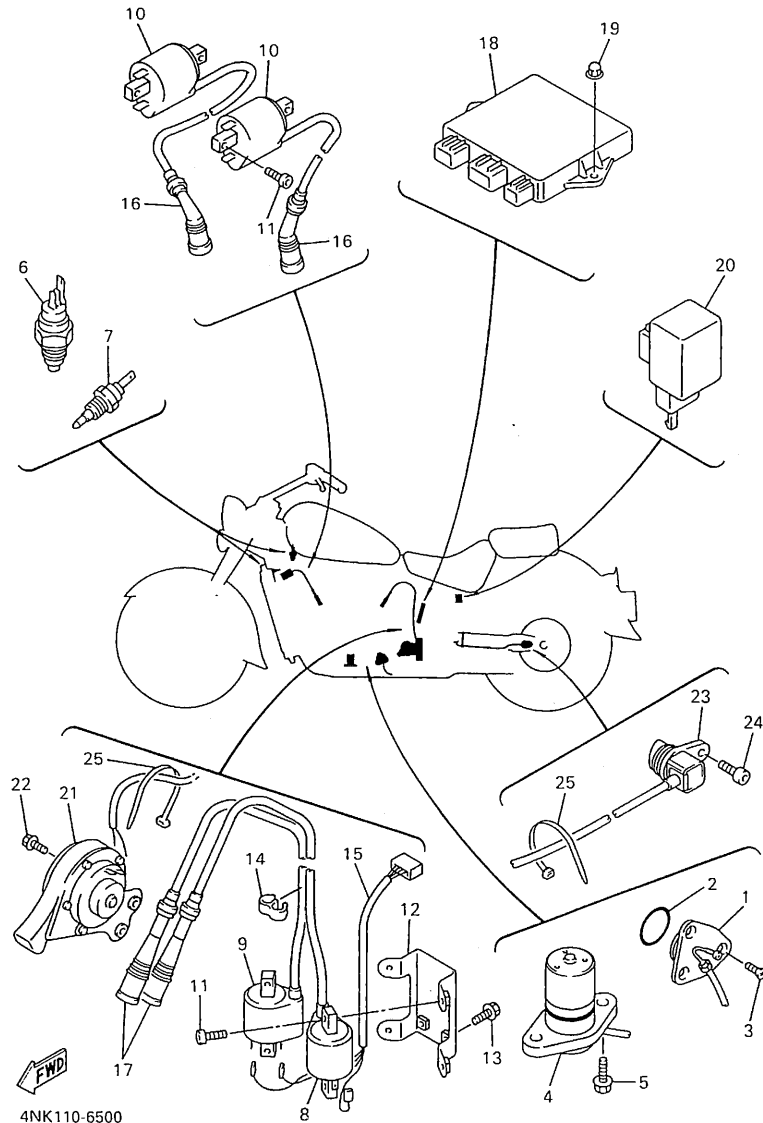


4NK110-6490

REF. NO.	PART NO.	DESCRIPTION	Q'TY	REMARKS
28	4BH-81940-00	STARTER RELAY ASSY	1	
29	95027-06008	BOLT, FLANGE	2	
30	3LS-81960-00	RECTIFIER & REGULATOR ASSY	1	
31	95817-06020	BOLT, FLANGE	2	
32	25G-83936-01	BAND, SWITCH CORD	1	
33	3EN-81950-00	RELAY ASSY	1	
34	3LD-82566-50	SWITCH, SIDE STAND	1	
35	90157-05079	SCREW, PAN HEAD	2	
36	90464-10190	CLAMP	1	
37	1UA-82591-00	BAND	1	
38	25G-83936-01	BAND, SWITCH CORD	1	
39	90464-13073	CLAMP	1	



FIG. 50 ELECTRICAL 2



4NK110-6500

REF. NO.	PART NO.	DESCRIPTION	Q'TY	REMARKS
1	4NK-82540-00	NEUTRAL SWITCH ASSY	1	
2	93210-29196	O-RING	1	
3	98707-05012	SCREW, FLAT HEAD	3	
4	1FK-85720-00	OIL LEVEL GAUGE ASSY	1	
5	95027-06016	BOLT, FLANGE	2	
6	3LN-82560-01	THERMO SWITCH ASSY	1	
7	3YX-82560-00	THERMO SWITCH ASSY	1	
8	4NK-82310-00	IGNITION COIL ASSY	1	
9	4NK-82310-10	IGNITION COIL ASSY	1	
10	4NK-82320-00	IGNITION COIL ASSY	2	
11	91317-05016	BOLT, SOCKET HEAD	8	
12	4NK-82316-00	BRACKET, IGNITION COIL	1	
13	95817-06010	BOLT, FLANGE	2	
14	90464-10075	CLAMP	1	
15	4NK-82509-00	WIRE, SUB LEAD	1	
16	4NK-82370-00	PLUG CAP ASSY	2	
17	1FK-82370-00	PLUG CAP ASSY	2	
18	4NK-82305-00	IGNITOR UNIT ASSY	1	
19	90176-06065	NUT, CROWN	2	
20	3GM-83350-01	FLASHER RELAY ASSY	1	
21	4NK-83371-00	HORN	1	
22	90119-06217	BOLT, WITH WASHER	2	
23	4NK-83755-00	SENSOR, SPEED	1	
24	90109-081F0	BOLT	1	
25	3MA-82591-00	BAND	2	

NUMERICAL INDEX

PART NO.	GRID NO.	PART NO.	GRID NO.	PART NO.	GRID NO.
4NL-F164A-00	D-12	4NK-W0046-00	F-2	4NK-11195-00	B-3
4NL-F164E-00	D-12	1KT-W0047-00	F-2	214-11198-01	B-8
4NL-F164F-00	D-12	1NL-W0047-00	E-14		B-14
4NL-F164G-00	D-12	4NK-W0047-00	F-2		E-3
4NL-F8307-00	F-10	1J3-W0048-00	E-14	4NK-11400-00	B-4
	F-11		F-2	1FK-11416-01	B-4
4NL-F831G-00	F-10	1NL-W0048-00	C-14	1FK-11416-11	B-4
4NL-F831H-00	F-11	1KT-W0057-00	F-2	1FK-11416-21	B-4
4NL-F8315-00	F-10	1NL-W0057-00	E-14	1FK-11416-31	B-4
4NL-F833A-00	F-10	4NK-W0057-00	F-2	1FK-11416-41	B-4
4NL-F833E-00	F-11	26H-W0098-00	C-15	1FK-11416-51	B-4
4NL-F8336-00	F-10	3GM-WV0099-00	F-5	1FK-11416-61	B-4
4NL-F8337-00	F-10	26H-W1751-01	D-3	1NL-11610-00	B-4
4NL-F834E-00	F-10	4NK-W2211-00-35	D-15	1NL-11610-10	B-4
	F-11	50W-W247E-00	E-11	1NL-11610-20	B-4
4NL-F834V-00	F-10	3CK-W2470-00	E-11	4NK-11631-00-A0	B-4
4NL-F834W-00	F-11	4NK-W2585-00	F-4	1FK-11633-00	B-4
4NL-F8345-00	F-10		F-5	4NK-11635-00	B-4
4NL-F8346-00	F-10	4NK-W2645-00	F-5	4NK-11636-00	B-4
4NL-F835Y-00	F-10	26H-Y1319-10	B-14	26H-11650-00	B-4
4NL-F835Y-10	F-11	4NK-Y2150-30-0X	D-10	26H-11654-00	B-4
4NL-F8354-00	F-10	4NK-Y2150-40-1X	D-10	1FK-11656-00	B-4
	F-11	4NK-Y2150-50-33	D-10	1FK-11656-10	B-4
4NL-F8355-00	F-11	4NL-Y2150-20-0X	D-10	1FK-11656-20	B-4
4NL-F8356-00	F-10	4NL-Y2150-30-1X	D-10	1FK-11656-30	B-4
4NL-F8357-00	F-10	4NK-Y2161-50-0X	D-10	1FK-11656-40	B-4
4NL-F836A-00	F-10	4NK-Y2161-60-33	D-10	1FK-11656-50	B-4
4NL-F836E-00	F-10	4NK-Y2161-70-1X	D-10	26H-12111-10	B-5
4NL-F8362-00	F-10	4NK-Y2161-80-2X	D-10	4NK-12114-00	B-5
	F-11	4NK-Y2161-90-3X	D-10	26H-12116-00	B-5
4NL-F837J-00	F-10	4KG-1111G-00	B-3	26H-12117-00	B-5
4NL-F837K-00	F-10	4NK-1111H-00	B-3	4G0-12118-00	B-5
4NL-F837U-00	F-10	4NK-1111M-00	B-3	4KM-12119-00	B-5
4NL-F838E-00	F-10	4NK-1111N-00	B-3	26H-12121-10	B-5
4NL-F8396-00	F-10	4NK-1111P-00	B-3	26H-12153-00-J0	B-5
4NL-F8397-00	F-10	4NK-1111R-00	B-3	26H-12153-00-Y0	B-5
4NL-F8418-00	F-13	4NK-11110-00	B-2	26H-12168-A0	B-5
4NL-F8419-00	F-13	4NK-11120-00	B-2	26H-12168-F0	B-5
4NL-F8430-00	F-12	26H-11133-10	B-2	26H-12168-H0	B-5
4NL-F8430-10	F-12	4NK-11142-00	B-3	26H-12168-K0	B-5
4NL-F8440-00	F-12	4NK-11152-00	B-3	26H-12168-M0	B-5
4NL-F8440-10	F-12	4NK-11166-00	B-11	26H-12168-R0	B-5
4NL-F8473-00	F-12	1NL-11181-00	B-2	26H-12168-U0	B-5
4NL-F8474-00	F-13	4NK-11185-00	B-3	26H-12168-V0	B-5
4NL-H5131-00	F-12	4NK-11186-00	B-3	26H-12168-Y0	B-5
4K0-W0041-50	F-4	4NK-11187-00	B-3	26H-12168-00	B-5
1FK-W0042-50	F-8	4NK-11191-00	B-3	26H-12168-20	B-5
4NK-W0045-00	E-14	4NK-11193-00	B-3	26H-12168-40	B-5

NUMERICAL INDEX

PART NO.	GRID NO.	PART NO.	GRID NO.	PART NO.	GRID NO.
26H-12168-60	B-5	4NK-12482-00	B-12	4NK-14130-00	C-7
26H-12168-80	B-5	4NK-12483-00	B-8	4NK-14130-10	C-4
26H-12169-E0	B-6	4NK-12484-00	B-11		C-7
26H-12169-G0	B-6	4NK-12551-00	B-11	4NK-14137-00	C-4
26H-12169-J0	B-6	1AA-12561-00	B-10		C-7
26H-12169-L0	B-6	4NK-12576-00	B-11	3DM-14141-30	C-3
26H-12169-N0	B-6	4NK-12577-00	B-11		C-6
26H-12169-T0	B-6	4NK-12578-00	B-10	22F-14142-20	C-4
26H-12169-10	B-5	4NK-12579-00	B-11		C-7
26H-12169-30	B-5	4NK-12588-00	B-11	1HX-14147-00	C-3
26H-12169-50	B-5	4NK-12589-00	B-11		C-6
26H-12169-70	B-5	4NK-12590-00	B-12	36Y-14147-00	C-4
26H-12169-90	B-5	4NK-12671-00	B-10		C-7
2WT-12171-00	B-7	1FK-13151-00	B-15	137-14153-00	C-2
26H-12176-02	B-7	26H-13161-00	B-14		C-1
26H-12177-01	B-7	26H-13171-00	B-14	353-14186-00	C-4
1NL-12181-00	B-7	26H-13181-03	B-14		C-7
26H-12210-03	B-7	26H-13300-02	B-13	12R-14191-00	C-4
3JP-12213-01	B-7	26H-13325-00	B-13		C-7
26H-12233-00	B-7	26H-13337-01	B-14	1AE-14197-00	C-4
26H-12241-00	B-7	26H-13342-00	B-13		C-7
26H-12251-00	B-7	26H-13351-01	B-13	3JD-14197-00	C-4
26H-12252-00	B-7	26H-13361-00	B-13		C-7
4NK-1240J-00	B-10	3JP-13414-01	B-14	4HM-14216-00	C-5
4NK-1240K-00	B-10	26H-13416-01	B-14		C-7
4NK-12405-00	B-10	26H-13417-01	B-14	1AE-14227-00	C-3
1AE-12410-00	B-9	3FV-13440-00	B-14		C-6
4NK-12413-00	B-9	3VD-13455-00	B-14	1HX-14231-23	C-4
4NK-12417-00	B-8	26H-13476-00	B-14		C-7
4NK-12420-00	B-8	16G-13569-00	C-2	3G2-14231-19	C-3
4NK-12422-00	B-8	4DN-13575-00	C-2		C-6
26H-12427-00	B-11	4NK-13586-00	C-2	1AE-14237-00	C-3
26H-12428-00	B-11	4NK-13596-00	C-2		C-6
1AA-12435-00	B-10	4NK-13782-00	B-15	4HM-14239-00	C-5
4NK-12437-00	B-8	4NK-13907-00	E-10		C-8
11H-12438-00	B-8	4DN-1410A-01	C-4	3XV-14243-00	C-3
4NK-1244E-00	B-8		C-7		C-6
4NK-12449-00	B-8	4NK-14103-00	C-4	1WG-14251-00	C-4
1FK-12450-00	B-8		C-7		C-7
4NK-12450-00	B-9	3KW-14105-00	C-3	1AE-14261-00	C-3
26H-12459-00	B-8		C-6		C-7
26H-1246A-03	B-11	3CF-14107-15	C-4	4NK-14349-00	C-4
26H-1246E-03	B-11		C-7		C-7
4NK-12461-00	B-10	22U-14115-00	C-3	4NK-14396-00	C-4
3XP-12462-00	B-12		C-6		C-7
4NK-12465-00	B-10	3F9-14118-00	C-3	4NK-14411-00	C-2
26H-12469-01	B-2		C-6	4NK-14413-00	B-11
4NK-12481-00	B-12	4NK-14130-00	C-4	4NK-14414-00	B-11

NUMERICAL INDEX

PART NO.	GRID NO.	PART NO.	GRID NO.	PART NO.	GRID NO.	PART NO.	GRID NO.	PART NO.	GRID NO.	PART NO.	GRID NO.
31A-14419-00	C- 2	4NK-14935-00	C- 4	26H-16154-00	C-14	4NK-18113-00	D- 6	4NK-21621-00-FE	D-11	4NK-23102-00	E- 6
4NK-14419-00	C- 2			26H-16307-00	C-14	4NK-18115-00	D- 6	4NK-21621-00-P0	D-11	4NK-23103-00	E- 6
4NK-14421-00	C- 2	55X-14937-00	C- 5	26H-16321-00	C-14	26H-18140-01	D- 6	4NK-21621-00-33	D-11	4NK-23110-00	E- 6
31A-14435-00	C- 2	22V-14940-00	C- 4	26H-16324-00	C-14	4NK-18141-00	D- 5	4NK-21621-00-8E	D-11	4NK-23111-00	E- 6
4NK-14437-00	C- 2			4NK-16334-00	C-14	4NK-18150-00	D- 6	4NL-21621-00	D-11	4NK-23118-00	E- 6
4NK-14451-00	C- 2	4NK-14940-00	C- 3	1FK-16335-00	C-14	4NK-18151-00	D- 6	5A8-21639-00	D-11	4NK-23121-00	E- 7
4NK-14452-00	C- 2			132-16346-00	D- 6	2H9-18154-00	D- 6	51Y-21639-00	D-13	4NK-23122-00	E- 5
4NK-14453-00	C- 2	1HX-14985-00	C- 4	1FK-16351-00	C-14	26H-18185-00	D- 5	4NK-2164F-00	D-11	4KM-23123-01	E- 7
22U-14561-00	C- 3			1FK-16352-00	C-14	4NK-18197-00	D- 6	4NK-2164G-00	D-11	4NK-23123-00	E- 7
		4NK-14987-00	C- 5	4KG-16356-00	C-14	4NK-18511-00	D- 5	4NK-21641-00	D-11	4NK-23125-00	E- 6
1FN-14565-00	C- 4	4NK-14987-10	C- 5	4NK-16357-00	C-14	4NK-18512-00	D- 5	4NK-21649-00	D-11		
		4NK-15100-00	C-10	1FK-16371-00	C-14	4NK-18513-00	D- 5	4NK-2165A-01	D-10	4NK-23126-00	E- 6
1HX-14565-00	C- 3	26H-15113-00	C-11	4NK-1638A-00	C-15	4NK-18531-00	D- 5	4NK-2165A-11	D-10	4NK-23135-00	E- 6
		4NK-15113-00	F-14	1FK-16381-11	C-14	26H-18536-00	D- 6	4NK-2165A-21	D-10		
4NK-14610-00	C- 9	26H-15138-00	C-10	1FK-16383-00	C-14	4NK-18540-00	D- 5	4NL-2165A-01	D-11	4NK-23136-00	E- 6
3GD-14613-00	C- 9	4NK-15138-00	C-10	26H-16384-00	C-14	278-18542-00	D- 5	4NK-2165A-10	D-11	4NK-23141-00	E- 6
4NK-14620-00	C- 9	26H-15148-00	C-10	26H-16385-00	C-14	26H-18561-01	D- 5	4NK-2171A-00	E- 9	4NK-23142-00	E- 6
4NK-14630-00	C- 9	4H7-15189-00	C-10	26H-16399-00	C-14	278-18566-00	D- 5	4NK-2171E-00-33	D- 8	4NK-23144-00	E- 6
4NK-14650-00	C- 9	4NK-15191-00	C-12	4NK-17121-01	D- 2	4NK-21110-00-33	D- 8	1FK-2171H-00	G- 3		
4NK-14703-00	C- 9	4NK-15316-00	B- 3	4NK-17141-01	D- 2	4NK-21110-10-33	D- 8	4NK-2171X-00-33	D- 8	4NK-23145-00	E- 6
4NK-14704-00	C- 9	1AA-15326-00	C-10	4NK-17151-00	D- 2	4NK-21120-00-33	D- 8	4NK-21711-00-FE	D-13		
4BH-14714-00	C- 9	1AA-15336-00	C-10	4NK-17211-01	D- 2	4NK-21150-00-33	D- 8	4NK-21711-00-P0	D-13	4NK-23146-00	E- 6
4NK-14714-00	C- 9	26H-15337-01	B- 8	4NK-17221-01	D- 2	4NK-2117F-00	D- 8	4NK-21711-00-33	D-13		
4NK-14867-00	C- 5	26H-15338-00	B- 8	4NK-17231-01	D- 2	4NK-2117G-00	D- 9	4NK-21711-00-8E	D-13	4NK-23147-00	E- 6
		2H7-15361-00	C-11	4NK-17241-01	D- 2	52W-2117G-00	D-13	4NK-21721-00-FE	D-13		
4NK-1490J-00	C- 3	2H7-15363-00	C-12	4NK-17251-00	D- 2	4NK-2117M-01	D- 8	4NK-21721-00-P0	D-13	4NK-23151-00	E- 6
		4NK-15363-00	C-11	4NK-17411-01	D- 2	4NK-2117X-00-FE	D-13	4NK-21721-00-33	D-13		
4NK-1490L-00	C- 4	26H-15365-00	B-14	4NK-17421-00	D- 2	4NK-2117X-00-P0	D-13	4NK-21721-00-8E	D-13	34L-23153-00	E- 6
		26H-15366-01	B-14	2WE-17524-00	D- 3	4NK-2117X-00-33	D-13	4NK-21731-00	D-14		
4NK-1490L-10	C- 4	26H-15373-00	C-11	2WE-17527-00	D- 3	4NK-2117X-00-8E	D-13	1JK-21735-00	D-13	4NK-23157-00	E- 6
		26H-15381-00	C-11	3UF-17531-00	D- 3	4NK-21190-00	D- 8	4NK-21735-00	D-10		
4NK-14900-00	C- 6	26H-15383-00	C-11	3UF-17531-10	D- 3	4NK-21228-00	F- 8	4NK-21741-00	D-14	3MA-23163-10	E- 6
4NK-14901-00	C- 3	4NK-15411-00	C-12	3UF-17531-20	D- 3	4NK-21243-00	D-14	11H-21747-00	G- 3		
		4NK-15421-00	C-12	3UF-17531-30	D- 3	4NK-2134X-00	D- 9	4NK-2177G-00	D-14	4NK-23163-00	E- 7
4NK-14901-10	C- 3	4NK-15423-00	C-12	3UF-17531-40	D- 3	4NK-2141V-00	D- 8	4NK-2179R-01	E-12	4NK-23165-00	E- 7
4NK-14902-00	C- 3	4NK-15427-00	C-12	3UF-17531-50	D- 3	4NK-21445-00	D- 9	4NK-2179V-01	E-12	4NK-23166-00	E- 6
		4NK-15431-00	C-12	4X7-17531-00-15	D- 3	4NK-21446-00	D- 9	26H-21828-00	D-14		
4NK-14902-10	C- 3	4NK-15451-00	C-12	4X7-17531-00-30	D- 3	4X7-2149Y-00	C- 2	4NK-21871-00	D-14	4NK-2317V-00	G- 2
4NK-14903-00	C- 3	4NK-15461-00	C-12	4X7-17531-00-50	D- 3	4NL-21521-00	D-10	4NK-21875-00	D-14	4NK-2317W-00	D-11
		4NK-15462-00	C-12	1J7-17537-Y0-30	E- 2	1KT-21541-00	E- 5	4NK-2214H-00	D-15	4NL-2317W-00	D-11
4NK-14903-10	C- 3	26H-15512-00	C-13	1J7-17537-Y0-40	E- 2	4NL-21561-00	D-10	4NK-22141-00	D-15	4NK-23171-00	E- 6
4NK-14904-00	C- 3	26H-15514-00	C-13	1J7-17537-Y0-50	E- 2	4NK-21570-01	D-10	26H-22143-00	D-15		
		26H-15515-00	C-13	26H-17551-00	D- 3	4NK-21570-11	D-10	4NK-2217A-00	D-15	1KT-23181-00	E- 7
4NK-14904-10	C- 3	4NK-15517-00	C-13	26H-17556-00	D- 3	4NK-21570-21	D-10	4NK-2217M-00	D-15	38W-23181-00	E- 7
1FN-14918-00	C- 4	26H-15521-00	C-13	2H7-17571-01	D- 3	4NL-21570-01	D-10	26H-22189-00	D-15	4NK-23181-00	E- 6
		26H-15522-00	C-13	56W-17590-00	E- 3	4NL-21570-10	D-10	2H7-2219X-00	D-15		
4NK-14933-00	C- 3	4NK-15590-00	C-13	4NK-18101-00	D- 6	4NL-21577-00	D-10	4NK-22210-00	E- 4	4NK-23181-10	E- 7
		4NK-16150-01	C-14	4NK-18110-00	D- 6	4NL-21578-00	D-10	4NK-22210-10	E- 4	4NK-23193-00	E- 6

NUMERICAL INDEX

PART NO.	GRID NO.	PART NO.	GRID NO.	PART NO.	GRID NO.
4NK-23193-00	E - 7	1FK-24566-00	E - 9	1KT-25836-00	E -14
4NK-2331E-00	E - 7	4NK-24602-10	E - 9	1NL-25836-00	F - 2
4NK-23340-00	E - 7	4NK-2471A-00	E -11	2KF-25852-50	F - 9
4NK-23389-00	E - 7	4NK-24710-00	E -11	360-25854-00	F - 9
2A6-23408-00	D - 9	4NL-24710-00	E -11	4NK-25854-00	F - 4
1W1-23416-00	E - 5	4NK-24711-00	E -11	4NK-2741L-00	F - 5
26H-23418-01	E - 5	4NL-24711-00	E -11	4NK-27410-00	F - 6
4NK-23435-00	E - 5	509-24724-00	D -12	4NK-27413-00	F - 6
4NK-23437-00	E - 5		E -11	4NK-27414-00	F - 6
4NK-23441-00	E - 5	4NK-24728-00	E -11	4NK-27420-00	F - 6
4NK-23442-00	E - 5	22W-24741-00	E -11	4NK-27423-00	F - 4
584-23484-01	D - 9	4NK-2475H-00	D -12	4NK-27424-00	D - 9
4NK-24110-10-01	E - 8	4NK-24750-00	E -11	36Y-27424-00	F - 6
4NK-24110-10-02	E - 8	4NL-24750-00	E -11	4NK-27426-00	F - 6
4NK-24110-10-03	E - 8	4NK-24751-00	E -11	4NK-27427-00	F - 6
4NK-24110-10-04	E - 8	4NL-24751-00	E -11	4NK-27430-00	F - 6
4NK-24110-10-05	E - 8	4NK-24754-00	E -11	1NH-27433-00	F - 6
4NK-24129-00	E - 8	4NK-2478E-00	E -11		F - 7
1LJ-2414J-00	D - 9	4NK-2478X-00	E -11	2NT-27437-00	F - 6
4NK-24161-00	E - 8	4NL-24786-00	D -12		F - 7
4NK-24162-00	E - 8	4NK-24792-00	E -11	4NK-27440-00	F - 7
1UL-24170-00	E -10	4NK-24796-00	E -11	4NK-27443-00	F - 7
25H-24180-00	E - 9	4NK-2514A-00	E -14	4NK-27496-00	F - 6
2GH-24181-00	E - 8	4NK-2515A-00	E -14	4NK-27497-00	F - 6
4NK-24181-00	E - 8	4NK-25168-00-WG	E -13	4NK-28100-00	D - 9
4NK-24182-00	E - 8	4NK-25181-00	E -13	4NK-28173-00	D - 9
2GH-24183-00	E - 8	2H7-25315-00	E -15	4NK-28345-00	G - 3
4NK-24183-00	E - 8	1J7-25319-01	E -15	4NK-28346-00	G - 3
2GH-24186-00	E - 8	4NK-25338-00-WG	E -15	4NL-2840F-00	D -12
4NK-24186-00	E - 8	1FK-25364-00	E -15	4NK-46101-00	E - 2
31A-24188-01	E - 9	26H-25366-00	E -15	2H7-46102-00	E - 2
2JU-2419E-00	E -10	4NK-25381-00	E -15	1J7-46117-Y0-30	E - 3
4NK-24191-00	E - 8	29L-25398-00	E -13	1J7-46117-Y0-50	E - 3
4NK-24240-01	E - 8		E -15	22U-46118-00-12	E - 2
4NK-24240-10	E - 8	29L-25398-10	E -13	22U-46118-00-14	E - 2
4NK-24240-21	E - 8		E -15	22U-46118-00-16	E - 2
4NL-24240-01	E - 8	29L-25398-20	E -13	22U-46118-00-18	E - 2
4NL-24240-10	E - 8		E -15	22U-46118-00-20	E - 2
4NK-24311-00	E - 9	4NK-25673-00	F - 2	4H7-46123-01	E - 2
4NK-24312-00	E - 9	4NK-2580T-00	E -14	4H7-46125-00	E - 2
4NK-24321-00	E - 9	4NK-2580U-00	E -14	1FK-46152-01	E - 2
3H3-24376-00	C - 5	4NK-2580W-00	F - 2	1FK-46153-00	E - 2
3CV-24491-10	D -14	4NK-2581J-00	F - 9	1FK-46154-00	E - 3
2GU-24500-01	E - 9	4NK-25819-00	F - 2	1FK-46156-00	E - 3
4X8-24512-00	E - 9	3LD-2582A-00	F - 8	1FK-46157-00-15	E - 3
3AJ-24523-00	E - 9	3JB-2582U-01	E -14	1FK-46157-00-20	E - 3
3AJ-24534-00	E - 9	4NK-2582W-00	F - 2	4NK-46172-00	E - 3
1FK-24560-00	E - 9	4NK-2583V-00	F - 8	4X7-46180-00	E - 3

NUMERICAL INDEX

PART NO.	GRID NO.	PART NO.	GRID NO.	PART NO.	GRID NO.
4NK-27242-00	F - 8	4NK-81410-00	F -14	4NK-83345-00	D -11
4NK-27262-00	F - 8	4NK-81450-00	F -14		G - 2
4NK-27285-00	F - 8	4NK-81670-00	F -14	3GM-83350-01	G - 9
4NK-27311-00	F - 7	4NK-81800-00	F -15	42X-83359-00	G - 2
4NK-27316-00	F - 8	3AJ-81801-00	F -15	42X-83363-00	G - 2
4NK-2741L-00	F - 8	3AJ-81826-00	F -15	4NK-83371-00	G - 9
4NK-27410-00	F - 6	11H-81844-00	F -15	4NK-83500-01	G - 3
4NK-27413-00	F - 6	26H-81847-00	F -15	4NK-83500-11	G - 3
4NK-27414-00	F - 6	4BH-81940-00	G - 8	3FV-83517-00	G - 3
4NK-27420-00	F - 6	3EN-81950-00	G - 8	4NK-83517-00	G - 3
4NK-27423-00	F - 4	3LS-81960-00	G - 8	42X-83517-00	G - 3
36Y-27424-00	D - 9	4SH-82100-00	G - 7	4NK-83519-00	G - 3
4NK-27426-00	F - 6	4SH-82100-20	G - 7	4NK-83523-00	G - 3
4NK-27427-00	F - 6	4NK-82115-00	G - 7	4NK-83559-00	G - 3
4NK-27430-00	F - 6	4NK-82116-00	G - 7	4NK-8357E-00	G - 7
	F - 6	7H3-82131-00	G - 7	4NK-83579-00	G - 3
	F - 7	1NL-82151-00	G - 7	4NK-8358J-00	G - 3
	F - 6	36Y-82151-00	G - 7	4NK-83755-00	G - 9
	F - 7	42X-82151-00	G - 7	4NK-83912-00	F - 5
	F - 7	4NK-83925-00	G - 9	4NK-83922-00	G - 6
	F - 7	4NK-82310-00	G - 9	25G-83936-01	G - 8
	F - 6	4NK-82310-10	G - 9	4NK-83945-00	F - 5
	D - 9	4NK-82316-00	G - 9	4NK-83973-00	G - 6
	D - 9	4NK-82320-00	G - 9	4NK-83975-00	G - 6
	G - 3	1FK-82370-00	G - 9	3FV-83980-00	F - 4
	G - 3	4NK-82370-00	G - 9	3GM-83980-00	F - 5
	D -12	4NK-82509-00	G - 9	290-84124-21	G - 4
	E - 2	4NK-82510-00	G - 7	2F9-84314-00	G - 4
	E - 2	4NK-82530-00	G - 7	4NK-84315-00	G - 4
	E - 2	4NK-82539-00	G - 7	4NK-84320-00	G - 4
	E - 3	4NK-82540-00	G - 9	4NK-84330-00	G - 4
	E - 3	3LN-82560-01	G - 9	1A0-84332-60	G - 4
	E - 3	3YX-82560-00	G - 9	198-84334-60	G - 4
	E - 2	3LD-82566-50	G - 8	42X-84366-00	G - 4
	E - 2	4NK-82590-00	G - 7	4NK-84394-00	G - 4
	E - 2	1UA-82591-00	G - 6	2F9-84395-00	G - 4
	E - 2		G - 7	3SX-84397-00	G - 4
	E - 2		G - 8	4NK-84527-00	G - 5
	E - 2	12R-82591-00	G - 7	2AL-84553-00	D -15
	E - 2	3MA-82591-00	G - 9	4NK-84700-00	G - 5
	E - 2	4NK-82594-00	D - 9	4NK-84702-00	G - 5
	E - 2	4NK-83310-00	G - 2	256-84714-61	G - 1
	E - 3	256-83311-70	G - 2		G - 5
	E - 3	42X-83312-00	G - 2	4NK-84717-00	G - 5
	E - 3	42X-83313-00	G - 2	4NK-84721-00	G - 5
	E - 3	4NK-83321-00	G - 2	4NK-84735-00	G - 5
	E - 3	1AA-83330-K0	G - 2	11H-85110-01	B -10
	E - 3	341-83333-70	G - 2	1FK-85130-00	D -11

NUMERICAL INDEX

PART NO.	GRID NO.	PART NO.	GRID NO.
449-85131-02	D-11	90149-06264	G-3
1FK-85720-00	G-9	90149-06280	D-6
4NK-85752-00	E-10	90149-06298	D-13
5G3-85753-00	E-10	90149-06308	G-7
4NK-85885-00	C-5	90149-08152	C-11
	C-7	90151-06013	D-5
90101-06576	C-9	90151-06041	C-11
90101-10776	F-7		D-6
90101-12498	E-4	90157-04001	G-4
90101-12749	D-15	90157-05079	G-8
	E-4	90159-06071	D-14
90105-06153	B-2	90159-06084	D-13
7105-07342	B-7	90159-06107	D-10
90105-08310	D-9	90170-06010	G-6
90105-100A4	E-2	90170-06228	D-6
90105-10248	C-10	90170-20323	C-14
90105-10249	C-10	90176-05054	E-9
90105-10638	E-14	90176-05059	F-12
	F-2	90176-06065	G-9
90105-10788	D-8	90176-10075	D-8
90105-12252	D-8		E-3
90105-12584	B-4		F-13
90109-063F8	D-6	90176-22050	E-5
90109-066F0	B-3	90179-08327	B-4
90109-081F0	G-9	90179-08599	C-9
90109-083G4	E-14	90179-10414	B-3
	F-2	90179-16661	E-2
90109-08441	D-6	90179-16662	D-3
90109-103G0	C-10	90179-25033	E-5
90109-104E4	D-15	90179-44328	D-3
90110-05201	E-12	90183-06053	D-11
90110-06035	C-15	90185-10037	F-7
90110-06200	D-11	90185-12119	D-15
90110-06243	C-15		E-4
90110-08193	C-13	90185-18167	E-15
90110-10126	D-8	90201-05033	D-11
90110-10191	D-8	90201-05036	G-3
90116-08427	E-2	90201-05660	F-6
90116-10411	C-10	90201-060A3	F-12
7116-10593	E-2	90201-06043	D-11
90119-05071	E-10	90201-06073	G-4
90119-06044	D-14	90201-06074	F-12
90119-06096	D-14	90201-065F3	E-11
90119-06217	G-9	90201-06589	D-7
90119-08186	D-11	90201-06643	F-14
90149-06011	E-9	90201-06697	D-6
90149-06131	G-6		E-8
90149-06229	D-7	90201-08083	F-8

PART NO.	GRID NO.	PART NO.	GRID NO.
90201-08086	D-4		
90201-08087	B-14		
	B-15		
90201-08772	F-10		
90201-10118	C-15		
	F-4		
	F-5		
	F-9		
	C-10		
90201-10131	B-3		
90201-102G9	D-9		
90201-105A2	B-14		
90201-11723	B-4		
90201-121H0	D-6		
90201-124E4	D-15		
90201-126A7	E-4		
	D-6		
90201-127E1	C-11		
90201-12790	G-9		
90201-166R5	D-8		
90201-166R6	E-3		
90201-185R7	F-13		
90201-231A2	E-5		
90201-232K5	B-4		
90201-252K4	C-9		
90201-25634	B-3		
90201-350F3	E-2		
90202-05187	D-3		
90202-06172	E-5		
90202-26142	D-9		
90208-04029	D-9		
90209-06174	D-8		
90209-12341	D-3		
90209-21281	D-2		
90209-25196	D-2		
90209-27192	D-2		
90209-32231	D-2		
90215-08115	D-6		
90215-25218	C-14		
90240-08013	F-8		
90249-12167	E-15		
90254-03008	B-2		
90269-04003	D-9		
90269-05049	D-8		
90269-06046	E-12		
90269-07076	D-8		
	D-9		
	E-9		
90280-05029	B-4		

PART NO.	GRID NO.	PART NO.	GRID NO.
90331-15039	D-2		
90338-08163	E-5		
90338-09012	E-5		
90338-10150	B-3		
90338-11152	C-10		
90338-12081	F-10		
90338-20113	D-15		
90340-14132	B-8		
	E-3		
	E-3		
90340-14135	E-3		
90340-14139	C-12		
90340-18101	B-2		
90387-06027	E-8		
90387-0609L	B-10		
90387-061Y7	F-12		
90387-0610J	G-4		
90387-062L2	D-14		
90387-06299	E-8		
90387-06388	G-5		
90387-06518	F-12		
90387-06605	E-5		
90387-067N5	D-13		
	D-14		
90387-1007K	F-7		
90387-104L8	D-9		
90387-122J6	D-15		
90387-126Y1	D-15		
	E-4		
90387-200J2	E-15		
90387-2007J	E-15		
90387-2008H	E-15		
90387-204H5	D-15		
90387-2200T	E-13		
90387-2208J	E-13		
90401-08038	B-14		
90401-08093	B-15		
90401-10108	B-14		
90401-10159	C-15		
	F-4		
	F-5		
	F-9		
90401-20145	B-14		
90430-06014	C-12		
90430-06166	C-10		
90445-09361	D-14		
90445-097F7	B-11		
90445-10272	E-9		
90445-110G5	E-10		

NUMERICAL INDEX

PART NO.	GRID NO.	PART NO.	GRID NO.
90445-115J9	C-2	90468-98132	B-8
90445-11696	E-9	90480-13163	D-14
90445-124J5	C-2	90480-13398	D-14
90446-11018	D-11	90480-13567	D-13
90450-32051	B-11		D-14
90450-38040	B-11	90480-15061	D-11
90460-54137	C-2	90480-16284	B-10
90461-15100	B-15		E-5
	E-9	90480-18276	B-8
	B-15	90480-18549	E-8
90462-10226	G-9	90480-19283	B-10
90464-10075	G-7	90480-20132	F-12
90464-10112	F-5	90480-20338	F-12
90464-10190	G-7	90480-20384	D-14
	G-8	90501-06022	D-5
90464-12036	G-7	90501-10312	G-6
90464-12089	G-7	90501-12743	F-6
90464-13066	G-3		F-7
90464-13073	C-11	90501-16491	E-3
	E-10	90501-75638	D-3
	G-7	90502-09024	D-9
	G-8	90506-08227	D-6
90464-13103	E-9	90506-29358	F-7
90464-13133	F-5	90507-14064	D-6
	G-7	90508-14088	F-8
90464-15200	D-15	90508-32588	D-6
90464-20191	D-9	90560-30234	D-5
	F-8	91314-06014	B-8
90464-20213	F-8	91314-06016	B-11
90464-24230	G-7	91314-06020	B-3
90464-30040	G-7	91314-06025	B-8
90465-08193	B-15		C-12
90465-08233	C-11		F-4
90467-08003	B-11		F-5
90467-09006	D-14	91314-06030	B-8
	E-9		E-5
90467-10008	C-5	91314-06035	C-12
	E-9	91314-06040	B-11
	C-2	91314-06045	C-12
90467-10039	D-14	91314-06060	C-12
90467-11019	E-9	91314-06080	B-8
90467-11044	B-11	91314-08016	G-2
90467-11090	C-2	91314-08025	D-10
90467-11106	C-2		E-5
90467-13123	B-11	91314-10030	F-6
90467-14015	F-8	91317-05010	B-15
90467-23109	B-10	91317-05016	G-9
	B-11	91317-06010	B-11

NUMERICAL INDEX

PART NO.	GRID NO.	PART NO.	GRID NO.	PART NO.	GRID NO.
91317-06010	D - 9	92907-10600	F -13	93306-00420	E -13
91317-06012	B -12	92990-04100	F - 4	93306-20555	D - 2
91317-06016	B - 8		G - 4	93306-20645	D - 2
91317-06020	B - 7	92990-05100	B -10	93306-20901	D - 3
	B - 9	92990-05200	B -10	93306-30430	D - 2
	C - 2	92990-08600	D-15	93306-30437	E -15
	F - 4	92990-10100	E - 3	93306-30533	E - 2
91317-06025	B-13	93101-10090	B - 8	93306-36401	D - 2
91317-06030	B-14	93101-30084	E - 2	93306-90602	D - 5
91317-08014	F - 7	93101-35085	D - 3	93311-43729	E - 2
	F - 8	93101-38098	E - 2	93316-01403	E - 2
91317-10040	D - 9	93102-14209	D - 6	93317-32677	E -15
91490-16020	F - 6	93102-25064	E -15	93317-41761	D-15
	F - 7	93102-28021	E -13		E - 4
	F - 8	93102-70167	E - 2	93317-42060	D-15
91490-20025	F - 8	93106-28023	D -15	93332-00008	E - 5
91701-06022	F - 8	93106-40027	E -15	93332-00024	D - 3
91701-06032	F - 6	93108-23007	E - 3	93332-00028	D - 3
	F - 7	93109-08061	C-14	93332-00050	D-15
92014-05010	F - 6	93210-06632	C -14	93332-00051	D-15
92014-06012	D-11	93210-06667	B -14	93332-00079	E - 5
92014-06014	B - 3		C -11	93399-99926	E - 3
	C-12	93210-13361	B -14	93410-22039	E - 3
92014-06016	F - 9	93210-14369	C-12	93410-23056	D - 2
92014-06030	B - 3	93210-14579	B -14		E - 3
92014-08020	F - 8	93210-14637	B -14	93440-12117	B - 2
92014-08025	D-11	93210-15620	F - 8	93440-20088	E - 3
92014-08035	F -10	93210-16629	B - 2	93440-28062	D - 2
92017-06010	B -10	93210-18322	B - 2	93440-30077	D - 2
92017-06025	F -12		C -14	93440-34025	D - 2
	G - 4	93210-18417	B -11	93440-45022	E -15
92017-06030	F -12		B -12	93440-52118	D - 2
	F -13	93210-20573	C -10	93450-19095	B - 4
92017-06035	E - 8	93210-21631	B - 2	93501-04011	F - 7
92017-08020	C - 9	93210-23787	B - 8	93511-32027	C -14
92017-08025	C - 9	93210-27778	C -11	93603-07073	C -14
92017-10030	F -13		C -12	93603-10049	D - 5
92901-04600	F - 4	93210-29196	G - 9	93603-14026	B - 8
92903-20600	E -15	93210-45150	C -12	93604-17198	D - 5
92907-04100	G - 3	93210-49046	B - 9	93604-21197	D - 5
92907-05600	F -12	93210-54534	D - 9	93900-00016	E -15
	G - 3	93210-60426	E - 2	93900-00030	E -13
92907-06100	B -10	93210-68347	E -15	94115-1508M	E -15
	E -11	93210-71360	D - 3	94115-1509W	E -15
92907-06600	B -10	93211-113A8	B - 8	94115-1608L	E -13
	F -14	93211-54698	E - 2	94115-1609V	E -13
92907-08700	E - 3	93306-00004	B - 8	94580-81118	B - 7
92907-10600	D - 8	93306-00315	C -14	94600-02001	B - 7

NUMERICAL INDEX

PART NO.	GRID NO.	PART NO.	GRID NO.	PART NO.	GRID NO.
94701-00262	B - 2	95817-06010	E -10	98507-05010	C - 8
94701-00379	B - 2		G - 9	98507-06016	C -12
95024-06010	D -11	95817-06012	B -12		F -14
	D -12		B -14	98517-04012	F - 4
	F - 9		B -15	98517-05012	C - 4
95024-06012	F - 8		D - 9		C - 7
95024-06030	G - 2	95817-06014	E - 8		G - 3
95024-08012	E -11	95817-06016	D -14	98517-06012	F - 7
95024-08016	D -12	95817-06020	G - 8	98517-06030	F -14
	F -11	95817-06025	E - 8	98580-03008	E - 9
95024-08030	F - 7	95817-06055	F -15	98580-04008	C - 3
95027-06008	G - 8	95817-06095	C -10		C - 6
95027-06010	F - 8	95817-08012	F -12		G - 4
95027-06012	D -12		F -13	98580-04010	C - 3
	E -11	95817-08025	B - 7		C -
95027-06016	F - 9	95817-08030	D - 3		C - 6
	G - 9	95817-08050	C - 10	98580-04014	C - 4
	C - 9		F -12		C - 6
95027-08020	D - 6		F -13	98704-05012	G - 4
95304-06700	D - 6	95817-08065	C -10	98704-06016	C -12
95307-05600	G - 3	95817-08095	C -10	98706-04016	F - 5
95307-05700	B -10	95817-10035	D - 8	98707-05008	C - 5
95317-06600	G - 5	95827-06025	F -15		C - 7
95317-08700	F - 8	95827-10070	D - 8	98707-05012	G - 9
95317-10600	D - 2	95827-10080	D - 8	98707-05016	D - 5
95337-08600	E - 3	97007-05016	D - 9	98780-05010	F - 6
95604-06100	B - 2	97013-08025	D -15	98907-05010	D -14
	E - 3	97017-06020	D - 7	98907-05012	E - 9
95617-08620	D - 2		D -13	98907-06012	G - 7
95617-10200	D - 2		E -11	99006-10600	D - 6
95617-12200	E - 4	97017-06025	C -14	99009-06600	F - 6
	E - 5	97017-06040	B -10	99009-10400	B - 8
95704-06500	G - 2	97024-06020	D - 6	99009-11400	B -13
95707-05500	D -11	97027-06012	B -10	99009-12400	B -13
95707-06500	D -13	97607-04312	C - 4	99009-52500	E -15
	E -11		C - 6	99234-00080	D -10
95707-10500	D - 8		G - 3	99236-00080	D -10
95804-06025	E - 5	97707-40012	G - 5	99237-00080	D -10
95804-06035	E - 5	97707-40616	G - 5	99510-08016	C - 2
95804-10025	F -10	97707-50130	C - 2		B - 2
95807-06014	E -11	97707-60016	D - 8		B -14
95807-12016	E -15	97780-40525	G - 5	99530-10014	B - P
95814-06045	C -11	98504-05025	G - 6		B -1
95814-06070	C -10	98507-03020	G - 2		C -10
95814-06090	C -10	98507-04010	G - 3		C -12
95814-08016	F -10	98507-05008	F - 3	99530-14016	B - 2
95814-08045	C -10	98507-05010	C - 4		
95814-08080	C -10		C - 5		
95817-06010	D -14		C - 7		

*COPY RIGHT: All rights reserved. No part of this publication
may be reproduced without permission.*

YAMAHA

YAMAHA MOTOR CO., LTD.
2500 SHINGAI IWATA SHIZUOKA JAPAN
SERVICE INFORMATION DIV.

Printed in Japan
First edition JUL., 1996