

PARTS CATALOGUE

YZ250FR (5UL1) U.S.A.

YZ250F (5UL2) EUROPE

YZ250F (5UL3) JAPAN

YZ250FR (5UL4) OCEANIA,CANADA,S.AFRICA

YZ250FR/YZ250F
PARTS CATALOGUE
E 2002 by Yamaha Motor Co., Ltd.
1st Edition, August 2002
All rights reserved.
Any reprinting or unauthorized use
without the written permission of
Yamaha Motor Co., Ltd.
is expressly prohibited.
Printed in Japan



A4

FOREWORD

This Parts Catalogue is related to the parts for the model(s) in the below frame. When you are ordering replacement parts, please refer to this Parts Catalogue and quote both part numbers and part names correctly.

YZ250FR(5UL1/5UL4), YZ250F(5UL2/5UL3)

1. Modifications or additions which have been made after issue of the Parts Catalogue will be announced in the Yamaha Parts News. It is advisable that you make necessary corrections to the Parts Catalogue according to the Yamaha Parts News.

2. Abbreviations

The Following abbreviations are used in this Parts Catalogue.

“UR” Use specified parts number.

“UN” Use as many as needed.

“AP” Alternate Parts

“LM” Local Made (Parts need to be ordered locally)

“F#” Frame No. (Applicable machine No.)

3. Parts, which are to be supplied in an assembly, are listed with a dot(.) in front of the part name as shown below.

EXAMPLE

CARBURETOR ASSY

.JET, PILOT

.NOZZLE, MAIN

4. Number of component for assembly

The numeral appearing to the right of each component part indicates the quantity of parts for each assembly unit.

EXAMPLE

PART NO.	DESCRIPTION	Q'TY	REMARKS
2F5-83310-60	FRONT FLASHER LIGHT ASSY	2	
115-83311-60	.BULB (6V-18W)	1	
1M1-83309-60	.REFLECTOR	1	

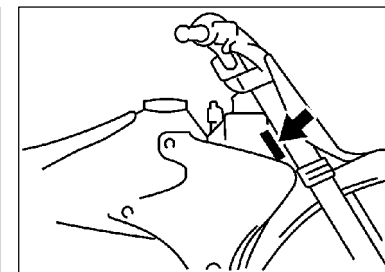
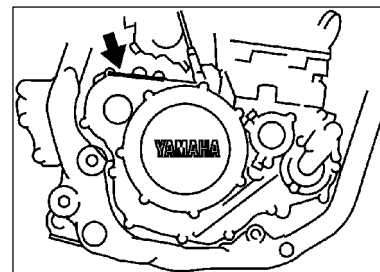
5. Applicable colors of graphics are represented in the “REMARKS” as shown below.

PART NO.	DESCRIPTION	Q'TY	REMARKS
2N4-24110-00-X5	.FUEL TANK COMP.	2	MXR
3J1-24240-10	.GRAPHIC, FUEL TANK	1	for MXR

6. Applicable Serial No.

Engine Serial No.

Frame Serial No.



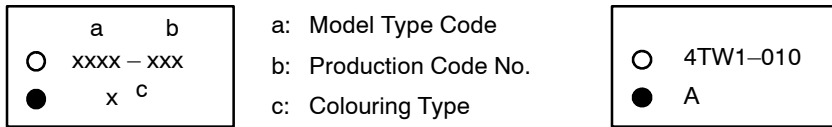
7. Note that the illustrations for reference in finding parts numbers, not to be used for assembling. When assembling, please use the applicable service manual.

8. The asterisk (*) before a reference number indicates modification items after the first edition.

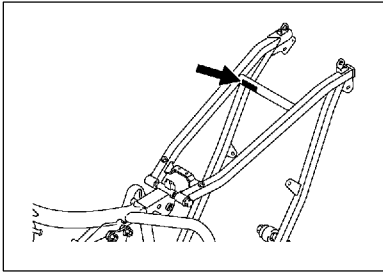
MODEL LABEL

(1) A label called "Model Label" is affixed in the location as indicated in (3) below.
When using this parts catalogue, please be sure to cross-refer the "model code – production code No." in the catalogue to the "model code – production code No." indicated on the Model Label affixed onto the product concerned.

(2) "Model Label" Indication



(3) Model Label Affixing Location



(4) Model Code – Production Code Number of Model Listed in This Parts Catalog

Model Code	Production Code No.	Country (destination)	Model Code	Production Code No.	Country (destination)
5UL1	010	USA	5UL4	030	NEWZEALAND
5UL2	010	FRANCE			SOUTH AFRICA
	020	BELGIUM			
	030	GERMANY			
	040	SPAIN			
	050		FINLAND		
			IRELAND		
	060	ENGLAND			
	070	GREECE			
	080	ITALY			
	090	PORTUGAL			
100	SWEDEN				
5UL3	010	JAPAN			
5UL4	010	AUSTRALIA			
	020	CANADA			

(5) Colouring Information

Model Code	Colouring type code	Colour code	Colour Name	Abbreviation
5UL1 5UL2 5UL3 5UL4	A	0583	DEEP PURPLISH BLUE SOLID E	DPBSE

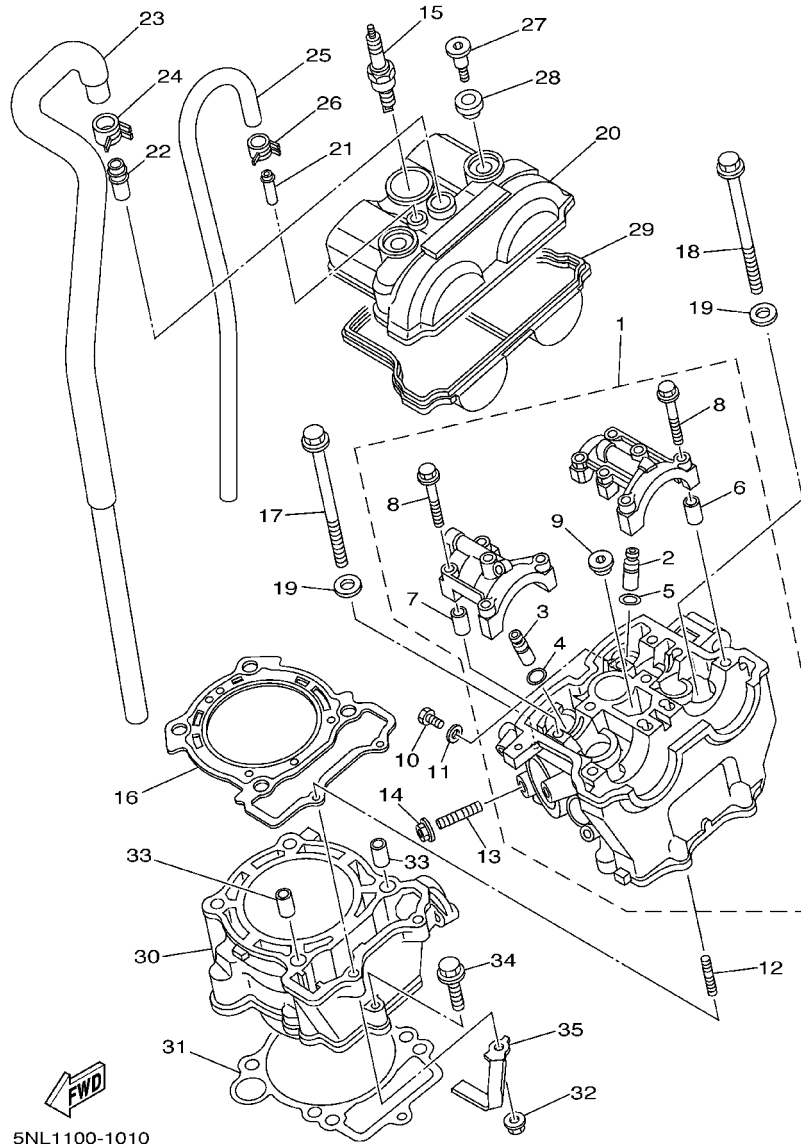


FIG. 1 CYLINDER

REF. NO.	PART NO.	DESCRIPTION	5UL1	5UL2	5UL3	5UL4	REMARKS
1	5NL-11102-11	CYLINDER HEAD ASSY	1	1	1	1	
2	5NL-11133-10	.GUIDE, INTAKE VALVE	3	3	3	3	
3	5NL-11134-10	.GUIDE, EXHAUST VALVE	2	2	2	2	
4	93440-10153	.CIRCLIP	2	2	2	2	
5	93440-07149	.CIRCLIP	3	3	3	3	
6	91808-16023	.PIN, DOWEL	2	2	2	2	
7	91808-16023	.PIN, DOWEL	2	2	2	2	
8	90105-06027	.BOLT, FLANGE	10	10	10	10	
9	90340-12112	.PLUG, STRAIGHT SCREW	1	1	1	1	
10	95027-06010	BOLT, FLANGE	1	1	1	1	
11	90430-06014	GASKET	1	1	1	1	
12	90116-06541	BOLT, STUD	2	2	2	2	
13	95617-08620	BOLT, STUD	1	1	1	1	
14	95707-08500	NUT, FLANGE	1	1	1	1	
15	94701-00411	PLUG, SPARK (NGK R CR8E)	1	1		1	STD
	94701-00410	PLUG, SPARK (NGK R CR9E)	1	1		1	AP
	94703-00411	PLUG, SPARK (NGK R CR8E)			1		STD
	94703-00410	PLUG, SPARK (NGK R CR9E)			1		AP
16	5NL-11181-00	GASKET, CYLINDER HEAD 1	1	1	1	1	
17	90105-09555	BOLT, FLANGE	2	2	2	2	
18	90105-09002	BOLT, FLANGE	2	2	2	2	
19	90201-096J9	WASHER, PLATE	4	4	4	4	
20	5NL-11191-00	COVER, CYLINDER HEAD 1	1	1	1	1	
21	5BE-11167-00	PIPE, BREATHER 2	1	1	1	1	
22	371-11167-01	PIPE, BREATHER 2	1	1	1	1	
23	5TA-11166-00	PIPE, BREATHER 1	1	1	1	1	
24	90467-14015	CLIP	1	1	1	1	

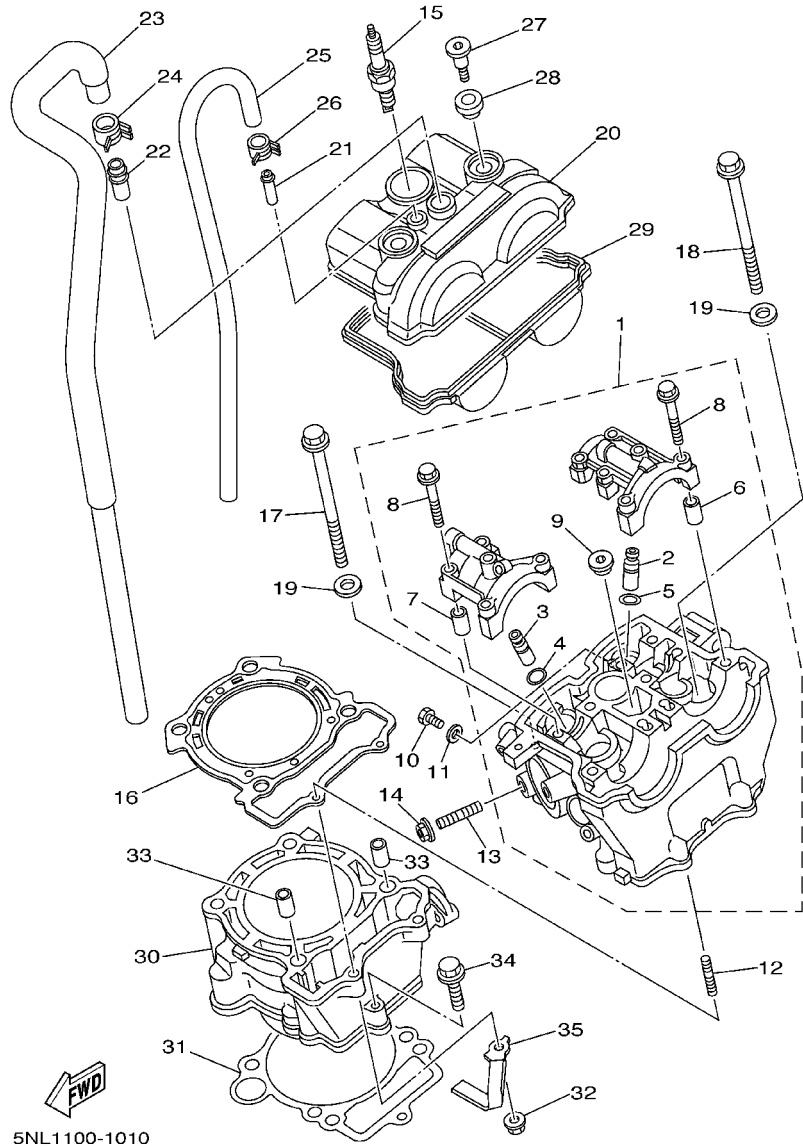
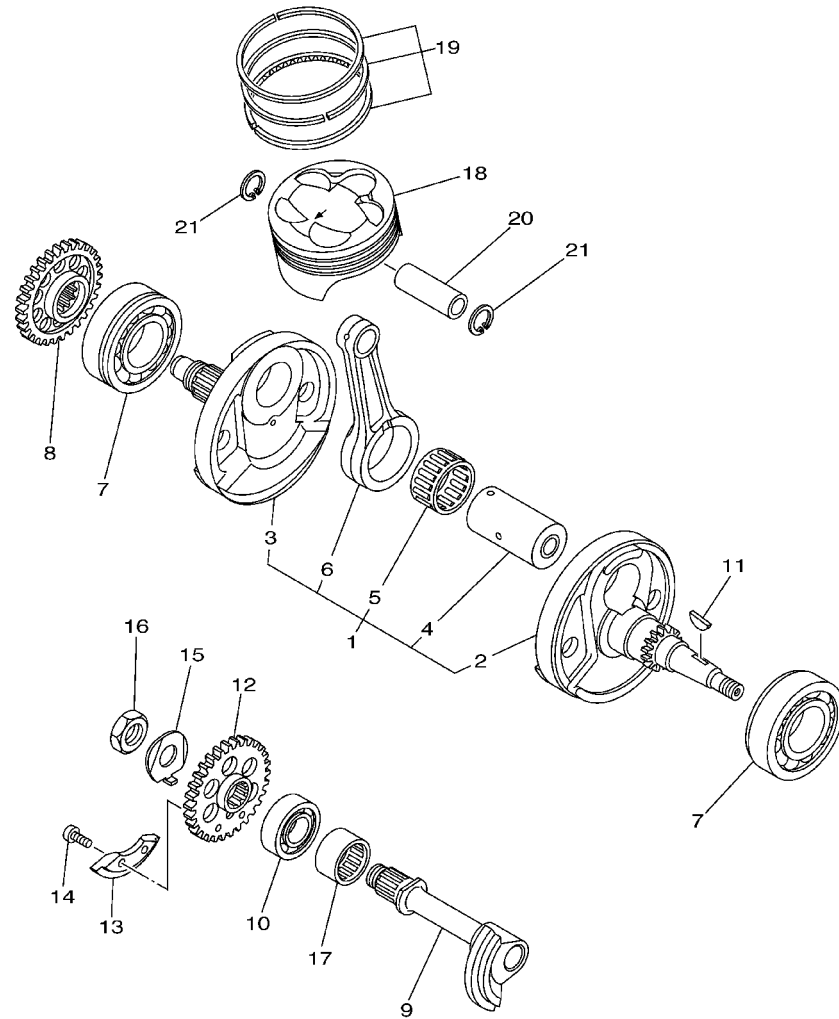


FIG. 1 CYLINDER

REF. NO.	PART NO.	DESCRIPTION	5UL1	5UL2	5UL3	5UL4	REMARKS
25	90445-112K0	HOSE (L285)	1	1	1	1	
26	90467-11106	CLIP	2	2	2	2	
27	90109-066F0	BOLT	2	2	2	2	
28	4KG-1111G-00	RUBBER, MOUNT 1	2	2	2	2	
29	5NL-11193-00	GASKET, HEAD COVER 1	1	1	1	1	
30	5UL-11311-00	CYLINDER 1	1	1	1	1	
31	5NL-11351-00	GASKET, CYLINDER	1	1	1	1	
32	95704-06500	NUT, FLANGE	2	2	2	2	
33	93612-16254	PIN, DOWEL	2	2	2	2	
34	95027-06035	BOLT, FLANGE	1	1	1	1	
35	5JG-11387-00	CLAMP, HOSE 1	1	1	1	1	

FIG. 2 CRANKSHAFT. PISTON

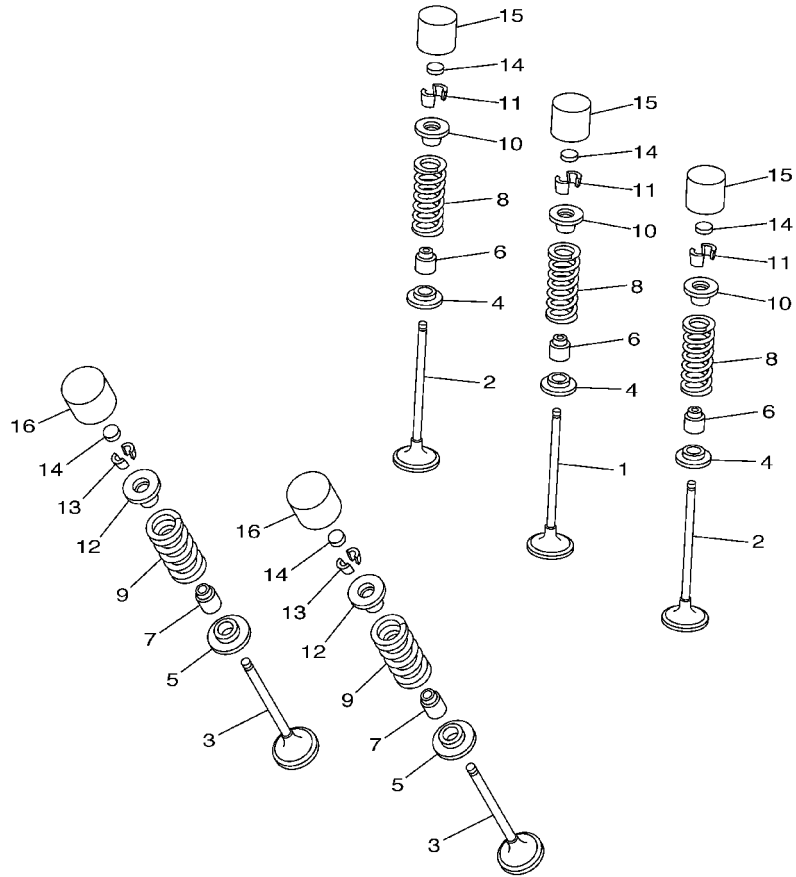


REF. NO.	PART NO.	DESCRIPTION	5UL1	5UL2	5UL3	5UL4	REMARKS
1	5UL-11400-00	CRANKSHAFT ASSY	1	1	1	1	
2	5UL-11412-00	.CRANK 1	1	1	1	1	
3	5UL-11422-00	.CRANK 2	1	1	1	1	
4	5UL-11681-00	.PIN, CRANK 1	1	1	1	1	
5	93310-63210	.BEARING	1	1	1	1	
6	5UL-11651-00	.ROD, CONNECTING	1	1	1	1	
7	93306-20648	BEARING	2	2	2	2	
8	5NL-11536-00	GEAR, DRIVE	1	1	1	1	
9	5NL-11455-00	SHAFT 1	1	1	1	1	
10	93306-20335	BEARING	1	1	1	1	
11	90280-03001	KEY, WOODRUFF	1	1	1	1	
12	5NL-11531-00	GEAR, BALANCE WEIGHT	1	1	1	1	
13	5NL-11454-00	WEIGHT 1	1	1	1	1	
14	90149-06250	SCREW	2	2	2	2	
15	90215-14204	WASHER, LOCK	1	1	1	1	
16	90170-14171	NUT	1	1	1	1	
17	93311-32261	BEARING	1	1	1	1	
18	5NL-11631-10	PISTON (STD)	1	1	1	1	
19	5NL-11603-00	PISTON RING SET (STD)	1	1	1	1	
20	5NL-11633-00	PIN, PISTON	1	1	1	1	
21	93420-16086	CIRCLIP	2	2	2	2	



5NL1100-1020

FIG. 3 VALVE



REF. NO.	PART NO.	DESCRIPTION	5UL1	5UL2	5UL3	5UL4	REMARKS
1	5NL-12111-10	VALVE, INTAKE	1	1	1	1	
2	5NL-12112-10	VALVE, INTAKE 2	2	2	2	2	
3	5NL-12121-10	VALVE, EXHAUST	2	2	2	2	
4	5NL-12116-00	SEAT, VALVE SPRING	3	3	3	3	
5	3GM-12126-00	SEAT, VALVE SPRING 2	2	2	2	2	
6	4TV-12119-00	SEAL, VALVE STEM	3	3	3	3	
7	4SV-12119-00	SEAL, VALVE STEM	2	2	2	2	
8	5NL-12113-00	SPRING, VALVE INNER	3	3	3	3	
9	5NL-12114-00	SPRING, VALVE OUTER	2	2	2	2	
10	1HX-12117-00	RETAINER, VALVE SPRING	3	3	3	3	
11	1HX-12118-00	COTTER, VALVE	6	6	6	6	
12	1WG-12117-00	RETAINER, VALVE SPRING	2	2	2	2	
13	1WG-12118-00	COTTER, VALVE	4	4	4	4	
14	1HX-12168-00	PAD, ADJUSTING 2 (1.20)	5	5	5	5	UR
	1HX-12168-20	PAD, ADJUSTING 2 (1.25)	5	5	5	5	UR
	1HX-12168-40	PAD, ADJUSTING 2 (1.30)	5	5	5	5	UR
	1HX-12168-60	PAD, ADJUSTING 2 (1.35)	5	5	5	5	UR
	1HX-12168-80	PAD, ADJUSTING 2 (1.40)	5	5	5	5	UR
	1HX-12168-A0	PAD, ADJUSTING 2 (1.45)	5	5	5	5	UR
	1HX-12168-F0	PAD, ADJUSTING 2 (1.50)	5	5	5	5	UR
	1HX-12168-H1	PAD, ADJUSTING 2 (1.55)	5	5	5	5	UR
	1HX-12168-K1	PAD, ADJUSTING 2 (1.60)	5	5	5	5	UR
	1HX-12168-M1	PAD, ADJUSTING 2 (1.65)	5	5	5	5	UR
	1HX-12168-R1	PAD, ADJUSTING 2 (1.70)	5	5	5	5	UR
	1HX-12168-U1	PAD, ADJUSTING 2 (1.75)	5	5	5	5	UR
	1HX-12168-W1	PAD, ADJUSTING 2 (1.80)	5	5	5	5	UR
	1HX-12168-Y1	PAD, ADJUSTING 2 (1.85)	5	5	5	5	UR



5NL1100-1030

B5

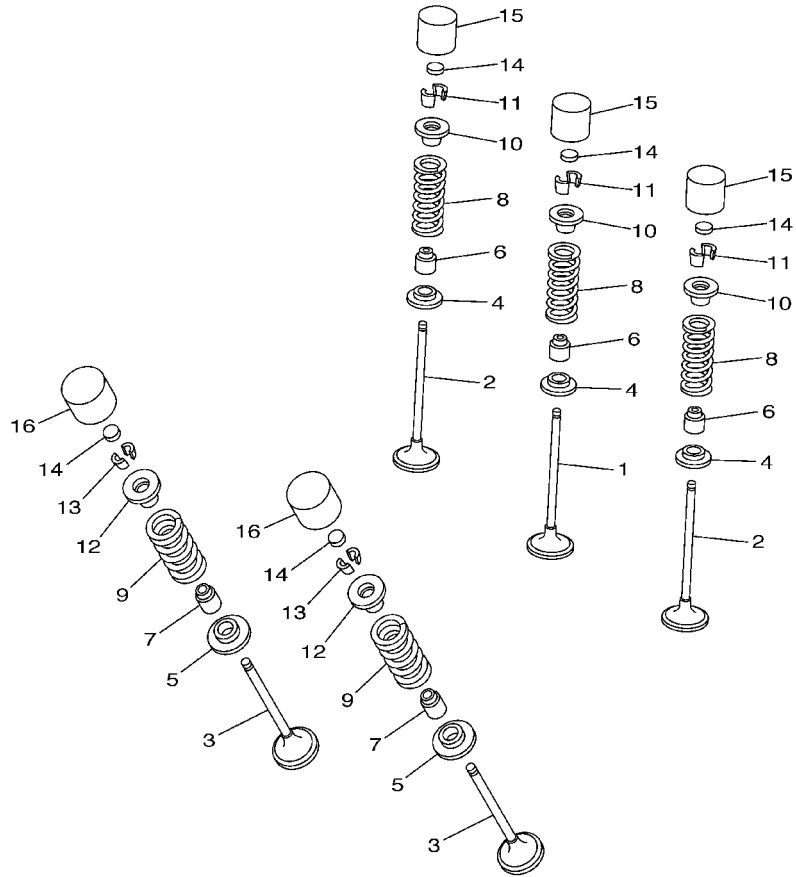


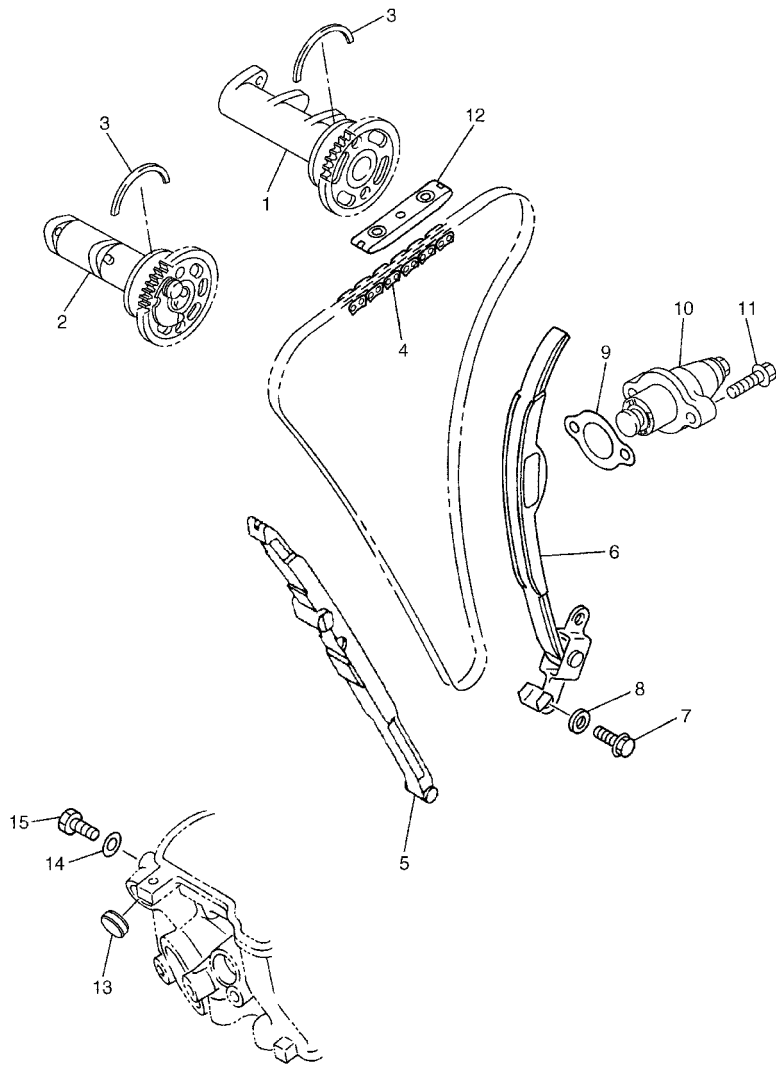
FIG. 3 VALVE

REF. NO.	PART NO.	DESCRIPTION	5UL1	5UL2	5UL3	5UL4	REMARKS
14	1HX-12169-11	PAD, ADJUSTING 2 (1.90)	5	5	5	5	UR
	1HX-12169-31	PAD, ADJUSTING 2 (1.95)	5	5	5	5	UR
	1HX-12169-50	PAD, ADJUSTING 2 (2.00)	5	5	5	5	UR
	1HX-12169-70	PAD, ADJUSTING 2 (2.05)	5	5	5	5	UR
	1HX-12169-90	PAD, ADJUSTING 2 (2.10)	5	5	5	5	UR
	1HX-12169-E0	PAD, ADJUSTING 2 (2.15)	5	5	5	5	UR
	1HX-12169-G0	PAD, ADJUSTING 2 (2.20)	5	5	5	5	UR
	1HX-12169-J0	PAD, ADJUSTING 2 (2.25)	5	5	5	5	UR
	1HX-12169-L0	PAD, ADJUSTING 2 (2.30)	5	5	5	5	UR
	1HX-12169-N0	PAD, ADJUSTING 2 (2.35)	5	5	5	5	UR
	1HX-12169-T0	PAD, ADJUSTING 2 (2.40)	5	5	5	5	UR
15	3LN-12153-00	LIFTER, VALVE	3	3	3	3	UR BLACK
	3LN-12153-10	LIFTER, VALVE	3	3	3	3	UR YELLOW
	3LN-12153-20	LIFTER, VALVE	3	3	3	3	UR BLUE
	3LN-12153-30	LIFTER, VALVE	3	3	3	3	UR RED
16	3FV-12153-00	LIFTER, VALVE	2	2	2	2	UR BLACK
	3FV-12153-10	LIFTER, VALVE	2	2	2	2	UR YELLOW
	3FV-12153-20	LIFTER, VALVE	2	2	2	2	UR BLUE
	3FV-12153-30	LIFTER, VALVE	2	2	2	2	UR RED



5NL1100-1030

FIG. 4 CAMSHAFT. CHAIN

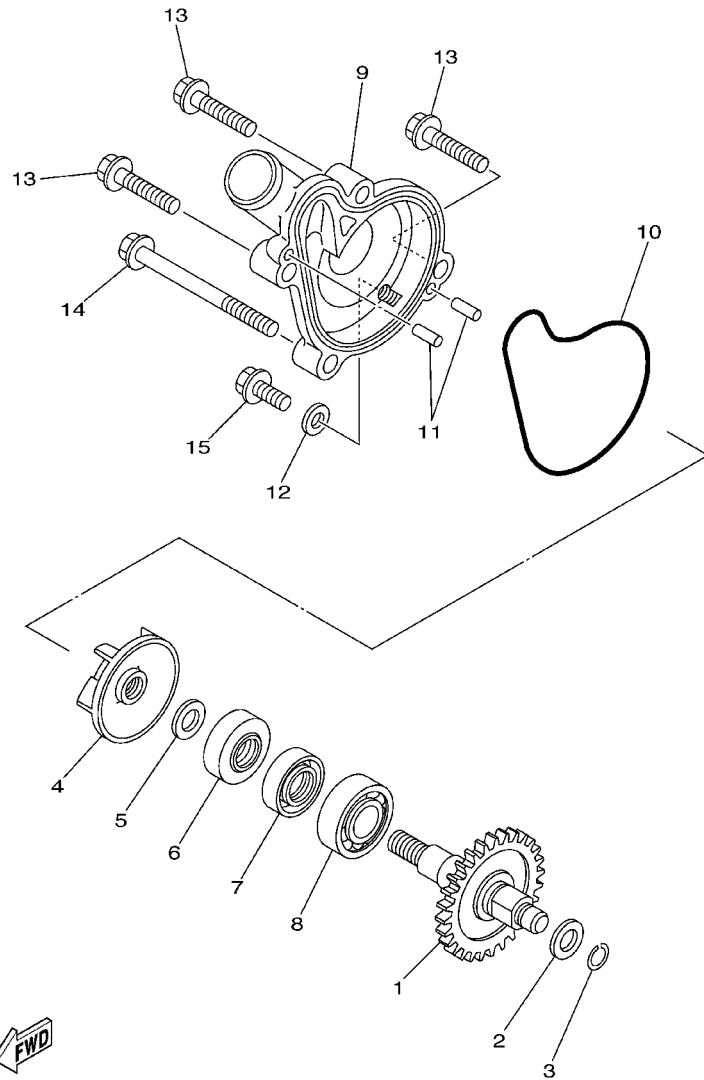


REF. NO.	PART NO.	DESCRIPTION	5UL1	5UL2	5UL3	5UL4	REMARKS
1	5UL-12170-00	CAMSHAFT ASSY 1	1	1	1	1	
2	5UL-12180-00	CAMSHAFT ASSY 2	1	1	1	1	
3	93440-41178	CIRCLIP	2	2	2	2	
4	94591-53114	CHAIN	1	1	1	1	
5	5NL-12251-00	DAMPER, CHAIN 1	1	1	1	1	
6	5NL-12252-00	DAMPER, CHAIN 2	1	1	1	1	
7	97027-06016	BOLT	2	2	2	2	
8	92907-06600	WASHER, PLATE	2	2	2	2	
9	4FM-12213-00	GASKET, TENSIONER CASE	1	1	1	1	
10	5TA-12210-00	TENSIONER ASSY, CAM CHAIN	1	1	1	1	
11	95027-06025	BOLT, FLANGE	2	2	2	2	
12	5BE-12241-00	GUIDE, STOPPER 2	1	1	1	1	
13	90338-18064	PLUG	1	1	1	1	
14	90430-06014	GASKET	1	1	1	1	
15	90109-06418	BOLT	1	1	1	1	



5UL1100-B040

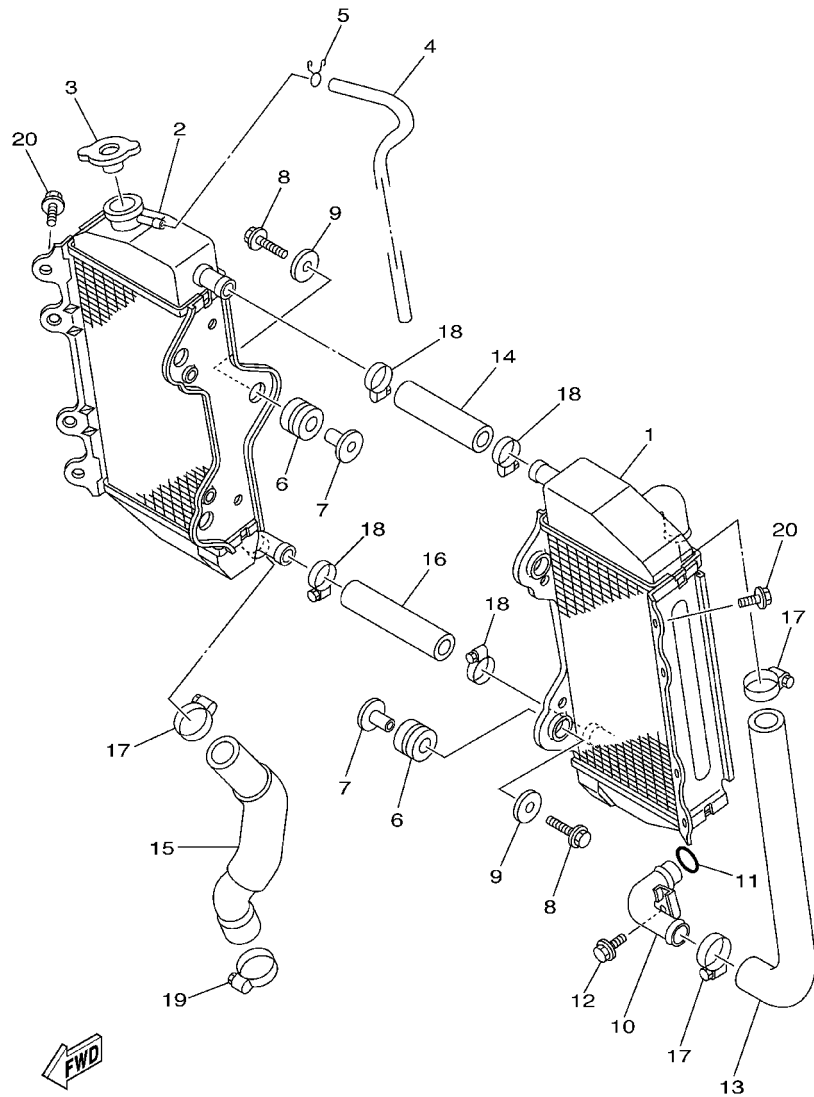
FIG. 5 WATER PUMP



5NL1100-1050

REF. NO.	PART NO.	DESCRIPTION	5UL1	5UL2	5UL3	5UL4	REMARKS
1	5NL-12459-00	GEAR, IMPELLER SHAFT	1	1	1	1	
2	90201-08512	WASHER, PLATE	1	1	1	1	
3	93440-07182	CIRCLIP	1	1	1	1	
4	5DH-12451-00	IMPELLER, WATER PUMP	1	1	1	1	
5	90201-08512	WASHER, PLATE	1	1	1	1	
6	93109-11073	OIL SEAL	1	1	1	1	
7	93102-12106	OIL SEAL (SD 12-22-5 HS)	1	1	1	1	
8	93306-00105	BEARING (B6001)	1	1	1	1	
9	5NL-12422-10	COVER, HOUSING	1	1	1	1	
10	5NL-12439-00	O-RING	1	1	1	1	
11	93604-10011	PIN, DOWEL	2	2	2	2	
12	90430-06014	GASKET	1	1	1	1	
13	95027-06025	BOLT, FLANGE	3	3	3	3	
14	95027-06065	BOLT, FLANGE	1	1	1	1	
15	95027-06012	BOLT, FLANGE	1	1	1	1	

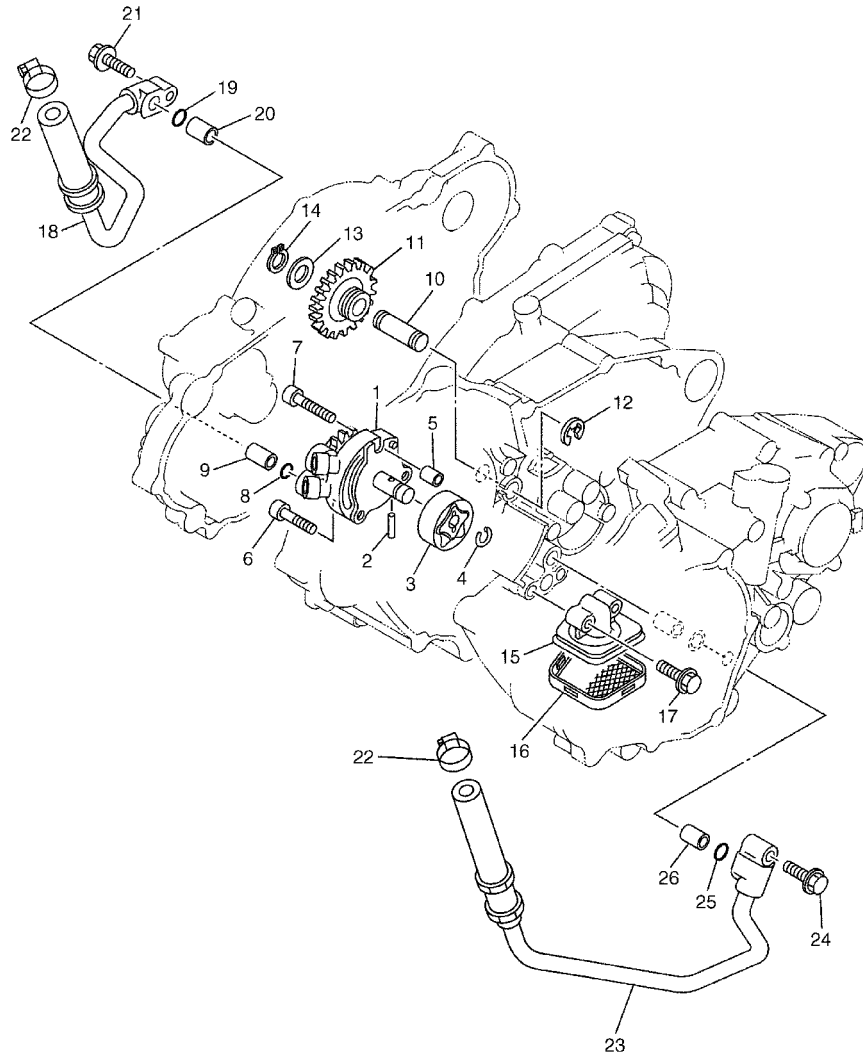
FIG. 6 RADIATOR. HOSE



5NL1100-1060

REF. NO.	PART NO.	DESCRIPTION	5UL1	5UL2	5UL3	5UL4	REMARKS
1	5NL-1240A-00	RADIATOR ASSY	1	1	1	1	
2	5NL-12461-00	RADIATOR ASSY	1	1	1	1	
3	5HD-12462-00	CAP, RADIATOR	1	1	1	1	
4	91A20-05065	TUBE, FLEXIBLE VINYL	1	1	1	1	
5	90467-09006	CLIP	1	1	1	1	
6	90480-15528	GROMMET	6	6	6	6	
7	90387-06065	COLLAR	6	6	6	6	
8	95027-06025	BOLT, FLANGE	6	6	6	6	
9	90201-06571	WASHER, PLATE	6	6	6	6	
10	5NL-12481-00	PIPE 1	1	1	1	1	
11	93210-15414	O-RING	1	1	1	1	
12	95027-06012	BOLT, FLANGE	1	1	1	1	
13	5SG-12576-00	HOSE 1	1	1	1	1	
14	5SG-12577-00	HOSE 2	1	1	1	1	
15	5SG-12578-00	HOSE 3	1	1	1	1	
16	5SG-12579-00	HOSE 4	1	1	1	1	
17	90450-25037	HOSE CLAMP ASSY	3	3	3	3	
18	90450-22017	HOSE CLAMP ASSY	4	4	4	4	
19	90450-32015	HOSE CLAMP ASSY	1	1	1	1	
20	95827-06010	BOLT, FLANGE	2	2	2	2	

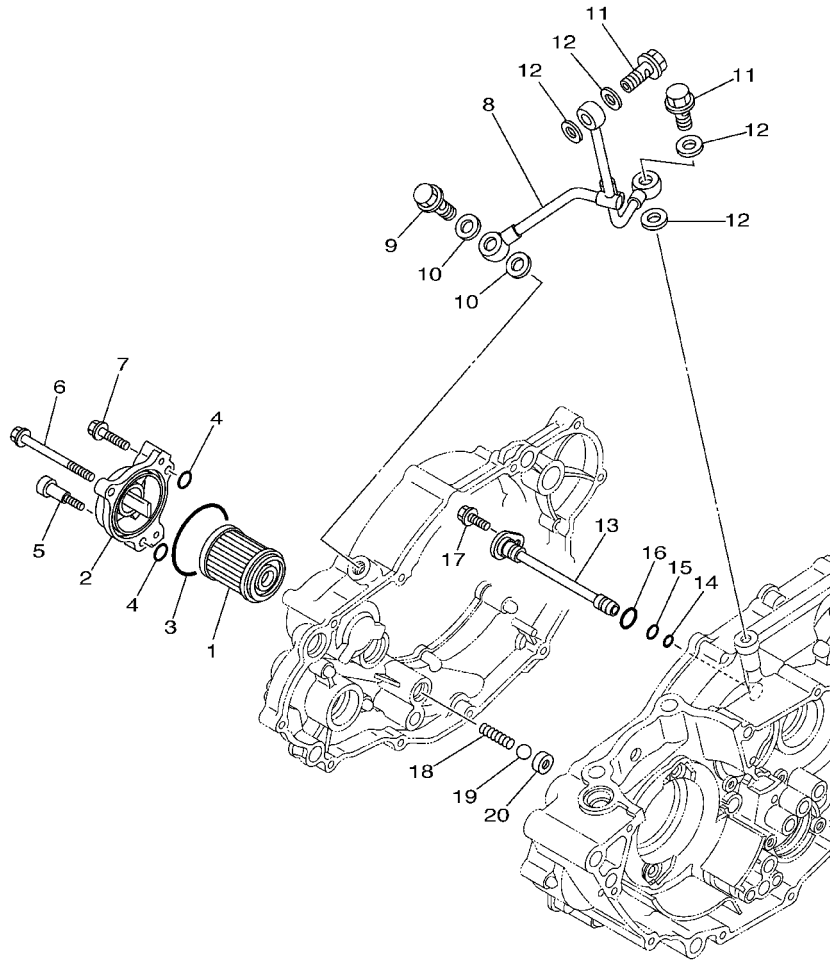
FIG. 7 OIL PUMP



5UL1100-B070

REF. NO.	PART NO.	DESCRIPTION	5UL1	5UL2	5UL3	5UL4	REMARKS
1	5SG-13300-00	OIL PUMP ASSY	1	1	1	1	
2	93603-16219	PIN, DOWEL	1	1	1	1	
3	5NL-13320-00	ROTOR ASSY 2	1	1	1	1	
4	93440-10153	CIRCLIP	1	1	1	1	
5	99530-08012	PIN, DOWEL	1	1	1	1	
6	90110-06058	BOLT, HEXAGON SOCKET HEAD	2	2	2	2	
7	91314-06030	BOLT	1	1	1	1	
8	93210-10197	O-RING	1	1	1	1	
9	99530-10114	PIN, DOWEL	1	1	1	1	
10	5BE-13342-00	SHAFT, IDLE GEAR	1	1	1	1	
11	5NL-13341-00	GEAR, OIL PUMP IDLE	1	1	1	1	
12	99001-08600	CIRCLIP	1	1	1	1	
13	90201-12166	WASHER, PLATE	1	1	1	1	
14	99009-12400	CIRCLIP	1	1	1	1	
15	5NL-13412-00	HOUSING, STRAINER	1	1	1	1	
16	5NL-13411-00	STRAINER, OIL	1	1	1	1	
17	95027-06025	BOLT, FLANGE	2	2	2	2	
18	5UL-13464-00	HOSE, OIL 1	1	1	1	1	
19	93210-10197	O-RING	1	1	1	1	
20	99530-10114	PIN, DOWEL	1	1	1	1	
21	95027-06025	BOLT, FLANGE	1	1	1	1	
22	90450-22017	HOSE CLAMP ASSY	2	2	2	2	
23	5UL-13465-00	HOSE, OIL 2	1	1	1	1	
24	95027-06025	BOLT, FLANGE	1	1	1	1	
25	93210-10197	O-RING	1	1	1	1	
26	99530-10114	PIN, DOWEL	1	1	1	1	

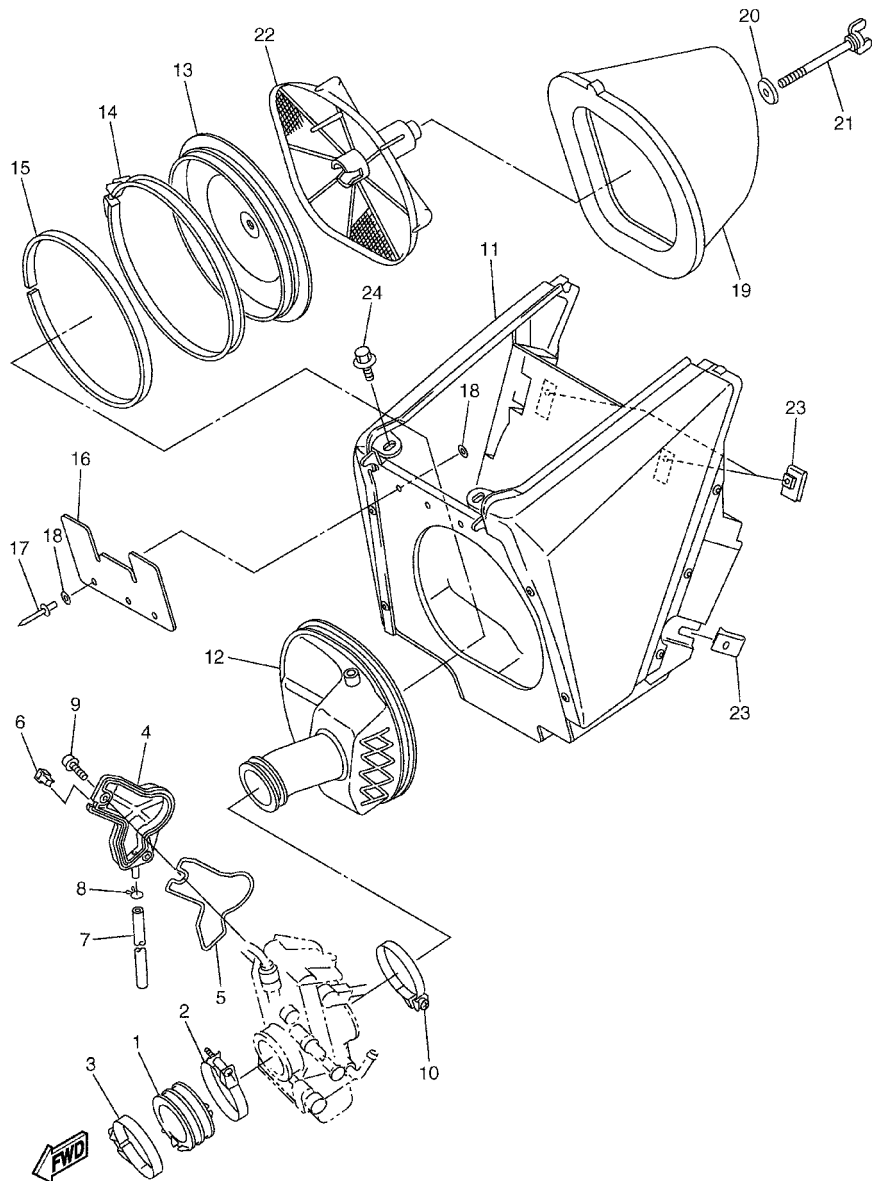
FIG. 8 OIL CLEANER



REF. NO.	PART NO.	DESCRIPTION	5UL1	5UL2	5UL3	5UL4	REMARKS
1	5TA-13440-00	ELEMENT ASSY, OIL CLEANER	1	1	1	1	
2	5BE-13447-10	COVER, OIL ELEMENT	1	1	1	1	
3	93210-47675	O-RING	1	1	1	1	
4	93210-07135	O-RING	3	3	3	3	
5	90109-065G2	BOLT	1	1	1	1	
6	95027-06065	BOLT, FLANGE	1	1	1	1	
7	95027-06025	BOLT, FLANGE	1	1	1	1	
8	5NL-13161-00	PIPE, DELIVERY 1	1	1	1	1	
9	90401-10159	BOLT, UNION	1	1	1	1	
10	90430-10188	GASKET	2	2	2	2	
11	90401-08038	BOLT, UNION	2	2	2	2	
12	90430-08119	GASKET	4	4	4	4	
13	5NL-13171-00	PIPE, DELIVERY 2	1	1	1	1	
14	93210-07003	O-RING	1	1	1	1	
15	93210-09008	O-RING	1	1	1	1	
16	93210-12759	O-RING	1	1	1	1	
17	95027-06012	BOLT, FLANGE	1	1	1	1	
18	90501-043E0	SPRING, COMPRESSION	1	1	1	1	
19	93503-08007	BALL	1	1	1	1	
20	583-13113-00	SEAT, CHECK BALL	1	1	1	1	



5NL1100-1080

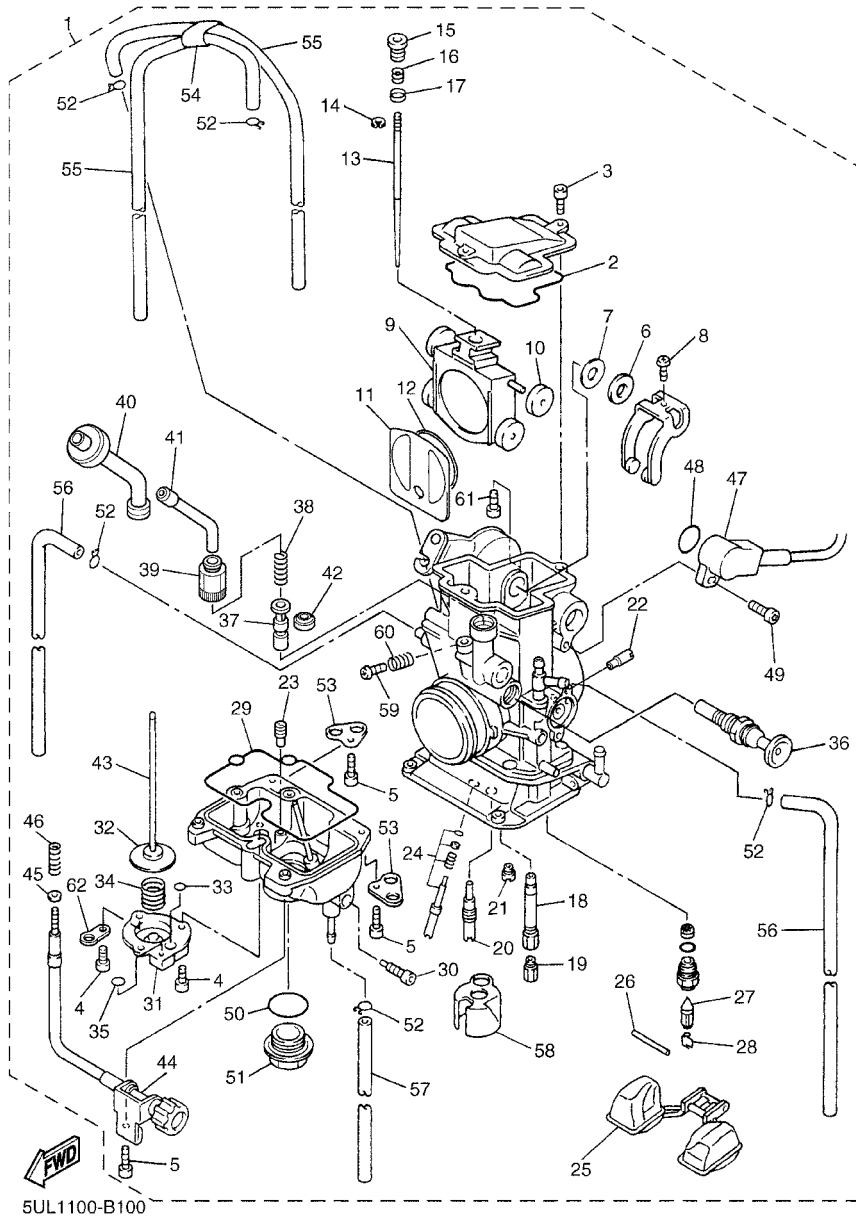


5TA1100-B090

FIG. 9 INTAKE

REF. NO.	PART NO.	DESCRIPTION	5UL1	5UL2	5UL3	5UL4	REMARKS
1	5UL-13597-00	JOINT, CARBURETOR 3	1	1	1	1	
2	90450-57092	HOSE CLAMP ASSY	1	1	1	1	
3	90450-54002	HOSE CLAMP ASSY	1	1	1	1	
4	5TA-14293-00	COVER 1	1	1	1	1	
5	5TA-14227-00	GASKET	1	1	1	1	
6	5TA-14239-00	SEAL	1	1	1	1	
7	5TA-14987-00	HOSE	1	1	1	1	
8	3TJ-14137-40	CLIP	1	1	1	1	
9	5TA-14428-00	BOLT	2	2	2	2	
10	90450-61001	HOSE CLAMP ASSY	1	1	1	1	
11	5TA-14401-00	AIR CLEANER CASE ASSY	1	1	1	1	
12	5TA-14453-00	JOINT, AIR CLEANER 1	1	1	1	1	
13	5NY-14459-00	HOLDER, GUIDE	1	1	1	1	
14	5NY-14455-10	BAND	1	1	1	1	
15	5NY-14442-00	SPACER	1	1	1	1	
16	5NY-14417-00	COVER 1	1	1	1	1	
17	90267-32070	RIVET, BLIND	3	3	3	3	
18	90201-03313	WASHER, PLATE	6	6	6	6	
19	4XM-14451-00	ELEMENT, AIR CLEANER	1	1	1	1	
20	90209-06096	WASHER	1	1	1	1	
21	90122-06035	BOLT, WING	1	1	1	1	
22	5BE-14458-00	GUIDE	1	1	1	1	
23	90183-06023	NUT, SPRING	3	3	3	3	
24	90109-067F4	BOLT	2	2	2	2	

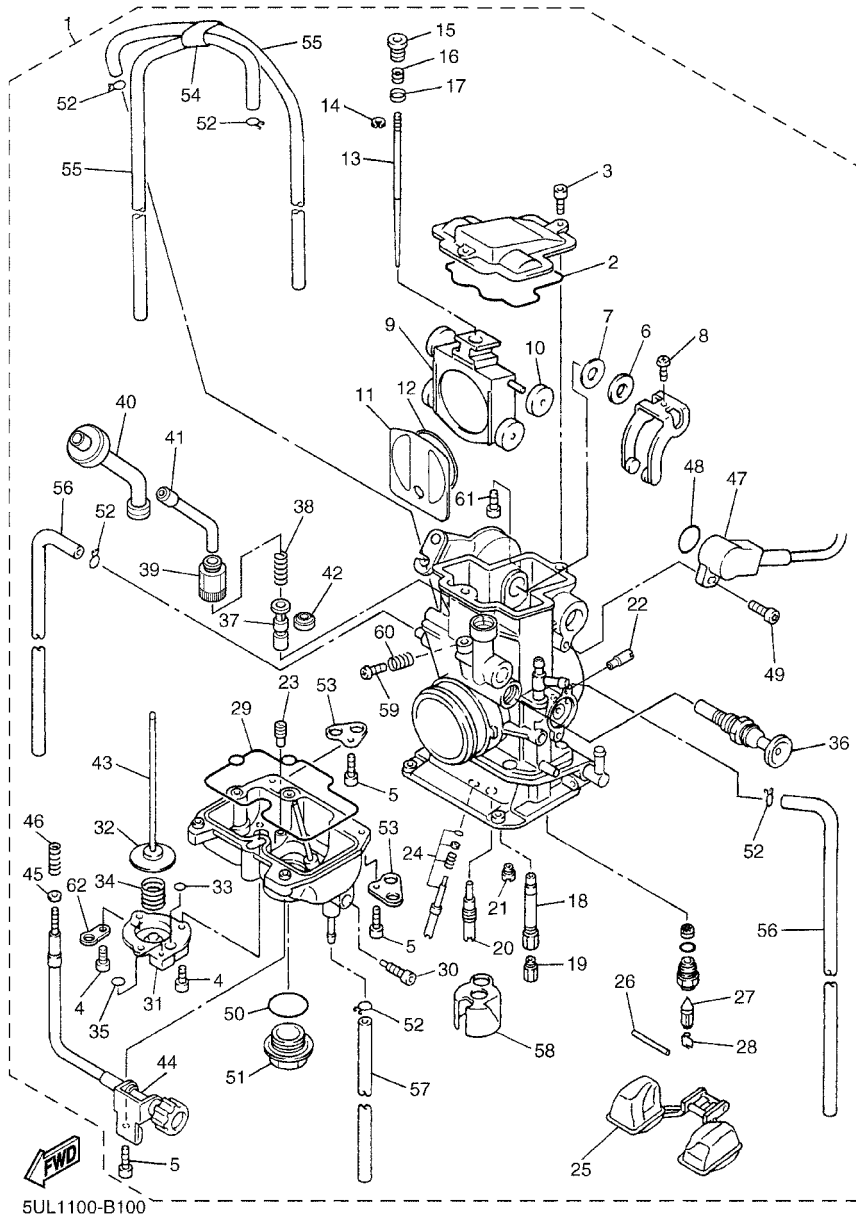
FIG. 10 CARBURETOR



5UL1100-B100

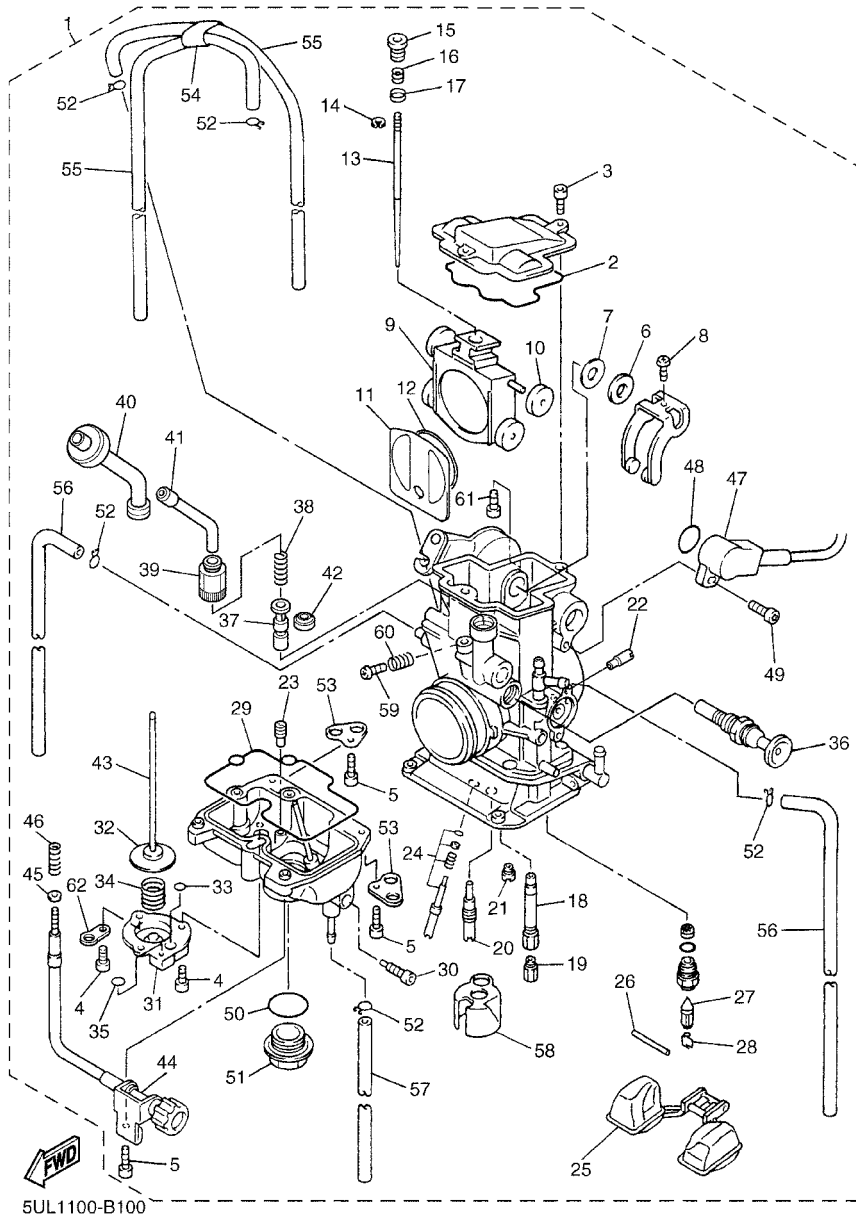
REF. NO.	PART NO.	DESCRIPTION	5UL1	5UL2	5UL3	5UL4	REMARKS
1	5UL-14101-00	CARBURETOR ASSY 1	1		1	1	
	5UL-14101-10	CARBURETOR ASSY 1		1			
2	5JG-14959-00	.GASKET	1	1	1	1	
3	91316-04012	.BOLT	2	2	2	2	
4	688-14592-00	.SCREW	3	3	3	3	
5	98502-04012	.SCREW, PAN HEAD	4	4	4	4	
6	90202-08045	.WASHER, PLATE	1	1	1	1	
7	5JG-14951-00	.WASHER	1	1	1	1	
8	5JG-14522-00	.SCREW, ADJUST	1	1	1	1	
9	5JG-14388-00	.VALVE, VACUUM CONTROL	1	1	1	1	
10	3TJ-14267-40	.ROLLER	1	1	1	1	
11	5JG-14546-01	.VALVE, NEEDLE	1	1	1	1	
12	4FN-14997-00	.SEAL	1	1	1	1	
13	5NL-14916-EP	.NEEDLE (#OBELP)	1		1	1	STD
	5JG-14916-EP	.NEEDLE (#OBEKP)		1			STD
	5NL-14916-EL	.NEEDLE (#OBELL)	1		1	1	AP
	5NL-14916-EM	.NEEDLE (#OBELM)	1		1	1	AP
	5NL-14916-EN	.NEEDLE (#OBELN)	1		1	1	AP
	5NL-14916-E1	.NEEDLE (#OBELQ)	1		1	1	AP
	5NL-14916-ER	.NEEDLE (#OBELR)	1		1	1	AP
	5NL-14916-ES	.NEEDLE (#OBELS)	1		1	1	AP
	5JG-14916-EL	.NEEDLE (#OBEKL)		1			AP
	5JG-14916-EM	.NEEDLE (#OBEKM)		1			AP
	5JG-14916-EN	.NEEDLE (#OBEKN)		1			AP
	5JG-14916-E1	.NEEDLE (#OBEKQ)		1			AP
	5JG-14916-ER	.NEEDLE (#OBEKR)		1			AP
	5JG-14916-ES	.NEEDLE (#OBEKS)		1			AP

FIG. 10 CARBURETOR



REF. NO.	PART NO.	DESCRIPTION	5UL1	5UL2	5UL3	5UL4	REMARKS
14	3TJ-14159-40	.CLIP	1	1	1	1	
15	5JG-14521-00	.SCREW, ADJUST	1	1	1	1	
16	5JG-14275-00	.SPRING	1	1	1	1	
17	5JG-14264-00	.COLLAR	1	1	1	1	
18	5JG-14947-00	.NOZZLE, MAIN	1	1	1	1	
19	4MX-14943-93	.JET, MAIN (#178)	1	1	1	1	STD
	4MX-14943-40	.JET, MAIN (#165)	1	1	1	1	AP
	4MX-14943-91	.JET, MAIN (#168)	1	1	1	1	AP
	4MX-14943-41	.JET, MAIN (#170)	1	1	1	1	AP
	4MX-14943-92	.JET, MAIN (#172)	1	1	1	1	AP
	4MX-14943-42	.JET, MAIN (#175)	1	1	1	1	AP
	4MX-14943-43	.JET, MAIN (#180)	1	1	1	1	AP
	4MX-14943-94	.JET, MAIN (#182)	1	1	1	1	AP
	4MX-14943-44	.JET, MAIN (#185)	1	1	1	1	AP
	4MX-14943-95	.JET, MAIN (#188)	1	1	1	1	AP
	4MX-14943-45	.JET, MAIN (#190)	1	1	1	1	AP
20	4MX-14948-03	.JET, SLOW (#40)	1	1	1	1	STD
	4MX-14948-01	.JET, SLOW (#35)	1	1	1	1	AP
	4MX-14948-02	.JET, SLOW (#38)	1	1	1	1	AP
	4MX-14948-04	.JET, SLOW (#42)	1	1	1	1	AP
	4MX-14948-05	.JET, SLOW (#45)	1	1	1	1	AP
	4MX-14948-06	.JET, SLOW (#48)	1	1	1	1	AP
	4MX-14948-07	.JET, SLOW (#50)	1	1	1	1	AP
21	3TJ-1494F-16	.JET (#72)	1	1	1	1	STD
	3TJ-1494F-12	.JET (#62)	1	1	1	1	AP
	3TJ-1494F-13	.JET (#65)	1	1	1	1	AP
	3TJ-1494F-14	.JET (#68)	1	1	1	1	AP

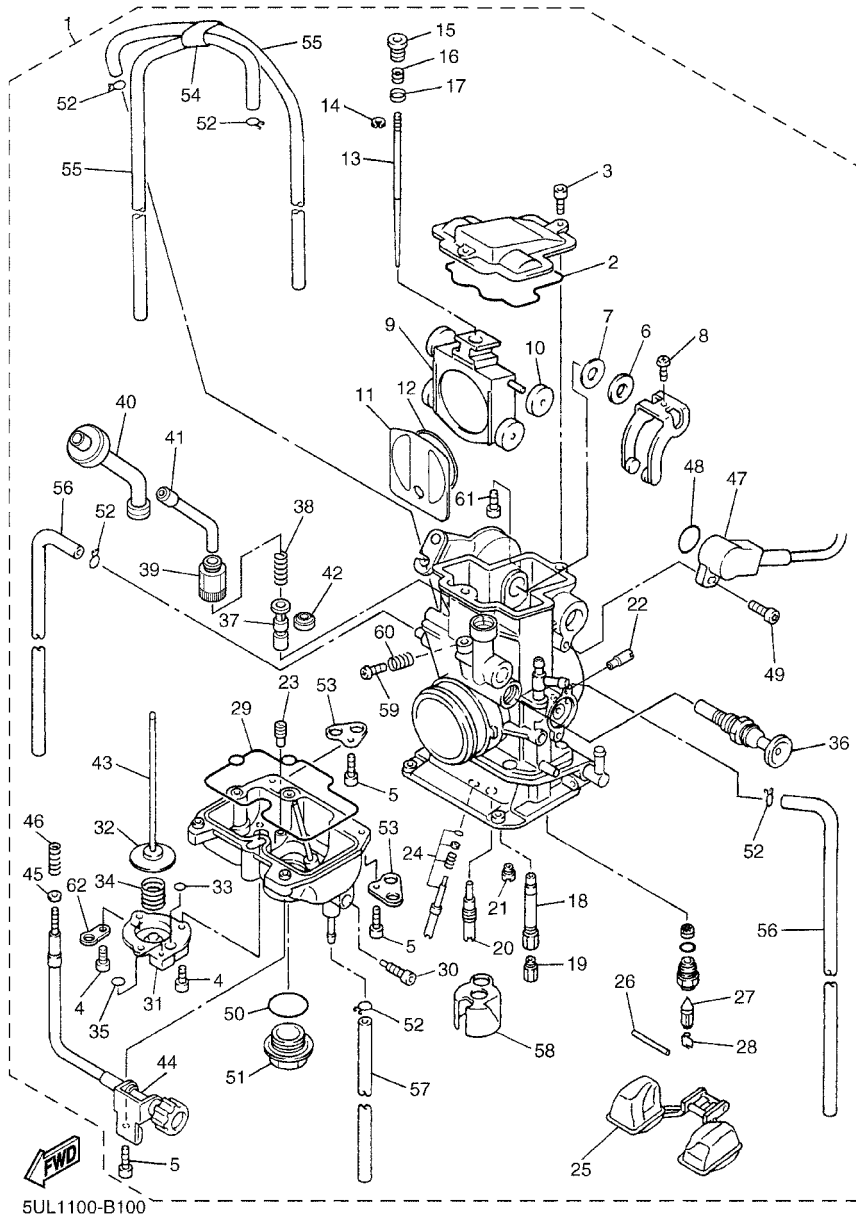
FIG. 10 CARBURETOR



5UL1100-B100

REF. NO.	PART NO.	DESCRIPTION	5UL1	5UL2	5UL3	5UL4	REMARKS
21	3TJ-1494F-15	.JET (#70)	1	1	1	1	AP
	3TJ-1494F-17	.JET (#75)	1	1	1	1	AP
	3TJ-1494F-18	.JET (#78)	1	1	1	1	AP
	3TJ-1494F-19	.JET (#80)	1	1	1	1	AP
	3TJ-1494F-20	.JET (#82)	1	1	1	1	AP
22	5TA-14943-27	.JET, MAIN (#100)	1	1	1	1	
23	4JT-1494F-27	.JET(#100)	1	1	1	1	STD
	4JT-1494F-15	.JET (#70)	1	1	1	1	AP
	4JT-1494F-19	.JET (#80)	1	1	1	1	AP
	4JT-1494F-23	.JET (#90)	1	1	1	1	AP
	4JT-1494F-29	.JET(#110)	1	1	1	1	AP
	4JT-1494F-31	.JET(#120)	1	1	1	1	AP
	4JT-1494F-33	.JET(#130)	1	1	1	1	AP
24	5NL-14105-00	.PILOT SCREW SET	1	1	1	1	
25	4SR-14985-00	.FLOAT	1	1	1	1	
26	676-14548-00	.PIN, FLOAT ARM	1	1	1	1	
27	4MX-14392-00	.VALVE, NEEDLE	1	1	1	1	
28	633-14159-00	.CLIP	1	1	1	1	
29	5JG-14984-00	.GASKET, FLOAT CHAMBER	1	1	1	1	
30	3TJ-14191-40	.PLUG, DRAIN	1	1	1	1	
31	3TJ-14293-40	.COVER 1	1	1	1	1	
32	5JG-14940-76	.DIAPHRAGM ASSY	1	1	1	1	STD
	5JG-14940-16	.DIAPHRAGM ASSY	1	1	1	1	AP
	5JG-14940-17	.DIAPHRAGM ASSY	1	1	1	1	AP
	5JG-14940-18	.DIAPHRAGM ASSY	1	1	1	1	AP
33	3TJ-14536-40	.GASKET	1	1	1	1	
34	3TJ-14933-40	.SPRING, DIAPHRAGM	1	1	1	1	

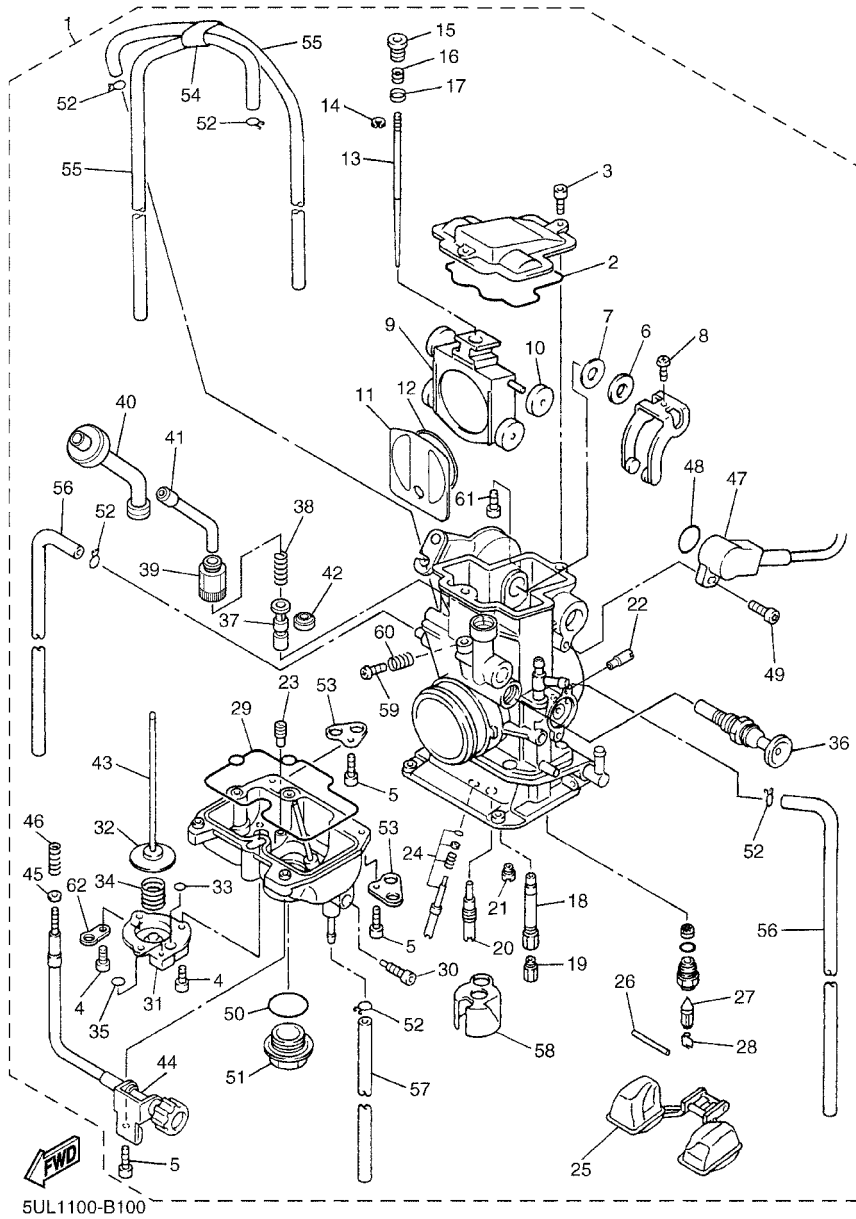
FIG. 10 CARBURETOR



5UL1100-B100

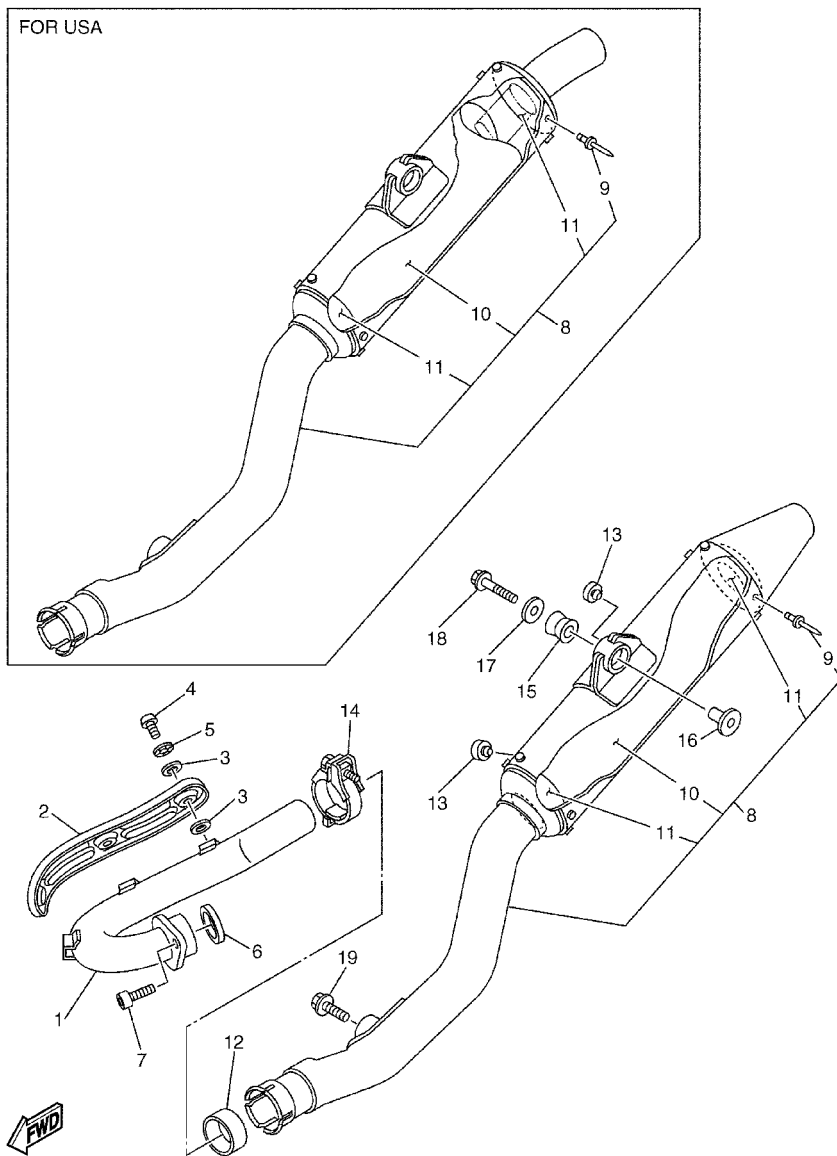
REF. NO.	PART NO.	DESCRIPTION	5UL1	5UL2	5UL3	5UL4	REMARKS
35	6H4-14561-00	.O-RING	1	1	1	1	
36	5TA-14171-00	.PLUNGER, STARTER	1	1	1	1	
37	5TA-14371-00	.PLUNGER, STARTER	1	1	1	1	
38	5TA-14335-00	.SPRING, PLUNGER	1	1	1	1	
39	5TA-14991-00	.SCREW	1	1	1	1	
40	5TA-14374-00	.CAP, PLUNGER	1	1	1	1	
41	5TA-14155-00	.GUIDE, CABLE	1	1	1	1	
42	5TA-14997-00	.SEAL	1	1	1	1	
43	5JG-14379-00	.ROD, STARTER	1	1	1	1	
44	5JG-14922-00	.SCREW, THROTTLE	1	1	1	1	
45	90201-08410	.WASHER, PLATE	1	1	1	1	
46	5TA-14934-00	.SPRING, THROTTLE STOP	1	1	1	1	
47	5TA-85885-00	.THROTTLE SENSOR ASSY	1	1	1	1	
48	5NX-14562-00	.O-RING	1	1	1	1	
49	5NX-14216-00	.SCREW	1	1	1	1	
50	4MX-14561-00	.O-RING	1	1	1	1	
51	4MX-14115-00	.PLUG, SCREW	1	1	1	1	
52	3TJ-14137-40	.CLIP	5	5	5	5	
53	5BE-14146-00	.PLATE	2	2	2	2	
54	5TA-14261-00	.HOLDER	1	1	1	1	
55	5UL-14196-00	.PIPE	2	2	2	2	
56	5TA-14197-00	.PIPE	2	2	2	2	
57	5JG-14987-00	.HOSE	1	1	1	1	
58	5JG-14346-00	.PLATE	1	1	1	1	
59	5JG-14565-00	.SCREW	1	1	1	1	
60	5JG-14531-00	.SPRING, ADJUST SCREW	1	1	1	1	
61	5NL-14591-00	.SCREW	1	1	1	1	

FIG. 10 CARBURETOR



REF. NO.	PART NO.	DESCRIPTION	5UL1	5UL2	5UL3	5UL4	REMARKS
62	5PA-14146-00	.PLATE	1	1	1	1	

FOR USA

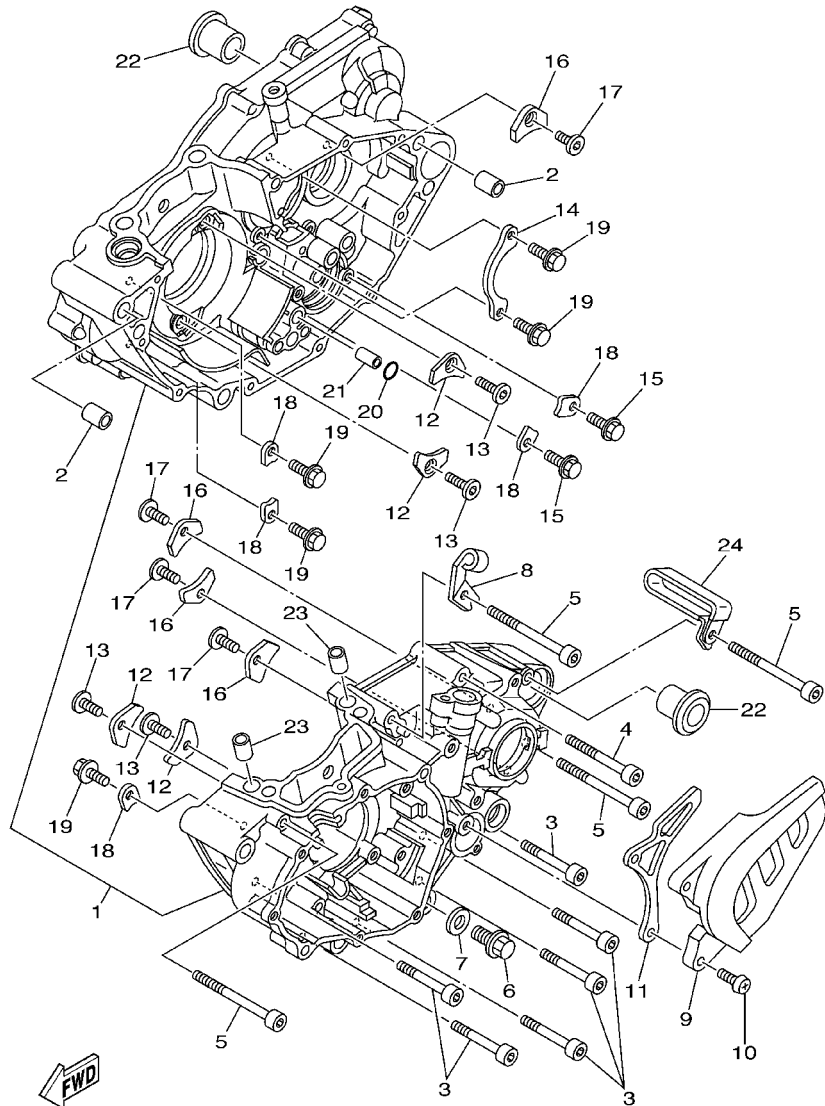


5UL1100-B110

FIG. 11 EXHAUST

REF. NO.	PART NO.	DESCRIPTION	5UL1	5UL2	5UL3	5UL4	REMARKS
1	5NL-14611-00	PIPE, EXHAUST 1	1	1	1	1	
2	5NL-14628-00	PROTECTOR, EXHAUST PIPE	1	1	1	1	
3	4BD-14766-00	WASHER, PROTECTOR	6	6	6	6	
4	98980-06008	SCREW, BIND	3	3	3	3	
5	90206-06090	WASHER, WAVE	3	3	3	3	
6	5NL-14613-00	GASKET, EXHAUST PIPE	1	1	1	1	
7	91317-08020	BOLT	1	1	1	1	
8	5UL-14753-00	SILENCER, EXHAUST	1				
	5UL-14753-10	SILENCER, EXHAUST		1	1	1	
9	90267-48121	.RIVET, BLIND	16	16	16	16	
10	5NL-1469A-00	.FIBER	1	1	1	1	
11	5BE-1469E-00	.FIBER	2	2	2	2	
12	3VD-14755-00	GASKET, SILENCER	1	1	1	1	
13	4FU-24181-00	DAMPER, LOCATING 1	2	2	2	2	
14	5UL-14788-00	BAND, SILENCER	1	1	1	1	
15	5BE-14747-00	DAMPER, MUFFLER	1	1	1	1	
16	90387-0814J	COLLAR	1	1	1	1	
17	90201-081R9	WASHER, PLATE	1	1	1	1	
18	95817-08030	BOLT, FLANGE	1	1	1	1	
19	95817-08020	BOLT, FLANGE	1	1	1	1	

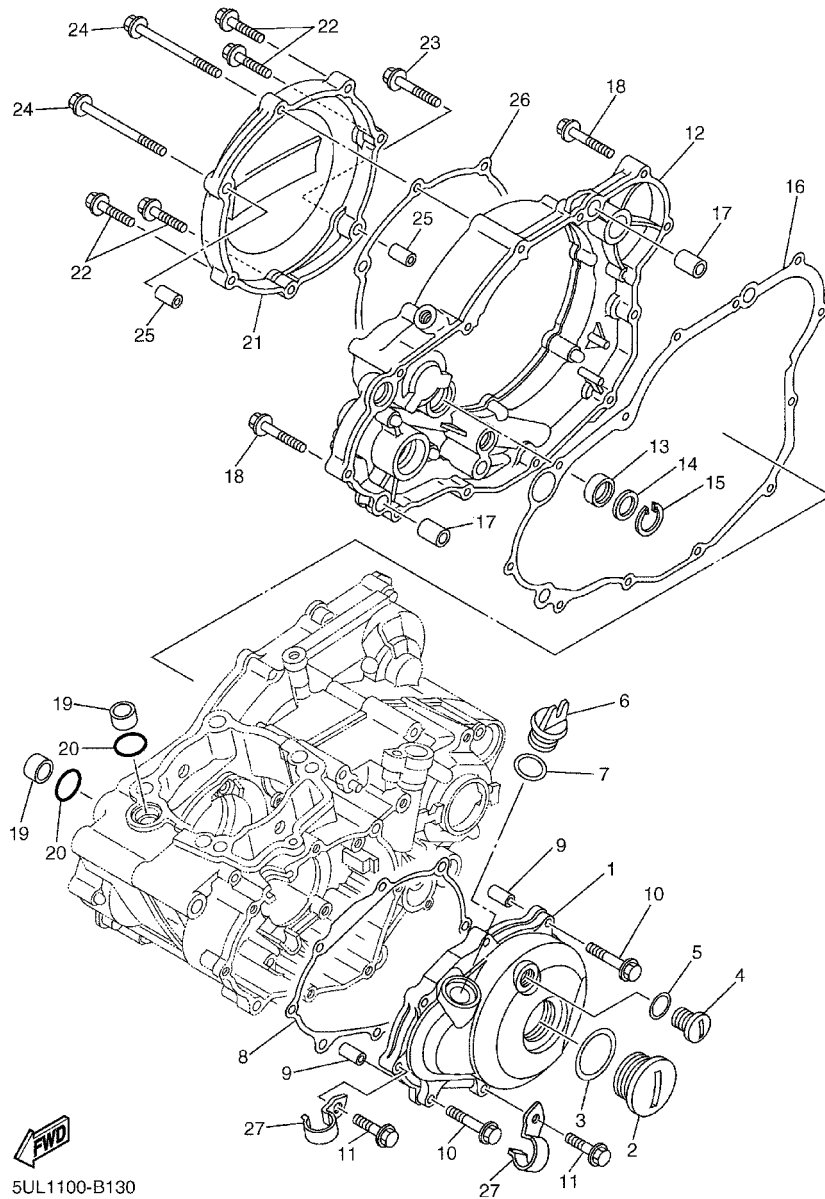
FIG. 12 CRANKCASE



5NL1100-1120

REF. NO.	PART NO.	DESCRIPTION	5UL1	5UL2	5UL3	5UL4	REMARKS
1	5UL-15150-00	CRANKCASE ASSY	1	1	1	1	
2	93612-16254	PIN, DOWEL	2	2	2	2	
3	91317-06045	BOLT	6	6	6	6	
4	91317-06055	BOLT	1	1	1	1	
5	91317-06070	BOLT	4	4	4	4	
6	95027-10016	BOLT, FLANGE	1	1	1	1	
7	90430-10188	GASKET	1	1	1	1	
8	5NL-15441-01	HOLDER, CLUTCH CABLE	1	1	1	1	
9	5BE-15421-00	COVER, CRANKCASE 2	1	1	1	1	
10	98507-06025	SCREW	2	2	2	2	
11	5NL-17466-00	GUIDE, CHAIN	1	1	1	1	
12	5BE-15383-01	PLATE, BEARING COVER	4	4	4	4	
13	90149-06126	SCREW	4	4	4	4	
14	5NL-15388-00	PLATE, BEARING COVER	1	1	1	1	
15	90105-06553	BOLT, FLANGE	2	2	2	2	
16	4JT-15381-01	PLATE, BEARING COVER	4	4	4	4	
17	90149-06326	SCREW	4	4	4	4	
18	5DH-18562-00	PLATE, STOPPER 2	5	5	5	5	
19	90105-06553	BOLT, FLANGE	5	5	5	5	
20	93210-10197	O-RING	1	1	1	1	
21	99530-10114	PIN, DOWEL	1	1	1	1	
22	90387-18007	COLLAR	2	2	2	2	
23	99530-10116	PIN, DOWEL	2	2	2	2	
24	90465-10013	CLAMP	1	1	1	1	

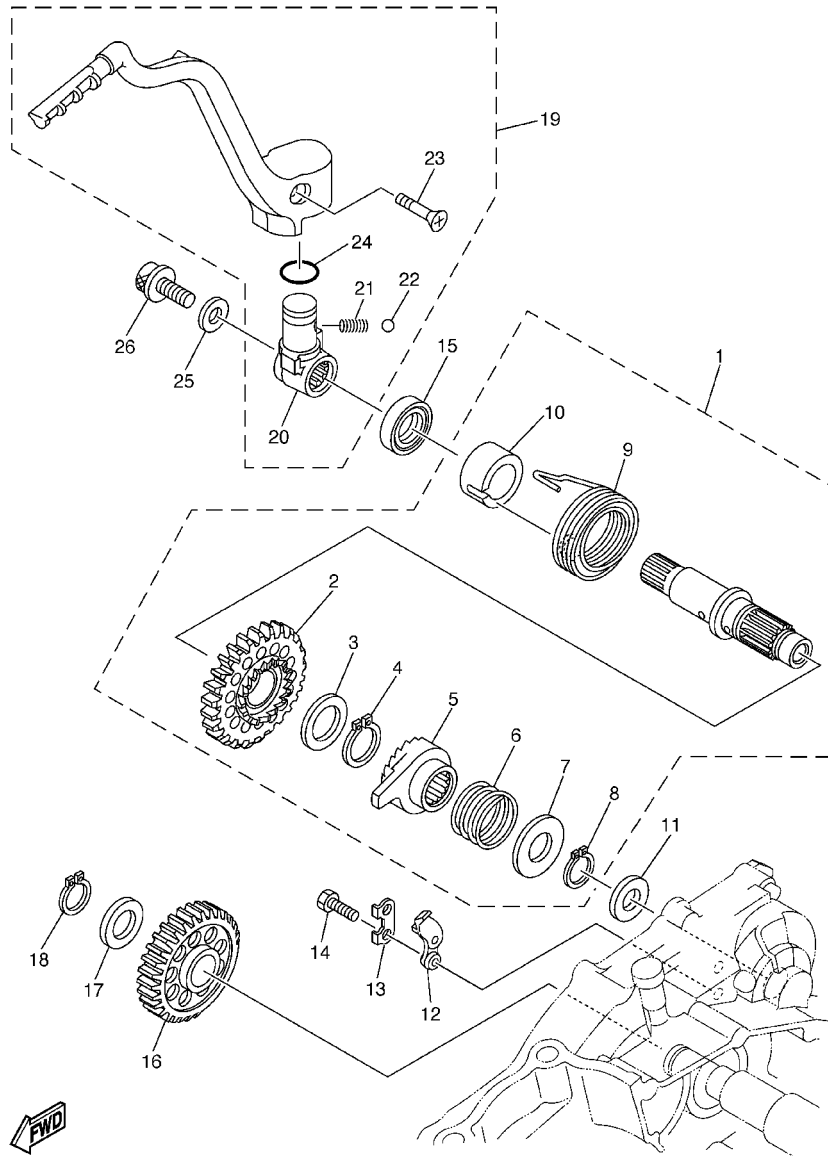
FIG. 13 CRANKCASE COVER 1



5UL1100-B130

REF. NO.	PART NO.	DESCRIPTION	5UL1	5UL2	5UL3	5UL4	REMARKS
1	5NL-15411-10	COVER, CRANKCASE 1	1	1	1	1	
2	90340-32123	PLUG, STRAIGHT SCREW	1	1	1	1	
3	93210-32172	O-RING	1	1	1	1	
4	90340-14128	PLUG, STRAIGHT SCREW	1	1	1	1	
5	93210-14369	O-RING	1	1	1	1	
6	3Y1-15363-00	PLUG, OIL	1	1	1	1	
7	93210-19123	O-RING	1	1	1	1	
8	5NL-15451-00	GASKET, CRANKCASE COVER 1	1	1	1	1	
9	99530-08016	PIN, DOWEL	2	2	2	2	
10	95027-06035	BOLT, FLANGE	2	2	2	2	
11	95027-06025	BOLT, FLANGE	6	6	6	6	
12	5NL-15431-10	COVER, CRANKCASE 3	1	1	1	1	
13	93101-14164	OIL SEAL	1	1	1	1	
14	90201-15701	WASHER, PLATE (1.0T)	1	1	1	1	
15	99009-22500	CIRCLIP	1	1	1	1	
16	5NL-15462-00	GASKET, CRANKCASE COVER 3	1	1	1	1	
17	91812-16001	PIN, DOWEL	2	2	2	2	
18	95027-06035	BOLT, FLANGE	8	8	8	8	
19	5NL-12564-00	PIPE, WATER	2	2	2	2	
20	93210-16716	O-RING	2	2	2	2	
21	5NL-15415-00	COVER 1	1	1	1	1	
22	95027-06025	BOLT, FLANGE	4	4	4	4	
23	95027-06035	BOLT, FLANGE	1	1	1	1	
24	90105-065A1	BOLT, FLANGE	2	2	2	2	
25	99530-08016	PIN, DOWEL	2	2	2	2	
26	5NL-15453-00	GASKET 1	1	1	1	1	
27	90465-08029	CLAMP	2	2	2	2	

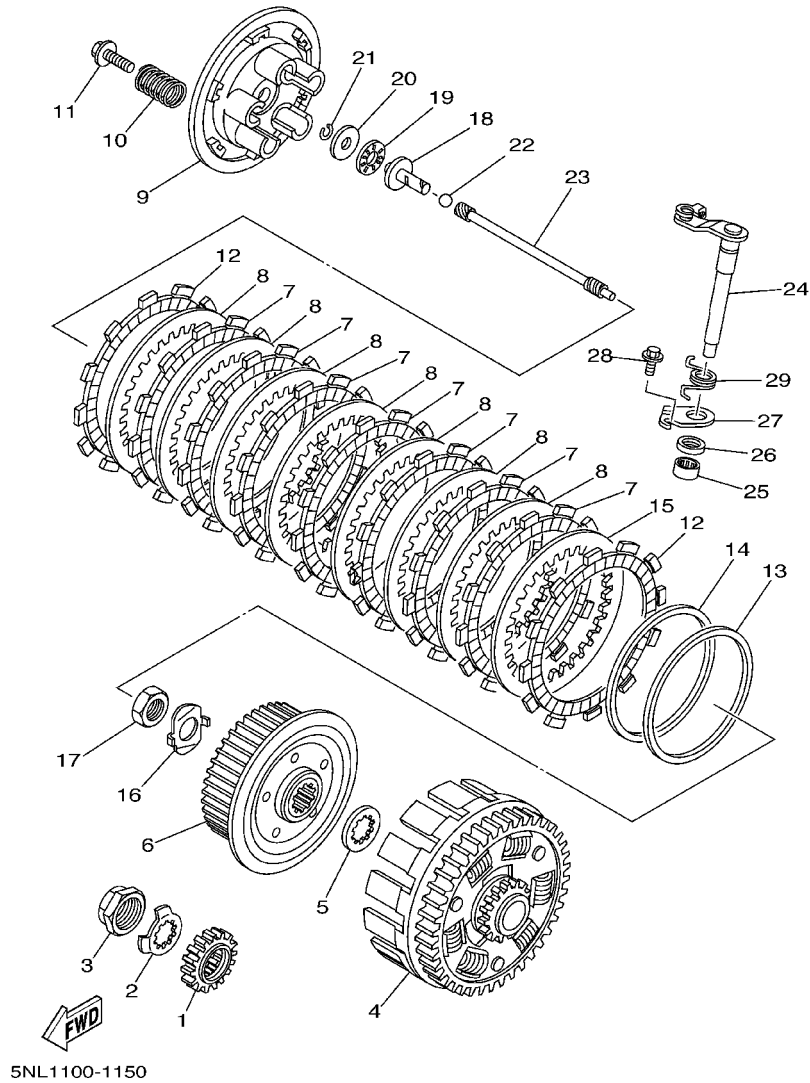
FIG. 14 STARTER



5SG1100-2140

REF. NO.	PART NO.	DESCRIPTION	5UL1	5UL2	5UL3	5UL4	REMARKS
1	5NL-15601-00	KICK SHAFT ASSY	1	1	1	1	
2	5NL-15641-00	.GEAR, KICK	1	1	1	1	
3	90201-20685	.WASHER, PLATE (0.5T)	1	1	1	1	
4	93410-20038	.CIRCLIP	1	1	1	1	
5	4GY-15671-00	.WHEEL, RATCHET	1	1	1	1	
6	90501-16016	.SPRING, COMPRESSION	1	1	1	1	
7	90201-167P7	.WASHER, PLATE	1	1	1	1	
8	99009-16400	.CIRCLIP	1	1	1	1	
9	90508-30743	.SPRING, TORSION	1	1	1	1	
10	5NL-15664-00	.GUIDE, SPRING	1	1	1	1	
11	90201-162H4	WASHER, PLATE	1	1	1	1	
12	5SG-15668-00	STOPPER	1	1	1	1	
13	214-15686-00	WASHER, LOCK	1	1	1	1	
14	90101-06001	BOLT	2	2	2	2	
15	93102-18278	OIL SEAL	1	1	1	1	
16	5NL-15651-00	GEAR, KICK IDLE	1	1	1	1	
17	90201-177G4	WASHER, PLATE	1	1	1	1	
18	99009-17400	CIRCLIP	1	1	1	1	
19	5NL-15620-01	KICK CRANK ASSY	1	1	1	1	
20	5NX-15621-01	.BOSS, KICK CRANK	1	1	1	1	
21	90501-12081	.SPRING, COMPRESSION	1	1	1	1	
22	93507-32009	.BALL	1	1	1	1	
23	90152-06010	.SCREW, COUNTERSUNK	1	1	1	1	
24	93210-17570	.O-RING	1	1	1	1	
25	90201-08326	WASHER, PLATE	1	1	1	1	
26	90109-082G0	BOLT	1	1	1	1	

FIG. 15 CLUTCH



REF. NO.	PART NO.	DESCRIPTION	5UL1	5UL2	5UL3	5UL4	REMARKS
1	5NL-16111-00	GEAR, PRIMARY DRIVE	1	1	1	1	
2	90215-20003	WASHER, LOCK	1	1	1	1	
3	90179-18001	NUT	1	1	1	1	
4	5NL-16150-10	PRIMARY DRIVEN GEAR COMP.	1	1	1	1	
5	5NL-16154-00	PLATE, THRUST 1	1	1	1	1	
6	5NL-16371-00	BOSS, CLUTCH	1	1	1	1	
7	5DH-16321-00	PLATE, FRICTION	7	7	7	7	
8	5NL-16325-00	PLATE, CLUTCH 2	7	7	7	7	
9	5HD-16351-00	PLATE, PRESSURE 1	1	1	1	1	
10	90501-224J9	SPRING, COMPRESSION	5	5	5	5	
11	90159-06092	SCREW, WITH WASHER	5	5	5	5	
12	3XJ-16321-00	PLATE, FRICTION	2	2	2	2	
13	5NL-16384-00	PLATE, SEAT	1	1	1	1	
14	5NL-16383-10	SPRING, CLUTCH BOSS	1	1	1	1	
15	5NL-16325-10	PLATE, CLUTCH 2	1	1	1	1	
16	90215-16289	WASHER, LOCK	1	1	1	1	
17	90170-16326	NUT	1	1	1	1	
18	5NL-16356-00	ROD, PUSH 1	1	1	1	1	
19	93340-21008	BEARING	1	1	1	1	
20	90201-080H1	WASHER, PLATE	1	1	1	1	
21	93440-07182	CIRCLIP	1	1	1	1	
22	93511-32027	BALL	1	1	1	1	
23	5NL-16357-00	ROD, PUSH 2	1	1	1	1	
24	5JG-16381-00	PUSH LEVER COMP.	1	1	1	1	
25	93317-11287	BEARING	1	1	1	1	
26	93102-12224	OIL SEAL	1	1	1	1	
27	4JT-16384-00	PLATE, SEAT	1	1	1	1	

FIG. 15 CLUTCH

REF. NO.	PART NO.	DESCRIPTION	SUL1	SUL2	SUL3	SUL4	REMARKS
28	95027-06010	BOLT, FLANGE	1	1	1	1	
29	90508-142B5	SPRING, TORSION	1	1	1	1	

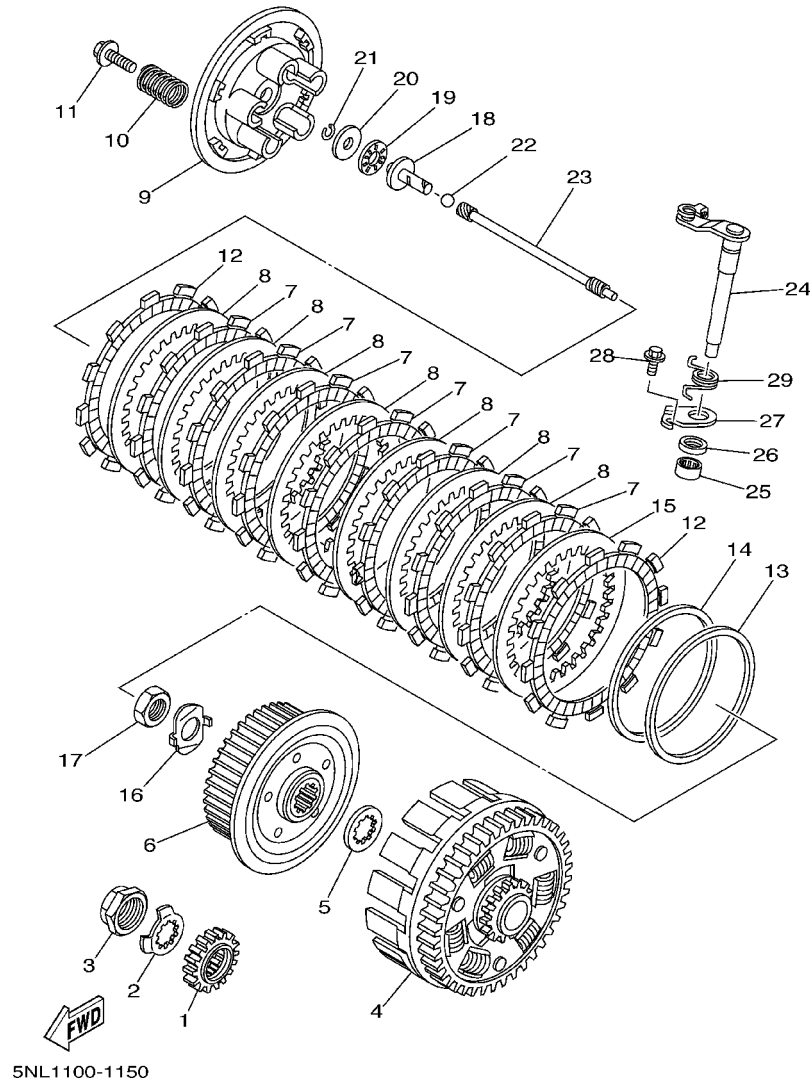
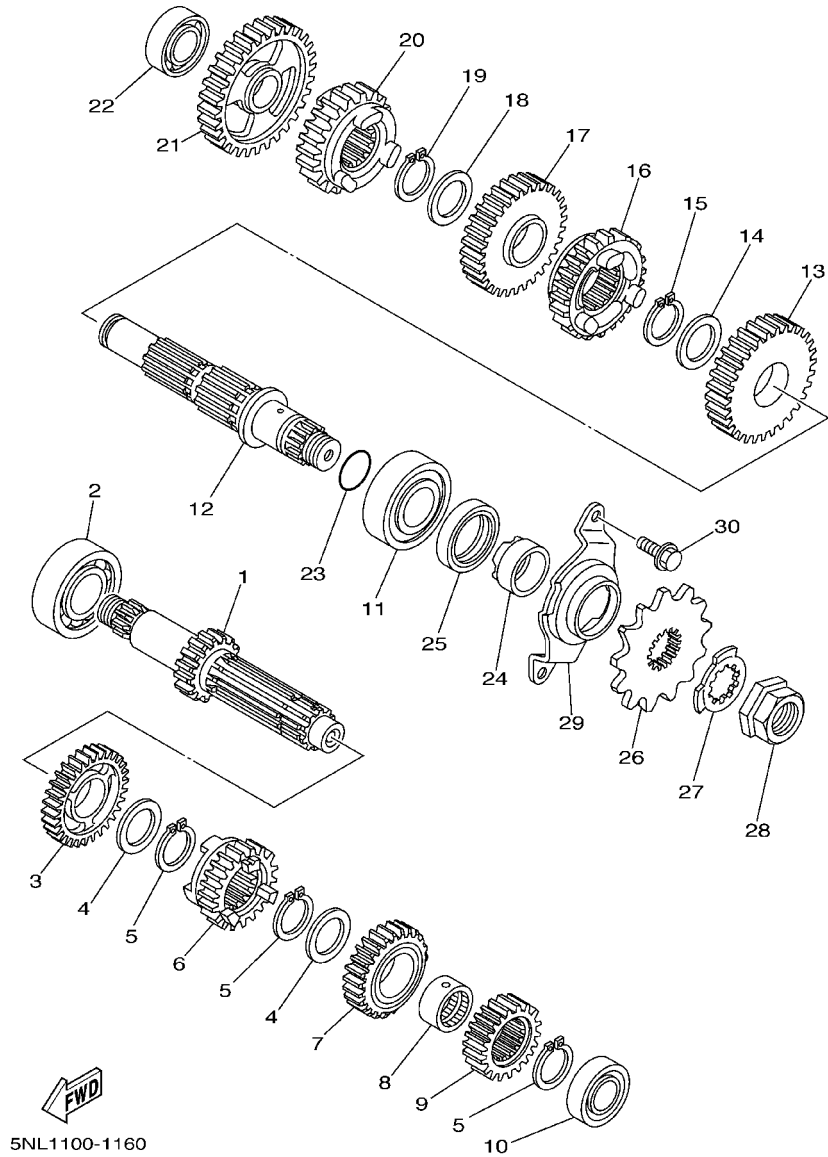
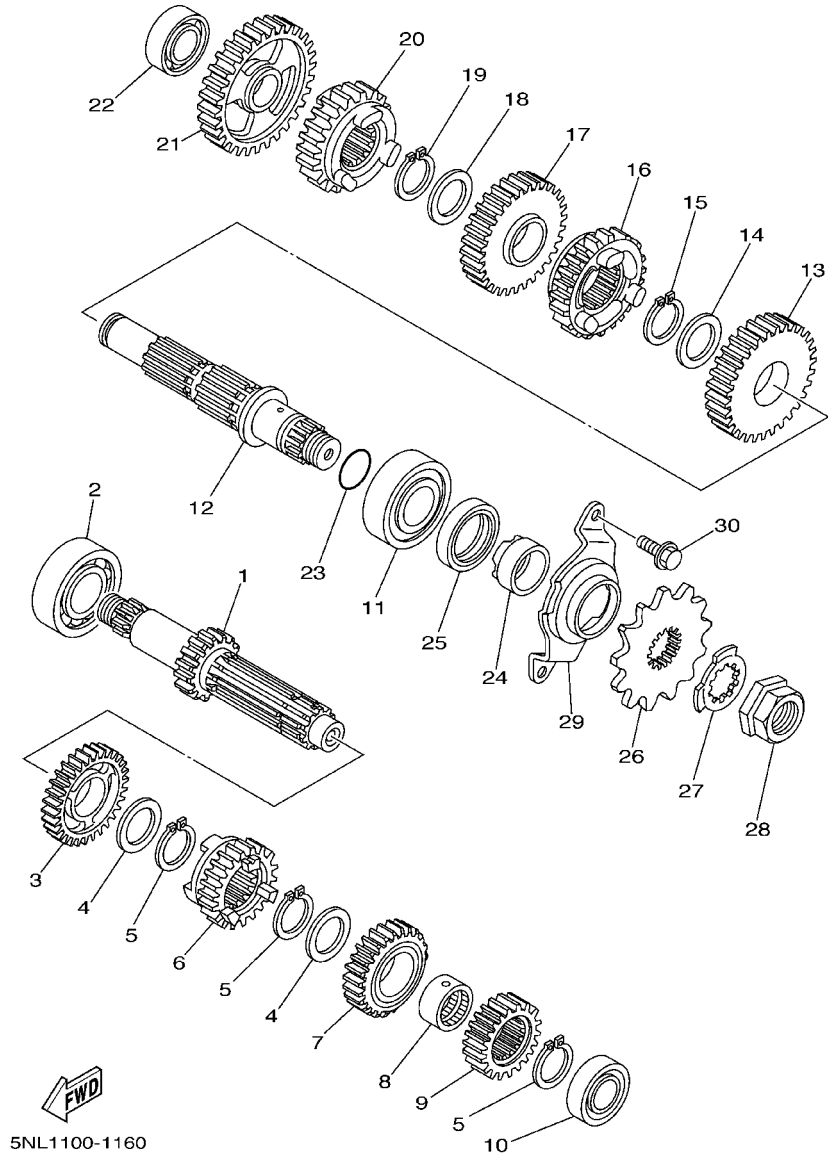


FIG. 16 TRANSMISSION



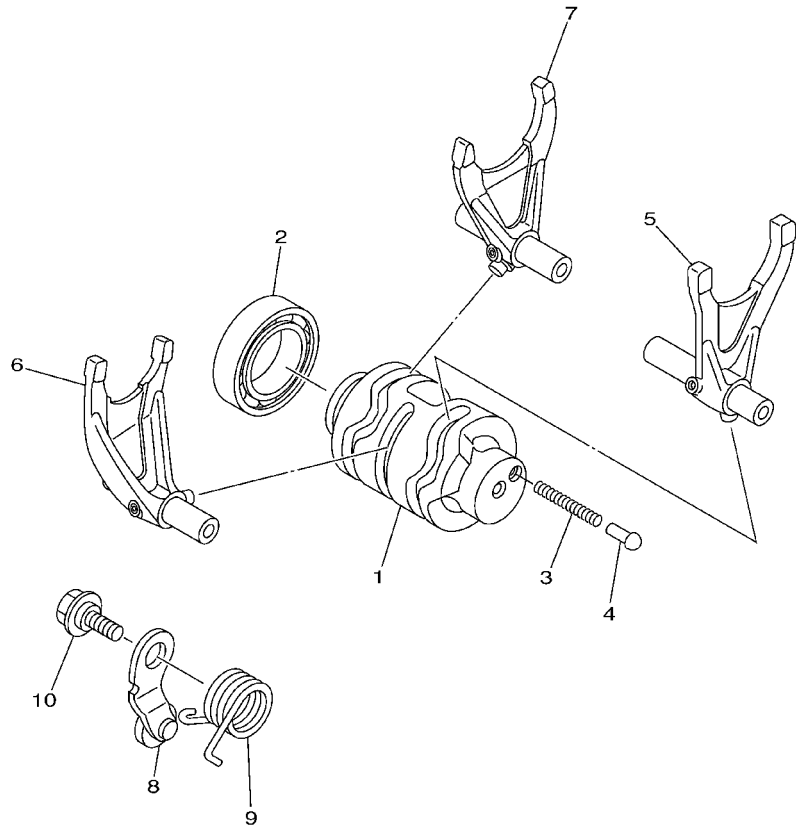
REF. NO.	PART NO.	DESCRIPTION	5UL1	5UL2	5UL3	5UL4	REMARKS
1	5NL-17411-10	AXLE, MAIN (14T)	1	1	1	1	
2	93306-20447	BEARING	1	1	1	1	
3	5NL-17151-00	GEAR, 5TH PINION (24T)	1	1	1	1	
4	90209-20008	WASHER	2	2	2	2	
5	93410-22039	CIRCLIP	3	3	3	3	
6	5NL-17131-01	GEAR, 3RD PINION (20T)	1	1	1	1	
7	5NL-17141-00	GEAR, 4TH PINION (22T)	1	1	1	1	
8	90387-20006	COLLAR	1	1	1	1	
9	5NL-17121-00	GEAR, 2ND PINION (16T)	1	1	1	1	
10	93306-00320	BEARING	1	1	1	1	
11	93306-27208	BEARING	1	1	1	1	
12	5NL-17421-00	AXLE, DRIVE	1	1	1	1	
13	5NL-17221-00	GEAR, 2ND WHEEL (28T)	1	1	1	1	
14	90209-23012	WASHER	1	1	1	1	
15	93410-26067	CIRCLIP	1	1	1	1	
16	5NL-17241-01	GEAR, 4TH WHEEL (27T)	1	1	1	1	
17	5NL-17231-00	GEAR, 3RD WHEEL (29T)	1	1	1	1	
18	90209-20008	WASHER	1	1	1	1	
19	93410-22039	CIRCLIP	1	1	1	1	
20	5NL-17251-01	GEAR, 5TH WHEEL (25T)	1	1	1	1	
21	5NL-17211-10	GEAR, 1ST WHEEL (30T)	1	1	1	1	
22	93306-00317	BEARING	1	1	1	1	
23	93210-196A4	O-RING	1	1	1	1	
24	90387-22001	COLLAR	1	1	1	1	
25	93102-28008	OIL SEAL	1	1	1	1	
26	9383B-13218	SPROCKET, DRIVE (13T)	1	1	1	1	
27	90215-20003	WASHER, LOCK	1	1	1	1	

FIG. 16 TRANSMISSION



REF. NO.	PART NO.	DESCRIPTION	5UL1	5UL2	5UL3	5UL4	REMARKS
28	90179-18001	NUT	1	1	1	1	
29	5NL-17471-00	PLATE, COVER	1	1	1	1	
30	90105-06553	BOLT, FLANGE	2	2	2	2	

FIG. 17 SHIFT CAM. FORK

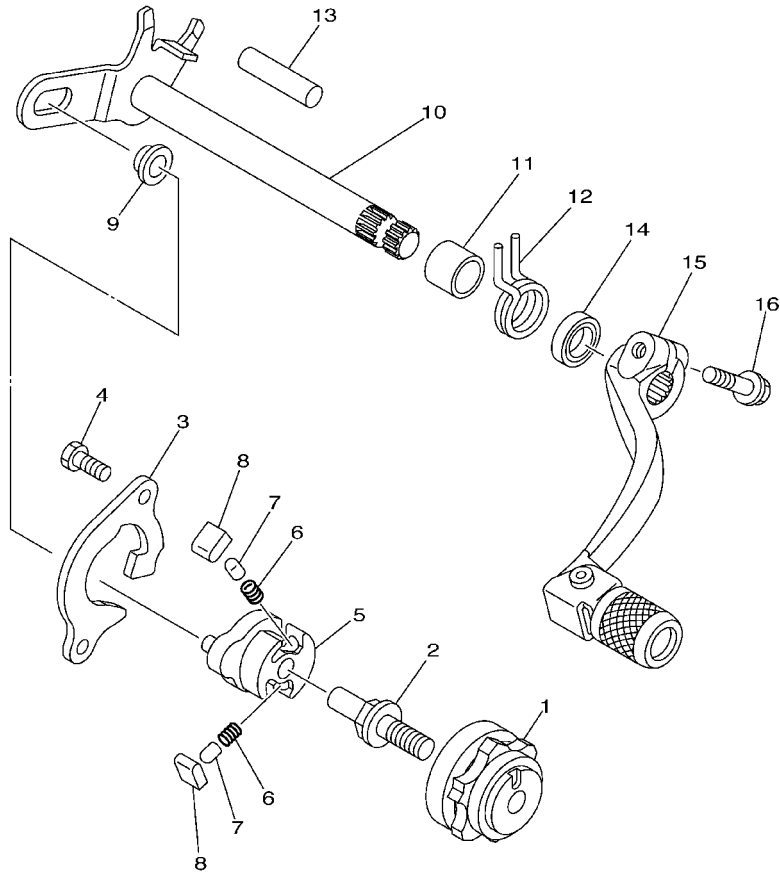


REF. NO.	PART NO.	DESCRIPTION	5UL1	5UL2	5UL3	5UL4	REMARKS
1	5NL-18541-00	CAM, SHIFT	1	1	1	1	
2	93306-90501	BEARING	1	1	1	1	
3	90501-06022	SPRING, COMPRESSION	1	1	1	1	
4	4BA-18542-00	POINT, NEUTRAL	1	1	1	1	
5	5NL-18501-00	FORK, SHIFT 1	1	1	1	1	
6	5NL-18502-00	FORK, SHIFT 2	1	1	1	1	
7	5NL-18503-00	FORK, SHIFT 3	1	1	1	1	
8	3XK-18140-00	STOPPER LEVER ASSY	1	1	1	1	
9	90508-26561	SPRING, TORSION	1	1	1	1	
10	90109-063F8	BOLT	1	1	1	1	



5NL1100-1170

FIG. 18 SHIFT SHAFT



5NL1100-1180

REF. NO.	PART NO.	DESCRIPTION	5UL1	5UL2	5UL3	5UL4	REMARKS
1	4EW-18185-00	SEGMENT	1	1	1	1	
2	3XJ-18173-00	PIN, SHIFT	1	1	1	1	
3	5BE-18172-00	GUIDE, SHIFT	1	1	1	1	
4	90101-06664	BOLT	2	2	2	2	
5	5LP-18122-00	LEVER, SHIFT 2	1	1	1	1	
6	90501-052G5	SPRING, COMPRESSION	2	2	2	2	
7	3XJ-18184-00	PIN, PAWL	2	2	2	2	
8	3XJ-18182-00	PAWL, SHIFTER	2	2	2	2	
9	3XJ-18178-00	ROLLER, SHIFT LEVER	1	1	1	1	
10	5UL-18101-00	SHIFT SHAFT ASSY	1	1	1	1	
11	90387-124F4	COLLAR	1	1	1	1	
12	90508-291A8	SPRING, TORSION	1	1	1	1	
13	93608-33002	PIN, DOWEL	1	1	1	1	
14	93102-12224	OIL SEAL	1	1	1	1	
15	5UL-18110-00	SHIFT PEDAL ASSY	1	1	1	1	
16	95027-06020	BOLT, FLANGE	1	1	1	1	

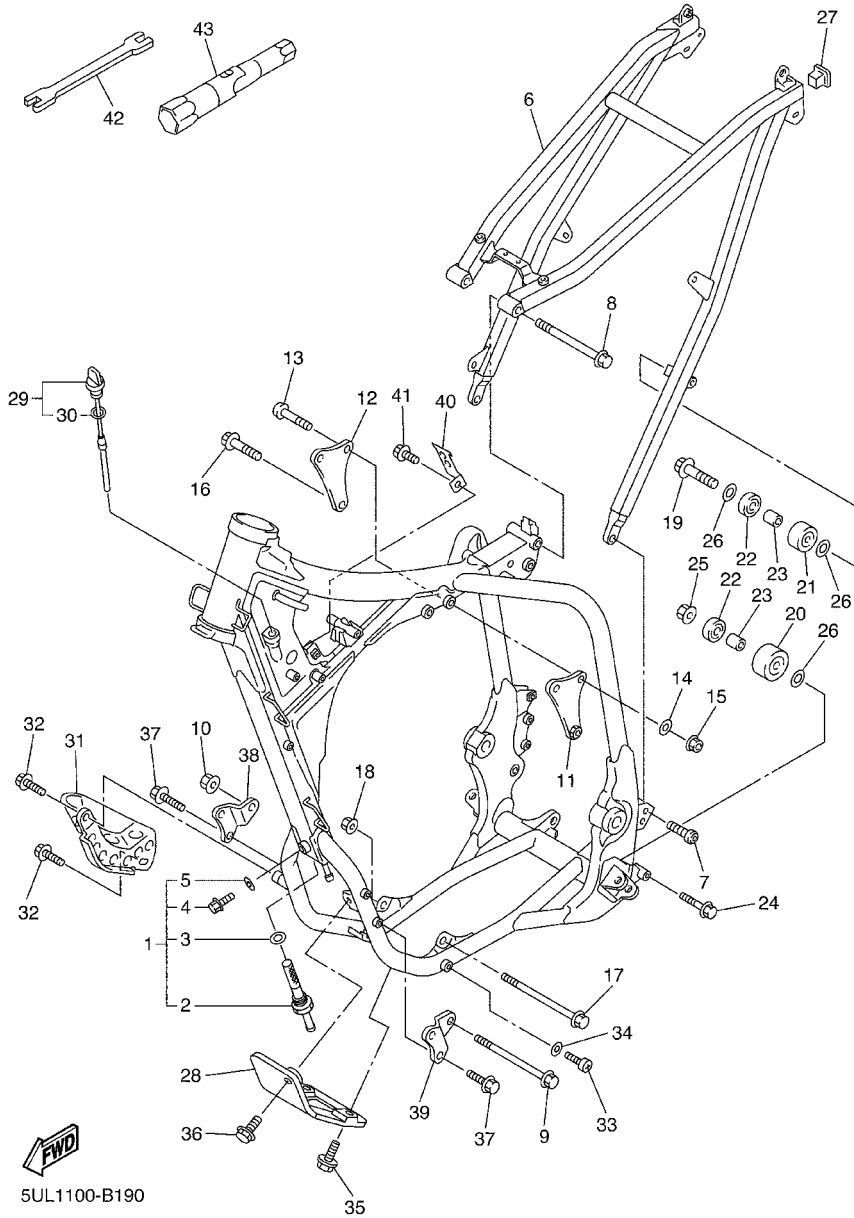
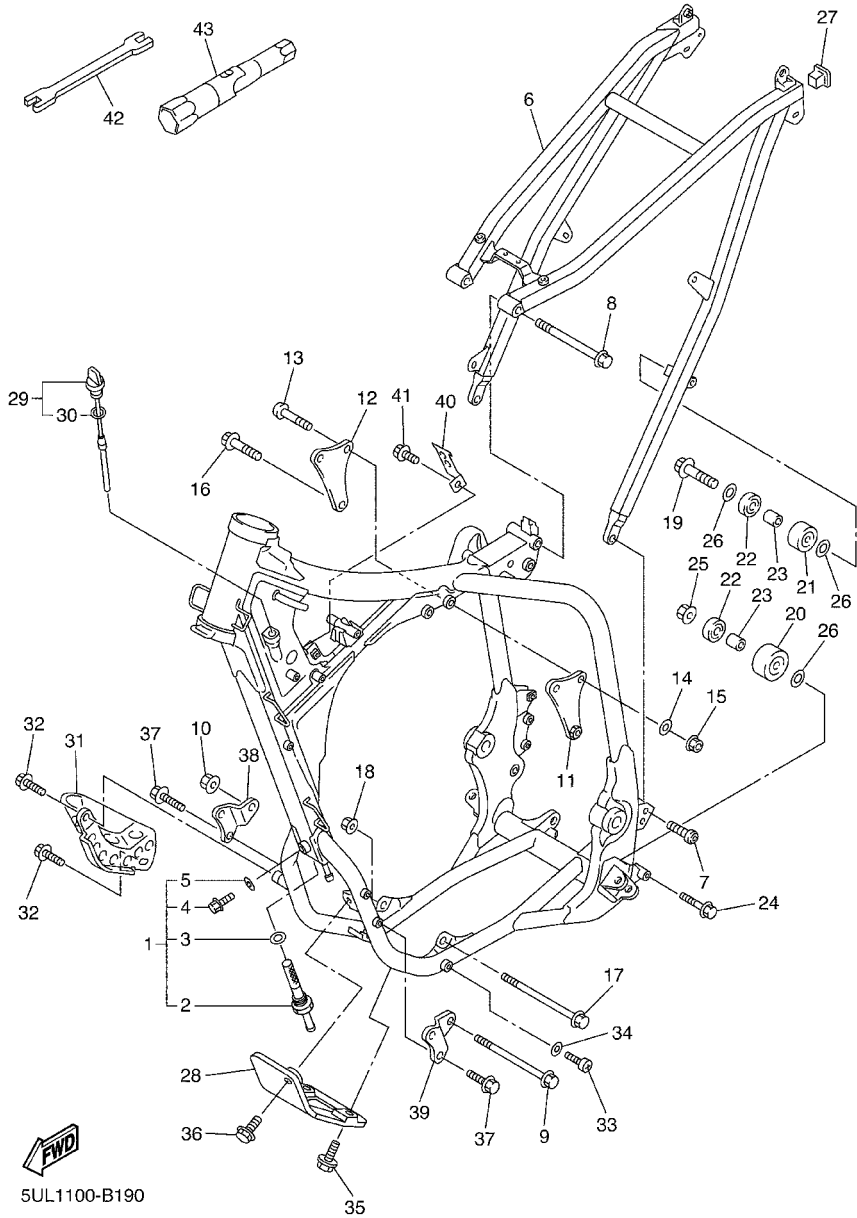


FIG. 19 FRAME

REF. NO.	PART NO.	DESCRIPTION	5UL1	5UL2	5UL3	5UL4	REMARKS
1	5UL-21101-00	FRONT FRAME COMP.	1	1	1	1	
2	5TA-21756-00	.NET, FILTER	1	1	1	1	
3	90201-145M4	.WASHER, PLATE	1	1	1	1	
4	95827-08012	.BOLT, FLANGE	1	1	1	1	
5	90430-08119	.GASKET	1	1	1	1	
6	5TA-21190-00	REAR FRAME COMP.	1	1	1	1	
7	90110-08096	BOLT, HEXAGON SOCKET HEAD	2	2	2	2	
8	90105-08120	BOLT, FLANGE	1	1	1	1	
9	95817-10130	BOLT, FLANGE	1	1	1	1	
10	90185-10002	NUT, SELF-LOCKING	1	1	1	1	
11	5NL-21425-00	BRACKET, REAR UPPER 1	1	1	1	1	
12	5NL-21425-10	BRACKET, REAR UPPER 1	1	1	1	1	
13	92017-08055	BOLT	2	2	2	2	
14	90201-086P8	WASHER, PLATE	4	4	4	4	
15	90185-08169	NUT, SELF-LOCKING	2	2	2	2	
16	95817-10050	BOLT, FLANGE	1	1	1	1	
17	90105-10733	BOLT, FLANGE	1	1	1	1	
18	90185-10002	NUT, SELF-LOCKING	1	1	1	1	
19	95027-08040	BOLT, FLANGE	1	1	1	1	
20	3JD-22178-10	TENSIONER	1	1	1	1	
21	4EW-22178-00	TENSIONER	1	1	1	1	
22	93300-60804	BEARING	2	2	2	2	
23	90387-086N4	COLLAR	2	2	2	2	
24	95027-08065	BOLT, FLANGE	1	1	1	1	
25	95707-08500	NUT, FLANGE	1	1	1	1	
26	90201-086P8	WASHER, PLATE	3	3	3	3	
27	90338-18176	PLUG	1	1	1	1	

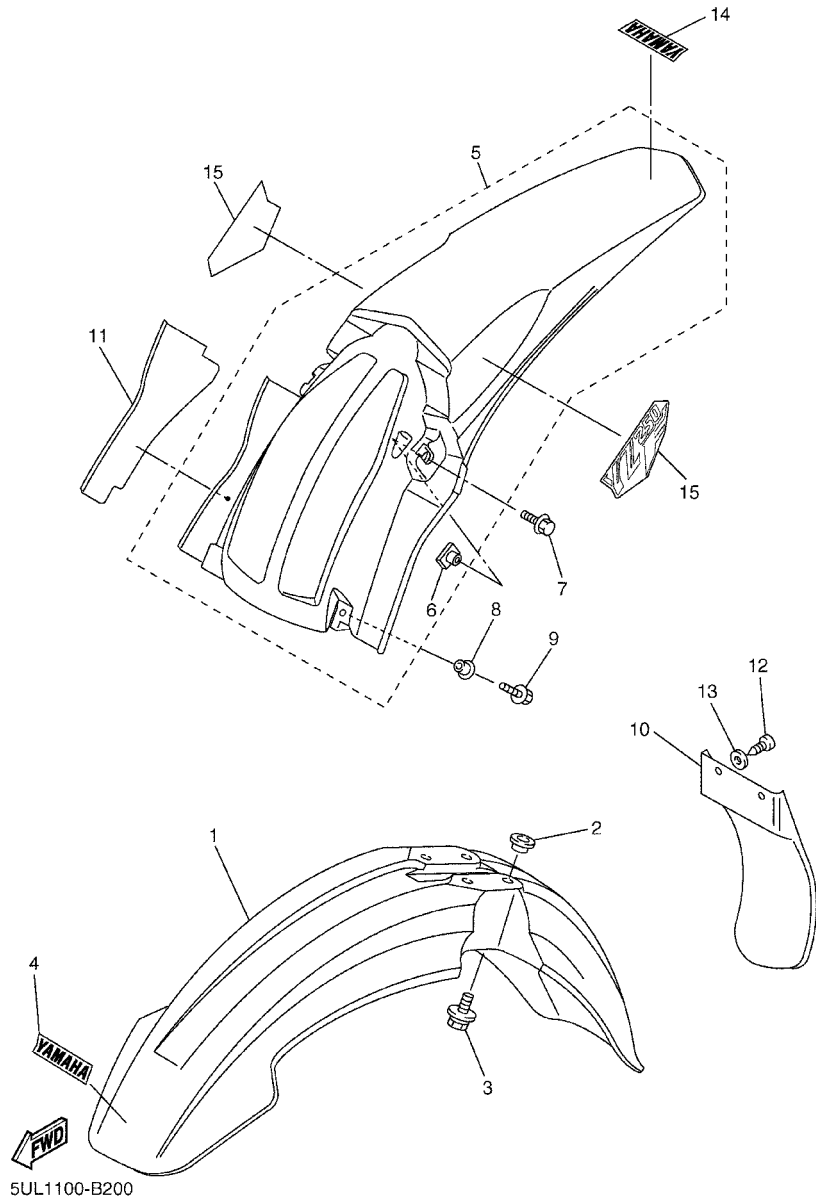


5UL1100-B190

FIG. 19 FRAME

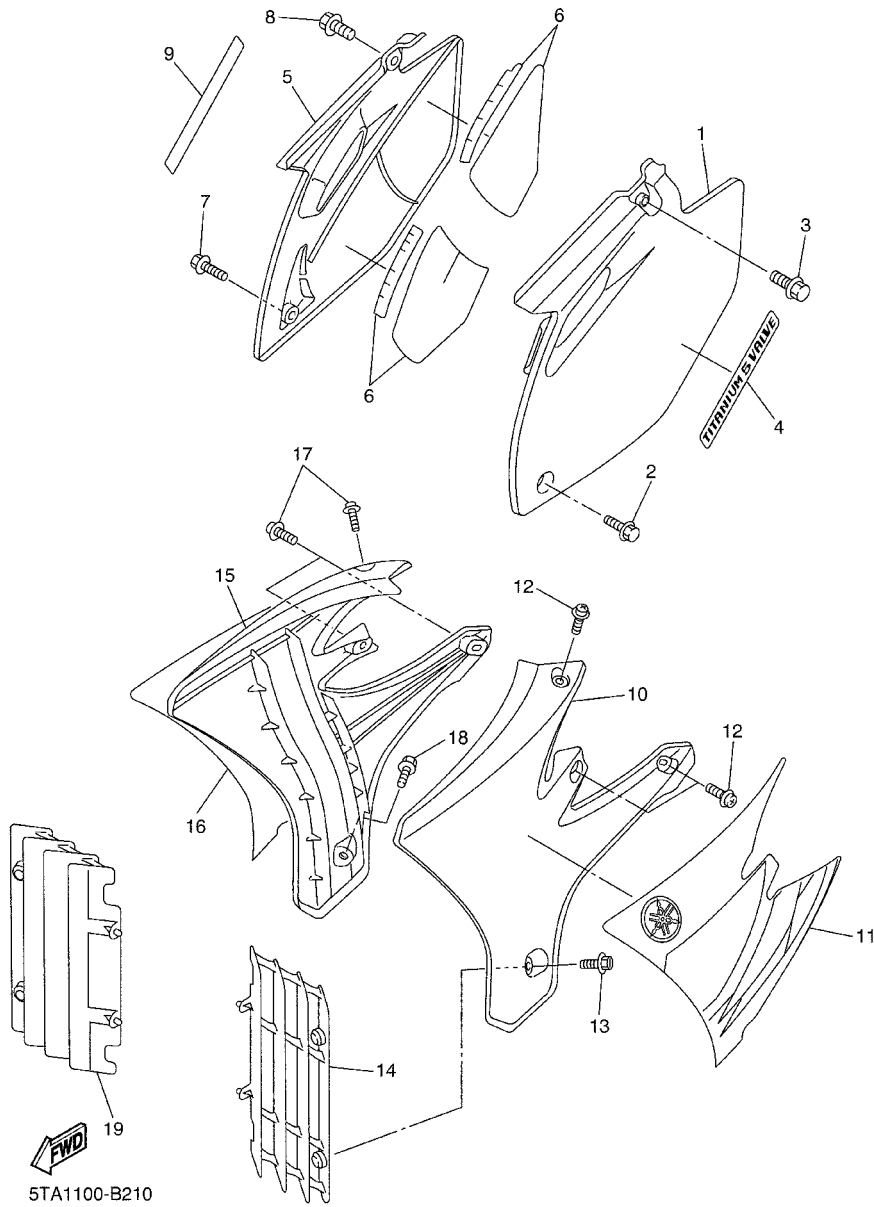
REF. NO.	PART NO.	DESCRIPTION	5UL1	5UL2	5UL3	5UL4	REMARKS
28	5NL-21471-00	PROTECTOR, ENGINE	1	1	1	1	
29	5UL-15362-00	PLUG, OIL LEVEL	1	1	1	1	
30	93210-08001	.O-RING	1	1	1	1	
31	5NL-2147A-00	GUARD, ENGINE 1	1	1	1	1	
32	95027-08012	BOLT, FLANGE	2	2	2	2	
33	90157-08028	SCREW, PAN HEAD	1	1	1	1	
34	90202-08204	WASHER, PLATE	1	1	1	1	
35	95027-06012	BOLT, FLANGE	2	2	2	2	
36	90119-06001	BOLT, WITH WASHER	1	1	1	1	
37	95817-08016	BOLT, FLANGE	4	4	4	4	
38	5UL-21417-00	BRACKET, FRONT LOWER 1	1	1	1	1	
39	5UL-21417-10	BRACKET, FRONT LOWER 1	1	1	1	1	
40	5TA-21274-01	BRACKET, C.D.I. UNIT	1	1	1	1	
41	97527-06512	BOLT, WITH WASHER	1	1	1	1	
42	5ET-28166-00	WRENCH, HEXAGON	1	1	1	1	
43	5TA-2814F-00	BOX, SPARK PLUG	1	1	1	1	

FIG. 20 FENDER

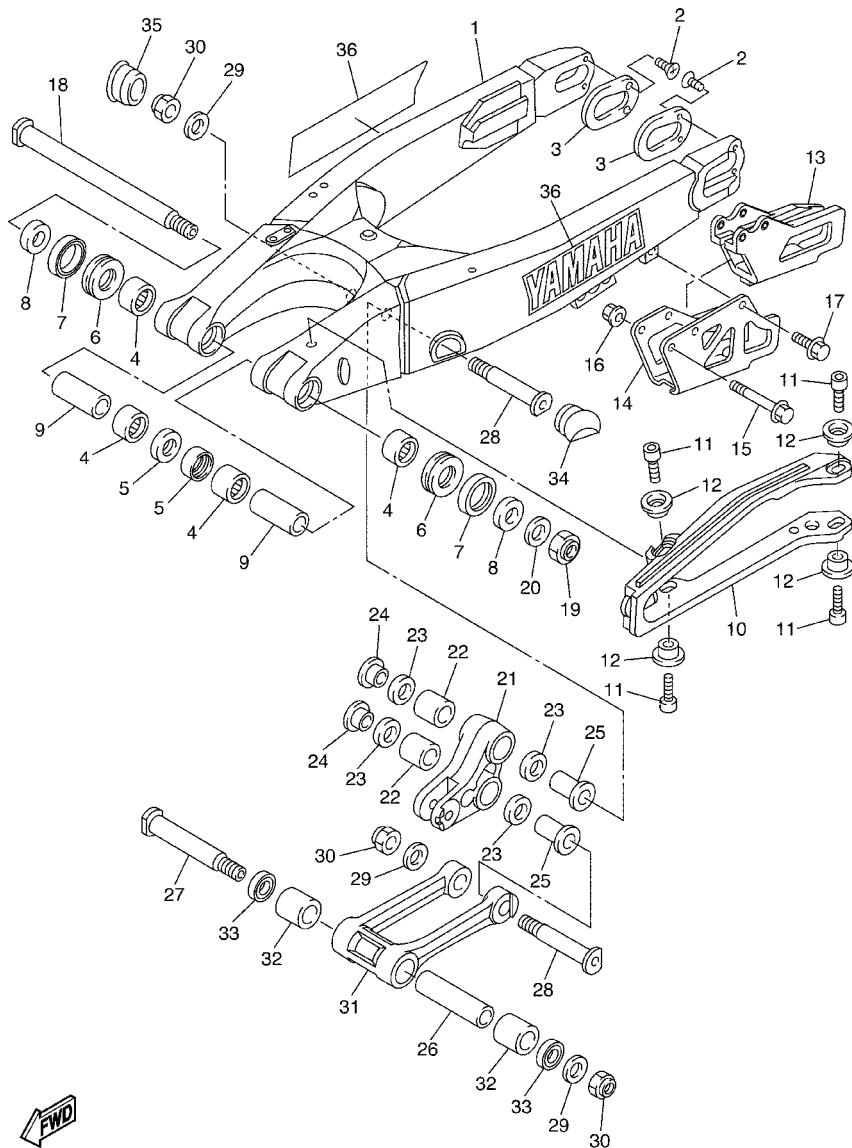


REF. NO.	PART NO.	DESCRIPTION	5UL1	5UL2	5UL3	5UL4	REMARKS
1	5HD-21511-00	FENDER, FRONT	1	1	1	1	
2	3JD-21748-00	COLLAR	4	4	4	4	
3	90119-06096	BOLT, WITH WASHER	4	4	4	4	
4	4ES-2153E-01	EMBLEM, YAMAHA	1	1	1	1	
5	5TA-21610-00	REAR FENDER COMP.	1	1	1	1	
6	5TA-21635-00	.NUT, REAR FENDER	2	2	2	2	
7	90105-06154	BOLT, FLANGE	2	2	2	2	
8	90387-06009	COLLAR	2	2	2	2	
9	90119-06225	BOLT, WITH WASHER	2	2	2	2	
10	5TA-21642-00	GUARD, FLAP	1	1	1	1	
11	5TA-2174T-00	INSULATOR, SIDE COVER 2	1	1	1	1	
12	97707-60016	SCREW, TAPPING	2	2	2	2	
13	90201-06557	WASHER, PLATE	2	2	2	2	
14	4ES-2153E-01	EMBLEM, YAMAHA	1	1	1	1	
15	5SG-2163G-00	EMBLEM 1	2	2	2	2	

FIG. 21 SIDE COVER



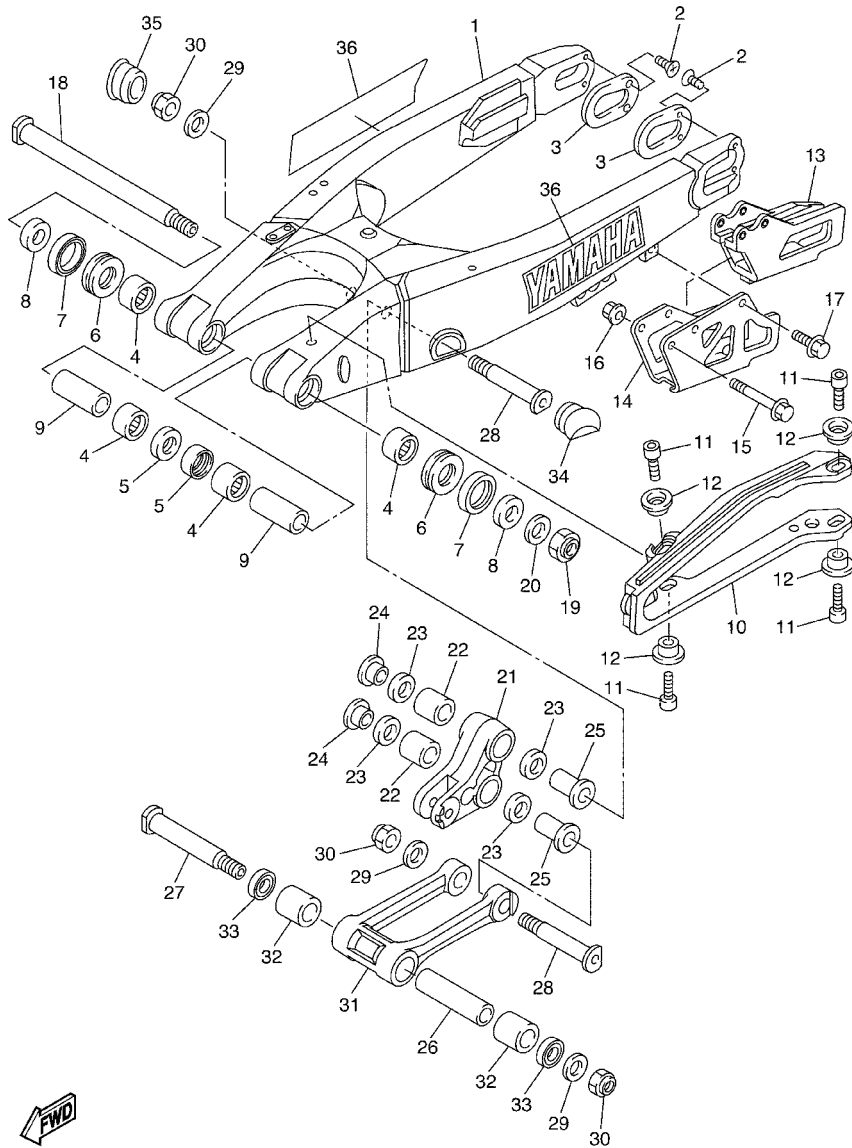
REF. NO.	PART NO.	DESCRIPTION	SUL1	SUL2	SUL3	SUL4	REMARKS
1	5TA-21711-00	COVER, SIDE 1	1	1	1	1	
2	95827-06016	BOLT, FLANGE	1	1	1	1	
3	90119-08238	BOLT, WITH WASHER	1	1	1	1	
4	5JG-21781-50	EMBLEM 1	1	1	1	1	
5	5TA-21721-00	COVER, SIDE 2	1	1	1	1	
6	5TA-2174A-00	INSULATOR, SIDE COVER	1	1	1	1	
7	95827-06016	BOLT, FLANGE	1	1	1	1	
8	90119-08238	BOLT, WITH WASHER	1	1	1	1	
9	5JG-21781-50	EMBLEM 1	1	1	1	1	
10	5TA-21730-00	SIDE COVER ASSY 3	1	1	1	1	
11	5TA-2173E-01	GRAPHIC 1	1	1	1	1	
12	90159-06182	SCREW, WITH WASHER	3	3	3	3	
13	90159-06078	SCREW, WITH WASHER	1	1	1	1	
14	5NL-2172A-10	PANEL 1	1	1	1	1	
15	5TA-21740-00	SIDE COVER ASSY 4	1	1	1	1	
16	5TA-2173F-01	GRAPHIC 2	1	1	1	1	
17	90159-06182	SCREW, WITH WASHER	3	3	3	3	
18	90159-06078	SCREW, WITH WASHER	1	1	1	1	
19	5NL-2172A-10	PANEL 1	1	1	1	1	



5TA1100-B220

FIG. 22 REAR ARM

REF. NO.	PART NO.	DESCRIPTION	SUL1	SUL2	SUL3	SUL4	REMARKS
1	5UN-22110-00	REAR ARM COMP.	1	1	1	1	
2	90151-04048	SCREW, COUNTERSUNK	4	4	4	4	
3	5UN-22355-00	PATCH	2	2	2	2	
4	93317-22262	BEARING	4	4	4	4	
5	93106-22019	OIL SEAL (DC 22-28-8)	2	2	2	2	
6	93342-22217	BEARING	2	2	2	2	
7	93109-28043	OIL SEAL	2	2	2	2	
8	90387-18005	COLLAR	2	2	2	2	
9	90387-18004	COLLAR	2	2	2	2	
10	5UN-22151-00	SEAL, GUARD	1	1	1	1	
11	91317-05008	BOLT	4	4	4	4	
12	5JG-22156-00	WASHER, PLATE	4	4	4	4	
13	5UN-22199-00	SUPPORT, CHAIN	1	1	1	1	
14	5UN-22128-00	COVER, THRUST 1	1	1	1	1	
15	95027-06050	BOLT, FLANGE	2	2	2	2	
16	90179-06568	NUT	2	2	2	2	
17	95027-06010	BOLT, FLANGE	1	1	1	1	
18	5NY-22141-01	SHAFT, PIVOT	1	1	1	1	
19	90185-16127	NUT, SELF-LOCKING	1	1	1	1	
20	90201-160F6	WASHER, PLATE	1	1	1	1	
21	5NY-2217A-00	ARM, RELAY	1	1	1	1	
22	93315-32056	BEARING	2	2	2	2	
23	93109-20076	OIL SEAL	4	4	4	4	
24	90387-16005	COLLAR	2	2	2	2	
25	90387-16007	COLLAR	2	2	2	2	
26	90387-167Y9	COLLAR	1	1	1	1	
27	5NY-22121-00	SHAFT 1	1	1	1	1	

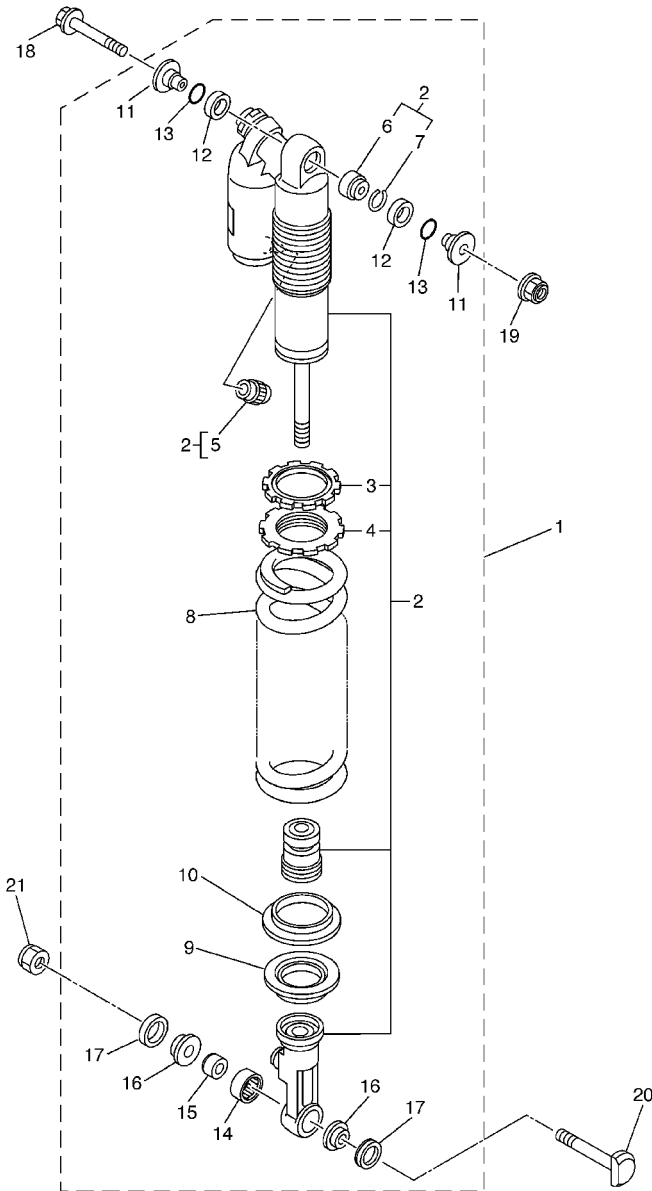


5TA1100-B220

FIG. 22 REAR ARM

REF. NO.	PART NO.	DESCRIPTION	5UL1	5UL2	5UL3	5UL4	REMARKS
28	5NY-22122-00	SHAFT 2	2	2	2	2	
29	90201-14740	WASHER, PLATE	3	3	3	3	
30	90185-14007	NUT, SELF-LOCKING	3	3	3	3	
31	5NY-2217F-00	ROD, CONNECTING 1	1	1	1	1	
32	93315-32053	BEARING	2	2	2	2	
33	93109-20076	OIL SEAL	2	2	2	2	
34	5NY-2135F-00	COVER	1	1	1	1	
35	5HD-2135F-00	COVER	1	1	1	1	
36	5UN-2153A-00	EMBLEM, YAMAHA	2	2	2	2	

FIG. 23 REAR SUSPENSION

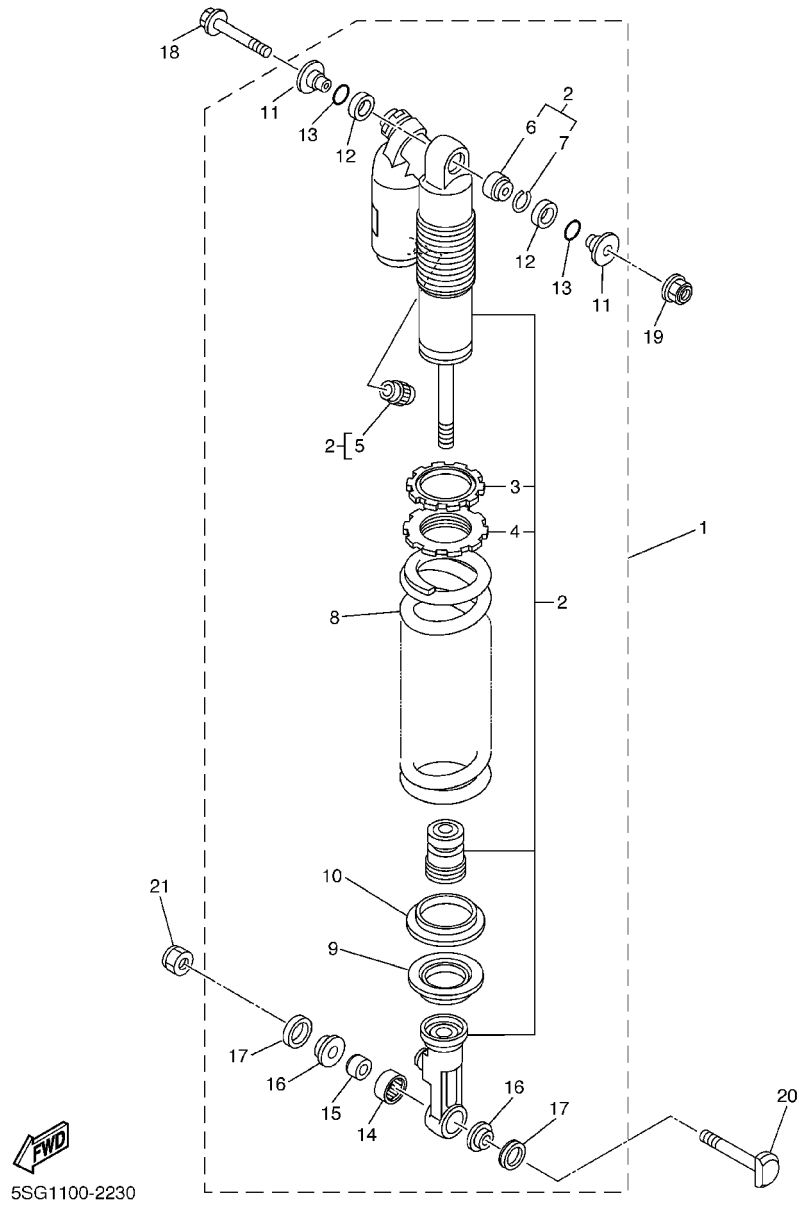


5SG1100-2230

REF. NO.	PART NO.	DESCRIPTION	5UL1	5UL2	5UL3	5UL4	REMARKS
1	5UL-22210-00	SHOCK ABSORBER ASSY, REAR	1				
	5UL-22210-10	SHOCK ABSORBER ASSY, REAR		1			
	5UL-22210-20	SHOCK ABSORBER ASSY, REAR			1		
	5UL-22210-30	SHOCK ABSORBER ASSY, REAR				1	UR FOR CAN
	5UL-22210-40	SHOCK ABSORBER ASSY, REAR				1	UR FOR OCE,ZAF
2	5UL-22201-00	.DAMPER SUB ASSY	1				
	5UL-22201-10	.DAMPER SUB ASSY		1			
	5UL-22201-20	.DAMPER SUB ASSY			1		
	5UL-22201-30	.DAMPER SUB ASSY				1	UR FOR CAN
	5UL-22201-40	.DAMPER SUB ASSY				1	UR FOR OCE,ZAF
3	3SP-22234-00	..GUIDE, SPRING 3	1	1	1	1	
4	3SP-22213-00	..SEAT, SPRING UPPER	1	1	1	1	
5	509-23184-L0	..CAP, AIR VALVE	1	1	1	1	
6	4JX-22226-00	..BUSH, SHOCK ABSORBER LOWER	1	1	1	1	
7	5DH-23183-00	..CIRCLIP	1	1	1	1	
8	5UN-22212-20	..SPRING (K=4.7)	1			1	
	5UN-22212-C0	..SPRING (K=APPROX.4.9)		1	1		
9	5DH-22214-00	..GUIDE, SPRING 1	1	1	1	1	
10	5MV-22224-00	..GUIDE, SPRING 2	1	1	1	1	
11	5DH-22253-00	..COLLAR, DISTANCE	2	2	2	2	
12	3JE-22475-00	..SEAL, DUST	2	2	2	2	
13	4EW-22474-00	..SEAL, RING	2	2	2	2	
14	5UN-22176-00	..BEARING	1	1	1	1	
15	5MV-22184-00	..BUSH	1	1	1	1	
16	5MV-22253-00	..COLLAR, DISTANCE	2	2	2	2	
17	5NY-22475-00	..SEAL, DUST	2	2	2	2	
18	90105-10323	BOLT, FLANGE	1	1	1	1	

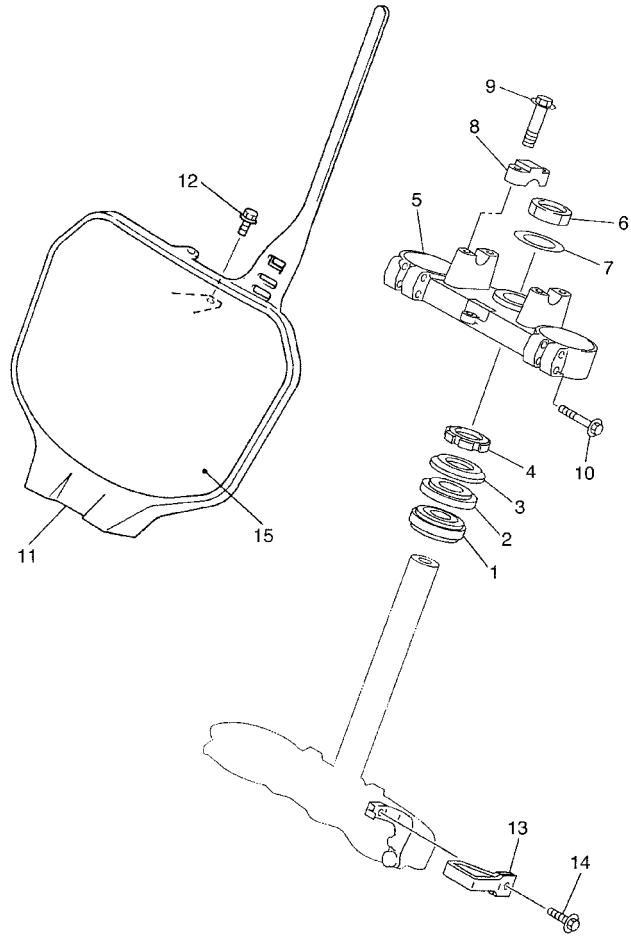
D6

FIG. 23 REAR SUSPENSION



REF. NO.	PART NO.	DESCRIPTION	5UL1	5UL2	5UL3	5UL4	REMARKS
19	95607-10200	NUT, U FLANGE	1	1	1	1	
20	5NY-22241-00	BOLT 1	1	1	1	1	
21	90185-10060	NUT, SELF-LOCKING	1	1	1	1	

FIG. 24 STEERING

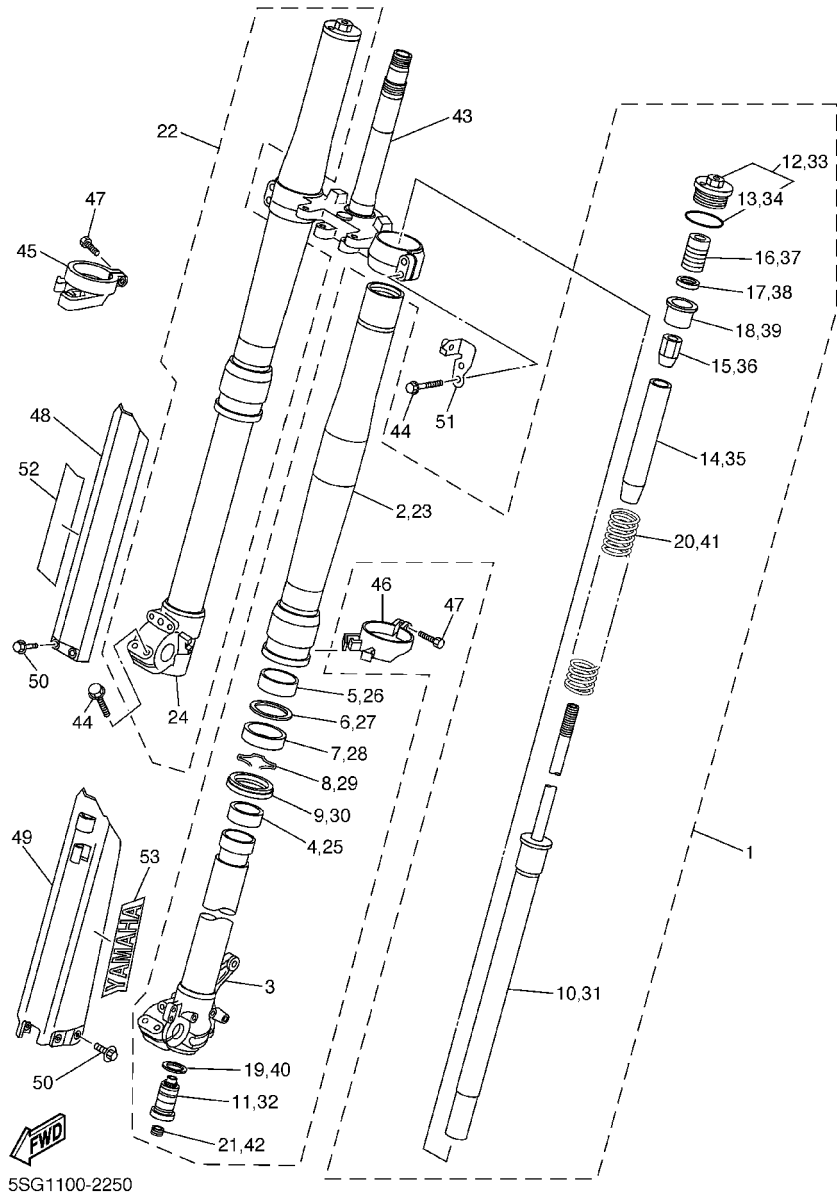


REF. NO.	PART NO.	DESCRIPTION	5UL1	5UL2	5UL3	5UL4	REMARKS
1	93332-00081	BEARING	1	1	1	1	
2	93332-00068	BEARING	1	1	1	1	
3	4EW-23416-00	COVER, BALL RACE 2	1	1	1	1	
4	5TA-23393-00	NUT, SPECIAL	1	1	1	1	
5	5NL-23435-00	CROWN, HANDLE	1	1	1	1	
6	5TA-23357-00	NUT	1	1	1	1	
7	90201-247L2	WASHER, PLATE	1	1	1	1	
8	3SP-23441-00	HOLDER, HANDLE UPPER	2	2	2	2	
9	95027-08035	BOLT, FLANGE	4	4	4	4	
10	95027-08040	BOLT, FLANGE	4	4	4	4	
11	5HD-23485-10	PLATE, NUMBER	1	1	1	1	
12	90119-06225	BOLT, WITH WASHER	1	1	1	1	
13	4DA-23389-00	GUIDE, CABLE	1	1	1	1	
14	90119-05071	BOLT, WITH WASHER	1	1	1	1	
15	5HD-2339E-00	GRAPHIC 1	1	1	1	1	

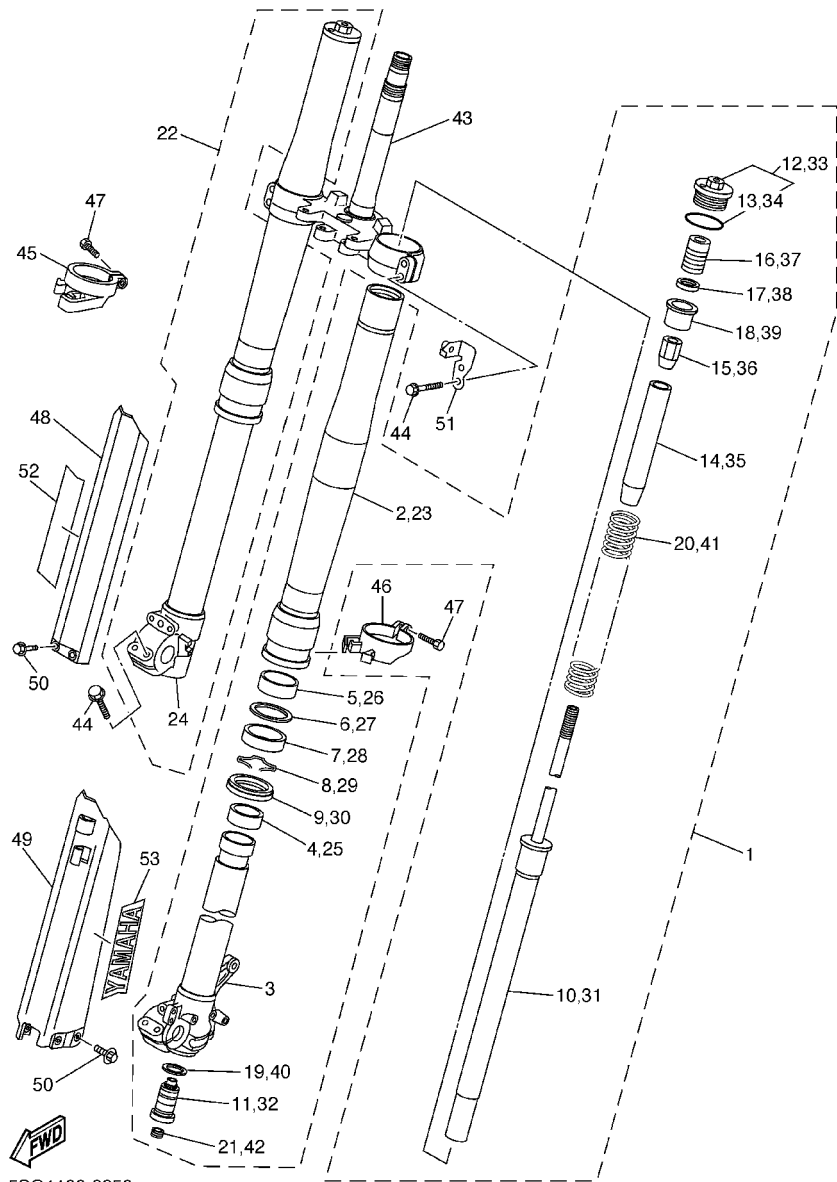


5TA1100-B240

FIG. 25 FRONT FORK



REF. NO.	PART NO.	DESCRIPTION	5UL1	5UL2	5UL3	5UL4	REMARKS
1	5UL-23102-00	FRONT FORK ASSY (L.H)	1			1	
	5UL-23102-10	FRONT FORK ASSY (L.H)		1	1		
2	5TA-23136-L0	.TUBE, OUTER (RIGHT)	1	1	1	1	
3	5DH-23120-L0	.INNER TUBE COMP.2	1	1	1	1	
4	5ET-23171-L0	.PISTON, FRONT FORK	1	1	1	1	
5	5ET-23125-L0	.METAL, SLIDE 1	1	1	1	1	
6	5UN-23146-L0	.WASHER, OIL SEAL	1	1	1	1	
7	5ET-23145-L0	.OIL SEAL	1	1	1	1	
8	4SS-23153-L0	.RING, SNAP	1	1	1	1	
9	5HD-23144-L0	.SEAL, DUST	1	1	1	1	
10	5UN-23170-L0	.CYLINDER COMP., FRONT FORK	1			1	
	5UL-23170-M0	.CYLINDER COMP., FRONT FORK		1	1		
11	5UL-2316A-L0	.VALVE COMP.	1			1	
	5UL-2316A-M0	.VALVE COMP.		1	1		
12	5UN-23111-L0	.BOLT, CAP	1	1	1	1	
13	93210-42263	.O-RING	1	1	1	1	
14	5DH-23142-L0	.SEAT, SPRING UPPER	1	1	1	1	
15	5HD-23393-L0	.NUT, SPECIAL	1	1	1	1	
16	5MV-23195-L0	.RUBBER	1	1	1	1	
17	5DH-23149-L0	.WASHER, SPRING UPPER	1	1	1	1	
18	5DH-23118-L0	.SPACER	1	1	1	1	
19	4SS-23158-L0	.GASKET	1	1	1	1	
20	4XL-23141-L0	.SPRING, FRONT FORK (K=0.43)	1			1	
	5CU-23141-L0	.SPRING (K=APPROX.0.43)		1	1		
21	3JD-2312G-L0	.PLUG	1	1	1	1	
22	5UL-23103-00	FRONT FORK ASSY (R.H)	1			1	
	5UL-23103-10	FRONT FORK ASSY (R.H)		1	1		

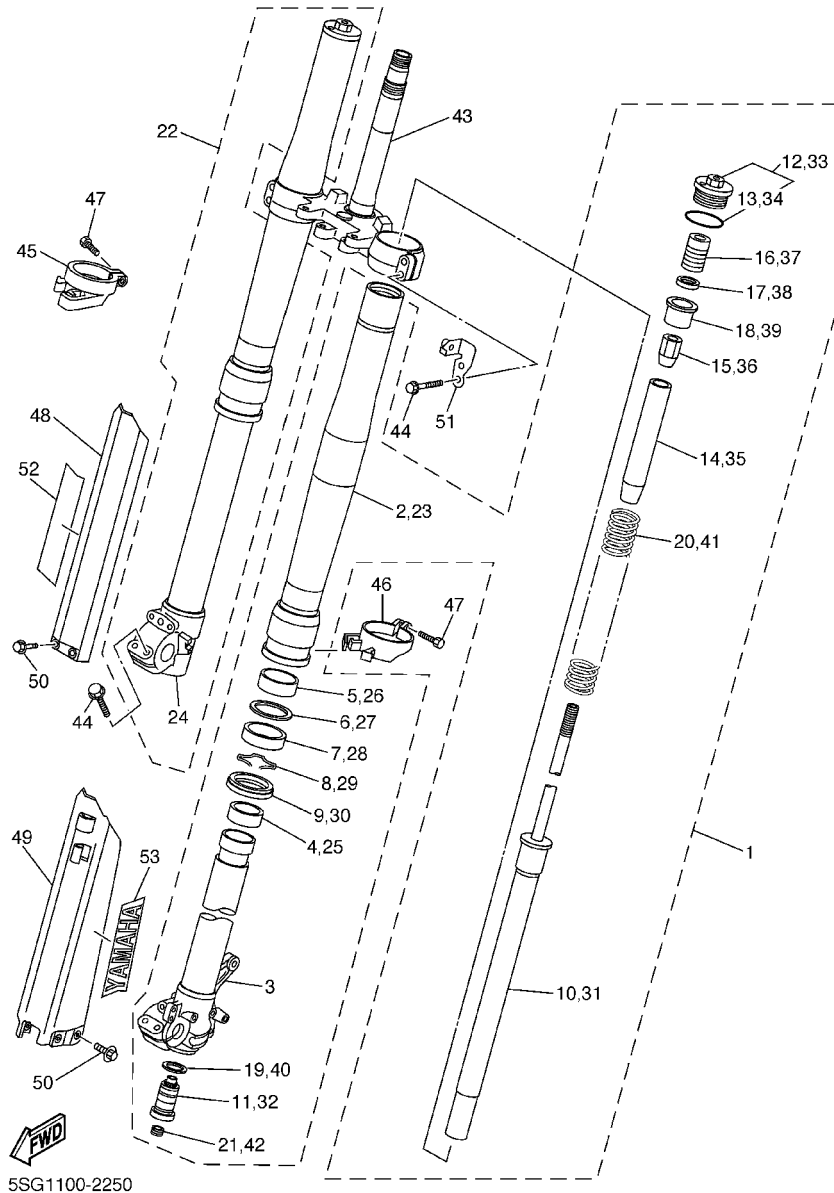


5SG1100-2250

FIG. 25 FRONT FORK

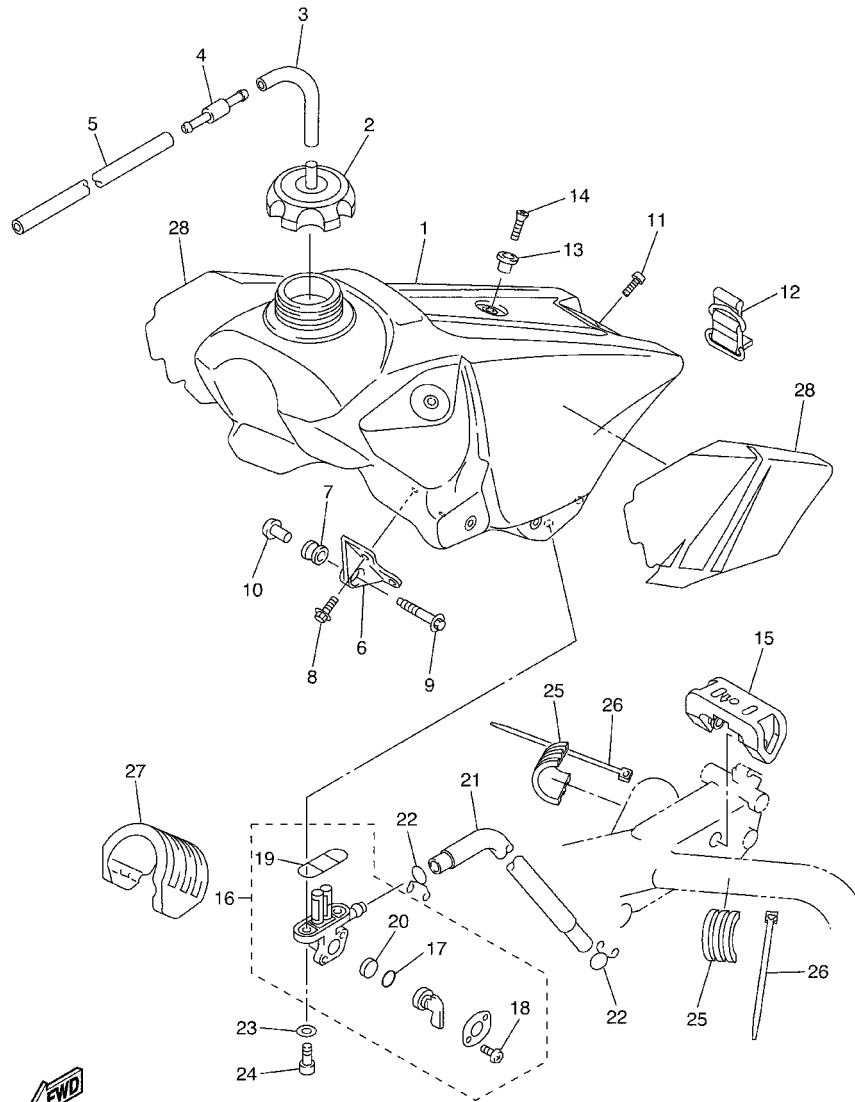
REF. NO.	PART NO.	DESCRIPTION	5UL1	5UL2	5UL3	5UL4	REMARKS
23	5TA-23136-L0	.TUBE, OUTER (RIGHT)	1	1	1	1	
24	5BF-23110-L0	.INNER TUBE COMP.1	1	1	1	1	
25	5ET-23171-L0	.PISTON, FRONT FORK	1	1	1	1	
26	5ET-23125-L0	.METAL, SLIDE 1	1	1	1	1	
27	5UN-23146-L0	.WASHER, OIL SEAL	1	1	1	1	
28	5ET-23145-L0	.OIL SEAL	1	1	1	1	
29	4SS-23153-L0	.RING, SNAP	1	1	1	1	
30	5HD-23144-L0	.SEAL, DUST	1	1	1	1	
31	5UN-23170-L0	.CYLINDER COMP., FRONT FORK	1			1	
	5UL-23170-M0	.CYLINDER COMP., FRONT FORK			1	1	
32	5UL-2316A-L0	.VALVE COMP.	1			1	
	5UL-2316A-M0	.VALVE COMP.			1	1	
33	5UN-23111-L0	.BOLT, CAP	1	1	1	1	
34	93210-42263	..O-RING	1	1	1	1	
35	5DH-23142-L0	.SEAT, SPRING UPPER	1	1	1	1	
36	5HD-23393-L0	.NUT, SPECIAL	1	1	1	1	
37	5MV-23195-L0	.RUBBER	1	1	1	1	
38	5DH-23149-L0	.WASHER, SPRING UPPER	1	1	1	1	
39	5DH-23118-L0	.SPACER	1	1	1	1	
40	4SS-23158-L0	.GASKET	1	1	1	1	
41	4XL-23141-L0	.SPRING, FRONT FORK (K=0.43)	1			1	
	5CU-23141-L0	.SPRING (K=APPROX.0.43)			1	1	
42	3JD-2312G-L0	.PLUG	1	1	1	1	
43	5UL-23340-L0	UNDER BRACKET COMP.	1	1	1	1	
44	5NY-23346-L0	BOLT 1	8	8	8	8	
45	4SS-2314G-L0	PROTECTOR GUIDE COMP., 2	1	1	1	1	
46	5DH-2314F-L0	PROTECTOR GUIDE COMP., 1	1	1	1	1	

FIG. 25 FRONT FORK



REF. NO.	PART NO.	DESCRIPTION	5UL1	5UL2	5UL3	5UL4	REMARKS
47	4SS-23346-L0	BOLT 1	2	2	2	2	
48	5TA-2314J-00	PROTECTOR COMP., 2	1	1	1	1	
49	5TA-2314H-00	PROTECTOR COMP., 1	1	1	1	1	
50	3SP-23356-L0	BOLT 2	6	6	6	6	
51	5HC-2331E-00	GUIDE, CABLE	1	1	1	1	
52	4XL-2153A-10	EMBLEM, YAMAHA	1	1	1	1	
53	4XL-2153A-10	EMBLEM, YAMAHA	1	1	1	1	

FIG. 26 FUEL TANK

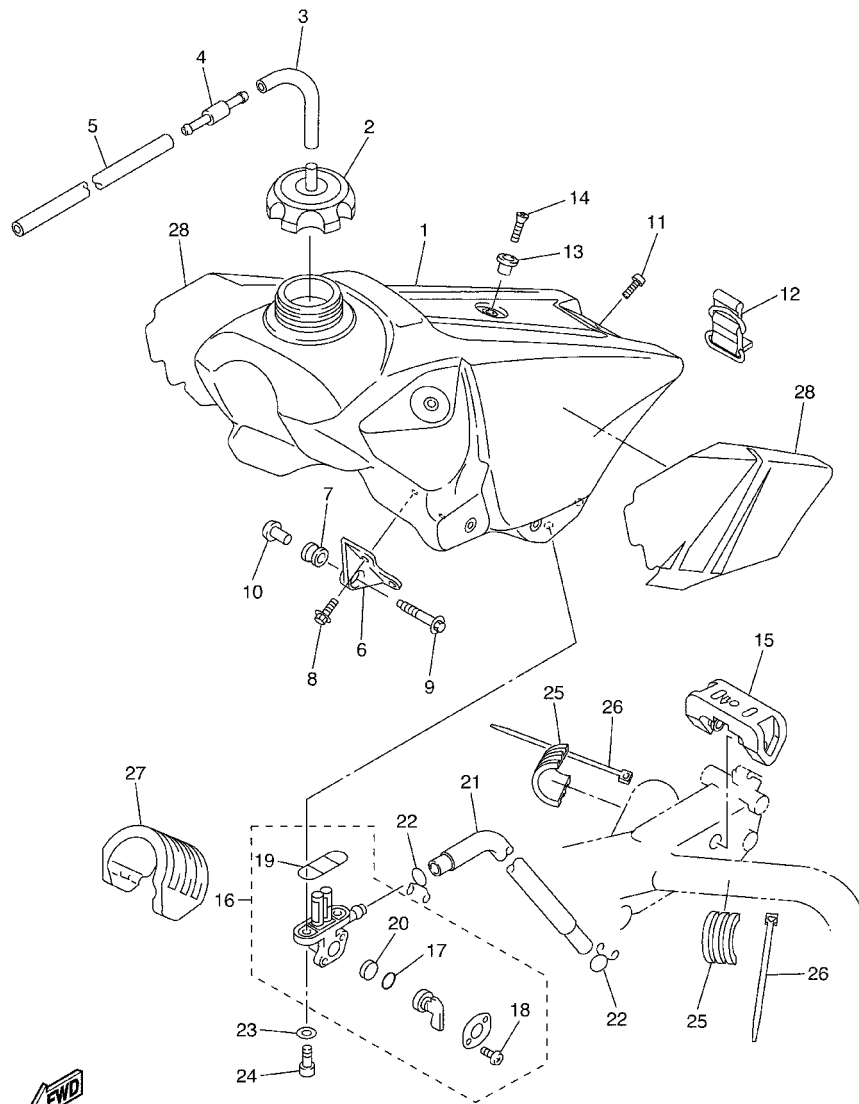


 5TA1100-B260

REF. NO.	PART NO.	DESCRIPTION	5UL1	5UL2	5UL3	5UL4	REMARKS
1	5TA-24110-00	FUEL TANK COMP.	1	1	1	1	
2	5UN-24610-00	CAP ASSY	1	1	1	1	
3	90445-09220	HOSE	1	1	1	1	
4	3XJ-24380-00	PIPE JOINT ASSY	1	1	1	1	
5	90445-09104	HOSE	1	1	1	1	
6	24X-24144-00	HOLDER, DAMPER	2	2	2	2	
7	90480-18549	GROMMET	2	2	2	2	
8	95027-06016	BOLT, FLANGE	4	4	4	4	
9	90119-06214	BOLT, WITH WASHER	2	2	2	2	
10	5NY-24186-00	WASHER, SPECIAL	2	2	2	2	
11	98907-06025	SCREW, BIND	1	1	1	1	
12	5SF-24173-00	BAND, TANK FITTING 1	1	1	1	1	
13	4EW-2412F-00	BRACKET, SEAT	1	1	1	1	
14	98707-06025	SCREW, FLAT HEAD	1	1	1	1	
15	4SS-24181-00	DAMPER, LOCATING 1	1	1	1	1	
16	4DP-24500-00	FUEL COCK ASSY 1	1	1	1	1	
17	3AJ-24534-00	.SEAL, COCK	1	1	1	1	
18	97801-03008	.SCREW, PAN HEAD	2	2	2	2	
19	4X8-24512-00	.O-RING	1	1	1	1	
20	3AJ-24523-00	.VALVE PACKING	1	1	1	1	
21	90445-11185	HOSE	1	1	1	1	
22	90467-10008	CLIP	2	2	2	2	
23	90202-05193	WASHER, PLATE	2	2	2	2	
24	90149-06011	SCREW	2	2	2	2	
25	5NY-24183-00	DAMPER, LOCATING 3	2	2	2	2	
26	90465-13152	CLAMP	2	2	2	2	
27	5BE-24182-00	DAMPER, LOCATING 2	1	1	1	1	

FIG. 26 FUEL TANK

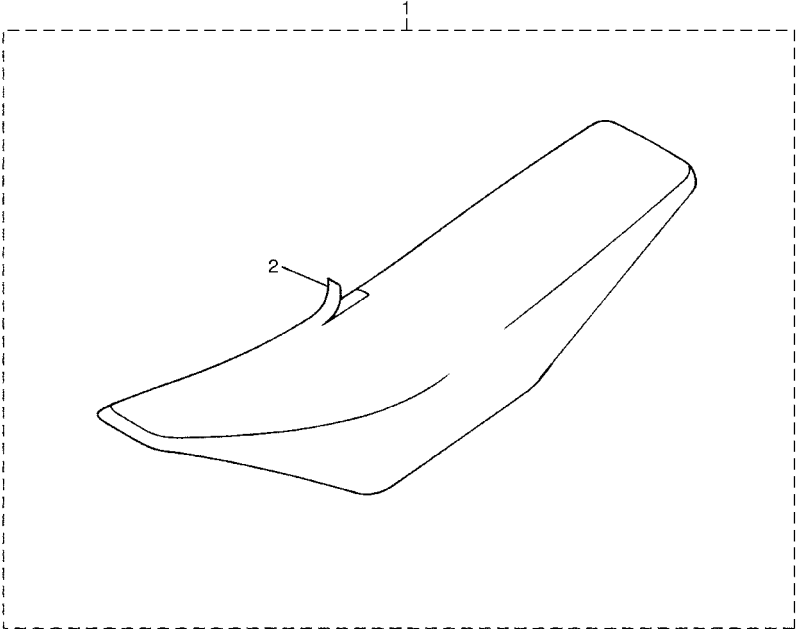
REF. NO.	PART NO.	DESCRIPTION	SUL1	SUL2	SUL3	SUL4	REMARKS
28	5TA-24240-00	GRAPHIC SET	1	1	1	1	



5TA1100-B260

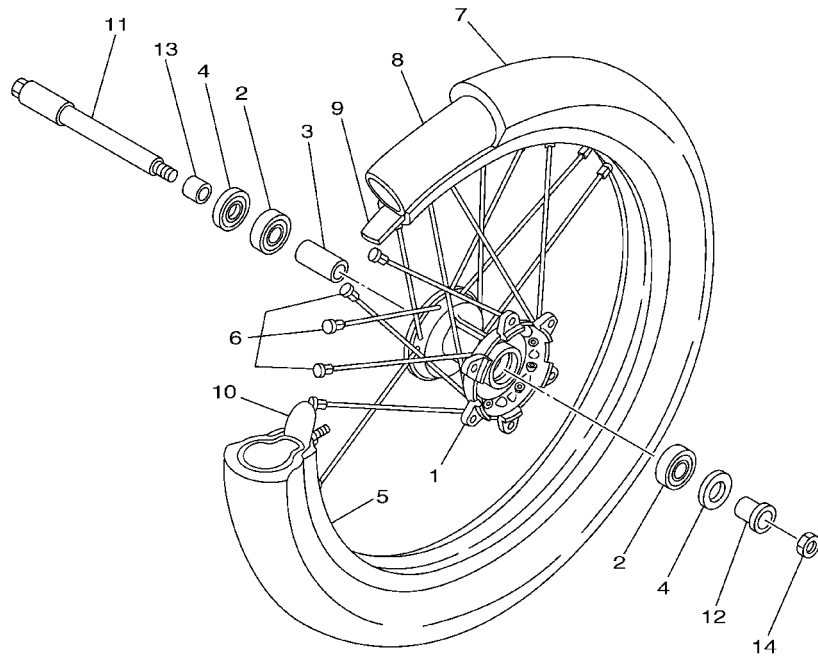
FIG. 27 SEAT

REF. NO.	PART NO.	DESCRIPTION	5UL1	5UL2	5UL3	5UL4	REMARKS
1	5TA-24710-00	SINGLE SEAT ASSY	1	1	1	1	
2	5TA-2470F-00	.SEAT COVER COMP.	1	1	1	1	




5TA1100-B270

FIG. 28 FRONT WHEEL

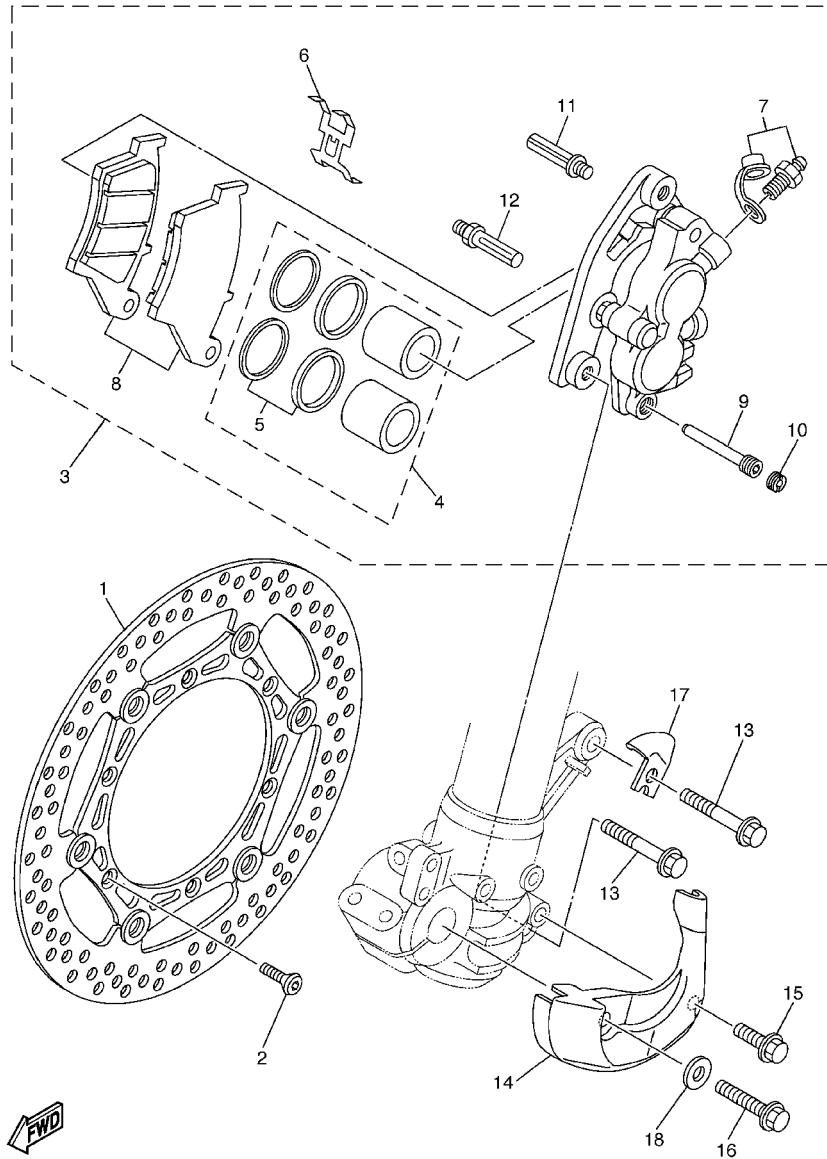


REF. NO.	PART NO.	DESCRIPTION	5UL1	5UL2	5UL3	5UL4	REMARKS
1	5NY-25111-00	HUB, FRONT	1	1	1	1	
2	93306-90403	BEARING	2	2	2	2	
3	5NY-25117-00	SPACER, BEARING	1	1	1	1	
4	93102-26468	OIL SEAL	2	2	2	2	
5	94416-21005	RIM (1.60-21)	1	1	1	1	
6	5NY-25104-00	SPOKE SET, FRONT	1	1	1	1	
7	94108-21008	TIRE (80/100-21 51M D739FA)	1			1	DUNLOP
	*	TIRE (80/100-21 MT320)		1			LM PIRELLI
	94108-2110Y	TIRE (80/100-21 51M M77)			1		BRIDGESTONE
	94108-2112Y	TIRE (80/100-21 51M D755F)		1		1	DUNLOP FOR FRA,CAN
8	94227-21101	TUBE (80/100-21 TR4 BTL)	1	1		1	DUNLOP FOR FRA
	*	TUBE (80/100-21)		1			LM PIRELLI
	94209-21229	TUBE (80/100C-21 TR4)			1		BRIDGESTONE
9	94309-21161	BAND, RIM (1.60-21)	1	1		1	DUNLOP FOR FRA
	*	BAND, RIM (80/100-21)			1		LM PIRELLI
	94330-21084	BAND,RIM (1.60-21)				1	BRIDGESTONE
10	5SF-25394-00	SPACER, BEAD	1	1	1	1	
11	5BE-25181-00	AXLE, WHEEL	1	1	1	1	
12	5NY-25183-00	COLLAR, WHEEL	1	1	1	1	
13	5NY-25186-00	COLLAR, WHEEL	1	1	1	1	
14	90179-16672	NUT	1	1	1	1	



5NL1100-1280

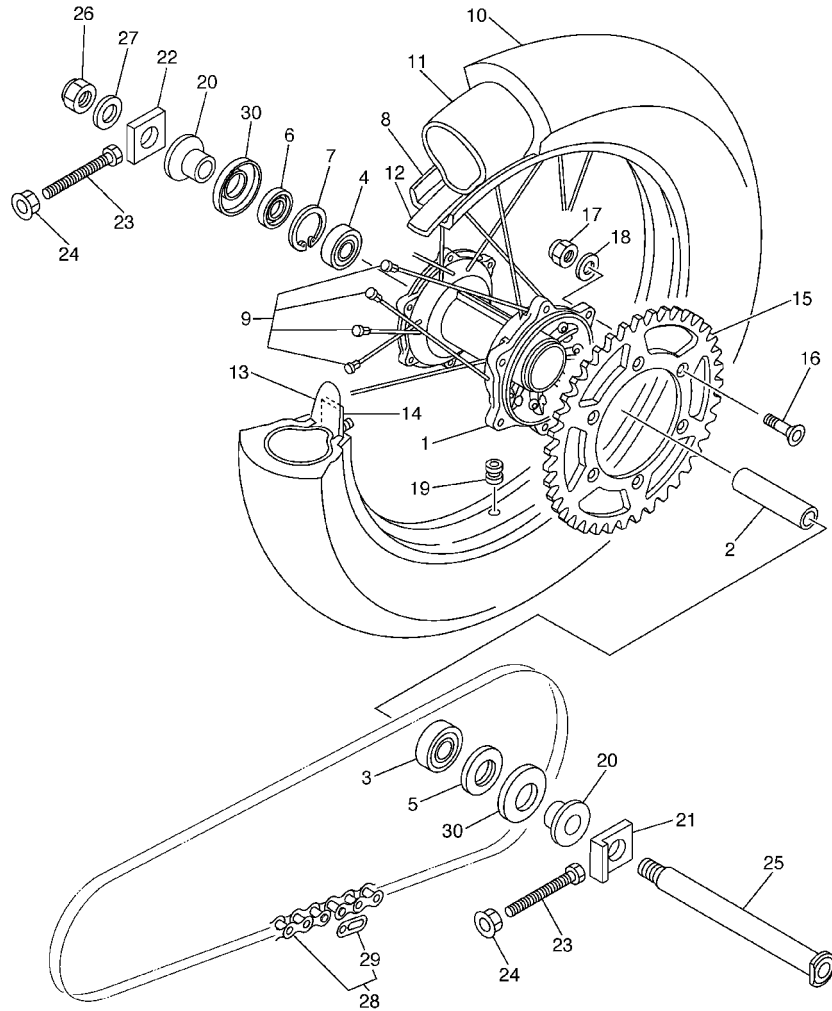
FIG. 29 FRONT BRAKE CALIPER



5SG1100-2290

REF. NO.	PART NO.	DESCRIPTION	5UL1	5UL2	5UL3	5UL4	REMARKS
1	5MV-2581T-00	DISC BRAKE ASSY	1	1	1	1	
2	90149-06327	SCREW	6	6	6	6	
3	5UN-2580T-00	CALIPER ASSY (LEFT)	1	1	1	1	
4	5UN-W0057-00	.PISTON ASSY, CALIPER	1	1	1	1	
5	3JD-W0047-00	..CALIPER SEAL KIT	1	1	1	1	
6	5DH-25919-00	.SUPPORT, PAD	1	1	1	1	
7	1UY-W0048-50	.BLEED SCREW KIT	1	1	1	1	
8	5MV-W0045-01	.BRAKE PAD KIT	1	1	1	1	
9	5DH-25933-00	.PIN, PAD	1	1	1	1	
10	5DH-25916-00	.PLUG	1	1	1	1	
11	3SP-25926-51	.BOLT	1	1	1	1	
12	3SP-25914-51	.PIN, SLIDE	1	1	1	1	
13	90105-08659	BOLT, FLANGE	2	2	2	2	
14	5DH-2314E-00	COVER, HOSE	1	1	1	1	
15	95827-06012	BOLT, FLANGE	1	1	1	1	
16	95027-08020	BOLT, FLANGE	1	1	1	1	
17	5DH-25875-00	HOLDER, BRAKE HOSE 1	1	1	1	1	
18	92907-08200	WASHER	1	1	1	1	

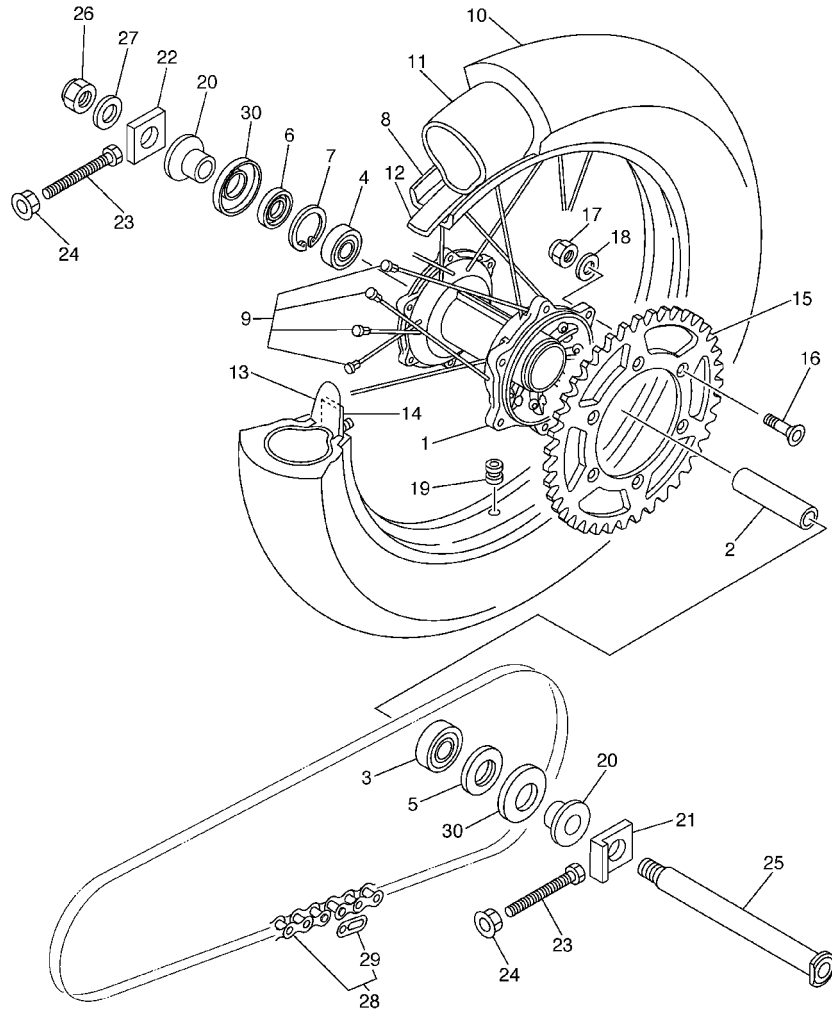
FIG. 30 REAR WHEEL




5SG1100-2300

REF. NO.	PART NO.	DESCRIPTION	5UL1	5UL2	5UL3	5UL4	REMARKS
1	5ET-25311-00	HUB, REAR	1	1	1	1	
2	5ET-25317-00	SPACER, BEARING	1	1	1	1	
3	93306-27205	BEARING	1	1	1	1	
4	93306-07202	BEARING	1	1	1	1	
5	93106-30044	OIL SEAL	1	1	1	1	
6	93106-30045	OIL SEAL	1	1	1	1	
7	99009-45500	CIRCLIP	1	1	1	1	
8	94418-19003	RIM (1.85-19)	1	1	1	1	
9	5HD-25304-00	SPOKE SET, REAR	1	1	1	1	
10	94110-1916A	TIRE (100/90-19 57M D739)	1			1	DUNLOP
	94110-1913B	TIRE (100/90-19 57M D755)		1		1	DUNLOP FOR FRA,CAN
	*	TIRE (100/90-19 MT320)		1			LM PIRELLI
	94110-1911A	TIRE (100/90-19 57M M78A)			1		BRIDGESTONE
11	94210-19224	TUBE(100/90-19 TR4 BTL)	1	1		1	DUNLOP FOR FRA
	*	TUBE (110/90-19)			1		LM PIRELLI
	94210-19222	TUBE(3.25-19)				1	BRIDGESTONE
12	94321-19135	BAND, RIM (90-100/90-19)	1	1		1	DUNLOP FOR FRA
	*	BAND, RIM (3.50-18)			1		LM METZELER
	94316-19156	BAND, RIM (1.85-19)				1	BRIDGESTONE
13	4XM-25394-00	SPACER, BEAD	1	1	1	1	
14	4XM-25364-00	DAMPER	1	1	1	1	
15	5NY-25448-00	SPROCKET, DRIVEN (48T)	1	1	1	1	STD
	5ET-25447-00	SPROCKET, DRIVEN (47T)	1	1	1	1	AP
	5NY-25449-00	SPROCKET, DRIVEN (49T)	1	1	1	1	AP
	5NY-25450-00	SPROCKET, DRIVEN (50T)	1	1	1	1	AP
	5NY-25451-00	SPROCKET, DRIVEN (51T)	1	1	1	1	AP
	5NY-25452-00	SPROCKET, DRIVEN (52T)	1	1	1	1	AP

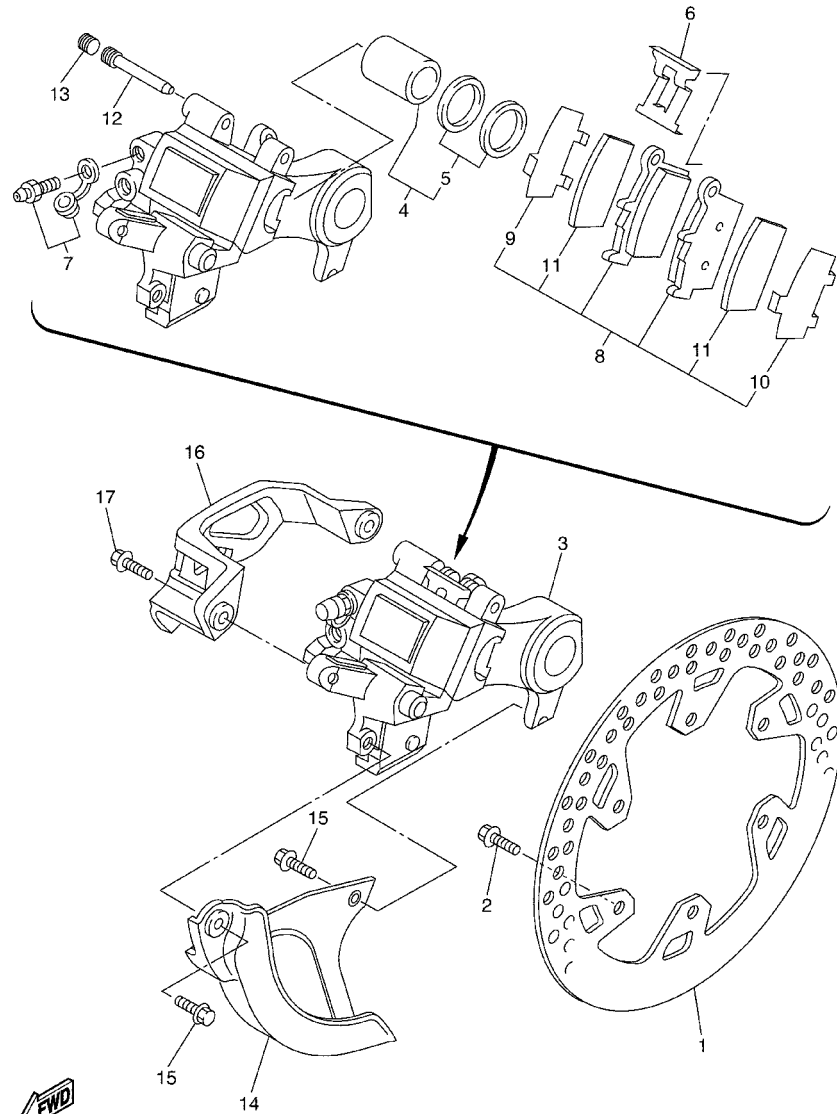
FIG. 30 REAR WHEEL



5SG1100-2300

REF. NO.	PART NO.	DESCRIPTION	5UL1	5UL2	5UL3	5UL4	REMARKS
16	90109-081G1	BOLT	6	6	6	6	
17	90185-08169	NUT, SELF-LOCKING	6	6	6	6	
18	90201-08326	WASHER, PLATE	6	6	6	6	
19	90480-08608	GROMMET	1	1	1	1	
20	5UN-25383-00	COLLAR, WHEEL	2	2	2	2	
21	5NY-25388-00	PULLER, CHAIN 1	1	1	1	1	
22	5NY-25389-00	PULLER, CHAIN 2	1	1	1	1	
23	90101-08777	BOLT	2	2	2	2	
24	95707-08500	NUT, FLANGE	2	2	2	2	
25	5ET-25381-00	AXLE, WHEEL	1	1	1	1	
26	90185-20168	NUT, SELF-LOCKING	1	1	1	1	
27	90201-203U1	WASHER, PLATE	1	1	1	1	
28	9Y581-92111	CHAIN (DID 520D 112L)	1	1	1	1	
29	94681-68001	.JOINT,CHAIN (DID 520DM-RJ)	1	1	1	1	
30	5ET-25367-00	COVER, HUB DUST	2	2	2	2	

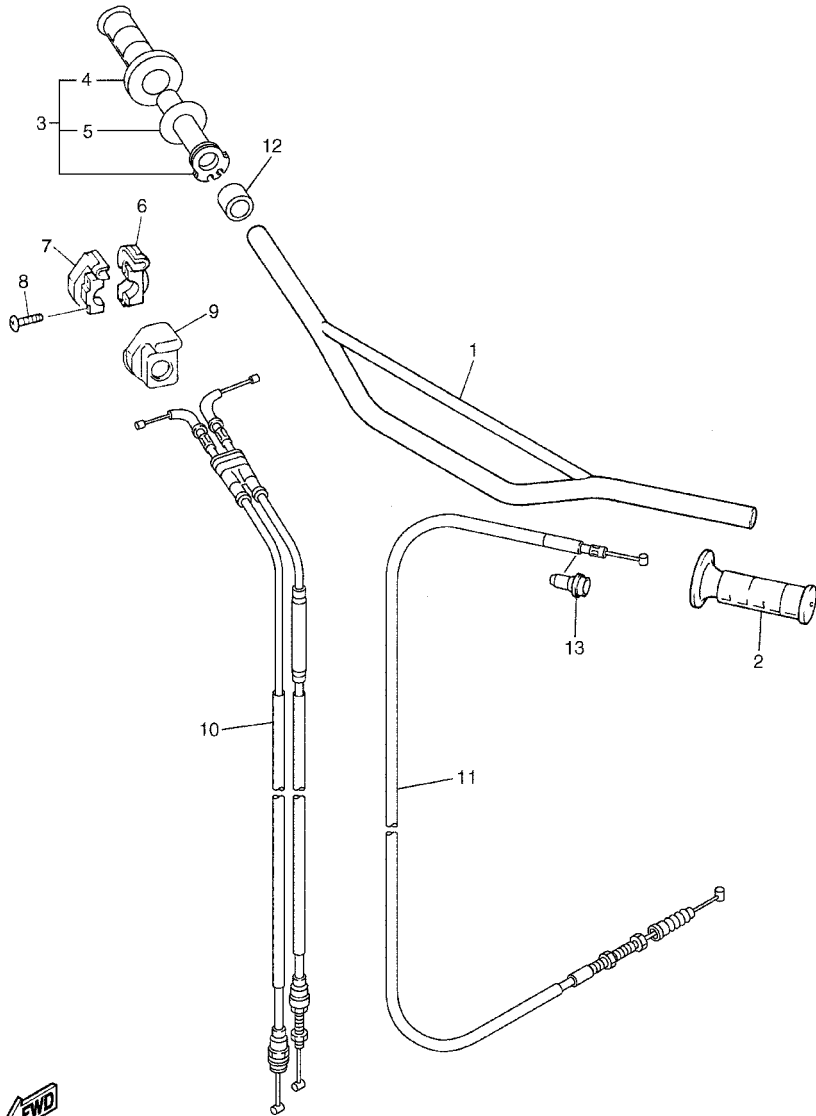
FIG. 31 REAR BRAKE CALIPER



5TA1100-B310

REF. NO.	PART NO.	DESCRIPTION	5UL1	5UL2	5UL3	5UL4	REMARKS
1	5NY-2582W-00	DISC, REAR BRAKE 2	1	1	1	1	
2	90109-065G4	BOLT	6	6	6	6	
3	5UN-2580W-00	CALIPER ASSY, REAR 2	1	1	1	1	
4	5UN-W0057-50	.PISTON ASSY, CALIPER	1	1	1	1	
5	5UN-W0047-50	..CALIPER SEAL KIT	1	1	1	1	
6	5DH-25919-50	..SUPPORT, PAD	1	1	1	1	
7	1UY-W0048-50	..BLEED SCREW KIT	1	1	1	1	
8	5UN-W0046-00	..BRAKE PAD KIT 2	1	1	1	1	
9	5UN-25828-50	..SHIM, CALIPER	1	1	1	1	
10	5UN-25827-50	..SHIM, CALIPER	1	1	1	1	
11	5UN-22898-50	..INSULATOR, HEAT	2	2	2	2	
12	8CR-25924-00	..PIN, PAD	1	1	1	1	
13	5DH-25916-00	..PLUG	1	1	1	1	
14	5DH-25718-01	PROTECTOR, DISK BRAKE	1	1	1	1	
15	95027-06012	BOLT, FLANGE	2	2	2	2	
16	5TA-27491-00	PROTECTOR	1	1	1	1	
17	95027-06016	BOLT, FLANGE	2	2	2	2	

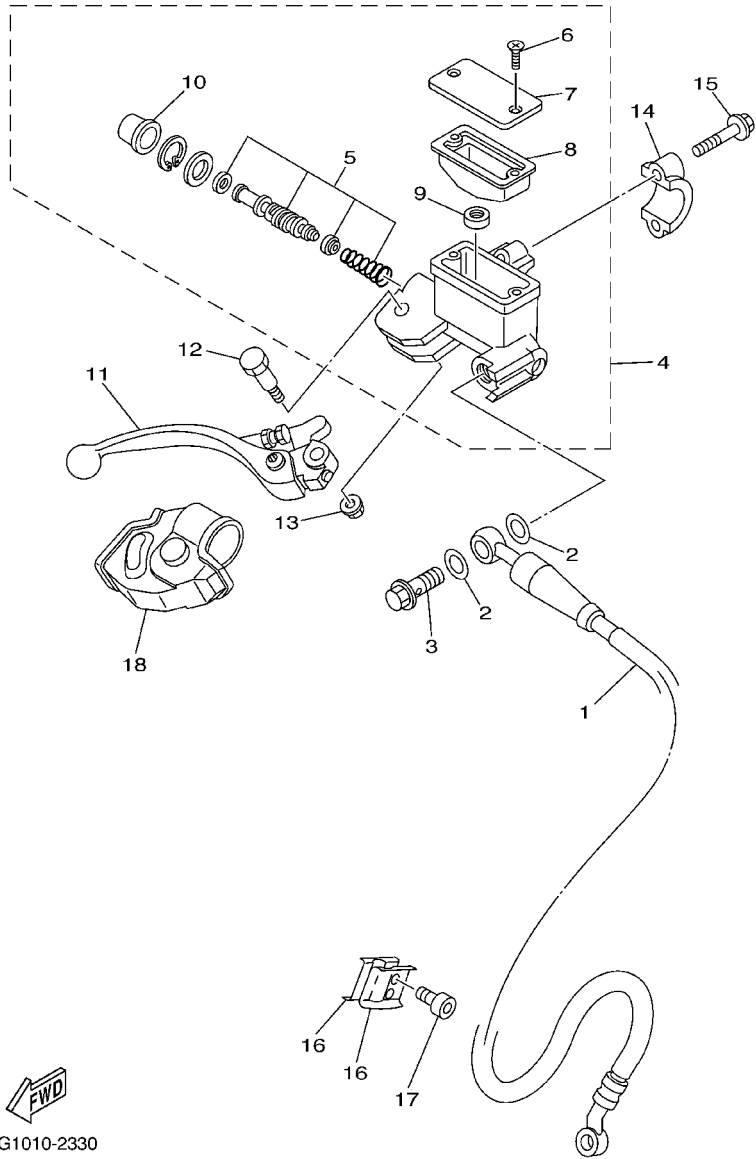
FIG. 32 STEERING HANDLE. CABLE



FWD
5UL1100-B320

REF. NO.	PART NO.	DESCRIPTION	5UL1	5UL2	5UL3	5UL4	REMARKS
1	4XM-26111-00	HANDLEBAR	1	1	1	1	
2	4GY-26241-00	GRIP	1	1	1	1	
3	5BE-26240-00	GRIP ASSY	1	1	1	1	
4	4GY-26242-00	.GRIP (RIGHT)	1	1	1	1	
5	3Y1-26249-00	.RING, LEAF	1	1	1	1	
6	5BE-26281-00	CAP, GRIP UPPER	1	1	1	1	
7	5BE-26282-00	CAP, GRIP LOWER	1	1	1	1	
8	98507-05020	SCREW	2	2	2	2	
9	5SF-26287-00	COVER, CAP GRIP	1	1	1	1	
10	5TA-26302-01	THROTTLE CABLE ASSY	1	1	1	1	
11	5UL-26335-00	CABLE, CLUTCH	1	1	1	1	
12	90387-225N2	COLLAR	1	1	1	1	
13	5HD-26342-00	BOOT, CABLE	1	1	1	1	

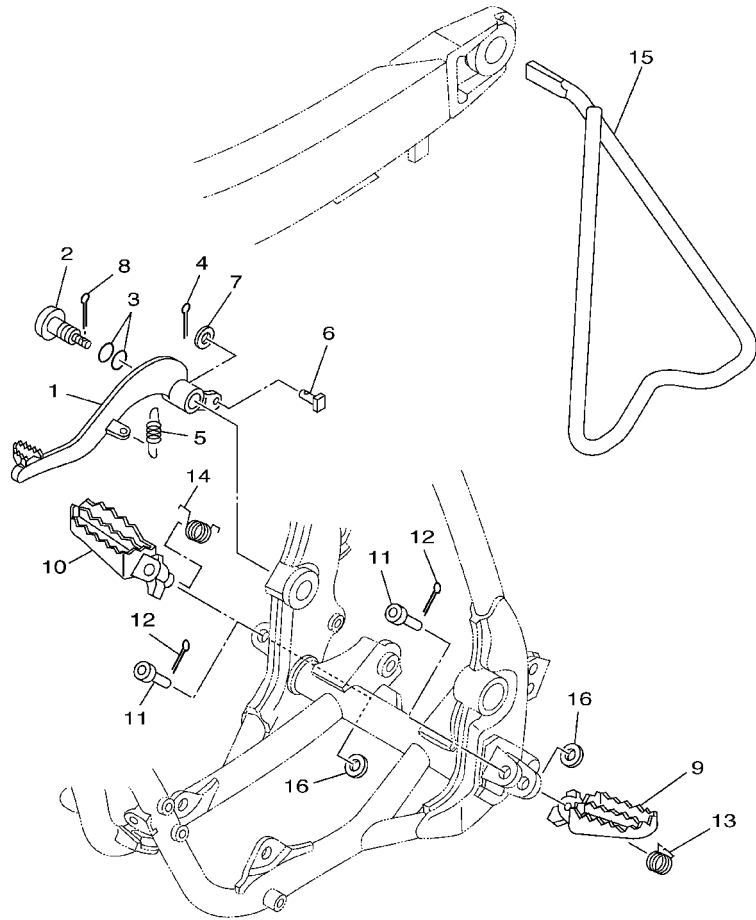
FIG. 33 FRONT MASTER CYLINDER



5SG1010-2330

REF. NO.	PART NO.	DESCRIPTION	5UL1	5UL2	5UL3	5UL4	REMARKS
1	5ET-25872-00	HOSE, BRAKE 1	1	1	1	1	
2	90201-10118	WASHER, PLATE	4	4	4	4	
3	90401-10172	BOLT, UNION	2	2	2	2	
4	5UN-W2587-00	MASTER CYLINDER SUB ASSY	1	1	1	1	
5	5NY-W0041-00	.CYLINDER KIT, MASTER	1	1	1	1	
6	98706-04012	.SCREW, FLAT HEAD	2	2	2	2	
7	5MV-25852-01	.CAP, RESERVOIR	1	1	1	1	
8	56A-25854-00	.DIAPHRAGM, RESERVOIR	1	1	1	1	
9	5CG-25715-00	.SEPARATOR ASSY	1	1	1	1	
10	5NY-25868-00	.BOOT, MASTER CYLINDER	1	1	1	1	
11	5MV-83922-00	LEVER 2	1	1	1	1	
12	5MV-2589F-00	BOLT, LEVER	1	1	1	1	
13	95701-06500	NUT, FLANGE	1	1	1	1	
14	5MV-25867-00	BRACKET, MASTER CYLINDER	1	1	1	1	
15	5MV-25833-00	BOLT, FITTING	2	2	2	2	
16	90465-16258	CLAMP	2	2	2	2	
17	91317-06014	BOLT	2	2	2	2	
18	5NY-26372-00	COVER, HANDLE LEVER 1	1	1	1	1	

FIG. 34 STAND, FOOTREST

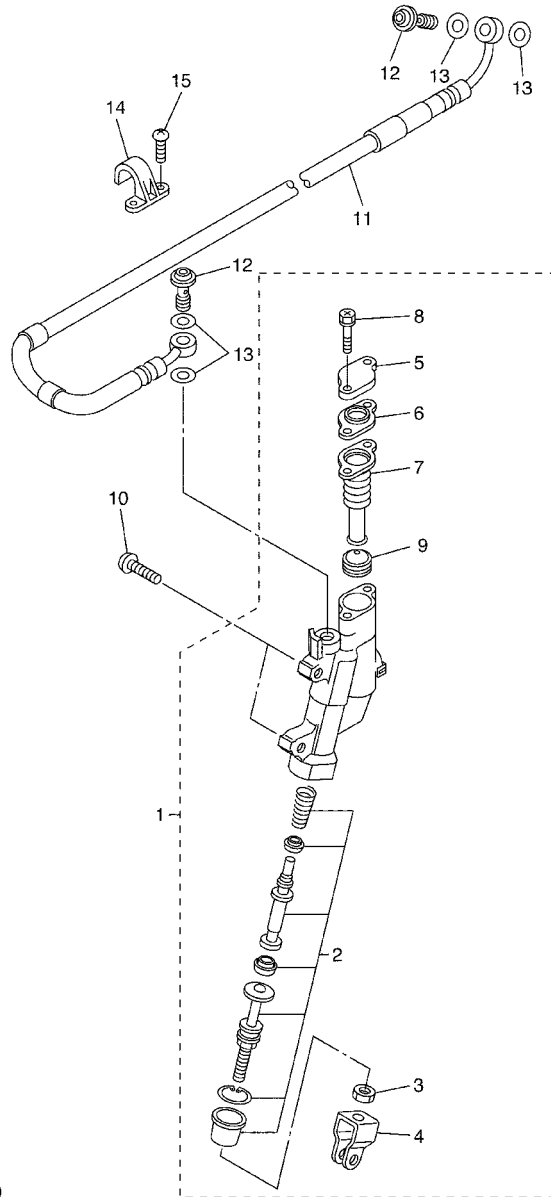


REF. NO.	PART NO.	DESCRIPTION	5UL1	5UL2	5UL3	5UL4	REMARKS
1	4XM-27200-00	PEDAL, BRAKE	1	1	1	1	
2	5JG-27217-00	BOLT	1	1	1	1	
3	93210-11073	O-RING	2	2	2	2	
4	91401-20012	PIN, COTTER	1	1	1	1	
5	90506-16500	SPRING, TENSION	1	1	1	1	
6	90240-08120	PIN, CLEVIS	1	1	1	1	
7	90201-08089	WASHER, PLATE	1	1	1	1	
8	90468-16191	CLIP	1	1	1	1	
9	5ET-27411-00	FOOTREST 1	1	1	1	1	
10	5ET-27421-00	FOOTREST 2	1	1	1	1	
11	90240-10142	PIN, CLEVIS	2	2	2	2	
12	91401-25015	PIN, COTTER	2	2	2	2	
13	90508-282B8	SPRING, TORSION	1	1	1	1	
14	90508-282B9	SPRING, TORSION	1	1	1	1	
15	5ET-27311-00	STAND, SIDE	1	1	1	1	
16	90201-10119	WASHER, PLATE	2	2	2	2	



5NL1100-1340

FIG. 35 REAR MASTER CYLINDER



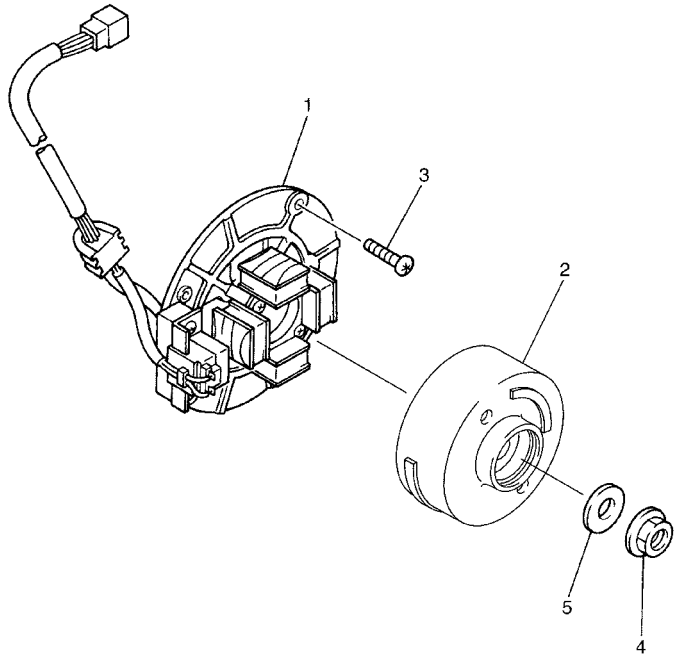
REF. NO.	PART NO.	DESCRIPTION	5UL1	5UL2	5UL3	5UL4	REMARKS
1	5UN-2583V-00	RR. MASTER CYLINDER ASSY.	1	1	1	1	
2	5UN-W0042-50	.CYLINDER KIT, MASTER	1	1	1	1	
3	5UN-27218-00	.NUT	1	1	1	1	
4	5UN-27222-00	.JOINT	1	1	1	1	
5	5UN-25852-50	.CAP, RESERVOIR	1	1	1	1	
6	5UN-2585B-00	.PLATE, DIAPHRAGM	1	1	1	1	
7	5UN-25854-00	.DIAPHRAGM, RESERVOIR	1	1	1	1	
8	5UN-27217-00	.BOLT	2	2	2	2	
9	5CG-25715-00	.SEPARATOR ASSY	2	2	2	2	
10	90111-06029	BOLT	2	2	2	2	
11	5UN-25873-00	HOSE, BRAKE 2	1	1	1	1	
12	90401-10172	BOLT, UNION	2	2	2	2	
13	90201-10118	WASHER, PLATE	4	4	4	4	
14	2VM-25876-00	HOLDER, BRAKE HOSE 2	2	2	2	2	
15	98507-05010	SCREW, PAN HEAD	4	4	4	4	



5TA1100-B350

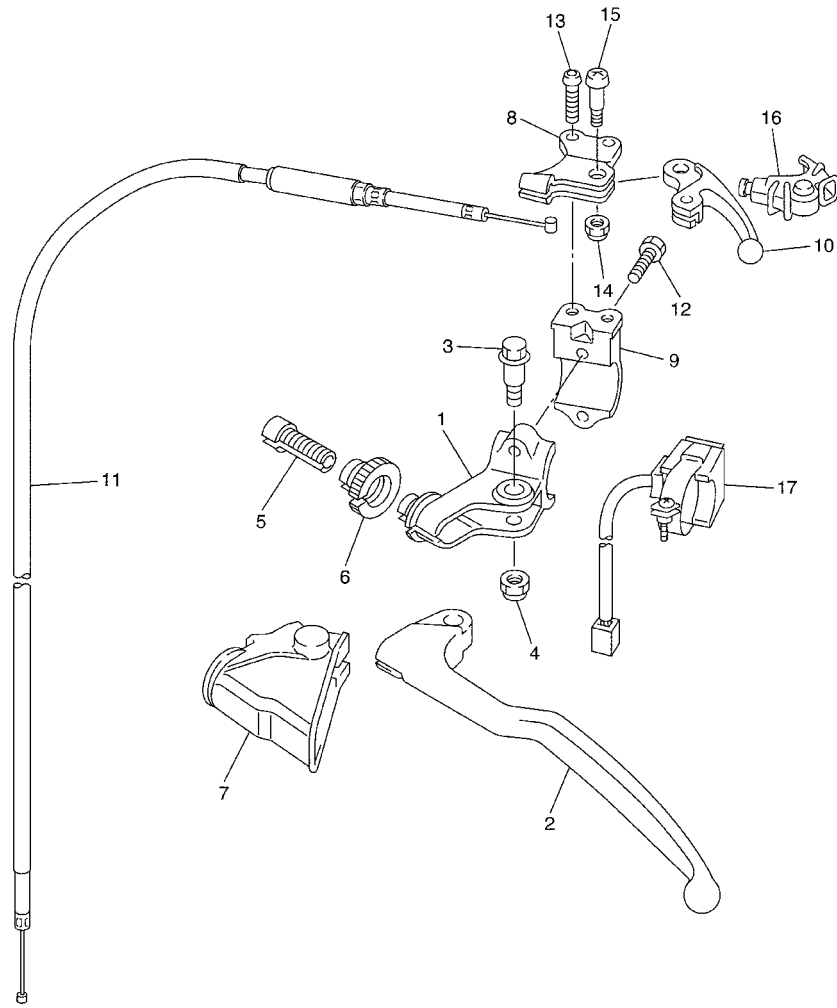
FIG. 36 GENERATOR

REF. NO.	PART NO.	DESCRIPTION	5UL1	5UL2	5UL3	5UL4	REMARKS
1	5SF-85560-00	BASE ASSY	1	1	1	1	
2	5TA-85550-00	ROTOR ASSY	1	1	1	1	
3	90149-06324	SCREW	3	3	3	3	
4	90179-12248	NUT	1	1	1	1	
5	90201-127E1	WASHER, PLATE	1	1	1	1	



5TA1100-B360

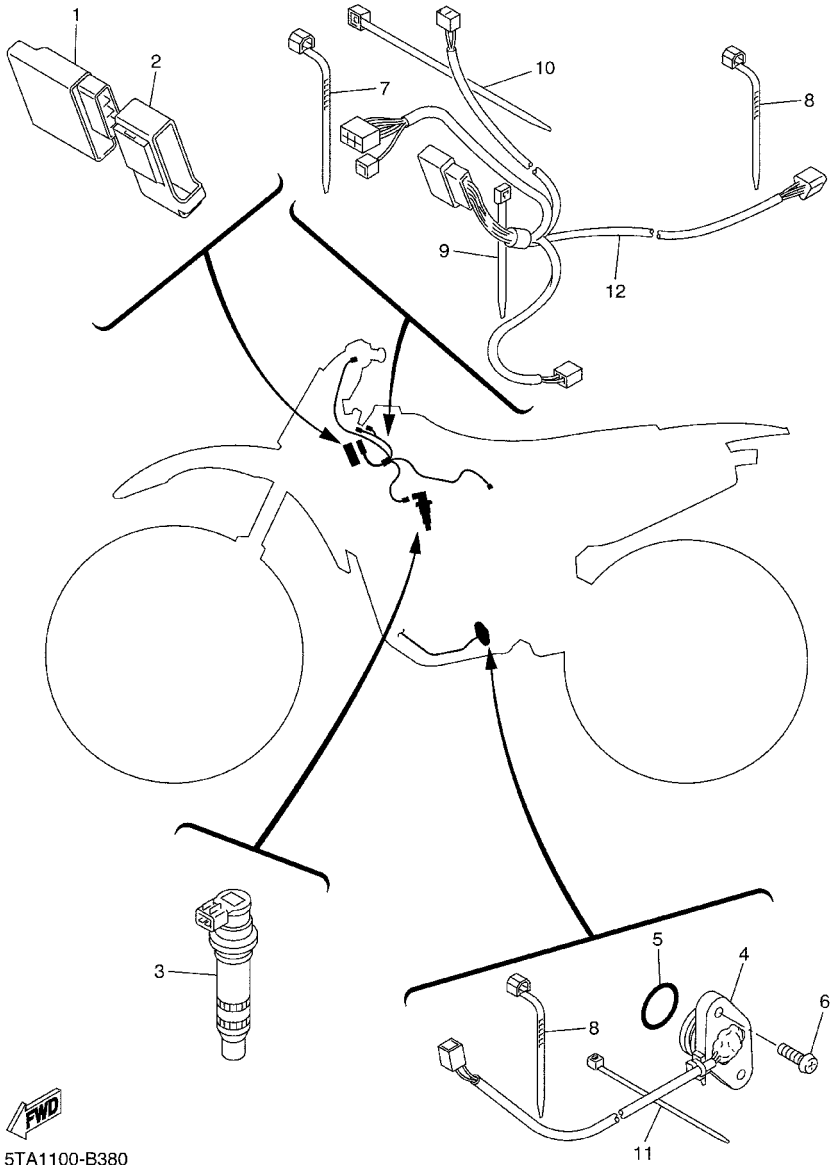
FIG. 37 HANDLE SWITCH. LEVER



REF. NO.	PART NO.	DESCRIPTION	5UL1	5UL2	5UL3	5UL4	REMARKS
1	5HD-82911-00	HOLDER, LEVER 1	1	1	1	1	
2	5MV-83912-00	LEVER 1	1	1	1	1	
3	90109-06027	BOLT	1	1	1	1	
4	95607-06100	NUT, U	1	1	1	1	
5	5TA-26337-00	BOLT, ADJUSTING	1	1	1	1	
6	5HD-83951-00	BOLT, CABLE ADJUSTING	1	1	1	1	
7	5HD-26372-00	COVER, HANDLE LEVER 1	1	1	1	1	
8	5TA-82946-00	HOLDER, STARTER LEVER	1	1	1	1	
9	5TA-82913-00	HOLDER, LEVER LOWER 1	1	1	1	1	
10	5TA-83941-00	LEVER, STARTER	1	1	1	1	
11	5TA-26334-00	CABLE, STARTER 2	1	1	1	1	
12	97007-05016	BOLT	2	2	2	2	
13	92017-05012	BOLT, BUTTON HEAD	2	2	2	2	
14	95607-05100	NUT, U	1	1	1	1	
15	90149-05163	SCREW	1	1	1	1	
16	5TA-26339-00	BOOT	1	1	1	1	
17	5SF-83976-00	SWITCH, HANDLE 1	1	1	1	1	



5TA1100-B370

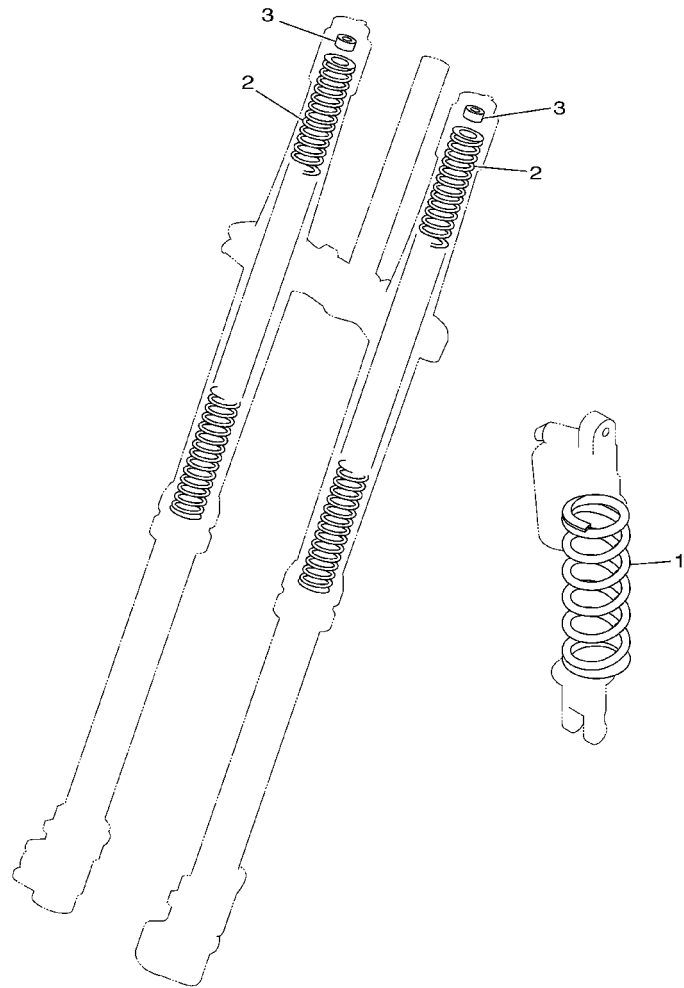


FWD
5TA1100-B380

FIG. 38 ELECTRICAL 1

REF. NO.	PART NO.	DESCRIPTION	5UL1	5UL2	5UL3	5UL4	REMARKS
1	5UL-85540-00	C.D.I. UNIT ASSY	1	1	1	1	
2	5TA-85546-00	BAND	1	1	1	1	
3	5UL-82310-00	IGNITION COIL ASSY	1	1	1	1	
4	5TA-82540-00	NEUTRAL SWITCH ASSY	1	1	1	1	
5	93210-21276	O-RING	1	1	1	1	
6	90154-05026	SCREW, BINDING	2	2	2	2	
7	90464-13077	CLAMP	2	2	2	2	
8	90464-13073	CLAMP	3	3	3	3	
9	90465-13152	CLAMP	1	1	1	1	
10	90465-13275	CLAMP	4	4	4	4	
11	5Y9-12491-00	CLAMP 1	3	3	3	3	
12	5TA-82509-00	WIRE, SUB LEAD	1	1	1	1	

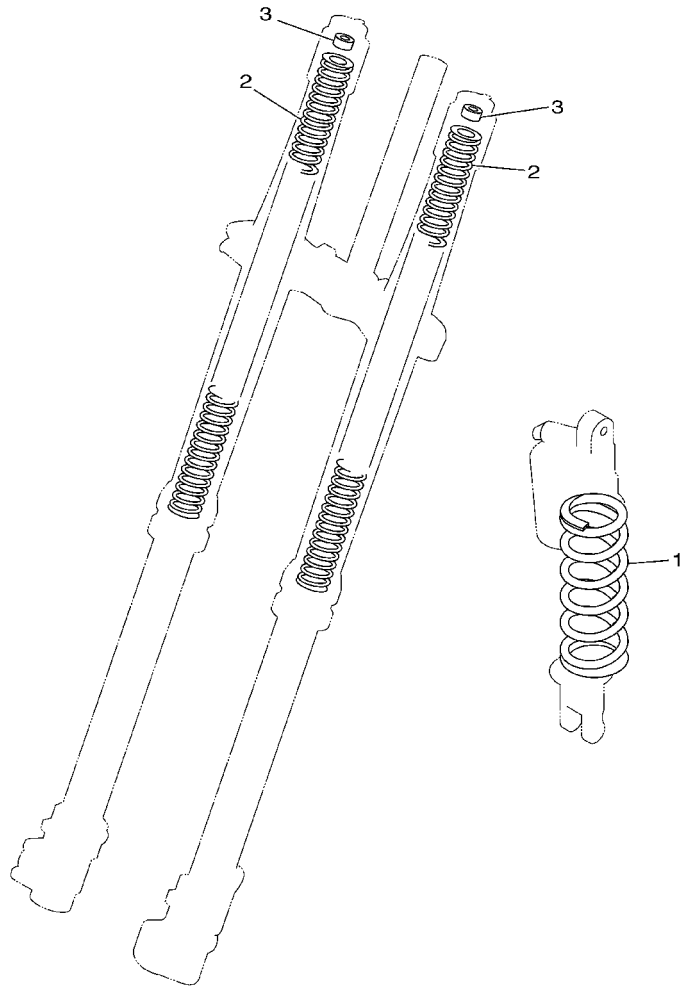
FIG. 39 ALTERNATE (CHASSIS)



5NL1100-1390

REF. NO.	PART NO.	DESCRIPTION	5UL1	5UL2	5UL3	5UL4	REMARKS
1	5UN-22212-00	SPRING (K=4.3)	1	1	1	1	AP
	5UN-22212-10	SPRING (K=4.5)	1	1	1	1	AP
	5UN-22212-20	SPRING (K=4.7)	1	1	1	1	AP
	5UN-22212-30	SPRING (K=4.9)	1	1	1	1	AP
	5UN-22212-40	SPRING (K=5.1)	1	1	1	1	AP
	5UN-22212-50	SPRING (K=5.3)	1	1	1	1	AP
	5UN-22212-60	SPRING (K=5.5)	1	1	1	1	AP
	5UN-22212-70	SPRING (K=5.7)	1	1	1	1	AP
	5UN-22212-A0	SPRING (K=APPROX.4.5)	1	1	1	1	AP
	5UN-22212-B0	SPRING (K=APPROX.4.7)	1	1	1	1	AP
	5UN-22212-C0	SPRING (K=APPROX.4.9)	1	1	1	1	AP
	5UN-22212-D0	SPRING (K=APPROX.5.1)	1	1	1	1	AP
	5UN-22212-E0	SPRING (K=APPROX.5.3)	1	1	1	1	AP
	5UN-22212-F0	SPRING (K=APPROX.5.5)	1	1	1	1	AP
	5UN-22212-G0	SPRING (K=APPROX.5.7)	1	1	1	1	AP
2	4SS-23141-10	SPRING, FRONT FORK (K=0.38)	2	2	2	2	AP
	4SS-23141-20	SPRING, FRONT FORK (K=0.39)	2	2	2	2	AP
	4SS-23141-30	SPRING, FRONT FORK (K=0.40)	2	2	2	2	AP
	4SS-23141-40	SPRING, FRONT FORK (K=0.41)	2	2	2	2	AP
	4SS-23141-50	SPRING, FRONT FORK (K=0.42)	2	2	2	2	AP
	4SS-23141-60	SPRING, FRONT FORK (K=0.43)	2	2	2	2	AP
	4SS-23141-70	SPRING, FRONT FORK (K=0.44)	2	2	2	2	AP
	5ET-23141-20	SPRING (K=APPROX.0.40)	2	2	2	2	AP
	5ET-23141-00	SPRING (K=APPROX.0.41)	2	2	2	2	AP
	5ET-23141-30	SPRING (K=APPROX.0.42)	2	2	2	2	AP
	5ET-23141-10	SPRING (K=APPROX.0.43)	2	2	2	2	AP
	5ET-23141-40	SPRING (K=APPROX.0.44)	2	2	2	2	AP

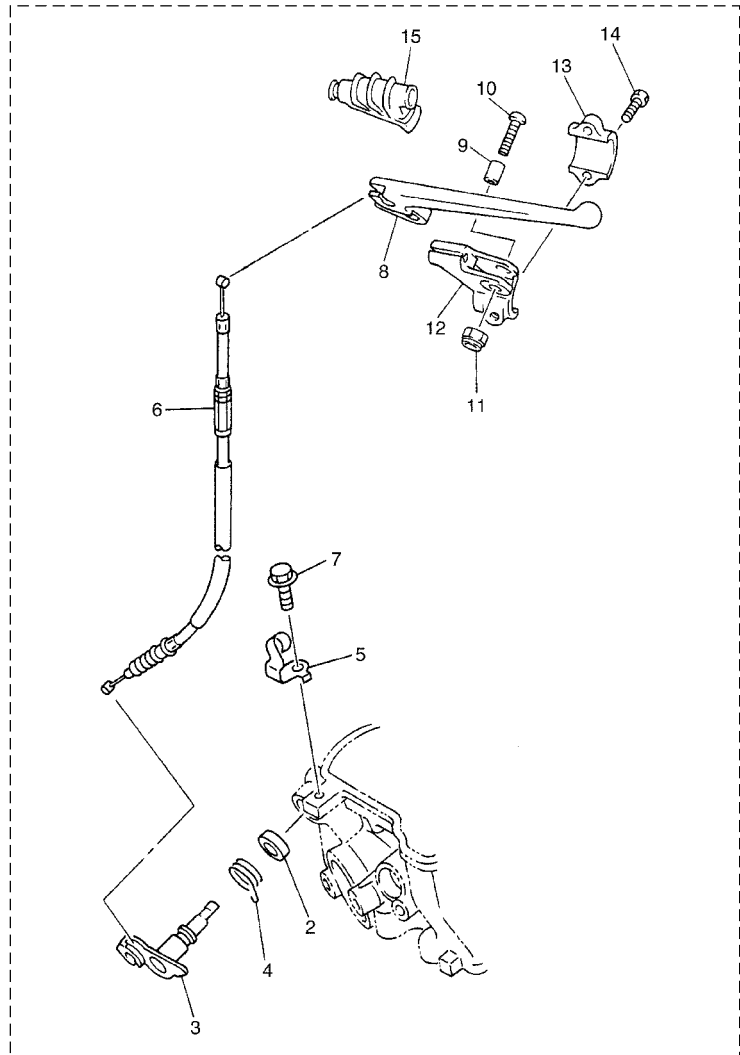
FIG. 39 ALTERNATE (CHASSIS)



5NL1100-1390

REF. NO.	PART NO.	DESCRIPTION	5UL1	5UL2	5UL3	5UL4	REMARKS
3	4SS-23364-L0	COLLAR 2	2	2	2	2	UN AP

FIG. 40 ALTERNATE



5TA1100-B400

REF. NO.	PART NO.	DESCRIPTION	5UL1	5UL2	5UL3	5UL4	REMARKS
1	5TA-W1228-00	DECOMPRESSION KIT	1	1	1	1	AP
2	93102-12224	.OIL SEAL	1	1	1	1	
3	5BE-12280-10	.DECOMPRESSION ASSY	1	1	1	1	
4	90508-162B2	.SPRING, TORSION	1	1	1	1	
5	5NL-12283-00	.BRACKET, DECOMPRESSION	1	1	1	1	
6	5BE-12292-10	.CABLE, DECOMPRESSION	1	1	1	1	
7	95827-06014	.BOLT, FLANGE	1	1	1	1	
8	583-83981-00	.LEVER, DECOMPRESSION	1	1	1	1	
9	5BE-83913-00	.COLLAR, LEVER 1	1	1	1	1	
10	98507-05020	.SCREW	1	1	1	1	
11	95607-05100	.NUT, U	1	1	1	1	
12	5BE-82912-00	.HOLDER, LEVER UPPER 1	1	1	1	1	
13	38V-82913-00	.HOLDER, LEVER LOWER 1	1	1	1	1	
14	97007-05016	.BOLT	2	2	2	2	
15	583-26352-00	.COVER, DECOMPRESSION CABLE	1	1	1	1	

NUMERICAL INDEX

PART NO.	GRID NO.	PART NO.	GRID NO.	PART NO.	GRID NO.	PART NO.	GRID NO.	PART NO.	GRID NO.	PART NO.	GRID NO.
5NY-W0041-00	E - 7	5NL-12121-10	B - 5	5DH-12451-00	B - 8	5TA-14293-00	B - 12	5NL-14916-EM	B - 13	4MX-14948-07	B - 14
5UN-W0042-50	E - 9	3GM-12126-00	B - 5	5NL-12459-00	B - 8	5TA-14335-00	C - 2	5NL-14916-EN	B - 13	5JG-14951-00	B - 13
5MV-W0045-01	E - 2	3FV-12153-00	B - 6	5NL-12461-00	B - 9	5JG-14346-00	C - 2	5NL-14916-EP	B - 13	5JG-14959-00	B - 13
5UN-W0046-00	E - 5	3FV-12153-10	B - 6	5HD-12462-00	B - 9	5TA-14371-00	C - 2	5NL-14916-ER	B - 13	5JG-14984-00	B - 15
3JD-W0047-00	E - 2	3FV-12153-20	B - 6	5NL-12481-00	B - 9	5TA-14374-00	C - 2	5NL-14916-ES	B - 13	4SR-14985-00	B - 15
5UN-W0047-50	E - 5	3FV-12153-30	B - 6	5Y9-12491-00	E - 12	5JG-14379-00	C - 2	5NL-14916-E1	B - 13	5JG-14987-00	C - 2
1UY-W0048-50	E - 2	3LN-12153-00	B - 6	5NL-12564-00	C - 6	5JG-14388-00	B - 13	5JG-14922-00	C - 2	5TA-14987-00	B - 12
		3LN-12153-10	B - 6	5SG-12576-00	B - 9	4MX-14392-00	B - 15	3TJ-14933-40	B - 15	5TA-14991-00	C - 2
5UN-W0057-00	E - 2	3LN-12153-20	B - 6	5SG-12577-00	B - 9	5TA-14401-00	B - 12	5TA-14934-00	C - 2	4FN-14997-00	B - 13
5UN-W0057-50	E - 5	3LN-12153-30	B - 6	5SG-12578-00	B - 9	5NY-14417-00	B - 12	3TJ-1494F-12	B - 14	5TA-14997-00	C - 2
5TA-W1228-00	E - 15	1HX-12168-A0	B - 5	5SG-12579-00	B - 9	5TA-14428-00	B - 12	3TJ-1494F-13	B - 14	5UL-15150-00	C - 5
5UN-W2587-00	E - 7	1HX-12168-F0	B - 5	583-13113-00	B - 11	5NY-14442-00	B - 12	3TJ-1494F-14	B - 14	5UL-15362-00	C - 15
5NL-11102-11	B - 2	1HX-12168-H1	B - 5	5NL-13161-00	B - 11	4XM-14451-00	B - 12	3TJ-1494F-15	B - 15	3Y1-15363-00	C - 6
4KG-1111G-00	B - 3	1HX-12168-K1	B - 5	5NL-13171-00	B - 11	5TA-14453-00	B - 12	3TJ-1494F-16	B - 14	4JT-15381-01	C - 5
5NL-11133-10	B - 2	1HX-12168-M1	B - 5	5SG-13300-00	B - 10	5NY-14455-10	B - 12	3TJ-1494F-17	B - 15	5BE-15383-01	C - 5
5NL-11134-10	B - 2	1HX-12168-R1	B - 5	5NL-13320-00	B - 10	5BE-14458-00	B - 12	3TJ-1494F-18	B - 15	5NL-15388-00	C - 5
5TA-11166-00	B - 2	1HX-12168-U1	B - 5	5NL-13341-00	B - 10	5NY-14459-00	B - 12	3TJ-1494F-19	B - 15	5NL-15411-10	C - 6
371-11167-01	B - 2	1HX-12168-W1	B - 5	5BE-13342-00	B - 10	5JG-14521-00	B - 14	3TJ-1494F-20	B - 15	5NL-15415-00	C - 6
5BE-11167-00	B - 2	1HX-12168-Y1	B - 5	5NL-13411-00	B - 10	5JG-14522-00	B - 13	4JT-1494F-15	B - 15	5BE-15421-00	C - 5
5NL-11181-00	B - 2	1HX-12168-00	B - 5	5NL-13412-00	B - 10	5JG-14531-00	C - 2	4JT-1494F-19	B - 15	5NL-15431-10	C - 6
5NL-11191-00	B - 2	1HX-12168-20	B - 5	5UL-13440-00	B - 11	3TJ-14536-40	B - 15	4JT-1494F-23	B - 15	5NL-15441-01	C - 5
5NL-11193-00	B - 3	1HX-12168-40	B - 5	5BE-13447-10	B - 11	5JG-14546-01	B - 13	4JT-1494F-27	B - 15	5NL-15451-00	C - 6
5UL-11311-00	B - 3	1HX-12168-60	B - 5	5UL-13464-00	B - 10	676-14548-00	B - 15	4JT-1494F-29	B - 15	5NL-15453-00	C - 6
5NL-11351-00	B - 3	1HX-12168-80	B - 5	5UL-13465-00	B - 10	4MX-14561-00	C - 2	4JT-1494F-31	B - 15	5NL-15462-00	C - 6
5JG-11387-00	B - 3	1HX-12169-E0	B - 6	5UL-13597-00	B - 12	6H4-14561-00	C - 2	4JT-1494F-33	B - 15	5NL-15601-00	C - 7
5UL-11400-00	B - 4	1HX-12169-G0	B - 6	5UL-14101-00	B - 13	5NX-14562-00	C - 2	5JG-14940-16	B - 15	5NL-15620-01	C - 7
5UL-11412-00	B - 4	1HX-12169-J0	B - 6	5UL-14101-10	B - 13	5JG-14565-00	C - 2	5JG-14940-17	B - 15	5NX-15621-01	C - 7
5UL-11422-00	B - 4	1HX-12169-L0	B - 6	5NL-14105-00	B - 15	5NL-14591-00	C - 2	5JG-14940-18	B - 15	5NL-15641-00	C - 7
5NL-11454-00	B - 4	1HX-12169-N0	B - 6	4MX-14115-00	C - 2	688-14592-00	B - 13	5JG-14940-76	B - 15	5NL-15651-00	C - 7
5NL-11455-00	B - 4	1HX-12169-T0	B - 6	3TJ-14137-40	B - 12	5NL-14611-00	C - 4	4MX-14943-40	B - 14	5NL-15664-00	C - 7
5NL-11531-00	B - 4	1HX-12169-11	B - 6			5NL-14613-00	C - 4	4MX-14943-41	B - 14	5SG-15668-00	C - 7
5NL-11536-00	B - 4	1HX-12169-31	B - 6	5BE-14146-00	C - 2	5NL-14628-00	C - 4	4MX-14943-42	B - 14	4GY-15671-00	C - 7
5NL-11603-00	B - 4	1HX-12169-50	B - 6	5PA-14146-00	C - 3	5NL-1469A-00	C - 4	4MX-14943-43	B - 14	214-15686-00	C - 7
5NL-11631-10	B - 4	1HX-12169-70	B - 6	5TA-14155-00	C - 2	5BE-1469E-00	C - 4	4MX-14943-44	B - 14	5NL-16111-00	C - 8
5NL-11633-00	B - 4	1HX-12169-90	B - 6	3TJ-14159-40	B - 14	5BE-14747-00	C - 4	4MX-14943-45	B - 14	5NL-16150-10	C - 8
5UL-11651-00	B - 4	5UL-12170-00	B - 7	633-14159-00	B - 15	5UL-14753-00	C - 4	4MX-14943-91	B - 14	5NL-16154-00	C - 8
5UL-11681-00	B - 4	5UL-12180-00	B - 7	5TA-14171-00	C - 2	5UL-14753-10	C - 4	4MX-14943-92	B - 14	3XJ-16321-00	C - 8
5NL-12111-10	B - 5	5TA-12210-00	B - 7	3TJ-14191-40	B - 15	3VD-14755-00	C - 4	4MX-14943-93	B - 14	5DH-16321-00	C - 8
5NL-12112-10	B - 5	4FM-12213-00	B - 7	5UL-14196-00	C - 2	4BD-14766-00	C - 4	4MX-14943-94	B - 14	4B325-00	C - 8
5NL-12113-00	B - 5	5BE-12241-00	B - 7	5TA-14197-00	C - 2	5UL-14788-00	C - 4	4MX-14943-95	B - 14	5NL-16325-10	C - 8
5NL-12114-00	B - 5	5NL-12251-00	B - 7	5NX-14216-00	C - 2	5JG-14916-EL	B - 13	5TA-14943-27	B - 15	5HD-16351-00	C - 8
5NL-12116-00	B - 5	5NL-12252-00	B - 7	5TA-14227-00	B - 12	5JG-14916-EM	B - 13	5JG-14947-00	B - 14	5NL-16356-00	C - 8
1HX-12117-00	B - 5	5BE-12280-10	E - 15	5TA-14239-00	B - 12	5JG-14916-EN	B - 13	4MX-14948-01	B - 14	5NL-16357-00	C - 8
1WG-12117-00	B - 5	5NL-12283-00	E - 15	5TA-14261-00	C - 2	5JG-14916-EP	B - 13	4MX-14948-02	B - 14	5NL-16371-00	C - 8
1HX-12118-00	B - 5	5BE-12292-10	E - 15	5JG-14264-00	B - 14	5JG-14916-ER	B - 13	4MX-14948-03	B - 14	5JG-16381-00	C - 8
1WG-12118-00	B - 5	5NL-1240A-00	B - 9	3TJ-14267-40	B - 13	5JG-14916-ES	B - 13	4MX-14948-04	B - 14	5NL-16383-10	C - 8
4SV-12119-00	B - 5	5NL-12422-10	B - 8	5JG-14275-00	B - 14	5JG-14916-E1	B - 13	4MX-14948-05	B - 14	4JT-16384-00	C - 8
4TV-12119-00	B - 5	5NL-12439-00	B - 8	3TJ-14293-40	B - 15	5NL-14916-EL	B - 13	4MX-14948-06	B - 14	5NL-16384-00	C - 8

NUMERICAL INDEX

PART NO.	GRID NO.	PART NO.	GRID NO.	PART NO.	GRID NO.	PART NO.	GRID NO.	PART NO.	GRID NO.	PART NO.	GRID NO.
5NL-17121-00	C-10	5TA-21711-00	D-3	5UN-22212-30	E-13	5CU-23141-L0	D-9	5NL-23435-00	D-8	5UN-2580W-00	E-5
5NL-17131-01	C-10	5NL-2172A-10	D-3	5UN-22212-40	E-13	5UN-22212-40	E-13	3SP-23441-00	D-8	5MV-2581T-00	E-2
5NL-17141-00	C-10	5TA-21721-00	D-3	5UN-22212-50	E-13	5ET-23141-00	E-13	5HD-23485-10	D-8	5NY-2582W-00	E-5
5NL-17151-00	C-10	5TA-2173E-01	D-3	5UN-22212-60	E-13	5ET-23141-10	E-13	5TA-24110-00	D-12	5UN-25827-50	E-5
5NL-17211-10	C-10	5TA-2173F-01	D-3	5UN-22212-70	E-13	5UN-23141-20	E-13	4EW-2412F-00	D-12	5UN-25828-50	E-5
5NL-17221-00	C-10	5TA-21730-00	D-3	3SP-22213-00	D-6	5ET-23141-30	E-13	24X-24144-00	D-12	5UN-2583V-00	E-9
5NL-17231-00	C-10	5TA-2174A-00	D-3	5DH-22214-00	D-6	5ET-23141-40	E-13	5SF-24173-00	D-12	5MV-25833-00	E-7
5NL-17241-01	C-10	5TA-2174T-00	D-2	5MV-22224-00	D-6	5DH-23142-L0	D-9	4FU-24181-00	C-4	5UN-2585B-00	E-9
5NL-17251-01	C-10	5TA-21740-00	D-3	4JX-22226-00	D-6		D-10	4SS-24181-00	D-12	5MV-25852-01	E-7
5NL-17411-10	C-10	3JD-21748-00	D-2	3SP-22234-00	D-6	5HD-23144-L0	D-9	5BE-24182-00	D-12	5UN-25852-50	E-9
5NL-17421-00	C-10	5TA-21756-00	C-14	5NY-22241-00	D-7		D-10	5NY-24183-00	D-12	5UN-25854-00	E-9
5NL-17466-00	C-5	5JG-21781-50	D-3	5DH-22253-00	D-6	5ET-23145-L0	D-9	5NY-24186-00	D-12	56A-25854-00	E-7
5NL-17471-00	C-11	5UN-22210-00	D-4	5MV-22253-00	D-6		D-10	5TA-24240-00	D-13	5MV-25867-00	E-7
5UL-18101-00	C-13	5NY-22121-00	D-4	5UN-22355-00	D-4	5UN-23146-L0	D-9	3XJ-24380-00	D-12	5NY-25868-00	E-7
5UL-18110-00	C-13	5NY-22122-00	D-5	4EW-22474-00	D-6		D-10	4DP-24500-00	D-12	5ET-25872-00	E-7
5LP-18122-00	C-13	5UN-22128-00	D-4	3JE-22475-00	D-6	5DH-23149-L0	D-9	4X8-24512-00	D-12	5UN-25873-00	E-9
3XK-18140-00	C-12	5NY-22141-01	D-4	5NY-22475-00	D-6		D-10	3AJ-24523-00	D-12	5DH-25875-00	E-2
5BE-18172-00	C-13	5UN-22151-00	D-4	5UN-22898-50	E-5	4SS-23153-L0	D-9	2VM-24534-00	D-12	2VM-25876-00	E-9
3XJ-18173-00	C-13	5JG-22156-00	D-4	5UL-23102-00	D-9		D-10	5UN-24610-00	D-12	5MV-2589F-00	E-7
3XJ-18178-00	C-13	5NY-2217A-00	D-4	5UL-23102-10	D-9	4SS-23158-L0	D-9	5TA-2470F-00	D-14	3SP-25914-51	E-2
3XJ-18182-00	C-13	5NY-2217F-00	D-5	5UL-23103-00	D-9		D-10	5TA-24710-00	D-14	5DH-25916-00	E-2
3XJ-18184-00	C-13	5UN-22176-00	D-6	5UL-23103-10	D-9	5UL-2316A-L0	D-9	5NY-25104-00	D-15		E-5
4EW-18185-00	C-13	3JD-22178-10	C-14	5BF-23110-L0	D-10		D-10	5NY-25111-00	D-15	5DH-25919-00	E-2
5NL-18501-00	C-12	4EW-22178-00	C-14	5UN-23111-L0	D-9	5UL-2316A-M0	D-9	5NY-25117-00	D-15	5DH-25919-50	E-5
5NL-18502-00	C-12	5MV-22184-00	D-6		D-10		D-10	5BE-25181-00	D-15	8CR-25924-00	E-5
5NL-18503-00	C-12	5UN-22199-00	D-4	5DH-23118-L0	D-9	5UL-23170-M0	D-9	5NY-25183-00	D-15	3SP-25926-51	E-2
5NL-18541-00	C-12	5UL-22201-00	D-6		D-10		D-10	5NY-25186-00	D-15	5DH-25933-00	E-2
4BA-18542-00	C-12	5UL-22201-10	D-6	3JD-2312G-L0	D-9	5UN-23170-L0	D-9	5HD-25304-00	E-3	4XM-26111-00	E-6
5DH-18562-00	C-5	5UL-22201-20	D-6		D-10		D-10	5ET-25311-00	E-3	5BE-26240-00	E-6
5UL-21101-00	C-14	5UL-22201-30	D-6	5DH-23120-L0	D-9	5ET-23171-L0	D-9	5ET-25317-00	E-3	4GY-26241-00	E-6
5TA-21190-00	C-14	5UL-22201-40	D-6	5ET-23125-L0	D-9		D-10	4XM-25364-00	E-3	4GY-26242-00	E-6
5TA-21274-01	C-15	5UL-22210-00	D-6		D-10	5DH-23183-00	D-6	5ET-25367-00	E-4	3Y1-26249-00	E-6
5HD-2135F-00	D-5	5UL-22210-10	D-6	5TA-23136-L0	D-9	509-23184-L0	D-6	5ET-25381-00	E-4	5BE-26281-00	E-6
5NY-2135F-00	D-5	5UL-22210-20	D-6		D-10	5MV-23195-L0	D-9	5UN-25383-00	E-4	5BE-26282-00	E-6
5UL-21417-00	C-15	5UL-22210-30	D-6	5DH-2314E-00	E-2		D-10	5NY-25388-00	E-4	5SF-26287-00	E-6
5UL-21417-10	C-15	5UL-22210-40	D-6	5DH-2314F-L0	D-10	5HC-2331E-00	D-11	5NY-25389-00	E-4	5TA-26302-01	E-6
5NL-21425-00	C-14	5UN-22212-A0	E-13	4SS-2314G-L0	D-10	5UL-23340-L0	D-10	4XM-25394-00	E-3	5TA-26334-00	E-11
5NL-21425-10	C-14	5UN-22212-B0	E-13	5TA-2314H-00	D-11	4SS-23346-L0	D-11	5SF-25394-00	D-15	5UL-26335-00	E-6
5NL-2147A-00	C-15	5UN-22212-C0	D-6	5TA-2314J-00	D-11	5NY-23346-L0	D-10	5ET-25447-00	E-3	5TA-26337-00	E-11
5NL-21471-00	C-15		E-13	4SS-23141-10	E-13	3SP-23356-L0	D-11	5NY-25448-00	E-3	5TA-26339-00	E-11
5HD-21511-00	D-2	5UN-22212-D0	E-13	4SS-23141-20	E-13	5TA-23357-00	D-8	5NY-25449-00	E-3	5HD-26342-00	E-6
4XL-2153A-10	D-11	5UN-22212-E0	E-13	4SS-23141-30	E-13	4SS-23364-L0	E-14	5NY-25450-00	E-3	583-26352-00	E-15
5UN-2153A-00	D-5	5UN-22212-F0	E-13	4SS-23141-40	E-13	4DA-23389-00	D-8	5NY-25451-00	E-3	5HD-26372-00	E-11
4ES-2153E-01	D-2	5UN-22212-G0	E-13	4SS-23141-50	E-13	5HD-2339E-00	D-8	5NY-25452-00	E-3	5NY-26372-00	E-7
5TA-21610-00	D-2	5UN-22212-00	E-13	4SS-23141-60	E-13	5HD-23393-L0	D-9	5CG-25715-00	E-7	4XM-27200-00	E-8
5SG-2163G-00	D-2	5UN-22212-10	E-13	4SS-23141-70	E-13		D-10		E-9	5JG-27217-00	E-8
5TA-21635-00	D-2	5UN-22212-20	D-6	4XL-23141-L0	D-9	5TA-23393-00	D-8	5DH-25718-01	E-5	5UN-27217-00	E-9
5TA-21642-00	D-2		E-13		D-10	4EW-23416-00	D-8	5UN-2580T-00	E-2	5UN-27218-00	E-9

NUMERICAL INDEX

PART NO.	GRID NO.	PART NO.	GRID NO.	PART NO.	GRID NO.	PART NO.	GRID NO.	PART NO.	GRID NO.	PART NO.	GRID NO.
5UN-27222-00	E- 9	90109-067F4	B- 12	90201-08089	E- 8	90387-124F4	C- 13	90501-043E0	B- 11	93210-08001	C- 15
5ET-27311-00	E- 8	90109-081G1	E- 4	90201-081R9	C- 4	90387-16005	D- 4	90501-052G5	C- 13	93210-09008	B- 11
5ET-27411-00	E- 8	90109-082G0	C- 7	90201-08326	C- 7	90387-16007	D- 4	90501-06022	C- 12	93210-10197	B- 10
5ET-27421-00	E- 8	90110-06058	B- 10		E- 4	90387-167Y9	D- 4	90501-12081	C- 7		C- 5
5TA-27491-00	E- 5	90110-08096	C- 14	90201-08410	C- 2	90387-18004	D- 4	90501-16016	C- 7	93210-11073	E- 8
5TA-2814F-00	C- 15	90111-06029	E- 9	90201-08512	B- 8	90387-18005	D- 4	90501-224J9	C- 8	93210-12759	B- 11
5ET-28166-00	C- 15	90116-06541	B- 2	90201-086P8	C- 14	90387-18007	C- 5	90506-16500	E- 8	93210-14369	C- 6
5UL-82310-00	E- 12	90119-05071	D- 8	90201-096J9	B- 2	90387-20006	C- 10	90508-142B5	C- 9	93210-15414	B- 9
5TA-82509-00	E- 12	90119-06001	C- 15	90201-10118	E- 7	90387-22001	C- 10	90508-162E2	E- 15	93210-16716	C- 6
5TA-82540-00	E- 12	90119-06096	D- 2		E- 9	90387-225N2	E- 6	90508-26561	C- 12	93210-17570	C- 7
5HD-82911-00	E- 11	90119-06214	D- 12	90201-10119	E- 8	90401-08038	B- 11	90508-282B8	E- 8	93210-19123	C- 6
5BE-82912-00	E- 15	90119-06225	D- 2	90201-12166	B- 10	90401-10159	B- 11	90508-282B9	E- 8	93210-196A4	C- 10
38V-82913-00	E- 15		D- 8	90201-127E1	E- 10	90401-10172	E- 7	90508-291A8	C- 13	93210-21276	E- 12
5TA-82913-00	E- 11	90119-08238	D- 3	90201-145M4	C- 14		E- 9	90508-30743	C- 7	93210-32172	C- 6
5TA-82946-00	E- 11	90122-06035	B- 12	90201-14740	D- 5	90430-06014	B- 2	91A20-05065	B- 9	93210-42263	D- 9
5MV-83912-00	E- 11	90149-05163	E- 11	90201-15701	C- 6		B- 7	91314-06030	B- 10		D- 10
5BE-83913-00	E- 15	90149-06011	D- 12	90201-160F6	D- 4		B- 8	91316-04012	B- 13	93210-47675	B- 11
5MV-83922-00	E- 7	90149-06126	C- 5	90201-162H4	C- 7	90430-08119	B- 11	91317-05008	D- 4	93300-60804	C- 14
5TA-83941-00	E- 11	90149-06250	B- 4	90201-167P7	C- 7		C- 14	91317-06014	E- 7	93306-00105	B- 8
5HD-83951-00	E- 11	90149-06324	E- 10	90201-177G4	C- 7	90430-10188	B- 11	91317-06045	C- 5	93306-00317	C- 10
5SF-83976-00	E- 11	90149-06326	C- 5	90201-203U1	E- 4		C- 5	91317-06055	C- 5	93306-00320	C- 10
583-83981-00	E- 15	90149-06327	E- 2	90201-20685	C- 7	90445-09104	D- 12	91317-06070	C- 5	93306-07202	E- 3
5UL-85540-00	E- 12	90151-04048	D- 4	90201-247L2	D- 8	90445-09220	D- 12	91317-08020	C- 4	93306-20335	B- 4
5TA-85546-00	E- 12	90152-06010	C- 7	90202-05193	D- 12	90445-11185	D- 12	91401-20012	E- 8	93306-20447	C- 10
5TA-85550-00	E- 10	90154-05026	E- 12	90202-08045	B- 13	90445-112K0	B- 3	91401-25015	E- 8	93306-20648	B- 4
5SF-85560-00	E- 10	90157-08028	C- 15	90202-08204	C- 15	90450-22017	B- 9	91808-16023	B- 2	93306-27205	E- 3
5TA-85885-00	C- 2	90159-06078	D- 3	90206-06090	C- 4		B- 10	91812-16001	C- 6	93306-27208	C- 10
9Y581-92111	E- 4	90159-06092	C- 8	90209-06096	B- 12	90450-25037	B- 9	92017-05012	E- 11	93306-90403	D- 15
90101-06001	C- 7	90159-06182	D- 3	90209-20008	C- 10	90450-32015	B- 9	92017-08055	C- 14	93306-90501	C- 12
90101-06664	C- 13	90170-14171	B- 4	90209-23012	C- 10	90450-54002	B- 12	92907-06600	B- 7	93310-63210	B- 4
90101-08777	E- 4	90170-16326	C- 8	90215-14204	B- 4	90450-57092	B- 12	92907-08200	E- 2	93311-32261	B- 4
90105-06027	B- 2	90179-06568	D- 4	90215-16289	C- 8	90450-61001	B- 12	93101-14164	C- 6	93315-32053	D- 5
90105-06154	D- 2	90179-12248	E- 10	90215-20003	C- 8	90464-13073	E- 12	93102-12106	B- 8	93315-32056	D- 4
90105-065A1	C- 6	90179-16672	D- 15		C- 10	90464-13077	E- 12	93102-12224	C- 8	93317-11287	C- 8
90105-06553	C- 5	90179-18001	C- 8	90240-08120	E- 8	90465-08029	C- 6		C- 13	93317-22262	D- 4
	C- 11		C- 11	90240-10142	E- 8	90465-10013	C- 5		E- 15	93332-00068	D- 8
90105-08120	C- 14	90183-06023	B- 12	90267-32070	B- 12	90465-13152	D- 12	93102-18278	C- 7	93332-00081	D- 8
90105-08659	E- 2	90185-08169	C- 14	90267-48121	C- 4		E- 12	93102-26468	D- 15	93340-21008	C- 8
90105-09002	B- 2		E- 4	90280-03001	B- 4	90465-13275	E- 12	93102-28008	C- 10	93342-22217	D- 4
90105-09555	B- 2	90185-10002	C- 14	90338-18064	B- 7	90465-16258	E- 7	93106-22019	D- 4	93410-20038	C- 7
90105-10323	D- 6	90185-10060	D- 7	90338-18176	C- 14	90467-09006	B- 9	93106-30044	E- 3	93410-22039	C- 10
90105-10733	C- 14	90185-14007	D- 5	90340-12112	B- 2	90467-10008	D- 12	93106-30045	E- 3	93410-26067	C- 10
90109-06027	E- 11	90185-16127	D- 4	90340-14128	C- 6	90467-11106	B- 3	93109-11073	B- 8	93420-16086	B- 4
90109-063F8	C- 12	90185-20168	E- 4	90340-32123	C- 6	90467-14015	B- 2	93109-20076	D- 4	93440-07149	B- 2
90109-06418	B- 7	90201-03313	B- 12	90387-06009	D- 2	90468-16191	E- 8		D- 5	93440-07182	B- 8
90109-065G2	B- 11	90201-06557	D- 2	90387-06065	B- 9	90480-08608	E- 4	93109-28043	D- 4		C- 8
90109-065G4	E- 5	90201-06571	B- 9	90387-0814J	C- 4	90480-15528	B- 9	93210-07003	B- 11	93440-10153	B- 2
90109-066F0	B- 3	90201-080H1	C- 8	90387-086N4	C- 14	90480-18549	D- 12	93210-07135	B- 11		B- 10

NUMERICAL INDEX

PART NO.	GRID NO.	PART NO.	GRID NO.	PART NO.	GRID NO.	PART NO.	GRID NO.	PART NO.	GRID NO.	PART NO.	GRID NO.
93440-41178	B - 7	95027-06025	C - 6	99001-08600	B - 10						
93503-08007	B - 11	95027-06035	B - 3	99009-12400	B - 10						
93507-32009	C - 7		C - 6	99009-16400	C - 7						
93511-32027	C - 8	95027-06050	D - 4	99009-17400	C - 7						
93603-16219	B - 10	95027-06065	B - 8	99009-22500	C - 6						
93604-10011	B - 8		B - 11	99009-45500	E - 3						
93608-33002	C - 13	95027-08012	C - 15	99530-08012	B - 10						
93612-16254	B - 3	95027-08020	E - 2	99530-08016	C - 6						
	C - 5	95027-08035	D - 8	99530-10114	B - 10						
9383B-13218	C - 10	95027-08040	C - 14		C - 5						
94108-21008	D - 15		D - 8	99530-10116	C - 5						
94108-2110Y	D - 15	95027-08065	C - 14								
94108-2112Y	D - 15	95027-10016	C - 5								
94110-1911A	E - 3	95607-05100	E - 11								
94110-1913B	E - 3		E - 15								
94110-1916A	E - 3	95607-06100	E - 11								
94209-21229	D - 15	95607-10200	D - 7								
94210-19222	E - 3	95617-08620	B - 2								
94210-19224	E - 3	95701-06500	E - 7								
94227-21101	D - 15	95704-06500	B - 3								
94309-21161	D - 15	95707-08500	B - 2								
94316-19156	E - 3		C - 14								
94321-19135	E - 3		E - 4								
94330-21084	D - 15	95817-08016	C - 15								
94416-21005	D - 15	95817-08020	C - 4								
94418-19003	E - 3	95817-08030	C - 4								
94591-53114	B - 7	95817-10050	C - 14								
94681-68001	E - 4	95817-10130	C - 14								
94701-00410	B - 2	95827-06010	B - 9								
94701-00411	B - 2	95827-06012	E - 2								
94703-00410	B - 2	95827-06014	E - 15								
94703-00411	B - 2	95827-06016	D - 3								
95027-06010	B - 2	95827-08012	C - 14								
	C - 9	97007-05016	E - 11								
	D - 4		E - 15								
95027-06012	B - 8	97027-06016	B - 7								
	B - 9	97527-06512	C - 15								
	B - 11	97707-60016	D - 2								
	C - 15	97801-03008	D - 12								
	E - 5	98502-04012	B - 13								
95027-06016	D - 12	98507-05010	E - 9								
	E - 5	98507-05020	E - 6								
95027-06020	C - 13		E - 15								
95027-06025	B - 7	98507-06025	C - 5								
	B - 8	98706-04012	E - 7								
	B - 9	98707-06025	D - 12								
	B - 10	98907-06025	D - 12								
	B - 11	98980-06008	C - 4								

CONTENTS

ENGINE

CYLINDER	B2
CRANKSHAFT. PISTON	B4
VALVE	B5
CAMSHAFT. CHAIN	B7
WATER PUMP	B8
RADIATOR. HOSE	B9
OIL PUMP	B10
OIL CLEANER	B11
INTAKE	B12
CARBURETOR	B13
EXHAUST	C4
CRANKCASE	C5
CRANKCASE COVER 1	C6
STARTER	C7
CLUTCH	C8
TRANSMISSION	C10
SHIFT CAM. FORK	C12
SHIFT SHAFT	C13

CHASSIS

FRAME	C14
FENDER	D2
SIDE COVER	D3
REAR ARM	D4
REAR SUSPENSION	D6
STEERING	D8
FRONT FORK	D9
FUEL TANK	D12
SEAT	D14
FRONT WHEEL	D15
FRONT BRAKE CALIPER	E2
REAR WHEEL	E3

REAR BRAKE CALIPER	E5
STEERING HANDLE. CABLE	E6
FRONT MASTER CYLINDER	E7
STAND. FOOTREST	E8
REAR MASTER CYLINDER	E9
GENERATOR	E10
HANDLE SWITCH. LEVER	E11
ELECTRICAL 1	E12
ALTERNATE (CHASSIS)	E13
ALTERNATE	E15

INDEX

NUMERICAL INDEX	M1
-----------------------	----