



PARTS CATALOGUE

YZ250FA (17DD) CANADA

YZ250F (17DE) EUROPE

YZ250F (17DF) JAPAN

YZ250FA (17DG) OCEANIA, SOUTH AFRICA

1K17D-100E1

()



2011-03-22

NEWS No.	DATE	COMMENT
PE0-MC-100026	Sep.,27,2010	MOD: FIG.4: CAMSHAFT & CHAIN LIST/ILLUSTRATION REVISION
PE0-MC-100034	Nov.,30,2010	MOD: FIG.21: SIDE COVER & OIL TANK LIST/ILLUSTRATION REVISION
PE0-MC-110011	Mar.,14,2011	COR: FIG.30: REAR WHEEL LIST CORRECTION

YZ250FA/YZ250F
PARTS CATALOGUE
©2010 by Yamaha Motor Co., Ltd.
1st edition, June 2010
All rights reserved.
Any reprinting or unauthorized use
without the written permission of
Yamaha Motor Co., Ltd.
is expressly prohibited.
Printed in Japan.

FOREWORD

This Parts Catalogue is related to the parts for the model(s) on the cover page. When you are ordering replacement parts, please refer to this Parts Catalogue and quote both part numbers and part names correctly.

1. Modifications or additions which have been made after the issue of the Parts Catalogue will be announced in the Parts News.

It is advisable that you make the necessary corrections to the Parts Catalogue according to the Parts News.

2. Abbreviations

The following abbreviations are used in this Parts Catalogue.

“UR” Use specified parts number.

“UN” Use as many as needed.

“AP” Alternate Parts

“LM” Locally Made (Parts need to be ordered locally)

“F#” Frame No. (Applicable machine No.)

“O/S” Over Size

3. The number of components for assembly

- Parts, which are to be supplied in an assembly, are listed with a dot (.) in front of the part name as shown below.
- The numeral appearing to the right of each component part indicates the quantity of parts for each assembly unit.

PART NO.	DESCRIPTION	Q'TY	REMARKS
2F5-83310-60	FRONT FLASHER LIGHT ASSY	2	
115-83311-60	.BULB (6V-18W)	1	

4. Applicable colours of graphics are represented in the “REMARKS” as shown below.

PART NO.	DESCRIPTION	Q'TY	REMARKS
2N4-24110-00-X5	FUEL TANK COMP.	2	MXR
3J1-24240-10	.GRAPHIC, FUEL TANK	1	FOR MXR

5. Note that the illustrations for reference in finding parts numbers are not to be used for assembling. When assembling, please use the applicable service manual.

6. The asterisk (*) before a reference number indicates modified items after the first edition.

CONTENTS

ENGINE

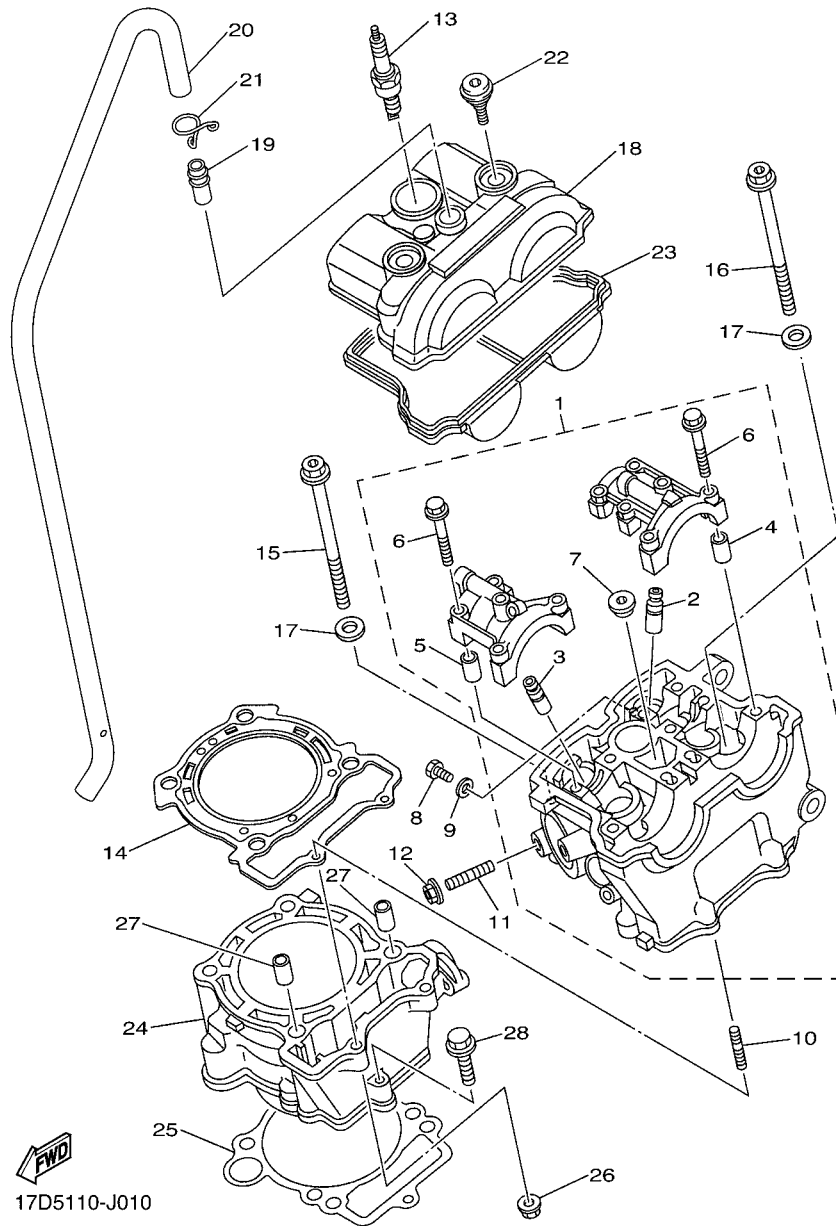
CYLINDER	1
CRANKSHAFT & PISTON	3
VALVE	4
CAMSHAFT & CHAIN	6
WATER PUMP	7
RADIATOR & HOSE	8
OIL PUMP	9
OIL CLEANER	11
INTAKE	12
CARBURETOR	13
EXHAUST	18
CRANKCASE	19
CRANKCASE COVER 1	20
STARTER	22
CLUTCH	23
TRANSMISSION	24
SHIFT CAM & FORK	26
SHIFT SHAFT	27

CHASSIS

FRAME	28
FENDER	30
SIDE COVER & OIL TANK	31
REAR ARM	33
REAR SUSPENSION	35
STEERING	37
FRONT FORK	38
FUEL TANK	41
SEAT	43
FRONT WHEEL	44
FRONT BRAKE CALIPER	45
REAR WHEEL	46
REAR BRAKE CALIPER	48
STEERING HANDLE & CABLE	49
FRONT MASTER CYLINDER	50
STAND & FOOTREST	51
REAR MASTER CYLINDER	52
GENERATOR	53
HANDLE SWITCH & LEVER	54
ELECTRICAL 1	55
ALTERNATE FOR CHASSIS	56

INDEX

NUMERICAL INDEX	57
-----------------------	----



17D5110-J010

FIG. 1 CYLINDER

REF. NO.	PART NO.	DESCRIPTION	17DD	17DE	17DF	17DG	REMARKS
1	17D-11102-10	CYLINDER HEAD ASSY	1	1	1	1	
2	5NL-11133-10	.GUIDE, VALVE 1	3	3	3	3	
3	5NL-11134-10	.GUIDE, VALVE 2	2	2	2	2	
4	91808-16023	.PIN, DOWEL	2	2	2	2	
5	91808-16023	.PIN, DOWEL	2	2	2	2	
6	90105-06027	.BOLT, FLANGE	10	10	10	10	
7	90340-12007	.PLUG, STRAIGHT SCREW	1	1	1	1	
8	95022-06010	BOLT, FLANGE	1	1	1	1	
9	90430-06014	GASKET	1	1	1	1	
10	90116-06038	BOLT, STUD	2	2	2	2	
11	95612-08620	BOLT, STUD	2	2	2	2	
12	95702-08500	NUT, FLANGE	2	2	2	2	
13	94701-00411	PLUG, SPARK (NGK R CR8E)	1	1		1	STD
	94703-00411	PLUG, SPARK (NGK R CR8E)			1		STD
	94701-00410	PLUG, SPARK (NGK R CR9E)	1	1		1	AP
	94703-00410	PLUG, SPARK (NGK R CR9E)			1		AP
14	5NL-11181-00	GASKET, CYLINDER HEAD 1	1	1	1	1	
15	90105-09004	BOLT, FLANGE	2	2	2	2	
16	90105-09002	BOLT, FLANGE	2	2	2	2	
17	90201-096J9	WASHER, PLATE	4	4	4	4	
18	5NL-11191-50	COVER, CYLINDER HEAD 1	1	1	1	1	
19	371-11167-01	PIPE, BREATHER 2	1	1	1	1	
20	5XC-11166-00	PIPE, BREATHER 1	1	1	1	1	
21	90467-140A4	CLIP	1	1	1	1	
22	5UM-1119E-00	BOLT, COVER HEAD	2	2	2	2	
23	5NL-11193-00	GASKET, HEAD COVER 1	1	1	1	1	
24	5XC-11311-10	CYLINDER 1	1	1	1	1	

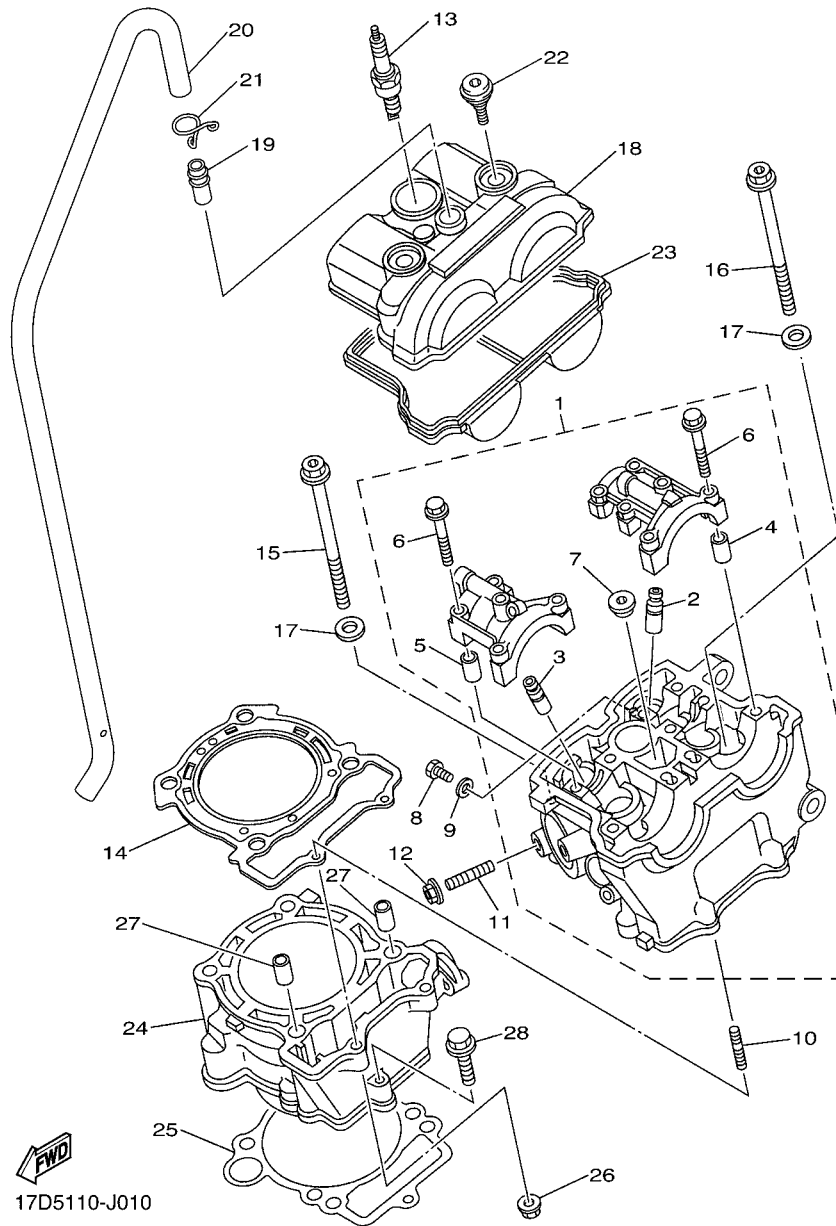
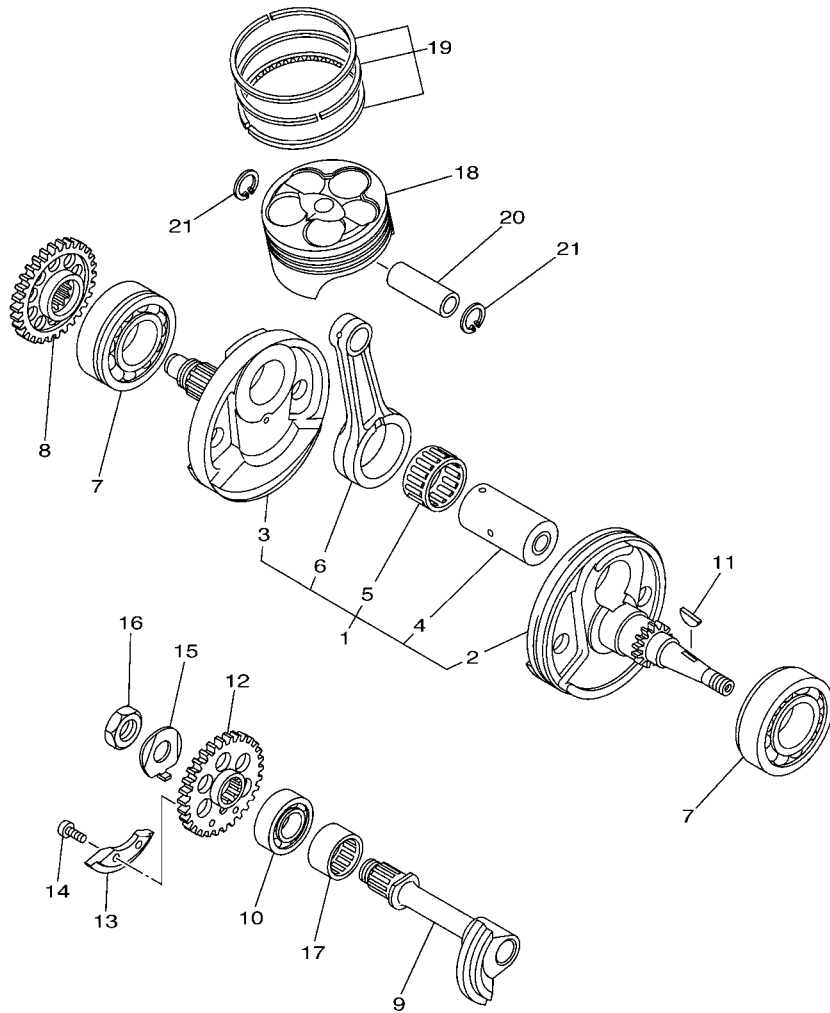


FIG. 1 CYLINDER

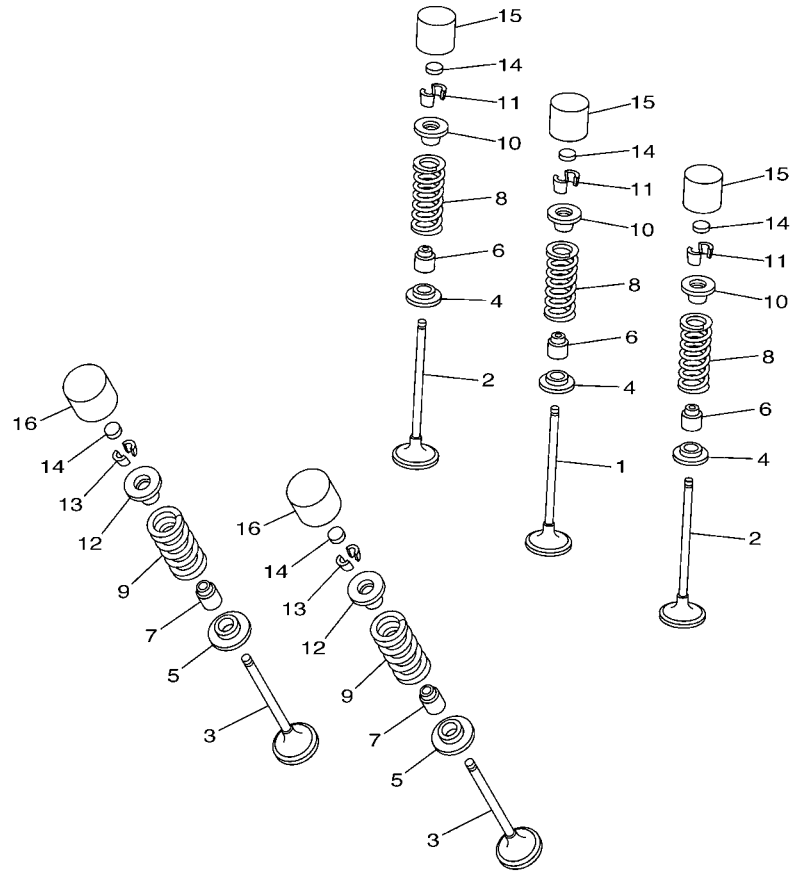
REF. NO.	PART NO.	DESCRIPTION	17DD	17DE	17DF	17DG	REMARKS
25	5NL-11351-00	GASKET, CYLINDER	1	1	1	1	
26	95702-06500	NUT, FLANGE	2	2	2	2	
27	93612-16254	PIN, DOWEL	2	2	2	2	
28	95022-06035	BOLT, FLANGE	1	1	1	1	



5XCL100-G020

FIG. 2 CRANKSHAFT & PISTON

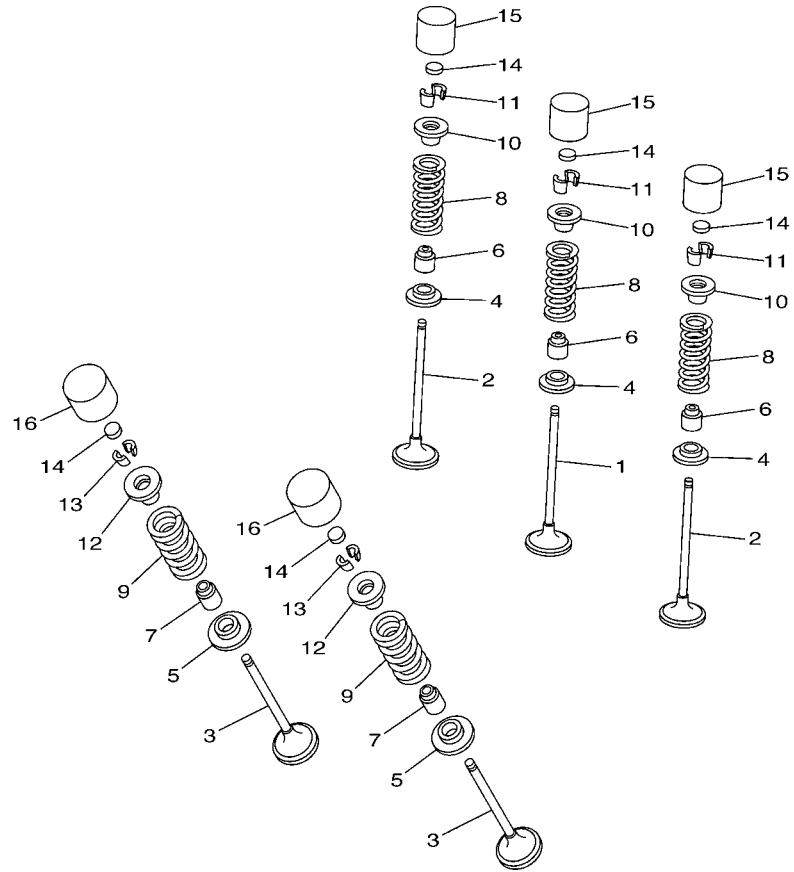
REF. NO.	PART NO.	DESCRIPTION	17DD	17DE	17DF	17DG	REMARKS
1	5XC-11400-21	CRANKSHAFT ASSY	1	1	1	1	
2	5UL-11412-20	.CRANK 1	1	1	1	1	
3	5UL-11422-10	.CRANK 2	1	1	1	1	
4	5XC-11681-01	.PIN, CRANK 1	1	1	1	1	
5	93310-63238	.BEARING	1	1	1	1	
6	5XC-11651-00	.ROD, CONNECTING	1	1	1	1	
7	93306-20648	BEARING	2	2	2	2	
8	5NL-11536-10	GEAR, DRIVE	1	1	1	1	
9	5NL-11455-00	SHAFT 1	1	1	1	1	
10	93306-20335	BEARING	1	1	1	1	
11	90280-03006	KEY, WOODRUFF	1	1	1	1	
12	5NL-11531-00	GEAR, BALANCE WEIGHT	1	1	1	1	
13	5NL-11454-00	WEIGHT 1	1	1	1	1	
14	90149-06084	SCREW	2	2	2	2	
15	90215-14204	WASHER, LOCK	1	1	1	1	
16	90170-14171	NUT	1	1	1	1	
17	93311-32261	BEARING	1	1	1	1	
18	5XC-11631-00	PISTON (STD)	1	1	1	1	
19	5NL-11603-00	PISTON RING SET (STD)	1	1	1	1	
20	5NL-11633-00	PIN, PISTON	1	1	1	1	
21	93420-16086	CIRCLIP	2	2	2	2	



5NL1100-1030

FIG. 3 VALVE

REF. NO.	PART NO.	DESCRIPTION	17DD	17DE	17DF	17DG	REMARKS
1	5NL-12111-30	VALVE, INTAKE	1	1	1	1	
2	5NL-12112-30	VALVE, INTAKE 2	2	2	2	2	
3	5NL-12121-10	VALVE, EXHAUST	2	2	2	2	
4	5NL-12116-00	SEAT, VALVE SPRING	3	3	3	3	
5	3GM-12126-00	SEAT, VALVE SPRING 2	2	2	2	2	
6	4TV-12119-00	SEAL, VALVE STEM	3	3	3	3	
7	4SV-12119-00	SEAL, VALVE STEM	2	2	2	2	
8	5NL-12113-10	SPRING, VALVE INNER	3	3	3	3	
9	5NL-12114-10	SPRING, VALVE OUTER	2	2	2	2	
10	5VY-12117-00	RETAINER, VALVE SPRING	3	3	3	3	
11	1HX-12118-00	COTTER, VALVE	6	6	6	6	
12	5VY-12127-00	RETAINER, VALVE SPRING	2	2	2	2	
13	1WG-12118-00	COTTER, VALVE	4	4	4	4	
14	1HX-12168-00	PAD, ADJUSTING 2 (1.20)	5	5	5	5	UR
	1HX-12168-20	PAD, ADJUSTING 2 (1.25)	5	5	5	5	UR
	1HX-12168-40	PAD, ADJUSTING 2 (1.30)	5	5	5	5	UR
	1HX-12168-60	PAD, ADJUSTING 2 (1.35)	5	5	5	5	UR
	1HX-12168-80	PAD, ADJUSTING 2 (1.40)	5	5	5	5	UR
	1HX-12168-A0	PAD, ADJUSTING 2 (1.45)	5	5	5	5	UR
	1HX-12168-F0	PAD, ADJUSTING 2 (1.50)	5	5	5	5	UR
	1HX-12168-H1	PAD, ADJUSTING 2 (1.55)	5	5	5	5	UR
	1HX-12168-K1	PAD, ADJUSTING 2 (1.60)	5	5	5	5	UR
	1HX-12168-M1	PAD, ADJUSTING 2 (1.65)	5	5	5	5	UR
	1HX-12168-R1	PAD, ADJUSTING 2 (1.70)	5	5	5	5	UR
	1HX-12168-U1	PAD, ADJUSTING 2 (1.75)	5	5	5	5	UR
	1HX-12168-W1	PAD, ADJUSTING 2 (1.80)	5	5	5	5	UR
	1HX-12168-Y1	PAD, ADJUSTING 2 (1.85)	5	5	5	5	UR



5NL1100-1030

FIG. 3 VALVE

REF. NO.	PART NO.	DESCRIPTION	17DD	17DE	17DF	17DG	REMARKS
14	1HX-12169-11	PAD, ADJUSTING 2 (1.90)	5	5	5	5	UR
	1HX-12169-31	PAD, ADJUSTING 2 (1.95)	5	5	5	5	UR
	1HX-12169-50	PAD, ADJUSTING 2 (2.00)	5	5	5	5	UR
	1HX-12169-70	PAD, ADJUSTING 2 (2.05)	5	5	5	5	UR
	1HX-12169-90	PAD, ADJUSTING 2 (2.10)	5	5	5	5	UR
	1HX-12169-E0	PAD, ADJUSTING 2 (2.15)	5	5	5	5	UR
	1HX-12169-G0	PAD, ADJUSTING 2 (2.20)	5	5	5	5	UR
	1HX-12169-J0	PAD, ADJUSTING 2 (2.25)	5	5	5	5	UR
	1HX-12169-L0	PAD, ADJUSTING 2 (2.30)	5	5	5	5	UR
	1HX-12169-N0	PAD, ADJUSTING 2 (2.35)	5	5	5	5	UR
	1HX-12169-T0	PAD, ADJUSTING 2 (2.40)	5	5	5	5	UR
15	3LN-12153-10	LIFTER, VALVE	3	3	3	3	YELLOW
16	3FV-12153-10	LIFTER, VALVE	2	2	2	2	YELLOW

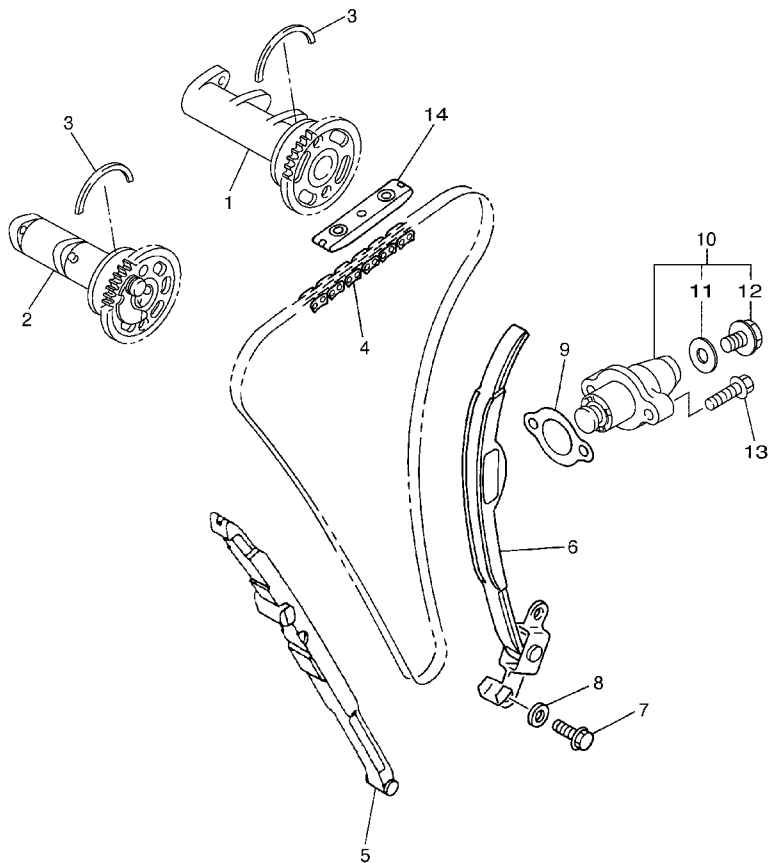
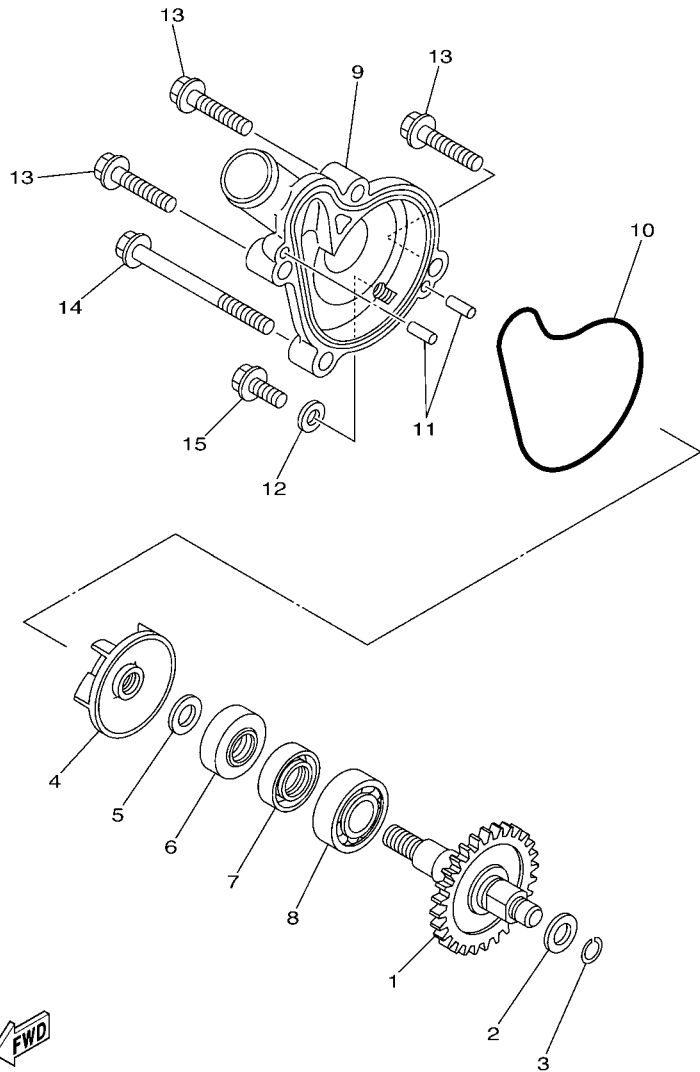


FIG. 4 CAMSHAFT & CHAIN

REF. NO.	PART NO.	DESCRIPTION	17DD	17DE	17DF	17DG	REMARKS
1	17D-12170-10	CAMSHAFT ASSY 1	1	1	1	1	
2	17D-12180-10	CAMSHAFT ASSY 2	1	1	1	1	
3	93440-41178	CIRCLIP	2	2	2	2	
4	94591-53114	CHAIN	1	1	1	1	
5	5NL-12251-30	DAMPER, CHAIN 1	1	1	1	1	
6	5NL-12252-00	DAMPER, CHAIN 2	1	1	1	1	
7	97022-06016	BOLT	2	2	2	2	
8	92902-06600	WASHER, PLATE	2	2	2	2	
9	4FM-12213-00	GASKET, TENSIONER CASE	1	1	1	1	
10	5TA-12210-20	TENSIONER ASSY, CAM CHAIN	1	1	1	1	
11	5EL-12214-00	.GASKET	1	1	1	1	
12	5EL-12228-00	.BOLT, FLANGE	1	1	1	1	
13	95022-06025	BOLT, FLANGE	2	2	2	2	
14	5BE-12241-00	GUIDE, STOPPER 2	1	1	1	1	



5XC9100-E041



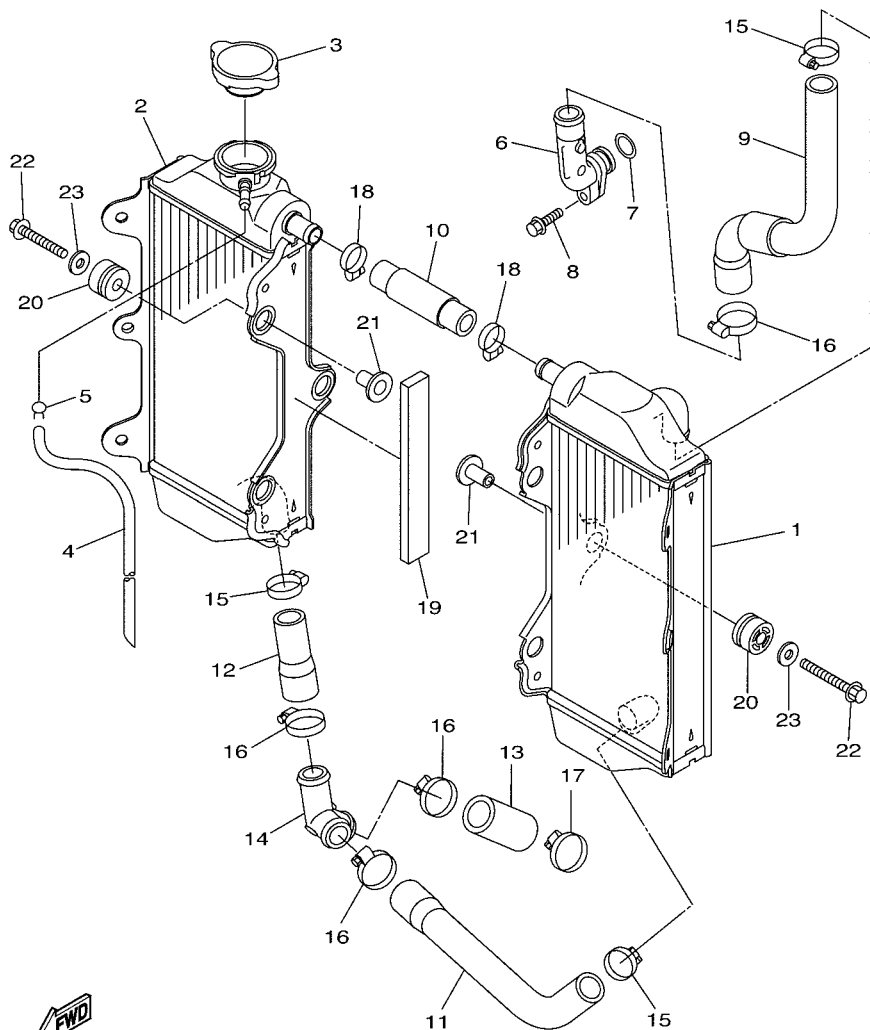
5NL1100-1050

FIG. 5 WATER PUMP

REF. NO.	PART NO.	DESCRIPTION	17DD	17DE	17DF	17DG	REMARKS
1	5XC-12459-00	GEAR, IMPELLER SHAFT	1	1	1	1	
2	90201-08512	WASHER, PLATE	1	1	1	1	
3	93440-07182	CIRCLIP	1	1	1	1	
4	5DH-12451-00	IMPELLER, WATER PUMP	1	1	1	1	
5	90201-08512	WASHER, PLATE	1	1	1	1	
6	93109-11073	OIL SEAL	1	1	1	1	
7	93102-12106	OIL SEAL (SD 12-22-5 HS)	1	1	1	1	
8	93306-00105	BEARING	1	1	1	1	
9	5NL-12422-20	COVER, HOUSING	1	1	1	1	
10	5NL-12439-00	O-RING	1	1	1	1	
11	93604-10011	PIN, DOWEL	2	2	2	2	
12	90430-06014	GASKET	1	1	1	1	
13	95022-06025	BOLT, FLANGE	3	3	3	3	
14	95022-06065	BOLT, FLANGE	1	1	1	1	
15	95022-06012	BOLT, FLANGE	1	1	1	1	

FIG. 6 RADIATOR & HOSE

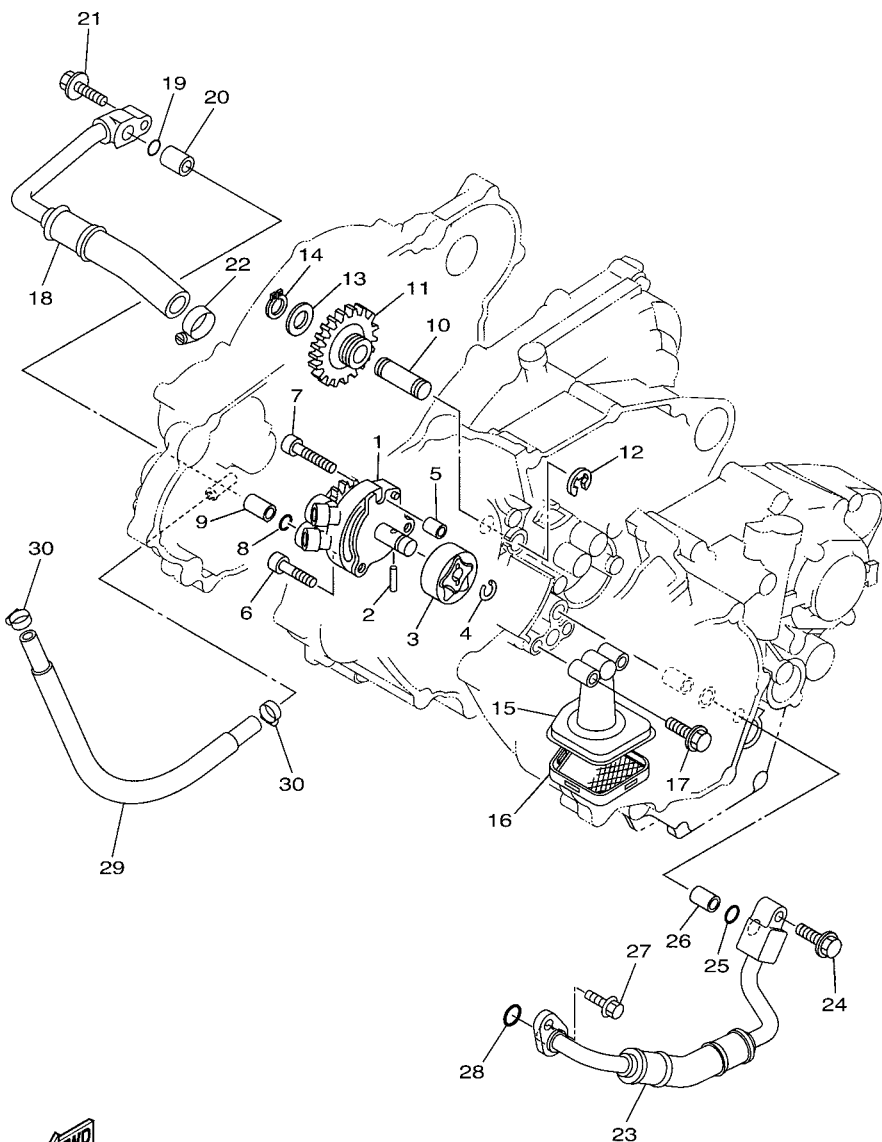
REF. NO.	PART NO.	DESCRIPTION	17DD	17DE	17DF	17DG	REMARKS
1	17D-1240A-50	RADIATOR ASSY	1	1	1	1	
2	17D-12461-50	RADIATOR COMP	1	1	1	1	
3	5SL-12462-00	CAP, RADIATOR	1	1	1	1	
4	91A20-05065	TUBE, FLEXIBLE VINYL	1	1	1	1	
5	90467-090A2	CLIP	1	1	1	1	
6	5XC-12481-G0	PIPE 1	1	1	1	1	
7	93210-16275	O-RING	1	1	1	1	
8	91312-06020	BOLT	1	1	1	1	
9	17D-12576-50	HOSE 1	1	1	1	1	
10	17D-12577-50	HOSE 2	1	1	1	1	
11	17D-12578-50	HOSE 3	1	1	1	1	
12	17D-12579-50	HOSE 4	1	1	1	1	
13	17D-12588-50	HOSE 5	1	1	1	1	
14	17D-12581-50	JOINT, HOSE 1	1	1	1	1	
15	90450-25001	HOSE CLAMP ASSY	3	3	3	3	
16	90450-28001	HOSE CLAMP ASSY	4	4	4	4	
17	90450-32003	HOSE CLAMP ASSY	1	1	1	1	
18	90450-22001	HOSE CLAMP ASSY	2	2	2	2	
19	4KB-24181-00	DAMPER, LOCATING 1	1	1	1	1	
20	90480-15012	GROMMET	6	6	6	6	
21	90387-06065	COLLAR	6	6	6	6	
22	90105-06111	BOLT, FLANGE	6	6	6	6	
23	90201-06571	WASHER, PLATE	5	5	5	5	



17D5110-J060

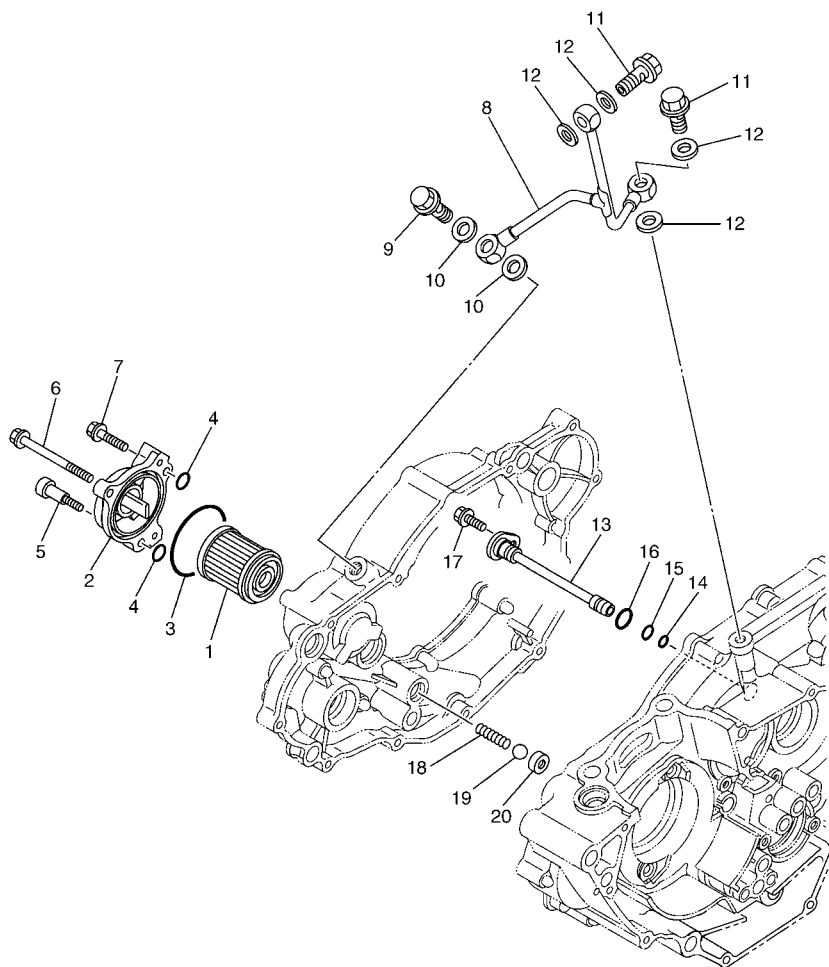
FIG. 7 OIL PUMP

REF. NO.	PART NO.	DESCRIPTION	17DD	17DE	17DF	17DG	REMARKS
1	5SG-13300-01	OIL PUMP ASSY	1	1	1	1	
2	93603-16219	PIN, DOWEL	1	1	1	1	
3	5NL-13320-00	ROTOR ASSY 2	1	1	1	1	
4	93440-10153	CIRCLIP	1	1	1	1	
5	99530-08012	PIN, DOWEL	1	1	1	1	
6	91312-06025	BOLT	2	2	2	2	
7	91317-06030	BOLT	1	1	1	1	
8	93210-10197	O-RING	1	1	1	1	
9	99530-10114	PIN, DOWEL	1	1	1	1	
10	5BE-13342-00	SHAFT, IDLE GEAR	1	1	1	1	
11	5NL-13341-00	GEAR, OIL PUMP IDLE	1	1	1	1	
12	99001-08600	CIRCLIP	1	1	1	1	
13	90201-12166	WASHER, PLATE	1	1	1	1	
14	99009-12400	CIRCLIP	1	1	1	1	
15	5XC-13412-00	HOUSING, STRAINER	1	1	1	1	
16	5NL-13411-00	STRAINER, OIL	1	1	1	1	
17	95022-06025	BOLT, FLANGE	2	2	2	2	
18	17D-13464-00	HOSE, OIL 1	1	1	1	1	
19	93210-10197	O-RING	1	1	1	1	
20	99530-10114	PIN, DOWEL	1	1	1	1	
21	95022-06025	BOLT, FLANGE	1	1	1	1	
22	90450-22001	HOSE CLAMP ASSY	1	1	1	1	
23	17D-13465-00	HOSE, OIL 2	1	1	1	1	
24	95022-06025	BOLT, FLANGE	1	1	1	1	
25	93210-10197	O-RING	1	1	1	1	
26	99530-10114	PIN, DOWEL	1	1	1	1	
27	95022-06016	BOLT, FLANGE	1	1	1	1	



17D5110-J070

FIG. 8 OIL CLEANER



REF. NO.	PART NO.	DESCRIPTION	17DD	17DE	17DF	17DG	REMARKS
1	5D3-13440-00	ELEMENT ASSY, OIL CLEANER	1	1	1	1	
2	5BE-13447-30	COVER, OIL ELEMENT	1	1	1	1	
3	93210-47675	O-RING	1	1	1	1	
4	93210-07135	O-RING	3	3	3	3	
5	90110-06228	BOLT, HEXAGON SOCKET HEAD	1	1	1	1	
6	91312-06065	BOLT	1	1	1	1	
7	91312-06025	BOLT	1	1	1	1	
8	5NL-13161-20	PIPE, DELIVERY 1	1	1	1	1	
9	90401-10015	BOLT, UNION	1	1	1	1	
10	90430-10188	GASKET	2	2	2	2	
11	90401-08006	BOLT, UNION	2	2	2	2	
12	90430-08119	GASKET	4	4	4	4	
13	5NL-13171-10	PIPE, DELIVERY 2	1	1	1	1	
14	93210-07003	O-RING	1	1	1	1	
15	93210-09525	O-RING	1	1	1	1	
16	93210-12010	O-RING	1	1	1	1	
17	95022-06012	BOLT, FLANGE	1	1	1	1	
18	90501-043E0	SPRING, COMPRESSION	1	1	1	1	
19	93503-08007	BALL	1	1	1	1	
20	583-13113-00	SEAT, CHECK BALL	1	1	1	1	



5XCG100-F080

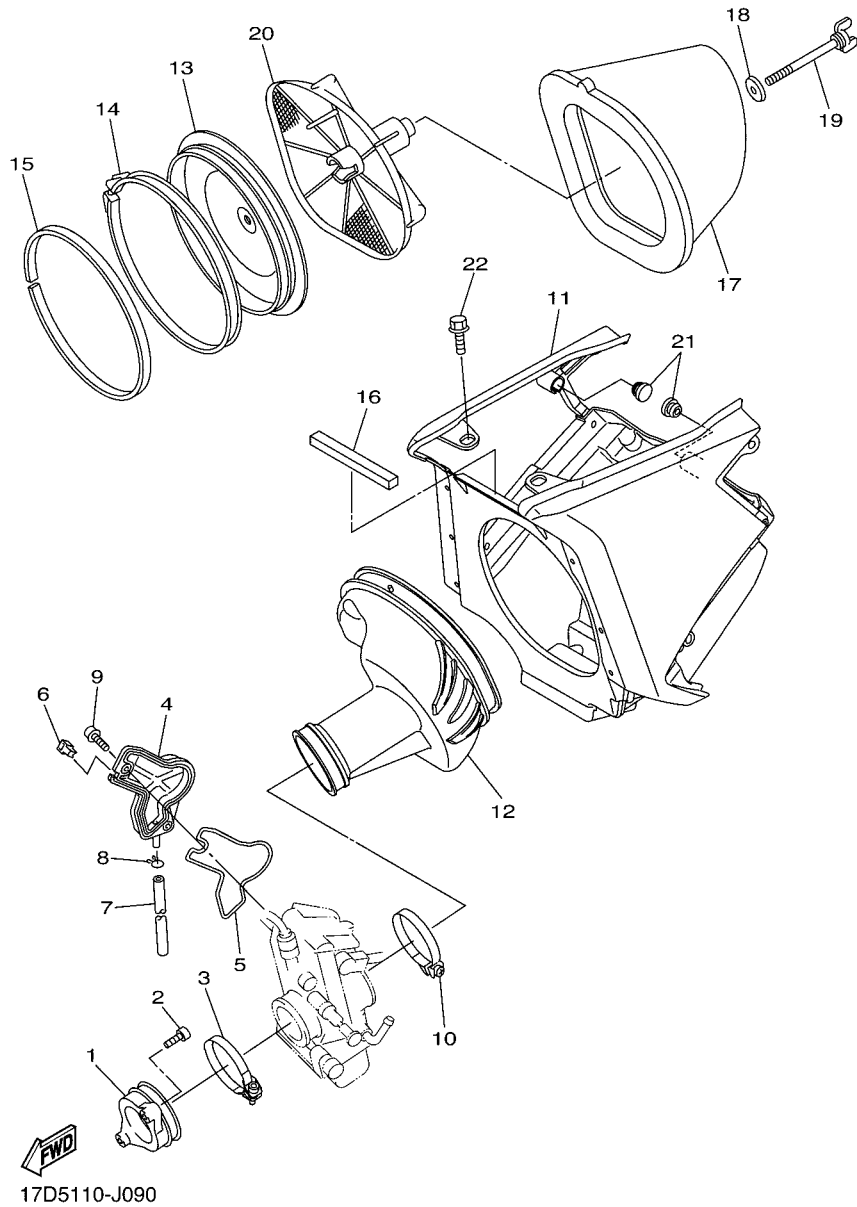
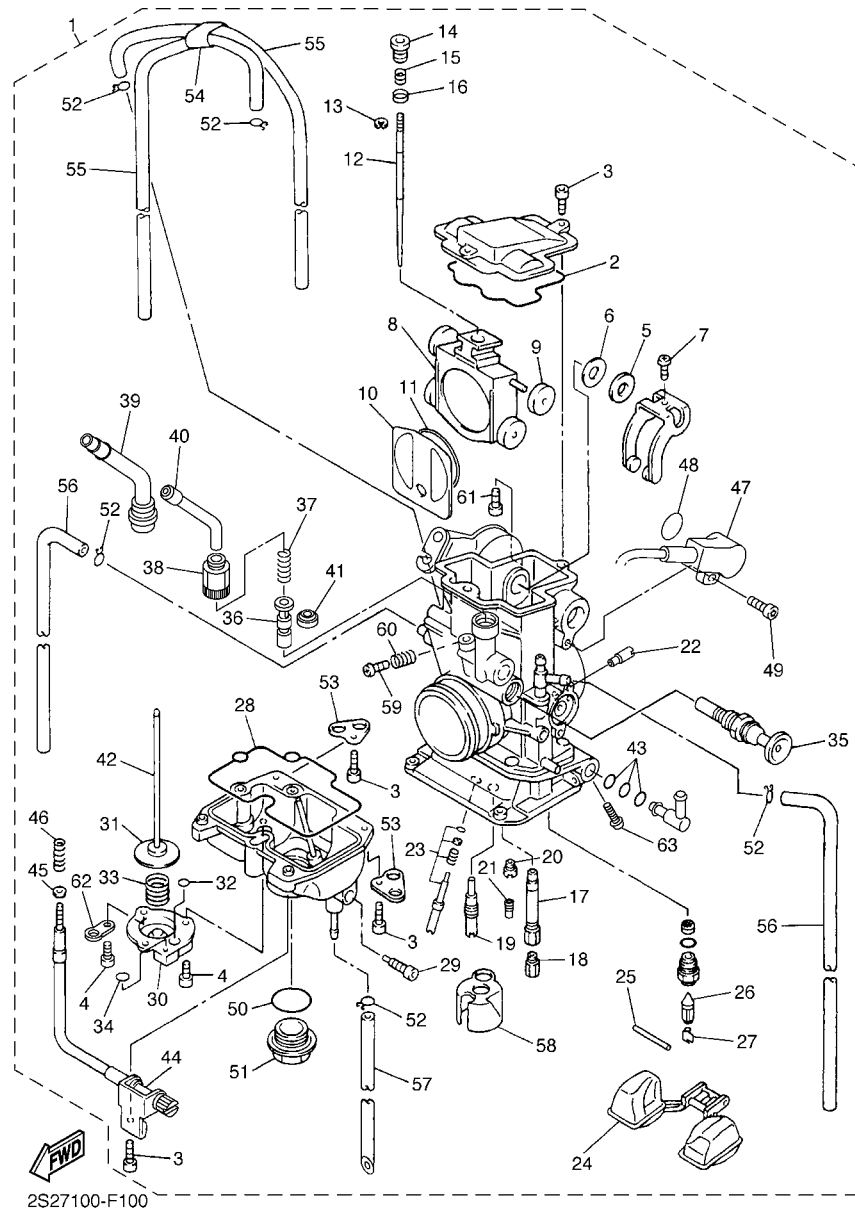


FIG. 9 INTAKE

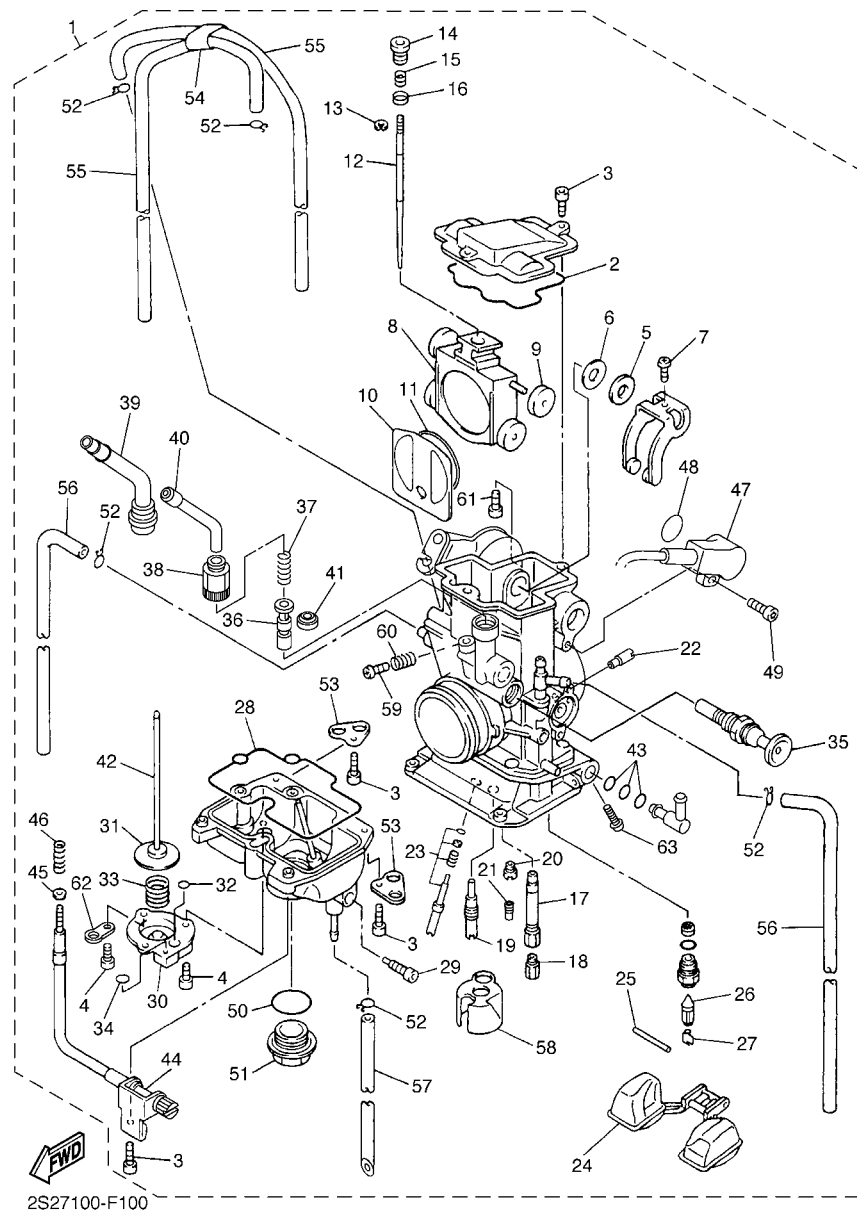
REF. NO.	PART NO.	DESCRIPTION	17DD	17DE	17DF	17DG	REMARKS
1	5XC-13597-30	JOINT, CARBURETOR 3	1	1	1	1	
2	91312-06025	BOLT	2	2	2	2	
3	90450-58006	HOSE CLAMP ASSY	1	1	1	1	
4	5TA-14293-00	COVER 1	1	1	1	1	
5	5TA-14227-00	GASKET	1	1	1	1	
6	5TA-14239-00	SEAL	1	1	1	1	
7	5TA-14987-00	HOSE	1	1	1	1	
8	3TJ-14137-40	CLIP	1	1	1	1	
9	90110-05038	BOLT, HEXAGON SOCKET HEAD	2	2	2	2	
10	90450-61002	HOSE CLAMP ASSY	1	1	1	1	
11	17D-14401-00	AIR CLEANER CASE ASSY	1	1	1	1	
12	17D-14453-50	JOINT, AIR CLEANER 1	1	1	1	1	
13	5NY-14459-00	HOLDER, GUIDE	1	1	1	1	
14	5NY-14455-20	BAND	1	1	1	1	
15	5NY-14442-00	SPACER	1	1	1	1	
16	17D-14452-00	SEAL	1	1	1	1	
17	4XM-14451-00	ELEMENT, AIR CLEANER	1	1	1	1	
18	90209-06096	WASHER	1	1	1	1	
19	90122-06005	BOLT, WING	1	1	1	1	
20	5BE-14458-10	GUIDE	1	1	1	1	
21	90480-10068	GROMMET	2	2	2	2	
22	90105-06170	BOLT, FLANGE	2	2	2	2	



2S27100-F100

FIG. 10 CARBURETOR

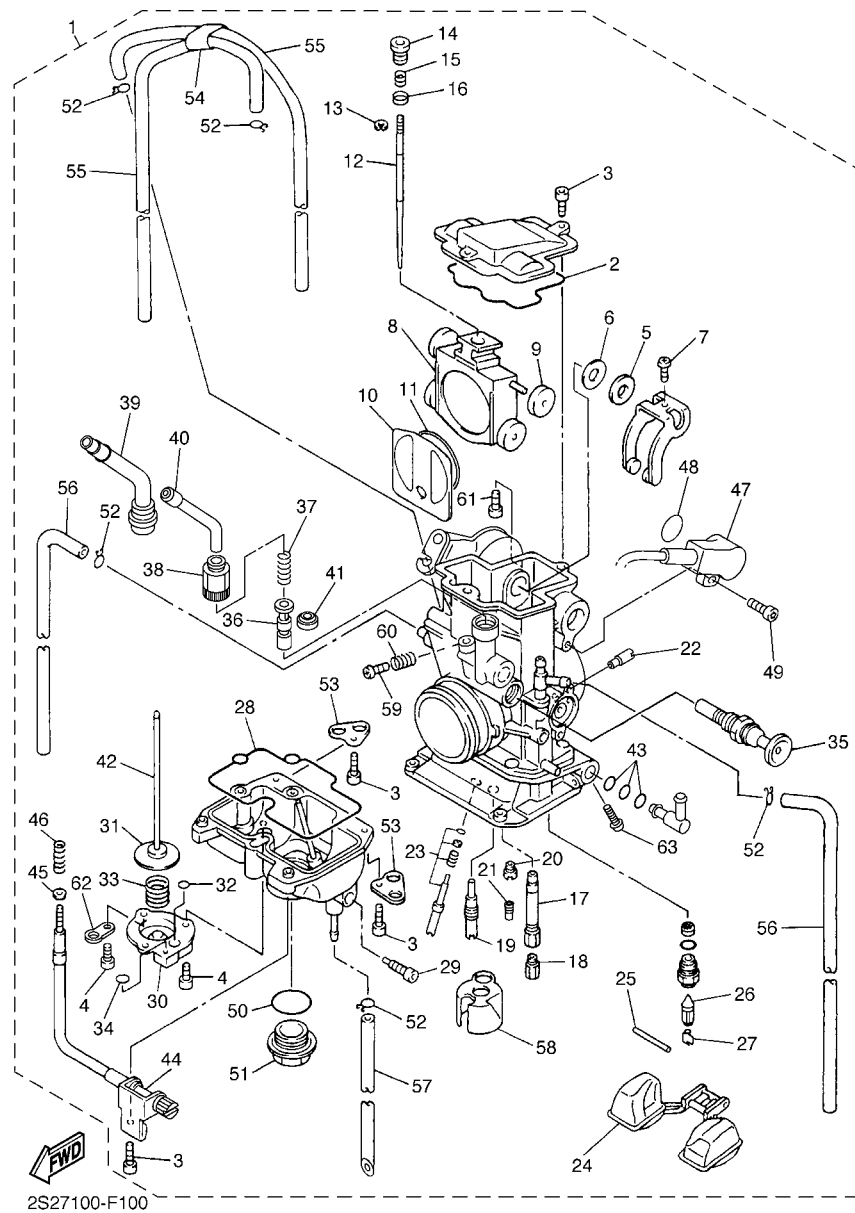
REF. NO.	PART NO.	DESCRIPTION	17DD	17DE	17DF	17DG	REMARKS
1	17D-14101-50	CARBURETOR ASSY 1	1				
	17D-14101-60	CARBURETOR ASSY 1		1	1	1	
2	5JG-14959-00	.GASKET	1	1	1	1	
3	91316-04012	.BOLT	6	6	6	6	
4	688-14592-00	.SCREW	3	3	3	3	
5	90202-08045	.WASHER, PLATE	1	1	1	1	
6	5JG-14951-00	.WASHER	1	1	1	1	
7	5JG-14522-00	.SCREW, ADJUST	1	1	1	1	
8	2S2-14388-00	.VALVE, VACUUM CONTROL	1	1	1	1	
9	3TJ-14267-40	.ROLLER	1	1	1	1	
10	5JG-14546-01	.VALVE, NEEDLE	1	1	1	1	
11	4FN-14997-00	.SEAL	1	1	1	1	
12	5TA-14916-JR	.NEEDLE (#NDJR)	1				STD
	5TA-14916-KR	.NEEDLE (#NHKR)		1	1	1	STD
	5TA-14916-JN	.NEEDLE (#NDJN)	1				AP
	5TA-14916-JP	.NEEDLE (#NDJP)	1				AP
	5TA-14916-J1	.NEEDLE (#NDJQ)	1				AP
	5TA-14916-JS	.NEEDLE (#NDJS)	1				AP
	5TA-14916-JT	.NEEDLE (#NDJT)	1				AP
	5TA-14916-JU	.NEEDLE (#NDJU)	1				AP
	5TA-14916-VN	.NEEDLE (#NCVN)	1				AP
	5TA-14916-VP	.NEEDLE (#NCVP)	1				AP
	5TA-14916-V1	.NEEDLE (#NCVQ)	1				AP
	5TA-14916-VR	.NEEDLE (#NCVR)	1				AP
	5TA-14916-VS	.NEEDLE (#NCVS)	1				AP
	5TA-14916-VT	.NEEDLE (#NCVT)	1				AP
	5TA-14916-VU	.NEEDLE (#NCVU)	1				AP



2S27100-F100

FIG. 10 CARBURETOR

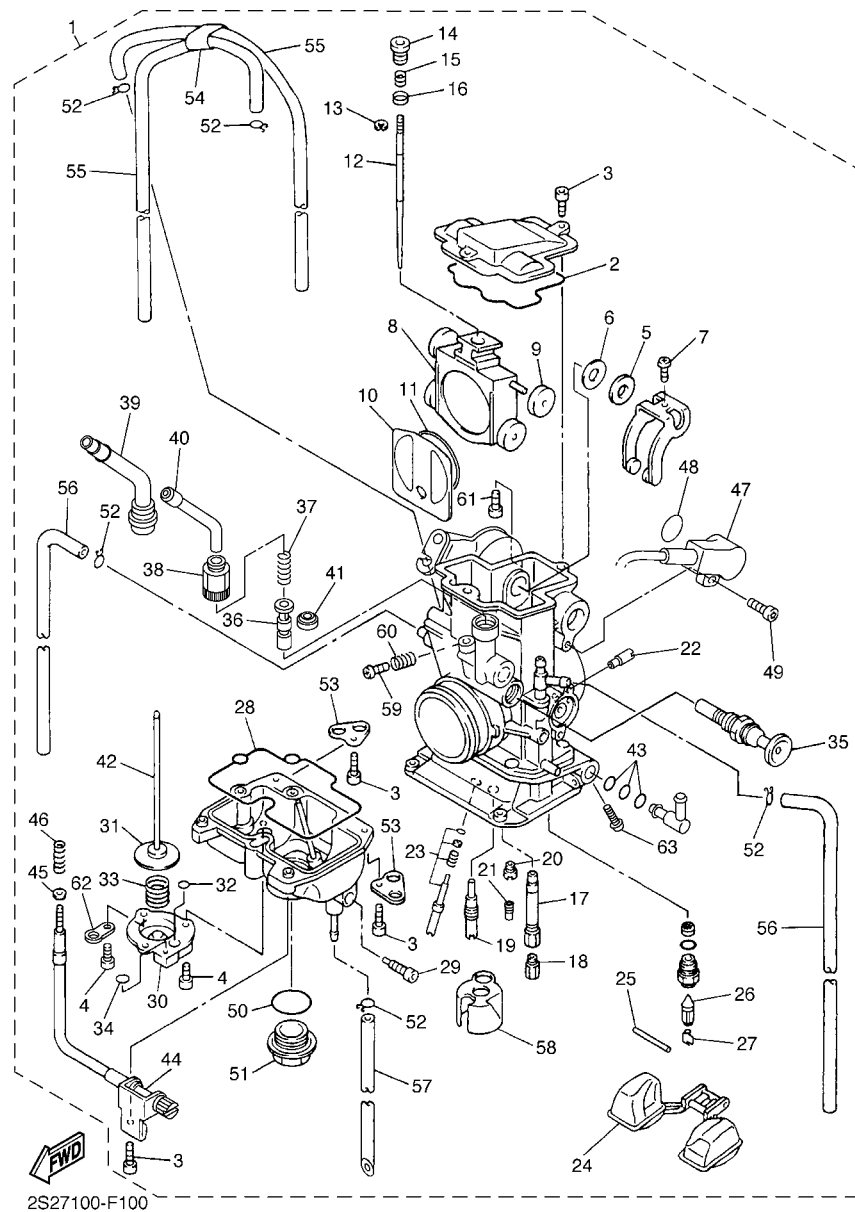
REF. NO.	PART NO.	DESCRIPTION	17DD	17DE	17DF	17DG	REMARKS
12	5TA-14916-LN	.NEEDLE (#NFLN)		1	1	1	AP
	5TA-14916-LP	.NEEDLE (#NFLP)		1	1	1	AP
	5TA-14916-L1	.NEEDLE (#NFLQ)		1	1	1	AP
	5TA-14916-LS	.NEEDLE (#NFLS)		1	1	1	AP
	5TA-14916-LT	.NEEDLE (#NFLT)		1	1	1	AP
	5TA-14916-LU	.NEEDLE (#NFLU)		1	1	1	AP
	5TA-14916-PN	.NEEDLE (#NFPN)		1	1	1	AP
	5TA-14916-PP	.NEEDLE (#NFPP)		1	1	1	AP
	5TA-14916-P1	.NEEDLE (#NFPPQ)		1	1	1	AP
	5TA-14916-PR	.NEEDLE (#NFPR)		1	1	1	AP
	5TA-14916-PS	.NEEDLE (#NFPS)		1	1	1	AP
	5TA-14916-PT	.NEEDLE (#NFPT)		1	1	1	AP
	5TA-14916-PU	.NEEDLE (#NFPU)		1	1	1	AP
13	3TJ-14159-40	.CLIP	1	1	1	1	
14	5JG-14521-00	.SCREW, ADJUST	1	1	1	1	
15	5JG-14275-00	.SPRING	1	1	1	1	
16	5JG-14264-00	.COLLAR	1	1	1	1	
17	5XC-14947-00	.JET, NEEDLE	1	1	1	1	
18	4MX-14943-43	.JET, MAIN (#180)	1	1	1	1	STD
	4MX-14943-41	.JET, MAIN (#170)	1	1	1	1	AP
	4MX-14943-92	.JET, MAIN (#172)	1	1	1	1	AP
	4MX-14943-42	.JET, MAIN (#175)	1	1	1	1	AP
	4MX-14943-93	.JET, MAIN (#178)	1	1	1	1	AP
	4MX-14943-94	.JET, MAIN (#182)	1	1	1	1	AP
	4MX-14943-44	.JET, MAIN (#185)	1	1	1	1	AP
	4MX-14943-95	.JET, MAIN (#188)	1	1	1	1	AP
	4MX-14943-45	.JET, MAIN (#190)	1	1	1	1	AP



2S27100-F100

FIG. 10 CARBURETOR

REF. NO.	PART NO.	DESCRIPTION	17DD	17DE	17DF	17DG	REMARKS
19	4MX-14948-05	.JET, SLOW (#45)	1				STD
	4MX-14948-04	.JET, SLOW (#42)		1	1	1	STD
	4MX-14948-03	.JET, SLOW (#40)	1	1	1	1	AP
	4MX-14948-06	.JET, SLOW (#48)	1	1	1	1	AP
	4MX-14948-04	.JET, SLOW (#42)	1				AP
	4MX-14948-07	.JET, SLOW (#50)	1				AP
	4MX-14948-02	.JET, SLOW (#38)		1	1	1	AP
	4MX-14948-05	.JET, SLOW (#45)		1	1	1	AP
20	3TJ-1494F-16	.JET (#72)	1	1	1	1	STD
	3TJ-1494F-13	.JET (#65)	1	1	1	1	AP
	3TJ-1494F-14	.JET (#68)	1	1	1	1	AP
	3TJ-1494F-15	.JET (#70)	1	1	1	1	AP
	3TJ-1494F-17	.JET (#75)	1	1	1	1	AP
	3TJ-1494F-18	.JET (#78)	1	1	1	1	AP
	3TJ-1494F-19	.JET (#80)	1	1	1	1	AP
21	4JT-1494F-15	.JET (#70)	1				STD
	4JT-1494F-29	.JET(#110)		1	1	1	STD
	4JT-1494F-19	.JET (#80)	1	1	1	1	AP
	4JT-1494F-23	.JET (#90)	1	1	1	1	AP
	4JT-1494F-27	.JET(#100)	1	1	1	1	AP
	4JT-1494F-03	.JET (#40)	1				AP
	4JT-1494F-07	.JET (#50)	1			1	AP
	4JT-1494F-11	.JET (#60)	1			1	AP
	4JT-1494F-35	.JET(#140)		1	1		AP
	4JT-1494F-31	.JET(#120)		1	1	1	AP
	4JT-1494F-33	.JET(#130)		1	1	1	AP
	4JT-1494F-15	.JET (#70)				1	AP



2S27100-F100

FIG. 10 CARBURETOR

REF. NO.	PART NO.	DESCRIPTION	17DD	17DE	17DF	17DG	REMARKS
22	5TA-14943-28	.JET, MAIN (#105)	1	1	1	1	
23	5NL-14105-00	.PILOT SCREW SET	1	1	1	1	
24	4SR-14985-00	.FLOAT	1	1	1	1	
25	676-14548-00	.PIN, FLOAT ARM	1	1	1	1	
26	4MX-14392-00	.VALVE, NEEDLE	1	1	1	1	
27	633-14159-00	.CLIP	1	1	1	1	
28	5JG-14984-00	.GASKET, FLOAT CHAMBER	1	1	1	1	
29	3TJ-14191-40	.PLUG, DRAIN	1	1	1	1	
30	3TJ-14293-40	.COVER 1	1	1	1	1	
31	5JG-14940-76	.DIAPHRAGM, ACC PUMP (DPH#30)	1	1	1	1	STD
	5JG-14940-16	.DIAPHRAGM, ACC PUMP (DPH#45)	1	1	1	1	AP
	5JG-14940-17	.DIAPHRAGM, ACC PUMP (DPH#35)	1	1	1	1	AP
	5JG-14940-18	.DIAPHRAGM, ACC PUMP (DPH#25)	1	1	1	1	AP
32	3TJ-14536-40	.GASKET	1	1	1	1	
33	3TJ-14933-40	.SPRING, DIAPHRAGM	1	1	1	1	
34	6H4-14561-00	.O-RING	1	1	1	1	
35	5XC-14171-00	.PLUNGER, STARTER	1	1	1	1	
36	5TA-14371-00	.PLUNGER, STARTER	1	1	1	1	
37	5TA-14335-00	.SPRING, PLUNGER	1	1	1	1	
38	5TA-14991-00	.SCREW	1	1	1	1	
39	2S2-14374-00	.CAP, PLUNGER	1	1	1	1	
40	5TA-14155-00	.GUIDE, CABLE	1	1	1	1	
41	5TA-14997-00	.SEAL	1	1	1	1	
42	5JG-14379-00	.ROD, STARTER	1	1	1	1	
43	3TJ-14564-40	.O-RING	3	3	3	3	
44	5XC-14922-00	.SCREW, THROTTLE	1	1	1	1	
45	90201-08410	.WASHER, PLATE	1	1	1	1	

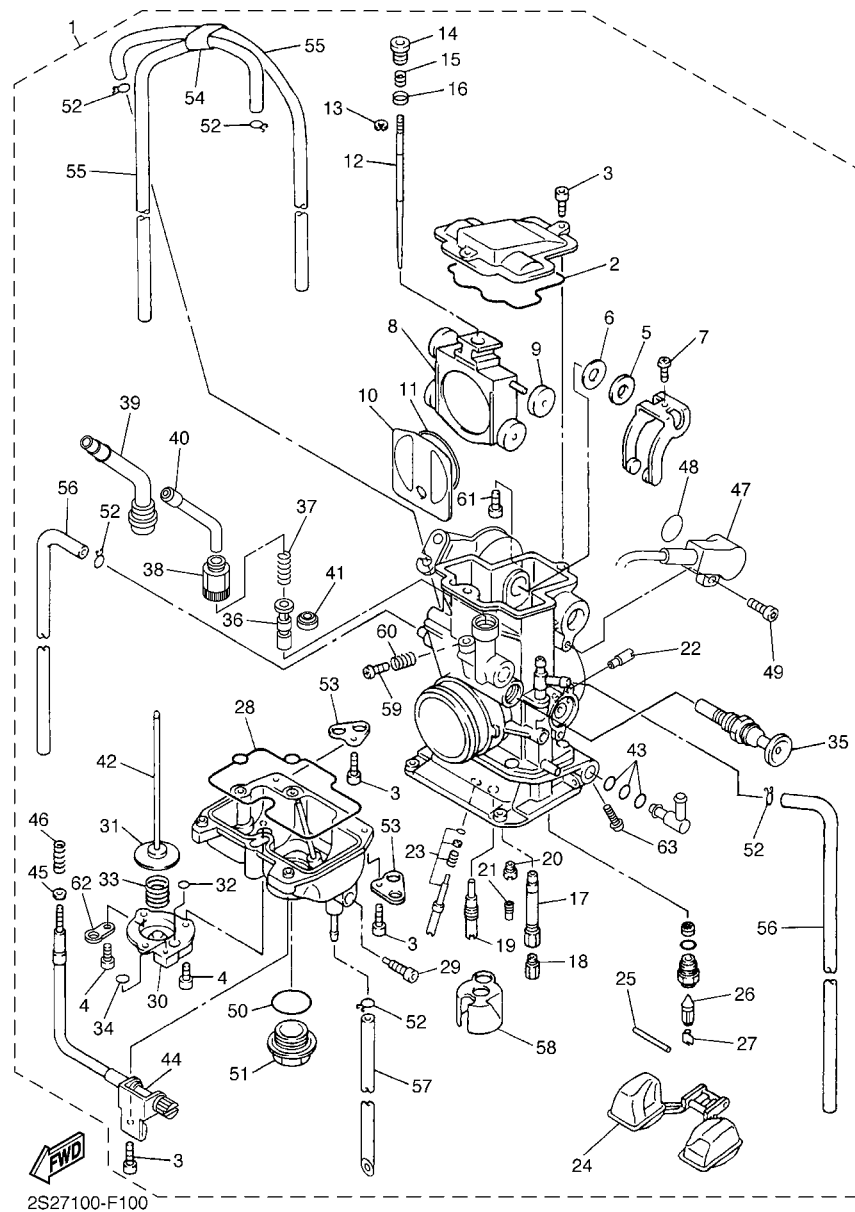
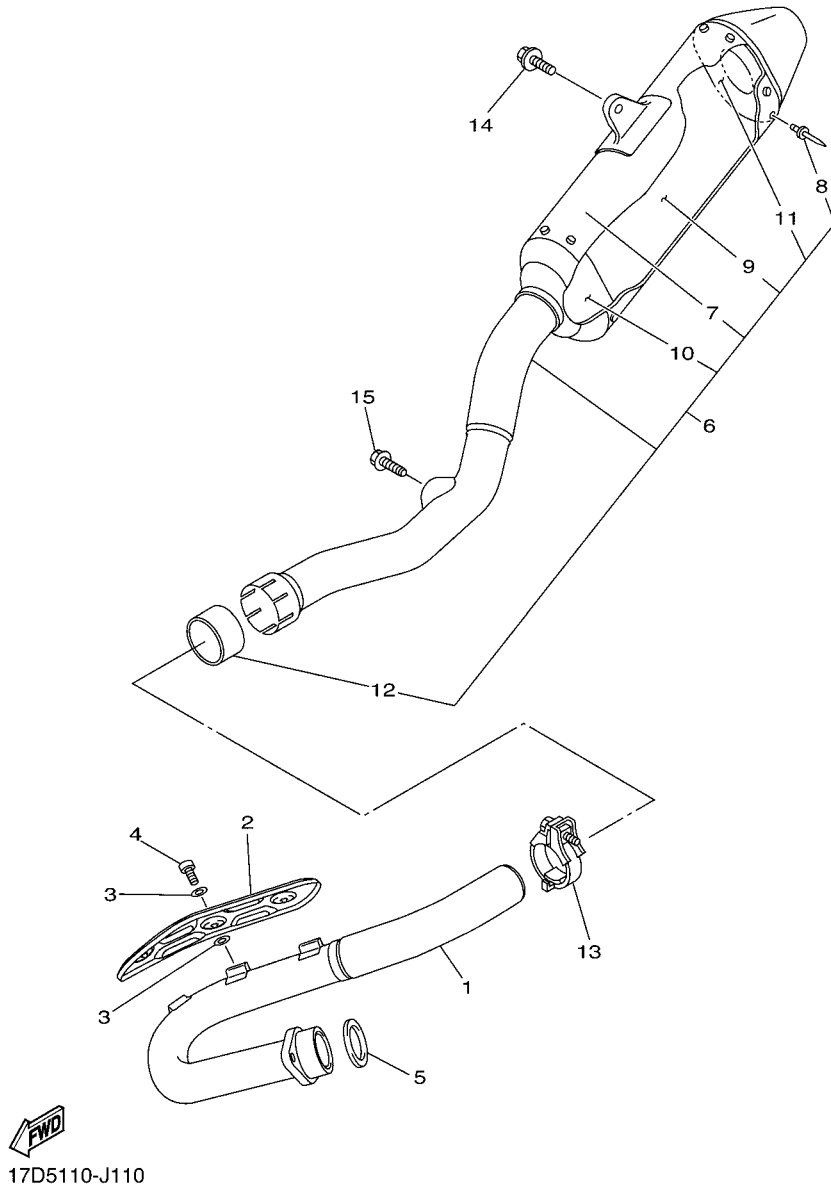


FIG. 10 CARBURETOR

REF. NO.	PART NO.	DESCRIPTION	17DD	17DE	17DF	17DG	REMARKS
46	5TA-14934-00	.SPRING, THROTTLE STOP	1	1	1	1	
47	17D-85885-00	.THROTTLE SENSOR ASSY	1	1	1	1	
48	5NX-14562-00	.O-RING	1	1	1	1	
49	5NX-14216-00	.SCREW	1	1	1	1	
50	4MX-14561-00	.O-RING	1	1	1	1	
51	4MX-14115-00	.PLUG, SCREW	1	1	1	1	
52	3TJ-14137-40	.CLIP	5	5	5	5	
53	5BE-14146-00	.PLATE	2	2	2	2	
54	5TA-14261-00	.HOLDER	1	1	1	1	
55	5UL-14196-00	.PIPE, OVER FLOW 1	2	2	2	2	
56	5TA-14197-00	.PIPE	2	2	2	2	
57	5TJ-14987-00	.HOSE	1	1	1	1	
58	5JG-14346-00	.PLATE	1	1	1	1	
59	5JG-14565-00	.SCREW	1	1	1	1	
60	5JG-14531-00	.SPRING, ADJUST SCREW	1	1	1	1	
61	5NL-14591-00	.SCREW	1	1	1	1	
62	5PA-14146-00	.PLATE	1	1	1	1	
63	5XD-14325-00	.SCREW, PAN HEAD	1	1	1	1	

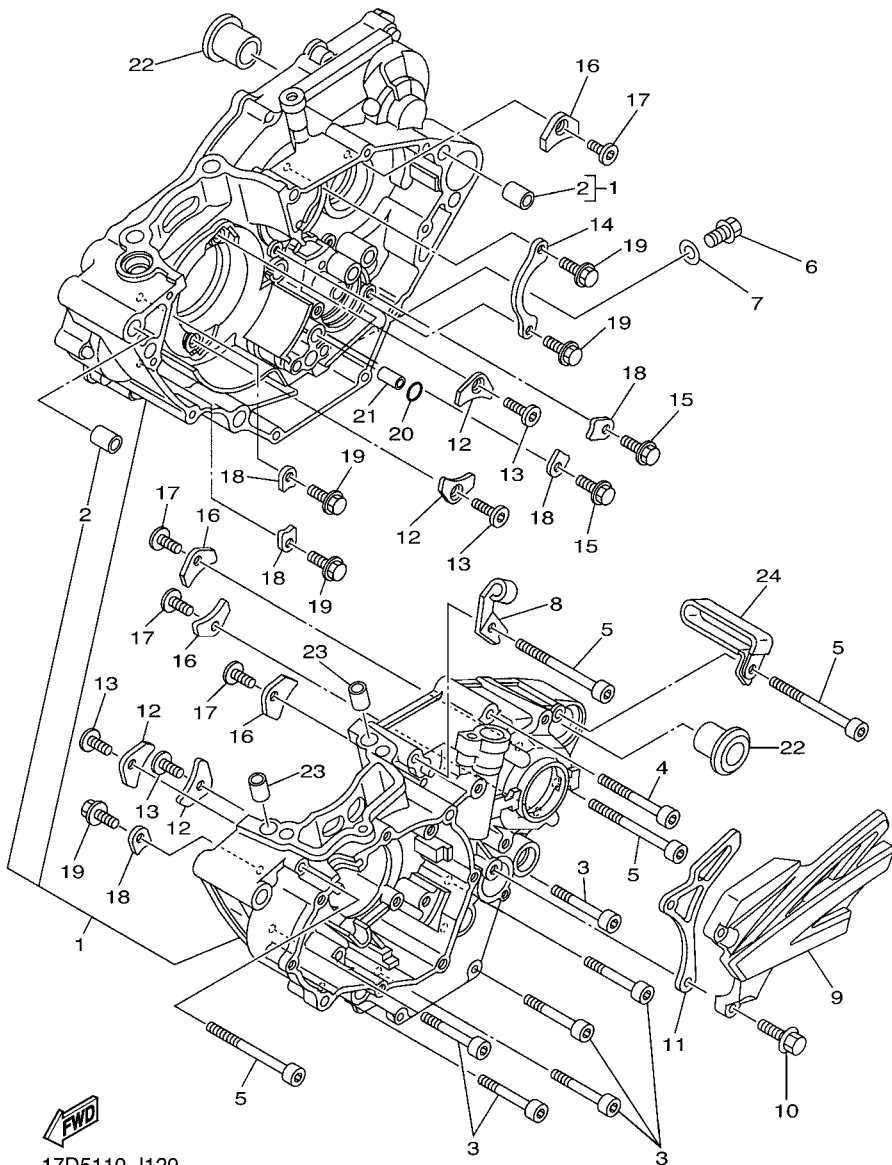
FIG. 11 EXHAUST



REF. NO.	PART NO.	DESCRIPTION	17DD	17DE	17DF	17DG	REMARKS
1	17D-14611-50	PIPE, EXHAUST 1	1	1	1	1	
2	5XC-14628-R0	PROTECTOR, EXHAUST PIPE	1	1	1	1	
3	90201-05017	WASHER, PLATE	6	6	6	6	
4	98980-06008	SCREW, BIND	3	3	3	3	
5	5NL-14613-00	GASKET, EXHAUST PIPE	1	1	1	1	
6	17D-14750-50	SILENCER ASSY	1				
	17D-14750-60	SILENCER ASSY		1	1	1	
7	17D-1466G-50	.BODY, SILENCER	1	1	1	1	
8	90267-48084	.RIVET, BLIND	16	16	16	16	
9	17D-1469A-50	.FIBER	1	1	1	1	
10	2S2-1469E-00	.FIBER	1	1	1	1	
11	2S2-1469F-00	.FIBER	1	1	1	1	
12	5XD-14714-00	.GASKET, MUFFLER	1	1	1	1	
13	5BE-14788-00	BAND, SILENCER	1	1	1	1	
14	90119-08133	BOLT, WITH WASHER	1	1	1	1	
15	90105-08224	BOLT, FLANGE	1	1	1	1	

FIG. 12 CRANKCASE

REF. NO.	PART NO.	DESCRIPTION	17DD	17DE	17DF	17DG	REMARKS
1	5XC-15100-30-YX	CRANKCASE ASSY	1	1	1	1	
2	93612-16254	.PIN, DOWEL	2	2	2	2	
3	91312-06045	BOLT	6	6	6	6	
4	91312-06055	BOLT	1	1	1	1	
5	91312-06070	BOLT	4	4	4	4	
6	95022-10016	BOLT, FLANGE	1	1	1	1	
7	90430-10188	GASKET	1	1	1	1	
8	5NL-15441-01	HOLDER, CLUTCH CABLE	1	1	1	1	
9	17D-15421-50	COVER, CRANKCASE 2	1	1	1	1	
10	90105-06189	BOLT, FLANGE	2	2	2	2	
11	5NL-17466-00	GUIDE, CHAIN	1	1	1	1	
12	5BE-15383-01	PLATE, BEARING COVER	4	4	4	4	
13	90151-06044	SCREW, COUNTERSUNK	4	4	4	4	
14	5NL-15388-00	PLATE, BEARING COVER	1	1	1	1	
15	90105-06081	BOLT, FLANGE	2	2	2	2	
16	4JT-15381-01	PLATE, BEARING COVER	4	4	4	4	
17	90149-06074	SCREW	4	4	4	4	
18	5DH-18562-00	PLATE, STOPPER 2	5	5	5	5	
19	90105-06081	BOLT, FLANGE	5	5	5	5	
20	93210-10197	O-RING	1	1	1	1	
21	99530-10114	PIN, DOWEL	1	1	1	1	
22	90387-18007	COLLAR	2	2	2	2	
23	99530-10116	PIN, DOWEL	2	2	2	2	
24	90465-10013	CLAMP	1	1	1	1	



17D5110-J120

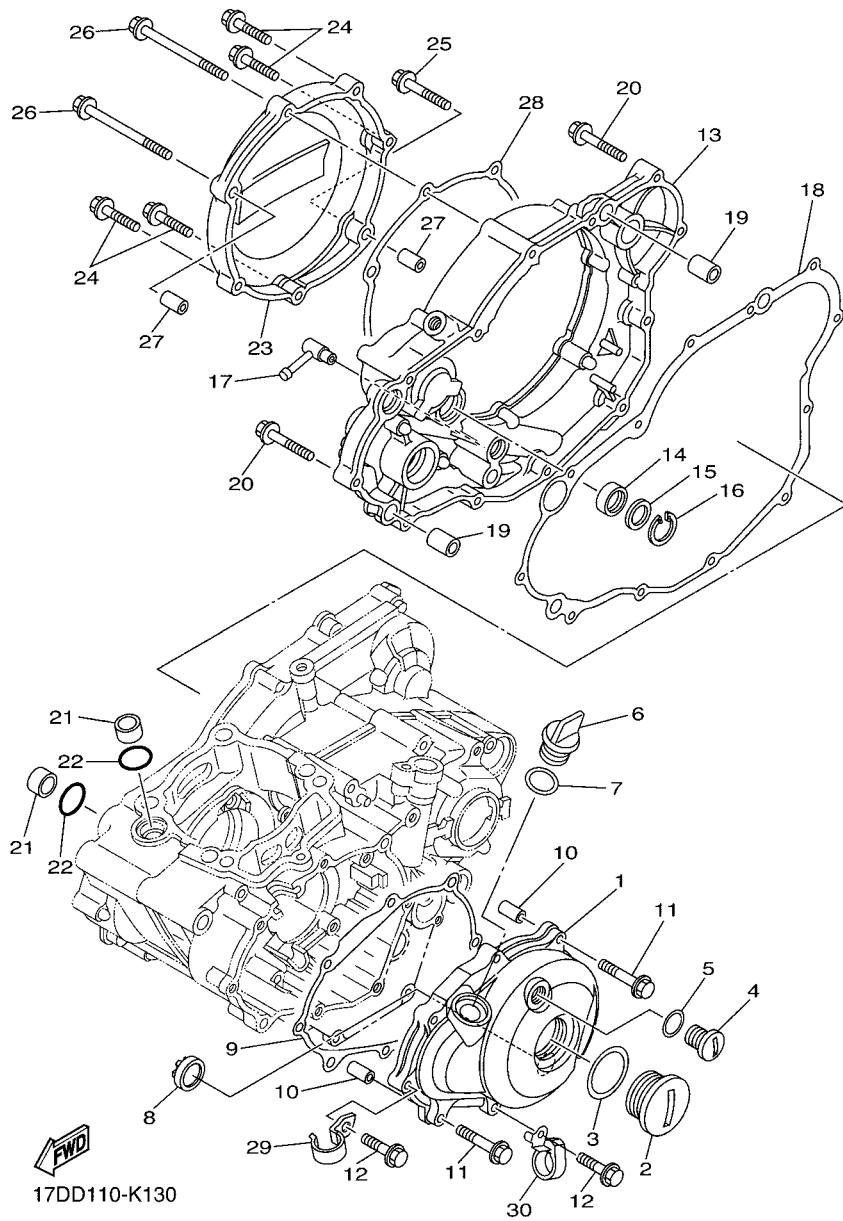


FIG. 13 CRANKCASE COVER 1

REF. NO.	PART NO.	DESCRIPTION	17DD	17DE	17DF	17DG	REMARKS
1	17D-15411-50	COVER, CRANKCASE 1	1	1	1	1	
2	90340-32006	PLUG, STRAIGHT SCREW	1	1	1	1	
3	93210-32172	O-RING	1	1	1	1	
4	90340-14015	PLUG, STRAIGHT SCREW	1	1	1	1	
5	93210-14369	O-RING	1	1	1	1	
6	3Y1-15363-10	PLUG, OIL	1	1	1	1	
7	93210-19123	O-RING	1	1	1	1	
8	3Y1-15361-00	GAUGE, LEVEL	1	1	1	1	
9	5NL-15451-00	GASKET, CRANKCASE COVER 1	1	1	1	1	
10	99530-08016	PIN, DOWEL	2	2	2	2	
11	95022-06035	BOLT, FLANGE	2	2	2	2	
12	95022-06025	BOLT, FLANGE	6	6	6	6	
13	5XC-15431-01	COVER, CRANKCASE 3	1	1	1	1	
14	93101-14164	OIL SEAL	1	1	1	1	
15	90201-15701	WASHER, PLATE (T=1.0)	1	1	1	1	
16	99009-22500	CIRCLIP	1	1	1	1	
17	5XC-15373-00	PIPE, BREATHER	1	1	1	1	
18	5NL-15462-00	GASKET, CRANKCASE COVER 3	1	1	1	1	
19	91812-16001	PIN, DOWEL	2	2	2	2	
20	95022-06035	BOLT, FLANGE	8	8	8	8	
21	5NL-12564-00	PIPE, WATER	2	2	2	2	
22	93210-16716	O-RING	2	2	2	2	
23	5NL-15415-40	COVER, GENERATOR	1	1	1	1	
24	95022-06025	BOLT, FLANGE	4	4	4	4	
25	95022-06035	BOLT, FLANGE	1	1	1	1	
26	90105-06098	BOLT, FLANGE	2	2	2	2	
27	99530-08016	PIN, DOWEL	2	2	2	2	

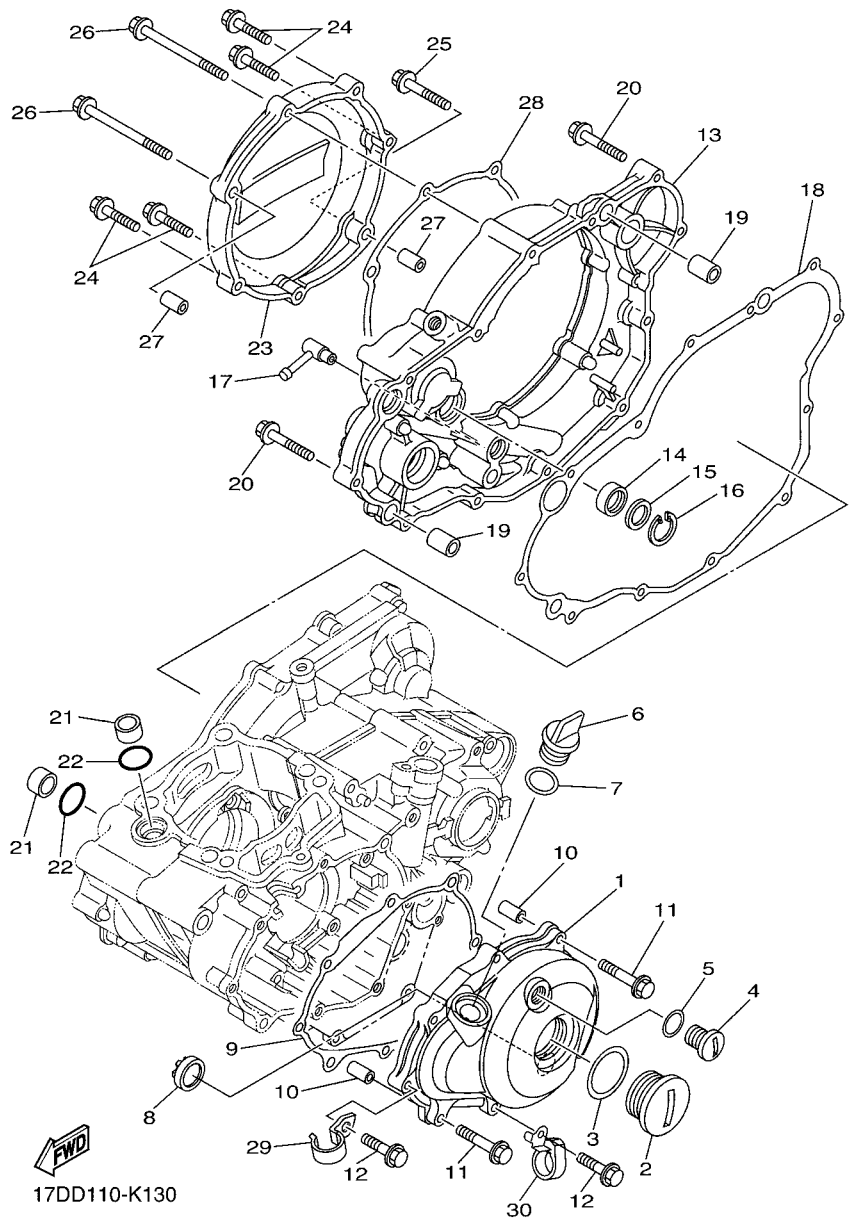
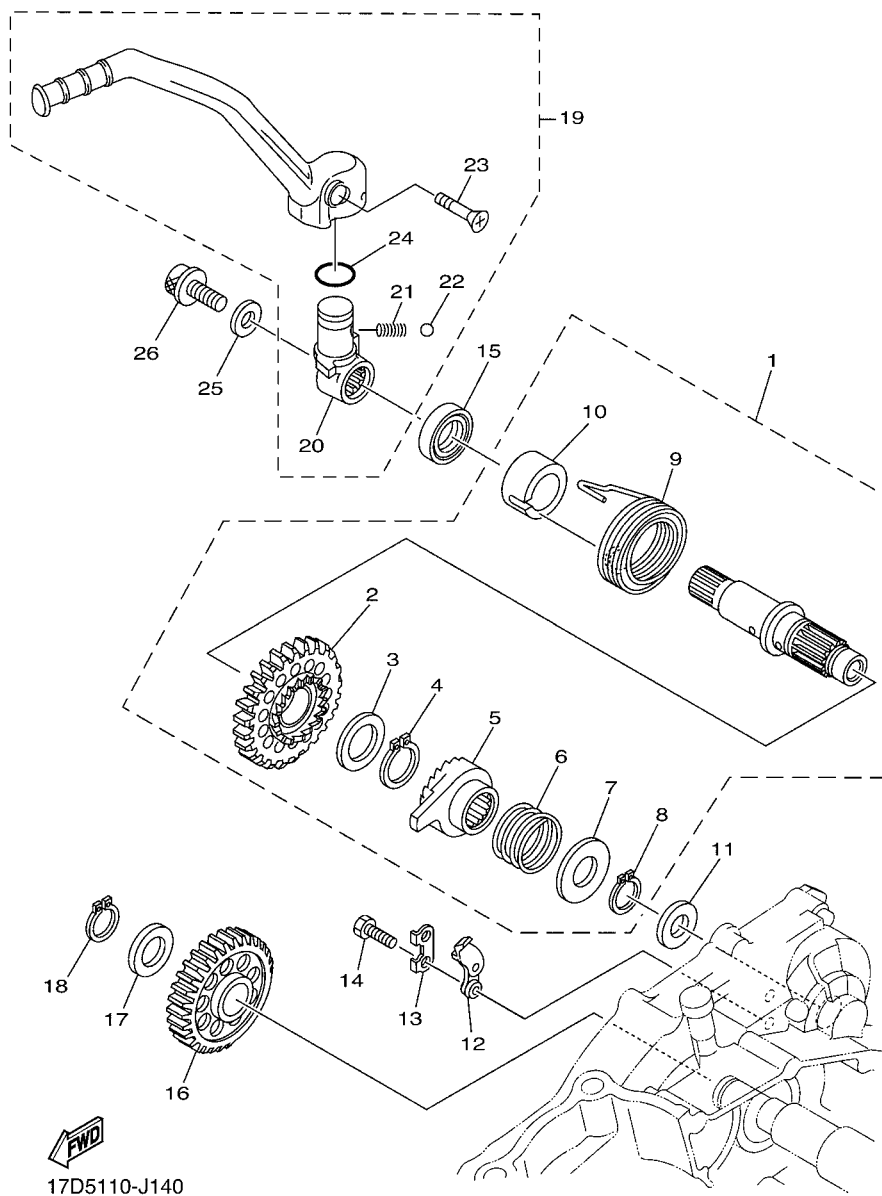


FIG. 13 CRANKCASE COVER 1

REF. NO.	PART NO.	DESCRIPTION	17DD	17DE	17DF	17DG	REMARKS
28	5NL-15453-10	GASKET	1	1	1	1	
29	90465-08029	CLAMP	1	1	1	1	
30	17D-15378-00	HOLDER	1	1	1	1	

FIG. 14 STARTER



17D5110-J140

REF. NO.	PART NO.	DESCRIPTION	17DD	17DE	17DF	17DG	REMARKS
1	5NL-15601-20	KICK SHAFT ASSY	1	1	1	1	
2	5NL-15641-20	.GEAR, KICK	1	1	1	1	
3	90201-20685	.WASHER, PLATE (T=0.5)	1	1	1	1	
4	93410-20038	.CIRCLIP	1	1	1	1	
5	2S2-15671-00	.WHEEL, RATCHET	1	1	1	1	
6	90501-160A2	.SPRING, COMPRESSION	1	1	1	1	
7	90201-167P7	.WASHER, PLATE	1	1	1	1	
8	99009-16400	.CIRCLIP	1	1	1	1	
9	90508-30743	.SPRING, TORSION	1	1	1	1	
10	5NL-15664-00	.GUIDE, SPRING	1	1	1	1	
11	90201-162H4	WASHER, PLATE	1	1	1	1	
12	5SG-15668-00	STOPPER	1	1	1	1	
13	214-15686-00	WASHER, LOCK	1	1	1	1	
14	90101-06044	BOLT	2	2	2	2	
15	93102-18278	OIL SEAL	1	1	1	1	
16	5NL-15651-00	GEAR, KICK IDLE	1	1	1	1	
17	90201-177G4	WASHER, PLATE	1	1	1	1	
18	99009-17400	CIRCLIP	1	1	1	1	
19	17D-15620-50	KICK CRANK ASSY	1	1	1	1	
20	17D-15621-50	.BOSS, KICK CRANK	1	1	1	1	
21	90501-147A5	.SPRING, COMPRESSION	1	1	1	1	
22	93507-32009	.BALL	1	1	1	1	
23	90151-06045	.SCREW, COUNTERSUNK	1	1	1	1	
24	93210-17570	.O-RING	1	1	1	1	
25	90201-08048	WASHER, PLATE	1	1	1	1	
26	90110-08051	BOLT, HEXAGON SOCKET HEAD	1	1	1	1	

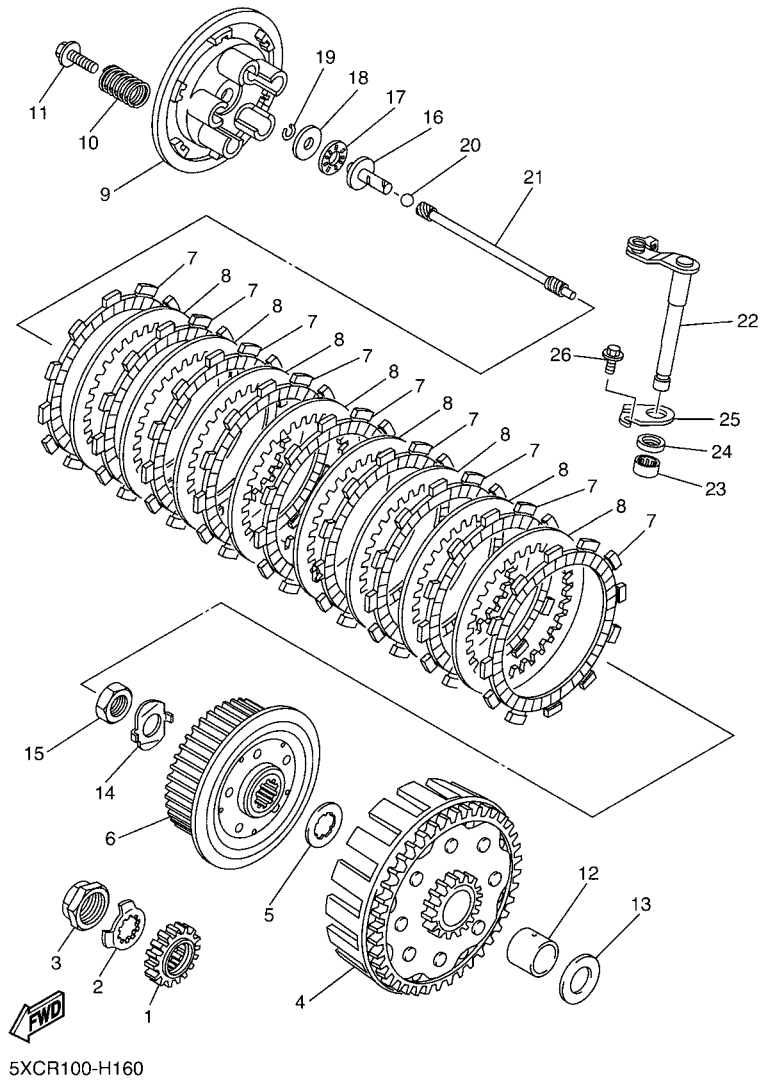
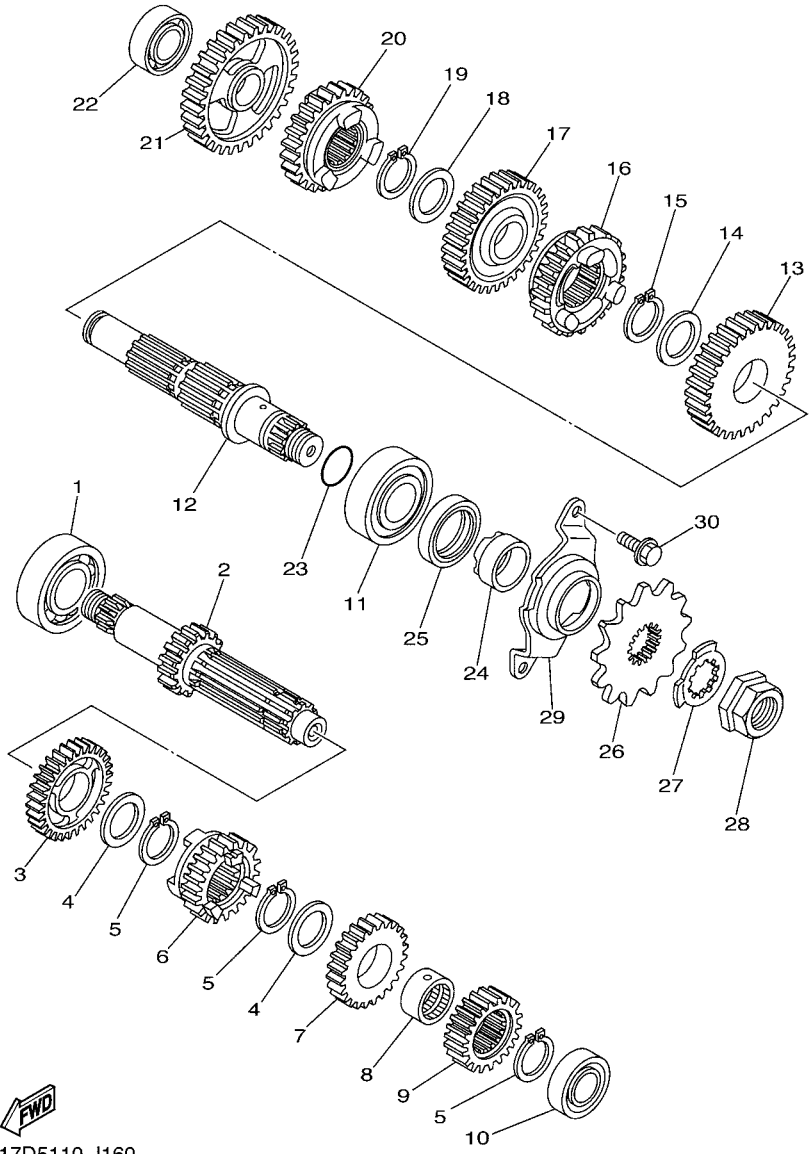


FIG. 15 CLUTCH

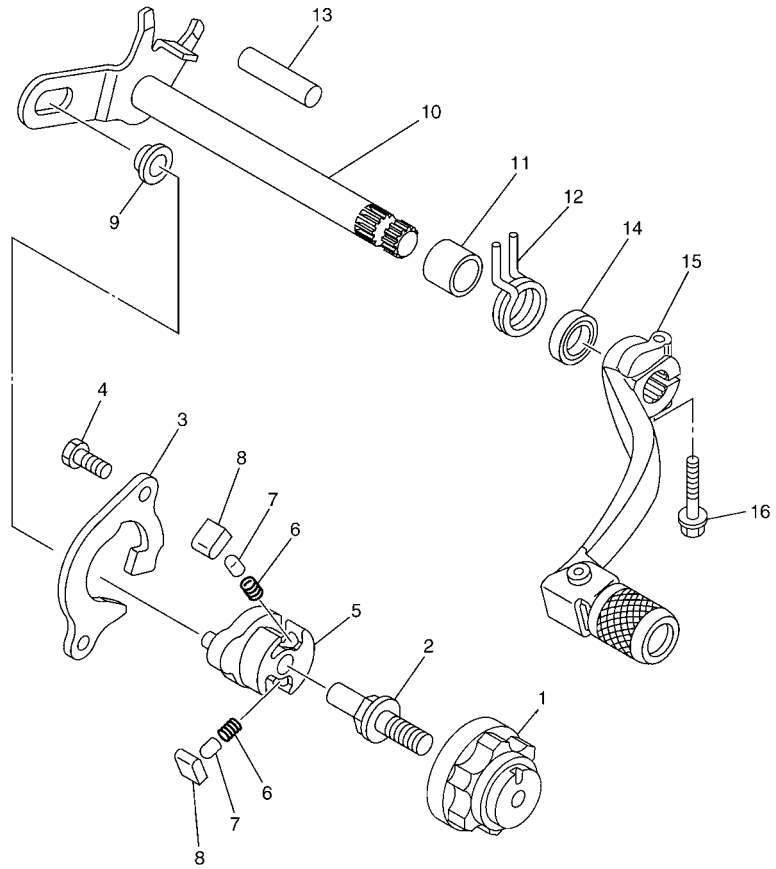
REF. NO.	PART NO.	DESCRIPTION	17DD	17DE	17DF	17DG	REMARKS
1	5NL-16111-01	GEAR, PRIMARY DRIVE	1	1	1	1	
2	90215-20003	WASHER, LOCK	1	1	1	1	
3	90179-18001	NUT	1	1	1	1	
4	5XC-16150-10	PRIMARY DRIVEN GEAR COMP.	1	1	1	1	
5	5XC-16154-00	PLATE, THRUST 1	1	1	1	1	
6	5NL-16371-31	BOSS, CLUTCH	1	1	1	1	
7	5XC-16321-00	PLATE, FRICTION	9	9	9	9	
8	5NL-16325-00	PLATE, CLUTCH 2	8	8	8	8	
9	5HD-16351-00	PLATE, PRESSURE 1	1	1	1	1	
10	90501-230A2	SPRING, COMPRESSION	5	5	5	5	
11	90159-06092	SCREW, WITH WASHER	5	5	5	5	
12	5XC-16181-00	SPACER 1	1	1	1	1	
13	90201-22013	WASHER, PLATE	1	1	1	1	
14	90215-16289	WASHER, LOCK	1	1	1	1	
15	90170-16326	NUT	1	1	1	1	
16	5XC-16356-00	ROD, PUSH 1	1	1	1	1	
17	93340-21008	BEARING	1	1	1	1	
18	90201-080H1	WASHER, PLATE	1	1	1	1	
19	93440-07182	CIRCLIP	1	1	1	1	
20	93511-32027	BALL	1	1	1	1	
21	5NL-16357-10	ROD, PUSH 2	1	1	1	1	
22	5XC-16381-10	PUSH LEVER COMP.	1	1	1	1	
23	93317-11287	BEARING	1	1	1	1	
24	93102-12224	OIL SEAL	1	1	1	1	
25	4JT-16384-00	PLATE, SEAT	1	1	1	1	
26	95022-06010	BOLT, FLANGE	1	1	1	1	



17D5110-J160

FIG. 16 TRANSMISSION

REF. NO.	PART NO.	DESCRIPTION	17DD	17DE	17DF	17DG	REMARKS
1	93306-20447	BEARING	1	1	1	1	
2	5XC-17411-00	AXLE, MAIN (14T)	1	1	1	1	
3	17D-17151-10	GEAR, 5TH PINION (24T)	1	1	1	1	
4	90209-20008	WASHER	2	2	2	2	
5	93410-22039	CIRCLIP	3	3	3	3	
6	17D-17131-10	GEAR, 3RD PINION (18T)	1	1	1	1	
7	17D-17141-10	GEAR, 4TH PINION (18T)	1	1	1	1	
8	90387-20006	COLLAR	1	1	1	1	
9	5NL-17121-00	GEAR, 2ND PINION (16T)	1	1	1	1	
10	93306-00320	BEARING	1	1	1	1	
11	93306-27208	BEARING	1	1	1	1	
12	5NL-17402-01	DRIVE AXLE ASSY	1	1	1	1	
13	5NL-17221-00	GEAR, 2ND WHEEL (28T)	1	1	1	1	
14	90209-23012	WASHER	1	1	1	1	
15	93410-26067	CIRCLIP	1	1	1	1	
16	17D-17241-10	GEAR, 4TH WHEEL (22T)	1	1	1	1	
17	17D-17231-10	GEAR, 3RD WHEEL (26T)	1	1	1	1	
18	90209-20008	WASHER	1	1	1	1	
19	93410-22039	CIRCLIP	1	1	1	1	
20	17D-17251-10	GEAR, 5TH WHEEL (25T)	1	1	1	1	
21	5NL-17211-10	GEAR, 1ST WHEEL (30T)	1	1	1	1	
22	93306-00317	BEARING	1	1	1	1	
23	93210-196A4	O-RING	1	1	1	1	
24	90387-22001	COLLAR	1	1	1	1	
25	93102-28010	OIL SEAL	1	1	1	1	
26	9383B-13218	SPROCKET, DRIVE (13T)	1	1	1	1	
27	90215-20003	WASHER, LOCK	1	1	1	1	



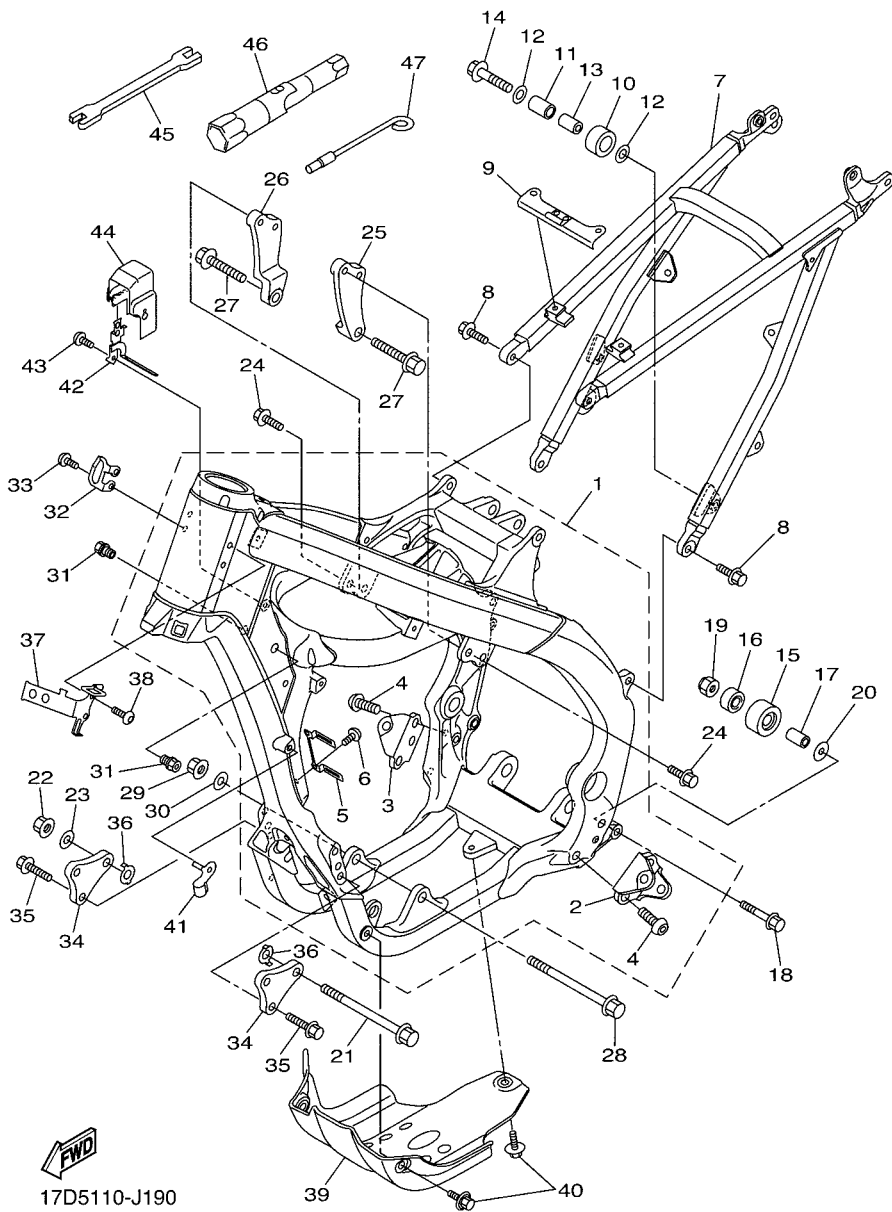
5XCG100-F180

FIG. 18 SHIFT SHAFT

REF. NO.	PART NO.	DESCRIPTION	17DD	17DE	17DF	17DG	REMARKS
1	2S2-18185-00	SEGMENT	1	1	1	1	
2	3XJ-18173-10	PIN, SHIFT	1	1	1	1	
3	5BE-18172-00	GUIDE, SHIFT	1	1	1	1	
4	90101-06041	BOLT	2	2	2	2	
5	5LP-18122-01	LEVER, SHIFT 2	1	1	1	1	
6	90501-052G5	SPRING, COMPRESSION	2	2	2	2	
7	3XJ-18184-00	PIN, PAWL	2	2	2	2	
8	3XJ-18182-00	PAWL, SHIFTER	2	2	2	2	
9	3XJ-18178-00	ROLLER, SHIFT LEVER	1	1	1	1	
10	5UL-18101-20	SHIFT SHAFT ASSY	1	1	1	1	
11	90387-124F4	COLLAR	1	1	1	1	
12	90508-291A8	SPRING, TORSION	1	1	1	1	
13	93608-33002	PIN, DOWEL	1	1	1	1	
14	93102-12224	OIL SEAL	1	1	1	1	
15	5XC-18110-10	SHIFT PEDAL ASSY	1	1	1	1	
16	90105-06127	BOLT, FLANGE	1	1	1	1	

FIG. 19 FRAME

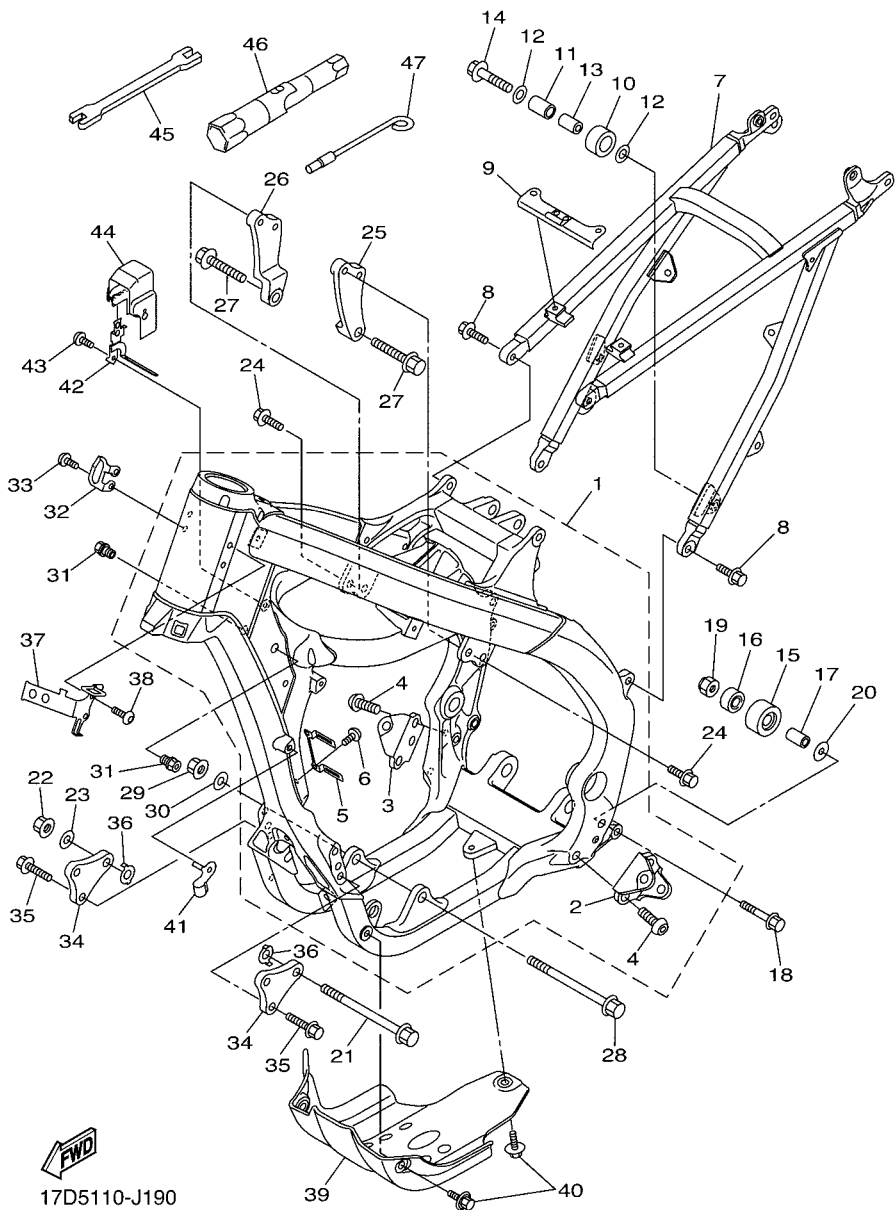
REF. NO.	PART NO.	DESCRIPTION	17DD	17DE	17DF	17DG	REMARKS
1	17D-21101-50	FRONT FRAME COMP.	1	1	1	1	
2	17D-21447-00	.BRACKET, FOOTREST	1	1	1	1	
3	17D-21448-00	.BRACKET, FOOTREST	1	1	1	1	
4	90149-10031	.SCREW	4	4	4	4	
5	17D-21335-50	.CLAMP, WIRE HARNESS 1	1	1	1	1	
6	92012-05008	.BOLT, BUTTON HEAD	2	2	2	2	
7	17D-21190-00	REAR FRAME COMP.	1	1	1	1	
8	90105-08224	BOLT, FLANGE	4	4	4	4	
9	17D-21131-00	BRACKET	1	1	1	1	
10	30X-22178-00	TENSIONER	1	1	1	1	
11	4V4-22184-00	BUSH	1	1	1	1	
12	90201-08045	WASHER, PLATE	2	2	2	2	
13	90387-08041	COLLAR	1	1	1	1	
14	95022-08040	BOLT, FLANGE	1	1	1	1	
15	3JD-22178-20	TENSIONER	1	1	1	1	
16	93300-60839	BEARING	1	1	1	1	
17	90387-086N4	COLLAR	1	1	1	1	
18	90105-08232	BOLT, FLANGE	1	1	1	1	
19	90185-08009	NUT, SELF-LOCKING	1	1	1	1	
20	90201-08043	WASHER, PLATE	1	1	1	1	
21	90105-10361	BOLT, FLANGE	1	1	1	1	
22	90179-10658	NUT	1	1	1	1	
23	90201-10045	WASHER, PLATE	1	1	1	1	
24	90105-08226	BOLT, FLANGE	4	4	4	4	
25	17D-21425-50	BRACKET, REAR UPPER 1	1	1	1	1	
26	17D-21426-50	BRACKET, REAR UPPER 2	1	1	1	1	
27	90105-10373	BOLT, FLANGE	2	2	2	2	



17D5110-J190

FIG. 19 FRAME

REF. NO.	PART NO.	DESCRIPTION	17DD	17DE	17DF	17DG	REMARKS
28	90105-10176	BOLT, FLANGE	1	1	1	1	
29	90179-10658	NUT	1	1	1	1	
30	90201-10045	WASHER, PLATE	1	1	1	1	
31	17D-21244-10	NUT	2	2	2	2	
32	17D-21163-50	HOLDER, CLUTCH CABLE	1	1	1	1	
33	92012-06010	BOLT, BUTTON HEAD	2	2	2	2	
34	17D-21417-50	BRACKET, FRONT LOWER 1	2	2	2	2	
35	90105-08143	BOLT, FLANGE	4	4	4	4	
36	5XC-21456-90	PLATE, PATCH	2	2	2	2	
37	17D-21274-50	BRACKET, C.D.I. UNIT	1	1	1	1	
38	92012-06010	BOLT, BUTTON HEAD	2	2	2	2	
39	17D-2147E-50	GUARD, ENGINE 2	1	1	1	1	
40	90119-06149	BOLT, WITH WASHER	3	3	3	3	
41	17D-21164-50	HOLDER, CABLE	1	1	1	1	
42	17D-23591-50	BRACKET 1	1	1	1	1	
43	92012-05008	BOLT, BUTTON HEAD	1	1	1	1	
44	17D-2117F-50	COVER	1	1	1	1	
45	5ET-28166-10	WRENCH, HEXAGON	1	1	1	1	
46	5TA-2814F-00	BOX, SPARK PLUG	1	1	1	1	
47	5XC-28116-00	TOOL, SPECIAL	1	1	1	1	





17DD100-K200

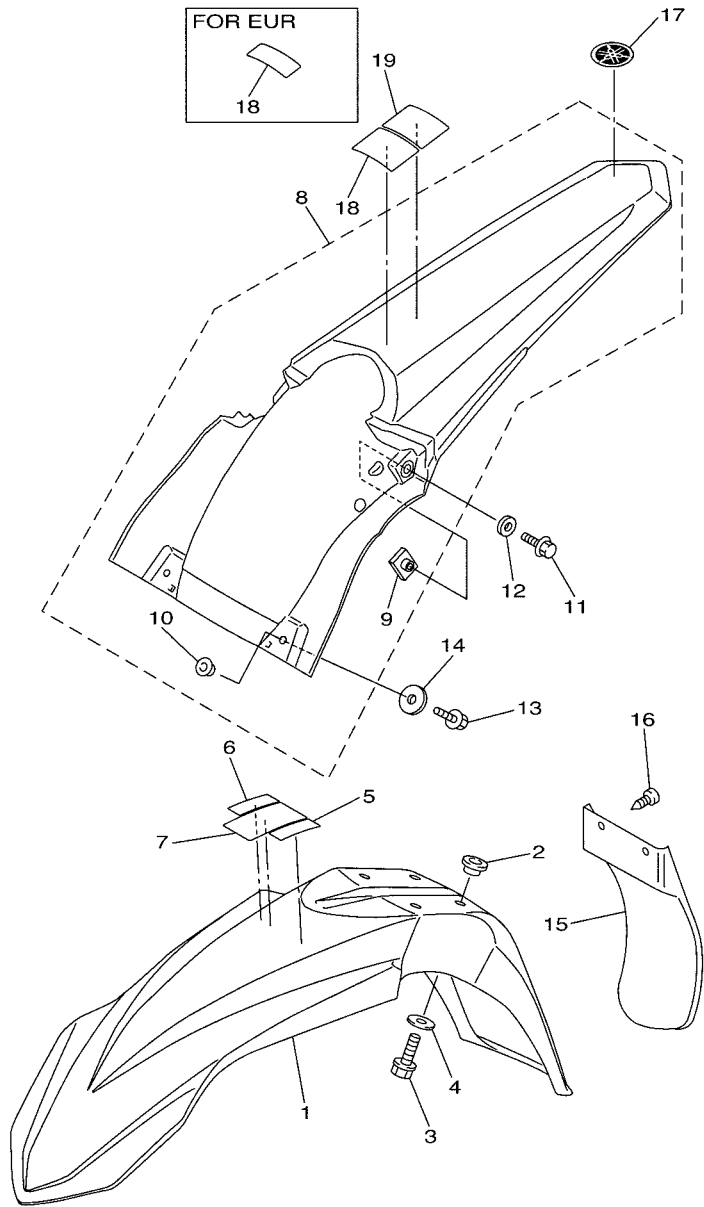
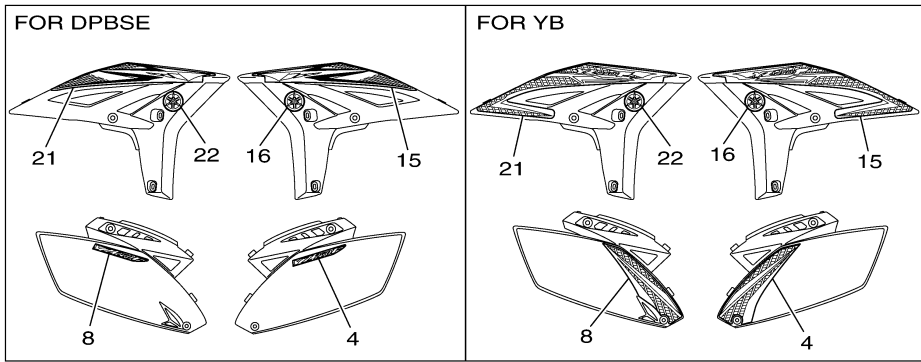


FIG. 20 FENDER

REF. NO.	PART NO.	DESCRIPTION	17DD	17DE	17DF	17DG	REMARKS
1	17D-21511-50	FENDER, FRONT	1	1	1	1	UR FOR DPBSE
	17D-21511-60	FENDER, FRONT	1	1	1	1	UR FOR YB
2	90387-06259	COLLAR	4	4	4	4	
3	90105-06127	BOLT, FLANGE	4	4	4	4	
4	90201-06108	WASHER, PLATE	4	4	4	4	
5	3FB-2415E-02	LABEL, CAUTION	1				
	3FB-2415E-C1	LABEL, CAUTION			1		JAPANESE
6	3FB-2415E-12	LABEL, CAUTION	1				
7	4SR-2416E-00	LABEL, CAUTION CANADA	1				
8	17D-21610-00	REAR FENDER COMP.	1	1	1	1	UR FOR DPBSE
	17D-21610-D0	REAR FENDER COMP.	1	1	1	1	UR FOR YB
9	5XE-21635-10	.NUT, REAR FENDER	2	2	2	2	
10	90387-064X4	.COLLAR	2	2	2	2	
11	90105-06100	BOLT, FLANGE	2	2	2	2	
12	90201-06104	WASHER, PLATE	2	2	2	2	
13	90105-06106	BOLT, FLANGE	2	2	2	2	
14	90201-06085	WASHER, PLATE	2	2	2	2	
15	17D-21642-00	GUARD, FLAP	1	1	1	1	
16	97702-60016	SCREW, TAPPING	2	2	2	2	
17	3C5-2411B-20	EMBLEM	1	1	1	1	
18	5PA-2118K-00	LABEL, CAUTION	1			1	
	5PG-2816R-00	LABEL, WARNING GENERAL INFO.		1			
	5PA-2118K-20	LABEL, CAUTION			1		
19	5PA-2118K-10	LABEL, CAUTION	1				

FIG. 21 SIDE COVER & OIL TANK



REF. NO.	PART NO.	DESCRIPTION	17DD	17DE	17DF	17DG	REMARKS
1	17D-21710-00	SIDE COVER ASSY 1	1	1	1	1	
4	5XC-2163G-30	EMBLEM 1	1	1	1	1	UR FOR DPBSE
	17D-2173E-10	GRAPHIC, 1	1	1	1	1	UR FOR YB
5	17D-21720-00	SIDE COVER ASSY 2	1	1	1	1	
8	5XC-2163G-30	EMBLEM 1	1	1	1	1	UR FOR DPBSE
	17D-2173F-10	GRAPHIC, 2	1	1	1	1	UR FOR YB
9	90105-06103	BOLT, FLANGE	2	2	2	2	
10	90119-08095	BOLT, WITH WASHER	2	2	2	2	
11	17D-21730-D0	SIDE COVER ASSY 3	1	1	1	1	UR FOR DPBSE
	17D-21730-E0	SIDE COVER ASSY 3	1	1	1	1	UR FOR YB
15	17D-2174G-10	GRAPHIC, 3	1	1	1	1	UR FOR DPBSE
	17D-2174G-20	GRAPHIC, 3	1	1	1	1	UR FOR YB
16	5FK-2175C-00	TUNING FORK MARK	1	1	1	1	
17	17D-21740-D0	SIDE COVER ASSY 4	1	1	1	1	UR FOR DPBSE
	17D-21740-E0	SIDE COVER ASSY 4	1	1	1	1	UR FOR YB
21	17D-2174H-10	GRAPHIC, 4	1	1	1	1	UR FOR DPBSE
	17D-2174H-20	GRAPHIC, 4	1	1	1	1	UR FOR YB
22	5FK-2175C-00	TUNING FORK MARK	1	1	1	1	
23	90105-06064	BOLT, FLANGE	8	8	8	8	
24	17D-2172A-00	PANEL 1	1	1	1	1	
25	17D-2172A-10	PANEL 1	1	1	1	1	
26	17D-21751-00	TANK, OIL	1	1	1	1	
27	17D-13416-00	PIPE, OIL 1	1	1	1	1	
28	93210-14369	O-RING	1	1	1	1	
29	92012-06016	BOLT, BUTTON HEAD	1	1	1	1	
30	90105-08151	BOLT, FLANGE	1	1	1	1	
31	90201-082A6	WASHER, PLATE	1	1	1	1	

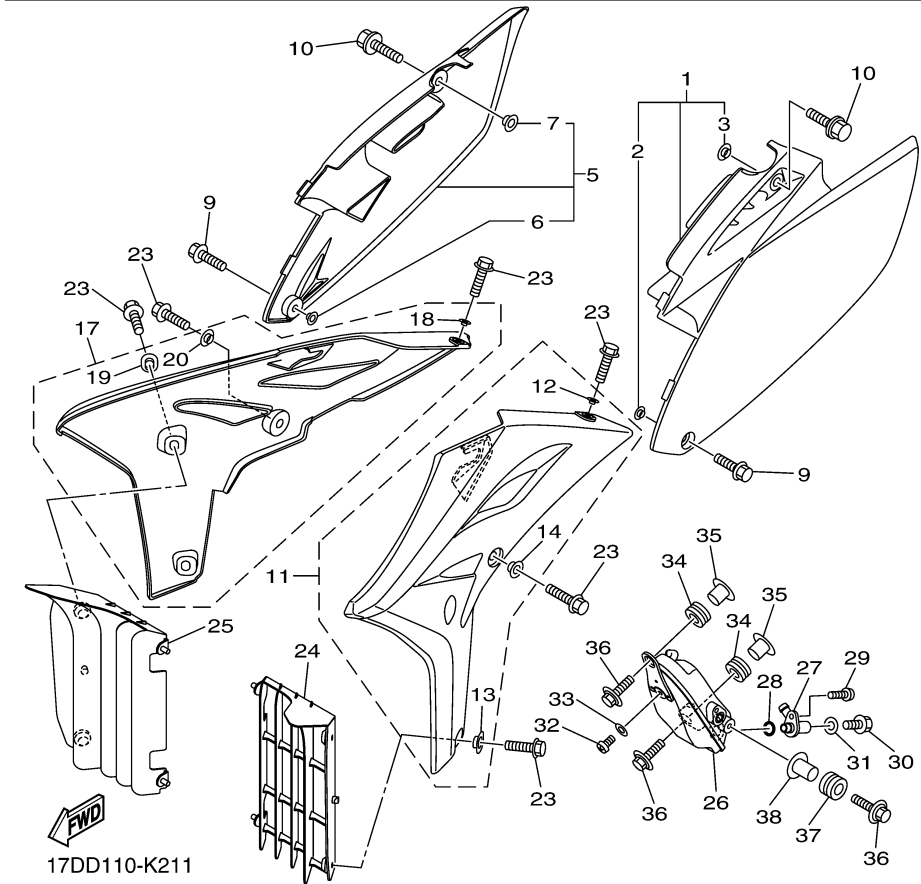
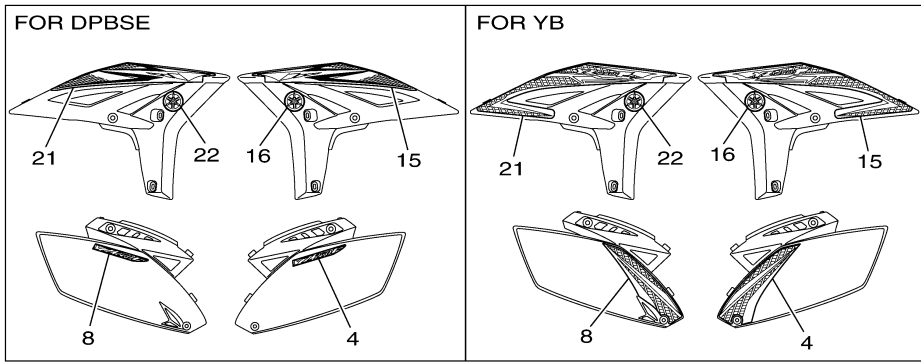
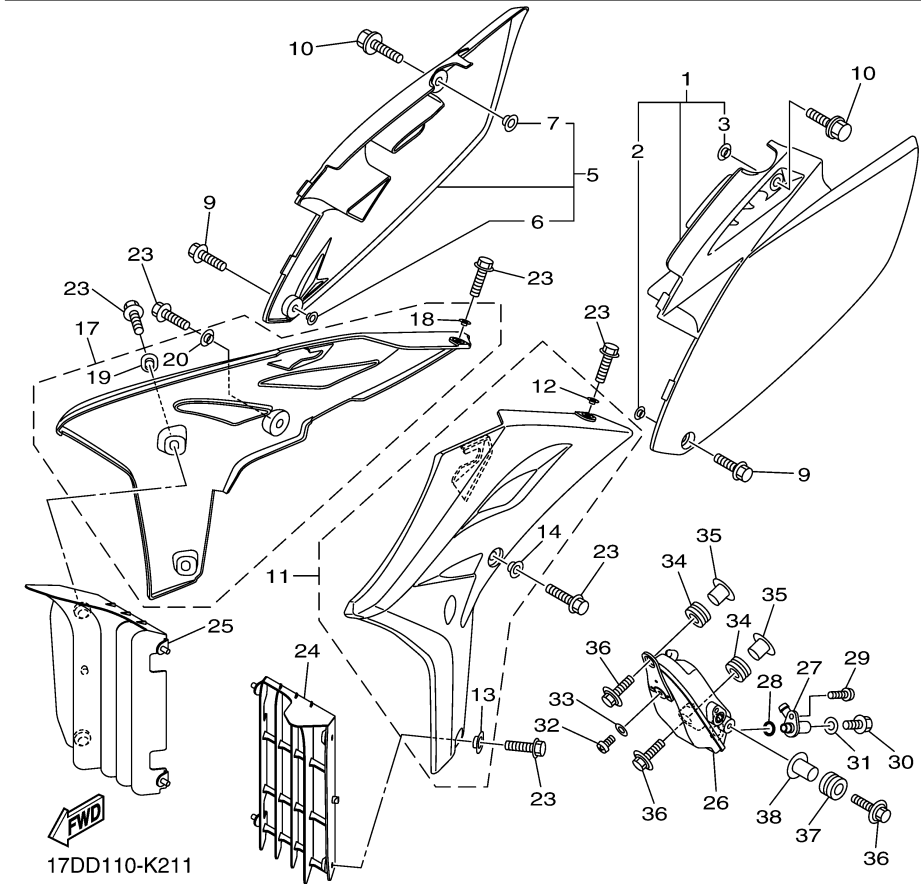


FIG. 21 SIDE COVER & OIL TANK



REF. NO.	PART NO.	DESCRIPTION	17DD	17DE	17DF	17DG	REMARKS
32	98902-06012	SCREW, BIND	1	1	1	1	
33	90201-06630	WASHER, PLATE	1	1	1	1	
34	90480-10289	GROMMET	2	2	2	2	
35	90387-06150	COLLAR	2	2	2	2	
36	90119-06255	BOLT, WITH WASHER	3	3	3	3	
37	90480-14433	GROMMET	1	1	1	1	
38	90387-06161	COLLAR	1	1	1	1	
2	90387-08086	.COLLAR	1	1	1	1	
3	5BE-21749-00	.COLLAR	1	1	1	1	
6	90387-08086	.COLLAR	1	1	1	1	
7	5BE-21749-00	.COLLAR	1	1	1	1	
12	90387-06009	.COLLAR	1	1	1	1	
13	17D-21749-00	.COLLAR	2	2	2	2	
14	5BE-21749-00	.COLLAR	1	1	1	1	
18	90387-06009	.COLLAR	1	1	1	1	
19	17D-21749-00	.COLLAR	2	2	2	2	
20	5BE-21749-00	.COLLAR	1	1	1	1	



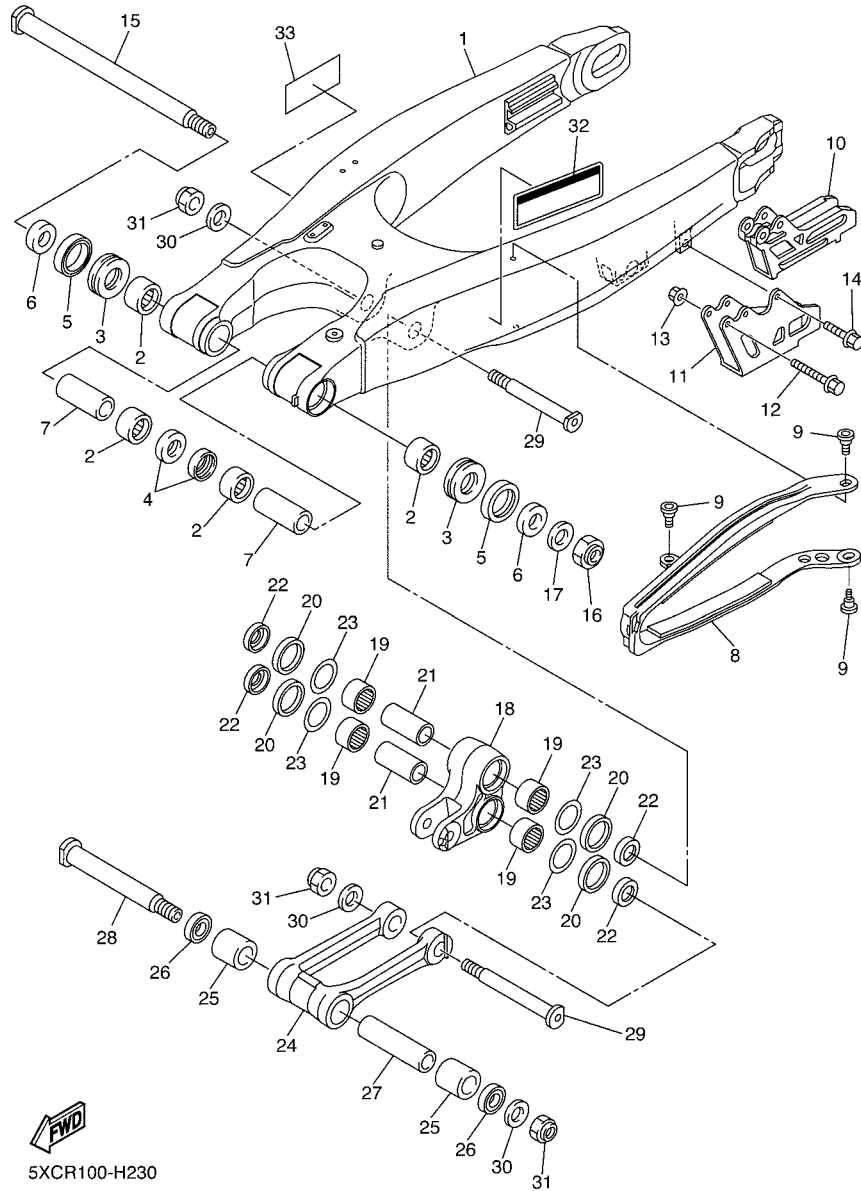
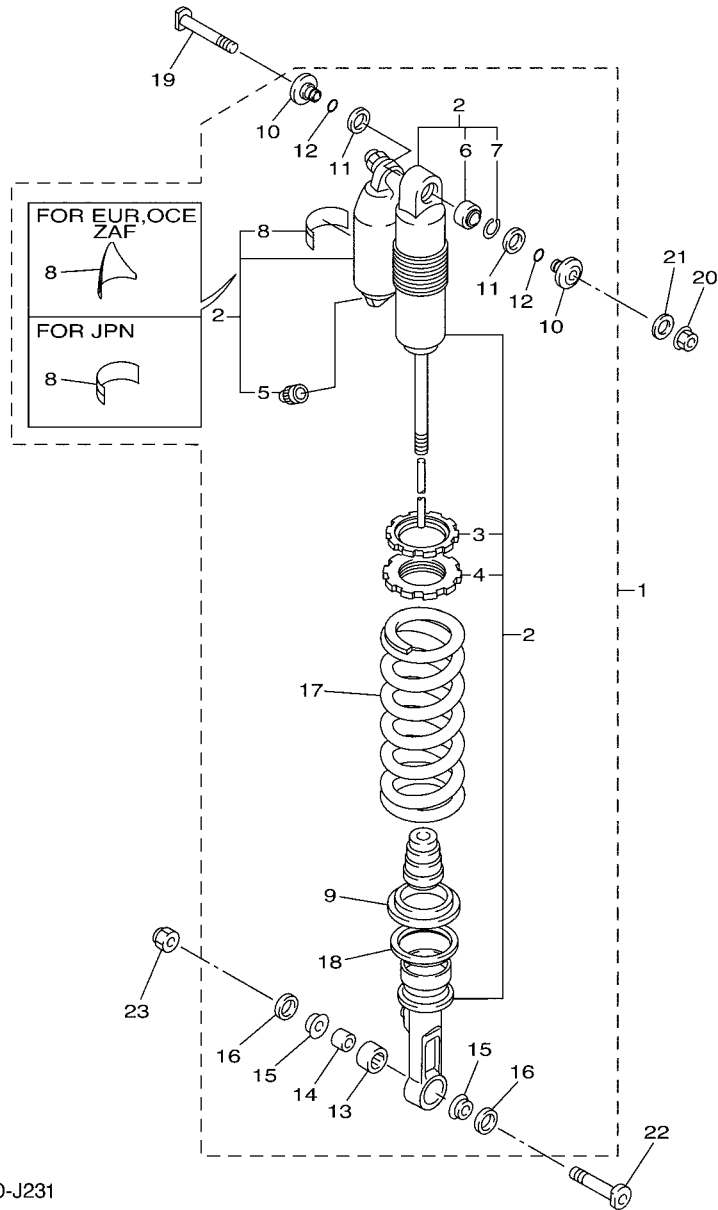


FIG. 22 REAR ARM

REF. NO.	PART NO.	DESCRIPTION	17DD	17DE	17DF	17DG	REMARKS
1	17D-22110-00	REAR ARM COMP.	1	1	1	1	
2	93317-22262	BEARING	4	4	4	4	
3	93342-22217	BEARING	2	2	2	2	
4	93106-22002	OIL SEAL	2	2	2	2	
5	93109-28043	OIL SEAL	2	2	2	2	
6	90387-18012	COLLAR	2	2	2	2	
7	90387-18004	COLLAR	2	2	2	2	
8	34P-22151-01	SEAL, GUARD	1	1	1	1	
9	1C3-22969-90	SCREW, 1	3	3	3	3	
10	2S2-22199-70	SUPPORT, CHAIN	1	1	1	1	
11	2S2-22128-70	COVER, THRUST 1	1	1	1	1	
12	90105-06104	BOLT, FLANGE	2	2	2	2	
13	90179-06028	NUT	2	2	2	2	
14	90105-06105	BOLT, FLANGE	1	1	1	1	
15	17D-22141-50	SHAFT, PIVOT	1	1	1	1	
16	90185-16002	NUT, SELF-LOCKING	1	1	1	1	
17	90201-16018	WASHER, PLATE	1	1	1	1	
18	17D-2217A-00	ARM, RELAY	1	1	1	1	
19	93315-32166	BEARING	4	4	4	4	
20	93109-25001	OIL SEAL	4	4	4	4	
21	90387-16026	COLLAR	2	2	2	2	
22	90209-16011	WASHER	4	4	4	4	
23	90201-21014	WASHER, PLATE	4	4	4	4	
24	17D-2217F-50	ROD, CONNECTING 1	1	1	1	1	
25	93315-32269	BEARING	2	2	2	2	
26	93109-22019	OIL SEAL	2	2	2	2	
27	90387-14009	COLLAR	1	1	1	1	




17D5100-J231

FIG. 23 REAR SUSPENSION

REF. NO.	PART NO.	DESCRIPTION	17DD	17DE	17DF	17DG	REMARKS
1	17D-22200-30	SHOCK ABSORBER ASSY, REAR	1				UR FOR DPBSE
	17D-22200-70	SHOCK ABSORBER ASSY, REAR	1				UR FOR YB
	17D-22200-10	SHOCK ABSORBER ASSY, REAR		1	1		UR FOR DPBSE
	17D-22200-50	SHOCK ABSORBER ASSY, REAR		1	1		UR FOR YB
	17D-22200-20	SHOCK ABSORBER ASSY, REAR			1		UR FOR DPBSE
	17D-22200-60	SHOCK ABSORBER ASSY, REAR			1		UR FOR YB
2	17D-22201-30	.DAMPER SUB ASSY	1				
	17D-22201-10	.DAMPER SUB ASSY		1	1		
	17D-22201-20	.DAMPER SUB ASSY			1		
3	3SP-22234-00	..GUIDE, SPRING 3	1	1	1	1	
4	1C3-22213-L0	..SEAT, SPRING UPPER	1	1	1	1	
5	509-23184-L0	..CAP, AIR VALVE	1	1	1	1	
6	4JX-22226-00	..BUSH, SHOCK ABSORBER LOWER	1	1	1	1	
7	5DH-23183-00	..CIRCLIP	1	1	1	1	
8	4AA-22259-70	..LABEL, WARNING	1				
	4AA-22259-40	..LABEL, WARNING		1		1	
	4AA-22259-50	..LABEL, WARNING			1		
9	5MV-22224-00	.GUIDE, SPRING 2	1	1	1	1	
10	1C3-22253-50	.COLLAR, DISTANCE	2	2	2	2	
11	3JE-22475-00	.SEAL, DUST	2	2	2	2	
12	4EW-22474-00	.SEAL, RING	2	2	2	2	
13	5UN-22176-00	.BEARING	1	1	1	1	
14	5MV-22184-00	.BUSH	1	1	1	1	
15	1C3-22253-L1	.COLLAR, DISTANCE	2	2	2	2	
16	5NY-22475-00	.SEAL, DUST	2	2	2	2	
17	5UN-22212-L0	.SPRING (K=52N/MM)	1	1	1	1	UR FOR DPBSE
	5UN-22212-K0	.SPRING (K=52N/MM)	1	1	1	1	UR FOR YB

FIG. 24 STEERING

REF. NO.	PART NO.	DESCRIPTION	17DD	17DE	17DF	17DG	REMARKS
1	90387-06105	COLLAR	1	1	1	1	
2	93332-00068	BEARING	1	1	1	1	
3	17D-23416-50	COVER, BALL RACE 2	1	1	1	1	
4	90179-28015	NUT	1	1	1	1	
5	90201-286K9	WASHER, PLATE (T1.0)	1	1	1	1	
6	17D-23435-10	CROWN, HANDLE	1	1	1	1	
7	90179-24004	NUT	1	1	1	1	
8	18P-23441-00	HOLDER, HANDLE UPPER	2	2	2	2	
9	17D-23442-00	HOLDER, HANDLE LOWER	2	2	2	2	
10	92902-10200	WASHER	2	2	2	2	
11	95602-10200	NUT, U FLANGE	2	2	2	2	
12	90105-08154	BOLT, FLANGE	8	8	8	8	
13	17D-23485-50	PLATE, NUMBER	1	1	1	1	
14	90105-06064	BOLT, FLANGE	1	1	1	1	
15	17D-2339E-10	GRAPHIC 1	1	1	1	1	FOR YB
16	17D-23389-50	GUIDE, CABLE	1	1	1	1	
17	90105-06170	BOLT, FLANGE	1	1	1	1	
18	93332-00081	BEARING	1	1	1	1	

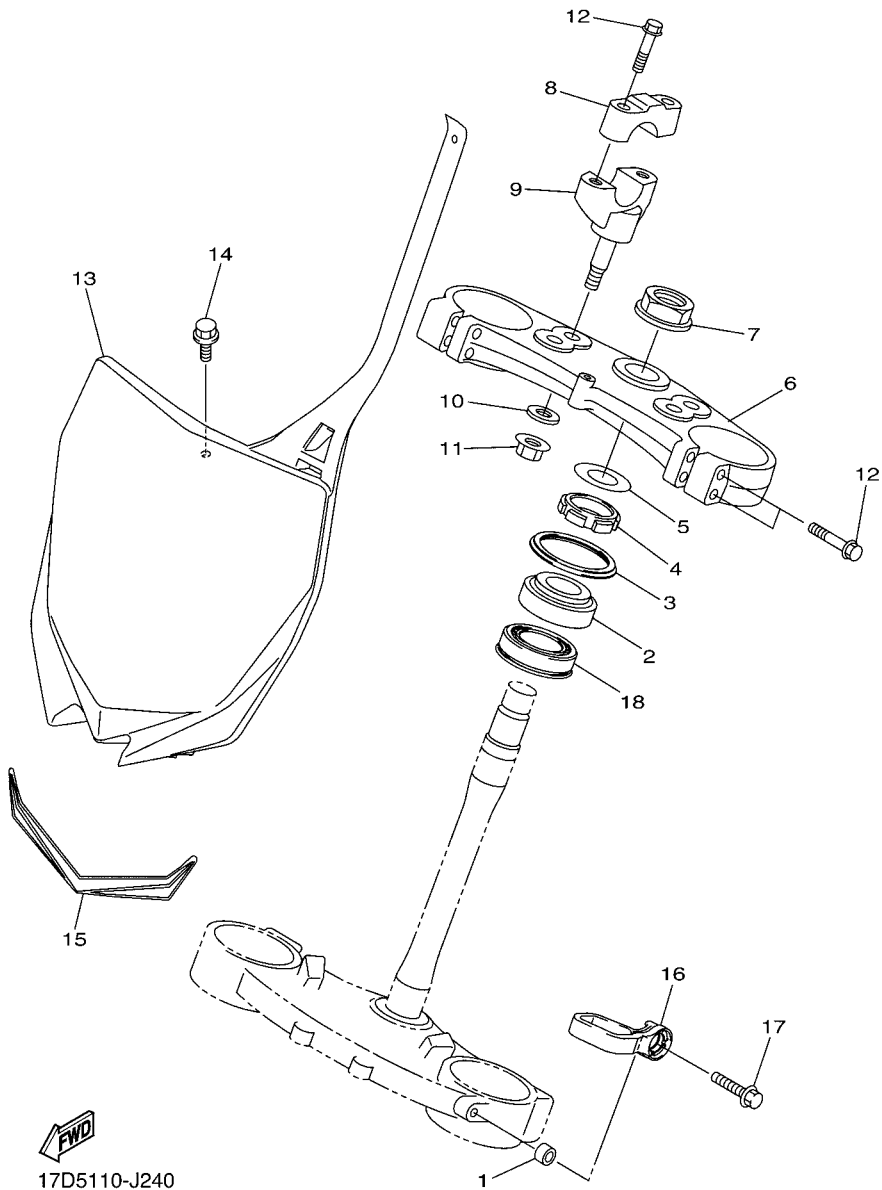
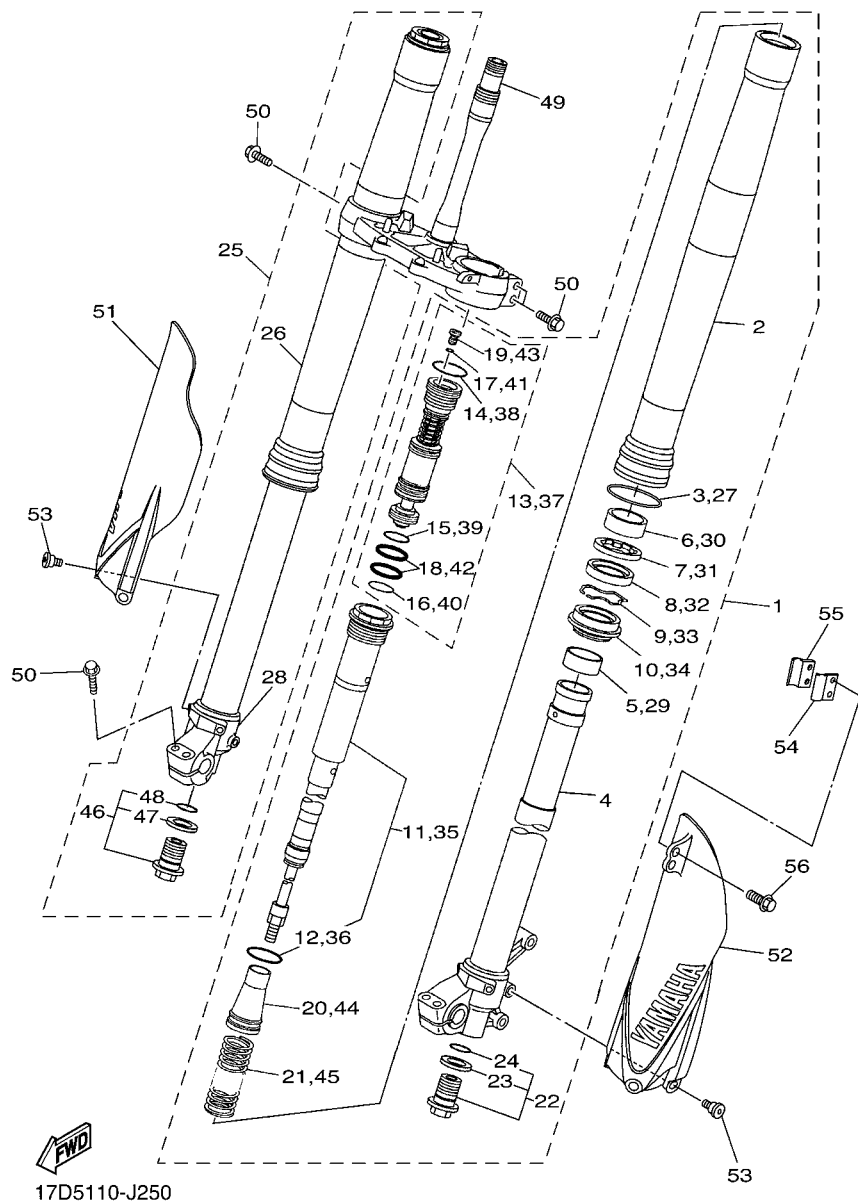


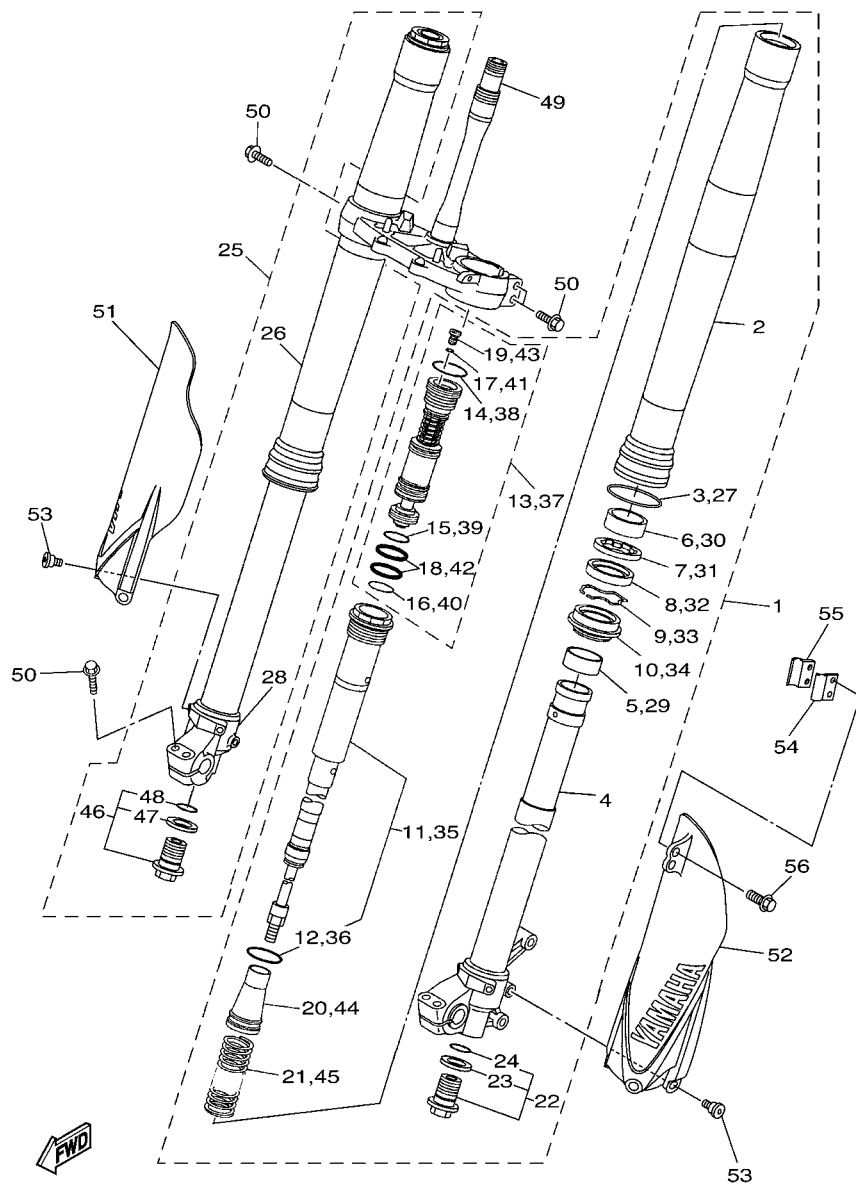
FIG. 25 FRONT FORK



17D5110-J250

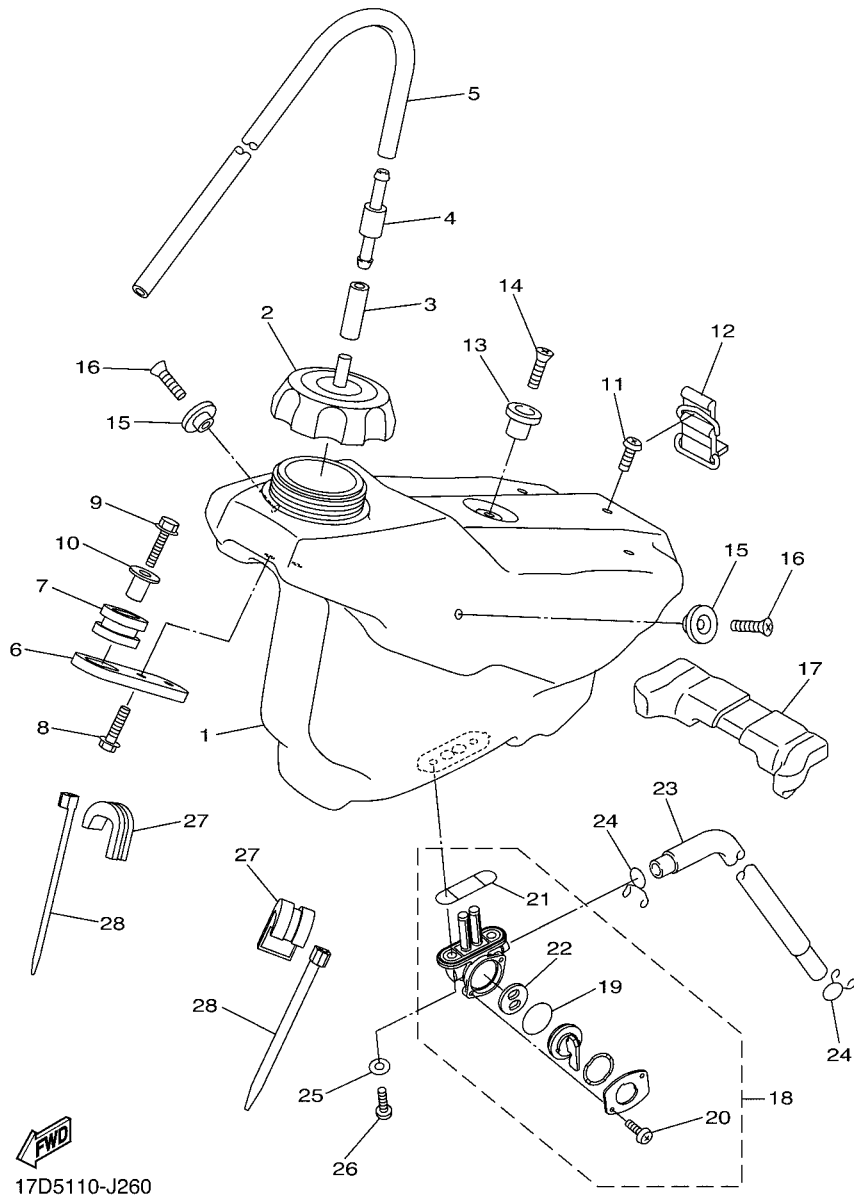
REF. NO.	PART NO.	DESCRIPTION	17DD	17DE	17DF	17DG	REMARKS
1	17D-23102-00	FRONT FORK ASSY (L.H)	1		1		
	17D-23102-10	FRONT FORK ASSY (L.H)		1		1	
2	17D-23136-00	.TUBE, OUTER	1	1	1	1	
3	17D-23153-00	.RING, SNAP	1	1	1	1	
4	17D-23120-00	.INNER TUBE COMP.2	1	1	1	1	
5	5XE-23171-L0	.PISTON, FRONT FORK	1	1	1	1	
6	5XE-23125-L0	.METAL, SLIDE 1	1	1	1	1	
7	5XC-23146-10	.WASHER, OIL SEAL	1	1	1	1	
8	17D-23145-00	.OIL SEAL	1	1	1	1	
9	5XE-23153-L0	.RING, SNAP	1	1	1	1	
10	5XE-23144-L0	.SEAL, DUST	1	1	1	1	
11	17D-23170-00	.CYLINDER COMP., FRONT FORK	1		1		
	17D-23170-10	.CYLINDER COMP., FRONT FORK		1		1	
12	1C3-23147-L0	..O-RING	1	1	1	1	
13	17D-2316A-00	.VALVE COMP.	1		1		
	17D-2316A-10	.VALVE COMP.		1		1	
14	1C3-23188-L0	..O-RING	1	1	1	1	
15	1C3-23188-N0	..O-RING	1	1	1	1	
16	1C3-23188-P0	..O-RING	1	1	1	1	
17	1C3-23188-R0	..O-RING	1	1	1	1	
18	1AE-23147-00	..O-RING	2	2	2	2	
19	1C3-23190-L0	..AIR VALVE COMP.	1	1	1	1	
20	1C3-23142-L0	.SEAT, SPRING UPPER	1	1	1	1	
21	5XC-23141-N0	.SPRING, FRONT FORK(K=4.4N/MM)	1		1		
	2S2-23141-M1	.SPRING, FRONT FORK(K=4.5N/MM)		1		1	
22	5XC-23111-00	.BOLT, CAP	1	1	1	1	
23	2HH-23158-L0	..GASKET	1	1	1	1	

FIG. 25 FRONT FORK



17D5110-J250

REF. NO.	PART NO.	DESCRIPTION	17DD	17DE	17DF	17DG	REMARKS
24	276-23114-00	..GASKET	1	1	1	1	
25	17D-23103-00	FRONT FORK ASSY (R.H)	1	1			
	17D-23103-10	FRONT FORK ASSY (R.H)		1		1	
26	17D-23136-00	.TUBE, OUTER	1	1	1	1	
27	17D-23153-00	.RING, SNAP	1	1	1	1	
28	17D-23110-00	..INNER TUBE COMP.1	1	1	1	1	
29	5XE-23171-L0	.PISTON, FRONT FORK	1	1	1	1	
30	5XE-23125-L0	.METAL, SLIDE 1	1	1	1	1	
31	5XC-23146-10	.WASHER, OIL SEAL	1	1	1	1	
32	17D-23145-00	.OIL SEAL	1	1	1	1	
33	5XE-23153-L0	.RING, SNAP	1	1	1	1	
34	5XE-23144-L0	.SEAL, DUST	1	1	1	1	
35	17D-23170-00	.CYLINDER COMP., FRONT FORK	1	1			
	17D-23170-10	.CYLINDER COMP., FRONT FORK		1		1	
36	1C3-23147-L0	..O-RING	1	1	1	1	
37	17D-2316A-00	..VALVE COMP.	1	1			
	17D-2316A-10	..VALVE COMP.		1		1	
38	1C3-23188-L0	..O-RING	1	1	1	1	
39	1C3-23188-N0	..O-RING	1	1	1	1	
40	1C3-23188-P0	..O-RING	1	1	1	1	
41	1C3-23188-R0	..O-RING	1	1	1	1	
42	1AE-23147-00	..O-RING	2	2	2	2	
43	1C3-23190-L0	..AIR VALVE COMP.	1	1	1	1	
44	1C3-23142-L0	.SEAT, SPRING UPPER	1	1	1	1	
45	5XC-23141-N0	.SPRING, FRONT FORK(K=4.4N/MM)	1	1			
	2S2-23141-M1	.SPRING, FRONT FORK(K=4.5N/MM)		1		1	
46	5XC-23111-00	.BOLT, CAP	1	1	1	1	



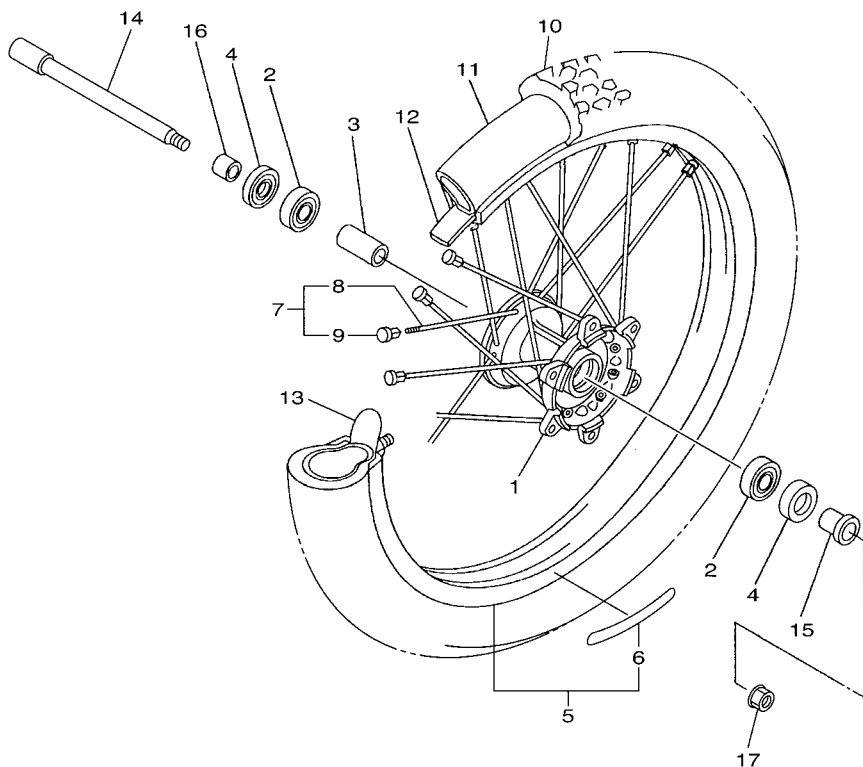
17D5110-J260

FIG. 26 FUEL TANK

REF. NO.	PART NO.	DESCRIPTION	17DD	17DE	17DF	17DG	REMARKS
1	17D-24110-50	FUEL TANK COMP.	1	1	1	1	
2	5NY-24610-00	CAP ASSY	1	1	1	1	
3	90445-09220	HOSE (L30)	1	1	1	1	
4	3XJ-24380-00	PIPE JOINT ASSY	1	1	1	1	
5	90445-09251	HOSE (L350)	1	1	1	1	
6	17D-24144-00	HOLDER, DAMPER	1	1	1	1	
7	90480-17008	GROMMET	1	1	1	1	
8	90105-06107	BOLT, FLANGE	2	2	2	2	
9	90105-06111	BOLT, FLANGE	1	1	1	1	
10	3JD-24186-00	WASHER, SPECIAL	1	1	1	1	
11	98902-06025	SCREW, BIND	1	1	1	1	
12	5SF-24173-00	BAND, TANK FITTING 1	1	1	1	1	
13	4EW-2412F-00	BRACKET, SEAT	1	1	1	1	
14	98702-06025	SCREW, FLAT HEAD	1	1	1	1	
15	17D-2412F-00	BRACKET, SEAT	2	2	2	2	
16	98702-06020	SCREW, FLAT HEAD	2	2	2	2	
17	17D-24181-50	DAMPER, LOCATING 1	1	1	1	1	
18	4DP-24500-01	FUEL COCK ASSY 1	1	1	1	1	
19	3AJ-24534-01	.SEAL, COCK	1	1	1	1	
20	98507-03008	.SCREW, PAN HEAD	2	2	2	2	
21	4X8-24512-00	.O-RING	1	1	1	1	
22	3AC-24523-00	.VALVE PACKING	1	1	1	1	
23	90445-11059	HOSE	1	1	1	1	
24	90467-100A1	CLIP	2	2	2	2	
25	90202-05193	WASHER, PLATE	2	2	2	2	
26	90149-06108	SCREW	2	2	2	2	
27	17D-24182-50	DAMPER, LOCATING 2	2	2	2	2	

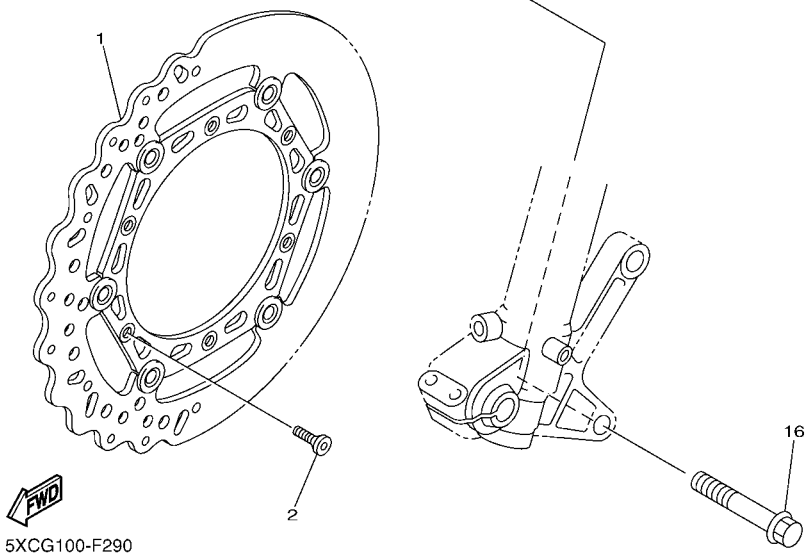
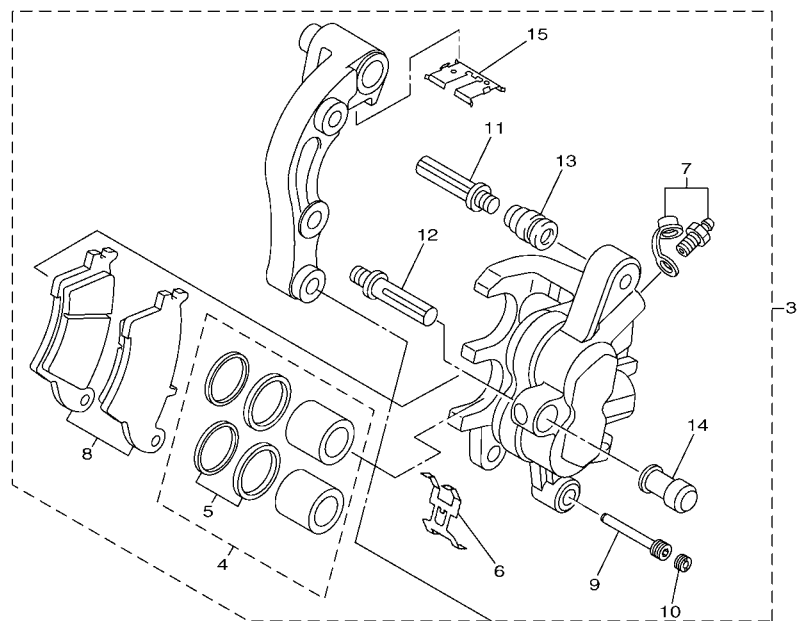
FIG. 28 FRONT WHEEL

REF. NO.	PART NO.	DESCRIPTION	17DD	17DE	17DF	17DG	REMARKS
1	5NY-25111-00	HUB, FRONT	1	1	1	1	
2	93306-90409	BEARING	2	2	2	2	
3	5NY-25117-00	SPACER, BEARING	1	1	1	1	
4	93102-26468	OIL SEAL	2	2	2	2	
5	94416-21034	RIM (1.60-21)	1				UR FOR DPBSE
	94416-21045	RIM (1.60-21)	1				UR FOR YB
	94416-21045	RIM (1.60-21)		1	1	1	
6	17D-2531B-00	.EMBLEM, WHEEL	2				FOR YB
	17D-2531B-00	.EMBLEM, WHEEL		2	2	2	
7	5NY-25104-00	SPOKE SET, FRONT	1	1	1	1	
8	5NY-25196-00	.SPOKE, INNER 1			36		
9	56A-25195-00	.NIPPLE, SPOKE			36		
10	94108-21027	TIRE (80/100-21 51M)	1			1	BRIDGESTONE
	*	TIRE (80/100-21 51R MST)		1			LM PIRELLI
	*	TIRE (80/100-21 51M D742FA)			1		LM DUNLOP
11	94209-21229	TUBE (80/100-21 M/C TR4)	1			1	BRIDGESTONE
	*	TUBE (80/100-21)		1			LM PIRELLI
	*	TUBE (80/100-21 M/C TR4)			1		LM DUNLOP
12	94330-21084	BAND, RIM (1.60-21)	1			1	BRIDGESTONE
	*	BAND, RIM (80/100-21)			1		LM PIRELLI
	*	BAND, RIM (22-21)			1		LM DUNLOP
13	5SF-25394-00	SPACER, BEAD	1	1	1	1	
14	5XC-25181-G0	AXLE, WHEEL	1	1	1	1	
15	5XC-25183-G0	COLLAR, WHEEL	1	1	1	1	
16	5XC-25186-G0	COLLAR, WHEEL	1	1	1	1	
17	90179-16011	NUT	1	1	1	1	



17DD100-K280

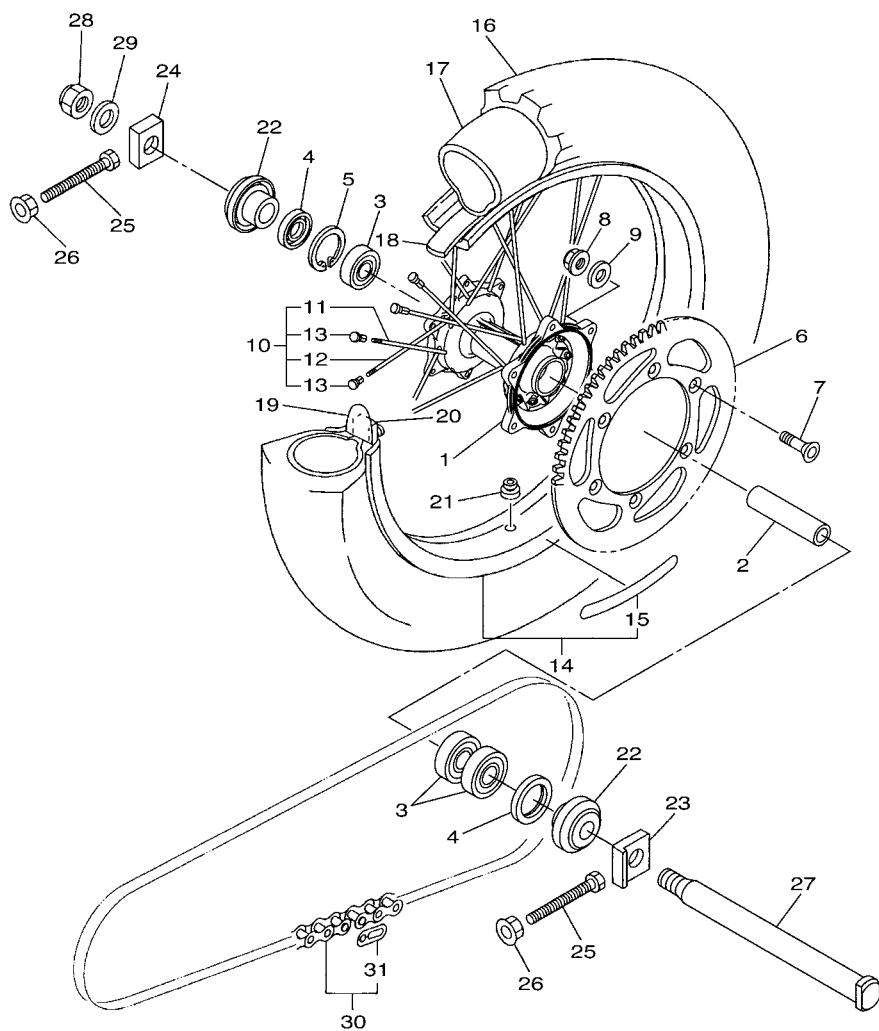
FIG. 29 FRONT BRAKE CALIPER



REF. NO.	PART NO.	DESCRIPTION	17DD	17DE	17DF	17DG	REMARKS
1	5XC-2581T-G0	DISK BRAKE ASSY	1	1	1	1	
2	90151-06051	SCREW, COUNTERSUNK	6	6	6	6	
3	5XC-2580T-G0	CALIPER ASSY (LEFT)	1	1	1	1	
4	5XC-W0057-00	.PISTON ASSY, CALIPER	1	1	1	1	
5	5KM-W0047-10	..CALIPER SEAL KIT	1	1	1	1	
6	5DH-25919-00	.SUPPORT, PAD	1	1	1	1	
7	1UY-W0048-50	.BLEED SCREW KIT	1	1	1	1	
8	5XC-W0045-00	.BRAKE PAD KIT	1	1	1	1	
9	5DH-25933-00	.PIN, PAD	1	1	1	1	
10	5DH-25916-00	.PLUG	1	1	1	1	
11	3SP-25926-51	.BOLT	1	1	1	1	
12	3SP-25914-51	.PIN, SLIDE	1	1	1	1	
13	3JD-25917-00	.BOOT, CALIPER	1	1	1	1	
14	1UY-25937-51	.BOOT 2	1	1	1	1	
15	5XC-25849-G0	.RETAINER, CALIPER	1	1	1	1	
16	90105-08137	BOLT, FLANGE	2	2	2	2	

FIG. 30 REAR WHEEL

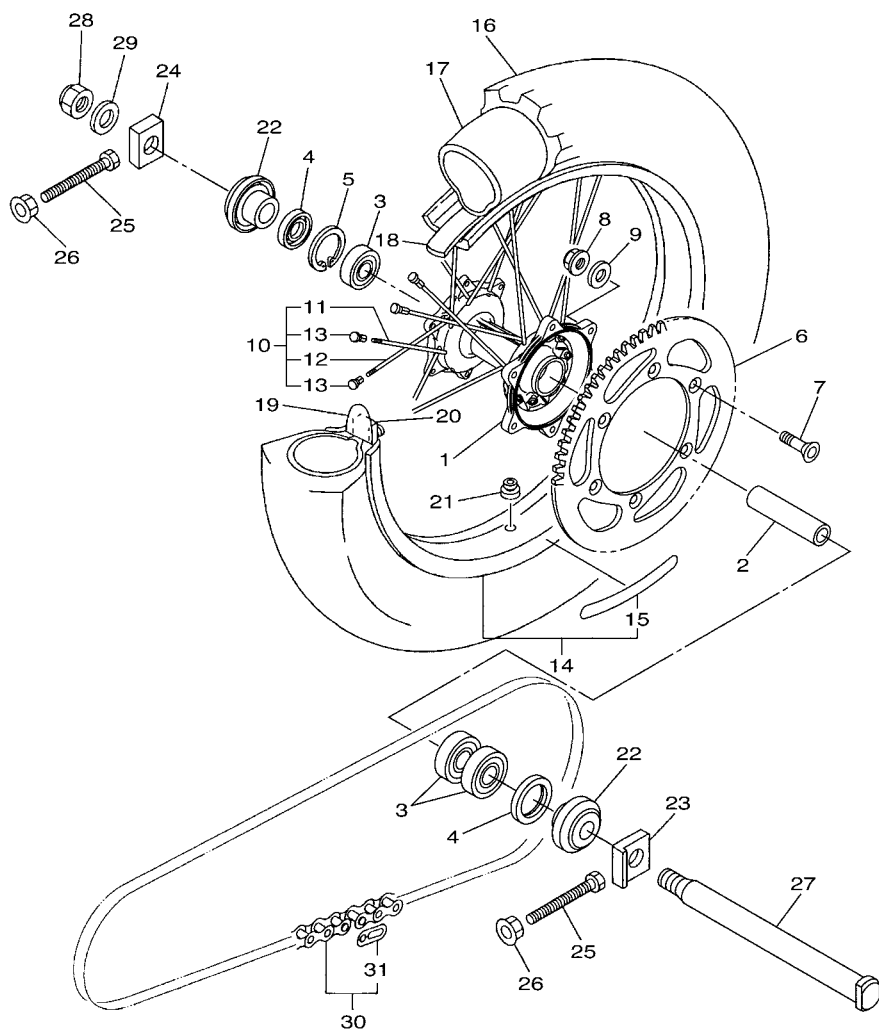
REF. NO.	PART NO.	DESCRIPTION	17DD	17DE	17DF	17DG	REMARKS
1	17D-25311-00	HUB, REAR	1	1	1	1	
2	17D-25317-00	SPACER, BEARING	1	1	1	1	
3	93306-90510	BEARING	3	3	3	3	
4	93102-32337	OIL SEAL	2	2	2	2	
5	99009-42700	CIRCLIP	1	1	1	1	
6	17D-25449-50	SPROCKET, DRIVEN (49T)	1				STD
	17D-25451-50	SPROCKET, DRIVEN (51T)		1	1	1	STD
	17D-25447-50	SPROCKET, DRIVEN (47T)	1	1	1	1	AP
	17D-25448-50	SPROCKET, DRIVEN (48T)	1	1	1	1	AP
	17D-25450-50	SPROCKET, DRIVEN (50T)	1	1	1	1	AP
	17D-25452-50	SPROCKET, DRIVEN (52T)	1	1	1	1	AP
	17D-25451-50	SPROCKET, DRIVEN (51T)	1				AP
	17D-25449-50	SPROCKET, DRIVEN (49T)		1	1	1	AP
7	90109-08078	BOLT	6	6	6	6	
8	90185-08008	NUT, SELF-LOCKING	6	6	6	6	
9	90201-08048	WASHER, PLATE	6	6	6	6	
10	34P-25304-00	SPOKE SET, REAR	1	1	1	1	
11	34P-25396-00	.SPOKE, INNER 2			18		
12	34P-25397-00	.SPOKE, OUTER 2			18		
13	5ET-25395-00	.NIPPLE, SPOKE			36		
14	94418-19026	RIM (1.85-19)	1				UR FOR DPBSE
	94418-19036	RIM (1.85-19)	1				UR FOR YB
	94418-19036	RIM (1.85-19)		1	1	1	
15	17D-2531B-00	.EMBLEM, WHEEL	2				FOR YB
	17D-2531B-00	.EMBLEM, WHEEL		2	2	2	
16	94110-19019	TIRE (100/90-19 57M M404)	1			1	BRIDGESTONE
	*	TIRE (100/90-19 57M NHS)		1			LM PIRELLI



17DD100-K300

FIG. 30 REAR WHEEL

REF. NO.	PART NO.	DESCRIPTION	17DD	17DE	17DF	17DG	REMARKS
16	*	TIRE (100/90-19 57M D756G)			1		LM DUNLOP
17	94210-19222	TUBE (100/90-19 M/C TR4)	1			1	BRIDGESTONE
	*	TUBE (110/90-19)		1			LM PIRELLI
	*	TUBE (100/90-19 M/C TR4 BTL)			1		LM DUNLOP
18	94316-19156	BAND, RIM (1.85-19)	1			1	BRIDGESTONE
	*	BAND, RIM (3.50-18)		1			LM METZELER
	*	BAND, RIM (22-19)			1		LM DUNLOP
19	4XM-25394-00	SPACER, BEAD	1	1	1	1	
20	4XM-25364-00	DAMPER	1	1	1	1	
21	90480-08608	GROMMET	1	1	1	1	
22	17D-2530S-00	COLLAR ASSY	2	2	2	2	
23	17D-25388-00	PULLER, CHAIN 1	1	1	1	1	
24	17D-25389-00	PULLER, CHAIN 2	1	1	1	1	
25	90101-08006	BOLT	2	2	2	2	
26	90179-08019	NUT	2	2	2	2	
27	17D-25381-00	AXLE, WHEEL	1	1	1	1	
28	90185-22011	NUT, SELF-LOCKING	1	1	1	1	
29	90201-22022	WASHER, PLATE	1	1	1	1	
30	9Y581-92111	CHAIN (DID 520D 112L)	1				UR FOR DPBSE
	9Y581-92113	CHAIN (DID 520D 114L)		1	1	1	UR FOR DPBSE
	9Y582-28111	CHAIN (DID520DMA2-112LL)	1				UR FOR YB
	9Y582-28113	CHAIN (DID520DMA2-114LL)		1	1	1	UR FOR YB
31	94681-68001	.JOINT,CHAIN (DID 520DM-RJ)	1	1	1	1	UR FOR DPBSE
	94682-28001	.JOINT, CHAIN (DID520DM G&B-RJ)	1	1	1	1	UR FOR YB



17DD100-K300

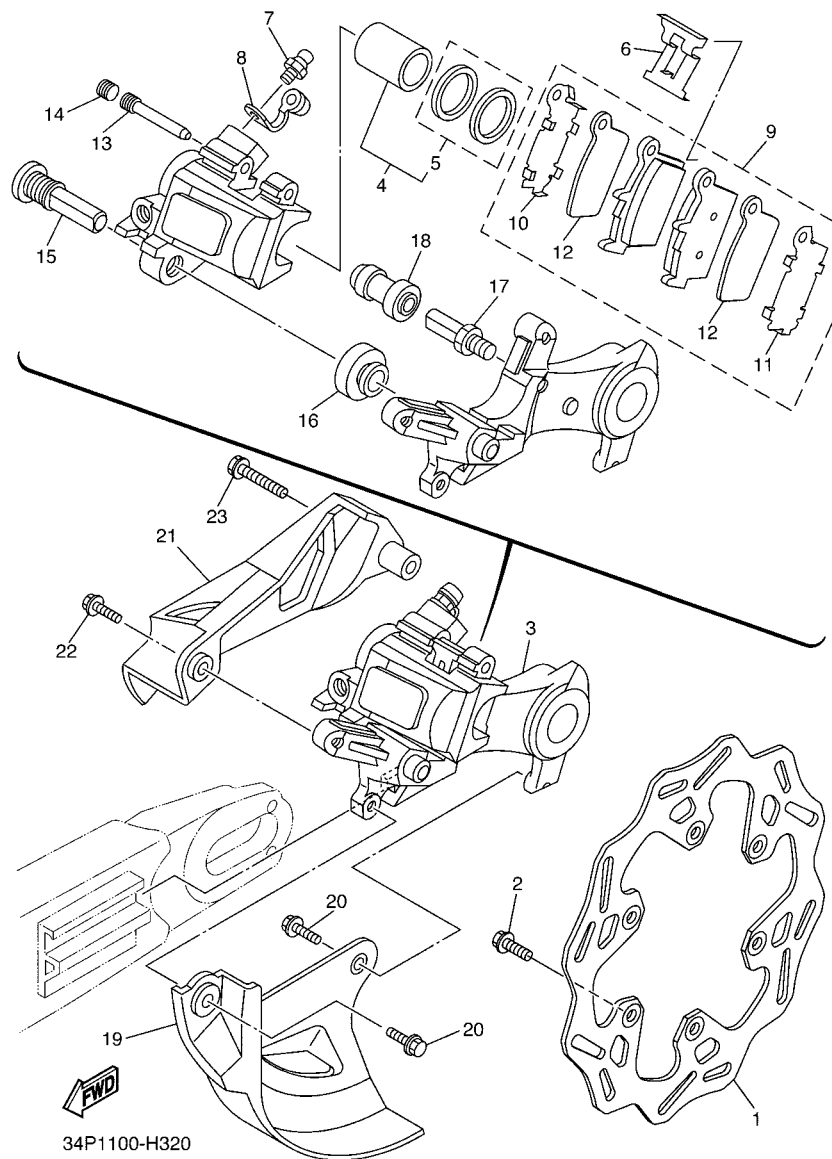
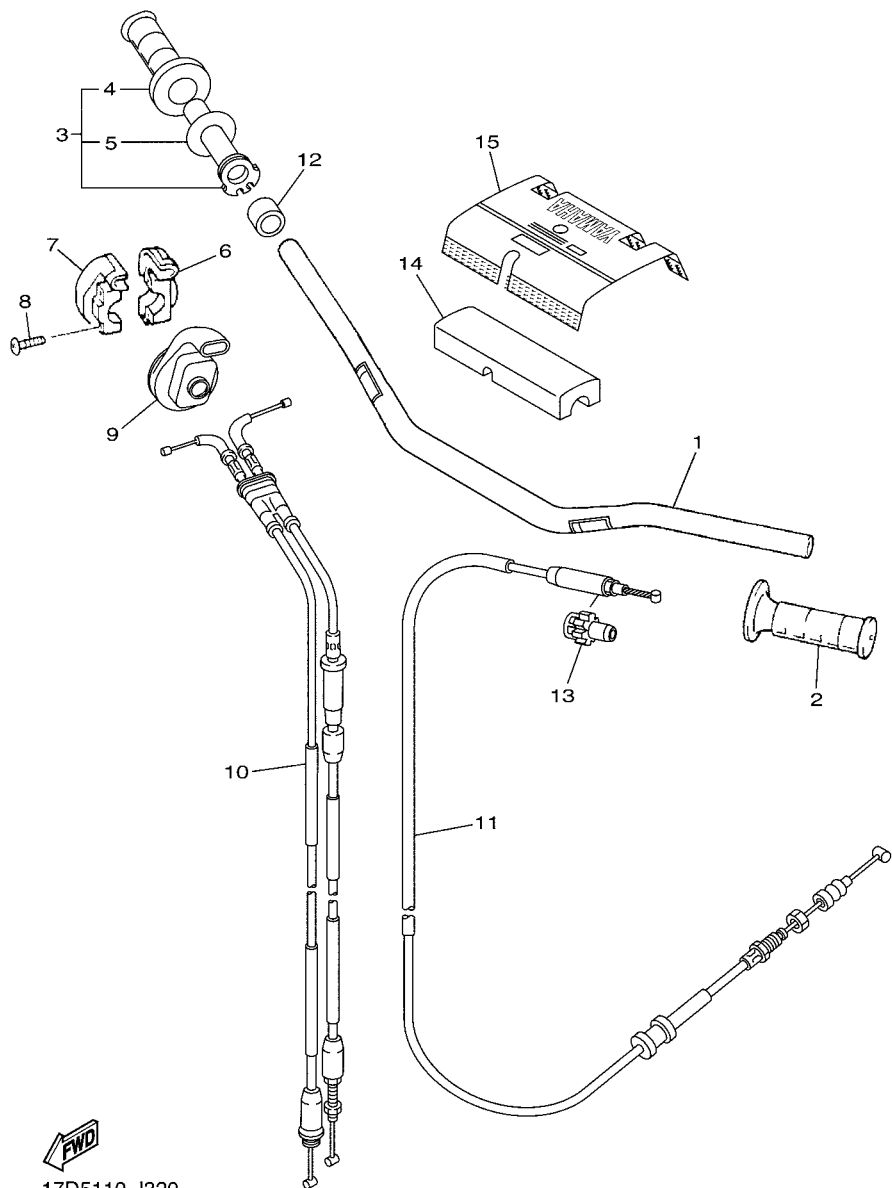


FIG. 31 REAR BRAKE CALIPER

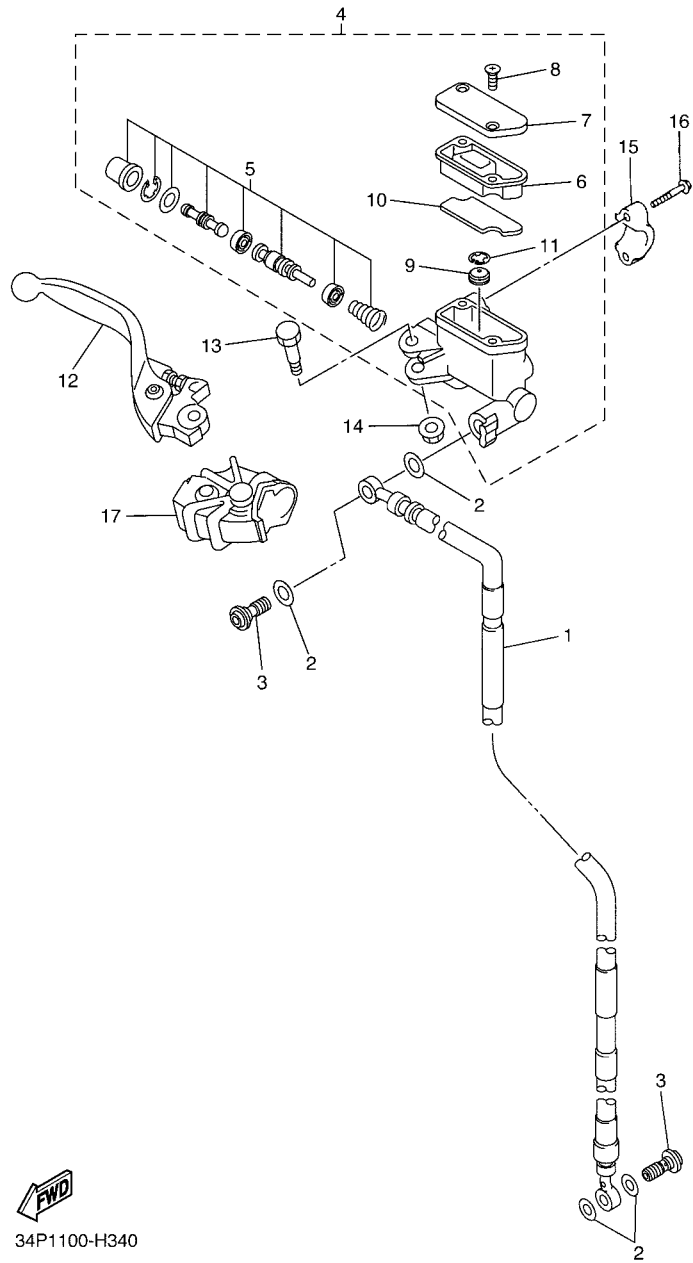
REF. NO.	PART NO.	DESCRIPTION	17DD	17DE	17DF	17DG	REMARKS
1	2S2-2582W-70	DISK, REAR BRAKE 2	1	1	1	1	
2	90105-06156	BOLT, FLANGE	6	6	6	6	
3	17D-2580W-01	CALIPER ASSY, REAR 2	1		1	1	
	17D-2580W-11	CALIPER ASSY, REAR 2		1			
4	5UN-W0057-50	.PISTON ASSY, CALIPER	1	1	1	1	
5	5UN-W0047-50	..CALIPER SEAL KIT	1	1	1	1	
6	5DH-25919-50	.SUPPORT, PAD	1	1	1	1	
7	1UY-25824-51	.SCREW, BLEED	1	1	1	1	
8	1UY-25825-51	.CAP	1	1	1	1	
9	1C3-W0046-50	.BRAKE PAD KIT 2	1		1	1	
	1C3-W0046-B0	.BRAKE PAD KIT 2		1			
10	5UN-25828-60	..SHIM, CALIPER	1	1	1	1	
11	5UN-25827-60	..SHIM, CALIPER	1	1	1	1	
12	5UN-22898-60	..INSULATOR, HEAT	2	2	2	2	
13	8CR-25924-00	.PIN, PAD	1	1	1	1	
14	5DH-25916-00	.PLUG	1	1	1	1	
15	5DH-25914-50	.PIN, SLIDE	1	1	1	1	
16	3JD-25917-00	.BOOT, CALIPER	1	1	1	1	
17	5UN-25914-00	.PIN, SLIDE	1	1	1	1	
18	1UY-25937-51	.BOOT 2	1	1	1	1	
19	17D-25718-50	PROTECTOR, DISK BRAKE	1	1	1	1	
20	90105-06110	BOLT, FLANGE	2	2	2	2	
21	17D-27491-50	PROTECTOR	1	1	1	1	
22	90105-06107	BOLT, FLANGE	1	1	1	1	
23	90105-06111	BOLT, FLANGE	1	1	1	1	

FIG. 32 STEERING HANDLE & CABLE

REF. NO.	PART NO.	DESCRIPTION	17DD	17DE	17DF	17DG	REMARKS
1	5XC-26111-L1	HANDLEBAR	1	1	1	1	
2	4GY-26241-00	GRIP	1	1	1	1	
3	5TJ-26240-C0	GRIP ASSY	1	1	1	1	
4	4GY-26242-00	.GRIP (RIGHT)	1	1	1	1	
5	3Y1-26249-00	.RING, LEAF	1	1	1	1	
6	5BE-26281-00	CAP, GRIP UPPER	1	1	1	1	
7	5BE-26282-00	CAP, GRIP UNDER	1	1	1	1	
8	98507-05020	SCREW, PAN HEAD	2	2	2	2	
9	5SF-26287-10	COVER, CAP GRIP	1	1	1	1	
10	17D-26302-50	THROTTLE CABLE ASSY	1	1	1	1	
11	17D-26335-50	CABLE, CLUTCH	1	1	1	1	
12	90387-225N2	COLLAR	1	1	1	1	
13	34P-26342-00	BOOT, CABLE	1	1	1	1	
14	17D-26124-00	PROTECTOR, HANDLEBAR	1	1	1	1	
15	5XC-26143-L0	COVER,HAND,UPPER 1	1	1	1	1	UR FOR DPBSE
	5XC-26143-M0	COVER,HAND,UPPER 1	1	1	1	1	UR FOR YB



FWD
17D5110-J320

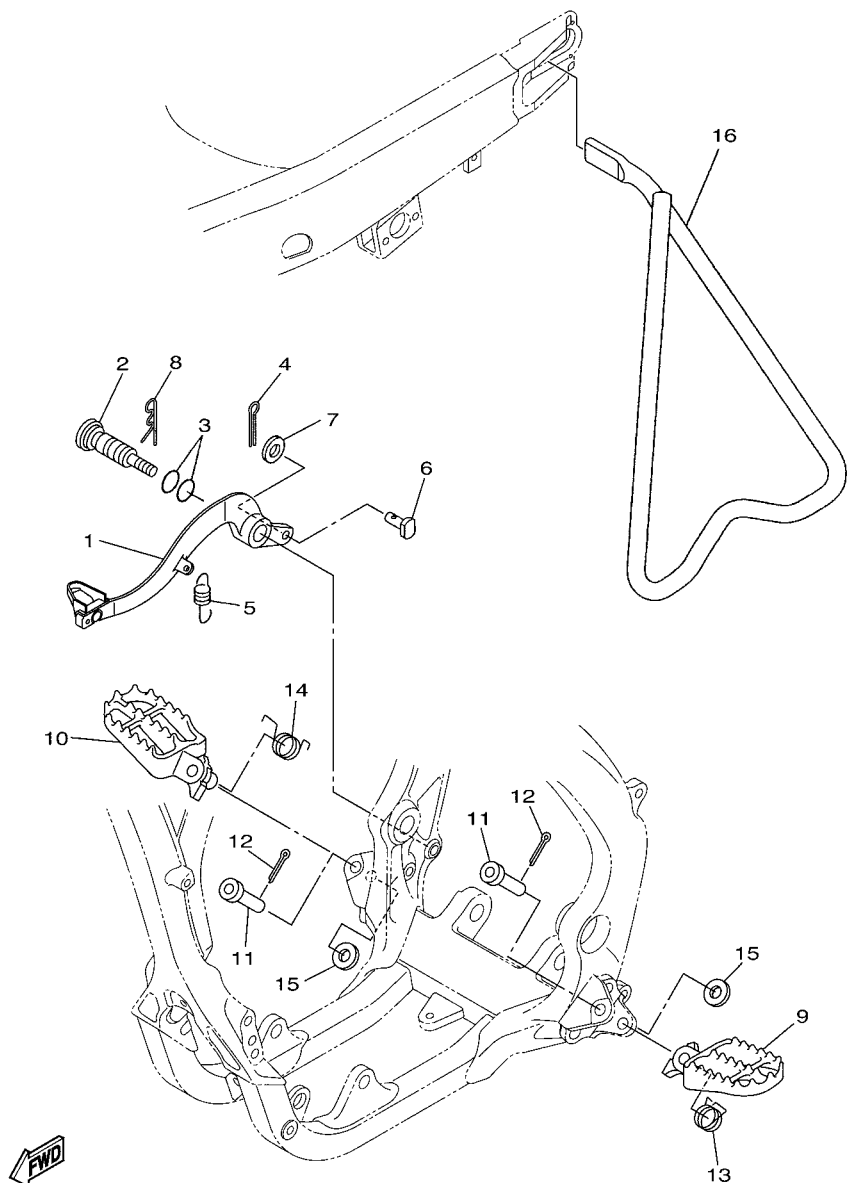


34P1100-H340

FIG. 33 FRONT MASTER CYLINDER

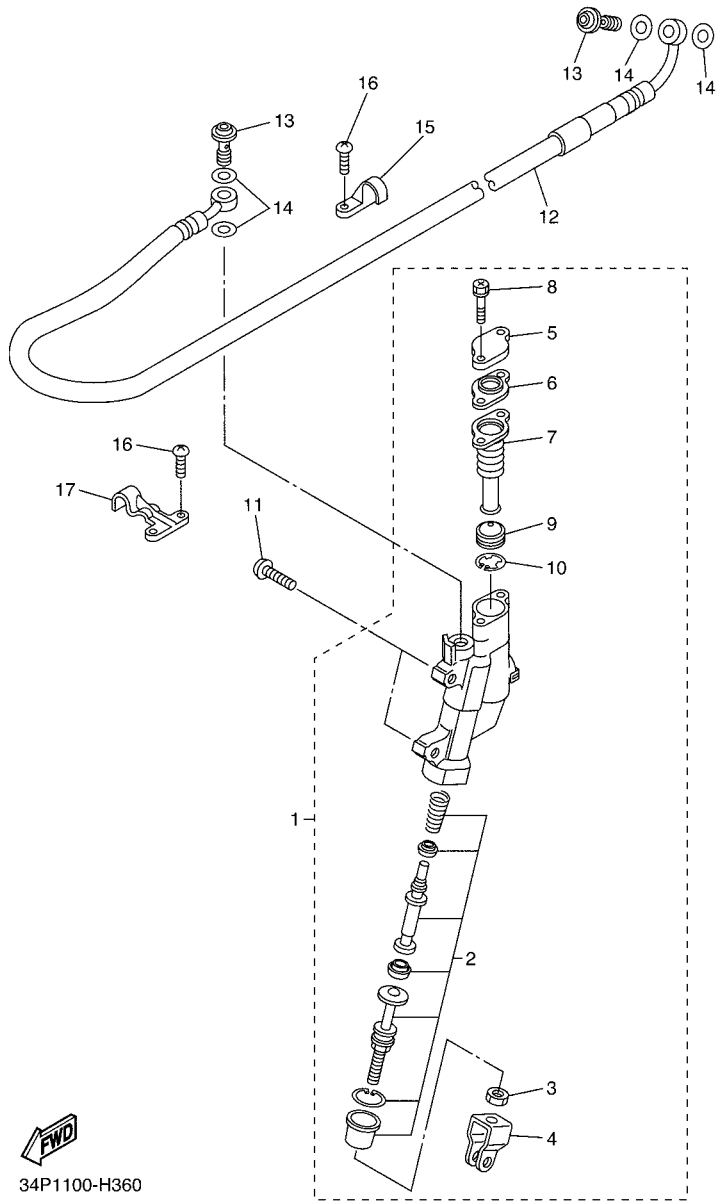
REF. NO.	PART NO.	DESCRIPTION	17DD	17DE	17DF	17DG	REMARKS
1	17D-25872-50	HOSE, BRAKE 1	1	1	1	1	
2	90430-10005	GASKET	4	4	4	4	
3	90401-10172	BOLT, UNION	2	2	2	2	
4	5XC-W2587-00	MASTER CYLINDER SUB ASSY	1	1	1	1	
5	5XC-W0041-00	.CYLINDER KIT, MASTER	1	1	1	1	
6	5XC-25854-G0	.DIAPHRAGM, RESERVOIR	1	1	1	1	
7	5XC-25852-G0	.CAP, RESERVOIR	1	1	1	1	
8	98706-04012	.SCREW, FLAT HEAD	2	2	2	2	
9	5CG-25715-00	.SEPARATOR ASSY	1	1	1	1	
10	5XC-25853-G0	.FLOAT, RESERVOIR	1	1	1	1	
11	5CG-2585G-00	.CIRCLIP	1	1	1	1	
12	5XC-83922-L0	LEVER 2	1	1	1	1	
13	5MV-2589F-00	BOLT, LEVER	1	1	1	1	
14	95701-06500	NUT, WITH WASHER	1	1	1	1	
15	5MV-25867-00	BRACKET, MASTER CYLINDER	1	1	1	1	
16	5MV-25833-00	BOLT, FITTING	2	2	2	2	
17	5XC-26372-G0	COVER, HANDLE LEVER 1	1	1	1	1	

FIG. 34 STAND & FOOTREST



17D5110-J340

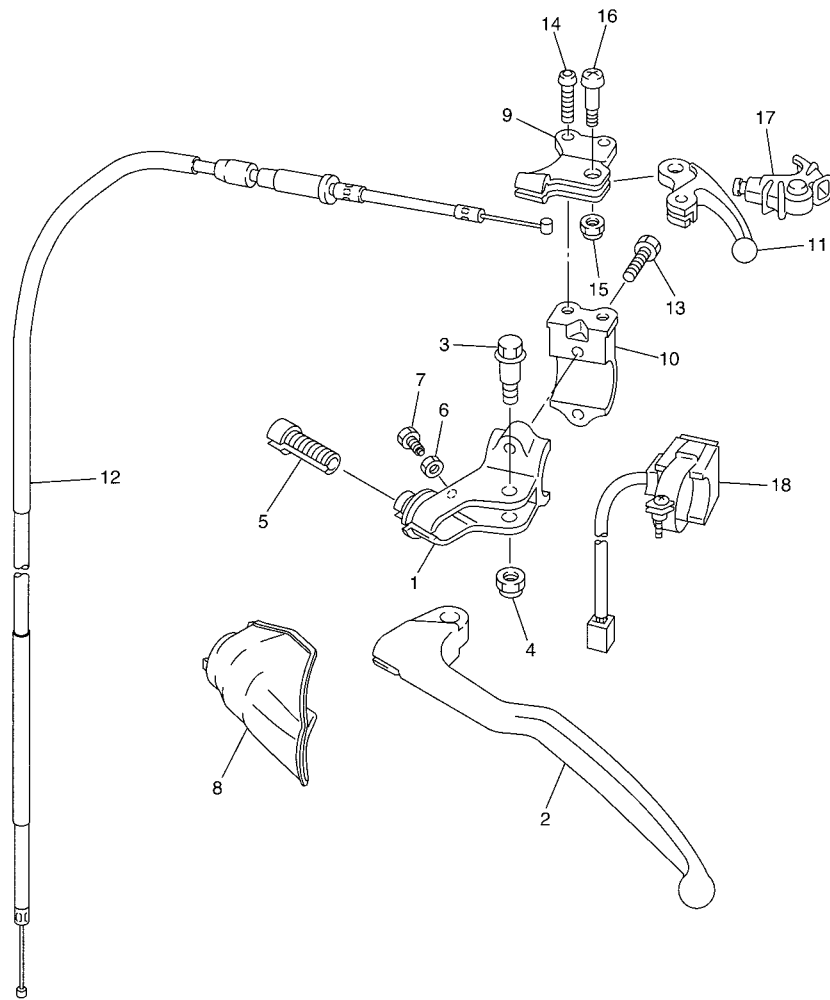
REF. NO.	PART NO.	DESCRIPTION	17DD	17DE	17DF	17DG	REMARKS
1	17D-27200-51	PEDAL, BRAZE	1	1	1	1	
2	17D-27217-00	BOLT	1	1	1	1	
3	93210-11073	O-RING	2	2	2	2	
4	91402-20012	PIN, COTTER	1	1	1	1	
5	90506-16007	SPRING, TENSION	1	1	1	1	
6	90240-08120	PIN, CLEVIS	1	1	1	1	
7	90201-08044	WASHER, PLATE	1	1	1	1	
8	90468-16001	CLIP	1	1	1	1	
9	17D-27411-00	FOOTREST 1	1	1	1	1	
10	17D-27421-00	FOOTREST 2	1	1	1	1	
11	90240-10004	PIN, CLEVIS	2	2	2	2	
12	91402-25015	PIN, COTTER	2	2	2	2	
13	90508-28015	SPRING, TORSION	1	1	1	1	
14	90508-28018	SPRING, TORSION	1	1	1	1	
15	90201-10032	WASHER, PLATE	2	2	2	2	
16	34P-27311-00	STAND, SIDE	1	1	1	1	



34P1100-H360

FIG. 35 REAR MASTER CYLINDER

REF. NO.	PART NO.	DESCRIPTION	17DD	17DE	17DF	17DG	REMARKS
1	17D-2583V-00	RR. MASTER CYLINDER ASSY.	1	1	1	1	
2	5UN-W0042-50	.CYLINDER KIT, MASTER	1	1	1	1	
3	5UN-27218-00	.NUT	1	1	1	1	
4	5UN-27222-00	.JOINT	1	1	1	1	
5	5UN-25852-50	.CAP, RESERVOIR	1	1	1	1	
6	5UN-2585B-00	.PLATE, DIAPHRAGM	1	1	1	1	
7	5UN-25854-00	.DIAPHRAGM, RESERVOIR	1	1	1	1	
8	5UN-27217-00	.BOLT	2	2	2	2	
9	5CG-25715-00	.SEPARATOR ASSY	1	1	1	1	
10	5CG-2585G-00	.CIRCLIP	1	1	1	1	
11	90111-06116	BOLT,HEX. SOCKET BUTTON	2	2	2	2	
12	5XC-25873-L0	HOSE, BRAKE 2	1	1	1	1	
13	90401-10172	BOLT, UNION	2	2	2	2	
14	90430-10005	GASKET	4	4	4	4	
15	1C3-25886-50	HOLDER, BRAKE HOSE	1	1	1	1	
16	98502-05010	SCREW, PAN HEAD	4	4	4	4	
17	1C3-25876-50	HOLDER, BRAKE HOSE 2	1	1	1	1	



34P1100-H380

FIG. 37 HANDLE SWITCH & LEVER

REF. NO.	PART NO.	DESCRIPTION	17DD	17DE	17DF	17DG	REMARKS
1	17D-82911-00	HOLDER, LEVER 1	1	1	1	1	
2	17D-83912-00	LEVER 1	1	1	1	1	
3	90109-06034	BOLT	1	1	1	1	
4	5LP-84126-10	NUT, LENS FITTING	1	1	1	1	
5	17D-26337-00	BOLT, ADJUSTING	1	1	1	1	
6	95302-05600	NUT	1	1	1	1	
7	90101-05005	BOLT	1	1	1	1	
8	34P-26372-00	COVER, HANDLE LEVER 1	1	1	1	1	
9	5XD-82946-00	HOLDER, STARTER LEVER	1	1	1	1	
10	17D-82913-00	HOLDER, LEVER LOWER 1	1	1	1	1	
11	5TA-83941-00	LEVER, STARTER	1	1	1	1	
12	17D-26334-50	CABLE, STARTER 2	1	1	1	1	
13	95022-06020	BOLT, FLANGE	2	2	2	2	
14	92012-05012	BOLT, BUTTON HEAD	2	2	2	2	
15	95602-05100	NUT, U	1	1	1	1	
16	90149-05162	SCREW	1	1	1	1	
17	5TA-26339-00	BOOT	1	1	1	1	
18	17D-83976-00	SWITCH, HANDLE 1	1	1	1	1	

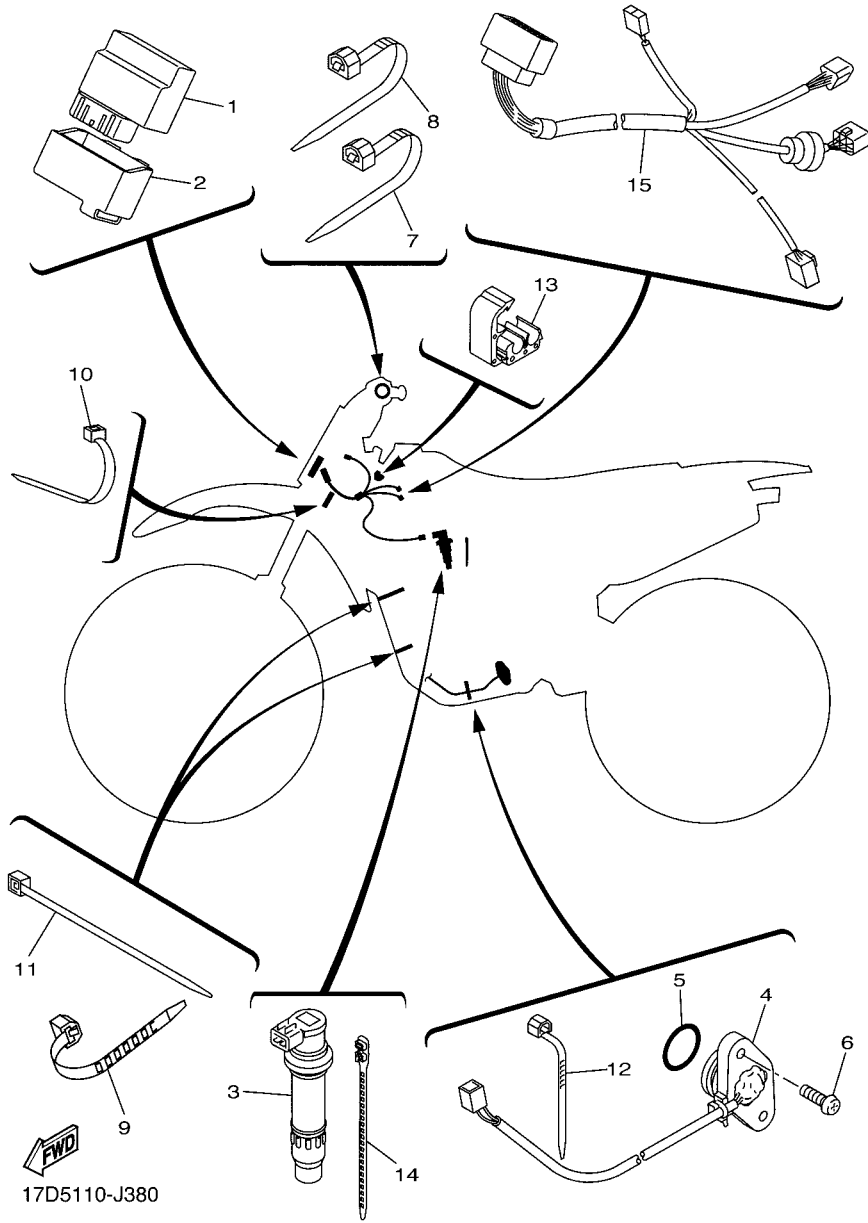


FIG. 38 ELECTRICAL 1

REF. NO.	PART NO.	DESCRIPTION	17DD	17DE	17DF	17DG	REMARKS
1	17D-85540-50	C.D.I. UNIT ASSY	1				
	17D-85540-60	C.D.I. UNIT ASSY		1	1	1	
2	17D-85546-50	BAND	1	1	1	1	
3	5UL-82310-20	IGNITION COIL ASSY	1	1	1	1	
4	17D-82540-00	NEUTRAL SWITCH ASSY	1	1	1	1	
5	93210-21001	O-RING	1	1	1	1	
6	90154-05022	SCREW, BINDING	2	2	2	2	
7	90464-13077	CLAMP	1	1	1	1	
8	90464-13073	CLAMP	1	1	1	1	
9	90464-15195	CLAMP	1	1	1	1	
10	90464-16014	CLAMP	1	1	1	1	
11	90464-13077	CLAMP	1	1	1	1	
12	5Y9-12491-00	CLAMP 1	2	2	2	2	
13	90464-06004	CLAMP	1	1	1	1	
14	90464-45001	CLAMP	1	1	1	1	
15	17D-82509-50	WIRE, SUB LEAD	1	1	1	1	

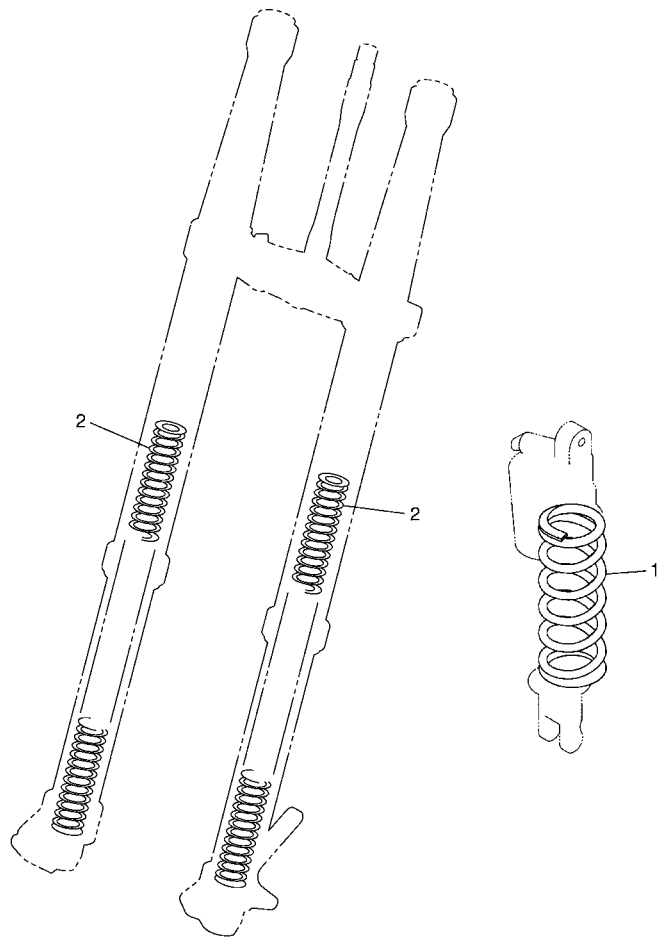


FIG. 39 ALTERNATE FOR CHASSIS

REF. NO.	PART NO.	DESCRIPTION	17DD	17DE	17DF	17DG	REMARKS
1	5UN-22212-00	SPRING (K=42N/MM)	1	1	1	1	AP
	5UN-22212-10	SPRING (K=44N/MM)	1	1	1	1	AP
	5UN-22212-20	SPRING (K=46N/MM)	1	1	1	1	AP
	5UN-22212-30	SPRING (K=48N/MM)	1	1	1	1	AP
	5UN-22212-40	SPRING (K=50N/MM)	1	1	1	1	AP
	5UN-22212-50	SPRING (K=52N/MM)	1	1	1	1	AP
	5UN-22212-60	SPRING (K=54N/MM)	1	1	1	1	AP
	5UN-22212-70	SPRING (K=56N/MM)	1	1	1	1	AP
2	1C3-23141-A1	SPRING, FRONT FORK(K=3.9N/MM)	2	2	2	2	AP
	1C3-23141-B1	SPRING, FRONT FORK(K=4.0N/MM)	2	2	2	2	AP
	1C3-23141-C1	SPRING, FRONT FORK(K=4.1N/MM)	2	2	2	2	AP
	1C3-23141-D1	SPRING, FRONT FORK(K=4.2N/MM)	2	2	2	2	AP
	1C3-23141-E1	SPRING, FRONT FORK(K=4.3N/MM)	2	2	2	2	AP
	1C3-23141-F1	SPRING, FRONT FORK(K=4.4N/MM)	2	2	2	2	AP
	1C3-23141-G1	SPRING, FRONT FORK(K=4.5N/MM)	2	2	2	2	AP
	1C3-23141-H1	SPRING, FRONT FORK(K=4.6N/MM)	2	2	2	2	AP
	1C3-23141-J1	SPRING, FRONT FORK(K=4.7N/MM)	2	2	2	2	AP

NUMERICAL INDEX

PART NO.	REF. NO.	PART NO.	REF. NO.	PART NO.	REF. NO.	PART NO.	REF. NO.	PART NO.	REF. NO.	PART NO.	REF. NO.
17D-11102-10	1 - 1	1HX-12168-R1	3 - 14	5D3-13440-00	8 - 1	3TJ-14536-40	10 - 32	5TA-14916-VU	10 - 12	5JG-14984-00	10 - 28
5NL-11133-10	1 - 2	1HX-12168-U1	3 - 14	5BE-13447-30	8 - 2	5JG-14546-01	10 - 10	5XC-14922-00	10 - 44	4SR-14985-00	10 - 24
5NL-11134-10	1 - 3	1HX-12168-W1	3 - 14	17D-13464-00	7 - 18	676-14548-00	10 - 25	3TJ-14933-40	10 - 33	5TA-14987-00	9 - 7
5XC-11166-00	1 - 20	1HX-12168-Y1	3 - 14	17D-13465-00	7 - 23	4MX-14561-00	10 - 50	5TA-14934-00	10 - 46	5TJ-14987-00	10 - 57
371-11167-01	1 - 19	1HX-12169-11	3 - 14	5XC-13597-30	9 - 1	6H4-14561-00	10 - 34	5JG-14940-16	10 - 31	5TA-14991-00	10 - 38
5NL-11181-00	1 - 14	1HX-12169-31	3 - 14	17D-14101-50	10 - 1	5NX-14562-00	10 - 48	5JG-14940-17	10 - 31	4FN-14997-00	10 - 11
5NL-11191-50	1 - 18	1HX-12169-50	3 - 14	17D-14101-60	10 - 1	3TJ-14564-40	10 - 43	5JG-14940-18	10 - 31	5TA-14997-00	10 - 41
5NL-11193-00	1 - 23	1HX-12169-70	3 - 14	5NL-14105-00	10 - 23	5JG-14565-00	10 - 59	5JG-14940-76	10 - 31	5XC-15100-30-YX	12 - 1
5UM-1119E-00	1 - 22	1HX-12169-90	3 - 14	4MX-14115-00	10 - 51	5NL-14591-00	10 - 61	5TA-14943-28	10 - 22	3Y1-15361-00	13 - 8
5XC-11311-10	1 - 24	1HX-12169-E0	3 - 14	3TJ-14137-40	9 - 8	688-14592-00	10 - 4	4MX-14943-41	10 - 18	3Y1-15363-10	13 - 6
5NL-11351-00	1 - 25	1HX-12169-G0	3 - 14		10 - 52	17D-14611-50	11 - 1	4MX-14943-42	10 - 18	5XC-15373-00	13 - 17
5XC-11400-21	2 - 1	1HX-12169-J0	3 - 14	5BE-14146-00	10 - 53	5NL-14613-00	11 - 5	4MX-14943-43	10 - 18	17D-15378-00	13 - 30
5UL-11412-20	2 - 2	1HX-12169-L0	3 - 14	5PA-14146-00	10 - 62	5XC-14628-R0	11 - 2	4MX-14943-44	10 - 18	4JT-15381-01	12 - 16
5UL-11422-10	2 - 3	1HX-12169-N0	3 - 14	5TA-14155-00	10 - 40	17D-1466G-50	11 - 7	4MX-14943-45	10 - 18	5BE-15383-01	12 - 12
5NL-11454-00	2 - 13	1HX-12169-T0	3 - 14	633-14159-00	10 - 27	17D-1469A-50	11 - 9	4MX-14943-92	10 - 18	5NL-15388-00	12 - 14
5NL-11455-00	2 - 9	17D-12170-10	4 - 1	3TJ-14159-40	10 - 13	2S2-1469E-00	11 - 10	4MX-14943-93	10 - 18	17D-15411-50	13 - 1
5NL-11531-00	2 - 12	17D-12180-10	4 - 2	5XC-14171-00	10 - 35	2S2-1469F-00	11 - 11	4MX-14943-94	10 - 18	5NL-15415-40	13 - 23
5NL-11536-10	2 - 8	5TA-12210-20	4 - 10	3TJ-14191-40	10 - 29	5XD-14714-00	11 - 12	4MX-14943-95	10 - 18	17D-15421-50	12 - 9
5NL-11603-00	2 - 19	4FM-12213-00	4 - 9	5UL-14196-00	10 - 55	17D-14750-50	11 - 6	5XC-14947-00	10 - 17	5XC-15431-01	13 - 13
5XC-11631-00	2 - 18	5BE-12241-00	4 - 12	5TA-14197-00	10 - 56	17D-14750-60	11 - 6	4MX-14948-02	10 - 19	5NL-15441-01	12 - 8
5NL-11633-00	2 - 20	5NL-12251-30	4 - 5	5NX-14216-00	10 - 49	5BE-14788-00	11 - 13	4MX-14948-03	10 - 19	5NL-15451-00	13 - 9
5XC-11651-00	2 - 6	5NL-12252-00	4 - 6	5TA-14227-00	9 - 5	5TA-14916-J1	10 - 12	4MX-14948-04	10 - 19	5NL-15453-10	13 - 28
5XC-11681-01	2 - 4	17D-1240A-50	6 - 1	5TA-14239-00	9 - 6	5TA-14916-JN	10 - 12		10 - 19	5NL-15462-00	13 - 18
5NL-12111-30	3 - 1	5NL-12422-20	5 - 9	5TA-14261-00	10 - 54	5TA-14916-JP	10 - 12	4MX-14948-05	10 - 19	5NL-15601-20	14 - 1
5NL-12112-30	3 - 2	5NL-12439-00	5 - 10	5JG-14264-00	10 - 16	5TA-14916-JR	10 - 12		10 - 19	17D-15620-50	14 - 19
5NL-12113-10	3 - 8	5DH-12451-00	5 - 4	3TJ-14267-40	10 - 9	5TA-14916-JS	10 - 12	4MX-14948-06	10 - 19	17D-15621-50	14 - 20
5NL-12114-10	3 - 9	5XC-12459-00	5 - 1	5JG-14275-00	10 - 15	5TA-14916-JT	10 - 12	4MX-14948-07	10 - 19	5NL-15641-20	14 - 2
5NL-12116-00	3 - 4	17D-12461-50	6 - 2	5TA-14293-00	9 - 4	5TA-14916-JU	10 - 12	4JT-1494F-03	10 - 21	5NL-15651-00	14 - 16
5VY-12117-00	3 - 10	5SL-12462-00	6 - 3	3TJ-14293-40	10 - 30	5TA-14916-KR	10 - 12	4JT-1494F-07	10 - 21	5NL-15664-00	14 - 10
1HX-12118-00	3 - 11	5XC-12481-G0	6 - 6	5XD-14325-00	10 - 63	5TA-14916-L1	10 - 12	4JT-1494F-11	10 - 21	5SG-15668-00	14 - 12
1WG-12118-00	3 - 13	5Y9-12491-00	38 - 12	5TA-14335-00	10 - 37	5TA-14916-LN	10 - 12	3TJ-1494F-13	10 - 20	2S2-15671-00	14 - 5
4SV-12119-00	3 - 7	5NL-12564-00	13 - 21	5JG-14346-00	10 - 58	5TA-14916-LP	10 - 12	3TJ-1494F-14	10 - 20	214-15686-00	14 - 13
4TV-12119-00	3 - 6	17D-12576-50	6 - 9	5TA-14371-00	10 - 36	5TA-14916-LS	10 - 12	3TJ-1494F-15	10 - 20	5NL-16111-01	15 - 1
5NL-12121-10	3 - 3	17D-12577-50	6 - 10	2S2-14374-00	10 - 39	5TA-14916-LT	10 - 12	4JT-1494F-15	10 - 21	5XC-16150-10	15 - 4
3GM-12126-00	3 - 5	17D-12578-50	6 - 11	5JG-14379-00	10 - 42	5TA-14916-LU	10 - 12		10 - 21	5XC-16154-00	15 - 5
5VY-12127-00	3 - 12	17D-12579-50	6 - 12	2S2-14388-00	10 - 8	5TA-14916-P1	10 - 12	3TJ-1494F-16	10 - 20	5XC-16181-00	15 - 12
3FV-12153-10	3 - 16	17D-12581-50	6 - 14	4MX-14392-00	10 - 26	5TA-14916-PN	10 - 12	3TJ-1494F-17	10 - 20	5XC-16321-00	15 - 7
3LN-12153-10	3 - 15	17D-12588-50	6 - 13	17D-14401-00	9 - 11	5TA-14916-PP	10 - 12	3TJ-1494F-18	10 - 20	5NL-16325-00	15 - 8
1HX-12168-00	3 - 14	583-13113-00	8 - 20	5NY-14442-00	9 - 15	5TA-14916-PR	10 - 12	3TJ-1494F-19	10 - 20	5HD-16351-00	15 - 9
1HX-12168-20	3 - 14	5NL-13161-20	8 - 8	4XM-14451-00	9 - 17	5TA-14916-PS	10 - 12	4JT-1494F-19	10 - 21	5XC-16356-00	15 - 16
1HX-12168-40	3 - 14	5NL-13171-10	8 - 13	17D-14452-00	9 - 16	5TA-14916-PT	10 - 12	4JT-1494F-23	10 - 21	5NL-16357-10	15 - 21
1HX-12168-60	3 - 14	5SG-13300-01	7 - 1	17D-14453-50	9 - 12	5TA-14916-PU	10 - 12	4JT-1494F-27	10 - 21	5NL-16371-31	15 - 6
1HX-12168-80	3 - 14	5NL-13320-00	7 - 3	5NY-14455-20	9 - 14	5TA-14916-V1	10 - 12	4JT-1494F-29	10 - 21	5XC-16381-10	15 - 22
1HX-12168-A0	3 - 14	5NL-13341-00	7 - 11	5BE-14458-10	9 - 20	5TA-14916-VN	10 - 12	4JT-1494F-31	10 - 21	4JT-16384-00	15 - 25
1HX-12168-F0	3 - 14	5BE-13342-00	7 - 10	5NY-14459-00	9 - 13	5TA-14916-VP	10 - 12	4JT-1494F-33	10 - 21	5NL-17121-00	16 - 9
1HX-12168-H1	3 - 14	5NL-13411-00	7 - 16	5JG-14521-00	10 - 14	5TA-14916-VR	10 - 12	4JT-1494F-35	10 - 21	17D-17131-10	16 - 6
1HX-12168-K1	3 - 14	5XC-13412-00	7 - 15	5JG-14522-00	10 - 7	5TA-14916-VS	10 - 12	5JG-14951-00	10 - 6	17D-17141-10	16 - 7
1HX-12168-M1	3 - 14	17D-13416-00	21 - 17	5JG-14531-00	10 - 60	5TA-14916-VT	10 - 12	5JG-14959-00	10 - 2	17D-17151-10	16 - 3

NUMERICAL INDEX

PART NO.	REF. NO.	PART NO.	REF. NO.	PART NO.	REF. NO.	PART NO.	REF. NO.	PART NO.	REF. NO.	PART NO.	REF. NO.
5NL-17211-10	16 - 21	5XE-21635-10	20 - 9	5UN-22212-20	39 - 1	2S2-23141-M1	25 - 21	17D-2339E-10	24 - 15	17D-2531B-00	30 - 15
5NL-17221-00	16 - 13	5XC-2163G-30	21 - 2	5UN-22212-30	39 - 1		25 - 45	17D-2341E-50	24 - 3	4XM-25364-00	30 - 20
17D-17231-10	16 - 17		21 - 4	5UN-22212-40	39 - 1	5XC-23141-N0	25 - 21	17D-23435-10	24 - 6	17D-25381-00	30 - 27
17D-17241-10	16 - 16	17D-21642-00	20 - 15	5UN-22212-50	39 - 1		25 - 45	18P-23441-00	24 - 8	17D-25388-00	30 - 23
17D-17251-10	16 - 20	3RV-21668-A0	22 - 32	5UN-22212-60	39 - 1	1C3-23142-L0	25 - 20	17D-23442-00	24 - 9	17D-25389-00	30 - 24
5NL-17402-01	16 - 12	3RV-21668-B0	22 - 33	5UN-22212-70	39 - 1		25 - 44	17D-23466-00	25 - 54	4XM-25394-00	30 - 19
5XC-17411-00	16 - 2	17D-21710-00	21 - 1	5UN-22212-K0	23 - 17	5XE-23144-L0	25 - 10	17D-23467-00	25 - 55	5SF-25394-00	28 - 13
5NL-17466-00	12 - 11	17D-21720-00	21 - 3	5UN-22212-L0	23 - 17		25 - 34	17D-23485-50	24 - 13	5ET-25395-00	30 - 13
5NL-17471-10	16 - 29	17D-2172A-00	21 - 14	1C3-22213-L0	23 - 4	17D-23145-00	25 - 8	17D-23591-50	19 - 42	34P-25396-00	30 - 11
5UL-18101-20	18 - 10	17D-2172A-10	21 - 15	17D-22214-00	23 - 18		25 - 32	17D-24110-50	26 - 1	34P-25397-00	30 - 12
5XC-18110-10	18 - 15	17D-21730-D0	21 - 7	5MV-22224-00	23 - 9	5XC-23146-10	25 - 7	3C5-2411B-20	20 - 17	17D-25447-50	30 - 6
5LP-18122-01	18 - 5	17D-21730-E0	21 - 7	4JX-22226-00	23 - 6		25 - 31	17D-2412F-00	26 - 15	17D-25448-50	30 - 6
3XK-18140-00	17 - 8	17D-2173E-10	21 - 2	3SP-22234-00	23 - 3	1AE-23147-00	25 - 18	4EW-2412F-00	26 - 13	17D-25449-50	30 - 6
5BE-18172-00	18 - 3	17D-2173F-10	21 - 4	5NY-22241-00	23 - 22		25 - 42	17D-24144-00	26 - 6		30 - 6
3XJ-18173-10	18 - 2	17D-21740-D0	21 - 10	5XE-22242-00	23 - 19	1C3-23147-L0	25 - 12	3FB-2415E-02	20 - 5	17D-25450-50	30 - 6
3XJ-18178-00	18 - 9	17D-21740-E0	21 - 10	1C3-22253-50	23 - 10		25 - 36	3FB-2415E-12	20 - 6	17D-25451-50	30 - 6
3XJ-18182-00	18 - 8	17D-2174G-10	21 - 8	1C3-22253-L1	23 - 15	17D-23153-00	25 - 3	3FB-2415E-C1	20 - 5		30 - 6
3XJ-18184-00	18 - 7	17D-2174G-20	21 - 8	4AA-22259-40	23 - 8		25 - 27	4SR-2416E-00	20 - 7	17D-25452-50	30 - 6
2S2-18185-00	18 - 1	17D-2174H-10	21 - 11	4AA-22259-50	23 - 8	5XE-23153-L0	25 - 9	5SF-24173-00	26 - 12	5CG-25715-00	33 - 9
5NL-18501-00	17 - 5	17D-2174H-20	21 - 11	4AA-22259-70	23 - 8		25 - 33	4KB-24181-00	6 - 19		35 - 9
5NL-18502-00	17 - 6	17D-21751-00	21 - 16	4EW-22474-00	23 - 12	2HH-23158-L0	25 - 23	17D-24181-50	26 - 17	17D-25718-50	31 - 19
5NL-18503-00	17 - 7	5FK-2175C-00	21 - 9	3JE-22475-00	23 - 11		25 - 47	17D-24182-50	26 - 27	5XC-2580T-G0	29 - 3
5NL-18541-00	17 - 1		21 - 12	5NY-22475-00	23 - 16	17D-2315H-50	25 - 52	3JD-24186-00	26 - 10	17D-2580W-01	31 - 3
4UN-18542-00	17 - 4	17D-22110-00	22 - 1	5UN-22898-60	31 - 12	17D-2315J-50	25 - 51	3XJ-24380-00	26 - 4	17D-2580W-11	31 - 3
5DH-18562-00	12 - 18	5XC-22121-91	22 - 28	1C3-22969-90	22 - 9	17D-2316A-00	25 - 13	4DP-24500-01	26 - 18	5XC-2581T-G0	29 - 1
17D-21101-50	19 - 1	34P-22122-00	22 - 29	17D-23102-00	25 - 1		25 - 37	4X8-24512-00	26 - 21	1UY-25824-51	31 - 7
17D-21131-00	19 - 9	2S2-22128-70	22 - 11	17D-23102-10	25 - 1	17D-2316A-10	25 - 13	3AC-24523-00	26 - 22	1UY-25825-51	31 - 8
17D-21163-50	19 - 32	17D-22141-50	22 - 15	17D-23103-00	25 - 25		25 - 37	3AJ-24534-01	26 - 19	5UN-25827-60	31 - 11
17D-21164-50	19 - 41	34P-22151-01	22 - 8	17D-23103-10	25 - 25	17D-23170-00	25 - 11	5NY-24610-00	26 - 2	5UN-25828-60	31 - 10
17D-2117F-50	19 - 44	5UN-22176-00	23 - 13	17D-23110-00	25 - 28		25 - 35	17D-2470F-00	27 - 2	2S2-2582W-70	31 - 1
5PA-2118K-00	20 - 18	30X-22178-00	19 - 10	5XC-23111-00	25 - 22	17D-23170-10	25 - 11	17D-2470F-D0	27 - 2	5MV-25833-00	33 - 16
5PA-2118K-10	20 - 19	3JD-22178-20	19 - 15		25 - 46		25 - 35	17D-24710-00	27 - 1	17D-2583V-00	35 - 1
5PA-2118K-20	20 - 18	17D-2217A-00	22 - 18	276-23114-00	25 - 24	5XE-23171-L0	25 - 5	17D-24710-D0	27 - 1	5XC-25849-G0	29 - 15
17D-21190-00	19 - 7	17D-2217F-50	22 - 24		25 - 48		25 - 29	5NY-25104-00	28 - 7	5UN-25852-50	35 - 5
17D-21244-10	19 - 31	4V4-22184-00	19 - 11	17D-23120-00	25 - 4	5DH-23183-00	23 - 7	5NY-25111-00	28 - 1	5XC-25852-G0	33 - 7
17D-21274-50	19 - 37	5MV-22184-00	23 - 14	5XE-23125-L0	25 - 6	509-23184-L0	23 - 5	5NY-25117-00	28 - 3	5XC-25853-G0	33 - 10
17D-21335-50	19 - 5	2S2-22199-70	22 - 10		25 - 30	1C3-23188-L0	25 - 14	5XC-25181-G0	28 - 14	5UN-25854-00	35 - 7
17D-21417-50	19 - 34	17D-22200-10	23 - 1	17D-23136-00	25 - 2		25 - 38	5XC-25183-G0	28 - 15	5XC-25854-G0	33 - 6
17D-21425-50	19 - 25	17D-22200-20	23 - 1		25 - 26	1C3-23188-N0	25 - 15	5XC-25186-G0	28 - 16	5UN-2585B-00	35 - 6
17D-21426-50	19 - 26	17D-22200-30	23 - 1	1C3-23141-A1	39 - 2		25 - 39	56A-25195-00	28 - 9	5CG-2585G-00	33 - 11
17D-21447-00	19 - 2	17D-22200-50	23 - 1	1C3-23141-B1	39 - 2	1C3-23188-P0	25 - 16	5NY-25196-00	28 - 8		35 - 10
17D-21448-00	19 - 3	17D-22200-60	23 - 1	1C3-23141-C1	39 - 2		25 - 40	34P-25304-00	30 - 10	5MV-25867-00	33 - 15
5XC-21456-90	19 - 36	17D-22200-70	23 - 1	1C3-23141-D1	39 - 2	1C3-23188-R0	25 - 17	17D-2530S-00	30 - 22	17D-25872-50	33 - 1
17D-2147E-50	19 - 39	17D-22201-10	23 - 2	1C3-23141-E1	39 - 2		25 - 41	17D-25311-00	30 - 1	5XC-25873-L0	35 - 12
17D-21511-50	20 - 1	17D-22201-20	23 - 2	1C3-23141-F1	39 - 2	1C3-23190-L0	25 - 19	17D-25317-00	30 - 2	1C3-25876-50	35 - 17
17D-21511-60	20 - 1	17D-22201-30	23 - 2	1C3-23141-G1	39 - 2		25 - 43	17D-2531B-00	28 - 6	1C3-25886-50	35 - 15
17D-21610-00	20 - 8	5UN-22212-00	39 - 1	1C3-23141-H1	39 - 2	17D-23340-50	25 - 49		28 - 6	5MV-2589F-00	33 - 13
17D-21610-D0	20 - 8	5UN-22212-10	39 - 1	1C3-23141-J1	39 - 2	17D-23389-50	24 - 16		30 - 15	5UN-25914-00	31 - 17

NUMERICAL INDEX

PART NO.	REF. NO.	PART NO.	REF. NO.	PART NO.	REF. NO.	PART NO.	REF. NO.	PART NO.	REF. NO.	PART NO.	REF. NO.
5DH-25914-50	31 - 15	17D-82911-00	37 - 1	90105-06127	20 - 3	90179-08019	30 - 26	90202-05193	26 - 25	90445-11059	26 - 23
3SP-25914-51	29 - 12	17D-82913-00	37 - 10	90105-06156	31 - 2	90179-10658	19 - 22	90202-08045	10 - 5	90445-14017	7 - 29
5DH-25916-00	29 - 10	5XD-82946-00	37 - 9	90105-06170	9 - 22		19 - 29	90209-06096	9 - 18	90450-17001	7 - 30
	31 - 14	17D-83912-00	37 - 2		24 - 17	90179-12657	36 - 4	90209-16011	22 - 22	90450-22001	6 - 18
3JD-25917-00	29 - 13	5XC-83922-L0	33 - 12		25 - 56	90179-16011	28 - 17	90209-20008	16 - 4		7 - 22
	31 - 16	5TA-83941-00	37 - 11	90105-06189	12 - 10	90179-18001	15 - 3		16 - 18	90450-25001	6 - 15
5DH-25919-00	29 - 6	17D-83976-00	37 - 18	90105-08137	29 - 16		16 - 28	90209-23012	16 - 14	90450-28001	6 - 16
5DH-25919-50	31 - 6	5LP-84126-10	37 - 4	90105-08143	19 - 35	90179-24004	24 - 7	90215-14204	2 - 15	90450-32003	6 - 17
8CR-25924-00	31 - 13	17D-85540-50	38 - 1	90105-08151	21 - 20	90179-28015	24 - 4	90215-16289	15 - 14	90450-58006	9 - 3
3SP-25926-51	29 - 11	17D-85540-60	38 - 1	90105-08154	24 - 12	90185-08008	30 - 8	90215-20003	15 - 2	90450-61002	9 - 10
5DH-25933-00	29 - 9	17D-85546-50	38 - 2		25 - 50	90185-08009	19 - 19		16 - 27	90464-06004	38 - 13
1UY-25937-51	29 - 14	17D-85550-10	36 - 2	90105-08224	11 - 15	90185-10012	23 - 23	90240-08120	34 - 6	90464-12045	26 - 28
	31 - 18	17D-85560-50	36 - 1		19 - 8	90185-14010	22 - 31	90240-10004	34 - 11	90464-13073	38 - 8
5XC-26111-L1	32 - 1	17D-85885-00	10 - 47	90105-08226	19 - 24	90185-16002	22 - 16	90267-48084	11 - 8	90464-13077	38 - 7
17D-26124-00	32 - 14	5XC-W0041-00	33 - 5	90105-08232	19 - 18	90185-22011	30 - 28	90280-03006	2 - 11		38 - 11
5XC-26143-L0	32 - 15	5UN-W0042-50	35 - 2	90105-09002	1 - 16	90201-05017	11 - 3	90340-12007	1 - 7	90464-15195	38 - 9
5XC-26143-M0	32 - 15	5XC-W0045-00	29 - 8	90105-09004	1 - 15	90201-06085	20 - 14	90340-14015	13 - 4	90464-16014	38 - 10
5TJ-26240-C0	32 - 3	1C3-W0046-50	31 - 9	90105-10176	19 - 28	90201-06104	20 - 12	90340-32006	13 - 2	90464-45001	38 - 14
4GY-26241-00	32 - 2	1C3-W0046-B0	31 - 9	90105-10361	19 - 21	90201-06108	20 - 4	90387-06065	6 - 21	90465-08029	13 - 29
4GY-26242-00	32 - 4	5KM-W0047-10	29 - 5	90105-10373	19 - 27	90201-06571	6 - 23	90387-06105	24 - 1	90465-10013	12 - 24
3Y1-26249-00	32 - 5	5UN-W0047-50	31 - 5	90109-06034	37 - 3	90201-06630	21 - 23	90387-06150	21 - 25	90467-090A2	6 - 5
5BE-26281-00	32 - 6	1UY-W0048-50	29 - 7	90109-06193	17 - 10	90201-08043	19 - 20	90387-06161	21 - 28	90467-100A1	26 - 24
5BE-26282-00	32 - 7	5XC-W0057-00	29 - 4	90109-06232	25 - 53	90201-08044	34 - 7	90387-06259	20 - 2	90467-140A4	1 - 21
5SF-26287-10	32 - 9	5UN-W0057-50	31 - 4	90109-08078	30 - 7	90201-08045	19 - 12	90387-064X4	20 - 10	90468-16001	34 - 8
17D-26302-50	32 - 10	5XC-W2587-00	33 - 4	90110-05038	9 - 9	90201-08048	14 - 25	90387-08041	19 - 13	90480-08608	30 - 21
17D-26334-50	37 - 12	90101-05005	37 - 7	90110-06228	8 - 5		30 - 9	90387-086N4	19 - 17	90480-10068	9 - 21
17D-26335-50	32 - 11	90101-06041	18 - 4	90110-08051	14 - 26	90201-080H1	15 - 18	90387-124F4	18 - 11	90480-10289	21 - 24
17D-26337-00	37 - 5	90101-06044	14 - 14	90111-06116	35 - 11	90201-082A6	21 - 21	90387-14009	22 - 27	90480-14433	21 - 27
5TA-26339-00	37 - 17	90101-08006	30 - 25	90116-06038	1 - 10	90201-08410	10 - 45	90387-16026	22 - 21	90480-15012	6 - 20
34P-26342-00	32 - 13	90105-06027	1 - 6	90119-06149	19 - 40	90201-08512	5 - 2	90387-18004	22 - 7	90480-17008	26 - 7
34P-26372-00	37 - 8	90105-06064	21 - 13	90119-06255	21 - 26		5 - 5	90387-18007	12 - 22	90501-043E0	8 - 18
5XC-26372-G0	33 - 17		24 - 14	90119-08095	21 - 6	90201-096J9	1 - 17	90387-18012	22 - 6	90501-052G5	18 - 6
17D-27200-51	34 - 1	90105-06081	12 - 15	90119-08133	11 - 14	90201-10032	34 - 15	90387-20006	16 - 8	90501-06022	17 - 3
17D-27217-00	34 - 2		12 - 19	90122-06005	9 - 19	90201-10045	19 - 23	90387-22001	16 - 24	90501-147A5	14 - 21
5UN-27217-00	35 - 8		16 - 30	90149-05162	37 - 16		19 - 30	90387-225N2	32 - 12	90501-160A2	14 - 6
5UN-27218-00	35 - 3	90105-06098	13 - 26	90149-06074	12 - 17	90201-12166	7 - 13	90401-08006	8 - 11	90501-230A2	15 - 10
5UN-27222-00	35 - 4	90105-06100	20 - 11	90149-06084	2 - 14	90201-127E1	36 - 5	90401-10015	8 - 9	90506-16007	34 - 5
34P-27311-00	34 - 16	90105-06103	21 - 5	90149-06108	26 - 26	90201-14020	22 - 30	90401-10172	33 - 3	90508-26561	17 - 9
17D-27411-00	34 - 9	90105-06104	22 - 12	90149-06121	36 - 3	90201-15701	13 - 15		35 - 13	90508-28015	34 - 13
17D-27421-00	34 - 10	90105-06105	22 - 14	90149-10031	19 - 4	90201-16018	22 - 17	90430-06014	1 - 9	90508-28018	34 - 14
17D-27491-50	31 - 21	90105-06106	20 - 13	90151-06044	12 - 13	90201-162H4	14 - 11		5 - 12	90508-291A8	18 - 12
5XC-28116-00	19 - 47	90105-06107	26 - 8	90151-06045	14 - 23	90201-167P7	14 - 7	90430-08119	8 - 12	90508-30743	14 - 9
5TA-2814F-00	19 - 46		31 - 22	90151-06051	29 - 2	90201-177G4	14 - 17	90430-10005	33 - 2	91312-06020	6 - 8
5ET-28166-10	19 - 45	90105-06110	31 - 20	90154-05022	38 - 6	90201-20685	14 - 3		35 - 14	91312-06025	7 - 6
5PG-2816R-00	20 - 18	90105-06111	6 - 22	90159-06092	15 - 11	90201-21014	22 - 23	90430-10188	8 - 10		8 - 7
5UL-82310-20	38 - 3		26 - 9	90170-14171	2 - 16	90201-22013	15 - 13		12 - 7		9 - 2
17D-82509-50	38 - 15		31 - 23	90170-16326	15 - 15	90201-22022	30 - 29	90445-09220	26 - 3	91312-06045	12 - 3
17D-82540-00	38 - 4	90105-06127	18 - 16	90179-06028	22 - 13	90201-286K9	24 - 5	90445-09251	26 - 5	91312-06055	12 - 4

NUMERICAL INDEX

PART NO.	REF. NO.	PART NO.	REF. NO.	PART NO.	REF. NO.	PART NO.	REF. NO.	PART NO.	REF. NO.	PART NO.	REF. NO.
91312-06065	8 - 6	93210-196A4	16 - 23	94330-21084	28 - 12	98702-06025	26 - 14				
91312-06070	12 - 5	93210-21001	38 - 5	94416-21034	28 - 5	98706-04012	33 - 8				
91316-04012	10 - 3	93210-32172	13 - 3	94416-21045	28 - 5	98902-06012	21 - 22				
91317-06030	7 - 7	93210-47675	8 - 3			98902-06025	26 - 11				
91402-20012	34 - 4	93300-60839	19 - 16	94418-19026	30 - 14	98980-06008	11 - 4				
91402-25015	34 - 12	93306-00105	5 - 8	94418-19036	30 - 14	99001-08600	7 - 12				
91808-16023	1 - 4	93306-00317	16 - 22			99009-12400	7 - 14				
	1 - 5	93306-00320	16 - 10	94591-53114	4 - 4	99009-16400	14 - 8				
91812-16001	13 - 19	93306-20335	2 - 10	94681-68001	30 - 31	99009-17400	14 - 18				
91A20-05065	6 - 4	93306-20447	16 - 1	94682-28001	30 - 31	99009-22500	13 - 16				
92012-05008	19 - 6	93306-20648	2 - 7	94701-00410	1 - 13	99009-42700	30 - 5				
	19 - 43	93306-27208	16 - 11	94701-00411	1 - 13	99530-08012	7 - 5				
92012-05012	37 - 14	93306-90409	28 - 2	94703-00410	1 - 13	99530-08016	13 - 10				
92012-06010	19 - 33	93306-90509	17 - 2	94703-00411	1 - 13		13 - 27				
	19 - 38	93306-90510	30 - 3	95022-06010	1 - 8	99530-10114	7 - 9				
92012-06016	21 - 19	93310-63238	2 - 5				7 - 20				
92902-06600	4 - 8	93311-32261	2 - 17	95022-06012	5 - 15		7 - 26				
92902-10200	23 - 21	93315-32166	22 - 19		8 - 17		12 - 21				
	24 - 10	93315-32269	22 - 25	95022-06016	7 - 27	99530-10116	12 - 23				
93101-14164	13 - 14	93317-11287	15 - 23	95022-06020	37 - 13	9Y581-92111	30 - 30				
93102-12106	5 - 7	93317-22262	22 - 2	95022-06025	4 - 11	9Y581-92113	30 - 30				
93102-12224	15 - 24	93332-00068	24 - 2		5 - 13	9Y582-28111	30 - 30				
	18 - 14	93332-00081	24 - 18		7 - 17	9Y582-28113	30 - 30				
93102-18278	14 - 15	93340-21008	15 - 17		7 - 21						
93102-26468	28 - 4	93342-22217	22 - 3		7 - 24						
93102-28010	16 - 25	93410-20038	14 - 4		13 - 12						
93102-32337	30 - 4	93410-22039	16 - 5		13 - 24						
93106-22002	22 - 4		16 - 19	95022-06035	1 - 28						
93109-11073	5 - 6	93410-26067	16 - 15		13 - 11						
93109-22019	22 - 26	93420-16086	2 - 21		13 - 20						
93109-25001	22 - 20	93440-07182	5 - 3		13 - 25						
93109-28043	22 - 5		15 - 19	95022-06065	5 - 14						
93210-07003	8 - 14	93440-10153	7 - 4	95022-08040	19 - 14						
93210-07135	8 - 4	93440-41178	4 - 3	95022-10016	12 - 6						
93210-09525	8 - 15	93503-08007	8 - 19	95302-05600	37 - 6						
93210-09754	7 - 28	93507-32009	14 - 22	95602-05100	37 - 15						
93210-10197	7 - 8	93511-32027	15 - 20	95602-10200	23 - 20						
	7 - 19	93603-16219	7 - 2		24 - 11						
	7 - 25	93604-10011	5 - 11	95612-08620	1 - 11						
	12 - 20	93608-33002	18 - 13	95701-06500	33 - 14						
93210-11073	34 - 3	93612-16254	1 - 27	95702-06500	1 - 26						
93210-12010	8 - 16		12 - 2	95702-08500	1 - 12						
93210-14369	13 - 5	9383B-13218	16 - 26	97022-06016	4 - 7						
	21 - 18	94108-21027	28 - 10	97702-60016	20 - 16						
93210-16275	6 - 7	94110-19019	30 - 16	98502-05010	35 - 16						
93210-16716	13 - 22	94209-21229	28 - 11	98507-03008	26 - 20						
93210-17570	14 - 24	94210-19222	30 - 17	98507-05020	32 - 8						
93210-19123	13 - 7	94316-19156	30 - 18	98702-06020	26 - 16						