

PARTS CATALOGUE

YZ85R**(5PA4) USA,CANADA****YZ85****(5PA4) EUROPE,SOUTH AFRICA****YZ85****(5PA6) JAPAN****YZ85LW****(5SH4) EUROPE****YZ85LW****(5SH6) JAPAN****YAMAHA**
GENUINE
Parts & Accessories

1B5PA-100E1

2008-8-28

NEWS NO.	DATE	COMMENT
PE0-MC-080010	Mar.,2,2008	MOD:YZ85/LW(5PA*/5SH*) FIG.6 LIST/ILLUSTRATION CORRECTION

YZ85R/YZ85/YZ85LW
PARTS CATALOGUE

©2002 by Yamaha Motor Co., Ltd.
1st Edition, May 2002

All rights reserved.

Any reprinting or unauthorized use
without the written permission of
Yamaha Motor Co., Ltd.
is expressly prohibited.

Printed in Japan

A3



A4

FOREWORD

This Parts Catalogue is related to the parts for the model(s) in the below frame. When you are ordering replacement parts, please refer to this Parts Catalogue and quote both part numbers and part names correctly.

YZ85R(5PA4), YZ85(5PA4/5PA6), YZ85LW(5SH4/5SH6)

1. Modifications or additions which have been made after issue of the Parts Catalogue will be announced in the Yamaha Parts News.
It is advisable that you make necessary corrections to the Parts Catalogue according to the Yamaha Parts News.

2. Abbreviations

The Following abbreviations are used in this Parts Catalogue.

“UR” Use specified parts number.

“UN” Use as many as needed.

“AP” Alternate Parts

“LM” Local Made (Parts need to be ordered locally)

“F#” Frame No. (Applicable machine No.)

3. Parts, which are to be supplied in an assembly, are listed with a dot(.) in front of the part name as shown below.

EXAMPLE

CARBURETOR ASSY

.JET, PILOT

.NOZZLE, MAIN

4. Number of component for assembly

The numeral appearing to the right of each component part indicates the quantity of parts for each assembly unit.

EXAMPLE

PART NO.	DESCRIPTION	Q'TY	REMARKS
2F5-83310-60	FRONT FLASHER LIGHT ASSY	2	
115-83311-60	.BULB (6V-18W)	1	
1M1-83309-60	.REFLECTOR	1	

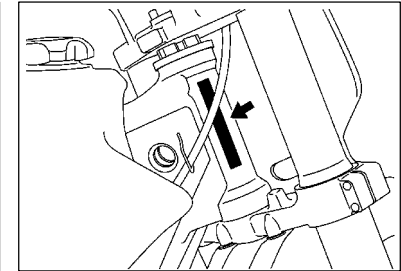
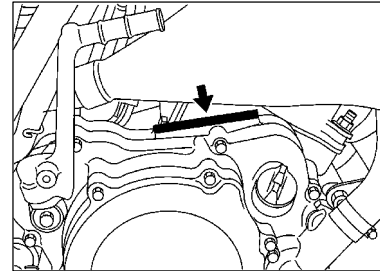
5. Applicable colors of graphics are represented in the “REMARKS” as shown below.

PART NO.	DESCRIPTION	Q'TY	REMARKS
2N4-24110-00-X5	FUEL TANK COMP.	1	MXR
3J1-24240-10	.GRAPHIC, FUEL TANK	1	FOR MXR

6. Applicable Serial No.

Engine Serial No.

Frame Serial No.



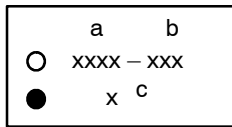
7. Note that the illustrations for reference in finding parts numbers, not to be used for assembling. When assembling, please use the applicable service manual.

8. The asterisk (*) before a reference number indicates modification items after the first edition.

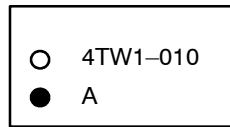
MODEL LABEL

(1) A label called "Model Label" is affixed in the location as indicated in (3) below.
When using this parts catalogue, please be sure to cross-refer the "model code – production code No." in the catalogue to the "model code – production code No." indicated on the Model Label affixed onto the product concerned.

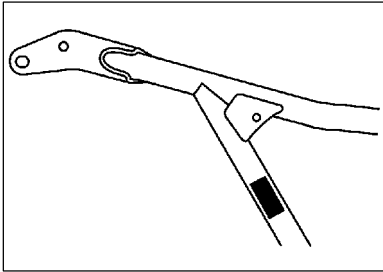
(2) "Model Label" Indication



a: Model Type Code
b: Production Code No.
c: Colouring Type



(3) Model Label Affixing Location



(4) Model Code – Production Code Number of Model Listed in This Parts Catalog

Model Code	Production Code No.	Country (destination)	Model Code	Production Code No.	Country (destination)
5PA4	010	USA	5SH4	070	SWEDEN
	020	CANADA	5SH6	010	JAPAN
	030	GERMANY			
	040	SPAIN			
	050	FRANCE			
	060	ENGLAND			
	070	ITALY			
	090	SWEDEN			
100	SOUTH AFRICA				
5PA6	010	JAPAN			
5SH4	020	GERMANY			
	030	SPAIN			
	040	FRANCE			
	050	ENGLAND			
	060	ITALY			

(5) Colouring Information

Model Code	Colouring type code	Colour code	Colour Name	Abbreviation
5PA4 5PA6 5SH4 5SH6	A	0583	DEEP PURPLISH BLUE SOLID E	DPBSE

CONTENTS

ENGINE

CYLINDER	B2
CRANKSHAFT. PISTON	B3
WATER PUMP	B4
RADIATOR. HOSE	B5
INTAKE	B6
CARBURETOR	B7
EXHAUST	B9
CRANKCASE	B10
CRANKCASE COVER 1	B11
STARTER	B12
CLUTCH	B13
TRANSMISSION	B14
SHIFT CAM. FORK	C2
SHIFT SHAFT	C3

CHASSIS

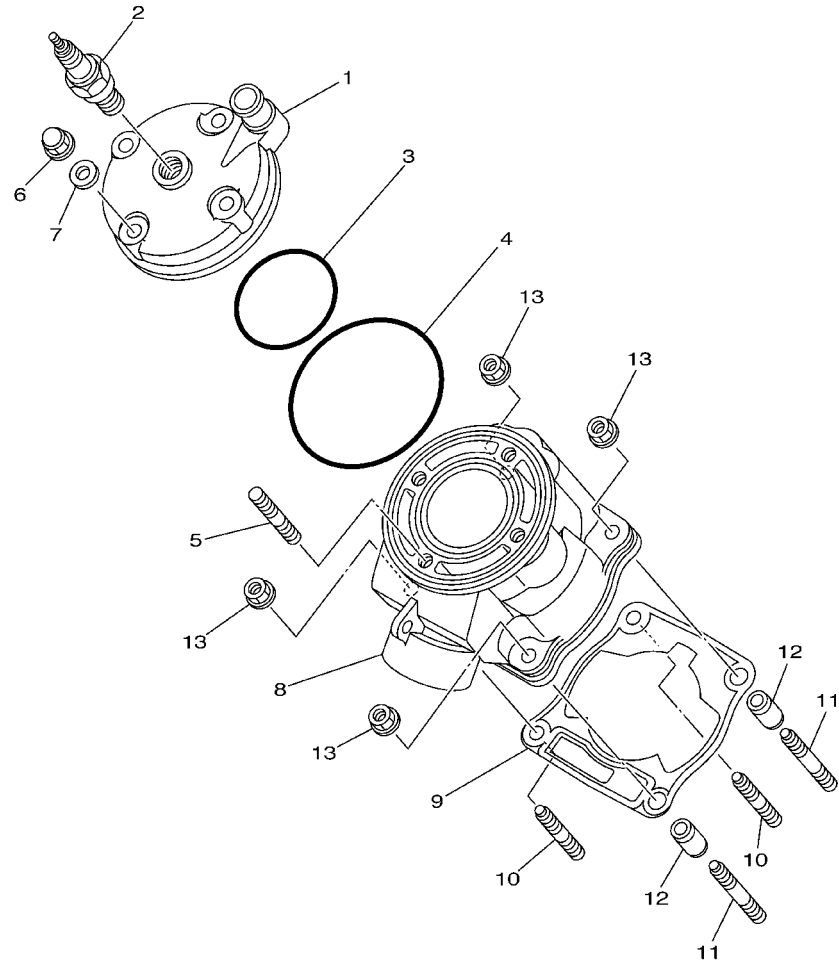
FRAME	C4
FENDER	C5
SIDE COVER	C6
REAR ARM	C7
REAR SUSPENSION	C9
STEERING	C11
FRONT FORK	C12
FUEL TANK	C14
SEAT	C15
FRONT WHEEL	D2
FRONT BRAKE CALIPER	D3
REAR WHEEL	D4
REAR BRAKE CALIPER	D6

STEERING HANDLE. CABLE	D7
FRONT MASTER CYLINDER	D8
STAND. FOOTREST	D9
REAR MASTER CYLINDER	D10
GENERATOR	D11
HANDLE SWITCH. LEVER	D12
ELECTRICAL 1	D13
ALTERNATE (CHASSIS)	D14
OPTIONAL PARTS 1	D15

INDEX

NUMERICAL INDEX	M1
-----------------------	----

FIG. 1 CYLINDER



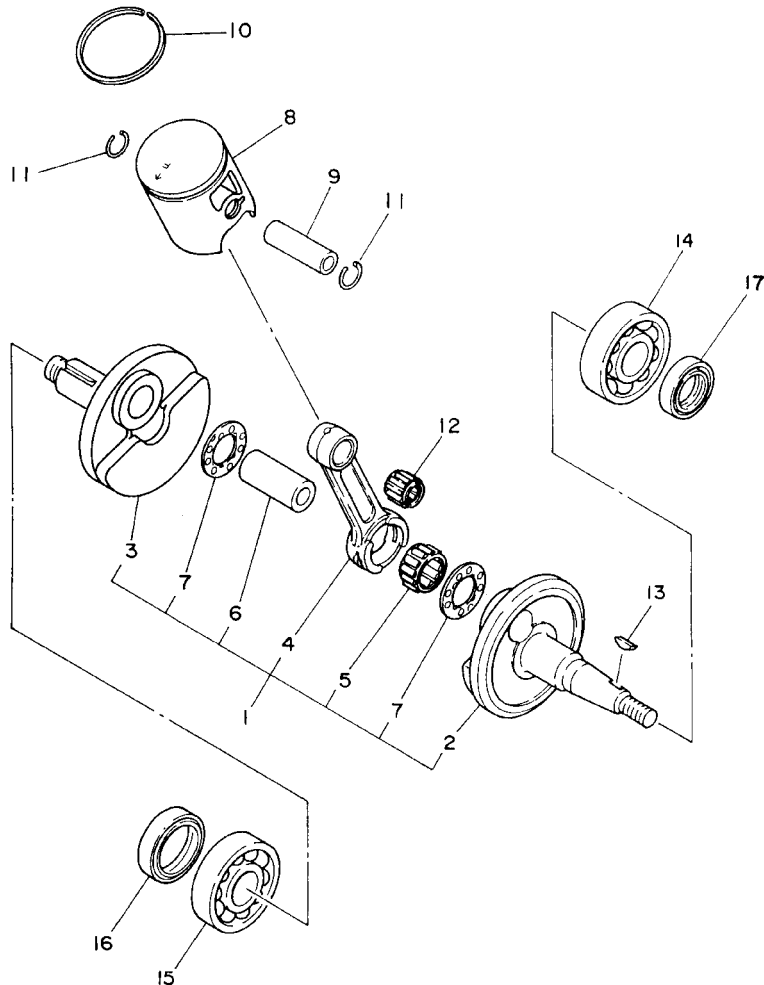
REF. NO.	PART NO.	DESCRIPTION	5PA4	5PA6	5SH4	5SH6	REMARKS
1	5PA-11111-00	HEAD, CYLINDER 1	1	1	1	1	
2	94702-00368	PLUG, SPARK (NGK BR10EG)	1		1		
	94709-00368	PLUG, SPARK (NGK BR10EG)			1	1	
3	93210-56459	O-RING	1	1	1	1	
4	93210-84724	O-RING	1	1	1	1	
5	90116-08394	BOLT, STUD	4	4	4	4	
6	90176-08026	NUT, CROWN	4	4	4	4	
7	90201-080L8	WASHER, PLATE	4	4	4	4	
8	5PA-11311-00	CYLINDER 1	1	1	1	1	
9	4ES-11351-00	GASKET, CYLINDER	1	1	1	1	
10	90116-08318	BOLT, STUD	2	2	2	2	
11	90116-08388	BOLT, STUD	2	2	2	2	
12	99590-10114	PIN, DOWEL	2	2	2	2	
13	90179-08299	NUT	4	4	4	4	



5PA1100-A010

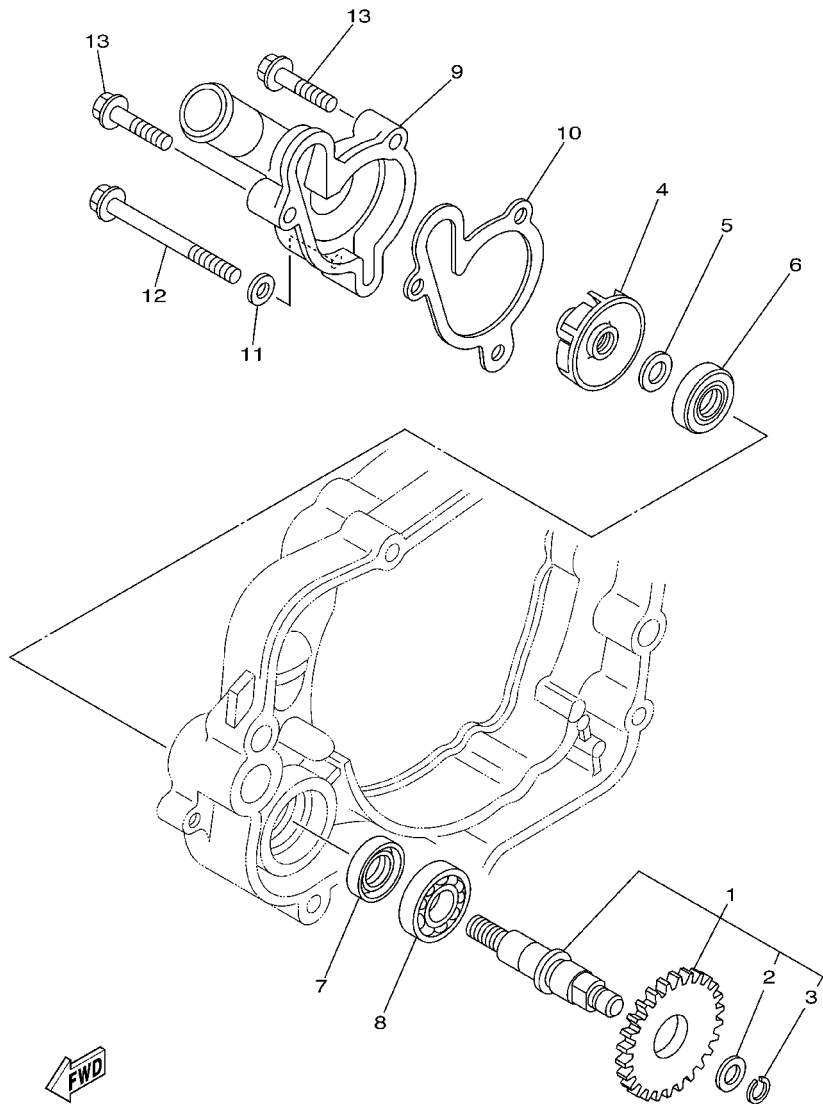
FIG. 2 CRANKSHAFT. PISTON

REF. NO.	PART NO.	DESCRIPTION	5PA4	5PA6	5SH4	5SH6	REMARKS
1	5PA-11400-00	CRANKSHAFT ASSY	1	1	1	1	
2	5PA-11412-00	.CRANK 1	1	1	1	1	
3	5PA-11422-00	.CRANK 2	1	1	1	1	
4	4ES-11651-10	.ROD, CONNECTING	1	1	1	1	
5	93310-420B1	.BEARING	1	1	1	1	
6	2RA-11681-00	.PIN, CRANK 1	1	1	1	1	
7	90209-20159	.WASHER	2	2	2	2	
8	5PA-11631-00-A0	PISTON (STD)	1	1	1	1	UR
	5PA-11631-00-B0	PISTON (STD)	1	1	1	1	UR
	5PA-11631-00-C0	PISTON (STD)	1	1	1	1	UR
	5PA-11631-00-D0	PISTON (STD)	1	1	1	1	UR
9	4ES-11633-00	PIN, PISTON	1	1	1	1	
10	5PA-11611-00	RING, PISTON	1	1	1	1	
11	93450-16115	CIRCLIP	2	2	2	2	
12	93310-21417	BEARING	1	1	1	1	
13	90280-03017	KEY, WOODRUFF	1	1	1	1	
14	93306-20438	BEARING	1	1	1	1	
15	93306-30421	BEARING (B6304C3)	1	1	1	1	
16	93102-28009	OIL SEAL	1	1	1	1	
17	93102-20447	OIL SEAL	1	1	1	1	



4ES1100-3020

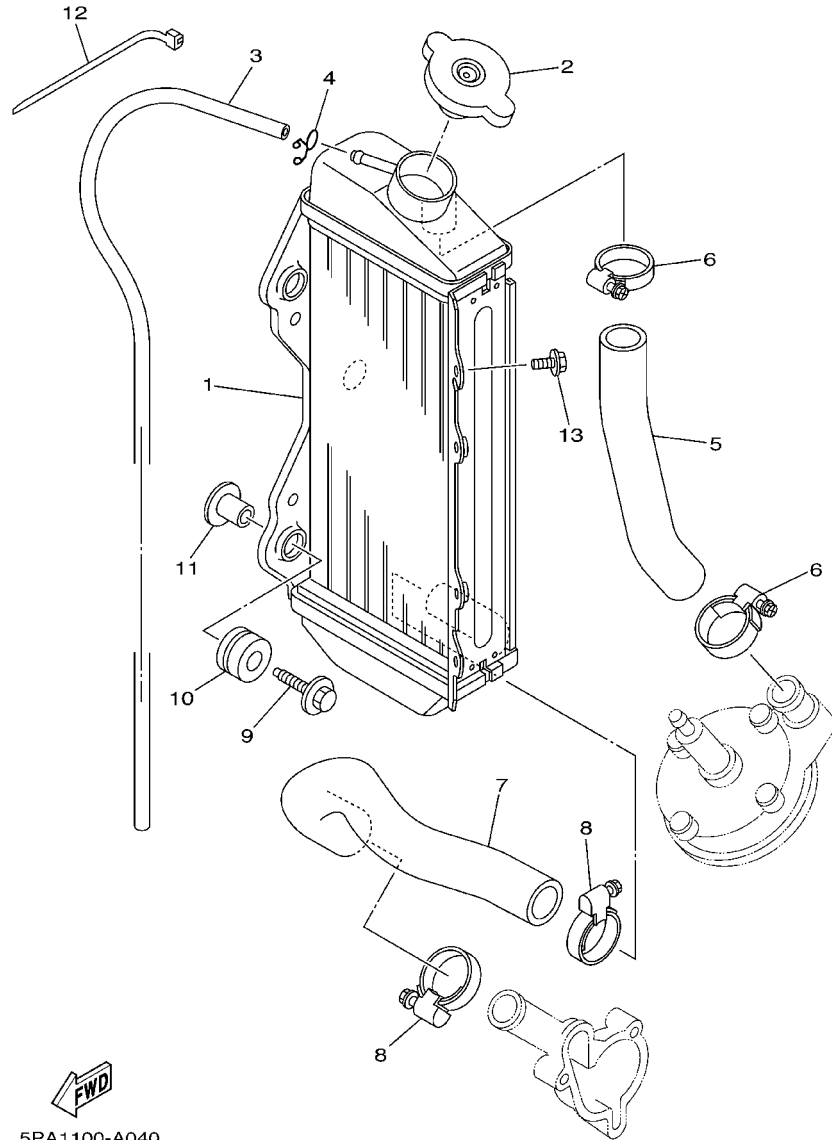
FIG. 3 WATER PUMP



REF. NO.	PART NO.	DESCRIPTION	5PA4	5PA6	5SH4	5SH6	REMARKS
1	5PA-12459-00	GEAR, IMPELLER SHAFT	1	1	1	1	
2	90201-08512	.WASHER, PLATE	1	1	1	1	
3	93440-07182	.CIRCLIP	1	1	1	1	
4	5PA-12451-00	IMPELLER, WATER PUMP	1	1	1	1	
5	90201-08512	WASHER, PLATE	1	1	1	1	
6	93109-11073	OIL SEAL	1	1	1	1	
7	93102-12106	OIL SEAL (SD 12-22-5 HS)	1	1	1	1	
8	93306-00105	BEARING (B6001)	1	1	1	1	
9	4BA-12422-00	COVER, HOUSING	1	1	1	1	
10	4BA-12428-00	GASKET, HOUSING COVER 2	1	1	1	1	
11	90430-06166	GASKET	1	1	1	1	
12	95827-06060	BOLT, FLANGE	1	1	1	1	
13	95027-06025	BOLT, FLANGE	2	2	2	2	


5PA1100-A030

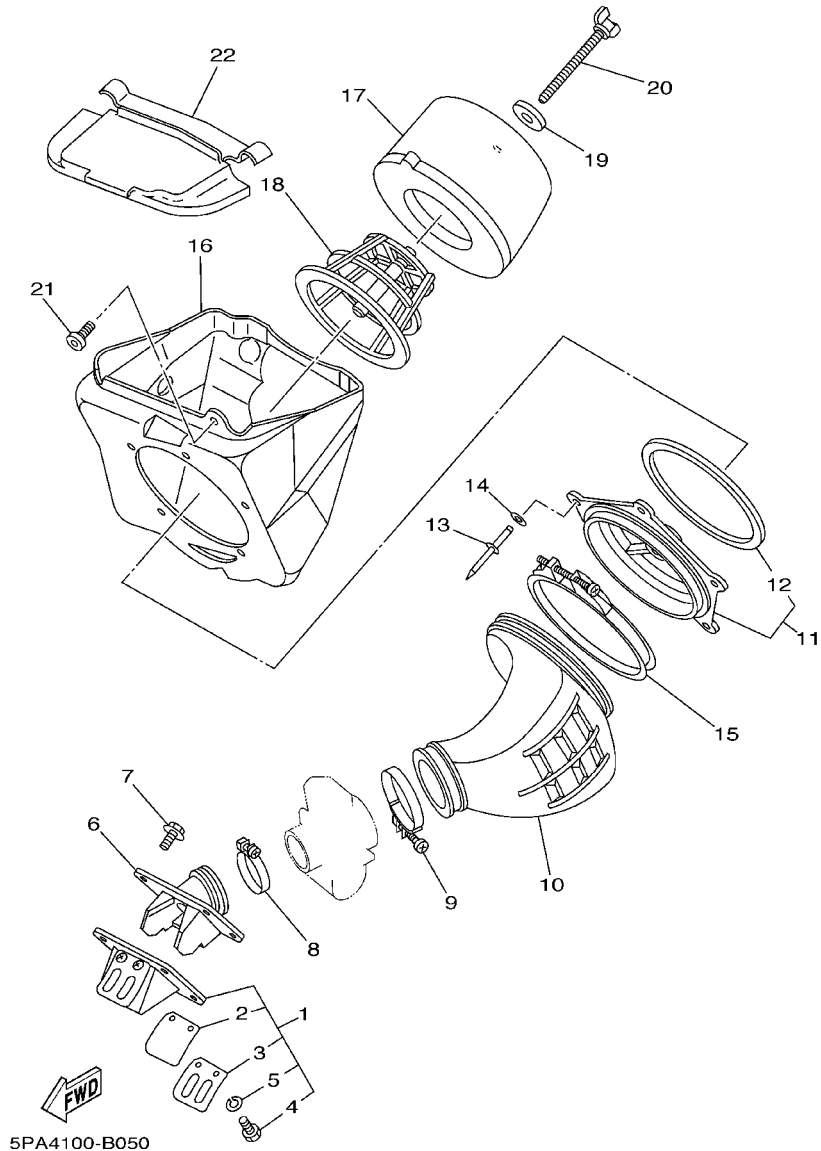
FIG. 4 RADIATOR. HOSE



5PA1100-A040

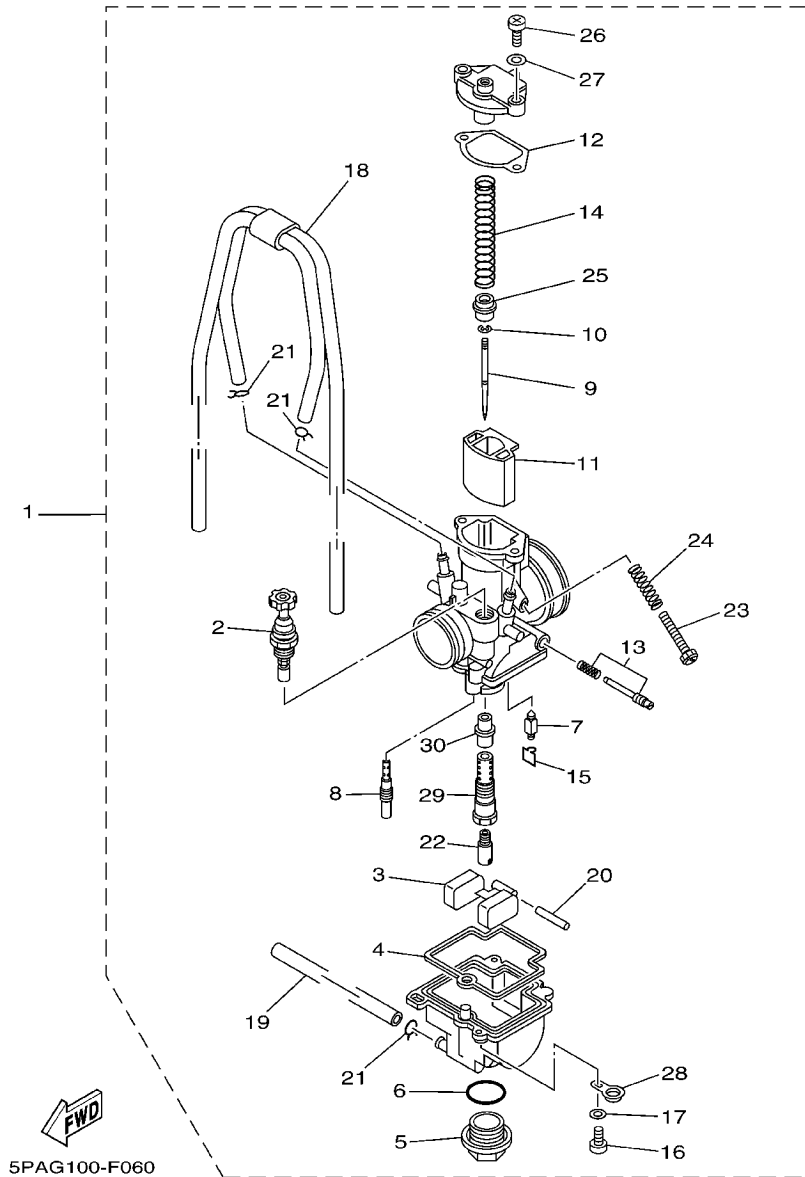
REF. NO.	PART NO.	DESCRIPTION	5PA4	5PA6	5SH4	5SH6	REMARKS
1	5PA-12461-00	RADIATOR ASSY	1	1	1	1	
2	5HD-12462-00	CAP, RADIATOR	1	1	1	1	
3	22W-12463-00	PIPE, BREATHER	1	1	1	1	
4	90467-08002	CLIP	1	1	1	1	
5	4ES-12481-10	PIPE 1	1	1	1	1	
6	90450-25037	HOSE CLAMP ASSY	2	2	2	2	
7	5PA-12482-00	PIPE 2	1	1	1	1	
8	90450-28014	HOSE CLAMP ASSY	2	2	2	2	
9	90119-06038	BOLT, WITH WASHER	3	3	3	3	
10	90480-15528	GROMMET	3	3	3	3	
11	90387-0614M	COLLAR	3	3	3	3	
12	90464-13077	CLAMP	2	2	2	2	
13	95827-06010	BOLT, FLANGE	1	1	1	1	

FIG. 5 INTAKE



REF. NO.	PART NO.	DESCRIPTION	5PA4	5PA6	5SH4	5SH6	REMARKS
1	4ES-13610-00	REED VALVE ASSY	1	1	1	1	
2	4ES-13613-00	.REED, VALVE	2	2	2	2	
3	4ES-13616-00	.STOPPER, REED VALVE	2	2	2	2	
4	98507-03008	.SCREW	4	4	4	4	
5	92907-03100	.WASHER, SPRING	4	4	4	4	
6	5PA-13565-00	JOINT, CARBURETOR	1	1	1	1	
7	95027-06020	BOLT, FLANGE	4	4	4	4	
8	90460-41191	CLAMP, HOSE	1	1	1	1	
9	90460-56105	CLAMP, HOSE	1	1	1	1	
10	5PA-14453-00	JOINT, AIR CLEANER 1	1	1	1	1	
11	5PA-14459-00	HOLDER, GUIDE	1	1	1	1	
12	4ES-14462-00	.SEAL	1	1	1	1	
13	90267-48138	RIVET, BLIND	5	5	5	5	
14	90201-043H7	WASHER, PLATE	5	5	5	5	
15	90450-99064	HOSE CLAMP ASSY	1	1	1	1	
16	5PA-14411-00	CASE, AIR CLEANER 1	1	1	1	1	
17	5PA-14451-00	ELEMENT, AIR CLEANER	1	1	1	1	
18	5PA-14458-00	GUIDE	1	1	1	1	
19	90209-06096	WASHER	1	1	1	1	
20	90122-06002	BOLT, WING	1	1	1	1	
21	90109-065F3	BOLT	1	1	1	1	
22	5PA-14417-00	COVER 1	1	1	1	1	AP

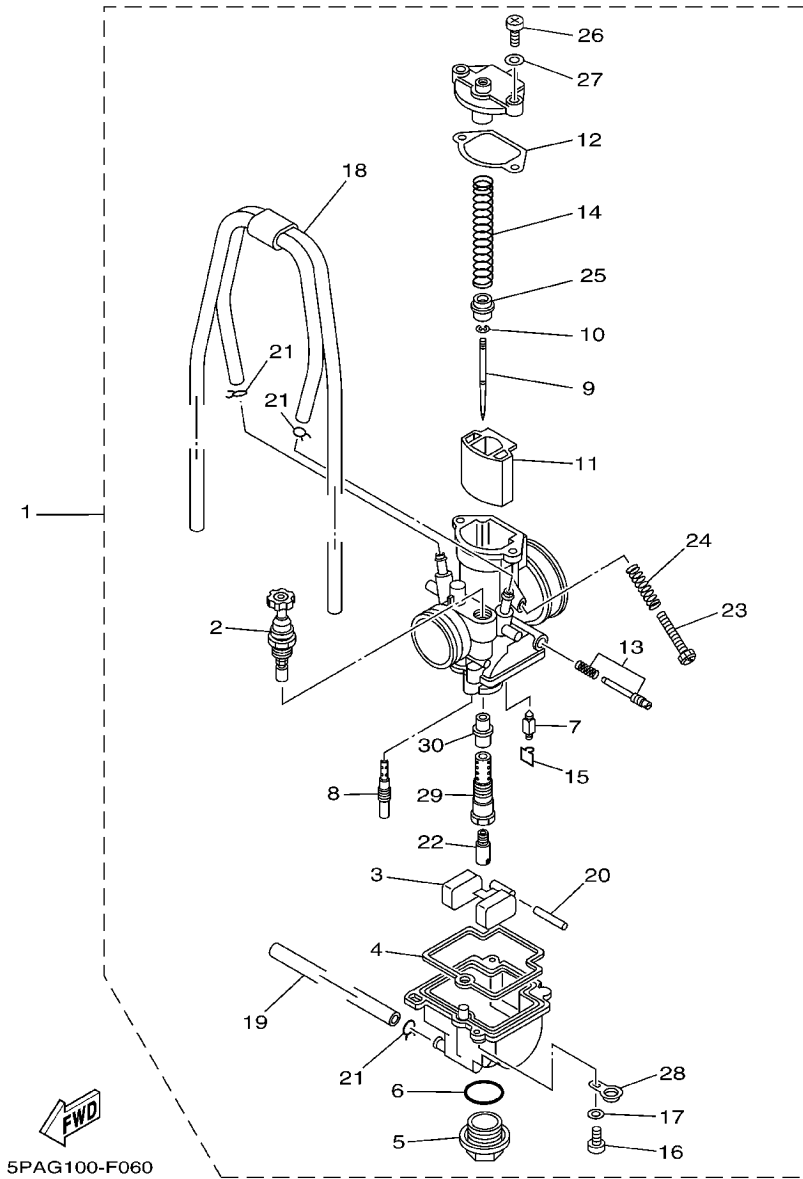
FIG. 6 CARBURETOR



5PAG100-F060

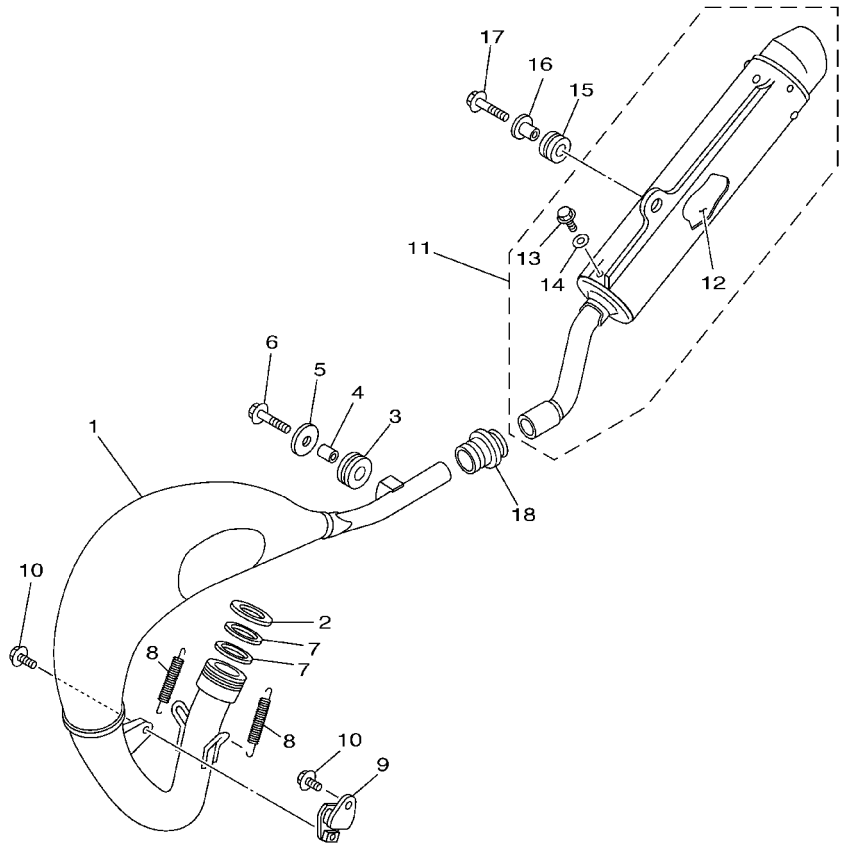
REF. NO.	PART NO.	DESCRIPTION	5PA4	5PA6	5SH4	5SH6	REMARKS
1	5PA-14101-00	CARBURETOR ASSY 1	1	1	1	1	
2	4JT-14171-00	.PLUNGER, STARTER	1	1	1	1	
3	5PA-14985-00	.FLOAT	1	1	1	1	
4	5PA-14984-00	.GASKET, FLOAT CHAMBER	1	1	1	1	
5	4MX-14115-00	.PLUG, SCREW	1	1	1	1	
6	4MX-14561-00	.O-RING	1	1	1	1	
7	5PA-14392-00	.VALVE, NEEDLE	1	1	1	1	
8	4MX-14948-05	.JET, SLOW (#45)	1	1	1	1	STD
	4MX-14948-04	.JET, SLOW (#42)	1	1	1	1	AP
	4MX-14948-06	.JET, SLOW (#48)	1	1	1	1	AP
9	5PA-14916-KF	.NEEDLE (NBKF)	1	1	1	1	STD
	5PA-14916-LE	.NEEDLE (NBLE)	1	1	1	1	AP
	5PA-14916-LF	.NEEDLE (NBLF)	1	1	1	1	AP
	5PA-14916-LG	.NEEDLE (NBLG)	1	1	1	1	AP
	5PA-14916-KE	.NEEDLE (NBKE)	1	1	1	1	AP
	5PA-14916-KG	.NEEDLE (NBKG)	1	1	1	1	AP
10	4MX-14919-00	.CLIP	1	1	1	1	
11	5PA-14340-00	.VALVE ASSY	1	1	1	1	
12	5PA-14126-00	.GASKET	1	1	1	1	
13	5PA-14105-00	.PILOT SCREW SET	1	1	1	1	
14	5PA-14131-00	.SPRING, THROTTLE VALVE	1	1	1	1	
15	5PA-14159-00	.CLIP	1	1	1	1	
16	98504-04014	.SCREW, PAN HEAD	2	2	2	2	
17	92903-04600	.WASHER	2	2	2	2	
18	5PA-1410E-00	.HOSE	1	1	1	1	
19	4XL-14197-10	.PIPE	1	1	1	1	
20	676-14548-00	.PIN, FLOAT ARM	1	1	1	1	

FIG. 6 CARBURETOR



REF. NO.	PART NO.	DESCRIPTION	5PA4	5PA6	5SH4	5SH6	REMARKS
21	3TJ-14137-40	.CLIP	3	3	3	3	
22	4MX-14943-85	.JET, MAIN (#138)	1	1	1	1	STD
	4MX-14943-84	.JET, MAIN (#132)	1	1	1	1	AP
	4MX-14943-34	.JET, MAIN (#135)	1	1	1	1	AP
	4MX-14943-35	.JET, MAIN (#140)	1	1	1	1	AP
	4MX-14943-86	.JET, MAIN (#142)	1	1	1	1	AP
	4MX-14943-36	.JET, MAIN (#145)	1	1	1	1	AP
	4MX-14943-87	.JET, MAIN (#148)	1	1	1	1	AP
23	5HC-14922-00	.SCREW, THROTTLE	1	1	1	1	
24	5HC-14934-00	.SPRING, THROTTLE STOP	1	1	1	1	
25	5PA-14194-00	.RING	1	1	1	1	
26	98504-04012	.SCREW, PAN HEAD	2	2	2	2	
27	92903-04600	.WASHER	2	2	2	2	
28	5PA-14146-00	.PLATE	1	1	1	1	
29	5PA-1496A-00	.HOLDER, NEEDLE JET	1	1	1	1	
30	5PA-14947-00	.JET, NEEDLE	1	1	1	1	

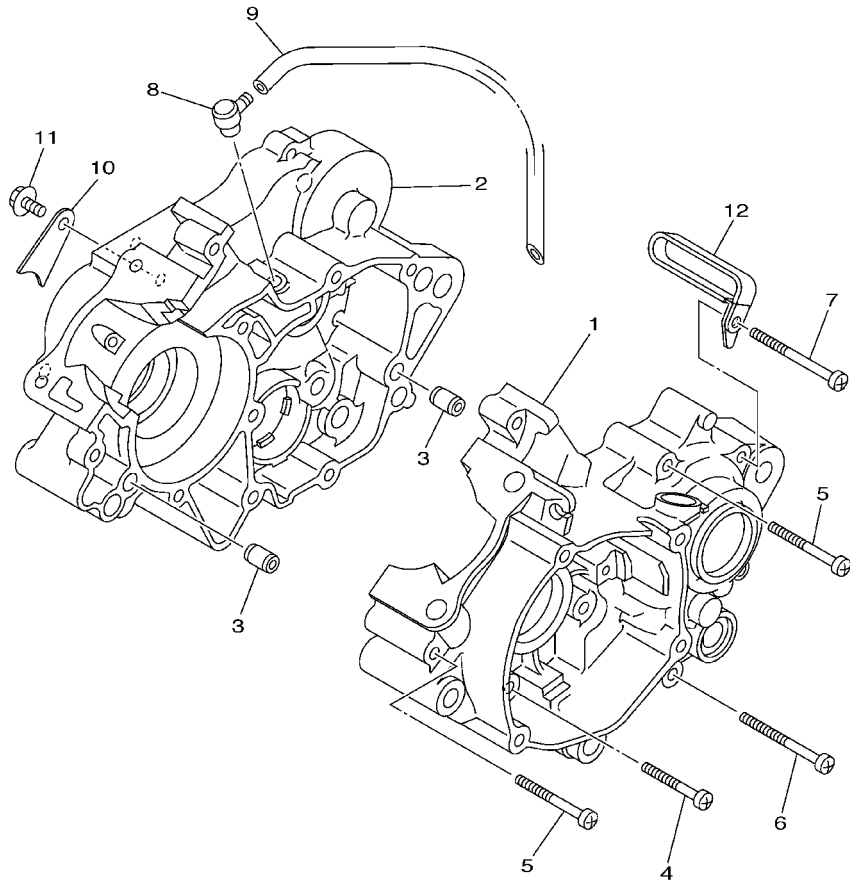
FIG. 7 EXHAUST



5PA4100-B070

REF. NO.	PART NO.	DESCRIPTION	5PA4	5PA6	5SH4	5SH6	REMARKS
1	5PA-14610-00	EXHAUST PIPE ASSY 1	1	1	1	1	
2	90201-33299	WASHER, PLATE	1	1	1	1	
3	90480-18411	GROMMET	1	1	1	1	
4	90387-105L0	COLLAR	1	1	1	1	
5	90201-060A3	WASHER, PLATE	1	1	1	1	
6	95027-06025	BOLT, FLANGE	1	1	1	1	
7	5PA-14642-00	SEAL, EXHAUST	2	2	2	2	
8	90507-20052	SPRING, TENSION	2	2	2	2	
9	565-14771-00	STAY, MUFFLER 1	1	1	1	1	
10	90119-06001	BOLT, WITH WASHER	2	2	2	2	
11	4ES-14753-20	SILENCER, EXHAUST	1	1		1	UR FOR USA,CAN,ZAF, JPN
	5PA-14753-00	SILENCER, EXHAUST	1		1		UR FOR EUR
12	4ES-1469A-00	.FIBER	1	1		1	UR FOR USA,CAN,ZAF, JPN
	5PA-1469A-00	.FIBER	1		1		UR FOR EUR
13	92017-06010	.BOLT	2	2		2	
14	90201-06050	.WASHER, PLATE	2	2		2	
15	90480-16561	GROMMET	1	1	1	1	
16	90387-063G3	COLLAR	1	1	1	1	
17	95027-06025	BOLT, FLANGE	1	1	1	1	
18	17W-14615-00	JOINT, EXHAUST 1	1	1	1	1	

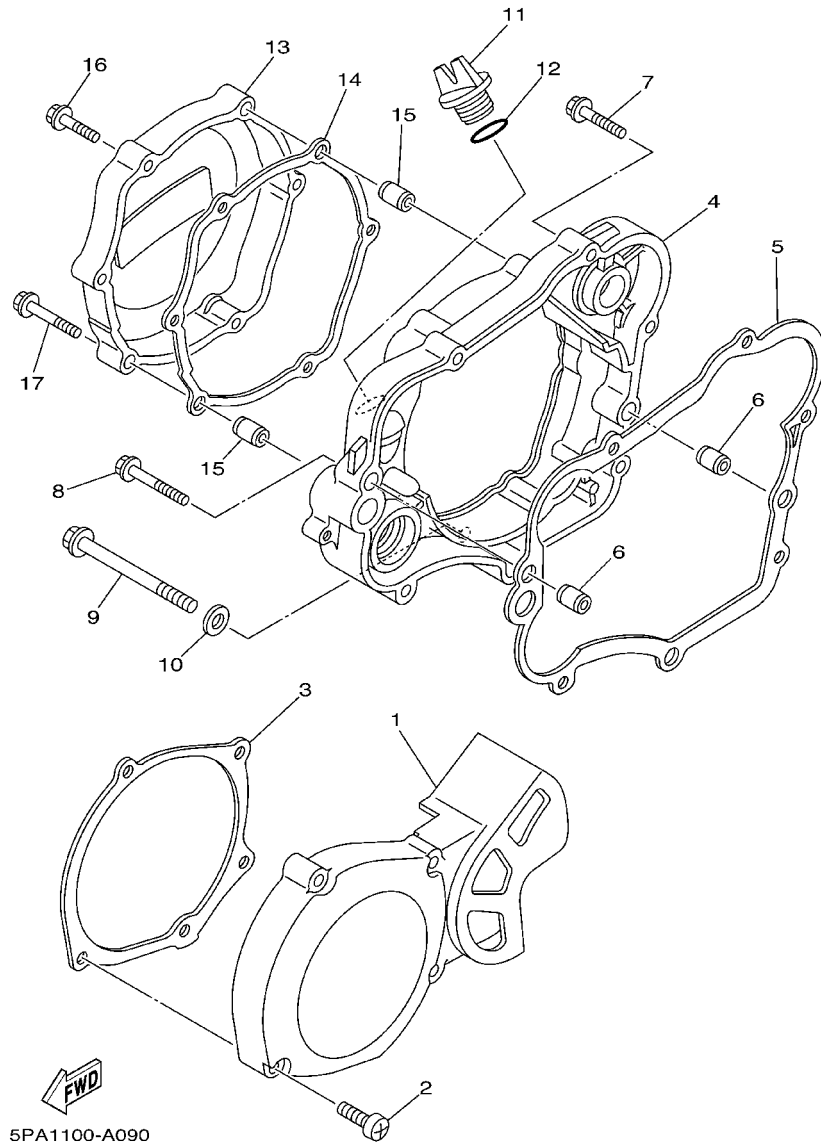
FIG. 8 CRANKCASE



REF. NO.	PART NO.	DESCRIPTION	5PA4	5PA6	5SH4	5SH6	REMARKS
1	5PA-15111-00	CRANKCASE 1	1	1	1	1	
2	5PA-15121-10	CRANKCASE 2	1	1	1	1	
3	99530-10014	PIN, DOWEL	2	2	2	2	
4	98507-06040	SCREW	3	3	3	3	
5	98507-06050	SCREW	4	4	4	4	
6	98507-06060	SCREW	3	3	3	3	
7	98507-06070	SCREW	1	1	1	1	
8	353-13115-01	CONNECTOR, SUCTION PIPE	1	1	1	1	
9	90445-08376	HOSE (L330)	1	1	1	1	
10	5PA-15118-00	HOLDER	1	1	1	1	
11	90105-08050	BOLT, FLANGE	1	1	1	1	
12	90461-10136	CLAMP	1	1	1	1	

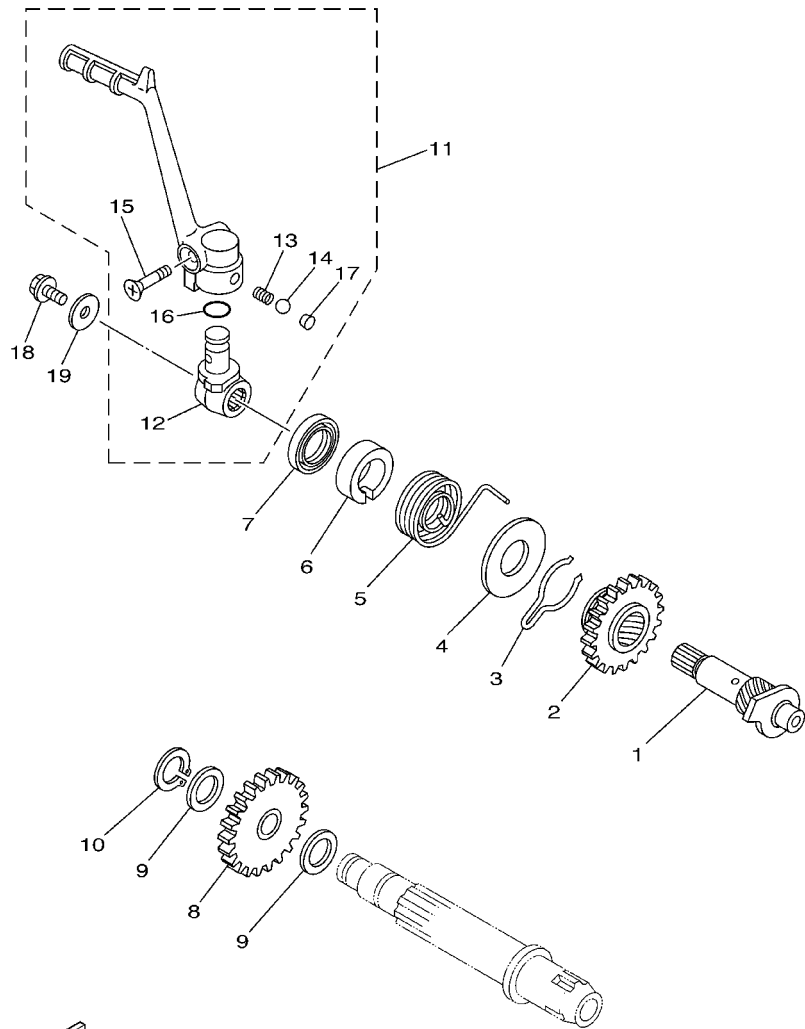

5PA4100-B080

FIG. 9 CRANKCASE COVER 1



REF. NO.	PART NO.	DESCRIPTION	5PA4	5PA6	5SH4	5SH6	REMARKS
1	4ES-15411-00	COVER, CRANKCASE 1	1	1	1	1	
2	98507-06030	SCREW	4	4	4	4	
3	5PA-15451-00	GASKET, CRANKCASE COVER 1	1	1	1	1	
4	5PA-15431-00	COVER, CRANKCASE 3	1	1	1	1	
5	4ES-15461-00	GASKET, CRANKCASE COVER 2	1	1	1	1	
6	99530-10014	PIN, DOWEL	2	2	2	2	
7	95027-06030	BOLT, FLANGE	4	4	4	4	
8	95027-06040	BOLT, FLANGE	1	1	1	1	
9	95027-08080	BOLT, FLANGE	1	1	1	1	
10	90430-08119	GASKET	1	1	1	1	
11	3Y1-15363-00	PLUG, OIL	1	1	1	1	
12	93210-19123	O-RING	1	1	1	1	
13	5PA-15415-00	COVER, GENERATOR	1	1	1	1	
14	5PA-15463-00	GASKET, CARBURETOR COVER 2	1	1	1	1	
15	99530-08016	PIN, DOWEL	2	2	2	2	
16	95027-06025	BOLT, FLANGE	4	4	4	4	
17	95027-06035	BOLT, FLANGE	2	2	2	2	

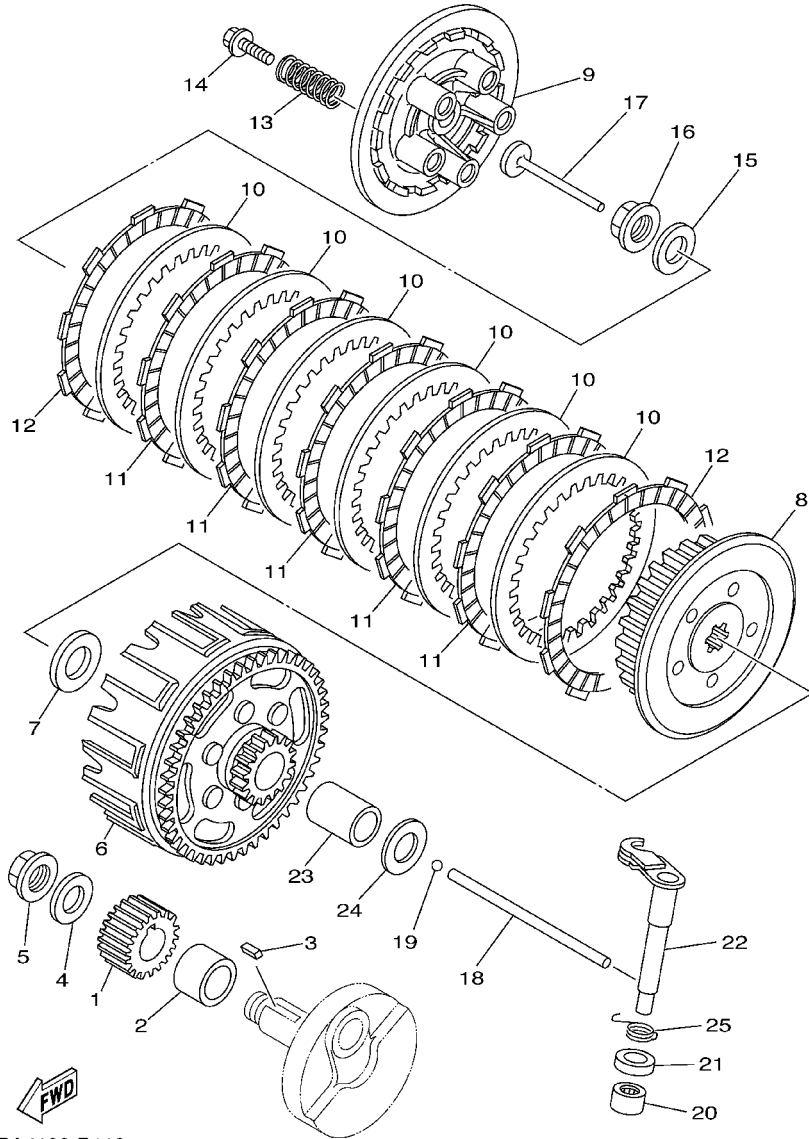
FIG. 10 STARTER



REF. NO.	PART NO.	DESCRIPTION	5PA4	5PA6	5SH4	5SH6	REMARKS
1	5PA-15660-00	KICK AXLE ASSY	1	1	1	1	
2	5PA-15641-00	GEAR, KICK	1	1	1	1	
3	90468-23194	CLIP	1	1	1	1	
4	90201-176L4	WASHER, PLATE	1	1	1	1	
5	90508-26750	SPRING, TORSION	1	1	1	1	
6	4ES-15664-00	GUIDE, SPRING	1	1	1	1	
7	93102-17263	OIL SEAL	1	1	1	1	
8	5PA-15651-00	GEAR, KICK IDLE	1	1	1	1	
9	90201-124F8	WASHER, PLATE	2	2	2	2	
10	99009-12400	CIRCLIP	1	1	1	1	
11	5PA-15620-00	KICK CRANK ASSY	1	1	1	1	
12	5PA-15621-00	.BOSS, KICK CRANK	1	1	1	1	
13	90501-12081	.SPRING, COMPRESSION	1	1	1	1	
14	93507-32009	.BALL	1	1	1	1	
15	90152-06010	.SCREW, COUNTERSUNK	1	1	1	1	
16	93210-12152	.O-RING	1	1	1	1	
17	90336-06031	.PLUG, TAPER	1	1	1	1	
18	95027-06012	BOLT, FLANGE	1	1	1	1	
19	90201-06060	WASHER, PLATE	1	1	1	1	


5PA1100-A100

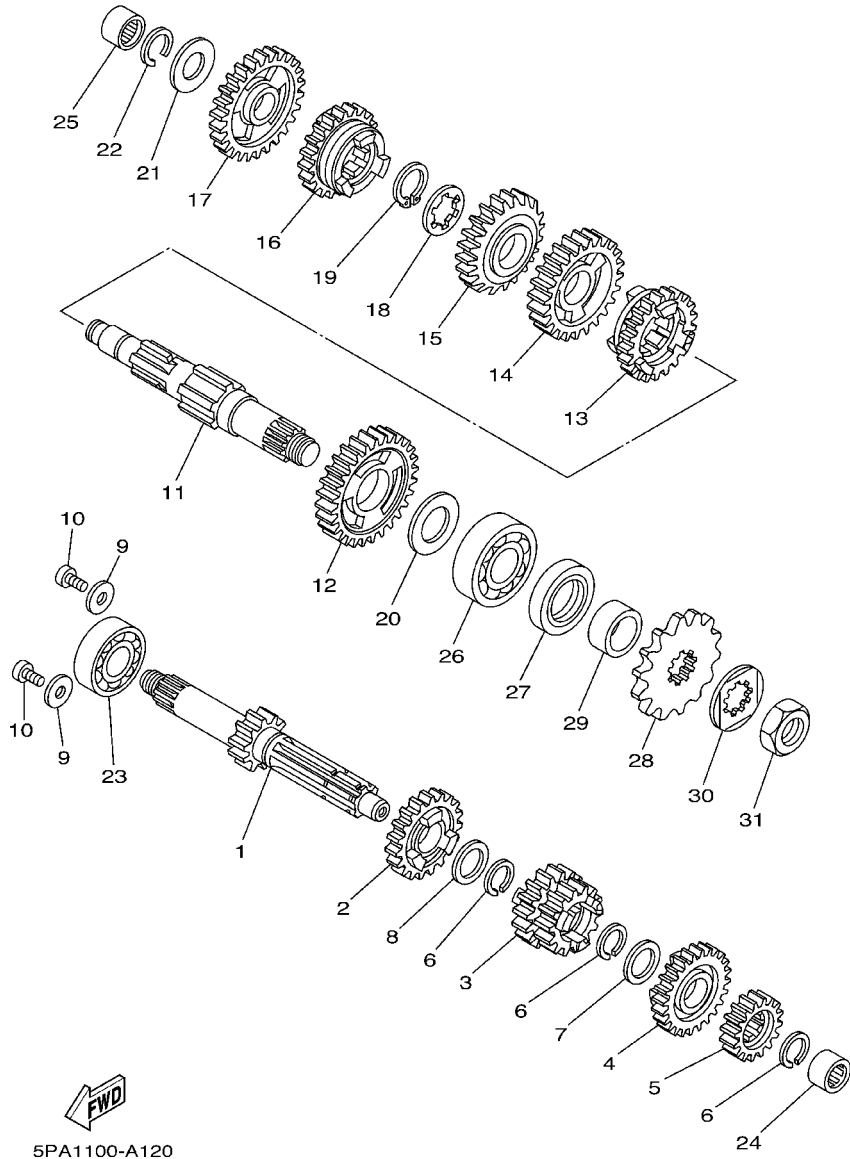
FIG. 11 CLUTCH



5PA4100-B110

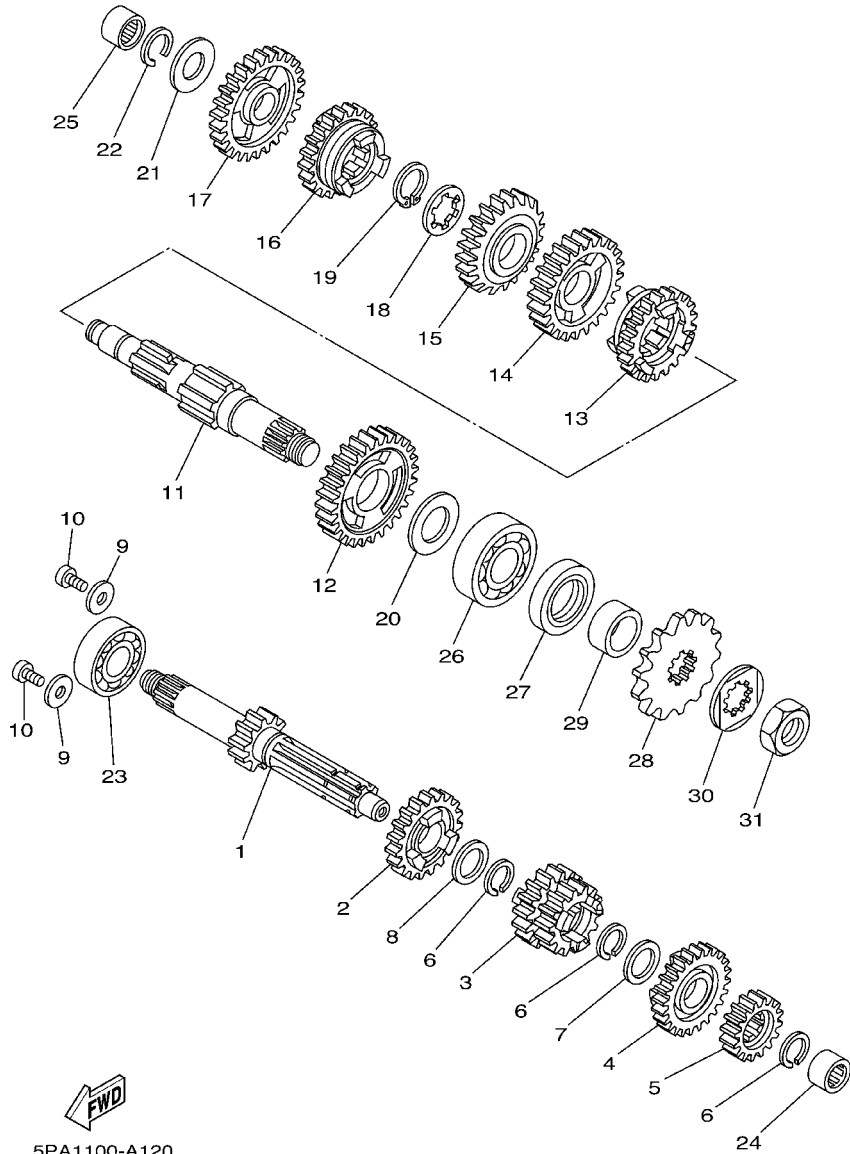
REF. NO.	PART NO.	DESCRIPTION	5PA4	5PA6	5SH4	5SH6	REMARKS
1	5PA-16111-00	GEAR, PRIMARY DRIVE	1	1	1	1	
2	90387-20488	COLLAR	1	1	1	1	
3	90282-05001	KEY, STRAIGHT (5MMX16MM)	1	1	1	1	
4	90208-12015	WASHER, CONICAL SPRING	1	1	1	1	
5	90179-12659	NUT	1	1	1	1	
6	5PA-16150-10	PRIMARY DRIVEN GEAR COMP.	1	1	1	1	
7	90201-17558	WASHER, PLATE	1	1	1	1	
8	5PA-16371-10	BOSS, CLUTCH	1	1	1	1	
9	2TK-16351-00	PLATE, PRESSURE 1	1	1	1	1	
10	131-16324-00	PLATE, CLUTCH 1	6	6	6	6	
11	4ES-16321-00	PLATE, FRICTION	5	5	5	5	
12	21V-16321-00	PLATE, FRICTION	2	2	2	2	
13	90501-20735	SPRING, COMPRESSION	5	5	5	5	
14	90119-05001	BOLT, WITH WASHER	5	5	5	5	
15	90208-12015	WASHER, CONICAL SPRING	1	1	1	1	
16	90179-12659	NUT	1	1	1	1	
17	4ES-16356-00	ROD, PUSH 1	1	1	1	1	
18	5PA-16357-00	ROD, PUSH 2	1	1	1	1	
19	93503-16003	BALL	1	1	1	1	
20	93315-11206	BEARING	1	1	1	1	
21	93102-12224	OIL SEAL	1	1	1	1	
22	4ES-16381-00	PUSH LEVER COMP.	1	1	1	1	
23	5PA-16181-00	SPACER 1	1	1	1	1	
24	90201-171G6	WASHER, PLATE	1	1	1	1	
25	90508-14016	SPRING, TORSION	1	1	1	1	

FIG. 12 TRANSMISSION



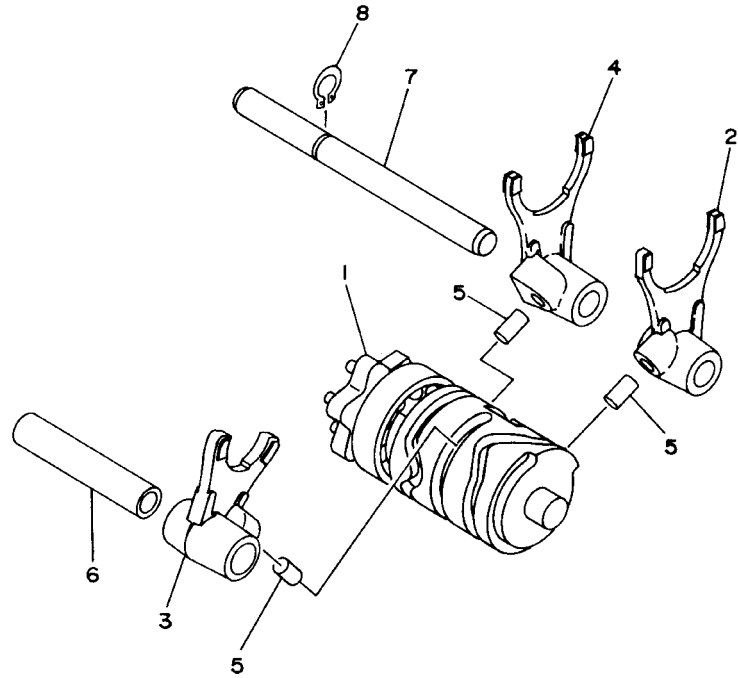
REF. NO.	PART NO.	DESCRIPTION	5PA4	5PA6	5SH4	5SH6	REMARKS
1	5PA-17411-00	AXLE, MAIN (11T)	1	1	1	1	
2	4ES-17151-10	GEAR, 5TH PINION (23T)	1	1	1	1	
3	4ES-17131-00	GEAR, 3RD PINION (17T/17T)	1	1	1	1	
4	4ES-17161-10	GEAR, 6TH PINION (25T)	1	1	1	1	
5	4ES-17121-01	GEAR, 2ND PINION (17T)	1	1	1	1	
6	93440-17064	CIRCLIP	3	3	3	3	
7	90209-14008	WASHER	1	1	1	1	
8	90201-17545	WASHER, PLATE	1	1	1	1	
9	90201-06060	WASHER, PLATE	2	2	2	2	
10	90157-06071	SCREW, PAN HEAD	2	2	2	2	
11	5PA-17421-00	AXLE, DRIVE	1	1	1	1	
12	5PA-17221-00	GEAR, 2ND WHEEL (32T)	1	1	1	1	
13	5PA-17261-00	GEAR, 6TH WHEEL (25T)	1	1	1	1	
14	4ES-17231-10	GEAR, 3RD WHEEL (26T)	1	1	1	1	
15	5PA-17241-00	GEAR, 4TH WHEEL (22T)	1	1	1	1	
16	4ES-17251-00	GEAR, 5TH WHEEL (26T)	1	1	1	1	
17	4ES-17211-01	GEAR, 1ST WHEEL (27T)	1	1	1	1	
18	90209-16209	WASHER	1	1	1	1	
19	93410-20038	CIRCLIP	1	1	1	1	
20	90201-20611	WASHER, PLATE	1	1	1	1	
21	164-17427-00-06	SHIM 1 (T=0.6)	1	1	1	1	UR
	164-17427-00-08	SHIM 1 (T=0.8)	1	1	1	1	UR
	164-17427-00-10	SHIM 1 (T=1.0)	1	1	1	1	UR
22	93440-15012	CIRCLIP	1	1	1	1	
23	93306-20333	BEARING	1	1	1	1	
24	93317-11245	BEARING	1	1	1	1	
25	93315-31502	BEARING	1	1	1	1	

FIG. 12 TRANSMISSION



REF. NO.	PART NO.	DESCRIPTION	5PA4	5PA6	5SH4	5SH6	REMARKS
26	93306-20401	BEARING (B6204)	1	1	1	1	
27	93102-26042	OIL SEAL	1	1	1	1	
28	9382A-14227	SPROCKET, DRIVE (14T)	1	1	1	1	STD
	9382A-15228	SPROCKET, DRIVE (15T)	1	1	1	1	AP
29	90387-202A0	COLLAR	1	1	1	1	
30	90215-20261	WASHER, LOCK	1	1	1	1	
31	90179-16226	NUT	1	1	1	1	

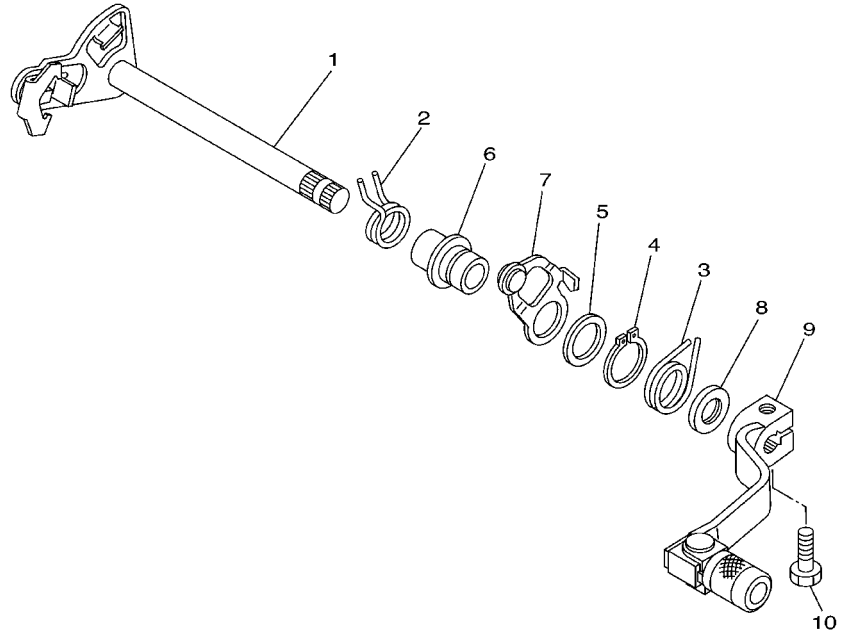
FIG. 13 SHIFT CAM. FORK



REF. NO.	PART NO.	DESCRIPTION	5PA4	5PA6	5SH4	5SH6	REMARKS
1	4ES-18540-00	SHIFT CAM ASSY	1	1	1	1	
2	4ES-18511-02	FORK, SHIFT 1	1	1	1	1	
3	5R2-18512-00	FORK, SHIFT 2	1	1	1	1	
4	4ES-18513-01	FORK, SHIFT 3	1	1	1	1	
5	90250-06013	PIN, STRAIGHT	3	3	3	3	
6	4BA-18531-00	BAR, SHIFT FORK GUIDE 1	1	1	1	1	
7	4BA-18535-00	BAR, SHIFT FORK GUIDE 2	1	1	1	1	
8	99009-10400	CIRCLIP	1	1	1	1	


4ES3100-4130

FIG. 14 SHIFT SHAFT

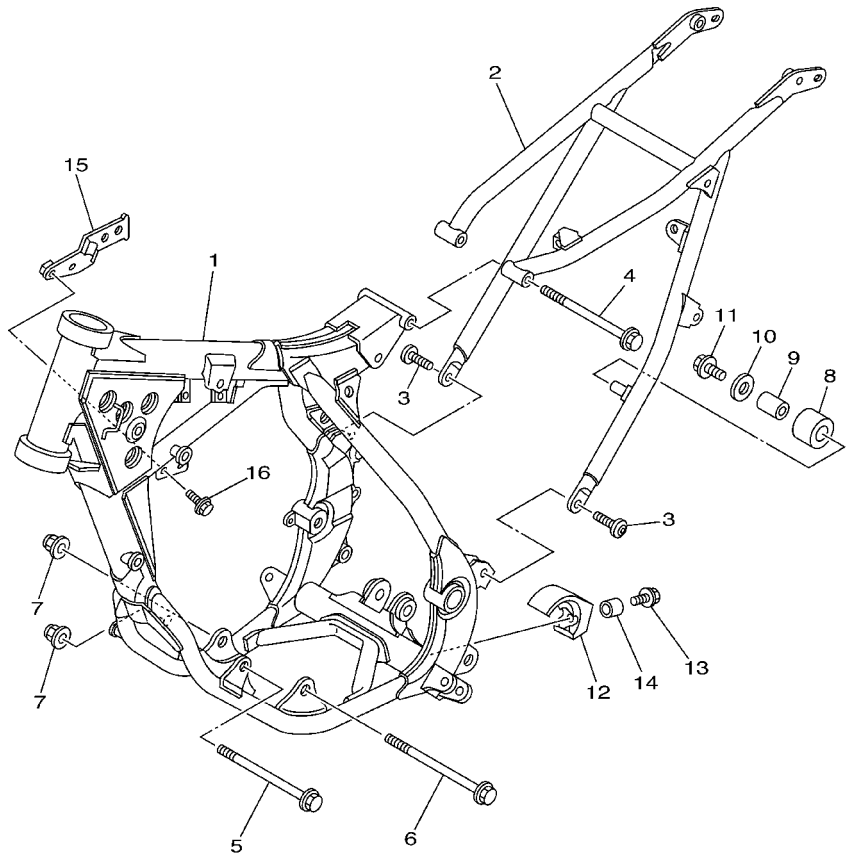


REF. NO.	PART NO.	DESCRIPTION	5PA4	5PA6	5SH4	5SH6	REMARKS
1	5PA-18101-00	SHIFT SHAFT ASSY	1	1	1	1	
2	90508-32016	SPRING, TORSION	1	1	1	1	
3	90508-24007	SPRING, TORSION	1	1	1	1	
4	99009-17400	CIRCLIP	1	1	1	1	
5	90201-177G4	WASHER, PLATE	1	1	1	1	
6	5PA-1811E-00	COLLAR,SHIFT PEDAL	1	1	1	1	
7	5PA-18140-00	STOPPER LEVER ASSY	1	1	1	1	
8	93101-12173	OIL SEAL	1	1	1	1	
9	2HF-18110-01	SHIFT PEDAL ASSY	1	1	1	1	
10	97027-06020	BOLT	1	1	1	1	



5PA1100-A140

FIG. 15 FRAME

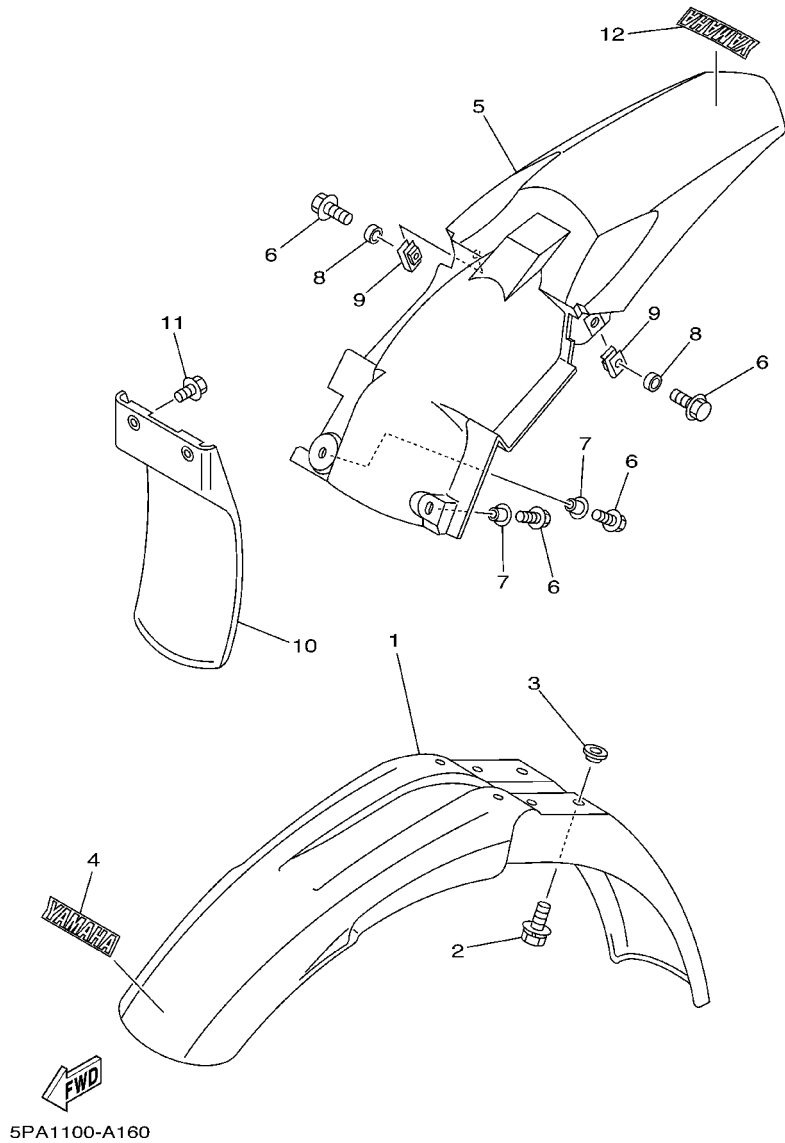


REF. NO.	PART NO.	DESCRIPTION	5PA4	5PA6	5SH4	5SH6	REMARKS
1	5PA-21101-10	FRONT FRAME COMP.	1	1	1	1	DPBMC
2	5PA-21190-00-P0	REAR FRAME COMP.	1	1	1	1	DPBMC
3	90110-08096	BOLT, HEXAGON SOCKET HEAD	2	2	2	2	
4	95817-08125	BOLT, FLANGE	1	1	1	1	
5	90105-10052	BOLT, FLANGE	1	1	1	1	
6	90105-10731	BOLT, FLANGE	1	1	1	1	
7	95607-10200	NUT, SELF-LOCKING	2	2	2	2	
8	30X-22178-00	TENSIONER	1	1	1	1	
9	4V4-22184-00	BUSH	1	1	1	1	
10	90201-081R9	WASHER, PLATE	1	1	1	1	
11	95027-08012	BOLT, FLANGE	1	1	1	1	
12	4ES-22178-00	TENSIONER	1	1	1	1	
13	90119-06118	BOLT, WITH WASHER	1	1	1	1	
14	90387-060A3	COLLAR	1	1	1	1	
15	5PA-21274-00	BRACKET, C.D.I. UNIT	1	1	1	1	
16	95027-06012	BOLT, FLANGE	2	2	2	2	



5PA1100-A150

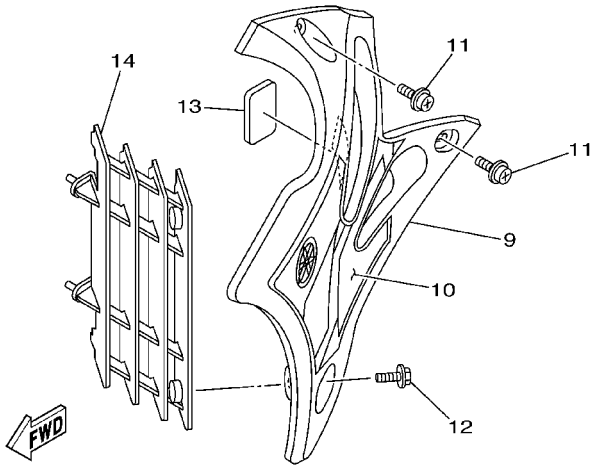
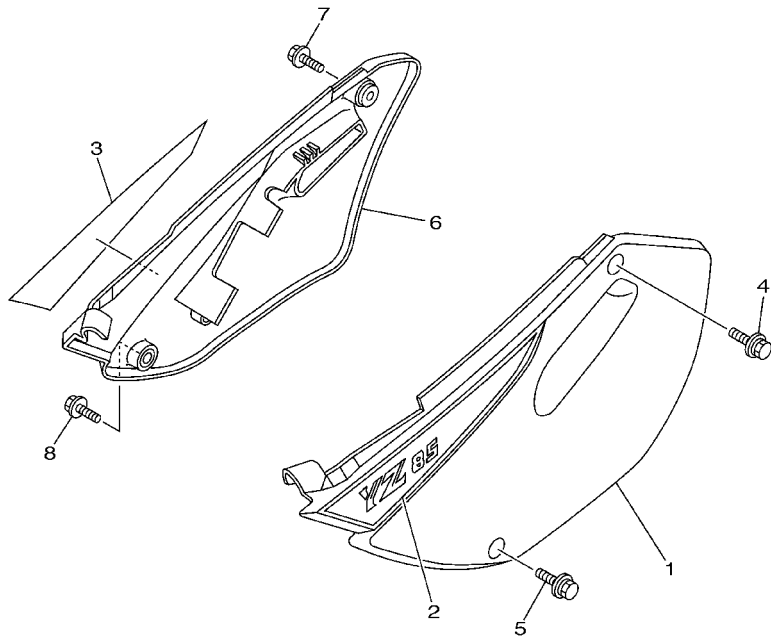
FIG. 16 FENDER



REF. NO.	PART NO.	DESCRIPTION	5PA4	5PA6	5SH4	5SH6	REMARKS
1	4ES-21511-20	FENDER, FRONT	1	1	1	1	
2	90119-06063	BOLT, WITH WASHER	4	4	4	4	
3	90209-06187	WASHER	4	4	4	4	
4	4ES-2153E-01	EMBLEM, YAMAHA	1	1	1	1	
5	5PA-21611-00	FENDER, REAR	1	1	1	1	
6	90119-06192	BOLT, WITH WASHER	4	4	4	4	
7	90387-064X4	COLLAR	2	2	2	2	
8	90387-0701A	COLLAR	2	2	2	2	
9	90183-06023	NUT, SPRING	2	2	2	2	
10	4ES-21642-00	GUARD, FLAP	1	1	1	1	
11	90119-06185	BOLT, WITH WASHER	2	2	2	2	
12	4ES-2153E-01	EMBLEM, YAMAHA	1	1	1	1	

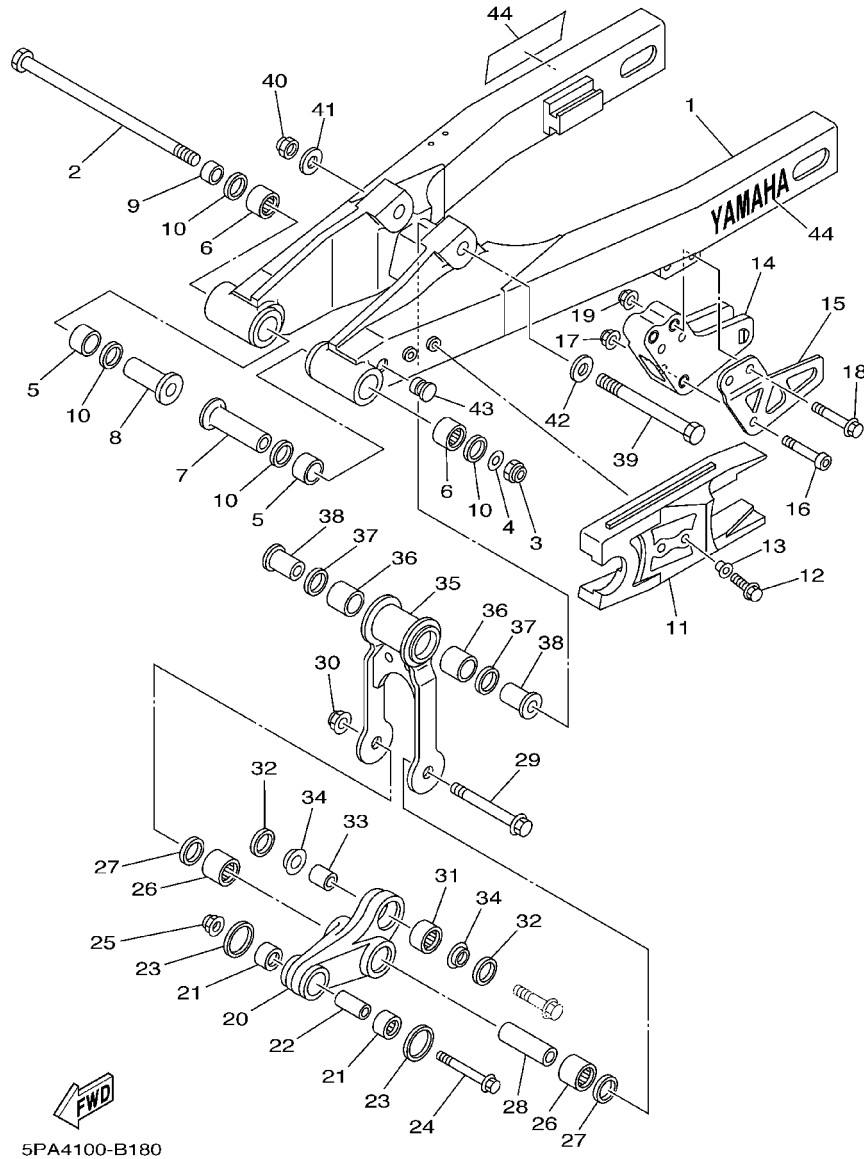
FIG. 17 SIDE COVER

REF. NO.	PART NO.	DESCRIPTION	5PA4	5PA6	5SH4	5SH6	REMARKS
1	5PA-21711-00	COVER, SIDE 1	1	1	1	1	
2	5PA-2173E-01	GRAPHIC 1	1	1	1	1	
3	5PA-2173F-01	GRAPHIC 2	1	1	1	1	
4	90119-06225	BOLT, WITH WASHER	1	1	1	1	
5	90119-06001	BOLT, WITH WASHER	1	1	1	1	
6	5PA-21721-00	COVER, SIDE 2	1	1	1	1	
7	90119-06225	BOLT, WITH WASHER	1	1	1	1	
8	90119-06001	BOLT, WITH WASHER	1	1	1	1	
9	5PA-21731-00	COVER, SIDE 3	1	1	1	1	
10	5PA-24244-10	GRAPHIC, FUEL TANK 1	1	1	1	1	
11	90159-06182	SCREW, WITH WASHER	2	2	2	2	
12	90159-06078	SCREW, WITH WASHER	1	1	1	1	
13	1FK-21746-00	DAMPER	1	1	1	1	
14	5PH-2172A-10	PANEL 1	1	1	1	1	



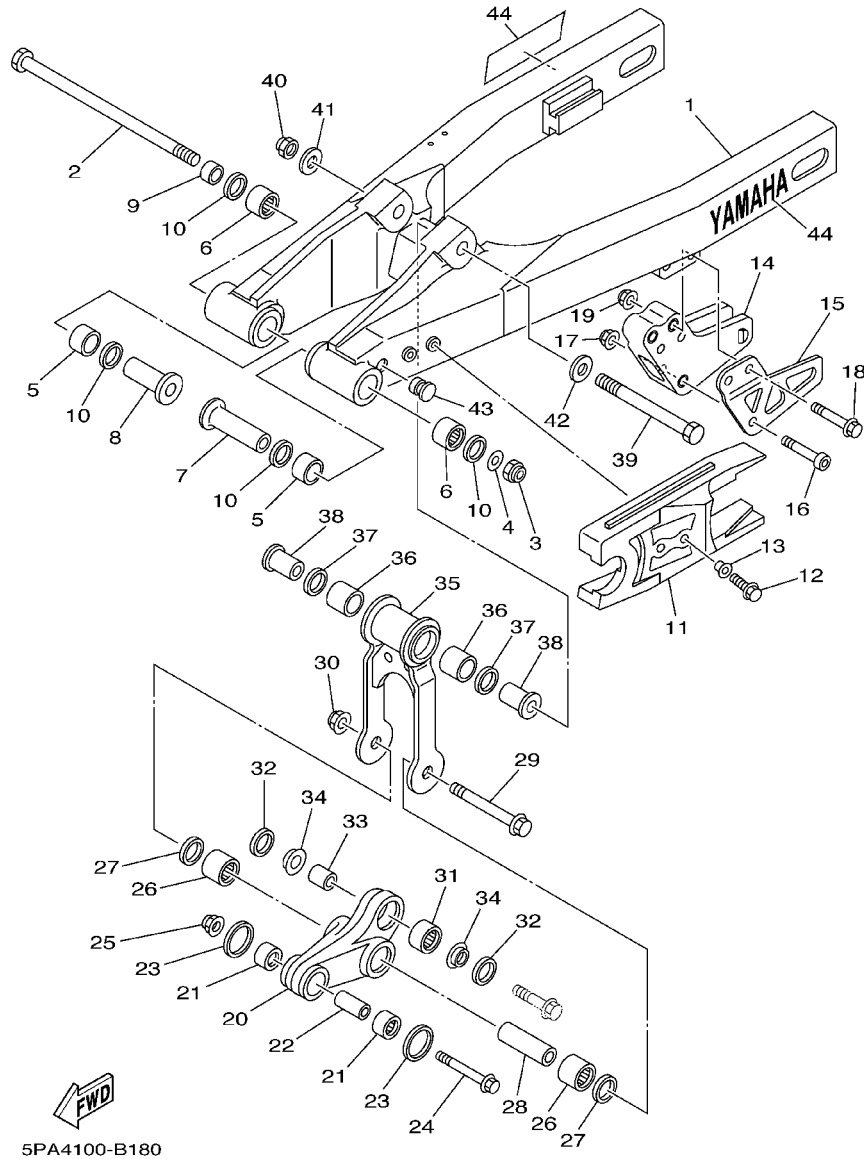
5PA4100-B170

FIG. 18 REAR ARM



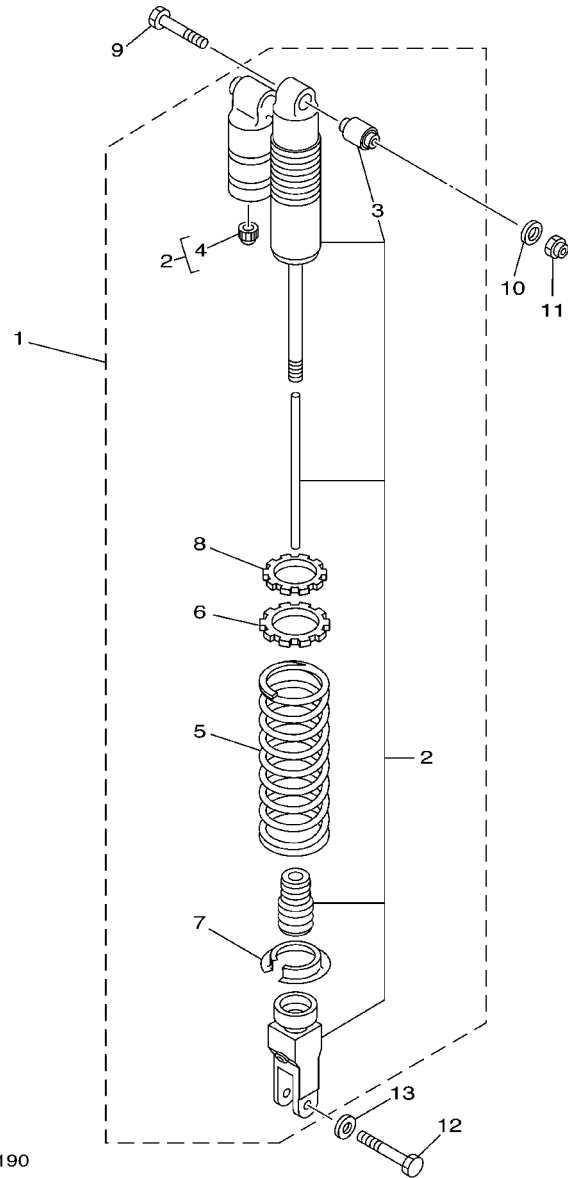
REF. NO.	PART NO.	DESCRIPTION	5PA4	5PA6	5SH4	5SH6	REMARKS
1	5PA-22110-00	REAR ARM COMP.	1	1			
	5SH-22110-10	REAR ARM COMP.			1	1	
2	22W-25181-01	AXLE, WHEEL	1	1	1	1	
3	95617-12100	NUT, U	1	1	1	1	
4	90201-124G9	WASHER, PLATE	1	1	1	1	
5	90385-17042	BUSH	2	2	2	2	
6	93317-21746	BEARING	2	2	2	2	
7	90387-127J8	COLLAR	1	1	1	1	
8	90387-127J7	COLLAR	1	1	1	1	
9	90387-1200U	COLLAR	1	1	1	1	
10	93109-17071	O-RING	4	4	4	4	
11	5PA-22151-00	SEAL, GUARD	1	1	1	1	
12	95027-06014	BOLT, FLANGE	2	2	2	2	
13	90387-062X0	COLLAR	2	2	2	2	
14	5PA-22199-00	SUPPORT, CHAIN	1	1	1	1	
15	5PA-22128-00	COVER, THRUST 1	1	1	1	1	
16	92017-06040	BOLT	1	1	1	1	
17	95607-06200	NUT, SELF U-FLANGE	1	1	1	1	
18	95027-08050	BOLT, FLANGE	2	2	2	2	
19	95607-08200	NUT, SELF-LOCKING	2	2	2	2	
20	5PA-2217A-00	ARM, RELAY	1	1	1	1	
21	93315-21455	BEARING	2	2	2	2	
22	90380-10218	BUSH, SOLID	1	1	1	1	
23	4ES-22129-00	COVER, THRUST 2	2	2	2	2	
24	90105-10582	BOLT, FLANGE	1	1	1	1	
25	95607-10200	NUT, SELF-LOCKING	1	1	1	1	
26	93317-31771	BEARING	2	2	2	2	

FIG. 18 REAR ARM



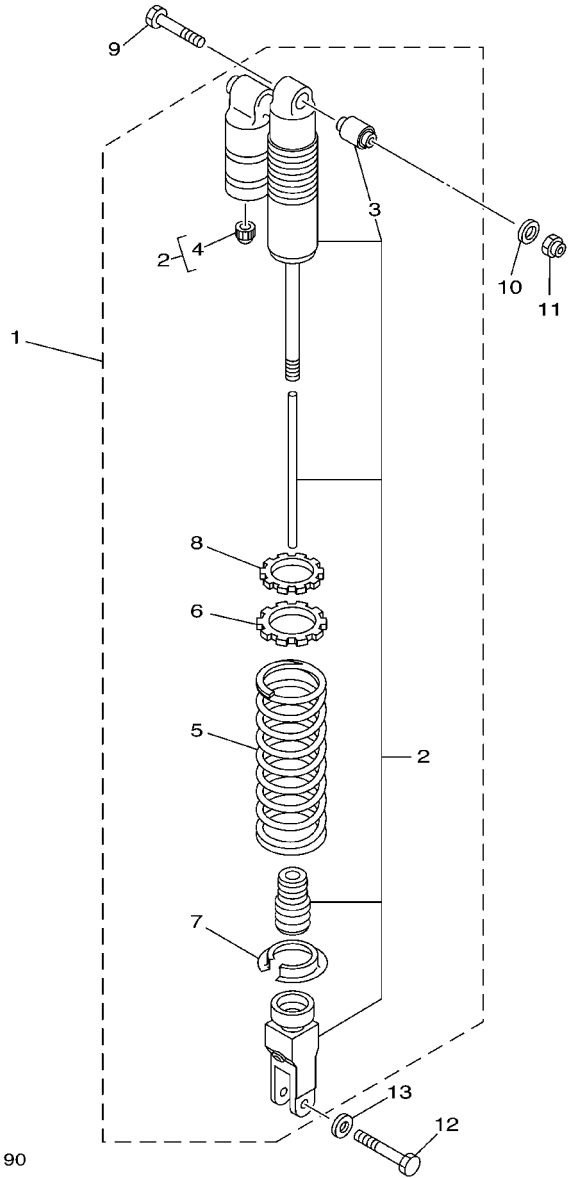
REF. NO.	PART NO.	DESCRIPTION	5PA4	5PA6	5SH4	5SH6	REMARKS
27	93101-17062	OIL SEAL	2	2	2	2	
28	90380-12219	BUSH, SOLID	1	1	1	1	
29	90105-12382	BOLT, FLANGE	1	1	1	1	
30	95607-12200	NUT, SELF-LOCKING	1	1	1	1	
31	5PA-22176-00	BEARING	1	1	1	1	
32	5PA-22475-00	SEAL, DUST	2	2	2	2	
33	5PA-22184-00	BUSH	1	1	1	1	
34	5PA-22253-00	COLLAR, DISTANCE	2	2	2	2	
35	4ES-2217F-00	ROD, CONNECTING 1	1	1	1	1	
36	93317-31771	BEARING	2	2	2	2	
37	93101-17062	OIL SEAL	2	2	2	2	
38	90381-12091	BUSH, SOLID	2	2	2	2	
39	90101-12755	BOLT	1	1	1	1	
40	90185-12119	NUT, SELF-LOCKING	1	1	1	1	
41	90201-12749	WASHER, PLATE	1	1	1	1	
42	90201-127J6	WASHER, PLATE	1	1	1	1	
43	90338-10150	PLUG	2	2	2	2	
44	99244-00140	EMBLEM, YAMAHA	2	2	2	2	

FIG. 19 REAR SUSPENSION



REF. NO.	PART NO.	DESCRIPTION	5PA4	5PA6	5SH4	5SH6	REMARKS
1	5PA-22210-00	SHOCK ABSORBER ASSY, REAR	1				UR FOR USA
	5PA-22210-10	SHOCK ABSORBER ASSY, REAR	1				UR FOR EUR
	5PA-22210-30	SHOCK ABSORBER ASSY, REAR	1				UR FOR CAN
	5PA-22210-40	SHOCK ABSORBER ASSY, REAR	1				UR FOR ZAF
	5PA-22210-20	SHOCK ABSORBER ASSY, REAR		1			FOR JPN
	5SH-22210-10	SHOCK ABSORBER ASSY, REAR			1		FOR EUR
	5SH-22210-20	SHOCK ABSORBER ASSY, REAR				1	FOR JPN
2	5PA-22201-00	.DAMPER SUB ASSY	1				UR FOR USA
	5PA-22201-10	.DAMPER SUB ASSY	1				UR FOR EUR
	5PA-22201-30	.DAMPER SUB ASSY	1				UR FOR CAN
	5PA-22201-40	.DAMPER SUB ASSY	1				UR FOR ZAF
	5PA-22201-20	.DAMPER SUB ASSY		1			FOR JPN
	5SH-22201-10	.DAMPER SUB ASSY			1		FOR EUR
	5SH-22201-20	.DAMPER SUB ASSY				1	FOR JPN
3	4ES-22216-00	..BUSH, REAR SHOCK ABSORBER	1	1	1	1	
4	58T-23184-L0	..CAP, AIR VALVE	1	1	1	1	
5	4ES-22212-F0	.SPRING (K=5.0)	1	1			UR FOR USA,CAN,ZAF
	4ES-22212-K0	.SPRING (K=4.6)	1				UR FOR EUR
	4ES-22212-G0	.SPRING (K=4.8)			1		FOR EUR
	4ES-22212-H0	.SPRING (K=5.2)				1	FOR JPN
6	4ES-22214-00	.GUIDE, SPRING 1	1	1	1	1	
7	3JD-22214-00	.GUIDE, SPRING 1	1	1	1	1	
8	4ES-22251-00	.NUT 1	1	1	1	1	
9	90109-10729	BOLT	1	1	1	1	
10	92907-10600	WASHER, PLATE	1	1	1	1	
11	90185-10110	NUT, SELF-LOCKING	1	1	1	1	
12	90105-10614	BOLT, FLANGE	1	1	1	1	

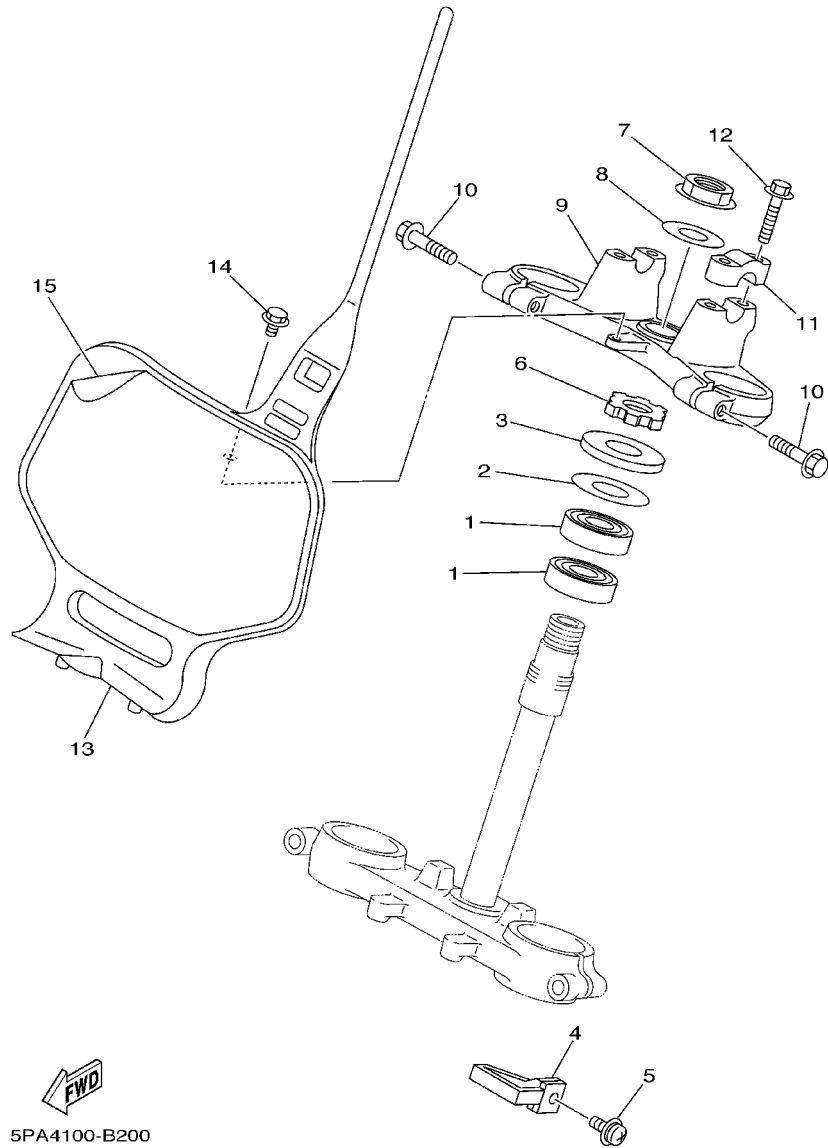
FIG. 19 REAR SUSPENSION



5PA1100-A190

REF. NO.	PART NO.	DESCRIPTION	5PA4	5PA6	5SH4	5SH6	REMARKS
13	90201-112U6	WASHER, PLATE	1	1	1	1	

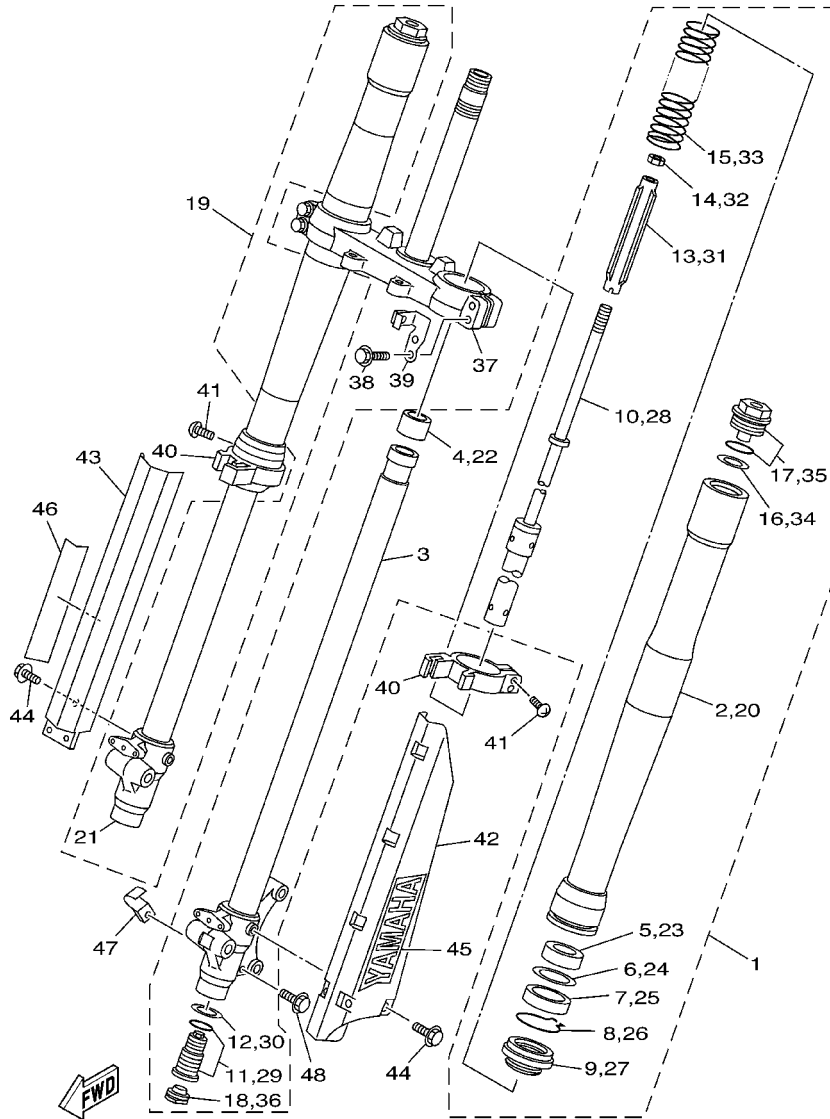
FIG. 20 STEERING



REF. NO.	PART NO.	DESCRIPTION	5PA4	5PA6	5SH4	5SH6	REMARKS
1	93332-00079	BEARING	2	2	2	2	
2	90201-256K5	WASHER, PLATE (0.5T)	1	1	1	1	
3	1J7-23415-00	COVER, BALL RACE 1	1	1	1	1	
4	4DA-23389-00	GUIDE, CABLE	1	1	1	1	
5	90157-05079	SCREW, PAN HEAD	1	1	1	1	
6	90179-25033	NUT	1	1	1	1	
7	90179-22412	NUT	1	1	1	1	
8	90201-220T0	WASHER, PLATE	1	1	1	1	
9	4ES-23435-00	CROWN, HANDLE	1	1	1	1	
10	95807-08035	BOLT, FLANGE	2	2	2	2	
11	3SP-23441-00	HOLDER, HANDLE UPPER	2	2	2	2	
12	95027-08030	BOLT, FLANGE	4	4	4	4	
13	4ES-23485-20	PLATE, NUMBER	1	1	1	1	
14	95027-06012	BOLT, FLANGE	1	1	1	1	
15	4ES-2339E-00	GRAPHIC 1	1	1	1	1	


5PA4100-B200

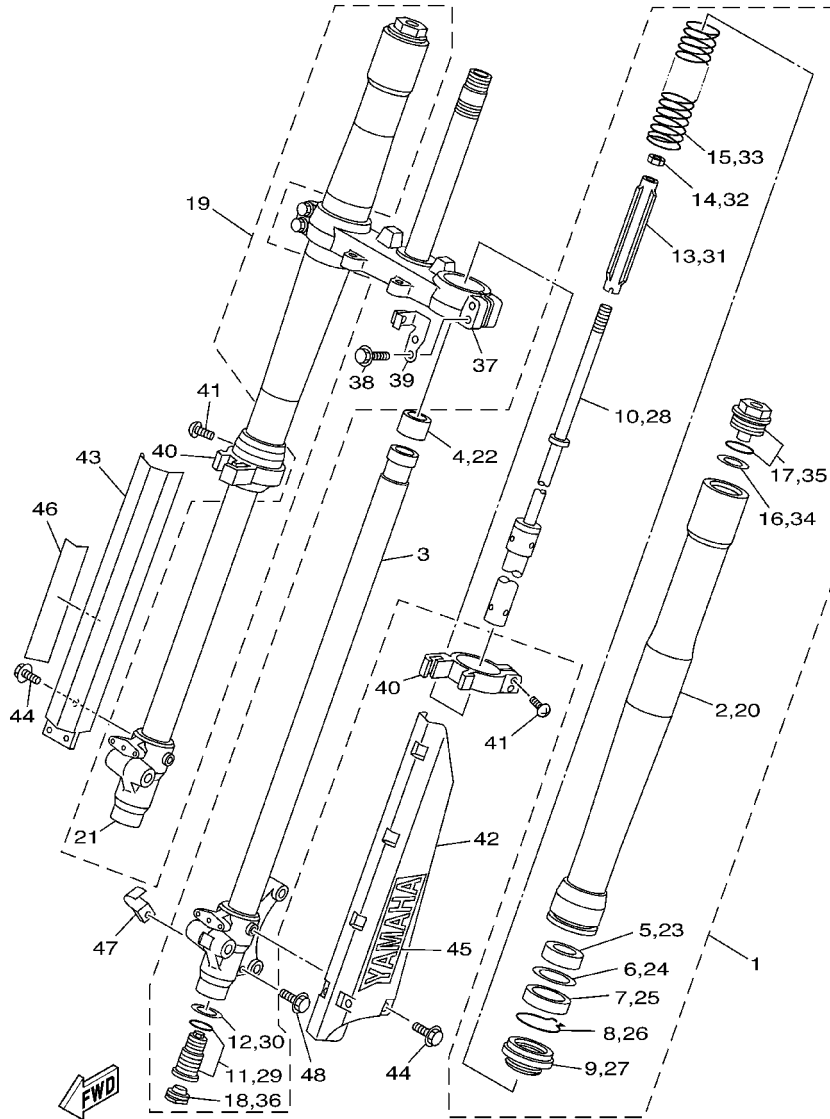
FIG. 21 FRONT FORK



5PA1100-A210

REF. NO.	PART NO.	DESCRIPTION	5PA4	5PA6	5SH4	5SH6	REMARKS
1	5PA-23102-00	FRONT FORK ASSY (L.H)	1	1			
	5SH-23102-00	FRONT FORK ASSY (L.H)			1	1	
2	5PA-23136-00	.TUBE, OUTER (RIGHT)	1	1	1	1	
3	5PA-23120-00	.INNER TUBE COMP.2	1	1	1	1	
4	5PA-23171-00	.PISTON, FRONT FORK	1	1	1	1	
5	5PA-23125-00	.METAL, SLIDE 1	1	1	1	1	
6	5K5-23149-00	.WASHER, SPRING UPPER	1	1	1	1	
7	4ES-23145-00	.OIL SEAL	1	1	1	1	
8	4A1-23156-00	.CLIP, OIL SEAL	1	1	1	1	
9	4ES-23144-00	.SEAL, DUST	1	1	1	1	
10	5PA-23170-00	.CYLINDER COMP., FRONT FORK	1	1	1	1	
11	5PA-2316A-00	.VALVE COMP.	1	1			
	5SH-2316A-00	.VALVE COMP.			1	1	
12	2HH-23158-L0	.GASKET	1	1	1	1	
13	4ES-23142-00	.SEAT, SPRING UPPER	1	1	1	1	
14	3XJ-23357-L0	.NUT	1	1	1	1	
15	4ES-23141-40	.SPRING, FRONT FORK (K=0.29)	1	1			
	4LB-23141-10	.SPRING, FRONT FORK (K=0.30)			1	1	
16	5PA-23149-00	.WASHER, SPRING UPPER	1	1	1	1	
17	4ES-23111-10	.BOLT, CAP	1	1	1	1	
18	3JD-2312G-L0	.PLUG	1	1	1	1	
19	5PA-23103-00	FRONT FORK ASSY (R.H)	1	1			
	5SH-23103-00	FRONT FORK ASSY (R.H)			1	1	
20	5PA-23136-00	.TUBE, OUTER (RIGHT)	1	1	1	1	
21	5PA-23110-00	.INNER TUBE COMP.1	1	1	1	1	
22	5PA-23171-00	.PISTON, FRONT FORK	1	1	1	1	
23	5PA-23125-00	.METAL, SLIDE 1	1	1	1	1	

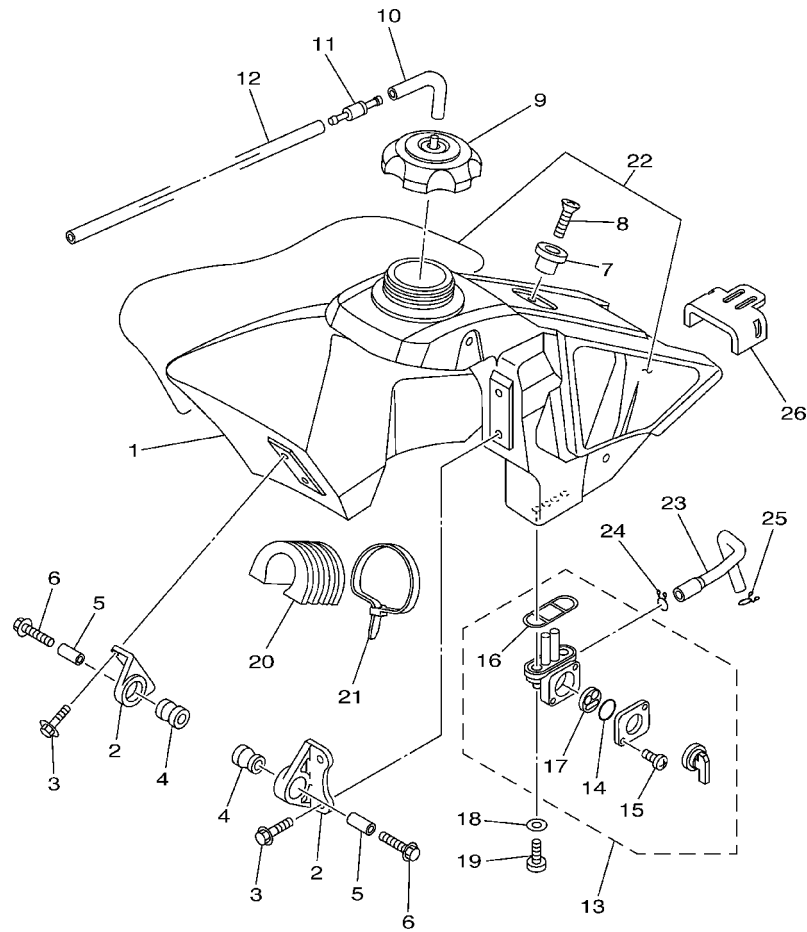
FIG. 21 FRONT FORK



5PA1100-A210

REF. NO.	PART NO.	DESCRIPTION	5PA4	5PA6	5SH4	5SH6	REMARKS
24	5K5-23149-00	.WASHER, SPRING UPPER	1	1	1	1	
25	4ES-23145-00	.OIL SEAL	1	1	1	1	
26	4A1-23156-00	.CLIP, OIL SEAL	1	1	1	1	
27	4ES-23144-00	.SEAL, DUST	1	1	1	1	
28	5PA-23170-00	.CYLINDER COMP., FRONT FORK	1	1	1	1	
29	5PA-2316A-00	.VALVE COMP.	1	1			
	5SH-2316A-00	.VALVE COMP.			1	1	
30	2HH-23158-L0	.GASKET	1	1	1	1	
31	4ES-23142-00	.SEAT, SPRING UPPER	1	1	1	1	
32	3XJ-23357-L0	.NUT	1	1	1	1	
33	4ES-23141-40	.SPRING, FRONT FORK (K=0.29)	1	1			
	4LB-23141-10	.SPRING, FRONT FORK (K=0.30)			1	1	
34	5PA-23149-00	.WASHER, SPRING UPPER	1	1	1	1	
35	4ES-23111-10	.BOLT, CAP	1	1	1	1	
36	3JD-2312G-L0	.PLUG	1	1	1	1	
37	5PA-23340-01	UNDER BRACKET COMP.	1	1	1	1	
38	5NY-23346-L0	BOLT 1	4	4	4	4	
39	5PA-2331E-00	GUIDE, CABLE	1	1	1	1	
40	4ES-2314F-00	PROTECTOR GUIDE COMP., 1	2	2	2	2	
41	4V4-23194-L0	SCREW, BOOT BAND	4	4	4	4	
42	5PA-2314H-L0	PROTECTOR COMP., 1	1	1	1	1	
43	5PA-2314J-L0	PROTECTOR COMP., 2	1	1	1	1	
44	95024-06010	BOLT, FLANGE	6	6	6	6	
45	4XL-2153A-10	EMBLEM, YAMAHA	1	1	1	1	
46	4XL-2153A-10	EMBLEM, YAMAHA	1	1	1	1	
47	4ES-23318-00	HOLDER, CABLE 1	1	1	1	1	
48	95027-06016	BOLT, FLANGE	1	1	1	1	

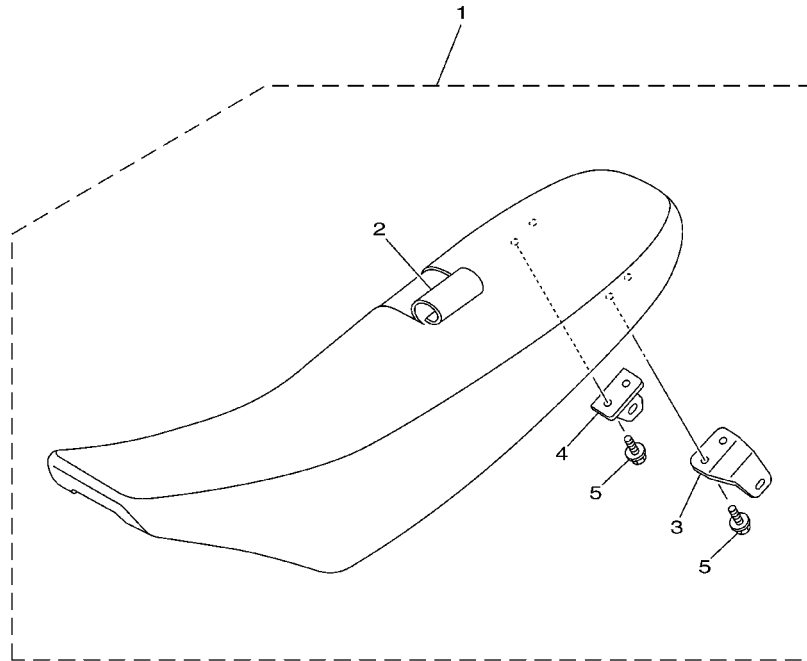
FIG. 22 FUEL TANK



REF. NO.	PART NO.	DESCRIPTION	5PA4	5PA6	5SH4	5SH6	REMARKS
1	5PA-24110-00	FUEL TANK COMP.	1	1	1	1	
2	24X-24144-00	HOLDER, DAMPER	2	2	2	2	
3	95027-06016	BOLT, FLANGE	4	4	4	4	
4	90480-18549	GROMMET	2	2	2	2	
5	90387-06027	COLLAR	2	2	2	2	
6	90119-06190	BOLT, WITH WASHER	2	2	2	2	
7	4EW-2412F-00	BRACKET, SEAT	1	1	1	1	
8	98707-06025	SCREW, FLAT HEAD	1	1	1	1	
9	5UN-24610-00	CAP ASSY	1	1	1	1	
10	90445-09220	HOSE	1	1	1	1	
11	3XJ-24380-00	PIPE JOINT ASSY	1	1	1	1	
12	90445-09300	HOSE (L355)	1	1	1	1	
13	4DP-24500-00	FUEL COCK ASSY 1	1	1	1	1	
14	3AJ-24534-00	.SEAL, COCK	1	1	1	1	
15	97801-03008	.SCREW, PAN HEAD	2	2	2	2	
16	4X8-24512-00	.O-RING	1	1	1	1	
17	3AJ-24523-00	.VALVE PACKING	1	1	1	1	
18	90202-05193	WASHER, PLATE	2	2	2	2	
19	90149-06011	SCREW	2	2	2	2	
20	5PA-24182-00	DAMPER, LOCATING 2	1	1	1	1	
21	90465-13275	CLAMP	1	1	1	1	
22	5PA-24240-10	GRAPHIC SET	1	1	1	1	
23	5PA-24311-00	PIPE, FUEL 1	1	1	1	1	
24	90467-10008	CLIP	1	1	1	1	
25	90467-09002	CLIP	1	1	1	1	
26	5PA-24181-00	DAMPER, LOCATING 1	1	1	1	1	


5PA4100-B220

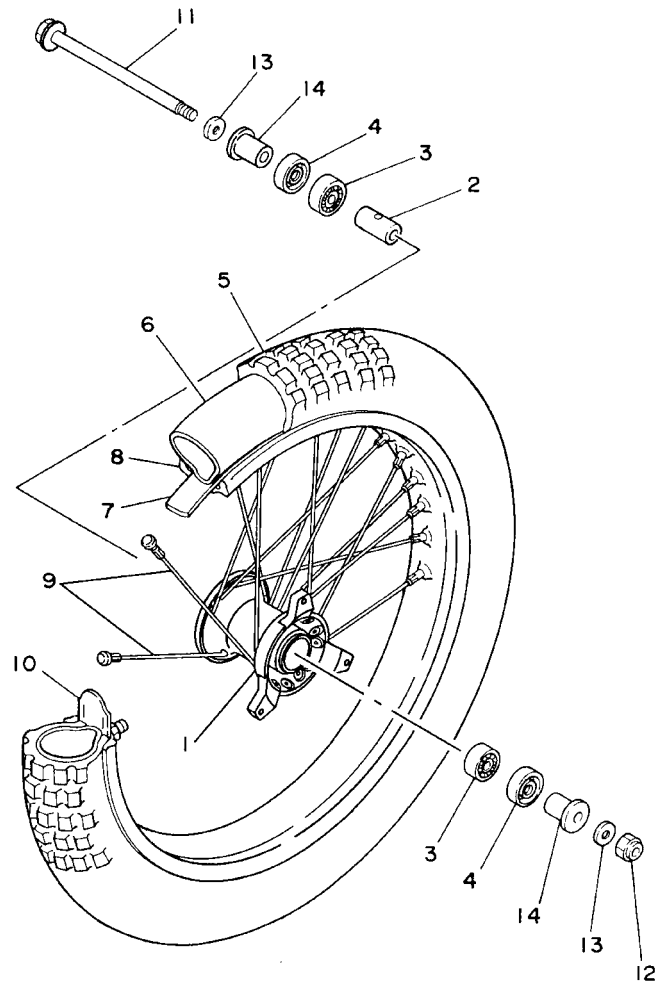
FIG. 23 SEAT



REF. NO.	PART NO.	DESCRIPTION	5PA4	5PA6	5SH4	5SH6	REMARKS
1	5PA-24770-10	SEMI-DOUBLE SEAT ASSY	1	1	1	1	
2	5PA-2470F-00	.SEAT COVER COMP.	1	1	1	1	
3	5PA-24718-00	.BRACKET, SEAT	1	1	1	1	
4	5PA-24728-00	.BRACKET, SEAT	1	1	1	1	
5	95027-06012	.BOLT, FLANGE	4	4	4	4	

5PA1100-A230

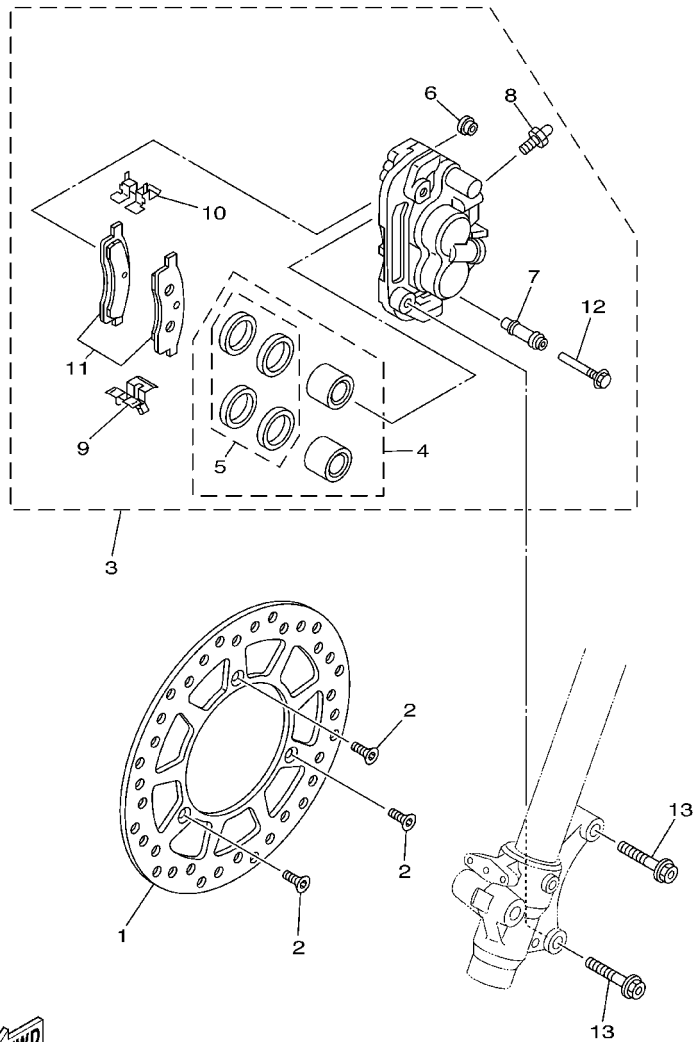
FIG. 24 FRONT WHEEL




4ES1100-3240

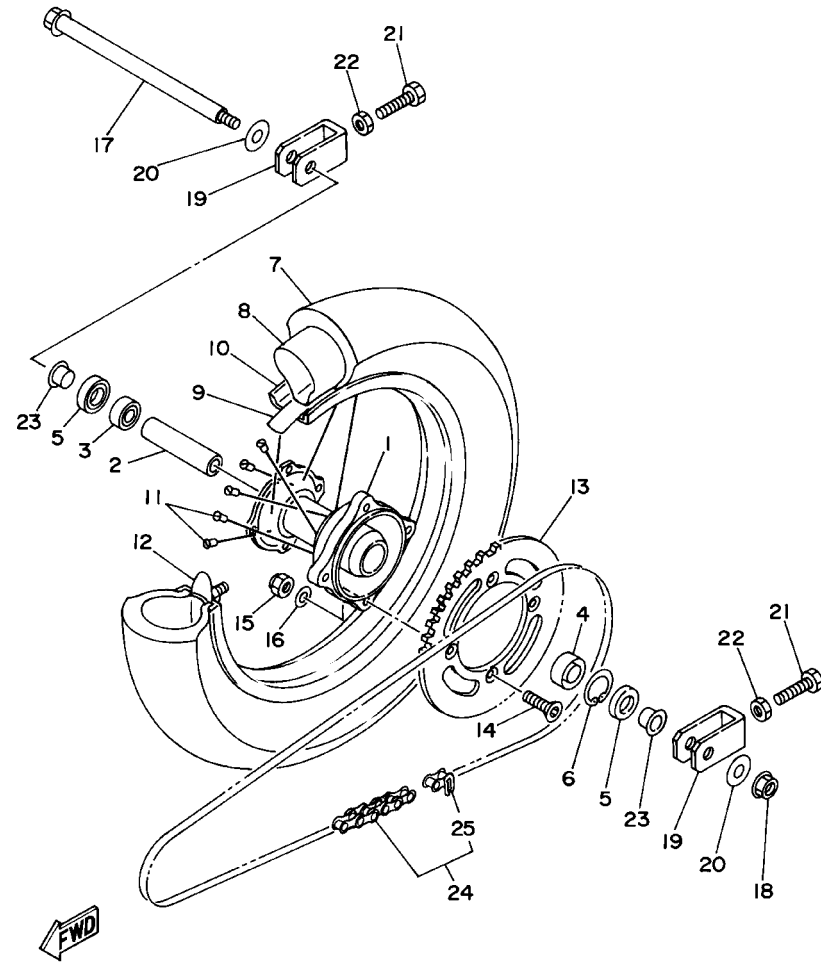
REF. NO.	PART NO.	DESCRIPTION	5PA4	5PA6	5SH4	5SH6	REMARKS
1	4ES-25111-00	HUB, FRONT	1	1	1	1	
2	90387-124H0	COLLAR	1	1	1	1	
3	93306-20120	BEARING	2	2	2	2	
4	93106-20031	OIL SEAL	2	2	2	2	
5	94107-17009	TIRE (70/100-17 D739FA)	1	1			DUNLOP FOR USA, SWE,ZAF
	94107-17011	TIRE (70/100-17 D756F)	1				DUNLOP
	94107-19011	TIRE (70/100-19 D756F)			1		DUNLOP
	94107-19009	TIRE (70/100-19 D739FA)				1	DUNLOP
6	94207-17284	TUBE (70/100-17M/C TR4)	1	1			DUNLOP
	94207-19290	TUBE (70/100-19M/C TR4)			1	1	DUNLOP
7	94307-17166	BAND, RIM (80/90,70/100-17)	1	1			DUNLOP
	94307-19170	BAND, RIM (70/100-19)			1	1	DUNLOP
8	94414-17530	RIM (1.40-17)	1	1			
	94414-19521	RIM (1.40-19)			1	1	
9	4ES-25104-20	SPOKE SET, FRONT	1	1			
	4LB-25104-00	SPOKE SET, FRONT			1	1	
10	1T1-25194-00	SPACER, BEAD	1	1	1	1	
11	4ES-25181-00	AXLE, WHEEL	1	1	1	1	
12	90185-12046	NUT, SELF-LOCKING	1	1	1	1	
13	90201-12362	WASHER, PLATE	2	2	2	2	
14	4ES-25183-10	COLLAR, WHEEL	2	2	2	2	

FIG. 25 FRONT BRAKE CALIPER



REF. NO.	PART NO.	DESCRIPTION	5PA4	5PA6	5SH4	5SH6	REMARKS
1	5PA-2582T-00	DISC, BRAKE (LEFT)	1	1	1	1	
2	90149-06327	SCREW	3	3	3	3	
3	5PA-2580T-00	CALIPER ASSY (LEFT)	1	1	1	1	
4	4ES-W0057-10	.PISTON ASSY, CALIPER	1	1	1	1	
5	4ES-W0047-10	..CALIPER SEAL KIT	1	1	1	1	
6	5R2-25937-00	.BOOT 2	1	1	1	1	
7	56A-25937-00	.BOOT 2	1	1	1	1	
8	51L-W0048-00	.BLEED SCREW KIT	1	1	1	1	
9	56A-25919-00	.SUPPORT, PAD	1	1	1	1	
10	56A-25919-10	.SUPPORT, PAD	1	1	1	1	
11	5PA-W0045-00	.BRAKE PAD KIT	1	1	1	1	
12	56A-25926-00	.BOLT	1	1	1	1	
13	90105-08211	BOLT, FLANGE	2	2	2	2	

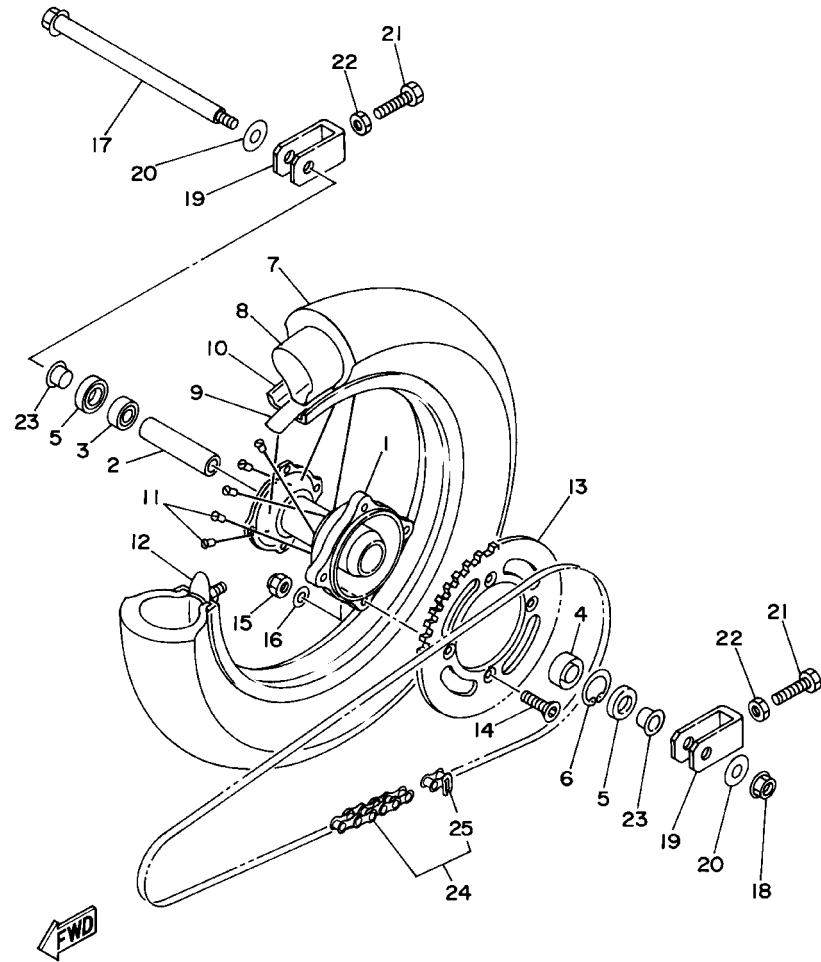
FIG. 26 REAR WHEEL



4ES1100-3260

REF. NO.	PART NO.	DESCRIPTION	5PA4	5PA6	5SH4	5SH6	REMARKS
1	4ES-25311-00	HUB, REAR	1	1	1	1	
2	4ES-25383-00	COLLAR, WHEEL	1	1	1	1	
3	93306-00203	BEARING (B6002)	1	1	1	1	
4	93306-20203	BEARING (B6202RS)	1	1	1	1	
5	93102-20009	OIL SEAL	2	2	2	2	
6	99009-35500	CIRCLIP	1	1	1	1	
7	94109-14009	TIRE (90/100-14 D739)	1	1			DUNLOP FOR USA, SWE,ZAF
	94109-14011	TIRE (90/100-14 D756)	1				DUNLOP
	94109-16011	TIRE (90/100-16 D756)			1		DUNLOP
	94109-16009	TIRE (90/100-16 D739)				1	DUNLOP
8	94208-14285	TUBE (80-90/100-14M/C TR4)	1	1			DUNLOP
	94209-16291	TUBE (90/100-16M/C TR4)			1	1	DUNLOP
9	94308-14165	BAND, RIM (80-90/100-14)	1	1			DUNLOP
	94307-16171	BAND, RIM (70-90/100-16)			1	1	DUNLOP
10	94416-14529	RIM (1.60-14)	1	1			
	94418-16522	RIM (1.85-16)			1	1	
11	4ES-25304-20	SPOKE SET, REAR	1	1			
	4LB-25304-00	SPOKE SET, REAR			1	1	
12	5X2-25394-00	SPACER, BEAD	1	1			
	1T2-25394-00	SPACER, BEAD			1	1	
13	4ES-25447-20	SPROCKET, DRIVEN (47T)	1	1			UR STD FOR USA, SWE,ZAF
	5PA-25448-00	SPROCKET, DRIVEN (48T)	1				UR STD
	5PA-25446-00	SPROCKET, DRIVEN (46T)	1	1			AP
	5PA-25448-00	SPROCKET, DRIVEN (48T)	1	1			AP
	5PA-25449-00	SPROCKET, DRIVEN (49T)	1				AP
	5PA-25452-00	SPROCKET, DRIVEN (52T)			1	1	UR STD
	5PA-25451-00	SPROCKET, DRIVEN (51T)			1	1	AP

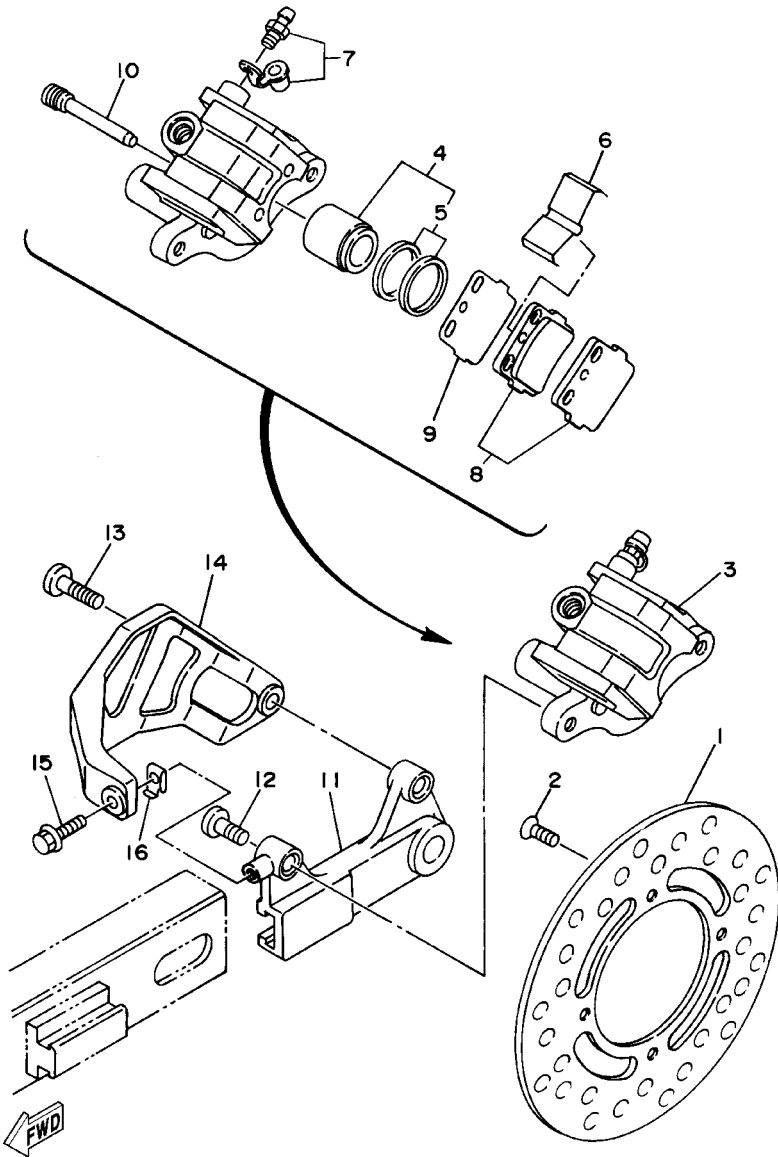
FIG. 26 REAR WHEEL



4ES1100-3260

REF. NO.	PART NO.	DESCRIPTION	5PA4	5PA6	5SH4	5SH6	REMARKS
13	5PA-25453-00	SPROCKET, DRIVEN (53T)			1	1	AP
14	90109-081G2	BOLT	4	4	4	4	
15	90185-08169	NUT, SELF-LOCKING	4	4	4	4	
16	90201-086P8	WASHER, PLATE	4	4	4	4	
17	4ES-25381-01	AXLE, WHEEL	1	1	1	1	
18	90185-14142	NUT, SELF-LOCKING	1	1	1	1	
19	5PA-25388-00	PULLER, CHAIN 1	2	2	2	2	
20	90201-152L7	WASHER, PLATE	2	2	2	2	
21	90101-08475	BOLT	2	2	2	2	
22	95307-08700	NUT	2	2	2	2	
23	4ES-25383-10	COLLAR, WHEEL	2	2	2	2	
24	9Y582-00117	CHAIN (DID 4280S 118L)	1	1			
	9Y582-00123	CHAIN (DID 428S 123L)			1	1	
25	94682-00001	.JOINT,CHAIN (DID 428DS-RJ)	1	1	1	1	

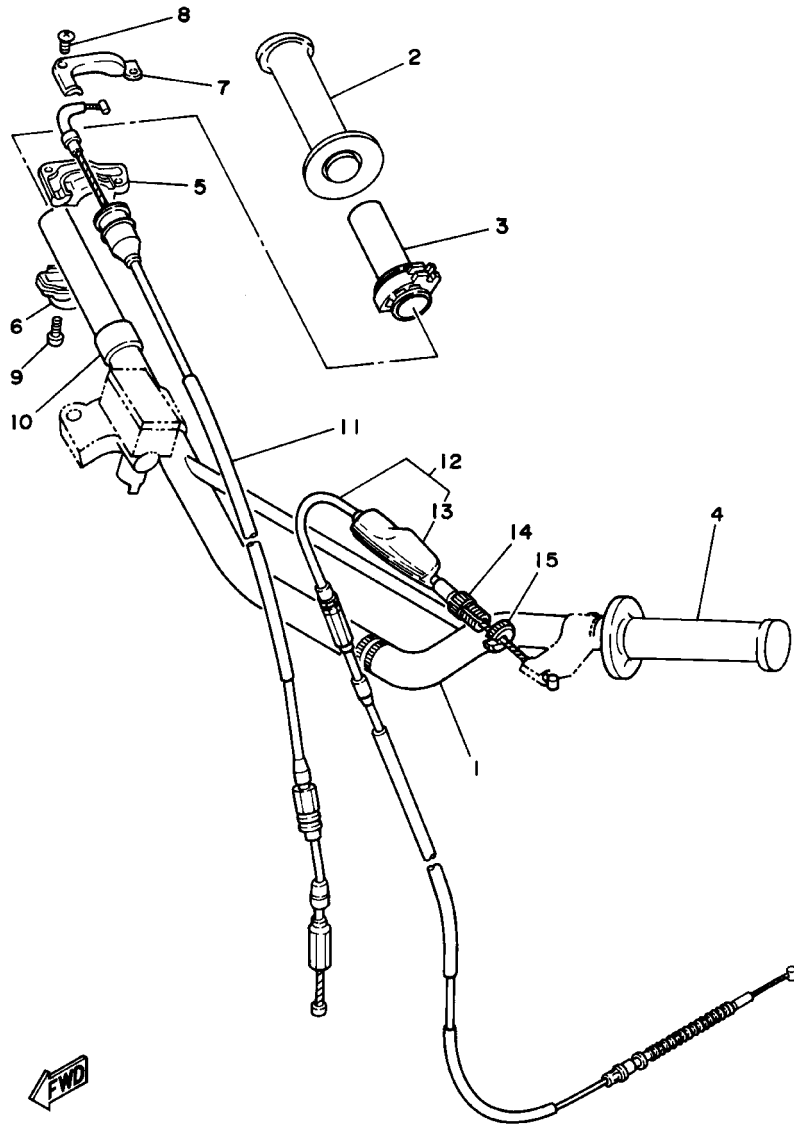
FIG. 27 REAR BRAKE CALIPER



5PA1100-A270

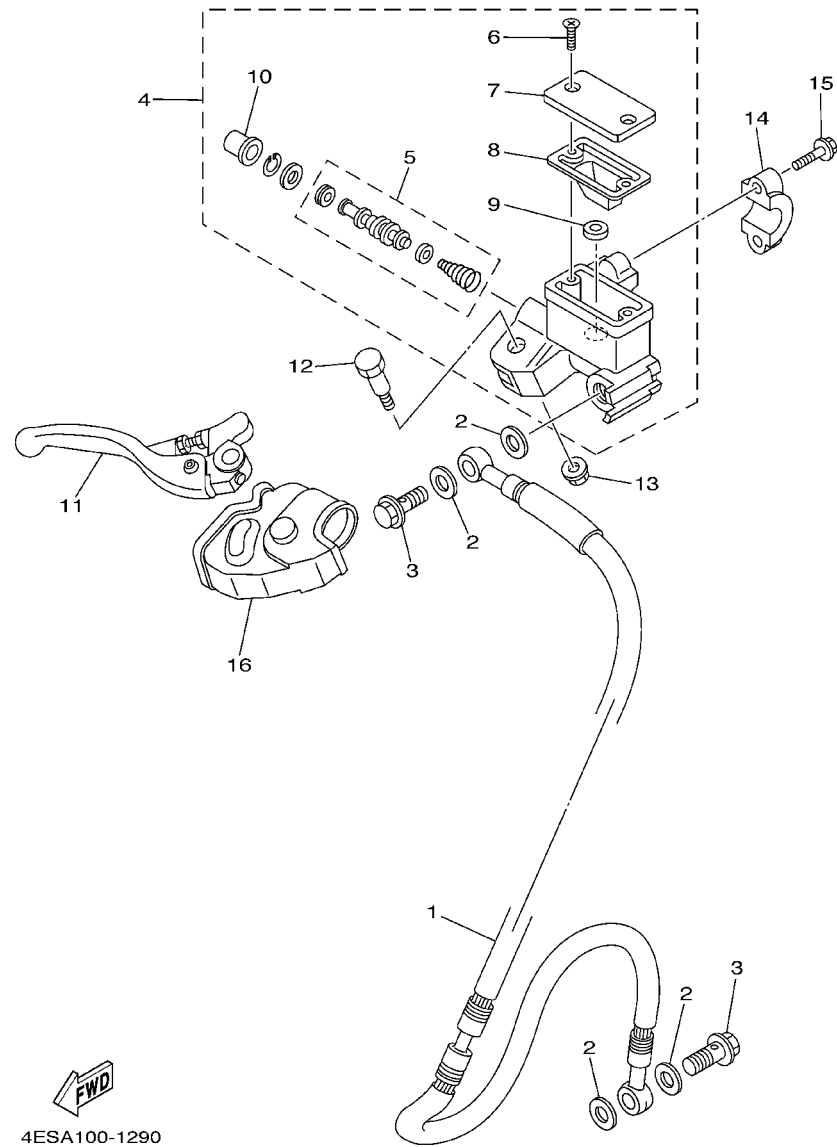
REF. NO.	PART NO.	DESCRIPTION	5PA4	5PA6	5SH4	5SH6	REMARKS
1	5PA-2582W-00	DISC, REAR BRAKE 2	1	1	1	1	
2	90149-06327	SCREW	4	4	4	4	
3	5PA-2580W-00	CALIPER ASSY, REAR 2	1	1	1	1	
4	4EW-W0057-50	.PISTON ASSY, CALIPER	1	1	1	1	
5	4ES-W0047-00	..CALIPER SEAL KIT	1	1	1	1	
6	1UY-25919-51	.SUPPORT, PAD	1	1	1	1	
7	1UY-W0048-50	.BLEED SCREW KIT	1	1	1	1	
8	5PA-W0046-50	.BRAKE PAD KIT 2	1	1	1	1	
9	3GD-25827-00	.SHIM, CALIPER	1	1	1	1	
10	3GD-25933-00	.PIN, PAD	2	2	2	2	
11	4ES-25920-00	SUPT. BRKT. ASSY.	1	1	1	1	
12	90110-08096	BOLT, HEXAGON SOCKET HEAD	1	1	1	1	
13	90109-08718	BOLT	1	1	1	1	
14	4ES-27491-00	PROTECTOR	1	1	1	1	
15	95027-06012	BOLT, FLANGE	1	1	1	1	
16	4ES-27114-00	STOPPER, MAIN STAND	1	1	1	1	

FIG. 28 STEERING HANDLE. CABLE



REF. NO.	PART NO.	DESCRIPTION	5PA4	5PA6	5SH4	5SH6	REMARKS
1	5PA-26111-00	HANDLEBAR	1	1	1	1	
2	4GY-26242-00	GRIP (RIGHT)	1	1	1	1	
3	22W-26243-00	TUBE, THROTTLE GUIDE	1	1	1	1	
4	4GY-26241-00	GRIP	1	1	1	1	
5	5X2-26281-00	CAP, GRIP UPPER	1	1	1	1	
6	322-26282-00	CAP, GRIP LOWER	1	1	1	1	
7	5X2-2628H-01	CAP, WIRE	1	1	1	1	
8	98707-04012	SCREW, FLAT HEAD	2	2	2	2	
9	98507-05016	SCREW	2	2	2	2	
10	90387-227H7	COLLAR	1	1	1	1	
11	5PA-26311-00	CABLE, THROTTLE 1	1	1	1	1	
12	4ES-26335-11	CABLE, CLUTCH	1	1	1	1	
13	498-26372-00	.COVER, HANDLE LEVER 1	1	1	1	1	
14	90123-08046	BOLT	1	1	1	1	
15	90179-08148	NUT	1	1	1	1	


4ES6100-7280

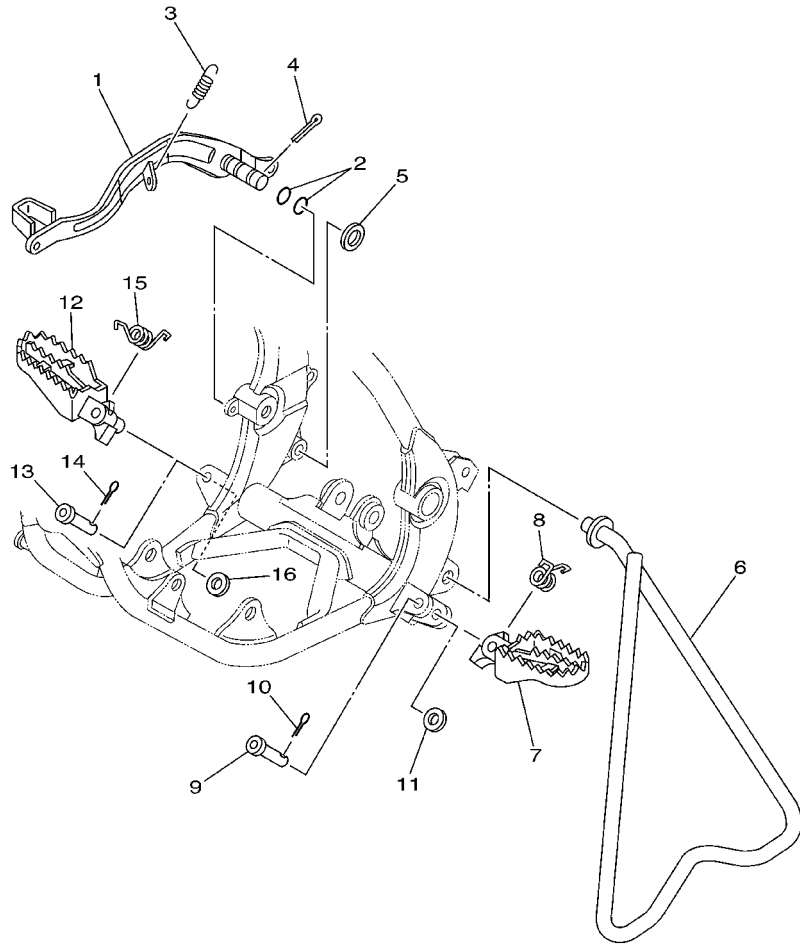


4ESA100-1290

FIG. 29 FRONT MASTER CYLINDER

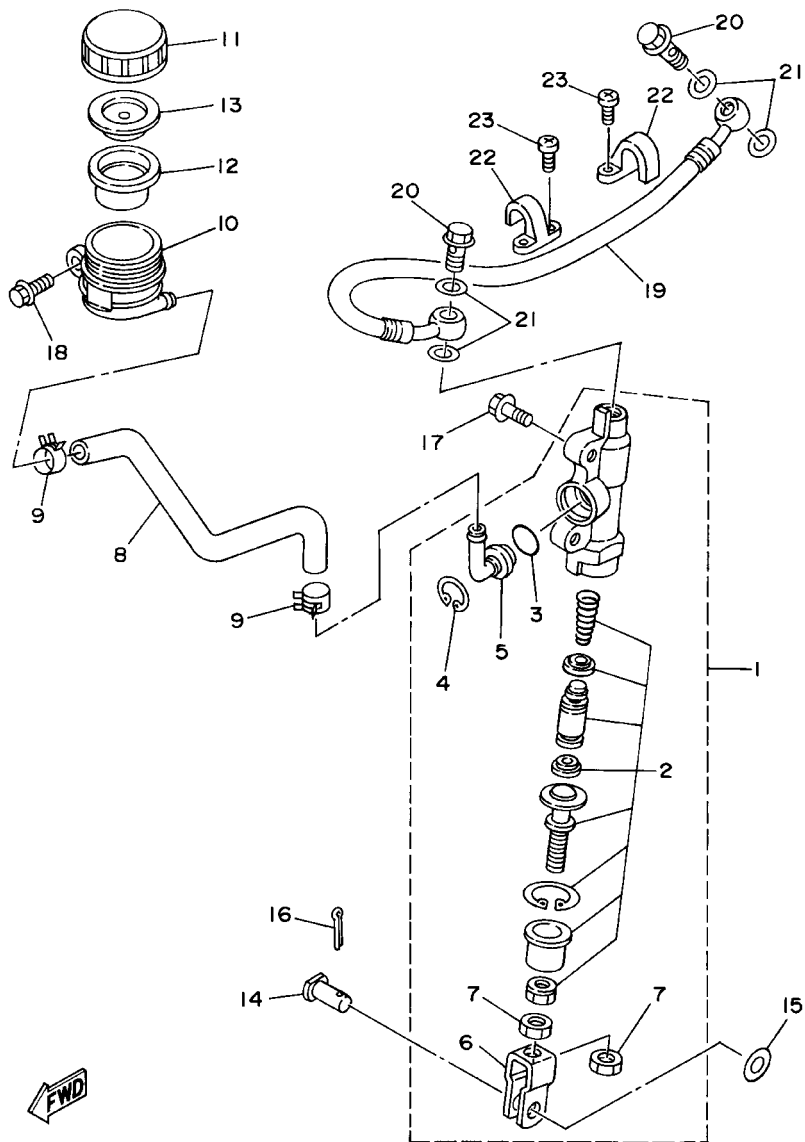
REF. NO.	PART NO.	DESCRIPTION	5PA4	5PA6	5SH4	5SH6	REMARKS
1	4ES-25872-10	HOSE, BRAKE 1	1	1			
	5SH-25872-00	HOSE, BRAKE 1			1	1	
2	90201-10118	WASHER, PLATE	4	4	4	4	
3	90401-10168	BOLT, UNION	2	2	2	2	
4	5UN-W2587-00	MASTER CYLINDER SUB ASSY	1	1	1	1	
5	5NY-W0041-00	.CYLINDER KIT, MASTER	1	1	1	1	
6	98706-04012	.SCREW, FLAT HEAD	2	2	2	2	
7	5MV-25852-01	.CAP, RESERVOIR	1	1	1	1	
8	56A-25854-00	.DIAPHRAGM, RESERVOIR	1	1	1	1	
9	5CG-25715-00	.SEPARATOR ASSY	1	1	1	1	
10	5NY-25868-00	.BOOT, MASTER CYLINDER	1	1	1	1	
11	5MV-83922-00	LEVER 2	1	1	1	1	
12	5MV-2589F-00	BOLT, LEVER	1	1	1	1	
13	95701-06500	NUT, FLANGE	1	1	1	1	
14	5MV-25867-00	BRACKET, MASTER CYLINDER	1	1	1	1	
15	5MV-25833-00	BOLT, FITTING	2	2	2	2	
16	5NY-26372-00	COVER, HANDLE LEVER 1	1	1	1	1	

FIG. 30 STAND, FOOTREST



5PA1100-A300

REF. NO.	PART NO.	DESCRIPTION	5PA4	5PA6	5SH4	5SH6	REMARKS
1	5PA-27211-00	PEDAL, BRAKE	1	1	1	1	
2	93210-11073	O-RING	2	2	2	2	
3	90506-15480	SPRING, TENSION	1	1	1	1	
4	91401-20025	PIN, COTTER	1	1	1	1	
5	90201-15700	WASHER, PLATE	1	1	1	1	
6	4ES-27311-00	STAND, SIDE	1	1			
	4LB-27311-00	STAND, SIDE			1	1	
7	5ET-27411-00	FOOTREST 1	1	1	1	1	
8	90508-282B8	SPRING, TORSION	1	1	1	1	
9	90240-10142	PIN, CLEVIS	1	1	1	1	
10	91401-25015	PIN, COTTER	1	1	1	1	
11	90201-10119	WASHER, PLATE	1	1	1	1	
12	5ET-27421-00	FOOTREST 2	1	1	1	1	
13	90240-10142	PIN, CLEVIS	1	1	1	1	
14	91401-25015	PIN, COTTER	1	1	1	1	
15	90508-282B9	SPRING, TORSION	1	1	1	1	
16	90201-10119	WASHER, PLATE	1	1	1	1	

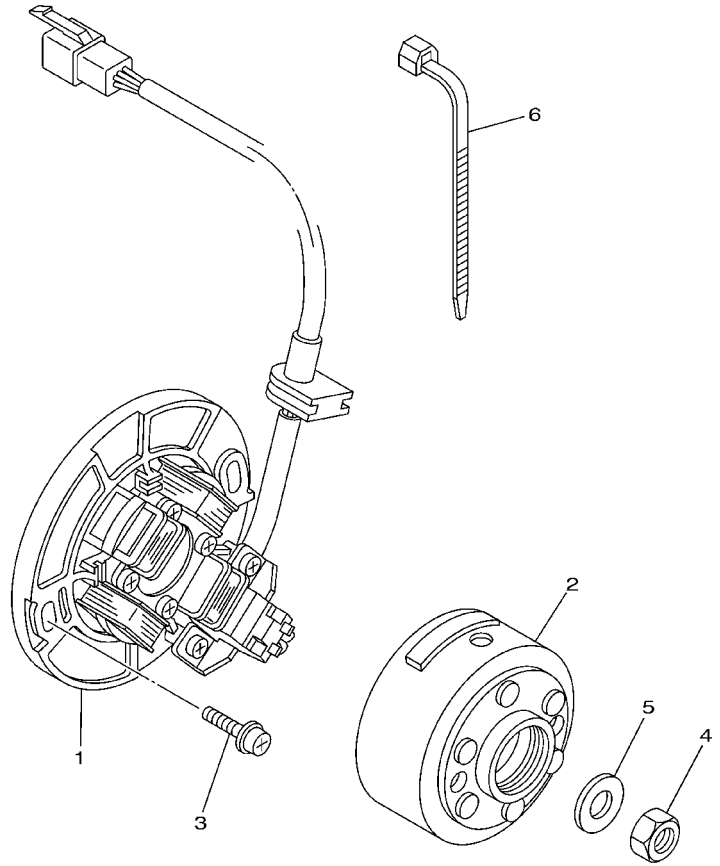


FWD
4ES1100-3310

FIG. 31 REAR MASTER CYLINDER

REF. NO.	PART NO.	DESCRIPTION	5PA4	5PA6	5SH4	5SH6	REMARKS
1	4ES-2583V-00	RR. MASTER CYLINDER ASSY.	1	1	1	1	
2	1FK-W0042-50	.CYLINDER KIT, MASTER	1	1	1	1	
3	93210-15620	.O-RING	1	1	1	1	
4	2VN-25866-00	.CIRCLIP	1	1	1	1	
5	2VN-2582A-50	.JOINT	1	1	1	1	
6	2YK-27222-00	.JOINT	1	1	1	1	
7	95307-08600	.NUT	2	2	2	2	
8	4ES-25895-00	HOSE, RESERVOIR	1	1	1	1	
9	90467-11044	CLIP	2	2	2	2	
10	4EW-25894-00	TANK, RESERVOIR	1	1	1	1	
11	3XP-25852-50	CAP, RESERVOIR	1	1	1	1	
12	2VN-25854-00	DIAPHRAGM, RESERVOIR	1	1	1	1	
13	2VN-25855-00	BUSH,DIAPHRAGM	1	1	1	1	
14	90240-08124	PIN, CLEVIS	1	1	1	1	
15	90201-08083	WASHER, PLATE	1	1	1	1	
16	91401-16012	PIN, COTTER	1	1	1	1	
17	95027-06016	BOLT, FLANGE	2	2	2	2	
18	95027-06012	BOLT, FLANGE	1	1	1	1	
19	5PA-25873-00	HOSE, BRAKE 2	1	1			
	5SH-25873-00	HOSE, BRAKE 2			1	1	
20	90401-10168	BOLT, UNION	2	2	2	2	
21	90201-10118	WASHER, PLATE	4	4	4	4	
22	2VM-25876-00	HOLDER, BRAKE HOSE 2	2	2	2	2	
23	98507-05010	SCREW	4	4	4	4	

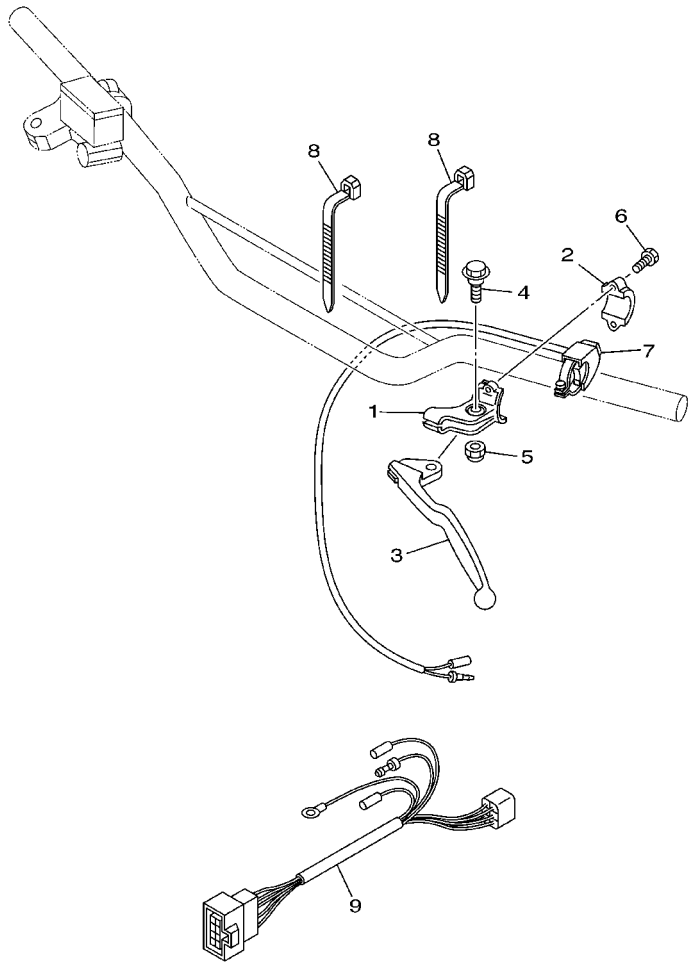
FIG. 32 GENERATOR



REF. NO.	PART NO.	DESCRIPTION	5PA4	5PA6	5SH4	5SH6	REMARKS
1	5PA-85560-00	BASE ASSY	1	1	1	1	
2	4SS-85550-10	ROTOR ASSY	1	1	1	1	
3	90149-06011	SCREW	2	2	2	2	
4	95317-10600	NUT	1	1	1	1	
5	90201-10591	WASHER, PLATE	1	1	1	1	
6	90464-13077	CLAMP	2	2	2	2	

FWD
5PA1100-A320

FIG. 33 HANDLE SWITCH. LEVER

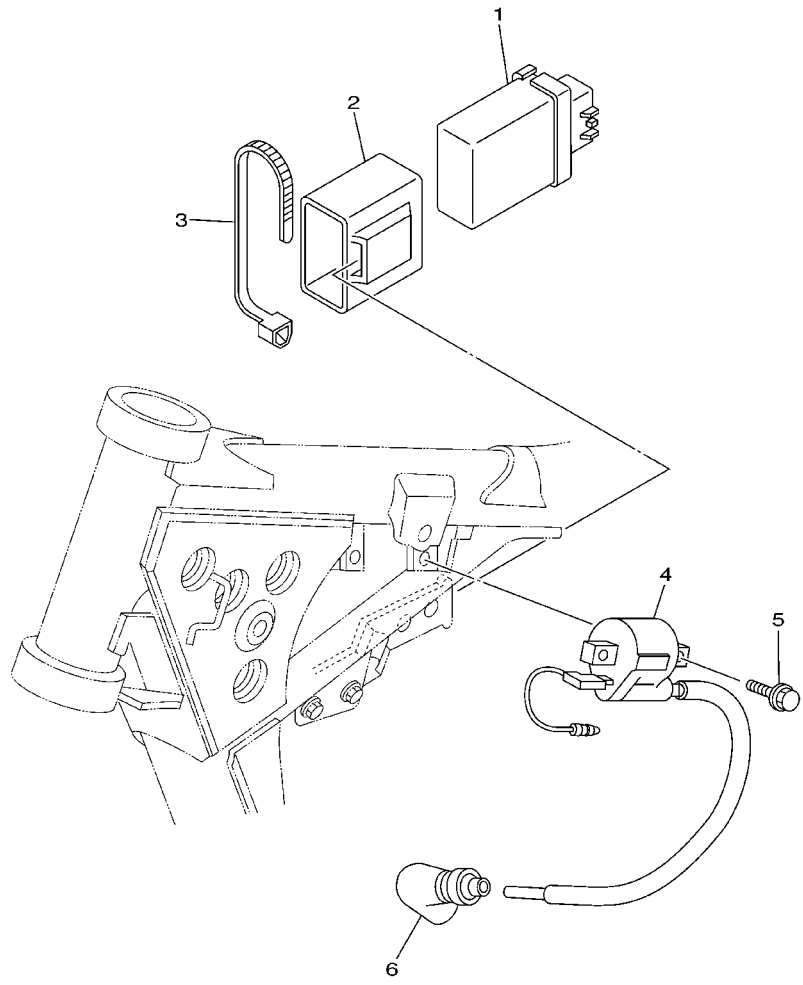


REF. NO.	PART NO.	DESCRIPTION	5PA4	5PA6	5SH4	5SH6	REMARKS
1	38V-82911-00	HOLDER, LEVER 1	1	1	1	1	
2	38V-82913-00	HOLDER, LEVER LOWER 1	1	1	1	1	
3	4GY-83912-00	LEVER 1	1	1	1	1	
4	90109-06799	BOLT	1	1	1	1	
5	95607-06100	NUT, U	1	1	1	1	
6	97007-05016	BOLT	2	2	2	2	
7	22W-83976-00	SWITCH, HANDLE 1	1	1	1	1	
8	90464-13077	CLAMP	2	2	2	2	
9	5PA-82509-00	WIRE, SUB LEAD	1	1	1	1	


5PA1100-A330

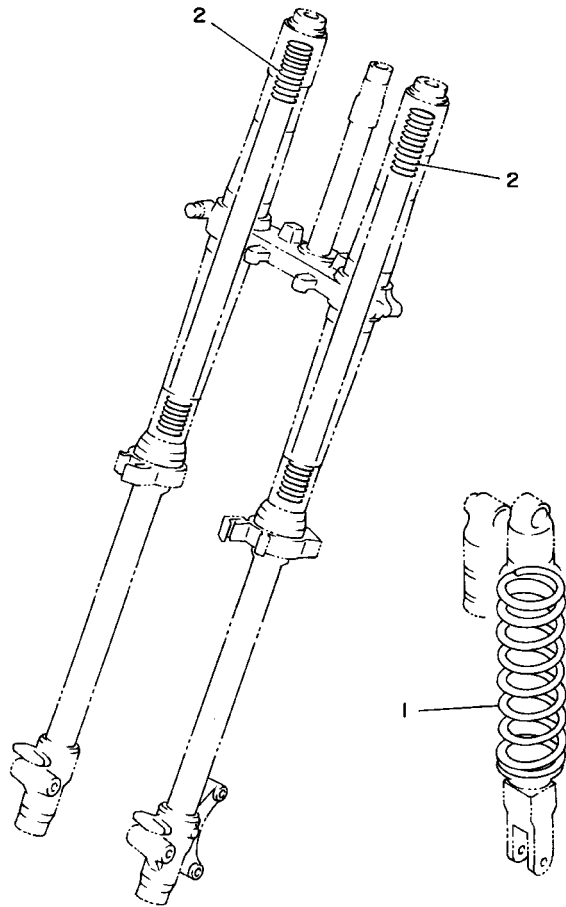
FIG. 34 ELECTRICAL 1

REF. NO.	PART NO.	DESCRIPTION	5PA4	5PA6	5SH4	5SH6	REMARKS
1	5PA-85540-00	C.D.I. UNIT ASSY	1	1	1	1	
2	5PA-85546-00	BAND	1	1	1	1	
3	90460-15126	CLAMP, HOSE	1	1	1	1	
4	5PA-82310-00	IGNITION COIL ASSY	1	1	1	1	
5	95027-06016	BOLT, FLANGE	2	2	2	2	
6	8DG-82370-00	PLUG CAP ASSY	1	1	1	1	



5PA1100-A340

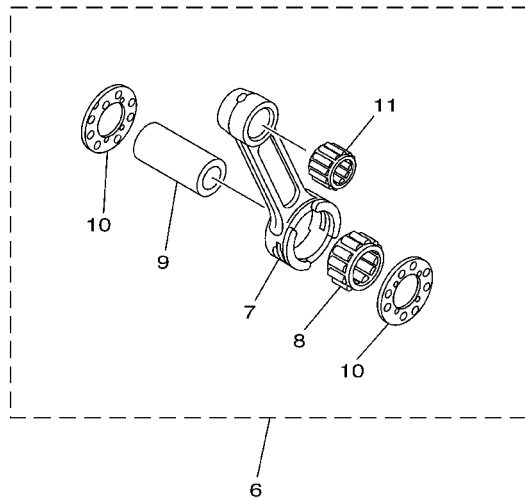
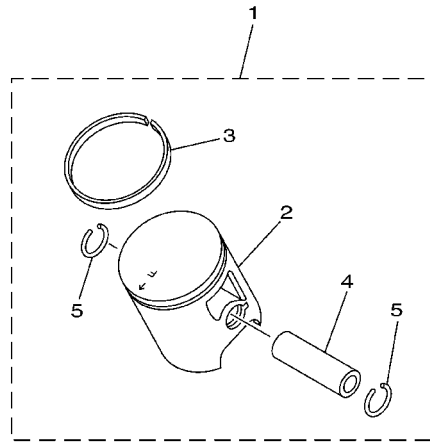
FIG. 35 ALTERNATE (CHASSIS)



FWD
4ES1100-3350

REF. NO.	PART NO.	DESCRIPTION	5PA4	5PA6	5SH4	5SH6	REMARKS
1	4ES-22212-M0	SPRING (K=4.4)	1				AP SOFT
	4ES-22212-G0	SPRING (K=4.8)	1	1			AP SOFT FOR USA, CAN,ZAF,JPN
	4ES-22212-K0	SPRING (K=4.6)			1		AP SOFT
	4ES-22212-F0	SPRING (K=5.0)			1	1	AP SOFT
	4ES-22212-G0	SPRING (K=4.8)	1				AP HARD FOR EUR
	4ES-22212-H0	SPRING (K=5.2)	1	1			AP HARD
	4ES-22212-J0	SPRING (K=5.4)			1	1	AP HARD
2	4ES-23141-50	SPRING, FRONT FORK (K=0.28)	2	2			AP SOFT
	4ES-23141-40	SPRING, FRONT FORK (K=0.29)			2	2	AP SOFT
	4ES-23141-60	SPRING, FRONT FORK (K=0.30)	2	2			AP HARD
	4ES-23141-70	SPRING, FRONT FORK (K=0.31)			2	2	AP HARD

FIG. 36 OPTIONAL PARTS 1



REF. NO.	PART NO.	DESCRIPTION	5PA4	5PA6	5SH4	5SH6	REMARKS
1	5PA-11630-00	PISTON ASSY (STD)	1	1	1	1	
2	5PA-11631-00-B0	.PISTON (STD)	1	1	1	1	
3	5PA-11611-00	.RING, PISTON	1	1	1	1	
4	4ES-11633-00	.PIN, PISTON	1	1	1	1	
5	93450-16115	.CIRCLIP	2	2	2	2	
6	4ES-11650-10	CONNECTING ROD ASSY	1	1	1	1	
7	4ES-11651-10	.ROD, CONNECTING	1	1	1	1	
8	93310-420B1	.BEARING	1	1	1	1	
9	2RA-11681-00	.PIN, CRANK 1	1	1	1	1	
10	90209-20159	.WASHER	2	2	2	2	
11	93310-21417	.BEARING	1	1	1	1	



5PA1100-A360

NUMERICAL INDEX

PART NO.	GRID NO.	PART NO.	GRID NO.	PART NO.	GRID NO.	PART NO.	GRID NO.	PART NO.	GRID NO.	PART NO.	GRID NO.
5NY-W0041-00	D - 8	5PA-14105-00	B - 7	5PA-14984-00	B - 7	4ES-18511-02	C - 2	4ES-22212-F0	C - 9	5PA-23149-00	C - 13
1FK-W0042-50	D - 10	4MX-14115-00	B - 7	5PA-14985-00	B - 7	5R2-18512-00	C - 2	5R2-18512-00	D - 14	4A1-23156-00	C - 12
5PA-W0045-00	D - 3	5PA-14126-00	B - 7	5PA-15111-00	B - 10	4ES-18513-01	C - 2	4ES-22212-G0	C - 9		C - 13
5PA-W0046-50	D - 6	5PA-14131-00	B - 7	5PA-15118-00	B - 10	4BA-18531-00	C - 2		D - 14	2HH-23158-L0	C - 12
4ES-W0047-00	D - 6	3TJ-14137-40	B - 8	5PA-15121-10	B - 10	4BA-18535-00	C - 2	4ES-22212-H0	C - 9		C - 13
4ES-W0047-10	D - 3	5PA-14146-00	B - 8	3Y1-15363-00	B - 11	4ES-18540-00	C - 2		D - 14	5PA-2316A-00	C - 12
1UY-W0048-50	D - 6	5PA-14159-00	B - 7	4ES-15411-00	B - 11	5PA-21101-10	C - 4	4ES-22212-J0	D - 14		C - 13
51L-W0048-00	D - 3	4JT-14171-00	B - 7	5PA-15415-00	B - 11	5PA-21190-00-P0	C - 4	4ES-22212-K0	C - 9	5SH-2316A-00	C - 12
4ES-W0057-10	D - 3	5PA-14194-00	B - 8	5PA-15431-00	B - 11	5PA-21274-00	C - 4		D - 14		C - 13
4EW-W0057-50	D - 6	4XL-14197-10	B - 7	5PA-15451-00	B - 11	4ES-21511-20	C - 5	4ES-22212-M0	D - 14	5PA-23170-00	C - 12
5UN-W2587-00	D - 8	5PA-14340-00	B - 7	4ES-15461-00	B - 11	4XL-2153A-10	C - 13	3JD-22214-00	C - 9		C - 13
5PA-11111-00	B - 2	5PA-14392-00	B - 7	5PA-15463-00	B - 11	4ES-2153E-01	C - 5	4ES-22214-00	C - 9	5PA-23171-00	C - 12
5PA-11311-00	B - 2	5PA-14411-00	B - 6	5PA-15620-00	B - 12	5PA-21611-00	C - 5	4ES-22216-00	C - 9	58T-23184-L0	C - 9
4ES-11351-00	B - 2	5PA-14417-00	B - 6	5PA-15621-00	B - 12	4ES-21642-00	C - 5	4ES-22251-00	C - 9	4V4-23194-L0	C - 13
5PA-11400-00	B - 3	5PA-14451-00	B - 6	5PA-15641-00	B - 12	5PA-21711-00	C - 6	5PA-22253-00	C - 8	5PA-2331E-00	C - 13
5PA-11412-00	B - 3	5PA-14453-00	B - 6	5PA-15651-00	B - 12	5PH-2172A-10	C - 6	5PA-22475-00	C - 8	4ES-23318-00	C - 13
5PA-11422-00	B - 3	5PA-14458-00	B - 6	5PA-15660-00	B - 12	5PA-21721-00	C - 6	5PA-23102-00	C - 12	5PA-23340-01	C - 13
5PA-11611-00	B - 3	5PA-14459-00	B - 6	4ES-15664-00	B - 12	5PA-2173E-01	C - 6	5SH-23102-00	C - 12	5NY-23346-L0	C - 13
	D - 15	4ES-14462-00	B - 6	5PA-16111-00	B - 13	5PA-2173F-01	C - 6	5PA-23103-00	C - 12	3XJ-23357-L0	C - 12
5PA-11630-00	D - 15	676-14548-00	B - 7	5PA-16150-10	B - 13	5PA-21731-00	C - 6	5SH-23103-00	C - 12		C - 13
5PA-11631-00-A0	B - 3	4MX-14561-00	B - 7	5PA-16181-00	B - 13	1FK-21746-00	C - 6	5PA-23110-00	C - 12	4DA-23389-00	C - 11
5PA-11631-00-B0	B - 3	5PA-14610-00	B - 9	21V-16321-00	B - 13	5PA-22110-00	C - 7	4ES-23111-10	C - 12	4ES-2339E-00	C - 11
	D - 15	17W-14615-00	B - 9	4ES-16321-00	B - 13	5SH-22110-10	C - 7		C - 13	1J7-23415-00	C - 11
5PA-11631-00-C0	B - 3	5PA-14642-00	B - 9	131-16324-00	B - 13	5PA-22128-00	C - 7	3JD-2312G-L0	C - 12	4ES-23435-00	C - 11
5PA-11631-00-D0	B - 3	4ES-1469A-00	B - 9	2TK-16351-00	B - 13	4ES-22129-00	C - 7		C - 13	3SP-23441-00	C - 11
4ES-11633-00	B - 3	5PA-1469A-00	B - 9	4ES-16356-00	B - 13	5PA-22151-00	C - 7	5PA-23120-00	C - 12	4ES-23485-20	C - 11
	D - 15	4ES-14753-20	B - 9	5PA-16357-00	B - 13	5PA-2217A-00	C - 7	5PA-23125-00	C - 12	5PA-24110-00	C - 14
4ES-11650-10	D - 15	5PA-14753-00	B - 9	5PA-16371-10	B - 13	4ES-2217F-00	C - 8	5PA-23136-00	C - 12	4EW-2412F-00	C - 14
4ES-11651-10	B - 3	565-14771-00	B - 9	4ES-16381-00	B - 13	5PA-22176-00	C - 8	4ES-2314F-00	C - 13	24X-24144-00	C - 14
	D - 15	5PA-14916-KE	B - 7	4ES-17121-01	B - 14	30X-22178-00	C - 4	5PA-2314H-L0	C - 13	5PA-24181-00	C - 14
2RA-11681-00	B - 3	5PA-14916-KF	B - 7	4ES-17131-00	B - 14	4ES-22178-00	C - 4	5PA-2314J-L0	C - 13	5PA-24182-00	C - 14
	D - 15	5PA-14916-KG	B - 7	4ES-17151-10	B - 14	4V4-22184-00	C - 4	4ES-23141-40	C - 12	5PA-24240-10	C - 14
4BA-12422-00	B - 4	5PA-14916-LE	B - 7	4ES-17161-10	B - 14	5PA-22184-00	C - 8		C - 13	5PA-24244-10	C - 6
4BA-12428-00	B - 4	5PA-14916-LF	B - 7	4ES-17211-01	B - 14	5PA-22199-00	C - 7		D - 14	5PA-24311-00	C - 14
5PA-12451-00	B - 4	5PA-14916-LG	B - 7	5PA-17221-00	B - 14	5PA-22201-00	C - 9	4ES-23141-50	D - 14	3XJ-24380-00	C - 14
5PA-12459-00	B - 4	4MX-14919-00	B - 7	4ES-17231-10	B - 14	5PA-22201-10	C - 9	4ES-23141-60	D - 14	4DP-24500-00	C - 14
5PA-12461-00	B - 5	5HC-14922-00	B - 8	5PA-17241-00	B - 14	5PA-22201-20	C - 9	4ES-23141-70	D - 14	4X8-24512-00	C - 14
5HD-12462-00	B - 5	5HC-14934-00	B - 8	4ES-17251-00	B - 14	5PA-22201-30	C - 9	4LB-23141-10	C - 12	3AJ-24523-00	C - 14
22W-12463-00	B - 5	4MX-14943-34	B - 8	5PA-17261-00	B - 14	5PA-22201-40	C - 9		C - 13	3AJ-24534-00	C - 14
4ES-12481-10	B - 5	4MX-14943-35	B - 8	5PA-17411-00	B - 14	5SH-22201-10	C - 9	4ES-23142-00	C - 12	5UN-24610-00	C - 14
5PA-12482-00	B - 5	4MX-14943-36	B - 8	5PA-17421-00	B - 14	5SH-22201-20	C - 9		C - 13	5PA-2470F-00	C - 15
353-13115-01	B - 10	4MX-14943-84	B - 8	164-17427-00-06	B - 14	5PA-22210-00	C - 9	4ES-23144-00	C - 12	5PA-24718-00	C - 15
5PA-13565-00	B - 6	4MX-14943-85	B - 8	164-17427-00-08	B - 14	5PA-22210-10	C - 9		C - 13	5PA-24728-00	C - 15
4ES-13610-00	B - 6	4MX-14943-86	B - 8	164-17427-00-10	B - 14	5PA-22210-20	C - 9	4ES-23145-00	C - 12	5PA-24770-10	C - 15
4ES-13613-00	B - 6	4MX-14943-87	B - 8	5PA-18101-00	C - 3	5PA-22210-30	C - 9		C - 13	4ES-25104-20	D - 2
4ES-13616-00	B - 6	4MX-14948-04	B - 7	5PA-1811E-00	C - 3	5PA-22210-40	C - 9	5K5-23149-00	C - 12	4LB-25104-00	D - 2
5PA-1410E-00	B - 7	4MX-14948-05	B - 7	2HF-18110-01	C - 3	5SH-22210-10	C - 9		C - 13	4ES-25111-00	D - 2
5PA-14101-00	B - 7	4MX-14948-06	B - 7	5PA-18140-00	C - 3	5SH-22210-20	C - 9	5PA-23149-00	C - 12	22W-25181-01	C - 7

NUMERICAL INDEX

PART NO.	GRID NO.	PART NO.	GRID NO.	PART NO.	GRID NO.	PART NO.	GRID NO.	PART NO.	GRID NO.	PART NO.	GRID NO.
4ES-25181-00	D-2	56A-25926-00	D-3	90109-081G2	D-5	90201-08083	D-10	90387-0614M	B-5	90508-282B9	D-9
4ES-25183-10	D-2	3GD-25933-00	D-6	90109-08718	D-6	90201-081R9	C-4	90387-062X0	C-7	90508-32016	C-3
1T1-25194-00	D-2	5R2-25937-00	D-3	90109-10729	C-9	90201-08512	B-4	90387-063G3	B-9	91401-16012	D-10
4ES-25304-20	D-4	56A-25937-00	D-3	90110-08096	C-4	90201-086P8	D-5	90387-064X4	C-5	91401-20025	D-9
4LB-25304-00	D-4	5PA-26111-00	D-7		D-6	90201-10118	D-8	90387-0701A	C-5	91401-25015	D-9
4ES-25311-00	D-4	4GY-26241-00	D-7	90116-08318	B-2		D-10	90387-105L0	B-9	92017-06010	B-9
4ES-25381-01	D-5	4GY-26242-00	D-7	90116-08388	B-2	90201-10119	D-9	90387-1200U	C-7	92017-06040	C-7
4ES-25383-00	D-4	22W-26243-00	D-7	90116-08394	B-2	90201-10591	D-11	90387-124H0	D-2	92903-04600	B-7
4ES-25383-10	D-5	5X2-2628H-01	D-7	90119-05001	B-13	90201-112U6	C-10	90387-127J7	C-7		B-8
5PA-25388-00	D-5	5X2-26281-00	D-7	90119-06001	B-9	90201-12362	D-2	90387-127J8	C-7	92907-03100	B-6
1T2-25394-00	D-4	322-26282-00	D-7		C-6	90201-124F8	B-12	90387-202A0	B-15	92907-10600	C-9
5X2-25394-00	D-4	5PA-26311-00	D-7	90119-06038	B-5	90201-124G9	C-7	90387-20488	B-13	93101-12173	C-3
5PA-25446-00	D-4	4ES-26335-11	D-7	90119-06063	C-5	90201-127J6	C-8	90387-227H7	D-7	93101-17062	C-8
4ES-25447-20	D-4	498-26372-00	D-7	90119-06118	C-4	90201-127A9	C-8	90401-10168	D-8	93102-12106	B-4
5PA-25448-00	D-4	5NY-26372-00	D-8	90119-06185	C-5	90201-152L7	D-5		D-10	93102-12224	B-13
5PA-25449-00	D-4	4ES-27114-00	D-6	90119-06190	C-14	90201-15700	D-9	90430-06166	B-4	93102-17263	B-12
5PA-25451-00	D-4	5PA-27211-00	D-9	90119-06192	C-5	90201-171G6	B-13	90430-08119	B-11	93102-20009	D-4
5PA-25452-00	D-4	2YK-27222-00	D-10	90119-06225	C-6	90201-17545	B-10	90445-08376	B-10	93102-20447	B-3
5PA-25453-00	D-5	4ES-27311-00	D-9	90122-06002	B-6	90201-17558	B-13	90445-09220	C-14	93102-26042	B-15
5CG-25715-00	D-8	4LB-27311-00	D-9	90123-08046	D-7	90201-176L4	B-12	90445-09300	C-14	93102-28009	B-3
5PA-2580T-00	D-3	5ET-27411-00	D-9	90149-06011	C-14	90201-177G4	C-3	90450-25037	B-5	93106-20031	D-2
5PA-2580W-00	D-6	5ET-27421-00	D-9		D-11	90201-20611	B-14	90450-28014	B-5	93109-11073	B-4
2VN-2582A-50	D-10	4ES-27491-00	D-6	90149-06327	D-3	90201-220T0	C-11	90450-99064	B-6	93109-17071	C-7
5PA-2582T-00	D-3	5PA-82310-00	D-13		D-6	90201-256K5	C-11	90460-15126	D-13	93210-11073	D-9
5PA-2582W-00	D-6	8DG-82370-00	D-13	90152-06010	B-12	90201-33299	B-9	90460-41191	B-6	93210-12152	B-12
3GD-25827-00	D-6	5PA-82509-00	D-12	90157-05079	C-11	90202-05193	C-14	90460-56105	B-6	93210-15620	D-10
4ES-2583V-00	D-10	38V-82911-00	D-12	90157-06071	B-14	90208-12015	B-13	90461-10136	B-10	93210-19123	B-11
5MV-25833-00	D-8	38V-82913-00	D-12	90159-06078	C-6	90209-06096	B-6	90464-13077	B-5	93210-56459	B-2
3XP-25852-50	D-10	4GY-83912-00	D-12	90159-06182	C-6	90209-06187	C-5		D-11	93210-84724	B-2
5MV-25852-01	D-8	5MV-83922-00	D-8	90176-08026	B-2	90209-14008	B-14		D-12	93306-00105	B-4
2VN-25854-00	D-10	22W-83976-00	D-12	90179-08148	D-7	90209-16209	B-14	90465-13275	C-14	93306-00203	D-4
56A-25854-00	D-8	5PA-85540-00	D-13	90179-08299	B-2	90209-20159	B-3	90467-08002	B-5	93306-20120	D-2
2VN-25855-00	D-10	5PA-85546-00	D-13	90179-12659	B-13		D-15	90467-09002	C-14	93306-20203	D-4
2VN-25866-00	D-10	4SS-85550-10	D-11	90179-16226	B-15	90215-20261	B-15	90467-10008	C-14	93306-20333	B-14
5MV-25867-00	D-8	5PA-85560-00	D-11	90179-22412	C-11	90240-08124	D-10	90467-11044	D-10	93306-20401	B-15
5NY-25868-00	D-8	9Y582-00117	D-5	90179-25033	C-11	90240-10142	D-9	90468-23194	B-12	93306-20438	B-3
4ES-25872-10	D-8	9Y582-00123	D-5	90183-06023	C-5	90250-06013	C-2	90480-15528	B-5	93306-30421	B-3
5SH-25872-00	D-8	90101-08475	D-5	90185-08169	D-5	90267-48138	B-6	90480-16561	B-9	93310-21417	B-3
5PA-25873-00	D-10	90101-12755	C-8	90185-10110	C-9	90280-03017	B-3	90480-18411	B-9		D-15
5SH-25873-00	D-10	90105-08050	B-10	90185-12046	D-2	90282-05001	B-13	90480-18549	C-14	93310-420B1	B-3
2VM-25876-00	D-10	90105-08211	D-3	90185-12119	C-8	90336-06031	B-12	90501-12081	B-12		D-15
5MV-2589F-00	D-8	90105-10052	C-4	90185-14142	D-5	90338-10150	C-8	90501-20735	B-13	93315-11206	B-13
4EW-25894-00	D-10	90105-10582	C-7	90201-043H7	B-6	90380-10218	C-7	90506-15480	D-9	93315-21455	C-7
4ES-25895-00	D-10	90105-10614	C-9	90201-060A3	B-9	90380-12219	C-8	90507-20052	B-9	93315-31502	B-14
1UY-25919-51	D-6	90105-10731	C-4	90201-06050	B-9	90381-12091	C-8	90508-14016	B-13	93317-11245	B-14
56A-25919-00	D-3	90105-12382	C-8	90201-06060	B-12	90385-17042	C-7	90508-24007	C-3	93317-21746	C-7
56A-25919-10	D-3	90109-065F3	B-6		B-14	90387-060A3	C-4	90508-26750	B-12	93317-31771	C-7
4ES-25920-00	D-6	90109-06799	D-12	90201-080L8	B-2	90387-06027	C-14	90508-282B8	D-9		C-8

NUMERICAL INDEX

PART NO.	GRID NO.	PART NO.	GRID NO.	PART NO.	GRID NO.	PART NO.	GRID NO.	PART NO.	GRID NO.
93332-00079	C - 11	95027-06025	B - 9	99590-10114	B - 2				
93410-20038	B - 14		B - 11						
93440-07182	B - 4	95027-06030	B - 11						
93440-15012	B - 14	95027-06035	B - 11						
93440-17064	B - 14	95027-06040	B - 11						
93450-16115	B - 3	95027-08012	C - 4						
	D - 15	95027-08030	C - 11						
93503-16003	B - 13	95027-08050	C - 7						
93507-32009	B - 12	95027-08080	B - 11						
9382A-14227	B - 15	95307-08600	D - 10						
9382A-15228	B - 15	95307-08700	D - 5						
94107-17009	D - 2	95317-10600	D - 11						
94107-17011	D - 2	95607-06100	D - 12						
94107-19009	D - 2	95607-06200	C - 7						
94107-19011	D - 2	95607-08200	C - 7						
94109-14009	D - 4	95607-10200	C - 4						
94109-14011	D - 4		C - 7						
94109-16009	D - 4	95607-12200	C - 8						
94109-16011	D - 4	95617-12100	C - 7						
94207-17284	D - 2	95701-06500	D - 8						
94207-19290	D - 2	95807-08035	C - 11						
94208-14285	D - 4	95817-08125	C - 4						
94209-16291	D - 4	95827-06010	B - 5						
94307-16171	D - 4	95827-06060	B - 4						
94307-17166	D - 2	97007-05016	D - 12						
94307-19170	D - 2	97027-06020	C - 3						
94308-14165	D - 4	97801-03008	C - 14						
94414-17530	D - 2	98504-04012	B - 8						
94414-19521	D - 2	98504-04014	B - 7						
94416-14529	D - 4	98507-03008	B - 6						
94418-16522	D - 4	98507-05010	D - 10						
94682-00001	D - 5	98507-05016	D - 7						
94702-00368	B - 2	98507-06030	B - 11						
94709-00368	B - 2	98507-06040	B - 10						
95024-06010	C - 13	98507-06050	B - 10						
95027-06012	B - 12	98507-06060	B - 10						
	C - 4	98507-06070	B - 10						
	C - 11	98706-04012	D - 8						
	C - 15	98707-04012	D - 7						
	D - 6	98707-06025	C - 14						
	D - 10	99009-10400	C - 2						
95027-06014	C - 7	99009-12400	B - 12						
95027-06016	C - 13	99009-17400	C - 3						
	C - 14	99009-35500	D - 4						
	D - 10	99244-00140	C - 8						
	D - 13	99530-08016	B - 11						
95027-06020	B - 6	99530-10014	B - 10						
95027-06025	B - 4		B - 11						