



PARTS CATALOGUE

YFM25RY (4D3E) CANADA

YFM25RY (4D3F) EUROPE

YFM25RY (4D3G) OCEANIA

YFM250R (4D3G) JAPAN



2009/1/27

1H4D3-100E1

()

NEWS NO.	DATE	COMMENT
PE0-MC-080067	Oct.,21,2008	FIG.15 TRANSMISSION LIST CORRECTION

YFM25RY/YFM250R
PARTS CATALOGUE
©2008 by Yamaha Motor Co., Ltd.
1st edition, April 2008
All rights reserved.
Any reprinting or unauthorized use
without the written permission of
Yamaha Motor Co., Ltd.
is expressly prohibited.

FOREWORD

This Parts Catalogue is related to the parts for the model(s) on the cover page. When you are ordering replacement parts, please refer to this Parts Catalogue and quote both part numbers and part names correctly.

1. Modifications or additions which have been made after the issue of the Parts Catalogue will be announced in the Parts News.

It is advisable that you make the necessary corrections to the Parts Catalogue according to the Parts News.

2. Abbreviations

The following abbreviations are used in this Parts Catalogue.

“UR” Use specified parts number.

“UN” Use as many as needed.

“AP” Alternate Parts

“LM” Locally Made (Parts need to be ordered locally)

“F#” Frame No. (Applicable machine No.)

“O/S” Over Size

3. The number of components for assembly

- Parts, which are to be supplied in an assembly, are listed with a dot (.) in front of the part name as shown below.
- The numeral appearing to the right of each component part indicates the quantity of parts for each assembly unit.

PART NO.	DESCRIPTION	Q'TY	REMARKS
2F5-83310-60	FRONT FLASHER LIGHT ASSY	2	
115-83311-60	.BULB (6V-18W)	1	

4. Applicable colours of graphics are represented in the “REMARKS” as shown below.

PART NO.	DESCRIPTION	Q'TY	REMARKS
2N4-24110-00-X5	FUEL TANK COMP.	2	MXR
3J1-24240-10	.GRAPHIC, FUEL TANK	1	FOR MXR

5. Note that the illustrations for reference in finding parts numbers are not to be used for assembling. When assembling, please use the applicable service manual.

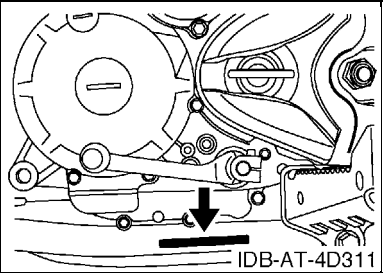
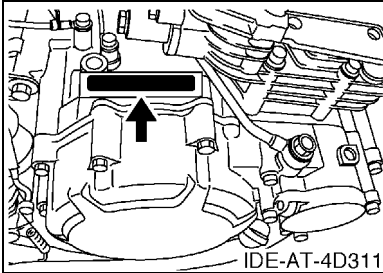
6. The asterisk (*) before a reference number indicates modified items after the first edition.

FOREWORD

7. Applicable Serial No.

Engine Serial No.

Frame Serial No.



8. Applicable Colour Code (The (*) mark shows Model colour.)

Abbreviation	Colour Name	Colour Code
BWS1(*)	BLUISH WHITE SOLID 1	0892
DPBSE(*)	DEEP PURPLISH BLUE SOLID E	0583
HPB	BLACK (FOR ELECTRODEPOSIT)	00R4
S8	SILVER 8	0895
VRC7	VIVID RED COCKTAIL 7	0580
YB	YAMAHA BLACK	0033

9. Quantity Column Information

Column No.	Name Of Q'ty Column	Destination
1	CAN	CANADA
2	EUR	EUROPE
3	OCE	OCEANIA
4	JPN	JAPAN

CONTENTS

ENGINE

CYLINDER HEAD	1
CYLINDER	3
CRANKSHAFT & PISTON	4
VALVE	6
CAMSHAFT & CHAIN	7
OIL PUMP	8
OIL COOLER	9
INTAKE	10
CARBURETOR	11
EXHAUST	14
CRANKCASE	15
CRANKCASE COVER 1	16
STARTER CLUTCH	18
CLUTCH	19
TRANSMISSION	21
SHIFT CAM & FORK	22

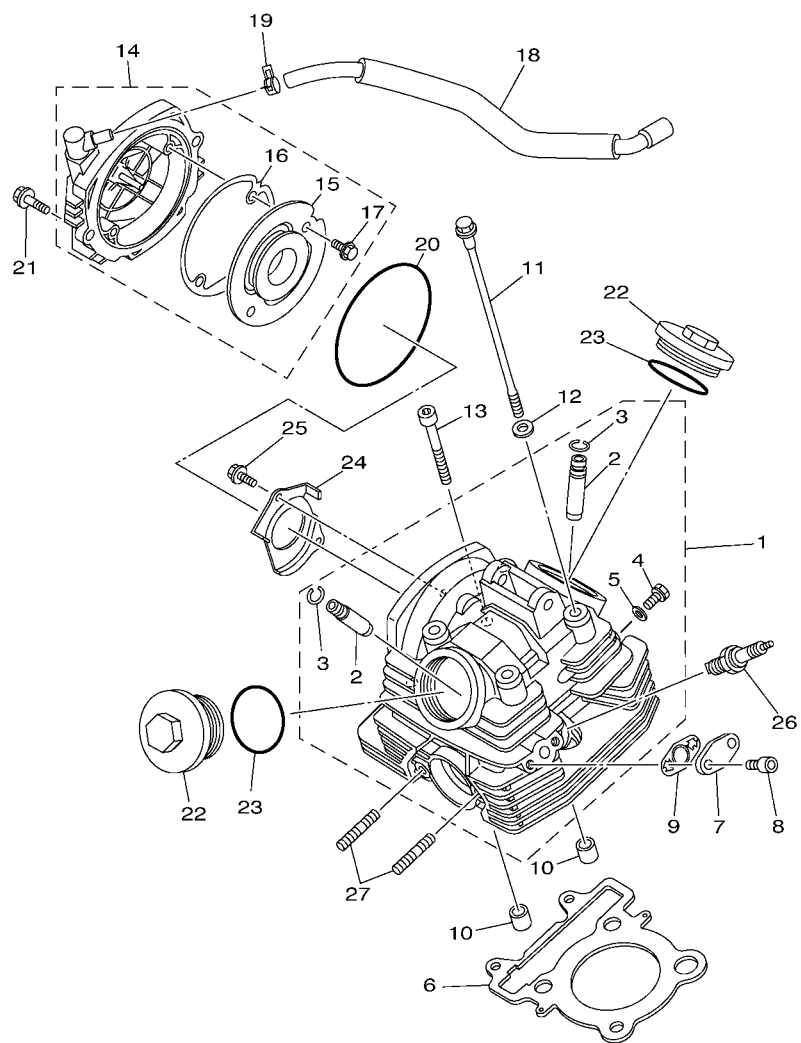
CHASSIS

FRAME	23
FRONT FENDER	25
REAR FENDER	26
REAR ARM	28
REAR SUSPENSION	29
FRONT SUSPENSION & WHEEL	30
STEERING	32
FUEL TANK	33
SEAT	34
FRONT WHEEL	35
FRONT BRAKE CALIPER	36
REAR WHEEL	38
REAR BRAKE CALIPER	39
STEERING HANDLE & CABLE	40
FRONT MASTER CYLINDER	41
STAND & FOOTREST	42
REAR MASTER CYLINDER	43
GUARD	44
GENERATOR	45
STARTING MOTOR	46
HEADLIGHT	47
TAILLIGHT	48
TAILLIGHT 2	49

HANDLE SWITCH & LEVER	50
ELECTRICAL 1	51
ELECTRICAL 2	53
GRAPHICS	54
EMBLEM & LABEL 1	55
EMBLEM & LABEL 2	56
EMBLEM & LABEL 3	57
EMBLEM & LABEL 4	58

INDEX

NUMERICAL INDEX	59
-----------------------	----



4D31100-G010

FIG. 1 CYLINDER HEAD

REF. NO.	PART NO.	DESCRIPTION	CAN	EUR	OCÉ	JPN	REMARKS
1	3C5-11102-00	CYLINDER HEAD ASSY	1	1	1	1	
2	5H0-11133-11	.GUIDE, VALVE 1	2	2	2	2	
3	93440-10085	.CIRCLIP	2	2	2	2	
4	90153-06002	.SCREW, HEXAGON	1	1	1	1	
5	90430-06014	.GASKET	1	1	1	1	
6	5XT-11181-00	GASKET, CYLINDER HEAD 1	1	1	1	1	
7	4D3-1112F-00	PLATE 2	1	1	1	1	
8	91312-06016	BOLT	2	2	2	2	
9	5XT-14815-00	GASKET	1	1	1	1	
10	99530-14016	PIN, DOWEL	2	2	2	2	
11	90105-08160	BOLT, FLANGE	4	4	4	4	
12	90201-08609	WASHER, PLATE	4	4	4	4	
13	91312-08045	BOLT	2	2	2	2	
14	4D3-11190-00	COVER, CYLINDER HEAD 1	1	1	1	1	
15	5XT-11165-00	.PLATE, BREATHER	1	1	1	1	
16	4D3-11196-00	.GASKET, CYLINDER HEAD SIDE	1	1	1	1	
17	90105-06126	.BOLT, FLANGE	2	2	2	2	
18	4D3-11166-00	PIPE, BREATHER 1	1	1	1	1	
19	90467-12053	CLIP	1	1	1	1	
20	93211-05471	O-RING	1	1	1	1	
21	95022-06020	BOLT, FLANGE	2	2	2	2	
22	4D3-11186-00	COVER, CYLINDER HEAD SIDE 2	2	2	2	2	
23	93210-54001	O-RING	2	2	2	2	
24	5XT-1111F-00	PLATE	1	1	1	1	
25	90105-06078	BOLT, FLANGE	2	2	2	2	
26	94701-00345	PLUG, SPARK (NGK DR7EA)	1	1	1		WITH RESISTER
	94703-00345	PLUG, SPARK (NGK DR7EA)				1	

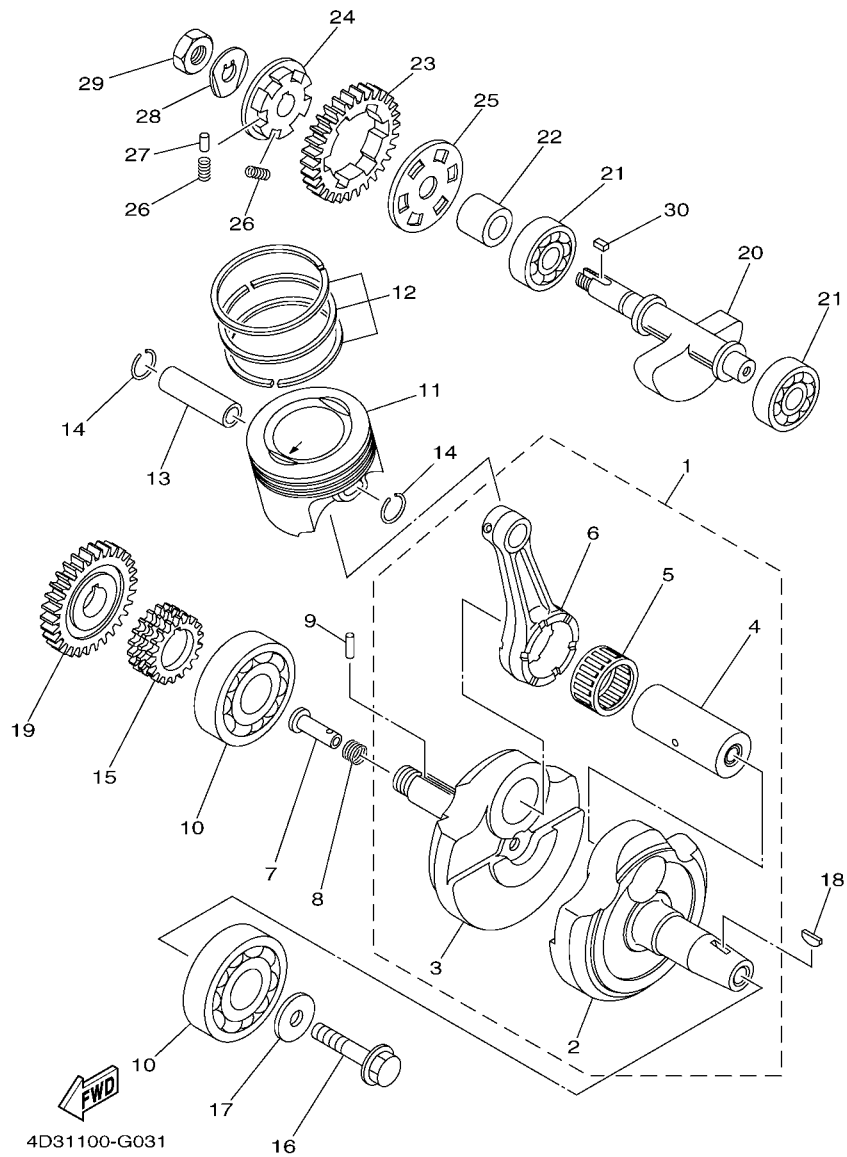
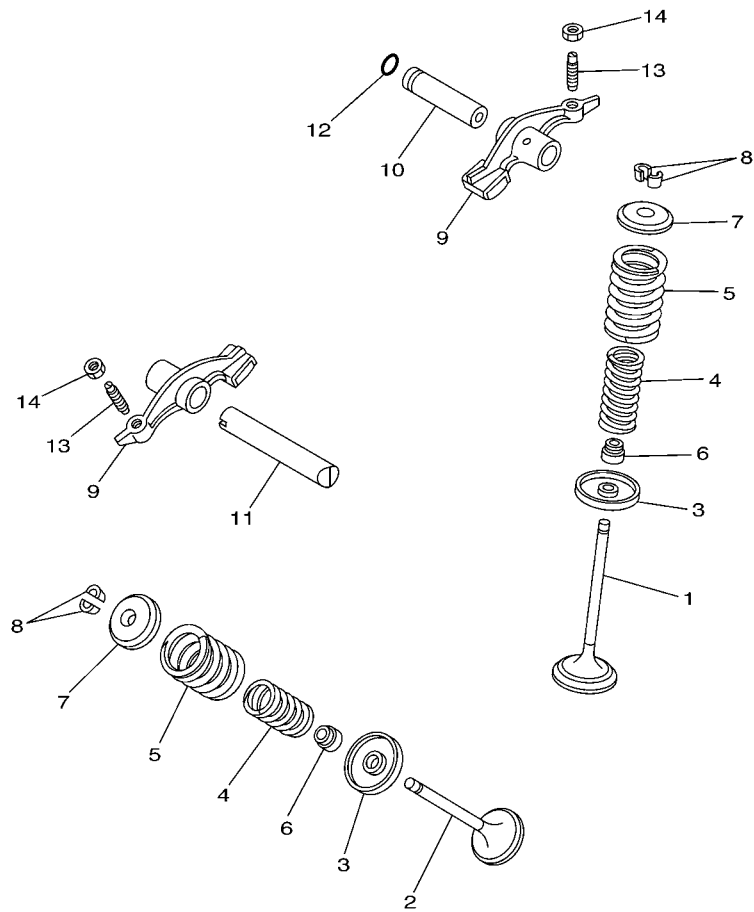


FIG. 3 CRANKSHAFT & PISTON

REF. NO.	PART NO.	DESCRIPTION	CAN	EUR	OCE	JPN	REMARKS
1	4D3-11400-00	CRANKSHAFT ASSY	1	1	1	1	
2	4D3-11412-00	.CRANK 1	1	1	1	1	
3	4D3-11422-00	.CRANK 2	1	1	1	1	
4	1S4-11681-00	.PIN, CRANK 1	1	1	1	1	
5	93310-63239	.BEARING	1	1	1	1	
6	1S4-11651-00	.ROD, CONNECTING	1	1	1	1	
7	90240-07105	PIN, CLEVIS	1	1	1	1	
8	90501-07629	SPRING, COMPRESSION	1	1	1	1	
9	93602-13177	PIN, DOWEL	1	1	1	1	
10	93306-37804	BEARING	2	2	2	2	
11	1S4-11631-10-A0	PISTON (STD)	1	1	1	1	
12	4XV-11603-00	PISTON RING SET (STD)	1	1	1	1	
13	4XV-11633-00	PIN, PISTON	1	1	1	1	
14	90468-12069	CLIP	2	2	2	2	
15	5BP-11549-00	SPROCKET, CAM CHAIN	1	1	1	1	
16	90105-10430	BOLT, FLANGE	1	1	1	1	
17	90201-102R1	WASHER, PLATE	1	1	1	1	
18	90280-05048	KEY, WOODRUFF	1	1	1	1	
19	1S4-11536-00	GEAR, DRIVE	1	1	1	1	
20	5XT-11454-00	WEIGHT 1	1	1	1	1	
21	93306-30214	BEARING	2	2	2	2	
22	5XT-11478-00	COLLAR	1	1	1	1	
23	1S4-11531-00	GEAR, BALANCE WEIGHT	1	1	1	1	
24	5XT-11496-00	BOSS, BUFFER	1	1	1	1	
25	5XT-11533-00	PLATE, ABSORBER	1	1	1	1	
26	90501-22721	SPRING, COMPRESSION	6	6	6	6	
27	93605-10090	PIN, DOWEL	3	3	3	3	

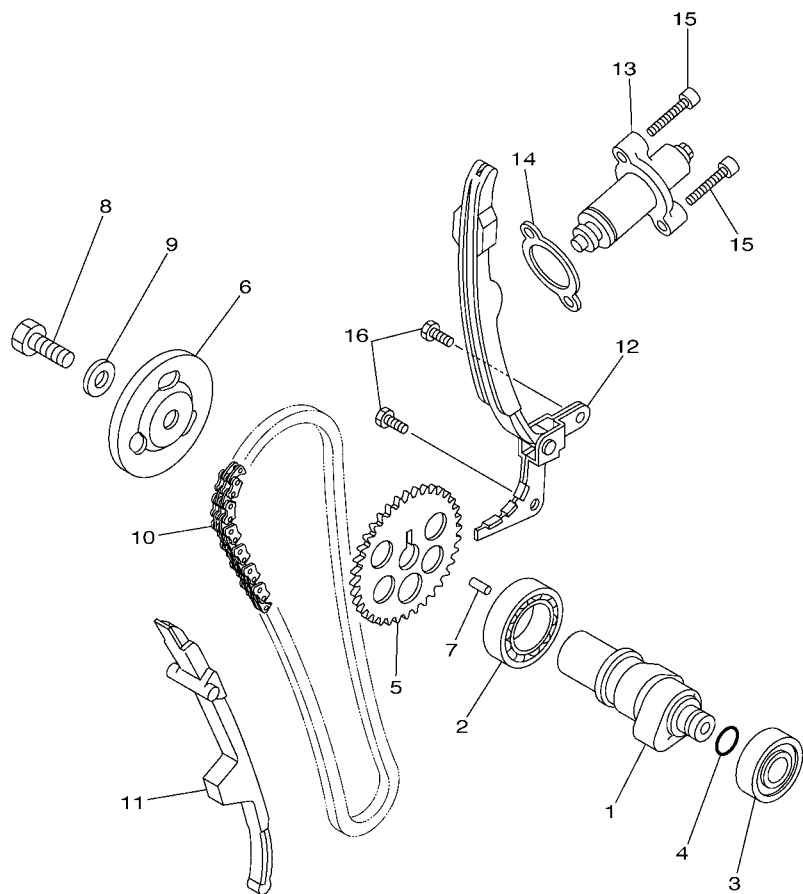


5BP1460-1040

FIG. 4 VALVE

REF. NO.	PART NO.	DESCRIPTION	CAN	EUR	OCE	JPN	REMARKS
1	5H0-12111-02	VALVE, INTAKE	1	1	1	1	
2	5XT-12121-00	VALVE, EXHAUST	1	1	1	1	
3	4G0-12116-01	SEAT, VALVE SPRING	2	2	2	2	
4	11H-12113-00	SPRING, VALVE INNER	2	2	2	2	
5	11H-12114-00	SPRING, VALVE OUTER	2	2	2	2	
6	5H0-12119-00	SEAL, VALVE STEM	2	2	2	2	
7	4G0-12117-00	RETAINER, VALVE SPRING	2	2	2	2	
8	4G0-12118-00	COTTER, VALVE	4	4	4	4	
9	36X-12151-00	ARM, VALVE ROCKER	2	2	2	2	
10	5H0-12156-00	SHAFT, ROCKER 2	1	1	1	1	
11	5H0-12146-00	SHAFT, ROCKER	1	1	1	1	
12	93210-09165	O-RING	1	1	1	1	
13	5XT-12159-00	SCREW, VALVE ADJUSTING	2	2	2	2	
14	90170-06128	NUT	2	2	2	2	

FIG. 5 CAMSHAFT & CHAIN




4D31100-G050

REF. NO.	PART NO.	DESCRIPTION	CAN	EUR	OCE	JPN	REMARKS
1	1S4-12171-00	CAMSHAFT 1	1	1	1	1	
2	93306-00518	BEARING	1	1	1	1	
3	93306-20204	BEARING	1	1	1	1	KOYO
4	93210-11453	O-RING	1	1	1	1	
5	5XT-12176-00	SPROCKET, CAM CHAIN	1	1	1	1	
6	4KB-11145-00	PLATE, BREATHER 2	1	1	1	1	
7	93604-10011	PIN, DOWEL	1	1	1	1	
8	90101-10016	BOLT	1	1	1	1	
9	90201-10591	WASHER, PLATE	1	1	1	1	
10	94582-19104	CHAIN (DID SCR-0404 SV 104LE)	1	1	1	1	
11	5BP-12231-00	GUIDE, STOPPER 1	1	1	1	1	
12	5XT-12241-00	GUIDE, STOPPER 2	1	1	1	1	
13	5XT-12210-00	TENSIONER ASSY, CAM CHAIN	1	1	1	1	
14	4FM-12213-00	GASKET, TENSIONER CASE	1	1	1	1	
15	91312-06025	BOLT	2	2	2	2	
16	90101-06043	BOLT	2	2	2	2	

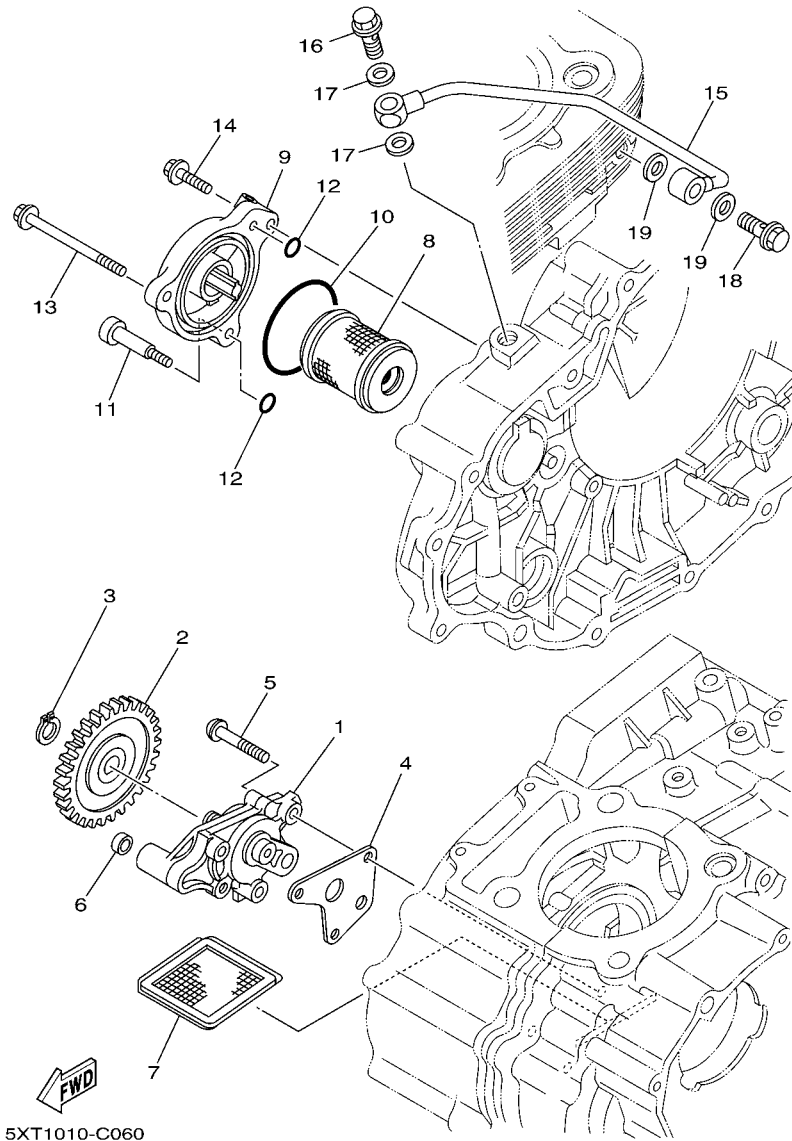
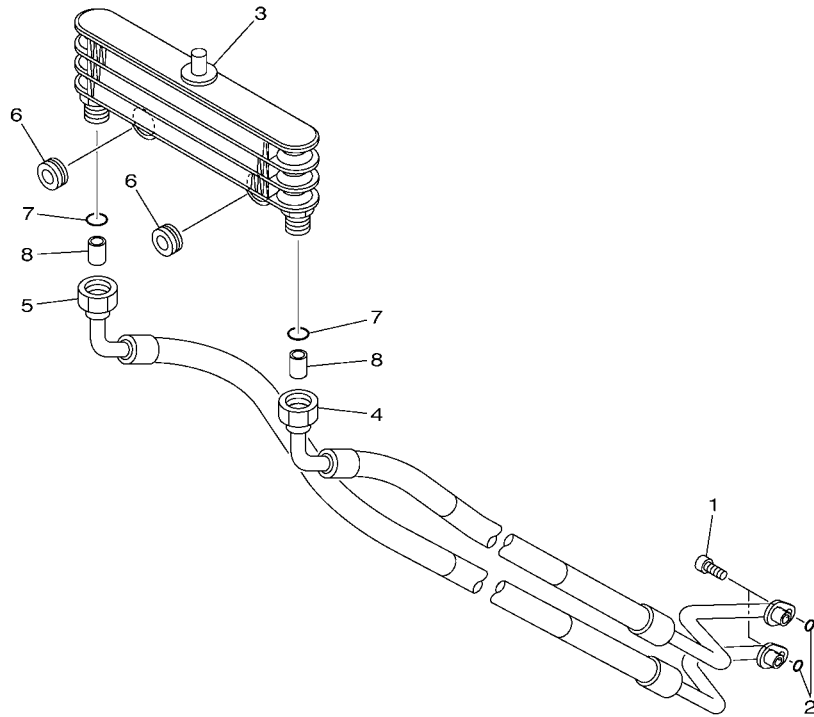


FIG. 6 OIL PUMP

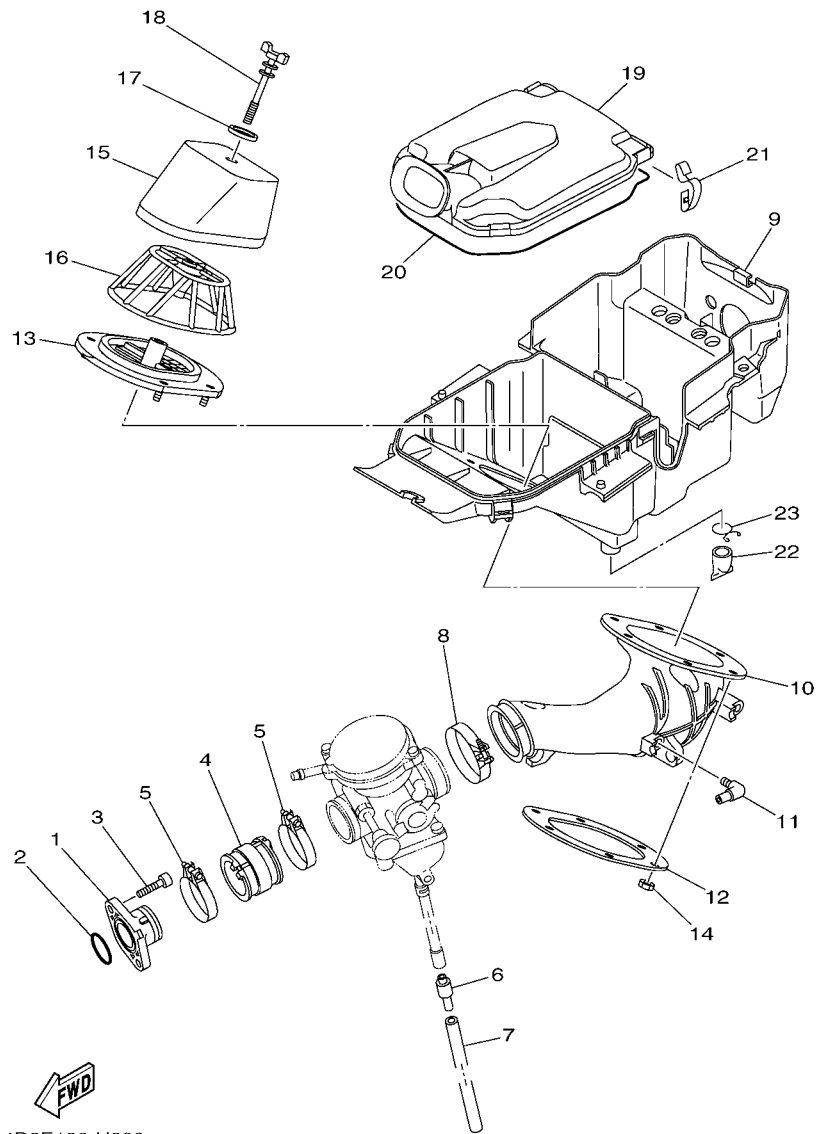
REF. NO.	PART NO.	DESCRIPTION	CAN	EUR	OC	JPN	REMARKS
1	4D3-13300-00	OIL PUMP ASSY	1	1	1	1	
2	4D3-13326-00	GEAR, PUMP DRIVEN 2	1	1	1	1	
3	99009-11400	CIRCLIP	1	1	1	1	
4	4D3-13329-00	GASKET, PUMP COVER	1	1	1	1	
5	90149-06093	SCREW	3	3	3	3	
6	90430-06156	GASKET	1	1	1	1	
7	22F-13411-01	STRAINER, OIL	1	1	1	1	
8	5D3-13440-00	ELEMENT ASSY, OIL CLEANER	1	1	1	1	
9	4D3-13447-00	COVER, OIL ELEMENT	1	1	1	1	
10	93210-54175	O-RING	1	1	1	1	
11	90109-06169	BOLT	1	1	1	1	
12	93210-07135	O-RING	2	2	2	2	
13	91312-06070	BOLT	1	1	1	1	
14	91312-06020	BOLT	1	1	1	1	
15	5XT-13161-00	PIPE, DELIVERY 1	1	1	1	1	
16	90401-10061	BOLT, UNION	1	1	1	1	
17	90430-10171	GASKET	2	2	2	2	
18	90401-08009	BOLT, UNION	1	1	1	1	
19	90430-08119	GASKET	2	2	2	2	




4D31100-G070

FIG. 7 OIL COOLER

REF. NO.	PART NO.	DESCRIPTION	CAN	EUR	OC	JPN	REMARKS
1	91312-06016	BOLT	2	2	2	2	
2	93210-10197	O-RING	2	2	2	2	
3	4KB-13470-00	OIL COOLER ASSY	1	1	1	1	
4	4D3-13464-00	HOSE, OIL 1	1	1	1	1	
5	4D3-13465-00	HOSE, OIL 2	1	1	1	1	
6	90480-15235	GROMMET	2	2	2	2	
7	93210-12152	O-RING	2	2	2	2	
8	93612-16254	PIN, DOWEL	2	2	2	2	



4D3E100-H080

FIG. 8 INTAKE

REF. NO.	PART NO.	DESCRIPTION	CAN	EUR	OC	JPN	REMARKS
1	4D3-13586-00	JOINT, CARBURETOR 1	1	1	1	1	
2	93210-35537	O-RING	1	1	1	1	
3	91312-06020	BOLT	2	2	2	2	
4	4D3-13596-00	JOINT, CARBURETOR 2	1	1	1	1	
5	90450-47002	HOSE CLAMP ASSY	2	2	2	2	
6	24W-14193-00	PIPE	1	1	1	1	
7	91A20-07010	TUBE, FLEXIBLE VINYL	1	1	1	1	
8	90450-58003	HOSE CLAMP ASSY	1	1	1	1	
9	4D3-14411-00	CASE, AIR CLEANER 1	1	1	1	1	
10	4D3-14453-00	JOINT, AIR CLEANER 1	1	1	1	1	
11	31A-14419-00	PIPE	1	1	1	1	
12	2XJ-14477-00	PLATE	1	1	1	1	
13	4D3-14459-00	HOLDER, GUIDE	1	1	1	1	
14	95602-05100	NUT, U	6	6	6	6	
15	2XJ-14451-00	ELEMENT, AIR CLEANER	1	1	1	1	
16	2XJ-14458-00	GUIDE	1	1	1	1	
17	90209-06096	WASHER	1	1	1	1	
18	90122-06035	BOLT, WING	1	1	1	1	
19	4D3-14412-00	CAP, CLEANER CASE 1	1	1	1	1	
20	4D3-14452-00	SEAL	1	1	1	1	
21	5GH-14436-00	HOOK	4	4	4	4	
22	59V-14457-00	SEAL	1	1	1	1	
23	90467-220A1	CLIP	1	1	1	1	

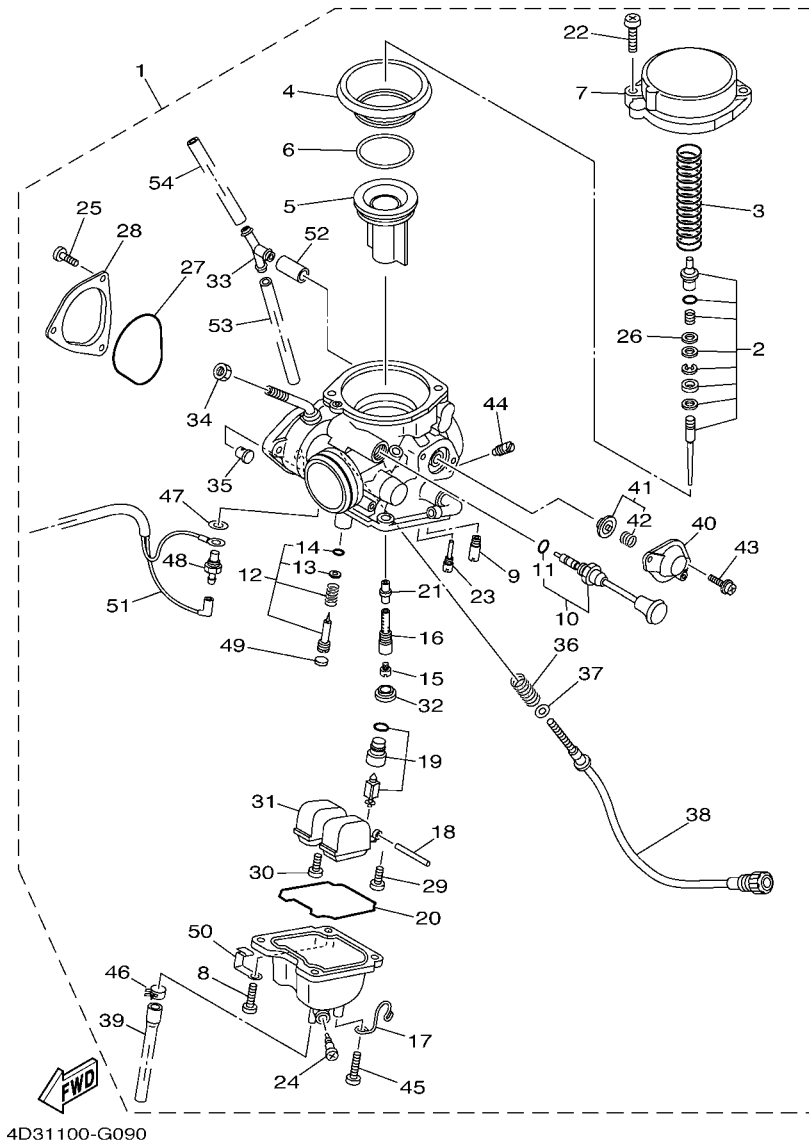


FIG. 9 CARBURETOR

REF. NO.	PART NO.	DESCRIPTION	CAN	EUR	OCÉ	JPN	REMARKS
1	4D3-14901-00	CARBURETOR ASSY 1	1				
	4D3-14901-10	CARBURETOR ASSY 1		1	1	1	
2	4D3-1490J-00	.NEEDLE SET	1				
	4D3-1490J-10	.NEEDLE SET		1	1	1	
3	4D3-14933-00	.SPRING, DIAPHRAGM	1	1	1	1	
4	4D3-14841-00	.DIAPHRAGM	1	1	1	1	
5	4D3-14112-00	.VALVE, THROTTLE 1	1	1	1	1	
6	5GH-14918-10	.RING	1	1	1	1	
7	4D3-14958-00	.COVER, DIAPHRAGM	1	1	1	1	
8	98507-04010	.SCREW, PAN HEAD	4	4	4	4	
9	4KM-14142-25	.JET, PILOT (# 25)	1	1	1	1	
10	4D3-1490A-00	.DIAPHRAGM SET 1	1	1	1	1	
11	1AE-14147-00	..O-RING	1	1	1	1	
12	4D3-14105-00	.PILOT SCREW SET	1	1	1	1	
13	3H1-14962-00	..WASHER	1	1	1	1	
14	3H1-14147-00	..O-RING	1	1	1	1	
15	620-1423E-53	.JET, MAIN (#133.8)	1	1	1	1	
16	4D3-14261-00	.HOLDER	1	1	1	1	
17	4D3-14937-00	.CLIP	1	1	1	1	
18	127-14186-00	.PIN, FLOAT	1	1	1	1	
19	5YT-14107-20	.NEEDLE VALVE SET	1	1	1	1	
20	5DM-14561-00	.O-RING	1	1	1	1	
21	5DM-1414M-40	.NOZZLE, MAIN	1	1	1	1	
22	4KM-14216-00	.SCREW	2	2	2	2	
23	3G2-14231-11	.JET, POWER (# 55)	1	1	1	1	
24	12R-14191-00	.PLUG, DRAIN	1	1	1	1	
25	98507-04006	.SCREW, PAN HEAD	3	3	3	3	

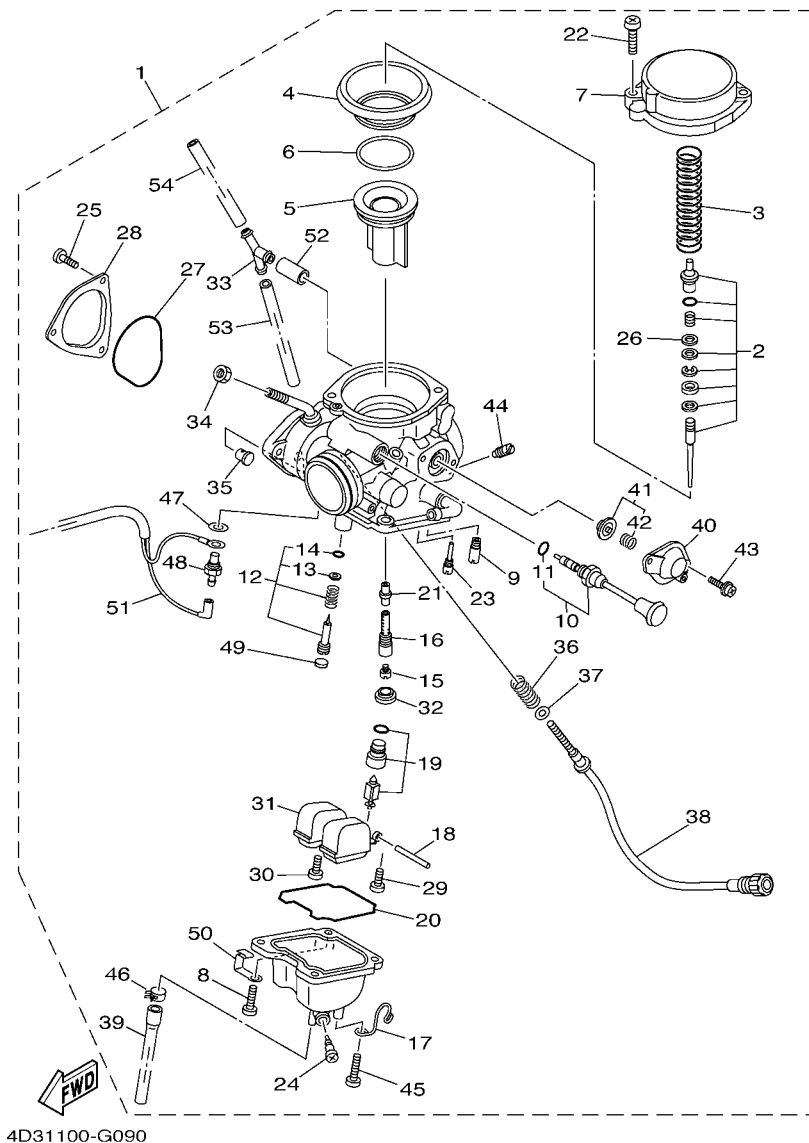
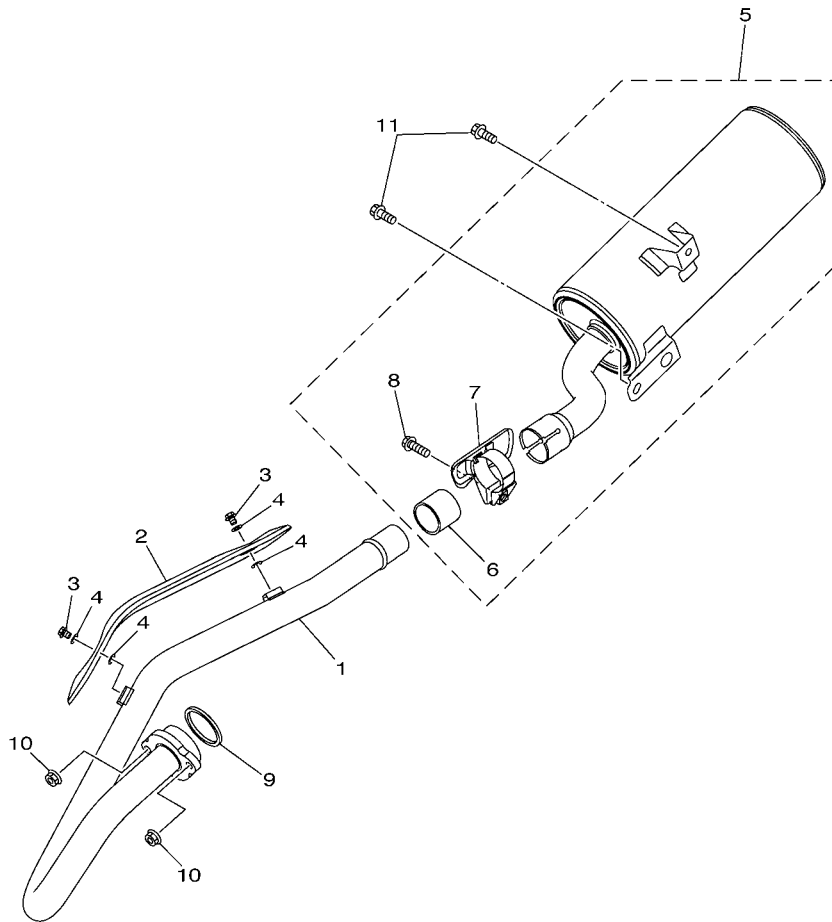


FIG. 9 CARBURETOR

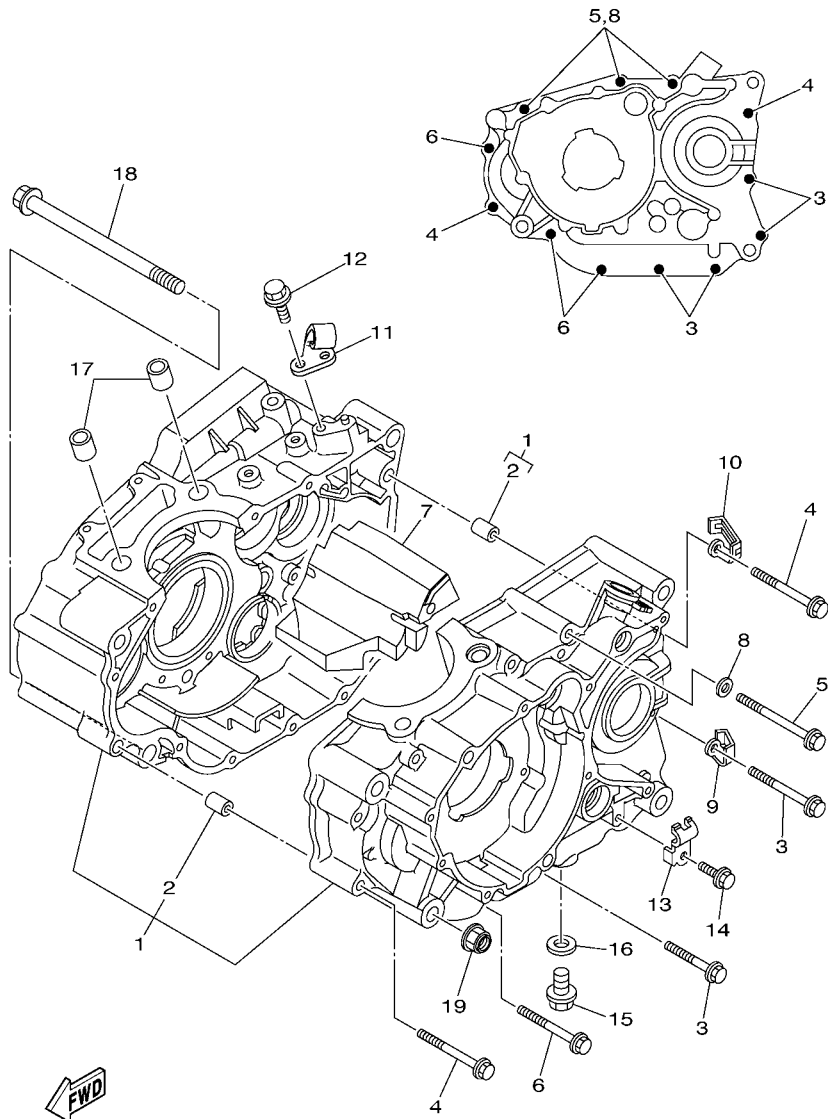
REF. NO.	PART NO.	DESCRIPTION	CAN	EUR	OC	JPN	REMARKS
26	5DM-14952-00	.WASHER	1	1	1	1	
27	5LP-14147-00	.O-RING	1	1	1	1	
28	4WV-14293-00	.COVER 1	1	1	1	1	
29	98507-04008	.SCREW, PAN HEAD	1	1	1	1	
30	1FN-14565-00	.SCREW	1	1	1	1	
31	5DM-14985-00	.FLOAT	1	1	1	1	
32	5V7-14153-00	.PLATE,BAFFLE	1	1	1	1	
33	4D3-14988-00	.PIPE, STARTER CONNECTING	1	1	1	1	
34	1S3-14161-00	.NUT, CABLE ADJUSTING	1	1	1	1	
35	3GD-14155-00	.GUIDE, CABLE	1	1	1	1	
36	137-14133-00	.SPRING, THROTTLE STOP	1	1	1	1	
37	5FU-14962-00	.WASHER	1	1	1	1	
38	4D3-14123-00	.SCREW, AIR ADJUSTING	1	1	1	1	
39	4D3-14193-00	.PIPE	1	1	1	1	
40	5AP-14280-00	.COVER, CARBURETOR	1	1	1	1	
41	4D3-1490H-00	.DIAPHRAGM SET 5	1	1	1	1	
42	3HT-14934-00	.SPRING, THROTTLE STOP	1	1	1	1	
43	97607-04114	.SCREW,WITH WASHER	2	2	2	2	
44	1HX-14231-34	.JET, MAIN (#170)	1	1	1	1	
45	98507-05010	.SCREW, PAN HEAD	1	1	1	1	
46	90467-09026	.CLIP	1	1	1	1	
47	5CY-14951-00	.WASHER	1	1	1	1	
48	5FU-83790-00	.HEATER ASSY (15W)	1	1	1	1	
49	3F9-14118-00	.CAP	1				
50	90461-06087	.CLAMP	1	1	1	1	
51	4D3-82509-00	.WIRE, SUB LEAD	1	1	1	1	
52	4D3-14196-00	.PIPE	1	1	1	1	

FIG. 10 EXHAUST



FWD
4D31100-G100

REF. NO.	PART NO.	DESCRIPTION	CAN	EUR	OC	JPN	REMARKS
1	4D3-14611-00	PIPE, EXHAUST 1	1	1	1	1	
2	4D3-14628-00	PROTECTOR, EXHAUST PIPE	1	1	1	1	
3	98902-06008	SCREW, BIND	2	2	2	2	
4	90201-05017	WASHER, PLATE	4	4	4	4	
5	4D3-14710-00	MUFFLER ASSY 1	1	1	1	1	
6	3YF-14714-00	.GASKET, MUFFLER	1	1	1	1	
7	4D3-14718-00	.PROTECTOR, MUFFLER 1	1	1	1	1	
8	95024-08025	.BOLT, FLANGE	1	1	1	1	
9	3GD-14613-00	GASKET, EXHAUST PIPE	1	1	1	1	
10	95702-08500	NUT, WITH WASHER	2	2	2	2	
11	95812-08016	BOLT, FLANGE	2	2	2	2	



4D31100-G110

FIG. 11 CRANKCASE

REF. NO.	PART NO.	DESCRIPTION	CAN	EUR	OCE	JPN	REMARKS
1	5XT-15100-07	CRANKCASE ASSY	1	1	1	1	
2	99530-10114	.PIN, DOWEL	2	2	2	2	
3	95022-06045	BOLT, FLANGE	4	4	4	4	
4	95022-06060	BOLT, FLANGE	2	2	2	2	
5	95022-06070	BOLT, FLANGE	3	3	3	3	
6	95022-06055	BOLT, FLANGE	3	3	3	3	
7	4D3-15327-00	SPACER, ENGINE MOUNT	1	1	1	1	
8	90430-06014	GASKET	3	3	3	3	
9	90462-08045	CLAMP	1	1	1	1	
10	90461-08001	CLAMP	1	1	1	1	
11	4D3-15441-00	HOLDER, CLUTCH CABLE	1	1	1	1	
12	95812-06016	BOLT, FLANGE	1	1	1	1	
13	90462-10215	CLAMP	1	1	1	1	
14	95022-06010	BOLT, FLANGE	1	1	1	1	
15	90340-12059	PLUG, STRAIGHT SCREW	1	1	1	1	
16	90430-12213	GASKET	1	1	1	1	
17	99530-14016	PIN, DOWEL	2	2	2	2	
18	95812-10170	BOLT, FLANGE	1	1	1	1	
19	95602-10200	NUT, U FLANGE	1	1	1	1	

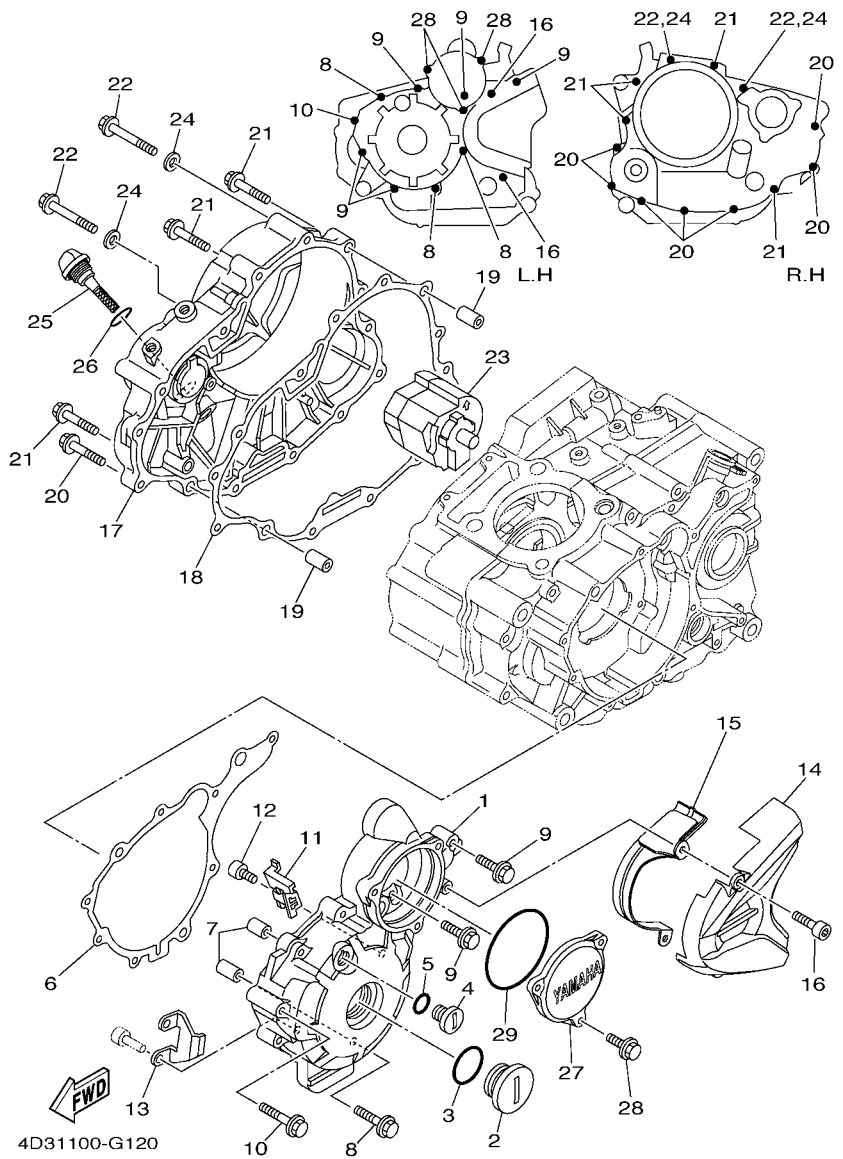
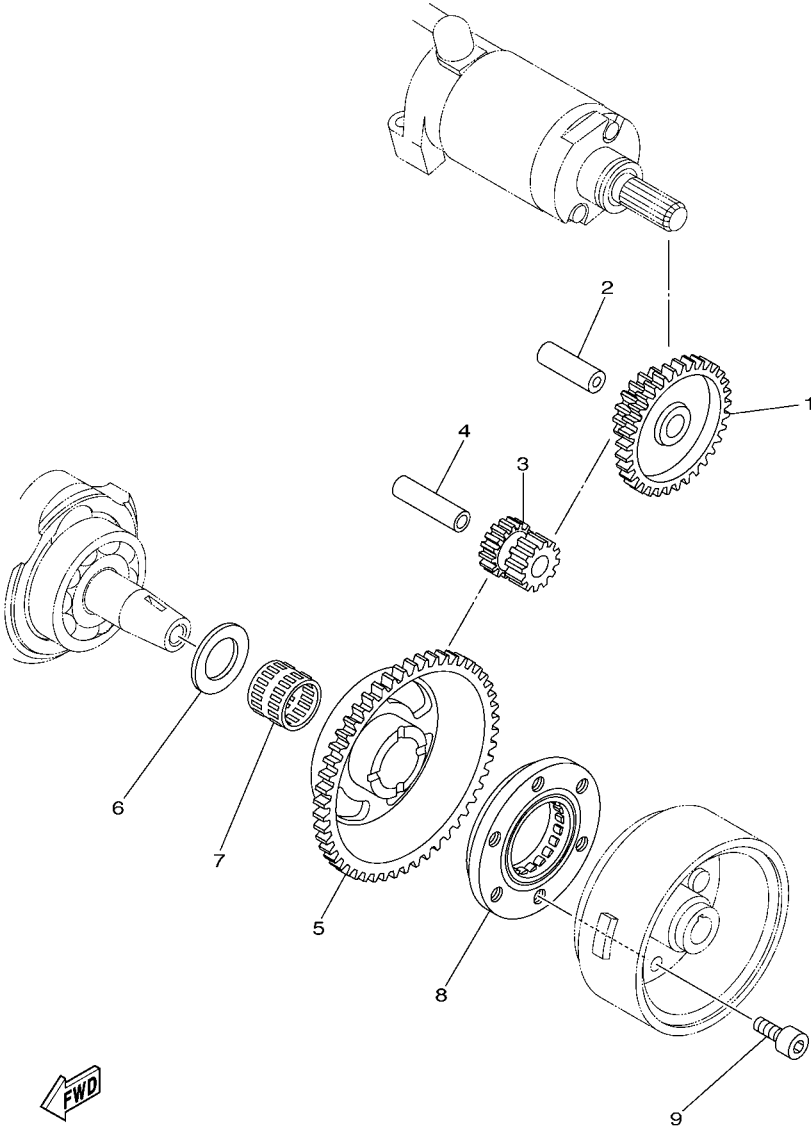


FIG. 12 CRANKCASE COVER 1

REF. NO.	PART NO.	DESCRIPTION	CAN	EUR	OC	JPN	REMARKS
1	4D3-15411-00	COVER, CRANKCASE 1	1	1	1	1	
2	90340-32005	PLUG, STRAIGHT SCREW	1	1	1	1	
3	93210-32172	O-RING	1	1	1	1	
4	90340-14014	PLUG, STRAIGHT SCREW	1	1	1	1	
5	93210-14369	O-RING	1	1	1	1	
6	4D3-15451-00	GASKET, CRANKCASE COVER 1	1	1	1	1	
7	99530-10114	PIN, DOWEL	2	2	2	2	
8	95022-06040	BOLT, FLANGE	3	3	3	3	
9	95022-06030	BOLT, FLANGE	5	5	5	5	
10	95022-06045	BOLT, FLANGE	1	1	1	1	
11	90465-16011	CLAMP	1	1	1	1	
12	90110-05032	BOLT, HEXAGON SOCKET HEAD	1	1	1	1	
13	5XT-15113-00	PLATE	1	1	1	1	
14	4D3-15418-00	COVER, CHAIN CASE	1	1	1	1	
15	4D3-15493-00	PROTECTOR	1	1	1	1	
16	91312-06016	BOLT	2	2	2	2	
17	4D3-15421-00	COVER, CRANKCASE 2	1	1	1	1	
18	4D3-15461-00	GASKET, CRANKCASE COVER 2	1	1	1	1	
19	99530-10114	PIN, DOWEL	2	2	2	2	
20	95022-06025	BOLT, FLANGE	7	7	7	7	
21	95022-06040	BOLT, FLANGE	4	4	4	4	
22	95022-06050	BOLT, FLANGE	2	2	2	2	
23	4D3-15328-00	SPACER, DAMPER	1	1	1	1	
24	90430-06014	GASKET	2	2	2	2	
25	4D3-15362-00	PLUG, OIL LEVEL	1	1	1	1	
26	93210-19123	O-RING	1	1	1	1	
27	4D3-15415-00	COVER, GENERATOR	1	1	1	1	

FIG. 13 STARTER CLUTCH



4D31100-G130

REF. NO.	PART NO.	DESCRIPTION	CAN	EUR	OCE	JPN	REMARKS
1	5XT-15512-00	GEAR, IDLER 1 (19T/72T)	1	1	1	1	
2	1VJ-15521-00	SHAFT 1	1	1	1	1	
3	5XT-15517-00	GEAR, IDLER 2 (16T/14T)	1	1	1	1	
4	36Y-15521-01	SHAFT 1	1	1	1	1	
5	5XT-15515-00	GEAR 3 (71T)	1	1	1	1	
6	90201-25291	WASHER, PLATE	1	1	1	1	
7	93310-225N0	BEARING	1	1	1	1	
8	5BP-15590-00	STARTER ONE-WAY ASSY	1	1	1	1	
9	90110-08053	BOLT, HEXAGON SOCKET HEAD	3	3	3	3	

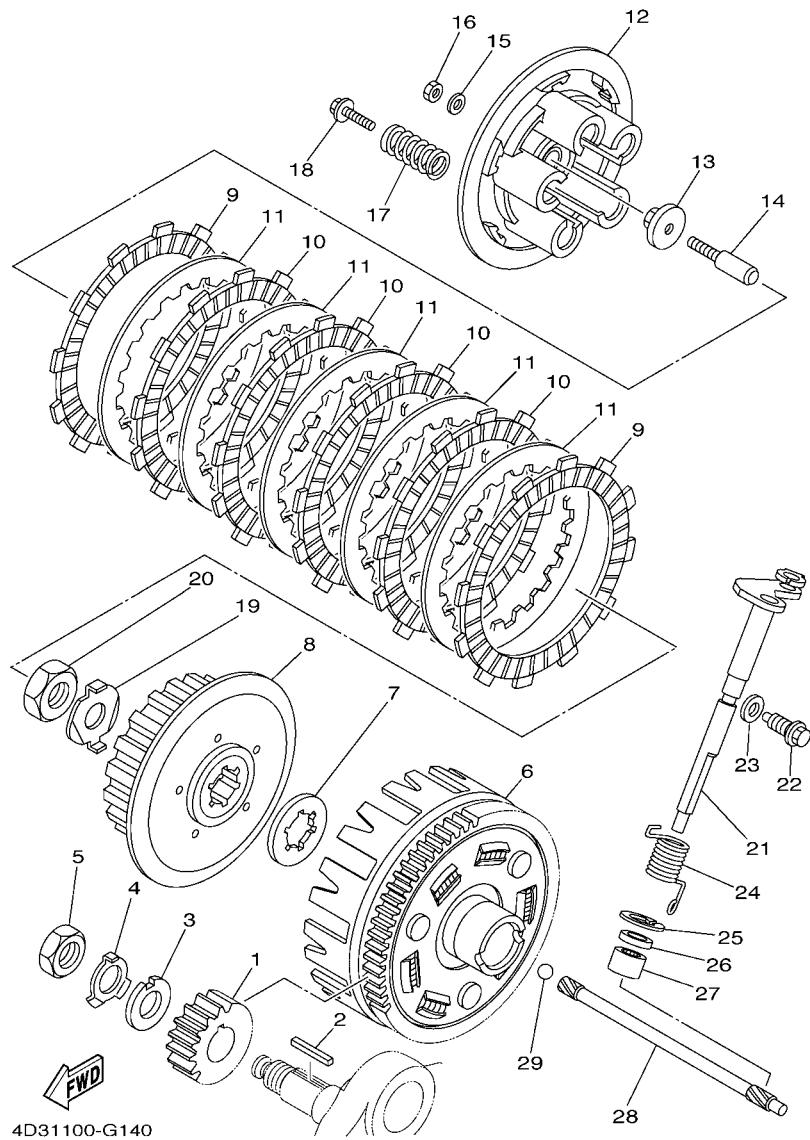


FIG. 14 CLUTCH

REF. NO.	PART NO.	DESCRIPTION	CAN	EUR	OCE	JPN	REMARKS
1	4D3-16111-00	GEAR, PRIMARY DRIVE	1	1	1	1	
2	90282-05077	KEY, STRAIGHT	1	1	1	1	
3	90214-16063	WASHER, CLAW	1	1	1	1	
4	90215-16293	WASHER, LOCK	1	1	1	1	
5	90170-16003	NUT	1	1	1	1	
6	4D3-16150-00	PRIMARY DRIVEN GEAR COMP.	1	1	1	1	
7	30X-16154-00	PLATE, THRUST 1	1	1	1	1	
8	4D3-16371-00	BOSS, CLUTCH	1	1	1	1	
9	3XJ-16321-00	PLATE, FRICTION	2	2	2	2	
10	5DH-16321-00	PLATE, FRICTION	4	4	4	4	
11	3XJ-16324-01	PLATE, CLUTCH 1	5	5	5	5	
12	4GY-16351-00	PLATE, PRESSURE 1	1	1	1	1	
13	1W1-16358-01	PLATE, PUSH	1	1	1	1	
14	5XT-16356-00	ROD, PUSH 1	1	1	1	1	
15	92902-06200	WASHER	1	1	1	1	
16	95302-06600	NUT	1	1	1	1	
17	90501-231E9	SPRING, COMPRESSION	5	5	5	5	
18	90159-06029	SCREW, WITH WASHER	5	5	5	5	
19	90215-16289	WASHER, LOCK	1	1	1	1	
20	90170-16326	NUT	1	1	1	1	
21	4D3-16381-00	PUSH LEVER COMP.	1	1	1	1	
22	90109-08105	BOLT	1	1	1	1	
23	90430-08119	GASKET	1	1	1	1	
24	90508-203B3	SPRING, TORSION	1	1	1	1	
25	99009-20500	CIRCLIP	1	1	1	1	
26	93102-12224	OIL SEAL	1	1	1	1	
27	93317-11287	BEARING	1	1	1	1	

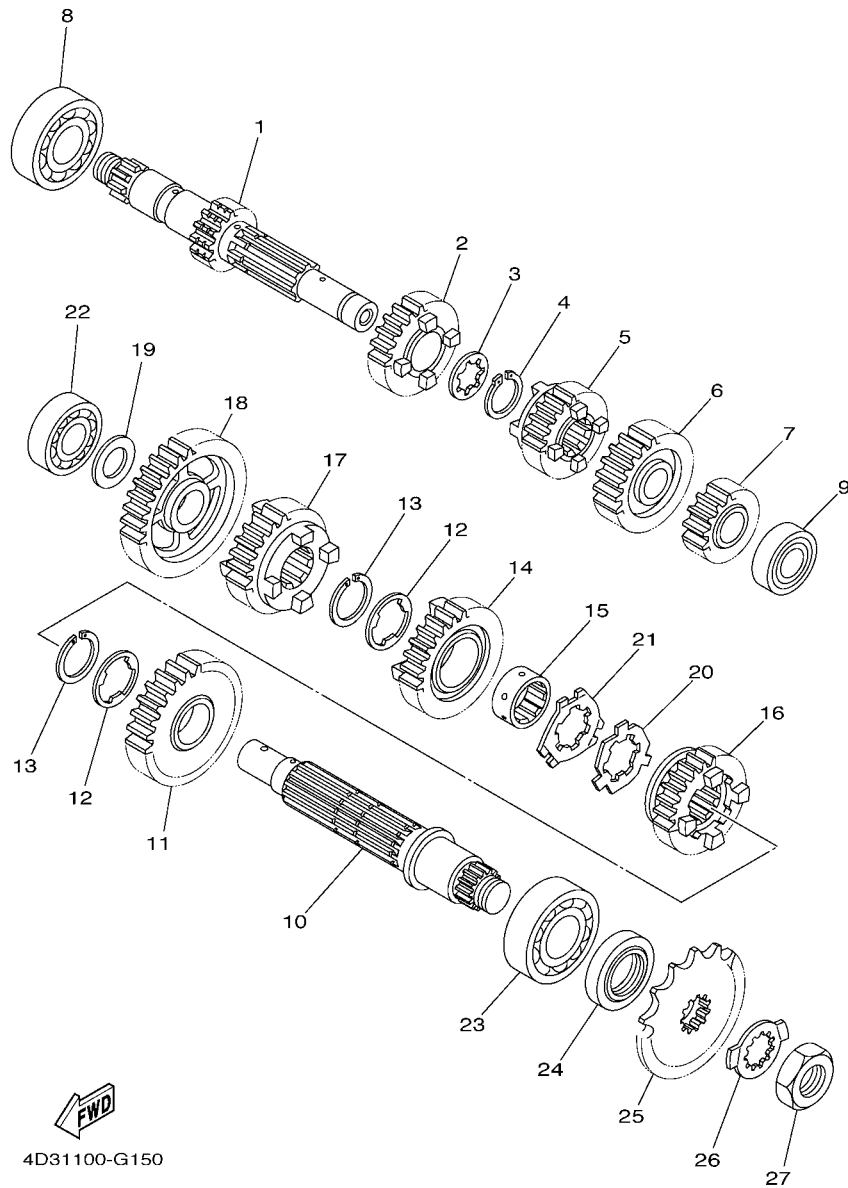
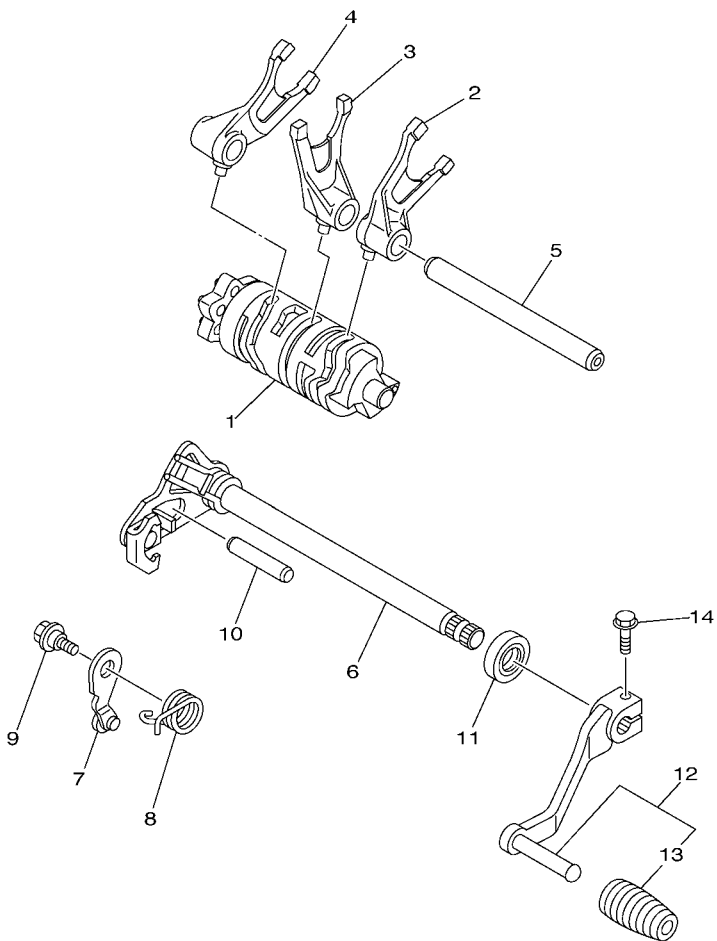


FIG. 15 TRANSMISSION

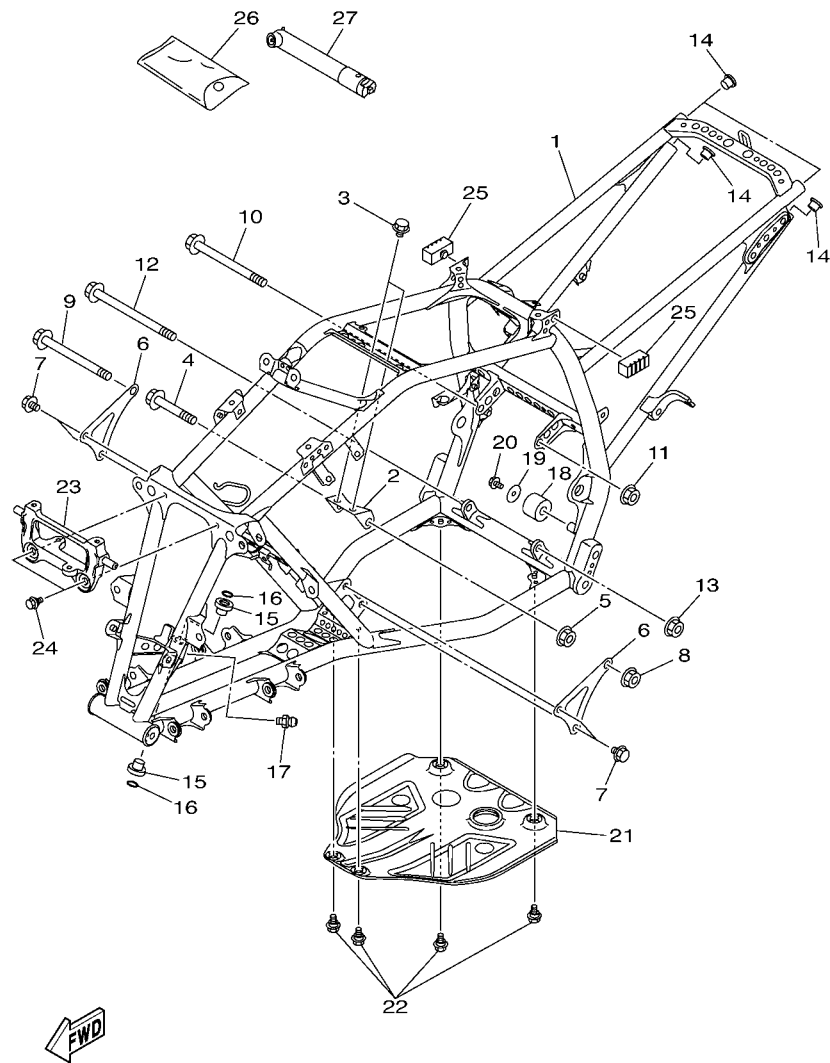
REF. NO.	PART NO.	DESCRIPTION	CAN	EUR	OC	JPN	REMARKS
1	4D3-17411-00	AXLE, MAIN	1	1	1	1	
2	4D3-17141-00	GEAR, 4TH PINION (24T)	1	1	1	1	
3	90209-18208	WASHER	1	1	1	1	
4	93410-22039	CIRCLIP	1	1	1	1	
5	4D3-17131-00	GEAR, 3RD PINION (21T)	1	1	1	1	
6	4D3-17151-00	GEAR, 5TH PINION (29T)	1	1	1	1	
7	4D3-17121-00	GEAR, 2ND PINION (18T)	1	1	1	1	
8	93306-20427	BEARING	1	1	1	1	
9	93306-00320	BEARING	1	1	1	1	
10	4D3-17402-00	DRIVE AXLE ASSY	1	1	1	1	
11	4D3-17221-00	GEAR, 2ND WHEEL (33T)	1	1	1	1	
12	90209-22191	WASHER	2	2	2	2	
13	93440-25084	CIRCLIP	2	2	2	2	
14	4D3-17231-00	GEAR, 3RD WHEEL (29T)	1	1	1	1	
15	90387-22017	COLLAR	1	1	1	1	
16	4D3-17251-00	GEAR, 5TH WHEEL (28T)	1	1	1	1	
17	4D3-17241-00	GEAR, 4TH WHEEL (24T)	1	1	1	1	
18	4D3-17211-00	GEAR, 1ST WHEEL (37T)	1	1	1	1	
19	90201-17255	WASHER, PLATE	1	1	1	1	
20	90214-22004	WASHER, CLAW	1	1	1	1	
21	90214-22005	WASHER, CLAW	1	1	1	1	
22	93306-20332	BEARING	1	1	1	1	
23	93306-20532	BEARING	1	1	1	1	
24	93102-25226	OIL SEAL	1	1	1	1	
25	9383R-14236	SPROCKET,DRIVE (14T)	1	1	1	1	
26	90215-23265	WASHER, LOCK	1	1	1	1	
27	90179-18552	NUT	1	1	1	1	

FIG. 16 SHIFT CAM & FORK

REF. NO.	PART NO.	DESCRIPTION	CAN	EUR	OCE	JPN	REMARKS
1	1S4-18540-00	SHIFT CAM ASSY	1	1	1	1	
2	4D3-18511-00	FORK, SHIFT 1	1	1	1	1	
3	4D3-18512-00	FORK, SHIFT 2	1	1	1	1	
4	4D3-18513-00	FORK, SHIFT 3	1	1	1	1	
5	4GY-18531-00	BAR, SHIFT FORK GUIDE 1	1	1	1	1	
6	4D3-18101-00	SHIFT SHAFT ASSY	1	1	1	1	
7	4TP-18140-00	STOPPER LEVER ASSY	1	1	1	1	
8	90508-26020	SPRING, TORSION	1	1	1	1	
9	90109-06189	BOLT	1	1	1	1	
10	93608-43228	PIN, DOWEL	1	1	1	1	
11	93102-14209	OIL SEAL	1	1	1	1	
12	4D3-18110-00	SHIFT PEDAL ASSY	1	1	1	1	
13	5YT-18113-00	.COVER, SHIFT PEDAL	1	1	1	1	
14	95812-06020	BOLT, FLANGE	1	1	1	1	



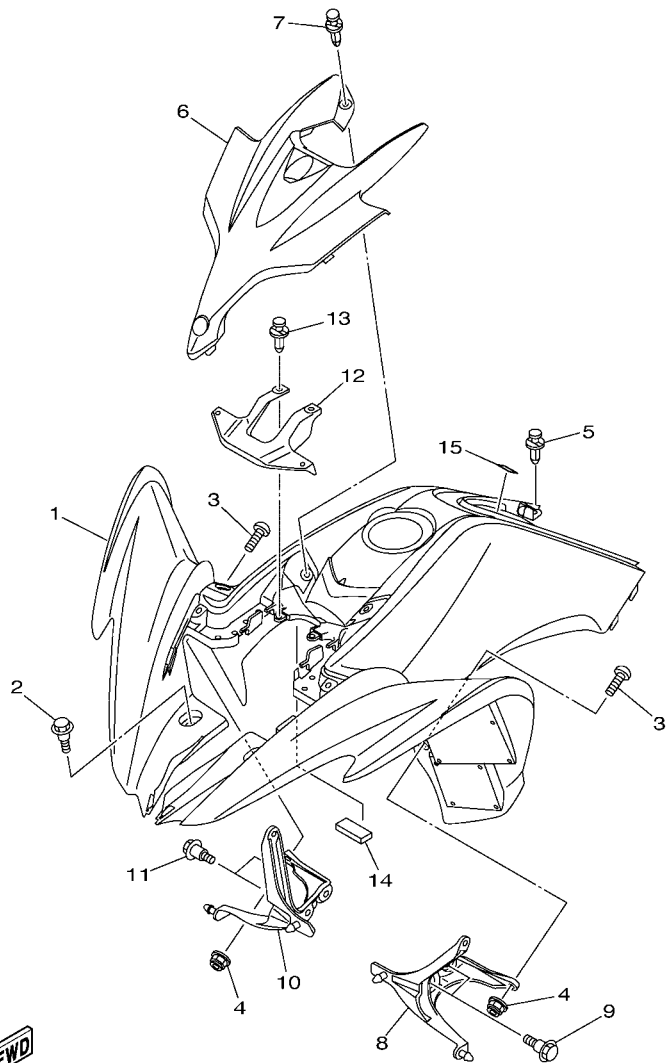
4D31100-G160



4D31100-G170

FIG. 17 FRAME

REF. NO.	PART NO.	DESCRIPTION	CAN	EUR	OCÉ	JPN	REMARKS
1	4D3-21110-10-P0	FRAME COMP.	1	1	1	1	UR S8 FOR DPBSE
	4D3-21110-10-P1	FRAME COMP.	1	1	1		UR VRC7 FOR BWS1
2	4D3-21315-00	STAY, ENGINE 2	1	1	1	1	
3	95812-08014	BOLT, FLANGE	2	2	2	2	
4	90105-10221	BOLT, FLANGE	1	1	1	1	
5	95602-10200	NUT, U FLANGE	1	1	1	1	
6	4D3-21316-00	STAY, ENGINE 3	2	2	2	2	
7	95812-08014	BOLT, FLANGE	4	4	4	4	
8	90105-10220	BOLT, FLANGE	1	1	1	1	
9	95602-10200	NUT, U FLANGE	1	1	1	1	
10	90105-10219	BOLT, FLANGE	1	1	1	1	
11	95602-10200	NUT, U FLANGE	1	1	1	1	
12	90105-10214	BOLT, FLANGE	1	1	1	1	
13	95602-10200	NUT, U FLANGE	1	1	1	1	
14	90338-16148	PLUG	4	4	4	4	
15	90381-15040	BUSH, SOLID	2	2	2	2	
16	93210-15414	O-RING	2	2	2	2	
17	93700-06004	NIPPLE, GREASE	1	1	1	1	
18	4D3-22178-00	TENSIONER	1	1	1	1	
19	90201-08054	WASHER, PLATE	1	1	1	1	
20	95822-08012	BOLT, FLANGE	1	1	1	1	
21	4D3-21471-00	PROTECTOR, ENGINE	1	1	1	1	
22	90109-06172	BOLT	4	4	4	4	
23	4D3-2137G-00	STAY 2	1	1	1	1	
24	90109-06172	BOLT	2	2	2	2	
25	3C3-24741-00	PAD, SEAT	2	2	2	2	
26	4D3-28100-00	TOOL KIT	1	1	1	1	



4D31100-G180

FIG. 18 FRONT FENDER

REF. NO.	PART NO.	DESCRIPTION	CAN	EUR	OC	JPN	REMARKS
1	4D3-W215C-01	FRONT FENDER COMP.2	1				UR FOR DPBSE
	4D3-W215C-40	FRONT FENDER COMP.2	1				UR FOR BWS1
	4D3-W215B-00	FRONT FENDER COMP. 2		1			UR FOR DPBSE
	4D3-W215B-40	FRONT FENDER COMP. 2		1			UR FOR BWS1
	4D3-W215D-01	FRONT FENDER COMP. 2			1	1	UR FOR DPBSE
	4D3-W215D-40	FRONT FENDER COMP. 2			1		UR FOR BWS1
2	90109-06172	BOLT	2	2	2	2	
3	90111-06086	BOLT,HEX. SOCKET BUTTON	2	2	2	2	
4	95602-06200	NUT, SELF-LOCKING	2	2	2	2	
5	90269-07010	RIVET	2	2	2	2	
6	4D3-23391-00	PANEL, FRONT	1	1	1	1	
7	90269-07010	RIVET	2	2	2	2	
8	4D3-21513-00	STAY, FENDER 1	1	1	1	1	
9	90109-06214	BOLT	2	2	2	2	
10	4D3-21514-00	STAY, FENDER 2	1	1	1	1	
11	90109-06214	BOLT	2	2	2	2	
12	4D3-21523-00	PLATE 1	1	1	1	1	
13	90269-07010	RIVET	4	4	4	4	
14	8ET-21747-00	DAMPER	2	2	2	2	
15	3MA-27491-00	PROTECTOR	1	1	1	1	

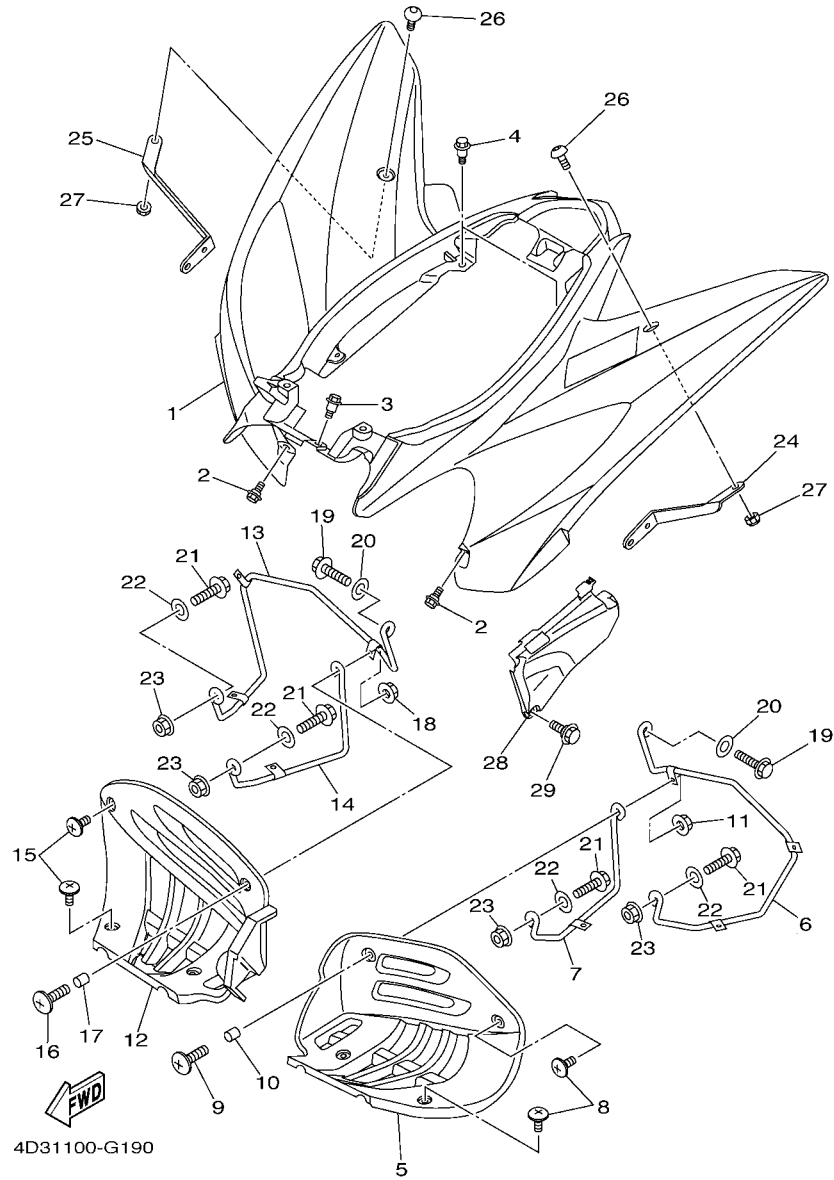


FIG. 19 REAR FENDER

REF. NO.	PART NO.	DESCRIPTION	CAN	EUR	OC	JPN	REMARKS
1	4D3-W216C-01	REAR FENDER COMP.2	1				UR FOR DPBSE
	4D3-W216C-40	REAR FENDER COMP.2	1				UR FOR BWS1
	4D3-W216B-00	REAR FENDER COMP.2		1			UR FOR DPBSE
	4D3-W216B-40	REAR FENDER COMP.2		1			UR FOR BWS1
	4D3-W216D-00	REAR FENDER COMP			1	1	UR FOR DPBSE
	4D3-W216D-40	REAR FENDER COMP			1		UR FOR BWS1
2	90109-06172	BOLT	2	2	2	2	
3	90109-06241	BOLT	1	1	1	1	
4	90109-06241	BOLT	2	2	2	2	
5	4D3-21621-00	FLAP	1	1	1	1	
6	4D3-2164F-00	STAY 1	1	1	1	1	
7	4D3-2164H-00	STAY 3	1	1	1	1	
8	90154-05013	SCREW, BINDING	3	3	3	3	
9	90154-06061	SCREW, BINDING	1	1	1	1	
10	90387-062E0	COLLAR	1	1	1	1	
11	95602-06200	NUT, SELF-LOCKING	1	1	1	1	
12	5LP-21691-00	FLAP	1	1	1	1	
13	4D3-2164G-00	STAY 2	1	1	1	1	
14	5YT-2164J-10	STAY 4	1	1	1	1	
15	90154-05013	SCREW, BINDING	3	3	3	3	
16	90154-06061	SCREW, BINDING	1	1	1	1	
17	90387-062E0	COLLAR	1	1	1	1	
18	95602-06200	NUT, SELF-LOCKING	1	1	1	1	
19	95822-08016	BOLT, FLANGE	2	2	2	2	
20	90201-08048	WASHER, PLATE	2	2	2	2	
21	95822-08025	BOLT, FLANGE	4	4	4	4	
22	90201-08048	WASHER, PLATE	4	4	4	4	

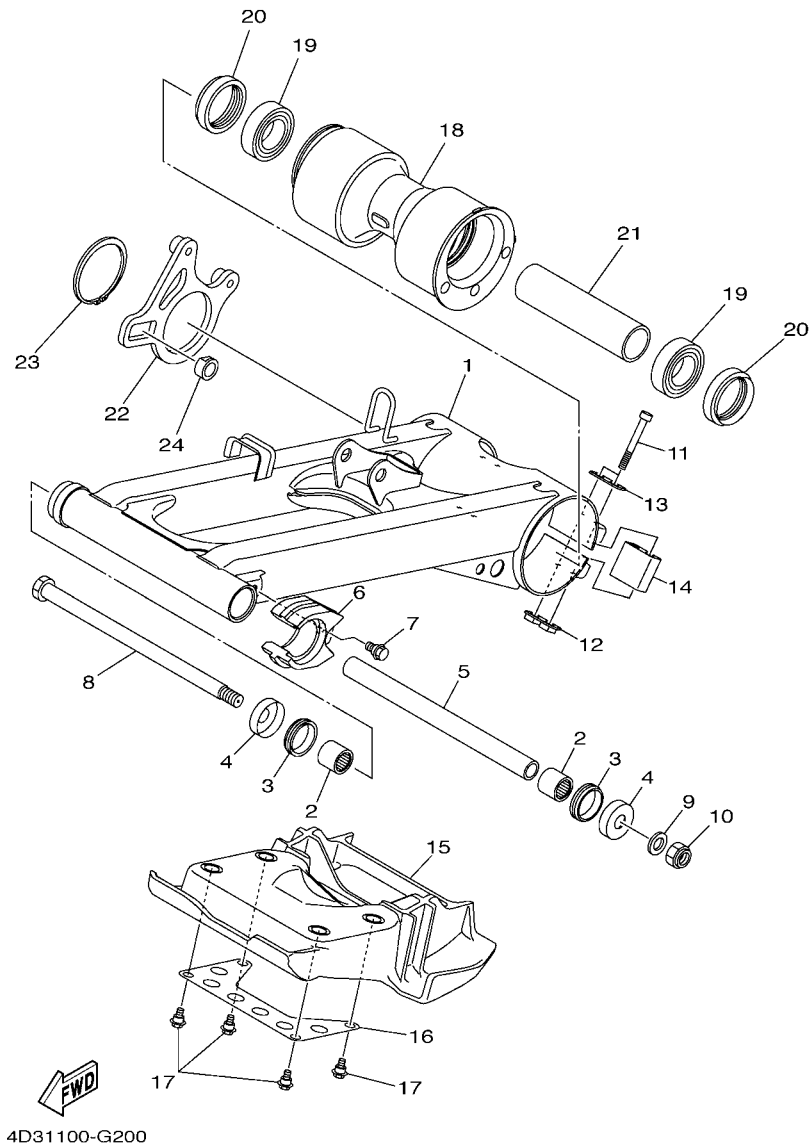
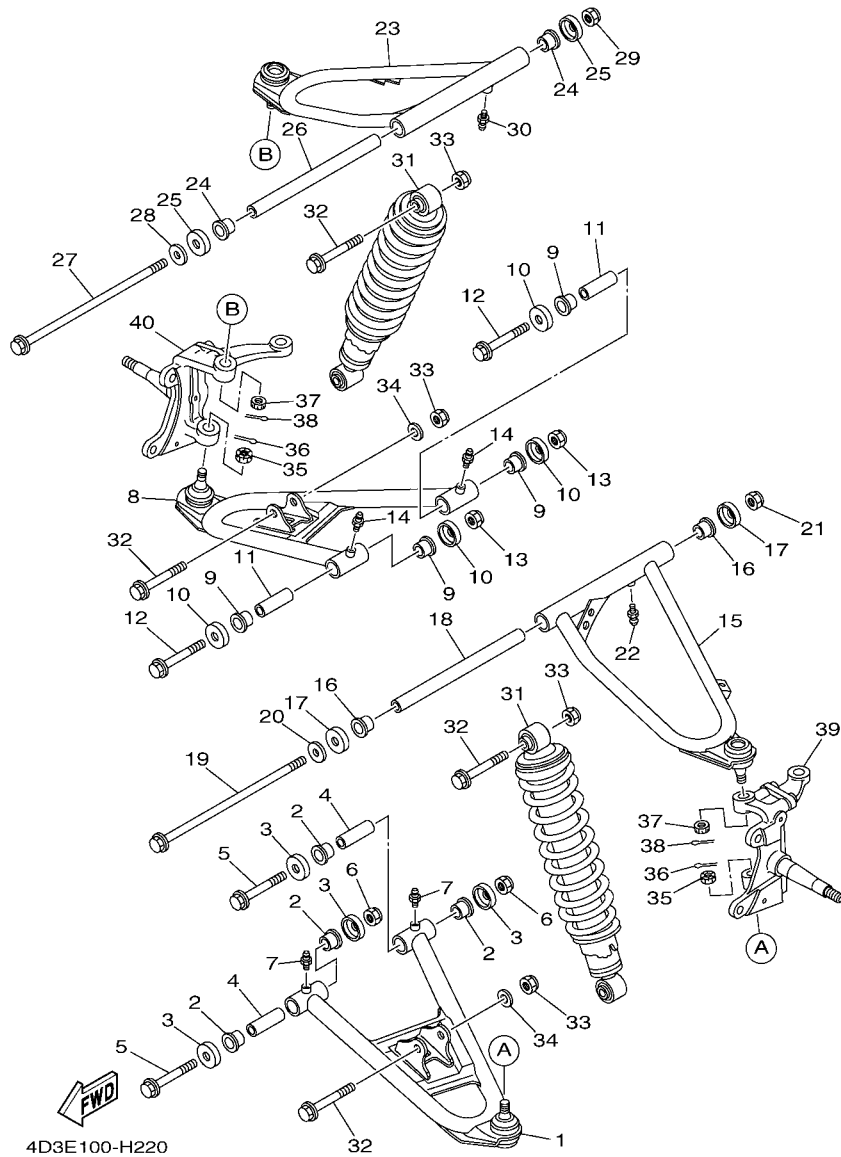


FIG. 20 REAR ARM

REF. NO.	PART NO.	DESCRIPTION	CAN	EUR	OCÉ	JPN	REMARKS
1	4D3-22110-00-P0	REAR ARM COMP.	1	1	1	1	S8
2	93317-22237	BEARING	2	2	2	2	
3	93108-35004	OIL SEAL (35-41-8)	2	2	2	2	
4	30X-2219X-00	COVER	2	2	2	2	
5	4D3-22184-00	BUSH	1	1	1	1	
6	4D3-22151-00	SEAL, GUARD	1	1	1	1	
7	90109-06172	BOLT	1	1	1	1	
8	2JN-22141-00	SHAFT, PIVOT	1	1	1	1	
9	90201-14020	WASHER, PLATE	1	1	1	1	
10	90185-14009	NUT, SELF-LOCKING	1	1	1	1	
11	91312-08060	BOLT	4	4	4	4	
12	4D3-22314-00	NUT, PJTN.	2	2	2	2	
13	4D3-22348-00	PLATE 2	2	2	2	2	
14	4D3-2217H-00	COVER, DUST	2	2	2	2	
15	4D3-2219X-00	COVER	1	1	1	1	
16	4D3-22347-00	PLATE, CHAIN CASE RUBBER	1	1	1	1	
17	90109-06236	BOLT	4	4	4	4	
18	4D3-25311-00	HUB, REAR	1	1	1	1	
19	93306-00710	BEARING	2	2	2	2	
20	93106-46001	OIL SEAL	2	2	2	2	
21	4D3-25317-00	SPACER, BEARING	1	1	1	1	
22	4D3-25721-00	BRACKET, CALIPER	1	1	1	1	
23	93410-67085	CIRCLIP	1	1	1	1	
24	4D3-25377-00	COLLAR, WHEEL	1	1	1	1	

FIG. 22 FRONT SUSPENSION & WHEEL



4D3E100-H220

REF. NO.	PART NO.	DESCRIPTION	CAN	EUR	OCE	JPN	REMARKS
1	4D3-23570-00-P0	FRONT LOWER ARM COMP. (LEFT)	1	1	1	1	S8
2	90381-15088	BUSH, SOLID	4	4	4	4	
3	5YT-23517-00	COVER, THRUST 1	4	4	4	4	
4	90387-101R3	COLLAR	2	2	2	2	
5	90105-10241	BOLT, FLANGE	2	2	2	2	
6	90185-10012	NUT, SELF-LOCKING	2	2	2	2	
7	93700-06004	NIPPLE, GREASE	2	2	2	2	
8	4D3-23580-00-P0	FRONT LOWER ARM COMP. (RIGHT)	1	1	1	1	S8
9	90381-15088	BUSH, SOLID	4	4	4	4	
10	5YT-23517-00	COVER, THRUST 1	4	4	4	4	
11	90387-101R3	COLLAR	2	2	2	2	
12	90105-10241	BOLT, FLANGE	2	2	2	2	
13	90185-10012	NUT, SELF-LOCKING	2	2	2	2	
14	93700-06004	NIPPLE, GREASE	2	2	2	2	
15	4D3-23540-00-P0	FRONT UPPER ARM COMP. (LEFT)	1	1	1	1	S8
16	90381-15088	BUSH, SOLID	2	2	2	2	
17	5YT-23517-00	COVER, THRUST 1	2	2	2	2	
18	90387-100Y6	COLLAR	1	1	1	1	
19	109-22141-01	SHAFT, PIVOT	1	1	1	1	
20	90201-10035	WASHER, PLATE	1	1	1	1	
21	90185-10012	NUT, SELF-LOCKING	1	1	1	1	
22	93700-06004	NIPPLE, GREASE	1	1	1	1	
23	4D3-23550-00-P0	FRONT UPPER ARM COMP. (RIGHT)	1	1	1	1	S8
24	90381-15088	BUSH, SOLID	2	2	2	2	
25	5YT-23517-00	COVER, THRUST 1	2	2	2	2	
26	90387-100Y6	COLLAR	1	1	1	1	
27	109-22141-01	SHAFT, PIVOT	1	1	1	1	

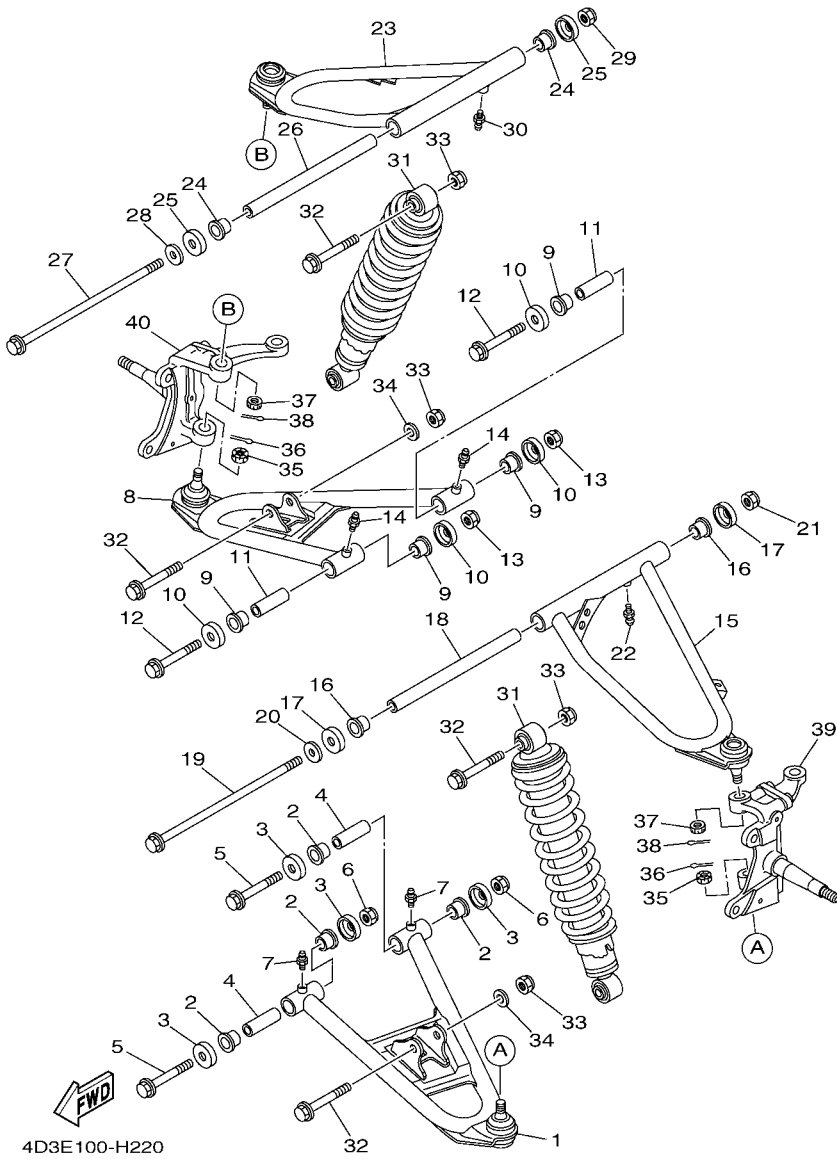
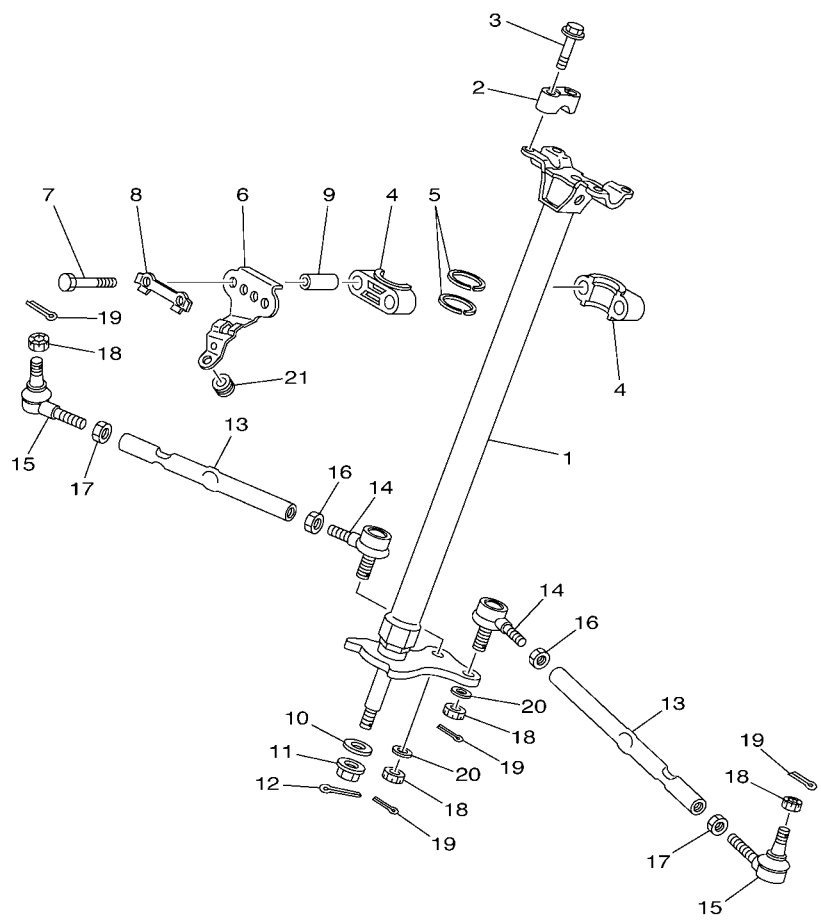


FIG. 22 FRONT SUSPENSION & WHEEL

REF. NO.	PART NO.	DESCRIPTION	CAN	EUR	OC	JPN	REMARKS
28	90201-10035	WASHER, PLATE	1	1	1	1	
29	90185-10012	NUT, SELF-LOCKING	1	1	1	1	
30	93700-06004	NIPPLE, GREASE	1	1	1	1	
31	4D3-23350-20	SHOCK ABSORBER ASSY	2	2	2	2	
32	90105-10131	BOLT, FLANGE	4	4	4	4	
33	90185-10012	NUT, SELF-LOCKING	4	4	4	4	
34	90201-10035	WASHER, PLATE	2	2	2	2	
35	90171-10001	NUT, CASTLE	2	2	2	2	
36	91401-20020	PIN, COTTER	2	2	2	2	
37	90171-10001	NUT, CASTLE	2	2	2	2	
38	91401-20020	PIN, COTTER	2	2	2	2	
39	3GD-23501-10	STEERING KNUCKLE ASSY (LEFT)	1	1	1	1	
40	3GD-23502-10	STEERING KNUCKLE ASSY (RIGHT)	1	1	1	1	

FIG. 23 STEERING




4D31100-G230

REF. NO.	PART NO.	DESCRIPTION	CAN	EUR	OC	JPN	REMARKS
1	4D3-23813-00	COLUMN, STEERING 2	1	1	1	1	
2	8K1-23814-00	HOLDER, HANDLE	2	2	2	2	
3	95822-08030	BOLT, FLANGE	4	4	4	4	
4	1UY-23812-00	PLANE BEARING, STEERING	2	2	2	2	
5	93112-31011	OIL SEAL	2	2	2	2	
6	4D3-23868-00	BRACKET, STEERING LOWER	1	1	1	1	
7	97022-08055	BOLT	2	2	2	2	
8	1UY-23894-01	WASHER, LOCK 1	1	1	1	1	
9	90387-090R0	COLLAR	2	2	2	2	
10	90201-10036	WASHER, PLATE	1	1	1	1	
11	90185-10019	NUT, SELF-LOCKING	1	1	1	1	
12	91401-20020	PIN, COTTER	1	1	1	1	
13	4D3-23831-00	ROD, TIE	2	2	2	2	
14	1UY-23841-01	JOINT, UNIVERSAL 1	2	2	2	2	
15	1UY-23845-01	JOINT, UNIVERSAL 2	2	2	2	2	
16	95302-10700	NUT	2	2	2	2	
17	90170-10010	NUT	2	2	2	2	(L.H. THREAD)
18	90171-10001	NUT, CASTLE	4	4	4	4	
19	91401-20020	PIN, COTTER	4	4	4	4	
20	90209-10229	WASHER	2	2	2	2	
21	90480-15235	GROMMET	1	1	1	1	

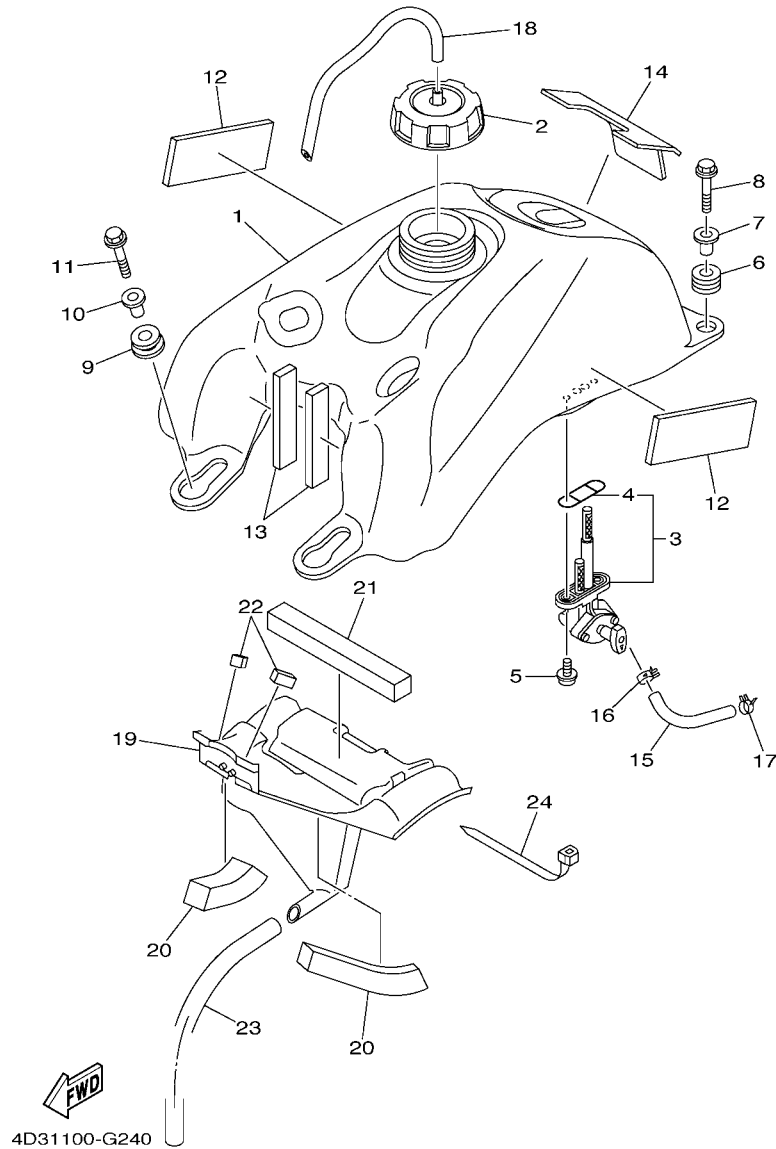


FIG. 24 FUEL TANK

REF. NO.	PART NO.	DESCRIPTION	CAN	EUR	OC	JPN	REMARKS
1	4D3-24110-10	FUEL TANK COMP.	1				
	4D3-24110-00	FUEL TANK COMP.		1	1	1	
2	5KM-24610-00	CAP ASSY	1	1	1	1	
3	4D3-24500-00	FUEL COCK ASSY 1	1	1	1	1	
4	1P6-24512-00	.O-RING	1	1	1	1	
5	90149-06108	SCREW	2	2	2	2	
6	90480-18290	GROMMET	2	2	2	2	
7	90387-066J1	COLLAR	2	2	2	2	
8	95802-06025	BOLT, FLANGE	2	2	2	2	
9	90480-18004	GROMMET	2	2	2	2	
10	90387-066J1	COLLAR	2	2	2	2	
11	95802-06025	BOLT, FLANGE	2	2	2	2	
12	5TG-21541-00	DAMPER 1	2	2	2	2	
13	4D3-24181-00	DAMPER, LOCATING 1	2	2	2	2	
14	4D3-21541-00	DAMPER 1	1	1	1	1	
15	90445-11050	HOSE (L105)	1				
	90445-11049	HOSE (L105)		1	1	1	
16	90467-09037	CLIP	1	1	1	1	
17	90467-100A2	CLIP	1	1	1	1	
18	90445-08376	HOSE (L330)	1	1	1	1	
19	4D3-2414H-00	DAMPER, PLATE 1	1	1	1	1	
20	4D3-24182-00	DAMPER, LOCATING 2	2	2	2	2	
21	4D3-24183-00	DAMPER, LOCATING 3	1	1	1	1	
22	4D3-24184-00	DAMPER, LOCATING 4	2	2	2	2	
23	90445-16007	HOSE (L400)	1	1	1	1	
24	90464-15195	CLAMP	1	1	1	1	

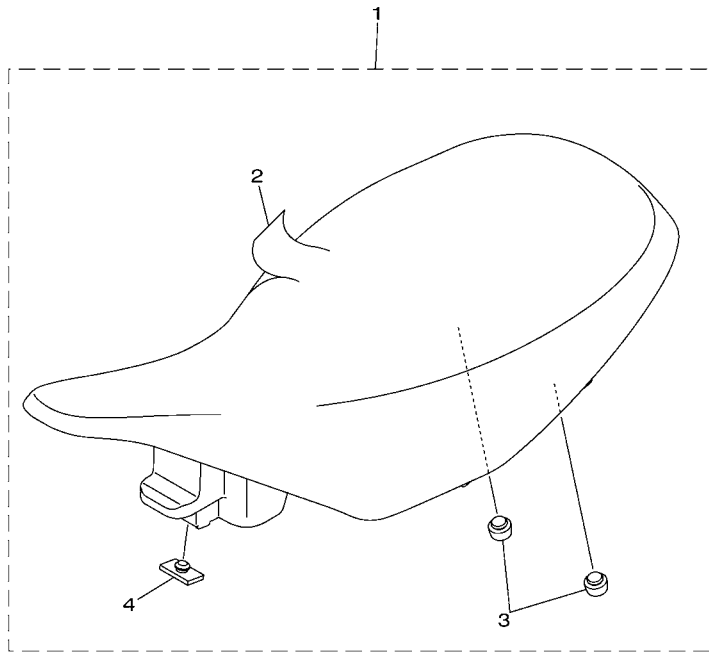
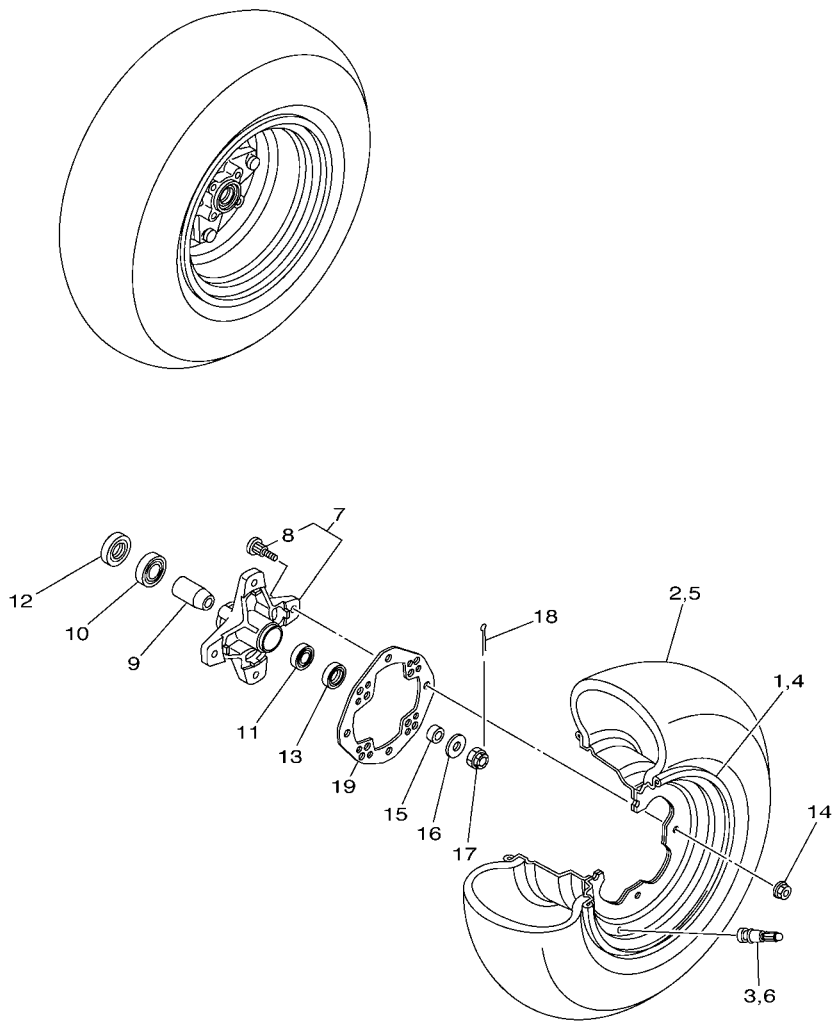


FIG. 25 SEAT

REF. NO.	PART NO.	DESCRIPTION	CAN	EUR	OCE	JPN	REMARKS
1	4D3-24710-00	SINGLE SEAT ASSY	1		1	1	
	4D3-24710-10	SINGLE SEAT ASSY		1			
2	4D3-2470F-00	.SEAT COVER COMP.	1		1	1	
	4D3-2470F-10	.SEAT COVER COMP.		1			
3	157-27114-00	.STOPPER, MAIN STAND	2	2	2	2	
4	509-24724-00	.DAMPER, SEAT	1	1	1	1	



4D31100-G260

FIG. 26 FRONT WHEEL

REF. NO.	PART NO.	DESCRIPTION	CAN	EUR	OC	JPN	REMARKS
1	5LP-25180-20	WHEEL COMP.	1	1	1	1	
2	94107-10024	TIRE (AT20X7-10** KT201 T/L N)	1	1	1	1	DUNLOP
3	93900-00022	VALVE, RIM (TR413)	1	1	1	1	TAIHEIYO
4	5LP-25180-20	WHEEL COMP.	1	1	1	1	
5	94107-10024	TIRE (AT20X7-10** KT201 T/L N)	1	1	1	1	DUNLOP
6	93900-00022	VALVE, RIM (TR413)	1	1	1	1	TAIHEIYO
7	3GD-25111-20	HUB, FRONT	2	2	2	2	
8	90114-10006	.BOLT, SERRATION	4	4	4	4	
9	1UY-25117-00	SPACER, BEARING	2	2	2	2	
10	93306-00446	BEARING	2	2	2	2	
11	93306-20231	BEARING	2	2	2	2	
12	93105-26026	OIL SEAL	2	2	2	2	
13	93102-22216	OIL SEAL	2	2	2	2	
14	95702-10500	NUT, WITH WASHER	8	8	8	8	
15	90387-150R1	COLLAR	2	2	2	2	
16	90201-14586	WASHER, PLATE	2	2	2	2	
17	90171-14002	NUT, CASTLE	2	2	2	2	
18	91401-30025	PIN, COTTER	2	2	2	2	
19	1S3-25127-00	COVER, PLATE	2	2	2	2	

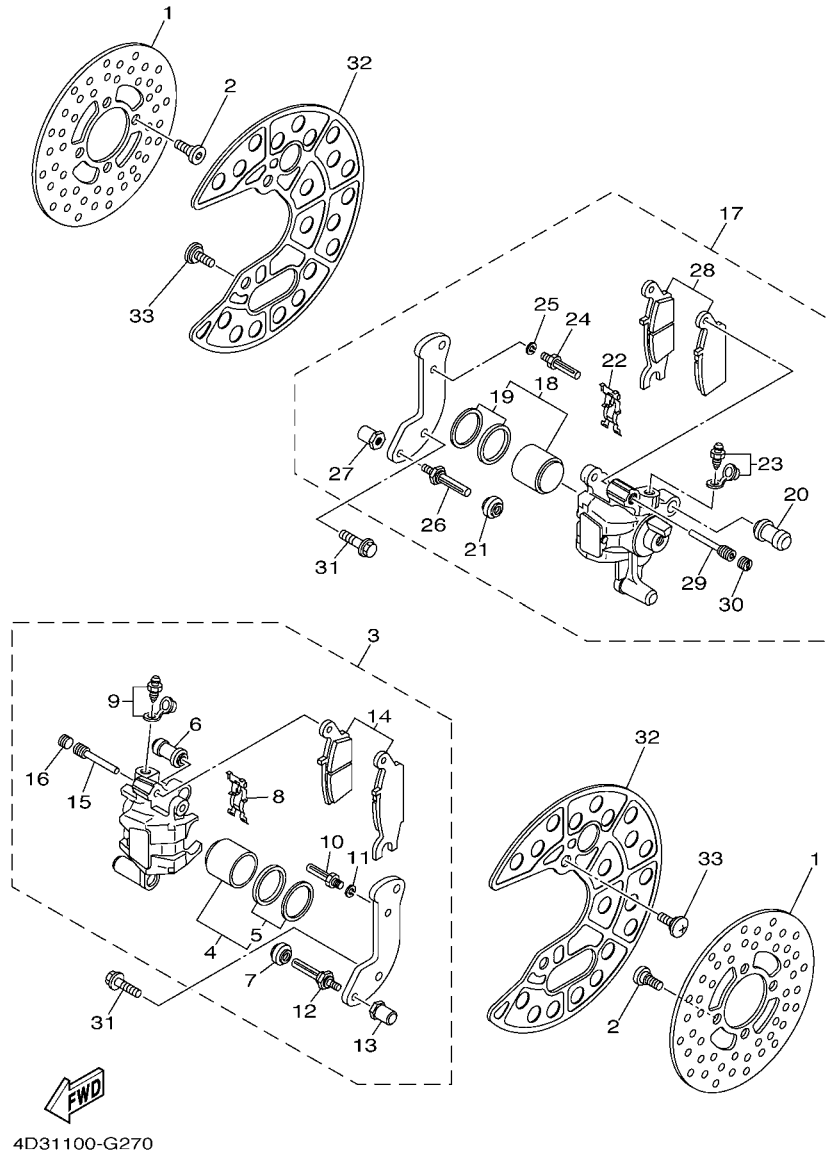
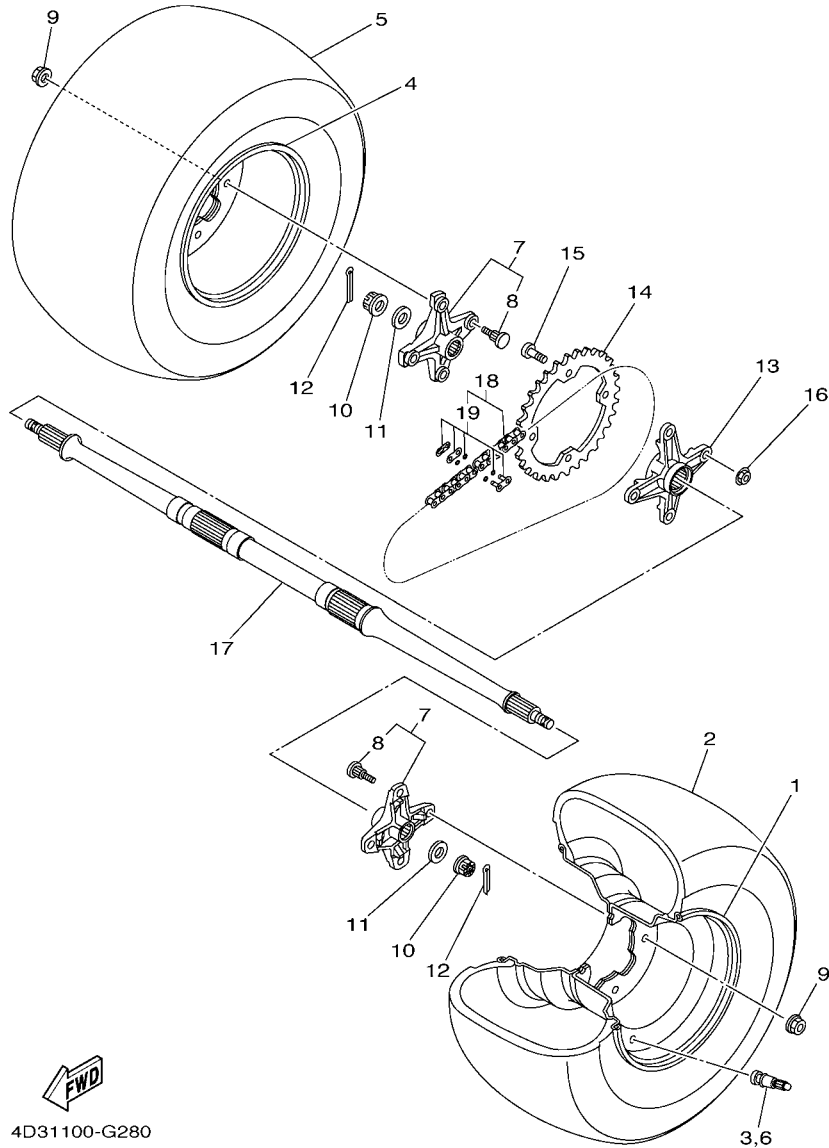


FIG. 27 FRONT BRAKE CALIPER

REF. NO.	PART NO.	DESCRIPTION	CAN	EUR	OCE	JPN	REMARKS
1	3GD-2582T-10	DISC, BRAKE (LEFT)	2	2	2	2	
2	90109-08082	BOLT	8	8	8	8	
3	4D3-2580T-00	CALIPER ASSY (LEFT)	1	1	1	1	
4	3B4-W0057-00	.PISTON ASSY, CALIPER	1	1	1	1	
5	3B4-W0047-00	..CALIPER SEAL KIT	1	1	1	1	
6	1UY-25937-51	.BOOT 2	1	1	1	1	
7	3JD-25917-00	.BOOT, CALIPER	1	1	1	1	
8	5DH-25919-00	.SUPPORT, PAD	1	1	1	1	
9	1UY-W0048-50	.BLEED SCREW KIT	1	1	1	1	
10	1UY-25926-51	.BOLT	1	1	1	1	
11	1UY-25938-51	.WASHER, SPRING	1	1	1	1	
12	3JD-25926-00	.BOLT	1	1	1	1	
13	3JD-25961-00	.NUT	1	1	1	1	
14	4D3-W0045-00	.BRAKE PAD KIT	1	1	1	1	
15	5DH-25933-00	.PIN, PAD	1	1	1	1	
16	8CR-25926-00	.BOLT	1	1	1	1	
17	4D3-2580U-00	CALIPER ASSY (RIGHT)	1	1	1	1	
18	3B4-W0057-00	.PISTON ASSY, CALIPER	1	1	1	1	
19	3B4-W0047-00	..CALIPER SEAL KIT	1	1	1	1	
20	1UY-25937-51	.BOOT 2	1	1	1	1	
21	3JD-25917-00	.BOOT, CALIPER	1	1	1	1	
22	5DH-25919-00	.SUPPORT, PAD	1	1	1	1	
23	1UY-W0048-50	.BLEED SCREW KIT	1	1	1	1	
24	1UY-25926-51	.BOLT	1	1	1	1	
25	1UY-25938-51	.WASHER, SPRING	1	1	1	1	
26	3JD-25926-00	.BOLT	1	1	1	1	
27	3JD-25961-00	.NUT	1	1	1	1	



4D31100-G280

FIG. 28 REAR WHEEL

REF. NO.	PART NO.	DESCRIPTION	CAN	EUR	OC	JPN	REMARKS
1	4D3-25390-00	REAR WHEEL COMP.	1	1	1	1	
2	94110-09024	TIRE (AT19X10-9** KT205 T/L N)	1	1	1	1	DUNLOP
3	93900-00022	VALVE, RIM (TR413)	1	1	1	1	TAIHEIYO
4	4D3-25390-00	REAR WHEEL COMP.	1	1	1	1	
5	94110-09024	TIRE (AT19X10-9** KT205 T/L N)	1	1	1	1	DUNLOP
6	93900-00022	VALVE, RIM (TR413)	1	1	1	1	TAIHEIYO
7	1S3-25383-20	COLLAR, WHEEL	2	2	2	2	
8	90114-10013	.BOLT, SERRATION	4	4	4	4	
9	95702-10500	NUT, WITH WASHER	8	8	8	8	
10	90171-14004	NUT, CASTLE	2	2	2	2	
11	90201-14021	WASHER, PLATE	2	2	2	2	
12	91401-30030	PIN, COTTER	2	2	2	2	
13	5YT-25386-00	COLLAR, SPROCKET AXLE	1	1	1	1	
14	5TG-25438-10	SPROCKET, DRIVEN (38T)	1	1	1	1	
15	90109-10010	BOLT	4	4	4	4	
16	95602-10200	NUT, U FLANGE	4	4	4	4	
17	4D3-25381-00	AXLE, WHEEL	1	1	1	1	
18	94581-87092	CHAIN (DID520V)	1	1	1	1	
19	94681-87011	.JOINT, CHAIN (DID520V FJ)	1	1	1	1	

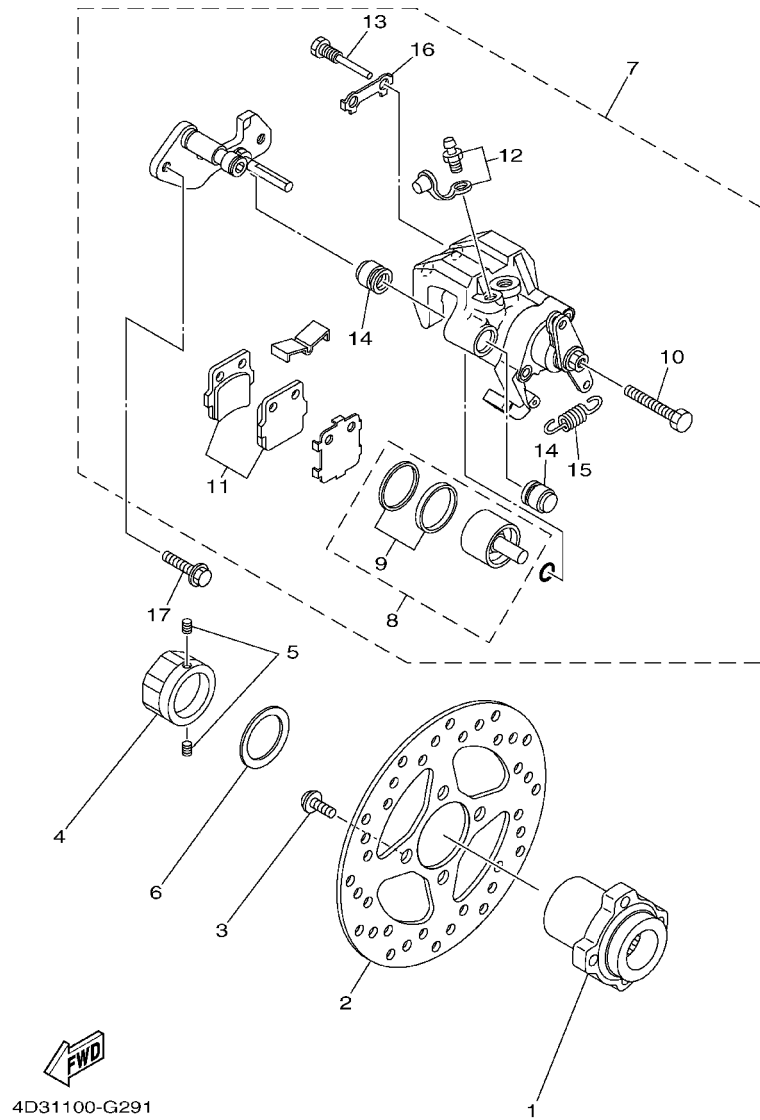
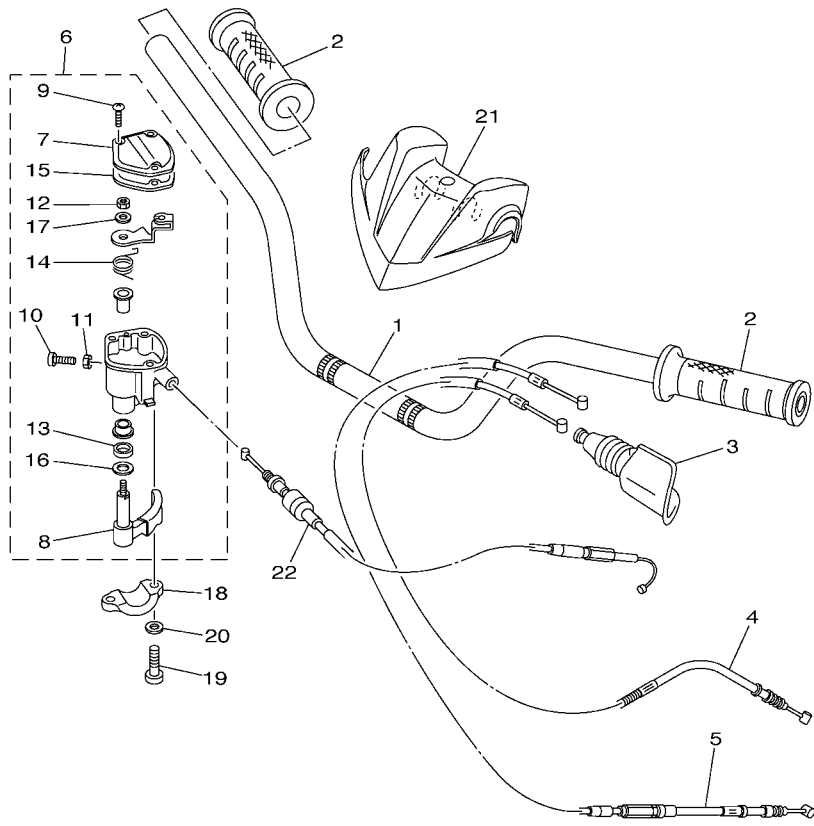


FIG. 29 REAR BRAKE CALIPER

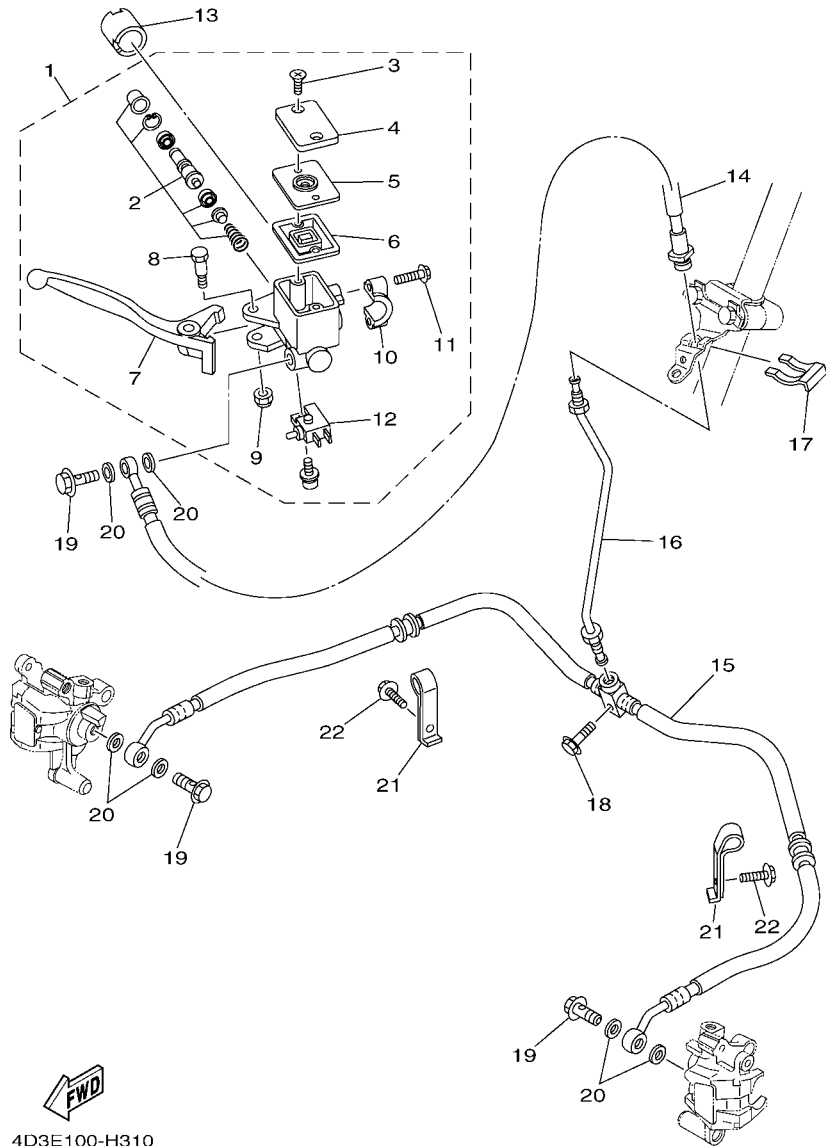
REF. NO.	PART NO.	DESCRIPTION	CAN	EUR	OCE	JPN	REMARKS
1	5YT-25712-00	BRACKET, DISC	1	1	1	1	
2	4D3-2582W-00	DISK, REAR BRAKE 2	1	1	1	1	
3	90109-081F0	BOLT	4	4	4	4	
4	90170-33010	NUT	1	1	1	1	
5	90113-06055	BOLT, SET	2	2	2	2	
6	90208-34001	WASHER, CONICAL SPRING	1	1	1	1	
7	5YT-2580W-10	CALIPER ASSY, REAR 2	1	1	1	1	
8	5LP-W0057-50	.PISTON ASSY, CALIPER	1	1	1	1	
9	5LP-W0047-50	..CALIPER SEAL KIT	1	1	1	1	
10	1UY-25972-51	.ADJUSTBOLT	1	1	1	1	
11	4D3-W0046-50	.BRAKE PAD KIT 2	1	1	1	1	
12	1UY-W0048-50	.BLEED SCREW KIT	1	1	1	1	
13	1UY-25924-51	.PIN, PAD	2	2	2	2	
14	1UY-25917-51	.BOOT, CALIPER	2	2	2	2	
15	5YT-25977-50	.SPRING, RETURN	1	1	1	1	
16	1UY-25933-51	.WASHER, PAD PIN	1	1	1	1	
17	90105-08183	BOLT, FLANGE	2	2	2	2	




4D31100-G300

FIG. 30 STEERING HANDLE & CABLE

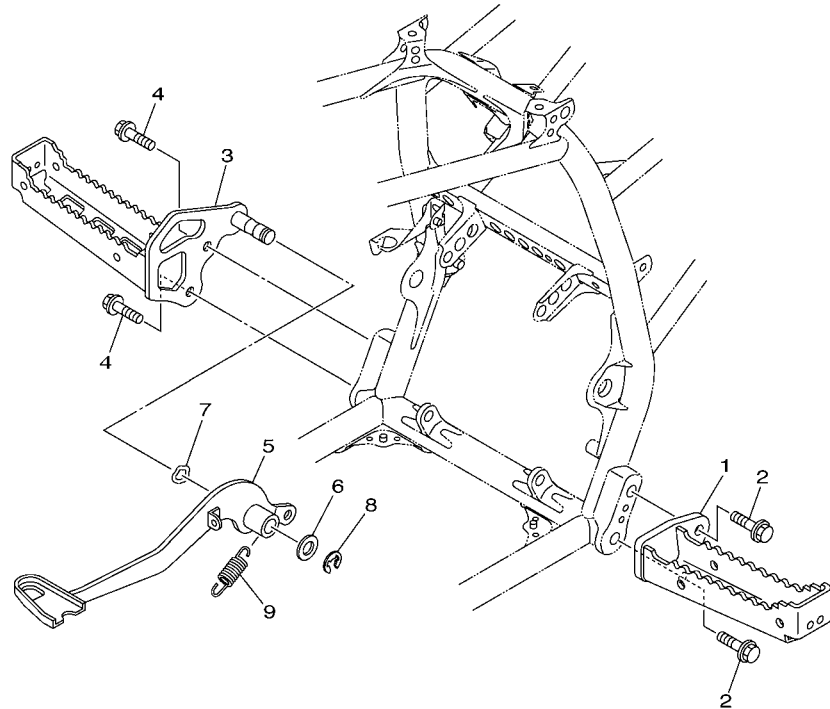
REF. NO.	PART NO.	DESCRIPTION	CAN	EUR	OC	JPN	REMARKS
1	4D3-26111-00	HANDLEBAR	1	1	1	1	
2	5LP-26241-00	GRIP	2	2	2	2	
3	31A-26372-00	COVER, HANDLE LEVER 1	1	1	1	1	
4	4D3-26335-00	CABLE, CLUTCH	1	1	1	1	
5	4D3-26341-00	WIRE, BRAKE 1	1	1	1	1	
6	4KB-26250-20	THROTTLE LEVER ASSY	1	1	1	1	
7	4KB-2628F-20	.CAP, GEAR	1	1	1	1	
8	1NV-2625G-01	.LEVER, THROTTLE	1	1	1	1	
9	4KB-2632G-00	.SCREW	3	3	3	3	
10	4KB-26256-00	.SCREW, GRIP END	1	1	1	1	
11	95607-05100	.NUT, U	1	1	1	1	
12	4KB-26258-00	.NUT, LOCK	1	1	1	1	
13	93104-09025	.OIL SEAL	1	1	1	1	
14	1NV-26304-00	.SPRING	1	1	1	1	
15	4KB-2628G-00	.GASKET	1	1	1	1	
16	1NV-26129-00	.WASHER	1	1	1	1	
17	1NV-26398-00	.WASHER	1	1	1	1	
18	4V4-82913-00	HOLDER, LEVER LOWER 1	1	1	1	1	
19	98502-05020	SCREW, PAN HEAD	2	2	2	2	
20	92902-05600	WASHER, PLATE	2	2	2	2	
21	4D3-26124-00	PROTECTOR, HANDLEBAR	1	1	1	1	
22	4D3-26311-00	CABLE, THROTTLE 1	1	1	1	1	



4D3E100-H310

FIG. 31 FRONT MASTER CYLINDER

REF. NO.	PART NO.	DESCRIPTION	CAN	EUR	OCE	JPN	REMARKS
1	4D3-2583T-00	MASTER CYLINDER ASSY	1	1	1	1	
2	5D3-W0041-00	.CYLINDER KIT, MASTER	1	1	1	1	
3	4NK-2589H-00	.SCREW	2	2	2	2	
4	5YU-25852-00	.CAP, RESERVOIR	1	1	1	1	
5	3B4-2585B-00	.PLATE, DIAPHRAGM	1	1	1	1	
6	4TT-25854-00	.GASKET, DIAPHRAGM	1	1	1	1	
7	4D3-83922-00	.LEVER 2	1	1	1	1	
8	3B4-2589F-00	.BOLT, LEVER	1	1	1	1	
9	95604-06100	.NUT, U	1	1	1	1	
10	5MV-25867-00	.BRACKET, MASTER CYLINDER	1	1	1	1	
11	5MV-25833-00	.BOLT, FITTING	2	2	2	2	
12	5D3-83980-00	.FRONT STOP SWITCH ASSY	1	1	1	1	
13	1UY-26259-00	COLLAR	1	1	1	1	
14	4D3-25872-00	HOSE, BRAKE 1	1	1	1	1	
15	4D3-25873-00	HOSE, BRAKE 2	1	1	1	1	
16	4D3-25871-00	PIPE, BRAKE	1	1	1	1	
17	2GU-25866-00	CIRCLIP	1	1	1	1	
18	95822-06025	BOLT, FLANGE	1	1	1	1	
19	90401-10015	BOLT, UNION	3	3	3	3	
20	90201-10118	WASHER, PLATE	6	6	6	6	
21	4D3-25886-10	HOLDER, BRAKE HOSE	2	2	2	2	
22	95802-06016	BOLT, FLANGE	2	2	2	2	




 4D31100-G320

FIG. 32 STAND & FOOTREST

REF. NO.	PART NO.	DESCRIPTION	CAN	EUR	OCE	JPN	REMARKS
1	4D3-27411-00	FOOTREST 1	1	1	1	1	
2	95812-10020	BOLT, FLANGE	2	2	2	2	
3	4D3-27421-00	FOOTREST 2	1	1	1	1	
4	95812-10020	BOLT, FLANGE	2	2	2	2	
5	4D3-27211-00	PEDAL, BRAKE	1	1	1	1	
6	90201-15018	WASHER, PLATE	1	1	1	1	
7	90206-15021	WASHER, WAVE	1	1	1	1	
8	93430-12008	CIRCLIP	1	1	1	1	
9	90506-20026	SPRING, TENSION	1	1	1	1	

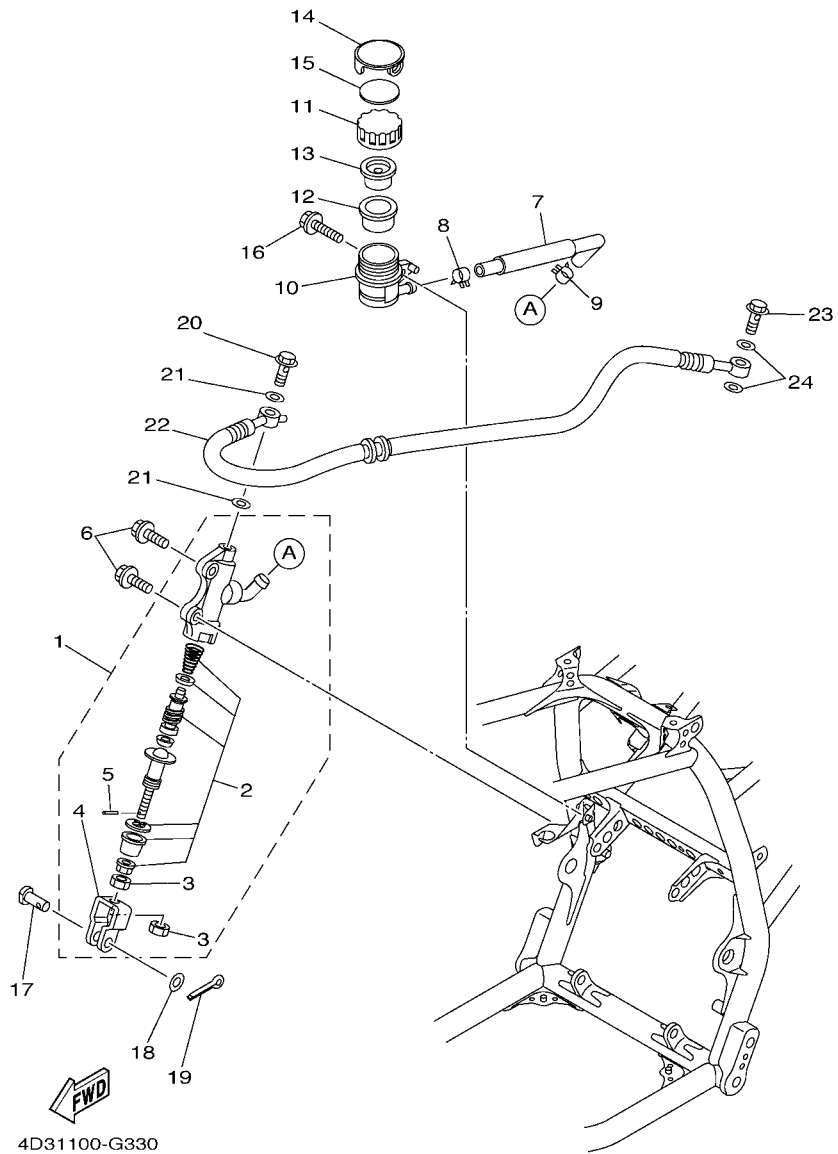
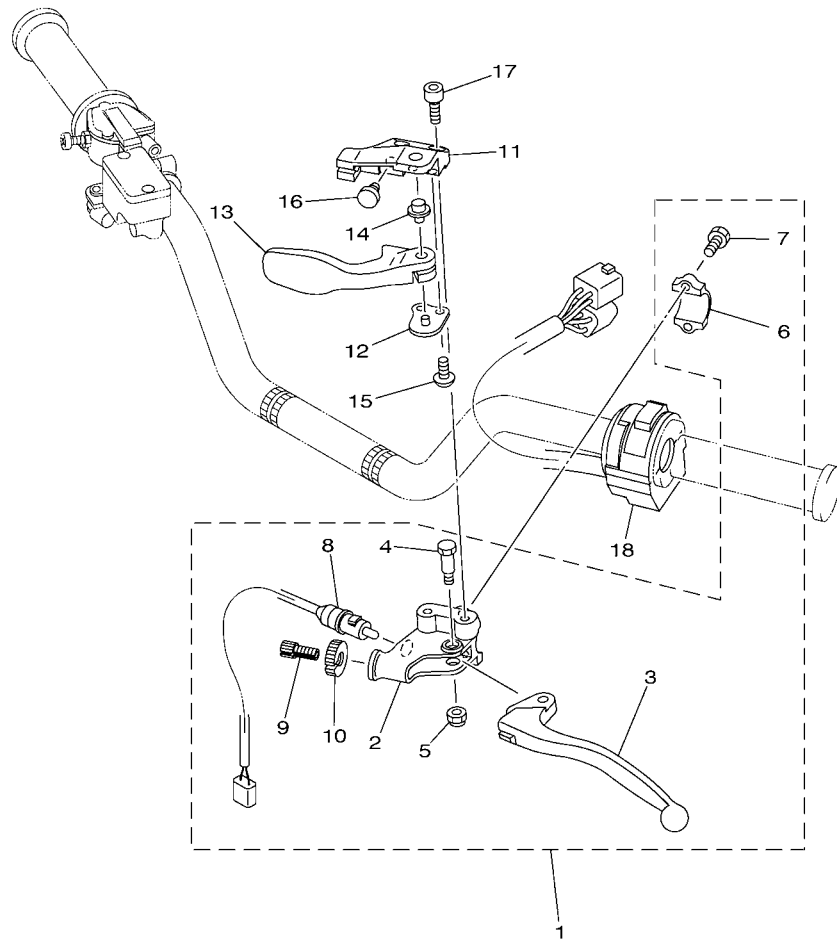


FIG. 33 REAR MASTER CYLINDER

REF. NO.	PART NO.	DESCRIPTION	CAN	EUR	OCE	JPN	REMARKS
1	5TG-2580E-20	REAR MASTER CYLINDER ASSY	1	1	1	1	
2	5TG-W0042-50	.CYLINDER KIT, MASTER	1	1	1	1	
3	4SS-27218-00	.NUT	2	2	2	2	
4	2YK-27222-00	.JOINT	1	1	1	1	
5	3KW-27234-00	.PIN, BRAKE ROD	1	1	1	1	
6	95022-08025	BOLT, FLANGE	2	2	2	2	
7	4D3-25895-00	HOSE, RESERVOIR	1	1	1	1	
8	90467-11044	CLIP	1	1	1	1	
9	90467-11044	CLIP	1	1	1	1	
10	5TG-25894-00	TANK, RESERVOIR	1	1	1	1	
11	3XP-25852-50	CAP, RESERVOIR	1	1	1	1	
12	2VN-25854-00	GASKET, DIAPHRAGM	1	1	1	1	
13	2VN-25855-00	BUSH,DIAPHRAGM	1	1	1	1	
14	4D3-25888-00	COVER, RESERVOIR TANK	1	1	1	1	
15	4D3-27491-00	PROTECTOR	1	1	1	1	
16	90109-06240	BOLT	1	1	1	1	
17	90240-08005	PIN, CLEVIS	1	1	1	1	
18	90201-08066	WASHER, PLATE	1	1	1	1	
19	91401-16012	PIN, COTTER	1	1	1	1	
20	90401-10015	BOLT, UNION	1	1	1	1	
21	90201-10118	WASHER, PLATE	2	2	2	2	
22	4D3-25874-00	HOSE, BRAKE	1	1	1	1	
23	90401-10015	BOLT, UNION	1	1	1	1	
24	90201-10118	WASHER, PLATE	2	2	2	2	



FWD
4D31100-G400

FIG. 40 HANDLE SWITCH & LEVER

REF. NO.	PART NO.	DESCRIPTION	CAN	EUR	OCE	JPN	REMARKS
1	4D3-82910-00	LEVER HOLDER ASSY (LEFT)	1	1	1	1	
2	5YT-82911-10	.HOLDER, LEVER 1	1	1	1	1	
3	3RN-83912-00	.LEVER 1	1	1	1	1	
4	90109-06798	.BOLT	1	1	1	1	
5	95602-06100	.NUT, U	1	1	1	1	
6	5TG-82913-00	.HOLDER, LEVER LOWER 1	1	1	1	1	
7	97002-05016	.BOLT	2	2	2	2	
8	5KM-82917-00	.SWITCH	1	1	1	1	
9	90123-08046	.BOLT	1	1	1	1	
10	90179-08148	.NUT	1	1	1	1	
11	5TG-25727-00	BRACKET, LEVER	1	1	1	1	
12	5D3-25689-00	PLATE, GUIDE	1	1	1	1	
13	5TG-25726-00	LEVER, BRAKE	1	1	1	1	
14	5TG-83923-00	COLLAR, LEVER 2	1	1	1	1	
15	92012-06014	BOLT, BUTTON HEAD	2	2	2	2	
16	90338-07007	PLUG	1	1	1	1	
17	92012-06014	BOLT, BUTTON HEAD	2	2	2	2	
18	4KB-83973-20	SWITCH, HANDLE 3	1	1	1	1	

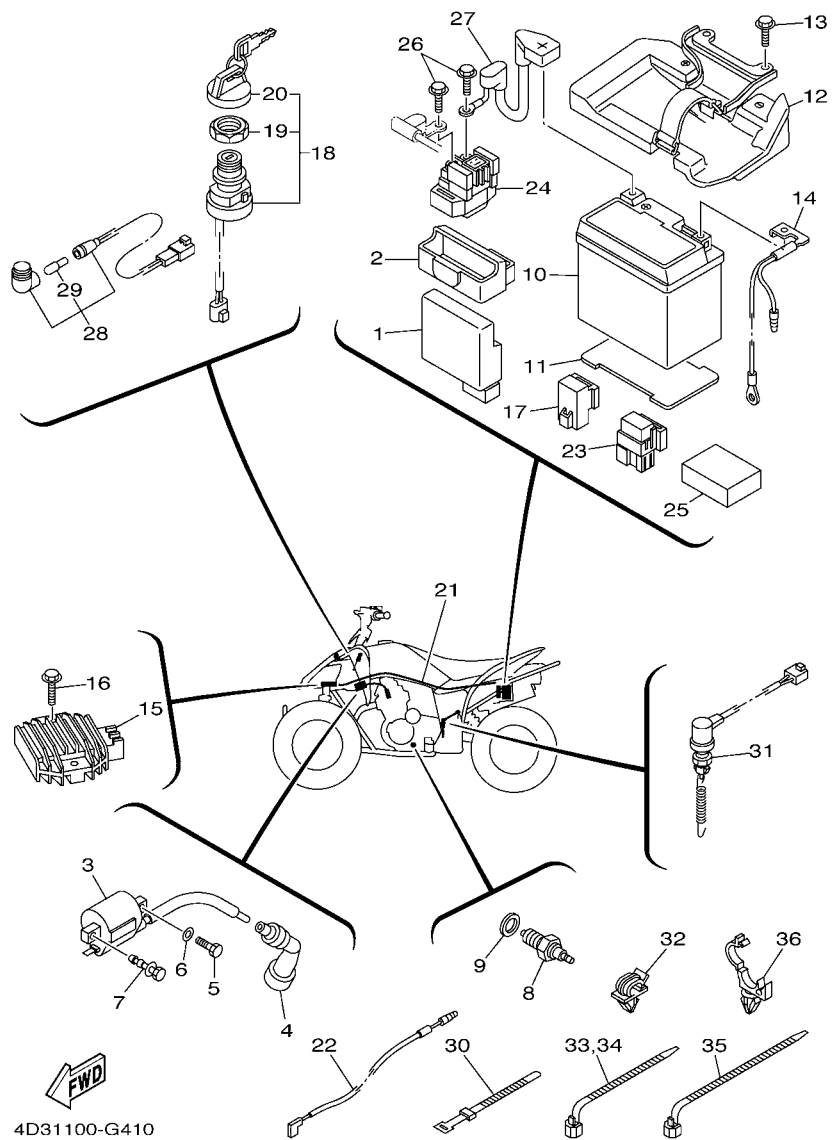
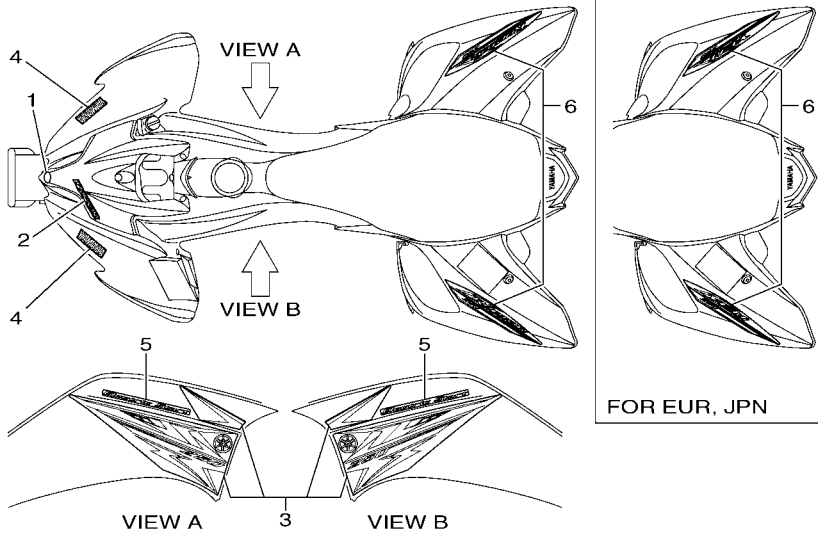


FIG. 41 ELECTRICAL 1

REF. NO.	PART NO.	DESCRIPTION	CAN	EUR	OC	JPN	REMARKS
1	4D3-85540-00	C.D.I. UNIT ASSY	1	1	1	1	
2	4D3-85546-00	BAND	1	1	1	1	
3	3NS-82310-10	IGNITION COIL ASSY	1	1	1	1	
4	3NS-82370-00	PLUG CAP ASSY	1	1	1	1	
5	97002-06020	BOLT	1	1	1	1	
6	92902-06600	WASHER, PLATE	1	1	1	1	
7	90109-06723	BOLT	1	1	1	1	
8	3GB-82540-01	NEUTRAL SWITCH ASSY	1	1	1	1	
9	90430-10148	GASKET	1	1	1	1	
10	1S4-82100-10	BATTERY ASSY (YT Z7S)	1	1	1	1	
	90793-26111	BATTERY ASSY (YT Z7S)				1	
11	4D3-82122-00	SEAT, BATTERY	1	1	1	1	
12	4D3-82106-00	BATTERY PLATE COMP	1	1	1	1	
13	95812-06016	BOLT, FLANGE	2	2	2	2	
14	4D3-82116-00	WIRE, MINUS LEAD	1	1	1	1	
15	5GT-81960-00	RECTIFIER & REGULATOR ASSY	1	1	1	1	
16	95802-06020	BOLT, FLANGE	2	2	2	2	
17	1RL-81950-92	RELAY ASSY	1	1	1	1	
18	5LP-82510-00	MAIN SWITCH ASSY	1	1	1	1	
19	3HN-82569-00	.NUT, MAIN SWITCH	1	1	1	1	
20	3HN-82579-00	.CAP, KEY	1	1	1	1	
21	4D3-82590-00	WIRE HARNESS ASSY	1	1	1	1	
22	4D3-82541-00	WIRE, LEAD	1	1	1	1	
23	5DM-81950-00	RELAY ASSY (G8HN-1C4T-DJ-Y52)	1	1	1	1	
24	4D3-81940-00	STARTER RELAY ASSY	1	1	1	1	
25	4D3-8252R-00	DAMPER	1	1	1	1	
26	95022-06008	BOLT, FLANGE	2	2	2	2	

FOR DPBSE



FOR BWS1

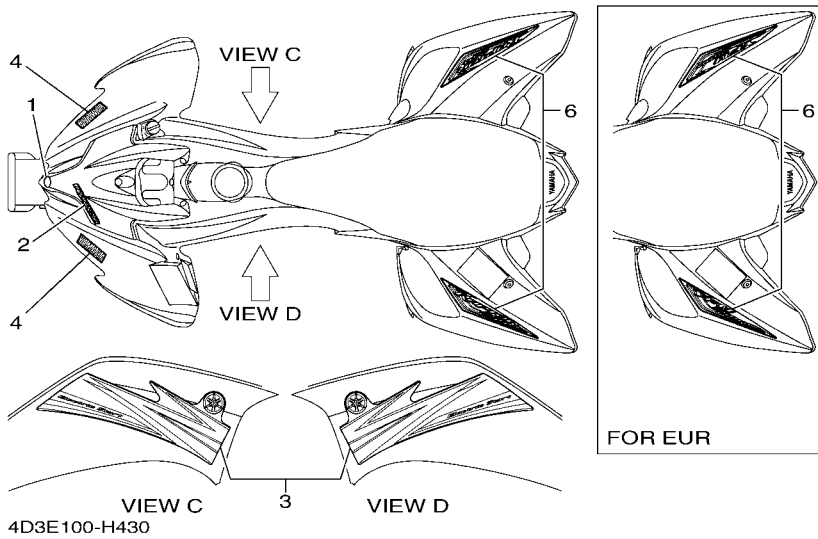
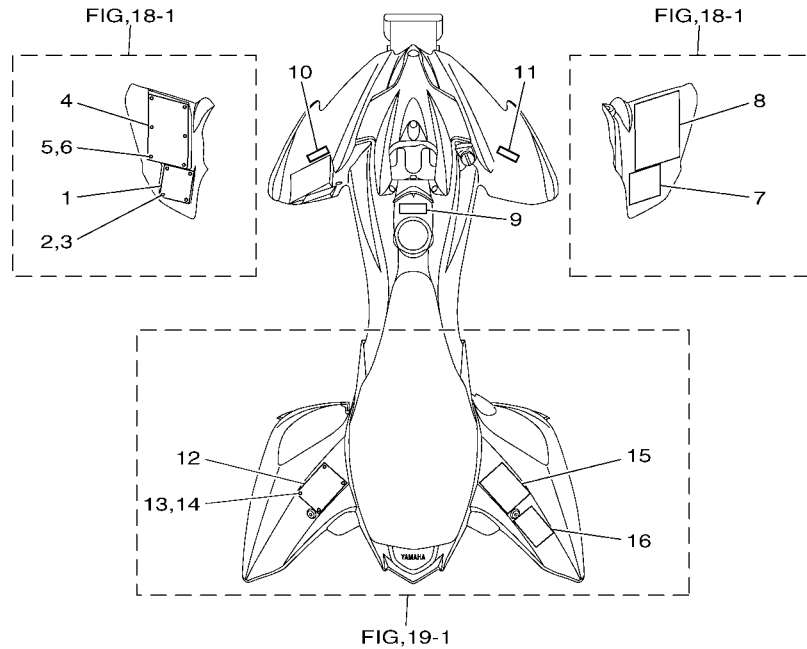


FIG. 43 GRAPHICS

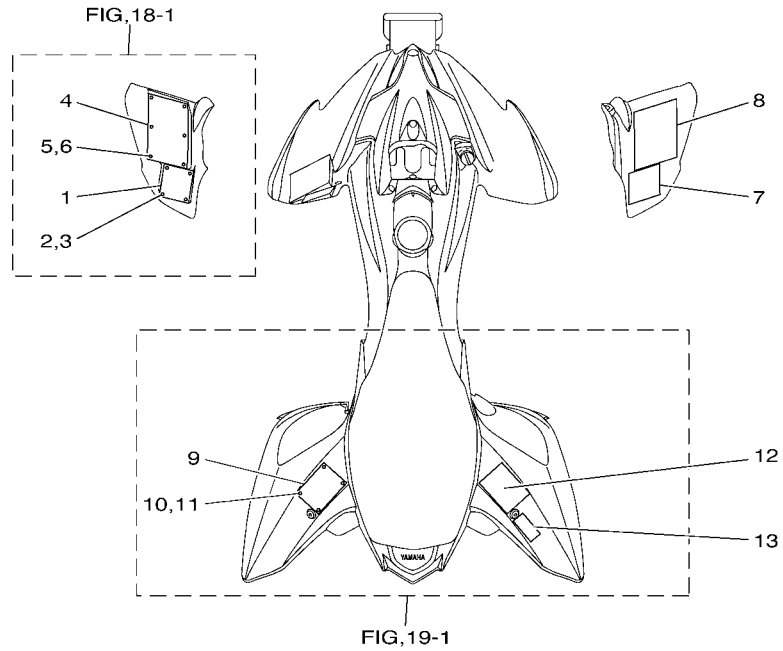
REF. NO.	PART NO.	DESCRIPTION	CAN	EUR	OCE	JPN	REMARKS
1	4KN-2836B-10	TUNING FORK MARK	1	1	1	1	
2	4D3-21565-00	EMBLEM, 2	1	1			UR FOR DPBSE
	4D3-21565-50	EMBLEM, 2	1	1			UR FOR BWS1
3	4D3-21570-20	GRAPHIC SET, FRONT FENDER	1	1	1	1	UR FOR DPBSE
	4D3-21570-30	GRAPHIC SET, FRONT FENDER	1	1	1		UR FOR BWS1
4	3GD-2153E-00	EMBLEM, YAMAHA	2	2	2	2	UR FOR DPBSE
	3GD-2153E-30	EMBLEM, YAMAHA	2	2	2		UR FOR BWS1
5	4D3-2152A-10	EMBLEM 3	2	2	2	2	FOR DPBSE
6	4D3-2165A-20	GRAPHIC SET, REAR FENDER	1	1			UR FOR DPBSE
	4D3-2165A-40	GRAPHIC SET, REAR FENDER	1	1			UR FOR BWS1
	4D3-2165A-30	GRAPHIC SET, REAR FENDER		1		1	UR FOR DPBSE
	4D3-2165A-50	GRAPHIC SET, REAR FENDER		1			UR FOR BWS1




 4D3E100-H440

FIG. 44 EMBLEM & LABEL 1

REF. NO.	PART NO.	DESCRIPTION	CAN	EUR	OCE	JPN	REMARKS
1	4D3-2816L-00	LABEL, WARNING AGE	1				ENGLISH
2	90267-32004	RIVET, BLIND	4				
3	90201-03008	WASHER, PLATE	4				
4	5FE-21568-01	LABEL, WARNING	1				ENGLISH
5	90267-32004	RIVET, BLIND	6				
6	90201-03008	WASHER, PLATE	6				
7	4D3-2816L-10	LABEL, WARNING AGE	1				FRENCH
8	4WU-21568-10	LABEL, WARNING	1				FRENCH
9	4SH-2416E-00	LABEL, CAUTION CANADA	1				ENGLISH
10	4D3-2817J-00	PLATE, ANSI SVIA	1				ENGLISH
11	4D3-2817J-10	PLATE, ANSI SVIA	1				FRENCH
12	4D3-2816M-00	LABEL, WARNING TIRE & LOAD	1				ENGLISH
13	90267-32004	RIVET, BLIND	4				
14	90201-03008	WASHER, PLATE	4				
15	4D3-2816M-10	LABEL, WARNING TIRE & LOAD	1				FRENCH
16	4WU-2151H-10	LABEL 5	1				FRENCH




4D31100-G480

FIG. 47 EMBLEM & LABEL 4

REF. NO.	PART NO.	DESCRIPTION	CAN	EUR	OCE	JPN	REMARKS
1	4D3-2816L-00	LABEL, WARNING AGE				1	ENGLISH
2	90267-32004	RIVET, BLIND				4	
3	90201-03008	WASHER, PLATE				4	
4	5FE-21568-11	LABEL, WARNING				1	ENGLISH
5	90267-32004	RIVET, BLIND				6	
6	90201-03008	WASHER, PLATE				6	
7	4SH-21697-00	LABEL, CAUTION 2				1	JAPANESE
8	4SH-21568-00	LABEL, WARNING				1	JAPANESE
9	4D3-2816M-00	LABEL, WARNING TIRE & LOAD				1	ENGLISH
10	90267-32004	RIVET, BLIND				4	
11	90201-03008	WASHER, PLATE				4	
12	4D3-2816M-20	LABEL, WARNING TIRE & LOAD				1	JAPANESE
13	4LB-2151H-02	LABEL 5				1	JAPANESE

NUMERICAL INDEX

PART NO.	REF. NO.	PART NO.	REF. NO.	PART NO.	REF. NO.	PART NO.	REF. NO.	PART NO.	REF. NO.	PART NO.	REF. NO.
3C5-11102-00	1 - 1	4D3-13326-00	6 - 2	5DM-14561-00	9 - 20	4D3-16150-00	14 - 6	4D3-21565-50	43 - 2	3GD-23502-10	22 - 40
5XT-1111F-00	1 - 24	4D3-13329-00	6 - 4	1FN-14565-00	9 - 30	30X-16154-00	14 - 7	4SH-21568-00	47 - 8	5YT-23517-00	22 - 3
4D3-1112F-00	1 - 7	22F-13411-01	6 - 7	4D3-14611-00	10 - 1	3XJ-16321-00	14 - 9	5FK-21568-00	45 - 4		22 - 10
5H0-11133-11	1 - 2	5D3-13440-00	6 - 8	3GD-14613-00	10 - 9	5DH-16321-00	14 - 10	5FE-21568-01	44 - 4		22 - 17
4KB-11145-00	5 - 6	4D3-13447-00	6 - 9	4D3-14628-00	10 - 2	3XJ-16324-01	14 - 11	4WU-21568-10	44 - 8		22 - 25
5XT-11165-00	1 - 15	4D3-13464-00	7 - 4	4D3-14710-00	10 - 5	4GY-16351-00	14 - 12	5FE-21568-11	46 - 4	4D3-23540-00-P0	22 - 15
4D3-11166-00	1 - 18	4D3-13465-00	7 - 5	3YF-14714-00	10 - 6	5XT-16356-00	14 - 14		47 - 4	4D3-23550-00-P0	22 - 23
5XT-11181-00	1 - 6	4KB-13470-00	7 - 3	4D3-14718-00	10 - 7	4GY-16357-00	14 - 28	4D3-21570-20	43 - 3	4D3-23570-00-P0	22 - 1
4D3-11186-00	1 - 22	4D3-13586-00	8 - 1	5XT-14815-00	1 - 9	1W1-16358-01	14 - 13	4D3-21570-30	43 - 3	4D3-23580-00-P0	22 - 8
4D3-11190-00	1 - 14	4D3-13596-00	8 - 4	4D3-14841-00	9 - 4	4D3-16371-00	14 - 8	4D3-21613-00	19 - 24	1UY-23812-00	23 - 4
4D3-11196-00	1 - 16	4D3-14105-00	9 - 12	4D3-14901-00	9 - 1	4D3-16381-00	14 - 21	4D3-21614-00	19 - 25	4D3-23813-00	23 - 1
4D3-11311-00	2 - 1	5YT-14107-20	9 - 19	4D3-14901-10	9 - 1	4D3-17121-00	15 - 7	4D3-21621-00	19 - 5	8K1-23814-00	23 - 2
4D3-11351-00	2 - 2	4D3-14112-00	9 - 5	4D3-1490A-00	9 - 10	4D3-17131-00	15 - 5	4D3-2163A-00	19 - 28	4D3-23831-00	23 - 13
4D3-11400-00	3 - 1	3F9-14118-00	9 - 49	4D3-1490H-00	9 - 41	4D3-17141-00	15 - 2	4D3-2164F-00	19 - 6	1UY-23841-01	23 - 14
4D3-11412-00	3 - 2	4D3-14123-00	9 - 38	4D3-1490J-00	9 - 2	4D3-17151-00	15 - 6	4D3-2164G-00	19 - 13	1UY-23845-01	23 - 15
4D3-11422-00	3 - 3	137-14133-00	9 - 36	4D3-1490J-10	9 - 2	4D3-17211-00	15 - 18	4D3-2164H-00	19 - 7	4D3-23868-00	23 - 6
5XT-11454-00	3 - 20	4KM-14142-25	9 - 9	5GH-14918-10	9 - 6	4D3-17221-00	15 - 11	5YT-2164J-10	19 - 14	1UY-23894-01	23 - 8
5XT-11478-00	3 - 22	1AE-14147-00	9 - 11	4D3-14933-00	9 - 3	4D3-17231-00	15 - 14	4D3-2165A-20	43 - 6	4D3-24110-00	24 - 1
5XT-11496-00	3 - 24	3H1-14147-00	9 - 14	3HT-14934-00	9 - 42	4D3-17241-00	15 - 17	4D3-2165A-30	43 - 6	4D3-24110-10	24 - 1
1S4-11531-00	3 - 23	5LP-14147-00	9 - 27	4D3-14937-00	9 - 17	4D3-17251-00	15 - 16	4D3-2165A-40	43 - 6	4D3-2414H-00	24 - 19
5XT-11533-00	3 - 25	5DM-1414M-40	9 - 21	5CY-14951-00	9 - 47	4D3-17402-00	15 - 10	4D3-2165A-50	43 - 6	3ME-2415E-01	45 - 7
1S4-11536-00	3 - 19	5V7-14153-00	9 - 32	5DM-14952-00	9 - 26	4D3-17411-00	15 - 1	5LP-21691-00	19 - 12	4SH-2416E-00	44 - 9
5BP-11549-00	3 - 15	3GD-14155-00	9 - 35	4D3-14958-00	9 - 7	4D3-18101-00	16 - 6	5LP-21696-M0	45 - 8	4D3-24181-00	24 - 13
4XV-11603-00	3 - 12	1S3-14161-00	9 - 34	3H1-14962-00	9 - 13	4D3-18110-00	16 - 12	4SH-21697-00	47 - 7	4D3-24182-00	24 - 20
1S4-11631-10-A0	3 - 11	127-14186-00	9 - 18	5FU-14962-00	9 - 37	5YT-18113-00	16 - 13	5FK-21697-00	45 - 1	4D3-24183-00	24 - 21
4XV-11633-00	3 - 13	12R-14191-00	9 - 24	5DM-14985-00	9 - 31	4TP-18140-00	16 - 7	8ET-21747-00	18 - 14	4D3-24184-00	24 - 22
1S4-11651-00	3 - 6	24W-14193-00	8 - 6	5JJ-14987-00	9 - 54	4D3-18511-00	16 - 2	4D3-22110-00-P0	20 - 1	4D3-24500-00	24 - 3
1S4-11681-00	3 - 4	4D3-14193-00	9 - 39	4D3-14988-00	9 - 33	4D3-18512-00	16 - 3	2JN-22141-00	20 - 8	1P6-24512-00	24 - 4
5H0-12111-02	4 - 1	4D3-14196-00	9 - 52	5XT-15100-07	11 - 1	4D3-18513-00	16 - 4	109-22141-01	22 - 19	5KM-24610-00	24 - 2
11H-12113-00	4 - 4	1UM-14197-00	9 - 53	5XT-15113-00	12 - 13	4GY-18531-00	16 - 5		22 - 27	4D3-2470F-00	25 - 2
11H-12114-00	4 - 5	4KM-14216-00	9 - 22	4D3-15327-00	11 - 7	1S4-18540-00	16 - 1	4D3-22151-00	20 - 6	4D3-2470F-10	25 - 2
4G0-12116-01	4 - 3	3G2-14231-11	9 - 23	4D3-15328-00	12 - 23	4D3-21110-10-P0	17 - 1	4D3-22178-00	17 - 18	4D3-24710-00	25 - 1
4G0-12117-00	4 - 7	1HX-14231-34	9 - 44	4D3-15362-00	12 - 25	4D3-21110-10-P1	17 - 1	4D3-2217H-00	20 - 14	4D3-24710-10	25 - 1
4G0-12118-00	4 - 8	620-1423E-53	9 - 15	4D3-15411-00	12 - 1	4D3-21315-00	17 - 2	4D3-22184-00	20 - 5	509-24724-00	25 - 4
5H0-12119-00	4 - 6	4D3-14261-00	9 - 16	4D3-15415-00	12 - 27	4D3-21316-00	17 - 6	30X-2219X-00	20 - 4	3C3-24741-00	17 - 25
5XT-12121-00	4 - 2	5AP-14280-00	9 - 40	4D3-15418-00	12 - 14	4D3-2137G-00	17 - 23	4D3-2219X-00	20 - 15	3GD-25111-20	26 - 7
5H0-12146-00	4 - 11	4WV-14293-00	9 - 28	4D3-15421-00	12 - 17	4D3-21471-00	17 - 21	4D3-22210-10-33	21 - 1	1UY-25117-00	26 - 9
36X-12151-00	4 - 9	4D3-14411-00	8 - 9	4D3-15441-00	11 - 11	4D3-21513-00	18 - 8	4D3-22210-20-33	21 - 1	1S3-25127-00	26 - 19
5H0-12156-00	4 - 10	4D3-14412-00	8 - 19	4D3-15451-00	12 - 6	4D3-21514-00	18 - 10	4D3-22210-30-33	21 - 1	4D3-2514A-00	27 - 32
5XT-12159-00	4 - 13	31A-14419-00	8 - 11	4D3-15461-00	12 - 18	4LB-2151H-02	47 - 13	3YK-22259-00	21 - 2	5LP-25180-20	26 - 1
1S4-12171-00	5 - 1	5GH-14436-00	8 - 21	4D3-15493-00	12 - 15	4WU-2151H-10	44 - 16	4AA-22259-40	21 - 2		26 - 4
5XT-12176-00	5 - 5	2XJ-14451-00	8 - 15	5XT-15512-00	13 - 1	4D3-21523-00	18 - 12	4AA-22259-70	21 - 2	4D3-25311-00	20 - 18
5XT-12210-00	5 - 13	4D3-14452-00	8 - 20	5XT-15515-00	13 - 5	4D3-2152A-10	43 - 5	4D3-22314-00	20 - 12	4D3-25317-00	20 - 21
4FM-12213-00	5 - 14	4D3-14453-00	8 - 10	5XT-15517-00	13 - 3	3GD-2153E-00	43 - 4	4D3-22347-00	20 - 16	4D3-25377-00	20 - 24
5BP-12231-00	5 - 11	59V-14457-00	8 - 22	1VJ-15521-00	13 - 2	3GD-2153E-30	43 - 4	4D3-22348-00	20 - 13	4D3-25381-00	28 - 17
5XT-12241-00	5 - 12	2XJ-14458-00	8 - 16	36Y-15521-01	13 - 4	4D3-21541-00	24 - 14	4D3-23350-20	22 - 31	1S3-25383-20	28 - 7
5XT-13161-00	6 - 15	4D3-14459-00	8 - 13	5BP-15590-00	13 - 8	5TG-21541-00	24 - 12	4D3-23391-00	18 - 6	5YT-25386-00	28 - 13
4D3-13300-00	6 - 1	2XJ-14477-00	8 - 12	4D3-16111-00	14 - 1	4D3-21565-00	43 - 2	3GD-23501-10	22 - 39	4D3-25390-00	28 - 1

NUMERICAL INDEX

PART NO.	REF. NO.	PART NO.	REF. NO.	PART NO.	REF. NO.	PART NO.	REF. NO.	PART NO.	REF. NO.	PART NO.	REF. NO.	PART NO.	REF. NO.
4D3-25390-00	28 - 4	1UY-25937-51	27 - 6	4KN-2836B-10	43 - 1	5TG-84165-01	37 - 3	90105-06125	36 - 8	90149-06108	24 - 5		
5TG-25438-10	28 - 14		27 - 20	4D3-2845N-00-R4	34 - 1	5TG-84166-01	37 - 8	90105-06126	1 - 17	90153-06002	1 - 4		
5D3-25689-00	40 - 12	1UY-25938-51	27 - 11	4D3-2845R-00-R4	34 - 3	5TG-84310-03	37 - 7	90105-08160	1 - 11	90154-05013	19 - 8		
5YT-25712-00	29 - 1		27 - 25	4D3-2845R-10-R4	34 - 3	4KB-84314-01	37 - 1	90105-08161	27 - 31		19 - 15		
4D3-25721-00	20 - 22	3JD-25961-00	27 - 13	4D3-81410-00	35 - 1		37 - 6	90105-08183	29 - 17	90154-06014	27 - 33		
5TG-25726-00	40 - 13		27 - 27	5XT-81450-01	35 - 2	5TG-84340-01	37 - 9	90105-10131	22 - 32	90154-06061	19 - 9		
5TG-25727-00	40 - 11	1UY-25972-51	29 - 10	3C5-81801-00	36 - 2	4D3-84516-00	38 - 3	90105-10214	17 - 12		19 - 16		
5TG-2580E-20	33 - 1	5YT-25977-50	29 - 15	5HP-81828-00	36 - 4		39 - 3	90105-10219	17 - 10	90159-06029	14 - 18		
4D3-2580T-00	27 - 3	4D3-26111-00	30 - 1	5TJ-81828-01	36 - 7	3FA-84710-00	38 - 1	90105-10220	17 - 8	90170-06128	4 - 14		
4D3-2580U-00	27 - 17	4D3-26124-00	30 - 21	5HP-8182M-00	36 - 3		39 - 1	90105-10221	17 - 4	90170-10010	23 - 17		
5YT-2580W-10	29 - 7	1NV-26129-00	30 - 16	4D3-8183G-00	36 - 6	1A2-84714-41	38 - 2	90105-10241	22 - 5	90170-12370	3 - 29		
3GD-2582T-10	27 - 1	5LP-26241-00	30 - 2	3C5-81890-00	36 - 1		39 - 2		22 - 12	90170-16003	14 - 5		
4D3-2582W-00	29 - 2	4KB-26250-20	30 - 6	4D3-81940-00	41 - 24	4D3-84751-00	38 - 7	90105-10430	3 - 16	90170-16326	14 - 20		
5MV-25833-00	31 - 11	4KB-26256-00	30 - 10	5DM-81950-00	41 - 23	2EK-85111-00	42 - 6	90105-12051	21 - 3	90170-33010	29 - 4		
4D3-2583T-00	31 - 1	4KB-26258-00	30 - 12	1RL-81950-92	41 - 17	4D3-85112-00	42 - 5		21 - 5	90171-10001	22 - 35		
5YU-25852-00	31 - 4	1UY-26259-00	31 - 13	5GT-81960-00	41 - 15	3Y6-85130-02	42 - 1	90109-06169	6 - 11		22 - 37		
3XP-25852-50	33 - 11	1NV-2625G-01	30 - 8	1S4-82100-10	41 - 10	449-85131-02	42 - 3	90109-06172	17 - 22		23 - 18		
2VN-25854-00	33 - 12	4KB-2628F-20	30 - 7	4D3-82106-00	41 - 12	4D3-85540-00	41 - 1		17 - 24	90171-14002	26 - 17		
4TT-25854-00	31 - 6	4KB-2628G-00	30 - 15	4D3-82115-00	41 - 27	4D3-85546-00	41 - 2		18 - 2	90171-14004	28 - 10		
2VN-25855-00	33 - 13	1NV-26304-00	30 - 14	4D3-82116-00	41 - 14	5D3-W0041-00	31 - 2		19 - 2	90176-06014	38 - 6		
3B4-2585B-00	31 - 5	4D3-26311-00	30 - 22	4D3-82122-00	41 - 11	5TG-W0042-50	33 - 2		19 - 29		39 - 7		
2GU-25866-00	31 - 17	4KB-2632G-00	30 - 9	3NS-82310-10	41 - 3	4D3-W0045-00	27 - 14		20 - 7	90179-08148	40 - 10		
5MV-25867-00	31 - 10	4D3-26335-00	30 - 4	3NS-82370-00	41 - 4	4D3-W0045-10	27 - 28	90109-06189	16 - 9	90179-18552	15 - 27		
4D3-25871-00	31 - 16	4D3-26341-00	30 - 5	4D3-82509-00	9 - 51	4D3-W0046-50	29 - 11	90109-06214	18 - 9	90185-10012	22 - 6		
4D3-25872-00	31 - 14	31A-26372-00	30 - 3	5LP-82510-00	41 - 18	3B4-W0047-00	27 - 5		18 - 11		22 - 13		
4D3-25873-00	31 - 15	1NV-26398-00	30 - 17	4D3-8252R-00	41 - 25		27 - 19	90109-06236	20 - 17		22 - 21		
4D3-25874-00	33 - 22	157-27114-00	25 - 3	4D3-82530-00	41 - 31	5LP-W0047-50	29 - 9	90109-06240	33 - 16		22 - 29		
4D3-25886-10	31 - 21	4D3-27211-00	32 - 5	3GB-82540-01	41 - 8	1UY-W0048-50	27 - 9	90109-06241	19 - 3		22 - 33		
4D3-25888-00	33 - 14	4SS-27218-00	33 - 3	4D3-82541-00	41 - 22		27 - 23		19 - 4	90185-10019	23 - 11		
5TG-25894-00	33 - 10	2YK-27222-00	33 - 4	3HN-82569-00	41 - 19		29 - 12	90109-06723	41 - 7	90185-14009	20 - 10		
4D3-25895-00	33 - 7	3KW-27234-00	33 - 5	3HN-82579-00	41 - 20	3B4-W0057-00	27 - 4	90109-06798	40 - 4	90201-03008	44 - 3		
3B4-2589F-00	31 - 8	4D3-27411-00	32 - 1	4D3-82590-00	41 - 21		27 - 18	90109-08082	27 - 2		44 - 6		
4NK-2589H-00	31 - 3	4D3-27421-00	32 - 3	4D3-82910-00	40 - 1	5LP-W0057-50	29 - 8	90109-08105	14 - 22		44 - 14		
3JD-25917-00	27 - 7	3MA-27491-00	18 - 15	5YT-82911-10	40 - 2	4D3-W215B-00	18 - 1	90109-081F0	29 - 3		45 - 3		
	27 - 21	4D3-27491-00	33 - 15	4V4-82913-00	30 - 18	4D3-W215B-40	18 - 1	90109-10010	28 - 15		45 - 6		
1UY-25917-51	29 - 14	4D3-28100-00	17 - 26	5TG-82913-00	40 - 6	4D3-W215C-01	18 - 1	90110-05032	12 - 12		45 - 10		
5DH-25919-00	27 - 8	1NV-2811A-01	17 - 27	5KM-82917-00	40 - 8	4D3-W215C-40	18 - 1	90110-06161	35 - 4		46 - 3		
	27 - 22	4D3-2816L-00	44 - 1	5GH-83516-00	41 - 29	4D3-W215D-01	18 - 1	90110-06169	35 - 3		46 - 6		
1UY-25924-51	29 - 13		46 - 1	4D3-83530-00	41 - 28	4D3-W215D-40	18 - 1	90110-06200	19 - 26		46 - 9		
3JD-25926-00	27 - 12		47 - 1	5FU-83790-00	9 - 48	4D3-W216B-00	19 - 1	90110-08053	13 - 9		47 - 3		
	27 - 26	4D3-2816L-10	44 - 7	3RN-83912-00	40 - 3	4D3-W216B-40	19 - 1	90111-06086	18 - 3		47 - 6		
8CR-25926-00	27 - 16	4D3-2816M-00	44 - 12	4D3-83922-00	31 - 7	4D3-W216C-01	19 - 1	90113-06055	29 - 5		47 - 11		
	27 - 30		46 - 7	5TG-83923-00	40 - 14	4D3-W216C-40	19 - 1	90114-10006	26 - 8	90201-05017	10 - 4		
1UY-25926-51	27 - 10		47 - 9	437-83936-01	41 - 30	4D3-W216D-00	19 - 1	90114-10013	28 - 8	90201-06036	39 - 6		
	27 - 24	4D3-2816M-10	44 - 15	4KB-83973-20	40 - 18	4D3-W216D-40	19 - 1	90116-08023	1 - 27	90201-06078	37 - 12		
5DH-25933-00	27 - 15	4D3-2816M-20	47 - 12	5D3-83980-00	31 - 12	90101-06043	5 - 16	90122-06035	8 - 18	90201-08048	19 - 20		
	27 - 29	4D3-2817J-00	44 - 10	5TG-84110-03	37 - 2	90101-10016	5 - 8	90123-08046	40 - 9		19 - 22		
1UY-25933-51	29 - 16	4D3-2817J-10	44 - 11	5TG-84140-01	37 - 4	90105-06078	1 - 25	90149-06093	6 - 5	90201-08054	17 - 19		

NUMERICAL INDEX

PART NO.	REF. NO.	PART NO.	REF. NO.	PART NO.	REF. NO.	PART NO.	REF. NO.	PART NO.	REF. NO.	PART NO.	REF. NO.
90201-08066	33 - 18	90282-05013	3 - 30	90462-08045	11 - 9	91401-30030	28 - 12	93410-22039	15 - 4	95302-06600	14 - 16
90201-08609	1 - 12	90282-05077	14 - 2	90462-10215	11 - 13	91A20-07010	8 - 7	93410-67085	20 - 23	95302-10700	23 - 16
90201-10035	22 - 20	90338-07007	40 - 16	90464-07011	41 - 32	92012-06014	40 - 15	93430-12008	32 - 8	95602-05100	8 - 14
	22 - 28	90338-16148	17 - 14	90464-13073	41 - 33		40 - 17	93440-10085	1 - 3	95602-06100	40 - 5
	22 - 34	90340-12059	11 - 15		41 - 34	92902-05200	42 - 4	93440-25084	15 - 13	95602-06200	18 - 4
90201-10036	23 - 10	90340-14014	12 - 4	90464-15195	24 - 24		42 - 7	93511-32017	14 - 29		19 - 11
90201-10118	31 - 20	90340-32005	12 - 2		41 - 35	92902-05600	30 - 20	93602-13177	3 - 9		19 - 18
	33 - 21	90381-15040	17 - 15	90464-20010	41 - 36	92902-06200	14 - 15	93604-10011	5 - 7		19 - 27
	33 - 24	90381-15088	22 - 2	90465-16011	12 - 11	92902-06600	41 - 6	93605-10090	3 - 27	95602-08200	19 - 23
90201-102R1	3 - 17		22 - 9	90467-09026	9 - 46	93102-12224	14 - 26	93608-43228	16 - 10	95602-10200	11 - 19
90201-10591	5 - 9		22 - 16	90467-09037	24 - 16	93102-14209	16 - 11	93612-16254	7 - 8		17 - 5
90201-14020	20 - 9		22 - 24	90467-100A2	24 - 17	93102-22216	26 - 13	93700-06004	17 - 17		17 - 9
90201-14021	28 - 11	90387-06136	37 - 11	90467-11044	33 - 8	93102-25226	15 - 24		22 - 7		17 - 11
90201-14586	26 - 16	90387-06158	38 - 4		33 - 9	93104-09025	30 - 13		22 - 14		17 - 13
90201-15018	32 - 6		39 - 4	90467-12053	1 - 19	93105-26026	26 - 12		22 - 22		28 - 16
90201-17255	15 - 19	90387-062E0	19 - 10	90467-220A1	8 - 23	93106-46001	20 - 20		22 - 30	95604-06100	31 - 9
90201-25291	13 - 6		19 - 17	90468-12069	3 - 14	93108-35004	20 - 3	9383R-14236	15 - 25	95607-05100	30 - 11
90206-15021	32 - 7	90387-066J1	24 - 7	90480-14102	37 - 5	93112-31011	23 - 5	93900-00022	26 - 3	95612-12100	21 - 4
90208-34001	29 - 6		24 - 10		37 - 10	93210-07135	6 - 12		26 - 6		21 - 6
90209-06096	8 - 17	90387-090R0	23 - 9	90480-14229	38 - 5	93210-09165	4 - 12		28 - 3	95702-08500	10 - 10
90209-10229	23 - 20	90387-100Y6	22 - 18		39 - 5	93210-10197	7 - 2		28 - 6	95702-10500	26 - 14
90209-18208	15 - 3		22 - 26	90480-15235	7 - 6	93210-11453	5 - 4	94107-10024	26 - 2		28 - 9
90209-22191	15 - 12	90387-101R3	22 - 4		23 - 21	93210-12152	7 - 7		26 - 5	95802-06016	31 - 22
90214-16063	14 - 3		22 - 11	90480-18004	24 - 9	93210-14369	12 - 5	94110-09024	28 - 2	95802-06020	41 - 16
90214-22004	15 - 20	90387-150R1	26 - 15	90480-18290	24 - 6	93210-15414	17 - 16		28 - 5	95802-06025	24 - 8
90214-22005	15 - 21	90387-22017	15 - 15	90501-07629	3 - 8	93210-19123	12 - 26	94581-87092	28 - 18		24 - 11
90215-12272	3 - 28	90401-08009	6 - 18	90501-22721	3 - 26	93210-25711	36 - 5	94582-19104	5 - 10	95812-06016	11 - 12
90215-16289	14 - 19	90401-10015	31 - 19	90501-231E9	14 - 17	93210-32172	12 - 3	94681-87011	28 - 19		41 - 13
90215-16293	14 - 4		33 - 20	90506-20026	32 - 9	93210-35537	8 - 2	94701-00345	1 - 26	95812-06020	16 - 14
90215-23265	15 - 26		33 - 23	90508-203B3	14 - 24	93210-54001	1 - 23	94703-00345	1 - 26	95812-06025	37 - 13
90240-07105	3 - 7	90401-10061	6 - 16	90508-26020	16 - 8	93210-54175	6 - 10	95022-06008	41 - 26	95812-08012	34 - 2
90240-08005	33 - 17	90430-06014	1 - 5	90793-26111	41 - 10	93210-74M68	12 - 29	95022-06010	11 - 14	95812-08014	17 - 3
90267-32004	44 - 2		11 - 8	91312-06016	1 - 8	93211-05471	1 - 20	95022-06016	12 - 28		17 - 7
	44 - 5		12 - 24		7 - 1	93306-00320	15 - 9	95022-06020	1 - 21		34 - 4
	44 - 13	90430-06156	6 - 6		12 - 16	93306-00446	26 - 10	95022-06025	12 - 20	95812-08016	10 - 11
	45 - 2	90430-08119	6 - 19	91312-06020	6 - 14	93306-00518	5 - 2	95022-06030	12 - 9	95812-10020	32 - 2
	45 - 5		14 - 23		8 - 3	93306-00710	20 - 19	95022-06040	12 - 8		32 - 4
	45 - 9	90430-10148	41 - 9	91312-06025	5 - 15	93306-20204	5 - 3		12 - 21	95812-10170	11 - 18
	46 - 2	90430-10171	6 - 17	91312-06065	2 - 3	93306-20231	26 - 11	95022-06045	11 - 3	95822-06025	31 - 18
	46 - 5	90430-12213	11 - 16	91312-06070	6 - 13	93306-20332	15 - 22		12 - 10	95822-08012	17 - 20
	46 - 8	90445-08376	24 - 18	91312-08045	1 - 13	93306-20427	15 - 8	95022-06050	12 - 22	95822-08016	19 - 19
	47 - 2	90445-11049	24 - 15	91312-08060	20 - 11	93306-20532	15 - 23	95022-06055	11 - 6	95822-08025	19 - 21
	47 - 5	90445-11050	24 - 15	91401-16012	33 - 19	93306-30214	3 - 21	95022-06060	11 - 4	95822-08030	23 - 3
	47 - 10	90445-16007	24 - 23	91401-20020	22 - 36	93306-37804	3 - 10	95022-06070	11 - 5	97002-05016	40 - 7
90269-07010	18 - 5	90450-47002	8 - 5		22 - 38	93310-225N0	13 - 7	95022-08025	33 - 6	97002-06020	41 - 5
	18 - 7	90450-58003	8 - 8		23 - 12	93310-63239	3 - 5	95024-08025	10 - 8	97022-08055	23 - 7
	18 - 13	90461-06087	9 - 50		23 - 19	93317-11287	14 - 27	95302-05600	42 - 2	97607-04114	9 - 43
90280-05048	3 - 18	90461-08001	11 - 10	91401-30025	26 - 18	93317-22237	20 - 2		42 - 8	98502-05020	30 - 19

NUMERICAL INDEX

PART NO.	REF. NO.	PART NO.	REF. NO.	PART NO.	REF. NO.	PART NO.	REF. NO.	PART NO.	REF. NO.
98507-04006	9 - 25								
98507-04008	9 - 29								
98507-04010	9 - 8								
98507-05010	9 - 45								
98902-06008	10 - 3								
99009-11400	6 - 3								
99009-20500	14 - 25								
99530-10114	11 - 2								
	12 - 7								
	12 - 19								
99530-14016	1 - 10								
	11 - 17								