



PARTS CATALOGUE

YFM350RV (5YTA) U.S.A.

YFM350RV (5YTB) CANADA

YFM350RV (5YTC) EUROPE

YFM350RV (5YTA) OCEANIA

YFM350 (5YTA) JAPAN

YFM350RV/YFM350
PARTS CATALOGUE
©2005 by Yamaha Motor Co., Ltd.
1st edition, May 2005
All rights reserved.
Any reprinting or unauthorized use
without the written permission of
Yamaha Motor Co., Ltd.
is expressly prohibited.
Printed in Japan.

A3



A4

FOREWORD

This Parts Catalogue is related to the parts for the model(s) on the cover page. When you are ordering replacement parts, please refer to this Parts Catalogue and quote both part numbers and part names correctly.

1. Modifications or additions which have been made after the issue of the Parts Catalogue will be announced in the Parts News.

It is advisable that you make the necessary corrections to the Parts Catalogue according to the Parts News.

2. Abbreviations

The following abbreviations are used in this Parts Catalogue.

“UR” Use specified parts number.

“UN” Use as many as needed.

“AP” Alternate Parts

“LM” Locally Made (Parts need to be ordered locally)

“F#” Frame No. (Applicable machine No.)

“O/S” Over Size

3. The number of components for assembly

- Parts, which are to be supplied in an assembly, are listed with a dot (.) in front of the part name as shown below.
- The numeral appearing to the right of each component part indicates the quantity of parts for each assembly unit.

PART NO.	DESCRIPTION	Q'TY	REMARKS
2F5-83310-60	FRONT FLASHER LIGHT ASSY	2	
115-83311-60	.BULB (6V-18W)	1	

4. Applicable colours of graphics are represented in the “REMARKS” as shown below.

PART NO.	DESCRIPTION	Q'TY	REMARKS
2N4-24110-00-X5	FUEL TANK COMP.	2	MXR
3J1-24240-10	.GRAPHIC, FUEL TANK	1	FOR MXR

5. Note that the illustrations for reference in finding parts numbers are not to be used for assembling. When assembling, please use the applicable service manual.

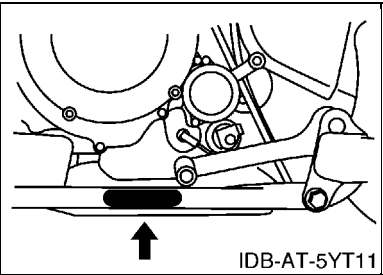
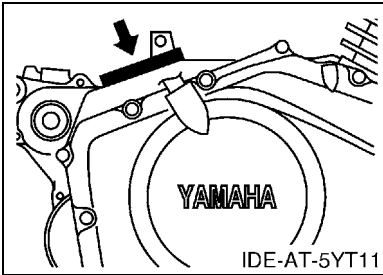
6. The asterisk (*) before a reference number indicates modified items after the first edition.

FOREWORD

7. Applicable Serial No.

Engine Serial No.

Frame Serial No.



8. Applicable Colour Code (The (*) mark shows Model colour.)

Abbreviation	Colour Name	Colour Code
BWS1(*)	BLUISH WHITE SOLID 1	0892
DPBSE(*)	DEEP PURPLISH BLUE SOLID E	0583

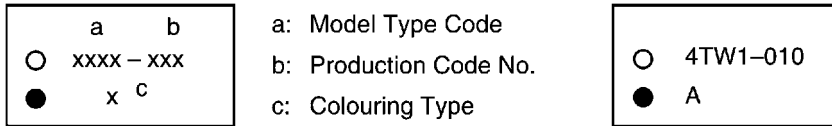
9. Quantity Column Information

Column No.	Name Of Q'ty Column	Destination
1	USA	U.S.A.
2	CAN	CANADA
3	EUR	EUROPE
4	OCE	AUSTRALIA, NEW ZEALAND
5	JPN	JAPAN

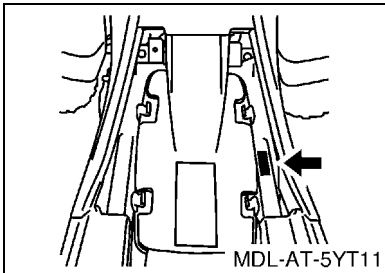
MODEL LABEL

(1) A label called "Model Label" is affixed in the location as indicated in (3) below. When using this parts catalogue, please be sure to cross-reference the "model code – production code No." in the catalogue with the "model code – production code No." indicated on the Model Label affixed onto the product concerned.

(2) "Model Label" Indication



(3) Model Label Affixing Location



(4) Colouring Information

Model Code	Colouring Type Code	Colour Code	Colour Name	Abbreviation
5YTA	A	0583	DEEP PURPLISH BLUE SOLID E	DPBSE
	B	0892	BLUISH WHITE SOLID 1	BWS1
5YTB	A	0583	DEEP PURPLISH BLUE SOLID E	DPBSE
	B	0892	BLUISH WHITE SOLID 1	BWS1
5YTC	A	0583	DEEP PURPLISH BLUE SOLID E	DPBSE
	B	0892	BLUISH WHITE SOLID 1	BWS1

(5) Model Code – Production Code Number of Model Listed in This Parts Catalogue

Model Code	Production Code No.	Country (destination)	Model Code	Production Code No.	Country (destination)
5YTA	010	U.S.A.			
	020	AUSTRALIA			
		NEW ZEALAND			
	030	JAPAN			
5YTB	010	CANADA			
5YTC	010	EUROPE			

CONTENTS

ENGINE

CYLINDER HEAD	B2
CYLINDER	B4
CRANKSHAFT & PISTON	B5
VALVE	B7
CAMSHAFT & CHAIN	B8
OIL PUMP	B9
INTAKE	B10
CARBURETOR	B11
EXHAUST	B13
CRANKCASE	B14
CRANKCASE COVER 1	B15
STARTER CLUTCH	C3
CLUTCH	C4
TRANSMISSION	C6
SHIFT CAM & FORK	C8

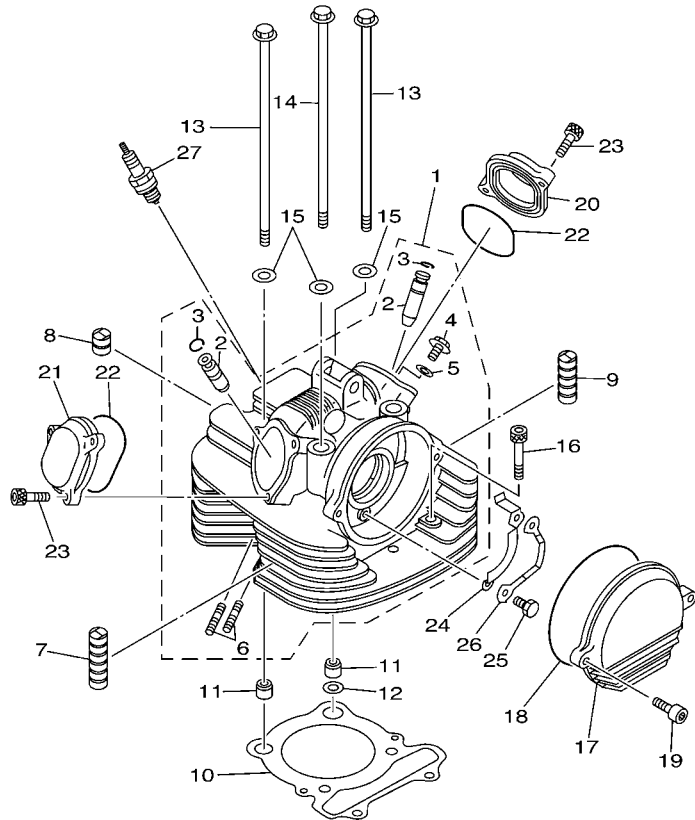
CHASSIS

FRAME	C10
FRONT FENDER	C12
REAR FENDER	C13
SIDE COVER	C15
REAR ARM	D2
REAR SUSPENSION	D4
STEERING	D5
FRONT SUSPENSION & WHEEL	D6
FUEL TANK	D8
SEAT	D9
FRONT WHEEL	D10
FRONT BRAKE CALIPER	D11
REAR WHEEL	D12
REAR BRAKE	D14
STEERING HANDLE & CABLE	D15
FRONT MASTER CYLINDER	E3
STAND & FOOTREST	E4
REAR MASTER CYLINDER	E5
GUARD	E7
GENERATOR	E8
STARTING MOTOR	E9
HEADLIGHT	E10
TAILLIGHT	E11
TAILLIGHT 2	E12

HANDLE SWITCH & LEVER	E13
ELECTRICAL 1	E14
ELECTRICAL 2	F2
EMBLEM & LABEL 1	F3
EMBLEM & LABEL 2	F5
EMBLEM & LABEL 3	F7
EMBLEM & LABEL 4	F9
EMBLEM & LABEL 5	F10

INDEX

NUMERICAL INDEX	M1
-----------------------	----

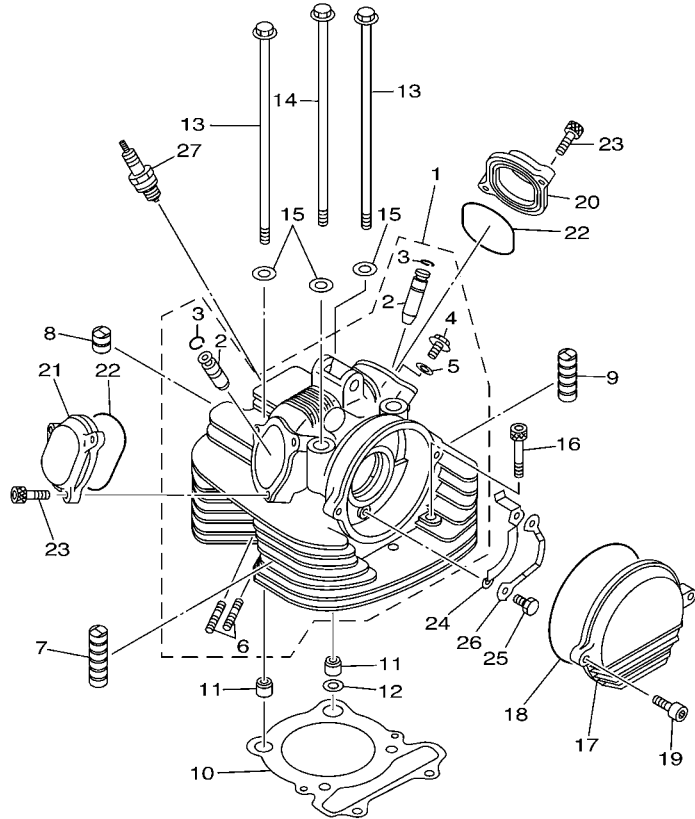


5YT1100-C010

FIG. 1 CYLINDER HEAD

REF. NO.	PART NO.	DESCRIPTION	USA	CAN	EUR	OCE	JPN	REMARKS
1	5YT-11101-00	CYLINDER HEAD ASSY	1	1	1	1	1	
2	3Y1-11133-11	.GUIDE, VALVE 1	2	2	2	2	2	
3	93440-12052	.CIRCLIP	2	2	2	2	2	
4	90401-06001	.BOLT, UNION	1	1	1	1	1	
5	90430-06192	.GASKET	1	1	1	1	1	
6	90116-06503	.BOLT, STUD	2	2	2	2	2	
7	3Y1-11127-00	ABSORBER 3	8	8	8	8	8	
8	31G-11161-00	ABSORBER 1	2	2	2	2	2	
9	31G-11127-00	ABSORBER 3	2	2	2	2	2	
10	1UY-11181-01	GASKET, CYLINDER HEAD 1	1	1	1	1	1	
11	99530-14016	PIN, DOWEL	2	2	2	2	2	
12	90430-14240	GASKET	1	1	1	1	1	
13	90105-10421	BOLT, FLANGE	2	2	2	2	2	
14	90105-10422	BOLT, FLANGE	2	2	2	2	2	
15	90201-10128	WASHER, PLATE	4	4	4	4	4	
16	91317-08050	BOLT, HEX. SOCKET HEAD	2	2	2	2	2	
17	5NF-11185-00	COVER, CYLINDER HEAD SIDE 1	1	1	1	1	1	
18	93211-06635	O-RING	1	1	1	1	1	
19	91317-06025	BOLT	2	2	2	2	2	
20	2NL-11186-10	COVER, CYLINDER HEAD SIDE 2	1	1	1	1	1	
21	2NL-11187-10	COVER, CYLINDER HEAD SIDE 3	1	1	1	1	1	
22	93210-57634	O-RING	2	2	2	2	2	
23	91317-06020	BOLT	5	5	5	5	5	
24	3Y1-1111F-00	PLATE	1	1	1	1	1	
25	97007-06012	BOLT	2	2	2	2	2	
26	90215-06162	WASHER, LOCK	1	1	1	1	1	
27	94701-00333	PLUG, SPARK (NGK DR8EA)	1	1	1	1	1	

FIG. 1 CYLINDER HEAD



REF. NO.	PART NO.	DESCRIPTION	USA	CAN	EUR	OCE	JPN	REMARKS
27	94703-00333	PLUG, SPARK (NGK DR8EA)					1	


5YT1100-C010

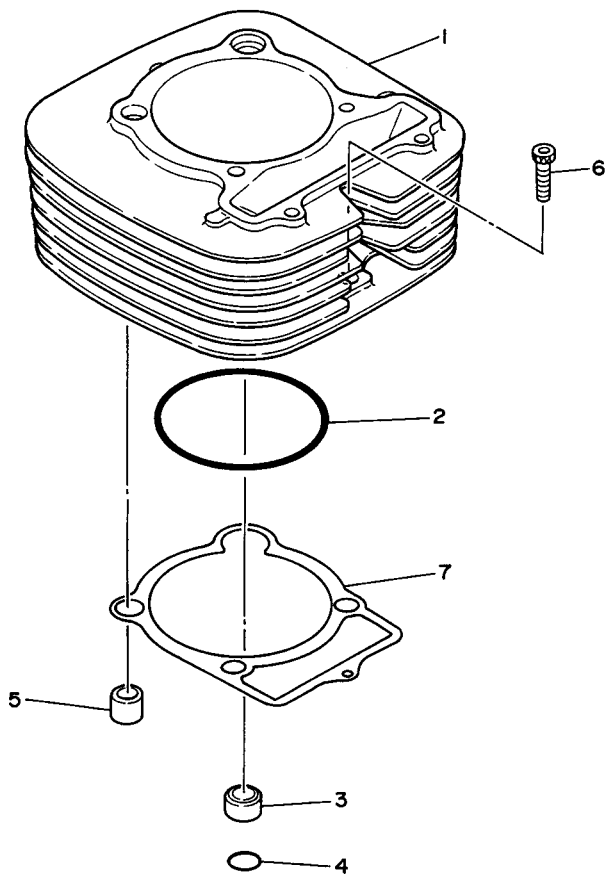


FIG. 2 CYLINDER

REF. NO.	PART NO.	DESCRIPTION	USA	CAN	EUR	OCE	JPN	REMARKS
1	5YT-11310-00	CYLINDER	1	1	1	1	1	
2	93210-86509	O-RING	1	1	1	1	1	
3	90387-16547	COLLAR	1	1	1	1	1	
4	93210-18322	O-RING	1	1	1	1	1	
5	99530-14016	PIN, DOWEL	1	1	1	1	1	
6	91317-06030	BOLT	1	1	1	1	1	
7	4KB-11351-00	GASKET, CYLINDER	1	1	1	1	1	

FIG. 3 CRANKSHAFT & PISTON

REF. NO.	PART NO.	DESCRIPTION	USA	CAN	EUR	OCE	JPN	REMARKS
1	1UY-11400-00	CRANKSHAFT ASSY	1	1	1	1	1	
2	1UY-W1141-00	.CRANK 1	1	1	1	1	1	
3	1UY-11422-00	.CRANK 2	1	1	1	1	1	
4	90240-07105	.PIN, CLEVIS	1	1	1	1	1	
5	90501-07629	.SPRING, COMPRESSION	1	1	1	1	1	
6	93602-13177	.PIN, DOWEL	1	1	1	1	1	
7	30X-11681-00	.PIN, CRANK 1	1	1	1	1	1	
8	93310-633T5	.BEARING	1	1	1	1	1	
9	1UY-11651-00	.ROD, CONNECTING	1	1	1	1	1	
10	90209-33253	.WASHER	2	2	2	2	2	
11	93306-30622	BEARING	1	1	1	1	1	
12	30X-11496-00	BOSS, BUFFER	1	1	1	1	1	
13	90501-22721	SPRING, COMPRESSION	6	6	6	6	6	
14	93605-10090	PIN, DOWEL	3	3	3	3	3	
15	3Y1-11531-02	GEAR, BALANCE WEIGHT	1	1	1	1	1	
16	30X-11565-00	WASHER, BEARING COVER	2	2	2	2	2	
17	90101-10568	BOLT	1	1	1	1	1	
18	92907-10100	WASHER, SPRING	1	1	1	1	1	
19	93210-16290	O-RING	1	1	1	1	1	
20	90201-107F8	WASHER, PLATE	1	1	1	1	1	
21	90280-05048	KEY, WOODRUFF	1	1	1	1	1	
22	5UH-11631-00-C0	PISTON (STD)	1	1	1	1	1	
	5UH-11636-00	PISTON (0.50MM O/S)	1	1	1	1	1	AP
	5UH-11638-00	PISTON (1.00MM O/S)	1	1	1	1	1	AP
23	4GB-11610-00	PISTON RING SET (STD)	1	1	1	1	1	
	4GB-11610-20	PISTON RING SET (0.50MM O/S)	1	1	1	1	1	AP
	4GB-11610-40	PISTON RING SET (1.00MM O/S)	1	1	1	1	1	AP

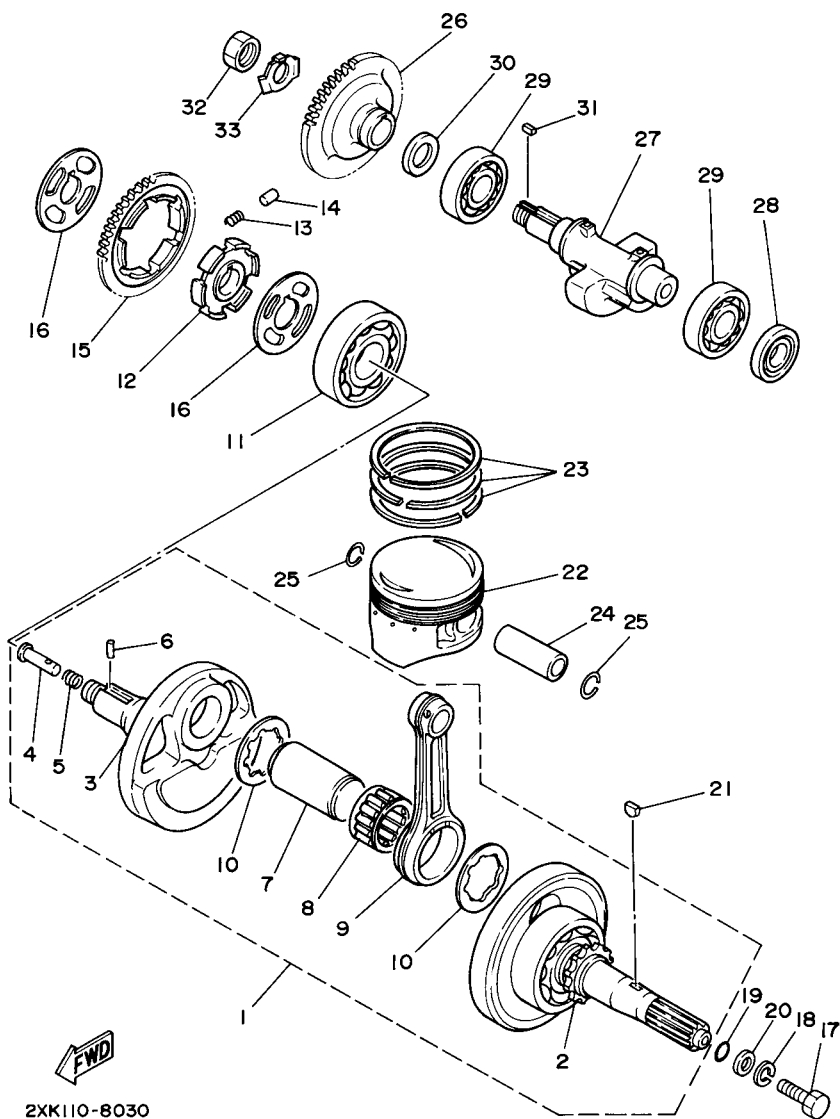
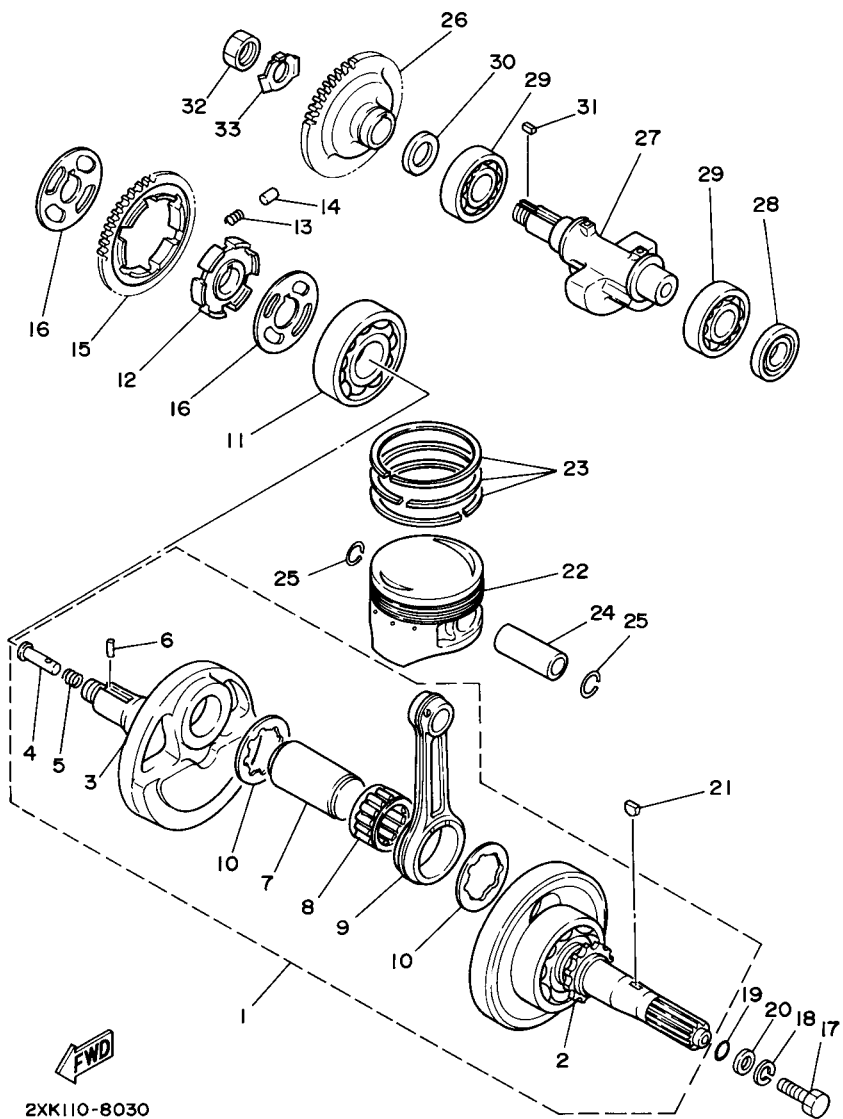
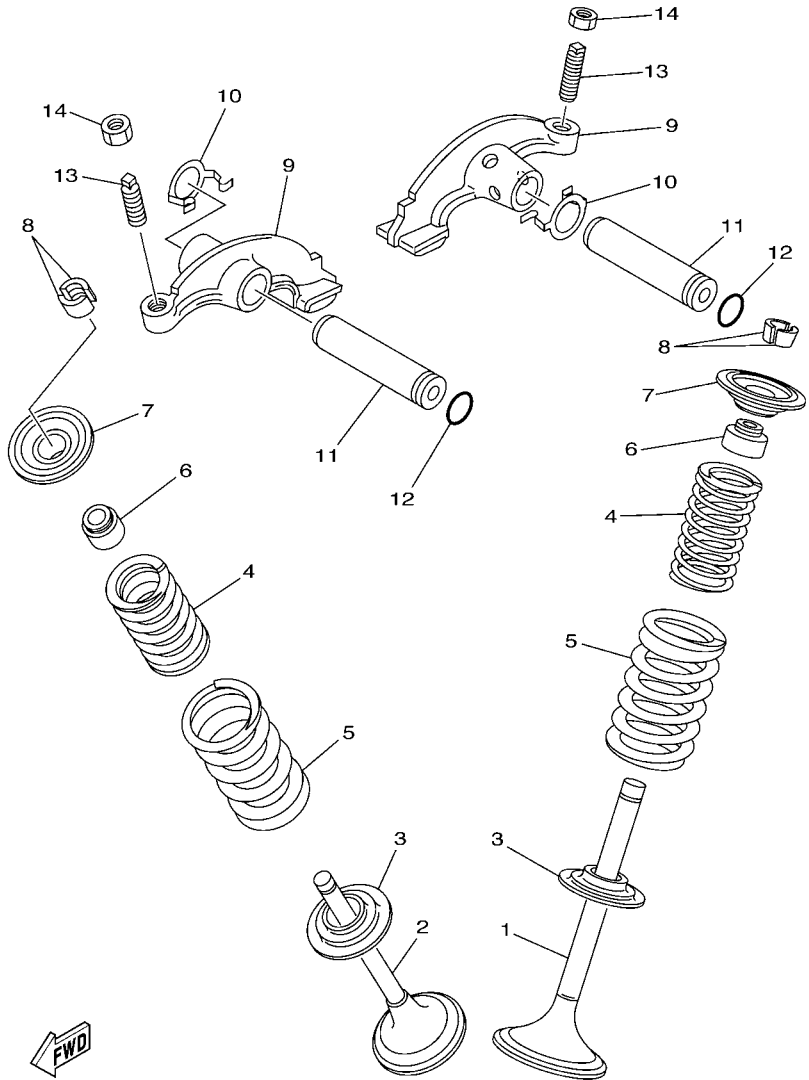


FIG. 3 CRANKSHAFT & PISTON

REF. NO.	PART NO.	DESCRIPTION	USA	CAN	EUR	OCE	JPN	REMARKS
24	55V-11633-00	PIN, PISTON	1	1	1	1	1	
25	93450-19095	CIRCLIP	2	2	2	2	2	
26	1UY-11536-01	GEAR, DRIVE	1	1	1	1	1	
27	1UY-11454-00	WEIGHT 1	1	1	1	1	1	
28	93101-25106	OIL SEAL	1	1	1	1	1	
29	93306-20532	BEARING	2	2	2	2	2	
30	90201-207G6	WASHER, PLATE	1	1	1	1	1	
31	90282-05034	KEY, STRAIGHT	1	1	1	1	1	
32	90170-16326	NUT	1	1	1	1	1	
33	90215-16270	WASHER, LOCK	1	1	1	1	1	



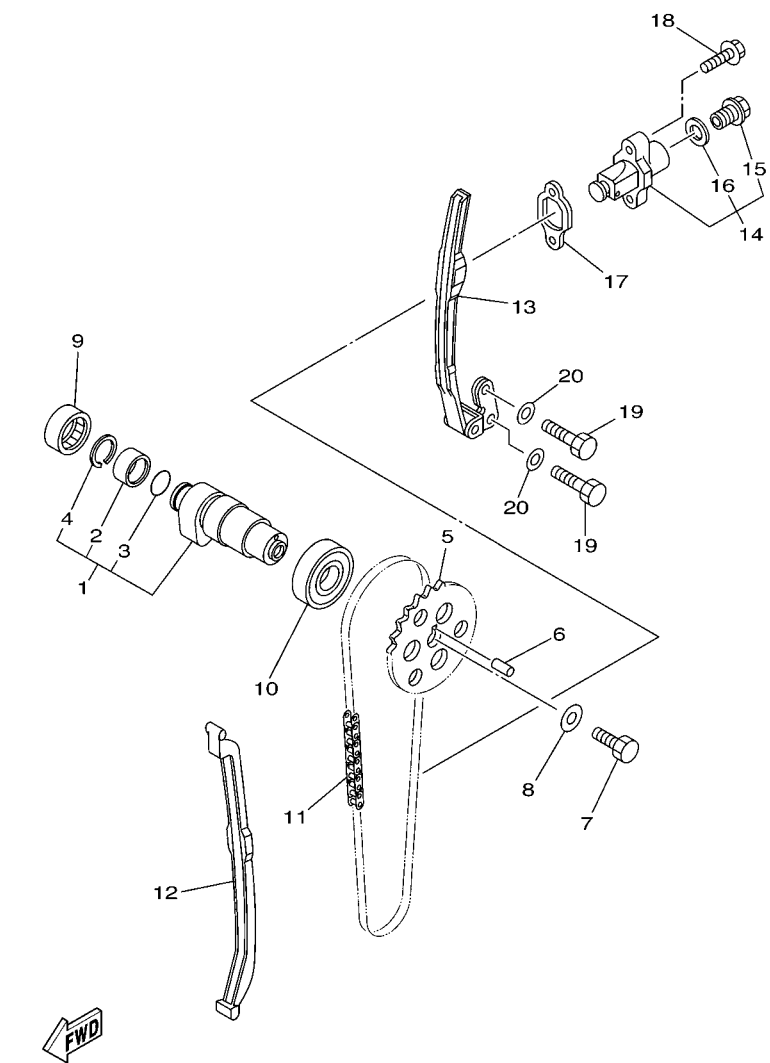


4KBM100-1040

FIG. 4 VALVE

REF. NO.	PART NO.	DESCRIPTION	USA	CAN	EUR	OCE	JPN	REMARKS
1	1UY-12111-01	VALVE, INTAKE	1	1	1	1	1	
2	1UY-12121-01	VALVE, EXHAUST	1	1	1	1	1	
3	3Y1-12116-00	SEAT, VALVE SPRING	2	2	2	2	2	
4	1UY-12113-01	SPRING, VALVE INNER	2	2	2	2	2	
5	1UY-12114-01	SPRING, VALVE OUTER	2	2	2	2	2	
6	M01-12129-00	SEAL, VALVE STEM	2	2	2	2	2	
7	3Y1-12117-01	RETAINER, VALVE SPRING	2	2	2	2	2	
8	1J7-12118-00	COTTER, VALVE	4	4	4	4	4	
9	3GD-12151-11	ARM, VALVE ROCKER	2	2	2	2	2	
10	90206-12001	WASHER, WAVE	2	2	2	2	2	
11	4SH-12156-00	SHAFT, ROCKER 2	2	2	2	2	2	
12	93210-09165	O-RING	2	2	2	2	2	
13	31G-12159-02	SCREW, VALVE ADJUSTING	2	2	2	2	2	
14	31G-12158-00	NUT, LOCK	2	2	2	2	2	

FIG. 5 CAMSHAFT & CHAIN

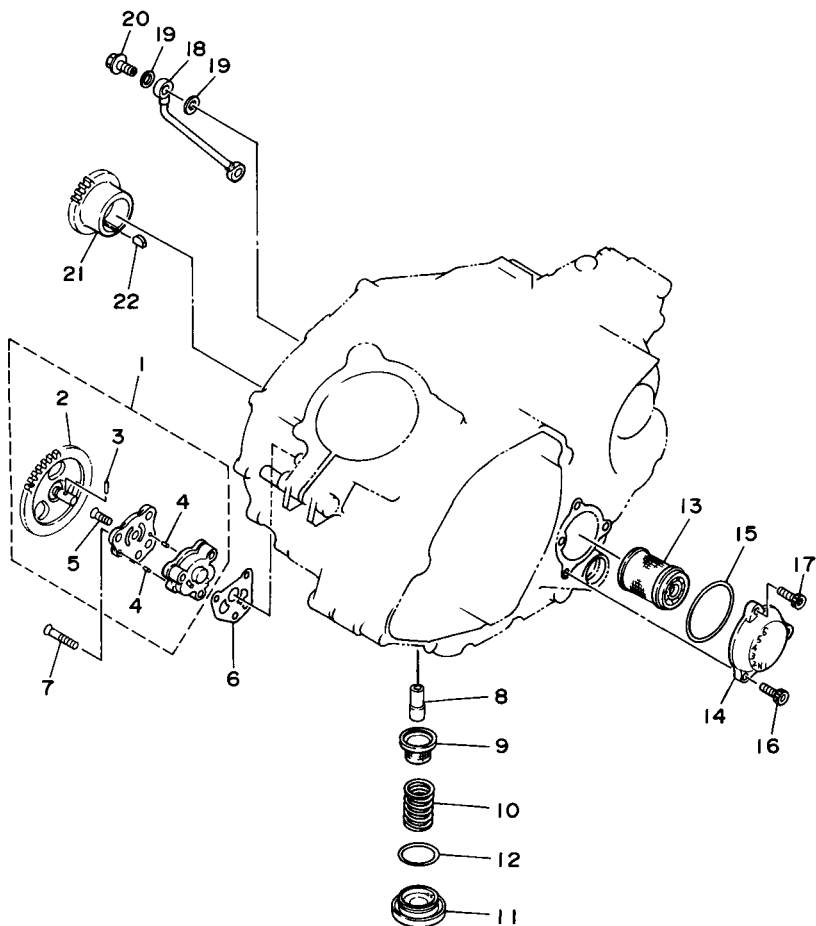


5YT1100-C050

REF. NO.	PART NO.	DESCRIPTION	USA	CAN	EUR	OCE	JPN	REMARKS
1	5UH-12170-00	CAMSHAFT ASSY 1	1	1	1	1	1	
2	90387-20013	.COLLAR	1	1	1	1	1	
3	93210-17003	.O-RING	1	1	1	1	1	
4	93410-20038	.CIRCLIP	1	1	1	1	1	
5	5YT-12176-00	SPROCKET, CAM CHAIN	1	1	1	1	1	
6	93604-10011	PIN, DOWEL	1	1	1	1	1	
7	90101-10303	BOLT	1	1	1	1	1	
8	90201-10591	WASHER, PLATE	1	1	1	1	1	
9	93315-32516	BEARING	1	1	1	1	1	
10	93306-00502	BEARING	1	1	1	1	1	
11	94500-02090	CHAIN (BF05M 90L)	1	1	1	1	1	
12	3Y1-12231-01	GUIDE, STOPPER 1	1	1	1	1	1	
13	1UY-12241-00	GUIDE, STOPPER 2	1	1	1	1	1	
14	31G-12210-01	TENSIONER ASSY, CAM CHAIN	1	1	1	1	1	
15	31G-12222-00	.PLUG	1	1	1	1	1	
16	31G-12214-00	.GASKET	1	1	1	1	1	
17	3GD-12213-00	GASKET, TENSIONER CASE	1	1	1	1	1	
18	95027-06025	BOLT, FLANGE	2	2	2	2	2	
19	97027-06016	BOLT	2	2	2	2	2	
20	92907-06600	WASHER, PLATE	2	2	2	2	2	

FIG. 6 OIL PUMP

REF. NO.	PART NO.	DESCRIPTION	USA	CAN	EUR	OCE	JPN	REMARKS
1	1UY-13300-00	OIL PUMP ASSY	1	1	1	1	1	
2	1UY-13326-00	.GEAR, PUMP DRIVEN 2	1	1	1	1	1	
3	93603-12030	.PIN, DOWEL	1	1	1	1	1	
4	93603-07073	.PIN, DOWEL	2	2	2	2	2	
5	90151-06010	.SCREW, COUNTERSUNK	1	1	1	1	1	
6	3GD-13329-00	GASKET, PUMP COVER	1	1	1	1	1	
7	98707-06030	SCREW, FLAT HEAD	3	3	3	3	3	
8	2XK-13416-00	PIPE, OIL 1	1	1	1	1	1	
9	51Y-13411-00	STRAINER, OIL	1	1	1	1	1	
10	90501-18576	SPRING, COMPRESSION	1	1	1	1	1	
11	30X-15351-00	PLUG, DRAIN	1	1	1	1	1	
12	93210-35520	O-RING	1	1	1	1	1	
13	1UY-13440-02	ELEMENT ASSY, OIL CLEANER	1	1	1	1	1	
14	3GD-13447-00	COVER, OIL ELEMENT	1	1	1	1	1	
15	93210-54175	O-RING	1	1	1	1	1	
16	91317-06020	BOLT	2	2	2	2	2	
17	90110-06136	BOLT, HEXAGON SOCKET HEAD	1	1	1	1	1	
18	1UY-13161-01	PIPE, DELIVERY 1	1	1	1	1	1	
19	90430-08119	GASKET	4	4	4	4	4	
20	90401-08004	BOLT, UNION	2	2	2	2	2	
21	1UY-13324-00	GEAR, PUMP DRIVE	1	1	1	1	1	
22	90280-05013	KEY, WOODRUFF	1	1	1	1	1	



3GD1110-9060

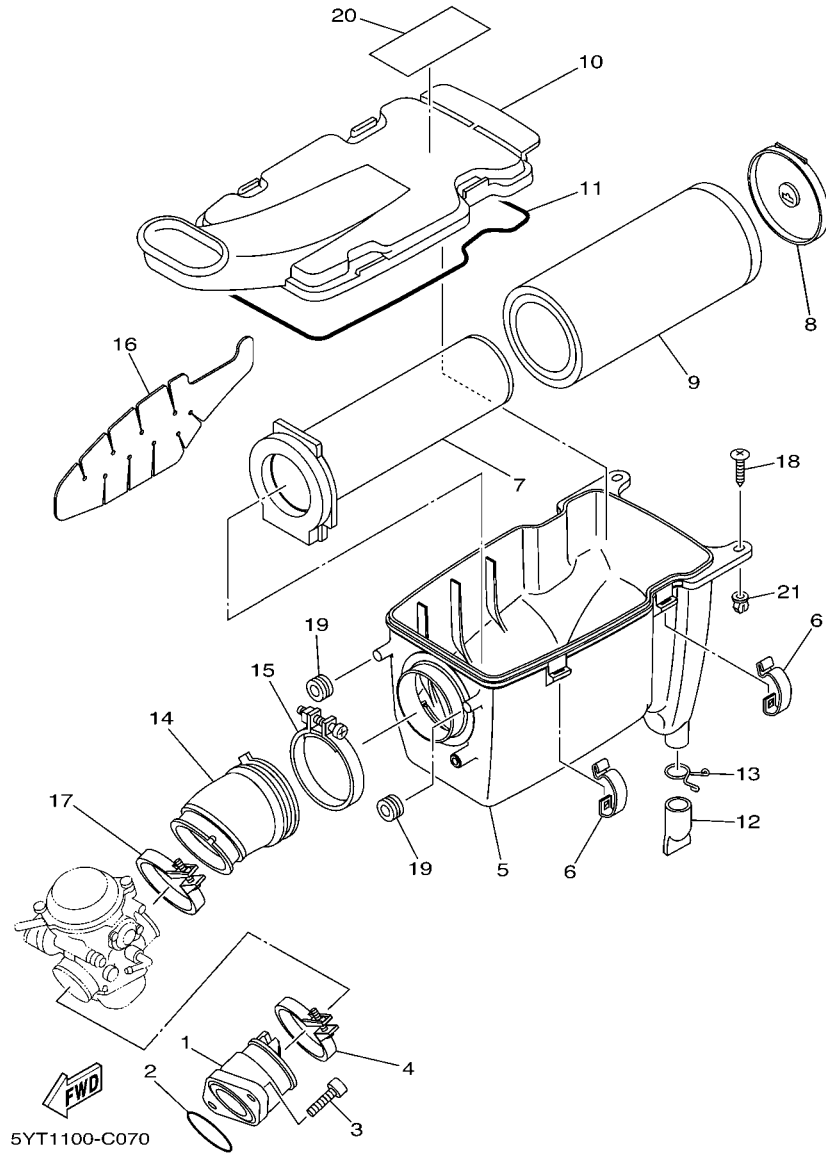


FIG. 7 INTAKE

REF. NO.	PART NO.	DESCRIPTION	USA	CAN	EUR	OCE	JPN	REMARKS
1	5YT-13586-00	JOINT, CARBURETOR 1	1	1	1	1	1	
2	93210-44545	O-RING	1	1	1	1	1	
3	91317-08025	BOLT	2	2	2	2	2	
4	90450-52003	HOSE CLAMP ASSY	1	1	1	1	1	
5	5YT-14411-00	CASE, AIR CLEANER 1	1	1	1	1	1	
6	5GH-14436-00	HOOK	4	4	4	4	4	
7	1UY-14458-01	GUIDE	1	1	1	1	1	
8	1UY-14468-00	PLATE,ELEMENT FITTING	1	1	1	1	1	
9	1UY-14451-00	ELEMENT, AIR CLEANER	1	1	1	1	1	
10	5YT-14412-00	CAP, CLEANER CASE 1	1	1	1	1	1	
11	4FU-14452-00	SEAL	1	1	1	1	1	
12	59V-14457-00	SEAL	1	1	1	1	1	
13	90467-22080	CLIP	1	1	1	1	1	
14	5YT-14453-00	JOINT, AIR CLEANER 1	1	1	1	1	1	
15	90460-75020	CLAMP, HOSE	1	1	1	1	1	
16	5YT-1442F-00	PROTECTOR	1	1	1	1	1	
17	90450-63004	HOSE CLAMP ASSY	1	1	1	1	1	
18	97707-60025	SCREW, TAPPING	2	2	2	2	2	
19	90480-15005	GROMMET	2	2	2	2	2	
20	5UH-2177C-00	PLATE, EPA OFFROAD ATV 1	1					
21	90338-08226	PLUG	2	2	2	2	2	

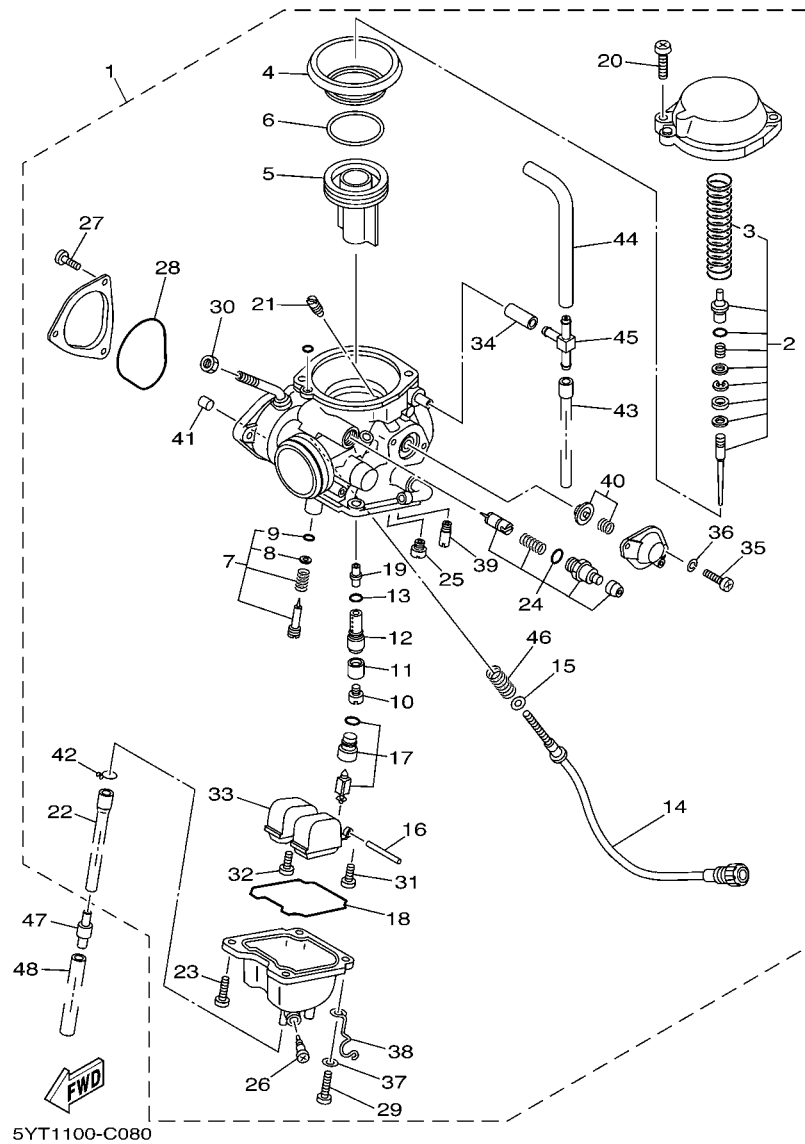


FIG. 8 CARBURETOR

REF. NO.	PART NO.	DESCRIPTION	USA	CAN	EUR	OCE	JPN	REMARKS
1	5YT-14901-10	CARBURETOR ASSY 1	1					
	5YT-14901-00	CARBURETOR ASSY 1		1	1	1	1	
2	5YT-1490J-10	.NEEDLE SET	1					
	5YT-1490J-00	.NEEDLE SET		1	1	1	1	
3	5YT-24423-00	..SPRING, DIAPHRAGM	1	1	1	1	1	
4	8FA-14940-00	.DIAPHRAGM ASSY	1	1	1	1	1	
5	5YT-14112-00	.VALVE, THROTTLE 1	1	1	1	1	1	
6	5YT-14194-00	.RING	1	1	1	1	1	
7	5MP-14105-00	.PILOT SCREW SET	1	1	1	1	1	
8	3H1-14962-00	..WASHER	1	1	1	1	1	
9	3H1-14147-00	..O-RING	1	1	1	1	1	
10	3G2-1423A-79	.JET, MAIN (#142.5)	1	1	1	1	1	
11	5GH-14918-00	.RING	1	1	1	1	1	
12	5YT-14261-00	.HOLDER	1	1	1	1	1	
13	583-14561-00	.O-RING	1	1	1	1	1	
14	5YT-14123-00	.SCREW, AIR ADJUSTING	1	1	1	1	1	
15	5FU-14962-00	.WASHER	1	1	1	1	1	
16	127-14186-00	.PIN, FLOAT	1	1	1	1	1	
17	5YT-14190-25	.NEEDLE VALVE ASSY	1	1	1	1	1	
18	5DM-14561-00	.O-RING	1	1	1	1	1	
19	5YT-14141-40	.NOZZLE, MAIN	1	1	1	1	1	
20	4KM-14216-00	.SCREW	2	2	2	2	2	
21	1HX-14231-33	.JET, MAIN (#165)	1	1	1	1	1	
22	5YT-14193-00	.PIPE	1	1	1	1	1	
23	98507-04010	.SCREW, PAN HEAD	3	3	3	3	3	
24	5YT-1410A-00	.STARTER SET	1	1	1	1	1	
25	3G2-14231-14	.JET,PILOT AIR(#70)	1	1	1	1	1	

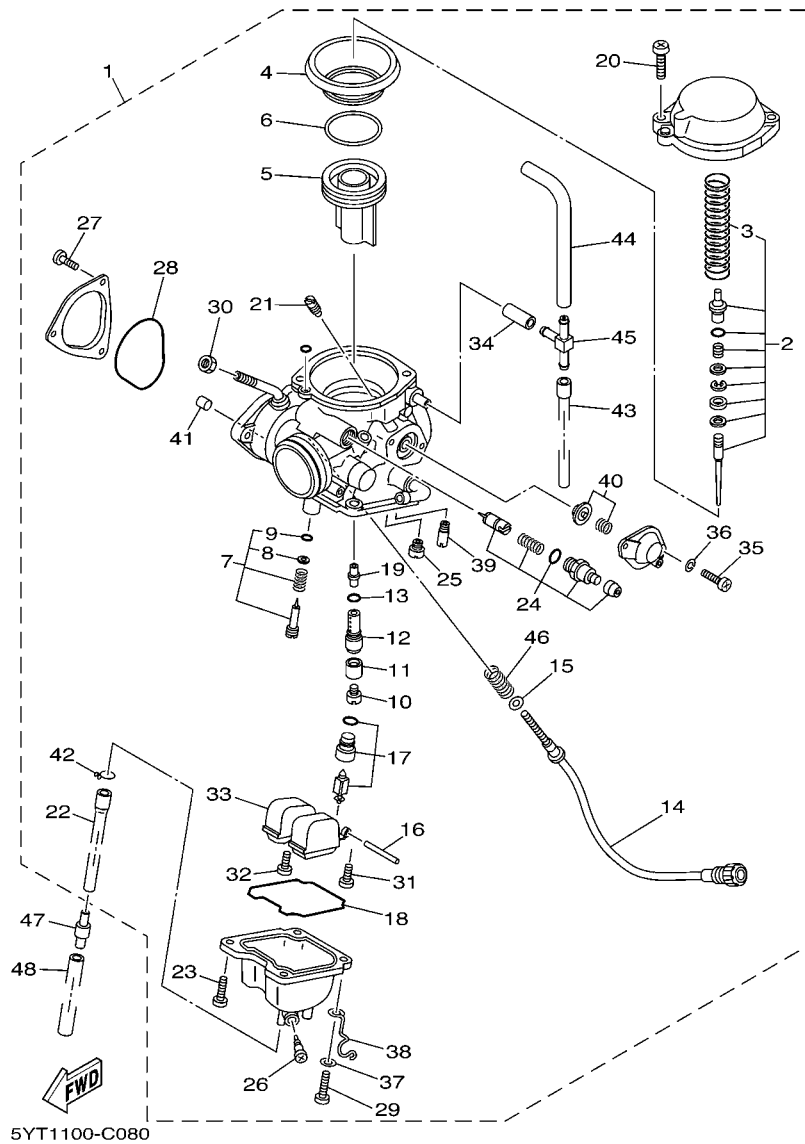


FIG. 8 CARBURETOR

REF. NO.	PART NO.	DESCRIPTION	USA	CAN	EUR	OCE	JPN	REMARKS
26	5LW-14191-00	.PLUG, DRAIN	1	1	1	1	1	
27	98507-04006	.SCREW, PAN HEAD	3	3	3	3	3	
28	5LP-14147-00	.O-RING	1	1	1	1	1	
29	98507-04012	.SCREW, PAN HEAD	1	1	1	1	1	
30	522-14161-00	.NUT, CABLE ADJUSTING	1	1	1	1	1	
31	98507-04008	.SCREW, PAN HEAD	1	1	1	1	1	
32	1FN-14565-00	.SCREW	1	1	1	1	1	
33	5DM-14985-00	.FLOAT	1	1	1	1	1	
34	5YT-14197-00	.PIPE	1	1	1	1	1	
35	98501-04014	.SCREW, PAN HEAD	2	2	2	2	2	
36	92902-04100	.WASHER, SPRING	2	2	2	2	2	
37	92907-04600	.WASHER	1	1	1	1	1	
38	5KM-14937-00	.CLIP	1	1	1	1	1	
39	4KM-14142-22	.JET, PILOT (# 22.5)	1	1	1	1	1	
40	5YT-1490H-00	.DIAPHRAGM SET 5	1	1	1	1	1	
41	3GD-14155-00	.GUIDE, CABLE	1	1	1	1	1	
42	80N-14139-00	.CLIP, PIPE	1	1	1	1	1	
43	5YT-14197-20	.PIPE	1	1	1	1	1	
44	5YT-14197-10	.PIPE	1	1	1	1	1	
45	28V-14988-00	.PIPE, STARTER CONNECTING	1	1	1	1	1	
46	137-14133-00	.SPRING, THROTTLE STOP	1	1	1	1	1	
47	24W-14193-00	PIPE	1	1	1	1	1	
48	91A20-07010	TUBE, FLEXIBLE VINYL	1	1	1	1	1	

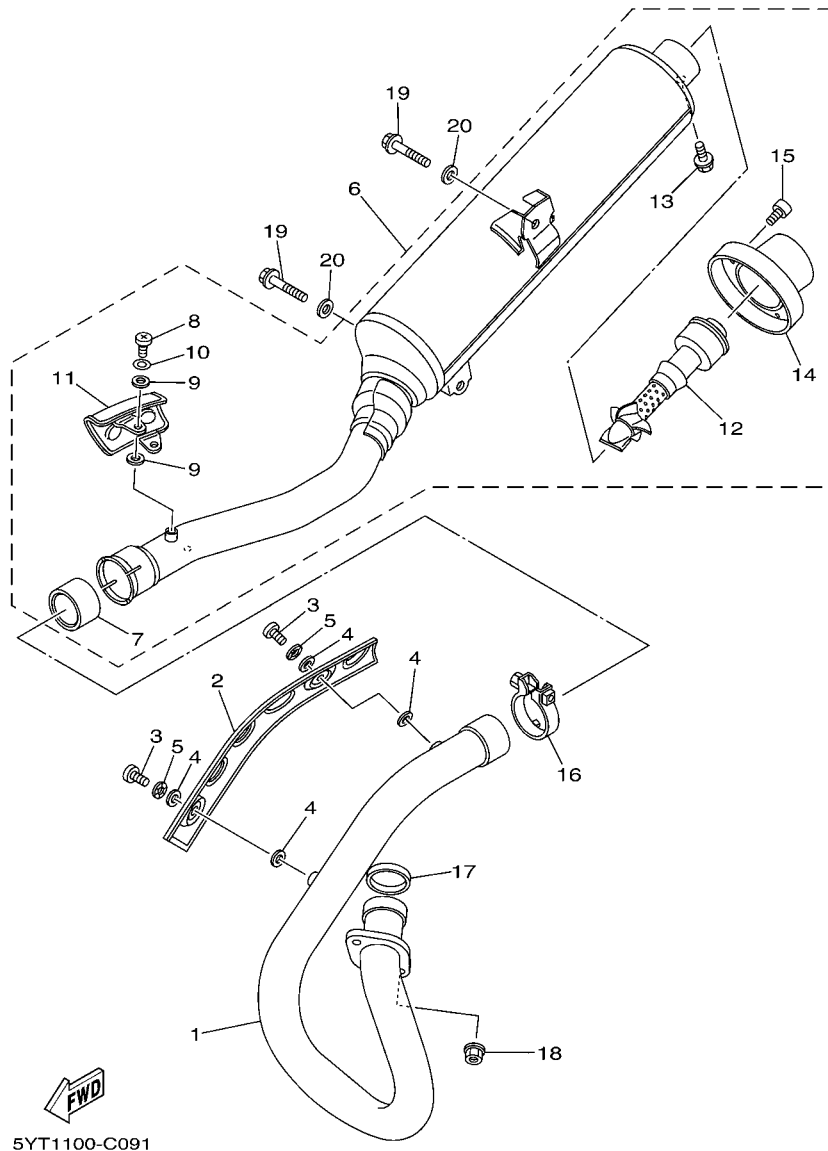
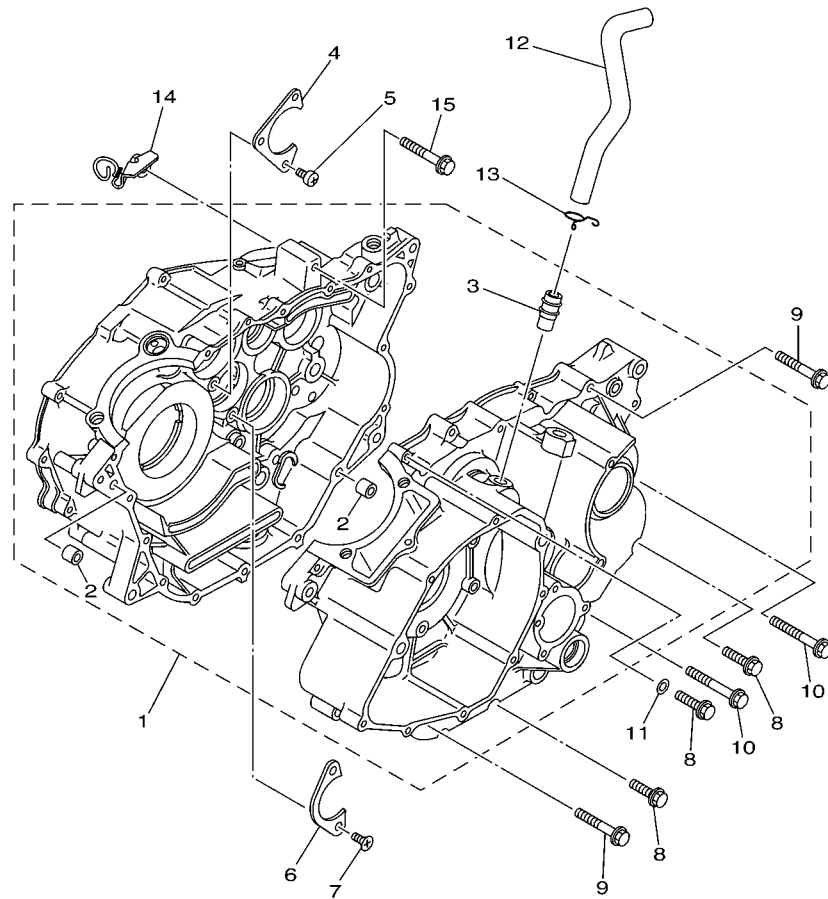


FIG. 9 EXHAUST

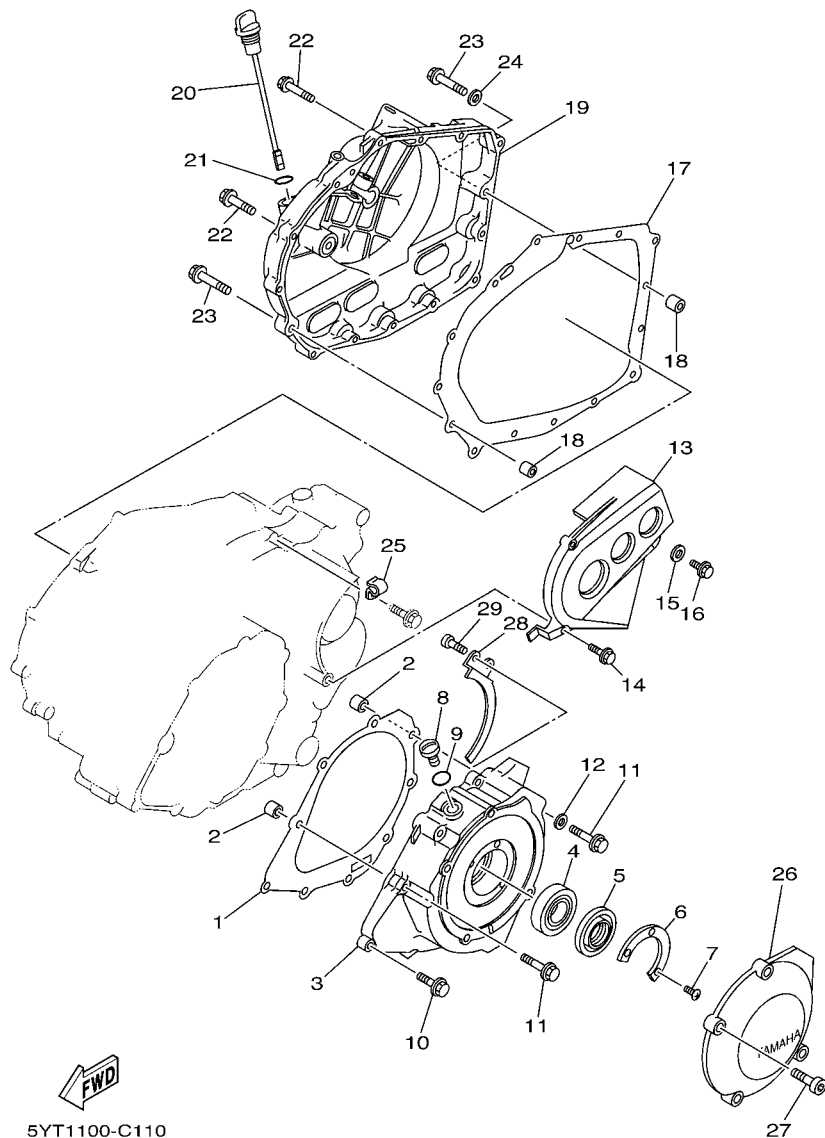
REF. NO.	PART NO.	DESCRIPTION	USA	CAN	EUR	OCE	JPN	REMARKS
1	1UY-14611-02	PIPE, EXHAUST 1	1	1	1	1	1	
2	5YT-14628-00	PROTECTOR, EXHAUST PIPE	1	1	1	1	1	
3	98907-06010	SCREW, BIND	2	2	2	2	2	
4	90201-05015	WASHER, PLATE	4	4	4	4	4	
5	92907-06200	WASHER	2	2	2	2	2	
6	5YT-14710-00	MUFFLER ASSY 1	1	1	1	1	1	
7	4WM-14755-00	.GASKET, SILENCER	1	1	1	1	1	
8	98907-06010	.SCREW, BIND	2	2	2	2	2	
9	90201-05015	.WASHER, PLATE	4	4	4	4	4	
10	92907-06200	.WASHER	2	2	2	2	2	
11	5YT-14708-01	.PROTECTOR ASSY	1	1	1	1	1	
12	5TG-14752-00	.PIPE, OUTLET	1	1	1	1	1	
13	95027-06008	.BOLT, FLANGE	1	1	1	1	1	
14	5YT-14787-00	.CAP, SILENCER	1	1	1	1	1	
15	90110-06134	.BOLT, HEXAGON SOCKET HEAD	3	3	3	3	3	
16	5YT-14788-00	BAND, SILENCER	1	1	1	1	1	
17	3GD-14613-00	GASKET, EXHAUST PIPE	1	1	1	1	1	
18	90179-06668	NUT	2	2	2	2	2	
19	95817-08016	BOLT, FLANGE	2	2	2	2	2	
20	90201-08326	WASHER, PLATE	2	2	2	2	2	



5YT1100-C100

FIG. 10 CRANKCASE

REF. NO.	PART NO.	DESCRIPTION	USA	CAN	EUR	OCE	JPN	REMARKS
1	3GD-15100-03	CRANKCASE ASSY	1	1	1	1	1	
2	99530-12016	.PIN, DOWEL	2	2	2	2	2	
3	371-11167-01	.PIPE, BREATHER 2	1	1	1	1	1	
4	3R4-15381-00	PLATE, BEARING COVER	1	1	1	1	1	
5	98507-06012	SCREW, PAN HEAD	3	3	3	3	3	
6	1UY-15383-00	PLATE, BEARING COVER	1	1	1	1	1	
7	98707-06016	SCREW, FLAT HEAD	2	2	2	2	2	
8	95027-06030	BOLT, FLANGE	8	8	8	8	8	
9	95027-06050	BOLT, FLANGE	6	6	6	6	6	
10	95027-06060	BOLT, FLANGE	2	2	2	2	2	
11	90430-06014	GASKET	1	1	1	1	1	
12	5YT-11166-00	PIPE, BREATHER 1	1	1	1	1	1	
13	90467-14015	CLIP	1	1	1	1	1	
14	5YT-15441-00	HOLDER, CLUTCH CABLE	1	1	1	1	1	
15	95807-08045	BOLT, FLANGE	1	1	1	1	1	



5YT1100-C110

FIG. 11 CRANKCASE COVER 1

REF. NO.	PART NO.	DESCRIPTION	USA	CAN	EUR	OCE	JPN	REMARKS
1	3GD-15451-00	GASKET, CRANKCASE COVER 1	1	1	1	1	1	
2	99530-12016	PIN, DOWEL	2	2	2	2	2	
3	3GD-15787-03	ADAPTOR	1	1	1	1	1	
4	93306-07801	BEARING	1	1	1	1	1	
5	93102-28476	OIL SEAL	1	1	1	1	1	
6	21V-15719-00	WASHER, THRUST	1	1	1	1	1	
7	90151-05023	SCREW, COUNTERSUNK	2	2	2	2	2	
8	90340-14117	PLUG, STRAIGHT SCREW	1	1	1	1	1	
9	93210-14369	O-RING	1	1	1	1	1	
10	95027-06025	BOLT, FLANGE	4	4	4	4	4	
11	95027-06045	BOLT, FLANGE	5	5	5	5	5	
12	90430-06014	GASKET	1	1	1	1	1	
13	1UY-15421-00	COVER, CRANKCASE 2	1	1	1	1	1	
14	95027-06020	BOLT, FLANGE	2	2	2	2	2	
15	90201-06380	WASHER, PLATE	1	1	1	1	1	
16	95027-06016	BOLT, FLANGE	1	1	1	1	1	
17	3GD-15461-00	GASKET, CRANKCASE COVER 2	1	1	1	1	1	
18	99530-12016	PIN, DOWEL	2	2	2	2	2	
19	3GD-15431-10	COVER, CRANKCASE 3	1	1	1	1	1	
20	1UY-15362-01	PLUG, OIL LEVEL	1	1	1	1	1	
21	93210-19522	O-RING	1	1	1	1	1	
22	95027-06030	BOLT, FLANGE	13	13	13	13	13	
23	95027-06040	BOLT, FLANGE	2	2	2	2	2	
24	90430-06014	GASKET	1	1	1	1	1	
25	90465-08045	CLAMP	1	1	1	1	1	
26	3GD-15411-00	COVER, CRANKCASE 1	1	1	1	1	1	
27	92017-06025	BOLT, BUTTON HEAD	4	4	4	4	4	

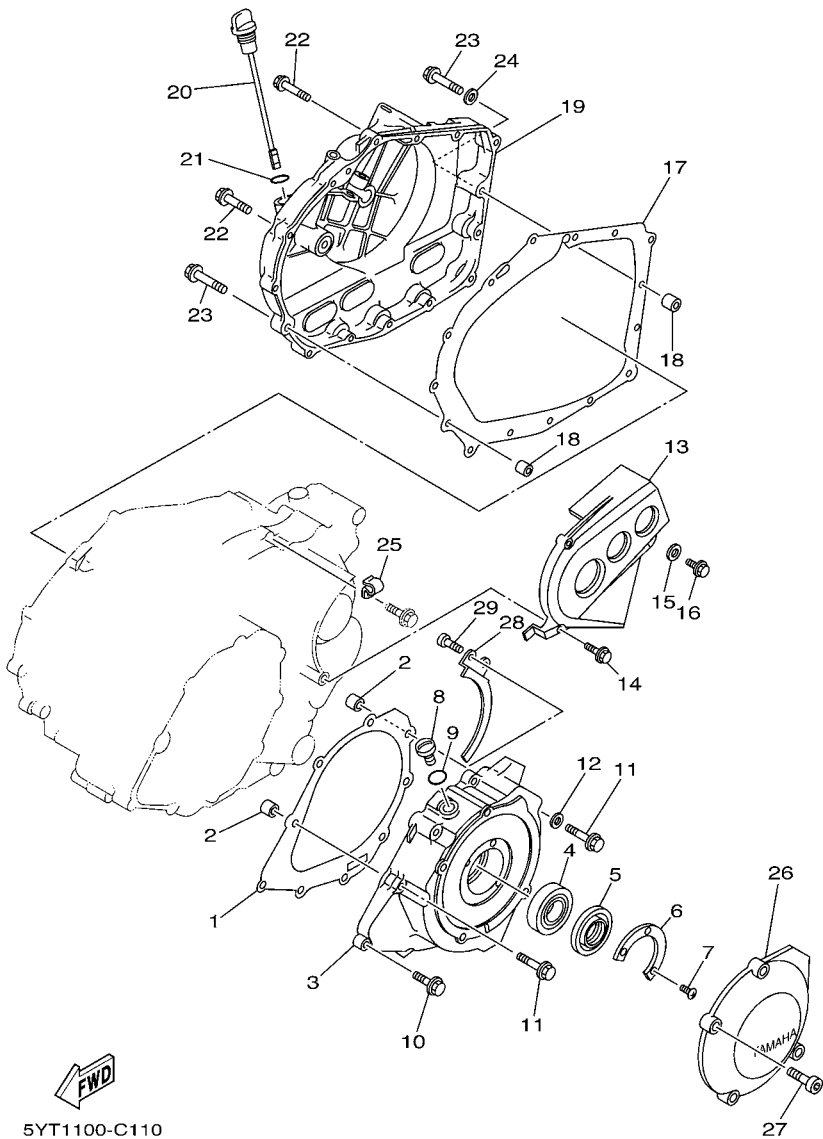
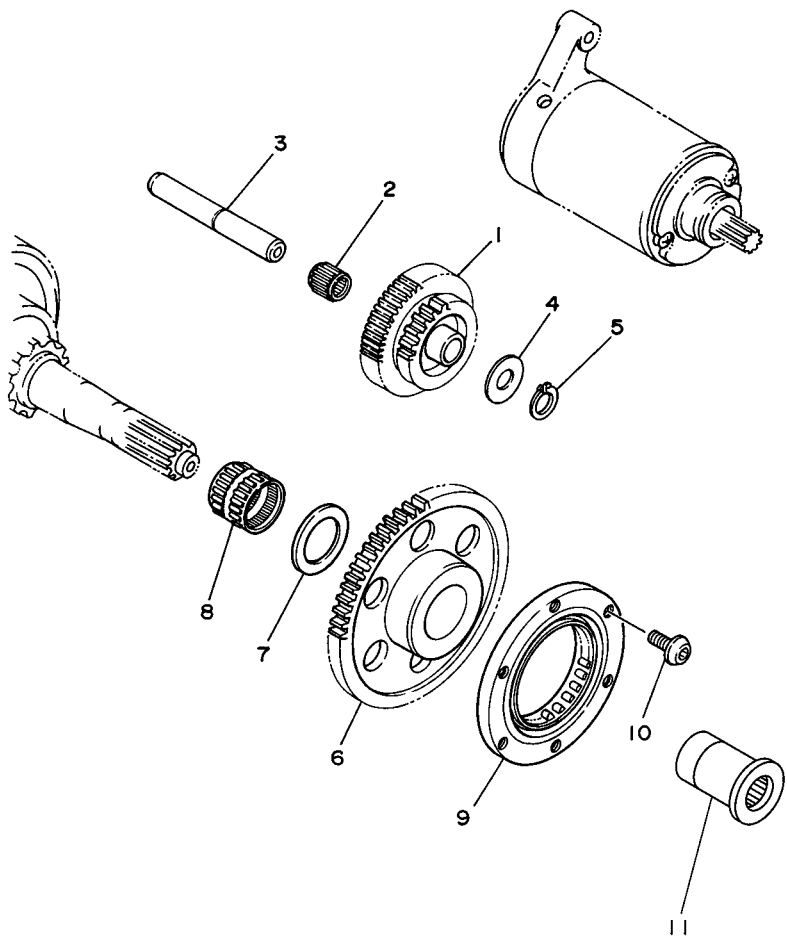


FIG. 11 CRANKCASE COVER 1

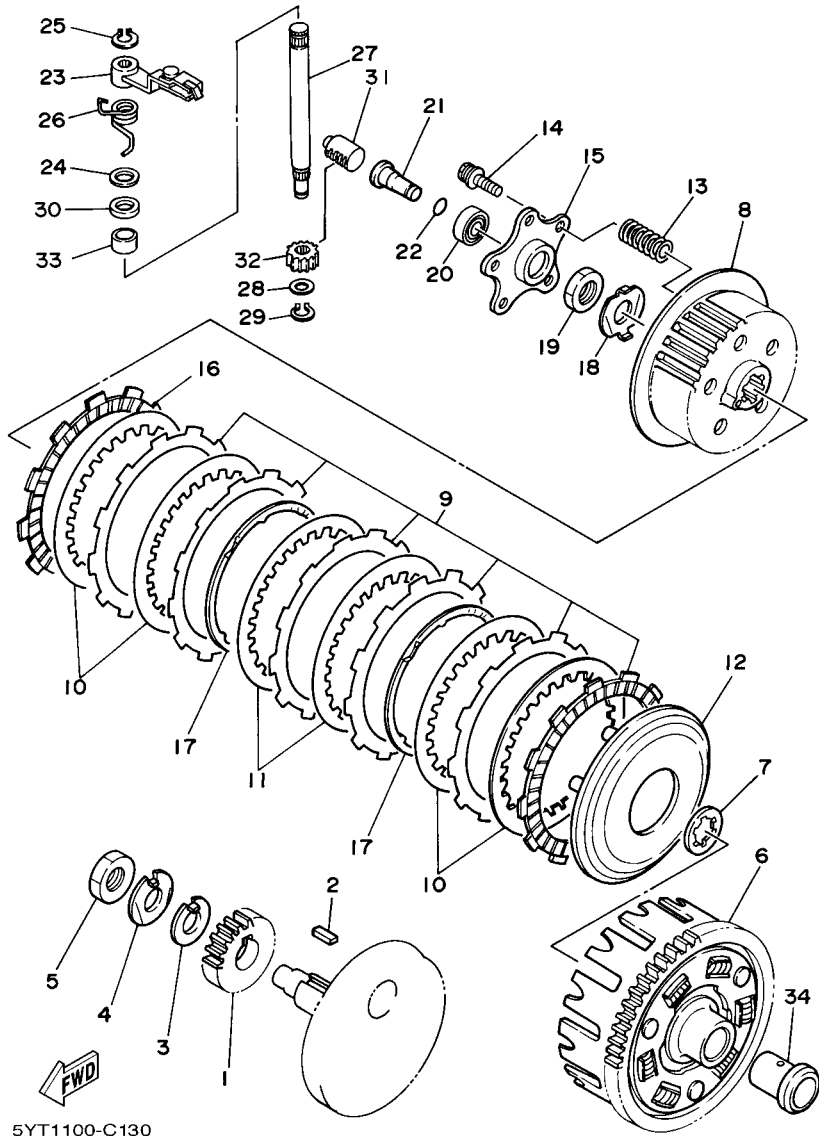
REF. NO.	PART NO.	DESCRIPTION	USA	CAN	EUR	OCE	JPN	REMARKS
28	1UY-81175-01	STOPPER 1	1	1	1	1	1	
29	98507-06012	SCREW, PAN HEAD	2	2	2	2	2	

FIG. 12 STARTER CLUTCH

REF. NO.	PART NO.	DESCRIPTION	USA	CAN	EUR	OCE	JPN	REMARKS
1	1UY-15512-00	GEAR, IDLER 1	1	1	1	1	1	
2	93310-212L6	BEARING	2	2	2	2	2	
3	1UY-15521-02	SHAFT 1	1	1	1	1	1	
4	90201-123K4	WASHER, PLATE	1	1	1	1	1	
5	99009-12400	CIRCLIP	1	1	1	1	1	
6	1UY-15517-01	GEAR, IDLER 2 (65T)	1	1	1	1	1	
7	90201-25291	WASHER, PLATE	1	1	1	1	1	
8	93310-225N0	BEARING	1	1	1	1	1	
9	1UY-15590-01	STARTER ONE-WAY ASSY	1	1	1	1	1	
10	90149-08329	SCREW	6	6	6	6	6	
11	3GD-15777-10	BOSS, STARTER PULLEY	1	1	1	1	1	




5YT1100-C120



5YT1100-C130

FIG. 13 CLUTCH

REF. NO.	PART NO.	DESCRIPTION	USA	CAN	EUR	OCE	JPN	REMARKS
1	1UY-16111-10	GEAR, PRIMARY DRIVE	1	1	1	1	1	
2	90282-07057	KEY, STRAIGHT	1	1	1	1	1	
3	90215-16156	WASHER, LOCK	1	1	1	1	1	
4	90215-16222	WASHER, LOCK	1	1	1	1	1	
5	90170-16343	NUT	1	1	1	1	1	
6	2NL-16150-00	PRIMARY DRIVEN GEAR COMP.(76T)	1	1	1	1	1	
7	30X-16154-00	PLATE, THRUST 1	1	1	1	1	1	
8	1UY-16371-02	BOSS, CLUTCH	1	1	1	1	1	
9	5Y1-16331-01	PLATE, FRICTION 2	6	6	6	6	6	
10	168-16325-00	PLATE, CLUTCH 2 (T=1.6)	4	4	4	4	4	
11	3J2-16324-00	PLATE, CLUTCH 1 (T=2.0)	2	2	2	2	2	
12	1UY-16351-00	PLATE, PRESSURE 1	1	1	1	1	1	
13	90501-231E9	SPRING, COMPRESSION	5	5	5	5	5	
14	90159-06123	SCREW, WITH WASHER	5	5	5	5	5	
15	1UY-16352-00	PLATE, PRESSURE 2	1	1	1	1	1	
16	31A-16321-01	PLATE, FRICTION	1	1	1	1	1	
17	5Y1-16383-00	SPRING, CLUTCH BOSS	2	2	2	2	2	
18	90215-16258	WASHER, LOCK	1	1	1	1	1	
19	90170-16326	NUT	1	1	1	1	1	
20	93306-00006	BEARING	1	1	1	1	1	
21	1UY-16358-00	PLATE, PUSH	1	1	1	1	1	
22	93210-06422	O-RING	1	1	1	1	1	
23	5YT-16340-00	PUSH LEVER ASSY	1	1	1	1	1	
24	90201-12163	WASHER, PLATE	1	1	1	1	1	
25	99001-09600	CIRCLIP	1	1	1	1	1	
26	90508-16022	SPRING, TORSION	1	1	1	1	1	
27	1UY-16382-00	AXLE, PUSH LEVER	1	1	1	1	1	

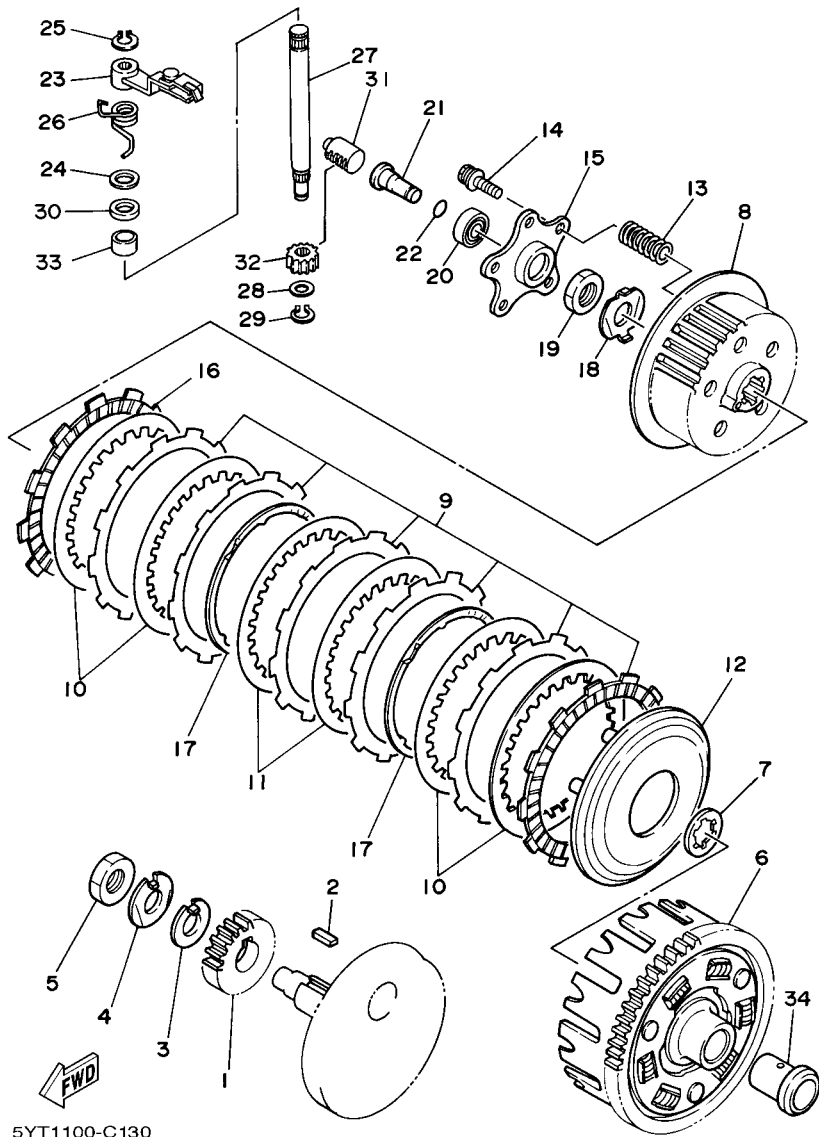
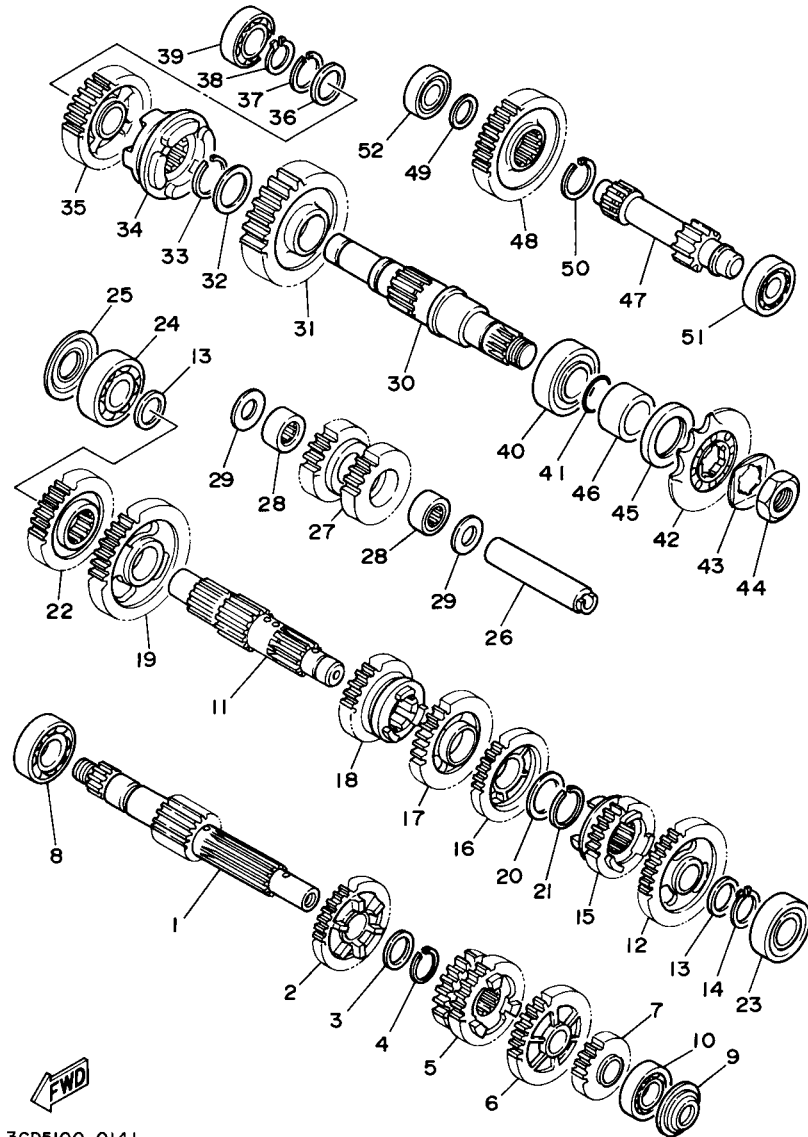


FIG. 13 CLUTCH

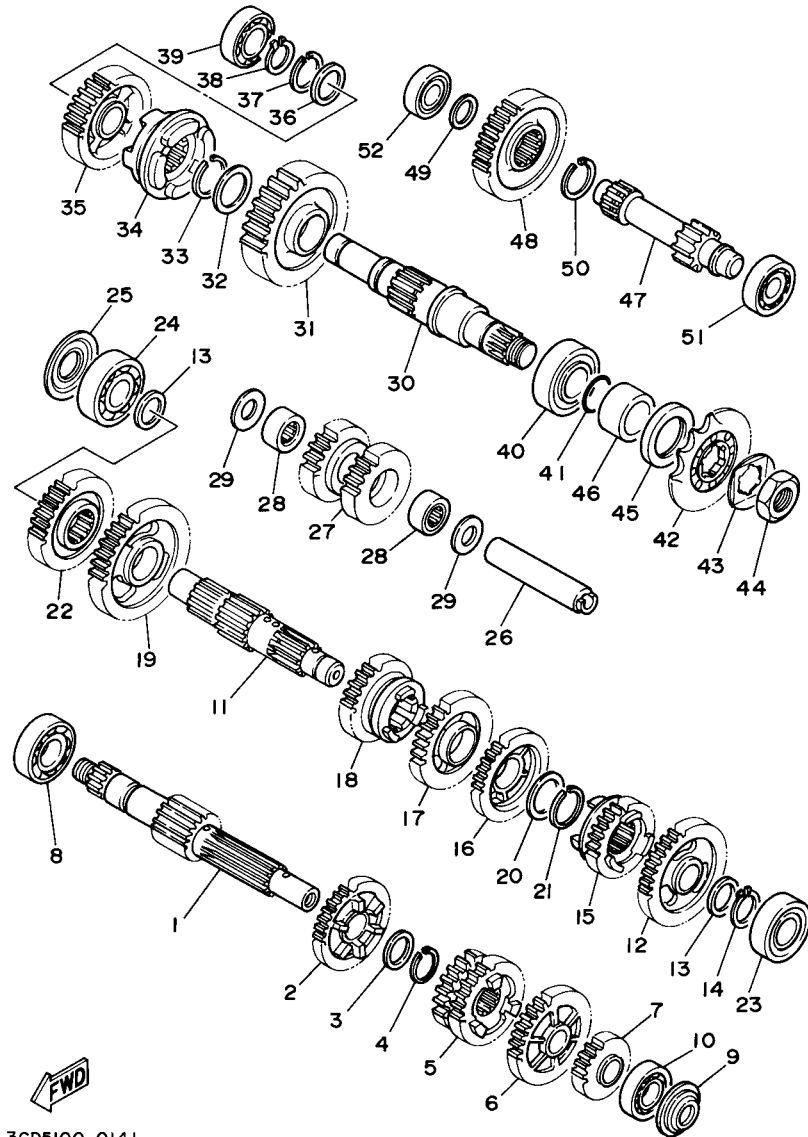
REF. NO.	PART NO.	DESCRIPTION	USA	CAN	EUR	OCE	JPN	REMARKS
28	90201-08085	WASHER, PLATE	1	1	1	1	1	
29	99001-07600	CIRCLIP	1	1	1	1	1	
30	93102-12224	OIL SEAL	1	1	1	1	1	
31	1UY-16356-00	ROD, PUSH 1	1	1	1	1	1	
32	3LD-16398-00	PINION, RELEAS	1	1	1	1	1	
33	90386-12093	BUSH	1	1	1	1	1	
34	1UY-16181-00	SPACER 1	1	1	1	1	1	

FIG. 14 TRANSMISSION



3GD5100-0141

REF. NO.	PART NO.	DESCRIPTION	USA	CAN	EUR	OCE	JPN	REMARKS
1	1UY-17401-01	MAIN AXLE ASSY	1	1	1	1	1	
2	1UY-17151-00	GEAR, 5TH PINION (28T)	1	1	1	1	1	
3	90209-18208	WASHER	1	1	1	1	1	
4	93410-22039	CIRCLIP	1	1	1	1	1	
5	1UY-17131-00	GEAR, 3RD PINION (23T/26T)	1	1	1	1	1	
6	1UY-17161-01	GEAR, 6TH PINION (29T)	1	1	1	1	1	
7	1UY-17121-00	GEAR, 2ND PINION (20T)	1	1	1	1	1	
8	93306-27202	BEARING	1	1	1	1	1	
9	93104-17094	OIL SEAL	1	1	1	1	1	
10	93306-20301	BEARING	1	1	1	1	1	
11	1UY-17421-02	AXLE, DRIVE	1	1	1	1	1	
12	5YT-17221-00	GEAR, 2ND WHEEL (33T)	1	1	1	1	1	
13	90201-203E7	WASHER, PLATE	2	2	2	2	2	
14	93410-20038	CIRCLIP	1	1	1	1	1	
15	5YT-17261-00	GEAR, 6TH WHEEL (23T)	1	1	1	1	1	
16	1UY-17241-00	GEAR, 4TH WHEEL (27T)	1	1	1	1	1	
17	1UY-17231-01	GEAR, 3RD WHEEL (29T)	1	1	1	1	1	
18	1UY-17251-00	GEAR, 5TH WHEEL (25T)	1	1	1	1	1	
19	1UY-17211-00	GEAR, 1ST WHEEL (36T)	1	1	1	1	1	
20	90201-256E6	WASHER, PLATE (T=0.9)	1	1	1	1	1	
21	93440-25084	CIRCLIP	1	1	1	1	1	
22	1UY-17123-00	GEAR, HIGH PINION (27T)	1	1	1	1	1	
23	93306-20401	BEARING	1	1	1	1	1	
24	93306-30424	BEARING	1	1	1	1	1	
25	93104-20068	OIL SEAL	1	1	1	1	1	
26	1UY-17432-01	AXLE, IDLE	1	1	1	1	1	
27	1UY-17223-02	GEAR, HIGH WHEEL	1	1	1	1	1	



3GD5100-0141

FIG. 14 TRANSMISSION

REF. NO.	PART NO.	DESCRIPTION	USA	CAN	EUR	OCE	JPN	REMARKS
28	93311-41587	BEARING	2	2	2	2	2	
29	90201-150U6	WASHER, PLATE	2	2	2	2	2	
30	1UY-17523-00	SHAFT	1	1	1	1	1	
31	1UY-17253-00	GEAR, REVERSE WHEEL 2 (33T)	1	1	1	1	1	
32	90201-28665	WASHER, PLATE	1	1	1	1	1	
33	93440-28062	CIRCLIP	1	1	1	1	1	
34	1UY-17285-00	CLUTCH, DOG	1	1	1	1	1	
35	1UY-17582-00	GEAR, MIDDLE DRIVE (29T)	1	1	1	1	1	
36	90201-22793	WASHER, PLATE	1	1	1	1	1	
37	93410-22039	CIRCLIP	1	1	1	1	1	
38	93410-20038	CIRCLIP	1	1	1	1	1	
39	93306-00431	BEARING	1	1	1	1	1	
40	93306-20501	BEARING	1	1	1	1	1	
41	93210-22164	O-RING	1	1	1	1	1	
42	93834-13030	SPROCKET, DRIVE 13T(23X1746130)	1	1	1	1	1	
43	90215-21239	WASHER, LOCK	1	1	1	1	1	
44	90179-20255	NUT	1	1	1	1	1	
45	93102-35393	OIL SEAL	1	1	1	1	1	
46	90387-257N4	COLLAR	1	1	1	1	1	
47	1UY-17431-00	AXLE, COUNTER	1	1	1	1	1	
48	1UY-17243-00	GEAR, REVERSE WHEEL 1 (33T)	1	1	1	1	1	
49	90201-17255	WASHER, PLATE	1	1	1	1	1	
50	93440-25084	CIRCLIP	1	1	1	1	1	
51	93306-20301	BEARING	1	1	1	1	1	
52	93306-00308	BEARING	1	1	1	1	1	

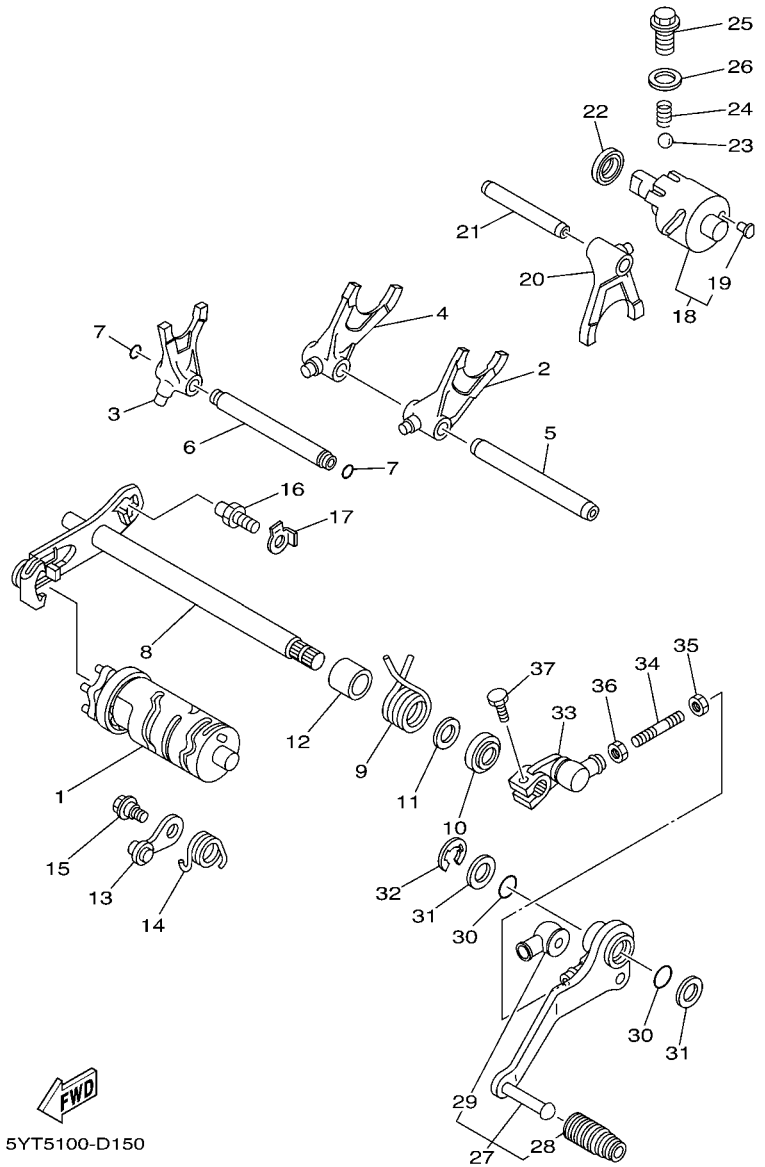


FIG. 15 SHIFT CAM & FORK

REF. NO.	PART NO.	DESCRIPTION	USA	CAN	EUR	OCE	JPN	REMARKS
1	5YT-18540-00	SHIFT CAM ASSY	1	1	1	1	1	
2	1YW-18511-00	FORK, SHIFT 1	1	1	1	1	1	
3	4GB-18512-00	FORK, SHIFT 2	1	1	1	1	1	
4	1UY-18513-00	FORK, SHIFT 3	1	1	1	1	1	
5	22U-18535-00	BAR, SHIFT FORK GUIDE 2	1	1	1	1	1	
6	4GB-18531-00	BAR, SHIFT FORK GUIDE 1	1	1	1	1	1	
7	93210-07590	O-RING	2	2	2	2	2	
8	1UY-18101-01	SHIFT SHAFT ASSY	1	1	1	1	1	
9	90508-32711	SPRING, TORSION	1	1	1	1	1	
10	93102-14209	OIL SEAL	1	1	1	1	1	
11	90201-14691	WASHER, PLATE	1	1	1	1	1	
12	90560-14284	SPACER	1	1	1	1	1	
13	1UY-18140-00	STOPPER LEVER ASSY	1	1	1	1	1	
14	90508-25712	SPRING, TORSION	1	1	1	1	1	
15	90109-063F7	BOLT	1	1	1	1	1	
16	4G0-18127-00	STOPPER, SCREW	1	1	1	1	1	
17	90215-08260	WASHER, LOCK	1	1	1	1	1	
18	3GD-18420-00	SHIFTER ASSY	1	1	1	1	1	
19	3GH-18542-00	.POINT, NEUTRAL	1	1	1	1	1	
20	1UY-18311-00	FORK, SHIFT 1	1	1	1	1	1	
21	2A6-18531-00	BAR, SHIFT FORK GUIDE 1	1	1	1	1	1	
22	93102-15212	OIL SEAL	1	1	1	1	1	
23	93503-08007	BALL	1	1	1	1	1	
24	90501-10353	SPRING, COMPRESSION	1	1	1	1	1	
25	90105-14367	BOLT, FLANGE	1	1	1	1	1	
26	90430-14194	GASKET	1	1	1	1	1	
27	5YT-18110-00	SHIFT PEDAL ASSY	1	1	1	1	1	

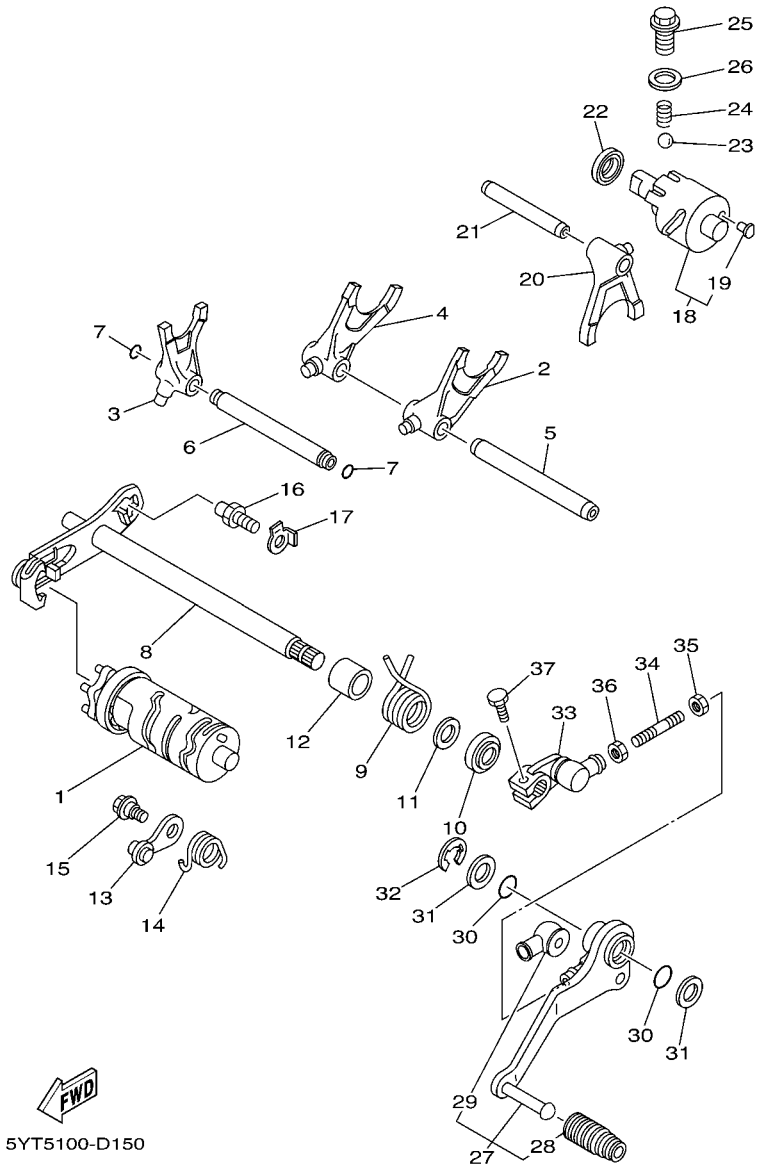
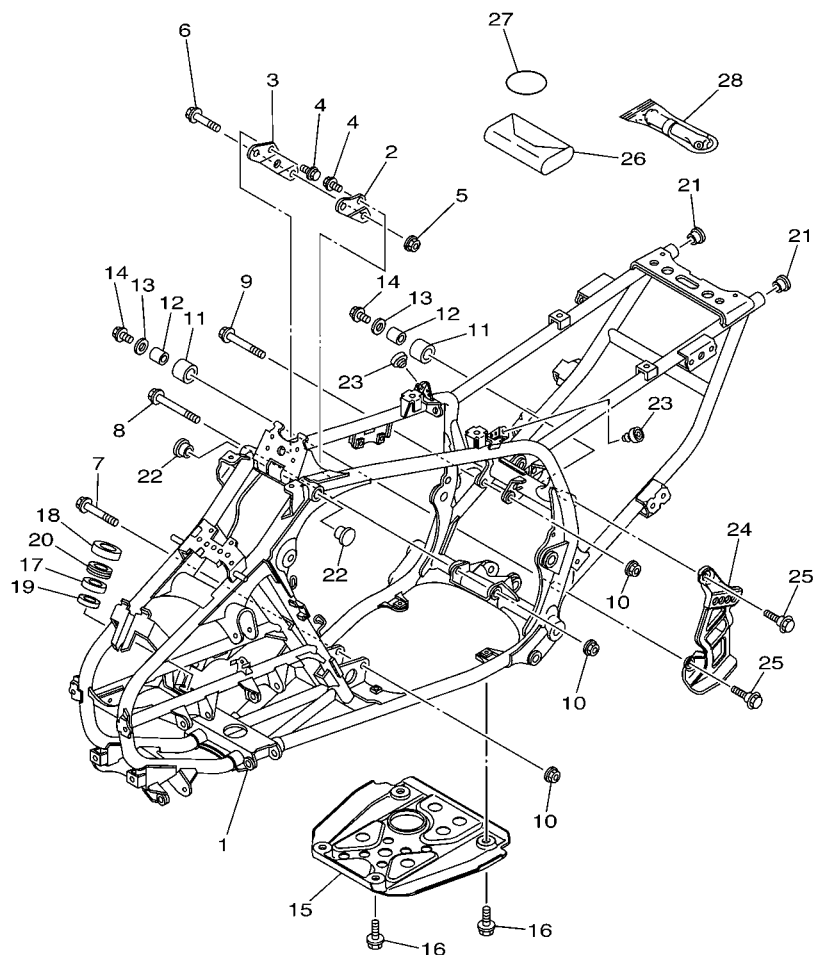


FIG. 15 SHIFT CAM & FORK

REF. NO.	PART NO.	DESCRIPTION	USA	CAN	EUR	OCE	JPN	REMARKS
28	5YT-18113-00	.COVER, SHIFT PEDAL	1	1	1	1	1	
29	2H9-18154-00	.COVER, DUST	1	1	1	1	1	
30	93210-15414	O-RING	2	2	2	2	2	
31	90201-15797	WASHER, PLATE	2	2	2	2	2	
32	93430-12008	CIRCLIP	1	1	1	1	1	
33	1UY-18112-01	ARM, SHIFT	1	1	1	1	1	
34	1JN-18115-00	ROD, SHIFT	1	1	1	1	1	
35	90170-06289	NUT	1	1	1	1	1	
36	95307-06700	NUT	1	1	1	1	1	
37	97017-06020	BOLT	1	1	1	1	1	

FIG. 16 FRAME

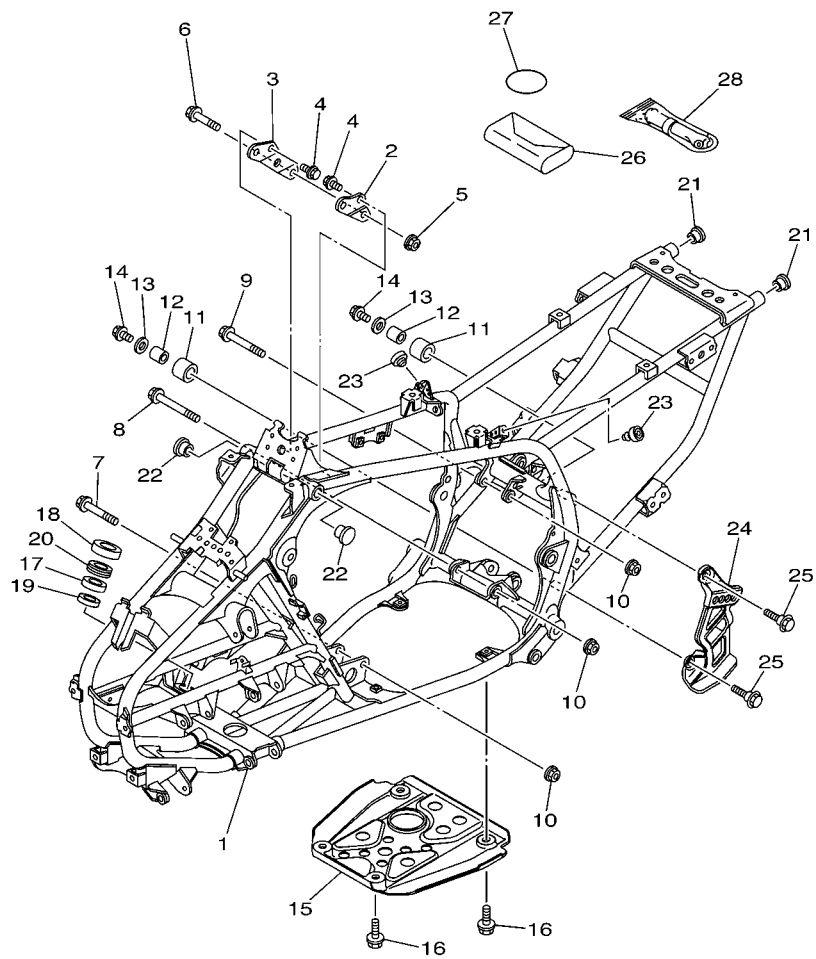


5YT1100-C160

REF. NO.	PART NO.	DESCRIPTION	USA	CAN	EUR	OCE	JPN	REMARKS
1	5YT-21110-00	FRAME COMP.	1	1	1	1	1	
2	1UY-21315-10	STAY, ENGINE 2	1	1	1	1	1	
3	1UY-21316-10	STAY, ENGINE 3	1	1	1	1	1	
4	95817-08012	BOLT, FLANGE	4	4	4	4	4	
5	90179-08577	NUT	1	1	1	1	1	
6	95817-08055	BOLT, FLANGE	1	1	1	1	1	
7	90105-10323	BOLT, FLANGE	1	1	1	1	1	
8	90105-10409	BOLT, FLANGE	1	1	1	1	1	
9	90105-10480	BOLT, FLANGE	1	1	1	1	1	
10	90185-10002	NUT, SELF-LOCKING	3	3	3	3	3	
11	3TB-22178-00	TENSIONER	2	2	2	2	2	
12	4V4-22184-00	BUSH	2	2	2	2	2	
13	90201-08753	WASHER, PLATE	2	2	2	2	2	
14	95827-08012	BOLT, FLANGE	2	2	2	2	2	
15	5YT-21471-00	PROTECTOR, ENGINE	1	1	1	1	1	
16	90109-08052	BOLT	4	4	4	4	4	
17	93306-20331	BEARING	1	1	1	1	1	
18	93102-25081	OIL SEAL	1	1	1	1	1	
19	93102-25099	OIL SEAL	1	1	1	1	1	
20	2GU-23872-00	HOLDER, BEARING	1	1	1	1	1	
21	90338-18122	PLUG	2	2	2	2	2	
22	90338-23172	PLUG	2	2	2	2	2	
23	22W-24741-00	PAD, SEAT	2	2	2	2	2	
24	5YT-2117G-00	PROTECTOR	1	1	1	1	1	
25	90109-08052	BOLT	2	2	2	2	2	
26	2XK-28100-00	TOOL KIT	1	1	1	1	1	
27	3TJ-82131-00	BAND, BATTERY	1	1	1	1	1	

C10

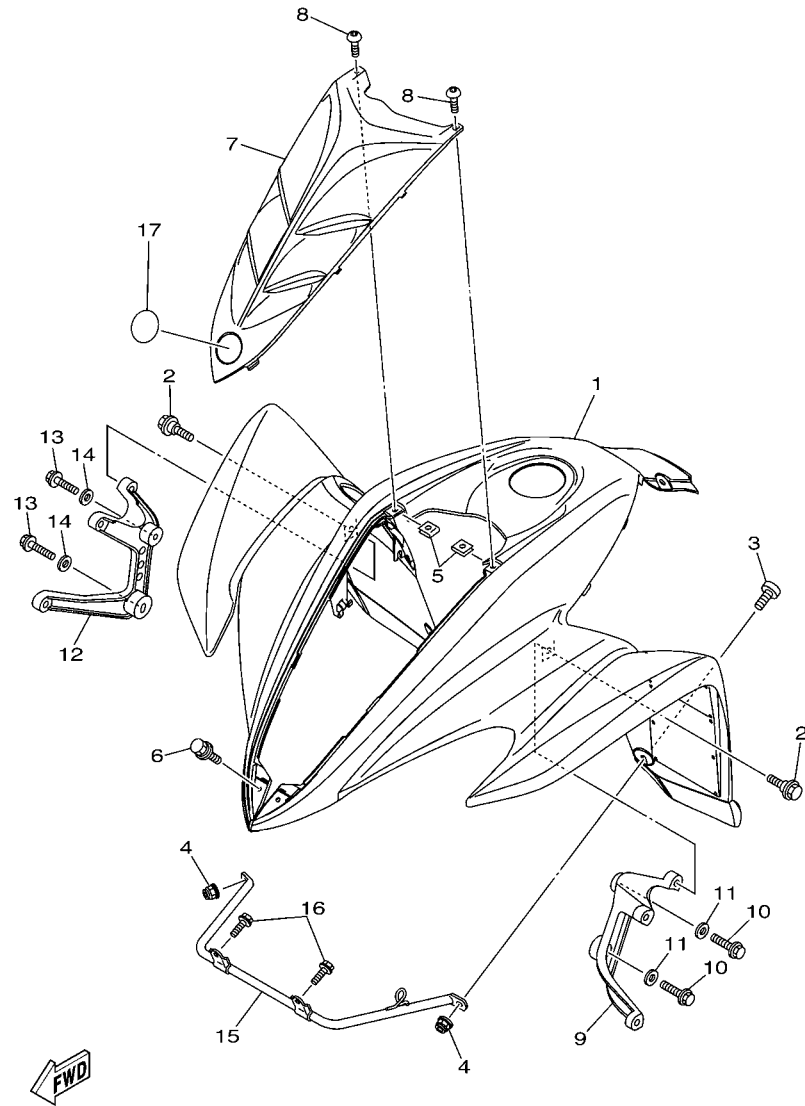
FIG. 16 FRAME



FWD
5YT1100-C160

REF. NO.	PART NO.	DESCRIPTION	USA	CAN	EUR	OCE	JPN	REMARKS
28	1NV-2811A-01	GAUGE, AIR	1	1	1	1	1	

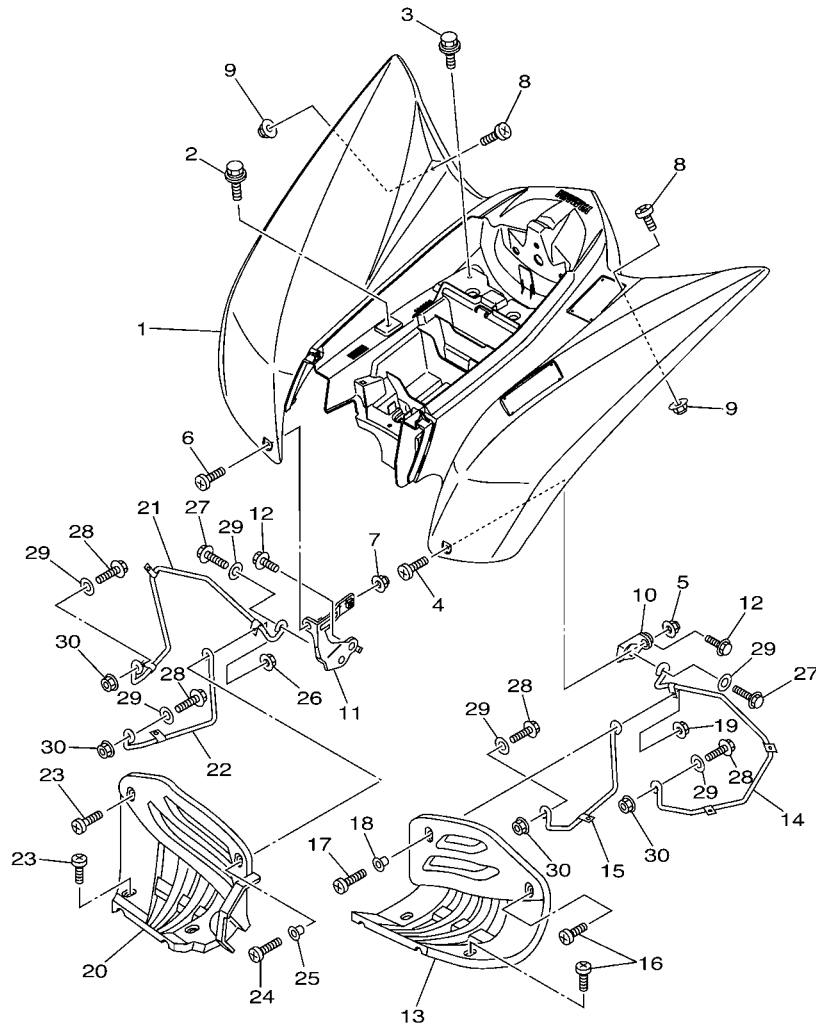
FIG. 17 FRONT FENDER



5YT1100-C170

REF. NO.	PART NO.	DESCRIPTION	USA	CAN	EUR	OC	JPN	REMARKS
1	5YT-W2151-01	FRONT FENDER COMP.	1					UR FOR DPBSE
	5YT-W2151-11	FRONT FENDER COMP.	1					UR FOR BWS1
	5YT-W215C-01	FRONT FENDER COMP.2		1				UR FOR DPBSE
	5YT-W215C-11	FRONT FENDER COMP.2		1				UR FOR BWS1
	5YT-W215B-00	FRONT FENDER COMP. 2			1			UR FOR DPBSE
	5YT-W215B-10	FRONT FENDER COMP. 2			1			UR FOR BWS1
	5YT-W215E-00	FRONT FENDER COMP.				1		UR FOR DPBSE
	5YT-W215E-10	FRONT FENDER COMP.				1		UR FOR BWS1
	5YT-W215D-00	FRONT FENDER COMP. 2					1	FOR DPBSE
2	90109-063F1	BOLT	2	2	2	2	2	
3	90149-06306	SCREW	2	2	2	2	2	
4	95607-06200	NUT, SELF U-FLANGE	2	2	2	2	2	
5	90183-05008	NUT, SPRING	2	2	2	2	2	
6	90119-06056	BOLT, WITH WASHER	2	2	2	2	2	
7	5YT-23391-00	PANEL, FRONT	1	1	1	1	1	UR FOR DPBSE
	5YT-23391-30	PANEL, FRONT	1	1	1	1	1	UR FOR BWS1
8	90110-05201	BOLT, HEXAGON SOCKET HEAD	2	2	2	2	2	
9	5YT-21513-00	STAY, FENDER 1	1	1	1	1	1	
10	95817-06014	BOLT, FLANGE	2	2	2	2	2	
11	90201-06050	WASHER, PLATE	2	2	2	2	2	
12	5YT-21514-00	STAY, FENDER 2	1	1	1	1	1	
13	95817-06014	BOLT, FLANGE	2	2	2	2	2	
14	90201-06050	WASHER, PLATE	2	2	2	2	2	
15	5YT-21562-00	STAY, FENDER 3	1	1	1	1	1	
16	95827-06010	BOLT, FLANGE	2	2	2	2	2	
17	8AC-2414B-01	EMBLEM	1	1	1	1	1	

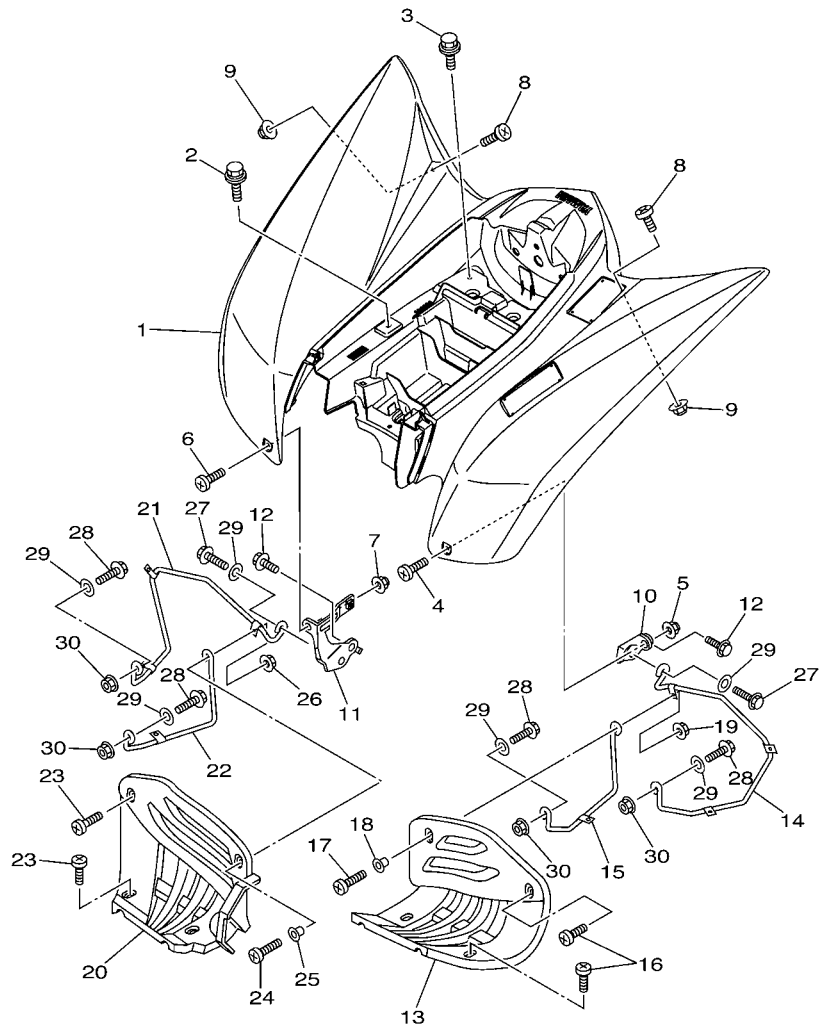
FIG. 18 REAR FENDER



5YT1100-C180

REF. NO.	PART NO.	DESCRIPTION	USA	CAN	EUR	OCE	JPN	REMARKS	
1	5YT-W2161-00	REAR FENDER COMP.	1				1	1	UR FOR DPBSE
	5YT-W2161-10	REAR FENDER COMP.	1			1			UR FOR BWS1
	5YT-W216C-00	REAR FENDER COMP.2		1					UR FOR DPBSE
	5YT-W216C-10	REAR FENDER COMP.2		1					UR FOR BWS1
	5YT-W216B-00	REAR FENDER COMP.2			1				UR FOR DPBSE
	5YT-W216B-10	REAR FENDER COMP.2			1				UR FOR BWS1
2	90119-06056	BOLT, WITH WASHER	2	2	2	2	2	2	
3	90119-06056	BOLT, WITH WASHER	2	2	2	2	2	2	
4	90149-06306	SCREW	1	1	1	1	1	1	
5	90185-06153	NUT, SELF-LOCKING	1	1	1	1	1	1	
6	90149-06306	SCREW	1	1	1	1	1	1	
7	90185-06153	NUT, SELF-LOCKING	1	1	1	1	1	1	
8	90149-06306	SCREW	2	2	2	2	2	2	
9	90185-06153	NUT, SELF-LOCKING	2	2	2	2	2	2	
10	5YT-21613-00	STAY, FENDER 1	1	1	1	1	1	1	
11	5YT-21614-00	STAY, FENDER 2	1	1	1	1	1	1	
12	95827-08012	BOLT, FLANGE	2	2	2	2	2	2	
13	5LP-21621-00	FLAP	1	1	1	1	1	1	
14	5YT-2164F-00	STAY 1	1	1	1	1	1	1	
15	5YT-2164H-00	STAY 3	1	1	1	1	1	1	
16	90154-05013	SCREW, BINDING	3	3	3	3	3	3	
17	90154-06061	SCREW, BINDING	1	1	1	1	1	1	
18	90387-062E0	COLLAR	1	1	1	1	1	1	
19	95607-06200	NUT, SELF U-FLANGE	1	1	1	1	1	1	
20	5LP-21691-00	FLAP	1	1	1	1	1	1	
21	5YT-2164G-00	STAY 2	1	1	1	1	1	1	
22	5YT-2164J-00	STAY 4	1	1	1	1	1	1	

FIG. 18 REAR FENDER

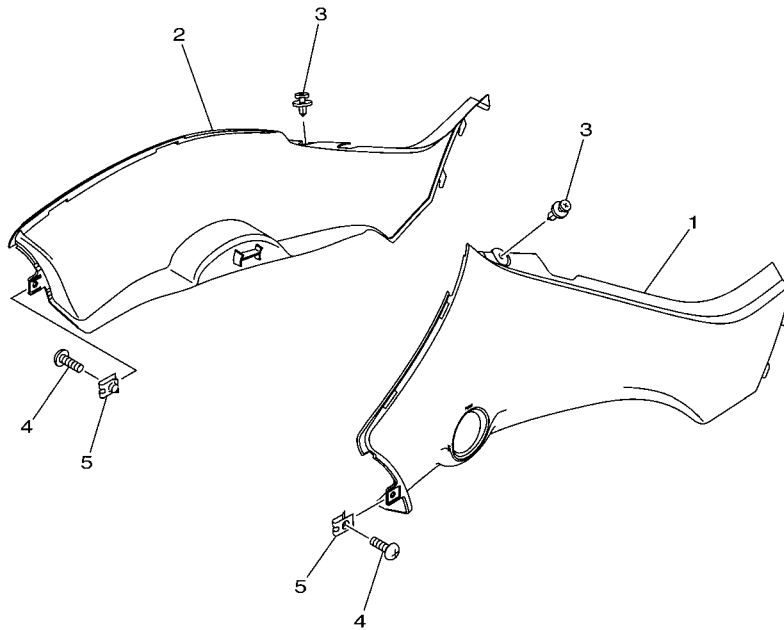


FWD
5YT1100-C180

REF. NO.	PART NO.	DESCRIPTION	USA	CAN	EUR	OCE	JPN	REMARKS
23	90154-05013	SCREW, BINDING	3	3	3	3	3	
24	90154-06061	SCREW, BINDING	1	1	1	1	1	
25	90387-062E0	COLLAR	1	1	1	1	1	
26	95607-06200	NUT, SELF U-FLANGE	1	1	1	1	1	
27	95827-08020	BOLT, FLANGE	2	2	2	2	2	
28	95827-08025	BOLT, FLANGE	4	4	4	4	4	
29	90201-08326	WASHER, PLATE	6	6	6	6	6	
30	95607-08200	NUT, SELF-LOCKING	4	4	4	4	4	

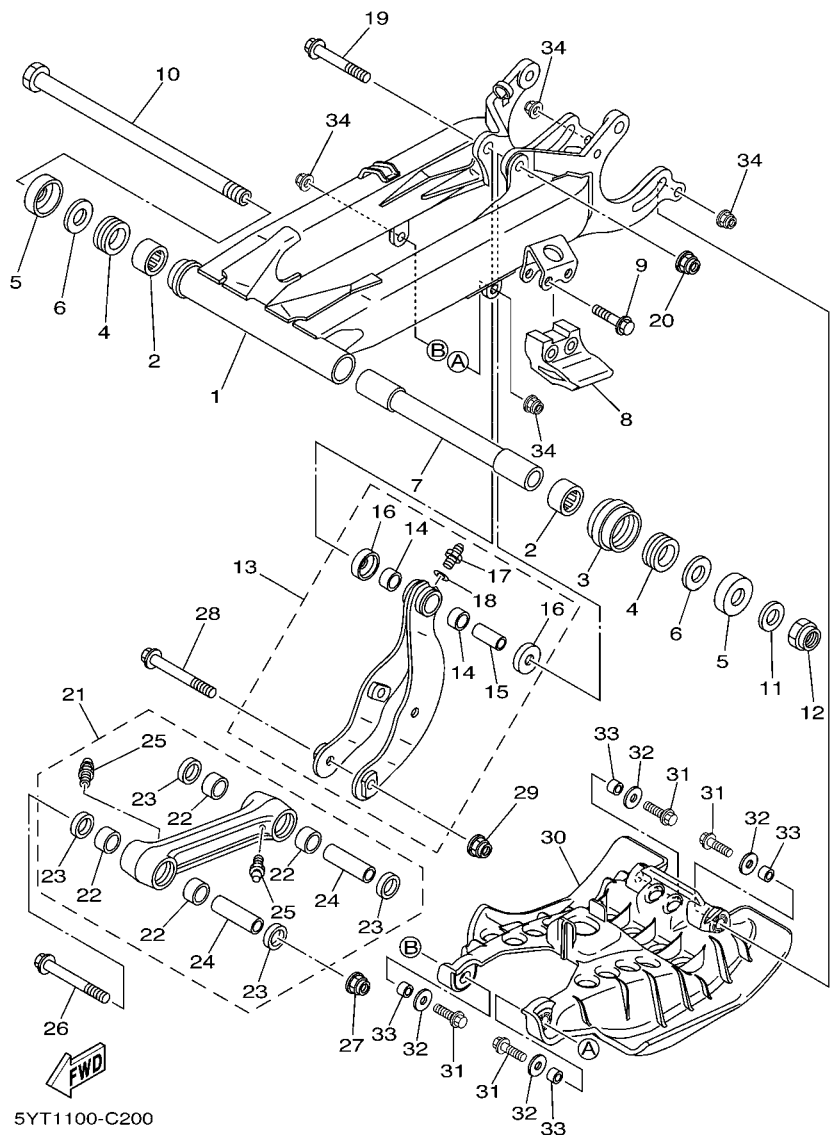
FIG. 19 SIDE COVER

REF. NO.	PART NO.	DESCRIPTION	USA	CAN	EUR	OCE	JPN	REMARKS
1	5YT-21711-00	COVER, SIDE 1	1	1	1	1	1	UR FOR DPBSE
	5YT-21711-10	COVER, SIDE 1	1	1	1	1	1	UR FOR BWS1
2	5YT-21721-00	COVER, SIDE 2	1	1	1	1	1	UR FOR DPBSE
	5YT-21721-10	COVER, SIDE 2	1	1	1	1	1	UR FOR BWS1
3	90269-07076	RIVET	2	2	2	2	2	
4	90149-06021	SCREW	2	2	2	2	2	
5	90183-06069	NUT, SPRING	2	2	2	2	2	



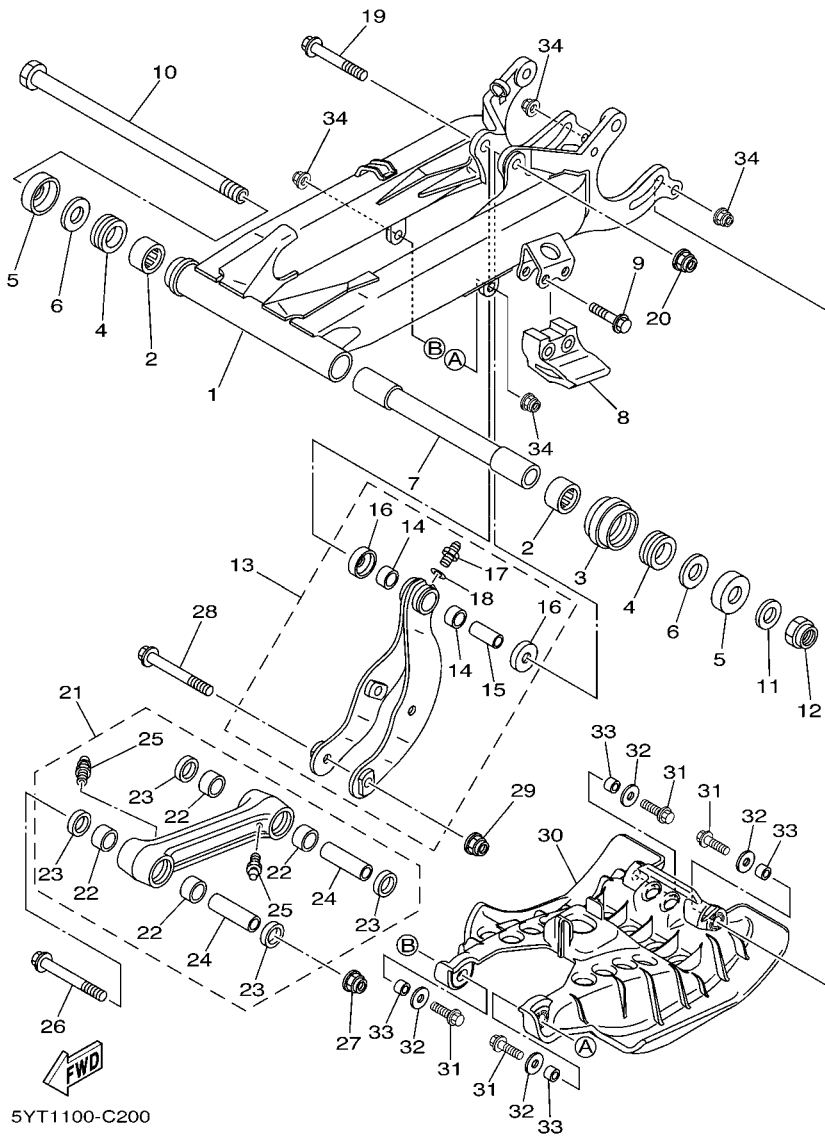

 5YT1100-C190

FIG. 20 REAR ARM



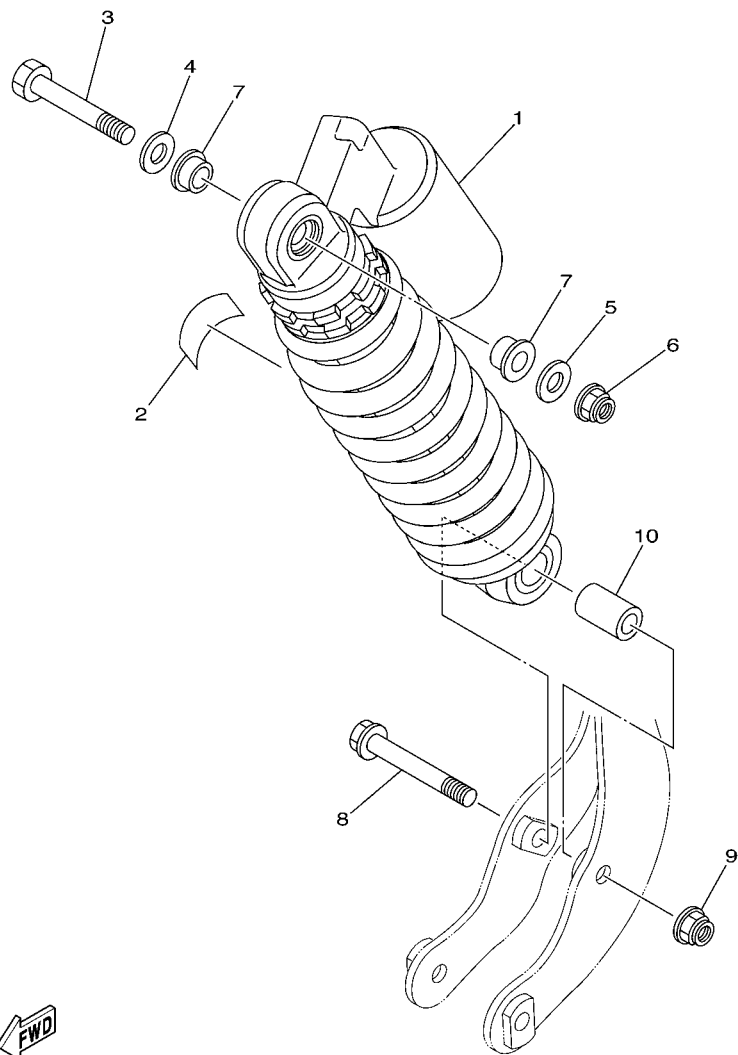
REF. NO.	PART NO.	DESCRIPTION	USA	CAN	EUR	OCE	JPN	REMARKS
1	3GD-22110-30	REAR ARM COMP.	1	1	1	1	1	
2	93317-22237	BEARING	2	2	2	2	2	
3	2GU-22151-00	SEAL, GUARD	1	1	1	1	1	
4	93108-35004	OIL SEAL (35-41-8)	2	2	2	2	2	
5	2K6-22128-01	COVER, THRUST 1	2	2	2	2	2	
6	90201-244A9	WASHER, PLATE (2.05T)	2	2	2	2	2	
7	3GD-22184-00	BUSH	1	1	1	1	1	
8	38W-22199-00	SUPPORT, CHAIN	1	1	1	1	1	
9	95807-08040	BOLT, FLANGE	2	2	2	2	2	
10	1UY-22141-01	SHAFT, PIVOT	1	1	1	1	1	
11	90201-160F6	WASHER, PLATE	1	1	1	1	1	
12	90185-16127	NUT, SELF-LOCKING	1	1	1	1	1	
13	5YT-2210J-00	RELAY ARM SUB ASSY	1	1	1	1	1	
14	90383-20032	.BUSH, FORMED	2	2	2	2	2	
15	90387-125N8	.COLLAR	1	1	1	1	1	
16	5YT-22129-00	.COVER, THRUST 2	2	2	2	2	2	
17	93700-06004	.NIPPLE, GREASE	1	1	1	1	1	
18	90201-063F3	.WASHER, PLATE	1	1	1	1	1	
19	90105-12028	BOLT, FLANGE	1	1	1	1	1	
20	95607-12200	NUT, SELF-LOCKING	1	1	1	1	1	
21	5YT-2210K-00	CONNECTING ROD SUB ASSY	1	1	1	1	1	
22	90383-20032	.BUSH, FORMED	4	4	4	4	4	
23	93109-20076	.OIL SEAL	4	4	4	4	4	
24	90387-12021	.COLLAR	2	2	2	2	2	
25	93700-06004	.NIPPLE, GREASE	2	2	2	2	2	
26	90105-12027	BOLT, FLANGE	1	1	1	1	1	
27	95607-12200	NUT, SELF-LOCKING	1	1	1	1	1	

FIG. 20 REAR ARM



REF. NO.	PART NO.	DESCRIPTION	USA	CAN	EUR	OCE	JPN	REMARKS
28	90105-12027	BOLT, FLANGE	1	1	1	1	1	
29	95607-12200	NUT, SELF-LOCKING	1	1	1	1	1	
30	5YT-2219X-00	COVER	1	1	1	1	1	
31	97007-08030	BOLT	4	4	4	4	4	
32	90201-08753	WASHER, PLATE	4	4	4	4	4	
33	90387-084N8	COLLAR	4	4	4	4	4	
34	95707-08500	NUT, FLANGE	4	4	4	4	4	

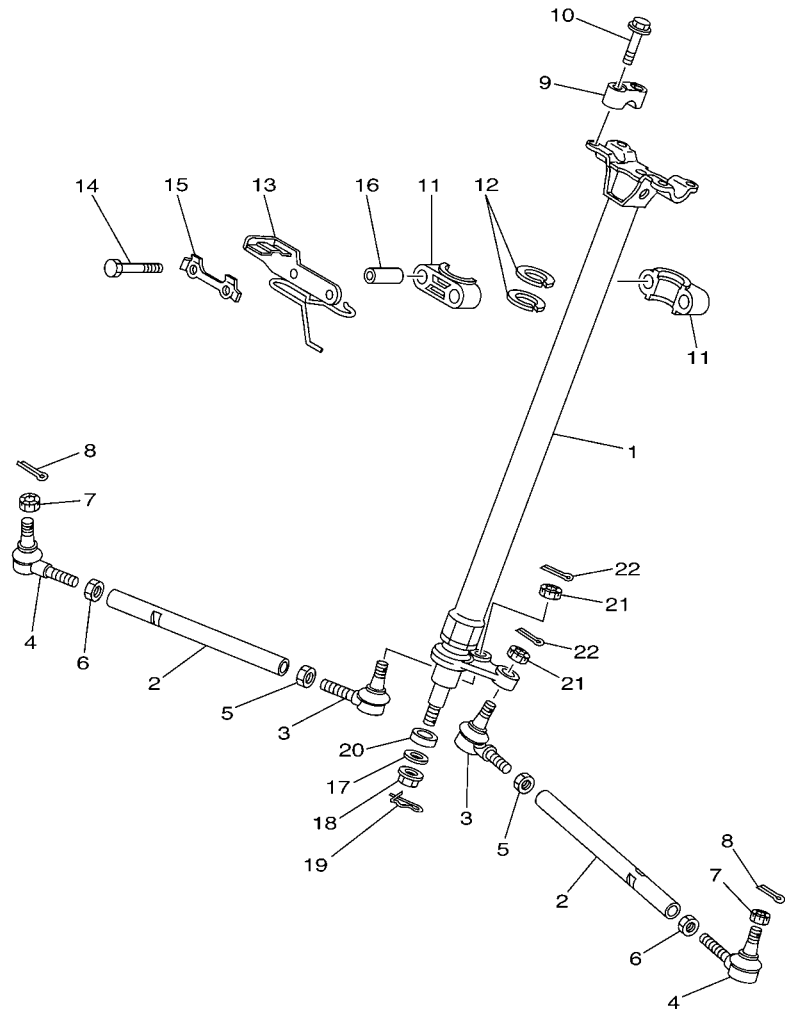
FIG. 21 REAR SUSPENSION



FWD
5YT1100-C210

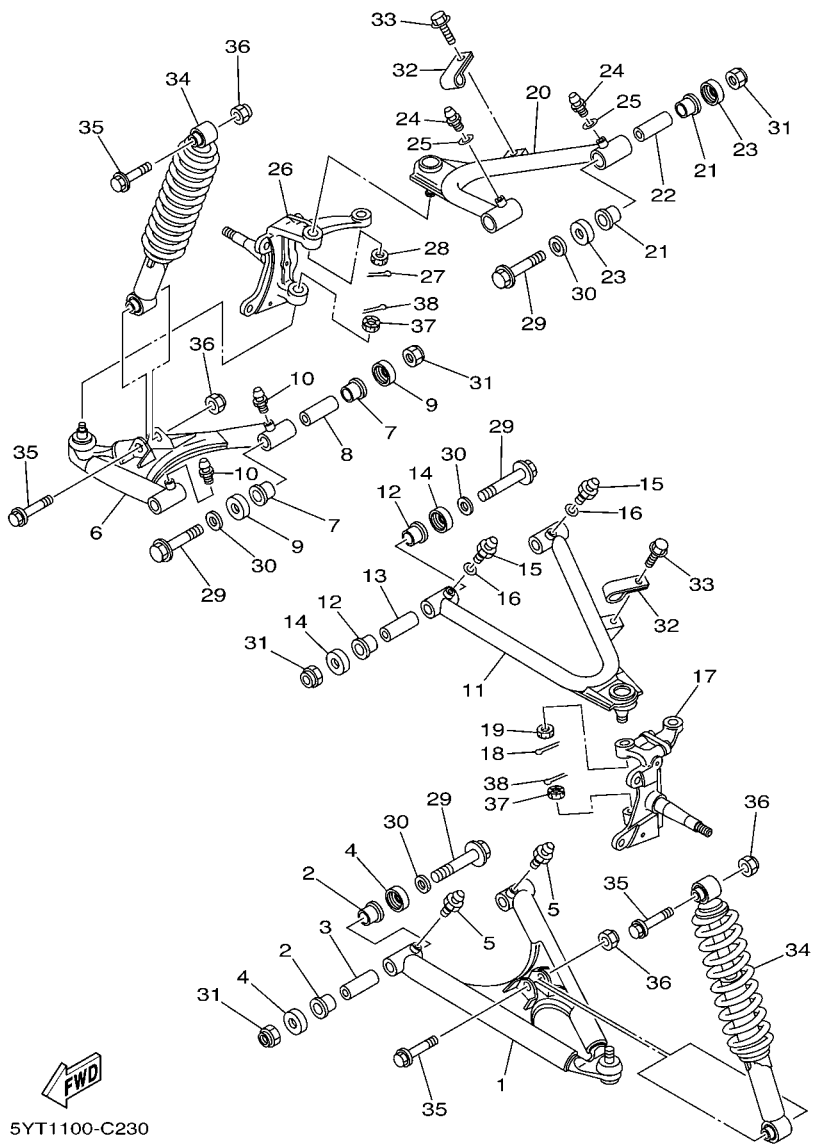
REF. NO.	PART NO.	DESCRIPTION	USA	CAN	EUR	OCE	JPN	REMARKS
1	5YT-22210-00	SHOCK ABSORBER ASSY, REAR	1					
	5YT-22210-10	SHOCK ABSORBER ASSY, REAR		1				
	5YT-22210-20	SHOCK ABSORBER ASSY, REAR			1	1		
	5YT-22210-30	SHOCK ABSORBER ASSY, REAR					1	
2	4AA-22259-80	.LABEL, WARNING	1					
	4AA-22259-70	.LABEL, WARNING		1				
	4AA-22259-40	.LABEL, WARNING			1	1		
	4AA-22259-50	.LABEL, WARNING					1	
3	90101-12012	BOLT	1	1	1	1	1	
4	90201-12016	WASHER, PLATE	1	1	1	1	1	
5	90201-124G9	WASHER, PLATE	1	1	1	1	1	
6	90185-12134	NUT, SELF-LOCKING	1	1	1	1	1	
7	90387-127G8	COLLAR	2	2	2	2	2	
8	90105-12028	BOLT, FLANGE	1	1	1	1	1	
9	95607-12200	NUT, SELF-LOCKING	1	1	1	1	1	
10	90387-12020	COLLAR	1	1	1	1	1	

FIG. 22 STEERING




5YT1100-C220

REF. NO.	PART NO.	DESCRIPTION	USA	CAN	EUR	OCE	JPN	REMARKS
1	5YT-23813-00	COLUMN, STEERING 2	1	1	1	1	1	
2	3GD-23831-00	ROD, TIE	2	2	2	2	2	
3	1UY-23841-01	JOINT, UNIVERSAL 1	2	2	2	2	2	
4	1UY-23845-01	JOINT, UNIVERSAL 2	2	2	2	2	2	
5	95307-10700	NUT	2	2	2	2	2	
6	90170-10186	NUT	2	2	2	2	2	(L.H. THREAD)
7	90171-10046	NUT, CASTLE	2	2	2	2	2	
8	91401-20020	PIN, COTTER	2	2	2	2	2	
9	8K1-23814-00	HOLDER, HANDLE	2	2	2	2	2	
10	95827-08030	BOLT, FLANGE	4	4	4	4	4	
11	1UY-23812-00	PLANE BEARING, STEERING	2	2	2	2	2	
12	93112-31011	OIL SEAL	2	2	2	2	2	
13	5YT-23868-00	BRACKET, STEERING LOWER	1	1	1	1	1	
14	97027-08060	BOLT	2	2	2	2	2	
15	1UY-23894-01	WASHER, LOCK 1	1	1	1	1	1	
16	90387-090R0	COLLAR	2	2	2	2	2	
17	90201-10774	WASHER, PLATE	1	1	1	1	1	
18	90185-10115	NUT, SELF-LOCKING	1	1	1	1	1	
19	90468-16191	CLIP	1	1	1	1	1	
20	90387-176R6	COLLAR	1	1	1	1	1	
21	90171-10046	NUT, CASTLE	2	2	2	2	2	
22	91401-20020	PIN, COTTER	2	2	2	2	2	



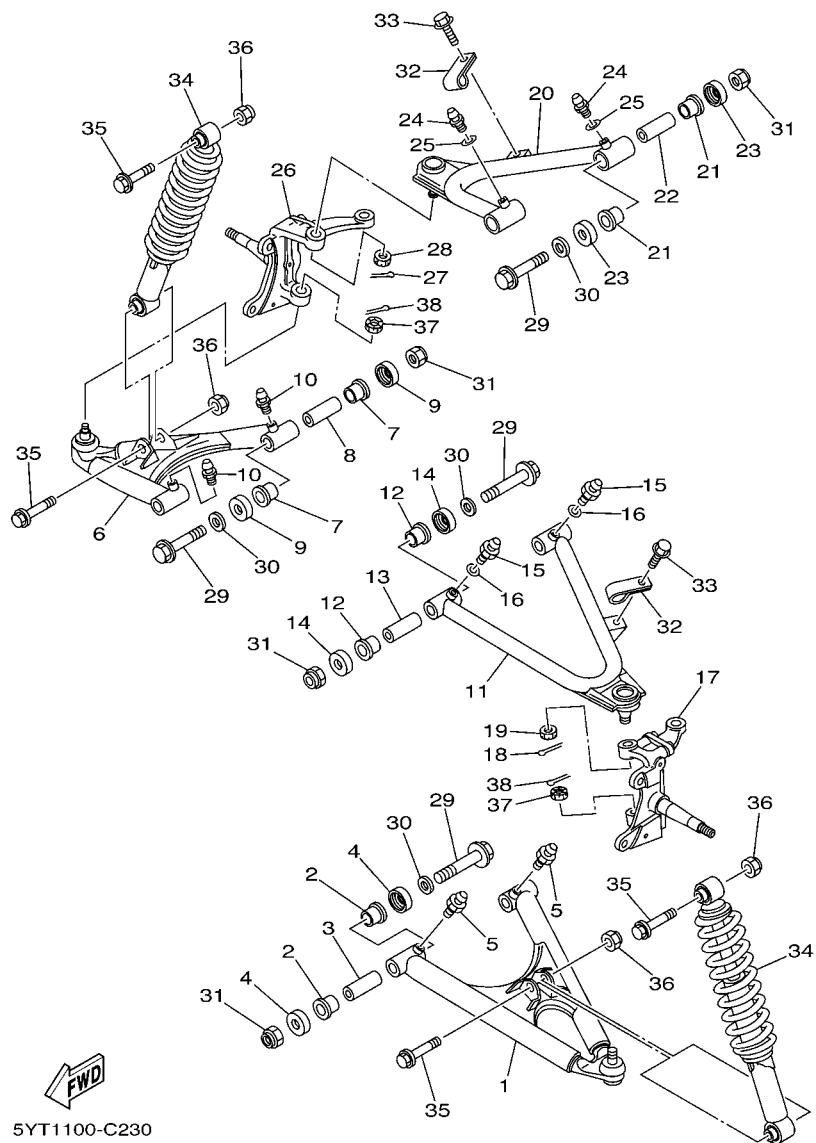
5YT1100-C230

FIG. 23 FRONT SUSPENSION & WHEEL

REF. NO.	PART NO.	DESCRIPTION	USA	CAN	EUR	OCE	JPN	REMARKS
1	3GD-23570-20	FRONT LOWER ARM COMP. (LEFT)	1	1	1	1	1	UR FOR DPBSE
	3GD-23570-10	FRONT LOWER ARM COMP. (LEFT)	1	1	1	1	1	UR FOR BWS1
2	90381-15088	BUSH, SOLID	4	4	4	4	4	
3	90387-101R3	COLLAR	2	2	2	2	2	
4	5YT-23517-00	COVER, THRUST 1	4	4	4	4	4	
5	93700-06004	NIPPLE, GREASE	2	2	2	2	2	
6	3GD-23580-20	FRONT LOWER ARM COMP. (RIGHT)	1	1	1	1	1	UR FOR DPBSE
	3GD-23580-10	FRONT LOWER ARM COMP. (RIGHT)	1	1	1	1	1	UR FOR BWS1
7	90381-15088	BUSH, SOLID	4	4	4	4	4	
8	90387-101R3	COLLAR	2	2	2	2	2	
9	5YT-23517-00	COVER, THRUST 1	4	4	4	4	4	
10	93700-06004	NIPPLE, GREASE	2	2	2	2	2	
11	3GD-23540-20	FRONT UPPER ARM COMP. (LEFT)	1	1	1	1	1	UR FOR DPBSE
	3GD-23540-10	FRONT UPPER ARM COMP. (LEFT)	1	1	1	1	1	UR FOR BWS1
12	90381-15088	BUSH, SOLID	4	4	4	4	4	
13	90387-101R3	COLLAR	2	2	2	2	2	
14	5YT-23517-00	COVER, THRUST 1	4	4	4	4	4	
15	93700-06004	NIPPLE, GREASE	2	2	2	2	2	
16	90201-063F3	WASHER, PLATE	2	2	2	2	2	
17	3GD-23501-00	STEERING KNUCKLE ASSY (LEFT)	1	1	1	1	1	
18	91401-20020	PIN, COTTER	1	1	1	1	1	
19	90171-10046	NUT, CASTLE	1	1	1	1	1	
20	3GD-23550-20	FRONT UPPER ARM COMP. (RIGHT)	1	1	1	1	1	UR FOR DPBSE
	3GD-23550-10	FRONT UPPER ARM COMP. (RIGHT)	1	1	1	1	1	UR FOR BWS1
21	90381-15088	BUSH, SOLID	4	4	4	4	4	
22	90387-101R3	COLLAR	2	2	2	2	2	
23	5YT-23517-00	COVER, THRUST 1	4	4	4	4	4	

D6

FIG. 23 FRONT SUSPENSION & WHEEL



5YT1100-C230

REF. NO.	PART NO.	DESCRIPTION	USA	CAN	EUR	OCE	JPN	REMARKS
24	93700-06004	NIPPLE, GREASE	2	2	2	2	2	
25	90201-063F3	WASHER, PLATE	2	2	2	2	2	
26	3GD-23502-00	STEERING KNUCKLE ASSY (RIGHT)	1	1	1	1	1	
27	91401-20020	PIN, COTTER	1	1	1	1	1	
28	90171-10046	NUT, CASTLE	1	1	1	1	1	
29	90105-10034	BOLT, FLANGE	8	8	8	8	8	
30	90201-10430	WASHER, PLATE	8	8	8	8	8	
31	90185-10060	NUT, SELF-LOCKING	8	8	8	8	8	
32	5VM-25886-00	HOLDER, BRAKE HOSE	2	2	2	2	2	
33	95827-06016	BOLT, FLANGE	2	2	2	2	2	
34	5YT-23350-00	SHOCK ABSORBER ASSY	2	2	2	2	2	
35	90105-10388	BOLT, FLANGE	4	4	4	4	4	
36	90185-10060	NUT, SELF-LOCKING	4	4	4	4	4	
37	90171-10046	NUT, CASTLE	2	2	2	2	2	
38	91401-20020	PIN, COTTER	2	2	2	2	2	

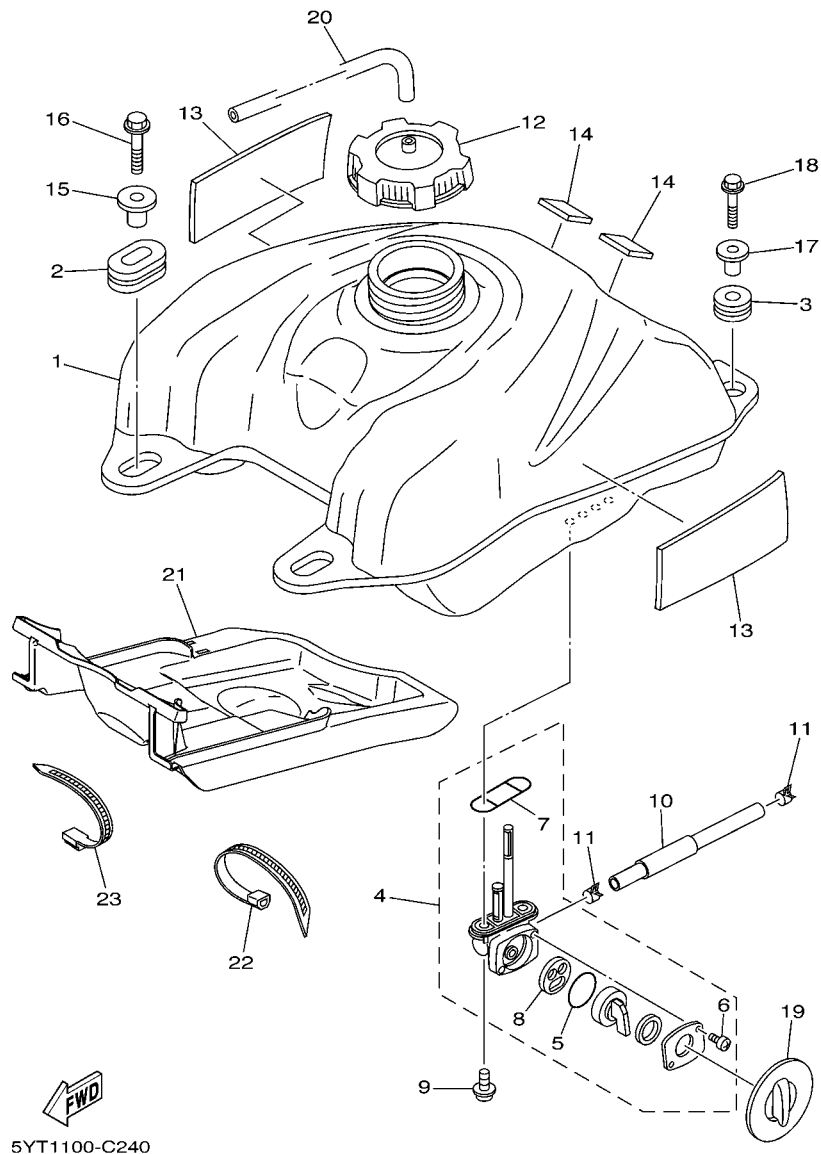
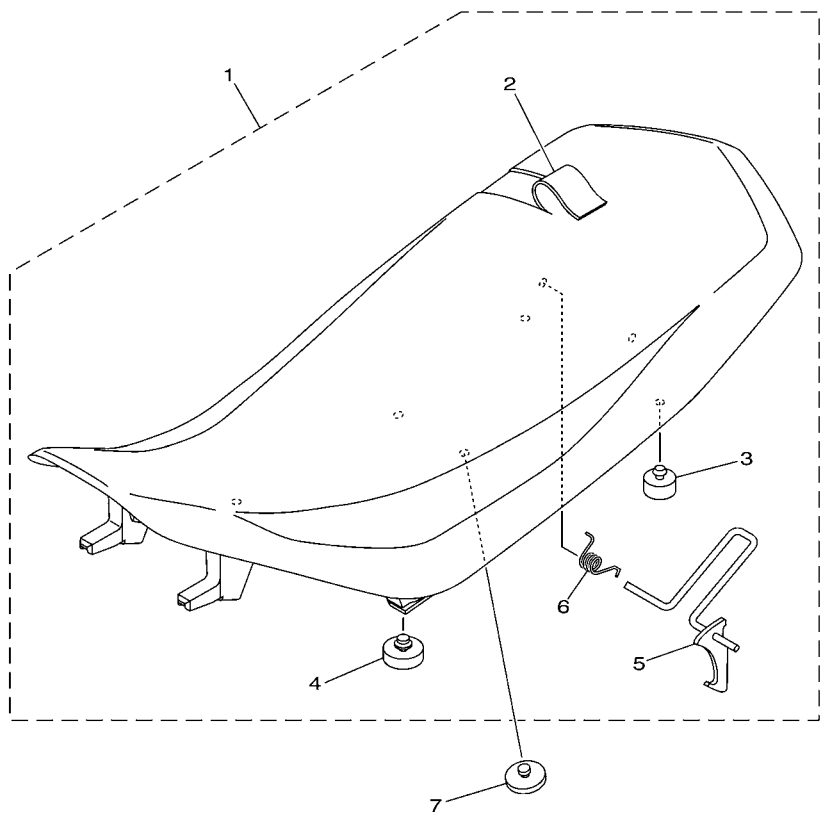


FIG. 24 FUEL TANK

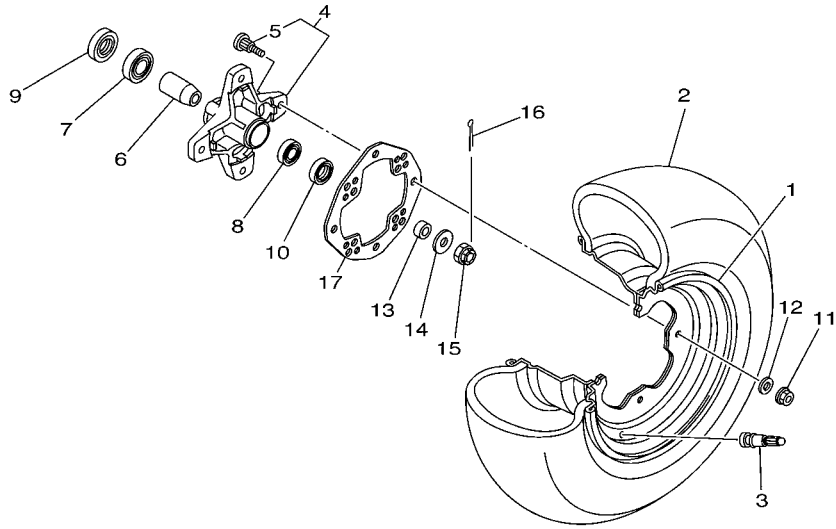
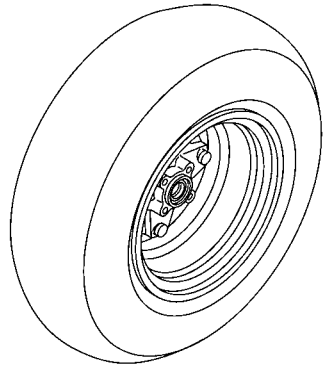
REF. NO.	PART NO.	DESCRIPTION	USA	CAN	EUR	OCE	JPN	REMARKS
1	5YT-24110-00	FUEL TANK COMP.	1	1	1	1	1	
2	90480-01400	GROMMET	2	2	2	2	2	
3	90480-18290	GROMMET	2	2	2	2	2	
4	21V-24500-11	FUEL COCK ASSY 1	1	1	1	1	1	
5	3AJ-24534-01	.SEAL, COCK	1	1	1	1	1	
6	98507-03008	.SCREW, PAN HEAD	2	2	2	2	2	
7	4X8-24512-00	.O-RING	1	1	1	1	1	
8	3AC-24523-00	.VALVE PACKING	1	1	1	1	1	
9	90149-06011	SCREW	2	2	2	2	2	
10	5YT-24311-00	PIPE, FUEL 1	1	1	1	1	1	
11	90467-10038	CLIP	2	2	2	2	2	
12	5KM-24610-00	CAP ASSY	1	1	1	1	1	
13	5TG-21541-00	DAMPER 1	2	2	2	2	2	
14	5YT-24665-00	DAMPER	2	2	2	2	2	
15	90387-075H4	COLLAR	2	2	2	2	2	
16	95807-06030	BOLT, FLANGE	2	2	2	2	2	
17	90387-066J1	COLLAR	2	2	2	2	2	
18	95807-06030	BOLT, FLANGE	2	2	2	2	2	
19	5YT-24524-00	LEVER, COCK	1	1	1	1	1	
20	90445-084J1	HOSE (L420)	1	1	1	1	1	
21	5YT-2414H-00	DAMPER, PLATE 1	1	1	1	1	1	
22	90464-15195	CLAMP	1	1	1	1	1	
23	90464-13073	CLAMP	1	1	1	1	1	

FIG. 25 SEAT



REF. NO.	PART NO.	DESCRIPTION	USA	CAN	EUR	OCE	JPN	REMARKS
1	5YT-24710-00	SINGLE SEAT ASSY	1	1	1	1	1	
2	5YT-24731-00	.COVER, SEAT	1	1	1	1	1	
3	371-27114-00	.STOPPER, MAIN STAND	2	2	2	2	2	
4	509-24724-00	.DAMPER, SEAT	2	2	2	2	2	
5	5YT-24776-00	.LEVER, SEAT	1	1	1	1	1	
6	90508-23567	.SPRING, TORSION	1	1	1	1	1	
7	214-24724-00	DAMPER, SEAT	2	2	2	2	2	

 5YT1100-C250



5YT1100-C260

FIG. 26 FRONT WHEEL

REF. NO.	PART NO.	DESCRIPTION	USA	CAN	EUR	OCE	JPN	REMARKS
1	5LP-25180-10	WHEEL COMP.	2	2	2	2	2	
2	94107-10012	TIRE (AT21X7-10 KT851B)	2	2	2	2	2	DUNLOP
3	93900-00022	VALVE, RIM (TR413)	2	2	2	2	2	TAIHEIYO
4	3GD-25111-01	HUB, FRONT	2	2	2	2	2	
5	90114-10007	.BOLT, SERRATION	4	4	4	4	4	
6	1UY-25117-00	SPACER, BEARING	2	2	2	2	2	
7	93306-00406	BEARING	2	2	2	2	2	UR NTN
	93306-00438	BEARING	2	2	2	2	2	UR NIHONSEIKO
8	93306-20227	BEARING	2	2	2	2	2	
9	93105-26026	OIL SEAL	2	2	2	2	2	
10	93102-22216	OIL SEAL	2	2	2	2	2	
11	95707-10500	NUT, FLANGE	8	8	8	8	8	
12	92907-10200	WASHER, PLAIN	8	8	8	8	8	
13	90387-150R1	COLLAR	2	2	2	2	2	
14	90201-14586	WASHER, PLATE	2	2	2	2	2	
15	90171-14020	NUT, CASTLE	2	2	2	2	2	
16	91401-30025	PIN, SPLIT	2	2	2	2	2	
17	3GD-25127-10	COVER, PLATE	2	2	2	2	2	

D10

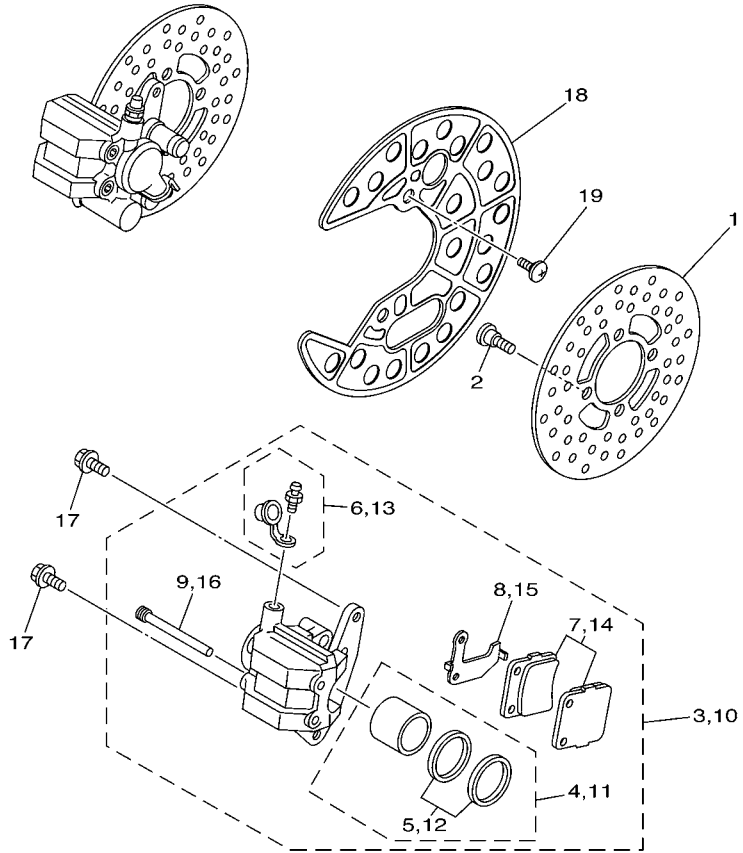


FIG. 27 FRONT BRAKE CALIPER

REF. NO.	PART NO.	DESCRIPTION	USA	CAN	EUR	OCE	JPN	REMARKS
1	3GD-2582T-10	DISC, BRAKE (LEFT)	2	2	2	2	2	
2	90149-08268	SCREW	8	8	8	8	8	
3	5LP-2580T-00	CALIPER ASSY (LEFT)	1	1	1	1	1	
4	3GD-W0057-00	.PISTON ASSY, CALIPER	1	1	1	1	1	
5	3GD-W0047-00	..CALIPER SEAL KIT	1	1	1	1	1	
6	1UY-W0048-50	.BLEED SCREW KIT	1	1	1	1	1	
7	5LP-W0045-00	.BRAKE PAD KIT	1	1	1	1	1	
8	3GD-25827-00	.SHIM, CALIPER	1	1	1	1	1	
9	3GD-25933-00	.PIN, PAD	2	2	2	2	2	
10	5LP-2580U-00	CALIPER ASSY (RIGHT)	1	1	1	1	1	
11	3GD-W0057-00	.PISTON ASSY, CALIPER	1	1	1	1	1	
12	3GD-W0047-00	..CALIPER SEAL KIT	1	1	1	1	1	
13	1UY-W0048-50	.BLEED SCREW KIT	1	1	1	1	1	
14	5LP-W0045-00	.BRAKE PAD KIT	1	1	1	1	1	
15	3GD-25828-00	.SHIM, CALIPER	1	1	1	1	1	
16	3GD-25933-00	.PIN, PAD	2	2	2	2	2	
17	90105-08538	BOLT, FLANGE	4	4	4	4	4	
18	5YT-2514A-00	RING, WHEEL 1 (LEFT)	2	2	2	2	2	
19	90154-06014	SCREW, BINDING	4	4	4	4	4	



5YT1100-C270

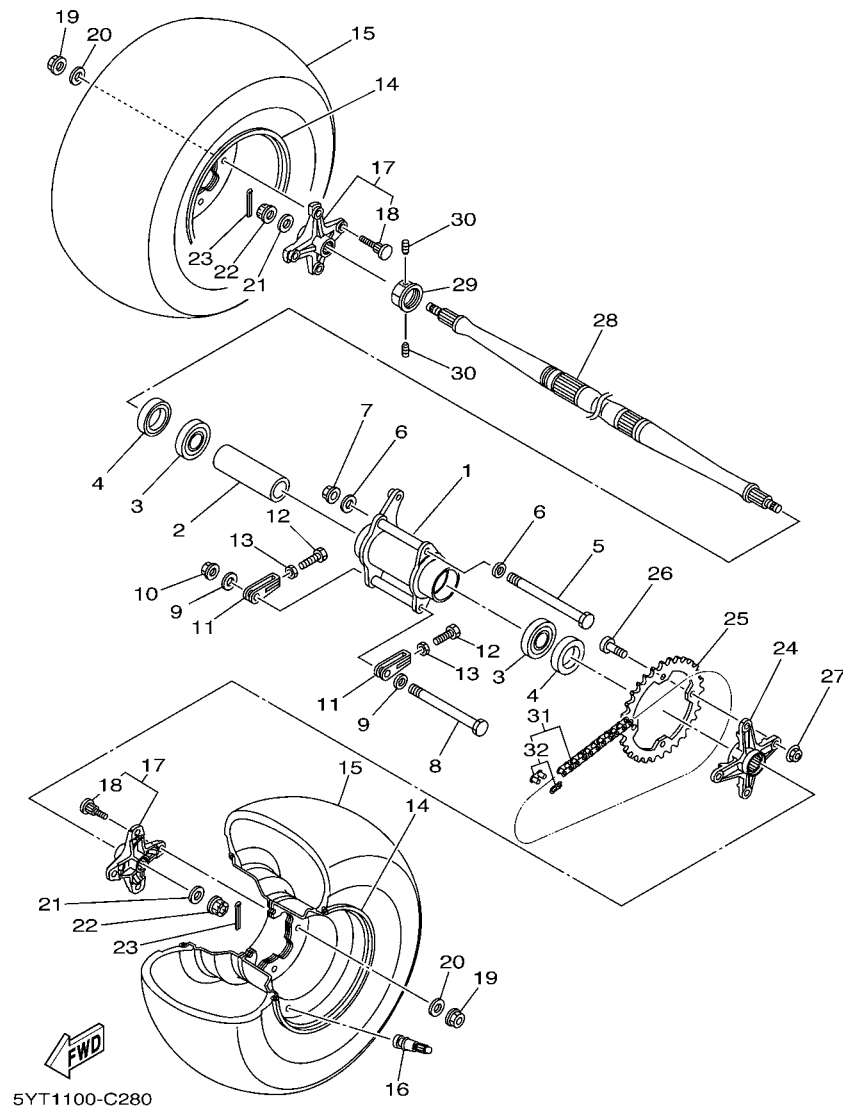


FIG. 28 REAR WHEEL

REF. NO.	PART NO.	DESCRIPTION	USA	CAN	EUR	OC	JPN	REMARKS
1	5YT-25311-00	HUB, REAR	1	1	1	1	1	
2	5YT-25317-00	SPACER, BEARING	1	1	1	1	1	
3	93306-00710	BEARING	2	2	2	2	2	
4	93106-46001	OIL SEAL	2	2	2	2	2	
5	90101-12695	BOLT	1	1	1	1	1	
6	90201-126A7	WASHER, PLATE	2	2	2	2	2	
7	90179-12588	NUT	1	1	1	1	1	
8	90101-10689	BOLT	1	1	1	1	1	
9	90201-106F2	WASHER, PLATE	2	2	2	2	2	
10	90179-10247	NUT	1	1	1	1	1	
11	3GD-25388-00	PULLER, CHAIN 1	2	2	2	2	2	
12	90101-08777	BOLT	2	2	2	2	2	
13	95307-08600	NUT	2	2	2	2	2	
14	5LP-25390-10	REAR WHEEL COMP.	2	2	2	2	2	
15	94110-09011	TIRE (AT20X10-9 KT877A)	2	2	2	2	2	DUNLOP
16	93900-00022	VALVE, RIM (TR413)	2	2	2	2	2	TAIHEIYO
17	5TG-25383-00	COLLAR, WHEEL	2	2	2	2	2	
18	90114-10009	.BOLT, SERRATION	4	4	4	4	4	
19	95707-10500	NUT, FLANGE	8	8	8	8	8	
20	92907-10200	WASHER, PLAIN	8	8	8	8	8	
21	90201-14226	WASHER, PLATE	2	2	2	2	2	
22	90171-14037	NUT, CASTLE	2	2	2	2	2	
23	91401-30030	PIN, COTTER	2	2	2	2	2	
24	5YT-25386-00	COLLAR, SPROCKET AXLE	1	1	1	1	1	
25	5TG-25438-00	SPROCKET, DRIVEN (38T)	1	1	1	1	1	
26	90109-10010	BOLT	4	4	4	4	4	
27	95607-10200	NUT, U FLANGE	4	4	4	4	4	

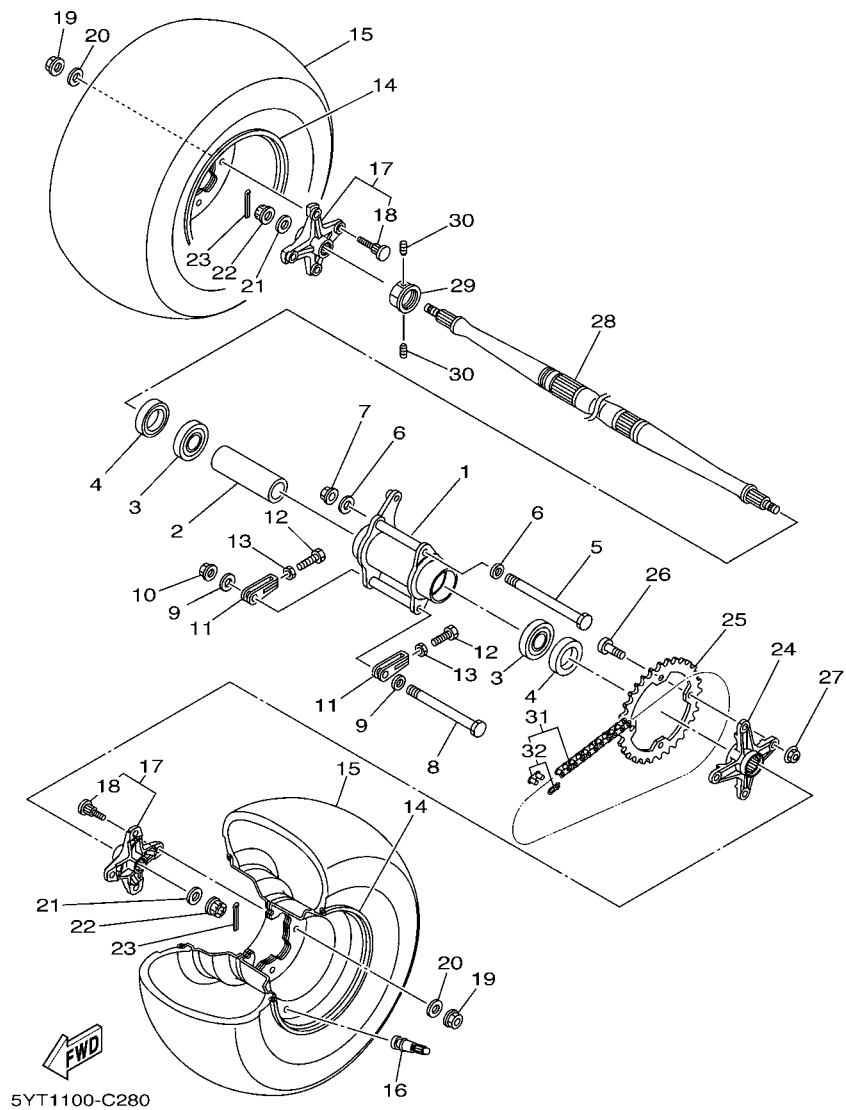
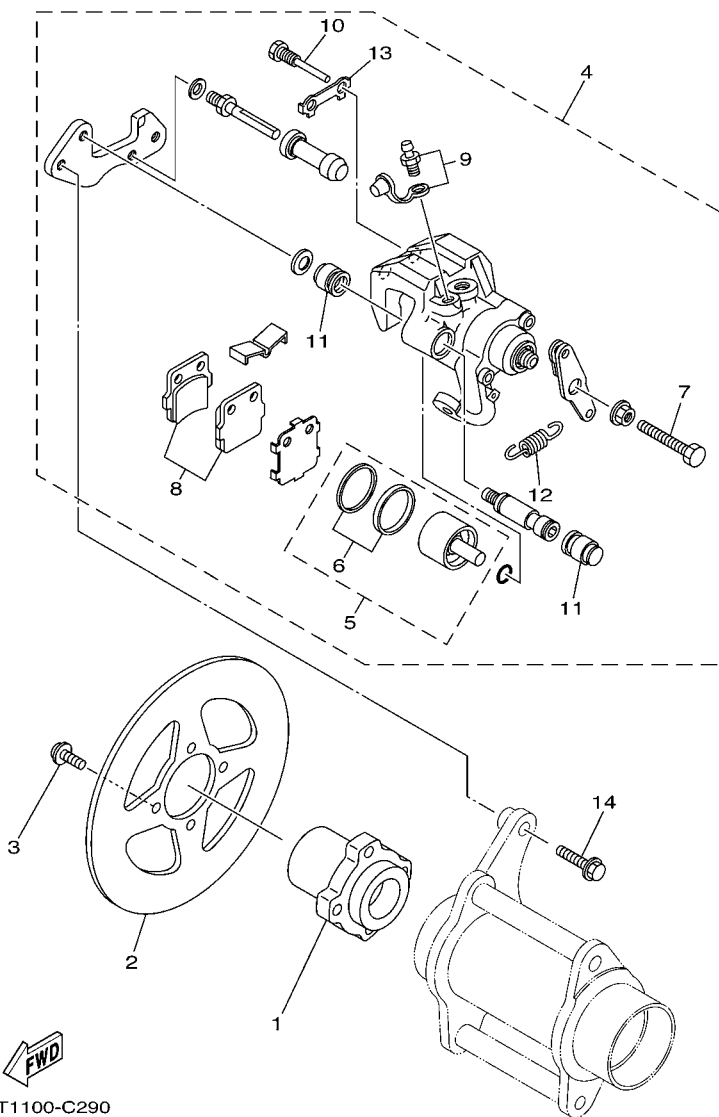


FIG. 28 REAR WHEEL

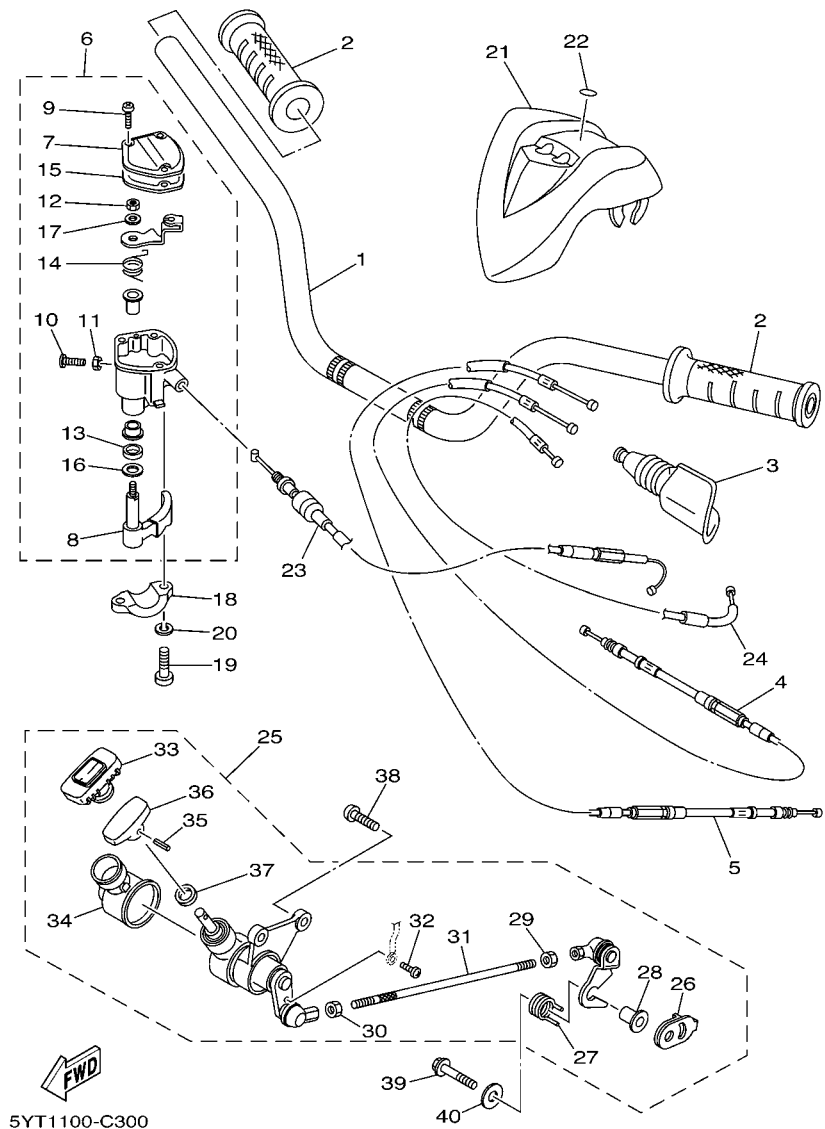
REF. NO.	PART NO.	DESCRIPTION	USA	CAN	EUR	OCE	JPN	REMARKS
28	5YT-25381-00	AXLE, WHEEL	1	1	1	1	1	
29	90170-33010	NUT	1	1	1	1	1	
30	90113-06055	BOLT, SET	2	2	2	2	2	
31	94581-87098	CHAIN (DID520V 98L)	1	1	1	1	1	
32	94681-87011	.JOINT, CHAIN (DID520V FJ)	1	1	1	1	1	

FIG. 29 REAR BRAKE



5YT1100-C290

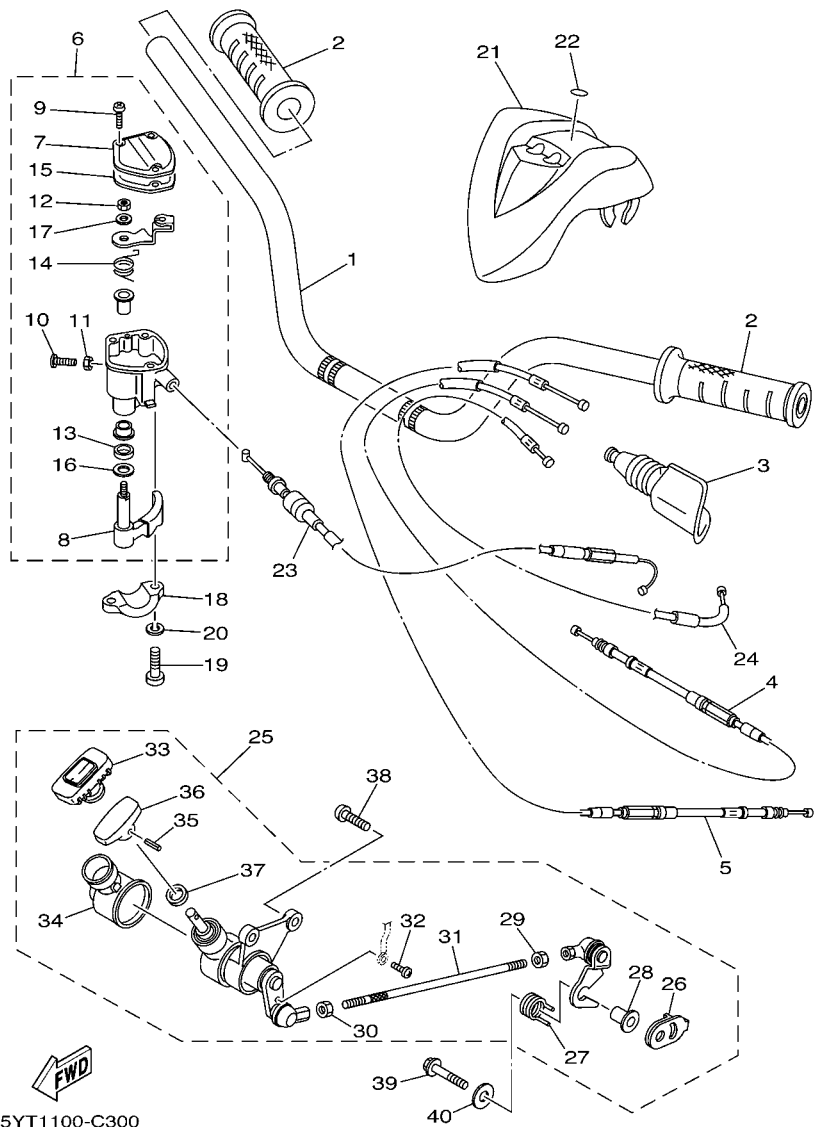
REF. NO.	PART NO.	DESCRIPTION	USA	CAN	EUR	OCE	JPN	REMARKS
1	5YT-25712-00	BRACKET, DISC	1	1	1	1	1	
2	5TG-2582W-00	DISK, REAR BRAKE 2	1	1	1	1	1	
3	90109-081F0	BOLT	4	4	4	4	4	
4	5YT-2580W-00	CALIPER ASSY, REAR 2	1	1	1	1	1	
5	5LP-W0057-50	.PISTON ASSY, CALIPER	1	1	1	1	1	
6	5LP-W0047-50	..CALIPER SEAL KIT	1	1	1	1	1	
7	1UY-25972-51	.ADJUSTBOLT	1	1	1	1	1	
8	5LP-W0046-50	.BRAKE PAD KIT 2	1	1	1	1	1	
9	1UY-W0048-50	.BLEED SCREW KIT	1	1	1	1	1	
10	1UY-25924-51	.PIN, PAD	2	2	2	2	2	
11	1UY-25917-51	.BOOT, CALIPER	2	2	2	2	2	
12	5YT-25977-50	.SPRING, RETURN	1	1	1	1	1	
13	1UY-25933-51	.WASHER, PAD PIN	1	1	1	1	1	
14	90105-08440	BOLT, FLANGE	2	2	2	2	2	



5YT1100-C300

FIG. 30 STEERING HANDLE & CABLE

REF. NO.	PART NO.	DESCRIPTION	USA	CAN	EUR	OCE	JPN	REMARKS
1	5YT-26111-00	HANDLEBAR	1	1	1	1	1	
2	5LP-26241-00	GRIP	2	2	2	2	2	
3	31A-26372-00	COVER, HANDLE LEVER 1	1	1	1	1	1	
4	5YT-26335-00	CABLE, CLUTCH	1	1	1	1	1	
5	5YT-26341-00	CABLE, BRAKE	1	1	1	1	1	
6	4KB-26250-20	THROTTLE LEVER ASSY	1	1	1	1	1	
7	4KB-2628F-20	.CAP, GEAR	1	1	1	1	1	
8	1NV-2625G-01	.LEVER, THROTTLE	1	1	1	1	1	
9	90149-04278	.SCREW	3	3	3	3	3	
10	98507-05020	.SCREW, PAN HEAD	1	1	1	1	1	
11	95607-05100	.NUT, U	1	1	1	1	1	
12	95307-05700	.NUT	1	1	1	1	1	
13	93104-09025	.OIL SEAL	1	1	1	1	1	
14	1NV-26304-00	.SPRING	1	1	1	1	1	
15	4KB-2628G-00	.GASKET	1	1	1	1	1	
16	1NV-26129-00	.WASHER	1	1	1	1	1	
17	1NV-26398-00	.WASHER	1	1	1	1	1	
18	4V4-82913-00	HOLDER, LEVER LOWER 1	1	1	1	1	1	
19	98507-05020	SCREW, PAN HEAD	2	2	2	2	2	
20	92907-05100	WASHER, SPRING	2	2	2	2	2	
21	5YT-26124-00	PROTECTOR, HANDLEBAR	1	1	1	1	1	UR FOR DPBSE
	5YT-26124-10	PROTECTOR, HANDLEBAR	1	1	1	1	1	UR FOR BWS1
22	5GT-2836B-10	TUNING FORK MARK	1	1	1	1	1	
23	5YT-26311-00	CABLE, THROTTLE 1	1	1	1	1	1	
24	5YT-26331-00	CABLE, STARTER 1	1	1	1	1	1	
25	5YT-26150-00	REV. LEVER ASSY.	1	1	1	1	1	
26	4SH-18198-00	.LEVER	1	1	1	1	1	



5YT1100-C300

FIG. 30 STEERING HANDLE & CABLE

REF. NO.	PART NO.	DESCRIPTION	USA	CAN	EUR	OCE	JPN	REMARKS
27	90508-35764	.SPRING, TORSION	1	1	1	1	1	
28	90387-063W7	.COLLAR	1	1	1	1	1	
29	95317-06700	.NUT	1	1	1	1	1	
30	90170-06289	.NUT	1	1	1	1	1	
31	3GD-26166-10	.ROD, JOINT	1	1	1	1	1	
32	98507-04008	.SCREW, PAN HEAD	1	1	1	1	1	
33	1UY-26153-00	.GRIP, LEVER	1	1	1	1	1	
34	1UY-26372-00	.COVER, HANDLE LEVER 1	1	1	1	1	1	
35	91609-40016	.PIN, SPRING	1	1	1	1	1	
36	1UY-26157-00	.LEVER, LOCK	1	1	1	1	1	
37	93109-08050	.OIL SEAL	1	1	1	1	1	
38	92017-08020	BOLT, BUTTON HEAD	2	2	2	2	2	
39	95817-06035	BOLT, FLANGE	1	1	1	1	1	
40	90201-06008	WASHER, PLATE	1	1	1	1	1	

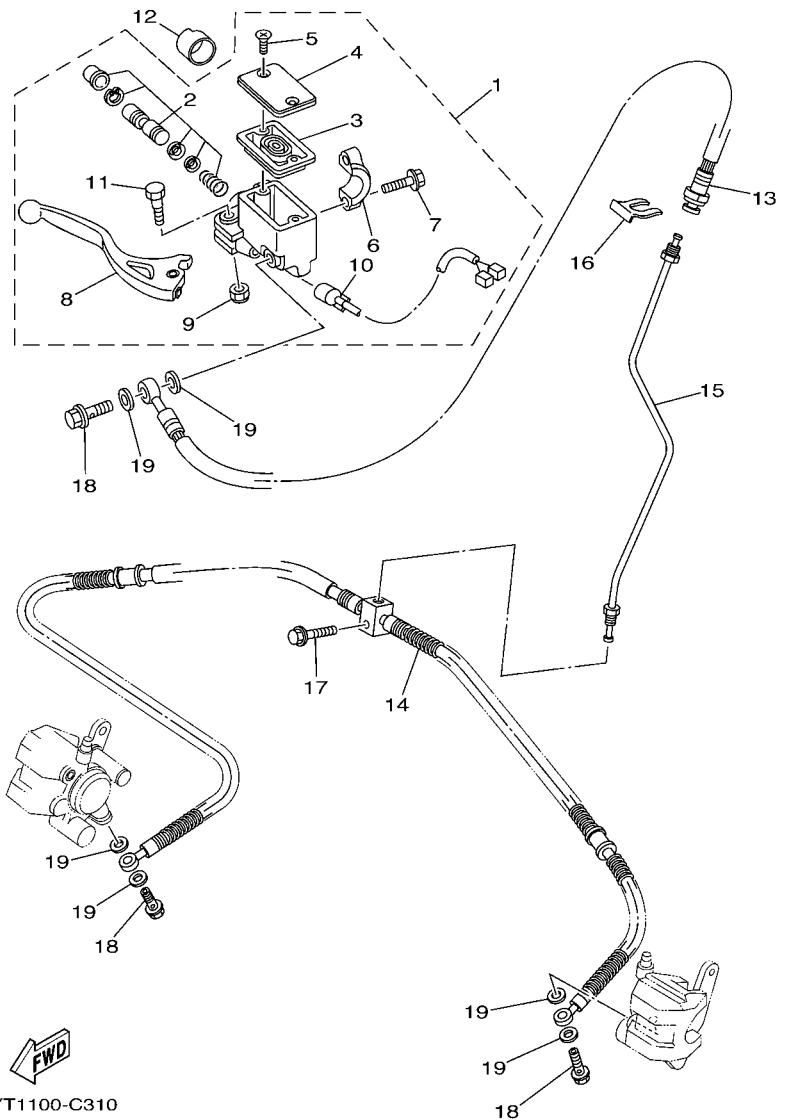
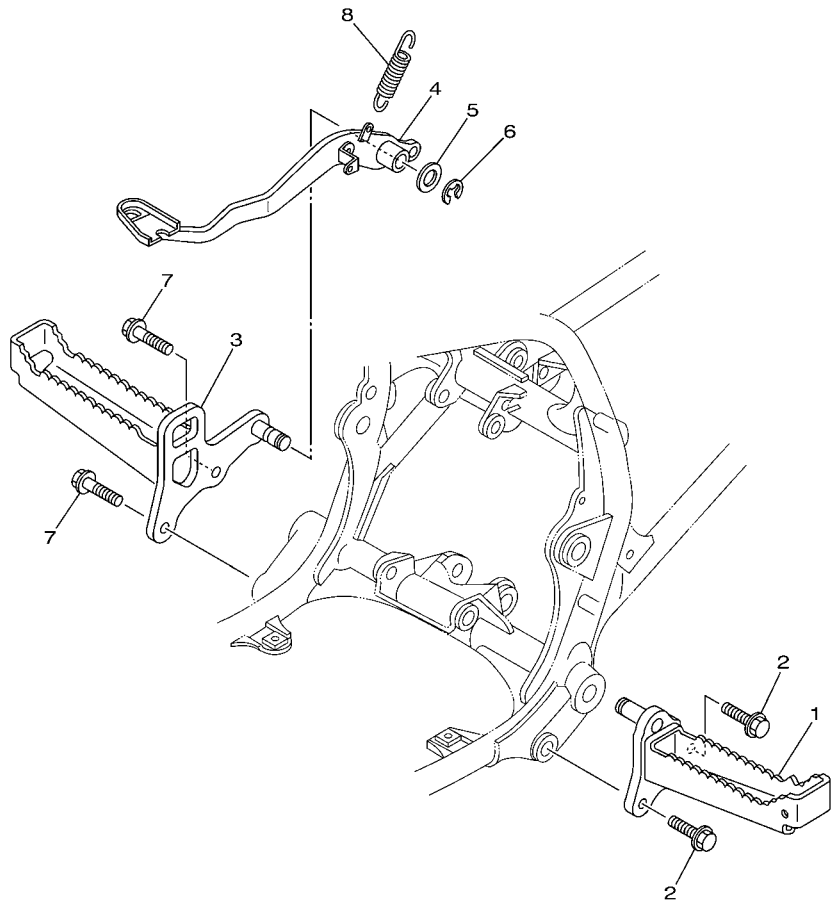


FIG. 31 FRONT MASTER CYLINDER

REF. NO.	PART NO.	DESCRIPTION	USA	CAN	EUR	OCE	JPN	REMARKS
1	5LP-2583T-01	MASTER CYLINDER ASSY	1	1	1	1	1	
2	5LP-W0041-00	.CYLINDER KIT, MASTER	1	1	1	1	1	
3	4L0-25854-00	.DIAPHRAGM, RESERVOIR	1	1	1	1	1	
4	5LP-25852-01	.CAP, RESERVOIR	1	1	1	1	1	
5	4NK-2589H-00	.SCREW	2	2	2	2	2	
6	5LP-25867-00	.BRACKET, MASTER CYLINDER	1	1	1	1	1	
7	5MV-25833-00	.BOLT, FITTING	2	2	2	2	2	
8	5LP-83922-00	.LEVER 2	1	1	1	1	1	
9	95604-06100	.NUT, U	1	1	1	1	1	
10	5LP-83980-00	.FRONT STOP SWITCH ASSY	1	1	1	1	1	
11	5MV-2589F-00	.BOLT, LEVER	1	1	1	1	1	
12	1UY-26259-00	COLLAR	1	1	1	1	1	
13	5YT-25872-00	HOSE, BRAKE 1	1	1	1	1	1	
14	5YT-25873-00	HOSE, BRAKE 2	1	1	1	1	1	
15	5YT-25871-00	PIPE, BRAKE	1	1	1	1	1	
16	2GU-25866-00	CIRCLIP	1	1	1	1	1	
17	95827-06025	BOLT, FLANGE	1	1	1	1	1	
18	90401-10159	BOLT, UNION	3	3	3	3	3	
19	90201-10118	WASHER, PLATE	6	6	6	6	6	

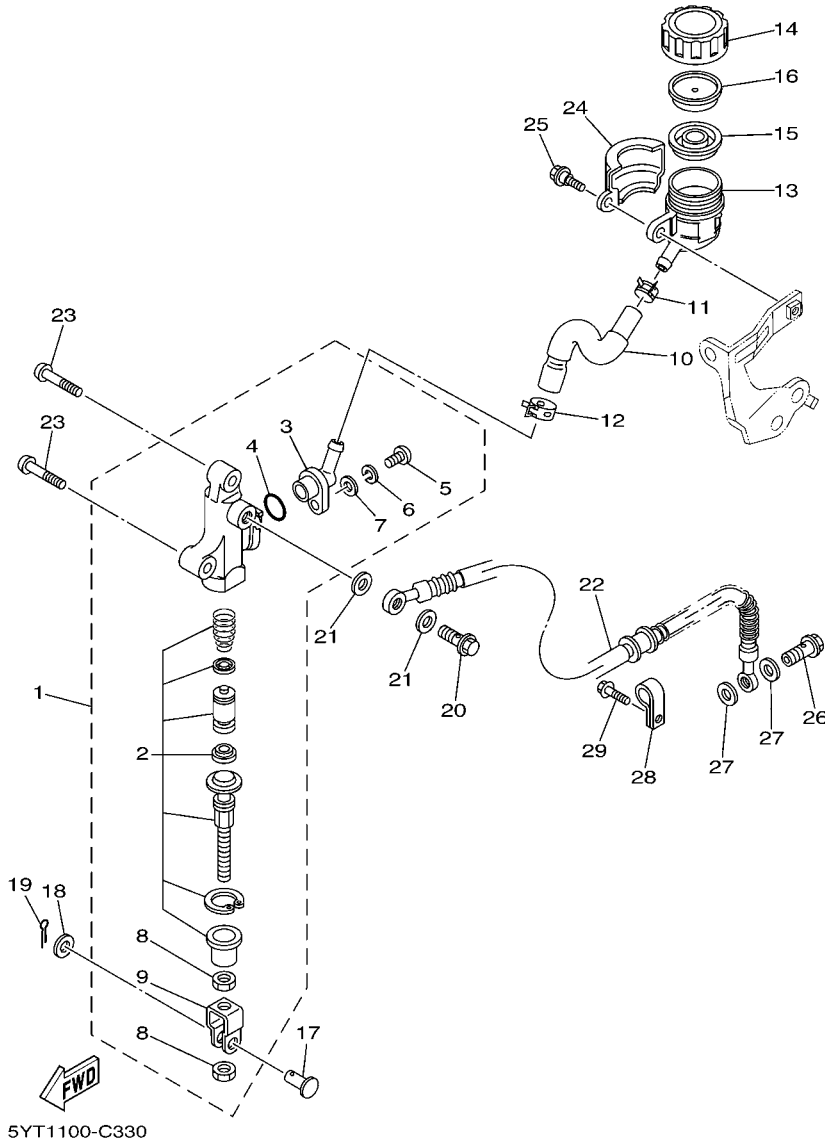


FWD
5YT1100-C320

FIG. 32 STAND & FOOTREST

REF. NO.	PART NO.	DESCRIPTION	USA	CAN	EUR	OCE	JPN	REMARKS
1	5YT-27411-00	FOOTREST 1	1	1	1	1	1	
2	95817-10025	BOLT, FLANGE	2	2	2	2	2	
3	5YT-27421-00	FOOTREST 2	1	1	1	1	1	
4	5YT-27211-00	PEDAL, BRAKE	1	1	1	1	1	
5	90201-15797	WASHER, PLATE	1	1	1	1	1	
6	93430-12008	CIRCLIP	1	1	1	1	1	
7	95817-10025	BOLT, FLANGE	2	2	2	2	2	
8	90506-20380	SPRING, TENSION	1	1	1	1	1	

FIG. 33 REAR MASTER CYLINDER



REF. NO.	PART NO.	DESCRIPTION	USA	CAN	EUR	OCE	JPN	REMARKS
1	5YT-2583V-00	RR. MASTER CYLINDER ASSY.	1	1	1	1	1	
2	5FK-W0042-50	.CYLINDER KIT, MASTER	1	1	1	1	1	
3	47X-2582A-50	.JOINT	1	1	1	1	1	
4	93210-15620	.O-RING	1	1	1	1	1	
5	98506-04012	.SCREW, PAN HEAD	1	1	1	1	1	
6	92906-04100	.WASHER, SPRING	1	1	1	1	1	
7	92906-04600	.WASHER, PLATE	1	1	1	1	1	
8	4SS-27218-00	.NUT	2	2	2	2	2	
9	2YK-27222-00	.JOINT	1	1	1	1	1	
10	5YT-25895-00	HOSE, RESERVOIR	1	1	1	1	1	
11	90467-11044	CLIP	1	1	1	1	1	
12	90467-14057	CLIP	1	1	1	1	1	
13	4EW-25894-00	TANK, RESERVOIR	1	1	1	1	1	
14	3XP-25852-50	CAP, RESERVOIR	1	1	1	1	1	
15	2VN-25854-00	DIAPHRAGM, RESERVOIR	1	1	1	1	1	
16	2VN-25855-00	BUSH,DIAPHRAGM	1	1	1	1	1	
17	90240-08013	PIN, CLEVIS	1	1	1	1	1	
18	90201-08083	WASHER, PLATE	1	1	1	1	1	
19	91401-16012	PIN, COTTER	1	1	1	1	1	
20	90401-10159	BOLT, UNION	1	1	1	1	1	
21	90201-10118	WASHER, PLATE	2	2	2	2	2	
22	5YT-25874-00	HOSE, BRAKE	1	1	1	1	1	
23	92017-08030	BOLT, BUTTON HEAD	2	2	2	2	2	
24	5YT-25888-00	COVER, RESERVOIR TANK	1	1	1	1	1	
25	90109-06060	BOLT	1	1	1	1	1	
26	90401-10159	BOLT, UNION	1	1	1	1	1	
27	90201-10118	WASHER, PLATE	2	2	2	2	2	

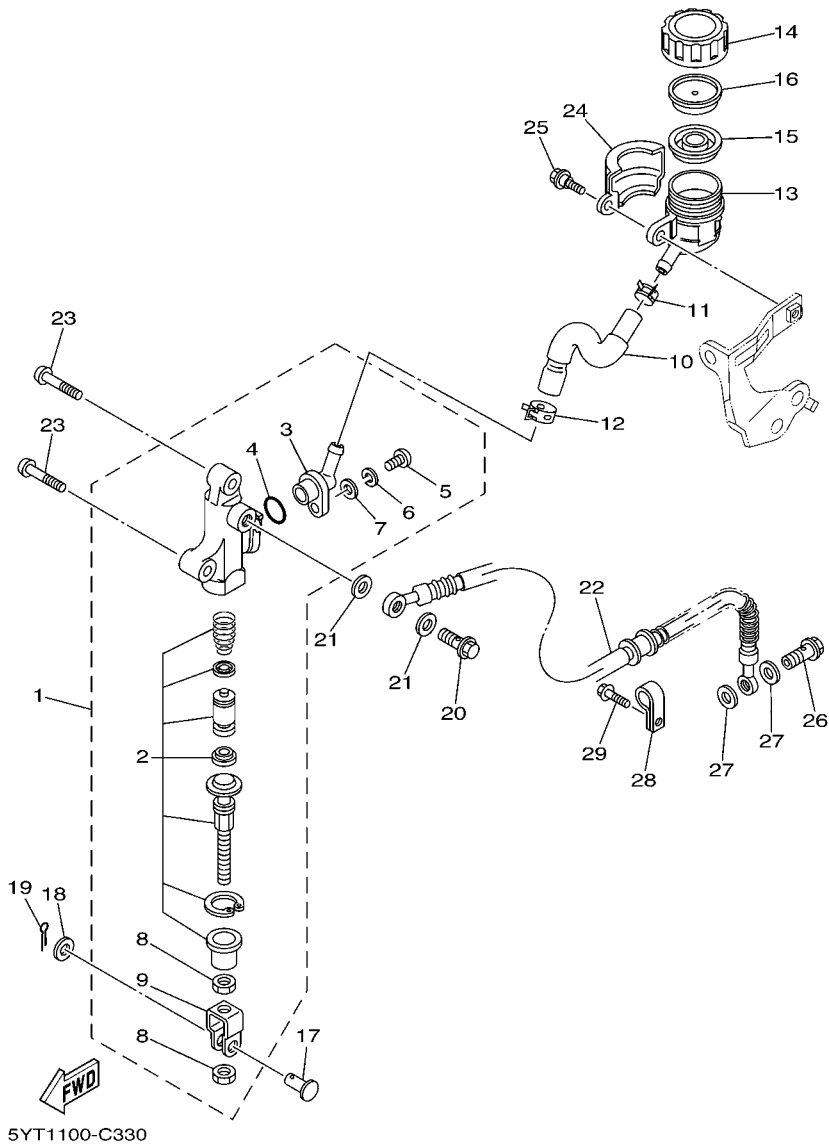
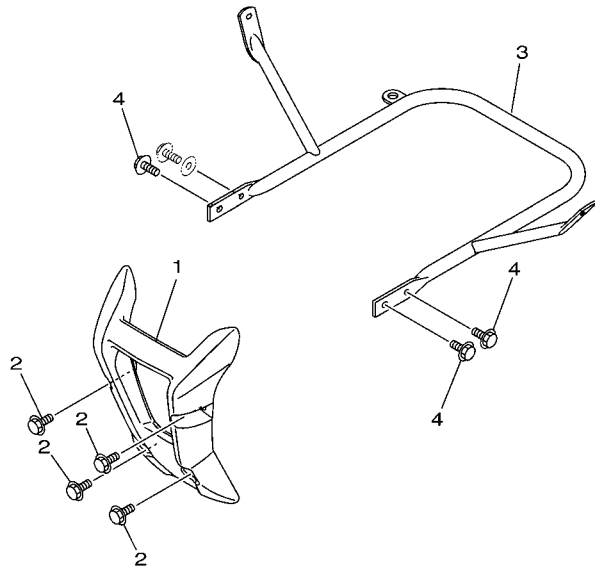
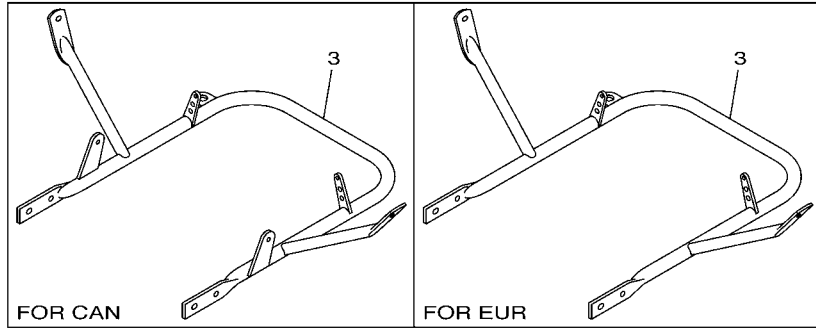


FIG. 33 REAR MASTER CYLINDER

REF. NO.	PART NO.	DESCRIPTION	USA	CAN	EUR	OCE	JPN	REMARKS
28	5YT-25876-00	HOLDER, BRAKE HOSE 2	1	1	1	1	1	
29	95807-06020	BOLT, FLANGE	1	1	1	1	1	



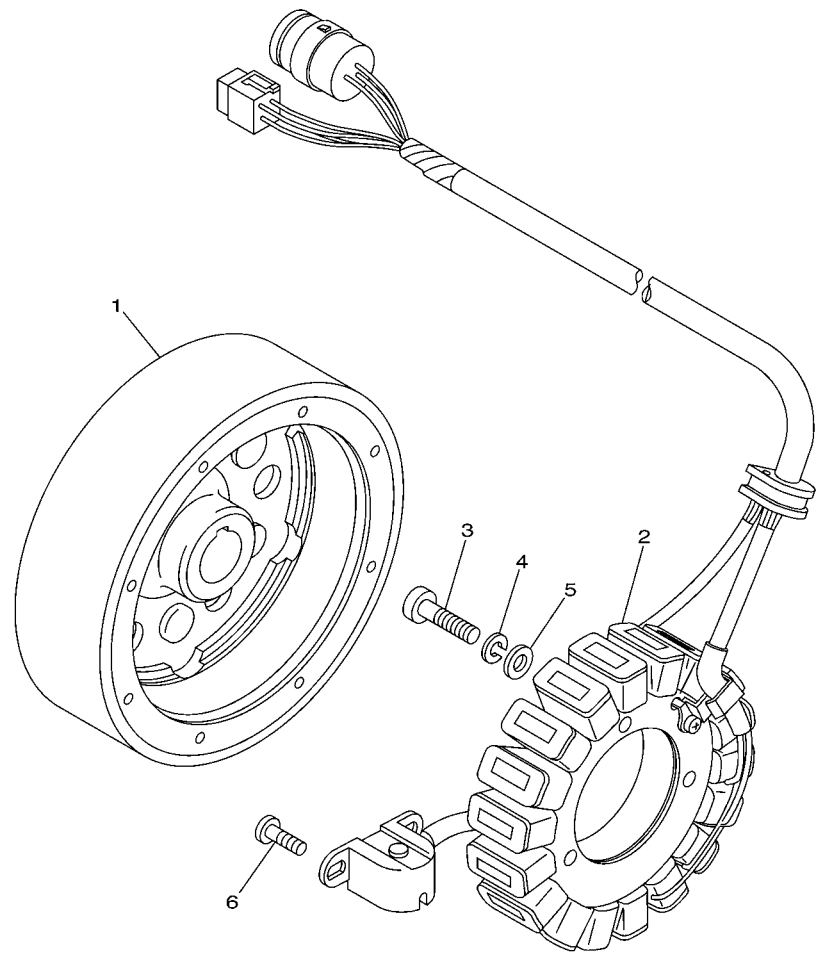
5YT1100-C340

FIG. 34 GUARD

REF. NO.	PART NO.	DESCRIPTION	USA	CAN	EUR	OCE	JPN	REMARKS
1	5YT-2845N-00	BAR, CARRY FRONT	1	1	1	1	1	
2	90109-08052	BOLT	4	4	4	4	4	
3	5YT-2845R-00	BAR, CARRY REAR	1				1	
	5YT-2845R-10	BAR, CARRY REAR			1			
	5YT-2845R-20	BAR, CARRY REAR				1		
4	95817-08016	BOLT, FLANGE	3	3	3	3	3	

FIG. 35 GENERATOR

REF. NO.	PART NO.	DESCRIPTION	USA	CAN	EUR	OCE	JPN	REMARKS
1	5NF-81450-00	ROTOR ASSY	1	1	1	1	1	
2	5NF-81410-00	STATOR ASSY	1	1	1	1	1	
3	98507-06030	SCREW, PAN HEAD	3	3	3	3	3	
4	92907-06100	WASHER, SPRING	3	3	3	3	3	
5	92907-06600	WASHER, PLATE	3	3	3	3	3	
6	98507-05014	SCREW, PAN HEAD	2	2	2	2	2	



5NF4100-2351

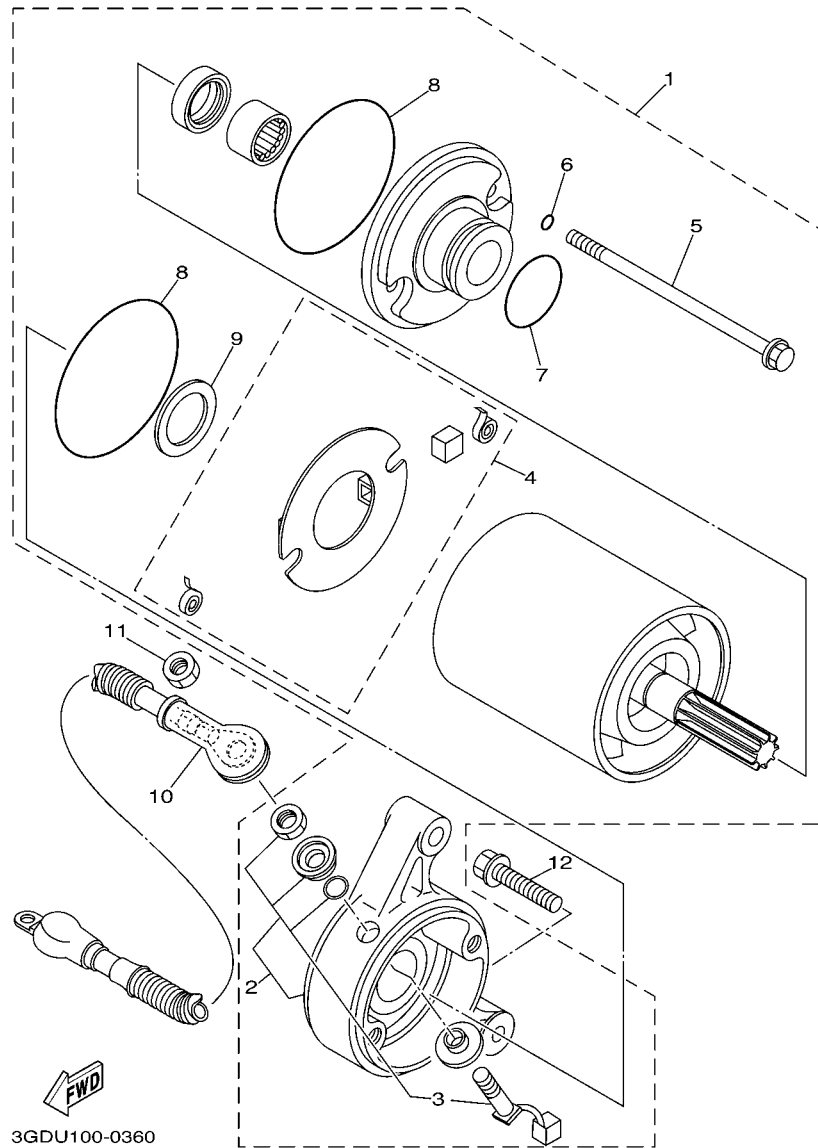
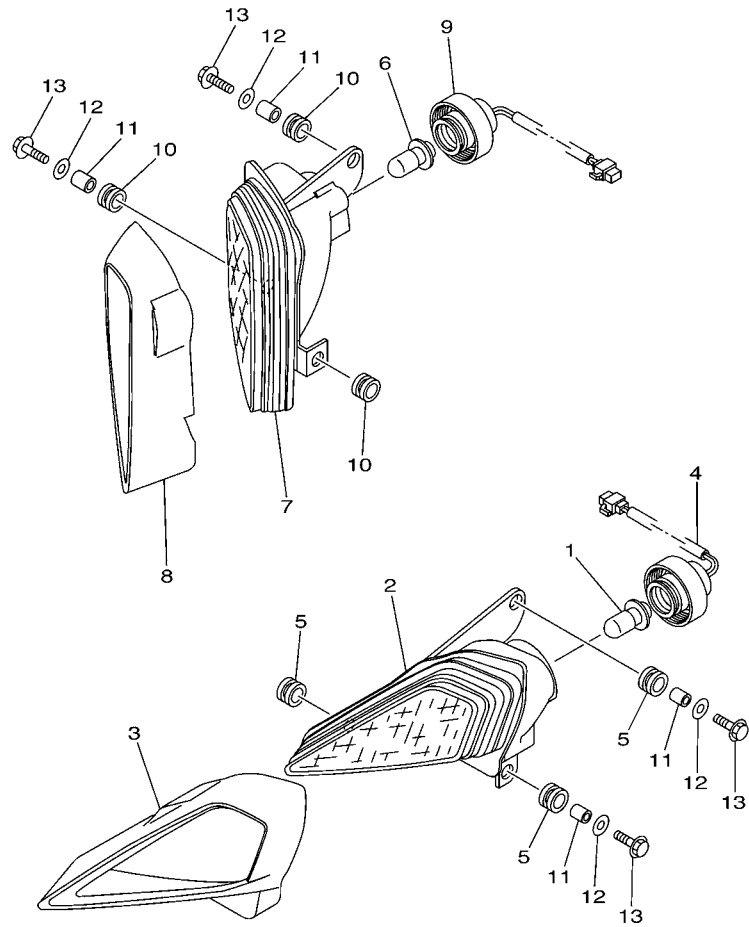


FIG. 36 STARTING MOTOR

REF. NO.	PART NO.	DESCRIPTION	USA	CAN	EUR	OCE	JPN	REMARKS
1	1UY-81890-00	MOTOR ASSY	1	1	1	1	1	
2	1UY-81820-51	.REAR BRACKET ASSY	1	1	1	1	1	
3	1UY-81818-50	..BRUSH AND BOLT	1	1	1	1	1	
4	8L6-81840-50	.BRUSH HOLDER ASSY	1	1	1	1	1	
5	3GD-81826-00	.BOLT, THROUGH	2	2	2	2	2	
6	8L6-81847-50	.O-RING	2	2	2	2	2	
7	1UY-81847-50	.O-RING	1	1	1	1	1	
8	4H7-81844-50	.O-RING	2	2	2	2	2	
9	4H7-81843-50	.WASHER 1	1	1	1	1	1	
10	5YT-81815-00	CORD, STARTER MOTOR	1	1	1	1	1	
11	95302-06600	NUT	1	1	1	1	1	
12	95027-06030	BOLT, FLANGE	2	2	2	2	2	

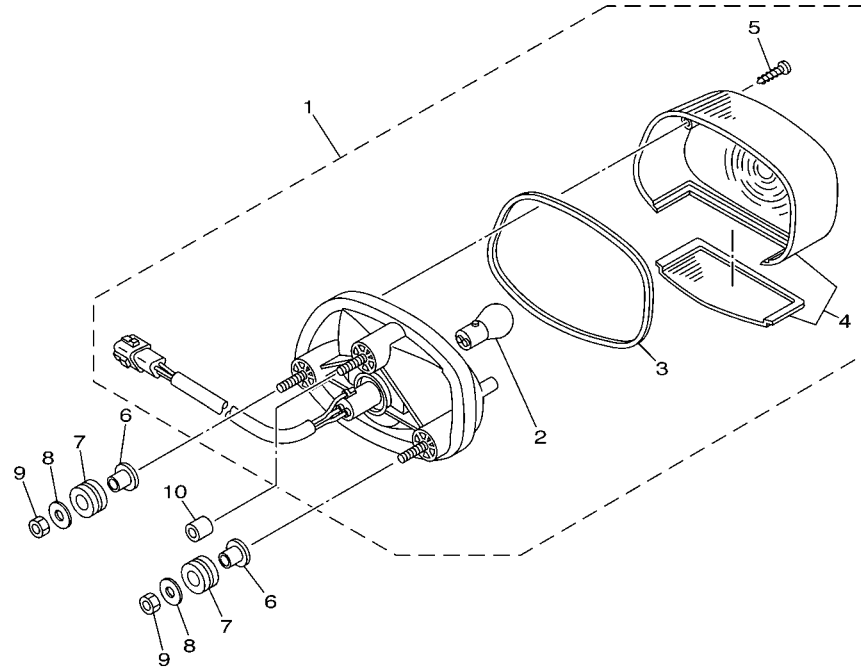
FIG. 37 HEADLIGHT



5YT1100-C370

REF. NO.	PART NO.	DESCRIPTION	USA	CAN	EUR	OCE	JPN	REMARKS
1	4KB-84314-01	BULB (12V-30/30W)	1	1	1	1	1	
2	5TG-84110-03	HEADLIGHT UNIT ASSY	1	1	1	1	1	
3	5TG-84165-01	RIM, HEADLIGHT COVER 1	1	1	1	1	1	
4	5TG-84140-01	SOCKET CORD ASSY	1	1	1	1	1	
5	90480-14102	GROMMET	3	3	3	3	3	
6	4KB-84314-01	BULB (12V-30/30W)	1	1	1	1	1	
7	5TG-84310-03	HEADLIGHT UNIT ASSY	1	1	1	1	1	
8	5TG-84166-01	RIM, HEADLIGHT COVER 2	1	1	1	1	1	
9	5TG-84340-01	SOCKET CORD ASSY 1	1	1	1	1	1	
10	90480-14102	GROMMET	3	3	3	3	3	
11	90387-07598	COLLAR	4	4	4	4	4	
12	90201-06557	WASHER, PLATE	4	4	4	4	4	
13	95807-06025	BOLT, FLANGE	4	4	4	4	4	

FIG. 38 TAILLIGHT

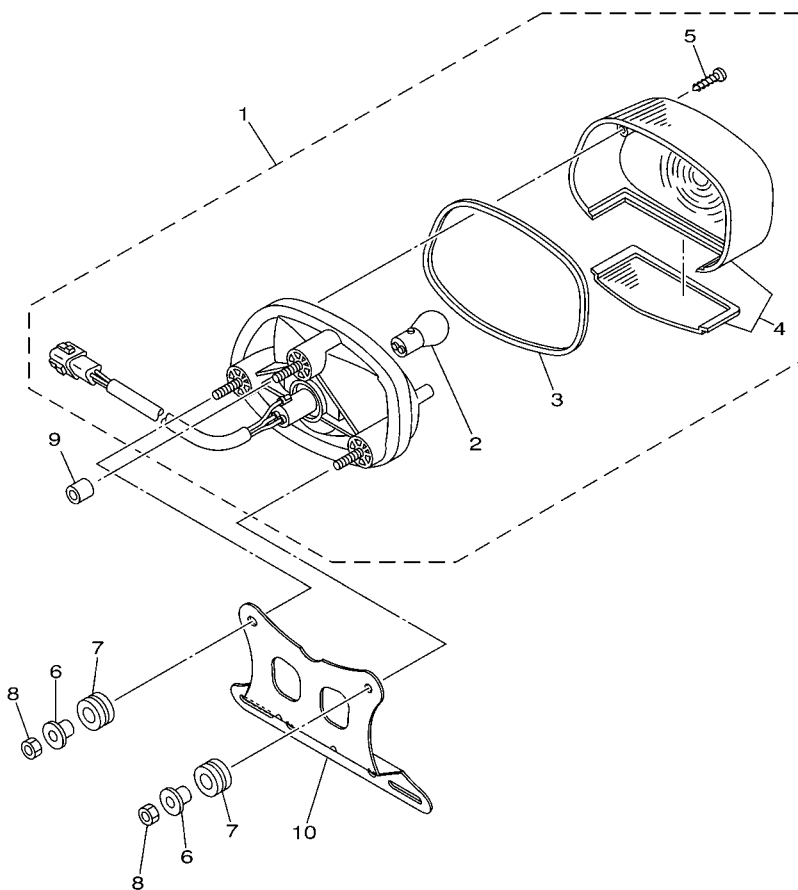


REF. NO.	PART NO.	DESCRIPTION	USA	CAN	EUR	OCE	JPN	REMARKS
1	5LP-84700-00	TAILLIGHT ASSY	1		1	1	1	
2	256-84714-60	.BULB (12V-21/5W)	1		1	1	1	
3	4TR-84723-00	.GASKET, TAIL LENS	1		1	1	1	
4	4TR-84733-00	.LENS, TAILLIGHT	1		1	1	1	
5	97706-40620	.SCREW, TAPPING	2		2	2	2	
6	90387-063E6	COLLAR	2		2	2	2	
7	90480-14555	GROMMET	2		2	2	2	
8	90201-06557	WASHER, PLATE	2		2	2	2	
9	95307-06600	NUT	2		2	2	2	
10	90445-09M32	HOSE (L9)	1		1	1	1	



5YT1100-C380

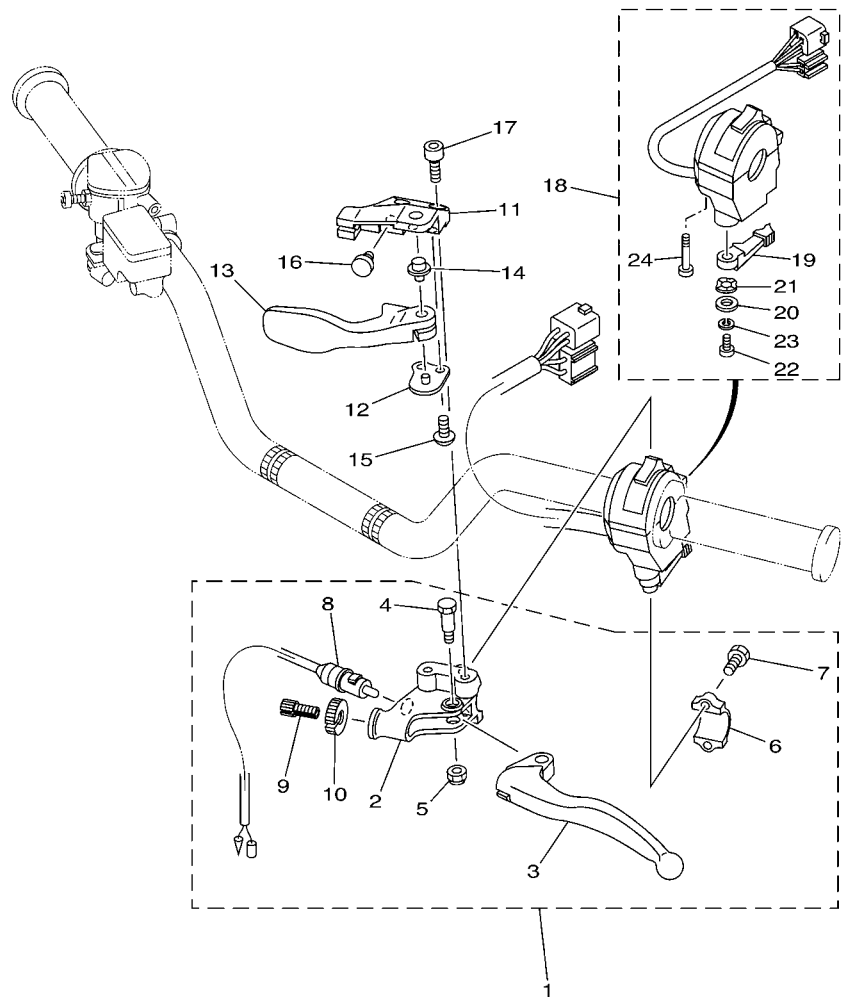
FIG. 39 TAILLIGHT 2



5YT1100-C390

REF. NO.	PART NO.	DESCRIPTION	USA	CAN	EUR	OCE	JPN	REMARKS
1	5LP-84700-00	TAILLIGHT ASSY		1				
2	256-84714-60	.BULB (12V-21/5W)		1				
3	4TR-84723-00	.GASKET, TAIL LENS		1				
4	4TR-84733-00	.LENS, TAILLIGHT		1				
5	97706-40620	.SCREW, TAPPING		2				
6	90387-063E6	COLLAR		2				
7	90480-14555	GROMMET		2				
8	95307-06600	NUT		2				
9	90445-09M32	HOSE (L9)		1				
10	5YT-84751-00	BRACKET, LICENSE		1				

FIG. 40 HANDLE SWITCH & LEVER

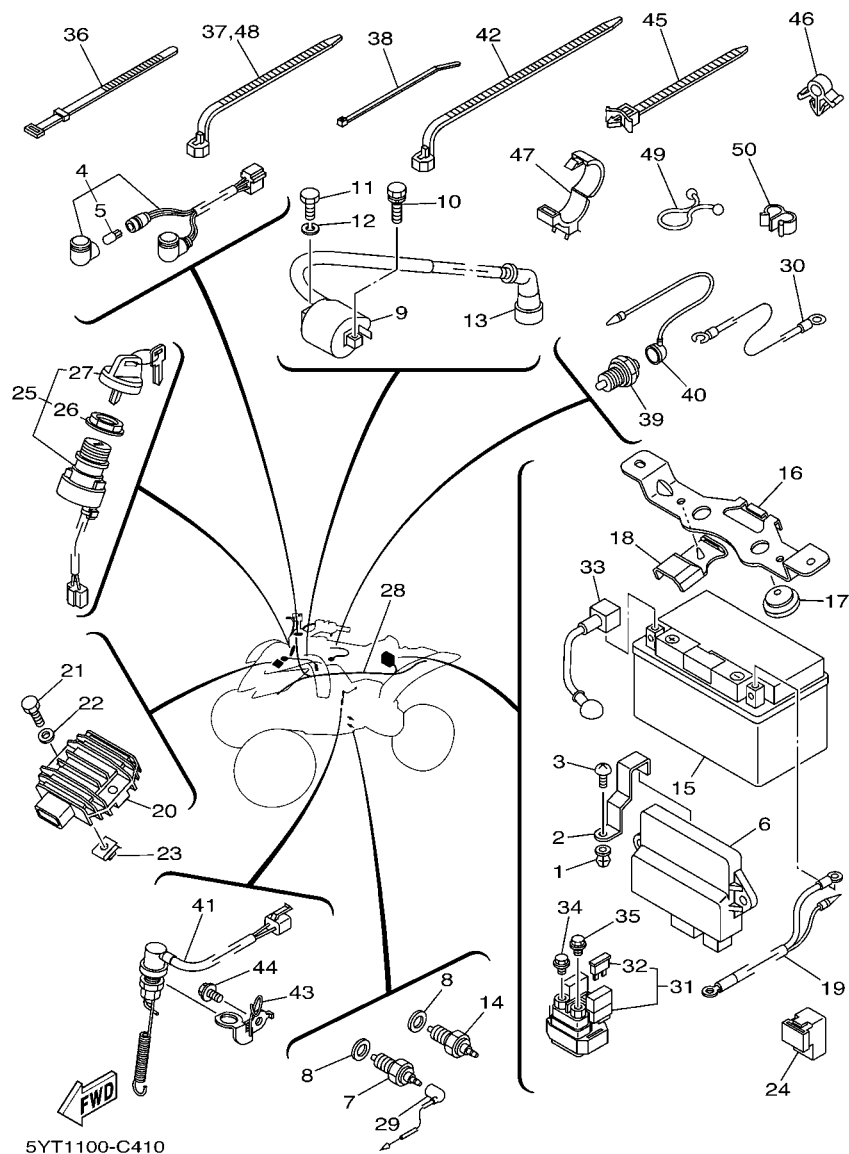


REF. NO.	PART NO.	DESCRIPTION	USA	CAN	EUR	OCE	JPN	REMARKS
1	5YT-82910-00	LEVER HOLDER ASSY (LEFT)	1	1	1	1	1	
2	5YT-82911-00	.HOLDER, LEVER 1	1	1	1	1	1	
3	2HT-83912-00	.LEVER 1	1	1	1	1	1	
4	90109-06798	.BOLT	1	1	1	1	1	
5	95607-06100	.NUT, U	1	1	1	1	1	
6	38V-82913-00	.HOLDER, LEVER LOWER 1	1	1	1	1	1	
7	97007-05016	.BOLT	2	2	2	2	2	
8	5KM-82917-00	.SWITCH	1	1	1	1	1	
9	90123-08046	.BOLT	1	1	1	1	1	
10	90179-08148	.NUT	1	1	1	1	1	
11	5TG-25727-00	BRACKET, LEVER	1	1	1	1	1	
12	5TG-25689-00	PLATE, GUIDE	1	1	1	1	1	
13	5TG-25726-00	LEVER, BRAKE	1	1	1	1	1	
14	5TG-83923-00	COLLAR, LEVER 2	1	1	1	1	1	
15	92017-06014	BOLT, BUTTON HEAD	2	2	2	2	2	
16	90338-07007	PLUG	1	1	1	1	1	
17	92014-06016	BOLT, BUTTON HEAD	2	2	2	2	2	
18	5LP-83973-01	SWITCH, HANDLE 3	1	1	1	1	1	
19	5GH-83941-00	.LEVER, STARTER	1	1	1	1	1	
20	1UY-83909-00	.WASHER, SPECIAL	1	1	1	1	1	
21	3L4-83943-00	.WASHER, STARTER	1	1	1	1	1	
22	98517-05012	.SCREW, PAN HEAD	1	1	1	1	1	
23	92907-05100	.WASHER, SPRING	1	1	1	1	1	
24	98507-05030	.SCREW, PAN HEAD	2	2	2	2	2	



5YT1100-C400

FIG. 41 ELECTRICAL 1



REF. NO.	PART NO.	DESCRIPTION	USA	CAN	EUR	OCE	JPN	REMARKS
1	90338-08226	PLUG	1	1	1	1	1	
2	5YT-8553A-00	STAY UNIT	1	1	1	1	1	
3	97707-60016	SCREW, TAPPING	1	1	1	1	1	
4	5YT-83530-00	PILOT LIGHT ASSY	1	1	1	1	1	
5	5GH-83516-00	.BULB (14V-1.7W)	2	2	2	2	2	
6	5YT-85540-00	C.D.I. UNIT ASSY	1	1	1	1	1	
7	3GB-82540-01	NEUTRAL SWITCH ASSY	1	1	1	1	1	
8	90430-10148	GASKET	2	2	2	2	2	
9	3KJ-82310-10	IGNITION COIL ASSY	1	1	1	1	1	
10	90109-06723	BOLT	1	1	1	1	1	
11	97007-06020	BOLT	1	1	1	1	1	
12	92907-06100	WASHER, SPRING	1	1	1	1	1	
13	1UY-82370-20	PLUG CAP ASSY	1	1	1	1	1	
14	3GD-82540-11	NEUTRAL SWITCH ASSY	1	1	1	1	1	
15	5VY-82100-00	BATTERY ASSY (YUASA YTZ10S)	1	1	1	1	1	
	5YT-82100-00	BATTERY ASSY (YUASA YTZ10S)					1	
16	5YT-82128-00	BRACKET, BATTERY	1	1	1	1	1	
17	371-82121-00	PAD, BATTERY	2	2	2	2	2	
18	5YT-82129-00	COVER, BATTERY	1	1	1	1	1	
19	5YT-82116-00	WIRE, MINUS LEAD	1	1	1	1	1	
20	5GT-81960-00	RECTIFIER & REGULATOR ASSY	1	1	1	1	1	
21	97007-06025	BOLT	1	1	1	1	1	
22	92907-06600	WASHER, PLATE	1	1	1	1	1	
23	90183-06036	NUT, SPRING	1	1	1	1	1	
24	3GD-81950-01	RELAY ASSY	1	1	1	1	1	
25	5LP-82510-00	MAIN SWITCH ASSY	1	1	1	1	1	
26	3HN-82569-00	.NUT, MAIN SWITCH	1	1	1	1	1	

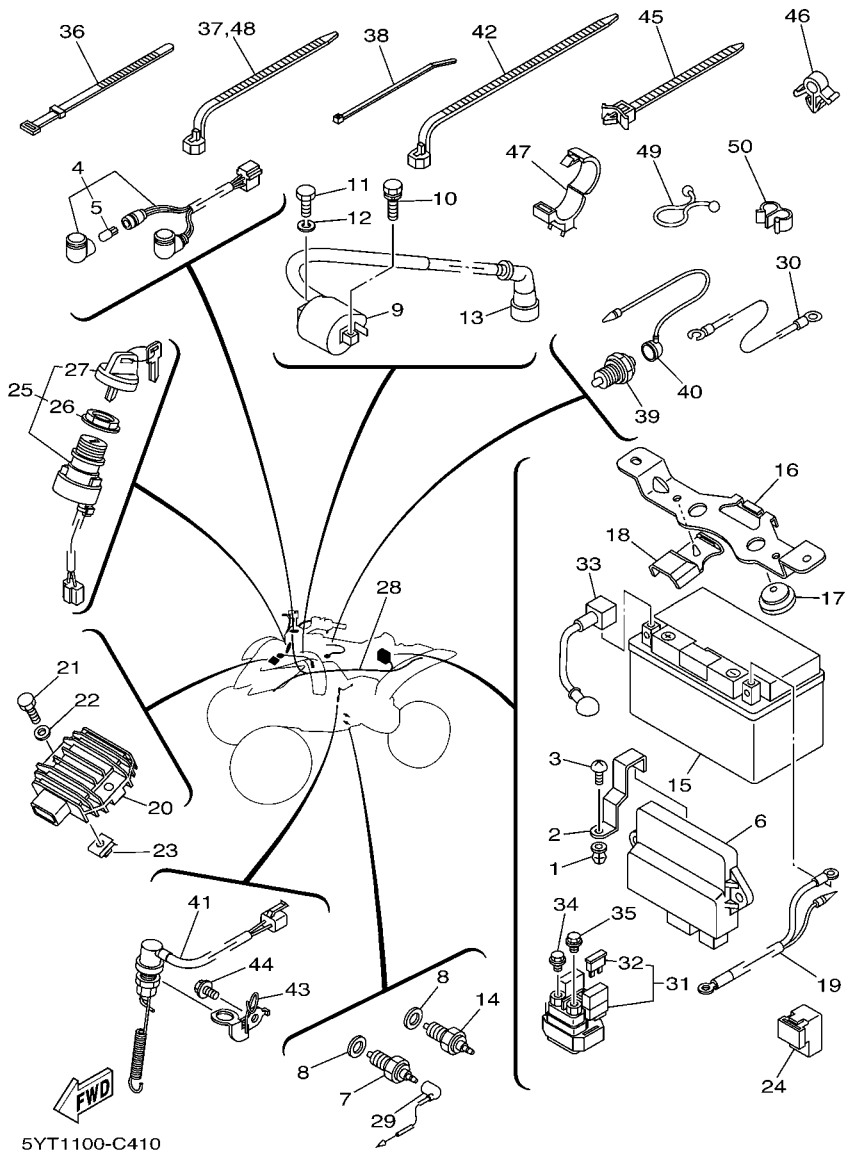


FIG. 41 ELECTRICAL 1

REF. NO.	PART NO.	DESCRIPTION	USA	CAN	EUR	OCE	JPN	REMARKS
27	3HN-82579-00	.CAP, KEY	1	1	1	1	1	
28	5YT-82590-00	WIRE HARNESS ASSY	1	1	1	1	1	
29	5YT-82541-00	WIRE, LEAD	1	1	1	1	1	
30	3GD-82509-10	WIRE, SUB LEAD	1	1	1	1	1	
31	1D0-81940-02	STARTER RELAY ASSY	1	1	1	1	1	
32	36Y-82151-00	.FUSE (15A-BL)	2	2	2	2	2	
33	5YT-82115-00	WIRE, PLUS LEAD	1	1	1	1	1	
34	95027-06008	BOLT, FLANGE	1	1	1	1	1	
35	95027-06008	BOLT, FLANGE	1	1	1	1	1	
36	437-83936-01	BAND, SWITCH CORD	4	4	4	4	4	
37	90464-13073	CLAMP	1	1	1	1	1	
38	90465-10098	CLAMP	1	1	1	1	1	
39	4KD-82540-00	NEUTRAL SWITCH ASSY	1	1	1	1	1	
40	5YT-82507-00	WIRE, LEAD	1	1	1	1	1	
41	5NF-82530-00	STOP SWITCH ASSY	1	1	1	1	1	
42	90464-15195	CLAMP	2	2	2	2	2	
43	5YT-2144G-00	STAY, STOP SWITCH	1	1	1	1	1	
44	95807-06010	BOLT, FLANGE	1	1	1	1	1	
45	90464-12089	CLAMP	3	3	3	3	3	
46	90464-15157	CLAMP	1	1	1	1	1	
47	90464-30252	CLAMP	1	1	1	1	1	
48	90464-13073	CLAMP	1	1	1	1	1	
49	90465-18147	CLAMP	1	1	1	1	1	
50	90468-15139	CLIP	1	1	1	1	1	

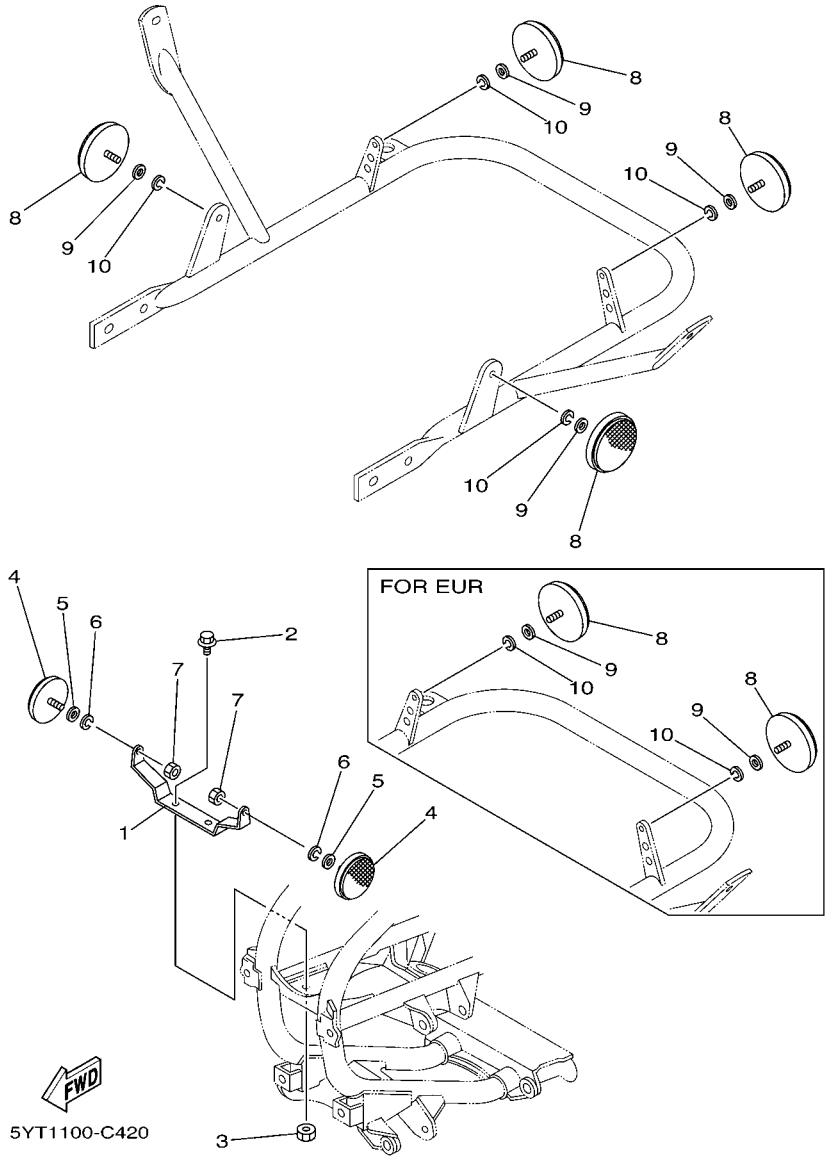


FIG. 42 ELECTRICAL 2

REF. NO.	PART NO.	DESCRIPTION	USA	CAN	EUR	OCE	JPN	REMARKS
1	5YT-85112-00	BRACKET, REFLECTOR 1			1			
2	90119-05062	BOLT, WITH WASHER			2			
3	95307-05600	NUT			2			
4	2EK-85111-00	REFLECTOR, FRONT 1			2			
5	92907-05200	WASHER			2			
6	92907-05100	WASHER, SPRING			2			
7	95307-05600	NUT			2			
8	449-85131-02	REFLECTOR, REAR 1			4	2		
9	92907-05200	WASHER			4	2		
10	92907-05100	WASHER, SPRING			4	2		

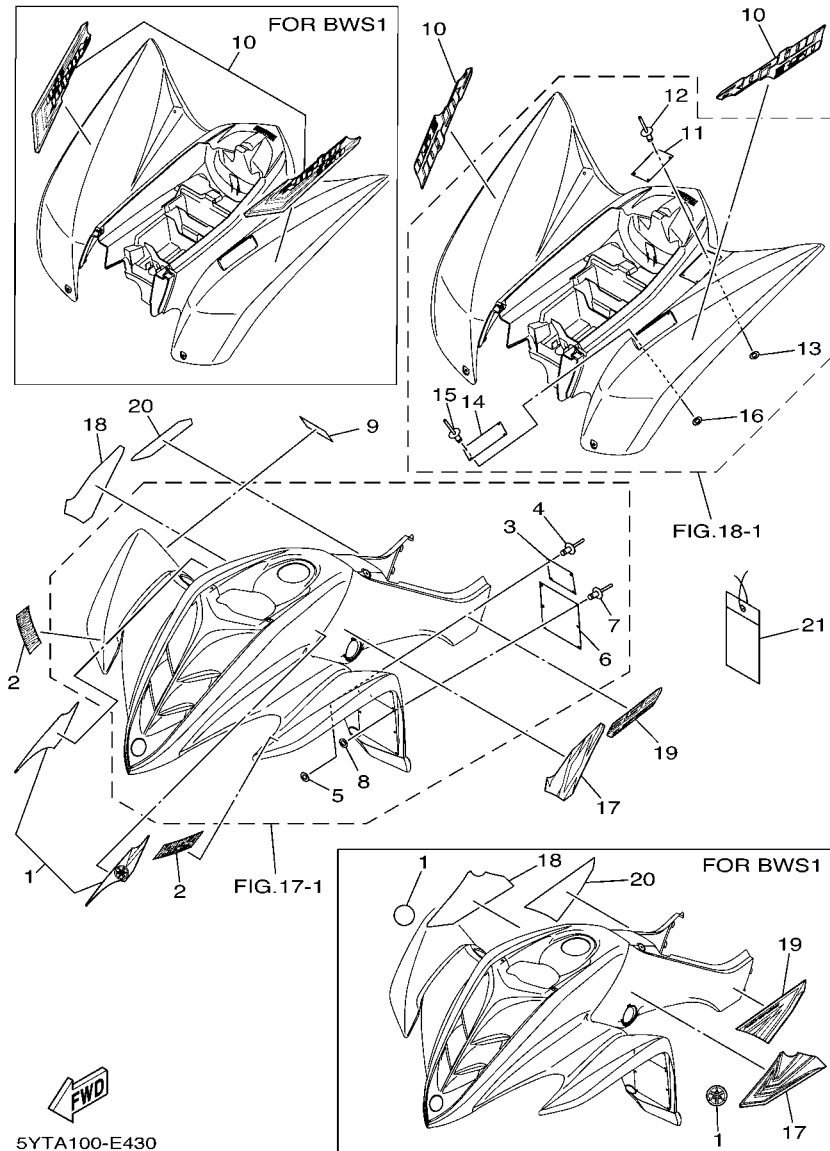


FIG. 43 EMBLEM & LABEL 1

REF. NO.	PART NO.	DESCRIPTION	USA	CAN	EUR	OCE	JPN	REMARKS
1	5YT-21570-00	GRAPHIC SET, FRONT FENDER	1					UR FOR DPBSE
	5FK-2175C-00	TUNING FORK MARK						UR FOR BWS1
2	4ES-2153E-01	EMBLEM, YAMAHA	2					UR FOR DPBSE
	4ES-2153E-10	EMBLEM, YAMAHA						UR FOR BWS1
3	5FE-21697-01	LABEL, CAUTION 2	1					ENGLISH
4	90267-32004	RIVET, BLIND	4					
5	90201-03313	WASHER, PLATE	4					
6	5FE-21568-01	LABEL, WARNING	1					ENGLISH
7	90267-32004	RIVET, BLIND	6					
8	90201-03313	WASHER, PLATE	6					
9	5YT-2151E-30	LABEL 2	1					ENGLISH
10	5YT-21609-20	EMBLEM	2					UR FOR DPBSE
	5YT-2165B-30	GRAPHIC SET, REAR FENDER	1					UR FOR BWS1
11	5FE-2151H-01	LABEL 5	1					ENGLISH
12	90267-32004	RIVET, BLIND	4					
13	90201-03313	WASHER, PLATE	4					
14	3GD-21696-31	LABEL, CAUTION	1					ENGLISH
15	90267-32004	RIVET, BLIND	4					
16	90201-03313	WASHER, PLATE	4					
17	5YT-2173E-60	GRAPHIC 1	1					UR FOR DPBSE
	5YT-2173E-70	GRAPHIC 1	1					UR FOR BWS1
18	5YT-2173F-60	GRAPHIC 2	1					UR FOR DPBSE
	5YT-2173F-70	GRAPHIC 2	1					UR FOR BWS1
19	5YT-21784-00	EMBLEM 4	1					UR FOR DPBSE
	5YT-2174G-30	GRAPHIC 3	1					UR FOR BWS1
20	5YT-21784-00	EMBLEM 4	1					UR FOR DPBSE
	5YT-2174H-30	GRAPHIC 4	1					UR FOR BWS1

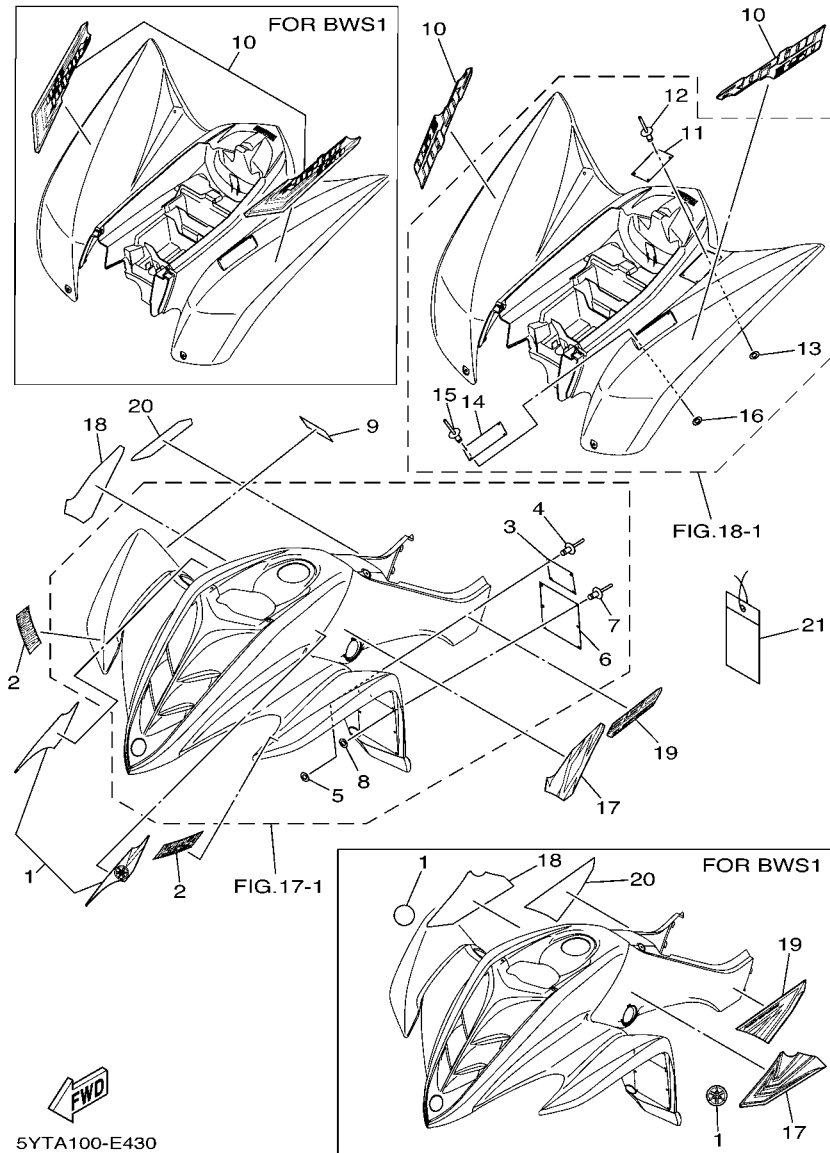


FIG. 43 EMBLEM & LABEL 1

REF. NO.	PART NO.	DESCRIPTION	USA	CAN	EUR	OCE	JPN	REMARKS
21	5LP-2819R-00	TAG, WARNING	1					

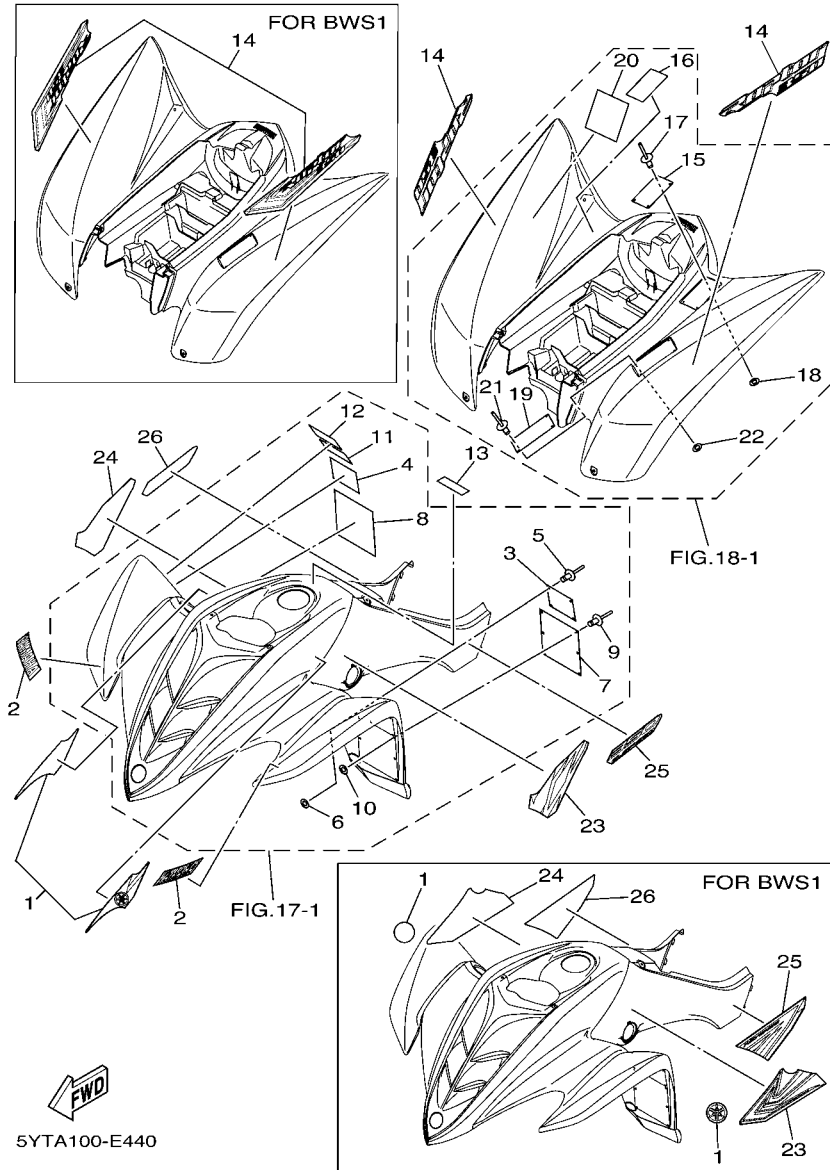


FIG. 44 EMBLEM & LABEL 2

REF. NO.	PART NO.	DESCRIPTION	USA	CAN	EUR	OCE	JPN	REMARKS
1	5YT-21570-00	GRAPHIC SET, FRONT FENDER		1				UR FOR DPBSE
	5FK-2175C-00	TUNING FORK MARK		2				UR FOR BWS1
2	4ES-2153E-01	EMBLEM, YAMAHA		2				UR FOR DPBSE
	4ES-2153E-10	EMBLEM, YAMAHA		2				UR FOR BWS1
3	5FE-21697-01	LABEL, CAUTION 2		1				ENGLISH
4	3JM-21697-10	LABEL, CAUTION 2		1				FRENCH
5	90267-32004	RIVET, BLIND		4				
6	90201-03313	WASHER, PLATE		4				
7	5FE-21568-01	LABEL, WARNING		1				ENGLISH
8	4WU-21568-10	LABEL, WARNING		1				FRENCH
9	90267-32004	RIVET, BLIND		6				
10	90201-03313	WASHER, PLATE		6				
11	5YT-2151E-30	LABEL 2		1				ENGLISH
12	5YT-2151E-40	LABEL 2		1				FRENCH
13	4SH-2416E-00	LABEL, CAUTION CANADA		1				ENGLISH
14	5YT-21609-20	EMBLEM		2				UR FOR DPBSE
	5YT-2165B-30	GRAPHIC SET, REAR FENDER		1				UR FOR BWS1
15	5FE-2151H-01	LABEL 5		1				ENGLISH
16	4WU-2151H-10	LABEL 5		1				FRENCH
17	90267-32004	RIVET, BLIND		4				
18	90201-03313	WASHER, PLATE		4				
19	3GD-21696-31	LABEL, CAUTION		1				ENGLISH
20	3GD-21696-B0	LABEL, CAUTION		1				FRENCH
21	90267-32004	RIVET, BLIND		4				
22	90201-03313	WASHER, PLATE		4				
23	5YT-2173E-60	GRAPHIC 1		1				UR FOR DPBSE
	5YT-2173E-70	GRAPHIC 1		1				UR FOR BWS1

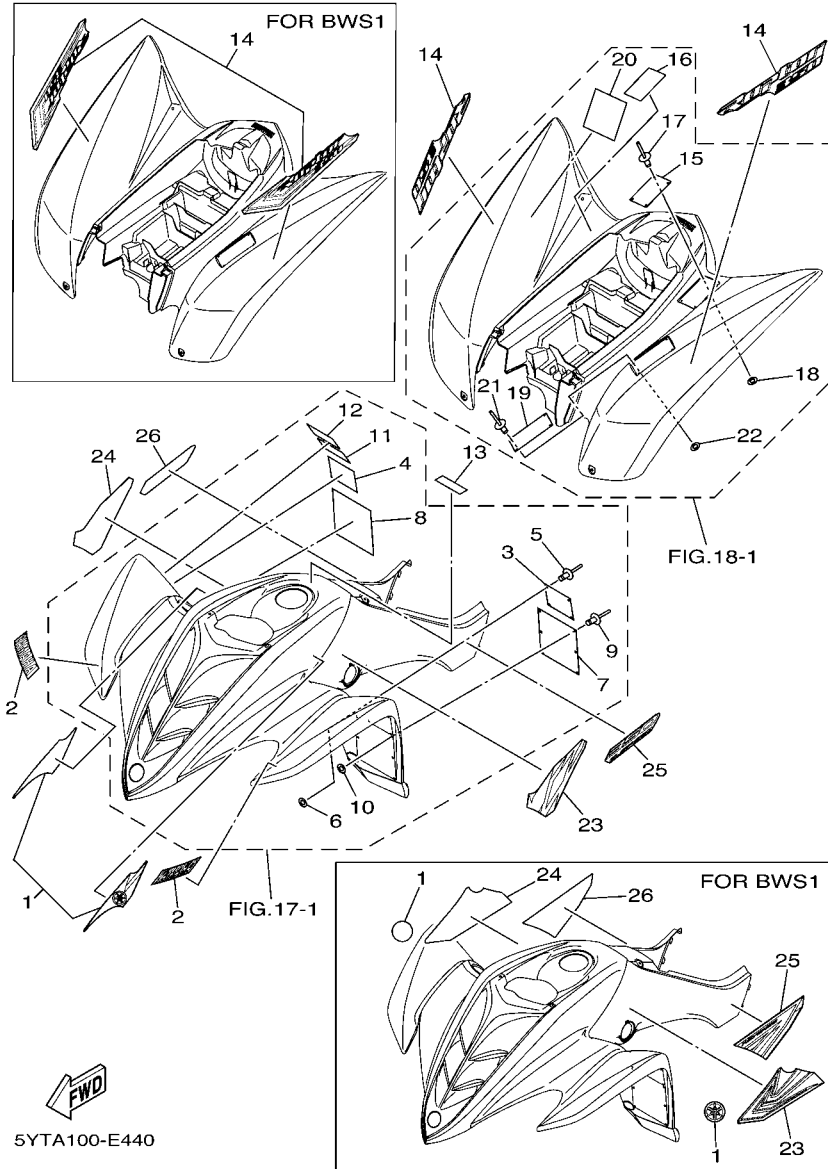


FIG. 44 EMBLEM & LABEL 2

REF. NO.	PART NO.	DESCRIPTION	USA	CAN	EUR	OCE	JPN	REMARKS
24	5YT-2173F-60	GRAPHIC 2		1				UR FOR DPBSE
	5YT-2173F-70	GRAPHIC 2		1				UR FOR BWS1
25	5YT-21784-00	EMBLEM 4		1				UR FOR DPBSE
	5YT-2174G-30	GRAPHIC 3		1				UR FOR BWS1
26	5YT-21784-00	EMBLEM 4		1				UR FOR DPBSE
	5YT-2174H-30	GRAPHIC 4		1				UR FOR BWS1

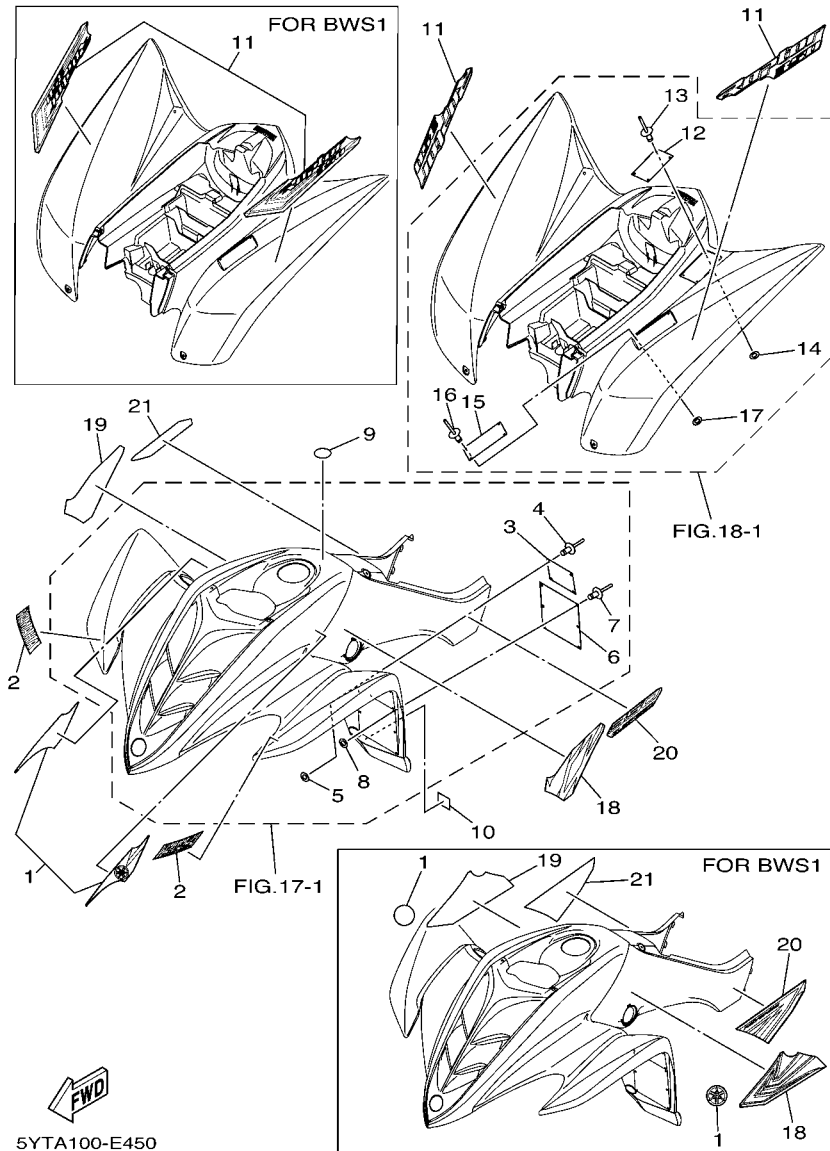


FIG. 45 EMBLEM & LABEL 3

REF. NO.	PART NO.	DESCRIPTION	USA	CAN	EUR	OCE	JPN	REMARKS
1	5YT-21570-00	GRAPHIC SET, FRONT FENDER			1			UR FOR DPBSE
	5FK-2175C-00	TUNING FORK MARK			2			UR FOR BWS1
2	4ES-2153E-01	EMBLEM, YAMAHA			2			UR FOR DPBSE
	4ES-2153E-10	EMBLEM, YAMAHA			2			UR FOR BWS1
3	5FK-21697-00	LABEL, CAUTION 2			1			
4	90267-32004	RIVET, BLIND			4			
5	90201-03313	WASHER, PLATE			4			
6	5FK-21568-00	LABEL, WARNING			1			
7	90267-32004	RIVET, BLIND			6			
8	90201-03313	WASHER, PLATE			6			
9	3ME-2415E-01	LABEL, CAUTION			1			
10	4GB-2155A-00	MARK, EC			1			
11	5YT-21609-20	EMBLEM			2			UR FOR DPBSE
	5YT-2165B-30	GRAPHIC SET, REAR FENDER			1			UR FOR BWS1
12	5FK-2151H-00	LABEL 5			1			
13	90267-32004	RIVET, BLIND			4			
14	90201-03313	WASHER, PLATE			4			
15	5NF-21696-M0	LABEL, CAUTION			1			
16	90267-32004	RIVET, BLIND			4			
17	90201-03313	WASHER, PLATE			4			
18	5YT-2173E-60	GRAPHIC 1			1			UR FOR DPBSE
	5YT-2173E-70	GRAPHIC 1			1			UR FOR BWS1
19	5YT-2173F-60	GRAPHIC 2			1			UR FOR DPBSE
	5YT-2173F-70	GRAPHIC 2			1			UR FOR BWS1
20	5YT-21784-00	EMBLEM 4			1			UR FOR DPBSE
	5YT-2174G-30	GRAPHIC 3			1			UR FOR BWS1
21	5YT-21784-00	EMBLEM 4			1			UR FOR DPBSE

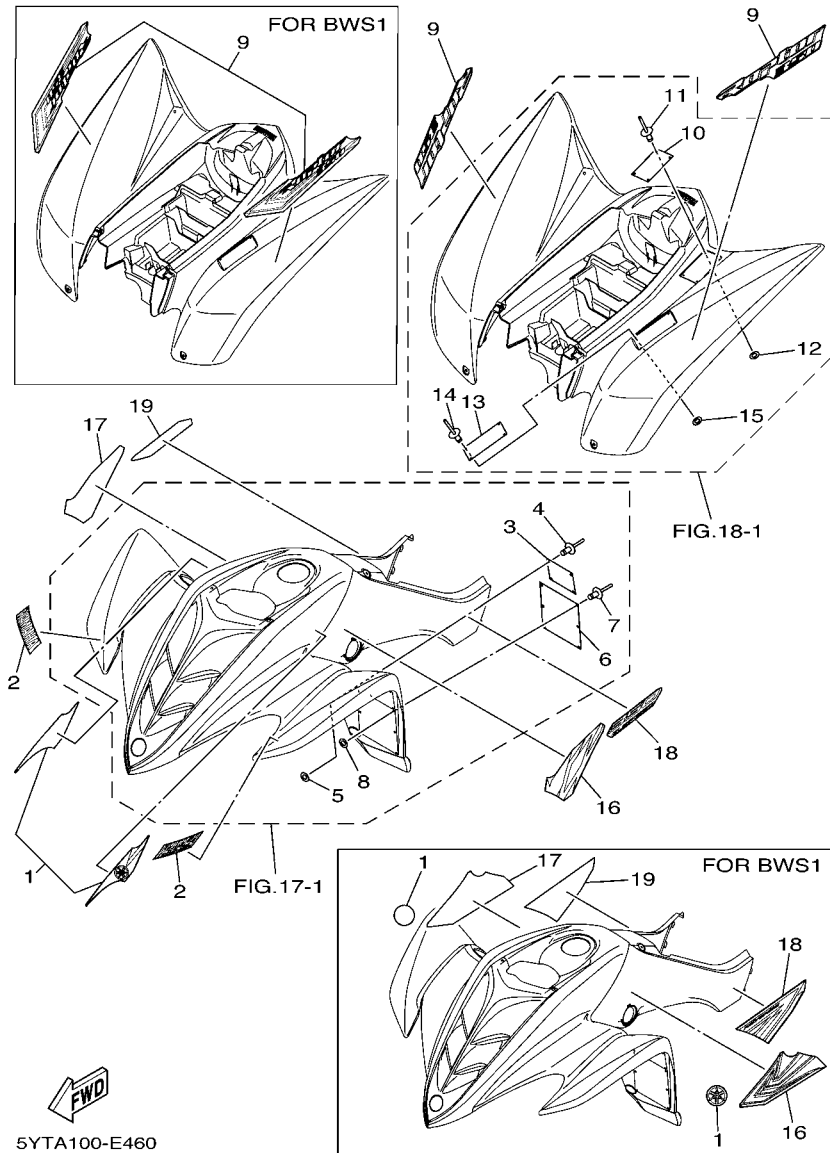
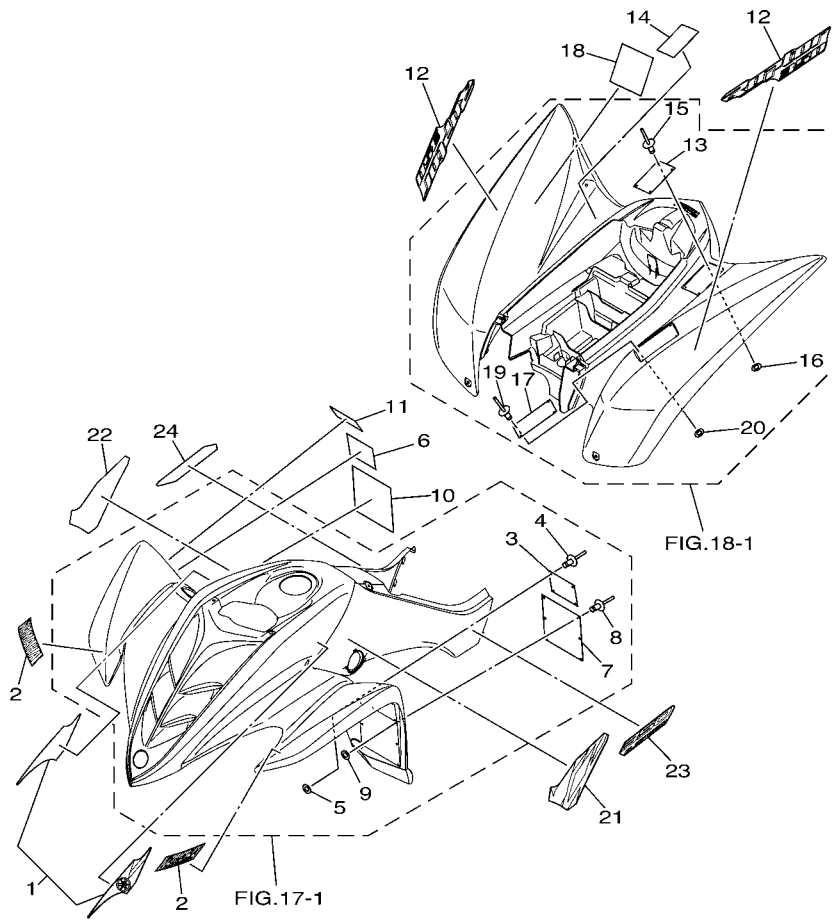


FIG. 46 EMBLEM & LABEL 4

REF. NO.	PART NO.	DESCRIPTION	USA	CAN	EUR	OCE	JPN	REMARKS
1	5YT-21570-00	GRAPHIC SET, FRONT FENDER					1	UR FOR DPBSE
	5FK-2175C-00	TUNING FORK MARK					2	UR FOR BWS1
2	4ES-2153E-01	EMBLEM, YAMAHA					2	UR FOR DPBSE
	4ES-2153E-10	EMBLEM, YAMAHA					2	UR FOR BWS1
3	5FE-21697-01	LABEL, CAUTION 2					1	ENGLISH
4	90267-32004	RIVET, BLIND					4	
5	90201-03313	WASHER, PLATE					4	
6	5FE-21568-11	LABEL, WARNING					1	ENGLISH
7	90267-32004	RIVET, BLIND					6	
8	90201-03313	WASHER, PLATE					6	
9	5YT-21609-20	EMBLEM					2	UR FOR DPBSE
	5YT-2165B-30	GRAPHIC SET, REAR FENDER					1	UR FOR BWS1
10	5FE-2151H-01	LABEL 5					1	ENGLISH
11	90267-32004	RIVET, BLIND					4	
12	90201-03313	WASHER, PLATE					4	
13	3GD-21696-31	LABEL, CAUTION					1	ENGLISH
14	90267-32004	RIVET, BLIND					4	
15	90201-03313	WASHER, PLATE					4	
16	5YT-2173E-60	GRAPHIC 1					1	UR FOR DPBSE
	5YT-2173E-70	GRAPHIC 1					1	UR FOR BWS1
17	5YT-2173F-60	GRAPHIC 2					1	UR FOR DPBSE
	5YT-2173F-70	GRAPHIC 2					1	UR FOR BWS1
18	5YT-21784-00	EMBLEM 4					1	UR FOR DPBSE
	5YT-2174G-30	GRAPHIC 3					1	UR FOR BWS1
19	5YT-21784-00	EMBLEM 4					1	UR FOR DPBSE
	5YT-2174H-30	GRAPHIC 4					1	UR FOR BWS1



5YTA100-E470

FIG. 47 EMBLEM & LABEL 5

REF. NO.	PART NO.	DESCRIPTION	USA	CAN	EUR	OCE	JPN	REMARKS
1	5YT-21570-00	GRAPHIC SET, FRONT FENDER					1	
2	4ES-2153E-01	EMBLEM, YAMAHA					2	
3	5FE-21697-01	LABEL, CAUTION 2					1	ENGLISH
4	90267-32004	RIVET, BLIND					4	
5	90201-03313	WASHER, PLATE					4	
6	4SH-21697-00	LABEL, CAUTION 2					1	JAPANESE
7	5FE-21568-11	LABEL, WARNING					1	ENGLISH
8	90267-32004	RIVET, BLIND					6	
9	90201-03313	WASHER, PLATE					6	
10	4SH-21568-00	LABEL, WARNING					1	JAPANESE
11	5YT-2151E-50	LABEL 2					1	JAPANESE
12	5YT-21609-20	EMBLEM					2	
13	5FE-2151H-01	LABEL 5					1	ENGLISH
14	4LB-2151H-02	LABEL 5					1	JAPANESE
15	90267-32004	RIVET, BLIND					4	
16	90201-03313	WASHER, PLATE					4	
17	3GD-21696-31	LABEL, CAUTION					1	ENGLISH
18	3GD-21696-C0	LABEL, CAUTION					1	JAPANESE
19	90267-32004	RIVET, BLIND					4	
20	90201-03313	WASHER, PLATE					4	
21	5YT-2173E-60	GRAPHIC 1					1	
22	5YT-2173F-60	GRAPHIC 2					1	
23	5YT-21784-00	EMBLEM 4					1	
24	5YT-21784-00	EMBLEM 4					1	

NUMERICAL INDEX

PART NO.	GRID NO.	PART NO.	GRID NO.	PART NO.	GRID NO.	PART NO.	GRID NO.	PART NO.	GRID NO.	PART NO.	GRID NO.
5YT-11101-00	B - 2	3Y1-12231-01	B - 8	583-14561-00	B - 11	168-16325-00	C - 4	22U-18535-00	C - 8	5YT-21609-20	F - 7
3Y1-1111F-00	B - 2	1UY-12241-00	B - 8	5DM-14561-00	B - 11	5Y1-16331-01	C - 4	5YT-18540-00	C - 8		F - 9
31G-11127-00	B - 2	1UY-13161-01	B - 9	1FN-14565-00	B - 12	5YT-16340-00	C - 4	3GH-18542-00	C - 8		F - 10
3Y1-11127-00	B - 2	1UY-13300-00	B - 9	1UY-14611-02	B - 13	1UY-16351-00	C - 4	5YT-21110-00	C - 10	5YT-21613-00	C - 13
3Y1-11133-11	B - 2	1UY-13324-00	B - 9	3GD-14613-00	B - 13	1UY-16352-00	C - 4	5YT-2117G-00	C - 10	5YT-21614-00	C - 13
31G-11161-00	B - 2	1UY-13326-00	B - 9	5YT-14628-00	B - 13	1UY-16356-00	C - 5	1UY-21315-10	C - 10	5LP-21621-00	C - 13
5YT-11166-00	B - 14	3GD-13329-00	B - 9	5YT-14708-01	B - 13	1UY-16358-00	C - 4	1UY-21316-10	C - 10	5YT-2164F-00	C - 13
371-11167-01	B - 14	51Y-13411-00	B - 9	5YT-14710-00	B - 13	1UY-16371-02	C - 4	5YT-2144G-00	E - 15	5YT-2164G-00	C - 13
1UY-11181-01	B - 2	2XK-13416-00	B - 9	5TG-14752-00	B - 13	1UY-16382-00	C - 4	5YT-21471-00	C - 10	5YT-2164H-00	C - 13
5NF-11185-00	B - 2	1UY-13440-02	B - 9	4WM-14755-00	B - 13	5Y1-16383-00	C - 4	5YT-21513-00	C - 12	5YT-2164J-00	C - 13
2NL-11186-10	B - 2	3GD-13447-00	B - 9	5YT-14787-00	B - 13	3LD-16398-00	C - 5	5YT-21514-00	C - 12	5YT-2165B-30	F - 3
2NL-11187-10	B - 2	5YT-13586-00	B - 10	5YT-14788-00	B - 13	1UY-17121-00	C - 6	5YT-2151E-30	F - 3		F - 5
5YT-11310-00	B - 4	5MP-14105-00	B - 11	5YT-14901-00	B - 11	1UY-17123-00	C - 6		F - 5		F - 7
4KB-11351-00	B - 4	5YT-1410A-00	B - 11	5YT-14901-10	B - 11	1UY-17131-00	C - 6	5YT-2151E-40	F - 5		F - 9
1UY-11400-00	B - 5	5YT-14112-00	B - 11	5YT-1490H-00	B - 12	1UY-17151-00	C - 6	5YT-2151E-50	F - 10	5LP-21691-00	C - 13
1UY-11422-00	B - 5	5YT-14123-00	B - 11	5YT-1490J-00	B - 11	1UY-17161-01	C - 6	5FK-2151H-00	F - 7	3GD-21696-31	F - 3
1UY-11454-00	B - 6	137-14133-00	B - 12	5YT-1490J-10	B - 11	1UY-17211-00	C - 6	5FE-2151H-01	F - 3		F - 5
30X-11496-00	B - 5	80N-14139-00	B - 12	5GH-14918-00	B - 11	5YT-17221-00	C - 6		F - 5		F - 9
3Y1-11531-02	B - 5	5YT-14141-40	B - 11	5KM-14937-00	B - 12	1UY-17223-02	C - 6		F - 9		F - 10
1UY-11536-01	B - 6	4KM-14142-22	B - 12	8FA-14940-00	B - 11	1UY-17231-01	C - 6		F - 10	3GD-21696-B0	F - 5
30X-11565-00	B - 5	3H1-14147-00	B - 11	3H1-14962-00	B - 11	1UY-17241-00	C - 6	4LB-2151H-02	F - 10	3GD-21696-C0	F - 10
4GB-11610-00	B - 5	5LP-14147-00	B - 12	5FU-14962-00	B - 11	1UY-17243-00	C - 7	4WU-2151H-10	F - 5	5NF-21696-M0	F - 7
4GB-11610-20	B - 5	3GD-14155-00	B - 12	5DM-14985-00	B - 12	1UY-17251-00	C - 6	4ES-2153E-01	F - 3	4SH-21697-00	F - 10
4GB-11610-40	B - 5	522-14161-00	B - 12	28V-14988-00	B - 12	1UY-17253-00	C - 7		F - 5	5FK-21697-00	F - 7
5UH-11631-00-C0	B - 5	127-14186-00	B - 11	3GD-15100-03	B - 14	5YT-17261-00	C - 6		F - 7	5FE-21697-01	F - 3
55V-11633-00	B - 6	5YT-14190-25	B - 11	30X-15351-00	B - 9	1UY-17285-00	C - 7		F - 9		F - 5
5UH-11636-00	B - 5	5LW-14191-00	B - 12	1UY-15362-01	B - 15	1UY-17401-01	C - 6		F - 10		F - 9
5UH-11638-00	B - 5	24W-14193-00	B - 12	3R4-15381-00	B - 14	1UY-17421-02	C - 6	4ES-2153E-10	F - 3		F - 10
1UY-11651-00	B - 5	5YT-14193-00	B - 11	1UY-15383-00	B - 14	1UY-17431-00	C - 7		F - 5	3JM-21697-10	F - 5
30X-11681-00	B - 5	5YT-14194-00	B - 11	3GD-15411-00	B - 15	1UY-17432-01	C - 6		F - 7	5YT-21711-00	C - 15
1UY-12111-01	B - 7	5YT-14197-00	B - 12	1UY-15421-00	B - 15	1UY-17523-00	C - 7		F - 9	5YT-21711-10	C - 15
1UY-12113-01	B - 7	5YT-14197-10	B - 12	3GD-15431-10	B - 15	1UY-17582-00	C - 7	5TG-21541-00	D - 8	5YT-21721-00	C - 15
1UY-12114-01	B - 7	5YT-14197-20	B - 12	5YT-15441-00	B - 14	1UY-18101-01	C - 8	4GB-2155A-00	F - 7	5YT-21721-10	C - 15
3Y1-12116-00	B - 7	4KM-14216-00	B - 11	3GD-15451-00	B - 15	5YT-18110-00	C - 8	5YT-21562-00	C - 12	5YT-2173E-60	F - 3
3Y1-12117-01	B - 7	3G2-14231-14	B - 11	3GD-15461-00	B - 15	1UY-18112-01	C - 9	4SH-21568-00	F - 10		F - 5
1J7-12118-00	B - 7	1HX-14231-33	B - 11	1UY-15512-00	C - 3	5YT-18113-00	C - 9	5FK-21568-00	F - 7		F - 7
1UY-12121-01	B - 7	3G2-1423A-79	B - 11	1UY-15517-01	C - 3	1JN-18115-00	C - 9	5FE-21568-01	F - 3		F - 9
M01-12129-00	B - 7	5YT-14261-00	B - 11	1UY-15521-02	C - 3	4G0-18127-00	C - 8		F - 5		F - 10
3GD-12151-11	B - 7	5YT-14411-00	B - 10	1UY-15590-01	C - 3	1UY-18140-00	C - 8	4WU-21568-10	F - 5	5YT-2173E-70	F - 3
4SH-12156-00	B - 7	5YT-14412-00	B - 10	21V-15719-00	B - 15	2H9-18154-00	C - 9	5FE-21568-11	F - 9		F - 5
31G-12158-00	B - 7	5YT-1442F-00	B - 10	3GD-15777-10	C - 3	4SH-18198-00	D - 15		F - 10		F - 7
1G-12159-02	B - 7	5GH-14436-00	B - 10	3GD-15787-03	B - 15	1UY-18311-00	C - 8	5YT-21570-00	F - 3		F - 9
5UH-12170-00	B - 8	1UY-14451-00	B - 10	1UY-16111-10	C - 4	3GD-18420-00	C - 8		F - 5	5YT-2173F-60	F - 3
5YT-12176-00	B - 8	4FU-14452-00	B - 10	2NL-16150-00	C - 4	1YW-18511-00	C - 8		F - 7		F - 6
31G-12210-01	B - 8	5YT-14453-00	B - 10	30X-16154-00	C - 4	4GB-18512-00	C - 8		F - 9		F - 7
3GD-12213-00	B - 8	59V-14457-00	B - 10	1UY-16181-00	C - 5	1UY-18513-00	C - 8		F - 10		F - 9
31G-12214-00	B - 8	1UY-14458-01	B - 10	31A-16321-01	C - 4	2A6-18531-00	C - 8	5YT-21609-20	F - 3		F - 10
31G-12222-00	B - 8	1UY-14468-00	B - 10	3J2-16324-00	C - 4	4GB-18531-00	C - 8		F - 5	5YT-2173F-70	F - 3

NUMERICAL INDEX

PART NO.	GRID NO.	PART NO.	GRID NO.	PART NO.	GRID NO.	PART NO.	GRID NO.	PART NO.	GRID NO.	PART NO.	GRID NO.
5YT-2173F-70	F - 6	3GD-23540-20	D - 6	5TG-25438-00	D - 12	5LP-26241-00	D - 15	371-82121-00	E - 14	4TR-84733-00	E - 12
	F - 7	3GD-23550-10	D - 6	5TG-25689-00	E - 13	4KB-26250-20	D - 15	5YT-82128-00	E - 14	5YT-84751-00	E - 12
	F - 9	3GD-23550-20	D - 6	5YT-25712-00	D - 14	1UY-26259-00	E - 3	5YT-82129-00	E - 14	2EK-85111-00	F - 2
5YT-2174G-30	F - 3	3GD-23570-10	D - 6	5TG-25726-00	E - 13	1NV-2625G-01	D - 15	3TJ-82131-00	C - 10	5YT-85112-00	F - 2
	F - 6	3GD-23570-20	D - 6	5TG-25727-00	E - 13	4KB-2628F-20	D - 15	36Y-82151-00	E - 15	449-85131-02	F - 2
	F - 7	3GD-23580-10	D - 6	5LP-2580T-00	D - 11	4KB-2628G-00	D - 15	3KJ-82310-10	E - 14	5YT-8553A-00	E - 14
	F - 9	3GD-23580-20	D - 6	5LP-2580U-00	D - 11	1NV-26304-00	D - 15	1UY-82370-20	E - 14	5YT-85540-00	E - 14
5YT-2174H-30	F - 3	1UY-23812-00	D - 5	5YT-2580W-00	D - 14	5YT-26311-00	D - 15	5YT-82507-00	E - 15	5LP-W0041-00	E - 3
	F - 6	5YT-23813-00	D - 5	3GD-25827-00	D - 11	5YT-26331-00	D - 15	3GD-82509-10	E - 15	5FK-W0042-50	E - 5
	F - 8	8K1-23814-00	D - 5	3GD-25828-00	D - 11	5YT-26335-00	D - 15	5LP-82510-00	E - 14	5LP-W0045-00	D - 11
	F - 9	3GD-23831-00	D - 5	47X-2582A-50	E - 5	5YT-26341-00	D - 15	5NF-82530-00	E - 15	5LP-W0046-50	D - 14
5FK-2175C-00	F - 3	1UY-23841-01	D - 5	3GD-2582T-10	D - 11	1UY-26372-00	E - 2	4KD-82540-00	E - 15	3GD-W0047-00	D - 11
	F - 5	1UY-23845-01	D - 5	5TG-2582W-00	D - 14	31A-26372-00	D - 15	3GB-82540-01	E - 14	5LP-W0047-50	D - 14
	F - 7	5YT-23868-00	D - 5	5MV-25833-00	E - 3	1NV-26398-00	D - 15	3GD-82540-11	E - 14	1UY-W0048-50	D - 11
	F - 9	2GU-23872-00	C - 10	5LP-2583T-01	E - 3	371-27114-00	D - 9	5YT-82541-00	E - 15		D - 14
5UH-2177C-00	B - 10	1UY-23894-01	D - 5	5YT-2583V-00	E - 5	5YT-27211-00	E - 4	3HN-82569-00	E - 14	3GD-W0057-00	D - 11
5YT-21784-00	F - 3	5YT-24110-00	D - 8	5LP-25852-01	E - 3	4SS-27218-00	E - 5	3HN-82579-00	E - 15	5LP-W0057-50	D - 14
	F - 6	8AC-2414B-01	C - 12	3XP-25852-50	E - 5	2YK-27222-00	E - 5	5YT-82590-00	E - 15	1UY-W1141-00	B - 5
	F - 7	5YT-2414H-00	D - 8	2VN-25854-00	E - 5	5YT-27411-00	E - 4	5YT-82910-00	E - 13	5YT-W2151-01	C - 12
	F - 9	3ME-2415E-01	F - 7	4L0-25854-00	E - 3	5YT-27421-00	E - 4	5YT-82911-00	E - 13	5YT-W2151-11	C - 12
	F - 10	4SH-2416E-00	F - 5	2VN-25855-00	E - 5	2XK-28100-00	C - 10	38V-82913-00	E - 13	5YT-W215B-00	C - 12
5YT-2210J-00	D - 2	5YT-24311-00	D - 8	2GU-25866-00	E - 3	1NV-2811A-01	C - 11	4V4-82913-00	D - 15	5YT-W215B-10	C - 12
5YT-2210K-00	D - 2	5YT-24423-00	B - 11	5LP-25867-00	E - 3	5LP-2819R-00	F - 4	5KM-82917-00	E - 13	5YT-W215C-01	C - 12
3GD-22110-30	D - 2	21V-24500-11	D - 8	5YT-25871-00	E - 3	5GT-2836B-10	D - 15	5GH-83516-00	E - 14	5YT-W215C-11	C - 12
2K6-22128-01	D - 2	4X8-24512-00	D - 8	5YT-25872-00	E - 3	5YT-2845N-00	E - 7	5YT-83530-00	E - 14	5YT-W215D-00	C - 12
5YT-22129-00	D - 2	3AC-24523-00	D - 8	5YT-25873-00	E - 3	5YT-2845R-00	E - 7	1UY-83909-00	E - 13	5YT-W215E-00	C - 12
1UY-22141-01	D - 2	5YT-24524-00	D - 8	5YT-25874-00	E - 5	5YT-2845R-10	E - 7	2HT-83912-00	E - 13	5YT-W215E-10	C - 12
2GU-22151-00	D - 2	3AJ-24534-01	D - 8	5YT-25876-00	E - 6	5YT-2845R-20	E - 7	5LP-83922-00	E - 3	5YT-W2161-00	C - 13
3TB-22178-00	C - 10	5KM-24610-00	D - 8	5VM-25886-00	D - 7	1UY-81175-01	C - 2	5TG-83923-00	E - 13	5YT-W2161-10	C - 13
3GD-22184-00	D - 2	5YT-24665-00	D - 8	5YT-25888-00	E - 5	5NF-81410-00	E - 8	437-83936-01	E - 15	5YT-W216B-00	C - 13
4V4-22184-00	C - 10	5YT-24710-00	D - 9	4EW-25894-00	E - 5	5NF-81450-00	E - 8	5GH-83941-00	E - 13	5YT-W216B-10	C - 13
38W-22199-00	D - 2	214-24724-00	D - 9	5YT-25895-00	E - 5	5YT-81815-00	E - 9	3L4-83943-00	E - 13	5YT-W216C-00	C - 13
5YT-2219X-00	D - 3	509-24724-00	D - 9	5MV-2589F-00	E - 3	1UY-81818-50	E - 9	5LP-83973-01	E - 13	5YT-W216C-10	C - 13
5YT-22210-00	D - 4	5YT-24731-00	D - 9	4NK-2589H-00	E - 3	1UY-81820-51	E - 9	5LP-83980-00	E - 3	90101-08777	D - 12
5YT-22210-10	D - 4	22W-24741-00	C - 10	1UY-25917-51	D - 14	3GD-81826-00	E - 9	5TG-84110-03	E - 10	90101-10303	B - 8
5YT-22210-20	D - 4	5YT-24776-00	D - 9	1UY-25924-51	D - 14	8L6-81840-50	E - 9	5TG-84140-01	E - 10	90101-10568	B - 5
5YT-22210-30	D - 4	3GD-25111-01	D - 10	3GD-25933-00	D - 11	4H7-81843-50	E - 9	5TG-84165-01	E - 10	90101-10689	D - 12
4AA-22259-40	D - 4	1UY-25117-00	D - 10	1UY-25933-51	D - 14	4H7-81844-50	E - 9	5TG-84166-01	E - 10	90101-12012	D - 4
4AA-22259-50	D - 4	3GD-25127-10	D - 10	1UY-25972-51	D - 14	1UY-81847-50	E - 9	5TG-84310-03	E - 10	90101-12695	D - 12
4AA-22259-70	D - 4	5YT-2514A-00	D - 11	5YT-25977-50	D - 14	8L6-81847-50	E - 9	4KB-84314-01	E - 10	90105-08440	D - 14
4AA-22259-80	D - 4	5LP-25180-10	D - 10	5YT-26111-00	D - 15	1UY-81890-00	E - 9	5TG-84340-01	E - 10	90105-08538	D - 11
5YT-23350-00	D - 7	5YT-25311-00	D - 12	5YT-26124-00	D - 15	1D0-81940-02	E - 15	5LP-84700-00	E - 11	90105-10034	D - 7
5YT-23391-00	C - 12	5YT-25317-00	D - 12	5YT-26124-10	D - 15	3GD-81950-01	E - 14		E - 12	90105-10323	C - 10
5YT-23391-30	C - 12	5YT-25381-00	D - 13	1NV-26129-00	D - 15	5GT-81960-00	E - 14	256-84714-60	E - 11	90105-10388	D - 7
3GD-23501-00	D - 6	5TG-25383-00	D - 12	5YT-26150-00	D - 15	5VY-82100-00	E - 14		E - 12	90105-10409	C - 10
3GD-23502-00	D - 7	5YT-25386-00	D - 12	1UY-26153-00	E - 2	5YT-82100-00	E - 14	4TR-84723-00	E - 11	90105-10421	B - 2
5YT-23517-00	D - 6	3GD-25388-00	D - 12	1UY-26157-00	E - 2	5YT-82115-00	E - 15		E - 12	90105-10422	B - 2
3GD-23540-10	D - 6	5LP-25390-10	D - 12	3GD-26166-10	E - 2	5YT-82116-00	E - 14	4TR-84733-00	E - 11	90105-10480	C - 10

NUMERICAL INDEX

PART NO.	GRID NO.	PART NO.	GRID NO.	PART NO.	GRID NO.	PART NO.	GRID NO.	PART NO.	GRID NO.	PART NO.	GRID NO.
90105-12027	D - 2	90179-06668	B - 13	90201-14586	D - 10	90387-063W7	E - 2	90468-15139	E - 15	92907-06200	B - 13
90105-12028	D - 2	90179-08148	E - 13	90201-14691	C - 8	90387-066J1	D - 8	90468-16191	D - 5	92907-06600	B - 8
	D - 4	90179-08577	C - 10	90201-150U6	C - 7	90387-07598	E - 10	90480-01400	D - 8		E - 8
90105-14367	C - 8	90179-10247	D - 12	90201-15797	C - 9	90387-075H4	D - 8	90480-14102	E - 10		E - 14
90109-06060	E - 5	90179-12588	D - 12		E - 4	90387-084N8	D - 3	90480-14555	E - 11	92907-10100	B - 5
90109-063F1	C - 12	90179-20255	C - 7	90201-160F6	D - 2	90387-090R0	D - 5		E - 12	92907-10200	D - 10
90109-063F7	C - 8	90183-05008	C - 12	90201-17255	C - 7	90387-101R3	D - 6	90480-15005	B - 10		D - 12
90109-06723	E - 14	90183-06036	E - 14	90201-203E7	C - 6	90387-12020	D - 4	90480-18290	D - 8	93101-25106	B - 6
90109-06798	E - 13	90183-06069	C - 15	90201-207G6	B - 6	90387-12021	D - 2	90501-07629	B - 5	93102-12224	C - 5
90109-08052	C - 10	90185-06153	C - 13	90201-22793	C - 7	90387-125N8	D - 2	90501-10353	C - 8	93102-14209	C - 8
	E - 7	90185-10002	C - 10	90201-244A9	D - 2	90387-127G8	D - 4	90501-18576	B - 9	93102-15212	C - 8
90109-081F0	D - 14	90185-10060	D - 7	90201-25291	C - 3	90387-150R1	D - 10	90501-22721	B - 5	93102-22216	D - 10
90109-10010	D - 12	90185-10115	D - 5	90201-256E6	C - 6	90387-16547	B - 4	90501-231E9	C - 4	93102-25081	C - 10
90110-05201	C - 12	90185-12134	D - 4	90201-28665	C - 7	90387-176R6	D - 5	90506-20380	E - 4	93102-25099	C - 10
90110-06134	B - 13	90185-16127	D - 2	90206-12001	B - 7	90387-20013	B - 8	90508-16022	C - 4	93102-28476	B - 15
90110-06136	B - 9	90201-03313	F - 3	90209-18208	C - 6	90387-257N4	C - 7	90508-23567	D - 9	93102-35393	C - 7
90113-06055	D - 13		F - 5	90209-33253	B - 5	90401-06001	B - 2	90508-25712	C - 8	93104-09025	D - 15
90114-10007	D - 10		F - 7	90215-06162	B - 2	90401-08004	B - 9	90508-32711	C - 8	93104-17094	C - 6
90114-10009	D - 12		F - 9	90215-08260	C - 8	90401-10159	E - 3	90508-35764	E - 2	93104-20068	C - 6
90116-06503	B - 2		F - 10	90215-16156	C - 4		E - 5	90560-14284	C - 8	93105-26026	D - 10
90119-05062	F - 2	90201-05015	B - 13	90215-16222	C - 4	90430-06014	B - 14	91317-06020	B - 2	93106-46001	D - 12
90119-06056	C - 12	90201-06008	E - 2	90215-16258	C - 4		B - 15		B - 9	93108-35004	D - 2
	C - 13	90201-06050	C - 12	90215-16270	B - 6	90430-06192	B - 2	91317-06025	B - 2	93109-08050	E - 2
90123-08046	E - 13	90201-06380	B - 15	90215-21239	C - 7	90430-08119	B - 9	91317-06030	B - 4	93109-20076	D - 2
90149-04278	D - 15	90201-063F3	D - 2	90240-07105	B - 5	90430-10148	E - 14	91317-08025	B - 10	93112-31011	D - 5
90149-06011	D - 8		D - 6	90240-08013	E - 5	90430-14194	C - 8	91317-08050	B - 2	93210-06422	C - 4
90149-06021	C - 15	90201-06557	E - 10	90267-32004	F - 3	90430-14240	B - 2	91401-16012	E - 5	93210-07590	C - 8
90149-06306	C - 12		E - 11		F - 5	90445-084J1	D - 8	91401-20020	D - 5	93210-09165	B - 7
	C - 13	90201-08083	E - 5		F - 7	90445-09M32	E - 11		D - 6	93210-14369	B - 15
90149-08268	D - 11	90201-08085	C - 5		F - 9		E - 12	91401-30025	D - 10	93210-15414	C - 9
90149-08329	C - 3	90201-08326	B - 13		F - 10	90450-52003	B - 10	91401-30030	D - 12	93210-15620	E - 5
90151-05023	B - 15		C - 14	90269-07076	C - 15	90450-63004	B - 10	91609-40016	E - 2	93210-16290	B - 5
90151-06010	B - 9	90201-08753	C - 10	90280-05013	B - 9	90460-75020	B - 10	91A20-07010	B - 12	93210-17003	B - 8
90154-05013	C - 13		D - 3	90280-05048	B - 5	90464-12089	E - 15	92014-06016	E - 13	93210-18322	B - 4
90154-06014	D - 11	90201-10118	E - 3	90282-05034	B - 6	90464-13073	D - 8	92017-06014	E - 13	93210-19522	B - 15
90154-06061	C - 13		E - 5	90282-07057	C - 4		E - 15	92017-06025	B - 15	93210-22164	C - 7
90159-06123	C - 4	90201-10128	B - 2	90338-07007	E - 13	90464-15157	E - 15	92017-08020	E - 2	93210-35520	B - 9
90170-06289	C - 9	90201-10430	D - 7	90338-08226	B - 10	90464-15195	D - 8	92017-08030	E - 5	93210-44545	B - 10
	E - 2	90201-10591	B - 8		E - 14		E - 15	92902-04100	B - 12	93210-54175	B - 9
90170-10186	D - 5	90201-106F2	D - 12	90338-18122	C - 10	90464-30252	E - 15	92906-04100	E - 5	93210-57634	B - 2
90170-16326	B - 6	90201-10774	D - 5	90338-23172	C - 10	90465-08045	B - 15	92906-04600	E - 5	93210-86509	B - 4
	C - 4	90201-107F8	B - 5	90340-14117	B - 15	90465-10098	E - 15	92907-04600	B - 12	93211-06635	B - 2
90170-16343	C - 4	90201-12016	D - 4	90381-15088	D - 6	90465-18147	E - 15	92907-05100	D - 15	93306-00006	C - 4
90170-33010	D - 13	90201-12163	C - 4	90383-20032	D - 2	90467-10038	D - 8		E - 13	93306-00308	C - 7
90171-10046	D - 5	90201-123K4	C - 3	90386-12093	C - 5	90467-11044	E - 5		F - 2	93306-00406	D - 10
	D - 6	90201-124G9	D - 4	90387-062E0	C - 13	90467-14015	B - 14	92907-05200	F - 2	93306-00431	C - 7
90171-14020	D - 10	90201-126A7	D - 12	90387-063E6	E - 11	90467-14057	E - 5	92907-06100	E - 8	93306-00438	D - 10
90171-14037	D - 12	90201-14226	D - 12		E - 12	90467-22080	B - 10		E - 14	93306-00502	B - 8

NUMERICAL INDEX

PART NO.	GRID NO.	PART NO.	GRID NO.	PART NO.	GRID NO.	PART NO.	GRID NO.	PART NO.	GRID NO.	PART NO.	GRID NO.
93306-00710	D - 12	95027-06025	B - 8	95827-08020	C - 14						
93306-07801	B - 15		B - 15	95827-08025	C - 14						
93306-20227	D - 10	95027-06030	B - 14	95827-08030	D - 5						
93306-20301	C - 6		B - 15	97007-05016	E - 13						
93306-20331	C - 10		E - 9	97007-06012	B - 2						
93306-20401	C - 6	95027-06040	B - 15	97007-06020	E - 14						
93306-20501	C - 7	95027-06045	B - 15	97007-06025	E - 14						
93306-20532	B - 6	95027-06050	B - 14	97007-08030	D - 3						
93306-27202	C - 6	95027-06060	B - 14	97017-06020	C - 9						
93306-30424	C - 6	95302-06600	E - 9	97027-06016	B - 8						
93306-30622	B - 5	95307-05600	F - 2	97027-08060	D - 5						
93310-212L6	C - 3	95307-05700	D - 15	97706-40620	E - 11						
93310-225N0	C - 3	95307-06600	E - 11		E - 12						
93310-633T5	B - 5		E - 12	97707-60016	E - 14						
93311-41587	C - 7	95307-06700	C - 9	97707-60025	B - 10						
93315-32516	B - 8	95307-08600	D - 12	98501-04014	B - 12						
93317-22237	D - 2	95307-10700	D - 5	98506-04012	E - 5						
93410-20038	B - 8	95317-06700	E - 2	98507-03008	D - 8						
	C - 6	95604-06100	E - 3	98507-04006	B - 12						
93410-22039	C - 6	95607-05100	D - 15	98507-04008	B - 12						
93430-12008	C - 9	95607-06100	E - 13		E - 2						
	E - 4	95607-06200	C - 12	98507-04010	B - 11						
93440-12052	B - 2		C - 13	98507-04012	B - 12						
93440-25084	C - 6	95607-08200	C - 14	98507-05014	E - 8						
93440-28062	C - 7	95607-10200	D - 12	98507-05020	D - 15						
93450-19095	B - 6	95607-12200	D - 2	98507-05030	E - 13						
93503-08007	C - 8		D - 4	98507-06012	B - 14						
93602-13177	B - 5	95707-08500	D - 3		C - 2						
93603-07073	B - 9	95707-10500	D - 10	98507-06030	E - 8						
93603-12030	B - 9		D - 12	98517-05012	E - 13						
93604-10011	B - 8	95807-06010	E - 15	98707-06016	B - 14						
93605-10090	B - 5	95807-06020	E - 6	98707-06030	B - 9						
93700-06004	D - 2	95807-06025	E - 10	98907-06010	B - 13						
	D - 6	95807-06030	D - 8	99001-07600	C - 5						
93834-13030	C - 7	95807-08040	D - 2	99001-09600	C - 4						
93900-00022	D - 10	95807-08045	B - 14	99009-12400	C - 3						
	D - 12	95817-06014	C - 12	99530-12016	B - 14						
94107-10012	D - 10	95817-06035	E - 2		B - 15						
94110-09011	D - 12	95817-08012	C - 10	99530-14016	B - 2						
94500-02090	B - 8	95817-08016	B - 13		B - 4						
94581-87098	D - 13		E - 7								
94681-87011	D - 13	95817-08055	C - 10								
94701-00333	B - 2	95817-10025	E - 4								
94703-00333	B - 3	95827-06010	C - 12								
95027-06008	B - 13	95827-06016	D - 7								
	E - 15	95827-06025	E - 3								
95027-06016	B - 15	95827-08012	C - 10								
95027-06020	B - 15		C - 13								